

TL-250E-2-10211 4 BOOM + JIB, 2M2D, KW30MXN

PB1000074-00 HYDRAULIC PRESSURE GENERATING SYSTEM

PC1000062-00 OUTRIGGER SYSTEM

PD1000073-00 SWING SYSTEM

PE1000068-00 ELEVATING SYSTEM

PF1000065-02 WINCH SYSTEM

PG1000069-01 TELESCOPING SYSTEM

PH1000069-00 SAFETY DEVICES

PI1000073-02 HYDRAULIC DEVICES

PK1000073-00 FRAME

PL1000073-00 CONTROL DEVICES

PN1000069-01 ELECTRIC EQUIPMENT

PO1000071-00 INDICATION PLATES

PW1000062-00 ACCESSORIES & TOOLS

PX1000073-00 MOUNTING PARTS

PY1000061-01 OPTIONS

ASSEMBLY

CLICK HERE TO **DOWNLOAD** THE COMPLETE MANUAL

- Thank you very much for reading the preview of the manual.
- You can download the complete manual from: www.heydownloads.com by clicking the link below



- Please note: If there is no response to CLICKING the link, please download this PDF first and then click on it.

CLICK HERE TO **DOWNLOAD** THE COMPLETE MANUAL

TL-250E-2-10211 4 BOOM + JIB, 2M2D, KW30MXN

Pos No.	Parts No	Parts Name	Qty	Unit	Technical Data	Serial No (Start)	Serial No (End)
1	(*****)	WINCH	2				335382
	(*****)	WINCH	2			335383	
2	19413067000	CLUTCH,WINCH	2				
3	36090920000	HOOK (MAIN)	1				
4	36090240001	HOOK (AUXILIARY)	1				
5	37001800410	ROPE,WIRE	1				
6	37001800420	ROPE,WIRE	1				335279
	37001801380	ROPE,WIRE (TSK)	1			335280	
7	(*****)	SOCKET,ROPE	2				
8	(*****)	OPERATION SYSTEM, WINCH BRAKE	1				
9	33310312000	BAND,WINCH BRAKE	2				
10	(*****)	OPERATION SYSTEM, DRUM,LOCK	1				
11	(*****)	OPERATION SYSTEM, CLUTCH	1				
13	(*****)	PIPING,WINCH	1				
14	(*****)	PIPING,WINCH BRAKE	1				
16	36631570000	VALVE,CLUTCH	1				
17	36670470000	JOINT,WINCH ROTARY	2				335330
	(*****)	JOINT,WINCH ROTARY	2			335329	335382
	36672739510	JOINT,WINCH ROTARY	2			335383	
18	(*****)	MOUNT,WINCH (2M2D)	1				
19	36660160000	MOTOR,HYDRAULIC	2				
20	36060180002	CYLINDER,MASTER	2				
21	36640560000	VALVE,SOLENOID	2				
22	36621230000	VALVE,CHECK	1				
23	36621320000	VALVE,SHUTTLE	1			335287	
24	36600730000	VALVE,COUNTERBALANCE	2				
25	36670740000	FILTER,OIL	1				
26	36670000006	ACCUMULATOR	1				
27	36680390000	GAUGE,PRESSURE	1				

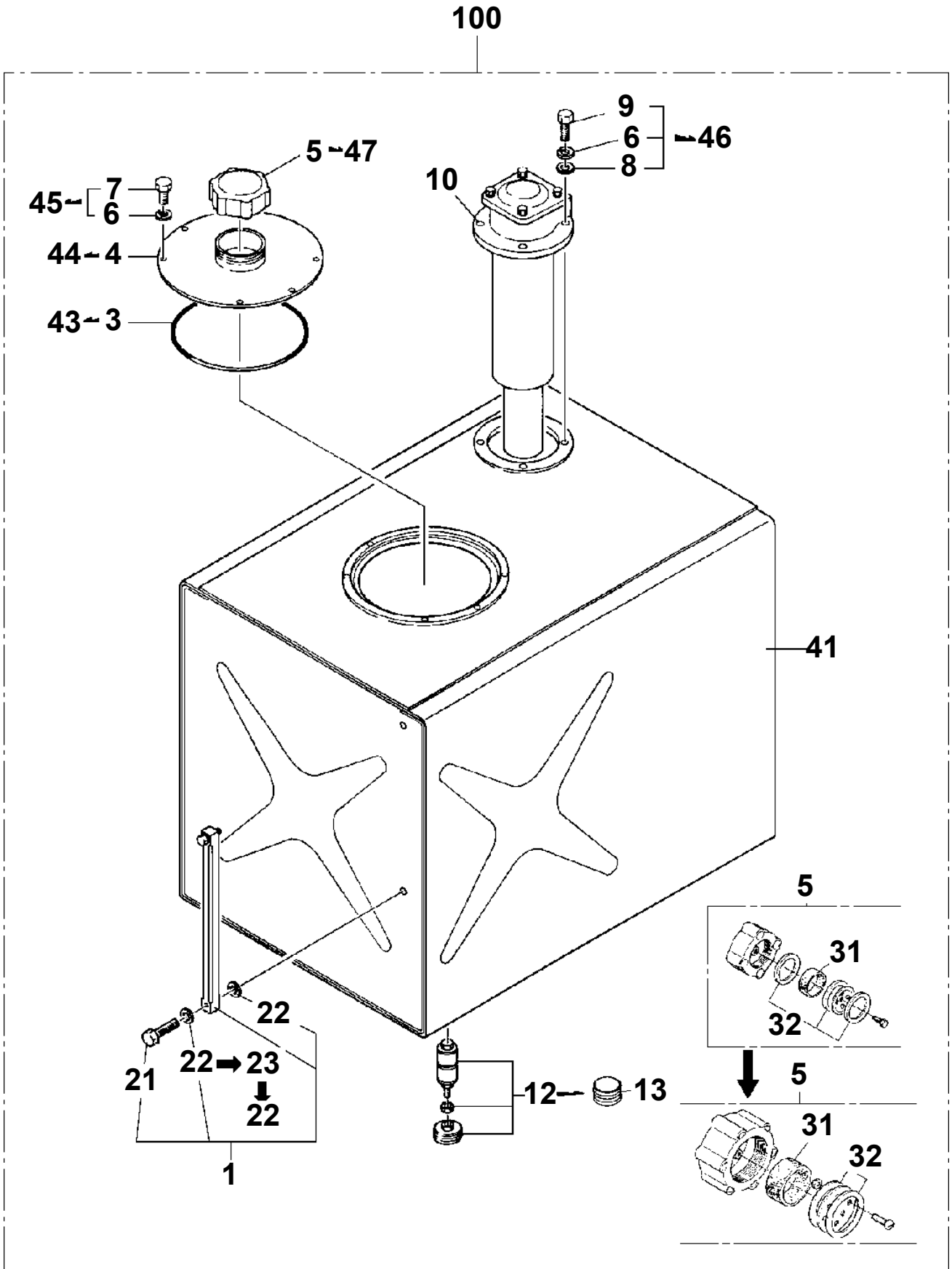
TL-250E-2-10211 4 BOOM + JIB, 2M2D, KW30MXN

Pos No.	Parts No	Parts Name	Qty	Unit	Technical Data	Serial No (Start)	Serial No (E
1	(*****)	OPERATION SYSTEM, CONTROL VALVE	1				
2	(*****)	OPERATION SYSTEM, ACCELERATOR	1				
3	3606000001	CYLINDER,MASTER	1				

TL-250E-2-10211 4 BOOM + JIB, 2M2D, KW30MXN

Pos No.	Parts No	Parts Name	Qty	Unit	Technical Data	Serial No (Start)	Serial No (End)	Remarks
1	(*****)	SINGLE TOP	1					
2	(*****)	HEATER SYSTEM	1					
3	36290090002	HEATER (22HK)	1				335388	
	36290090003	HEATER (M22H)	1			335389		
4	(*****)	PIPING,COOLER	1					
6	36690000000	COOLER,OIL	1					
7	(*****)	FAN INSTALLATION	1					
10	16515122000	VALVE,CHECK	1					
11	36620050000	VALVE,CHECK	1					
12	36610130000	VALVE,FLOW CONTROL	1					

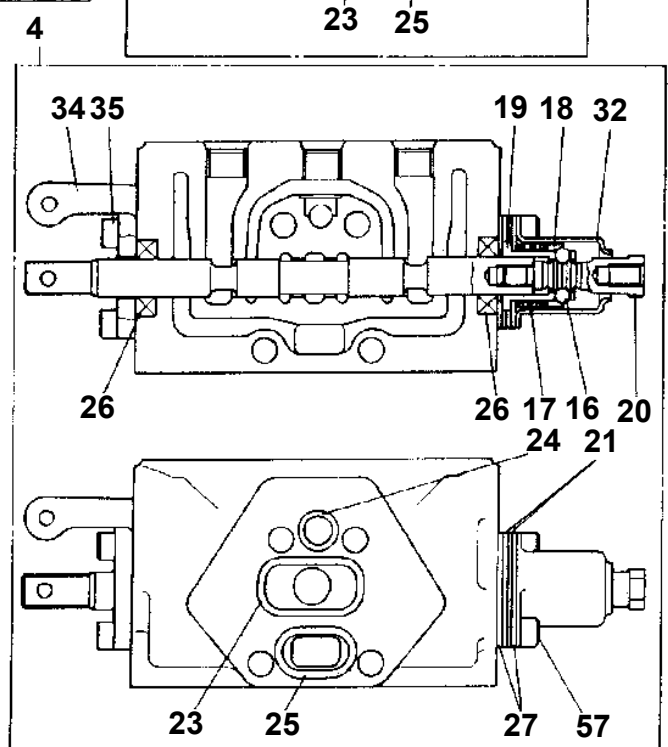
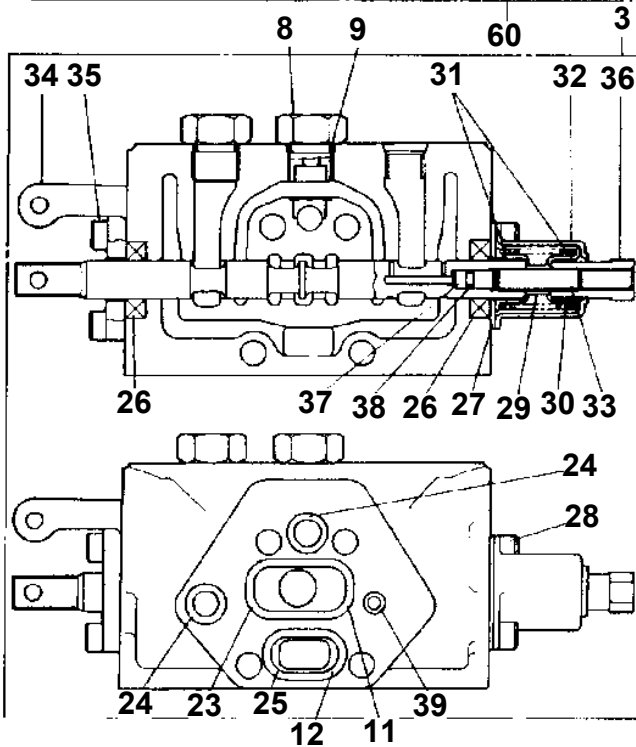
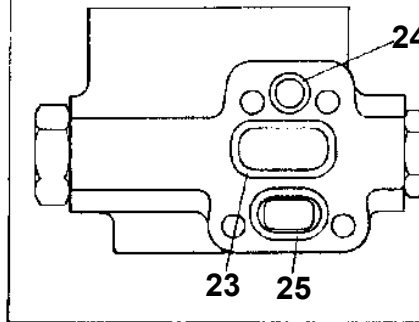
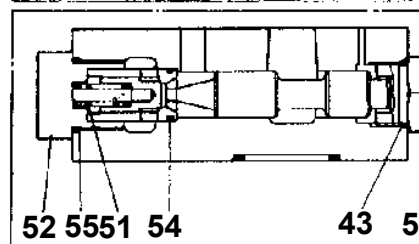
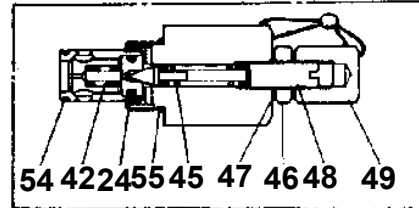
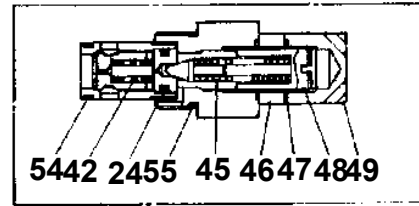
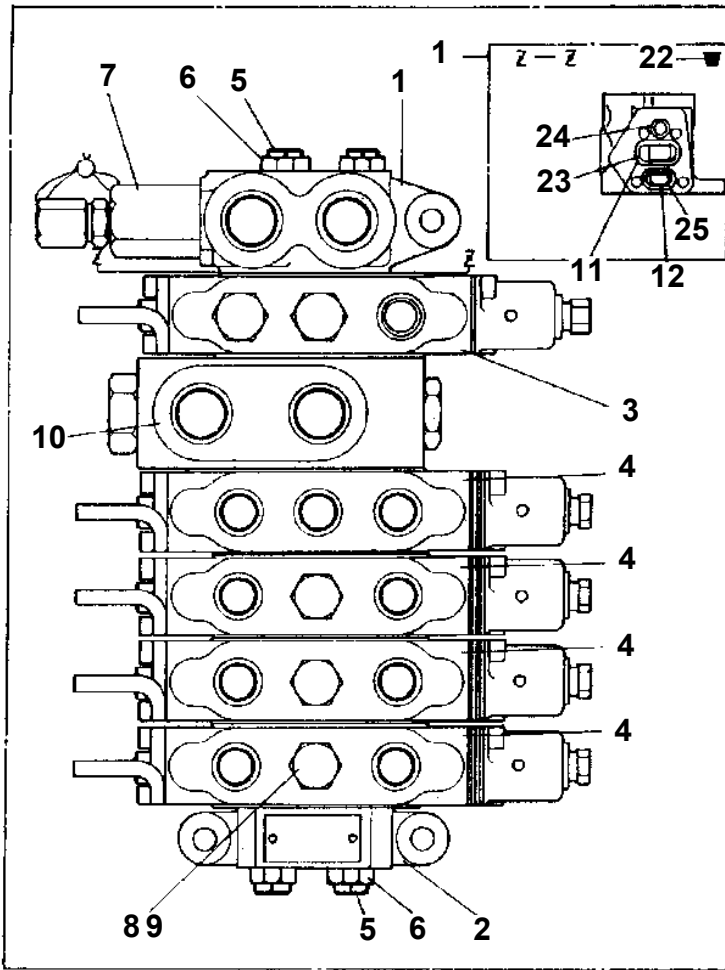
TL-250E-2-10211 4 BOOM + JIB, 2M2D, KW30MXN
PB1130187-01 TANK,OIL



TL-250E-2-10211 4 BOOM + JIB, 2M2D, KW30MXN

Pos No.	Parts No	Parts Name	Qty	Unit	Technical Data	Serial No (Start)	Serial No (End)	Remarks
1	90101210020	BOLT	2		M10X20			
4	37000700670	CLAMP ASSY	2					
5	91001202500	O-RING	1		1A G25			
6	33340440200	FITTING,FLANGE	1					
7	90131510035	BOLT,HEXAGON SOCKET	16		M10X35			
8	90302041001	WASHER,SPRING	18		10			
10	37000700880	CLAMP ASSY	3					
11	37000700890	CLAMP ASSY	1					
12	37000700900	CLAMP ASSY	1					
13	80400160134	JOINT	2					
18	80316030040	PLUG	1		PT1/4			
19	90131508025	BOLT,HEXAGON SOCKET	4		M8X25			
20	90302040801	WASHER,SPRING	4		8			
24	33340440010	HOSE	1		19X30.6			
25	33340440020	HOSE	1		19X30.6			
26	33340440030	HOSE	1		19X30.6			
27	33340440040	HOSE	1		50.8X69			
28	91803600350	CLIP	12		D=25-35			
29	91803600800	CLIP	4		D=60-80			
30	37000901170	JOINT	1					
31	91001205500	O-RING	1		1A G55			
32	33340440300	FITTING,FLANGE	1					
35	91002904000	O-RING	1		1B G40			
37	37002409690	HOSE	1		L=1700			
38	37002400920	HOSE	1		L=1800			
39	91002802900	O-RING	2		1B P29			
40	91001203000	O-RING	2		1A G30			
41	33340440800	FITTING,FLANGE	1					
45	33340441100	JOINT	1					
46	36670040000	FILTER,OIL	1					
47	37000901190	JOINT	1					
48	33340441200	SUPPORT	1					
51	37000500940	SUPPORT	1					
52	33342320400	SUPPORT	1					
56	33340441400	FITTING,FLANGE	1					
57	91810132530	FASTENER	1					
58	37000702020	CLAMP ASSY	1					
59	33341720200	FITTING,FLANGE	1					
60	37002412200	HOSE	1		L=2300			
61	33341720300	JOINT	1					
62	33342320200	JOINT	1					
63	37000700140	CLAMP ASSY	2					
64	91810130270	FASTENER	4					

**TL-250E-2-10211 4 BOOM + JIB, 2M2D, KW30MXN
PB1320072-01 VALVE, MANUAL CONTROL (OUTRIGGER)**



TL-250E-2-10211 4 BOOM + JIB, 2M2D, KW30MXN

Pos No.	Parts No	Parts Name	Qty	Unit	Technical Data	Serial No (Start)	Serial No (End)	Remarks	Pages
1	36030030101	CYLINDER	1						
2	80720105025	PIN,SPRING	1		5X25				
3	36030030200	PISTON	1				335276		
	36030030201	PISTON	1			335277			
4	91684011000	PACKING	2						
5	91431209501	RING,BACKUP	2				335276		
	91431209501	RING,BACKUP	1			335277			
6	91002806000	O-RING	1		1B P60				
7	91411006000	RING,BACKUP	1		P60				
8	91302211000	BEARING,PLAIN	2						
9	36030030700	ROD	1						
10	36030030401	COVER,ROD	1						
11	91002910500	O-RING	1		1B G105				
12	91251100900	RING,DAMPER	1						
13	91694009000	PACKING	1						
14	91410209000	RING,BACKUP	1						
15	91660009000	SEAL,DUST	1						
16	36030030601	STOPPER	1						
17	90101510040	BOLT	2		M10X40				
18	90302041001	WASHER,SPRING	6		10				
19	90101210022	BOLT	4		M10X22				
20	91411209501	RING,BACKUP	1			335277			
31	80612110980	RING,RITAINING	1		AR98				
40	36030039930	PACKING SET	1		90X110		335276		
	36030039903	PACKING SET	1		90X110	335277			
50	36030030001	CYLINDER,JACK	1						

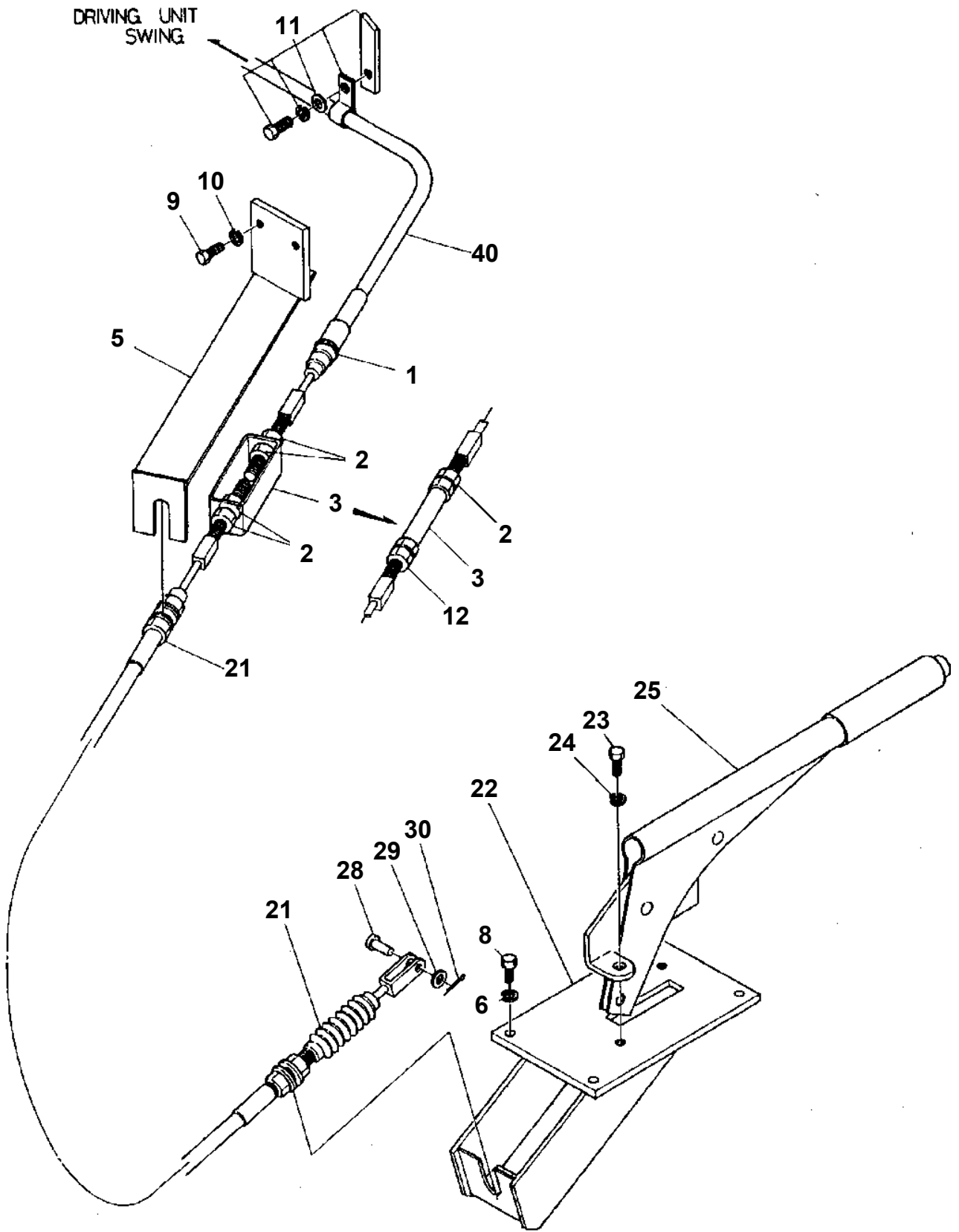
TL-250E-2-10211 4 BOOM + JIB, 2M2D, KW30MXN

Pos No.	Parts No	Parts Name	Qty	Unit	Technical Data	Serial No (Start)	Serial No (End)	Remarks	Pages
1	81408000160	PIPE,STEEL	1	M	12X1.4T				
2	81408000160	PIPE,STEEL	1	M	12X1.4T				
3	81408000160	PIPE,STEEL	1	M	12X1.4T				
4	81408000241	PIPE,STEEL	2	M	18X1.9T				
5	81408000160	PIPE,STEEL	2	M	12X1.4T				
6	81408000160	PIPE,STEEL	2	M	12X1.4T				
7	81408000160	PIPE,STEEL	2	M	12X1.4T				
8	81408000160	PIPE,STEEL	2	M	12X1.4T				
9	81408000160	PIPE,STEEL	3	M	12X1.4T				
10	81408000160	PIPE,STEEL	3	M	12X1.4T				
11	81408000160	PIPE,STEEL	3	M	12X1.4T				
12	81408000160	PIPE,STEEL	1	M	12X1.4T				
13	81408000241	PIPE,STEEL	5	M	18X1.9T				
14	81408000160	PIPE,STEEL	2	M	12X1.4T				
15	81408000160	PIPE,STEEL	2	M	12X1.4T				
16	81408000160	PIPE,STEEL	2	M	12X1.4T				
17	81408000160	PIPE,STEEL	2	M	12X1.4T				
18	81408000160	PIPE,STEEL	1	M	12X1.4T				
19	81408000160	PIPE,STEEL	1	M	12X1.4T				
20	81408000160	PIPE,STEEL	2	M	12X1.4T				
21	81408000160	PIPE,STEEL	1	M	12X1.4T				
22	81408000160	PIPE,STEEL	1	M	12X1.4T				
23	81408000160	PIPE,STEEL	2	M	12X1.4T				
24	81408000160	PIPE,STEEL	2	M	12X1.4T				
25	81408000160	PIPE,STEEL	2	M	12X1.4T				
26	81408000241	PIPE,STEEL	1	M	18X1.9T				
27	81408000160	PIPE,STEEL	1	M	12X1.4T				
28	81408000160	PIPE,STEEL	1	M	12X1.4T				
29	81408000160	PIPE,STEEL	2	M	12X1.4T				
30	81408000160	PIPE,STEEL	2	M	12X1.4T				
31	81408000160	PIPE,STEEL	2	M	12X1.4T				
32	81408000160	PIPE,STEEL	2	M	12X1.4T				
33	81408000160	PIPE,STEEL	2	M	12X1.4T				
34	81408000241	PIPE,STEEL	1	M	18X1.9T				
35	80305010160	FITTING,TEE	1		KTA18-000E				
36	80302010160	FITTING	12		KCT12-030N				
37	80302090241	FITTING	1		KCO18-040N				
38	91002801800	O-RING	1		1B P18				
39	80302090161	FITTING	10		KCO12-030N				
40	91002801400	O-RING	10		1B P14				
41	37000700730	CLAMP ASSY	3						
42	37000701690	CLAMP ASSY	2						
43	56057290090	CLAMP ASSY	1						
44	37000702580	CLAMP ASSY	3						
45	37000703500	CLAMP ASSY	2						
46	37000700770	CLAMP ASSY	2						
47	59457019000	CLAMP ASSY	4						
49	37000700800	CLAMP ASSY	1						
50	80330000100	FITTING,TEE	2		KTZ-00003N				
51	80303010160	FITTING,ELBOW	1		KLA18-000N				
53	80301010100	FITTING	18		KUA12-000N				
54	56058890060	CLAMP ASSY	1						
55	56058890050	SUPPORT ASSY	1						
57	33641200500	SUPPORT	2						
58	81408000160	PIPE,STEEL	3	M	12X1.4T				

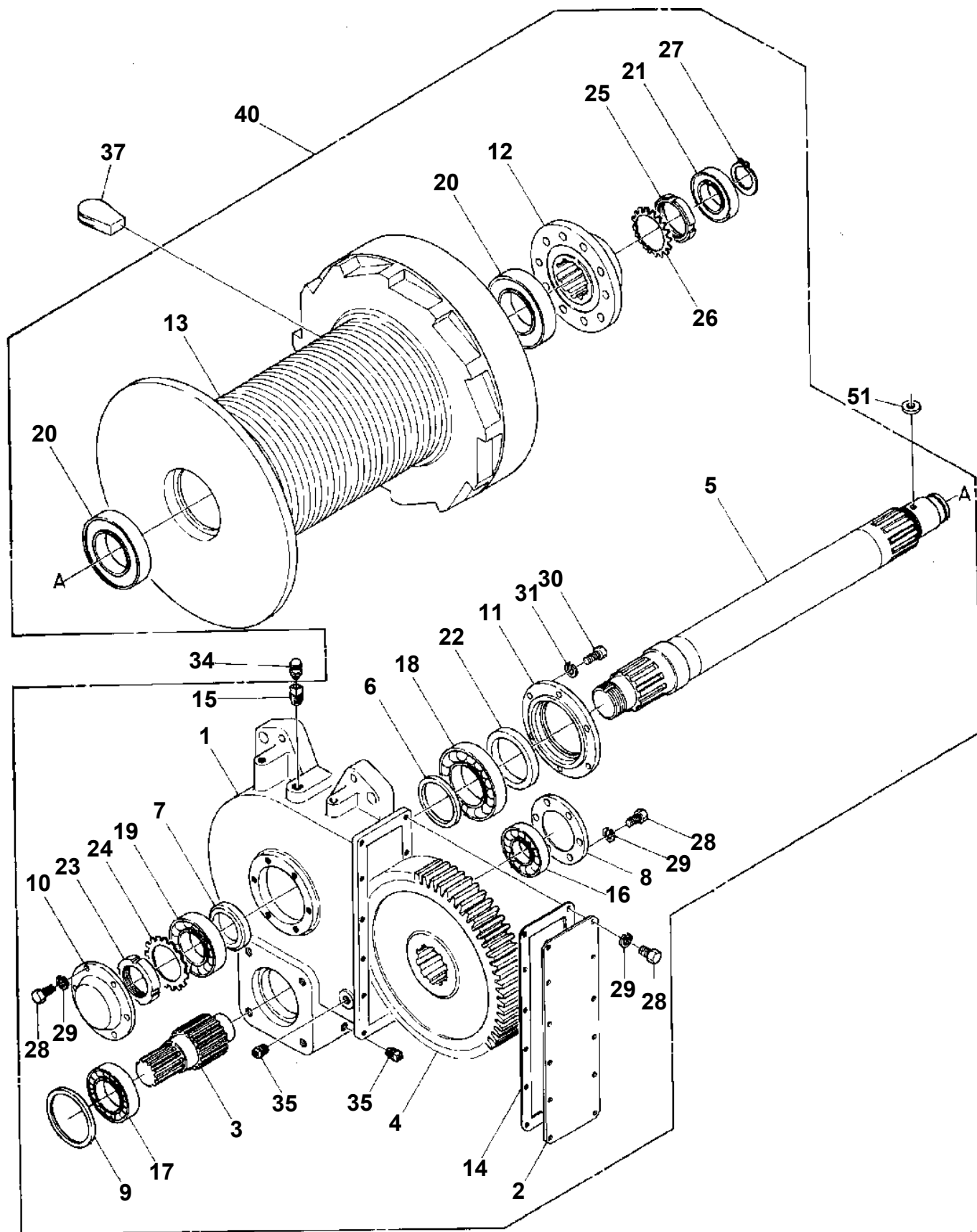
TL-250E-2-10211 4 BOOM + JIB, 2M2D, KW30MXN

Pos No.	Parts No	Parts Name	Qty	Unit	Technical Data	Serial No (Start)	Serial No (End)	Remarks
1	36080160000	DRIVING UNIT,SWING	1					
2	90131516045	BOLT,HEXAGON SOCKET	8		M16X45			
3	19413321000	GEAR	1					
4	37001504340	BOLT	4		M12X30	335391		
5	33300040010	WIRE	1			335391		
6	37000536480	PLATE	1			335391		
7	91801300170	CLIP	2		D=15-17			
8	33300020100	JOINT	1					
9	80316030020	PLUG	1		PT1/8			
10	33300020200	JOINT	1					
11	37002301560	BEARING,SWING	1					
12	90302041601	WASHER,SPRING	8		16			
13	37002501990	HOSE	1					
14	82100002008	CLAMP	1		WR12			
15	90201200600	NUT	1		M6			
16	90101206016	BOLT	1		M6X16			
17	90302040601	WASHER,SPRING	1		6			
18	80731130063	PIN	2					
19	37000500570	SUPPORT	2					
20	37000536450	PLATE	1		T=0.5	335391		
21	37000536460	PLATE	1		T=1.0	335391		

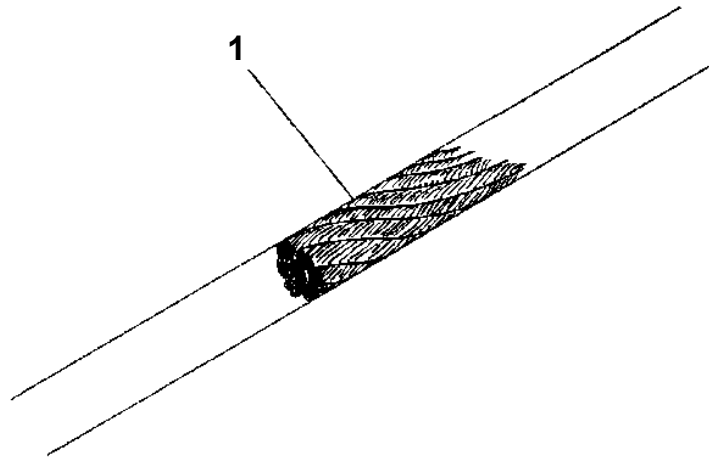
TL-250E-2-10211 4 BOOM + JIB, 2M2D, KW30MXN
PD1100032-00 OPERATION SYSTEM, SWING BRAKE



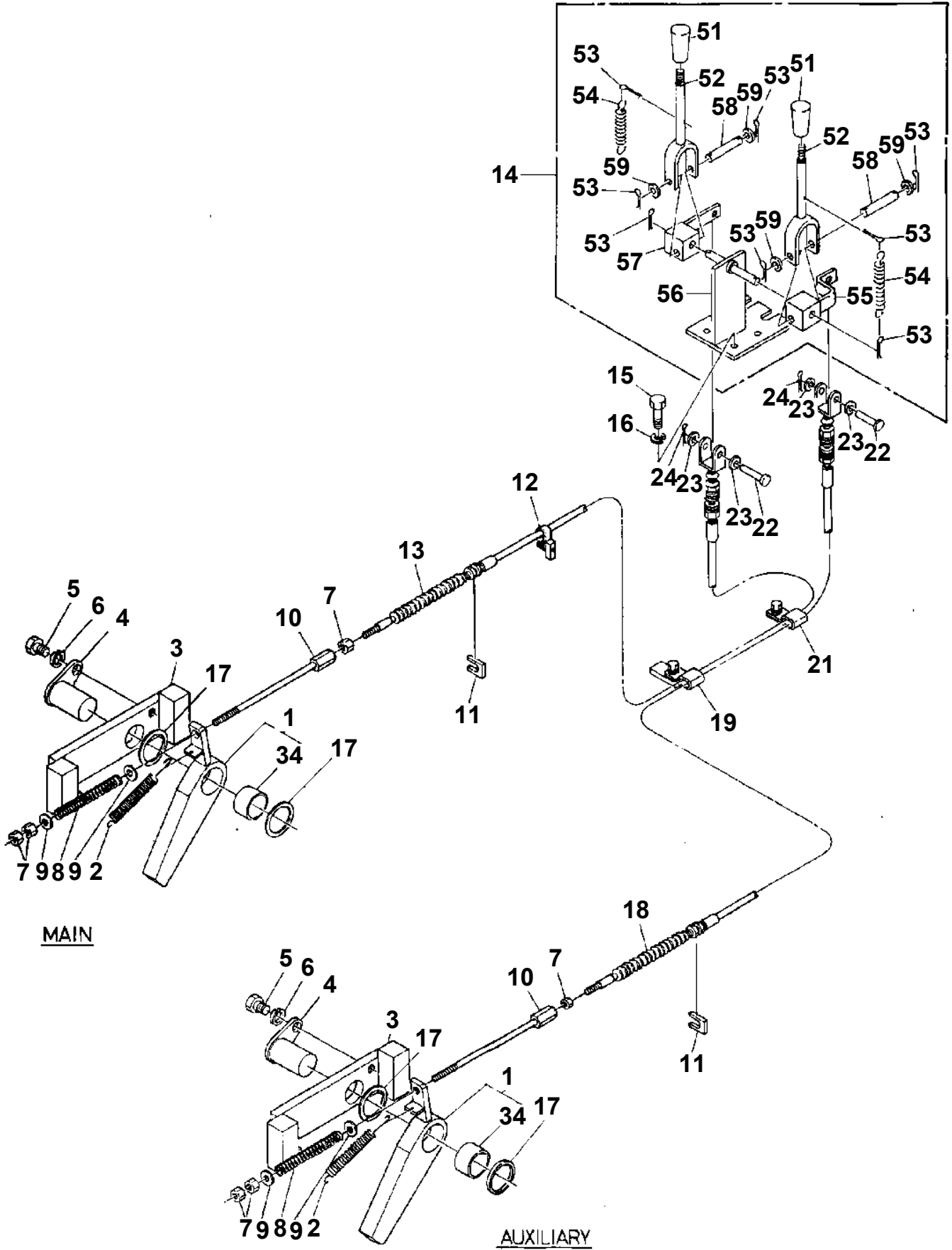
TL-250E-2-10211 4 BOOM + JIB, 2M2D, KW30MXN
PF1010002-00 WINCH



**TL-250E-2-10211 4 BOOM + JIB, 2M2D, KW30MXN
PF1070005-00 ROPE,WIRE**



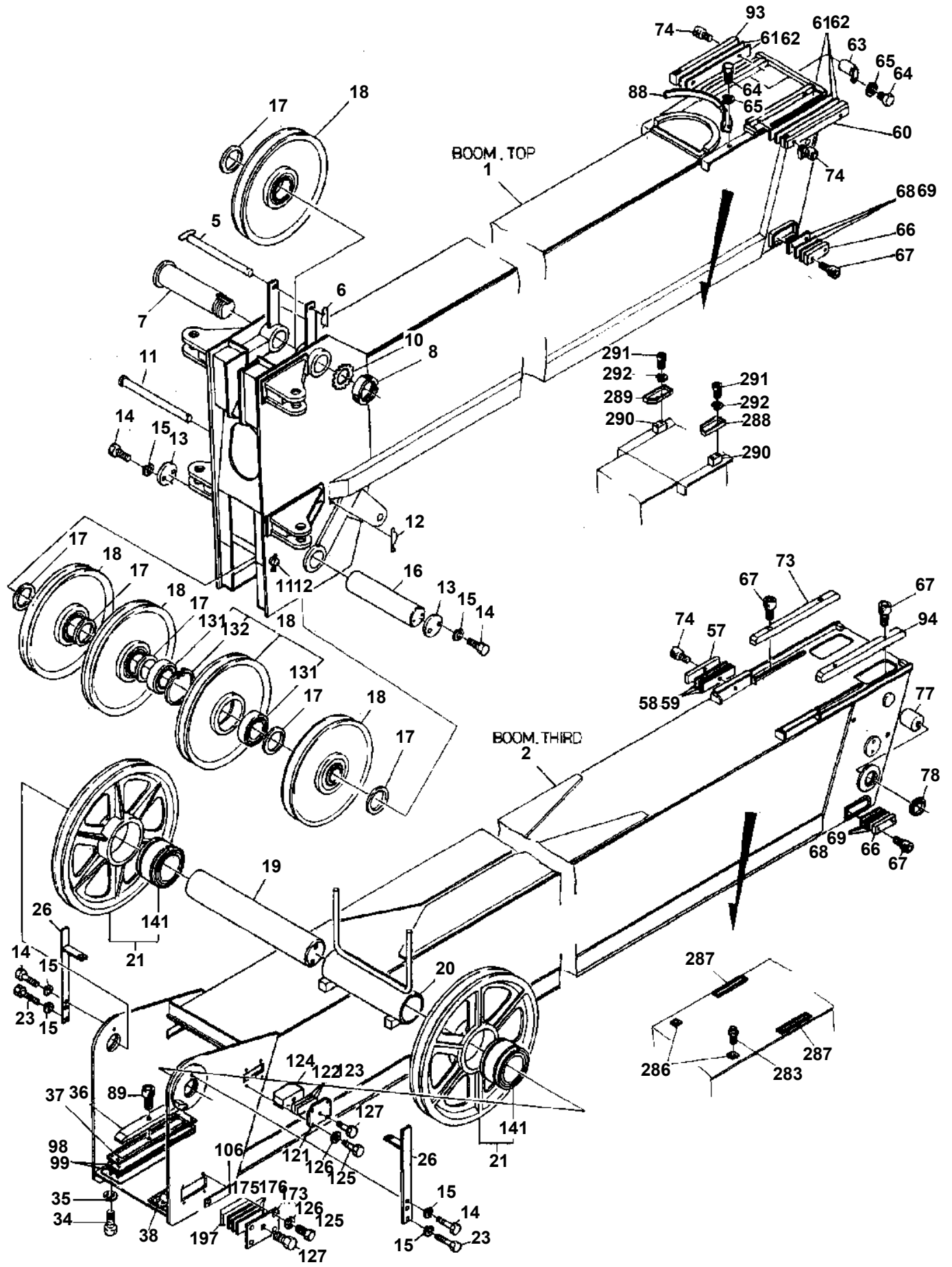
TL-250E-2-10211 4 BOOM + JIB, 2M2D, KW30MXN
PF1140002-00 OPERATION SYSTEM, DRUM, LOCK



TL-250E-2-10211 4 BOOM + JIB, 2M2D, KW30MXN

Pos No.	Parts No	Parts Name	Qty	Unit	Technical Data	Serial No (Start)	Serial No (End)	Remarks	Pages
3	36630005070	SPRING	8						
4	36630765040	SPACER	4						
5	80316030040	PLUG	10		PT1/4				
7	36630625030	ROD,PUSH	4						
8	91040100300	O-RING	4		P3				
9	91411000300	RING,BACKUP	4						
10	80560056000	BALL,STEEL	8		7/32				
11	13115141040	SEAL,OIL	4						
12	80316030020	PLUG	9		PT1/8				
13	80560059000	BALL,STEEL	2		YB5/16				
14	36631145030	SPRING	2						
15	36631145040	PIN (GUIDE)	2						
16	91040101200	O-RING	4		P12				
30	36631570000	VALVE,CLUTCH	1						

TL-250E-2-10211 4 BOOM + JIB, 2M2D, KW30MXN
PG1010037-01 BOOM



TL-250E-2-10211 4 BOOM + JIB, 2M2D, KW30MXN

Pos No.	Parts No	Parts Name	Qty	Unit	Technical Data	Serial No (Start)	Serial No (End)	Remarks	Pages
73	90201402000	NUT	2		M20				
74	90102516070	BOLT	1		M16X70				
75	90261001600	NUT	1		M16				
78	33220000430	RING	2						
81	33220581200	SUPPORT	1			335285			
82	90102516075	BOLT	2		M16X75	335285			
83	90201201600	NUT	2		M16	335285			
84	33220481410	PLATE	2			335285			
85	33220581300	SUPPORT	1			335285			
91	14121851000	PIN (STOPPER)	2						
93	16311309000	SPRING	2						
94	80136320015	PIN,SPLIT	4		2X15				
95	90303070801	WASHER,PLAIN	4		8				
96	14121856000	PIN	2						
97	33220033450	COVER	1						
98	14121854000	COVER	1						
102	12111503000	SPACER	1						
103	80515006206	BEARING,BALL	2				335424		
	80514006206	BEARING,BALL	2			335425			
104	80602110620	RING,RITAINING	1		R62				
105	80612111250	RING,RITAINING	1		AR125				
106	80515006214	BEARING,BALL	2						
111	82100001194	CONNECTOR	1						
112	37000300590	SPACER	1		L=30				
113	14148375000	GROMMET	1						
114	82100000208	CLAMP	7		WT4				
115	90928040061	SCREW,TAPPING	7		M4X6				
116	82100001195	CONNECTOR	1						
118	33370086100	SUPPORT	1						
122	14128208000	RING	1						
123	16318216000	SUPPORT	1						
124	90303290600	WASHER,PLAIN	1		6				
125	90302040601	WASHER,SPRING	1		6				
126	90201200600	NUT	1		M6				
127	82100000865	TERMINAL	1						
128	90101206016	BOLT	1		M6X16				
131	16318207001	HANGER	1				335318		
	33370087600	SUPPORT	1			335319			
132	34370241150	SUPPORT	1						
133	34370241200	PLATE	1						
141	33220032640	SUPPORT	2						
142	37000103190	PIN	2						
143	33220460300	SUPPORT	1						
144	90192024090	BOLT	2		M24X90				
145	90264252400	NUT	2		M24				
146	80136350040	PIN,SPLIT	2		5X40				

CLICK HERE TO **DOWNLOAD** THE COMPLETE MANUAL

- Thank you very much for reading the preview of the manual.
- You can download the complete manual from: www.heydownloads.com by clicking the link below



- Please note: If there is no response to CLICKING the link, please download this PDF first and then click on it.

CLICK HERE TO **DOWNLOAD** THE COMPLETE MANUAL

TL-250E-2-10211 4 BOOM + JIB, 2M2D, KW30MXN

Pos No.	Parts No	Parts Name	Qty	Unit	Technical Data	Serial No (Start)	Serial No (End)	Remarks	Pages
1	36670545010	REEL,HOSE	1				335608		
	36670545011	REEL,HOSE	1			335609			
2	80515006007	BEARING,BALL	1						
3	80601110350	RING,RITAINING	1		S35				
4	16246595020	RING ASSY (RL)	2						
6	80515006008	BEARING,BALL	1						
7	90201200600	NUT	6		M6				
8	90302040601	WASHER,SPRING	6		6				
9	36670545020	PIN	1				335608		
	36670545021	PIN	1			335609			
10	16246574000	RING,FELT	1						
11	16246579000	BOLT	4						
12	90302040801	WASHER,SPRING	4		8				
13	16246580000	WIRE	2		1.2X120				
14	36670545030	SPRING	1						
15	36670124001	CASE	1						
16	16246577000	PLATE	1						
17	36670545040	PLATE	1						
18	16246581000	RUBBER	1						
19	80316030060	PLUG	1		PT3/8		335608		
20	36670545050	SPACER	1				335608		
	36670545051	SPACER	1			335609			
21	36670545060	SEAL,OIL	1						
22	90710005080	SCREW,SET	1		M5X8				
23	91001203000	O-RING	1		1A G30				
24	36670545070	SEAL,OIL	1						
25	80602110700	RING,RITAINING	1		R70				
26	36671410050	RING,RETAINING	1						
50	36670540001	REEL,HOSE	1						
60	37002400610	HOSE	1		L=9250				
70	33420038020	REEL,HOSE	1						

TL-250E-2-10211 4 BOOM + JIB, 2M2D, KW30MXN

Pos No.	Parts No	Parts Name	Qty	Unit	Technical Data	Serial No (Start)	Serial No (End)	Remarks	Pages
1	33341001010	GUARD	1						
2	82458202000	NIPPLE,GREASE	2		B-TYPE PT1/8				
3	33480011100	PIPE ASSY	1						
4	33480011200	PIPE ASSY	1						
5	33341422300	PLATE	2						
6	37000601810	CLAMP	4						

TL-250E-2-10211 4 BOOM + JIB, 2M2D, KW30MXN

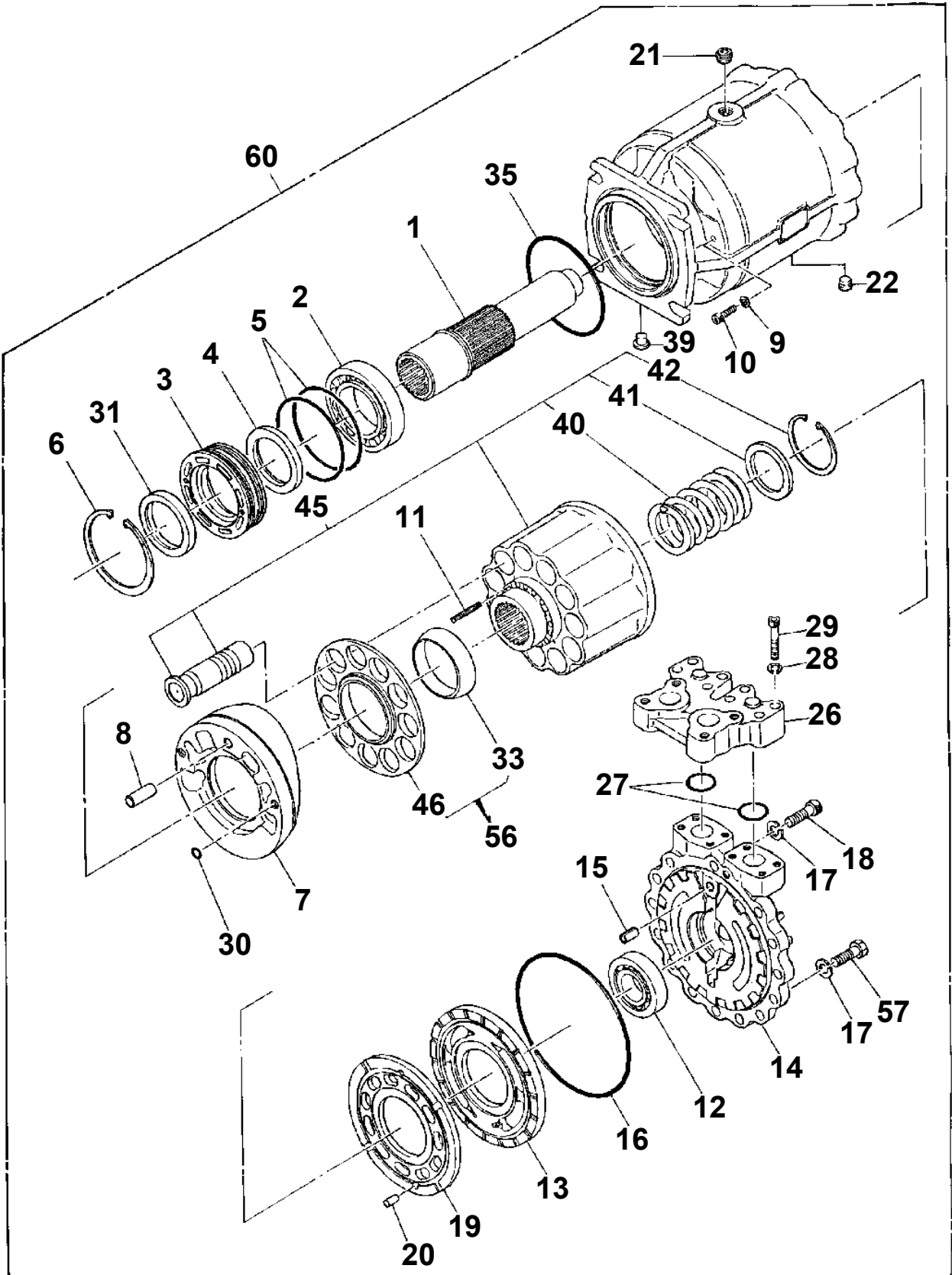
Pos No.	Parts No	Parts Name	Qty	Unit	Technical Data	Serial No (Start)	Serial No
1	32370002170	PLATE	1				
2	32370002110	GASKET	1				
3	32370002120	COVER	1				335318
	32370002121	COVER	1			335319	
4	80162303025	SCREW,MACHINE	2		M3X25		
5	90302040301	WASHER,SPRING	2		3		
6	82100001355	SWITCH,LIMIT	1				
7	32370002130	ROD	1				335318
	32370002131	ROD	1			335319	
8	14148373001	SPRING	1				
9	80601110180	RING,RITAINING	1		S18		
10	32370002160	SUPPORT	1				335318
	32370002161	SUPPORT	1			335319	
11	90303070301	WASHER,PLAIN	2		3		
12	82100001194	CONNECTOR	1				
13	82100000182	INSULATOR	2				
14	32370005200	CORD	1				
15	32370005210	CORD	1				
16	82100000592	TERMINAL (M40.3 TO 1.25)	2				
17	89630201000	HOSE,VINYL	1		6X8,1M		
18	14148375000	GROMMET	1				
19	90101208040	BOLT	2		M8X40		335318
	90101208045	BOLT	2		M8X45	335319	
20	90302040801	WASHER,SPRING	2		8		
21	16268231000	LABEL (SWITCH,OVER WINDING)	1				
30	32370009510	ROD ASSY	1				335318
	32370009511	ROD ASSY	1			335319	
31	32370002150	SPACER	1		L=12 TO 11		
32	80720103014	PIN,SPRING	1		3X14		
50	33370008090	SWITCH,OVER WIND DETECTOR (JIB&S/T)	1				

TL-250E-2-10211 4 BOOM + JIB, 2M2D, KW30MXN

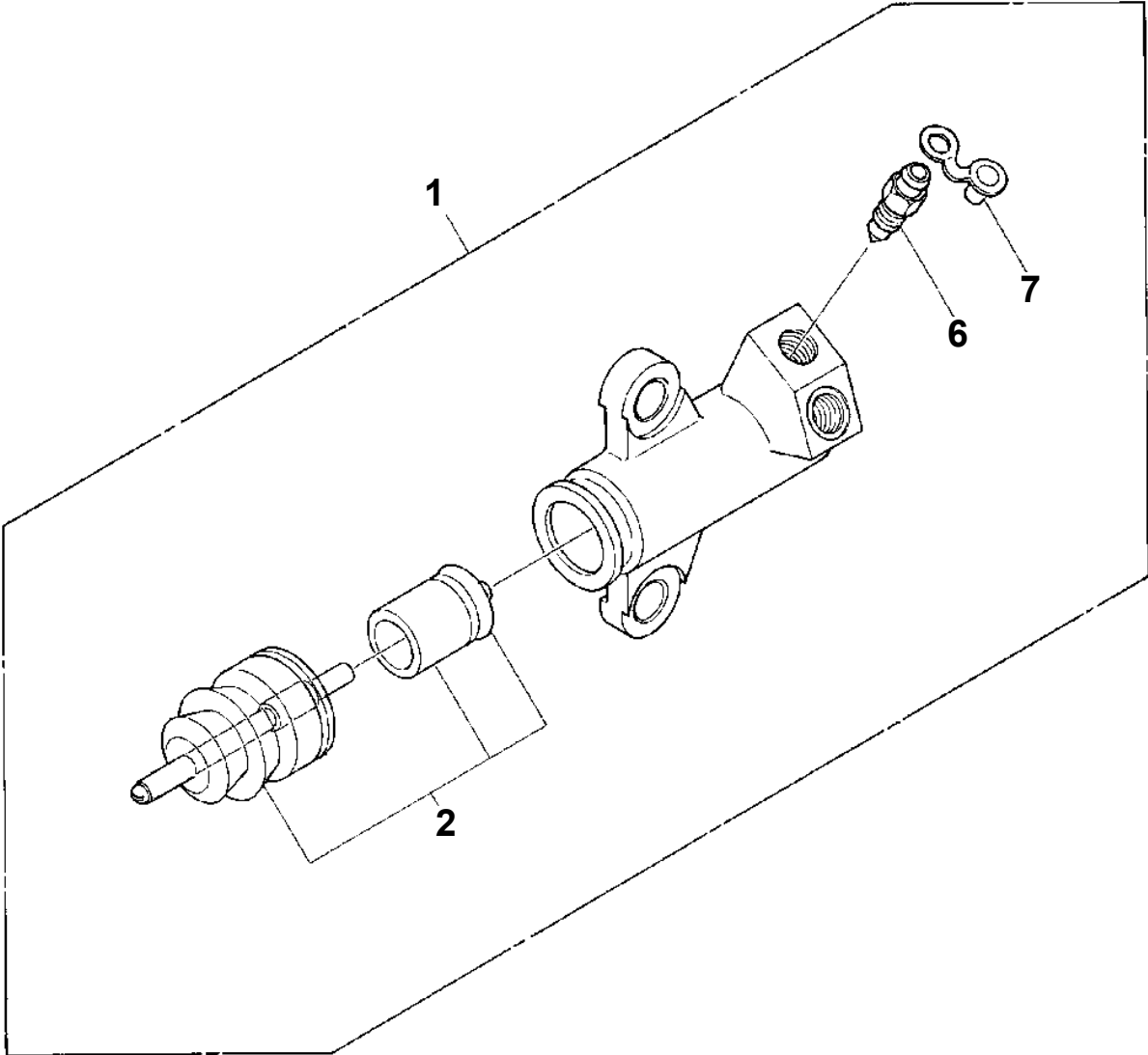
PI1010014-01 MOTOR, HYDRAULIC

Assembly Name MOTOR, HYDRAULIC

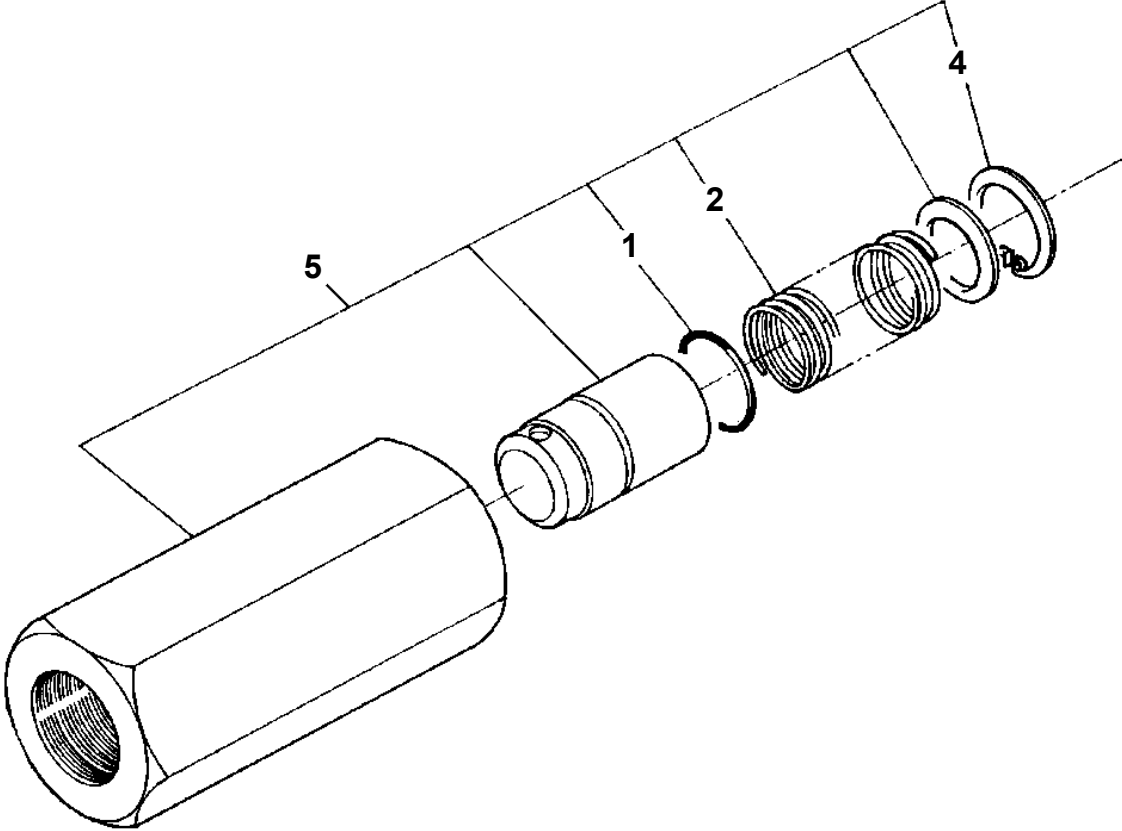
PI101-0014-01



**TL-250E-2-10211 4 BOOM + JIB, 2M2D, KW30MXN
PI1070010-01 CYLINDER,CONTROL**

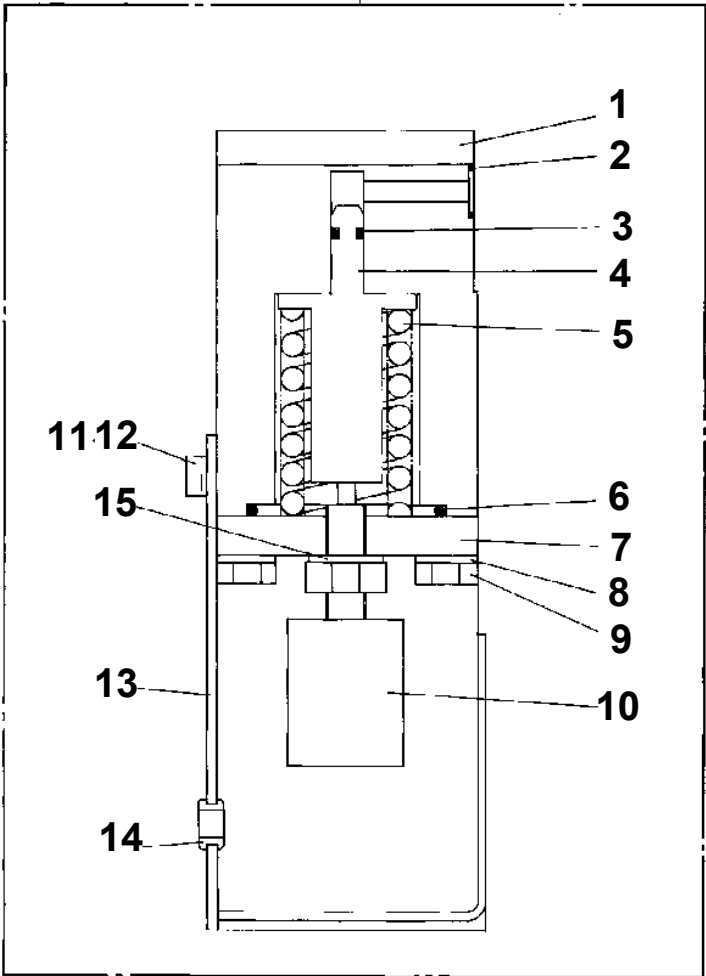


**TL-250E-2-10211 4 BOOM + JIB, 2M2D, KW30MXN
PI1140020-00 VALVE,CHECK**

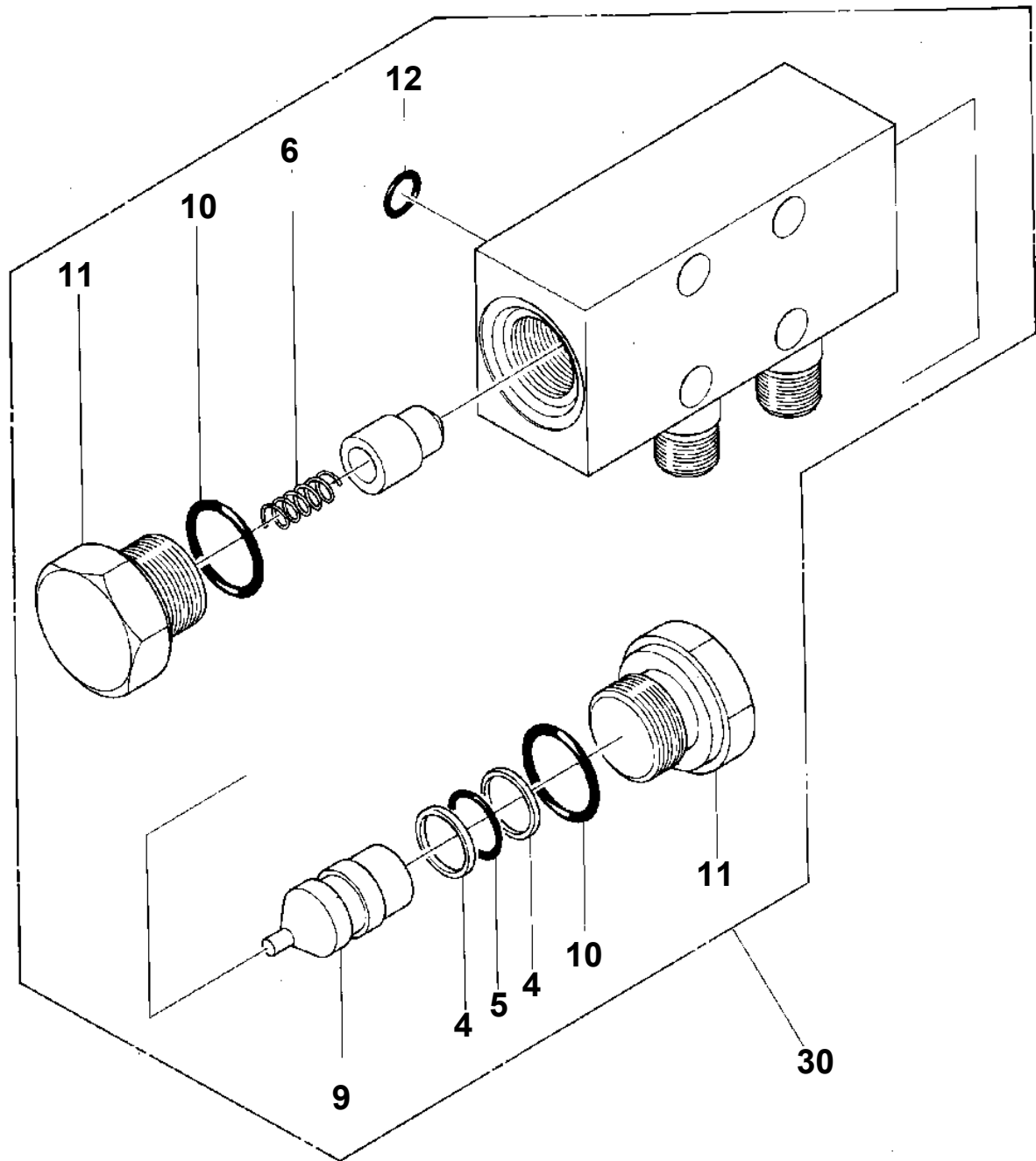


**TL-250E-2-10211 4 BOOM + JIB, 2M2D, KW30MXN
PI1170000-00 VALVE,PRESSURE DETECTOR**

20



TL-250E-2-10211 4 BOOM + JIB, 2M2D, KW30MXN
PI1280100-00 VALVE,PILOT CHECK



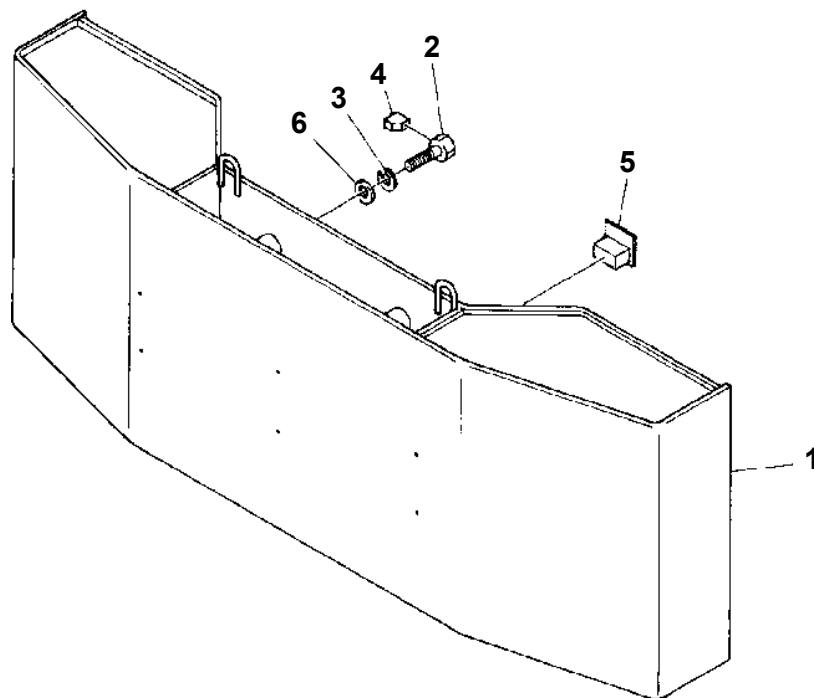
TL-250E-2-10211 4 BOOM + JIB, 2M2D, KW30MXN

Pos No.	Parts No	Parts Name	Qty	Unit	Technical Data	Serial No (Start)	Serial No (End)	Remarks	Pa
1	36670515010	BOLT ASSY (CENTER)	1				335423		
2	36670515020	VALVE ASSY	1				335423		
14	36670030010	ELEMENT,FILTER	1						
	36670030010	ELEMENT,FILTER	1						
15	36670515030	PLATE	1				335423		
16	90236201609	NUT,CASTLE	1		M16		335423		
17	36670515040	PIN,SNAP	1				335423		
19	91001214000	O-RING	1		1A G140				
	91001214000	O-RING	1		1A G140				
20	36670515050	COVER	1				335423		
21	90303070121	WASHER,PLAIN	4		12		335423		
22	90101212030	BOLT	4		M12X30		335423		
23	91001703700	O-RING	1		WG37				
	91001703700	O-RING	1		WG37				
30	36670510000	FILTER,OIL	1						
	36670510000	FILTER,OIL	1						

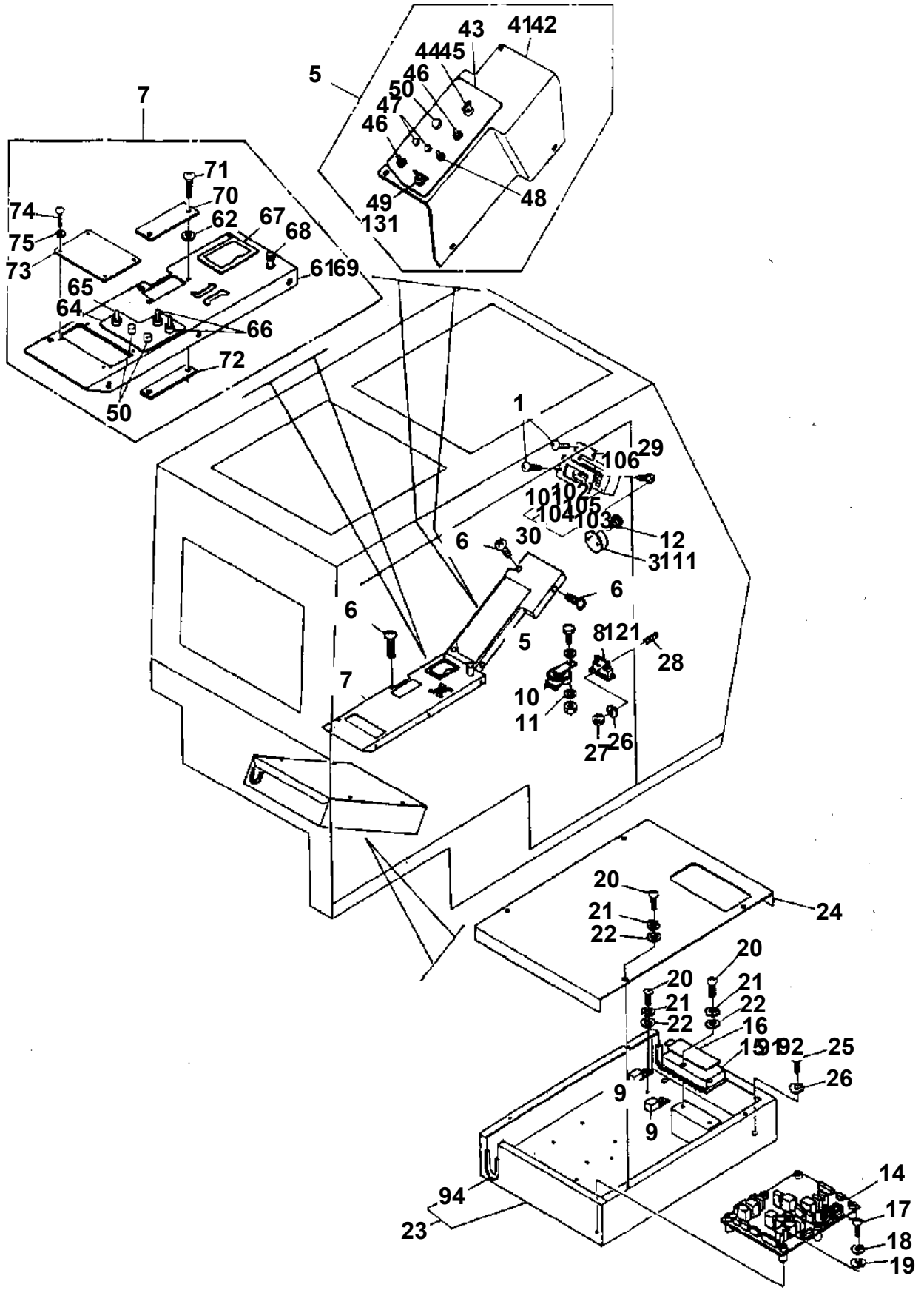
TL-250E-2-10211 4 BOOM + JIB, 2M2D, KW30MXN

Pos No.	Parts No	Parts Name	Qty	Unit	Technical Data	Serial No (Start)	Serial No (End)	Remarks	Pages
1	33230381000	TABLE,SLEWING	1						
2	16242002001	PLATE	2						
3	90101510030	BOLT	4		M10X30				
4	90302041001	WASHER,SPRING	4		10				
5	37000117690	PIN	1						
6	37001500020	BOLT	33		M24X140				
7	90201702400	NUT	28		M24				
8	90302042401	WASHER,SPRING	36		24				
9	34230127000	STOPPER	2			335396			
10	37000117700	PIN	1						
11	33230025000	STOPPER	1						
12	33230026000	PLATE	2						
13	90102208012	BOLT	2		M8X12				
14	90302040801	WASHER,SPRING	2		8				
15	16612008000	COVER	1						
16	90101512030	BOLT	2		M12X30				
17	90302041201	WASHER,SPRING	2		12				
18	37001503250	BOLT	3		M24X130				
20	33230220020	FRAME	1						
40	33230027001	COVER ASSY	1						

**TL-250E-2-10211 4 BOOM + JIB, 2M2D, KW30MXN
PK1220021-00 WEIGHT, COUNTERBALANCE**



TL-250E-2-10211 4 BOOM + JIB, 2M2D, KW30MXN
PN1050024-01 ELECTRICAL PARTS,CAB(ENGLISH & CHINESE)



TL-250E-2-10211 4 BOOM + JIB, 2M2D, KW30MXN

Pos No.	Parts No	Parts Name	Qty	Unit	Technical Data	Serial No (Start)	Serial No (End)	Remarks	Pa
65	8210000826	CONNECTOR ASSY	N						
66	8210000834	CONNECTOR ASSY	N						
67	8210000959	CONNECTOR	N						
68	8210000960	CONNECTOR	N						
69	8210000961	CONNECTOR	N						
70	8210000962	CONNECTOR	N						
71	8210000963	CONNECTOR	N						
72	8210000964	CONNECTOR	N						
73	8210000965	CONNECTOR	N						
74	8210000966	CONNECTOR	N						
75	8210000967	TERMINAL	N						
76	8210000969	PLUG	N						
77	8210000968	TERMINAL	N						
78	82100001015	CONNECTOR	N						
79	82100001016	CONNECTOR	N						
80	82100001022	CONNECTOR	N						
81	82100001023	CONNECTOR	N						
82	82100001024	CONNECTOR	N						
83	82100001025	CONNECTOR	N						
84	82100001072	CONNECTOR	N						
85	82100001073	CONNECTOR	N						
86	82100001010	PLUG,CONNECTOR	N						
87	82100001011	RECEPTACLE	N						
88	82100001012	TERMINAL (SOCKET)	N						
89	82100001013	TERMINAL (PIN)	N						

TL-250E-2-10211 4 BOOM + JIB, 2M2D, KW30MXN

Pos No.	Parts No	Parts Name	Qty	Unit	Technical Data	Serial No (Start)	Serial No (End)
1	16047076000	PLATE,NAME (TADANO)	2				
2	33390080060	PLATE,NAME (TL-250E)	2				
3	19417130000	PLATE,NAME (TADANO)	1				
4	37002203770	PLATE,NAME (3000KG)	1				
5	19047261000	PLATE,NAME (2500KG)	2				
6	80185108016	SCREW,MACHINE	6		M8X16		
7	34390223800	PLATE,NAME (WINCH BRAKE)	2				
8	80172304008	SCREW,MACHINE	5		M4X8		
9	33390521080	PLATE,NAME	2				
10	33390521090	PLATE,NAME	2				
11	33390901070	PLATE,CAUTION	1				
12	37002203990	PLATE,NAME (WINCH CLUTCH FREE)	1				
13	37002200390	PLATE,NAME (ACCEL.PULL-PUSH)	1				
14	37002204000	PLATE,NAME (WINCH CLUTCH ON	1				
15	37002200420	PLATE,NAME (AUX.)	4				
16	37002200410	PLATE,NAME (MAIN)	4				
17	37002204010	PLATE,NAME (WINCH DRUM)	1				
18	80172303005	SCREW,MACHINE	6		M3X5		
19	33392981040	PLATE,NAME	1				
20	37002200050	PLATE,NAME (SWING)	1				
21	37002200060	PLATE,NAME (BOOM,ELEVATING)	1				
22	37002200070	PLATE,NAME (BOOM,TELESCOPING)	1				
23	37002200040	PLATE,NAME (WINCH)	2				
24	37002200400	PLATE,NAME	2				
25	37002200890	PLATE,NAME	1				
26	37002200010	PLATE,NAME (HORN)	1				
27	80147310420	RIVET	28		3.2X6		
29	90201201000	NUT	1		M10		
30	90101210016	BOLT	1		M10X16		
31	12647107001	INDICATOR	1				
32	16017111000	PLATE,CAUTION	1				
33	33393581010	PLATE,NAME	1				
34	90928030101	SCREW,TAPPING	7		M3X10		
35	33393581020	SUPPORT	1				
36	14137207000	PLATE,NAME (GREASE)	18				
37	16067007000	PLATE,NAME	1				
	33392981030	PLATE,NAME	1				
38	16067015000	PLATE,CAUTION	1				
39	16097008000	PLATE,NAME	1				
40	16067006000	PLATE,NAME	1				
41	16027138000	PLATE,NAME	1				
42	16047107000	PLATE,NAME	1				
43	33390180030	PLATE,CAUTION	1				
44	18067280000	PLATE,CAUTION	1				
45	33393561030	PLATE,NAME	1				
46	33393581030	PLATE,CAUTION	1				
47	33392981030	PLATE,NAME	1				
48	33393581040	PLATE,NAME	1				

TL-250E-2-10211 4 BOOM + JIB, 2M2D, KW30MXN

Pos No.	Parts No	Parts Name	Qty	Unit	Technical Data	Serial No (Start)	Serial No (End)	Remarks	Pages
1	33763801010	SUPPORT	1						
2	90193212050	BOLT	8		M12X50				
3	90302041201	WASHER,SPRING	8		12				
4	33760330010	BAR	2						
5	33870160200	SUPPORT	1						
6	33870160100	SUPPORT	1						

TL-250E-2-10211 4 BOOM + JIB, 2M2D, KW30MXN

Pos No.	Parts No	Parts Name	Qty	Unit	Technical Data	Serial No (Start)	Serial No (End)	Remarks	Page
1	36650440000	PUMP,HYDRAULIC	1						00001
2	56361503000	SUPPORT	1						
3	33762910100	SUPPORT	1						
4	33762910200	SUPPORT	1						
5	90101214050	BOLT	6		M14X50				
6	90201201400	NUT	6		M14				
7	90302041401	WASHER,SPRING	8		14				
10	90203201400	NUT	4		M14				
12	90303101401	WASHER,PLAIN	2		14				

TL-250E-2-10211 4 BOOM + JIB, 2M2D, KW30MXN

Pos No.	Parts No	Parts Name	Qty	Unit	Technical Data	Serial No (Start)	Serial No (End)	Remarks
2	90101206016	BOLT	8		M6X16			
3	90302040601	WASHER,SPRING	8		6			
4	36290090002	HEATER (22HK)	1				335388	
	36290090003	HEATER (M22H)	1			335389		
5	36290100000	PIPE	1				335388	
	33472581000	PIPE	1			335389		
7	90101208030	BOLT	4		M8X30			
8	90302040801	WASHER,SPRING	4		8			
9	90201200800	NUT	4		M8			
10	36290110001	TANK,FUEL	1					
11	37000521560	SUPPORT	2					
12	33470270020	SEAL	1					
13	33470270030	SEAL	1					
14	33470270040	SEAL	1					
15	36290130001	PANEL,CONTROL	1					
16	82100000207	CLAMP	4				335388	
	82100000208	CLAMP	4		WT4	335389		
17	16325404000	SUPPORT	4					
18	80172304006	SCREW,MACHINE	4		M4X6			
19	90302040401	WASHER,SPRING	8		4			
20	80172304012	SCREW,MACHINE	4		M4X12			
23	36290120001	DUCT ASSY	1					
24	33470000070	SUPPORT	1					
25	33470000080	SUPPORT	1					
26	90201200600	NUT	2		M6			
27	33470270050	COVER	1					
35	16519317040	SOCKET,LAMP (GREEN)	1					
36	16519317020	SOCKET,LAMP (ORANGE)	1					
37	16519317030	BULB,LAMP	2					
40	36290135020	GROMMET	1					
50	36290135100	TIMER ASSY	1				335388	
	36290135101	TIMER ASSY	1			335389		
51	36290115020	BAND	2				336081	
	36290115021	BAND	2			336082		
54	36290115070	SUPPORT	2					
55	36290115040	CAP	1				335350	
	36290115041	CAP	1			335351		
56	36290115010	FILTER	1				335323	
	36290115011	FILTER (PAPER)	1			335324	335851	
	36290115130	FILTER	1			335852	336081	
	36290115131	FILTER	1			336082		
61	36290115110	TANK	1				336081	
	36290115111	TANK	1			336082		
62	36290115120	TUBE	1					
71	36290135110	SWITCH,PUSH (GREEN)	1				335303	
	36290135111	SWITCH,PUSH (GREEN)	1			335304		
72	36290135120	SWITCH,PUSH (RED)	1				335303	
	36290135121	SWITCH,PUSH (RED)	1			335304		
73	36290135130	SOCKET,FUSE	1					
74	36290135140	FUSE	1		20A			
75	82100000578	TERMINAL	8					
	82100001313	CONNECTOR	1					
91	36290115060	ELEMENT,FILTER	1				335323	
	36290115061	ELEMENT,FILTER	1			335324	335851	
	36290115140	ELEMENT,FILTER	1			335852		

CLICK HERE TO **DOWNLOAD** THE COMPLETE MANUAL

- Thank you very much for reading the preview of the manual.
- You can download the complete manual from: www.heydownloads.com by clicking the link below



- Please note: If there is no response to CLICKING the link, please download this PDF first and then click on it.

CLICK HERE TO **DOWNLOAD** THE COMPLETE MANUAL