

TL-250E-2-20304 4 BOOM + JIB, 2M2D, K203LA

PB1000074-00 HYDRAULIC PRESSURE GENERATING SYSTEM

PC1000062-00 OUTRIGGER SYSTEM

PD1000073-00 SWING SYSTEM

PE1000068-00 ELEVATING SYSTEM

PF1000065-02 WINCH SYSTEM

PG1000069-01 TELESCOPING SYSTEM

PH1000069-00 SAFETY DEVICES

PI1000073-02 HYDRAULIC DEVICES

PK1000073-00 FRAME

PL1000073-00 CONTROL DEVICES

PN1000069-01 ELECTRIC EQUIPMENT

PO1000071-00 INDICATION PLATES

PW1000062-00 ACCESSORIES & TOOLS

PX1000073-00 MOUNTING PARTS

PY1000061-01 OPTIONS

ASSEMBLY

CLICK HERE TO **DOWNLOAD** THE COMPLETE MANUAL

- Thank you very much for reading the preview of the manual.
- You can download the complete manual from: www.heydownloads.com by clicking the link below



- Please note: If there is no response to CLICKING the link, please download this PDF first and then click on it.

CLICK HERE TO **DOWNLOAD** THE COMPLETE MANUAL

TL-250E-2-20304 4 BOOM + JIB, 2M2D, K203LA

Pos No.	Parts No	Parts Name	Qty	Unit	Technical Data	Serial No (Start)	Serial N
1	(*****)	WINCH	2				
3	36090140001	HOOK (SHEAVE 4 PC'S)	1				
4	36090240001	HOOK (AUXILIARY)	1				
5	37001800410	ROPE,WIRE	1				
6	37001801380	ROPE,WIRE (TSK)	1				
7	(*****)	SOCKET,ROPE	2				
9	33310871000	BAND,WINCH BRAKE (WITHOUT FREE-FALL)	2				
10	(*****)	OPERATION SYSTEM, DRUM,LOCK	1				
12	(*****)	PREVENTION DEVICE,OVER UNWINDING	1				
13	(*****)	PIPING,WINCH (WITHOUT FREE-FALL)	1				
15	(*****)	DETECTOR,DRUM ROTATION (OPTION)	1				
18	(*****)	MOUNT,WINCH (WITHOUT FREE-FALL)	1				
19	36660160000	MOTOR,HYDRAULIC	2				
21	36640560000	VALVE,SOLENOID	2				
22	36621230000	VALVE,CHECK	1				
23	36621320000	VALVE,SHUTTLE	1				
24	36600730000	VALVE,COUNTERBALANCE	2				

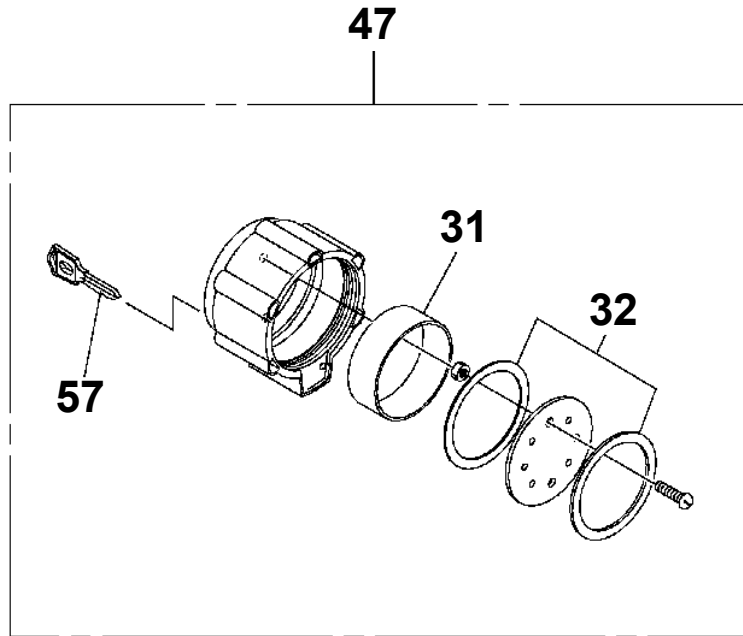
TL-250E-2-20304 4 BOOM + JIB, 2M2D, K203LA

Pos No.	Parts No	Parts Name	Qty	Unit	Technical Data	Serial No (Start)	Serial No (E
1	(*****)	OPERATION SYSTEM, CONTROL VALVE	1				
2	(*****)	OPERATION SYSTEM, ACCELERATOR	1				
3	3606000001	CYLINDER,MASTER	1				

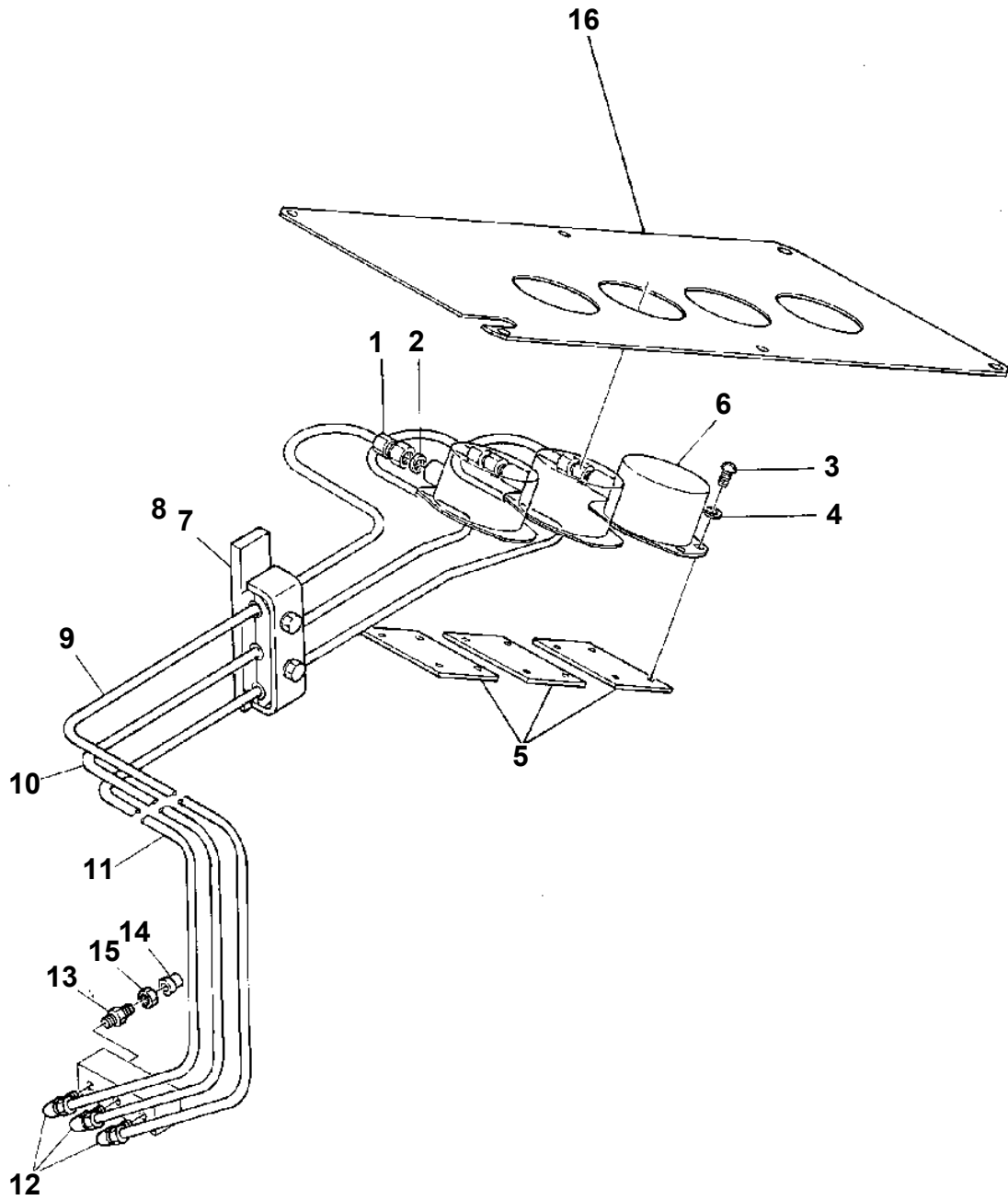
TL-250E-2-20304 4 BOOM + JIB, 2M2D, K203LA

Pos No.	Parts No	Parts Name	Qty	Unit	Technical Data	Serial No (Start)	Serial No (End)	Remarks
1	(*****)	SINGLE TOP	1					
2	(*****)	HEATER SYSTEM	1					
3	36290090003	HEATER (M22H)	1					
4	(*****)	PIPING,COOLER	1					
6	36690000000	COOLER,OIL	1					
7	(*****)	FAN INSTALLATION	1					
10	16515122000	VALVE,CHECK	1					
11	36620050000	VALVE,CHECK	1					
12	36610130000	VALVE,FLOW CONTROL	1					

**TL-250E-2-20304 4 BOOM + JIB, 2M2D, K203LA
PB1130187-01 TANK,OIL**



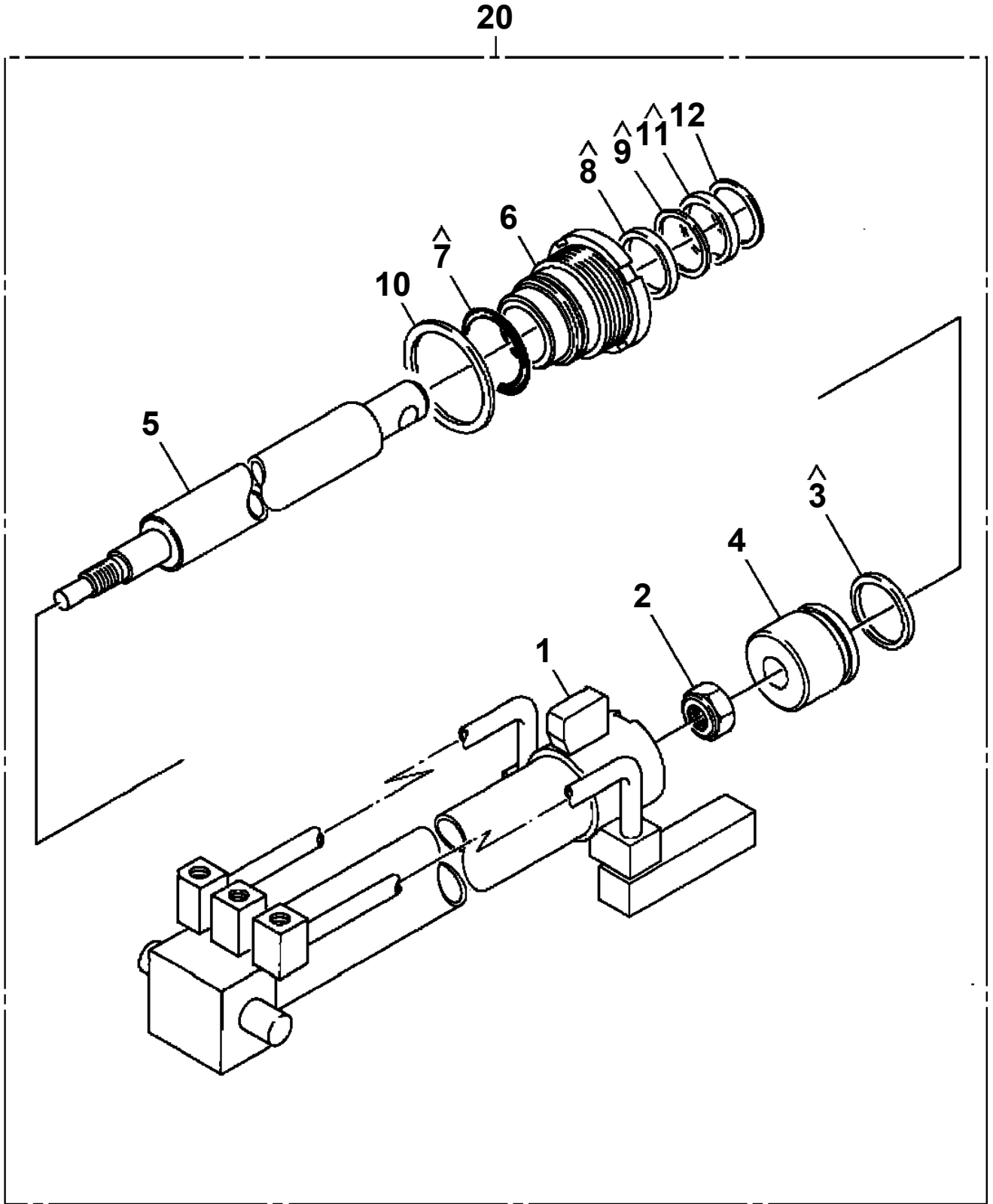
**TL-250E-2-20304 4 BOOM + JIB, 2M2D, K203LA
PB1280010-00 PIPING,GAUGE (OPTION)**



TL-250E-2-20304 4 BOOM + JIB, 2M2D, K203LA

Pos No.	Parts No	Parts Name	Qty	Unit	Technical Data	Serial No (Start)	Serial No (End)
1	56051331010	BODY ASSY (CONTROL)	1				
2	56051331020	BODY ASSY	1				
3	36630215010	VALVE,CONTROL	1				
4	56051331040	VALVE,CONTROL	4				
5	11625101020	BOLT,STUD	4				
6	90201200800	NUT	8		M8		
7	36630745010	VALVE,RELIEF	1				
8	12435101160	RETAINER (VALVE)	5				
9	91002801400	O-RING	5		1B P14		
10	56051331060	VALVE,PILOT CHECK	1				
11	56051331070	RING (A)	2				
12	56051331080	RING (B)	2				
16	80560005000	BALL,STEEL	8		5		
17	13115102040	SPRING	4				
18	56051331130	RETAINER (BALL)	4				
19	13115102030	CASE (BALL)	4				
20	56051331150	END,SPOOL	4				
21	13115102010	RETAINER (SEAL)	8				
22	80316030040	PLUG	1		PT1/4		
23	12435101040	O-RING	7				
24	91002801001	O-RING	9		1B P10A		
25	91002802000	O-RING	7		1B P20		
26	56051331100	SEAL,OIL	10				
27	12435101180	RETAINER (SEAL)	9				
28	90131506020	BOLT,HEXAGON SOCKET	2		M6X20		
29	12415101130	SPACER	1				
30	36630045140	SPRING	1				
31	12435101170	RETAINER (SPRING)	2				
32	36630215030	COVER (SPRING)	5				
33	36630045300	SCREW,SET	1		M8X35		
34	56051331120	COVER	5				
35	90131506015	BOLT,HEXAGON SOCKET	10		M6X15		
36	12415101140	NUT	1				
39	91002800500	O-RING	1		1B P5		
42	36630045190	SPRING	1				
43	19215101010	O-RING	1				
45	16025153020	SPRING	1				
46	36630045220	NUT	1		M10		
47	91001001600	O-RING	2		1A S16		
48	36630045200	SCREW (ADJUSTING)	1		M10X25		
49	36630295130	NUT,CAP	1				
51	56051331180	SPRING	1				
52	56051331170	PLUG	1				
53	13615104400	PLUG	1				
54	91000501500	O-RING	2		AS568-015		
55	91002802200	O-RING	2		1B P22		
57	90131506025	BOLT,HEXAGON SOCKET	8		M6X25		
60	36630150000	VALVE,MANUAL CONTROL (OUTRIGGER)	1				

TL-250E-2-20304 4 BOOM + JIB, 2M2D, K203LA
PC1050151-01 CYLINDER,EXTENSION

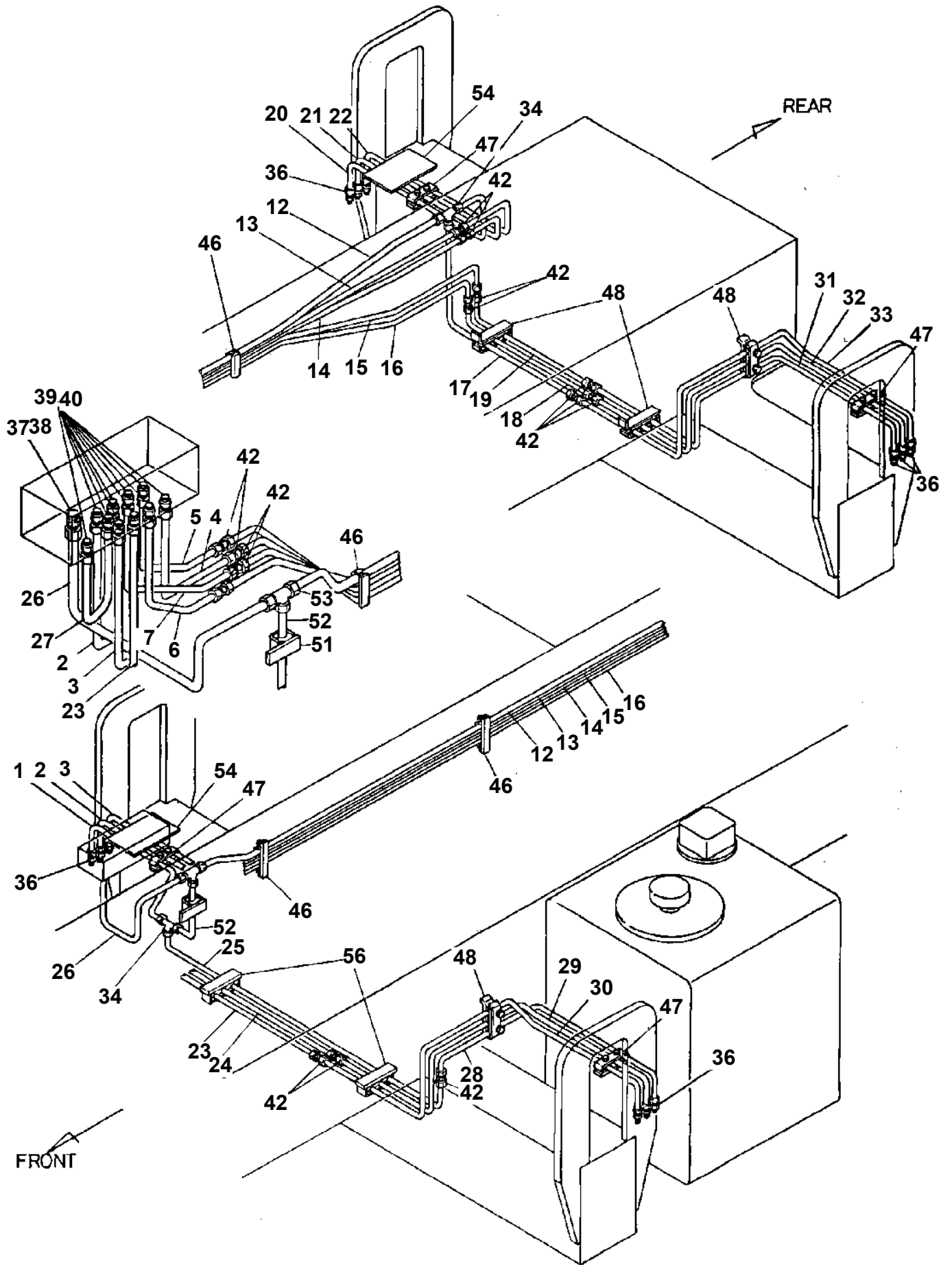


△: PACKING SET KEY NO 30 (KEY NO. 3, 7, 8, 9, 11)

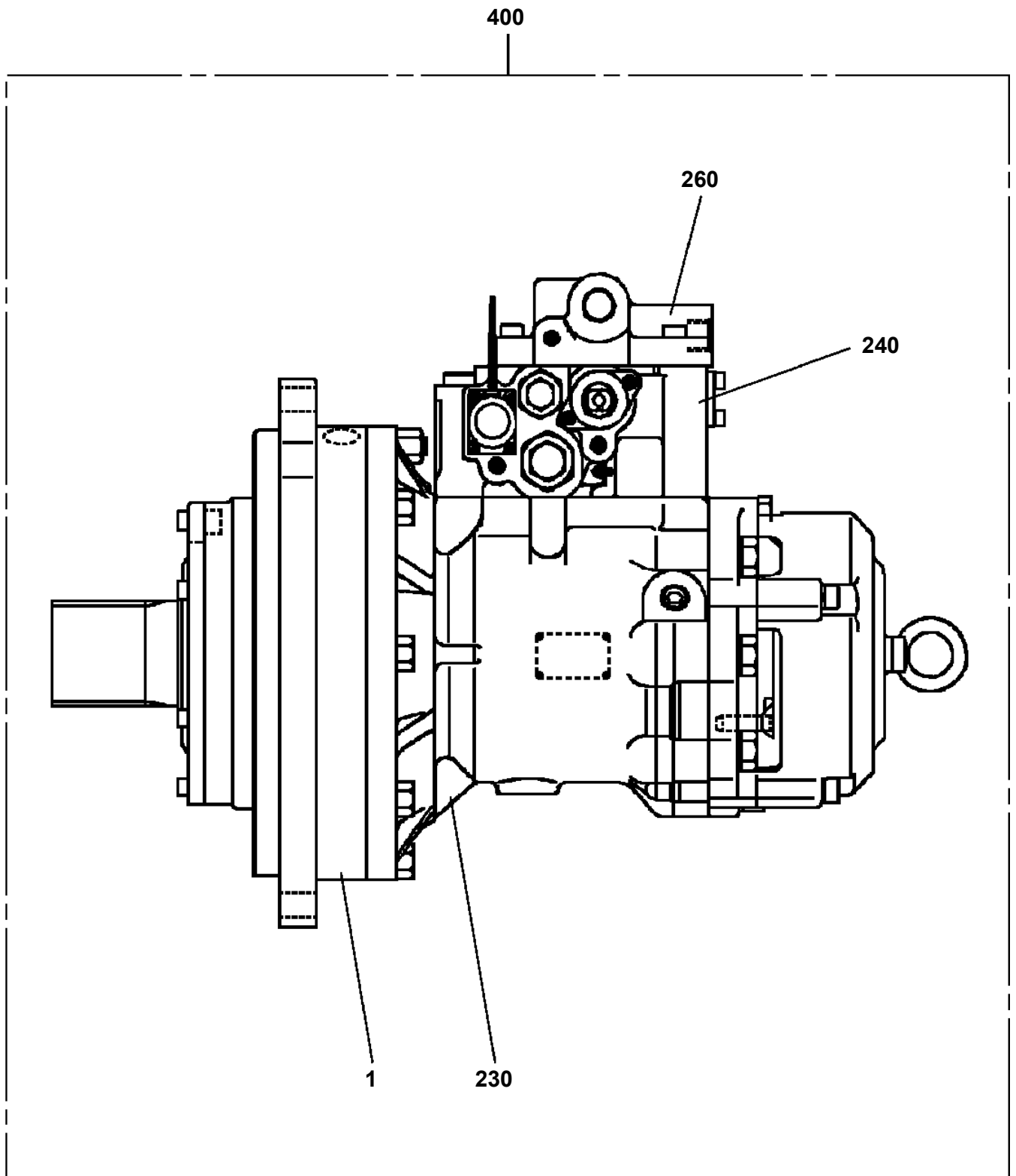


△: PACKING SET KEY NO 31 (KEY NO. 3, 7, 8, 9, 11)

TL-250E-2-20304 4 BOOM + JIB, 2M2D, K203LA
 PC1200044-00 PIPING,OUTRIGGER (WITHOUT F/J)



TL-250E-2-20304 4 BOOM + JIB, 2M2D, K203LA
PD1070080-03 DRIVING UNIT, SWING



TL-250E-2-20304 4 BOOM + JIB, 2M2D, K203LA

Pos No.	Parts No	Parts Name	Qty	Unit	Technical Data	Serial No (Start)	Serial No (End)	Remarks	Pages
1	80400160106	FITTING	2		20368-U1/2X1/2				
2	82100001173	CLAMP ASSY	2		L=65				
3	89640101000	HOSE	1		880-NFK,1M				
4	80400160131	JOINT	1						
5	91002801800	O-RING	2		1B P18				
6	37002400760	HOSE	1		L=380				
7	37002400770	HOSE	1		L=510				
8	90191508030	BOLT	4		M8X30				
9	90302040801	WASHER,SPRING	4		8				
10	80302010060	FITTING	1		KCT08-010N				
11	37000702220	CLAMP ASSY	2						
12	81408000081	PIPE,STEEL	2	M	8X1.2T				
13	81408000081	PIPE,STEEL	1	M	8X1.2T				
14	80302010080	FITTING	1		KCT08-020N				
15	80301010060	FITTING	2		KUA08-000N				
16	80316030040	PLUG	1		PT1/4				
18	37000300710	SLEEVE	2		12-8				
19	81408000081	PIPE,STEEL	1	M	8X1.2T				
30	91000521000	O-RING	1						

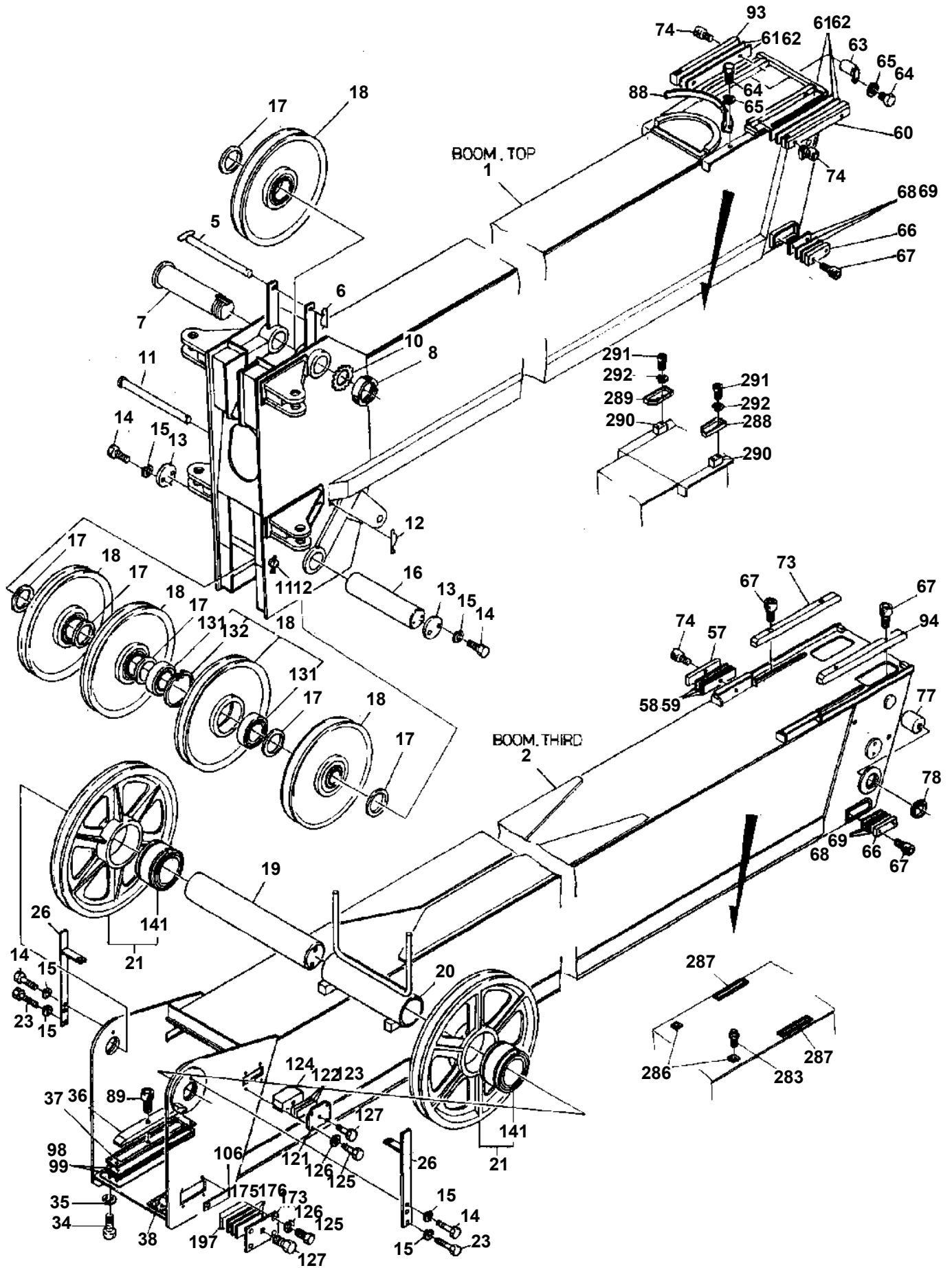
TL-250E-2-20304 4 BOOM + JIB, 2M2D, K203LA

Pos No.	Parts No	Parts Name	Qty	Unit	Technical Data	Serial No (Start)	Serial No (End)	Remarks	F
1	36090140500	PLATE	1						
2	16411506001	BOLT	3						
3	90302041601	WASHER,SPRING	3		16				
4	36090140200	COVER	2						
6	80500051218	BEARING,BALL	1						
7	82456101000	NIPPLE,GREASE	1		A-PT1/8				
8	36090140700	TRUNNION	1						
9	36090229510	HOOK ASSY	1						
10	16411504000	PLATE	1						
11	90101208014	BOLT	4		M8X14				
12	90302040801	WASHER,SPRING	4		8				
13	36090140600	PLATE	1						
14	37001002850	SHEAVE ASSY	4						
15	16311007000	SPACER	5		L=3.5				
16	90101516035	BOLT	12		M16X35				
19	37000102420	PIN	1						
20	14211522000	GRIP	2						
21	37000105000	PIN	1						
22	16611506000	PLATE	2						
23	16611505000	PLATE	2						
24	37000105200	PIN	1						
25	37001400040	SPRING	1						
26	80136332020	PIN,SPLIT	1		3.2X20				
27	90303071001	WASHER,PLAIN	1		10				
29	37000511070	PLATE	4						
30	37000511080	PLATE	2						
40	80515006214	BEARING,BALL	8						
50	36091229510	STOPPER ASSY	1						
60	36090140001	HOOK (SHEAVE 4 PC'S)	1						
70	80612111250	RING,RITAINING	4		AR125				

TL-250E-2-20304 4 BOOM + JIB, 2M2D, K203LA

Pos No.	Parts No	Parts Name	Qty	Unit	Technical Data	Serial No (Start)	Serial No (End)	Remarks	Pages
1	33380030100	LEVER	2						
2	37001300040	SPRING	2						
3	33380030200	SUPPORT	2						
4	37000102230	PIN	2						
5	90101210016	BOLT	2		M10X16				
6	90302041001	WASHER,SPRING	2		10				
7	90203200600	NUT	6		M6				
8	37001200010	SPRING	2						
9	33380030300	SPACER	4						
10	33380030400	ROD	2						
11	37000507500	PLATE	2						
12	37000704650	CLAMP ASSY	1						
13	37001701370	CABLE,CONTROL	1						
14	33380120100	LEVER ASSY	1						
15	90101206012	BOLT	2		M6X12				
16	90302040601	WASHER,SPRING	2		6				
17	33380030700	SPACER	4						
18	37001701360	CABLE,CONTROL	1						
19	37000704660	CLAMP ASSY	3						
21	82100001173	CLAMP ASSY	1		L=65				
22	37000105730	PIN	2						
23	90303070801	WASHER,PLAIN	4		8				
24	80136320015	PIN,SPLIT	2		2X15				
34	80801003020	BEARING,PLAIN	2						
51	19114205000	KNOB (BROWN)	2						
52	33380120110	LEVER	2						
53	80136332020	PIN,SPLIT	8		3.2X20				
54	19119314000	SPRING	2						
55	33380120130	LEVER	1						
56	33380120160	SUPPORT	1						
57	33380120200	LEVER	1						
58	37000101430	PIN	2						
59	90303070801	WASHER,PLAIN	6		8				

TL-250E-2-20304 4 BOOM + JIB, 2M2D, K203LA
PG1010037-01 BOOM



TL-250E-2-20304 4 BOOM + JIB, 2M2D, K203LA

Pos No.	Parts No	Parts Name	Qty	Unit	Technical Data	Serial No (Start)	Serial No (End)	Remarks	Pages
94	80136320015	PIN,SPLIT	4		2X15				
95	90303070801	WASHER,PLAIN	4		8				
96	14121856000	PIN	2						
97	33220033450	COVER	1						
98	14121854000	COVER	1						
102	12111503000	SPACER	1						
103	80514006206	BEARING,BALL	2						
104	80602110620	RING,RITAINING	1		R62				
105	80612111250	RING,RITAINING	1		AR125				
106	80515006214	BEARING,BALL	2						
111	82100001194	CONNECTOR	1						
112	37000300590	SPACER	1		L=30				
113	14148375000	GROMMET	1						
114	82100000208	CLAMP	7		WT4				
115	90928040061	SCREW,TAPPING	7		M4X6				
116	82100001195	CONNECTOR	1						
118	33370086100	SUPPORT	1						
122	14128208000	RING	1						
123	16318216000	SUPPORT	1						
124	90303290600	WASHER,PLAIN	1		6				
125	90302040601	WASHER,SPRING	1		6				
126	90201200600	NUT	1		M6				
127	82100000865	TERMINAL	1						
128	90101206016	BOLT	1		M6X16				
131	33370087600	SUPPORT	1						
132	34370241150	SUPPORT	1						
133	34370241200	PLATE	1						
141	33220032640	SUPPORT	2						
142	37000103190	PIN	2						
143	33220460300	SUPPORT	1						
144	90192024090	BOLT	2		M24X90				
145	90264252400	NUT	2		M24				
146	80136350040	PIN,SPLIT	2		5X40				

CLICK HERE TO **DOWNLOAD** THE COMPLETE MANUAL

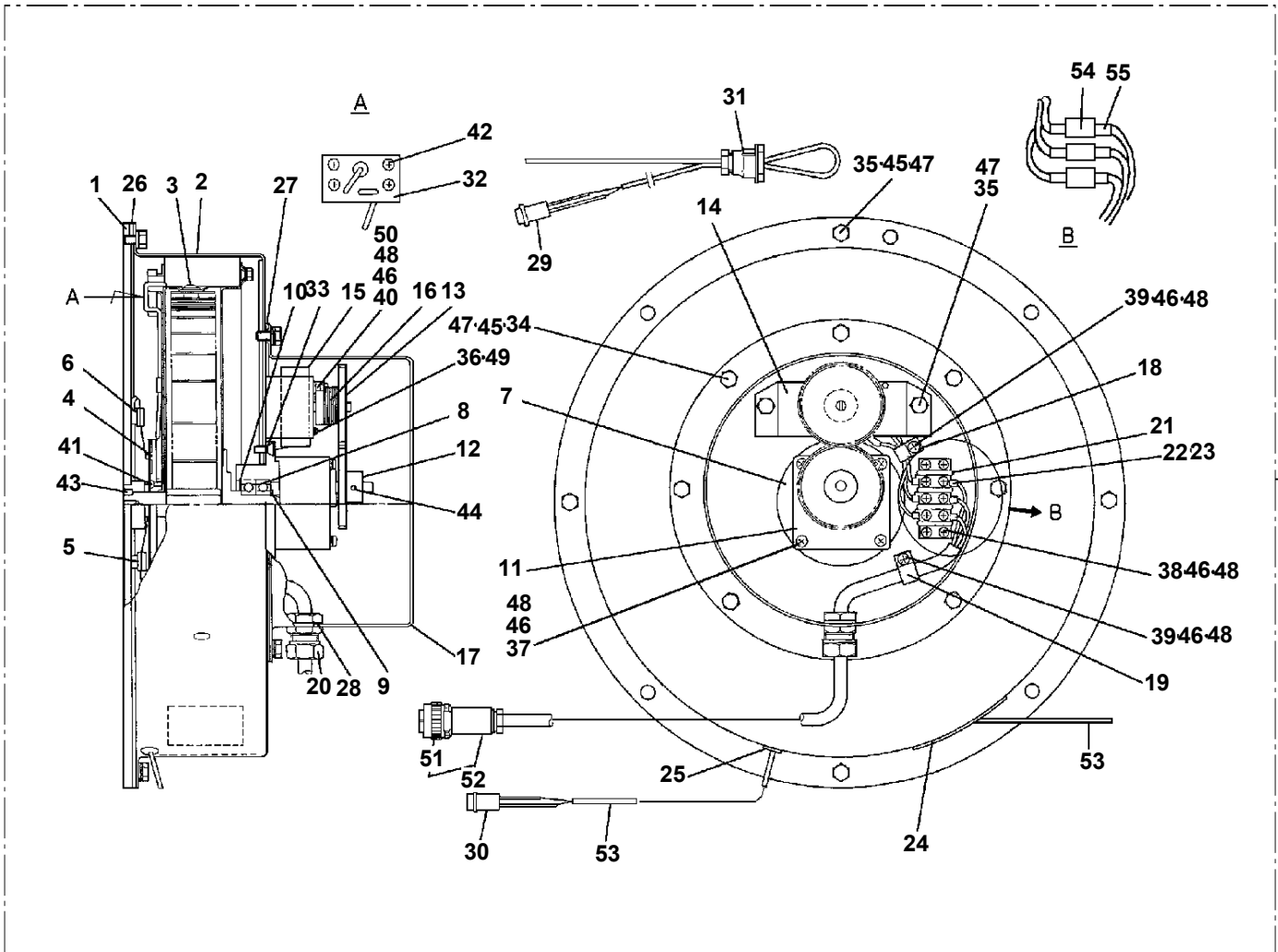
- Thank you very much for reading the preview of the manual.
- You can download the complete manual from: www.heydownloads.com by clicking the link below



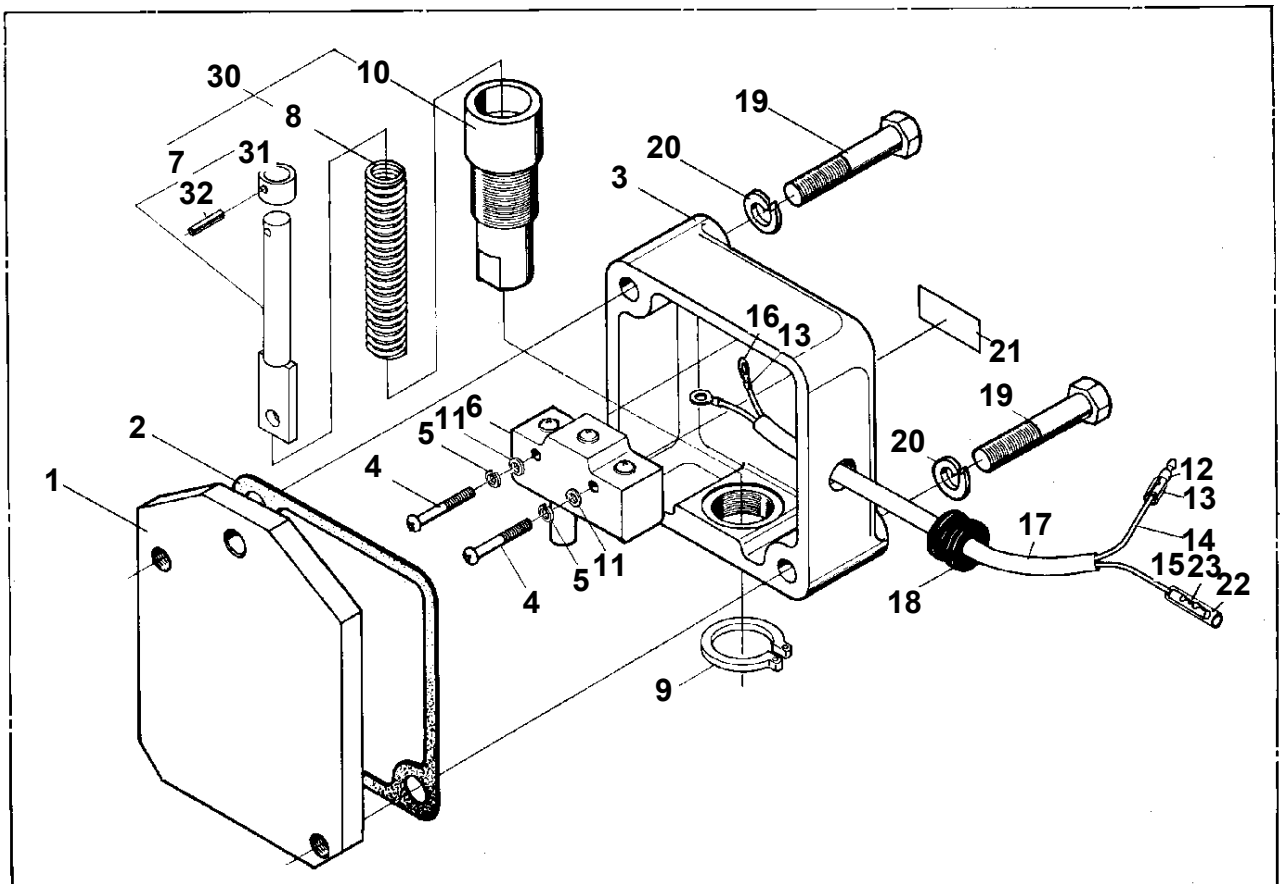
- Please note: If there is no response to CLICKING the link, please download this PDF first and then click on it.

CLICK HERE TO **DOWNLOAD** THE COMPLETE MANUAL

TL-250E-2-20304 4 BOOM + JIB, 2M2D, K203LA
PG1130072-00 DETECTOR,BOOM LENGTH



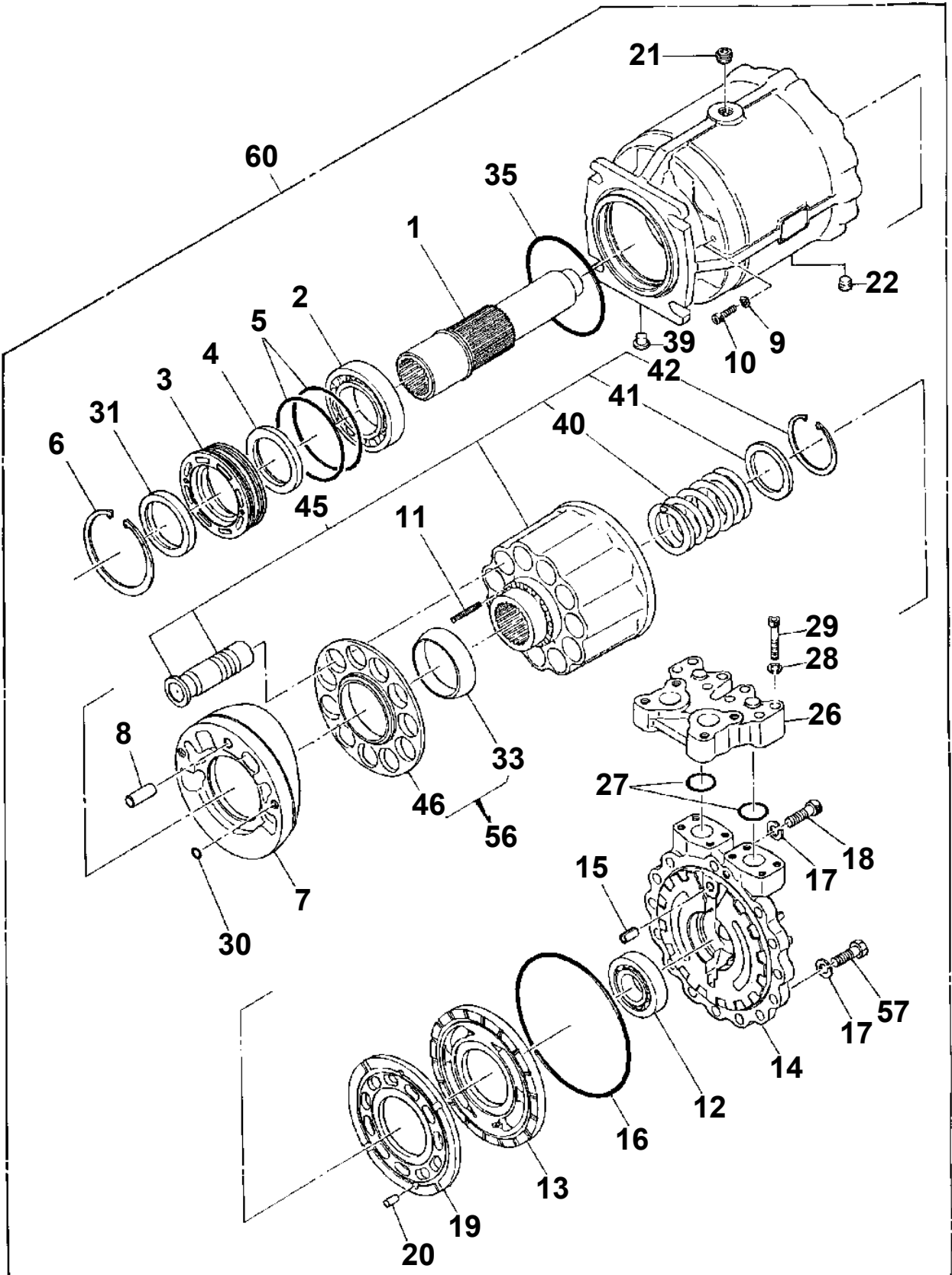
TL-250E-2-20304 4 BOOM + JIB, 2M2D, K203LA
PH1070030-00 SWITCH, OVER WIND DETECTOR (BOOM)



TL-250E-2-20304 4 BOOM + JIB, 2M2D, K203LA
PI1010014-01 MOTOR, HYDRAULIC

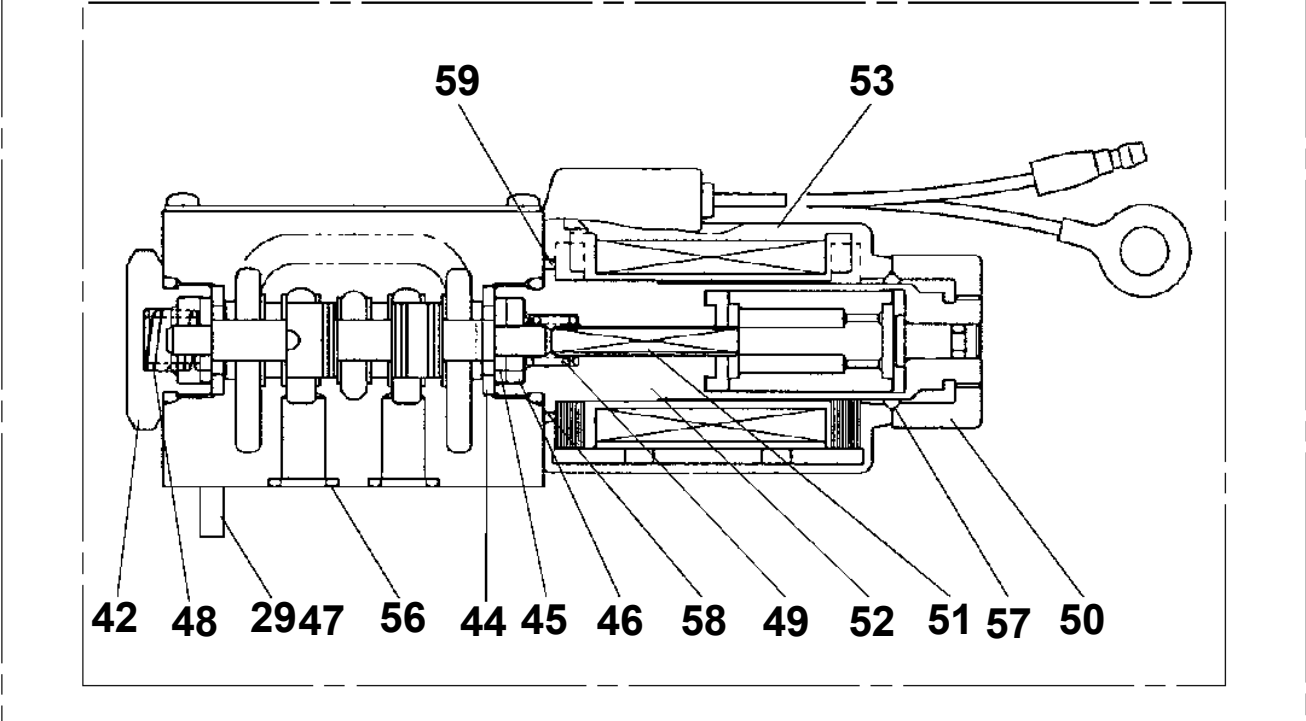
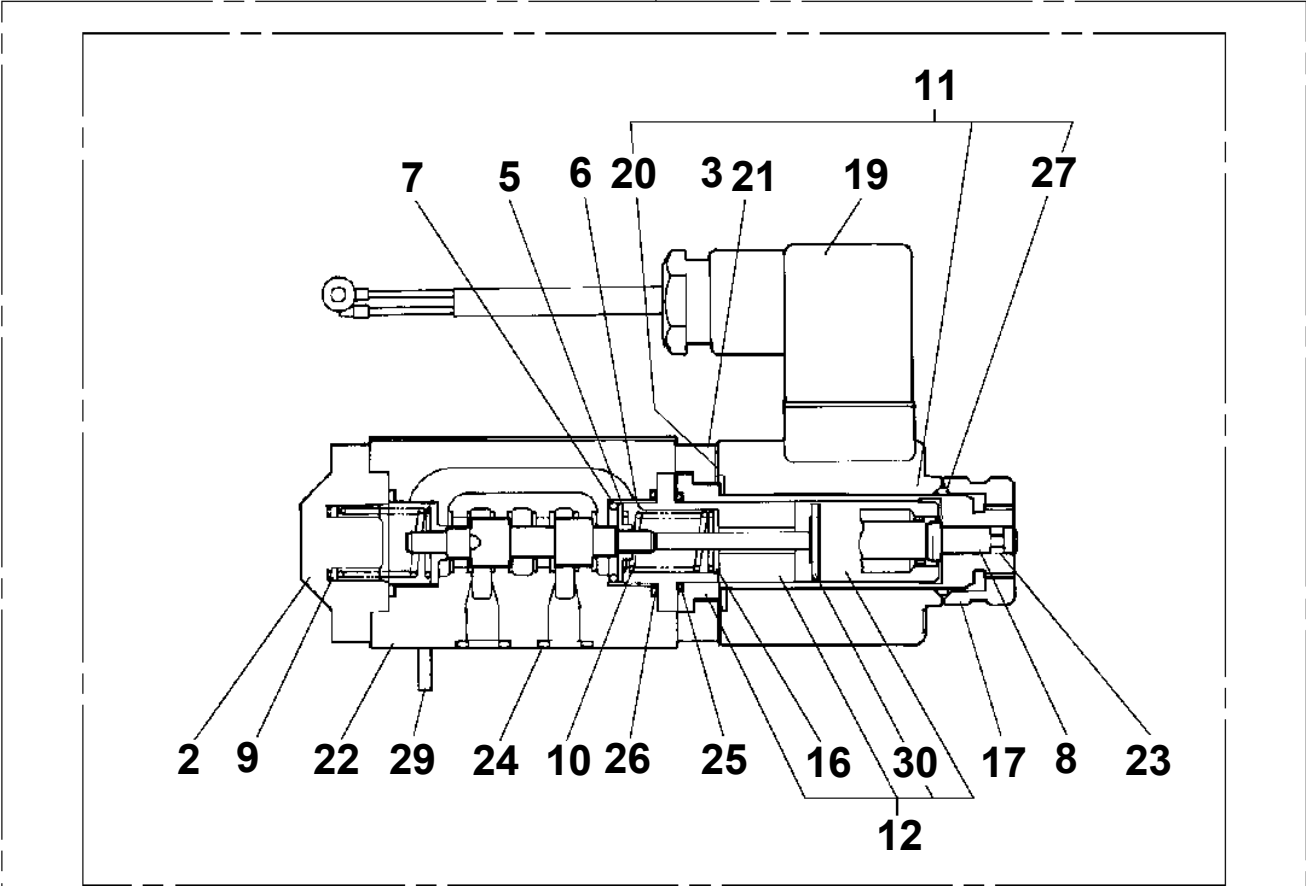
Assembly Name MOTOR, HYDRAULIC

PI101-0014-01

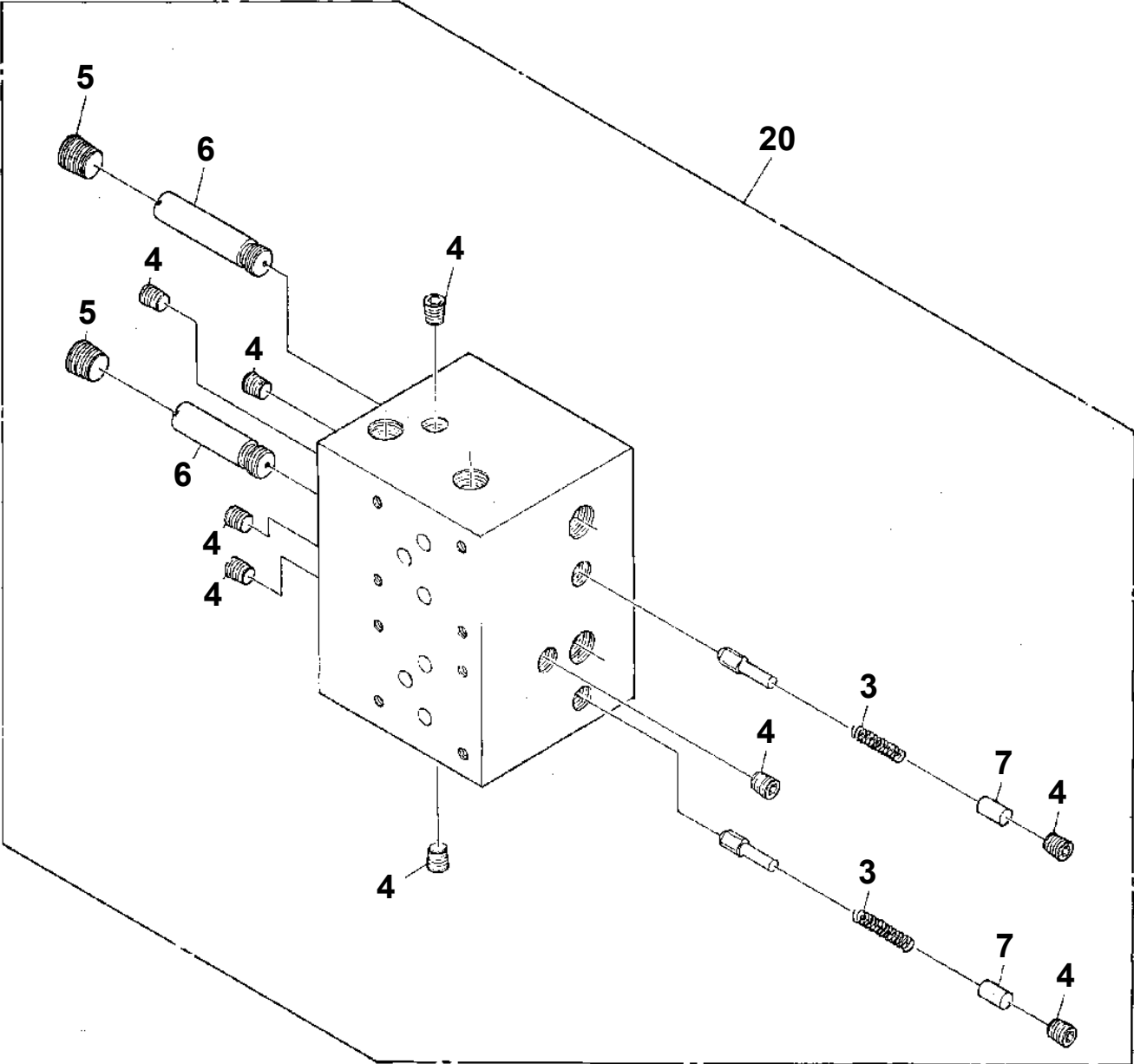


TL-250E-2-20304 4 BOOM + JIB, 2M2D, K203LA
PI1120220-01 VALVE,SOLENOID

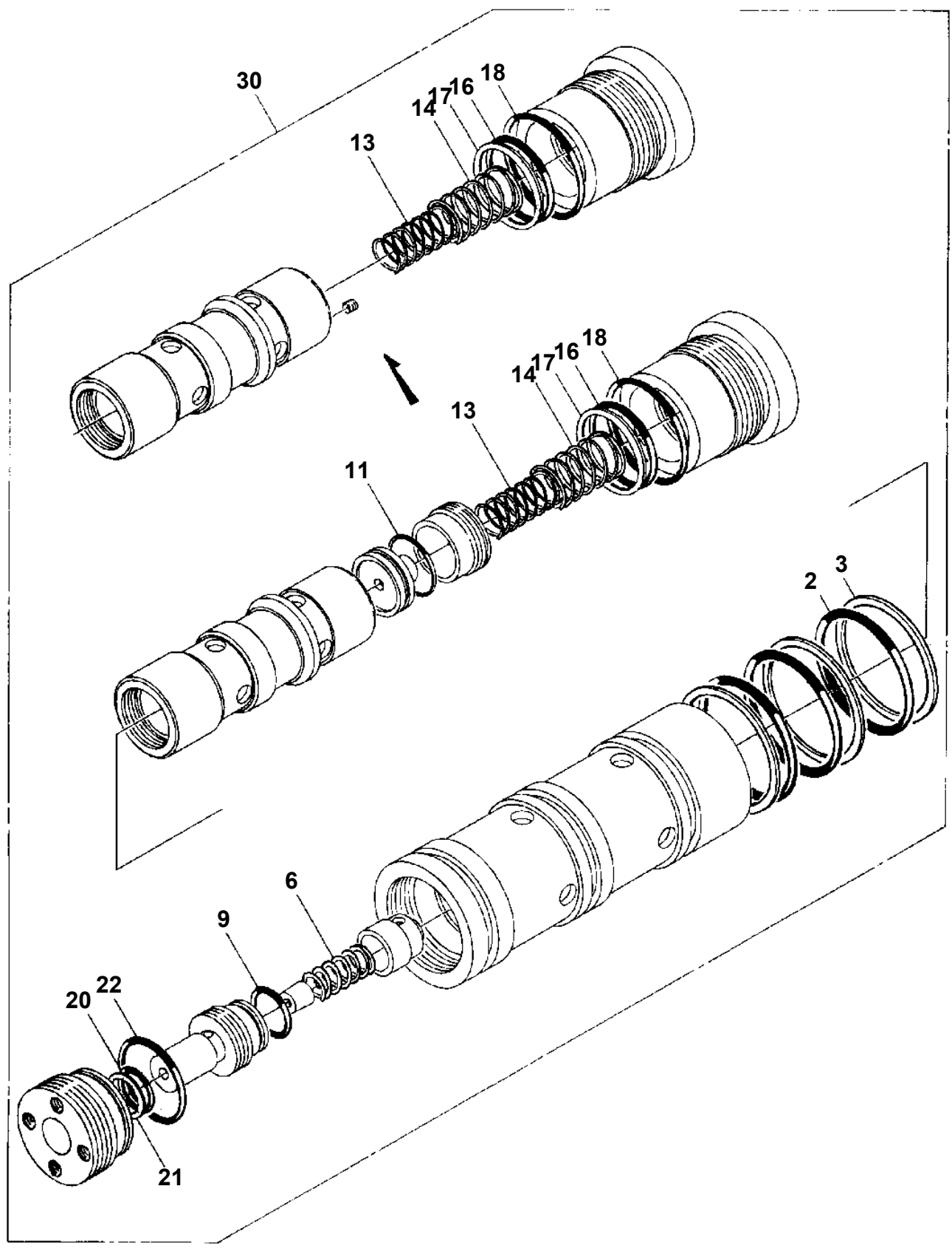
100



TL-250E-2-20304 4 BOOM + JIB, 2M2D, K203LA
PI1140210-00 VALVE,CHECK

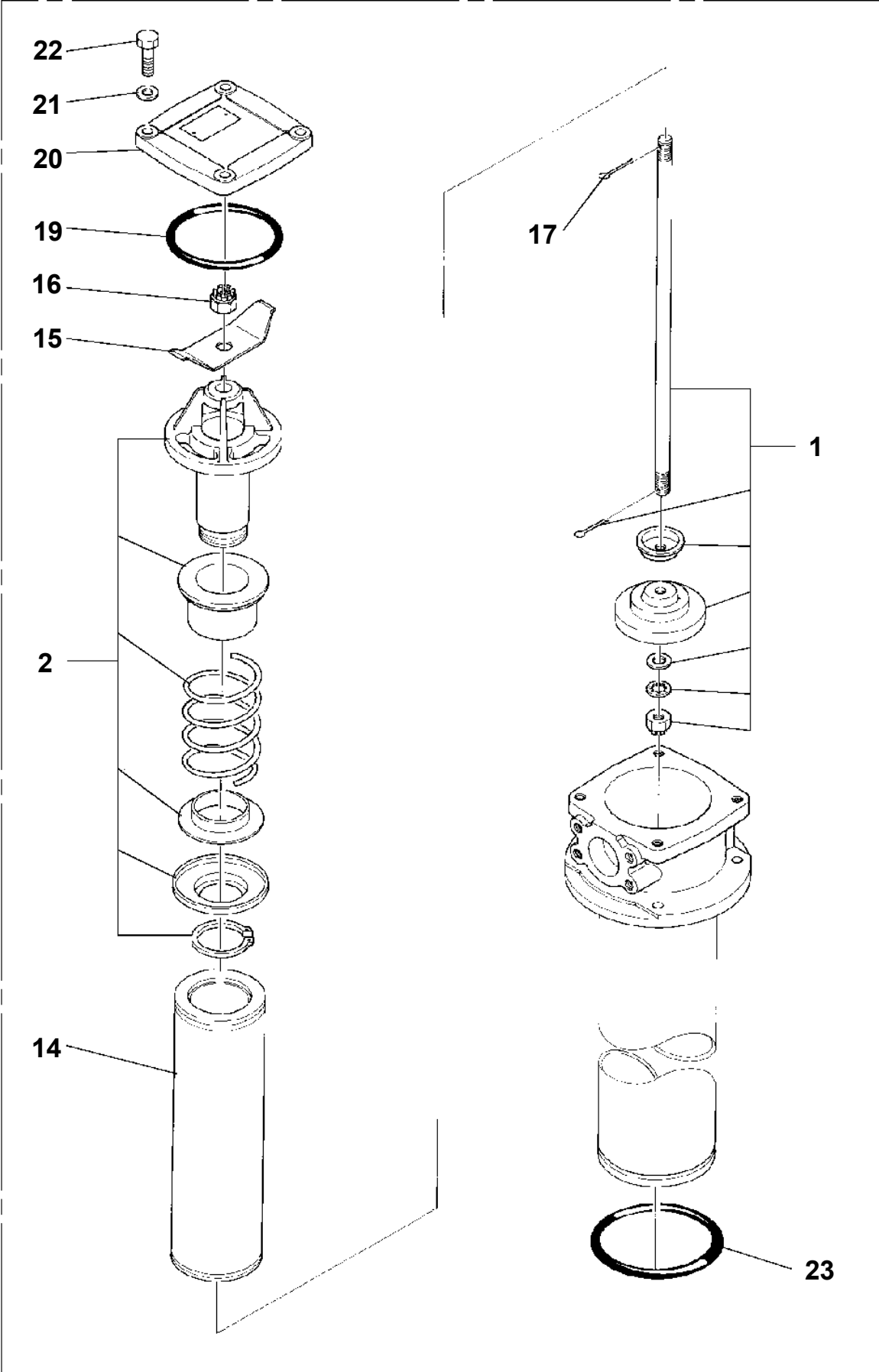


TL-250E-2-20304 4 BOOM + JIB, 2M2D, K203LA
PI1260011-02 CARTRIDGE, COUNTERBALANCE



TL-250E-2-20304 4 BOOM + JIB, 2M2D, K203LA
PI1300120-02 FILTER,OIL

30



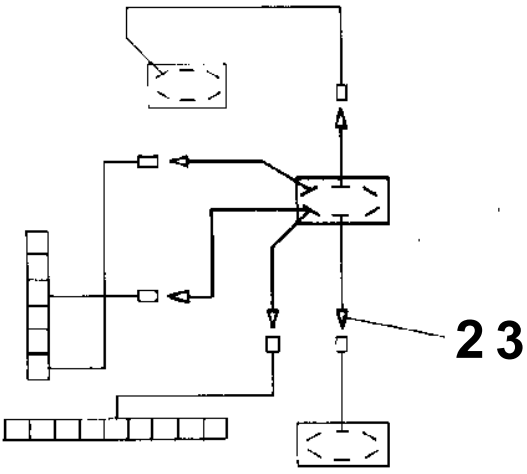
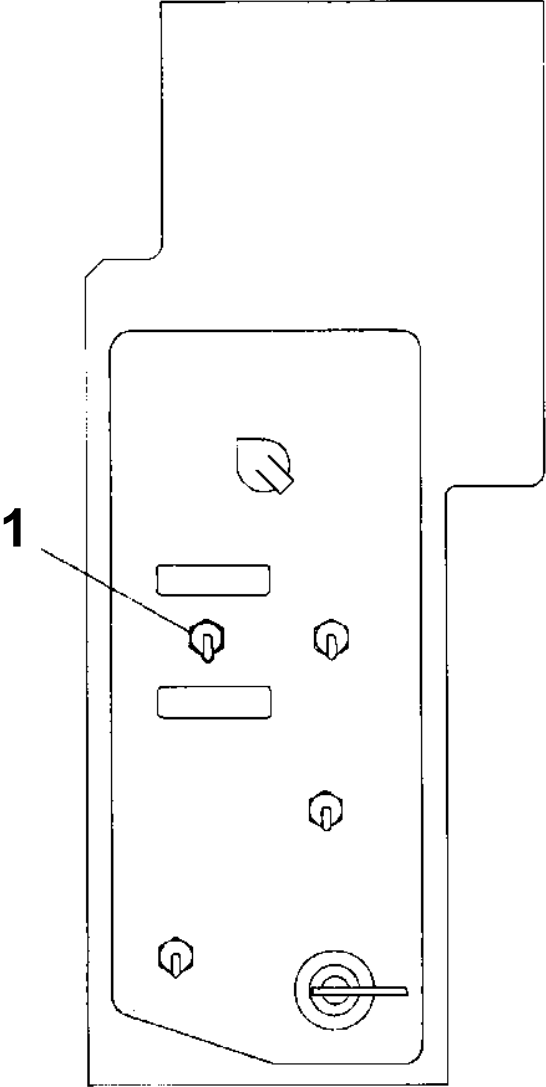
TL-250E-2-20304 4 BOOM + JIB, 2M2D, K203LA

Pos No.	Parts No	Parts Name	Qty	Unit	Technical Data	Serial No (Start)	Serial
1	90927050121	SCREW,TAPPING	2		M5X12		
2	90305200501	WASHER	2		5		
3	33260000500	GUIDE	1				
4	33260000010	COVER	1				
5	33260000020	COVER	1				
6	90261001000	U-NUT	2		M10		
7	33260000030	CUSHION	2				
8	90101508015	BOLT	2		M8X15		
9	90302040801	WASHER,SPRING	7		8		
10	33260000040	SHIM (T=1.0)	2				
11	33260000050	SHIM (T=1.6)	2				
12	33260000060	SHIM (T=3.2)	2				
13	33260000070	SHIM (T=4.5)	2				
14	90101512035	BOLT	10		M12X35		
15	90302041201	WASHER,SPRING	10		12		
17	90101508050	BOLT	5		M8X50		
18	90303071001	WASHER,PLAIN	5		10		
20	90303070801	WASHER,PLAIN	5		8		
21	33260221000	CAB ASSY	1				
22	90303071201	WASHER,PLAIN	10		12		
23	37000506530	PLATE	5		T=4.5		
24	37000506540	PLATE	5		T=3.2		
25	37000506550	PLATE	5		T=1.6		
26	90303151201	WASHER,PLAIN	10				
32	33260095010	DOOR ASSY	1				
36	33260010060	SASH ASSY	1				
37	33260010070	SASH ASSY	1				
38	33260010080	GLASS	1				
39	33260010090	GLASS	1				
40	33260010100	GLASS (ROOF)	1				
41	33260010110	GLASS	1				
42	33260095020	SASH ASSY	1				
43	33260010130	GLASS	1				
44	33260010140	WEATHER STRIP	1		3.6M		
45	33260010150	WEATHER STRIP	1		2.5M		
46	33260010160	WEATHER STRIP	1		L=2150		
47	33260010170	WEATHER STRIP	1		L=250		
48	33260010180	WEATHER STRIP	1		2.7M		
49	33260010190	WEATHER STRIP	1		2.1M		
50	33260010240	HANDLE ASSY	1				
51	33260010200	COVER	2				
62	33260015010	COVER (CATCH)	1				
63	33260015020	RETAINER (CATCH)	1				
64	33260015030	COVER	1				
65	80172304012	SCREW,MACHINE	4		M4X12		
66	90102208016	BOLT	9		M8X16		
67	90302040801	WASHER,SPRING	9		8		
68	90102206012	BOLT	10		M6X12		
69	90302040601	WASHER,SPRING	12		6		
70	33260015040	ROLLER ASSY	2				
76	90302040401	WASHER,SPRING	20		4		
82	33260015101	STOPPER,CRESCENT	1				
83	33260015110	CATCH (CRESCENT)	1				
84	33260015120	GAS SPRING	2				
86	33260015140	RUBBER	1				
87	80136030015	PIN,SPLIT	4		3X15		
88	90303131001	WASHER,PLAIN	4		10		
92	33260015340	STOPPER	1				
93	80176304012	SCREW,MACHINE	2		M4X12		
94	90304110401	WASHER,TOOTH	2		4		
95	33260015330	STOPPER (LEFT)	1				
96	80136320012	PIN,SPLIT	4		2X12		
97	90303070601	WASHER,PLAIN	4		6		

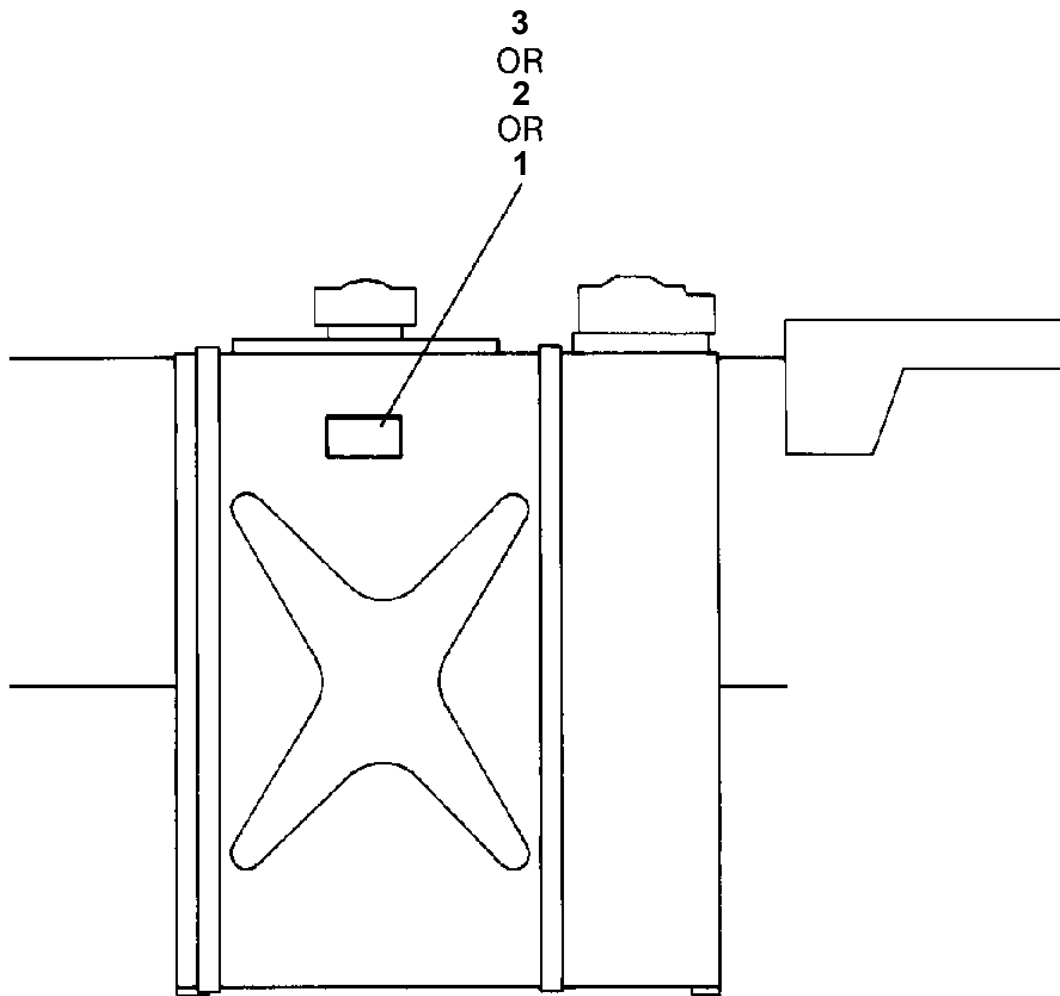
TL-250E-2-20304 4 BOOM + JIB, 2M2D, K203LA

Pos No.	Parts No	Parts Name	Qty	Unit	Technical Data	Serial No (Start)	Serial No (End)
1	90101208020	BOLT	6		M8X20		
2	90302040801	WASHER,SPRING	6		8		
3	33320000010	ROD ASSY	2				
4	37000101050	PIN	14				
5	80613110080	RING,RITAINING	14		8		
6	33320558010	LINK ASSY	1				
7	33320041000	ROD ASSY	1				
8	33320042000	LEVER ASSY	1				
9	33320552000	LEVER ASSY	1				
10	33320000060	ROD ASSY	4				
14	90302041001	WASHER,SPRING	8		10		
15	90101210016	BOLT	8		M10X16		
16	90102208035	BOLT	2		M8X35		
17	90201200800	NUT	6		M8		
18	33320000080	ROD	2				
19	90303070601	WASHER,PLAIN	2		6		
20	80136320012	PIN,SPLIT	2		2X12		
21	37000101860	PIN	1				
23	90101206012	BOLT	1		M6X12		
24	90302040601	WASHER,SPRING	1		6		
25	33320045000	ROD ASSY	1				
26	90303071001	WASHER,PLAIN	4		10		
27	33320554000	ROD ASSY	2				
34	90201201200	NUT	5		M12		
35	33320000100	END	9				
41	33320002000	SWITCH ASSY	1				
42	33320005100	SUPPORT	1				
43	33320551100	LEVER	1				
44	37001400000	SPRING	1				
45	33320551200	SUPPORT	1				
47	90102208040	BOLT	1		M8X40		
48	90102208012	BOLT	2		M8X12		
49	90302040801	WASHER,SPRING	3		8		
51	31320020071	ADJUSTER	1				
54	37000105610	PIN	1		L=18		
55	80136320010	PIN,SPLIT	1		2X10		
61	33320042101	SUPPORT	1				
62	33320042200	LEVER	1				
63	37000101890	PIN	1				
64	90101208016	BOLT	1		M8X16		
67	90302041001	WASHER,SPRING	1		10		
69	80804020010	BEARING,PLAIN	10				
71	33320000700	SUPPORT	1				
72	90101210016	BOLT	1		M10X16		
74	37000101020	PIN	1				
75	33320552100	LEVER	1				
77	33320552200	LEVER	1				
78	90303072001	WASHER,PLAIN	1		20		
79	33320552300	LEVER	1				
80	33320000740	SUPPORT	1				
81	33320552400	LEVER	1				
102	90203201200	NUT	9		M12		
111	82100000229	CONNECTOR	1				
112	82100000578	TERMINAL	11				
121	33320001000	LEVER ASSY	1				
122	33320001010	LEVER ASSY	1				
123	33320044100	LEVER ASSY	3				
125	37000101070	PIN	2				
126	90131510016	BOLT,HEXAGON SOCKET <M10X16.	6				
129	33320553100	SUPPORT	1				
130	53620233000	SPRING	5				
131	37000108440	PIN	1				
132	82100001035	GROMMET	4				

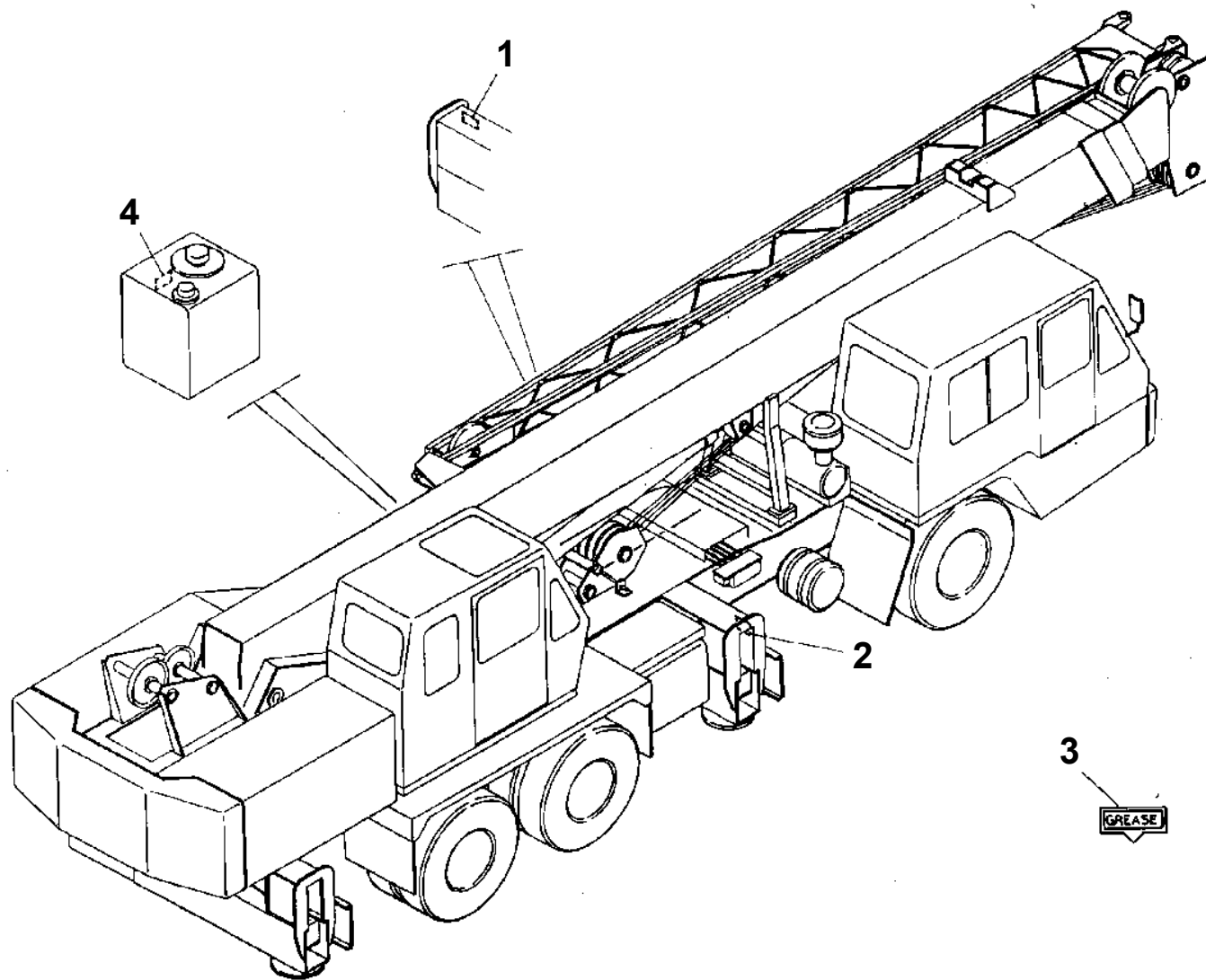
**TL-250E-2-20304 4 BOOM + JIB, 2M2D, K203LA
PN1060024-00 SWITCH PANEL (FRONT JACK SWITCH)**



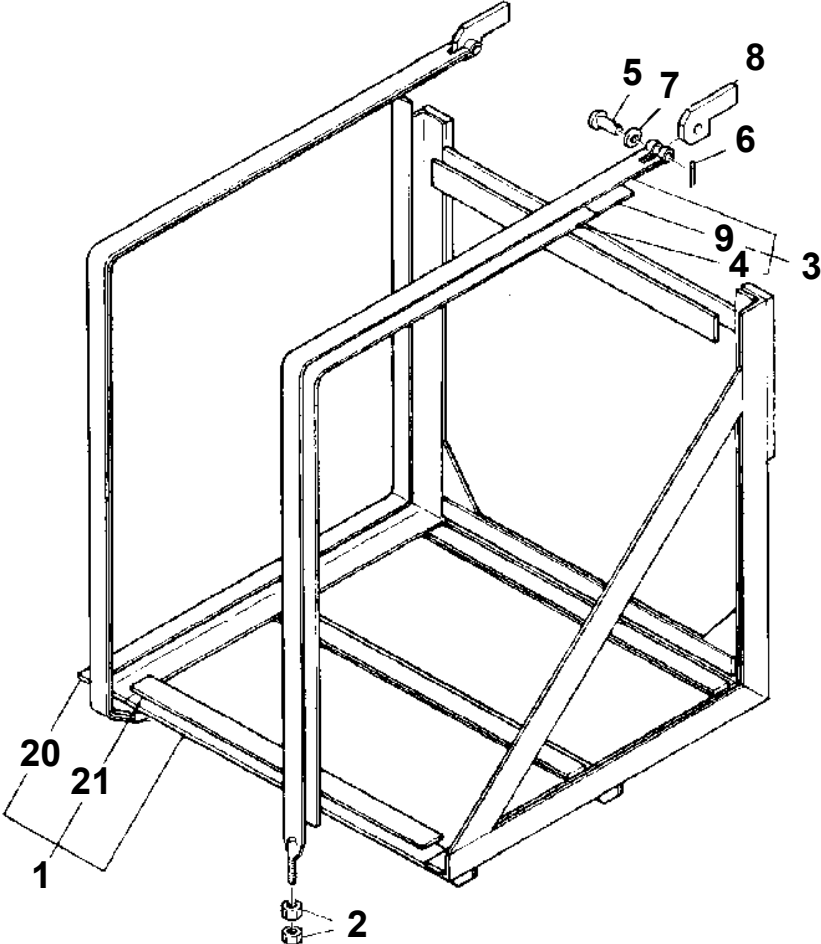
TL-250E-2-20304 4 BOOM + JIB, 2M2D, K203LA
PO1010159-03 PLATE ASSY,NAME (OIL)



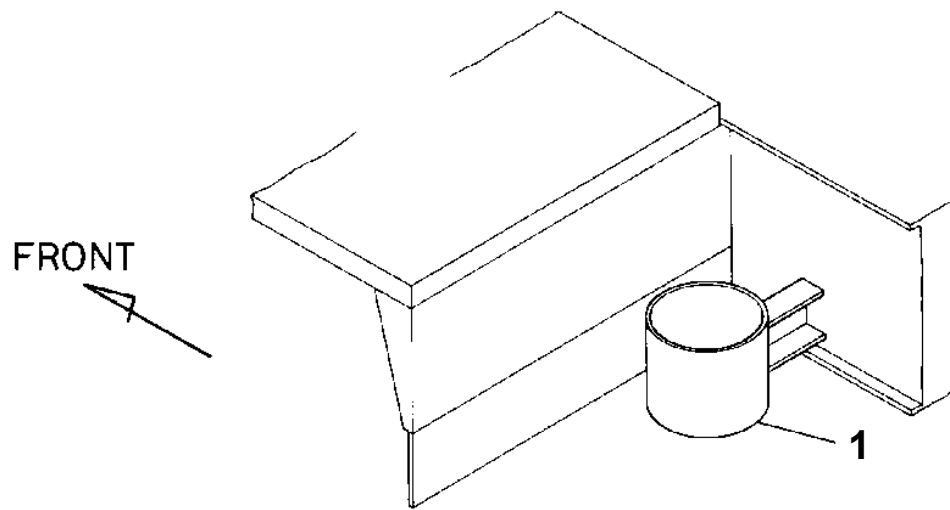
TL-250E-2-20304 4 BOOM + JIB, 2M2D, K203LA
PO1011079-00 PLATE ASSY,NAME (WITH F/J.ENG.&FRENCH)



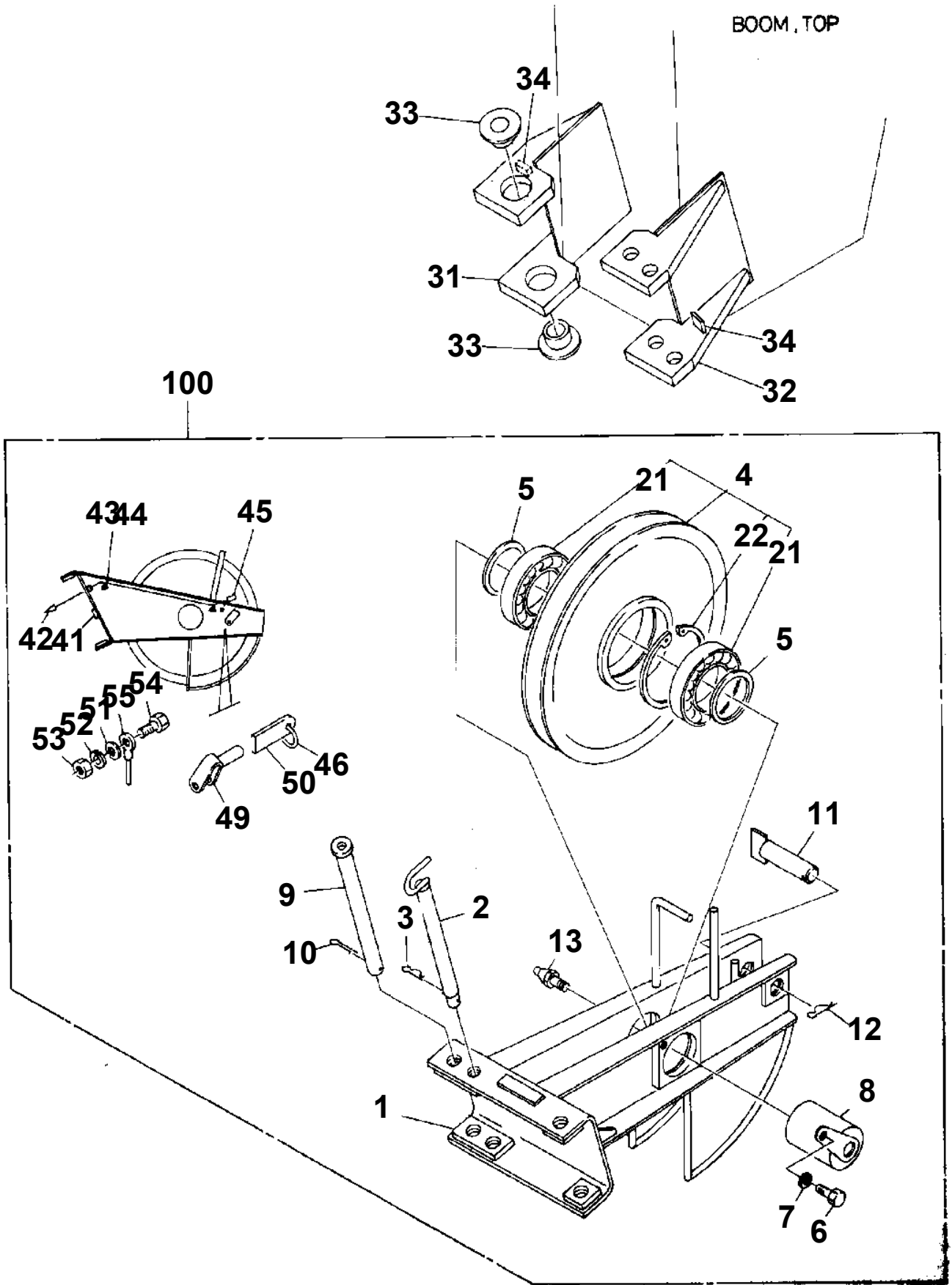
**TL-250E-2-20304 4 BOOM + JIB, 2M2D, K203LA
PX1100130-00 TANK SUPPORT INSTALLATION**



TL-250E-2-20304 4 BOOM + JIB, 2M2D, K203LA
PX1180351-00 MOUNT,HOOK (AUX.)



TL-250E-2-20304 4 BOOM + JIB, 2M2D, K203LA
PY1030170-01 SINGLE TOP



CLICK HERE TO **DOWNLOAD** THE COMPLETE MANUAL

- Thank you very much for reading the preview of the manual.
- You can download the complete manual from: www.heydownloads.com by clicking the link below



- Please note: If there is no response to CLICKING the link, please download this PDF first and then click on it.

CLICK HERE TO **DOWNLOAD** THE COMPLETE MANUAL