

TL-250E-3-10605 4 BOOM + JIB, 2M2D, KW32MXHS

PB1000177-02 HYDRAULIC PRESSURE GENERATING SYSTEM

PC1000132-01 OUTRIGGER SYSTEM

PD1000164-03 SWING SYSTEM

PE1000162-01 ELEVATING SYSTEM

PF1000153-05 WINCH SYSTEM

PG1000156-01 TELESCOPING SYSTEM

PH1000150-03 SAFETY DEVICES

PK1000169-03 FRAME

PL1000167-02 CONTROL DEVICES

PN1000148-02 ELECTRIC EQUIPMENT

PO1000144-01 INDICATION PLATES

PW1000122-00 ACCESSORIES & TOOLS

PX1000168-03 MOUNTING PARTS

PY1000150-03 OPTIONS

ASSEMBLY

CLICK HERE TO **DOWNLOAD** THE COMPLETE MANUAL

- Thank you very much for reading the preview of the manual.
- You can download the complete manual from: www.heydownloads.com by clicking the link below



- Please note: If there is no response to CLICKING the link, please download this PDF first and then click on it.

CLICK HERE TO **DOWNLOAD** THE COMPLETE MANUAL

TL-250E-3-10605 4 BOOM + JIB, 2M2D, KW32MXHS

Pos No.	Parts No	Parts Name	Qty	Unit	Technical Data	Serial No (Start)	Serial No (End)
1	36094350000	HOOK (SHEAVE 4 PC'S)	1				
2	(*****)	HOOK (AUXILIARY)	1				
4	37001800060	ROPE,WIRE (TESAC)	1				
	37001805280	ROPE,WIRE (KISWIRE)	1				
5	37001802520	ROPE,WIRE	1				
	37001802510	ROPE,WIRE	1				
6	37001801380	ROPE,WIRE (TSK)	1				
7	37001802550	ROPE,WIRE	1				
	37001802540	ROPE,WIRE	1				
8	(*****)	SOCKET,ROPE (SEIZING)	2				
9	(*****)	OPE.ASSY, WINCH BRAKE (MAIN)	1				
10	(*****)	OPE.ASSY, WINCH BRAKE (AUX.)	1				
11	(*****)	OPE.ASSY,DRUM LOCK (MAIN)	1				
12	(*****)	OPE.ASSY,DRUM LODK (AUX.)	1				
13	(*****)	OPE.ASSY,CLUTCH (MAIN)	1				
14	(*****)	OPE.ASSY,CLUTCH (AUX.)	1				
15	(*****)	DETECTOR,DISORDERLY WIND (MAIN,OPTION)	1				
16	(*****)	DETECTOR,DISORDERLY WIND (AUX.,OPTION)	1				
17	(*****)	PIPING,WINCH (MAIN)	1				
18	(*****)	PIPING,WINCH (AUX.)	1				
19	(*****)	PIPING,WINCH BRAKE (MAIN)	1				
20	(*****)	PIPING,WINCH BRAKE (AUX.)	1				
21	(*****)	DETECTOR,DRUM ROTATION (AML-LC,OPTION)	1				
22	(*****)	MOUNT,WINCH (MAIN)	1				
23	(*****)	MOUNT,WINCH (AUX.,SANWA)	1				
101	36070840000	WINCH	2				
102	19413067000	CLUTCH,WINCH	2				
103	33310660010	BAND,WINCH BRAKE	2				
104	36634680000	VALVE,CLUTCH	1				
105	36661840000	MOTOR,HYDRAULIC (SANWA)	2				
106	36661680000	MOTOR,HYDRAULIC (SANWA)	2				
107	36061040000	CYLINDER,MASTER	2				
108	36643940000	VALVE,HYDRAULIC	2				
109	36603180000	VALVE,COUNTERBALANCE (SANWA)	2				
110	36672480000	ACCUMULATOR	1				

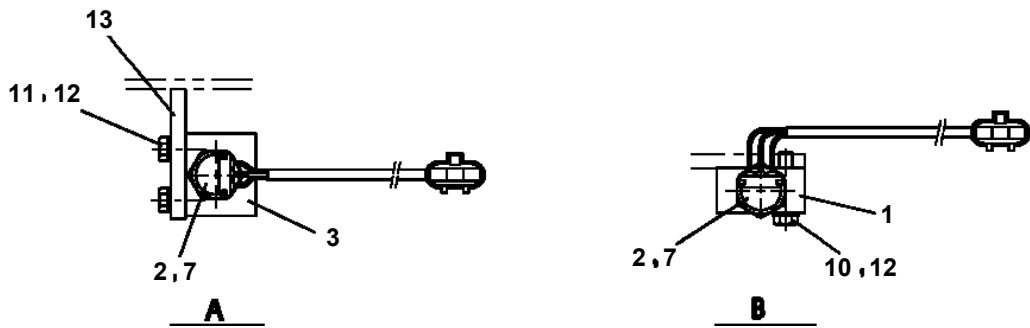
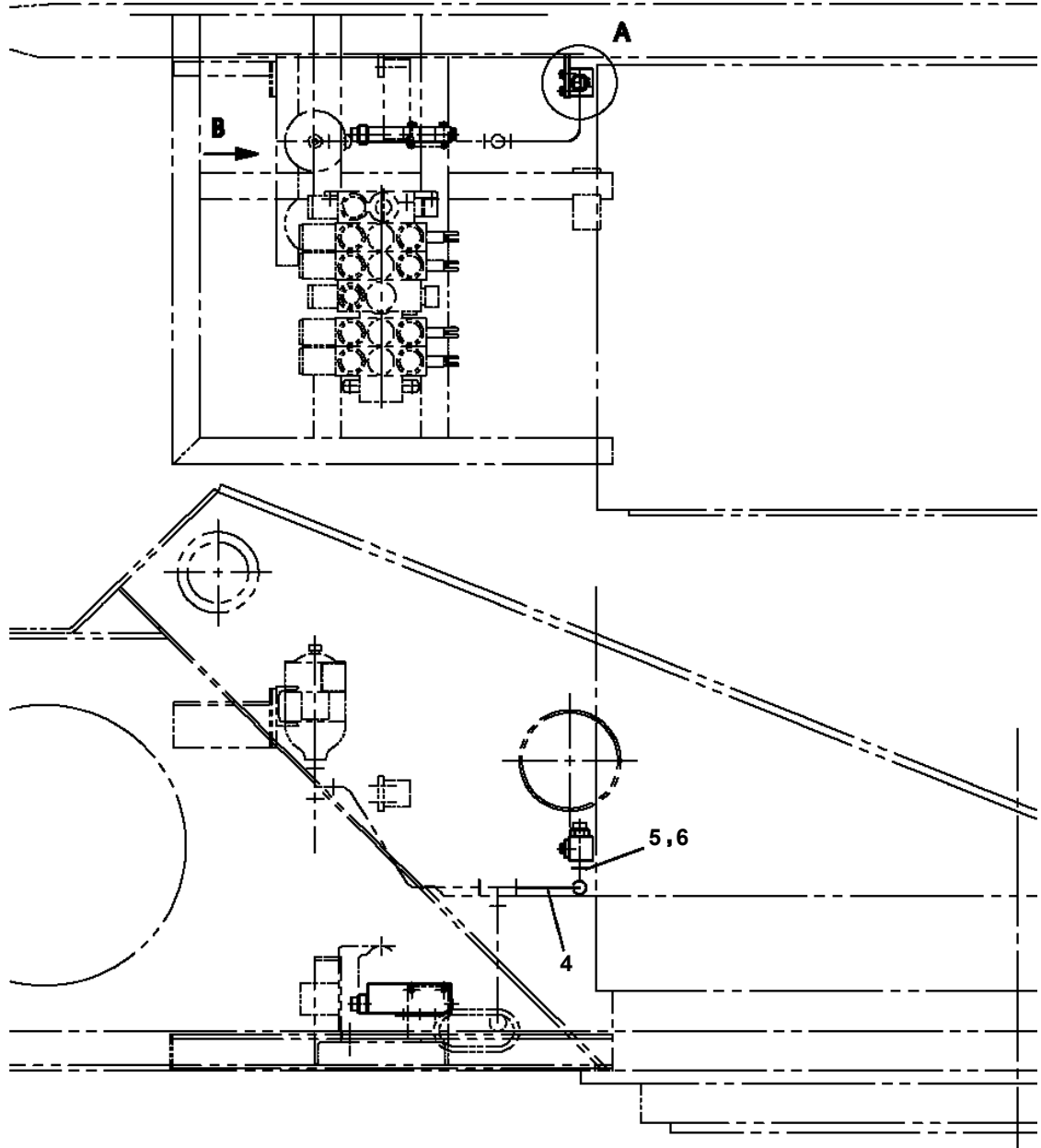
TL-250E-3-10605 4 BOOM + JIB, 2M2D, KW32MXHS

Pos No.	Parts No	Parts Name	Qty	Unit	Technical Data	Serial No (Start)	Serial No (End)
1	(*****)	ELECTRICAL PARTS,CAB	1				
3	(*****)	LAMP (WORKING)	1				
5	(*****)	SWITCH,DETECTOR (JIB AUTOMATIC PIN)	1				

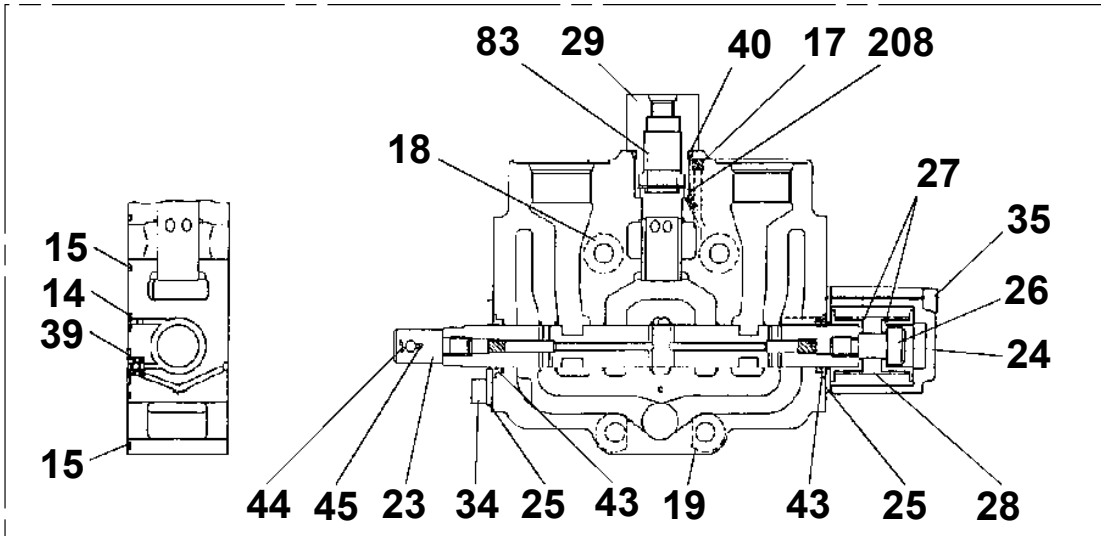
TL-250E-3-10605 4 BOOM + JIB, 2M2D, KW32MXHS

PG1070028-01 REEL,HOSE
PG1070034-02 REEL,HOSE (MOUNT)
PG1120112-01 DETECTOR SYSTEM, BOOM LENGTH
PG1130112-00 DETECTOR,BOOM LENGTH (WITH ANGLE DETECT)
PG1160000-03 DETECTOR,BOOM RETRACTION (TOP)
PG1200146-01 PIPING,TELESCOPING
PG1360195-00 WIRE GUIDE (BOOM)
PH1060262-01 DETECTOR,OVER WIND (WEIGHT,JIB & S/T)
PH1060277-02 DETECTOR,OVER WINDING (BOOM)
PH1070013-02 SWITCH,OVER WIND DETECTOR (BOOM)
PH1180199-00 CONNECTION,MOMENT LIMITER SYSTEM
PH1200015-02 PIPING,VENT
PH1250026-01 MOMENT LIMITER (AML-LC)
PI1010034-03 MOTOR,HYDRAULIC (SANWA)
PI1010072-01 MOTOR,HYDRAULIC (AIR CONDITIONER)
PI1010111-00 MOTOR,HYDRAULIC (SANWA)
PI1010121-01 MOTOR,HYDRAULIC (SWING)
PI1010124-00 MOTOR,HYDRAULIC (COOLER,OIL)
PI1010162-00 MOTOR,HYDRAULIC (COOLER,OIL)
PI1010186-00 MOTOR,HYDRAULIC
PI1010205-00 MOTOR,HYDRAULIC
PI1030008-01 CYLINDER,MASTER
PI1030011-00 CYLINDER,MASTER
PI1030012-00 CYLINDER,MASTER (NABCO)
PI1030040-00 CYLINDER,MASTER
PI1040011-00 CYLINDER,AIR
PI1050002-00 RESERVOIR,OIL
PI1100044-01 VALVE,RELIEF
PI1120138-04 VALVE,SOLENOID
PI1120146-02 VALVE,SOLENOID
PI1120344-00 VALVE,SOLENOID
PI1120345-00 VALVE,SOLENOID
PI1120353-00 VALVE,SOLENOID
PI1130005-01 VALVE,HYDRAULIC
PI1130022-01 VALVE,HYDRAULIC
PI1130044-02 VALVE,HYDRAULIC
PI1140017-00 VALVE,CHECK
PI1140042-00 VALVE,CHECK
PI1140082-00 VALVE,CHECK
PI1140100-00 VALVE,CHECK
PI1140170-03 VALVE,CHECK
PI1160007-00 VALVE,FLOW CONTROL
PI1170000-00 VALVE,PRESSURE DETECTOR
PI1250066-00 VALVE,COUNTERBALANCE (SANWA)
PI1260011-02 CARTRIDGE, COUNTERBALANCE
PI1280002-00 VALVE,PILOT CHECK
PI1300012-03 FILTER,OIL (TANK,OIL)
PI1300120-02 FILTER,OIL
PK1100288-00 SWING FRAME
PK1120176-01 SWING TABLE
PK1140124-02 CAB,OPERATOR
PK1150021-00 SEAT,OPERATOR
PK1150030-00 SEAT,OPERATOR (WOOCHNG)
PK1200326-03 COVER,SWING FRAME
PK1220176-00 WEIGHT, COUNTERBALANCE
PK1220192-00 WEIGHT, COUNTERBALANCE (HONG KONG)
PK1330047-00 COVER (WITHOUT HEATER,OP.)
PK1410026-01 MOUNT,CAB
PL1010789-02 OPE.ASSY,CONT.VALVE (ISO)
PL1010923-00 OPE.ASSY,CONT.VALVE (TDN)
PL1030718-01 OPE.ASSY,ACCELERATOR (UPPER)
PN1050156-02 ELECTRICAL PARTS,CAB
PN1080074-01 LAMP (WORKING)
PN1140079-00 SWITCH,DETECTOR (JIB AUTOMATIC PIN)

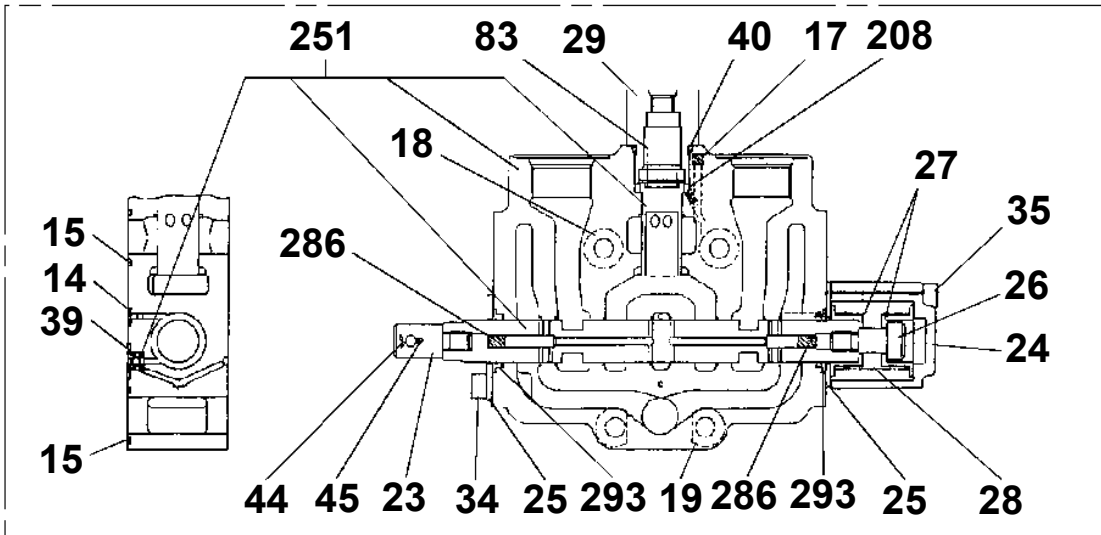
**TL-250E-3-10605 4 BOOM + JIB, 2M2D, KW32MXHS
PB1280083-00 PIPING,GAUGE**



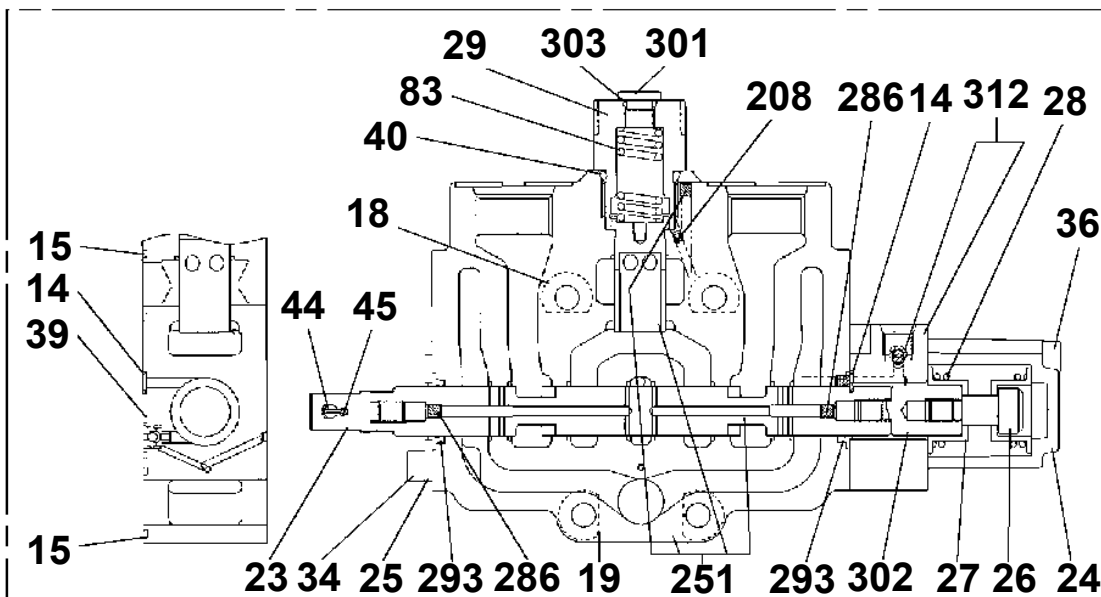
**TL-250E-3-10605 4 BOOM + JIB, 2M2D, KW32MXHS
PB1320103-06 VALVE, MANUAL CONTROL**



6
MAIN WINCH
(~1989.9)

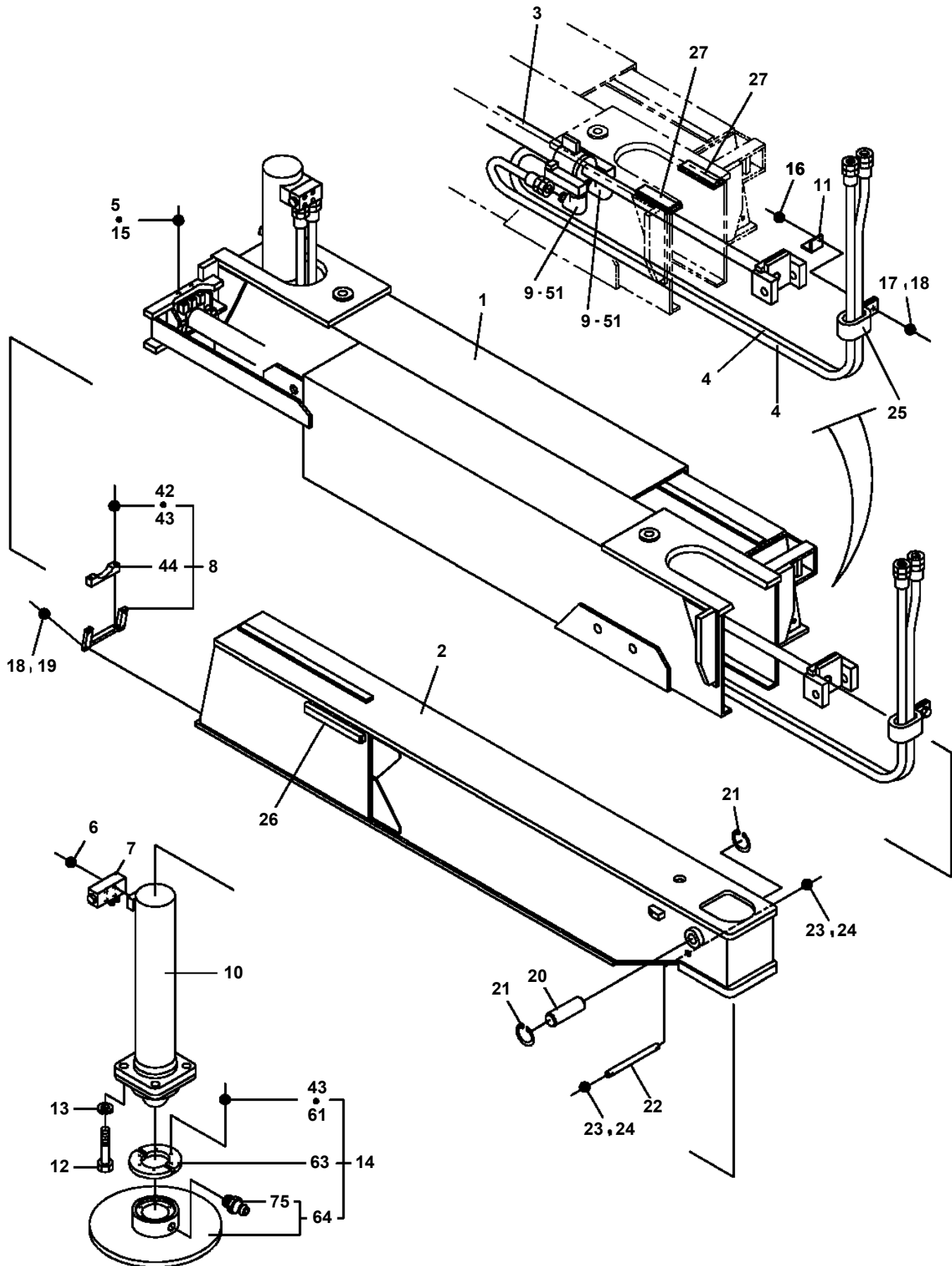


6
MAIN WINCH
(1989.10 ~)

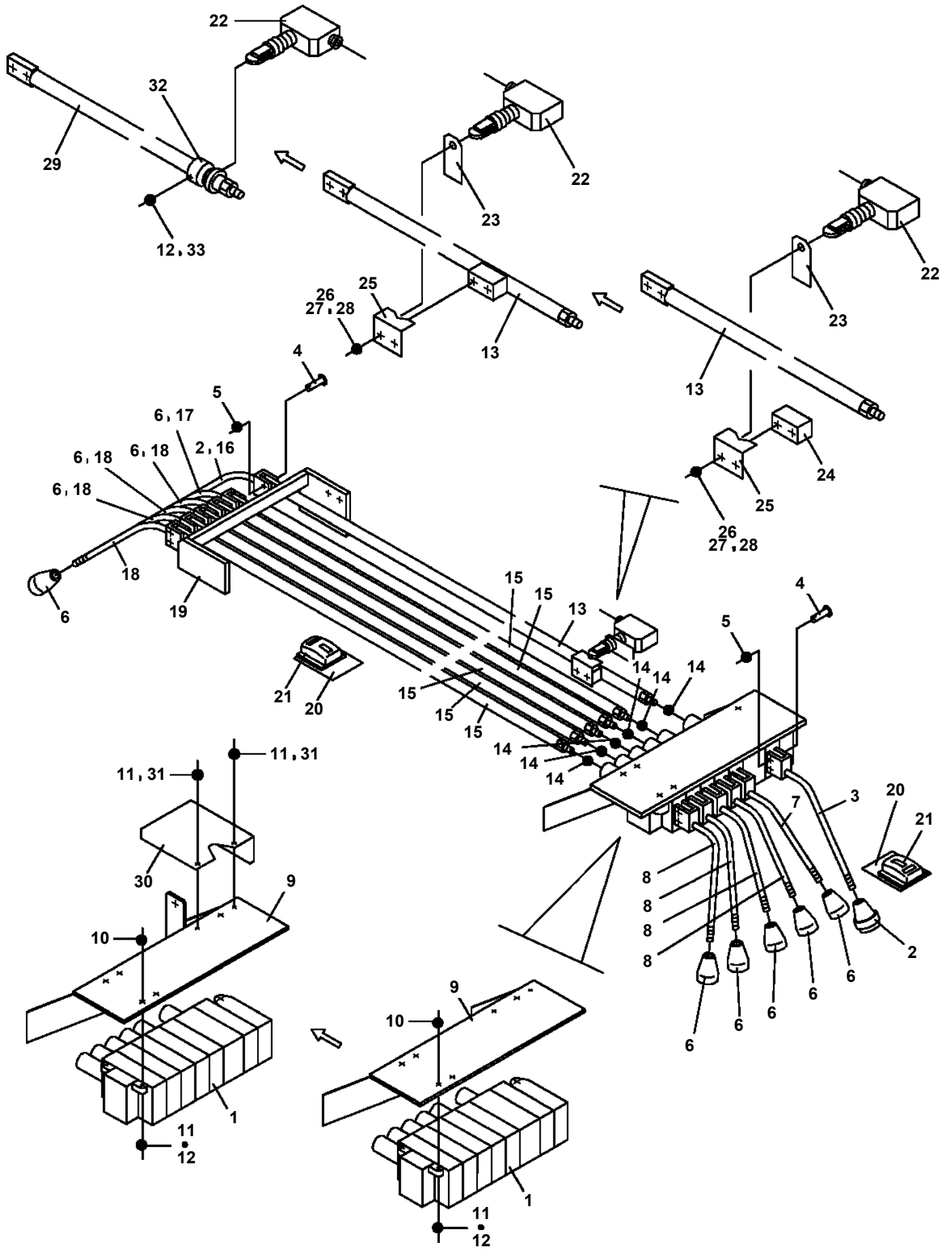


6
MAIN WINCH

TL-250E-3-10605 4 BOOM + JIB, 2M2D, KW32MXHS
PC1010663-00 OUTRIGGER (FRONT)



**TL-250E-3-10605 4 BOOM + JIB, 2M2D, KW32MXHS
PC1100219-02 OPERATION SYSTEM, OUTRIGGER**



TL-250E-3-10605 4 BOOM + JIB, 2M2D, KW32MXHS

Pos No.	Parts No	Parts Name	Qty	Unit	Technical Data	Serial No (Start)	Serial No (End)	Rem
1	90101510040	BOLT	3		M10X40			
2	90302041001	WASHER,SPRING	3		10			
3	36620510000	VALVE,PILOT CHECK	1					
4	36030340001	FRONT JACK,HYDRAULIC	1					
5	33730261100	SUPPORT	1					
6	90171116040	BOLT	4		M16X40			
7	90302041601	WASHER,SPRING	4		16		336358	
	90303501601	WASHER,PLAIN	4		16	336359		
8	90101512055	BOLT	4		M12X55			
9	90302041201	WASHER,SPRING	4		12			
10	33730261200	FLOAT ASSY	1					
13	90302040801	WASHER,SPRING	4		8			
14	90101508075	BOLT	4		M8X75			
15	36030750000	VALVE,PRESSURE DETECTOR	1					
20	33730268020	HARNES	1					
31	90191210035	BOLT	6		M10X35			
32	90302041001	WASHER,SPRING	6		10			
33	33730261210	COVER	2					
35	82456101000	NIPPLE,GREASE	1		A-PT1/8			
44	33730268010	FLOAT ASSY	1					

TL-250E-3-10605 4 BOOM + JIB, 2M2D, KW32MXHS

Pos No.	Parts No	Parts Name	Qty	Unit	Technical Data	Serial No (Start)	Serial No (End)
1	80441030906	FITTING,ELBOW	1		L,G3/8-12.7		
2	89640101000	HOSE	1		880-NFK,1M		
4	80430621200	JOINT	3				
5	80303130281	FITTING,ELBOW	1		KLO22-060E		
6	90101510030	BOLT	4		M10X30		
7	90302041001	WASHER,SPRING	4		10		
8	80302090101	FITTING	1		KCO10-020N		
9	80302010100	FITTING	1		KCT10-020N		
10	80305100180	FITTING,TEE	1		T,18-18-18		
11	81408000241	PIPE,STEEL	1	M	18X1.9T		
12	80400160133	JOINT	2				
13	91002802400	O-RING	4		1B P24		
14	89640201000	HOSE	1		660-NFK,1M		
15	80400160109	FITTING,ELBOW	1		20369-U3/8X1/4		
16	33343053200	SUPPORT	1				
17	90101214030	BOLT	4		M14X30		
18	90302041401	WASHER,SPRING	4		14		
19	36633240000	VALVE,MANUAL CONTROL (SWING)	1				
20	37002415270	HOSE	1		L=1060		
21	37002455280	HOSE	1		L=1010		
22	91002801100	O-RING	1		1B P11		
23	81408000130	PIPE,STEEL	2	M	10X1.8T		
24	37000925630	JOINT	2		S,G3/4-G3/4		
25	81408000130	PIPE,STEEL	1	M	10X1.8T		
26	37002439640	HOSE	1		L=1050		
27	81408000130	PIPE,STEEL	1	M	10X1.8T		
29	37000711080	CLAMP ASSY	2		12-2		
30	37000505970	PLATE	2				
31	37000300720	SLEEVE	4		12-10		
32	80301010080	FITTING	2		KUA10-000E		
36	37000704580	CLAMP ASSY	1				
37	37000502330	PLATE	1				
38	37000711410	CLAMP ASSY	1		12-4		
39	37000503220	SUPPORT	1				
40	80441010604	FITTING	1				
41	80311010320	FITTING	1		KRE22X180N		
42	80441010904	FITTING (WITH O-RING)	1		S G1/4-12.7		
43	82100002008	CLAMP	3		WR12		
44	90190000008	BOLT,STUD	3		M6X20		
45	90302040601	WASHER,SPRING	3		6		
46	90201200600	NUT	6		M6		
61	91002801400	O-RING	1		1B P14		
71	91002802400	O-RING	4		1B P24		
81	91000521400	O-RING	1		AS568-214-1B		
91	91002801100	O-RING	2		1B P11		

TL-250E-3-10605 4 BOOM + JIB, 2M2D, KW32MXHS

Pos No.	Parts No	Parts Name	Qty	Unit	Technical Data	Serial No (Start)	Serial No (End)	Remarks	P
1	36094350100	PLATE	2						
2	36092014000	BOLT	3						
3	90302042001	WASHER,SPRING	3		20				
5	80500051218	BEARING,BALL	1						
6	82456101000	NIPPLE,GREASE	1		A-PT1/8				
7	36090140700	TRUNNION	1						
10	37001007690	SHEAVE ASSY	4				336359		
	37001004750	SHEAVE ASSY (IMONO)	4			336360			
11	16311007000	SPACER	5		L=3.5				
12	90101516035	BOLT	8		M16X35				
13	19411557000	PLATE	2						
14	19411556000	PLATE	2						
15	37000102420	PIN	1						
16	37000105000	PIN	1						
17	16611506000	PLATE	2						
18	16611505000	PLATE	2						
19	37000105200	PIN	1						
20	37001400040	SPRING	1						
21	80136332020	PIN,SPLIT	1		3.2X20				
22	90303071001	WASHER,PLAIN	1		10				
24	33441152300	SPACER	2		L=217				
25	36093330300	GUARD	1						
31	36090229510	HOOK ASSY	1						
41	36091229510	STOPPER ASSY	1						
52	80612111250	RING,RITAINING	4		AR125	336360			
53	80515006214	BEARING,BALL	8			336360			
100	36094350000	HOOK (SHEAVE 4 PC'S)	1						

TL-250E-3-10605 4 BOOM + JIB, 2M2D, KW32MXHS

Pos No.	Parts No	Parts Name	Qty	Unit	Technical Data	Serial No (Start)	Serial No (End)	Remarks	Pages
1	37001802550	ROPE,WIRE	1						

TL-250E-3-10605 4 BOOM + JIB, 2M2D, KW32MXHS

Pos No.	Parts No	Parts Name	Qty	Unit	Technical Data	Serial No (Start)	Serial No (End)	Remarks	Page
2	90102508025	BOLT	1		M8X25				
3	90203200800	NUT	1		M8				
4	33330114000	SUPPORT	1						
5	91801300150	CLIP	2		D=13-15				
6	37002500640	HOSE	1		L=400				
7	90101212025	BOLT	4		M12X25				
8	90302041201	WASHER,SPRING	4		12				
9	33331010100	COVER	1						
10	80147310440	RIVET	3		NSA4-4				
11	82100002010	CLAMP	1		WR15				
12	90101206012	BOLT	1		M6X12				
13	90302040601	WASHER,SPRING	1		6				
21	33330118070	SUPPORT ASSY	1						
32	36061040000	CYLINDER,MASTER	1						0001
35	90302040801	WASHER,SPRING	2		8				
42	90101508035	BOLT	2		M8X35				
43	90201400800	NUT	2		M8				
44	33330111400	END	1						
46	37000102090	PIN	1						
47	80601110100	RING,RITAINING	1		S10				
60	33331018010	LINK ASSY	1						
81	33330551200	SUPPORT	1						
82	90102208016	BOLT	1		M8X16				
83	90302040801	WASHER,SPRING	1		8				
84	37000101640	PIN	1						
85	90102210016	BOLT	1		M10X16				
86	90302041001	WASHER,SPRING	1		10				
87	37000101670	PIN	1						
88	19214024000	SPRING	1						
89	33331012100	PEDAL	1						
90	33330111300	LEVER	1						
91	37000102090	PIN	1						
92	80601110100	RING,RITAINING	1		S10				
93	33330111500	ROD	1						
94	90203201000	NUT	1		M10				
95	90101210030	BOLT	1		M10X30				
102	80804025010	BEARING,PLAIN	2						

TL-250E-3-10605 4 BOOM + JIB, 2M2D, KW32MXHS

Pos No.	Parts No	Parts Name	Qty	Unit	Technical Data	Serial No (Start)	Serial No (End)
1	90211201000	NUT	1		M10		
2	34330014500	END	1				
3	37001700010	CABLE,CONTROL	1		L=1600		
4	19114205000	KNOB (BROWN)	1				
5	33331052000	PANEL	1				
6	80192485014	SCREW,MACHINE (WITH WASHER)	8		M5X14		
7	90302040501	WASHER,SPRING	1		5		
8	33331050100	LEVER	1				
9	37000101430	PIN	1				
10	90303070801	WASHER,PLAIN	2		8		
11	80136332020	PIN,SPLIT	2		3.2X20		
12	33331050200	LEVER	1				
13	19119314000	SPRING	1				
15	90303071201	WASHER,PLAIN	2		12		
16	37000129980	PIN	1				
17	90131505025	BOLT,HEXAGON SOCKET	1		M5X25		
18	37000704800	CLAMP ASSY	1				
21	33331052100	PANEL	1				
22	33331052200	STOPPER	2				
23	80560058000	BALL,STEEL	2		9/32		
24	36600070070	SPRING	1				
25	80720102010	PIN,SPRING	2		2X10		
30	33331058010	LEVER ASSY	1				

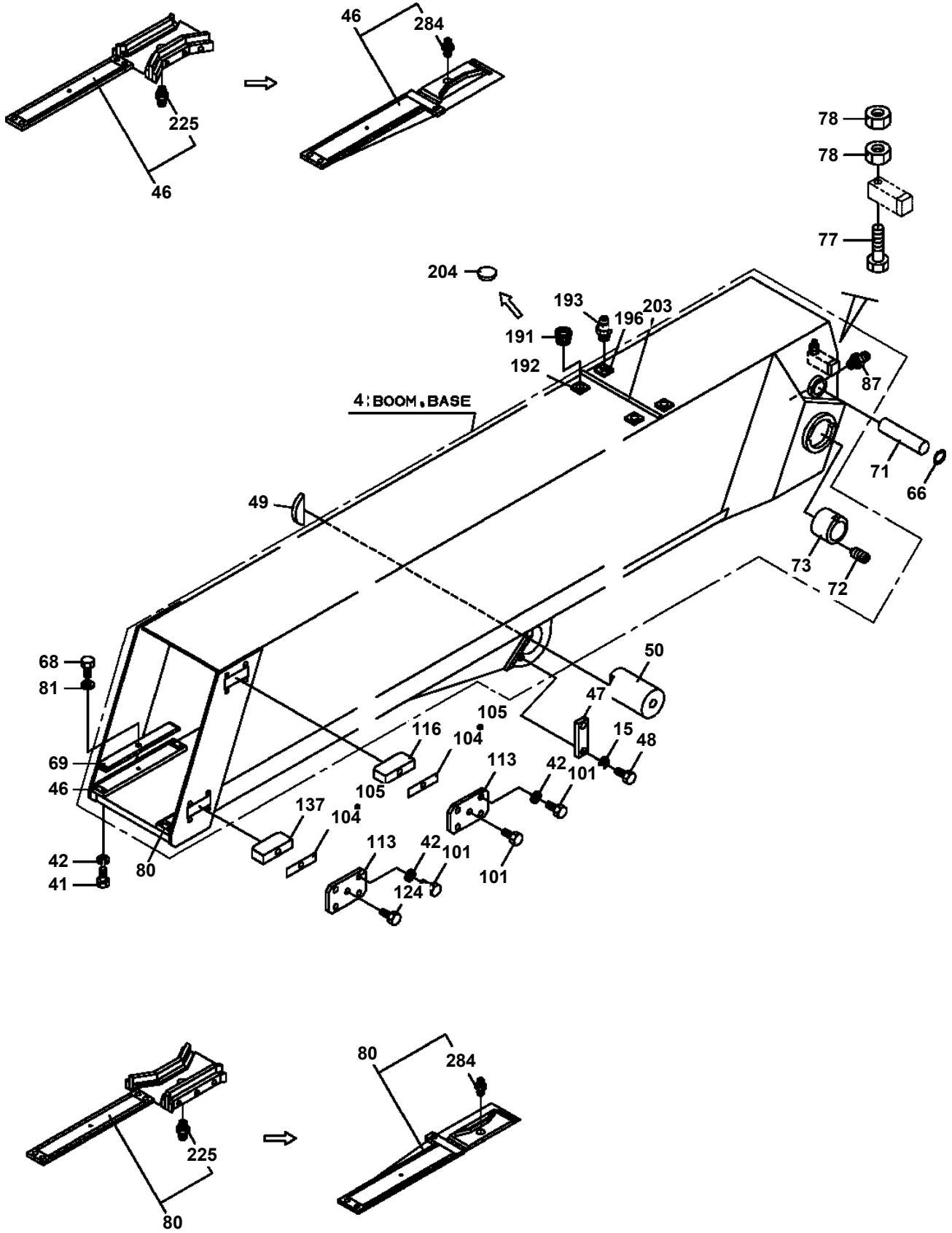
TL-250E-3-10605 4 BOOM + JIB, 2M2D, KW32MXHS

Pos No.	Parts No	Parts Name	Qty	Unit	Technical Data	Serial No (Start)	Serial No (End)	Ren
59	90302040801	WASHER,SPRING	6		8	336419		
60	37000300720	SLEEVE	7		12-10			
61	37000502450	PLATE	1					
62	37000514160	PLATE	1					
63	37000502970	PLATE	1					
64	37000502610	PLATE	1					
65	37000920010	JOINT (ORIFICE)	2		0.6			
66	12432075000	BAND	1				336418	
	32260000010	WASHER	2		T=3.2	336419		
67	90280201000	NUT,FLANGE	2		M10		336418	
68	33340383100	SUPPORT	1				336418	
	33344330100	SUPPORT	1			336419		
69	37000919910	JOINT (ORIFICE)	1		0.7	336284		
81	34340021700	FILTER	2					
91	91002801100	O-RING	10		1B P11			
101	91002801400	O-RING	1		1B P14			
111	91002802900	O-RING	1		1B P29			
121	91002801800	O-RING	1		1B P18			

TL-250E-3-10605 4 BOOM + JIB, 2M2D, KW32MXHS

Pos No.	Parts No	Parts Name	Qty	Unit	Technical Data	Serial No (Start)	Serial No (End)	Remarks
2	36634685200	COVER	1					
4	36632345040	ROD,PUSH	2					
5	80316030020	PLUG	8		PT1/8			
6	36631145040	PIN (GUIDE)	2					
7	80560056000	BALL,STEEL	6		7/32			
8	36630625030	ROD,PUSH	2					
9	91040100300	O-RING	2		P3			
10	91411000300	RING,BACKUP	2					
11	91040101200	O-RING	4		P12			
12	13115141040	SEAL,OIL	4					
13	91002802200	O-RING	6		1B P22			
14	91002801400	O-RING	6		1B P14			
16	36630005070	SPRING	6					
18	90131710045	BOLT,HEXAGON SOCKET	6		M10X45			
19	90302041001	WASHER,SPRING	6		10			
20	91002800900	O-RING	2		1B P9			
21	80316030040	PLUG	2		PT1/4			
22	36631145030	SPRING	2					
30	36634680000	VALVE,CLUTCH	1					

TL-250E-3-10605 4 BOOM + JIB, 2M2D, KW32MXHS
PG1010142-07 BOOM



TL-250E-3-10605 4 BOOM + JIB, 2M2D, KW32MXHS

Pos No.	Parts No	Parts Name	Qty	Unit	Technical Data	Serial No (Start)	Serial No (End)	R
1	36011860000	CYLINDER,TELESCOPING (NO.1)	1					
2	36011870001	CYLINDER,TELESCOPING (NO.2)	1					
3	80430620800	JOINT	1					
4	91002801800	O-RING	2		1B P18			
5	33210030030	JOINT,SELF SEALING	1					
6	37002400540	HOSE	1		L=360			
7	80320050100	JOINT	1					
8	33210470620	SUPPORT	2					
21	37001101680	ROLLER ASSY	1					
22	16316005000	COLLAR	2		L=4			
23	90303102001	WASHER,PLAIN	2		20			
24	80720104032	PIN,SPRING	4		4X32			
25	16516106000	PIN	1					
26	59457138000	PLUG ASSY	2					
28	80720105025	PIN,SPRING	2		5X25			
29	91302212500	BEARING,PLAIN	4					
30	91684112501	PACKING	4					
31	91431211001	RING,BACKUP (BLACK)	2					
32	36010474001	PISTON	2					
33	91002908500	O-RING	2		1B G85			
34	36011862000	ROD	1					
35	91002912500	O-RING	2		1B G125			
36	36010476001	COVER,ROD	2					
37	91251101050	RING,DAMPER	2					
38	91694110500	PACKING	2					
39	91410210502	RING,BACKUP (WHITE)	2					
40	91301110500	BEARING,PLAIN	2					
41	91660010502	SEAL,DUST	2					
42	36010090600	PLATE	2					
43	36010477000	PLATE	1					
44	16616016000	PLATE	2					
48	16265153000	CARTRIDGE, COUNTERBALANCE	2					
49	19116004000	COVER	2					
50	90131510025	BOLT,HEXAGON SOCKET	8		M10X25			
51	90302041001	WASHER,SPRING	8		10			
52	16416011000	NUT (PISTON)	2					
53	36010476100	SUPPORT	1					
54	91411211001	RING,BACKUP	2					
71	18616057000	COLLAR	2		L=5			
72	37001100040	ROLLER ASSY	2					
86	36011872000	ROD	1					
89	36010485000	SUPPORT	1					
97	36010486001	SUPPORT	1					
98	90720006120	SCREW,SET	2		M6X12			
112	80516006204	BEARING,BALL	4					
113	80602110470	RING,RITAINING	2		R47			
131	91002801800	O-RING	1		1B P18			
140	36011869520	CYLINDER ASSY	1					
150	36011879521	CYLINDER ASSY	1					
160	36015409900	PACKING SET	2		105X125			

TL-250E-3-10605 4 BOOM + JIB, 2M2D, KW32MXHS

Pos No.	Parts No	Parts Name	Qty	Unit	Technical Data	Serial No (Start)	Serial No (End)	Remarks
1	33430563010	PLATE	1					
2	90131505025	BOLT,HEXAGON SOCKET	2		M5X25			
3	90201200500	NUT	2		M5			
4	90302040501	WASHER,SPRING	2		5			
5	34360552101	SWITCH ASSY	1					
6	33431755020	SUPPORT	1					
21	82104111225	SWITCH,LIMIT	1					

TL-250E-3-10605 4 BOOM + JIB, 2M2D, KW32MXHS

Pos No.	Parts No	Parts Name	Qty	Unit	Technical Data	Serial No (Start)	Serial No (E
1	32370002170	PLATE	1				
2	32370002110	GASKET	1				
3	32370002121	COVER	1				
4	80172303025	SCREW,MACHINE	2		M3X25		
5	90302040301	WASHER,SPRING	2		3		
6	82100001355	SWITCH,LIMIT	1				
7	32370002131	ROD	1				
8	14148373001	SPRING	1				
9	80601110180	RING,RITAINING	1		S18		
10	32370002161	SUPPORT	1				336233
	34371314400	SUPPORT	1			336234	
11	90303070301	WASHER,PLAIN	2		3		
12	82114101020	CONNECTOR (2P,MALE)	1				
13	82111101010	TERMINAL	2				
14	32370005200	CORD	1				
15	32370005210	CORD	1				
16	82100000592	TERMINAL (M40.3 TO 1.25)	2				
17	89630201000	HOSE,VINYL	1		6X8,1M		
18	14148375000	GROMMET	1				
19	90101208045	BOLT	2		M8X45		
20	90302040801	WASHER,SPRING	2		8		
21	82121102020	HOLDER	1				
22	82100001220	INSULATOR	2				
23	82121101085	PLUG (AVS0.85)	2				
30	32370009511	ROD ASSY	1				336233
	32370009512	ROD ASSY	1			336234	
41	32370002150	SPACER	1		L=12 TO 11		
42	80720103014	PIN,SPRING	1		3X14		
50	34371661100	SWITCH,OVER WIND DETECTOR (BOOM)	1				

CLICK HERE TO **DOWNLOAD** THE COMPLETE MANUAL

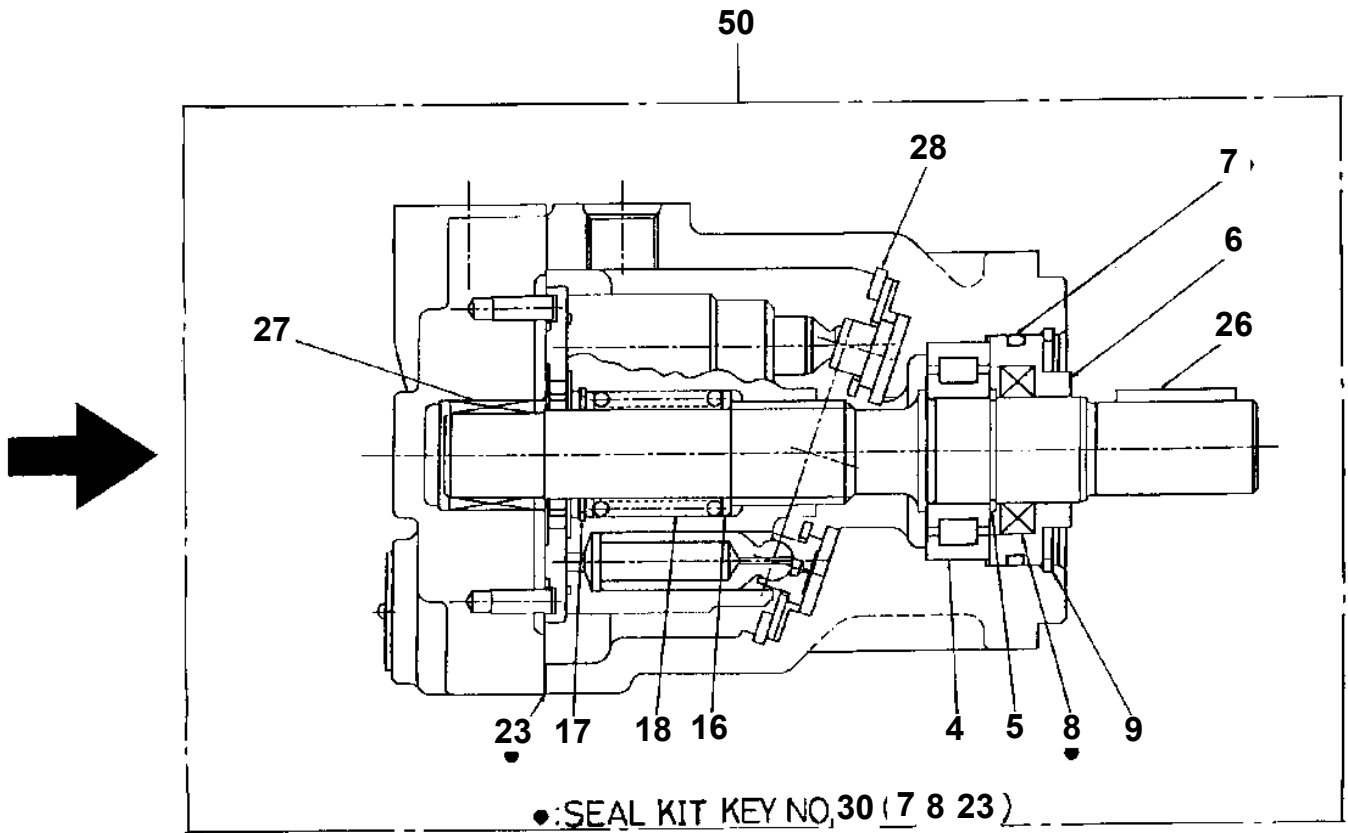
- Thank you very much for reading the preview of the manual.
- You can download the complete manual from: www.heydownloads.com by clicking the link below



- Please note: If there is no response to CLICKING the link, please download this PDF first and then click on it.

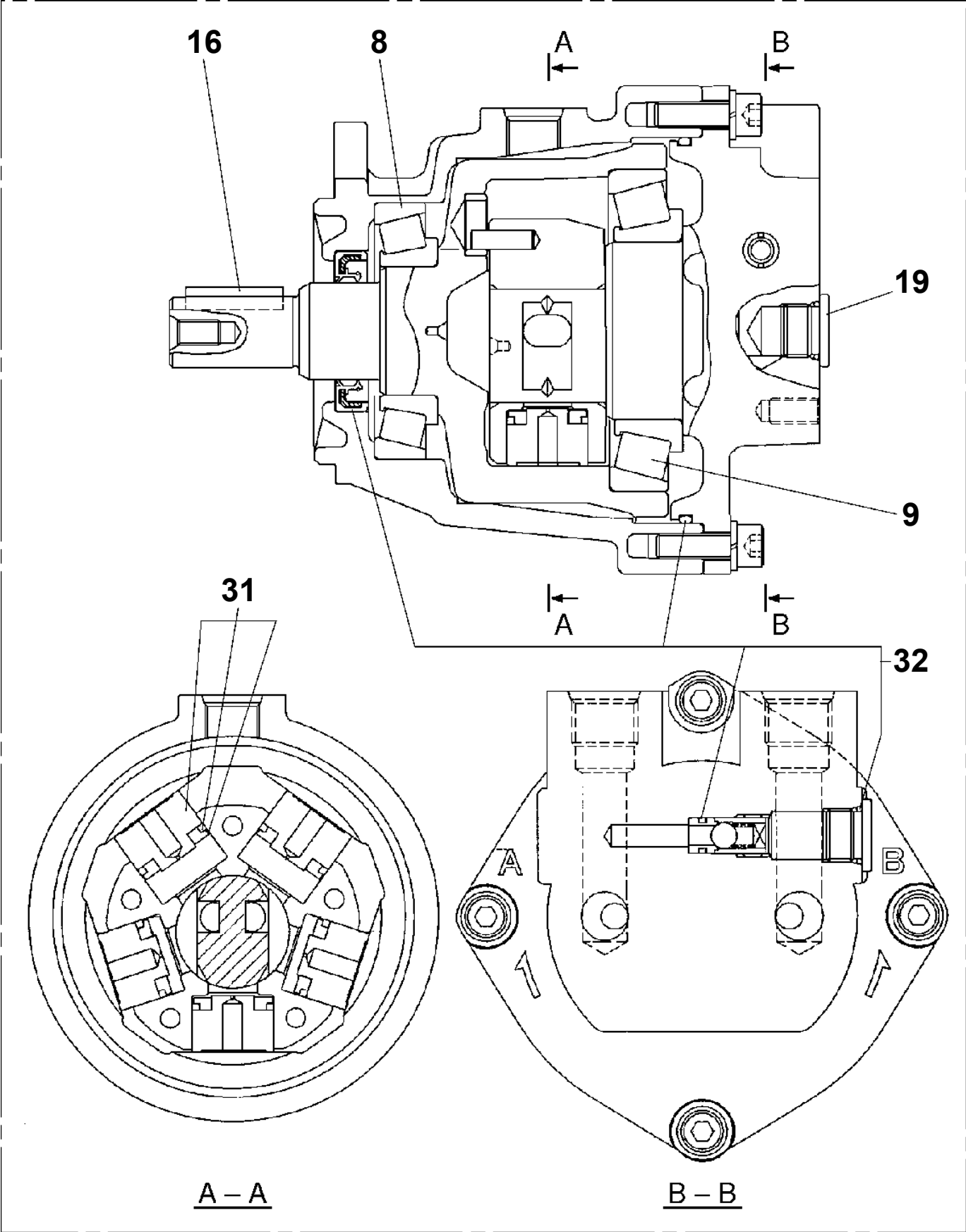
CLICK HERE TO **DOWNLOAD** THE COMPLETE MANUAL

TL-250E-3-10605 4 BOOM + JIB, 2M2D, KW32MXHS
PI1010072-01 MOTOR, HYDRAULIC (AIR CONDITIONER)

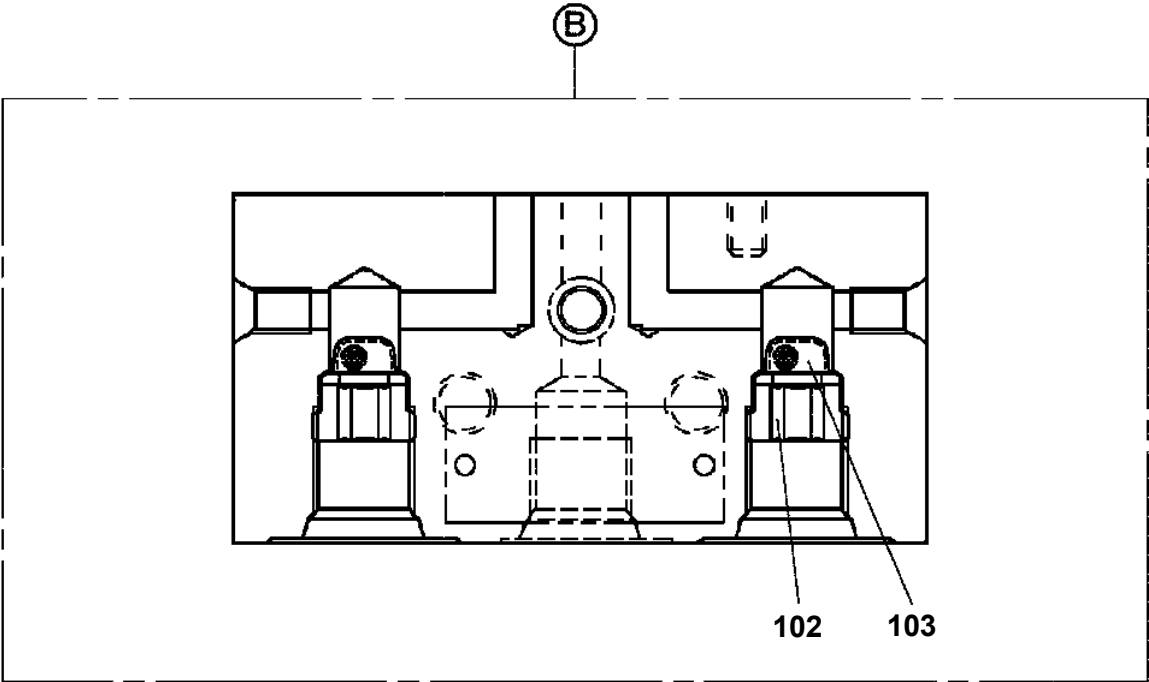
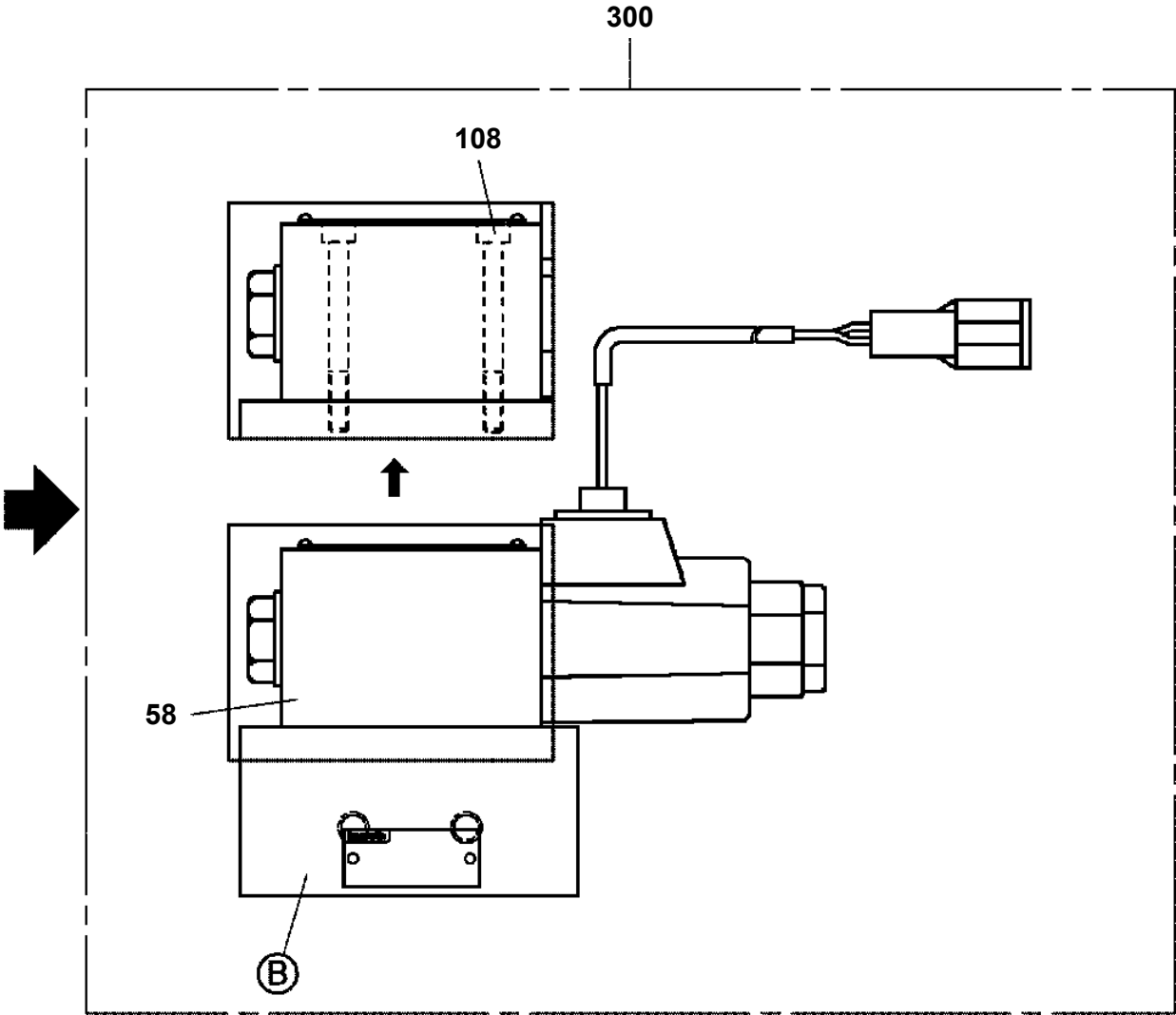


TL-250E-3-10605 4 BOOM + JIB, 2M2D, KW32MXHS
PI1010186-00 MOTOR, HYDRAULIC

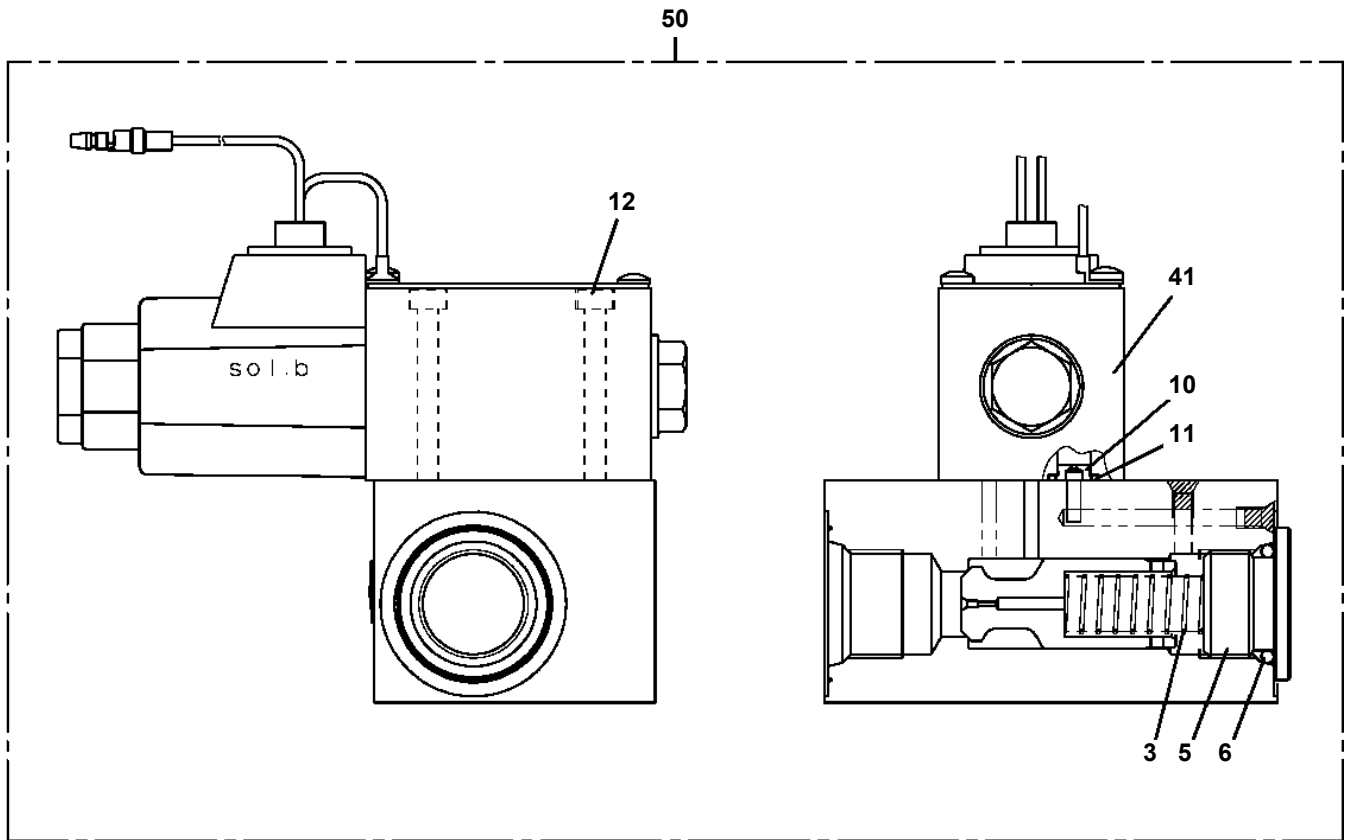
100



TL-250E-3-10605 4 BOOM + JIB, 2M2D, KW32MXHS
PI1120138-04 VALVE,SOLENOID

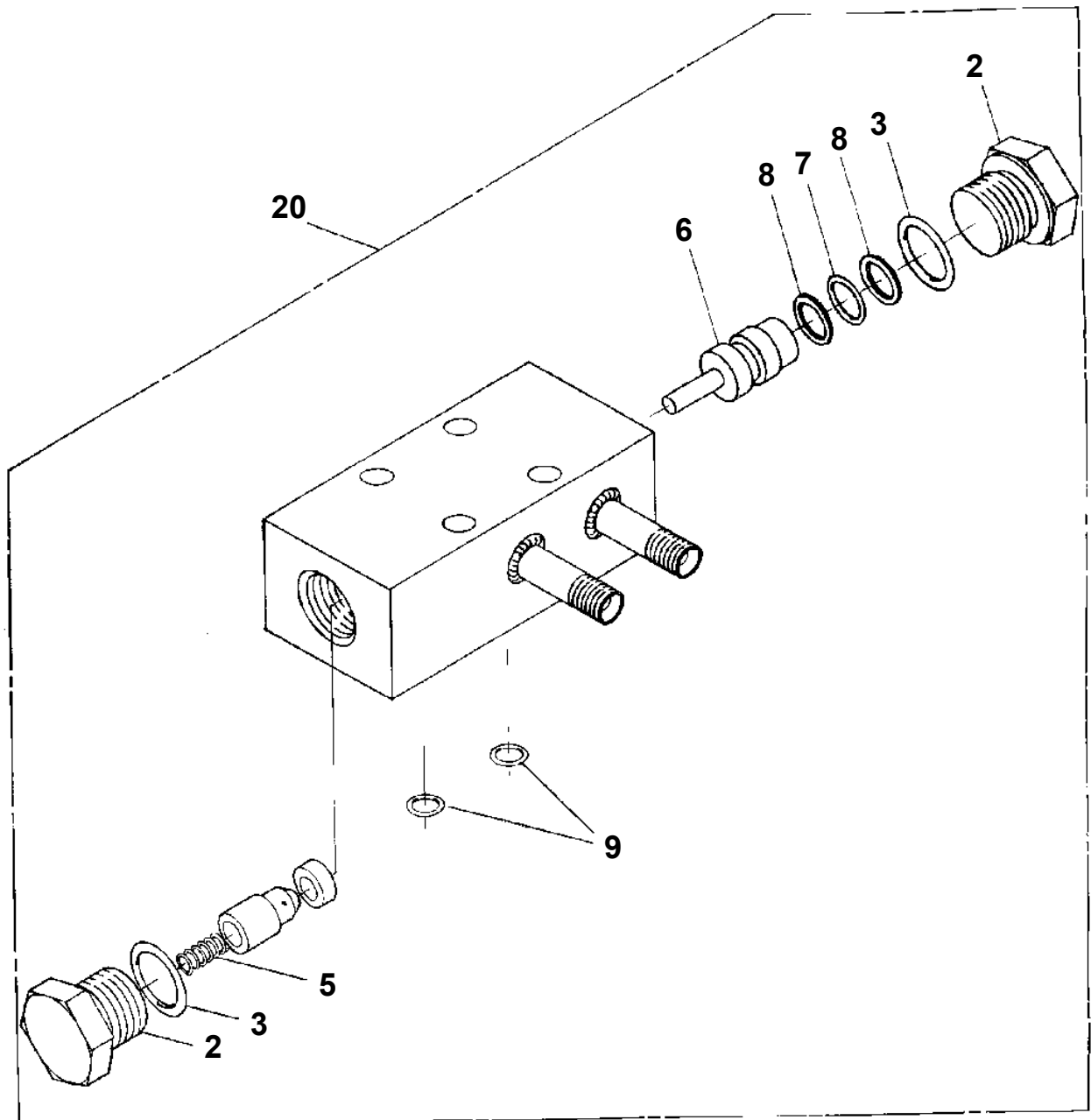


TL-250E-3-10605 4 BOOM + JIB, 2M2D, KW32MXHS
PI1120353-00 VALVE,SOLENOID



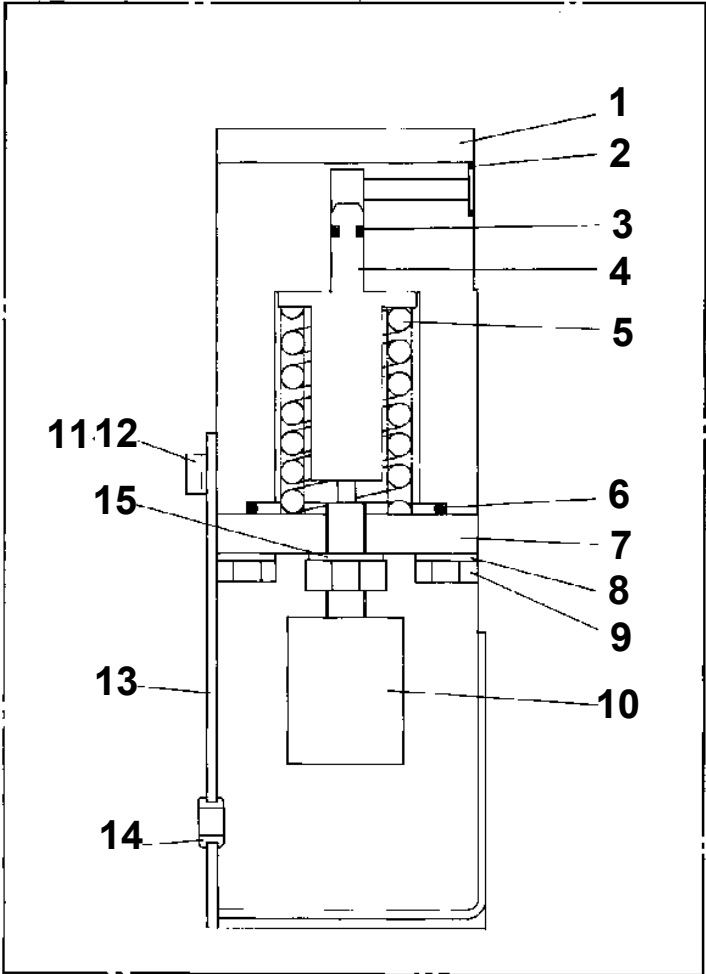
C

TL-250E-3-10605 4 BOOM + JIB, 2M2D, KW32MXHS
PI1140042-00 VALVE,CHECK

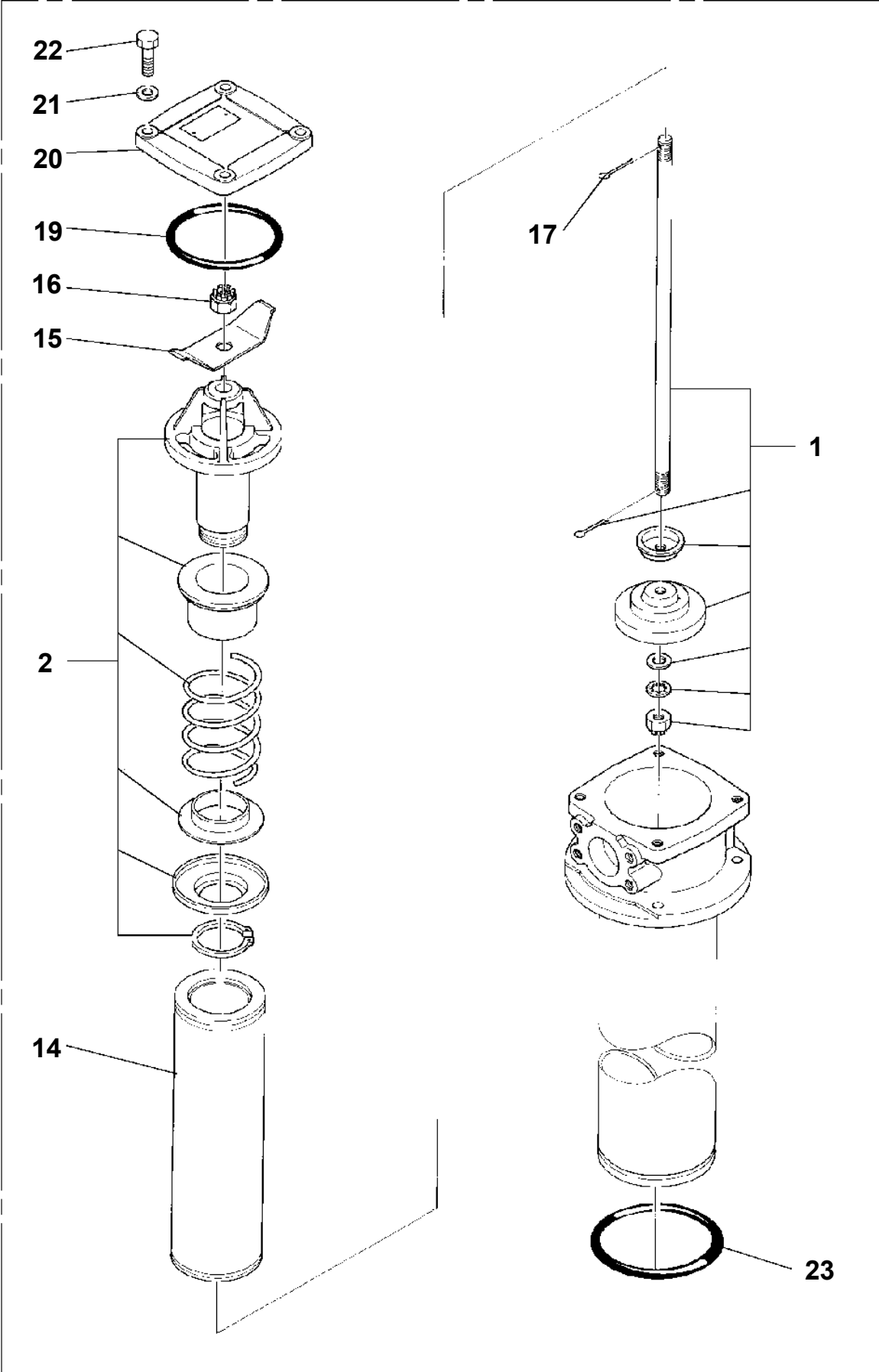


**TL-250E-3-10605 4 BOOM + JIB, 2M2D, KW32MXHS
PI1170000-00 VALVE,PRESSURE DETECTOR**

20



TL-250E-3-10605 4 BOOM + JIB, 2M2D, KW32MXHS
PI1300120-02 FILTER,OIL



TL-250E-3-10605 4 BOOM + JIB, 2M2D, KW32MXHS

Pos No.	Parts No	Parts Name	Qty	Unit	Technical Data	Serial No (Start)	Serial No (End)
400	33260632001	CAB,OPERATOR	1				

TL-250E-3-10605 4 BOOM + JIB, 2M2D, KW32MXHS

Pos No.	Parts No	Parts Name	Qty	Unit	Technical Data	Serial No (Start)	Serial No (End)	Remarks	Pages
1	33282111000	WEIGHT	1						
2	90101524060	BOLT	4		M24X60				
3	90303502401	WASHER,PLAIN	8		24				
4	90101524150	BOLT	2		M24X150				
5	90201402400	NUT	2		M24				

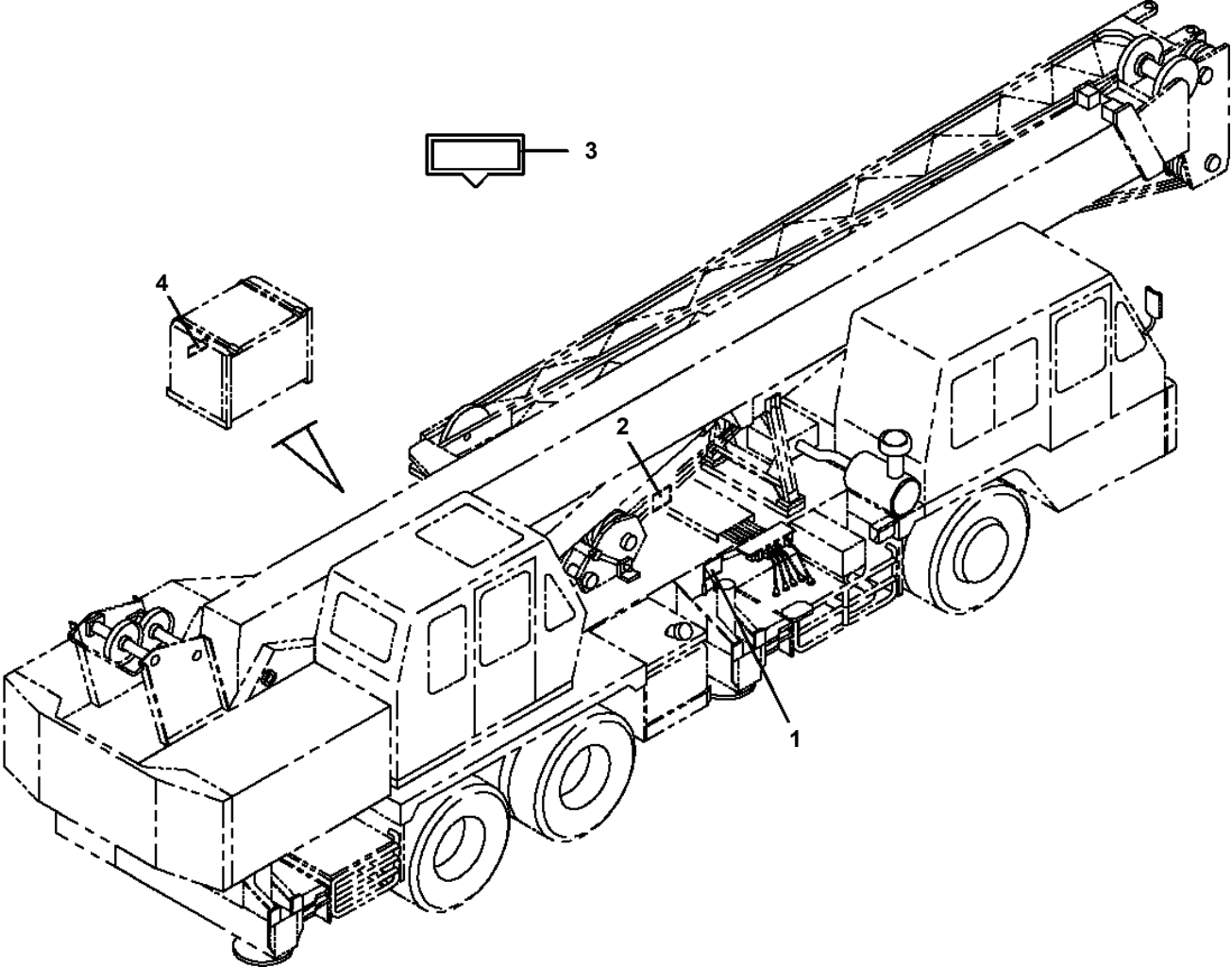
TL-250E-3-10605 4 BOOM + JIB, 2M2D, KW32MXHS

Pos No.	Parts No	Parts Name	Qty	Unit	Technical Data	Serial No (Start)	Serial No (End)
149	33320001450	SLEEVE	5				
161	82100000582	CONNECTOR	4				
163	33320871500	CABLE	4				
168	33320001120	KNOB (BLACK)	3				
169	82100001033	SWITCH,PUSH	4				
171	82100000578	TERMINAL	8				
191	33320982110	LEVER	2				
192	37000134240	PIN	2				
193	90303070601	WASHER,PLAIN	2		6		
194	80136320014	PIN,SPLIT	2		2X14		
204	33321371110	LEVER	1				
208	33320001090	KNOB (RED)	1				
224	33321371210	LEVER	2				
246	80804022010	BEARING,PLAIN	10				
251	33320921410	ROD	1				
263	33320963510	ROD	1				

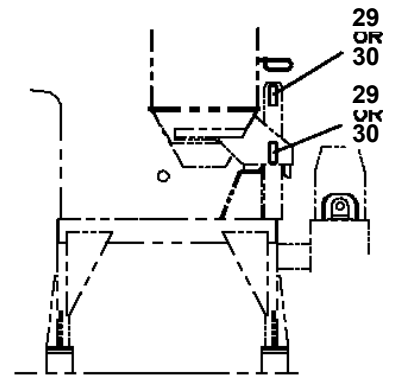
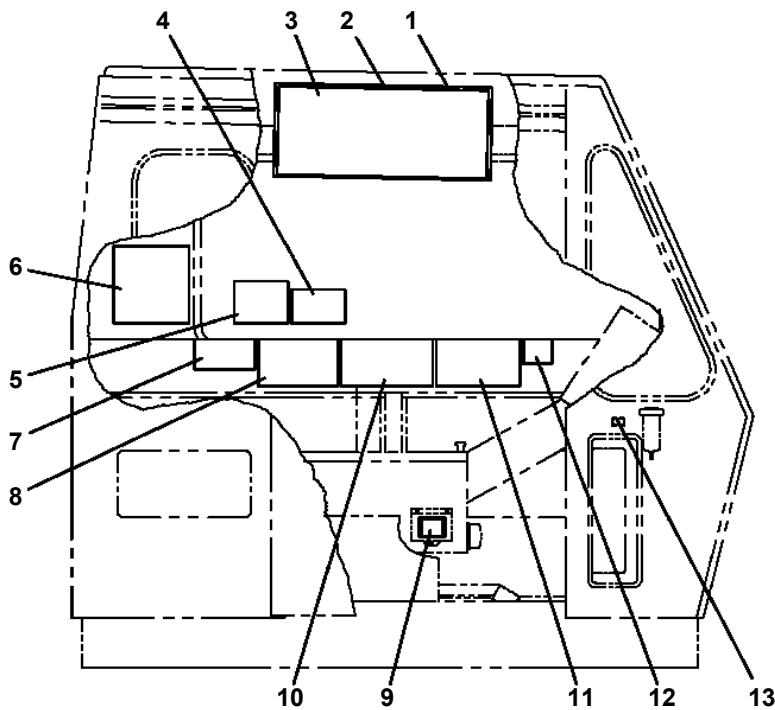
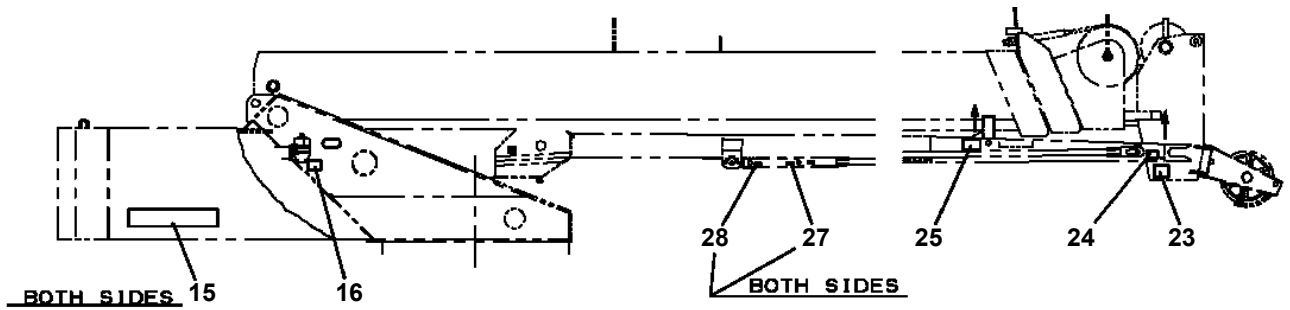
TL-250E-3-10605 4 BOOM + JIB, 2M2D, KW32MXHS

Pos No.	Parts No	Parts Name	Qty	Unit	Technical Data	Serial No (Start)	Serial No
1	80192485014	SCREW,MACHINE (WITH WASHER)	20		M5X14		
2	33432560100	CASE	1				
3	33432560300	COVER	1				
4	90101208016	BOLT	6		M8X16		
5	90302040801	WASHER,SPRING	6		8		
6	82161161125	RELAY	2				
7	90302040601	WASHER,SPRING	18		6		
8	80182306012	SCREW,MACHINE	13		M6X12		
9	82100001882	LIGHTER,CIGARETTE	1				
10	82400000180	TRAY,ASH	1				
11	33430561200	BUZZER ASSY	1				
12	80176304014	SCREW,MACHINE	2		M4X14		
13	82100002600	HORN (HIGH PITCH)	1				
14	82400000201	GROMMET	2		KG-016		
15	33432510300	SUPPORT	1				
16	33432560201	PANEL	1			336295	336294
	33432560202	PANEL	1				
17	90303070601	WASHER,PLAIN	5		6		
18	33431751050	RELAY ASSY (HORN)	1				
19	90190000008	BOLT,STUD	1		M6X20		
20	90201200600	NUT	1		M6		
21	33432570401	RELAY ASSY	1				
22	34430075510	BOX ASSY (FUSE)	1				
23	33432291400	KEY ASSY (WITH HARNESS.AUTO RETURN)	1				
24	33432570500	COVER	1				
25	80192484016	SCREW,MACHINE	2		M4X16		
26	82100001839	FUSE	5		10A,RED		
27	82100001840	FUSE	7		15A,BLUE		
28	82100001841	FUSE	2		20A,YELLOW		
29	33432640100	SWITCH ASSY (WITH F/J SWITCH)	1				
30	90201200800	NUT	1		M8		
31	80172304008	SCREW,MACHINE	2		M4X8		
32	33432563300	CASE	1				
33	90101206016	BOLT	4		M6X16		
34	80182405020	SCREW,MACHINE	4		M5X20		
35	90302350501	WASHER,SPRING	4		5		
36	90303360501	WASHER,PLAIN	4		5		
37	33476160100	COVER	1				
38	33476160200	SUPPORT	1				
39	82100002596	RELAY	2				
40	34350002100	CAP	2				
41	90303071001	WASHER,PLAIN	2		10	336295	
61	82100000564	BUZZER	1				
71	82100000734	RELAY	1				
81	33432560410	SUPPORT	1				
85	80172303012	SCREW,MACHINE	4		M3X12		
86	90302040301	WASHER,SPRING	4		3		
87	90303070301	WASHER,PLAIN	4		3		
88	82100000640	TERMINAL,BASE	1				
89	34350003350	PLATE	1				
90	33432560460	HARNESS	1				
91	34350850530	BUZZER ASSY (WITH HARNESS)	1				
94	82100001862	ABSORBER, SERGE	1				
95	34351571340	RELAY ASSY	1				
96	82100000266	DIODE	2				
97	80172304016	SCREW,MACHINE	2		M4X16		
98	90302040401	WASHER,SPRING	2		4		
99	90303070401	WASHER,PLAIN	2		4		
111	34351562510	BOX,FUSE	1				
121	82479000901	KEY ASSY	1				
131	33432510550	PANEL	1				
132	82100001381	SWITCH,PUSH (RED)	2				
133	82100001683	SWITCH,TOGGLE	4				

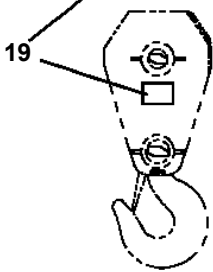
**TL-250E-3-10605 4 BOOM + JIB, 2M2D, KW32MXHS
PO1010372-00 PLATE ASSY,NAME (LOWER/WITH F/J,ENG.)**



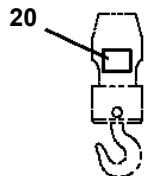
**TL-250E-3-10605 4 BOOM + JIB, 2M2D, KW32MXHS
 PO1013143-00 PLATE ASSY,NAME (UPPER 2,ENG. & CHINA)**



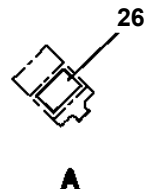
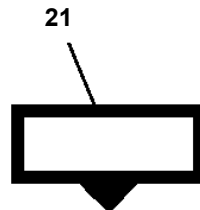
BOTH SIDES



HOOK (25t)



HOOK (3t)



JOINT, WINCH ROTARY

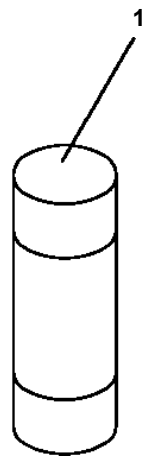
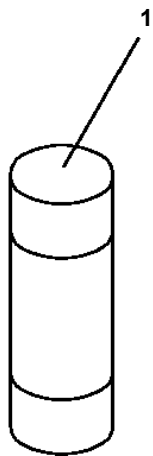
**TL-250E-3-10605 4 BOOM + JIB, 2M2D, KW32MXHS
PO1080055-00 PLATE,NAME (CATEGORY A)**

1

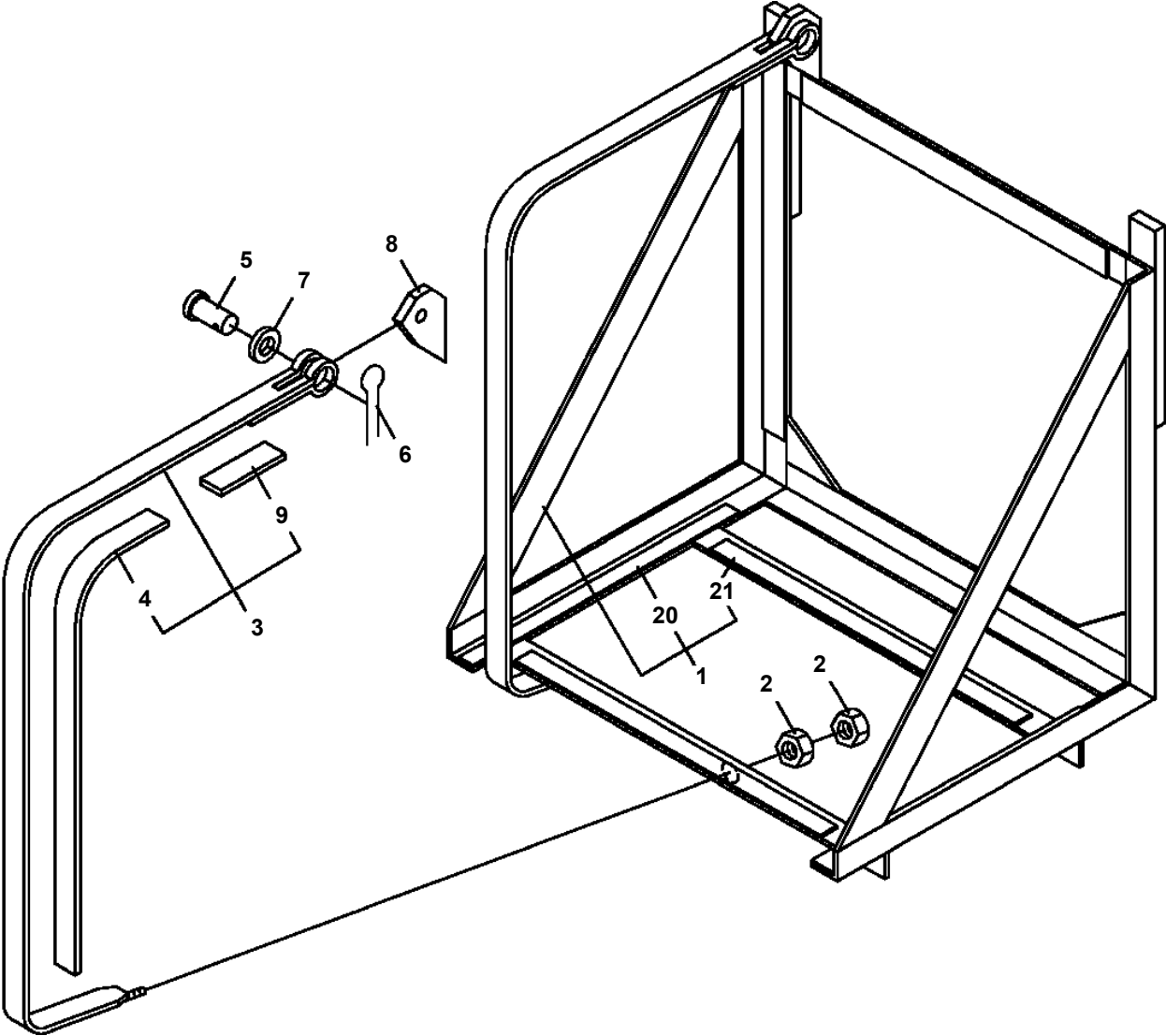
Special Types Use	
▶ TRAMMO TRAMMO LEM	
STGO ² category A	
Axle load up to 11,500 kg for a single driving axle	
Axle load up to 10,000 kg for a single non-driving axle	
Max.gross vehicle weight is 35,000 kg on 4axles	
This table is only valid and may only be applied in connection with the instruction manual.	
² STGO, Special Type General Order, 2003 No.1998	

TRAMMO LEM

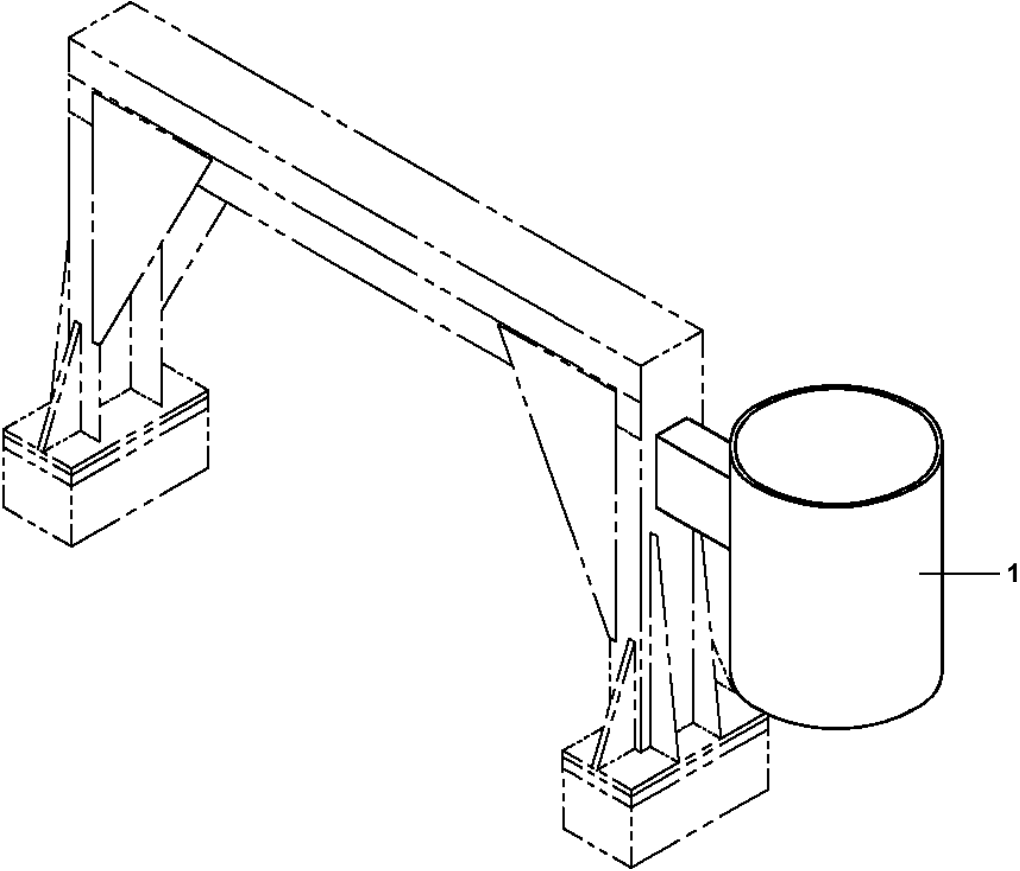
**TL-250E-3-10605 4 BOOM + JIB, 2M2D, KW32MXHS
PW1010180-00 ACCESSORIES (AML SPARE FUSE)**



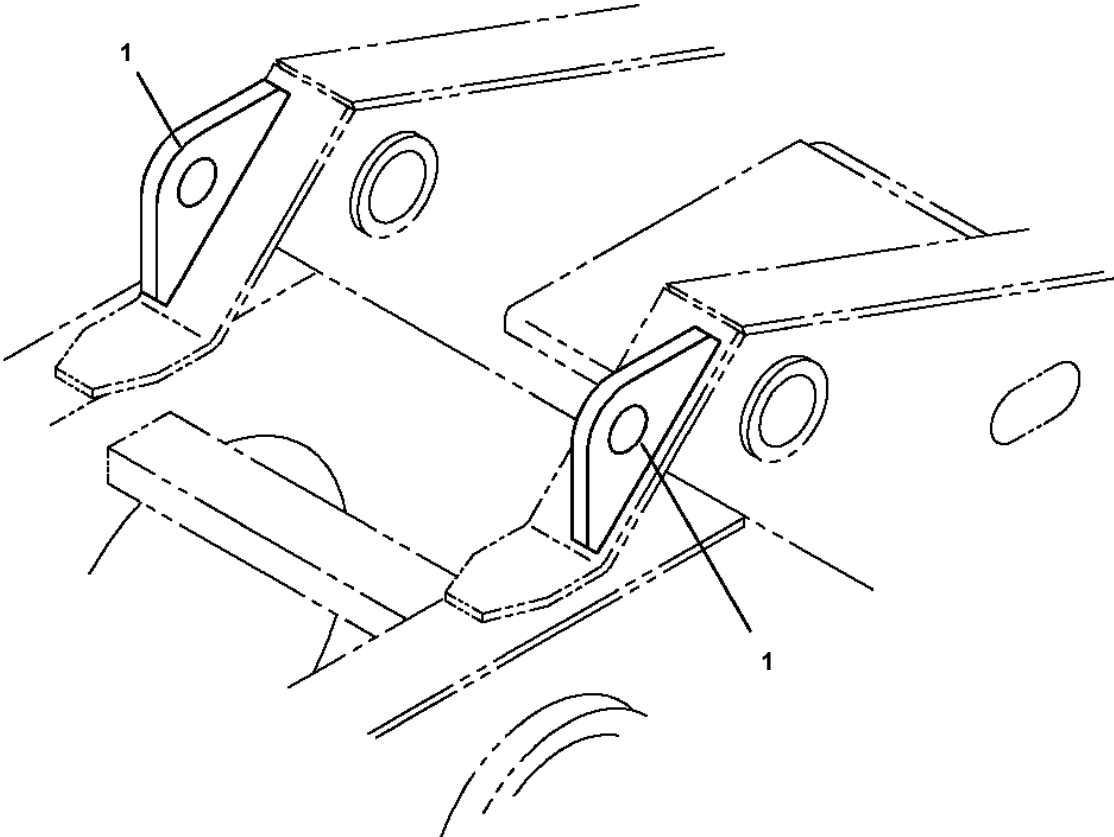
**TL-250E-3-10605 4 BOOM + JIB, 2M2D, KW32MXHS
PX1100049-01 TANK SUPPORT INSTALLATION**



**TL-250E-3-10605 4 BOOM + JIB, 2M2D, KW32MXHS
PX1180244-00 MOUNT,HOOK (AUX.)**



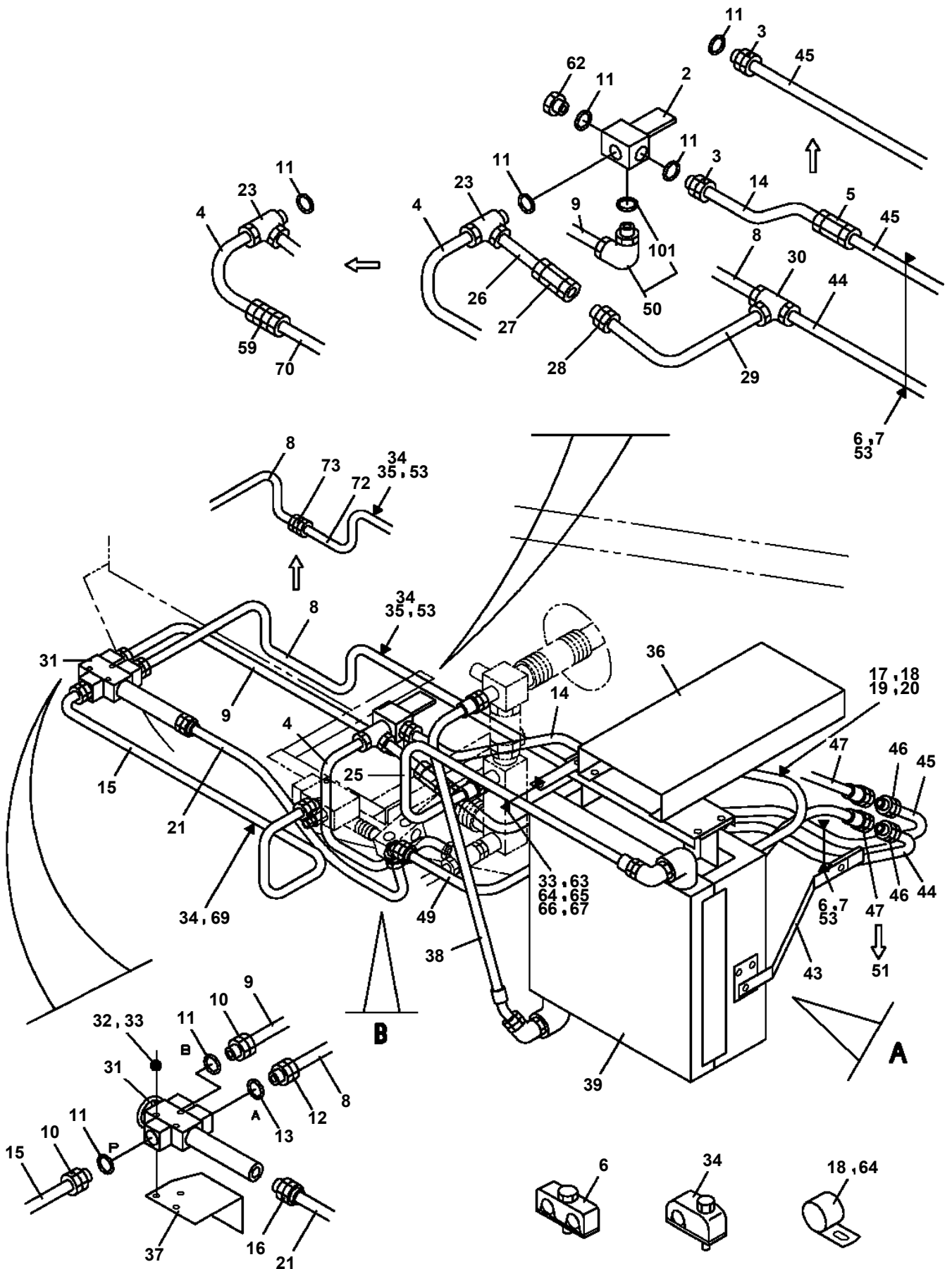
**TL-250E-3-10605 4 BOOM + JIB, 2M2D, KW32MXHS
PX1810061-00 MOUNT,SUPP0RT (SHIPMENT)**



TL-250E-3-10605 4 BOOM + JIB, 2M2D, KW32MXHS

Pos No.	Parts No	Parts Name	Qty	Unit	Technical Data	Serial No (Start)	Serial No (End)	Rema
1	36290665320	BLOWER ASSY	1					
2	36290665330	COMBUSTION (AIR BLOWER)	1					
3	36290665340	CHAMBER	1					
4	36290665350	PLATE (SWIRLER)	1					
5	36290665360	HOLDER (GLOW PLUG)	1					
6	36290665420	HOUSING	1					
7	36290665430	CONDENSER	1					
8	36290665440	PACKING	1					
9	36290665450	GASKET	1					
10	36290665460	WASHER	1					
11	36290665480	SHIM (T=0.2)	N					
	36290665470	SHIM (T=0.1)	N					
	36290665490	SHIM (T=0.3)	N					
12	36290665500	SCREW,SET	1					
13	36290665510	NUT	1					
14	36290665520	PLUG	1					
15	36290665530	RING	1					
16	36290665540	PLATE	1					
17	36290665550	COLLAR	1					
18	36290665560	FLANGE	1					
19	36290665570	BASE ASSY	1					
20	36290665600	CASE (UPPER)	1					
21	36290665610	CASE (LOWER)	1					
22	36290665620	HOUSING (VENT ASSY)	1					
23	36290665630	COVER	1					
24	36290665640	COVER (A)	1					
25	36290665650	CAP	1					
26	36290665660	CLIP	9					
28	36290665670	COVER	1					
29	36290665680	PACKING	1					
30	36290665690	PACKING	4					
31	36290665700	PACKING	1					
32	36290665730	SHIM (T=0.3)	N					
	36290665710	SHIM (T=0.1)	N					
	36290665720	SHIM (T=0.2)	N					
33	36290665740	RING (E)	1					
34	36290665750	CLAMP	1					
35	36290655090	PLUG,GLOW	1					
36	36290665760	MOTOR ASSY	1					
37	36290665770	RESISTOR ASSY	1					
38	36290665780	THERMOSTAT ASSY	1					
39	36290665790	HOLDER (THERMOSTAT)	1					
40	36290665800	CLAMP	1					
41	36290665810	THERMOSTAT ASSY	1					
42	36290665820	CABLE ASSY	1					
43	36290665840	CABLE ASSY	1					
44	36290665850	CABLE ASSY	1					
45	36290665860	GROMMET	1					
46	36290665870	CAP	1					
47	36290665880	INLET ASSY	1					
49	36290665890	BOLT	3					
50	36290665900	BOLT	4					
51	80171304012	SCREW,MACHINE	5		M4X12			
52	36290665910	SCREW	4					
53	36290665920	PIPE,EXHAUST	1					
54	36290665930	BRANCH ASSY	1					
55	36290665940	THERMOSTAT ASSY	1					
61	36290665370	PACKING	1					
62	36290665380	GROMMET	1					
63	36290665390	RUBBER	1					
64	36290665400	ORIFICE	1					
65	36290665410	O-RING	1					
71	36290665580	PACKING	2					

**TL-250E-3-10605 4 BOOM + JIB, 2M2D, KW32MXHS
PY1200066-05 PIPING,COOLER**



TL-250E-3-10605 4 BOOM + JIB, 2M2D, KW32MXHS

Pos No.	Parts No	Parts Name	Qty	Unit	Technical Data	Serial No (Start)	Serial No (End)	Rema
1	82100001683	SWITCH,TOGGLE	1					
2	82100002261	CONNECTOR (2POLES,MALE)	1					
3	82100002256	TERMINAL	2					

CLICK HERE TO **DOWNLOAD** THE COMPLETE MANUAL

- Thank you very much for reading the preview of the manual.
- You can download the complete manual from: www.heydownloads.com by clicking the link below



- Please note: If there is no response to CLICKING the link, please download this PDF first and then click on it.

CLICK HERE TO **DOWNLOAD** THE COMPLETE MANUAL