

# **TL-250E-3-20303 4 BOOM + JIB, 2M2D, KV208MLAE**

**PB1000177-02 HYDRAULIC PRESSURE GENERATING SYSTEM**

**PC1000132-01 OUTRIGGER SYSTEM**

**PD1000164-03 SWING SYSTEM**

**PE1000162-01 ELEVATING SYSTEM**

**PF1000153-05 WINCH SYSTEM**

**PG1000156-01 TELESCOPING SYSTEM**

**PH1000150-03 SAFETY DEVICES**

**PK1000169-03 FRAME**

**PL1000167-02 CONTROL DEVICES**

**PN1000148-02 ELECTRIC EQUIPMENT**

**PO1000144-01 INDICATION PLATES**

**PW1000122-00 ACCESSORIES & TOOLS**

**PX1000168-03 MOUNTING PARTS**

**PY1000150-03 OPTIONS**

**ASSEMBLY**

CLICK HERE TO **DOWNLOAD** THE COMPLETE MANUAL

- Thank you very much for reading the preview of the manual.
- You can download the complete manual from: [www.heydownloads.com](http://www.heydownloads.com) by clicking the link below



- Please note: If there is no response to CLICKING the link, please download this PDF first and then click on it.

CLICK HERE TO **DOWNLOAD** THE COMPLETE MANUAL

# TL-250E-3-20303 4 BOOM + JIB, 2M2D, KV208MLAE

Pos No.	Parts No	Parts Name	Qty	Unit	Technical Data	Serial No (Start)	Serial No (End)
1	36094110000	HOOK (SHEAVE 4 PC'S)	1				
2	(*****)	HOOK (AUXILIARY)	1				
5	37001802510	ROPE,WIRE	1				
	37001802520	ROPE,WIRE	1				
7	37001802550	ROPE,WIRE	1				
	37001802540	ROPE,WIRE	1				
8	(*****)	SOCKET,ROPE	2				
11	(*****)	OPE.ASSY,DRUM LOCK (MAIN)	1				
12	(*****)	OPE.ASSY,DRUM LODK (AUX.)	1				
15	(*****)	DETECTOR,DISORDERLY WINDING	1				
16	(*****)	DETECTOR,DISORDERLY WINDING	1				
17	(*****)	PIPING,WINCH (MAIN)	1				
18	(*****)	PIPING,WINCH (AUX.)	1				
21	(*****)	DETECTOR,DRUM ROTATION (AML-LC,OPTION)	1				
22	(*****)	MOUNT,WINCH (MAIN)	1				
23	(*****)	MOUNT,WINCH (AUX.)	1				
101	36071770000	WINCH	2				
103	33311011000	BAND,WINCH BRAKE	2				
105	36661840000	MOTOR,HYDRAULIC (SANWA)	2				
106	36661680000	MOTOR,HYDRAULIC (SANWA)	2				
108	36643170000	VALVE,HYDRAULIC	1				
109	36603180000	VALVE,COUNTERBALANCE (SANWA)	2				
110	36672480000	ACCUMULATOR	2				

# TL-250E-3-20303 4 BOOM + JIB, 2M2D, KV208MLAE

Pos No.	Parts No	Parts Name	Qty	Unit	Technical Data	Serial No (Start)	Serial No (End)	Remarks	P
1	(*****)	ELECTRICAL PARTS,CAB	1						0
3	(*****)	LAMP (WORKING)	1						0
4	(*****)	SWITCH,DETECTOR (F/J)	1				336283		0

## **TL-250E-3-20303 4 BOOM + JIB, 2M2D, KV208MLAE**

PH1060262-01 DETECTOR,OVER WIND (WEIGHT,JIB & S/T)  
PH1070001-02 SWITCH,OVER WIND DETECTOR (BOOM)  
PH1170011-00 DETECTOR,CONTROL VALVE ACTUATION  
PH1170031-00 DETECTOR,CONTROL VALVE ACTUATION  
PH1180186-02 CONNECTION,MOMENT LIMITER SYSTEM  
PH1200032-03 PIPING,VENT  
PH1250026-01 MOMENT LIMITER (AML-LC)  
PH1390000-02 LEVEL GAUGE  
PI1010034-03 MOTOR,HYDRAULIC (SANWA)  
PI1010111-00 MOTOR,HYDRAULIC (SANWA)  
PI1010121-01 MOTOR,HYDRAULIC (SWING)  
PI1010124-00 MOTOR,HYDRAULIC (COOLER,OIL)  
PI1030007-01 CYLINDER,MASTER (MIYAKO)  
PI1030008-01 CYLINDER,MASTER  
PI1030012-00 CYLINDER,MASTER (NABCO)  
PI1030040-00 CYLINDER,MASTER  
PI1040011-00 CYLINDER,AIR  
PI1050002-00 RESERVOIR,OIL  
PI1120085-02 VALVE,SOLENOID  
PI1120086-02 VALVE,SOLENOID  
PI1120353-00 VALVE,SOLENOID  
PI1130012-00 VALVE,HYDRAULIC  
PI1130029-00 VALVE,HYDRAULIC  
PI1140042-00 VALVE,CHECK  
PI1140047-00 VALVE,CHECK  
PI1140100-00 VALVE,CHECK  
PI1140229-00 VALVE,CHECK  
PI1160007-00 VALVE,FLOW CONTROL  
PI1170000-00 VALVE,PRESSURE DETECTOR  
PI1250066-00 VALVE,COUNTERBALANCE (SANWA)  
PI1260011-02 CARTRIDGE, COUNTERBALANCE  
PI1280002-00 VALVE,PILOT CHECK  
PI1300012-03 FILTER,OIL (TANK,OIL)  
PI1300080-00 FILTER,OIL  
PI1300120-02 FILTER,OIL  
PK1100064-01 SWING FRAME  
PK1120096-01 SWING TABLE  
PK1140055-06 CAB,OPERATOR  
PK1150021-00 SEAT,OPERATOR  
PK1200066-03 COVER,SWING FRAME  
PK1220103-00 WEIGHT, COUNTERBALANCE  
PK1330000-01 COVER  
PK1330001-00 COVER (WITHOUT RADIO)  
PK1330002-01 COVER (WITHOUT HEATER,OP.)  
PK1330047-00 COVER (WITHOUT HEATER,OP.)  
PK1410024-00 MOUNT,CAB  
PL1010136-02 OPE.ASSY,CONT.VALVE (PEDAL)  
PL1010725-02 OPE.ASSY,CONT.VALVE (ISO)  
PL1010825-00 OPE.ASSY,CONT.VALVE (PEDAL)  
PL1030221-04 OPE.ASSY,ACCELERATOR(UPPER)  
PL1030490-01 OPE.ASSY,ACCELERATOR (LOWER)  
PN1050136-02 ELECTRICAL PARTS,CAB  
PN1080074-01 LAMP (WORKING)  
PN1140084-00 SWITCH,DETECTOR (F/J)  
PO1010681-02 PLATE ASSY,NAME (UPPER 1)  
PO1010683-02 PLATE ASSY,NAME (LOWER)(WITH F/J)  
PO1010684-00 PLATE ASSY,NAME (OPTION,HEATER)  
PO1010833-00 PLATE ASSY,NAME (OIL)  
PO1012446-00 PLATE ASSY,NAME (SHIPMENT)  
PO1012447-00 PLATE ASSY,NAME (UPPER 2,DIN)  
PO1012515-00 PLATE ASSY,NAME (OP.,HEATER/ENG.& FRE)  
PO1030008-00 TADANO (CAB,BLUE/BLACK)  
PO1030009-00 TADANO (CAB,WHITE/WHITE)  
PO1030010-00 TADANO (CAB,BLUE/WHITE)

# TL-250E-3-20303 4 BOOM + JIB, 2M2D, KV208MLAE

Pos No.	Parts No	Parts Name	Qty	Unit	Technical Data	Serial No (Start)	Serial No (End)	Remarks	Pages
1	33643731100	JOINT	1						
2	80330003500	FITTING	1						
4	37000802380	FITTING,FLANGE	1						
5	91001204500	O-RING	1		1A G45				
6	90101212030	BOLT	8		M12X30				
7	90302041201	WASHER,SPRING	8		12				
8	80330003300	FITTING	1						
10	56358002000	FITTING,FLANGE	1						
11	91001204000	O-RING	1		1A G40				
12	90101210030	BOLT	4		M10X30				
13	90302041001	WASHER,SPRING	4		10				
14	91803601000	CLIP	8		D=85-100				
15	37002502830	HOSE	1						
20	37000700660	CLAMP ASSY	1						
21	33640570200	JOINT	1						
22	37002500310	HOSE	1		L=230				
23	37000700670	CLAMP ASSY	1						
25	33640008010	CUSHION	1						
26	91001206000	O-RING	1		1A G60				

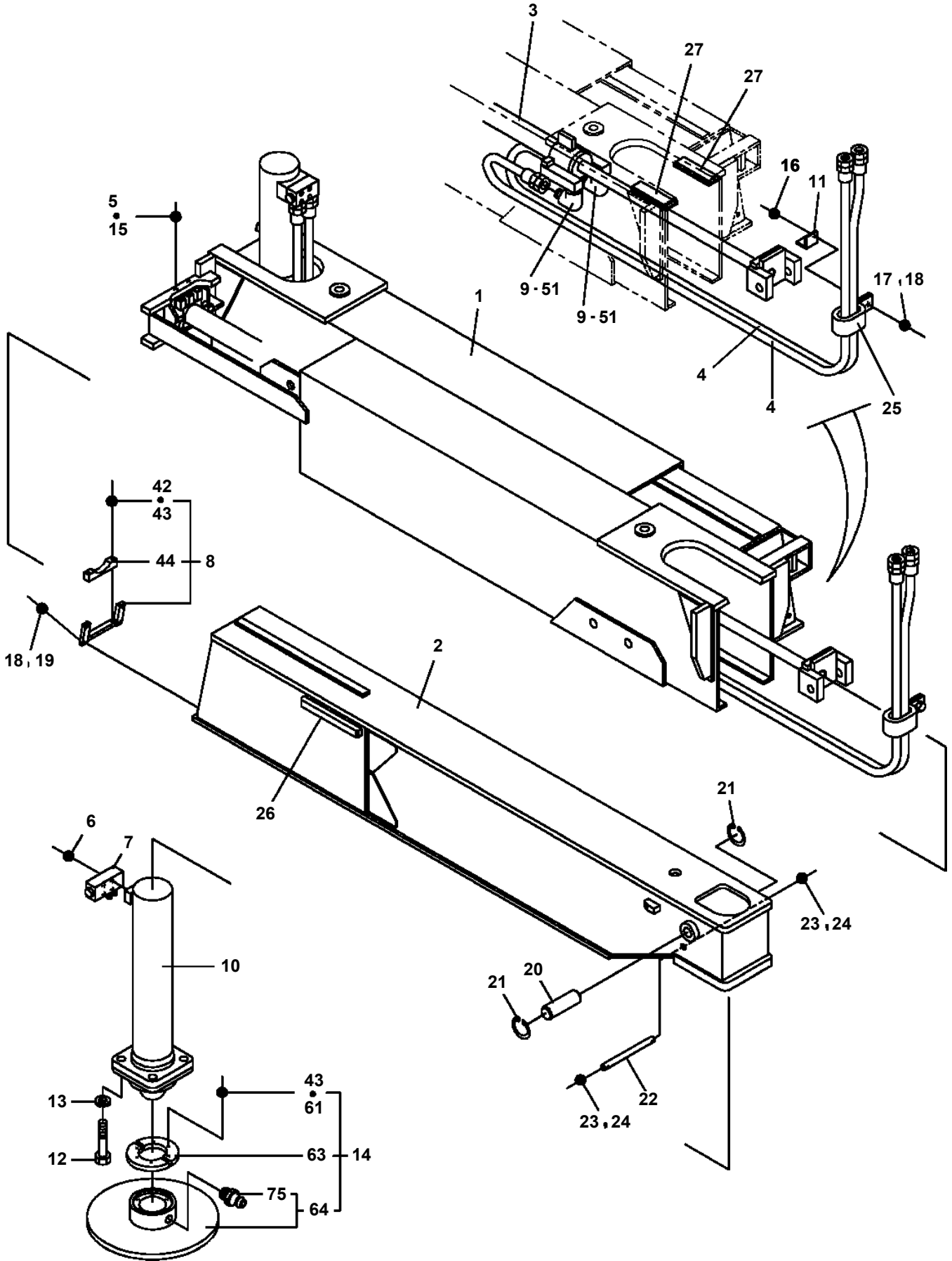
# TL-250E-3-20303 4 BOOM + JIB, 2M2D, KV208MLAE

Pos No.	Parts No	Parts Name	Qty	Unit	Technical Data	Serial No (Start)	Serial No (End)	Remarks
1	33630791000	BRUSH,ROTARY JOINT	1					
2	90131508020	BOLT,HEXAGON SOCKET	4		M8X20			
3	90302040801	WASHER,SPRING	4		8			
4	33630490400	SPACER	1					
5	37000400070	BEARING,PLAIN	1					
6	91531214000	PACKING	2					
7	91100214000	SEAL,RING	5					
8	33630490200	BODY	1				336192	
	33630490201	BODY	1			336193		
9	33630490300	CORE	1					
10	37000400090	BEARING,PLAIN	1					
11	33630460400	STOPPER	2					
12	90101210025	BOLT	4		M10X25			
13	90302041001	WASHER,SPRING	4		10			
15	91002801800	O-RING	1		1B P18			
16	91002902500	O-RING	2		1B G25			
17	91002903000	O-RING	2		1B G30			
18	91002905000	O-RING	1		1B G50			
19	90131512035	BOLT,HEXAGON SOCKET	6		M12X35			
20	90302041201	WASHER,SPRING	6		12			
21	33630490600	FITTING,FLANGE	1					
22	59457138000	PLUG ASSY	1			336193		
100	33630820000	JOINT,ROTARY	1					

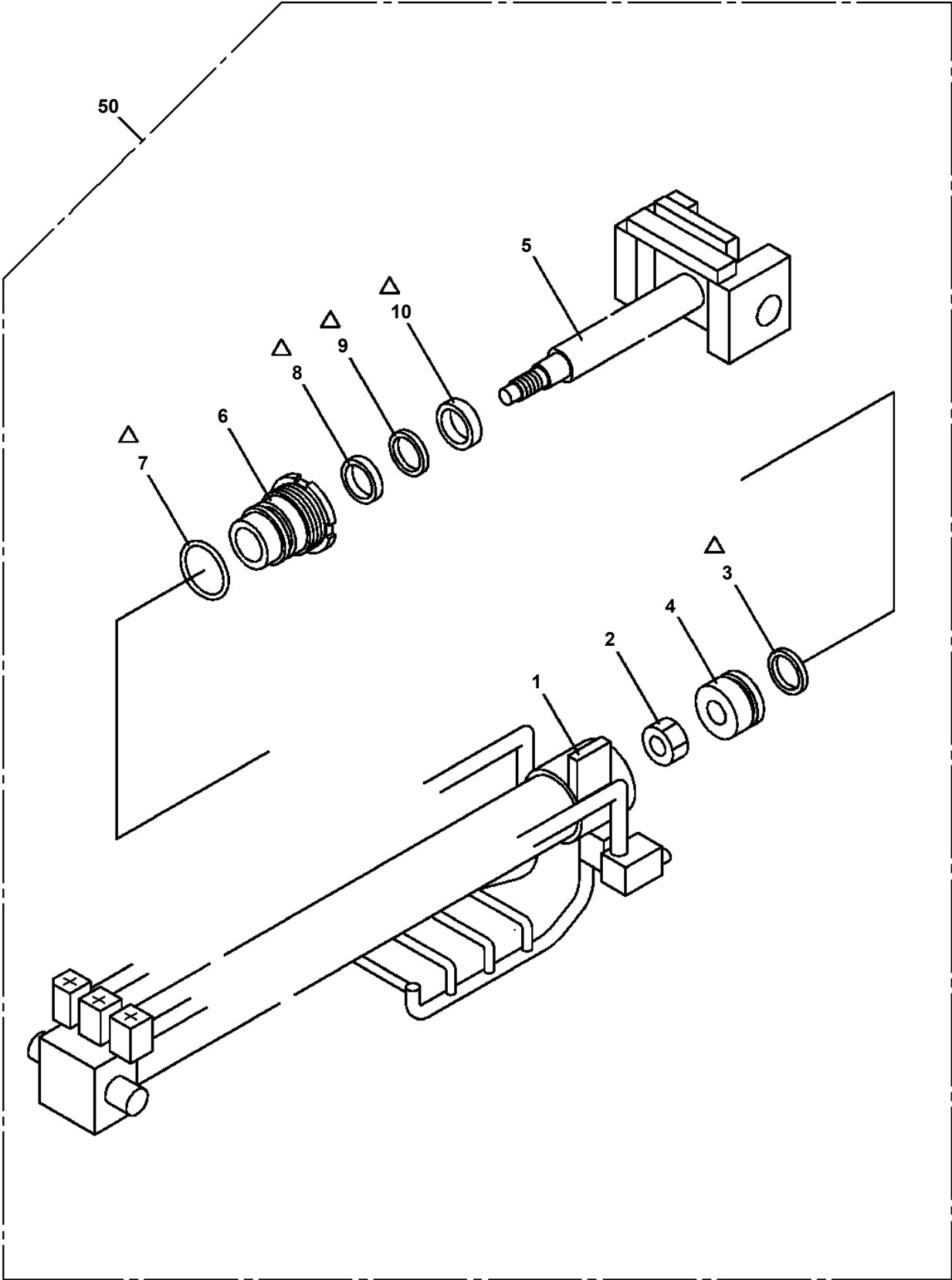
# TL-250E-3-20303 4 BOOM + JIB, 2M2D, KV208MLAE

Pos No.	Parts No	Parts Name	Qty	Unit	Technical Data	Serial No (Start)	Serial No (End)	F
54	36632465270	SPRING	1					
63	36632465280	PLUG	1					
65	36632465290	PLUG	1					
66	36632465300	SPRING	1					
67	36632465310	SPRING	1					
76	91002802400	O-RING	1		1B P24			
83	36632465330	SPRING	2					
98	91000511900	O-RING	4		AS568-119			
99	91000511400	O-RING	4		AS568-114			
101	36632465400	RING,BACKUP	8					
102	36632465410	O-RING	4					
103	36632465420	RING,BACKUP	2				336283	
	36632465420	RING,BACKUP	2					
	36632465420	RING,BACKUP	3			336284		
104	36600065080	CAP	2					
120	36632465480	CAP	4					
121	91001102100	O-RING	4		1A P21			
123	91000502500	O-RING	3					
125	91411002100	RING,BACKUP	4		P21			
131	36646805060	COVER ASSY	1					
141	91001203000	O-RING	1		1A G30			
171	36646805070	BODY ASSY	3					
181	36632465531	BODY ASSY	1				336283	
	36632465531	BODY ASSY	1					
182	36648015070	BODY ASSY	1			336284		
191	36632465540	BODY ASSY	2					
204	36636695180	PLUNGER	1					
208	36632685430	ORIFICE	3		M4X4 0.5			
221	80316030040	PLUG	1		PT1/4			
222	36636695250	BLOCK,VALVE	1					
231	36636695120	POPPET	1					
232	36636695150	BODY ASSY	1					
244	36634675070	RETAINER	4					
245	36634675080	BALL,STEEL	4		4			
251	36636695200	BODY ASSY	1				336283	
	36632465580	BODY ASSY	1			336284		
286	36636695050	PLUG	8		M6			
293	36636695070	PACKING	8					
301	36640015030	PLUG	2		1/4	336284		
302	36632465550	END,SPOOL	2			336284		
303	91002801100	O-RING	2		1B P11	336284		
311	36632465560	BODY ASSY	1			336284		
312	36632465570	PLATE ASSY	2			336284		
400	36632460000	VALVE,MANUAL CONTROL	1					

TL-250E-3-20303 4 BOOM + JIB, 2M2D, KV208MLAE  
PC1010663-00 OUTRIGGER (FRONT)

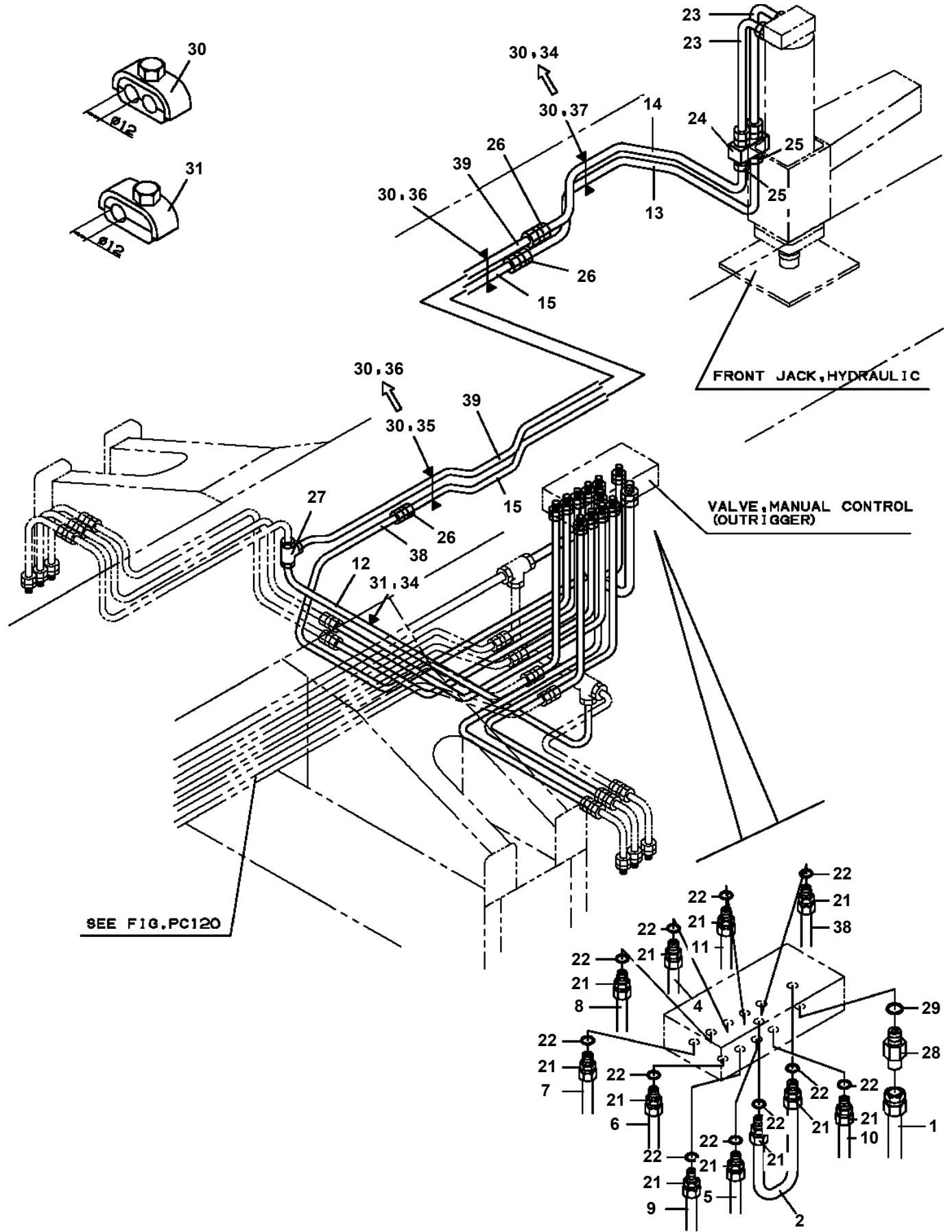


**TL-250E-3-20303 4 BOOM + JIB, 2M2D, KV208MLAE  
PC1050165-02 CYLINDER,EXTENSION**

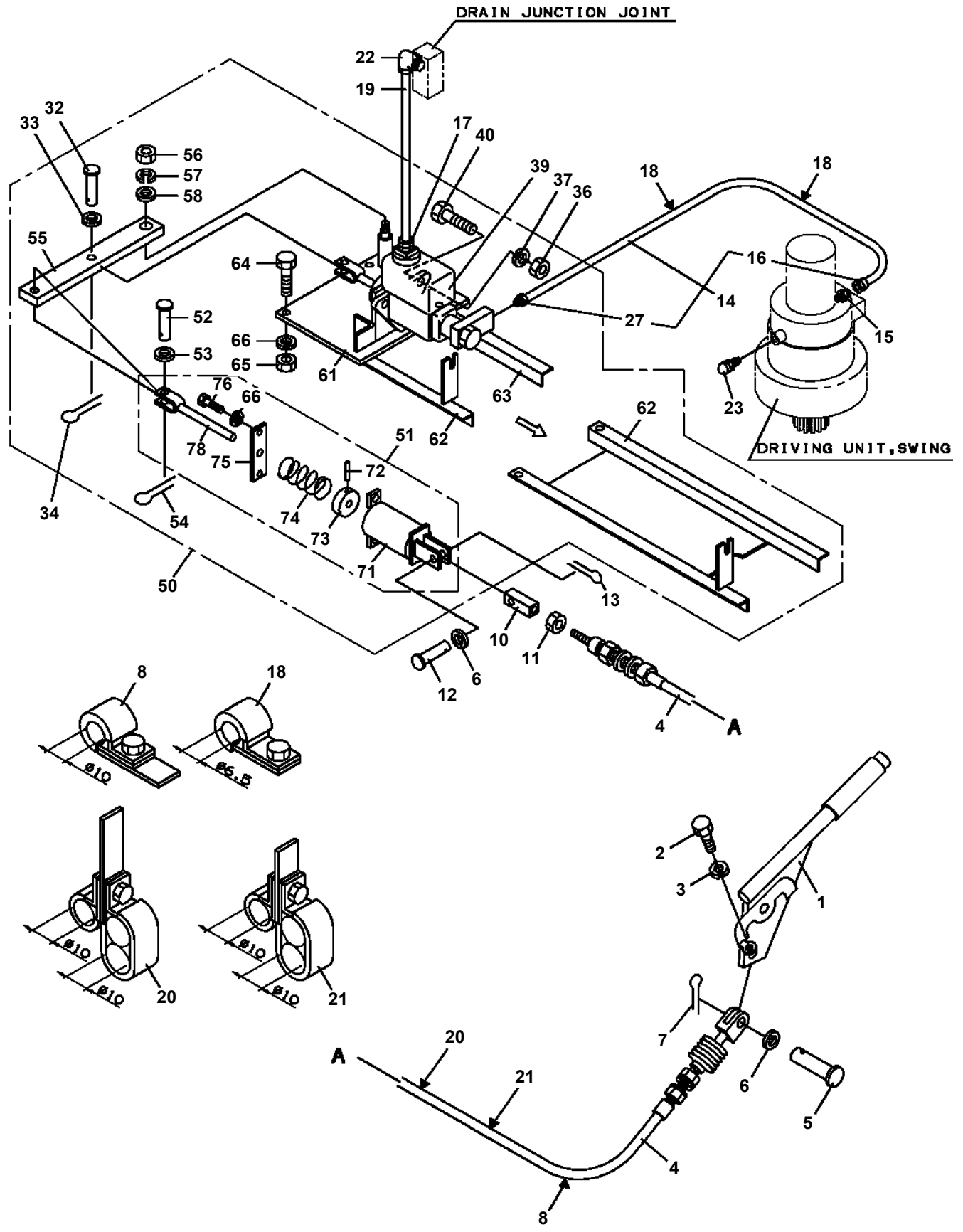


△:PACKING SET KEY NO.21 (KEY NO.3,7,8,9,10)

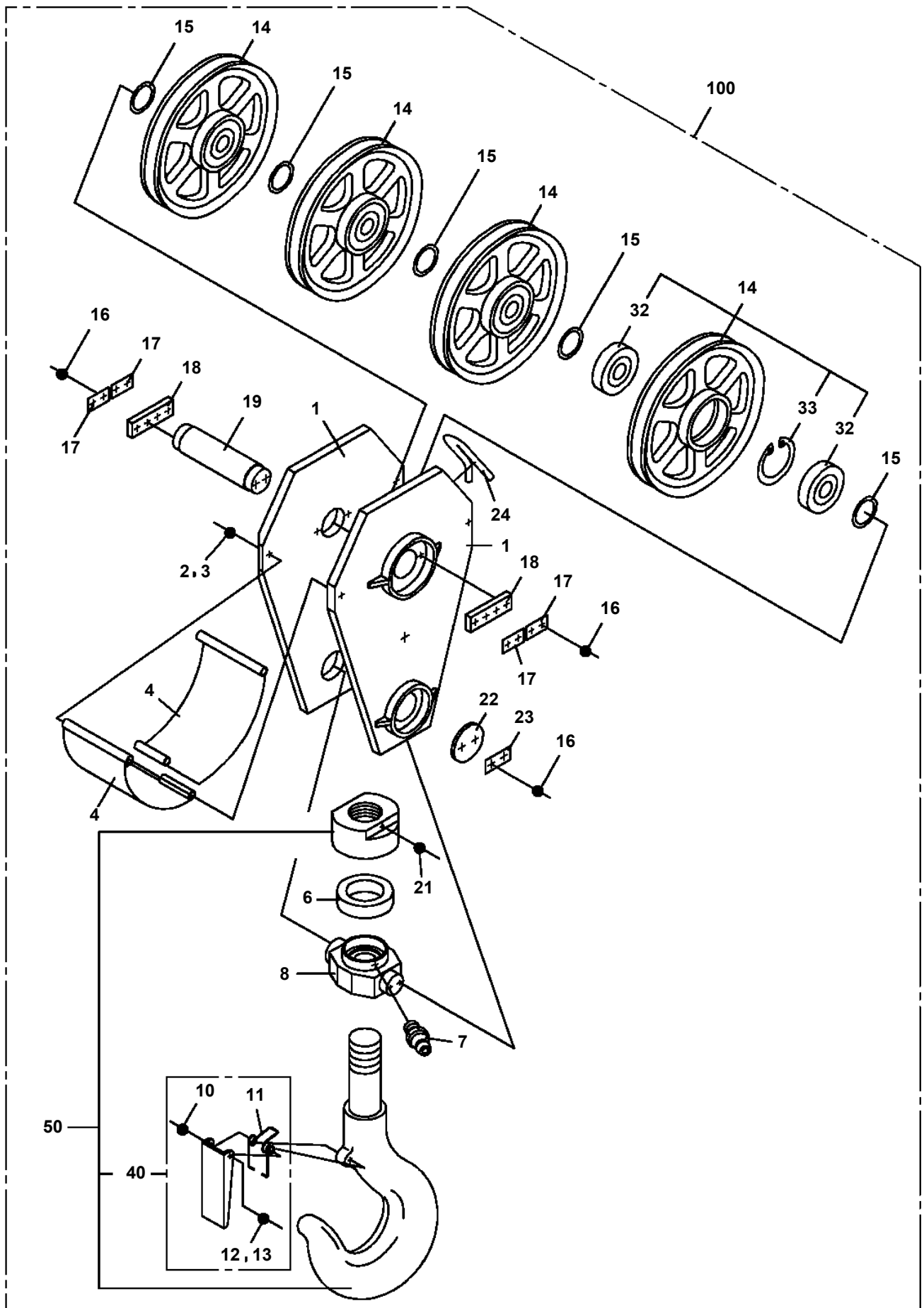
**TL-250E-3-20303 4 BOOM + JIB, 2M2D, KV208MLAE  
PC1220043-02 PIPING,FRONT JACK (WITH F/J)**



**TL-250E-3-20303 4 BOOM + JIB, 2M2D, KV208MLAE  
 PD1100041-04 OPE.ASSY, SWING BRAKE**

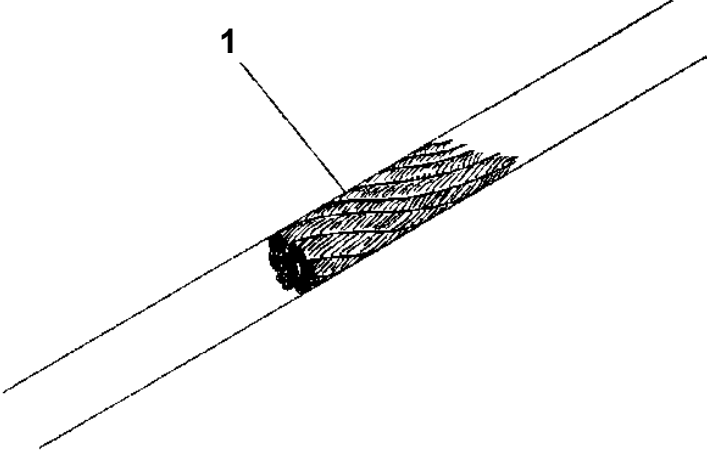


TL-250E-3-20303 4 BOOM + JIB, 2M2D, KV208MLAE  
PF1050267-00 HOOK (SHEAVE 4 PC'S)

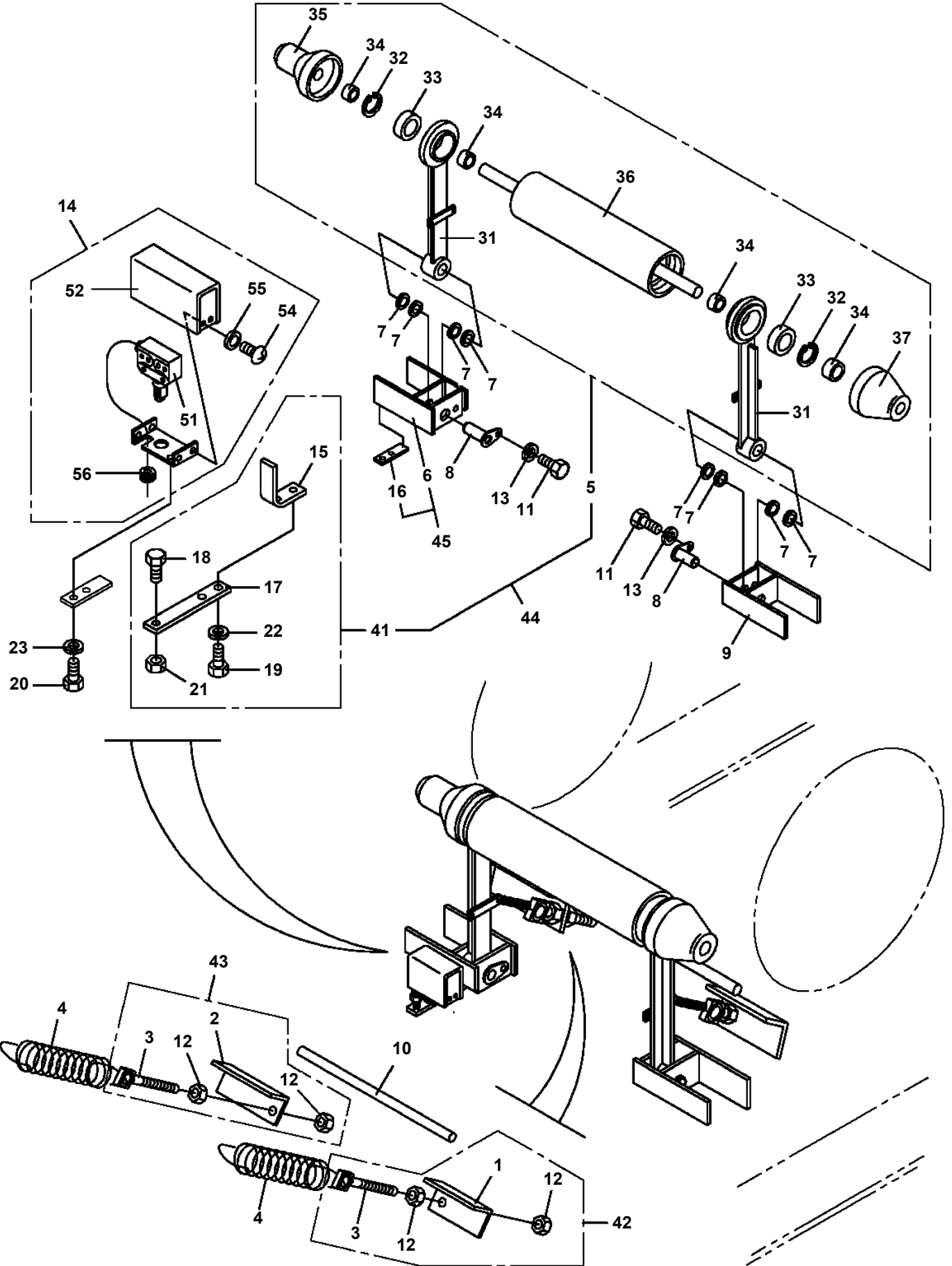


**TL-250E-3-20303 4 BOOM + JIB, 2M2D, KV208MLAE**  
**PF1070005-00 ROPE, WIRE**

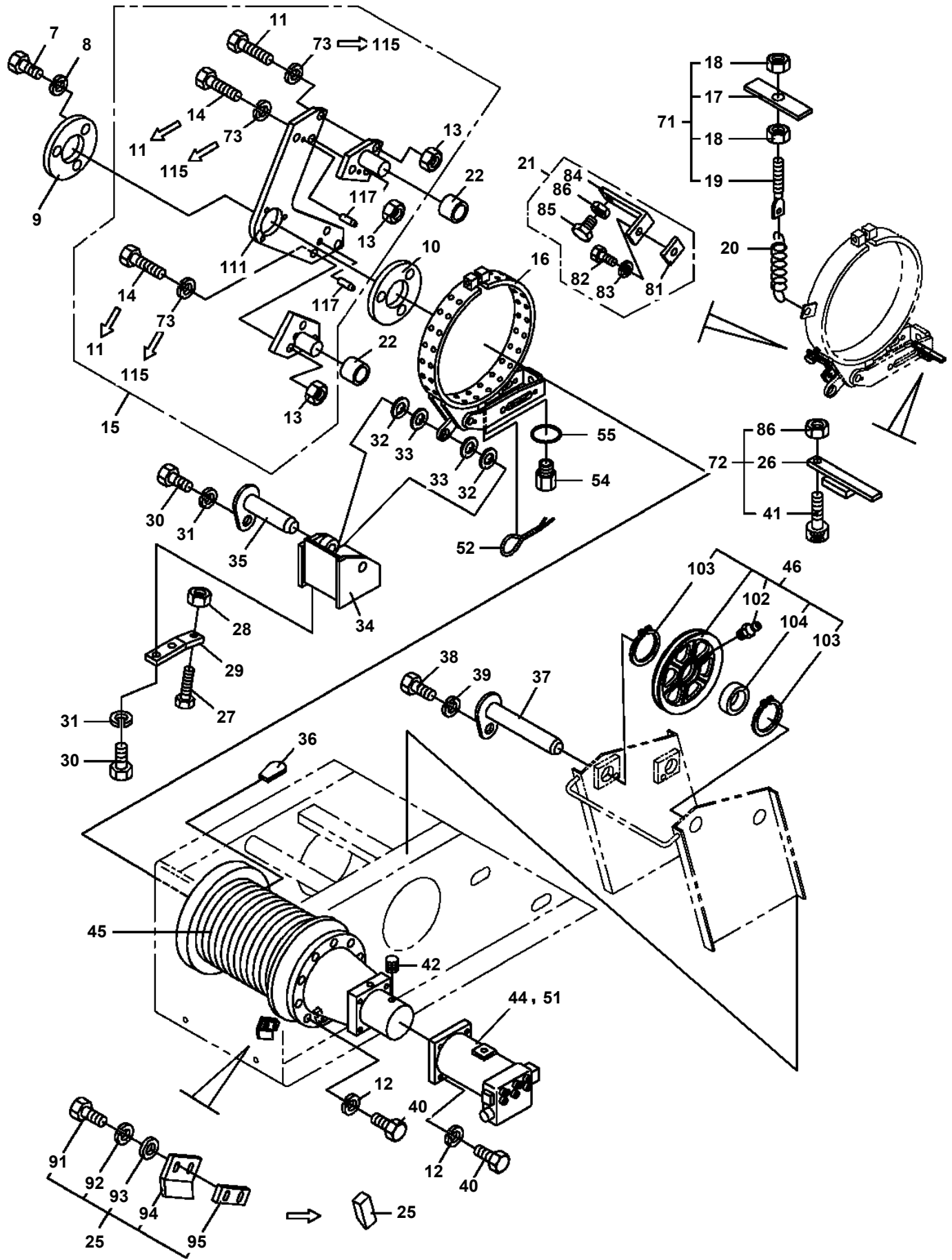
---



TL-250E-3-20303 4 BOOM + JIB, 2M2D, KV208MLAE  
PF1180027-01 DETECTOR, DISORDERLY WINDING



TL-250E-3-20303 4 BOOM + JIB, 2M2D, KV208MLAE  
PF1400110-01 MOUNT,WINCH (MAIN)



## TL-250E-3-20303 4 BOOM + JIB, 2M2D, KV208MLAE

Pos No.	Parts No	Parts Name	Qty	Unit	Technical Data	Serial No (Start)	Serial No (End)	Remarks
223	82456106000	NIPPLE,GREASE	6		1/4-28UNF			
225	33480101100	SUPPORT	2					
226	37000510230	PLATE	2					
227	33480041300	SUPPORT	2					
228	33480041100	SUPPORT	1					
229	33480041950	SUPPORT	1					
230	33480041200	SUPPORT	2					
231	90131506010	BOLT,HEXAGON SOCKET	4		M6X10			
232	90302040601	WASHER,SPRING	4		6			
233	33341001010	GUARD	1					
234	82100002551	PLUG	4					
242	80612111250	RING,RITAINING	6		AR125	336360		
243	80515006214	BEARING,BALL	12			336360		

# TL-250E-3-20303 4 BOOM + JIB, 2M2D, KV208MLAE

Pos No.	Parts No	Parts Name	Qty	Unit	Technical Data	Serial No (Start)	Serial No (End)	Remarks	Pages
1	33341872000	ROLLER ASSY	1						
3	90101512022	BOLT	8		M12X22				
4	90303071201	WASHER,PLAIN	4		12				
5	90302041201	WASHER,SPRING	8		12				
7	33341873000	GUIDE	1						
8	90101210020	BOLT	2		M10X20				
9	90302041001	WASHER,SPRING	2		10				
10	90303071001	WASHER,PLAIN	2		10				
11	37000509660	SUPPORT	1						
12	33343653110	PLATE	1						
21	37000108740	PIN	1						
22	37001104290	ROLLER	4		D40X63				
23	33341872100	SUPPORT	1						
24	90303071401	WASHER,PLAIN	8		14				
25	37000123760	PIN	4						
26	90101208012	BOLT	4		M8X12				
27	90101208016	BOLT	4		M8X16				
28	33420031300	PLATE	2						
29	90302040801	WASHER,SPRING	8		8				
30	90303071601	WASHER,PLAIN	2		16				
31	80136032030	PIN,SPLIT	2		3.2X30				
50	36671418010	REEL,HOSE	1						000070

# TL-250E-3-20303 4 BOOM + JIB, 2M2D, KV208MLAE

Pos No.	Parts No	Parts Name	Qty	Unit	Technical Data	Serial No (Start)	Serial No (End)	Remarks
1	33430563010	PLATE	1					
2	90131505025	BOLT,HEXAGON SOCKET	2		M5X25			
3	90201200500	NUT	2		M5			
4	90302040501	WASHER,SPRING	2		5			
5	34360552101	SWITCH ASSY	1					
6	33430707010	SUPPORT	1					
11	82104111225	SWITCH,LIMIT	1					

# TL-250E-3-20303 4 BOOM + JIB, 2M2D, KV208MLAE

Pos No.	Parts No	Parts Name	Qty	Unit	Technical Data	Serial No (Start)	Serial No (End)	Re
1	32370002170	PLATE	1					
2	32370002110	GASKET	1					
3	32370002121	COVER	1					
4	80162303025	SCREW,MACHINE	2		M3X25			
5	90302040301	WASHER,SPRING	2		3			
6	82100001355	SWITCH,LIMIT	1					
7	32370002131	ROD	1					
8	14148373001	SPRING	1					
9	80601110180	RING,RITAINING	1		S18			
10	32370002161	SUPPORT	1				336226	
	34371314400	SUPPORT	1			336227		
11	90303070301	WASHER,PLAIN	2		3			
12	82100002283	CONNECTOR	1					
13	82100002355	TERMINAL (GOLD)	2					
14	32370005200	CORD	1					
15	32370005210	CORD	1					
16	82100000592	TERMINAL (M40.3 TO 1.25)	2					
17	89630201000	HOSE,VINYL	1		6X8,1M			
18	14148375000	GROMMET	1					
19	90101208045	BOLT	2		M8X45			
20	90302040801	WASHER,SPRING	2		8			
21	16268231000	LABEL (SWITCH,OVER WINDING)	1					
22	82100001220	INSULATOR	2					
23	82100002329	PLUG	1					
30	32370009511	ROD ASSY	1				336226	
	32370009512	ROD ASSY	1			336227		
31	32370002150	SPACER	1		L=12 TO 11			
32	80720103014	PIN,SPRING	1		3X14			
50	33370888030	SWITCH ASSY (BOOM)	1					

CLICK HERE TO **DOWNLOAD** THE COMPLETE MANUAL

- Thank you very much for reading the preview of the manual.
- You can download the complete manual from: [www.heydownloads.com](http://www.heydownloads.com) by clicking the link below



- Please note: If there is no response to CLICKING the link, please download this PDF first and then click on it.

CLICK HERE TO **DOWNLOAD** THE COMPLETE MANUAL

# TL-250E-3-20303 4 BOOM + JIB, 2M2D, KV208MLAE

Pos No.	Parts No	Parts Name	Qty	Unit	Technical Data	Serial No (Start)	Serial No (E
1	36117205010	FRAME ASSY	1				
2	36117205020	BOARD,DISPLAY	1				336370
	36117201300	BOARD,DISPLAY	1			336371	
3	36116795030	BOARD,CPU	1		2MB		
4	36116795040	BOARD,ANALOG	1				
5	36117205030	BOARD,POWER	1				
7	36117205040	BOARD ASSY	1				
8	36116795080	FUSE	2		3A		
9	36116795090	FUSE	5		2A		
11	36117205050	PANEL,FRONT	1				
12	36116905020	PANEL	1				
30	(*****)	P-ROM	1				336135
	(*****)	P-ROM	1				
50	36117201000	MOMENT LIMITER (LC/WITHOUT P-ROM)	1			336136	
100	36117890000	MOMENT LIMITER (AML-LC)	1				

# TL-250E-3-20303 4 BOOM + JIB, 2M2D, KV208MLAE

Pos No.	Parts No	Parts Name	Qty	Unit	Technical Data	Serial No (Start)	Serial No (End)
1	19491111400	O-RING	4				
2	19491111410	O-RING	2				
3	19491111420	O-RING	2				
4	19491111430	SEAL,OIL	1				
5	80602110300	RING,RITAINING	1		R30		
6	90131506020	BOLT,HEXAGON SOCKET	16		M6X20		
7	19491111440	WASHER	16				
10	36660925010	KEY	1				
30	36660920000	MOTOR,HYDRAULIC (COOLER,OIL)	1				

# TL-250E-3-20303 4 BOOM + JIB, 2M2D, KV208MLAE

Pos No.	Parts No	Parts Name	Qty	Unit	Technical Data	Serial No (Start)	Serial No (End)	Remarks	Pages
1	36060050000	CYLINDER,AIR	1						
2	36060055020	PISTON	1						
3	36060055030	ROD	1						
4	36060055040	SPRING (RETURN)	1						
5	36060055050	PACKING	1						
6	36060055060	CAP (CYLINDER)	1						
7	36060055070	CAP ASSY	1						
10	36060055100	FILTER	1						
11	36060055110	PLATE	2						
12	90303070601	WASHER,PLAIN	1		6				
13	90302040801	WASHER,SPRING	1		8				
14	90201200800	NUT	1		M8				
15	91001102400	O-RING	1		1A P24				
16	91001100500	O-RING	1		1A P5				
17	80602110320	RING,RITAINING	1		R32				
18	36060055120	PIN	1						
19	80136316012	PIN,SPLIT	1		1.6X12				
20	36060055130	WASHER	1						

## TL-250E-3-20303 4 BOOM + JIB, 2M2D, KV208MLAE

Pos No.	Parts No	Parts Name	Qty	Unit	Technical Data	Serial No (Start)	Serial No (End)	Remarks
3	36642015010	SPRING	1					
5	36642015020	PLUG	1		3/4			
6	91002802400	O-RING	1		1B P24		336432	
	91002802240	O-RING	1		1B P22.4	336433		
7	36642015050	VALVE,SOLENOID	1				336432	
10	36648685020	ORIFICE	1		1.3	336433		
11	36643385010	O-RING	1			336433		
12	90131505050	BOLT,HEXAGON SOCKET	4		M5X50	336433		
14	36640085015	RETAINER	2				336432	
15	36640085025	SPRING	2				336432	
17	91000501700	O-RING	2				336432	
18	36642935040	RING	3				336432	
22	36642935021	SOLENOID	1				336432	
23	90131505050	BOLT,HEXAGON SOCKET	4		M5X50		336432	
32	36642935030	PLUG	1				336432	
41	36642015060	VALVE ASSY,SOLENOID	1			336433		
50	36642010000	VALVE,SOLENOID	1					

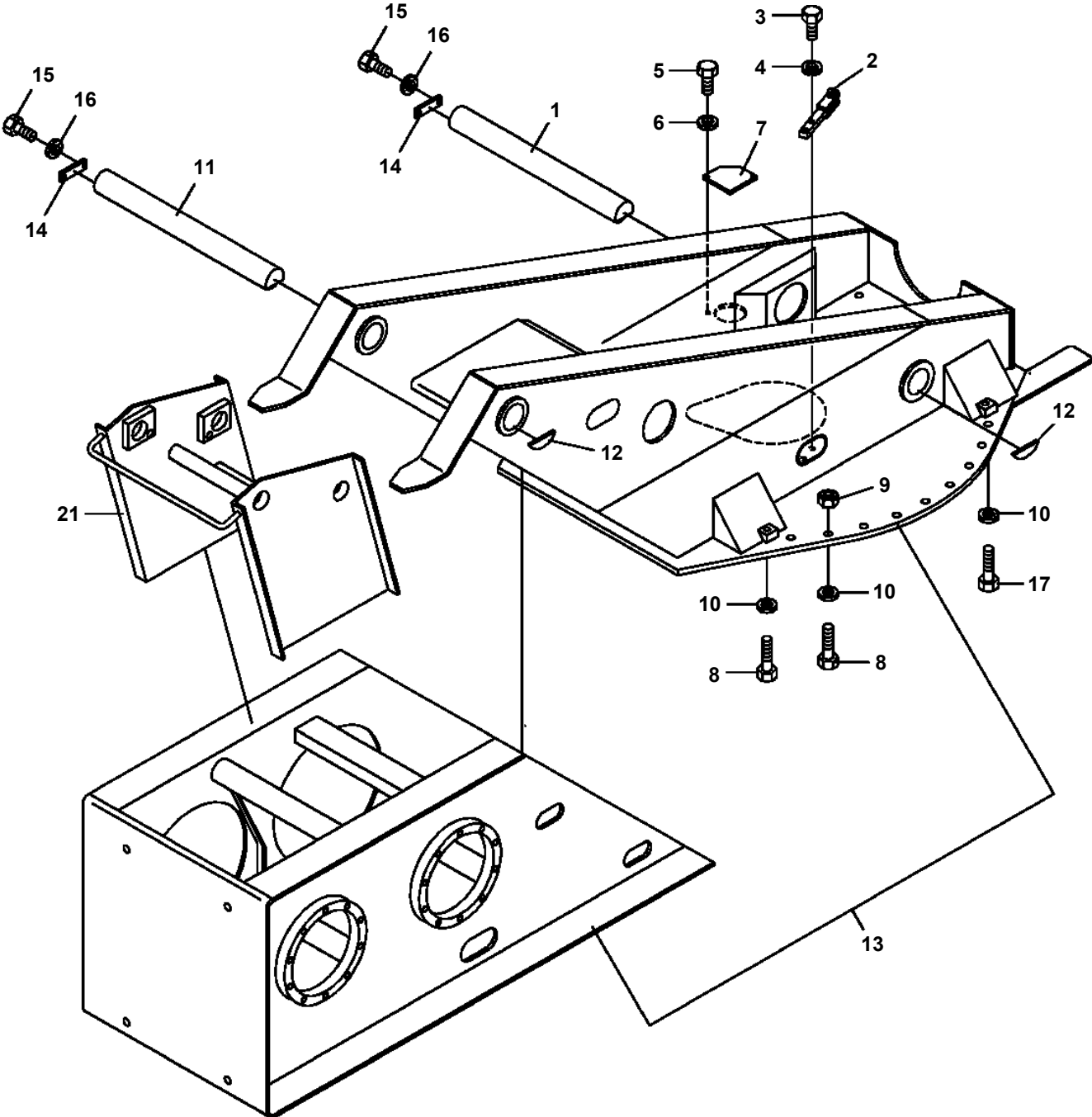
# TL-250E-3-20303 4 BOOM + JIB, 2M2D, KV208MLAE

Pos No.	Parts No	Parts Name	Qty	Unit	Technical Data	Serial No (Start)	Serial No (End)	Remarks	Pages
2	36624085200	PLUG	3						
4	36621305020	SPRING	3						
5	91002801600	O-RING	3		1B P16				
6	36624455600	SCREW	1						
7	36646127500	PLUG	1						
8	91002801100	O-RING	1		1B P11				
20	36624450000	VALVE,CHECK	1						

# TL-250E-3-20303 4 BOOM + JIB, 2M2D, KV208MLAE

Pos No.	Parts No	Parts Name	Qty	Unit	Technical Data	Serial No (Start)	Serial No (End)	R
2	91002804400	O-RING	3		1B P44			
3	91411004400	RING,BACKUP	3		P44			
6	16265153060	SPRING	1					
9	91002801600	O-RING	1		1B P16			
13	16265153131	SPRING	1					
14	16265153141	SPRING	1					
16	36601665060	O-RING	1		P30			
17	91410003000	RING,BACKUP <P30.	1					
18	91002804000	O-RING	1		1B P40			
20	91002801250	O-RING	1		1B P12.5			
21	91410001250	RING,BACKUP	1		P12.5			
22	91002802600	O-RING	1		1B P26			
30	16265153000	CARTRIDGE, COUNTERBALANCE	1					

**TL-250E-3-20303 4 BOOM + JIB, 2M2D, KV208MLAE  
PK1100064-01 SWING FRAME**

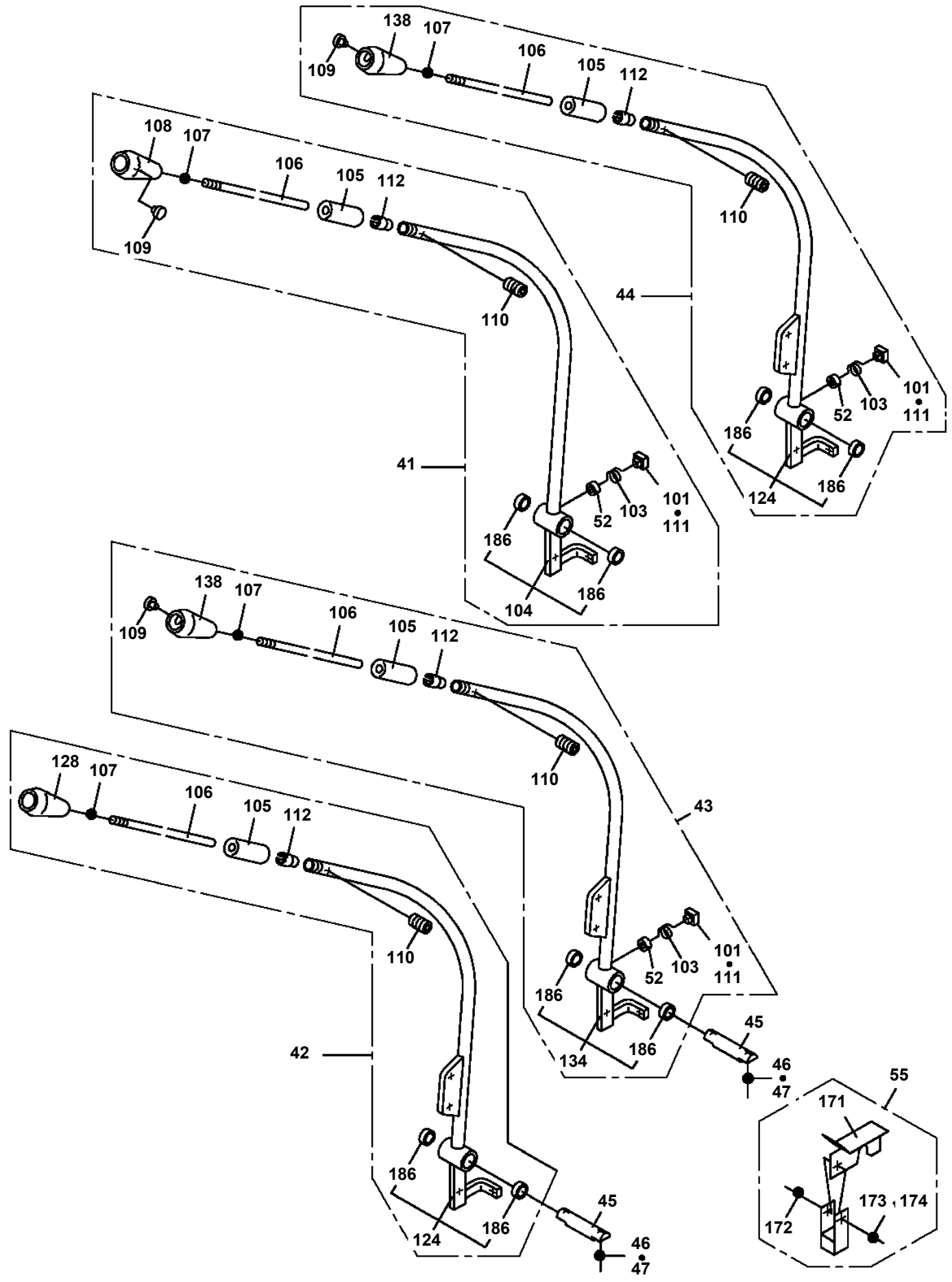




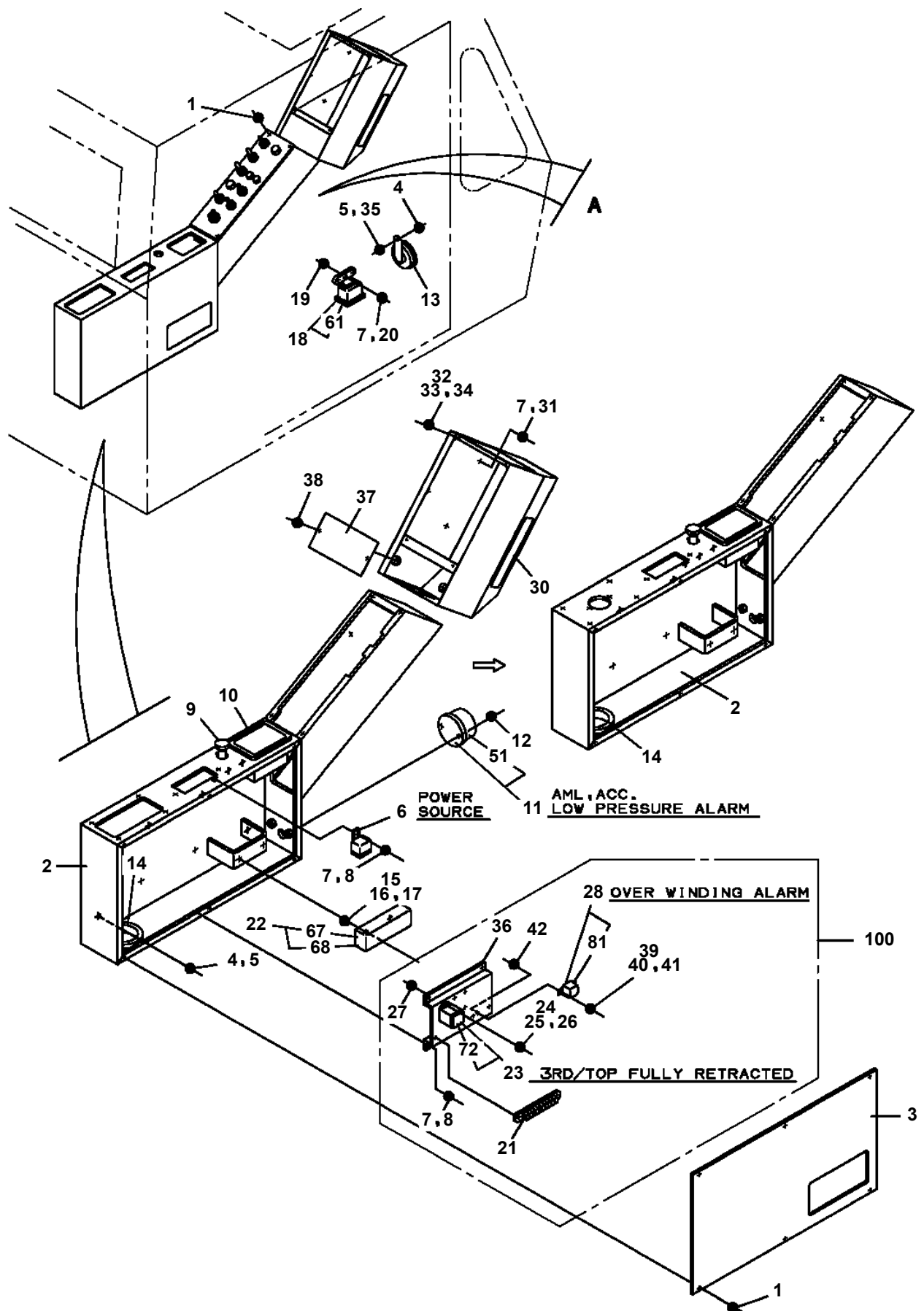
# TL-250E-3-20303 4 BOOM + JIB, 2M2D, KV208MLAE

Pos No.	Parts No	Parts Name	Qty	Unit	Technical Data	Serial No (Start)	Serial No (End)
1	34350002100	CAP	2				
2	80172304008	SCREW,MACHINE	2		M4X8		
5	80192485014	SCREW,MACHINE (WITH WASHER)	2		M5X14		
6	33431097100	COVER	1				
7	90303070501	WASHER,PLAIN	2		5		
8	34250000430	PLATE	1				

TL-250E-3-20303 4 BOOM + JIB, 2M2D, KV208MLAE  
PL1010725-02 OPE.ASSY,CONT.VALVE (ISO)



**TL-250E-3-20303 4 BOOM + JIB, 2M2D, KV208MLAE  
 PN1050136-02 ELECTRICAL PARTS,CAB**



# TL-250E-3-20303 4 BOOM + JIB, 2M2D, KV208MLAE

Pos No.	Parts No	Parts Name	Qty	Unit	Technical Data	Serial No (Start)	Serial
1	37002201770	PLATE,NAME (GREASE)	8				
2	37002204960	PLATE,NAME (WITH F/J)	1				
3	33940860010	PLATE,NAME (TANK)	1				
4	37002204970	PLATE,NAME (WITH F/J)	1				
5	33940720010	SUPPORT	2				33628
6	37002216840	PLATE,CAUTION (ELECTROCUTION HAZARD)	2				
7	37002216870	PLATE,CAUTION (DO NOT CLIMB UP OR)	2				
8	37002216830	PLATE,CAUTION (DO NOT CLIMB BOOM)	4				
9	37002216900	PLATE,CAUTION (DO NOT STAND UNDER)	1				
10	37002216880	PLATE,CAUTION (TAKE CARE NOT TO)	2				
11	37002216890	PLATE,CAUTION (KEEP CLEAR OF)	4				

# TL-250E-3-20303 4 BOOM + JIB, 2M2D, KV208MLAE

Pos No.	Parts No	Parts Name	Qty	Unit	Technical Data	Serial No (Start)	Serial No (End)
1	37002208180	PLATE,NAME (FULL COMPLETEMENT)	1				
2	34392454020	PLATE,NAME	1				
3	37002211950	PLATE,CAUTION (WARNING ATTENTION)	1				

# TL-250E-3-20303 4 BOOM + JIB, 2M2D, KV208MLAE

Pos No.	Parts No	Parts Name	Qty	Unit	Technical Data	Serial No (Start)	Serial No (End)	Remarks	Pages
1	36670455010	PLATE (A)	1						
2	36670455020	PLATE (B)	1						
3	36670455030	PACKING (SEAT)	1						
4	36671410010	CASE (SPRING)	1						
5	36670455050	SPRING	1						
6	36670455060	SPRING	1						
7	36670455070	BOLT	2		M8X12				
8	90302040801	WASHER,SPRING	3		8				
9	90201200800	NUT	2		M8				
10	80515006003	BEARING,BALL	1						
11	36670455080	BUSH	1						
12	80515006007	BEARING,BALL	1						
13	16246595020	RING ASSY (RL)	2						
15	36671410030	PIN	1						
16	36671410040	SUPPORT	1						
17	90730005120	SCREW,SET	3		M5X12				
18	90201200600	NUT	6		M6				
19	90302040601	WASHER,SPRING	6		6				
20	36670455110	PLATE	1						
21	90102208014	BOLT	1		M8X14				
23	80602110700	RING,RITAINING	1		R70				
24	36670545060	SEAL,OIL	1						
25	36671410020	SPACER	1						
26	91001203000	O-RING	1		1A G30				
27	90101510018	BOLT	4		M10X18				
28	90302041001	WASHER,SPRING	4		10				
29	36671410050	RING,RETAINING	1						
100	36671410000	REEL ASSY,HOSE	1						

# TL-250E-3-20303 4 BOOM + JIB, 2M2D, KV208MLAE

Pos No.	Parts No	Parts Name	Qty	Unit	Technical Data	Serial No (Start)	Serial No (End)	Remarks
1	33460002100	BAG,TOOL	1					
2	91991110350	WRENCH,PIPE	1		350MM			
3	91991540508	WRENCH SET,HEXAGON	1					
4	37002403770	HOSE (GREASE)	1					
30	33460003000	TOOLS	1					

# TL-250E-3-20303 4 BOOM + JIB, 2M2D, KV208MLAE

Pos No.	Parts No	Parts Name	Qty	Unit	Technical Data	Serial No (Start)	Serial No (End)	Remarks	Pages
1	33860461000	SUPPORT	2						
2	33860462000	SUPPORT	1						
3	33860463000	SUPPORT	1						
4	33860320500	SUPPORT	2						
5	33860320400	SUPPORT	2						
6	37000128890	PIN	4						
9	37000305290	SPACER	4		L=150				

# TL-250E-3-20303 4 BOOM + JIB, 2M2D, KV208MLAE

Pos No.	Parts No	Parts Name	Qty	Unit	Technical Data	Serial No (Start)	Serial No (End)	Remarks	Pages
1	33763831100	COVER ASSY	3						
2	33765131100	COVER	1						
3	12515253000	PLATE	2						
4	90101210016	BOLT	4		M10X16				
5	90302041001	WASHER,SPRING	4		10				
	90302041001	WASHER,SPRING	12		10		336270		
	90302041001	WASHER,SPRING	15		10	336271			
6	37000501590	PLATE	2						
7	33763831200	COVER	2						
8	33763831300	COVER	1						
9	33763831400	COVER	1						
10	33690030010	SUPPORT	2				336256		
	33690030100	SUPPORT	2			336257			
11	90303070601	WASHER,PLAIN	4		6				
12	90302040601	WASHER,SPRING	4		6				
13	90201200600	NUT	4		M6				
14	37000704790	CLAMP ASSY	8		D=6		336256		
15	37000573570	PLATE	2			336241			
16	90193212035	BOLT	3		M12X35	336241			
17	90193212110	BOLT	1		M12X1.25	336241			
20	33765138010	COVER ASSY	1						
22	33250000230	PLATE	6						
23	33762752200	SUPPORT	3						
24	90101210014	BOLT	12		M10X14		336270		
	90101210014	BOLT	15		M10X14	336271			
31	33763831110	COVER	3						

# TL-250E-3-20303 4 BOOM + JIB, 2M2D, KV208MLAE

Pos No.	Parts No	Parts Name	Qty	Unit	Technical Data	Serial No (Start)	Serial No (End)	Remarks	Pages
1	33765180010	PLATE	1						

# TL-250E-3-20303 4 BOOM + JIB, 2M2D, KV208MLAE

Pos No.	Parts No	Parts Name	Qty	Unit	Technical Data	Serial No (Start)	Serial No (End)
2	90302040801	WASHER,SPRING	8		8		
3	90101208020	BOLT	4		M8X20		
4	33475081000	COVER	1				
6	33475082000	COVER	1				
7	80192484012	SCREW,MACHINE (WITH WASHER)	4		M4X12		
11	90302040601	WASHER,SPRING	7		6		
12	36290490000	TANK,FUEL	1				
14	90101208030	BOLT	4		M8X30		
15	90201200800	NUT	4		M8		
16	82100002001	CLAMP	7		WR5		
17	33470270010	SUPPORT	2				
19	36290550000	PIPE ASSY	1				
20	34392454020	PLATE,NAME	1				
21	37002208180	PLATE,NAME (FULL COMPLETEMENT)	1				
32	90190000008	BOLT,STUD	7		M6X20		
33	90201200600	NUT	7		M6		
41	36290495011	FILTER	1				

# TL-250E-3-20303 4 BOOM + JIB, 2M2D, KV208MLAE

Pos No.	Parts No	Parts Name	Qty	Unit	Technical Data	Serial No (Start)	Serial No (End)	Rema
72	36290665590	PACKING	2					
81	36290665830	FUSE	1		7A			
100	36290661030	HEATER (BODY,MY30AFD2)	1					

CLICK HERE TO **DOWNLOAD** THE COMPLETE MANUAL

- Thank you very much for reading the preview of the manual.
- You can download the complete manual from: [www.heydownloads.com](http://www.heydownloads.com) by clicking the link below



- Please note: If there is no response to CLICKING the link, please download this PDF first and then click on it.

CLICK HERE TO **DOWNLOAD** THE COMPLETE MANUAL