

TL-250E-3-10301 4 BOOM + JIB, 2M2D, KW31MXH

PB1000177-02 HYDRAULIC PRESSURE GENERATING SYSTEM

PC1000132-01 OUTRIGGER SYSTEM

PD1000164-03 SWING SYSTEM

PE1000162-01 ELEVATING SYSTEM

PF1000153-05 WINCH SYSTEM

PG1000156-01 TELESCOPING SYSTEM

PH1000150-03 SAFETY DEVICES

PK1000169-03 FRAME

PL1000167-02 CONTROL DEVICES

PN1000148-02 ELECTRIC EQUIPMENT

PO1000144-01 INDICATION PLATES

PW1000122-00 ACCESSORIES & TOOLS

PX1000168-03 MOUNTING PARTS

PY1000150-03 OPTIONS

ASSEMBLY

CLICK HERE TO **DOWNLOAD** THE COMPLETE MANUAL

- Thank you very much for reading the preview of the manual.
- You can download the complete manual from: www.heydownloads.com by clicking the link below



- Please note: If there is no response to CLICKING the link, please download this PDF first and then click on it.

CLICK HERE TO **DOWNLOAD** THE COMPLETE MANUAL

TL-250E-3-10301 4 BOOM + JIB, 2M2D, KW31MXH

Pos No.	Parts No	Parts Name	Qty	Unit	Technical Data	Serial No (Start)	Serial No (End)
1	36092010000	HOOK (SHEAVE 4 PC'S)	1				
2	(*****)	HOOK (AUXILIARY)	1				
4	37001802130	ROPE,WIRE (TSK)	1				
	37001805280	ROPE,WIRE (KISWIRE)	1			336288	
6	37001801380	ROPE,WIRE (TSK)	1				
8	(*****)	SOCKET,ROPE (SEIZING)	2				
9	(*****)	OPE.ASSY, WINCH BRAKE (MAIN)	1				
10	(*****)	OPE.ASSY, WINCH BRAKE (AUX.)	1				
11	(*****)	OPE.ASSY,DRUM LOCK (MAIN)	1				
12	(*****)	OPE.ASSY,DRUM LODK (AUX.)	1				
13	(*****)	OPE.ASSY,CLUTCH (MAIN)	1				
14	(*****)	OPE.ASSY,CLUTCH (AUX.)	1				
15	(*****)	DETECTOR,DISORDERLY WIND (MAIN,OPTION)	1				
16	(*****)	DETECTOR,DISORDERLY WIND (AUX.,OPTION)	1				
17	(*****)	PIPING,WINCH (MAIN,FOR SANWA MOTOR)	1				
18	(*****)	PIPING,WINCH (AUX.,FOR SANWA MOTOR)	1				
19	(*****)	PIPING,WINCH BRAKE (MAIN)	1				
20	(*****)	PIPING,WINCH BRAKE (AUX.)	1				
21	(*****)	DETECTOR,DRUM ROTATION (AML-M,OPTION)	1				
22	(*****)	MOUNT,WINCH (MAIN)	1				
23	(*****)	MOUNT,WINCH (AUX.,SANWA)	1				
101	36070840000	WINCH	2				
102	19413067000	CLUTCH,WINCH	2				
103	33310660010	BAND,WINCH BRAKE	2				
104	36632340000	VALVE,CLUTCH	1				
105	36661840000	MOTOR,HYDRAULIC (SANWA)	2				
106	36661680000	MOTOR,HYDRAULIC (SANWA)	2				
107	36061040000	CYLINDER,MASTER	2				
108	36642370000	VALVE,HYDRAULIC	2				
109	36603180000	VALVE,COUNTERBALANCE (SANWA)	2				
110	36671060005	ACCUMULATOR	2				3359
	36672480000	ACCUMULATOR	2			335985	

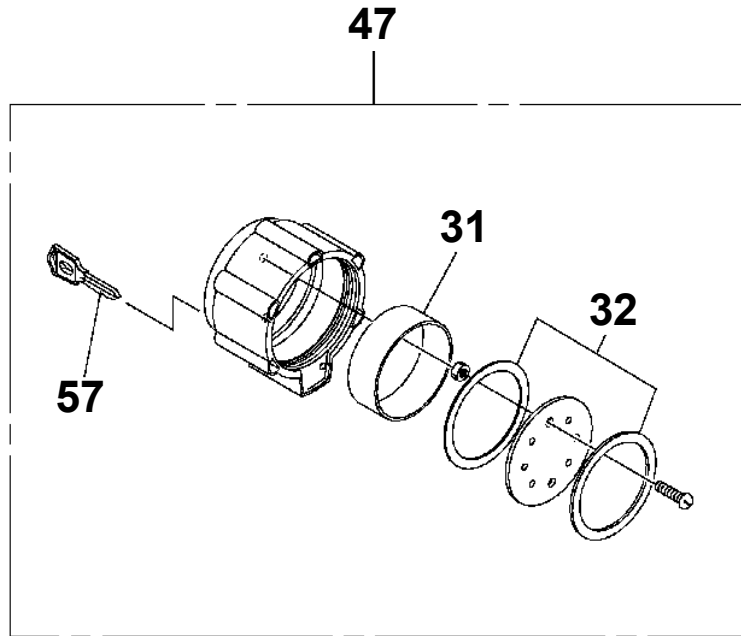
TL-250E-3-10301 4 BOOM + JIB, 2M2D, KW31MXH

Pos No.	Parts No	Parts Name	Qty	Unit	Technical Data	Serial No (Start)	Serial No (End)	Remarks
1	(*****)	ELECTRICAL PARTS,CAB	1					
2	(*****)	SWITCH PANEL (OPERATION)	1					
3	(*****)	LAMP (WORKING)	1					
4	(*****)	SWITCH,DETECTOR (F/J)	1					

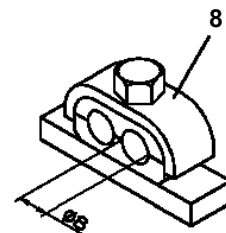
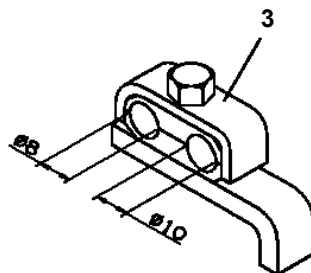
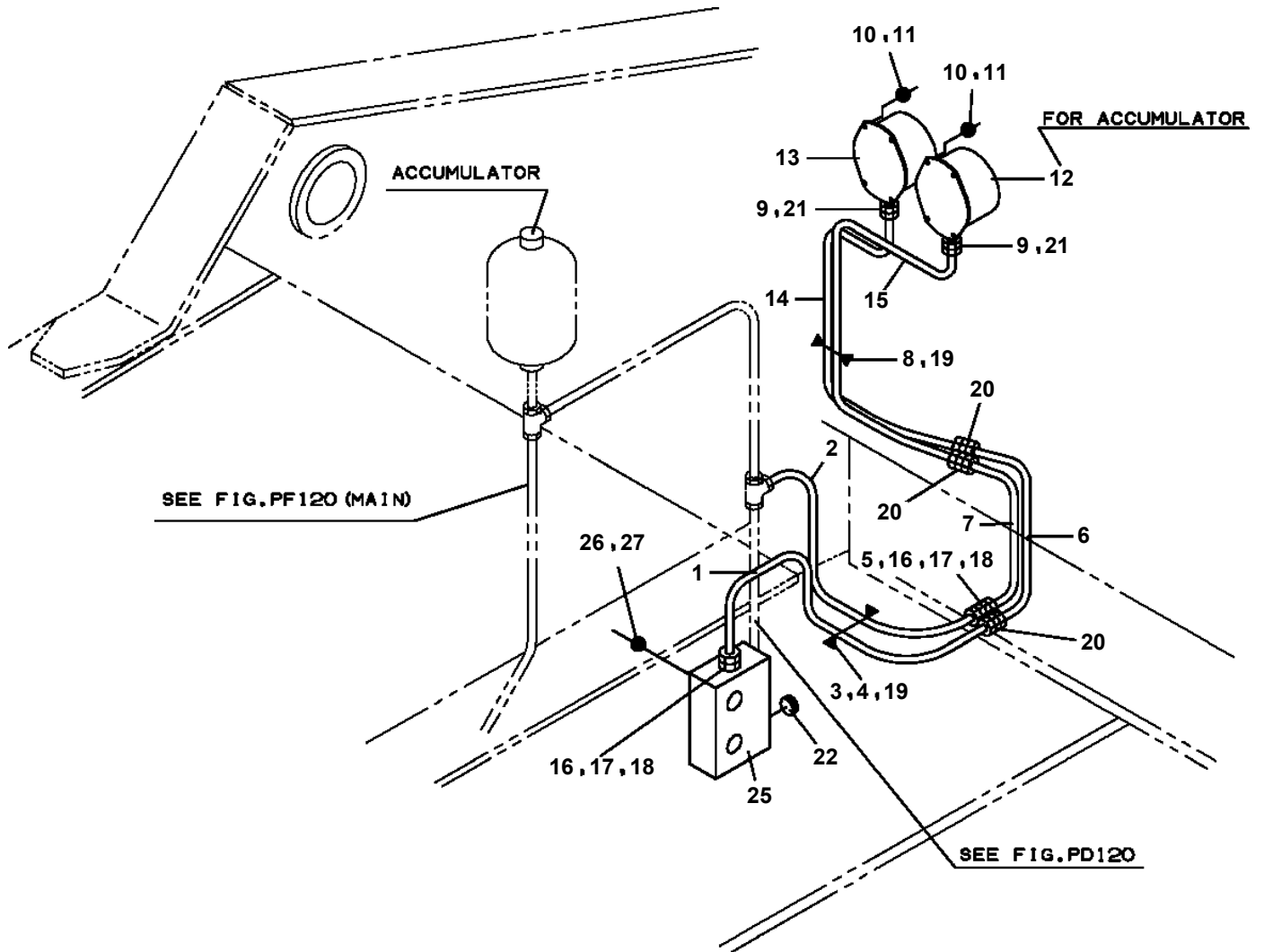
TL-250E-3-10301 4 BOOM + JIB, 2M2D, KW31MXH

PF1320005-00 JOINT,WINCH ROTARY
PF1400061-04 MOUNT,WINCH (AUX.,SANWA)
PF1400304-00 MOUNT,WINCH (MAIN)
PG1010143-07 BOOM
PG1040105-00 JIB
PG1050080-04 CYLINDER,TELESCOPING
PG1070028-01 REEL,HOSE
PG1070034-02 REEL,HOSE (MOUNT)
PG1120028-02 DETECTOR SYSTEM, BOOM LENGTH
PG1120085-02 DETECTOR SYSTEM, BOOM LENGTH
PG1130054-00 DETECTOR,BOOM LENGTH (WITH ANGLE DETECT)
PG1130075-00 DETECTOR,BOOM LENGTH (WITH ANGLE DETECT)
PG1130107-00 DETECTOR,BOOM LENGTH (WITH ANGLE DETECT)
PG1160000-03 DETECTOR,BOOM RETRACTION (TOP)
PG1200039-05 PIPING,TELESCOPING
PG1360016-00 WIRE GUIDE (BOOM)
PH1060073-02 DETECTOR,OVER WINDING (BOOM)
PH1060550-04 DETECTOR,OVER WIND (JIB&S/T)
PH1070001-02 SWITCH,OVER WIND DETECTOR (BOOM)
PH1070002-02 SWITCH,OVER WIND DETECTOR (JIB&S/T)
PH1170011-00 DETECTOR,CONTROL VALVE ACTUATION
PH1180083-01 CONNECTION,MOMENT LIMITER SYSTEM
PH1180135-01 CONNECTION,MOMENT LIMITER SYSTEM
PH1200018-02 PIPING,VENT
PH1200035-00 PIPING,VENT (MODIFICATION)
PH1250008-01 MOMENT LIMITER (AML-M1)
PH1250008-01 MOMENT LIMITER (AML-M1)
PI1010034-03 MOTOR,HYDRAULIC (SANWA)
PI1010111-00 MOTOR,HYDRAULIC (SANWA)
PI1010121-01 MOTOR,HYDRAULIC (SWING)
PI1010124-00 MOTOR,HYDRAULIC (COOLER,OIL)
PI1030007-01 CYLINDER,MASTER (MIYAKO)
PI1030008-01 CYLINDER,MASTER
PI1030008-01 CYLINDER,MASTER
PI1030011-00 CYLINDER,MASTER
PI1030012-00 CYLINDER,MASTER (NABCO)
PI1030040-00 CYLINDER,MASTER
PI1050002-00 RESERVOIR,OIL
PI1120085-02 VALVE,SOLENOID
PI1120086-02 VALVE,SOLENOID
PI1120353-00 VALVE,SOLENOID
PI1130005-01 VALVE,HYDRAULIC
PI1130029-00 VALVE,HYDRAULIC
PI1140007-01 VALVE,CHECK
PI1140042-00 VALVE,CHECK
PI1140047-00 VALVE,CHECK
PI1140229-00 VALVE,CHECK
PI1160007-00 VALVE,FLOW CONTROL
PI1170000-00 VALVE,PRESSURE DETECTOR
PI1250066-00 VALVE,COUNTERBALANCE (SANWA)
PI1260011-02 CARTRIDGE, COUNTERBALANCE
PI1280002-00 VALVE,PILOT CHECK
PI1300012-03 FILTER,OIL (TANK,OIL)
PI1300080-00 FILTER,OIL
PI1300120-02 FILTER,OIL
PI1340011-01 ACCUMULATOR
PI1420001-01 GAUGE,PRESSURE
PI1420002-00 GAUGE,PRESSURE
PK1100064-01 SWING FRAME
PK1120072-02 SWING TABLE
PK1140071-03 CAB,OPERATOR
PK1150000-00 SEAT,OPERATOR
PK1150021-00 SEAT,OPERATOR
PK1150030-00 SEAT,OPERATOR (WOOCHNG)

**TL-250E-3-10301 4 BOOM + JIB, 2M2D, KW31MXH
PB1130187-01 TANK,OIL**

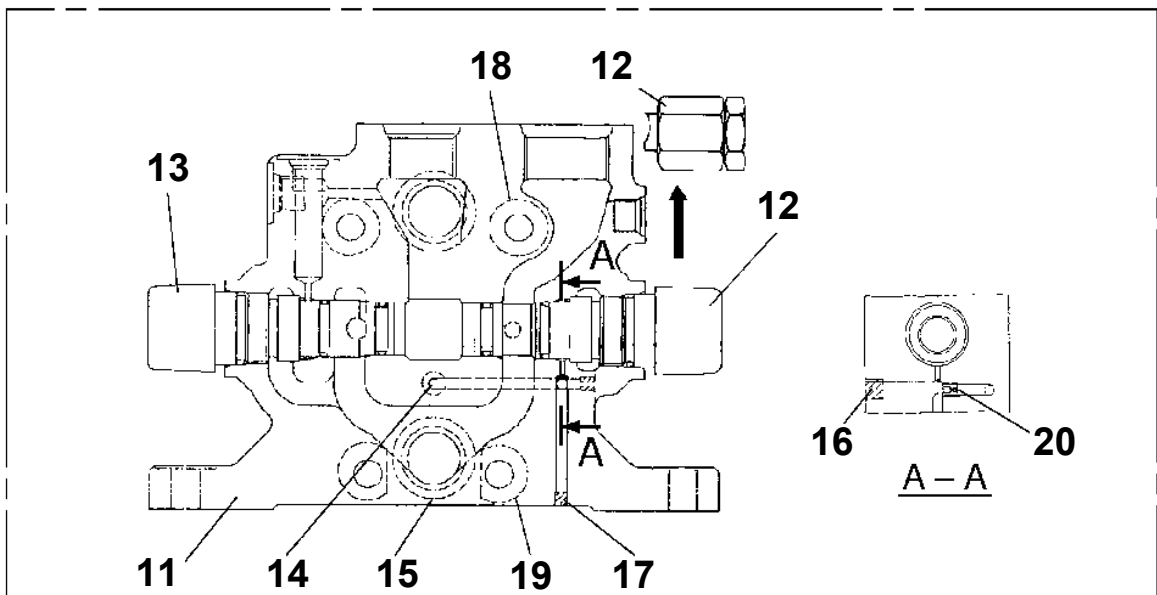
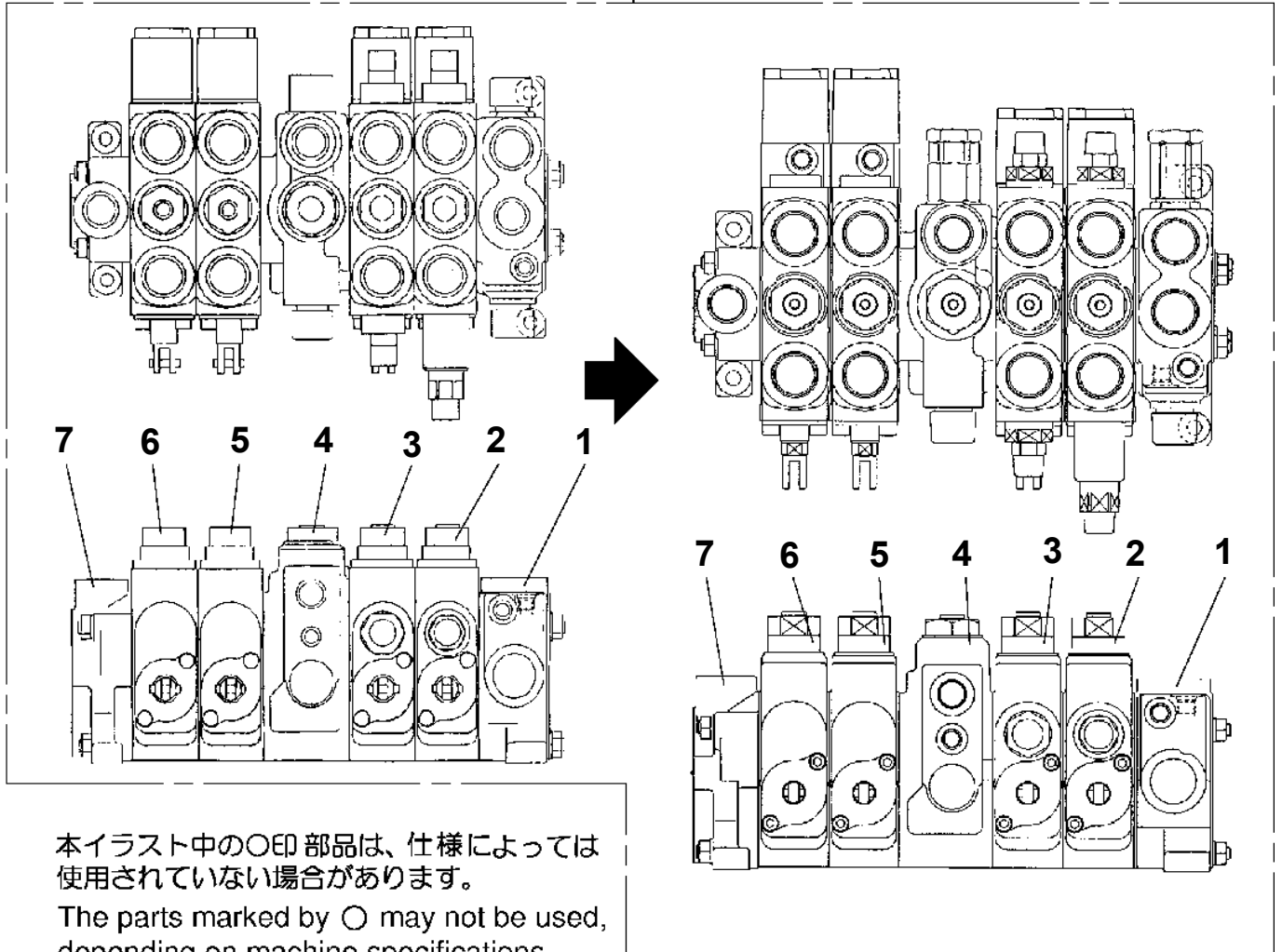


**TL-250E-3-10301 4 BOOM + JIB, 2M2D, KW31MXH
PB1280035-02 PIPING,GAUGE**



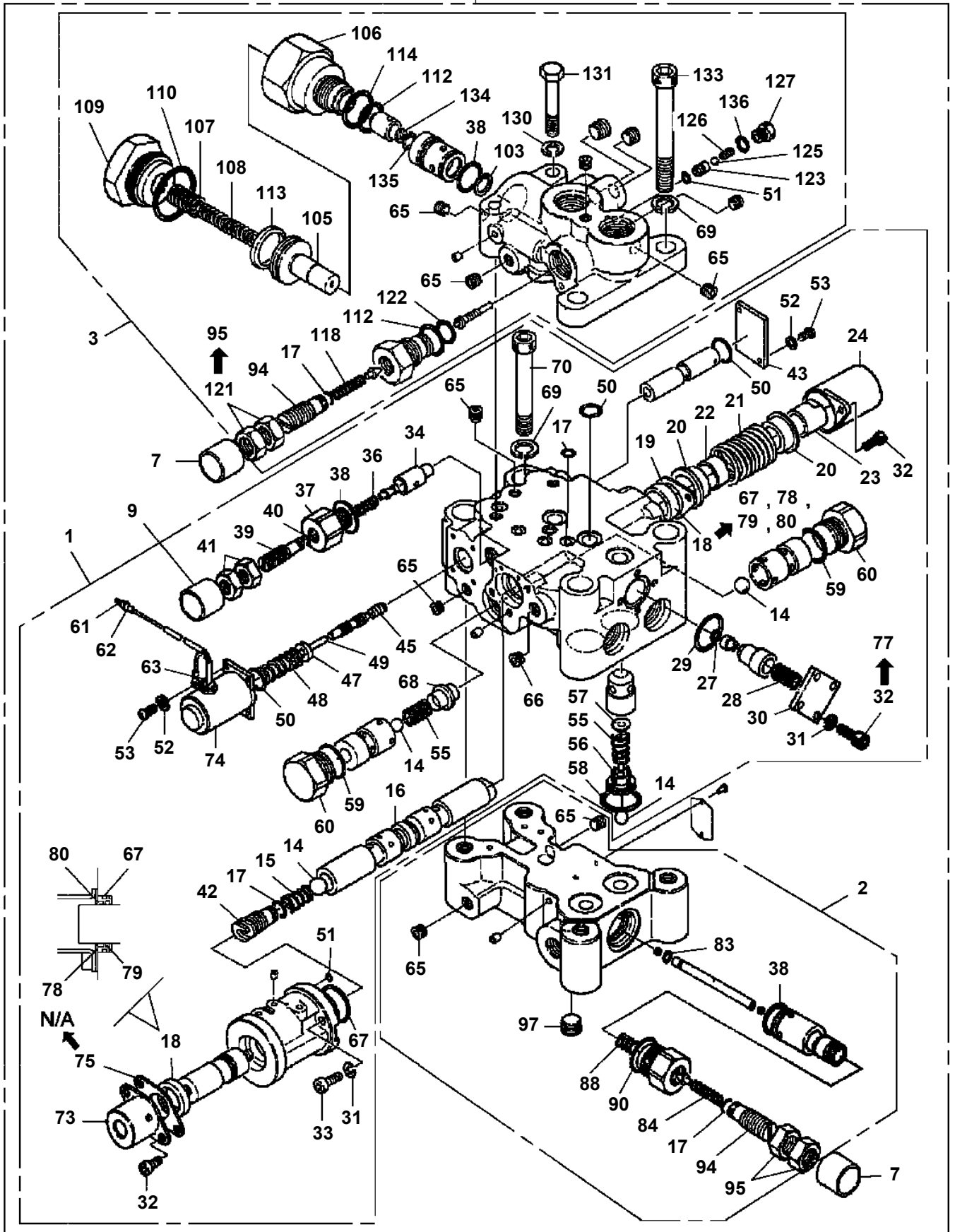
TL-250E-3-10301 4 BOOM + JIB, 2M2D, KW31MXH
PB1320103-06 VALVE, MANUAL CONTROL

400



**TL-250E-3-10301 4 BOOM + JIB, 2M2D, KW31MXH
PB1320639-01 VALVE, MANUAL CONTROL (SWING)**

150



TL-250E-3-10301 4 BOOM + JIB, 2M2D, KW31MXH

Pos No.	Parts No	Parts Name	Qty	Unit	Technical Data	Serial No (Start)	Serial No (End)	Remarks	Pages
1	36031320101	CYLINDER	1						
2	80720105025	PIN,SPRING	1		5X25				
3	36030110201	PISTON	1						
4	91684010000	PACKING	2						
5	91431208502	RING,BACKUP	1						
6	91002805001	O-RING	1		1B P50A				
7	91411005001	RING,BACKUP	1		P50A				
8	91302210000	BEARING,PLAIN	2						
9	36031320200	ROD	1						
10	36030110400	COVER,ROD	1						
11	91002909500	O-RING	1		1B G95				
12	91251100800	RING,DAMPER	1						
13	91694008001	PACKING	1						
14	91410208001	RING,BACKUP	1						
15	91660008000	SEAL,DUST	1						
16	36030110601	STOPPER	1						
17	90101510040	BOLT	2		M10X40				
18	90302041001	WASHER,SPRING	6		10				
19	90101210022	BOLT	4		M10X22				
20	91411208502	RING,BACKUP	1						
31	80612110880	RING,RITAINING	1		AR88				
40	36033089900	PACKING SET	1		80X100				
50	36031320001	CYLINDER,JACK	1						

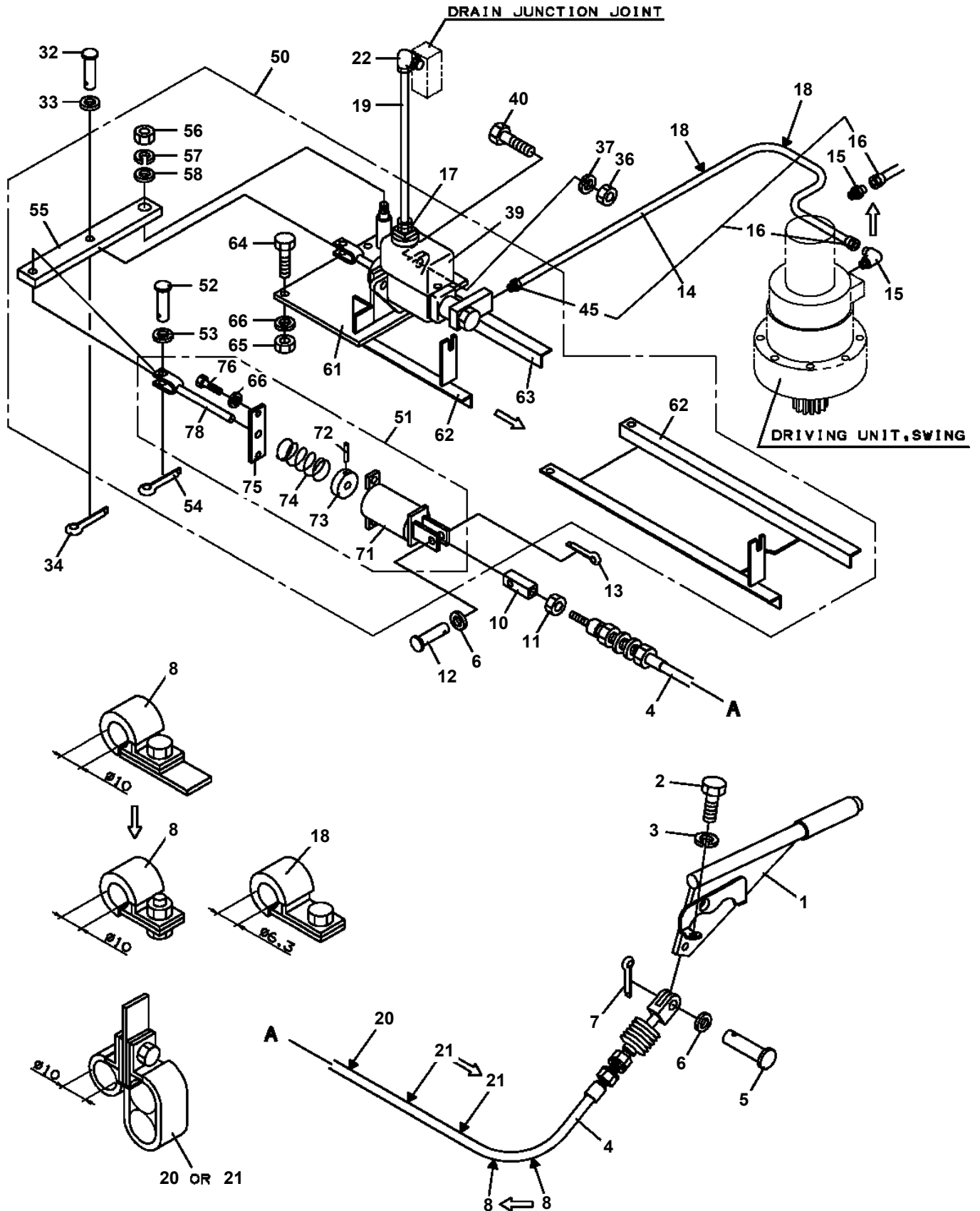
TL-250E-3-10301 4 BOOM + JIB, 2M2D, KW31MXH

Pos No.	Parts No	Parts Name	Qty	Unit	Technical Data	Serial No (Start)	Serial No (End)	Remarks	Page
1	90303100601	WASHER,PLAIN	2		6				
2	80136320012	PIN,SPLIT	2		2X12				
3	33700461000	ROD ASSY	1						
4	80303030140	FITTING,ELBOW	1		KLN12-020N		335851		
	80303130141	FITTING,ELBOW	1		KLO12-020E	335852			
6	37002413150	HOSE	1		L=560				
7	37000702220	CLAMP ASSY	5						
9	81408000160	PIPE,STEEL	3	M	12X1.4T				
10	81408000160	PIPE,STEEL	2	M	12X1.4T				
11	80301010100	FITTING	1		KUA12-000N				
13	80320010080	FITTING	1		KUD12-030N				
21	13614411000	ROD	1						
22	90201200600	NUT	1		M6				
31	33710531100	SUPPORT	1						
32	37000505340	PLATE	1						
33	33700462200	LEVER	1						
34	33700010080	END	1						
35	90203200800	NUT	4		M8		335851		
	90203200800	NUT	4		M8	335852			
36	90201201000	NUT	1		M10				
37	90303071001	WASHER,PLAIN	1		10				
38	90302041001	WASHER,SPRING	6		10		335851		
	90302041001	WASHER,SPRING	6		10	335852			
39	90102208030	BOLT	1		M8X30				
40	90101210025	BOLT	2		M10X25				
41	90101210016	BOLT	3		M10X16				
42	37000101470	PIN	1						
43	90303100601	WASHER,PLAIN	1		6				
44	80136320012	PIN,SPLIT	1		2X12				
45	36061390000	CYLINDER,MASTER	1				335851		0001
	36061390001	CYLINDER,MASTER	1			335852			0001
46	19214410000	SPRING	1						
47	37001500160	BOLT	1						
61	80804016020	BEARING,PLAIN	1						
71	33710538010	LINK ASSY	1						
81	91002801100	O-RING	1		1B P11	335852			

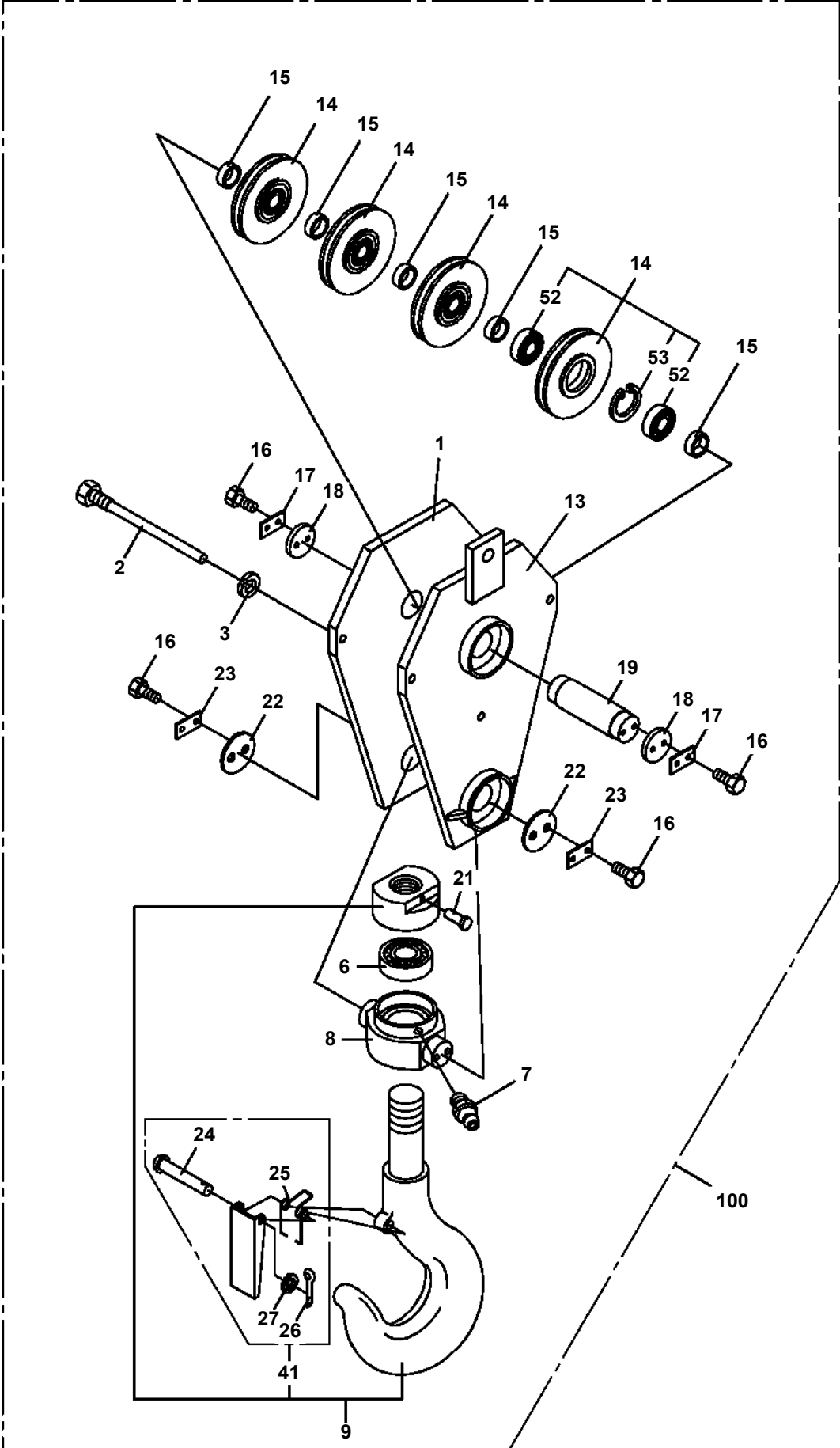
TL-250E-3-10301 4 BOOM + JIB, 2M2D, KW31MXH

Pos No.	Parts No	Parts Name	Qty	Unit	Technical Data	Serial No (Start)	Serial No (End)	Remarks
1	33300270100	JOINT	1					
2	37002502390	HOSE	1					
3	36080410000	DRIVING UNIT,SWING	1					
4	90101718140	BOLT	8		M18X140			
5	90302041801	WASHER,SPRING	8		18			
6	37002301388	BEARING,SWING (ROBALLO)	1					
	37002301383	BEARING,SWING (KOYO)	1					
7	33300270200	SPACER	1					
8	33300270300	GEAR	1					
9	80316030020	PLUG	1		PT1/8			
10	33300020200	JOINT	1					
11	82100002008	CLAMP	1		WR12			
12	91801300170	CLIP	2		D=15-17			
13	90201200600	NUT	1		M6			
14	90101206016	BOLT	1		M6X16			
15	90302040601	WASHER,SPRING	1		6			
16	33300040010	WIRE	1					
17	37000536480	PLATE	1					
18	37001504340	BOLT	4		M12X30			
19	37000536450	PLATE	1		T=0.5			
20	37000536460	PLATE	1		T=1.0			

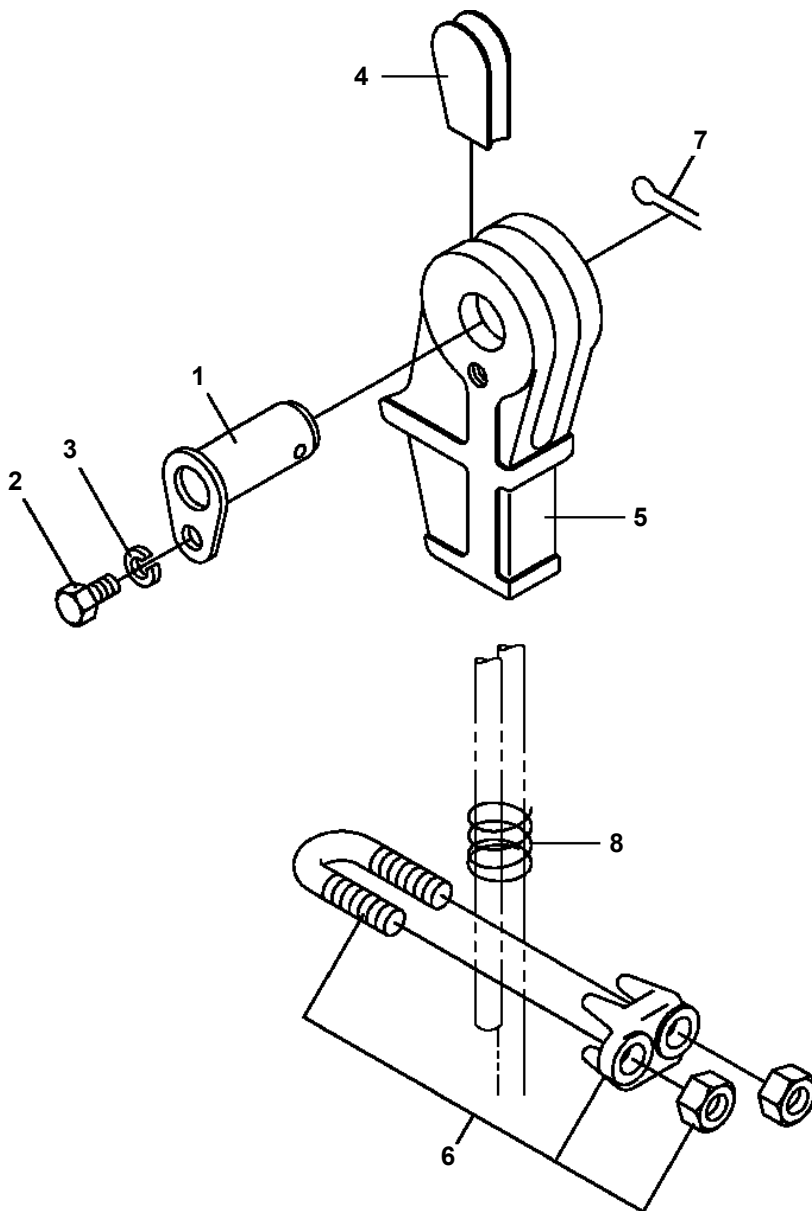
**TL-250E-3-10301 4 BOOM + JIB, 2M2D, KW31MXH
 PD1100017-04 OPE.ASSY, SWING BRAKE**



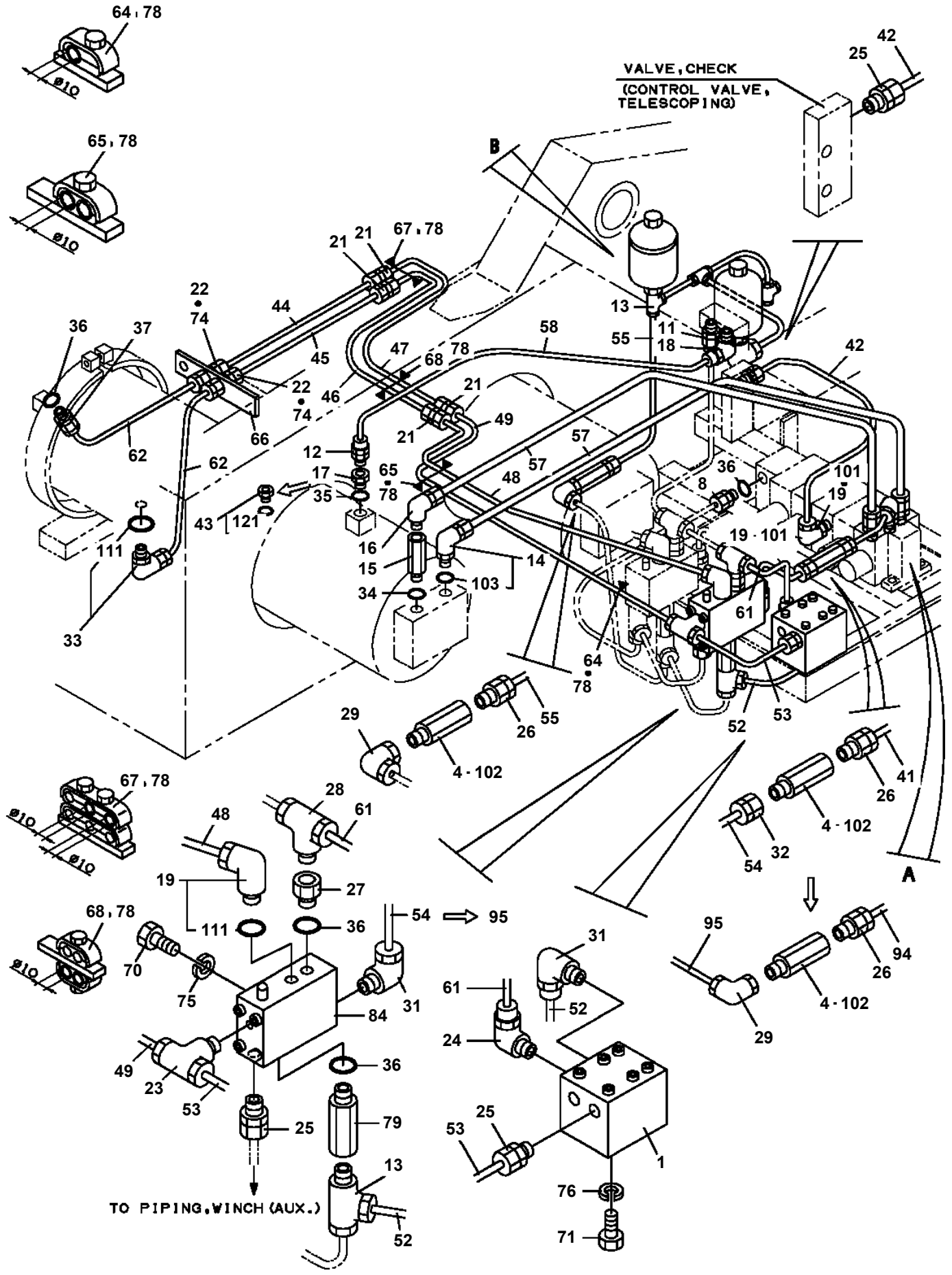
TL-250E-3-10301 4 BOOM + JIB, 2M2D, KW31MXH
PF1050086-00 HOOK (SHEAVE 4 PC'S)



**TL-250E-3-10301 4 BOOM + JIB, 2M2D, KW31MXH
PF1090003-01 SOCKET,ROPE (SEIZING)**



**TL-250E-3-10301 4 BOOM + JIB, 2M2D, KW31MXH
PF1200136-05 PIPING,WINCH (MAIN,FOR SANWA MOTOR)**



TL-250E-3-10301 4 BOOM + JIB, 2M2D, KW31MXH

Pos No.	Parts No	Parts Name	Qty	Unit	Technical Data	Serial No (Start)	Serial No (End)	Remarks	Pages
1	80302010100	FITTING	1		KCT10-020N				
3	80301010080	FITTING	1		KUA10-000E				
5	37000300720	SLEEVE	2		12-10				
6	80320020050	FITTING	1		KUF10-020N				
7	90304111601	WASHER,TOOTH	1		16				
8	37002415780	HOSE	1		L=530				
9	80430620400	JOINT	1						
16	81408000130	PIPE,STEEL	2	M	10X1.8T				
17	81408000130	PIPE,STEEL	2	M	10X1.8T				
31	91002801100	O-RING	1		1B P11				

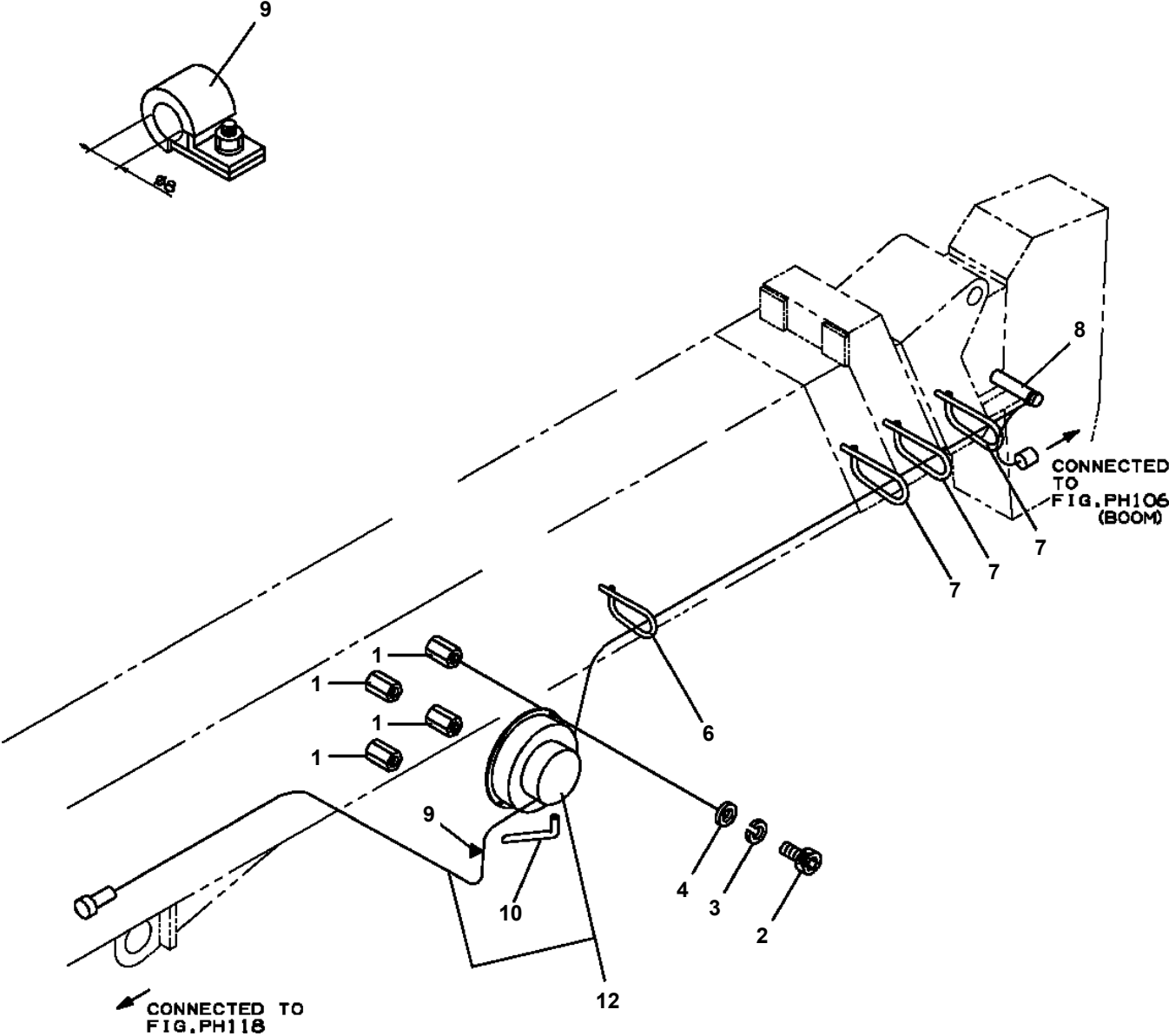
TL-250E-3-10301 4 BOOM + JIB, 2M2D, KW31MXH

Pos No.	Parts No	Parts Name	Qty	Unit	Technical Data	Serial No (Start)	Serial No (End)	Remarks
1	19413067000	CLUTCH,WINCH	1					
2	90194516035	BOLT	10		M16X35			
3	90302051601	WASHER,SPRING (16)	10					
4	80313010060	PACKING (COPPER 14)	1					
5	91002801800	O-RING	1		1B P18			
7	90101512045	BOLT	3		M12X45			
8	90302041201	WASHER,SPRING	3		12			
9	33310611010	PLATE	1				336006	
	33310660300	PLATE	1			336007		
10	33310611020	PLATE	1					
11	90101516060	BOLT	6		M16X60			
12	90302041601	WASHER,SPRING	14		16			
13	90201401600	NUT	6		M16			
15	33310660500	SUPPORT ASSY	1					
16	33310660010	BAND,WINCH BRAKE	1					
17	37000530920	PLATE	2					
18	90203200800	NUT	4		M8			
19	32330010160	ADJUSTER	2					
20	19114411000	SPRING	2					
21	33310611040	SUPPORT ASSY	2					
22	33310611050	SPACER	2					
25	33310660070	PLATE	2					
26	33310330100	SUPPORT	1					
27	90102210055	BOLT	1		M10X55			
28	90203201000	NUT	1		M10			
29	33310040080	SUPPORT	1					
30	90101210018	BOLT	3		M10X18			
31	90302041001	WASHER,SPRING	3		10			
32	37000528080	PLATE	2		T=3.2			
33	37000528090	PLATE	2					
34	33310660100	SUPPORT	1					
35	37000126270	PIN	1					
36	16113009002	WEDGE	1					
37	37000128710	PIN	1					
38	90101514035	BOLT	1		M14X35			
39	90302041401	WASHER,SPRING	1		14			
40	90101516045	BOLT	14		M16X45			
41	90132510050	BOLT,HEXAGON SOCKET	1		M10X50			
42	14123000400	BREATHER	1		PT1/8			
44	36661680000	MOTOR,HYDRAULIC (SANWA)	1					
48	36070840000	WINCH	1					
49	37001000310	SHEAVE ASSY	1					
51	91001215500	O-RING	1		1A G155			
52	34310580090	WIRE	1					
54	36672739510	JOINT,WINCH ROTARY	1					
55	36102363000	TANK	1			336082		
71	33310618020	ADJUSTER ASSY	2					
72	33310338030	SUPPORT ASSY	1					
81	34310000060	PLATE	2					
82	90101212020	BOLT	2		M12X20			
83	90302041201	WASHER,SPRING	2		12			
84	33310310010	SUPPORT	2					
85	90102210035	BOLT	2		M10X35			
86	90203201000	NUT	3		M10			
102	82456106000	NIPPLE,GREASE	1		1/4-28UNF			
103	80601110750	RING,RITAINING	2		S75			
104	16312015002	BEARING,PLAIN	1					
121	33310660201	SUPPORT	1					
125	90302041601	WASHER,SPRING	6		16			
127	37000130470	PIN	2		16			

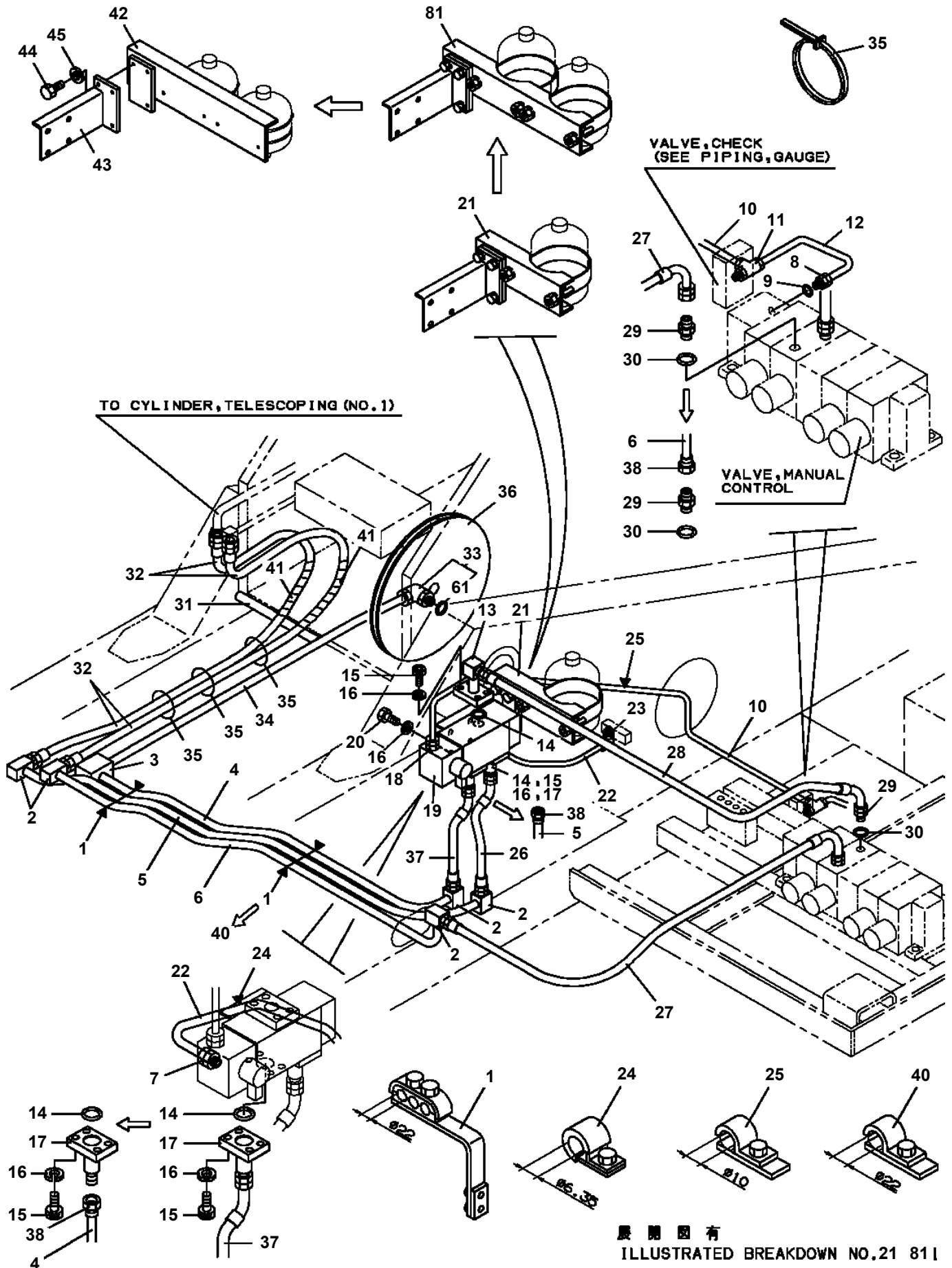
TL-250E-3-10301 4 BOOM + JIB, 2M2D, KW31MXH

Pos No.	Parts No	Parts Name	Qty	Unit	Technical Data	Serial No (Start)	Serial No (End)	Remarks	Page
105	80136320015	PIN,SPLIT	2		2X15				
106	90303070801	WASHER,PLAIN	2		8				
111	14117513000	PIN,SNAP	1						
121	34220123010	GUIDE	1						
122	34220123050	SUPPORT	1						
123	18616010001	SPRING	1						
124	80720108045	PIN,SPRING	1		8X45				
139	82456201000	NIPPLE,GREASE	1		A-TYPE PT1/8				
141	82100002505	CONNECTOR (CN-6)	2						
142	37000300590	SPACER	1		L=30				
143	14148375000	GROMMET	1						
144	82100000208	CLAMP	7		WT4				
145	90928040061	SCREW,TAPPING	7		M4X6				
146	82100002506	CONNECTOR	1						
148	33370086100	SUPPORT	1						
152	14128208000	RING	1						
153	16318216000	SUPPORT	1						
154	90303290600	WASHER,PLAIN	1		6				
155	90302040601	WASHER,SPRING	1		6				
156	90201200600	NUT	1		M6				
157	82100000865	TERMINAL	1						
158	90101206016	BOLT	1		M6X16				
161	33220693100	SUPPORT	1						
162	33220693200	SUPPORT	1						
200	33220858010	JIB ASSY	1						
211	33220851510	PIN	2						
212	90306000260	WASHER (WAVE)	8						
213	33220690900	BOLT	2						
214	33220851550	PIN	2						

**TL-250E-3-10301 4 BOOM + JIB, 2M2D, KW31MXH
PG1120085-02 DETECTOR SYSTEM, BOOM LENGTH**



**TL-250E-3-10301 4 BOOM + JIB, 2M2D, KW31MXH
PG1200039-05 PIPING,TELESCOPING**



展開図有
ILLUSTRATED BREAKDOWN NO.21 811

CLICK HERE TO **DOWNLOAD** THE COMPLETE MANUAL

- Thank you very much for reading the preview of the manual.
- You can download the complete manual from: www.heydownloads.com by clicking the link below



- Please note: If there is no response to CLICKING the link, please download this PDF first and then click on it.

CLICK HERE TO **DOWNLOAD** THE COMPLETE MANUAL

TL-250E-3-10301 4 BOOM + JIB, 2M2D, KW31MXH

Pos No.	Parts No	Parts Name	Qty	Unit	Technical Data	Serial No (Start)	Serial No (End)	Re
1	32370002170	PLATE	1					
2	32370002110	GASKET	1					
3	32370002121	COVER	1					
4	80162303025	SCREW,MACHINE	2		M3X25			
5	90302040301	WASHER,SPRING	2		3			
6	82100001355	SWITCH,LIMIT	1					
7	32370002131	ROD	1					
8	14148373001	SPRING	1					
9	80601110180	RING,RITAINING	1		S18			
10	32370002161	SUPPORT	1				336226	
	34371314400	SUPPORT	1			336227		
11	90303070301	WASHER,PLAIN	2		3			
12	82100002283	CONNECTOR	1					
13	82100002355	TERMINAL (GOLD)	2					
14	32370005200	CORD	1					
15	32370005210	CORD	1					
16	82100000592	TERMINAL (M40.3 TO 1.25)	2					
17	89630201000	HOSE,VINYL	1		6X8,1M			
18	14148375000	GROMMET	1					
19	90101208045	BOLT	2		M8X45			
20	90302040801	WASHER,SPRING	2		8			
21	16268231000	LABEL (SWITCH,OVER WINDING)	1					
22	82100001220	INSULATOR	2					
23	82100002329	PLUG	1					
30	32370009511	ROD ASSY	1				336226	
	32370009512	ROD ASSY	1			336227		
31	32370002150	SPACER	1		L=12 TO 11			
32	80720103014	PIN,SPRING	1		3X14			
50	33370888030	SWITCH ASSY (BOOM)	1					

TL-250E-3-10301 4 BOOM + JIB, 2M2D, KW31MXH

Pos No.	Parts No	Parts Name	Qty	Unit	Technical Data	Serial No (Start)	Serial No (End)	Remarks	Pac
1	91002801100	O-RING	5		1B P11				
2	80302090141	FITTING	1		KCO12-020N				
4	80302010140	FITTING	1		C717KCT12-020N				
5	81408000160	PIPE,STEEL	1	M	12X1.4T				
7	36642920000	VALVE,SOLENOID	1						
9	80302090101	FITTING	4		KCO10-020N				
10	81408000130	PIPE,STEEL	1	M	10X1.8T				
11	81408000130	PIPE,STEEL	1	M	10X1.8T				
12	90101205014	BOLT	2		M5X14				
13	90302040501	WASHER,SPRING	2		5				

TL-250E-3-10301 4 BOOM + JIB, 2M2D, KW31MXH

Pos No.	Parts No	Parts Name	Qty	Unit	Technical Data	Serial No (Start)	Serial No (End)	Rema
1	36661840000	MOTOR,HYDRAULIC (SANWA)	1					
11	36660955010	SHAFT	1					
12	36660955020	BEARING TMB210)	1					
13	36661845020	COVER (OIL SEAL)	1					
15	36660955040	SEAL,OIL	1					
16	91001208500	O-RING	1		1A G85			
17	91001101000	O-RING	2		1A P10			
18	80602110920	RING,RITAINING	1		R92			
19	36660955050	PLATE (CAM)	1					
20	80720113025	PIN,SPRING	1		13X25			
21	90302040801	WASHER,SPRING	2		8			
22	90101508040	BOLT	2		M8X40			
23	36660005140	SPRING	9					
24	80730080018	PIN	2		8X18			
25	36660955070	PLATE (CYLINDER BARREL)	1					
26	36660955060	PLATE (VALVE)	1					
27	80500006206	BEARING,BALL	1					
28	80720110020	PIN,SPRING	1		10X20			
29	14145101021	O-RING	1					
30	36661845011	HOUSING	1					
31	90302041201	WASHER,SPRING	10		12			
32	90131512045	BOLT,HEXAGON SOCKET	10		M12X45			
33	36660955090	COVER (BOTTOM)	1					
36	36660955100	HOLDER,PLUNGER	1					
37	36660955110	BARREL,CYLINDER	1					
41	36660955120	SPRING (CENTER)	1					
42	36660955130	SEAT,SPRING (CENTER)	1					
43	80602110600	RING,RITAINING	1		R60			

TL-250E-3-10301 4 BOOM + JIB, 2M2D, KW31MXH

Pos No.	Parts No	Parts Name	Qty	Unit	Technical Data	Serial No (Start)	Serial No (End)	Remarks
1	36061395030	PISTON KIT (REPAIR KIT)	1					
2	36061395020	VALVE,BREATHER	1					
3	36061395010	ROD,PUSH	1					
10	36061390001	CYLINDER,MASTER	1					

TL-250E-3-10301 4 BOOM + JIB, 2M2D, KW31MXH

Pos No.	Parts No	Parts Name	Qty	Unit	Technical Data	Serial No (Start)	Serial No (End)	Remarks	Pages
1	36642925100	VALVE ASSY	1						
2	36651835130	PLUG	2		3/8				
3	36603925030	PLUG	2						
4	36642925010	FILTER	2				336224		
	36651715300	FILTER	2			336225			
5	36642925020	SPRING	2						
6	91002801400	O-RING	2		1B P14				
7	91002800800	O-RING	2		1B P8				
8	36652145040	PLUG	5				336224		
	36652145040	PLUG	3			336225			
9	80560058000	BALL,STEEL	2		9/32				
30	36642930000	VALVE,SOLENOID	1						000118
50	36642920000	VALVE,SOLENOID	1						

TL-250E-3-10301 4 BOOM + JIB, 2M2D, KW31MXH

Pos No.	Parts No	Parts Name	Qty	Unit	Technical Data	Serial No (Start)	Serial No (End)	Remarks
3	36640275010	COVER	1				335806	
	36643995020	COVER	1			335807		
4	36640275021	VALVE,SOLENOID	1				335941	
	36643995010	VALVE,SOLENOID	1			335942		
6	36640275030	SPRING	1					
7	36640275040	FILTER	1				335806	
	36642575030	FILTER	1			335807		
8	90131510040	BOLT,HEXAGON SOCKET	4		M10X40			
9	90131510085	BOLT,HEXAGON SOCKET	4		M10X85			
10	80316030060	PLUG	1		PT3/8			
11	18215101190	PLUG	3					
12	91002801000	O-RING	1		1B P10			
13	91002903000	O-RING	2		1B G30			
14	90131508010	BOLT,HEXAGON SOCKET	1		M8X10			
39	36640075010	COIL	1				335941	
41	36640075020	NUT	1				335941	
42	91002800300	O-RING	1		1B P3		335941	
43	91002801200	O-RING	1		1B P12			
44	91002801600	O-RING	1		1B P16			
45	91001102100	O-RING	1		1A P21		335941	
46	91000521100	O-RING	1				335941	
47	91001003800	O-RING	1		S38		335941	
49	19045104060	CONNECTOR	1				335941	
60	36641300000	VALVE,HYDRAULIC	1					
75	36643995030	COIL,SOLENOID	1			335942		
77	36643995040	NUT	1			335942		
80	91000511800	O-RING	1			335942		
81	91000501700	O-RING	1			335942		
82	91001101800	O-RING	1		1A P18	335942		

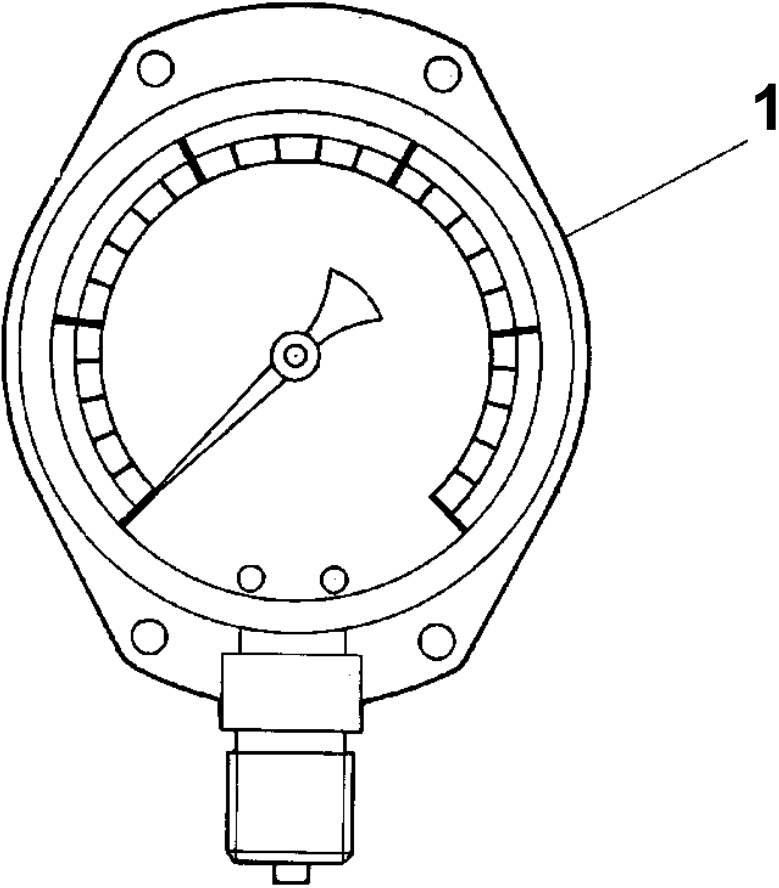
TL-250E-3-10301 4 BOOM + JIB, 2M2D, KW31MXH

Pos No.	Parts No	Parts Name	Qty	Unit	Technical Data	Serial No (Start)	Serial No (End)	Remarks
3	36610005030	PIN	1					
4	91001100600	O-RING	1		1A P6			
5	91411000600	RING,BACKUP	1		P6			
6	36610005040	GUIDE	1					
7	91001102000	O-RING	2		1A P20			
8	36610005051	BAR (PUSH)	1					
9	80720105050	PIN,SPRING	1		5X50			
10	36610005061	CAP	1					
11	90740005060	SCREW,MACHINE	4		M5X6			
12	36610005070	SPACER	1					
13	36610005080	CASE (SPRING)	1					
14	91001002200	O-RING	1		S22			
15	36610005090	SPRING	1					
16	36610005100	JOINT	1					
17	36610005110	SEAT,SPRING	1					
18	36610005120	BOLT (ADJUSTING)	1					
19	36610005130	NUT,LOCK	1					
20	91650001200	SEAL,DUST	1					
50	36610000000	VALVE,FLOW CONTROL	1					

TL-250E-3-10301 4 BOOM + JIB, 2M2D, KW31MXH

Pos No.	Parts No	Parts Name	Qty	Unit	Technical Data	Serial No (Start)	Serial No (End)	Remarks	P
4	36671310050	ELEMENT	2						
7	91001214000	O-RING	1		1A G140				
8	36671315021	SPACER	1						
12	91001703700	O-RING	1		WG37				
30	36671310000	FILTER,OIL (TANK,OIL)	1						

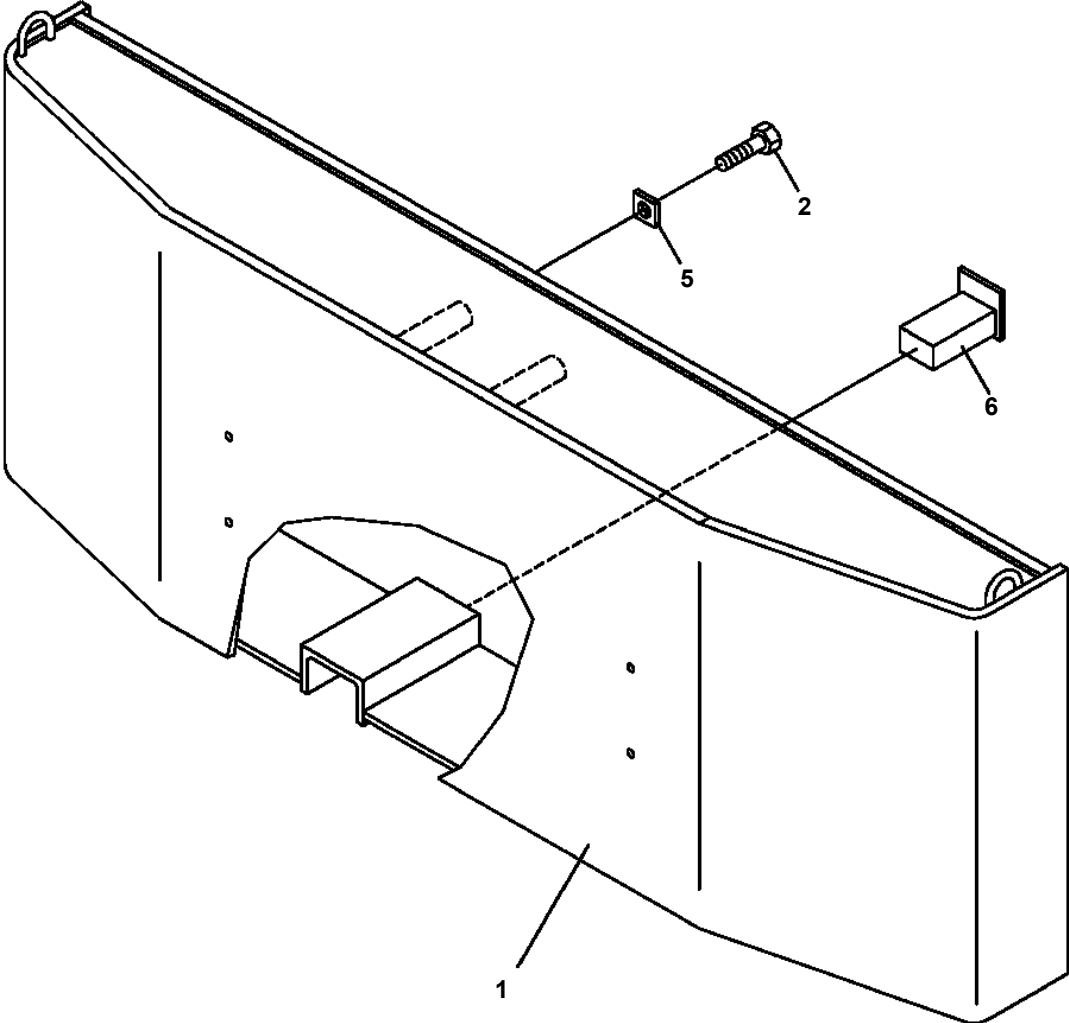
TL-250E-3-10301 4 BOOM + JIB, 2M2D, KW31MXH
PI1420002-00 GAUGE,PRESSURE



TL-250E-3-10301 4 BOOM + JIB, 2M2D, KW31MXH

Pos No.	Parts No	Parts Name	Qty	Unit	Technical Data	Serial No (Start)	Serial No (End)
347	33260017590	RUBBER	1				
351	33260017600	RUBBER (U)	1				
352	33260017610	RUN CHANNEL	1				
400	33260532000	CAB,OPERATOR	1				

**TL-250E-3-10301 4 BOOM + JIB, 2M2D, KW31MXH
PK1220078-00 WEIGHT, COUNTERBALANCE**



TL-250E-3-10301 4 BOOM + JIB, 2M2D, KW31MXH

Pos No.	Parts No	Parts Name	Qty	Unit	Technical Data	Serial No (Start)	Serial No (End)
1	80192485014	SCREW,MACHINE (WITH WASHER)	10		M5X14		
2	33431751010	CASE	1				336081
	33431751011	CASE	1			336082	
3	33431751020	COVER	1				
4	90101208014	BOLT	5		M8X14		
5	90302040801	WASHER,SPRING	5		8		
6	33431751030	TERMINAL ASSY	1				
7	33431751040	RELAY ASSY	1				
8	80172303010	SCREW,MACHINE	4		M3X10		
9	90302040301	WASHER,SPRING	4		3		
10	90303070301	WASHER,PLAIN	4		3		
11	82100001417	RELAY	1				336139
	82161161125	RELAY	1			336140	
12	90302040601	WASHER,SPRING	6		6		
13	80182306012	SCREW,MACHINE	5		M6X12		
14	82100001882	LIGHTER,CIGARETTE	1				
15	82400000180	TRAY,ASH	1				
16	33430561200	BUZZER ASSY	1				
17	80176304014	SCREW,MACHINE	2		M4X14		
18	82100000001	HORN	1				
19	82400000201	GROMMET	1		KG-016		
20	34350171640	BUZZER ASSY	1				
21	33432131010	BOX,FUSE	1				
22	80172305020	SCREW,MACHINE	2		M5X20		
23	90302040501	WASHER,SPRING	2		5		
24	90303100501	WASHER,PLAIN	2		5		
25	33431751050	RELAY ASSY (HORN)	1				
26	90190000008	BOLT,STUD	1		M6X20		
27	90201200600	NUT	1		M6		
28	33431751070	SUPPORT	1				
29	90201200300	NUT	4		M3		
50	33431758040	TERMINAL ASSY	1				
67	82100000745	FUSE	4		10A,6.5X30		
68	82100001348	FUSE	4		15A,6.5X30		
71	82100000564	BUZZER	1				
81	82100001368	BUZZER	1				
91	82100000734	RELAY	1				
102	34350003400	RELAY	1				

TL-250E-3-10301 4 BOOM + JIB, 2M2D, KW31MXH

Pos No.	Parts No	Parts Name	Qty	Unit	Technical Data	Serial No (Start)	Serial No (E
1	37002205170	PLATE,NAME (HYDRAULIC OIL LL)	1				336155
	37002217330	PLATE,CAUTION (TADANO HYDRAULIC)	1			336156	
2	37002205210	PLATE,NAME (OIL ISO VG46 ,EXP)	1				336155
	37002219500	PLATE,CAUTION (OIL/FOR EXP.)	1			336156	

TL-250E-3-10301 4 BOOM + JIB, 2M2D, KW31MXH

Pos No.	Parts No	Parts Name	Qty	Unit	Technical Data	Serial No (Start)	Serial No (End)	Remarks
1	33321211100	PLATE,NAME (ISO,ENGLISH)	1					

TL-250E-3-10301 4 BOOM + JIB, 2M2D, KW31MXH

Pos No.	Parts No	Parts Name	Qty	Unit	Technical Data	Serial No (Start)	Serial No (End)	Remarks
1	34471521040	PLATE,NAME	1					
2	34473740800	PLATE,NAME (DIESEL FUEL)	1					
3	33475430120	PLATE,CAUTION	1					

TL-250E-3-10301 4 BOOM + JIB, 2M2D, KW31MXH

Pos No.	Parts No	Parts Name	Qty	Unit	Technical Data	Serial No (Start)	Serial No (End)	Remarks	Pa
1	32360110020	PLATE,NAME (WHITE)	4			335966			

TL-250E-3-10301 4 BOOM + JIB, 2M2D, KW31MXH

Pos No.	Parts No	Parts Name	Qty	Unit	Technical Data	Serial No (Start)	Serial No (End)	Remarks	Pages
1	37002600241	WEDGE	1						

TL-250E-3-10301 4 BOOM + JIB, 2M2D, KW31MXH

Pos No.	Parts No	Parts Name	Qty	Unit	Technical Data	Serial No (Start)	Serial No (End)	Remarks	Pages
1	33850040030	PLATE	18				336187		
	90303502201	WASHER,PLAIN	36		22	336188			
2	33850040010	PLATE	4						
3	37001503550	BOLT	36		M22X120		336187		
	37001503440	BOLT	36		M22X125	336188			
4	90101210020	BOLT	4		M10X20				
5	90302041001	WASHER,SPRING	4		10				
7	33760261000	SUPPORT	1				336000		
	33760263000	SUPPORT	1			336001			
8	33850040020	SUPPORT	2						

TL-250E-3-10301 4 BOOM + JIB, 2M2D, KW31MXH

Pos No.	Parts No	Parts Name	Qty	Unit	Technical Data	Serial No (Start)	Serial No (End)	Remarks	Pages
1	33761280010	SUPPORT	1						
2	37001503040	BOLT	1						
3	90302041201	WASHER,SPRING	1		12				
4	88900000003	STEP	1						
5	33762371100	SUPPORT	2				335958		
6	37001601290	NUT	1		M12				

TL-250E-3-10301 4 BOOM + JIB, 2M2D, KW31MXH

Pos No.	Parts No	Parts Name	Qty	Unit	Technical Data	Serial No (Start)	Serial No (End)
2	36290665230	BRACKET	1				
3	36290665240	HOLDER (PUMP)	1				
4	36290665250	RUBBER	1				
5	36290665260	CLAMP	1				
6	36290665270	BOLT	4				
8	90201200500	NUT	4		M5		
10	90302040501	WASHER,SPRING	4		5		
50	36290662220	HEATER (HOLDER ASSY,FUEL PUMP)	1				

CLICK HERE TO **DOWNLOAD** THE COMPLETE MANUAL

- Thank you very much for reading the preview of the manual.
- You can download the complete manual from: www.heydownloads.com by clicking the link below



- Please note: If there is no response to CLICKING the link, please download this PDF first and then click on it.

CLICK HERE TO **DOWNLOAD** THE COMPLETE MANUAL