

TL-250E-2-20102 4 BOOM + JIB, 2M2D, K203LA

PB1000074-00 HYDRAULIC PRESSURE GENERATING SYSTEM

PC1000062-00 OUTRIGGER SYSTEM

PD1000073-00 SWING SYSTEM

PE1000068-00 ELEVATING SYSTEM

PF1000065-02 WINCH SYSTEM

PG1000069-01 TELESCOPING SYSTEM

PH1000069-00 SAFETY DEVICES

PI1000073-02 HYDRAULIC DEVICES

PK1000073-00 FRAME

PL1000073-00 CONTROL DEVICES

PN1000069-01 ELECTRIC EQUIPMENT

PO1000071-00 INDICATION PLATES

PW1000062-00 ACCESSORIES & TOOLS

PX1000073-00 MOUNTING PARTS

PY1000061-01 OPTIONS

ASSEMBLY

CLICK HERE TO **DOWNLOAD** THE COMPLETE MANUAL

- Thank you very much for reading the preview of the manual.
- You can download the complete manual from: www.heydownloads.com by clicking the link below



- Please note: If there is no response to CLICKING the link, please download this PDF first and then click on it.

CLICK HERE TO **DOWNLOAD** THE COMPLETE MANUAL

TL-250E-2-20102 4 BOOM + JIB, 2M2D, K203LA

Pos No.	Parts No	Parts Name	Qty	Unit	Technical Data	Serial No (Start)	Serial No (End)
1	(*****)	WINCH	2				335382
	(*****)	WINCH	2			335383	
2	19413067000	CLUTCH,WINCH	2				
3	36090920000	HOOK (MAIN)	1				
4	36090240001	HOOK (AUXILIARY)	1				
5	37001800410	ROPE,WIRE	1				
6	37001801380	ROPE,WIRE (TSK)	1				
7	(*****)	SOCKET,ROPE	2				
8	(*****)	OPERATION SYSTEM, WINCH BRAKE	1				
9	33310312000	BAND,WINCH BRAKE	2				
10	(*****)	OPERATION SYSTEM, DRUM,LOCK	1				
11	(*****)	OPERATION SYSTEM, CLUTCH	1				
13	(*****)	PIPING,WINCH	1				
14	(*****)	PIPING,WINCH BRAKE	1				
15	(*****)	DETECTOR,DRUM ROTATION (OPTION)	1				
16	36631570000	VALVE,CLUTCH	1				
17	36670470000	JOINT,WINCH ROTARY	2				335330
	(*****)	JOINT,WINCH ROTARY	2			335329	335382
	36672739510	JOINT,WINCH ROTARY	2			335383	
18	(*****)	MOUNT,WINCH (2M2D)	1				
19	36660160000	MOTOR,HYDRAULIC	2				
20	36060180002	CYLINDER,MASTER	2				
21	36640560000	VALVE,SOLENOID	2				
22	36621230000	VALVE,CHECK	1				
23	36621320000	VALVE,SHUTTLE	1				
24	36600730000	VALVE,COUNTERBALANCE	2				
25	36670740000	FILTER,OIL	1				
26	36670000006	ACCUMULATOR	1				
27	36680390000	GAUGE,PRESSURE	1				

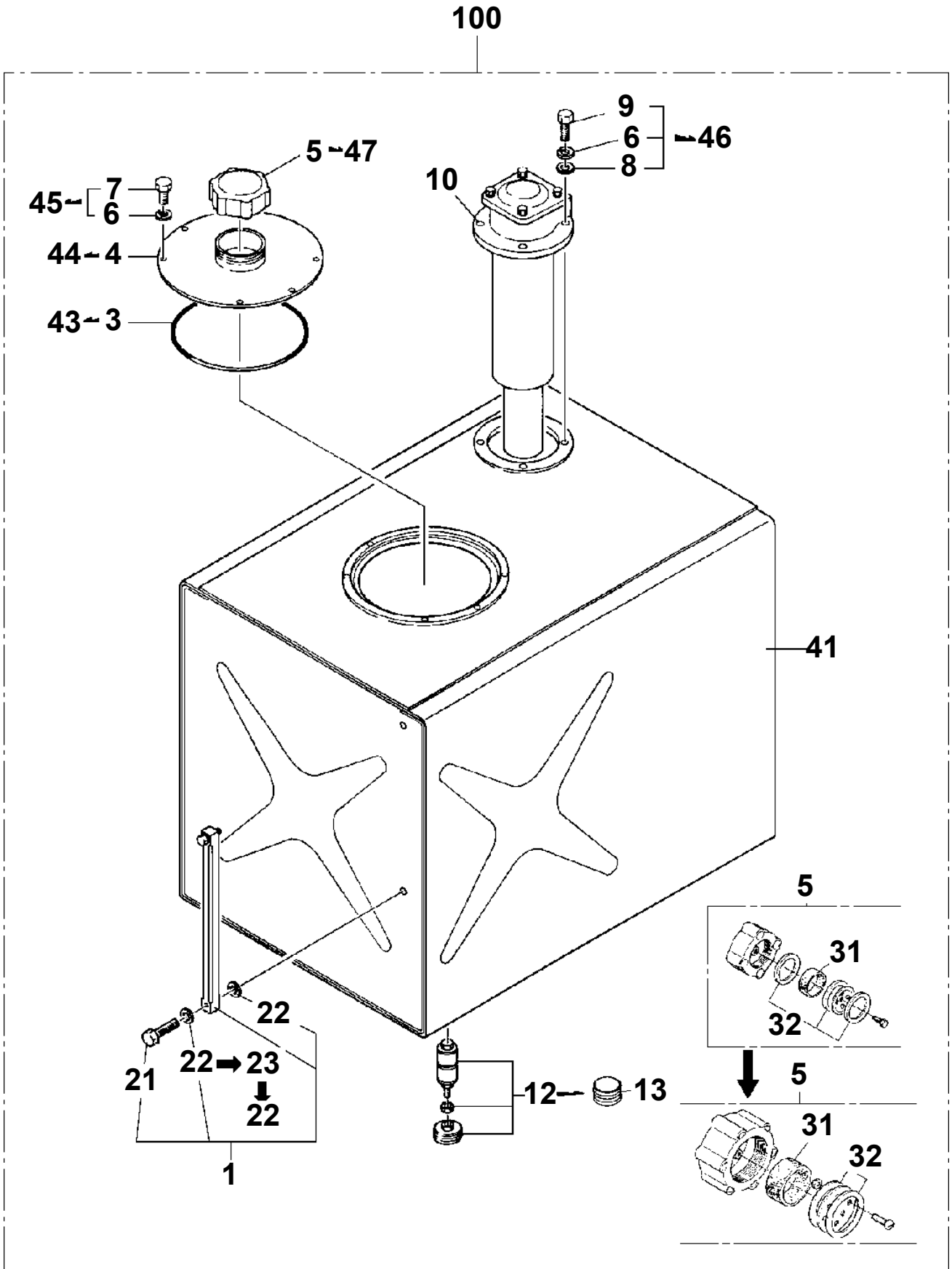
TL-250E-2-20102 4 BOOM + JIB, 2M2D, K203LA

Pos No.	Parts No	Parts Name	Qty	Unit	Technical Data	Serial No (Start)	Serial No (E
1	(*****)	OPERATION SYSTEM, CONTROL VALVE	1				
2	(*****)	OPERATION SYSTEM, ACCELERATOR	1				
3	3606000001	CYLINDER,MASTER	1				

TL-250E-2-20102 4 BOOM + JIB, 2M2D, K203LA

Pos No.	Parts No	Parts Name	Qty	Unit	Technical Data	Serial No (Start)	Serial No (End)	Remarks
1	(*****)	SINGLE TOP	1					
2	(*****)	HEATER SYSTEM	1					
3	36290090002	HEATER (22HK)	1				335388	
	36290090003	HEATER (M22H)	1			335389		
4	(*****)	PIPING,COOLER	1					
6	36690000000	COOLER,OIL	1					
7	(*****)	FAN INSTALLATION	1					
10	16515122000	VALVE,CHECK	1					
11	36620050000	VALVE,CHECK	1					
12	36610130000	VALVE,FLOW CONTROL	1					

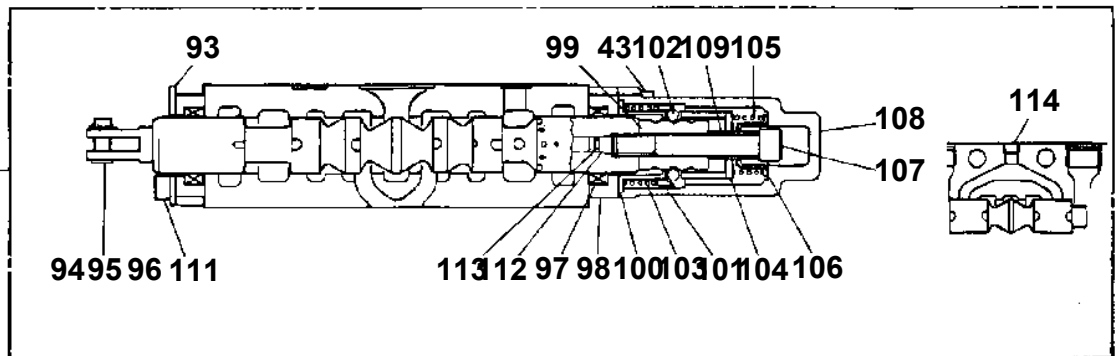
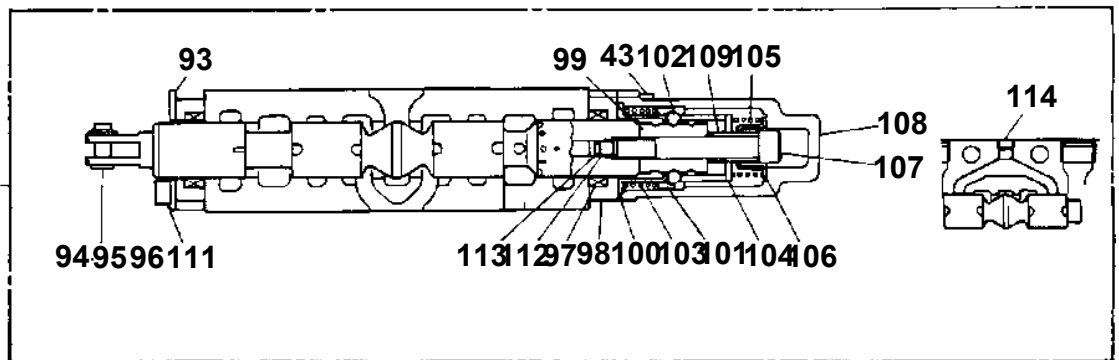
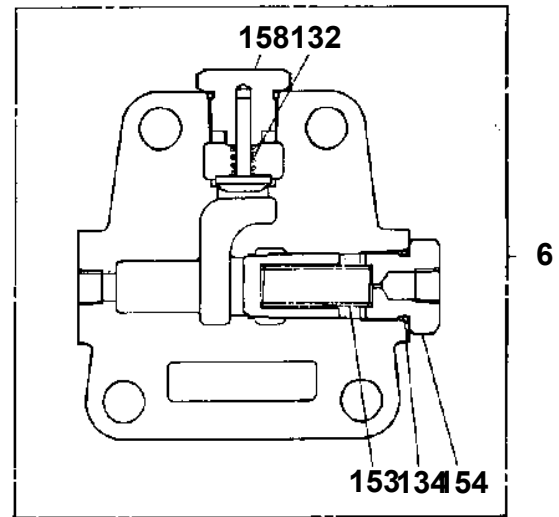
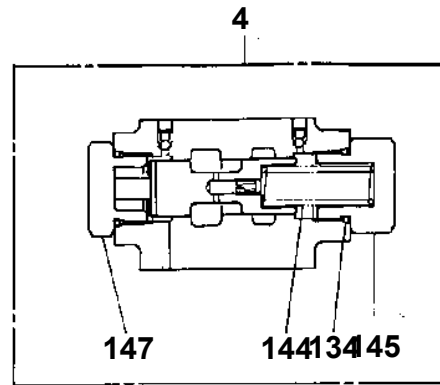
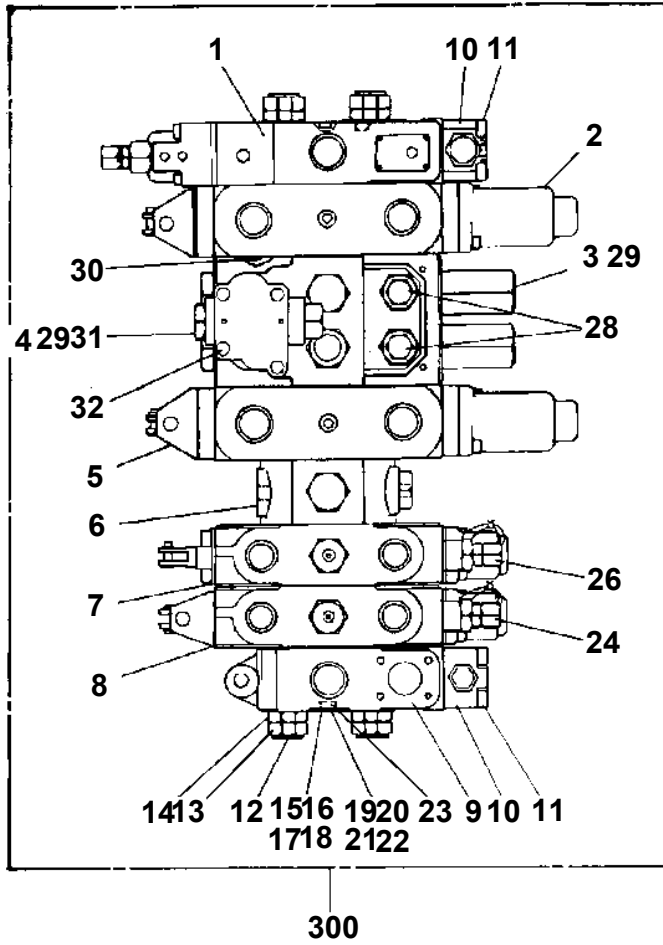
TL-250E-2-20102 4 BOOM + JIB, 2M2D, K203LA
PB1130187-01 TANK,OIL



TL-250E-2-20102 4 BOOM + JIB, 2M2D, K203LA

Pos No.	Parts No	Parts Name	Qty	Unit	Technical Data	Serial No (Start)	Serial No (End)	Remarks
1	90101210020	BOLT	2		M10X20			
4	37000700670	CLAMP ASSY	2					
5	91001202500	O-RING	1		1A G25			
6	33340440200	FITTING,FLANGE	1					
7	90131510035	BOLT,HEXAGON SOCKET	16		M10X35			
8	90302041001	WASHER,SPRING	18		10			
10	37000700880	CLAMP ASSY	3					
11	37000700890	CLAMP ASSY	1					
12	37000700900	CLAMP ASSY	1					
13	80400160134	JOINT	2					
18	80316030040	PLUG	1		PT1/4			
19	90131508025	BOLT,HEXAGON SOCKET	4		M8X25			
20	90302040801	WASHER,SPRING	4		8			
24	33340440010	HOSE	1		19X30.6			
25	33340440020	HOSE	1		19X30.6			
26	33340440030	HOSE	1		19X30.6			
27	33340440040	HOSE	1		50.8X69			
28	91803600350	CLIP	12		D=25-35			
29	91803600800	CLIP	4		D=60-80			
30	37000901170	JOINT	1					
31	91001205500	O-RING	1		1A G55			
32	33340440300	FITTING,FLANGE	1					
35	91002904000	O-RING	1		1B G40			
37	37002409690	HOSE	1		L=1700			
38	37002400920	HOSE	1		L=1800			
39	91002802900	O-RING	2		1B P29			
40	91001203000	O-RING	2		1A G30			
41	33340440800	FITTING,FLANGE	1					
45	33340441100	JOINT	1					
46	36670040000	FILTER,OIL	1					
47	37000901190	JOINT	1					
48	33340441200	SUPPORT	1					
51	37000500940	SUPPORT	1					
52	33342320400	SUPPORT	1					
56	33340441400	FITTING,FLANGE	1					
57	91810132530	FASTENER	1					
58	37000702020	CLAMP ASSY	1					
59	33341720200	FITTING,FLANGE	1					
60	37002412200	HOSE	1		L=2300			
61	33341720300	JOINT	1					
62	33342320200	JOINT	1					
63	37000700140	CLAMP ASSY	2					
64	91810130270	FASTENER	4					

**TL-250E-2-20102 4 BOOM + JIB, 2M2D, K203LA
PB1320018-00 VALVE,MANUAL CONTROL**



TL-250E-2-20102 4 BOOM + JIB, 2M2D, K203LA

Pos No.	Parts No	Parts Name	Qty	Unit	Technical Data	Serial No (Start)	Serial No (E
1	33610361001	CASE, OUTER	1				
2	33610502000	CASE, INNER (WITH MIDDLE EXTENSION)	2				
3	36040470001	CYLINDER, EXTENSION	2				
5	90102510055	BOLT	12		M10X55		
6	90302041001	WASHER, SPRING	12		10		
7	36620260000	VALVE, PILOT CHECK	2				
8	33610500100	SUPPORT ASSY	2				
10	36031120000	CYLINDER, JACK	2				
12	90171116075	BOLT	8		M16X75		
13	90302041601	WASHER, SPRING	8		16		
15	90201201000	NUT	4		M10		
16	37000201170	PIN ASSY	2				
19	90131510016	BOLT, HEXAGON SOCKET <M10X16.	4				
20	37000102100	PIN	2				
21	80136340050	PIN, SPLIT	4		4X50		
22	37000102110	PIN	2				
23	80136325020	PIN, SPLIT	4		2.5X20		
31	37002411850	HOSE, TWIN	1		L=2930		
32	80430450450	JOINT	2		YL502		
33	32650000050	PLATE	1				
34	90201200600	NUT	1		M6		
35	90302040601	WASHER, SPRING	1		6		
36	90101206020	BOLT	1		M6X20		
37	82100002008	CLAMP	2		WR12		
41	90101210016	BOLT	4		M10X16		
42	90302041001	WASHER, SPRING	4		10		
44	33610002520	PLATE, SLIDE	2				
51	90191410045	BOLT	12		M10X45		
52	90302041001	WASHER, SPRING	12		10		
53	33610023310	COVER	4				
54	33610028010	FLOAT ASSY	2				
55	82456101000	NIPPLE, GREASE	2		A-PT1/8		

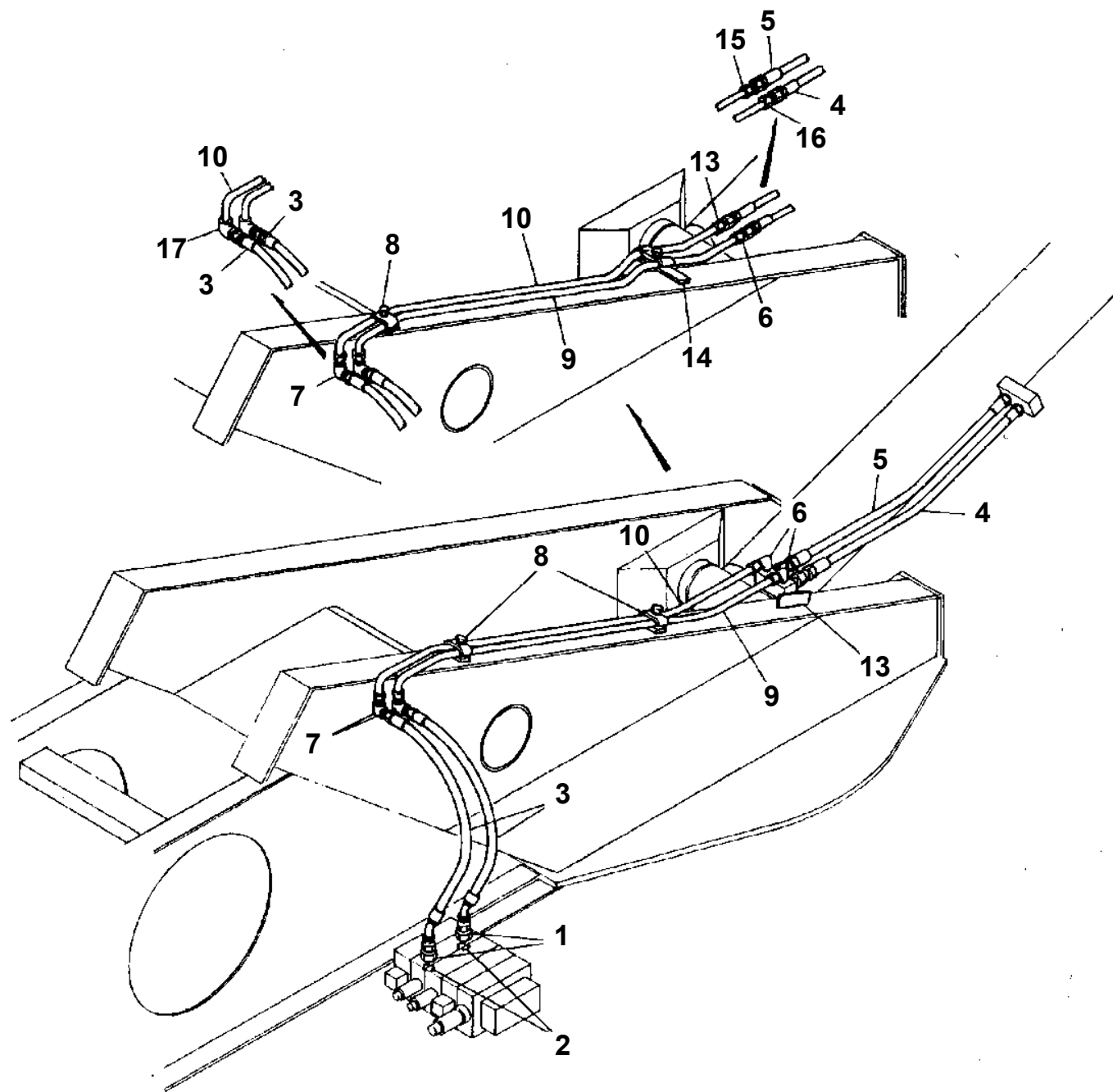
TL-250E-2-20102 4 BOOM + JIB, 2M2D, K203LA

Pos No.	Parts No	Parts Name	Qty	Unit	Technical Data	Serial No (Start)	Serial No (End)	Remarks
1	37000105720	PIN	1					
2	90303070601	WASHER,PLAIN	2		6			
3	80136320015	PIN,SPLIT	2		2X15			
4	33700781000	ROD ASSY	1					
5	33700782000	LINK ASSY	1					
6	31320020020	KNOB (RED)	2					
7	56086051000	LEVER	1					
8	31320020010	KNOB (BLACK)	10					
9	56086052000	LEVER	4					
10	37000105610	PIN	24		L=18			
11	80136320010	PIN,SPLIT	24		2X10			
12	33700783000	SUPPORT	1					
13	12644502000	ROD	5					
14	33700401001	ROD	1					
15	90203200800	NUT	6		M8			
16	56086056000	LEVER	1					
17	56086057000	LEVER	4					
18	90101208035	BOLT	3		M8X35			
19	90302040801	WASHER,SPRING	3		8			
20	90201200800	NUT	3		M8			
21	33700784000	SUPPORT	1					
22	90101210025	BOLT	1		M10X25			
23	90201201000	NUT	1		M10			
24	33700403000	LEVER	1					
25	32700007000	LEVEL ASSY	2				335998	
	32700007500	LEVEL	2			335999		
26	37000506210	PLATE	2					
27	33700785000	SUPPORT	1					
28	33700590500	LEVER	1					
29	33700590600	LEVER	1					
31	33700093100	END	1					
32	90203200600	NUT	1		M6			
33	33700781100	ROD	1					
41	33700402100	LEVER	1					
42	33700782100	SUPPORT	1					
43	33700402300	LEVER	1					
44	37000122320	PIN	3					
45	90303070801	WASHER,PLAIN	5		8			
46	80136325015	PIN,SPLIT	4		2.5X15			
47	37000506180	PLATE	1					
48	33700782200	LEVER	1					
49	80720105028	PIN,SPRING	1		5X28			
50	16414707000	PIN	1					
60	33700408020	ROD ASSY	1					
62	90171112035	BOLT	2		M12X35			
63	90201201200	NUT	2		M12			
71	32700007100	COVER	2					335998
72	82400000303	LEVEL	2					335998
73	32700007200	SUPPORT	2					335998
74	90201200500	NUT	12		M5			335998
75	80183306016	SCREW,MACHINE	2		M6X16			335998
76	90302040601	WASHER,SPRING	2		6			335998
77	90303070601	WASHER,PLAIN	2		6	335982		335998
83	90132714040	BOLT,HEXAGON SOCKET	2					
84	90201201400	NUT	2		M14			

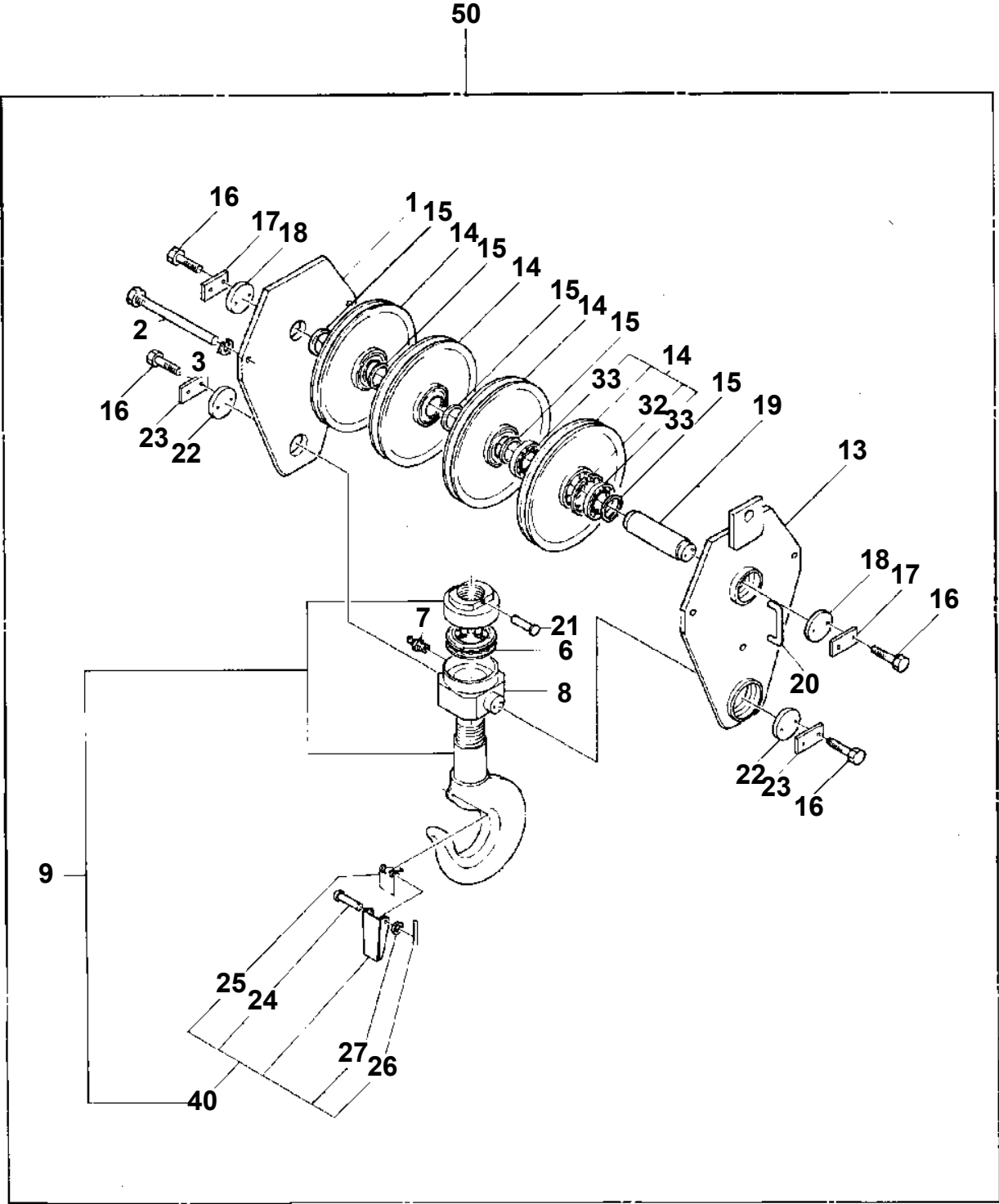
TL-250E-2-20102 4 BOOM + JIB, 2M2D, K203LA

Pos No.	Parts No	Parts Name	Qty	Unit	Technical Data	Serial No (Start)	Serial No (End)	Rem
1	90101510040	BOLT	3		M10X40			
2	90302041001	WASHER,SPRING	3		10			
3	36620510000	VALVE,PILOT CHECK	1					
4	36030340001	FRONT JACK,HYDRAULIC	1					
5	33730281101	SUPPORT	1					
6	90101716070	BOLT	4					
7	90302041601	WASHER,SPRING	4		16			
8	90101512055	BOLT	4		M12X55			
9	90302041201	WASHER,SPRING	4		12			
10	33730261200	FLOAT ASSY	1			335318		
13	90302040801	WASHER,SPRING	4		8			
14	90101508075	BOLT	4		M8X75			
15	36030750000	VALVE,PRESSURE DETECTOR	1					
16	82100000191	TERMINAL	2					
17	82100000183	INSULATOR	2					
18	82100000865	TERMINAL	1					
19	82100000192	TERMINAL	1					
20	82100000182	INSULATOR	1					
31	90191210035	BOLT	6		M10X35			
32	90302041001	WASHER,SPRING	6		10			
33	33730261210	COVER	2					
34	33730268011	FLOAT ASSY	1				335317	
35	82456101000	NIPPLE,GREASE	1		A-PT1/8			
44	33730268010	FLOAT ASSY	1			335318		

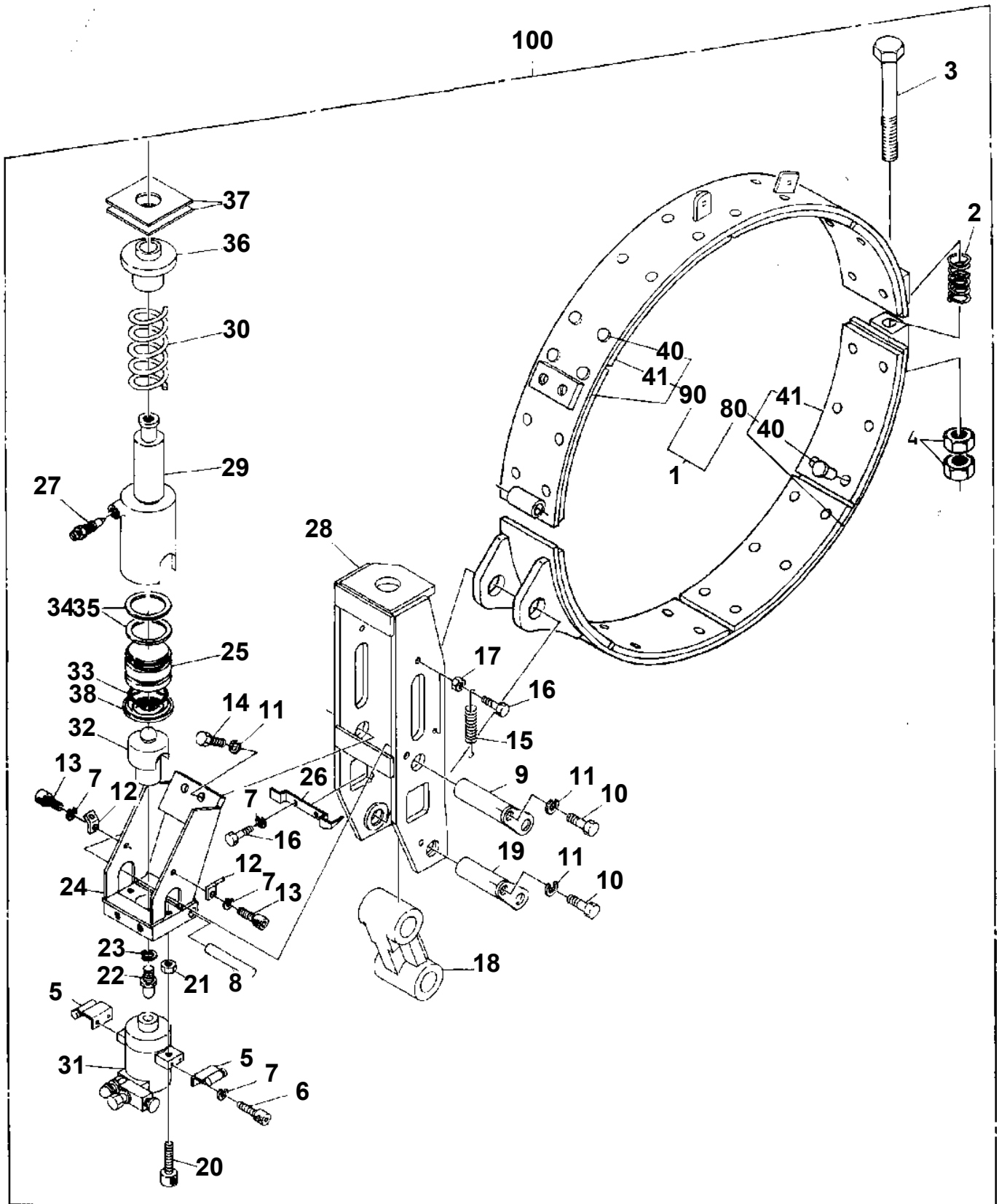
TL-250E-2-20102 4 BOOM + JIB, 2M2D, K203LA
PE1200041-00 PIPING,ELEVATING



TL-250E-2-20102 4 BOOM + JIB, 2M2D, K203LA
PF1050330-00 HOOK (MAIN)



TL-250E-2-20102 4 BOOM + JIB, 2M2D, K203LA
PF1120150-02 BAND,WINCH BRAKE



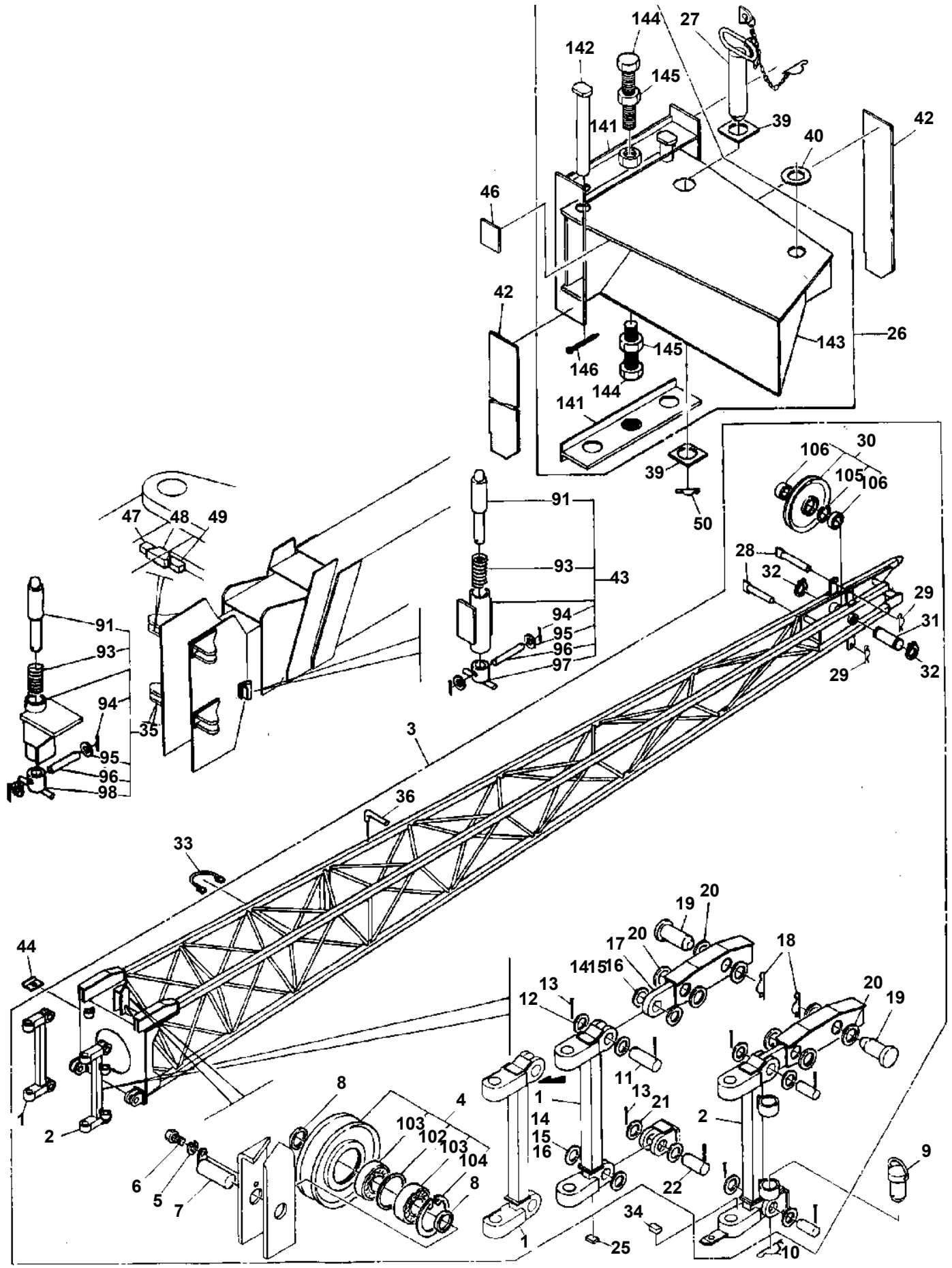
TL-250E-2-20102 4 BOOM + JIB, 2M2D, K203LA

Pos No.	Parts No	Parts Name	Qty	Unit	Technical Data	Serial No (Start)	Serial No (End)	Remarks	Pages
2	37000904820	NUT,FLARE	8		M14				
3	33341678050	PIPE ASSY	1						
4	33341678060	PIPE	1						
5	37000904020	FITTING	2		S,M14-M14				
6	33341678031	PIPE ASSY	1						
7	33341678041	PIPE ASSY	1						
8	90211201400	NUT	2		M14				
9	90304111401	WASHER,TOOTH	2		14				
11	19415200270	HOSE,BRAKE	2		L=400				
12	37000702210	CLAMP ASSY	2						
13	37000300710	SLEEVE	4		12-8				
14	33341901000	SUPPORT	2						
15	59159039000	JOINT,NIPPLE	2						

TL-250E-2-20102 4 BOOM + JIB, 2M2D, K203LA

Pos No.	Parts No	Parts Name	Qty	Unit	Technical Data	Serial No (Start)	Serial No (End)	Remarks	P
1	14125501000	SPRING	1						
2	14125502000	WASHER	1						
3	14125504000	ADAPTER	1						
4	14125505000	PACKING	5						
5	14125507000	ADAPTER	1						
7	36670470010	SPACER	1						
8	80601110170	RING,RITAINING	1		S17				
9	16115552000	WASHER	1						
11	80516006303	BEARING,BALL	1						
12	80602110470	RING,RITAINING	1		R47				
13	16115554000	SLEEVE	1						
20	36670470000	JOINT,WINCH ROTARY	1						

TL-250E-2-20102 4 BOOM + JIB, 2M2D, K203LA
PG1040021-01 JIB



CLICK HERE TO **DOWNLOAD** THE COMPLETE MANUAL

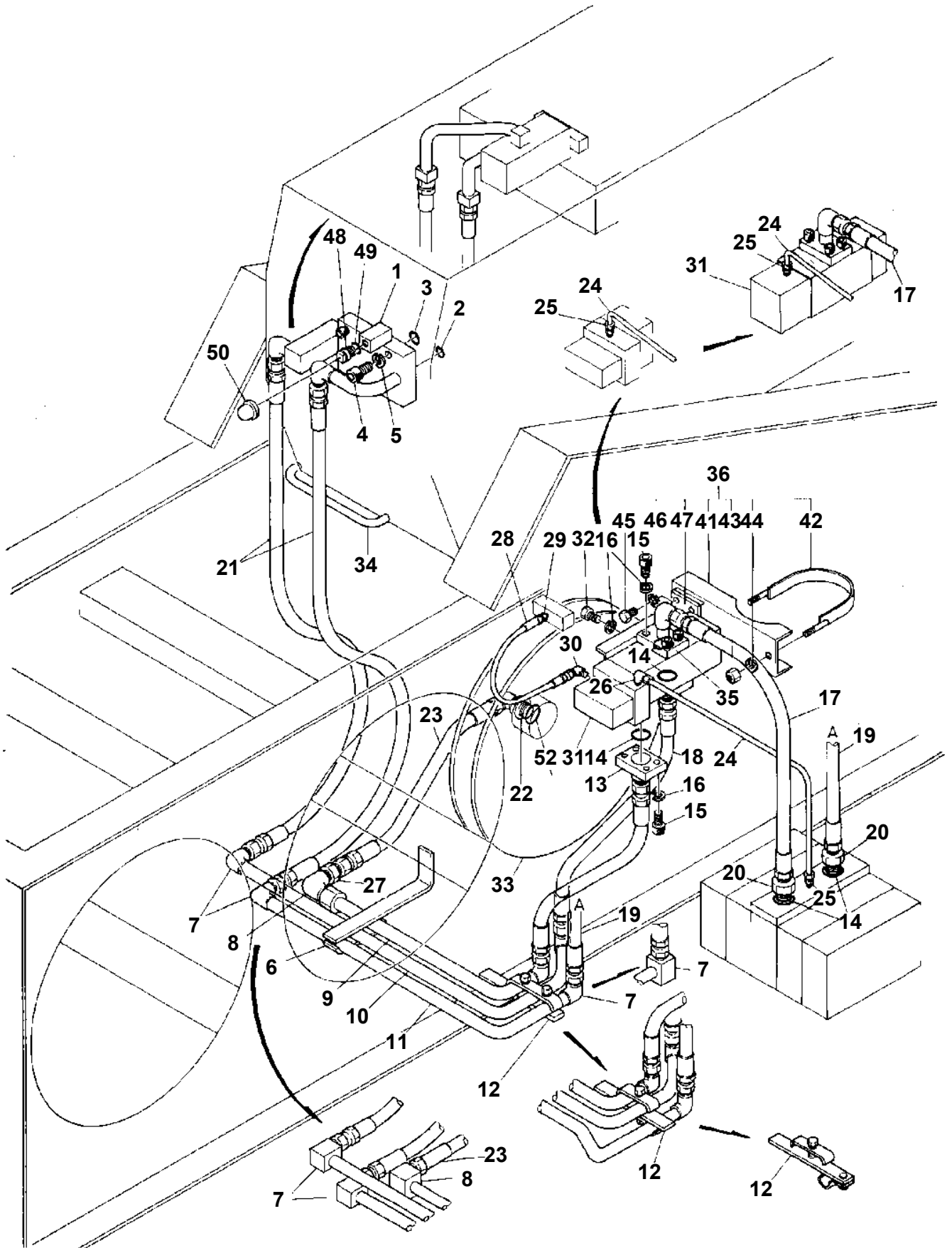
- Thank you very much for reading the preview of the manual.
- You can download the complete manual from: www.heydownloads.com by clicking the link below



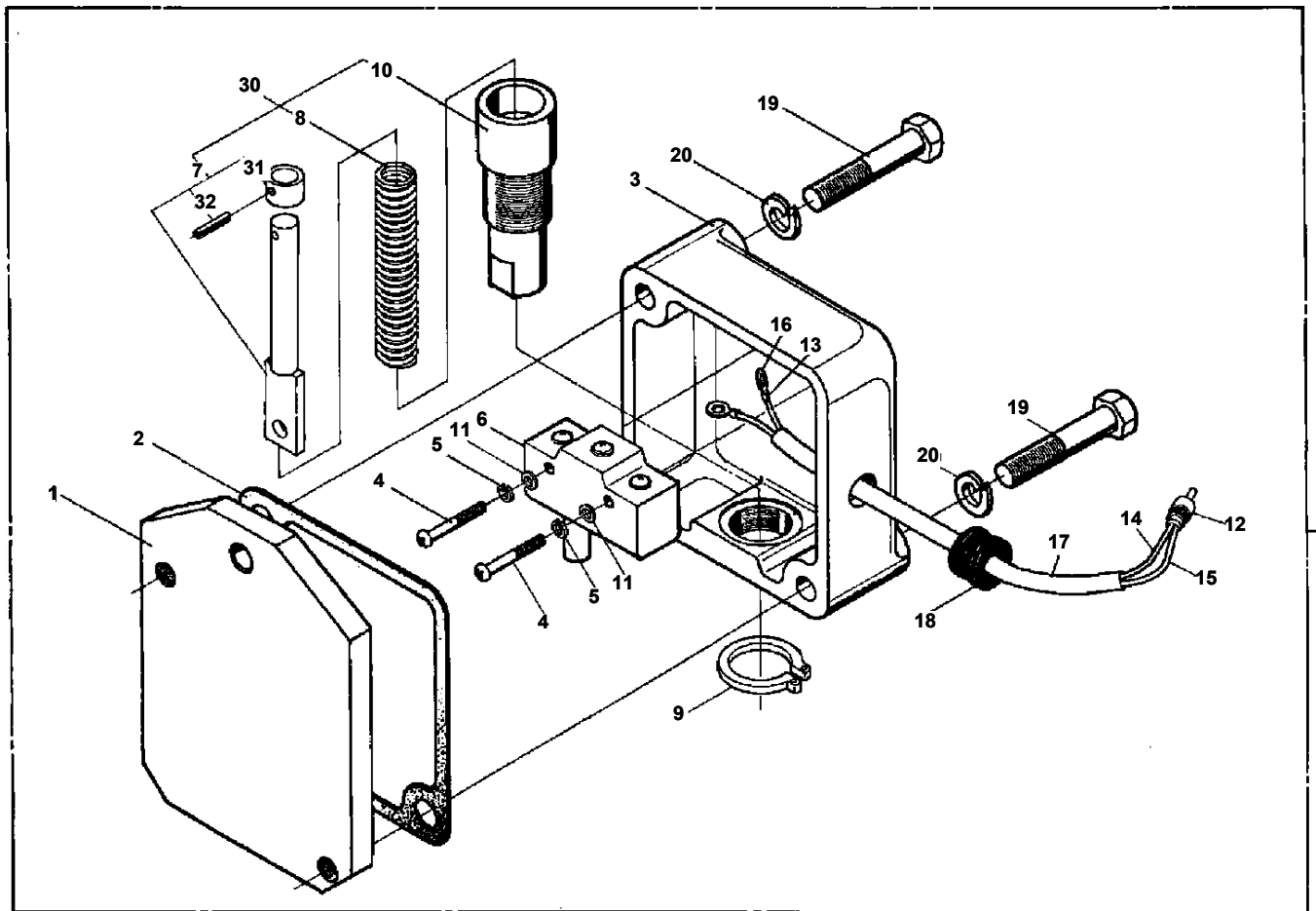
- Please note: If there is no response to CLICKING the link, please download this PDF first and then click on it.

CLICK HERE TO **DOWNLOAD** THE COMPLETE MANUAL

TL-250E-2-20102 4 BOOM + JIB, 2M2D, K203LA
PG1200060-02 PIPING,TELESCOPING



TL-250E-2-20102 4 BOOM + JIB, 2M2D, K203LA
PH1070040-01 SWITCH, OVER WIND DETECTOR (JIB&S/T)



TL-250E-2-20102 4 BOOM + JIB, 2M2D, K203LA

Pos No.	Parts No	Parts Name	Qty	Unit	Technical Data	Serial No (Start)	Serial No (E
1	36110195010	SASH	1				
2	36110195020	PANEL ASSY	1				
3	36111165200	BOARD (PANEL & MASTER/WITH P-ROM)	1				335337
6	36110195060	BOARD,ANALOG	1				
7	36110195070	SHIELD	1				
8	36110195080	BOARD,POWER	1				
9	36110195090	AMPLIFIER ASSY	1				
10	36110195100	BOX ASSY	1				
11	36110195110	COVER ASSY	1				
12	36110195120	COVER	1				
13	36110195130	SEAL	1				
14	36110195140	SCREW,SET	17				
15	82100000689	FUSE	2		3A,6.5X30		
16	36110195150	COVER (FUSE BOX)	1				
17	80155103008	SCREW,MACHINE	4				
18	36110195160	BULB,LAMP (ASSY)	2				
33	36110195031	BOARD,DISPLAY (K4)	1			335338	
34	36111162001	P-ROM (K4.DIN)	1			335338	
35	36110195051	BOARD (MASTER)	1			335338	
40	36110196001	MOMENT LIMITER (K4.WITHOUT P-ROM)	1			335338	
50	36111160000	MOMENT LIMITER (AML K-K4)	1				

TL-250E-2-20102 4 BOOM + JIB, 2M2D, K203LA

Pos No.	Parts No	Parts Name	Qty	Unit	Technical Data	Serial No (Start)	Serial No (End)	Remarks	Page
5	36050185010	SEAL KIT	1						
6	19413127040	CONNECTOR	1						
7	19413127050	BOLT (CONNECTOR)	1						
8	19413127060	PACKING	1						
9	19413127070	PACKING	1						
10	36050185020	SCREW (BLEEDER)	1						
11	19413127090	CAP (BLEEDER)	1						
30	36050180000	CYLINDER,BRAKE	1						

TL-250E-2-20102 4 BOOM + JIB, 2M2D, K203LA

Pos No.	Parts No	Parts Name	Qty	Unit	Technical Data	Serial No (Start)	Serial No (End)	Remarks	Pages
1	16515122010	O-RING	1						
2	16515122020	SPRING	1						
4	80602110140	RING,RITAINING	1		R14				
5	16515122000	VALVE,CHECK	1						

TL-250E-2-20102 4 BOOM + JIB, 2M2D, K203LA

Pos No.	Parts No	Parts Name	Qty	Unit	Technical Data	Serial No (Start)	Serial No (End)	Rem
1	36030341010	VALVE	1					
2	91002801000	O-RING	1		1B P10			
3	91002800500	O-RING	1		1B P5			
4	36030420200	ROD	1					
5	37001200040	SPRING	1					
6	91002804400	O-RING	1		1B P44			
7	36030341030	COVER	1					
8	90302040801	WASHER,SPRING	4		8			
9	90101208020	BOLT	4		M8X20			
10	82100001389	SWITCH,LIMIT	1					
11	90302040601	WASHER,SPRING	2		6			
12	90101206012	BOLT	2		M6X12			
13	36030341050	COVER	1					
14	82100001035	GROMMET	1					
15	90303371001	WASHER	1		M10			
20	36030750000	VALVE,PRESSURE DETECTOR	1					

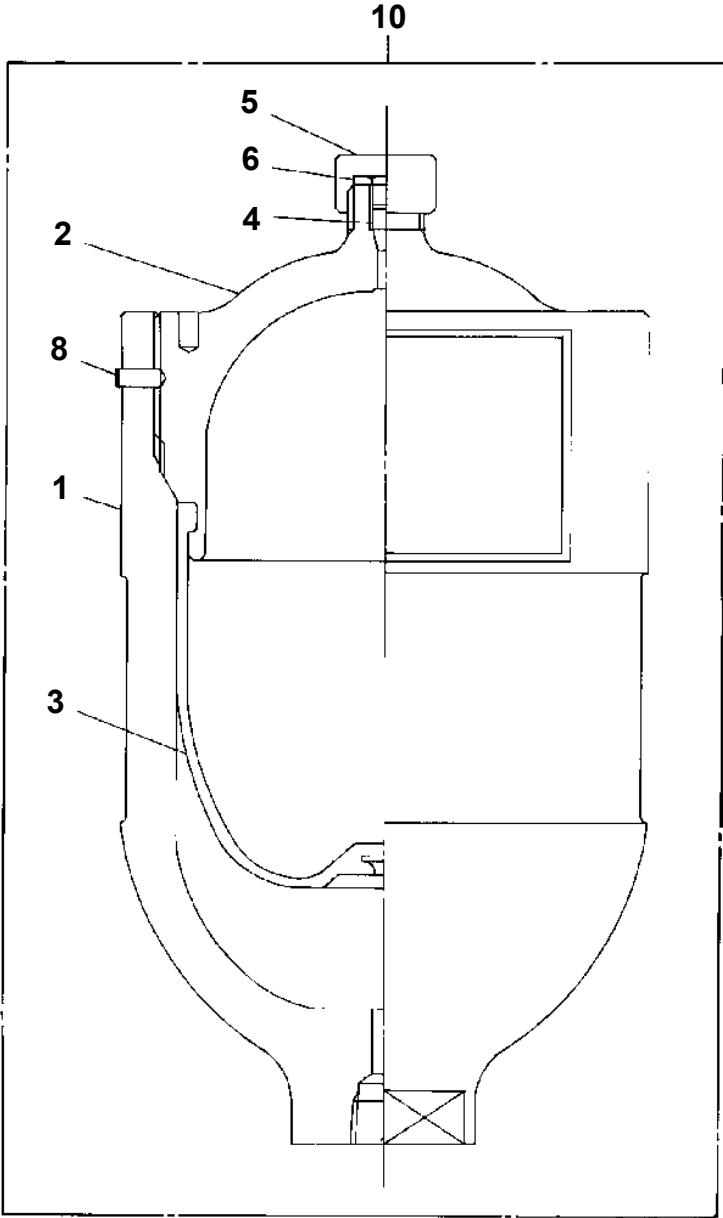
TL-250E-2-20102 4 BOOM + JIB, 2M2D, K203LA

Pos No.	Parts No	Parts Name	Qty	Unit	Technical Data	Serial No (Start)	Serial No (End)	Remarks	Pa
4	91411001600	RING,BACKUP	2		P16				
5	91001101600	O-RING	1		1A P16				
6	12215120000	SPRING	1						
9	51655004000	PISTON	1						
10	91002802400	O-RING	2		1B P24				
11	36620000030	PLUG	2						
12	91002801000	O-RING	2		1B P10				
30	36620260000	VALVE,PILOT CHECK	1						

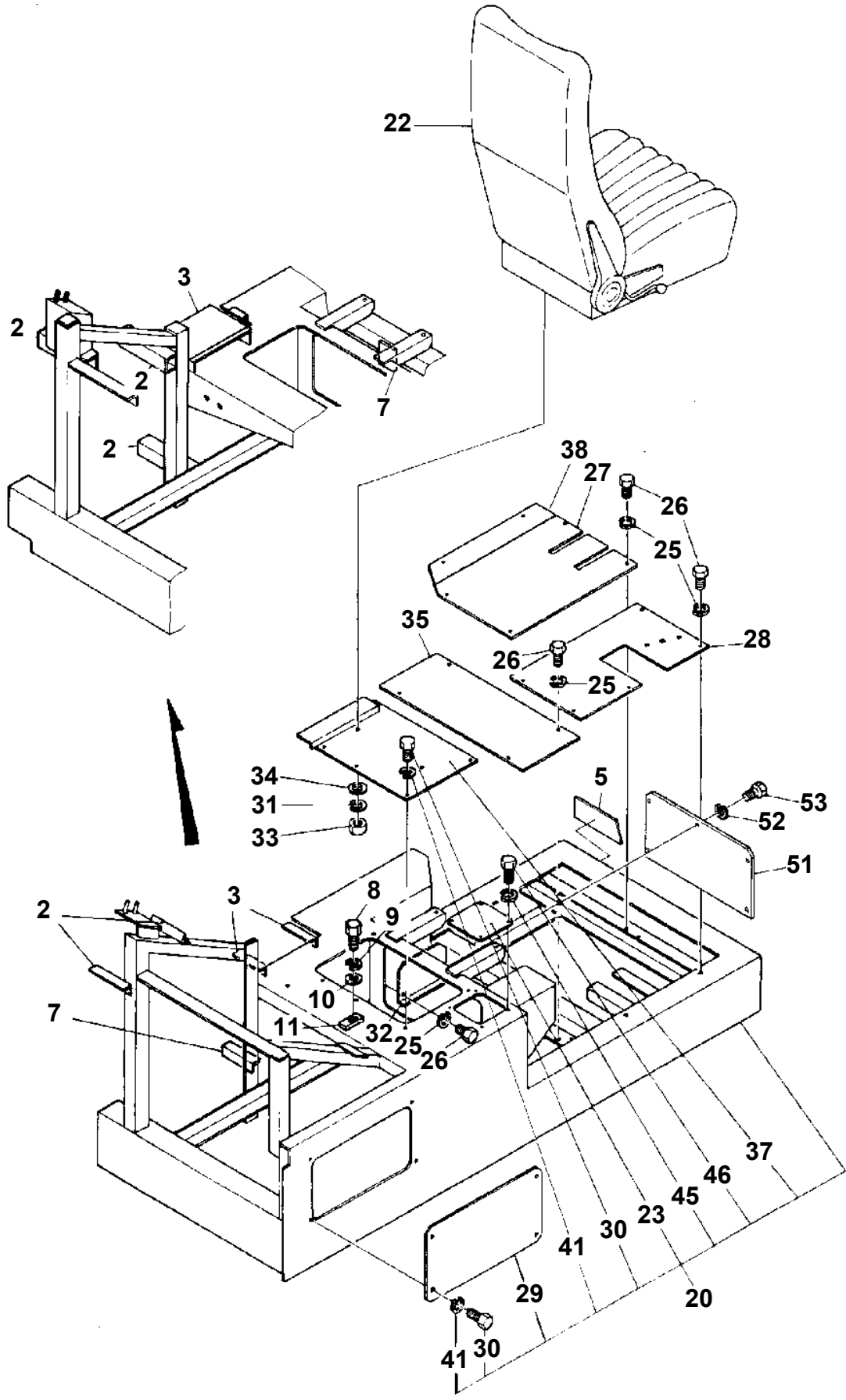
TL-250E-2-20102 4 BOOM + JIB, 2M2D, K203LA

PI1340060-01 ACCUMULATOR

Assembly name ACCUMULATOR



**TL-250E-2-20102 4 BOOM + JIB, 2M2D, K203LA
PK1120034-00 SWING TABLE**



TL-250E-2-20102 4 BOOM + JIB, 2M2D, K203LA

Pos No.	Parts No	Parts Name	Qty	Unit	Technical Data	Serial No (Start)	Serial No (End)	Remarks	Pages
1	33280910010	COUNTERWEIGHT	1						
2	90101524060	BOLT	3		M24X60				
3	90302042401	WASHER,SPRING	3		24				
4	33280910100	STOPPER	2						
5	33280910150	SUPPORT	2						
6	90303072401	WASHER,PLAIN	3		24				

TL-250E-2-20102 4 BOOM + JIB, 2M2D, K203LA

Pos No.	Parts No	Parts Name	Qty	Unit	Technical Data	Serial No (Start)	Serial No (End)
1	80192484016	SCREW,MACHINE	4		M4X16		
3	33430561200	BUZZER ASSY	1				
5	33431181000	SWITCH ASSY	1				
6	80192485014	SCREW,MACHINE (WITH WASHER)	10		M5X14		
7	33431182000	SWITCH ASSY	1				
8	33430001560	RELAY ASSY	1				
9	59481504000	RELAY	2				
10	82100000001	HORN	1				
11	90301010801	WASHER	1		8		
12	80176304014	SCREW,MACHINE	2		M4X14		
14	33431373000	RELAY ASSY	1				
15	33430001510	BOX,FUSE	1				
16	37002203510	PLATE,NAME (FUSE)	1				
17	80161304030	SCREW,MACHINE	6		M4X30		
18	90302040401	WASHER,SPRING	6		4		
19	90303100401	WASHER,PLAIN	6		4		
20	80161305020	SCREW,MACHINE	8		M5X20		
21	90302040501	WASHER,SPRING	8		5		
22	90303100501	WASHER,PLAIN	8		5		
23	33430601400	COVER	1				
24	33430601560	COVER	1				
25	80161306020	SCREW,MACHINE	4		M6X20		
26	90302040601	WASHER,SPRING	5		6		
27	90201200600	NUT	1		M6		
28	90190000008	BOLT,STUD	1		M6X20		
29	33431374000	PLATE	1				
30	33431184000	LAMP,PILOT	1				
41	33431181100	PANEL	1				
42	33431181200	HARNESS	1				
43	33431181300	PLATE,NAME	1				
44	82100001392	SWITCH,ROTARY	1				
45	82100001199	KNOB	1				
46	82100001359	SWITCH,TOGGLE	2				
47	82100001381	SWITCH,PUSH (RED)	2				
48	82100001361	SWITCH,TOGGLE	1				
49	82100000082	SWITCH,STARTER (WITH KEY)	1				
50	34350002100	CAP	3				
61	33430701061	PANEL	1				
62	90303070501	WASHER,PLAIN	2		5		
64	33431182200	PLATE,NAME	1				
65	82100001682	SWITCH,TOGGLE	1				
66	82100001696	SWITCH,TOGGLE	2				
67	82400000180	TRAY,ASH	1				
68	82100000690	LIGHTER,CIGARETTE	1				
69	33431182100	HARNESS	1				
70	34250000030	COVER	1				
71	80192485014	SCREW,MACHINE (WITH WASHER)	2		M5X14		
72	34250000430	PLATE	1				
73	33431222300	COVER	1				
74	80176304012	SCREW,MACHINE	4		M4X12		
75	90302040401	WASHER,SPRING	4		4		
91	82100000745	FUSE	5		10A,6.5X30		
92	82100001162	FUSE (15A,6.35X30>	3				
94	33430601440	GROMMET	1				
101	34350352150	COVER	1				
102	33431187510	PLATE,NAME (P)	1				
103	90925030101	SCREW,TAPPING	10		M3X10		
104	82100002470	BULB,LAMP	14				
105	34350352180	COVER	1				
106	33431387510	LAMP ASSY (C)	1				
111	82100000564	BUZZER	1				
121	82100000734	RELAY	1				
131	82100000687	KEY (STARTER)	1				

TL-250E-2-20102 4 BOOM + JIB, 2M2D, K203LA

Pos No.	Parts No	Parts Name	Qty	Unit	Technical Data	Serial No (Start)	Serial No (End)	Remarks
1	33940680010	PLATE,NAME	1					
2	33940680020	PLATE,NAME	1					
3	37002201170	PLATE,NAME (GREASE)	8					
4	33940370010	PLATE,NAME	1					

TL-250E-2-20102 4 BOOM + JIB, 2M2D, K203LA

Pos No.	Parts No	Parts Name	Qty	Unit	Technical Data	Serial No (Start)	Serial No (End)
1	37002201350	PLATE,NAME (ENGLISH & CHINESE)	1				
2	37002203870	PLATE,NAME (ENGLISH & CHINESE)	1				
3	37002203880	PLATE,CAUTION (ENGLISH & CHINESE)	1				
4	37002203890	PLATE,CAUTION (CHINESE)	1				

TL-250E-2-20102 4 BOOM + JIB, 2M2D, K203LA

Pos No.	Parts No	Parts Name	Qty	Unit	Technical Data	Serial No (Start)	Serial No (End)	Remarks
3	89630101000	HOSE,VINYL	1		4X6,1M			
4	89630201000	HOSE,VINYL	1		6X8,1M			
6	91900000004	HELMET	1					
20	99990040064	CLOTHES,WORKING LLL	1					
	99990040062	CLOTHES,WORKING L	1					
	99990040063	CLOTHES,WORKING LL	1					
	99990040061	CLOTHES,WORKING M	1					

TL-250E-2-20102 4 BOOM + JIB, 2M2D, K203LA

Pos No.	Parts No	Parts Name	Qty	Unit	Technical Data	Serial No (Start)	Serial No (End)	Remarks	Pages
1	33760261000	SUPPORT	1						
2	33760060020	PLATE	4						
3	56260321001	PLATE	4						
4	33760262000	PLATE	18						
5	37001500140	BOLT	36		M24X135				
9	90101210020	BOLT	3		M10X20				
10	90302041001	WASHER,SPRING	3		10				
11	90190000021	BOLT	1		M10X30				

TL-250E-2-20102 4 BOOM + JIB, 2M2D, K203LA

Pos No.	Parts No	Parts Name	Qty	Unit	Technical Data	Serial No (Start)	Serial No (End)	Remarks	Pages
1	33763151100	COVER	1						
2	33763151200	COVER	1						

CLICK HERE TO **DOWNLOAD** THE COMPLETE MANUAL

- Thank you very much for reading the preview of the manual.
- You can download the complete manual from: www.heydownloads.com by clicking the link below



- Please note: If there is no response to CLICKING the link, please download this PDF first and then click on it.

CLICK HERE TO **DOWNLOAD** THE COMPLETE MANUAL