

TL-200M-4-20101 4 BOOM + JIB,KV208M

PB1000229-00 HYDRAULIC PRESSURE GENERATING SYSTEM
PC1000173-00 OUTRIGGER SYSTEM
PD1000214-00 SWING SYSTEM
PE1000213-00 ELEVATING SYSTEM
PF1000201-01 WINCH SYSTEM
PG1000209-00 TELESCOPING SYSTEM
PH1000196-00 SAFETY DEVICES
PI1000235-00 HYDRAULIC DEVICES
PK1000223-00 FRAME
PL1000218-00 CONTROL DEVICES
PN1000183-01 ELECTRIC EQUIPMENT
PO1000144-01 INDICATION PLATES
PW1000028-00 ACCESSORIES & TOOLS
PX1000226-01 MOUNTING PARTS
PY1000194-00 OPTIONS
ASSEMBLY

CLICK HERE TO **DOWNLOAD** THE COMPLETE MANUAL

- Thank you very much for reading the preview of the manual.
- You can download the complete manual from: www.heydownloads.com by clicking the link below



- Please note: If there is no response to CLICKING the link, please download this PDF first and then click on it.

CLICK HERE TO **DOWNLOAD** THE COMPLETE MANUAL

TL-200M-4-20101 4 BOOM + JIB,KV208M

Pos No.	Parts No	Parts Name	Qty	Unit	Technical Data	Serial No (Start)	Serial No (End)
1	36070840000	WINCH	2				
2	19413067000	CLUTCH,WINCH	2				
3	36091120000	HOOK (OPTION, 6TON OR 7TON)	1				
4	(*****)	HOOK (AUXILIARY)	1				
5	36091740000	HOOK (MAIN,SHEAVE 3 PC'S)	1				
6	19491011000	HOOK (12TON)	1				
7	37001802130	ROPE,WIRE (TSK)	1				
8	37001801380	ROPE,WIRE (TSK)	1				
9	(*****)	SOCKET,ROPE (SEIZING)	2				
10	(*****)	OPE.ASSY, WINCH BRAKE (MAIN)	1				
11	(*****)	OPE.ASSY, WINCH BRAKE (AUX.)	1				
12	33310660010	BAND,WINCH BRAKE	2				
13	(*****)	OPE.ASSY,DRUM LOCK (MAIN)	1				
14	(*****)	OPE.ASSY,DRUM LODK (AUX.)	1				
15	(*****)	OPE.ASSY,CLUTCH (MAIN)	1				
16	(*****)	OPE.ASSY,CLUTCH (AUX.)	1				
17	(*****)	DETECTOR,DISORDERLY WIND (MAIN,OPTION)	1				
18	(*****)	DETECTOR,DISORDERLY WIND (AUX.,OPTION)	1				
19	(*****)	PIPING,WINCH (MAIN,FOR TOSHIBA MOTOR)	1				
	(*****)	PIPING,WINCH (MAIN,FOR SANWA MOTOR)	1				
20	(*****)	PIPING,WINCH (AUX.,FOR SANWA MOTOR)	1				
	(*****)	PIPING,WINCH (AUX.,FOR TOSHIBA MOTOR)	1				
23	(*****)	PIPING,WINCH BRAKE (MAIN)	1				
24	(*****)	PIPING,WINCH BRAKE (AUX.)	1				
25	(*****)	DETECTOR,DRUM ROTATION (AML-M,OPTION)	1				
26	36632340000	VALVE,CLUTCH	1				
27	36672739510	JOINT,WINCH ROTARY	2				
28	(*****)	MOUNT,WINCH (MAIN)	1				
	(*****)	MOUNT,WINCH (MAIN)	1				
30	(*****)	MOUNT,WINCH (AUX.,TOSHIBA)	1				
	(*****)	MOUNT,WINCH (AUX.,SANWA)	1				
32	36661680000	MOTOR,HYDRAULIC (SANWA)	2				
	36660660000	MOTOR,HYDRAULIC (TOSHIBA)	2				
34	36061040000	CYLINDER,MASTER	2				
35	36642370000	VALVE,HYDRAULIC	2				
36	36622080000	VALVE,CHECK	1				
37	36603180000	VALVE,COUNTERBALANCE (SANWA)	2				
	36601800000	VALVE,COUNTERBALANCE (TOSHIBA)	2				
38	36672480000	ACCUMULATOR	2			332419	
	36671060005	ACCUMULATOR	2				3324

TL-200M-4-20101 4 BOOM + JIB,KV208M

Pos No.	Parts No	Parts Name	Qty	Unit	Technical Data	Serial No (Start)	Serial No
1	(*****)	OPE.ASSY,CONT.VALVE (TDN)	1				
	(*****)	OPE.ASSY,CONT.VALVE (ISO)	1				
2	(*****)	OPE.ASSY,CONT.VALVE (ISO,AUX.WINCH)	1				
	(*****)	OPE.ASSY,CONT.VALVE (TDN,AUX.WINCH)	1				
3	(*****)	OPE.ASSY,CONT.VALVE (PEDAL)	1				
4	(*****)	LEVER,CONTROL (LOCK)	1				
5	(*****)	OPE.ASSY,ACCELERATOR (UPPER)	1				
6	(*****)	OPE.ASSY,ACCELERATOR (LOWER)	1				
7	3606139001	CYLINDER,MASTER	1			332274	
	3606139000	CYLINDER,MASTER	1				332273
8	36061372000	CYLINDER,MASTER (NABCO)	1				
	36061371000	CYLINDER,MASTER (MIYAKO)	1				

TL-200M-4-20101 4 BOOM + JIB,KV208M

Pos No.	Parts No	Parts Name	Qty	Unit	Technical Data	Serial No (Start)	Serial No (End)	Rema
1	(*****)	SINGLE TOP	1					
2	(*****)	HEATER SYSTEM	1					
3	36290310000	HEATER (KEROSENE)	1					
4	(*****)	PIPING,COOLER	1					
5	(*****)	SWITCH INSTALLATION (FAN)	1					
6	(*****)	COOLER,OIL (MOUNT)	1					
7	(*****)	RADIO INSTALLATION	1				332388	
	(*****)	RADIO INSTALLATION	1			332389		
8	(*****)	FAN INSTALLATION	1					
9	36620400000	VALVE,CHECK	1					
10	36610000000	VALVE,FLOW CONTROL	1					
11	36690081000	COOLER,OIL	1				331952	
	36690121000	COOLER,OIL	1			331953		

TL-200M-4-20101 4 BOOM + JIB,KV208M

Pos No.	Parts No	Parts Name	Qty	Unit	Technical Data	Serial No (Start)	Serial No (End)	Rema
1	33660000211	GAUGE,OIL	1					
3	91001221000	O-RING	1		1A G210		332501	
4	33660100100	COVER	2				332501	
5	33660000220	BREATHER ASSY (OB-30T)	1					
6	90302041001	WASHER,SPRING	10		10		332501	
7	90101210016	BOLT	6		M10X16		332501	
8	90303071001	WASHER,PLAIN	4		10		332501	
9	90101210025	BOLT	4		M10X25		332501	
10	36671310000	FILTER,OIL (TANK,OIL)	1			332506		
	36670510000	FILTER,OIL	1				332505	
	36670510000	FILTER,OIL	1			332502	332505	
13	80205001000	PLUG	1		PT1			
21	33660007530	BOLT	2			332505		
	33660005040	BOLT	2		M12X35X1.75		332504	
	33660005040	BOLT	2		M12X35X1.75	332502	332504	
22	33660005050	PACKING	4					
	34660131140	PACKING	4			332505		
31	33660007510	ELEMENT (OB-30T & OBR-30)	1				332505	
	33660007510	ELEMENT (OB-30T & OBR-30)	1			332502	332505	
	33660007511	ELEMENT	1			332506		
32	33660007520	PACKING SET	1					
41	33660287510	BODY (TANK)	1			332502		
43	33660107520	PACKING	1			332502	332503	
	34660180040	PACKING	1		T=2.0	332504		
44	33660107530	COVER	1			332502		
45	99172108020	BOLT,TAPPING	8		M8X20	332502	332503	
	99164008020	BOLT (M8X20)	8			332504		
46	99164010025	BOLT	4		M10X25	332502		
100	33660280000	TANK,OIL	1					

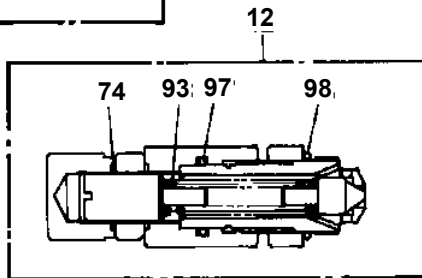
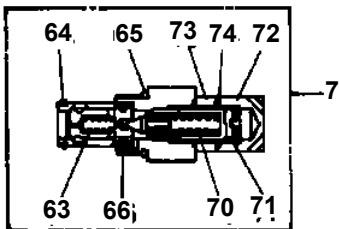
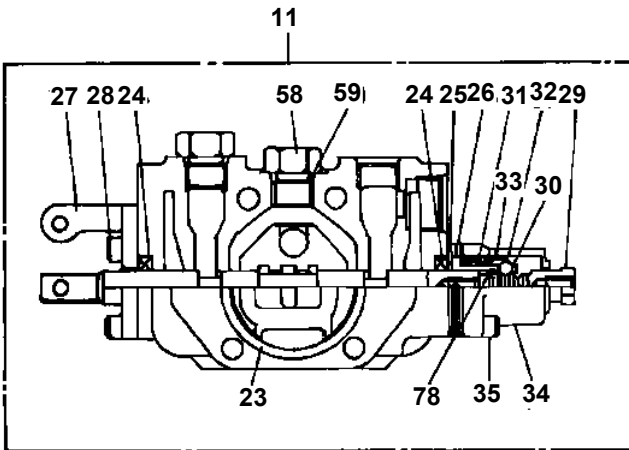
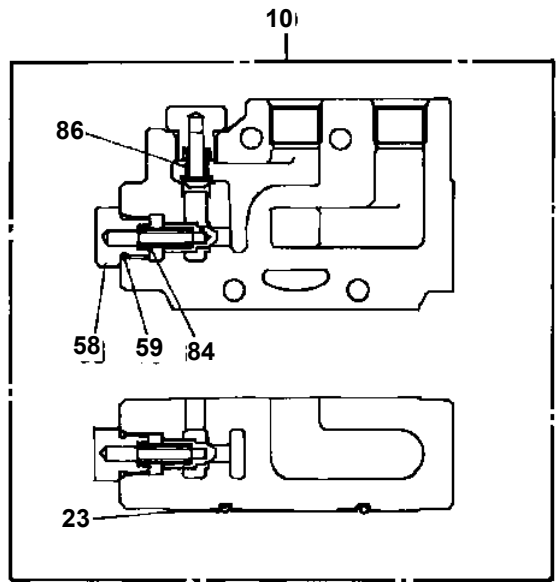
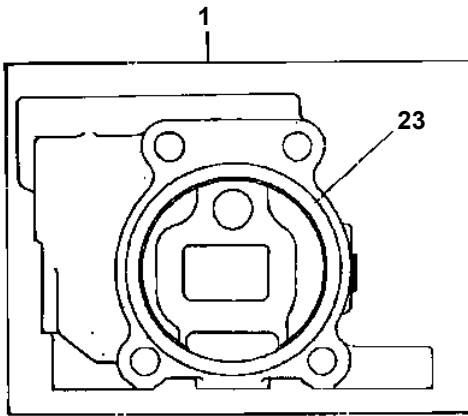
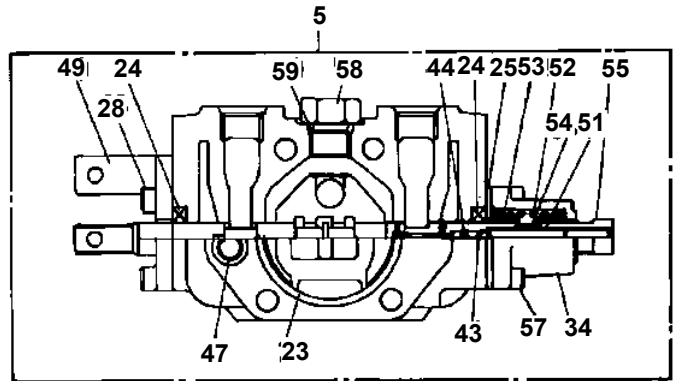
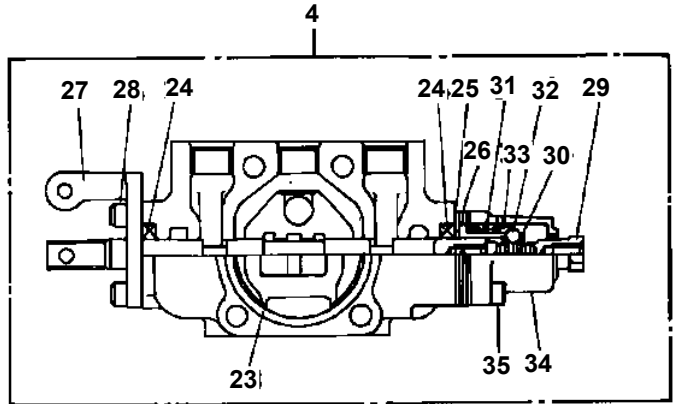
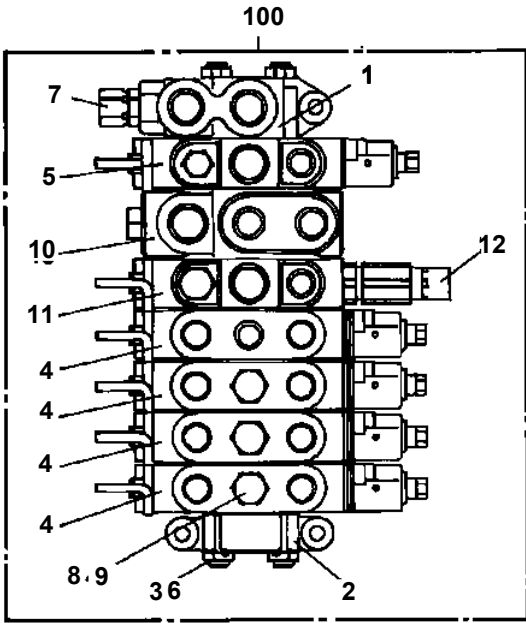
TL-200M-4-20101 4 BOOM + JIB,KV208M

Pos No.	Parts No	Parts Name	Qty	Unit	Technical Data	Serial No (Start)	Serial No (End)	Remarks	Page
1	81408000081	PIPE,STEEL	1	M	8X1.2T				
2	81408000130	PIPE,STEEL	1	M	10X1.8T				
3	37000702280	CLAMP ASSY	1						
4	37000300720	SLEEVE	1		12-10				
5	80307010080	FITTING	1						
6	81408000081	PIPE,STEEL	1	M	8X1.2T				
7	81408000081	PIPE,STEEL	1	M	8X1.2T				
8	37000703410	CLAMP ASSY	1						
9	14115209000	PACKING	2						
10	80172304010	SCREW,MACHINE	8		M4X10				
11	90302040401	WASHER,SPRING	8		4				
12	36680830000	GAUGE,PRESSURE	1						0001
13	18335110000	GAUGE,PRESSURE	1						0001
14	81408000081	PIPE,STEEL	2	M	8X1.2T				
15	81408000081	PIPE,STEEL	2	M	8X1.2T				
16	14215209000	FITTING	2						
17	80309010060	SLEEVE	2						
18	80306010060	NUT	2		KKN08-000N				
19	37000300710	SLEEVE	3		12-8				
20	80301010060	FITTING	3		KUA08-000N				
21	80307030160	FITTING	2		KGA08-030N				
22	80316030040	PLUG	1		PT1/4				
25	36622080000	VALVE,CHECK	1						
26	90101208035	BOLT	2		M8X35				0001
27	90302040801	WASHER,SPRING	2		8				

TL-200M-4-20101 4 BOOM + JIB,KV208M

Pos No.	Parts No	Parts Name	Qty	Unit	Technical Data	Serial No (Start)	Serial No (End)	Remarks
1	33630497510	SHAFT	1					
2	33630497520	PLATE	1					
3	33630497530	FLANGE	1					
4	33630497540	CAM	1					
5	33630497550	BOLT	2					
6	33630497560	COLLAR	1					
7	33630497570	CASE (SLIP RING 1)	1					
8	33630727520	CASE (SLIP RING 2)	1					
9	33630497590	PLATE	1					
10	33630497600	CASE (1)	1					
11	33630497610	CASE (2)	1					
12	33630497620	SUPPORT	1					
13	33630497630	RING,SLIP	13					
14	33630497640	BRUSH	13					
15	33630497660	INSULATOR	2					
	33630497650	INSULATOR	2					
	33630497670	INSULATOR	2					
16	33630497680	INSULATOR	14					
17	80516006005	BEARING,BALL	2					
18	80601110250	RING,RITAINING	1		S25			
19	80561100050	NUT	1		AN05			
	80562100050	WASHER,PLAIN	1					
20	33630497690	SWITCH,LIMIT	1					
21	33630497700	POTENTIOMETER	1					
22	33630497710	CAP	2					
23	33630497720	BREATHER,AIR	1					
24	33630497730	SCREW,SET	1		M6X10			
25	33630497740	SCREW (WITH WASHER)	1					
26	33630497750	PACKING SET	1					
28	33630727510	PACKING	1					
30	33630721000	BRUSH,ROTARY JOINT	1					

TL-200M-4-20101 4 BOOM + JIB, KV208M
 PB1320154-02 VALVE, MANUAL CONTROL (OUTRIGGER, F/J)



TL-200M-4-20101 4 BOOM + JIB,KV208M

Pos No.	Parts No	Parts Name	Qty	Unit	Technical Data	Serial No (Start)	Serial No (End)	Remarks
1	33610831000	CASE,OUTER	1					
2	33610832000	CASE,INNER	2					
3	36040920000	CYLINDER,EXTENSION	2					
4	37002410660	HOSE,TWIN	2		L=3070 TO 3100			
5	90102510055	BOLT	4		M10X55			
6	90131510032	BOLT,HEXAGON SOCKET	8		M10X32			
7	36622460000	VALVE,CHECK	2					
8	33610830100	SUPPORT ASSY	2					
9	80430450450	JOINT	4		YL502			
10	36031320001	CYLINDER,JACK	2					
11	33610363010	SUPPORT	2					
12	90171116075	BOLT	8		M16X75			
13	90302041601	WASHER,SPRING	8		16			
14	33610023300	FLOAT ASSY	2					
15	90201201000	NUT	4		M10			
16	90101208020	BOLT	2		M8X20			
17	90201200800	NUT	2		M8			
18	90302040801	WASHER,SPRING	10		8			
19	90180208016	BOLT,BUTTON	8		M8X16			
20	37000115710	PIN	4					
21	80602110300	RING,RITAINING	4		R30			
22	37000104050	PIN	2					
23	80136325020	PIN,SPLIT	4		2.5X20			
24	90303071001	WASHER,PLAIN	4		10			
25	82100002039	CLAMP	2					
26	33610830010	PLATE	4					
27	33610630020	PLATE	4					
42	90191210040	BOLT	4		M10X40			
43	90302041001	WASHER,SPRING	16		10			
44	33610240120	PLATE,SLIDE	2					
51	90191410045	BOLT	12		M10X45			
53	33610023310	COVER	4					
54	33610028010	FLOAT ASSY	2					
61	82456101000	NIPPLE,GREASE	2		A-PT1/8			

TL-200M-4-20101 4 BOOM + JIB,KV208M

Pos No.	Parts No	Parts Name	Qty	Unit	Technical Data	Serial No (Start)	Serial No (End)	Remarks	P
1	36040540100	CYLINDER	1						
2	90272102000	NUT	1		M20				
3	91100105500	RING,SEAL	1						
4	36040020301	PISTON	1						
5	36040920100	ROD	1						
6	36040540300	COVER,ROD	1						
7	91002804801	O-RING	1		1B P48A				
8	91694003500	PACKING	1						
9	91410203501	RING,BACKUP	1						
10	36040020600	WASHER	1						
11	91660003501	SEAL,DUST	1						
21	36040079901	PACKING SET	1		35X55				
30	36040920000	CYLINDER,EXTENSION	1						

TL-200M-4-20101 4 BOOM + JIB,KV208M

Pos No.	Parts No	Parts Name	Qty	Unit	Technical Data	Serial No (Start)	Serial No (End)	Remarks	Pages
1	33710560010	LINK ASSY	1						
2	33710560020	ROD ASSY	1						
3	90303070801	WASHER,PLAIN	2		8				
4	80136320012	PIN,SPLIT	3		2X12				
5	90201201000	NUT	4		M10				
6	90303071001	WASHER,PLAIN	3		10				
7	33710560030	ROD	1						
8	33700670010	PLATE	1						
9	33700833000	LEVER ASSY	1						
10	33710560040	SUPPORT	1						
21	33710572300	PLATE	1						
22	33710560100	LEVER	1						
23	33710560110	SUPPORT	1						
24	90303071601	WASHER,PLAIN	3		16				
31	80136340032	PIN,SPLIT	1		4X32				
34	33700833200	SUPPORT	1						
41	80136320012	PIN,SPLIT	2		2X12				
42	90303070801	WASHER,PLAIN	3		8				
43	14148373001	SPRING	1						
44	33701732110	SUPPORT	1						

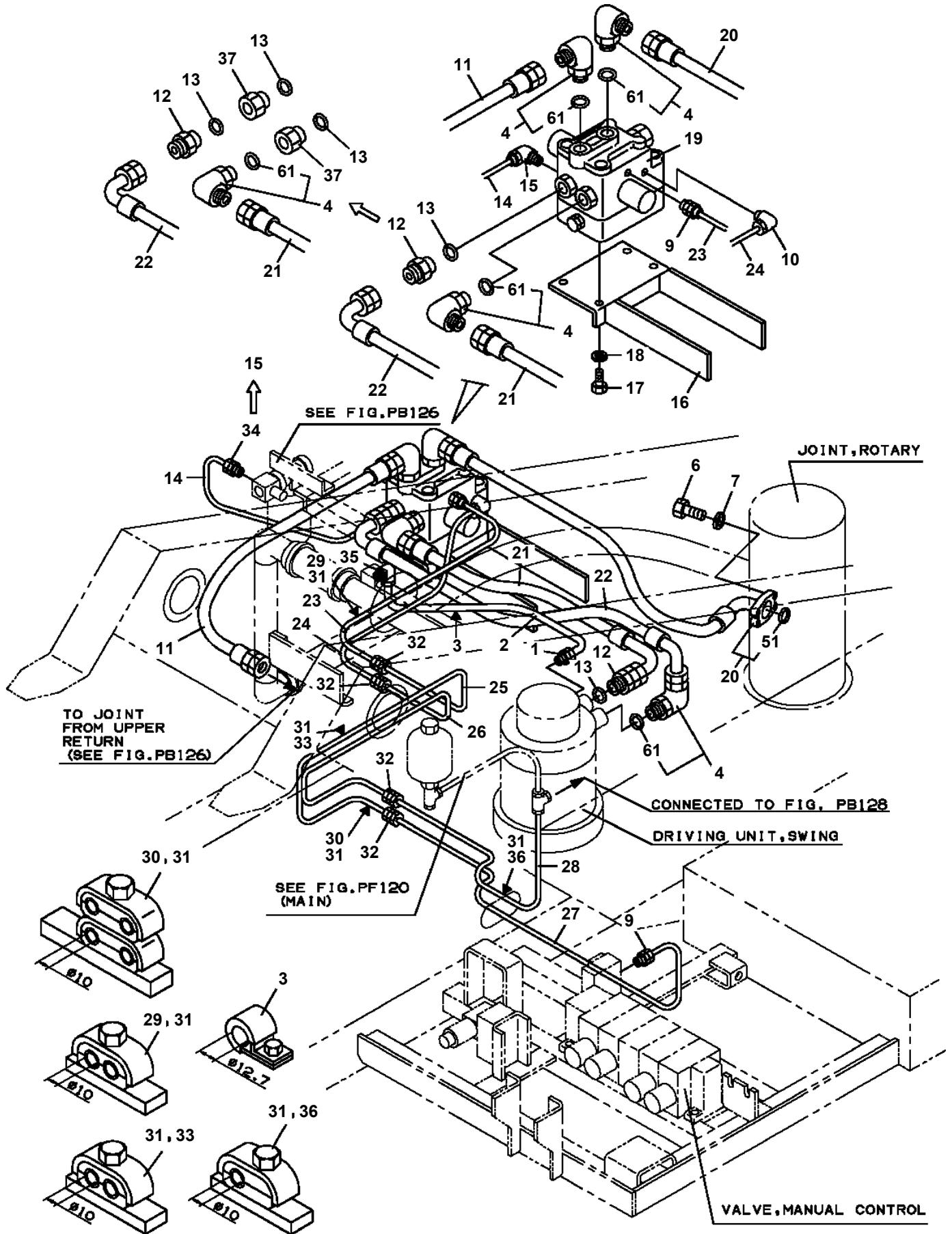
TL-200M-4-20101 4 BOOM + JIB,KV208M

Pos No.	Parts No	Parts Name	Qty	Unit	Technical Data	Serial No (Start)	Serial No (End)	Remarks	Pages
1	81408000241	PIPE,STEEL	1	M	18X1.9T				
2	81408000241	PIPE,STEEL	5	M	18X1.9T				
3	81408000160	PIPE,STEEL	1	M	12X1.4T				
9	81408000160	PIPE,STEEL	5	M	12X1.4T				
10	81408000160	PIPE,STEEL	5	M	12X1.4T				
11	81408000160	PIPE,STEEL	5	M	12X1.4T				
12	81408000160	PIPE,STEEL	5	M	12X1.4T				
13	81408000160	PIPE,STEEL	2	M	12X1.4T				
14	81408000160	PIPE,STEEL	2	M	12X1.4T				
15	81408000160	PIPE,STEEL	2	M	12X1.4T				
16	81408000160	PIPE,STEEL	2	M	12X1.4T				
17	81408000160	PIPE,STEEL	2	M	12X1.4T				
18	81408000160	PIPE,STEEL	2	M	12X1.4T				
19	81408000160	PIPE,STEEL	2	M	12X1.4T				
20	81408000160	PIPE,STEEL	2	M	12X1.4T				
21	81408000160	PIPE,STEEL	2	M	12X1.4T				
22	81408000160	PIPE,STEEL	2	M	12X1.4T				
23	81408000160	PIPE,STEEL	2	M	12X1.4T				
24	81408000160	PIPE,STEEL	2	M	12X1.4T				
28	80305010160	FITTING,TEE	1		KTA18-000E				
30	80301010100	FITTING	13		KUA12-000N				
31	80330000100	FITTING,TEE	2		KTZ-00003N				
32	80320010080	FITTING	12		KUD12-030N				
33	37002401740	HOSE	12		L=430				
38	37000502970	PLATE	2						
39	37000700730	CLAMP ASSY	4						
40	37000523240	PLATE	1						
41	37000708930	CLAMP ASSY	4						
44	37000711170	CLAMP ASSY	3		12X3				
45	37000700430	CLAMP ASSY	1						

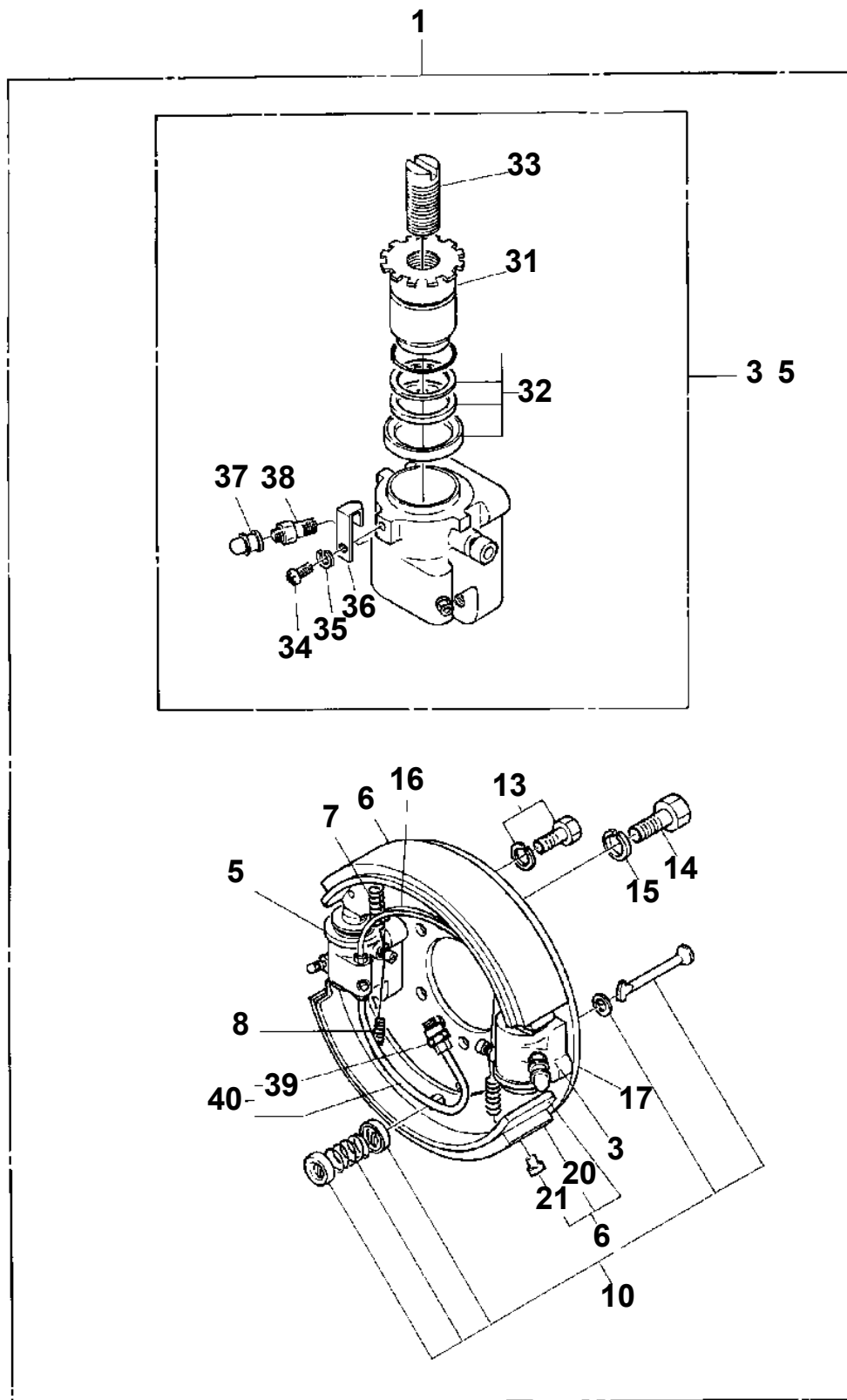
TL-200M-4-20101 4 BOOM + JIB,KV208M

Pos No.	Parts No	Parts Name	Qty	Unit	Technical Data	Serial No (Start)	Serial No (End)	Remarks
1	33300270100	JOINT	1					
2	37002502390	HOSE	1					
3	36080410000	DRIVING UNIT,SWING	1					
4	90101718140	BOLT	8		M18X140			
5	90302041801	WASHER,SPRING	8		18			
6	37002301383	BEARING,SWING (KOYO)	1					
	37002301388	BEARING,SWING (ROBALLO)	1					
7	33300270200	SPACER	1					
8	33300270300	GEAR	1					
9	80316030020	PLUG	1		PT1/8			
10	33300020200	JOINT	1					
11	82100002008	CLAMP	1		WR12			
12	91801300170	CLIP	2		D=15-17			
13	90201200600	NUT	1		M6			
14	90101206016	BOLT	1		M6X16			
15	90302040601	WASHER,SPRING	1		6			
16	33300040010	WIRE	1					
17	37000536480	PLATE	1					
18	37001504340	BOLT	4		M12X30			
19	37000536450	PLATE	1		T=0.5			
20	37000536460	PLATE	1		T=1.0			

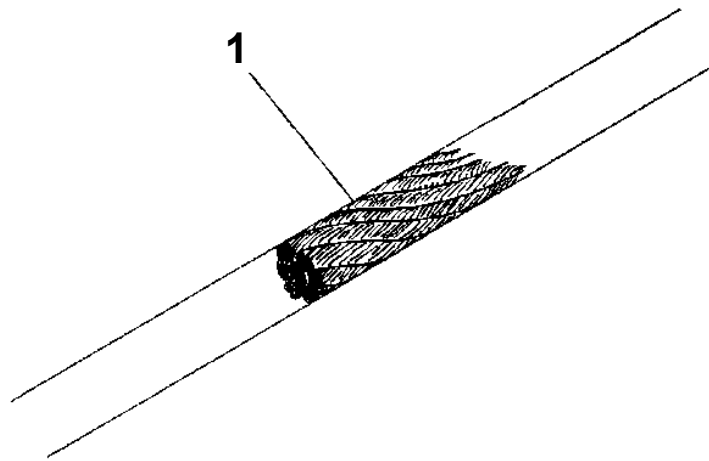
**TL-200M-4-20101 4 BOOM + JIB,KV208M
PD1200027-05 PIPING,SWING**



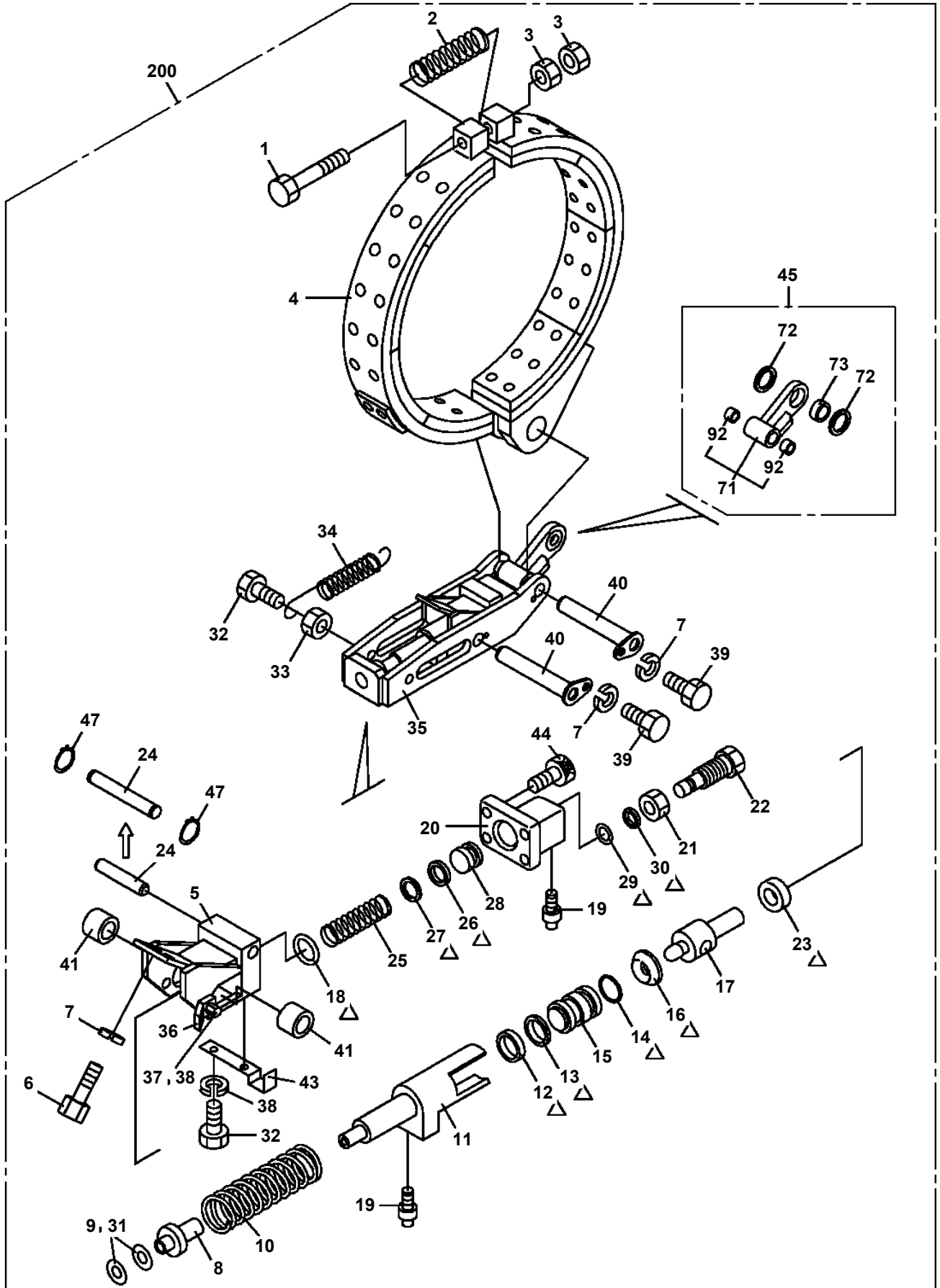
TL-200M-4-20101 4 BOOM + JIB, KV208M
PF1030014-02 CLUTCH, WINCH



TL-200M-4-20101 4 BOOM + JIB,KV208M
PF1070032-00 ROPE,WIRE (TSK)

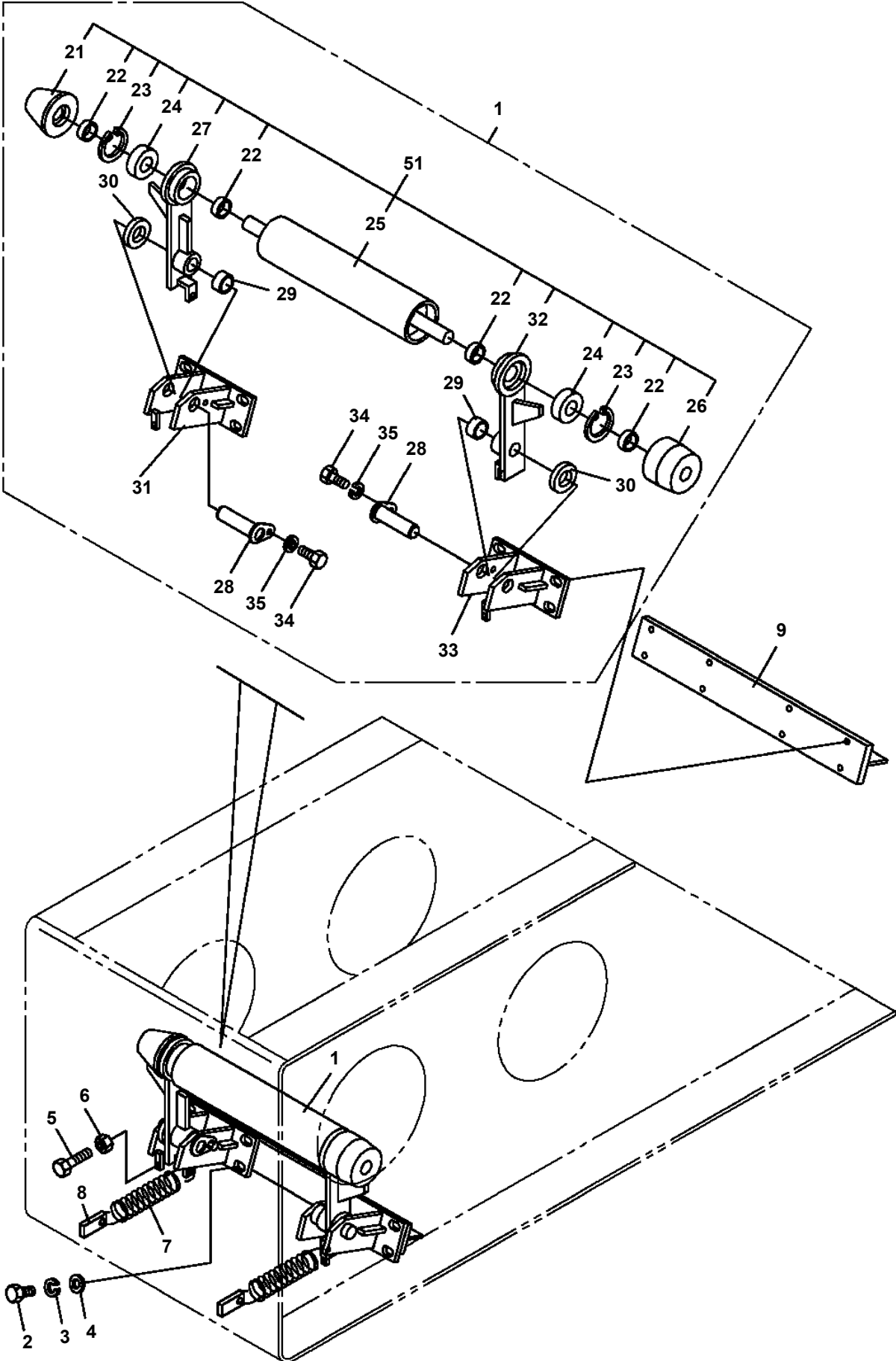


**TL-200M-4-20101 4 BOOM + JIB,KV208M
PF1120006-04 BAND,WINCH BRAKE**

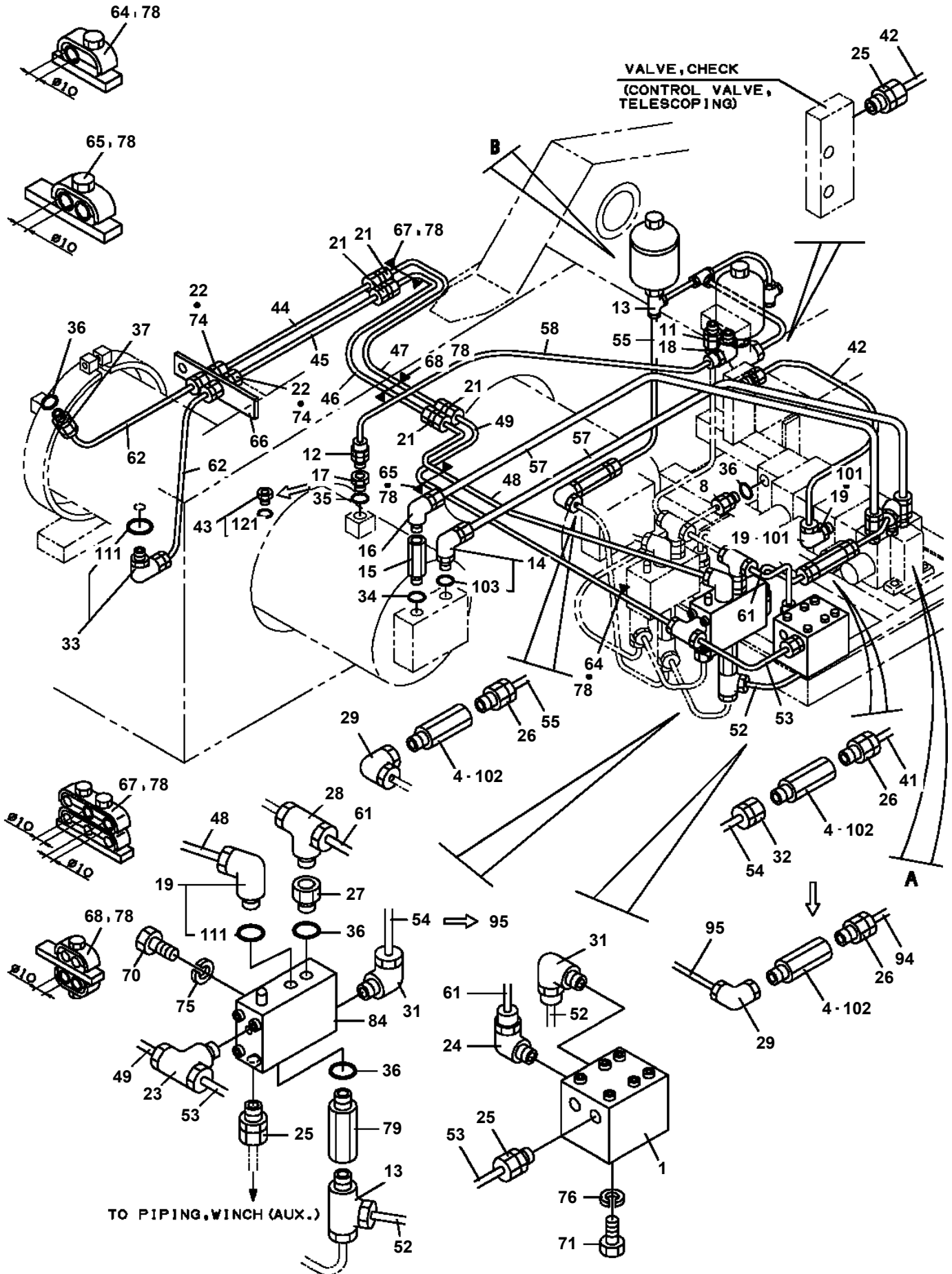


Δ:PACKING SET KEY NO.100 (KEY NO.12,13,14,16,18,23,26,27,29,30)

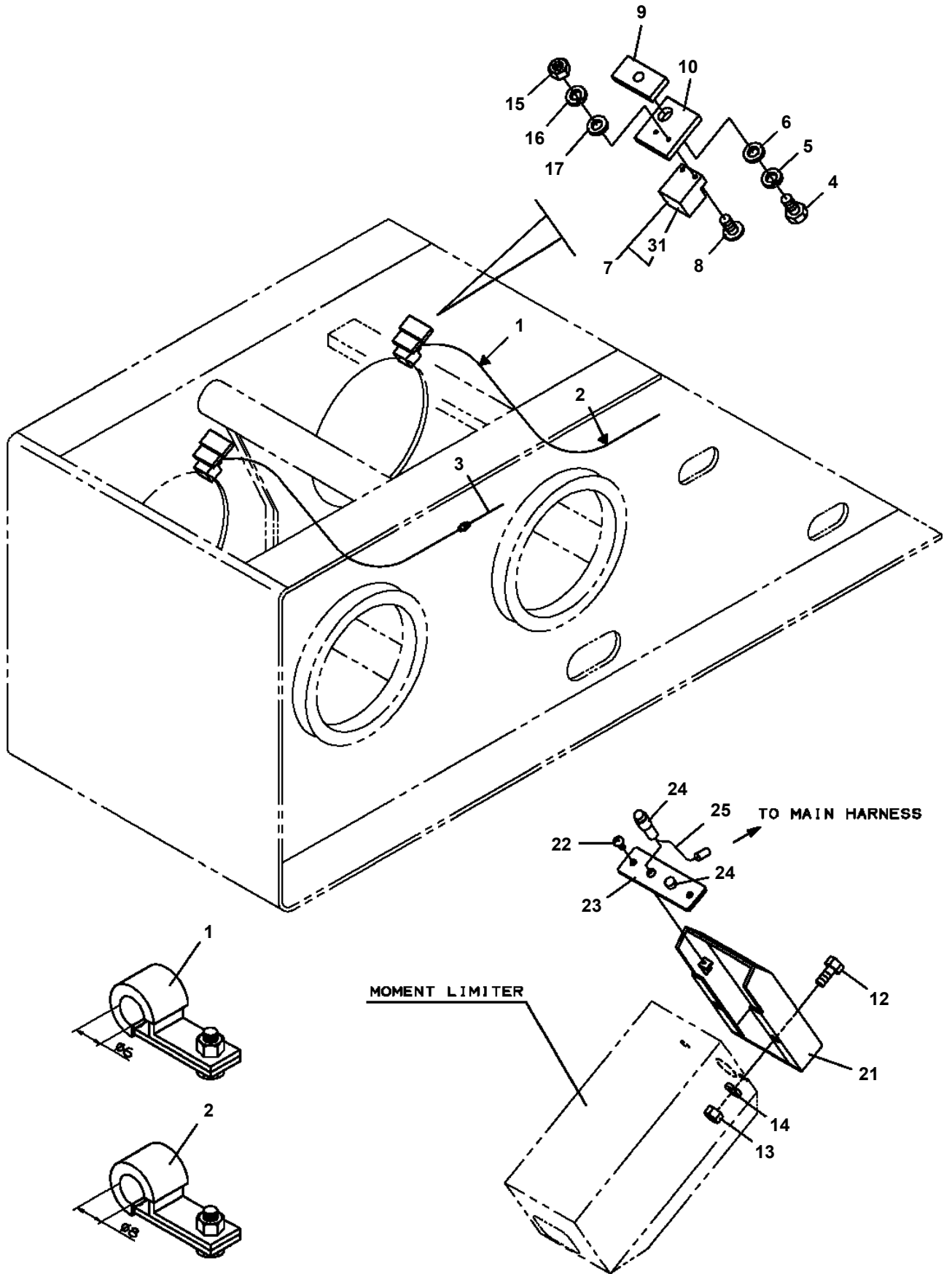
TL-200M-4-20101 4 BOOM + JIB,KV208M
PF1180014-02 DETECTOR,DISORDERLY WIND (MAIN,OPTION)



**TL-200M-4-20101 4 BOOM + JIB, KV208M
PF1200136-05 PIPING, WINCH (MAIN, FOR SANWA MOTOR)**



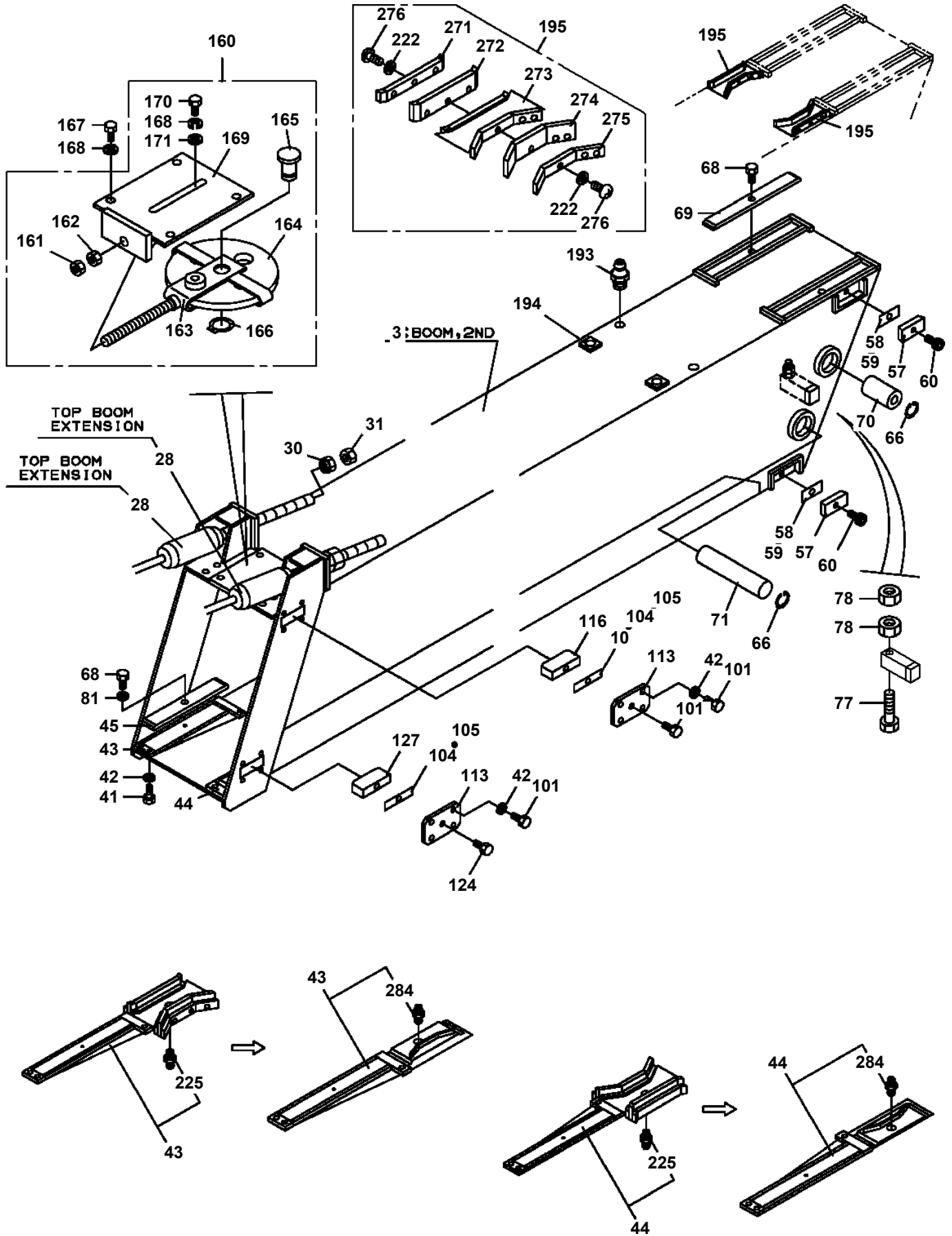
**TL-200M-4-20101 4 BOOM + JIB, KV208M
PF1250016-02 DETECTOR, DRUM ROTATION (AML-M, OPTION)**



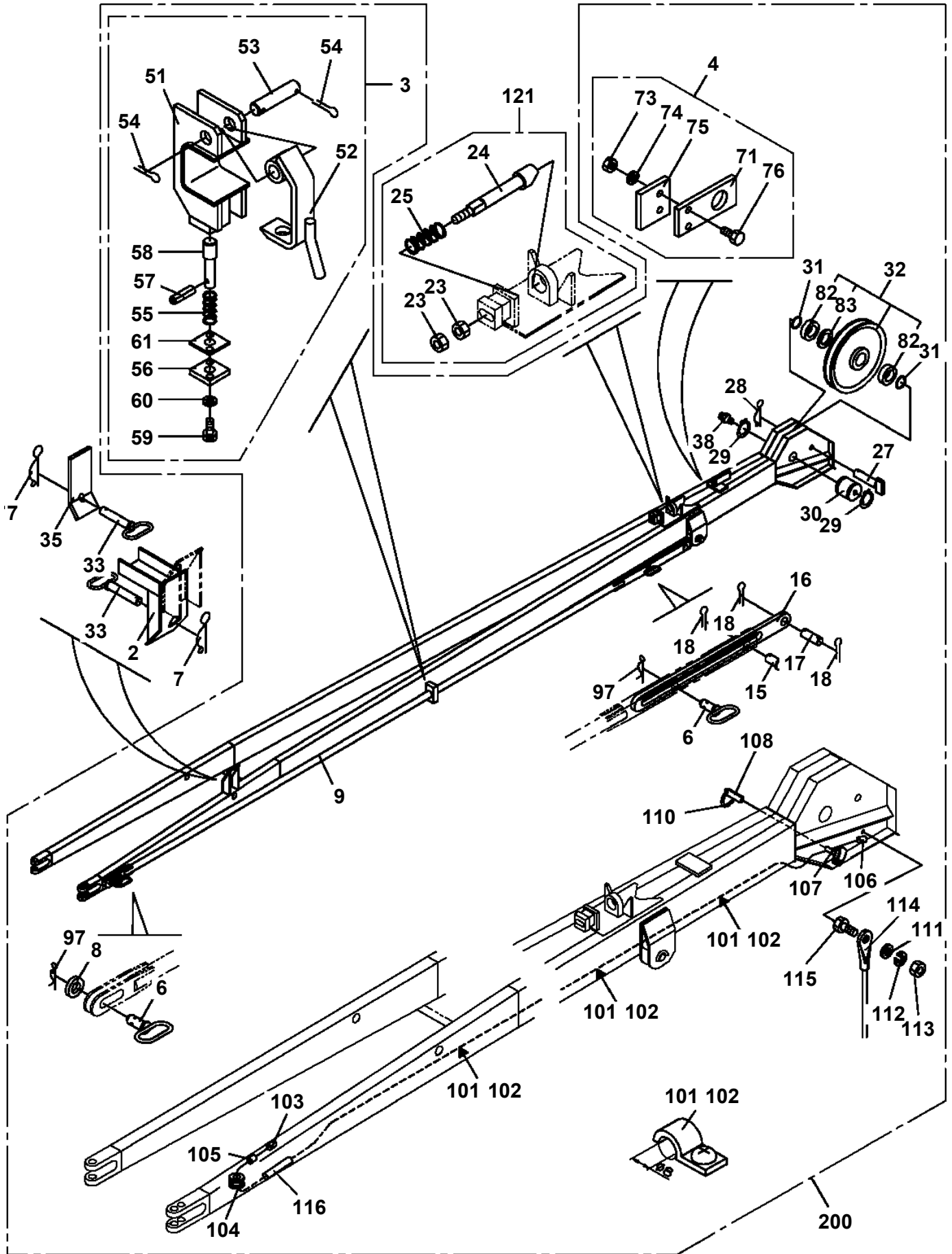
TL-200M-4-20101 4 BOOM + JIB,KV208M

Pos No.	Parts No	Parts Name	Qty	Unit	Technical Data	Serial No (Start)	Serial No (End)	Rema
1	19413067000	CLUTCH,WINCH	1					
2	90194516035	BOLT	10		M16X35			
3	90302051601	WASHER,SPRING (16)	10					
4	80313010060	PACKING (COPPER 14)	1					
5	91002801800	O-RING	1		1B P18			
7	90101512045	BOLT	3		M12X45			
8	90302041201	WASHER,SPRING	3		12			
9	33310611010	PLATE	1				332437	
	33310660300	PLATE	1			332438		
10	33310611020	PLATE	1					
11	90101516060	BOLT	6		M16X60	331916		
	90101516060	BOLT	4		M16X60		331915	
12	90302041601	WASHER,SPRING	14		16			
13	90201401600	NUT	6		M16			
14	37001503510	BOLT	2				331915	
15	33310660500	SUPPORT ASSY	1			331916		
	33310668020	SUPPORT ASSY	1				331915	
16	33310660010	BAND,WINCH BRAKE	1					
17	37000530920	PLATE	2					
18	90203200800	NUT	4		M8			
19	32330010160	ADJUSTER	2					
20	19114411000	SPRING	2					
21	33310611040	SUPPORT ASSY	2					
22	33310611050	SPACER	2					
25	33310660070	PLATE	2			331927		
	33310660050	COVER ASSY	2				331926	
26	33310330100	SUPPORT	1					
27	90102210055	BOLT	1		M10X55			
28	90203201000	NUT	1		M10			
29	33310040080	SUPPORT	1					
30	90101210018	BOLT	3		M10X18			
31	90302041001	WASHER,SPRING	3		10			
32	37000528080	PLATE	2		T=3.2			
33	37000528090	PLATE	2					
34	33310660100	SUPPORT	1					
35	37000126270	PIN	1					
36	16113009002	WEDGE	1					
37	37000128710	PIN	1					
38	90101514035	BOLT	1		M14X35			
39	90302041401	WASHER,SPRING	1		14			
40	90101516045	BOLT	14		M16X45			
41	90132510050	BOLT,HEXAGON SOCKET	1		M10X50			
42	14123000400	BREATHER	1		PT1/8			
44	36661680000	MOTOR,HYDRAULIC (SANWA)	1					
48	36070840000	WINCH	1					
49	37001000310	SHEAVE ASSY	1					
51	91001215500	O-RING	1		1A G155			
52	34310580090	WIRE	1					
54	36672739510	JOINT,WINCH ROTARY	1					
61	33310618020	ADJUSTER ASSY	2					
62	33310338030	SUPPORT ASSY	1					
71	34310000060	PLATE	2					
72	90101212020	BOLT	2		M12X20			
73	90302041201	WASHER,SPRING	2		12			
74	33310310010	SUPPORT	2					
75	90102210035	BOLT	2		M10X35			
76	90203201000	NUT	3		M10			
81	90101508020	BOLT	4		M8X20		331926	
82	90302041001	WASHER,SPRING	4		10		331926	
83	90303070801	WASHER,PLAIN	4		8		331926	
84	33310660060	COVER	2				331926	
85	37000500060	PLATE	2				331926	
92	82456106000	NIPPLE,GREASE	1		1/4-28UNF			

**TL-200M-4-20101 4 BOOM + JIB, KV208M
PG1010142-07 BOOM**



TL-200M-4-20101 4 BOOM + JIB, KV208M
 PG1040150-02 JIB



TL-200M-4-20101 4 BOOM + JIB,KV208M

Pos No.	Parts No	Parts Name	Qty	Unit	Technical Data	Serial No (Start)	Serial No (End)	Remarks	Pages
1	33341872000	ROLLER ASSY	1						
3	90101512040	BOLT	4		M12X40				
4	90201401200	NUT	4		M12				
5	90302041201	WASHER,SPRING	4		12				
7	33341873000	GUIDE	1						
8	90101210020	BOLT	2		M10X20				
9	90302041001	WASHER,SPRING	2		10				
10	90303071001	WASHER,PLAIN	2		10				
11	37000509660	SUPPORT	1						
21	37000108740	PIN	1						
22	37001104290	ROLLER	4		D40X63				
23	33341872100	SUPPORT	1						
24	90303071401	WASHER,PLAIN	8		14				
25	37000123760	PIN	4						
26	90101208012	BOLT	4		M8X12				
27	90101208016	BOLT	4		M8X16				
28	33420031300	PLATE	2						
29	90302040801	WASHER,SPRING	8		8				
30	90303071601	WASHER,PLAIN	2		16				
31	80136032030	PIN,SPLIT	2		3.2X30				
50	36671418010	REEL,HOSE	1						000098

TL-200M-4-20101 4 BOOM + JIB,KV208M

Pos No.	Parts No	Parts Name	Qty	Unit	Technical Data	Serial No (Start)	Serial No (End)	Remarks
1	33430563010	PLATE	1					
2	90131505025	BOLT,HEXAGON SOCKET	2		M5X25			
3	90201200500	NUT	2		M5			
4	90302040501	WASHER,SPRING	2		5			
5	34360552101	SWITCH ASSY	1					
6	33431755020	SUPPORT	1					
21	82100001996	SWITCH,LIMIT	1					

CLICK HERE TO **DOWNLOAD** THE COMPLETE MANUAL

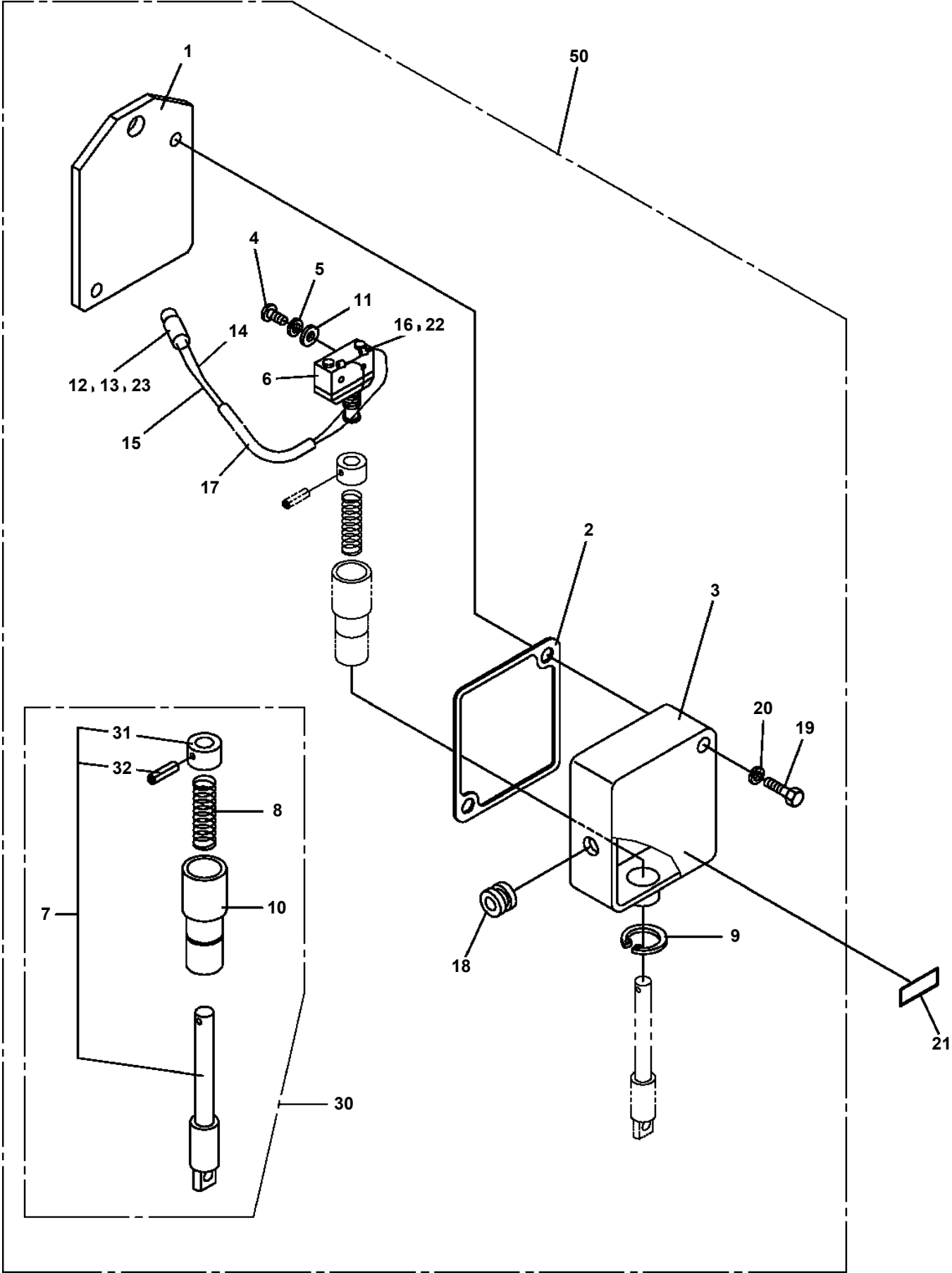
- Thank you very much for reading the preview of the manual.
- You can download the complete manual from: www.heydownloads.com by clicking the link below



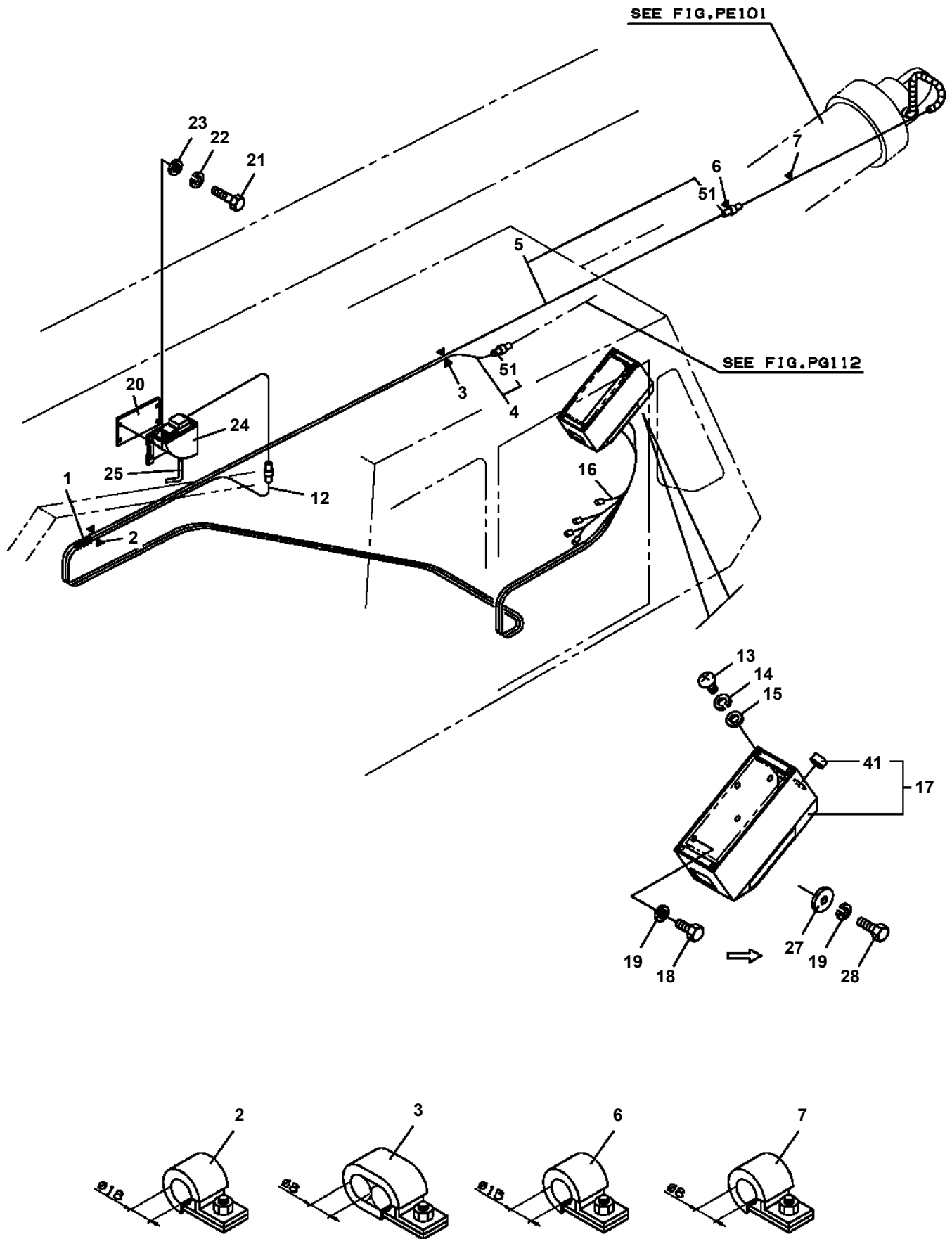
- Please note: If there is no response to CLICKING the link, please download this PDF first and then click on it.

CLICK HERE TO **DOWNLOAD** THE COMPLETE MANUAL

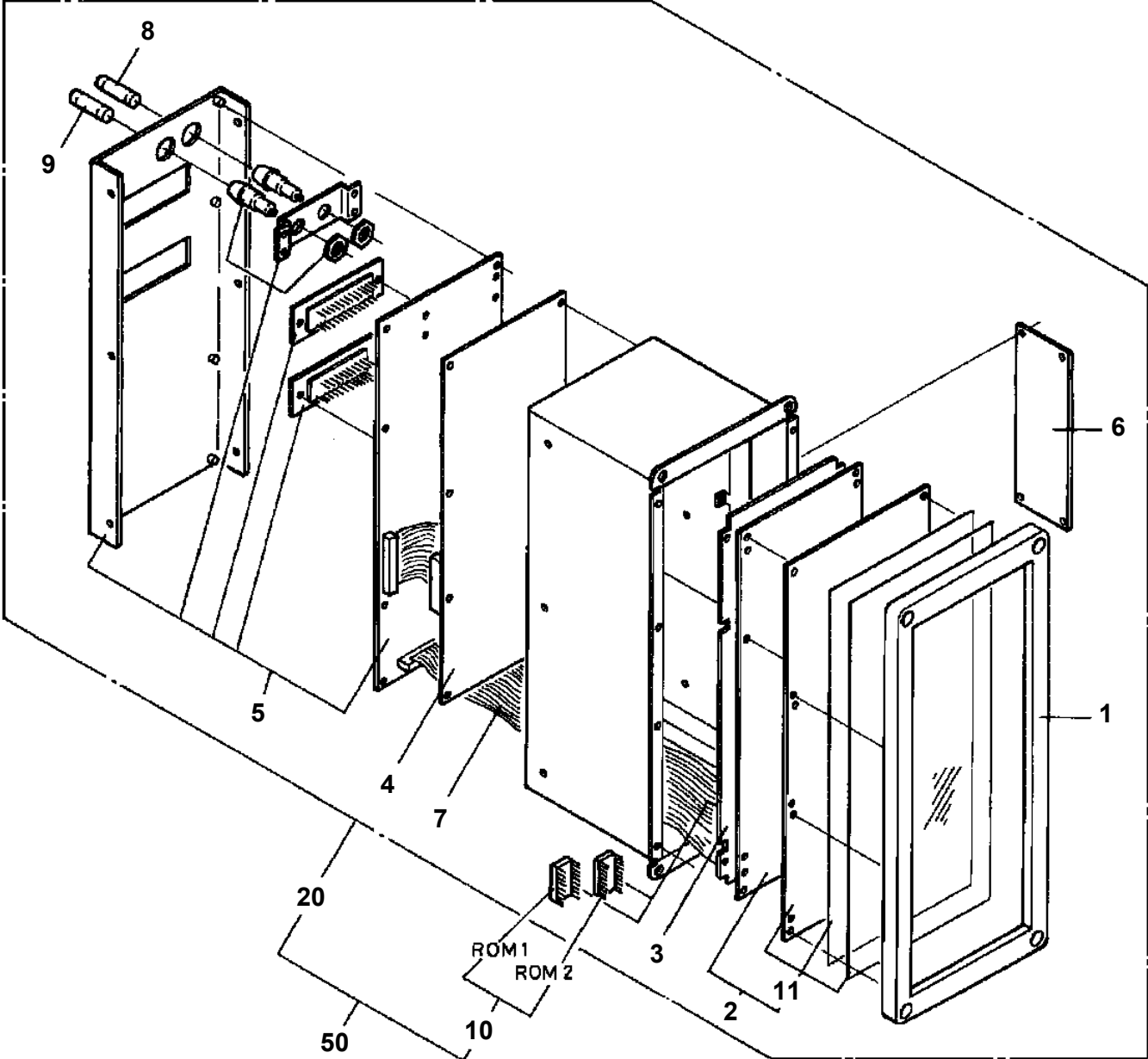
TL-200M-4-20101 4 BOOM + JIB,KV208M
PH1070001-02 SWITCH,OVER WIND DETECTOR (BOOM)



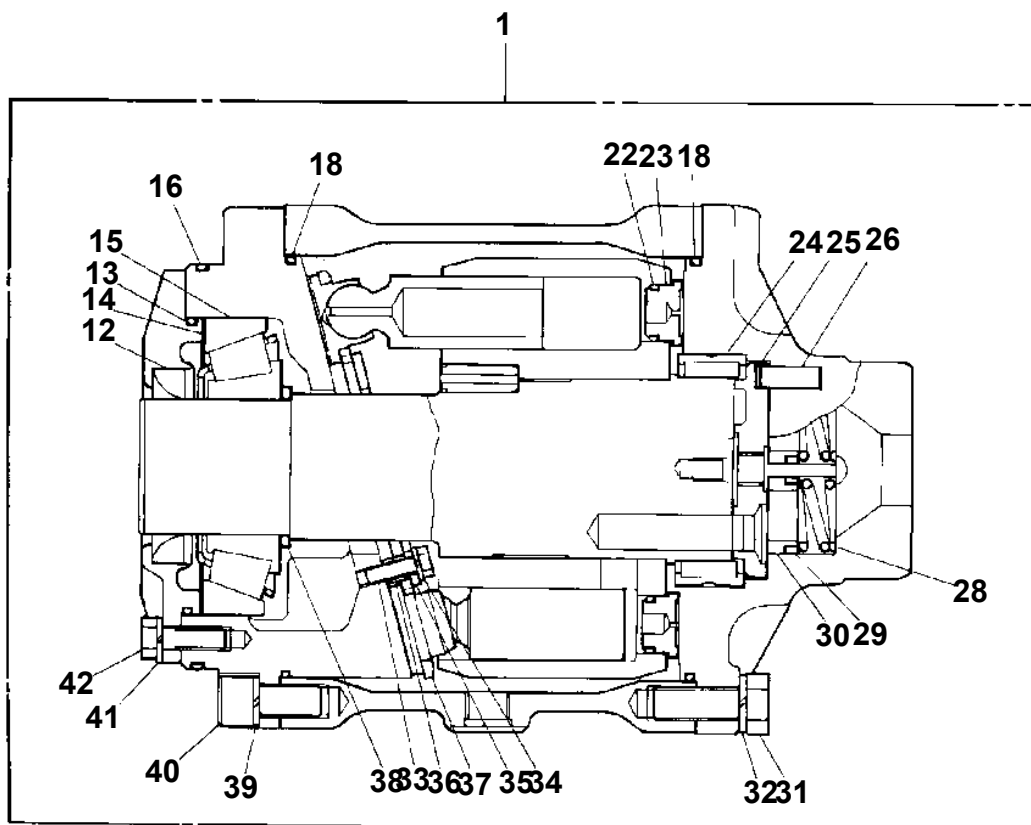
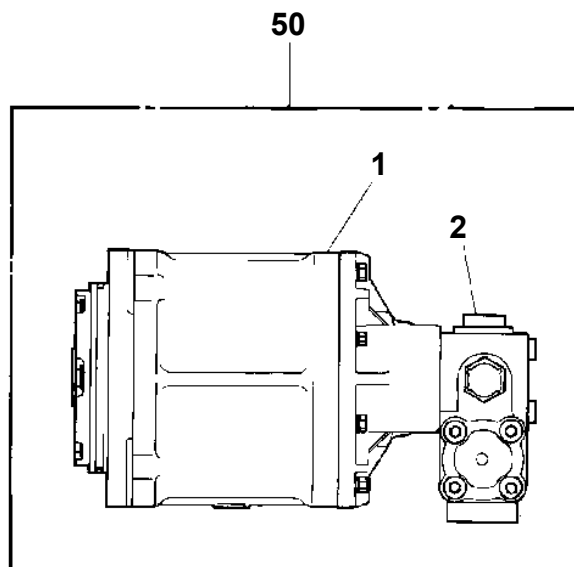
TL-200M-4-20101 4 BOOM + JIB, KV208M
PH1180044-01 CONNECTION, MOMENT LIMITER SYSTEM



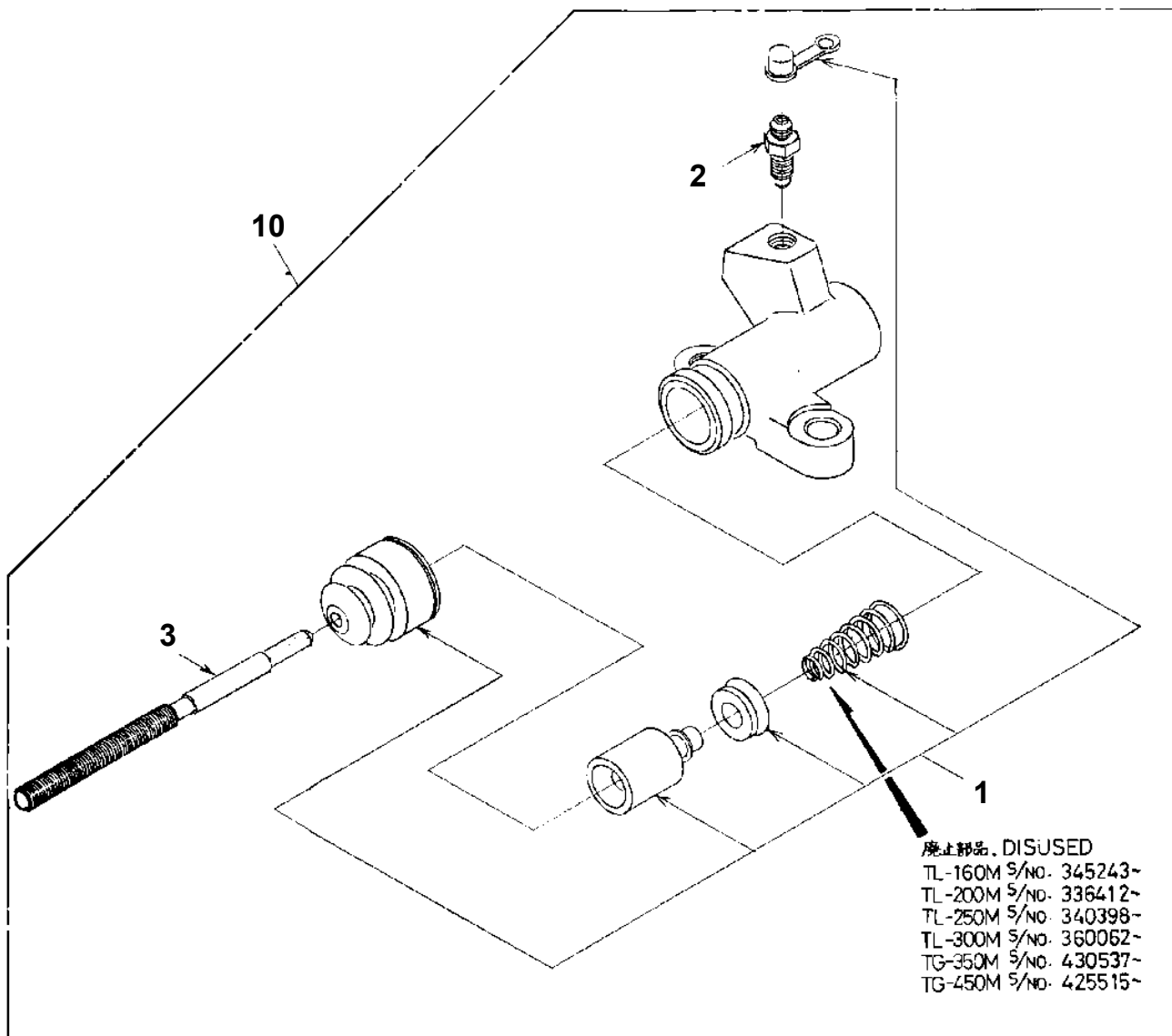
**TL-200M-4-20101 4 BOOM + JIB, KV208M
PH1250009-02 MOMENT LIMITER (AML-M2)**



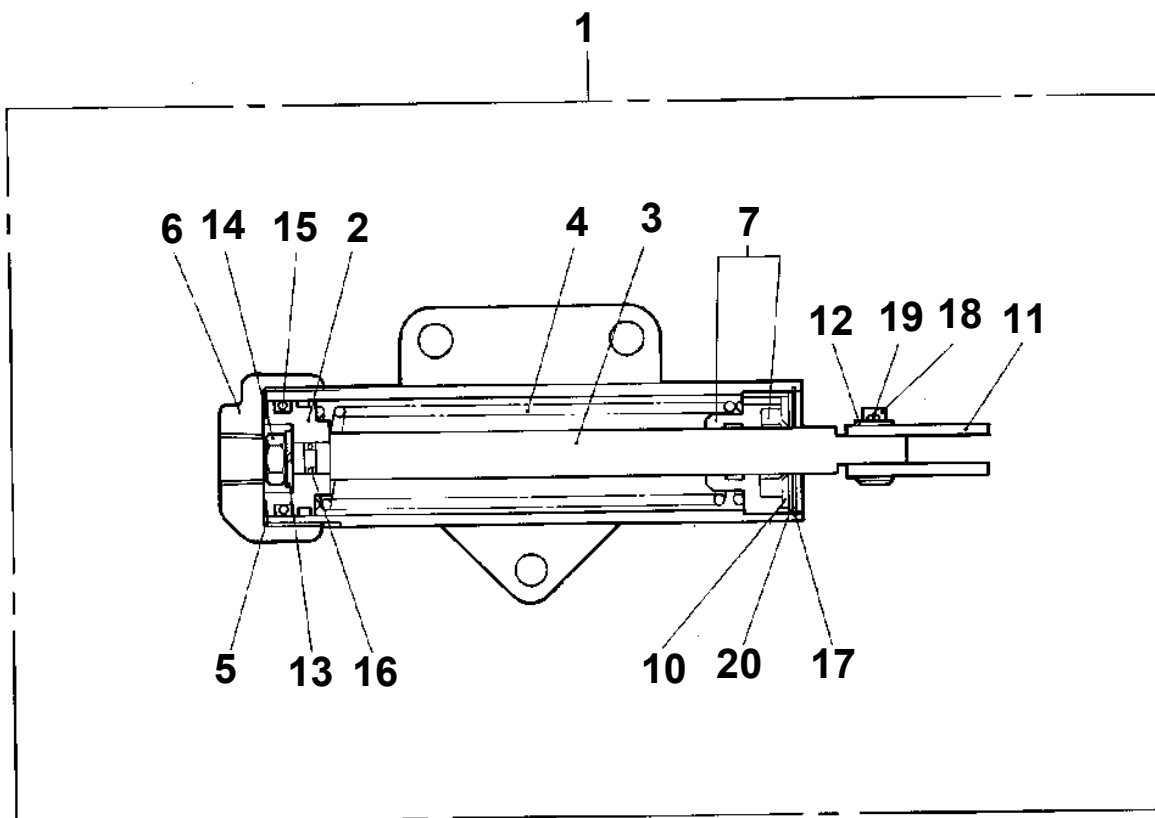
TL-200M-4-20101 4 BOOM + JIB,KV208M
PI1010026-01 MOTOR,HYDRAULIC (TOSHIBA)



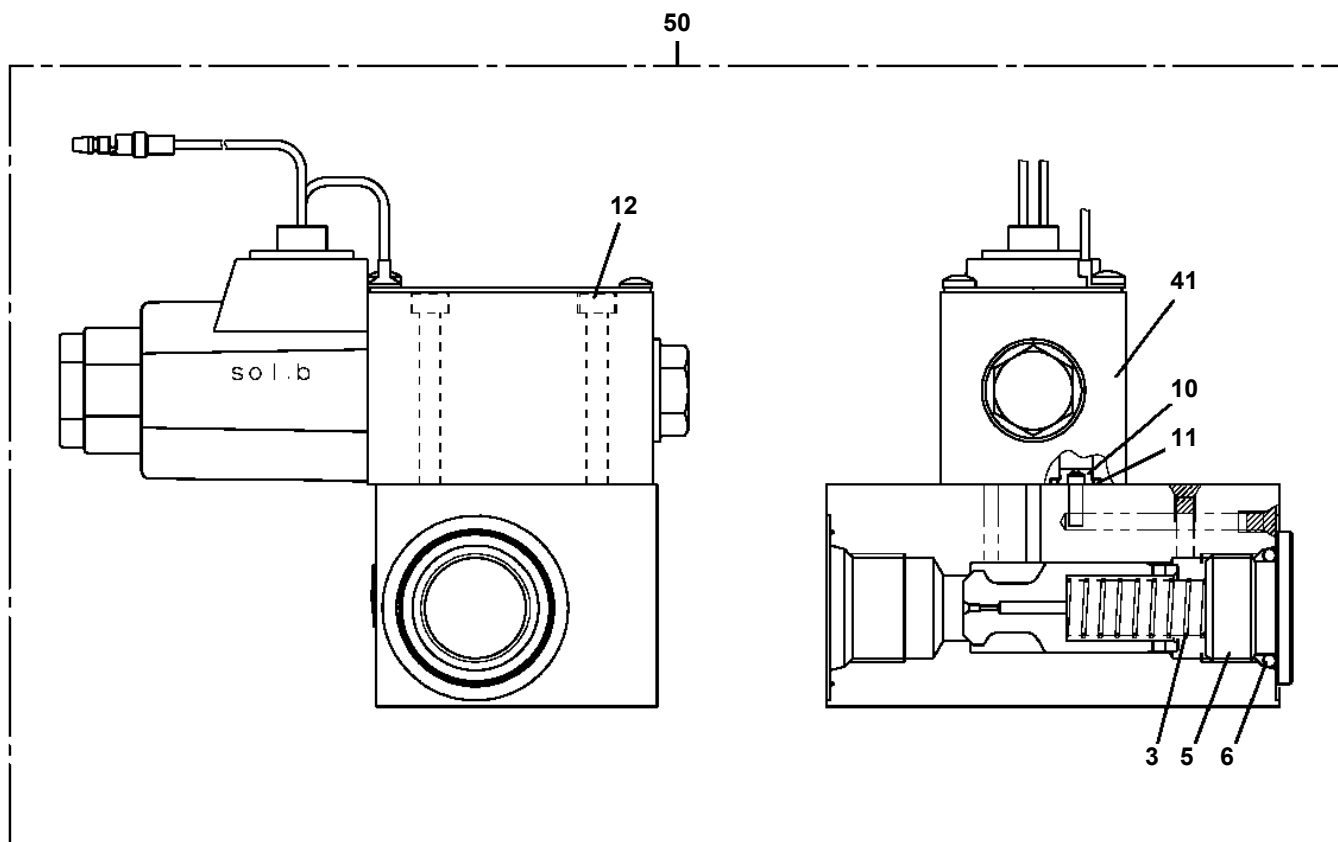
TL-200M-4-20101 4 BOOM + JIB,KV208M
PI1030008-01 CYLINDER,MASTER



TL-200M-4-20101 4 BOOM + JIB,KV208M
PI1040011-00 CYLINDER,AIR

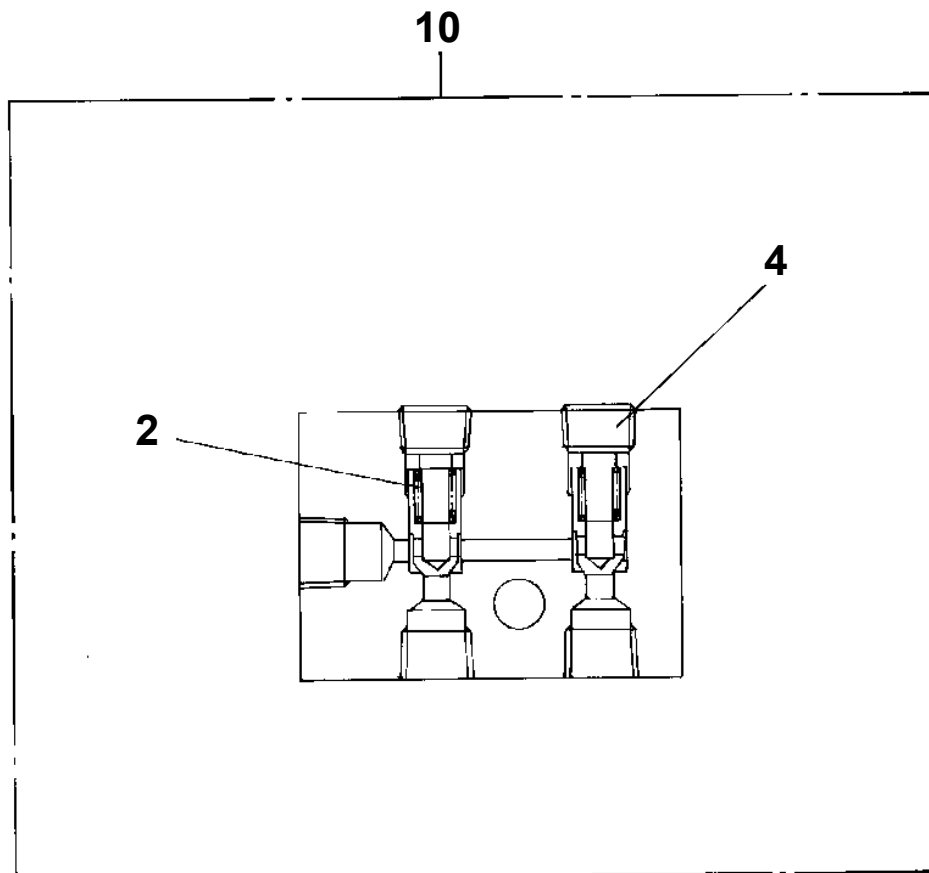


TL-200M-4-20101 4 BOOM + JIB,KV208M
PI1120353-00 VALVE,SOLENOID



C

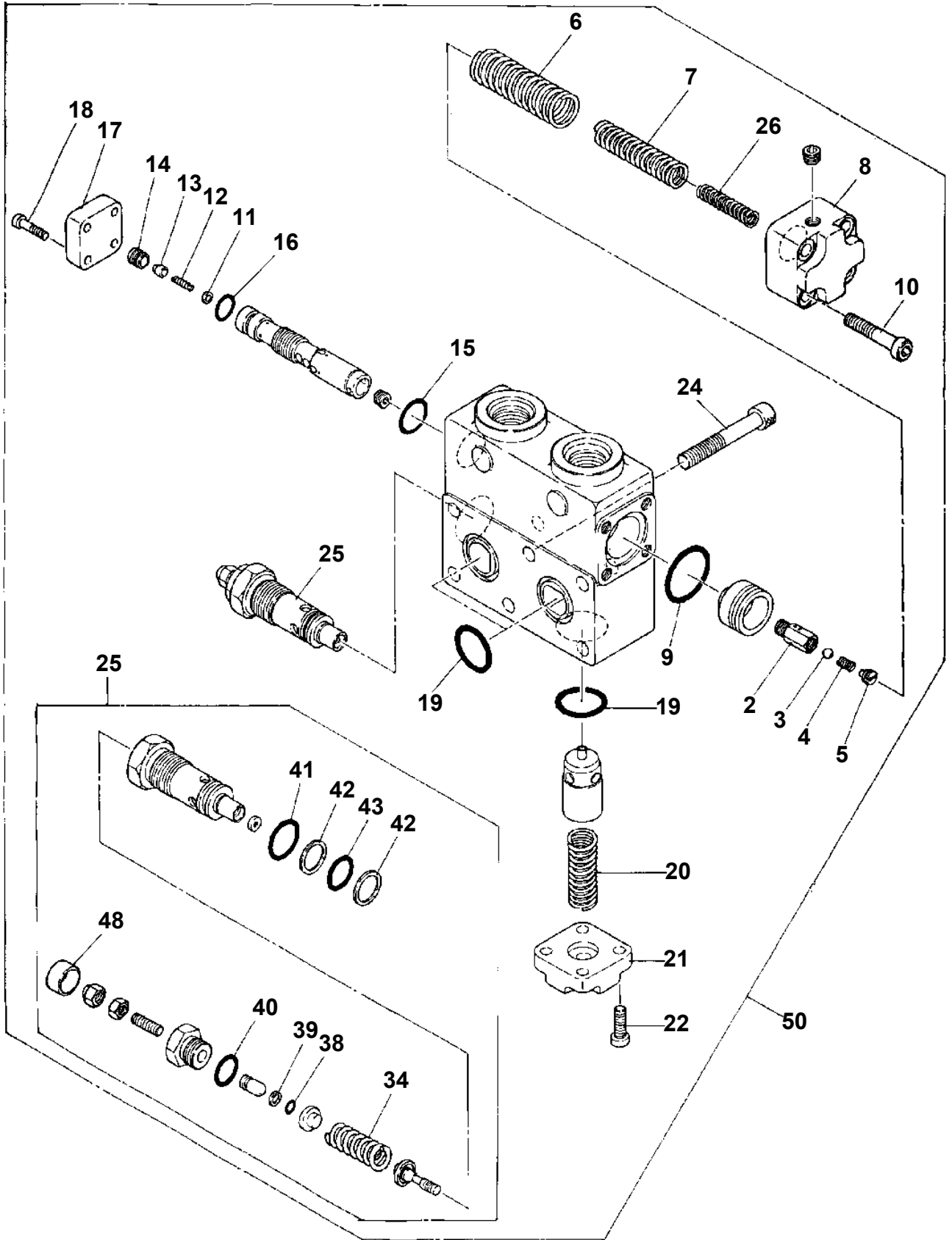
TL-200M-4-20101 4 BOOM + JIB,KV208M
PI1140047-00 VALVE,CHECK



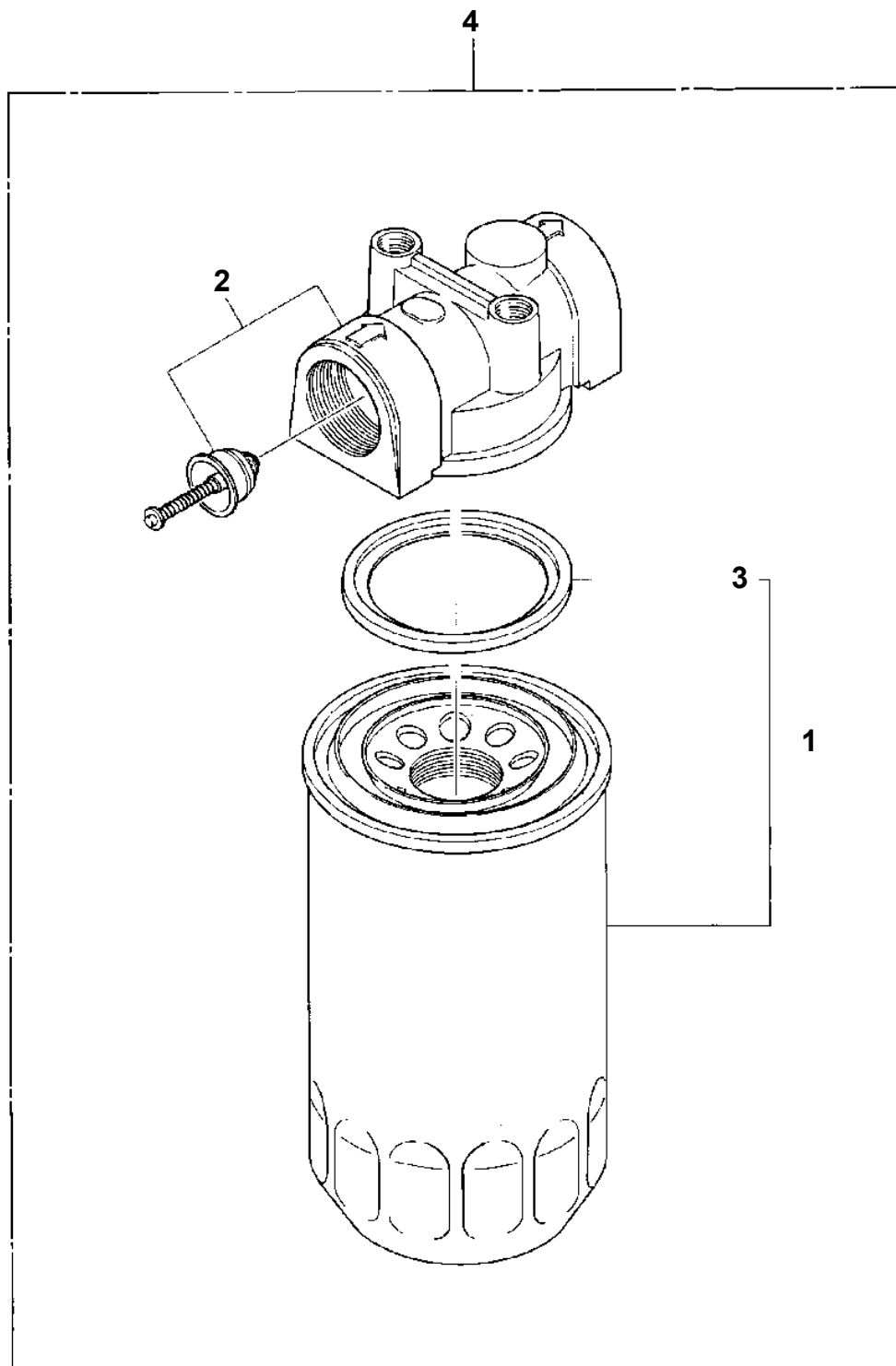
TL-200M-4-20101 4 BOOM + JIB, KV208M
PI1250066-00 VALVE, COUNTERBALANCE (SANWA)

Assembly Name VALVE, COUNTERBALANCE (SANWA)

PI125 0000 00



TL-200M-4-20101 4 BOOM + JIB,KV208M
PI1300080-00 FILTER,OIL



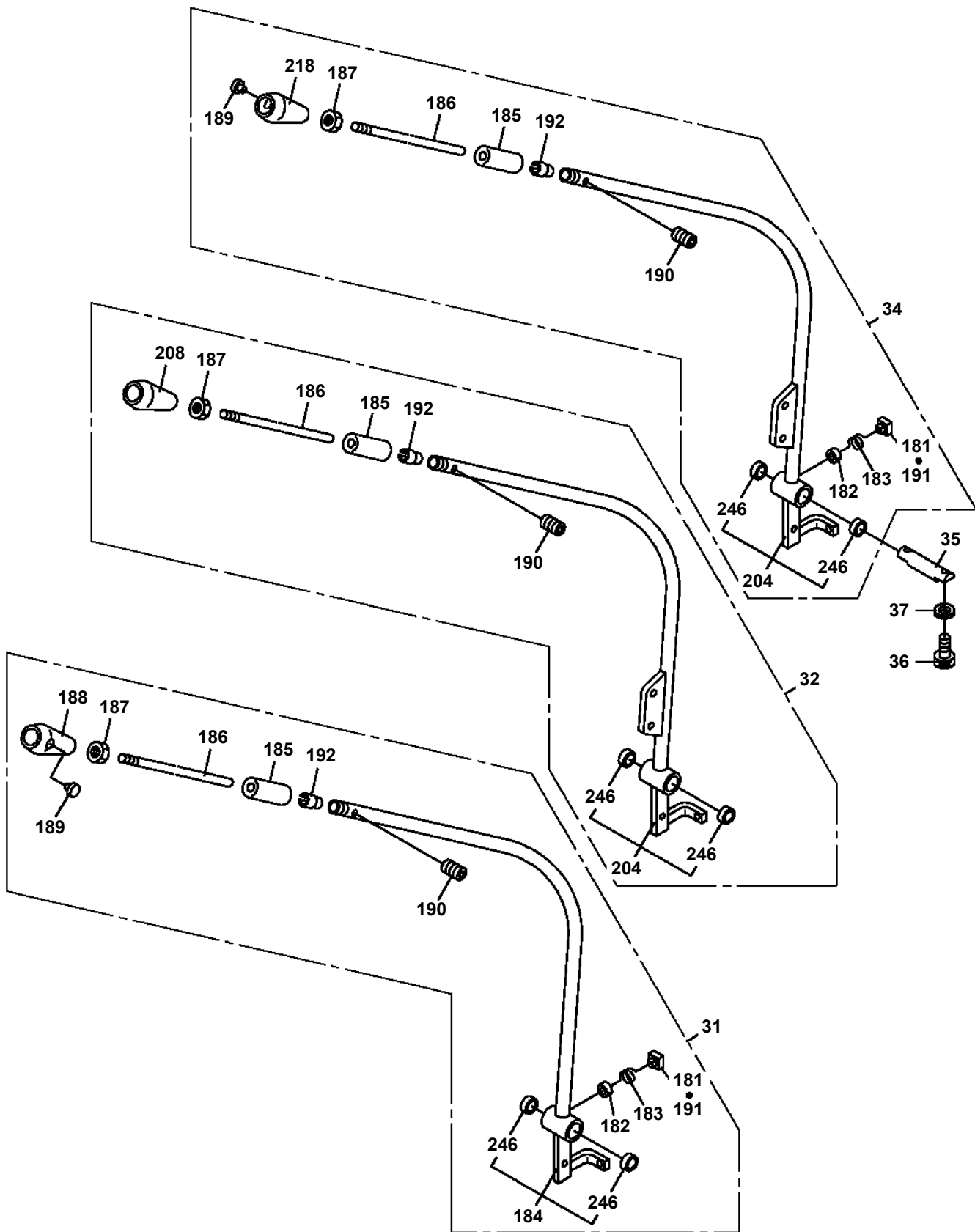
TL-200M-4-20101 4 BOOM + JIB,KV208M

Pos No.	Parts No	Parts Name	Qty	Unit	Technical Data	Serial No (Start)	Serial No (End)	Remarks	Page
1	18335110000	GAUGE,PRESSURE	1						

TL-200M-4-20101 4 BOOM + JIB,KV208M

Pos No.	Parts No	Parts Name	Qty	Unit	Technical Data	Serial No (Start)	Serial No (End)	Remarks
1	33250717510	CUSHION ASSY	1					
2	33250717520	BACK ASSY	1					
3	34250887630	ADJUSTER (RECLINING)	1					
4	33250597560	BOLT (WITH WASHER)	4					
5	33250717540	HINGE	1					
6	33250717550	WASHER	1					
7	33250717560	WASHER,SPRING	1					
8	33250717570	ADJUSTER (RH)	1					
9	33250717580	ADJUSTER (LH)	1					
10	33250717590	SCREW	4					
11	33250717600	GROMMET	1					
12	33250717610	ORNAMENT	1					
13	33250717620	RISER ASSY (SEAT)	1					
14	34430077620	NUT,CAP	4		M8XP1.25			
21	33250717630	SEAT ASSY	1					
30	33250711000	SEAT,OPERATOR	1					

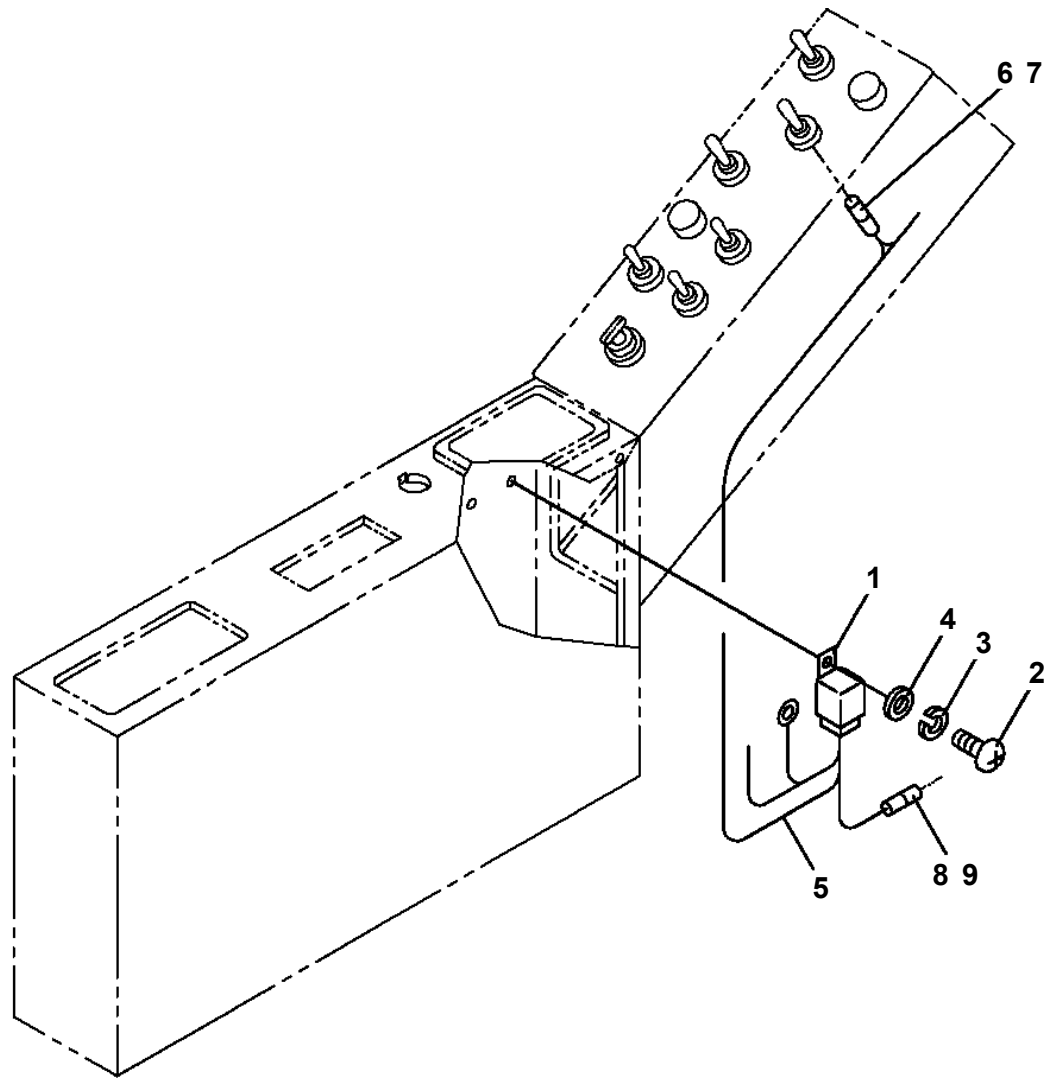
TL-200M-4-20101 4 BOOM + JIB, KV208M
PL1010134-06 OPE.ASSY, CONT.VALVE (TDN)



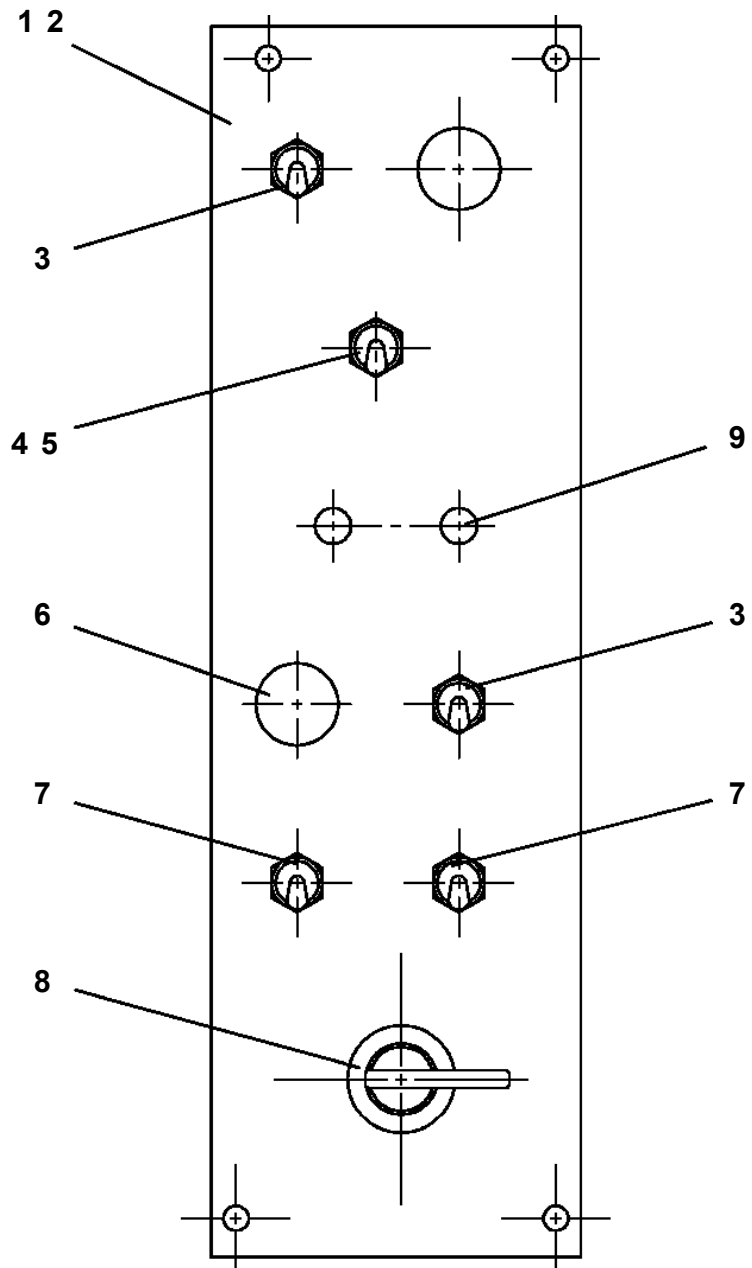
TL-200M-4-20101 4 BOOM + JIB,KV208M

Pos No.	Parts No	Parts Name	Qty	Unit	Technical Data	Serial No (Start)	Serial No (End)
3	37000101050	PIN	8				
4	80613110080	RING,RITAINING	8		8		
5	90101208020	BOLT	6		M8X20		
6	90302040801	WASHER,SPRING	6		8		
7	33320961500	LINK	1				
8	33320962000	ROD	1				
9	33320962500	ROD ASSY	1				
11	33320963000	ROD ASSY	1				
12	33320963500	ROD ASSY	1				
13	33320921400	ROD ASSY	1				
14	33320876000	LINK ASSY	1				
15	33320877000	ROD ASSY	1				
16	37000101020	PIN	1				
17	90101210016	BOLT	1		M10X16		
18	90302041001	WASHER,SPRING	1		10		
19	90303071001	WASHER,PLAIN	6		10		
23	(*****)	PLATE ASSY,NAME (ISO ARRANGEMENT)	1				
24	(*****)	PLATE,NAME (STD OPERATION MARK)	1			332415	
31	33320871100	LEVER ASSY	1				
32	33320871200	LEVER ASSY	1				
34	33320871400	LEVER ASSY	2				
35	37000101070	PIN	2				
36	90131510016	BOLT,HEXAGON SOCKET <M10X16.	6				
37	90302041001	WASHER,SPRING	6		10		
39	33320871600	SUPPORT	1				
40	53620233000	SPRING	3				
41	37000108440	PIN	1				
42	82100001035	GROMMET	6				
43	34350002100	CAP	1				
44	37001300390	SPRING	1				
51	80601110200	RING,RITAINING	1		S20		
52	33320876100	LINK	1				
53	37000130020	PIN	1				
63	80804020010	BEARING,PLAIN	4				
71	90201201400	NUT	4		M14		
72	37004201480	END	4				
73	33320962510	ROD	1				
111	33320001400	BOLT	1		M8		
112	90201200800	NUT	2		M8		
113	33320001410	END	1				
114	37000101040	PIN	1				
115	80613110080	RING,RITAINING	1		8		
121	82100000582	CONNECTOR	3				
123	33320871500	CABLE	3				
124	33320871110	LEVER	1				
125	32320110250	NUT (BLACK)	4				
126	33320001081	LEVER	4				
127	37001601520	NUT	4		M12		
128	33320001090	KNOB (RED)	1				
129	82100001033	SWITCH,PUSH	3				
130	90710006060	SCREW,SET	4		M6X6		
131	82100000578	TERMINAL	6				
132	33320001450	SLEEVE	4				
144	33320871210	LEVER	3				
148	33320001100	KNOB (BLACK)	1				
158	33320001120	KNOB (BLACK)	2				
166	80804022010	BEARING,PLAIN	8				
173	33320963010	ROD	1				
183	33320963510	ROD	1				
193	33320921410	ROD	1				

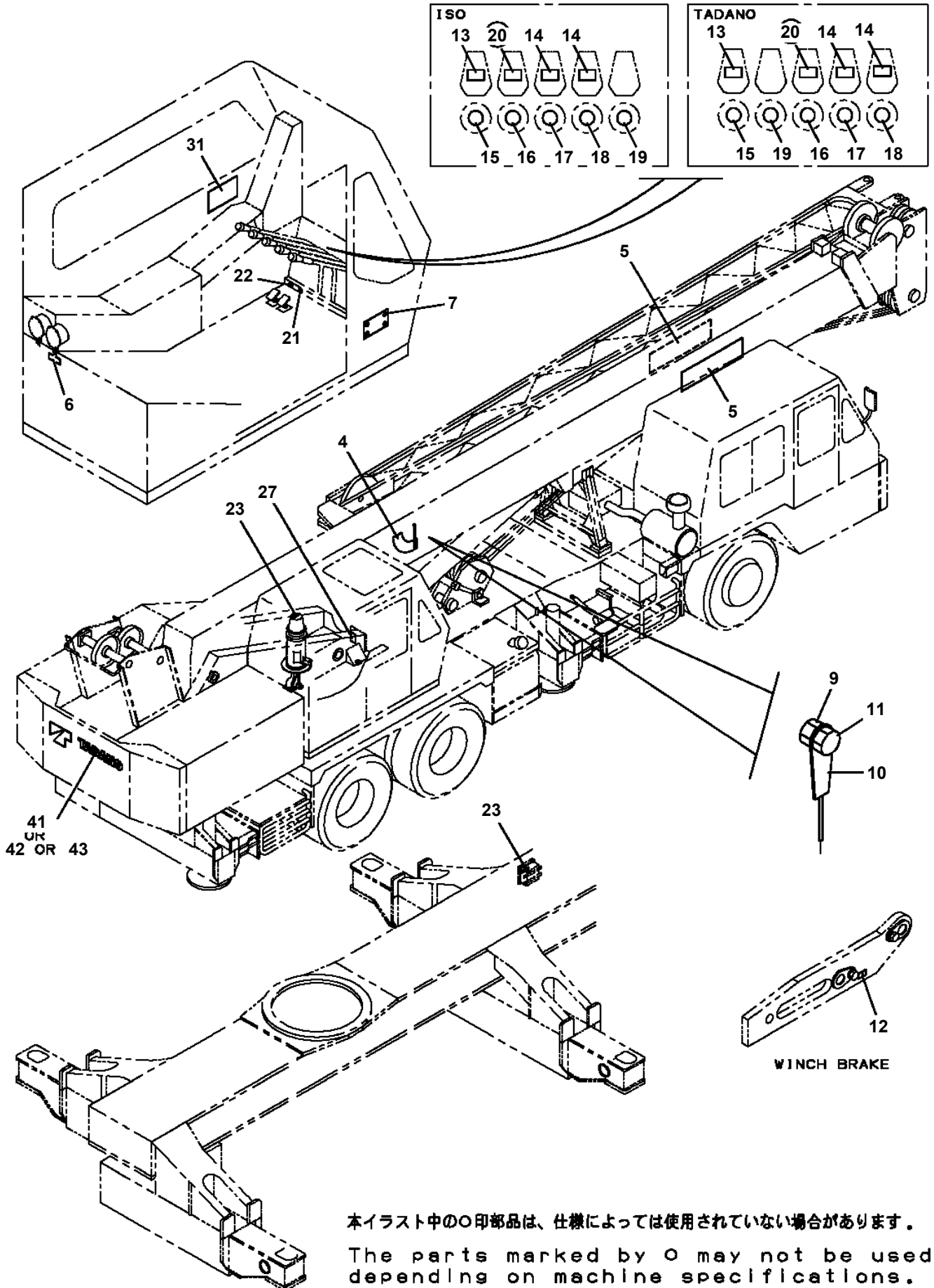
TL-200M-4-20101 4 BOOM + JIB, KV208M
PN1011577-00 ELEC.ASSY (OPTION)



**TL-200M-4-20101 4 BOOM + JIB,KV208M
PN1060025-00 SWITCH PANEL**

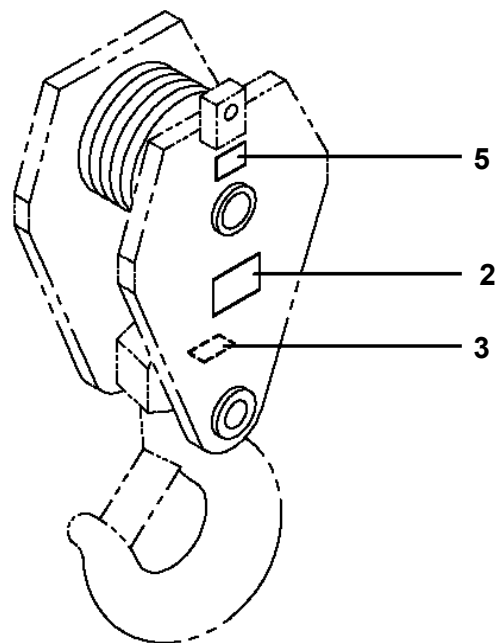
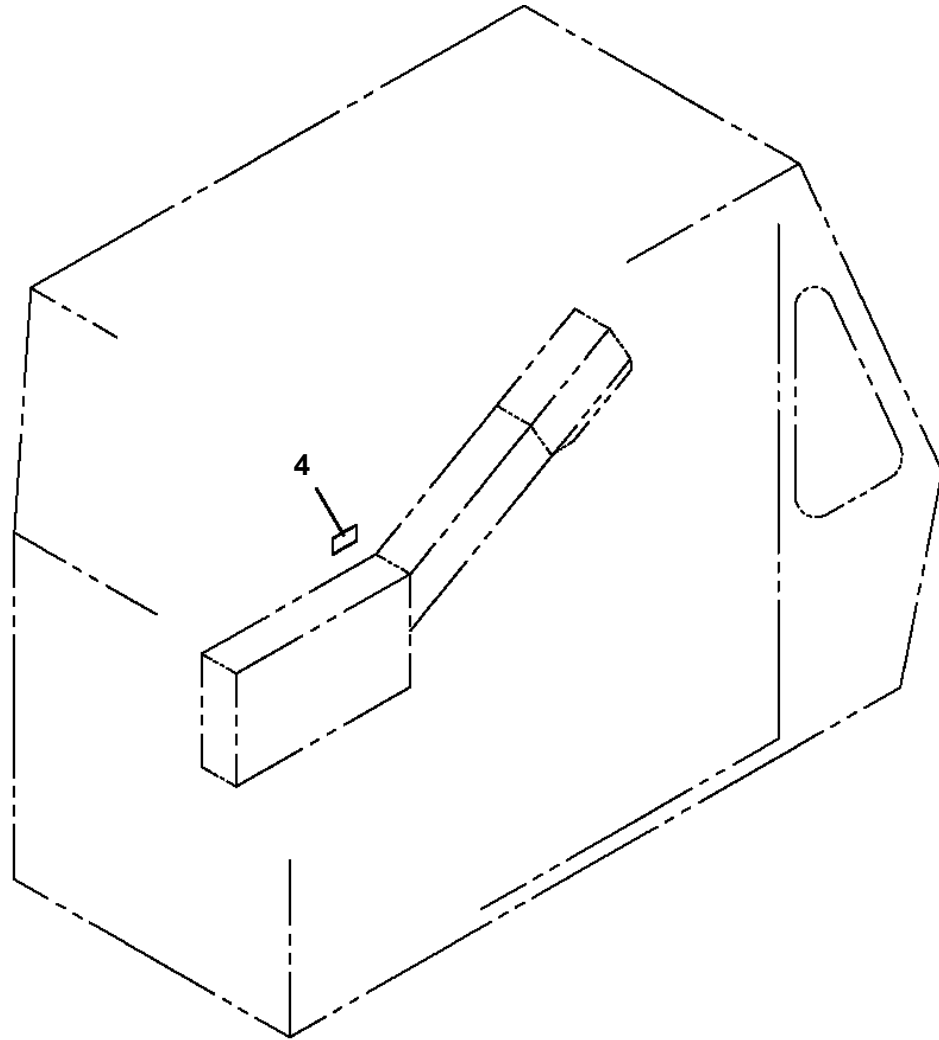


**TL-200M-4-20101 4 BOOM + JIB,KV208M
PO1010366-06 PLATE ASSY,NAME (UPPER 1)**



本イラスト中の○印部品は、仕様によっては使用されていない場合があります。
The parts marked by ○ may not be used, depending on machine specifications.

TL-200M-4-20101 4 BOOM + JIB,KV208M
PO1011033-00 PLATE ASSY,NAME (HOOK 12TON)



TL-200M-4-20101 4 BOOM + JIB,KV208M

PO1020001-00 PLATE,NAME (AML)

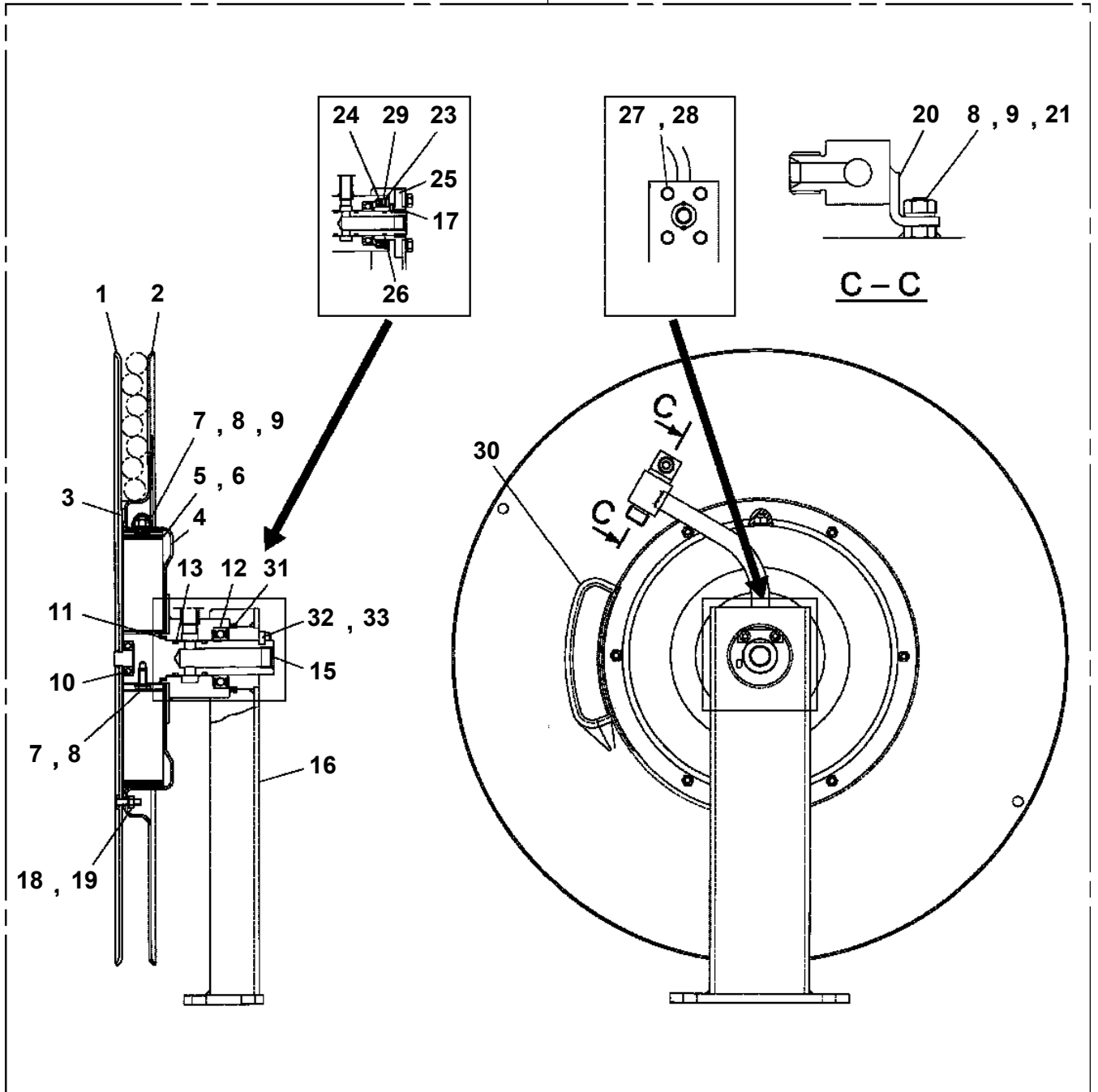
PLATE, NAME (AML)

当 AML 労検銘板については、弊社出先サービス員経由、
御用命ください。

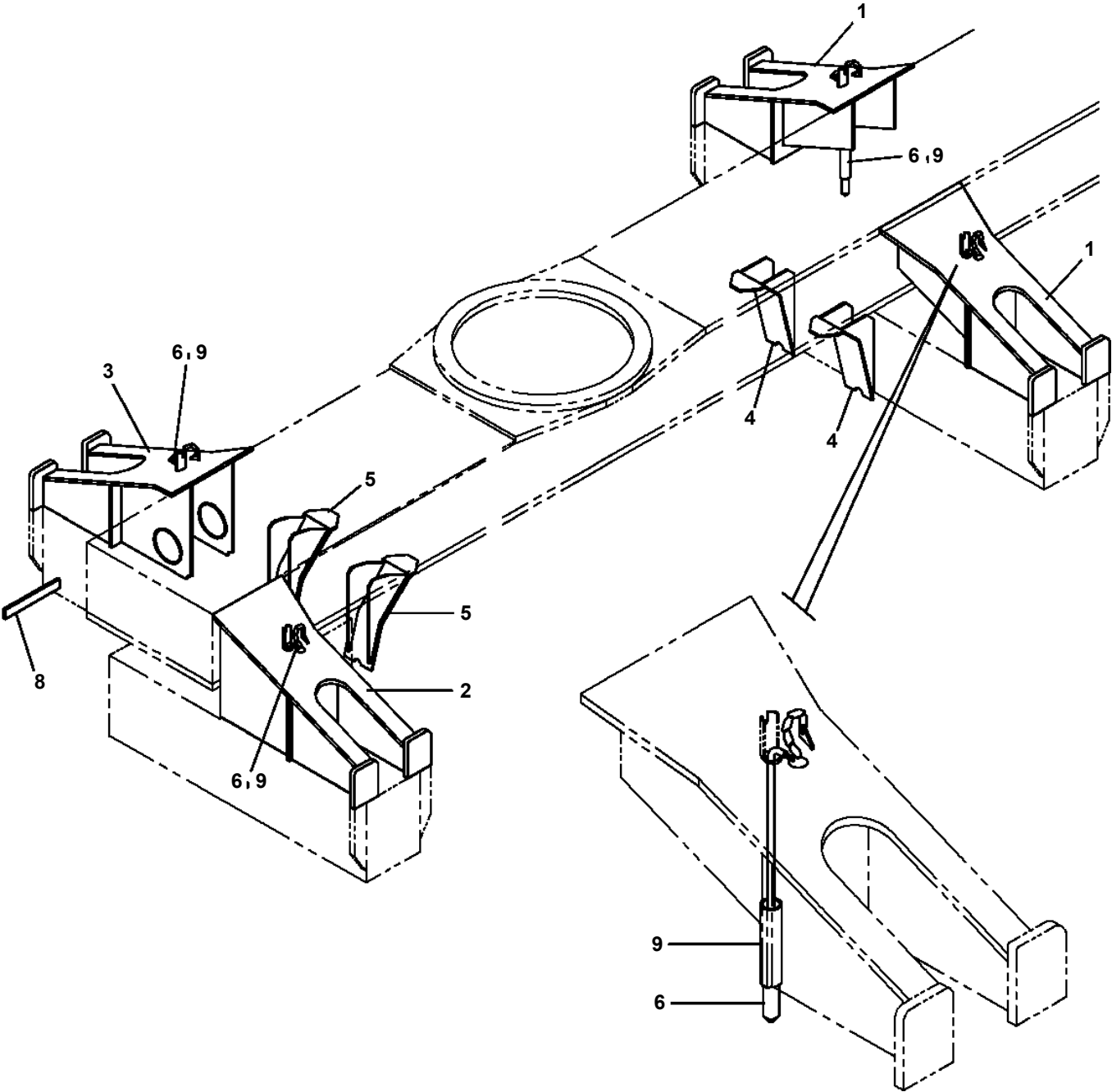
[組立名称一覧]より選択してください。
SEE THE CORRESPONDING "ASSEMBLY NAME" LIST.

TL-200M-4-20101 4 BOOM + JIB, KV208M
PR5060014-00 REEL ASSY, HOSE

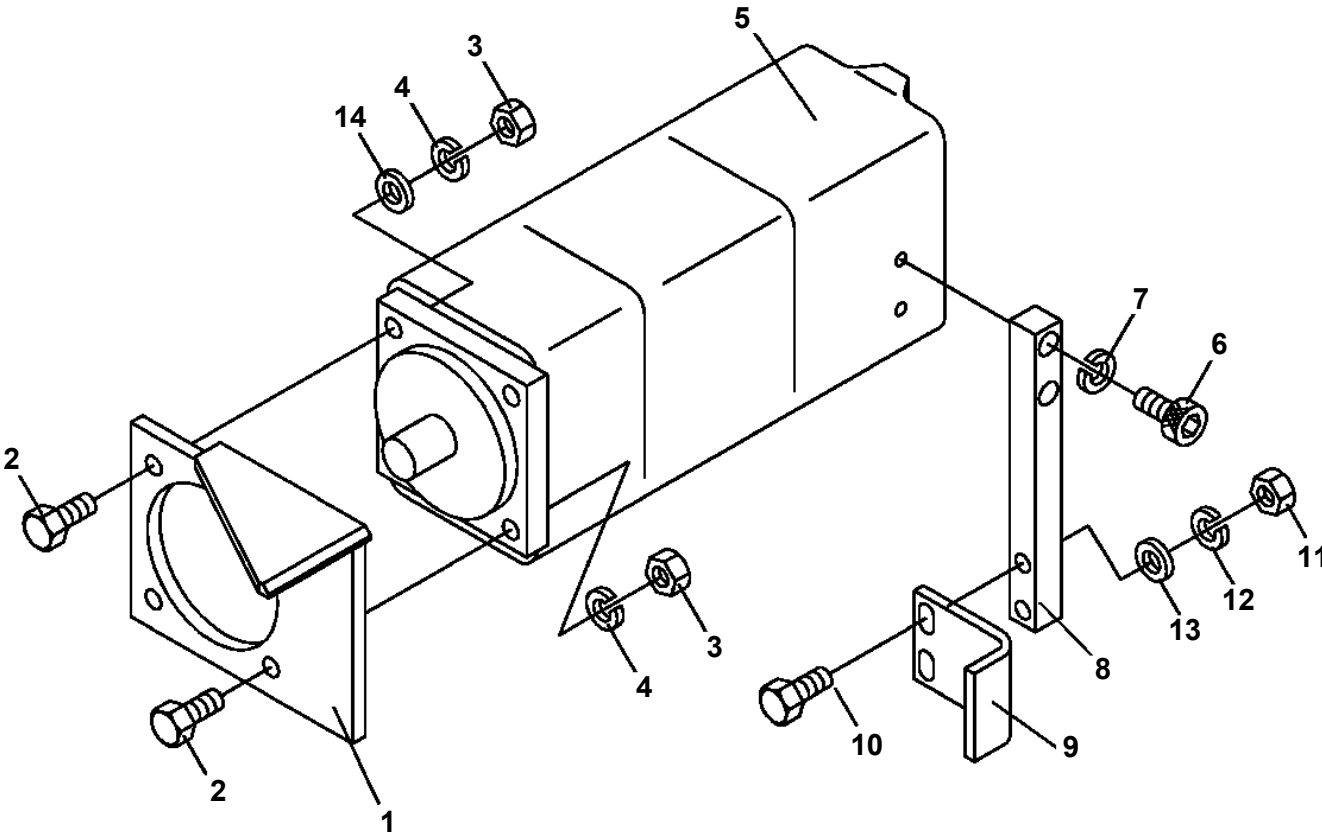
100



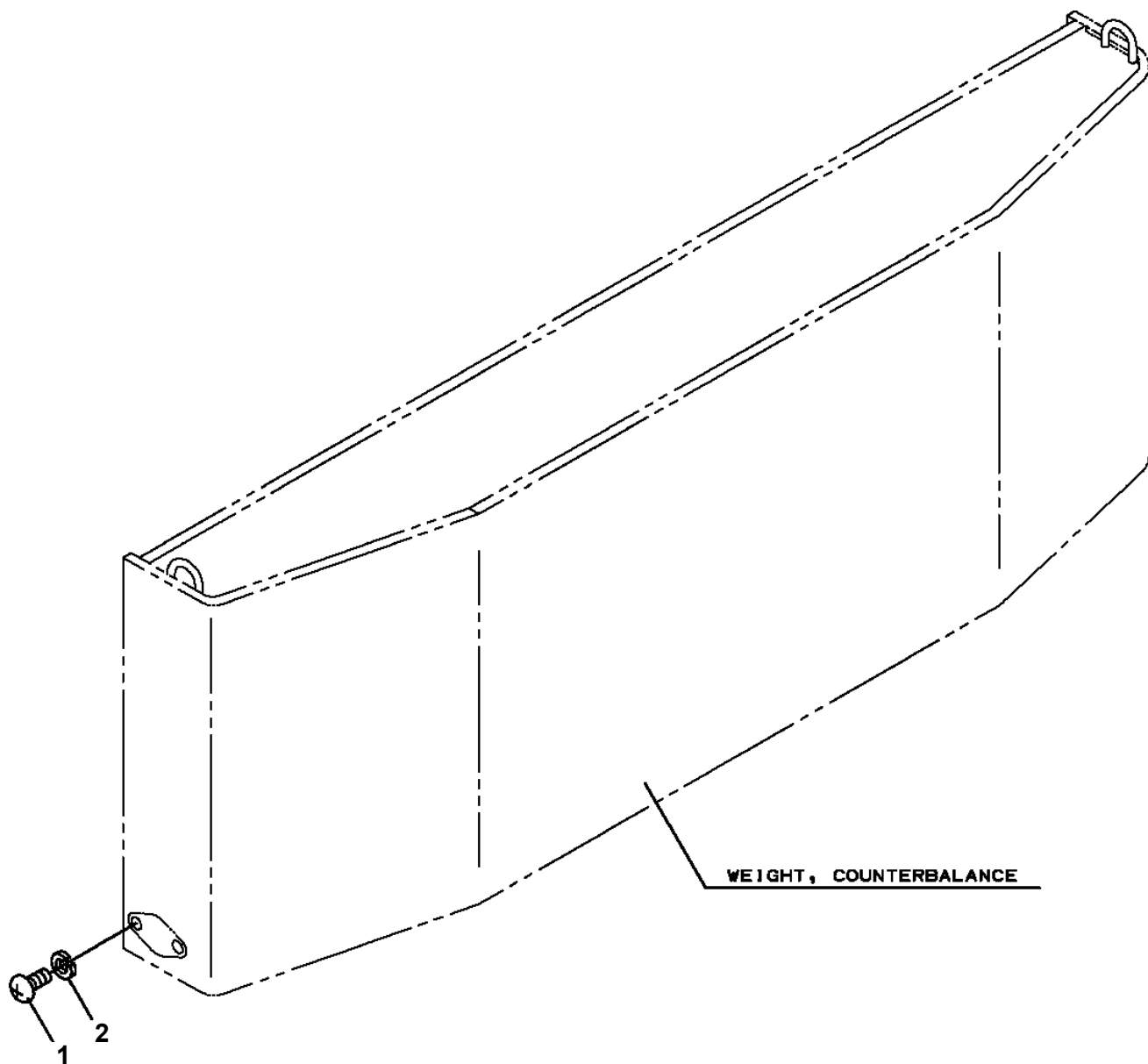
**TL-200M-4-20101 4 BOOM + JIB, KV208M
PX1140021-01 OUTRIGGER SUPPORT INSTALLATION**



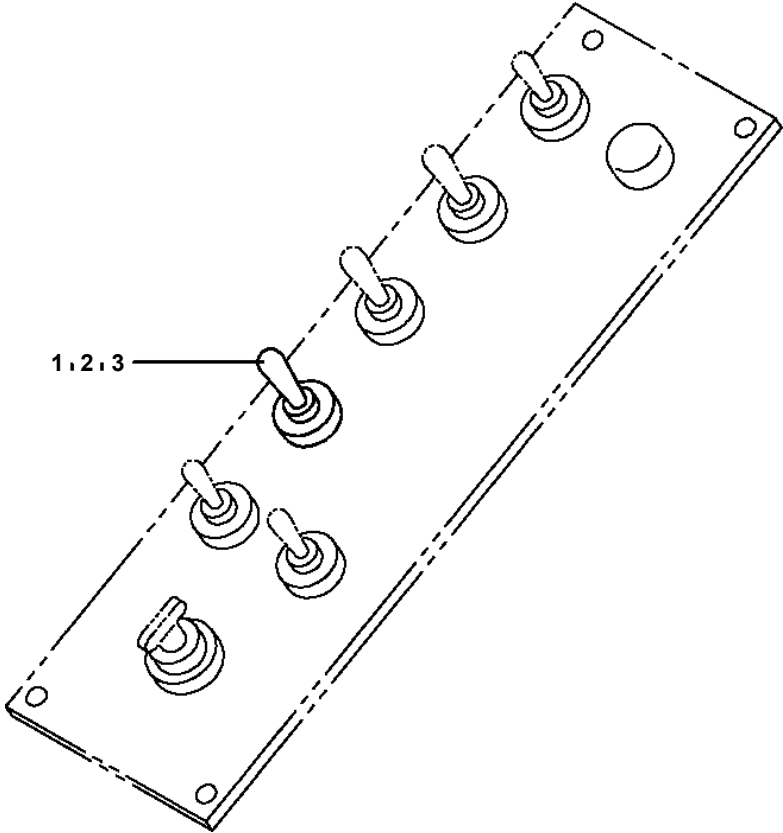
**TL-200M-4-20101 4 BOOM + JIB,KV208M
PX1220066-00 PUMP INSTALLATION**



**TL-200M-4-20101 4 BOOM + JIB, KV208M
PX1360003-00 REFLECTOR INSTALLATION**



**TL-200M-4-20101 4 BOOM + JIB,KV208M
PY1250001-00 SWITCH INSTALLATION (FAN)**



CLICK HERE TO **DOWNLOAD** THE COMPLETE MANUAL

- Thank you very much for reading the preview of the manual.
- You can download the complete manual from: www.heydownloads.com by clicking the link below



- Please note: If there is no response to CLICKING the link, please download this PDF first and then click on it.

CLICK HERE TO **DOWNLOAD** THE COMPLETE MANUAL