

# **TL-200E-2-10202 3 BOOM + JIB, 2M2D, KW30MXL**

**PB1000626-00 HYDRAULIC PRESSURE GENERATING SYSTEM**

**PC1000520-00 OUTRIGGER SYSTEM**

**PD1000538-00 SWING SYSTEM**

**PE1000543-00 ELEVATING SYSTEM**

**PF1000152-01 WINCH SYSTEM**

**PG1000155-01 TELESCOPING SYSTEM**

**PH1000530-00 SAFETY DEVICES**

**PK1000579-00 FRAME**

**PL1000569-00 CONTROL DEVICES**

**PN1000466-00 ELECTRIC EQUIPMENT**

**PO1000072-00 INDICATION PLATES**

**PW1000097-02 ACCESSORIES & TOOLS**

**PX1000759-00 MOUNTING PARTS**

**PY1000777-00 OPTIONS**

**ASSEMBLY**

CLICK HERE TO **DOWNLOAD** THE COMPLETE MANUAL

- Thank you very much for reading the preview of the manual.
- You can download the complete manual from: [www.heydownloads.com](http://www.heydownloads.com) by clicking the link below



- Please note: If there is no response to CLICKING the link, please download this PDF first and then click on it.

CLICK HERE TO **DOWNLOAD** THE COMPLETE MANUAL

# TL-200E-2-10202 3 BOOM + JIB, 2M2D, KW30MXL

Pos No.	Parts No	Parts Name	Qty	Unit	Technical Data	Serial No (Start)	Serial No (End)
1	36091040001	HOOK (MAIN)	1				
2	36090240001	HOOK (AUXILIARY)	1				
3	37001800530	ROPE,WIRE (TSK)	1				
4	37001800580	ROPE,WIRE (TSK)	1				350244
	37001801370	ROPE,WIRE (TSK)	1			350245	
5	(*****)	SOCKET,ROPE	2				
6	(*****)	OPERATION SYSTEM, WINCH BRAKE	1				
7	(*****)	OPERATION SYSTEM, DRUM,LOCK	1				
8	(*****)	OPERATION SYSTEM, CLUTCH	1				
9	(*****)	PIPING,WINCH	1				
10	(*****)	PIPING,WINCH BRAKE	1				
11	(*****)	MOUNT,WINCH (2M2D)	1				

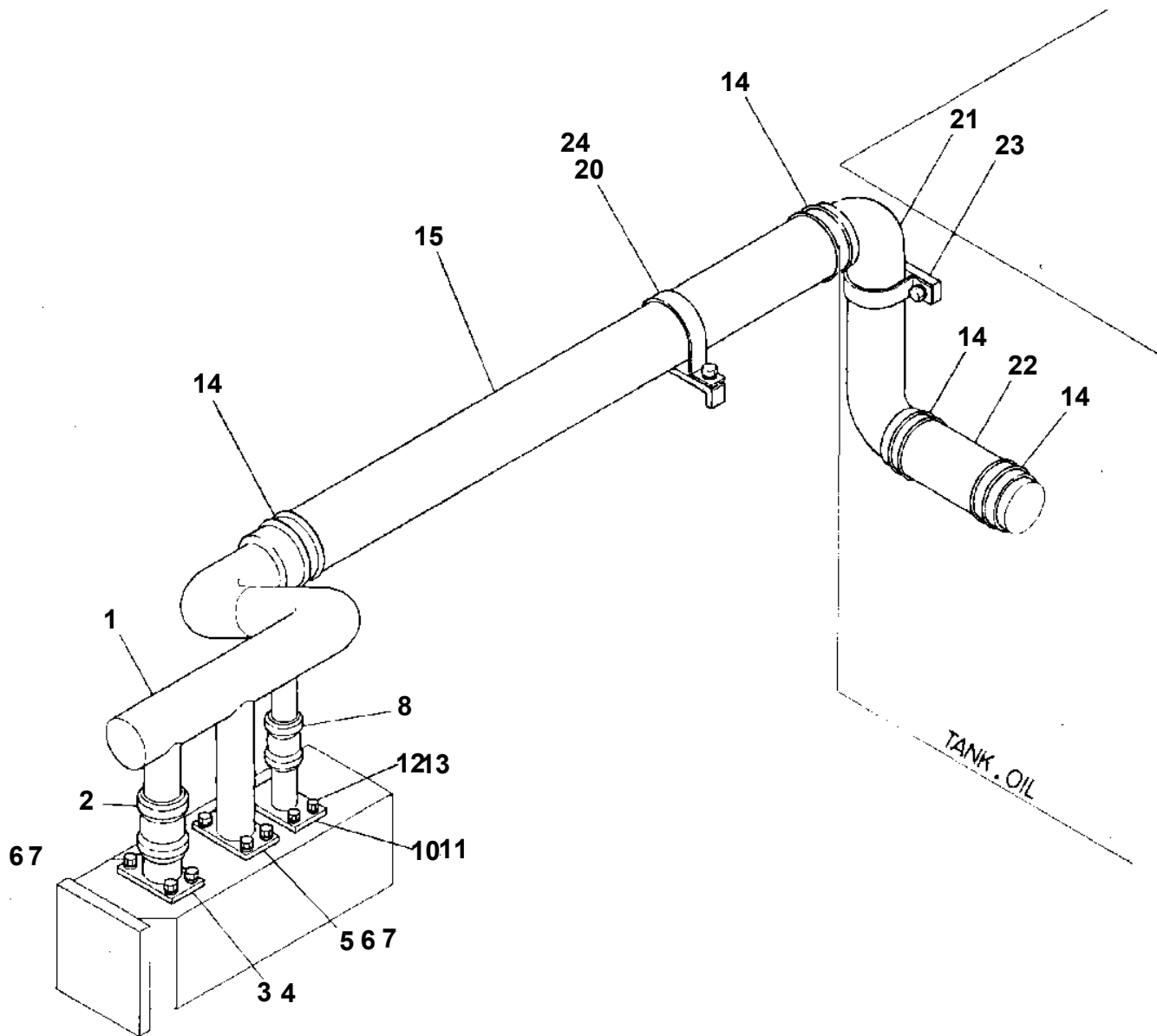
# TL-200E-2-10202 3 BOOM + JIB, 2M2D, KW30MXL

Pos No.	Parts No	Parts Name	Qty	Unit	Technical Data	Serial No (Start)	Serial N
1	(*****)	ELECTRICAL ACCESSORIES	1				
2	(*****)	ELECTRICAL PARTS,CAB	1				
	(*****)	ELECTRICAL PARTS,CAB(ENGLISH&CHINESE)	1				

## **TL-200E-2-10202 3 BOOM + JIB, 2M2D, KW30MXL**

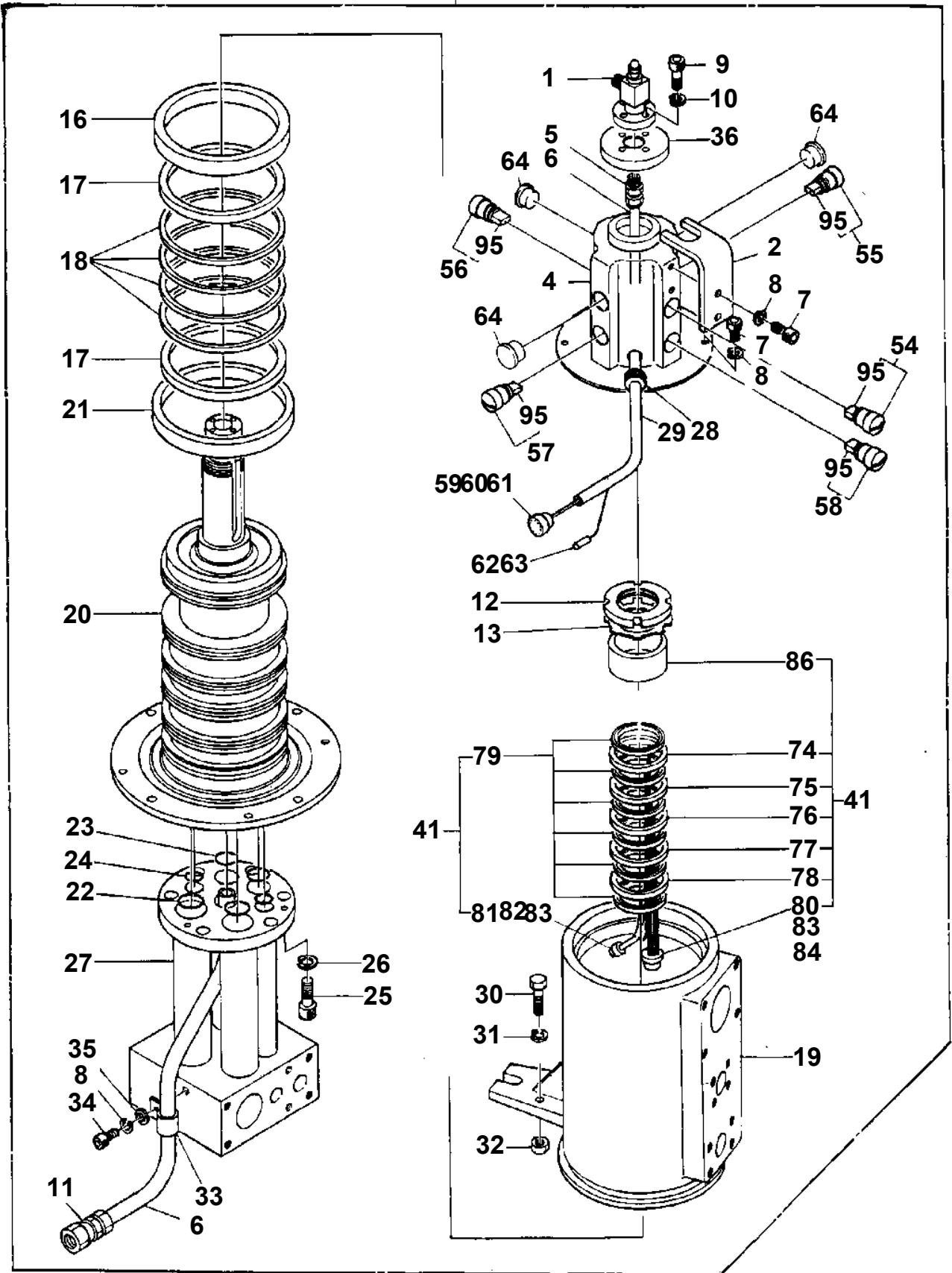
PH1200002-01 PIPING,VENT  
PH1250052-02 MOMENT LIMITER (AML K-K4)  
PI1010014-01 MOTOR,HYDRAULIC  
PI1030001-00 CYLINDER,MASTER  
PI1030026-00 CYLINDER,MASTER  
PI1050001-00 RESERVOIR,OIL  
PI1060002-00 CYLINDER,BRAKE  
PI1070010-01 CYLINDER,CONTROL  
PI1120041-01 VALVE,SOLENOID  
PI1120120-01 VALVE,SOLENOID  
PI1120220-01 VALVE,SOLENOID  
PI1140062-01 VALVE,CHECK  
PI1140210-00 VALVE,CHECK  
PI1170000-00 VALVE,PRESSURE DETECTOR  
PI1230000-00 VALVE,SHUTTLE  
PI1250005-01 VALVE,COUNTERBALANCE  
PI1260011-02 CARTRIDGE, COUNTERBALANCE  
PI1280002-00 VALVE,PILOT CHECK  
PI1280100-00 VALVE,PILOT CHECK  
PI1300003-00 FILTER,OIL  
PI1300080-00 FILTER,OIL  
PI1300120-02 FILTER,OIL  
PI1340060-01 ACCUMULATOR  
PI1420001-01 GAUGE,PRESSURE  
PI1420002-00 GAUGE,PRESSURE  
PK1100026-00 SWING FRAME  
PK1100061-00 SWING FRAME  
PK1120034-00 SWING TABLE  
PK1140090-03 CAB,OPERATOR'S  
PK1150023-00 SEAT,OPERATOR  
PK1200033-02 COVER,SWING FRAME  
PK1220021-00 WEIGHT, COUNTERBALANCE  
PL1010664-00 OPERATION SYSTEM, CONTROL VALVE  
PL1030047-02 OPERATION SYSTEM, ACCELERATOR  
PN1010090-01 ELECTRICAL ACCESSORIES  
PN1050016-04 ELECTRICAL PARTS,CAB(ENGLISH&CHINESE)  
PN1050030-02 ELECTRICAL PARTS,CAB  
PN1060024-00 SWITCH PANEL (FRONT JACK SWITCH)  
PO1010091-00 PLATE ASSY,NAME (WITH F/J. ENGLISH)  
PO1010159-03 PLATE ASSY,NAME (OIL)  
PO1011078-00 PLATE ASSY,NAME (WITHOUT F/J.ENGLISH)  
PO1011971-00 PLATE ASSY,NAME (UPPER)  
PO1011972-00 PLATE ASSY,NAME (UPPER)  
PO1050123-00 MARKING  
PW1010180-00 ACCESSORIES (AML SPARE FUSE)  
PW1010196-01 ACCESSORIES  
PW1030032-01 TOOLS  
PX1100130-00 TANK SUPPORT INSTALLATION  
PX1120263-00 BOOM REST INSTALLATION  
PX1140011-00 OUTRIGGER SUPPORT INSTALLATION  
PX1160005-00 ATTACHMENT PARTS, SWING BEARING  
PX1180036-00 MOUNT,HOOK (MAIN)  
PX1180351-00 MOUNT,HOOK (AUX.)  
PX1220087-00 PUMP INSTALLATION  
PX1250009-00 COVER INSTALLATION  
PX1250014-00 COVER INSTALLATION  
PX1810210-00 MOUNT,SUPPORT (SHIPMENT)  
PY1030023-01 SINGLE TOP  
PY1100004-02 HEATER SYSTEM  
PY1120002-02 HEATER (22HK)  
PY1120006-01 HEATER (M22H)  
PY1360004-00 FAN INSTALLATION

TL-200E-2-10202 3 BOOM + JIB, 2M2D, KW30MXL  
PB1200360-00 PIPING,SUCTION



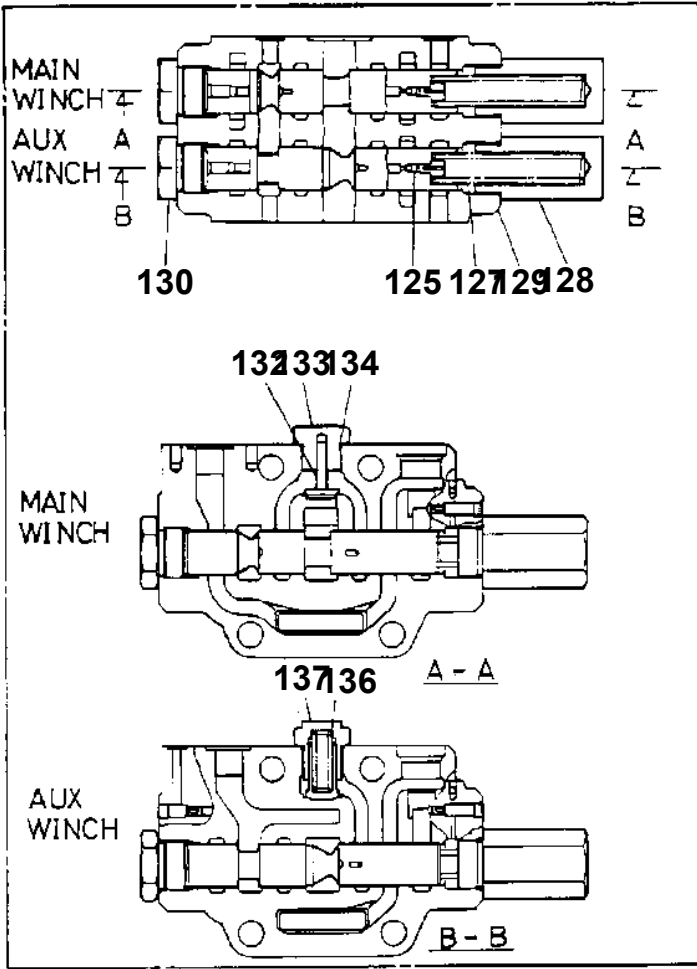
TL-200E-2-10202 3 BOOM + JIB, 2M2D, KW30MXL  
PB1300027-00 JOINT,ROTARY

100

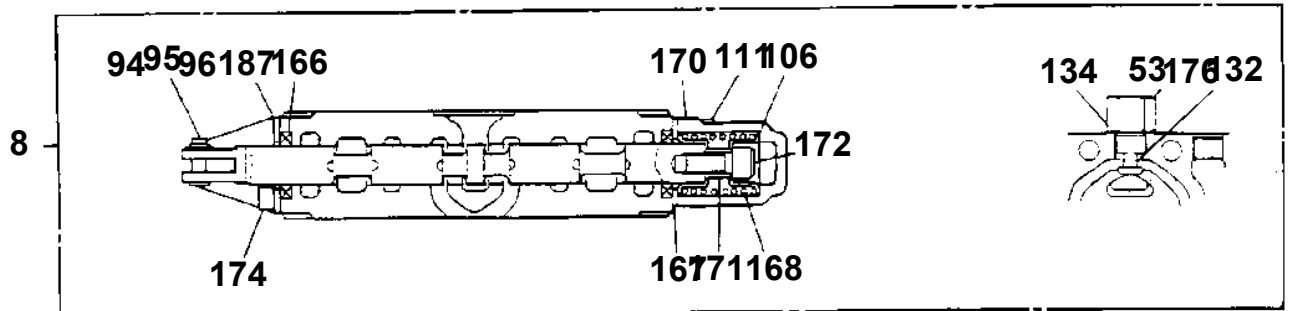
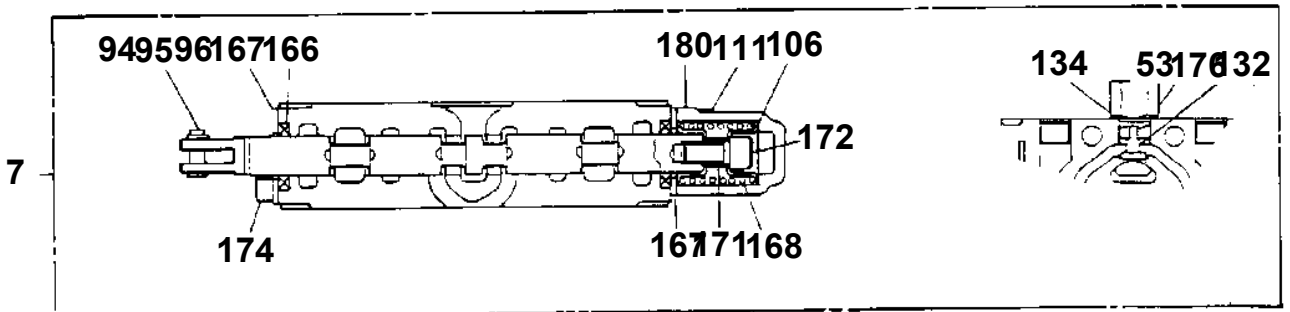
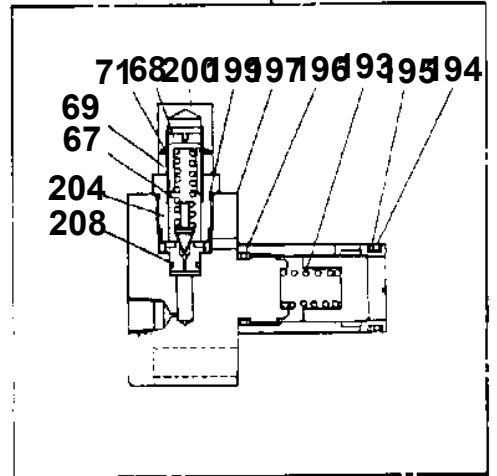


**TL-200E-2-10202 3 BOOM + JIB, 2M2D, KW30MXL  
PB1320203-00 VALVE, MANUAL CONTROL**

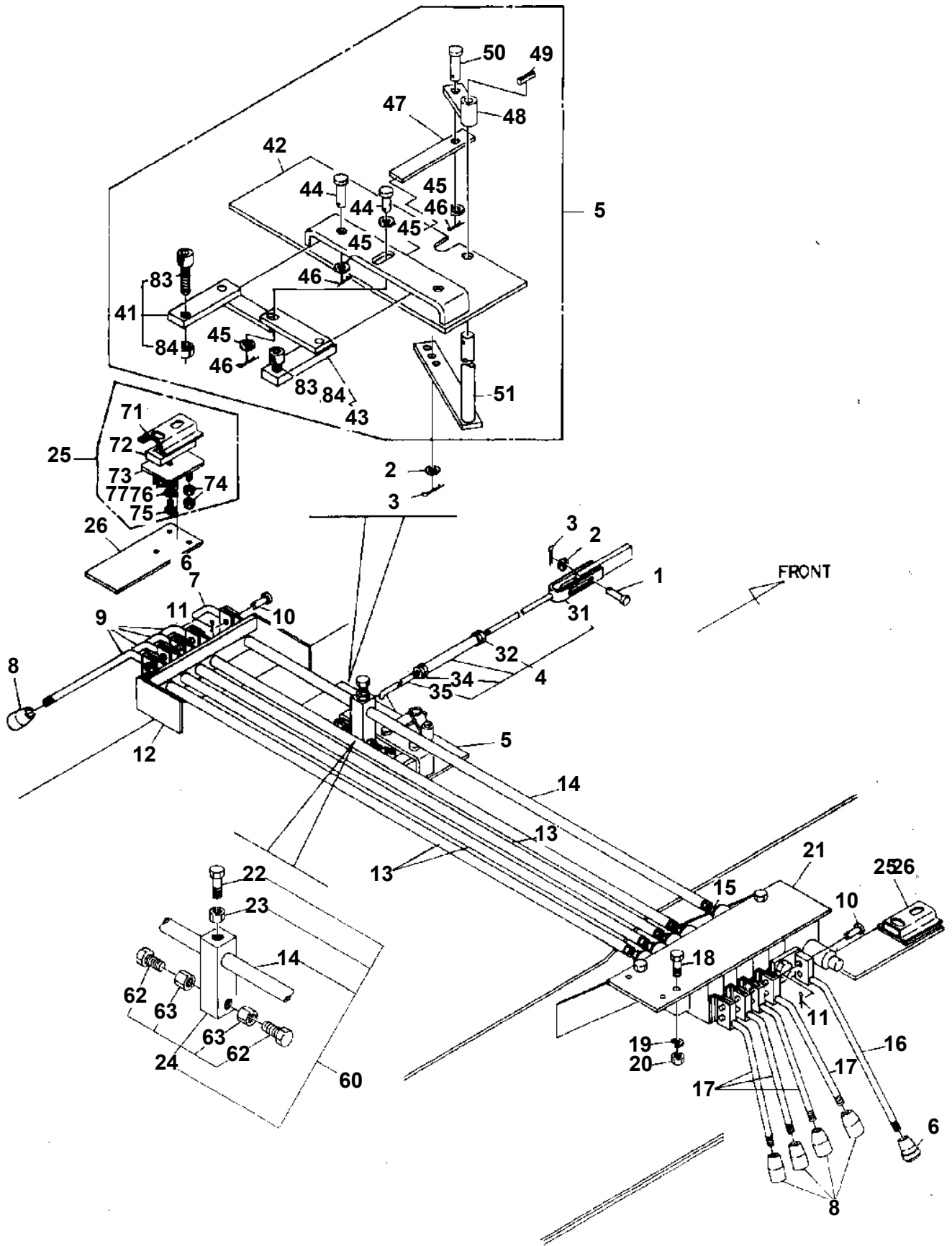
**3**



**10**



TL-200E-2-10202 3 BOOM + JIB, 2M2D, KW30MXL  
PC1100017-01 OPE.ASSY,OUTRIGGER (WITHOUT F/J)



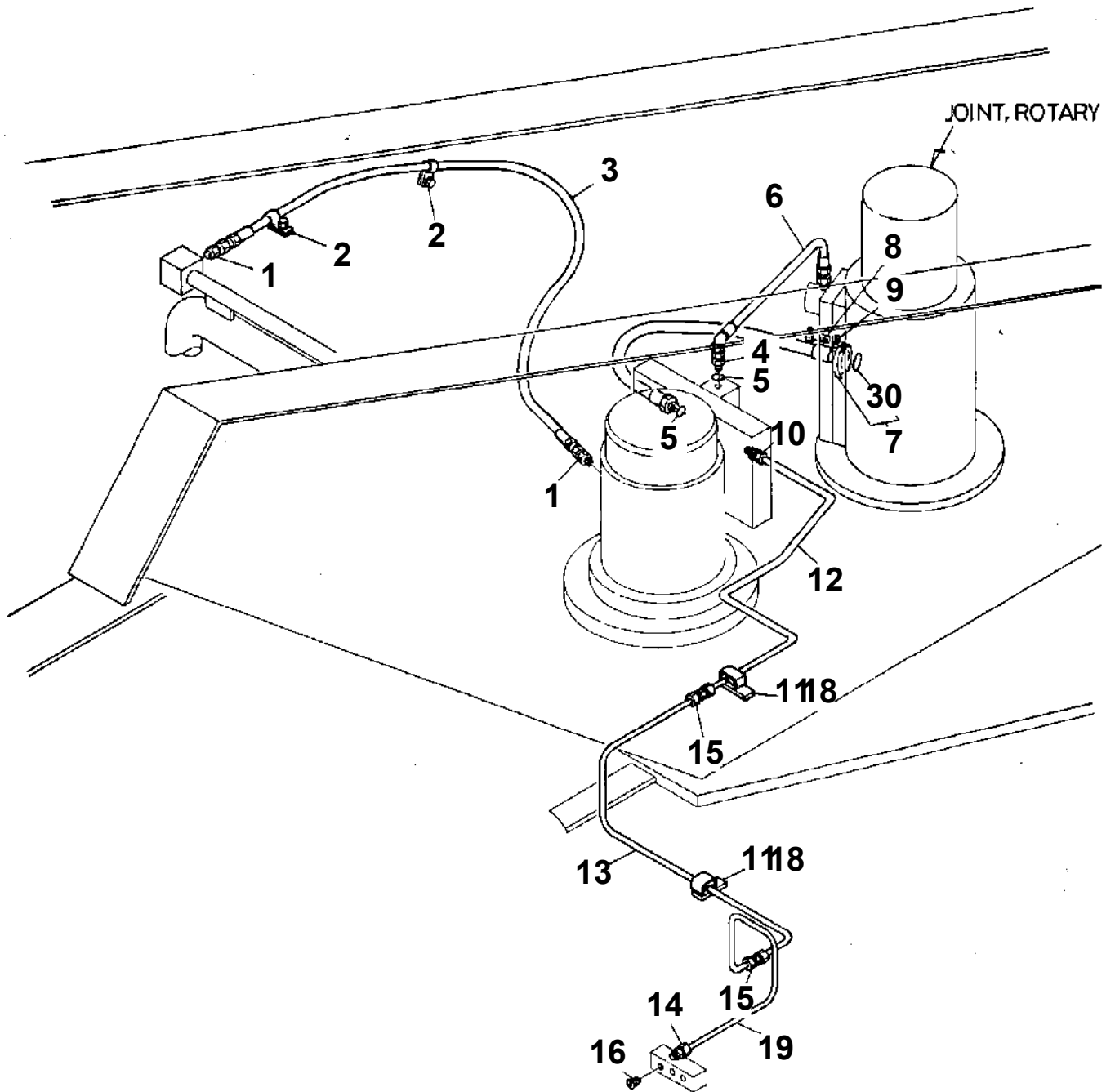
## TL-200E-2-10202 3 BOOM + JIB, 2M2D, KW30MXL

Pos No.	Parts No	Parts Name	Qty	Unit	Technical Data	Serial No (Start)	Serial No (End)	Remarks	Pages
1	81408000160	PIPE,STEEL	1	M	12X1.4T				
2	81408000160	PIPE,STEEL	1	M	12X1.4T				
3	81408000160	PIPE,STEEL	1	M	12X1.4T				
4	81408000241	PIPE,STEEL	1	M	18X1.9T				
5	81408000160	PIPE,STEEL	1	M	12X1.4T				
6	81408000160	PIPE,STEEL	1	M	12X1.4T				
7	81408000160	PIPE,STEEL	1	M	12X1.4T				
8	81408000160	PIPE,STEEL	1	M	12X1.4T				
9	81408000160	PIPE,STEEL	1	M	12X1.4T				
10	81408000160	PIPE,STEEL	1	M	12X1.4T				
11	81408000160	PIPE,STEEL	1	M	12X1.4T				
12	81408000160	PIPE,STEEL	1	M	12X1.4T				
13	81408000241	PIPE,STEEL	1	M	18X1.9T				
14	81408000160	PIPE,STEEL	1	M	12X1.4T				
15	81408000160	PIPE,STEEL	1	M	12X1.4T				
16	81408000160	PIPE,STEEL	1	M	12X1.4T				
17	81408000160	PIPE,STEEL	1	M	12X1.4T				
18	81408000160	PIPE,STEEL	1	M	12X1.4T				
19	81408000160	PIPE,STEEL	1	M	12X1.4T				
20	81408000160	PIPE,STEEL	1	M	12X1.4T				
21	81408000160	PIPE,STEEL	1	M	12X1.4T				
22	81408000160	PIPE,STEEL	1	M	12X1.4T				
23	81408000160	PIPE,STEEL	1	M	12X1.4T				
24	81408000160	PIPE,STEEL	1	M	12X1.4T				
25	81408000160	PIPE,STEEL	1	M	12X1.4T				
26	81408000241	PIPE,STEEL	1	M	18X1.9T				
27	81408000160	PIPE,STEEL	1	M	12X1.4T				
28	81408000160	PIPE,STEEL	1	M	12X1.4T				
29	81408000160	PIPE,STEEL	1	M	12X1.4T				
30	81408000160	PIPE,STEEL	1	M	12X1.4T				
31	81408000160	PIPE,STEEL	1	M	12X1.4T				
32	81408000160	PIPE,STEEL	1	M	12X1.4T				
33	81408000160	PIPE,STEEL	1	M	12X1.4T				
34	81408000241	PIPE,STEEL	1	M	18X1.9T				
35	80305010160	FITTING,TEE	1		KTA18-000E				
36	80302010160	FITTING	12		KCT12-030N				
37	80302090241	FITTING	1		KCO18-040N				
38	91002801800	O-RING	1		1B P18				
39	80302090161	FITTING	10		KCO12-030N				
40	91002801400	O-RING	10		1B P14				
41	37000700730	CLAMP ASSY	3						
42	37000701690	CLAMP ASSY	2						
43	56057290090	CLAMP ASSY	1						
44	37000702580	CLAMP ASSY	3						
45	37000703500	CLAMP ASSY	2						
46	37000700770	CLAMP ASSY	2						
47	59457019000	CLAMP ASSY	1						
49	37000700800	CLAMP ASSY	1						
50	80330000100	FITTING,TEE	2		KTZ-00003N				
51	80303010160	FITTING,ELBOW	1		KLA18-000N				
52	80305010100	FITTING,TEE	1		KTA12-000N				
53	80301010100	FITTING	17		KUA12-000N				
54	56058890060	CLAMP ASSY	1						
55	56058890050	SUPPORT ASSY	1						
57	33641200500	SUPPORT	1						
58	81408000160	PIPE,STEEL	1	M	12X1.4T				

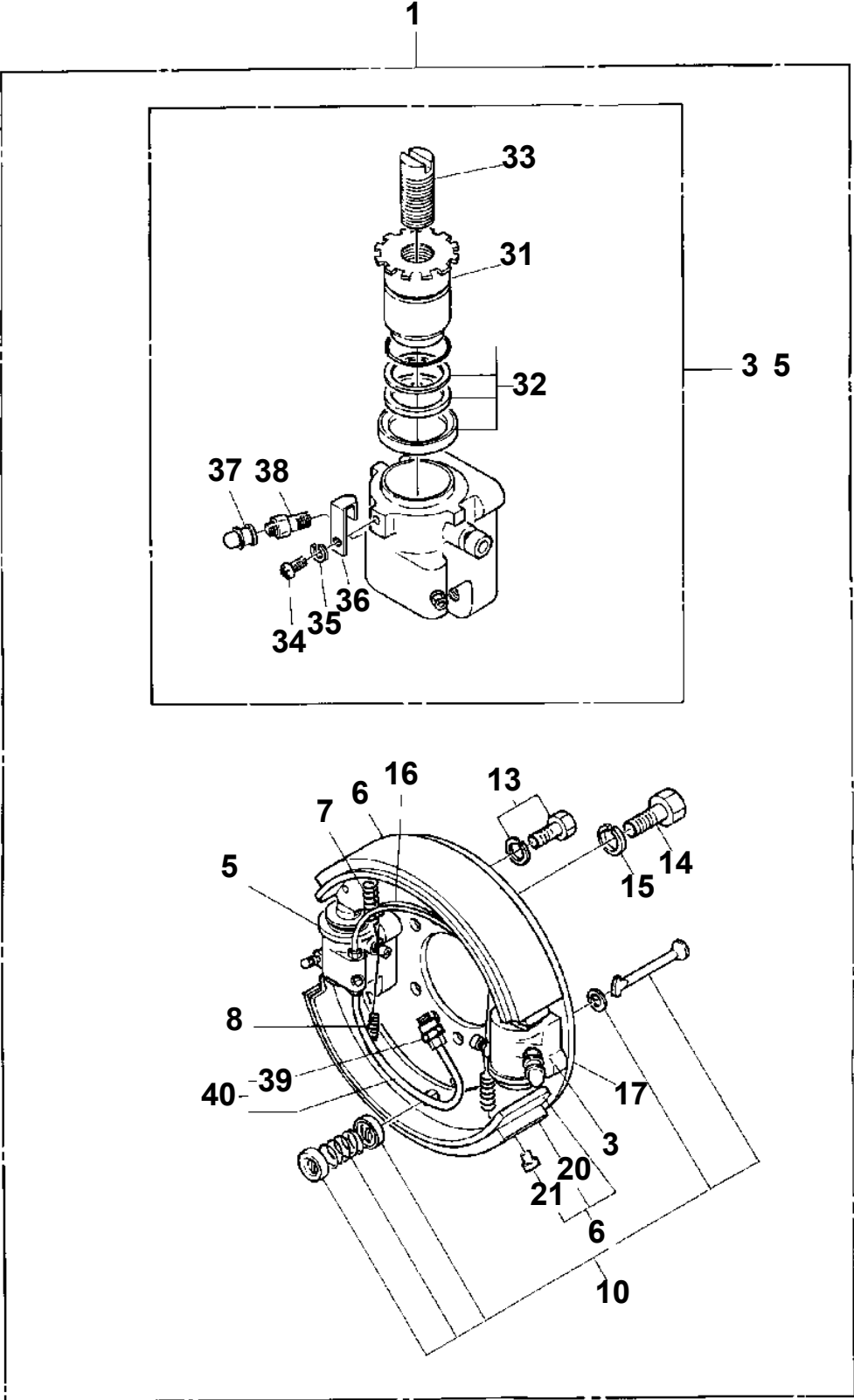
## TL-200E-2-10202 3 BOOM + JIB, 2M2D, KW30MXL

Pos No.	Parts No	Parts Name	Qty	Unit	Technical Data	Serial No (Start)	Serial No (End)	Remarks
1	36080160000	DRIVING UNIT,SWING	1					
2	90131516045	BOLT,HEXAGON SOCKET	8		M16X45			
3	19413321000	GEAR	1					
4	90191512030	BOLT	4		M12X30			
5	16623303000	PLATE	2					
6	19413322000	STOPPER	1					
7	91801300170	CLIP	2		D=15-17			
8	33300020100	JOINT	1					
9	80316030020	PLUG	1		PT1/8			
10	33300020200	JOINT	1					
11	37002300120	BEARING,SWING (NACHI)	1					
	37002300090	BEARING,SWING (NTN)	1					
	37002300950	BEARING,SWING (ROBALLO)	1					
12	90302041601	WASHER,SPRING	8		16			
13	37002501990	HOSE	1					
14	82100002008	CLAMP	1		WR12			
15	90201200600	NUT	1		M6			
16	90101206016	BOLT	1		M6X16			
17	90302040601	WASHER,SPRING	1		6			
18	80731130063	PIN	2					
19	37000500570	SUPPORT	2					

TL-200E-2-10202 3 BOOM + JIB, 2M2D, KW30MXL  
PD1200004-00 PIPING, SWING

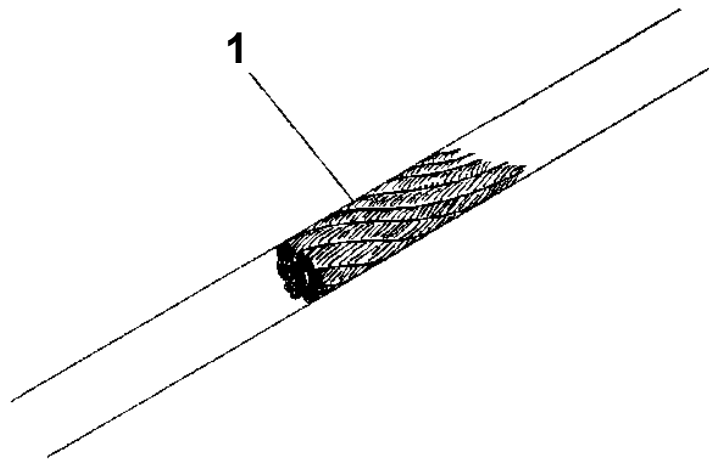


TL-200E-2-10202 3 BOOM + JIB, 2M2D, KW30MXL  
PF1030014-02 CLUTCH,WINCH

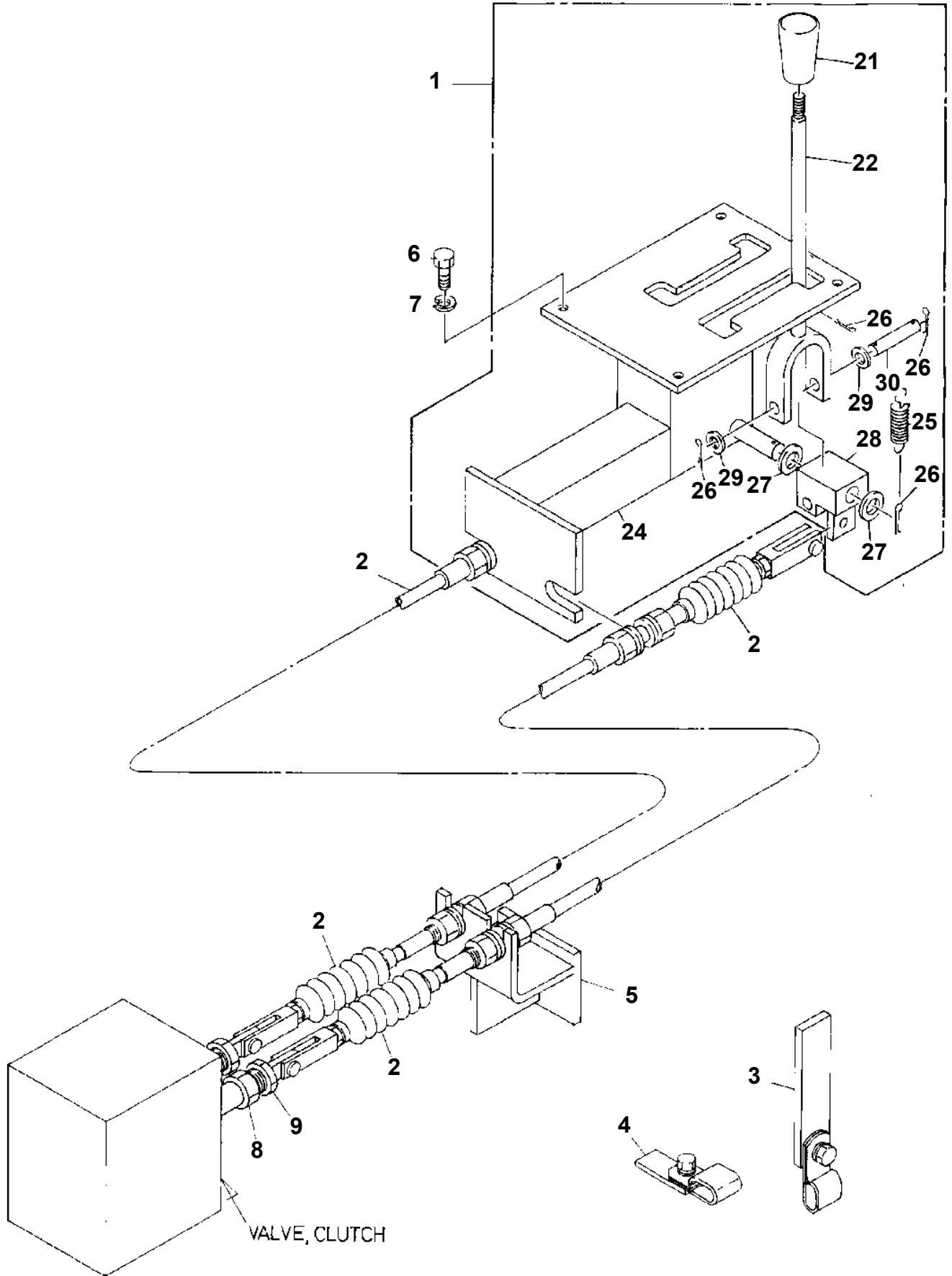


**TL-200E-2-10202 3 BOOM + JIB, 2M2D, KW30MXL  
PF1070032-00 ROPE,WIRE (TSK)**

---



TL-200E-2-10202 3 BOOM + JIB, 2M2D, KW30MXL  
PF1160005-00 OPERATION SYSTEM, CLUTCH



# TL-200E-2-10202 3 BOOM + JIB, 2M2D, KW30MXL

Pos No.	Parts No	Parts Name	Qty	Unit	Technical Data	Serial No (Start)	Serial No (End)	Remarks	P
1	36671240000	JOINT,WINCH ROTARY	1						
2	37000913000	JOINT	1						
3	91002801800	O-RING	1		1B P18				

CLICK HERE TO **DOWNLOAD** THE COMPLETE MANUAL

- Thank you very much for reading the preview of the manual.
- You can download the complete manual from: [www.heydownloads.com](http://www.heydownloads.com) by clicking the link below



- Please note: If there is no response to CLICKING the link, please download this PDF first and then click on it.

CLICK HERE TO **DOWNLOAD** THE COMPLETE MANUAL

# TL-200E-2-10202 3 BOOM + JIB, 2M2D, KW30MXL

Pos No.	Parts No	Parts Name	Qty	Unit	Technical Data	Serial No (Start)	Serial No (End)	Remarks
1	33200050010	BOOM, TOP	1				350254	
	33200050011	BOOM, TOP	1			350255		
2	33200051000	BOOM, 2ND	1					
3	33200052001	BOOM, BASE	1				350254	
	33200052002	BOOM, BASE	1			350255		
4	37000108860	PIN	1					
5	37000200590	PIN, SNAP	1					
6	37000102500	PIN	1					
8	80561100140	NUT	1		AN14			
9	80562100140	WASHER, TOOTH	1		AW14			
10	37000102510	PIN	2					
11	18111009010	PIN, SNAP	2					
12	16511007000	PLATE	2					
13	90101510020	BOLT	4		M10X20			
14	90302041001	WASHER, SPRING	12		10			
15	37000102530	PIN	1					
16	16311007000	SPACER	7		L=3.5			
17	37001002850	SHEAVE ASSY	6					
18	37000102540	PIN	1					
19	33200053000	SPACER	1					
20	37001000460	SHEAVE ASSY	2				350254	
	37001003060	SHEAVE ASSY	2			350255		
21	33200000080	PLATE	2					
22	90101512035	BOLT	4		M12X35			
23	90101512030	BOLT	4		M12X30			
24	80136030030	PIN, SPLIT	2		3X30			
25	33200053100	GUIDE	2					
29	37001600150	NUT	2				350254	
	37001600030	NUT	2			350255		
30	90203203600	NUT	2		M36			
31	33200053400	ROPE, WIRE	1				350254	
	37001902220	ROPE, WIRE	1			350255		
32	90101512025	BOLT	8		M12X25			
33	90302041201	WASHER, SPRING	22		12			
34	37002000720	PLATE, SLIDE	2					
35	90131506008	BOLT, HEXAGON SOCKET	4		M6X8			
36	33200053500	RETAINER	1					
37	33200053600	RETAINER	1					
38	18021032000	BOLT	2					
39	37002000890	PLATE, SLIDE	2					
40	33200034500	RETAINER	2					
41	33200053700	GUIDE	1					
42	33200053410	ROPE, WIRE	1					
43	90101210014	BOLT	6		M10X14			
44	33200053750	GUIDE	1					
45	33200053800	GUIDE	1					
46	90101516140	BOLT	2		M16X140			
47	90201401600	NUT	4		M16			
49	82456101000	NIPPLE, GREASE	1		A-PT1/8		350254	
50	33230026000	PLATE	1					
51	37000102000	PIN	1					
52	16242002001	PLATE	1					
53	90101510030	BOLT	2		M10X30			
54	37002000900	PLATE, SLIDE	1					
55	33200053820	SHIM	N					
56	33200053830	SHIM	N					
57	90131506035	BOLT, HEXAGON SOCKET	8		M6X35			
58	37000102560	PIN	2					
59	90101208012	BOLT	4		M8X12			
60	90302040801	WASHER, SPRING	4		8			
61	19411012000	PLATE, SLIDE	2		T=15			
62	19411013000	SHIM	N		T=1.0			
63	33200000350	SHIM	N		T=0.6			

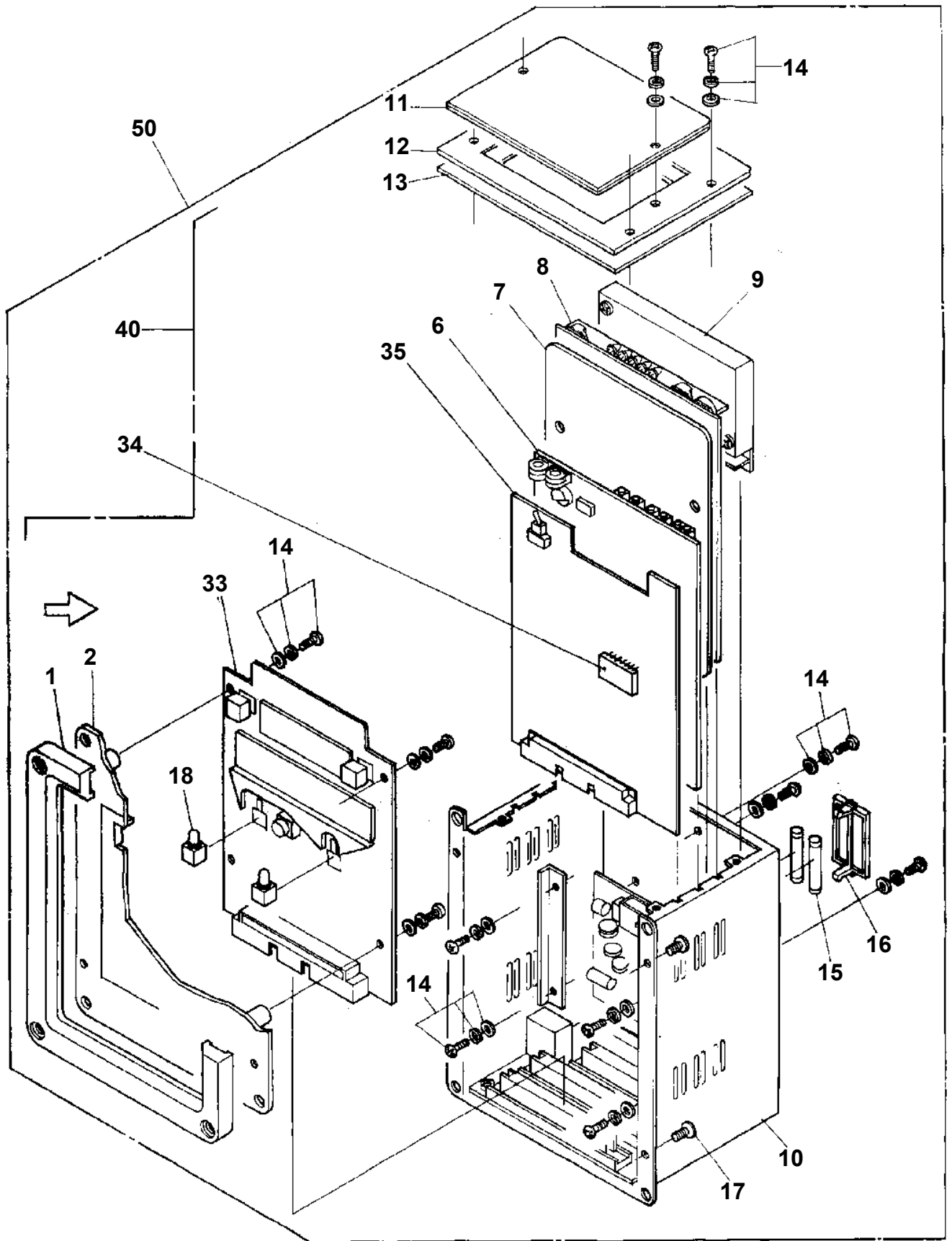
## TL-200E-2-10202 3 BOOM + JIB, 2M2D, KW30MXL

Pos No.	Parts No	Parts Name	Qty	Unit	Technical Data	Serial No (Start)	Serial No (End)	Remark
1	36130330005	DETECTOR,BOOM LENGTH	1					
2	33370020170	SUPPORT	4					
6	33370020620	SUPPORT	1					
7	33370020610	SUPPORT	2					
8	33370020660	SUPPORT	1					
9	82100002004	CLAMP	1		WR8			
10	90190000008	BOLT,STUD	1		M6X20			
11	90201200600	NUT	1		M6			
12	90302040601	WASHER,SPRING	1		6			
13	33370352000	GUARD	1					
14	90101208016	BOLT	4		M8X16			
15	90304110801	WASHER,TOOTH	4		8			

# TL-200E-2-10202 3 BOOM + JIB, 2M2D, KW30MXL

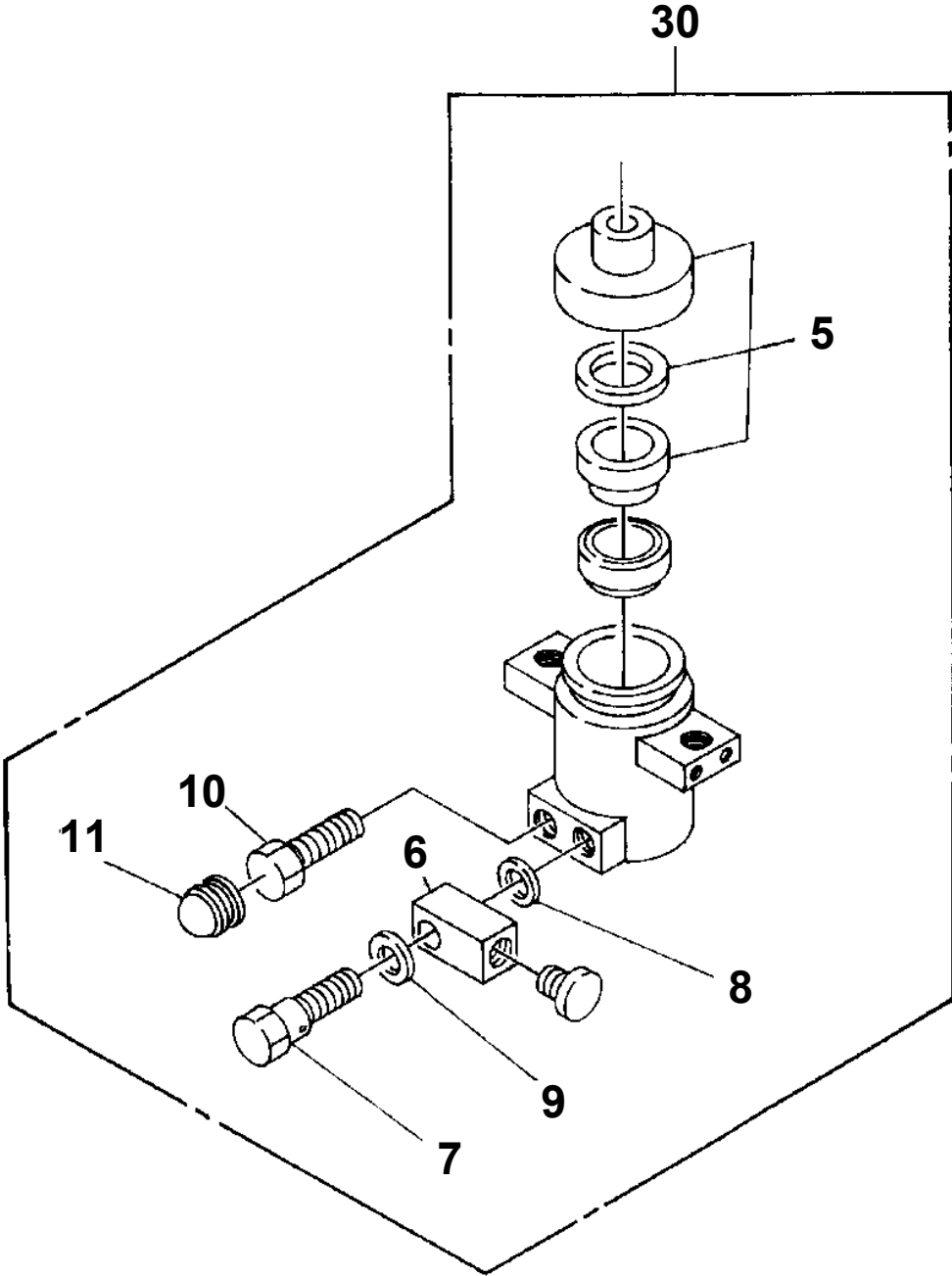
Pos No.	Parts No	Parts Name	Qty	Unit	Technical Data	Serial No (Start)	Serial No (E
1	8210000207	CLAMP	7				
2	90928040061	SCREW,TAPPING	7		M4X6		
3	90303290600	WASHER,PLAIN	1		6		
4	90302040601	WASHER,SPRING	1		6		
5	90201200600	NUT	1		M6		
6	90101206016	BOLT	1		M6X16		
7	19418221000	SUPPORT	1				
8	90201201200	NUT	2		M12		
9	(*****)	SWITCH,OVER WIND DETECTOR (BOOM)	1				
10	14128208000	RING	2				
11	13618202000	WIRE	1		L=500		
12	32370000130	WEIGHT	1				
13	82100000192	TERMINAL	1				
14	82100000182	INSULATOR	1				
15	82100001194	CONNECTOR	1				
16	82100001195	CONNECTOR	1				
17	82100000865	TERMINAL	1				
18	82100000191	TERMINAL	1				
19	82100000183	INSULATOR	1				
20	33370190010	SUPPORT	1				
34	90101208030	BOLT	2		M8X30		
35	90302040801	WASHER,SPRING	2		8		

TL-200E-2-10202 3 BOOM + JIB, 2M2D, KW30MXL  
PH1250052-02 MOMENT LIMITER (AML K-K4)

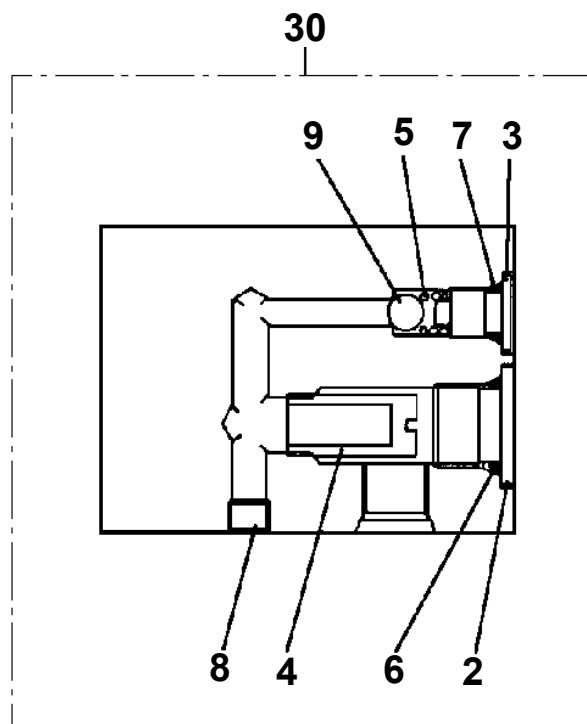


**TL-200E-2-10202 3 BOOM + JIB, 2M2D, KW30MXL**  
**PI1060002-00 CYLINDER,BRAKE**

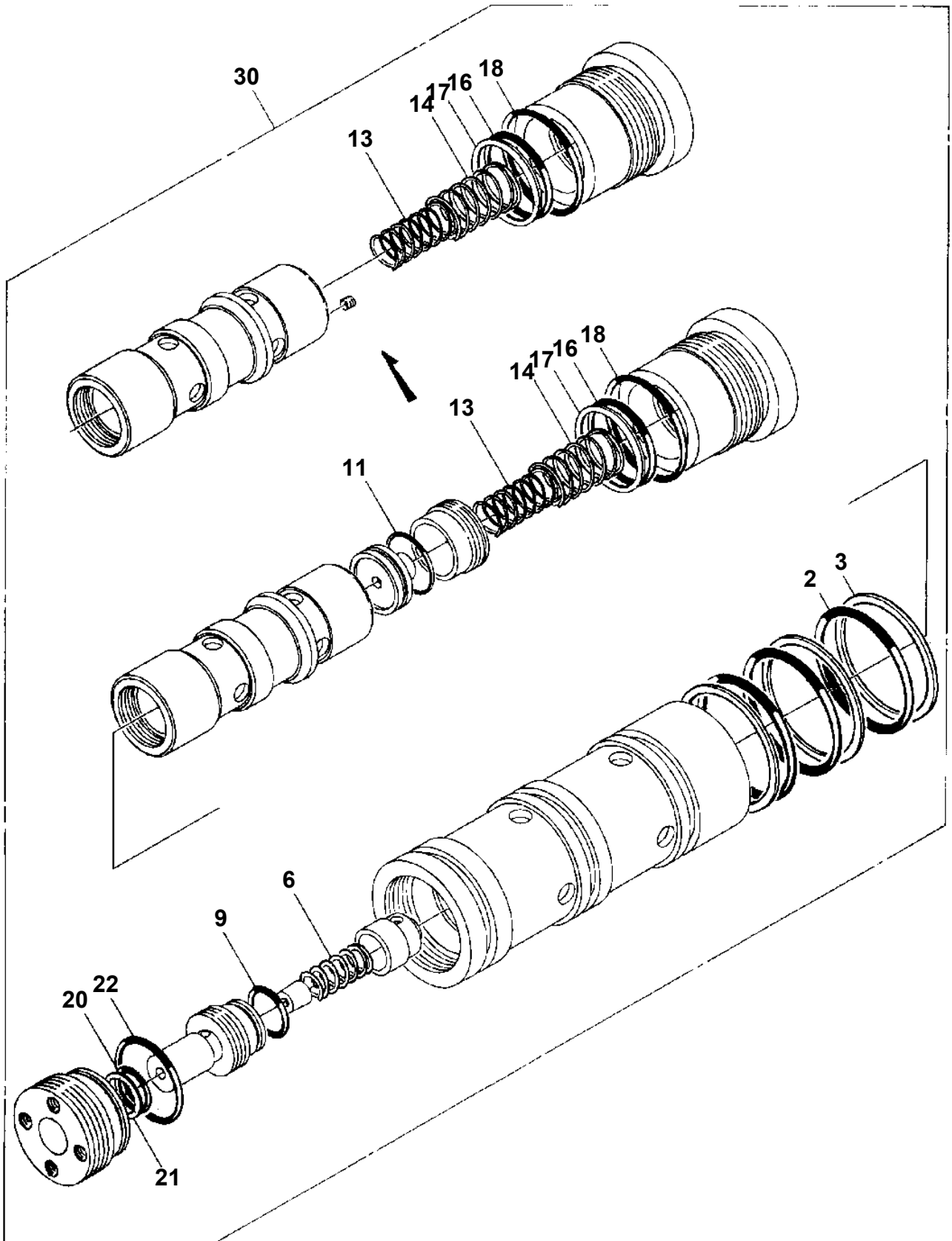
Accessories    Name    CYLINDER, BRAKE



**TL-200E-2-10202 3 BOOM + JIB, 2M2D, KW30MXL  
PI1140062-01 VALVE,CHECK**

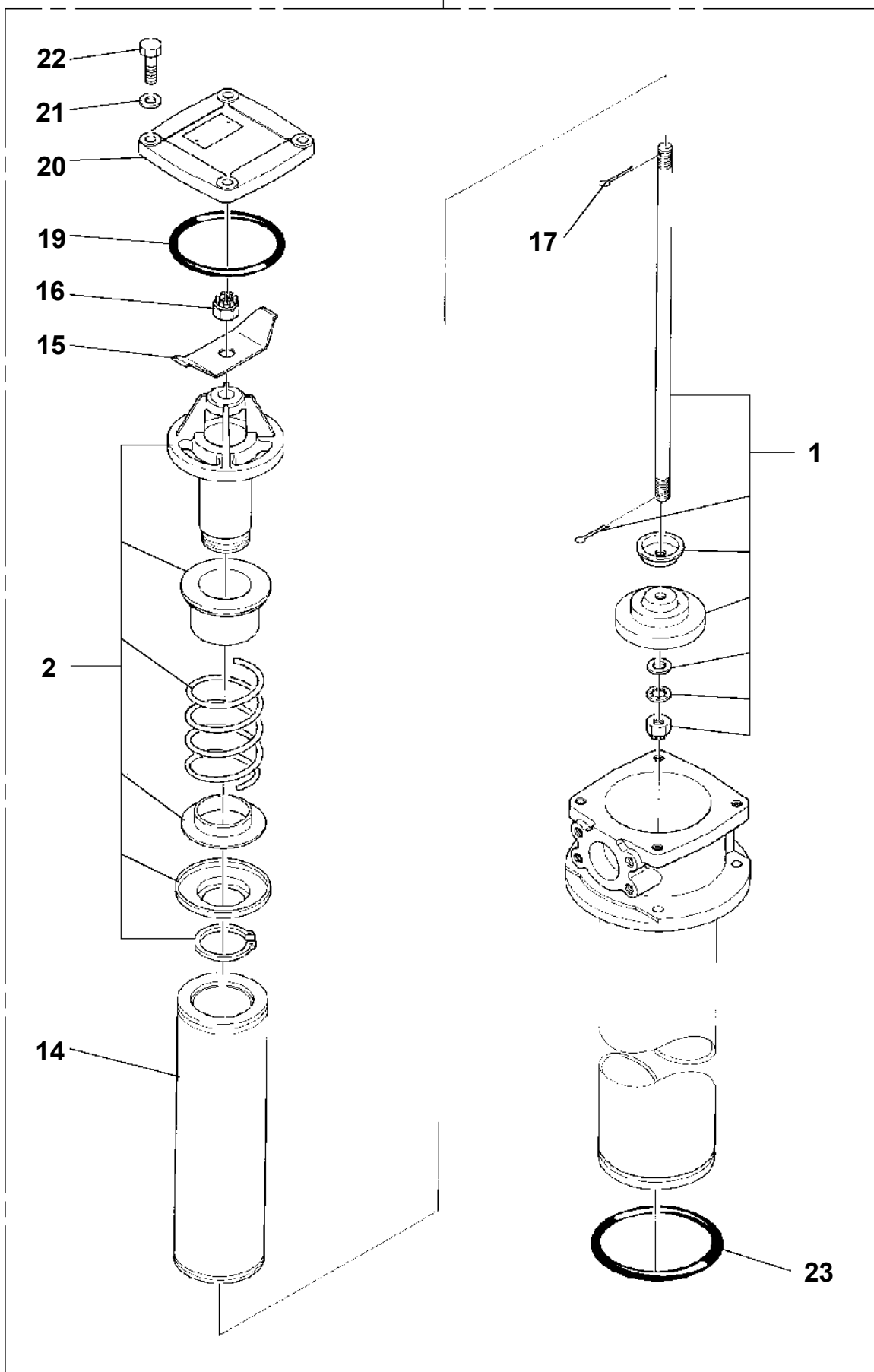


**TL-200E-2-10202 3 BOOM + JIB, 2M2D, KW30MXL  
PI1260011-02 CARTRIDGE, COUNTERBALANCE**



TL-200E-2-10202 3 BOOM + JIB, 2M2D, KW30MXL  
PI1300120-02 FILTER,OIL

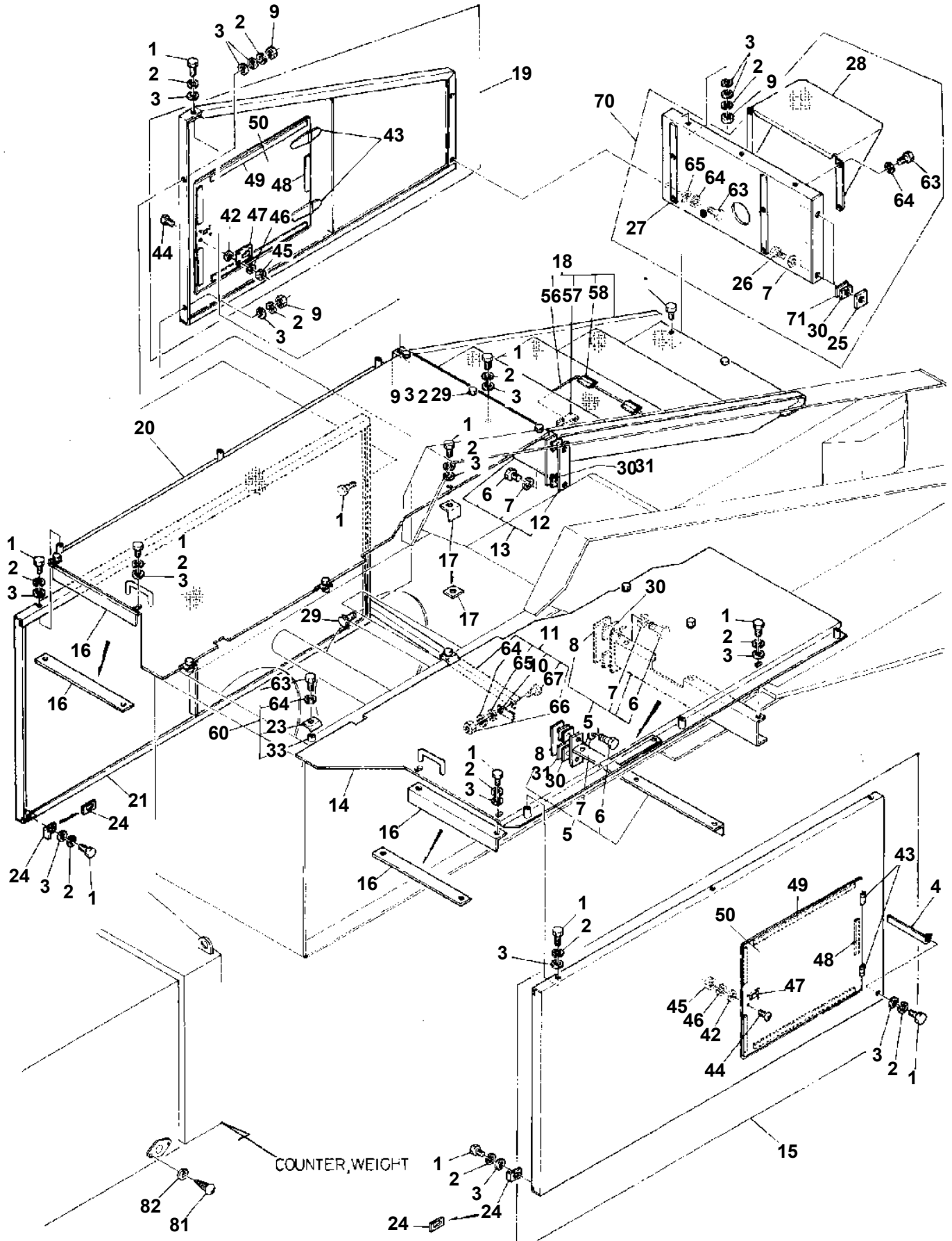
30



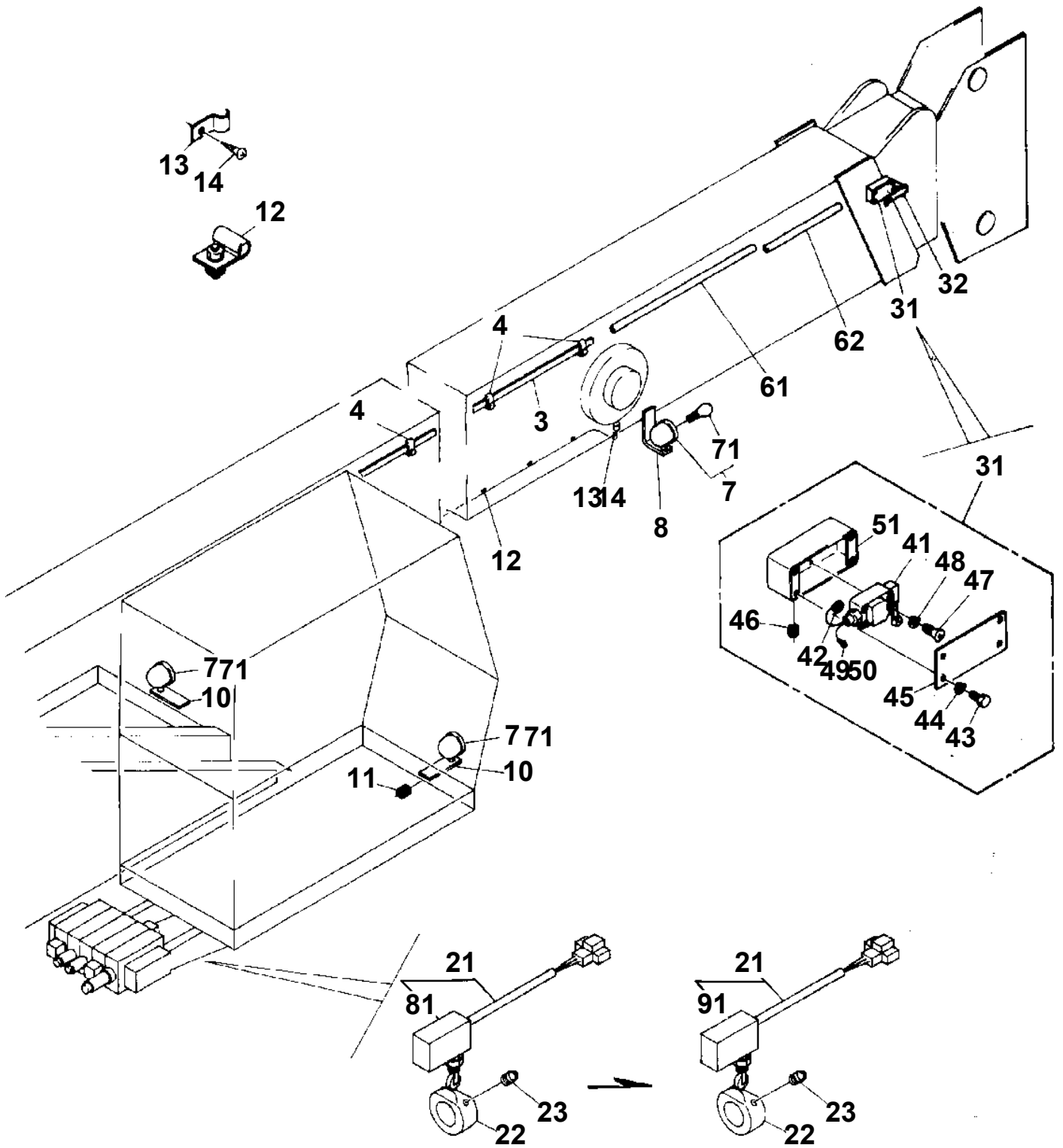
# TL-200E-2-10202 3 BOOM + JIB, 2M2D, KW30MXL

Pos No.	Parts No	Parts Name	Qty	Unit	Technical Data	Serial No (Start)	Serial No (End)	Remarks	Pages
1	33230220010	TABLE,SLEWING	1						
2	16242002001	PLATE	2						
3	90101510030	BOLT	4		M10X30				
4	90302041001	WASHER,SPRING	4		10				
5	37000117690	PIN	1						
6	37001500020	BOLT	28		M24X140				
7	90201702400	NUT	23		M24				
8	90302042401	WASHER,SPRING	28		24				
9	16072005001	STOPPER	2						
10	37000117700	PIN	1						
12	33230026000	PLATE	2						
13	90102208012	BOLT	2		M8X12				
14	90302040801	WASHER,SPRING	2		8				
15	16612008000	COVER	1						
16	90101512030	BOLT	2		M12X30				
17	90302041201	WASHER,SPRING	2		12				
20	33230220020	FRAME	1						
21	33230025100	FORK	1						
22	37000100390	PIN	1						
23	90303102001	WASHER,PLAIN	1		20				
24	80136340040	PIN,SPLIT	1		4X40				
30	33220033200	SUPPORT ASSY	1						
31	33220033230	SUPPORT	1						
33	90201200800	NUT	2		M8				
34	90302040801	WASHER,SPRING	2		8				
35	33220033250	SUPPORT	1						
36	90101208030	BOLT	2		M8X30				
40	33230027001	COVER ASSY	1						

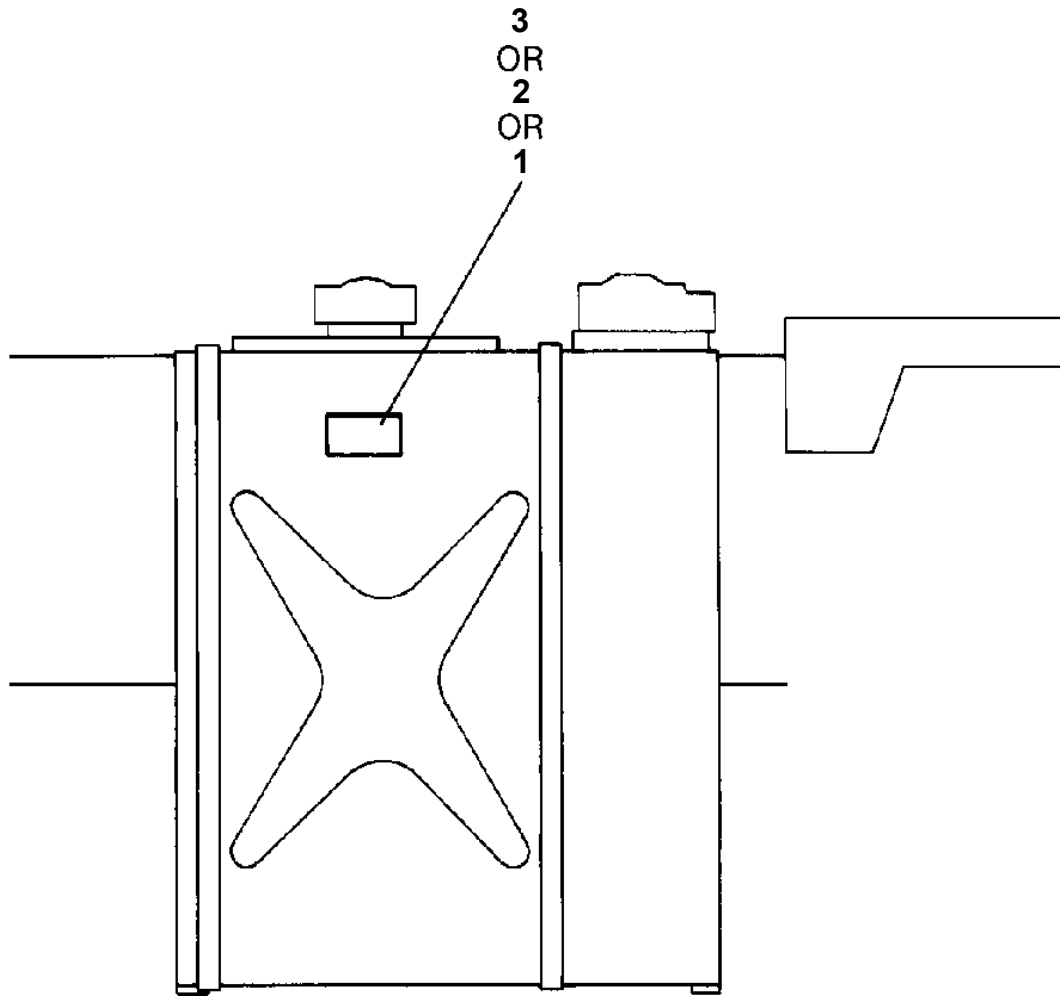
TL-200E-2-10202 3 BOOM + JIB, 2M2D, KW30MXL  
PK1200033-02 COVER, SWING FRAME



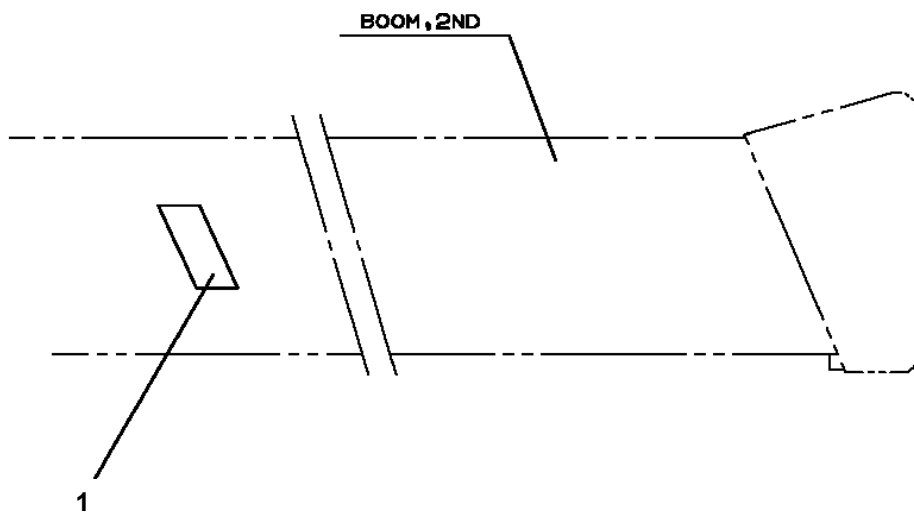
TL-200E-2-10202 3 BOOM + JIB, 2M2D, KW30MXL  
PN1010090-01 ELECTRICAL ACCESSORIES



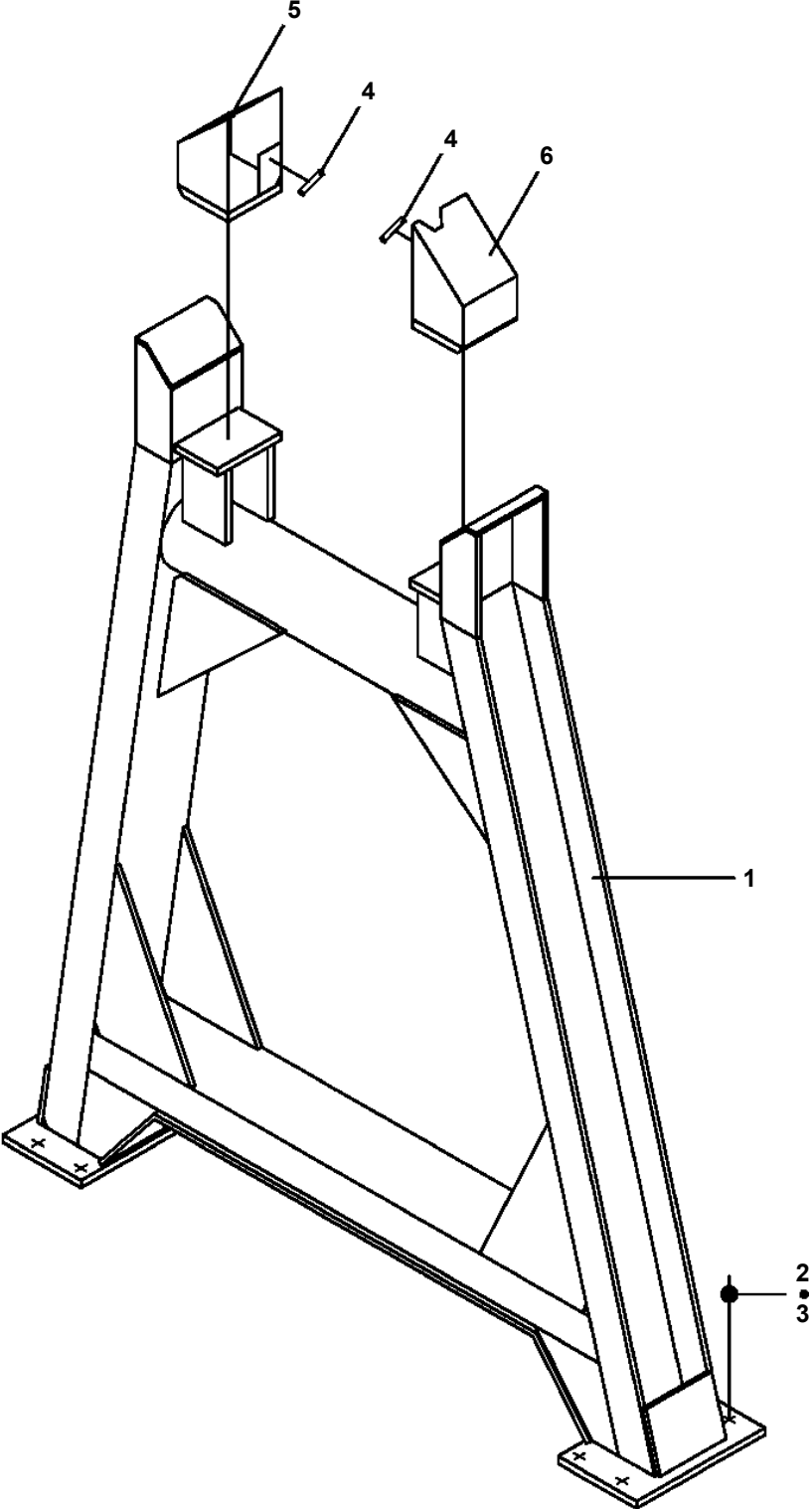
TL-200E-2-10202 3 BOOM + JIB, 2M2D, KW30MXL  
PO1010159-03 PLATE ASSY,NAME (OIL)



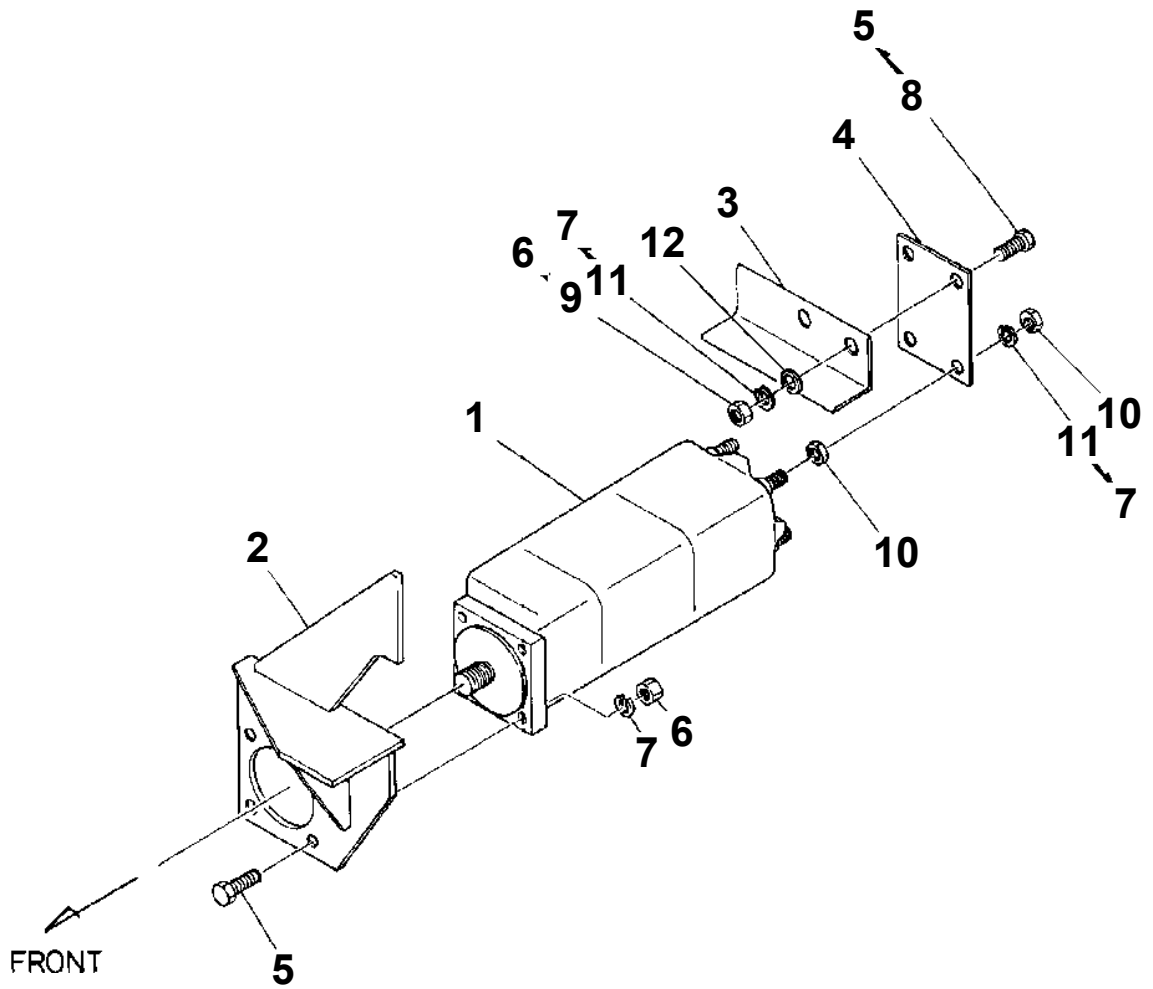
**TL-200E-2-10202 3 BOOM + JIB, 2M2D, KW30MXL  
PO1050123-00 MARKING**



**TL-200E-2-10202 3 BOOM + JIB, 2M2D, KW30MXL  
PX1120263-00 BOOM REST INSTALLATION**



**TL-200E-2-10202 3 BOOM + JIB, 2M2D, KW30MXL  
PX1220087-00 PUMP INSTALLATION**



CLICK HERE TO **DOWNLOAD** THE COMPLETE MANUAL

- Thank you very much for reading the preview of the manual.
- You can download the complete manual from: [www.heydownloads.com](http://www.heydownloads.com) by clicking the link below



- Please note: If there is no response to CLICKING the link, please download this PDF first and then click on it.

CLICK HERE TO **DOWNLOAD** THE COMPLETE MANUAL