

# **TL-200E-3-10605 3 BOOM + JIB, 2M2D, KW32MXHS**

**PB1000178-02 HYDRAULIC PRESSURE GENERATING SYSTEM**

**PC1000133-02 OUTRIGGER SYSTEM**

**PD1000165-01 SWING SYSTEM**

**PE1000163-01 ELEVATING SYSTEM**

**PF1000154-04 WINCH SYSTEM**

**PG1000157-01 TELESCOPING SYSTEM**

**PH1000151-02 SAFETY DEVICES**

**PK1000171-02 FRAME**

**PL1000168-01 CONTROL DEVICES**

**PN1000150-01 ELECTRIC EQUIPMENT**

**PO1000144-01 INDICATION PLATES**

**PW1000028-00 ACCESSORIES & TOOLS**

**PX1000171-01 MOUNTING PARTS**

**PY1000151-02 OPTIONS**

**ASSEMBLY**

CLICK HERE TO **DOWNLOAD** THE COMPLETE MANUAL

- Thank you very much for reading the preview of the manual.
- You can download the complete manual from: [www.heydownloads.com](http://www.heydownloads.com) by clicking the link below



- Please note: If there is no response to CLICKING the link, please download this PDF first and then click on it.

CLICK HERE TO **DOWNLOAD** THE COMPLETE MANUAL

## TL-200E-3-10605 3 BOOM + JIB, 2M2D, KW32MXHS

Pos No.	Parts No	Parts Name	Qty	Unit	Technical Data	Serial No (Start)	Serial No (End)
1	36091740000	HOOK (MAIN,SHEAVE 3 PC'S)	1				
2	(*****)	HOOK (AUXILIARY)	1				
4	37001806120	ROPE,WIRE	1				
	37001800470	ROPE,WIRE	1				
5	37001802090	ROPE,WIRE (TESAC)	1				
6	(*****)	SOCKET,ROPE (SEIZING )	2				
7	(*****)	OPE.ASSY, WINCH BRAKE (MAIN)	1				
8	(*****)	OPE.ASSY, WINCH BRAKE (AUX.)	1				
9	(*****)	OPE.ASSY,DRUM LOCK (MAIN)	1				
11	(*****)	OPE.ASSY,DRUM LODK (AUX.)	1				
12	(*****)	OPE.ASSY,CLUTCH (MAIN)	1				
13	(*****)	OPE.ASSY,CLUTCH (AUX.)	1				
14	(*****)	DETECTOR,DISORDERLY WIND (MAIN,OPTION)	1				
15	(*****)	DETECTOR,DISORDERLY WIND (AUX.,OPTION)	1				
16	(*****)	PIPING,WINCH (MAIN)	1				
18	(*****)	PIPING,WINCH (AUX.)	1				
19	(*****)	PIPING,WINCH BRAKE (MAIN)	1				
20	(*****)	PIPING,WINCH BRAKE (AUX.)	1				
21	(*****)	DETECTOR,DRUM ROTATION (AML-LC,OPTION)	1				
22	(*****)	MOUNT,WINCH (AUX.,SANWA)	1				
23	(*****)	MOUNT,WINCH (MAIN)	1				
101	36070840000	WINCH	2				
102	19413067000	CLUTCH,WINCH	2				
103	33310660010	BAND,WINCH BRAKE	2				
104	36634680000	VALVE,CLUTCH	1				
105	36661680000	MOTOR,HYDRAULIC (SANWA)	2				
106	36661840000	MOTOR,HYDRAULIC (SANWA)	2				
107	36061040000	CYLINDER,MASTER	2				
108	36643940000	VALVE,HYDRAULIC	2				
109	36603180000	VALVE,COUNTERBALANCE (SANWA)	2				
110	36672480000	ACCUMULATOR	1				

# TL-200E-3-10605 3 BOOM + JIB, 2M2D, KW32MXHS

Pos No.	Parts No	Parts Name	Qty	Unit	Technical Data	Serial No (Start)	Serial No (End)
2	(*****)	ELECTRICAL PARTS,CAB	1				
4	(*****)	LAMP (WORKING)	1				
5	(*****)	SWITCH,DETECTOR (JIB AUTOMATIC PIN)	1				

## **TL-200E-3-10605 3 BOOM + JIB, 2M2D, KW32MXHS**

PH1060262-01 DETECTOR,OVER WIND (WEIGHT,JIB & S/T)  
PH1060277-02 DETECTOR,OVER WINDING (BOOM)  
PH1070013-02 SWITCH,OVER WIND DETECTOR (BOOM)  
PH1180199-00 CONNECTION,MOMENT LIMITER SYSTEM  
PH1200015-02 PIPING,VENT  
PH1250026-01 MOMENT LIMITER (AML-LC)  
PI1010034-03 MOTOR,HYDRAULIC (SANWA)  
PI1010072-01 MOTOR,HYDRAULIC (AIR CONDITIONER)  
PI1010111-00 MOTOR,HYDRAULIC (SANWA)  
PI1010121-01 MOTOR,HYDRAULIC (SWING)  
PI1010124-00 MOTOR,HYDRAULIC (COOLER,OIL)  
PI1010162-00 MOTOR,HYDRAULIC (COOLER,OIL)  
PI1010186-00 MOTOR,HYDRAULIC  
PI1010205-00 MOTOR,HYDRAULIC  
PI1030008-01 CYLINDER,MASTER  
PI1030011-00 CYLINDER,MASTER  
PI1030012-00 CYLINDER,MASTER (NABCO)  
PI1030040-00 CYLINDER,MASTER  
PI1040011-00 CYLINDER,AIR  
PI1050002-00 RESERVOIR,OIL  
PI1100044-01 VALVE,RELIEF  
PI1120138-04 VALVE,SOLENOID  
PI1120344-00 VALVE,SOLENOID  
PI1120345-00 VALVE,SOLENOID  
PI1120353-00 VALVE,SOLENOID  
PI1130005-01 VALVE,HYDRAULIC  
PI1140017-00 VALVE,CHECK  
PI1140042-00 VALVE,CHECK  
PI1140082-00 VALVE,CHECK  
PI1140100-00 VALVE,CHECK  
PI1140170-03 VALVE,CHECK  
PI1160007-00 VALVE,FLOW CONTROL  
PI1170000-00 VALVE,PRESSURE DETECTOR  
PI1250066-00 VALVE,COUNTERBALANCE (SANWA)  
PI1260011-02 CARTRIDGE, COUNTERBALANCE  
PI1280002-00 VALVE,PILOT CHECK  
PI1300012-03 FILTER,OIL (TANK,OIL)  
PI1300120-02 FILTER,OIL  
PK1100299-00 SWING FRAME  
PK1120176-01 SWING TABLE  
PK1140124-02 CAB,OPERATOR  
PK1150021-00 SEAT,OPERATOR  
PK1200326-03 COVER,SWING FRAME  
PK1220184-00 WEIGHT, COUNTERBALANCE  
PK1330047-00 COVER (WITHOUT HEATER,OP.)  
PK1410026-01 MOUNT,CAB  
PL1010816-00 OPE.ASSY,CONT.VALVE (ISO)  
PL1030718-01 OPE.ASSY,ACCELERATOR (UPPER)  
PN1050165-01 ELECTRICAL PARTS,CAB  
PN1080074-01 LAMP (WORKING)  
PN1140079-00 SWITCH,DETECTOR (JIB AUTOMATIC PIN)  
PO1010035-00 PLATE ASSY,NAME (LOWER)/WITH F/J)  
PO1010159-03 PLATE ASSY,NAME (OIL)  
PO1010372-00 PLATE ASSY,NAME (LOWER/WITH F/J,ENG.)  
PO1010899-01 PLATE ASSY,NAME (UPPER 1)  
PO1012513-00 PLATE ASSY,NAME (OPTION,HEATER/ENGLISH)  
PO1012514-00 PLATE ASSY,NAME (OP.,HEATER/ENG & CHI)  
PO1013043-00 PLATE ASSY,NAME (UPPER/JIB STORED)  
PO1013044-00 PLATE ASSY,NAME (SHIPMENT,CARRIER)  
PO1013379-00 PLATE ASSY,NAME (UPPER/ENGLISH-CHINESE)  
PO1030008-00 TADANO (CAB,BLUE/BLACK)  
PO1030009-00 TADANO (CAB,WHITE/WHITE)  
PO1030010-00 TADANO (CAB,BLUE/WHITE)  
PO1050044-00 MARKING (BOOM)

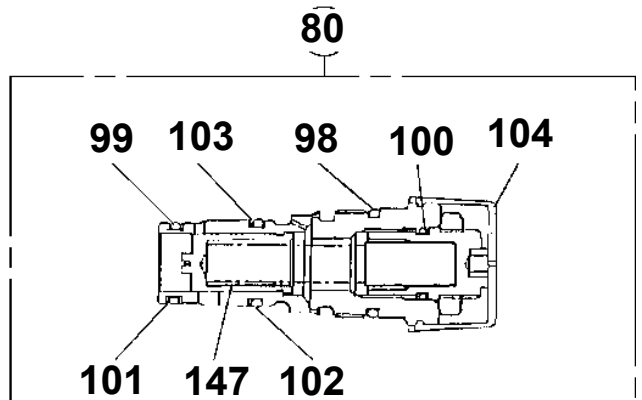
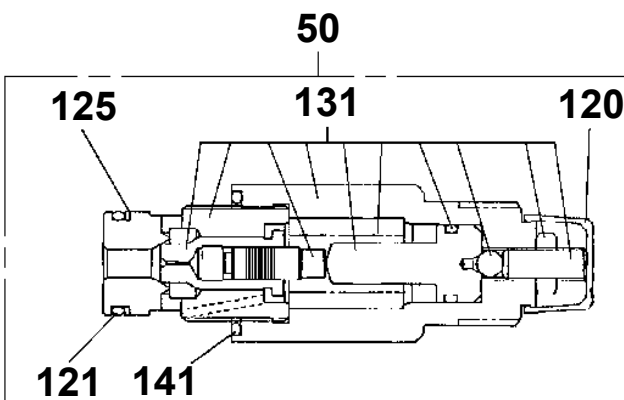
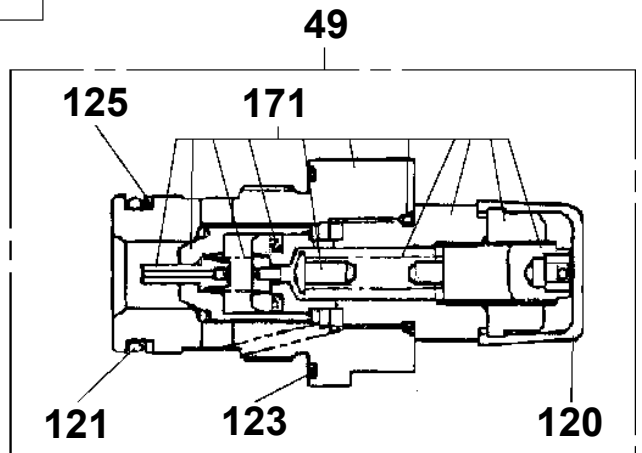
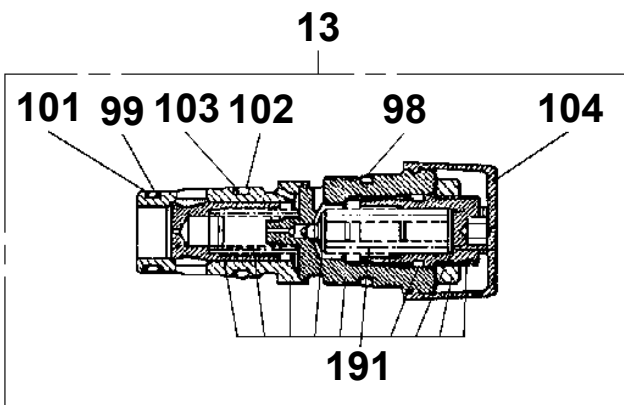
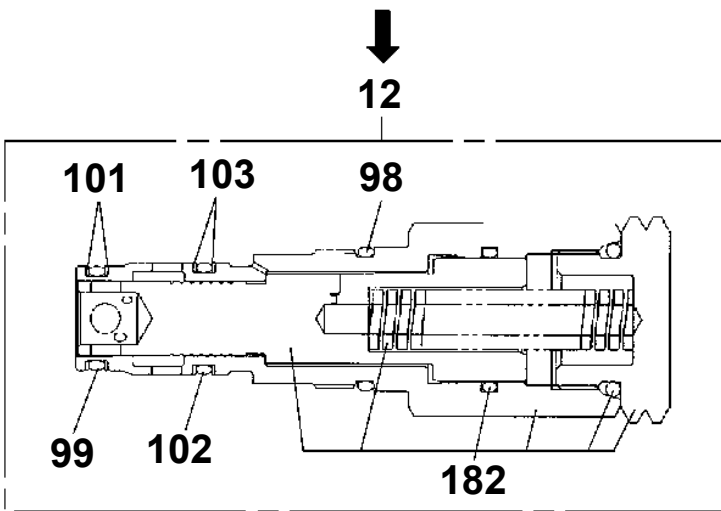
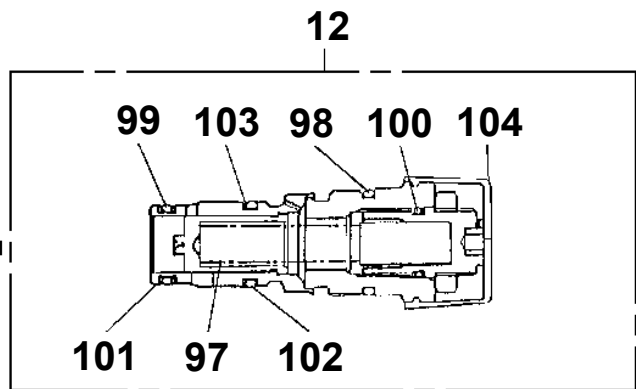
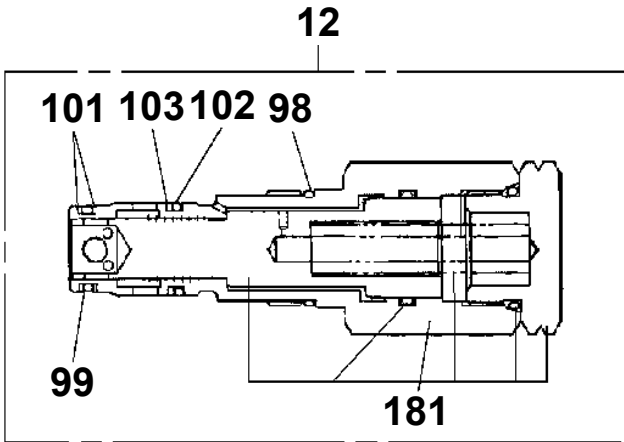
## TL-200E-3-10605 3 BOOM + JIB, 2M2D, KW32MXHS

Pos No.	Parts No	Parts Name	Qty	Unit	Technical Data	Serial No (Start)	Serial No (End)	Remarks	Pages
1	33643820100	JOINT	1						
2	80330003500	FITTING	1						
3	37000802380	FITTING,FLANGE	1						
4	91002906000	O-RING	1		1B G60				
5	90101212030	BOLT	8		M12X30				
6	90302041201	WASHER,SPRING	8		12				
7	91002905000	O-RING	1		1B G50				
8	80330003300	FITTING	2						
9	37000804910	FITTING,FLANGE	1						
10	91002904000	O-RING	2		1B G40				
11	90101210030	BOLT	8		M10X30				
12	90302041001	WASHER,SPRING	8		10				
13	37002502830	HOSE	1						
14	91803601000	CLIP	8		D=85-100				
15	37000706740	CLAMP ASSY	1						
16	33640008010	CUSHION	1						
17	33640570200	JOINT	1						
18	37000519980	BAR	1						
19	37000700670	CLAMP ASSY	1						
20	37002500310	HOSE	1		L=230				
21	37000805320	FITTING,FLANGE	1						
22	80316030080	PLUG	1		PT1/2				

# TL-200E-3-10605 3 BOOM + JIB, 2M2D, KW32MXHS

Pos No.	Parts No	Parts Name	Qty	Unit	Technical Data	Serial No (Start)	Serial No (End)	Remarks	Page
1	36624450000	VALVE,CHECK	1						000
2	36180080000	SENDER,PRESSURE	2						
3	37000921590	JOINT	1						
4	81408000130	PIPE,STEEL	1	M	10X1.8T				
5	80302090121	FITTING	1		KCO10-030N				
6	91002801400	O-RING	1		1B P14				
7	91002801600	O-RING	2		1B P16				
10	90101208040	BOLT	2		M8X40				
11	90101208020	BOLT	2		M8X20				
12	90302040801	WASHER,SPRING	4		8				
13	37000556980	PLATE	1						

TL-200E-3-10605 3 BOOM + JIB, 2M2D, KW32MXHS  
 PB1320103-06 VALVE, MANUAL CONTROL



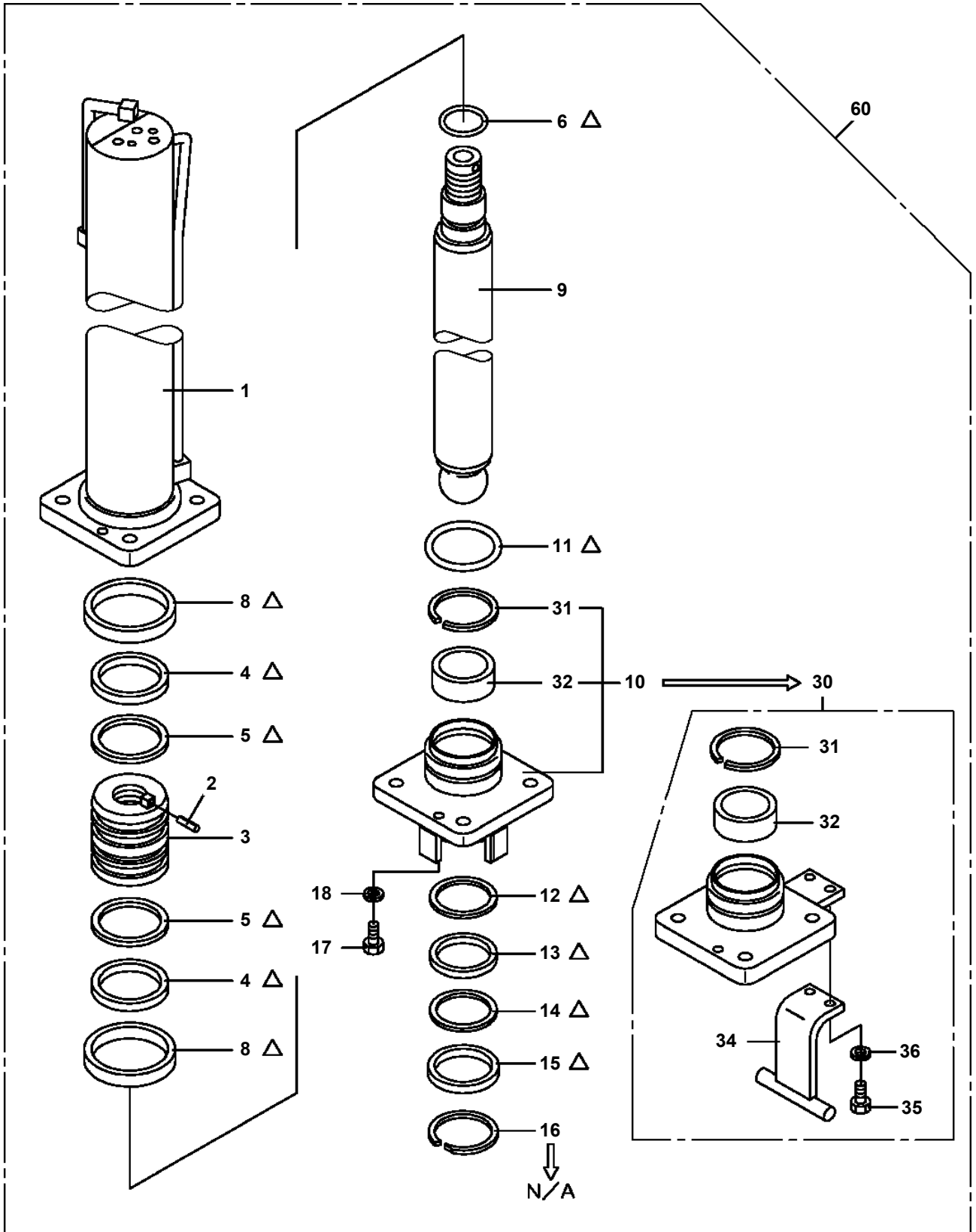
## TL-200E-3-10605 3 BOOM + JIB, 2M2D, KW32MXHS

Pos No.	Parts No	Parts Name	Qty	Unit	Technical Data	Serial No (Start)	Serial No (End)	Remarks
1	33610651001	CASE, OUTER	1					
2	33611562000	CASE, INNER	2					
3	36042790000	CYLINDER, EXTENSION	2					
4	37002419390	HOSE, TWIN	2		L=2850			
5	90172110030	BOLT, HEXAGON SOCKET	8		M10X30			
6	90302041001	WASHER, SPRING	8		10			
7	36622460000	VALVE, CHECK	2					
8	33610650100	SUPPORT ASSY	2					
9	80430620400	JOINT	4					
10	36031310001	CYLINDER, JACK	2					
11	33610363010	SUPPORT	2					
12	90171116075	BOLT	8		M16X75			
13	90302041601	WASHER, SPRING	8		16			
14	33610023300	FLOAT ASSY	2					
16	90101208020	BOLT	2		M8X20			
17	90201200800	NUT	2		M8			
18	90302040801	WASHER, SPRING	2		8			
19	90101210014	BOLT	8		M10X14			
20	37000102100	PIN	4					
21	80136340050	PIN, SPLIT	8		4X50			
22	37000104050	PIN	2					
23	80136325020	PIN, SPLIT	4		2.5X20			
24	90303071001	WASHER, PLAIN	4		10			
25	82100002039	CLAMP	2					
26	33610650010	PLATE	4					
27	33610630020	PLATE	4					
28	82100002535	TUBE, SPIRAL	1	M	SE-29BK			
51	90101210035	BOLT	4		M10X35			
52	90302041001	WASHER, SPRING	16		10			
53	33610240120	PLATE, SLIDE	2					
61	91002801100	O-RING	4		1B P11			
71	90191410045	BOLT	12		M10X45			
73	33610023310	COVER	4					
74	33610028010	FLOAT ASSY	2					
85	82456101000	NIPPLE, GREASE	2		A-PT1/8			

# TL-200E-3-10605 3 BOOM + JIB, 2M2D, KW32MXHS

Pos No.	Parts No	Parts Name	Qty	Unit	Technical Data	Serial No (Start)	Serial No
1	36634180000	VALVE,MANUAL CONTROL (OUTRIGGER,F/J)	1				
2	31320020020	KNOB (RED)	2				
3	56086056000	LEVER	1				
4	37000105610	PIN	24		L=18		
5	80136320010	PIN,SPLIT	24		2X10		
6	31320020010	KNOB (BLACK)	10				
7	33700590600	LEVER	1				
8	56086057000	LEVER	4				
9	33701560100	SUPPORT	1				350857
	33702270200	SUPPORT	1			350858	
10	90101208035	BOLT	3		M8X35		
11	90302040801	WASHER,SPRING	3		8		350857
	90302040801	WASHER,SPRING	5		8	350858	
12	90201200800	NUT	3		M8		350857
	90201200800	NUT	4		M8	350858	
13	33700401001	ROD	1				350849
	33702270100	ROD ASSY	1			350850	350857
14	90203200800	NUT	6		M8		
15	12644502000	ROD	5				
16	56086051000	LEVER	1				
17	33700590500	LEVER	1				
18	56086052000	LEVER	4				
19	33701610100	SUPPORT	1				
20	33700590010	SUPPORT	2				
21	32700007000	LEVEL ASSY	2				350818
	34700161000	LEVEL	2			350819	
22	82104103090	SWITCH,LIMIT	1				
23	37000571240	PLATE	1				350857
24	37000538880	PLATE	1				350849
25	33710300200	SUPPORT	1				350857
26	90101206016	BOLT	2		M6X16		350857
27	90302040601	WASHER,SPRING	2		6		350857
28	90303070601	WASHER,PLAIN	2		6		350857
29	33700401001	ROD	1			350858	
30	33702270300	COVER	1			350858	
31	90101208012	BOLT	2		M8X12	350858	
32	32701110100	CAM	1			350858	
33	90101208020	BOLT	1		M8X20	350858	

**TL-200E-3-10605 3 BOOM + JIB, 2M2D, KW32MXHS  
PC1290003-05 FRONT JACK, HYDRAULIC**



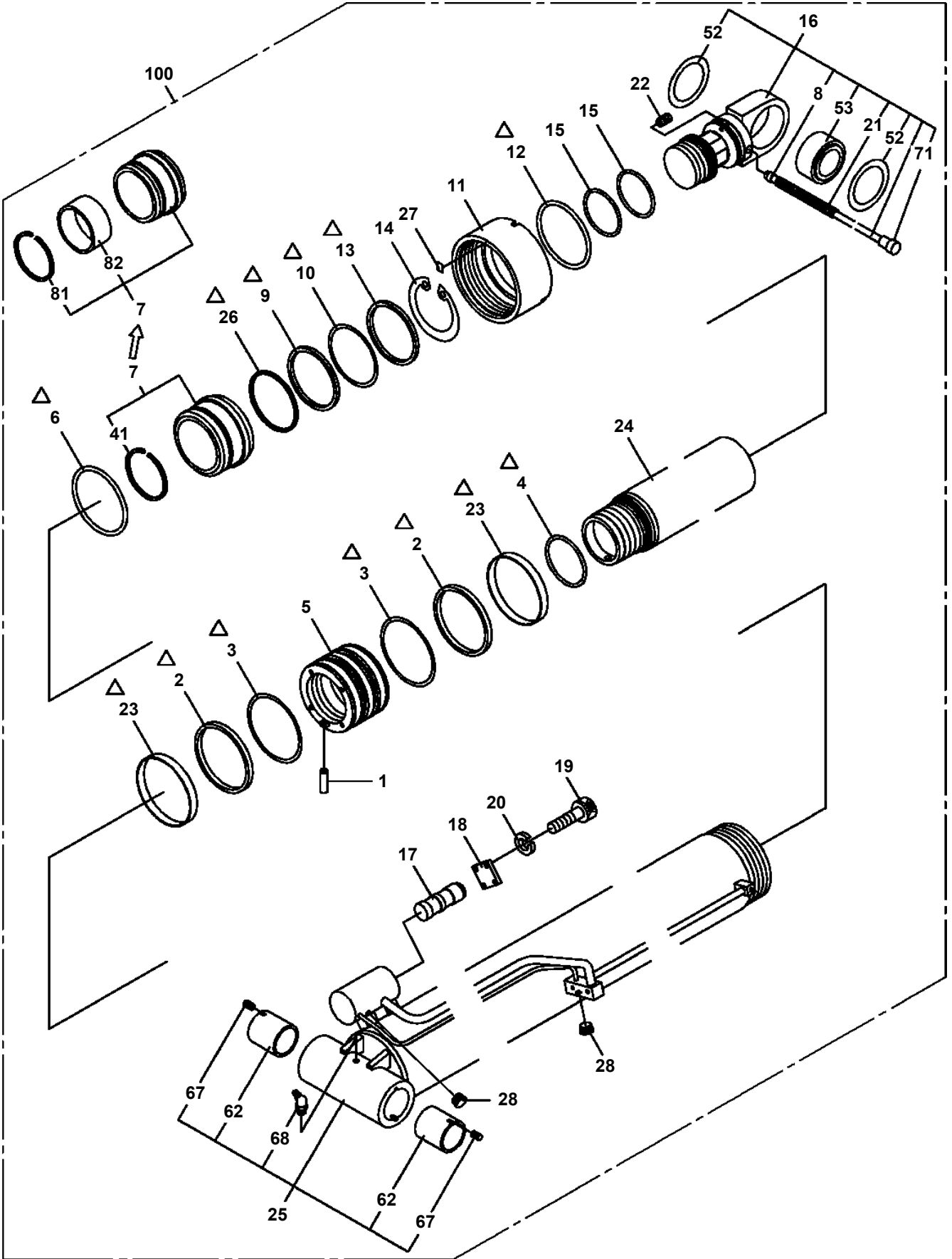
△:PACKING SET KEY NO. 52 (KEY NO.4,5,6,8,11,12,13,14,15)



△:PACKING SET KEY NO. 51 (KEY NO.4,5,6,8,11,12,13,14,15)

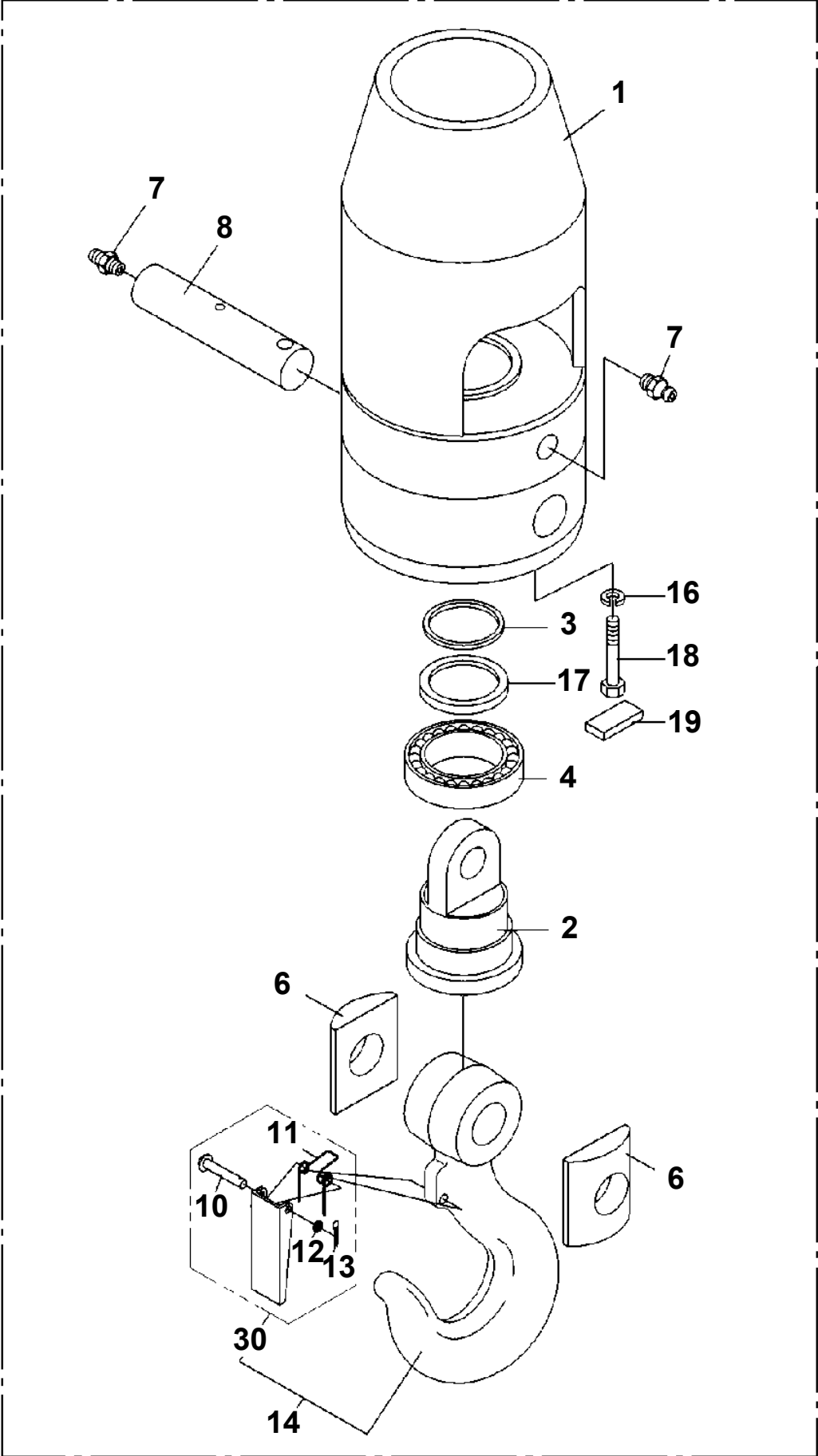
N/A

**TL-200E-3-10605 3 BOOM + JIB, 2M2D, KW32MXHS  
PE1010349-01 CYLINDER,ELEVATING**

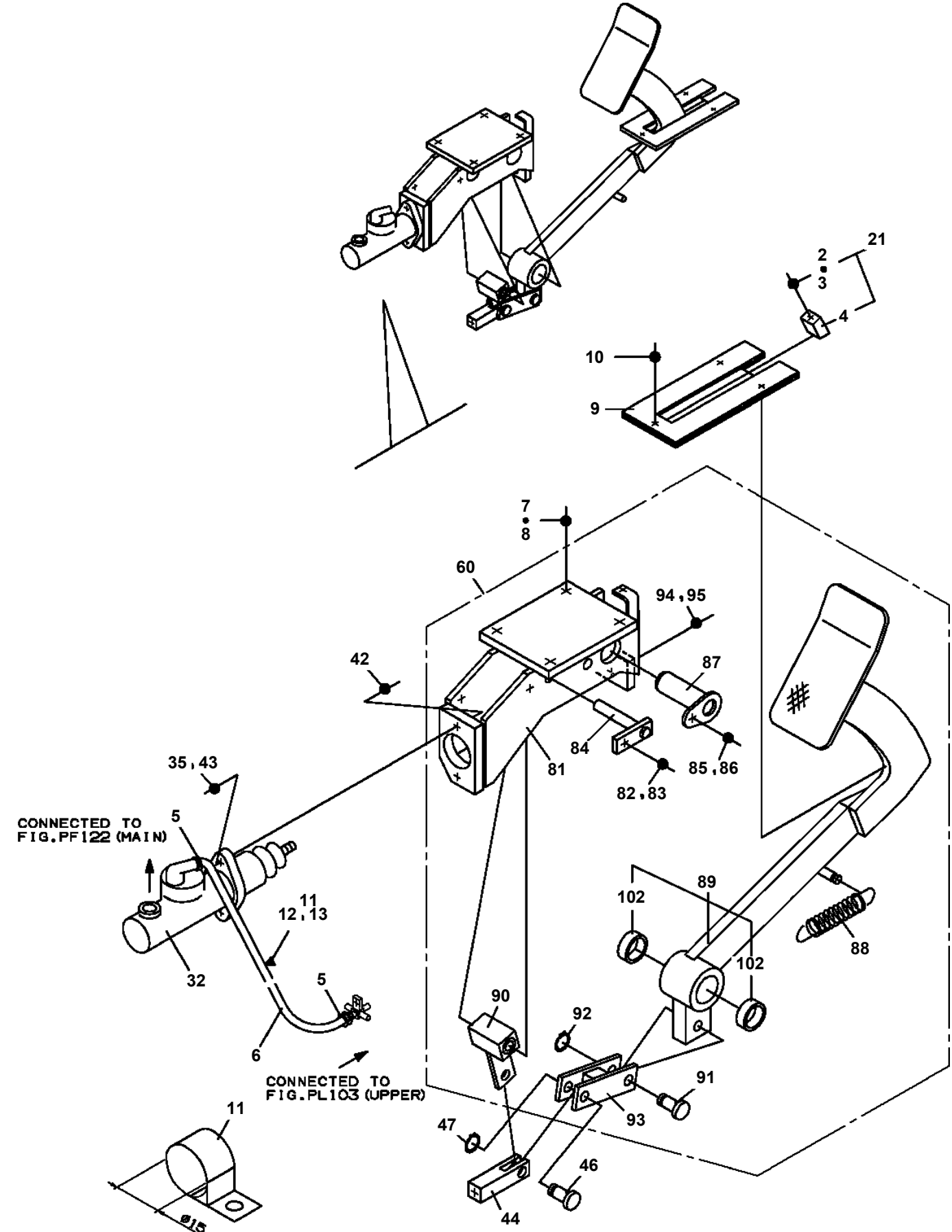


Δ:PACKING KIT KEY NO.90 (KEY NO.2,3,4,6,9,10,12,13,23,26)

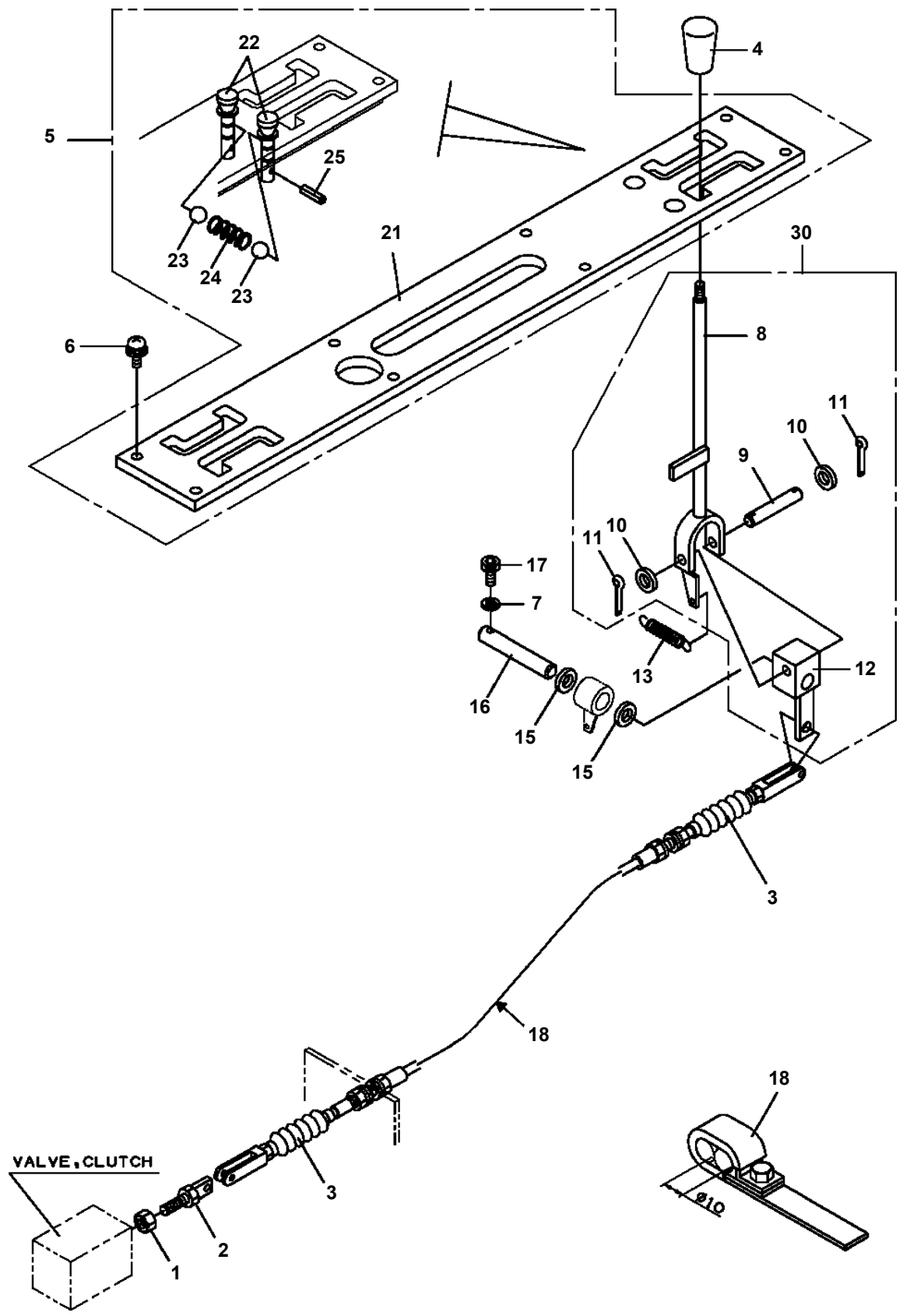
TL-200E-3-10605 3 BOOM + JIB, 2M2D, KW32MXHS  
PF1050333-00 HOOK (AUXILIARY)



**TL-200E-3-10605 3 BOOM + JIB, 2M2D, KW32MXHS  
PF1110063-01 OPE.ASSY, WINCH BRAKE (MAIN)**



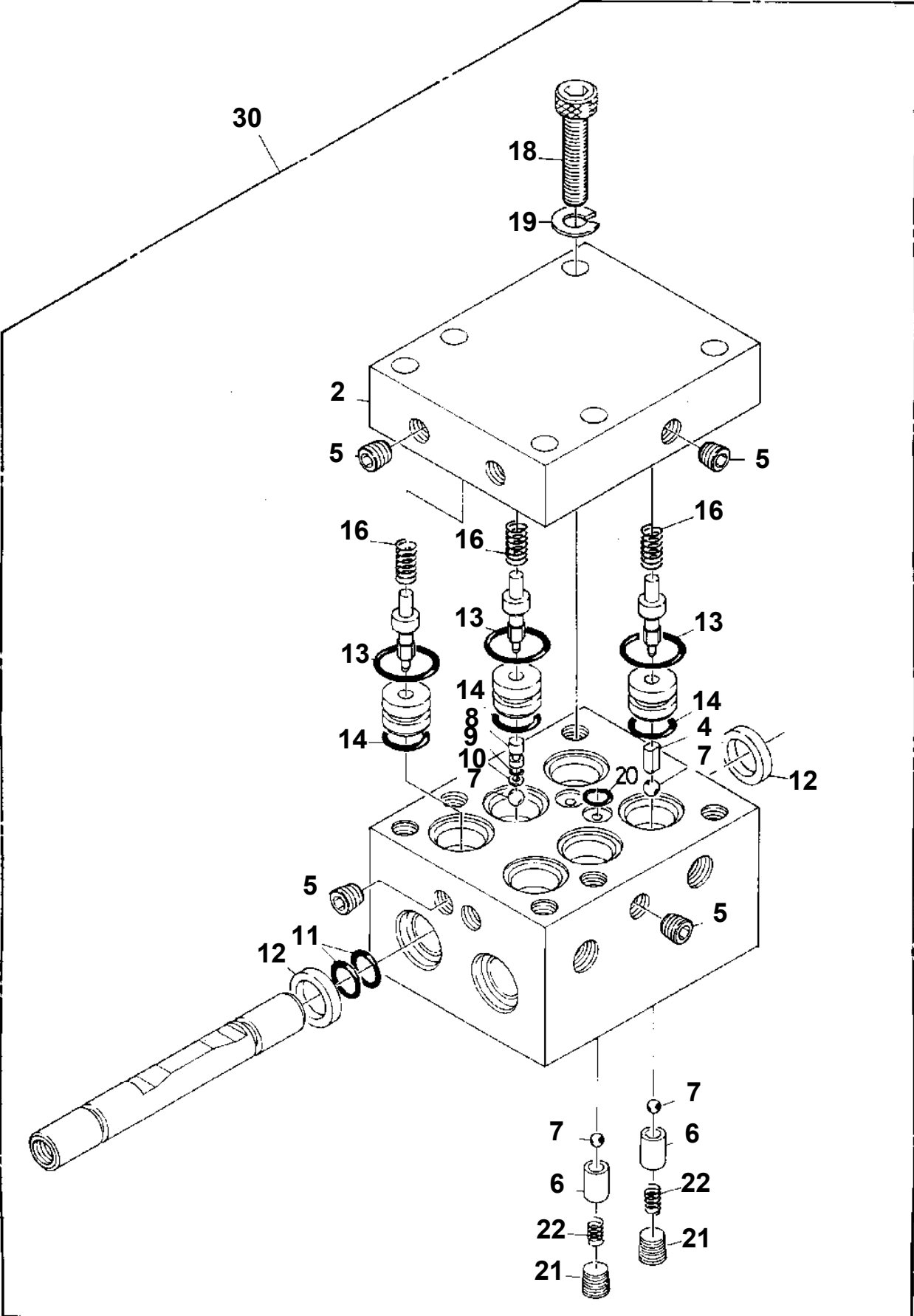
TL-200E-3-10605 3 BOOM + JIB, 2M2D, KW32MXHS  
PF1160021-04 OPE.ASSY,CLUTCH (MAIN)



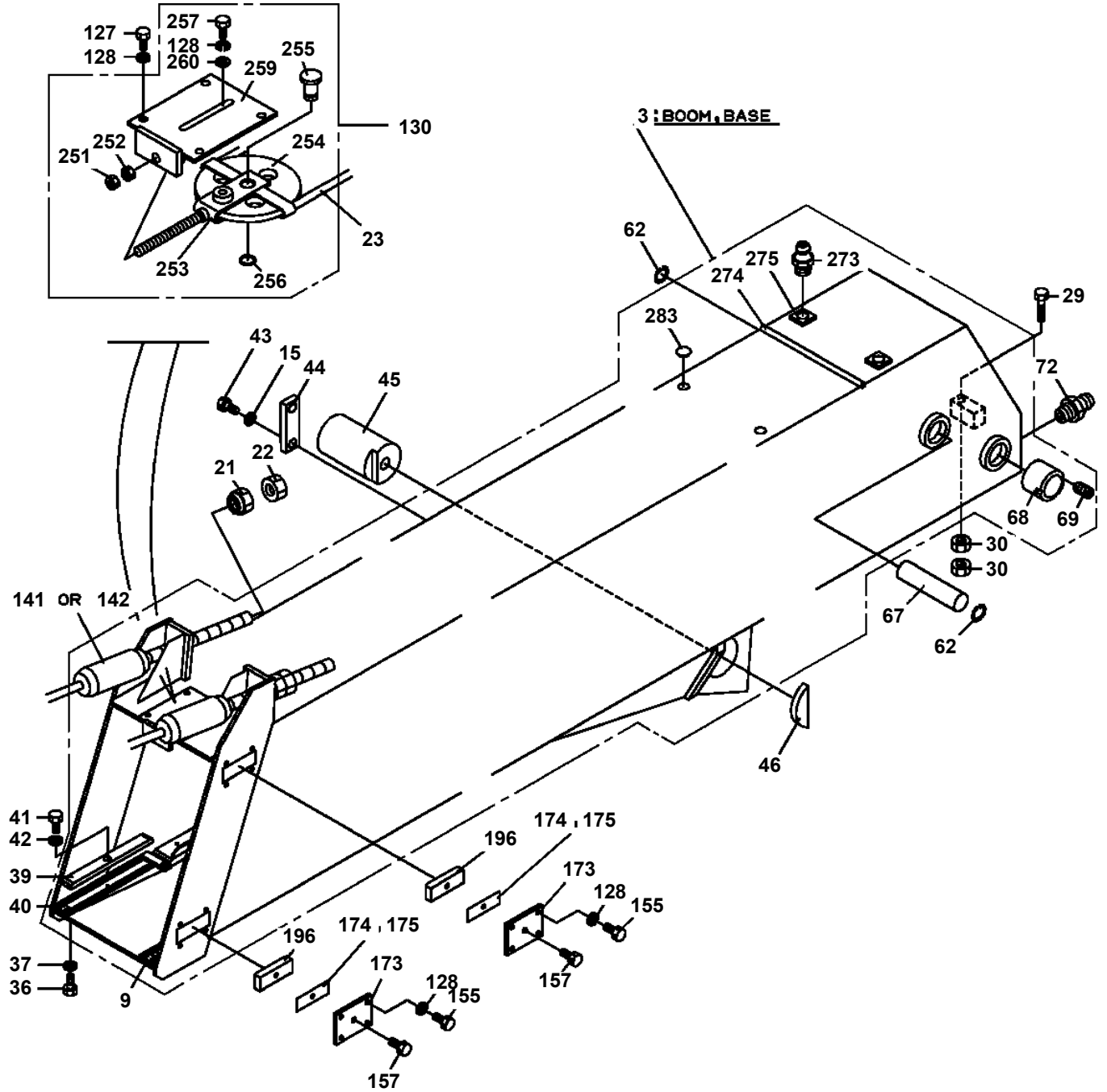
# TL-200E-3-10605 3 BOOM + JIB, 2M2D, KW32MXHS

Pos No.	Parts No	Parts Name	Qty	Unit	Technical Data	Serial No (Start)	Serial No (End)	Ren
1	36634680000	VALVE,CLUTCH	1					
2	36643940000	VALVE,HYDRAULIC	1					
3	36672140000	FILTER ASSY	2					
4	36672480000	ACCUMULATOR	1				350862	
	36673260000	ACCUMULATOR	1			350863		
5	80302090101	FITTING	5		KCO10-020N			
6	80400160135	JOINT	2					
7	80305010080	FITTING,TEE	1		KTA10-000N			
8	80441010604	FITTING	1					
9	80441010906	FITTING	1					
10	37000919710	JOINT,BUSHING	1				350862	
11	80430621600	JOINT	1					
12	80481308080	JOINT	1		L,G1-G1			
13	80441030908	FITTING,ELBOW (WITH O-RING)	1		L,G1/2-12.7			
14	80303130101	FITTING,ELBOW	5		KLO10-020E			
15	80305151002	FITTING,TEE	5					
16	80301010080	FITTING	4		KUA10-000E			
17	80320020050	FITTING	2		KUF10-020N			
18	80305131002	FITTING,TEE	1		KTNO010-020N			
19	80441030604	FITTING,ELBOW	1					
20	80302090121	FITTING	2		KCO10-030N			
21	80441050604	FITTING,TEE	2					
22	80430620400	JOINT	1					
23	91002802900	O-RING	3		1B P29			
24	91002801400	O-RING	3		1B P14		350862	
	91002801400	O-RING	2		1B P14	350863		
25	91002801100	O-RING	14		1B P11		350818	
	91002801100	O-RING	15		1B P11	350819		
26	80400160127	JOINT	1					
27	81408000130	PIPE,STEEL	1	M	10X1.8T			
28	81408000130	PIPE,STEEL	1	M	10X1.8T			
29	81408000130	PIPE,STEEL	1	M	10X1.8T			
30	81408000130	PIPE,STEEL	1	M	10X1.8T			
31	81408000130	PIPE,STEEL	1	M	10X1.8T			
32	81408000130	PIPE,STEEL	1	M	10X1.8T			
33	81408000130	PIPE,STEEL	2	M	10X1.8T			
34	81408000130	PIPE,STEEL	2	M	10X1.8T			
35	81408000130	PIPE,STEEL	2	M	10X1.8T			
36	81408000130	PIPE,STEEL	2	M	10X1.8T			
37	81408000130	PIPE,STEEL	1	M	10X1.8T			
38	81408000130	PIPE,STEEL	1	M	10X1.8T			
39	81408000130	PIPE,STEEL	1	M	10X1.8T			
40	81408000130	PIPE,STEEL	1	M	10X1.8T			
41	81408000130	PIPE,STEEL	1	M	10X1.8T			
42	81408000130	PIPE,STEEL	1	M	10X1.8T			
43	81408000130	PIPE,STEEL	1	M	10X1.8T			
44	37002420920	HOSE	2		L=1400			
45	89640102000	HOSE	1		880-NFK,2M			
46	89640201000	HOSE	1		660-NFK,1M			
47	89640202000	HOSE	1					
48	89640201000	HOSE	1		660-NFK,1M			
49	37002415780	HOSE	2		L=530			
50	37000711000	CLAMP ASSY	1		12-1			
51	37000711080	CLAMP ASSY	1		12-2			
52	33344200400	SUPPORT	1					
53	37000711460	CLAMP ASSY	1		12X6			
54	37000711560	CLAMP ASSY	1					
55	90101210020	BOLT	2		M10X20			
56	90101208016	BOLT	4		M8X16		350862	
	90101208016	BOLT	6		M8X16	350863		
57	90304111601	WASHER,TOOTH	2		16			
58	90302041001	WASHER,SPRING	2		10			
59	90302040801	WASHER,SPRING	4		8		350862	

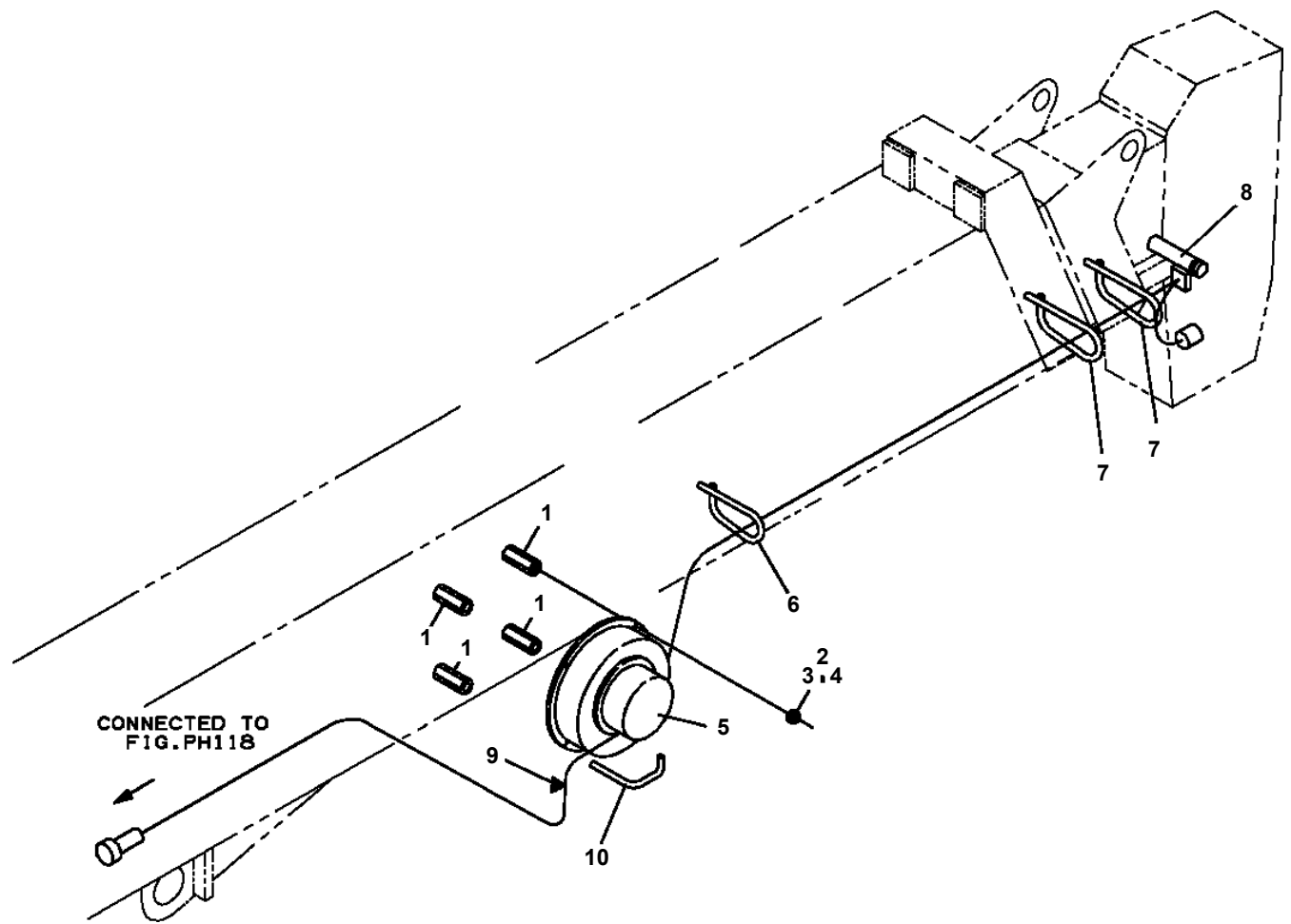
TL-200E-3-10605 3 BOOM + JIB, 2M2D, KW32MXHS  
PF1300007-00 VALVE,CLUTCH



TL-200E-3-10605 3 BOOM + JIB, 2M2D, KW32MXHS  
PG1010628-01 BOOM

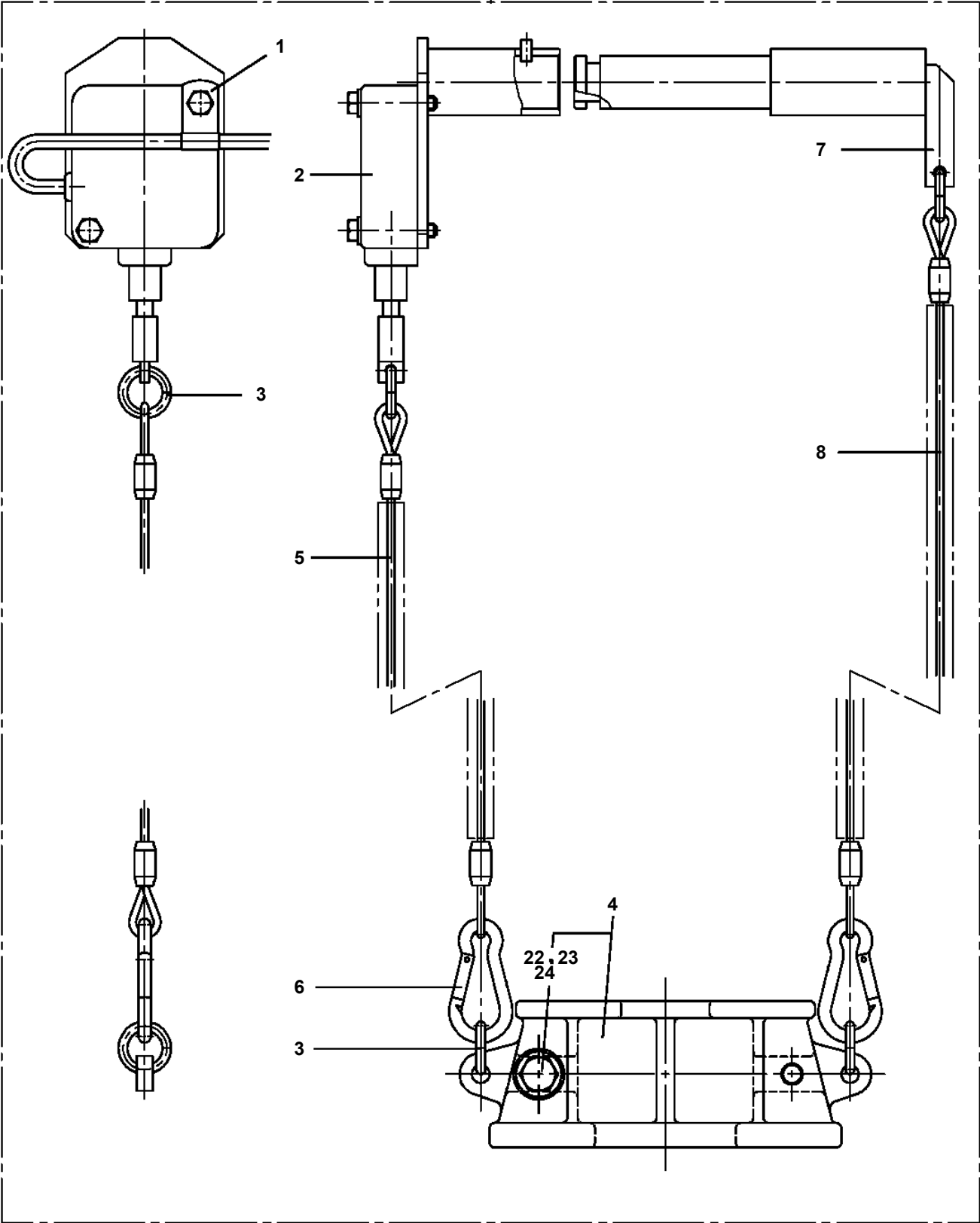


**TL-200E-3-10605 3 BOOM + JIB, 2M2D, KW32MXHS  
PG1120147-00 DETECTOR SYSTEM, BOOM LENGTH**

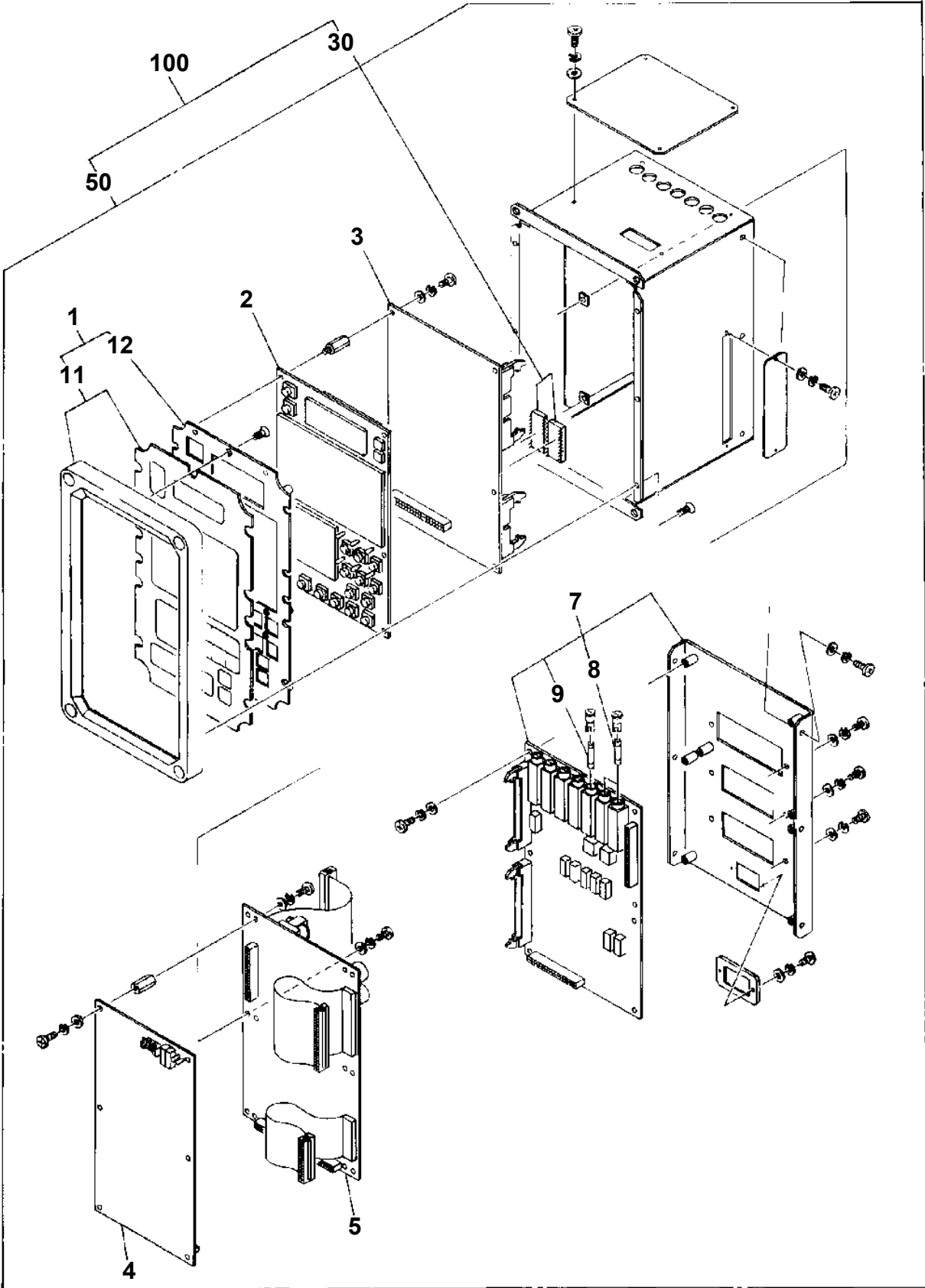


TL-200E-3-10605 3 BOOM + JIB, 2M2D, KW32MXHS  
PH1060262-01 DETECTOR, OVER WIND (WEIGHT, JIB & S/T)

50



**TL-200E-3-10605 3 BOOM + JIB, 2M2D, KW32MXHS  
PH1250026-01 MOMENT LIMITER (AML-LC)**



CLICK HERE TO **DOWNLOAD** THE COMPLETE MANUAL

- Thank you very much for reading the preview of the manual.
- You can download the complete manual from: [www.heydownloads.com](http://www.heydownloads.com) by clicking the link below



- Please note: If there is no response to CLICKING the link, please download this PDF first and then click on it.

CLICK HERE TO **DOWNLOAD** THE COMPLETE MANUAL

## TL-200E-3-10605 3 BOOM + JIB, 2M2D, KW32MXHS

Pos No.	Parts No	Parts Name	Qty	Unit	Technical Data	Serial No (Start)	Serial No (End)	Rema
5	36662575030	RETAINER	1					
6	80602110520	RING,RITAINING	1		R52			
7	36662575010	PLATE	1					
8	36662785060	PIN	1		8X20			
9	80602110720	RING,RITAINING	1		R72			
10	36651685150	SEAL,OIL	1					
12	91001212000	O-RING	1		1A G120			
13	91001215000	O-RING	1		1A G150			
16	36080626070	SPRING	8					
17	36662785100	PIECE,DISTANCE	1					
21	36662785190	SHAFT	1					
22	36662785200	BEARING	1					
23	36662785210	BEARING	1					
24	80601110220	RING,RITAINING	1		S22			
25	80601110350	RING,RITAINING	2		S35			
34	36662785240	PIN	1		8X15			
36	90131512035	BOLT,HEXAGON SOCKET	4		M12X35			
37	91001216000	O-RING	1		1A G160			
41	36662575090	COVER ASSY	1					
91	36662575080	MOTOR ASSY	1					
100	36662570000	MOTOR,HYDRAULIC (SWING)	1					

# TL-200E-3-10605 3 BOOM + JIB, 2M2D, KW32MXHS

Pos No.	Parts No	Parts Name	Qty	Unit	Technical Data	Serial No (Start)	Serial No (End)	Remarks
1	36061395030	PISTON KIT (REPAIR KIT)	1					
2	36061395020	VALVE,BREATHER	1					
3	36061395010	ROD,PUSH	1					
10	36061390001	CYLINDER,MASTER	1					

# TL-200E-3-10605 3 BOOM + JIB, 2M2D, KW32MXHS

Pos No.	Parts No	Parts Name	Qty	Unit	Technical Data	Serial No (Start)	Serial No (End)	Remarks	Pages
1	36100255010	RESERVOIR	1						
2	36102225020	CAP	1						
3	36102225030	NET	1						
4	36100255020	BAND	1						
30	36100250000	RESERVOIR,OIL	1						

**TL-200E-3-10605 3 BOOM + JIB, 2M2D, KW32MXHS**

Pos No.	Parts No	Parts Name	Qty	Unit	Technical Data	Serial No (Start)	Serial No (End)	Remarks
8	36642935040	RING	4					
9	36646085020	O-RING	2					
12	36646085031	SOLENOID	1					
15	90131505050	BOLT,HEXAGON SOCKET	4		M5X50			
101	36602555010	O-RING	1					
102	36649855100	O-RING	1					
200	36646085011	VALVE,SOLENOID	1					

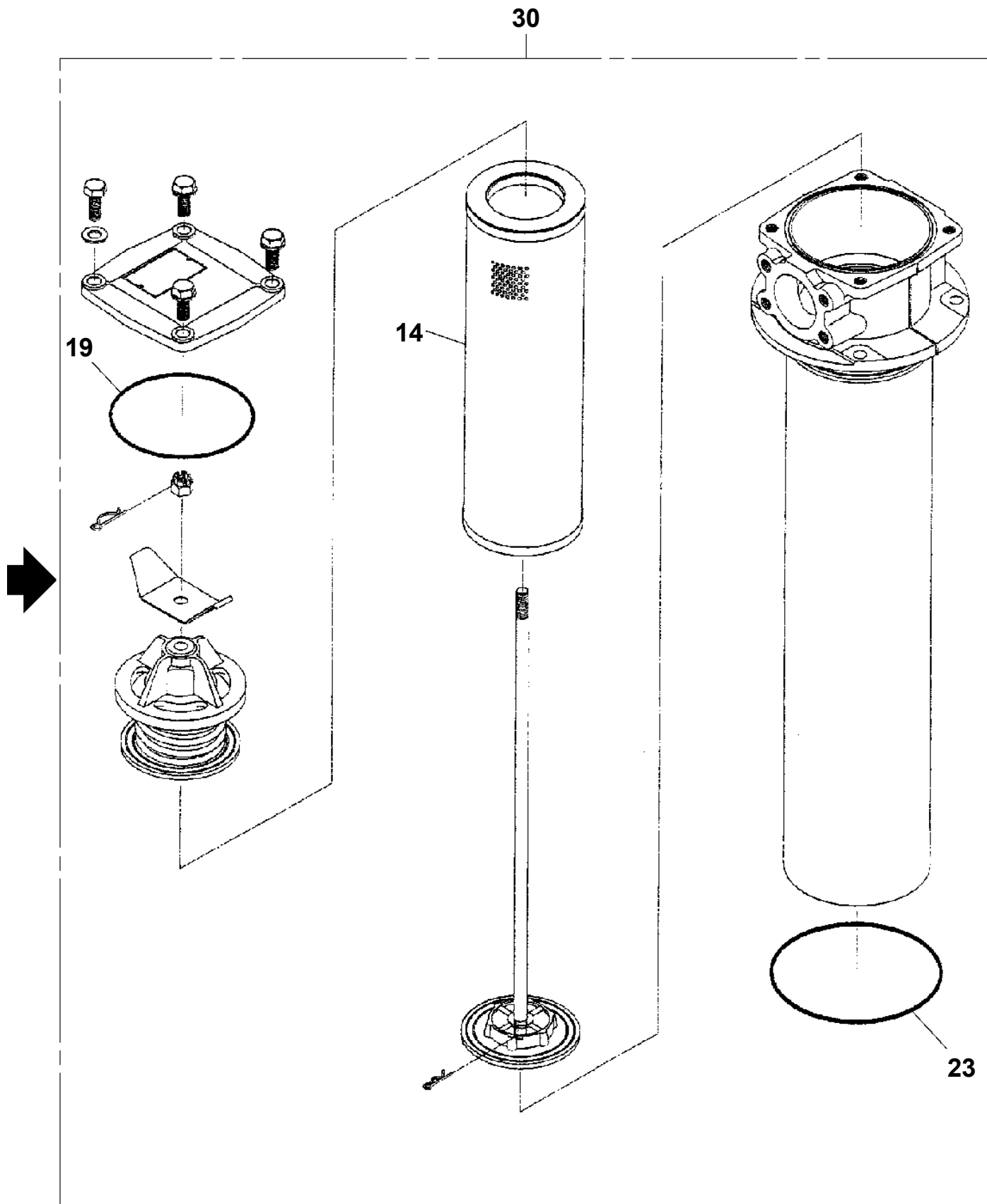
## TL-200E-3-10605 3 BOOM + JIB, 2M2D, KW32MXHS

Pos No.	Parts No	Parts Name	Qty	Unit	Technical Data	Serial No (Start)	Serial No (End)	Remarks	Pages
2	36622045020	PLUG	2						
3	91002802400	O-RING	2		1B P24				
5	12215120000	SPRING	1						
6	36622045010	PISTON	1						
7	91001101600	O-RING	1		1A P16				
8	91411001600	RING,BACKUP	2		P16				
9	91002801000	O-RING	2		1B P10				
20	36622460000	VALVE,CHECK	1						

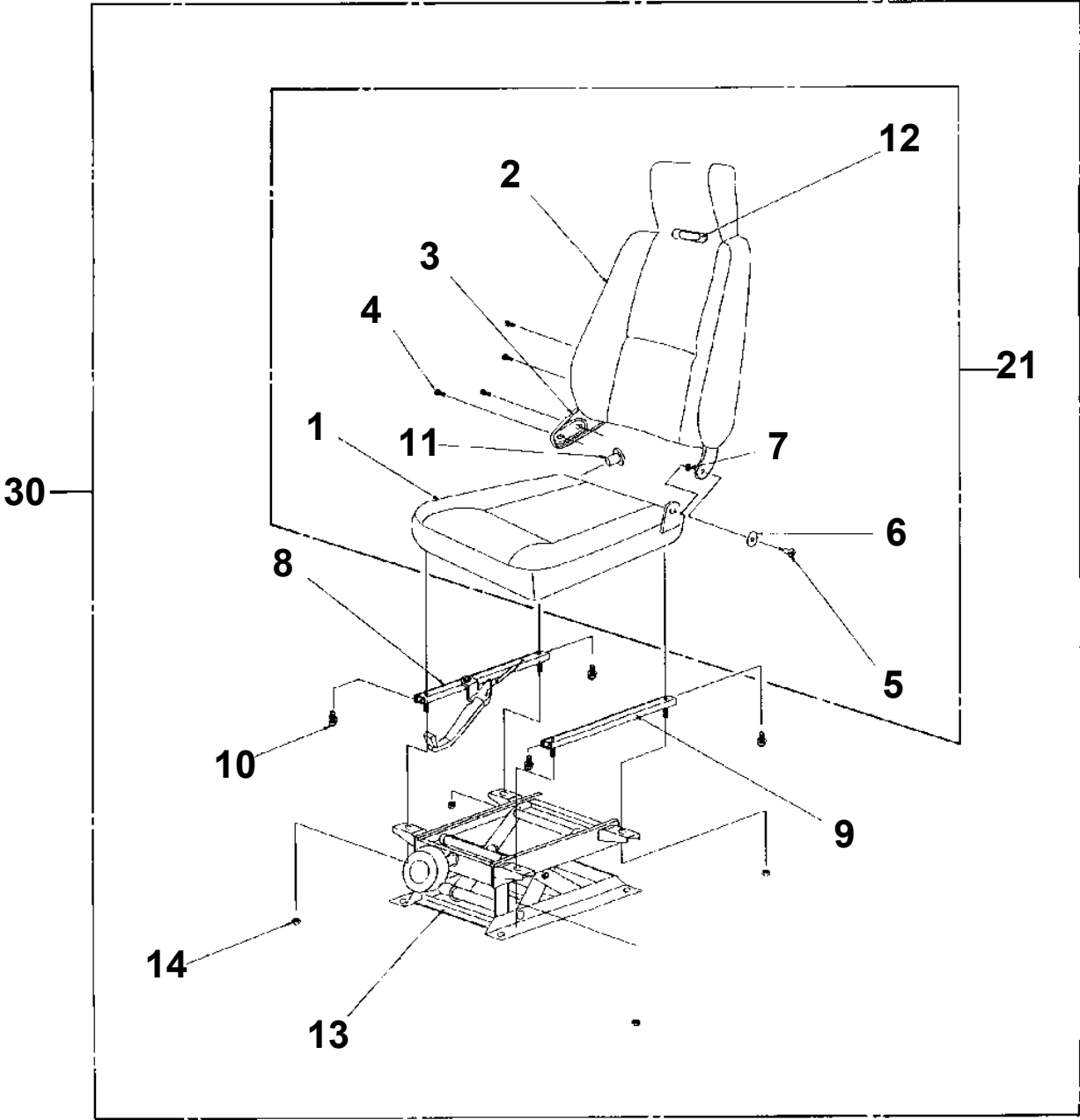
# TL-200E-3-10605 3 BOOM + JIB, 2M2D, KW32MXHS

Pos No.	Parts No	Parts Name	Qty	Unit	Technical Data	Serial No (Start)	Serial No (End)	Rem
1	36030341010	VALVE	1					
2	91002801000	O-RING	1		1B P10			
3	91002800500	O-RING	1		1B P5			
4	36030420200	ROD	1					
5	37001200040	SPRING	1					
6	91002804400	O-RING	1		1B P44			
7	36030341030	COVER	1					
8	90302040801	WASHER,SPRING	4		8			
9	90101208020	BOLT	4		M8X20			
10	82100001389	SWITCH,LIMIT	1					
11	90302040601	WASHER,SPRING	2		6			
12	90101206012	BOLT	2		M6X12			
13	36030341050	COVER	1					
14	82100001035	GROMMET	1					
15	90303371001	WASHER	1		M10			
20	36030760000	VALVE,PRESSURE DETECTOR	1					

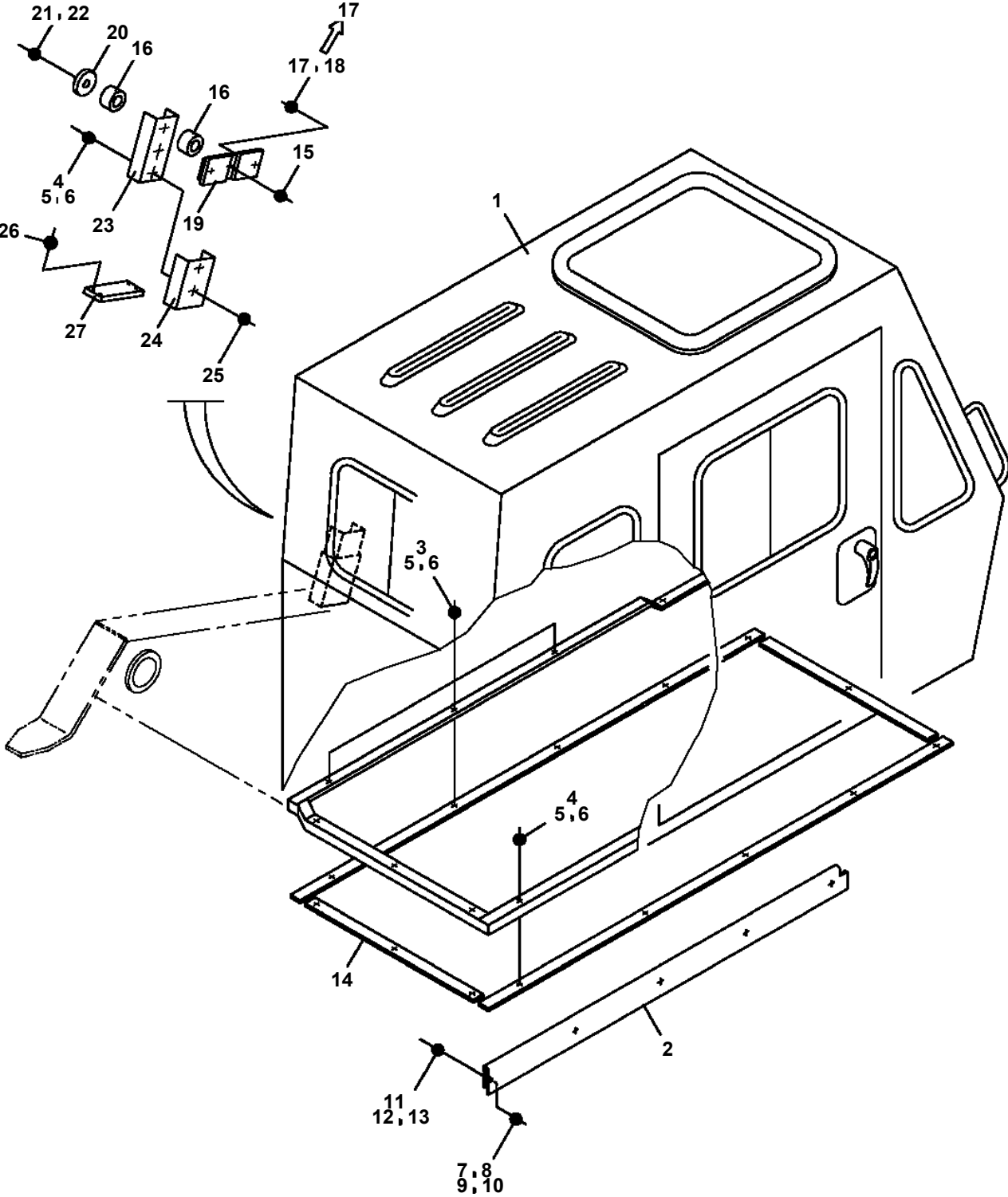
TL-200E-3-10605 3 BOOM + JIB, 2M2D, KW32MXHS  
PI1300120-02 FILTER,OIL



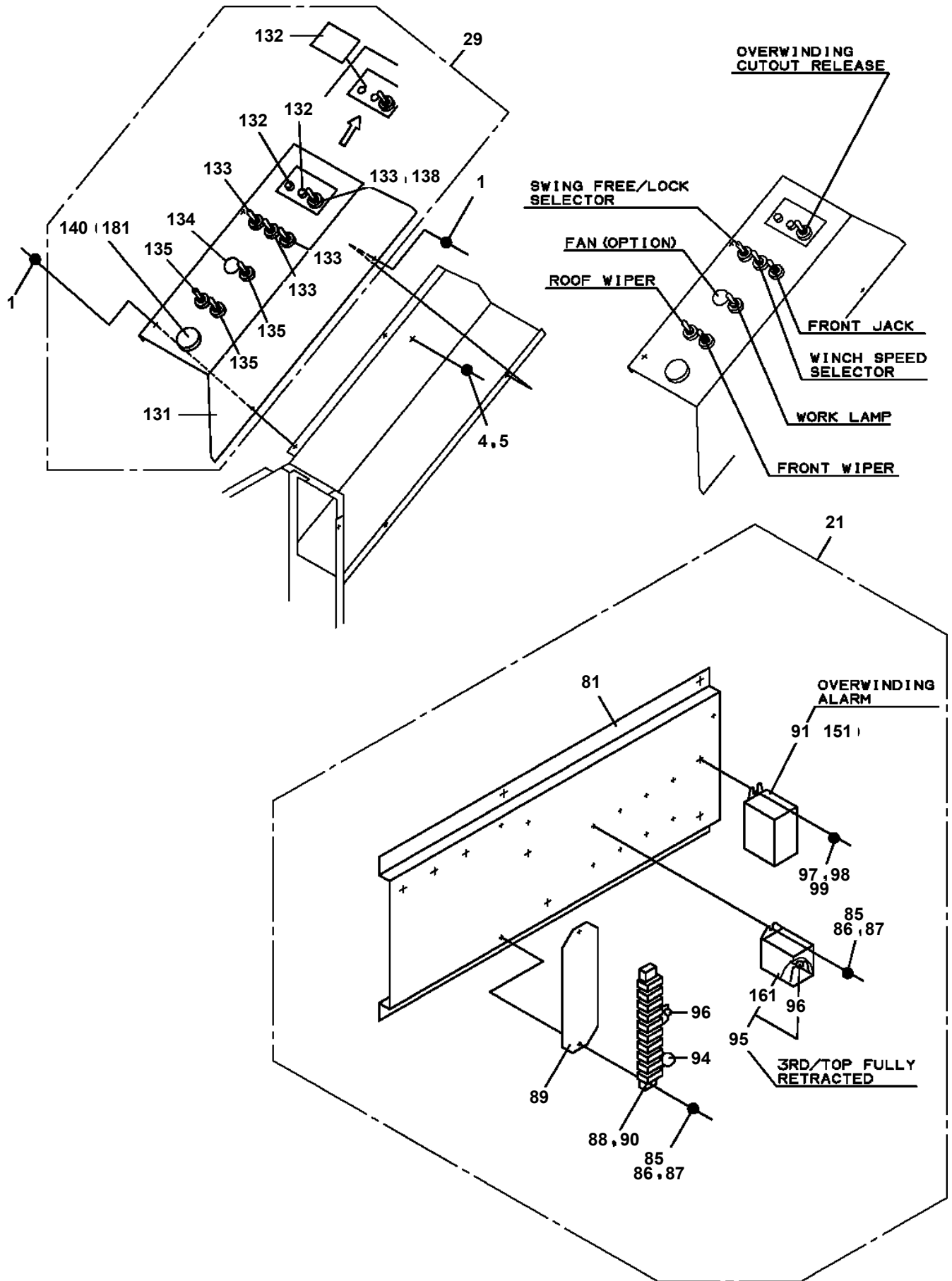
**TL-200E-3-10605 3 BOOM + JIB, 2M2D, KW32MXHS  
PK1150021-00 SEAT, OPERATOR**



**TL-200E-3-10605 3 BOOM + JIB, 2M2D, KW32MXHS  
PK1410026-01 MOUNT,CAB**



**TL-200E-3-10605 3 BOOM + JIB, 2M2D, KW32MXHS  
PN1050165-01 ELECTRICAL PARTS,CAB**



# TL-200E-3-10605 3 BOOM + JIB, 2M2D, KW32MXHS

Pos No.	Parts No	Parts Name	Qty	Unit	Technical Data	Serial No (Start)	Serial No (E
1	37002217330	PLATE,CAUTION (TADANO HYDRAULIC)	1				
2	37002219500	PLATE,CAUTION (OIL/FOR EXP.)	1				

## TL-200E-3-10605 3 BOOM + JIB, 2M2D, KW32MXHS

Pos No.	Parts No	Parts Name	Qty	Unit	Technical Data	Serial No (Start)	Se
1	33394642090	PLATE	1				
2	90928030101	SCREW,TAPPING	7		M3X10		
3	33395861010	PLATE,NAME (RATED LIFTING CAPACITIES)	1				
4	37002219410	PLATE,NAME (PERIODIC REPLAC)	1				
5	33395861030	PLATE,NAME (SPECIFICATIONS)	1				
6	34391202111	PLATE,CAUTION (ELECTROCUTION HAZARD)	1				
7	34391201430	PLATE,CAUTION (DANGER! KEEP CLEAR)	1				
8	33395861020	PLATE,CAUTION (IN CRANE OPERATION)	1				
9	33395832040	PLATE,NAME (FUSE)	1				
10	33395682041	PLATE,NAME (AML PREOPERATIONAL)	1				
11	33394932040	PLATE,NAME (WINCH BRAKE)	1				
12	37002219420	PLATE,CAUTION (BEFORE OPERATING OR)	1				
13	33394822030	PLATE,NAME (OIL)	1				
15	33391001020	PLATE,NAME (TL-200E)	2				
16	37002219430	PLATE,CAUTION (DON'T DISMOUNT HYDRAULIC)	1				
19	37002220730	PLATE,NAME (20000KG,MASS:230KG)	2				
20	37002203770	PLATE,NAME (3000KG)	1				
21	14137207000	PLATE,NAME (GREASE)	21				
23	33395632060	PLATE,CAUTION (JIB SET PIN POSITION)	1				
24	37002219440	PLATE,CAUTION (IWARNING USE SUFFIC)	1				
25	33395632050	PLATE,CAUTION (JIB SET PIN OPERATION)	1				
27	34392531200	PLATE,NAME	2				
28	37002219680	PLATE,NAME	2				
29	37002201400	PLATE (MARKING,WHITE)	2				
30	37002201410	PLATE (MARKING,YELLOW)	2				

# TL-200E-3-10605 3 BOOM + JIB, 2M2D, KW32MXHS

Pos No.	Parts No	Parts Name	Qty	Unit	Technical Data	Serial No (Start)	Serial No (End)	Rem
1	34393573100	PLATE,NAME (BLUE & WHITE)	1					

# TL-200E-3-10605 3 BOOM + JIB, 2M2D, KW32MXHS

Pos No.	Parts No	Parts Name	Qty	Unit	Technical Data	Serial No (Start)	Serial No (End)	Remarks
3	89630101000	HOSE,VINYL	1		4X6,1M			
4	89630201000	HOSE,VINYL	1		6X8,1M			
6	91900000004	HELMET	1					
20	99990040062	CLOTHES,WORKING L	1					
	99990040064	CLOTHES,WORKING LLL	1					
	99990040061	CLOTHES,WORKING M	1					
	99990040063	CLOTHES,WORKING LL	1					

# TL-200E-3-10605 3 BOOM + JIB, 2M2D, KW32MXHS

Pos No.	Parts No	Parts Name	Qty	Unit	Technical Data	Serial No (Start)	Serial No (End)	Remarks	Pages
1	33871050100	SUPPORT	1						
2	33871070200	SUPPORT	1						
3	33871070400	PLATE	1						
4	33441230500	BAR	2						

## TL-200E-3-10605 3 BOOM + JIB, 2M2D, KW32MXHS

Pos No.	Parts No	Parts Name	Qty	Unit	Technical Data	Serial No (Start)	Serial No (End)	Remarks
1	90103510035	BOLT	4		M10X35			
2	90302041001	WASHER,SPRING	4		10			
3	90209401000	NUT	4		M10			
4	36302020000	PROPELLER SHAFT,PUMP	1					
5	90101208025	BOLT	1		M8X25			
6	90302040801	WASHER,SPRING	1		8			
7	80602110260	RING,RITAINING	1		R26			
8	37000301810	SPACER	2		L=4.5			
9	33820450020	COUPLING	1					
10	90101514045	BOLT	4		M14X45			
11	90302041401	WASHER,SPRING	12		14			
12	90201401400	NUT	10		M14			
13	36653150000	PUMP,HYDRAULIC	1					
14	90203201400	NUT	4		M14			
15	33820470100	PLATE	1					
16	90101514040	BOLT	2		M14X40			
17	90303071401	WASHER,PLAIN	2		14			
18	33820500100	SUPPORT	1					
19	90103512040	BOLT	4		M12X40			
20	90302041201	WASHER,SPRING	4		12			
21	90209401200	NUT	4		M12			
22	90101514035	BOLT	4		M14X35			
23	33820500201	SUPPORT	1					
24	33820500300	SUPPORT	1					

## TL-200E-3-10605 3 BOOM + JIB, 2M2D, KW32MXHS

Pos No.	Parts No	Parts Name	Qty	Unit	Technical Data	Serial No (Start)	Serial No (End)	Remarks	Page
1	33473731700	STOPPER	2						
2	33473863100	SUPPORT	1						
3	33473863200	SUPPORT	1						
4	37000128870	PIN	1						
5	37000201100	PIN,SNAP	1						
21	37000128820	PIN	1						
22	37001002850	SHEAVE ASSY	1						
23	82456101000	NIPPLE,GREASE	1		A-PT1/8				
24	37000128830	PIN	1						
25	37000201100	PIN,SNAP	1						
28	33473860200	SINGLE TOP	1						
29	80601110700	RING,RITAINING	2		S70				
30	37000128840	PIN	1						
31	80136350045	PIN,SPLIT	1		5X45				
41	37000300590	SPACER	1		L=30				
42	82100002505	CONNECTOR (CN-6)	2						
43	90928040061	SCREW,TAPPING	3		M4X6				
44	82100000207	CLAMP	3						
45	82100002506	CONNECTOR	2						
62	80515006214	BEARING,BALL	2						
63	80612111250	RING,RITAINING	1		AR125				
100	33473868011	SINGLE TOP ASSY	1						
230	16311007000	SPACER	2		L=3.5				

## TL-200E-3-10605 3 BOOM + JIB, 2M2D, KW32MXHS

Pos No.	Parts No	Parts Name	Qty	Unit	Technical Data	Serial No (Start)	Serial No (End)
1	36290665070	PANEL,CONTROL	1				
2	36290665080	PANEL	1				
3	36290652080	HOLDER,FUSE	1				
4	36290665200	FUSE	1		30A		
5	36290665220	BRACKET	1				
6	36290665090	CONNECTOR	1				
7	36290665100	TERMINAL	1				
8	36290665110	HOUSING	1				
9	36290665120	TERMINAL	1				
10	36290665130	HOUSING	1				
11	36290665140	TERMINAL	2				
12	36290665150	HOUSING	1				
13	36290665160	TERMINAL	2				
14	36290665170	SCREW	2				
15	90303070401	WASHER,PLAIN	2		4		
16	90302040401	WASHER,SPRING	2		4		
17	90201200400	NUT	2		M4		
100	36290662070	HEATER (PANEL KIT ASSY,CONTROL)	1				

# TL-200E-3-10605 3 BOOM + JIB, 2M2D, KW32MXHS

Pos No.	Parts No	Parts Name	Qty	Unit	Technical Data	Serial No (Start)	Serial No (End)	Remarks
1	80441010404	FITTING	1		92171-PF1/4			
2	37000924970	JOINT	1					
3	80302090201	FITTING	1		KCO15-040N			
4	81408000241	PIPE,STEEL	1	M	18X1.9T			
5	80321115050	VALVE,CHECK	1				350841	
6	37000711090	CLAMP ASSY	2		18X2			
7	37000511350	PLATE	2					
8	81408000210	PIPE,STEEL	1	M	15X2.0T			
9	81408000241	PIPE,STEEL	2	M	18X1.9T			
10	80302090241	FITTING	3		KCO18-040N			
11	91002801800	O-RING	6		1B P18			
12	80302090181	FITTING	1		KCO15-030N			
13	91002801400	O-RING	1		1B P14		350862	
	91002801400	O-RING	2		1B P14	350863		
14	81408000210	PIPE,STEEL	1	M	15X2.0T		350841	
15	81408000241	PIPE,STEEL	2	M	18X1.9T			
16	80400160102	FITTING	1		20368-U1/4X1/4			
17	37000510150	PLATE	2					
18	82100002006	CLAMP	2		WR10			
19	90302040601	WASHER,SPRING	2		6			
20	90101206012	BOLT	2		M6X12			
21	89640401000	HOSE	1					
22	80441010604	FITTING	1				350862	
	80441010604	FITTING	2			350863		
23	80305151804	FITTING,TEE	1		KTK018-040N			
24	80430622000	JOINT	2					
25	37002407030	HOSE	1		L=1060			
26	81408000241	PIPE,STEEL	1	M	18X1.9T			
27	36622030000	VALVE,CHECK	1					
28	80311010240	FITTING	1		KRE18-150E			
29	81408000210	PIPE,STEEL	1	M	15X2.0T			
30	80305010120	FITTING,TEE	1		ZKTA15-000N			
31	36610000000	VALVE,FLOW CONTROL	1					
32	90101208050	BOLT	3		M8X50			
33	90302040801	WASHER,SPRING	4		8			
34	37000711010	CLAMP ASSY	2		18X1			
35	37000502460	PLATE	1					
36	33476700100	SUPPORT	1					
37	33473890910	SUPPORT	1					
38	37002411240	HOSE	1		L=800			
39	(*****)	COOLER,OIL (MOUNT)	1				350862	
	(*****)	COOLER,OIL (MOUNT)	1			350863		
40	33476700200	SUPPORT	1					
41	90101210025	BOLT	5		M10X25			
42	90302041001	WASHER,SPRING	12		10			
43	33476700400	SUPPORT	1					
44	81408000210	PIPE,STEEL	1	M	15X2.0T			
45	81408000210	PIPE,STEEL	2	M	15X2.0T		350841	
	81408000210	PIPE,STEEL	1	M	15X2.0T	350842		
46	80320010090	FITTING	2		KUD15-030N			
47	37002425270	HOSE	2		L=400		350862	
	37002425270	HOSE	1		L=400	350863		
48	80430450650	JOINT	2				350862	
	80430620600	JOINT (WITH O-RING)	1		L,G3/8-G3/8	350863		
49	89640202000	HOSE	1					
50	80303130241	FITTING,ELBOW	1		KLO18-040E			
51	37002406010	HOSE	1		L=400	350863		
52	80400160103	FITTING	1		20368-U3/8X1/4		350862	
53	37000300750	SLEEVE	5		18-15			
54	90101210030	BOLT	5		M10X30			
55	80400160129	JOINT	1			350863		
56	90101210040	BOLT	2		M10X40			
57	90303071001	WASHER,PLAIN	2		10			

## TL-200E-3-10605 3 BOOM + JIB, 2M2D, KW32MXHS

Pos No.	Parts No	Parts Name	Qty	Unit	Technical Data	Serial No (Start)	Serial No (End)
1	36690121000	COOLER,OIL	1				
2	36660920000	MOTOR,HYDRAULIC (COOLER,OIL)	1				
3	90131508030	BOLT,HEXAGON SOCKET	4		M8X30		
4	90201200800	NUT	4		M8		
5	90302040801	WASHER,SPRING	8		8		
6	90101206025	BOLT	8		M6X25		
7	90302040601	WASHER,SPRING	9		6		
8	37000904900	FITTING,FLANGE	2				
9	91001202500	O-RING	2		1A G25		
50	90101208018	BOLT	4		M8X18		
51	36690061500	FLANGE	1				
52	36690082100	PLATE	1				
53	90131506014	BOLT,HEXAGON SOCKET	1		M6X14		
54	36690062001	SUPPORT	1				
55	90101210020	BOLT	4		M10X20		
56	90201201000	NUT	4		M10		
57	90302041001	WASHER,SPRING	4		10		

CLICK HERE TO **DOWNLOAD** THE COMPLETE MANUAL

- Thank you very much for reading the preview of the manual.
- You can download the complete manual from: [www.heydownloads.com](http://www.heydownloads.com) by clicking the link below



- Please note: If there is no response to CLICKING the link, please download this PDF first and then click on it.

CLICK HERE TO **DOWNLOAD** THE COMPLETE MANUAL