

# **TG-700E-3-10505 5 BOOM + JIB, 2M2D, KG56WXL**

**PB1000225-01 HYDRAULIC PRESSURE GENERATING SYSTEM**

**PC1000169-01 OUTRIGGER SYSTEM**

**PD1000209-01 SWING SYSTEM**

**PE1000208-01 ELEVATING SYSTEM**

**PF1000196-01 WINCH SYSTEM**

**PG1000206-01 TELESCOPING SYSTEM**

**PH1000193-01 SAFETY DEVICES**

**PK1000218-01 FRAME**

**PL1000214-01 CONTROL DEVICES**

**PN1000179-01 ELECTRIC EQUIPMENT**

**PO1000057-00 INDICATION PLATES**

**PW1000097-02 ACCESSORIES & TOOLS**

**PX1000222-01 MOUNTING PARTS**

**PY1000191-01 OPTIONS**

**ASSEMBLY**

CLICK HERE TO **DOWNLOAD** THE COMPLETE MANUAL

- Thank you very much for reading the preview of the manual.
- You can download the complete manual from: [www.heydownloads.com](http://www.heydownloads.com) by clicking the link below



- Please note: If there is no response to CLICKING the link, please download this PDF first and then click on it.

CLICK HERE TO **DOWNLOAD** THE COMPLETE MANUAL

# TG-700E-3-10505 5 BOOM + JIB, 2M2D, KG56WXL

Pos No.	Parts No	Parts Name	Qty	Unit	Technical Data	Serial No (Start)	Serial N
1	(*****)	COVER,WINCH (MAIN & AUX.)	1				
2	36091050000	HOOK (70TON, SHEAVE 7 PC'S)	1				475359
	36091050001	HOOK (70TON,SHEAVE 7 PC'S)	1			475360	
4	36091440000	HOOK (AUXILIARY)	1				
5	37001801020	ROPE,WIRE (TSK)	1				
6	37001801160	ROPE,WIRE (TSK)	1				
7	(*****)	SOCKET,ROPE (SEIZING )	1				
8	(*****)	SOCKET,ROPE (SEIZING )	1				
9	(*****)	OPE.ASSY,WINCH BRAKE	1				
10	(*****)	OPE.ASSY,DRUM LOCK	1				
11	(*****)	OPE.ASSY,CLUTCH	1				
12	(*****)	PIPING,WINCH	1				
13	(*****)	PIPING,WINCH BRAKE	1				
14	(*****)	DETECTOR,DRUM ROTATION (MAIN & AUX.)	1				
101	(*****)	WINCH (18)	1				
102	(*****)	WINCH (20)	1				
103	36310160000	CLUTCH,WINCH	2				
104	33310761000	BAND,WINCH BRAKE	1				
105	33311274000	BAND,WINCH BRAKE (MAIN)	1				
106	36631580000	VALVE,CLUTCH	1				
107	(*****)	MOUNT,WINCH (AUX.)	1				
108	(*****)	MOUNT,WINCH (MAIN)	1				
109	36660350000	MOTOR,HYDRAULIC	2				
110	36061320000	CYLINDER,MASTER	2				
113	36601550000	VALVE,RELIEF	1				
114	36640560000	VALVE,SOLENOID	2				
115	36620010000	VALVE,CHECK	1				
116	36621330000	VALVE,CHECK	1				
117	36621370000	VALVE,CHECK	1				
118	36600170000	VALVE,COUNTERBALANCE	2				
119	36672480000	ACCUMULATOR	1				

# TG-700E-3-10505 5 BOOM + JIB, 2M2D, KG56WXL

Pos No.	Parts No	Parts Name	Qty	Unit	Technical Data	Serial No (Start)	Serial No (End)	Remarks
2	(*****)	ELECTRICAL PARTS,CAB	1					
3	(*****)	ELECTRICAL PARTS, BOOM	1					
4	(*****)	LAMP (WORKING)	1					

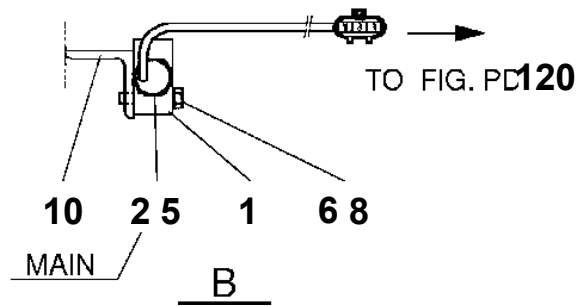
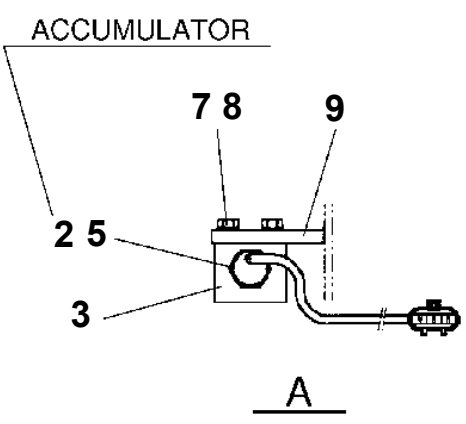
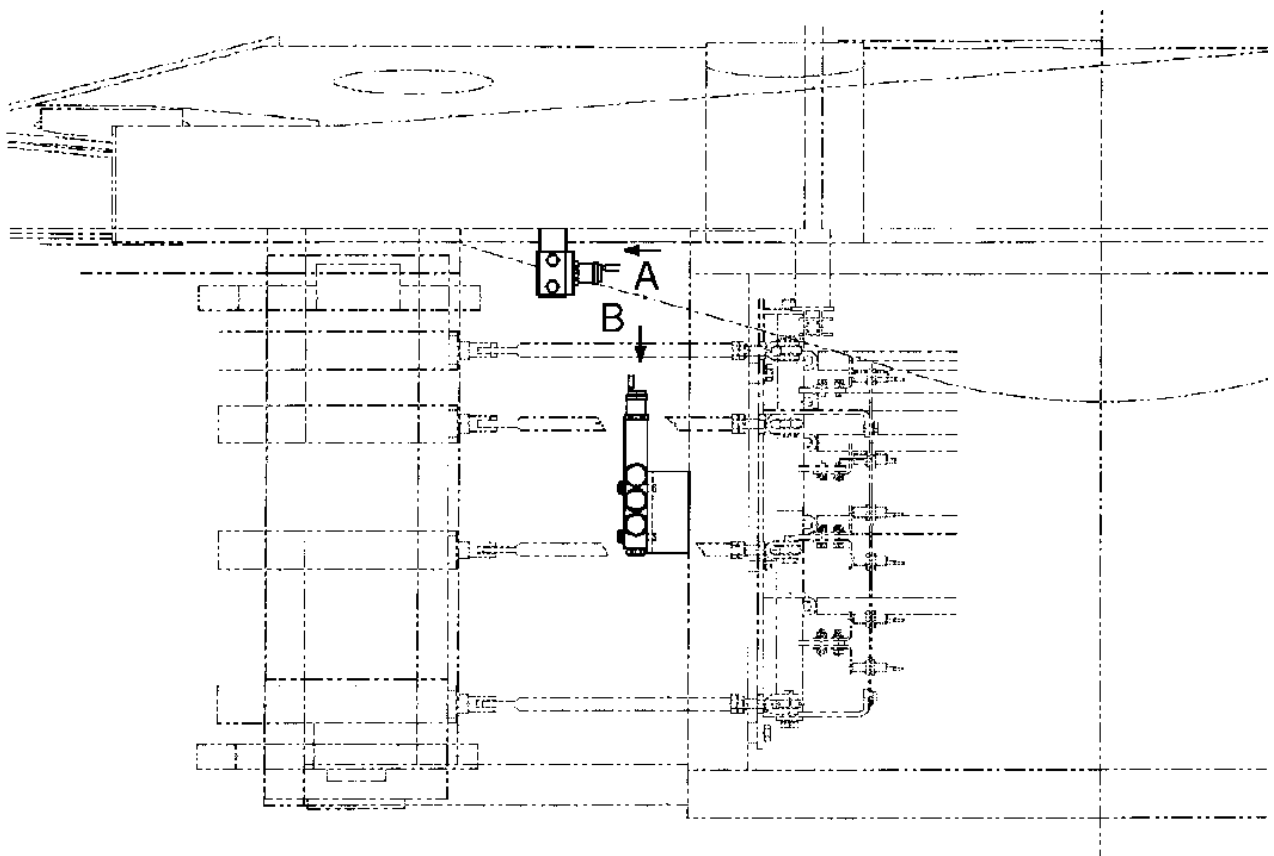
## **TG-700E-3-10505 5 BOOM + JIB, 2M2D, KG56WXL**

PH1060077-00 DETECTOR,OVER WINDING (JIB&S/T)  
PH1060268-04 DETECTOR,OVER WIND (BOOM)  
PH1070002-02 SWITCH,OVER WIND DETECTOR (JIB&S/T)  
PH1070013-02 SWITCH,OVER WIND DETECTOR (BOOM)  
PH1070024-01 SWITCH,OVER WIND DETECTOR (BOOM)  
PH1070034-01 SWITCH,OVER WIND DETECTOR (JIB&S/T)  
PH1180204-00 CONNECTION,MOMENT LIMITER SYSTEM  
PH1200049-01 PIPING,VENT  
PH1250026-01 MOMENT LIMITER (AML-LC)  
PI1010072-01 MOTOR,HYDRAULIC (AIR CONDITIONER)  
PI1010120-01 MOTOR,HYDRAULIC  
PI1010124-00 MOTOR,HYDRAULIC (COOLER,OIL)  
PI1010162-00 MOTOR,HYDRAULIC (COOLER,OIL)  
PI1010186-00 MOTOR,HYDRAULIC  
PI1010205-00 MOTOR,HYDRAULIC  
PI1030006-00 CYLINDER,MASTER  
PI1030008-01 CYLINDER,MASTER  
PI1030012-00 CYLINDER,MASTER (NABCO)  
PI1040011-00 CYLINDER,AIR  
PI1050002-00 RESERVOIR,OIL  
PI1100003-01 VALVE,RELIEF  
PI1120128-01 VALVE,SOLENOID  
PI1120138-04 VALVE,SOLENOID  
PI1120146-02 VALVE,SOLENOID  
PI1120220-01 VALVE,SOLENOID  
PI1120344-00 VALVE,SOLENOID  
PI1120345-00 VALVE,SOLENOID  
PI1130022-01 VALVE,HYDRAULIC  
PI1140017-00 VALVE,CHECK  
PI1140042-00 VALVE,CHECK  
PI1140042-00 VALVE,CHECK  
PI1140050-00 VALVE,CHECK  
PI1140100-00 VALVE,CHECK  
PI1140160-00 VALVE,CHECK  
PI1140170-03 VALVE,CHECK  
PI1140191-01 VALVE,CHECK  
PI1140229-00 VALVE,CHECK  
PI1160007-00 VALVE,FLOW CONTROL  
PI1220022-00 FLOW DIVIDER  
PI1250004-02 VALVE,COUNTERBALANCE  
PI1250050-01 VALVE,COUNTERBALANCE  
PI1260011-02 CARTRIDGE, COUNTERBALANCE  
PI1300080-00 FILTER,OIL  
PI1320010-00 COCK,GAUGE  
PI1370009-00 VALVE,STOP  
PK1100303-00 SWING FRAME  
PK1120185-00 SWING TABLE  
PK1140162-01 CAB,OPERATOR  
PK1150028-00 SEAT,OPERATOR  
PK1200132-01 COVER,SWING FRAME  
PK1200133-01 COVER,SWING FRAME (SUPPORT)  
PK1220250-03 WEIGHT,COUNTERBALANCE  
PK1250021-01 PIPING,WEIGHT REMOVER (OPTION)  
PK1270020-01 CYLINDER,WEIGHT REMOVER  
PK1330005-01 COVER (WITHOUT HEATER)  
PK1330039-00 COVER (WITHOUT RADIO)  
PK1410039-00 MOUNT,CAB  
PL1010820-00 OPE.ASSY,CONT.VALVE (ISO)  
PL1030738-00 OPE.ASSY,ACCELERATOR (UPPER)  
PL1030740-01 OPE.ASSY,ACCELERATOR (L1WER)  
PN1050166-00 ELECTRICAL PARTS,CAB  
PN1070012-00 ELECTRICAL PARTS, BOOM  
PN1080088-01 LAMP (WORKING)  
PO1010058-01 PLATE ASSY,NAME (LOWER)

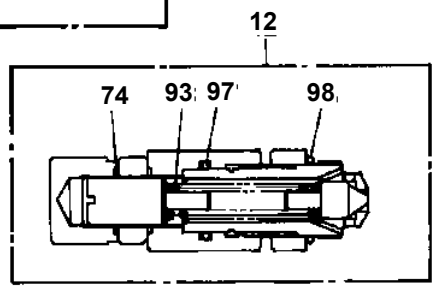
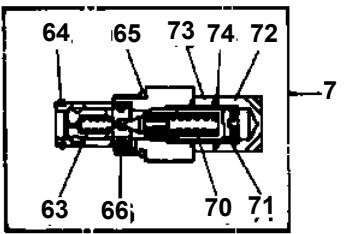
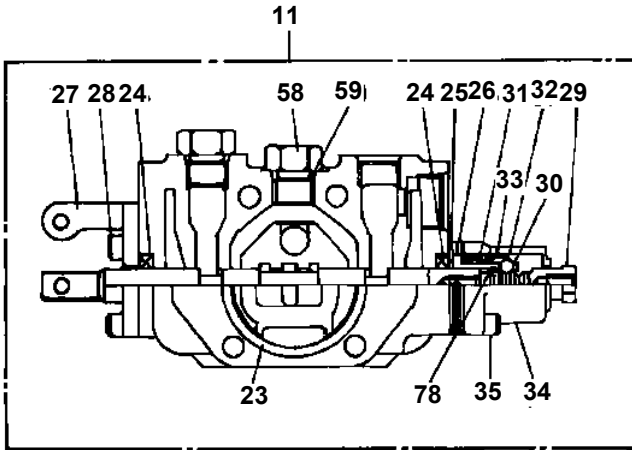
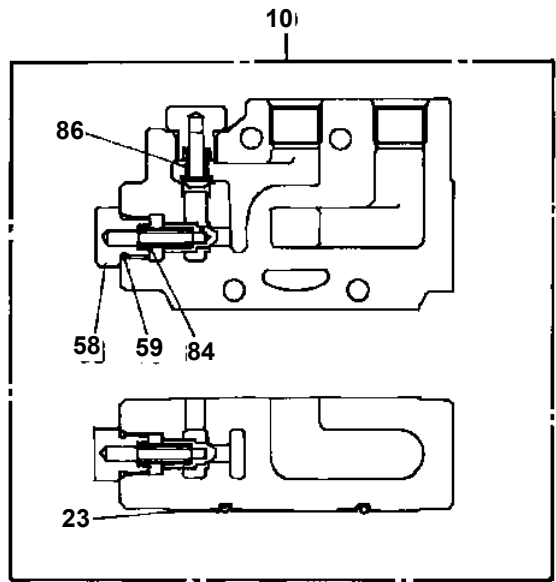
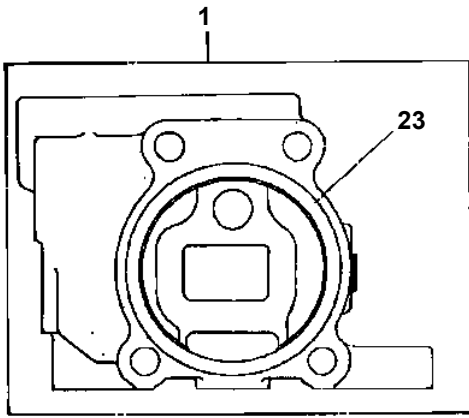
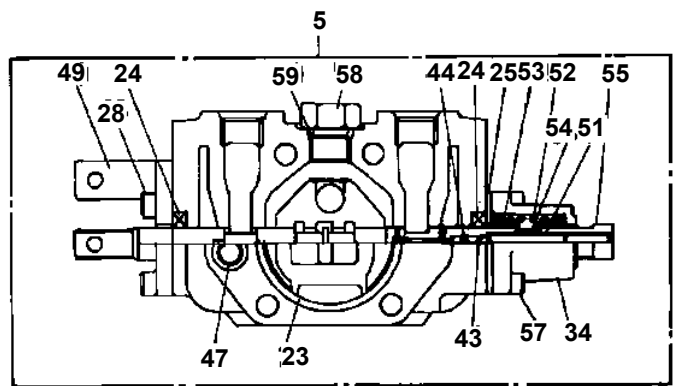
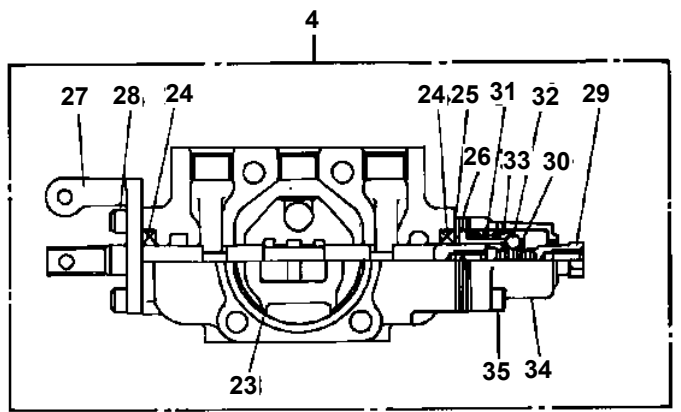
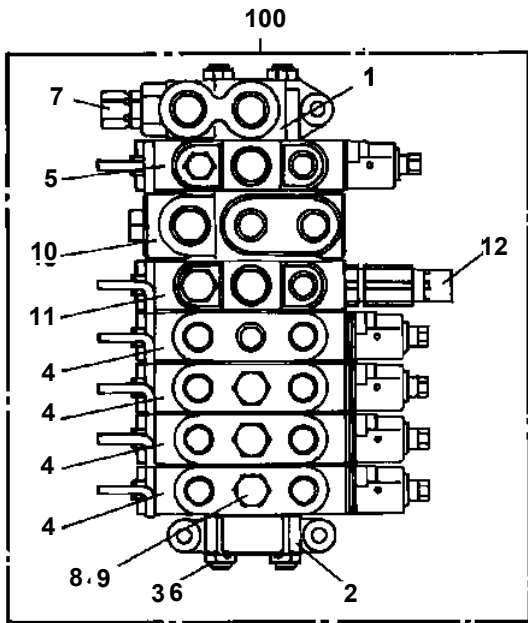
# TG-700E-3-10505 5 BOOM + JIB, 2M2D, KG56WXL

Pos No.	Parts No	Parts Name	Qty	Unit	Technical Data	Serial No (Start)	Serial No (End)	Rema
1	33660000211	GAUGE,OIL	1					
8	80205001000	PLUG	2		PT1			
9	36670750000	FILTER,OIL	1					
10	91001226000	O-RING	2		1A G260			
11	33660215010	COVER	1					
12	33660215020	PLATE	1					
21	33660005040	BOLT	2		M12X35X1.75		475328	
	33660007530	BOLT	2			475329		
22	34660131140	PACKING	4				475325	
	34660131140	PACKING	2			475326	475328	
	34660131140	PACKING	4			475329		
23	34660131150	PACKING	2			475326	475328	
25	36670750010	ELEMENT	1					
31	33660007510	ELEMENT (OB-30T & OBR-30)	1				475372	
	33660007511	ELEMENT	1			475373		
32	33660007520	PACKING SET	1					
42	33660227510	BODY (TANK)	1					
43	34660180040	PACKING	1		T=2.0			
44	33660107530	COVER	1					
45	36672870000	BREATHER ASSY (OBR-30)	1					
46	99163010016	BOLT (M10X16)	8					
47	99164010020	BOLT (M10X20)	8					
48	99164008020	BOLT (M8X20)	8					
53	33660000240	GUARD	1					
67	36672875040	KEY	2					
81	36670755010	PLATE	1					
100	33660220000	TANK,OIL	1					

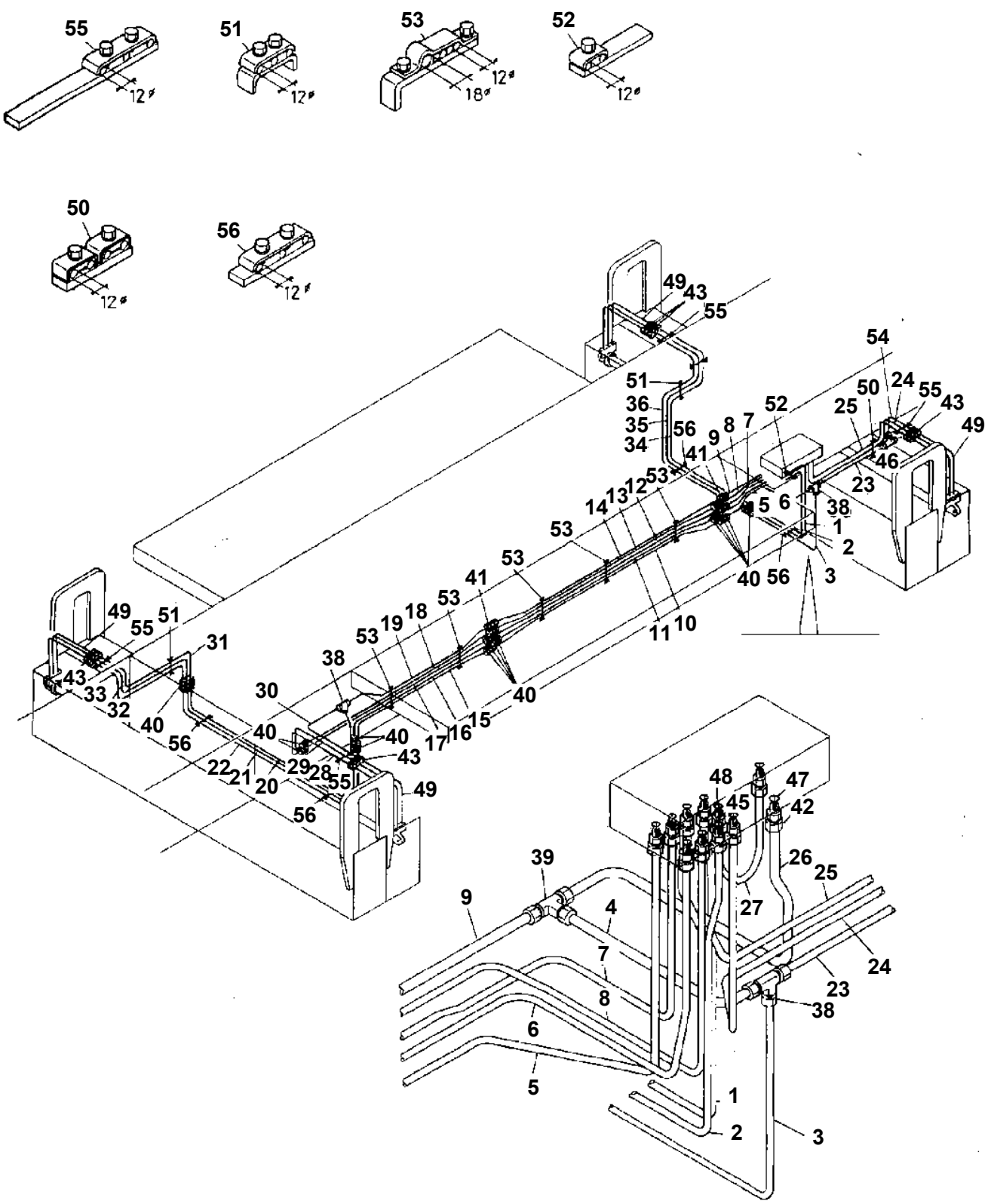
TG-700E-3-10505 5 BOOM + JIB, 2M2D, KG56WXL  
PB1280099-00 PIPING, GAUGE



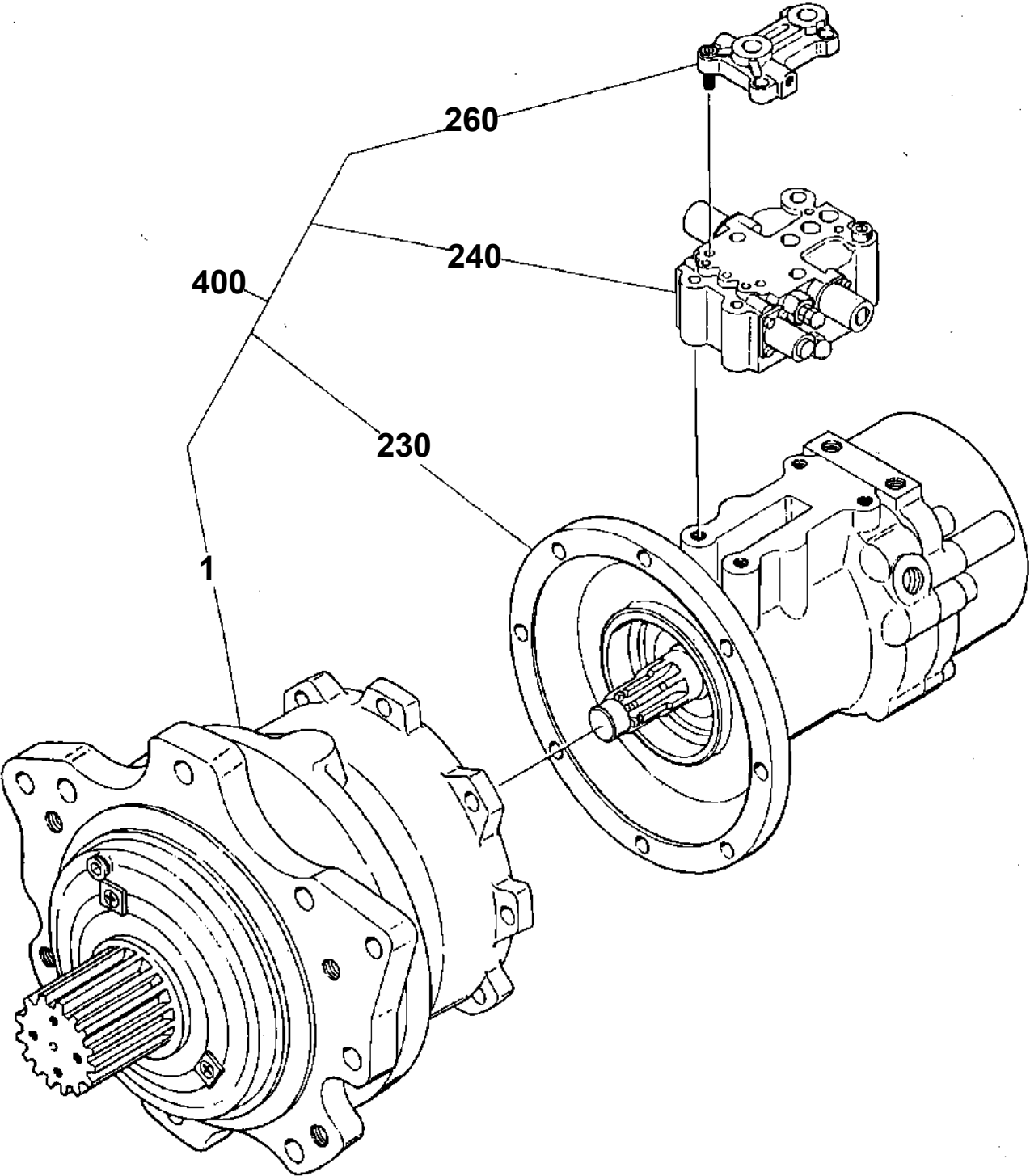
**TG-700E-3-10505 5 BOOM + JIB, 2M2D, KG56WXL**  
**PB1320154-02 VALVE, MANUAL CONTROL (OUTRIGGER, F/J)**



TG-700E-3-10505 5 BOOM + JIB, 2M2D, KG56WXL  
PC1200147-00 PIPING,OUTRIGGER



TG-700E-3-10505 5 BOOM + JIB, 2M2D, KG56WXL  
PD1070019-00 DRIVING UNIT, SWING



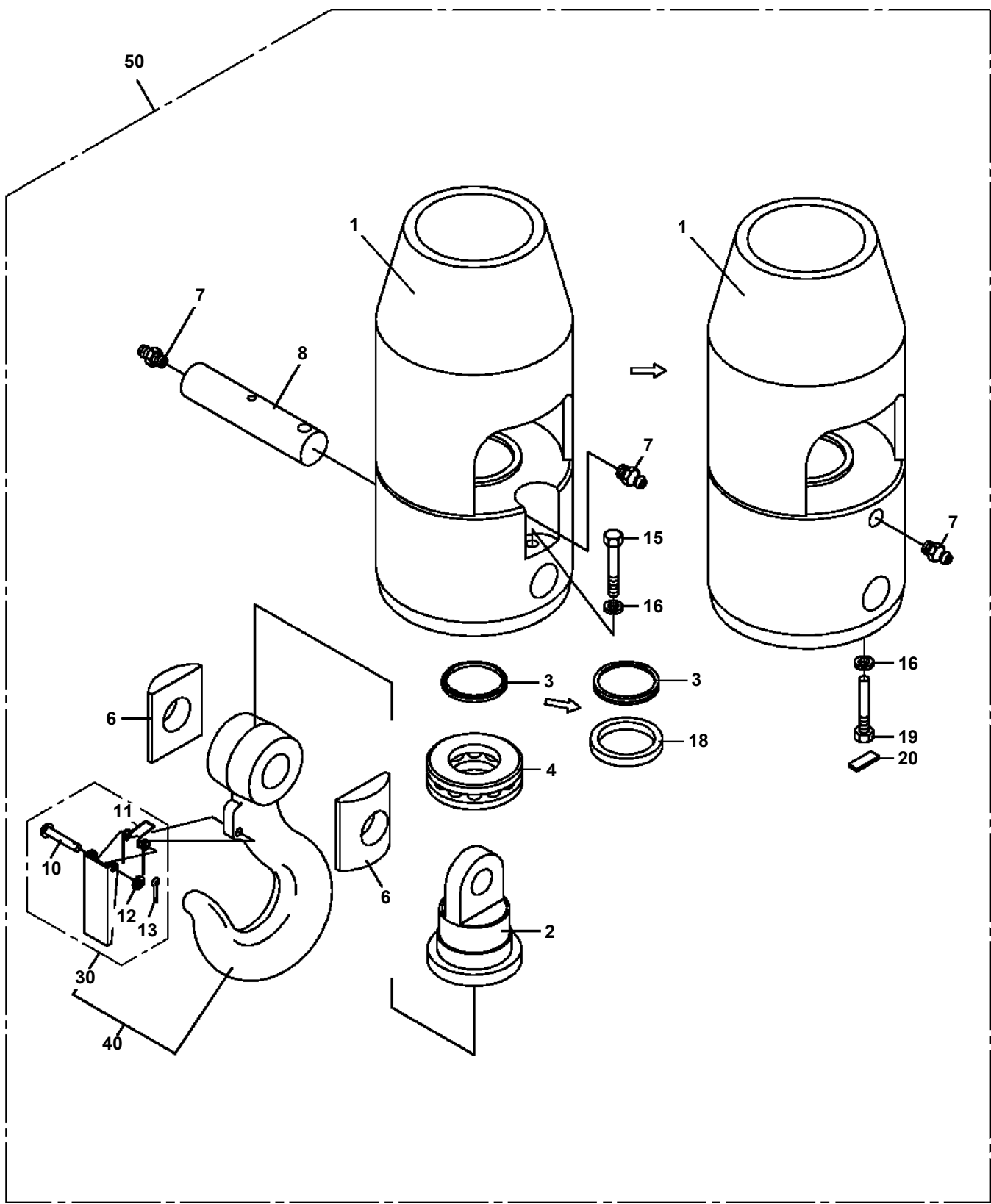
## TG-700E-3-10505 5 BOOM + JIB, 2M2D, KG56WXL

Pos No.	Parts No	Parts Name	Qty	Unit	Technical Data	Serial No (Start)	Serial No (End)	Remarks
1	37002403650	HOSE	1		L=450			
2	37002425690	HOSE	1		L=1320			
3	37002400290	HOSE	1		L=750			
4	80305010160	FITTING,TEE	1		KTA18-000E			
5	81408000241	PIPE,STEEL	1	M	18X1.9T			
6	81408000241	PIPE,STEEL	1	M	18X1.9T			
7	81408000241	PIPE,STEEL	1	M	18X1.9T			
8	81408000241	PIPE,STEEL	2	M	18X1.9T			
9	81408000241	PIPE,STEEL	2	M	18X1.9T			
10	80430620800	JOINT	1					
11	80400160129	JOINT	1			475310		
12	80430450650	JOINT	1				475309	
	80430620600	JOINT (WITH O-RING)	1		L,G3/8-G3/8	475310		
13	80430410650	JOINT	2				475309	
	80430410650	JOINT	1			475310		
14	80320030140	FITTING,ELBOW	1		KLE18-040N			
15	80303030240	FITTING,ELBOW	1					
16	80302090241	FITTING	1		KCO18-040N			
17	37002411680	HOSE	1		L=670			
18	80302010100	FITTING	1		KCT10-020N			
19	80302010240	FITTING	1					
20	91002801800	O-RING	1		1B P18			
21	80320010090	FITTING	1		KUD15-030N			
22	37000711010	CLAMP ASSY	2		18X1			
23	37000711000	CLAMP ASSY	1		12-1			
24	37000700120	CLAMP ASSY	1					
25	36620380000	VALVE,CHECK	1					
26	90101510030	BOLT	4		M10X30			
27	36610000000	VALVE,FLOW CONTROL	1					
28	90101208050	BOLT	3		M8X50			
29	81408000210	PIPE,STEEL	1	M	15X2.0T			
30	90302040801	WASHER,SPRING	3		8			
31	91002801400	O-RING	1		1B P14	475310		
32	33341480070	PLATE	1					
33	56657411000	CLAMP ASSY	1					
34	80303130241	FITTING,ELBOW	1		KLO18-040E			
35	33341480050	SUPPORT	1					
36	90101210020	BOLT	4		M10X20			
37	90302041001	WASHER,SPRING	8		10			
38	80303130181	FITTING,ELBOW	1		KLO15-030E			
39	37000502360	PLATE	1					
40	37000300720	SLEEVE	1		12-10			
41	37000502320	PLATE	2					
42	37000910040	JOINT,BUSHING	1				475309	
	37000913920	JOINT	1			475310		
43	80302090101	FITTING	1		KCO10-020N			
44	91002801100	O-RING	1		1B P11			
61	91000521400	O-RING	1		AS568-214-1B			
71	91002801800	O-RING	2		1B P18			
81	91002801400	O-RING	1		1B P14			
	91002801400	O-RING	1		1B P14	475310		

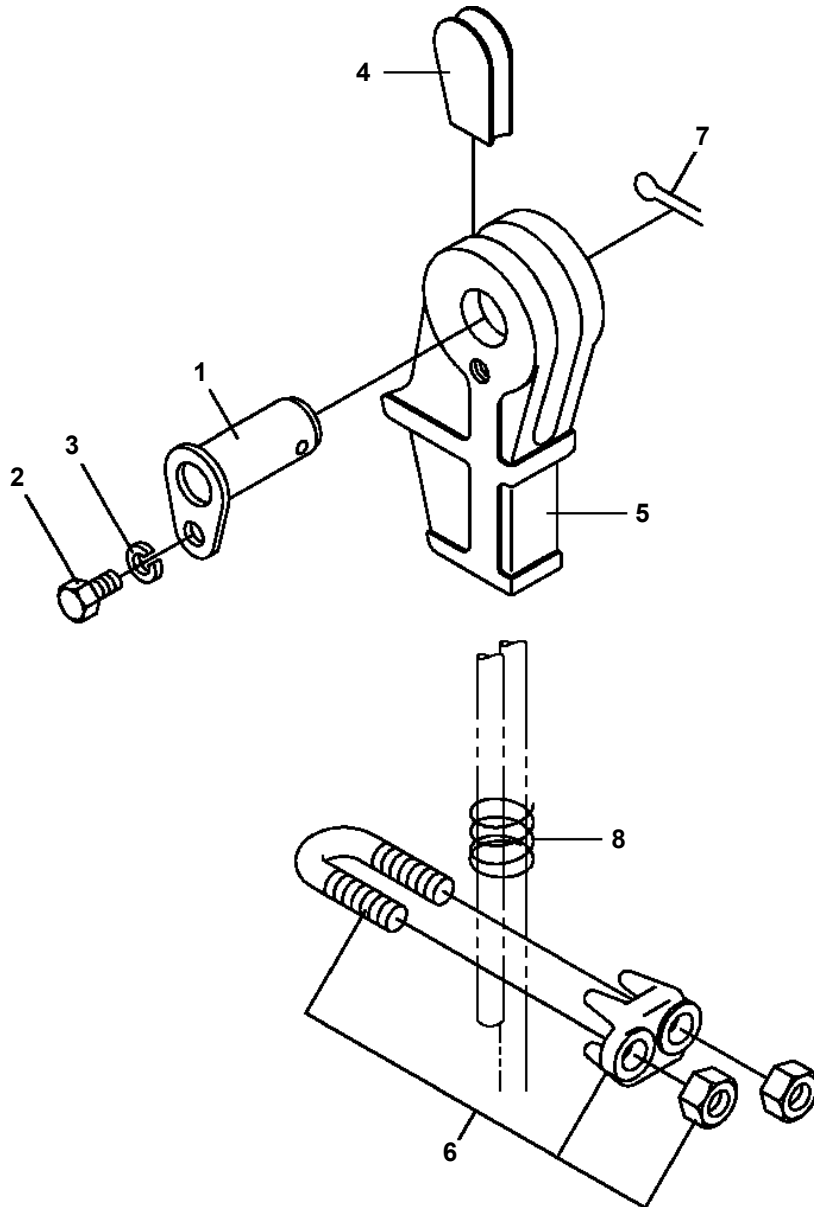
## TG-700E-3-10505 5 BOOM + JIB, 2M2D, KG56WXL

Pos No.	Parts No	Parts Name	Qty	Unit	Technical Data	Serial No (Start)	Serial No (End)	Remarks
22	36071300000	WINCH ASSY (20)	1					
33	18023003000	WEDGE	1					
51	36070055010	SHAFT	1					
52	36070055020	SPACER (C)	1					
53	80500006313	BEARING,BALL	1					
54	80500006312	BEARING,BALL	1					
55	36070055030	COVER (B)	1					
56	90102212030	BOLT	18		M12X30			
57	90302041201	WASHER,SPRING	18		12			
58	36070055040	RETAINER (BEARING)	1					
59	80500006215	BEARING,BALL	1					
60	36070055050	COLLAR (B)	1					
61	36070055061	GEAR,DRUM	1					
62	36070485010	CASE,GEAR	1					
63	36070055081	COLLAR (A)	1					
64	80500006219	BEARING,BALL	1					
65	91206110001	SEAL,OIL	1					
66	36070055090	RETAINER (BEARING A)	1					
69	80516006220	BEARING,BALL	1					
70	36070485040	DRUM,SHAFT	1					
71	36071305021	DRUM	1					
72	80516006319	BEARING,BALL	1					
76	36070925170	BOSS (CLUTCH)	1					
77	36070055160	SPACER (D)	1					
78	80562100160	WASHER,PLAIN	1		AW16			
79	80561100160	NUT	1		AN16			
80	80601110750	RING,RITAINING	2		S75			
81	80516006315	BEARING,BALL	1					
82	90172108025	BOLT,HEXAGON SOCKET	16		M8X25			
83	90302040801	WASHER,SPRING	16		8			
84	18023000010	PLUG	1					
85	80303080080	ELBOW	1					
86	36070055170	COVER (GEAR CASE)	1					
88	80316090060	PLUG	1		KKT PT3/8			
91	36070055120	SPACER (E)	1					
92	80561100150	NUT,LOCK	1		AN15			
93	80562100150	WASHER (LOCK)	1		AW15			
94	14123000400	BREATHER	1		PT1/8			
95	80602112000	RING,RITAINING	1		R200			
101	90101522065	BOLT	4		M22X65			
102	90302042201	WASHER,SPRING (22)	4					

TG-700E-3-10505 5 BOOM + JIB, 2M2D, KG56WXL  
PF1050108-01 HOOK (AUXILIARY)



**TG-700E-3-10505 5 BOOM + JIB, 2M2D, KG56WXL  
PF1090003-01 SOCKET,ROPE (SEIZING )**



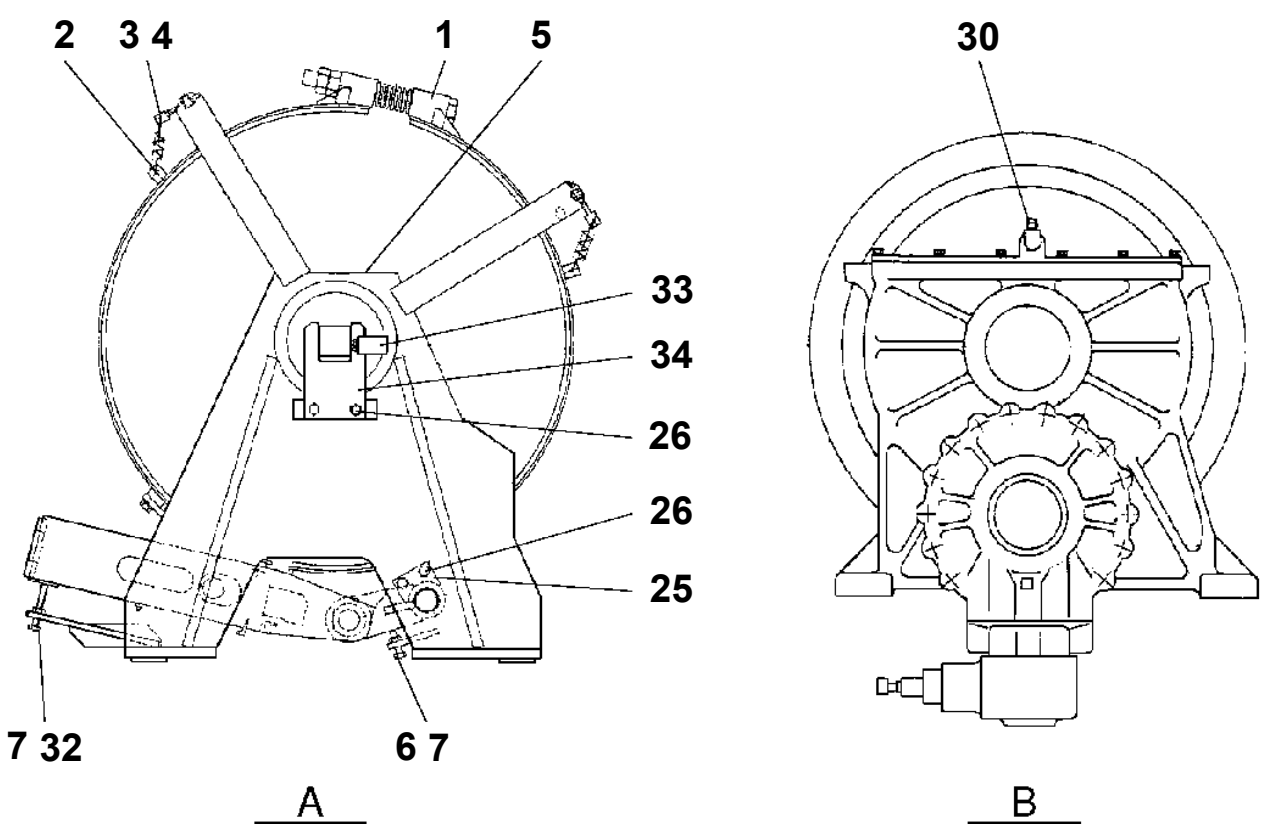
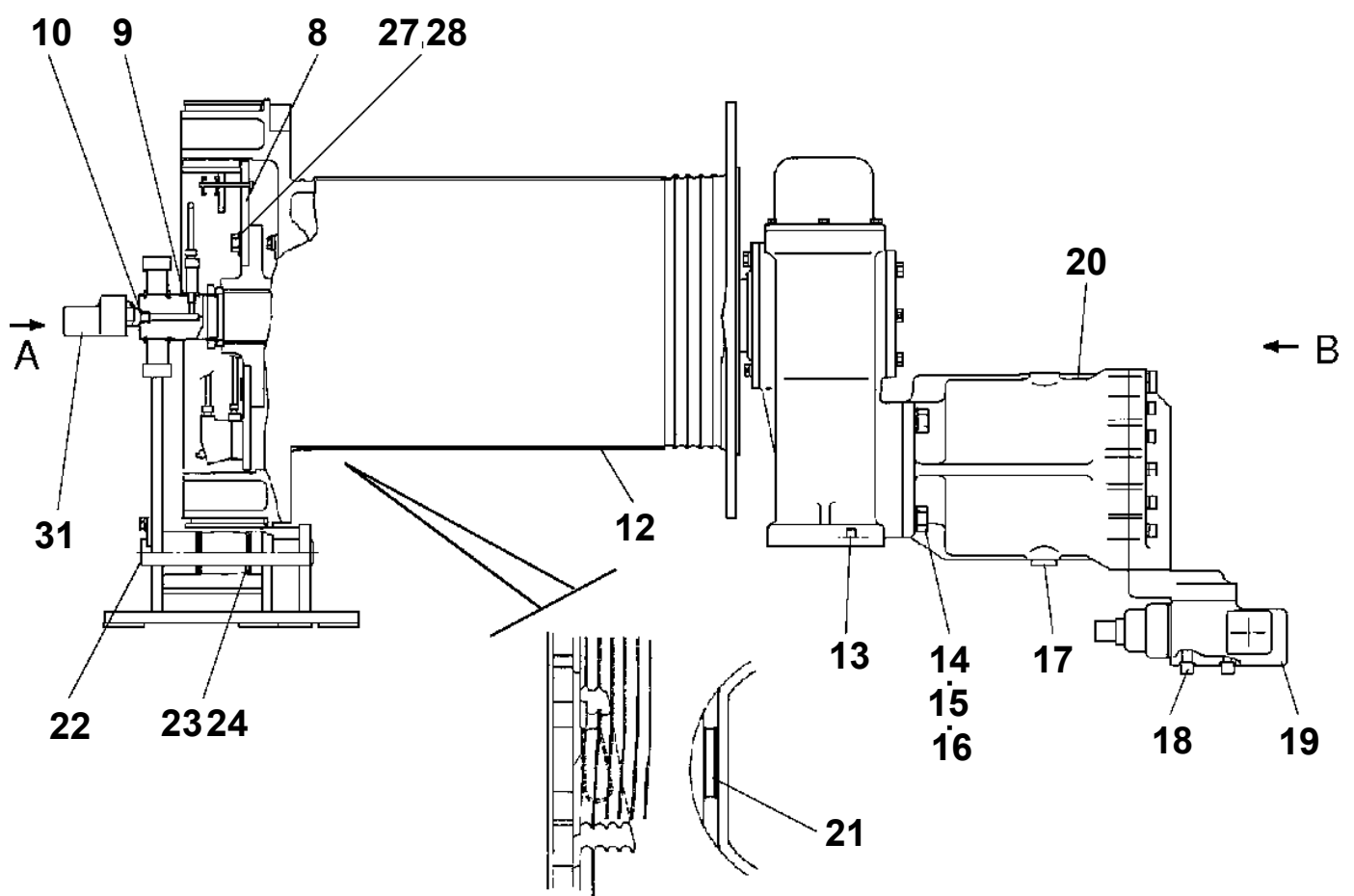
# TG-700E-3-10505 5 BOOM + JIB, 2M2D, KG56WXL

Pos No.	Parts No	Parts Name	Qty	Unit	Technical Data	Serial No (Start)	Serial No (End)	Remarks
1	36070021010	BOLT	1		M24X240			
2	37001200000	SPRING	1					
3	90202702400	NUT	2		M24			
4	33310931100	BAND ASSY	1					
5	33310931200	SUPPORT	1					
6	90101512020	BOLT	2		M12X20			
7	90303501201	WASHER,PLAIN	2		12			
8	34310583900	BOOT	1					
9	37000101550	PIN	1				475324	
	37000204460	PIN	1			475325		
10	37001200800	SPRING	1					
11	34310584000	PISTON	1					
12	34310584500	PACKING	1					
13	34310584600	RING,BACKUP	1					
14	91002800600	O-RING	1		1B P6			
15	91411000600	RING,BACKUP	1		P6			
16	90266201200	NUT	1		M12			
17	34310583800	BOLT	1					
18	34310212600	SUPPORT	1					
19	37000523870	PLATE	4		T=1.0			
20	37000533760	PLATE	1		T=0.5			
21	37001200020	SPRING	1					
22	59457138000	PLUG ASSY	2					
23	33310761300	CYLINDER	1					
24	91684006500	PACKING	1					
25	91411205501	RING,BACKUP	1					
26	33310761350	PISTON	1					
27	91002805500	O-RING	1		1B P55			
28	33310761400	BOOT	1					
29	33310761450	ROD	1					
30	91002904000	O-RING	1		1B G40			
31	34310583700	CYLINDER	1					
32	33310761500	SUPPORT	1					
33	90172108016	BOLT,HEXAGON SOCKET	2		M8X16			
34	90203200800	NUT	4		M8			
35	37001300130	SPRING	2					
36	90172108025	BOLT,HEXAGON SOCKET	2		M8X25			
37	37000114750	PIN	1					
38	90101210012	BOLT	1		M10X12			
39	90302041001	WASHER,SPRING	1		10			
40	37000304690	SPACER	2					
41	34310584200	INDICATOR	1				475324	
	34310863300	INDICATOR	1			475325		
42	90101206016	BOLT	2		M6X16			
43	90302040601	WASHER,SPRING	2		6			
44	90172110022	BOLT,HEXAGON SOCKET	4		M10X22			
45	80601110160	RING,RITAINING	2		16	475325		
46	37000131380	PIN	1					
47	37000526390	PLATE	1		T=4.5			
48	80136340071	PIN,SPLIT	1					
49	34310863600	LINK ASSY	1					
50	37000302040	SPACER	2		L=10			
73	36070471300	LINING	16					
80	36070021500	RIVET	80		6X12X12			
91	37000533750	PLATE	2					
92	80530000211	BEARING,SPHERICAL	1					
94	80804038020	BEARING,PLAIN	2					
100	33310769900	PACKING SET	1					
200	33311274000	BAND,WINCH BRAKE (MAIN)	1					

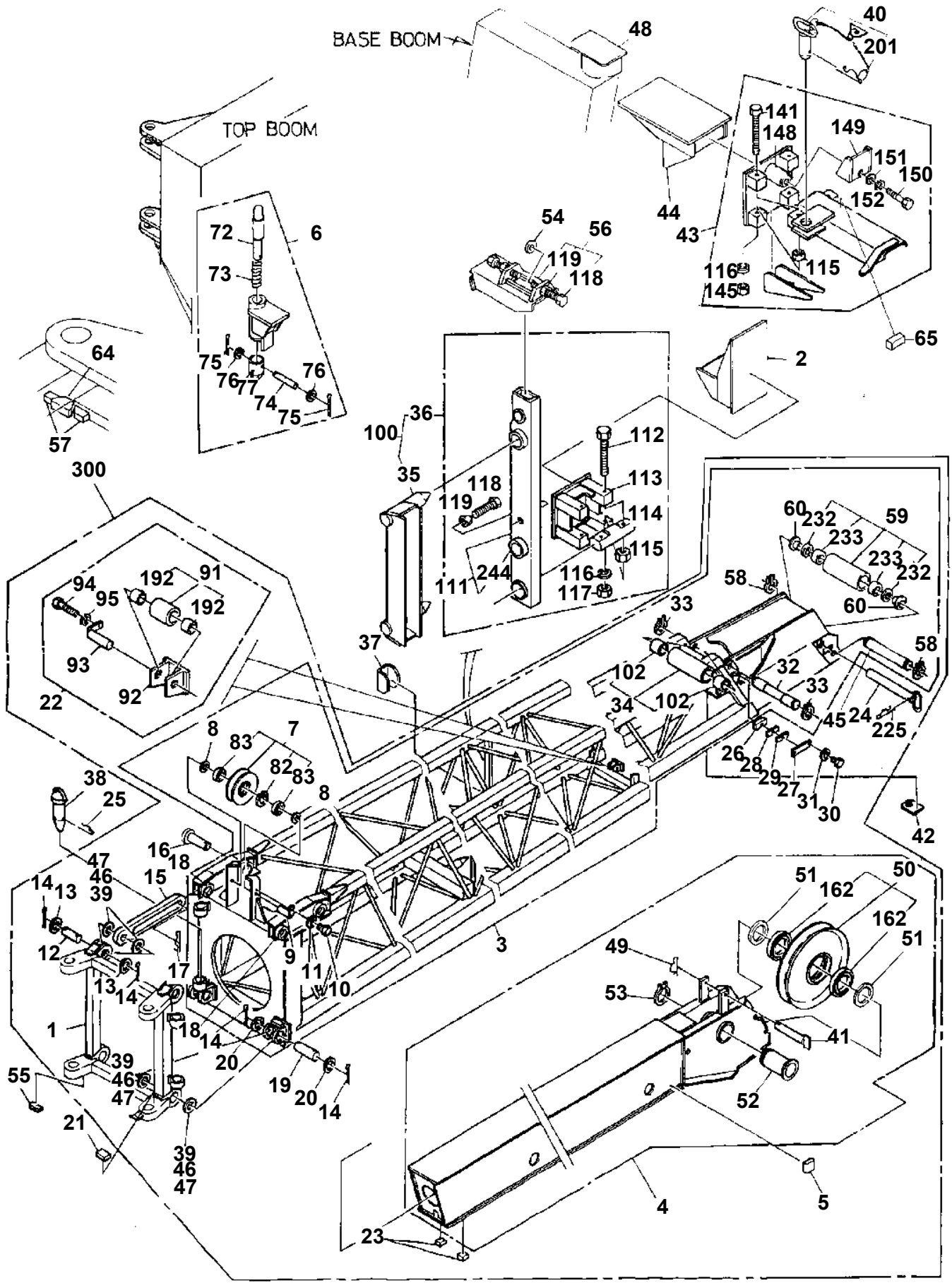
## TG-700E-3-10505 5 BOOM + JIB, 2M2D, KG56WXL

Pos No.	Parts No	Parts Name	Qty	Unit	Technical Data	Serial No (Start)	Serial No (End)	Remarks	Pages
1	81408000130	PIPE,STEEL	2	M	10X1.8T				
2	81408000130	PIPE,STEEL	2	M	10X1.8T				
3	81408000130	PIPE,STEEL	2	M	10X1.8T				
4	81408000130	PIPE,STEEL	2	M	10X1.8T				
5	81408000130	PIPE,STEEL	1	M	10X1.8T				
6	81408000130	PIPE,STEEL	1	M	10X1.8T				
7	37002411520	HOSE	2		L=450				
8	80400160127	JOINT	2						
9	91002801100	O-RING	2		1B P11				
10	80320010050	FITTING	2		KUD10-020N				
11	37000711000	CLAMP ASSY	2		12-1				
12	80301010080	FITTING	4		KUA10-000E				
13	37000711080	CLAMP ASSY	6		12-2				
14	37000502310	PLATE	4						
15	37000300720	SLEEVE	14		12-10				
16	37000502320	PLATE	4						

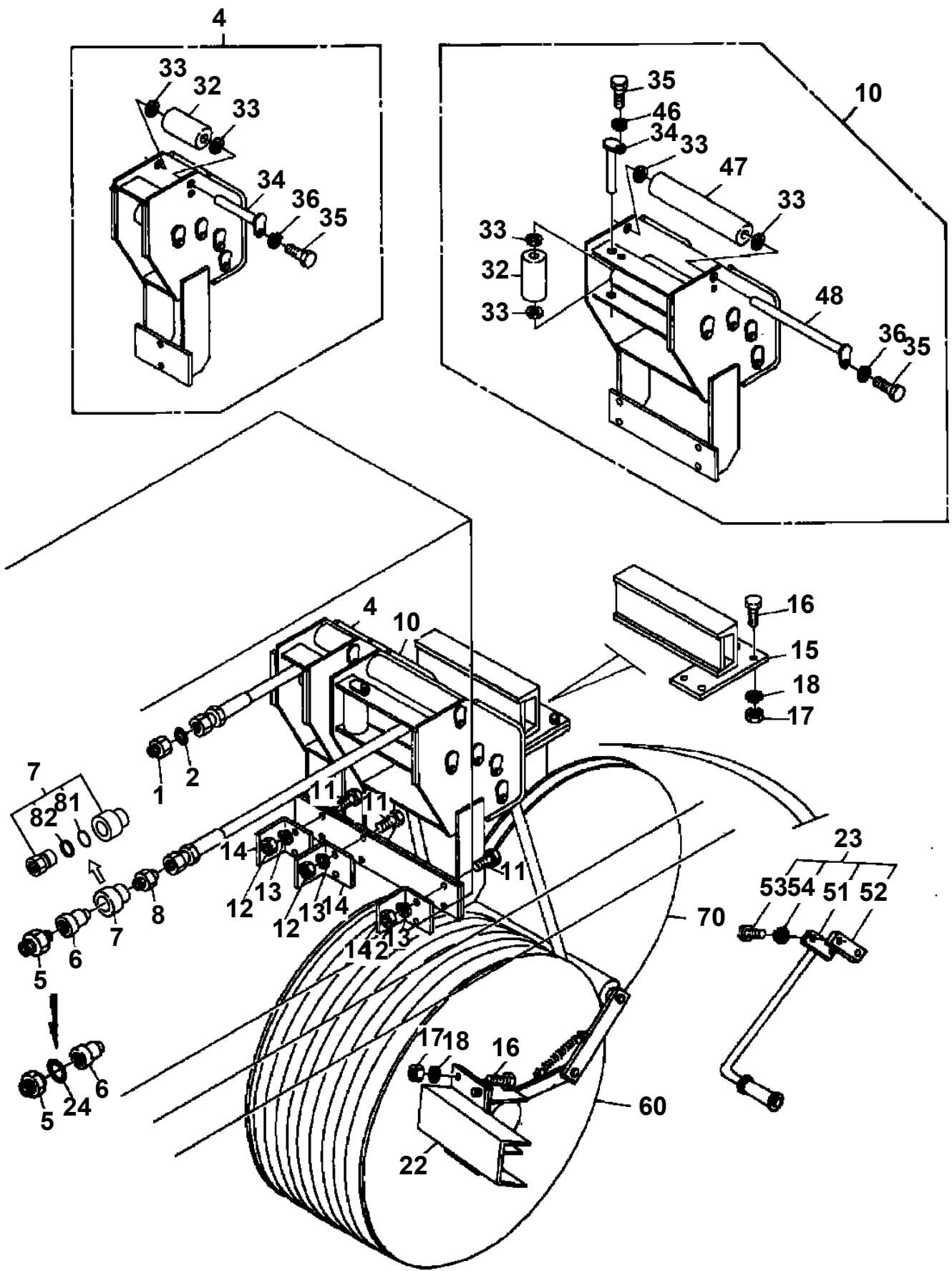
**TG-700E-3-10505 5 BOOM + JIB, 2M2D, KG56WXL  
PF1400306-00 MOUNT,WINCH (MAIN)**



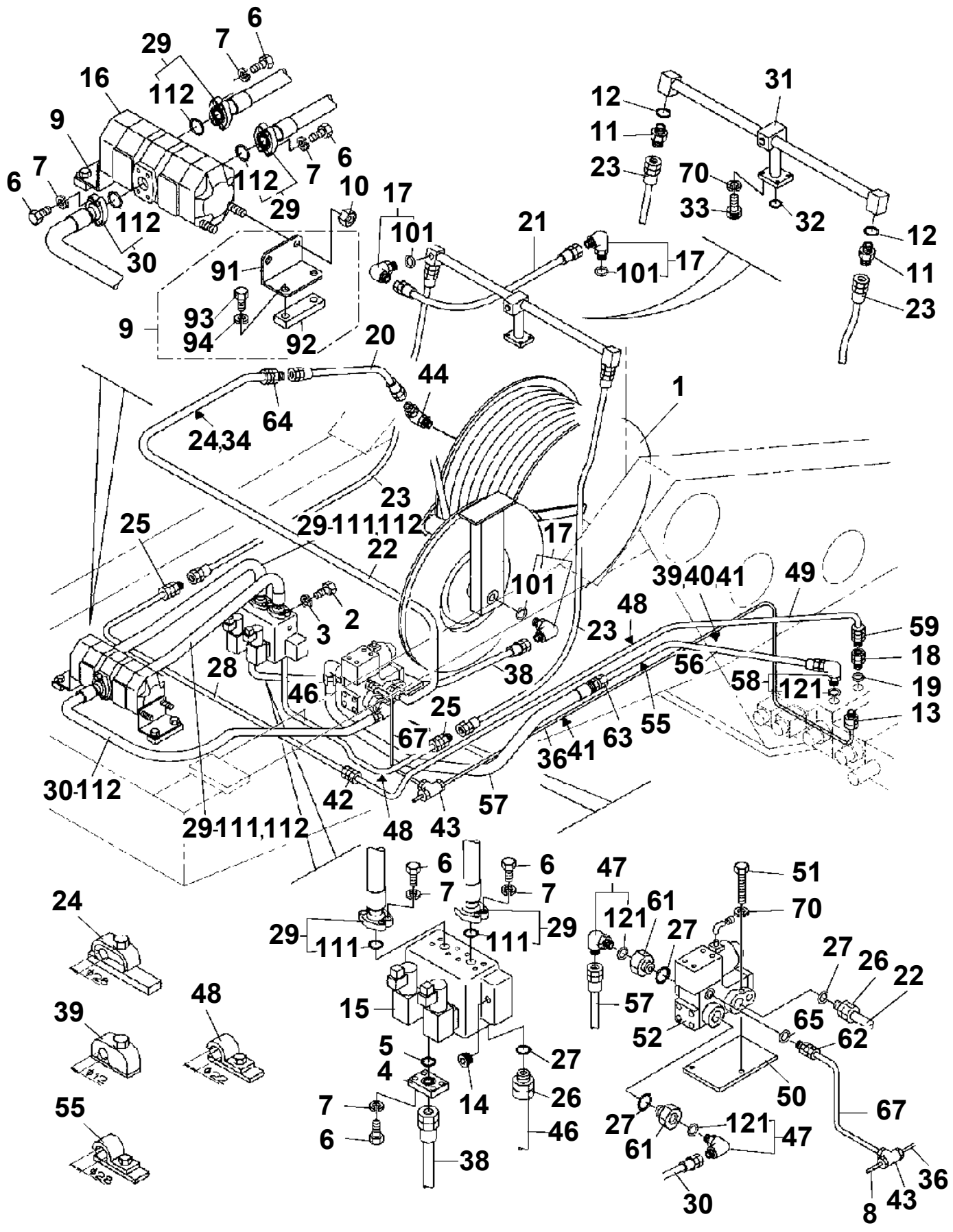
TG-700E-3-10505 5 BOOM + JIB, 2M2D, KG56WXL  
PG1040104-00 JIB



TG-700E-3-10505 5 BOOM + JIB, 2M2D, KG56WXL  
PG1070250-04 REEL, HOSE (MOUNT)



TG-700E-3-10505 5 BOOM + JIB, 2M2D, KG56WXL  
 PG1200152-00 PIPING,TELESCOPING



## TG-700E-3-10505 5 BOOM + JIB, 2M2D, KG56WXL

Pos No.	Parts No	Parts Name	Qty	Unit	Technical Data	Serial No (Start)	Serial No (E
1	34371751000	SWITCH ASSY	1				
2	33371020010	SUPPORT	1				
3	33370881010	SUPPORT	1				
4	90201201200	NUT	2		M12		
5	90101206016	BOLT	1		M6X16		
6	90302040601	WASHER,SPRING	1		6		
7	90201200600	NUT	1		M6		
8	90303290600	WASHER,PLAIN	2		6		
9	82114101020	CONNECTOR (2P,MALE)	1				
10	82111101020	TERMINAL	1				
11	82121101125	PLUG (AVS1.25)	3				
12	82121102020	HOLDER	2				
13	82114102020	CONNECTOR	1				
14	82111101520	TERMINAL	2				
15	82100000865	TERMINAL	1				
16	82100001220	INSULATOR	1				
17	82100002506	CONNECTOR	1				
18	82100002505	CONNECTOR (CN-6)	1				
19	82100000208	CLAMP	12		WT4		
20	90928040061	SCREW,TAPPING	12		M4X6		
42	33370010110	SUPPORT	1				
43	90101208030	BOLT	2		M8X30		
44	90302040801	WASHER,SPRING	2		8		
51	34371661101	SWITCH,OVER WIND DETECTOR (BOOM)	1				
52	14128208000	RING	2				
53	37001907530	ROPE,WIRE	1		L=590		
54	33370010100	WEIGHT	1				
55	82100002005	CLAMP	1		WRC8		
60	33371628010	HARNESS	1				

# TG-700E-3-10505 5 BOOM + JIB, 2M2D, KG56WXL

Pos No.	Parts No	Parts Name	Qty	Unit	Technical Data	Serial No (Start)	Serial No (End)	Remarks	Pages
1	82100002012	CLAMP	10		WR18				
2	90190000008	BOLT,STUD	14		M6X20				
3	90302040601	WASHER,SPRING	16		6				
4	90201200600	NUT	16		M6				
5	82100002010	CLAMP	2		WR15				
6	82100002004	CLAMP	3		WR8				
7	90101206014	BOLT	2		M6X14				
8	82100002002	CLAMP	1		WR6				
9	33361280500	HARNESS	1						
25	82100001353	CONNECTOR	1						
26	37002702450	CABLE	1		L=8800				
27	82100001155	CONNECTOR	1						

CLICK HERE TO **DOWNLOAD** THE COMPLETE MANUAL

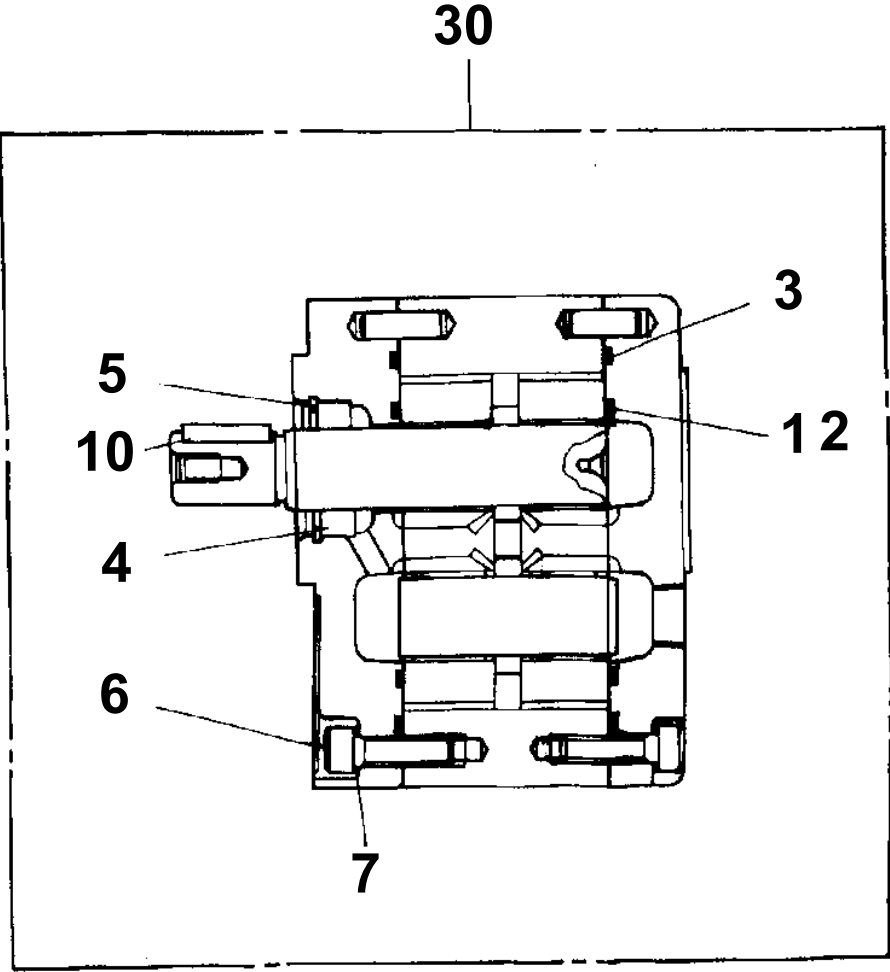
- Thank you very much for reading the preview of the manual.
- You can download the complete manual from: [www.heydownloads.com](http://www.heydownloads.com) by clicking the link below



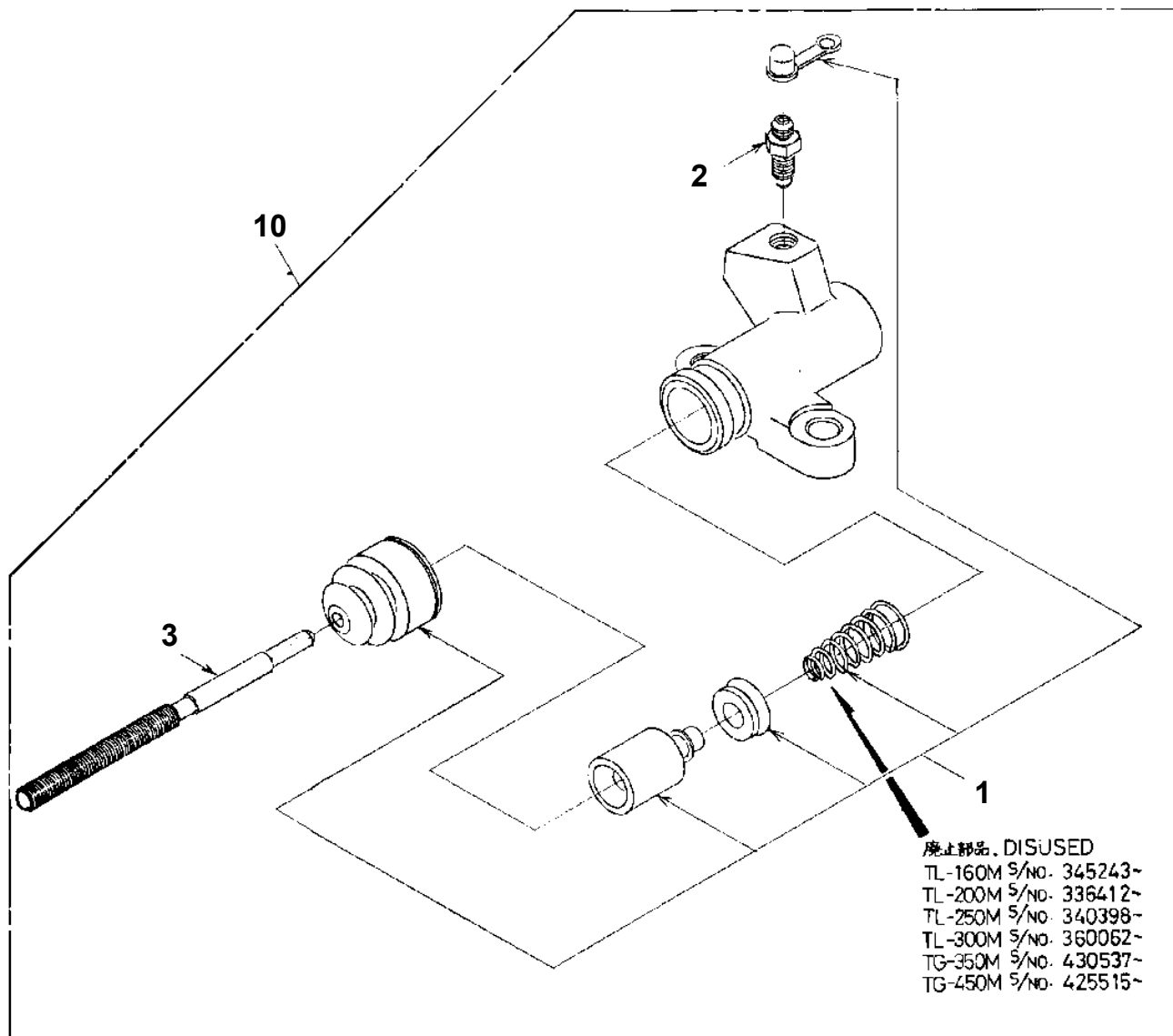
- Please note: If there is no response to CLICKING the link, please download this PDF first and then click on it.

CLICK HERE TO **DOWNLOAD** THE COMPLETE MANUAL

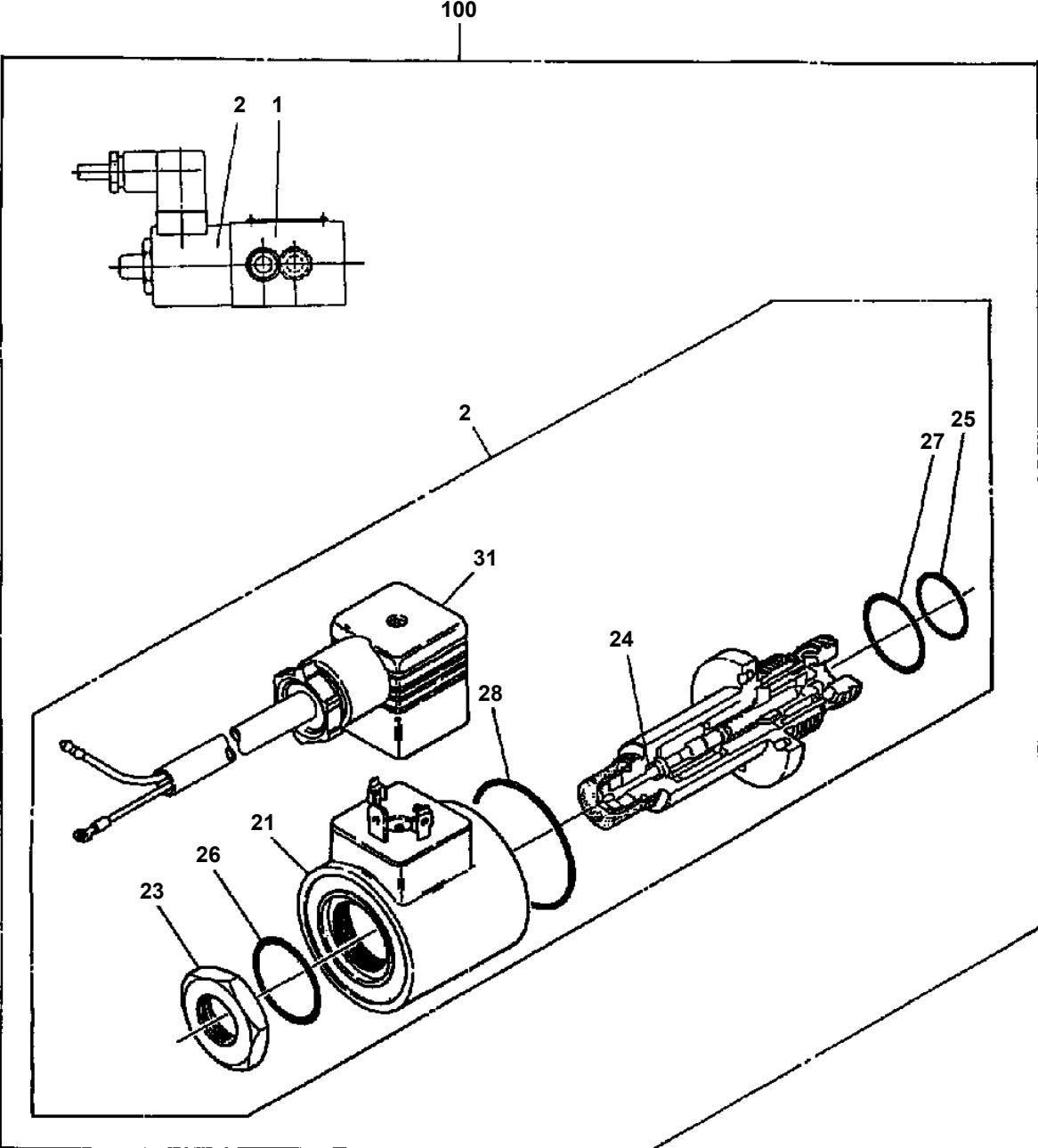
TG-700E-3-10505 5 BOOM + JIB, 2M2D, KG56WXL  
PI1010124-00 MOTOR, HYDRAULIC (COOLER, OIL)



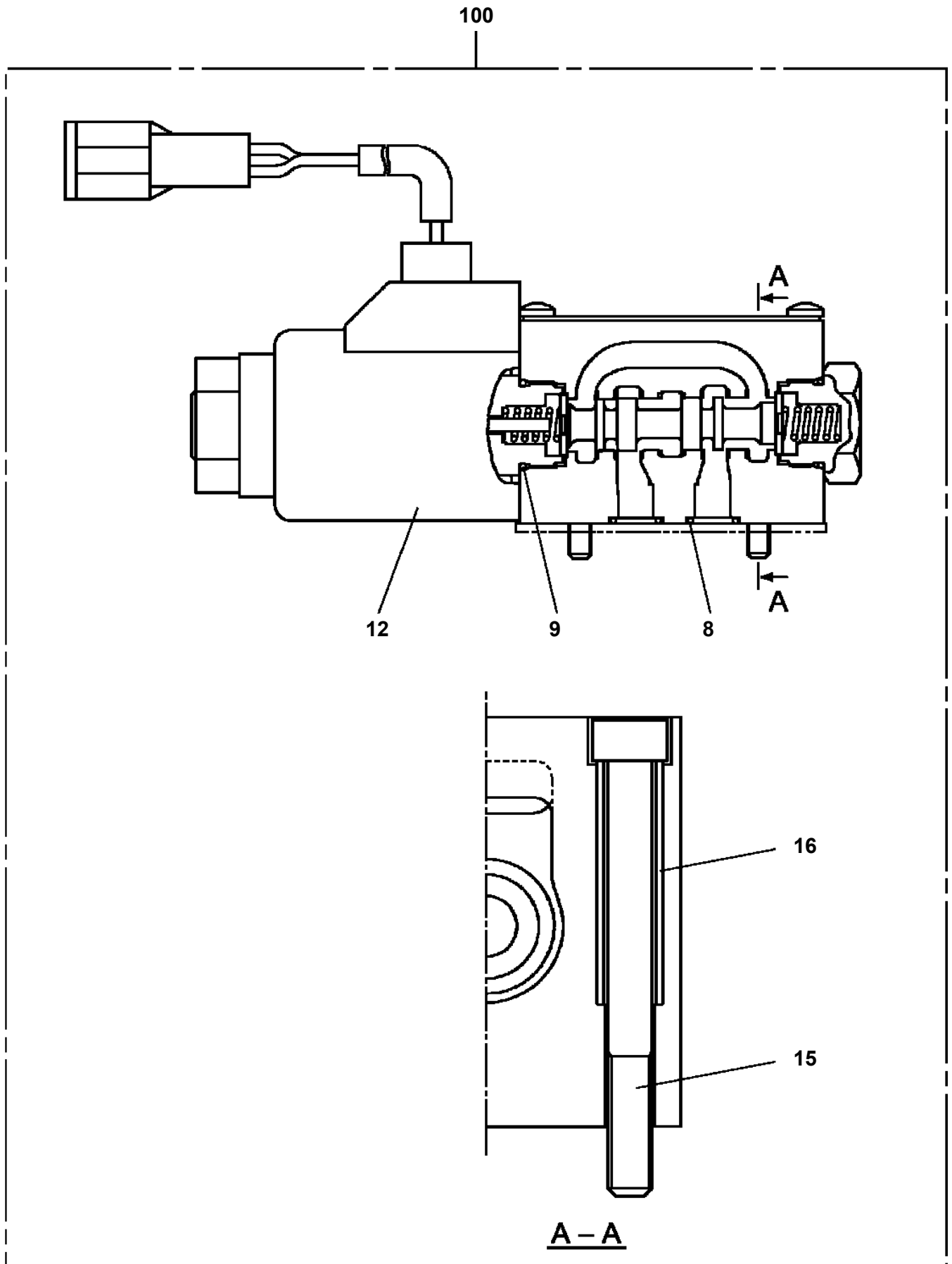
TG-700E-3-10505 5 BOOM + JIB, 2M2D, KG56WXL  
PI1030008-01 CYLINDER,MASTER



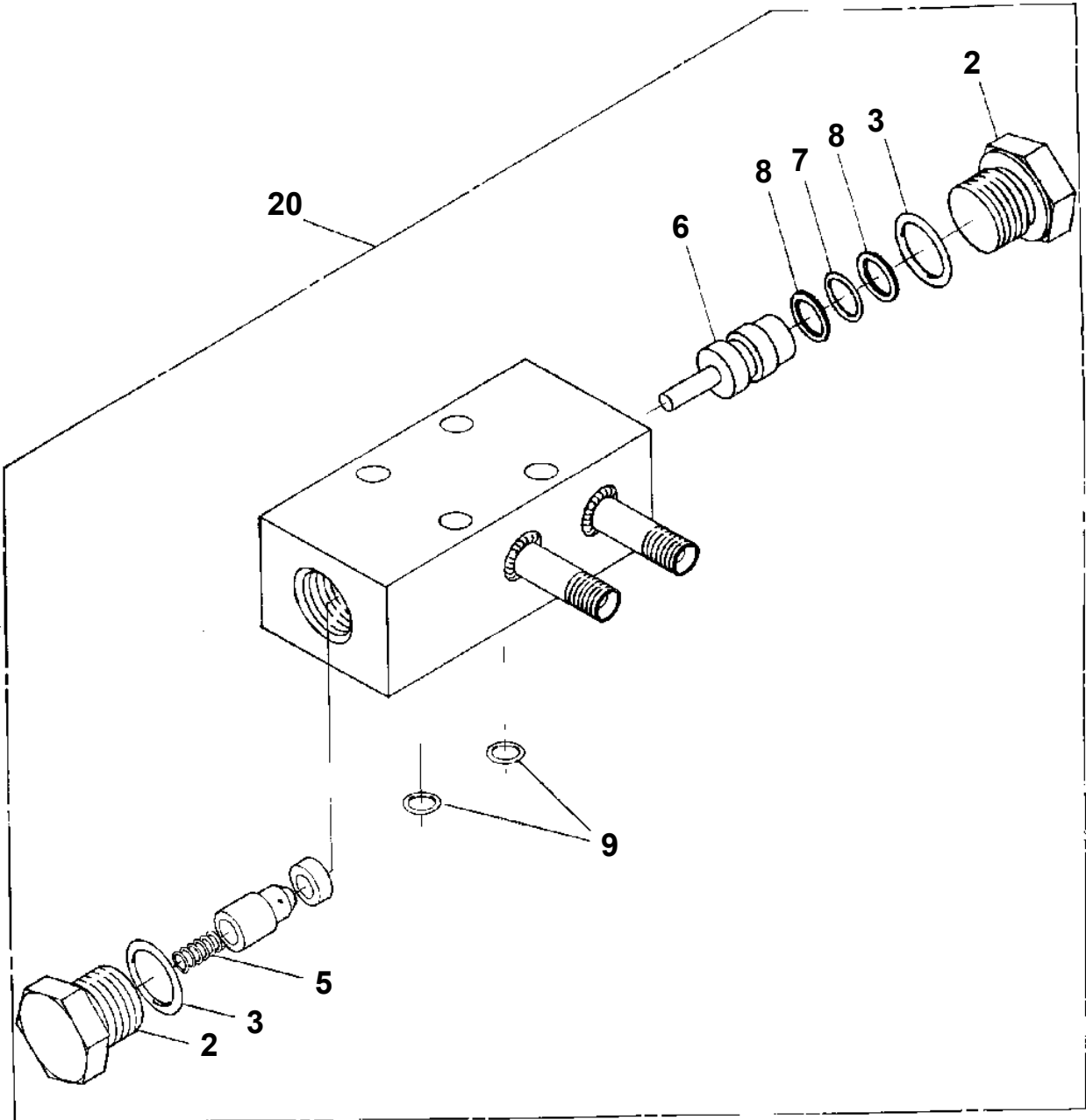
TG-700E-3-10505 5 BOOM + JIB, 2M2D, KG56WXL  
PI1120128-01 VALVE,SOLENOID



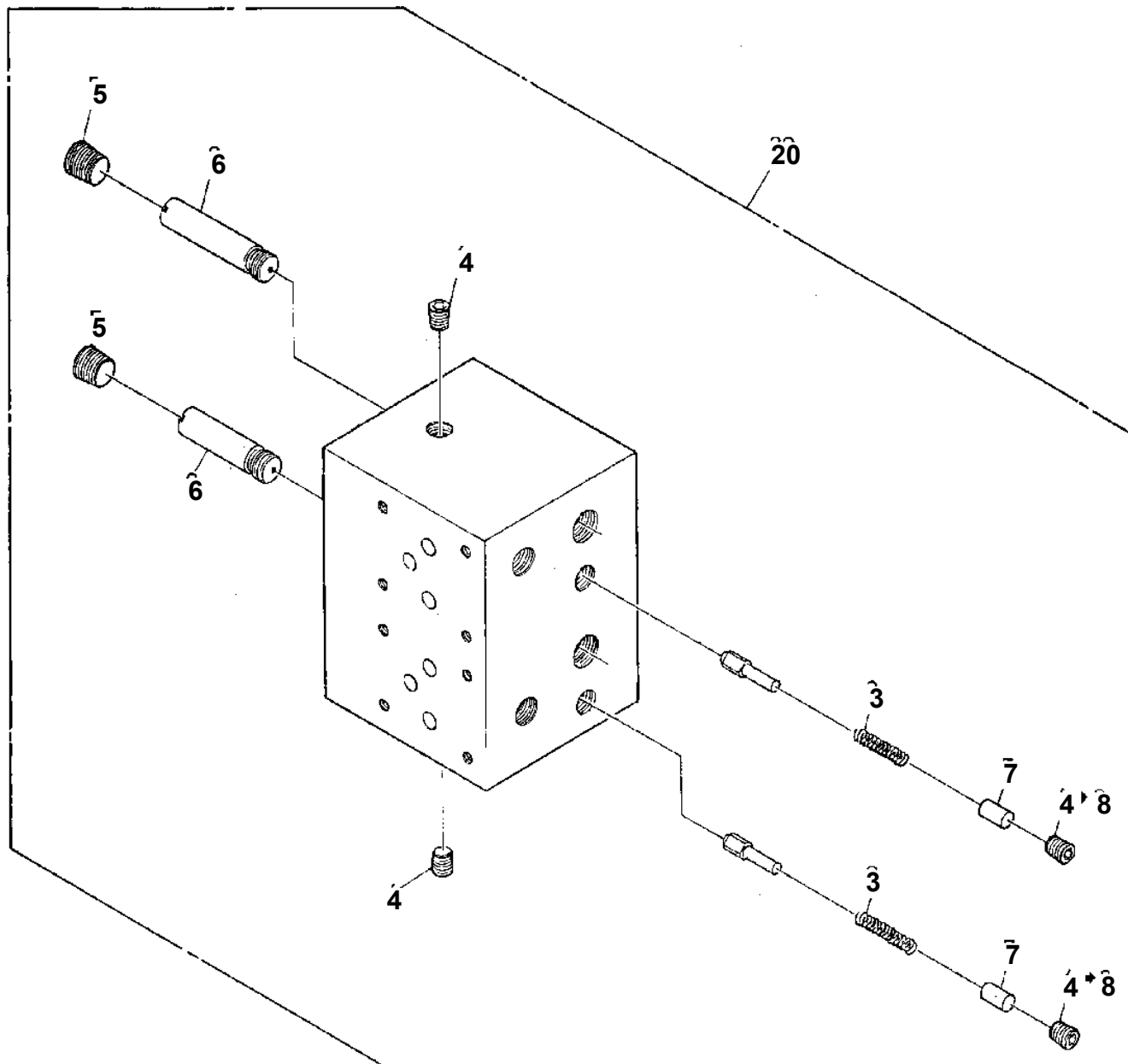
TG-700E-3-10505 5 BOOM + JIB, 2M2D, KG56WXL  
PI1120344-00 VALVE, SOLENOID



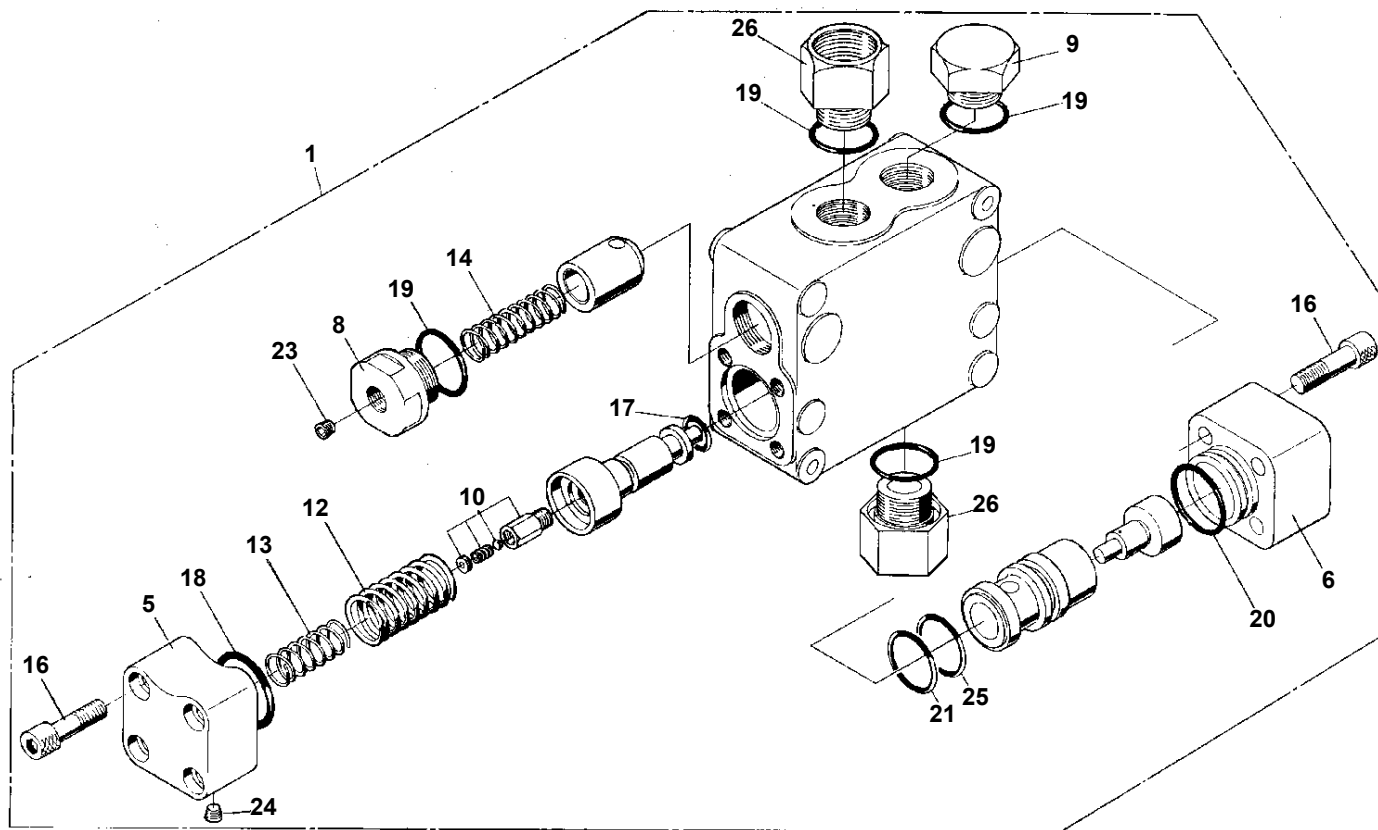
TG-700E-3-10505 5 BOOM + JIB, 2M2D, KG56WXL  
PI1140042-00 VALVE,CHECK



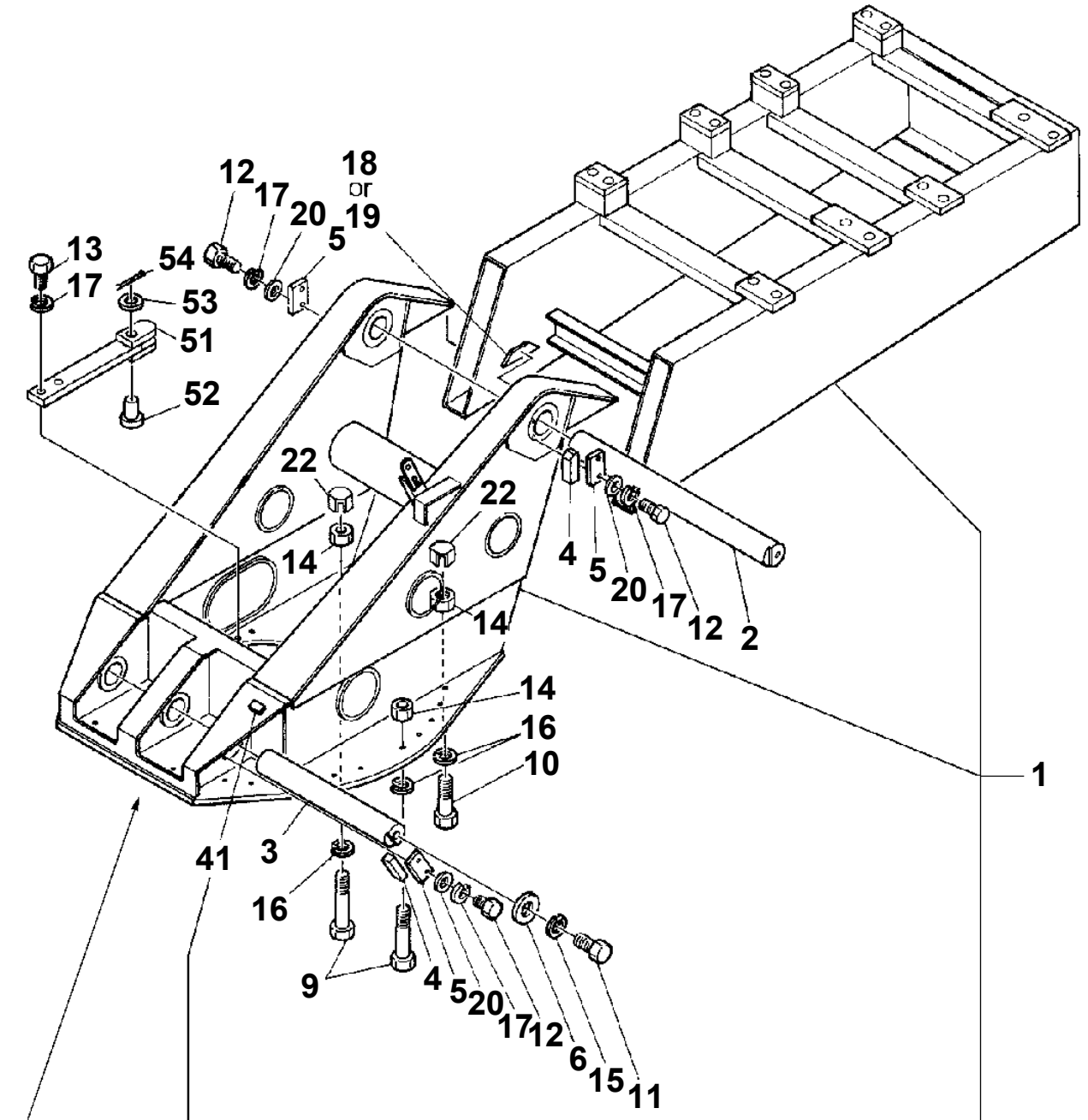
TG-700E-3-10505 5 BOOM + JIB, 2M2D, KG56WXL  
PI1140191-01 VALVE,CHECK



**TG-700E-3-10505 5 BOOM + JIB, 2M2D, KG56WXL  
PI1250050-01 VALVE,COUNTERBALANCE**



TG-700E-3-10505 5 BOOM + JIB, 2M2D, KG56WXL  
PK1100303-00 SWING FRAME



BEARING, SWING  
(SEE FIG. PD102)

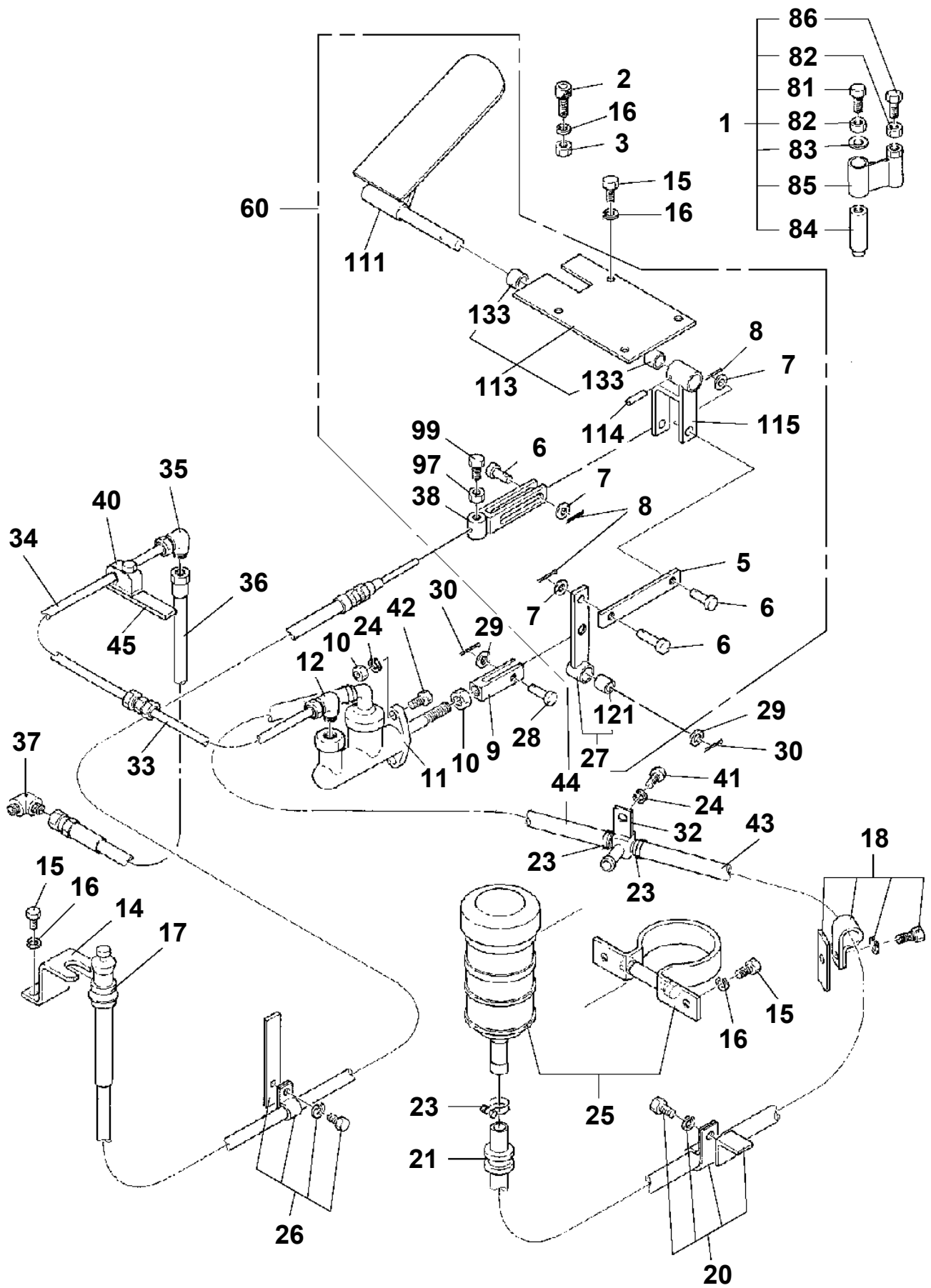
# TG-700E-3-10505 5 BOOM + JIB, 2M2D, KG56WXL

Pos No.	Parts No	Parts Name	Qty	Unit	Technical Data	Serial No (Start)	Serial No (End)	Remarks	Pages
1	33270341100	COVER	1						
2	33270150200	COVER ASSY	1						
3	33270150300	COVER ASSY	1						
4	33270741100	COVER	1						
5	33270341200	COVER	1						
6	33270741200	COVER	1						
7	33270341300	COVER ASSY	1						
9	33270150900	SUPPORT ASSY	1						
10	33270151000	SUPPORT ASSY	3						
11	33270151100	SUPPORT ASSY	1						
12	33270020520	SUPPORT	1						
13	90101210016	BOLT	21		M10X16				
14	90303071001	WASHER,PLAIN	32		10				
15	90302041001	WASHER,SPRING	34		10				
16	90101210045	BOLT	1		M10X45				
17	33270151200	SUPPORT ASSY	1						
18	33270151300	SUPPORT ASSY	1						
19	33270151400	SUPPORT	2						
20	33270151500	SUPPORT	1						
21	33270151600	SUPPORT	1						
22	33270151700	SUPPORT	2						
23	90101210022	BOLT	8		M10X22				
24	90101210035	BOLT	4		M10X35				
25	33270152100	COVER ASSY	1						
26	33270421600	COVER ASSY	1						
41	90101212022	BOLT	16		M12X22				
42	90302041201	WASHER,SPRING	16		12				
43	90303071201	WASHER,PLAIN	16		12				
51	90302041001	WASHER,SPRING	7		10				
52	90101210020	BOLT	7		M10X20				
53	33270257510	CATCH	2						
63	90201201000	NUT	4		M10				
81	33270152110	COVER	1						
82	37000510090	PLATE	1						
83	90101208012	BOLT	2		M8X12				
84	90302040801	WASHER,SPRING	6		8				
91	33270421610	COVER	1						
92	33270421520	PLATE	1						
93	33270421620	CUSHION	1						
94	90102208012	BOLT	4		M8X12				

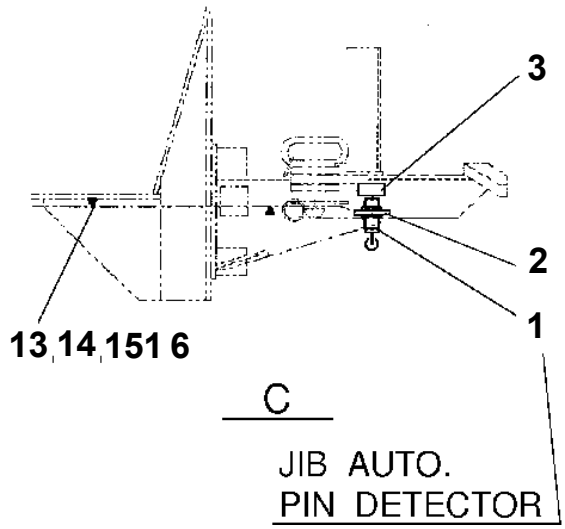
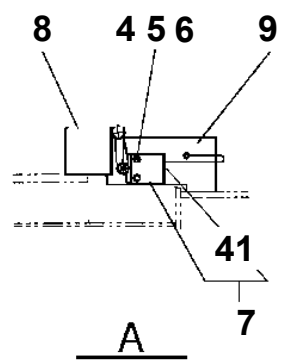
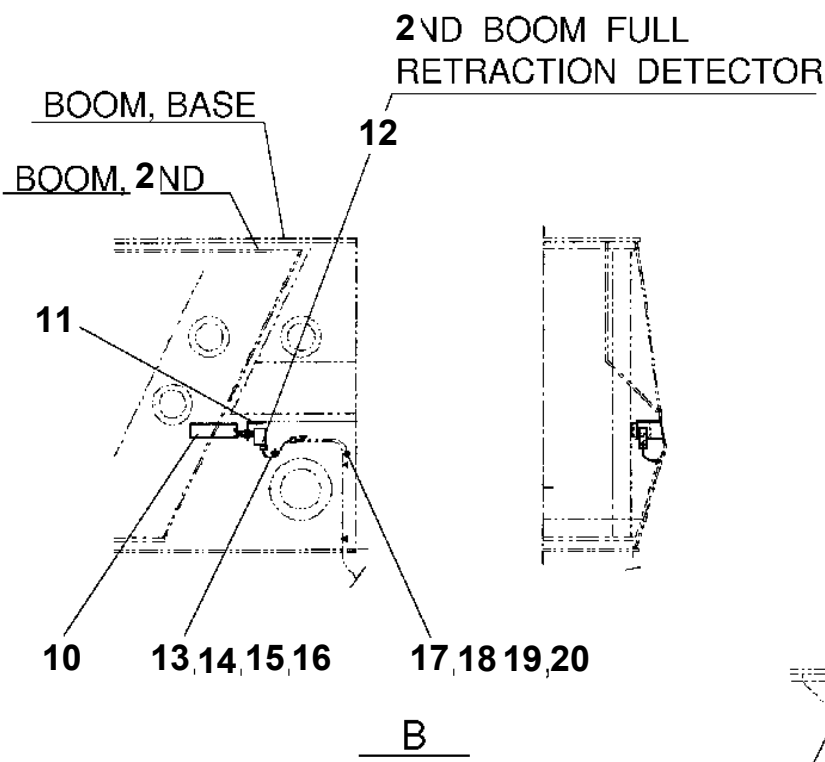
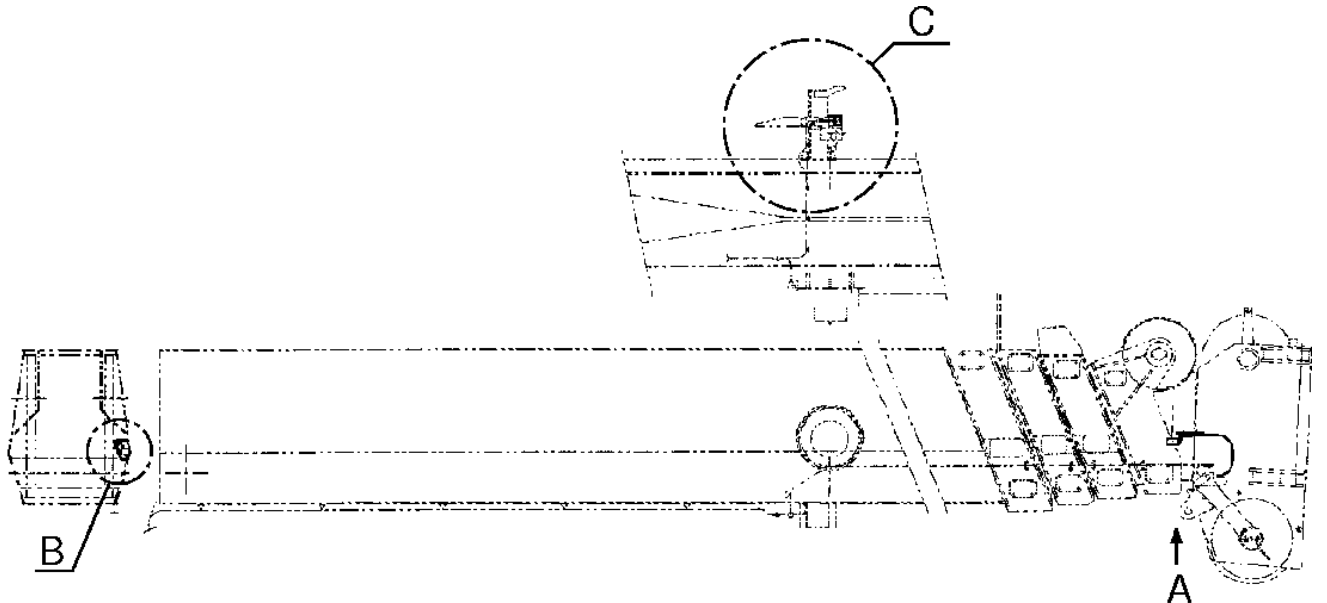
# TG-700E-3-10505 5 BOOM + JIB, 2M2D, KG56WXL

Pos No.	Parts No	Parts Name	Qty	Unit	Technical Data	Serial No (Start)	Serial No (End)
1	33475440100	COVER	1				
2	90101206020	BOLT	7		M6X20		
3	90302040601	WASHER,SPRING	7		6		
4	33475082000	COVER	1				
5	80192484012	SCREW,MACHINE (WITH WASHER)	4		M4X12		

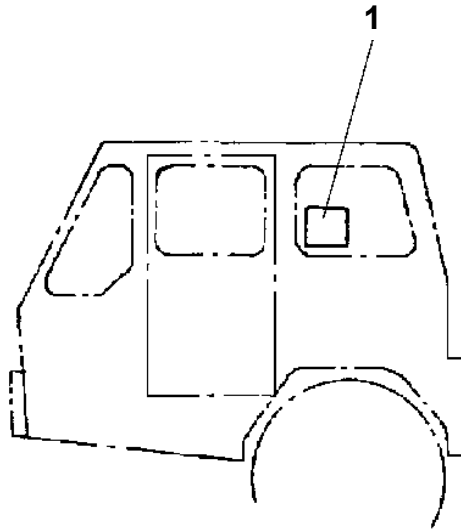
**TG-700E-3-10505 5 BOOM + JIB, 2M2D, KG56WXL  
 PL1030738-00 OPE.ASSY,ACCELERATOR (UPPER)**



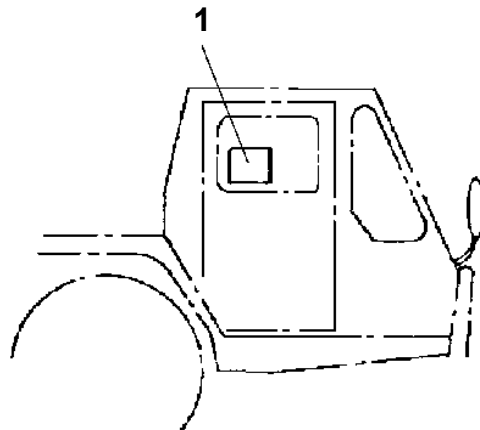
**TG-700E-3-10505 5 BOOM + JIB, 2M2D, KG56WXL  
 PN1070012-00 ELECTRICAL PARTS, BOOM**



TG-700E-3-10505 5 BOOM + JIB, 2M2D, KG56WXL  
PO1013065-00 PLATE ASSY,NAME (SHIPMENT,JAPANESE/ENG.)

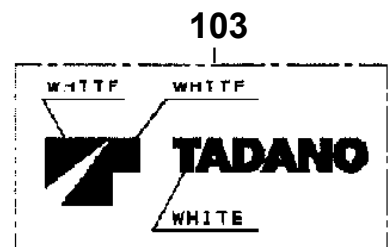
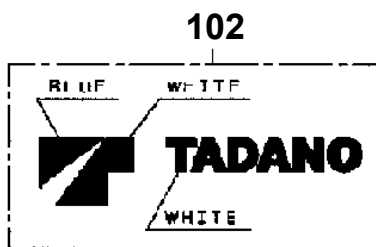
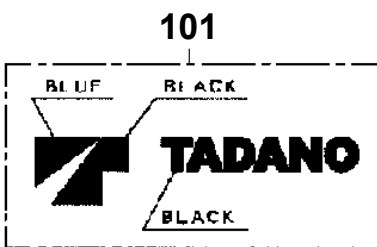
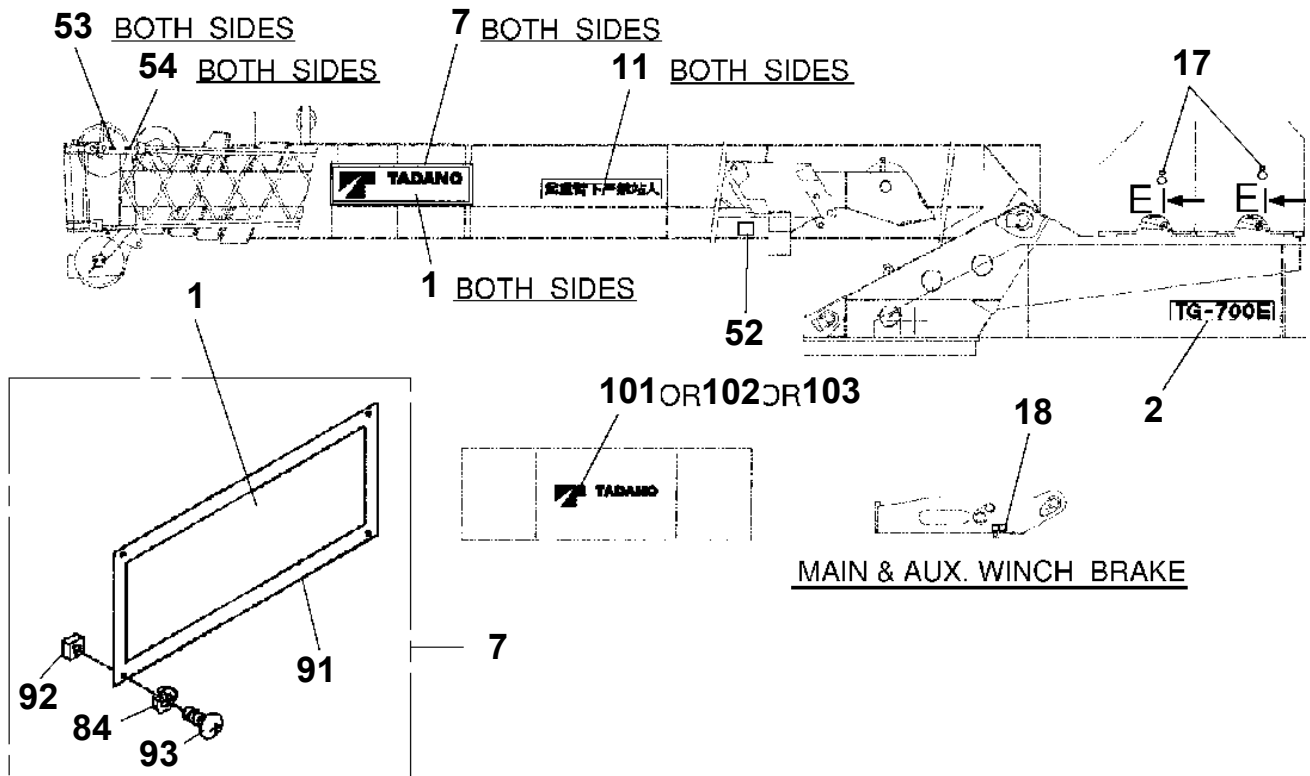
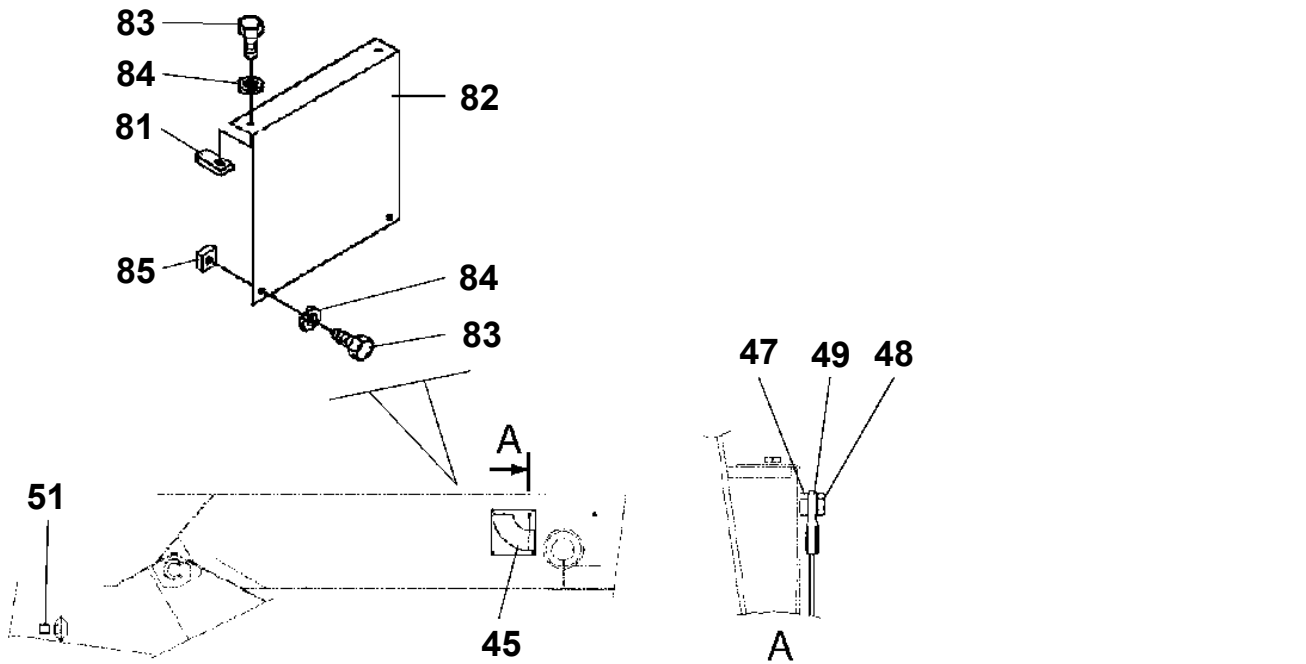


ONE - SIDED CAB

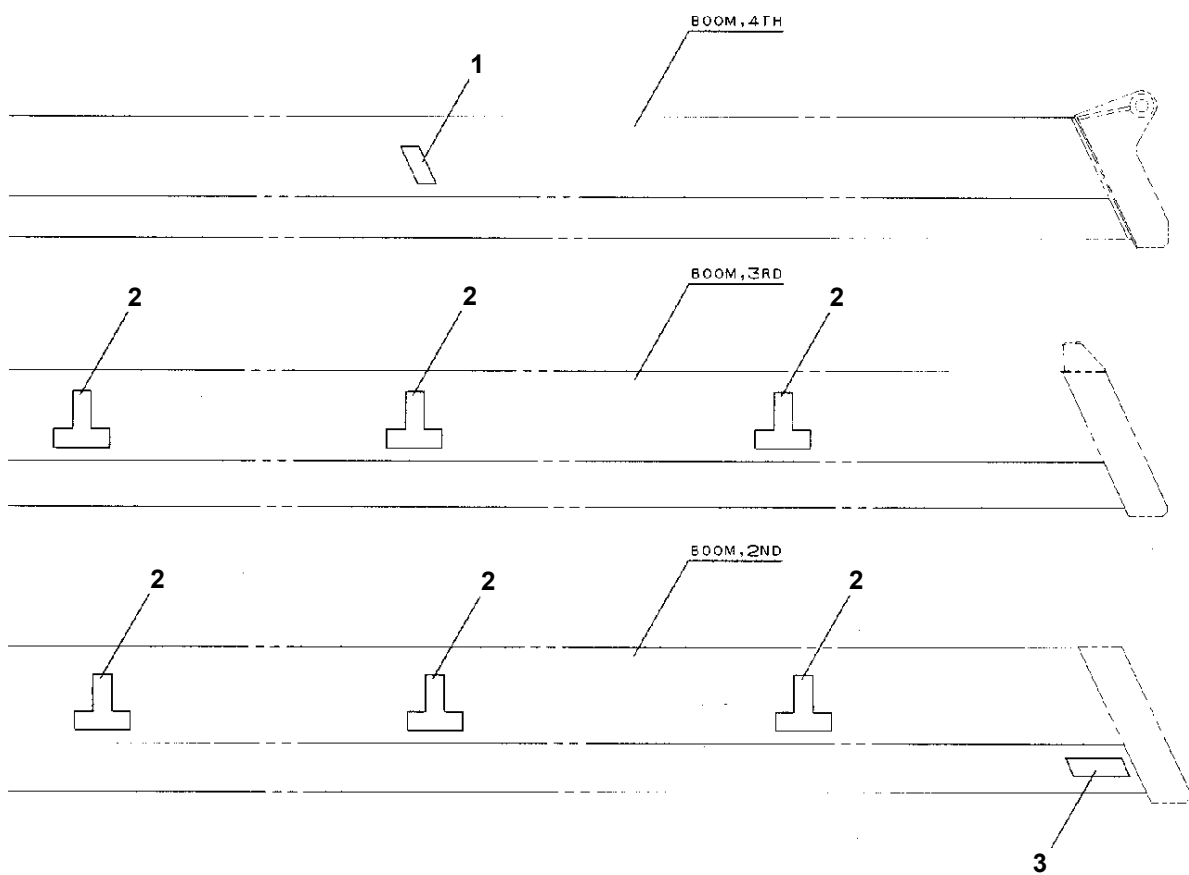


FULL CAB

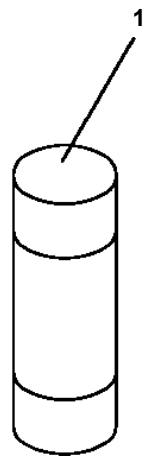
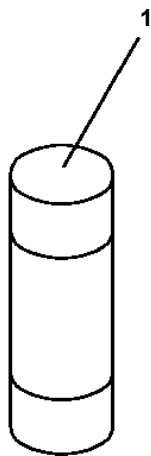
**TG-700E-3-10505 5 BOOM + JIB, 2M2D, KG56WXL  
PO1013260-00 PLATE ASSY,NAME (UPPER,ENG./CHINESE)**



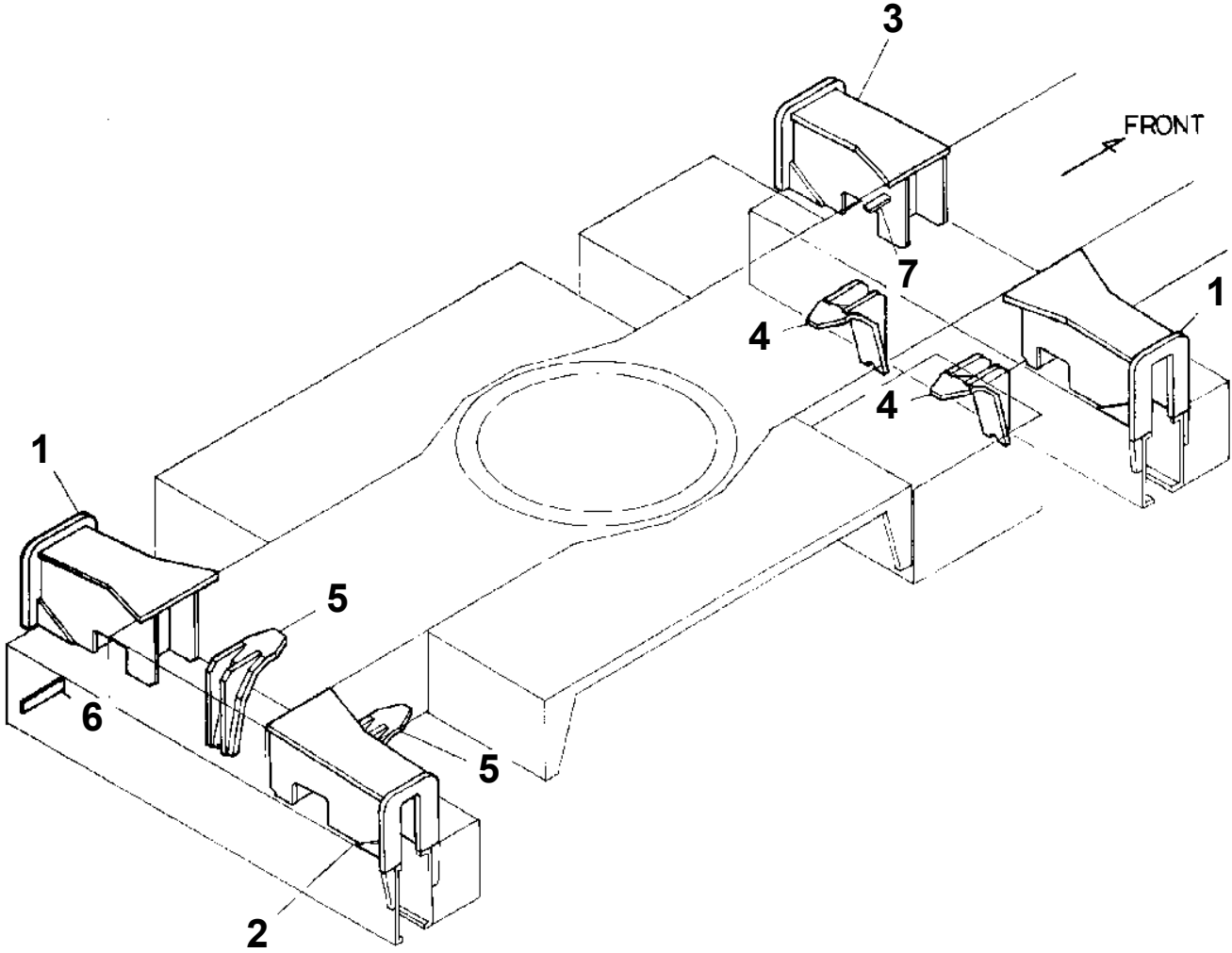
**TG-700E-3-10505 5 BOOM + JIB, 2M2D, KG56WXL  
PO1050049-00 MARKING (BOOM)**



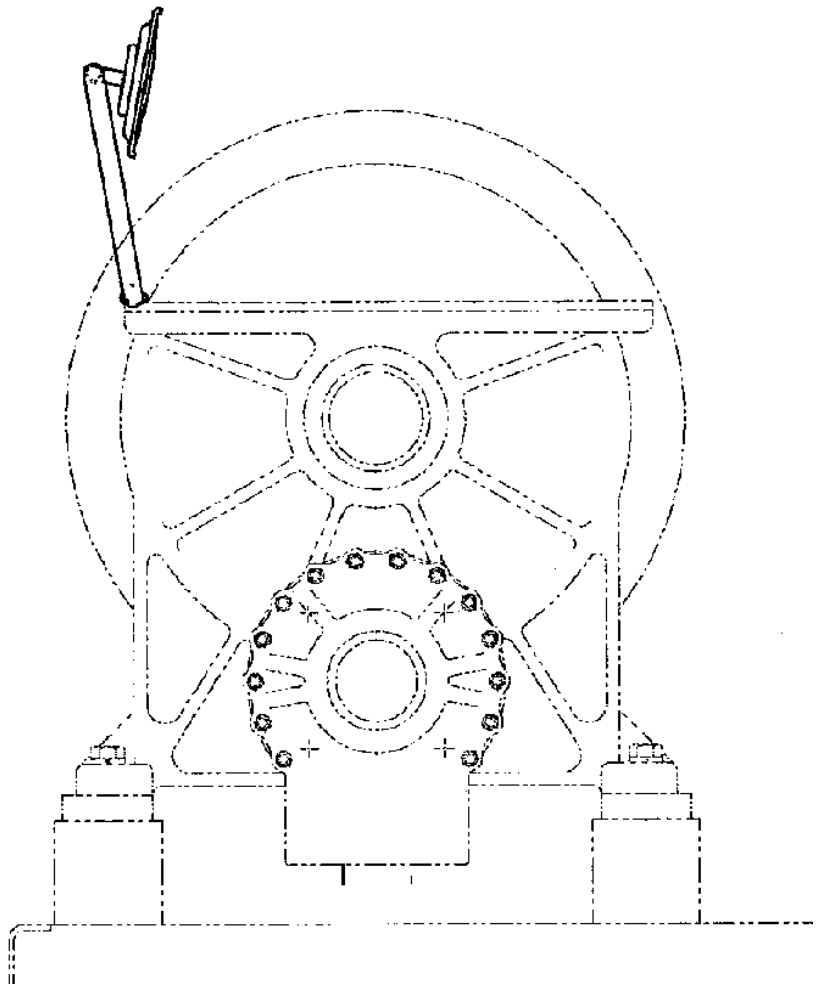
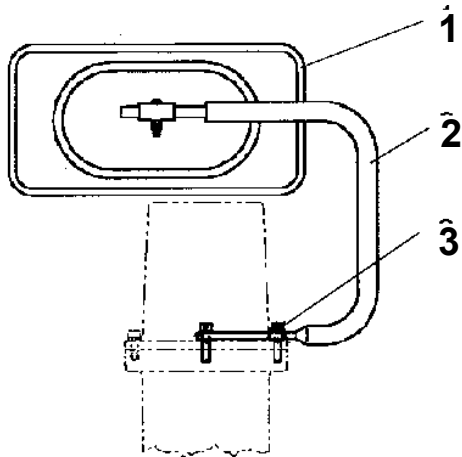
**TG-700E-3-10505 5 BOOM + JIB, 2M2D, KG56WXL  
PW1010180-00 ACCESSORIES (AML SPARE FUSE)**



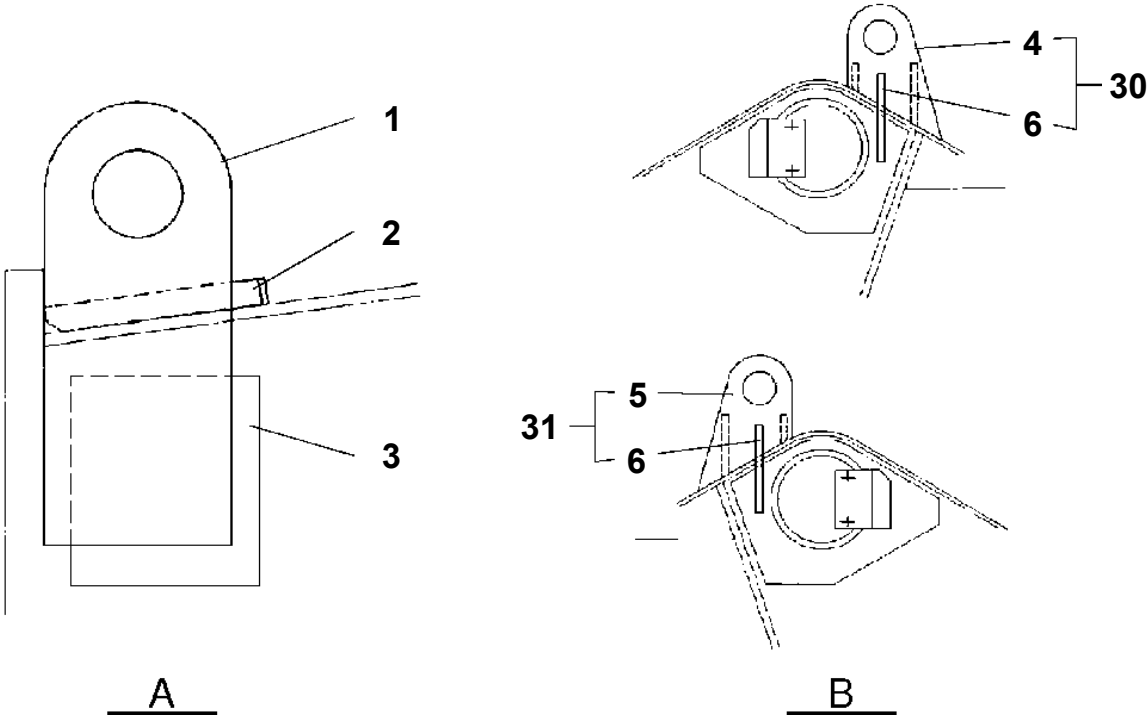
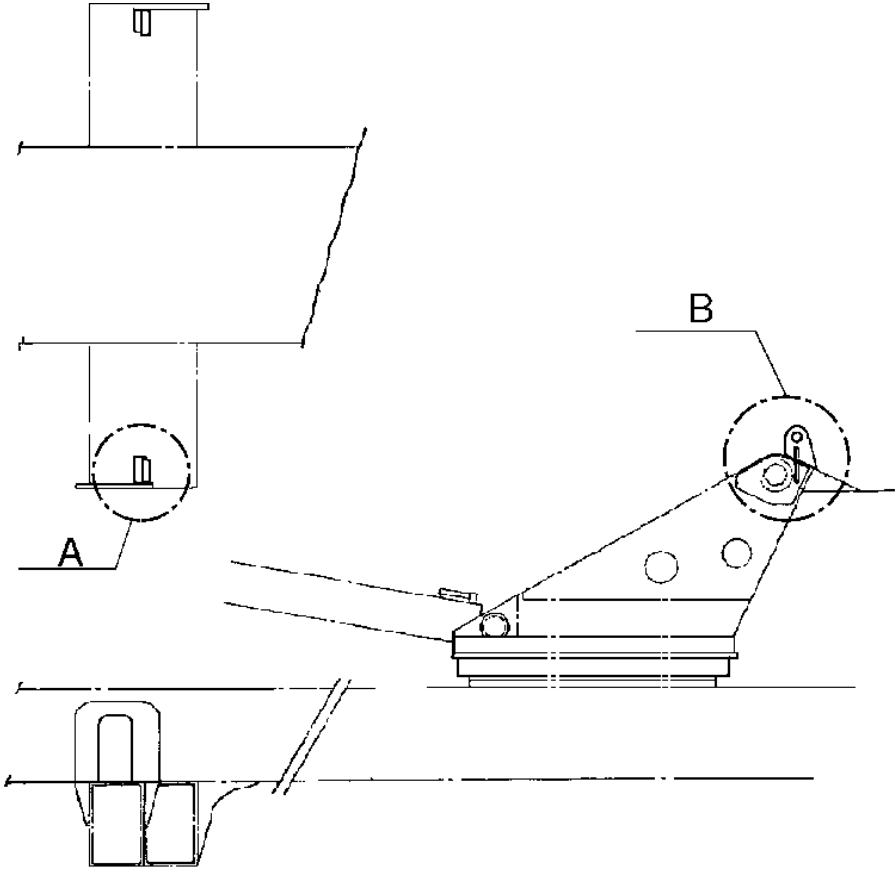
TG-700E-3-10505 5 BOOM + JIB, 2M2D, KG56WXL  
PX1140060-00 OUTRIGGER SUPPORT INSTALLATION



**TG-700E-3-10505 5 BOOM + JIB, 2M2D, KG56WXL  
PX1240012-00 MIRROR (DRUM,OPTION)**



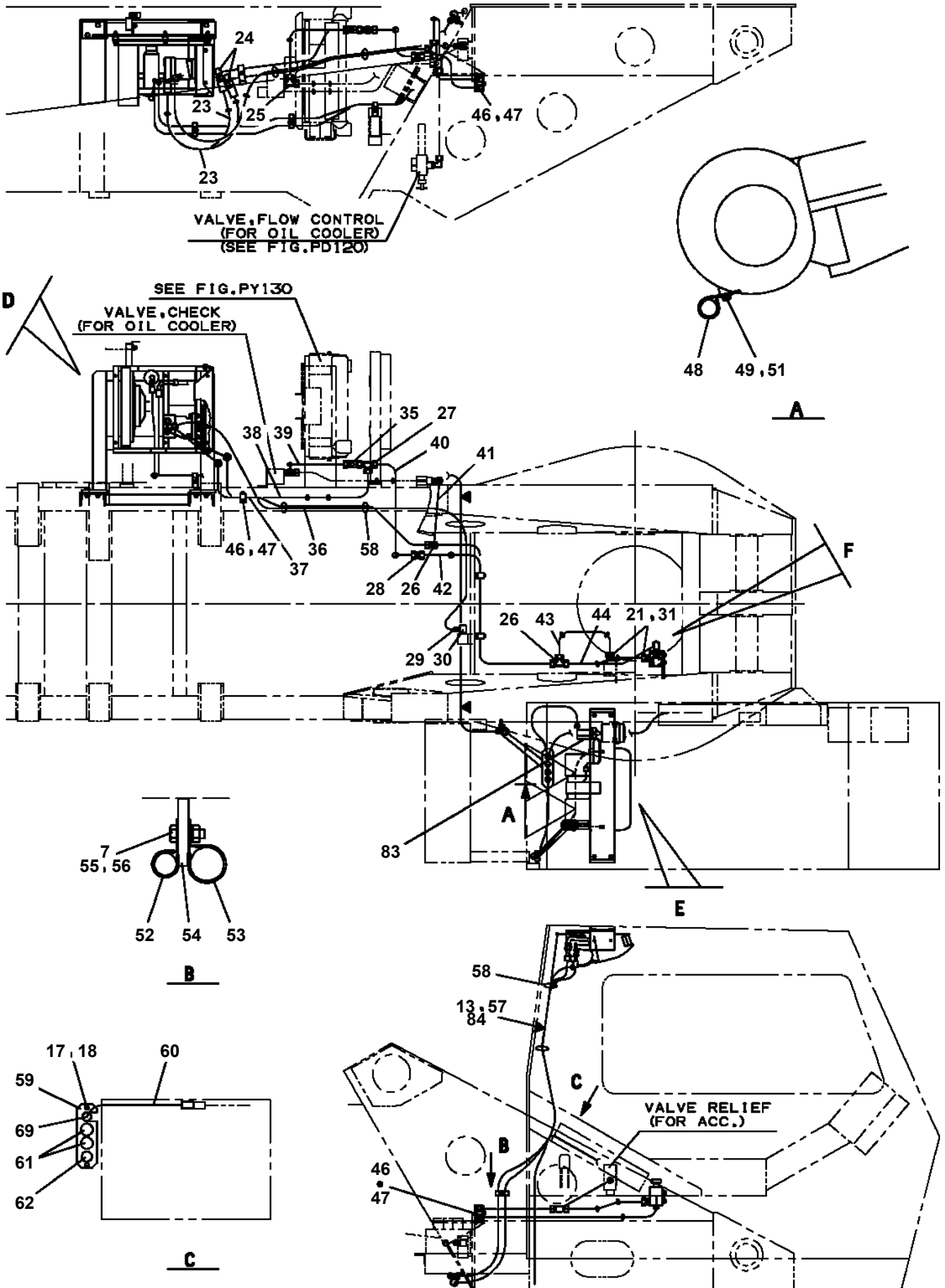
TG-700E-3-10505 5 BOOM + JIB, 2M2D, KG56WXL  
PX1810077-00 MOUNT,SUPPORT (SHIPMENT)



# TG-700E-3-10505 5 BOOM + JIB, 2M2D, KG56WXL

Pos No.	Parts No	Parts Name	Qty	Unit	Technical Data	Serial No (Start)	Serial No (End)	Rema
1	36290665320	BLOWER ASSY	1					
2	36290665330	COMBUSTION (AIR BLOWER)	1					
3	36290665340	CHAMBER	1					
4	36290665350	PLATE (SWIRLER)	1					
5	36290665360	HOLDER (GLOW PLUG)	1					
6	36290665420	HOUSING	1					
7	36290665430	CONDENSER	1					
8	36290665440	PACKING	1					
9	36290665450	GASKET	1					
10	36290665460	WASHER	1					
11	36290665490	SHIM (T=0.3)	N					
	36290665480	SHIM (T=0.2)	N					
	36290665470	SHIM (T=0.1)	N					
12	36290665500	SCREW,SET	1					
13	36290665510	NUT	1					
14	36290665520	PLUG	1					
15	36290665530	RING	1					
16	36290665540	PLATE	1					
17	36290665550	COLLAR	1					
18	36290665560	FLANGE	1					
19	36290665570	BASE ASSY	1					
20	36290665600	CASE (UPPER)	1					
21	36290665610	CASE (LOWER)	1					
22	36290665620	HOUSING (VENT ASSY)	1					
23	36290665630	COVER	1					
24	36290665640	COVER (A)	1					
25	36290665650	CAP	1					
26	36290665660	CLIP	9					
28	36290665670	COVER	1					
29	36290665680	PACKING	1					
30	36290665690	PACKING	4					
31	36290665700	PACKING	1					
32	36290665730	SHIM (T=0.3)	N					
	36290665710	SHIM (T=0.1)	N					
	36290665720	SHIM (T=0.2)	N					
33	36290665740	RING (E)	1					
34	36290665750	CLAMP	1					
35	36290655090	PLUG,GLOW	1					
36	36290665760	MOTOR ASSY	1					
37	36290665770	RESISTOR ASSY	1					
38	36290665780	THERMOSTAT ASSY	1					
39	36290665790	HOLDER (THERMOSTAT)	1					
40	36290665800	CLAMP	1					
41	36290665810	THERMOSTAT ASSY	1					
42	36290665820	CABLE ASSY	1					
43	36290665840	CABLE ASSY	1					
44	36290665850	CABLE ASSY	1					
45	36290665860	GROMMET	1					
46	36290665870	CAP	1					
47	36290665880	INLET ASSY	1					
49	36290665890	BOLT	3					
50	36290665900	BOLT	4					
51	80171304012	SCREW,MACHINE	5		M4X12			
52	36290665910	SCREW	4					
53	36290665920	PIPE,EXHAUST	1					
54	36290665930	BRANCH ASSY	1					
55	36290665940	THERMOSTAT ASSY	1					
61	36290665370	PACKING	1					
62	36290665380	GROMMET	1					
63	36290665390	RUBBER	1					
64	36290665400	ORIFICE	1					
65	36290665410	O-RING	1					
71	36290665580	PACKING	2					

**TG-700E-3-10505 5 BOOM + JIB, 2M2D, KG56WXL  
 PY1200069-00 PIPING,COOLER (CAB)**



# TG-700E-3-10505 5 BOOM + JIB, 2M2D, KG56WXL

Pos No.	Parts No	Parts Name	Qty	Unit	Technical Data	Serial No (Start)	Serial No (End)	Remarks	Pages
1	36690065010	COOLER,OIL	1				475348		
	36690122600	COOLER,OIL	1			475349			
2	36690065020	DUCT	1				475348		
	36690123000	DUCT	1			475349			
3	36690125010	FAN	1				475348		
	36690121020	FAN	1			475349			
4	90101210020	BOLT	4		M10X20				
5	90303071001	WASHER,PLAIN	4		10				
10	36690121000	COOLER,OIL	1						

CLICK HERE TO **DOWNLOAD** THE COMPLETE MANUAL

- Thank you very much for reading the preview of the manual.
- You can download the complete manual from: [www.heydownloads.com](http://www.heydownloads.com) by clicking the link below



- Please note: If there is no response to CLICKING the link, please download this PDF first and then click on it.

CLICK HERE TO **DOWNLOAD** THE COMPLETE MANUAL