

TG-500E-3-10101 5 BOOM + JIB, 2M2D, KG54TXL

PB1000186-02 HYDRAULIC PRESSURE GENERATING SYSTEM

PC1000139-03 OUTRIGGER SYSTEM

PD1000173-02 SWING SYSTEM

PE1000171-03 ELEVATING SYSTEM

PF1000162-06 WINCH SYSTEM

PG1000164-04 TELESCOPING SYSTEM

PH1000158-03 SAFETY DEVICES

PK1000178-03 FRAME

PL1000176-05 CONTROL DEVICES

PN1000154-02 ELECTRIC EQUIPMENT

PO1000144-01 INDICATION PLATES

PW1000028-00 ACCESSORIES & TOOLS

PX1000177-04 MOUNTING PARTS

PY1000157-06 OPTIONS

ASSEMBLY

CLICK HERE TO **DOWNLOAD** THE COMPLETE MANUAL

- Thank you very much for reading the preview of the manual.
- You can download the complete manual from: www.heydownloads.com by clicking the link below



- Please note: If there is no response to CLICKING the link, please download this PDF first and then click on it.

CLICK HERE TO **DOWNLOAD** THE COMPLETE MANUAL

TG-500E-3-10101 5 BOOM + JIB, 2M2D, KG54TXL

Pos No.	Parts No	Parts Name	Qty	Unit	Technical Data	Serial No (Start)	Serial No (End)
1	(*****)	HOOK (SHEAVE 6 PC'S)	1				
2	36091020000	HOOK (SHEAVE 1 PC'S)	1				
3	(*****)	HOOK (AUXILIARY)	1				
5	37001801180	ROPE,WIRE (TESAC)	1				
	37001802600	ROPE,WIRE (TSK)	1				
6	37001801340	ROPE,WIRE (TESAC)	1				
7	(*****)	SOCKET,ROPE (SEIZING)	2				
8	(*****)	OPE.ASSY, WINCH BRAKE (MAIN)	1				
9	(*****)	OPE.ASSY, WINCH BRAKE (AUX.)	1				
10	(*****)	OPE.ASSY,DRUM LOCK (MAIN)	1				
11	(*****)	OPE.ASSY,DRUM LODK (AUX.)	1				
12	(*****)	OPE.ASSY,CLUTCH (MAIN)	1				
13	(*****)	OPE.ASSY,CLUTCH (AUX.)	1				
14	(*****)	DETECTOR,DISORDERLY WINDING	2				
16	(*****)	PIPING,WINCH (MAIN)	1				
17	(*****)	PIPING,WINCH (AUX.)	1				
18	(*****)	PIPING,WINCH BRAKE (MAIN)	1				
19	(*****)	PIPING,WINCH BRAKE (AUX.)	1				
20	(*****)	DETECTOR,DRUM ROTATION (MAIN)	1				
21	(*****)	DETECTOR,DRUM ROTATION (AUX.)	1				
22	(*****)	MOUNT,WINCH (MAIN)	1				
23	(*****)	MOUNT,WINCH (AUX.)	1				

TG-500E-3-10101 5 BOOM + JIB, 2M2D, KG54TXL

Pos No.	Parts No	Parts Name	Qty	Unit	Technical Data	Serial No (Start)	Serial No (End)	Remarks
1	(*****)	SWITCH,DETECTOR (F/J)	1					
2	(*****)	ELECTRICAL PARTS,CAB	1					
3	33432148010	SWITCH PANEL	1					
5	(*****)	LAMP (WORKING)	1					

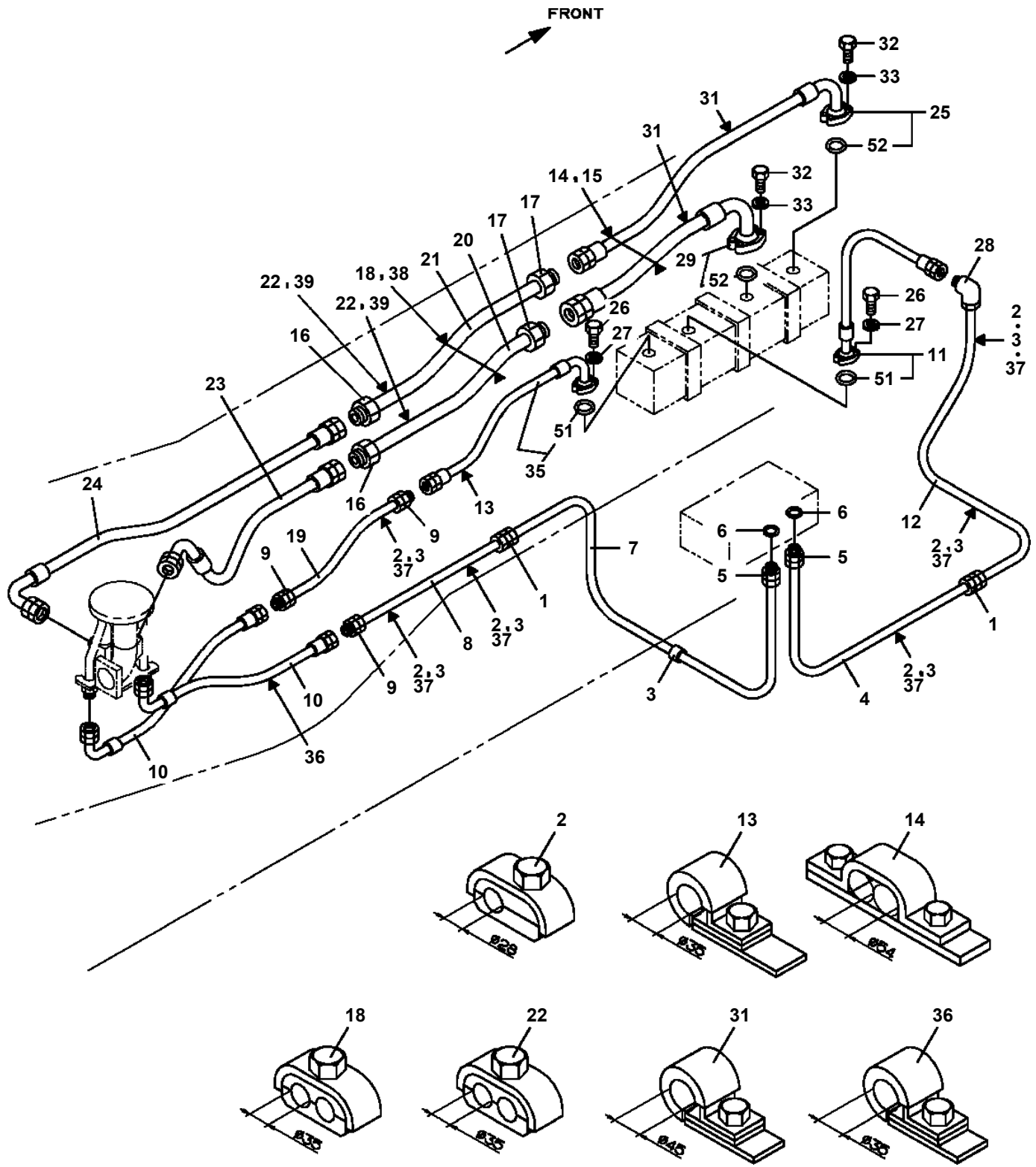
TG-500E-3-10101 5 BOOM + JIB, 2M2D, KG54TXL

PF1400132-03 MOUNT,WINCH (MAIN)
PF1400133-03 MOUNT,WINCH (AUX.)
PG1010153-07 BOOM
PG1040066-02 JIB
PG1050088-05 CYLINDER,TELESCOPING
PG1070037-02 REEL,HOSE (MOUNT)
PG1070330-01 REEL,HOSE
PG1070340-03 REEL,HOSE
PG1120030-01 DETECTOR SYSTEM, BOOM LENGTH
PG1120030-01 DETECTOR SYSTEM, BOOM LENGTH
PG1130041-03 DETECTOR,BOOM LENGTH
PG1130055-01 DETECTOR,BOOM LENGTH (WITH ANGLE DETECT)
PG1130119-00 DETECTOR,BOOM LENGTH (WITH ANGLE DETECT)
PG1160000-03 DETECTOR,BOOM RETRACTION (TOP)
PG1200041-02 PIPING,TELESCOPING
PG1280002-02 VALVE,CONTROL (TELESCOPING)
PG1360077-03 GUIDE,WIRE
PH1060074-01 DETECTOR,OVER WINDING (JIB&S/T)
PH1060078-01 DETECTOR,OVER WINDING (BOOM)
PH1070029-00 SWITCH,OVER WIND DETECTOR (BOOM)
PH1070034-01 SWITCH,OVER WIND DETECTOR (JIB&S/T)
PH1170011-00 DETECTOR,CONTROL VALVE ACTUATION
PH1180091-00 CONNECTION,MOMENT LIMITER SYSTEM
PH1180142-00 CONNECTION,MOMENT LIMITER SYSTEM
PH1200020-02 PIPING,VENT
PH1250008-01 MOMENT LIMITER (AML-M1)
PH1360002-00 INDICATOR,RETRACT
PI1010027-00 MOTOR,HYDRAULIC (WINCH)
PI1010072-01 MOTOR,HYDRAULIC (AIR CONDITIONER)
PI1010124-00 MOTOR,HYDRAULIC (COOLER,OIL)
PI1010186-00 MOTOR,HYDRAULIC
PI1010205-00 MOTOR,HYDRAULIC
PI1030006-00 CYLINDER,MASTER
PI1030008-01 CYLINDER,MASTER
PI1030008-01 CYLINDER,MASTER
PI1030012-00 CYLINDER,MASTER (NABCO)
PI1030040-00 CYLINDER,MASTER
PI1040011-00 CYLINDER,AIR
PI1050002-00 RESERVOIR,OIL
PI1100017-00 VALVE,RELIEF
PI1120085-02 VALVE,SOLENOID
PI1120086-02 VALVE,SOLENOID
PI1120353-00 VALVE,SOLENOID
PI1130005-01 VALVE,HYDRAULIC
PI1130029-00 VALVE,HYDRAULIC
PI1140007-01 VALVE,CHECK
PI1140017-00 VALVE,CHECK
PI1140042-00 VALVE,CHECK
PI1140047-00 VALVE,CHECK
PI1140170-03 VALVE,CHECK
PI1140229-00 VALVE,CHECK
PI1160007-00 VALVE,FLOW CONTROL
PI1220022-00 FLOW DIVIDER
PI1250091-01 VALVE,COUNTERBALANCE (WINCH)
PI1260011-02 CARTRIDGE, COUNTERBALANCE
PI1280050-01 VALVE,PILOT CHECK
PI1300080-00 FILTER,OIL
PI1340011-01 ACCUMULATOR
PI1420001-01 GAUGE,PRESSURE
PI1420002-00 GAUGE,PRESSURE
PK1100070-02 SWING FRAME
PK1120076-00 SWING TABLE
PK1120101-01 SWING TABLE
PK1140071-03 CAB,OPERATOR

TG-500E-3-10101 5 BOOM + JIB, 2M2D, KG54TXL

Pos No.	Parts No	Parts Name	Qty	Unit	Technical Data	Serial No (Start)	Serial No (End)	Remarks
1	36650115010	COVER (FRONT)	1					
2	36650115020	CASE (BEARING)	1					
9	36650115030	PLATE (SIDE)	2					
10	36650115100	COUPLING	1					
12	36650115110	BUSH	1					
13	36650115060	RING,SQUARE	3					
14	36650115050	SEAL,OIL	2					
15	80602110520	RING,RITAINING	1		R52			
16	36650115120	WASHER,PLAIN	4					
17	90302041201	WASHER,SPRING	4		12			
18	90302041801	WASHER,SPRING	4		18			
19	90131518055	BOLT,HEXAGON SOCKET	4		M18X55			
20	90171112035	BOLT	4		M12X35			
21	90101718050	BOLT	4		M18X50			
22	80730120022	PIN	4		12X22			
23	36652085020	O-RING	4					
24	36650115070	SEAL (BACKUP)	4					
25	36650115090	COLLAR	1					
28	36650115130	CASE (BEARING)	1					
29	36651595090	CASE (BEARING)	1					
34	36650845010	PLATE (A)	2					
35	36650845020	PLATE (B)	2					
36	36650115140	SEAL,SHAFT	4					
38	80730080020	PIN (STRAIGHT)	4		8X20			
39	36650115200	COLLAR	1					
40	36651265020	BUSH	1					
41	36650115210	COUPLING	1					
42	36651265010	COUPLING	1					
43	36650115170	RING,SQUARE	2					
44	36651595020	SEAL,POCKET (O-RING)	12					
45	80316030040	PLUG	2		PT1/4			
46	36650115190	O-RING	1					
47	36651595080	O-RING	1					
48	36651955010	BOLT,STUD	6		M14X104			
49	36652085030	BOLT,STUD	2		M14X135			
50	90303071401	WASHER,PLAIN	8		14			
51	90201501400	NUT	8		M14			
52	90171110030	BOLT	4		M10X30			
53	90302041001	WASHER,SPRING	4		10			
54	80602110190	RING,RITAINING	1		R19			
55	36652085040	PLATE (SIDE)	2					
56	36650115260	BOLT,STUD	4		M14X109			
60	36652085090	PUMP,GEAR (NO.1)	1					
70	36652085100	PUMP,GEAR (NO.2)	1					
80	36652085110	PUMP,GEAR (NO.3)	1					
90	36652085120	PUMP,GEAR (NO.4)	1					
100	36652080000	PUMP,HYDRAULIC	1					

**TG-500E-3-10101 5 BOOM + JIB, 2M2D, KG54TXL
PB1220084-00 PIPING,DELIVERY**



TG-500E-3-10101 5 BOOM + JIB, 2M2D, KG54TXL

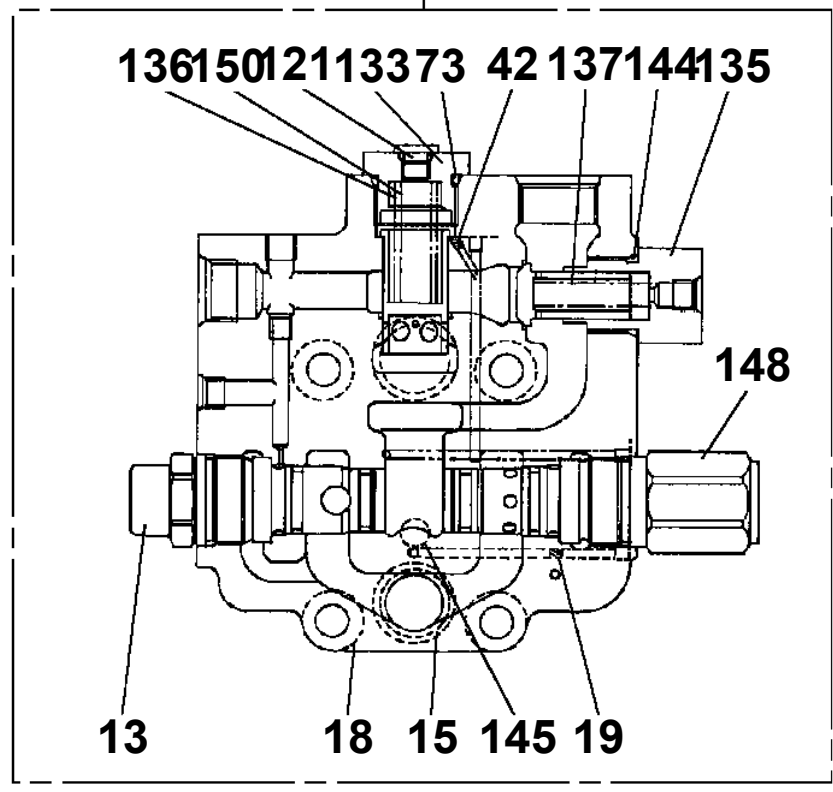
Pos No.	Parts No	Parts Name	Qty	Unit	Technical Data	Serial No (Start)	Serial No (End)	Remarks
1	33630490100	BRUSH,ROTARY JOINT	1				436730	
	33630493000	BRUSH,ROTARY JOINT	1			436731		
2	90101508020	BOLT	4		M8X20			
3	90302040801	WASHER,SPRING	4		8			
4	91100516000	SEAL,RING	1			436689		
5	56554006000	BEARING,PLAIN	1					
6	91531216000	PACKING	2					
7	91100216000	SEAL,RING	6				436688	
	91100216000	SEAL,RING	5			436689		
8	33630510200	BODY	1				437020	
	33630510201	BODY	1			437021		
9	33630510100	CORE	1					
10	56554009000	BEARING,PLAIN	1					
11	33630460400	STOPPER	2					
12	90101210025	BOLT	4		M10X25			
13	90302041001	WASHER,SPRING	4		10			
14	33630490501	HARNESS	1				436730	
15	91002905500	O-RING	1		1B G55			
16	91002903000	O-RING	2		1B G30			
17	91002802200	O-RING	3		1B P22			
18	91002801800	O-RING	1		1B P18			
19	33630510500	FITTING,FLANGE	1					
20	90131514035	BOLT,HEXAGON SOCKET	7		M14X35			
21	90302041401	WASHER,SPRING	7		14			
23	59457138000	PLUG ASSY	1			437021		
100	33630510001	JOINT,ROTARY	1					

TG-500E-3-10101 5 BOOM + JIB, 2M2D, KG54TXL

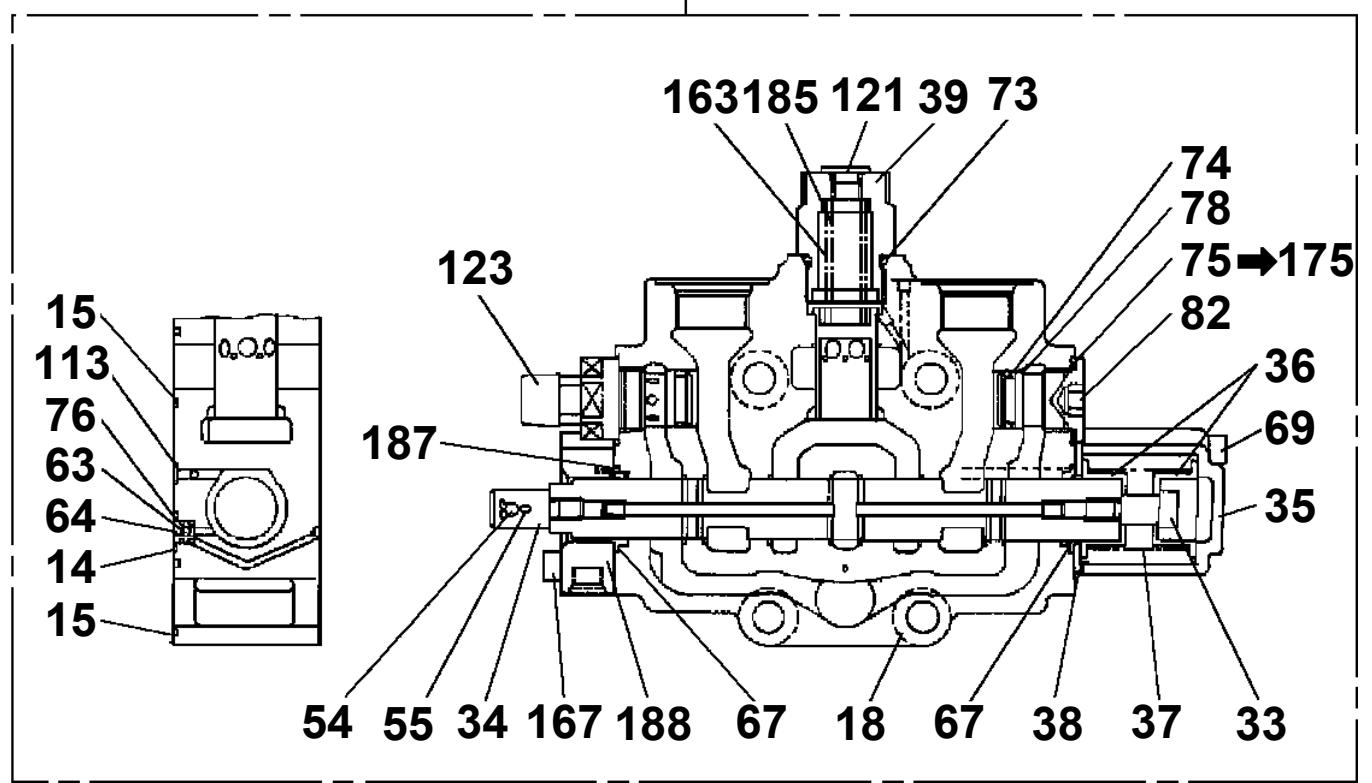
Pos No.	Parts No	Parts Name	Qty	Unit	Technical Data	Serial No (Start)	Serial No (End)
1	36632685010	COVER ASSY	1				
2	36632685020	VALVE,CONTROL (ELEVATING)	1				
3	36632685030	VALVE,CONTROL (TELESCOPING)	1				
4	36632685040	VALVE ASSY	1				
5	36632685051	VALVE,CONTROL (AUX. WINCH)	1				
6	36632685400	VALVE,CONTROL (MAIN WINCH)	1				
7	36632685060	COVER	1				
11	36632685070	COVER	1				
12	36632685080	VALVE,RELIEF	1				
13	36632685090	VALVE,RELIEF	2				
14	91002801500	O-RING	6		1B P15		
15	36632685100	O-RING	12				
18	36632685110	SHIM	24				
19	36632685420	ORIFICE	2		M5X5 0.5		
23	36632465120	END,SPOOL	4				
24	36632685120	COVER	4				
25	36632685130	PLATE	6				
26	36630015340	END	4				
27	36632685140	RETAINER (SPRING)	8				
28	36632685150	SPRING	4				
29	36632685160	PLUG	4				
31	36632685170	SPRING	2				
32	36634675070	RETAINER	4				
33	36634675080	BALL,STEEL	4		4		
34	90131508035	BOLT,HEXAGON SOCKET	4		M8X35		
	90131508015	BOLT,HEXAGON SOCKET	4		M8X15		
35	90131508070	BOLT,HEXAGON SOCKET	8		M8X70		
40	91002803200	O-RING	5		1B P32		
41	36642395080	O-RING	4		S8		
43	36632685440	PACKING	8				
44	36632465220	PIN (STRAIGHT)	4				
45	80136316010	PIN,SPLIT	8		1.6X10		
46	36632465230	PLUG	5		PF1/4		
48	36632465240	VALVE,RELIEF	5				
49	36630185290	VALVE,RELIEF	1				
52	36632685190	PIECE,DISTANCE	1				
53	36632685200	RETAINER (SPRING)	1				
54	36632685210	SPRING	1				
63	91002800700	O-RING	4		1B P7		
71	36646805070	BODY ASSY	5				
73	36632685220	PLUG	1				
75	36632685230	PLUG	1				
76	36632685240	SPRING	1				
77	36632685250	SPRING	1				
78	36632685430	ORIFICE	1		M4X4 0.5		
84	91002802900	O-RING	1		1B P29		
85	91002800900	O-RING	1		1B P9		
88	36632685260	VALVE,RELIEF	1				
90	36632685270	SPRING	1				
93	36632685280	SPRING	2				
96	36630805290	PLUG	2				
102	91001102100	O-RING	8		1A P21		
105	91001203000	O-RING	1		1A G30		
	91001203000	O-RING	2		1A G30		437160
108	91411002100	RING,BACKUP	8		P21		
115	36632685300	SPRING	2				
117	91002800600	O-RING	2		1B P6		
118	36632685410	PLATE	2				
124	36632685310	SPRING	1				
125	36632465450	O-RING	4				
126	36632685320	O-RING	4				
127	91000512600	O-RING	4				
128	36632685340	RING,BACKUP	8				

TG-500E-3-10101 5 BOOM + JIB, 2M2D, KG54TXL
 PB1320560-00 VALVE,MANUAL CONTROL

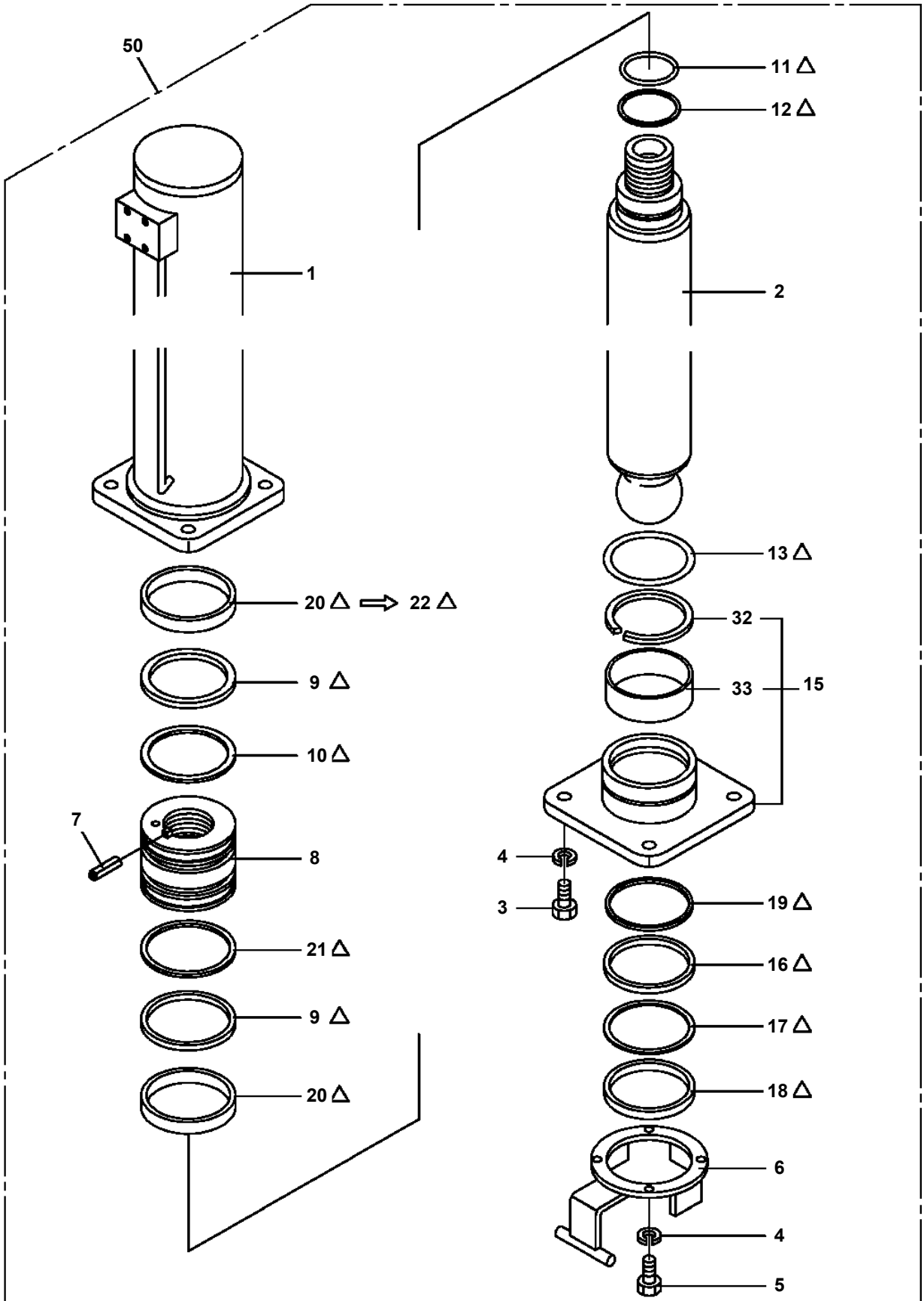
4



56



TG-500E-3-10101 5 BOOM + JIB, 2M2D, KG54TXL
 PC1030054-04 CYLINDER,JACK

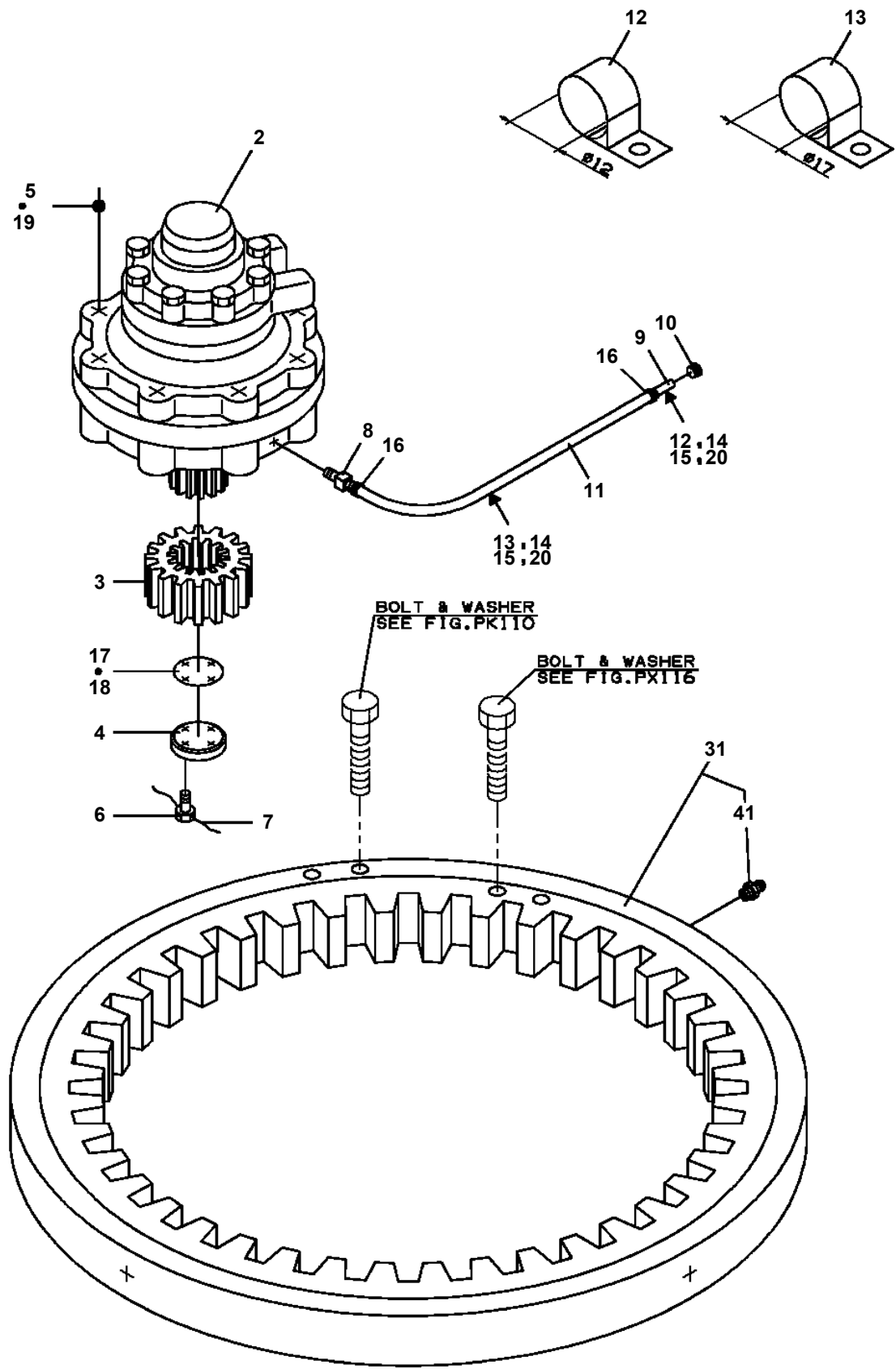


△:PACKING SET KEY NO. 41 (KEY NO.9,10,11,12,13,16,17,18,19,20,21)

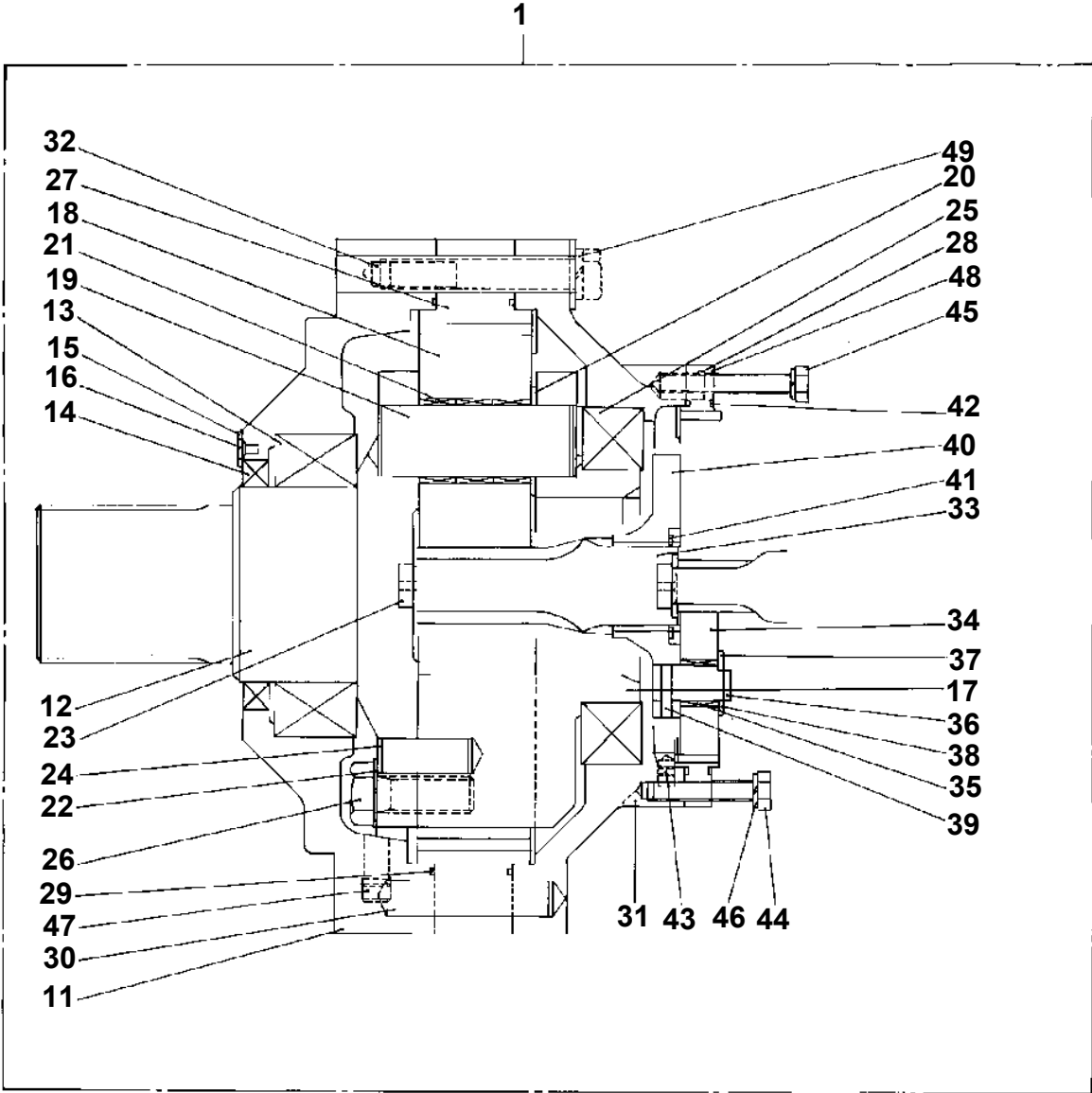


△:PACKING SET KEY NO. 42 (KEY NO.9,10,11,12,13,16,17,18,19,21,22)

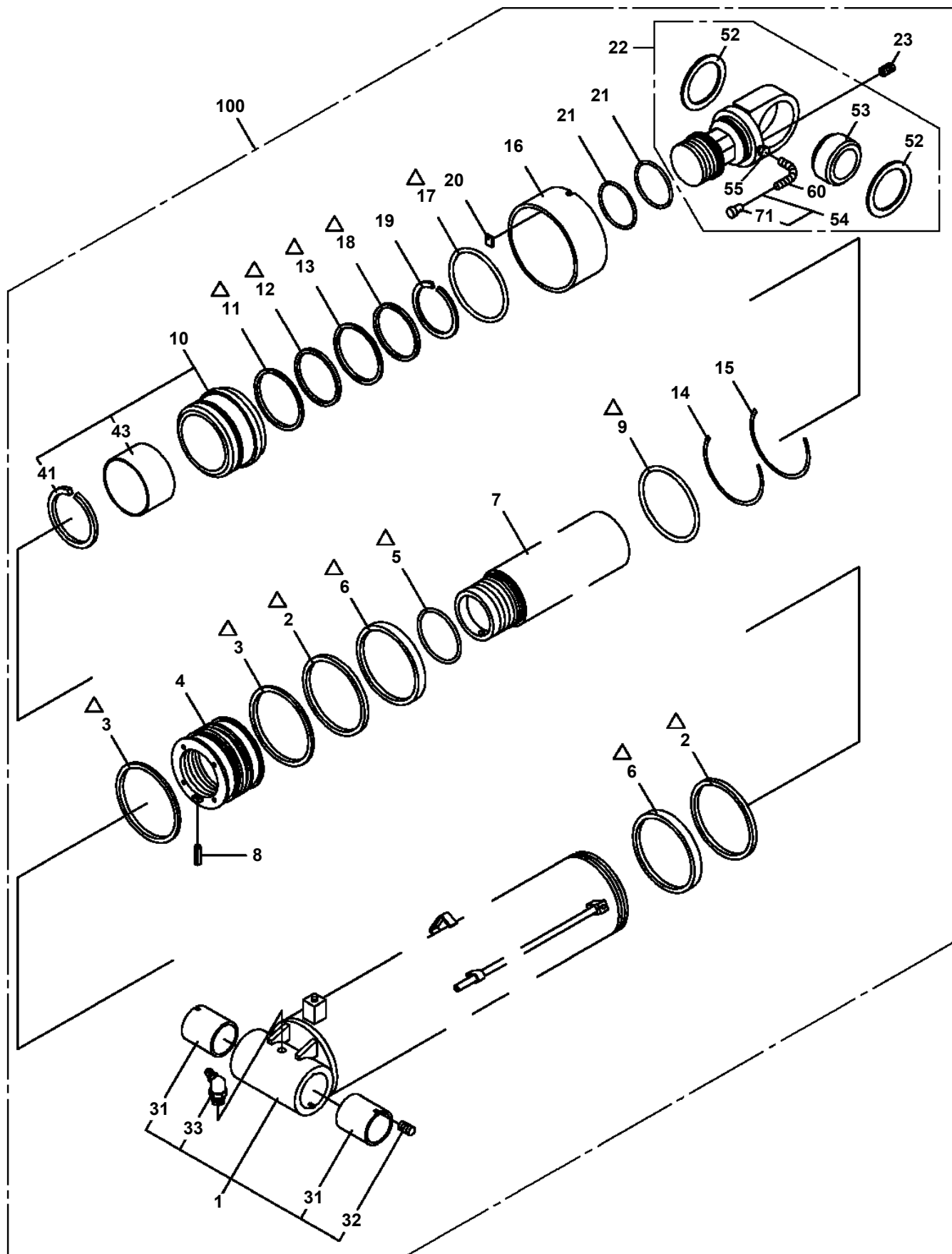
TG-500E-3-10101 5 BOOM + JIB, 2M2D, KG54TXL
PD1030059-02 GEAR,DRIVE



TG-500E-3-10101 5 BOOM + JIB, 2M2D, KG54TXL
PD1070008-00 DRIVING UNIT, SWING



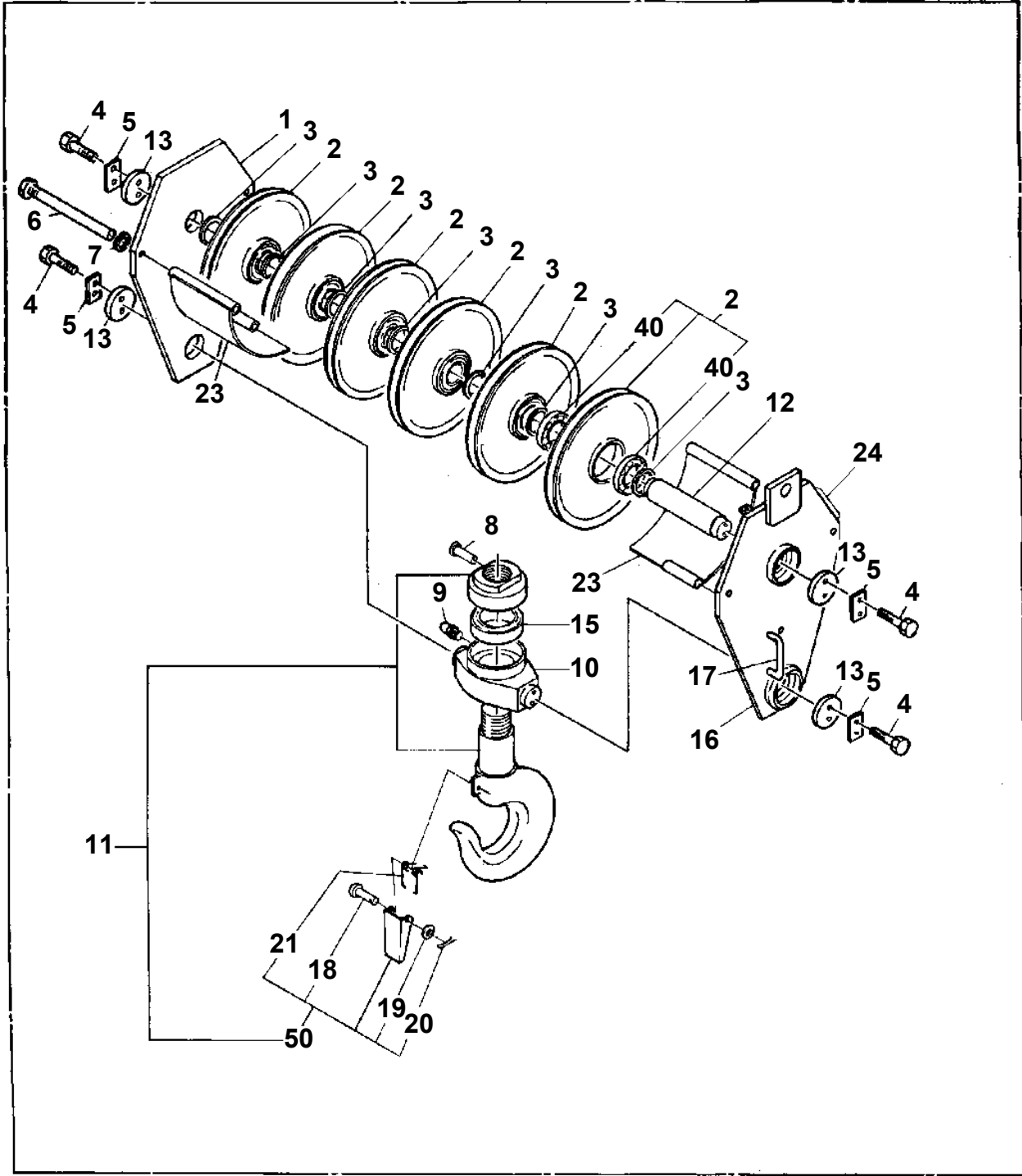
**TG-500E-3-10101 5 BOOM + JIB, 2M2D, KG54TXL
PE1010089-08 CYLINDER,ELEVATING**



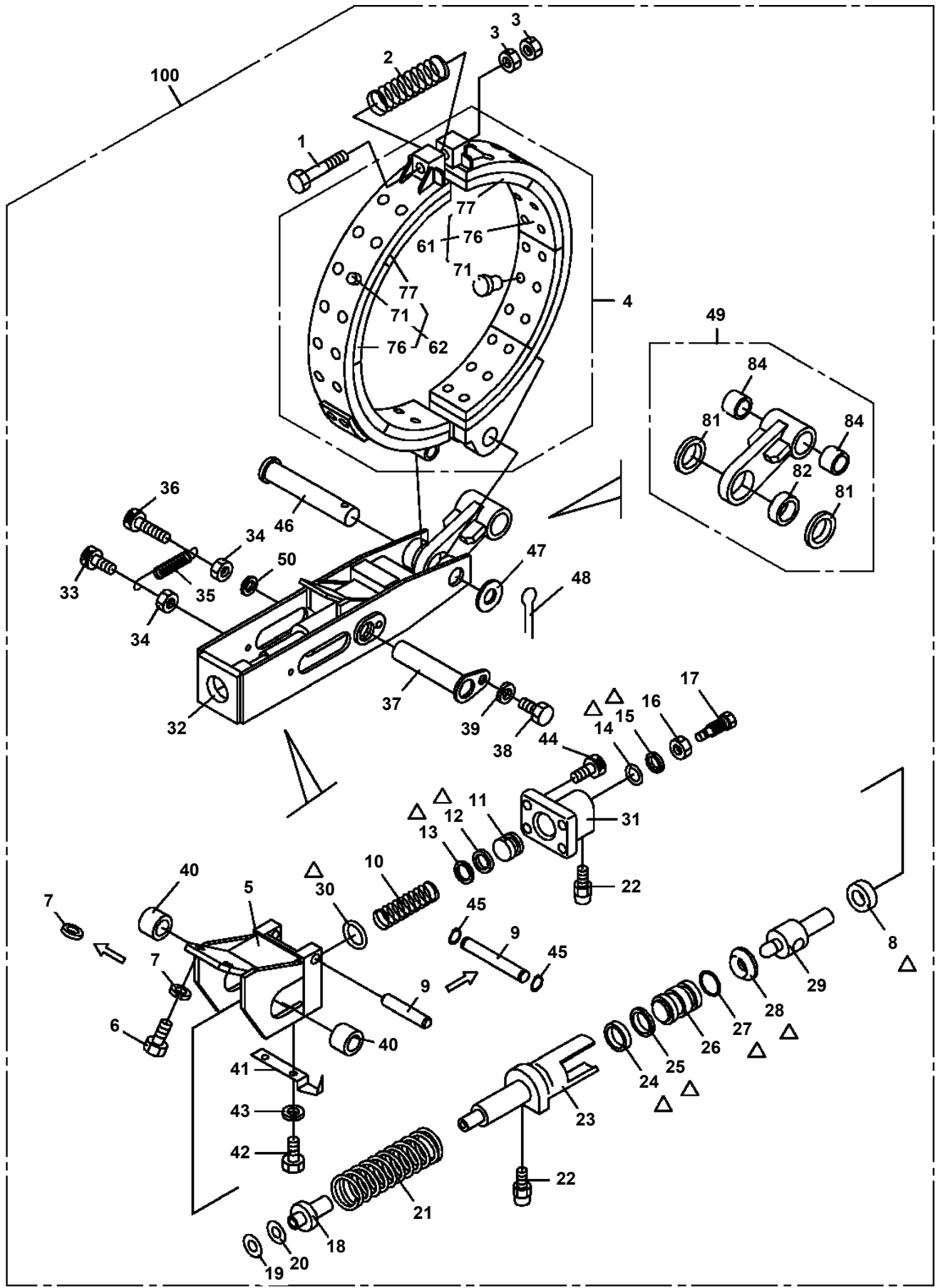
△:PACKING SET KEY NO.81 (KEY NO.2,3,5,6,9,11,12,13,17,18)

TG-500E-3-10101 5 BOOM + JIB, 2M2D, KG54TXL
PF1050019-00 HOOK (SHEAVE 6 PC'S)

60



**TG-500E-3-10101 5 BOOM + JIB, 2M2D, KG54TXL
PF1120007-04 BAND,WINCH BRAKE**

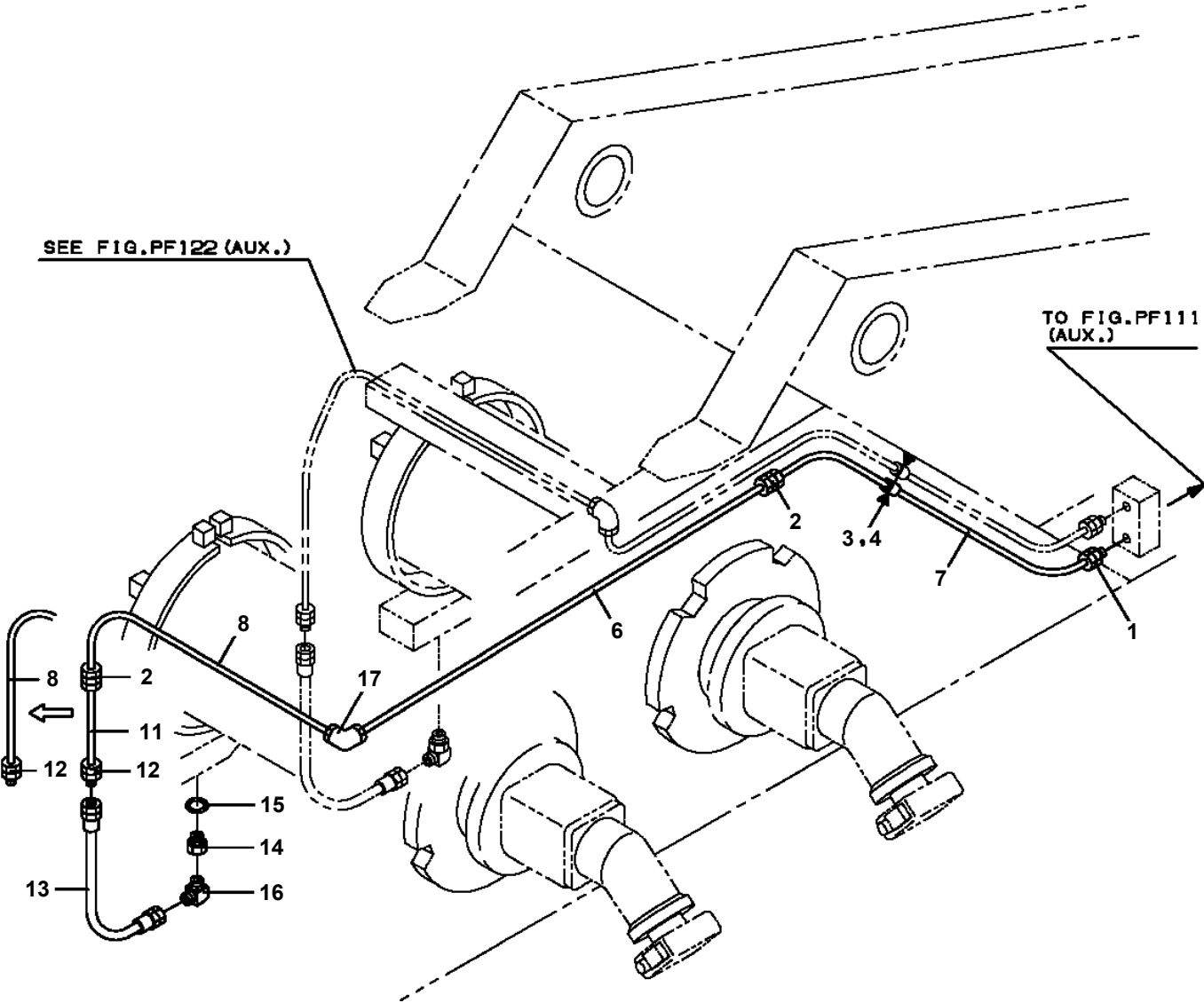


Δ: PACKING SET KEY NO. 90 (KEY NO. 8, 12, 13, 14, 15, 24, 25, 27, 28, 30)

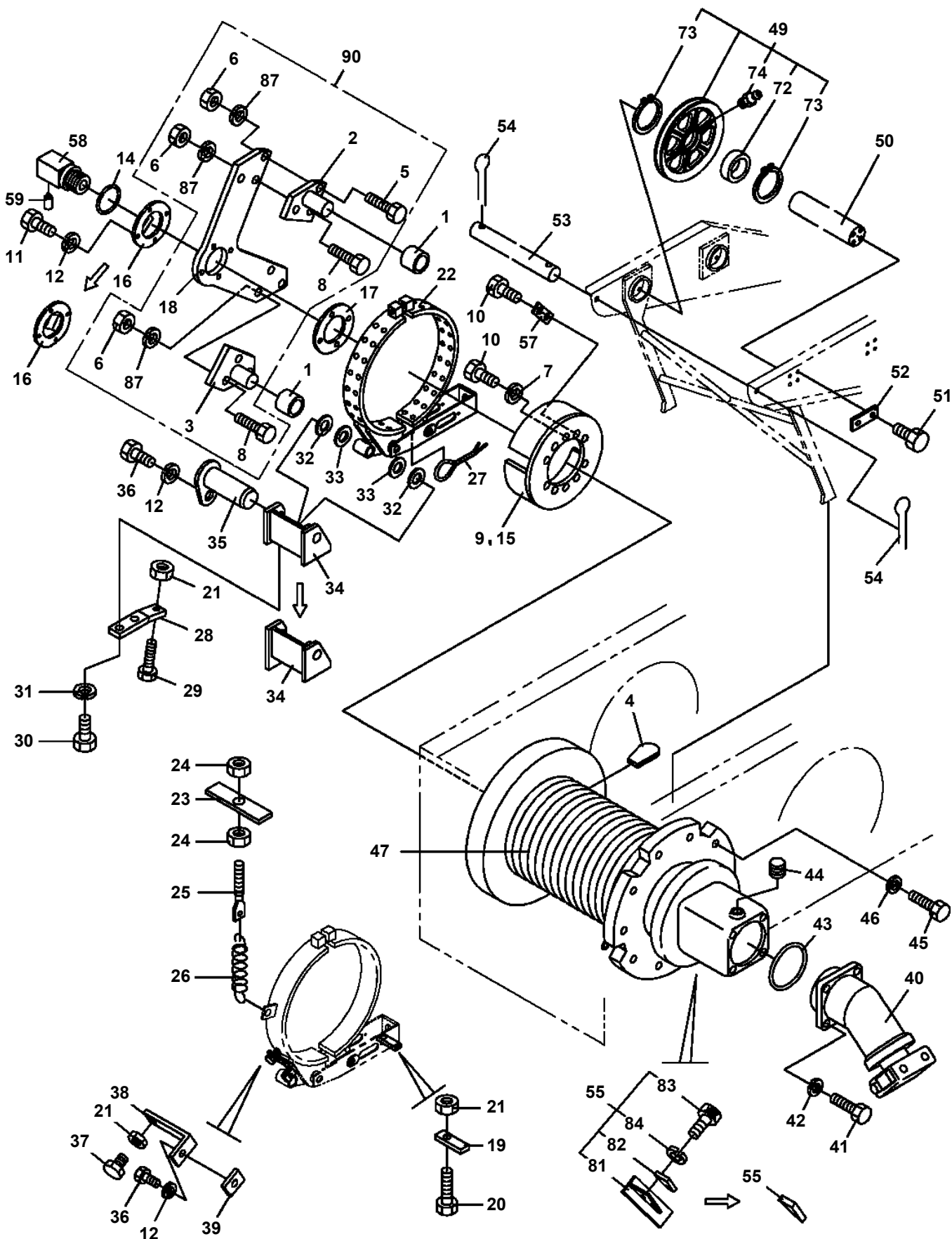
TG-500E-3-10101 5 BOOM + JIB, 2M2D, KG54TXL

Pos No.	Parts No	Parts Name	Qty	Unit	Technical Data	Serial No (Start)	Serial No (End)	Remarks	Pages
1	90211201000	NUT	1		M10				
2	34330014500	END	1						
3	37001700010	CABLE,CONTROL	1		L=1600				
4	19114205000	KNOB (BROWN)	1						
5	33331060100	LEVER	1						
6	37000101430	PIN	1						
7	90303070801	WASHER,PLAIN	2		8				
8	80136332020	PIN,SPLIT	2		3.2X20				
9	33331060200	LEVER	1						
20	33331068010	LEVER ASSY	1						

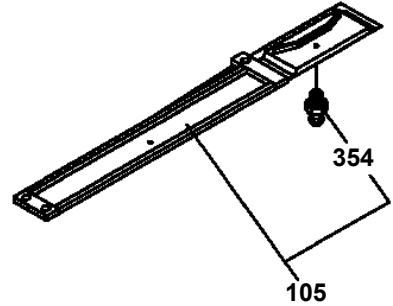
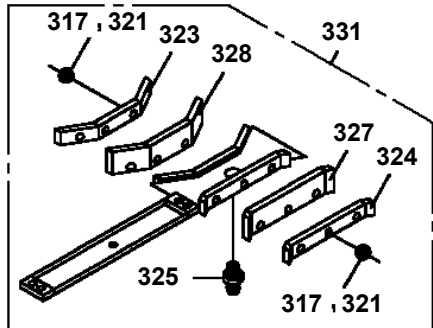
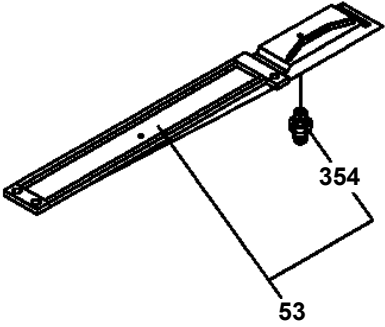
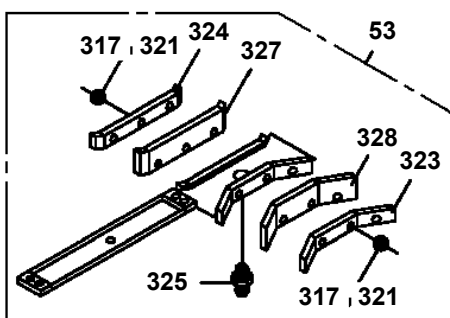
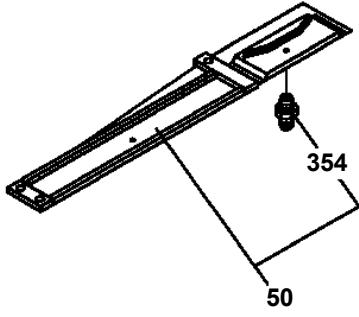
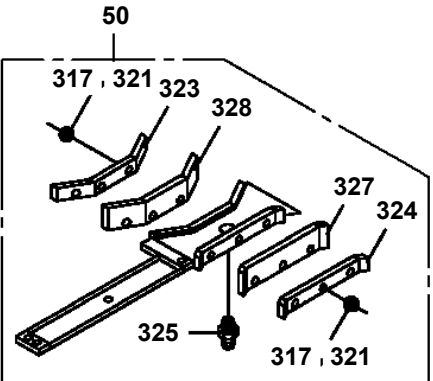
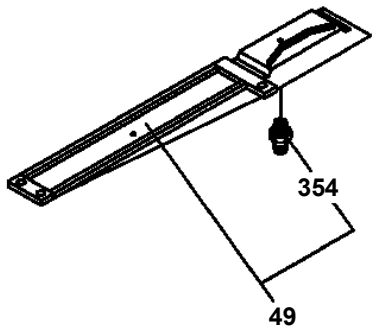
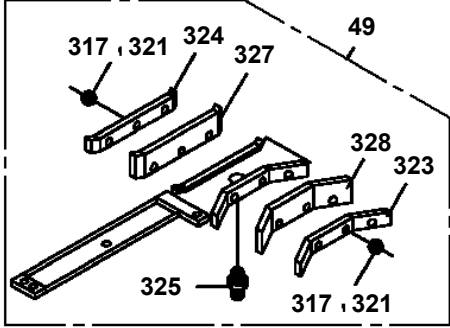
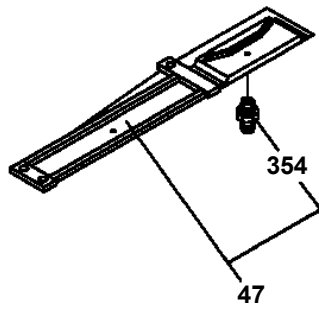
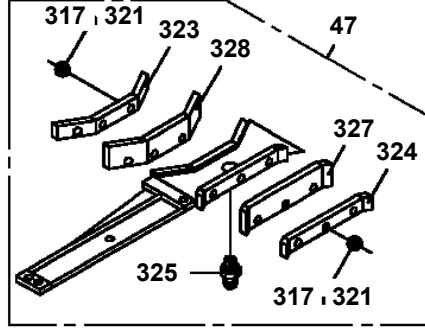
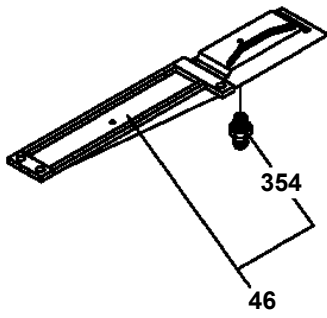
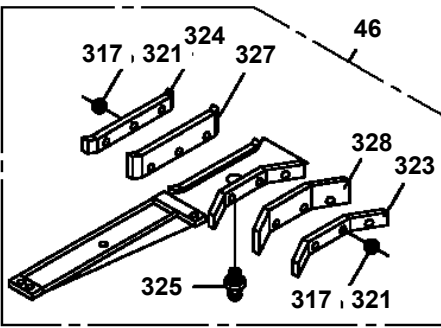
TG-500E-3-10101 5 BOOM + JIB, 2M2D, KG54TXL
PF1220105-00 PIPING,WINCH BRAKE (MAIN)



TG-500E-3-10101 5 BOOM + JIB, 2M2D, KG54TXL
PF1400132-03 MOUNT,WINCH (MAIN)



TG-500E-3-10101 5 BOOM + JIB, 2M2D, KG54TXL
PG1010153-07 BOOM



TG-500E-3-10101 5 BOOM + JIB, 2M2D, KG54TXL

Pos No.	Parts No	Parts Name	Qty	Unit	Technical Data	Serial No (Start)	Serial No (End)	R
234	80720108045	PIN,SPRING	1		8X45			
241	80515006216	BEARING,BALL	2					
242	80602111400	RING,RITAINING	1		R140			
251	80801004550	BEARING,PLAIN	2					
262	33220002220	STOPPER	2					
263	80520314910	BEARING,ROLLER	2					
272	80801002520	BEARING,PLAIN	2					
300	33220998010	JIB ASSY	1					

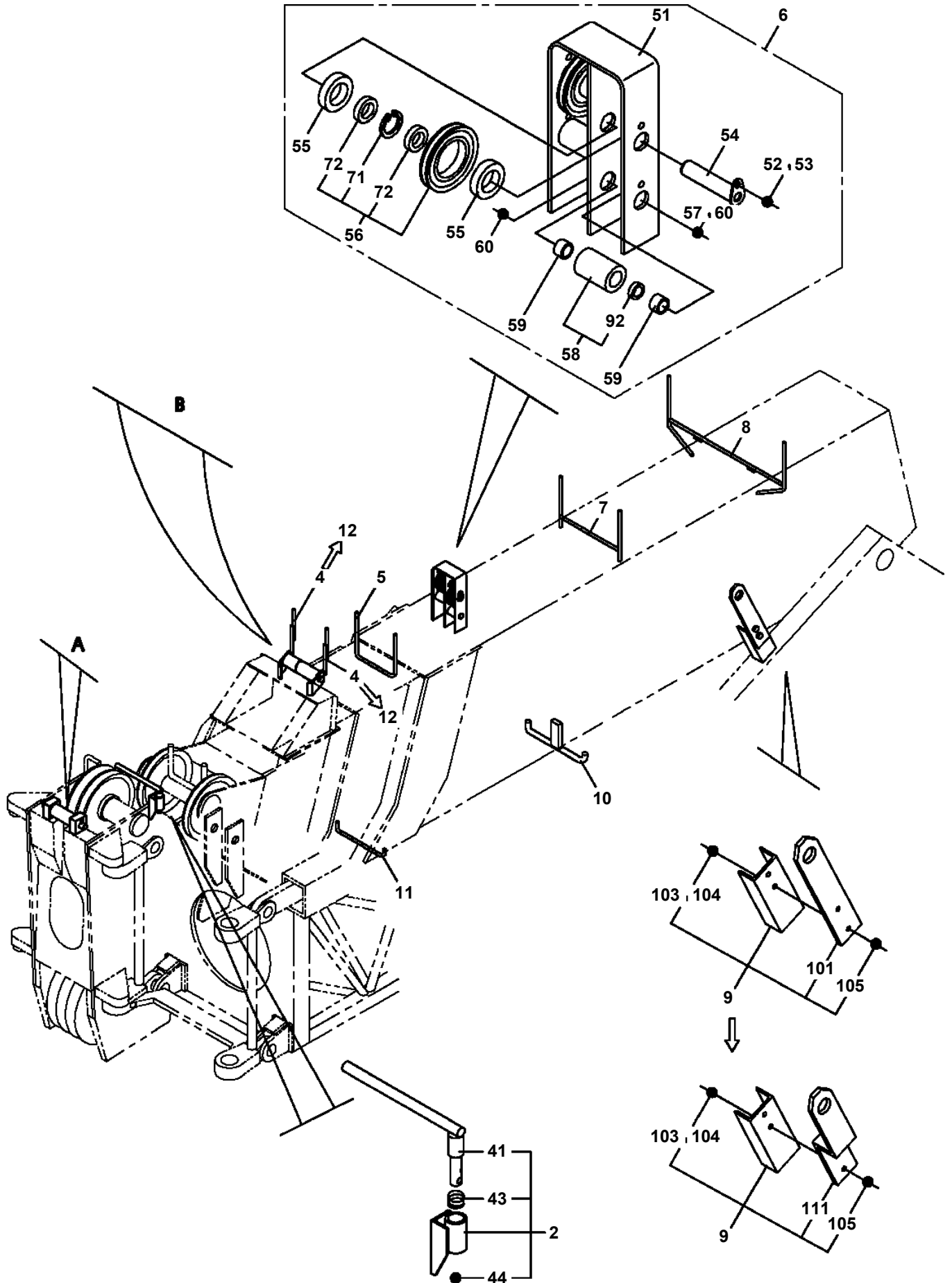
TG-500E-3-10101 5 BOOM + JIB, 2M2D, KG54TXL

Pos No.	Parts No	Parts Name	Qty	Unit	Technical Data	Serial No (Start)	Serial No (End)	Remarks	Pages
1	36670455010	PLATE (A)	1						
2	36670675010	PLATE (B)	1						
3	36670455030	PACKING (SEAT)	1						
4	36670675020	BOX (SPRING)	1						
5	36670455050	SPRING	1						
6	36670455060	SPRING	1						
7	36670455070	BOLT	2		M8X12				
8	90302040801	WASHER,SPRING	3		8				
9	90201200800	NUT	2		M8				
10	80515006003	BEARING,BALL	1						
11	36670455080	BUSH	1						
12	80515006007	BEARING,BALL	1						
13	16246595020	RING ASSY (RL)	2						
15	36670455090	PIN	1						
16	36670455100	SUPPORT	1						
17	90730005120	SCREW,SET	3		M5X12				
18	90201200600	NUT	6		M6				
19	90302040601	WASHER,SPRING	6		6				
20	36670455110	PLATE	1						
21	90102208014	BOLT	1		M8X14				
22	36670675030	GROMMET	1						
30	36670670000	REEL,HOSE	1						
40	37002403410	HOSE	1		L=10600				
50	36670678010	REEL,HOSE	1						

TG-500E-3-10101 5 BOOM + JIB, 2M2D, KG54TXL

Pos No.	Parts No	Parts Name	Qty	Unit	Technical Data	Serial No (Start)	S
1	36130015010	PLATE (BASE)	1				
2	36131055010	CASE	1				
3	36130015031	DRUM ASSY	1				
4	18338695520	RING,SLIP	1				
5	33370025170	CONTACTOR ASSY (70)	1				
6	33371277520	CONTACTOR ASSY	1				
7	36130015040	CASE (BEARING)	1				
8	80515006002	BEARING,BALL	2				
9	80601110150	RING,RITAINING	1		15		
10	80602110320	RING,RITAINING	1		R32		
11	36130335040	REDUCER	1				
12	36130045040	GEAR	1				
13	36130045050	GEAR	1				
14	36130015061	BRACKET	1				
15	36130945010	POTENTIOMETER	1				
16	36130015070	SPRING	1				
17	36131055020	COVER	1				
18	32360005150	CLIP (NYLON)	1				
19	36130045090	CLIP (NYLON)	1				
20	32360005170	CLAMP (CORD)	1				
21	36130015080	GUIDE (CORD)	1				
22	31370005070	GROMMET	1				
23	36130045110	PACKING	1				
24	36130975010	PACKING	1				
25	32360005220	PACKING	1				
26	82100002284	CONNECTOR	1				
27	82100002283	CONNECTOR	1				
28	33371297520	LOCK (CORD)	1				
32	90201201200	NUT	1		M12		
33	36130335030	WASHER	1				
34	80165105012	SCREW,MACHINE	4		M5X12		
35	99163006012	BOLT	8		M6X12		
36	99163006010	BOLT	6		M6X10		
37	80192433006	SCREW,MACHINE	3		M3X6		
38	80192434040	SCREW,MACHINE	4		M4X40		
39	80192434008	SCREW,MACHINE	2		M4X8		
40	80192434010	SCREW,MACHINE	1		M4X10		
41	80165104006	SCREW,MACHINE	3		M4X6		
42	80165104008	SCREW,MACHINE	8		M4X8		
43	90710004050	SCREW,SET	3		M4X5		
44	90201200400	NUT	1		M4		
45	82100001155	CONNECTOR	1				
46	36130945020	CABLE ASSY (WITH CONNECTOR)	1		L=400		
47	82100002329	PLUG	2				
48	82100002356	TERMINAL (GOLD)	2				
49	82100002355	TERMINAL (GOLD)	2				
50	36130945030	METER,ANGLE	1				
60	36131935100	CORD (2-LINE)	43	M			
100	36130960000	DETECTOR,BOOM LENGTH (WITH ANGLE DETECT)	1				

TG-500E-3-10101 5 BOOM + JIB, 2M2D, KG54TXL
PG1360077-03 GUIDE, WIRE



TG-500E-3-10101 5 BOOM + JIB, 2M2D, KG54TXL

Pos No.	Parts No	Parts Name	Qty	Unit	Technical Data	Serial No (Start)	Serial No
1	34372351300	SUPPORT	1				
2	32370002110	GASKET	1				
3	32370002121	COVER	1				
4	80172303025	SCREW,MACHINE	2		M3X25		
5	90302040301	WASHER,SPRING	2		3		
6	82104102010	SWITCH,LIMIT	1				
7	32370002131	ROD	1				
8	14148373001	SPRING	1				
9	80601110180	RING,RITAINING	1		S18		
10	34371314400	SUPPORT	1				
11	90303070301	WASHER,PLAIN	2		3		
12	82100002505	CONNECTOR (CN-6)	1				
13	82100002506	CONNECTOR	1				
14	32370005200	CORD	1				
15	32370005210	CORD	1				
16	82100000592	TERMINAL (M40.3 TO 1.25)	2				
17	89630201000	HOSE,VINYL	1		6X8,1M		
18	14148375000	GROMMET	1				
19	90101208045	BOLT	2		M8X45		
20	90302040801	WASHER,SPRING	2		8		
22	82100001220	INSULATOR	2				
23	82400000201	GROMMET	1		KG-016		
30	32370009512	ROD ASSY	1				
41	32370002150	SPACER	1		L=12 TO 11		
42	80720103014	PIN,SPRING	1		3X14		
50	33370888041	SWITCH,OVER WIND DETECTOR (JIB&S/T)	1				

CLICK HERE TO **DOWNLOAD** THE COMPLETE MANUAL

- Thank you very much for reading the preview of the manual.
- You can download the complete manual from: www.heydownloads.com by clicking the link below



- Please note: If there is no response to CLICKING the link, please download this PDF first and then click on it.

CLICK HERE TO **DOWNLOAD** THE COMPLETE MANUAL

TG-500E-3-10101 5 BOOM + JIB, 2M2D, KG54TXL

Pos No.	Parts No	Parts Name	Qty	Unit	Technical Data	Serial No (Start)	Serial No (E
1	36112485010	BODY ASSY	1				
2	36112485020	AMPLIFIER	1				
3	36112485030	COVER ASSY (FUSE)	1				
4	36112485040	BOARD,CPU (M1,WITHOUT P-ROM)	1				
5	36112485050	PLATE	1				
6	36112485060	BOARD,POWER	1				
7	36112485070	ESCUTCHEON	1				
8	36112485080	PANEL,FRONT (WITH PANEL BOARD)	1				
9	36112485090	BOARD,LED	1				
10	36112485100	PLATE ASSY (SIDE)	1				
11	36112485110	PLATE ASSY	1				
12	82100000689	FUSE	1		3A,6.5X30		
13	82100000791	FUSE	1		5A,6.5X30		
14	(*****)	P-ROM	1				
30	36112481000	MOMENT LIMITER (M1/WITHOUT P-ROM)	1				
50	36114430000	MOMENT LIMITER (AML-M1)	1				

TG-500E-3-10101 5 BOOM + JIB, 2M2D, KG54TXL

Pos No.	Parts No	Parts Name	Qty	Unit	Technical Data	Serial No (Start)	Serial No (End)
1	19491111400	O-RING	4				
2	19491111410	O-RING	2				
3	19491111420	O-RING	2				
4	19491111430	SEAL,OIL	1				
5	80602110300	RING,RITAINING	1		R30		
6	90131506020	BOLT,HEXAGON SOCKET	16		M6X20		
7	19491111440	WASHER	16				
10	36660925010	KEY	1				
30	36660920000	MOTOR,HYDRAULIC (COOLER,OIL)	1				

TG-500E-3-10101 5 BOOM + JIB, 2M2D, KG54TXL

Pos No.	Parts No	Parts Name	Qty	Unit	Technical Data	Serial No (Start)	Serial No (End)	Remarks
1	36061395030	PISTON KIT (REPAIR KIT)	1					
2	36061395020	VALVE,BREATHER	1					
3	36061395010	ROD,PUSH	1					
10	36061390001	CYLINDER,MASTER	1					

TG-500E-3-10101 5 BOOM + JIB, 2M2D, KG54TXL

Pos No.	Parts No	Parts Name	Qty	Unit	Technical Data	Serial No (Start)	Serial No (End)	Remarks	Pages
3	91002802200	O-RING	2		1B P22				
4	91002902500	O-RING	1		1B G25				
9	36630365030	SPRING	1						
11	91002801100	O-RING	1		1B P11				
12	36600785010	BUSH	1						
13	91002903000	O-RING	1		1B G30				
18	91000501500	O-RING	1		AS568-015				
20	16025153020	SPRING	1						
22	91001001600	O-RING	2		1A S16				
29	36630285260	SPRING	1						
40	36601920000	VALVE,RELIEF	1						

TG-500E-3-10101 5 BOOM + JIB, 2M2D, KG54TXL

Pos No.	Parts No	Parts Name	Qty	Unit	Technical Data	Serial No (Start)	Serial No (End)	Remarks
2	91001101800	O-RING	4		1A P18			
3	36641475010	COVER (SIDE,A)	1					
4	36641475020	COVER (SIDE,B)	1					
7	36641605030	SPRING	2				436481	
	36641605030	SPRING	1			436482		
8	80316030020	PLUG	2		PT1/8			
9	91040101001	O-RING	1		P10A			
10	91411001001	RING,BACKUP	1		P10A			
11	59457138000	PLUG ASSY	1					
12	90131508035	BOLT,HEXAGON SOCKET	4		M8X35			
13	90131508025	BOLT,HEXAGON SOCKET	4		M8X25			
14	36641605040	SEAT,SPRING	1					
15	36641475030	SEAT,SPRING	1					
16	36641885010	SPRING	1			436482		
20	36641880000	VALVE,HYDRAULIC	1					

TG-500E-3-10101 5 BOOM + JIB, 2M2D, KG54TXL

Pos No.	Parts No	Parts Name	Qty	Unit	Technical Data	Serial No (Start)	Serial No (End)	Remarks	Pages
2	36621335040	SPRING	2						
4	80316030040	PLUG	2		PT1/4				
10	36622540000	VALVE,CHECK	1						

TG-500E-3-10101 5 BOOM + JIB, 2M2D, KG54TXL

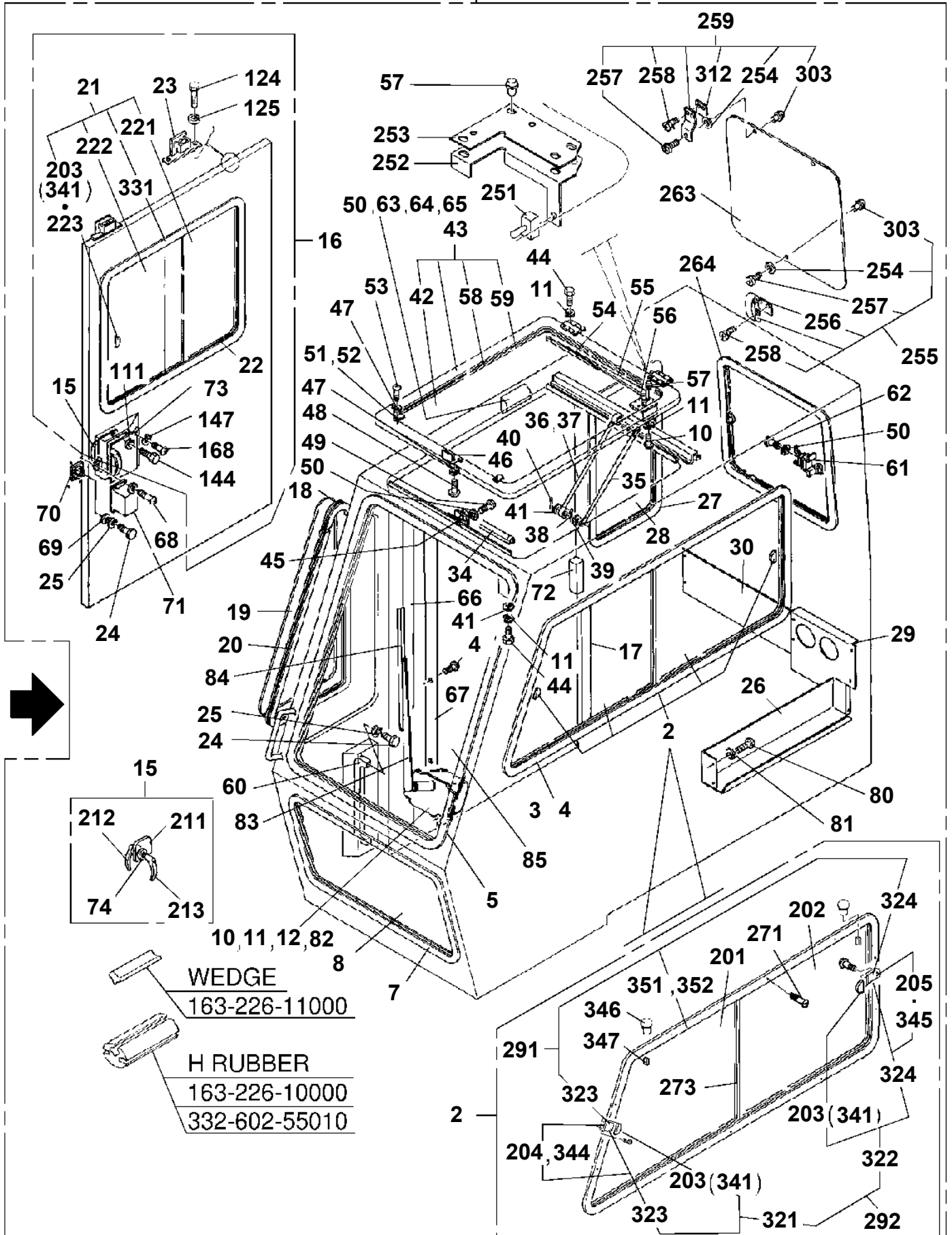
Pos No.	Parts No	Parts Name	Qty	Unit	Technical Data	Serial No (Start)	Serial No (End)
3	36602595010	PISTON	1				
4	36600465020	ORIFICE ASSY	1				
5	36600465030	COVER	1				
6	36600465040	COVER	1				
7	36600465050	COVER	1				
10	36600465060	PLUG	1		1/8		
11	80316030020	PLUG	1		PT1/8		
12	80316030040	PLUG	3		PT1/4		
13	90131506025	BOLT,HEXAGON SOCKET	4		M6X25		
14	90131508025	BOLT,HEXAGON SOCKET	4		M8X25		
15	90131510075	BOLT,HEXAGON SOCKET	4		M10X75		
16	90131512080	BOLT,HEXAGON SOCKET	6		M12X80		
17	91002800800	O-RING	1		1B P8		
18	91002801600	O-RING	1		1B P16		
19	91002902500	O-RING	1		1B G25		
20	91002903500	O-RING	4		1B G35		
21	91002904000	O-RING	1		1B G40		
22	36600465070	SPRING	1				
24	36601825030	SPRING	1				
27	36600060000	VALVE,RELIEF	1				
29	36600465090	COVER	1				
40	91000511900	O-RING	1		AS568-119		
41	91000511400	O-RING	1		AS568-114		
43	36632465400	RING,BACKUP	2				
44	36600065080	CAP	1				
51	36648015080	BODY ASSY	1				
100	36602590000	VALVE,COUNTERBALANCE (WINCH)	1				

TG-500E-3-10101 5 BOOM + JIB, 2M2D, KG54TXL

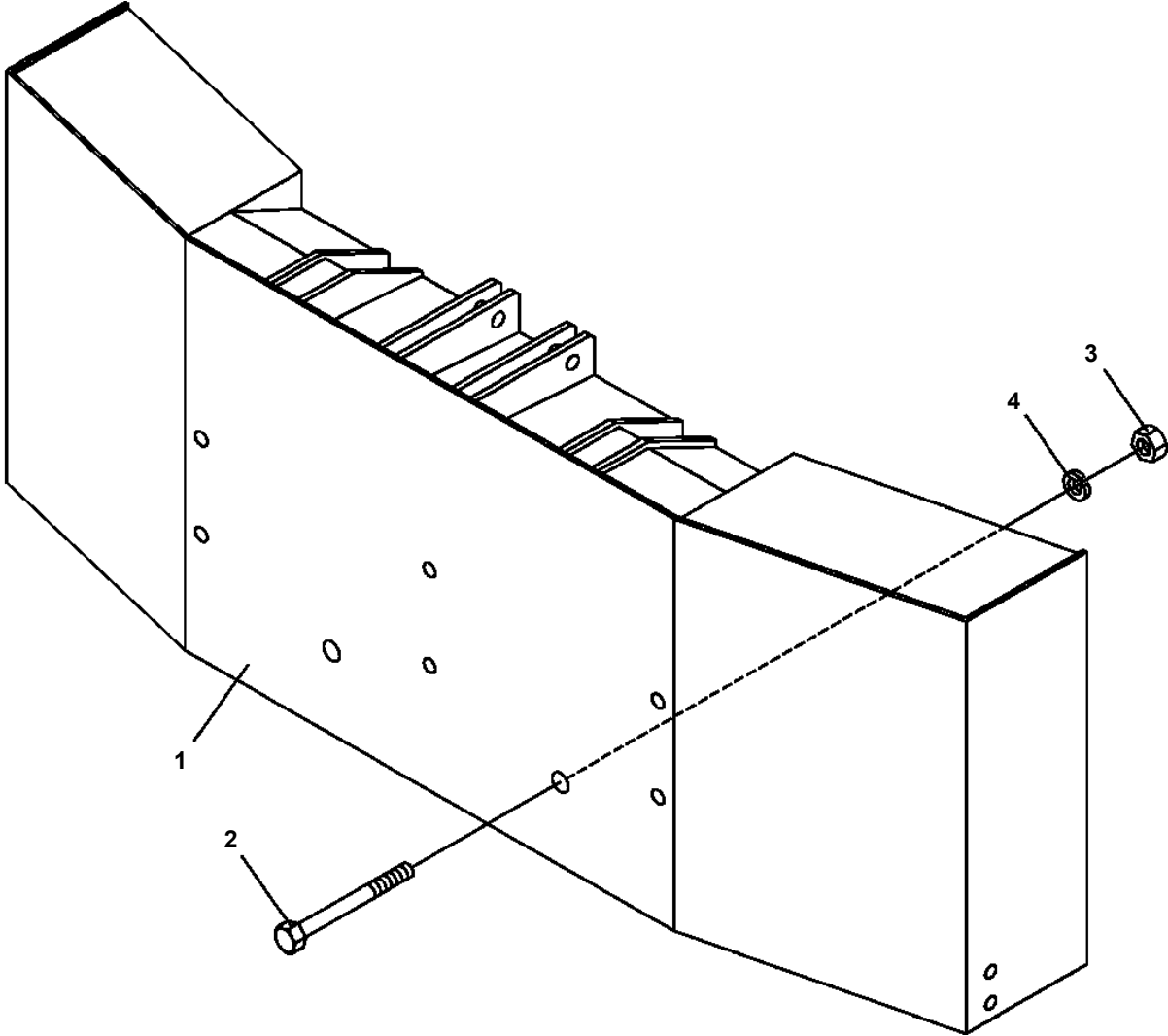
Pos No.	Parts No	Parts Name	Qty	Unit	Technical Data	Serial No (Start)	Serial No (End)	Remarks	Page
1	36680830000	GAUGE,PRESSURE	1						

TG-500E-3-10101 5 BOOM + JIB, 2M2D, KG54TXL
 PK1140071-03 CAB, OPERATOR

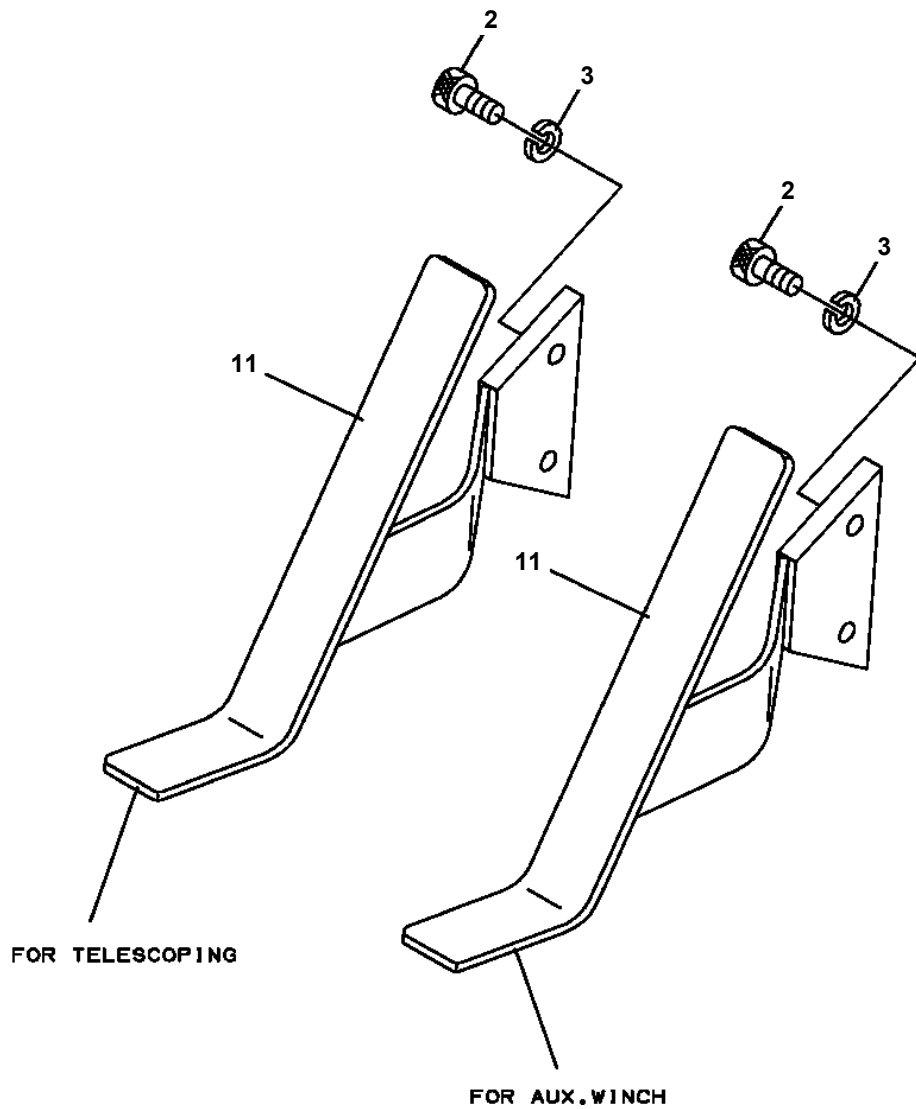
400



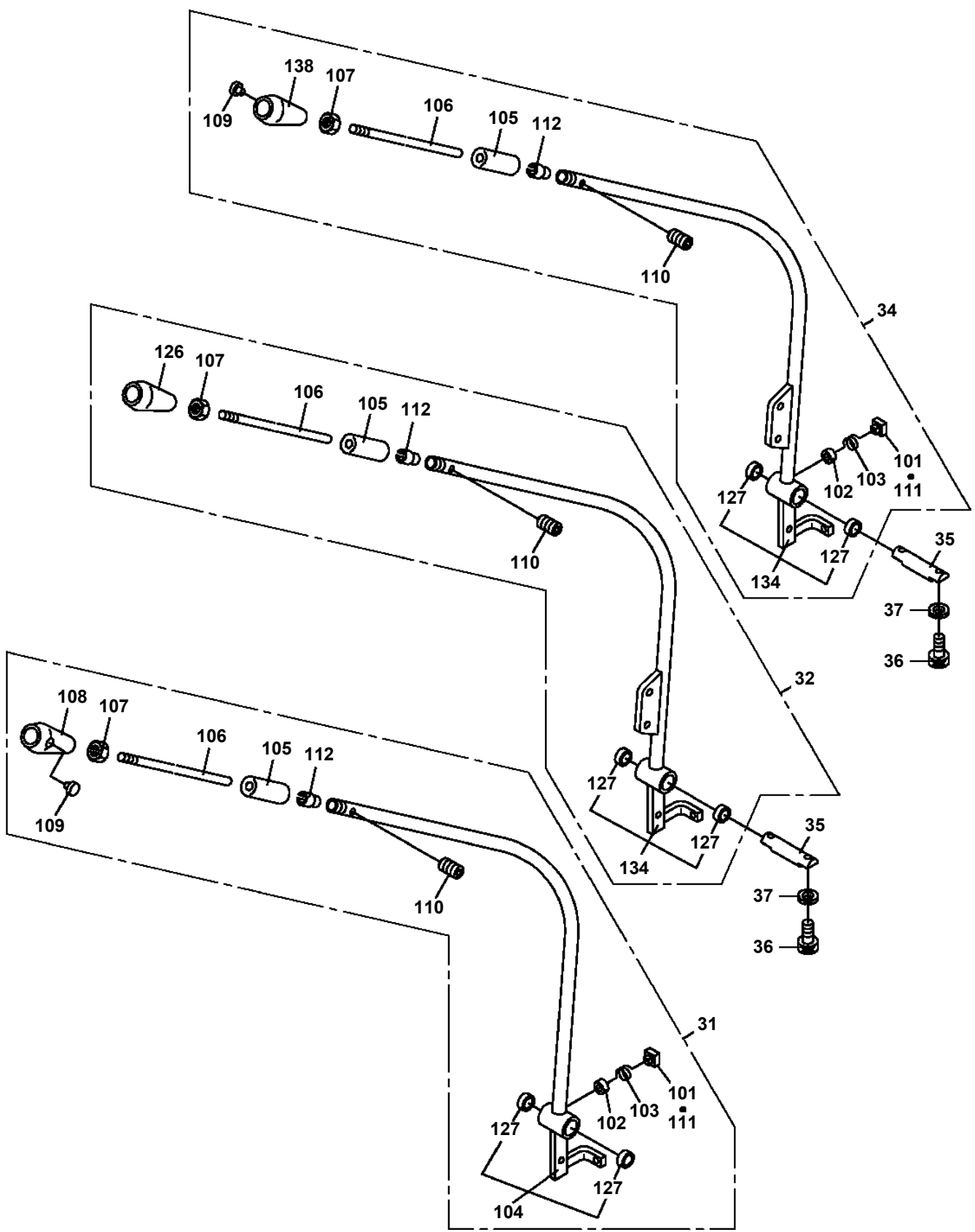
TG-500E-3-10101 5 BOOM + JIB, 2M2D, KG54TXL
PK1220059-00 WEIGHT, COUNTERBALANCE



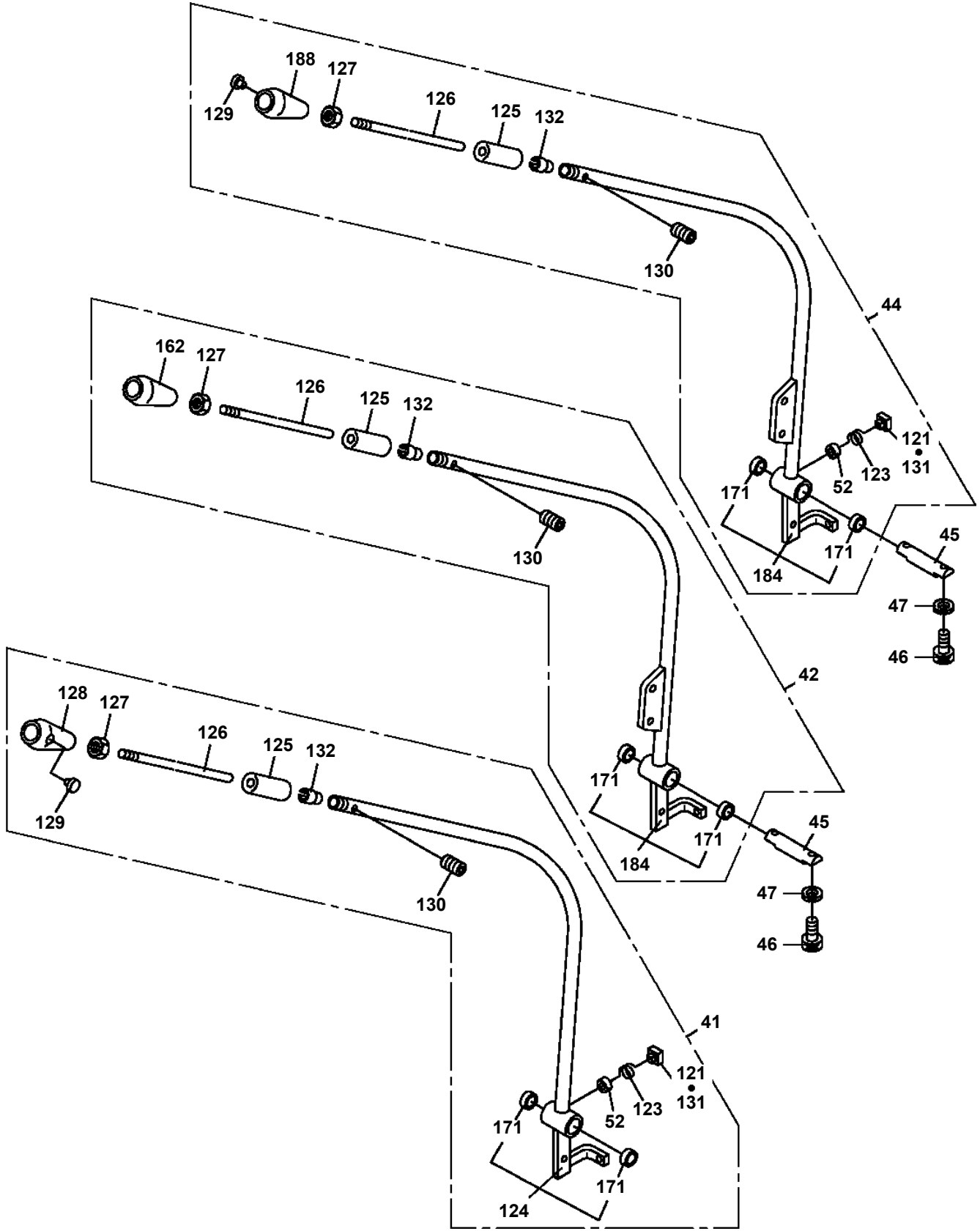
**TG-500E-3-10101 5 BOOM + JIB, 2M2D, KG54TXL
PL1010136-02 OPE.ASSY,CONT.VALVE (PEDAL)**



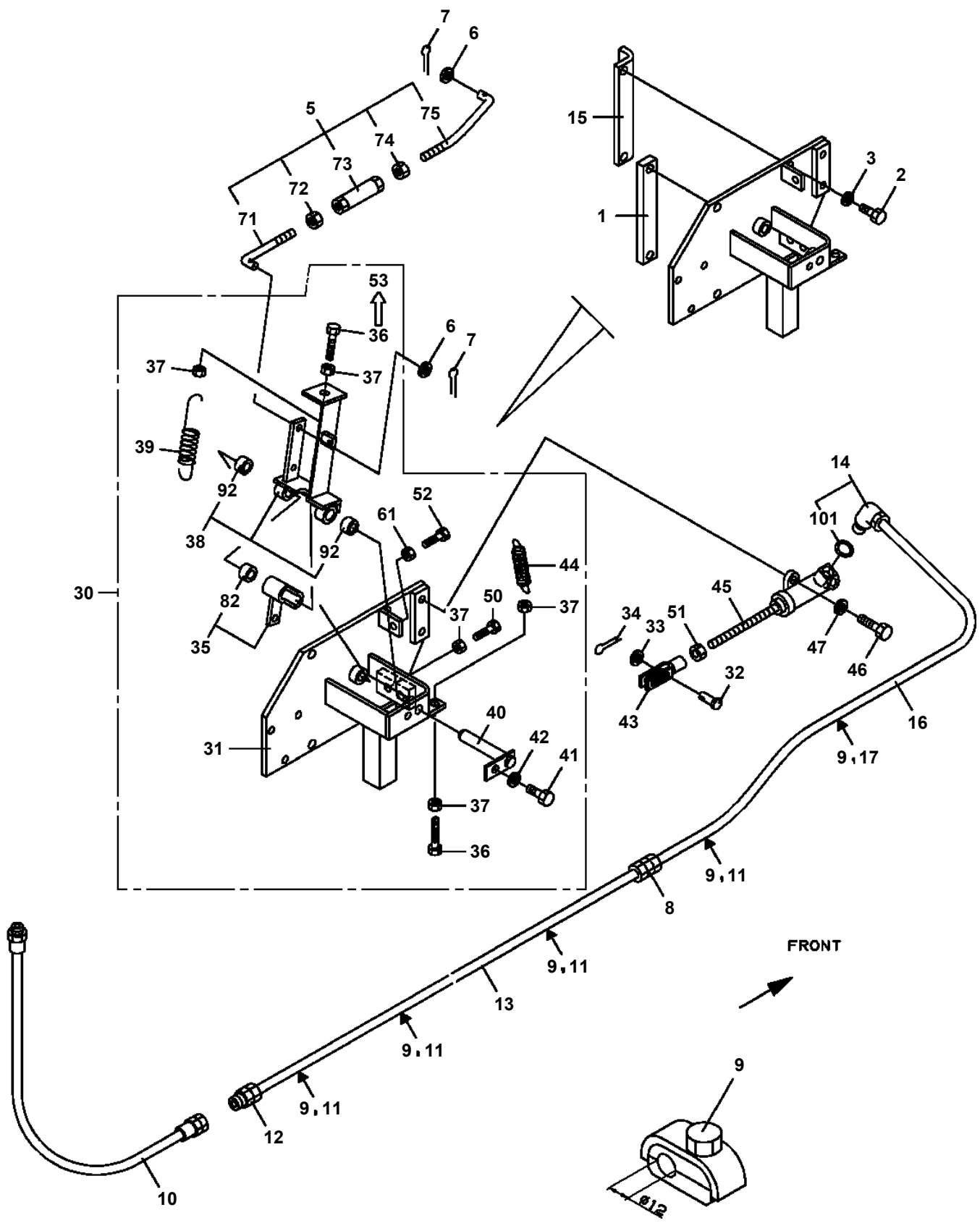
TG-500E-3-10101 5 BOOM + JIB, 2M2D, KG54TXL
PL1010160-05 OPE.ASSY,CONT.VALVE (M/ISO)



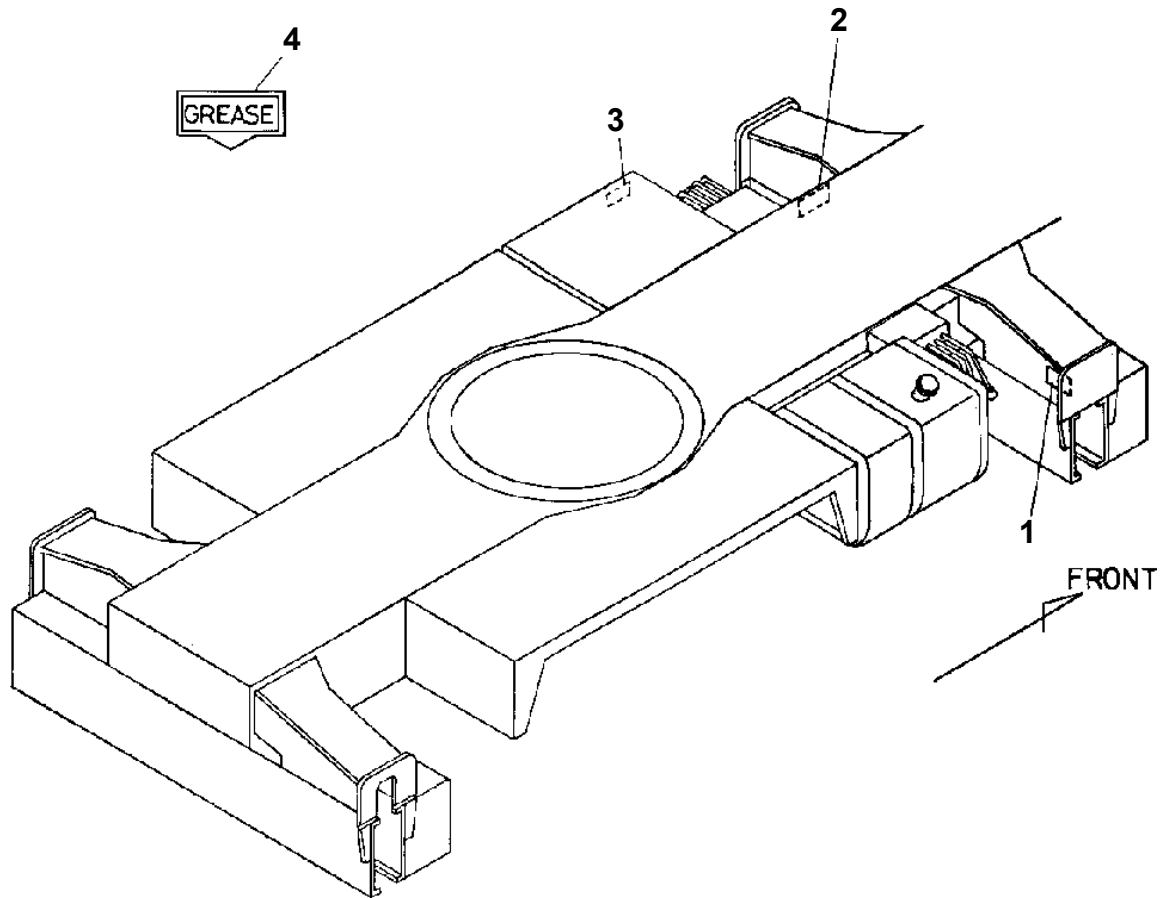
TG-500E-3-10101 5 BOOM + JIB, 2M2D, KG54TXL
PL1010592-02 OPE.ASSY,CONT.VALVE (ISO)



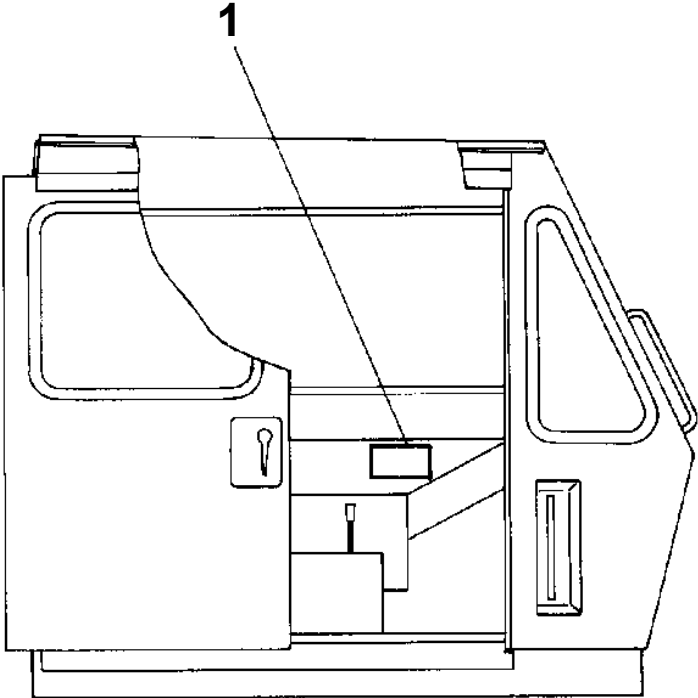
**TG-500E-3-10101 5 BOOM + JIB, 2M2D, KG54TXL
 PL1040027-01 OPERATION SYSTEM, GOVERNOR**



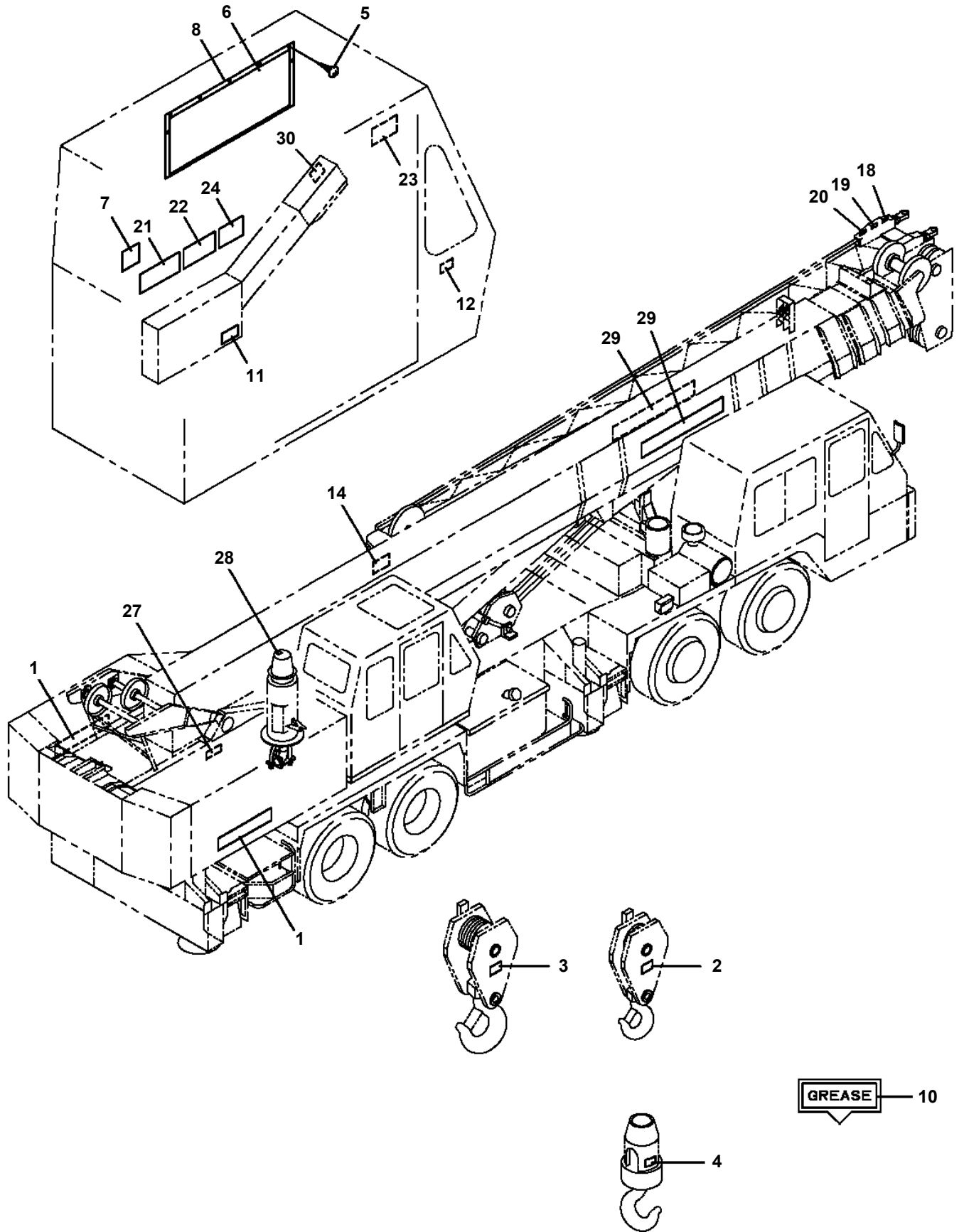
TG-500E-3-10101 5 BOOM + JIB, 2M2D, KG54TXL
PO1010058-01 PLATE ASSY,NAME (LOWER)



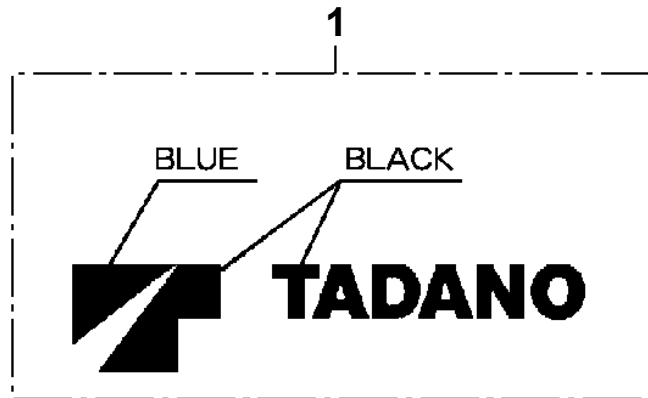
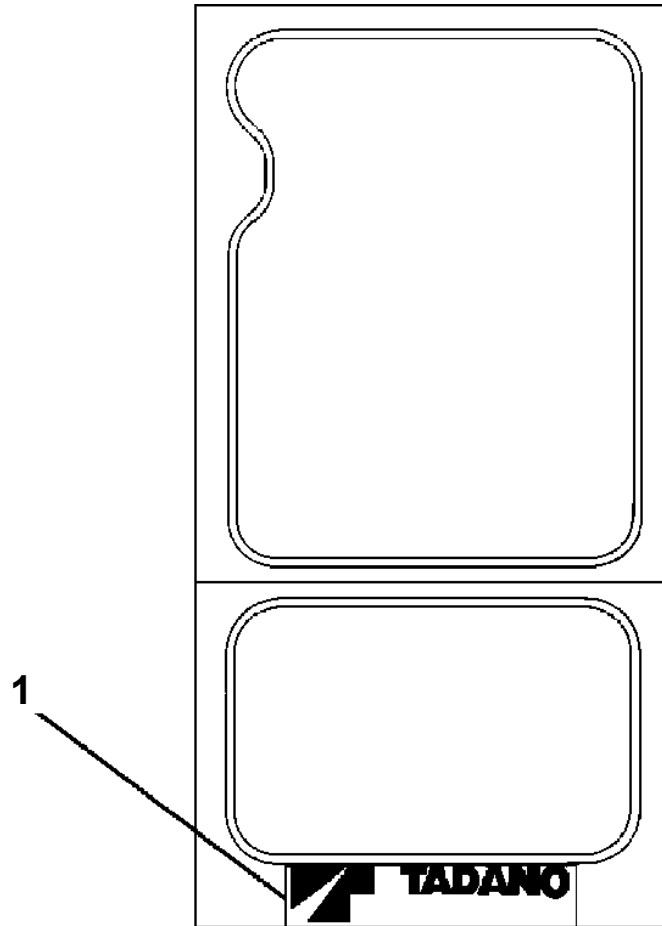
**TG-500E-3-10101 5 BOOM + JIB, 2M2D, KG54TXL
PO1010873-00 PLATE ASSY,NAME (ISO ARRANGEMENT)**



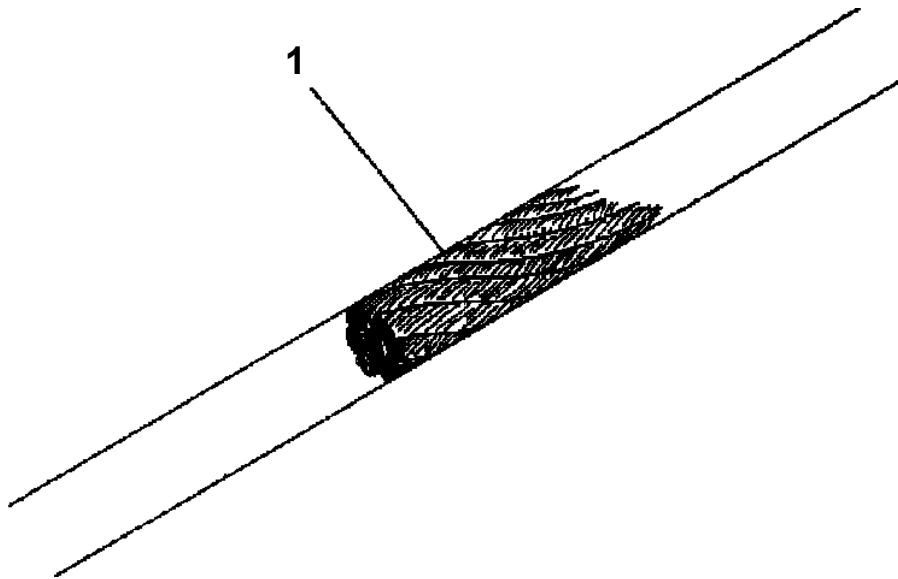
TG-500E-3-10101 5 BOOM + JIB, 2M2D, KG54TXL
PO1011743-00 PLATE ASSY,NAME (UPPPER 2,ENG.&CHINESE)



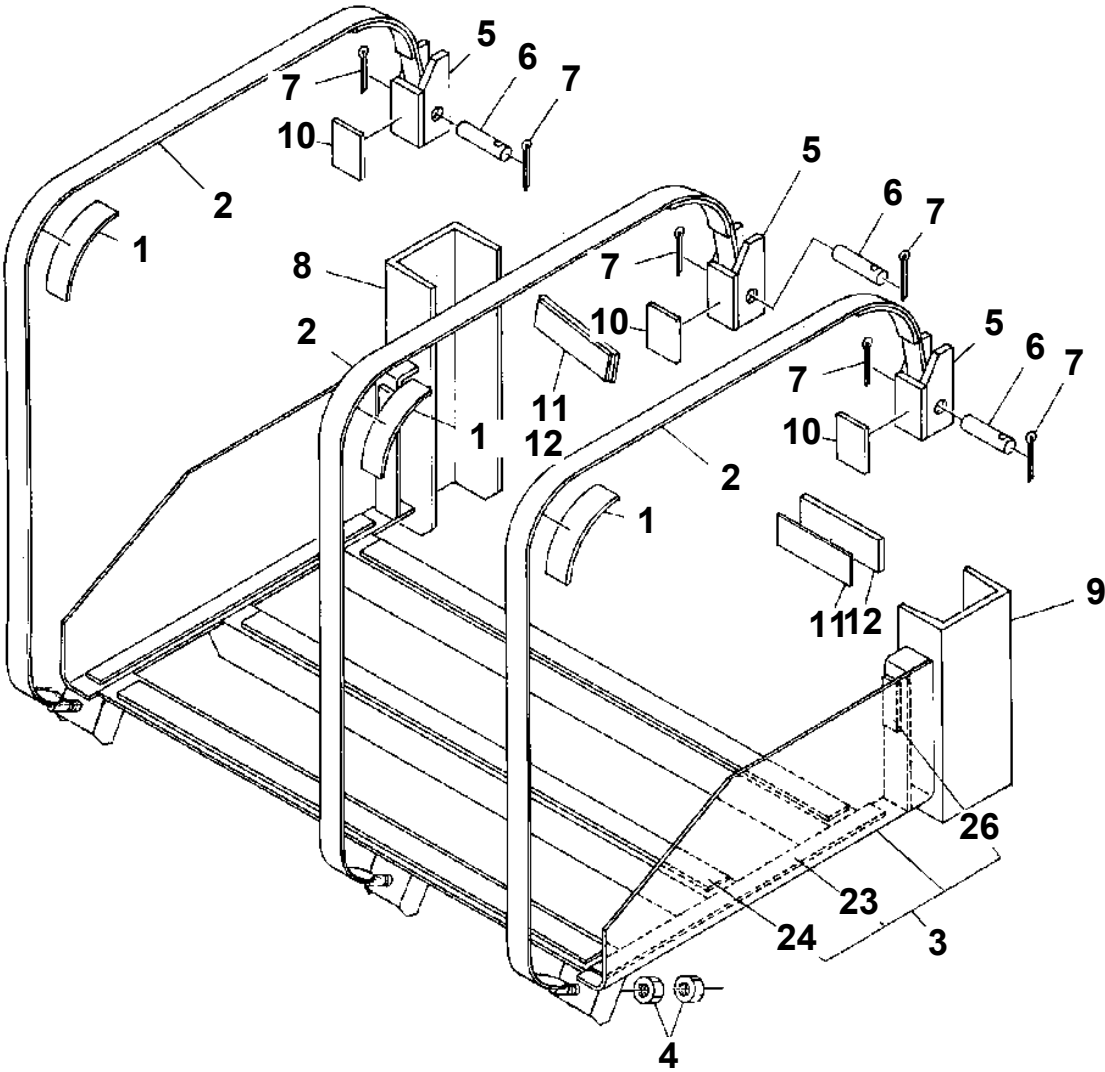
TG-500E-3-10101 5 BOOM + JIB, 2M2D, KG54TXL
PO1030008-00 TADANO (CAB,BLUE/BLACK)



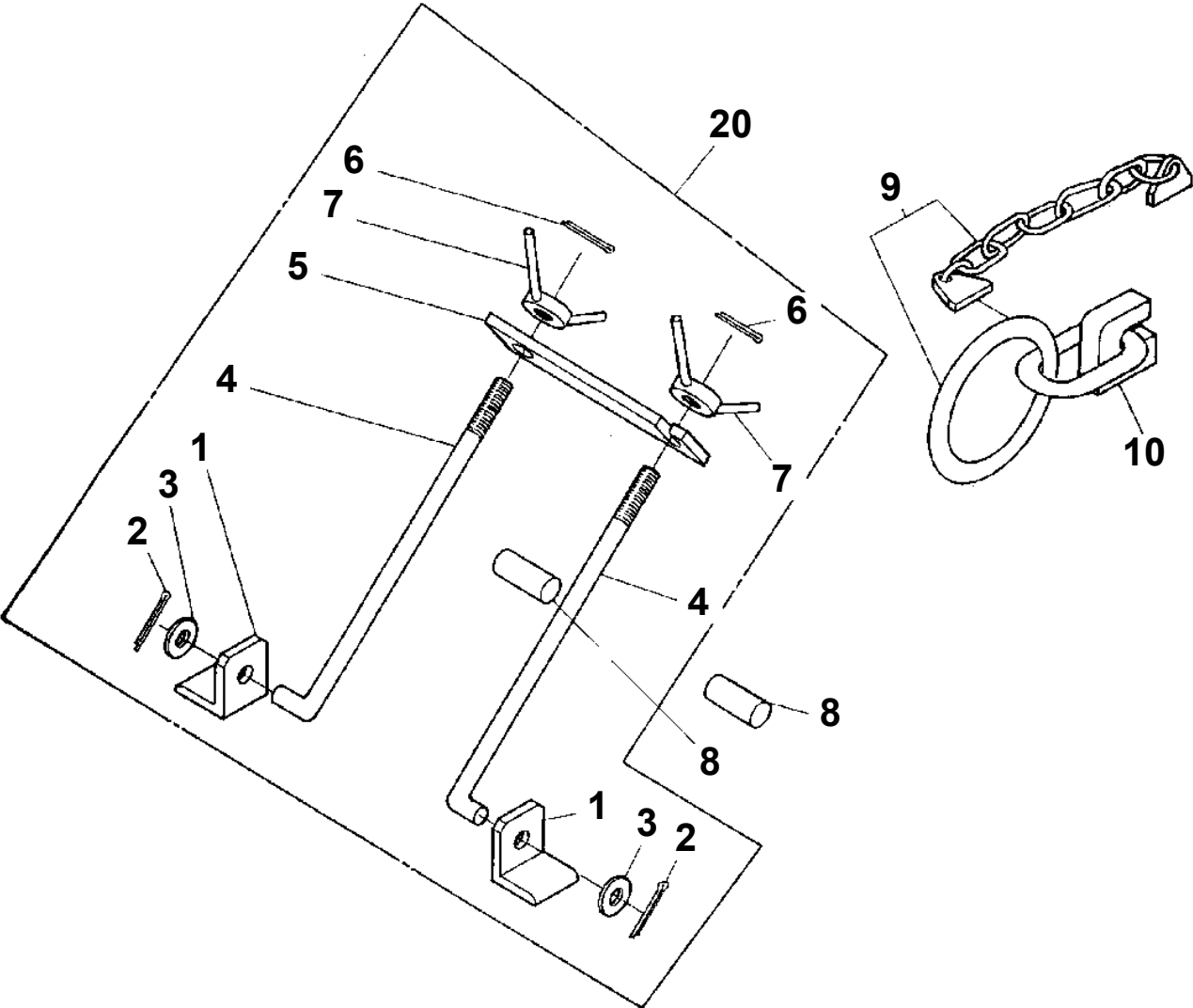
TG-500E-3-10101 5 BOOM + JIB, 2M2D, KG54TXL
PR5170001-00 ROPE,WIRE (TESAC)



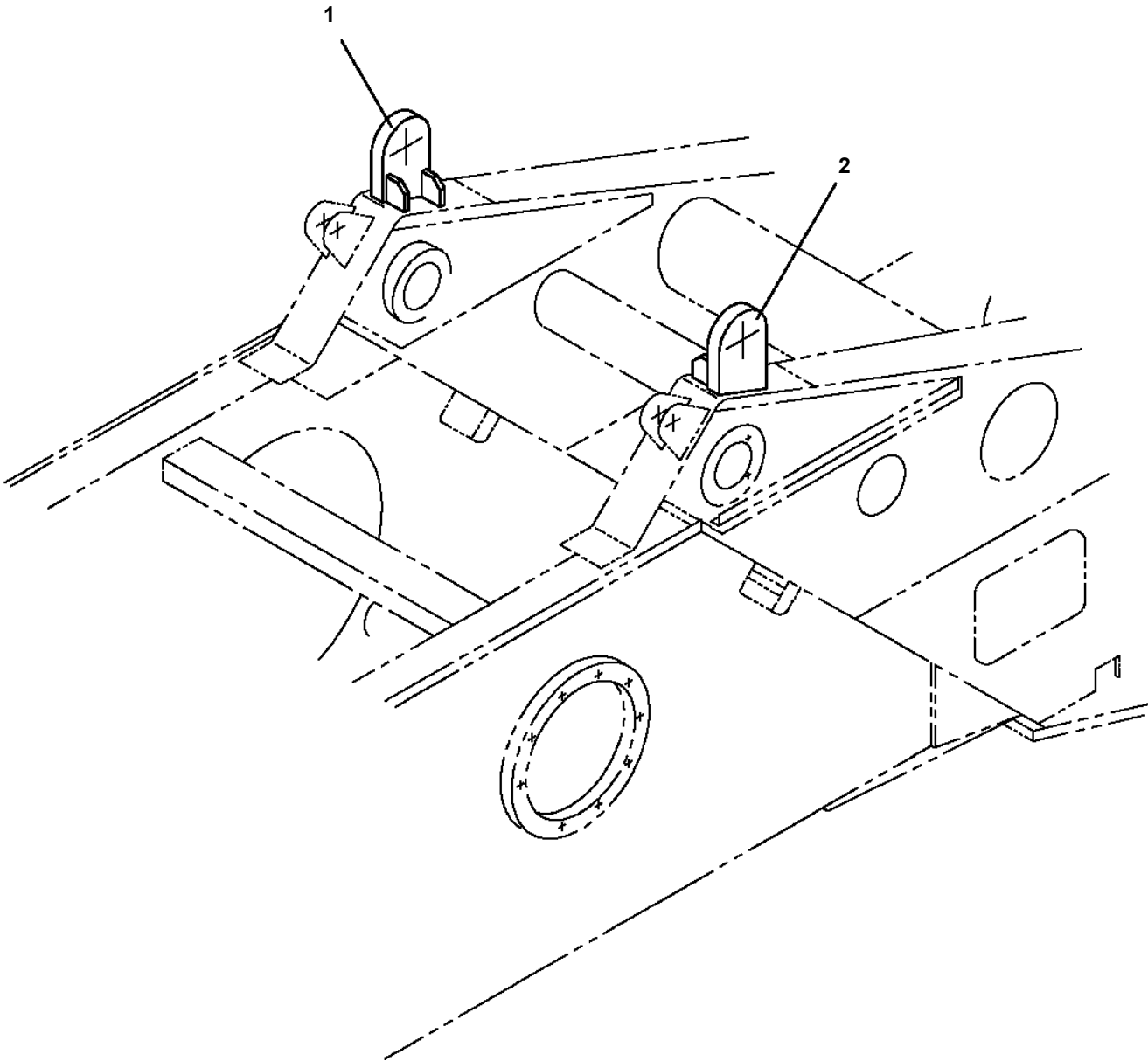
**TG-500E-3-10101 5 BOOM + JIB, 2M2D, KG54TXL
PX1100131-00 TANK SUPPORT INSTALLATION**



TG-500E-3-10101 5 BOOM + JIB, 2M2D, KG54TXL
PX1180114-00 MOUNT,HOOK (MAIN)



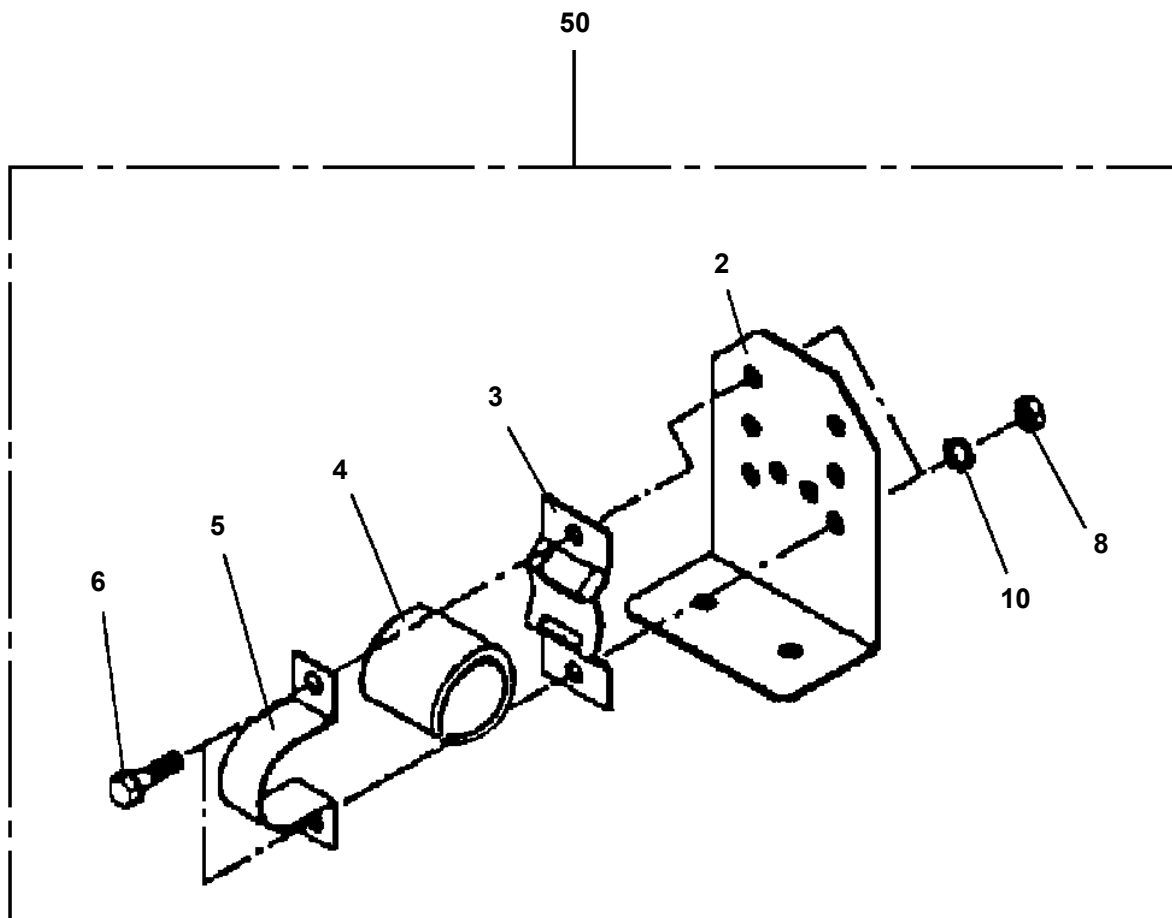
TG-500E-3-10101 5 BOOM + JIB, 2M2D, KG54TXL
PX1810046-00 MOUNT,SUPPORT (SHIPMENT)



TG-500E-3-10101 5 BOOM + JIB, 2M2D, KG54TXL

Pos No.	Parts No	Parts Name	Qty	Unit	Technical Data	Serial No (Start)	Serial No (End)
1	90101208030	BOLT	4		M8X30		
2	90302040801	WASHER,SPRING	16		8		
3	33476290200	COVER	1				
4	36290660000	HEATER ASSY (DIESEL FUEL,MY30)	1				
5	33473870040	COVER	1				
6	90101208016	BOLT	12		M8X16		
7	33476290300	JOINT	1				
8	33476290400	SUPPORT	1				
9	90101206012	BOLT	6		M6X12		
10	90190000008	BOLT,STUD	13		M6X20		
11	80192485014	SCREW,MACHINE (WITH WASHER)	6		M5X14		
12	90201200600	NUT	13		M6		
13	33476420100	PLATE,CAUTION	2				
14	90302040601	WASHER,SPRING	19		6		
15	82100002001	CLAMP	11		WR5		
16	82100002004	CLAMP	2		WR8		
17	36101460000	TANK,FUEL	1				
18	90201200800	NUT	4		M8		
19	91810130240	FASTENER	3				
20	33476290500	PLATE,CAUTION	1				
21	34510080800	HARNESS	1				
31	36290652240	NIPPLE	1				
32	36290652230	NUT	1				
34	36290661040	EXHAUST	1				
35	36290661050	JOINT	1				
36	36290661060	COIL ASSY	1				
37	36290661070	CONTROL UNIT	1				
38	36290661080	UMP,FUEL	1				
39	36290661090	AIR INTAKE ASSY	1				
41	36290662080	CABLE ASSY	1				
42	36290662070	HEATER (PANEL KIT ASSY,CONTROL)	1				
43	36290662120	HOSE	1				
44	36290662150	CLAMP	2				
45	36290662160	CLAMP	3				
46	36290662140	CLAMP	2				
47	36290662130	HOSE	1				
48	36290662220	HEATER (HOLDER ASSY,FUEL PUMP)	1				
49	36290662110	FUSE ASSY (GLOW PLUG)	1				
50	36290652170	CLIP	16				
51	36290662200	HOSE	6				
52	36290662090	CABLE ASSY	1				
55	36290652200	HOSE	1		L=6000		
56	36290662100	HEATER (VALVE KIT ASSY,SOLENOID)	1				
61	36290115021	BAND	2			436802	
62	36290115111	TANK	1			436802	
63	36290115120	TUBE	1				
64	36290115070	SUPPORT	2				
65	36290115041	CAP	1				
66	36101465011	FILTER	1			436802	
71	36101465020	ELEMENT,FILTER	1				
121	36290665190	HOLDER,FUSE	1				
122	36290665210	FUSE	1		25A		
123	36290665220	BRACKET	1				

TG-500E-3-10101 5 BOOM + JIB, 2M2D, KG54TXL
PY1120023-01 HEATER (HOLDER ASSY,FUEL PUMP)



TG-500E-3-10101 5 BOOM + JIB, 2M2D, KG54TXL

Pos No.	Parts No	Parts Name	Qty	Unit	Technical Data	Serial No (Start)	Serial No (End)
62	33510070200	COVER	1				
63	90101208025	BOLT	3		M8X25		
64	90201200800	NUT	3		M8		
65	37000502660	PLATE	3				
66	81408000241	PIPE,STEEL	2	M	18X1.9T	437231	
67	81408000241	PIPE,STEEL	1	M	18X1.9T	437231	
68	81408000241	PIPE,STEEL	1	M	18X1.9T	437231	
69	81408000241	PIPE,STEEL	1	M	18X1.9T	437231	
70	81408000241	PIPE,STEEL	1	M	18X1.9T	437231	
71	80321118450	VALVE,CHECK	1			437231	
81	36320202320	BOLT	1		M8X20		
82	36320202300	WASHER,PLAIN	1				
83	36320212040	PULLEY	1				
84	36320212050	BELT	1				
85	36320202330	BOLT	2		M10X35		
86	36320202340	WASHER,PLAIN	2				
87	36320202350	NUT	2		M10		
88	36320332060	COMPRESSOR ASSY	1				
89	36320332070	EVAPORATOR ASSY	1				
90	36320350020	HOSE	1				
91	36320350030	HOSE	1				
92	34471145220	INSULATOR	8		D=20		
93	36320350040	INSULATOR 22.5	8				
94	36320212010	HARNESS	1				
95	34471145210	CLAMP	11				
96	34471145111	SWITCH ASSY	1				
97	34471145150	HOSE	1				
102	82400000350	KNOB	1				
103	80172303006	SCREW,MACHINE	1		M3X6		
104	37000508510	PLATE	1				
106	91002801200	O-RING	2		1B P12		
107	91411001200	RING,BACKUP	1		P12		
108	91002801800	O-RING	4		1B P18		
109	36671343000	PLUG	1				
131	91002801400	O-RING	1		1B P14		

CLICK HERE TO **DOWNLOAD** THE COMPLETE MANUAL

- Thank you very much for reading the preview of the manual.
- You can download the complete manual from: www.heydownloads.com by clicking the link below



- Please note: If there is no response to CLICKING the link, please download this PDF first and then click on it.

CLICK HERE TO **DOWNLOAD** THE COMPLETE MANUAL