

TG-3600M-1-10202 5 BOOM + JIB,W-KL620YN

**PB1000208-01 HYDRAULIC PRESSURE GENERATING SYSTEM
PC1000157-01 OUTRIGGER SYSTEM
PD1000194-01 SWING SYSTEM
PE1000192-01 ELEVATING SYSTEM
PF1000182-01 WINCH SYSTEM
PG1000187-01 TELESCOPING SYSTEM
PH1000178-01 SAFETY DEVICES
PI1000212-01 HYDRAULIC DEVICES
PK1000202-01 FRAME
PL1000198-01 CONTROL DEVICES
PN1000166-01 ELECTRIC EQUIPMENT
PO1000133-01 INDICATION PLATES
PP1000005-01 DISASSEMBLY DEVICES
PQ1000058-01 DRIVING POWER GENERATING SYSTEM
PW1000111-01 ACCESSORIES & TOOLS
PX1000205-01 MOUNTING PARTS
PY1000178-01 OPTIONS
ASSEMBLY**

CLICK HERE TO **DOWNLOAD** THE COMPLETE MANUAL

- Thank you very much for reading the preview of the manual.
- You can download the complete manual from: www.heydownloads.com by clicking the link below

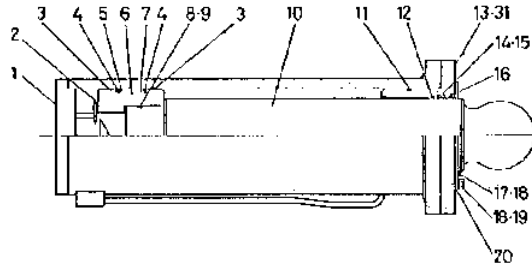


- Please note: If there is no response to CLICKING the link, please download this PDF first and then click on it.

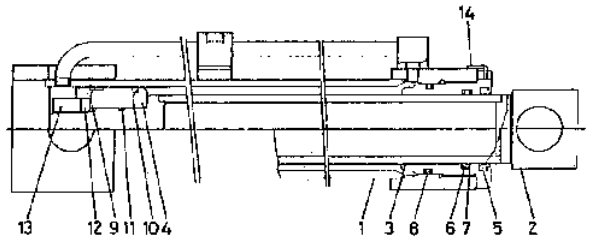
CLICK HERE TO **DOWNLOAD** THE COMPLETE MANUAL

TG-3600M-1-10202 5 BOOM + JIB,W-KL620YN
 PC1000157-01 OUTRIGGER SYSTEM

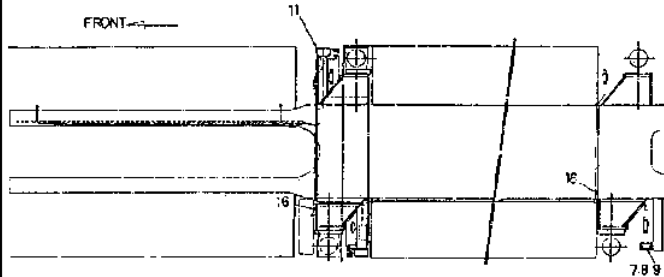
9



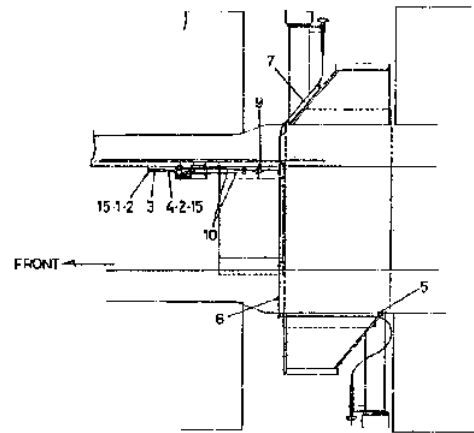
10



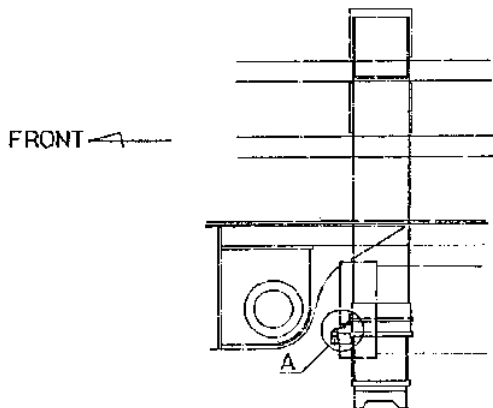
11



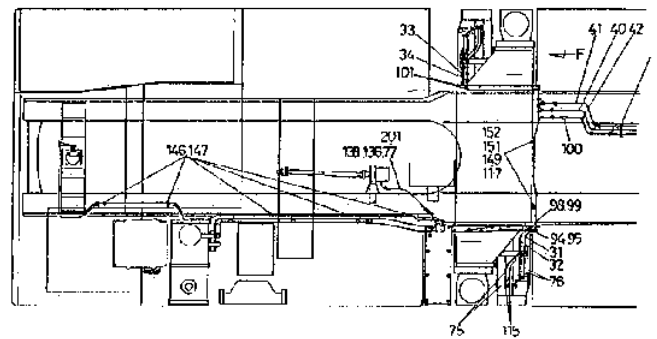
12



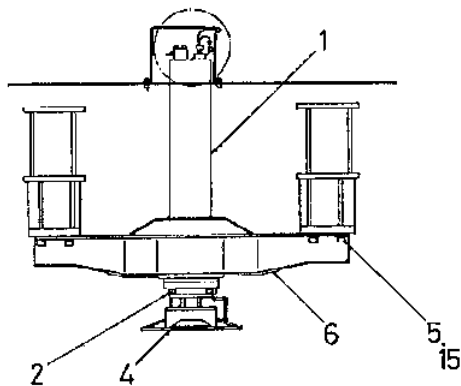
13



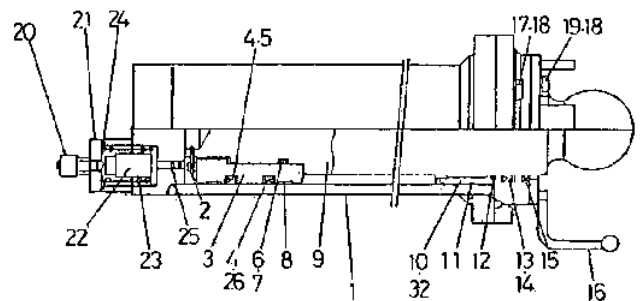
14



15

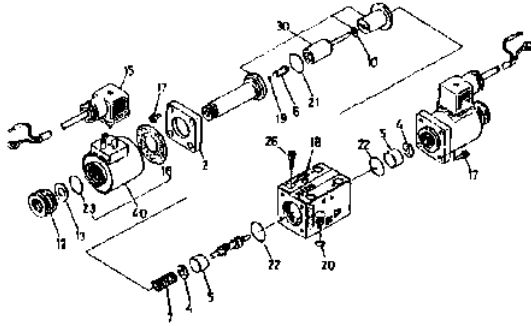


16

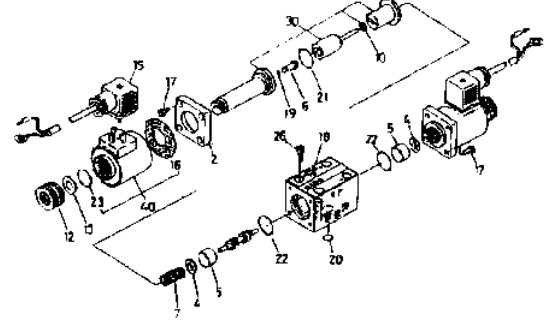


**TG-3600M-1-10202 5 BOOM + JIB,W-KL620YN
PG1000187-01 TELESCOPING SYSTEM**

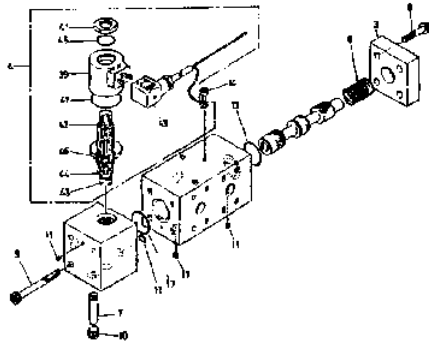
71



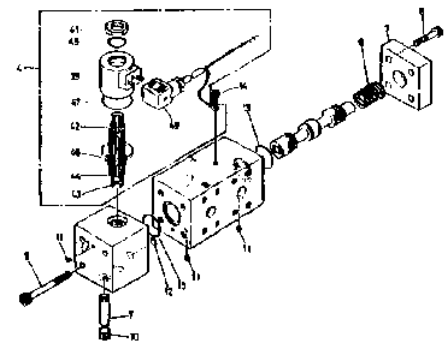
72



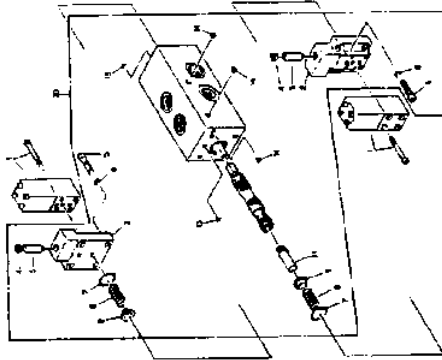
73



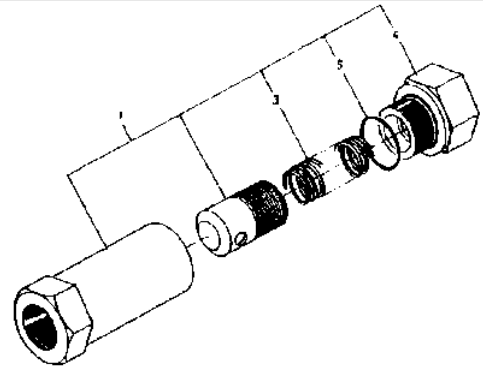
74



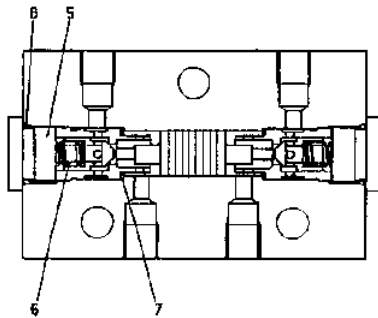
75



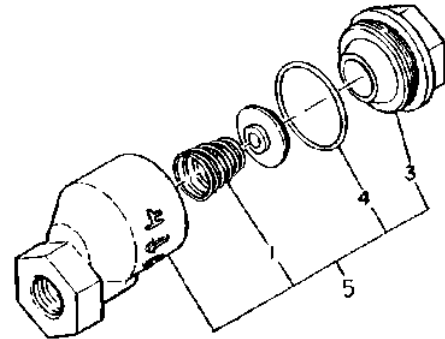
76



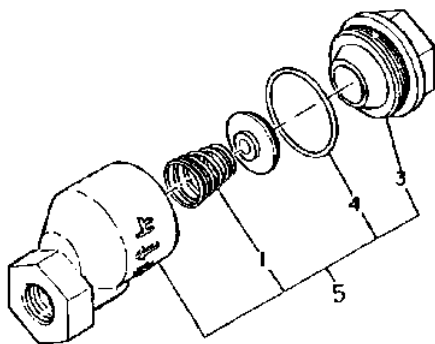
77



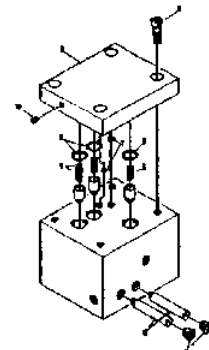
78



79

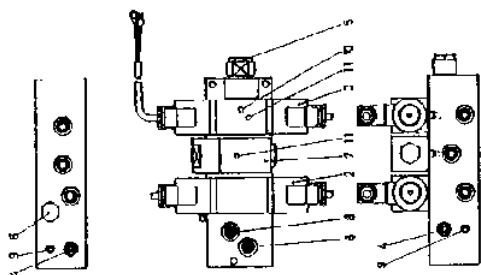


80

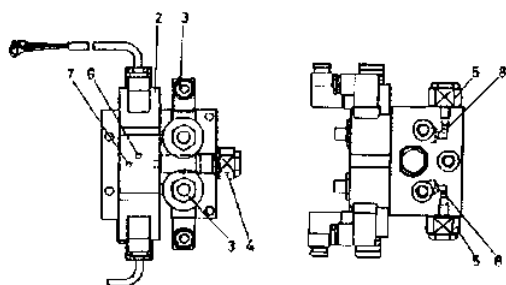


TG-3600M-1-10202 5 BOOM + JIB,W-KL620YN
 PI1000212-01 HYDRAULIC DEVICES

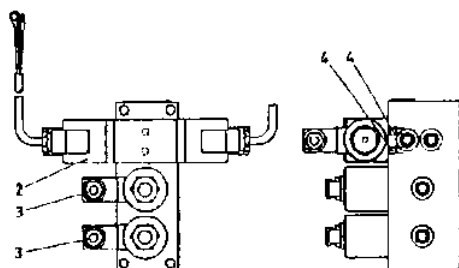
31



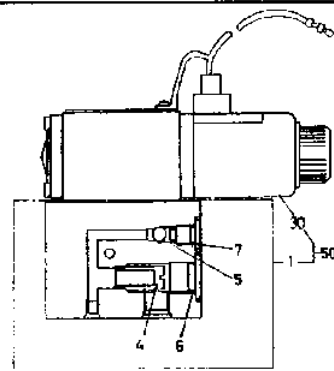
32



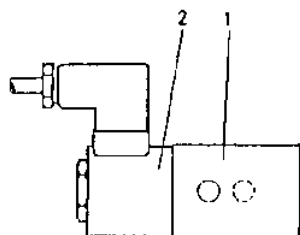
33



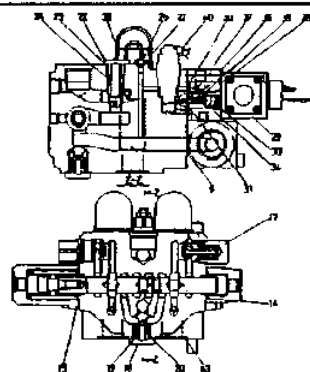
34



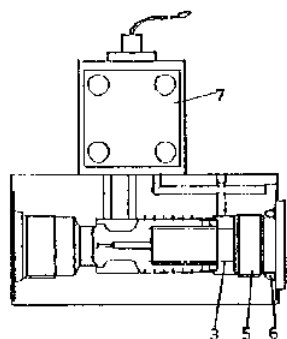
35



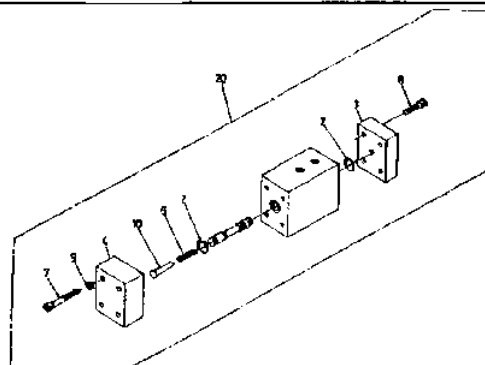
38



39

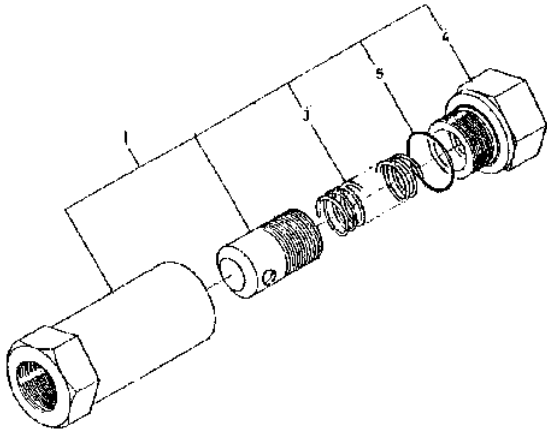


40



TG-3600M-1-10202 5 BOOM + JIB,W-KL620YN
PK1000202-01 FRAME

17



TG-3600M-1-10202 5 BOOM + JIB,W-KL620YN

Pos No.	Parts No	Parts Name	Qty	Unit	Technical Data	Serial No (Start)	Se
1	(*****)	ELEC.ASSY (CAB)	1				
2	(*****)	ELEC.ASSY (DISMOUNTING)	1				
3	(*****)	ELEC.ASSY (ENGINE)	1				
4	(*****)	ELEC.ASSY (LOWER HARNESS)	1				
5	(*****)	SWITCH PANEL (CAB)	1				
6	(*****)	SWITCH PANEL (LUFFING JIB)	1				
7	(*****)	SWITCH PANEL (CAB OPERATION)	1				
8	(*****)	LAMP (WORKING & BOOM TOP)	1				
9	(*****)	LAMP (SWING FRAME)	1				
10	(*****)	RELAY BOX INSTALLATION	1				
11	(*****)	SWITCH,DETECTOR (POWER PIN)	1				
12	(*****)	SWITCH,DETECTOR (BOOM FULL RETRACTION)	1				
13	(*****)	SWITCH,DETECTOR (CAB RETRACTION)	1				
14	(*****)	SWITCH,DETECTOR (NO.1 CYL LOCK PIN)	1				
15	(*****)	SWITCH,DETECTOR (COUNTER WEIGHT)	1				
16	(*****)	SWITCH,DETECTOR (C/W 70TON)	1				
17	(*****)	SWITCH,DETECTOR (FLJ TOP FULL RETRACTION)	1				
22	36120090000	TRANSMITTER,SIGNAL	1				
23	(*****)	MOUNT,MULTIPLEX DATA TRANSMITER	1				
24	(*****)	REEL,CORD (BOOM)	1				
25	(*****)	REEL,CORD (FLJ)	1				
26	33432033010	REEL,CORD	1				
27	33432033020	REEL,CORD	1				
28	33432033030	REEL,CORD	1				
29	33432152100	REEL,CORD (JIB)	1				
30	36160410000	REEL,CORD	1				
31	36160420000	REEL,CORD	1				
36	(*****)	BATTERY INSTALLATION	1				
37	(*****)	JOINT,ROTARY INSTALLATION	1				

TG-3600M-1-10202 5 BOOM + JIB,W-KL620YN

Pos No.	Parts No	Parts Name	Qty	Unit	Technical Data	Serial No (Start)	Serial No (End)	Rema
1	(*****)	RADIATOR INSTALLATION	1					
2	(*****)	MUFFLER	1					
3	(*****)	AIR INTAKE INSTALLATION	1					
4	(*****)	TANK,FUEL INSTALLATION	1					
	36101400000	TANK,FUEL (300L)	1					
5	(*****)	POWER TRAIN	1					
6	(*****)	TANK,AIR (MOUNT)	1					
7	(*****)	PIPING,AIR	1					
8	36603400000	VALVE,REDUCING	1					
9	36870100000	DRIER,AIR	1					
10	59451304000	VALVE,CHECK	1					
11	36600620000	VALVE,PRESSURE CONTROL	1					

TG-3600M-1-10202 5 BOOM + JIB,W-KL620YN

PH1250030-00 MOMENT LIMITER (EXTENSION DEVICE)

PH1330015-03 LAMP,AML SIGNAL

PH1700016-00 VIEW SYSTEM (CABLE)

PH1700017-00 VIEW SYSTEM (CORDREEL)

PH1700018-00 VIEW SYSTEM (MONITOR)

PH1700019-00 VIEW SYSTEM (CORDREEL)

PI1010029-01 MOTOR,HYDRAULIC

PI1010054-01 MOTOR,HYDRAULIC (WINCH)

PI1040004-01 CYLINDER,AIR

PI1040014-02 CYLINDER,AIR

PI1090002-00 VALVE,REDUCING

PI1090007-00 VALVE,REDUCING

PI1100006-01 VALVE,RELIEF

PI1100018-01 VALVE,RELIEF

PI1100028-00 VALVE,RELIEF

PI1100032-00 VALVE,RELIEF

PI1100034-01 VALVE,RELIEF (280KG/CM2)

PI1100035-00 VALVE,RELIEF

PI1100036-01 VALVE,RELIEF

PI1100037-00 VALVE,RELIEF

PI1100049-02 VALVE ASSY,RELIEF (27.5MPA)

PI1100060-01 VALVE,RELIEF

PI1110001-00 VALVE,LOGIC

PI1120032-00 VALVE,SOLENOID

PI1120041-01 VALVE,SOLENOID

PI1120043-00 VALVE,SOLENOID

PI1120046-01 VALVE,SOLENOID

PI1120063-02 VALVE,SOLENOID (UCHIDA)

PI1120070-05 VALVE,SOLENOID

PI1120073-00 VALVE,SOLENOID

PI1120073-00 VALVE,SOLENOID

PI1120073-00 VALVE,SOLENOID

PI1120081-00 VALVE,SOLENOID

PI1120082-00 VALVE,SOLENOID

PI1120083-00 VALVE,SOLENOID

PI1120084-00 VALVE,SOLENOID

PI1120085-02 VALVE,SOLENOID

PI1120086-02 VALVE,SOLENOID

PI1120135-05 VALVE,SOLENOID (NACHI)

PI1120180-01 VALVE,SOLENOID

PI1120260-01 VALVE,SOLENOID

PI1130003-00 VALVE,HYDRAULIC

PI1130004-02 VALVE,HYDRAULIC

PI1130015-00 VALVE,HYDRAULIC

PI1130016-00 VALVE,HYDRAULIC

PI1130029-00 VALVE,HYDRAULIC

PI1130029-00 VALVE,HYDRAULIC

PI1140006-00 VALVE,CHECK

PI1140012-00 VALVE,CHECK

PI1140012-00 VALVE,CHECK

PI1140012-00 VALVE,CHECK

PI1140026-00 VALVE,CHECK

PI1140038-00 VALVE,CHECK

PI1140040-00 VALVE,CHECK

PI1140041-00 VALVE,CHECK

PI1140042-00 VALVE,CHECK

PI1140042-00 VALVE,CHECK

PI1140054-00 VALVE,CHECK

PI1140063-00 VALVE,CHECK

PI1140076-00 VALVE,CHECK

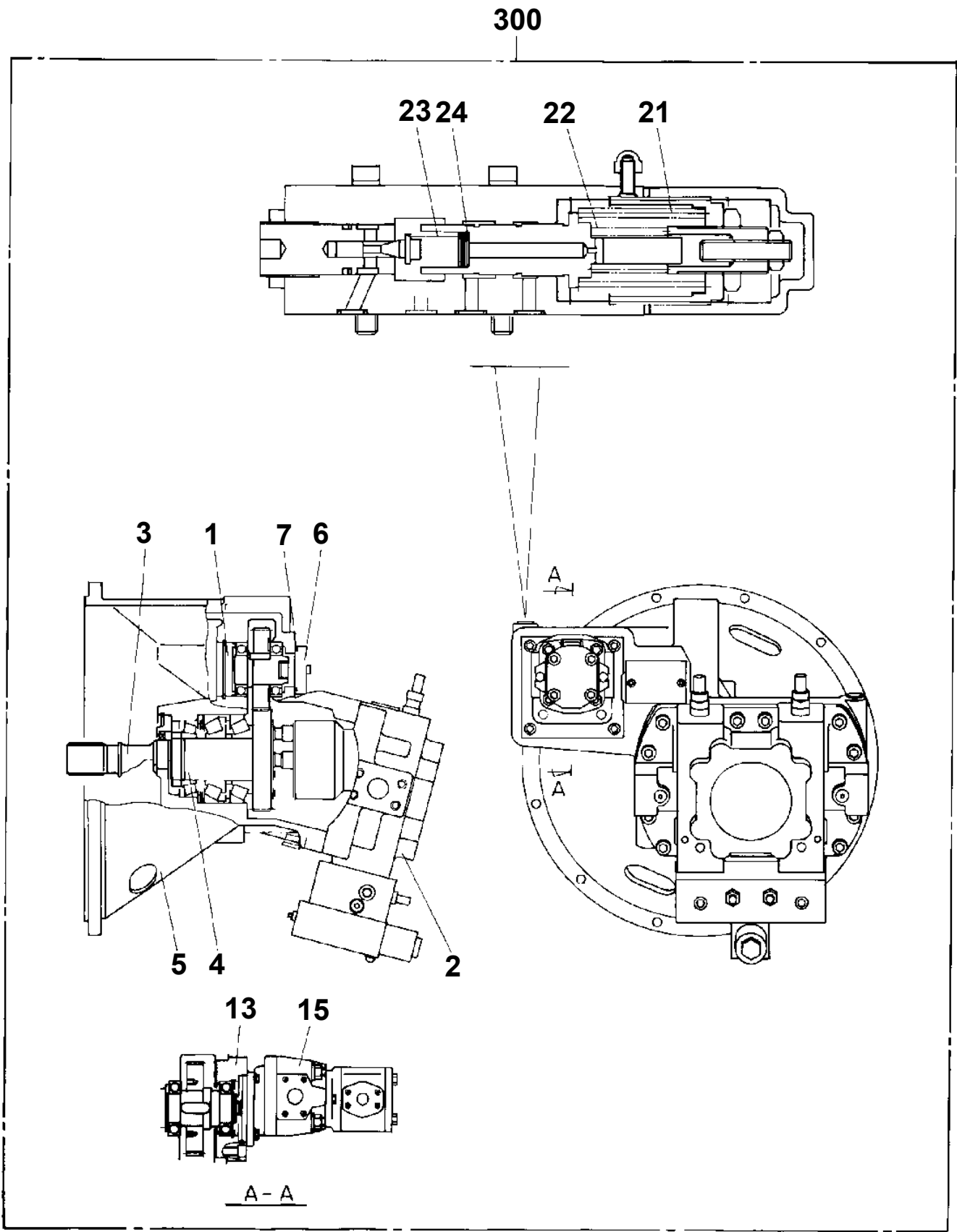
PI1140083-00 VALVE,CHECK

PI1140130-00 VALVE,CHECK

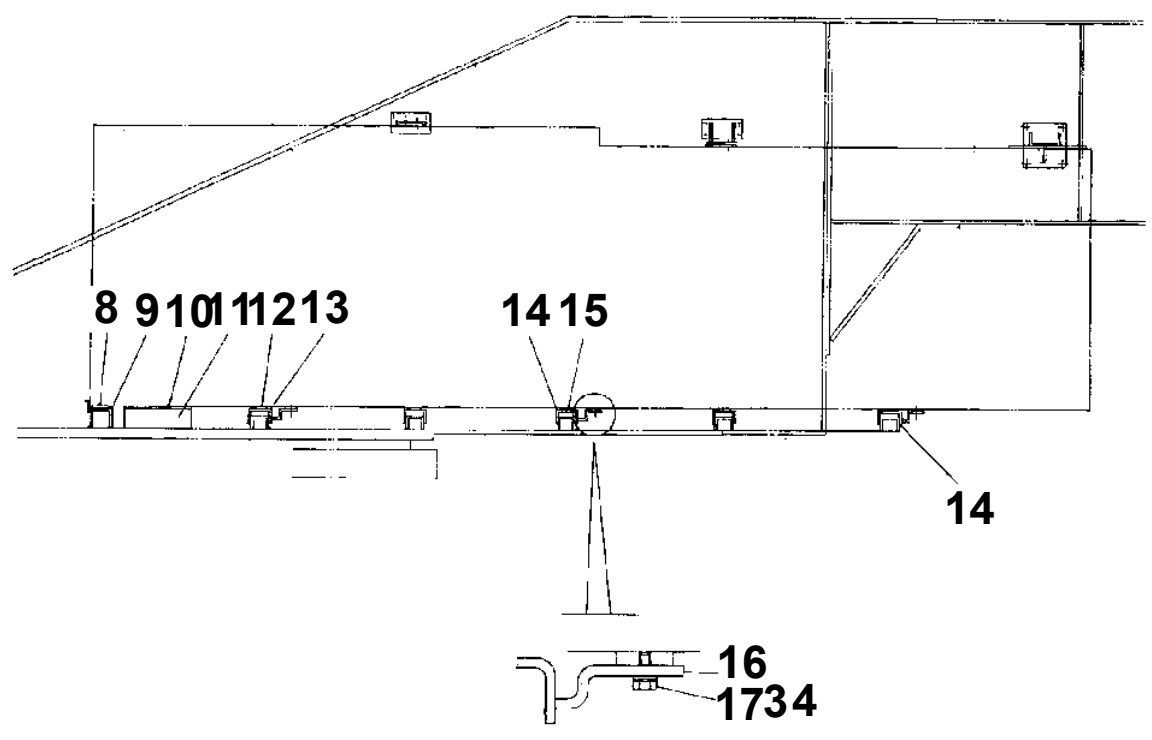
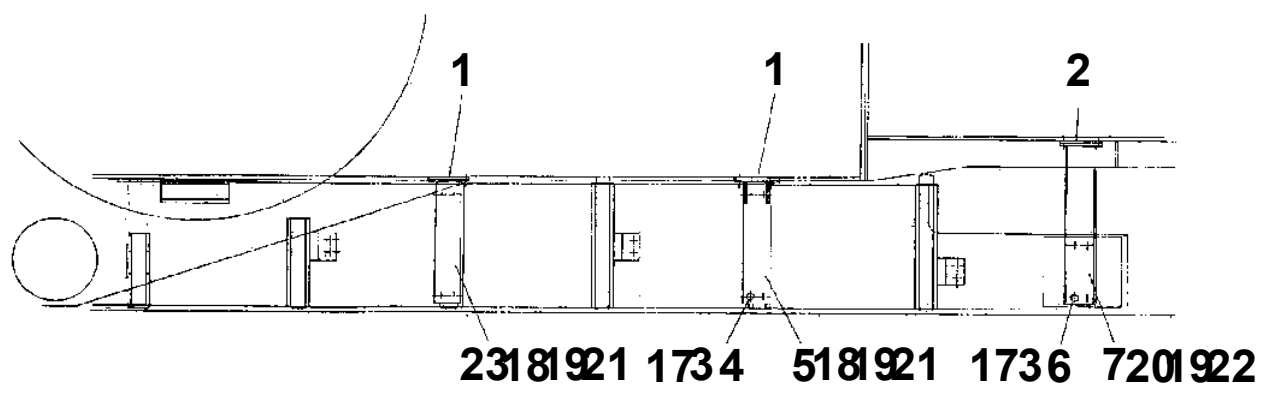
PI1140228-00 VALVE,CHECK

PI1180000-00 VALVE,PRESSURE CONTROL

TG-3600M-1-10202 5 BOOM + JIB,W-KL620YN
PB1100077-01 PUMP, HYDRAULIC



TG-3600M-1-10202 5 BOOM + JIB,W-KL620YN
PB1130076-00 TANK,OIL (MOUNT)



TG-3600M-1-10202 5 BOOM + JIB,W-KL620YN

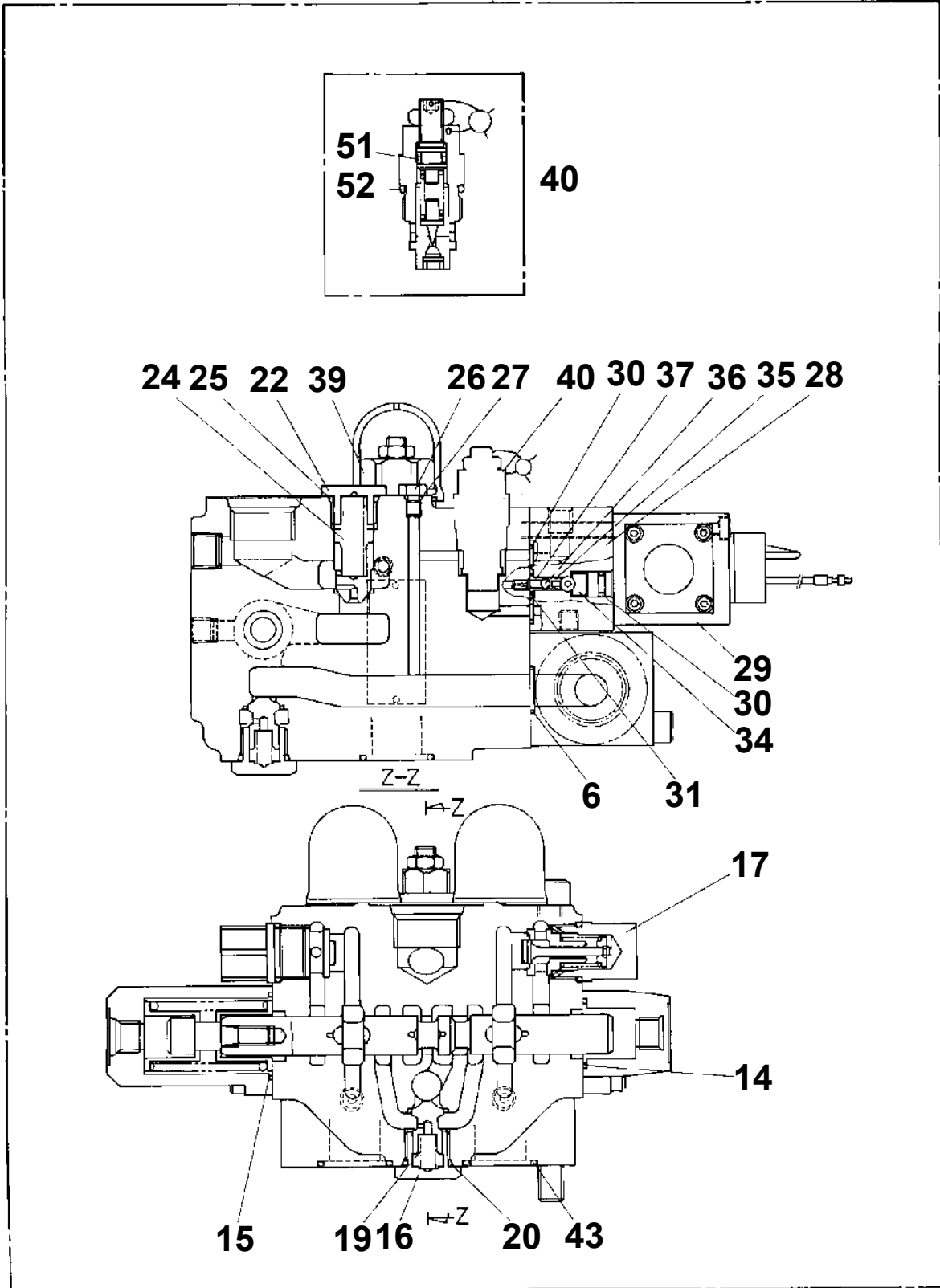
Pos No.	Parts No	Parts Name	Qty	Unit	Technical Data	Serial No (Start)	Serial No (End)	Remarks
130	81408000401	PIPE,STEEL	2	M	35X4.0T			
131	37000709670	CLAMP ASSY	6					
132	37000712200	CLAMP ASSY	2					
133	37000712210	CLAMP ASSY	1					
134	37000706920	CLAMP ASSY	1					
135	37000518500	PLATE	3					
136	37000704760	CLAMP ASSY	4					
137	80316070040	PLUG	7		PF1/4			
138	80316070120	PLUG	1		G1			
139	81408000290	PIPE,STEEL	2	M	22X2.5T			
140	37000547080	PLATE	1					
141	37000712370	CLAMP ASSY	1					
142	37000702460	CLAMP ASSY	1					
143	37000705070	CLAMP ASSY	3					
144	37000706240	CLAMP ASSY	1					
145	33343613180	SUPPORT	1					
146	80315040110	JOINT	1					
147	36620100000	VALVE,CHECK	1					
149	80303030321	FITTING,ELBOW	1		KLN28-080N			
161	91000522200	O-RING	3		AS568-222-1B			
171	91000521400	O-RING	2		AS568-214-1B			
181	91000521900	O-RING	1		AS568-219-1B			

TG-3600M-1-10202 5 BOOM + JIB,W-KL620YN

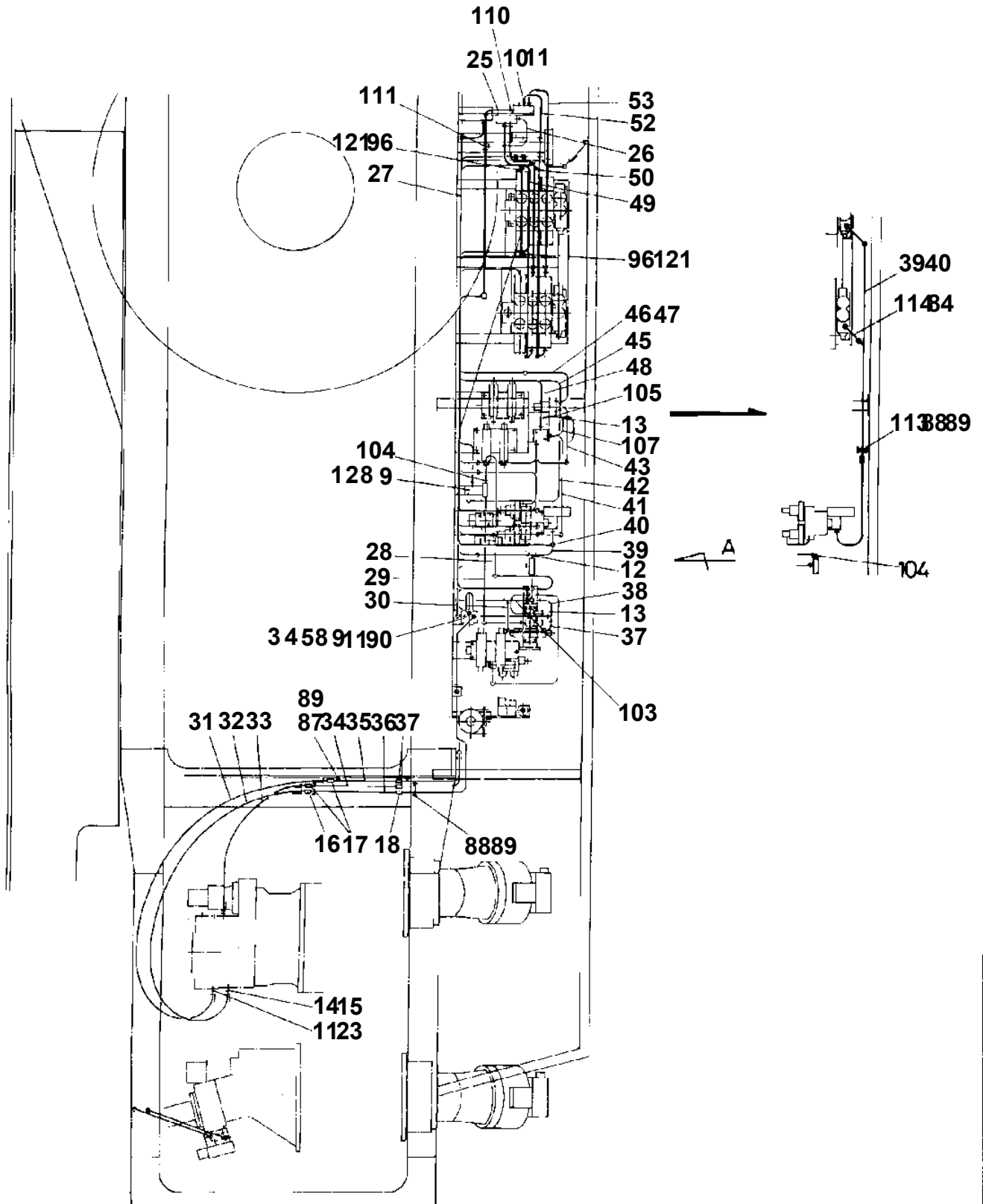
Pos No.	Parts No	Parts Name	Qty	Unit	Technical Data	Serial No (Start)	Serial No (End)	Remarks
1	33630497510	SHAFT	1					
2	33630497520	PLATE	1					
3	33630497530	FLANGE	1					
4	33630497540	CAM	1					
5	33630497550	BOLT	2					
6	33630497560	COLLAR	1					
7	33630497570	CASE (SLIP RING 1)	1					
8	33630497580	CASE (SLIP RING 2)	1					
9	33630497590	PLATE	1					
10	33630497600	CASE (1)	1					
11	33630497610	CASE (2)	1					
12	33630497620	SUPPORT	1					
13	33630497630	RING,SLIP	8					
14	33630497640	BRUSH	8					
15	33630497650	INSULATOR	2					
	33630497670	INSULATOR	2					
	33630497660	INSULATOR	2					
16	33630497680	INSULATOR	9					
17	80516006005	BEARING,BALL	2					
18	80601110250	RING,RITAINING	1		S25			
19	80561100050	NUT	1		AN05			
	80562100050	WASHER,PLAIN	1					
20	33630497690	SWITCH,LIMIT	1					
21	33630497700	POTENTIOMETER	1					
22	33630497710	CAP	2					
23	33630497720	BREATHER,AIR	1					
24	33630497730	SCREW,SET	1		M6X10			
25	33630497740	SCREW (WITH WASHER)	1					
26	33630497750	PACKING SET	1					
28	33630727510	PACKING	1					
30	33950481100	BRUSH,ROTARY JOINT	1					

TG-3600M-1-10202 5 BOOM + JIB,W-KL620YN
PB1340021-00 VALVE,SOLENOID CONTROL (SWING)

100



TG-3600M-1-10202 5 BOOM + JIB,W-KL620YN
PB1400133-02 PIPING,UPPER (PILOT)



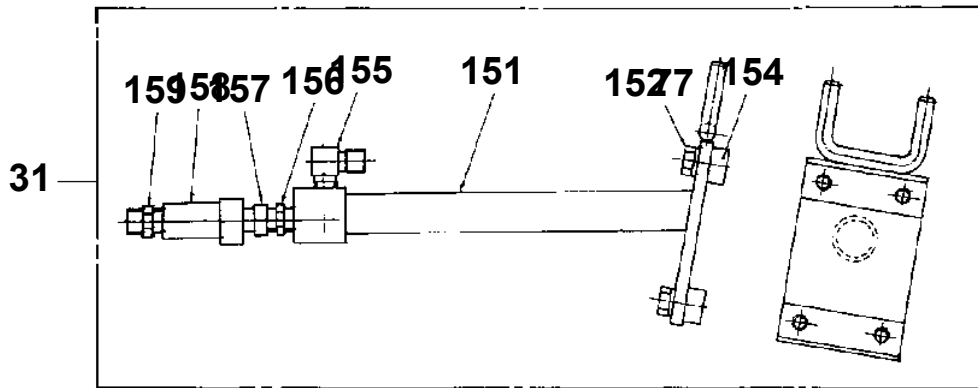
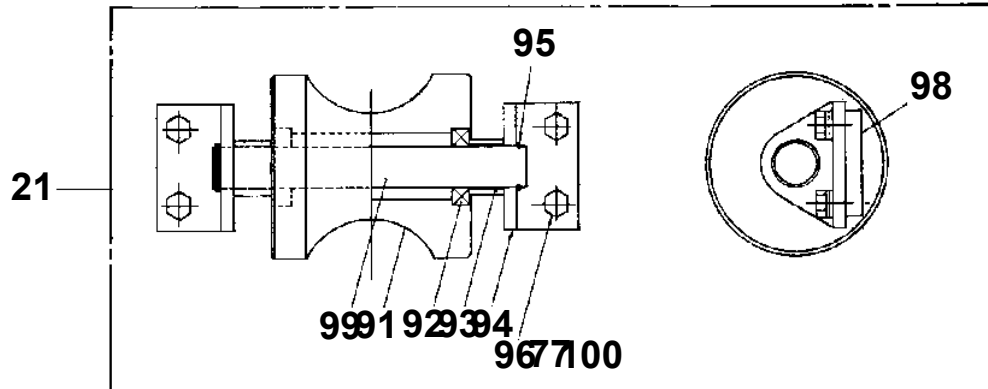
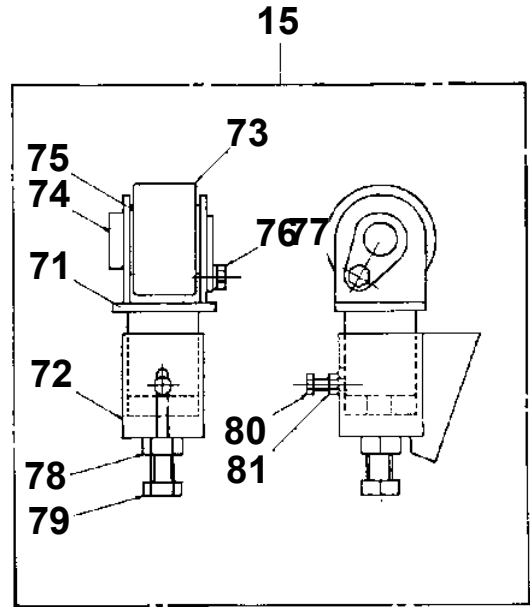
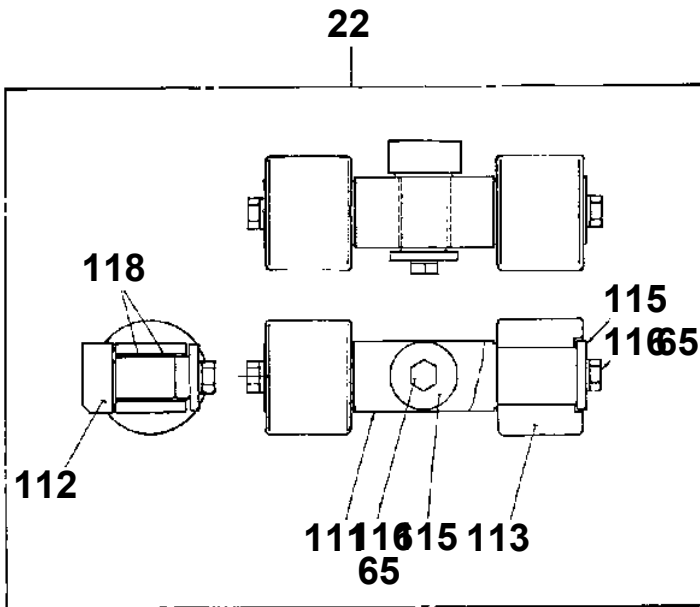
**TG-3600M-1-10202 5 BOOM + JIB,W-KL620YN
PC1010205-00 OUTRIGGER (REAR,8.5M)**

Assembly

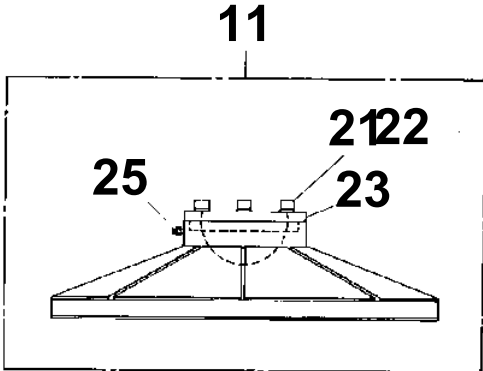
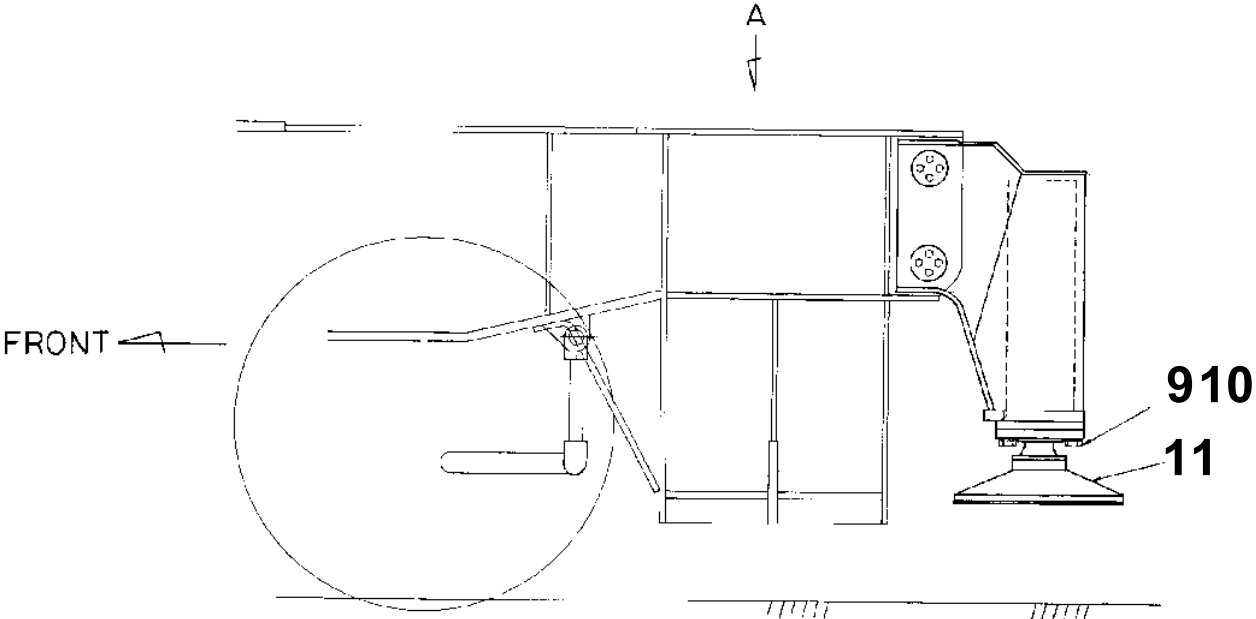
Name

OUTRIGGER (REAR, 8.5M)

PC101-0205-00



TG-3600M-1-10202 5 BOOM + JIB,W-KL620YN
PC1010208-00 OUTRIGGER (REAR JACK)



TG-3600M-1-10202 5 BOOM + JIB,W-KL620YN

Pos No.	Parts No	Parts Name	Qty	Unit	Technical Data	Serial No (Start)	Serial No (End)	Rem
1	36032100010	CYLINDER	1					
2	80720105040	PIN,SPRING	1		5X40			
3	91302221000	BEARING,PLAIN	2					
4	91684021000	PACKING	2					
5	91431219001	RING,BACKUP	1					
6	36030600020	PISTON	1					
7	91411219001	RING,BACKUP	1					
8	91002812500	O-RING	1		1B P125			
9	91411012500	RING,BACKUP	1					
10	36032100051	ROD	1					
11	91002920000	O-RING	1		G200			
12	91251101600	RING,DAMPER	1					
13	36030270040	COVER,ROD	1					
14	91694016000	PACKING	1					
15	91410216001	RING,BACKUP	1					
16	91660016000	SEAL,DUST	1					
17	90101210045	BOLT	2		M10X45			
18	90302041001	WASHER,SPRING	6		10			
19	90101210016	BOLT	4		M10X16			
20	36032100200	SUPPORT	1					
31	80612111700	RING,RITAINING	1		AR170			
32	37000400800	BEARING,PLAIN	1					
40	36032109900	PACKING SET	1		160X210			
50	36032100000	CYLINDER,JACK (REAR JACK)	1					

TG-3600M-1-10202 5 BOOM + JIB,W-KL620YN

Pos No.	Parts No	Parts Name	Qty	Unit	Technical Data	Serial No (Start)	Serial No (End)	Remarks	Page
1	56140020000	PIN	1						
2	80136320012	PIN,SPLIT	4		2X12				
3	33700920010	END	1						
4	37001505610	BOLT	1						
5	37000703460	CLAMP ASSY	9						
6	37001704690	CABLE,CONTROL	1		L=4500				
7	37001704700	CABLE,CONTROL	1		L=2500				
8	33701860100	LEVER ASSY	1						
9	82400000202	GROMMET	1						
10	33701860010	TUBE,SPIRAL	1		SE-08BK L=4000				
13	88200101050	END	2						
14	37000105710	PIN	2						
15	90303070601	WASHER,PLAIN	2		6				
21	90102208100	BOLT	1		M8X100				
22	90201200800	NUT	1		M8				
23	33701860200	SUPPORT	1						
24	80720105025	PIN,SPRING	1		5X25				
25	90303071401	WASHER,PLAIN	2		14				
26	33700920060	LEVER	2						
27	33700920070	LEVER	1						
28	37000543470	PLATE	1						
29	90101210020	BOLT	2		M10X20				
30	90302041001	WASHER,SPRING	2		10				
43	80801015020	BEARING,PLAIN	3						

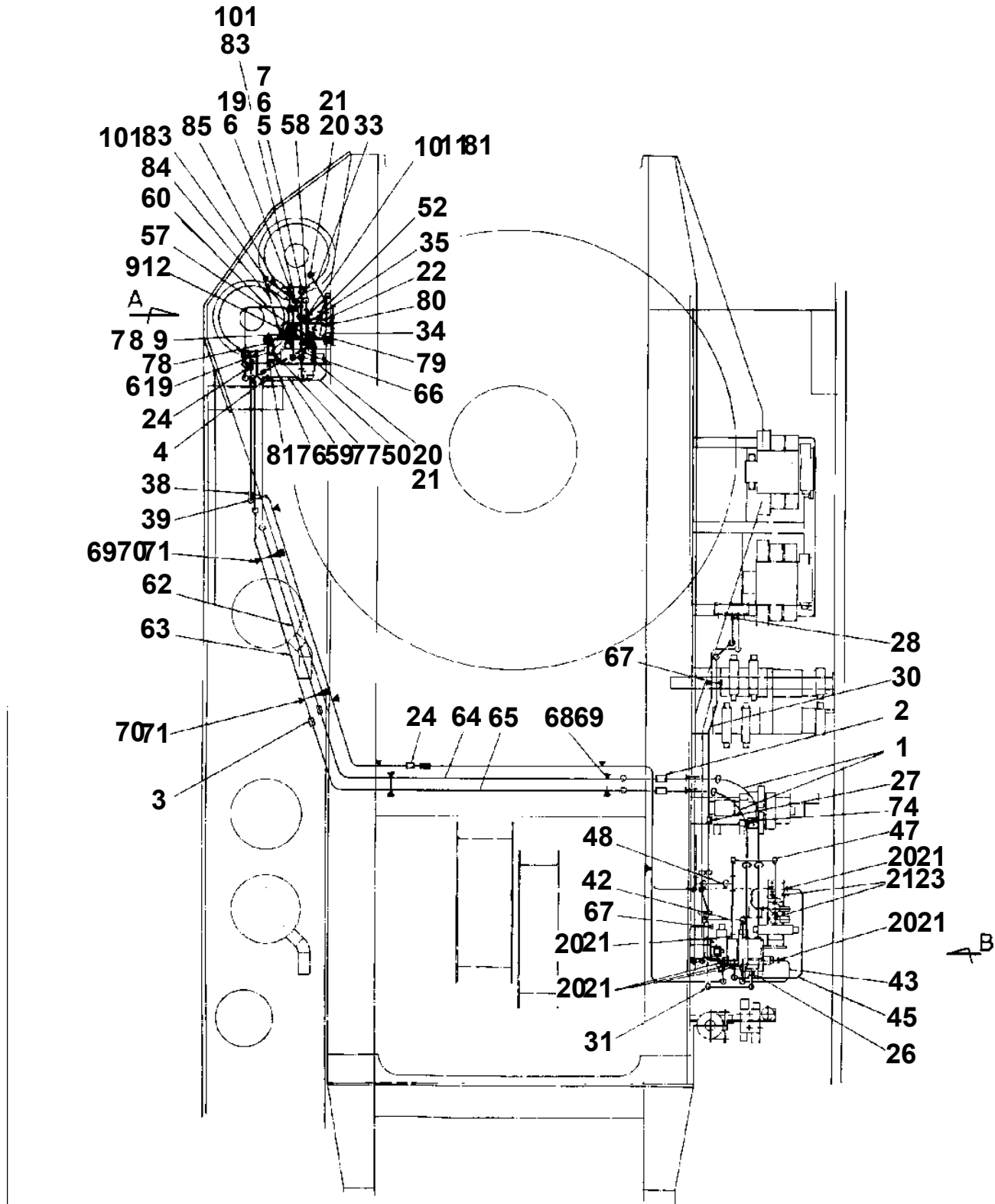
TG-3600M-1-10202 5 BOOM + JIB,W-KL620YN

Pos No.	Parts No	Parts Name	Qty	Unit	Technical Data	Serial No (Start)	Serial No (End)
195	81408000160	PIPE,STEEL	1	M	12X1.4T		
196	81408000160	PIPE,STEEL	1	M	12X1.4T		
197	80305010160	FITTING,TEE	2		KTA18-000E		
198	80311010250	FITTING	2		S,18-12		
199	80302010140	FITTING	1		C717KCT12-020N		
200	36622580000	VALVE,SHUTTLE	1				
201	80303030140	FITTING,ELBOW	2		KLN12-020N		
202	80302010160	FITTING	1		KCT12-030N		
203	37000551900	PLATE	1				
204	36601080000	VALVE,RELIEF	1				
205	90101206060	BOLT	2		M6X60		
206	90201200600	NUT	2		M6		
207	80321115450	VALVE,CHECK	1				
208	81408000160	PIPE,STEEL	1	M	12X1.4T		
209	37000913060	JOINT	1				
210	37000913050	JOINT	1				
211	80400160127	JOINT	1				
212	37002446530	HOSE	1		L=460		
231	91000522200	O-RING	1		AS568-222-1B		
232	91002802900	O-RING	1		1B P29		

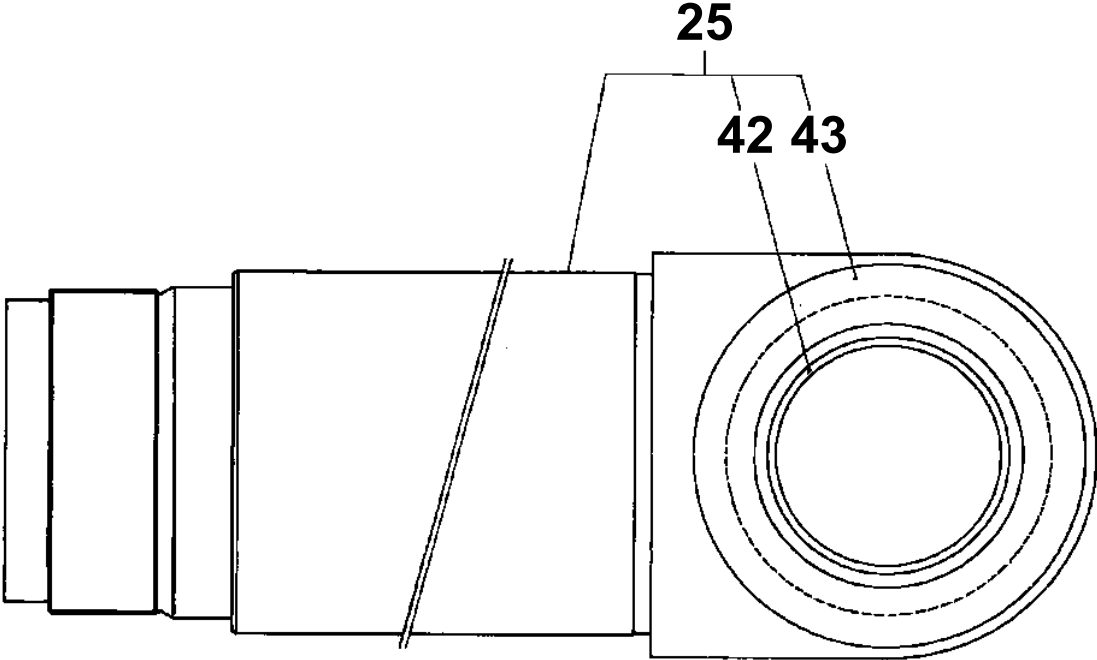
TG-3600M-1-10202 5 BOOM + JIB,W-KL620YN

Pos No.	Parts No	Parts Name	Qty	Unit	Technical Data	Serial No (Start)	Serial No (End)	Remarks
2	36710065010	BODY (SWIVEL)	1					
6	36671105060	SPRING ASSY	1					
7	36671105070	PIN	1					
8	36671105080	RING,RETAINING	1					
9	36671105090	SPRING	1					
10	91002804100	O-RING	3		1B P41			
11	91410004000	RING,BACKUP	4		P40			
12	36710085110	SEAL,OIL	1					
13	80316030040	PLUG	2		PT1/4			
14	80601110380	RING,RITAINING	1		S38			
20	36710465070	WASHER,SEAL	6					
21	36710465080	HOUSING	1					
25	36671105100	PLATE	1					
26	36710465090	BEARING,BALL	2					
50	36710060001	REEL,OUTRIGGER HOSE	1					

TG-3600M-1-10202 5 BOOM + JIB,W-KL620YN
PD1200053-01 PIPING,SWING



TG-3600M-1-10202 5 BOOM + JIB,W-KL620YN
PE1010159-03 CYLINDER,ELEVATING (LEFT)



TG-3600M-1-10202 5 BOOM + JIB,W-KL620YN

Pos No.	Parts No	Parts Name	Qty	Unit	Technical Data	Serial No (Start)	Serial No (End)
1	36071585100	DRUM	1				
3	80602111350	RING,RITAINING	1		R135		
4	36071585120	WHEEL	1				
5	36071585130	GEAR,SUN (B)	1				
7	36071585150	SPACER (D)	1				
8	91210100003	SEAL,OIL	1				
9	36071585380	SEAL,OIL	1				
10	36071585160	PLATE (SPLINE)	1				
11	91001218000	O-RING	1		1A G180		
12	80500006956	BEARING,BALL	1				
13	90131720050	BOLT,HEXAGON SOCKET	24		M20X50		
14	90131716040	BOLT,HEXAGON SOCKET	16		M16X40		
15	91216300000	SEAL,OIL	1				
17	91001117000	O-RING	1		1A P170		
18	91001121500	O-RING	1		1A P215		
19	90132714025	BOLT,HEXAGON SOCKET	16		M14X25		
20	36071585180	SPRING (A)	15				
21	36071585190	SPRING (B)	15				
22	80500006920	BEARING,BALL	2				
23	80601111000	RING,RETAINING	1		S100		
24	36071585200	SHAFT (INPUT)	1				
25	36071585210	RETAINER (SPRING)	1				
26	36071585220	CYLINDER	1				
31	36071585270	PLATE (S)	1				
32	36070805080	PIN (PARALLEL)	6				
33	36071585280	RETAINER	1				
34	80316090060	PLUG	4		KKT PT3/8		
35	90132720045	BOLT,HEXAGON SOCKET <M20X45.	12				
43	90101510035	BOLT	24		M10X35		
44	90302041001	WASHER,SPRING	24		10		
48	36071585390	RING,THRUST	1		GS81104		
49	36071585360	GEAR,SUN (A)	1				
50	36071585370	COVER,END	1				
51	80316090040	PLUG SOCKET	1		R1/4		
61	36071585500	CARRIER ASSY (A)	1				
62	36071585510	CARRIER ASSY (B)	1				
63	36071585520	SPINDLE ASSY	1				
64	36071585530	PLATE ASSY (BRAKE)	1				
70	36071580000	WINCH	1				

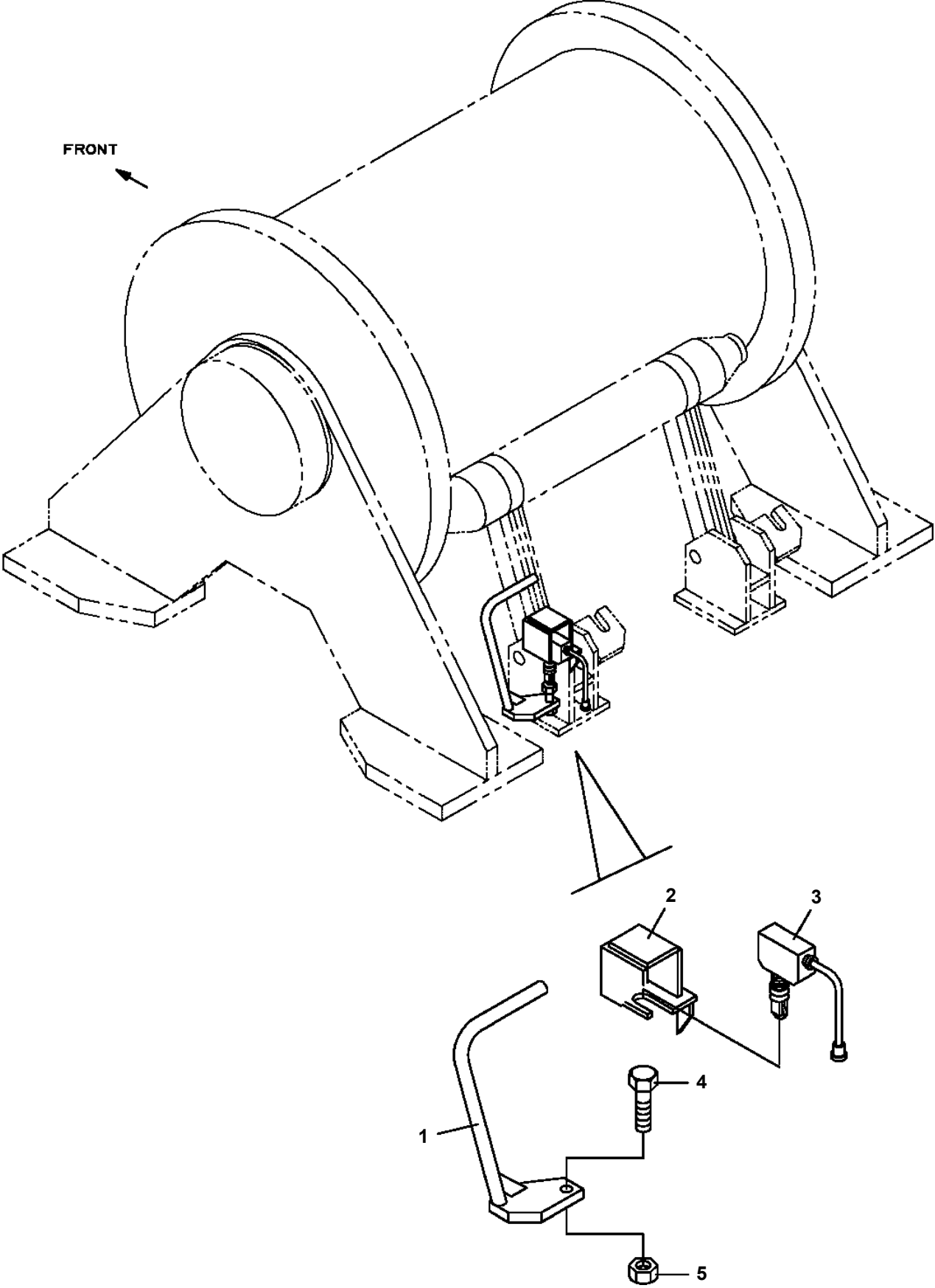
TG-3600M-1-10202 5 BOOM + JIB,W-KL620YN

Pos No.	Parts No	Parts Name	Qty	Unit	Technical Data	Serial No (Start)	Serial No (End)	Remarks	Pa
3	90302041001	WASHER,SPRING	2		10				
4	36093240200	PLATE	1						
5	37001002590	SHEAVE ASSY	1						
6	18611504000	PLATE	2						
7	90101516035	BOLT	8		M16X35				
8	16611505000	PLATE	4						
9	37000121050	PIN	1						
10	37000303350	SPACER	2		L=70				
11	90101210025	BOLT	2		M10X25				
13	36092024000	BOLT	3						
14	90302042001	WASHER,SPRING	3		20				
16	80500051218	BEARING,BALL	1						
17	36090140700	TRUNNION	1						
20	82456101000	NIPPLE,GREASE	1		A-PT1/8				
21	36093240100	PLATE	1						
22	37000105000	PIN	1						
25	16611506000	PLATE	2						
26	37000105200	PIN	1						
27	90303071001	WASHER,PLAIN	1		10				
28	80136332020	PIN,SPLIT	1		3.2X20				
29	37001400040	SPRING	1						
31	36091229510	STOPPER ASSY	1						
32	36090229510	HOOK ASSY	1						
41	80520045022	BEARING,ROLLER	1						
50	36093240000	HOOK (SHEAVE 1 PC)	1						

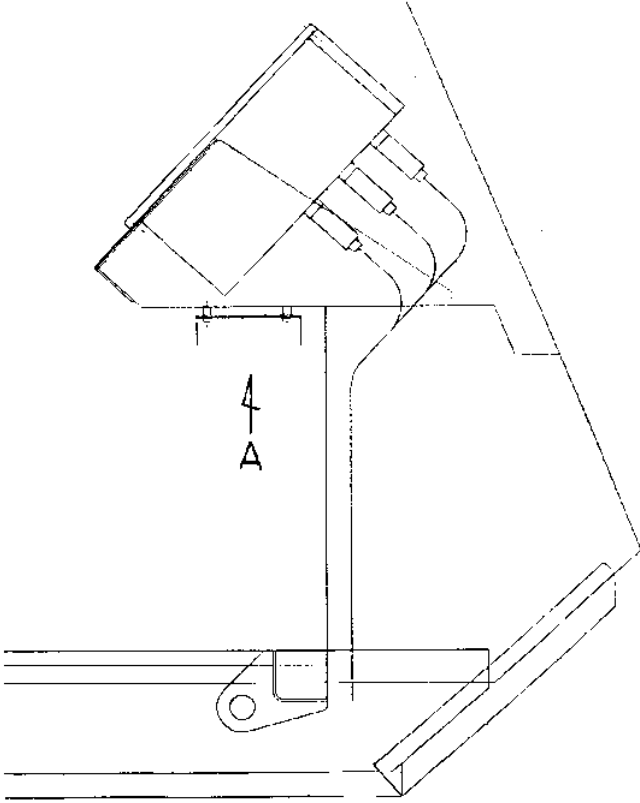
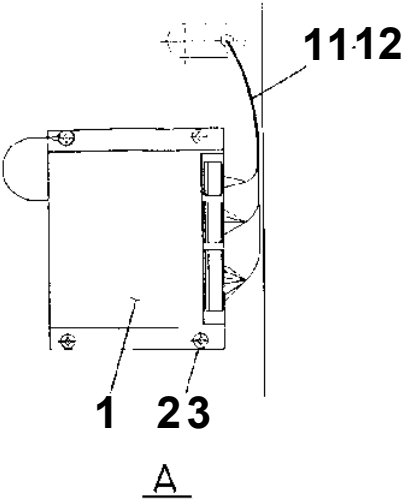
TG-3600M-1-10202 5 BOOM + JIB,W-KL620YN

Pos No.	Parts No	Parts Name	Qty	Unit	Technical Data	Serial No (Start)	Serial No (End)	Remarks	Pages
1	90101516035	BOLT	48		M16X35				
2	90302041601	WASHER,SPRING	48		16				
3	33291403100	PLATE	12						
4	33291403200	SUPPORT	2						
5	37000149750	PIN	4						
6	37000149760	PIN	2						
7	33291403300	SUPPORT	1						
8	37000143050	PIN	2						
9	37000201100	PIN,SNAP	2						
10	33291403400	BAR	4						
11	37000140750	PIN	8						
12	37000201090	PIN,SNAP	8		20				

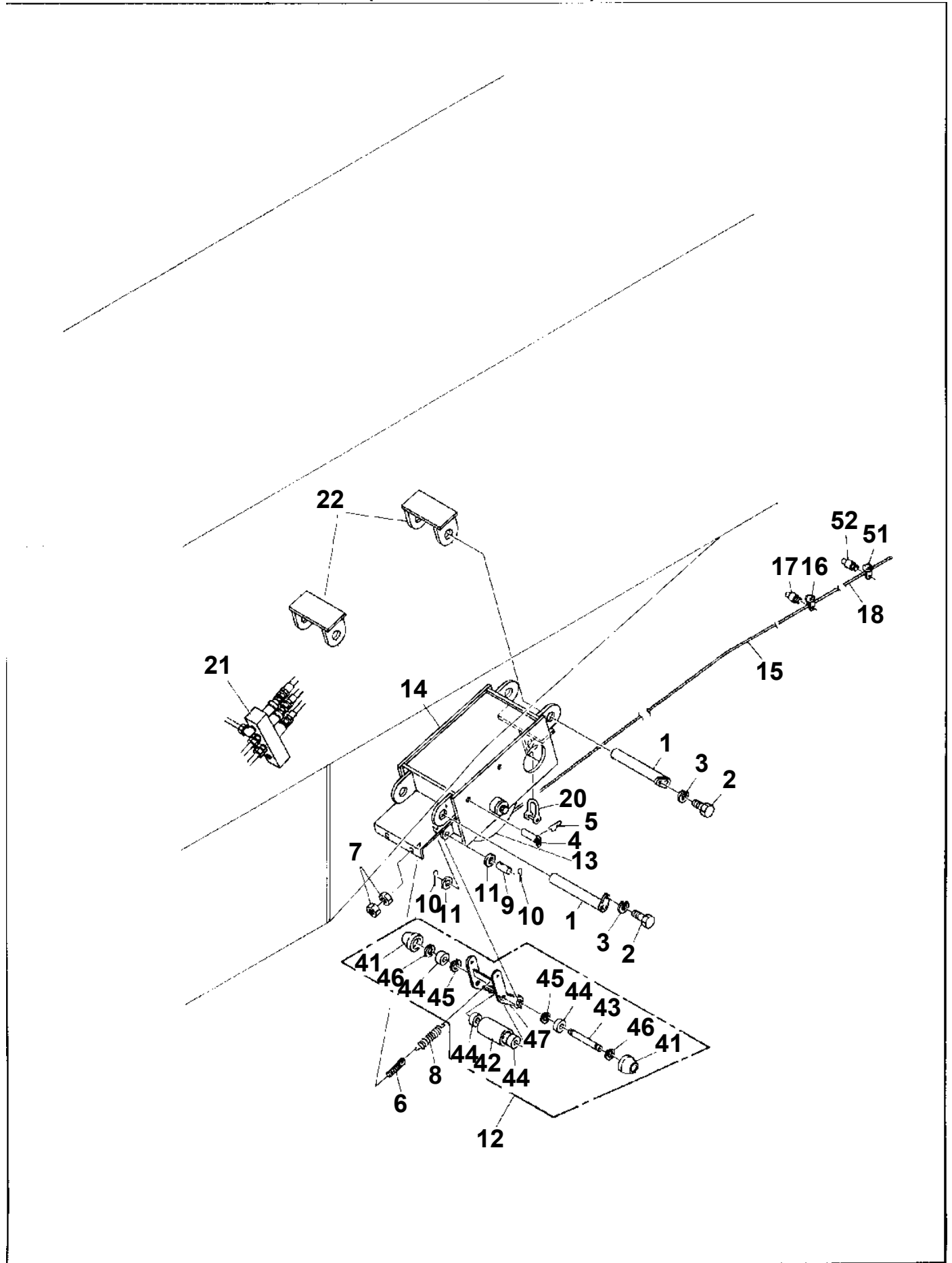
TG-3600M-1-10202 5 BOOM + JIB,W-KL620YN
PF1190018-00 DETECTOR,OVER UNWIND (MAIN)



TG-3600M-1-10202 5 BOOM + JIB,W-KL620YN
PF1250042-01 DETECTOR,DRUM ROTATION



TG-3600M-1-10202 5 BOOM + JIB,W-KL620YN
PF1400207-00 MOUNT,WINCH (REEVING,OPTION)



TG-3600M-1-10202 5 BOOM + JIB,W-KL620YN

Pos No.	Parts No	Parts Name	Qty	Unit	Technical Data	Serial No (Start)	Serial No (End)	Remarks
1	37002005010	PLATE,SLIDE	4					
2	33200980220	RETAINER (FOR 4TH)	2					
3	33200980300	SHIM (T=1.0)	24					
4	33200980310	SHIM (T=0.6)	4					
5	37000143200	PIN	4					
6	80136380080	PIN,SPLIT	12		8X80			
7	37002006860	PLATE,SLIDE	6					
8	33200000380	SHIM	40		T=1.0			
9	33200000390	SHIM	8		T=0.6			
10	37000143230	PIN	4					
11	33200980350	SUPPORT	4					
12	33200980400	SHIM (T=1.0)	30					
13	33200980410	SHIM (T=0.6)	4					
14	37002005020	PLATE,SLIDE	2					
15	33200980420	RETAINER (FOR 3RD)	2					
16	37002005030	PLATE,SLIDE	2					
17	37002005040	PLATE,SLIDE	4					
18	33200980500	RETAINER (FOR 2ND)	2					
19	37000143210	PIN	2					
20	33200980600	SHIM (T=1.0)	24					
21	33200980610	SHIM (T=0.6)	4					
22	37000143240	PIN	4					
23	33200980620	SUPPORT	4					
24	33200980660	SHIM	30		T=1.0			
25	33200980670	SHIM	4		T=0.6			
26	37002005050	PLATE,SLIDE	2					
27	33200980700	RETAINER (FOR BASE)	2					
28	37000143220	PIN	2					
29	37000201740	PIN,SNAP	4					
30	37002006870	PLATE,SLIDE	2					
31	90131512030	BOLT,HEXAGON SOCKET	4		M12X30			
32	37002005060	PLATE,SLIDE	2					
33	90303071001	WASHER,PLAIN	16		10			
34	90303070801	WASHER,PLAIN	16		8			
35	90131508035	BOLT,HEXAGON SOCKET	16		M8X35			
36	90131506025	BOLT,HEXAGON SOCKET	8		M6X25			

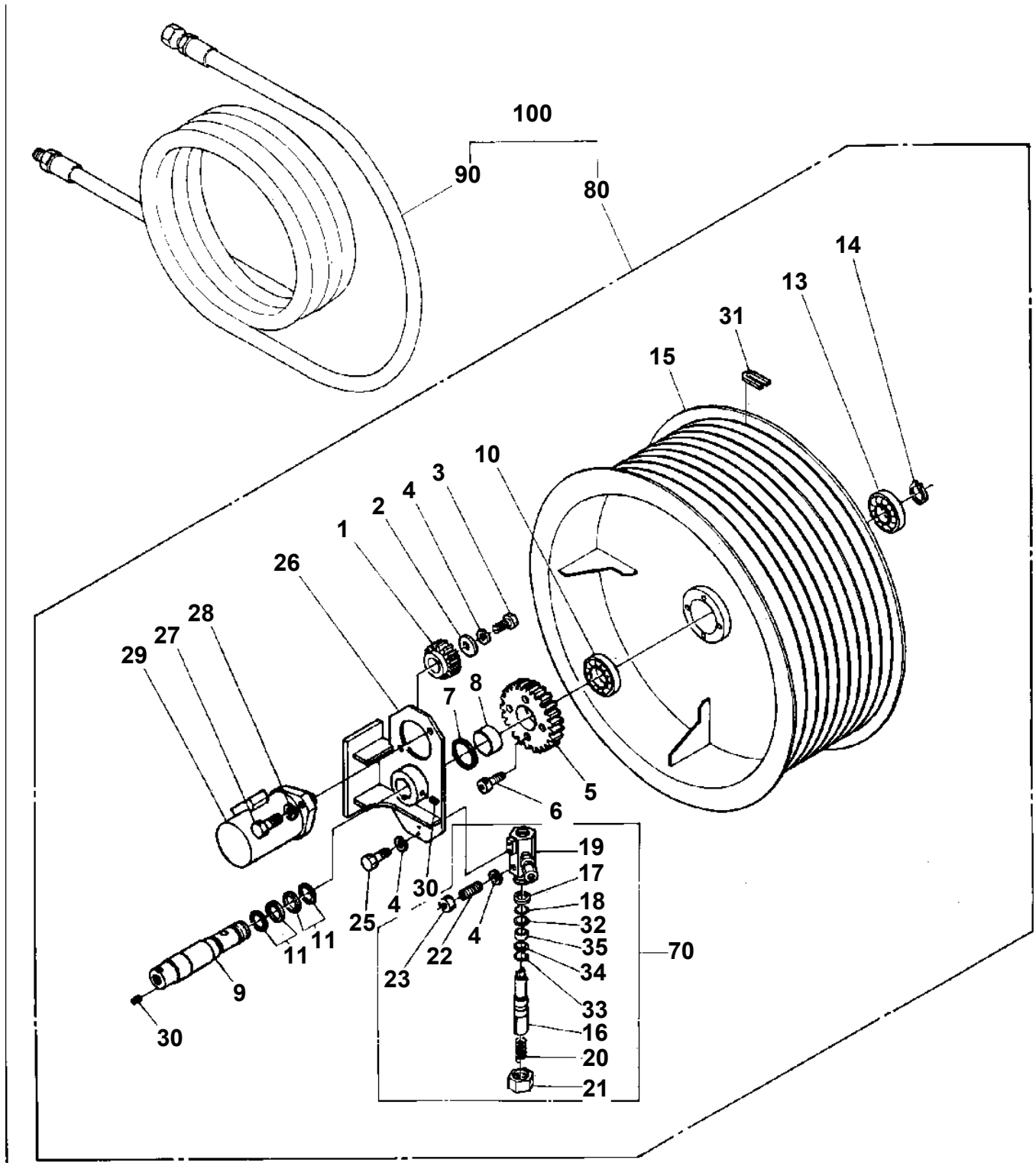
TG-3600M-1-10202 5 BOOM + JIB,W-KL620YN

Pos No.	Parts No	Parts Name	Qty	Unit	Technical Data	Serial No (Start)	Serial No (End)
1	36013190000	CYLINDER,TELESCOPING (NO.1)	1				
2	36013209510	CYLINDER,TELESCOPING (BOOM,NO.2)	1				
3	36013210000	CYLINDER,TELESCOPING (NO.3)	1				
4	36013220000	CYLINDER,TELESCOPING (NO.4)	1				
5	33210611111	BOSS	1				
6	33210611191	BOSS	1				
7	33210611490	SUPPORT	2				
9	37000126710	PIN	8				
10	37001105480	ROLLER ASSY	8				
11	37000300220	SPACER	16				
12	80601110300	RING,RITAINING	8		S30		
13	33210611030	PIN	2				
14	81408000341	PIPE,STEEL	2	M	28X3.1T		
15	81408000341	PIPE,STEEL	2	M	28X3.1T		
17	33210611080	SUPPORT	2				
18	33210611070	SUPPORT	2				
19	37000141260	PIN	1				
20	90306000200	WASHER	6				
21	33210611090	SUPPORT	1				
22	90303070601	WASHER,PLAIN	12		6		
23	90131506020	BOLT,HEXAGON SOCKET	12		M6X20		
25	33210611121	SUPPORT (FOR NO.2)	1				
26	33210611140	PLATE	2				
27	90261001000	U-NUT	4		M10		
28	33210611150	SUPPORT	2				
29	37000141100	PIN	2				
30	80601110200	RING,RITAINING	2		S20		
31	37000141110	PIN	1				
32	33210611160	SUPPORT	2				
33	37000141090	PIN	1		30X290		
34	90101210016	BOLT	2		M10X16		
35	90302041001	WASHER,SPRING	2		10		
36	33210611170	BOLT	2		M12X35		
37	90201201200	NUT	2		M12		
38	37000141070	PIN	1		30X320		
40	33210611201	SUPPORT (FOR NO.1)	1				
41	33210611210	BOLT	2				
42	33210611220	SUPPORT	2				
43	33210611580	SUPPORT	1				
44	81408000341	PIPE,STEEL	2	M	28X3.1T		
45	80321128450	VALVE,CHECK	1				
46	33210611590	JOINT	1				
47	90101210025	BOLT	4		M10X25		
48	33210611680	SUPPORT	3				
49	33210611600	SHIM (T=1.0)	6				
50	33210611610	SHIM (T=2.3)	3				
51	33210611620	SHIM (T=1.0)	2				
52	33210611630	SHIM (T=2.3)	1				
53	33210611640	SHIM (T=1.0)	6				
54	90171116035	BOLT	4		M16X35		
55	90302041601	WASHER,SPRING	4		16		

TG-3600M-1-10202 5 BOOM + JIB,W-KL620YN

Pos No.	Parts No	Parts Name	Qty	Unit	Technical Data	Serial No (Start)	Serial No (End)	R
2	80720105025	PIN,SPRING	1		5X25			
3	37001600470	NUT	1					
4	36013220100	PISTON	1					
5	91684018000	PACKING	2					
6	91431216501	RING,BACKUP	2					
7	91302318000	BEARING,PLAIN	2					
8	91002914000	O-RING	1		1B G140			
9	36013220070	ROD	1					
10	91002918500	O-RING	1		1B G185			
11	18336024004	COVER,ROD	1					
12	36013220110	SUPPORT	1					
13	91251101600	RING,DAMPER	1					
14	91694016000	PACKING	1					
15	91410216001	RING,BACKUP	1					
16	91301116000	BEARING,PLAIN	1					
17	91660016001	SEAL,DUST	1					
18	16265153000	CARTRIDGE, COUNTERBALANCE	1					
19	19116004000	COVER	1					
20	90131510025	BOLT,HEXAGON SOCKET	4		M10X25			
21	90302041001	WASHER,SPRING	4		10			
22	18336032000	PLATE	1					
23	16616016000	PLATE	1					
40	36013229900	PACKING SET	1					
50	36013220000	CYLINDER,TELESCOPING (NO.4)	1					

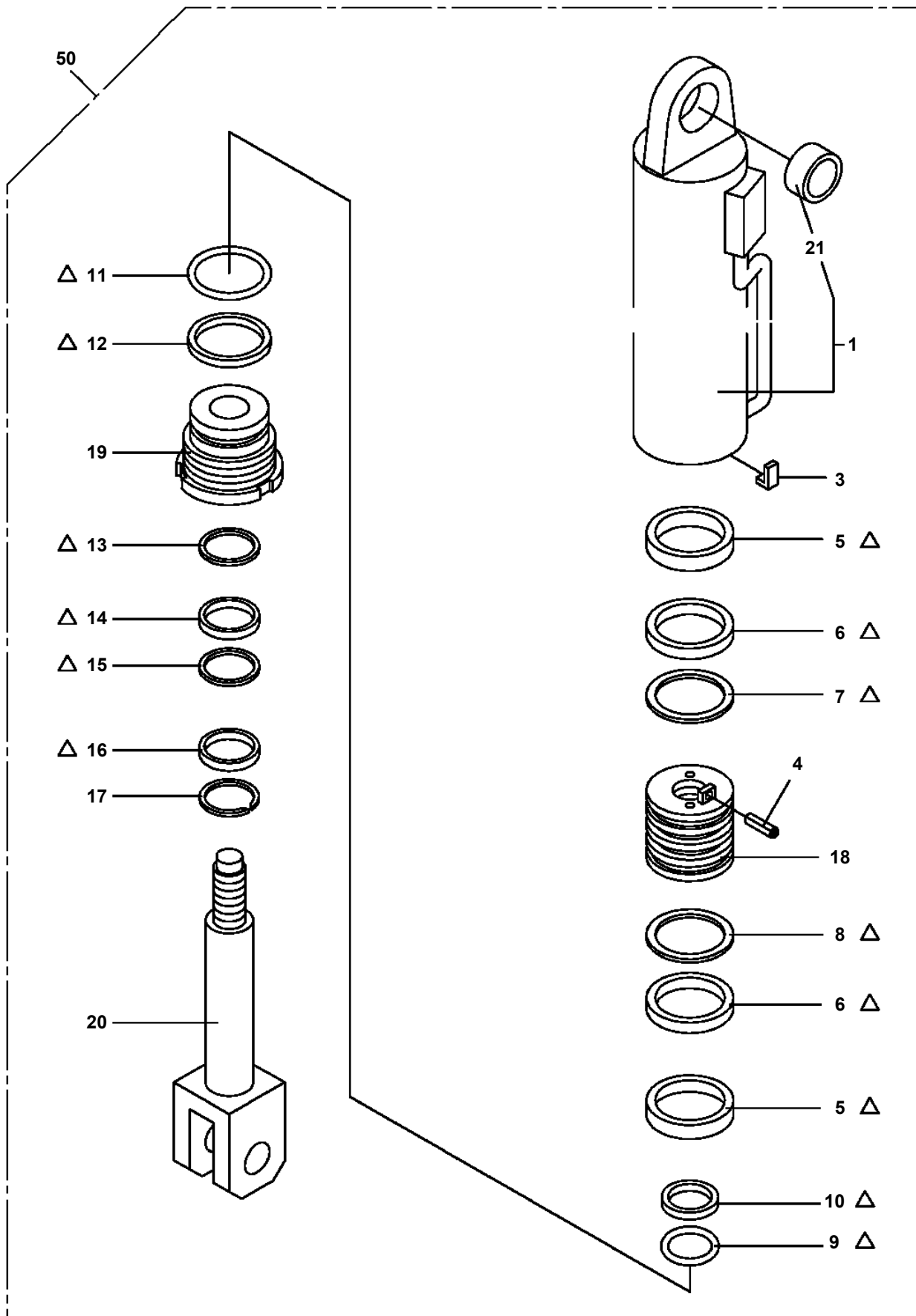
TG-3600M-1-10202 5 BOOM + JIB,W-KL620YN
PG1070013-03 REEL,HOSE



TG-3600M-1-10202 5 BOOM + JIB,W-KL620YN

Pos No.	Parts No	Parts Name	Qty	Unit	Technical Data	Serial No (Start)	Serial No (End)	Remarks
1	36710260001	REEL,HOSE	1					
2	37002433480	HOSE	1		L=17400			
100	36710402000	REEL,HOSE (5/8X17.4M)	1					

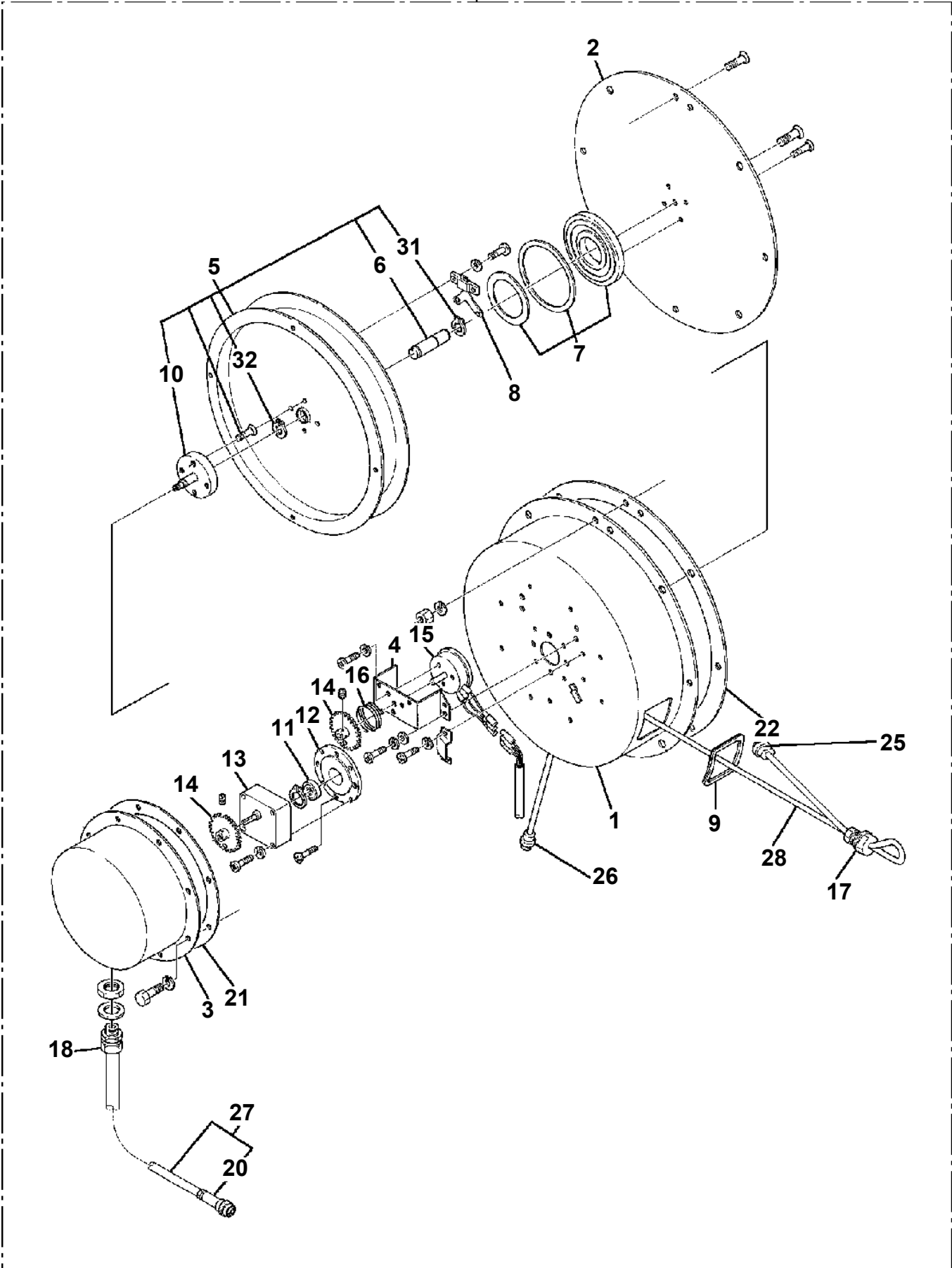
**TG-3600M-1-10202 5 BOOM + JIB,W-KL620YN
PG1080001-03 CYLINDER,JIB (POWER TILT)**



Δ:PACKING KIT KEY NO.30 (KEY NO.5,6,7,8,9,10,11,12,13,14,15,16)

TG-3600M-1-10202 5 BOOM + JIB,W-KL620YN
PG1130060-03 DETECTOR,BOOM LENGTH (NICHIDEN)

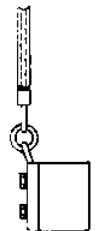
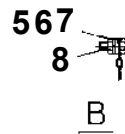
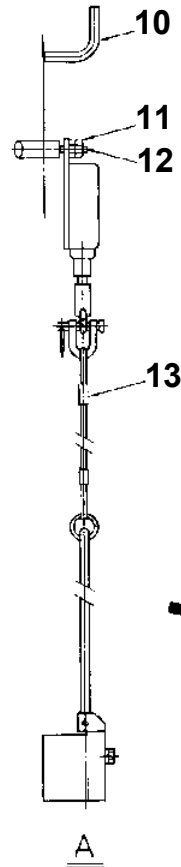
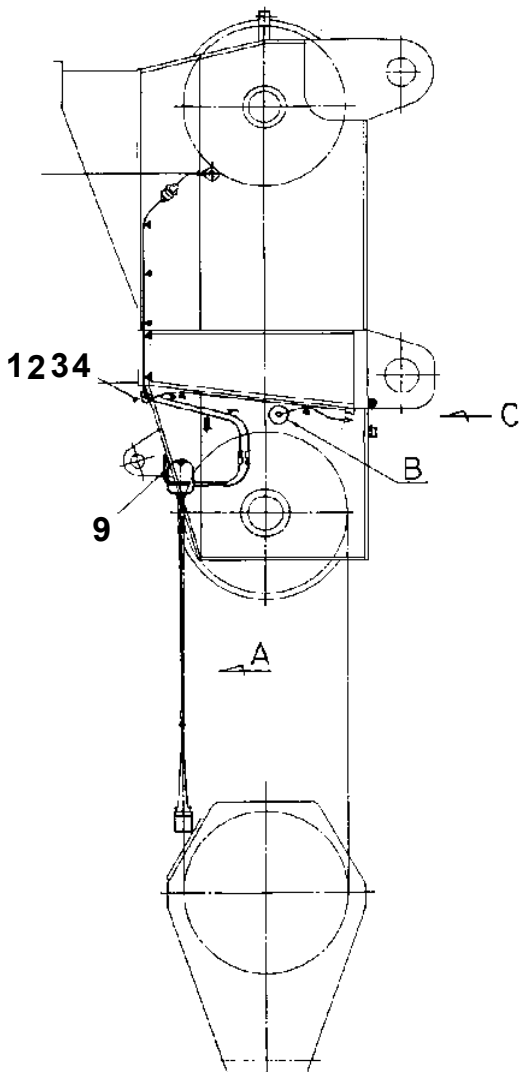
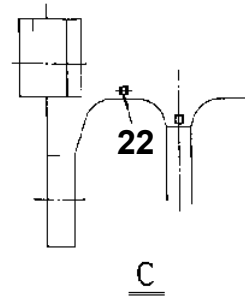
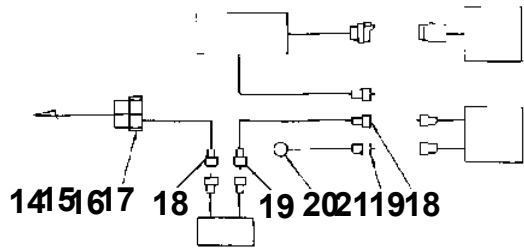
50



TG-3600M-1-10202 5 BOOM + JIB,W-KL620YN

Pos No.	Parts No	Parts Name	Qty	Unit	Technical Data	Serial No (Start)	Serial No (End)	Rema
65	37002412820	HOSE	1		L=1120			
66	37002416720	HOSE	1		L=1120			
67	37000900130	JOINT	1					
68	37000900330	JOINT	1					
69	37000902920	JOINT	4					
70	37000900980	FITTING,FLANGE	1					
71	90131510030	BOLT,HEXAGON SOCKET	8		M10X30			
72	37002402950	HOSE	1		L=1060			
73	37000900970	FITTING,FLANGE	1					
74	37000900120	JOINT	1					
75	37000902910	JOINT	2					
76	80305010160	FITTING,TEE	1		KTA18-000E			
77	80311010230	FITTING	1					
78	80303030100	FITTING,ELBOW	7		KLN10-020N			
79	37002409350	HOSE	1		L=530			
80	80302010130	FITTING	1					
81	80320010060	FITTING	1					
82	80316030040	PLUG	3		PT1/4			
83	80305010100	FITTING,TEE	3		KTA12-000N			
84	80311010140	FITTING	3		KRE12X100N			
85	80301010100	FITTING	1		KUA12-000N			
86	80303030140	FITTING,ELBOW	2		KLN12-020N			
87	36603220000	VALVE,RELIEF	1					
88	37000800720	FITTING,FLANGE	4					
89	37000300780	SLEEVE	3		28-22			
90	81408000290	PIPE,STEEL	3	M	22X2.5T			
91	81408000290	PIPE,STEEL	3	M	22X2.5T			
92	81408000290	PIPE,STEEL	3	M	22X2.5T			
93	81408000290	PIPE,STEEL	3	M	22X2.5T			
94	81408000290	PIPE,STEEL	3	M	22X2.5T			
95	81408000290	PIPE,STEEL	3	M	22X2.5T			
96	81408000290	PIPE,STEEL	3	M	22X2.5T			
97	81408000290	PIPE,STEEL	3	M	22X2.5T			
98	81408000290	PIPE,STEEL	3	M	22X2.5T			
99	81408000290	PIPE,STEEL	3	M	22X2.5T			
100	81408000290	PIPE,STEEL	3	M	22X2.5T			
101	81408000290	PIPE,STEEL	3	M	22X2.5T			
102	81408000241	PIPE,STEEL	3	M	18X1.9T			
103	81408000241	PIPE,STEEL	3	M	18X1.9T			
104	81408000241	PIPE,STEEL	3	M	18X1.9T			
105	81408000241	PIPE,STEEL	3	M	18X1.9T			
106	81408000241	PIPE,STEEL	3	M	18X1.9T			
107	81408000241	PIPE,STEEL	3	M	18X1.9T			
108	81408000241	PIPE,STEEL	3	M	18X1.9T			
109	81408000241	PIPE,STEEL	3	M	18X1.9T			
110	81408000130	PIPE,STEEL	3	M	10X1.8T			
111	81408000130	PIPE,STEEL	3	M	10X1.8T			
112	81408000130	PIPE,STEEL	3	M	10X1.8T			
113	81408000130	PIPE,STEEL	3	M	10X1.8T			
114	81408000130	PIPE,STEEL	3	M	10X1.8T			
115	81408000130	PIPE,STEEL	3	M	10X1.8T			
116	81408000130	PIPE,STEEL	3	M	10X1.8T			
117	81408000130	PIPE,STEEL	3	M	10X1.8T			
118	81408000130	PIPE,STEEL	3	M	10X1.8T			
119	81408000130	PIPE,STEEL	3	M	10X1.8T			
120	81408000130	PIPE,STEEL	3	M	10X1.8T			
121	81408000130	PIPE,STEEL	3	M	10X1.8T			
122	81408000160	PIPE,STEEL	3	M	12X1.4T			
123	81408000160	PIPE,STEEL	3	M	12X1.4T			
124	81408000160	PIPE,STEEL	3	M	12X1.4T			
125	81408000160	PIPE,STEEL	3	M	12X1.4T			
126	81408000160	PIPE,STEEL	3	M	12X1.4T			
127	81408000160	PIPE,STEEL	3	M	12X1.4T			

TG-3600M-1-10202 5 BOOM + JIB,W-KL620YN
PH1060157-02 DETECTOR,OVER WINDING (BOOM)



TG-3600M-1-10202 5 BOOM + JIB,W-KL620YN

Pos No.	Parts No	Parts Name	Qty	Unit	Technical Data	Serial No (Start)	Serial No
1	32370002170	PLATE	1				
2	32370002110	GASKET	1				
3	32370002121	COVER	1				
4	80172303025	SCREW,MACHINE	2		M3X25		
5	90302040301	WASHER,SPRING	2		3		
6	82100001355	SWITCH,LIMIT	1				
7	32370002131	ROD	1				
8	14148373001	SPRING	1				
9	80601110180	RING,RITAINING	1		S18		
10	34371314400	SUPPORT	1				
11	90303070301	WASHER,PLAIN	2		3		
12	82100002505	CONNECTOR (CN-6)	1				
13	82100002506	CONNECTOR	1				
14	32370005200	CORD	1				
15	32370005210	CORD	1				
16	82100000592	TERMINAL (M40.3 TO 1.25)	2				
17	89630201000	HOSE,VINYL	1		6X8,1M		
18	14148375000	GROMMET	1				
19	90101208045	BOLT	2		M8X45		
20	90302040801	WASHER,SPRING	2		8		
22	82100001220	INSULATOR	2				
30	32370009512	ROD ASSY	1				
31	32370002150	SPACER	1		L=12 TO 11		
32	80720103014	PIN,SPRING	1		3X14		
50	33370888040	SWITCH,OVER WIND DETECTOR (JIB&S/T)	1				

TG-3600M-1-10202 5 BOOM + JIB,W-KL620YN

Pos No.	Parts No	Parts Name	Qty	Unit	Technical Data	Serial No (Start)	Serial No (E
1	33360871010	GUARD	1				
2	82100001209	CAP (RECEPTACLE)	1				
3	80171303006	SCREW,MACHINE	1		M3X6		
4	90302040301	WASHER,SPRING	1		3		
5	82100001412	TUBE,SPIRAL	8	M	SE-12BK		
6	90101208014	BOLT	4		M8X14		
7	90302040801	WASHER,SPRING	12		8		
8	90303070801	WASHER,PLAIN	10		8		
9	36140070000	DETECTOR ASSY,ANGLE (ASSY ONLY)	1				
10	33360021040	PLATE	1				
11	33360871300	SUPPORT	1				
12	33474910010	SUPPORT	2				
13	36120100000	MOMENT LIMITER (EXTENSION DEVICE)	1				
14	33360871400	COVER	1				
15	80182405016	SCREW,MACHINE	4		M5X16		
16	90302350501	WASHER,SPRING	4		5		
17	90303360501	WASHER,PLAIN	4		5		
18	33360871500	HARNESS	1				
19	82100002016	CLAMP	9		WR25		
20	37000708940	CLAMP ASSY	21		D=18		
21	37000705950	CLAMP ASSY	13		D=20		
22	82100002014	CLAMP	17		WR20		
23	82100002012	CLAMP	10		WR18		
24	37000705910	CLAMP ASSY	23		D=8		
25	37000705940	CLAMP ASSY	16		D=15		
26	37002703070	CABLE ASSY	1		L=13500		
27	37002702780	CABLE	2				
28	37002702270	CABLE	1				
29	37002704270	CABLE ASSY	1				
30	37002702850	CABLE ASSY	3				
31	37002703080	CABLE	1		L=5400		
32	37002703090	CABLE ASSY	1		L=22800		
33	37002703100	CABLE ASSY	1		L=12500		
34	37002703110	CABLE ASSY	2		L=11800		
35	37002702920	CABLE ASSY	3		L=15000		
36	82100002225	FASTENER	2				
37	82100002226	FASTENER (RED)	2				
38	82100002227	FASTENER (YELLOW)	5				
39	82100002228	FASTENER (GREEN)	5				
40	82100002229	FASTENER (BLUE)	5				
41	82100002230	FASTENER (WHITE)	5				
42	90101208020	BOLT	8		M8X20		
43	37002703260	CABLE	1		L=13000		
44	90101206016	BOLT	10		M6X16		
45	90201200600	NUT	10		M6		
46	90302040601	WASHER,SPRING	10		6		
47	82100002010	CLAMP	8		WR15		
48	37000544400	PLATE	2				
49	37000529050	PLATE	2				
50	90101208065	BOLT	2		M8X65		
51	82100002133	FILTER,NOISE	1				
52	80172304008	SCREW,MACHINE	2		M4X8		
53	90302040401	WASHER,SPRING	2		4		

TG-3600M-1-10202 5 BOOM + JIB,W-KL620YN

Pos No.	Parts No	Parts Name	Qty	Unit	Technical Data	Serial No (Start)	Serial No (End)	Remarks	Pages
1	37002703780	CABLE ASSY	1						
2	37002703770	CABLE ASSY	1						
5	37002703730	CABLE ASSY	1						
6	37002703720	CABLE ASSY	1						
7	82100002010	CLAMP	2		WR15				
8	82100001906	PLUG	1						
9	37000705940	CLAMP ASSY	2		D=15				
11	37000705950	CLAMP ASSY	31		D=20				
12	82122201124	CAP	1						

TG-3600M-1-10202 5 BOOM + JIB,W-KL620YN

Pos No.	Parts No	Parts Name	Qty	Unit	Technical Data	Serial No (Start)	Serial No (End)	Remarks	Page
10	91252102500	SEAL,OIL	1						
11	12235103020	O-RING	1						
23	80602110450	RING,RITAINING	1		R45				
25	36661115120	KEY	1		6X6X41				
50	36661110000	MOTOR,HYDRAULIC	1						

CLICK HERE TO **DOWNLOAD** THE COMPLETE MANUAL

- Thank you very much for reading the preview of the manual.
- You can download the complete manual from: www.heydownloads.com by clicking the link below



- Please note: If there is no response to CLICKING the link, please download this PDF first and then click on it.

CLICK HERE TO **DOWNLOAD** THE COMPLETE MANUAL

TG-3600M-1-10202 5 BOOM + JIB,W-KL620YN

Pos No.	Parts No	Parts Name	Qty	Unit	Technical Data	Serial No (Start)	Serial No (End)	Remarks	Pages
12	36602095010	O-RING	1						
13	36602095020	O-RING	1						
16	36602095030	SPRING	1						
21	91000501200	O-RING	1						
22	36602095040	O-RING	1						
23	36602095050	O-RING	1						
24	36602095060	O-RING	1						
25	36602095070	O-RING	1						
50	36602090000	VALVE,REDUCING	1						

TG-3600M-1-10202 5 BOOM + JIB,W-KL620YN

Pos No.	Parts No	Parts Name	Qty	Unit	Technical Data	Serial No (Start)	Serial No (End)	Remarks	Pages
1	36602550000	VALVE,RELIEF	1						
2	36602540010	BODY,VALVE	1						
21	91001101600	O-RING	1		1A P16				
22	36632465490	SEAL	1						
23	36602555010	O-RING	1						
24	36632465510	O-RING	1						
25	91411001600	RING,BACKUP	1		P16				
30	36603220000	VALVE,RELIEF	1						

TG-3600M-1-10202 5 BOOM + JIB,W-KL620YN

Pos No.	Parts No	Parts Name	Qty	Unit	Technical Data	Serial No (Start)	Serial No (End)	Rem
2	36602550000	VALVE,RELIEF	1					
21	91001101600	O-RING	1		1A P16			
22	36632465490	SEAL	1					
23	36602555010	O-RING	1					
24	36632465510	O-RING	1					
25	91411001600	RING,BACKUP	1		P16			
30	36604650000	VALVE ASSY,RELIEF (27.5MPA)	1					

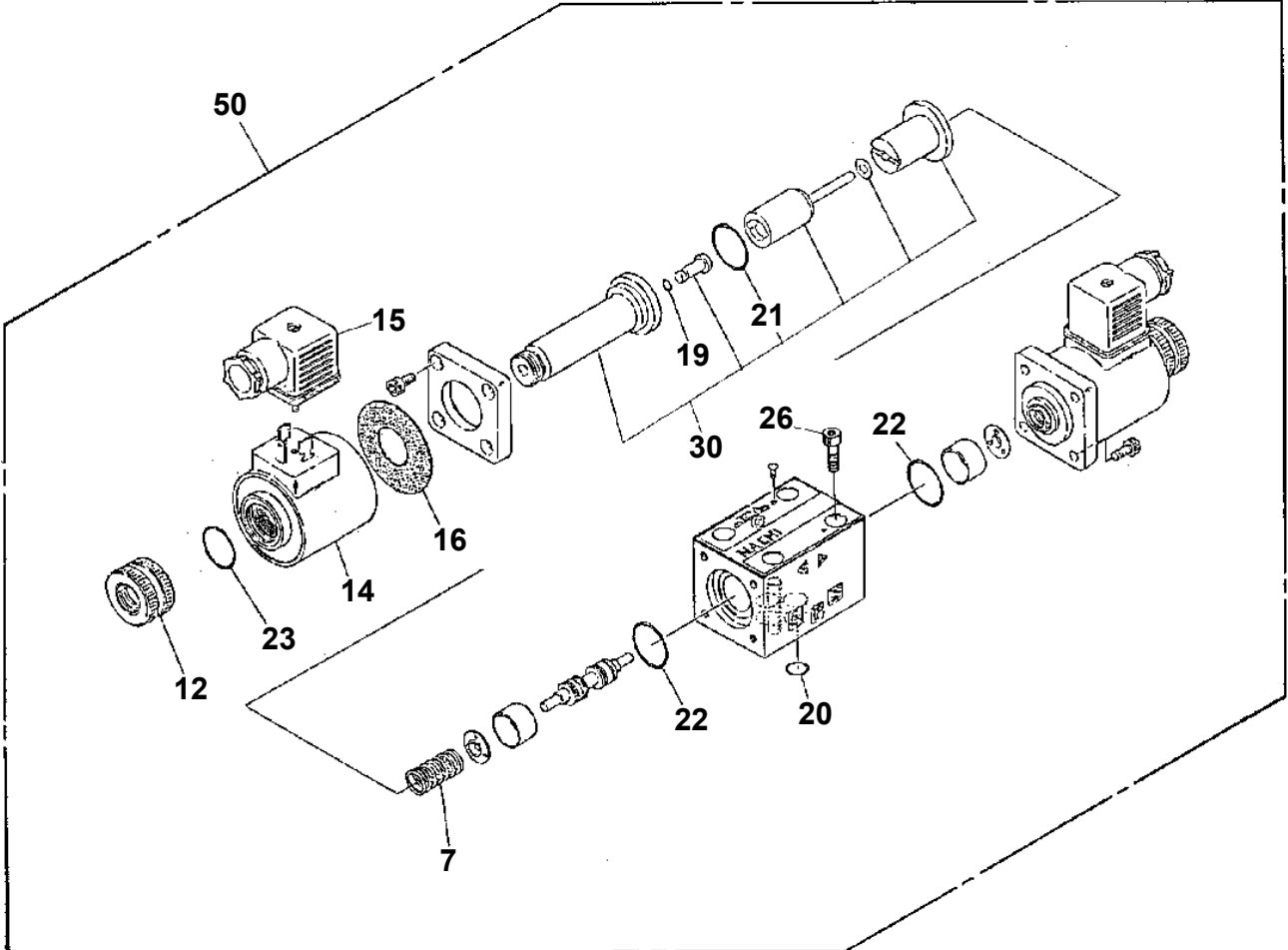
TG-3600M-1-10202 5 BOOM + JIB,W-KL620YN

Pos No.	Parts No	Parts Name	Qty	Unit	Technical Data	Serial No (Start)	Serial No (End)	Remarks	Pages
1	36640070000	VALVE,SOLENOID	1						000187
2	36641330010	BODY,VALVE	1						
10	36641330000	VALVE,SOLENOID	1						

TG-3600M-1-10202 5 BOOM + JIB,W-KL620YN
PI1120073-00 VALVE,SOLENOID

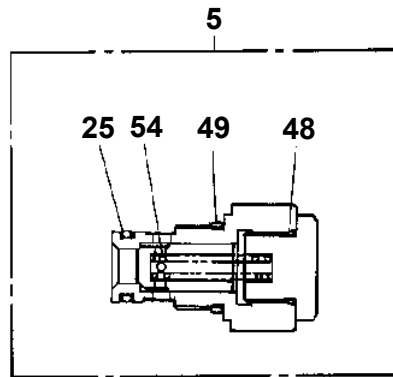
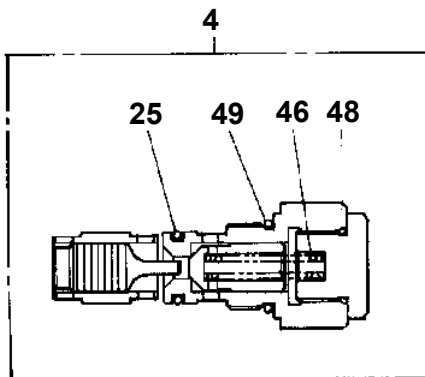
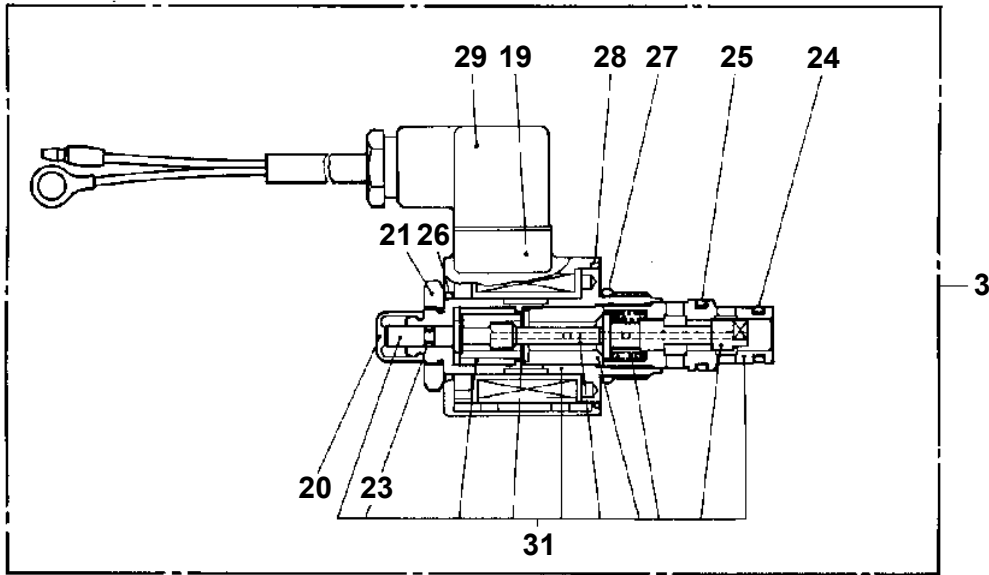
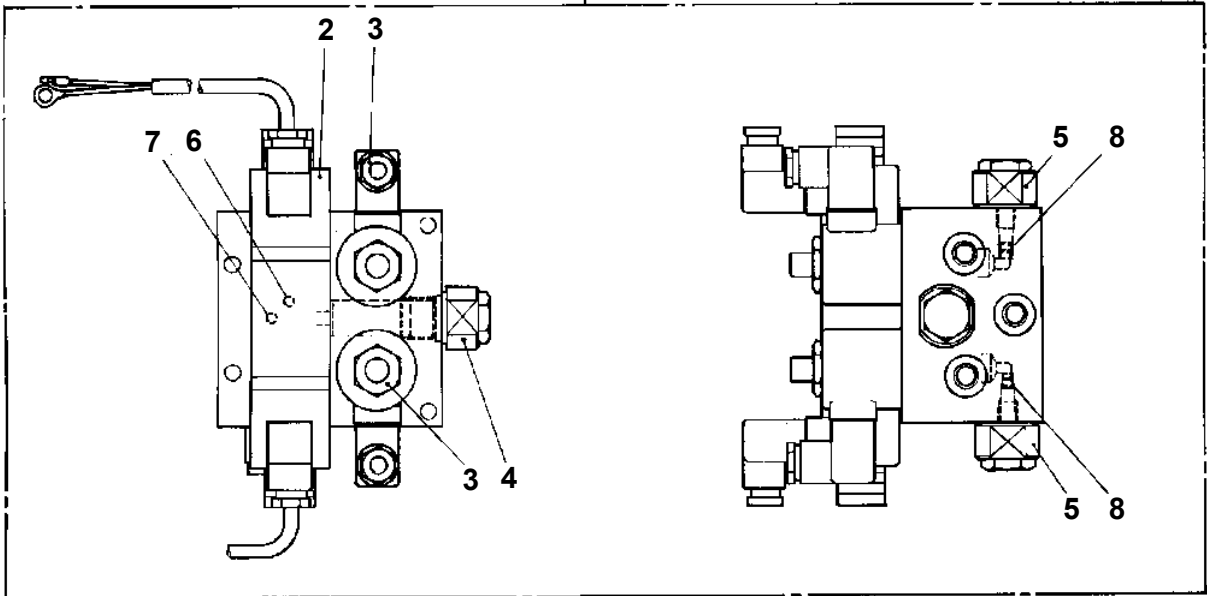
Assembly NAME VALVE, SOLENOID

PI1120073-00



TG-3600M-1-10202 5 BOOM + JIB,W-KL620YN
PI1120083-00 VALVE,SOLENOID

100



TG-3600M-1-10202 5 BOOM + JIB,W-KL620YN

Pos No.	Parts No	Parts Name	Qty	Unit	Technical Data	Serial No (Start)	Serial No (End)	Remarks
5	36640175040	SPACER	4					
6	36641687560	SPRING (C)	2					
19	36646375030	SCREW	2					
21	91000501200	O-RING	4					
25	90131905045	BOLT,HEXAGON SOCKET	4		M5X45			
26	36641687570	ROD	2					
53	36641687520	RETAINER (A)	2					
54	36641687530	RETAINER (B)	2					
55	36646375050	COIL,SOLENOID	2					
57	36642915020	NUT	2					
59	36641687580	GUIDE (SOLENOID)	2					
64	91001102000	O-RING	2		1A P20			
65	91002801800	O-RING	2		1B P18			
66	91001002500	O-RING	2		S25			
100	36645730000	VALVE,SOLENOID (NACHI)	1					

TG-3600M-1-10202 5 BOOM + JIB,W-KL620YN

Pos No.	Parts No	Parts Name	Qty	Unit	Technical Data	Serial No (Start)	Serial No (End)	Remarks	Page
3	36643510030	PLUG	2						
4	91002802400	O-RING	2		1B P24				
10	36643510000	VALVE,HYDRAULIC	1						

TG-3600M-1-10202 5 BOOM + JIB,W-KL620YN

Pos No.	Parts No	Parts Name	Qty	Unit	Technical Data	Serial No (Start)	Serial No (End)	Remarks	Pages
1	19115106000	VALVE,CHECK	1						
3	19115106030	SPRING	1						
4	19115106040	ADAPTER	1						
5	91001204000	O-RING	1		1A G40				

TG-3600M-1-10202 5 BOOM + JIB,W-KL620YN

Pos No.	Parts No	Parts Name	Qty	Unit	Technical Data	Serial No (Start)	Serial No (End)	Remarks	Pages
1	59451304030	SPRING	1						
3	59451304050	CAP	1						
4	59451304010	O-RING	1						
5	59451304000	VALVE,CHECK	1						

TG-3600M-1-10202 5 BOOM + JIB,W-KL620YN

Pos No.	Parts No	Parts Name	Qty	Unit	Technical Data	Serial No (Start)	Serial No (End)	Remarks	Pages
1	36620000030	PLUG	1						
2	91002802400	O-RING	1		1B P24				
3	52155004000	SPRING	1						
10	36623220000	VALVE,CHECK	1						

TG-3600M-1-10202 5 BOOM + JIB,W-KL620YN

Pos No.	Parts No	Parts Name	Qty	Unit	Technical Data	Serial No (Start)	Serial No (End)	Rema
1	36600625010	VALVE KIT (REPAIR KIT)	1					
10	36600620000	VALVE,PRESSURE CONTROL	1					

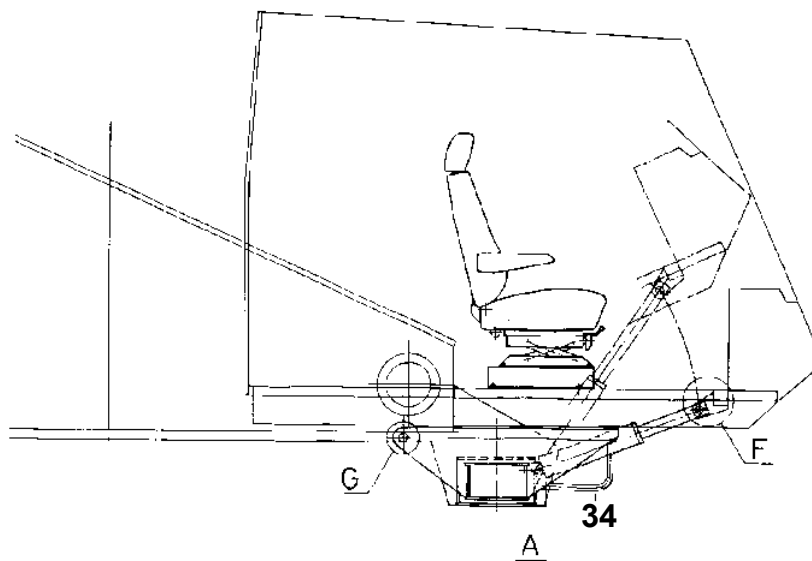
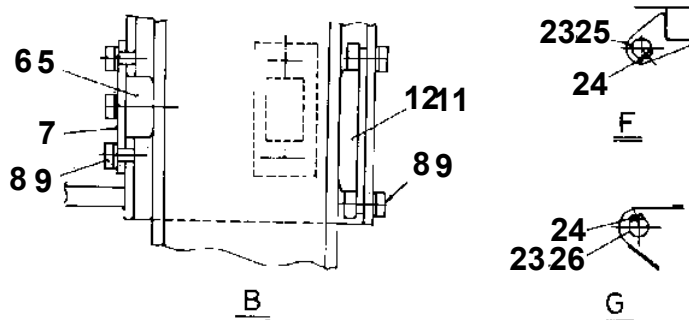
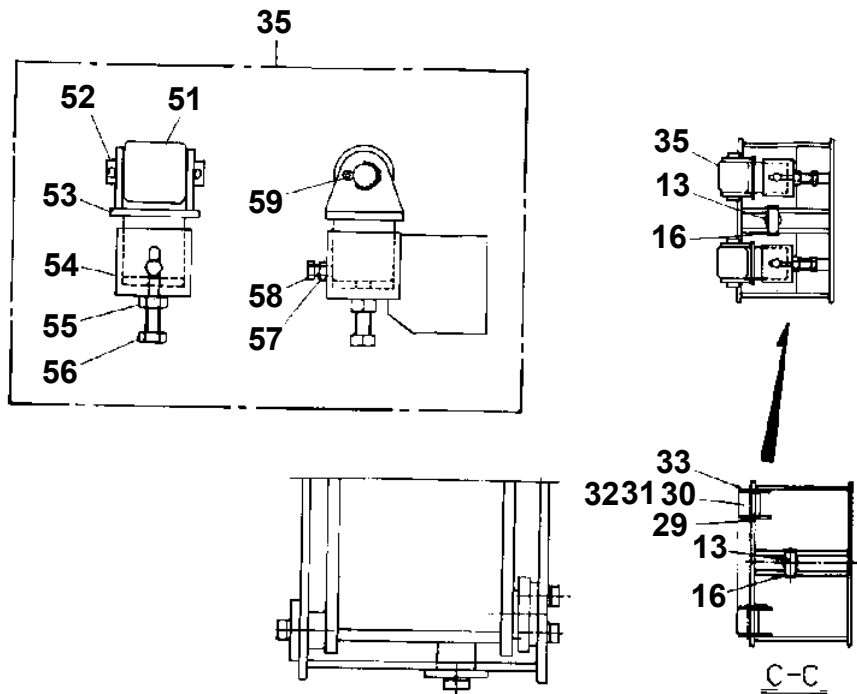
TG-3600M-1-10202 5 BOOM + JIB,W-KL620YN

Pos No.	Parts No	Parts Name	Qty	Unit	Technical Data	Serial No (Start)	Serial No (End)	R
1	36010010571	BODY,VALVE	1					
2	91001101800	O-RING	1		1A P18			
3	91001102100	O-RING	2		1A P21			
4	36010010582	COVER	1					
5	90131508030	BOLT,HEXAGON SOCKET	8		M8X30			
6	90302040801	WASHER,SPRING	8		8			
7	16265153000	CARTRIDGE, COUNTERBALANCE	1					
10	36010018190	VALVE,COUNTERBALANCE	1					

TG-3600M-1-10202 5 BOOM + JIB,W-KL620YN

Pos No.	Parts No	Parts Name	Qty	Unit	Technical Data	Serial No (Start)	Serial No (End)	R
2	91002804400	O-RING	3		1B P44			
3	91411004400	RING,BACKUP	3		P44			
6	16265153060	SPRING	1					
9	91002801600	O-RING	1		1B P16			
13	16265153131	SPRING	1					
14	16265153141	SPRING	1					
16	36601665060	O-RING	1		P30			
17	91410003000	RING,BACKUP <P30.	1					
18	91002804000	O-RING	1		1B P40			
20	91002801250	O-RING	1		1B P12.5			
21	91410001250	RING,BACKUP	1		P12.5			
22	91002802600	O-RING	1		1B P26			
30	16265153000	CARTRIDGE, COUNTERBALANCE	1					

TG-3600M-1-10202 5 BOOM + JIB,W-KL620YN
PK1120108-01 SWING TABLE



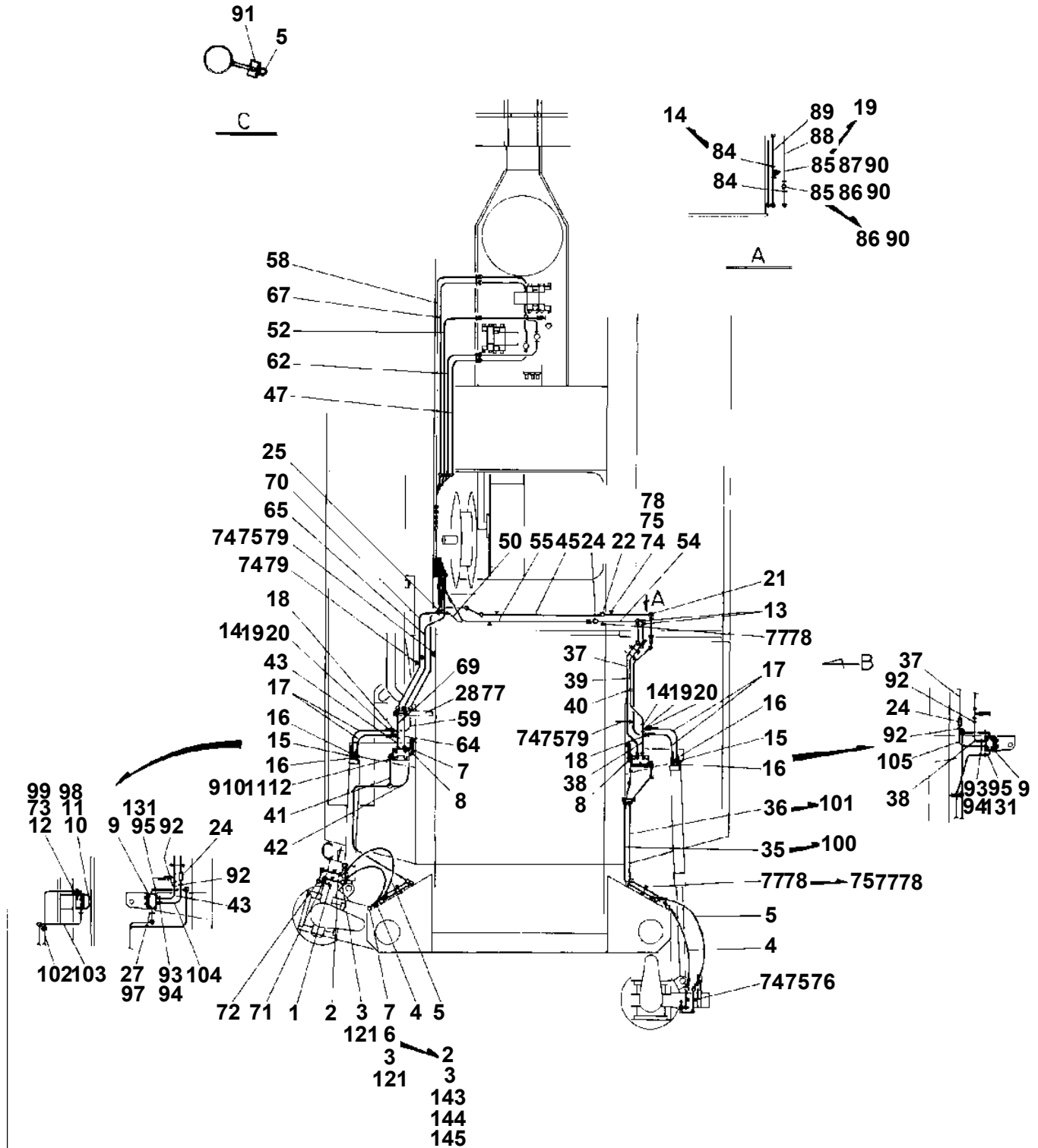
TG-3600M-1-10202 5 BOOM + JIB,W-KL620YN

Pos No.	Parts No	Parts Name	Qty	Unit	Technical Data	Serial No (Start)	Serial No (End)	Remark
1	34250667510	CUSHION ASSY	1					
2	34250667520	BACK ASSY	1					
3	34250667530	HEADREST ASSY	1					
4	34250687520	ADJUSTER	1					
5	34250127520	SEAT	1					
6	33250597570	BOLT	1					
7	34250667540	WASHER	1					
8	90302040801	WASHER,SPRING	1		8			
9	34250667550	ADJUSTER (RECLINING/LH)	1					
10	33250597560	BOLT (WITH WASHER)	1					
11	34430077630	BOLT	4		M8X1.25			
12	34430077640	NUT	4		M8X1.25			
13	34430077650	COVER	1		T=0.03			
40	34250667560	SEAT ASSY	1					
50	33250685000	SEAT,OPERATOR	1					

TG-3600M-1-10202 5 BOOM + JIB,W-KL620YN

Pos No.	Parts No	Parts Name	Qty	Unit	Technical Data	Serial No (Start)	Serial No (End)	Remarks	Pages
1	33270701010	COVER	1						
2	90101210020	BOLT	63		M10X20				
3	90302041001	WASHER,SPRING	80		10				
4	90303071001	WASHER,PLAIN	80		10				
5	33270701150	SUPPORT	1						
6	33270701200	COVER ASSY	1						
7	33270701400	COVER ASSY	1						
8	33270701650	PLATE	2						
9	90101210060	BOLT	7		M10X60				
10	33270701660	SUPPORT	1						
11	33270701700	SUPPORT	1						
12	90101212035	BOLT	8		M12X35				
13	90201201200	NUT	4		M12				
14	90302041201	WASHER,SPRING	8		12				
15	90303071201	WASHER,PLAIN	8		12				
16	33270701750	SUPPORT	1						
17	33270701780	SUPPORT	1						
18	33270701810	SUPPORT	1						
19	33270701840	SUPPORT	2						
20	33270701850	COVER ASSY	1						
21	33270701950	COVER	1						
22	33270701980	COVER	1						
23	33270702010	PLATE	1						
24	33270702020	SUPPORT	1						
25	33270702050	COVER	1						
26	33270702100	COVER	1						
27	33270702140	SUPPORT	4						
28	33270702150	COVER	1						
29	33270702201	COVER ASSY	1						
30	33270702230	COVER	1						
31	37000523550	PLATE	1						
32	33270702270	COVER ASSY	1						
34	90101210025	BOLT	6		M10X25				
35	33270702600	COVER	1						
36	33250040320	PLATE	3						
37	37000525750	SUPPORT	3						
38	90101210016	BOLT	6		M10X16				
51	33270701210	COVER	1						
52	33270701350	DOOR	2						
53	33270701370	DOOR	1						
54	82460021325	CATCH	3						
55	33270614900	STOPPER	3						
71	33270701860	COVER	1						
72	33270709510	COVER	1						
73	82400000346	CATCH	2						
74	80172303010	SCREW,MACHINE	8		M3X10				
75	90201200300	NUT	8		M3				
76	90302040301	WASHER,SPRING	8		3				
77	33270701900	COVER	1						
78	90101210025	BOLT	4		M10X25				
79	90302041001	WASHER,SPRING	12		10				
80	90303071001	WASHER,PLAIN	4		10				
87	82400000301	HINGE	3						
88	90101208016	BOLT	9		M8X16				
89	90201200800	NUT	9		M8				
90	90302040801	WASHER,SPRING	9		8				
91	33270702360	GUARD	1						
92	33270702450	GUARD	1						
93	33270702520	PLATE	2						
94	33270702530	PLATE	2						
95	90101210016	BOLT	8		M10X16				
101	33270702540	SUPPORT	4						
102	33270702550	PIN	2						

**TG-3600M-1-10202 5 BOOM + JIB,W-KL620YN
PK1250012-03 PIPING,WEIGHT REMOVER**



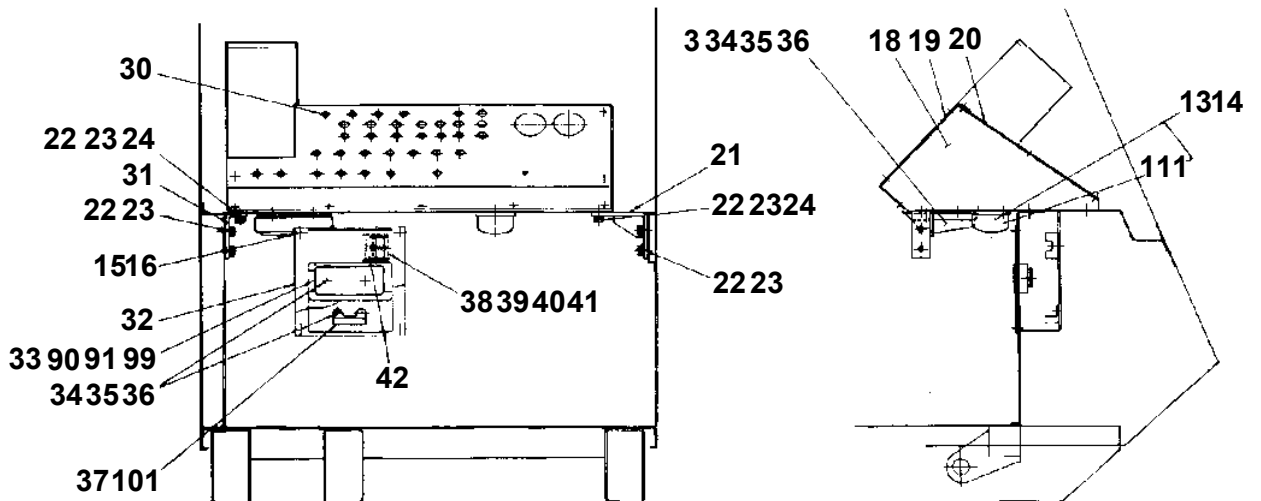
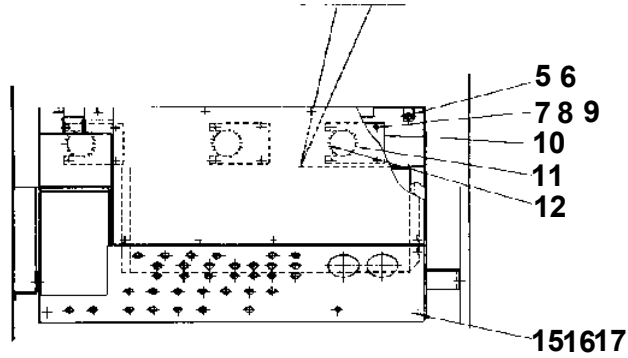
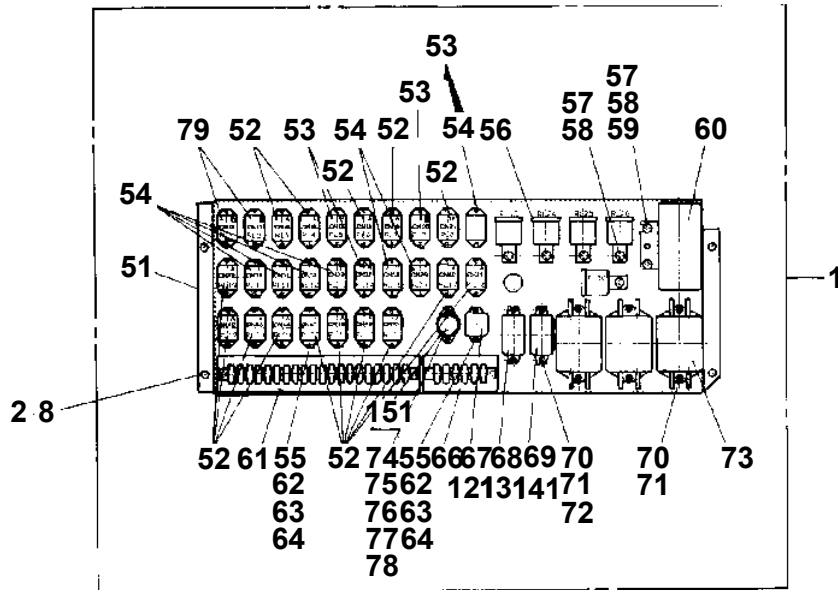
TG-3600M-1-10202 5 BOOM + JIB,W-KL620YN

Pos No.	Parts No	Parts Name	Qty	Unit	Technical Data	Serial No (Start)	Serial No (End)	Remarks	Page
66	81408000241	PIPE,STEEL	3	M	18X1.9T				
67	81408000241	PIPE,STEEL	3	M	18X1.9T				
68	81408000290	PIPE,STEEL	3	M	22X2.5T				
69	81408000290	PIPE,STEEL	3	M	22X2.5T				
70	81408000290	PIPE,STEEL	3	M	22X2.5T				
71	81408000290	PIPE,STEEL	3	M	22X2.5T				
72	81408000290	PIPE,STEEL	3	M	22X2.5T				
73	81408000130	PIPE,STEEL	3	M	10X1.8T				
74	81408000130	PIPE,STEEL	3	M	10X1.8T				
75	81408000130	PIPE,STEEL	3	M	10X1.8T				
76	81408000130	PIPE,STEEL	3	M	10X1.8T				
77	81408000130	PIPE,STEEL	3	M	10X1.8T				
78	81408000160	PIPE,STEEL	3	M	12X1.4T				
79	81408000160	PIPE,STEEL	3	M	12X1.4T				
80	81408000160	PIPE,STEEL	3	M	12X1.4T				
81	81408000160	PIPE,STEEL	3	M	12X1.4T				
82	81408000160	PIPE,STEEL	3	M	12X1.4T				
83	81408000160	PIPE,STEEL	3	M	12X1.4T				
84	81408000160	PIPE,STEEL	3	M	12X1.4T				
85	81408000160	PIPE,STEEL	3	M	12X1.4T				
86	81408000160	PIPE,STEEL	3	M	12X1.4T				
87	81408000160	PIPE,STEEL	3	M	12X1.4T				
89	81408000290	PIPE,STEEL	3	M	22X2.5T				
90	81408000341	PIPE,STEEL	3	M	28X3.1T				
91	81408000341	PIPE,STEEL	3	M	28X3.1T				
92	81408000341	PIPE,STEEL	3	M	28X3.1T				
93	81408000290	PIPE,STEEL	3	M	22X2.5T				
96	81408000160	PIPE,STEEL	3	M	12X1.4T				
97	81408000160	PIPE,STEEL	3	M	12X1.4T				
98	82100002605	FASTENER	4						
99	80316030040	PLUG	2		PT1/4				
100	37000711080	CLAMP ASSY	13		12-2				
101	37000502460	PLATE	15						
102	37000711000	CLAMP ASSY	6		12-1				
103	37000300720	SLEEVE	4		12-10				
104	37000502450	PLATE	6						
105	37000711060	CLAMP ASSY	2		28X1				
106	37000502380	PLATE	1						
107	37000502440	PLATE	1						
108	37000711030	CLAMP ASSY	2		22X1				
109	82100001412	TUBE, SPIRAL	2	M	SE-12BK				
110	90102508050	BOLT	3		M8X50				
111	90302040801	WASHER, SPRING	3		8				
112	91001101200	O-RING	2		1A P12				
113	81408000160	PIPE,STEEL	3	M	12X1.4T				
114	81408000160	PIPE,STEEL	3	M	12X1.4T				
115	33700915070	BAR	1						
117	80305030050	FITTING, TEE	1						
118	81408000130	PIPE,STEEL	1		10X1.8T				
119	37000703780	CLAMP ASSY	1						
120	37000706450	CLAMP ASSY	1						
121	37000702260	CLAMP ASSY	2						
122	37000706100	CLAMP ASSY	4						
123	37000702540	CLAMP ASSY	1						
124	37000910130	JOINT	1						

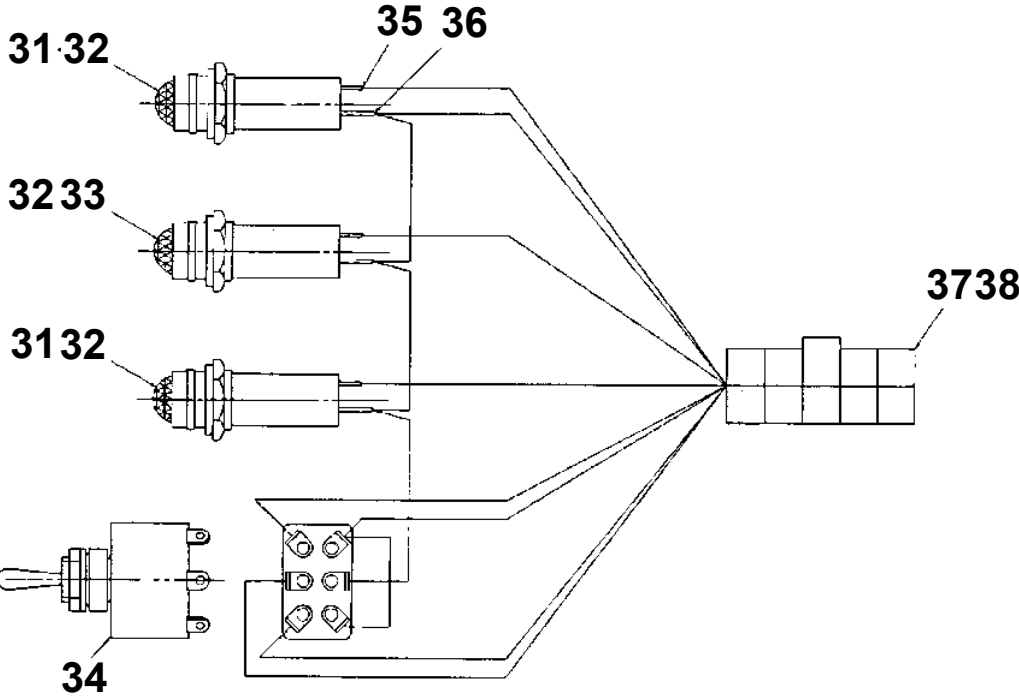
TG-3600M-1-10202 5 BOOM + JIB,W-KL620YN

Pos No.	Parts No	Parts Name	Qty	Unit	Technical Data	Serial No (Start)	Serial No (End)	Remark
2	90191208030	BOLT	3		M8X30			
3	90303070801	WASHER,PLAIN	3		8			
4	90302040801	WASHER,SPRING	6		8			
5	37000105720	PIN	1					
6	90303070601	WASHER,PLAIN	1		6			
7	80136320010	PIN,SPLIT	1		2X10			
8	90101208014	BOLT	2		M8X14			
9	34710270100	END	1					
10	59159025000	FITTING,ELBOW	1					
11	59159039000	JOINT,NIPPLE	3					
12	37000702270	CLAMP ASSY	4					
13	37000904020	FITTING	1		S,M14-M14			
14	37000702220	CLAMP ASSY	3					
15	37000300710	SLEEVE	15		12-8			
16	33331298020	PIPE ASSY	1					
17	33331298030	PIPE ASSY	1					
18	33331298040	PIPE ASSY	1					
19	33331298050	PIPE ASSY	1					
20	33331298060	PIPE ASSY	1					
21	90101206014	BOLT	2		M6X14			
22	90201200600	NUT	2		M6			
23	90302040601	WASHER,SPRING	2		6			
24	34710270200	SUPPORT	1					
25	37000904820	NUT,FLARE	12		M14			
26	37000704820	CLAMP ASSY	2					
28	37002433550	HOSE,AIR (L=2000 TO 2800>	2					
29	90101208020	BOLT	1		M8X20			
30	37000909680	FITTING	4					
33	36870070000	HORN ASSY	1					
34	33331291060	SUPPORT	1					
35	59259202000	FITTING	1					
36	37000903910	FITTING	1		S,R1/8-M12			
37	37000904810	NUT,FLARE	2		M12			
38	33331298070	PIPE ASSY	1					
39	33331298080	PIPE ASSY	1					
40	33331291100	SUPPORT	1					
41	37001702000	CABLE,CONTROL	1					
51	37000117490	PIN	1					
52	90303071001	WASHER,PLAIN	2		10			
53	80136332016	PIN,SPLIT	2		3.2X16			
54	37000110320	PIN	1					
55	90102208050	BOLT	1		M8X50			
56	90201200800	NUT	2		M8			
57	34330161100	ROLLER	1					
59	82400000011	COVER (PEDAL)	1					
60	36601020001	VALVE,ACCELERATOR	1					
61	34710272100	PEDAL	1					
62	90102208035	BOLT	1		M8X35			
68	90101208014	BOLT	1		M8X14			
72	80804010010	BEARING,PLAIN	1					
80	34710278040	PEDAL ASSY	1					

TG-3600M-1-10202 5 BOOM + JIB,W-KL620YN
 PN1010813-02 ELEC.ASSY (CAB)



TG-3600M-1-10202 5 BOOM + JIB,W-KL620YN
PN1060016-00 SWITCH PANEL (LUFFING JIB)



B

TG-3600M-1-10202 5 BOOM + JIB,W-KL620YN

Pos No.	Parts No	Parts Name	Qty	Unit	Technical Data	Serial No (Start)	Serial No (End)	R
251	82100000501	BULB,LAMP	2		24V 3W			

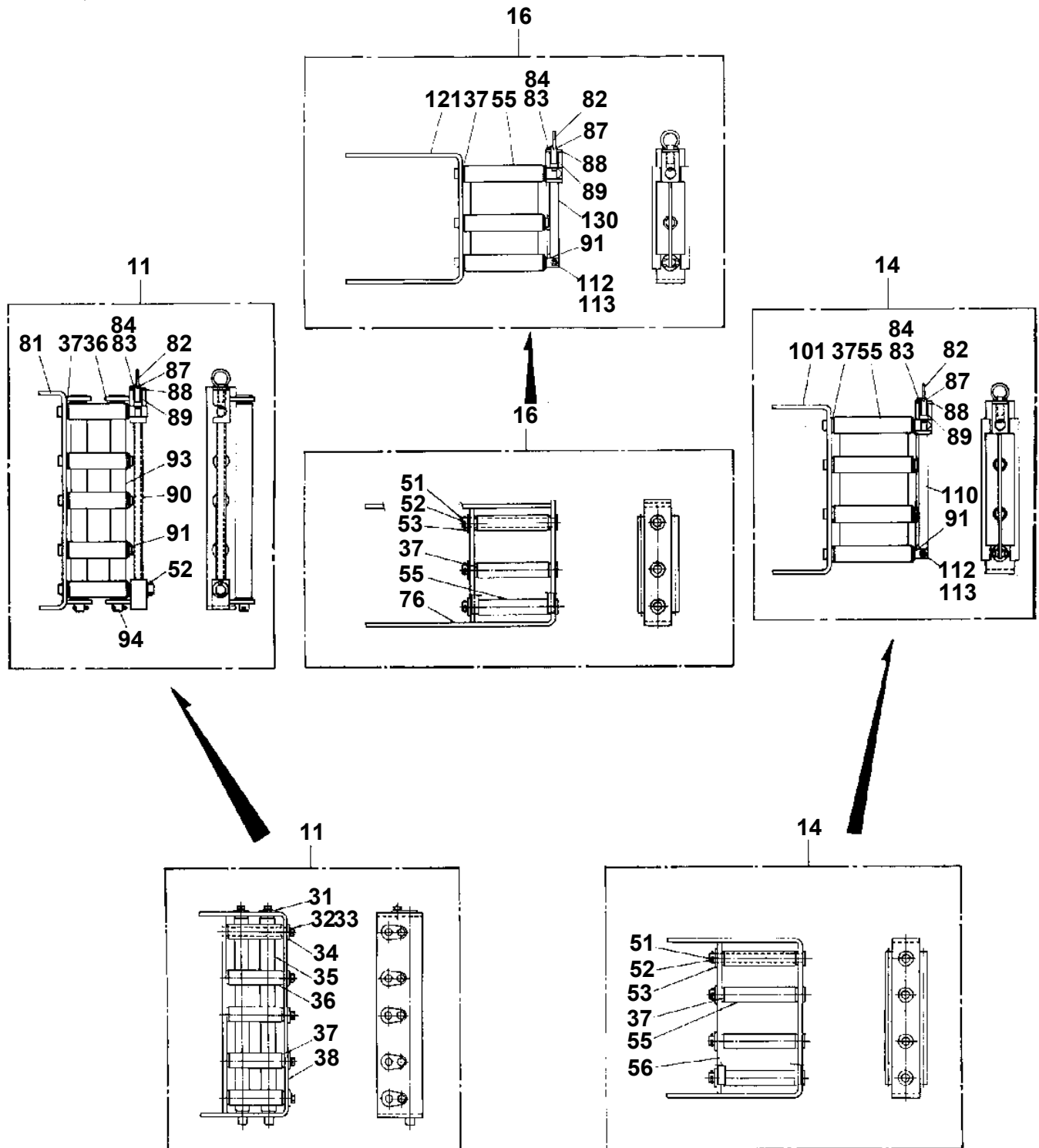
TG-3600M-1-10202 5 BOOM + JIB,W-KL620YN

Pos No.	Parts No	Parts Name	Qty	Unit	Technical Data	Serial No (Start)	Serial No (End)	Remarks
1	37000535420	PLATE	8					
2	33431755010	SWITCH ASSY	4					
3	34360934400	SWITCH ASSY	4					
4	90131505025	BOLT,HEXAGON SOCKET	16		M5X25			
5	90201200500	NUT	16		M5			
6	90302040501	WASHER,SPRING	16		5			
7	37000525410	PLATE	8					
8	90190000008	BOLT,STUD	4		M6X20			
9	90303290600	WASHER,PLAIN	4		6			
10	90302040601	WASHER,SPRING	4		6			
11	90201200600	NUT	4		M6			

TG-3600M-1-10202 5 BOOM + JIB,W-KL620YN

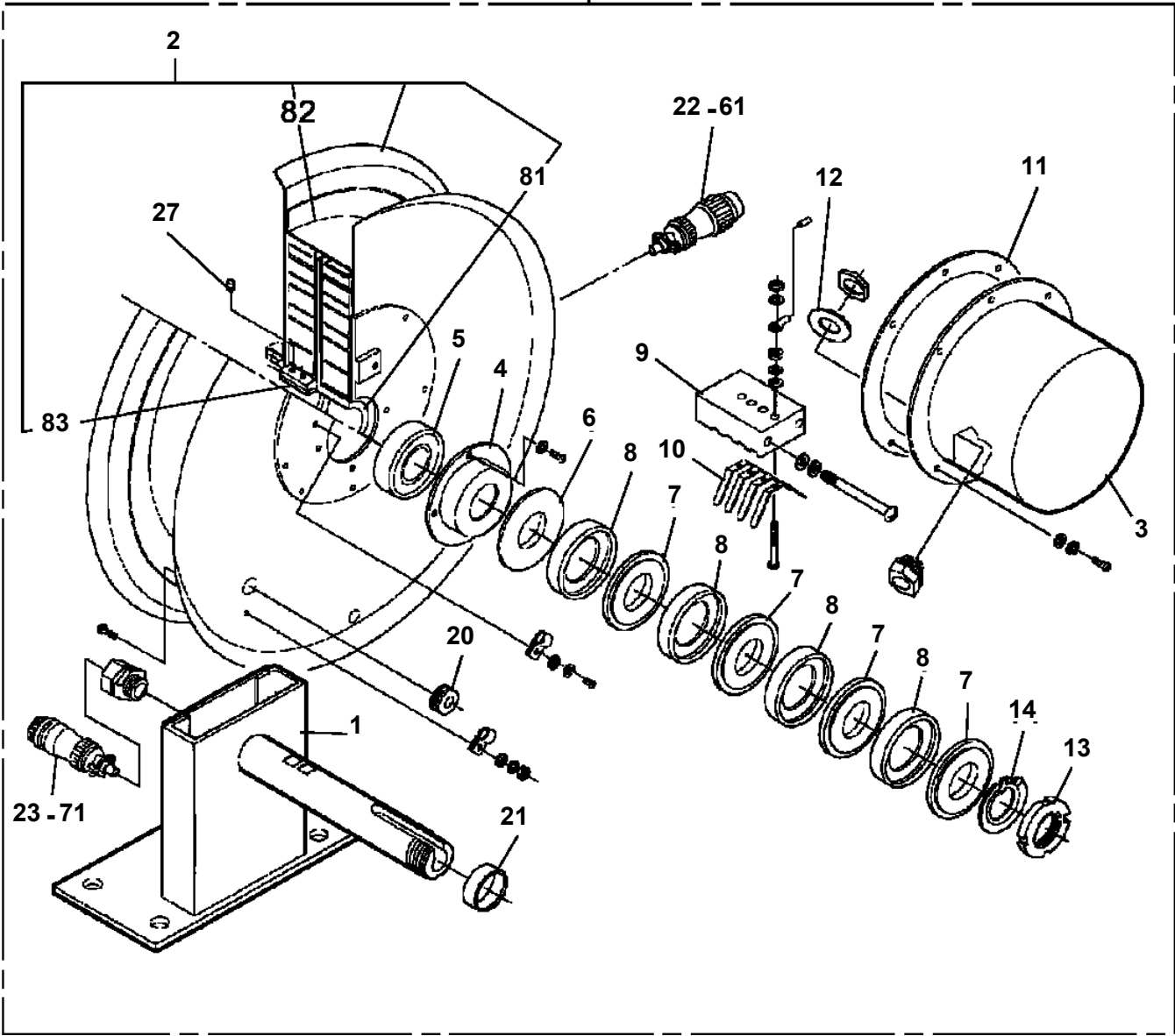
Pos No.	Parts No	Parts Name	Qty	Unit	Technical Data	Serial No (Start)	Serial No (End)	Remarks
1	33432034800	SUPPORT	1					
2	33432037350	SWITCH ASSY	1					
3	90131505020	BOLT,HEXAGON SOCKET	4		M5X20			
4	90303070501	WASHER,PLAIN	4		5			
5	90302040501	WASHER,SPRING	4		5			
6	82100002692	MAGNET	1					

TG-3600M-1-10202 5 BOOM + JIB,W-KL620YN
 PN1330015-01 REEL,CORD (BOOM)



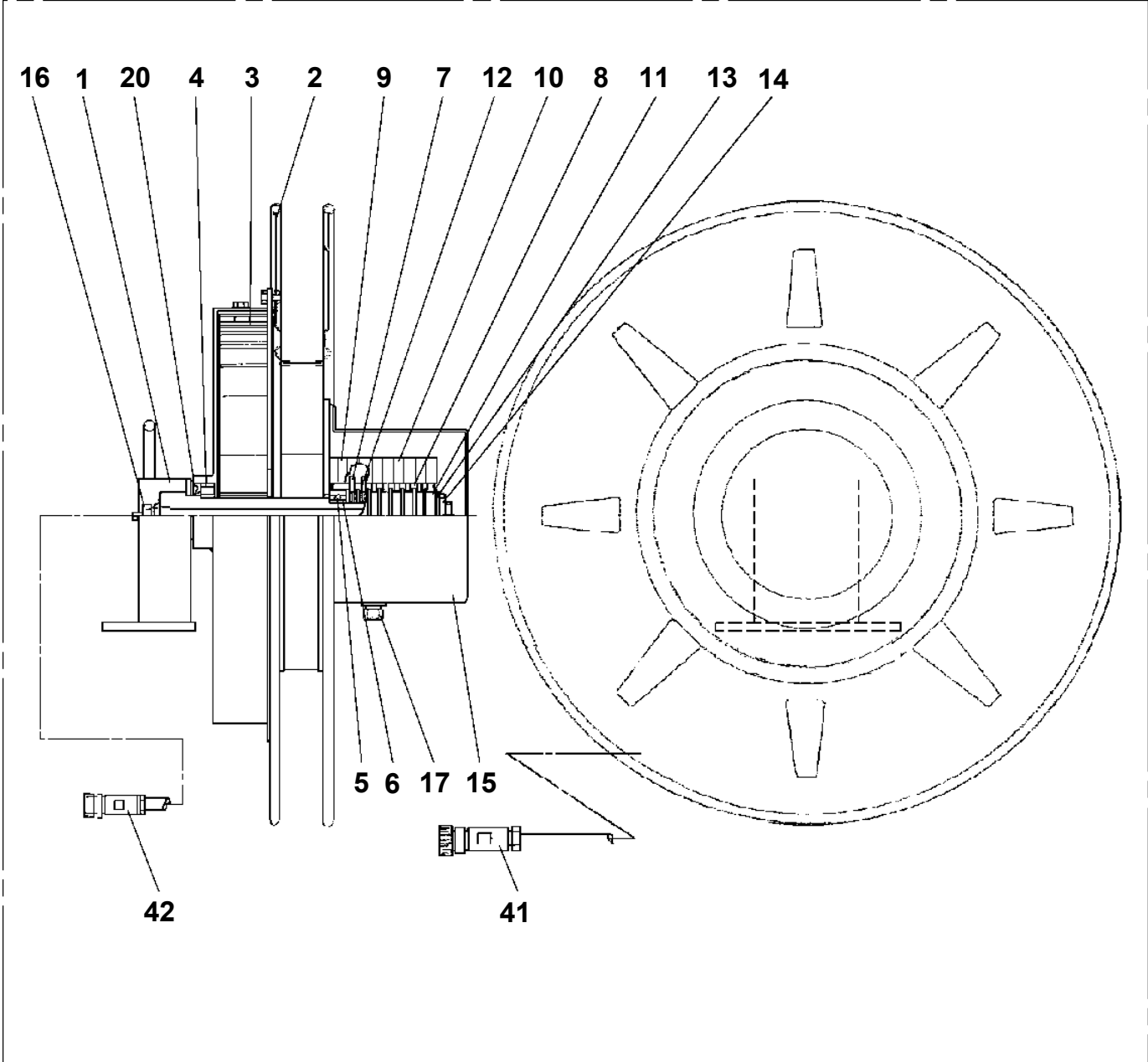
TG-3600M-1-10202 5 BOOM + JIB,W-KL620YN
PN1350008-03 REEL,CORD

50

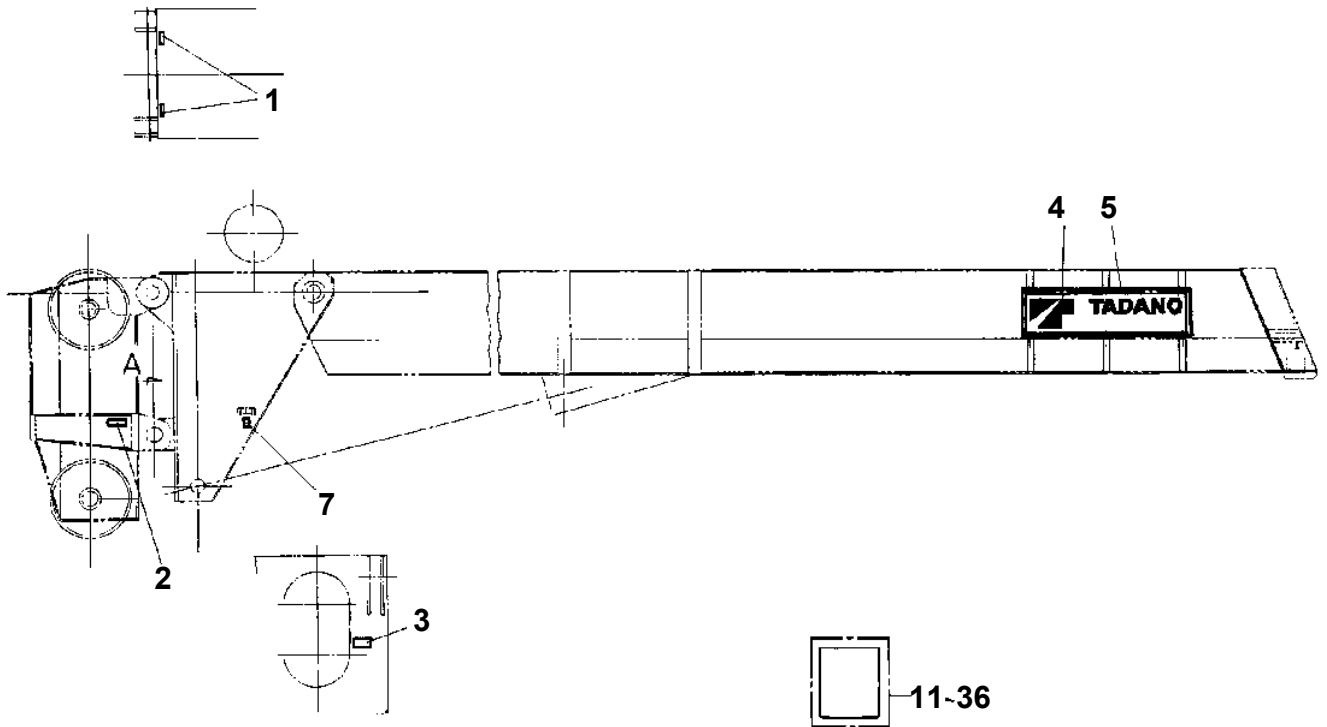
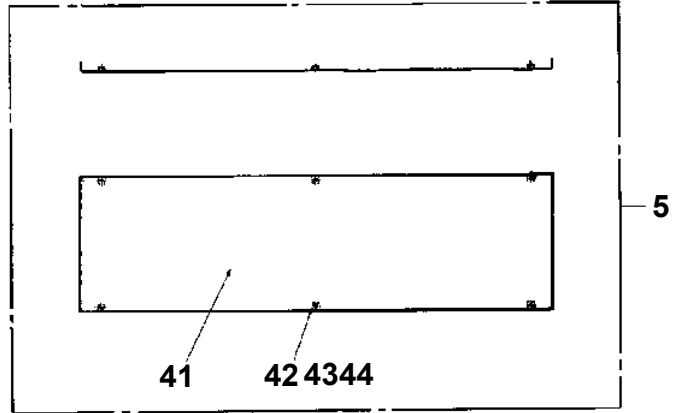


TG-3600M-1-10202 5 BOOM + JIB,W-KL620YN
PN1350096-00 REEL,CORD

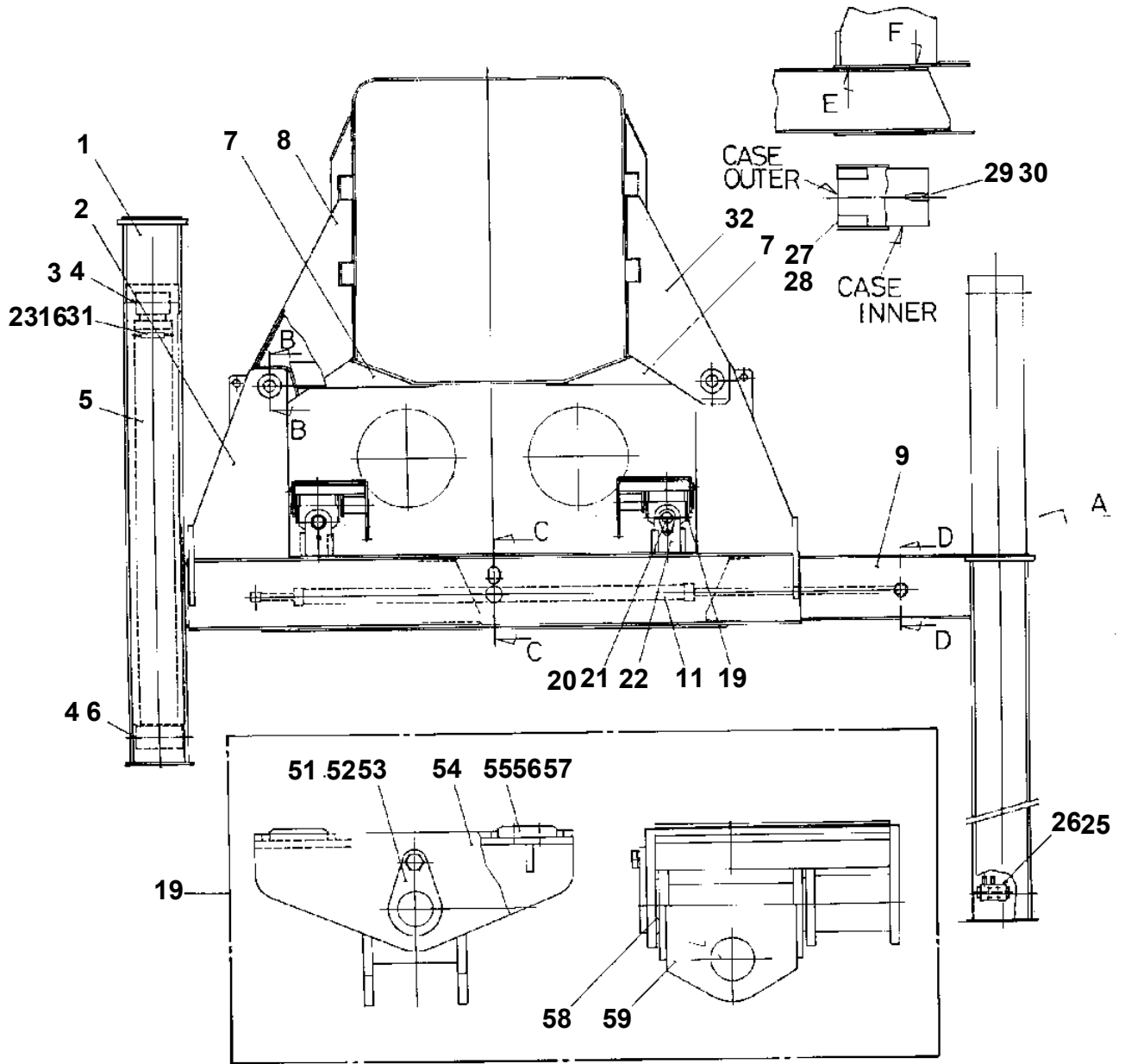
100



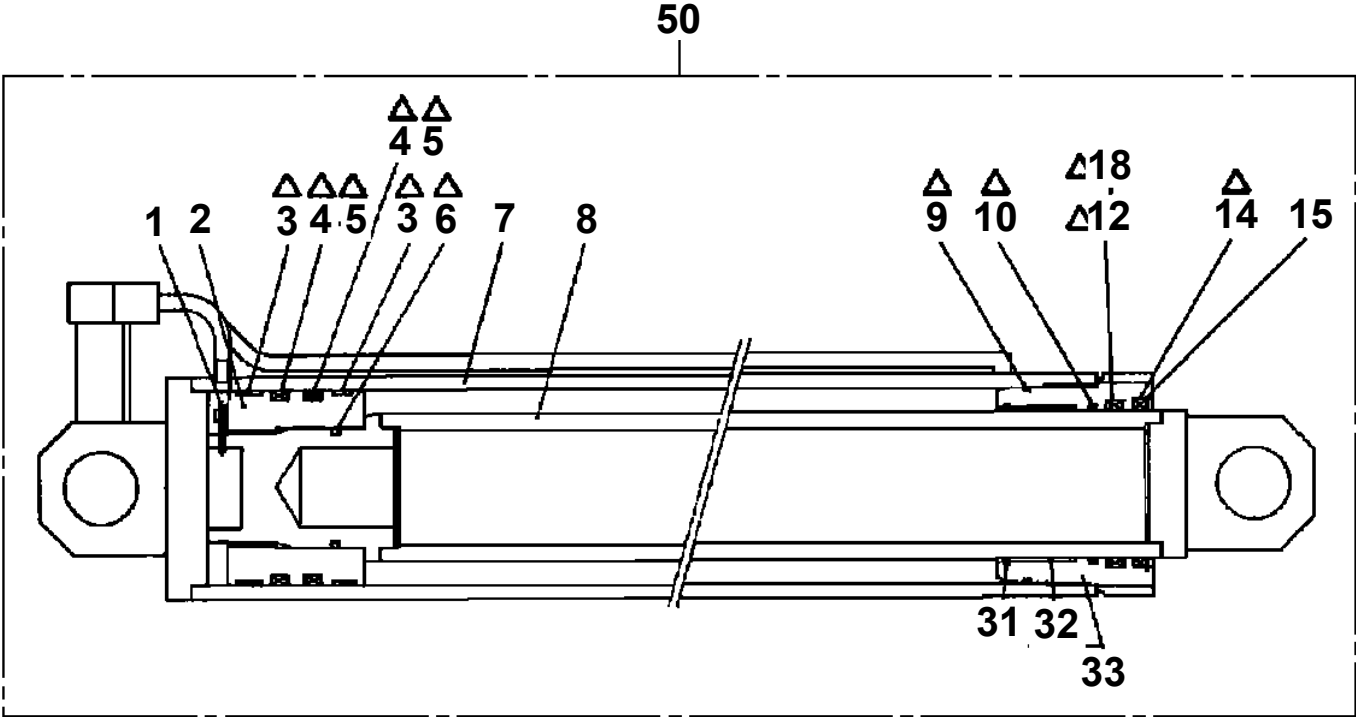
TG-3600M-1-10202 5 BOOM + JIB,W-KL620YN
PO1010884-00 PLATE ASSY,NAME (FULL AUTO.LUFFING JIB)



TG-3600M-1-10202 5 BOOM + JIB,W-KL620YN
PP1010004-00 LIFTER,FRONT



TG-3600M-1-10202 5 BOOM + JIB,W-KL620YN
PP1030012-02 JACK CYLINDER,LIFTER (FRONT)

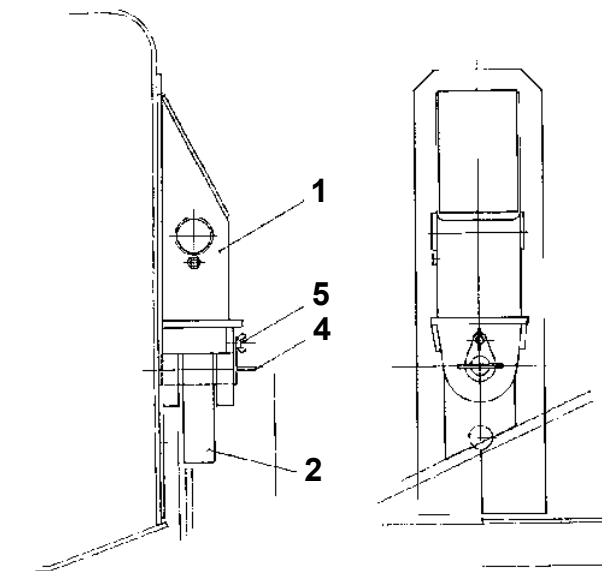
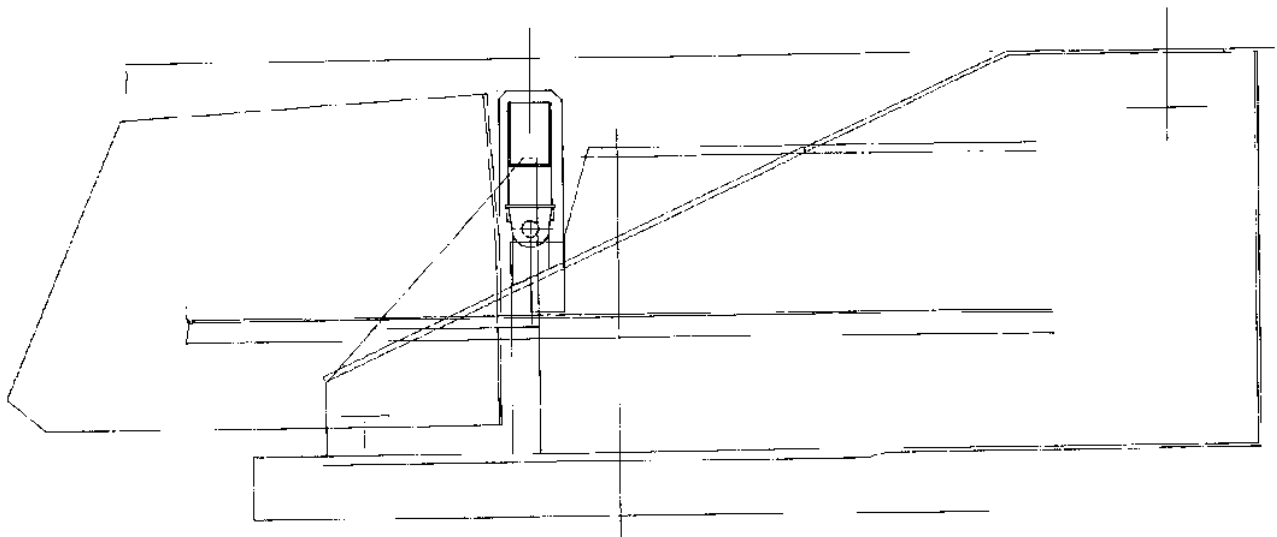


Δ: PACKING SET KEY NO40 (KEY NO. 3, 4, 5, 6, 9, 10, 12, 14, 18)

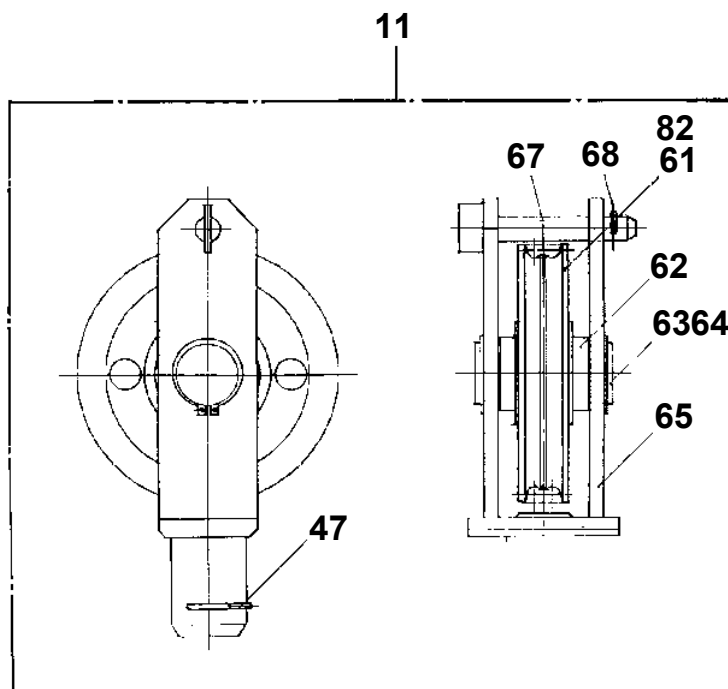
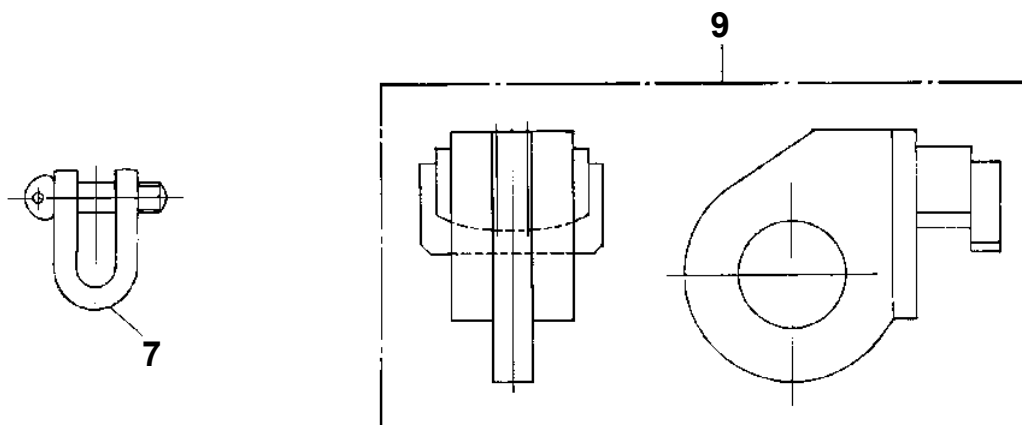
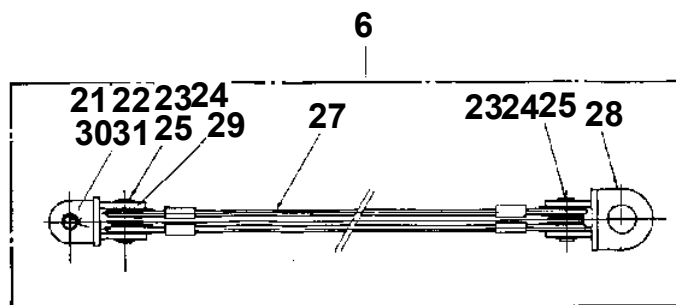
TG-3600M-1-10202 5 BOOM + JIB,W-KL620YN

Pos No.	Parts No	Parts Name	Qty	Unit	Technical Data	Serial No (Start)	Serial No (End)	Remarks
1	37002410450	HOSE	2		L=450			
2	37002405410	HOSE	2		L=500			
3	80320030090	FITTING,ELBOW	4		KLE15-030N			
4	37000918570	JOINT	2					
5	80430450650	JOINT	2					
6	80302010180	FITTING	4		KCT15-030N			
7	37002405880	HOSE	2		L=600			
8	80456400600	JOINT,SELF SEALING	2					
9	33343684010	SUPPORT (WITH SELF JOINT)	2					
10	37000704740	CLAMP ASSY	3					
11	37000300750	SLEEVE	6		18-15			
12	81408000210	PIPE,STEEL	1	M	15X2.0T			
13	81408000210	PIPE,STEEL	1	M	15X2.0T			
14	81408000210	PIPE,STEEL	1	M	15X2.0T			
15	81408000210	PIPE,STEEL	1	M	15X2.0T			
21	91071011500	O-RING	2		Y22550-115-A			
22	91470000600	RING,BACKUP	2		Y22021-06			

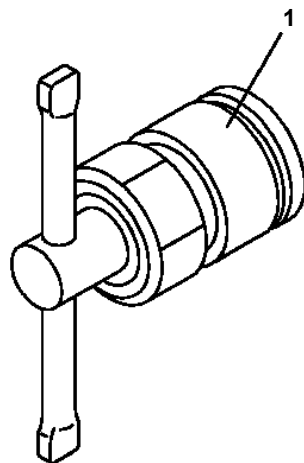
TG-3600M-1-10202 5 BOOM + JIB,W-KL620YN
PP1200001-00 PARTS,DISMOUNTING (LINK)



TG-3600M-1-10202 5 BOOM + JIB,W-KL620YN
PP1200006-00 PARTS,DISMOUNTING

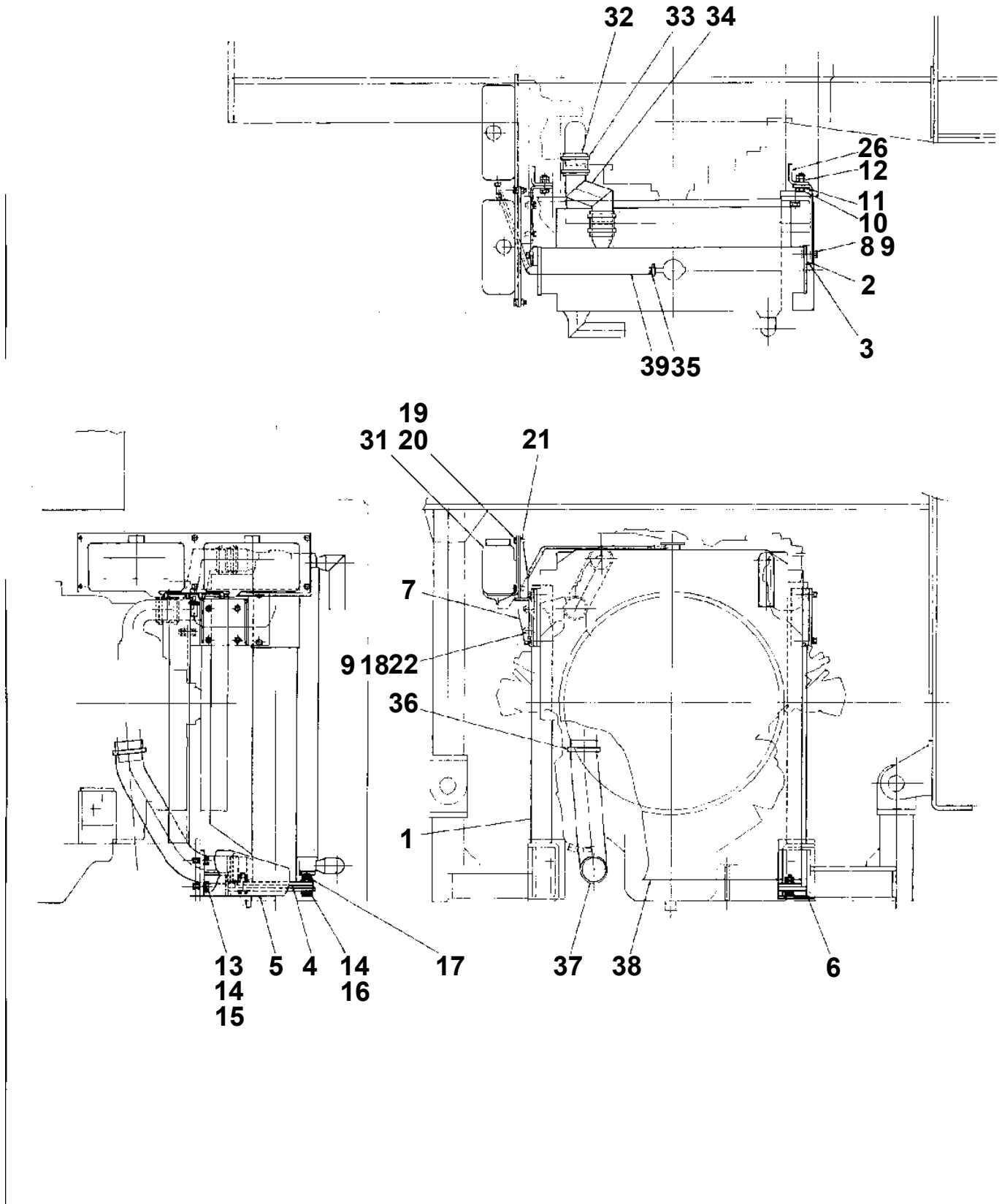


TG-3600M-1-10202 5 BOOM + JIB,W-KL620YN
PP5550001-00 PRESSURE DEJECTA (MAIL,3/8)

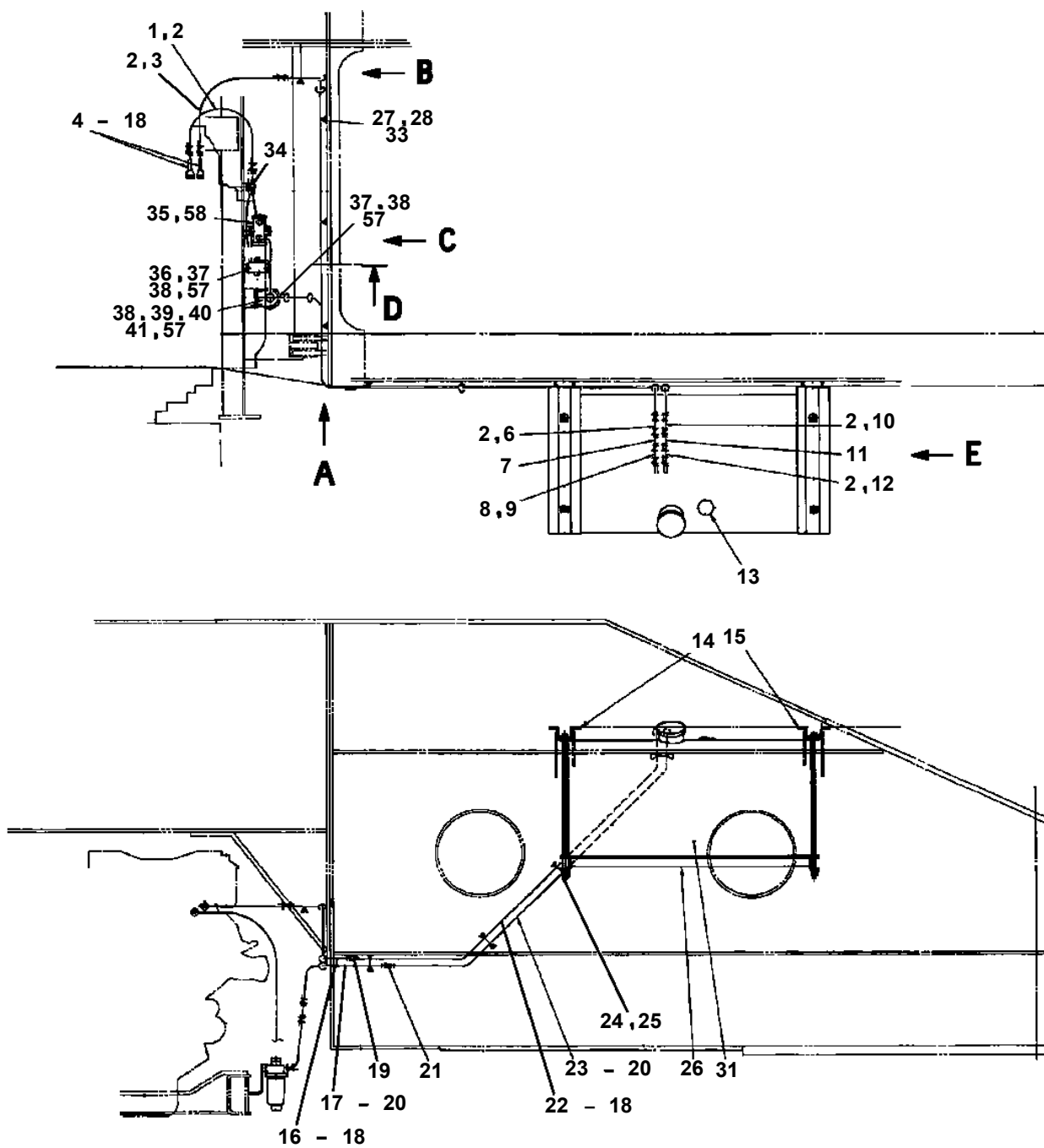


圧抜き工具 3/8オス用

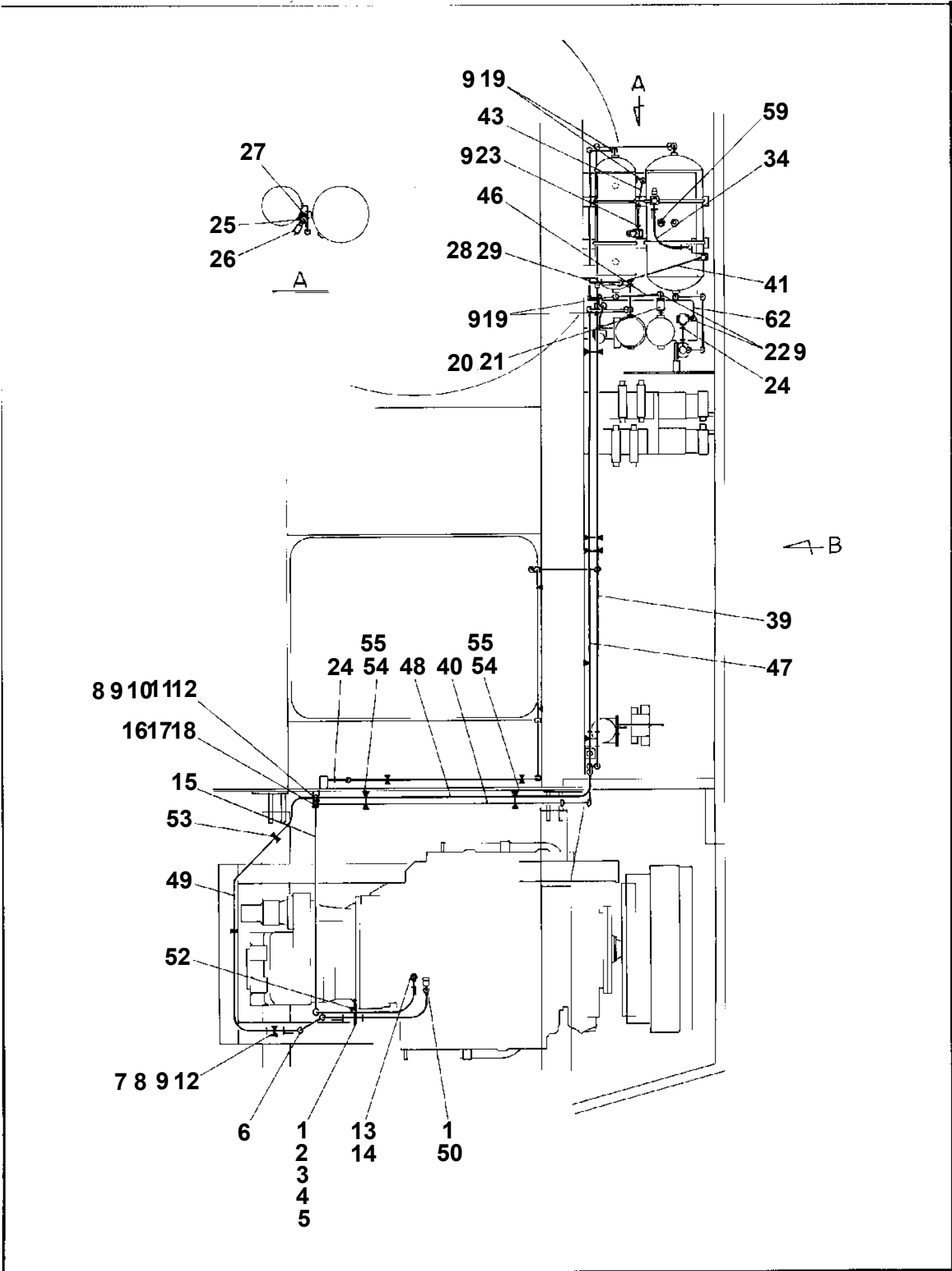
TG-3600M-1-10202 5 BOOM + JIB,W-KL620YN
PQ1020062-00 RADIATOR INSTALLATION



TG-3600M-1-10202 5 BOOM + JIB,W-KL620YN
PQ1090069-01 TANK,FUEL INSTALLATION



TG-3600M-1-10202 5 BOOM + JIB,W-KL620YN
 PQ1310001-00 PIPING,AIR



TG-3600M-1-10202 5 BOOM + JIB,W-KL620YN

Pos No.	Parts No	Parts Name	Qty	Unit	Technical Data	Serial No (Start)	Serial
1	31470125010	CASE	1				
2	31470125020	COVER	1				
3	33432037580	PLATE	1				
4	31470125040	PACKING	1				
5	31470125050	BAND	1				
6	31470125060	GUARD (SWITCH)	1				
7	80162104055	SCREW,MACHINE	2		M4X55		
8	80162103035	SCREW,MACHINE	4		M3X35		
9	80162103006	SCREW,MACHINE	4		M3X6		
10	80165103040	SCREW,MACHINE	2		M3X40		
11	90302040401	WASHER,SPRING	2		4		
12	33430087530	SWITCH	1				
13	11618101140	CAP (RUBBER)	1				
14	33430087540	SWITCH,PUSH	1				
15	11618101250	DIODE ASSY	1				
16	31470125080	PIN (PUSH)	10				
17	31470125090	SEAT,SPRING	20				
18	31470125100	SPRING	10				
19	31470125110	O-RING	10				
20	31470125120	BUTTON (WHITE)	4				
21	13224513030	BUTTON (RED)	5				
22	33430087590	BUTTON (YELLOW)	1				
23	31470125130	HANGER	2				
24	33432037590	CORD ASSY (CPI)	1				
25	11618101390	CONNECTOR	1				
26	31470125160	BUSHING (RUBBER)	1				
27	11629431040	PACKING	1				
28	33432037600	BOARD,CIRCUIT	1				
32	13224513030	BUTTON (RED)	1				
42	11618101460	PACKING	1				
52	11618111030	CONNECTOR	14				
53	11618111020	TUBE	28				
54	82100002320	CONNECTOR	1				
63	11618101330	PIN	14				
64	11618101310	DIODE	1				
65	11618101320	RESISTANCE	1				
66	33432037610	RESISTOR (ERG-1ANJ511)	1				
69	11615111350	TUBE	7				
70	33432037620	RELAY	1				
100	33432036100	SWITCH BOX (FOR BOOM DISMOUNT/MOUNT)	1				

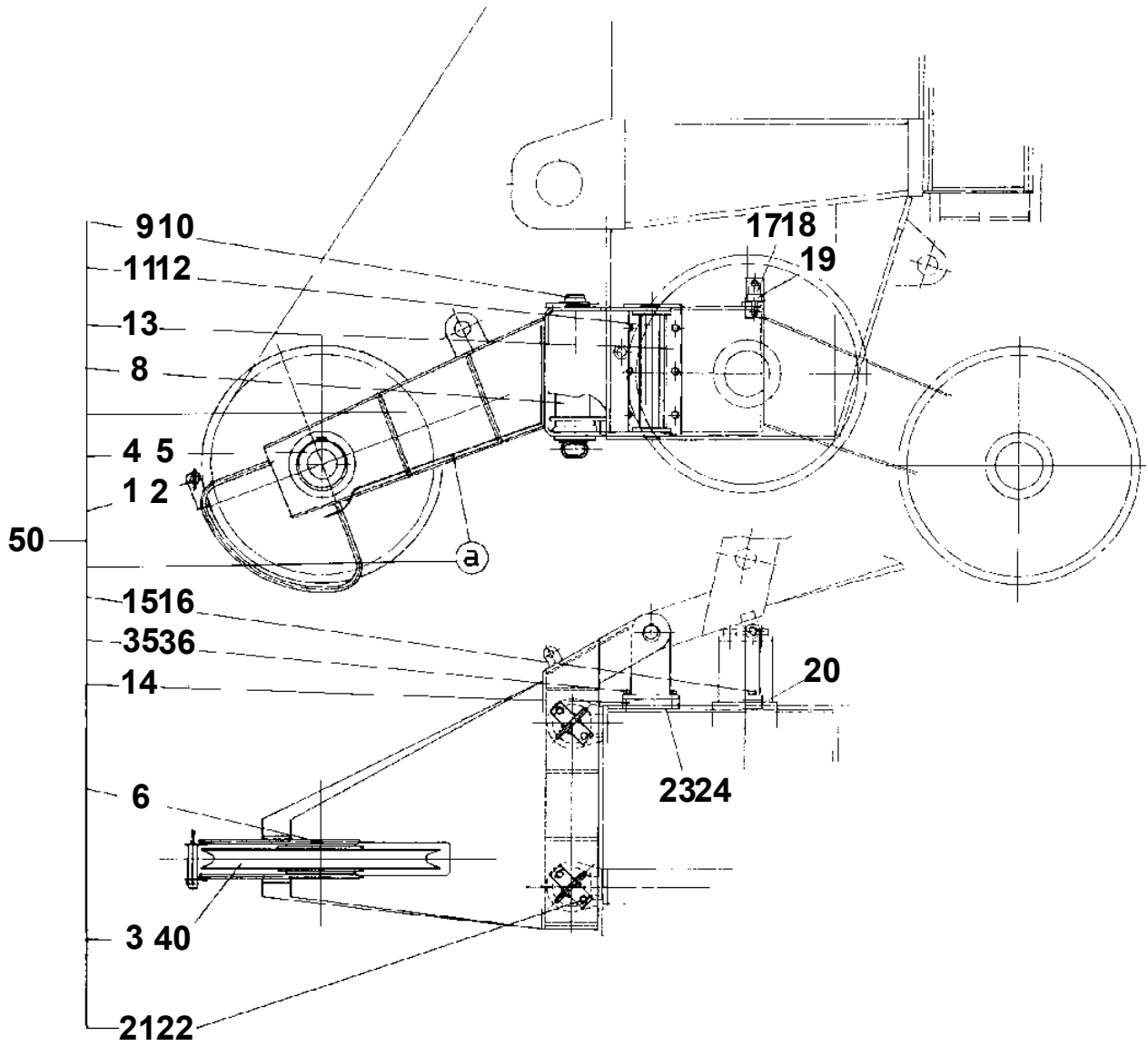
TG-3600M-1-10202 5 BOOM + JIB,W-KL620YN

Pos No.	Parts No	Parts Name	Qty	Unit	Technical Data	Serial No (Start)	Serial No (End)	Remarks	Pages
1	33764524530	SUPPORT	1						
2	33764524520	SUPPORT	2						
3	37001505980	BOLT	8		M16X200				
4	90302041601	WASHER,SPRING	8		16				
5	33764524540	SUPPORT	1						
6	33764524510	SUPPORT	1						
7	33764524560	PLATE	2						
8	33764524570	PLATE	2						
9	33764524580	PLATE	2						
10	33764524590	SUPPORT	2						
11	90303071601	WASHER,PLAIN	8		16				

TG-3600M-1-10202 5 BOOM + JIB,W-KL620YN

Pos No.	Parts No	Parts Name	Qty	Unit	Technical Data	Serial No (Start)	Serial No (End)	Remarks	Pages
1	33460472000	COVER	1						
2	33460153520	SUPPORT	8						

TG-3600M-1-10202 5 BOOM + JIB,W-KL620YN
PY1030068-01 SINGLE TOP



TG-3600M-1-10202 5 BOOM + JIB,W-KL620YN

Pos No.	Parts No	Parts Name	Qty	Unit	Technical Data	Serial No (Start)	Serial No (End)	Remarks	Pages
1	33472993000	ANTENNA	1						
2	80175304016	SCREW,MACHINE	1		M4X16				
3	80172304030	SCREW,MACHINE	1		M4X30				
4	90302040401	WASHER,SPRING	1		4				
5	80172305010	SCREW,MACHINE	4		M5X10				
6	90302040501	WASHER,SPRING	4		5				
7	33474881000	RADIO	1						
8	33474880100	HARNESS (RADIO)	1						
9	82400000024	CLAMP	14						
10	33472992000	SPEAKER	1						
11	90927040251	SCREW,TAPPING	4						

CLICK HERE TO **DOWNLOAD** THE COMPLETE MANUAL

- Thank you very much for reading the preview of the manual.
- You can download the complete manual from: www.heydownloads.com by clicking the link below



- Please note: If there is no response to CLICKING the link, please download this PDF first and then click on it.

CLICK HERE TO **DOWNLOAD** THE COMPLETE MANUAL