

TG-3600M-1-10201 5 BOOM + JIB,W-KL620YN

PB1000208-01 HYDRAULIC PRESSURE GENERATING SYSTEM
PC1000157-01 OUTRIGGER SYSTEM
PD1000194-01 SWING SYSTEM
PE1000192-01 ELEVATING SYSTEM
PF1000182-01 WINCH SYSTEM
PG1000187-01 TELESCOPING SYSTEM
PH1000178-01 SAFETY DEVICES
PI1000212-01 HYDRAULIC DEVICES
PK1000202-01 FRAME
PL1000198-01 CONTROL DEVICES
PN1000166-01 ELECTRIC EQUIPMENT
PO1000133-01 INDICATION PLATES
PP1000005-01 DISASSEMBLY DEVICES
PQ1000058-01 DRIVING POWER GENERATING SYSTEM
PW1000111-01 ACCESSORIES & TOOLS
PX1000205-01 MOUNTING PARTS
PY1000178-01 OPTIONS
ASSEMBLY

CLICK HERE TO **DOWNLOAD** THE COMPLETE MANUAL

- Thank you very much for reading the preview of the manual.
- You can download the complete manual from: www.heydownloads.com by clicking the link below

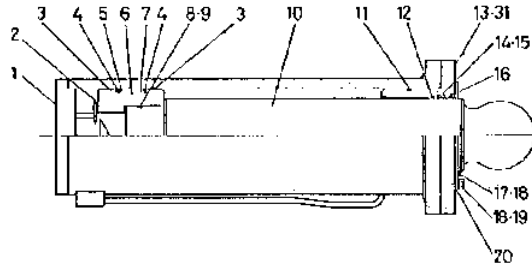


- Please note: If there is no response to CLICKING the link, please download this PDF first and then click on it.

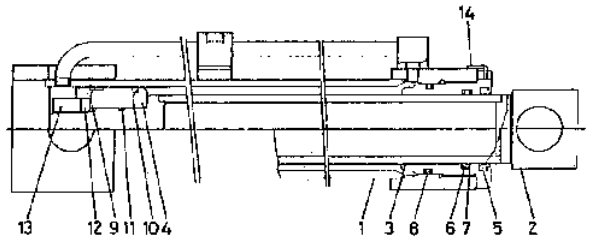
CLICK HERE TO **DOWNLOAD** THE COMPLETE MANUAL

TG-3600M-1-10201 5 BOOM + JIB,W-KL620YN
 PC1000157-01 OUTRIGGER SYSTEM

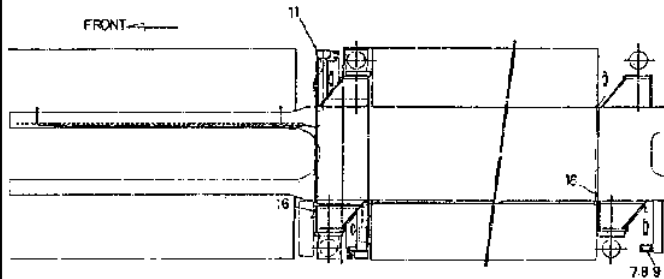
9



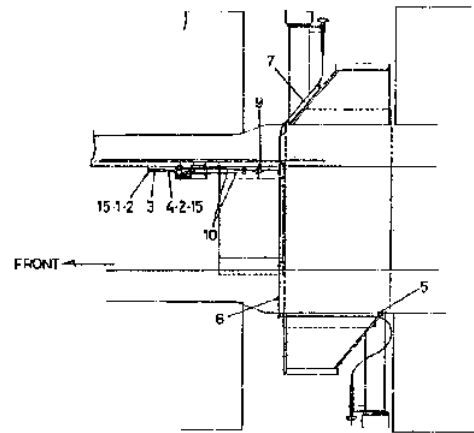
10



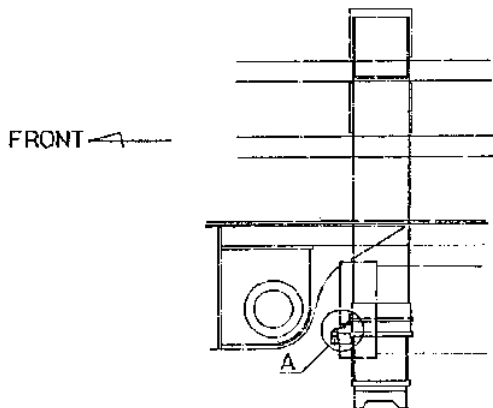
11



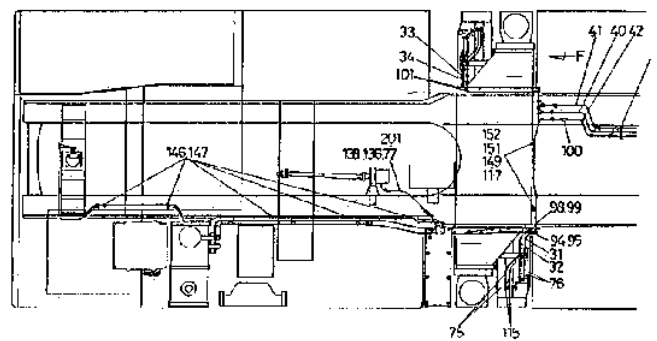
12



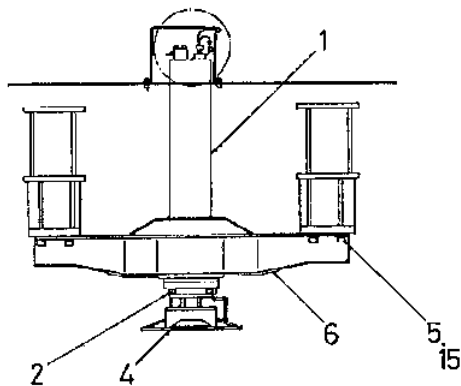
13



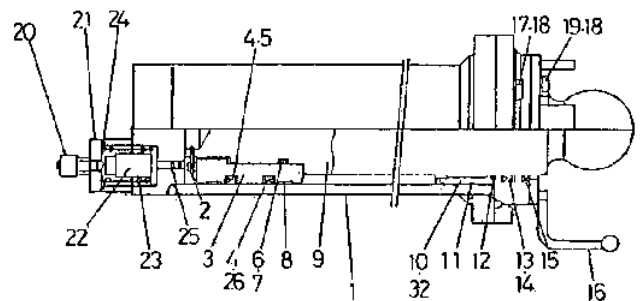
14



15

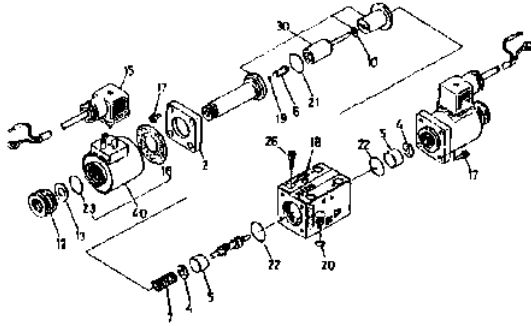


16

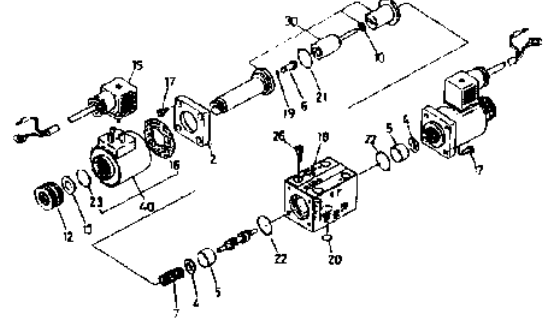


**TG-3600M-1-10201 5 BOOM + JIB,W-KL620YN
PG1000187-01 TELESCOPING SYSTEM**

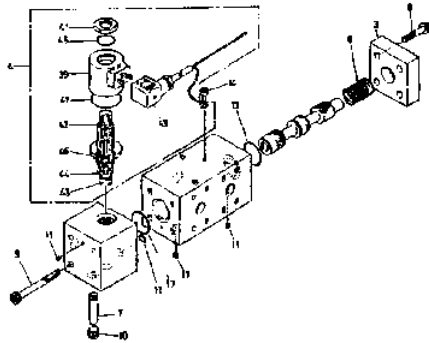
71



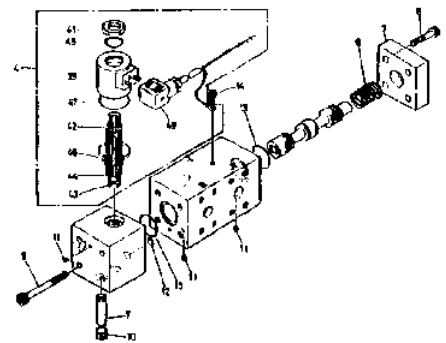
72



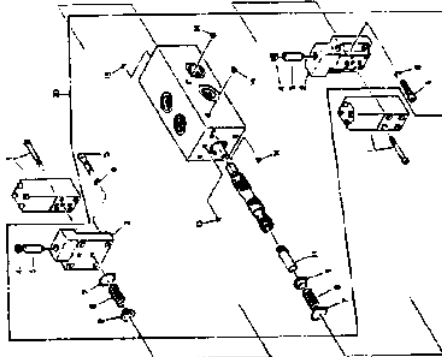
73



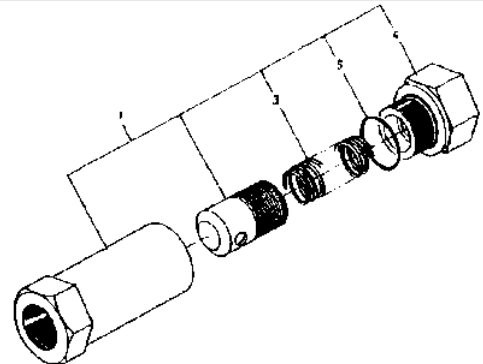
74



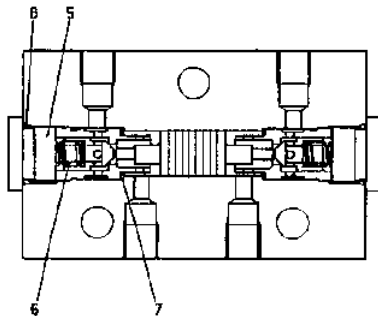
75



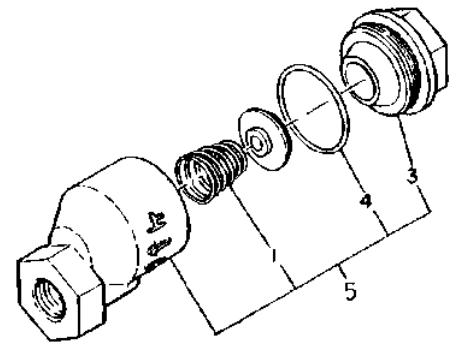
76



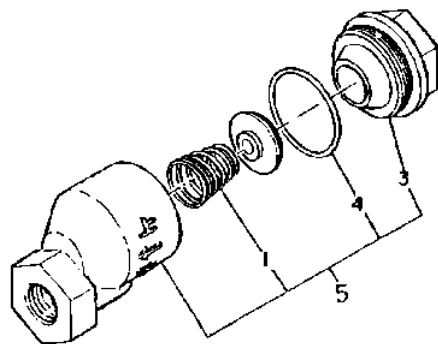
77



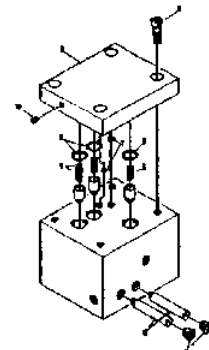
78



79

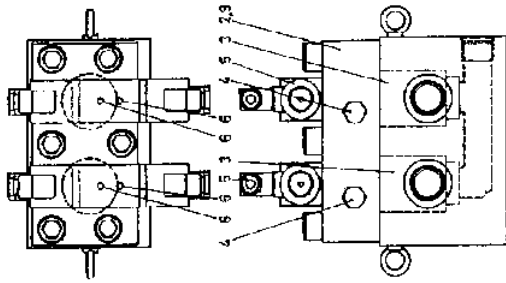


80

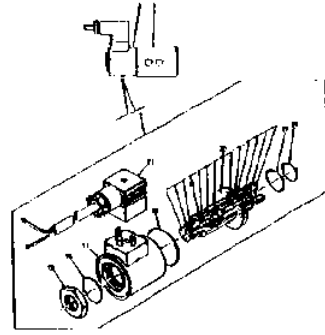


**TG-3600M-1-10201 5 BOOM + JIB,W-KL620YN
PI1000212-01 HYDRAULIC DEVICES**

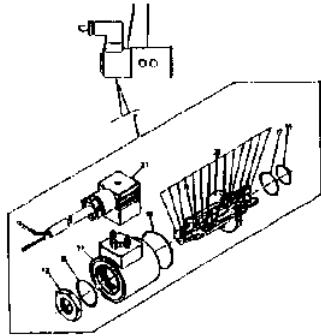
21



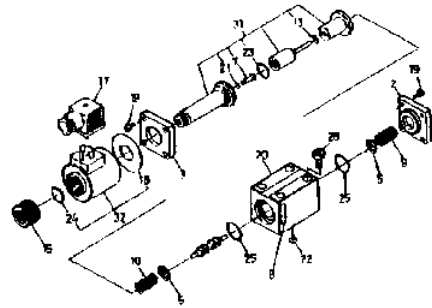
22



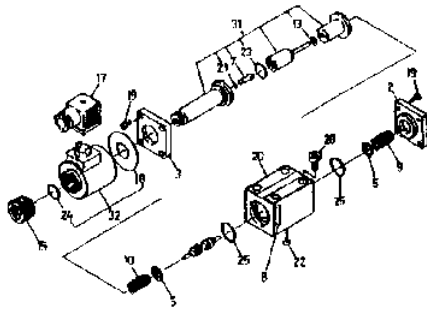
23



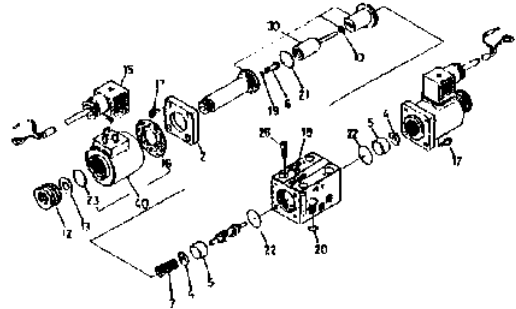
24



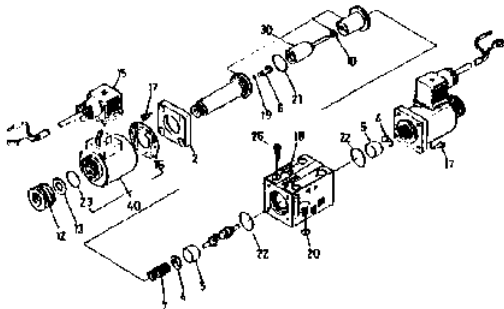
25



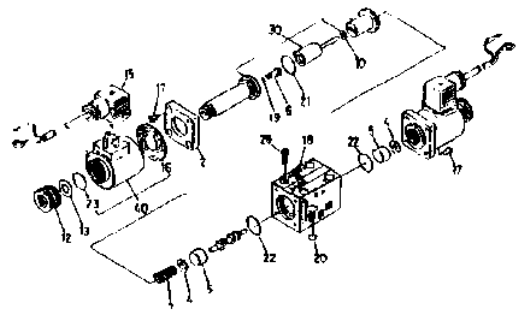
26



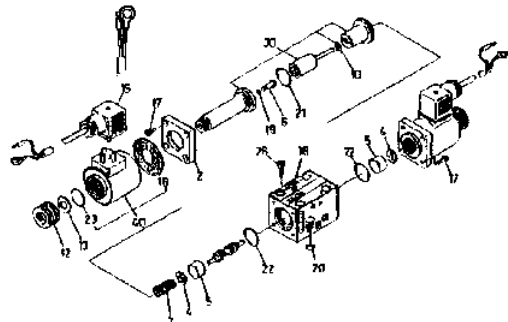
27



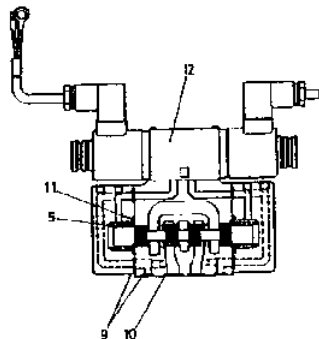
28



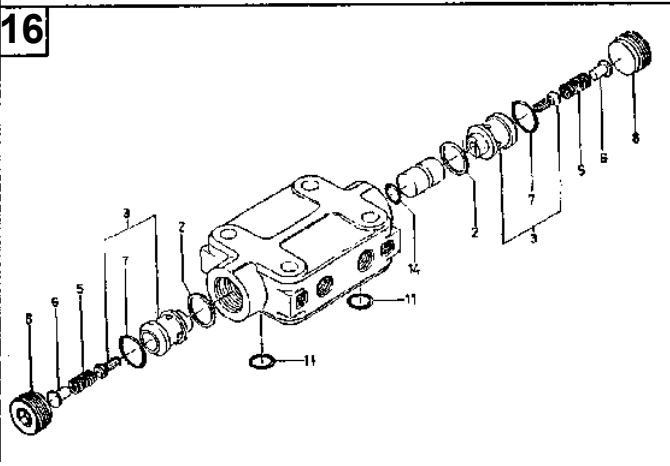
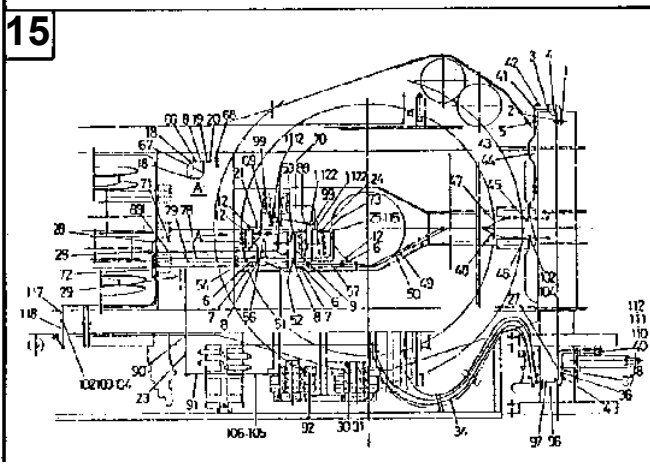
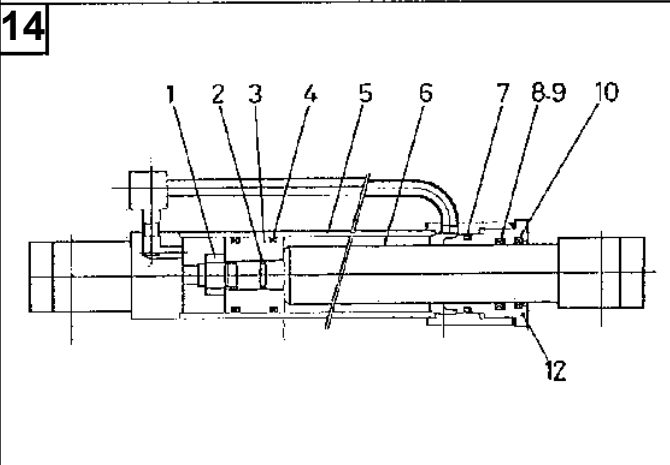
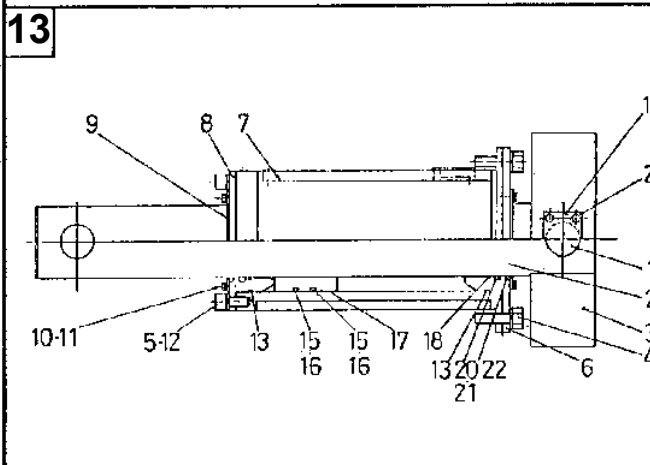
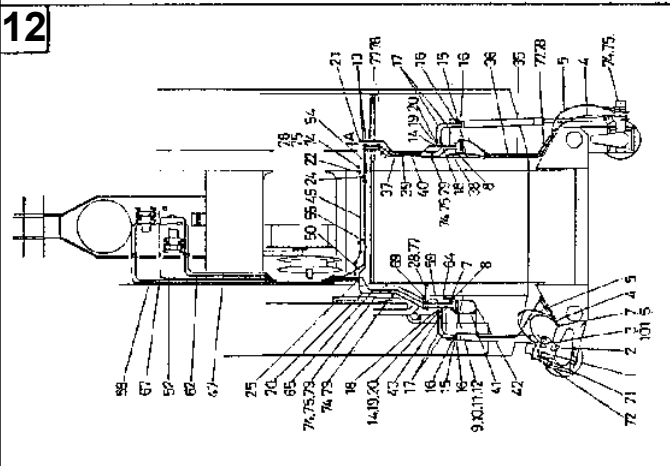
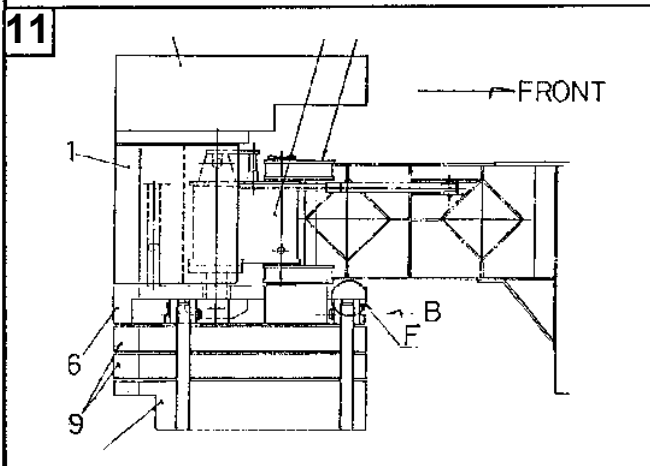
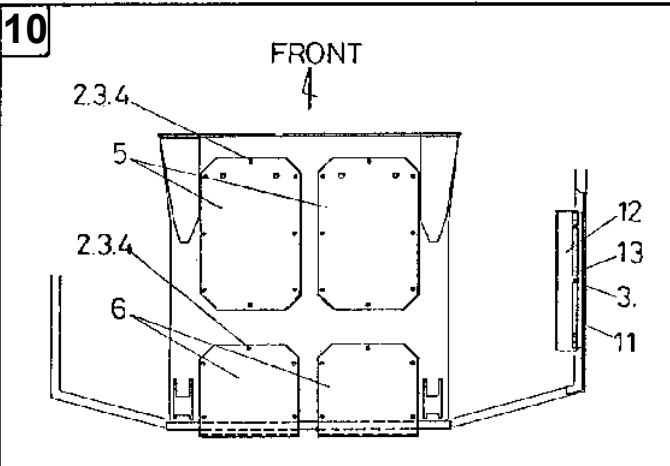
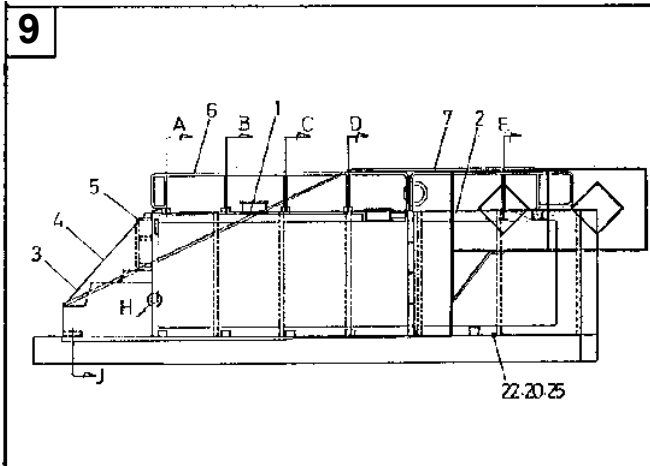
29



30

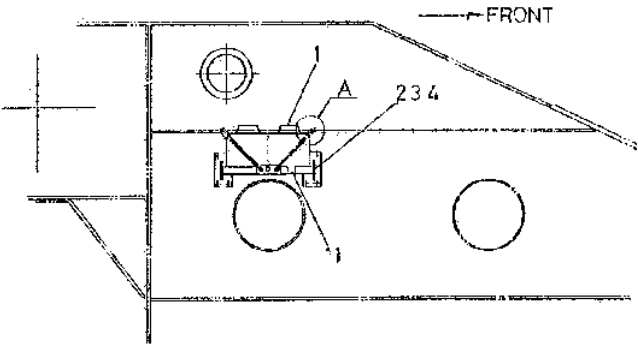


TG-3600M-1-10201 5 BOOM + JIB,W-KL620YN
 PK1000202-01 FRAME

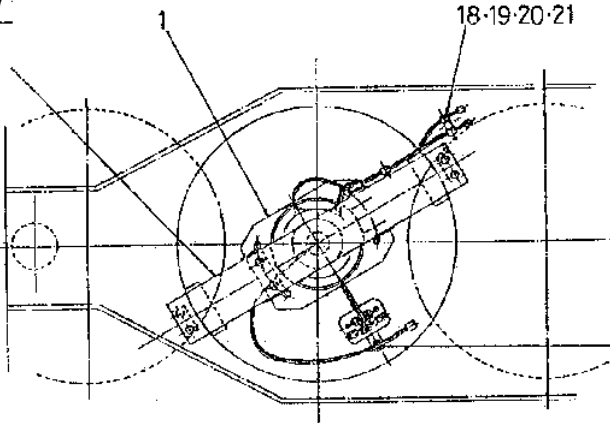


TG-3600M-1-10201 5 BOOM + JIB,W-KL620YN
PN1000166-01 ELECTRIC EQUIPMENT

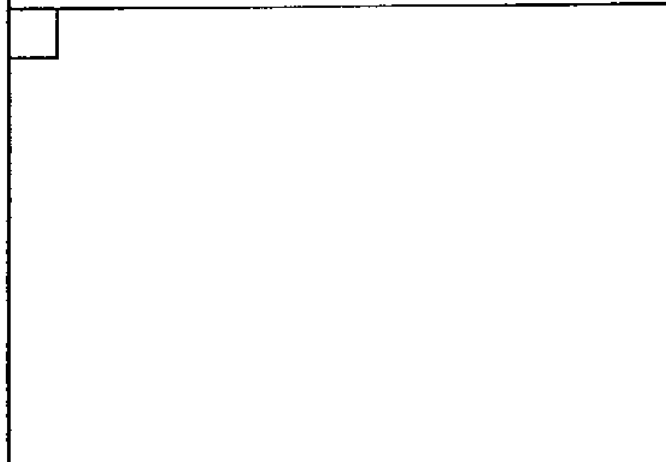
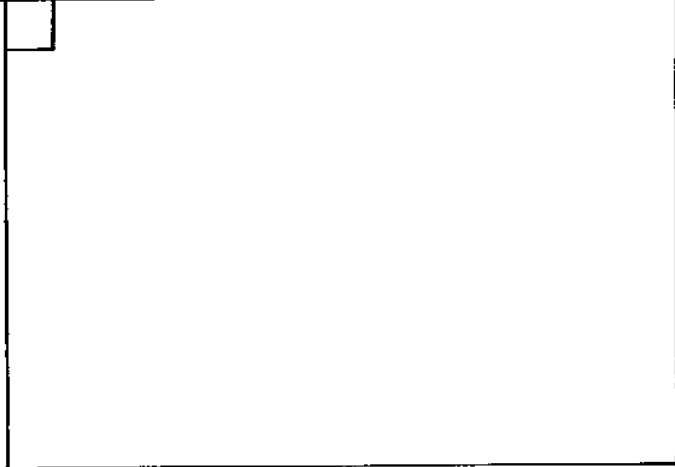
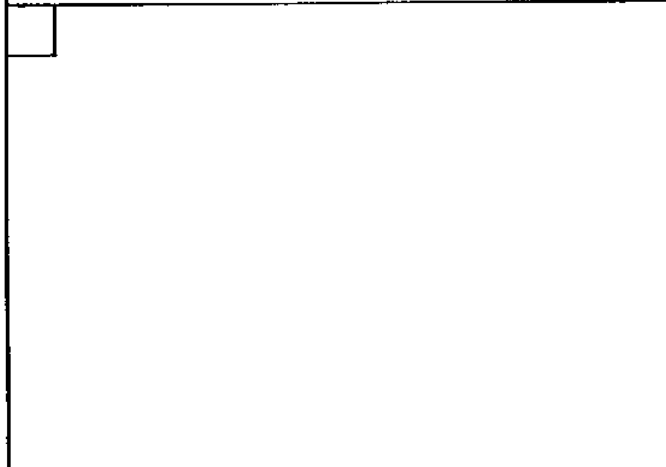
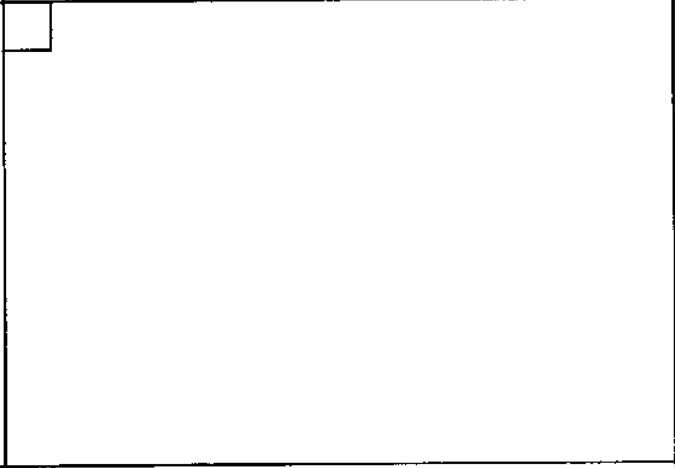
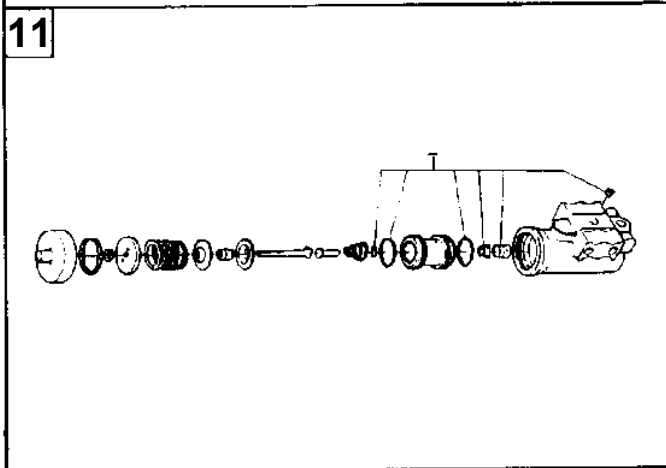
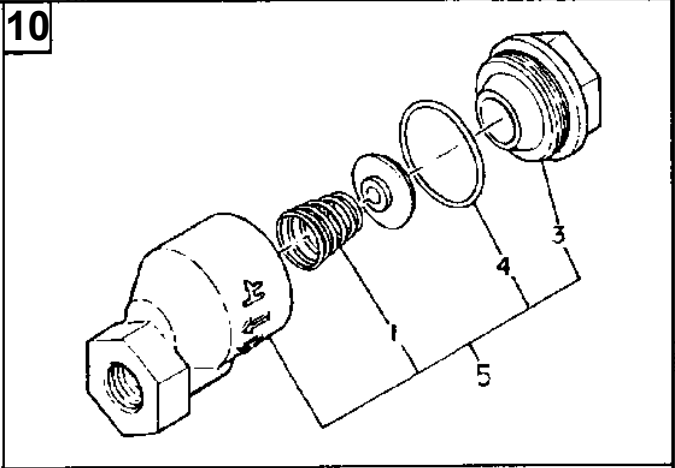
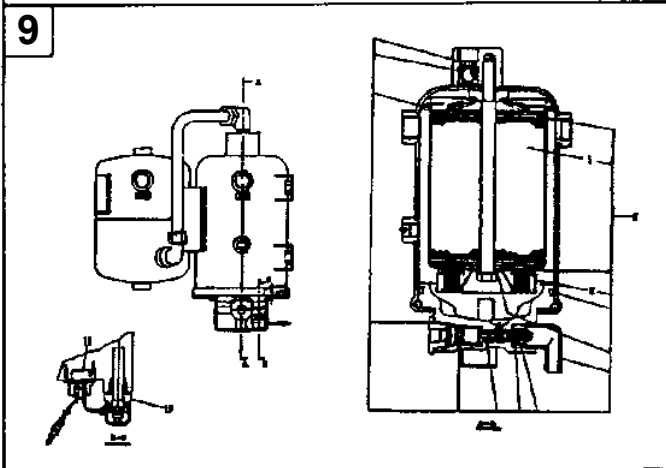
36



37



TG-3600M-1-10201 5 BOOM + JIB,W-KL620YN
PQ1000058-01 DRIVING POWER GENERATING SYSTEM



TG-3600M-1-10201 5 BOOM + JIB,W-KL620YN

PF1050214-00 HOOK (SUPPORT FOR 360TON)
PF1070005-00 ROPE,WIRE
PF1090007-01 SOCKET,ROPE
PF1140034-01 OPERATION SYSTEM, DRUM LOCK
PF1180039-00 DETECTOR,DISORDERLY WINDING
PF1190018-00 DETECTOR,OVER UNWIND (MAIN)
PF1200144-03 PIPING,WINCH
PF1200145-00 PIPING,WINCH (MINI WINCH)
PF1200183-00 PIPING,WINCH
PF1250041-01 DETECTOR,DRUM ROTATION
PF1250042-01 DETECTOR,DRUM ROTATION
PF1260014-00 INDICATOR,DRUM (FAMOTH)
PF1400145-00 MOUNT,WINCH (MAIN)
PF1400146-00 MOUNT,WINCH (AUXILIARY)
PF1400147-00 MOUNT,WINCH (MINI WINCH)
PF1400207-00 MOUNT,WINCH (REEVING,OPTION)
PG1010261-01 BOOM
PG1010263-00 BOOM (HEAD SHEAVE & PIN)
PG1010264-01 BOOM (SLIDE PLATE FRONT & SIDE)
PG1010265-01 BOOM (SLIDE PLATE REAR)
PG1010266-00 BOOM (SLUDE PLATE UNDER)
PG1010267-00 BOOM (POWER PIN)
PG1040108-02 JIB (LUFFING)
PG1040109-01 JIB (EXTENSION)
PG1040110-01 JIB (EXTENSION JIB MAST)
PG1040111-00 JIB (EXTENSION JIB ROLLER)
PG1040113-02 JIB (JIB 1, TOP)
PG1040114-02 JIB (JIB 1, BASE)
PG1040115-01 JIB (JIB 1, MAST 1)
PG1040116-00 JIB (OVER TOP BOOM)
PG1040117-01 JIB (JIB 1, MAST 2)
PG1040118-01 JIB (JIB 1, MAST 3)
PG1040119-00 JIB (MUST 3, SUPPORT)
PG1040120-01 JIB (OVER TOP BOOM LOCK PIN)
PG1040122-03 JIB (ELEVATING WIRE SHEAVE)
PG1040123-00 JIB (FULL AUTO. LUFFING)
PG1040124-05 JIB (FULL AUTO. LUFFING)
PG1040125-01 JIB (FULL AUTO. LUFFING CONNETING PIN)
PG1040212-00 JIB (JIB 1, MIDDLE)
PG1040213-00 JIB (JIB 1, MIDDLE 2)
PG1050160-00 CYLINDER, TELESCOPING (BOOM, MOUNT)
PG1050162-01 CYLINDER, TELESCOPING (NO.1)
PG1050163-02 CYLINDER, TELESCOPING (BOOM, NO.2)
PG1050164-01 CYLINDER, TELESCOPING (NO.3)
PG1050165-01 CYLINDER, TELESCOPING (NO.4)
PG1050166-00 CYLINDER, TELESCOPING (PIPING)
PG1050167-01 CYLINDER, TELESCOPING (PIN)
PG1050168-00 CYLINDER, TELESCOPING (PIPING, NO.4 CYL)
PG1050169-03 CYLINDER, TELESCOPING (FLJ / MOUNT)
PG1050171-04 CYLINDER, TELESCOPING (FLJ, NO.1)
PG1050172-04 CYLINDER, TELESCOPING (FLJ, NO.2)
PG1070013-03 REEL, HOSE
PG1070013-03 REEL, HOSE
PG1070060-00 REEL, HOSE
PG1070076-00 REEL, HOSE (MOUNT)
PG1070077-01 REEL, HOSE (5/8X17M)
PG1070078-01 REEL, HOSE (5/8X17.4M)
PG1070079-00 REEL, HOSE (POWER PIN, MOUNT)
PG1070083-00 REEL, HOSE (POWER PIN. PT3/8)
PG1070084-00 REEL, HOSE (AIR/POWER PIN)
PG1070152-01 REEL, HOSE
PG1070153-00 REEL, HOSE
PG1080001-03 CYLINDER, JIB (POWER TILT)
PG1080002-02 CYLINDER, JIB (POWER TILT)

TG-3600M-1-10201 5 BOOM + JIB,W-KL620YN

Pos No.	Parts No	Parts Name	Qty	Unit	Technical Data	Serial No (Start)	Serial No (End)	Remarks
9	90131512030	BOLT,HEXAGON SOCKET	16		M12X30			
10	90302041201	WASHER,SPRING	16		12			
12	56051502060	SEAL,OIL	1					
13	56051502050	SEAL,OIL	1					
14	80602110500	RING,RITAINING	1		R50			
18	91002910500	O-RING	2		1B G105			
50	36650730000	PUMP,HYDRAULIC	1					

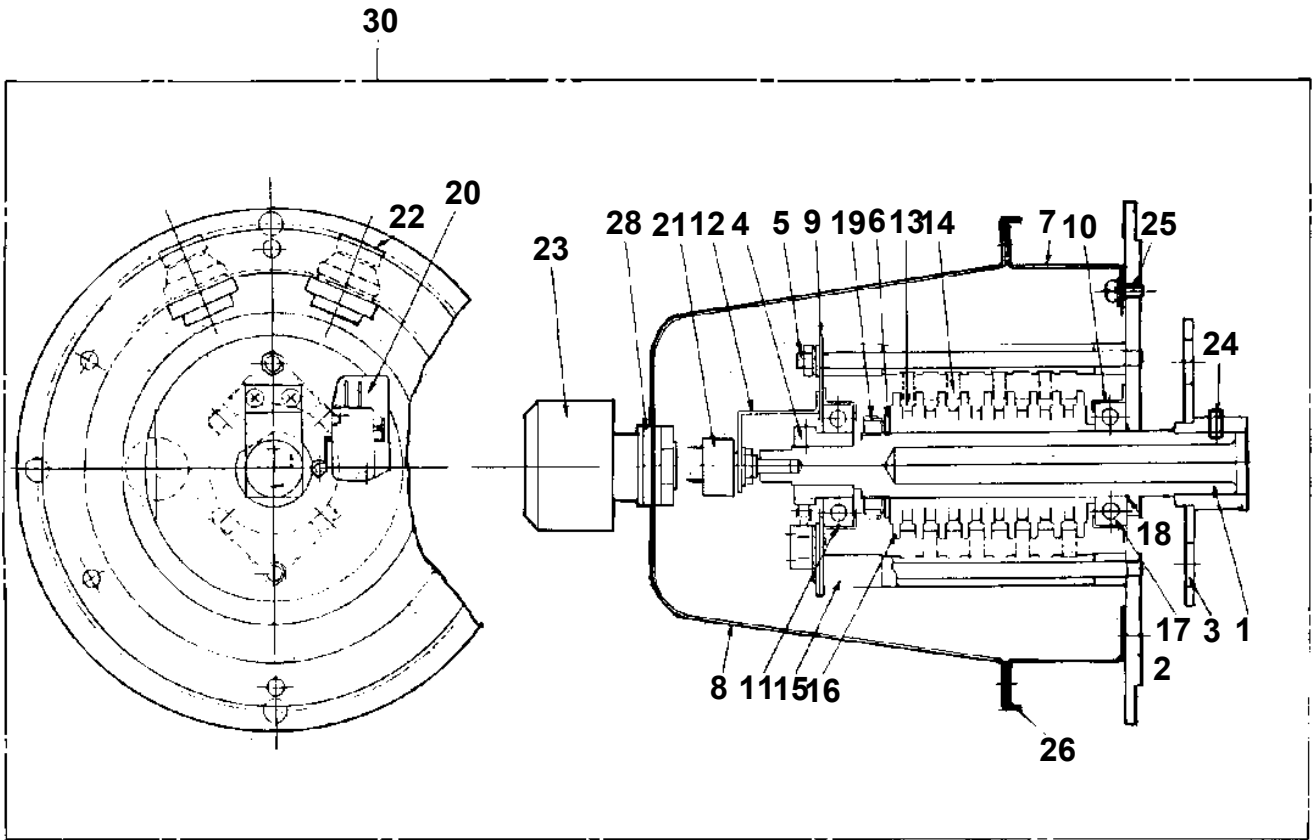
TG-3600M-1-10201 5 BOOM + JIB,W-KL620YN

Pos No.	Parts No	Parts Name	Qty	Unit	Technical Data	Serial No (Start)	Serial No (End)	Remarks	Pages
1	58056011000	MAGNET	4						
2	12822003001	CAP	2				450115		
3	91001104800	O-RING	2		1A P48		450115		
4	36100810200	COVER	2						
5	91001226000	O-RING	5		1A G260				
6	90101210016	BOLT	43		M10X16				
7	90302041001	WASHER,SPRING	56		10				
8	36670750000	FILTER,OIL	2						
9	36101120010	COVER	1						
10	91001221000	O-RING	1		1A G210				
11	90152200120	BOLT,EYE	2						
12	90302041201	WASHER,SPRING	2		12				
13	36100812000	BREATHER ASSY	2						
14	36101120100	COVER	1						
15	36101120300	PLATE	1						
16	58356705000	COVER	1						
17	36101120201	JOINT	1						
18	91001222000	O-RING	2		1A G220				
19	36101120400	GAUGE,OIL	1						
20	36101130000	TANK,OIL	1						
23	90101210022	BOLT	12		M10X22				
24	36101120500	COVER	1						
25	90152200100	BOLT,EYE	1						
31	36670750010	ELEMENT	2						
41	36100815010	ELEMENT	2						
50	36101120001	TANK,OIL	1						
81	36670755010	PLATE	2						

TG-3600M-1-10201 5 BOOM + JIB,W-KL620YN

Pos No.	Parts No	Parts Name	Qty	Unit	Technical Data	Serial No (Start)	Serial No (End)	Remarks
65	33343613140	JOINT	1					
66	80330003500	FITTING	3					
67	33343613100	JOINT	1					
68	33343613110	JOINT	1					
69	80330002800	COUPLING	6					
70	33343613081	JOINT	1					
71	33343613091	JOINT	1					
72	33343613040	JOINT	1					
73	33343613050	JOINT	1					
74	33343613070	SUPPORT	1					
75	37000712230	CLAMP ASSY	2					
76	37000712240	CLAMP ASSY	1					
77	37000544640	PLATE	1					
78	37000712380	CLAMP ASSY	1		35X4			
79	37000300800	SLEEVE	2		35-28			
80	37000300790	SLEEVE	2		35-22			
81	37000711110	CLAMP ASSY	1		35X2			
82	37000502500	PLATE	1					
83	37000702470	CLAMP ASSY	2					
84	37000702230	CLAMP ASSY	1					
85	37000300750	SLEEVE	1		18-15			
86	37001505730	BOLT	2		M10X175			
87	90202201000	NUT	4		M10			
88	33343613170	PLATE	4					
89	80302010270	FITTING	1		KCT22-040N			
90	80303030270	FITTING,ELBOW	1		KLN22-040N			
91	80305010200	FITTING,TEE	1		KTA220-000N			
92	81408000290	PIPE,STEEL	2	M	22X2.5T			
93	81408000290	PIPE,STEEL	2	M	22X2.5T			
94	81408000130	PIPE,STEEL	2	M	10X1.8T			
95	81408000130	PIPE,STEEL	2	M	10X1.8T			
96	81408000210	PIPE,STEEL	2	M	15X2.0T			
97	81408000210	PIPE,STEEL	2	M	15X2.0T			
98	81408000210	PIPE,STEEL	2	M	15X2.0T			
99	81408000210	PIPE,STEEL	2	M	15X2.0T			
100	81408000210	PIPE,STEEL	2	M	15X2.0T			
101	81408000290	PIPE,STEEL	2	M	22X2.5T			
102	81408000290	PIPE,STEEL	2	M	22X2.5T			
103	81408000290	PIPE,STEEL	2	M	22X2.5T			
105	81408000290	PIPE,STEEL	2	M	22X2.5T			
106	81408000341	PIPE,STEEL	2	M	28X3.1T			
108	81408000341	PIPE,STEEL	2	M	28X3.1T			
109	81408000341	PIPE,STEEL	2	M	28X3.1T			
110	81408000341	PIPE,STEEL	2	M	28X3.1T			
111	81408000341	PIPE,STEEL	2	M	28X3.1T			
112	81408000341	PIPE,STEEL	2	M	28X3.1T			
113	81408000341	PIPE,STEEL	2	M	28X3.1T			
114	81408000341	PIPE,STEEL	2	M	28X3.1T			
115	81408000341	PIPE,STEEL	2	M	28X3.1T			
116	81408000341	PIPE,STEEL	2	M	28X3.1T			
117	81408000341	PIPE,STEEL	2	M	28X3.1T			
118	81408000401	PIPE,STEEL	2	M	35X4.0T			
119	81408000401	PIPE,STEEL	2	M	35X4.0T			
120	81408000401	PIPE,STEEL	2	M	35X4.0T			
121	81408000401	PIPE,STEEL	2	M	35X4.0T			
122	81408000401	PIPE,STEEL	2	M	35X4.0T			
123	81408000401	PIPE,STEEL	2	M	35X4.0T			
124	81408000401	PIPE,STEEL	2	M	35X4.0T			
125	81408000401	PIPE,STEEL	2	M	35X4.0T			
126	81408000401	PIPE,STEEL	2	M	35X4.0T			
127	81408000401	PIPE,STEEL	2	M	35X4.0T			
128	81408000401	PIPE,STEEL	2	M	35X4.0T			
129	81408000401	PIPE,STEEL	2	M	35X4.0T			

TG-3600M-1-10201 5 BOOM + JIB,W-KL620YN
PB1310000-01 BRUSH,ROTARY JOINT



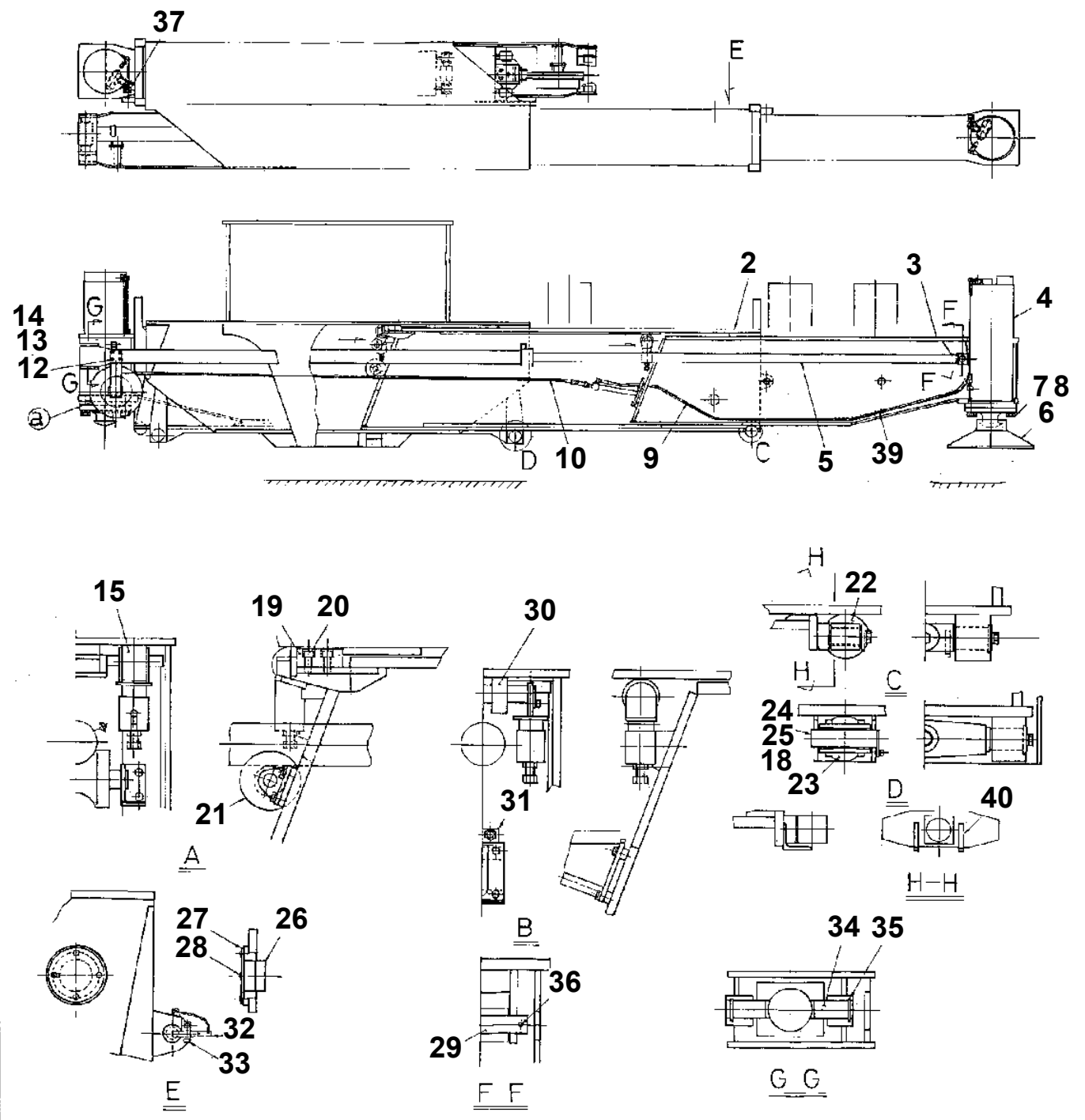
TG-3600M-1-10201 5 BOOM + JIB,W-KL620YN

Pos No.	Parts No	Parts Name	Qty	Unit	Technical Data	Serial No (Start)	Serial No (End)	Remarks
5	36642825070	SPRING	1					
13	16065132330	SPRING	1					
20	36630105260	O-RING	2					
21	91002903000	O-RING	1		1B G30			
22	36642535010	VALVE,SOLENOID	1					
23	36642525200	VALVE,SOLENOID	3					
26	91001100600	O-RING	1		1A P6			
27	91001101100	O-RING	1		1A P11			
31	36642535020	VALVE,RELIEF	1					
32	36642525020	VALVE,RELIEF	1					
44	36642825100	RING	2					
45	36642825110	SPRING	2					
52	91002800900	O-RING	24		1B P9			
54	91002801200	O-RING	5		1B P12			
55	91002802800	O-RING	2		1B P28			
56	36642525110	VALVE,SOLENOID	1					
67	19225107090	SPRING	8					
72	19045110090	NUT	8					
74	36642825120	COIL,SOLENOID	8					
75	36642525210	CONNECTOR	8					
76	19045110110	PACKING (COIL)	8					
79	36370105600	O-RING	2					
81	91000501800	O-RING	8		ARP568-018			
82	91000501900	O-RING	8					
83	36640565040	O-RING	8					
91	36642915010	GUIDE ASSY	2					
109	91001100300	O-RING	6		1A P3			
111	36642525220	GUIDE KIT	6					
150	36642530000	VALVE,SOLENOID CONTROL	1					

TG-3600M-1-10201 5 BOOM + JIB,W-KL620YN

Pos No.	Parts No	Parts Name	Qty	Unit	Technical Data	Serial No (Start)	Serial No (End)
64	33343542350	JOINT	1				
65	36643390000	VALVE,SOLENOID (UCHIDA)	1				
66	33343542410	SUPPORT	1				
67	36640650000	VALVE,SOLENOID	1				
68	36643510000	VALVE,HYDRAULIC	1				
69	33343611010	SUPPORT	1				
70	42340180060	ORIFICE	2		1.0		
71	36603270000	VALVE,SHUTTLE	1				
72	37000551730	PLATE	1				
73	36641330000	VALVE,SOLENOID	1				

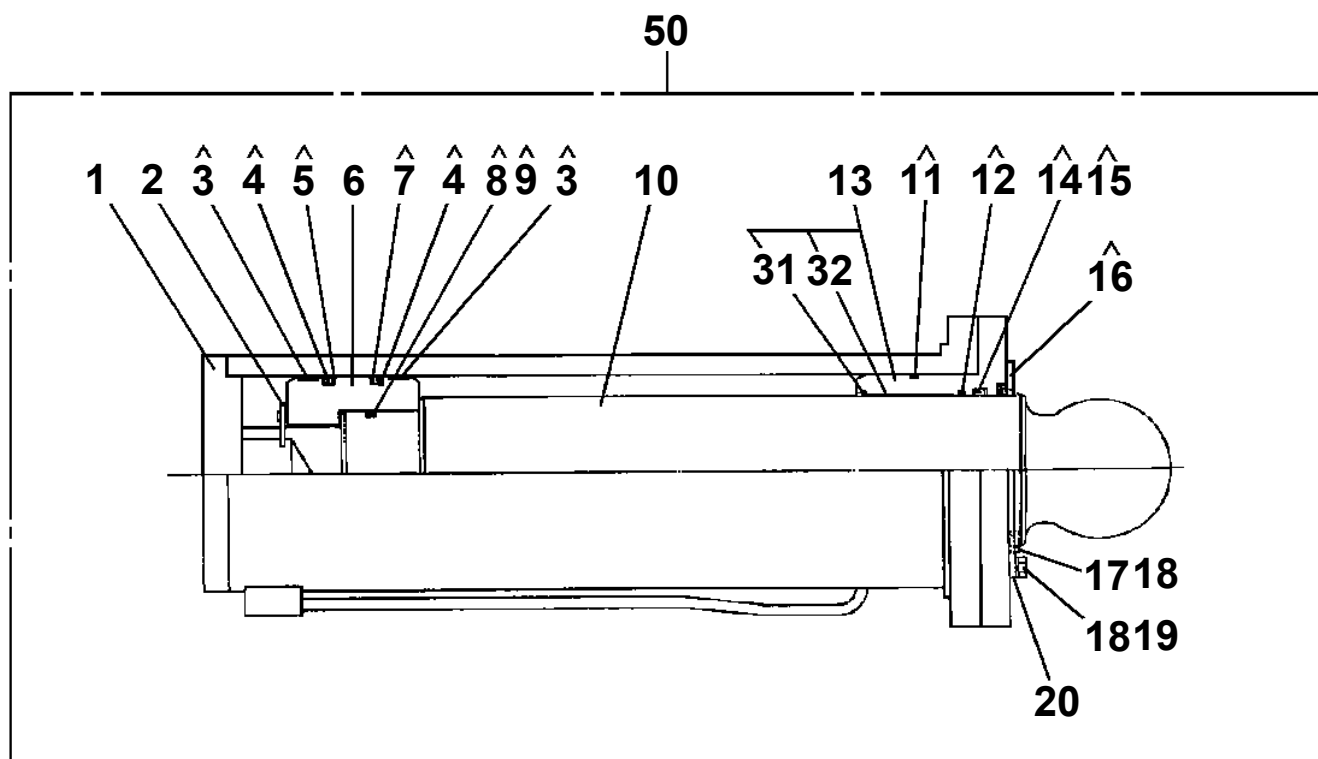
TG-3600M-1-10201 5 BOOM + JIB,W-KL620YN
 PC1010205-00 OUTRIGGER (REAR,8.5M)



TG-3600M-1-10201 5 BOOM + JIB,W-KL620YN

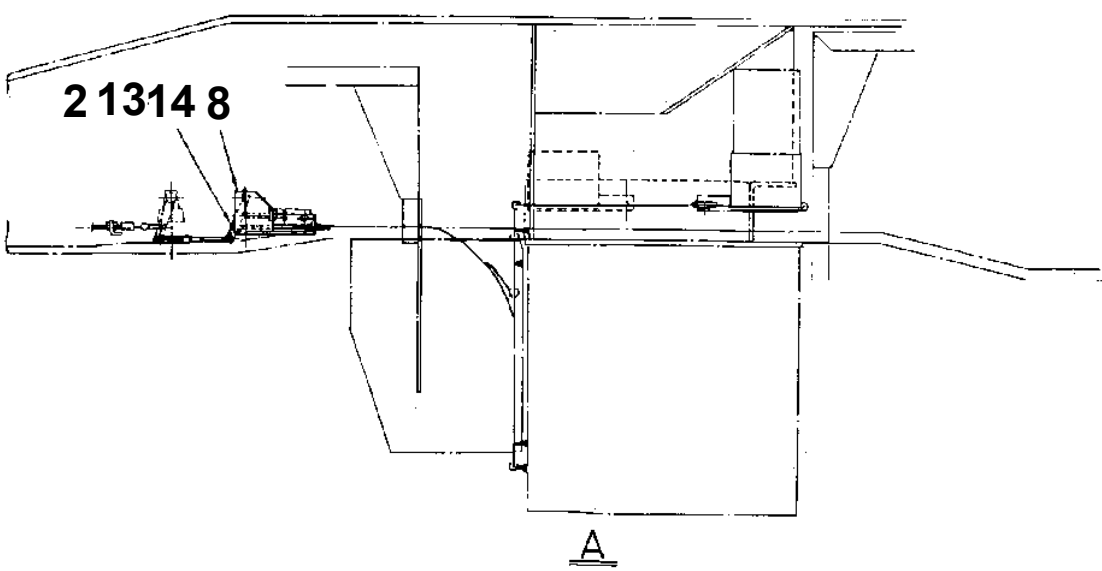
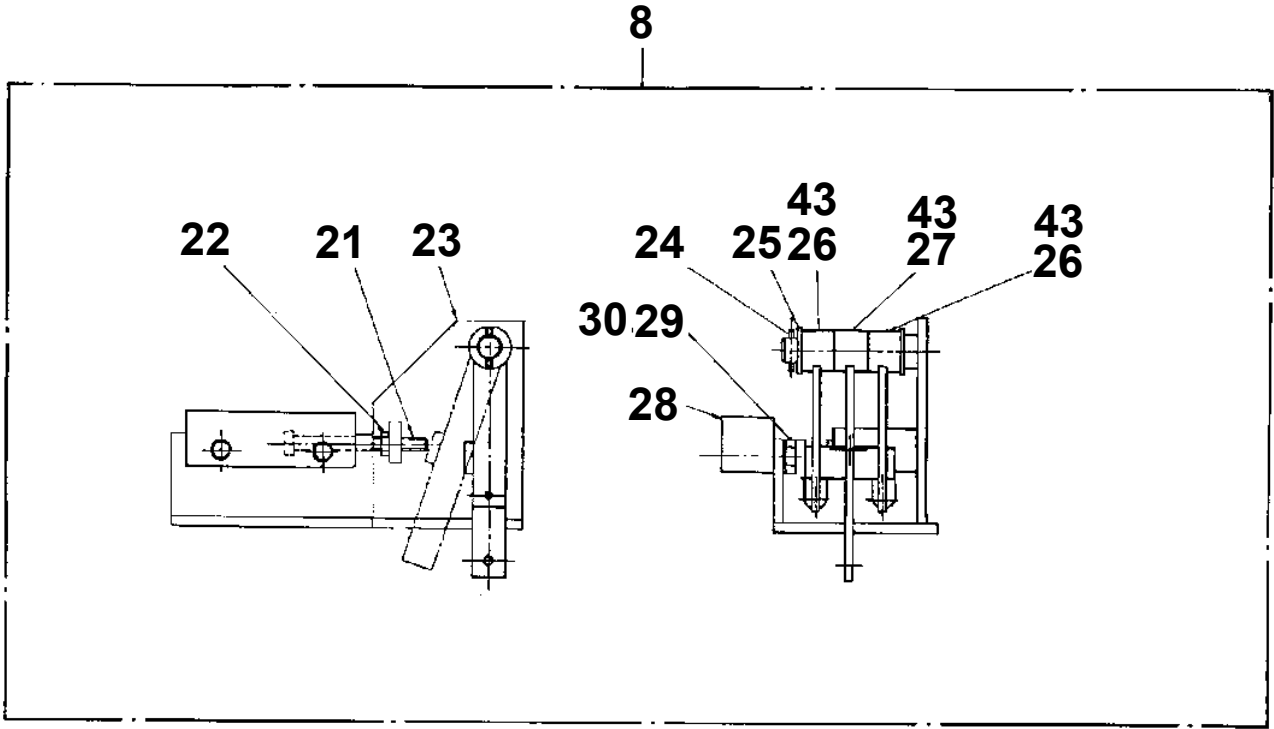
Pos No.	Parts No	Parts Name	Qty	Unit	Technical Data	Serial No (Start)	Serial No (End)	Remarks
1	33610946100	CASE,INNER	2					
2	36032070000	CYLINDER,JACK (REAR)	2					
3	36041190000	CYLINDER,EXTENSION	2					
4	90101530100	BOLT	8		M30X100			
5	90302043001	WASHER,SPRING	8		30			
6	33610940070	ROLLER ASSY	4					
7	33610946300	SUPPORT ASSY	2					
8	90131514040	BOLT,HEXAGON SOCKET	6		M14X40			
9	33610940230	STOPPER	2					
10	37000141330	PIN	2					
11	80136350080	PIN,SPLIT	4		5X8			
12	33610940240	ROLLER ASSY	2					
13	37002433521	HOSE,TWIN	2		L=3170			
14	33610946350	GUARD (SE-15BK,L=900)	2					
21	33610940080	SUPPORT	4					
22	33610940130	SUPPORT	4					
23	33610940170	SUPPORT	4					
24	37000110920	PIN	4		40			
25	37000303210	SPACER	8		L=2			
26	90101210012	BOLT	4		M10X12			
27	90302041001	WASHER,SPRING	12		10			
28	90201201600	NUT	4		M16			
29	90102516060	BOLT	4		M16X60			
30	90101508025	BOLT	4		M8X25			
31	90201200800	NUT	4		M8			
41	33610940250	ROLLER	2					
42	80515006006	BEARING,BALL	4					
43	37000303910	SPACER	4		L=36			
44	33610940260	SUPPORT	4					
45	80601110300	RING,RITAINING	4		S30			
46	90101210022	BOLT	8		M10X22			
48	37000527700	PLATE	4					
49	37000113060	PIN	2					
50	90303071001	WASHER,PLAIN	8		10			

TG-3600M-1-10201 5 BOOM + JIB,W-KL620YN
PC1030114-02 CYLINDER,JACK (REAR JACK)



△: PACKING SET KEY NO 40 (KEY NO. 3, 4, 5, 7, 8, 9, 11, 12, 14, 15, 16)

TG-3600M-1-10201 5 BOOM + JIB,W-KL620YN
PC1120092-00 OPERATION SYSTEM, OUTRIGGER ACCELERATOR



TG-3600M-1-10201 5 BOOM + JIB,W-KL620YN

Pos No.	Parts No	Parts Name	Qty	Unit	Technical Data	Serial No (Start)	Serial No (End)
128	90101206045	BOLT	4		M6X45		
129	90302040601	WASHER,SPRING	6		6		
130	90101208012	BOLT	12		M8X12		
131	90302040801	WASHER,SPRING	29		8		
132	90101208016	BOLT	9		M8X16		
133	90101208055	BOLT	4		M8X55		
134	90131708035	BOLT,HEXAGON SOCKET	4		M8X35		
135	90101210016	BOLT	14		M10X16		
136	90302041001	WASHER,SPRING	22		10		
137	90101210095	BOLT	4		M10X95		
138	90101510030	BOLT	4		M10X30		
139	90101512020	BOLT	5		M12X20		
140	90302041201	WASHER,SPRING	5		12		
141	37000600510	CLAMP	1		R=27		
142	37000600520	CLAMP	3		R=22		
143	37000533600	PLATE	3				
144	37000702240	CLAMP ASSY	1				
145	37000702260	CLAMP ASSY	1				
146	37000704510	CLAMP ASSY	12				
147	37000300750	SLEEVE	24		18-15		
149	37000300780	SLEEVE	8		28-22		
150	37000704990	CLAMP ASSY	2				
151	37000706990	CLAMP ASSY	8				
152	37000300770	SLEEVE	8		28-18		
153	81408000210	PIPE,STEEL	2	M	15X2.0T		
154	81408000210	PIPE,STEEL	2	M	15X2.0T		
155	81408000241	PIPE,STEEL	2	M	18X1.9T		
156	81408000290	PIPE,STEEL	3	M	22X2.5T		
157	81408000341	PIPE,STEEL	2	M	28X3.1T		
158	81408000241	PIPE,STEEL	1	M	18X1.9T		
159	80320010140	FITTING	2		KUD18-040N		
160	81408000290	PIPE,STEEL	2	M	22X2.5T		
161	80320010180	FITTING	2		KUD22-060N		
162	81408000341	PIPE,STEEL	1	M	28X3.1T		
163	80320010221	FITTING	2		KUD28		
164	37002433030	HOSE	1		L=1400		
165	37002407400	HOSE	1		L=1400		
166	37002400870	HOSE	1		L=1400		
167	80316030040	PLUG	1		PT1/4		
168	37000913690	JOINT	1				
169	37000702310	CLAMP ASSY	1				
170	37000602730	CLAMP	2				
171	37000602510	CLAMP	2		R=20		
172	33643153900	PLATE	2				
173	37000711060	CLAMP ASSY	1		28X1		
174	37000711250	CLAMP ASSY	1		22-18		
175	33643153950	SUPPORT	1				
176	81408000241	PIPE,STEEL	1	M	18X1.9T		
177	37000918241	JOINT	1				
178	36681560001	SWITCH,PRESSURE	2				
179	91002801100	O-RING	3		1B P11		
182	37000915040	JOINT	1		T,R1/4-R1/4-R1/4		
184	80301010080	FITTING	1		KUA10-000E		
185	81408000130	PIPE,STEEL	1	M	10X1.8T		
186	81408000130	PIPE,STEEL	1	M	10X1.8T		
187	37000704830	CLAMP ASSY	1				
188	80301010200	FITTING	2		KUA22-000N		
189	80301010241	FITTING	2		KUA28-000N		
190	80302050120	FITTING	1		KCC15-030N		
191	81408000341	PIPE,STEEL	1	M	28X3.1T		
192	81408000241	PIPE,STEEL	1	M	18X1.9T		
193	81408000241	PIPE,STEEL	1	M	18X1.9T		
194	81408000160	PIPE,STEEL	1	M	12X1.4T		

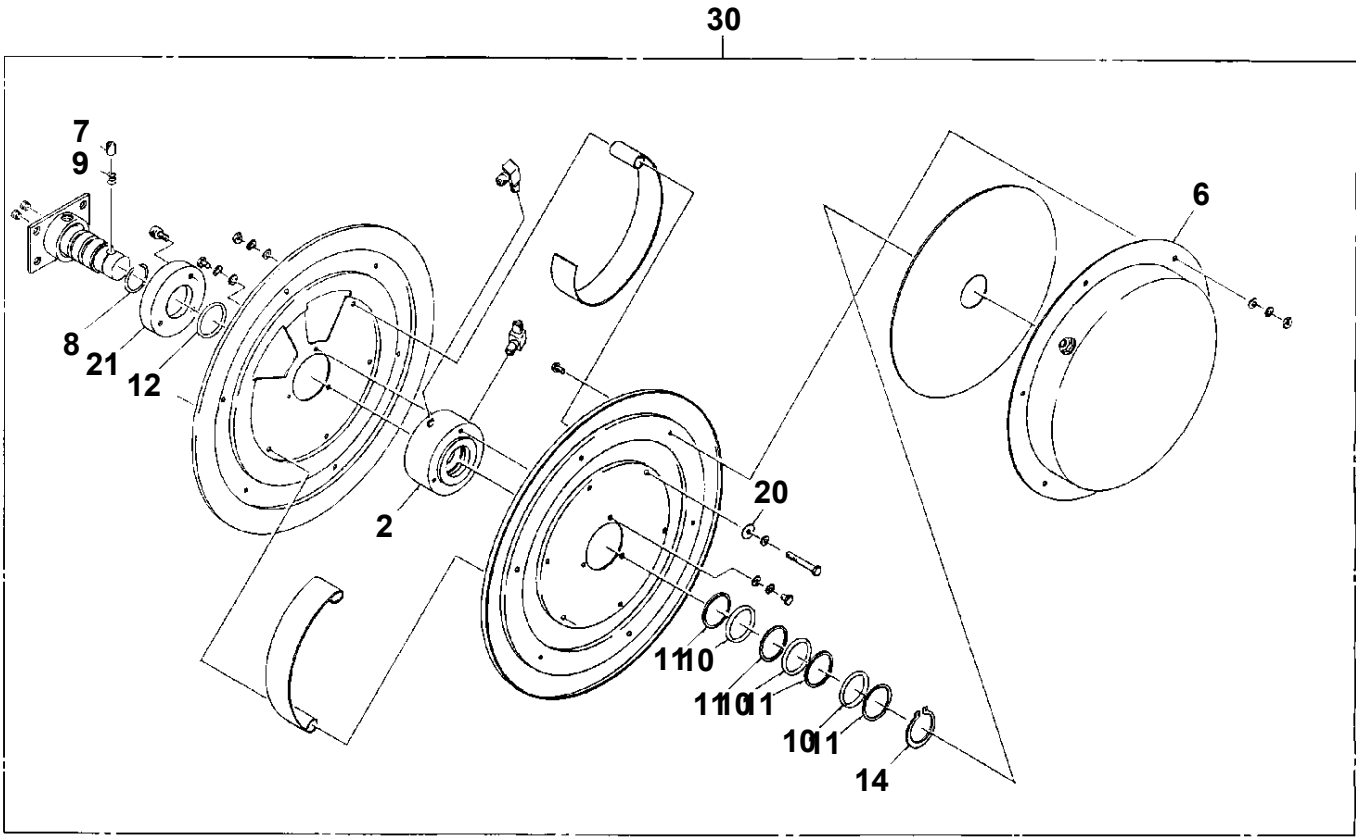
TG-3600M-1-10201 5 BOOM + JIB,W-KL620YN
PC1400000-00 REEL,OUTRIGGER HOSE

Assembly

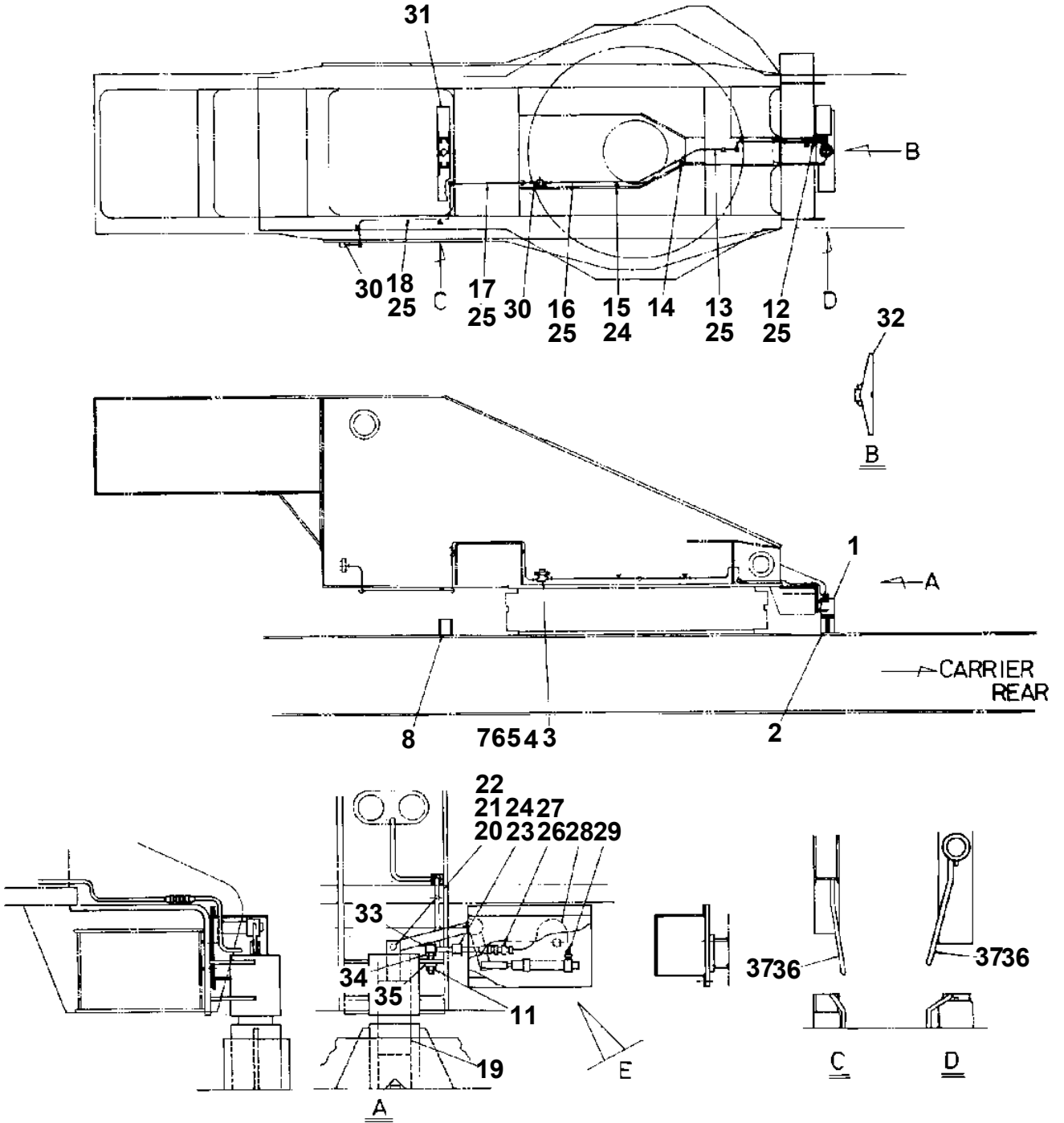
Name

REEL, OUTRIGGER HOSE

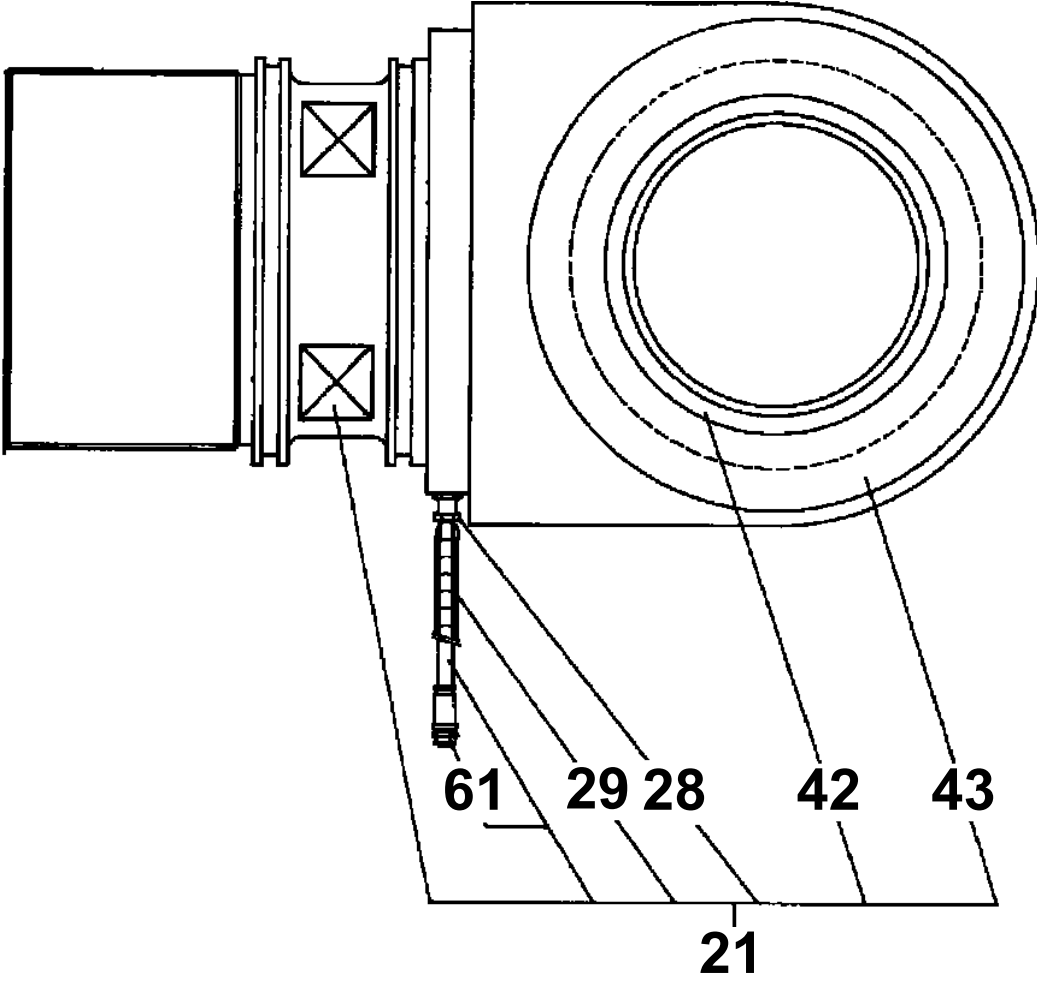
DATE



TG-3600M-1-10201 5 BOOM + JIB,W-KL620YN
 PD1120016-02 OPERATION SYSTEM, SWING LOCK



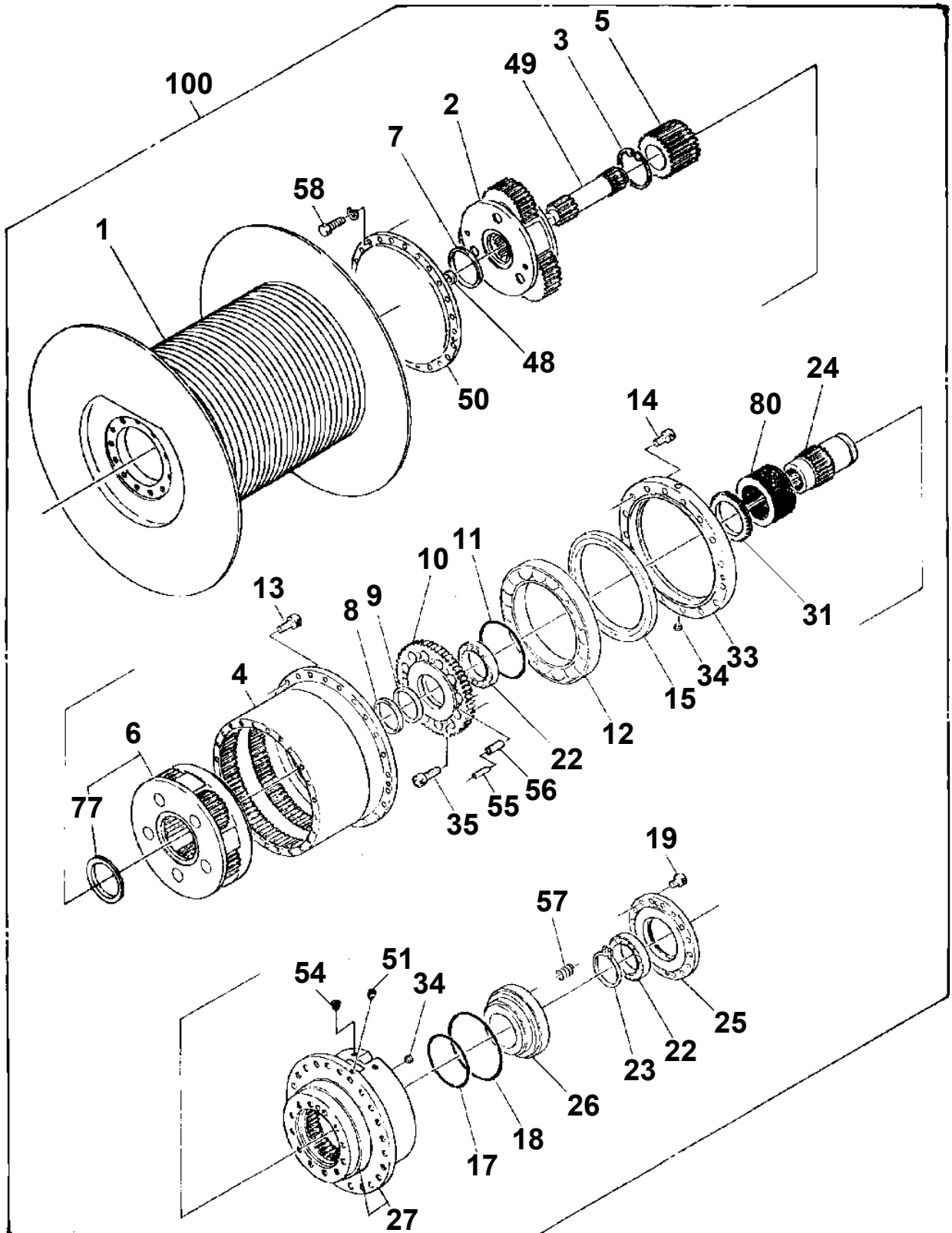
TG-3600M-1-10201 5 BOOM + JIB,W-KL620YN
PE1010158-04 CYLINDER,ELEVATING (RIGHT)



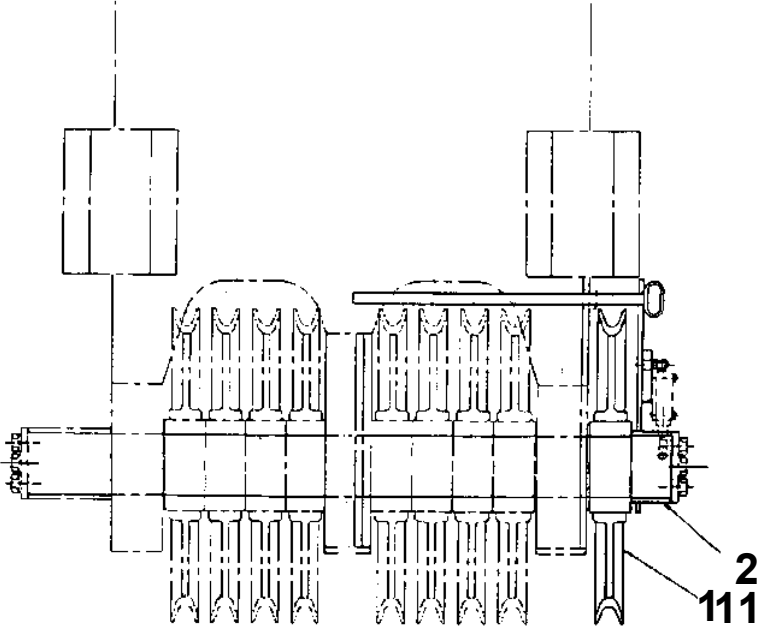
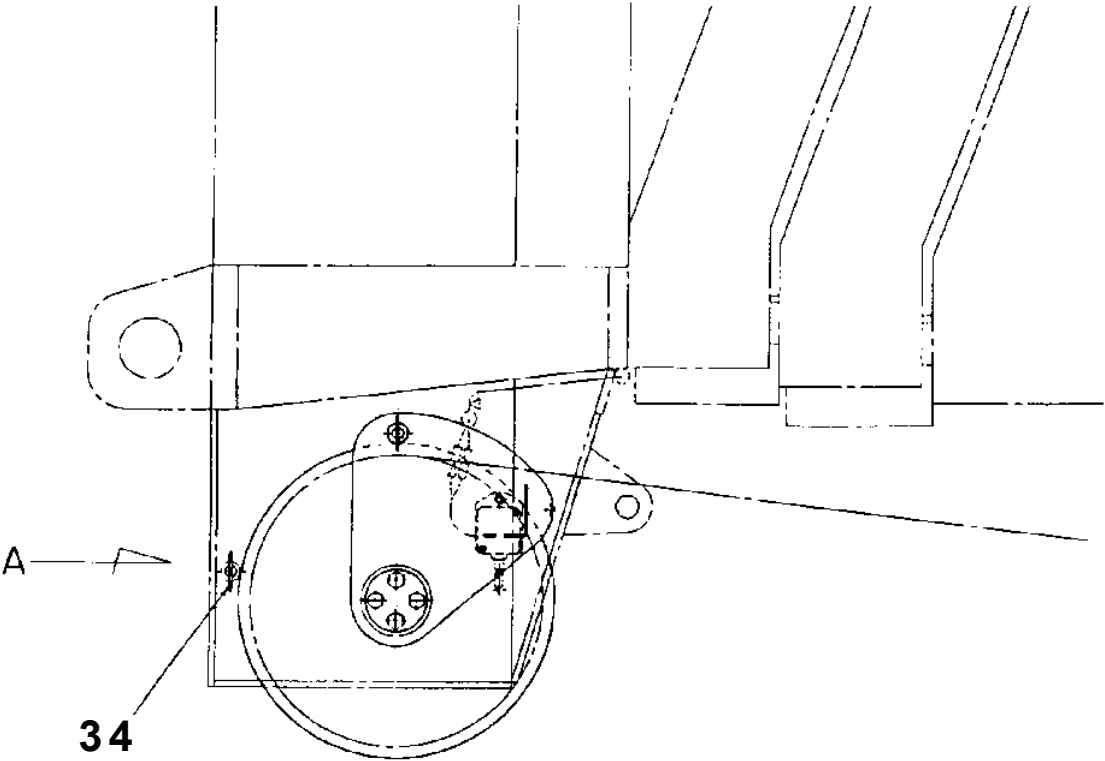
TG-3600M-1-10201 5 BOOM + JIB,W-KL620YN

Pos No.	Parts No	Parts Name	Qty	Unit	Technical Data	Serial No (Start)	Serial No (End)	Remark
1	36071195010	CASE,GEAR	1					
2	36071195020	CASE,GEAR	1					
3	36071195030	GEAR,SPUR	1					
4	36071195040	GEAR,SPUR	1					
5	36071195050	GEAR,SPUR	1					
6	36071195060	BRAKE,DISK	1					
7	36071195070	WHEEL,RATCHET	1					
8	36071195080	LINK (RATCHET CONTROL)	1					
10	36071195100	RATCHET	1					
11	36071195110	SHAFT	1					
12	36071195120	SPRING	1					
13	36071195130	CAP	1					
14	36071195140	PIN	1					
15	36071195150	NUT	1					
16	36071195160	SPACER	1					
17	80500006310	BEARING,BALL	1					
18	80500006305	BEARING,BALL	1					
19	80500006007	BEARING,BALL	2					
20	91206048001	SEAL,OIL	1					
21	80602110620	RING,RITAINING	1		R62			
22	80601110350	RING,RITAINING	1		S35			
23	36071195200	O-RING	1					
24	36071195170	O-RING	1		P15			
25	80136340040	PIN,SPLIT	1		4X40			
26	36071195180	KEY	2					
27	90131508018	BOLT,HEXAGON SOCKET	8		M8X18			
28	90302040801	WASHER,SPRING	8		8			
29	80205000300	PLUG	1		PT3/8			
30	11623060000	PLUG	1					
33	36071195190	GAUGE,OIL	1					
34	80172304012	SCREW,MACHINE	1		M4X12			
35	90302040401	WASHER,SPRING	1		4			
50	36071190000	WINCH	1					
101	36070441000	FACING KIT(JAPANESE)	1					
102	36070442000	FACING KIT (ENGLISH)	1					

TG-3600M-1-10201 5 BOOM + JIB,W-KL620YN
PF1010126-00 WINCH

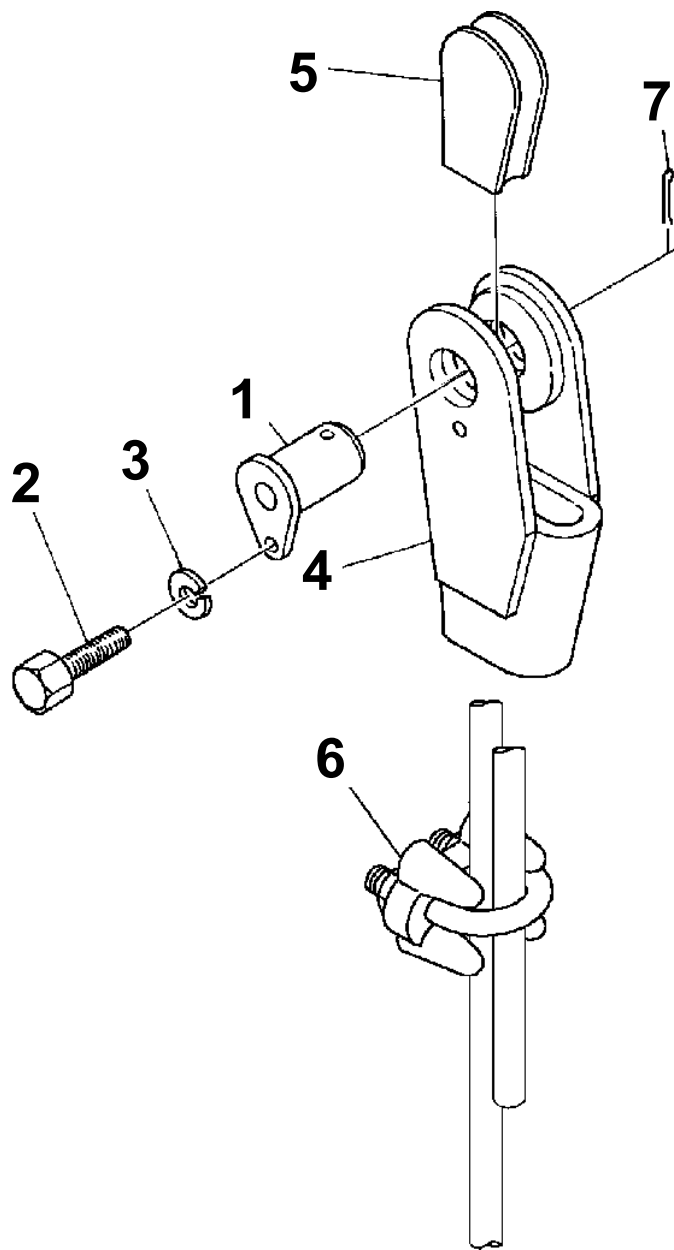


TG-3600M-1-10201 5 BOOM + JIB,W-KL620YN
PF1050164-00 HOOK (SHEAVE FOR 17 PART-LINE)



A

TG-3600M-1-10201 5 BOOM + JIB,W-KL620YN
PF1090007-01 SOCKET,ROPE



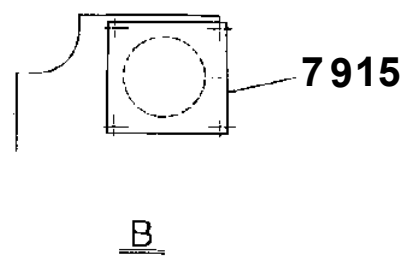
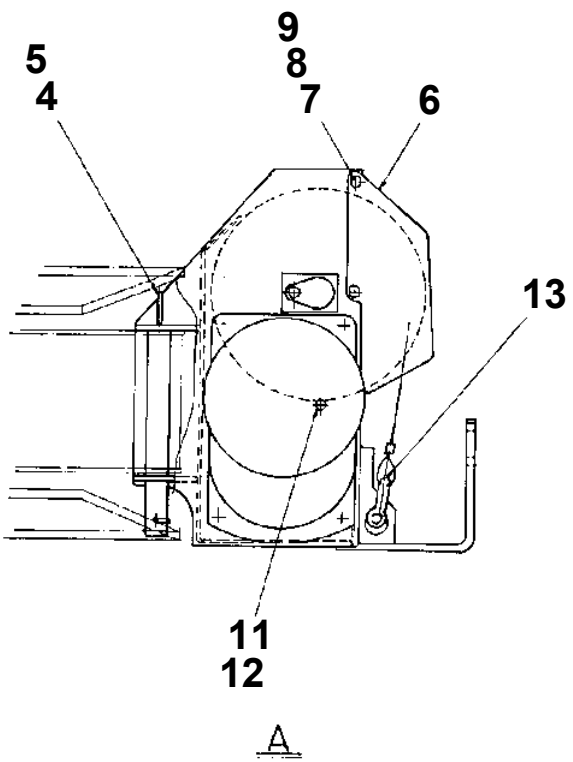
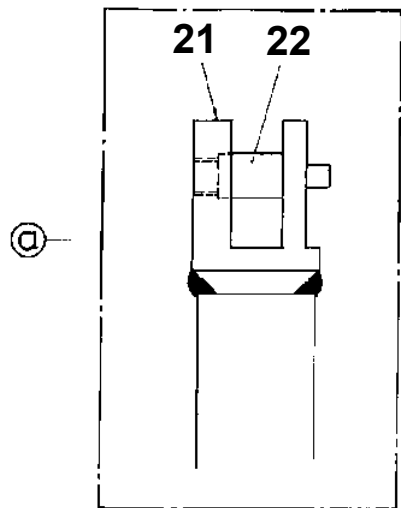
TG-3600M-1-10201 5 BOOM + JIB,W-KL620YN

Pos No.	Parts No	Parts Name	Qty	Unit	Technical Data	Serial No (Start)	Serial No (End)	Remarks	Pages
1	37000912850	JOINT	4		S,G1-G11/4				
2	91002802900	O-RING	4		1B P29				
3	37000911060	JOINT	4						
4	80301010300	FITTING	4		KUA35-000E				
5	37000900150	JOINT	8						
6	37002433380	HOSE	4		L=1000				
7	37000906850	JOINT	4						
8	37002433400	HOSE	2		L=1120				
9	37002433390	HOSE	1		L=1120				
10	90101514050	BOLT	16		M14X50				
11	90302041401	WASHER,SPRING	16		14				
20	80302180280	FITTING	1		KCT22-060N				
22	80311010230	FITTING	1						
23	80302010100	FITTING	4		KCT10-020N	450117			
	80302010100	FITTING	6		KCT10-020N		450116		
24	80306030040	JOINT,NIPPLE	1		3/8				
25	36671250000	FILTER,OIL	6						
26	80307040020	JOINT,SOCKET	1						
27	36622210000	VALVE,CHECK	1						
28	80305030040	FITTING,TEE	1						
29	80305010080	FITTING,TEE	3		KTA10-000N				
31	91002801100	O-RING	27		1B P11				
32	80302010120	FITTING	5		KCT10-030N				
33	80315040040	JOINT	3						
34	80301010080	FITTING	15		KUA10-000E				
37	80303080020	JOINT	3		SSTL1/4				
38	80305050080	FITTING,TEE	1		KTA10-020N				
40	80302180100	FITTING	1		KCT10-020N				
41	80311010320	FITTING	1		KRE22X180N				
42	33343510080	CLAMP ASSY	1						
43	33343510070	CLAMP ASSY	2						
44	80316070040	PLUG	4		PF1/4				
54	81408000130	PIPE,STEEL	2	M	10X1.8T				
55	81408000130	PIPE,STEEL	2	M	10X1.8T				
56	81408000130	PIPE,STEEL	2	M	10X1.8T				
57	81408000130	PIPE,STEEL	2	M	10X1.8T				
58	81408000130	PIPE,STEEL	2	M	10X1.8T				
59	81408000130	PIPE,STEEL	2	M	10X1.8T				
60	81408000130	PIPE,STEEL	2	M	10X1.8T				
61	81408000130	PIPE,STEEL	2	M	10X1.8T				
62	81408000130	PIPE,STEEL	2	M	10X1.8T				
63	81408000130	PIPE,STEEL	2	M	10X1.8T				
66	81408000130	PIPE,STEEL	2	M	10X1.8T				
67	81408000130	PIPE,STEEL	2	M	10X1.8T				
68	81408000130	PIPE,STEEL	2	M	10X1.8T				
69	81408000130	PIPE,STEEL	2	M	10X1.8T				
72	81408000130	PIPE,STEEL	2	M	10X1.8T				
73	81408000130	PIPE,STEEL	2	M	10X1.8T				
74	81408000130	PIPE,STEEL	2	M	10X1.8T				
78	81408000130	PIPE,STEEL	2	M	10X1.8T				
79	81408000130	PIPE,STEEL	2	M	10X1.8T				
80	81408000130	PIPE,STEEL	2	M	10X1.8T				
81	81408000130	PIPE,STEEL	2	M	10X1.8T				
82	81408000130	PIPE,STEEL	2	M	10X1.8T				
83	81408000130	PIPE,STEEL	2	M	10X1.8T				
84	81408000130	PIPE,STEEL	2	M	10X1.8T				
85	81408000130	PIPE,STEEL	2	M	10X1.8T				
90	81408000401	PIPE,STEEL	2	M	35X4.0T				
91	81408000401	PIPE,STEEL	2	M	35X4.0T				
92	81408000401	PIPE,STEEL	2	M	35X4.0T				
95	81408000401	PIPE,STEEL	2	M	35X4.0T				
96	81408000401	PIPE,STEEL	2	M	35X4.0T				
99	81408000401	PIPE,STEEL	2	M	35X4.0T				

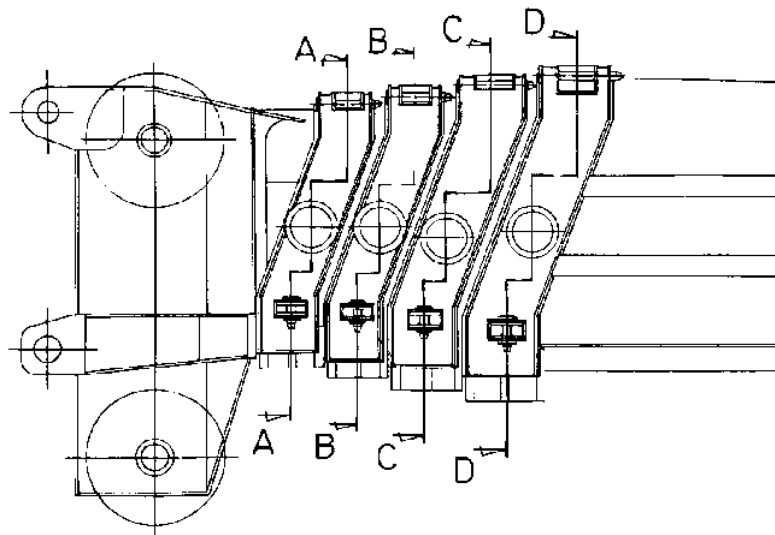
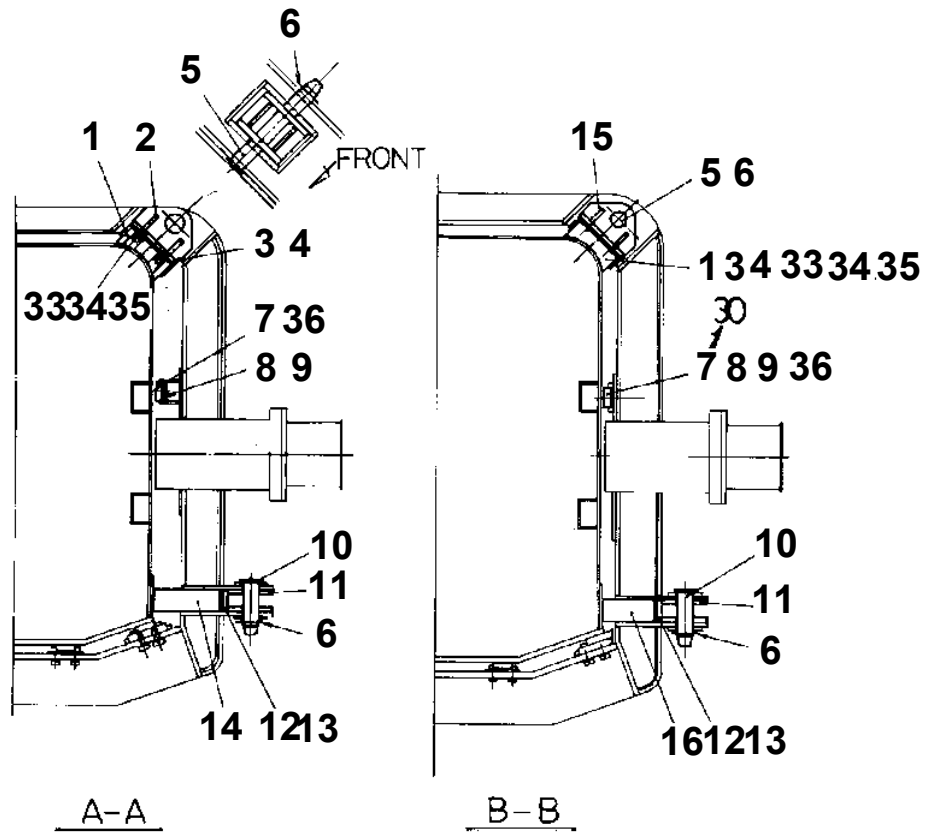
TG-3600M-1-10201 5 BOOM + JIB,W-KL620YN

Pos No.	Parts No	Parts Name	Qty	Unit	Technical Data	Serial No (Start)	Serial No (End)	Remarks
1	33474903000	INDICATOR,DRUM (FAMOTH)	1					
2	80182306025	SCREW,MACHINE	4		M6X25			
3	90302040601	WASHER,SPRING	4		6			
11	33474908010	HARNESS (CAB)	1					
12	33474908020	HARNESS (SWING FRAME)	1					

TG-3600M-1-10201 5 BOOM + JIB,W-KL620YN
PF1400147-00 MOUNT,WINCH (MINI WINCH)



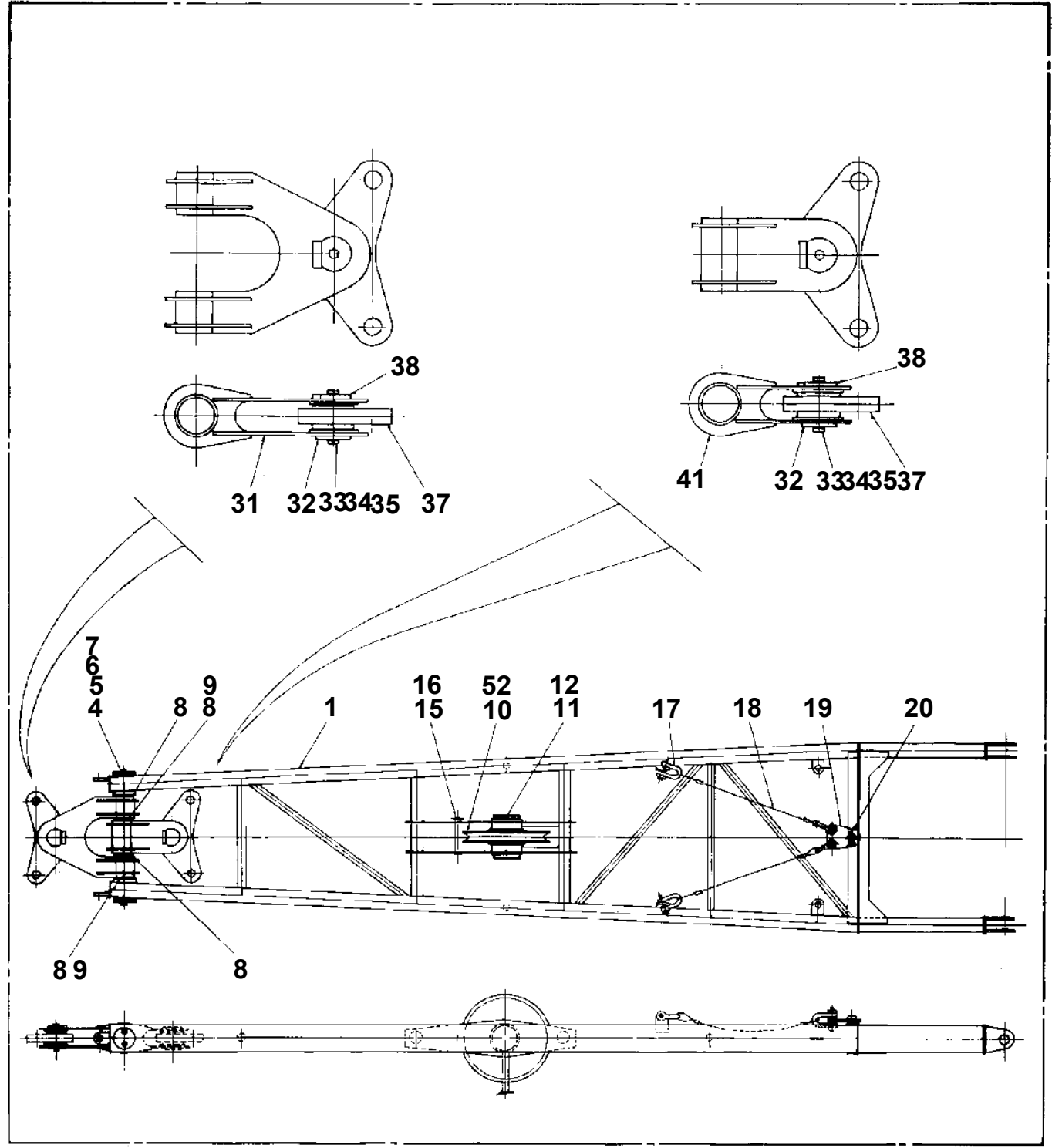
TG-3600M-1-10201 5 BOOM + JIB,W-KL620YN
PG1010264-01 BOOM (SLIDE PLATE FRONT & SIDE)



TG-3600M-1-10201 5 BOOM + JIB,W-KL620YN

Pos No.	Parts No	Parts Name	Qty	Unit	Technical Data	Serial No (Start)	Serial No (End)	Remarks	Pages
1	33200981500	PIN (FOR BASE)	2						
2	33200981600	PIN (FOR 2ND)	2						
3	33200981700	PIN (FOR 3RD)	2						
4	33200981800	PIN (FOR 4TH)	2						
5	37000105760	PIN	8						
6	80136340025	PIN,SPLIT	8		4X25				
7	33200981900	PLATE	8						
8	90101512030	BOLT	32		M12X30				
9	90302041201	WASHER,SPRING	32		12				
10	36061820000	CYLINDER,AIR	8						000193
11	82459203000	NIPPLE,GREASE	8		C-PT1/8				
12	33200981910	GUIDE	8						
13	90101510020	BOLT	32		M10X20				
14	90302041001	WASHER,SPRING	32		10				
15	80316030020	PLUG	8		PT1/8				
16	90209701600	NUT	16		M16				
17	90302041601	WASHER,SPRING	16		16				

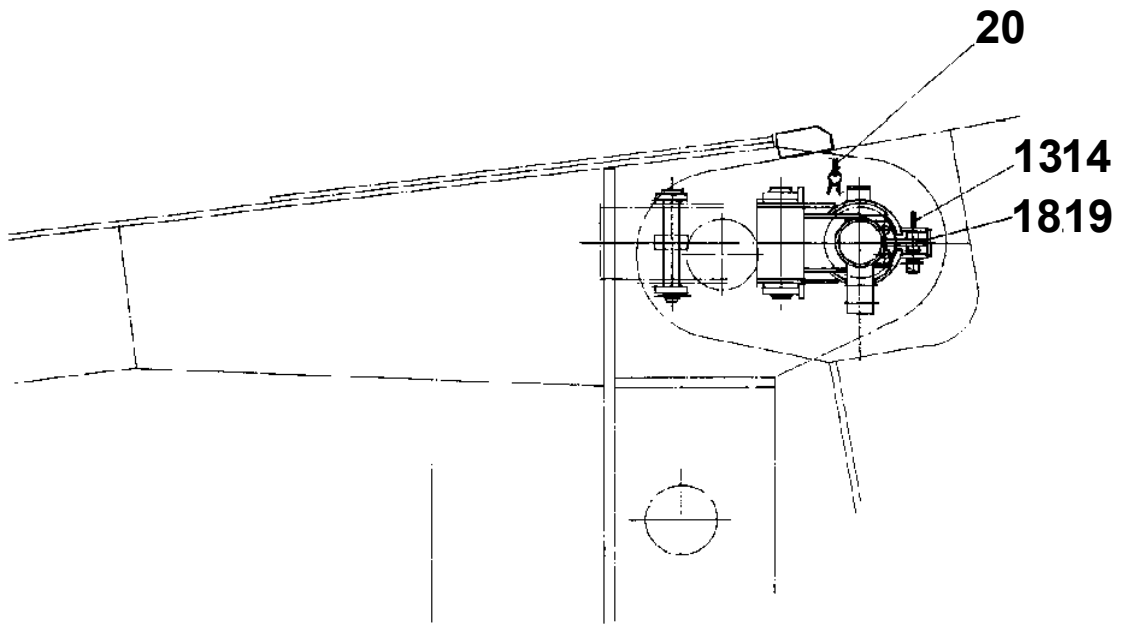
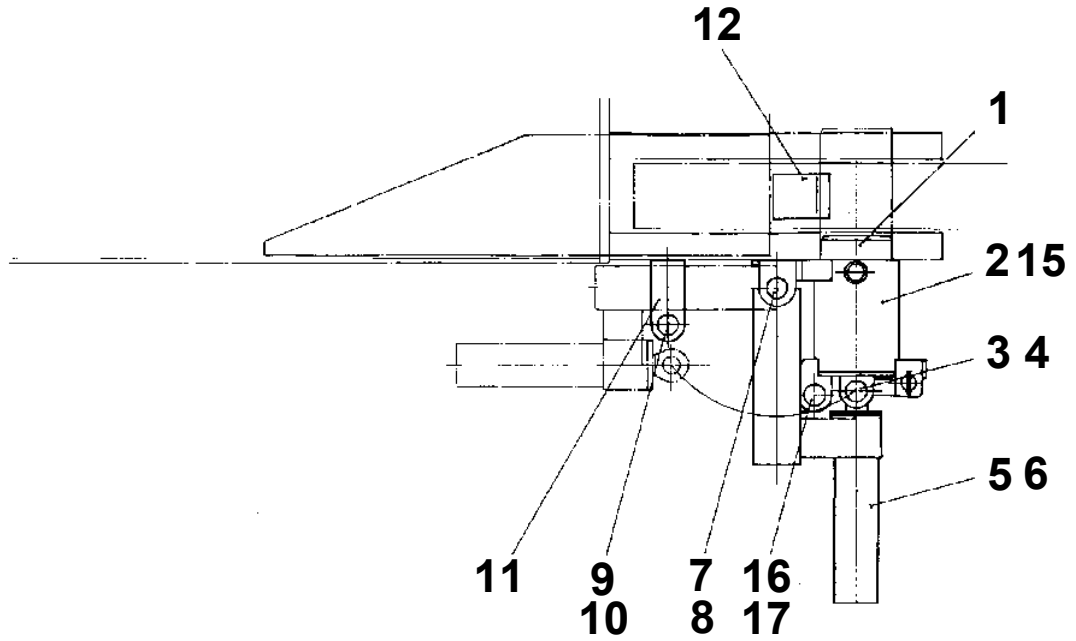
TG-3600M-1-10201 5 BOOM + JIB,W-KL620YN
PG1040110-01 JIB (EXTENSION JIB MAST)



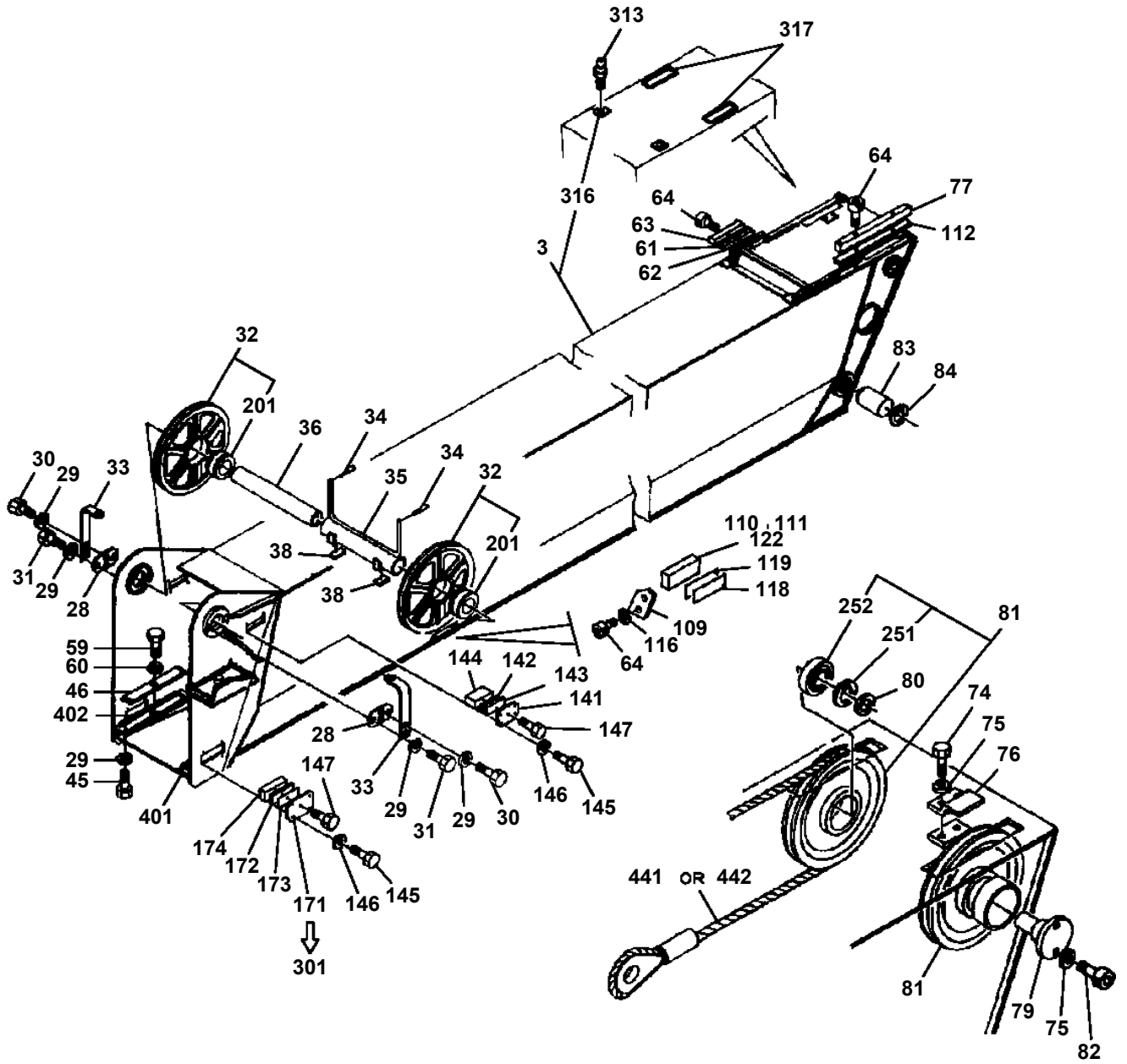
TG-3600M-1-10201 5 BOOM + JIB,W-KL620YN

Pos No.	Parts No	Parts Name	Qty	Unit	Technical Data	Serial No (Start)	Serial No (End)	Remarks
2	37000147530	PIN	1					
3	33200343100	PLATE	2					
4	90101520040	BOLT	4		M20X40			
5	90302042001	WASHER,SPRING	4		20			
6	33221210700	LINK	2					
7	37000147540	PIN	2					
8	18611504000	PLATE	2					
9	33221210750	LINK	2					
10	37000147550	PIN	1					
11	37000201100	PIN,SNAP	1					
12	37001002600	SHEAVE ASSY	1					
13	37000147570	PIN	1					
14	80601111100	RING,RITAINING	2		S110			
15	33221212000	SUPPORT (JIB 1,MAST 1)	1					
16	90101516035	BOLT	4		M16X35			
17	90302041601	WASHER,SPRING	4		16			
18	37000305280	SPACER	6		L=1.6			
19	33221210800	SUPPORT	2					
31	33221210520	SUPPORT	1					
32	33221210600	SUPPORT	2					
33	33221210650	SUPPORT	2					
34	37000546930	PLATE	2					
35	37000147510	PIN	1					
36	90101514035	BOLT	8		M14X35			
37	90302041401	WASHER,SPRING	8		14			
38	16611506000	PLATE	4					
39	37000147520	PIN	2					
40	90101512030	BOLT	8		M12X30			
41	90302041601	WASHER,SPRING	8		16			
52	80520045022	BEARING,ROLLER	1					
100	33221210500	JIB (JIB 1,MAST 1)	1					

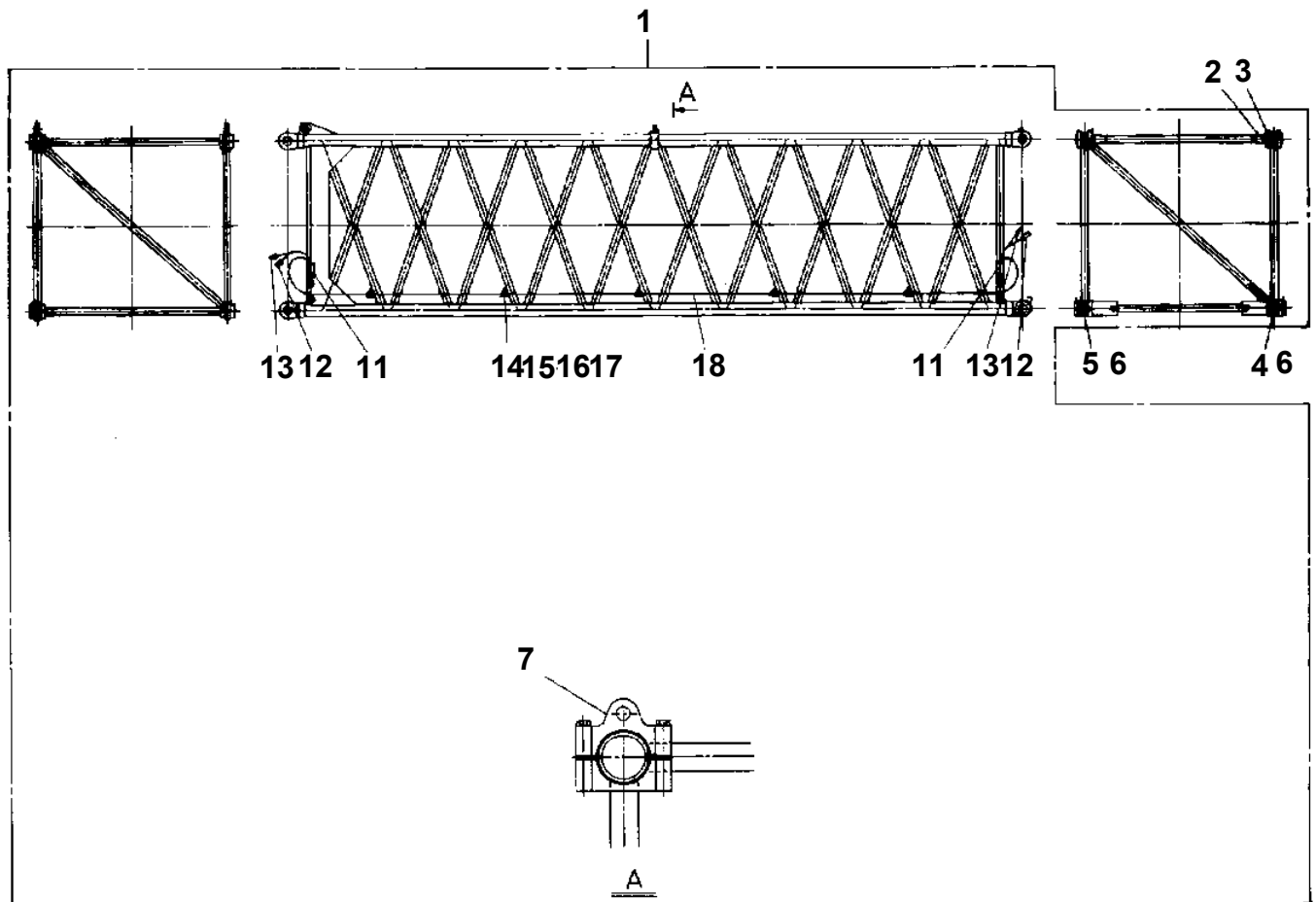
TG-3600M-1-10201 5 BOOM + JIB,W-KL620YN
PG1040120-01 JIB (OVER TOP BOOM LOCK PIN)



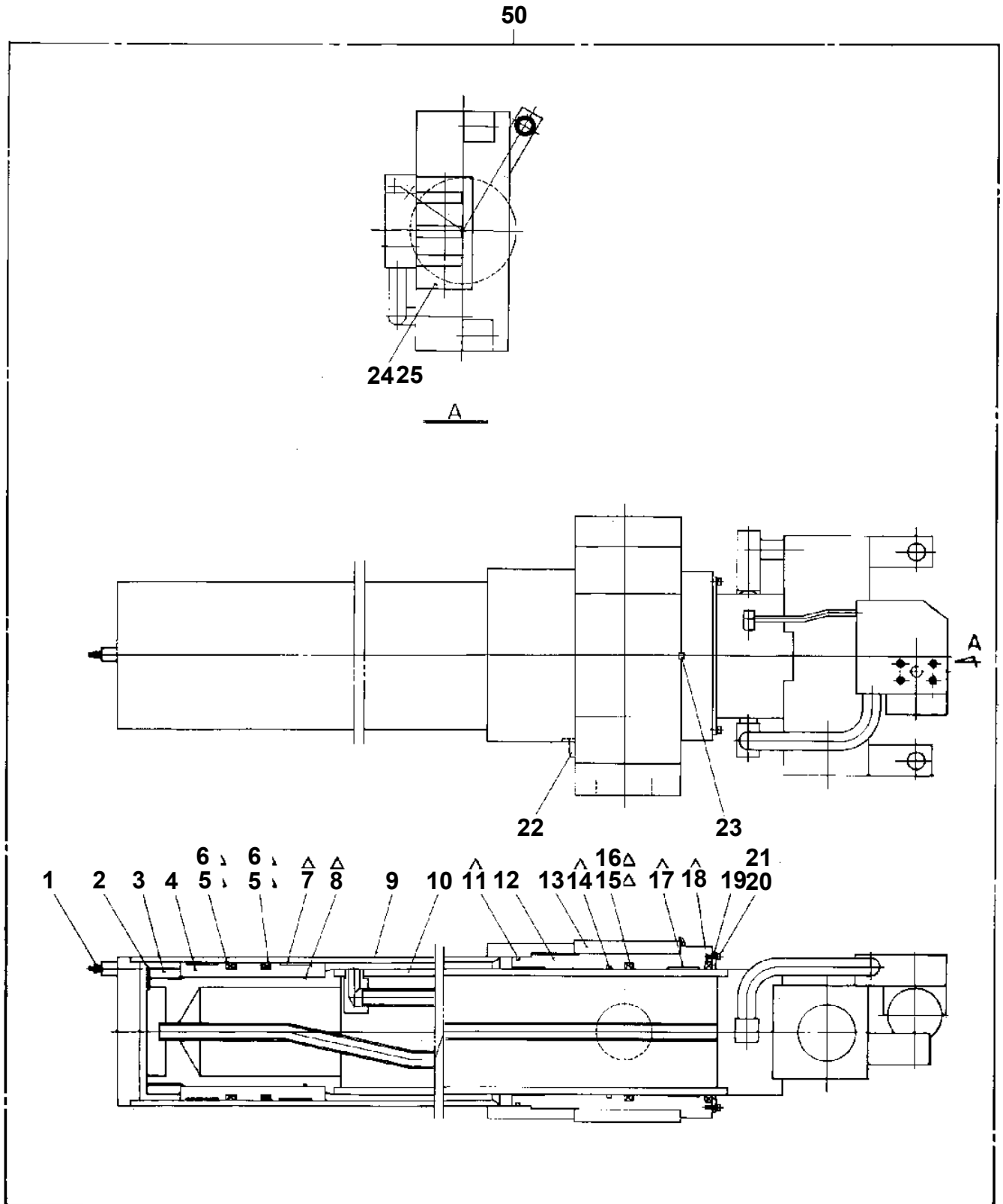
TG-3600M-1-10201 5 BOOM + JIB,W-KL620YN
PG1040124-05 JIB (FULL AUTO. LUFFING)



TG-3600M-1-10201 5 BOOM + JIB,W-KL620YN
PG1040213-00 JIB (JIB 1,MIDDLE 2)

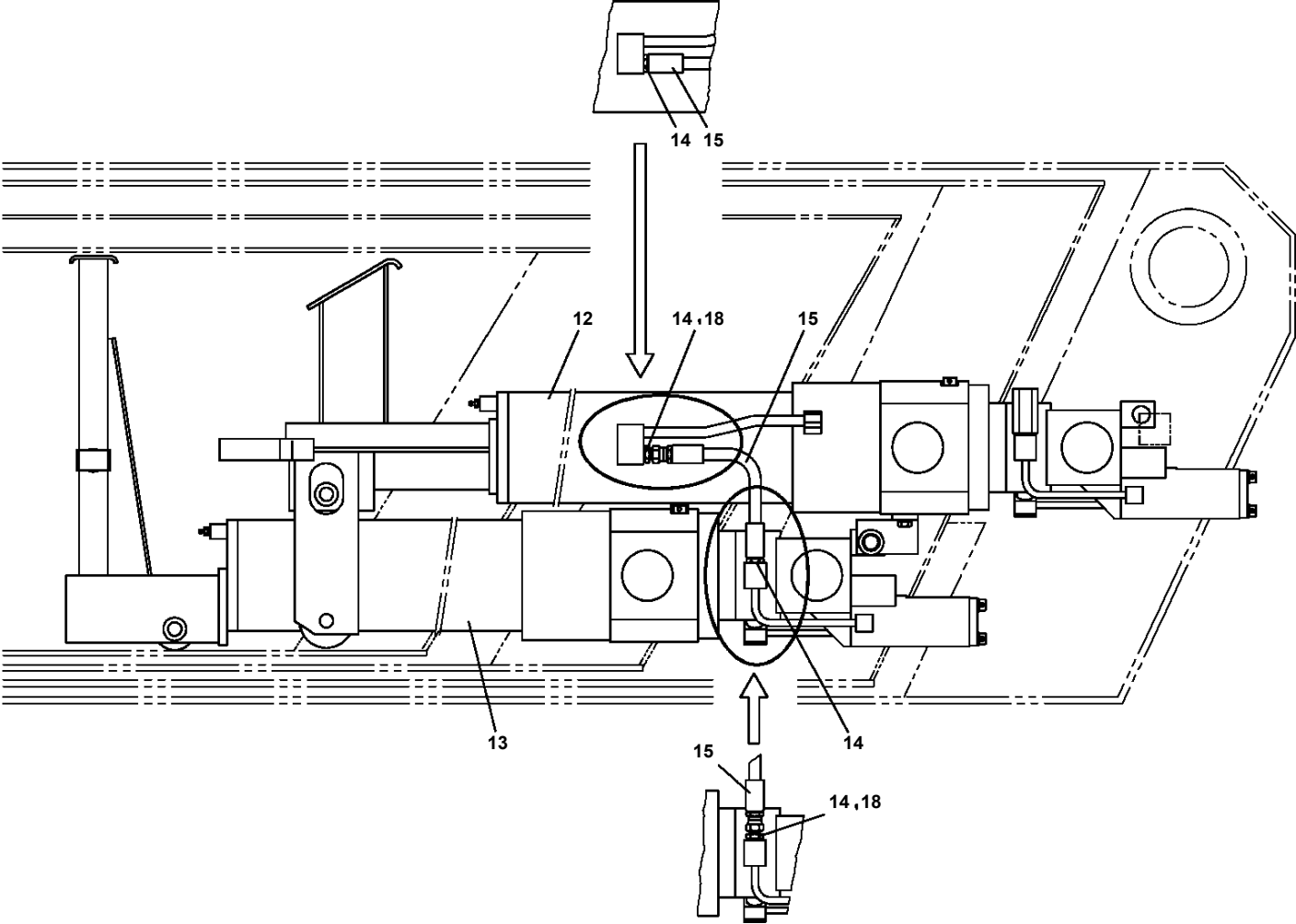


TG-3600M-1-10201 5 BOOM + JIB,W-KL620YN
 PG1050164-01 CYLINDER,TELESCOPING (NO.3)

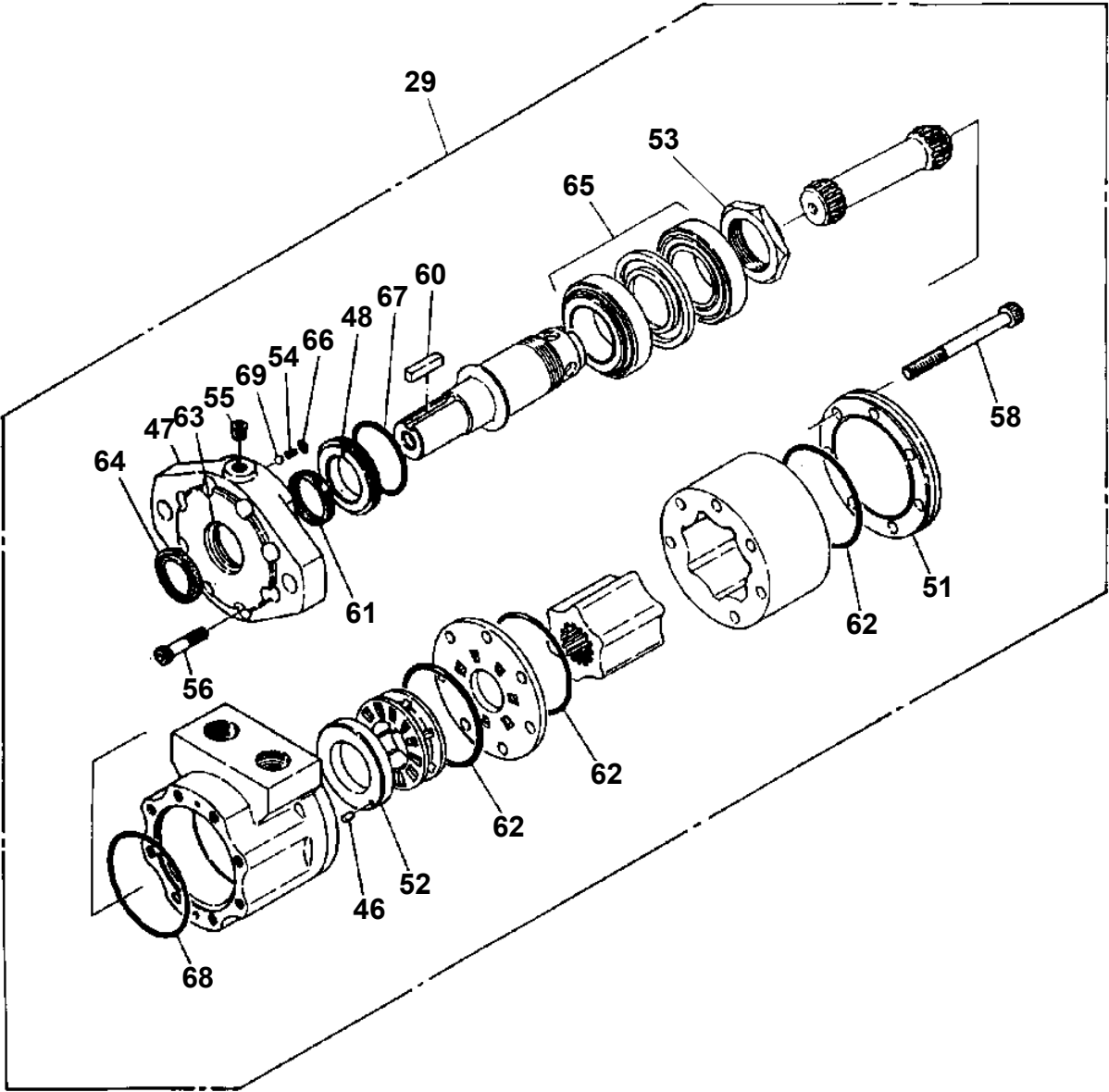


▲: PACKING KIT KEY NO.40(KEY NO 5 6 7 8 11,14,15,16,17,18)

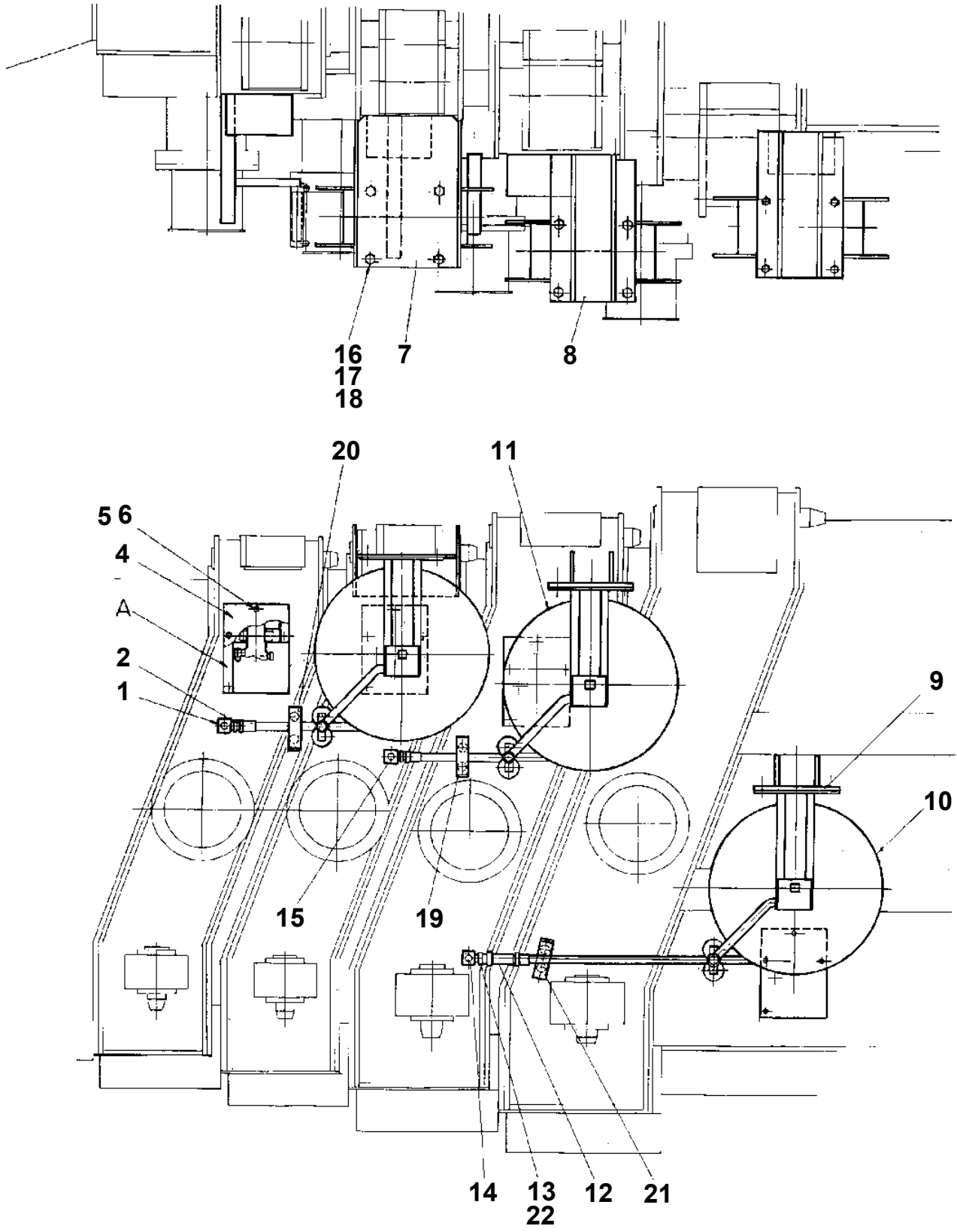
TG-3600M-1-10201 5 BOOM + JIB,W-KL620YN
PG1050169-03 CYLINDER,TELESCOPING (FLJ / MOUNT)



TG-3600M-1-10201 5 BOOM + JIB,W-KL620YN
PG1070013-03 REEL,HOSE



TG-3600M-1-10201 5 BOOM + JIB,W-KL620YN
PG1070079-00 REEL,HOSE (POWER PIN,MOUNT)



TG-3600M-1-10201 5 BOOM + JIB,W-KL620YN

Pos No.	Parts No	Parts Name	Qty	Unit	Technical Data	Serial No (Start)	Serial No (End)	Remarks	Pages
1	36710265040	STAND ASSY	1						
4	36710265020	SPRING ASSY	1						
6	36710265010	BEARING,BALL	2						
9	36710265030	HOUSING	1						
10	91002804100	O-RING	2		1B P41				
11	91410004000	RING,BACKUP	2		P40				
15	80601110350	RING,RITAINING	1		S35				
16	80601110380	RING,RITAINING	1		S38				
100	36710260000	REEL,HOSE	1						

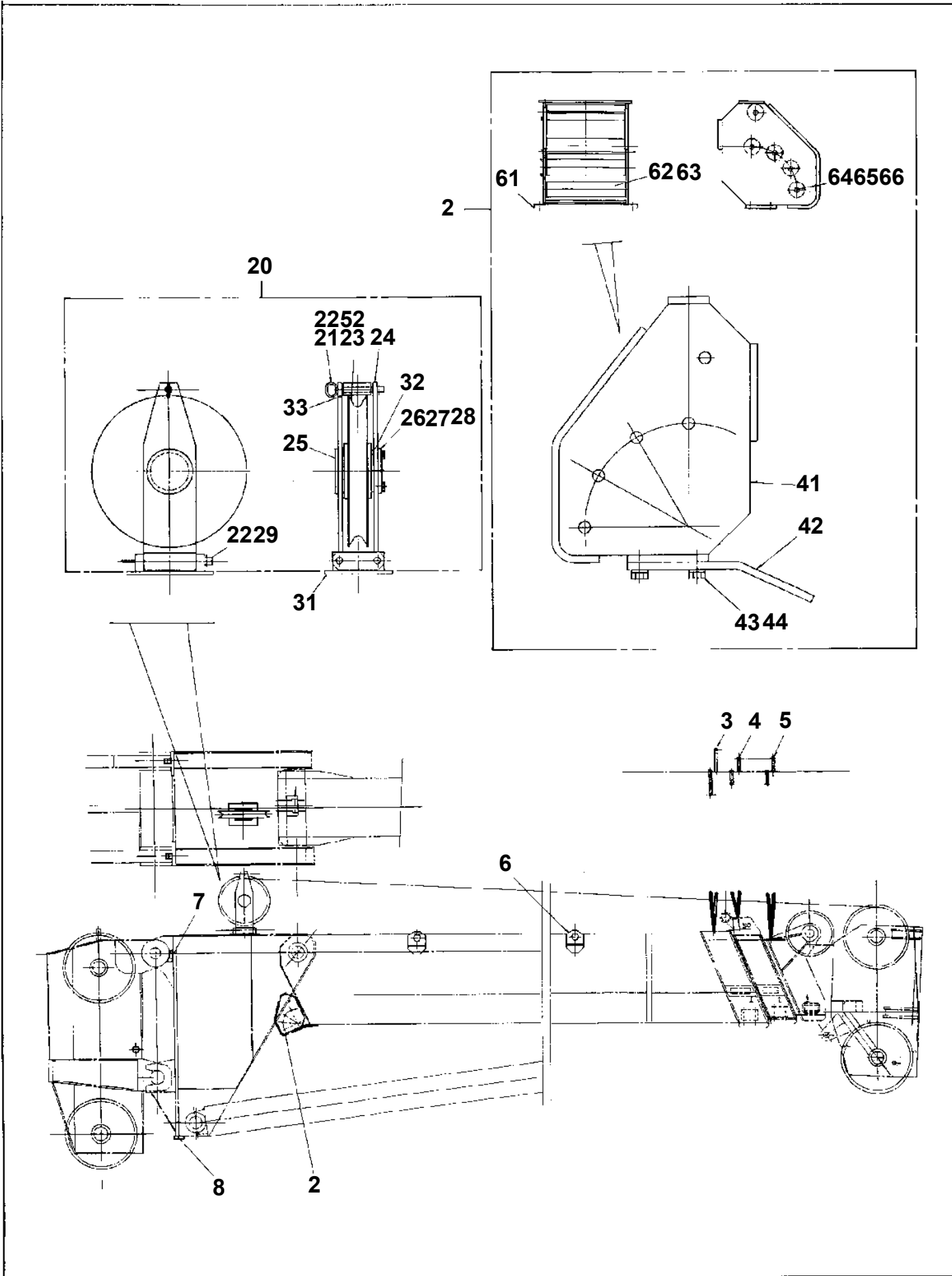
TG-3600M-1-10201 5 BOOM + JIB,W-KL620YN

Pos No.	Parts No	Parts Name	Qty	Unit	Technical Data	Serial No (Start)	Serial No (End)
1	33360872100	SUPPORT	2				
2	90131508020	BOLT,HEXAGON SOCKET	4		M8X20		
3	90302040801	WASHER,SPRING	6		8		
4	90303170801	WASHER,PLAIN	4				
5	33360672090	SUPPORT	2				
6	33360872200	GUARD	1				
7	36130761000	DETECTOR,BOOM LENGTH (NICHIDEN)	1				
8	33432033050	SUPPORT	2				
9	90101212035	BOLT	8		M12X35		
10	90302041201	WASHER,SPRING	8		12		
11	37000705910	CLAMP ASSY	2		D=8		
12	36160410000	REEL,CORD	1				
13	36160420000	REEL,CORD	1				
14	33360872301	ROLLER ASSY	1				
15	37000146530	PIN	1				
16	33360872500	COVER	1				
17	90101210016	BOLT	8		M10X16		
18	37001600910	NUT	8		M10		
19	90302041001	WASHER,SPRING	8		10		
20	36120090000	TRANSMITTER,SIGNAL	1				
21	82100002039	CLAMP	2				
22	90101208016	BOLT	2		M8X16		
23	90201200800	NUT	2		M8		
24	37000707110	CLAMP ASSY	2		8X2		
25	33360872010	GUARD (SPP-08)	3				
26	37002703020	CABLE ASSY	1		L=1500		
27	37002703030	CABLE ASSY	1		L=1500		
29	37002703051	CABLE ASSY	1		L=1500		
30	91800000002	FASTENER	8				
31	37000201090	PIN,SNAP	1		20		
32	33360883200	PLATE	3				
33	82100002478	CAP	2				
34	32360000111	SUPPORT	1				
35	82100001209	CAP (RECEPTACLE)	1				
36	82100001210	PLUG	1				
37	90302040301	WASHER,SPRING	10		3		
38	80171303006	SCREW,MACHINE	10		M3X6		
39	37001400140	SPRING	5				
40	82100002012	CLAMP	1		WR18		
41	82100002002	CLAMP	1		WR6		
42	37000300720	SLEEVE	4		12-10		
43	37000705940	CLAMP ASSY	1		D=15		
54	90303101401	WASHER,PLAIN	4		14		
55	37001104480	ROLLER	2				
61	33360872401	SUPPORT	1				
62	90000000100	RING	1				
63	80172304010	SCREW,MACHINE	2		M4X10		
64	90302040401	WASHER,SPRING	2		4		
67	37000150900	PIN	1				
68	34341942210	PLATE	1				
69	37001200840	SPRING	1				
70	34362031160	SUPPORT	1			450401	
	33360872450	SUPPORT	1				450400
71	80601110150	RING,RITAINING	2		15		
72	90101206022	BOLT	1		M6X22		
73	90261000600	U-NUT	1		M6		
74	37001110050	ROLLER	3			450401	
75	90303070801	WASHER,PLAIN	6		8	450401	
76	80136320016	PIN,SPLIT	3		2X16	450401	

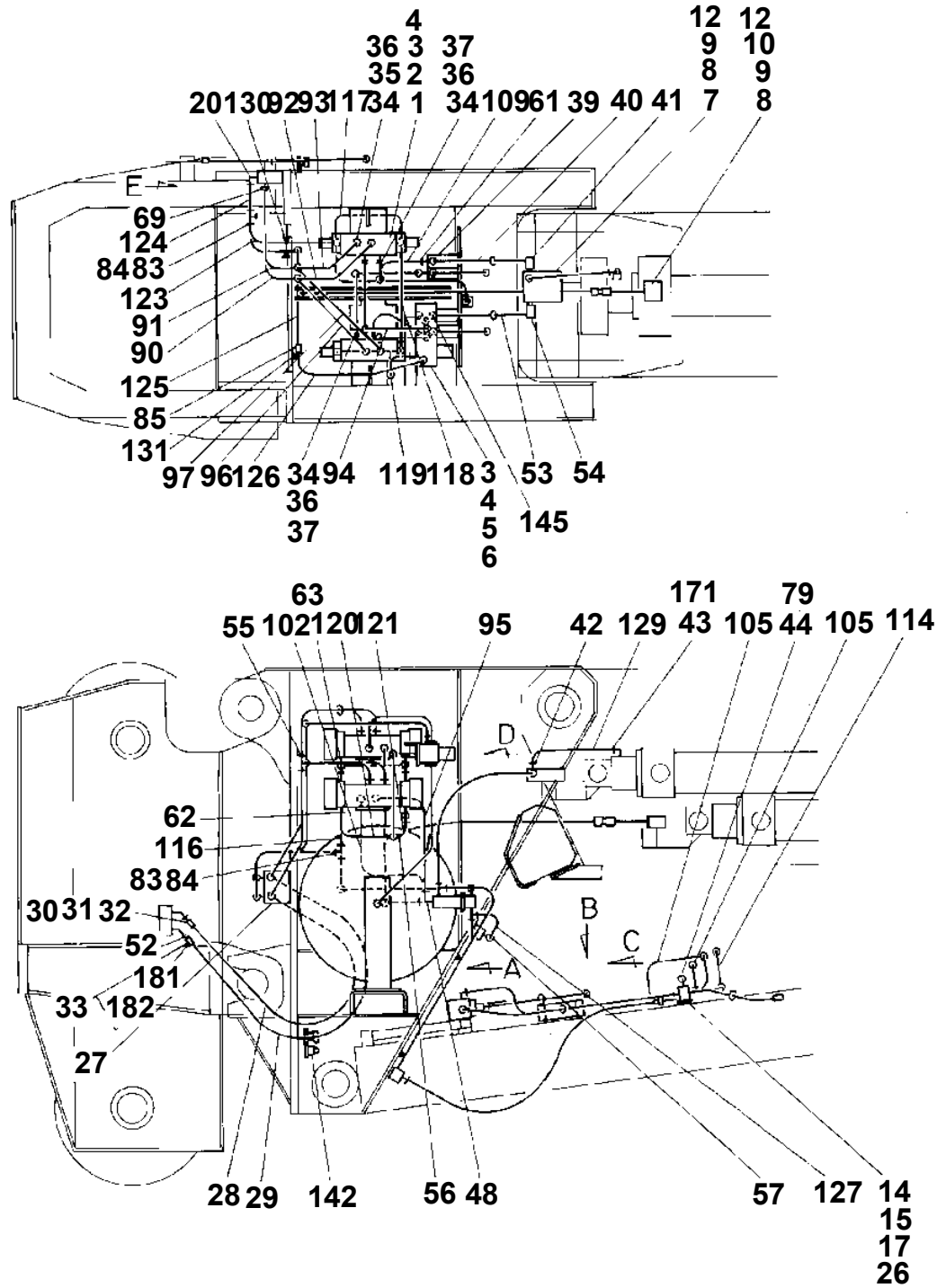
TG-3600M-1-10201 5 BOOM + JIB,W-KL620YN

Pos No.	Parts No	Parts Name	Qty	Unit	Technical Data	Serial No (Start)	Serial No (End)	Remark
66	81408000130	PIPE,STEEL	3	M	10X1.8T			
67	81408000160	PIPE,STEEL	3	M	12X1.4T			
68	81408000160	PIPE,STEEL	3	M	12X1.4T			
69	81408000160	PIPE,STEEL	3	M	12X1.4T			
70	81408000160	PIPE,STEEL	3	M	12X1.4T			
71	81408000160	PIPE,STEEL	3	M	12X1.4T			
72	81408000160	PIPE,STEEL	3	M	12X1.4T			
73	81408000130	PIPE,STEEL	3	M	10X1.8T			
74	81408000341	PIPE,STEEL	3	M	28X3.1T			
75	37000908380	FITTING,FLANGE	1					
76	37000802370	FITTING,FLANGE	1					
77	37000802670	FITTING,FLANGE	1					
78	37000711030	CLAMP ASSY	1		22X1			
79	37000500080	PLATE	1					
80	37000711060	CLAMP ASSY	9		28X1			
81	37000502440	PLATE	3					
82	37000711100	CLAMP ASSY	2		28X2			
83	37000702460	CLAMP ASSY	1					
84	37000702270	CLAMP ASSY	1					
85	37000711080	CLAMP ASSY	1		12-2			
86	37000502460	PLATE	7					
87	37000711010	CLAMP ASSY	1		18X1			
88	37000300750	SLEEVE	1		18-15			
89	37000702320	CLAMP ASSY	1		28X2			
90	37000711000	CLAMP ASSY	8		12-1			
91	37000502390	PLATE	8					
92	37000502350	PLATE	3					
93	91001204000	O-RING	1		1A G40			
94	91001203500	O-RING	1		1A G35			
95	91001203000	O-RING	1		1A G30			
96	36640270000	VALVE,HYDRAULIC	1					
97	37000547030	PLATE	1					
98	37000702540	CLAMP ASSY	1					
99	37000704580	CLAMP ASSY	2					
100	37000702220	CLAMP ASSY	1					
101	80303130321	FITTING,ELBOW	4		KLO28-080E			
102	37000918200	JOINT	1					
104	80302090281	FITTING	1		KCO22-060N			
106	80305010200	FITTING,TEE	1		KTA220-000N			
107	81408000290	PIPE,STEEL	3	M	22X2.5T			
108	81408000290	PIPE,STEEL	3	M	22X2.5T			
109	80302010321	FITTING	1		KCT28-080N			
110	81408000341	PIPE,STEEL	1	M	28X3.1T			
121	91002802400	O-RING	2		1B P24			
131	91002802900	O-RING	4		1B P29			

TG-3600M-1-10201 5 BOOM + JIB,W-KL620YN
PG1360091-01 WIRE GUIDE (FULL AUTO.LUFFING JIB)



TG-3600M-1-10201 5 BOOM + JIB,W-KL620YN
 PG1400022-01 PIPING,JIB (FULL AUTO.LUFFING)



TG-3600M-1-10201 5 BOOM + JIB,W-KL620YN

Pos No.	Parts No	Parts Name	Qty	Unit	Technical Data	Serial No (Start)	Serial No (End)	R
1	37000919280	JOINT	1					
2	80306030040	JOINT,NIPPLE	3		3/8			
3	80456020610	JOINT,SELF SEALING	3					
4	80457040600	CAP	3					
5	91800000003	FASTENER	3					
6	37000918190	JOINT	2					
7	80302010160	FITTING	2		KCT12-030N			
8	80305050100	FITTING,TEE	1		KTK12-030N			
9	37000549950	PLATE	2					
10	36622170000	VALVE,CHECK	2					
11	90101210050	BOLT	6		M10X50			
12	90302041001	WASHER,SPRING	6		10			
13	80302010140	FITTING	5		C717KCT12-020N			
14	80303030140	FITTING,ELBOW	2		KLN12-020N			
15	80303030160	FITTING,ELBOW	4		KLN12-030N			
16	37000919270	JOINT	2					
17	80400160129	JOINT	4					
18	91002801400	O-RING	6		1B P14			
19	37002440460	HOSE	4		L=500			
20	80301010100	FITTING	2		KUA12-000N			
21	37000702270	CLAMP ASSY	3					
22	81408000160	PIPE,STEEL	1	M	12X1.4T			
23	81408000160	PIPE,STEEL	1	M	12X1.4T			
24	81408000160	PIPE,STEEL	1	M	12X1.4T			
25	81408000160	PIPE,STEEL	1	M	12X1.4T			
26	81408000160	PIPE,STEEL	1	M	12X1.4T			
27	81408000160	PIPE,STEEL	1	M	12X1.4T			
28	81408000160	PIPE,STEEL	1	M	12X1.4T			
29	81408000160	PIPE,STEEL	1	M	12X1.4T			
30	81408000160	PIPE,STEEL	1	M	12X1.4T			
31	81408000160	PIPE,STEEL	1	M	12X1.4T			
32	36604650000	VALVE ASSY,RELIEF (27.5MPA)	1					
33	80321112050	VALVE,CHECK	2					
34	80305131203	FITTING,TEE	1					
35	80305151203	FITTING,TEE	1		T,G3/8-D12X2			
37	80305050090	FITTING,TEE	1		KTK12-020N			
38	80305100120	FITTING,TEE	1		KTC12-000N			
39	81408000160	PIPE,STEEL	1	M	12X1.4T			
40	81408000160	PIPE,STEEL	1	M	12X1.4T			
41	81408000160	PIPE,STEEL	1	M	12X1.4T			
42	81408000160	PIPE,STEEL	1	M	12X1.4T			

TG-3600M-1-10201 5 BOOM + JIB,W-KL620YN

Pos No.	Parts No	Parts Name	Qty	Unit	Technical Data	Serial No (Start)
1	34372682500	SWITCH,OVER WIND DETECTOR (JIB & SINGLETOP)	1			450401
	32370150030	SWITCH,OVER WIND DETECTOR (JIB&S/T)	1			
3	14128208000	RING	2			
4	33371330500	WEIGHT	1			
5	82100002005	CLAMP	1		WRC8	
6	37001904850	ROPE,WIRE	1		4X1.415M	
25	90302040801	WASHER,SPRING	2		8	
30	33371432000	DETECTOR,OVER WINDING (WEIGHT,JIB)	1			
32	33371330550	SUPPORT	1			
33	90101208025	BOLT	2		M8X25	

CLICK HERE TO **DOWNLOAD** THE COMPLETE MANUAL

- Thank you very much for reading the preview of the manual.
- You can download the complete manual from: www.heydownloads.com by clicking the link below



- Please note: If there is no response to CLICKING the link, please download this PDF first and then click on it.

CLICK HERE TO **DOWNLOAD** THE COMPLETE MANUAL

TG-3600M-1-10201 5 BOOM + JIB,W-KL620YN

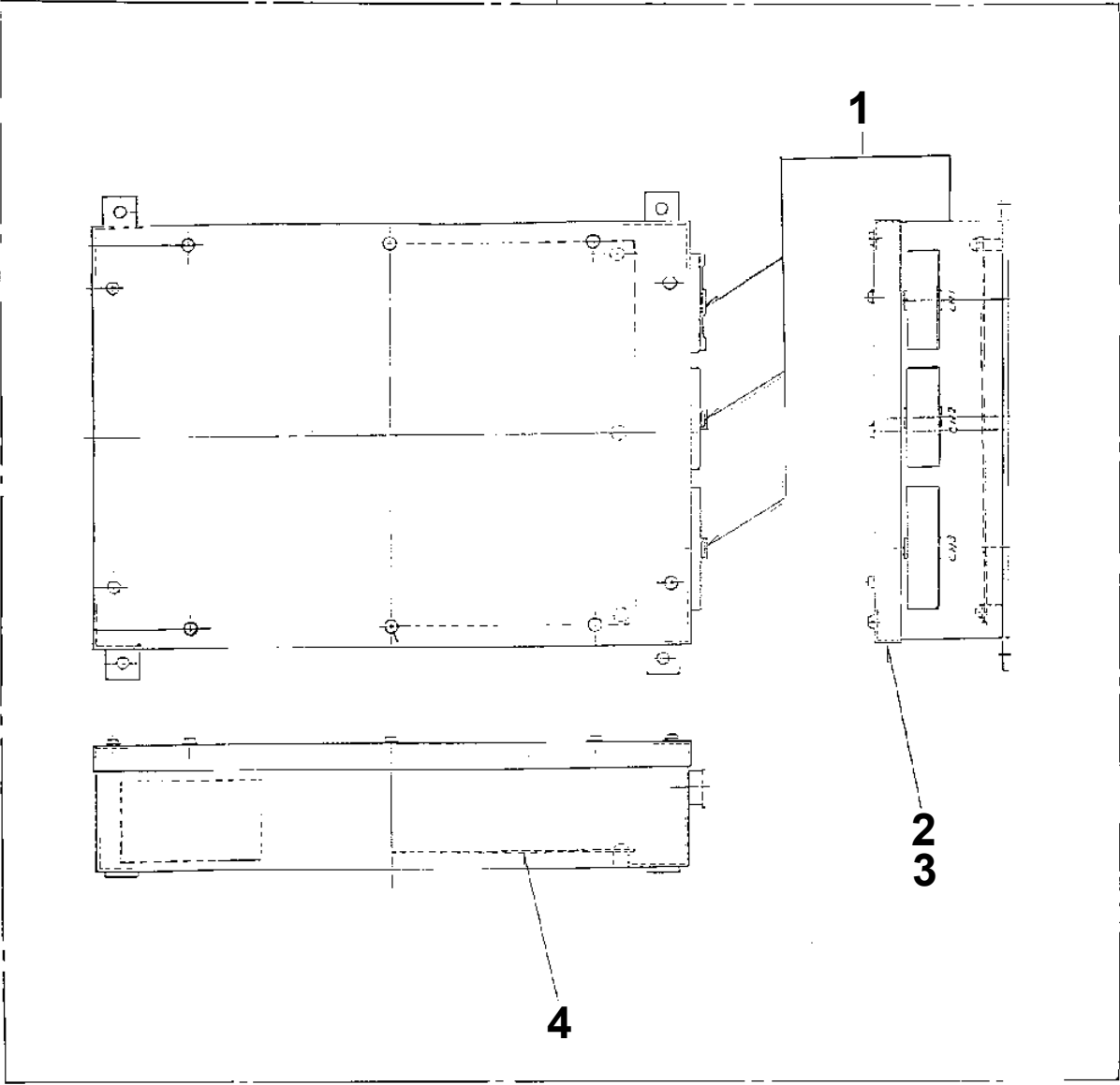
Pos No.	Parts No	Parts Name	Qty	Unit	Technical Data	Serial No (Start)	Serial No (End)	Remarks	Page
1	82100002505	CONNECTOR (CN-6)	10						
2	82100002506	CONNECTOR	10						
3	33371321100	SUPPORT	4						
4	82100002004	CLAMP	50		WR8				
5	90190000008	BOLT,STUD	50		M6X20				
6	90302040601	WASHER,SPRING	50		6				
7	90201200600	NUT	50		M6				
8	33371322010	GUARD	1						
9	32370000020	SUPPORT	2						
10	82100001863	CABLE	27	M					

TG-3600M-1-10201 5 BOOM + JIB,W-KL620YN

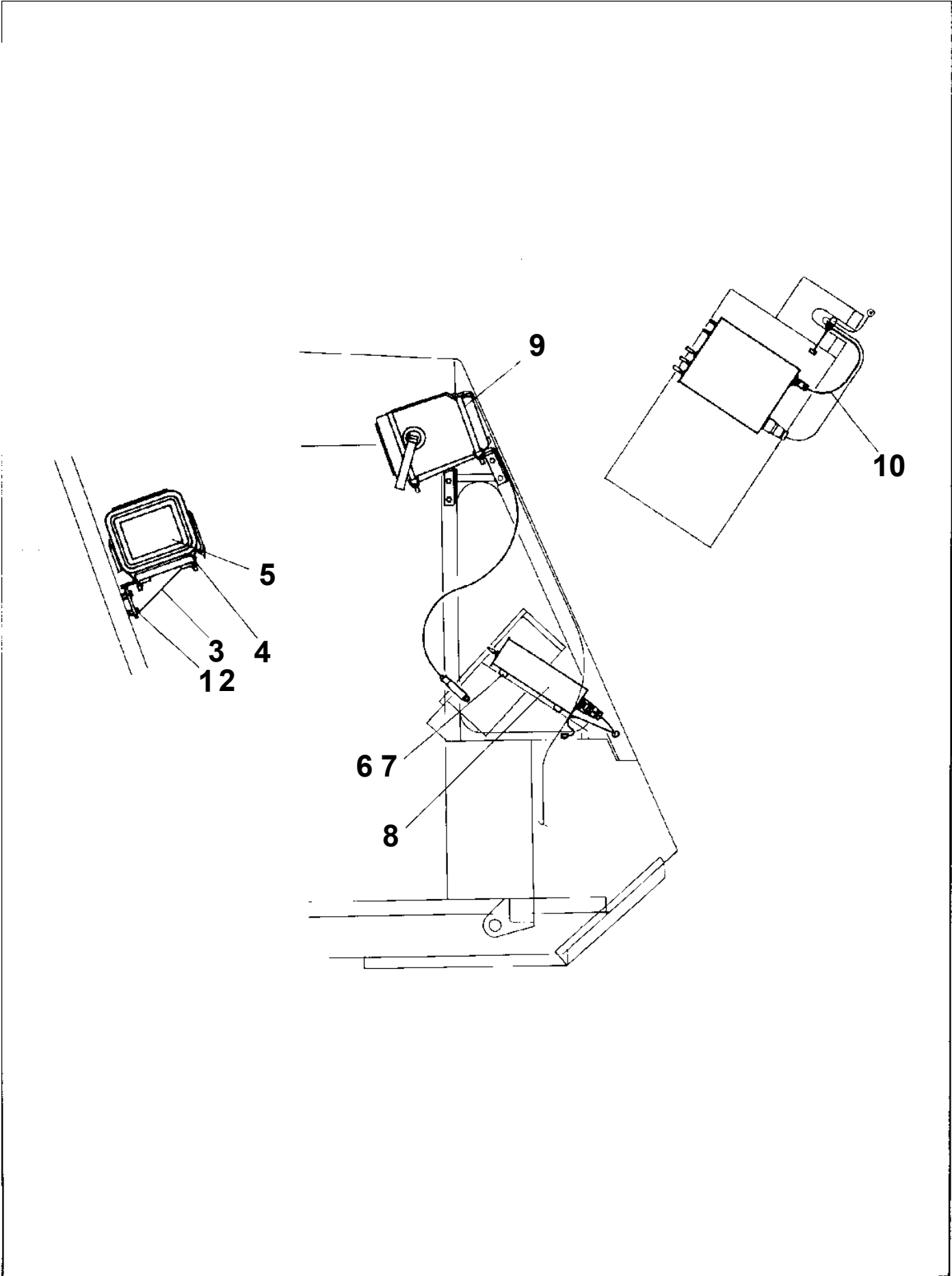
Pos No.	Parts No	Parts Name	Qty	Unit	Technical Data	Serial No (Start)	Serial No (End)	Rem
1	82100001412	TUBE, SPIRAL	1	M	SE-12BK			
2	37002702510	CABLE	1		L=6500			
3	37000705910	CLAMP ASSY	16		D=8			
4	37000705940	CLAMP ASSY	4		D=15			
5	82100001209	CAP (RECEPTACLE)	1					
6	82100001210	PLUG	1					
7	80171303006	SCREW, MACHINE	2		M3X6			
8	90302040301	WASHER, SPRING	2		3			
9	37000707110	CLAMP ASSY	3		8X2			
10	37002703440	CABLE	1		L=1500			
11	90101508010	BOLT	5		M8X10			
12	90302040801	WASHER, SPRING	5		8			
13	37000521400	PLATE	5					
14	37001601000	NUT	4					
15	33360981100	SUPPORT	1					
16	90101512040	BOLT	4		M12X40			
17	33360834100	DETECTOR ASSY, ANGLE (JIB)	1					
18	33360981300	BOLT	1					
19	90131505025	BOLT, HEXAGON SOCKET	1		M5X25			
20	90201200500	NUT	1		M5			
21	90302040501	WASHER, SPRING	4		5			
22	80172305045	SCREW, MACHINE	3		M5X45			
23	33360981200	LEVER	1					
24	37000525280	PLATE	2					
25	90101512025	BOLT	2		M12X25			
26	90302041201	WASHER, SPRING	6		12			
27	33360981400	SUPPORT	1					
28	33360981500	COVER	1					
29	33360834070	PLATE	1					
30	90101206016	BOLT	2		M6X16			
31	90302040601	WASHER, SPRING	2		6			
32	80136332025	PIN, SPLIT	1		3.2X25			
33	37001300110	SPRING	1					

TG-3600M-1-10201 5 BOOM + JIB,W-KL620YN
PH1250030-00 MOMENT LIMITER (EXTENSION DEVICE)

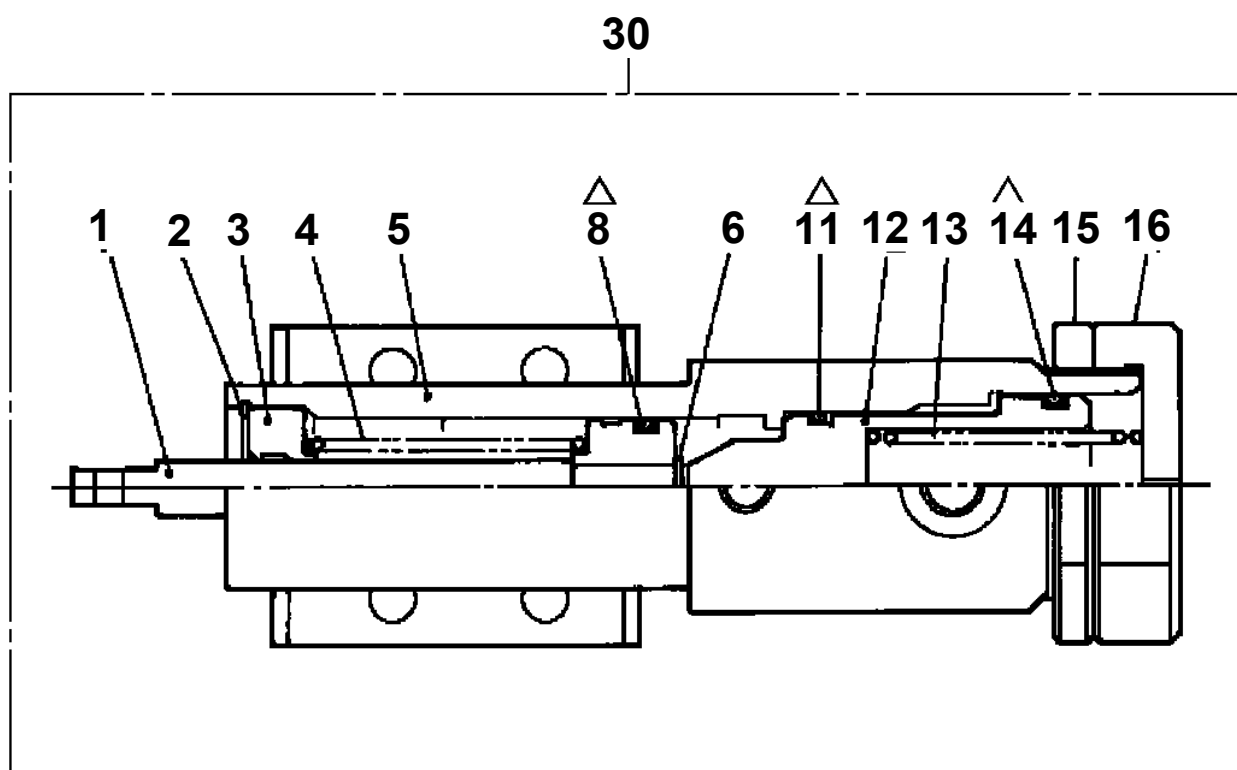
30



TG-3600M-1-10201 5 BOOM + JIB,W-KL620YN
PH1700018-00 VIEW SYSTEM (MONITOR)

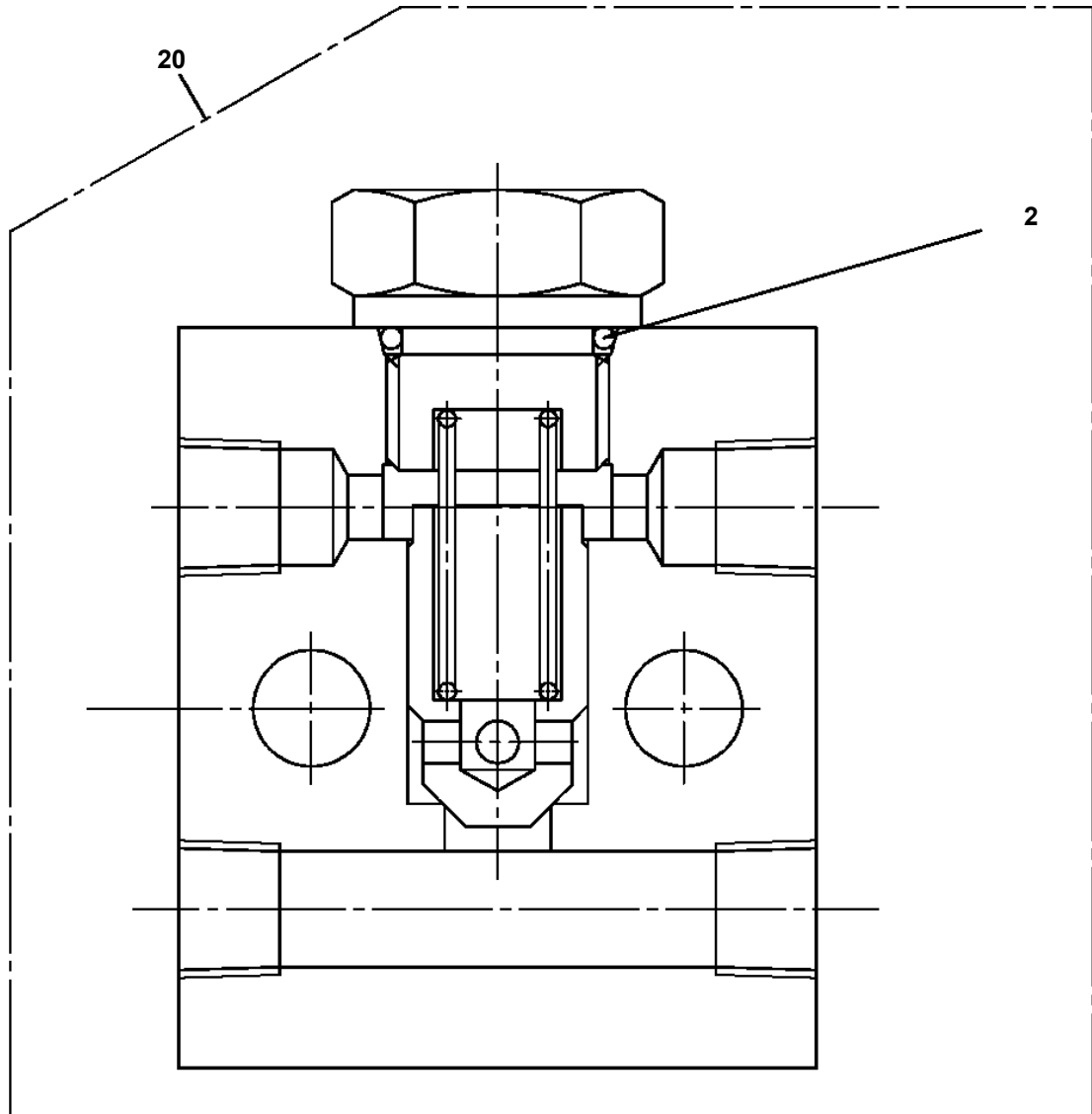


TG-3600M-1-10201 5 BOOM + JIB,W-KL620YN
PI1040004-01 CYLINDER,AIR

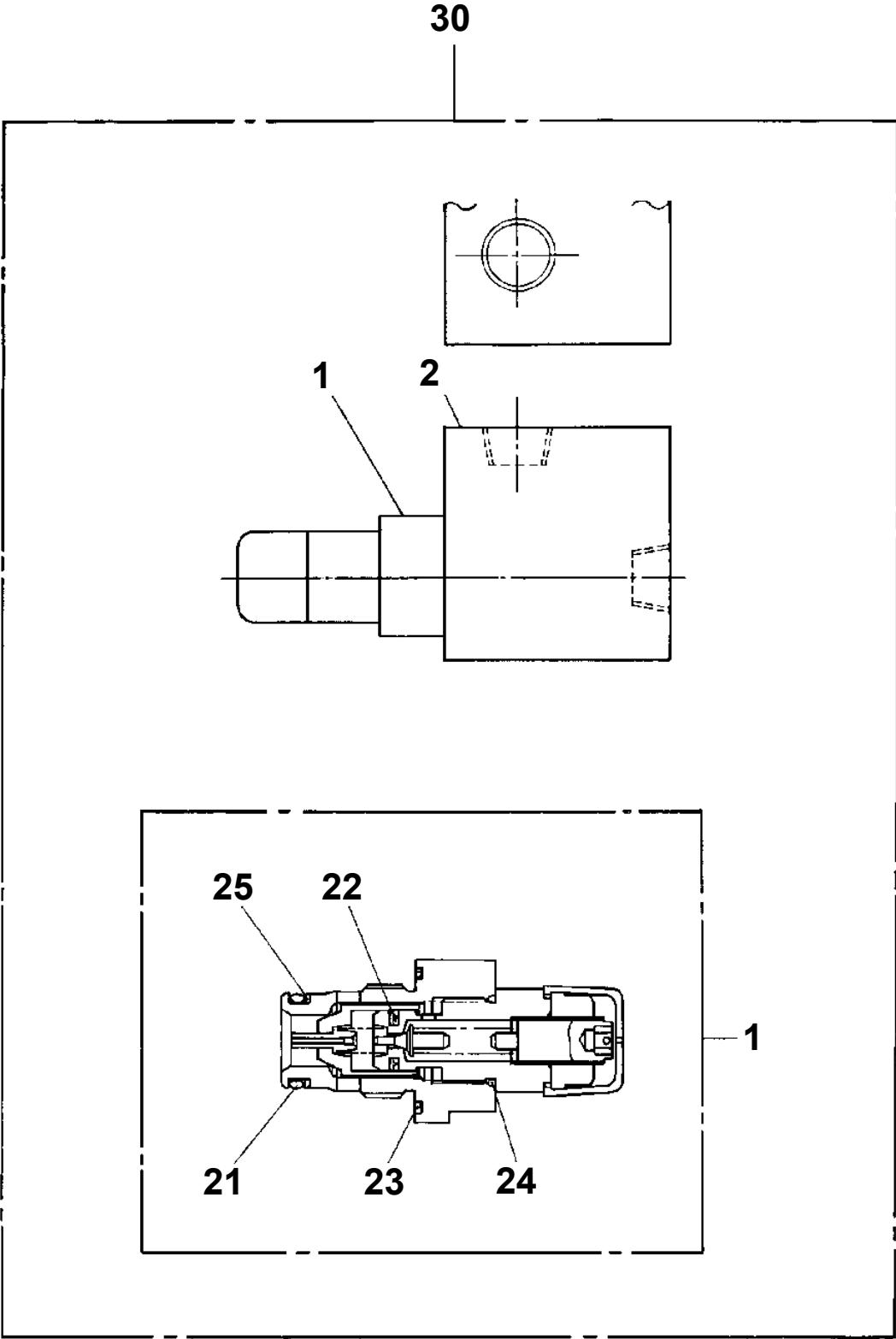


Δ: PACKING SET KEY NO40 (KEY NO. 8, 11, 14)

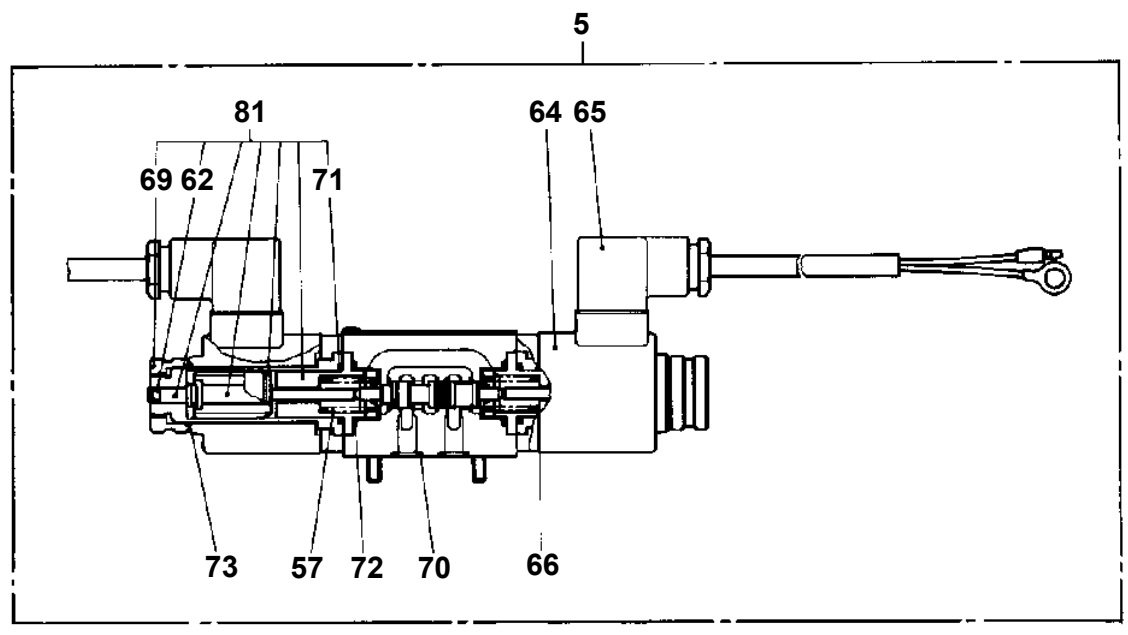
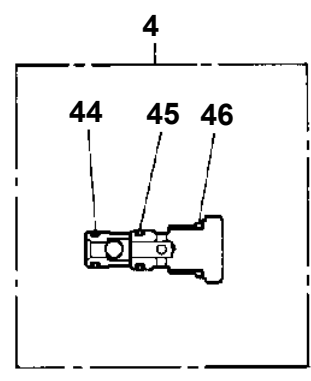
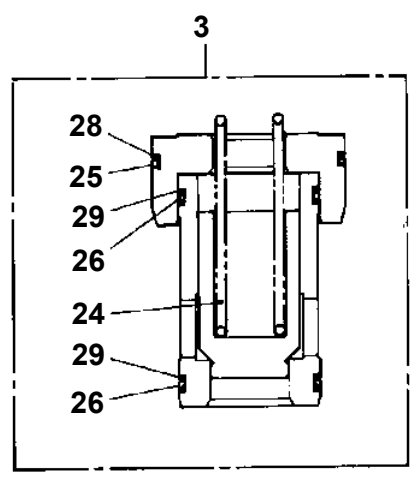
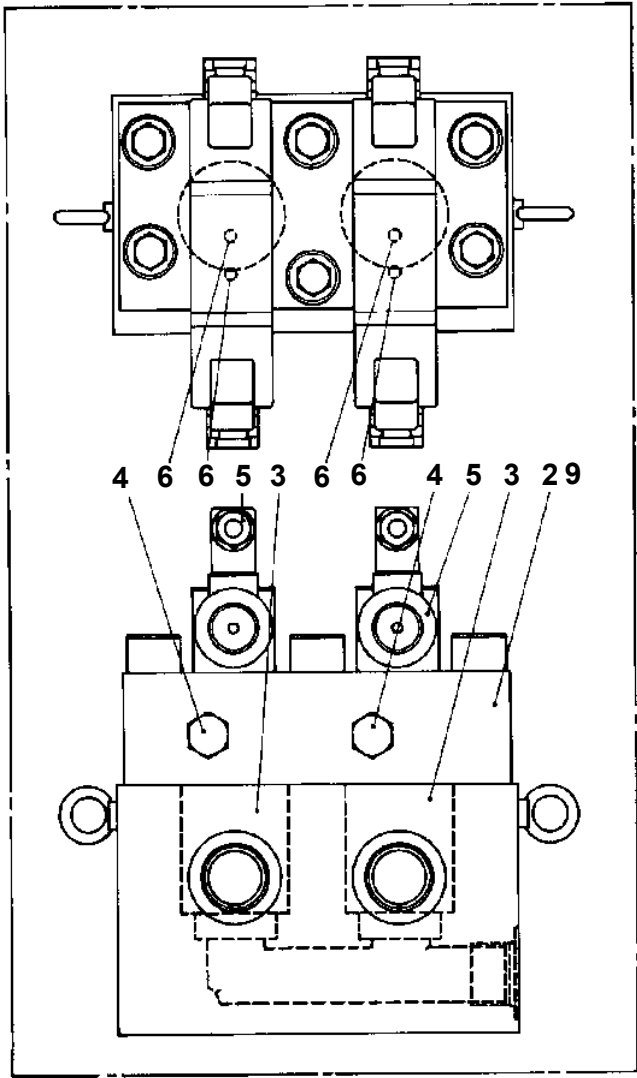
TG-3600M-1-10201 5 BOOM + JIB,W-KL620YN
PI1100018-01 VALVE,RELIEF



TG-3600M-1-10201 5 BOOM + JIB,W-KL620YN
PI1100035-00 VALVE,RELIEF



TG-3600M-1-10201 5 BOOM + JIB,W-KL620YN
PI1110001-00 VALVE,LOGIC



TG-3600M-1-10201 5 BOOM + JIB,W-KL620YN

Pos No.	Parts No	Parts Name	Qty	Unit	Technical Data	Serial No (Start)	Serial No (End)	Remarks
2	36640165010	COVER (A)	1					
3	19045104110	COVER (B)	1					
5	19045110010	RETAINER	2					
7	19045110030	PIN	1					
8	36641345010	SPACER	4					
9	19225107080	SPRING	1					
10	19225107090	SPRING	1					
13	19045110070	SPACER	1					
15	19045110090	NUT	1					
17	36640785010	CONNECTOR	1					
18	19045110110	PACKING (COIL)	1					
19	70320127590	BOLT,HEXAGON SOCKET	8					
20	80316030020	PLUG	1		PT1/8			
21	91001100300	O-RING	1		1A P3			
22	91002800900	O-RING	4		1B P9			
23	91000501800	O-RING	1		ARP568-018			
24	36640565040	O-RING	1					
25	91000501900	O-RING	2					
28	90131505045	BOLT,HEXAGON SOCKET	4		M5X45			
31	36641185030	GUIDE KIT	1					
32	36641185040	COIL KIT	1					
100	36641680000	VALVE,SOLENOID	1					

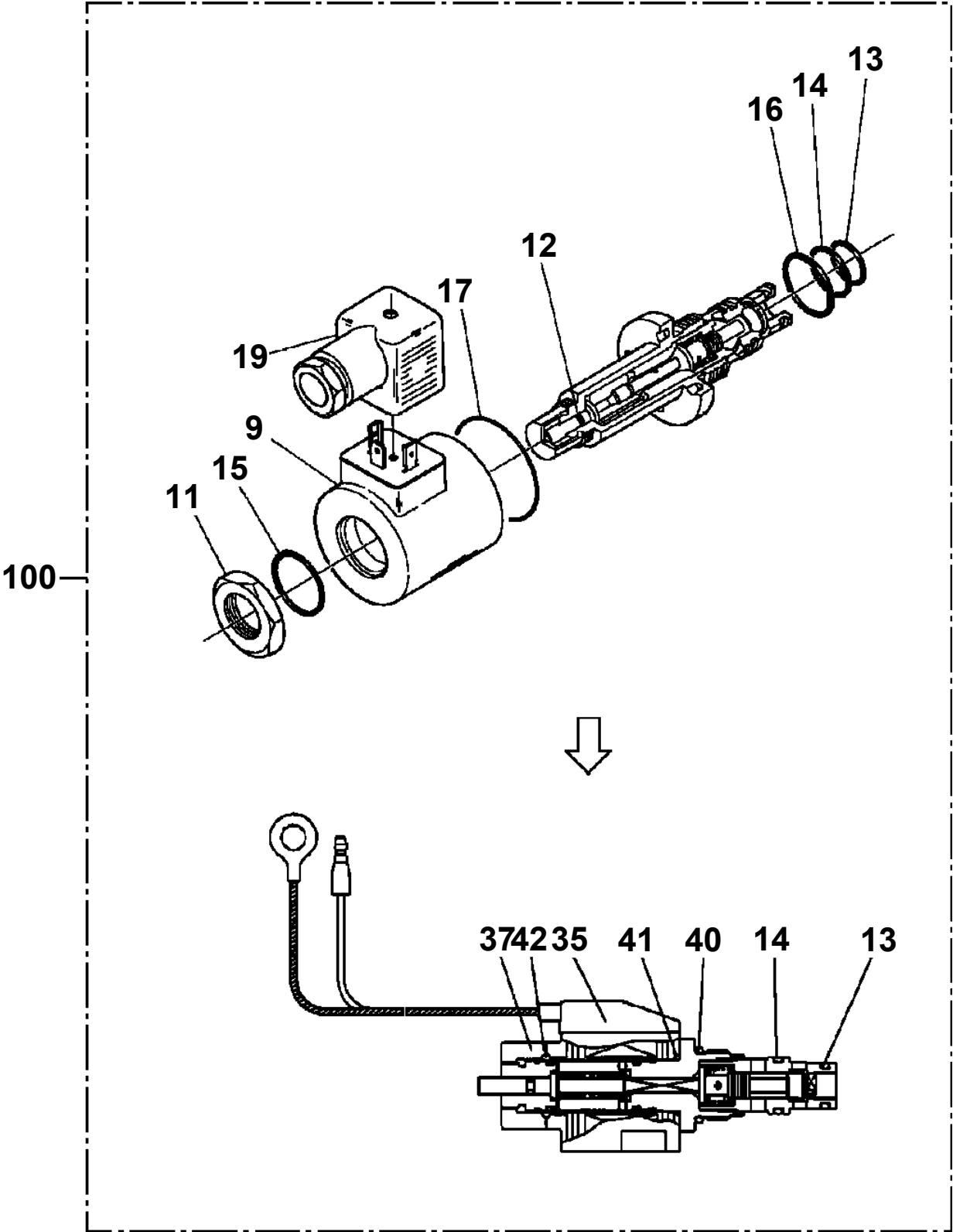
TG-3600M-1-10201 5 BOOM + JIB,W-KL620YN

Pos No.	Parts No	Parts Name	Qty	Unit	Technical Data	Serial No (Start)	Serial No (End)	Remarks
7	19225107090	SPRING	2					
12	19045110090	NUT	2					
14	36602845110	COIL,SOLENOID	2					
15	36641345020	CONNECTOR	2					
16	19045110110	PACKING (COIL)	2					
19	36370105600	O-RING	2					
20	91002800900	O-RING	4		1B P9			
21	91000501800	O-RING	2		ARP568-018			
22	91000501900	O-RING	2					
23	36640565040	O-RING	2					
26	90131505045	BOLT,HEXAGON SOCKET	4		M5X45			
30	36642915010	GUIDE ASSY	2					
50	36642455200	VALVE,SOLENOID	1					

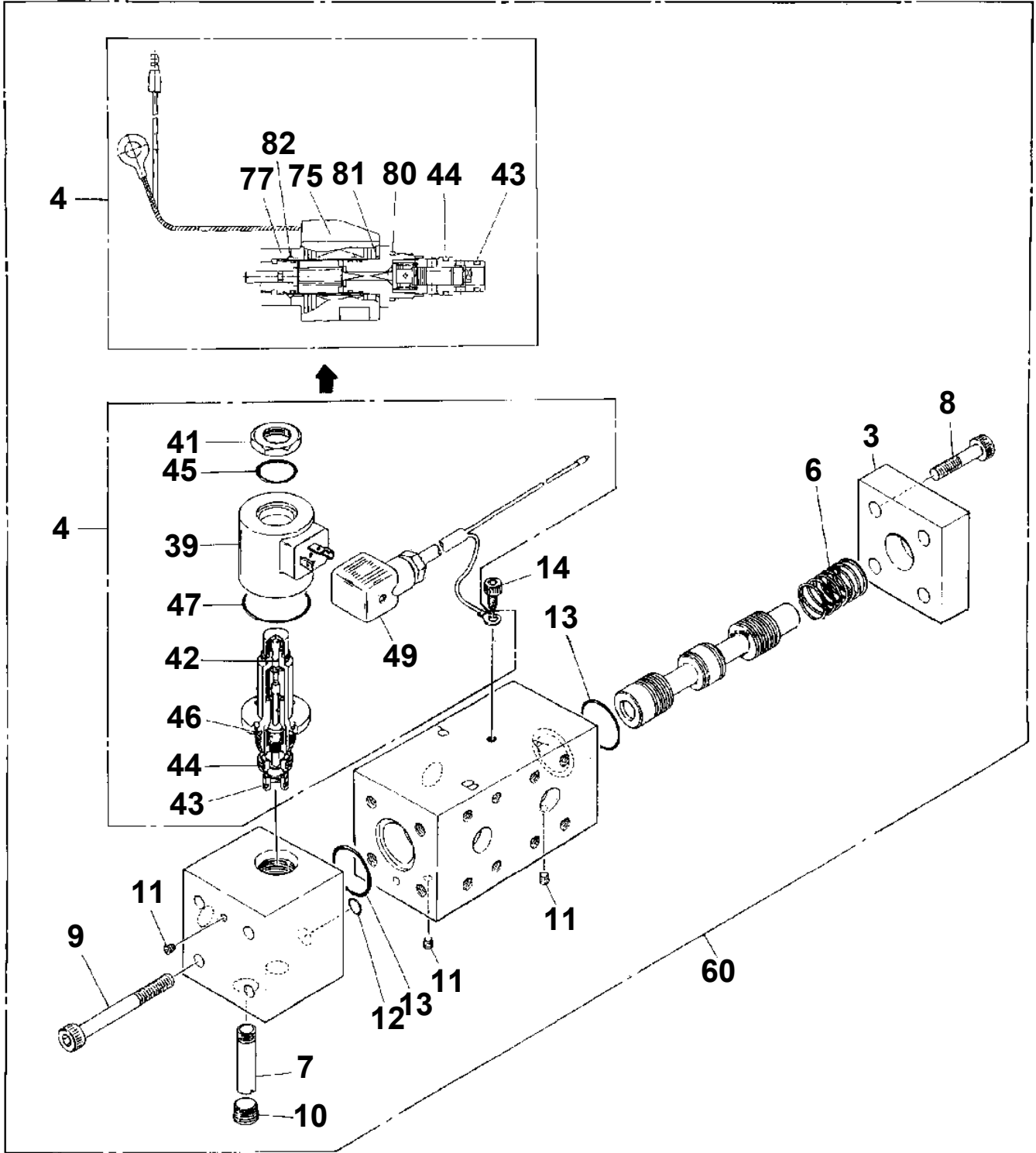
TG-3600M-1-10201 5 BOOM + JIB,W-KL620YN

Pos No.	Parts No	Parts Name	Qty	Unit	Technical Data	Serial No (Start)	Serial No (End)	Remarks	Pages
2	36642465100	VALVE,SOLENOID	1						00021
3	36642465200	VALVE,SOLENOID	2						
4	36642455010	ORIFICE (PLUG)	2						
19	36640235050	COIL	2		24V				
20	36642465210	CAP	2						
21	36642885010	NUT	2						
23	36370105600	O-RING	2						
24	91002801200	O-RING	2		1B P12				
25	91002801600	O-RING	2		1B P16				
26	91001102100	O-RING	2		1A P21				
27	36642465220	O-RING	2						
28	36640485010	O-RING	2						
29	36641345020	CONNECTOR	2						
31	36642465230	BODY KIT	2						
100	36642480000	VALVE,SOLENOID	1						

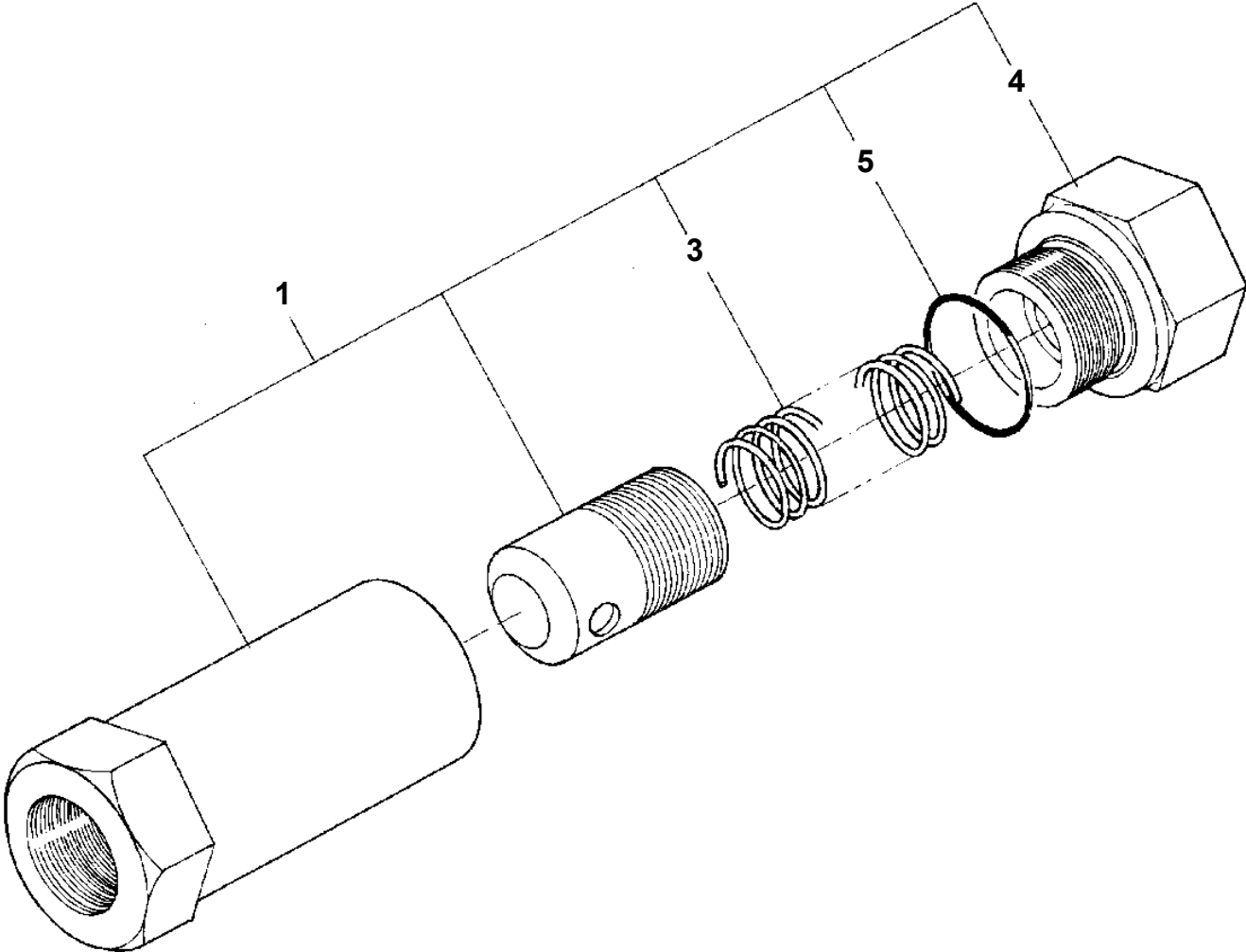
TG-3600M-1-10201 5 BOOM + JIB,W-KL620YN
PI1120260-01 VALVE,SOLENOID



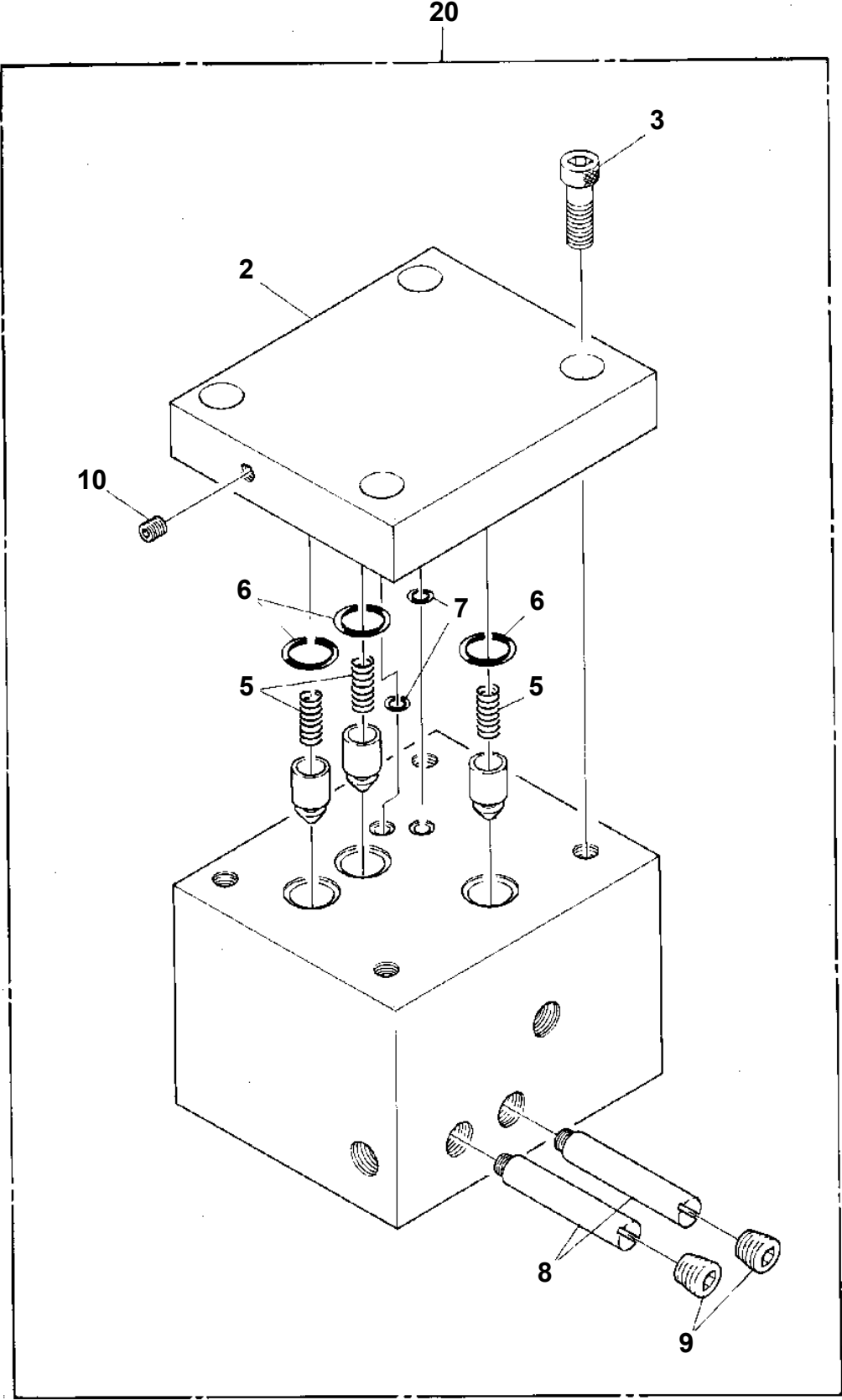
TG-3600M-1-10201 5 BOOM + JIB,W-KL620YN
PI1130029-00 VALVE, HYDRAULIC



TG-3600M-1-10201 5 BOOM + JIB,W-KL620YN
PI1140012-00 VALVE,CHECK

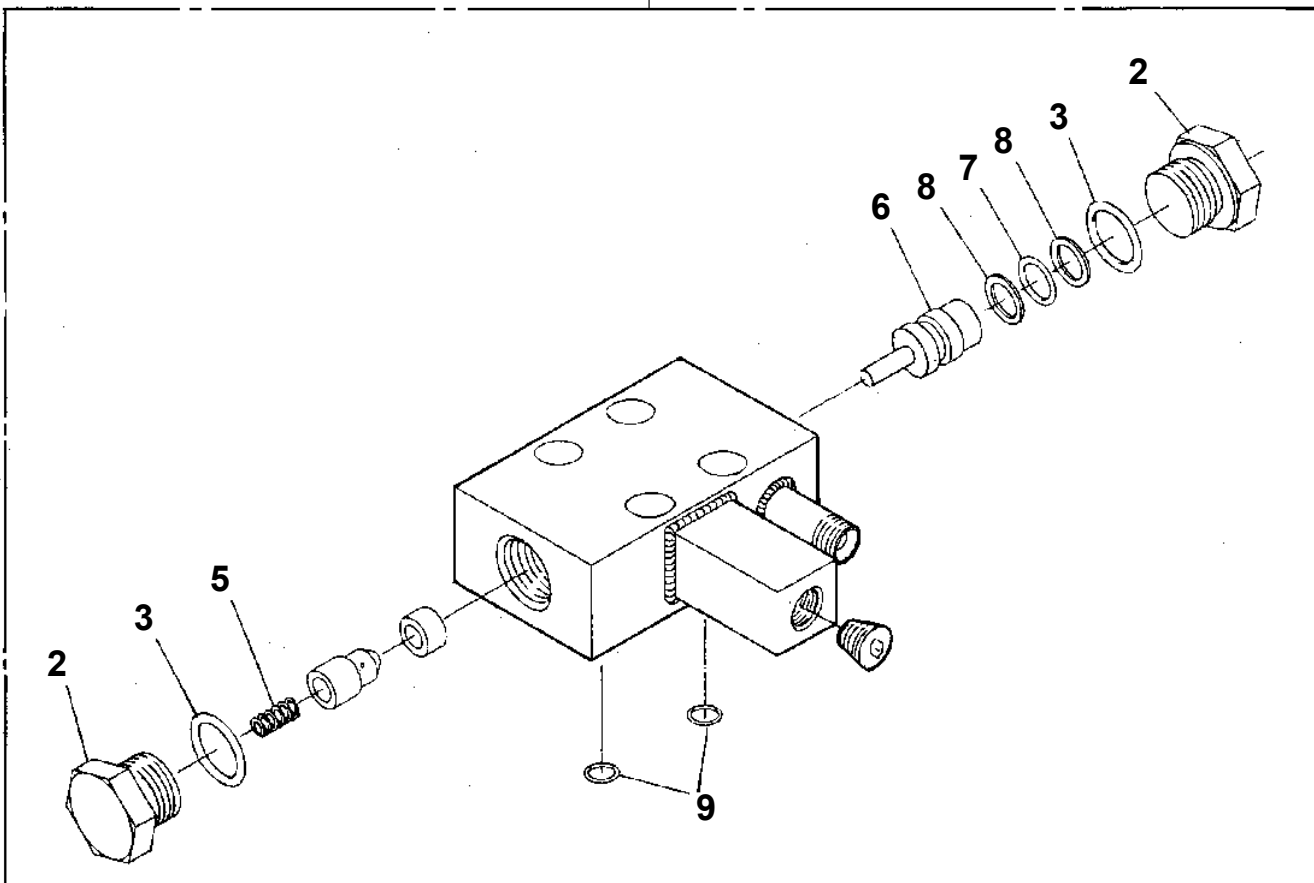


TG-3600M-1-10201 5 BOOM + JIB,W-KL620YN
PI1140041-00 VALVE,CHECK

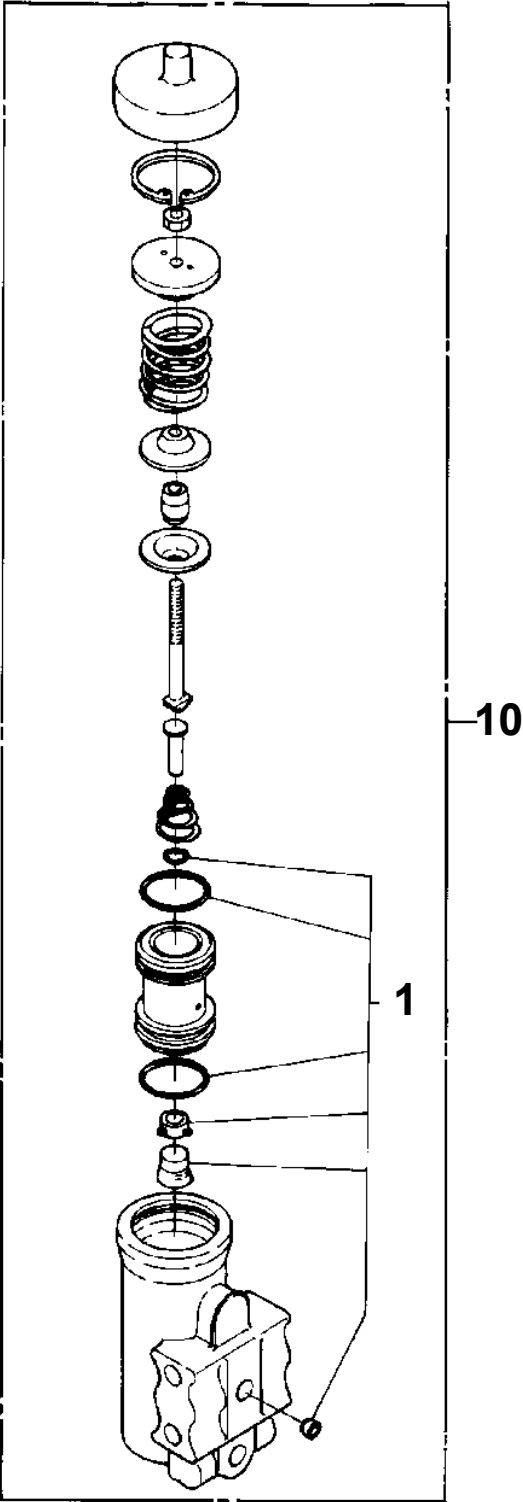


TG-3600M-1-10201 5 BOOM + JIB,W-KL620YN
PI1140076-00 VALVE,CHECK

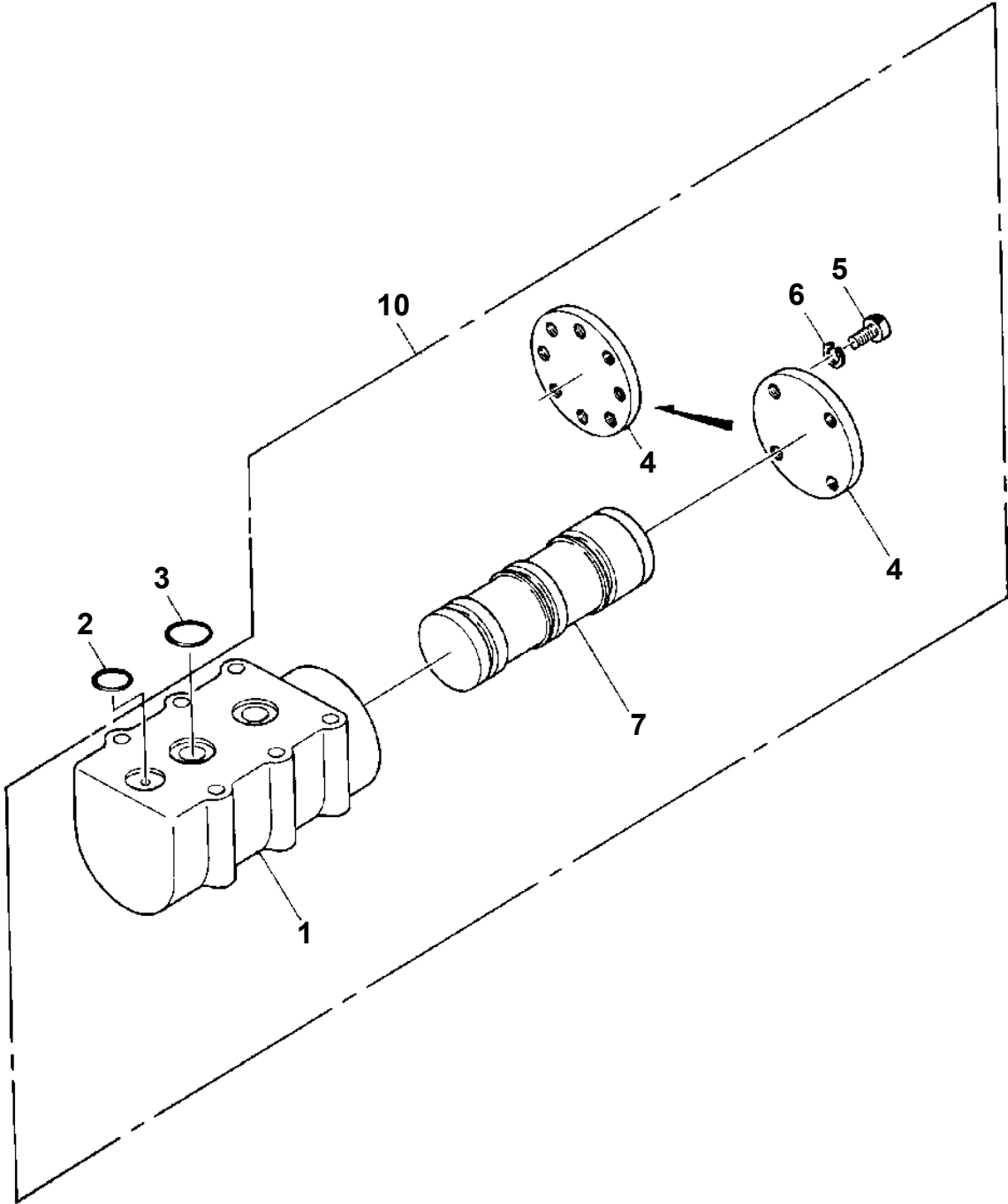
20



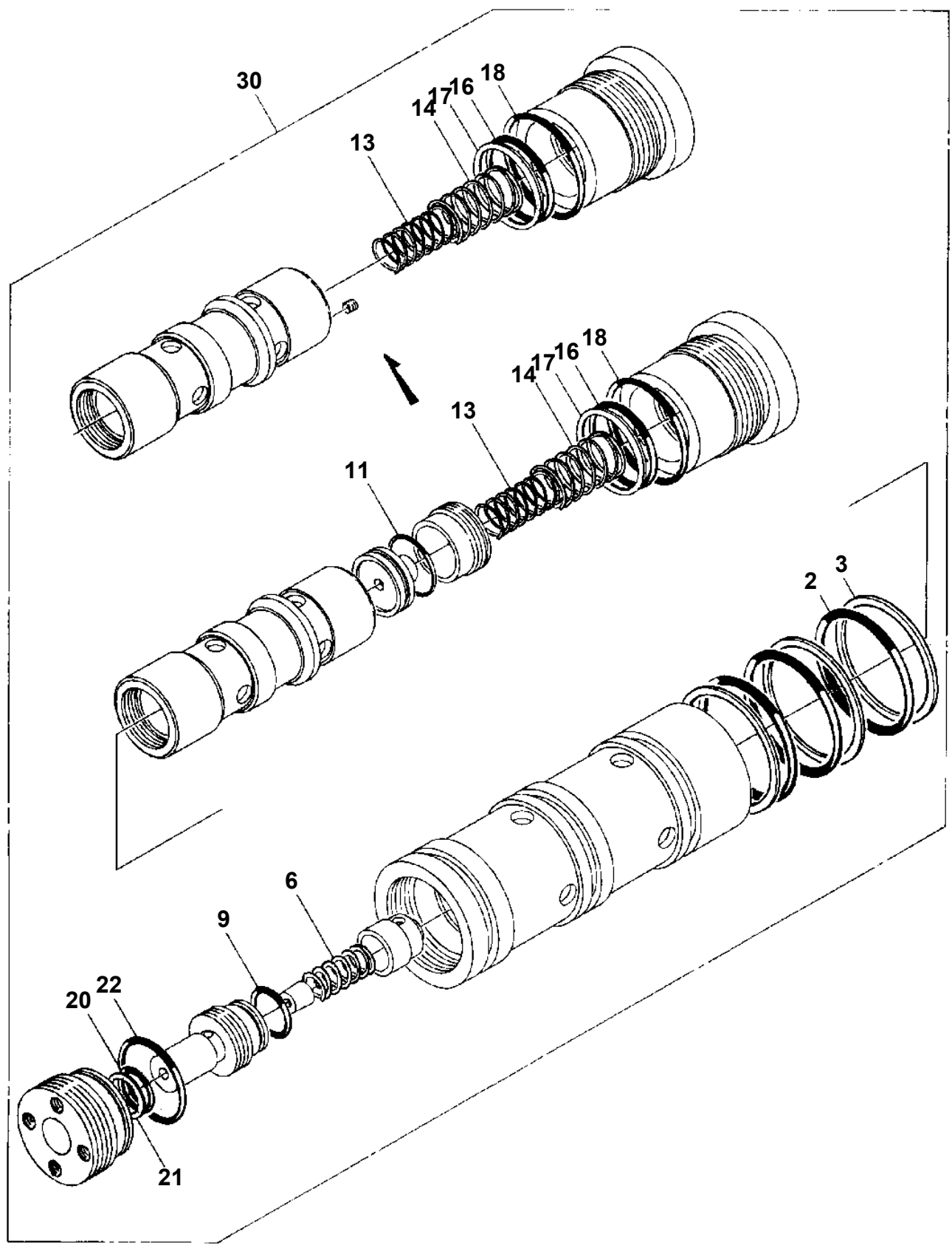
TG-3600M-1-10201 5 BOOM + JIB,W-KL620YN
PI1180000-00 VALVE,PRESSURE CONTROL



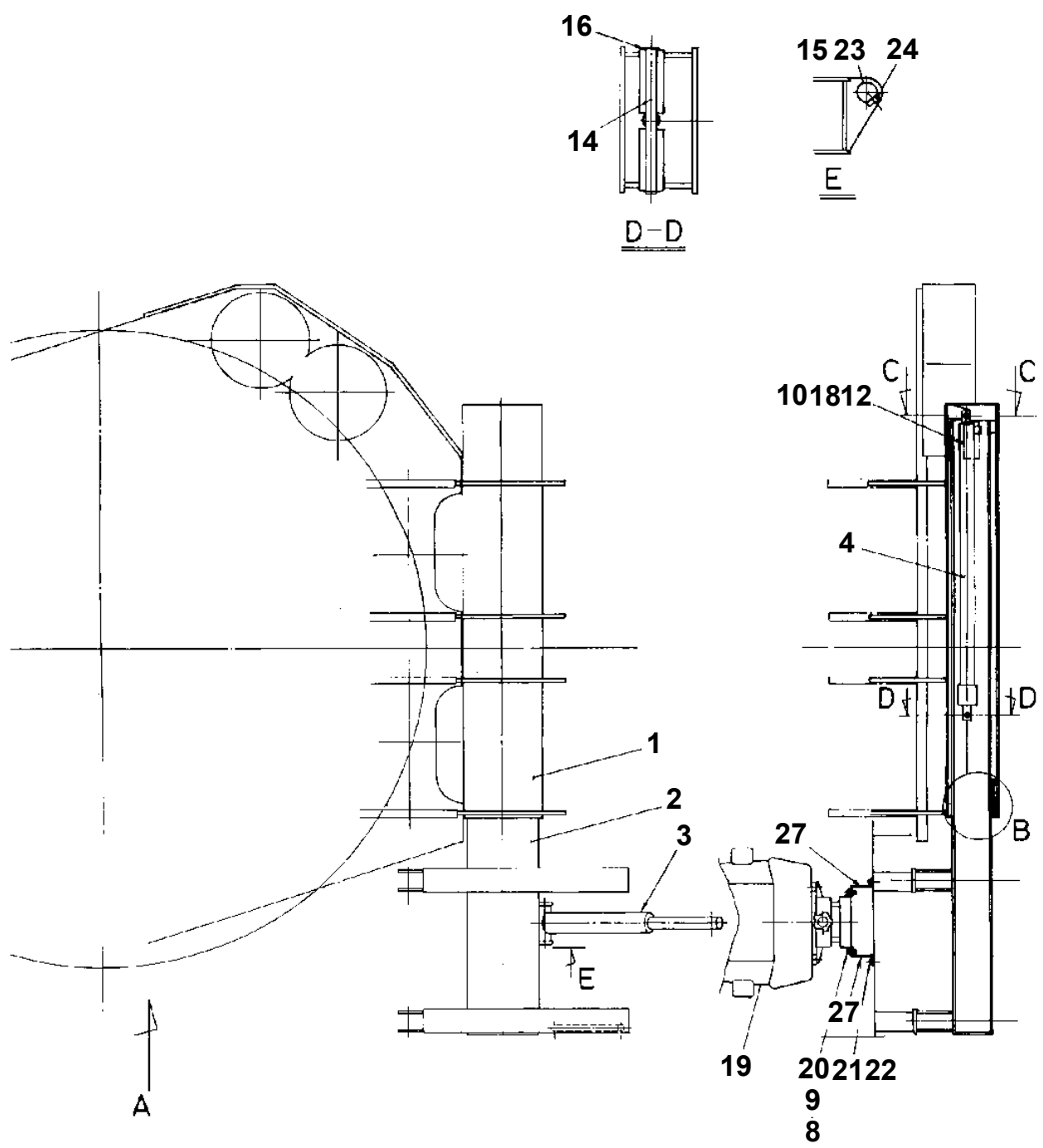
TG-3600M-1-10201 5 BOOM + JIB,W-KL620YN
PI1250041-01 VALVE,COUNTERBALANCE



TG-3600M-1-10201 5 BOOM + JIB,W-KL620YN
PI1260011-02 CARTRIDGE, COUNTERBALANCE



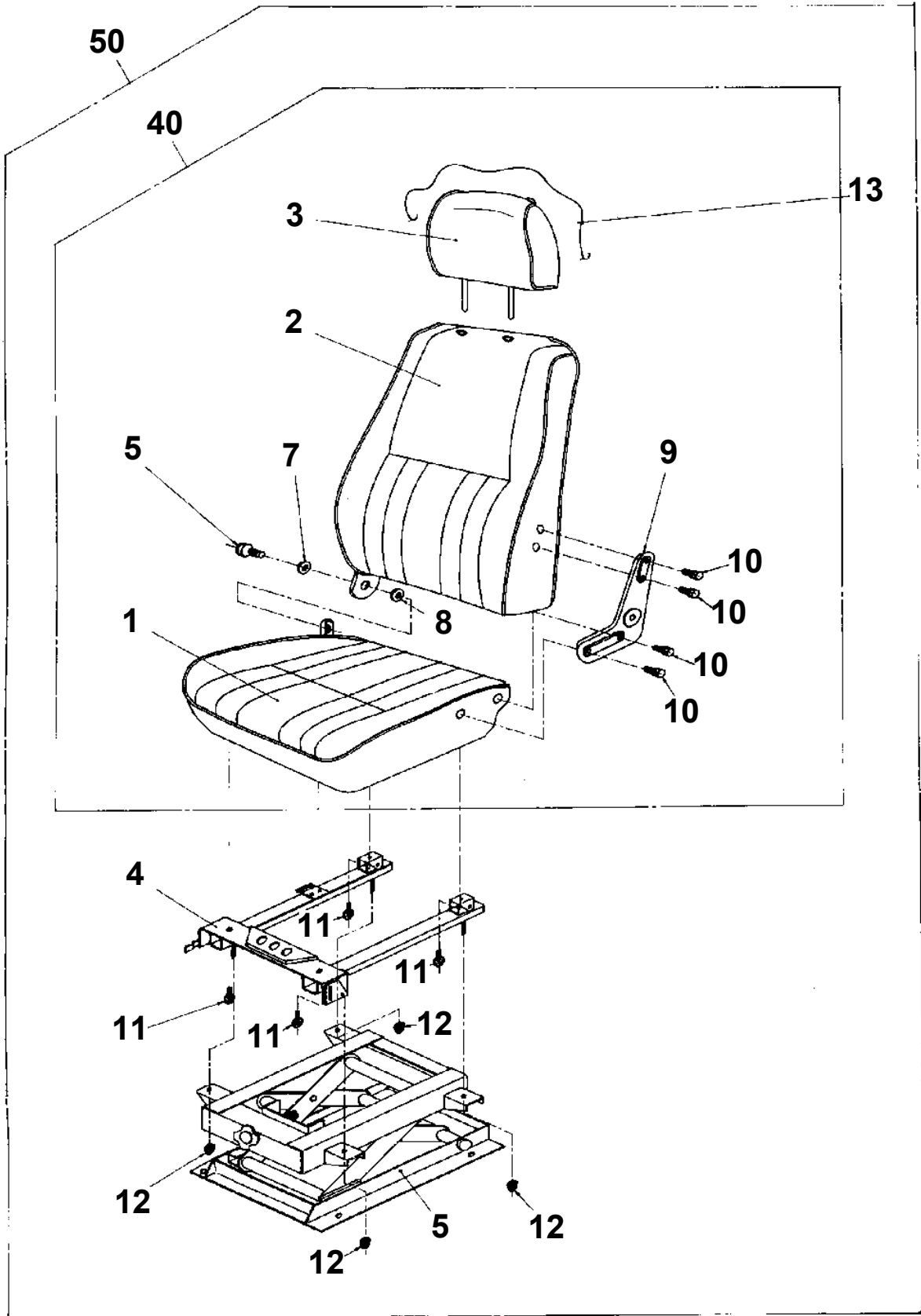
TG-3600M-1-10201 5 BOOM + JIB,W-KL620YN
PK1120108-01 SWING TABLE



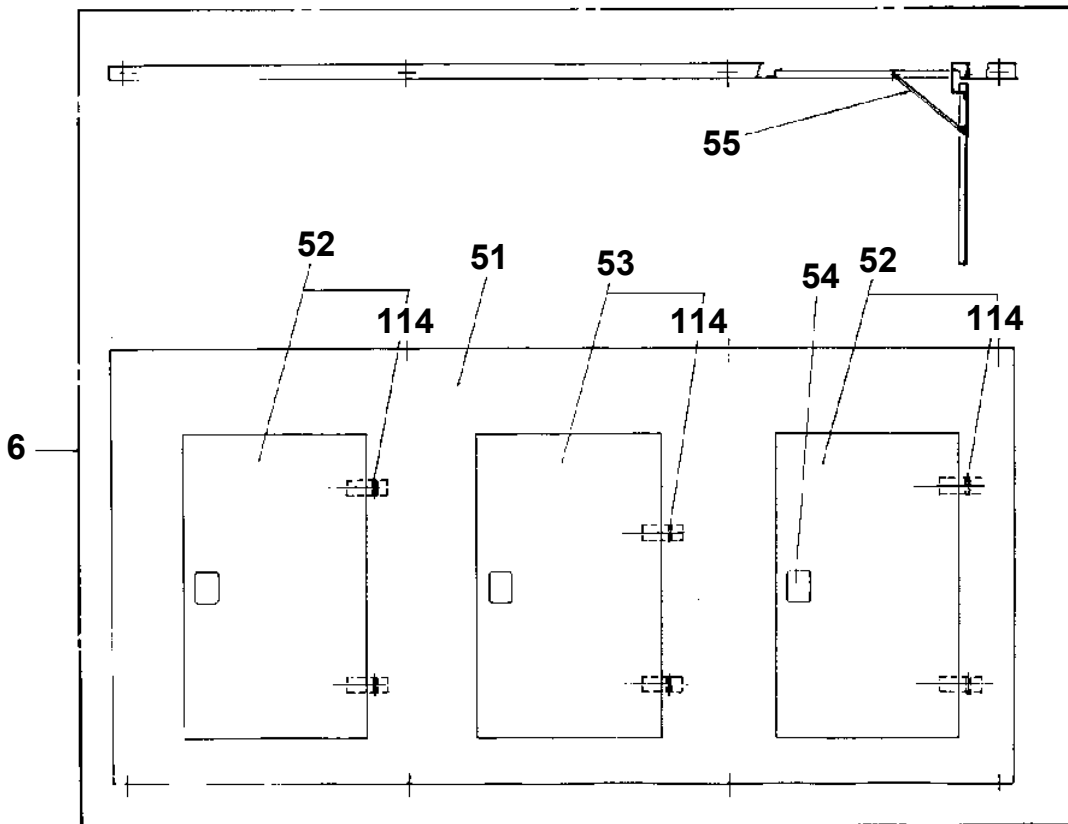
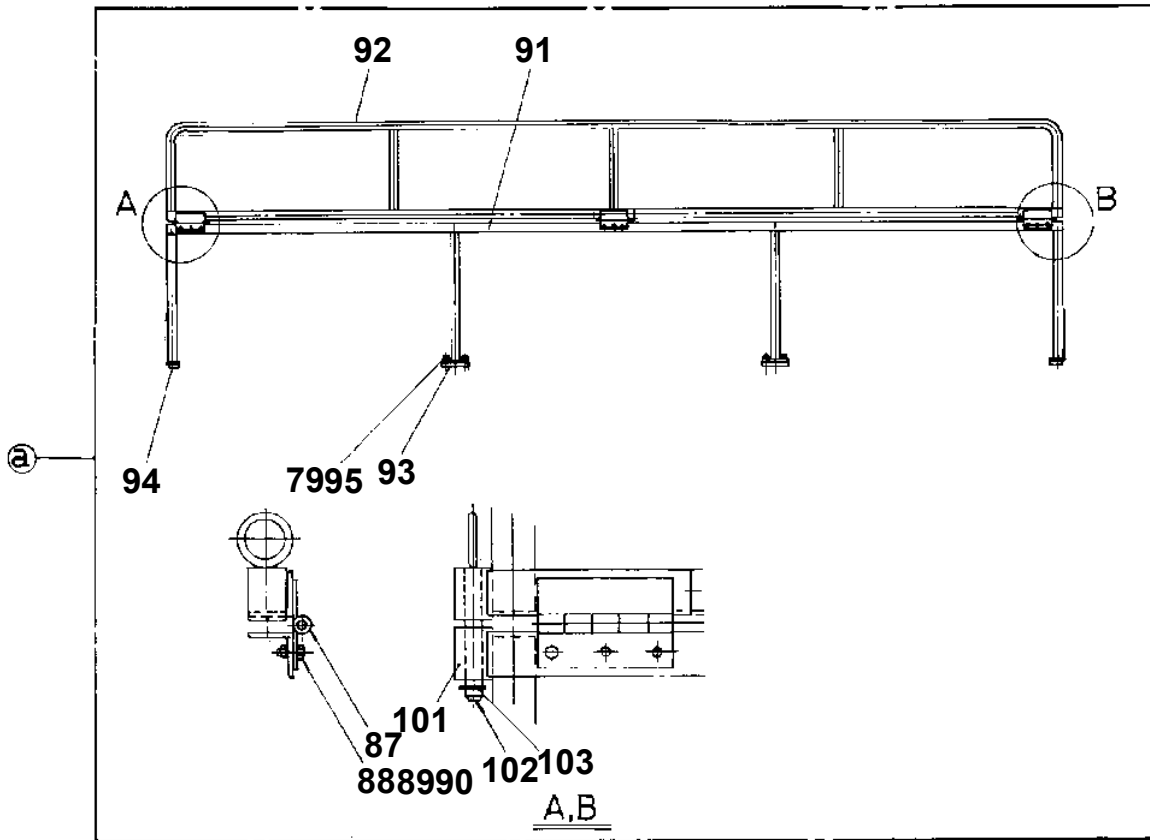
TG-3600M-1-10201 5 BOOM + JIB,W-KL620YN

PK1150013-00 SEAT, OPERATOR

Assembly Name SEAT, OPERATOR



TG-3600M-1-10201 5 BOOM + JIB,W-KL620YN
PK1200139-01 COVER,SWING FRAME (RIGHT)



6

TG-3600M-1-10201 5 BOOM + JIB,W-KL620YN

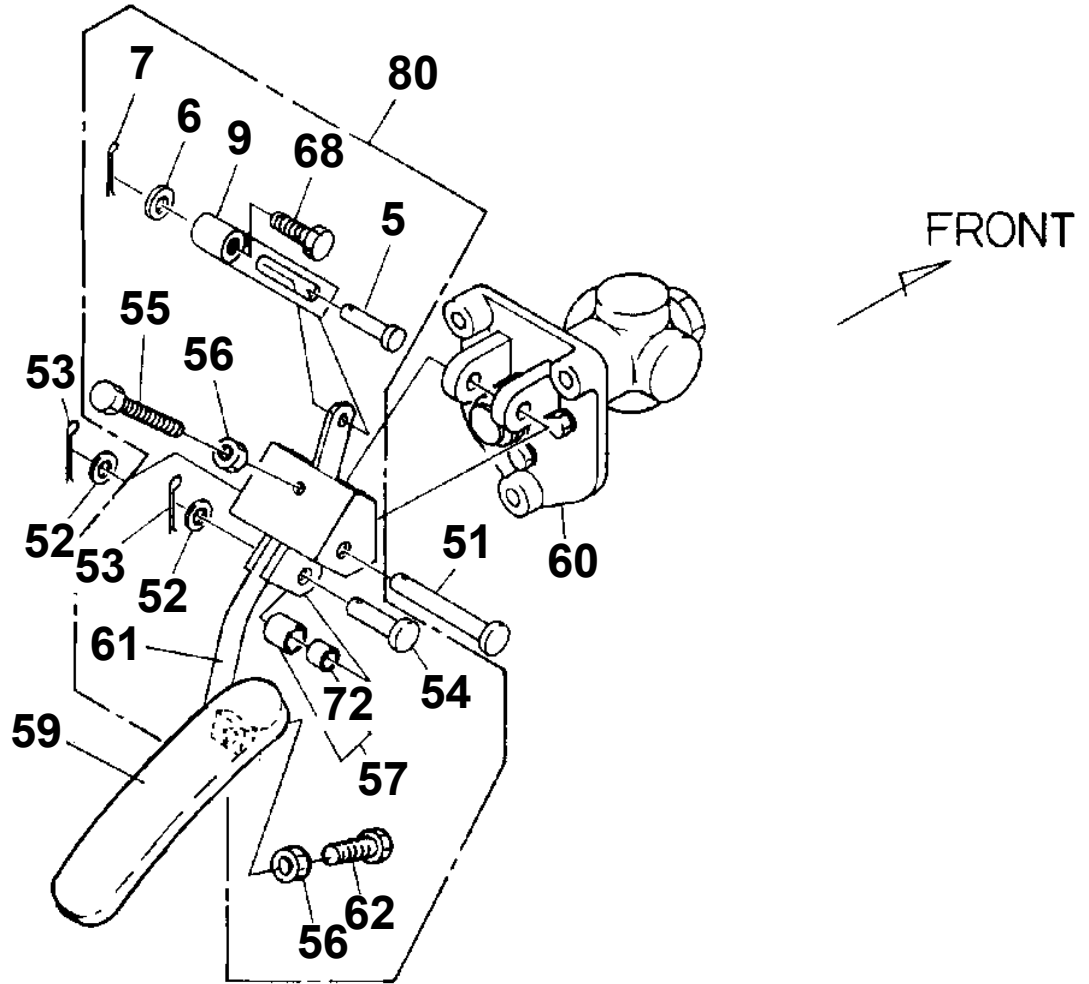
Pos No.	Parts No	Parts Name	Qty	Unit	Technical Data	Serial No (Start)	Serial No (End)
1	33281662101	COUNTERWEIGHT	1				
2	33281663000	SUPPORT	1				
3	33281661000	SUPPORT	1				
4	36050810000	CYLINDER,WEIGHT REMOVER (JACK)	2				
5	33281664000	GUIDE	2				
6	33281662300	COUNTERWEIGHT	1				
7	37000142530	PIN	2				
8	36050820000	CYLINDER,WEIGHT REMOVER (SLIDE)	2				
9	33281662500	COUNTERWEIGHT	2				
10	33281662600	COUNTERWEIGHT	1				
11	37000543800	PLATE	4				
12	37000543810	PLATE	2				
13	82456101000	NIPPLE,GREASE	2		A-PT1/8		
14	33281663500	SUPPORT	1				
15	33281664500	SUPPORT	1				
16	33281664600	SUPPORT	1				
17	33281664700	PIN	2				
18	90171120060	BOLT	12		M20X60		
19	90302042001	WASHER,SPRING	12		20		
20	90101724055	BOLT	8		M24X55		
21	90302042401	WASHER,SPRING	8		24		
22	37000130470	PIN	4		16		
23	37000528070	PLATE	12		T=2.3		
24	37000142510	PIN	4				
25	80136350056	PIN,SPLIT	4		5X56		
26	33281664800	PIN	4				
27	37000543820	PLATE	4				
28	33281665010	PIPE	2				
29	33281665020	GUIDE	1				
30	33281665030	GUIDE	1				
31	33281665040	GUIDE	4				
32	33281665100	PIN	2				
33	33281665200	PIN (WITH CHAIN)	2				
34	33281665300	PLATE	2				
35	33281665460	PLATE	1				
36	33281665450	PLATE	2				
37	33281665600	STOPPER	2				
39	33281660100	SUPPORT	2				
40	33281660200	SUPPORT	2				
51	33281666101	COUNTERWEIGHT	1				
52	33281666010	STOPPER	4				
53	90813112025	BOLT,WING	4		M12X25		
54	90302041201	WASHER,SPRING	4		12		
55	37000148950	PIN	4				

TG-3600M-1-10201 5 BOOM + JIB,W-KL620YN

Pos No.	Parts No	Parts Name	Qty	Unit	Technical Data	Serial No (Start)	Serial No (End)	Remarks	Page
1	80303030140	FITTING,ELBOW	1		KLN12-020N				
2	80303080020	JOINT	1		SSTL1/4				
3	37000918190	JOINT	1						
4	80302010140	FITTING	4		C717KCT12-020N				
5	80301010100	FITTING	16		KUA12-000N				
6	80307010100	FITTING,FLANGE	4						
7	80315060100	JOINT,BUSHING	3						
8	80305050160	FITTING,TEE	4		KTK18-040N				
9	80305010160	FITTING,TEE	3		KTA18-000E				
10	80302090241	FITTING	1		KCO18-040N				
11	91002801800	O-RING	5		1B P18				
12	80302010230	FITTING	8		KCT18-030N				
13	80315040060	JOINT	4						
14	91002801400	O-RING	4		1B P14				
15	80305030120	FITTING,TEE	3		KTN18-040N				
16	19225121000	VALVE,CHECK	3						
17	80302010240	FITTING	3						
18	80303030230	FITTING,ELBOW	2						
19	80315020140	JOINT	1		STB3/4X1/2				
20	80307010200	FITTING	1						
21	80305010200	FITTING,TEE	1		KTA220-000N				
22	80302090271	FITTING	4		KCO22-040N				
23	80301010241	FITTING	3		KUA28-000N				
24	80302010100	FITTING	2		KCT10-020N				
25	80305010080	FITTING,TEE	1		KTA10-000N				
26	80301010080	FITTING	3		KUA10-000E				
27	80320010080	FITTING	4		KUD12-030N				
28	80303010200	FITTING,ELBOW	2		KLA22-000N				
29	80311010400	FITTING	2		KRE28X22				
30	80302090322	FITTING	1		KCO28-080N				
31	91002802900	O-RING	1		1B P29				
34	37002411630	HOSE	2		L=2000				
35	80320030080	FITTING,ELBOW	3		KLE12-030N				
36	37000913690	JOINT	1						
37	80315020040	JOINT,BUSHING	1						
38	80430420650	JOINT	1						
39	37002404530	HOSE	2		L=530				
40	33343605100	FITTING,FLANGE	1						
41	81408000160	PIPE,STEEL	3	M	12X1.4T				
42	81408000160	PIPE,STEEL	3	M	12X1.4T				
43	81408000160	PIPE,STEEL	3	M	12X1.4T				
44	81408000160	PIPE,STEEL	3	M	12X1.4T				
45	81408000160	PIPE,STEEL	3	M	12X1.4T				
46	81408000160	PIPE,STEEL	3	M	12X1.4T				
47	81408000160	PIPE,STEEL	3	M	12X1.4T				
48	81408000160	PIPE,STEEL	3	M	12X1.4T				
49	81408000160	PIPE,STEEL	3	M	12X1.4T				
50	81408000160	PIPE,STEEL	3	M	12X1.4T				
51	81408000241	PIPE,STEEL	3	M	18X1.9T				
52	81408000241	PIPE,STEEL	3	M	18X1.9T				
53	81408000241	PIPE,STEEL	3	M	18X1.9T				
54	81408000241	PIPE,STEEL	3	M	18X1.9T				
55	81408000241	PIPE,STEEL	3	M	18X1.9T				
56	81408000241	PIPE,STEEL	3	M	18X1.9T				
57	81408000241	PIPE,STEEL	3	M	18X1.9T				
58	81408000241	PIPE,STEEL	3	M	18X1.9T				
59	81408000241	PIPE,STEEL	3	M	18X1.9T				
60	81408000241	PIPE,STEEL	3	M	18X1.9T				
61	81408000241	PIPE,STEEL	3	M	18X1.9T				
62	81408000241	PIPE,STEEL	3	M	18X1.9T				
63	81408000241	PIPE,STEEL	3	M	18X1.9T				
64	81408000241	PIPE,STEEL	3	M	18X1.9T				
65	81408000241	PIPE,STEEL	3	M	18X1.9T				

0002

TG-3600M-1-10201 5 BOOM + JIB,W-KL620YN
PL1030273-02 OPERATION SYSTEM, ACCELERATOR

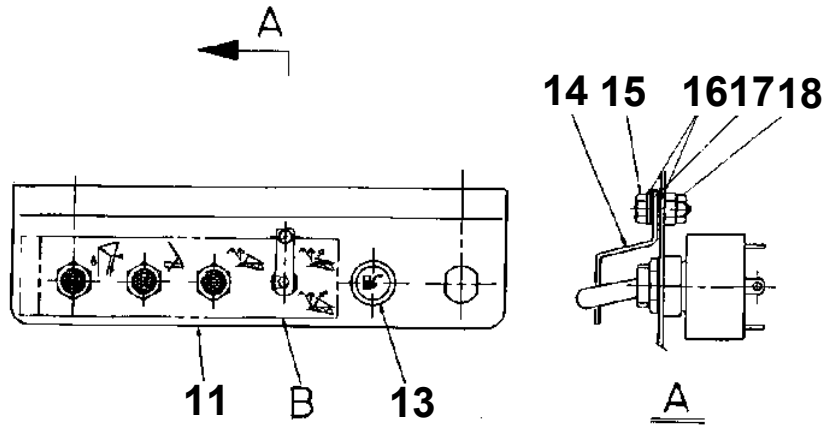


(a)

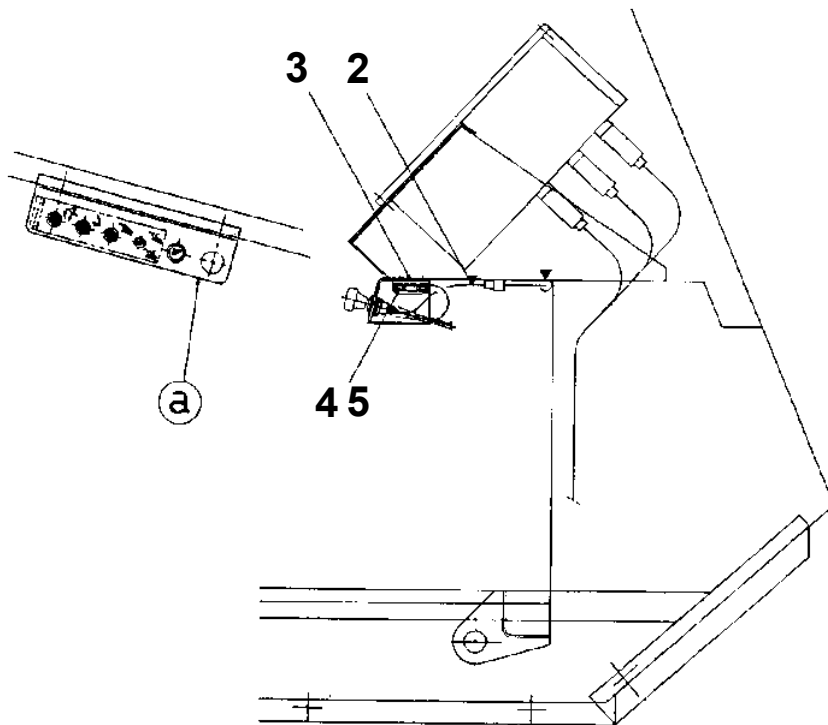
TG-3600M-1-10201 5 BOOM + JIB,W-KL620YN

Pos No.	Parts No	Parts Name	Qty	Unit	Technical Data	Serial No (Start)	Serial No (End)	Remarks	Pages
1	37000918060	JOINT,BUSHING	16		S R1/4-RC1/8				
2	82491000100	JOINT	32		S,G1/8-R1/8				
3	82492000100	NUT,CAP	32						
4	82493000100	NIPPLE	32						
5	37000918000	JOINT	4						
6	82456101000	NIPPLE,GREASE	16		A-PT1/8				
7	82100002033	CLAMP	16						
8	90190000008	BOLT,STUD	16		M6X20				
9	90201200600	NUT	16		M6				
10	90302040601	WASHER,SPRING	16		6				
11	81408000051	PIPE,STEEL	1	M	6X1.2T				
12	81408000051	PIPE,STEEL	1	M	6X1.2T				
13	81408000051	PIPE,STEEL	1	M	6X1.2T				
14	81408000051	PIPE,STEEL	1	M	6X1.2T				
15	81408000051	PIPE,STEEL	1	M	6X1.2T				
16	81408000051	PIPE,STEEL	1	M	6X1.2T				
17	81408000051	PIPE,STEEL	1	M	6X1.2T				
18	81408000051	PIPE,STEEL	1	M	6X1.2T				
19	81408000051	PIPE,STEEL	1	M	6X1.2T				
20	81408000051	PIPE,STEEL	1	M	6X1.2T				
21	81408000051	PIPE,STEEL	1	M	6X1.2T				
22	81408000051	PIPE,STEEL	1	M	6X1.2T				
23	81408000051	PIPE,STEEL	1	M	6X1.2T				
24	81408000051	PIPE,STEEL	1	M	6X1.2T				
25	81408000051	PIPE,STEEL	1	M	6X1.2T				
26	81408000051	PIPE,STEEL	1	M	6X1.2T				

TG-3600M-1-10201 5 BOOM + JIB,W-KL620YN
PN1060016-00 SWITCH PANEL (LUFFING JIB)



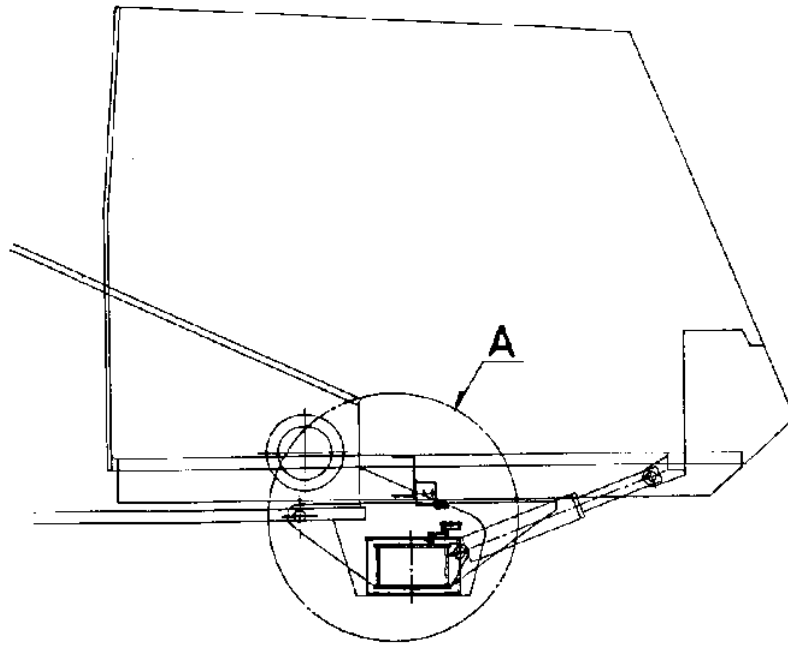
(a)



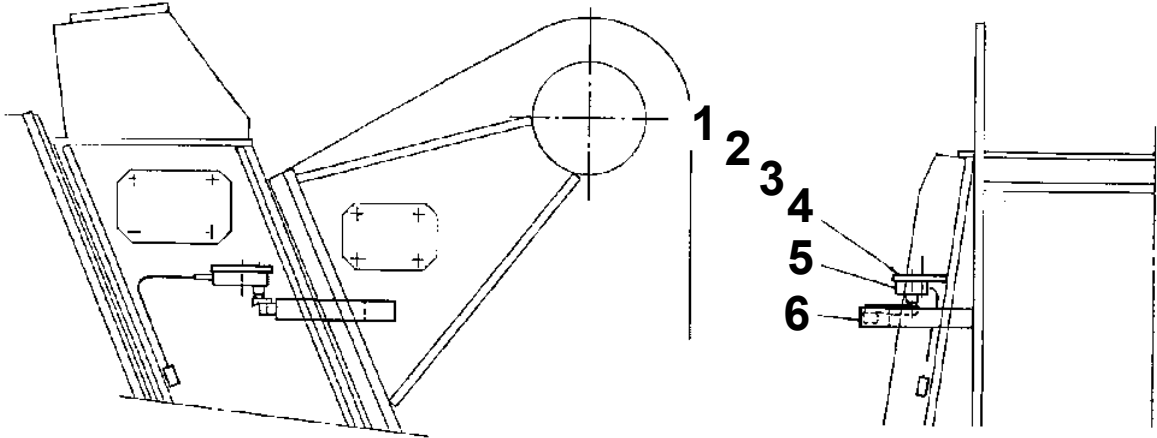
TG-3600M-1-10201 5 BOOM + JIB,W-KL620YN

Pos No.	Parts No	Parts Name	Qty	Unit	Technical Data	Serial No (Start)	Serial No (End)	R
9	82100001882	LIGHTER,CIGARETTE	1					
10	34350852040	GAUGE ASSY (FUEL)	1					
11	34350852020	GAUGE ASSY (WATER)	1					
12	82100001199	KNOB	4					
13	82100000947	CAP (RED)	1					
14	82100002539	KNOB	1					
15	33432031850	LAMP,PILOT	1					
16	90201200400	NUT	5		M4			
17	90306000040	WASHER	10		4			
18	90303070401	WASHER,PLAIN	10		4			
19	90101204016	BOLT	5		M4X16			
20	19112226001	STOPPER	5					
21	80185404016	SCREW,MACHINE	2		M4X16			
31	82101212512	SWITCH,PUSH	5					
32	82101211513	SWITCH,PUSH	3					
33	33432031330	PLATE,NAME (2ND)	2					
34	33432031340	PLATE,NAME (3RD)	2					
35	33432031350	PLATE,NAME (4TH)	2					
36	33432031360	PLATE,NAME (TOP)	2					
37	82100002271	CONNECTOR	4					
38	82100002256	TERMINAL	19			450114		
	82100002256	TERMINAL	15				450113	
	82100002256	TERMINAL	62					
39	82100001220	INSULATOR	38					
40	82101212513	SWITCH,PUSH	3					
51	82100001682	SWITCH,TOGGLE	4					
53	82100002265	CONNECTOR (5POLES,MALE)	1					
	82100002265	CONNECTOR (5POLES,MALE)	1			450114		
55	82100000989	CAP	5					
71	82100001684	SWITCH,TOGGLE	1					
72	82100001683	SWITCH,TOGGLE	8					
73	82100000685	SWITCH,ROTARY	2					
75	82100002269	CONNECTOR	1					
77	82100000988	CAP (BLUE)	3					
92	82100001696	SWITCH,TOGGLE	1					
96	82100001359	SWITCH,TOGGLE	2					
97	82100001221	INSULATOR	19					
98	82100000946	CAP (WHITE)	2					
99	82100000990	CAP (YELLOW)	2					
111	82100001392	SWITCH,ROTARY	1					
114	82479000901	KEY ASSY	1					
116	82100002273	CONNECTOR	1					
118	33432031380	PLATE,NAME (ANEMOMETER)	1					
120	82100002261	CONNECTOR (2POLES,MALE)	1					
121	82100001378	SWITCH,ROTARY	1					
134	82100002386	SWITCH,TOGGLE	2					
137	33432031370	PLATE,NAME (3RD.TOP)	2					
151	82100001770	SWITCH,TOGGLE	2					
153	34350352650	SWITCH,ROTARY	1					
155	82100000278	TERMINAL	7					
158	82101211512	SWITCH,PUSH	1					
159	33432031390	PLATE,NAME (ENGINE STOP)	1					
160	82100000919	CAP (BLACK)	2					
174	82100002267	CONNECTOR	1					
191	34350352150	COVER	1					
192	33432031860	LAMP ASSY	1					
193	90925030101	SCREW,TAPPING	10		M3X10			
194	33432031870	PLATE,NAME	1					
195	34350352180	COVER	1					
196	82100002470	BULB,LAMP	11					
197	82100002491	LED	6					
201	36683710000	GAUGE,FUEL	1			450418		
	36680240000	GAUGE,FUEL	1				450417	

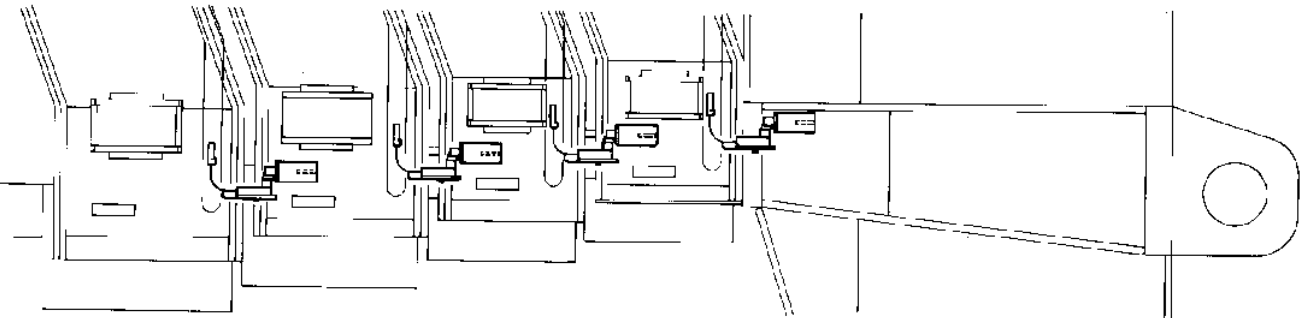
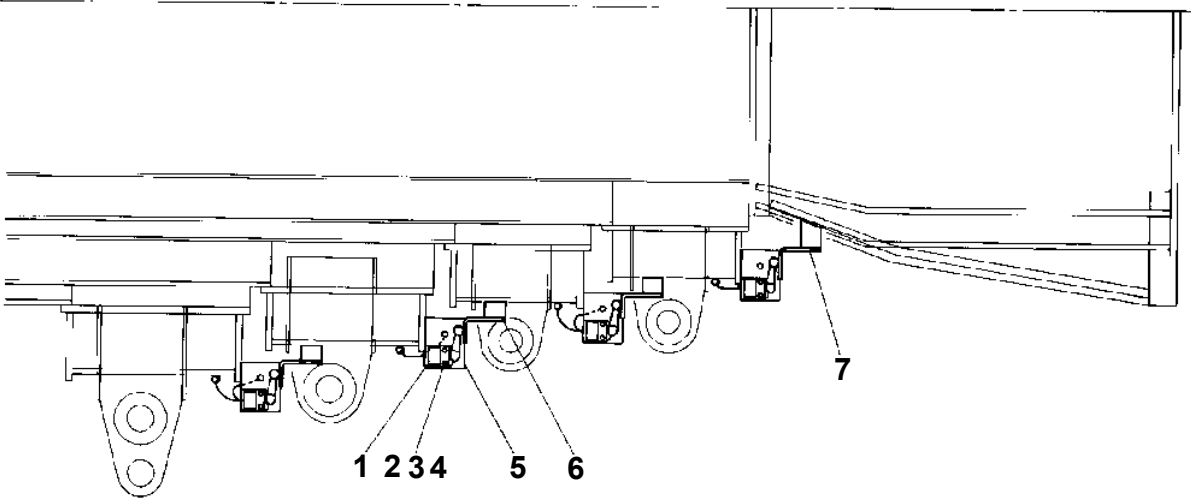
TG-3600M-1-10201 5 BOOM + JIB,W-KL620YN
PN1140003-01 SWITCH,DETECTOR (CAB RETRACTION)



TG-3600M-1-10201 5 BOOM + JIB,W-KL620YN
PN1140007-00 SWITCH,DETECTOR(F LJ TOP FULL RETRACTION)



**TG-3600M-1-10201 5 BOOM + JIB,W-KL620YN
PN1140034-00 SWITCH,DETECTOR (BOOM FULL RETRACTION)**



BOOM, BASE

BOOM, TOP

TG-3600M-1-10201 5 BOOM + JIB,W-KL620YN

Pos No.	Parts No	Parts Name	Qty	Unit	Technical Data	Serial No (Start)	Serial No (End)	Remarks	Pages
1	33432152100	REEL,CORD (JIB)	1						000317
2	33370260030	SUPPORT	2						
3	33431866200	SUPPORT	1						
4	33431866100	SUPPORT	2						
5	33370260010	SUPPORT	2						
6	33474810300	GUARD	1						
7	80182308020	SCREW,MACHINE	4		M8X20				
8	90302040801	WASHER,SPRING	4		8				
9	90303170801	WASHER,PLAIN	4						
10	82100000208	CLAMP	2		WT4				
11	90928040061	SCREW,TAPPING	2		M4X6				

TG-3600M-1-10201 5 BOOM + JIB,W-KL620YN

Pos No.	Parts No	Parts Name	Qty	Unit	Technical Data	Serial No (Start)	Serial No (End)	Remarks	P
3	33371127510	DRUM ASSY	1						
4	32360005200	PACKING	1						
6	18338695520	RING,SLIP	1						
7	33371127520	CONTACTOR ASSY	1						
8	33370025170	CONTACTOR ASSY (70)	1						
14	33371297520	LOCK (CORD)	1						
17	82100002284	CONNECTOR	1						
18	82100002283	CONNECTOR	1						
19	82100002329	PLUG	2						
20	82100002258	TERMINAL	2						
21	82100002256	TERMINAL	2						
22	36131935100	CORD (2-LINE)	16	M					
30	33432152100	REEL,CORD (JIB)	1						

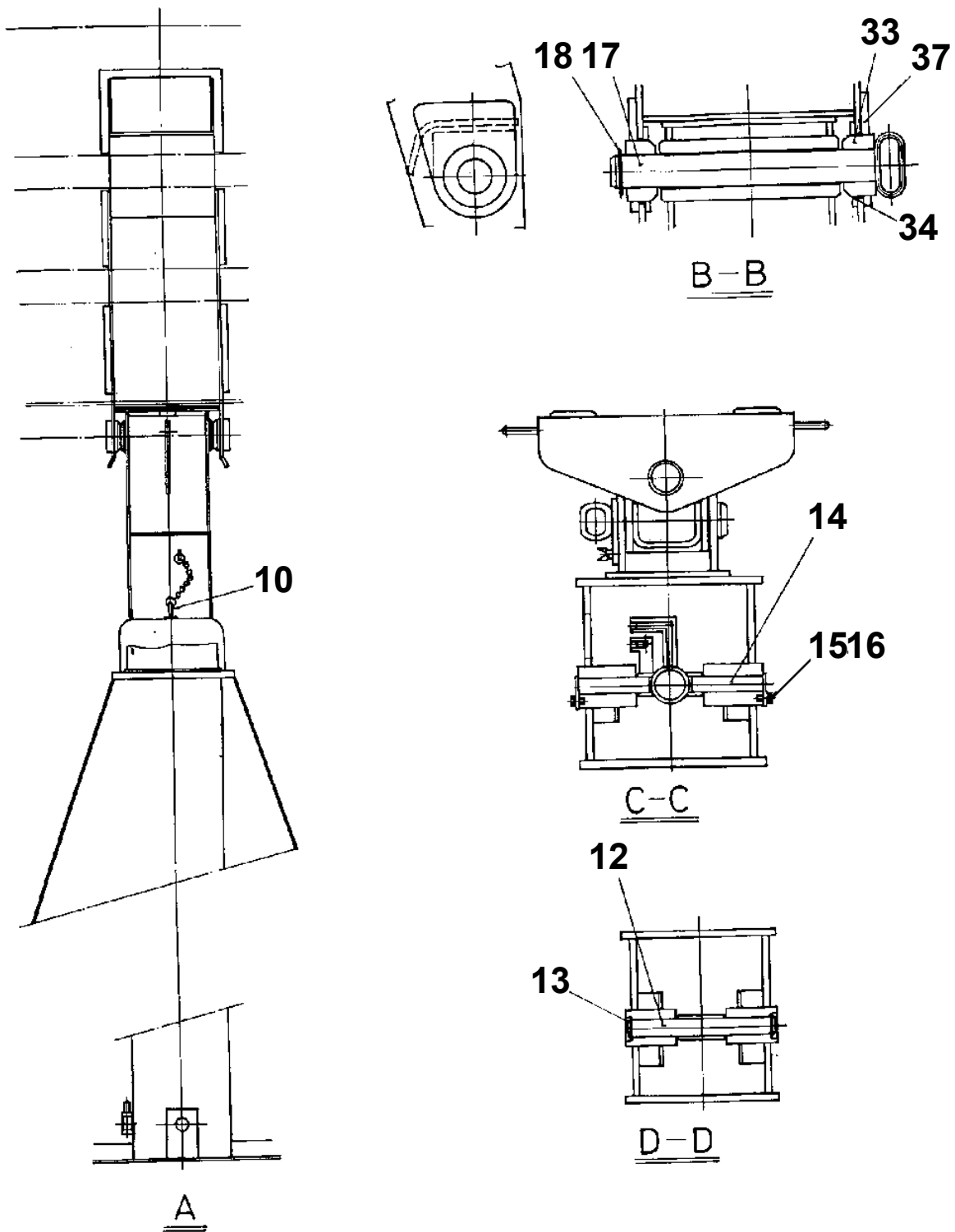
TG-3600M-1-10201 5 BOOM + JIB,W-KL620YN

Pos No.	Parts No	Parts Name	Qty	Unit	Technical Data	Serial No (Start)	Serial No (End)	Remarks	Pa
1	36160885030	FRAME	1						
2	36160295020	DRUM ASSY	1						
3	36160225031	COVER	1						
4	36160225040	CASE (BEARING)	1						
5	36710305020	BEARING,BALL	2						
6	36160225060	COLLAR (A)	1						
7	36160225072	COLLAR (B)	4						
8	36160225082	RING	4						
9	36160225090	PLATE (HOLDER)	1						
10	36160225100	CONTACTOR	4						
11	36160225110	PACKING	1						
12	36130235090	WASHER,SEAL	1						
13	80561100050	NUT	1		AN05				
14	80562100050	WASHER,PLAIN	1						
17	33432037690	CABLE ASSY	1						
18	36160225120	GROMMET	1						
20	36161375040	CABLE ASSY (IN PUT)	1						
50	33432033010	REEL,CORD	1						
71	82117980406	CONNECTOR	1						
81	36160295070	SUPPORT (SPRING)	1						
82	36160295080	SEAL (RUBBER)	2						
83	36160815050	BEARING	1						

TG-3600M-1-10201 5 BOOM + JIB,W-KL620YN

Pos No.	Parts No	Parts Name	Qty	Unit	Technical Data	Serial No (Start)	Serial No (End)
1	33394710010	PLATE,CAUTION	2				
2	33390463020	PLATE,CAUTION	1				
3	33390000310	PLATE,CAUTION	1				
4	37002209450	PLATE,NAME (TADANO)	2				
5	34392253000	PLATE ASSY	2				
7	33394710550	PLATE,CAUTION	1				
11	33394710110	PLATE,NAME (FT-1)	2				
12	33394710120	PLATE,NAME (FT-2)	2				
13	33394710130	PLATE,NAME (FT-3)	2				
14	33394710140	PLATE,NAME (FT-4)	2				
15	33394710150	PLATE,NAME (FT-5)	2				
16	33394710160	PLATE,NAME (FT-6)	2				
17	33394710170	PLATE,NAME (FT-7)	2				
18	33394710180	PLATE,NAME (FT-8)	2				
19	33394710190	PLATE,NAME (FT-9)	2				
20	33394710200	PLATE,NAME (FT-10)	2				
21	33394710210	PLATE,NAME (FT-11)	2				
22	33394710220	PLATE,NAME (FT-12)	2				
23	33394710230	PLATE,NAME (FT-13)	2				
24	33394710240	PLATE,NAME (FT-14)	2				
25	33394710250	PLATE,NAME (FT-15)	2				
26	33394710260	PLATE,NAME (FT-16)	2				
27	33394710270	PLATE,NAME (FT-17)	2				
28	33394710280	PLATE,NAME (FT-18)	2				
29	33394710290	PLATE,NAME (FT-19)	2				
30	33394710300	PLATE,NAME (FT-20)	2				
31	33394710410	PLATE,NAME (FR-1)	2				
32	33394710420	PLATE,NAME (FR-2)	2				
33	33394710430	PLATE,NAME (FR-3)	2				
34	33394710440	PLATE,NAME (FR-4)	2				
35	33394710450	PLATE,NAME (FR-5)	2				
36	33394710510	PLATE,NAME (FULL AUTO LUFFING)	2				
41	34392253010	PLATE	2				
42	37000509620	PLATE	12				
43	80182308012	SCREW,MACHINE	12		M8X12		
44	90302040801	WASHER,SPRING	12		8		

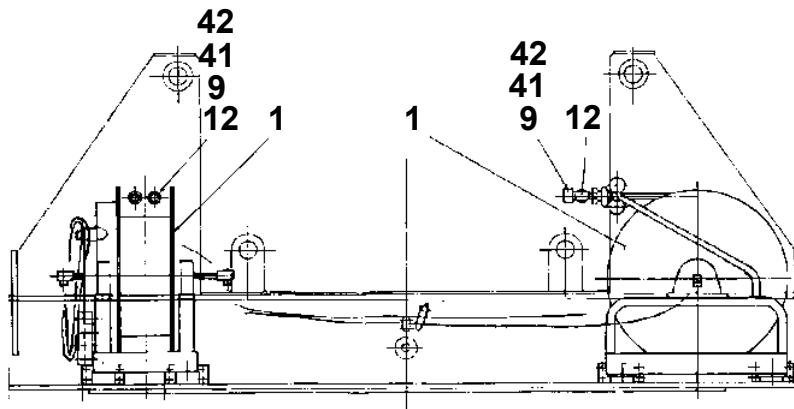
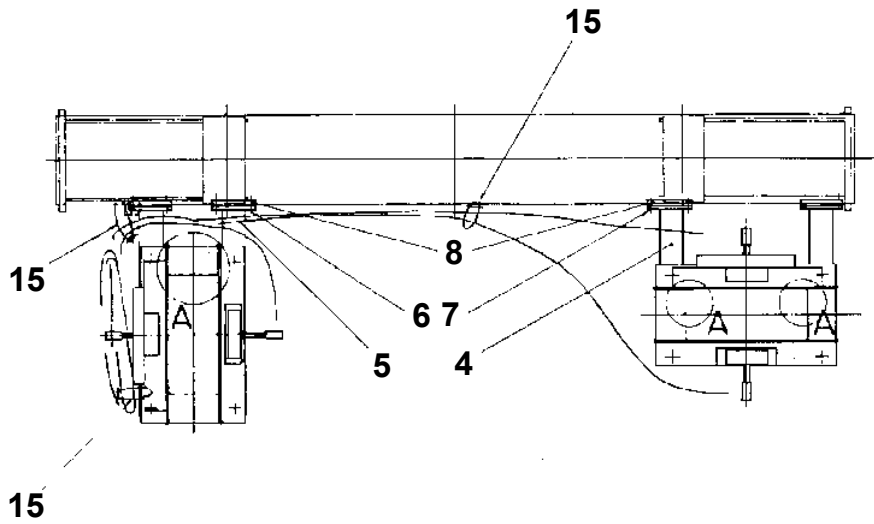
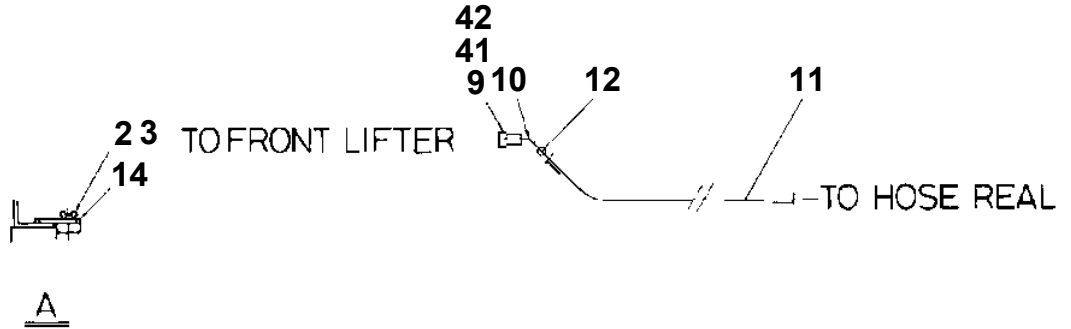
TG-3600M-1-10201 5 BOOM + JIB,W-KL620YN
PP1010004-00 LIFTER,FRONT



TG-3600M-1-10201 5 BOOM + JIB,W-KL620YN

Pos No.	Parts No	Parts Name	Qty	Unit	Technical Data	Serial No (Start)	Serial No (End)	R
1	80720105036	PIN,SPRING	1		5X36			
2	36032370010	PISTON	1					
3	91302214500	BEARING,PLAIN	2					
4	91684014500	PACKING	2					
5	91431213001	RING,BACKUP	2					
6	91002808000	O-RING	1		1B P80			
7	36032370021	CYLINDER	1					
8	36032370040	ROD	1					
9	91002813500	O-RING	1		1B P135			
10	91251101103	RING,DAMPER	1					
12	91694111000	PACKING	1					
13	36032370061	COVER,ROD	1					
14	91660011000	SEAL,DUST	1					
15	80622001100	RING,RITAINING	1		SP110			
18	91410211002	RING,BACKUP	1					
31	80612111180	RING,RITAINING	1		AR118			
32	37000400020	BEARING,PLAIN	1					
40	36032379900	PACKING SET	1		110X145			
50	36032370002	JACK CYLINDER,LIFTER (FRONT)	1					

TG-3600M-1-10201 5 BOOM + JIB,W-KL620YN
PP1100008-01 PIPING,LIFTER (FRONT,HOSE REEL)

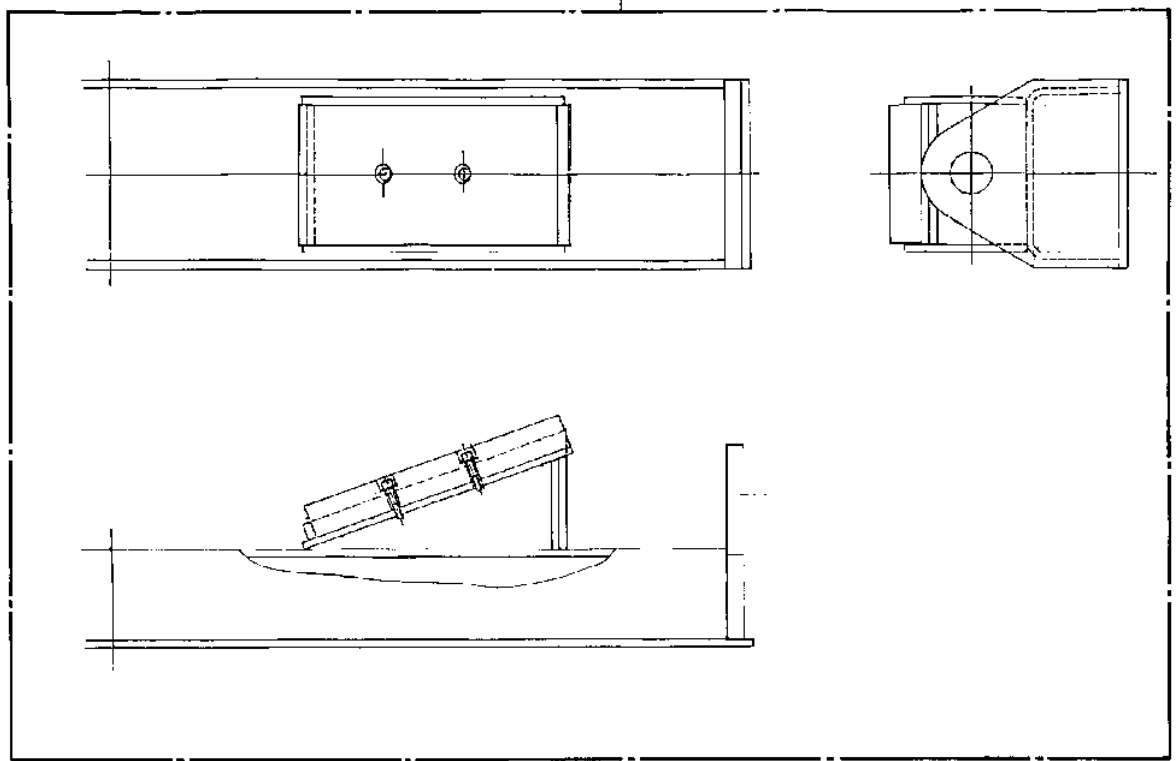


TG-3600M-1-10201 5 BOOM + JIB,W-KL620YN

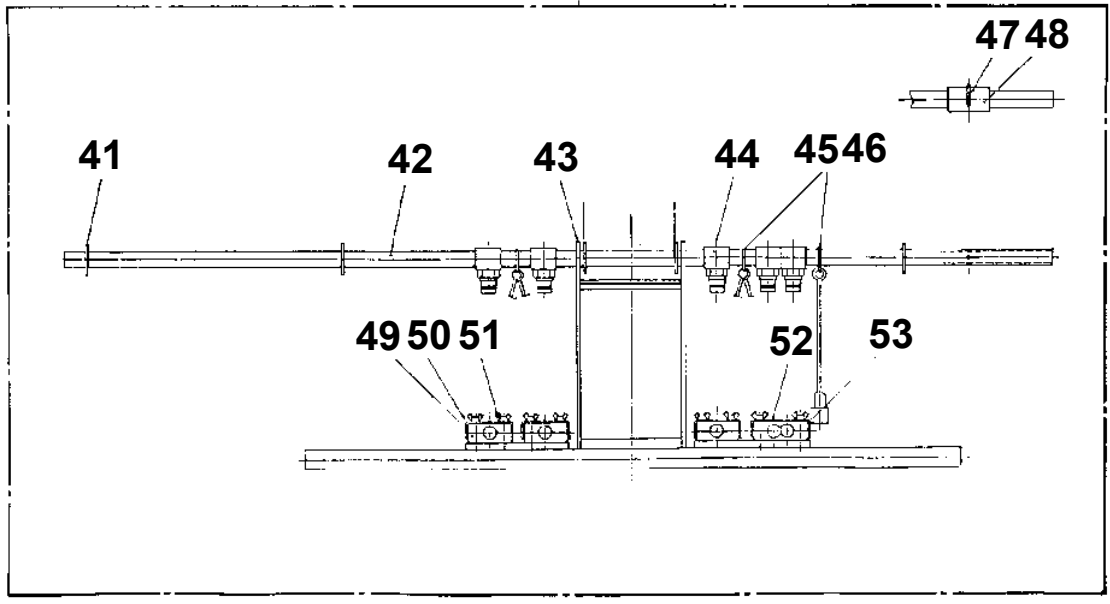
Pos No.	Parts No	Parts Name	Qty	Unit	Technical Data	Serial No (Start)	Serial No (End)	Remarks	Pages
1	33441612010	SUPPORT	2						
2	33441612020	SUPPORT	2						
4	37000147330	PIN	2						
5	90833114020	BOLT,WING	2		M14X20				

TG-3600M-1-10201 5 BOOM + JIB,W-KL620YN
PP1200006-00 PARTS,DISMOUNTING

8



10



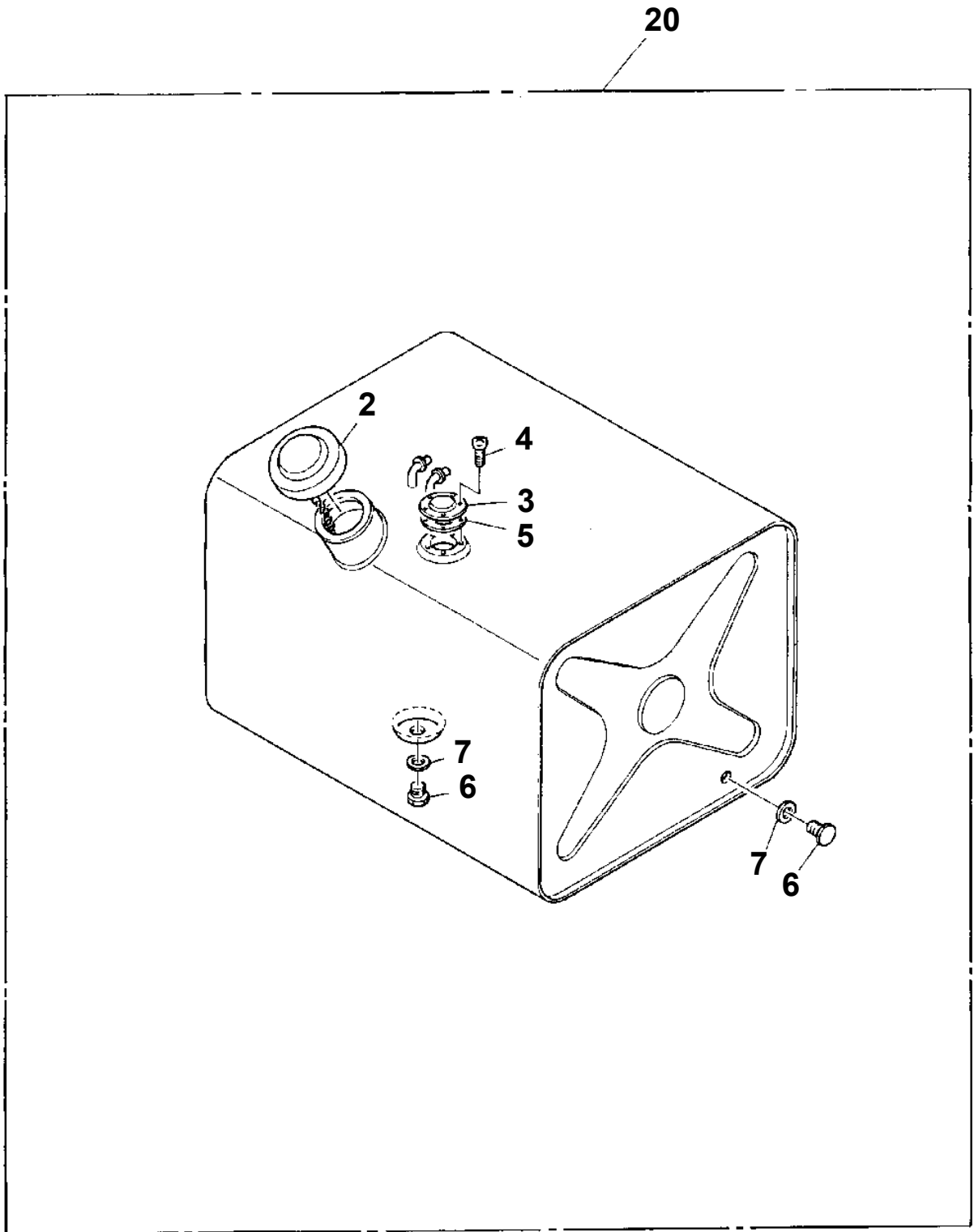
TG-3600M-1-10201 5 BOOM + JIB,W-KL620YN

Pos No.	Parts No	Parts Name	Qty	Unit	Technical Data	Serial No (Start)	Serial No (End)	P
1	33460174500	PRESSURE DEJECTA (FEMAIL,3/8)	1					

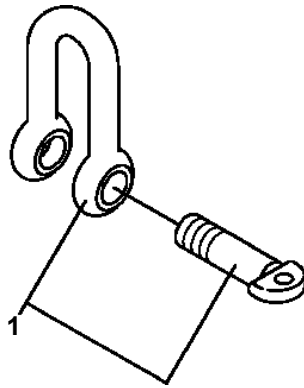
TG-3600M-1-10201 5 BOOM + JIB,W-KL620YN

Pos No.	Parts No	Parts Name	Qty	Unit	Technical Data	Serial No (Start)	Serial No (End)	Remarks
1	36360525050	CORE ASSY (RADIATOR)	1					
2	36360525060	FRAME ASSY	1		L135188100			
3	36360525070	PACKING	1					
4	36360525080	BOLT,SEMS	16		M8X1.25X18			
5	36360525090	GUIDE (FAN)	1					
6	36360525080	BOLT,SEMS	12		M8X1.25X18			
7	36360525100	PACKING	2					
8	36330025070	PLUG	1		M18X2			
9	36330235040	HOSE	1					
10	36330345020	CAP	1					
12	36360525110	COLLAR (OIL)	1					
13	90102210025	BOLT	10		M10X25			
14	90302041001	WASHER,SPRING	10		10			
15	90303071001	WASHER,PLAIN	10		10			
16	36360525120	PACKING	2					
30	36360523020	RADIATOR	1					

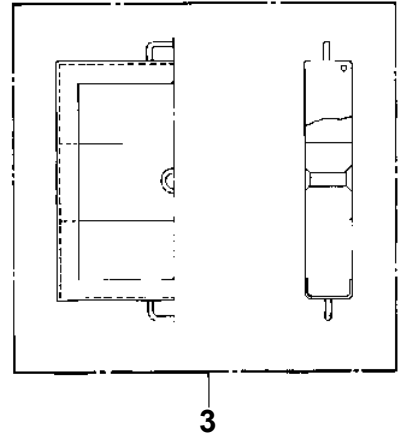
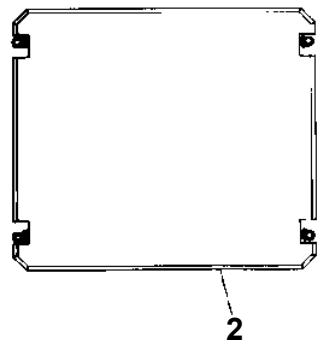
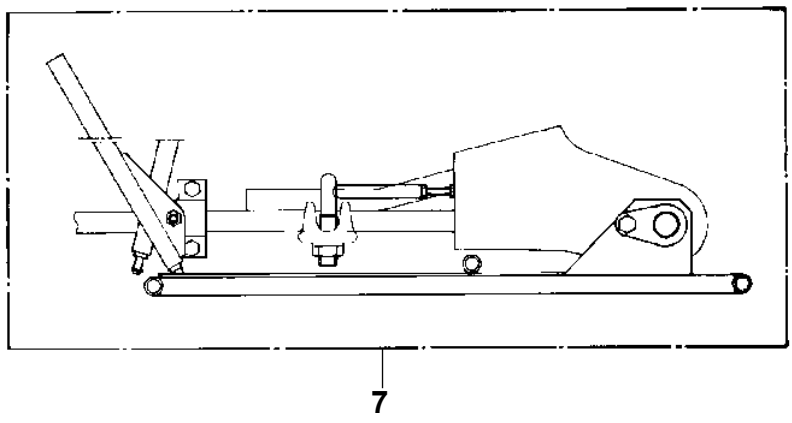
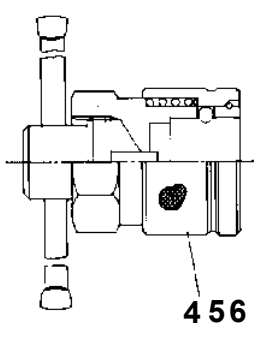
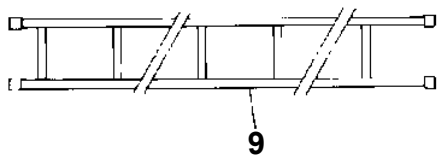
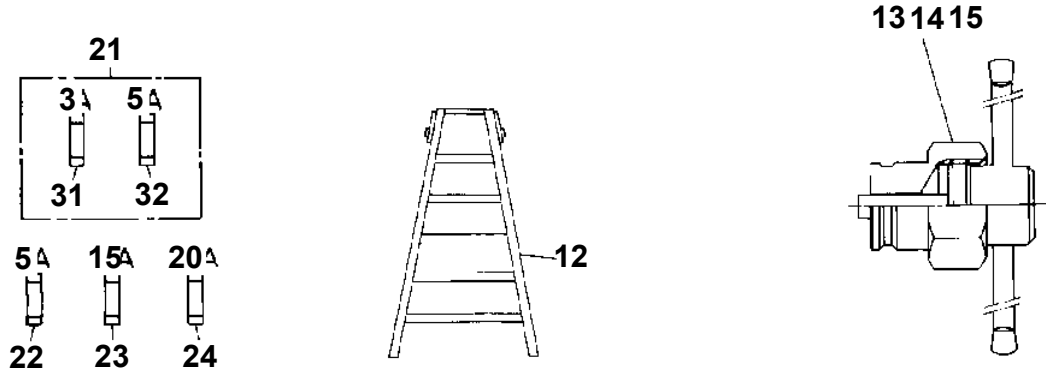
TG-3600M-1-10201 5 BOOM + JIB,W-KL620YN
PQ1100005-00 TANK,FUEL (300L)



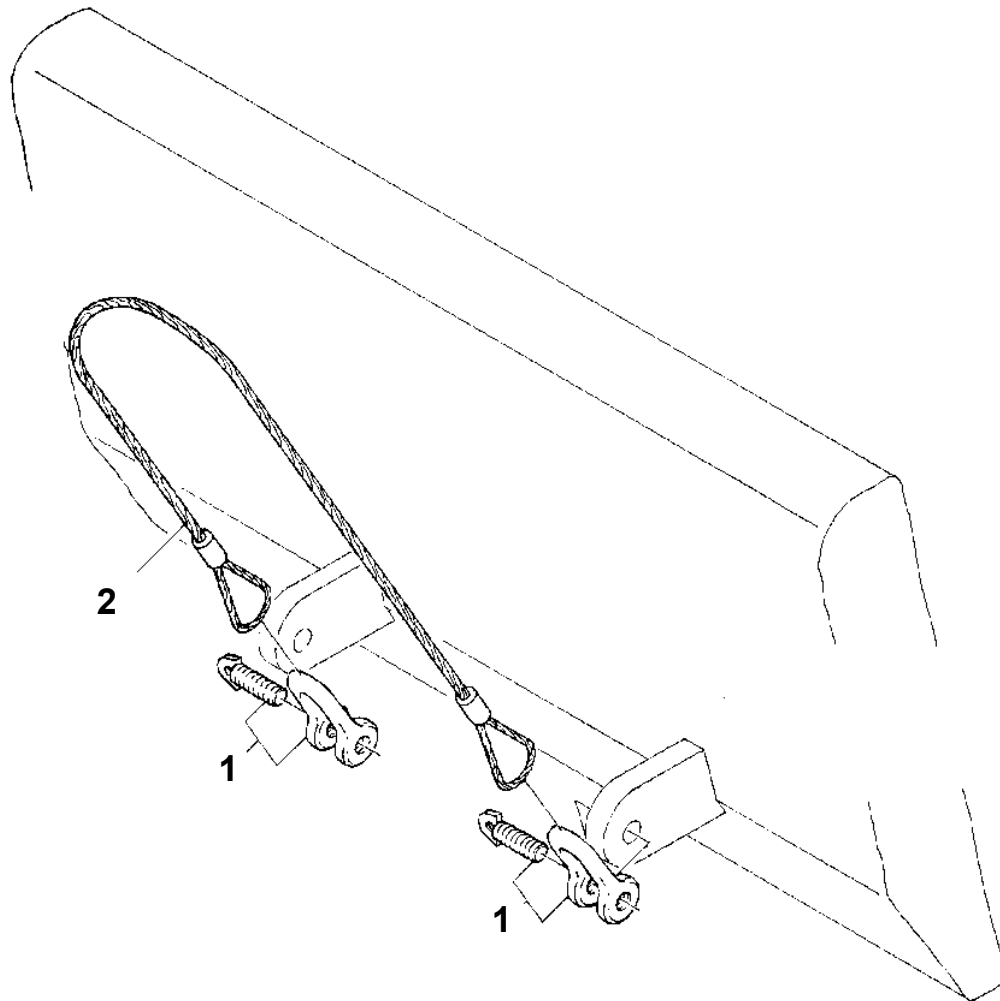
**TG-3600M-1-10201 5 BOOM + JIB,W-KL620YN
PS5150001-00 SHACKLE**



**TG-3600M-1-10201 5 BOOM + JIB,W-KL620YN
PW1010101-02 ACCESSORIES**



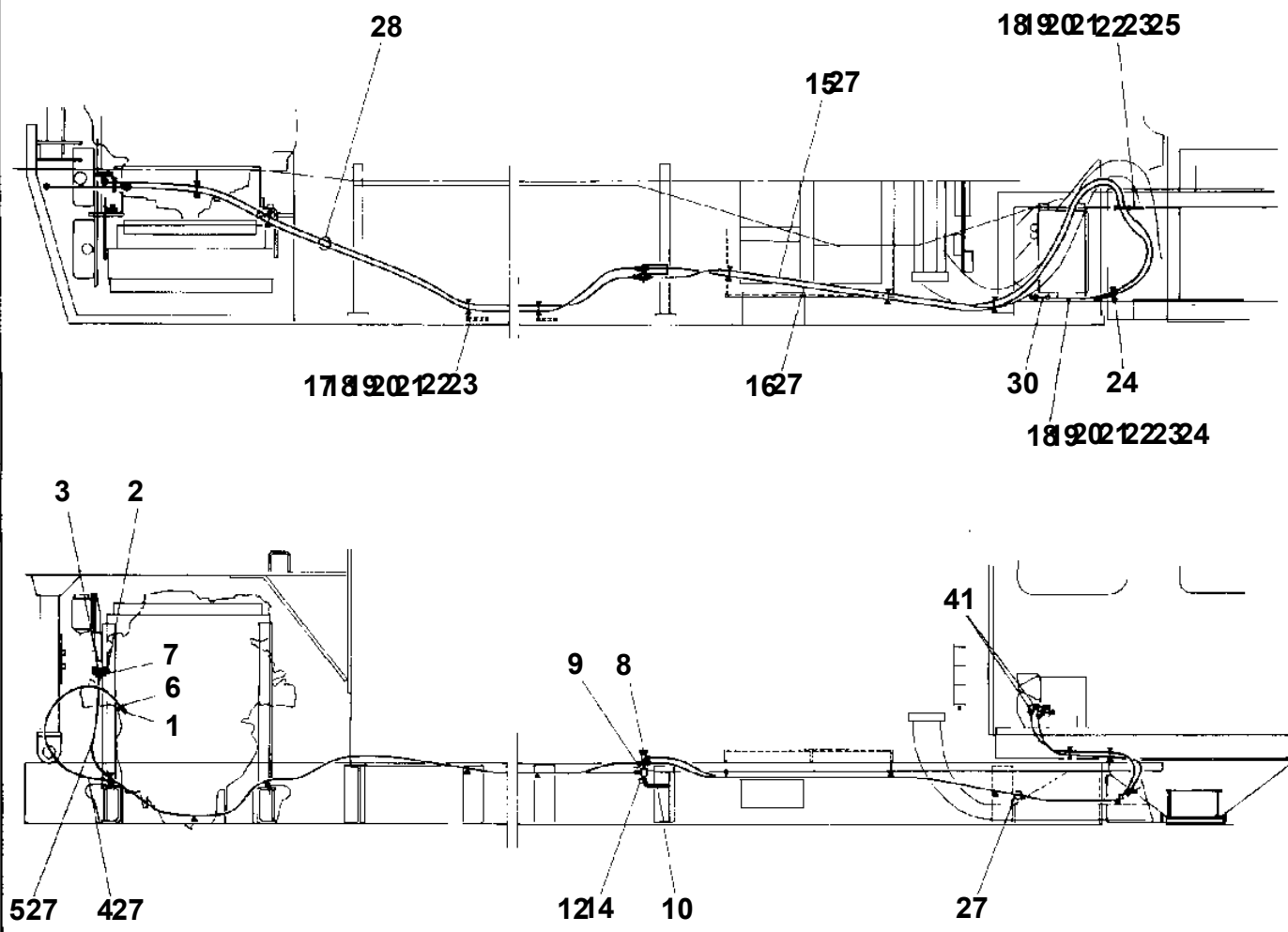
**TG-3600M-1-10201 5 BOOM + JIB,W-KL620YN
PX1180037-00 MOUNT,HOOK (MAIN)**



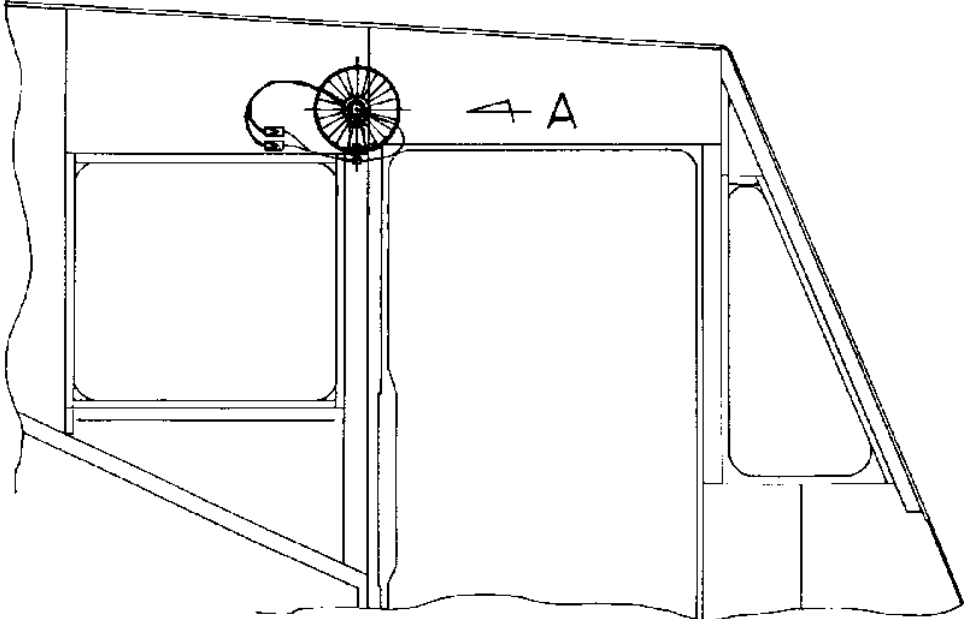
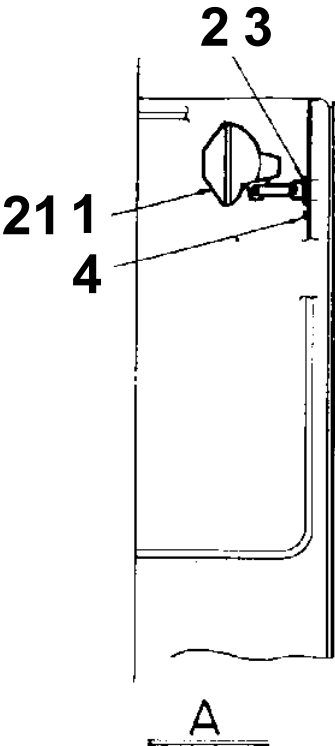
TG-3600M-1-10201 5 BOOM + JIB,W-KL620YN

Pos No.	Parts No	Parts Name	Qty	Unit	Technical Data	Serial No (Start)	Serial No (End)	Remarks	Pages
1	33764523550	SUPPORT	1						
2	37000543840	SUPPORT	6						
3	90101212020	BOLT	5		M12X20				
4	90302041201	WASHER,SPRING	6		12				
5	37000543850	PLATE	14						
6	33764523800	SUPPORT	1						
7	34270002101	PLATE	1						
8	34200052570	PLATE	1						
9	90101210016	BOLT	1		M10X16				
10	90302041001	WASHER,SPRING	1		10				
11	37001505650	BOLT	4						
12	56260423000	NUT,WING	4						
13	90303172001	WASHER,PLAIN	4		20				
14	90303171601	WASHER,PLAIN	4						
15	80136030028	PIN,SPLIT	8		3X28				
16	33764523600	SUPPORT	1						
17	33764523510	SUPPORT	1						
18	33764523900	SUPPORT	1						
19	33764527100	SUPPORT	1						
20	37000543950	PLATE	1						
21	90101212030	BOLT	1		M12X30				
22	33764527400	SUPPORT	1						
23	33764523950	GUIDE	2						
24	90303071001	WASHER,PLAIN	8		10				
25	80136330020	PIN,SPLIT	8		3X20				
26	33764527450	GUARD	1						
27	33764527010	SUPPORT	1						
43	90101212020	BOLT	10		M12X20				
44	90302041201	WASHER,SPRING	10		12				
51	33764528010	SUPPORT ASSY	1						
52	33764528020	SUPPORT ASSY	1						
53	33764528030	SUPPORT ASSY	1						
54	33764528040	SUPPORT ASSY	1						
55	33764528050	SUPPORT ASSY	6						

TG-3600M-1-10201 5 BOOM + JIB,W-KL620YN
PY1100096-01 HEATER SYSTEM



TG-3600M-1-10201 5 BOOM + JIB,W-KL620YN
PY1360012-01 FAN INSTALLATION



CLICK HERE TO **DOWNLOAD** THE COMPLETE MANUAL

- Thank you very much for reading the preview of the manual.
- You can download the complete manual from: www.heydownloads.com by clicking the link below



- Please note: If there is no response to CLICKING the link, please download this PDF first and then click on it.

CLICK HERE TO **DOWNLOAD** THE COMPLETE MANUAL