

**OC-33W-1-40200 LOWER,ISUZU KR-NKS81GR-5JXY**

**PB3000223-00 POWER UNIT**

**PO1000154-00 INDICATION PLATES**

**PX2000437-01 CARRIER UNIT**

**PX3000281-01 MOUNTING UNIT**

**PY2000113-01 OPTIONS (LOWER)**

**ASSEMBLY**

CLICK HERE TO **DOWNLOAD** THE COMPLETE MANUAL

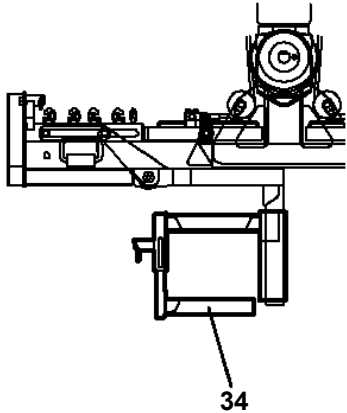
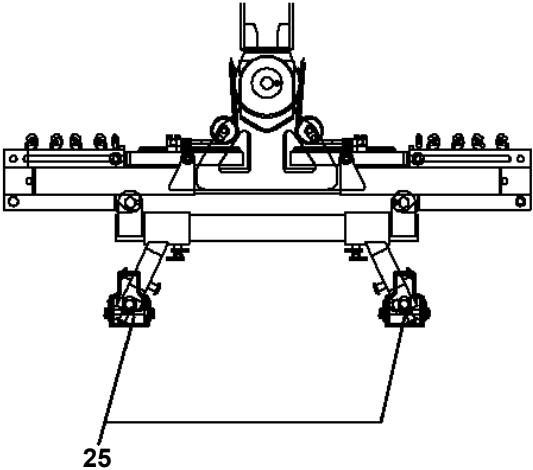
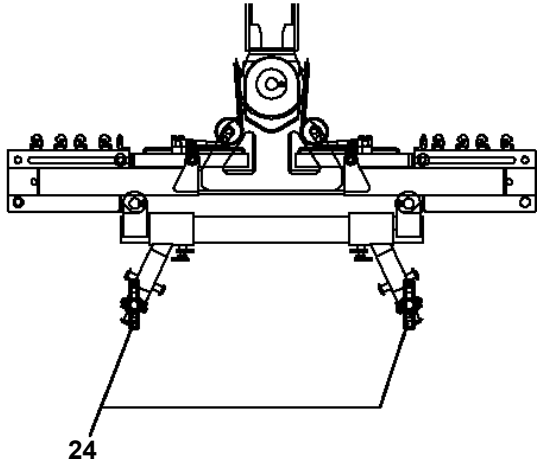
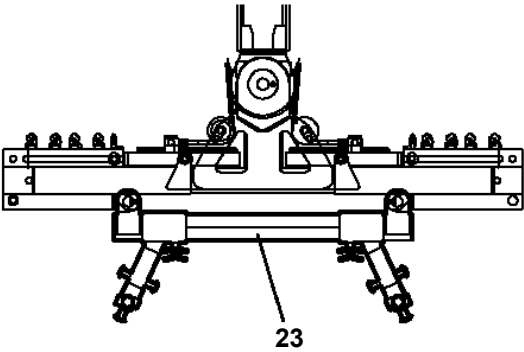
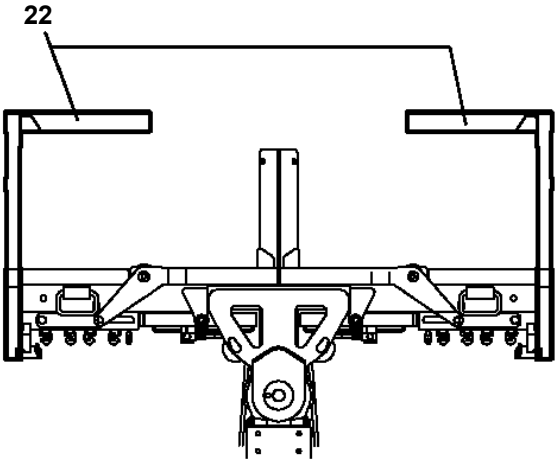
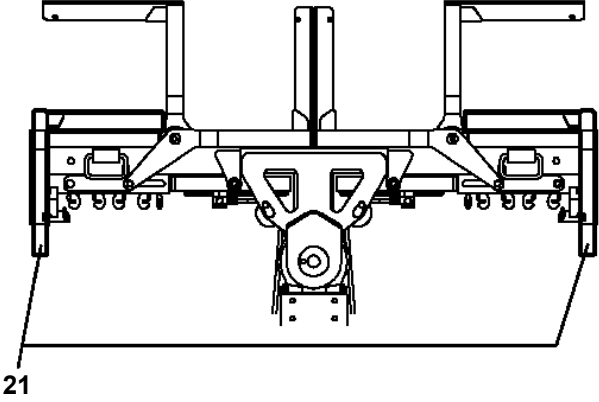
- Thank you very much for reading the preview of the manual.
- You can download the complete manual from: [www.heydownloads.com](http://www.heydownloads.com) by clicking the link below



- Please note: If there is no response to CLICKING the link, please download this PDF first and then click on it.

CLICK HERE TO **DOWNLOAD** THE COMPLETE MANUAL

OC-33W-1-40200 LOWER, ISUZU KR-NKS81GR-5JXY  
PY2000113-01 OPTIONS (LOWER)



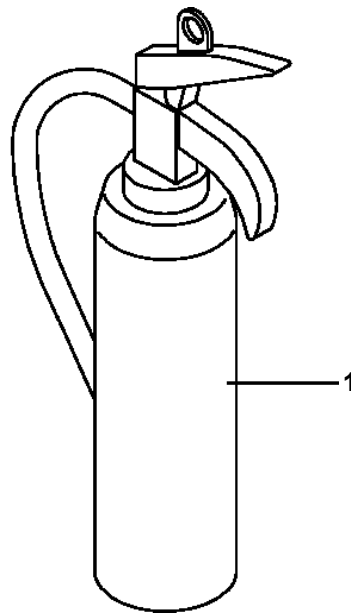
# OC-33W-1-40200 LOWER,ISUZU KR-NKS81GR-5JXY

Pos No.	Parts No	Parts Name	Qty	Unit	Technical Data	Serial No (Start)	Serial No (End)	Rem
1	80400160131	JOINT	2					
2	37000920420	JOINT	1					
3	37002503880	HOSE	1					
4	91801100330	BAND	2		33			
5	37002457300	HOSE	1		L=1300			
6	82100002018	CLAMP	4		WR35			
7	90101208016	BOLT	6		M8X16		UB5011	
	90101208016	BOLT	5		M8X16	UB5012		
8	90302040801	WASHER,SPRING	8		8		UB5011	
	90302040801	WASHER,SPRING	7		8	UB5012		
9	36672390000	FILTER,OIL (WAKO)	1					
10	80400160202	JOINT (FOR RETURN FILTER)	1					
11	37002509090	HOSE	1		L=1000			
12	80430620400	JOINT	2					
13	37002409990	HOSE	2		L=975			
14	37000928870	JOINT	1					
15	80481102030	JOINT	1		L G1/4-G3/8			
16	37002422190	HOSE	1		L=1000			
17	37000928850	PLUG	1					
18	90101208050	BOLT	2		M8X50			
19	37000925580	JOINT	1		T,G1/4-G1/4-G1/4			
20	37000924320	JOINT	1					
21	91002801800	O-RING	3		1B P18			
22	32642260100	SUPPORT	1					
23	80400160182	JOINT (WITH O-RING)	1					
24	91002802900	O-RING	1		1B P29			
25	91803600400	CLIP	2		D=27-40			
26	37002415600	HOSE	1		L=950			
27	82100002017	CLAMP	1		WR30		UB5011	
28	37002502090	HOSE	1		L=600			
29	37002510540	HOSE	1					
30	91803600200	CLIP	2		D=13-20			
31	37000601630	CLAMP	1		65			
32	90201200800	NUT	3		M8		UB5011	
	90201200800	NUT	2		M8	UB5012		
33	37000706520	CLAMP ASSY	1					
34	37000713620	CLAMP ASSY	1					
35	82100002010	CLAMP	1		WR15			
36	90101206014	BOLT	2		M6X14		UB5011	
	90101206014	BOLT	4		M6X14	UB5012		
37	90201200600	NUT	2		M6		UB5011	
	90201200600	NUT	4		M6	UB5012		
38	90302040601	WASHER,SPRING	2		6		UB5011	
	90302040601	WASHER,SPRING	4		6	UB5012		
39	82100002014	CLAMP	1		WR20		UB5011	
	82100002014	CLAMP	3		WR20	UB5012		
40	82100001804	TUBE,CORRUGATE	1	M	15			
63	37000528580	PLATE	1				UB5020	
64	91001102900	O-RING	1		1A P29			
71	91002802900	O-RING	1		1B P29			
81	91002801100	O-RING	2		1B P11			
91	91002801800	O-RING	1		1B P18			

# OC-33W-1-40200 LOWER,ISUZU KR-NKS81GR-5JXY

Pos No.	Parts No	Parts Name	Qty	Unit	Technical Data	Serial No (Start)	Serial No (End)	Remarks	Pages
1	32472281101	SUPPORT	1						
2	90101210030	BOLT	7		M10X30				
3	90302041001	WASHER,SPRING	7		10				
4	90201201000	NUT	7		M10				
5	90303071001	WASHER,PLAIN	7		10				
6	90101212025	BOLT	6		M12X25				
7	90302041201	WASHER,SPRING	6		12				
8	90303071201	WASHER,PLAIN	6		12				
9	32472281300	SUPPORT	2						

**OC-33W-1-40200 LOWER,ISUZU KR-NKS81GR-5JXY  
PF5150001-00 FIRE EXTINGUISHER**



# OC-33W-1-40200 LOWER,ISUZU KR-NKS81GR-5JXY

Pos No.	Parts No	Parts Name	Qty	Unit	Technical Data	Serial No (Start)	Serial No (End)	Rem
1	32471792000	VIEW SYSTEM	1					
2	42737471100	SUPPORT	1					
3	90105225012	BOLT	1		1/4-20UNC L=12			
4	42738381010	PLATE,NAME	1					
5	37000561860	PLATE	1					
6	90101205012	BOLT	3		M5X12			
7	90303070501	WASHER,PLAIN	3		5			
8	82400000078	GROMMET	1					
9	42738891100	SUPPORT	1					
10	90303070601	WASHER,PLAIN	5		6			
11	91810130240	FASTENER	20					
12	42737471500	SUPPORT	2					
13	32472411100	HARNESS	1					
14	90101206016	BOLT	4		M6X16			
15	90302040601	WASHER,SPRING	4		6			
16	42737324800	PLATE,NAME	1					
17	90101204010	BOLT	8		M4X10			
18	90302040401	WASHER,SPRING	8		4			
19	90303070401	WASHER,PLAIN	8		4			
20	42738891300	SUPPORT	1					
21	42738891400	SUPPORT	1					
22	42738381300	SUPPORT	1					
23	42476331200	SWITCH ASSY	1					
24	90201200600	NUT	2		M6			
41	34381402000	DISPLAY	1					
42	34381401200	CONTROLLER (POWER BOX)	1					
43	34381401600	HARNESS (ASSY ONLY)	1					
44	42737324300	CABLE	1		L=15000			
45	34490060100	CAMERA (ASSY ONLY)	1					
53	82400000203	GROMMET	N		L=250			
65	82105220133	SWITCH,TOGGLE	1					
66	82197518114	CAP (MATSUSHITA/BLACK)	1					
	82197518119	CAP (PLUS ONE MFG./BLACK)	1					

**OC-33W-1-40200 LOWER,ISUZU KR-NKS81GR-5JXY**

Pos No.	Parts No	Parts Name	Qty	Unit	Technical Data	Serial No (Start)	Serial No (End)
1	34478897510	CAMERA	1				
2	42737327650	COVER (FRONT)	1				
3	34478897520	COVER (REAR)	1				
4	42737327670	HOLDER (LEAD)	1				
5	42737327680	CABLE ASSY (WITH CONNECTOR,0.35M)	1				
6	42737327690	COVER	1				
7	42737327700	PLATE (P.W.B.)	1				
8	42737327710	INSULATOR	1				
9	42737327720	BOARD (P.W.B.)	1				
10	42737327730	NUT	2				
11	42737327740	PLATE (SWITCH)	1				
12	42737327750	BOARD (P.W.B.)	1				
13	42737327760	SEAL	1				
14	42737327770	SEAL	1				
15	42737327780	SEAL	1				
16	42737327790	PLATE,NAME	1				
17	34478897530	PLATE (286-8559-04)	1				
38	34478897540	CONNECTOR ASSY	1				
39	34478897550	CONNECTOR ASSY	1				
50	34478891000	CAMERA	1				

# OC-33W-1-40200 LOWER,ISUZU KR-NKS81GR-5JXY

Pos No.	Parts No	Parts Name	Qty	Unit	Technical Data	Serial No (Start)	Serial No (End)
2	32830457530	WINDOW	1				
3	32690987510	COVER	1				
4	32690987520	COVER	1				
5	32691017570	CUSHION (WITH TAPE)	1				
6	32690987530	RUBBER (WITH DOUBLE-STICK TAPE)	1				
7	32690987540	CABLE ASSY	1				
8	32690987550	SUPPORT	1				
9	32690927570	SUPPORT	1				
10	82199283520	LAMP	1				
11	32690967550	HANDLE	1				
12	42772717760	CATCH (BALL)	1				
13	82464046140	GAS SPRING	1				
14	42832907600	BRACKET (FOR GAS SPRING)	1				
15	42832907610	BRACKET (FOR GAS SPRING)	1				
16	32690887560	HINGE	2				
17	42694917630	LOCK	1				
18	42694917640	HINGE	2				
19	32830397640	RING,RETAINING	2				
20	32690927600	CLAMP	8				
21	32690927610	GROMMET	2				
22	32690987560	GROMMET	1				
23	32690987620	BOLT (WITH W,SW,NUT)	4		M8X20		
24	42835327710	BOLT (WITH SW,NUT)	4		M4X12		
25	32690987580	SCREW,MACHINE (WITH SW,NUT)	8		M3X10		
26	32690987590	SCREW,MACHINE	4		M4X6		
27	42834837780	SCREW,MACHINE (SEMS)	2		M5X12		
28	32830487780	SCREW,MACHINE (WITH WASHER,NUT)	4		M5X14		
29	32690987600	NUT (WITH SW)	8		M6		
30	32830557620	RIVET	6				
31	42833077610	BUSH	4				
100	32690980102	DECK	1				

# OC-33W-1-40200 LOWER,ISUZU KR-NKS81GR-5JXY

Pos No.	Parts No	Parts Name	Qty	Unit	Technical Data	Serial No (Start)	Serial No (End)
2	32690987780	DECK	1				
3	32690987730	DOOR	1				
4	32691017540	COVER	1				
5	32690987650	COVER	1				
6	32691017560	CUSHION (WITH TAPE)	1				
7	32691017570	CUSHION (WITH TAPE)	1				
8	32691017580	RUBBER (WITH TAPE)	1				
9	32690987660	CABLE ASSY	1				
10	32690967650	SUPPORT	1				
11	32690927570	SUPPORT	1				
12	42831877540	INSULATOR	1				
13	82199283520	LAMP	1				
14	32690967550	HANDLE	1				
15	42772717760	CATCH (BALL)	1				
16	82464046140	GAS SPRING	1				
17	42832907600	BRACKET (FOR GAS SPRING)	1				
18	42832907610	BRACKET (FOR GAS SPRING)	1				
19	32690887560	HINGE	4				
20	82400000346	CATCH	1				
21	42833157590	STRIKER	2				
22	32690927600	CLAMP	3				
23	42833077610	BUSH	12				
24	32690987560	GROMMET	1				
25	99164808020	BOLT (WITH W,SW)	4		M8X20		
26	42835327710	BOLT (WITH SW,NUT)	4		M4X12		
27	42834837780	SCREW,MACHINE (SEMS)	2		M5X12		
28	32690987740	SCREW,MACHINE (WITH W,SW,NUT)	4		M4X12		
29	32830487660	SCREW,MACHINE (SEMS)	1		M4X12		
30	32690987580	SCREW,MACHINE (WITH SW,NUT)	16		M3X10		
31	32690987590	SCREW,MACHINE	4		M4X6		
32	80175804010	SCREW,MACHINE	4		M4X10		
33	42834877590	NUT (WITH SW)	3		M6		
34	42694917560	RIVET	9				
100	32690980202	DECK	1				

CLICK HERE TO **DOWNLOAD** THE COMPLETE MANUAL

- Thank you very much for reading the preview of the manual.
- You can download the complete manual from: [www.heydownloads.com](http://www.heydownloads.com) by clicking the link below



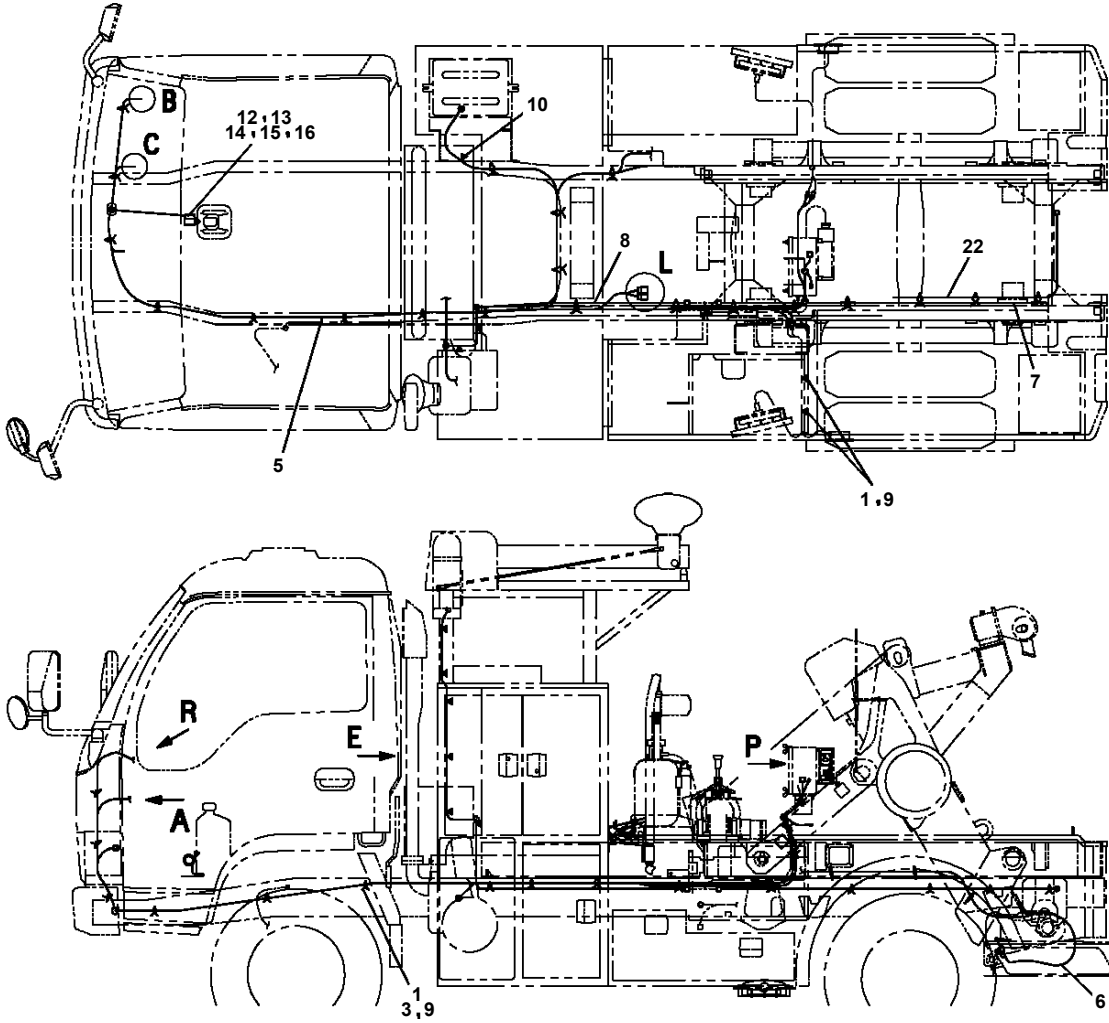
- Please note: If there is no response to CLICKING the link, please download this PDF first and then click on it.

CLICK HERE TO **DOWNLOAD** THE COMPLETE MANUAL

## OC-33W-1-40200 LOWER,ISUZU KR-NKS81GR-5JXY

Pos No.	Parts No	Parts Name	Qty	Unit	Technical Data	Serial No (Start)	Serial No (End)	Remarks
1	32472451501	COVER	1					
2	32472451601	COVER	1					
3	82464110006	HINGE	3					
4	80172804010	SCREW,MACHINE	18		M4X10			
5	90201500400	NUT	18		M4			
6	90302510401	WASHER,SPRING	18		4			
7	80172805014	SCREW,MACHINE	8		M5X14			
8	90201500500	NUT	8		M5			
9	90302510501	WASHER,SPRING	8		5			
10	82466184400	CATCH	2					
11	80172803010	SCREW,MACHINE	4		M3X10			
12	90302510301	WASHER,SPRING (SUS 3)	8					
13	90201500300	NUT	8		M3			
14	80175803010	SCREW,MACHINE	4		M3X8			
15	82464004020	STAY	1					
16	82464004025	STAY	1					
50	32472451401	COVER	1					

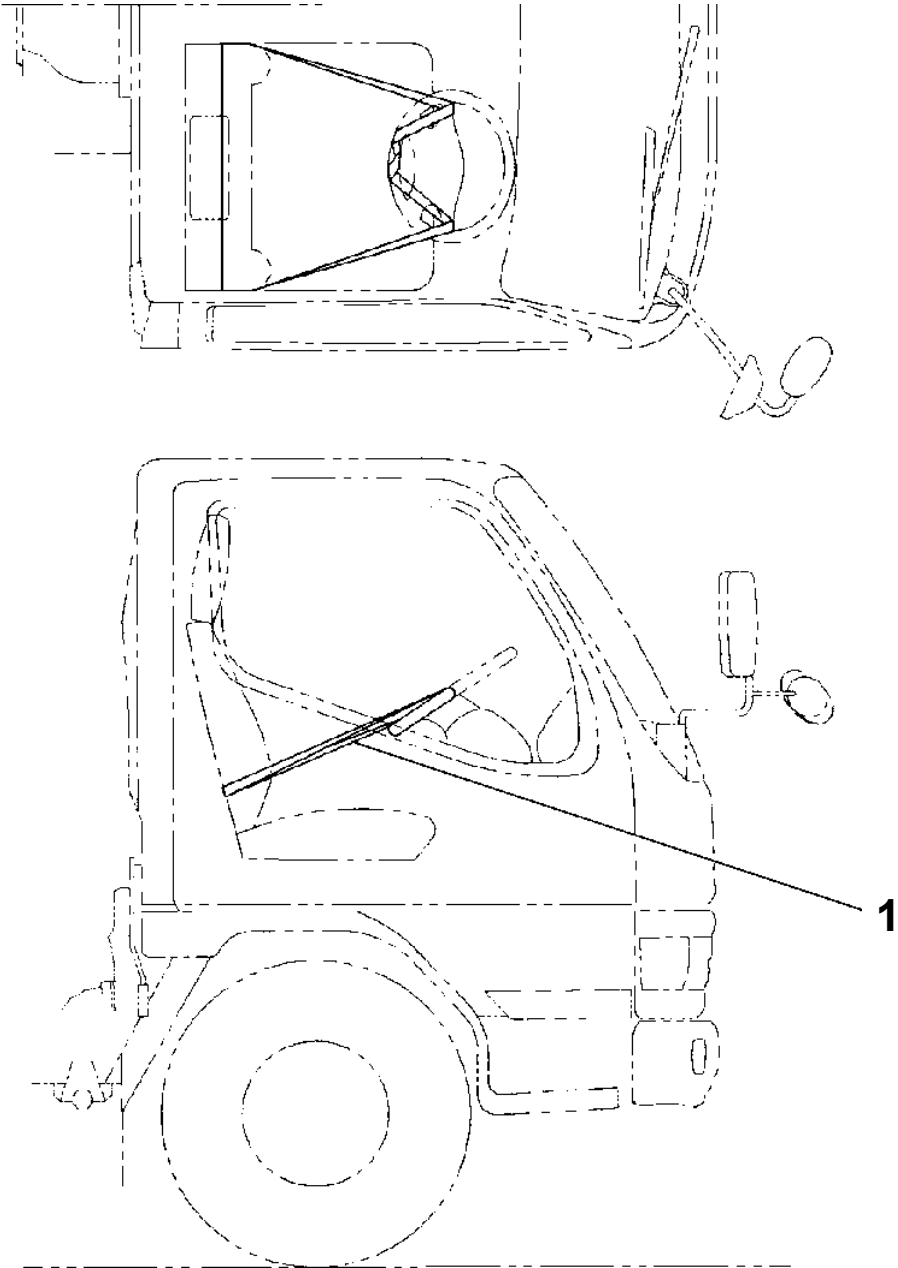
**OC-33W-1-40200 LOWER, ISUZU KR-NKS81GR-5JXY  
PN1013913-00 ELEC.ASSY (CARRIER)**



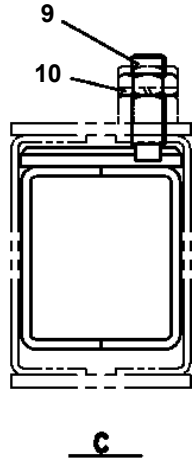
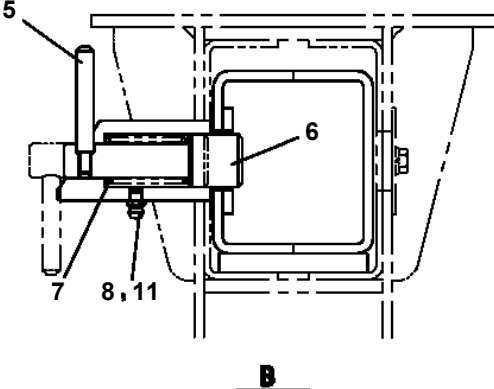
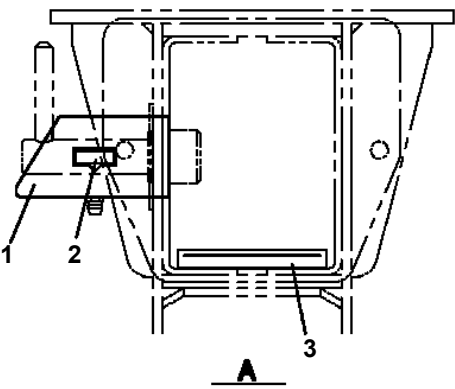
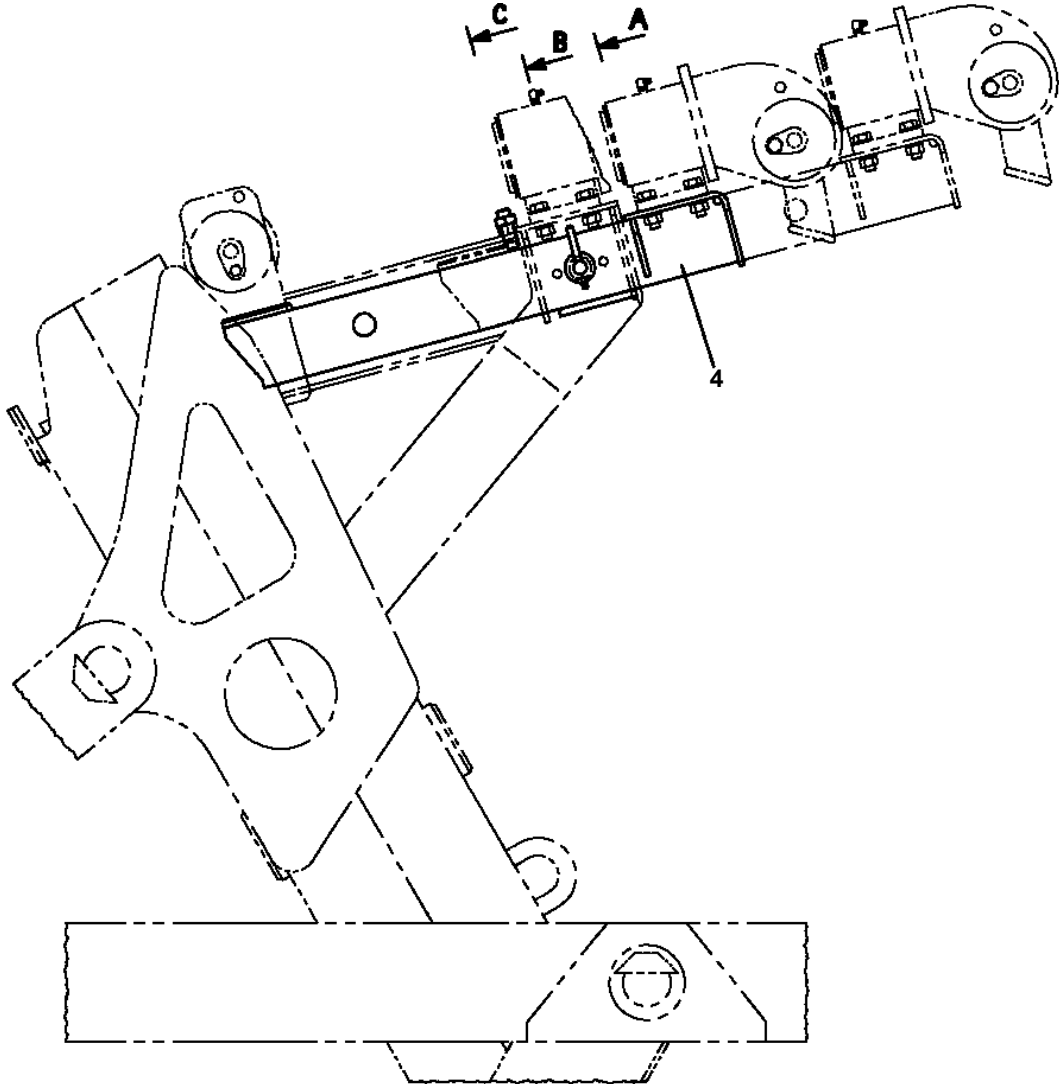
# OC-33W-1-40200 LOWER,ISUZU KR-NKS81GR-5JXY

Pos No.	Parts No	Parts Name	Qty	Unit	Technical Data	Serial No (Start)	Ser
1	(*****)	SUPPORT (LAMP/ELECTRICALLY RETRACTABLE)	1				
2	(*****)	ELEC.ASSY(LAMP/ELECTRICALLY RETRACTABLE)	1				

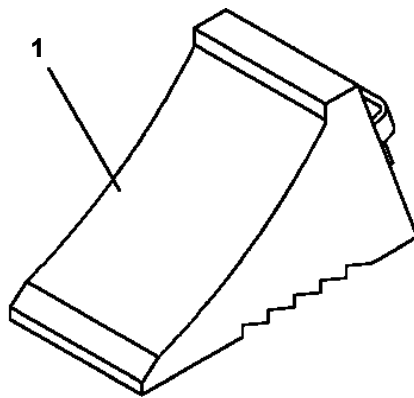
**OC-33W-1-40200 LOWER,ISUZU KR-NKS81GR-5JXY  
PW1010292-00 ACCESSORIES (BELT/FOR STEERING LOCK,OPT)**



**OC-33W-1-40200 LOWER, ISUZU KR-NKS81GR-5JXY  
PW1010352-00 ACCESSORIES (SUPPORT/FOR WINCH, SHEAVE)**



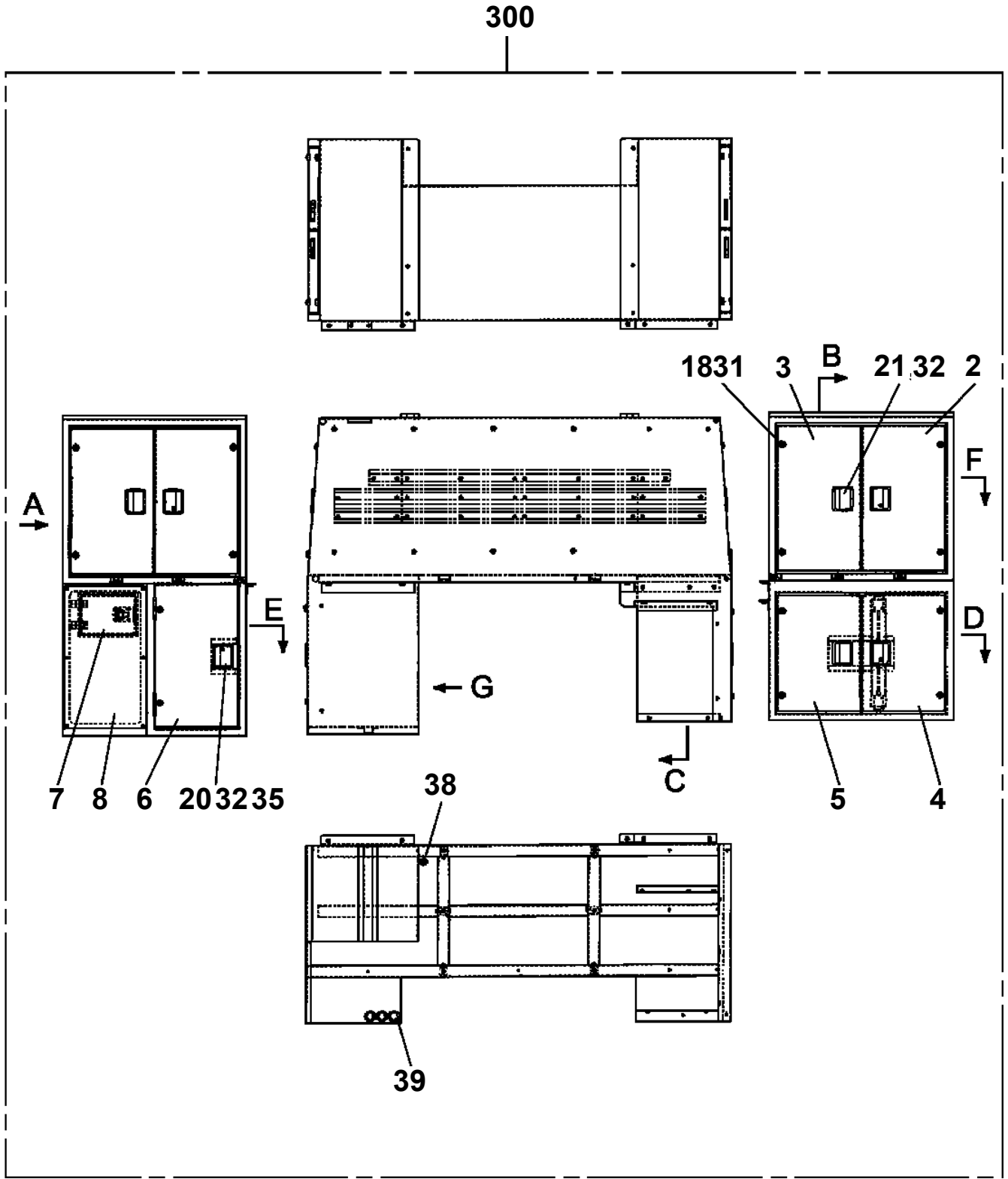
**OC-33W-1-40200 LOWER,ISUZU KR-NKS81GR-5JXY  
PW5110003-00 WEDGE (STOPPER FOR TIRE/NAKAMURA KIKI)**



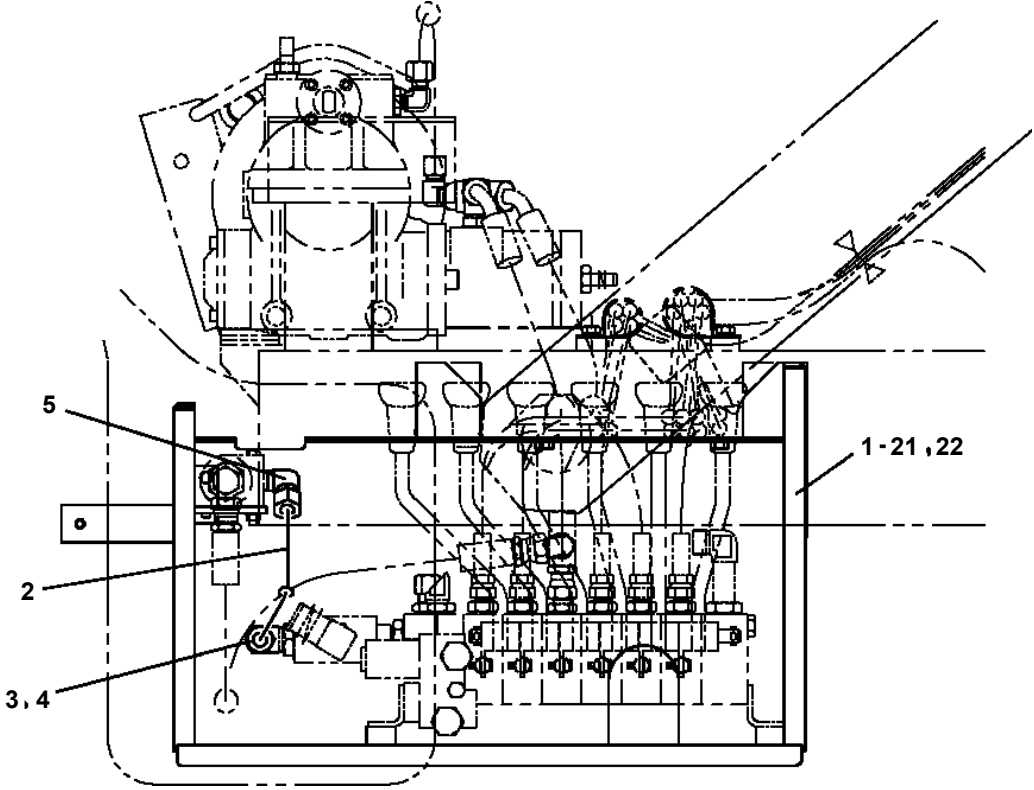
# OC-33W-1-40200 LOWER,ISUZU KR-NKS81GR-5JXY

Pos No.	Parts No	Parts Name	Qty	Unit	Technical Data	Serial No (Start)	Serial No (End)	Remarks	Page
1	90174110035	BOLT	2		M10X35				
2	90302041001	WASHER,SPRING	2		10				
3	90303071001	WASHER,PLAIN	2		10				
8	36652780000	PUMP,OIL (27CC:L)	1						00005

OC-33W-1-40200 LOWER, ISUZU KR-NKS81GR-5JXY  
PX1350756-00 BOX, TOOL



**OC-33W-1-40200 LOWER,ISUZU KR-NKS81GR-5JXY  
PX1390772-00 MODIFICATION PARTS**



CLICK HERE TO **DOWNLOAD** THE COMPLETE MANUAL

- Thank you very much for reading the preview of the manual.
- You can download the complete manual from: [www.heydownloads.com](http://www.heydownloads.com) by clicking the link below



- Please note: If there is no response to CLICKING the link, please download this PDF first and then click on it.

CLICK HERE TO **DOWNLOAD** THE COMPLETE MANUAL