

OC-200N-1-30700 LOWER,HINO QPG-FR1EPEA

PB3000266-00 POWER UNIT

PF1000705-00 WINCH SYSTEM (REAR)

PO1000123-00 INDICATION PLATES

PX2001713-00 CARRIER UNIT

PX3000679-01 MOUNTING UNIT

PY1001448-02 OPTIONS

ASSEMBLY

CLICK HERE TO **DOWNLOAD** THE COMPLETE MANUAL

- Thank you very much for reading the preview of the manual.
- You can download the complete manual from: www.heydownloads.com by clicking the link below



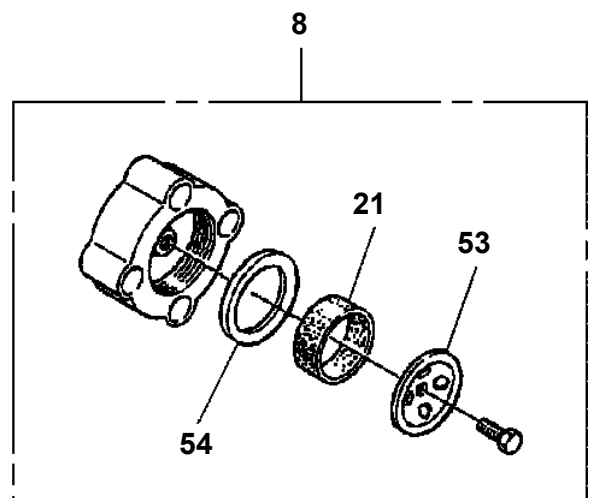
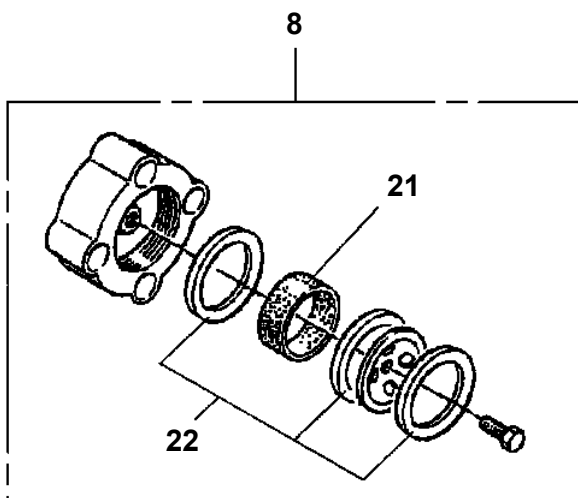
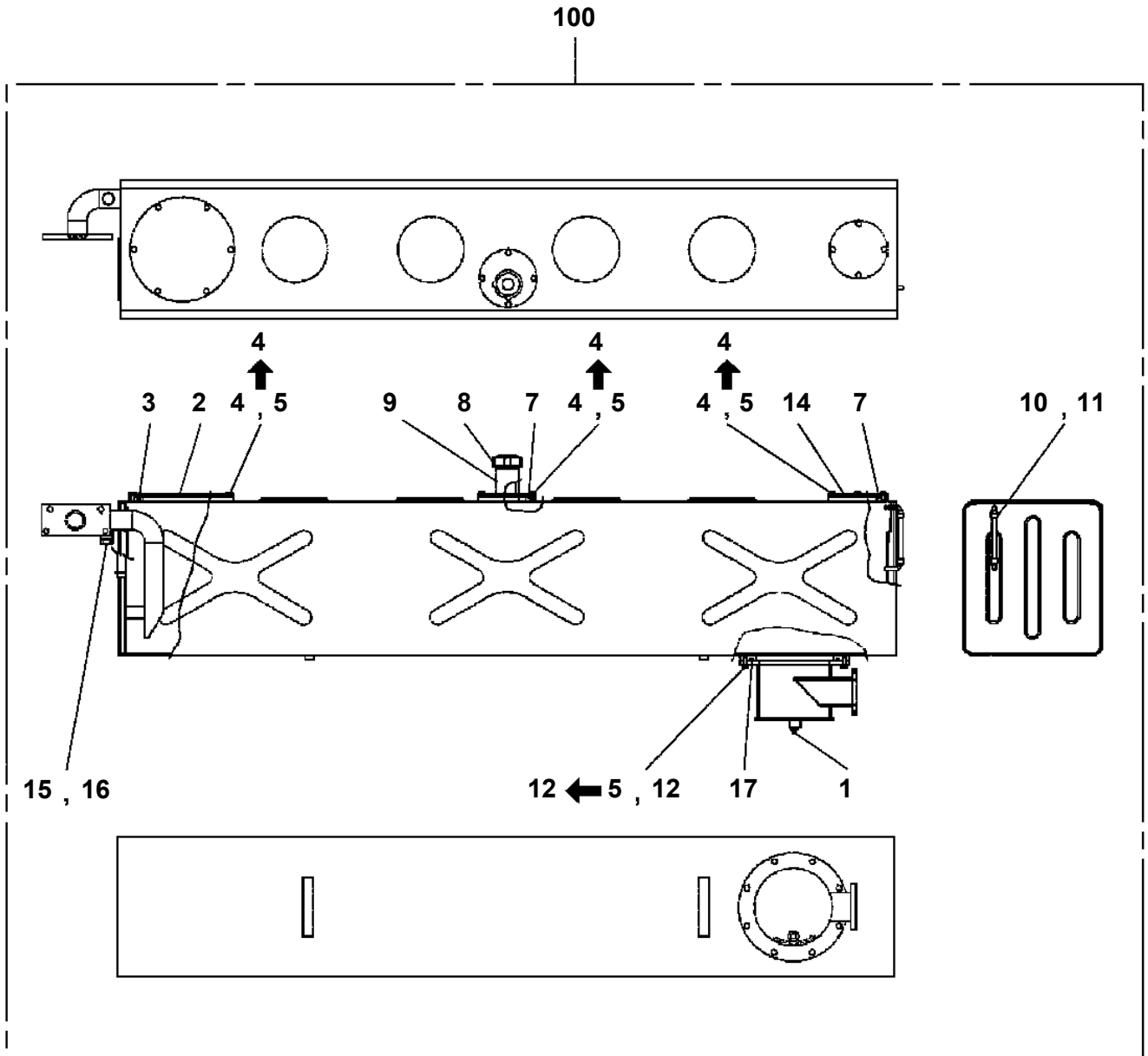
- Please note: If there is no response to CLICKING the link, please download this PDF first and then click on it.

CLICK HERE TO **DOWNLOAD** THE COMPLETE MANUAL

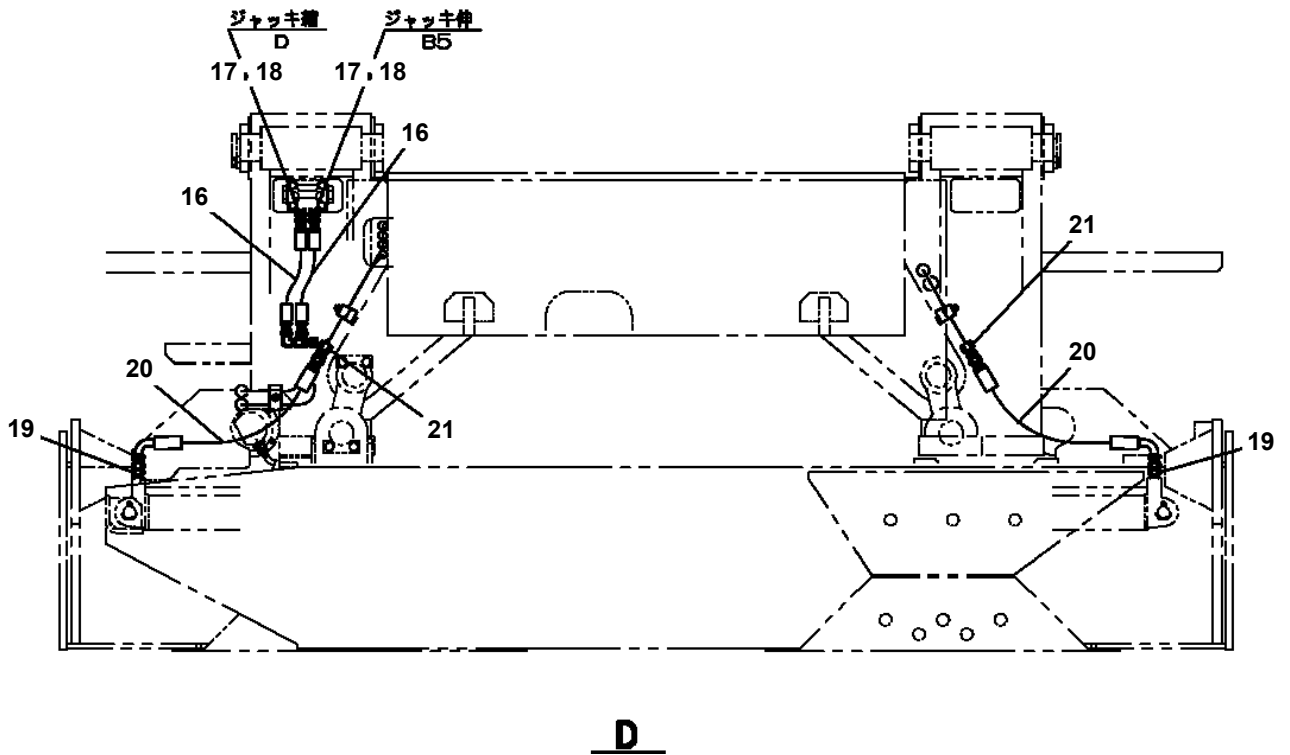
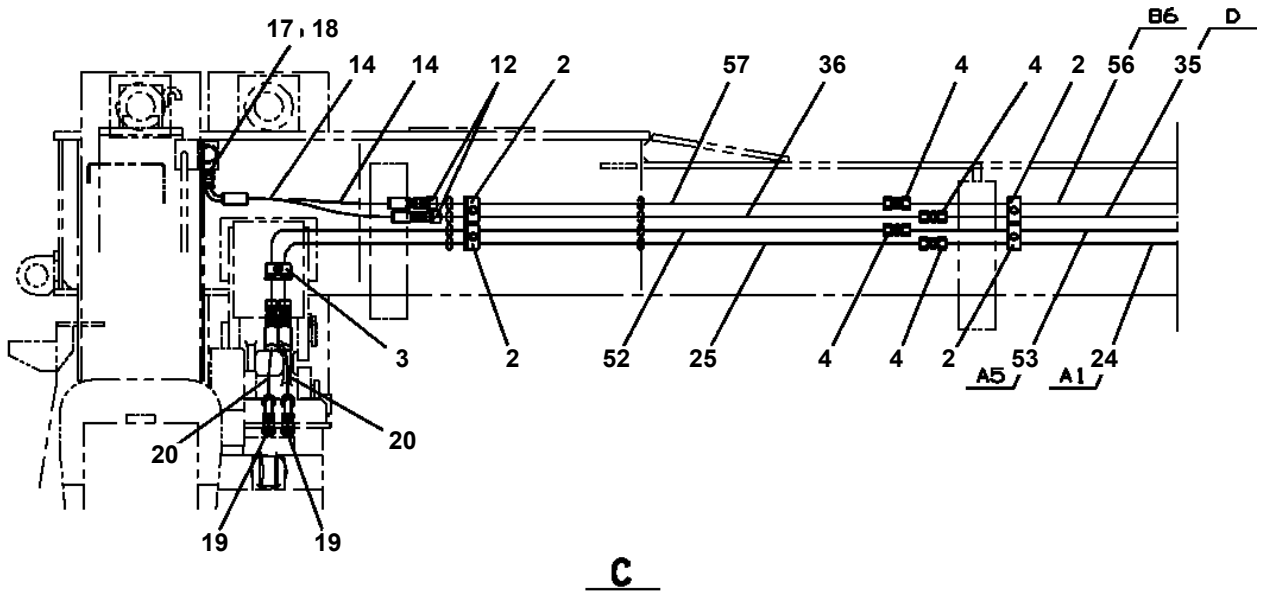
OC-200N-1-30700 LOWER,HINO QPG-FR1EPEA

Pos No.	Parts No	Parts Name	Qty	Unit	Technical Data	Serial No (Start)	Serial No (End)	Remarks	Pages
1	(*****)	TANK SUPPORT	1						000053
2	(*****)	MOUNT,HOOK	1				325624		000054
3	(*****)	MOUNT,TIRE	1						000059
4	(*****)	WOOD BLOCK	1						000056
5	(*****)	FENDER	1						000052
6	(*****)	STEP	1						000055
11	(*****)	WEIGHT	1						000031

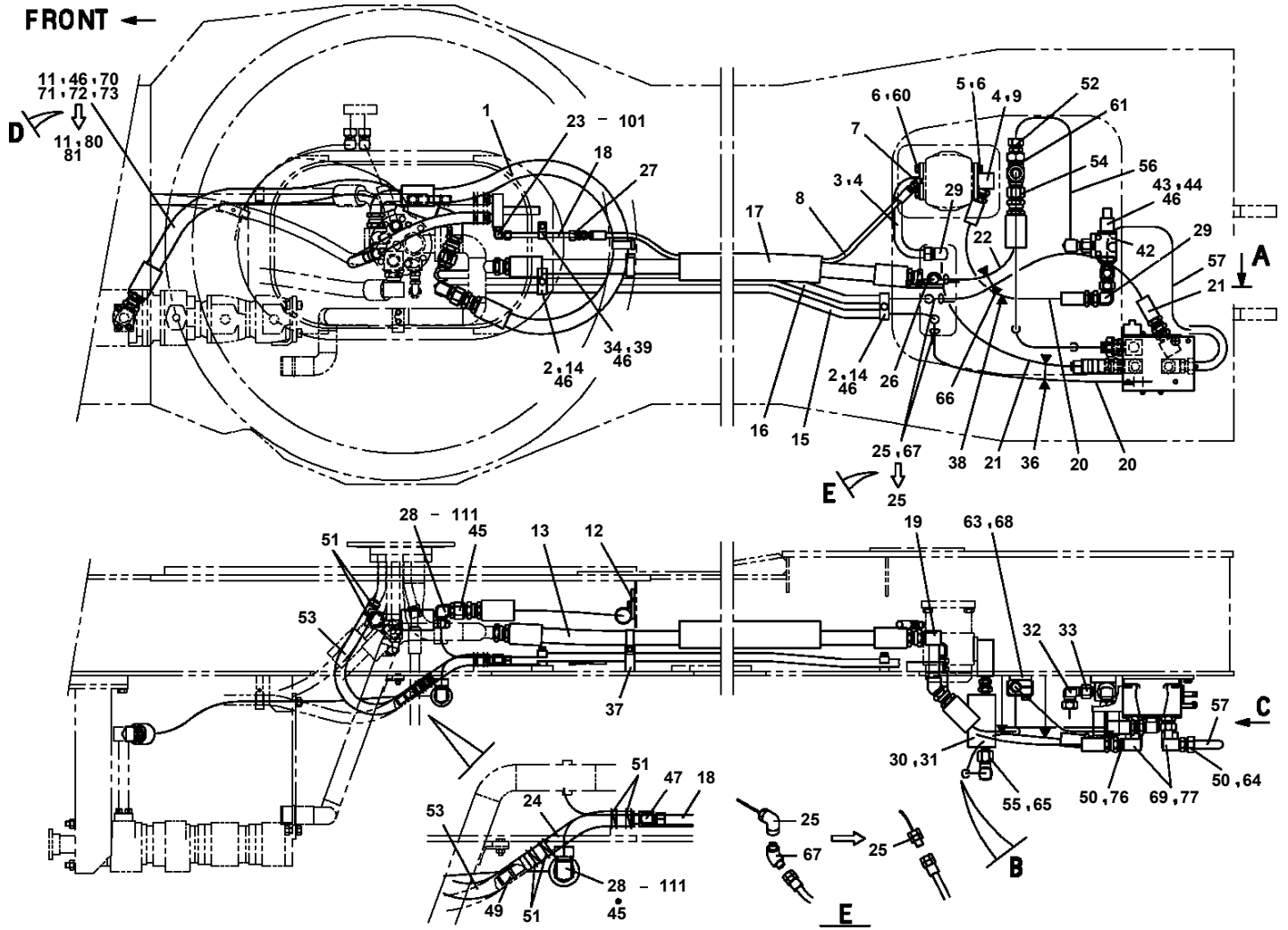
OC-200N-1-30700 LOWER,HINO QPG-FR1EPEA
PB1130291-02 TANK,OIL



OC-200N-1-30700 LOWER,HINO QPG-FR1EPEA
 PC1200583-01 PIPING,OUTRIGGER



OC-200N-1-30700 LOWER, HINO QPG-FR1EPEA
PF1200423-03 PIPING, WINCH



OC-200N-1-30700 LOWER,HINO QPG-FR1EPEA

Pos No.	Parts No	Parts Name	Qty	Unit	Technical Data	Serial No (Start)	Serial No (End)	Remarks	Pages
1	32930910100	HARNESS	1						

OC-200N-1-30700 LOWER,HINO QPG-FR1EPEA

Pos No.	Parts No	Parts Name	Qty	Unit	Technical Data	Serial No (Start)	Serial No (End)	Remarks
1	36061395030	PISTON KIT (REPAIR KIT)	1					
2	36061395020	VALVE,BREATHER	1					
3	36061395010	ROD,PUSH	1					
10	36061390001	CYLINDER,MASTER	1					

CLICK HERE TO **DOWNLOAD** THE COMPLETE MANUAL

- Thank you very much for reading the preview of the manual.
- You can download the complete manual from: www.heydownloads.com by clicking the link below



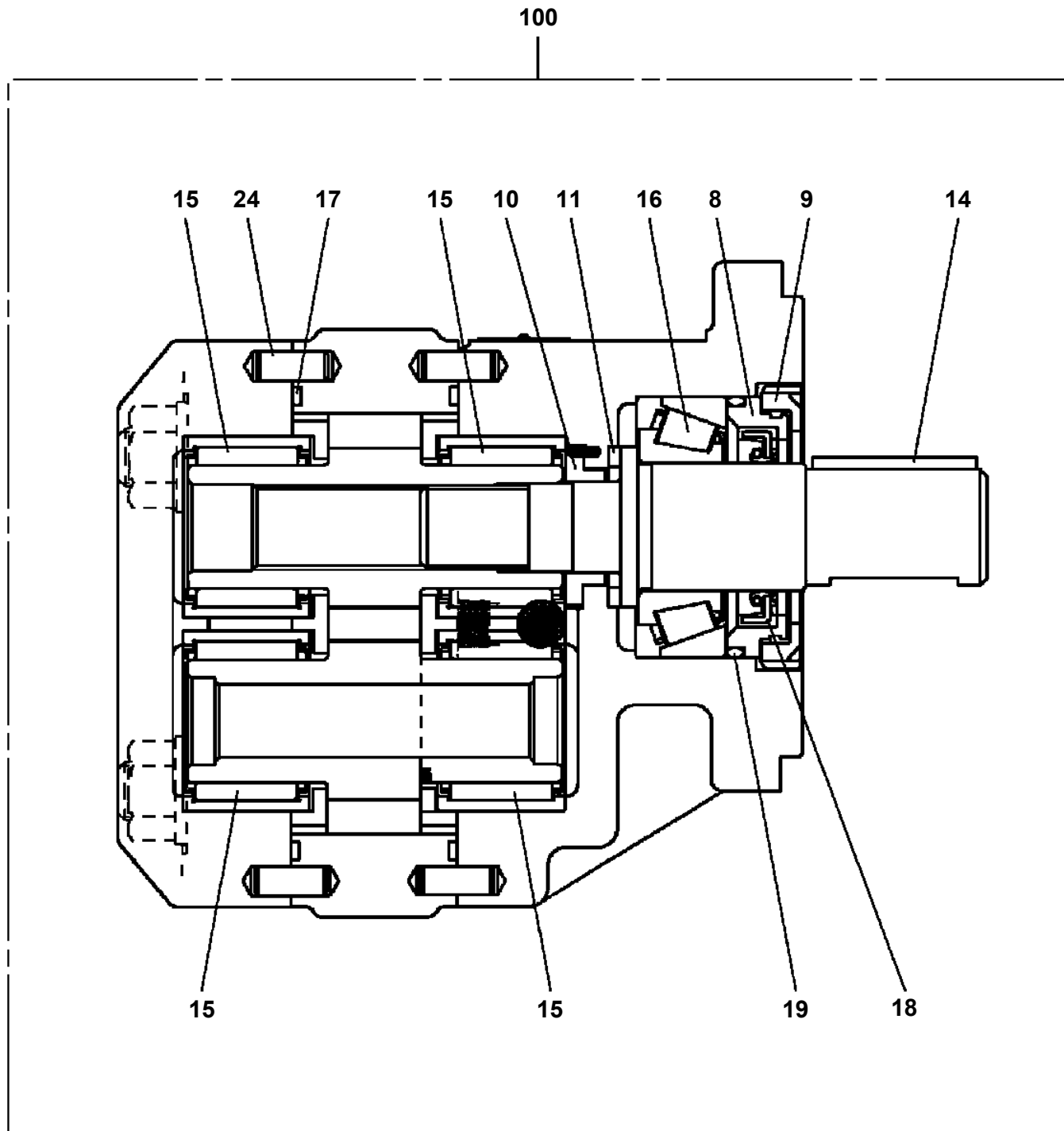
- Please note: If there is no response to CLICKING the link, please download this PDF first and then click on it.

CLICK HERE TO **DOWNLOAD** THE COMPLETE MANUAL

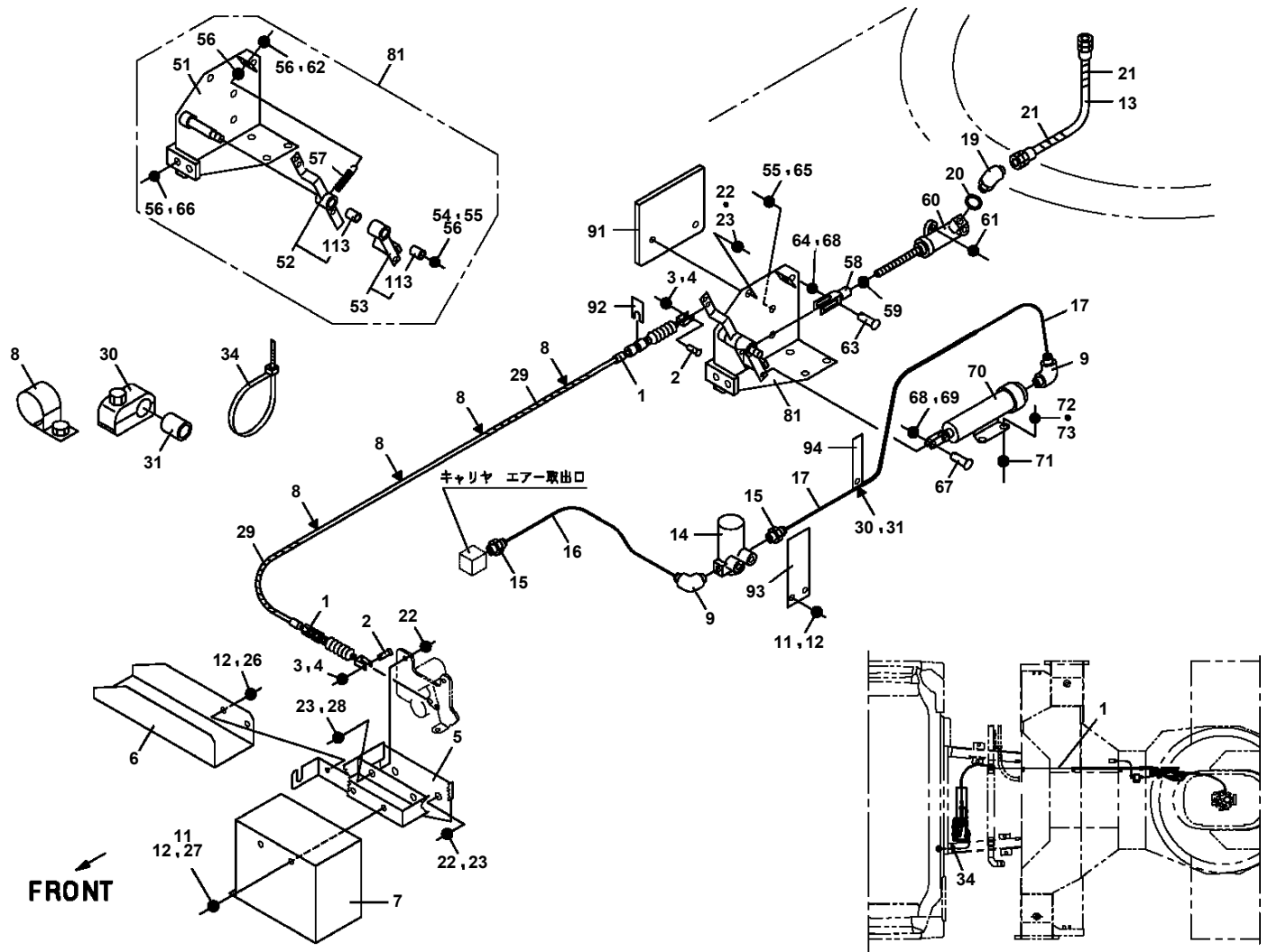
OC-200N-1-30700 LOWER,HINO QPG-FR1EPEA

Pos No.	Parts No	Parts Name	Qty	Unit	Technical Data	Serial No (Start)	Serial No (End)	Remarks	Pages
1	32842331000	WEIGHT	1						
2	90101216045	BOLT	4		M16X45				
3	90302041601	WASHER,SPRING	4		16				

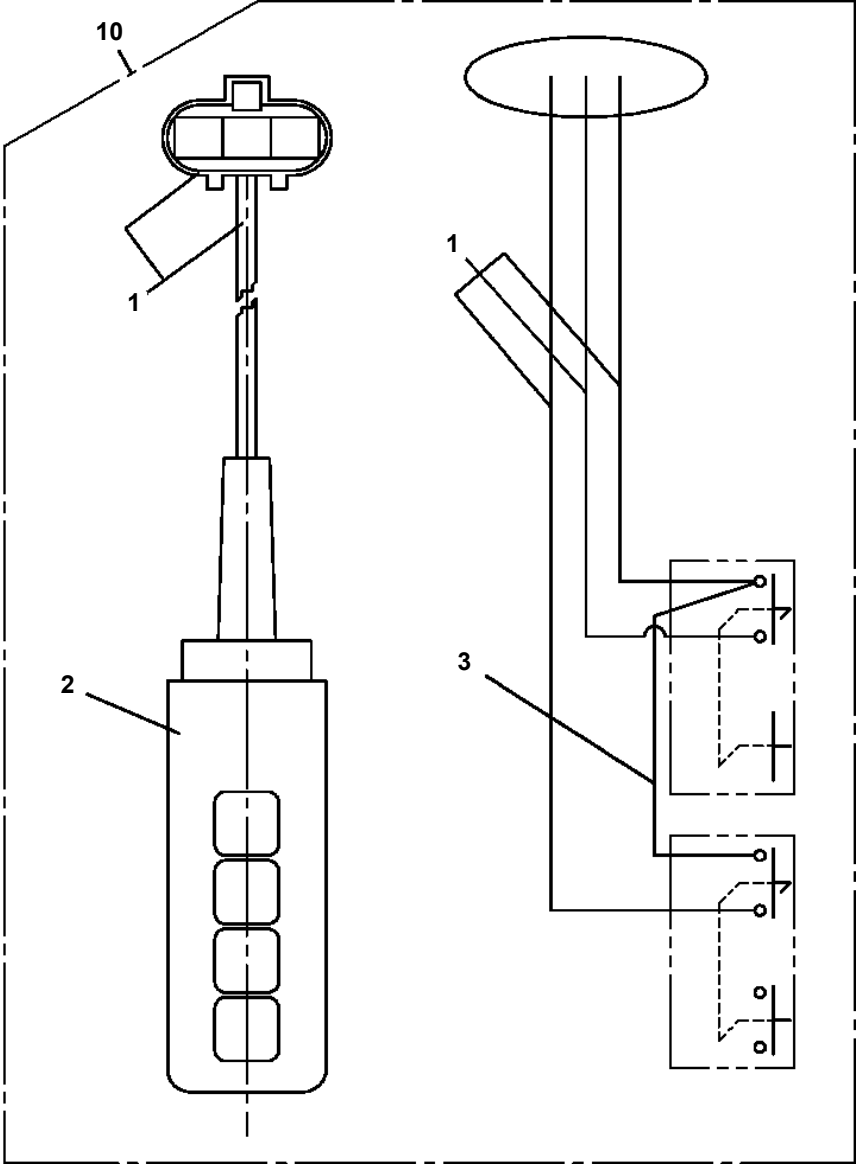
OC-200N-1-30700 LOWER,HINO QPG-FR1EPEA
PM5210001-00 MOTOR ASSY,OIL



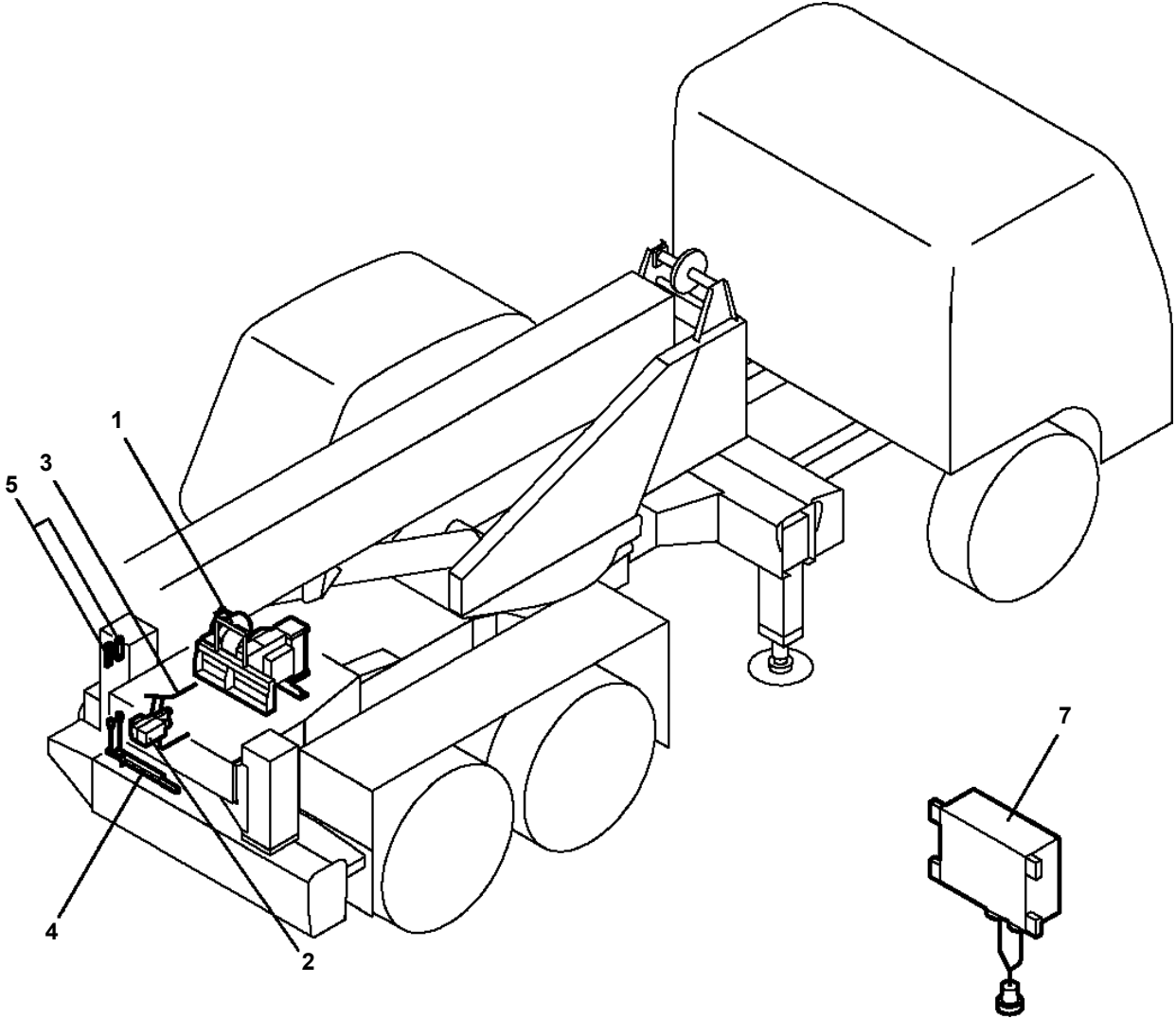
**OC-200N-1-30700 LOWER,HINO QPG-FR1EPEA
PO5020038-00 OPE.ASSY,ACCELERATOR**



OC-200N-1-30700 LOWER,HINO QPG-FR1EPEA
PV1030038-00 SWITCH BOX



**OC-200N-1-30700 LOWER,HINO QPG-FR1EPEA
PW5060014-00 WINCH ASSY (REAR/RADIO CONTROL)**



OC-200N-1-30700 LOWER,HINO QPG-FR1EPEA

Pos No.	Parts No	Parts Name	Qty	Unit	Technical Data	Serial No (Start)	Serial No (End)	Remarks	Pages
1	32813530101	SUPPORT	1						
2	32813530201	SUPPORT	1						
3	90101210018	BOLT	10		M10X18				
4	90302041001	WASHER,SPRING	14		10				
6	90101210025	BOLT	4		M10X25				
7	90201201000	NUT	4		M10				
8	90303071001	WASHER,PLAIN	4		10				
9	32813530402	SUPPORT	1						
10	32813530500	SUPPORT	1						
11	90101212025	BOLT	4		M12X25				
12	90302041201	WASHER,SPRING	4		12				
13	32813530600	COVER	1						
14	90101208016	BOLT	9		M8X16				
15	90303070801	WASHER,PLAIN	9		8				
16	90302040801	WASHER,SPRING	9		8				
17	32813530701	COVER	1						

OC-200N-1-30700 LOWER,HINO QPG-FR1EPEA

Pos No.	Parts No	Parts Name	Qty	Unit	Technical Data	Serial No (Start)	Serial No (End)	Remarks	Pages
1	37000573520	PLATE	2						

CLICK HERE TO **DOWNLOAD** THE COMPLETE MANUAL

- Thank you very much for reading the preview of the manual.
- You can download the complete manual from: www.heydownloads.com by clicking the link below



- Please note: If there is no response to CLICKING the link, please download this PDF first and then click on it.

CLICK HERE TO **DOWNLOAD** THE COMPLETE MANUAL