

OC-200N-1-30400 LOWER,HINO LDG-FQ1ARBA

PB3000313-00 POWER UNIT

PF1000754-00 WINCH SYSTEM (REAR)

PO1000123-00 INDICATION PLATES

PX2001570-00 CARRIER UNIT

PX3000593-02 MOUNTING UNIT

PY1001448-02 OPTIONS

ASSEMBLY

CLICK HERE TO **DOWNLOAD** THE COMPLETE MANUAL

- Thank you very much for reading the preview of the manual.
- You can download the complete manual from: www.heydownloads.com by clicking the link below



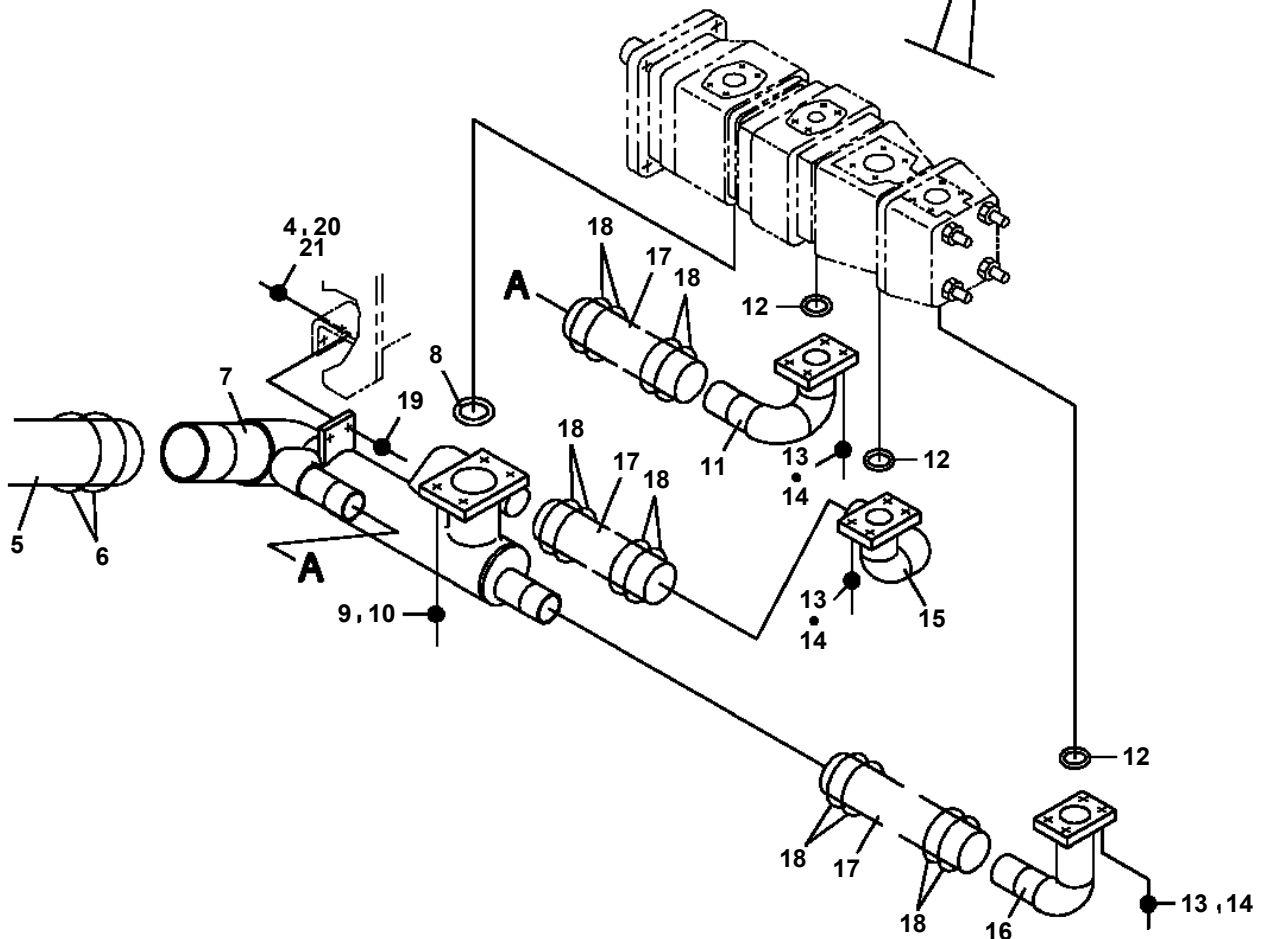
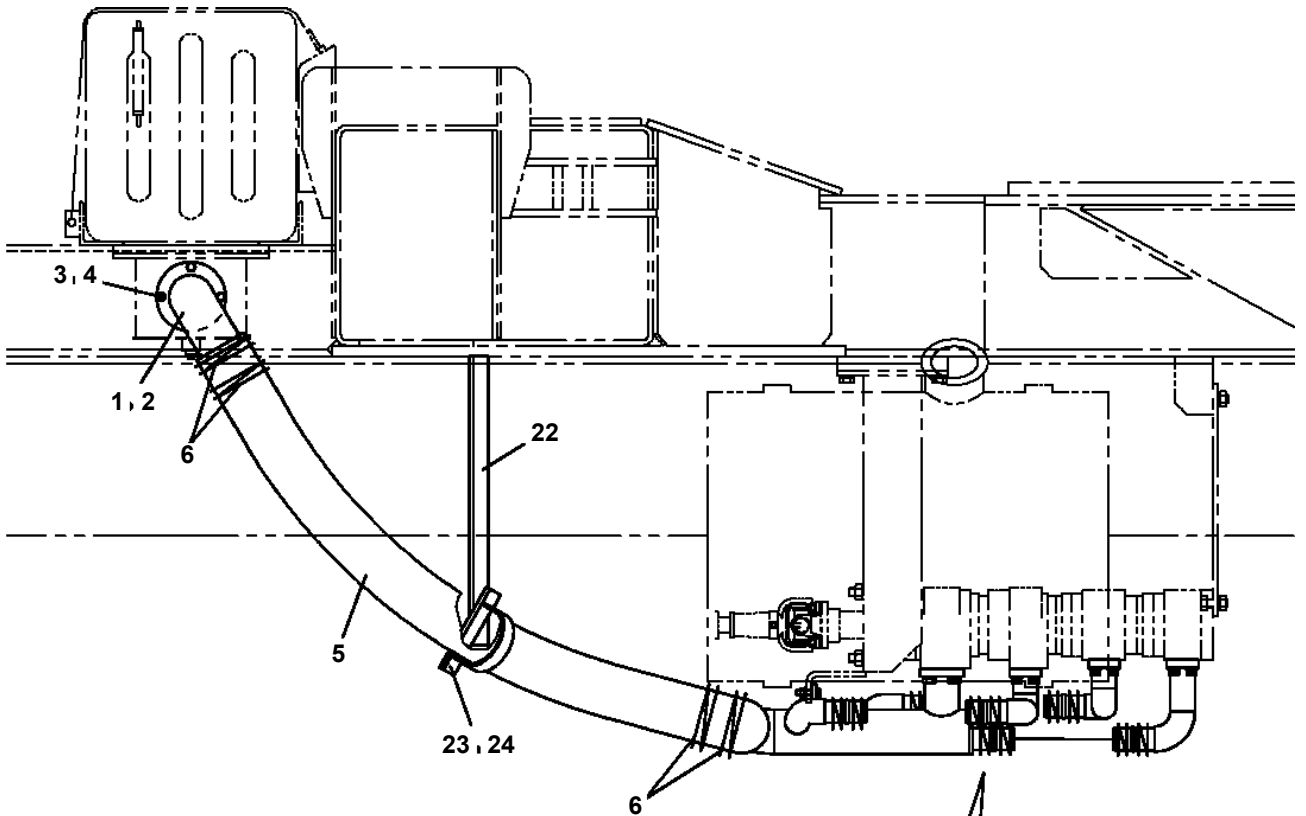
- Please note: If there is no response to CLICKING the link, please download this PDF first and then click on it.

CLICK HERE TO **DOWNLOAD** THE COMPLETE MANUAL

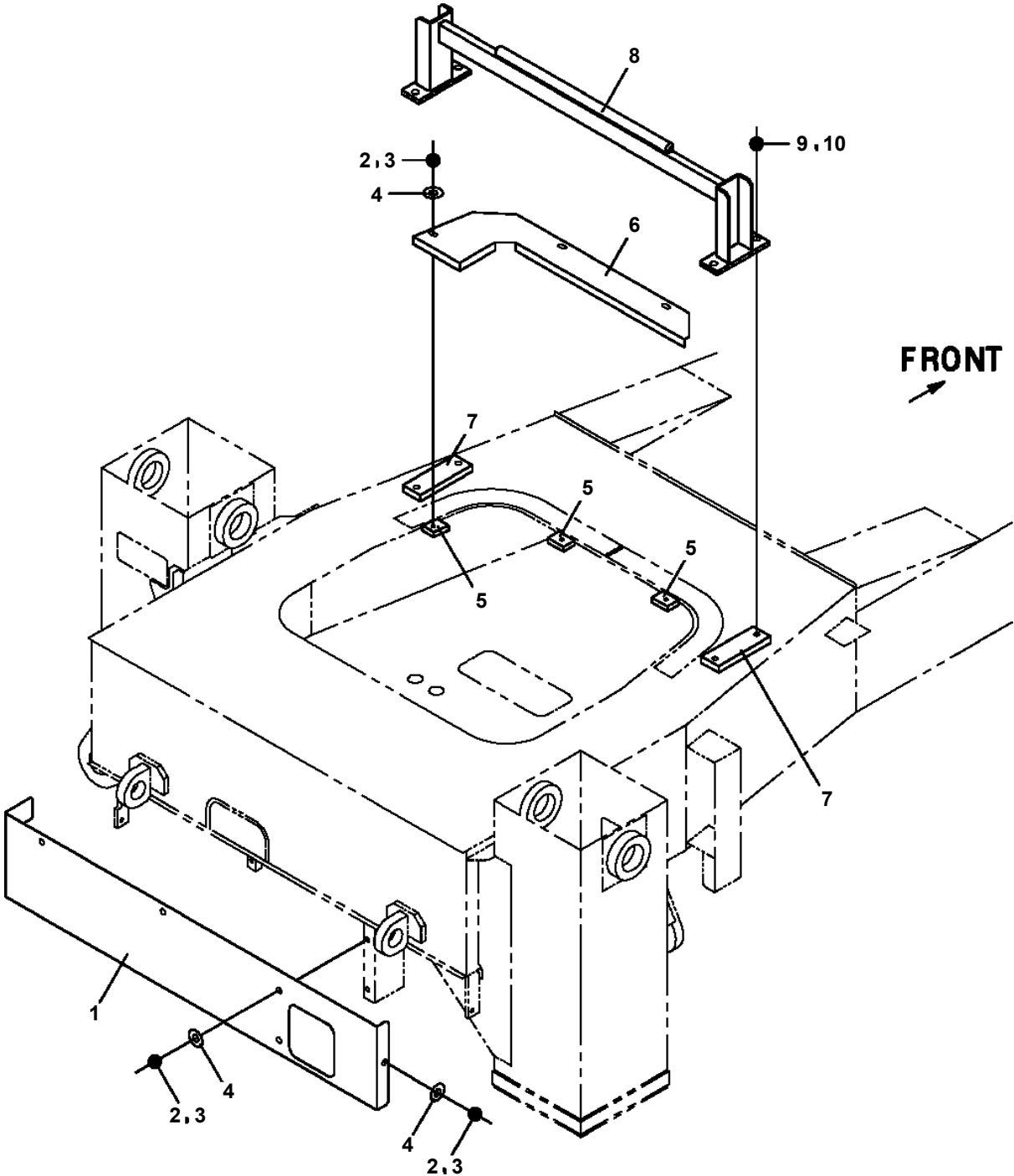
OC-200N-1-30400 LOWER,HINO LDG-FQ1ARBA

Pos No.	Parts No	Parts Name	Qty	Unit	Technical Data	Serial No (Start)	Serial No (End)	Remarks	Pages
1	(*****)	TANK SUPPORT	1						000048
2	(*****)	MOUNT,HOOK	1				325624		000050
3	(*****)	MOUNT,TIRE	1						000055
4	(*****)	WOOD BLOCK	1						000052
5	(*****)	FENDER	1						000047
6	(*****)	STEP	1						000051
11	(*****)	WEIGHT	1						000030

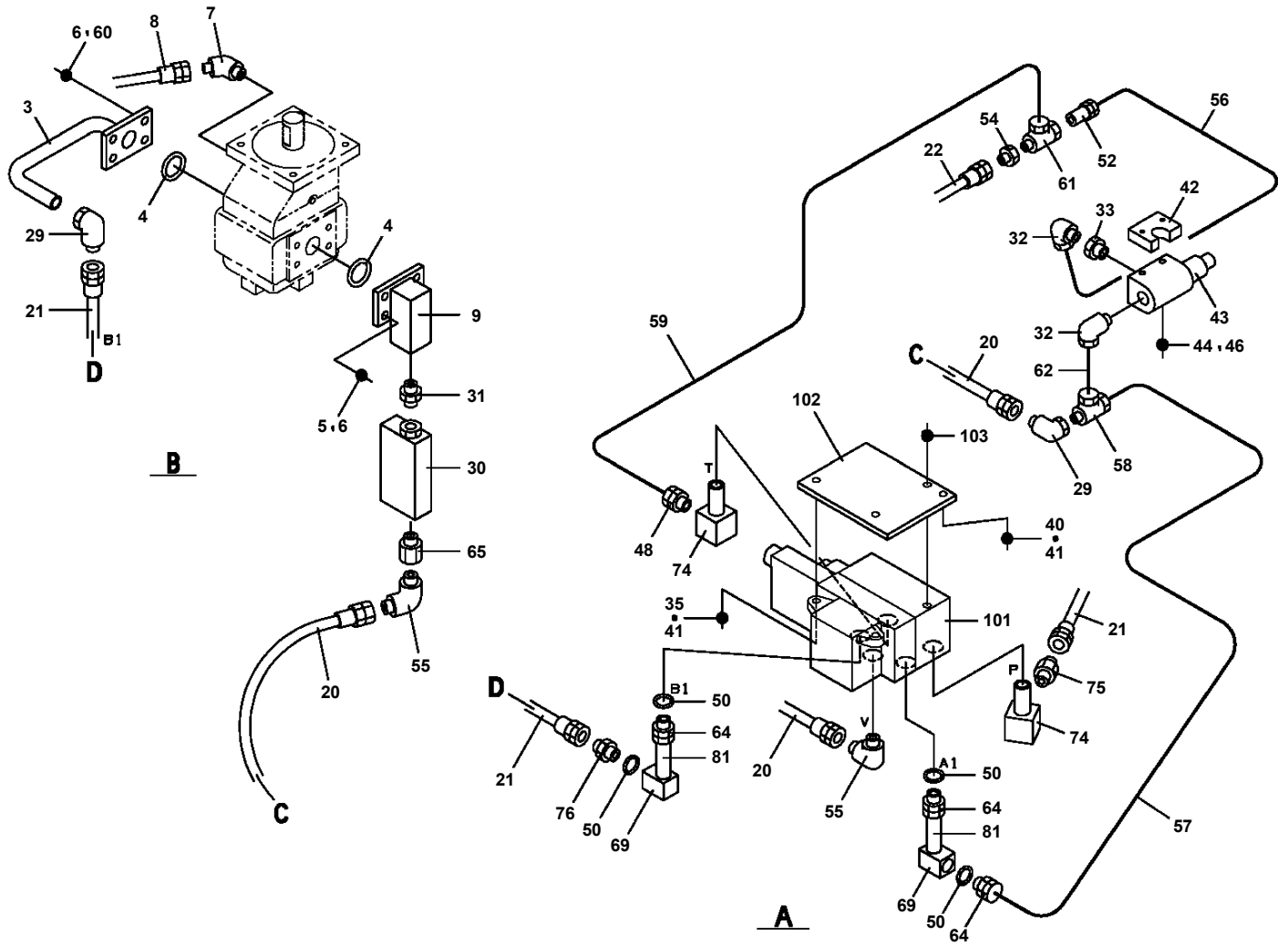
OC-200N-1-30400 LOWER,HINO LDG-FQ1ARBA
PB1200188-00 PIPING,SUCTION



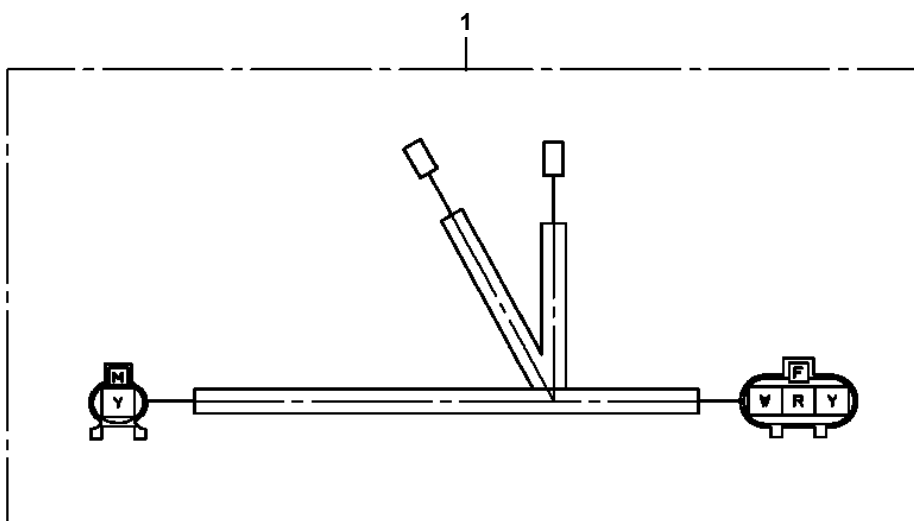
OC-200N-1-30400 LOWER,HINO LDG-FQ1ARBA
PC5700002-00 COVER



**OC-200N-1-30400 LOWER,HINO LDG-FQ1ARBA
PF1200455-02 PIPING,WINCH**



OC-200N-1-30400 LOWER,HINO LDG-FQ1ARBA
PH5031255-00 HARNESS



CLICK HERE TO **DOWNLOAD** THE COMPLETE MANUAL

- Thank you very much for reading the preview of the manual.
- You can download the complete manual from: www.heydownloads.com by clicking the link below



- Please note: If there is no response to CLICKING the link, please download this PDF first and then click on it.

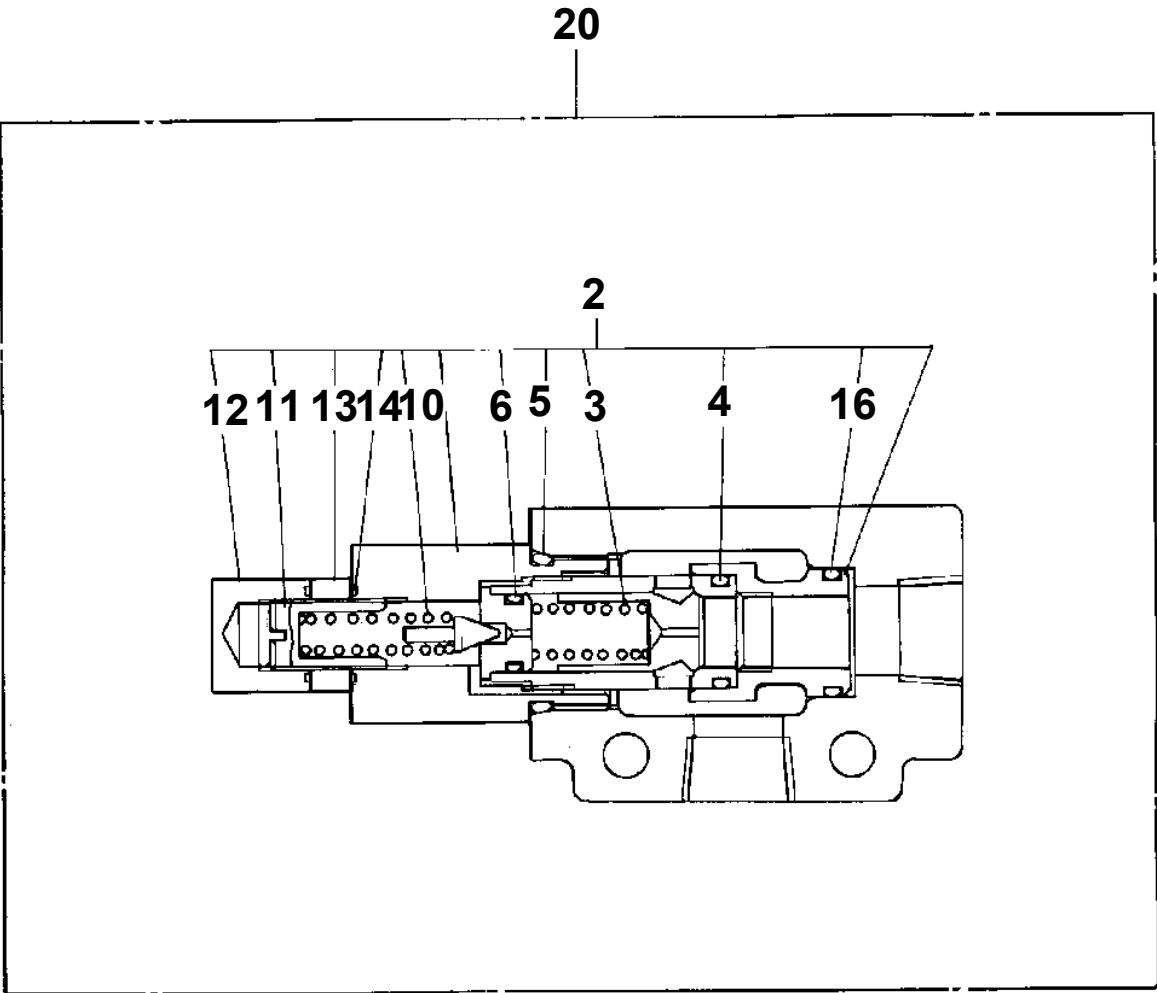
CLICK HERE TO **DOWNLOAD** THE COMPLETE MANUAL

OC-200N-1-30400 LOWER,HINO LDG-FQ1ARBA

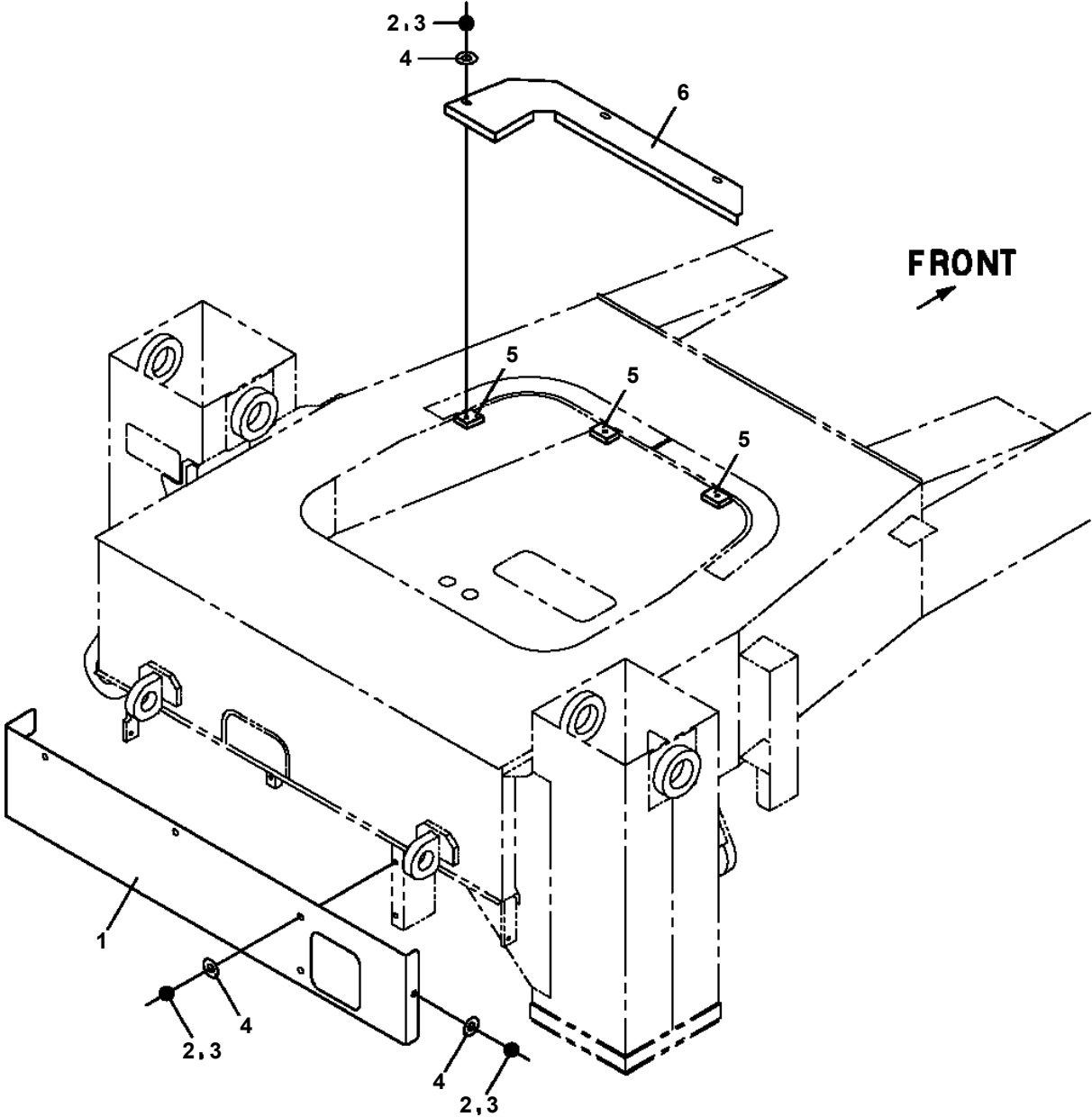
PI1100060-01 VALVE,RELIEF

ASSEMBLY INQUIRY VALVE, RELIEF

PI1100060-01



**OC-200N-1-30400 LOWER,HINO LDG-FQ1ARBA
PK1330447-00 COVER (WITH REAR WINCH/3TON)**



OC-200N-1-30400 LOWER,HINO LDG-FQ1ARBA

Pos No.	Parts No	Parts Name	Qty	Unit	Technical Data	Serial No (Start)	Serial No (End)	Remarks	Pages
1	91810130240	FASTENER	10						
2	32732304100	HARNESS	1						000022
4	90101206016	BOLT	1		M6X16				
5	90302040601	WASHER,SPRING	1		6				
6	32730612100	SWITCH ASSY	1						
7	82100001823	FASTENER	2						
8	82100002006	CLAMP	1		WR10				

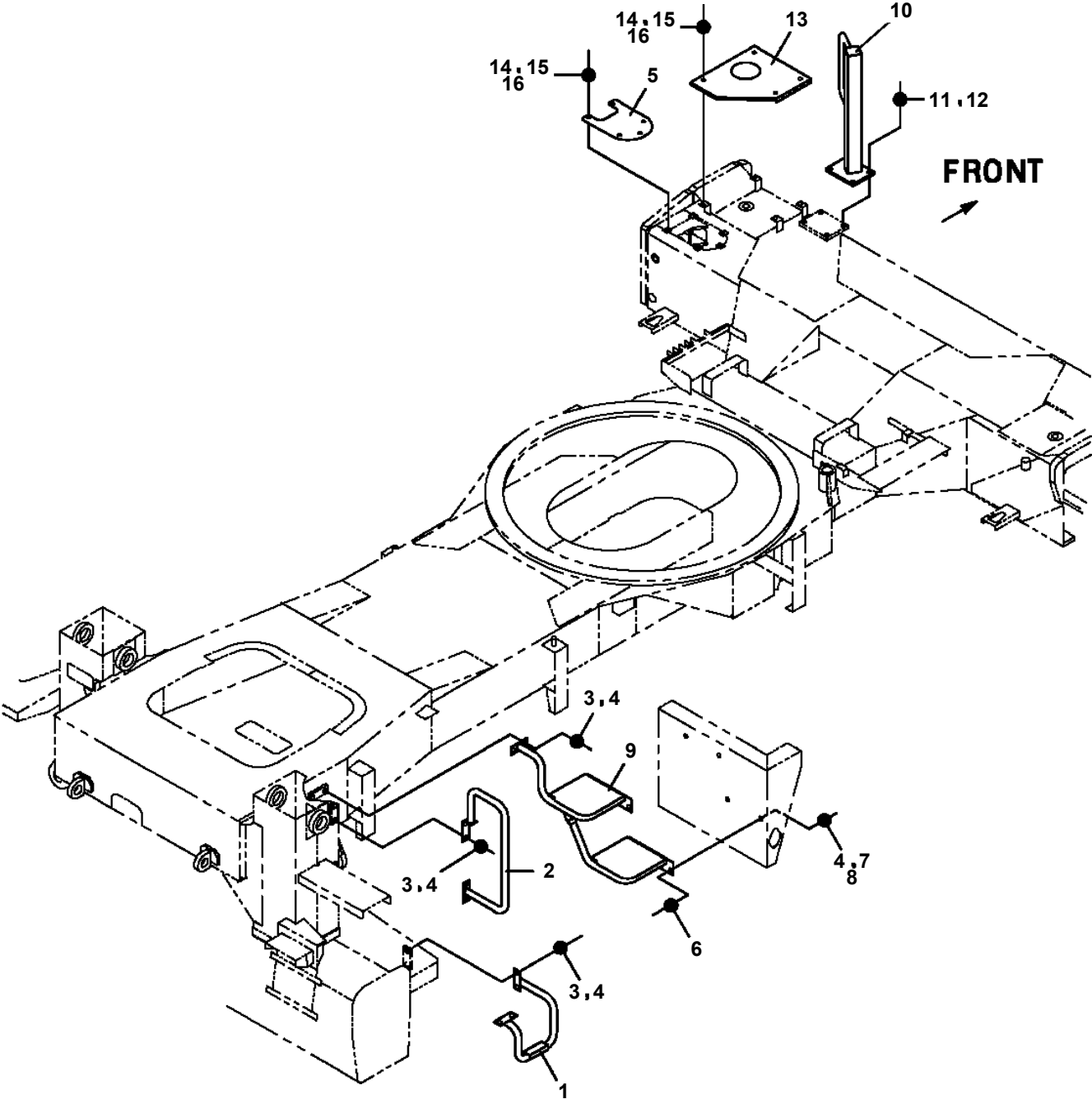
OC-200N-1-30400 LOWER,HINO LDG-FQ1ARBA

Pos No.	Parts No	Parts Name	Qty	Unit	Technical Data	Serial No (Start)	Serial No (End)	Remarks
1	37002446310	HOSE	1		L=910			
2	37002479320	HOSE	1		L=1050			
3	37000702300	CLAMP ASSY	1					
4	37002478700	HOSE	1		L=600			
5	37000514150	PLATE	1					
6	82100002019	CLAMP	1		WR40			
7	90101208012	BOLT	1		M8X12			
8	90302040801	WASHER,SPRING	1		8			
9	37002488280	HOSE	1		L=570			
10	37000707060	CLAMP ASSY	1					
11	80302090241	FITTING	2		KCO18-040N			
12	91002801800	O-RING	2		1B P18			
13	81408000241	PIPE,STEEL	1	M	18X1.9T			
14	81408000241	PIPE,STEEL	1	M	18X1.9T			
15	37000702310	CLAMP ASSY	1					
16	80301010160	FITTING	2		KUA18-000N			
17	81408000241	PIPE,STEEL	1	M	18X1.9T			
18	81408000241	PIPE,STEEL	1	M	18X1.9T			
19	32642811100	JOINT	1					
20	90172110035	BOLT,HEXAGON SOCKET	16		M10X35			
21	90302041001	WASHER,SPRING	16		10			
22	91002903500	O-RING	3		1B G35			
23	32642631200	JOINT	1					
24	91002903000	O-RING	1		1B G30			
25	32640441200	FITTING,FLANGE	1					
26	32642731100	JOINT	1					
27	80320030140	FITTING,ELBOW	2		KLE18-040N			
28	37002481520	HOSE	1		L=570			

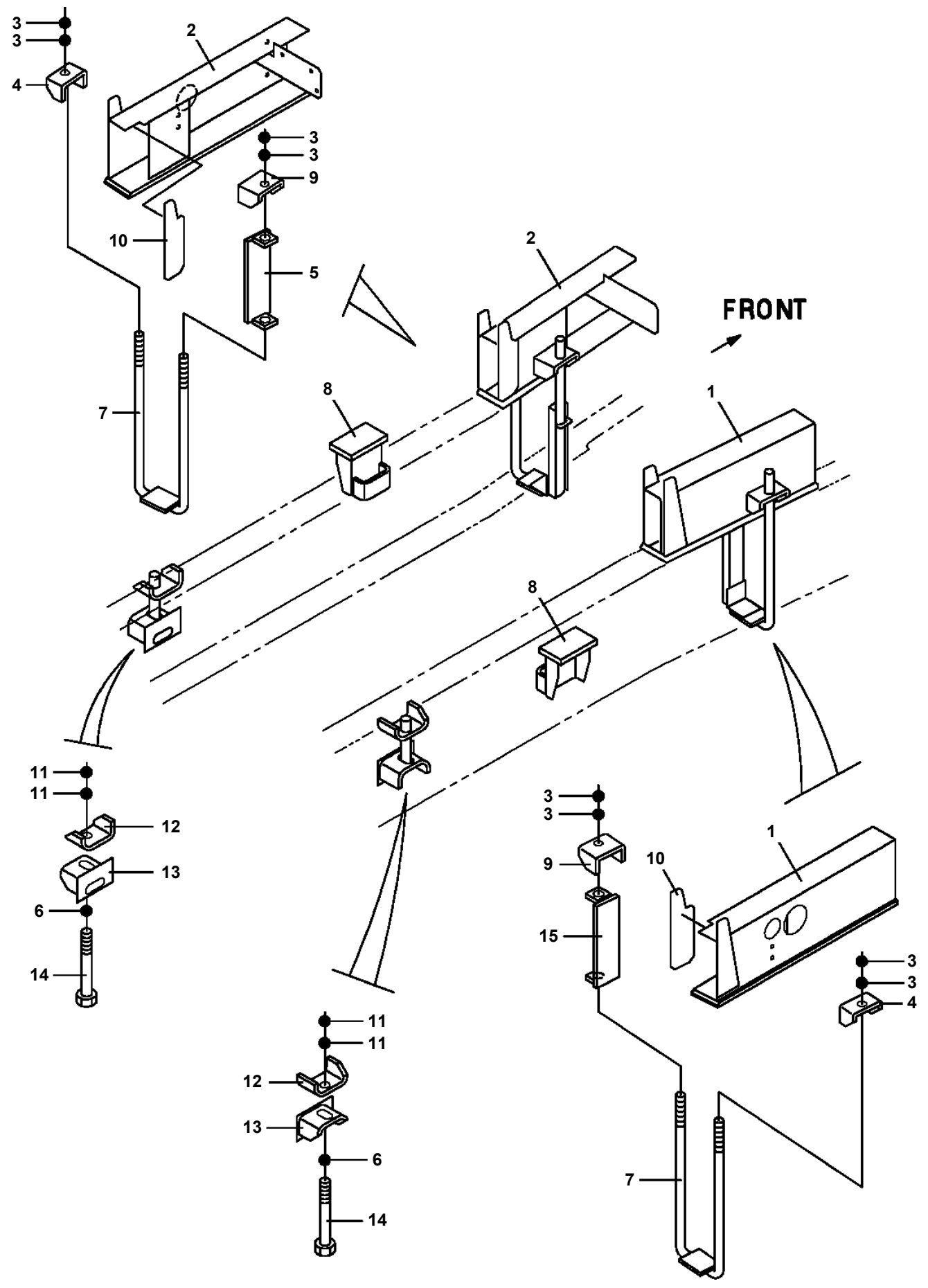
OC-200N-1-30400 LOWER,HINO LDG-FQ1ARBA

Pos No.	Parts No	Parts Name	Qty	Unit	Technical Data	Serial No (Start)
1	(*****)	MOUNT,WINCH (OPTION)	1			
2	(*****)	PIPING,WINCH	1			
3	(*****)	ELEC.ASSY (REAR WINCH/REMOTE CONTROL)	1			
4	(*****)	OPE.ASSY,CONT.VALVE	1			
5	(*****)	BOX,STOWING (REAR WINCH/REMOTE CONTROL)	1			
7	(*****)	PLATE ASSY,NAME (REAR WINCH/REMOTE CONTROL)	1			

OC-200N-1-30400 LOWER,HINO LDG-FQ1ARBA
PX1260287-00 STEP



**OC-200N-1-30400 LOWER,HINO LDG-FQ1ARBA
PX5360091-00 MOUNT ASSY,FRAME (FRONT)**



CLICK HERE TO **DOWNLOAD** THE COMPLETE MANUAL

- Thank you very much for reading the preview of the manual.
- You can download the complete manual from: www.heydownloads.com by clicking the link below



- Please note: If there is no response to CLICKING the link, please download this PDF first and then click on it.

CLICK HERE TO **DOWNLOAD** THE COMPLETE MANUAL