

OC-200M-1-15800 LOWER,NISSAN DIESEL ADG-CD4XMHH

PO1000123-00 INDICATION PLATES

PX2000747-00 CARRIER UNIT

PX3000439-00 MOUNTING UNIT

PY1001439-00 OPTIONS

ASSEMBLY

CLICK HERE TO **DOWNLOAD** THE COMPLETE MANUAL

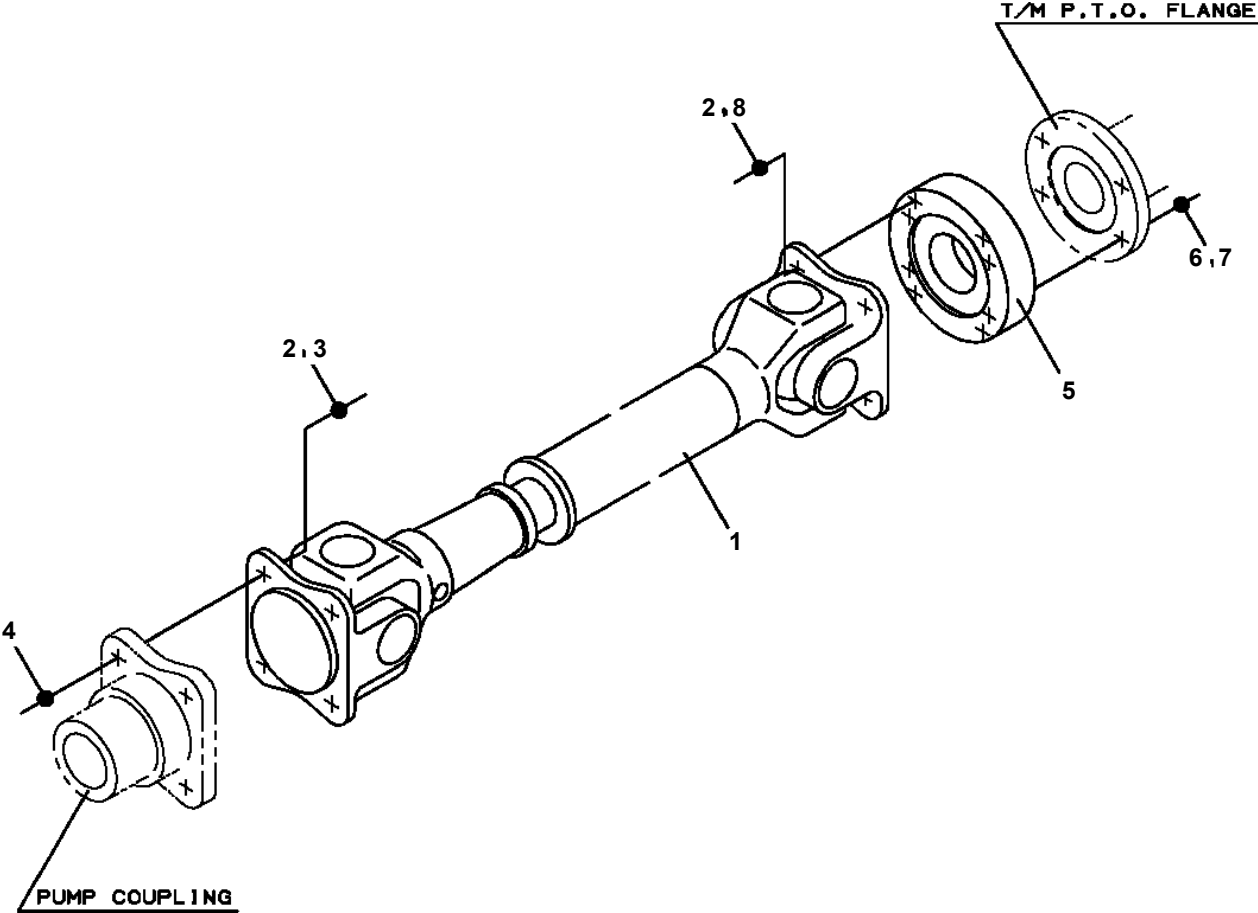
- Thank you very much for reading the preview of the manual.
- You can download the complete manual from: www.heydownloads.com by clicking the link below



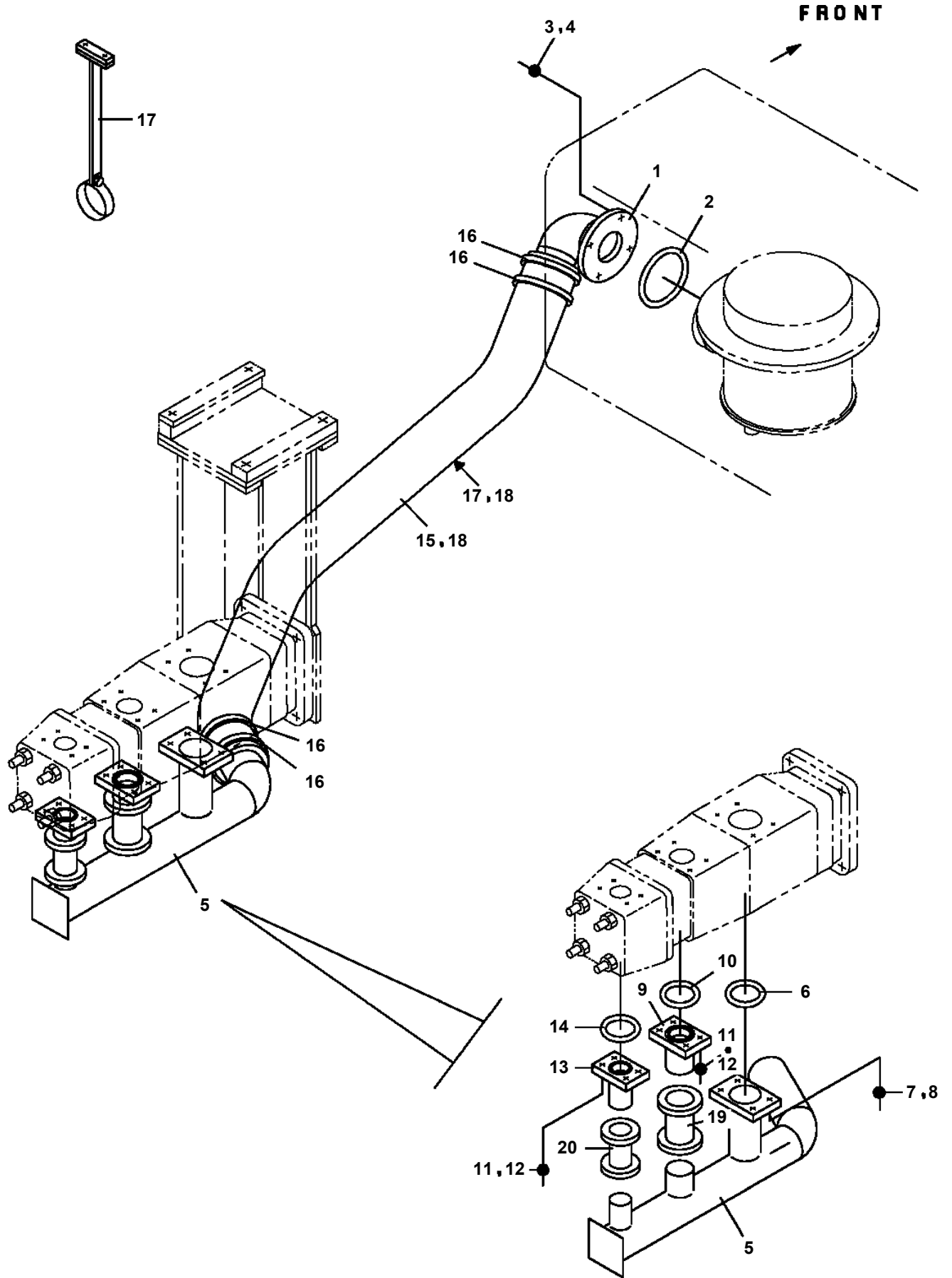
- Please note: If there is no response to CLICKING the link, please download this PDF first and then click on it.

CLICK HERE TO **DOWNLOAD** THE COMPLETE MANUAL

**OC-200M-1-15800 LOWER,NISSAN DIESEL ADG-CD4XMHH
PB1070323-00 PROPELLER SHAFT,PUMP**



OC-200M-1-15800 LOWER,NISSAN DIESEL ADG-CD4XMHH
PB1200117-00 PIPING,SUCTION



OC-200M-1-15800 LOWER,NISSAN DIESEL ADG-CD4XMHH

Pos No.	Parts No	Parts Name	Qty	Unit	Technical Data	Serial No (Start)	Serial No (End)	Remarks
1	36633845011	VALVE ASSY	1					
5	36633845021	VALVE,CONTROL	1					
11	36633235010	BODY ASSY	1					
12	36610345020	VALVE,RELIEF	1					
13	36633845031	VALVE,REDUCING	1					
14	36633845041	VALVE,BACK PRESSURE	1					
23	91002907500	O-RING	2		1B G75			
24	13115103030	SEAL,OIL	2					
27	09115101080	SPRING	1					
29	19215101010	O-RING	1					
30	36633845051	VALVE,PILOT	1					
43	91001100900	O-RING	1		1A P9			
44	80316030060	PLUG	1		PT3/8			
45	80316030040	PLUG	1		PT1/4			
53	36630365030	SPRING	1					
54	91002801800	O-RING	1		1B P18			
55	91002802600	O-RING	2		1B P26			
56	91002801100	O-RING	1		1B P11			
60	16025153020	SPRING	1					
64	91001001600	O-RING	2		1A S16			
66	91002802100	O-RING	1		1B P21			
73	36633235060	SPRING	1					
75	36641085130	O-RING	2		1BS16			
78	91001100800	O-RING	2		1A P8			
79	91002801400	O-RING	1		1B P14			
80	36633845061	O-RING	1		1B S16			
81	36633845071	FILTER	1					
84	91002801500	O-RING	1		1B P15			
94	91002802000	O-RING	1		1B P20			
95	36633845081	SPRING	1					
103	91002802201	O-RING	2		1B P22A			
104	91001100600	O-RING	2		1A P6			
107	13115103080	SPRING	1					
114	91002802240	O-RING	1		1B P22.4			
120	36633845091	SOLENOID ASSY	2					
200	36633840001	VALVE,SOLENOID CONTROL	1					

OC-200M-1-15800 LOWER,NISSAN DIESEL ADG-CD4XMHH

Pos No.	Parts No	Parts Name	Qty	Unit	Technical Data	Serial No (Start)	Serial No (End)	Remarks	Page
1	32470461300	ROLLER ASSY	1						
2	90302041401	WASHER,SPRING	4		14				
6	36071380000	WINCH (REAR)	1						0000
7	50815220001	MOTOR,HYDRAULIC	1				325592		0000
	36664040000	MOTOR ASSY,OIL	1			325593			0000
8	90101216065	BOLT	3		M16X65				
9	90201201600	NUT	13		M16				
10	90302041601	WASHER,SPRING	18		16				
11	90101216045	BOLT	15		M16X45				
12	90101514040	BOLT	4		M14X40				
13	90301011601	WASHER	13						
14	32470461100	SUPPORT	1						
15	50826000011	ROPE,WIRE	1						0000
16	83151211401	CLIP	1						
17	83151111401	CLIP	1						
18	83152312403	SHACKLE	1						
19	90101210020	BOLT	1		M10X20				
31	32470461310	PIN	4						
32	80516006208	BEARING,BALL	8						
33	32470461320	ROLLER	4						
34	37000510630	PLATE	4						
35	90101210022	BOLT	8		M10X22				
36	90302041001	WASHER,SPRING	8		10				
37	32470461330	SUPPORT	1						
39	37000303210	SPACER	8		L=2				

OC-200M-1-15800 LOWER,NISSAN DIESEL ADG-CD4XMHH

Pos No.	Parts No	Parts Name	Qty	Unit	Technical Data	Serial No (Start)	Serial No (End)	Remarks	Page
1	16515101280	COVER (FRONT)	1						
3	50815220020	COVER (REAR)	1						
4	50815220030	SHAFT,DRIVING	1						
7	36650105060	PLATE (SIDE)	2						
8	50815220050	CASE (OIL SEAL)	1						
9	50815220060	RETAINER	1						
10	50815220070	SEAL,SHAFT	1						
11	50815220080	WASHER,THRUST	1						
12	50815220090	BOLT,STUD	4		M16X161				
13	90201701600	NUT	4		M16				
14	50815220100	KEY	1						
15	16515101070	BEARING,NEEDLE	4						
16	50815220120	BEARING,ROLLER	1						
17	16515101090	RING,SQUARE	2						
18	50815220140	SEAL,OIL	1						
19	91001206500	O-RING	1		1A G65				
20	91001210000	O-RING	1		1A G100				
21	80720102508	PIN,SPRING	1		2.5X8				
22	80205000200	PLUG	3		PT1/4				
23	90303071601	WASHER,PLAIN	4		16				
24	50815310050	PIN	4		8X20				
50	50815220001	MOTOR,HYDRAULIC	1						

OC-200M-1-15800 LOWER,NISSAN DIESEL ADG-CD4XMHH

Pos No.	Parts No	Parts Name	Qty	Unit	Technical Data	Serial No (Start)	Serial No (End)	Remarks
2	53259501010	VALVE	1					
4	53259501020	SPRING	1					
5	53259501030	ELEMENT	1					
6	90101210020	BOLT	1		M10X20			
7	53259501040	WASHER	1					
8	91001213500	O-RING	1		1A G135			
9	90131512040	BOLT,HEXAGON SOCKET	4		M12X40			
20	53259501000	FILTER,OIL	1					

CLICK HERE TO **DOWNLOAD** THE COMPLETE MANUAL

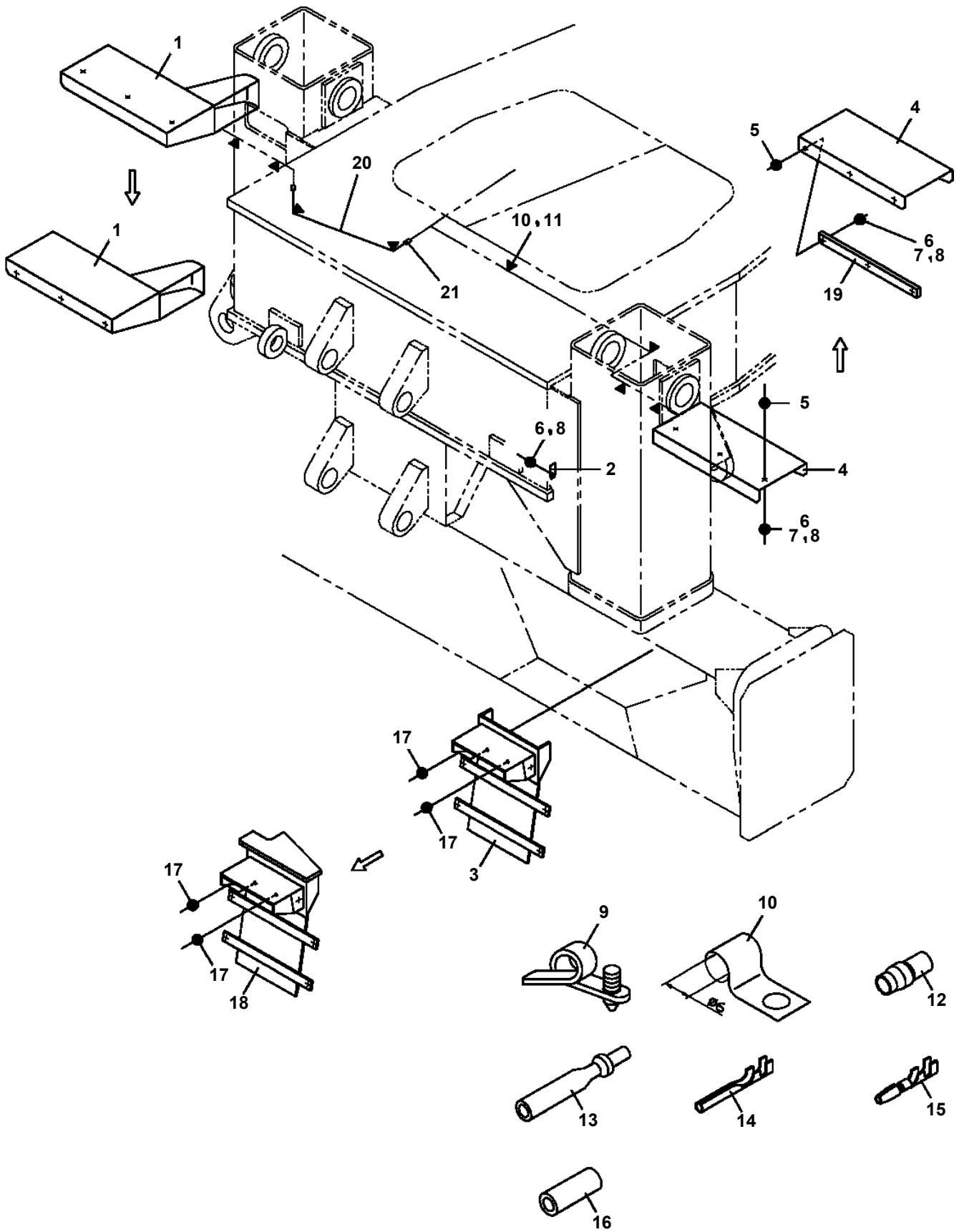
- Thank you very much for reading the preview of the manual.
- You can download the complete manual from: www.heydownloads.com by clicking the link below



- Please note: If there is no response to CLICKING the link, please download this PDF first and then click on it.

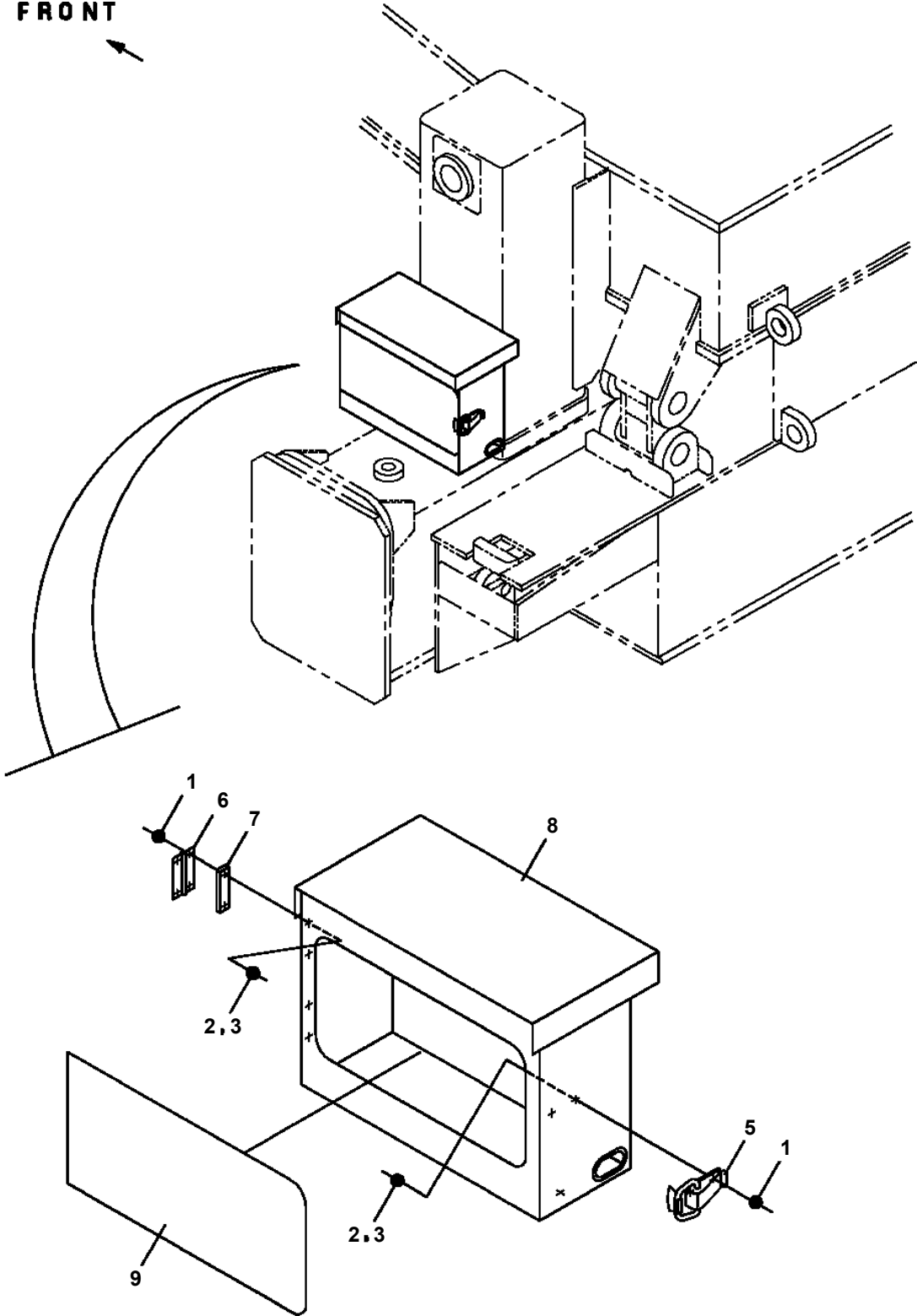
CLICK HERE TO **DOWNLOAD** THE COMPLETE MANUAL

OC-200M-1-15800 LOWER,NISSAN DIESEL ADG-CD4XMHH
PN1010363-01 ELECTRICAL ACCESSORIES



OC-200M-1-15800 LOWER,NISSAN DIESEL ADG-CD4XMHH
PV1250001-01 STOWING BOX (OPTION)

FRONT



OC-200M-1-15800 LOWER,NISSAN DIESEL ADG-CD4XMHH

Pos No.	Parts No	Parts Name	Qty	Unit	Technical Data	Serial No (Start)	Serial No (End)	Remarks	Pages
1	36100930002	TANK,OIL	1						000010
2	53256507000	PLATE	2						
3	53256502000	BAND	2						
4	32660050300	PLATE	4						
5	37000104670	PIN	2						
6	80136332025	PIN,SPLIT	4		3.2X25				
7	53256504000	PLATE	4						
8	32660050101	SUPPORT	2						
9	90201201200	NUT	4		M12				
10	32660050200	SUPPORT	1						

OC-200M-1-15800 LOWER,NISSAN DIESEL ADG-CD4XMHH

Pos No.	Parts No	Parts Name	Qty	Unit	Technical Data	Serial No (Start)	Serial No (End)	Remarks	Pages
1	59224356000	STEP	1						
2	32761630100	PLATE	1						
3	90101210025	BOLT	5		M10X25				
4	90302041001	WASHER,SPRING	5		10				
5	32761630800	SUPPORT ASSY	1						
6	32761630200	SUPPORT	2						
7	32761630300	PLATE	1						
9	32761630500	COVER	1						
10	32761630601	COVER	1						
11	90101208040	BOLT	5		M8X40				
12	37000521600	PLATE	10						
13	90201200800	NUT	5		M8				
14	90302040801	WASHER,SPRING	13		8				
15	32761631000	COVER ASSY	1						
16	12434402040	SPRING	2						
17	80172305012	SCREW,MACHINE	4		M5X12				
18	90101208020	BOLT	6		M8X20				
19	34690000200	SUPPORT	2						
20	32761630040	SUPPORT	2						
21	32761630050	PLATE	1						
22	90101208012	BOLT	2		M8X12				
23	37001601640	NUT	2						
24	90303070801	WASHER,PLAIN	6		8				
31	92001220400	HINGE	2						

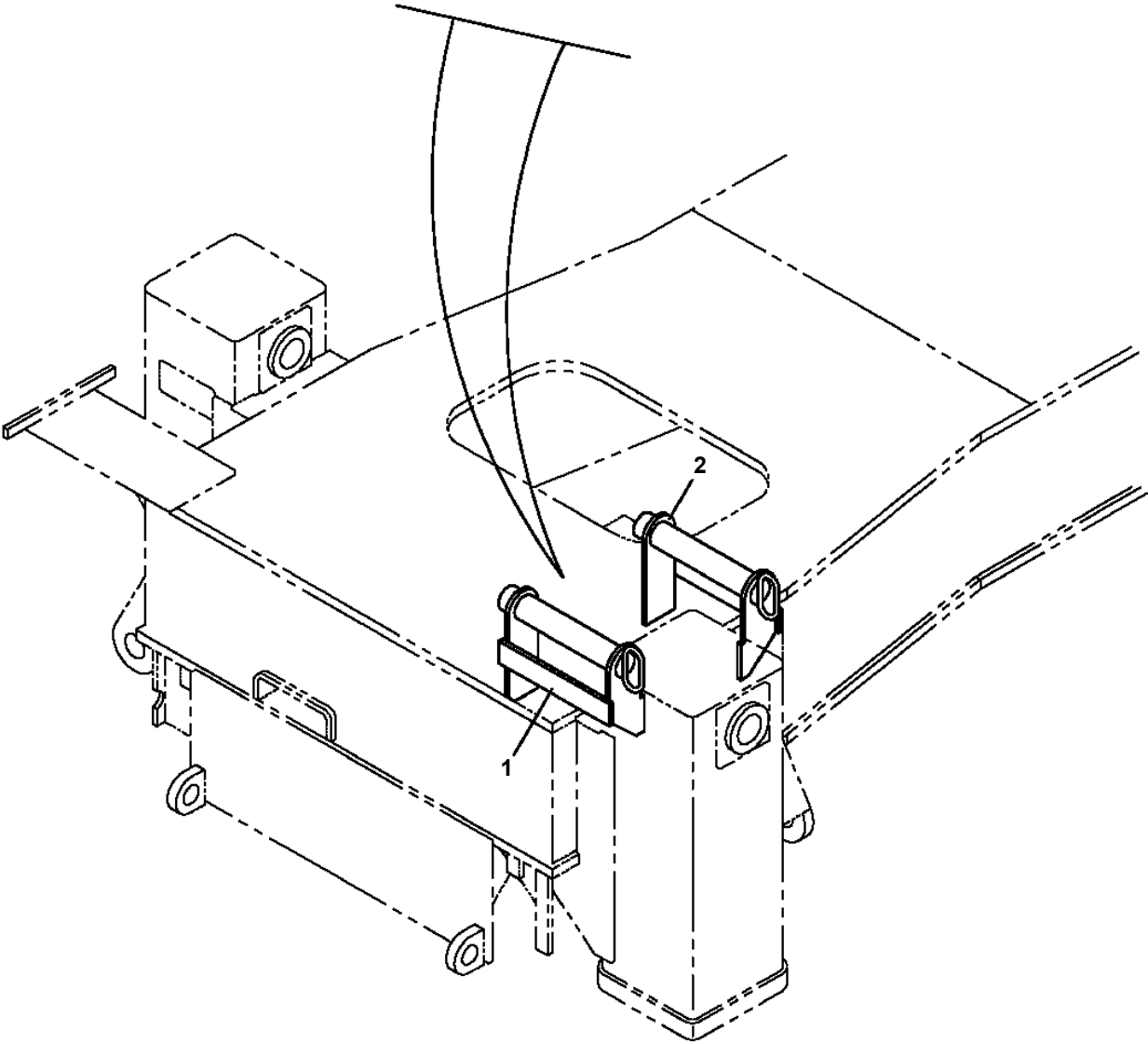
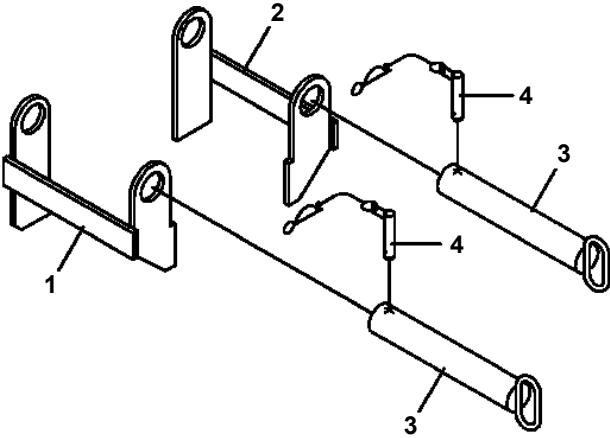
OC-200M-1-15800 LOWER,NISSAN DIESEL ADG-CD4XMHH

Pos No.	Parts No	Parts Name	Qty	Unit	Technical Data	Serial No (Start)	Serial No (End)	Remarks	Pages
1	32890040100	SUPPORT	1						
2	32890040200	SUPPORT	4						
3	32890040300	SUPPORT	3						

OC-200M-1-15800 LOWER,NISSAN DIESEL ADG-CD4XMHH

Pos No.	Parts No	Parts Name	Qty	Unit	Technical Data	Serial No (Start)	Serial No (End)	Remarks	Pages
1	90101512025	BOLT	4		M12X25				
2	90302041201	WASHER,SPRING	4		12				
3	54426001000	HANDLE	1						
4	54426002000	HANGER	1						
5	32890020100	SUPPORT	1						
6	32890020200	SUPPORT	1						
7	32890020300	SUPPORT	1						

**OC-200M-1-15800 LOWER,NISSAN DIESEL ADG-CD4XMHH
PY1830004-00 PIN INSTALLATION**



CLICK HERE TO **DOWNLOAD** THE COMPLETE MANUAL

- Thank you very much for reading the preview of the manual.
- You can download the complete manual from: www.heydownloads.com by clicking the link below



- Please note: If there is no response to CLICKING the link, please download this PDF first and then click on it.

CLICK HERE TO **DOWNLOAD** THE COMPLETE MANUAL