

OC-200M-1-20800 LOWER,MITSUBISHI KC-FV502PY

PO1000123-00 INDICATION PLATES

PX2000080-00 CARRIER UNIT

PX3000090-00 MOUNTING UNIT

PY1001448-02 OPTIONS

ASSEMBLY

CLICK HERE TO **DOWNLOAD** THE COMPLETE MANUAL

- Thank you very much for reading the preview of the manual.
- You can download the complete manual from: www.heydownloads.com by clicking the link below



- Please note: If there is no response to CLICKING the link, please download this PDF first and then click on it.

CLICK HERE TO **DOWNLOAD** THE COMPLETE MANUAL

OC-200M-1-20800 LOWER,MITSUBISHI KC-FV502PY

PX1180234-00 MOUNT,HOOK
PX1200326-00 SIDE GUARD INSTALLATION
PX1220317-00 PUMP INSTALLATION
PX1250134-03 COVER INSTALLATION
PX1270034-00 WOOD BLOCK INSTALLATION
PX1290284-01 WEIGHT (FRONT)
PX1310041-02 MOUNT,LAMP (TAIL)
PX1390373-00 PARTS,CHASSIS MODIFICATION
PX1410150-00 MOUNT,TIRE
PX1490018-02 FIRE EXTINGUISHER
PX1650006-00 BUMPER INSTALLATION
PX1810025-00 MOUNT,SUPPORT (CARRIER)
PX1810029-00 MOUNT,SUPPORT
PX1810030-01 MOUNT,SUPPORT
PX1810031-00 MOUNT,SUPPORT
PX1810032-01 MOUNT,SUPPORT
PX1810033-01 MOUNT,SUPPORT (H=169,W=60)
PX1810034-01 MOUNT,SUPPORT (H=169,W=120)
PX1810035-01 MOUNT,SUPPORT (H=74,W=60)
PX1810174-00 MOUNT,SUPPORT
PY1010070-00 OPTION UNIT,1
PY3010004-00 OPE.ASSY,CONT.VALVE (REMO.)
PY3060001-00 RADIO CONTROL SYSTEM (WRECKING)
PY3060002-01 RADIO CONTROL (WRECKING)
PY3070004-00 ELECTRICAL ACCESSORIES (WRECKING)
PY3100009-02 PIPING,HYDRAULIC (WRECKING)
PY3100010-03 PIPING,HYDRAULIC (FORK)
PY3200005-05 WRECKING FORK
PY3320003-02 CYLINDER,LIFT
PY3330004-01 CYLINDER,FORK
PY3340001-01 CYLINDER,FORK SLIDE (FOR TOP)
PY3340002-01 CYLINDER,FORK SLIDE (FOR SECOND)
PY3350002-01 CYLINDER,TILT
PY3390000-00 WRECKING WINCH
PY3420000-00 SHACKLE
PY3420000-00 SHACKLE

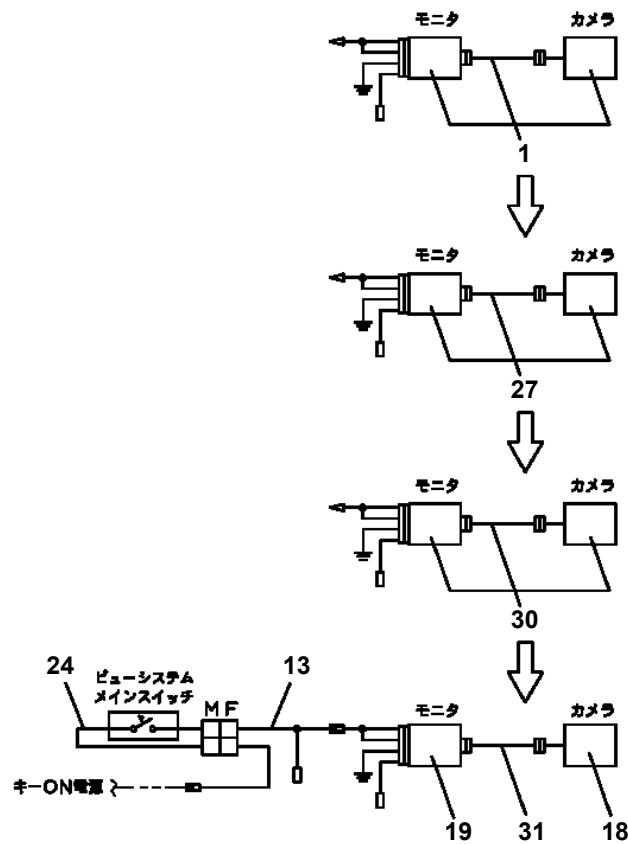
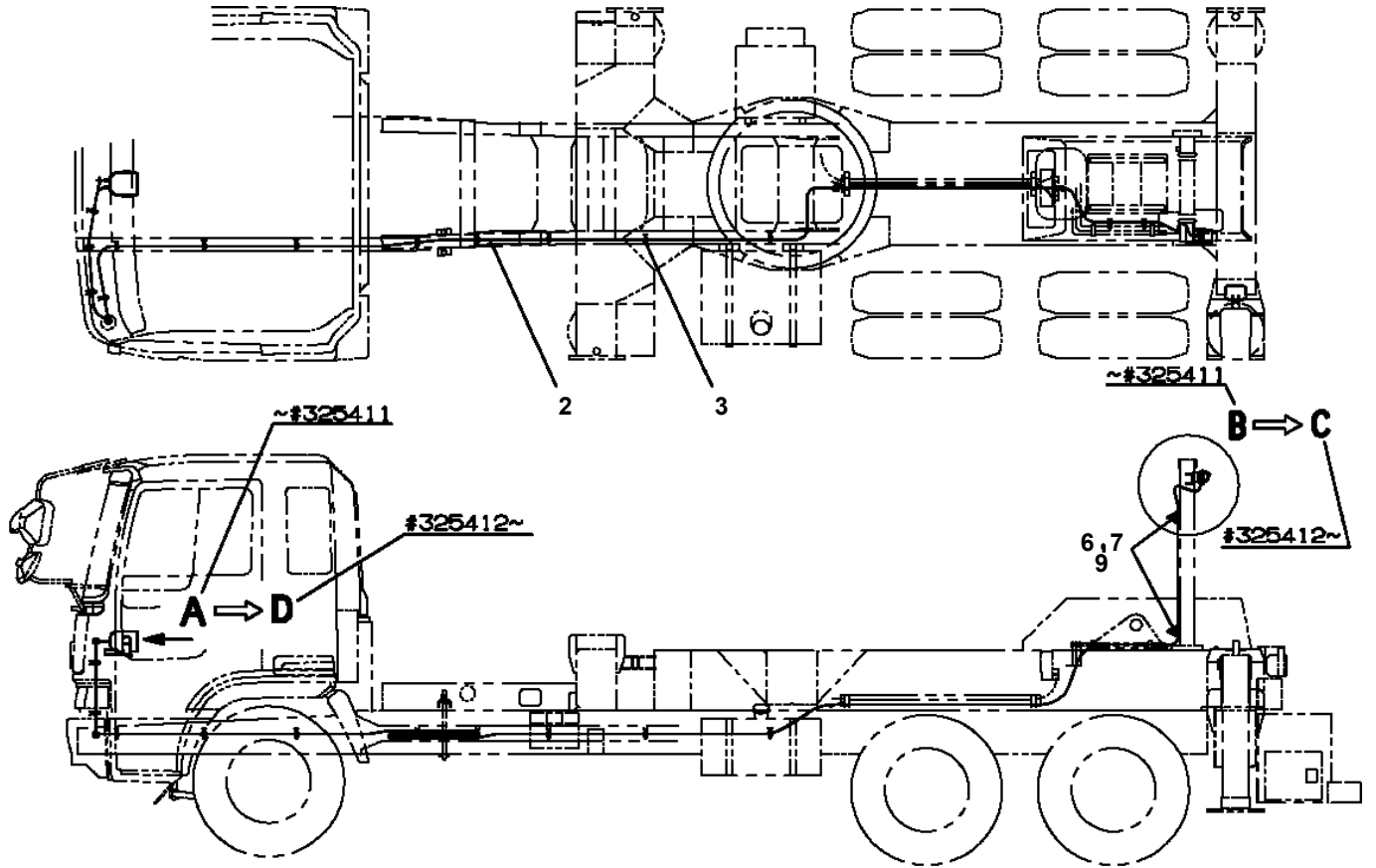
OC-200M-1-20800 LOWER,MITSUBISHI KC-FV502PY

Pos No.	Parts No	Parts Name	Qty	Unit	Technical Data	Serial No (Start)	Serial No (End)	Remarks
1	32640764100	FITTING,FLANGE	1					
2	91001208000	O-RING	1		1A G80			
3	90101208020	BOLT	4		M8X20			
4	90302040801	WASHER,SPRING	4		8			
5	37002511770	HOSE	1		L=500			
6	91803601000	CLIP	4		D=85-100			
7	32641802100	JOINT	1					
8	91001206000	O-RING	1		1A G60			
9	90131512035	BOLT,HEXAGON SOCKET	4		M12X35			
10	90302041201	WASHER,SPRING	4		12			
11	91001204000	O-RING	2		1A G40			
12	90131510030	BOLT,HEXAGON SOCKET	8		M10X30			
13	90302041001	WASHER,SPRING	8		10			
14	32640562400	FITTING,FLANGE	2					
15	80330003400	JOINT	2					

OC-200M-1-20800 LOWER,MITSUBISHI KC-FV502PY

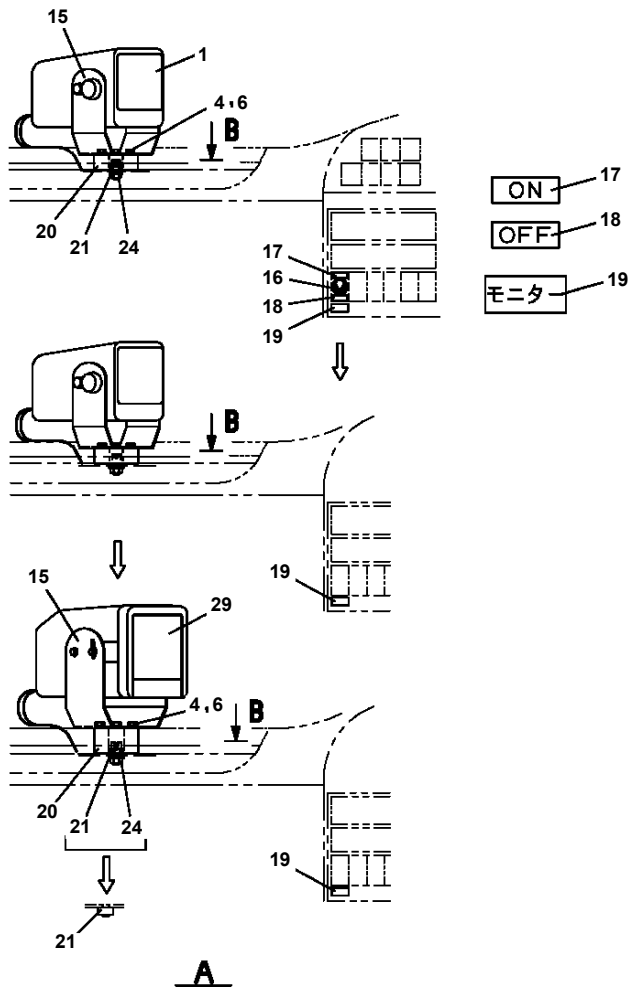
Pos No.	Parts No	Parts Name	Qty	Unit	Technical Data	Serial No (Start)	Serial No (End)	Rem
1	90101510040	BOLT	3		M10X40			
2	90302041001	WASHER,SPRING	3		10			
3	36620510000	VALVE,PILOT CHECK	1					
4	36033140000	FRONT JACK,HYDRAULIC	1					
5	32670291100	SUPPORT	1					
6	90101718085	BOLT	4		M18X85			
7	90302041801	WASHER,SPRING	6		18			
8	90101512055	BOLT	4		M12X55			
9	90302041201	WASHER,SPRING	4		12			
10	33730261200	FLOAT ASSY	1					
11	90101518070	BOLT	2		M18X70			
12	(***** *****)	PIPING,FRONT JACK	1				325469	
	(***** *****)	PIPING,FRONT JACK	1			325470		
13	90302040801	WASHER,SPRING	4		8			
14	90101508075	BOLT	4		M8X75			
15	36030341000	VALVE,PRESSURE DETECTOR	1					
16	32670340100	HARNESS	1					
17	90201401800	NUT	4		M18			
18	53221612000	PLATE	2					
19	32670342000	SWITCH ASSY	1					
20	32390961000	PLATE,NAME	1					
31	90191210035	BOLT	6		M10X35			
32	90302041001	WASHER,SPRING	6		10			
33	33730261210	COVER	2					
34	33730268010	FLOAT ASSY	1					
55	82456101000	NIPPLE,GREASE	1		A-PT1/8			

OC-200M-1-20800 LOWER, MITSUBISHI KC-FV502PY
 PH1700079-05 VIEW SYSTEM (OPTION)

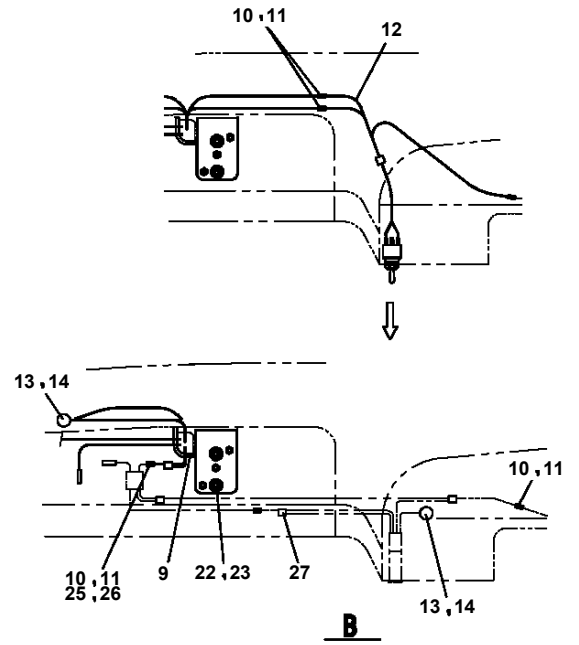


配線系統図

**OC-200M-1-20800 LOWER, MITSUBISHI KC-FV502PY
PH1700159-02 VIEW SYSTEM (ISUZU/KC-CYZ8*Q2)**



- ON 17
- OFF 18
- モーター 19



OC-200M-1-20800 LOWER,MITSUBISHI KC-FV502PY

Pos No.	Parts No	Parts Name	Qty	Unit	Technical Data	Serial No (Start)	Serial No (End)	Remarks
1	34478897585	ESCUTCHEON	1					
2	34478897570	COVER (REAR)	1					
3	34478897595	BUTTON	1					
4	34478897590	COVER (CRT)	1					
5	34478897605	BRACKET (HEAT THINK)	1					
6	34478897615	HOLDER (RIGHT/P.W.B.)	1					
7	34478897625	HOLDER (LEFT/P.W.B.)	1					
8	34478897635	CASE	1					
9	34478897640	WASHER	2					
10	34478897645	TUBE	1					
11	34478897655	TUBE	1					
12	34478897670	SPACER	1					
13	34478897680	HOLDER (LEAD)	1					
14	34478897690	PLATE (DOUBLE FACE)	2					
15	34478897700	PLATE (DOUBLE FACE)	2					
16	34478897665	PLATE	1					
17	34478897720	SHADE	2					
18	34478897730	LABEL (GUIDE)	1					
19	34478897675	CRT ASSY	1					
21	34478897760	RESISTANCE	1					
22	34478897770	RESISTANCE	1					
23	34478897780	SWITCH	5					
24	34478897790	YOKE	1					
25	34478897685	TRANSFORMER	1					
26	34478897810	SOCKET	1					
27	34478897695	SOCKET (DIN)	1					
28	34478897705	TRANSISTOR	1					
29	34478897715	IC	1					
30	34478897725	TRANSISTOR	1					
32	34478897870	SOCKET (CRT)	1					
34	34478897735	COIL	1					
35	34478897880	INSULATOR (PAPER)	1					
41	34478897745	WIRE (CONNECTING)	1					
42	34478897900	SHADE	4					
43	34478897910	HOLDER	1					
45	34478057860	HOLDER (LEAD)	4					
46	34478897755	WIRE (CONNECTING)	1					
100	34478892001	DISPLAY	1					

OC-200M-1-20800 LOWER,MITSUBISHI KC-FV502PY

Pos No.	Parts No	Parts Name	Qty	Unit	Technical Data	Serial No (Start)	Serial No (End)	Remarks	Pages
100	32380060250	HARNESS	1						

OC-200M-1-20800 LOWER,MITSUBISHI KC-FV502PY

Pos No.	Parts No	Parts Name	Qty	Unit	Technical Data	Serial No (Start)	Serial No (End)	Remarks	Pages
100	32930070100	HARNESS	1						

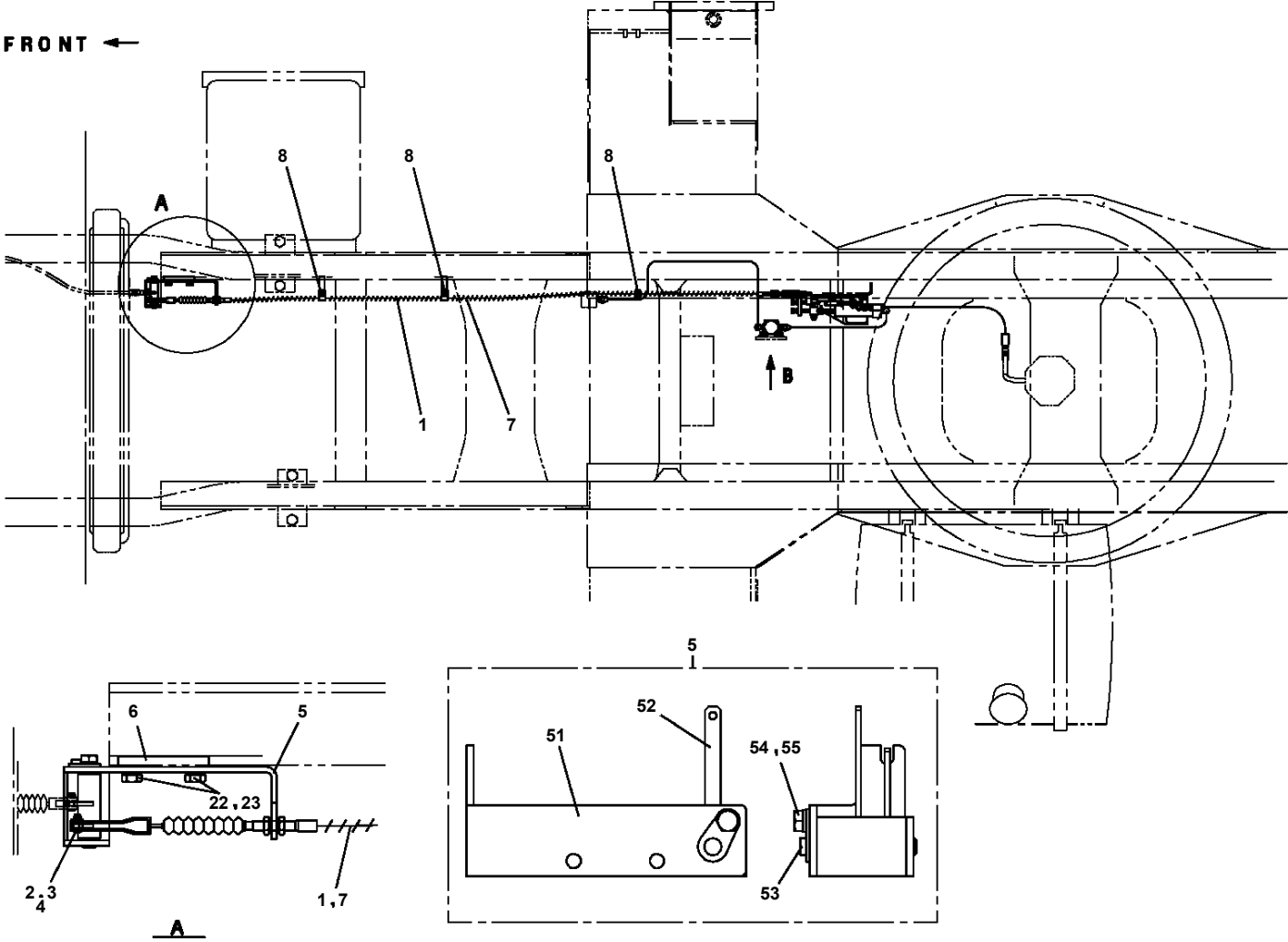
OC-200M-1-20800 LOWER,MITSUBISHI KC-FV502PY

Pos No.	Parts No	Parts Name	Qty	Unit	Technical Data	Serial No (Start)	Serial No (End)	Remarks	Pages
11	91001101200	O-RING	2		1A P12				
23	36624110300	SEAT	2						
24	36624110400	SPRING	2						
26	36624110600	PISTON	1						
28	91001101800	O-RING	2		1A P18				
30	36624111000	PACKING	2						
31	36624111100	O-RING	1		P12				
41	36624110100	BODY	1						
42	36624110200	PLUG	2						
45	36624110501	PLUNGER	2						
100	36624110000	VALVE,CHECK	1						

OC-200M-1-20800 LOWER,MITSUBISHI KC-FV502PY

Pos No.	Parts No	Parts Name	Qty	Unit	Technical Data	Serial No (Start)	Serial No (End)	Remarks	Pa
4	36624595010	O-RING	1						
7	36624595020	O-RING	1						
8	36624595030	O-RING	1		AS568-010				
12	36624595040	SPRING	1						
15	36624595050	O-RING	1		AS568-115				
16	36624595060	O-RING	2		AS568-115				
17	36624595070	O-RING	1						
18	36624595080	PIN	1						
19	70610027675	PLUG	1		1/4				
20	70610027675	PLUG	2		1/4				
50	36624590000	VALVE,PILOT CHECK	1						

OC-200M-1-20800 LOWER, MITSUBISHI KC-FV502PY
PL1030963-00 OPE.ASSY, ACCELERATOR



CLICK HERE TO **DOWNLOAD** THE COMPLETE MANUAL

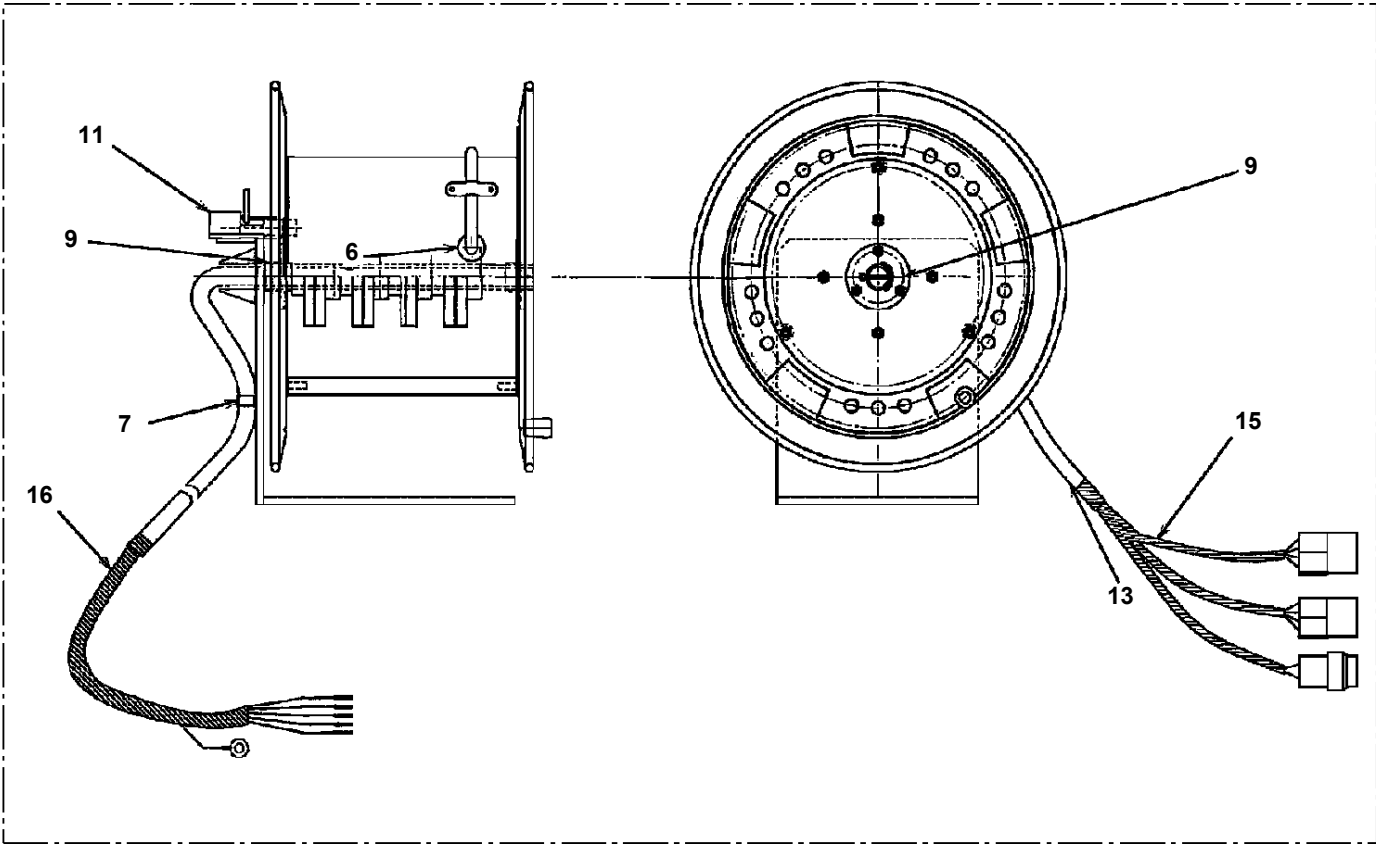
- Thank you very much for reading the preview of the manual.
- You can download the complete manual from: www.heydownloads.com by clicking the link below



- Please note: If there is no response to CLICKING the link, please download this PDF first and then click on it.

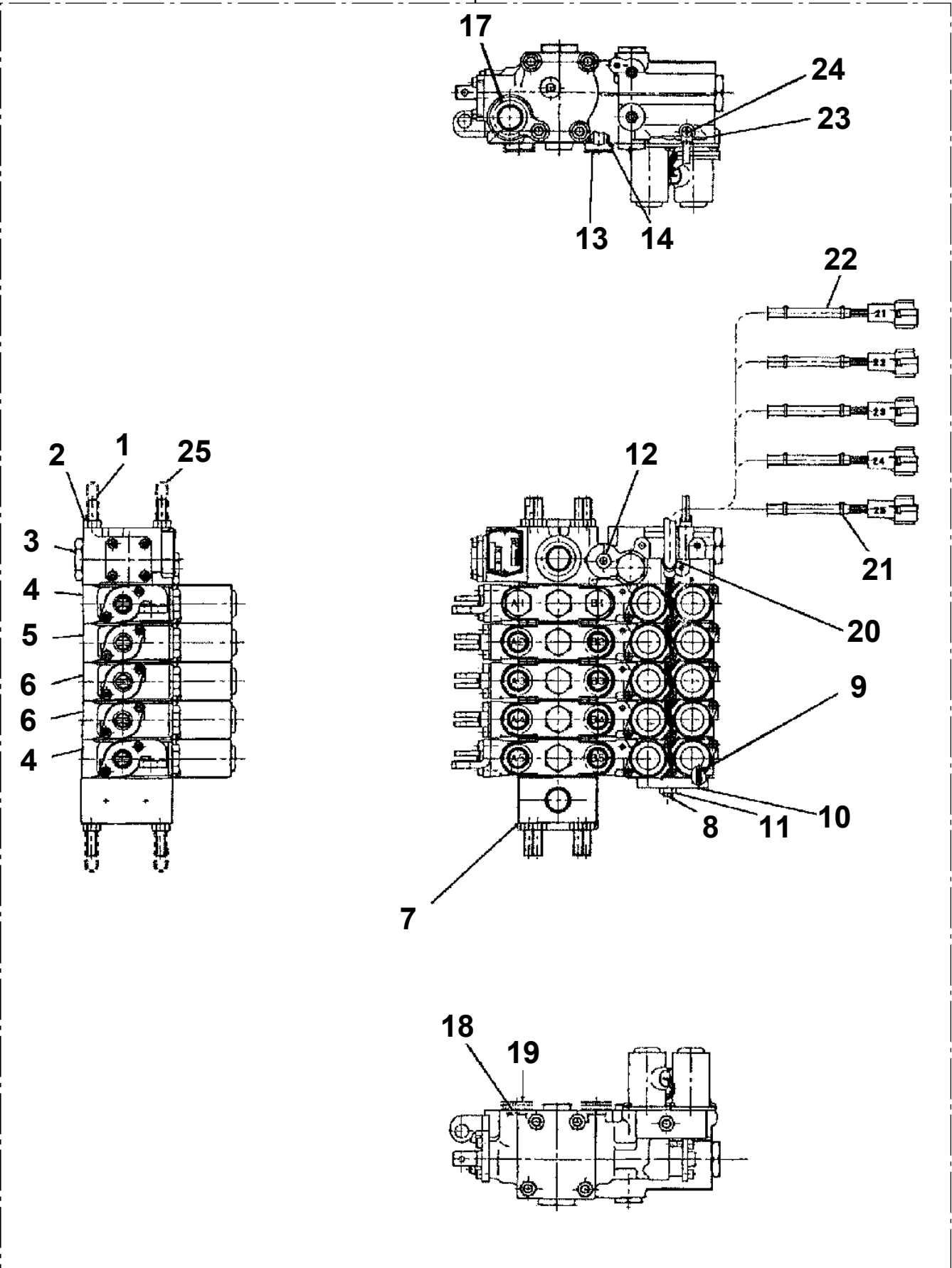
CLICK HERE TO **DOWNLOAD** THE COMPLETE MANUAL

OC-200M-1-20800 LOWER, MITSUBISHI KC-FV502PY
PN1350048-01 REEL, CORD



OC-200M-1-20800 LOWER, MITSUBISHI KC-FV502PY
PV1020177-00 VALVE, REMOTE CONTROL

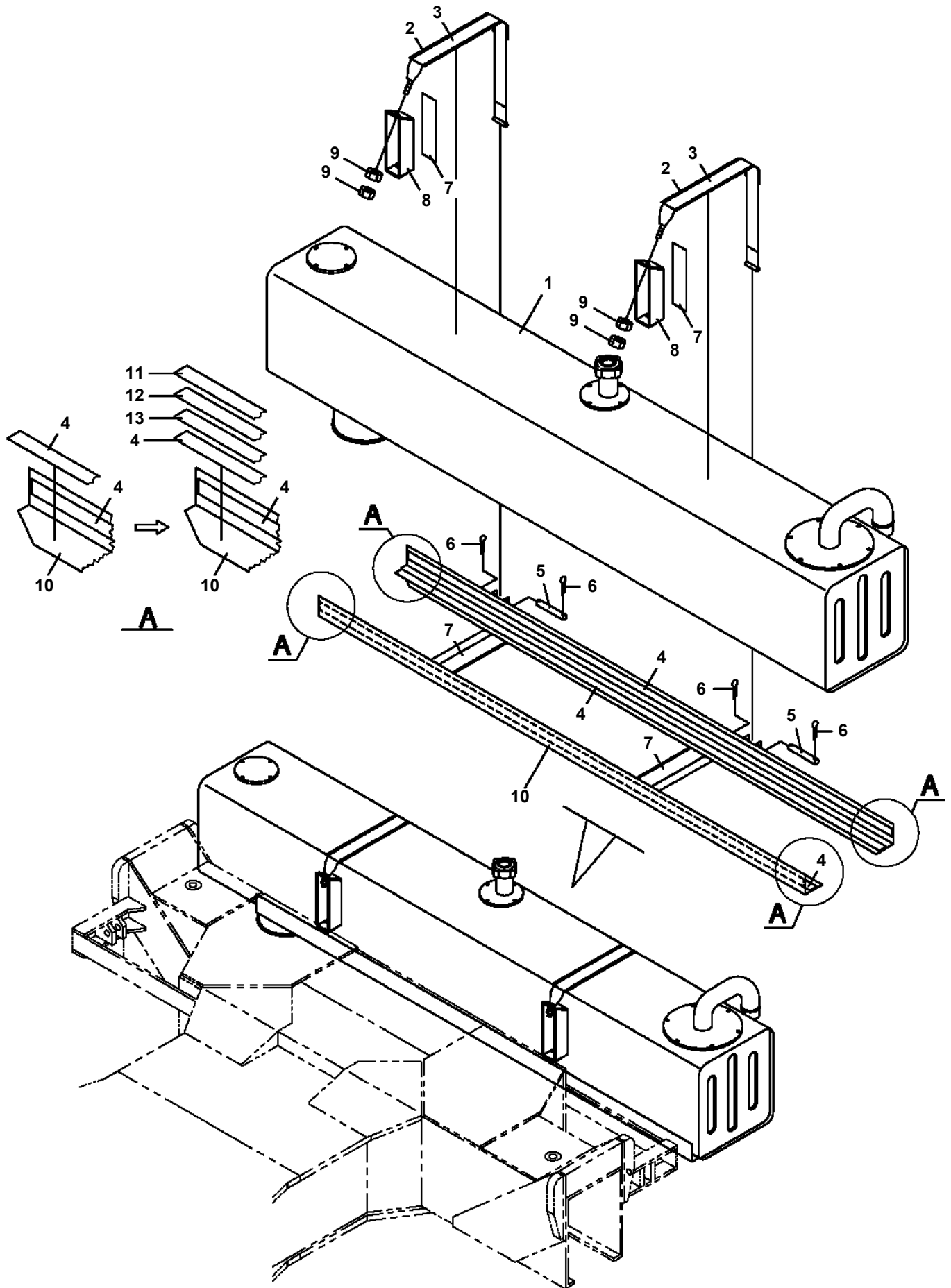
200



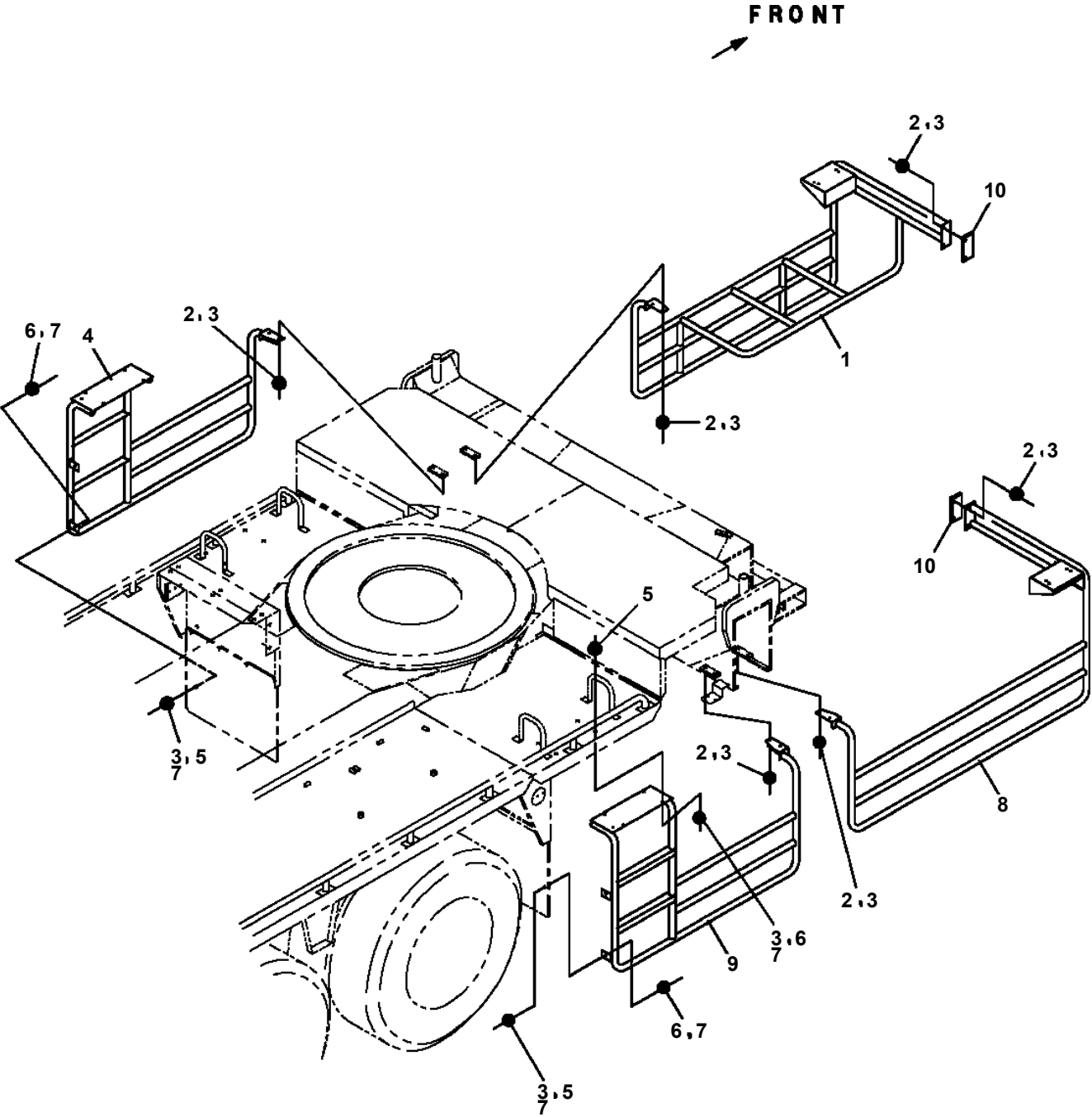
OC-200M-1-20800 LOWER,MITSUBISHI KC-FV502PY

Pos No.	Parts No	Parts Name	Qty	Unit	Technical Data	Serial No (Start)	Serial No (End)
1	42460012530	WEDGE (STOPPER FOR TIRE/WAZUMI)	4				325622
	42460012540	WEDGE (STOPPER FOR TIRE/NAKAMURA KIKI)	4				325622
	42460012550	WEDGE (STOPPER FOR TIRE/JUSTIN)	4				
2	32732260100	SUPPORT	2				

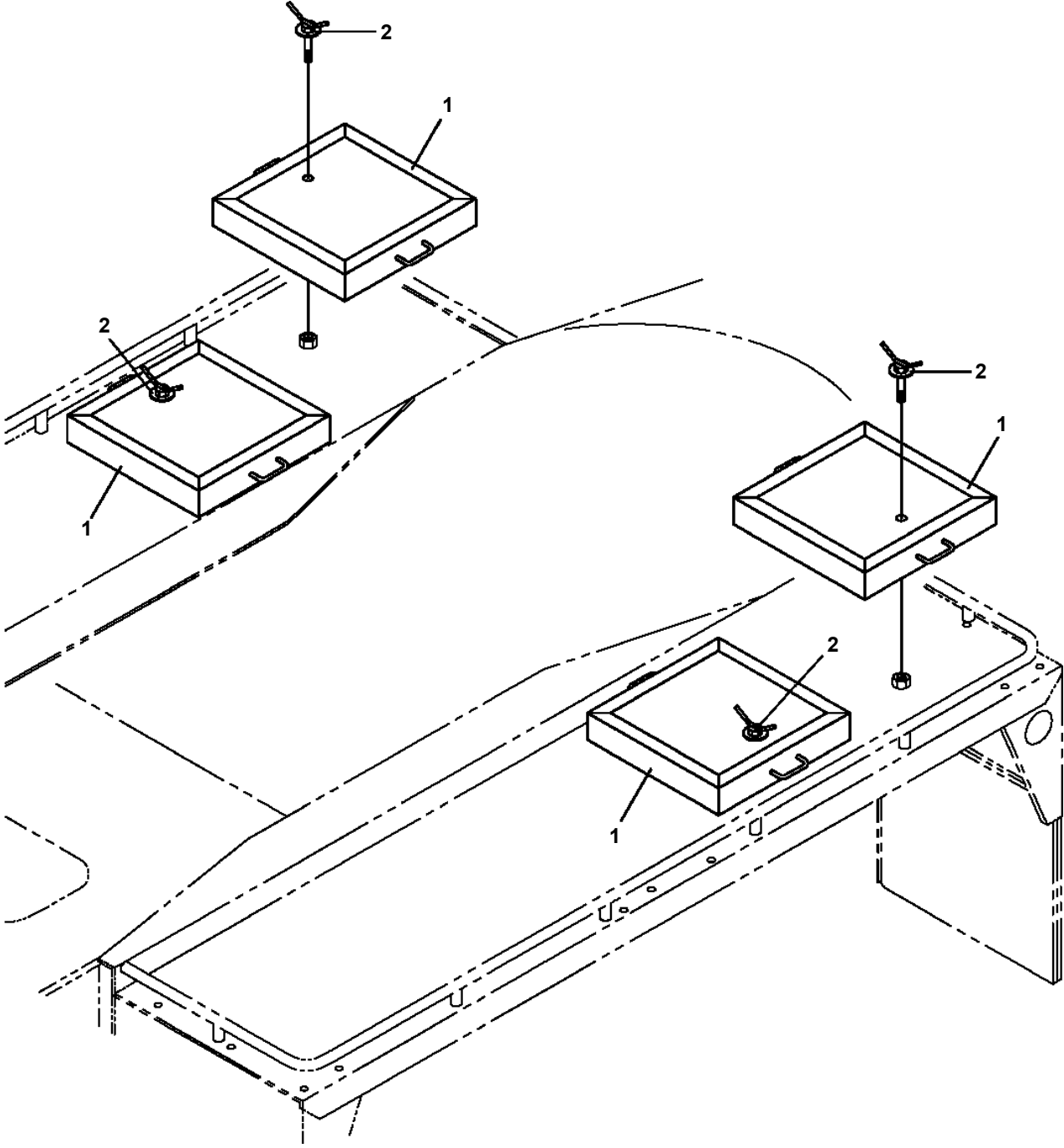
OC-200M-1-20800 LOWER, MITSUBISHI KC-FV502PY
PX1100171-01 TANK SUPPORT INSTALLATION



**OC-200M-1-20800 LOWER, MITSUBISHI KC-FV502PY
PX1200326-00 SIDE GUARD INSTALLATION**



**OC-200M-1-20800 LOWER, MITSUBISHI KC-FV502PY
PX1270034-00 WOOD BLOCK INSTALLATION**



OC-200M-1-20800 LOWER,MITSUBISHI KC-FV502PY

Pos No.	Parts No	Parts Name	Qty	Unit	Technical Data	Serial No (Start)	Serial No (End)	Remarks	Pages
1	54426002000	HANGER	1				325594		
	32892821000	HANGER	1			325595			
2	54426001000	HANDLE	1						

OC-200M-1-20800 LOWER,MITSUBISHI KC-FV502PY

Pos No.	Parts No	Parts Name	Qty	Unit	Technical Data	Serial No (Start)	Serial No (End)	Remarks	Pages
1	32731694000	SUPPORT	1						
2	32731692001	HANDLE	2						
3	32731692100	HANDLE	2						
4	32731695000	SUPPORT	1						

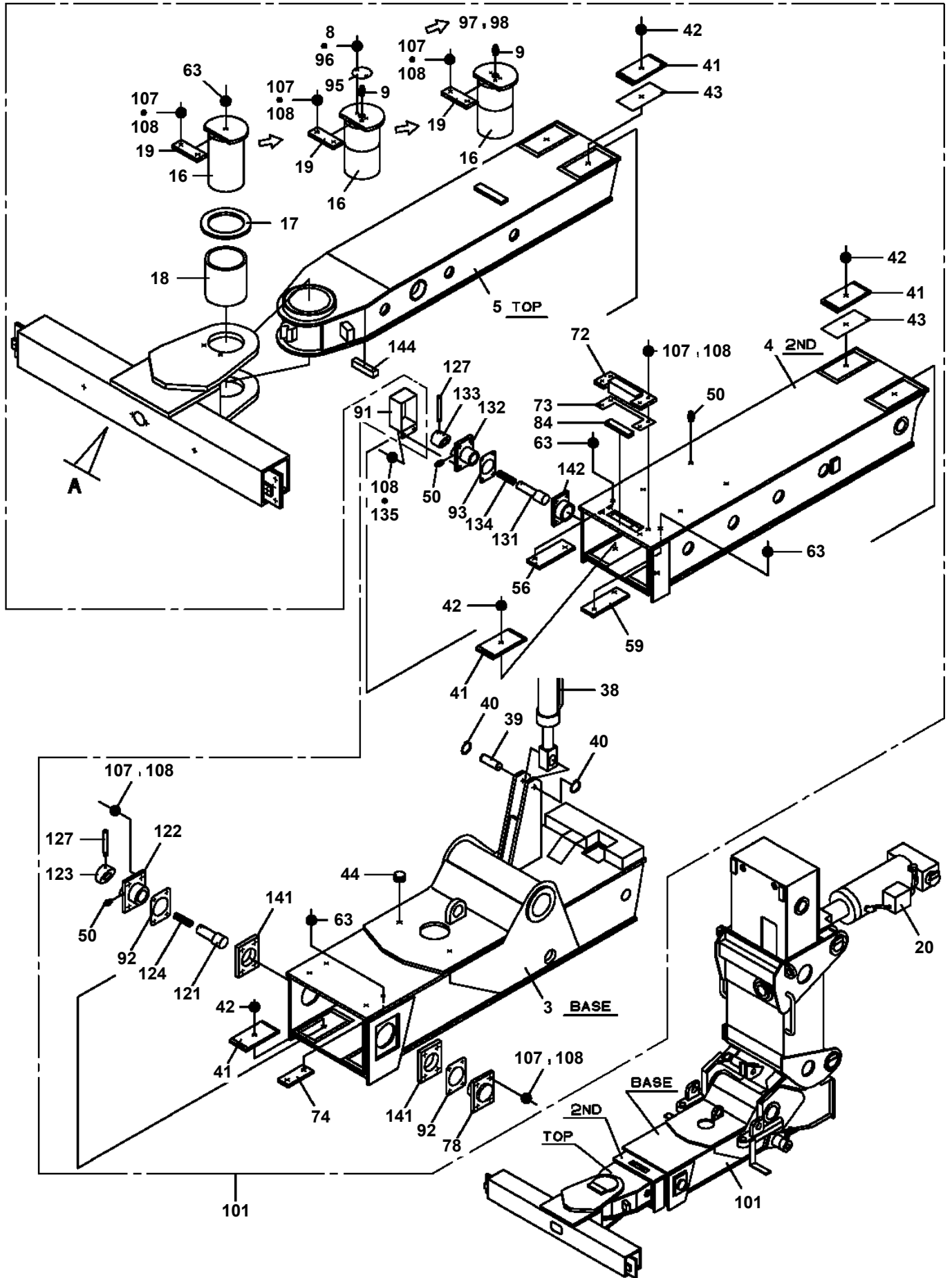
OC-200M-1-20800 LOWER,MITSUBISHI KC-FV502PY

Pos No.	Parts No	Parts Name	Qty	Unit	Technical Data	Serial No (Start)	Serial No (End)	Remarks	Pages
1	32731651000	SUPPORT	2				325538		
	32731652000	SUPPORT	2			325539			

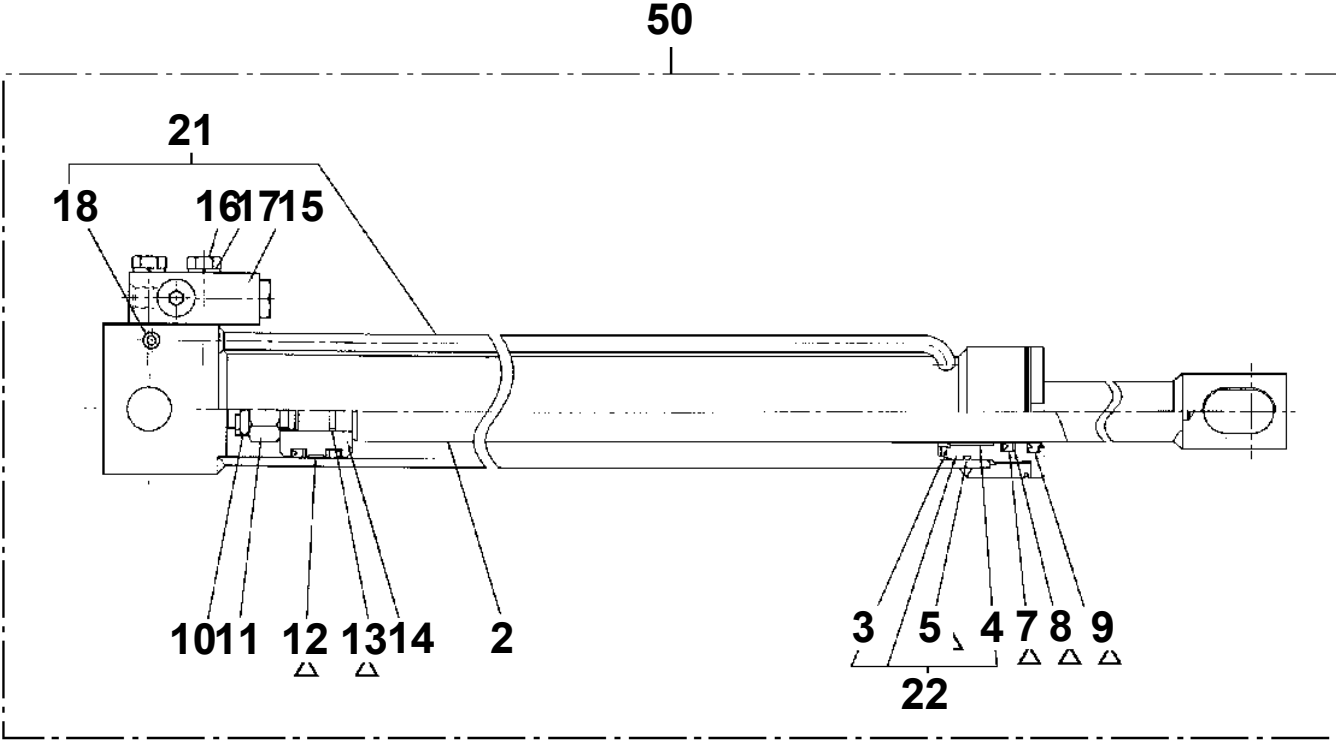
OC-200M-1-20800 LOWER,MITSUBISHI KC-FV502PY

Pos No.	Parts No	Parts Name	Qty	Unit	Technical Data	Serial No (Start)	Serial No (End)	P
1	36801905010	SWITCH BOX (WITH NAME PLATE)	1					
2	36801905020	BOX,OPERATION	1					
3	36801905030	BRACKET	1					
4	36801905040	CONNECTOR KIT	1					
5	36801905050	BAND	1					
6	36801905060	CABLE	1				325491	
	42736527510	CABLE	1			325492		
7	36801905070	ANTENNA	1				325491	
	42736527520	ANTENNA	1			325492		
30	42736522500	RADIO CONTROL (WRECKING)	1					

**OC-200M-1-20800 LOWER, MITSUBISHI KC-FV502PY
PY3200005-05 WRECKING FORK**



OC-200M-1-20800 LOWER,MITSUBISHI KC-FV502PY
PY3330004-01 CYLINDER,FORK



△ : PAKING SET KEY NO**30** (KEY NO. 5, 7, 8, 9, 12, 13)

CLICK HERE TO **DOWNLOAD** THE COMPLETE MANUAL

- Thank you very much for reading the preview of the manual.
- You can download the complete manual from: www.heydownloads.com by clicking the link below



- Please note: If there is no response to CLICKING the link, please download this PDF first and then click on it.

CLICK HERE TO **DOWNLOAD** THE COMPLETE MANUAL