

OC-200M-1-25300 LOWER,MITSUBISHI KL-FY50JNX1

PO1000123-00 INDICATION PLATES

PX2000414-00 CARRIER UNIT

PX3000269-00 MOUNTING UNIT

PY1001439-00 OPTIONS

ASSEMBLY

CLICK HERE TO **DOWNLOAD** THE COMPLETE MANUAL

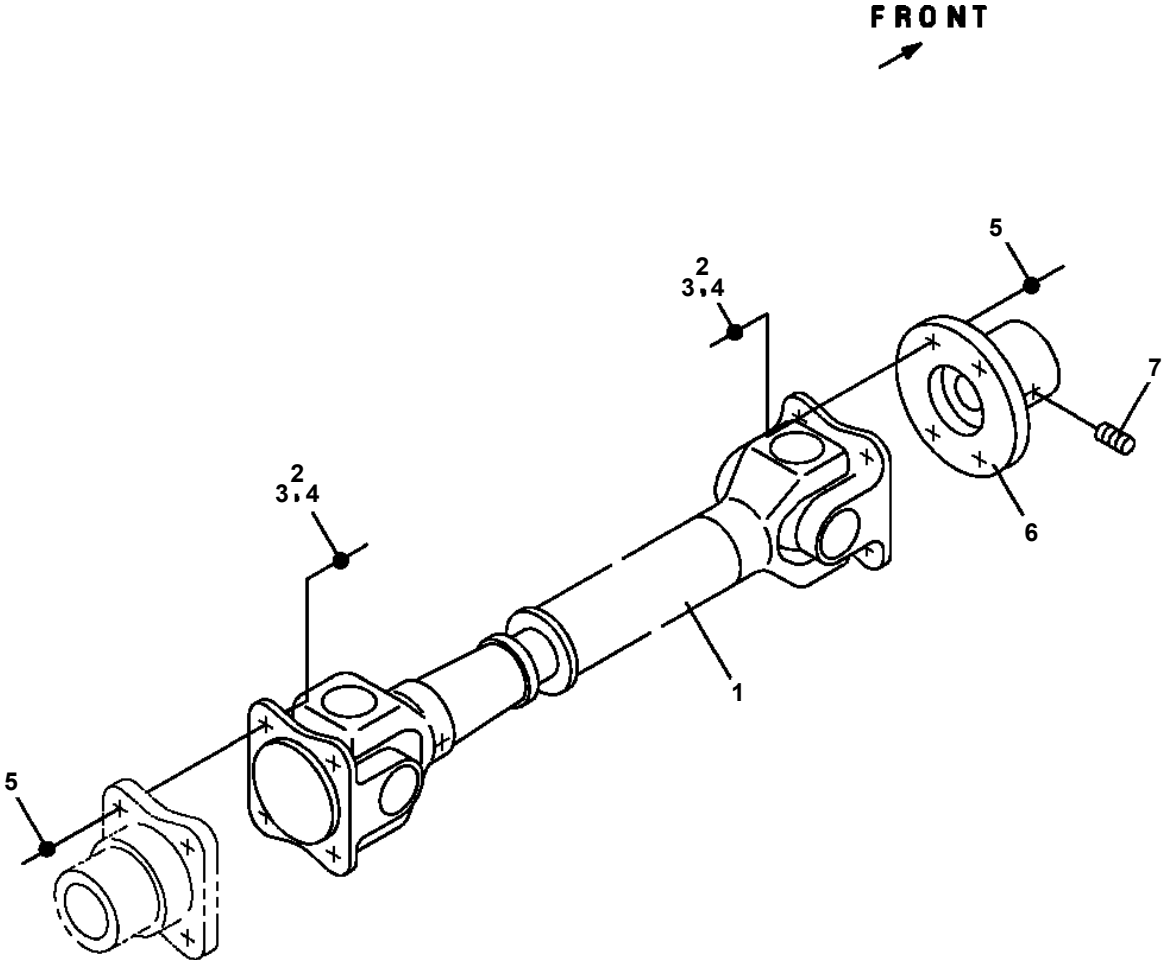
- Thank you very much for reading the preview of the manual.
- You can download the complete manual from: www.heydownloads.com by clicking the link below



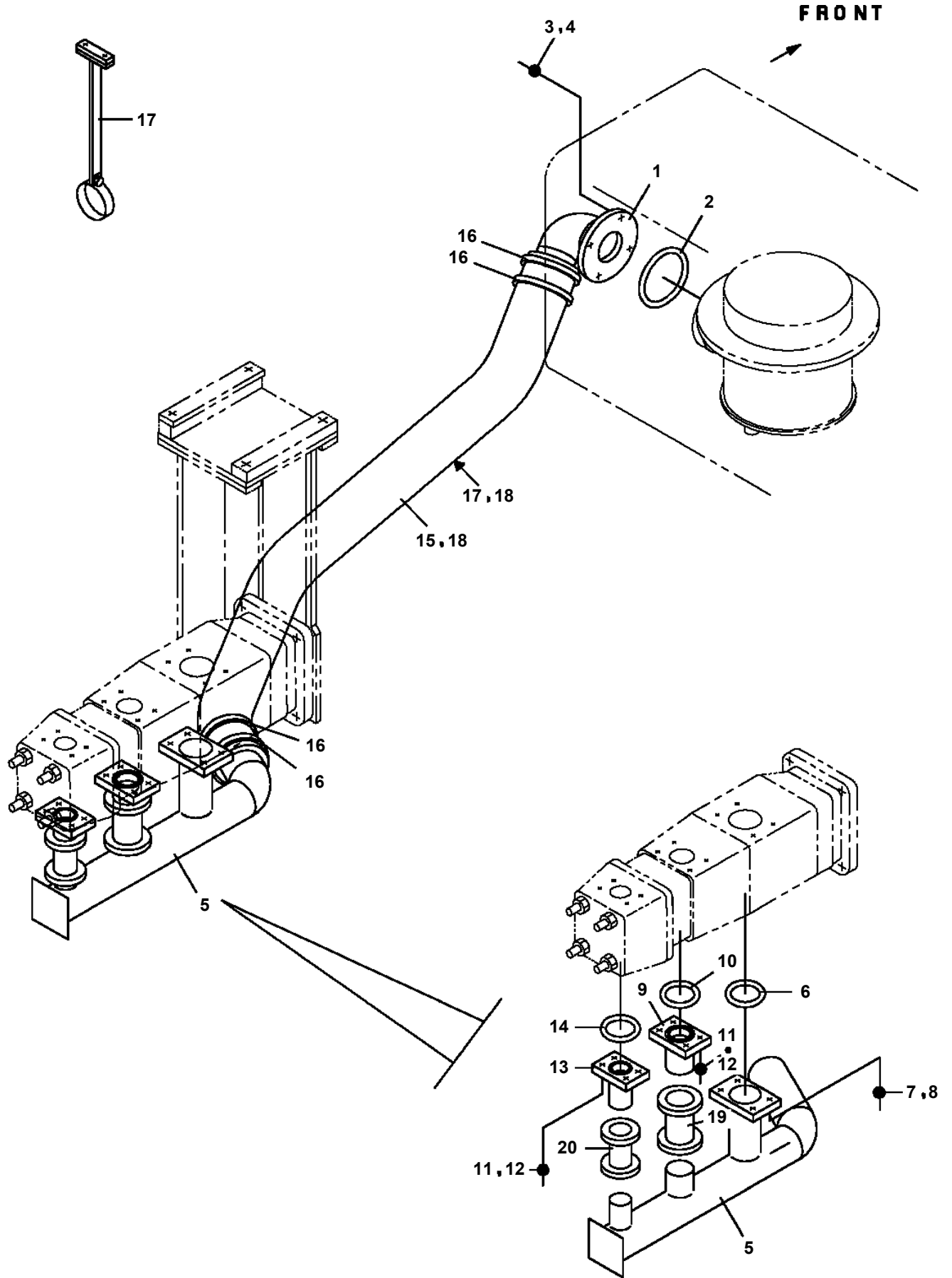
- Please note: If there is no response to CLICKING the link, please download this PDF first and then click on it.

CLICK HERE TO **DOWNLOAD** THE COMPLETE MANUAL

**OC-200M-1-25300 LOWER,MITSUBISHI KL-FY50JNX1
PB1070268-00 PROPELLER SHAFT,PUMP**



OC-200M-1-25300 LOWER, MITSUBISHI KL-FY50JNX1
PB1200117-00 PIPING, SUCTION



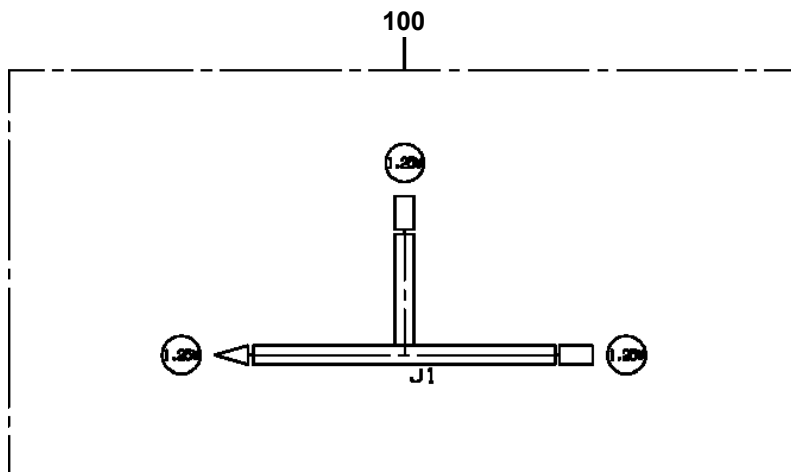
OC-200M-1-25300 LOWER,MITSUBISHI KL-FY50JNX1

Pos No.	Parts No	Parts Name	Qty	Unit	Technical Data	Serial No (Start)	Serial No (End)	Remarks
1	36633845011	VALVE ASSY	1					
5	36633845021	VALVE,CONTROL	1					
11	36633235010	BODY ASSY	1					
12	36610345020	VALVE,RELIEF	1					
13	36633845031	VALVE,REDUCING	1					
14	36633845041	VALVE,BACK PRESSURE	1					
23	91002907500	O-RING	2		1B G75			
24	13115103030	SEAL,OIL	2					
27	09115101080	SPRING	1					
29	19215101010	O-RING	1					
30	36633845051	VALVE,PILOT	1					
43	91001100900	O-RING	1		1A P9			
44	80316030060	PLUG	1		PT3/8			
45	80316030040	PLUG	1		PT1/4			
53	36630365030	SPRING	1					
54	91002801800	O-RING	1		1B P18			
55	91002802600	O-RING	2		1B P26			
56	91002801100	O-RING	1		1B P11			
60	16025153020	SPRING	1					
64	91001001600	O-RING	2		1A S16			
66	91002802100	O-RING	1		1B P21			
73	36633235060	SPRING	1					
75	36641085130	O-RING	2		1BS16			
78	91001100800	O-RING	2		1A P8			
79	91002801400	O-RING	1		1B P14			
80	36633845061	O-RING	1		1B S16			
81	36633845071	FILTER	1					
84	91002801500	O-RING	1		1B P15			
94	91002802000	O-RING	1		1B P20			
95	36633845081	SPRING	1					
103	91002802201	O-RING	2		1B P22A			
104	91001100600	O-RING	2		1A P6			
107	13115103080	SPRING	1					
114	91002802240	O-RING	1		1B P22.4			
120	36633845091	SOLENOID ASSY	2					
200	36633840001	VALVE,SOLENOID CONTROL	1					

OC-200M-1-25300 LOWER,MITSUBISHI KL-FY50JNX1

Pos No.	Parts No	Parts Name	Qty	Unit	Technical Data	Serial No (Start)	Serial No (End)	Remarks	P
1	(*****)	MOUNT,WINCH (OPTION)	1						00
2	(*****)	PIPING,WINCH	1						00
3	(*****)	ELEC.ASSY (OPTION)	1						00
4	(*****)	OPE.ASSY,CONT.VALVE	1						00
5	(*****)	STOWING BOX (OPTION)	1						00

OC-200M-1-25300 LOWER,MITSUBISHI KL-FY50JNX1
PH5032017-00 HARNESS



CLICK HERE TO **DOWNLOAD** THE COMPLETE MANUAL

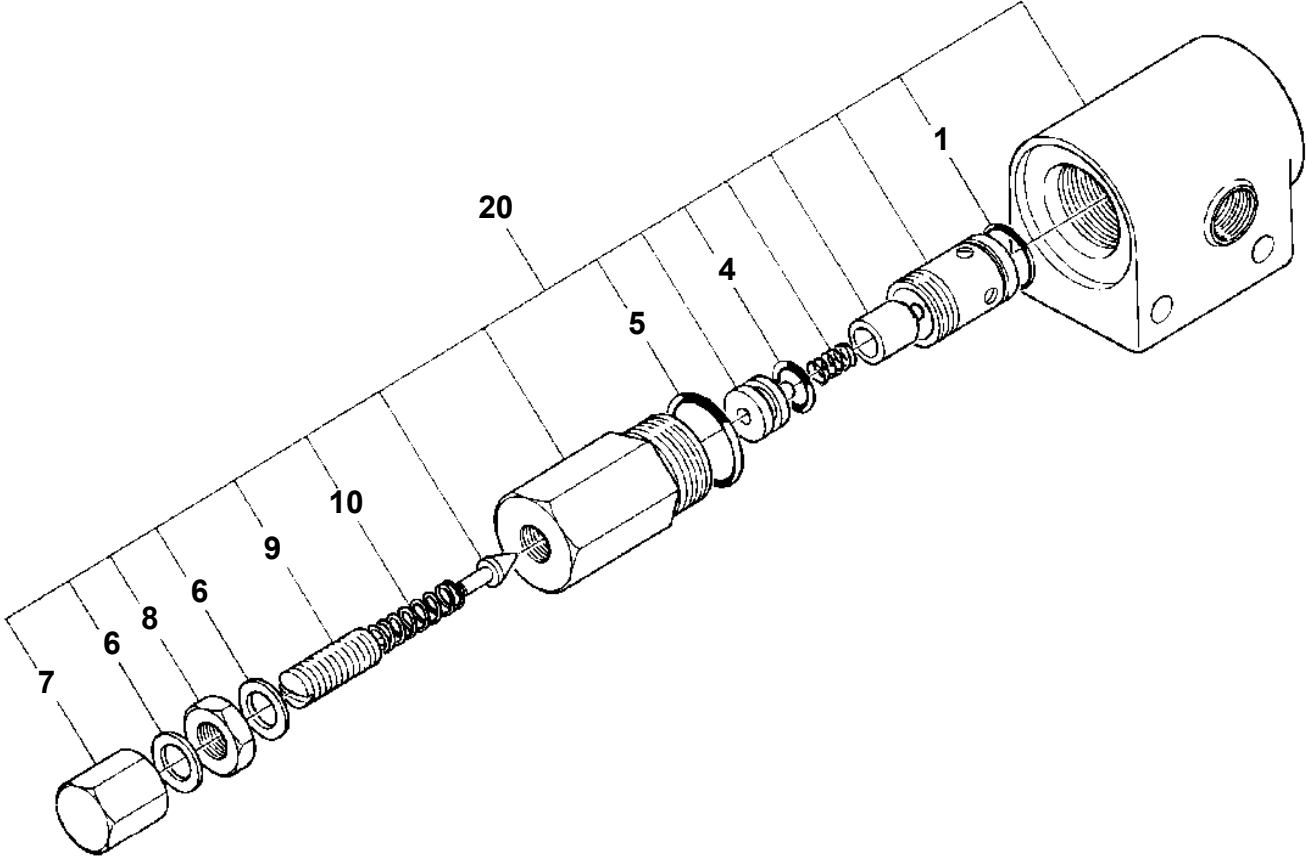
- Thank you very much for reading the preview of the manual.
- You can download the complete manual from: www.heydownloads.com by clicking the link below



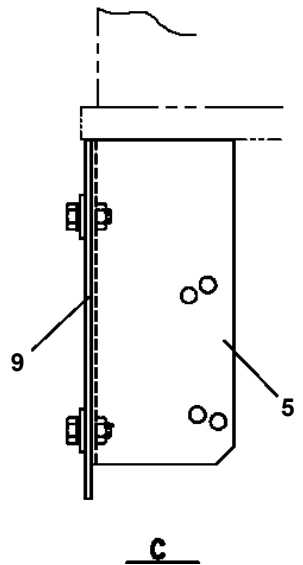
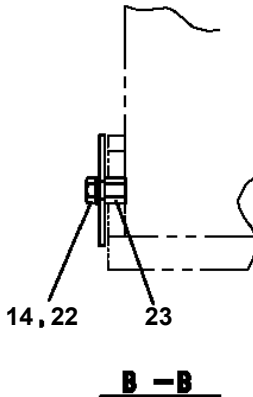
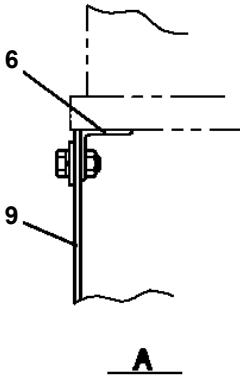
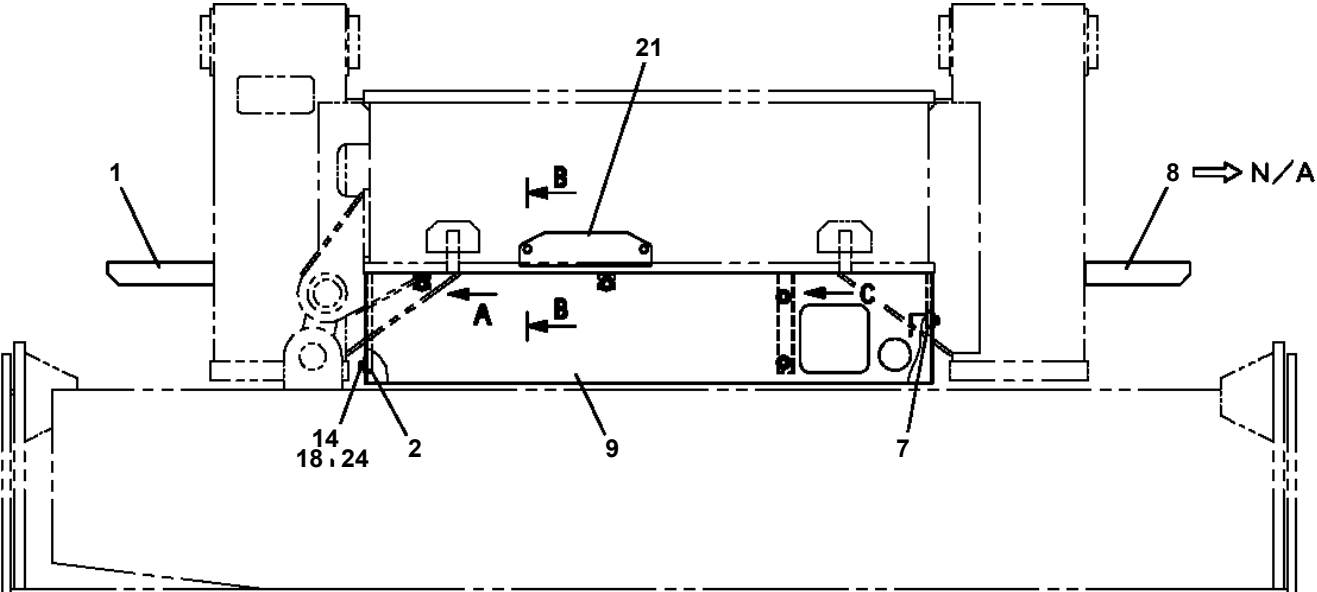
- Please note: If there is no response to CLICKING the link, please download this PDF first and then click on it.

CLICK HERE TO **DOWNLOAD** THE COMPLETE MANUAL

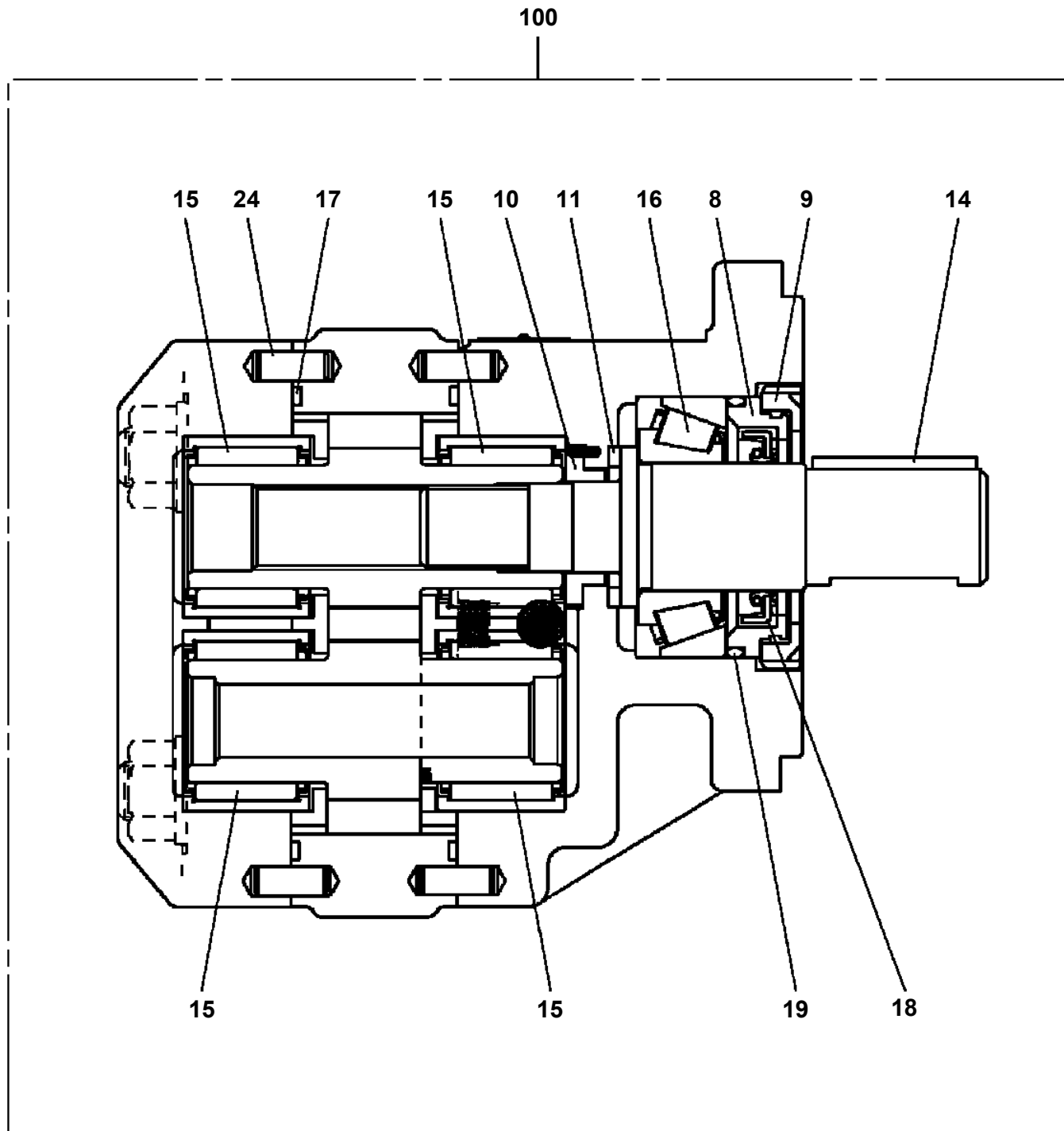
**OC-200M-1-25300 LOWER,MITSUBISHI KL-FY50JNX1
PI1100021-00 VALVE,RELIEF**



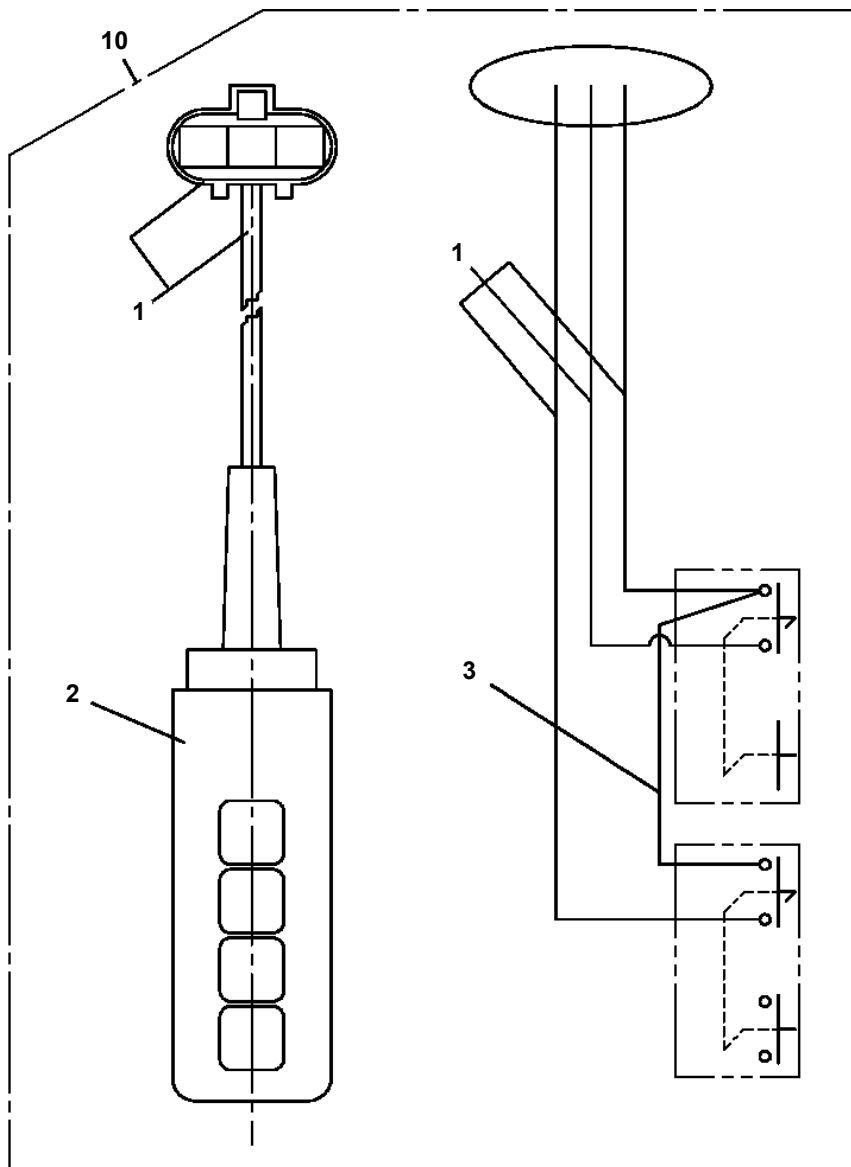
OC-200M-1-25300 LOWER, MITSUBISHI KL-FY50JNX1
PK1330160-01 COVER



OC-200M-1-25300 LOWER, MITSUBISHI KL-FY50JNX1
PM5210001-00 MOTOR ASSY, OIL



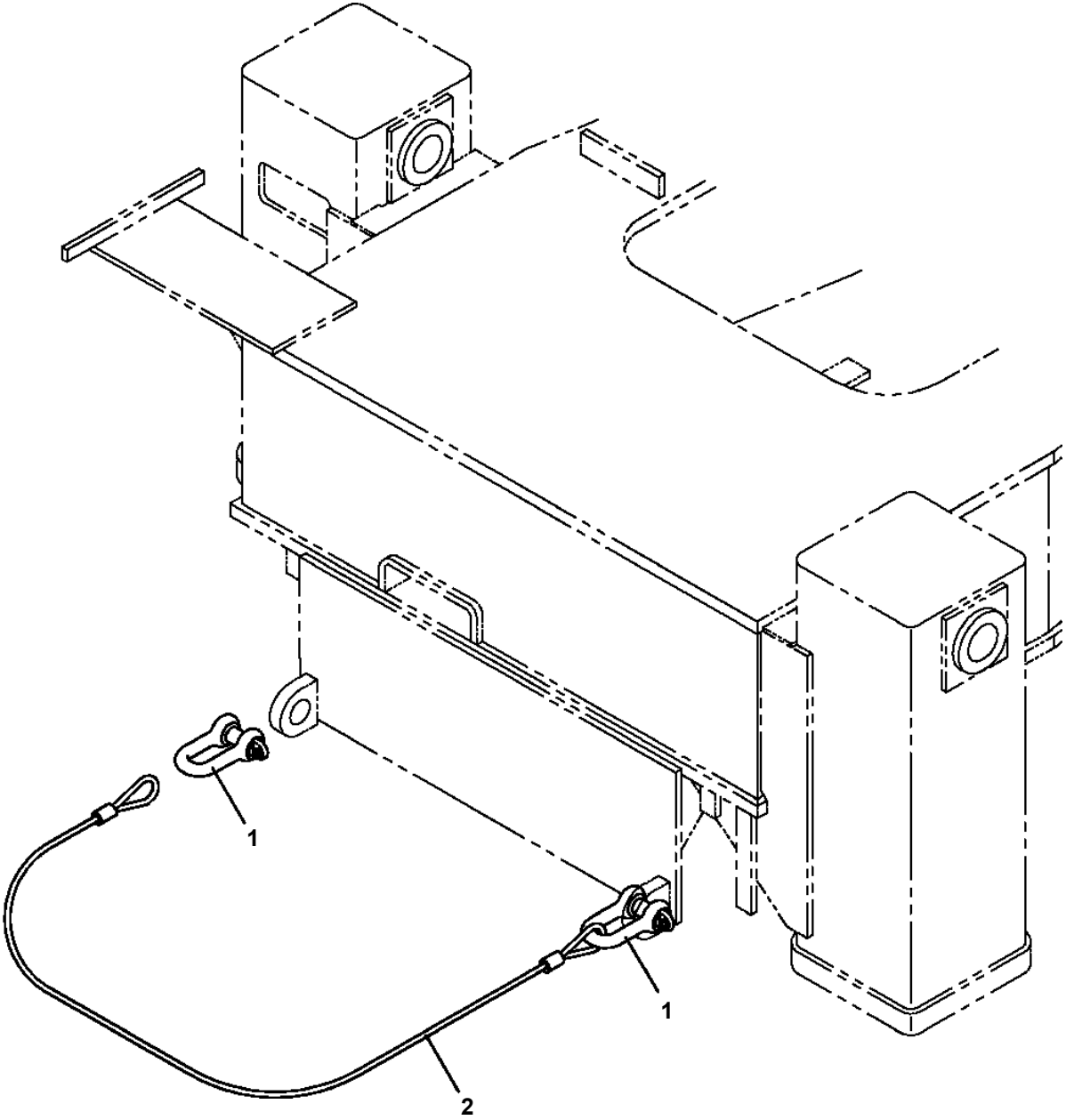
OC-200M-1-25300 LOWER, MITSUBISHI KL-FY50JNX1
PV1030038-00 SWITCH BOX



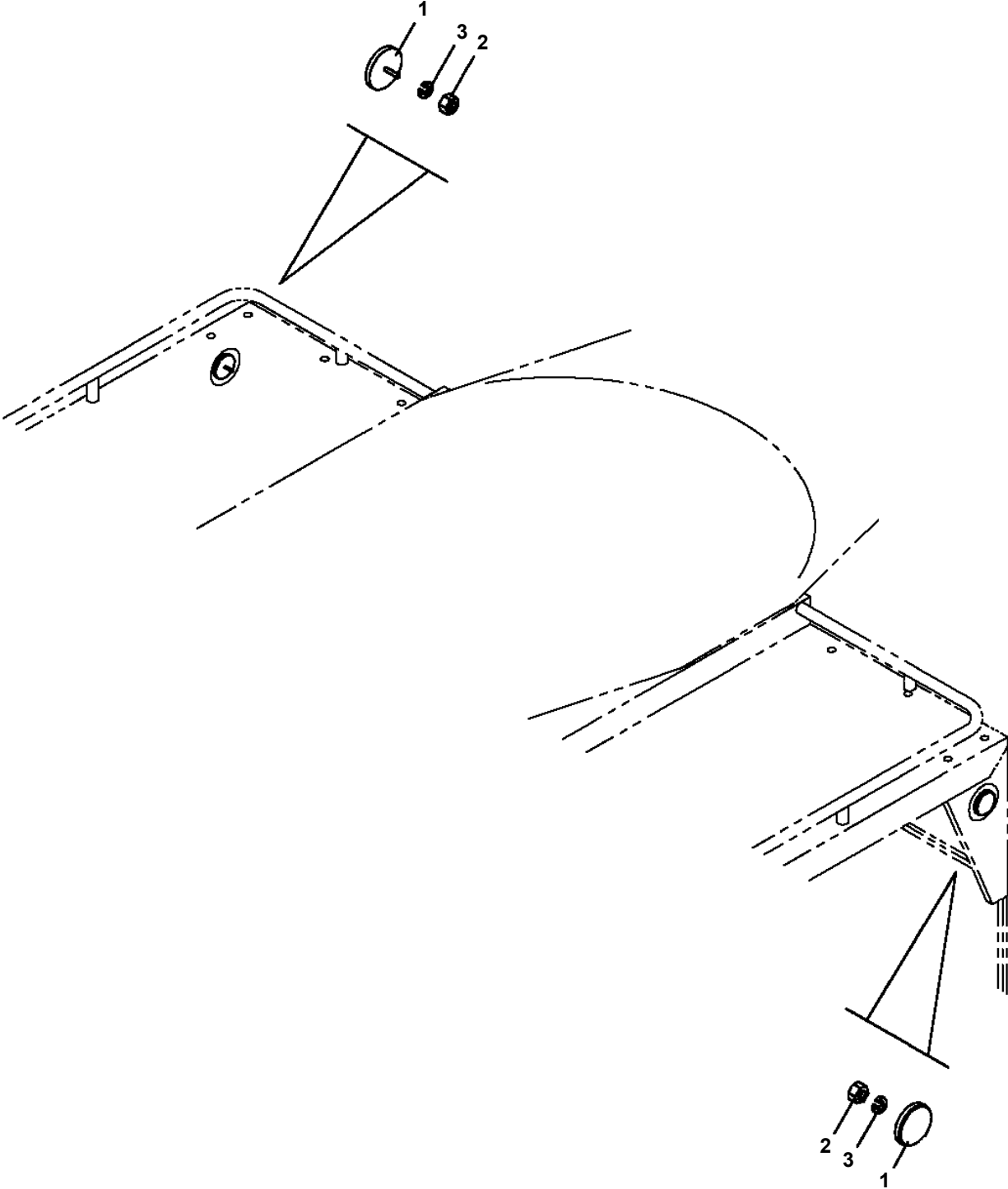
OC-200M-1-25300 LOWER,MITSUBISHI KL-FY50JNX1

Pos No.	Parts No	Parts Name	Qty	Unit	Technical Data	Serial No (Start)	Serial No (End)	Remarks	Pages
1	32690252101	SUPPORT	1						
2	32690252201	SUPPORT	1						
3	32690252300	SUPPORT	1						
4	32690252400	SUPPORT	1						
5	32690252501	SUPPORT	1						
6	32690252601	SUPPORT	1						
7	32690892100	DECK	1						
8	32690892200	DECK	1						
9	53224510000	STEP	2						
10	90101210020	BOLT	16		M10X20				
11	90302041001	WASHER,SPRING	50		10				
12	90303071001	WASHER,PLAIN	50		10				
13	90201201000	NUT	24		M10				
14	32690892500	COVER	4						
15	90101210025	BOLT	34		M10X25				
16	90101212035	BOLT	12		M12X35				
17	90201201200	NUT	12		M12				
18	90302041201	WASHER,SPRING	12		12				
19	32690432700	PLATE	12		T=1				
20	32690432800	PLATE	6		T=3				
41	32690821100	SUPPORT	1						
42	32690821200	SUPPORT	1						
43	32690441300	SUPPORT	1						
44	32690441400	SUPPORT	1						
45	32690841100	SUPPORT	1						
46	32690441600	SUPPORT	1						

**OC-200M-1-25300 LOWER, MITSUBISHI KL-FY50JNX1
PX1180064-00 MOUNT, HOOK**



OC-200M-1-25300 LOWER, MITSUBISHI KL-FY50JNX1
PX1360001-00 REFLECTOR INSTALLATION



CLICK HERE TO **DOWNLOAD** THE COMPLETE MANUAL

- Thank you very much for reading the preview of the manual.
- You can download the complete manual from: www.heydownloads.com by clicking the link below



- Please note: If there is no response to CLICKING the link, please download this PDF first and then click on it.

CLICK HERE TO **DOWNLOAD** THE COMPLETE MANUAL