

OC-160M-1-10800 LOWER,NISSAN U-CW620PN

PB1000325-01 HYDRAULIC PRESSURE GENERATING SYSTEM

PC1000256-01 OUTRIGGER SYSTEM

PF1000286-01 WINCH SYSTEM

PH1000267-00 SAFETY DEVICES

PK1000317-00 FRAME

PL1000317-01 CONTROL DEVICES

PN1000237-00 ELECTRIC EQUIPMENT

PO1000144-01 INDICATION PLATES

PQ1000097-00 DRIVING POWER GENERATING SYSTEM

PV1000054-01 REMOTE CONTROL SYSTEM

PW1000028-00 ACCESSORIES & TOOLS

PX1000153-00 MOUNTING PARTS

PY1000278-01 OPTIONS

ASSEMBLY

CLICK HERE TO **DOWNLOAD** THE COMPLETE MANUAL

- Thank you very much for reading the preview of the manual.
- You can download the complete manual from: www.heydownloads.com by clicking the link below



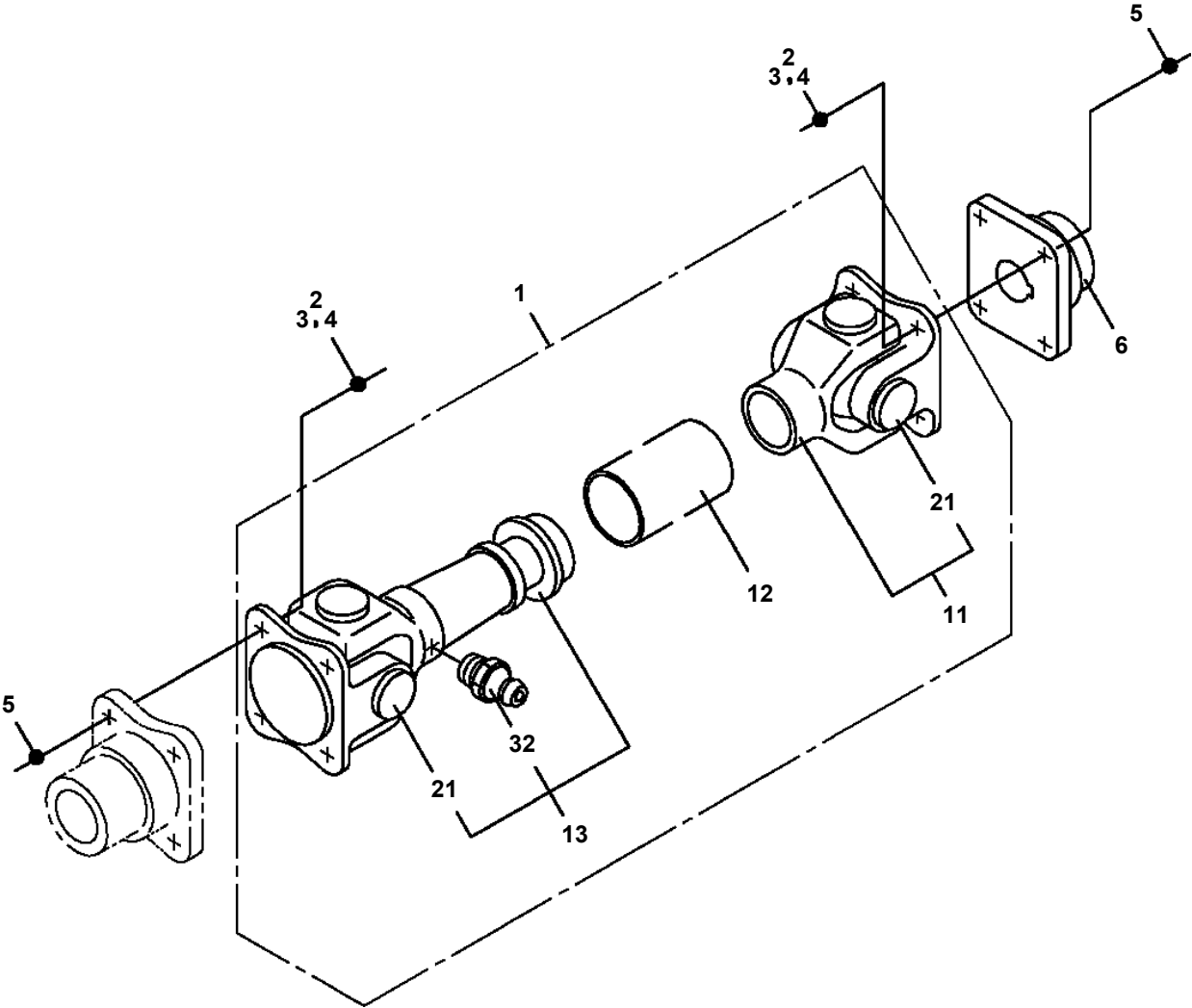
- Please note: If there is no response to CLICKING the link, please download this PDF first and then click on it.

CLICK HERE TO **DOWNLOAD** THE COMPLETE MANUAL

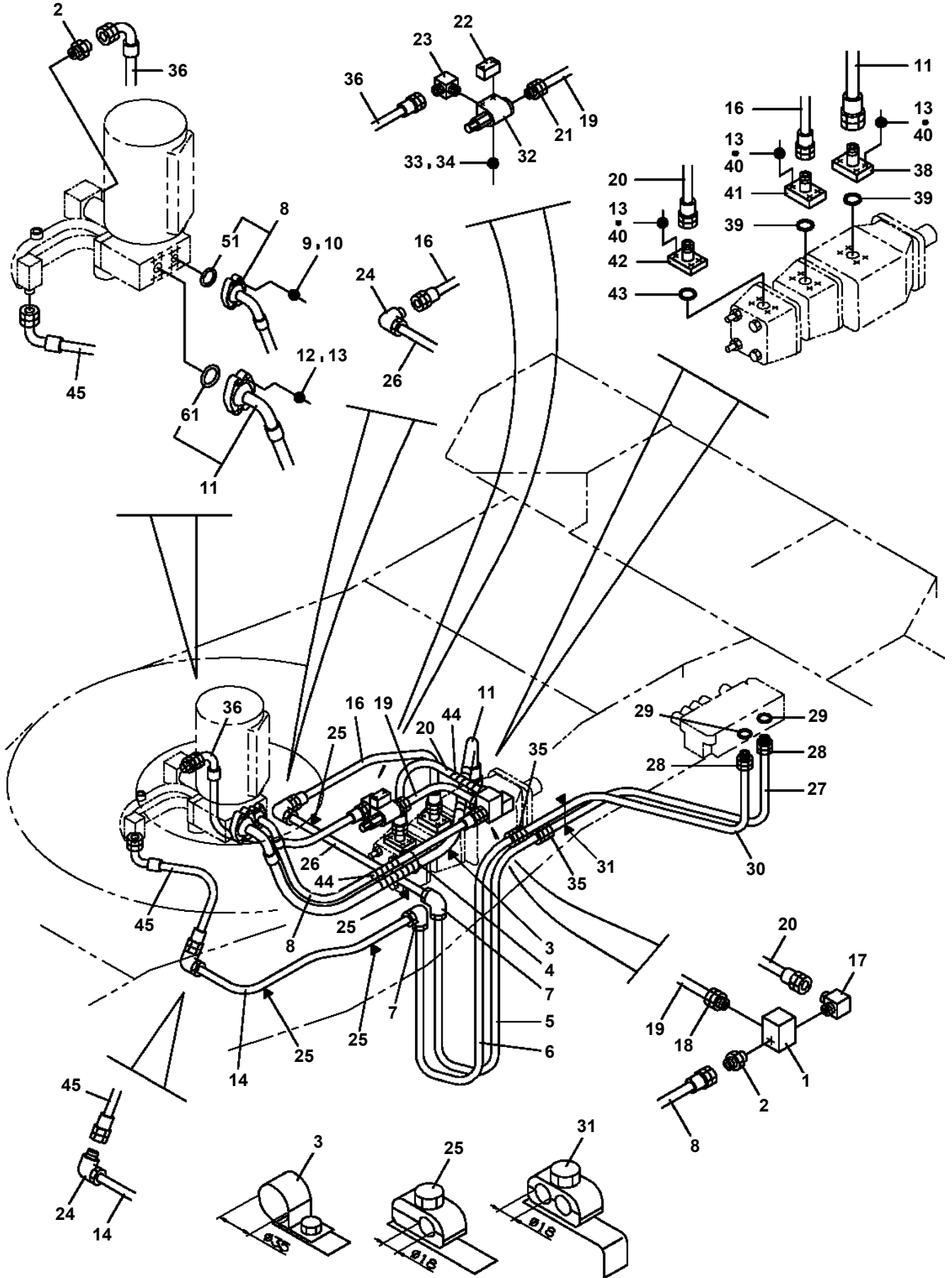
OC-160M-1-10800 LOWER,NISSAN U-CW620PN

Pos No.	Parts No	Parts Name	Qty	Unit	Technical Data	Serial No (Start)	Serial No (End)	Re
1	32471050000	SWITCH BOX (WITH CABLE 10M)	1					
2	(***** *****)	STOWING BOX (OPTION)	1					

**OC-160M-1-10800 LOWER,NISSAN U-CW620PN
PB1070170-00 PROPELLER SHAFT,PUMP**



**OC-160M-1-10800 LOWER,NISSAN U-CW620PN
PB1220130-00 PIPING,DELIVERY**



OC-160M-1-10800 LOWER,NISSAN U-CW620PN

Pos No.	Parts No	Parts Name	Qty	Unit	Technical Data	Serial No (Start)	Serial No (End)	Remarks	Pages
1	81408000241	PIPE,STEEL	1	M	18X1.9T				
2	81408000241	PIPE,STEEL	1	M	18X1.9T				
3	81408000241	PIPE,STEEL	1	M	18X1.9T				
4	81408000241	PIPE,STEEL	1	M	18X1.9T				
6	81408000160	PIPE,STEEL	1	M	12X1.4T				
7	81408000160	PIPE,STEEL	1	M	12X1.4T				
8	81408000160	PIPE,STEEL	1	M	12X1.4T				
9	81408000160	PIPE,STEEL	1	M	12X1.4T				
10	81408000160	PIPE,STEEL	1	M	12X1.4T				
11	81408000160	PIPE,STEEL	1	M	12X1.4T				
12	81408000160	PIPE,STEEL	1	M	12X1.4T				
13	81408000160	PIPE,STEEL	1	M	12X1.4T				
14	81408000160	PIPE,STEEL	1	M	12X1.4T				
15	81408000160	PIPE,STEEL	1	M	12X1.4T				
16	81408000160	PIPE,STEEL	1	M	12X1.4T				
17	81408000160	PIPE,STEEL	1	M	12X1.4T				
18	81408000160	PIPE,STEEL	1	M	12X1.4T				
19	81408000160	PIPE,STEEL	1	M	12X1.4T				
20	81408000160	PIPE,STEEL	1	M	12X1.4T				
21	81408000160	PIPE,STEEL	1	M	12X1.4T				
22	81408000160	PIPE,STEEL	1	M	12X1.4T				
23	81408000160	PIPE,STEEL	2	M	12X1.4T				
24	81408000160	PIPE,STEEL	2	M	12X1.4T				
25	81408000160	PIPE,STEEL	2	M	12X1.4T				
26	81408000160	PIPE,STEEL	2	M	12X1.4T				
27	81408000160	PIPE,STEEL	2	M	12X1.4T				
28	81408000160	PIPE,STEEL	2	M	12X1.4T				
29	81408000160	PIPE,STEEL	2	M	12X1.4T				
30	81408000160	PIPE,STEEL	2	M	12X1.4T				
31	81408000160	PIPE,STEEL	2	M	12X1.4T				
32	81408000160	PIPE,STEEL	2	M	12X1.4T				
33	81408000130	PIPE,STEEL	1	M	10X1.8T				
34	80311010140	FITTING	1		KRE12X100N				
35	80315040060	JOINT	1						
36	80305050100	FITTING,TEE	1		KTK12-030N				
37	91002801400	O-RING	11		1B P14				
38	80302090161	FITTING	10		KCO12-030N				
39	80302090241	FITTING	1		KCO18-040N				
40	91002801800	O-RING	1		1B P18				
41	80301010100	FITTING	16		KUA12-000N				
42	80330000100	FITTING,TEE	2		KTZ-00003N				
43	80305010100	FITTING,TEE	1		KTA12-000N				
44	36620170001	VALVE,CHECK	1						000044
45	37000526200	PLATE	1						
46	90101210020	BOLT	4		M10X20				
47	90302041001	WASHER,SPRING	4		10				
48	37000701900	CLAMP ASSY	6						
49	37000700760	CLAMP ASSY	1						
50	80320010080	FITTING	3		KUD12-030N				
51	37002412190	HOSE	3		L=400				
52	80430470650	JOINT	3						
53	37002416370	HOSE	1		L=475				
54	37002427040	HOSE	2		L=450				
55	80320010075	FITTING	3		KUD12-020N				
56	37000702270	CLAMP ASSY	4						
57	80330001300	FITTING,TEE	2		KTR18-120N				
58	37000538240	PLATE	1						
59	80320020080	FITTING	2		KUF12-030N				
60	37002407740	HOSE	2		L=450				
61	37000907660	JOINT	2						
62	90101208012	BOLT	4		M8X12				
63	90302040801	WASHER,SPRING	4		8				
64	32640431401	COVER	1						

OC-160M-1-10800 LOWER,NISSAN U-CW620PN

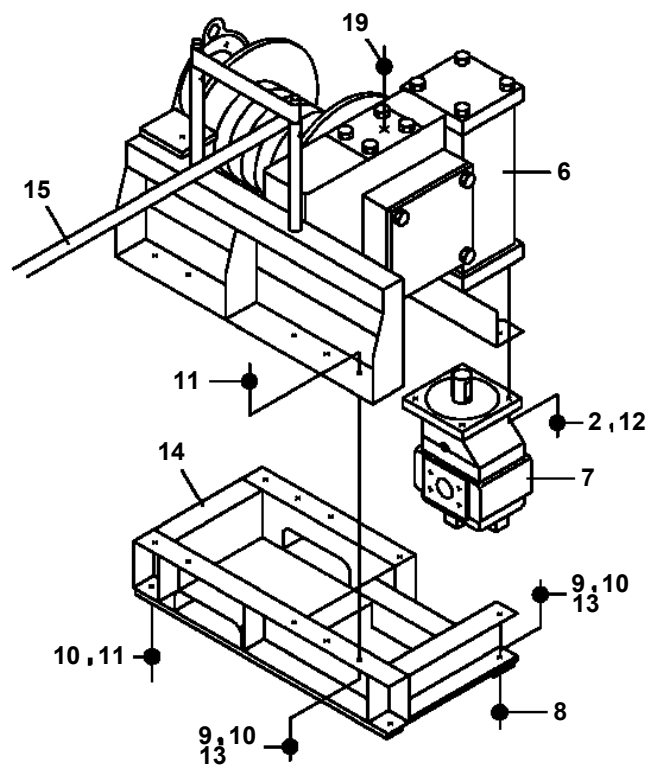
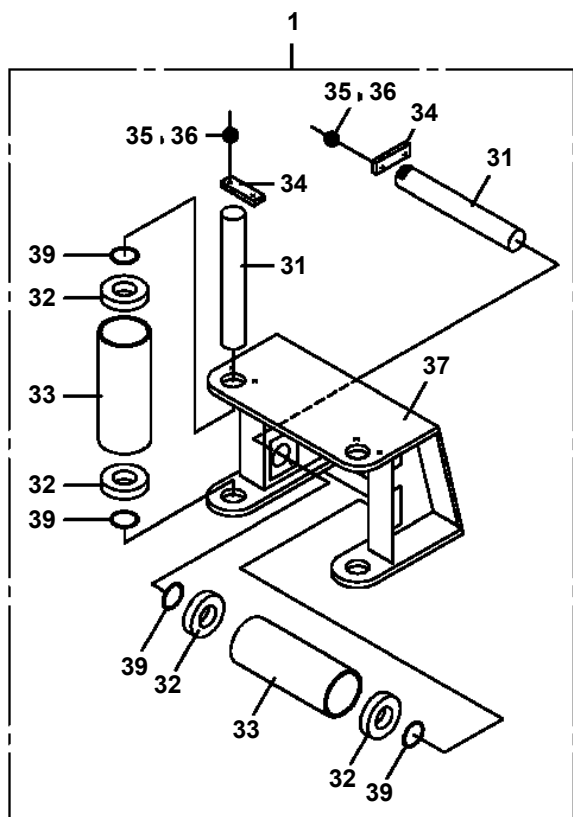
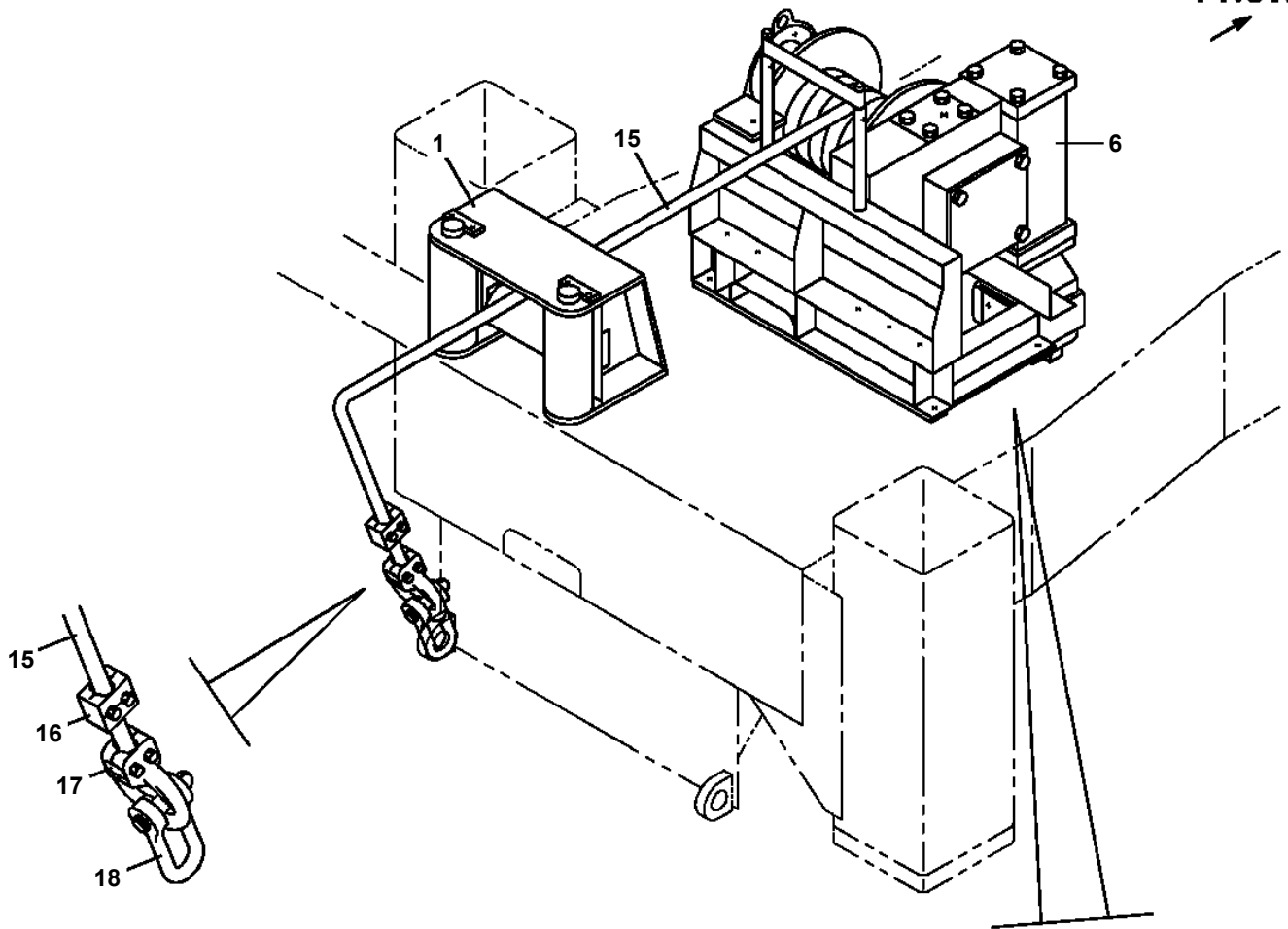
Pos No.	Parts No	Parts Name	Qty	Unit	Technical Data	Serial No (Start)	Serial No (End)	Remarks
1	32610481000	CASE,OUTER	1					
2	32610482000	CASE,INNER	2					
3	34610013000	CASE,INNER	2					
5	34610016000	LEVER	2				325380	
	34610015000	LEVER	2			325381	325407	
6	34610014000	COVER ASSY	2					
7	36031690000	CYLINDER,JACK	2					
8	36040110001	CYLINDER,EXTENSION	2					
10	34610003000	FLOAT ASSY	2					
11	36622300000	VALVE,PILOT CHECK	2					
12	37000102900	PIN	2					
13	37000501400	PLATE	2		T=4.5			
14	37000501720	PLATE	2		T=12			
15	16112008000	PLATE	6					
16	16511025000	BOLT	4		M12X22			
17	37000103950	PIN	2					
18	56120018002	PIN ASSY	2					
19	56220105001	PIN	2					
20	56220106000	PIN	2					
21	34610001500	COVER	2					
22	59120005000	PIN	4					
24	80136332050	PIN,SPLIT	8		3.2X50			
25	80601110600	RING,RITAINING	4		S60			
26	82456101000	NIPPLE,GREASE	2		A-PT1/8			
27	90101208020	BOLT	4		M8X20			
28	90302040801	WASHER,SPRING	4		8			
29	90101210020	BOLT	12		M10X20			
30	90131510085	BOLT,HEXAGON SOCKET	8		M10X85			
31	90302041001	WASHER,SPRING	12		10			
33	37000103940	PIN	2					
34	82458202000	NIPPLE,GREASE	4		B-TYPE PT1/8			
35	32610483000	CASE,OUTER	1					
36	34610700100	LEVER	2			325408		
48	82456101000	NIPPLE,GREASE	4		A-PT1/8			
55	90101210020	BOLT	8		M10X20			
56	90302041001	WASHER,SPRING	12		10			
61	34610014101	COVER	2					
62	90201201000	NUT	4		M10			
64	34610053200	PLATE,SLIDE	2					
65	90190000030	BOLT	4		M10X45			
71	56320205000	TRUNNION	2					
80	32610488010	OUTRIGGER ASSY	1					
90	32610488020	OUTRIGGER ASSY	1					

OC-160M-1-10800 LOWER,NISSAN U-CW620PN

Pos No.	Parts No	Parts Name	Qty	Unit	Technical Data	Serial No (Start)	Serial No (End)
1	31320020010	KNOB (BLACK)	8				
2	32700000020	LEVER	1				
3	32700000030	LEVER	1				
4	32700000040	LEVER	1				
5	32700000050	LEVER	1				
6	90101208035	BOLT	3		M8X35		
7	90201200800	NUT	3		M8		
8	90302040801	WASHER,SPRING	7		8		
9	90203200800	NUT	5		M8		
10	32700640100	SUPPORT	1				
11	90101208012	BOLT	4		M8X12		
12	32700640200	COVER	1				
13	33700408020	ROD ASSY	1				
14	12644502000	ROD	4				
15	37000521400	PLATE	4				
16	33700280300	SUPPORT	1				
17	33700721000	LEVER	4				
18	33700720800	LEVER	1				
19	31320020020	KNOB (RED)	2				
20	32700000060	LEVER	1				
21	32700007000	LEVEL ASSY	2				325380
	32700007500	LEVEL	2			325381	
22	37000538900	PLATE	2				
23	37000105610	PIN	20		L=18		
24	80136320010	PIN,SPLIT	20		2X10		
25	36630380000	VALVE,MANUAL CONTROL (OUTRIGGER)	1				
26	33700403000	LEVER	1				
27	90101210025	BOLT	1		M10X25		
28	90201201000	NUT	1		M10		
30	32700648010	LINK ASSY	1				
31	56154004000	PIN	3				
32	90303070801	WASHER,PLAIN	4		8		
33	80136325015	PIN,SPLIT	3		2.5X15		
34	90101208012	BOLT	1		M8X12		
35	90302040801	WASHER,SPRING	1		8		
36	32700641100	END	1				
37	37000105730	PIN	1				
38	80136320016	PIN,SPLIT	1		2X16		
39	32700641200	LINK	1				
40	37000124970	PIN	1				
41	90101212025	BOLT	2		M12X25		
42	90302041201	WASHER,SPRING	2		12		
43	32700641300	SUPPORT	1				
44	37000538230	PLATE	1				
45	33700402300	LEVER	1				
46	33700402100	LEVER	1				
51	32700007100	COVER	2				325380
52	82400000303	LEVEL	2				325380
53	32700007200	SUPPORT	2				325380
54	90201200500	NUT	12		M5		325380
55	80183306016	SCREW,MACHINE	2		M6X16		325380
56	90302040601	WASHER,SPRING	2		6		325380
57	90303070601	WASHER,PLAIN	2		6	325373	325380
62	90171112035	BOLT	2		M12X35		
63	90201201200	NUT	2		M12		
71	90132714040	BOLT,HEXAGON SOCKET	2				
72	90201201400	NUT	2		M14		
81	80804016010	BEARING,PLAIN	2				
94	33700401001	ROD	1				

OC-160M-1-10800 LOWER,NISSAN U-CW620PN
PF1400065-02 MOUNT,WINCH (OPTION)

FRONT
↗



CLICK HERE TO **DOWNLOAD** THE COMPLETE MANUAL

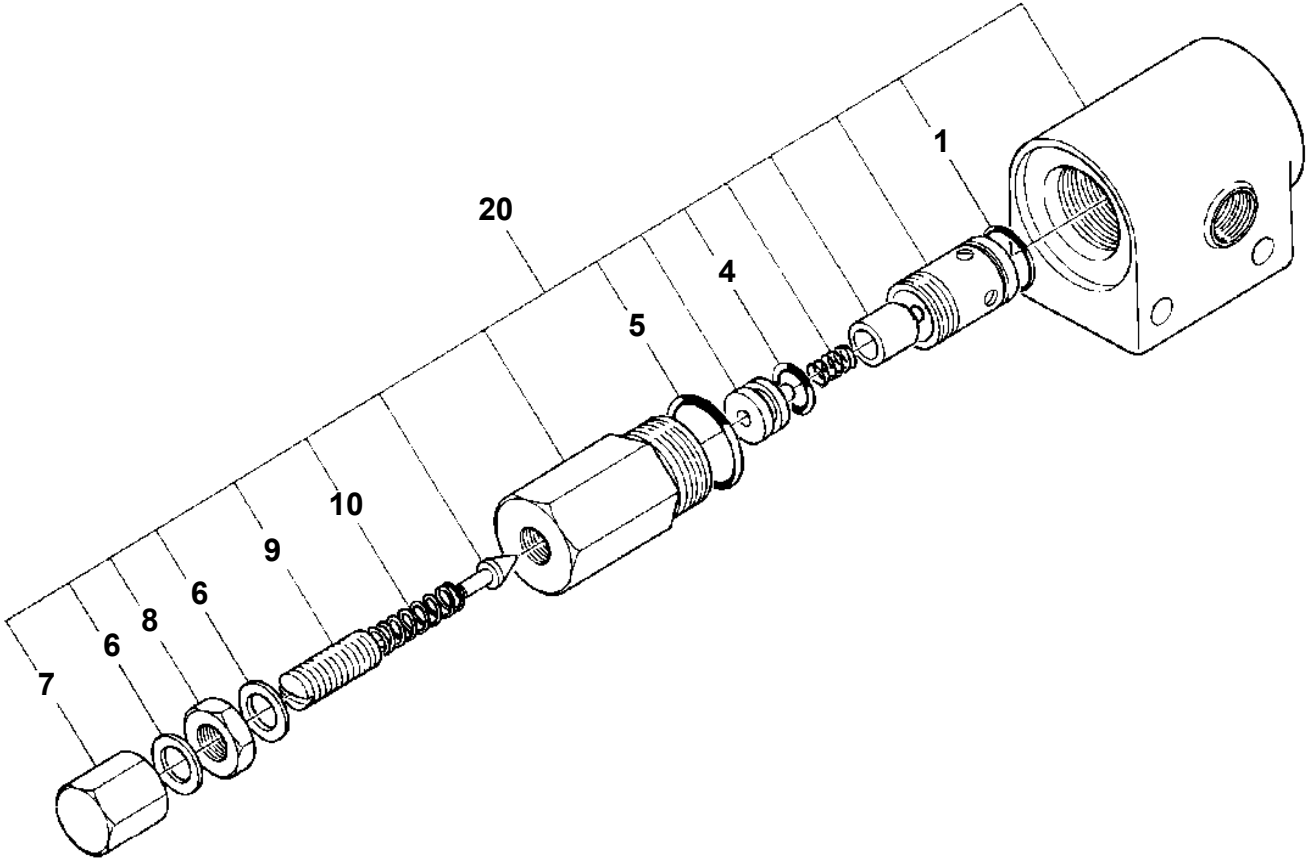
- Thank you very much for reading the preview of the manual.
- You can download the complete manual from: www.heydownloads.com by clicking the link below



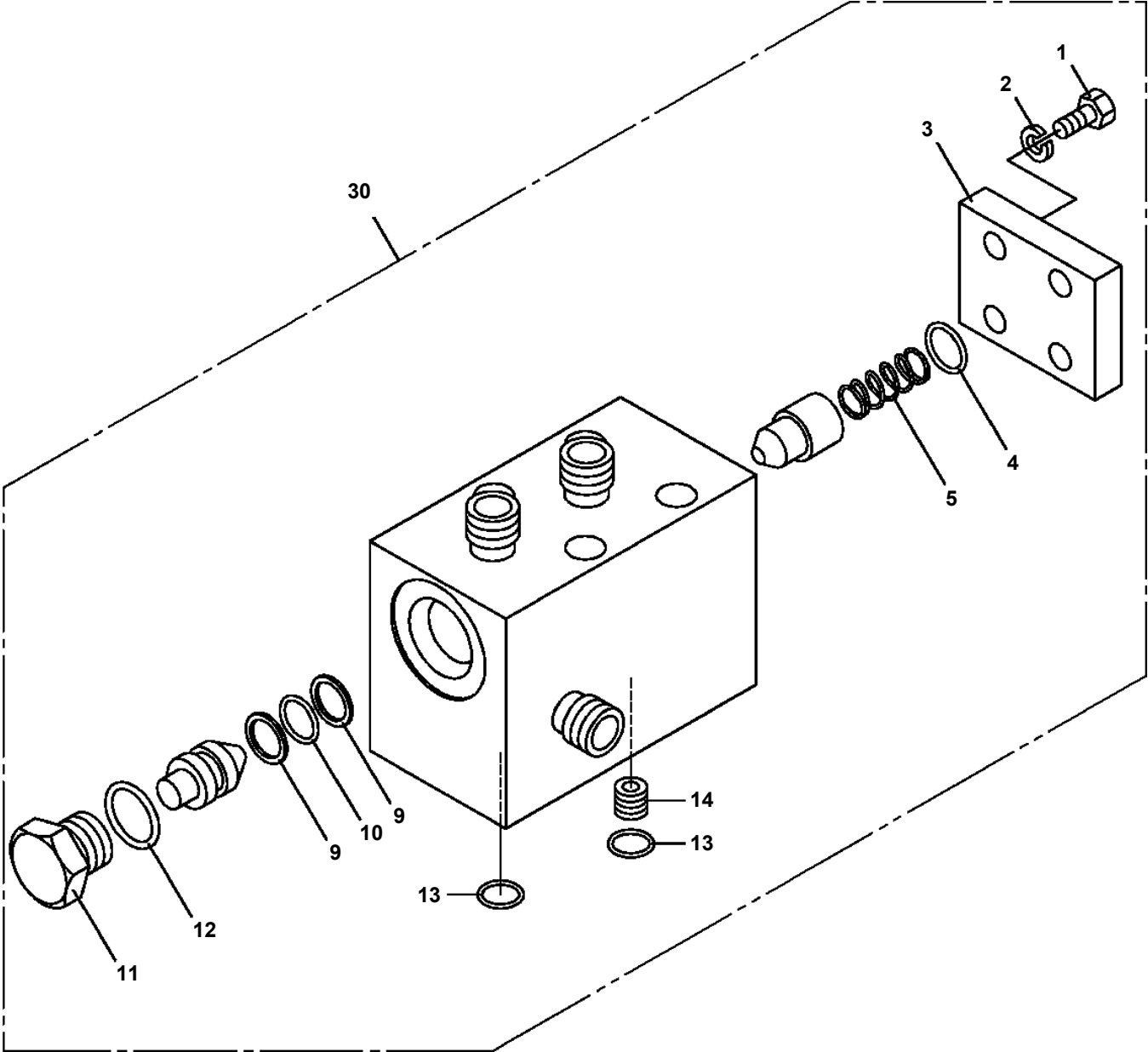
- Please note: If there is no response to CLICKING the link, please download this PDF first and then click on it.

CLICK HERE TO **DOWNLOAD** THE COMPLETE MANUAL

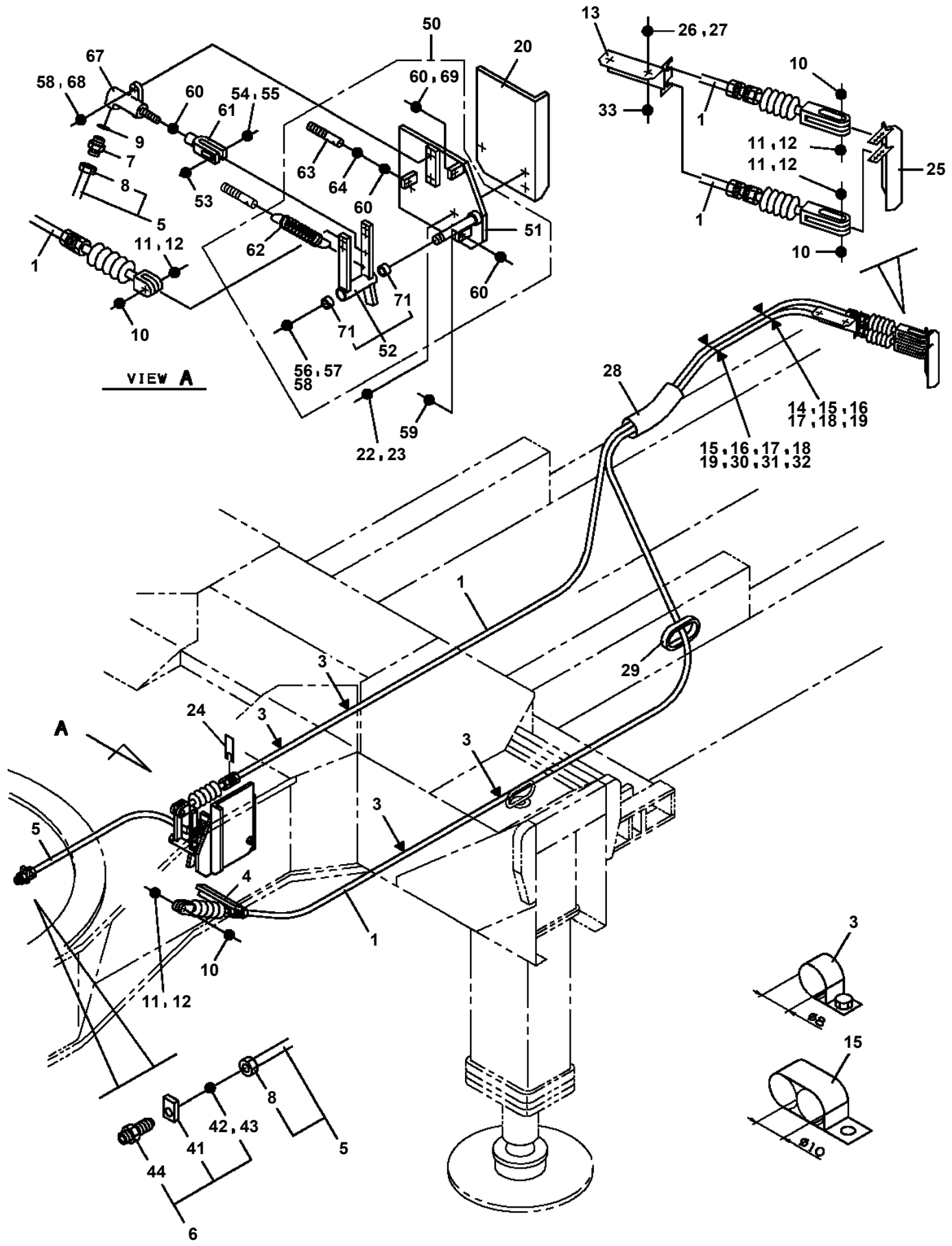
**OC-160M-1-10800 LOWER,NISSAN U-CW620PN
PI1100021-00 VALVE,RELIEF**



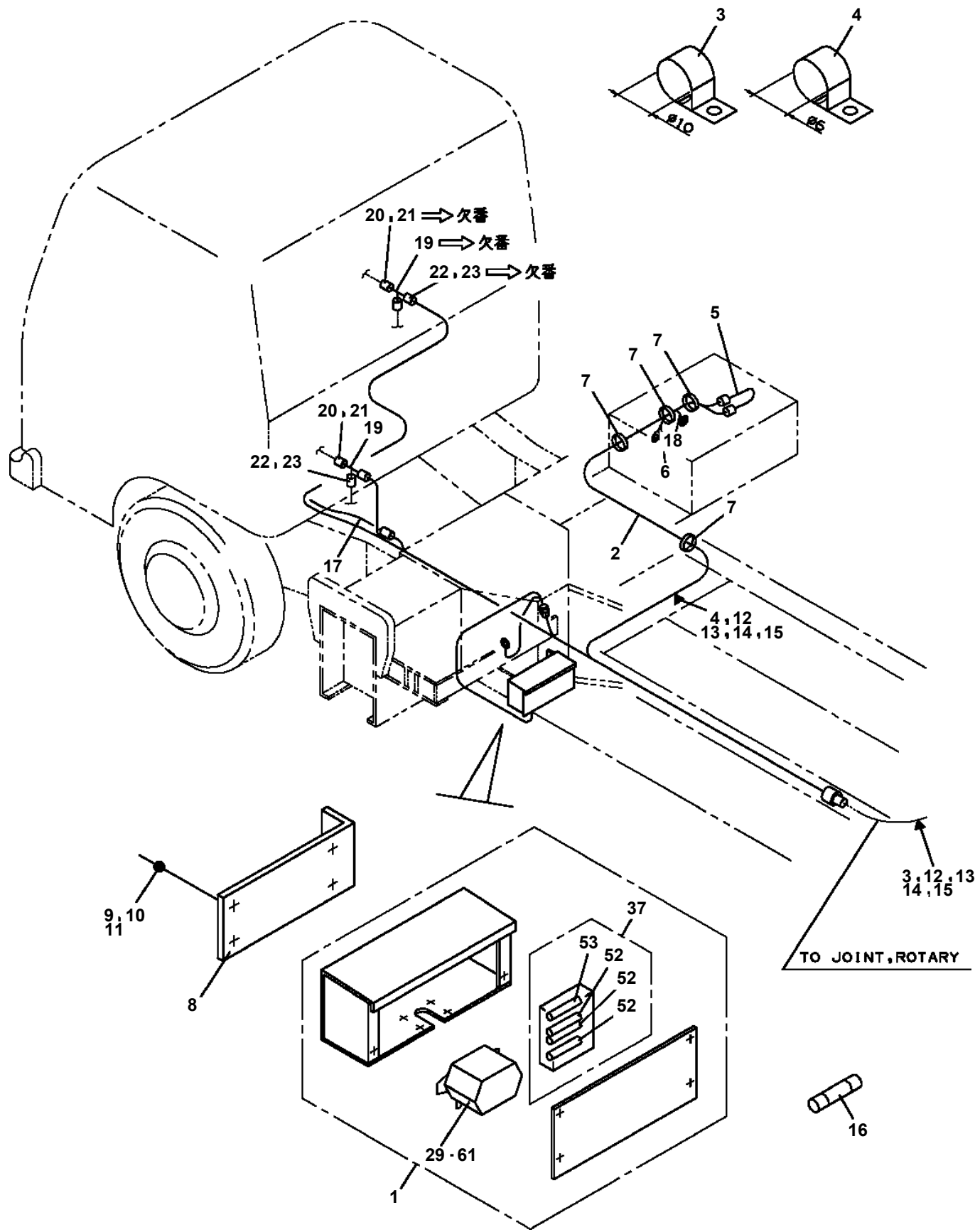
OC-160M-1-10800 LOWER,NISSAN U-CW620PN
PI1280027-00 VALVE,PILOT CHECK



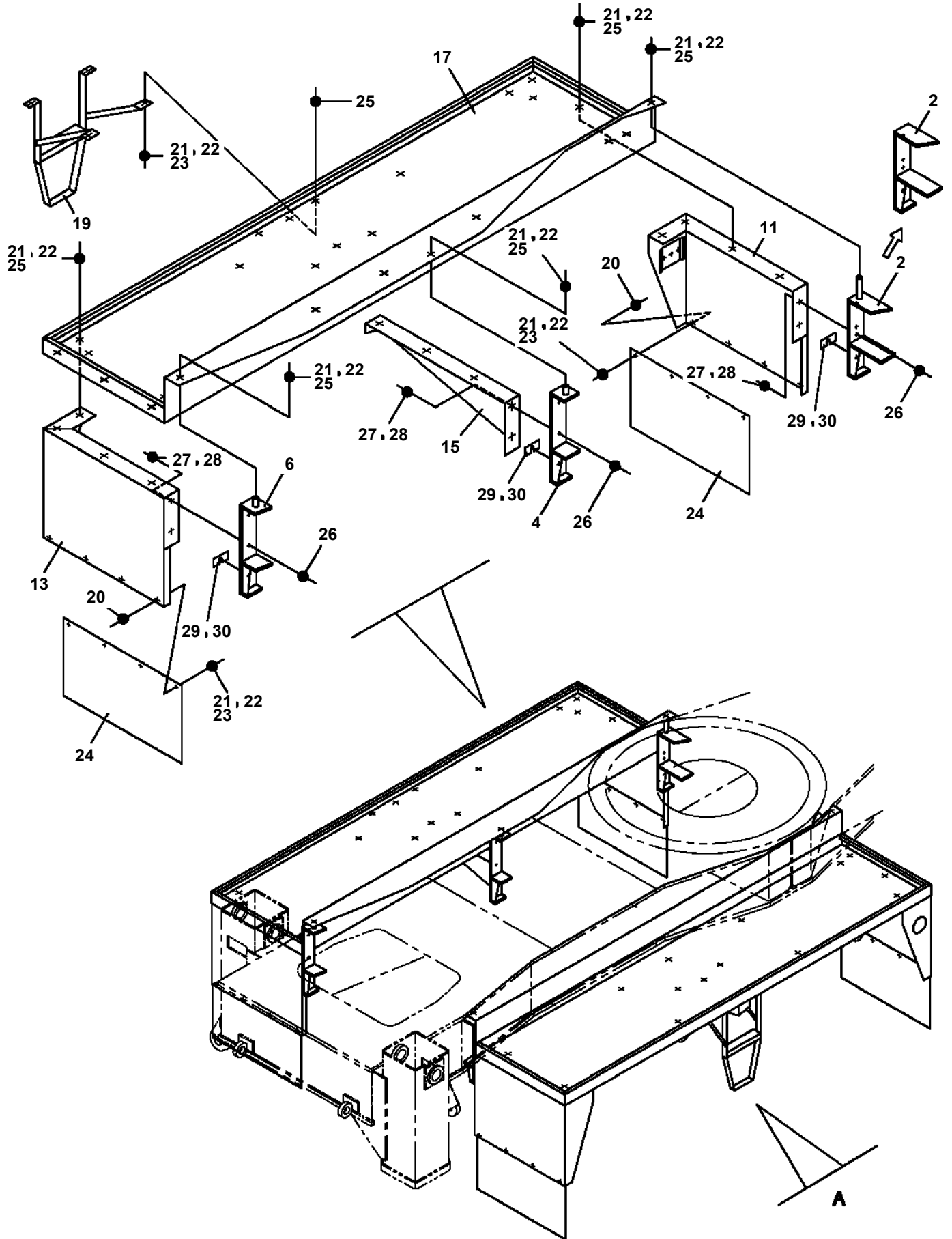
**OC-160M-1-10800 LOWER,NISSAN U-CW620PN
PL1030559-00 OPERATION SYSTEM, ACCELERATOR**



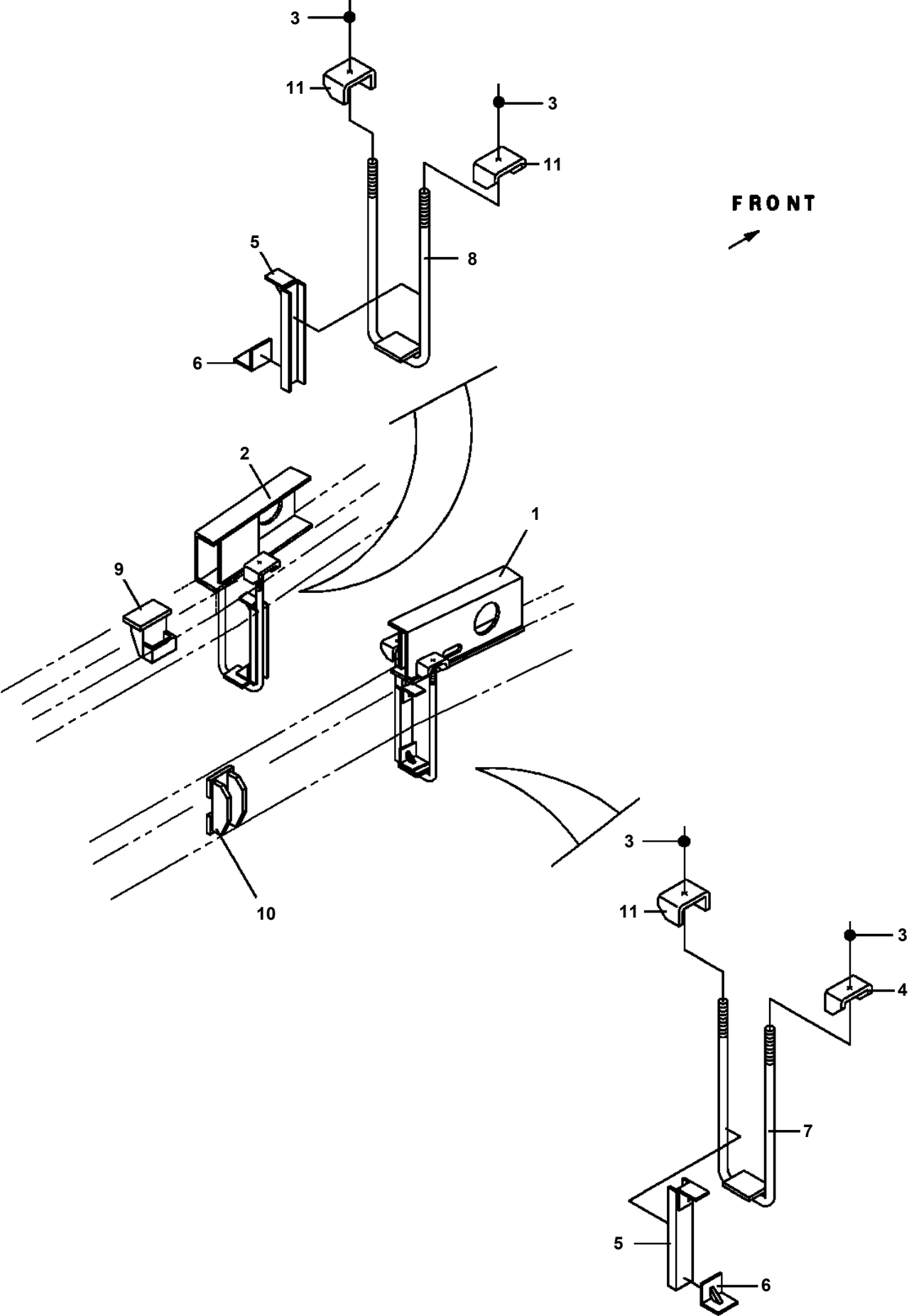
OC-160M-1-10800 LOWER,NISSAN U-CW620PN
 PQ1160011-02 POWER SUPPLY INSTALLATION (WIRING)



OC-160M-1-10800 LOWER,NISSAN U-CW620PN
PX1030284-00 FENDER

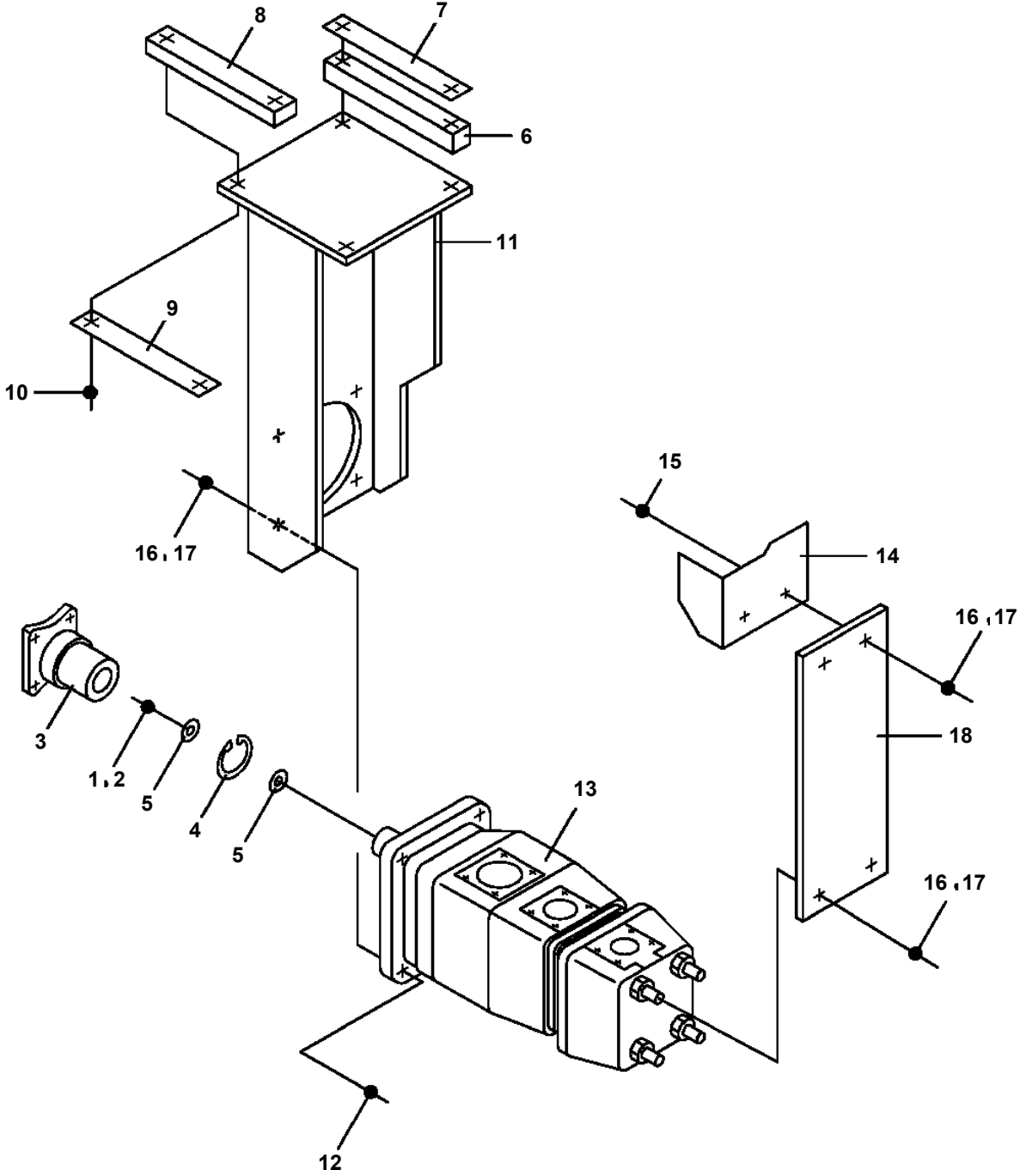


**OC-160M-1-10800 LOWER,NISSAN U-CW620PN
PX1170261-00 ATTACHMENT PARTS, CRANE FRAME (1)**

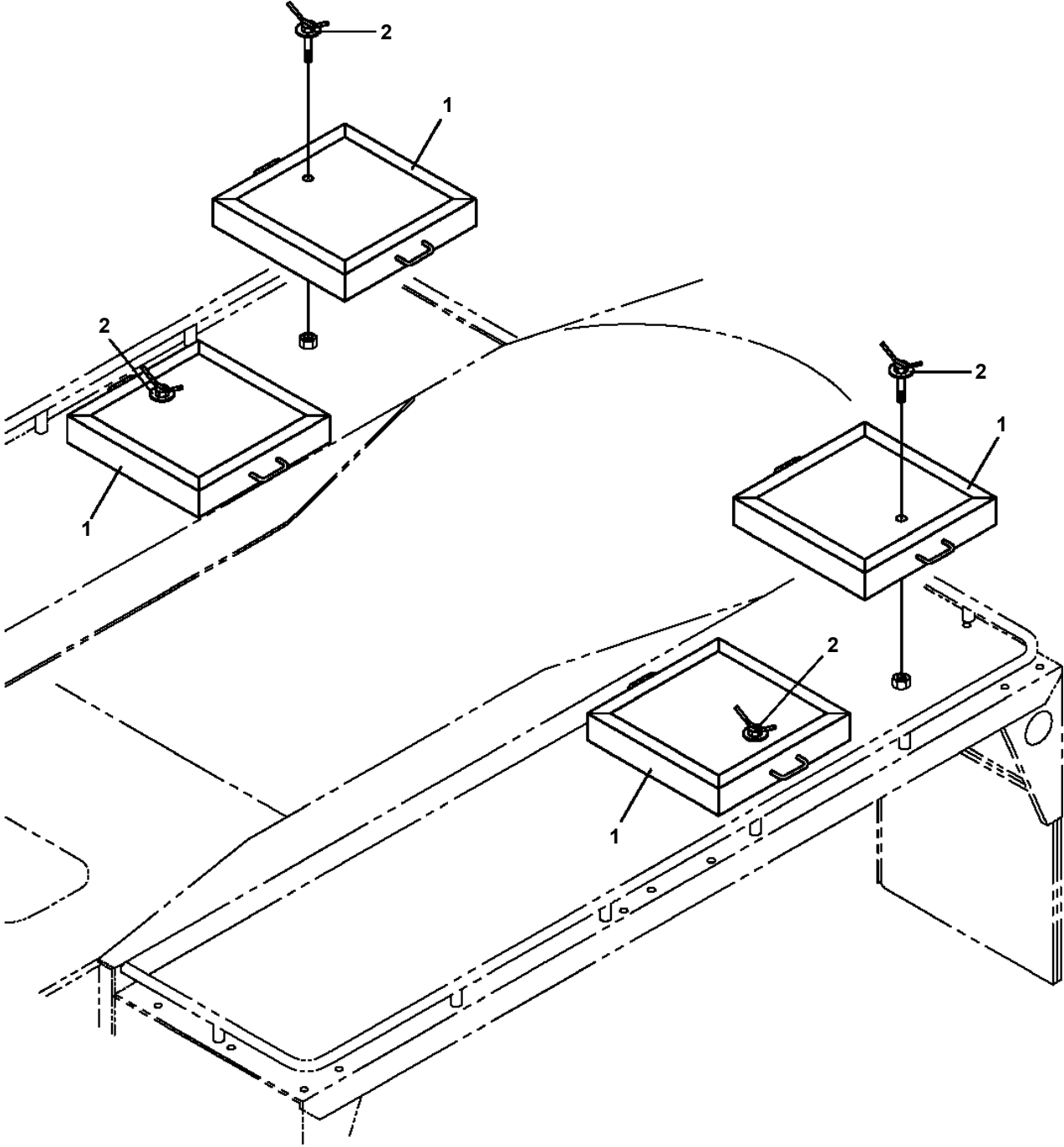


**OC-160M-1-10800 LOWER,NISSAN U-CW620PN
PX1220251-00 PUMP INSTALLATION**

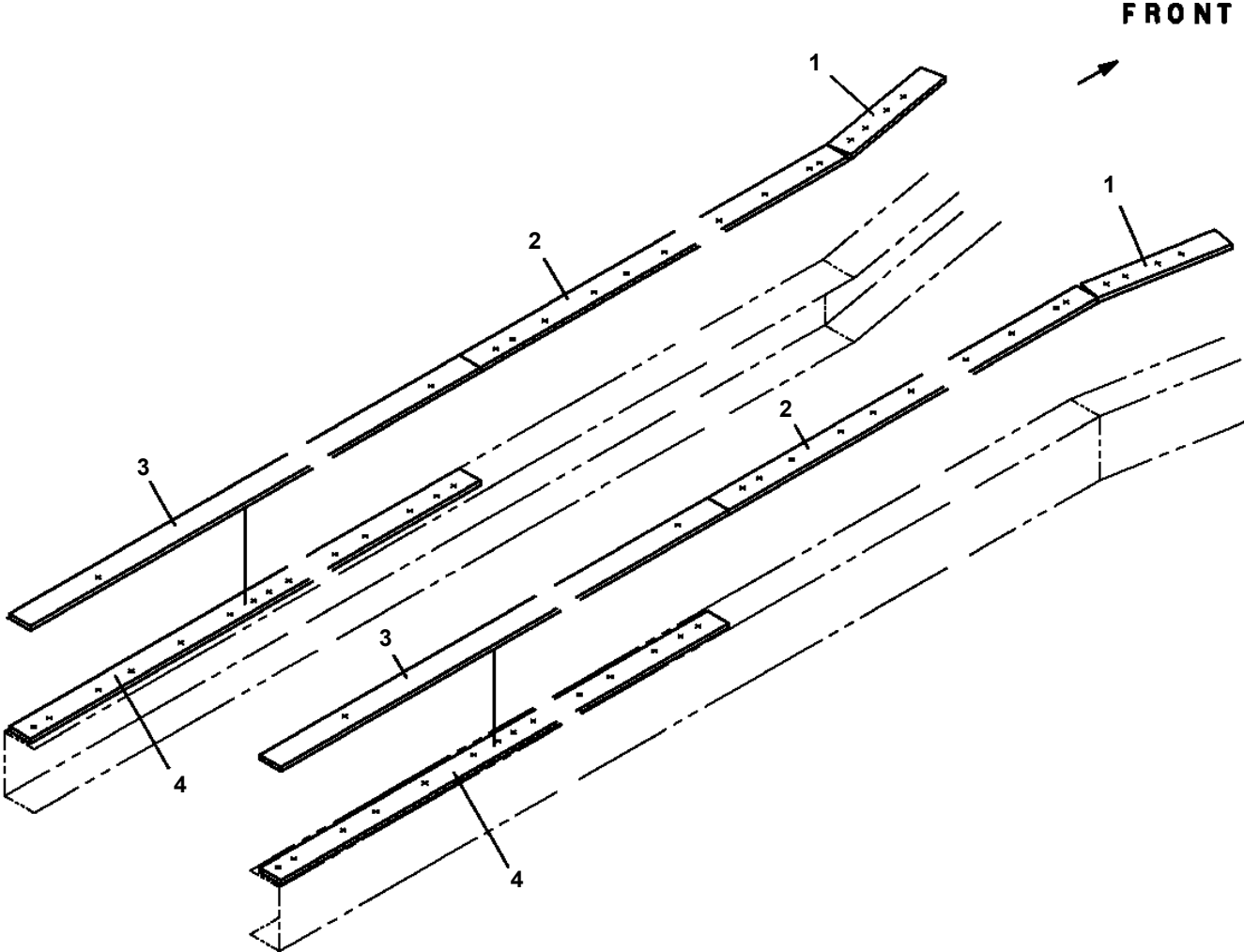
FRONT



**OC-160M-1-10800 LOWER,NISSAN U-CW620PN
PX1270034-00 WOOD BLOCK INSTALLATION**



**OC-160M-1-10800 LOWER,NISSAN U-CW620PN
PX1390273-00 PARTS,CHASSIS MODIFICATION**



CLICK HERE TO **DOWNLOAD** THE COMPLETE MANUAL

- Thank you very much for reading the preview of the manual.
- You can download the complete manual from: www.heydownloads.com by clicking the link below



- Please note: If there is no response to CLICKING the link, please download this PDF first and then click on it.

CLICK HERE TO **DOWNLOAD** THE COMPLETE MANUAL