

OC-160M-1-40700 LOWER,ISUZU KC-CXZ81K2D

PB1000326-01 HYDRAULIC PRESSURE GENERATING SYSTEM

PC1000257-01 OUTRIGGER SYSTEM

PF1000287-01 WINCH SYSTEM

PH1000268-00 SAFETY DEVICES

PK1000318-00 FRAME

PL1000318-01 CONTROL DEVICES

PN1000238-00 ELECTRIC EQUIPMENT

PO1000144-01 INDICATION PLATES

PQ1000098-00 DRIVING POWER GENERATING SYSTEM

PV1000054-01 REMOTE CONTROL SYSTEM

PW1000028-00 ACCESSORIES & TOOLS

PX1000131-00 MOUNTING PARTS

PY1000315-01 OPTIONS

ASSEMBLY

CLICK HERE TO **DOWNLOAD** THE COMPLETE MANUAL

- Thank you very much for reading the preview of the manual.
- You can download the complete manual from: www.heydownloads.com by clicking the link below



- Please note: If there is no response to CLICKING the link, please download this PDF first and then click on it.

CLICK HERE TO **DOWNLOAD** THE COMPLETE MANUAL

OC-160M-1-40700 LOWER,ISUZU KC-CXZ81K2D

Pos No.	Parts No	Parts Name	Qty	Unit	Technical Data	Serial No (Start)	Serial No (End)	Remarks	Pages
1	(*****)	FRAME	1						000052

OC-160M-1-40700 LOWER,ISUZU KC-CXZ81K2D

Pos No.	Parts No	Parts Name	Qty	Unit	Technical Data	Serial No (Start)	Serial No (End)	Remarks
1	32731640000	SWITCH BOX	1					
2	(*****)	STOWING BOX (OPTION)	1					

OC-160M-1-40700 LOWER,ISUZU KC-CXZ81K2D

PX1360001-00 REFLECTOR INSTALLATION

PX1380011-00 LAMP SUPPORT (SIDE WINKER)

PX1390684-00 MODIFICATION PARTS

PX1410030-01 MOUNT,TIRE

PY1440001-00 PINTLE HOOK INSTALLATION

PY1830004-00 PIN INSTALLATION

PY1830005-00 PIN INSTALLATION

PY2060003-00 ROPE,GUIDE (GUIDE SHEAVE/REAR WINCH)

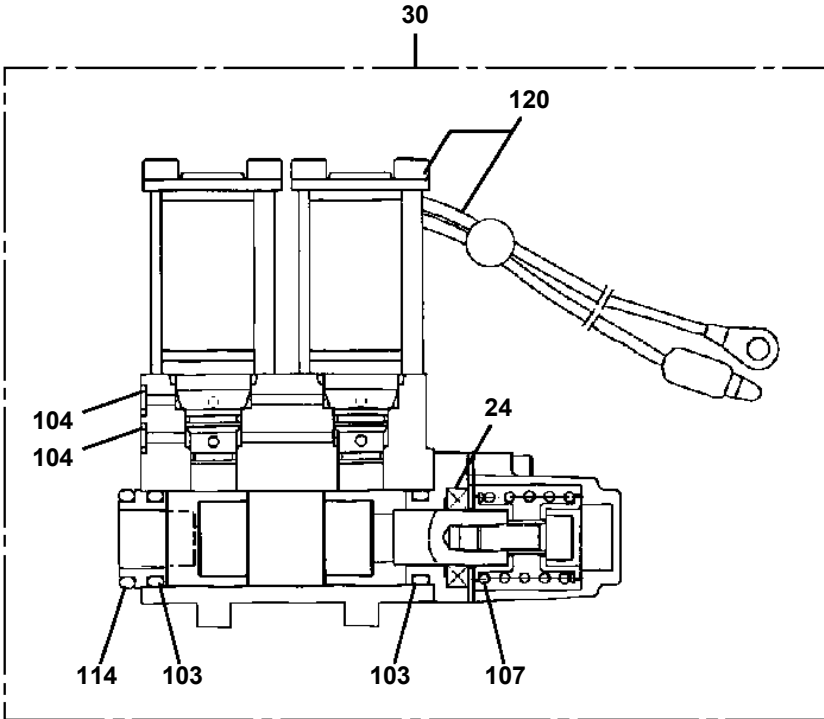
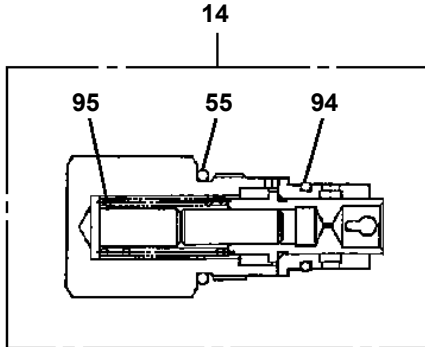
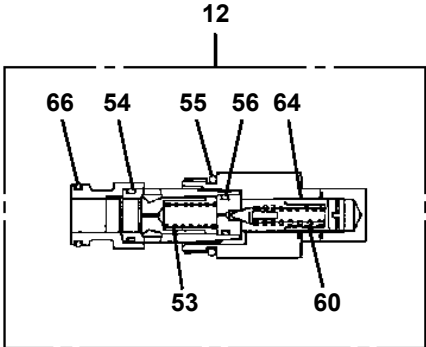
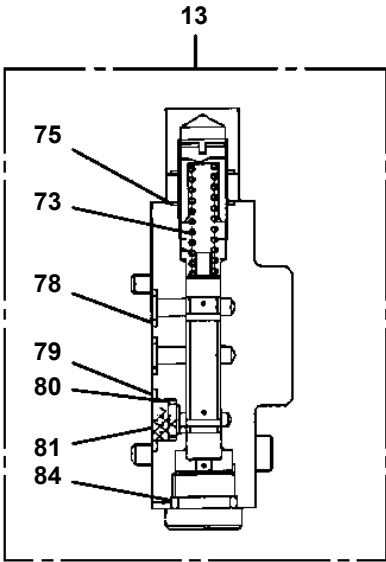
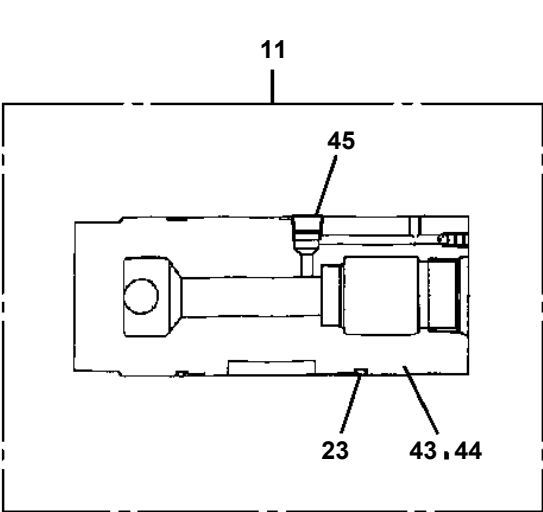
PY3420000-00 SHACKLE

PZ0000000-00 VALVE ASSY

OC-160M-1-40700 LOWER,ISUZU KC-CXZ81K2D

Pos No.	Parts No	Parts Name	Qty	Unit	Technical Data	Serial No (Start)	Serial No (End)	Rema
1	80316080060	PLUG	2					
2	53256551000	COVER	1					
3	91001221000	O-RING	2		1A G210			
4	90101508016	BOLT	14		M8X16			
5	90302040801	WASHER,SPRING	22		8			
7	91001211000	O-RING	2		1A G110			
8	53156005000	BREATHER ASSY (OB-10T)	1					
9	53256552000	COVER	1					
10	37002510350	HOSE (L=140/PVC)	1					
11	91801300150	CLIP	2		D=13-15			
12	90101508020	BOLT	8		M8X20			
13	36100935010	CASE	1					
14	36100930100	COVER	1					
41	53156005010	ELEMENT (OB-10T & OB-10B)	1					
42	53156005020	PACKING SET	1				325542	
53	53156005030	PLATE (WITH PACKING)	1			325543		
54	53156005040	PACKING	1			325543		
100	36100930002	TANK,OIL	1					

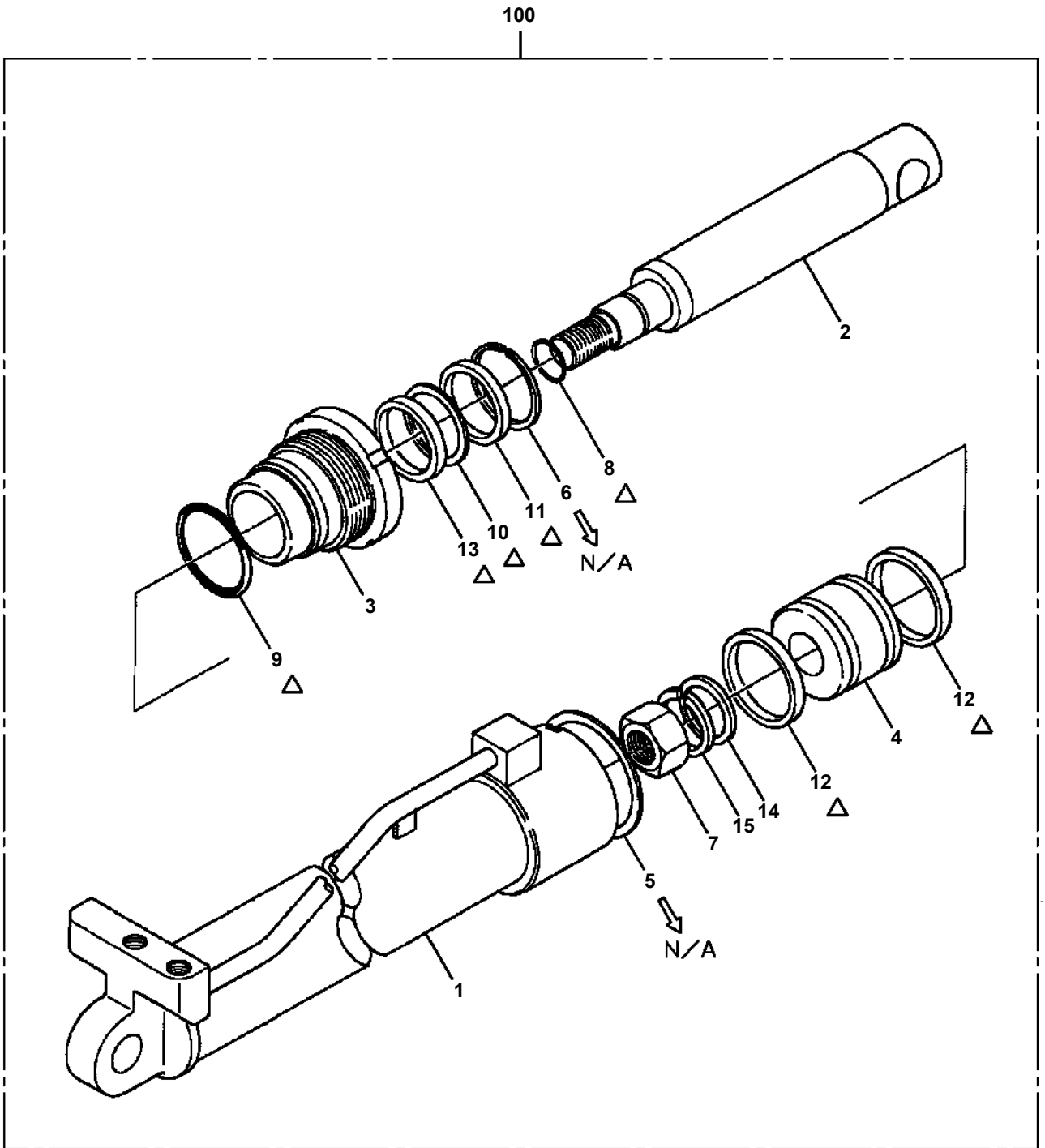
**OC-160M-1-40700 LOWER,ISUZU KC-CXZ81K2D
PB1340037-01 VALVE,SOLENOID CONTROL**



OC-160M-1-40700 LOWER,ISUZU KC-CXZ81K2D

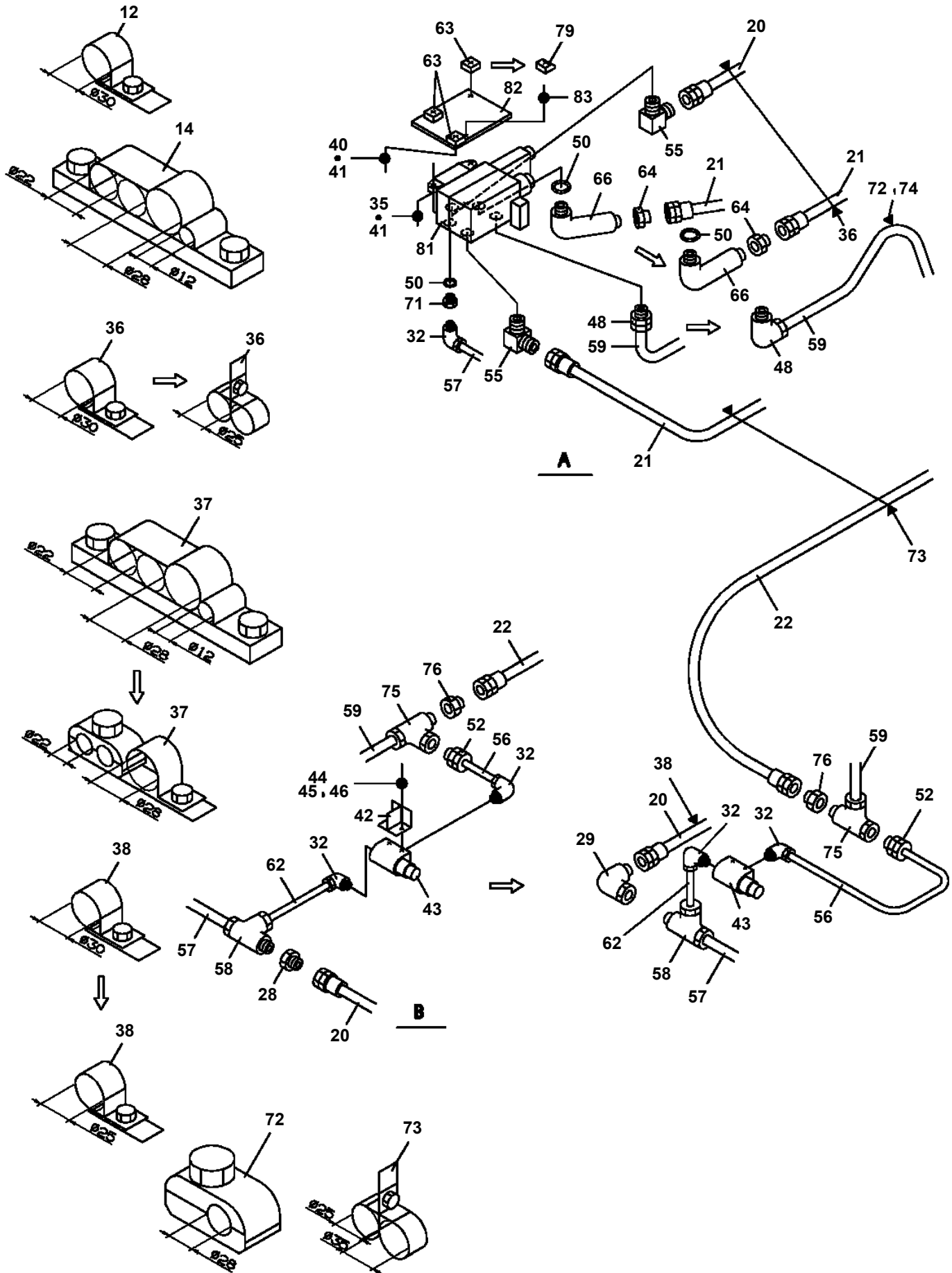
Pos No.	Parts No	Parts Name	Qty	Unit	Technical Data	Serial No (Start)	Serial No (End)	Remarks	Pages
1	33610023300	FLOAT ASSY	2						
2	37000102100	PIN	2						
3	80136340050	PIN,SPLIT	4		4X50				
4	32610401101	PLATE	8						
5	32610401201	PLATE	4						
7	32610401400	PLATE	2						
8	32610401500	PLATE	2						
9	32610401601	PLATE	4						
10	32610401700	PLATE	2						
11	32610401800	PLATE	2						
12	32610401900	PLATE	2						
21	90191410045	BOLT	12		M10X45				
22	90302041001	WASHER,SPRING	12		10				
23	33610023310	COVER	4						
24	33610028010	FLOAT ASSY	2						
31	82456101000	NIPPLE,GREASE	2		A-PT1/8				

OC-160M-1-40700 LOWER,ISUZU KC-CXZ81K2D
PC1050100-02 CYLINDER,EXTENSION



Δ:PACKING SET KEY NO.41 (KEY NO.8,9,10,11,12,13)

**OC-160M-1-40700 LOWER, ISUZU KC-CXZ81K2D
PF1200094-02 PIPING, WINCH (OPTION)**



CLICK HERE TO **DOWNLOAD** THE COMPLETE MANUAL

- Thank you very much for reading the preview of the manual.
- You can download the complete manual from: www.heydownloads.com by clicking the link below



- Please note: If there is no response to CLICKING the link, please download this PDF first and then click on it.

CLICK HERE TO **DOWNLOAD** THE COMPLETE MANUAL

OC-160M-1-40700 LOWER,ISUZU KC-CXZ81K2D

Pos No.	Parts No	Parts Name	Qty	Unit	Technical Data	Serial No (Start)	Serial No (End)	Remarks	Pages
100	32730612110	HARNESS	1						

OC-160M-1-40700 LOWER,ISUZU KC-CXZ81K2D

Pos No.	Parts No	Parts Name	Qty	Unit	Technical Data	Serial No (Start)	Serial No (End)	Remarks	Pa
2	36630295020	VALVE,RELIEF	1						
3	36630365030	SPRING	1						
4	91002801800	O-RING	1		1B P18				
5	91002802600	O-RING	1		1B P26				
6	91002801100	O-RING	1		1B P11				
10	16025153020	SPRING	1						
11	36630045200	SCREW (ADJUSTING)	1		M10X25				
12	36630295130	NUT,CAP	1						
13	36630045220	NUT	1		M10				
14	91001001600	O-RING	2		1A S16				
16	91002802100	O-RING	1		1B P21				
20	36600260000	VALVE,RELIEF	1						

OC-160M-1-40700 LOWER,ISUZU KC-CXZ81K2D

Pos No.	Parts No	Parts Name	Qty	Unit	Technical Data	Serial No (Start)	Serial No (End)	Remarks
2	53259501010	VALVE	1					
4	53259501020	SPRING	1					
5	53259501030	ELEMENT	1					
6	90101210020	BOLT	1		M10X20			
7	53259501040	WASHER	1					
8	91001213500	O-RING	1		1A G135			
9	90131512040	BOLT,HEXAGON SOCKET	4		M12X40			
20	53259501000	FILTER,OIL	1					

OC-160M-1-40700 LOWER,ISUZU KC-CXZ81K2D

Pos No.	Parts No	Parts Name	Qty	Unit	Technical Data	Serial No (Start)	Serial No (End)	Remarks	Pages
1	32650621400	SUPPORT	1						
2	32650621010	PLATE	1						
4	32650621300	SUPPORT	1						
5	90101208040	BOLT	6		M8X40				
6	90201200800	NUT	7		M8				
7	90302040801	WASHER,SPRING	6		8				
8	90303070801	WASHER,PLAIN	7		8				
9	82100001173	CLAMP ASSY	15		L=65				
10	82100000207	CLAMP	10						
11	90441340060	SCREW,TAPPING	10		M4X6				
12	82100000182	INSULATOR	10						
13	82100000183	INSULATOR	10						
14	82100000191	TERMINAL	10						
15	82100000192	TERMINAL	10						
16	53283500010	TUBE	5						
17	90303070501	WASHER,PLAIN	2		5				
18	32650831100	SUPPORT	1						
19	37000546600	PLATE	2						
20	32650621200	HARNESS	1						
21	82100001735	SLEEVE	10						

OC-160M-1-40700 LOWER,ISUZU KC-CXZ81K2D

Pos No.	Parts No	Parts Name	Qty	Unit	Technical Data	Serial No (Start)	Serial No (End)	Remarks
1	80175803012	SCREW,MACHINE	6		M3X12			
2	90201500300	NUT	6		M3			
3	90302510301	WASHER,SPRING (SUS 3)	6					
5	82400000397	CATCH	1					
6	82400000420	HINGE	2					
7	32730614200	PLATE	2					
8	32730614101	BOX	1					
9	32730614300	COVER	1					

OC-160M-1-40700 LOWER,ISUZU KC-CXZ81K2D

Pos No.	Parts No	Parts Name	Qty	Unit	Technical Data	Serial No (Start)	Serial No (End)	Remarks	Pages
1	32690441101	SUPPORT	1						
2	32690441201	SUPPORT	1						
3	32690441300	SUPPORT	1						
4	32690441400	SUPPORT	1						
5	32690441500	SUPPORT	1						
6	32690441600	SUPPORT	1						
11	32690252101	SUPPORT	1						
12	32690252201	SUPPORT	1						
13	32690252300	SUPPORT	1						
14	32690252400	SUPPORT	1						
15	32690252501	SUPPORT	1						
16	32690252601	SUPPORT	1						
17	32690292102	DECK	1						
18	32690292202	DECK	1						
19	53224510000	STEP	2						
20	90101210020	BOLT	16		M10X20				
21	90302041001	WASHER,SPRING	50		10				
22	90303071001	WASHER,PLAIN	50		10				
23	90201201000	NUT	24		M10				
24	32690252900	COVER	4						
25	90101210025	BOLT	32		M10X25				
26	90101512035	BOLT	12		M12X35				
27	90201401200	NUT	12		M12				
28	90302041201	WASHER,SPRING	12		12				

OC-160M-1-40700 LOWER,ISUZU KC-CXZ81K2D

Pos No.	Parts No	Parts Name	Qty	Unit	Technical Data	Serial No (Start)	Serial No (End)	Remarks	Pages
1	83152312003	SHACKLE	2						000087
2	37001903730	ROPE,WIRE	1		16X1M				

OC-160M-1-40700 LOWER,ISUZU KC-CXZ81K2D

Pos No.	Parts No	Parts Name	Qty	Unit	Technical Data	Serial No (Start)	Serial No (End)	Remarks	Pages
1	59224356000	STEP	1						
2	32762650200	COVER	1						
3	90101208020	BOLT	6		M8X20				
4	90302040801	WASHER,SPRING	6		8				
5	32761630800	SUPPORT ASSY	1						
6	32761630200	SUPPORT	3						
7	32761630300	PLATE	1						
8	32761630400	STEP	1				325546		
9	32762650100	COVER	1						
10	90303070801	WASHER,PLAIN	6		8				

OC-160M-1-40700 LOWER,ISUZU KC-CXZ81K2D

Pos No.	Parts No	Parts Name	Qty	Unit	Technical Data	Serial No (Start)	Serial No (End)	Remarks	Page
1	32650623100	BRACKET	1						
2	32650623200	BRACKET	1						
3	37000702390	CLAMP ASSY	12						
4	14118155000	GROMMET	1						
6	90101208020	BOLT	4		M8X20				
7	90201200800	NUT	4		M8				
8	90302040801	WASHER,SPRING	4		8				
9	82100001801	TUBE,CORRUGATE	1	M	7				

CLICK HERE TO **DOWNLOAD** THE COMPLETE MANUAL

- Thank you very much for reading the preview of the manual.
- You can download the complete manual from: www.heydownloads.com by clicking the link below



- Please note: If there is no response to CLICKING the link, please download this PDF first and then click on it.

CLICK HERE TO **DOWNLOAD** THE COMPLETE MANUAL