

LS-106-1-00013 UPPER

PZ1000124-05 SYSTEM

ASSEMBLY

CLICK HERE TO **DOWNLOAD** THE COMPLETE MANUAL

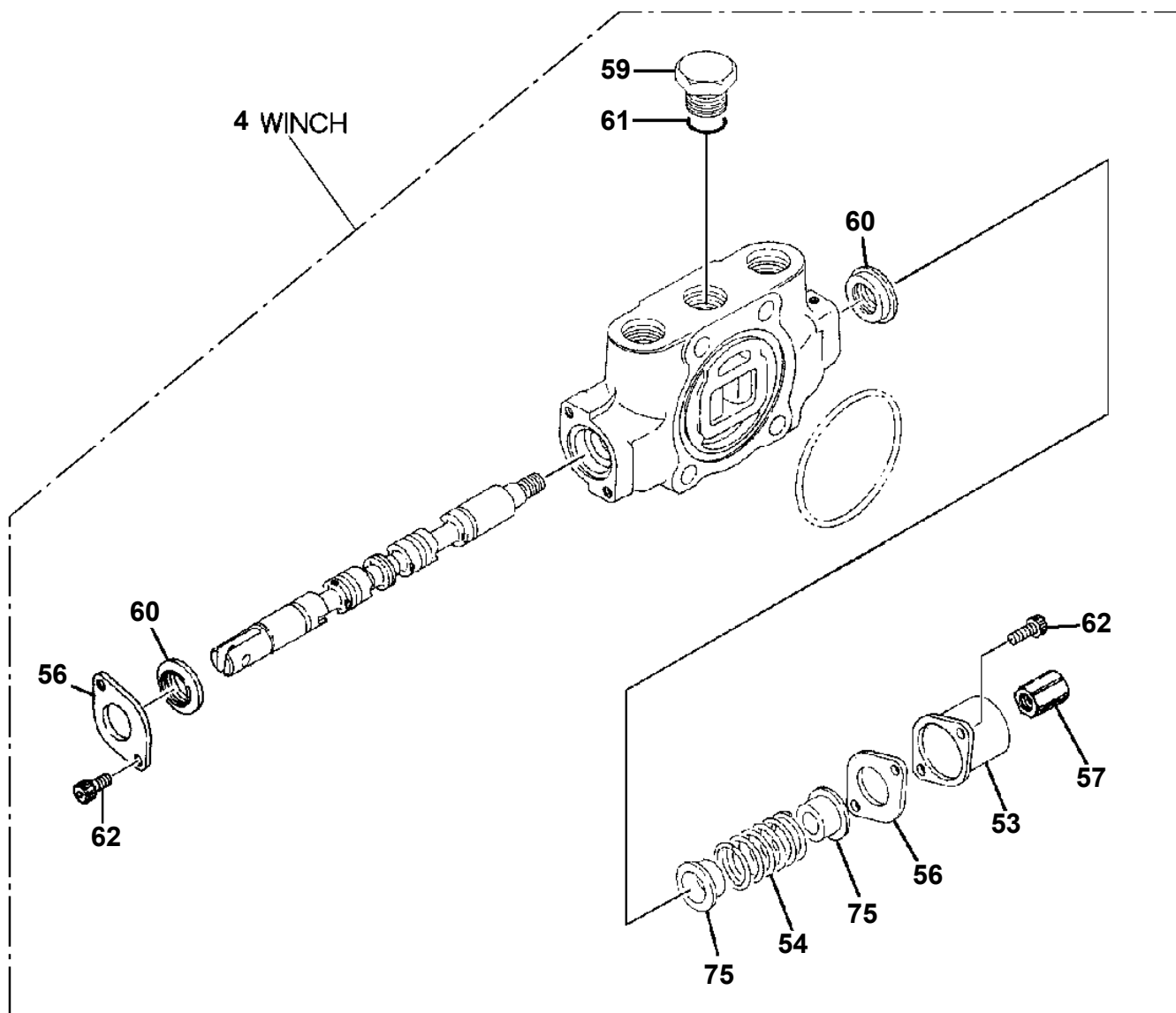
- Thank you very much for reading the preview of the manual.
- You can download the complete manual from: www.heydownloads.com by clicking the link below



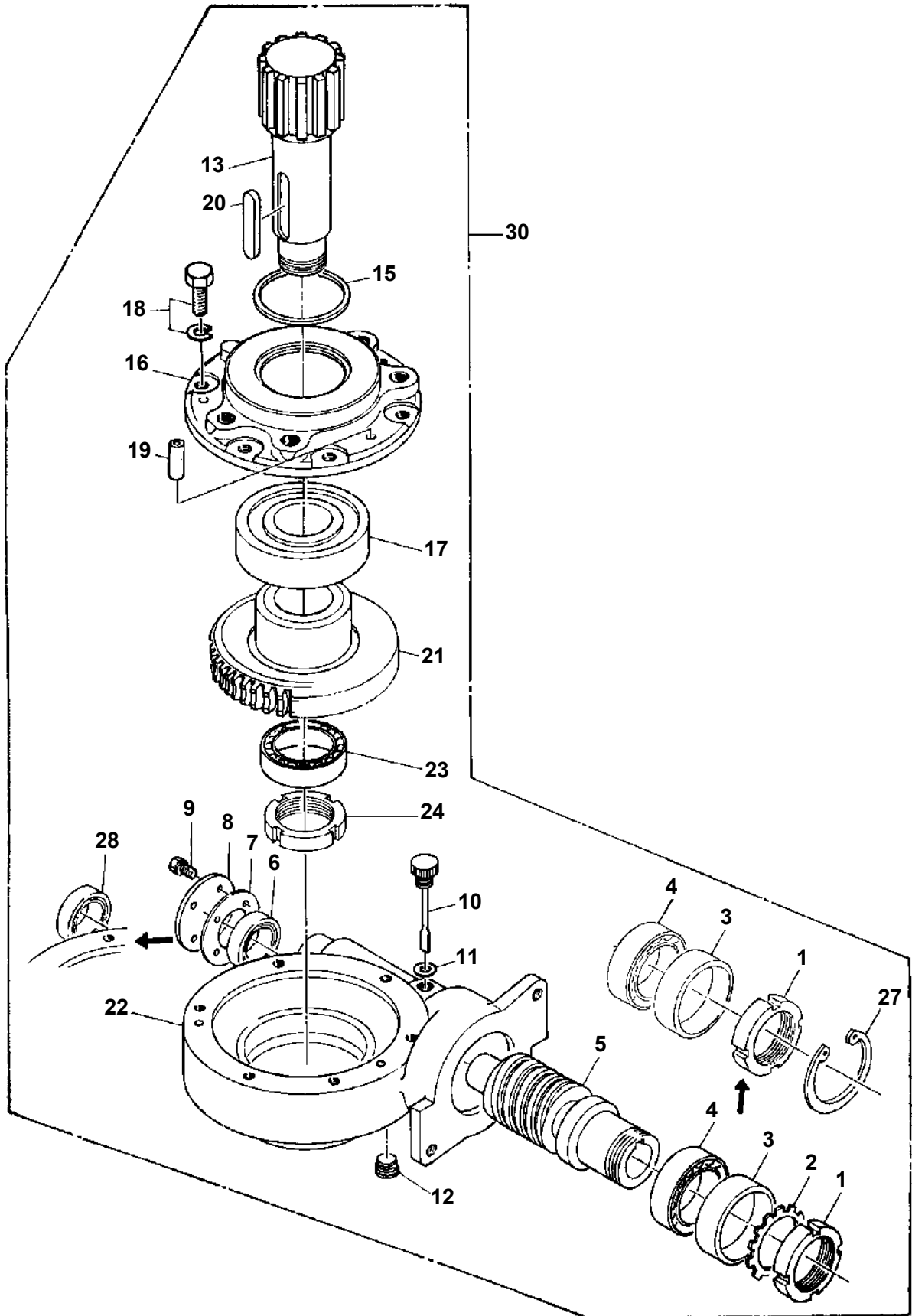
- Please note: If there is no response to CLICKING the link, please download this PDF first and then click on it.

CLICK HERE TO **DOWNLOAD** THE COMPLETE MANUAL

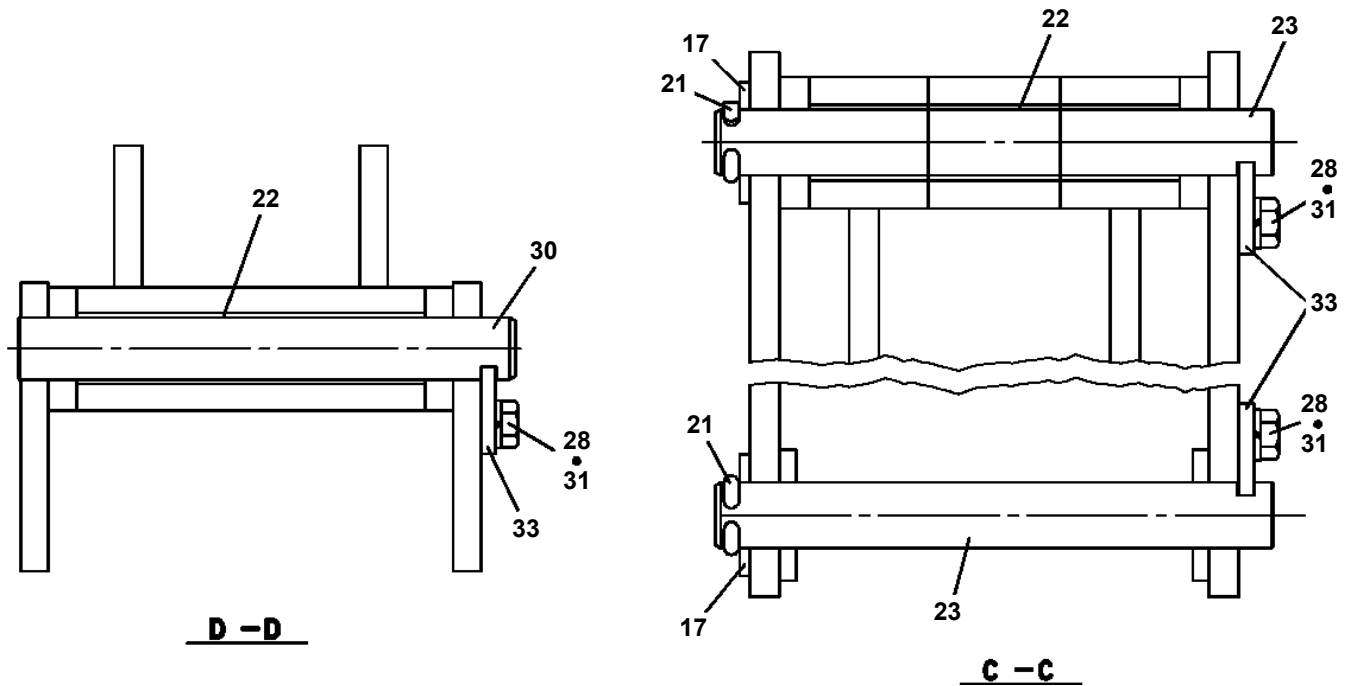
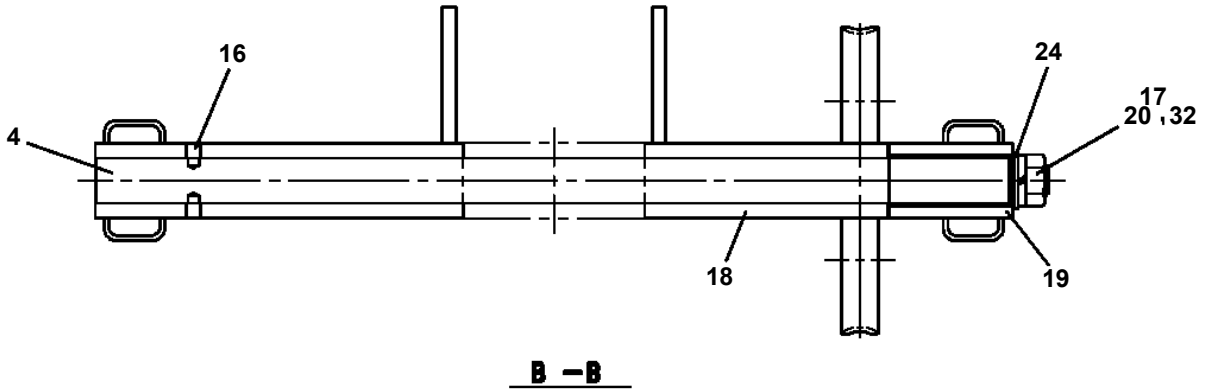
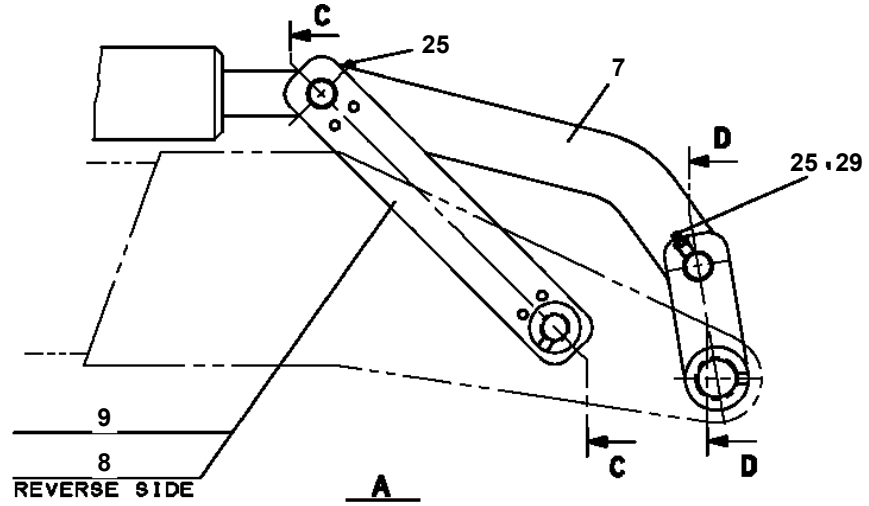
LS-106-1-00013 UPPER
PB1320419-01 VALVE, MANUAL CONTROL (SANWA)



LS-106-1-00013 UPPER
PD1010035-01 REDUCER, SWING SPEED

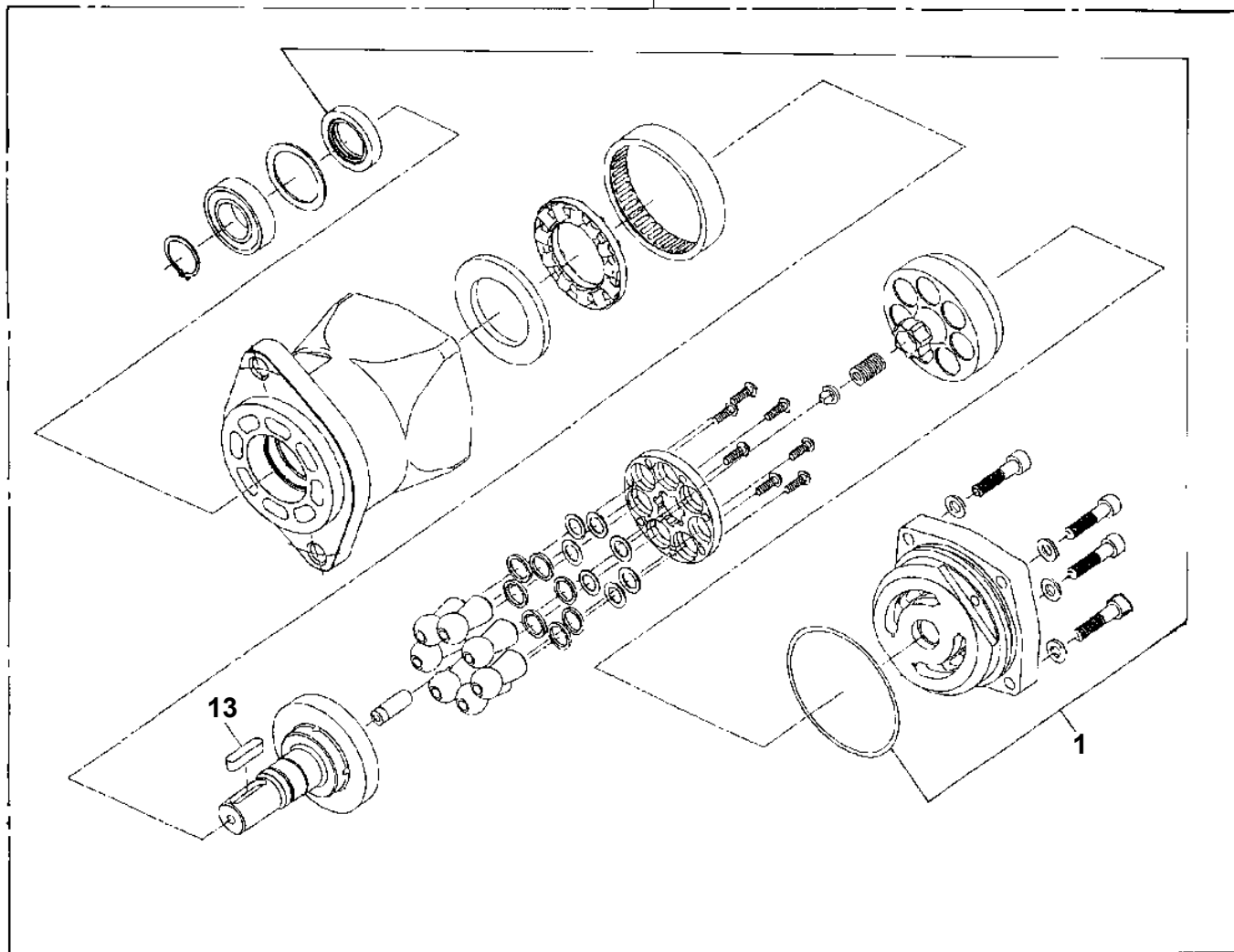


**LS-106-1-00013 UPPER
PE1400012-00 TILTING SYSTEM, LAMP**



LS-106-1-00013 UPPER
PI1010106-00 MOTOR, HYDRAULIC

20



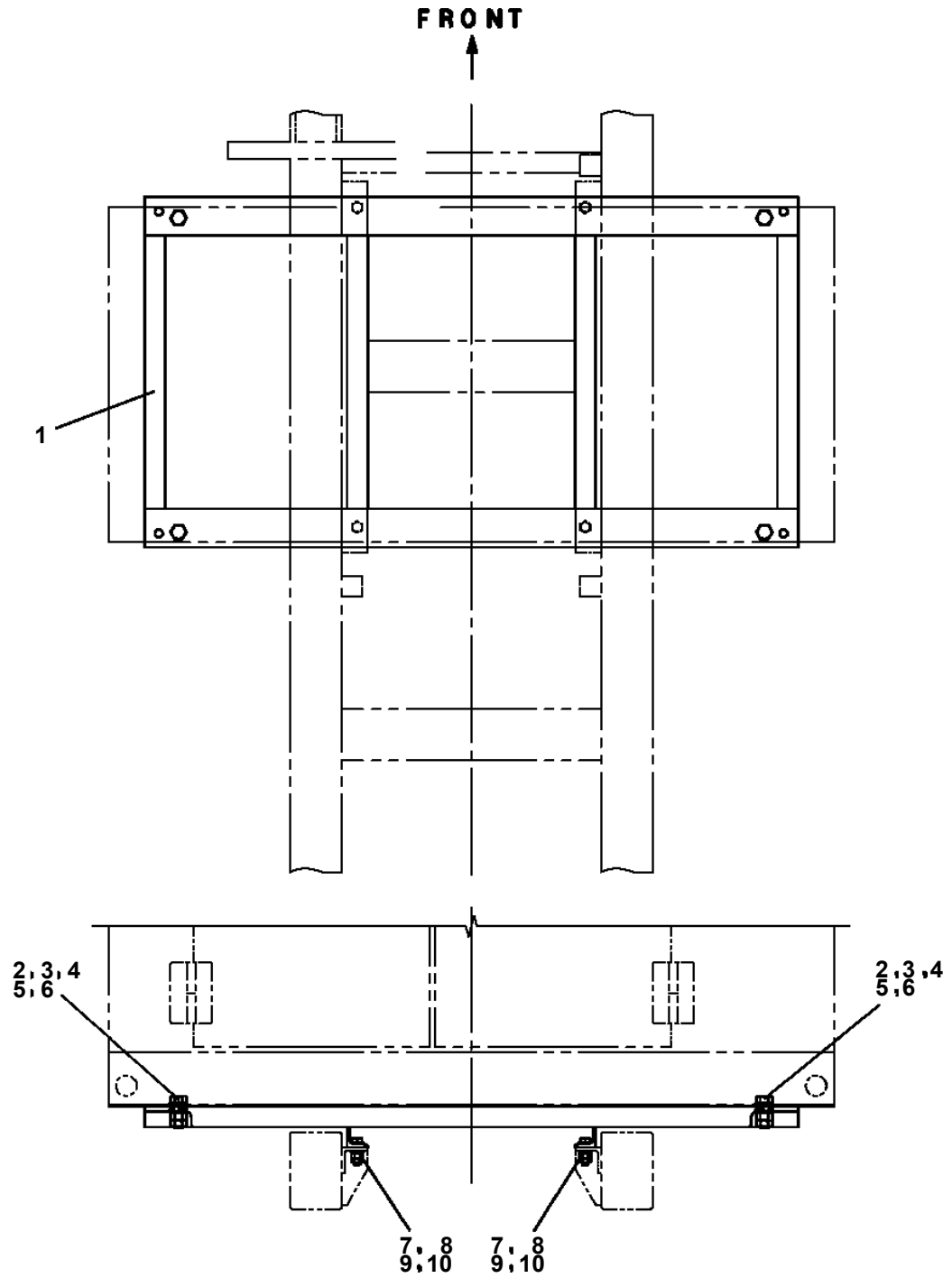
LS-106-1-00013 UPPER

Pos No.	Parts No	Parts Name	Qty	Unit	Technical Data	Serial No (Start)	Serial No (End)
1	37000119130	PIN ASSY	1				
2	37000537270	PLATE	1				
3	80136340020	PIN,SPLIT	1		4X20		
4	37000105610	PIN	5		L=18		
5	80620210050	PIN,SNAP	5				
7	42320660101	LEVER	1				
8	42320660200	LEVER	1				
9	42320660300	LEVER	1				
10	31320830010	KNOB (BLACK)	4				
11	37001601520	NUT	5		M12		
12	31320830190	KNOB (RED)	1				
13	90201400800	NUT	4		M8		
14	90302040801	WASHER,SPRING	10		8		
15	42320660400	LEVER	1				
16	42320660500	LEVER	1				
17	90101208020	BOLT	6		M8X20		
18	37000578740	PLATE	6		T=1.6		
19	42320660600	COVER	1				
20	90102208100	BOLT	1		M8X100		
21	90201200800	NUT	1		M8		
31	36635550001	VALVE,MANUAL CONTROL (NABCO)	1				
32	36635650001	VALVE,MANUAL CONTROL (SANWA)	1				
41	80136340020	PIN,SPLIT	1		4X20		
42	37000119120	PIN	1				

LS-106-1-00013 UPPER

Pos No.	Parts No	Parts Name	Qty	Unit	Technical Data	Serial No (Start)	Serial No (End)	Rema
5	36160017550	HANDLE	1					
6	36160655020	SHAFT	1					
7	36160017560	WASHER,PLAIN	1					
9	36160017600	CORD ASSY	1					
11	36160017590	PLATE (CONTACT)	1					
50	36160010000	REEL,CORD (FOR EARTHING)	1					

LS-106-1-00013 UPPER
PX1480027-00 MOUNT, GENERATOR



CLICK HERE TO **DOWNLOAD** THE COMPLETE MANUAL

- Thank you very much for reading the preview of the manual.
- You can download the complete manual from: www.heydownloads.com by clicking the link below



- Please note: If there is no response to CLICKING the link, please download this PDF first and then click on it.

CLICK HERE TO **DOWNLOAD** THE COMPLETE MANUAL