

## **HT-380-2-00001 UPPER**

PD2000210-00 SWING UNIT

PG2000271-00 BOOM UNIT

PH1000550-00 SAFETY DEVICES (MOTION CONTROLLER)

PJ4000004-00 MANIPULATOR (COMPONENT PARTS)

PK2000991-00 FRAME UNIT

PO1000167-00 INDICATION PLATES

ASSEMBLY

CLICK HERE TO **DOWNLOAD** THE COMPLETE MANUAL

- Thank you very much for reading the preview of the manual.
- You can download the complete manual from: [www.heydownloads.com](http://www.heydownloads.com) by clicking the link below



- Please note: If there is no response to CLICKING the link, please download this PDF first and then click on it.

CLICK HERE TO **DOWNLOAD** THE COMPLETE MANUAL

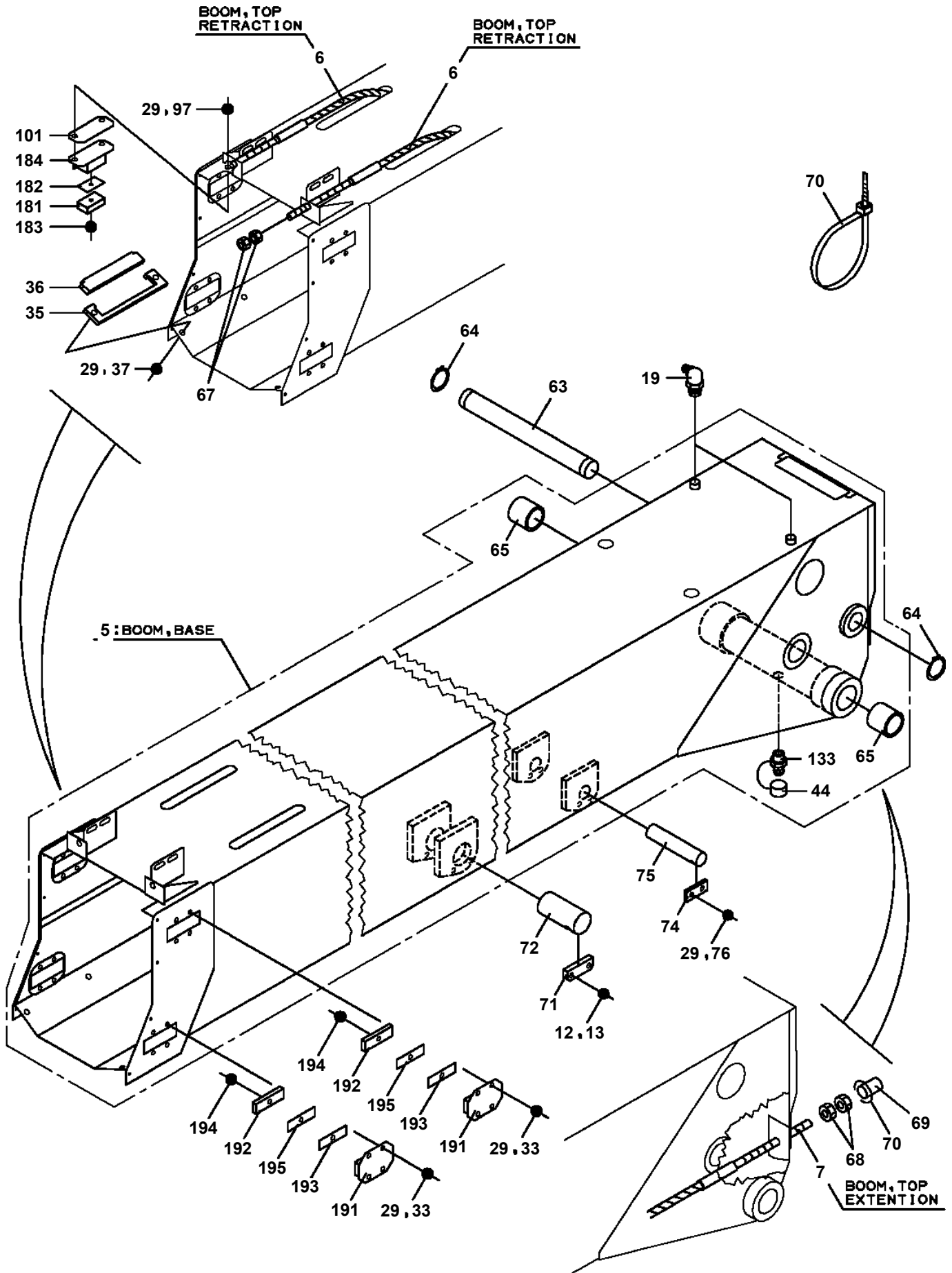
# HT-380-2-00001 UPPER

Pos No.	Parts No	Parts Name	Qty	Unit	Technical Data	Serial No (Start)	Serial No (End)	Re
1	(*****)	FRAME ASSY	1					
2	(*****)	OUTRIGGER ASSY,FRONT	1					
3	(*****)	OUTRIGGER ASSY,REAR	1					
4	(*****)	PIPING ASSY,FRAME	1					
5	(*****)	PIPING ASSY,RETURN	1					
6	(*****)	MOUNT ASSY,TANK SUPPORT	1					
7	(*****)	PIPING ASSY (GENERATOR)	1					
8	(*****)	ELEC.ASSY,FRAME	1					
9	(*****)	POWER SUPPLY ASSY,HYDRAULIC	1					
10	(*****)	MOUNT ASSY,ENGINE UNIT	1					
	(*****)	MOUNT ASSY,ENGINE UNIT	1			270926	270928	
	(*****)	MOUNT ASSY,ENGINE UNIT	1			270929		

# HT-380-2-00001 UPPER

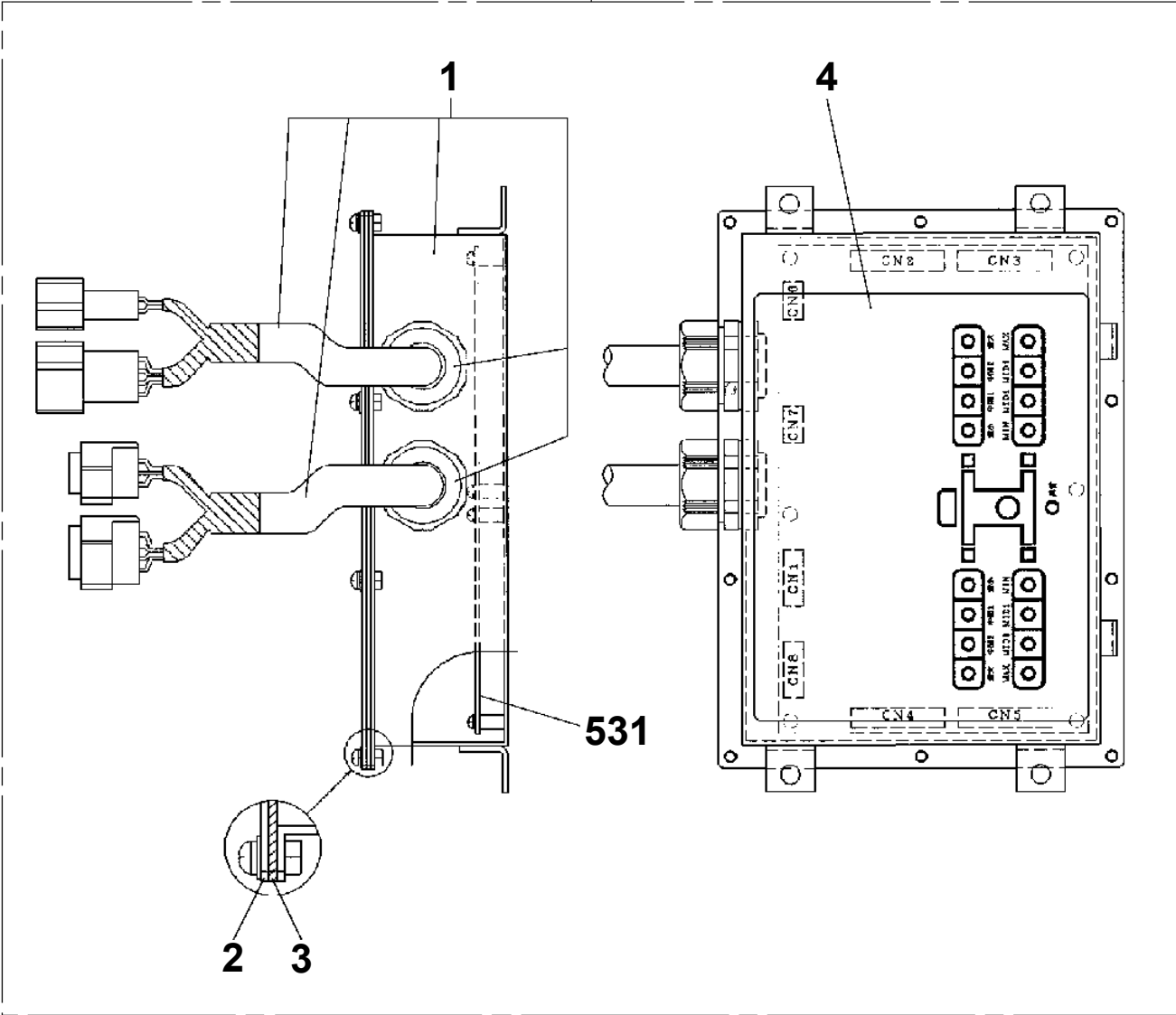
Pos No.	Parts No	Parts Name	Qty	Unit	Technical Data	Serial No (Start)	Serial No (End)	Remarks
1	36102121001	TANK	1					
3	53156005000	BREATHER ASSY (OB-10T)	1					
4	36102120010	CAP	1					
5	91001104800	O-RING	1		1A P48			
6	37002512230	HOSE	1		L=140			
7	91803880040	CLIP	2		D=10-12.2			
12	36102790010	PLUG	1			270932		
13	90303392001	WASHER	1		M20	270932		
18	80316080100	PLUG	1				270931	
21	53156005011	ELEMENT	1					
22	53156005020	PACKING SET	1				270930	
30	36102120000	TANK,OIL	1					
53	53156005030	PLATE (WITH PACKING)	1			270931		
54	53156005040	PACKING	1			270931		

**HT-380-2-00001 UPPER  
PB5190133-00 BOOM ASSY**

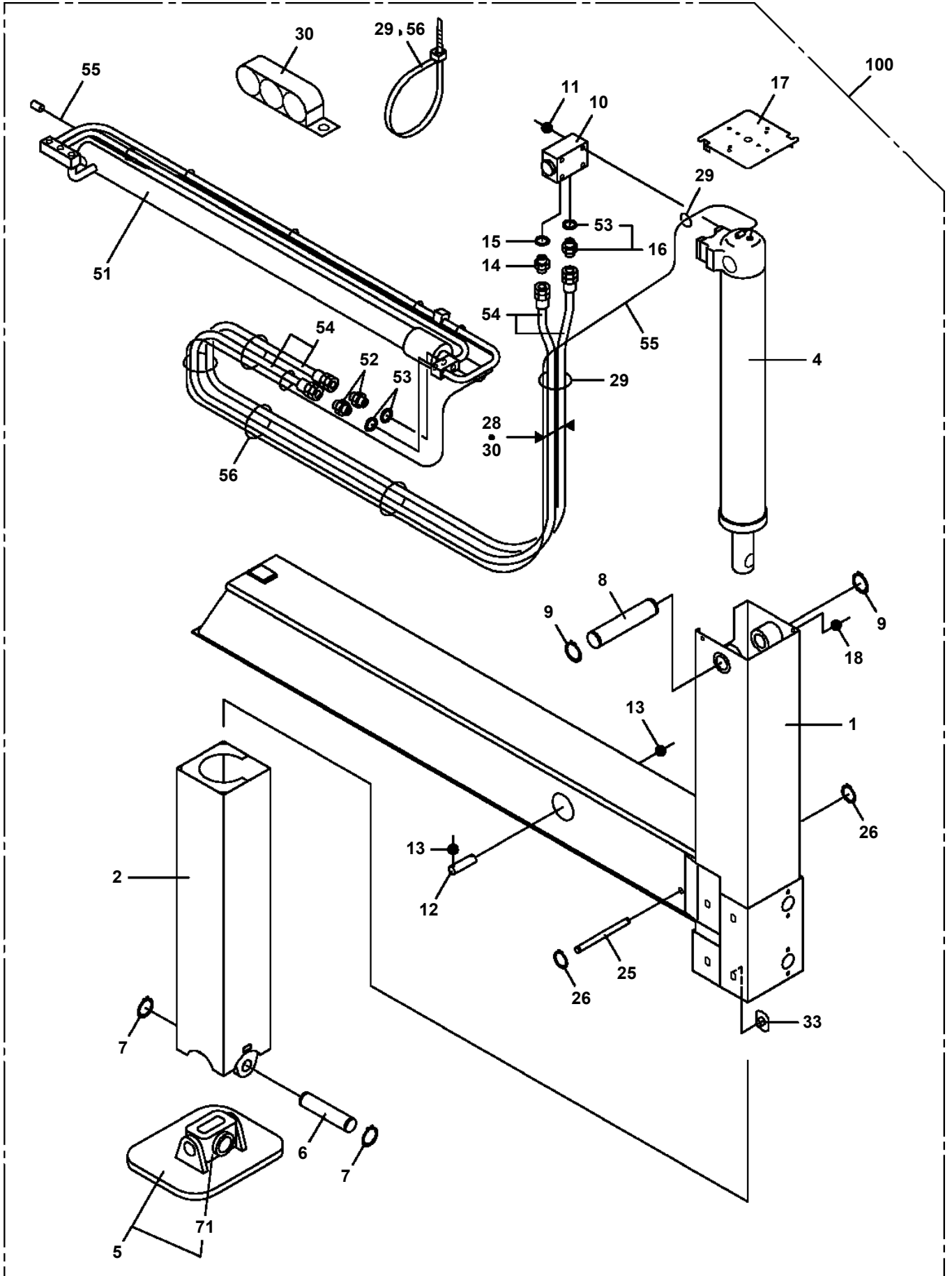


HT-380-2-00001 UPPER  
PC1190038-00 INDICATOR,OUTRIGGER

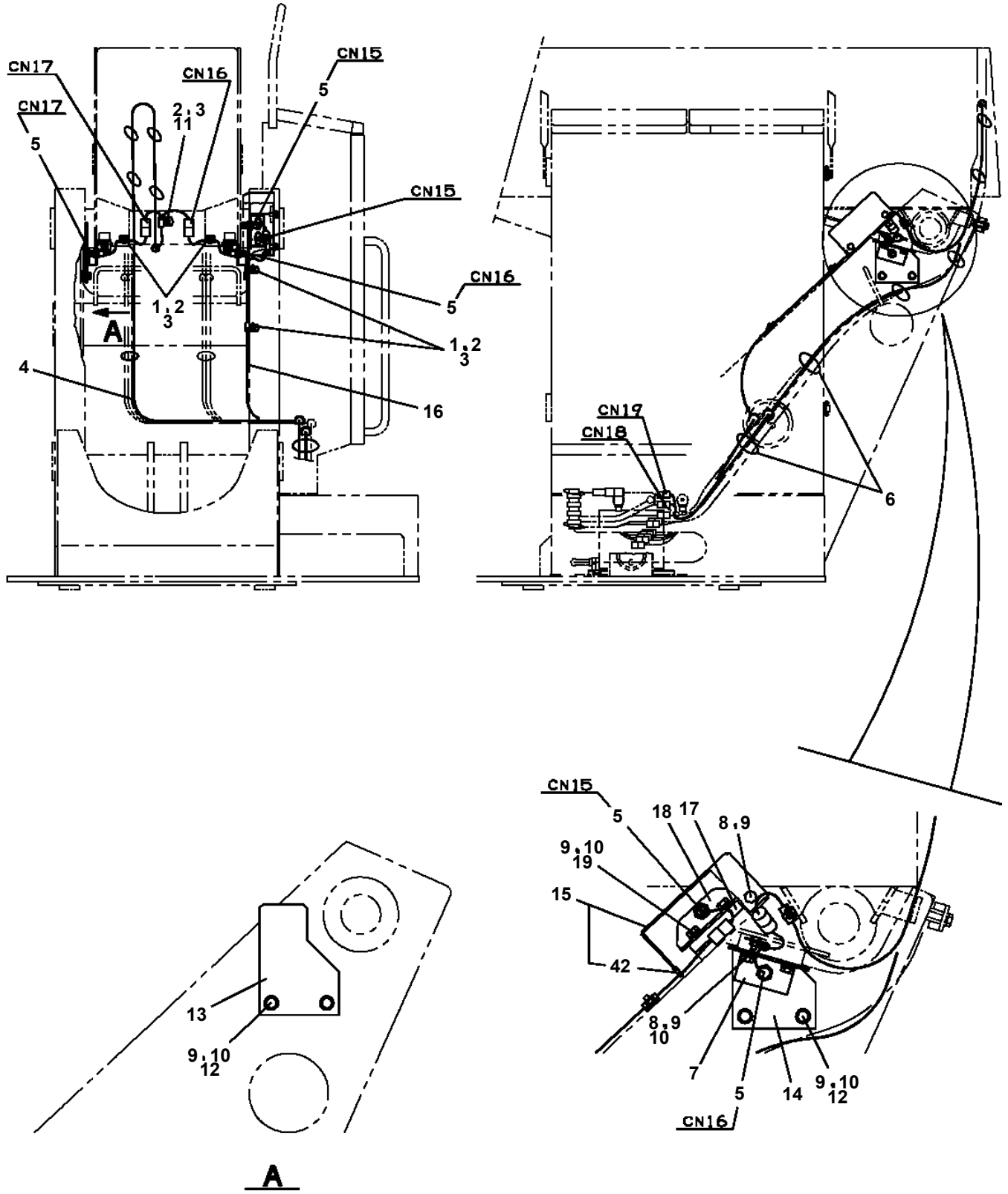
50



HT-380-2-00001 UPPER  
PC5150159-00 CASE ASSY,INNER (REAR)



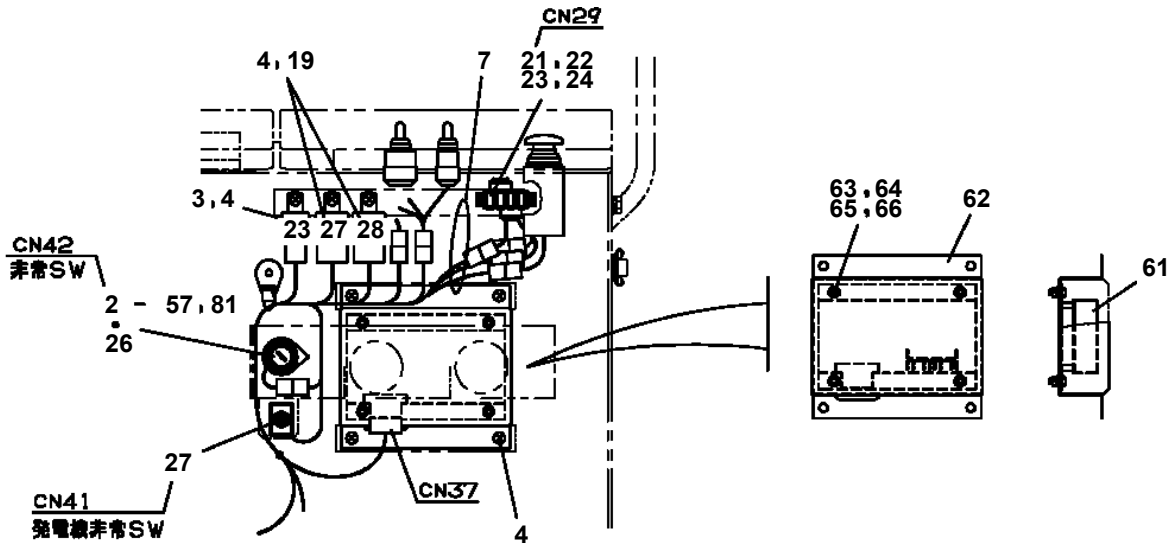
HT-380-2-00001 UPPER  
PD5040014-00 DETECTOR ASSY,ANGLE (ELEVATION)



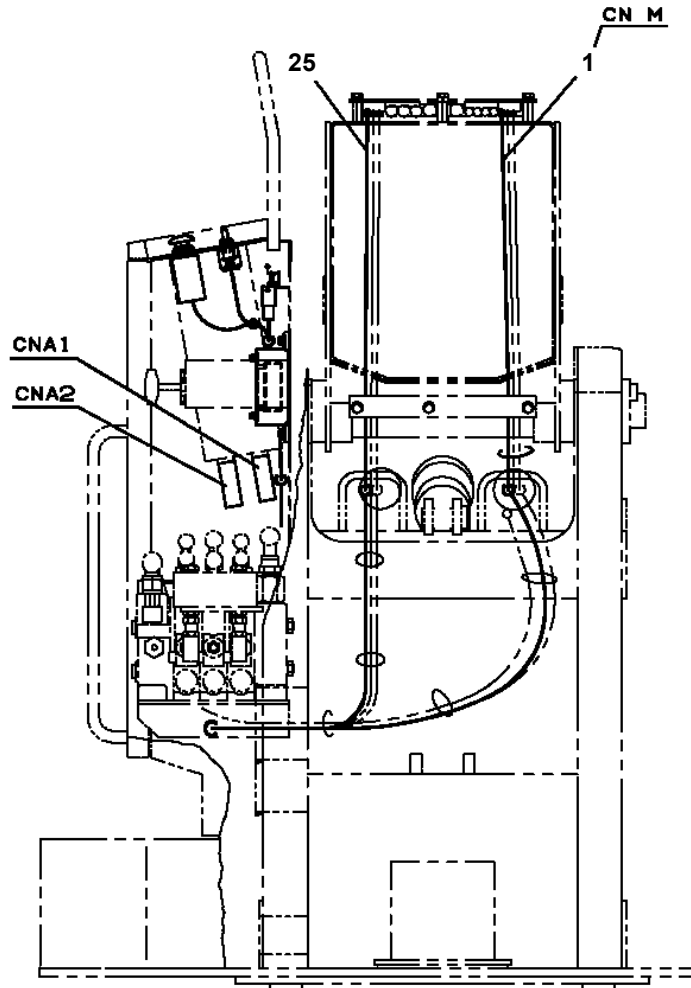
# HT-380-2-00001 UPPER

Pos No.	Parts No	Parts Name	Qty	Unit	Technical Data	Serial No (Start)	Serial No (End)	Remarks	Pages
1	90201200600	NUT	4		M6		270929		
	90201200600	NUT	3		M6	270930			
2	90302040601	WASHER,SPRING	9		6				
3	90303070601	WASHER,PLAIN	2		6				
4	90201200500	NUT	1		M5				
5	90303070501	WASHER,PLAIN	1		5				
6	90302040501	WASHER,SPRING	1		5				
7	90101208016	BOLT	4		M8X16				
8	90302040801	WASHER,SPRING	11		8				
9	(***** )	RELAY BOX ASSY	1						00011
10	82100002010	CLAMP	7		WR15				
11	90101206012	BOLT	5		M6X12				
12	82100002016	CLAMP	2		WR25				
13	90101208012	BOLT	3		M8X12				
14	37002708100	CABLE ASSY	1		L=1700				
15	90303070801	WASHER,PLAIN	5		8				
16	42421434300	SUPPORT	1						
17	42421152010	CABLE ASSY	1		L=1900				
18	90201200800	NUT	1		M8				
19	90101208018	BOLT	4		M8X18				
20	90101206025	BOLT	1		M6X25		270929		
	90101206020	BOLT	1		M6X20	270930			
21	42420794500	RELAY ASSY	1						
22	82100002018	CLAMP	1		WR35				
23	91810132530	FASTENER	4						

HT-380-2-00001 UPPER  
 PE5190022-00 ELEC.ASSY, SWING FRAME



A



B

# HT-380-2-00001 UPPER

Pos No.	Parts No	Parts Name	Qty	Unit	Technical Data	Serial No (Start)	Serial No (End)	Remarks	Pages
1	36072490000	WINCH	1						000037
2	42310951100	SUPPORT	1						
3	42310951200	SUPPORT	1						
4	42310951010	JOINT	1		S,R1/8-10				
5	80320030050	FITTING,ELBOW	1		KLE10-020N				
6	42310951300	PIN	1						
7	37002600400	WEDGE	1						
8	90101212018	BOLT	6		M12X18				
9	90302041201	WASHER,SPRING	6		12				
10	90101210016	BOLT	4		M10X16				
11	90302041001	WASHER,SPRING	4		10				
12	90101208018	BOLT	6		M8X18				
13	90302040801	WASHER,SPRING	6		8				
14	80400160128	JOINT	2		S,G3/8-G1/4				
15	91002801400	O-RING	2		1B P14				

# HT-380-2-00001 UPPER

Pos No.	Parts No	Parts Name	Qty	Unit	Technical Data	Serial No (Start)	Serial No (End)	Remarks	Pages
100	42352350300	HARNESS	1						

# HT-380-2-00001 UPPER

Pos No.	Parts No	Parts Name	Qty	Unit	Technical Data	Serial No (Start)	Serial No (End)	Remarks	Pages
100	42652510200	HARNESS	1						

# HT-380-2-00001 UPPER

Pos No.	Parts No	Parts Name	Qty	Unit	Technical Data	Serial No (Start)	Serial No (End)	Remarks	Pages
1	42442094100	ROPE (TESAC)	1		L=22M				
2	83152011003	SHACKLE	1				270929		
	83152811000	SHACKLE	1			270930			000115
3	12221506000	HOOK	1						
21	12221506010	STOPPER ASSY	1						

# HT-380-2-00001 UPPER

Pos No.	Parts No	Parts Name	Qty	Unit	Technical Data	Serial No (Start)	Serial No (End)	Remarks	P
5	36601615010	SPRING	2						
6	36601615020	SHIM	N						
7	36601615030	PLUG	2						
10	36606425010	SPRING	2						
11	36601615050	PLUG	2						
21	36606425020	SEAL KIT (REPAIR KIT)	1						
100	36606420000	VALVE,RELIEF	1						

# HT-380-2-00001 UPPER

Pos No.	Parts No	Parts Name	Qty	Unit	Technical Data	Serial No (Start)	Serial No (End)	Remarks
1	36648281000	VALVE,SOLENOID	1					
2	90131905045	BOLT,HEXAGON SOCKET	4		M5X45			
50	36648280000	VALVE,SOLENOID	1					

CLICK HERE TO **DOWNLOAD** THE COMPLETE MANUAL

- Thank you very much for reading the preview of the manual.
- You can download the complete manual from: [www.heydownloads.com](http://www.heydownloads.com) by clicking the link below



- Please note: If there is no response to CLICKING the link, please download this PDF first and then click on it.

CLICK HERE TO **DOWNLOAD** THE COMPLETE MANUAL

## HT-380-2-00001 UPPER

Pos No.	Parts No	Parts Name	Qty	Unit	Technical Data	Serial No (Start)	Serial No (End)	Remarks	Pages
2	91040101200	O-RING	1		P12				
4	91411001200	RING,BACKUP	2		P12				
6	91002801600	O-RING	2		1B P16				
7	91411001600	RING,BACKUP	2		P16				
9	91002802200	O-RING	2		1B P22				
10	36624166200	SPRING (A)	2						
11	36624166300	PLUG	2						
12	91002801400	O-RING	2		1B P14				
30	36624260000	VALVE,CHECK	1						

# HT-380-2-00001 UPPER

Pos No.	Parts No	Parts Name	Qty	Unit	Technical Data	Serial No (Start)	Serial No (End)	Remarks	Pages
1	36625755070	BODY ASSY	1						
4	37001201680	SPRING	1						
5	36625755040	PLUG	1						
6	91002801400	O-RING	4		1B P14				
7	36625755050	PISTON	1						
8	80316070120	PLUG	1		G1				
9	91002802900	O-RING	1		1B P29				
10	80316090020	PLUG	5		KKT PT1/8				
11	36625755060	ORIFICE	1						
100	36625750000	VALVE,CHECK	1						

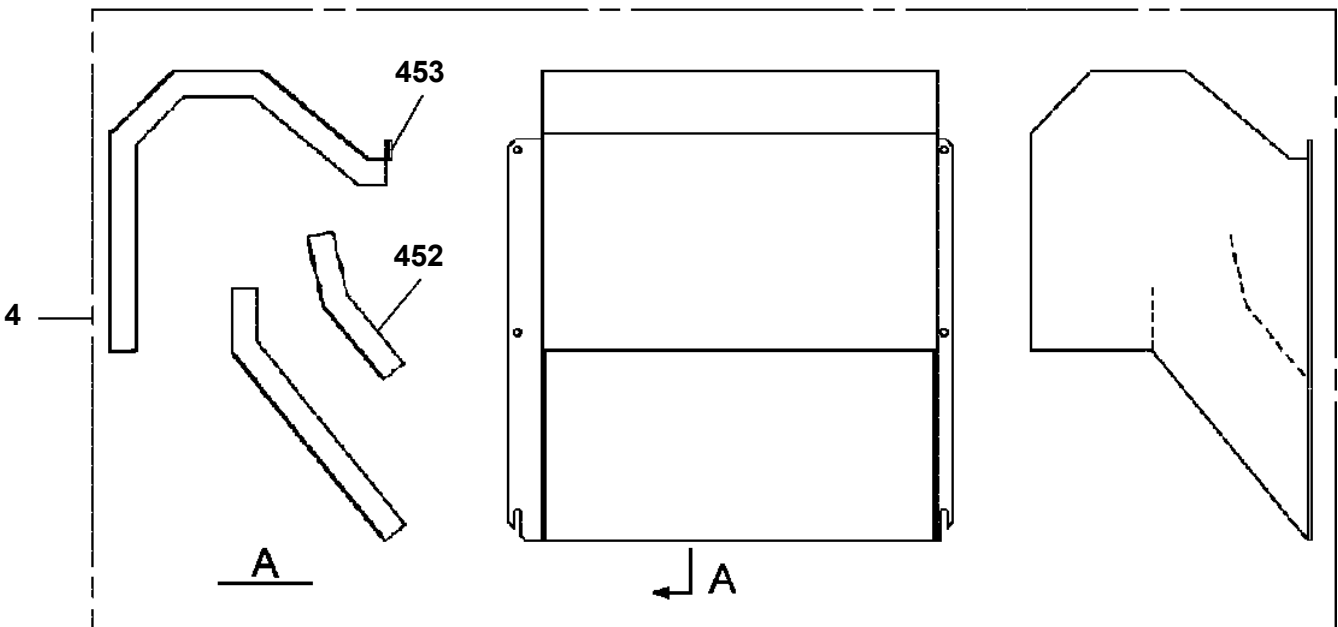
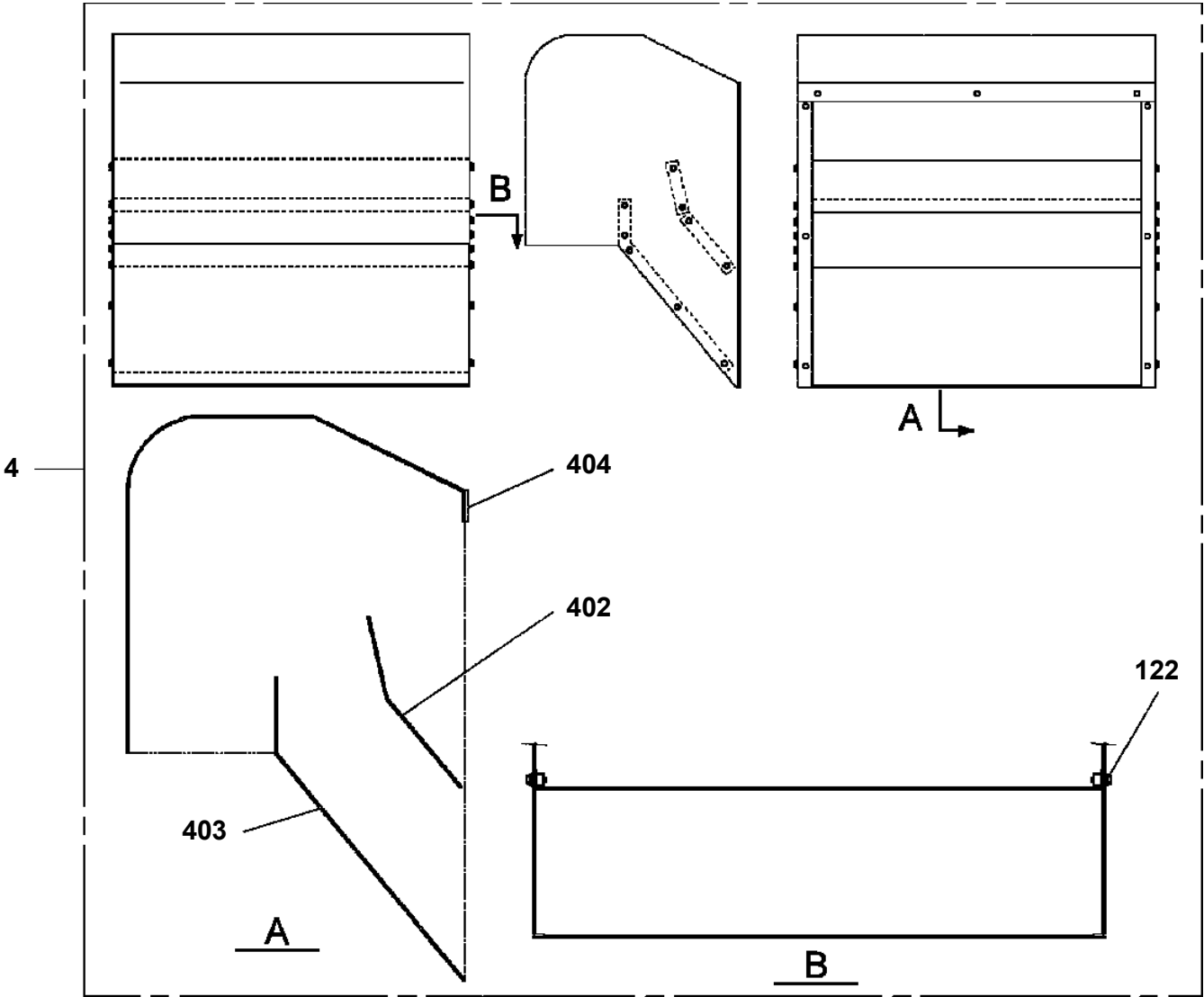
# HT-380-2-00001 UPPER

Pos No.	Parts No	Parts Name	Qty	Unit	Technical Data	Serial No (Start)	Serial No (End)	Remarks
1	36605935010	BOLT	1					
2	36605935020	NUT	1					
3	36605935030	PLUG	1					
4	36605935040	O-RING	1					
5	36605935050	SPRING	1					
6	36624595010	O-RING	2					
7	70610027675	PLUG	4		1/4			
9	36605935060	PLUNGER	1					
10	19115108100	PLUG	1		1/16			
11	36605935070	PLUG	1					
15	36622285050	O-RING	2					
18	36605935080	BOLT,HEXAGON SOCKET	8					
100	36605930000	VALVE,SEQUENCE	1					

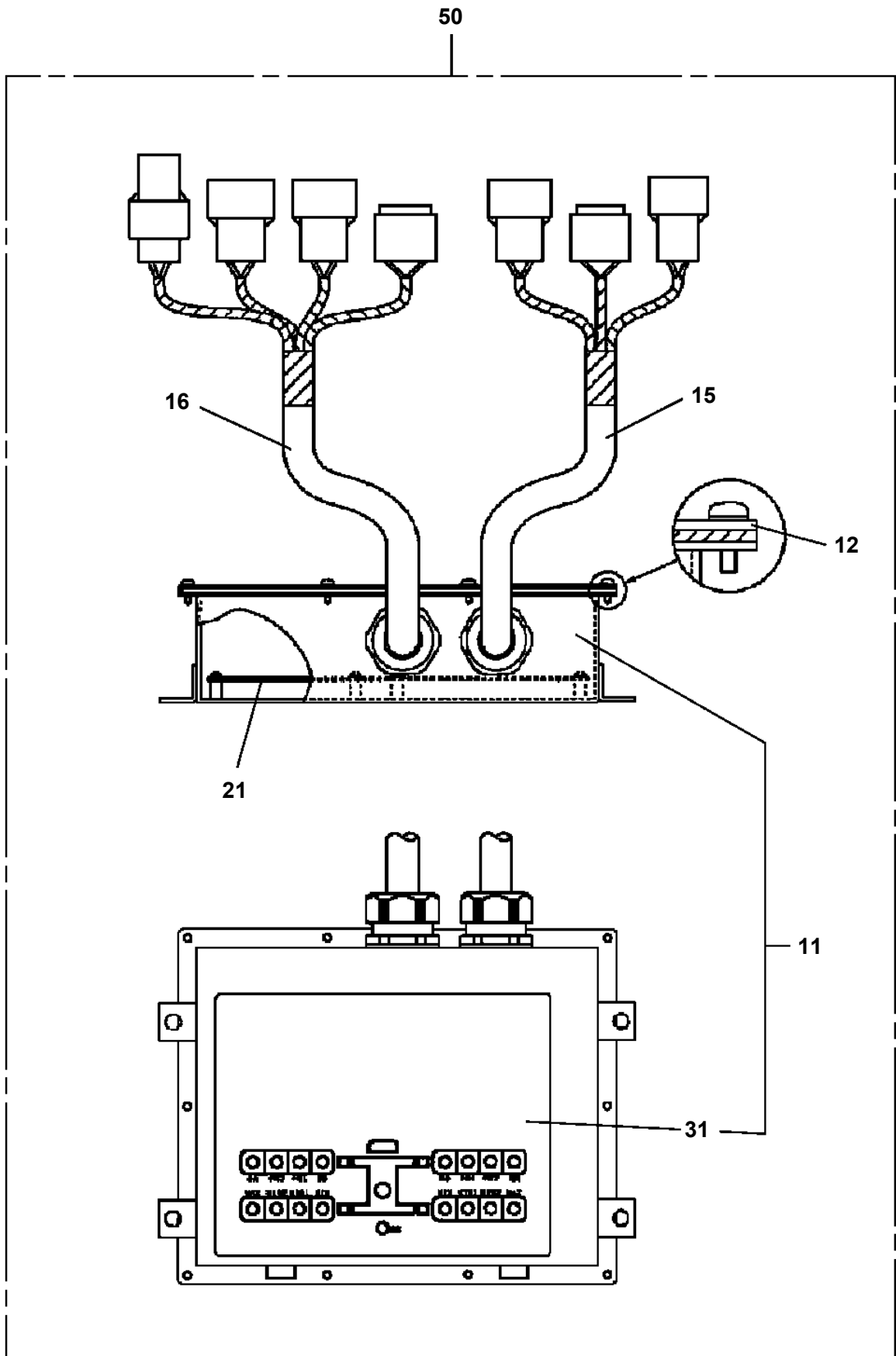
# HT-380-2-00001 UPPER

Pos No.	Parts No	Parts Name	Qty	Unit	Technical Data	Serial No (Start)	Serial No (End)	Remarks	Pages
1	80136363050	PIN,SPLIT	2		6.3X50				
2	42261620020	PIN	1				270930		
	42265980010	PIN	1			270931			
3	42262481000	POST	1						
4	82456106000	NIPPLE,GREASE	1		1/4-28UNF		270930		
	82455106000	NIPPLE,GREASE	1		A-M6F FE	270931			
24	80801003540	BEARING,PLAIN	2						

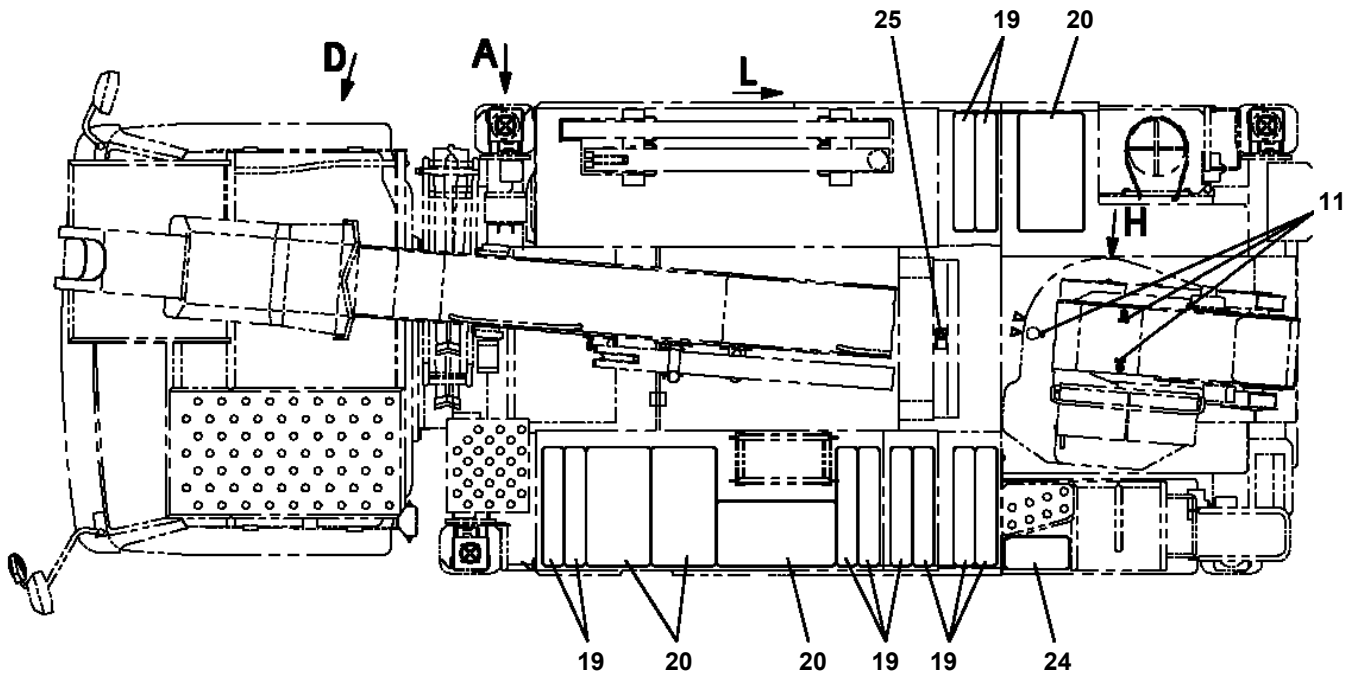
HT-380-2-00001 UPPER  
PK1330409-01 COVER (POWER UNIT)



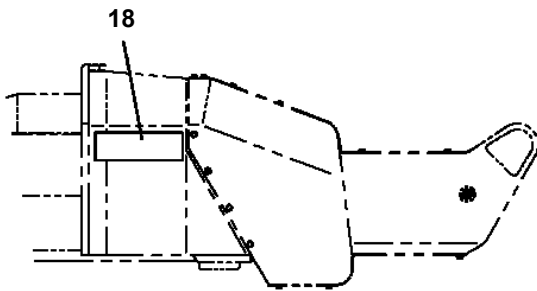
HT-380-2-00001 UPPER  
PN1180026-01 CONTROLLER



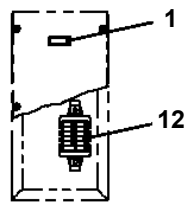
HT-380-2-00001 UPPER  
 PN5011219-00 NAME PLATE ASSY



K

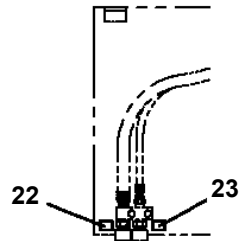


D

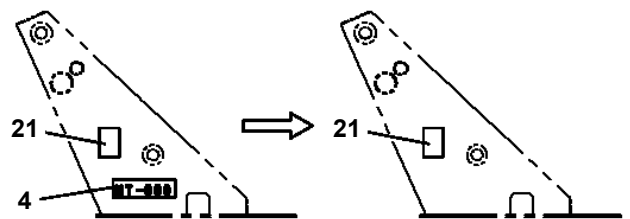


リレーボックス

A



L



H

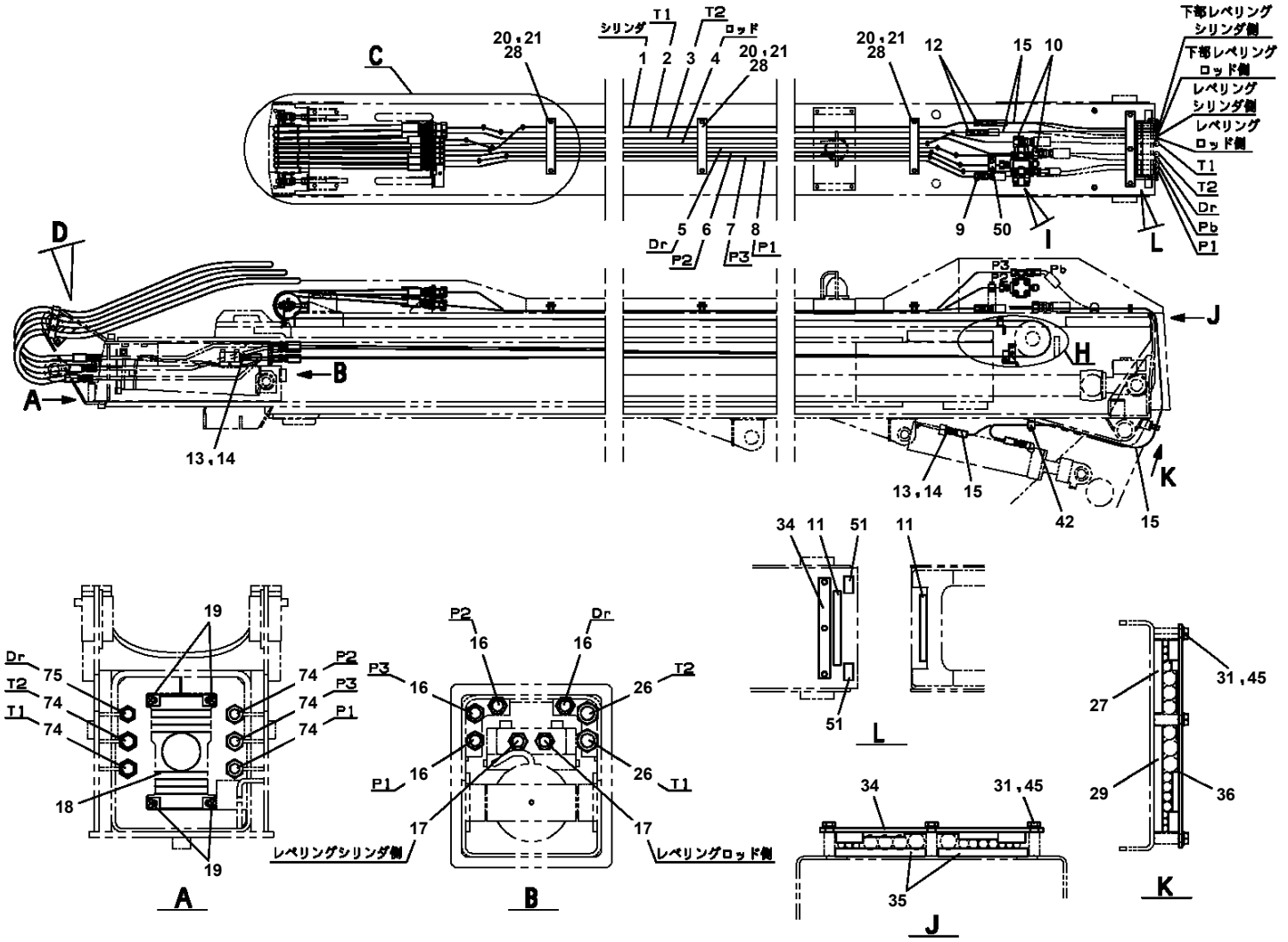
# HT-380-2-00001 UPPER

Pos No.	Parts No	Parts Name	Qty	Unit	Technical Data	Serial No (Start)	Serial No (End)	Remarks	Pages
1	42940010080	PLATE,CAUTION	1						

# HT-380-2-00001 UPPER

Pos No.	Parts No	Parts Name	Qty	Unit	Technical Data	Serial No (Start)	Serial No (End)	Remarks	Pages
1	42433851001	CABLE,SIGNAL	1						
2	37000714010	CLAMP ASSY	6		12X1				
3	37000300710	SLEEVE	4		12-8				
4	91810130240	FASTENER	N						
5	82100002006	CLAMP	1		WR10				
6	90302040601	WASHER,SPRING	2		6				
7	90201200600	NUT	2		M6				
8	80192473010	SCREW,MACHINE	3		M3X10				

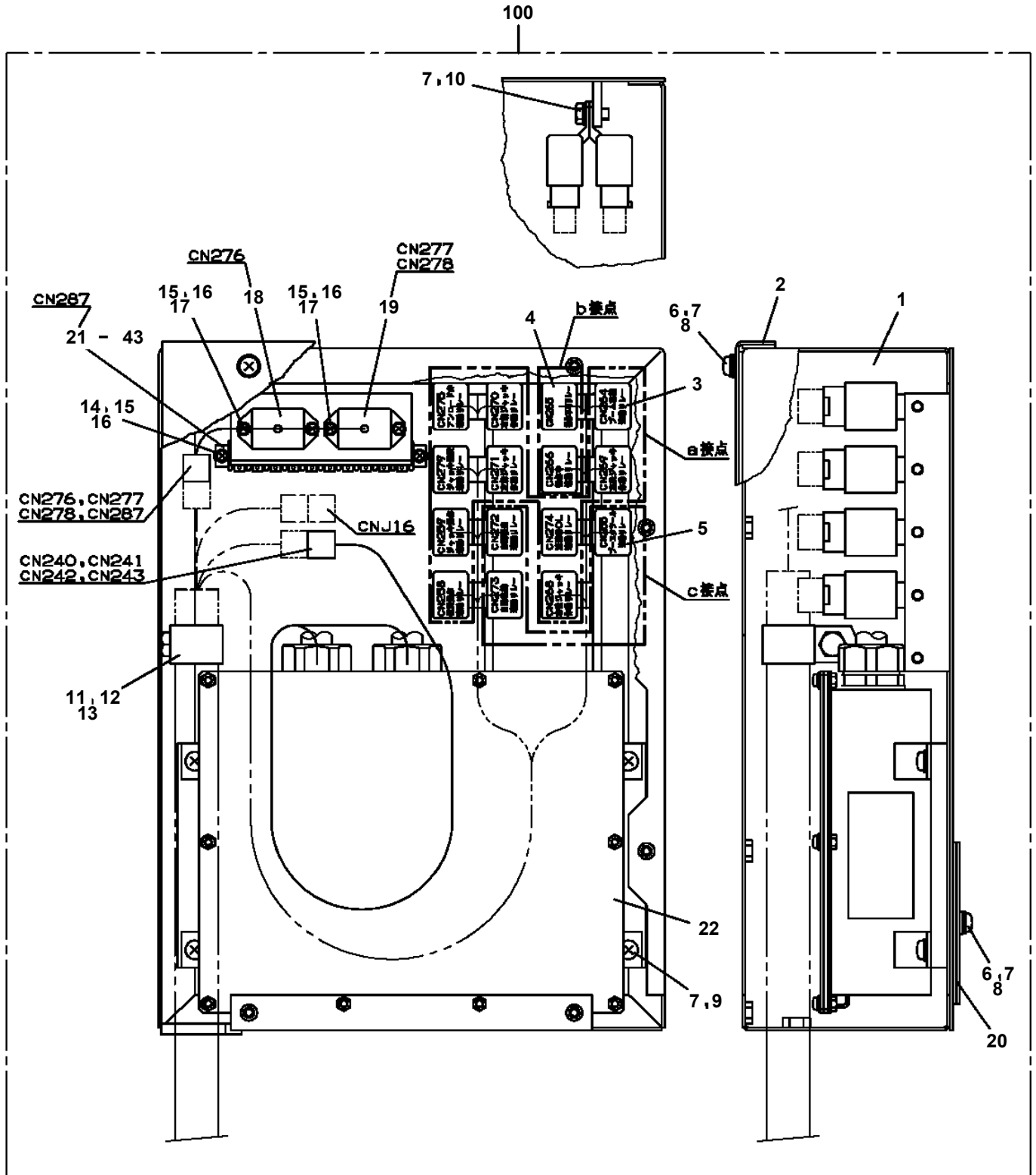
HT-380-2-00001 UPPER  
 PP6060016-00 PIPING ASSY,BOOM



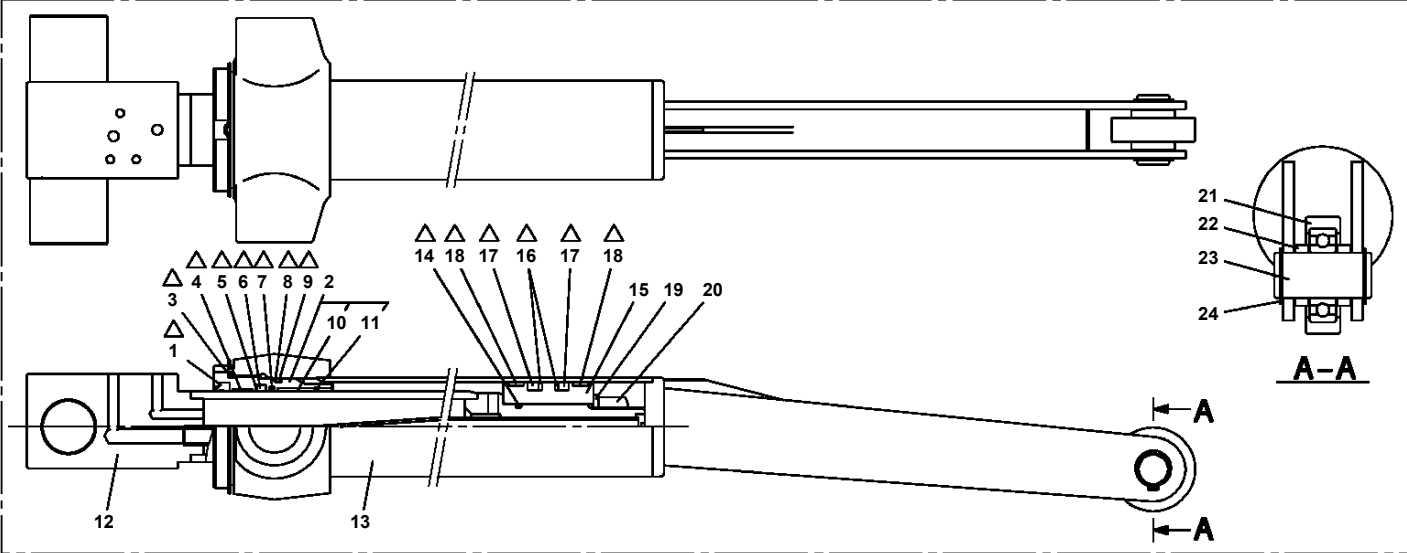
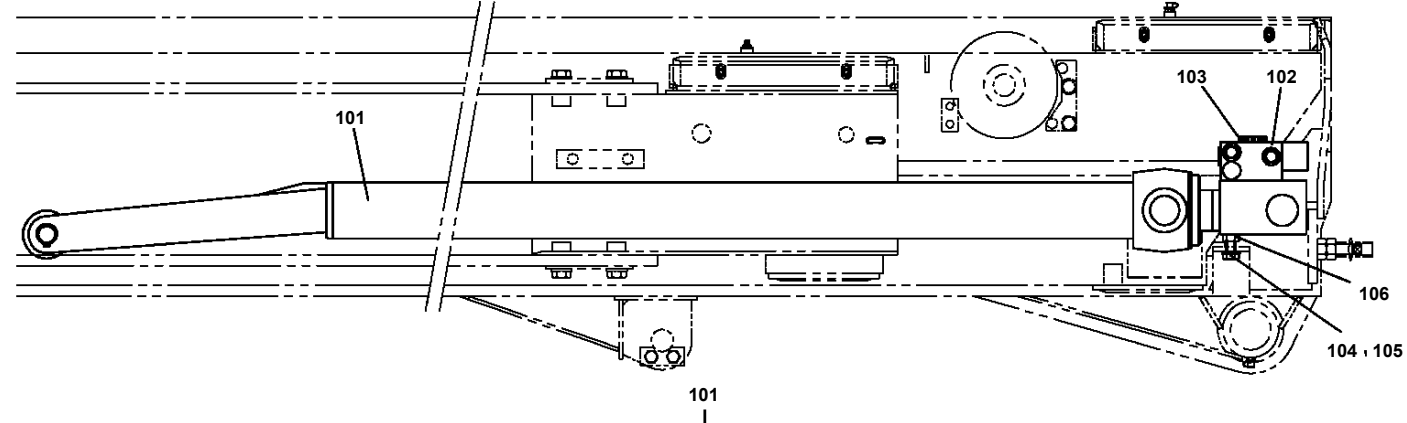
# HT-380-2-00001 UPPER

Pos No.	Parts No	Parts Name	Qty	Unit	Technical Data	Serial No (Start)	Serial No (End)	Remarks	P
81	37002479000	HOSE	1		L=3080	270926			
82	37002479010	HOSE	1		L=3330	270926			
91	36625170000	VALVE,CHECK	1				270931		00
	36625930000	VALVE,CHECK	1			270932			00
92	80471020502	JOINT	4						
93	91002801100	O-RING	18		1B P11				
94	80430620600	JOINT (WITH O-RING)	4		L,G3/8-G3/8				
101	42646621110	JOINT	1						
102	80303130311	FITTING,ELBOW	1		KLO28-060E				
103	80400160131	JOINT	1						
104	91002801800	O-RING	6		1B P18				
105	80430621200	JOINT	1						
107	80303130241	FITTING,ELBOW	1		KLO18-040E				
111	36649450000	VALVE,SOLENOID	1						00
112	37000928570	JOINT	4						
114	80481003037	JOINT	1						
115	91002801400	O-RING	10		1B P14				
116	80400160127	JOINT	4						
117	80400160129	JOINT	2						
121	80481003040	JOINT	1		S,G1/2-G3/8				
123	80481004060	JOINT	1		S G3/4-G1/2				
125	37000924070	JOINT	1		S,G1/2-G1/2				
126	80430620800	JOINT	1						
127	37000928460	JOINT	1						
128	80302090231	FITTING	1		KCO18-030N				
129	81408000241	PIPE,STEEL	1	M	18X1.9T				
130	80320030140	FITTING,ELBOW	1		KLE18-040N				
141	91002802400	O-RING	2		1B P24				

HT-380-2-00001 UPPER  
 PR5100056-00 RELAY BOX ASSY



**HT-380-2-00001 UPPER  
PT5130071-00 TELESCOPE ASSY**



Δ:PACKING SET KEY NO.41 (KEY NO.1,3,4,5,6,7,8,9,14,16,17,18)

# HT-380-2-00001 UPPER

Pos No.	Parts No	Parts Name	Qty	Unit	Technical Data	Serial No (Start)	Serial No (E
1	42442331000	TRANSMITTER,SIGNAL	1				
2	36648410000	VALVE ASSY,CONTROL	3				
3	42473340000	STEP,BUCKET	2				270925
	42473340000	STEP,BUCKET	1			270926	
4	36647660000	VALVE,SOLENOID	2				
5	42261400100	BUCKET (WHITE)	1				
6	42260910100	BUCKET (INNER CASE,OPTION)	1				
7	36647670000	VALVE,SOLENOID	1				
8	36647662000	CONTROL UNIT	8				270925
	36647662000	CONTROL UNIT	4			270926	270928
	36647662000	CONTROL UNIT	6			270929	
10	(*****)	ARM ASSY	1				
11	(*****)	WINCH,JIB (FRP,INSULATION,YELLOW)	2				
12	80192473010	SCREW,MACHINE	3		M3X10		
13	(*****)	MOUNT,WINCH (WITHOUT JIB STOWING)	1				
14	(*****)	HOOK ASSY	1				
15	42472990000	BOX,TOOL (FOR BUCKET)	2				

# HT-380-2-00001 UPPER

Pos No.	Parts No	Parts Name	Qty	Unit	Technical Data	Serial No (Start)	Serial No (End)	Remarks
2	90101208012	BOLT	5		M8X12			
3	90302040801	WASHER,SPRING	5		8			
4	42421430100	INSULATOR	11				270929	
5	42421430200	INSULATOR	1				270929	
6	42421430300	SUPPORT	2					
7	90101212055	BOLT	12		M12X55		270929	
8	90203201200	NUT	14		M12		270929	
	90201201200	NUT	7		M12	270930		
9	90303071201	WASHER,PLAIN	11		12		270929	
	90303071201	WASHER,PLAIN	23		12	270930		
10	90101212035	BOLT	4		M12X35		270929	
	90101212035	BOLT	16		M12X35	270930		
11	90302041201	WASHER,SPRING	4		12		270929	
	90302041201	WASHER,SPRING	16		12	270930		
31	(*****)	MOUNT ASSY,POWER TRAIN	1					
32	(*****)	PIPING ASSY (POWER UNIT)	1					
33	(*****)	ELEC.ASSY (POWER UNIT)	1					
34	(*****)	COVER (POWER UNIT)	1					
36	(*****)	EXHAUST ASSY	1					
51	42421435600	INSULATOR	11				270929	
52	42421435700	INSULATOR	1				270929	

# HT-380-2-00001 UPPER

Pos No.	Parts No	Parts Name	Qty	Unit	Technical Data	Serial No (Start)	Serial No (End)
101	90101208012	BOLT	2		M8X12		
102	90302040801	WASHER,SPRING	2		8		

CLICK HERE TO **DOWNLOAD** THE COMPLETE MANUAL

- Thank you very much for reading the preview of the manual.
- You can download the complete manual from: [www.heydownloads.com](http://www.heydownloads.com) by clicking the link below



- Please note: If there is no response to CLICKING the link, please download this PDF first and then click on it.

CLICK HERE TO **DOWNLOAD** THE COMPLETE MANUAL