

GT-750E-3-00301 5 BOOM + 2 JIB,2M2D

PB0000332-00 UPPER STRUCTURE SYSTEM

PB0000511-00 LOWER STRUCTURE SYSTEM

ASSEMBLY

CLICK HERE TO **DOWNLOAD** THE COMPLETE MANUAL

- Thank you very much for reading the preview of the manual.
- You can download the complete manual from: www.heydownloads.com by clicking the link below



- Please note: If there is no response to CLICKING the link, please download this PDF first and then click on it.

CLICK HERE TO **DOWNLOAD** THE COMPLETE MANUAL

GT-750E-3-00301 5 BOOM + 2 JIB,2M2D

PS5490001-01 SUSPENSION ASSY
PS5500045-00 SWING ASSY
PS5510057-00 SWING FRAME ASSY
PS5520036-03 SWING TABLE ASSY
PS5530061-01 SWITCH ASSY (COUNTERWEIGHT CONTROL)
PS5530353-01 SWITCH ASSY (1)
PS5530354-01 SWITCH ASSY (3)
PS5530367-02 SWITCH ASSY (L)
PS5530371-00 SWITCH ASSY
PS5530493-00 SWITCH ASSY (PRESSURE SWITCH)
PS5540013-02 SWITCH (OVERWIND/JIB)
PS5550008-00 SUPPORT
PT1340000-01 VALVE,RELAY
PT1360002-00 VALVE,SAFETY
PT5010001-00 TABLE ASSY,SWING
PT5090024-00 TANK ASSY,OIL
PT5090025-00 TANK ASSY,OIL
PT5130088-00 TELESCOPE ASSY
PT5160014-00 TOOL ASSY
PT5390001-00 TANK (SUB)
PT5650029-01 TRANSMISSION ASSY
PU5010008-00 UNWIND CUTOFF ASSY
PV5020001-00 VALVE ASSY,AIR
PV5040013-01 VALVE ASSY,CHECK
PV5060019-01 VALVE ASSY,CONTROL
PV5060027-01 VALVE ASSY,CONTROL
PV5090001-00 VALVE ASSY,HYDRAULIC
PV5140035-00 VALVE ASSY,RELIEF
PV5170003-00 VALVE ASSY,SELECTOR (MAIN)
PV5240025-00 VALVE ASSY,SOLENOID
PV5240027-00 VALVE ASSY,SOLENOID
PV5240029-03 VALVE ASSY,SOLENOID
PV5240030-00 VALVE ASSY,SOLENOID
PV5450095-00 VIEW SYSTEM (WINCH DRUM)
PV5450096-00 VIEW SYSTEM (REAR CAMERA)
PW1000125-00 ACCESSORIES & TOOLS (UPPER)
PW1000126-00 ACCESSORIES & TOOLS (LOWER)
PW1010146-00 ACCESSORIES (MET & WEAR)
PW5020049-01 WEIGHT ASSY
PW5030009-00 WHEEL ASSY (TOPY + MICHELIN)
PW5030037-00 WHEEL ASSY (TOPY+MICHELIN:385/65R22.5)
PW5030046-01 WHEEL ASSY (CENTURION TO MEFRO+MICHELIN)
PW5030053-00 WHEEL ASSY (MEFRO + BRIDGESTONE:385/65R22.5)
PW5030055-00 WHEEL ASSY (TOPY + BRIDGESTONE:385/65R22.5)
PW5030060-00 WHEEL ASSY (MEFRO + MICHELIN:385/65R22.5)
PW5060091-00 WINCH ASSY
PW5070034-01 WINCH ASSY (MOUNT)
PW5110007-00 WEDGE
PW5130006-00 WEIGHT (OVERWIND/JIB)
PW5140003-00 WIPER ASSY
PX1940344-00 MOUNT (VALVE EXTENSION)
PX3000895-00 MOUNTING UNIT
PX5010520-00 MOUNT ASSY (ANEMOMETER)
PX5010531-00 MOUNT ASSY (MFD/CARRIER CAB)
PX5010532-00 MOUNT ASSY (AIR CONDITIONER/CARRIER CAB)
PX5010533-00 MOUNT ASSY (GAUGE CONNECTOR)
PX5010535-00 MOUNT ASSY (BOOM SUPPORT)
PX5010590-00 MOUNT ASSY (FRONT/CORRUGATE TUBE)
PX5010591-00 MOUNT ASSY (REAR/CORRUGATE TUBE)
PX5010619-00 MOUNT ASSY
PX5020001-01 MOUNT ASSY,ABS
PX5020002-02 MOUNT ASSY,ABS (PIPING)
PX5060033-00 MOUNT ASSY,BATTERY
PX5200014-00 MOUNT ASSY,CAB (CRANE)

GT-750E-3-00301 5 BOOM + 2 JIB,2M2D

Pos No.	Parts No	Parts Name	Qty	Unit	Technical Data	Serial No (Start)	Serial No (End)	Remarks	Page
1	34631180000	JOINT ASSY,SWIVEL	1						000

GT-750E-3-00301 5 BOOM + 2 JIB,2M2D

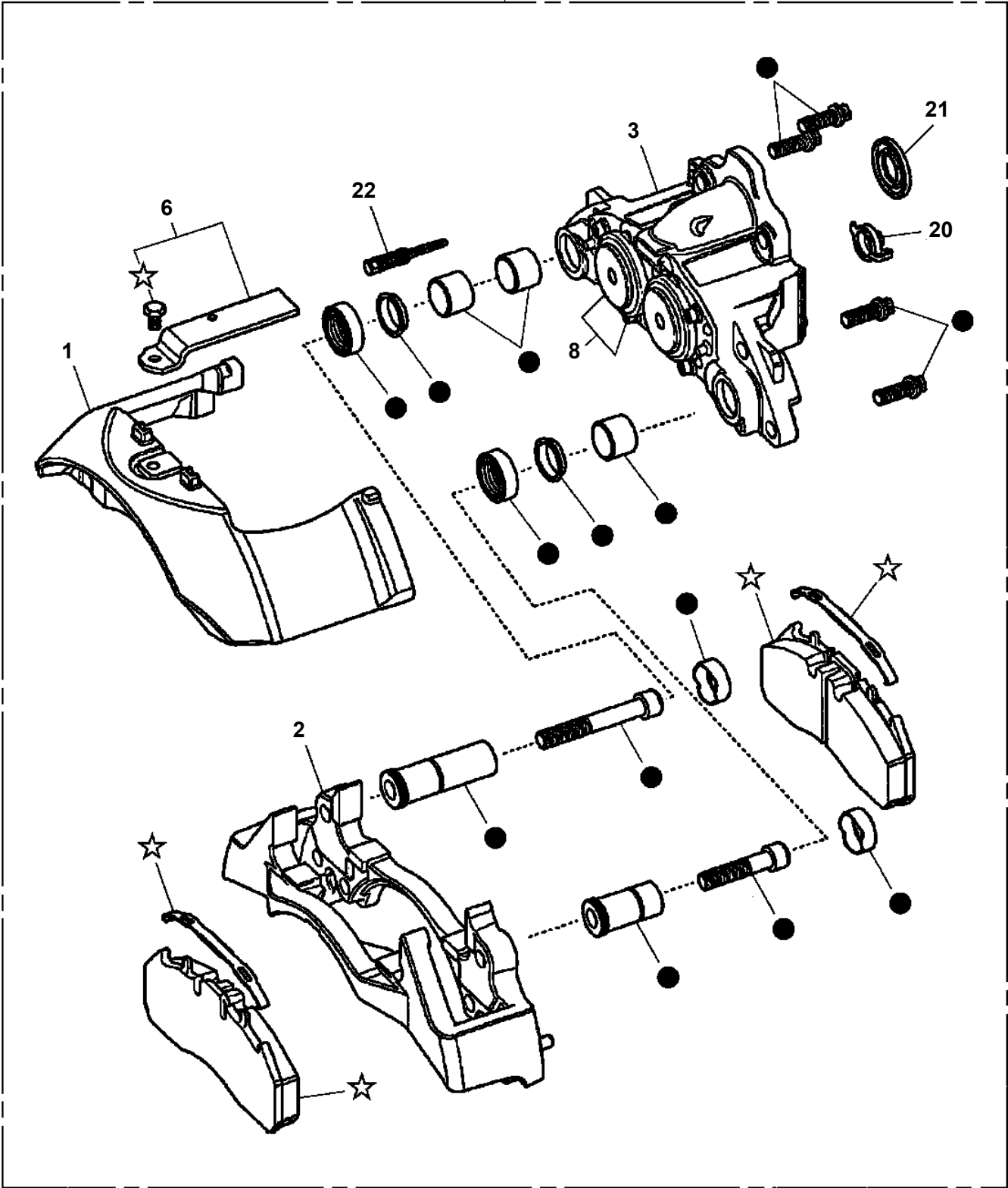
Pos No.	Parts No	Parts Name	Qty	Unit	Technical Data	Serial No (Start)	Serial No (End)
1	34202700040	BOOM,4TH	1				
2	90201781200	NUT	8		M12		
3	37000587260	PLATE	2		T=9		
4	90171112045	BOLT	4		M12X45		
5	37000587300	PLATE	2		T=1.2		
6	37002020260	PLATE,SLIDE (MATERIAL:OILAMID)	2				
7	90710712700	SCREW,SET	4		M12X70		
8	90710712350	SCREW,SET	4		M12X35		
9	34202120730	RETAINER (CAST)	2				
	34202120150	RETAINER (PLATE WORKING)	2				
10	34202160200	SPACER	1				
11	37000108460	PIN	1				
12	34201570550	GUIDE	2				
13	90302040801	WASHER,SPRING	8		8		
14	901711108020	BOLT	12		M8X20		
15	37001000760	SHEAVE ASSY	2				
16	90171114025	BOLT	8		M14X25		
17	37000206520	PIN	2				
18	34202097210	SUPPORT (STEEL CAST)	2				
	34202090300	SUPPORT (PLATE WORKING)	2				
19	90171112025	BOLT	10		M12X25		
20	90302041201	WASHER,SPRING	10		12		
21	34202360310	PLATE	2				
22	90201781600	NUT	3		M6		
23	34202164520	SUPPORT	2				
24	34202125390	PIN	2				
27	90171216050	BOLT	2		M16X50		
28	90303070601	WASHER,PLAIN	2		6		
29	82455106000	NIPPLE,GREASE	2		A-M6F FE		
30	90303071401	WASHER,PLAIN	8		14		
32	34202120890	SUPPORT	2		T=9		
33	37002019430	PLATE,SLIDE (0)	1		139X200		
34	37002019440	PLATE,SLIDE (0)	1		139X200		
35	37002019450	PLATE,SLIDE (0)	1		117X200		
36	37002019460	PLATE,SLIDE (-2)	N		117X200		
37	37002019470	PLATE,SLIDE (0)	1		117X200		
38	37002019480	PLATE,SLIDE (-2)	N		117X200		
39	37002019490	PLATE,SLIDE (0)	2		50X190		
40	37002019500	PLATE,SLIDE (-2)	N		48X190		
41	34202097010	SHIM	N		T=0.6		
42	37002018760	PLATE,SLIDE	2				
43	37002020140	PLATE,SLIDE (L=160/MATERIAL:OILAMID)	2				
44	37010501850	PLATE	4				
45	37010501860	PLATE	6				
47	90172108020	BOLT,HEXAGON SOCKET	4		M8X20		
48	90261000800	U-NUT	4		M8		
49	34202160040	SUPPORT	2				
50	37000538540	PLATE	2		T=1.0		
51	90303071601	WASHER,PLAIN	1		16		
52	90303501601	WASHER,PLAIN	N		16		
53	34202200300	PLATE	1		T=2.3		
54	34202200310	PLATE	1		T=1.2		
55	34202160090	PLATE	1				
56	90172114045	BOLT,HEXAGON SOCKET	2		M14X45		
57	90171216055	BOLT	1		M16X55		
58	37002004640	PLATE,SLIDE	2		T=15		
59	37000577400	PLATE	4		T=1.0		
60	37000577410	PLATE	2		T=0.6		
61	90172106020	BOLT,HEXAGON SOCKET	2		M6X20		
62	37002020910	PLATE,SLIDE	N		T=19		
91	80520045009	BEARING,ROLLER	2				
105	33370260050	SUPPORT	1				

GT-750E-3-00301 5 BOOM + 2 JIB,2M2D

Pos No.	Parts No	Parts Name	Qty	Unit	Technical Data	Serial No (Start)	Serial No (End)
1	35900170100	CONTROLLER (ABS)	1				
2	35900170200	VALVE (ABS MODULATOR)	4				
3	35900170400	SENSOR (ABS)	4				
4	35900170500	SPACER (ABS SENSOR FOR FIXED)	4				

GT-750E-3-00301 5 BOOM + 2 JIB,2M2D
PB5300002-00 BRAKE ASSY,DISK (LH)

100

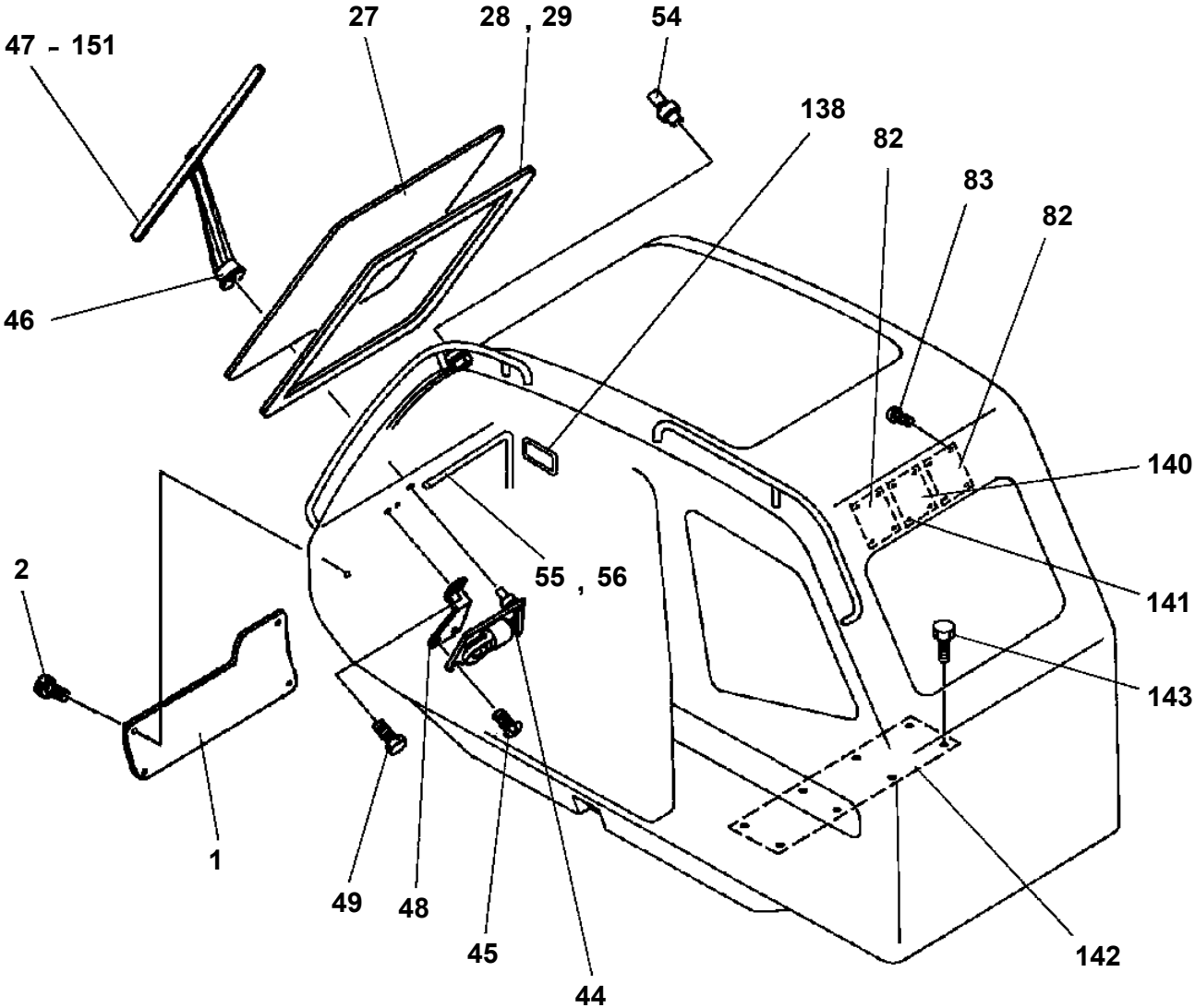


☆ : PAD KIT KEY NO.41
● : GUIDE KIT KEY NO.42

GT-750E-3-00301 5 BOOM + 2 JIB,2M2D

Pos No.	Parts No	Parts Name	Qty	Unit	Technical Data	Serial No (Start)	Serial No (End)	Remarks
1	36131355010	PLATE (BASE)	1					
2	36130885012	DRUM ASSY (BK-002B)	1					
3	36132615010	CASE	1					
4	36131355030	COVER	1					
5	36130885020	PACKING	1					
6	36131335010	POTENTIOMETER	1					
7	36131335050	GEAR	1					
8	36130915030	SEAL	1					
9	36131215040	BRACKET	1					
10	36131805010	PACKING	1					
11	36131805020	CABLE ASSY	1					
21	36131805030	WIRE ASSY	1		L=2720			
50	36131800000	DETECTOR ASSY,LENGTH	1					

**GT-750E-3-00301 5 BOOM + 2 JIB,2M2D
PC5010111-00 CAB ASSY**



GT-750E-3-00301 5 BOOM + 2 JIB,2M2D

Pos No.	Parts No	Parts Name	Qty	Unit	Technical Data	Serial No (Start)	Serial No (End)	Remarks	Page
1	36320455490	CONDENSER	1						
2	36320765010	SUPPORT	1						
3	36320565030	SUPPORT	1						
4	36320565040	SUPPORT	1						
5	36320765020	FAN ASSY	1						
6	36320565060	PIPE	1						
7	36320765030	RECEIVER (DRIER)	1						
8	36320765040	BOLT	4						
9	36320765050	BOLT	6						
10	36320765060	NUT	8						
11	36320765070	WASHER	6						
12	36320765080	WASHER,SPRING	8						
13	36320455940	BOLT	1						
14	36320565100	WASHER	2						
100	36320762010	CONDENSER ASSY	1						

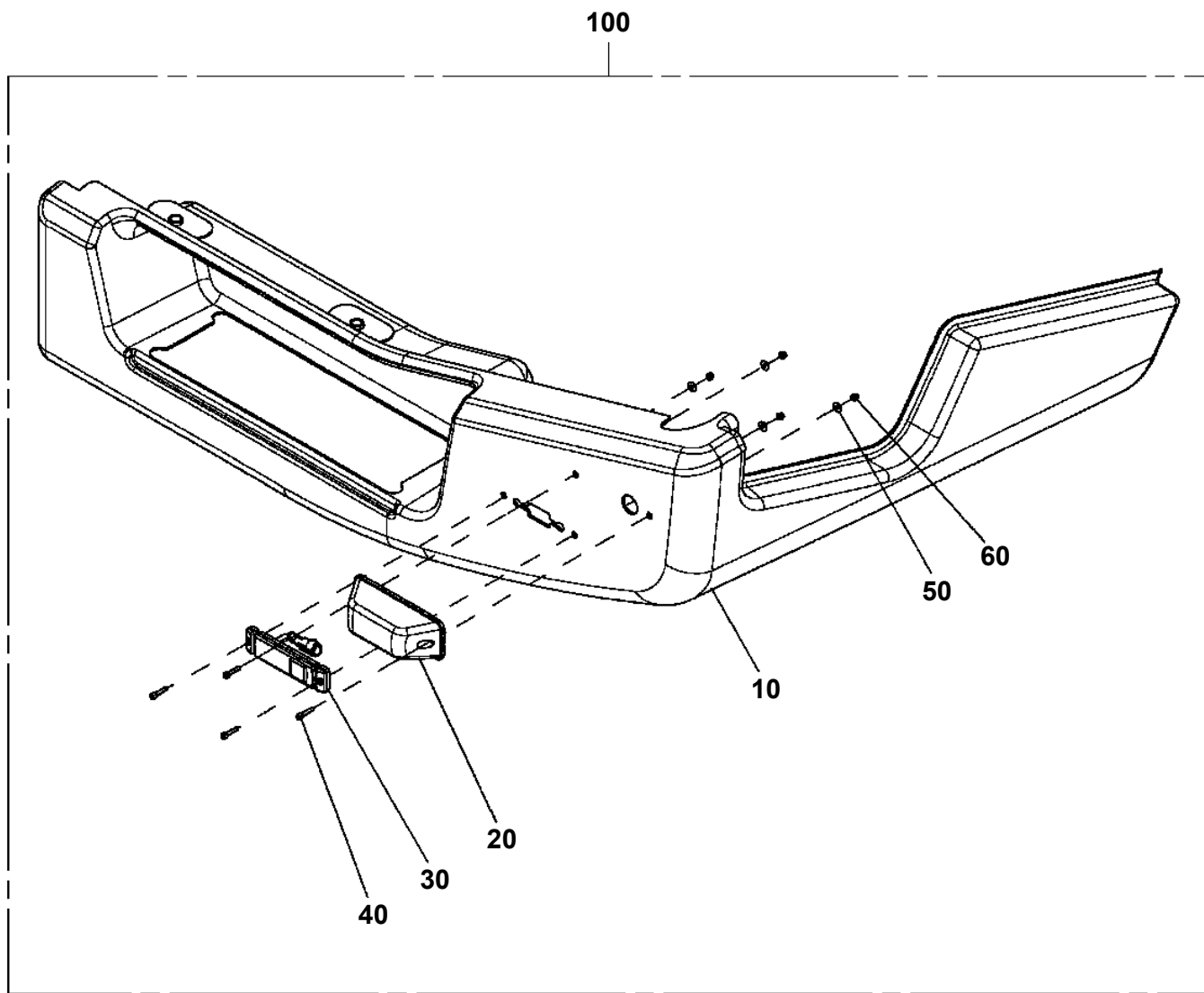
GT-750E-3-00301 5 BOOM + 2 JIB,2M2D

Pos No.	Parts No	Parts Name	Qty	Unit	Technical Data	Serial No (Start)	Serial No (End)	R
1	35590401100	COVER	1					
2	35590402101	COVER	1					
3	35590402201	COVER	1					
4	35590401501	COVER	1					
5	35590402300	SUPPORT	1					
6	35590409530	COVER (NON SLIP)	1					
7	35590409540	COVER (NON SLIP)	1					
9	90186210020	BOLT,FLANGE	18		M10X20			
10	82400000357	CATCH	2					
11	90302040801	WASHER,SPRING	4		8			
12	80182308014	SCREW,MACHINE	4		M8X14			
14	35590402700	SUPPORT	2					
17	90303071001	WASHER,PLAIN	2		10			
18	80136325020	PIN,SPLIT	2		2.5X20			
21	35590402901	COVER	1					
33	34690923600	HINGE	4					
34	90303071001	WASHER,PLAIN	12		10			
35	90302040801	WASHER,SPRING	12		8			
36	90101208020	BOLT	12		M8X20			
38	82466301450	INSULATOR	2					
40	80172804020	SCREW,MACHINE	2		M4X20			
54	12434402040	SPRING	2					
56	80172305010	SCREW,MACHINE	4		M5X10			
94	35590401140	CUSHION	1					
95	35590401150	CUSHION	1					
96	35590401160	CUSHION	1					
103	35590401240	CUSHION	1					
111	35590401260	CUSHION	2					
112	35590401270	CUSHION	1					
142	35590402160	COVER	1					
145	35590402150	CUSHION	1					
162	35590402220	CUSHION	1					
178	35590401580	COVER	1					
179	35590401650	CUSHION	1					
180	35590401660	CUSHION	1					
181	35590401610	CUSHION	1					
184	35590401630	CUSHION	1					
202	35590402940	INSULATOR	1					
212	35590402420	CUSHION	2					
213	35590402440	CUSHION	2					
215	35590402430	CUSHION	2					
233	35590402530	CUSHION	2					
300	35590400100	COVER ASSY (NON-SLIP PAINTS)	1					

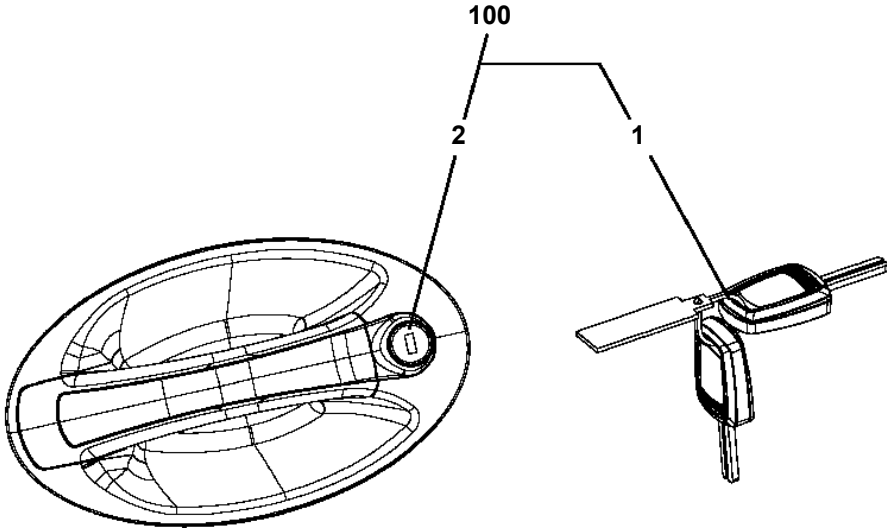
GT-750E-3-00301 5 BOOM + 2 JIB,2M2D

Pos No.	Parts No	Parts Name	Qty	Unit	Technical Data	Serial No (Start)	Serial No (End)	Remarks	Pages
40	99707062397	DASHBOARD	1						
50	99707062980	DASHBOARD	1						
65	99707062450	BRACKET	1						
66	35620657130	SCREW,TAPPING	2						
67	35620657110	WASHER,PLAIN	2						
70	99707063273	COVER	1						
80	35620657775	STOPPER	1						
81	35620657180	NUT	3						
82	35620657635	SCREW	3		M6X20				
90	99707062984	COVER	1						
100	99707062405	COVER	1						
110	35620657535	LATCH	2						
120	99707062407	COVER	1						
150	35620657470	SCREW	5		M5X10				
160	35620657815	SCREW	5		M5X16				
170	35620657195	NUT	18						
210	35620657280	WASHER,PLAIN	2						
225	35620657815	SCREW	10		M5X16				
230	35620657615	SCREW	4		M5X25				
240	35620657780	CLIP	3						
280	35620657625	NUT	3		M4				
290	99707062858	PLATE	1						
300	35620657245	BOLT,FLAT HEAD	3		M4X12				
320	35620657195	NUT	4						
330	99707063749	PLATE	1						
340	35620657420	SCREW	4		M5X16				

GT-750E-3-00301 5 BOOM + 2 JIB,2M2D
PC5700014-00 COVER



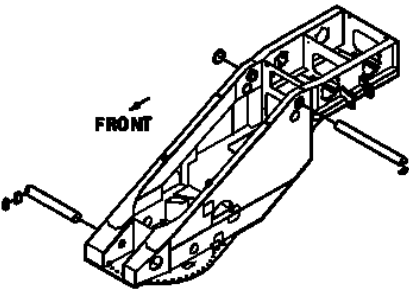
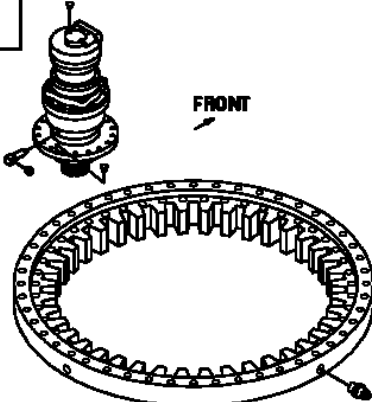
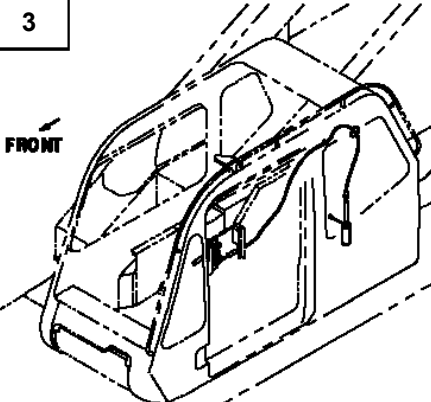
GT-750E-3-00301 5 BOOM + 2 JIB,2M2D
PC6010043-00 CYLINDER ASSY



GT-750E-3-00301 5 BOOM + 2 JIB,2M2D

Pos No.	Parts No	Parts Name	Qty	Unit	Technical Data	Serial No (Start)	Serial No (End)	Remarks
1	36043991002	CYLINDER	1					
2	90201202000	NUT	1		M20			
3	91100106500	SEAL,RING	1					
4	36040000031	PISTON	1					
5	36043992000	ROD	1					
6	36040170041	COVER,ROD	1					
7	91002805800	O-RING	1		1B P58			
8	91694004500	PACKING	1					
9	91410204502	RING,BACKUP	1					
10	91660004501	SEAL,DUST	1					
11	91002802000	O-RING	1		1B P20			
80	36043549900	PACKING SET	1		45X65			
100	36043990000	CYLINDER ASSY,EXTENSION	1					

GT-750E-3-00301 5 BOOM + 2 JIB,2M2D
PD1000669-00 SWING SYSTEM (UPPER)

<p>1</p> 	<p>2</p> 	<p>3</p> 

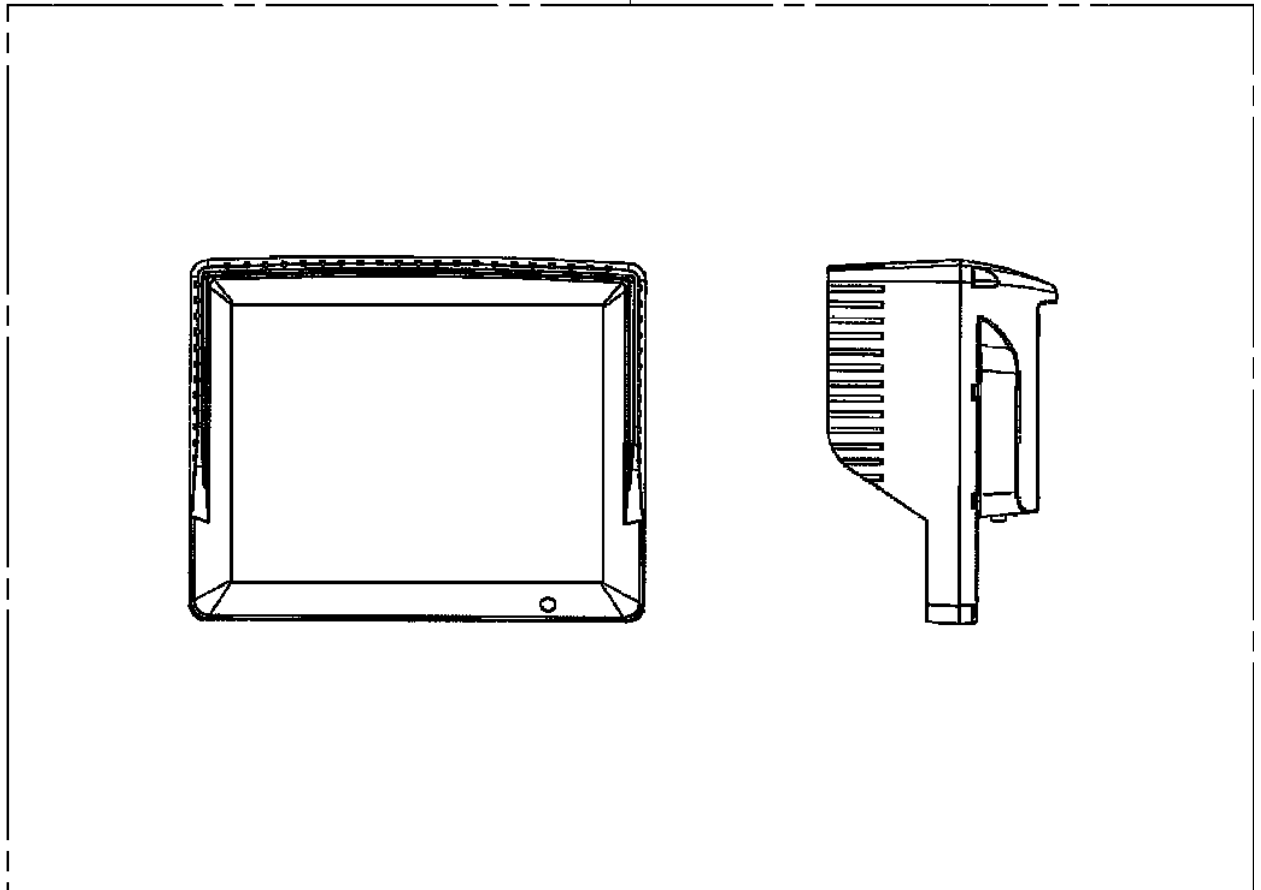
適用製造番号によっては取り付けがないものもあります。
MACHINES OF SOME SERIAL NO. ARE NOT EQUIPPED WITH THESE PARTS.

GT-750E-3-00301 5 BOOM + 2 JIB,2M2D

Pos No.	Parts No	Parts Name	Qty	Unit	Technical Data	Serial No (Start)	Serial No (End)	Remarks	Pages
3	82122704200	CAP	1						
100	34496121200	DETECTOR ASSY	1						

GT-750E-3-00301 5 BOOM + 2 JIB,2M2D
PD5160013-00 DISPLAY (MFD)

100



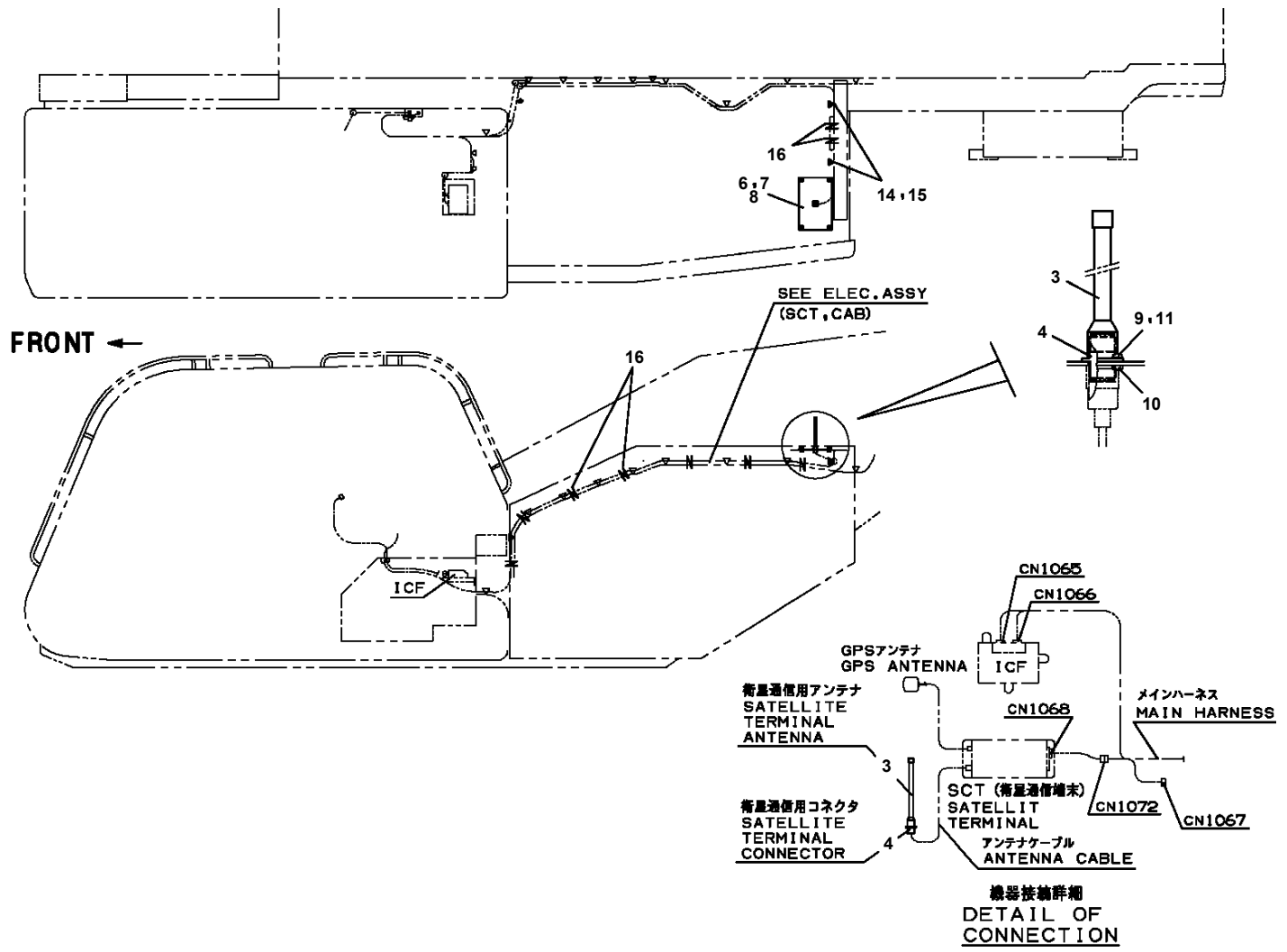
GT-750E-3-00301 5 BOOM + 2 JIB,2M2D

Pos No.	Parts No	Parts Name	Qty	Unit	Technical Data	Serial No (Start)	Serial No (End)	Remarks
10	99707063476	DOOR	1					
20	99707062668	COVER	1					
21	99707063240	BRACKET	1					
22	99707062782	PLATE	1					
23	35620657765	LIFTER (WINDOW)	1					
24	35620657065	WASHER,PLAIN	3					
25	35620657070	BOLT	8		M6X16			
26	35620657065	WASHER,PLAIN	5					
27	35620657105	BOLT	3		M6X35			
28	35620657060	NUT	2		M6			
29	35620657085	WASHER,PLAIN	5					
30	35620657600	SUPPORT	1					
40	35620657680	HANDLE	1					
60	35620657830	LATCH	1					
70	35620657065	WASHER,PLAIN	4					
80	35620657070	BOLT	4		M6X16			
81	35620657940	TAPE	1	M				
82	35620657940	TAPE	1	M				
83	35620657940	TAPE	1	M				
84	35620657940	TAPE	1	M				
85	99707063419	PANEL	1					
140	99707063268	LOCK ASSY	1					
151	35620657940	TAPE	1	M				
152	35620657940	TAPE	1	M				
153	35620657940	TAPE	1	M				
154	35620657940	TAPE	1	M				
155	99707063417	PANEL	1					
160	99707062882	BRACKET	1					
170	99707062918	BRACKET	1					
180	35620657215	CLAMP	1					
185	35620657085	WASHER,PLAIN	2					
190	35620657065	WASHER,PLAIN	6					
200	35620657070	BOLT	7		M6X16			
210	35620657555	BOLT	1		M6X14			
220	35620658035	STOPPER	1					
230	35620657065	WASHER,PLAIN	2					
240	35620657555	BOLT	2		M6X14			
242	99707062838	SUPPORT	6					
243	35620657065	WASHER,PLAIN	6					
244	35620657070	BOLT	6		M6X16			
245	35620657195	NUT	6					
250	35620657220	RUBBER	1					
251	35620657955	TAPE (VELCRO)	1	M				
252	35620657955	TAPE (VELCRO)	1	M				
253	35620657950	TAPE (BONDING)	1	M				
254	35620657950	TAPE (BONDING)	1	M				
260	99707063756	COVER	1					
261	35620657615	SCREW	4		M5X25			
262	35620657815	SCREW	7		M5X16			
310	35620657465	HANDLE	2					
320	99707062877	TUBE	1					
330	35620657235	WASHER,PLAIN	2					
340	35620657090	BOLT,HEXAGON SOCKET	2		M8X50			
350	99707062798	BRACKET	1					
360	35620657675	SCREW	3		M8X12			
370	99707063460	HINGE	1					
380	99707063462	HINGE	1					
390	35620657805	WASHER	4					
400	35620657715	PIN	2					
410	35620657190	RING,RETAINING	2					
420	99707062796	COVER	1					
421	99707062646	BRACKET	2					
422	35620657620	WASHER,PLAIN	2					

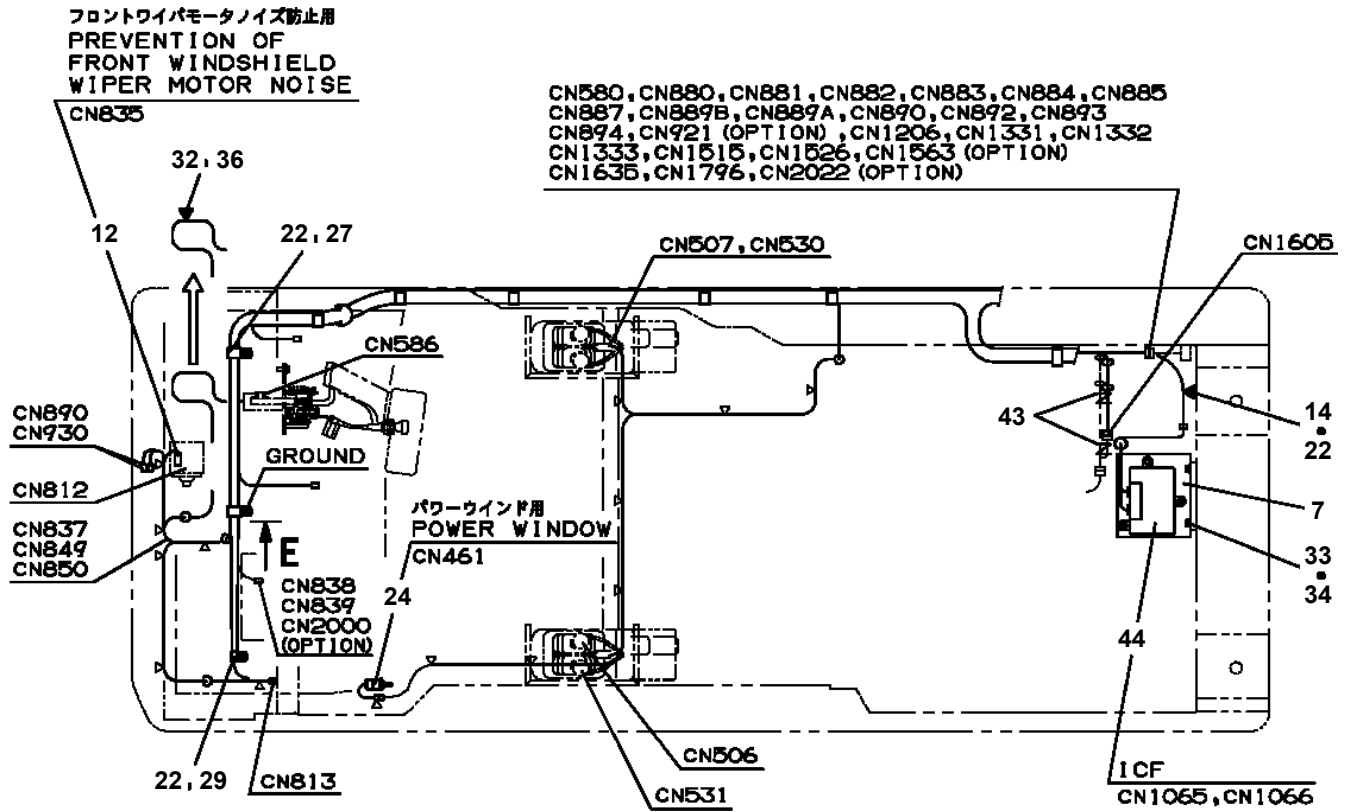
GT-750E-3-00301 5 BOOM + 2 JIB,2M2D

Pos No.	Parts No	Parts Name	Qty	Unit	Technical Data	Serial No (Start)	Serial No (End)	Remarks	Pages
2	34510702520	PACKING	1						
3	34510702550	PACKING	1						
100	34510702500	DUCT	1						

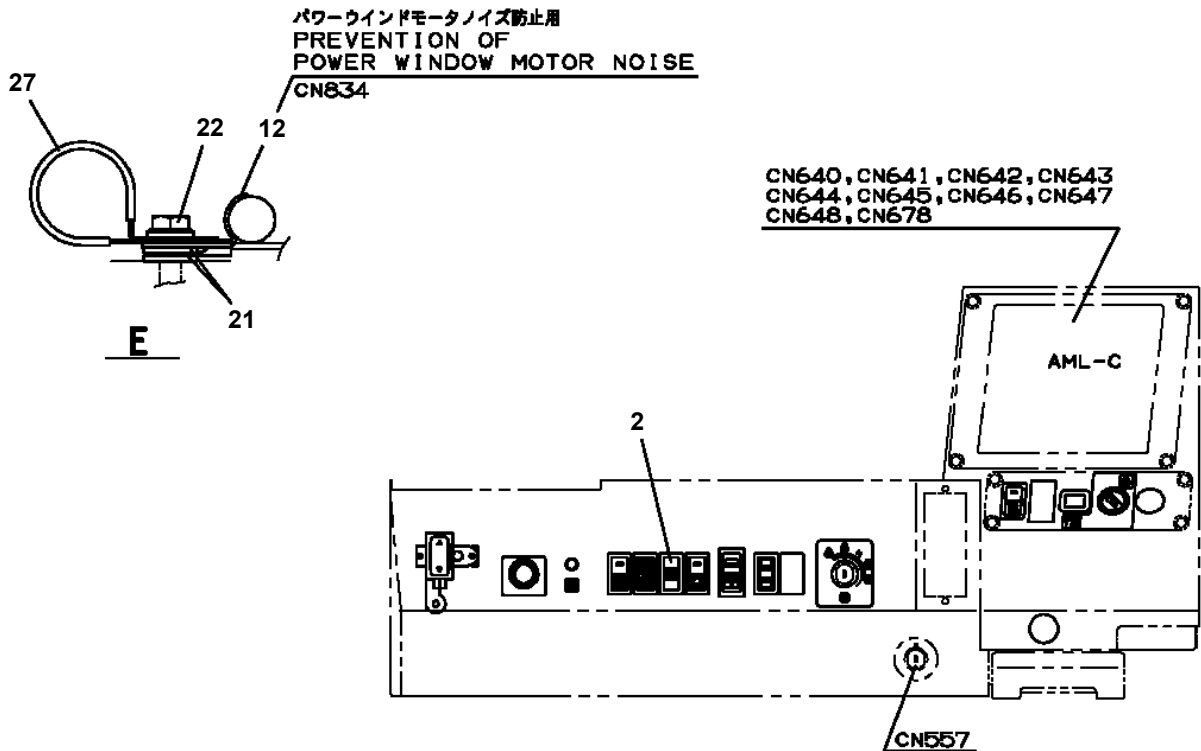
GT-750E-3-00301 5 BOOM + 2 JIB,2M2D
 PE5020620-03 ELEC.ASSY (SCT,ANTENNA)



**GT-750E-3-00301 5 BOOM + 2 JIB,2M2D
PE5021000-02 ELEC.ASSY (CAB)**

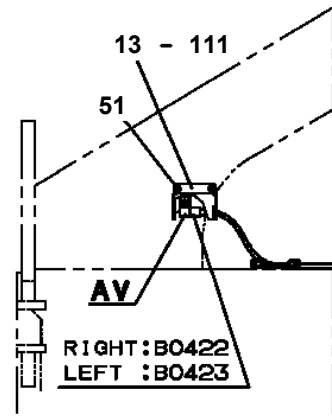
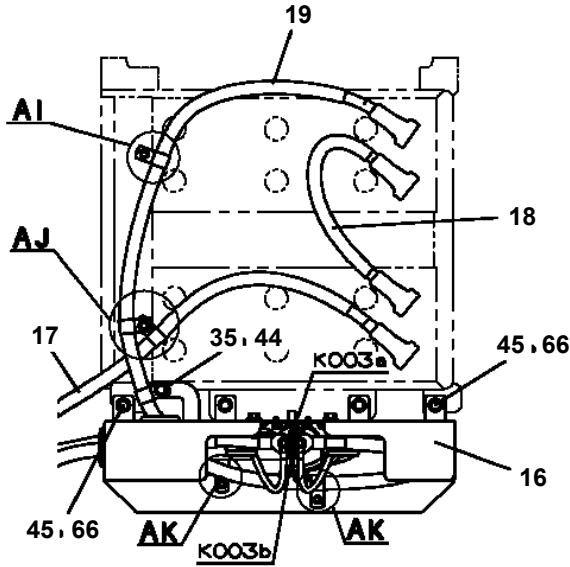


A

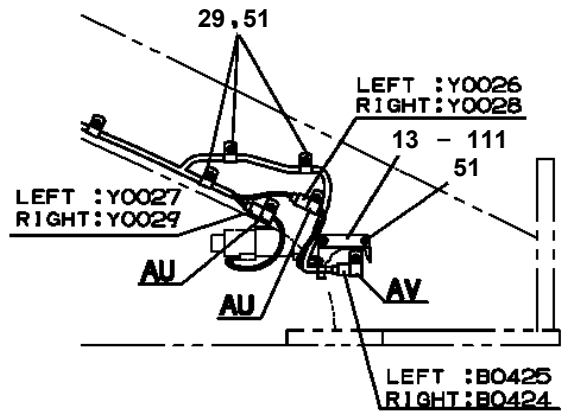
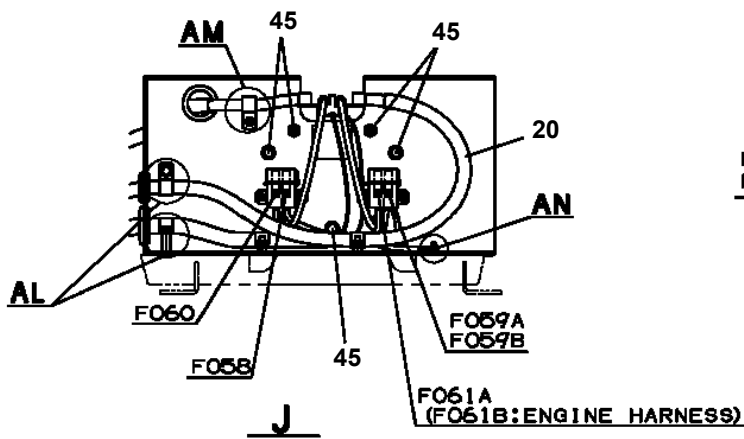


D

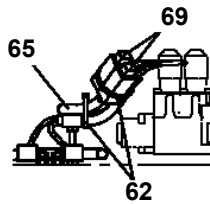
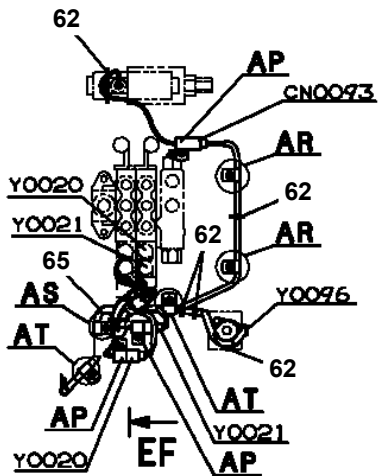
**GT-750E-3-00301 5 BOOM + 2 JIB,2M2D
PE5021041-03 ELEC.ASSY (CHASSIS)**



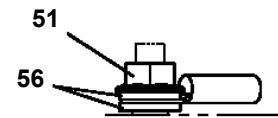
F
2 PLACES



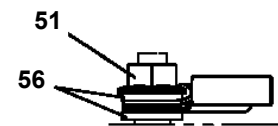
K
2 PLACES



EF



1本取付の場合
CASE OF 1 MOUNTING

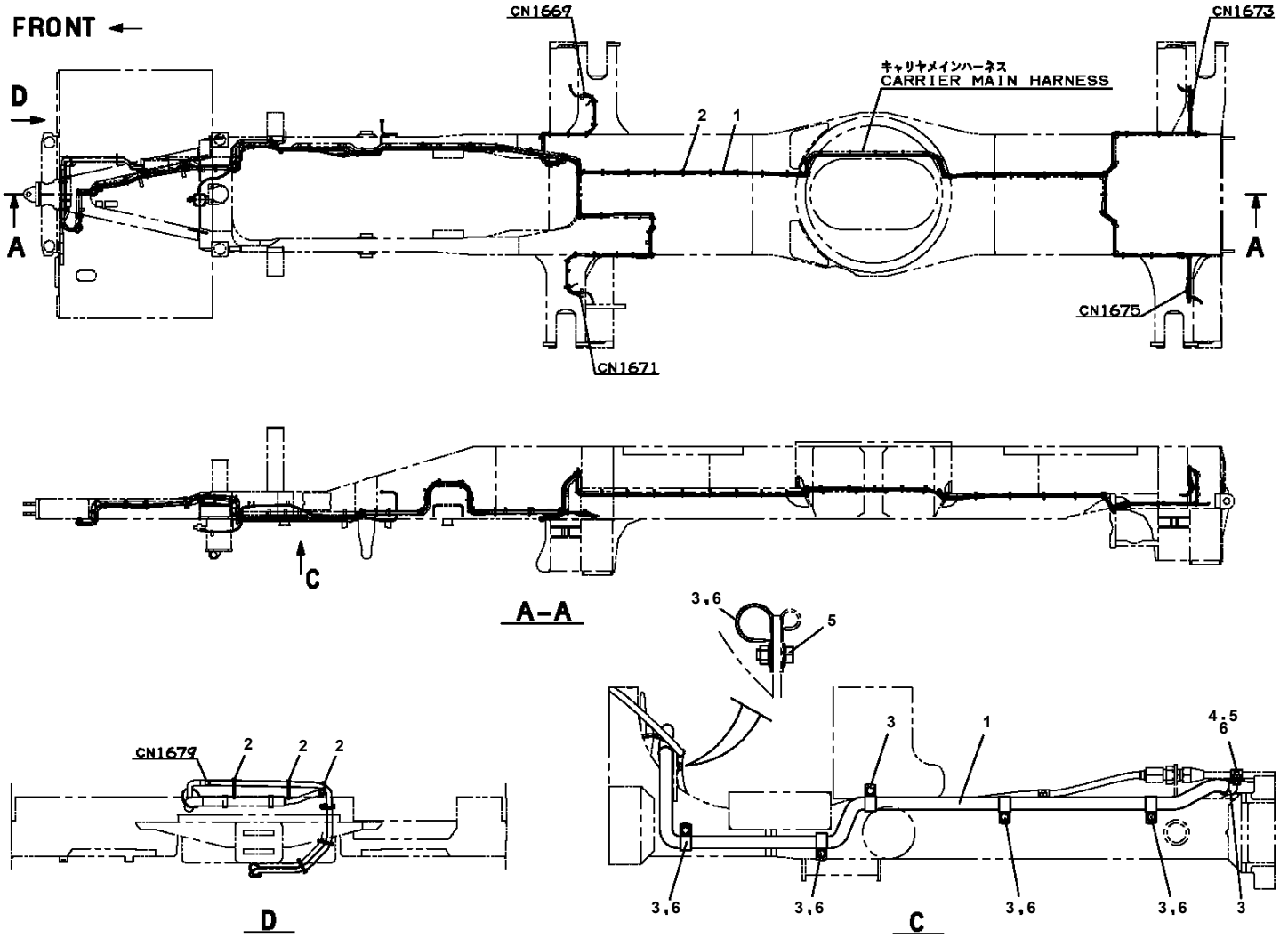


複数取付の場合
CASE OF MULTIPLE MOUNTING

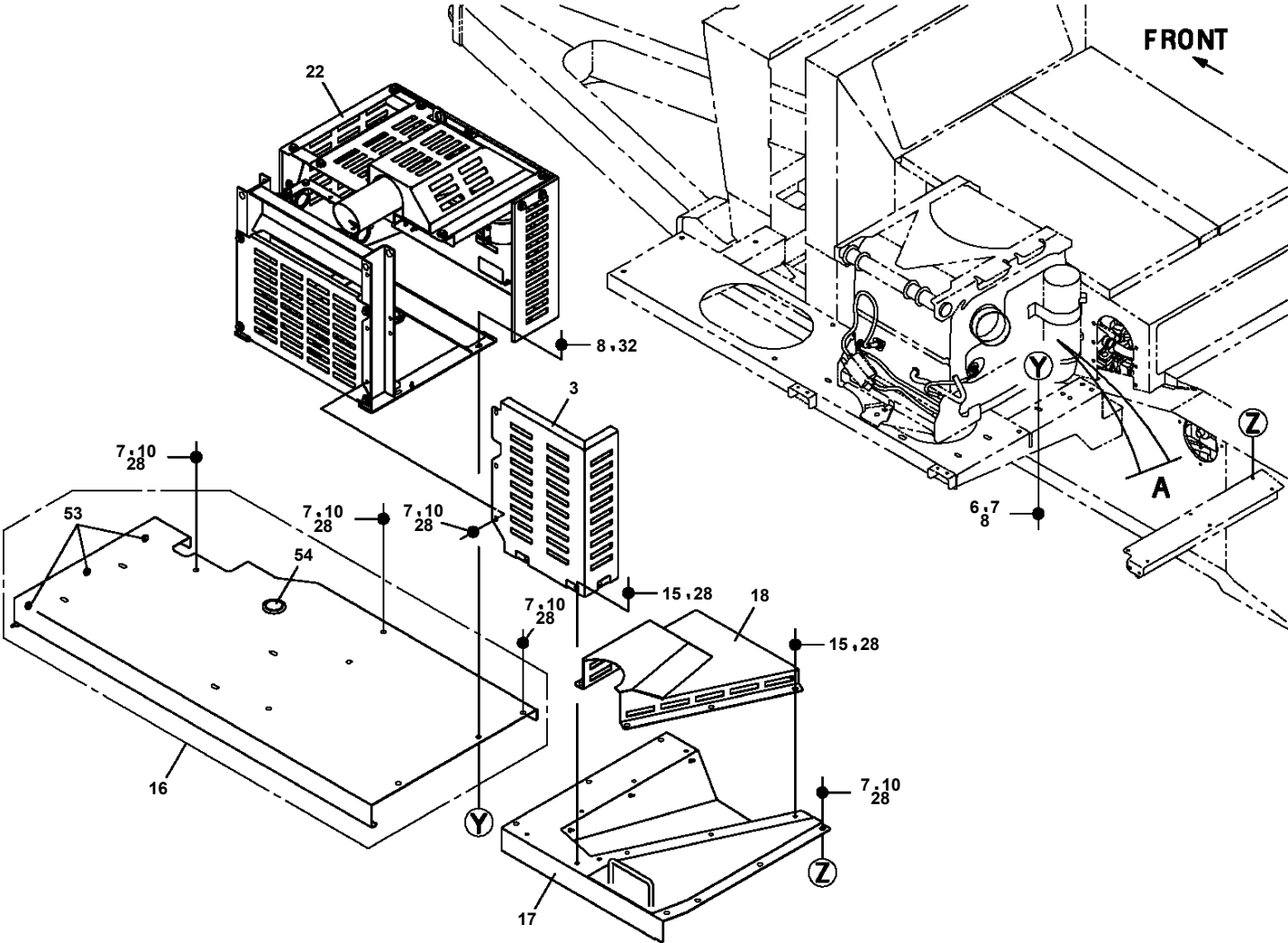
アース取付詳細
DETAIL OF GROUND INSTALLATION

E

GT-750E-3-00301 5 BOOM + 2 JIB,2M2D
PE5110082-00 ELEC.ASSY,FRAME



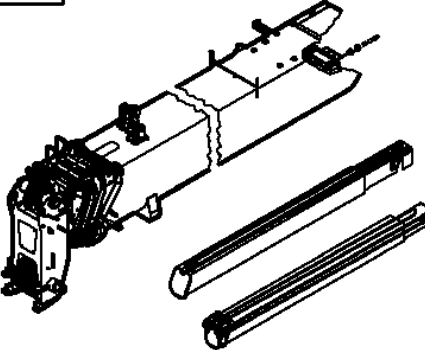
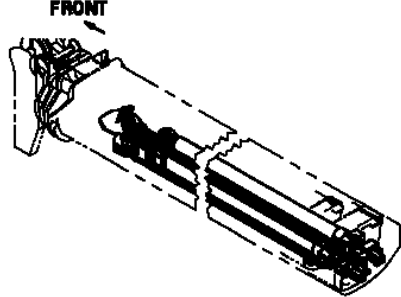
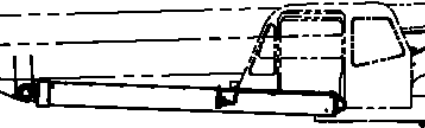
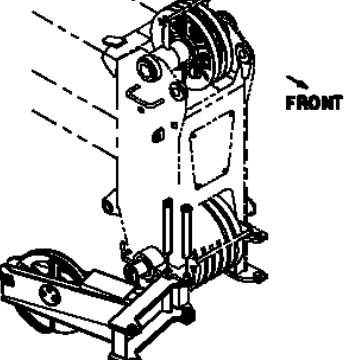
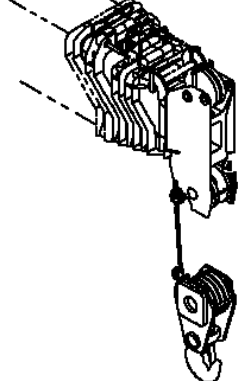
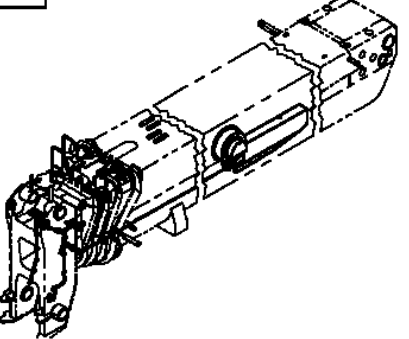
GT-750E-3-00301 5 BOOM + 2 JIB,2M2D
PE5230040-01 EXHAUST ASSY



GT-750E-3-00301 5 BOOM + 2 JIB,2M2D

Pos No.	Parts No	Parts Name	Qty	Unit	Technical Data	Serial No (Start)	Serial No (End)	Remarks	P
2	36673285010	VALVE,RELIEF	1						
3	36673495050	BOLT (CENTER)	1						
4	36673670031	ELEMENT	1						
5	36673740031	ELEMENT	1						
6	36673285030	PLATE (SPRING)	1						
7	90236201609	NUT,CASTLE	1		M16				
8	91001214000	O-RING	1		1A G140				
9	36671315021	SPACER	1						
10	36673695010	COVER ASSY	1						
11	36673285050	BOLT (WITH WASHER)	4		M12X30 P=1.75				
12	36673490040	INDICATOR ASSY	1						
13	36673495020	SEAL,WASHER	1						
14	91001703700	O-RING	1		WG37				
15	36673695020	COVER (INDICATOR)	1						
16	36670515040	PIN,SNAP	1						
17	36673285060	PIN,SNAP	1						
100	36673690000	FILTER ASSY	1						

GT-750E-3-00301 5 BOOM + 2 JIB,2M2D
 PG5000067-00 BOOM SYSTEM

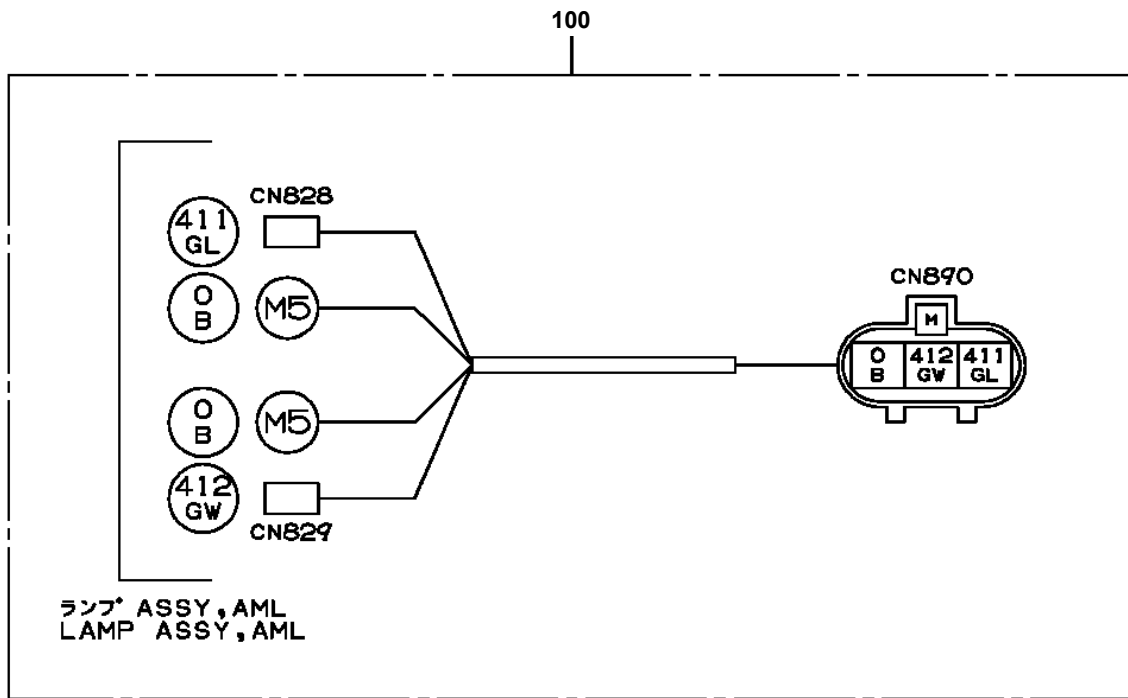
<p>1</p> 	<p>2</p> 	<p>3</p> 
<p>4</p> 	<p>5</p> 	<p>6</p> 

適用製造番号によっては取り付けがないものもあります。
 MACHINES OF SOME SERIAL NO. ARE NOT EQUIPPED WITH THESE PARTS.

GT-750E-3-00301 5 BOOM + 2 JIB,2M2D

Pos No.	Parts No	Parts Name	Qty	Unit	Technical Data	Serial No (Start)	Serial No (End)	Remarks	Pages
1	99707019004	MIRROR GLASS	1						
2	99707019005	COVER	1						
100	99707017655	MIRROR	1						

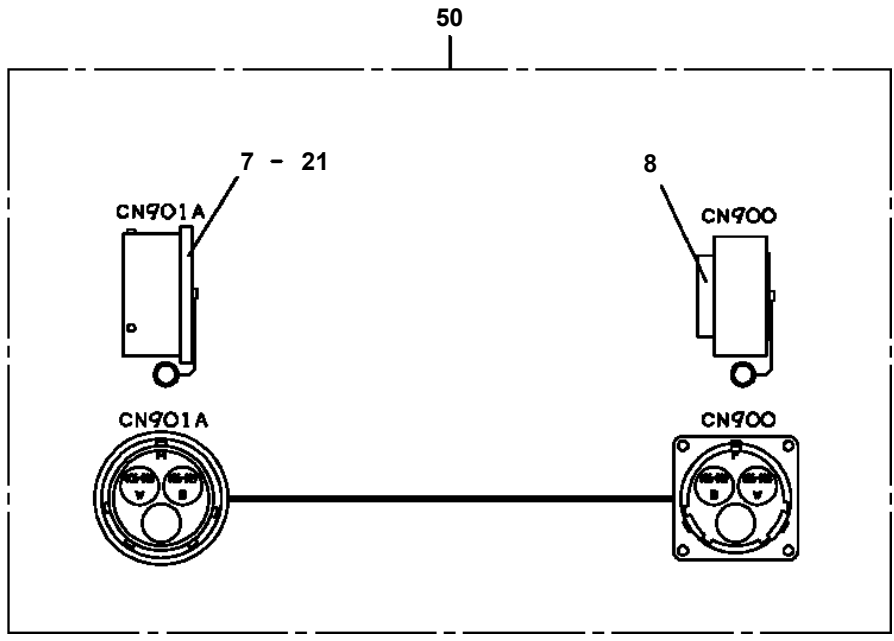
GT-750E-3-00301 5 BOOM + 2 JIB,2M2D
PH5031437-00 HARNESS



GT-750E-3-00301 5 BOOM + 2 JIB,2M2D

Pos No.	Parts No	Parts Name	Qty	Unit	Technical Data	Serial No (Start)	Serial No (End)	Remarks	Pages
100	34494100101	HARNESS (SCT)	1						

GT-750E-3-00301 5 BOOM + 2 JIB,2M2D
PH5033407-00 HARNESS (SINGLE TOP,OVER WIND)

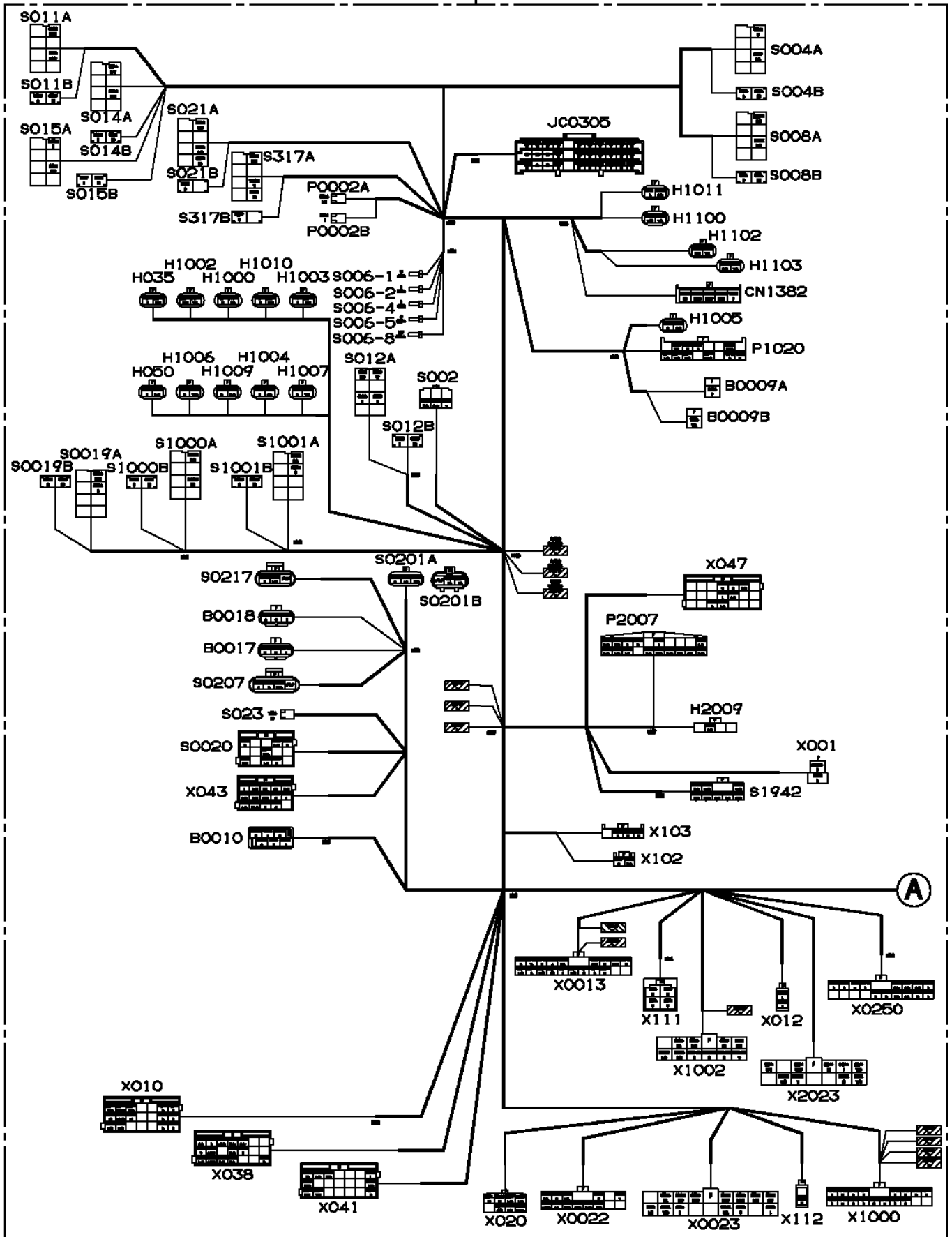


GT-750E-3-00301 5 BOOM + 2 JIB,2M2D

Pos No.	Parts No	Parts Name	Qty	Unit	Technical Data	Serial No (Start)	Serial No (End)	Rem
100	35900302200	HARNESS (ABS:CARREIR CAB)	1					

**GT-750E-3-00301 5 BOOM + 2 JIB,2M2D
PH5033766-00 HARNESS (IN CARRIER CAB)**

100



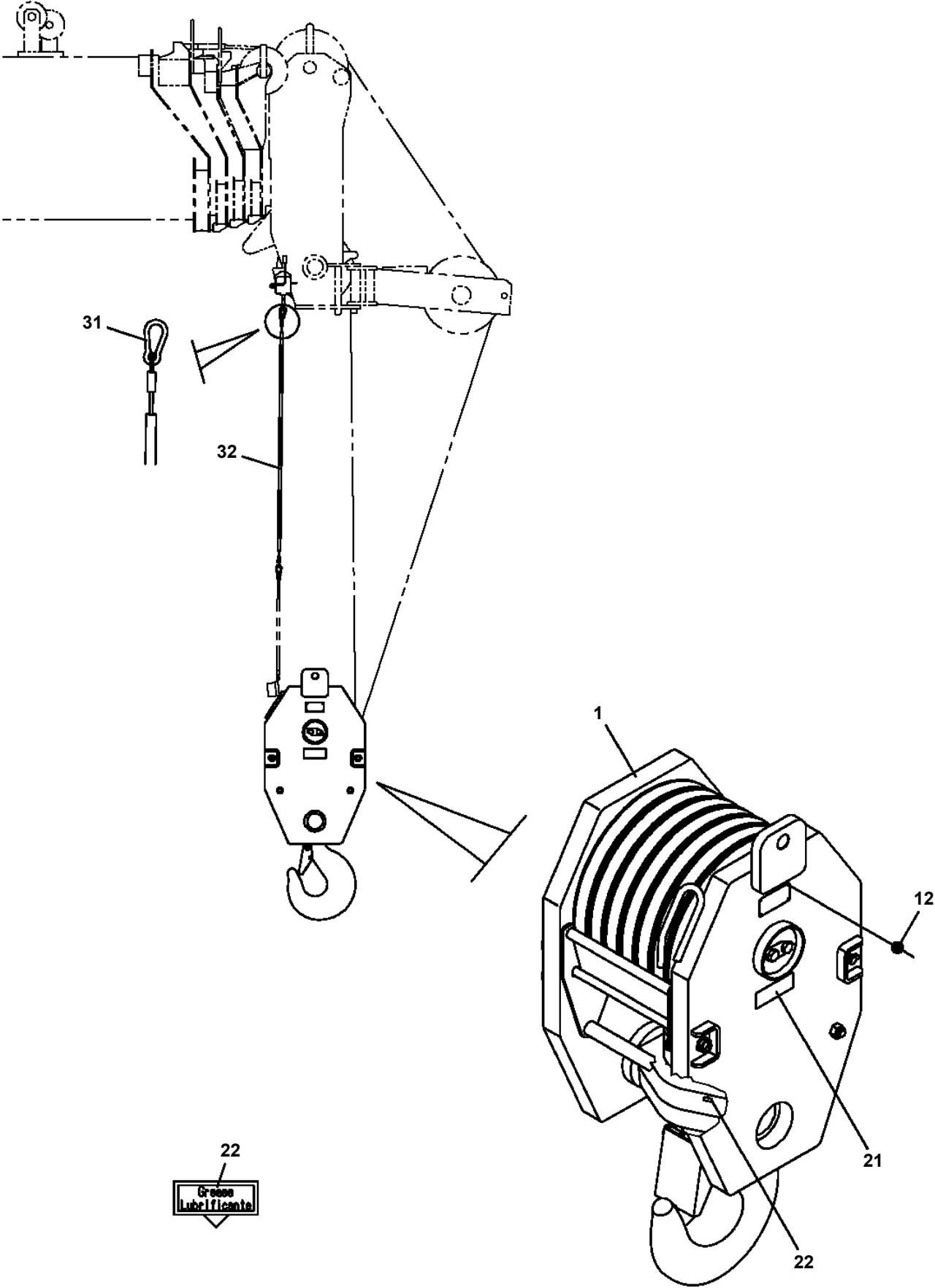
GT-750E-3-00301 5 BOOM + 2 JIB,2M2D

Pos No.	Parts No	Parts Name	Qty	Unit	Technical Data	Serial No (Start)	Serial No (End)	Rem
100	34711302020	HARNESS (FOR CONVERSION)	1					

GT-750E-3-00301 5 BOOM + 2 JIB,2M2D

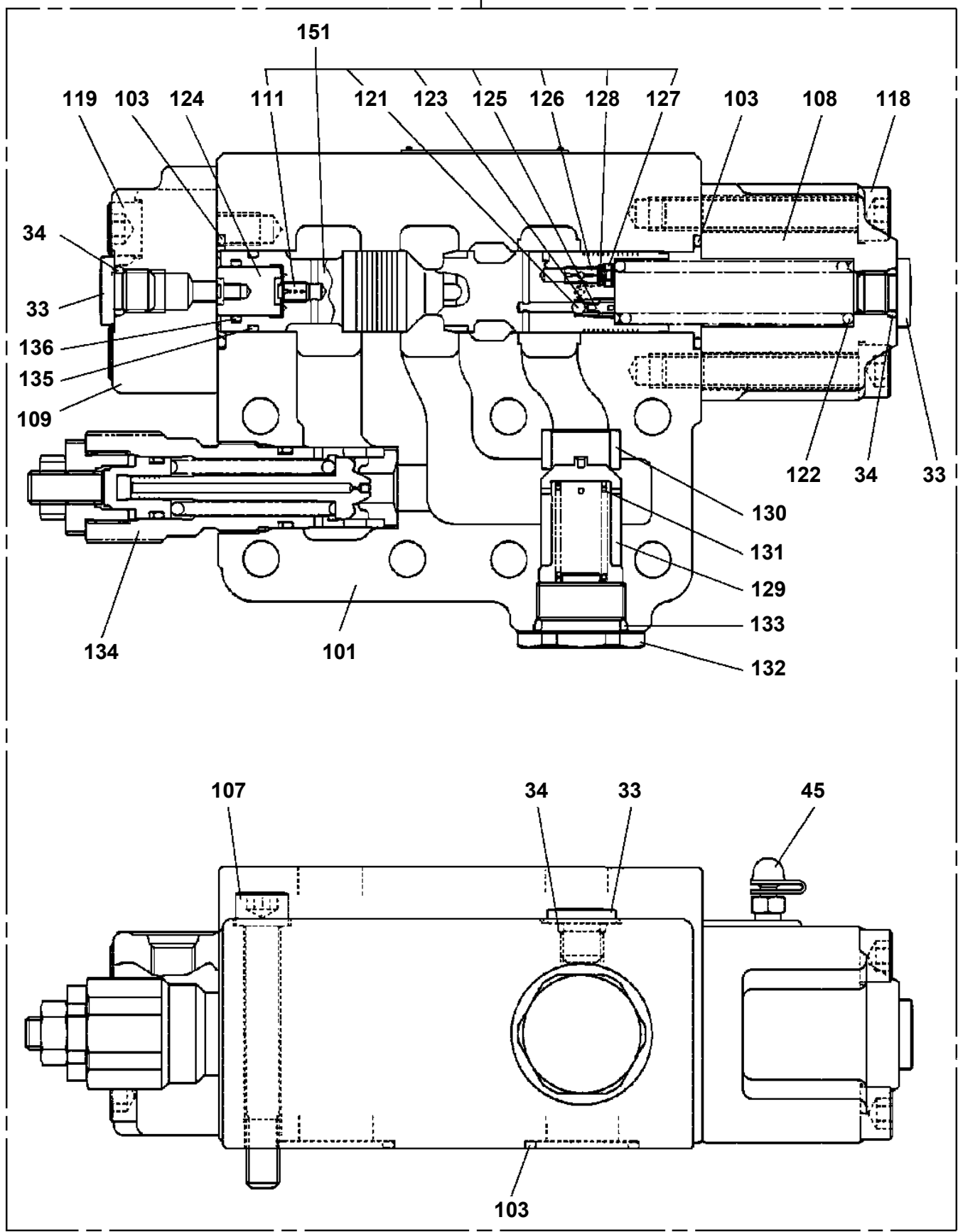
Pos No.	Parts No	Parts Name	Qty	Unit	Technical Data	Serial No (Start)	Serial No (End)	Remarks
2	37001002890	SHEAVE ASSY	3					
3	37000300080	SPACER	2		L=1.6			
4	90101516035	BOLT	4		M16X35			
5	16611505000	PLATE	4					
6	37001500030	BOLT	3					
7	90302042001	WASHER,SPRING	3		20			
8	37000315580	SPACER	3		L=240			
9	37000105000	PIN	1					
10	82456101000	NIPPLE,GREASE	1		A-PT1/8			
11	36090140700	TRUNNION	1					
16	37000131810	PIN	1					
17	18611504000	PLATE	2					
20	80500051218	BEARING,BALL	1					
21	36095620500	SPACER	2		L=45			
22	37000105200	PIN	1					
23	90303071001	WASHER,PLAIN	1		10			
24	80136332020	PIN,SPLIT	1		3.2X20			
25	37001400040	SPRING	1					
27	36095730300	PLATE	2					
28	36095840100	GUARD	1					
29	90101516050	BOLT	4		M16X50			
41	36095751000	PLATE	1					
49	36095752000	PLATE	1					
52	80515006018	BEARING,BALL	6					
70	36091229510	STOPPER ASSY	1					
80	36095739510	HOOK ASSY	1					
100	36095750000	HOOK ASSY (SHEAVE 3 PCS)	1					

GT-750E-3-00301 5 BOOM + 2 JIB,2M2D
PH5080239-00 HOOK ASSY (MAIN/ENG.& PORTUGUESE)

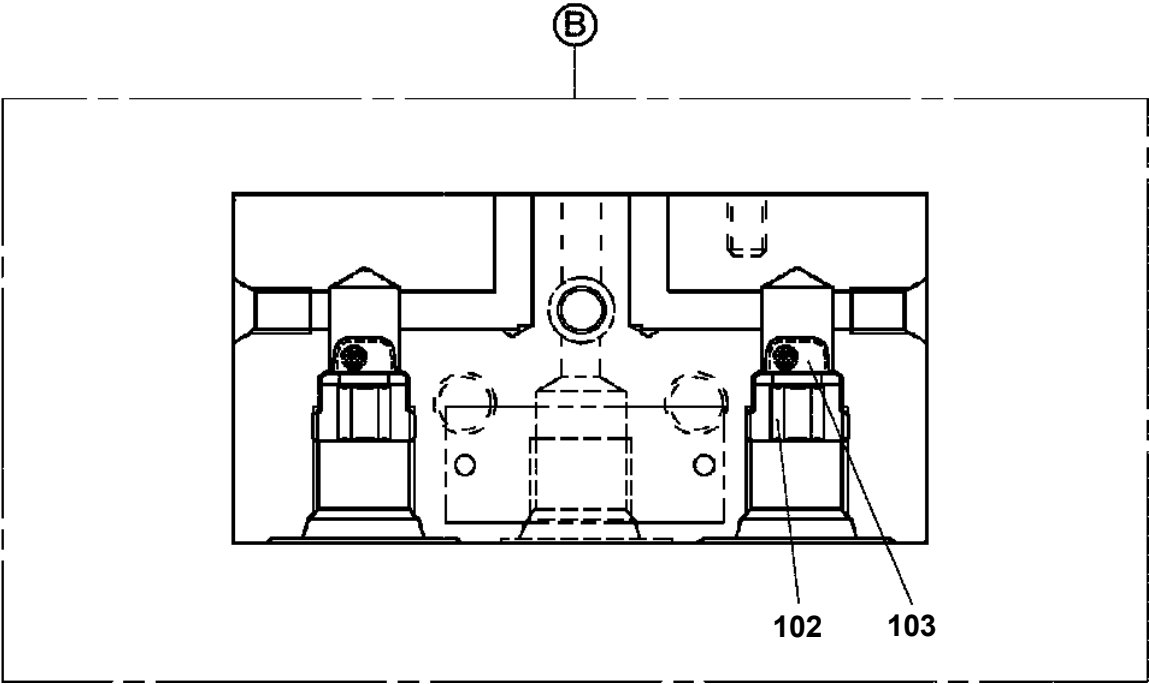
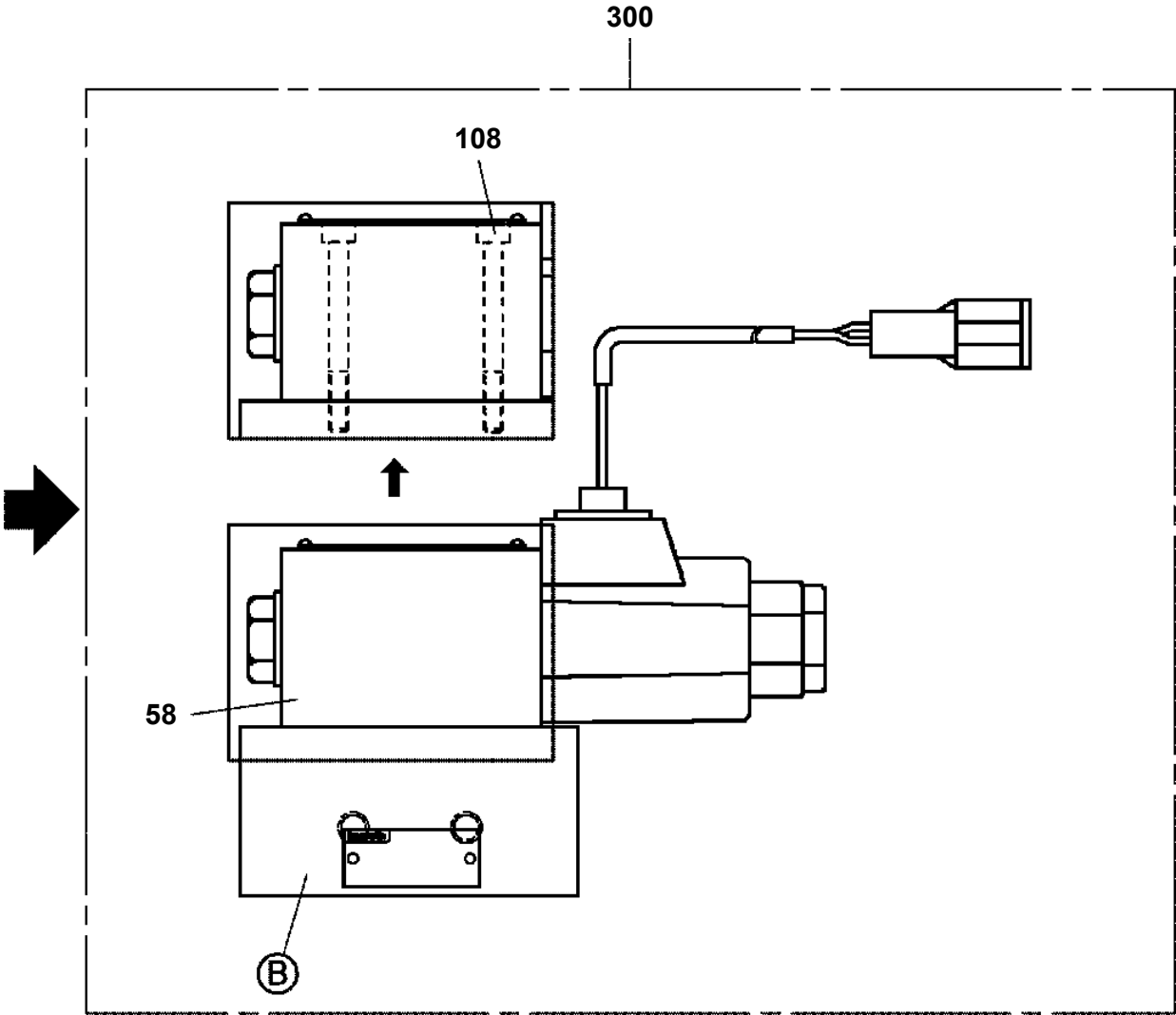


GT-750E-3-00301 5 BOOM + 2 JIB,2M2D
PI1010220-02 MOTOR,HYDRAULIC

2



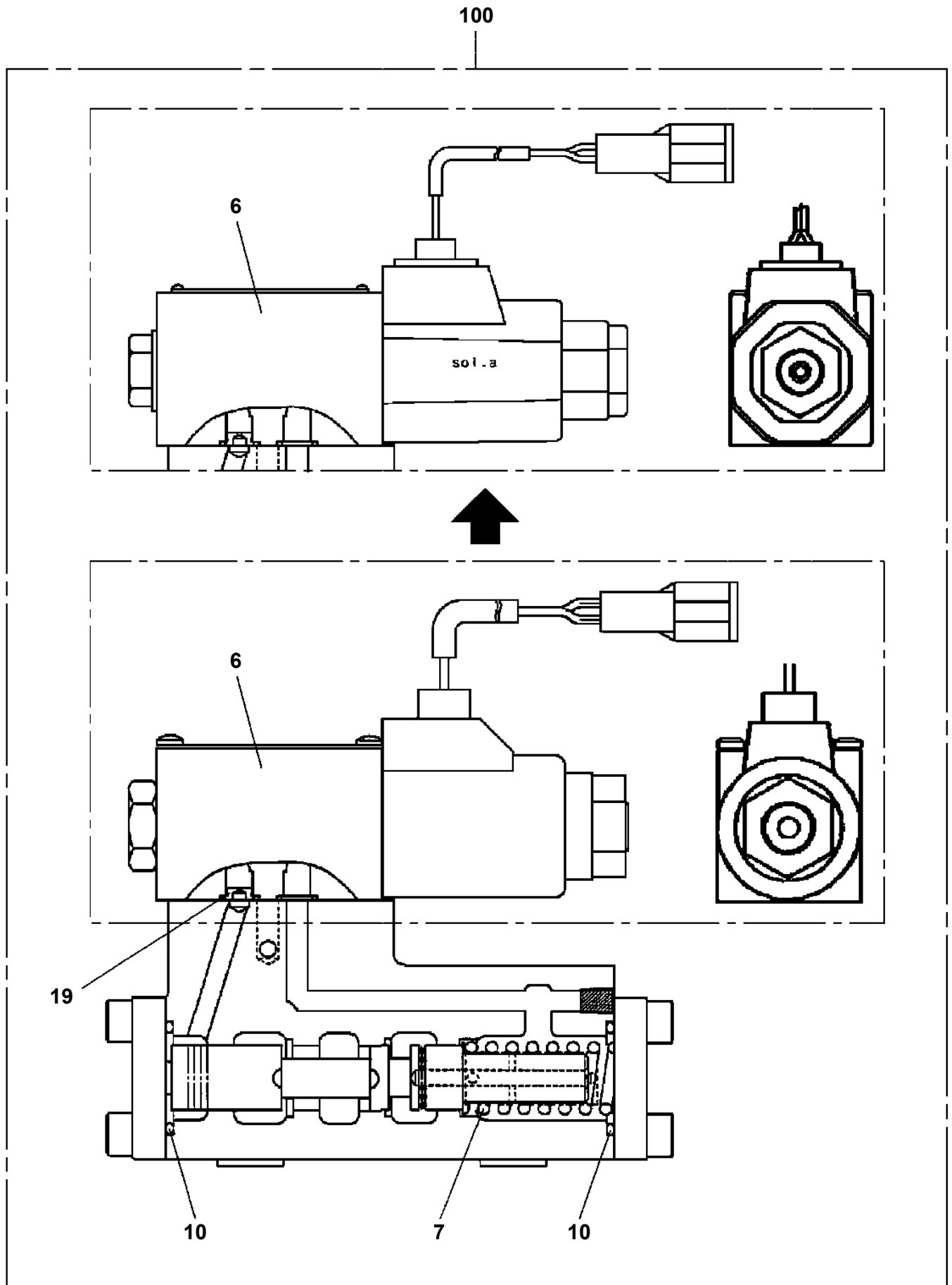
GT-750E-3-00301 5 BOOM + 2 JIB,2M2D
PI1120138-04 VALVE,SOLENOID



GT-750E-3-00301 5 BOOM + 2 JIB,2M2D

Pos No.	Parts No	Parts Name	Qty	Unit	Technical Data	Serial No (Start)	Serial No (End)	Remarks
8	36642935040	RING	4					
11	36640085025	SPRING	2					
104	36642935050	PLUG	1					
109	36642935060	O-RING	2					
115	90131505050	BOLT,HEXAGON SOCKET	4		M5X50			
156	36602555010	O-RING	1					
157	36646085031	SOLENOID	1					
159	36649855100	O-RING	1					
160	36640085015	RETAINER	2					
163	36647895010	PROTECTOR	1					
200	36645900000	VALVE,SOLENOID	1					

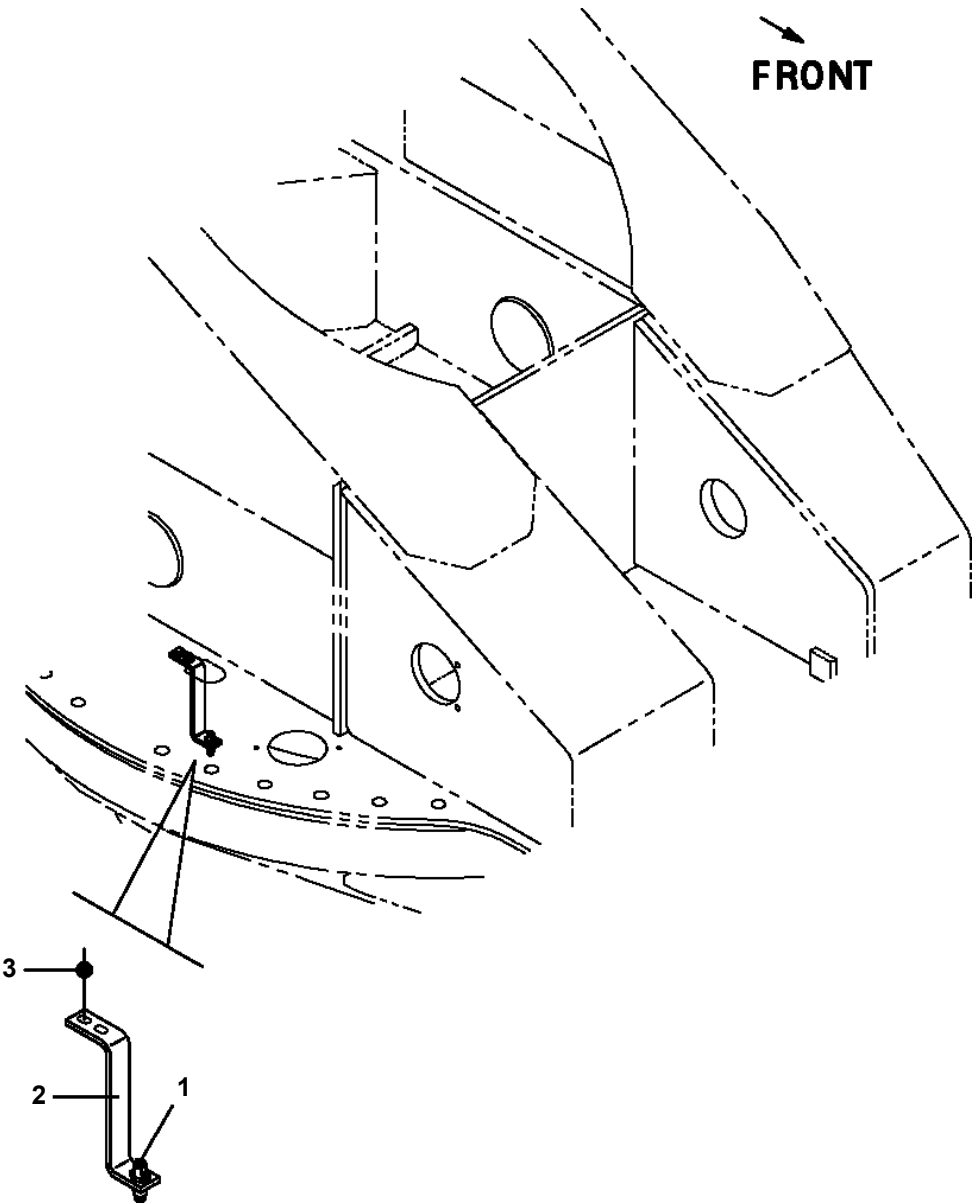
GT-750E-3-00301 5 BOOM + 2 JIB,2M2D
PI1130044-02 VALVE,HYDRAULIC



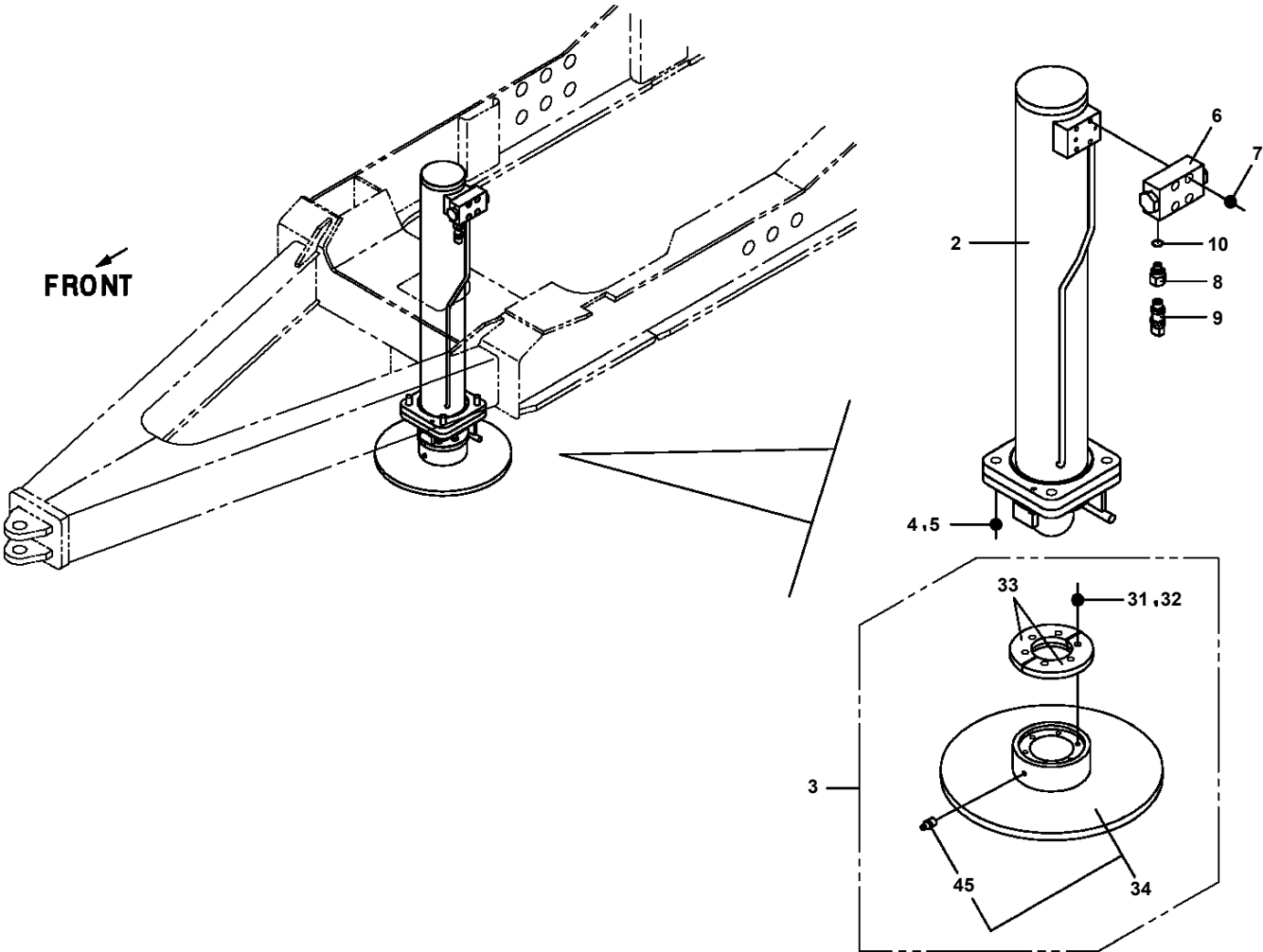
GT-750E-3-00301 5 BOOM + 2 JIB,2M2D

Pos No.	Parts No	Parts Name	Qty	Unit	Technical Data	Serial No (Start)	Serial No (End)	Remarks
1	36624545000	BODY	1					
2	36620565020	COVER	1					
4	12515186000	SPRING	1					
5	36620175040	SEAT,SPRING	1					
6	12429108000	RING,STOP	1					
8	36620175060	SPRING	1					
9	36620175070	SEAT,SPRING	1					
10	91002903000	O-RING	1		1B G30			
11	90132708030	BOLT,HEXAGON SOCKET	4		M8X30			
12	90302040801	WASHER,SPRING	4		8			
30	36624540000	VALVE,CHECK	1					

GT-750E-3-00301 5 BOOM + 2 JIB,2M2D
PI5040009-00 INDICATOR ASSY,FRONT



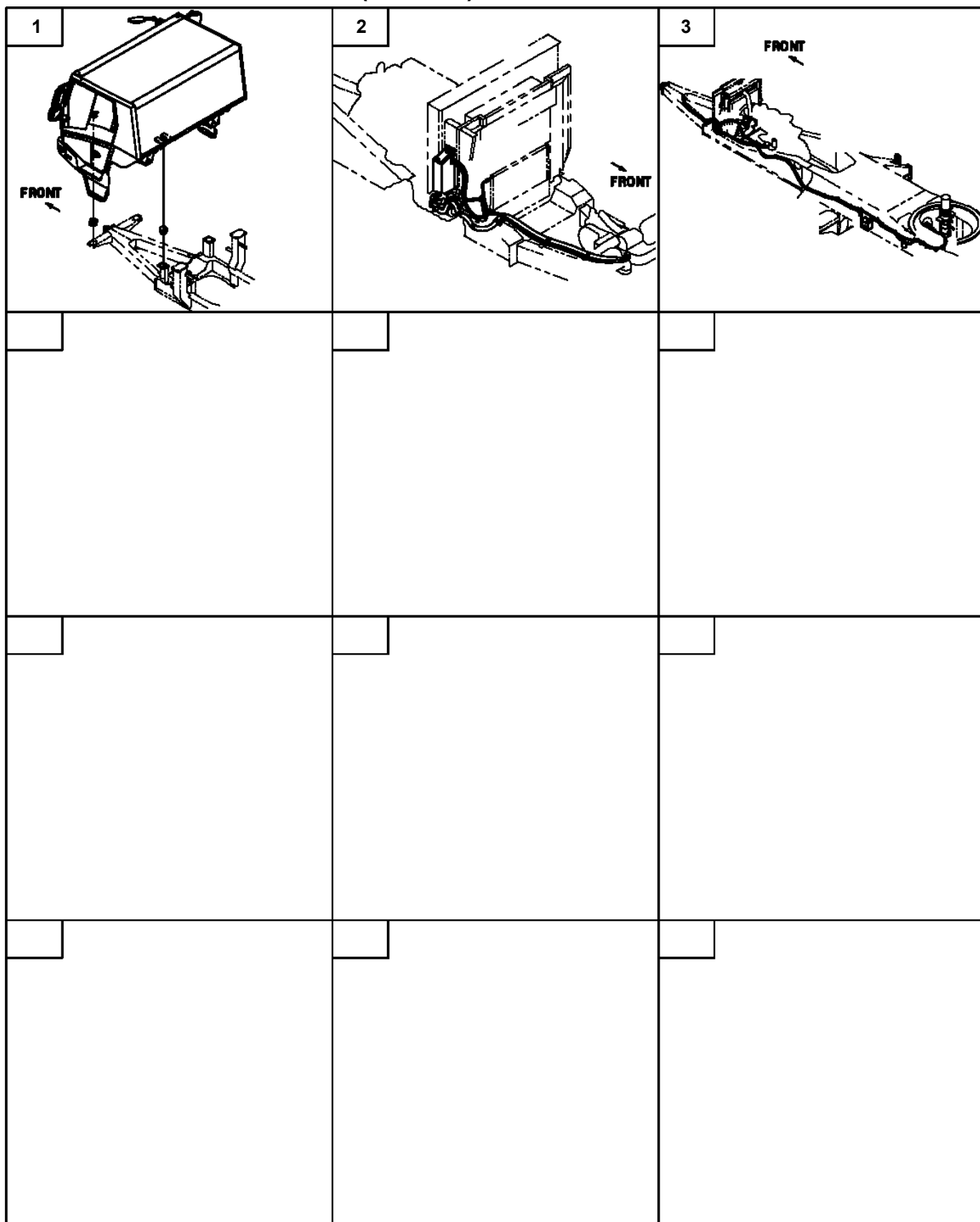
GT-750E-3-00301 5 BOOM + 2 JIB,2M2D
PJ5020001-00 JACK ASSY,FRONT



GT-750E-3-00301 5 BOOM + 2 JIB,2M2D

Pos No.	Parts No	Parts Name	Qty	Unit	Technical Data	Serial No (Start)	Serial No (End)	Remarks	Pa
1	(*****)	JOINT ASSY,SWIVEL	1						000
21	90101510060	BOLT	8		M10X60				
22	34630704400	SUPPORT	4						
23	80400160131	JOINT	2						
24	91002801800	O-RING	16		1B P18				
28	91002801400	O-RING	14		1B P14				
29	80400160135	JOINT	4						
30	91002802900	O-RING	4		1B P29				
31	37000911890	JOINT (WITH O-RING)	2		L,G1/2-G3/4				
32	80481003040	JOINT	2		S,G1/2-G3/8				
33	80316070080	PLUG	8		PF1/2				
34	80316070060	PLUG	12		PF3/8				
35	80400160130	JOINT	2		S,G1/2-G3/8				
36	37000924070	JOINT	2		S,G1/2-G1/2				
100	34631180000	JOINT ASSY,SWIVEL	1						

GT-750E-3-00301 5 BOOM + 2 JIB,2M2D
PK5000064-00 CAB SYSTEM (LOWER)



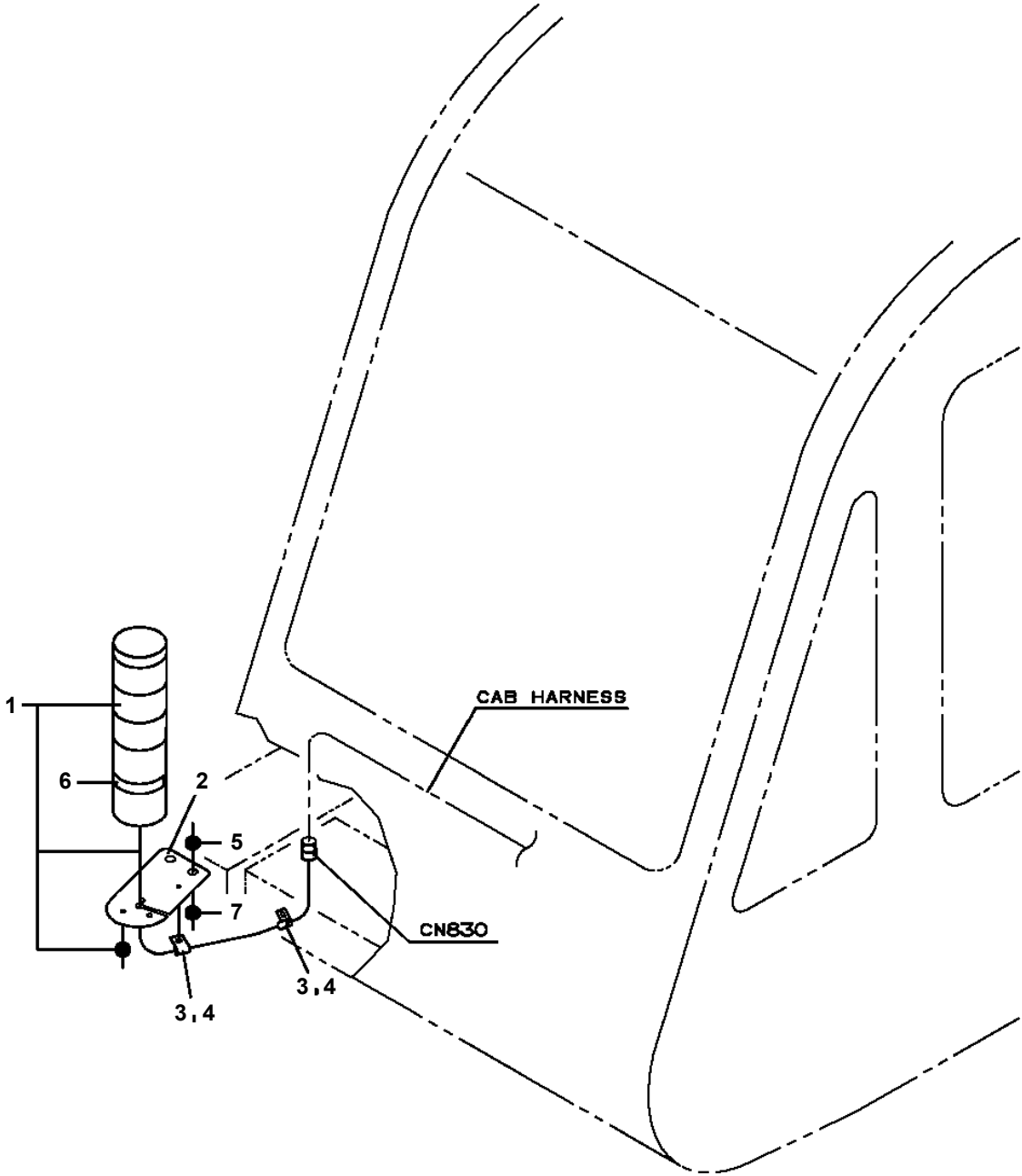
適用製造番号によっては取り付けがないものもあります。

MACHINES OF SOME SERIAL NO. ARE NOT EQUIPPED WITH THESE PARTS.

GT-750E-3-00301 5 BOOM + 2 JIB,2M2D

Pos No.	Parts No	Parts Name	Qty	Unit	Technical Data	Serial No (Start)	Serial No
3	42806627530	BULB,LAMP	1		24V 70W		
5	42806627540	PACKING	1				
6	42806627550	GLOBE	1				
31	34354959510	SWITCH ASSY (REMOTECONTROL)	1				
100	34354950100	LAMP ASSY (WITH REMOTE CONTROL SW)	1				

GT-750E-3-00301 5 BOOM + 2 JIB,2M2D
PL5030018-00 LAMP ASSY,AML (3-COLOR)



GT-750E-3-00301 5 BOOM + 2 JIB,2M2D

Pos No.	Parts No	Parts Name	Qty	Unit	Technical Data	Serial No (Start)	Serial No (End)	Remarks	Pages
10	(*****)	LAMP ASSY	1						000232
20	(*****)	LAMP ASSY	1						000233

CLICK HERE TO **DOWNLOAD** THE COMPLETE MANUAL

- Thank you very much for reading the preview of the manual.
- You can download the complete manual from: www.heydownloads.com by clicking the link below



- Please note: If there is no response to CLICKING the link, please download this PDF first and then click on it.

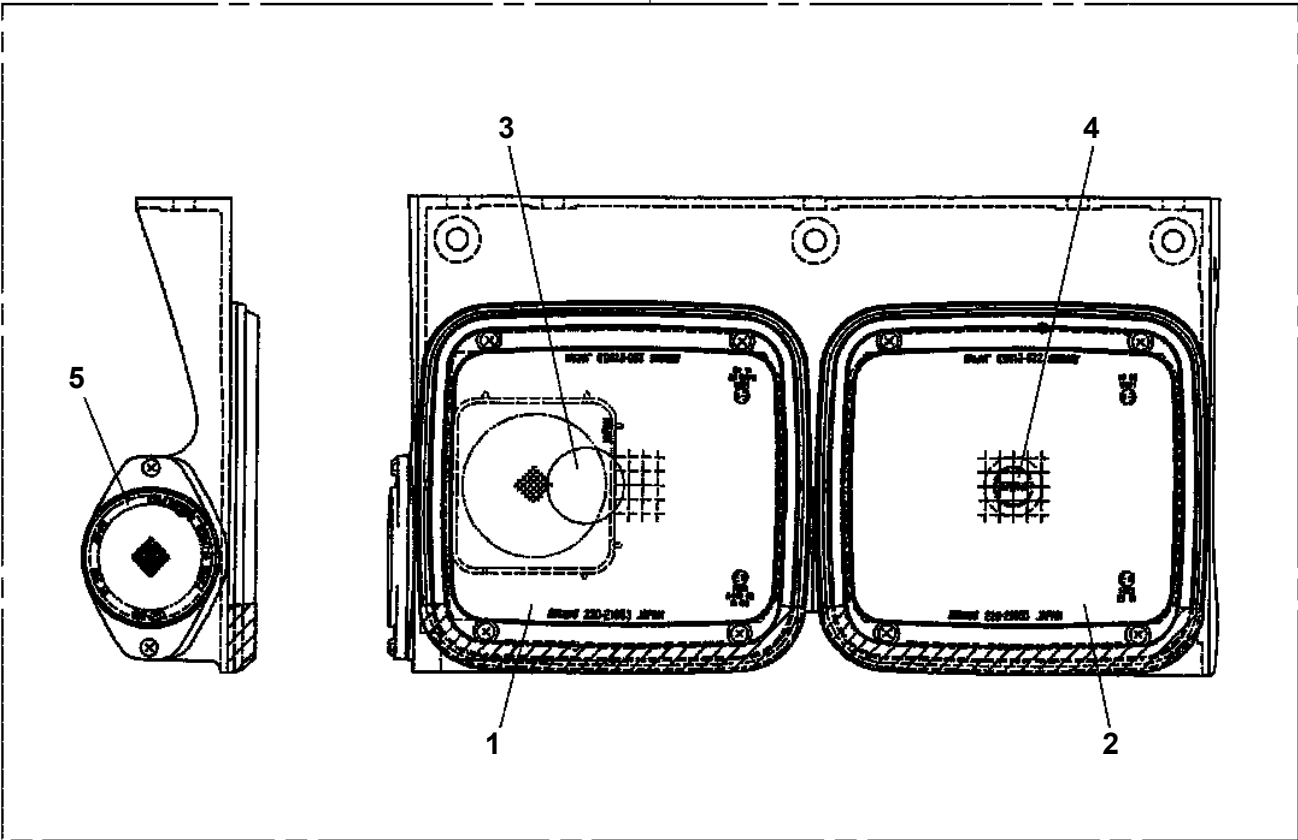
CLICK HERE TO **DOWNLOAD** THE COMPLETE MANUAL

GT-750E-3-00301 5 BOOM + 2 JIB,2M2D

Pos No.	Parts No	Parts Name	Qty	Unit	Technical Data	Serial No (Start)	Serial No (E
1	34398441900	CASE	1				
2	33396402010	PLATE,NAME	1				
3	33396402020	PLATE,NAME	1				
4	33396402030	PLATE,NAME	1				
5	33396402040	PLATE,NAME	1				
6	33396402050	PLATE,NAME	1				
7	33396402060	PLATE,NAME	1				
8	33396402070	PLATE,NAME	1				
9	33396402080	PLATE,NAME	1				
10	33396402090	PLATE,NAME	1				
11	33396402100	PLATE,NAME	1				
12	33396402110	PLATE,NAME	1				
13	33396402120	PLATE,NAME	1				
14	33396402130	PLATE,NAME	1				
15	33396402140	PLATE,NAME	1				
16	33396402150	PLATE,NAME	1				
17	33396402160	PLATE,NAME	1				
18	33396402170	PLATE,NAME	1				
19	33396402180	PLATE,NAME	1				
20	33396402190	PLATE,NAME	1				
21	33396402200	PLATE,NAME	1				
22	33396402210	PLATE,NAME	1				
23	33396402220	PLATE,NAME	1				
24	33396402230	PLATE,NAME	1				
25	33396402240	PLATE,NAME	1				
26	33396402250	PLATE,NAME	1				
27	33396402260	PLATE,NAME	1				
28	33396402270	PLATE,CAUTION	1				
29	33396402280	PLATE,CAUTION	1				
30	33396402290	PLATE,NAME	1				
31	32391371760	PLATE,NAME	1				
100	33396402000	LOAD CHART BOOKLET (PORTUGUESE)	1				

GT-750E-3-00301 5 BOOM + 2 JIB,2M2D
PL5350003-00 LAMP,COMBINATION (L)

100



GT-750E-3-00301 5 BOOM + 2 JIB,2M2D

Pos No.	Parts No	Parts Name	Qty	Unit	Technical Data	Serial No (Start)	Serial No (End)	Remarks	Pages
10	99707063683	ROD (MIRROR)	1						
20	99707063684	ROD (MIRROR)	1						
50	35620657695	MIRROR	1						
60	35620657675	SCREW	4		M8X12				
70	35620657440	SCREW	4		M6X12				
80	35620657460	SCREW	2		M6X16				
100	35620657200	WASHER,PLAIN	4						
110	35620657125	BOLT	4		M6X12				

GT-750E-3-00301 5 BOOM + 2 JIB,2M2D
PM5150780-00 MODIFICATION ASSY (SEAT HEATER HARNESS PROTEKTOR)

ビニールテープ (黒) でコルゲート末端を固定のこと。
FIX THE END OF CORRUGATE TUBE
WITH A PLASTIC TAPE (BLACK) .

シート調整用エアホース&シートヒータ配線
AIR HOSE & SEAT HEATER HARNESS



シート調整用エアホース
AIR HOSE FOR SEAT ADJUSTMENT

1

シートヒータ配線
SEAT HEATER HARNESS

2


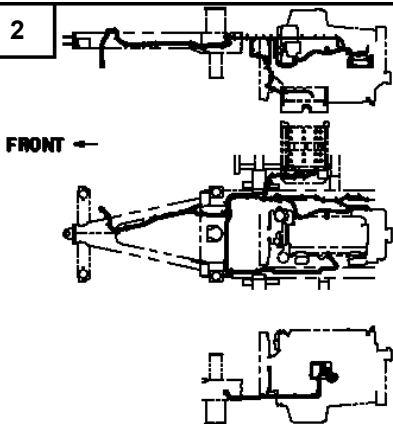
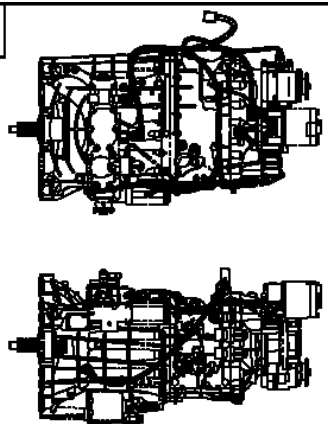
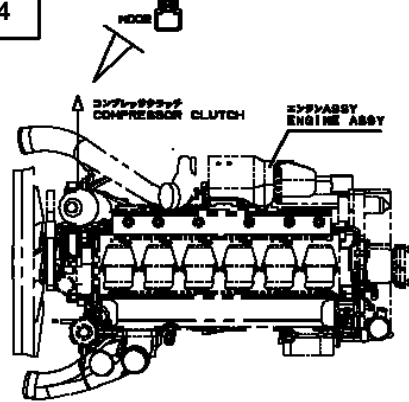
運転席後方

BACKSIDE OF THE DRIVER'S SEAT

GT-750E-3-00301 5 BOOM + 2 JIB,2M2D

Pos No.	Parts No	Parts Name	Qty	Unit	Technical Data	Serial No (Start)	Serial No (End)	Re
1	82100002002	CLAMP	1		WR6			
2	37002212110	PLATE,NAME (ELEVATE LEVER)	1					

GT-750E-3-00301 5 BOOM + 2 JIB,2M2D
 PN1000785-00 ELECTRIC EQUIPMENT (LOWER)

<p>1</p> 	<p>2</p> 	<p>3</p> 
<p>4</p> 	<p>5</p> <p>バッテリー BATTERY</p>	

適用製造番号によっては取り付けがないものもあります。
 MACHINES OF SOME SERIAL NO. ARE NOT EQUIPPED WITH THESE PARTS.

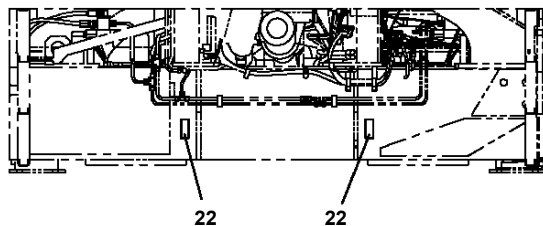
GT-750E-3-00301 5 BOOM + 2 JIB,2M2D

Pos No.	Parts No	Parts Name	Qty	Unit	Technical Data	Serial No (Start)	Serial No (End)	Re
100	37010000010	BATTERY (HYUNDAI ENERCELL)	1					

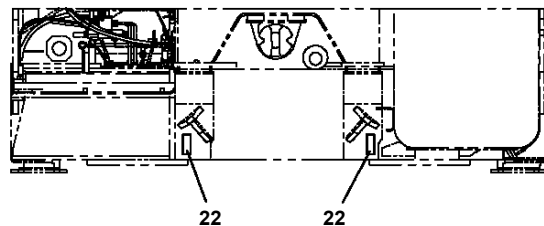
GT-750E-3-00301 5 BOOM + 2 JIB,2M2D

Pos No.	Parts No	Parts Name	Qty	Unit	Technical Data	Serial No (Start)	Serial No (End)
1	37002235500	PLATE,CAUTION (RISK OF INJURY)	1				
2	35800263010	PLATE,NAME	1				

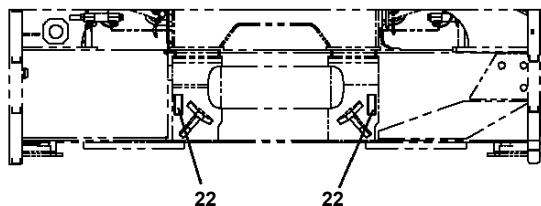
GT-750E-3-00301 5 BOOM + 2 JIB,2M2D
PN5011808-02 NAME PLATE ASSY (LOWER 1/ENGLISH)



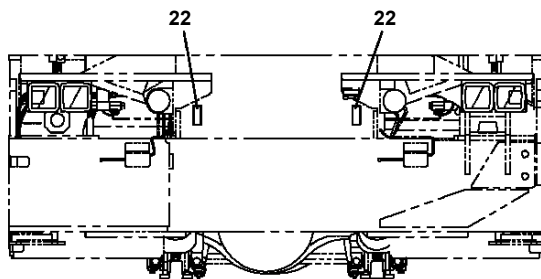
F
(ラッシングサポート)
(SUPPORT OF THE RASHING)



J
(ラッシングサポート)
(SUPPORT OF THE RASHING)

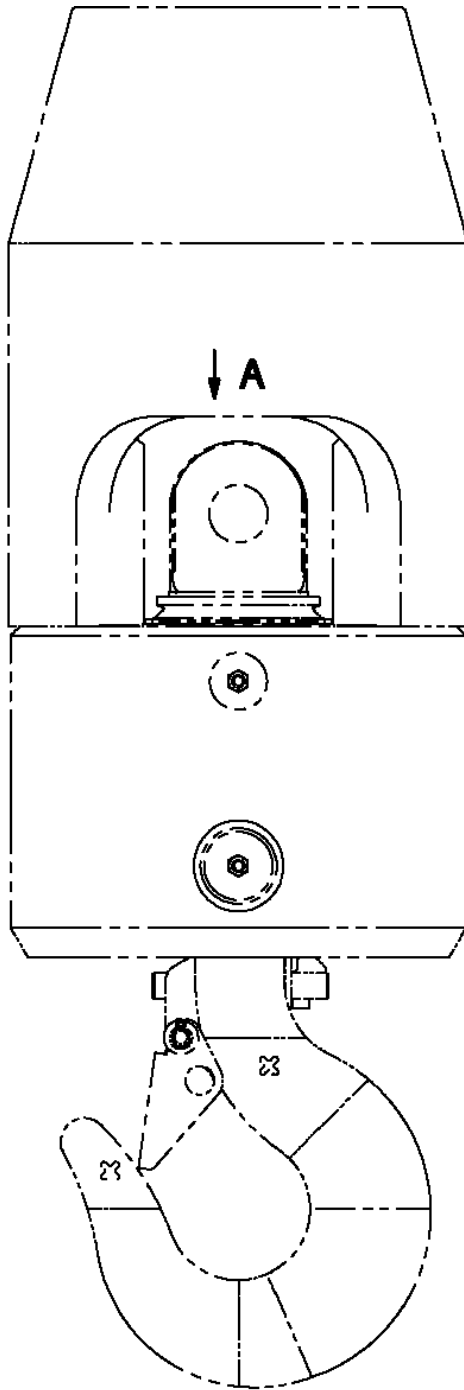


H
(ラッシングサポート)
(SUPPORT OF THE RASHING)



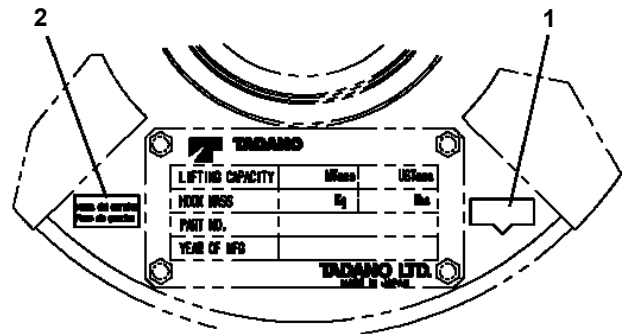
I
(ラッシングサポート)
(SUPPORT OF THE RASHING)

**GT-750E-3-00301 5 BOOM + 2 JIB,2M2D
 PN5011841-00 NAME PLATE ASSY (5.6TON/ENG.& SPANISH & PORTUGUESE)**



1
 Grease
 Lubrificante

2
 Mesa del gancho
 Peso do gancho



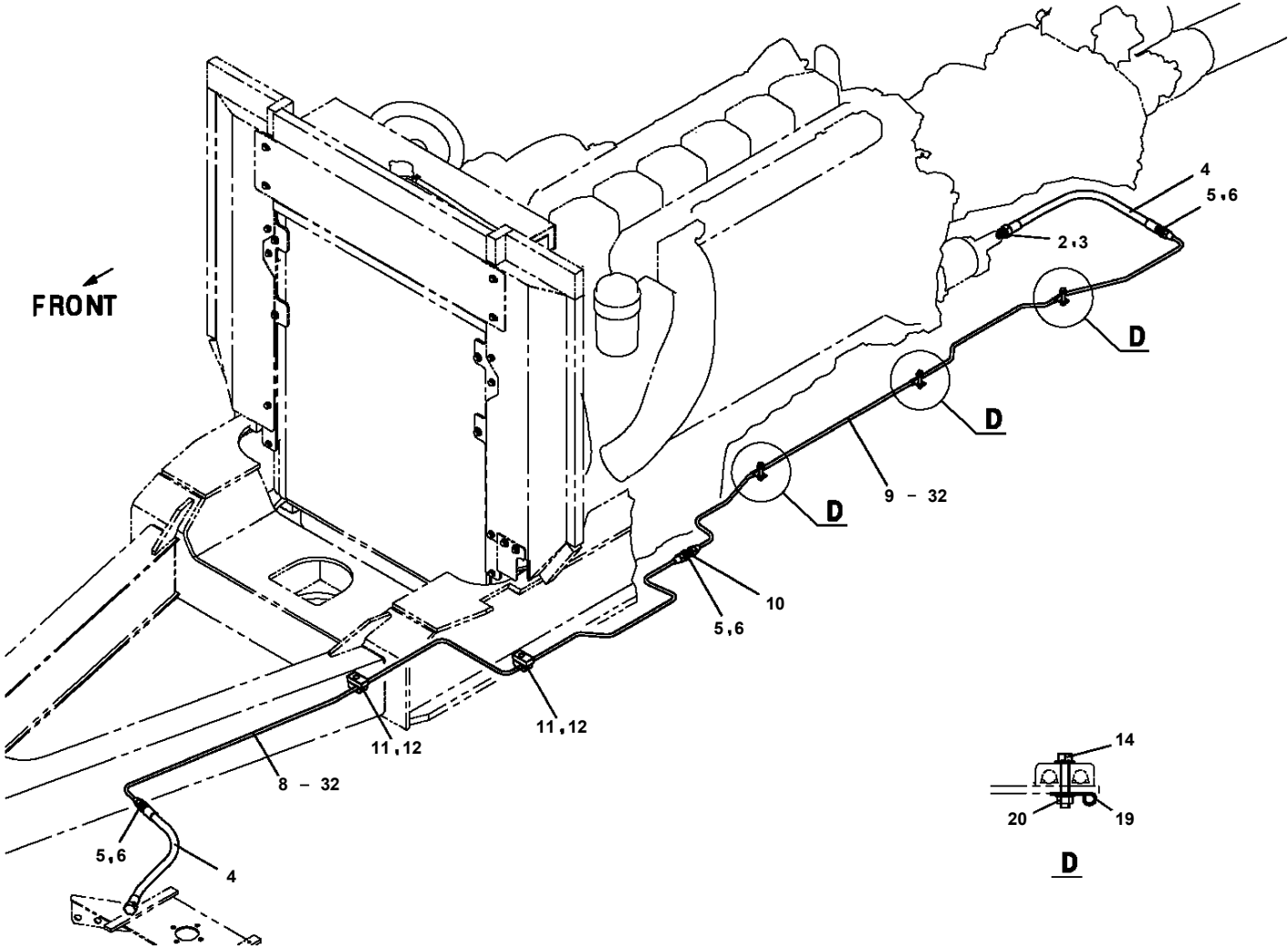
A

GT-750E-3-00301 5 BOOM + 2 JIB,2M2D
PO1000188-00 INDICATION PLATES (LOWER)

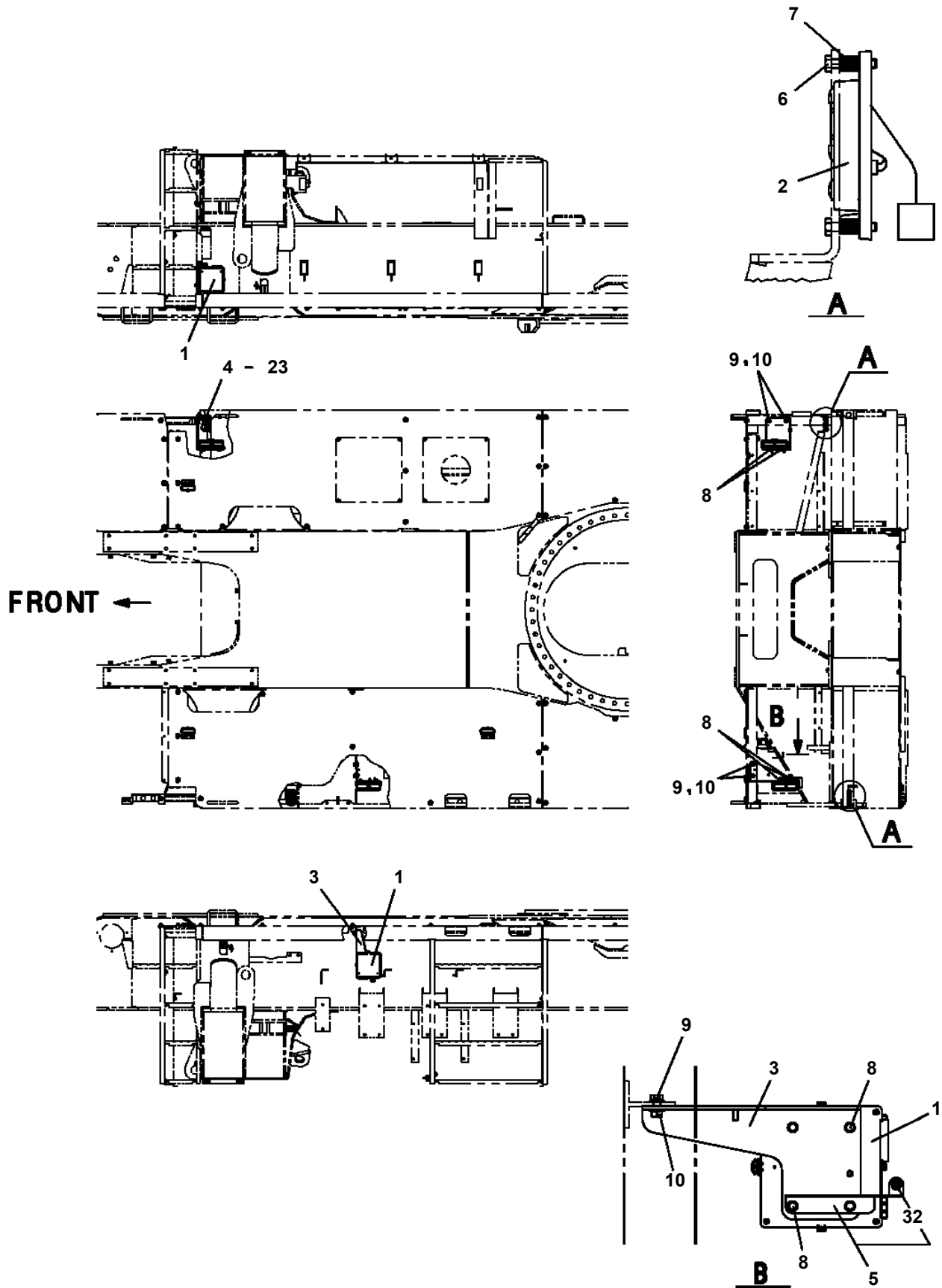
メイハン (カブ)
INDICATION PLATES (LOWER)

〔組立名称一覧〕より選択してください。
SEE THE CORRESPONDING "ASSEMBLY NAME" LIST.

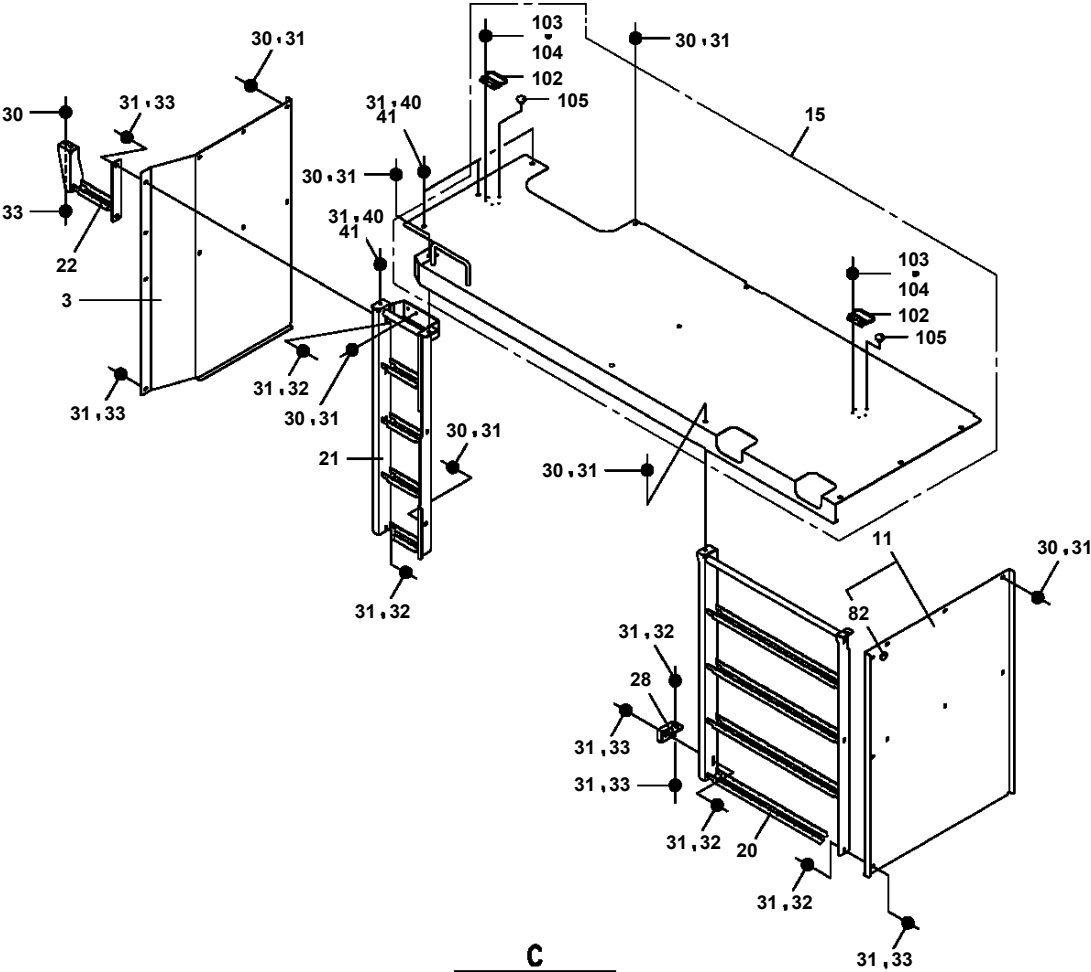
GT-750E-3-00301 5 BOOM + 2 JIB,2M2D
PO5070002-00 OPE.ASSY,CLUTCH (CARRIER)



GT-750E-3-00301 5 BOOM + 2 JIB,2M2D
PO5120025-00 OPE.ASSY,OUTRIGGER



GT-750E-3-00301 5 BOOM + 2 JIB,2M2D
PO5260116-03 OUTER COVERING ASSY (FENDER)



C
LEFT SIDE

GT-750E-3-00301 5 BOOM + 2 JIB,2M2D

Pos No.	Parts No	Parts Name	Qty	Unit	Technical Data	Serial No (Start)	Serial No (End)	Remarks
1	35220081000	CASE,INNER	1					
2	36043990000	CYLINDER ASSY,EXTENSION	1					
3	37012406090	HOSE (TWIN)	1		L=3450			
4	36625030000	VALVE,CHECK	1					
5	90172110030	BOLT,HEXAGON SOCKET	4		M10X30			
6	36037820000	CYLINDER ASSY,JACK	1					
7	90302042401	WASHER,SPRING	4		24			
8	90101524075	BOLT	4		M24X75			
9	91002801100	O-RING	2		1B P11			
10	80400160127	JOINT	2					
11	82100002535	TUBE,SPIRAL	1	M	SE-29BK			
12	34611623000	COVER ASSY	1					
13	90101210016	BOLT	4		M10X16			
14	90302041001	WASHER,SPRING	4		10			
15	80430620400	JOINT	2					
16	80136340050	PIN,SPLIT	2		4X50			
17	37000100330	PIN	1					
18	90186208020	BOLT,FLANGE	1		M8X20			
19	90280200800	NUT,FLANGE	1		M8			
20	82100002039	CLAMP	1					
41	34611623100	COVER	1					
42	90190000030	BOLT	2		M10X45			
43	90201201000	NUT	2		M10			
44	90302041001	WASHER,SPRING	2		10			
45	34610053200	PLATE,SLIDE	1					
61	91002801100	O-RING	2		1B P11			
100	35220080200	OUTRIGGER ASSY (REAR)	1					

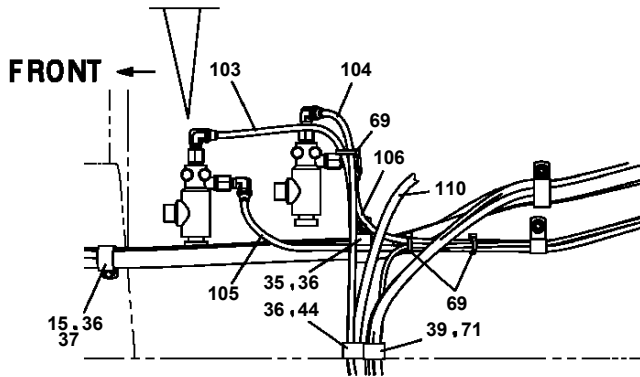
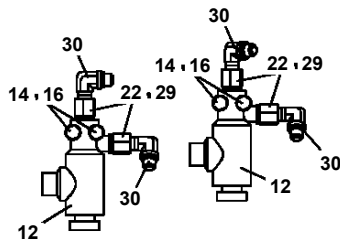
GT-750E-3-00301 5 BOOM + 2 JIB,2M2D

Pos No.	Parts No	Parts Name	Qty	Unit	Technical Data	Serial No (Start)	Serial No (End)
1	35780403100	PANEL	1				
5	99708467035	COVER	1				
7	82190521109	SWITCH,ROCKER	2				
8	82190521201	SWITCH,ROCKER	1				
9	82190596273	COVER	2				
10	35780402400	LAMP ASSY	2				
11	35780402500	LAMP ASSY	2				
12	35780402600	LAMP ASSY	3				
13	35780311480	PLATE,NAME (HAZARD)	1				
14	35780403010	PLATE,NAME	1				
16	35780403030	PLATE,NAME	1				
18	35780403050	PLATE,NAME	1				
19	35780403060	PLATE,NAME	1				
20	35780403070	PLATE,NAME	1				
21	35780403080	PLATE,NAME	1				
23	90303070501	WASHER,PLAIN	4		5		
24	80172305012	SCREW,MACHINE	4		M5X12		
26	82121600020	PLUG	3				
27	35780311370	PLATE,NAME (DIFFERENTIAL LOCK)	1				
28	35780403160	PLATE,NAME	1				
29	35780393011	PLATE,NAME	1				
30	36321162011	SWITCH ASSY	1				
31	35780402120	PLATE,NAME	1				
33	35780393200	SWITCH ASSY (STARTER)	1				

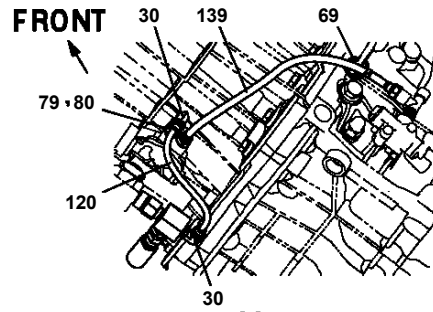
GT-750E-3-00301 5 BOOM + 2 JIB,2M2D

Pos No.	Parts No	Parts Name	Qty	Unit	Technical Data	Serial No (Start)	Serial No (End)
1	36101550000	TANK,AIR (29L)	2				
2	36870490000	VALVE ASSY,AIR	1				
3	36606610000	VALVE ASSY,AIR (ASSY ONLY)	1				
4	36645960000	VALVE ASSY,SOLENOID	3				
5	59181005000	SWITCH,PRESSURE (AIR)	2				
6	80353001530	JOINT	1				
7	80353081230	JOINT	5		PAL12X9-R3/8-C		
8	80353080620	JOINT	2		PAL6X4-R1/4-C		
9	35770383100	SUPPORT	1				
10	34920620430	BAND	4				
11	90302041201	WASHER,SPRING	3		12		
12	90103212025	BOLT	3		M12X1.25X25		
13	37000911610	JOINT	1		R3/8XRC3/8		
14	59451305000	VALVE,SAFETY (ASSY ONLY)	1				
15	80353001230	JOINT	1		S,R3/8-D12		
16	37000927550	JOINT	2		M22X1.5-RC3/8		
17	80353081240	JOINT	1		PAL12X9-R1/2-C		
18	80353081220	JOINT	2		L,R1/4-D12		
19	37000932120	JOINT	2		R1/2-RC3/8-1/4-1/8		
20	80353080820	JOINT	7		PAL8X6-RC1/4-C		
21	37000932370	JOINT	1				
22	37000915040	JOINT	1		T,R1/4-R1/4-R1/4		
24	80353001210	JOINT	2		S,R1/4-D12		
26	90186208020	BOLT,FLANGE	7		M8X20		
27	90302040801	WASHER,SPRING	2		8		
28	90101208065	BOLT	2		M8X65		
29	80316040040	PLUG	1				
30	90201200800	NUT	16		M8		
31	36870400000	PLUG (DRAIN)	2		R1/2		
32	80353000820	JOINT	2		S,R1/4-D8		
33	80353081030	JOINT	1		PAL10X7.5-R3/8-C		
34	80316030040	PLUG	1		PT1/4		
35	80303030240	FITTING,ELBOW	1				
36	80315020060	JOINT,BUSHING	1		S,R1/2-R1/4		
37	37000923670	JOINT	1		T,R3/8-R1/4-R1/4		
38	80315020080	JOINT,BUSHING	1				
39	37000917600	JOINT	1				
40	90303382201	WASHER	2		M22		
41	37000918060	JOINT,BUSHING	2		S R1/4-RC1/8		
42	37000932750	PLUG	2		R1/8		
45	35770386030	TUBE ASSY	1		DIN,12X1.5 L=240		
46	35770386040	TUBE ASSY	1		DIN,12X1.5 L=450		
47	35770386050	TUBE ASSY	1		DIN,12X1.5 L=380		
48	35770386060	TUBE ASSY	1		DIN,8X1 L=380		
49	35770386070	TUBE ASSY	1		DIN,8X1 L=320		
50	80353081530	JOINT	1		PAL15X12-R3/8-C		
51	35770386080	TUBE ASSY	1		DIN,12X1.5 L=1070		
52	82100002009	CLAMP	1		WRC12		
53	37000920230	JOINT	1				

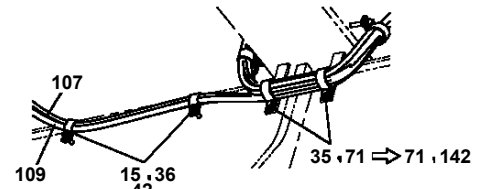
**GT-750E-3-00301 5 BOOM + 2 JIB,2M2D
PP6020062-02 PIPING ASSY,AIR (FRONT)**



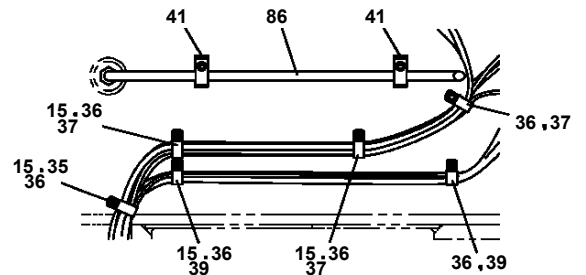
L
ソレノイドバルブ周辺
OUTSKIRTS VALVE ASSY, SOLENOID



M
T/Mクラッチブースタ・GVバルブ接続部
T/M CLUTCH BOOSTER・GV VALVE CONNECT PART



N
O/Rケース,アウト前面
O/R CASE, OUTER FRONT SIDE



O
フレーム外都左側
FRAME OUTSIDE LEFT SIDE

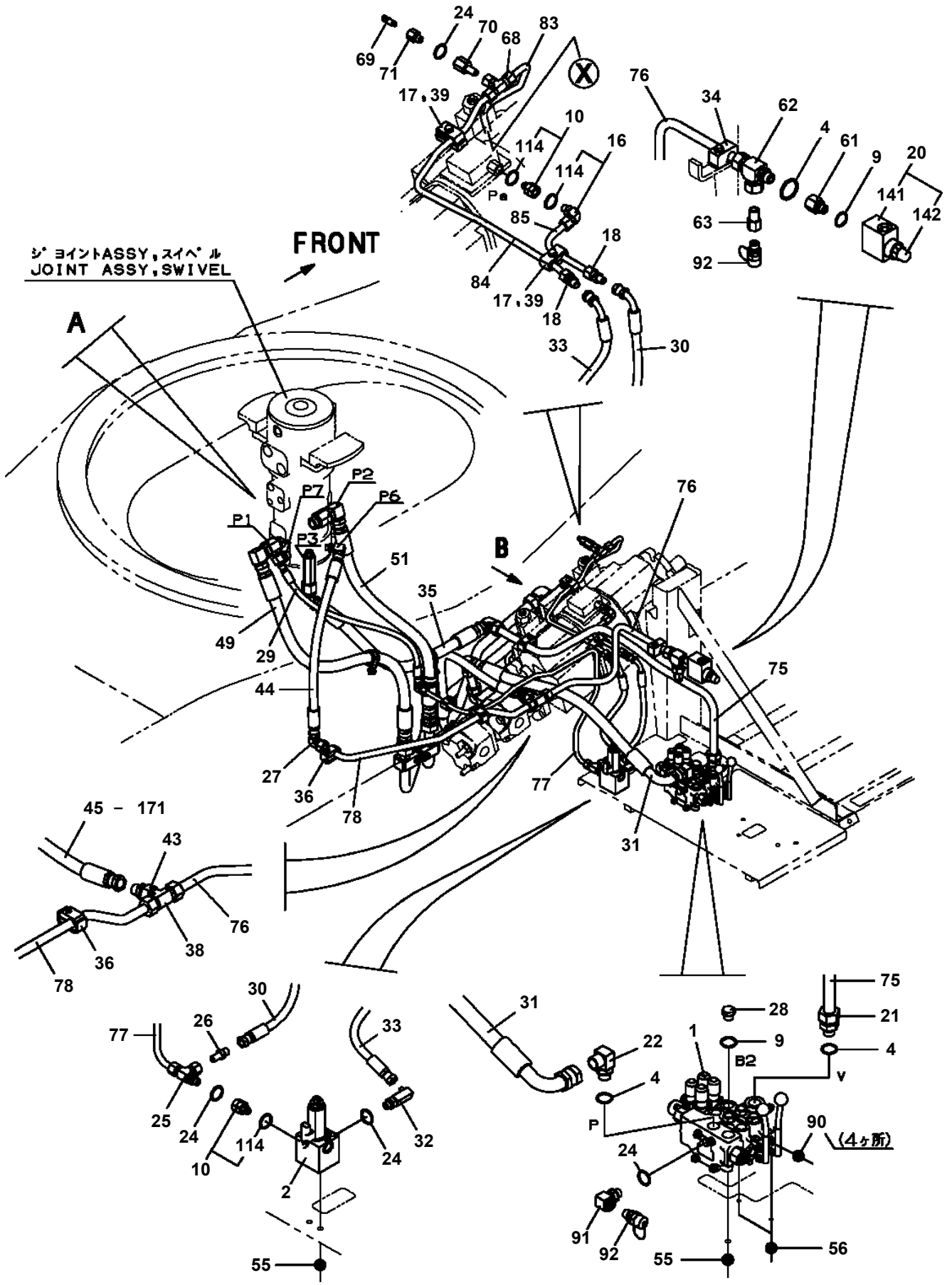
GT-750E-3-00301 5 BOOM + 2 JIB,2M2D

Pos No.	Parts No	Parts Name	Qty	Unit	Technical Data	Serial No (Start)	Serial No (End)	Re
1	36646080000	VALVE,SOLENOID	1					
2	90186208016	BOLT,FLANGE	2		M8X16			
3	80302090141	FITTING	2		KCO12-020N			
4	80303130141	FITTING,ELBOW	2		KLO12-020E			
5	91002801100	O-RING	4		1B P11			
6	80306010165	NUT	1		KKN018-000E			
7	80309010165	SLEEVE	1					
8	80330001300	FITTING,TEE	1		KTR18-120N			
10	80321112000	VALVE,CHECK	1					
11	80320010085	FITTING	1		KUD12-040N			
13	80400160120	FITTING	2		20376-U1/2X1/2			
16	80441010904	FITTING (WITH O-RING)	7		S G1/4-12.7			
17	80400160126	FITTING,TEE	16		20364-U1/2			
18	80441030904	FITTING,ELBOW (WITH O-RING)	4		L,G1/4-12.7			
19	80441010906	FITTING	2					
20	80441030908	FITTING,ELBOW (WITH O-RING)	3		L,G1/2-12.7			
21	37000921300	JOINT	2		S,PF1/4-PF1/4			
22	37002472320	HOSE	1		L=350			
23	89640101000	HOSE	1		880-NFK,1M			
24	89640101000	HOSE	1		880-NFK,1M			
25	81408000241	PIPE,STEEL	1	M	18X1.9T			
26	89640101000	HOSE	1		880-NFK,1M			
27	89640101000	HOSE	1		880-NFK,1M			
28	89640101000	HOSE	1		880-NFK,1M			
29	89640101000	HOSE	1		880-NFK,1M			
30	89640101000	HOSE	1		880-NFK,1M			
31	89640101000	HOSE	1		880-NFK,1M			
32	89640101000	HOSE	1		880-NFK,1M			
33	89640101000	HOSE	1		880-NFK,1M			
34	89640102000	HOSE	1		880-NFK,2M			
36	89640101000	HOSE	1		880-NFK,1M			
38	89640101000	HOSE	1		880-NFK,1M			
39	89640101000	HOSE	1		880-NFK,1M			
40	89640101000	HOSE	1		880-NFK,1M			
41	81408000160	PIPE,STEEL	1	M	12X1.4T			
42	89640102000	HOSE	1		880-NFK,2M			
43	89640101000	HOSE	1		880-NFK,1M			
44	89640102000	HOSE	1		880-NFK,2M			
45	89640101000	HOSE	1		880-NFK,1M			
46	89640101000	HOSE	1		880-NFK,1M			
47	81408000160	PIPE,STEEL	1	M	12X1.4T			
49	89640101000	HOSE	1		880-NFK,1M			
50	89640101000	HOSE	1		880-NFK,1M			
52	89640101000	HOSE	1		880-NFK,1M			
53	89640101000	HOSE	1		880-NFK,1M			
54	82100002009	CLAMP	4		WRC12			
55	90280200800	NUT,FLANGE	4		M8			
56	89640101000	HOSE	1		880-NFK,1M			
57	90201200800	NUT	4		M8			
58	89640101000	HOSE	1		880-NFK,1M			
59	89640102000	HOSE	1		880-NFK,2M			
60	81408000241	PIPE,STEEL	1	M	18X1.9T			
61	81408000160	PIPE,STEEL	2	M	12X1.4T			
62	81408000160	PIPE,STEEL	2	M	12X1.4T			
63	80320010140	FITTING	1		KUD18-040N			
64	91810130250	FASTENER	20					
65	89640103000	HOSE	1		880-NFK,3M			
66	89640101000	HOSE	1		880-NFK,1M			
67	89640102000	HOSE	1		880-NFK,2M			
68	89640101000	HOSE	1		880-NFK,1M			
69	89640101000	HOSE	1		880-NFK,1M			
70	89640101000	HOSE	1		880-NFK,1M			
91	91002801100	O-RING	13		1B P11			

GT-750E-3-00301 5 BOOM + 2 JIB,2M2D

Pos No.	Parts No	Parts Name	Qty	Unit	Technical Data	Serial No (Start)	Serial No (End)	Remarks	Pa
111	91002801400	O-RING	2		1B P14				

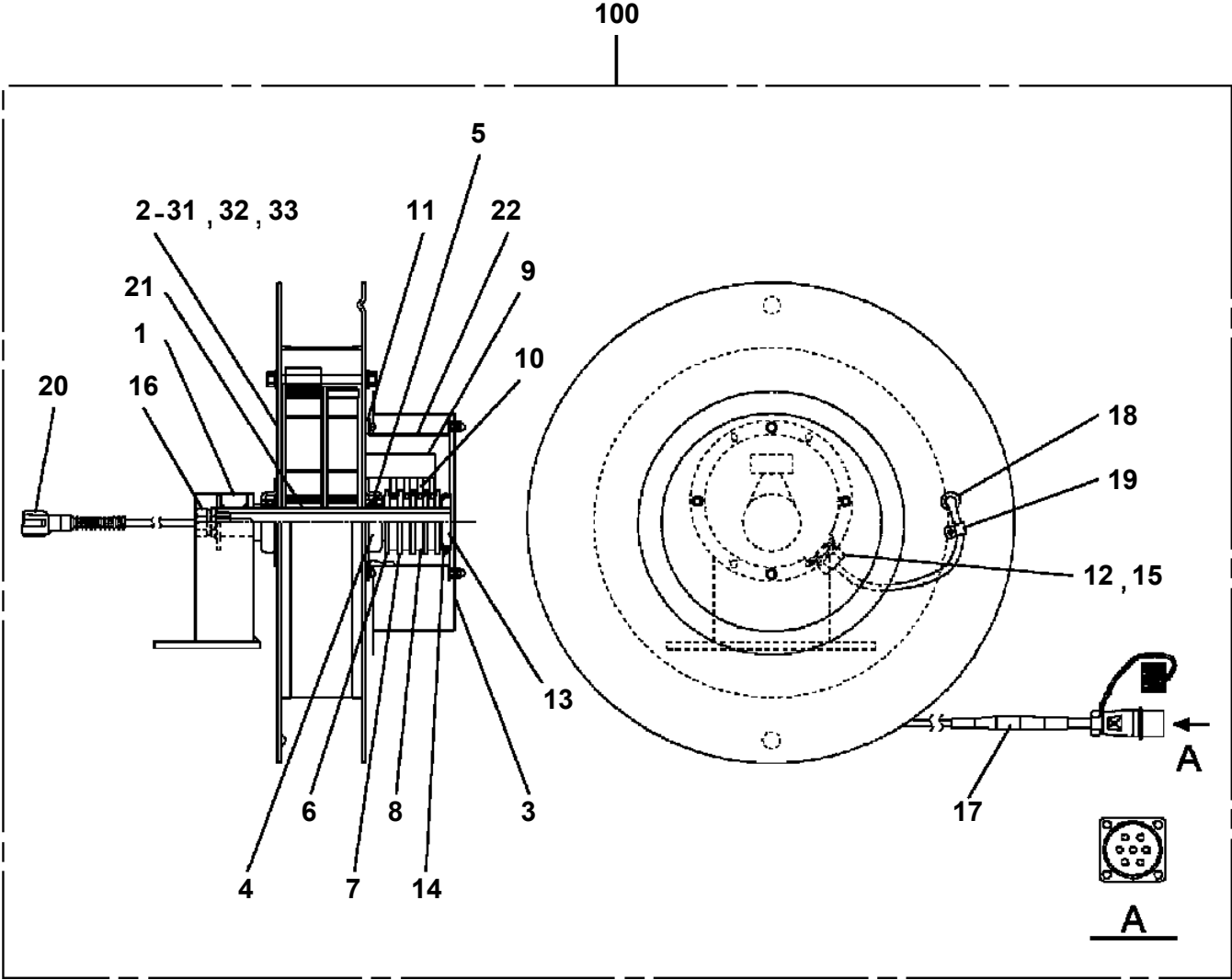
**GT-750E-3-00301 5 BOOM + 2 JIB,2M2D
PP6340038-02 PIPING ASSY,SWIVEL**



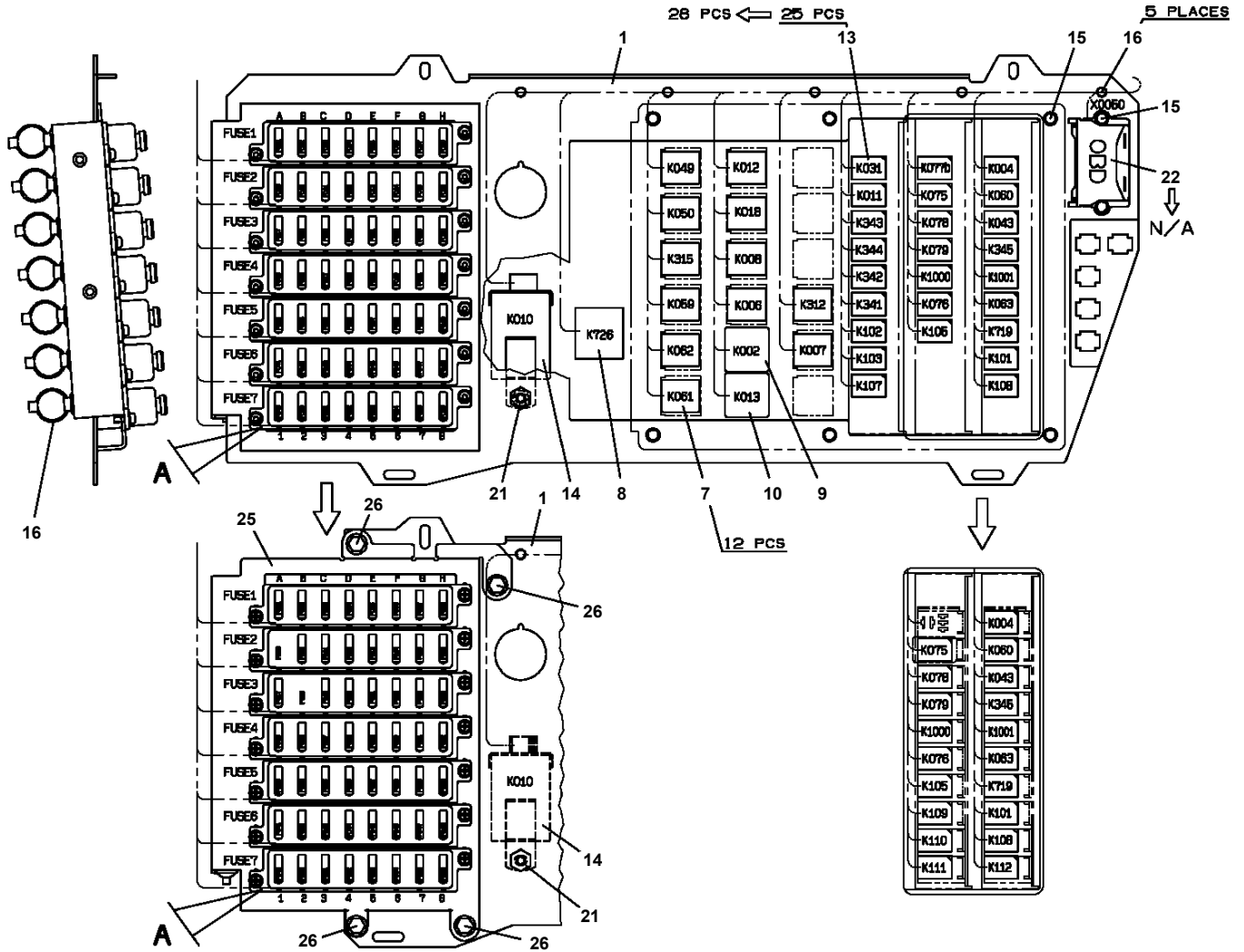
GT-750E-3-00301 5 BOOM + 2 JIB,2M2D

Pos No.	Parts No	Parts Name	Qty	Unit	Technical Data	Serial No (Start)	Serial No (End)	Remark
1	36742080000	VALVE ASSY,HYDRAULIC	1					
2	90186210020	BOLT,FLANGE	2		M10X20			
3	80302090141	FITTING	1		KCO12-020N			
4	91002801100	O-RING	7		1B P11			
5	80302090322	FITTING	2		KCO28-080N			
6	91002802900	O-RING	2		1B P29			
9	37000711100	CLAMP ASSY	2		28X2			
11	80309010105	SLEEVE	1		KK012-000E			
12	80306010105	NUT	1		KKN12-000E			
13	90174110030	BOLT	8		M10X30			
14	80306010245	NUT	2		KKN28-000E			
15	80309010245	SLEEVE	2		28			
16	37000701510	CLAMP ASSY	3		12X2			
17	37000932660	JOINT (WITH O-RING)	3		T G1/4-G1/4-G1/4			
18	80430620400	JOINT	2					
21	37002487980	HOSE	1		L=650			
24	81408000341	PIPE,STEEL	3	M	28X3.1T			
25	81408000341	PIPE,STEEL	3	M	28X3.1T			
27	81408000160	PIPE,STEEL	2	M	12X1.4T			
32	37000919390	JOINT (ORIFICE)	1		1.0			
35	37002450240	HOSE	1		L=950			
36	37002478140	HOSE	1		L=750			
37	37002433600	HOSE	1		L=1400			
38	80400160127	JOINT	5					
39	91810130250	FASTENER	1					
40	37002470480	HOSE	2		L=750			
64	91002801100	O-RING	5		1B P11			
71	91000521900	O-RING	2		AS568-219-1B			

GT-750E-3-00301 5 BOOM + 2 JIB,2M2D
PR5050019-00 REEL ASSY,CORD

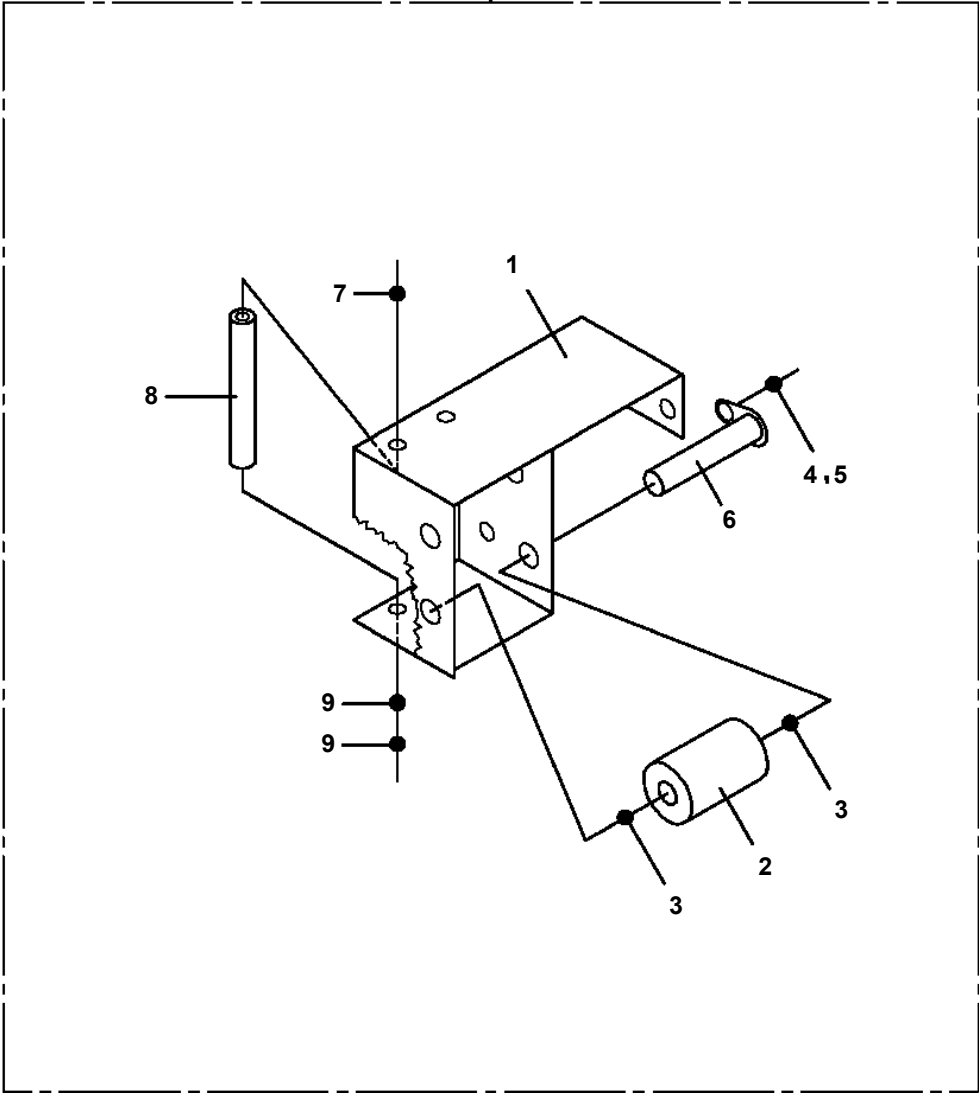


**GT-750E-3-00301 5 BOOM + 2 JIB,2M2D
PR5090215-02 RELAY ASSY**



GT-750E-3-00301 5 BOOM + 2 JIB,2M2D
PR5150022-00 ROLLER ASSY

50

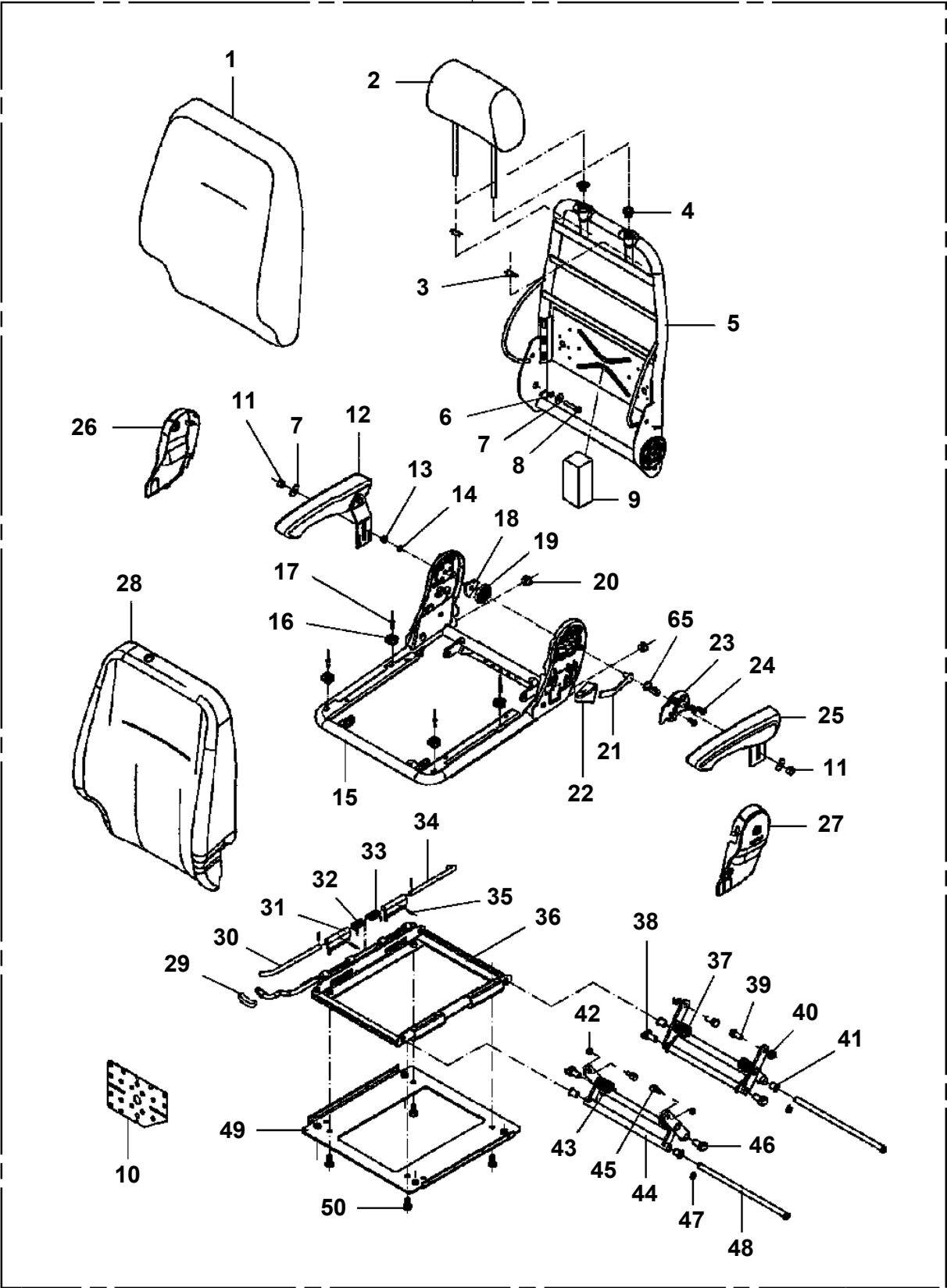


GT-750E-3-00301 5 BOOM + 2 JIB,2M2D

Pos No.	Parts No	Parts Name	Qty	Unit	Technical Data	Serial No (Start)	Serial No (End)	Remarks
1	37001808690	ROPE,WIRE (TSK/NON-SPIN)	1					

GT-750E-3-00301 5 BOOM + 2 JIB,2M2D
PS5050005-00 SEAT ASSY

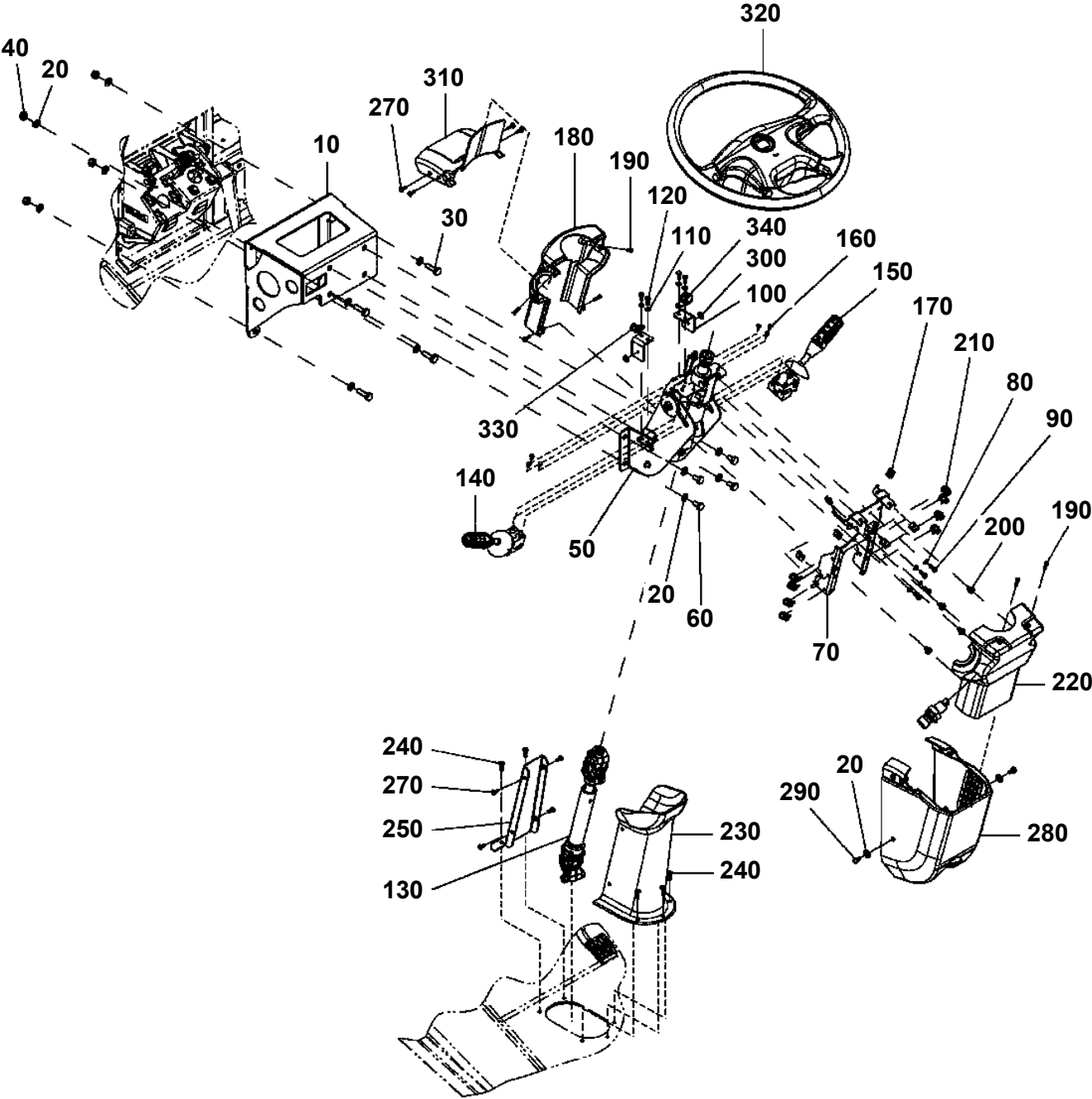
100



GT-750E-3-00301 5 BOOM + 2 JIB,2M2D

Pos No.	Parts No	Parts Name	Qty	Unit	Technical Data	Serial No (Start)	Serial No (End)	Remarks
1	36303175010	YOKE (SLEEVE)	1					
3	36303335020	SPIDER ASSY	2					
4	36303335030	FLANGE (YOKE)	2					
21	82455106000	NIPPLE,GREASE	1		A-M6F FE			
22	36303335040	NIPPLE,GREASE	2					
100	36303920000	SHAFT ASSY,PROPELLER	1					

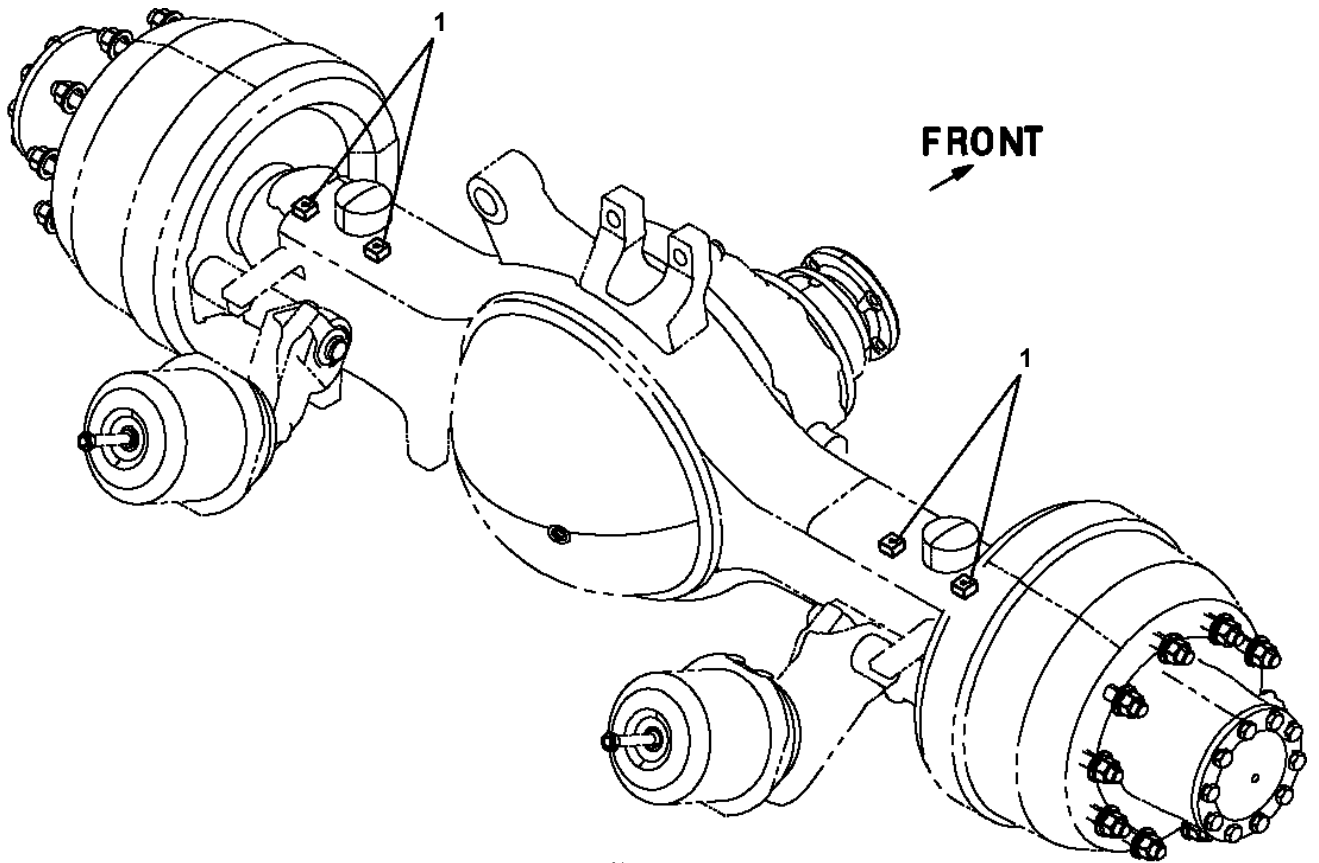
GT-750E-3-00301 5 BOOM + 2 JIB,2M2D
PS5340056-00 STEERING ASSY



GT-750E-3-00301 5 BOOM + 2 JIB,2M2D

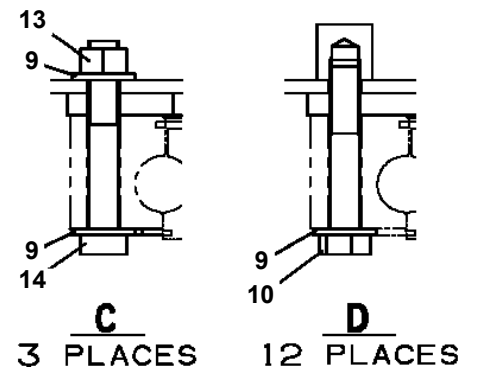
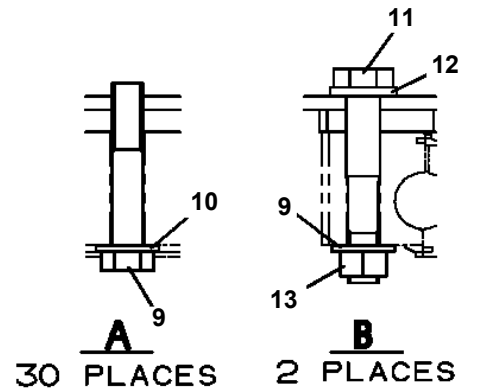
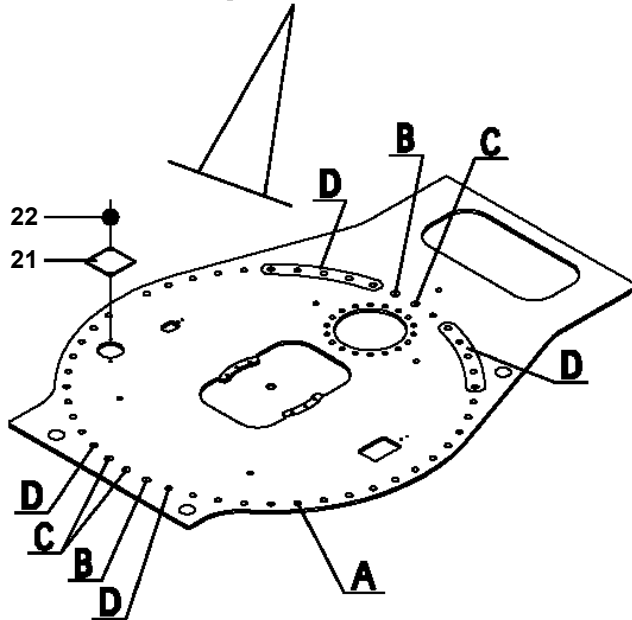
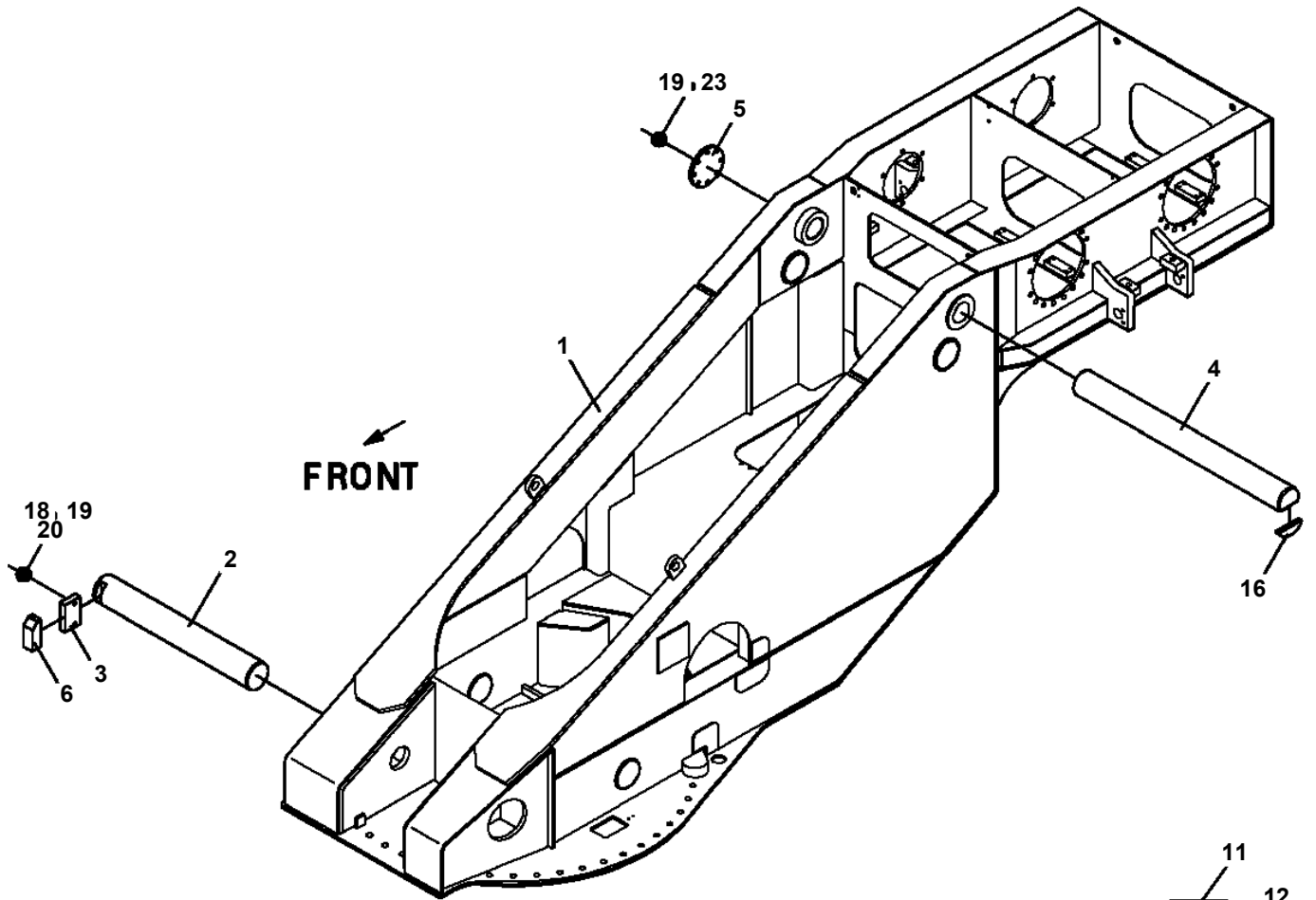
Pos No.	Parts No	Parts Name	Qty	Unit	Technical Data	Serial No (Start)	Serial No (End)	Remarks	Pages
1	34446114600	SUPPORT	1						
2	34446114300	SUPPORT	1						
3	34444595400	PLATE	1						
6	3431000060	PLATE	2						
7	37000524090	PLATE	2						
9	37000550730	PLATE	1						
10	37000516500	PLATE	4						
11	37000587430	PLATE	1						
13	37000514590	PLATE	1						
15	34444595300	SUPPORT	1						
16	34445274200	PLATE	1						
17	34444595500	SUPPORT	1						
18	37000503270	SUPPORT	1						
19	31626053010	SUPPORT	2						
20	37000537580	PLATE	1						
21	34341434750	SUPPORT	1						
22	34476160500	SUPPORT	1						
23	34344196800	SUPPORT	1						
24	37000564500	PLATE	1						
25	34446114100	SUPPORT	1						
26	32640583060	PLATE	2						
27	37000562120	SUPPORT	1						
28	34446114400	PLATE	1						

GT-750E-3-00301 5 BOOM + 2 JIB,2M2D
PS5420471-00 SUPPORT ASSY (PLATE:ABS SENSOR CLAMP/4TH)

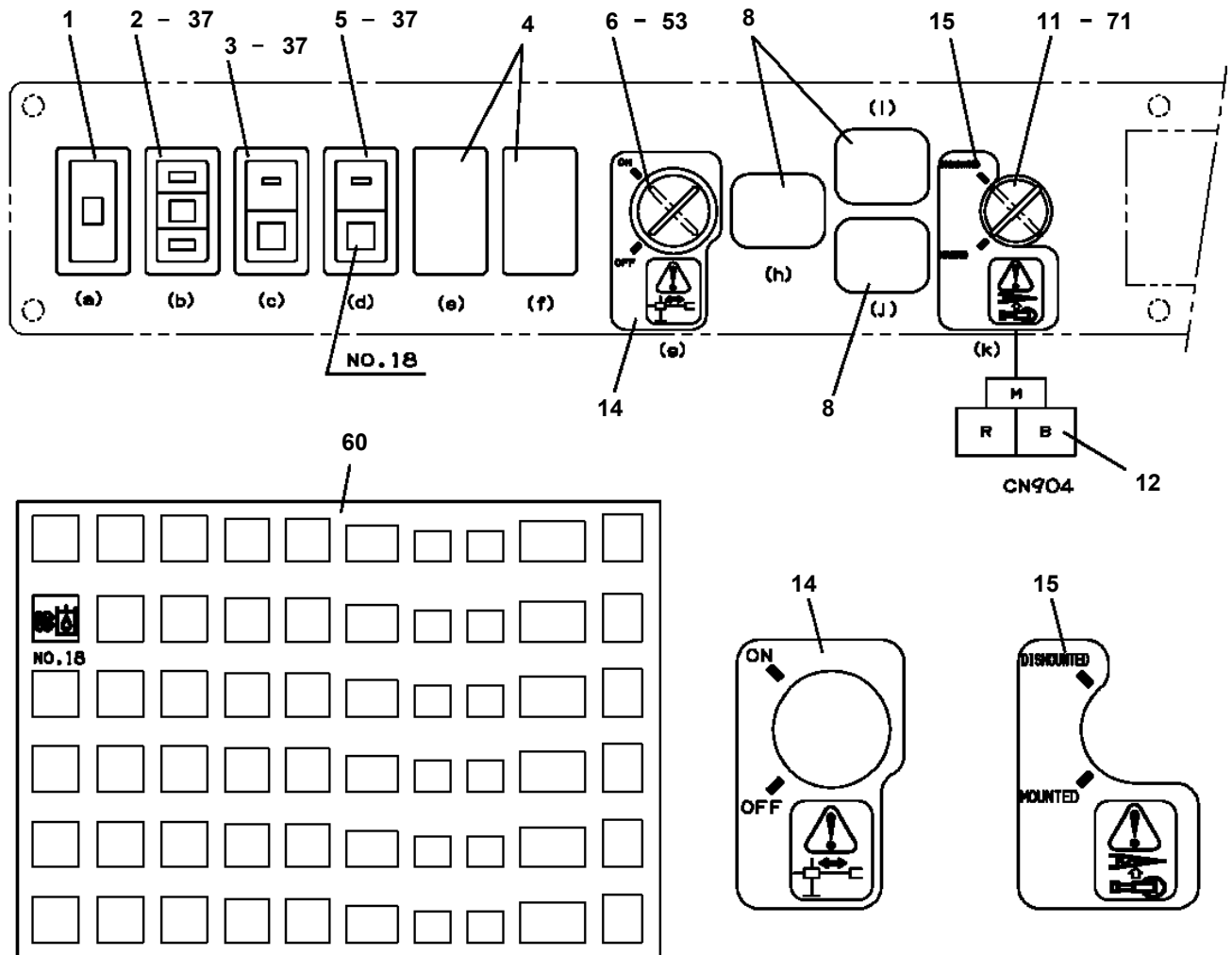


4輪アクスル
4TH-AXLE

**GT-750E-3-00301 5 BOOM + 2 JIB,2M2D
PS5510057-00 SWING FRAME ASSY**



**GT-750E-3-00301 5 BOOM + 2 JIB,2M2D
PS5530354-01 SWITCH ASSY (3)**

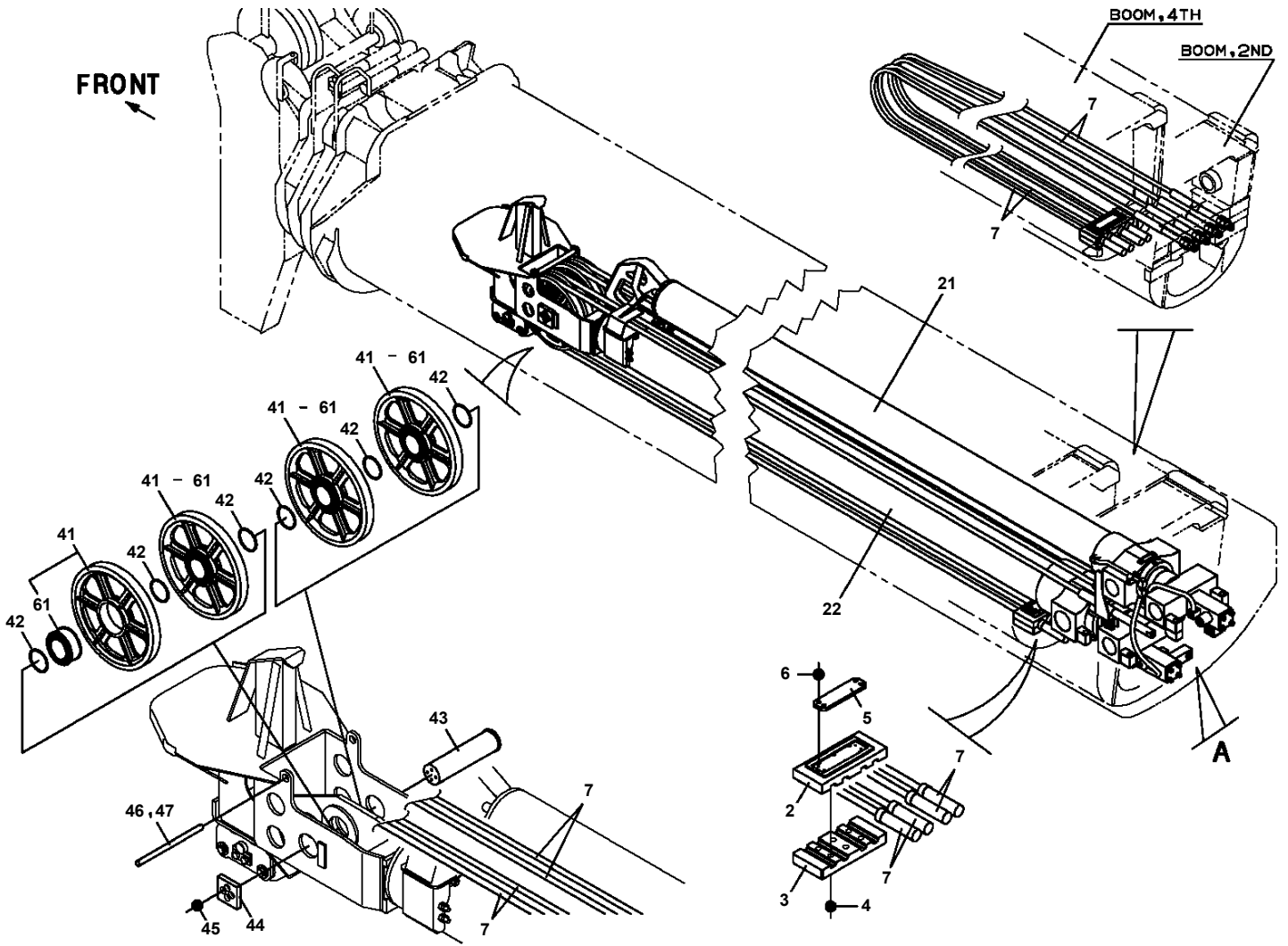


符号 MARK	名称 NAME	CN. NO
a	ルーフウォッシャー ROOF WASHER SW	(CN495)
b	ルーフワイパ ROOF WIPER SW	CN468
c	作業灯 FLOOD LAMP SW	CN470B
d	オイルクーラ OIL COOLER SW	CN574
e	予備スイッチ SPARE SW	-
f	予備スイッチ SPARE SW	-
g	非常用O/R状態検定 OUTRIGGER STATUS EMERGENCY REGISTRATION SW	CN907
h	予備スイッチ SPARE SW	-
i	予備スイッチ SPARE SW	-
j	予備スイッチ SPARE SW	-
k	ジブ有り無し切り替え JIB STATUS SW	CN904

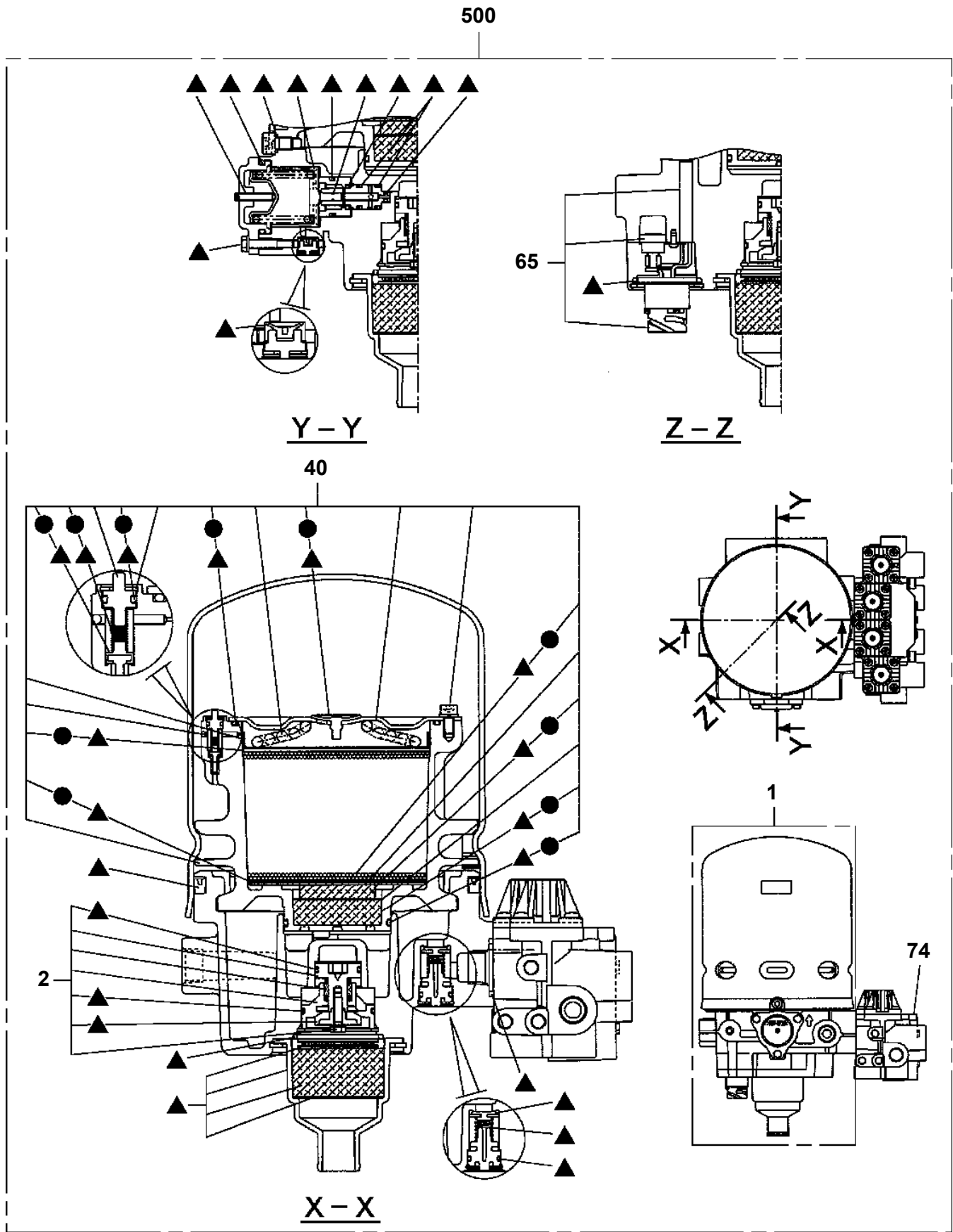
GT-750E-3-00301 5 BOOM + 2 JIB,2M2D

Pos No.	Parts No	Parts Name	Qty	Unit	Technical Data	Serial No (Start)	Serial No (End)	Remarks	Pages
5	34510703250	PACKING	1						
6	34510703260	PACKING	1						
100	34510703200	SUPPORT	1						

GT-750E-3-00301 5 BOOM + 2 JIB,2M2D
PT5130088-00 TELESCOPE ASSY



GT-750E-3-00301 5 BOOM + 2 JIB,2M2D
 PV5020001-00 VALVE ASSY,AIR

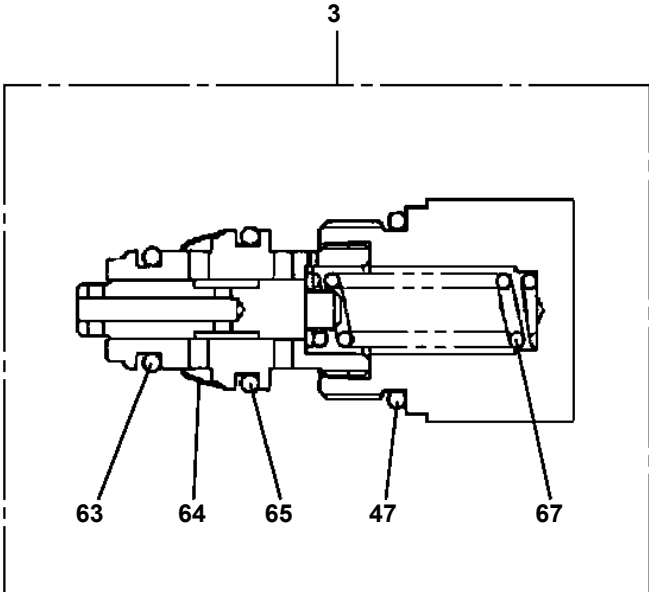
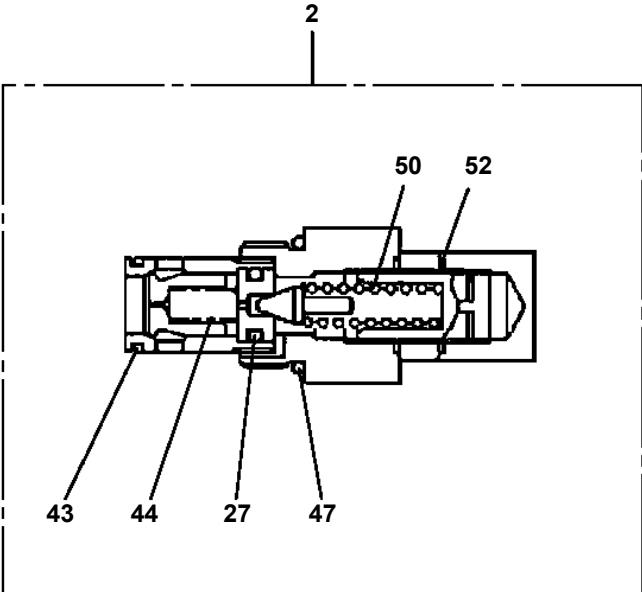
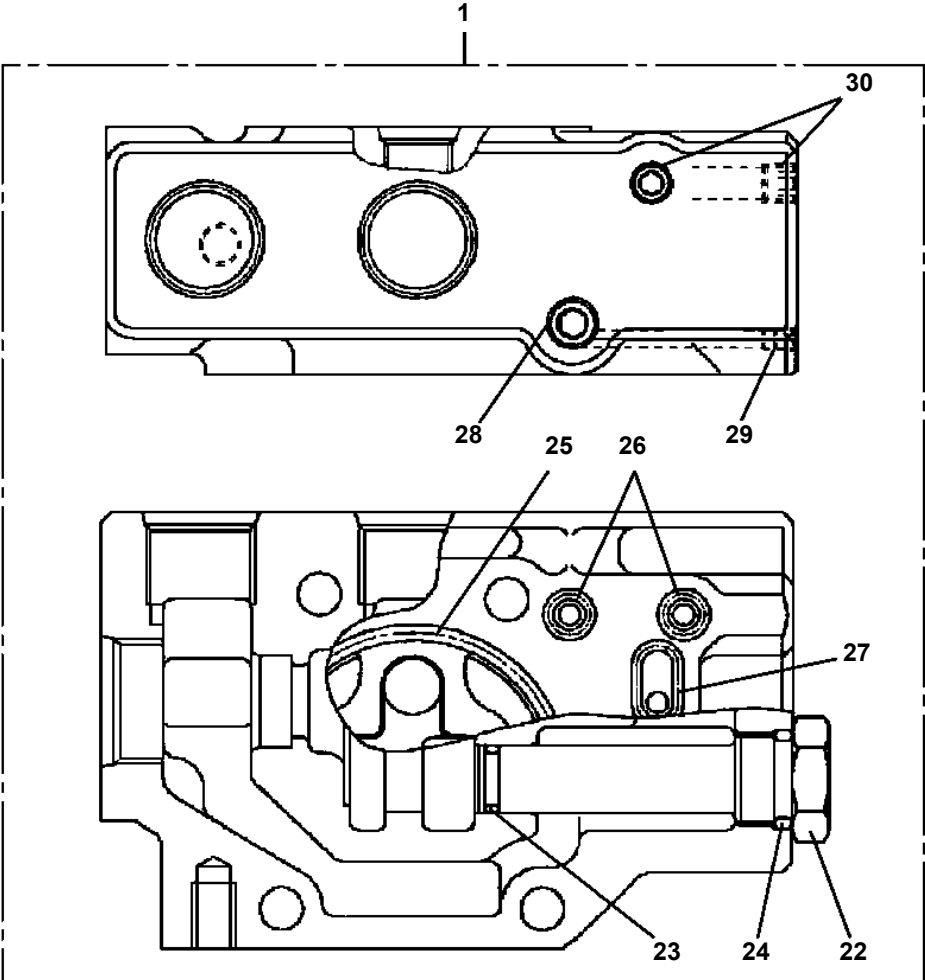


- : DESICCANT (KIT) KEY NO.90
- ▲ : REPAIR KIT KEY NO.91

GT-750E-3-00301 5 BOOM + 2 JIB,2M2D

Pos No.	Parts No	Parts Name	Qty	Unit	Technical Data	Serial No (Start)	Serial No (End)	Remarks	Page
11	91001102100	O-RING	1		1A P21				
13	91000502500	O-RING	1						
16	91411002100	RING,BACKUP	1		P21				
100	36647230130	VALVE ASSY,RELIEF	1						

GT-750E-3-00301 5 BOOM + 2 JIB,2M2D
PV5240029-03 VALVE ASSY,SOLENOID



**GT-750E-3-00301 5 BOOM + 2 JIB,2M2D
PW1000126-00 ACCESSORIES & TOOLS (LOWER)**

フックアヒン (カフ)
ACCESSORIES & TOOLS (LOWER)

〔組立名称一覧〕より選択してください。
SEE THE CORRESPONDING "ASSEMBLY NAME" LIST.

GT-750E-3-00301 5 BOOM + 2 JIB,2M2D

Pos No.	Parts No	Parts Name	Qty	Unit	Technical Data	Serial No (Start)	Serial No (End)	Remarks	Pa
1	37003901830	WHEEL,TIRE (MEFRO)	1		22.5X9.00				
2	37003805350	TIRE (MICHELIN)	1		315/80R22.5				

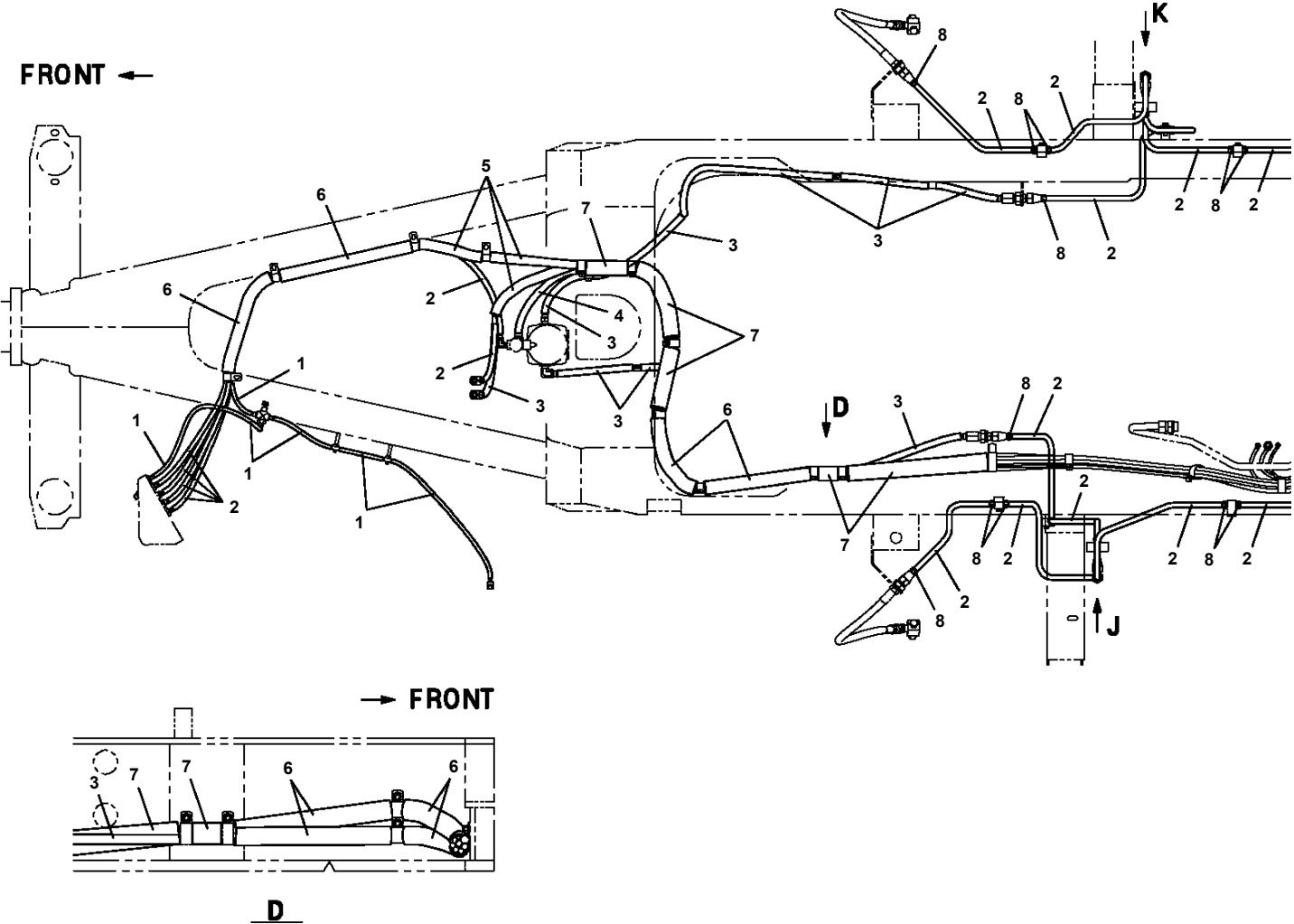
GT-750E-3-00301 5 BOOM + 2 JIB,2M2D

Pos No.	Parts No	Parts Name	Qty	Unit	Technical Data	Serial No (Start)	Serial No (End)	Remarks	Page
1	36074080000	WINCH ASSY	2						0004
2	18023003000	WEDGE	2						0004
3	34312390100	SUPPORT	2						
4	90303501805	WASHER,PLAIN	32		18				
5	90171118055	BOLT	32		M18X55				
6	91000526600	O-RING	2		AS568-266				
7	36663800000	MOTOR,HYDRAULIC	2						0004
8	90171120060	BOLT	8		M20X60				
9	90303502001	WASHER,PLAIN	20		20				
10	90171120050	BOLT	12		M20X50				
11	82401800100	PLUG (FOR M10)	2						
12	37000911560	JOINT	2						
13	37001112780	ROLLER ASSY	2						
14	37000174600	PIN	2						
15	37000301410	SPACER	4		L=3				
16	37000509960	PLATE	2						
17	90171110020	BOLT	10		M10X20				
18	90302041001	WASHER,SPRING	26		10				
19	34312390200	SUPPORT	1						
20	34312390300	SUPPORT	1						
21	34312390400	SUPPORT	1						
22	34492783000	ROLLER ASSY	2						0003
23	90101210022	BOLT	16		M10X22				
24	90303071001	WASHER,PLAIN	16		10				
25	34444490600	SUPPORT	1						
26	90101208030	BOLT	2		M8X30				
27	90201200800	NUT	2		M8				
28	90302040801	WASHER,SPRING	2		8				
42	80516006206	BEARING,BALL	4						

GT-750E-3-00301 5 BOOM + 2 JIB,2M2D

Pos No.	Parts No	Parts Name	Qty	Unit	Technical Data	Serial No (Start)	Serial
1	(*****)	COVER ASSY,ENGINE	1				
2	(*****)	OUTER COVERING ASSY (FENDER)	1				
3	(*****)	MOUNT ASSY,BATTERY	1				
4	(*****)	MOUNT ASSY (BOOM SUPPORT)	1				
7	(*****)	MOUNT,HOOK (STOWED IN FRONT OF CARRIER)	1				
8	(*****)	MOUNT ASSY,HOOK (AUX.)	1				
9	(*****)	MOUNT ASSY,TOOL BOX	1				
11	(*****)	MOUNT ASSY,SUPPORT (TOWING)	1				
12	(*****)	MOUNT ASSY,TANK	1				

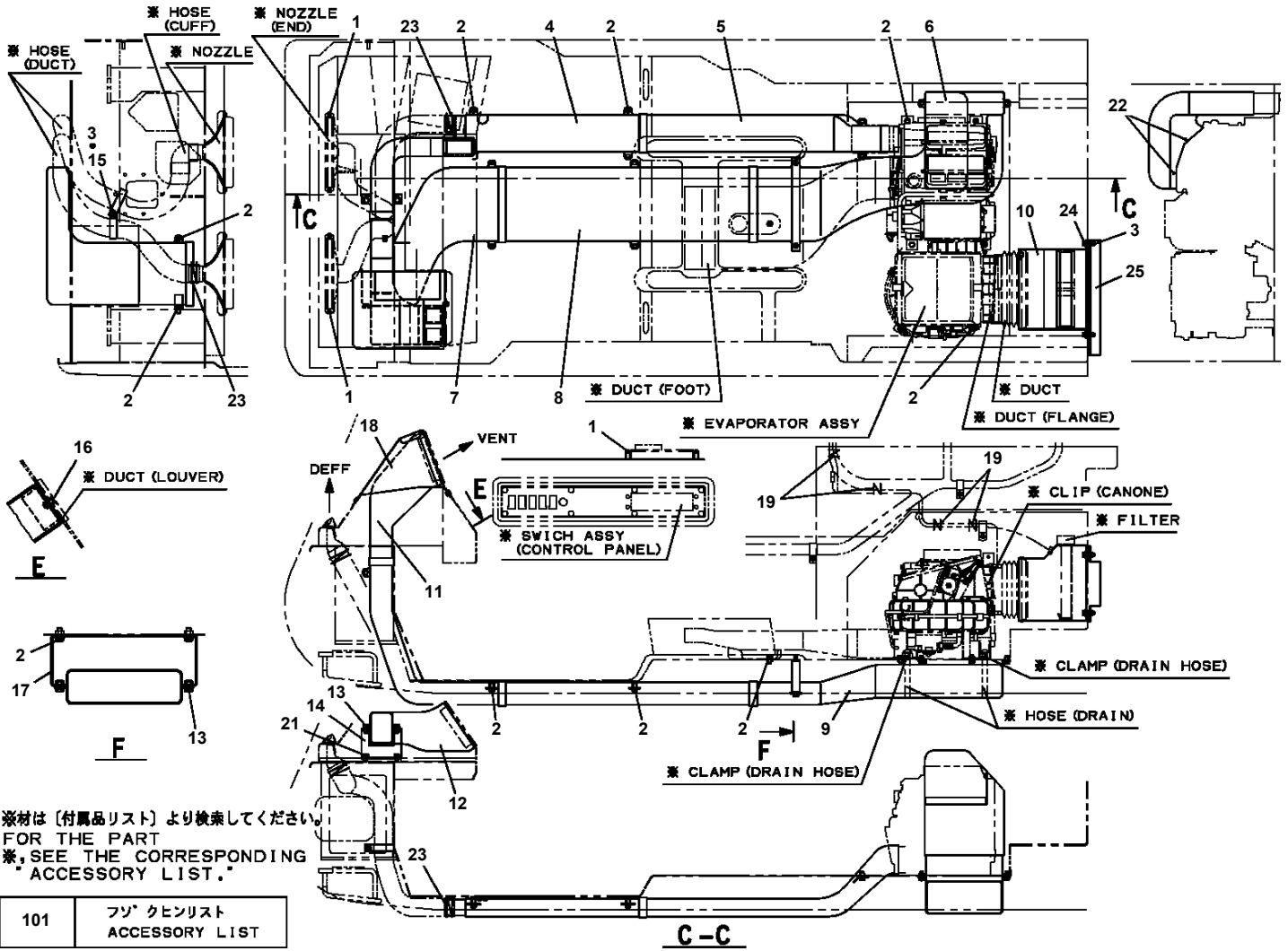
GT-750E-3-00301 5 BOOM + 2 JIB,2M2D
PX5010590-00 MOUNT ASSY (FRONT/CORRUGATE TUBE)



GT-750E-3-00301 5 BOOM + 2 JIB,2M2D

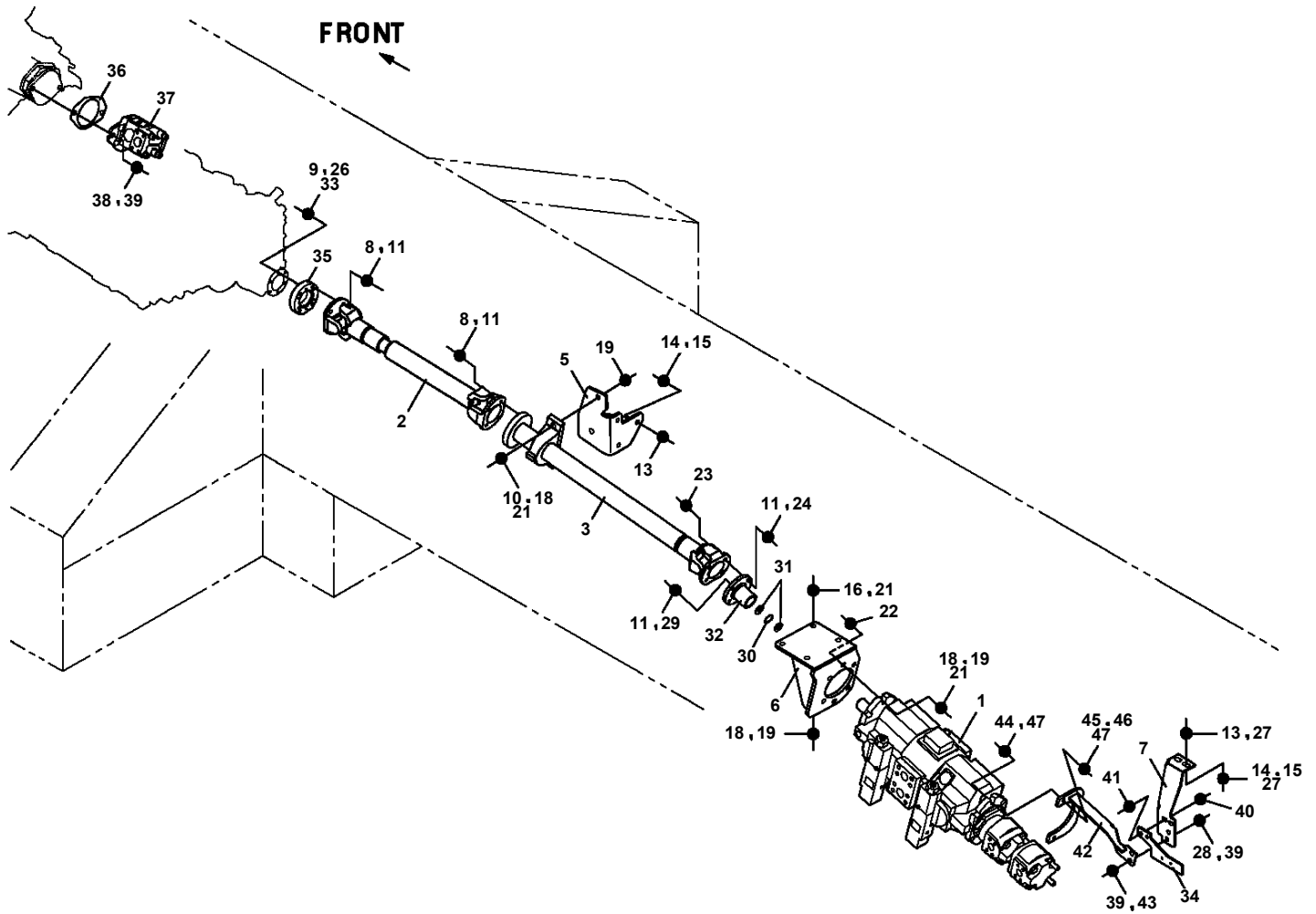
Pos No.	Parts No	Parts Name	Qty	Unit	Technical Data	Serial No (Start)	Serial No (End)
1	(*****)	BRAKE ASSY (ABS PARTS LIST)	1				
2	(*****)	ELEC.ASSY(ABS)	1				
3	(*****)	MOUNT ASSY,ABS (PIPING)	1				
5	(*****)	SUPPORT ASSY (PLATE:ABS SENSOR CLAMP/4TH)	1				
6	(*****)	INDICATOR ASSY (ABS)	1				

**GT-750E-3-00301 5 BOOM + 2 JIB,2M2D
PX5320004-00 MOUNT ASSY, EVAPORATOR**



※材は【付属品リスト】より検索してください
FOR THE PART
※, SEE THE CORRESPONDING
"ACCESSORY LIST."

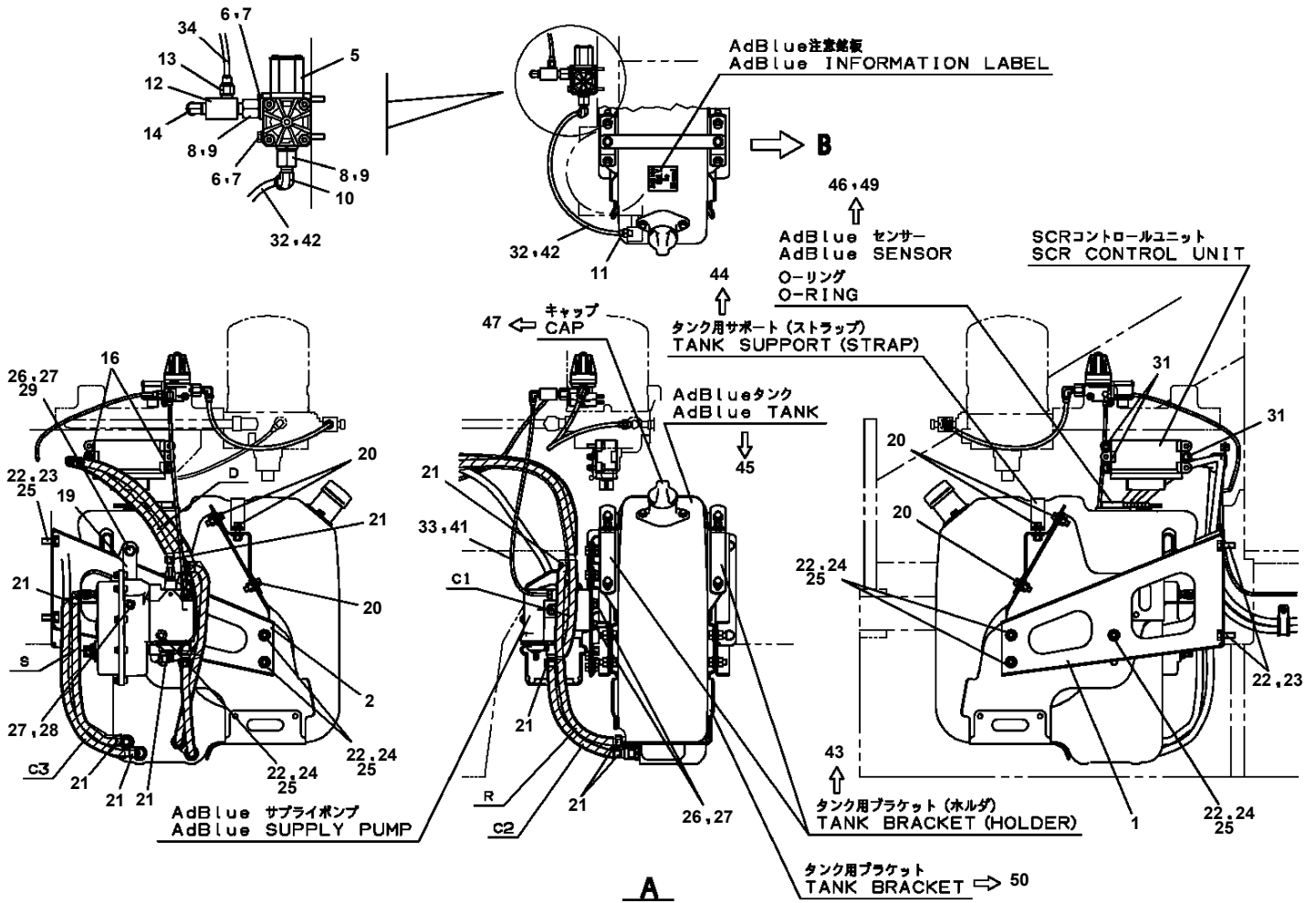
**GT-750E-3-00301 5 BOOM + 2 JIB,2M2D
PX5590048-00 MOUNT ASSY,PUMP**



GT-750E-3-00301 5 BOOM + 2 JIB,2M2D

Pos No.	Parts No	Parts Name	Qty	Unit	Technical Data	Serial No (Start)	Se
1	35410262000	SUSPENSION ASSY (ACCESSORIES LIST)	1				
2	35410261100	ABSORBER,SHOCK (ASSY ONLY)	4				
3	37000116580	PIN	4				
4	37000586540	PLATE	4				
5	90186208014	BOLT,FLANGE	8		M8X14		
6	37000588120	PLATE	8				
7	35410261200	SUPPORT	4				
22	35410262020	SPRING ASSY	4				
23	35410262030	SUPPORT (FRONT HANGER,LEFT)	1				
24	35410262040	SUPPORT(CENTER HANGER,RISHT)	2				
25	35410262050	SUPPORT (REAR HANGER,LEFT)	1				
26	35410262060	SUPPORT (FRONT HANGER,RIGHT)	1				
28	35410262080	SUPPORT (REAR HANGER,RIGHT)	1				
29	35410262090	TORQUE ROD (RIGID)	1		L=495		
30	35410262100	TORQUE ROD (RIGID)	1		L=589		
31	35410262110	MOUNT ASSY (TORQUE ROD BUSH KIT)	8				
32	35410262120	BOLT	6		1/2-20 UNF-2AX4.75LG		
33	35410262130	SPACER (SPRING ROLLER)	6				
34	35410262140	WASHER,SPRING	6		1/2		
35	35410262150	NUT	6		1/2-20 UNF-2B		
36	35410262160	TORQUE ROD (ADJUSTABLE)	1		L=495		
37	35410262170	TORQUE ROD (ADJUSTABLE)	1		L=589		
39	35410262190	U-BOLT	8		7/8-14UNF		
40	35410262200	NUT	16		7/8-14UNF		
41	35410262210	WASHER,PLAIN	16		7/8		
42	35410262220	SUPPORT (EQUALIZER)	2				
43	35410262230	WASHER	4				
44	35410262240	BOLT (EQUALIZER BOLT)	4		1X2.5		
45	35410262250	PIN (EQUALIZER SHAFT)	2				
46	35410262260	WASHER,SPRING	4		1		
47	35410262270	CUSHION (EQUALIZER BUSH)	4				

**GT-750E-3-00301 5 BOOM + 2 JIB,2M2D
PX5750021-01 MOUNT ASSY,TANK (SCR)**



CLICK HERE TO **DOWNLOAD** THE COMPLETE MANUAL

- Thank you very much for reading the preview of the manual.
- You can download the complete manual from: www.heydownloads.com by clicking the link below



- Please note: If there is no response to CLICKING the link, please download this PDF first and then click on it.

CLICK HERE TO **DOWNLOAD** THE COMPLETE MANUAL