

GT-550E-1-10302 5 BOOM + 2 JIB,2M2D, KG48UXN

PB1000560-00 HYDRAULIC PRESSURE GENERATING SYSTEM

PC1000474-00 OUTRIGGER SYSTEM

PD1000506-00 SWING SYSTEM

PE1000508-00 ELEVATING SYSTEM

PF1000439-01 WINCH SYSTEM

PG1000461-00 TELESCOPING SYSTEM

PH1000468-01 SAFETY DEVICES

PK1000523-00 FRAME

PL1000532-00 CONTROL DEVICES

PN1000417-01 ELECTRIC EQUIPMENT

PO1000123-00 INDICATION PLATES

PW1000097-02 ACCESSORIES & TOOLS

PX1000565-00 MOUNTING PARTS

PY1000547-05 OPTIONS

ASSEMBLY

CLICK HERE TO **DOWNLOAD** THE COMPLETE MANUAL

- Thank you very much for reading the preview of the manual.
- You can download the complete manual from: www.heydownloads.com by clicking the link below



- Please note: If there is no response to CLICKING the link, please download this PDF first and then click on it.

CLICK HERE TO **DOWNLOAD** THE COMPLETE MANUAL

GT-550E-1-10302 5 BOOM + 2 JIB,2M2D, KG48UXN

Pos No.	Parts No	Parts Name	Qty	Unit	Technical Data	Serial No (Start)	Serial No (End)
1	(*****)	HOOK (SHEAVE 4 PC'S)	1				
2	36091450000	HOOK (AUXILIARY)	1				
3	37001808500	ROPE,WIRE (KISWIRE/NON-SPIN)	1				
	37001806380	ROPE,WIRE (TSK/NON-SPIN)	1				
	37001807590	ROPE,WIRE (KISWIRE)	1				
	37001800350	ROPE,WIRE (TSK)	1				
4	37001807610	ROPE,WIRE (KISWIRE)	1				
	37001808530	ROPE,WIRE (KISWIRE/NON-SPIN)	1				
	37001800360	ROPE,WIRE (TSK)	1				
	37001806390	ROPE,WIRE (TSK/NON-SPIN)	1				
5	(*****)	SOCKET,ROPE (MAIN OR AUX.)	1				
6	(*****)	SOCKET,ROPE	1				
7	(*****)	PIPING,WINCH (MAIN)	1				
8	(*****)	PIPING,WINCH (AUX.)	1				
9	(*****)	MOUNT,WINCH (MAIN)	1				
10	(*****)	MOUNT,WINCH (AUX.)	1				
11	(*****)	DETECTOR,DISORDERLY WIND (MAIN)	1				
12	(*****)	DETECTOR,DISORDERLY WIND (AUX.)	1				

GT-550E-1-10302 5 BOOM + 2 JIB,2M2D, KG48UXN

Pos No.	Parts No	Parts Name	Qty	Unit	Technical Data	Serial No (Start)	Serial No (End)	Remarks	Page
1	(*****)	ELEC.ASSY (UPPER)	1						00016
2	(*****)	ELEC.ASSY (LOWER)	1						00016
3	(*****)	ELEC.ASSY (CAB)	1						00016

GT-550E-1-10302 5 BOOM + 2 JIB,2M2D, KG48UXN

PF1090020-00 SOCKET,ROPE (MAIN OR AUX.)
PF1090021-00 SOCKET,ROPE
PF1180069-00 DETECTOR,DISORDERLY WIND (MAIN)
PF1180070-00 DETECTOR,DISORDERLY WIND (AUX.)
PF1200327-02 PIPING,WINCH (AUX.)
PF1200329-02 PIPING,WINCH (MAIN)
PF1250083-01 DETECTOR,DRUM ROTATION (AUX.)
PF1250088-01 DETECTOR,DRUM ROTATION (MAIN)
PF1400365-00 MOUNT,WINCH (MAIN)
PF1400366-00 MOUNT,WINCH (AUX.)
PG1010752-11 BOOM (5 SECT.)
PG1040269-03 JIB
PG1050451-06 CYLINDER,TELESCOPING
PG1070054-02 REEL,HOSE
PG1120172-02 DETECTOR,BOOM LENGTH
PG1120175-01 DETECTOR,BOOM LENGTH
PG1120216-02 DETECTOR,BOOM LENGTH (BOOM)
PG1200169-02 PIPING,TELESCOPING
PG1360227-03 WIRE GUIDE (BOOM)
PH1050015-00 DETECTOR,OVER SIDE AREA
PH1060383-00 DETECTOR,OVER WIND (WEIGHT,JIB & S/T)
PH1060384-00 DETECTOR,OVER WIND (BOOM)
PH1170088-01 DETECTOR,CONTROL VALVE (AUX.)
PH1170089-00 DETECTOR,CONTROL VALVE (MAIN)
PH1180253-00 CONNECTION,AML SYSTEM
PH1250070-01 MOMENT LIMITER (AML-L2B)
PH1330035-01 LAMP,AML SIGNAL
PH1330044-02 LAMP,AML SIGNAL
PH1390002-01 LEVEL GAUGE
PH5030609-00 HARNESS (MAIN A)
PH5030610-00 HARNESS (MAIN A)
PH5030981-00 HARNESS (SWING FRAME,LEFT)
PH5032457-00 HARNESS
PH5033652-00 HARNESS
PI1010115-03 MOTOR,HYDRAULIC
PI1010155-00 MOTOR,HYDRAULIC
PI1010170-01 MOTOR,HYDRAULIC
PI1010186-00 MOTOR,HYDRAULIC
PI1010216-00 MOTOR,HYDRAULIC
PI1030008-01 CYLINDER,MASTER
PI1030012-00 CYLINDER,MASTER (NABCO)
PI1040011-00 CYLINDER,AIR
PI1050002-00 RESERVOIR,OIL
PI1120138-04 VALVE,SOLENOID
PI1120146-02 VALVE,SOLENOID
PI1120261-01 VALVE,SOLENOID
PI1120265-01 VALVE,SOLENOID
PI1120297-00 VALVE,SOLENOID
PI1120299-00 VALVE,SOLENOID
PI1120302-00 VALVE,SOLENOID
PI1120345-00 VALVE,SOLENOID
PI1120349-00 VALVE,SOLENOID
PI1120350-00 VALVE,SOLENOID
PI1130021-00 VALVE,HYDRAULIC
PI1130044-02 VALVE,HYDRAULIC
PI1140076-00 VALVE,CHECK
PI1140116-01 VALVE,CHECK
PI1140159-01 VALVE,CHECK
PI1140161-03 VALVE,CHECK
PI1160002-01 VALVE,FLOW CONTROL
PI1230006-00 VALVE,SHUTTLE
PI1250099-03 VALVE,COUNTERBALANCE
PI1250115-01 VALVE,COUNTERBALANCE
PI1260002-01 CARTRIDGE, COUNTERBALANCE

GT-550E-1-10302 5 BOOM + 2 JIB,2M2D, KG48UXN

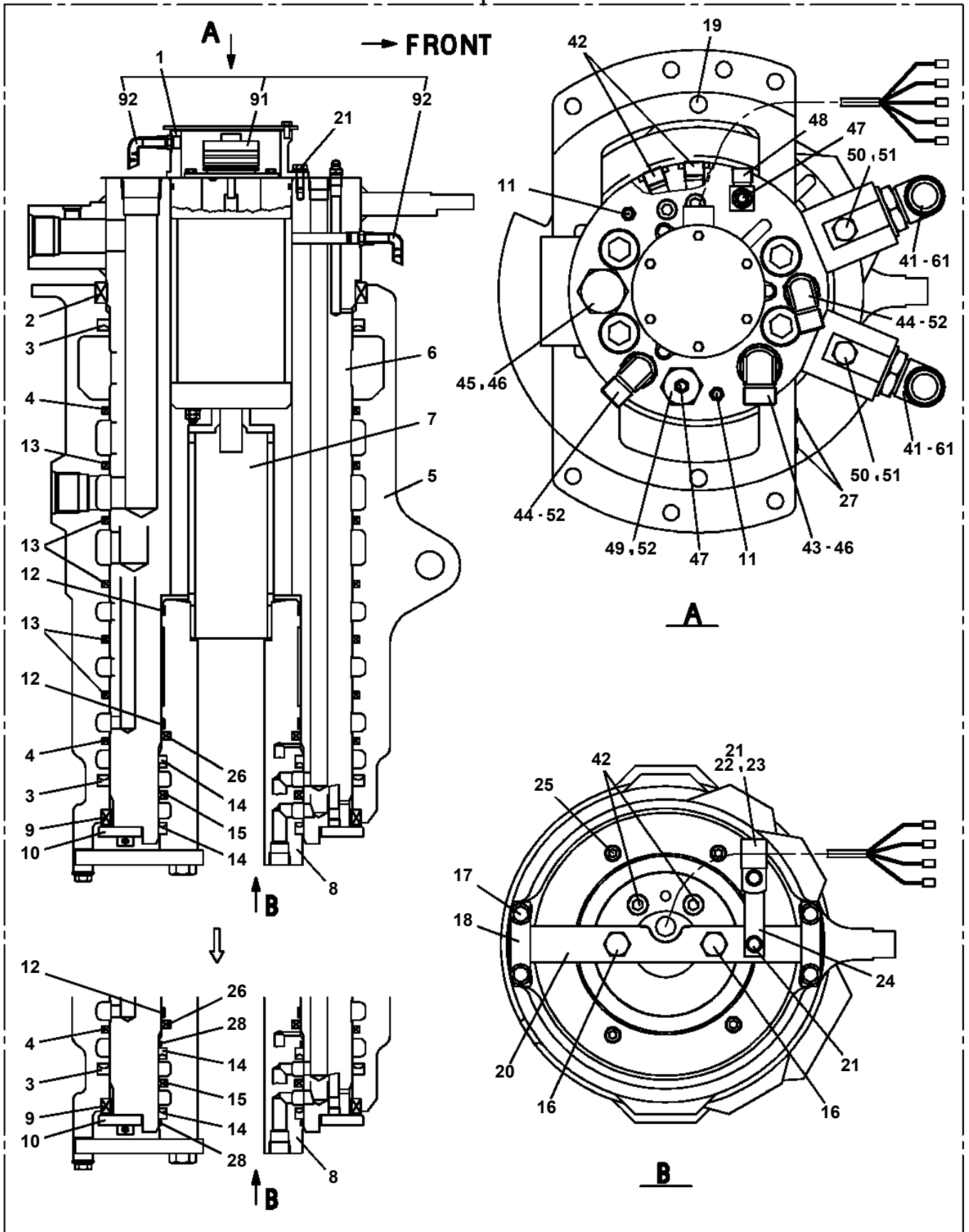
Pos No.	Parts No	Parts Name	Qty	Unit	Technical Data	Serial No (Start)	Serial No (End)	Rema
2	99163010016	BOLT (M10X16)	8					
3	33660215020	PLATE	1					
4	34660220030	COVER	1					
5	36670750000	FILTER,OIL	1					
6	91001226000	O-RING	2		1A G260			
7	99164010018	BOLT (M10X18)	8					
8	36672870000	BREATHER ASSY (OBR-30)	1					
9	34660180040	PACKING	1		T=2.0			
10	33660100030	COVER	1					
11	99164008020	BOLT (M8X20)	8					
12	33660000211	GAUGE,OIL	1					
13	80205001000	PLUG	2		PT1			
21	33660007530	BOLT	2					
22	34660131140	PACKING	4					
31	33660007510	ELEMENT (OB-30T & OBR-30)	1				437596	
	33660007511	ELEMENT	1			437597		
32	33660007520	PACKING SET	1					
33	36672875040	KEY	2					
41	36670750010	ELEMENT	1					
50	33660350000	TANK,OIL	1					
81	36670755010	PLATE	1					

GT-550E-1-10302 5 BOOM + 2 JIB,2M2D, KG48UXN

Pos No.	Parts No	Parts Name	Qty	Unit	Technical Data	Serial No (Start)	Serial No (End)	Remarks
1	37000901341	JOINT	1					
2	91002801800	O-RING	2		1B P18			
3	80301010241	FITTING	2		KUA28-000N			
4	80302090271	FITTING	1		KCO22-040N			
5	81408000341	PIPE,STEEL	1	M	28X3.1T			
6	81408000290	PIPE,STEEL	1	M	22X2.5T			
7	80305010241	FITTING,TEE	1		KTA28-000N			
8	81408000341	PIPE,STEEL	1	M	28X3.1T			
9	81408000341	PIPE,STEEL	2	M	28X3.1T			
10	37000913040	JOINT (WITH O-RING)	2		L,G1-G3/4			
11	80430621200	JOINT	1					
12	37002411460	HOSE	1		L=600			
13	37002456280	HOSE	1		L=1980			
14	37002503470	HOSE	1		L=400			
15	91803600900	CLIP	8		D=70-90			
16	82100002017	CLAMP	1		WR30			
17	90101210025	BOLT	2		M10X25			
18	90302041001	WASHER,SPRING	6		10			
19	90101208025	BOLT	1		M8X25			
20	90302040801	WASHER,SPRING	1		8			
21	37002512860	HOSE	1		L=530			
22	33643914100	JOINT	1					
23	33643914200	FITTING,FLANGE	1					
24	91002906500	O-RING	1		1B G65			
25	90172110025	BOLT,HEXAGON SOCKET	4		M10X25			
26	37000911890	JOINT (WITH O-RING)	1		L,G1/2-G3/4			
27	36672280000	FILTER,OIL (YAMASHIN)	1					
28	90186210020	BOLT,FLANGE	2		M10X20			
29	91810132530	FASTENER	1					
30	80311010400	FITTING	1		KRE28X22			
31	90303071001	WASHER,PLAIN	2		10	437573		
51	91002802400	O-RING	1		1B P24			
61	91002801800	O-RING	1		1B P18			
71	91002802900	O-RING	2		1B P29			

**GT-550E-1-10302 5 BOOM + 2 JIB,2M2D, KG48UXN
PB1300373-02 JOINT,ROTARY**

100



GT-550E-1-10302 5 BOOM + 2 JIB,2M2D, KG48UXN

Pos No.	Parts No	Parts Name	Qty	Unit	Technical Data	Serial No (Start)	Serial No (End)	Remarks
122	91001001600	O-RING	10		1A S16			
123	36630045220	NUT	2		M10			
124	36630285130	BODY	2					
125	16025153020	SPRING	5					
126	14225101010	VALVE,REGULATOR	2					
127	36637455020	SEAT,VALVE	2					
128	91002800900	O-RING	2		1B P9			
133	91000501500	O-RING	3		AS568-015			
134	16025153030	SPRING	3					
136	91002801001	O-RING	3		1B P10A			
200	36646140000	VALVE,PILOT CONTROL	1					

GT-550E-1-10302 5 BOOM + 2 JIB,2M2D, KG48UXN

Pos No.	Parts No	Parts Name	Qty	Unit	Technical Data	Serial No (Start)	Serial No (End)	Remarks	P
1	36042421000	CYLINDER	1						
	36042421501	CYLINDER	1			438282			
2	90201202000	NUT	1		M20				
3	91100106500	SEAL,RING	1						
4	36040000030	PISTON	1				438019		
	36040000031	PISTON	1			438020			
5	36040490020	ROD	1				438019		
	36040490021	ROD	1			438020			
6	36040170041	COVER,ROD	1						
7	91002805800	O-RING	1		1B P58				
8	91694004500	PACKING	1						
9	91410204502	RING,BACKUP	1						
10	91660004501	SEAL,DUST	1						
11	91002802000	O-RING	1		1B P20	438020			
41	36040499900	PACKING SET	1		45X65		438019		
42	36043549900	PACKING SET	1		45X65	438020			
50	36042420000	CYLINDER,EXTENSION	1						

GT-550E-1-10302 5 BOOM + 2 JIB,2M2D, KG48UXN

Pos No.	Parts No	Parts Name	Qty	Unit	Technical Data	Serial No (Start)	Serial No (End)	Remarks
1	36031430000	FRONT JACK,HYDRAULIC	1					
2	33730251001	SUPPORT	1					
3	90101516045	BOLT	8		M16X45			
4	90302041601	WASHER,SPRING	12		16			
5	90201401600	NUT	8		M16			
6	90101516070	BOLT	4		M16X70			
7	33730020100	FLOAT ASSY	1					
8	90101510055	BOLT	4		M10X55			
9	90302041001	WASHER,SPRING	4		10			
10	36623460000	VALVE,CHECK	1					
11	36682250000	SWITCH,PRESSURE	1			437748	437747	
	36683720000	SWITCH,PRESSURE	1					
12	91002801100	O-RING	1		1B P11			
13	33730242000	COVER	1					
15	90201200400	NUT	1		M4			
16	90302040401	WASHER,SPRING	1		4			
17	33731560100	HARNESS	1					
18	91810130230	FASTENER	5					
31	90191410045	BOLT	6		M10X45			
32	90302041001	WASHER,SPRING	6		10			
33	33730020110	COVER	2					
34	33730020120	FLOAT	1					
35	82456101000	NIPPLE,GREASE	1		A-PT1/8			

GT-550E-1-10302 5 BOOM + 2 JIB,2M2D, KG48UXN

Pos No.	Parts No	Parts Name	Qty	Unit	Technical Data	Serial No (Start)	Serial No (End)	Remarks	Page
1	36320455490	CONDENSER	1						
2	36320765010	SUPPORT	1						
3	36320565030	SUPPORT	1						
4	36320565040	SUPPORT	1						
5	36320765020	FAN ASSY	1						
6	36320565060	PIPE	1						
7	36320765030	RECEIVER (DRIER)	1						
8	36320765040	BOLT	4						
9	36320765050	BOLT	6						
10	36320765060	NUT	8						
11	36320765070	WASHER	6						
12	36320765080	WASHER,SPRING	8						
13	36320455940	BOLT	1						
14	36320565100	WASHER	2						
100	36320762010	CONDENSER ASSY	1						

GT-550E-1-10302 5 BOOM + 2 JIB,2M2D, KG48UXN

Pos No.	Parts No	Parts Name	Qty	Unit	Technical Data	Serial No (Start)	Serial No (End)	Remark
1	36081640000	DRIVING UNIT,SWING	1					
2	90303501805	WASHER,PLAIN	18		18			
3	90101718075	BOLT	18		M18X75			
4	37002304590	BEARING,SWING (NTN)	1					
	37002304990	BEARING,SWING (HITACHI)	1					
5	37000911610	JOINT	1		R3/8XRC3/8			
6	80316030060	PLUG	1		PT3/8			
7	82401800120	PLUG (FOR M12)	2					
8	82401800100	PLUG (FOR M10)	2					
14	37002305740	BEARING,SWING (SHILLA)	1					
21	82456101000	NIPPLE,GREASE	6		A-PT1/8			

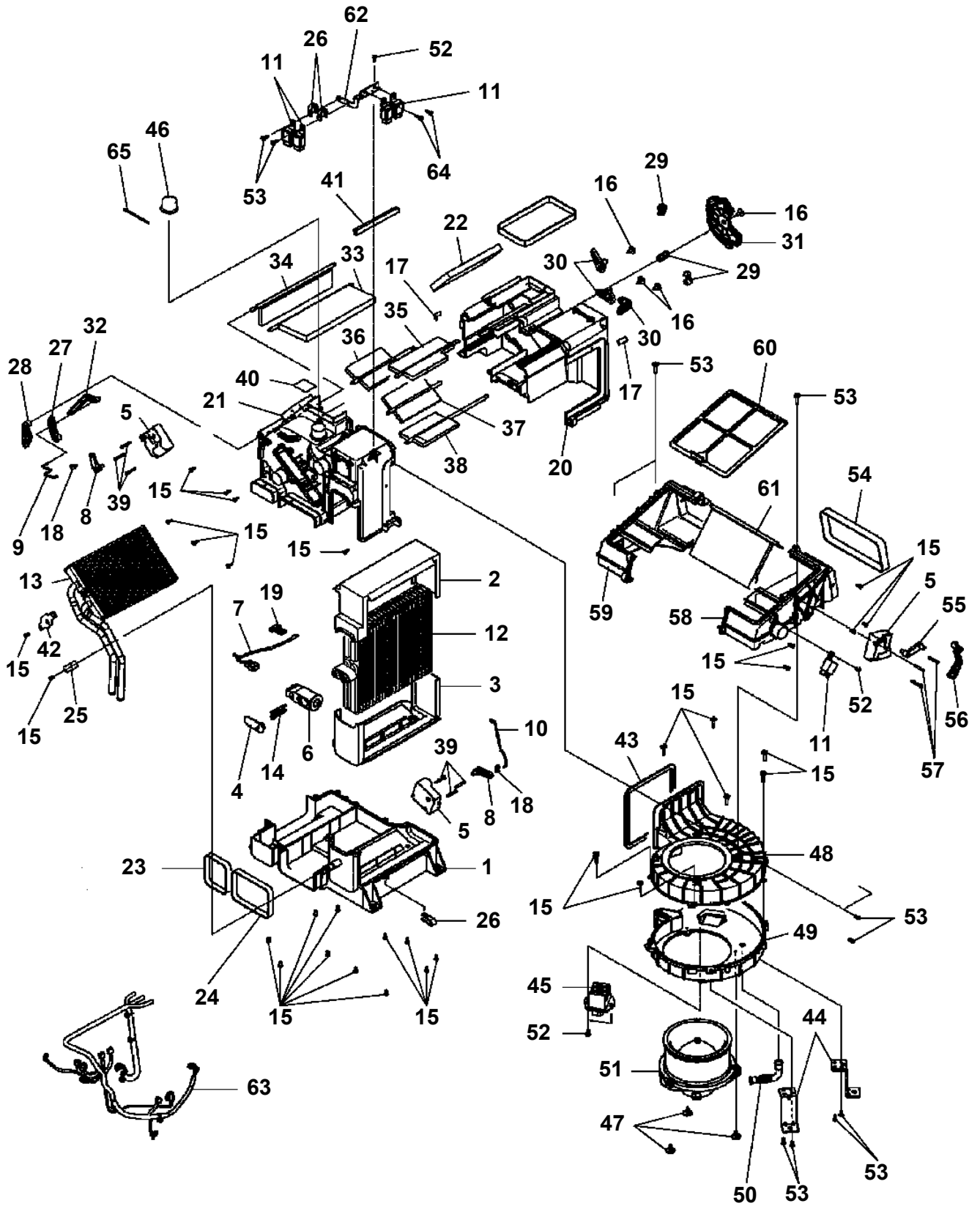
GT-550E-1-10302 5 BOOM + 2 JIB,2M2D, KG48UXN

Pos No.	Parts No	Parts Name	Qty	Unit	Technical Data	Serial No (Start)	Serial No (End)	Remarks	Pages
2	34510702320	PACKING	1				437747		
	34510702340	PACKING	1			437748	438019		
3	34510702330	PACKING	1				437747		
	34510702350	PACKING	1			437748			
4	34510702270	PACKING	1			437748	438019		
5	34510702280	PACKING	1			438020			
6	34510702290	PACKING	1			438020			
100	34510702300	DUCT	1						

GT-550E-1-10302 5 BOOM + 2 JIB,2M2D, KG48UXN

Pos No.	Parts No	Parts Name	Qty	Unit	Technical Data	Serial No (Start)	Serial No (End)	Remarks	Pages
2	34510702820	PACKING	1				437747		
	34510702840	PACKING	1			437748			
3	34510702830	PACKING	1				437747		
	34510702850	PACKING	1			437748			
100	34510702800	DUCT	1						

**GT-550E-1-10302 5 BOOM + 2 JIB,2M2D, KG48UXN
PE5220004-00 EVAPORATOR ASSY**



GT-550E-1-10302 5 BOOM + 2 JIB,2M2D, KG48UXN

Pos No.	Parts No	Parts Name	Qty	Unit	Technical Data	Serial No (Start)	Serial No (End)	Remarks
1	36094850300	PLATE	1					
2	37001002890	SHEAVE ASSY	2					
3	37000300080	SPACER	2					
4	90101516035	BOLT	8		L=1.6 M16X35			
5	16611505000	PLATE	2					
6	16611506000	PLATE	2					
7	37000108650	PIN	1					
8	16331504001	BOLT	3					
9	90302041601	WASHER,SPRING	3		16			
10	37000105000	PIN	1					
12	82456101000	NIPPLE,GREASE	1		A-PT1/8			
13	80500051315	BEARING,BALL	1					
14	36090060400	TRUNNION	1					
16	36094850100	PLATE	1					
17	14211522000	GRIP	2					
18	37000105200	PIN	1					
19	90303071001	WASHER,PLAIN	1		10			
20	80136332020	PIN,SPLIT	1		3.2X20			
22	36094850200	SPACER	1		L=68			
23	36091160500	GUARD	1					
24	36090310020	COVER	1					
25	90101210020	BOLT	4		M10X20			
26	90302041001	WASHER,SPRING	4		10			
27	16511512000	SPRING	1					
28	36091800100	COVER	2					
29	19411556000	PLATE	2					
30	19411557000	PLATE	2					
51	16511595022	STOPPER ASSY	1					
61	36090069510	HOOK ASSY	1					
72	80515006018	BEARING,BALL	4					
101	37002224770	PLATE,NAME (20000KG)	2					
102	14137207000	PLATE,NAME (GREASE)	1					
201	36094850000	HOOK (SHEAVE 2 PC'S)	1					

GT-550E-1-10302 5 BOOM + 2 JIB,2M2D, KG48UXN

Pos No.	Parts No	Parts Name	Qty	Unit	Technical Data	Serial No (Start)	Serial No (End)	Remarks
1	36094840000	HOOK (SHEAVE 6 PC'S)	1					
21	37002225640	PLATE,NAME (55000KG)	2					
22	37002202510	PLATE,NAME (GREASE)	1					

GT-550E-1-10302 5 BOOM + 2 JIB,2M2D, KG48UXN

Pos No.	Parts No	Parts Name	Qty	Unit	Technical Data	Serial No (Start)	Serial No (End)	Remarks	P
1	37001807590	ROPE,WIRE (KISWIRE)	1						

GT-550E-1-10302 5 BOOM + 2 JIB,2M2D, KG48UXN

Pos No.	Parts No	Parts Name	Qty	Unit	Technical Data	Serial No (Start)	Serial No (End)	Remarks	Pages
1	34310111000	ROLLER ASSY	1						000195
2	90101210022	BOLT	8		M10X22				
3	90302041001	WASHER,SPRING	8		10				
4	90303071001	WASHER,PLAIN	8		10				

GT-550E-1-10302 5 BOOM + 2 JIB,2M2D, KG48UXN

Pos No.	Parts No	Parts Name	Qty	Unit	Technical Data	Serial No (Start)	Serial No (End)	Remarks	Pag
1	36073180000	WINCH	1						0000
2	18023003000	WEDGE	1						0002
3	90171120060	BOLT	4		M20X60				
4	90303502001	WASHER,PLAIN	13		20				
5	36662820000	MOTOR,HYDRAULIC	1						0000
6	90101720075	BOLT	7		M20X75				
7	14123000400	BREATHER	1		PT1/8				
8	37001508080	BOLT	1						
9	90201702000	NUT	1		M20X2.5				

GT-550E-1-10302 5 BOOM + 2 JIB,2M2D, KG48UXN

Pos No.	Parts No	Parts Name	Qty	Unit	Technical Data	Serial No (Start)	Serial No (End)	Remarks
1	33201219510	BOOM,BASE	1					
2	33201212000	BOOM,2ND	1					
3	33201213000	BOOM,3RD	1					
4	33201214000	BOOM,4TH	1					
5	33201215000	BOOM,TOP	1					
7	37000168540	PIN	1					
8	37000525900	PLATE	1					
9	90101516040	BOLT	2		M16X40			
10	90302041601	WASHER,SPRING	10		16			
11	37000531800	PLATE	1					
12	80561100180	NUT	1		AW18			
13	80562100180	WASHER,TOOTH	1		AW18			
14	37000102510	PIN	1					
15	37000201090	PIN,SNAP	1		20			
16	37000313280	SPACER	1					
17	37000313290	SPACER	1					
18	37001002910	SHEAVE ASSY	8					
19	37000300080	SPACER	5		L=1.6			
20	37000132570	PIN	1					
21	16611506000	PLATE	2					
22	90101516035	BOLT	4		M16X35			
23	37000100730	PIN	1					
24	33200494100	BOLT	1		M20X45			
25	90201402000	NUT	1		M20			
26	37000157110	PIN	2					
27	37000202230	PIN,SNAP	2					
28	37001919580	ROPE,WIRE (KOKOKU)	2		16X19.9M			
	37001919590	ROPE,WIRE (TESAC)	2		16X19.9M			
29	37001602730	NUT	2		M27			
30	90203202700	NUT	2		M27			
31	37001919640	ROPE,WIRE (KOKOKU)	1		11.2X38.45M			
	37001919650	ROPE,WIRE (TESAC)	1		11.2X38.45M			
32	37001600110	NUT	8		M33			
33	90202203300	NUT	8		M33			
34	37001919620	ROPE,WIRE (TESAC)	4		20X17.89M			
	37001919610	ROPE,WIRE (KOKOKU)	4		20X17.89M			
35	82121800010	PLUG (OTUKA)	6					
36	82455106000	NIPPLE,GREASE	8		A-M6F FE			
37	90172110050	BOLT,HEXAGON SOCKET	4		M10X50			
39	90101512085	BOLT	2		M12X85			
40	90201401200	NUT	20		M12			
41	34201550400	SUPPORT	1					
42	37002011410	PLATE,SLIDE	1					
43	82456201000	NIPPLE,GREASE	1		A-TYPE PT1/8			
44	90201401600	NUT	16		M16			
45	90101516130	BOLT	4		M16X130			
49	90101516030	BOLT	4		M16X30			
50	34200800100	ADJUSTER ASSY	1					
51	90101512025	BOLT	N		M12X25			
52	90303071201	WASHER,PLAIN	26		12			
53	90302041201	WASHER,SPRING	74		12			
54	90730010160	SCREW,SET	4		M10X16			
55	37000400220	BEARING,PLAIN	2					
56	80602110750	RING,RITAINING	6		R75			
57	37000312820	SPACER	2		L=75			
59	37000162840	PIN	2					
60	37000180860	PIN	2		L=130			
61	37000313150	SPACER	2		L=35			
62	80602110900	RING,RITAINING	2		R90			
63	37002010510	PLATE,SLIDE	2				437785	
	37002017110	PLATE,SLIDE	2			437786		
64	37002010500	PLATE,SLIDE	6				437785	
	37002014960	PLATE,SLIDE	6			437786		

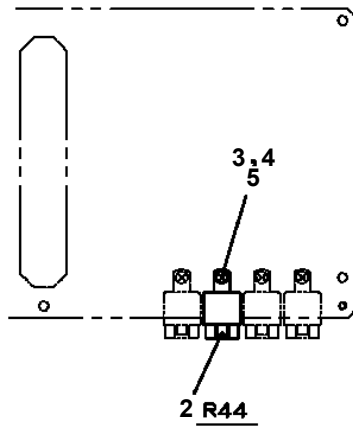
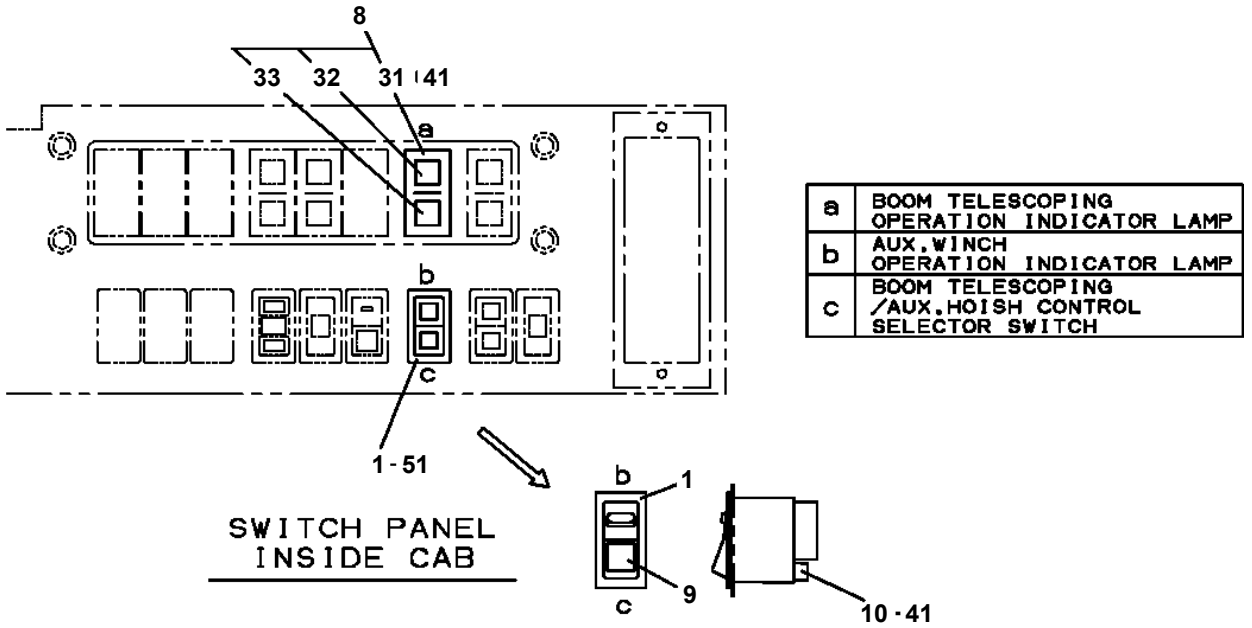
GT-550E-1-10302 5 BOOM + 2 JIB,2M2D, KG48UXN

Pos No.	Parts No	Parts Name	Qty	Unit	Technical Data	Serial No (Start)	Serial No (End)
1	36016910000	CYLINDER ASSY,TELESCOPING (NO.1)	1				
2	36016920000	CYLINDER ASSY,TELESCOPING (NO.2)	1				
3	33210690100	SUPPORT	1				
4	90172112025	BOLT,HEXAGON SOCKET	4		M12X25		
5	90302041201	WASHER,SPRING	4		12		
6	37002419220	HOSE	1		L=670		
7	82100001819	TUBE,SPIRAL	1	M	SE-18BK		
8	90303072001	WASHER,PLAIN	4		20		
9	37000104380	PIN	2				
10	80136030030	PIN,SPLIT	4		3X30		
22	36019100000	CYLINDER ASSY,TELESCOPING (NO.2)	1				

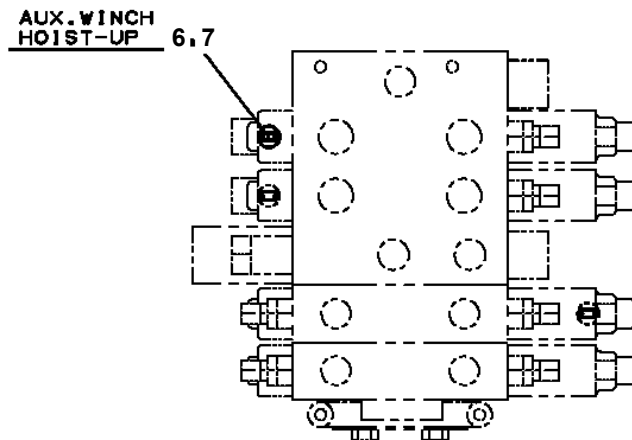
GT-550E-1-10302 5 BOOM + 2 JIB,2M2D, KG48UXN

Pos No.	Parts No	Parts Name	Qty	Unit	Technical Data	Serial No (Start)	Serial No (End)	Remarks	Page
2	80302090241	FITTING	1		KCO18-040N				
3	91002801800	O-RING	1		1B P18				
4	37000711010	CLAMP ASSY	1		18X1				
5	37000711090	CLAMP ASSY	3		18X2				
7	37002447930	HOSE	2		L=1300				
9	80320030180	FITTING,ELBOW	2		KLE22-060N				
10	37000711030	CLAMP ASSY	5		22X1				
12	37000711060	CLAMP ASSY	2		28X1				
14	81408000241	PIPE,STEEL	2	M	18X1.9T				
15	81408000290	PIPE,STEEL	2	M	22X2.5T				
16	81408000290	PIPE,STEEL	2	M	22X2.5T				
17	81408000290	PIPE,STEEL	2	M	22X2.5T				
18	81408000290	PIPE,STEEL	1	M	22X2.5T				
19	90101208060	BOLT	4		M8X60				
20	36649750000	VALVE,HYDRAULIC	2						0001
21	90302040801	WASHER,SPRING	4		8				
22	80301010200	FITTING	1		KUA22-000N				
23	80302090281	FITTING	4		KCO22-060N				
24	91002802400	O-RING	8		1B P24				
25	80302090251	FITTING	3		KCO018-060N				
26	80301010160	FITTING	2		KUA18-000N				
27	81408000241	PIPE,STEEL	2	M	18X1.9T				
28	80316070100	PLUG	1		G3/4				
29	81408000241	PIPE,STEEL	1	M	18X1.9T				
30	81408000241	PIPE,STEEL	1	M	18X1.9T				
31	33341460370	ROLLER	1			437497			
32	90101210032	BOLT	2		M10X32	437497			
33	90302041001	WASHER,SPRING	2		10	437497			
34	90303071001	WASHER,PLAIN	2		10	437497			
35	90201201000	NUT	2		M10	437497			
41	37000910030	JOINT	1						
42	91002801800	O-RING	1		1B P18				
43	34344362600	ROLLER ASSY	1						
44	90186210025	BOLT,FLANGE	4		M10X25				
45	90280201000	NUT,FLANGE	4		M10				
46	90101212035	BOLT	4		M12X35				
47	90302041201	WASHER,SPRING	4		12				
48	34420611000	REEL,HOSE	1						0000
71	34344362700	SUPPORT	1						
72	37001104550	ROLLER	3						
73	90101208012	BOLT	3		M8X12				
74	90302040801	WASHER,SPRING	3		8				
75	37000102930	PIN	3						
76	90303071401	WASHER,PLAIN	6		14				

**GT-550E-1-10302 5 BOOM + 2 JIB,2M2D, KG48UXN
PH1170088-01 DETECTOR,CONTROL VALVE (AUX.)**

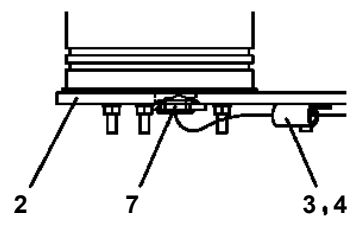
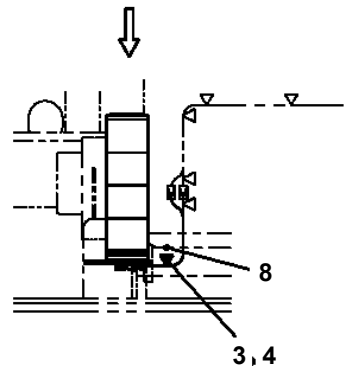
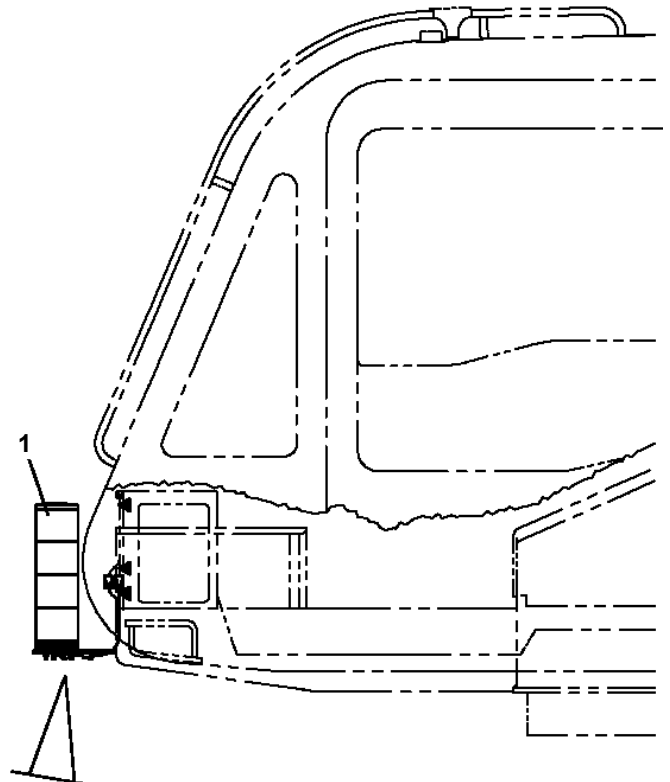
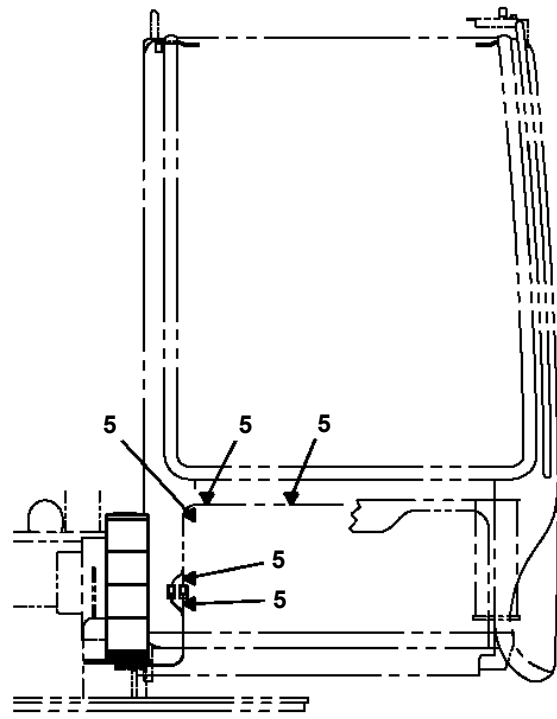
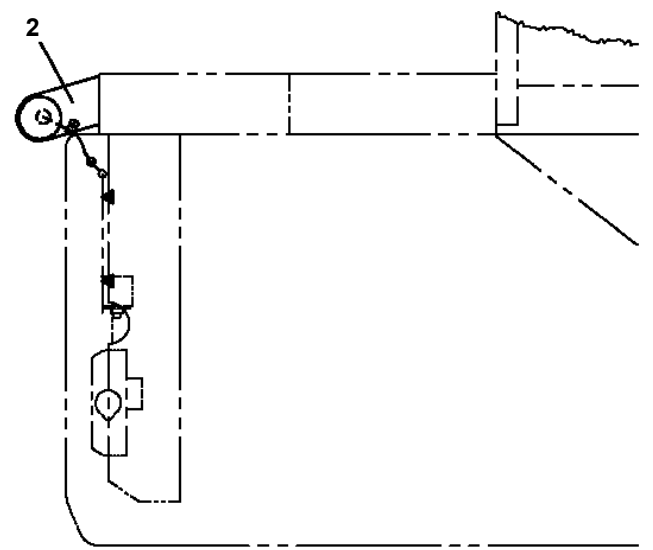
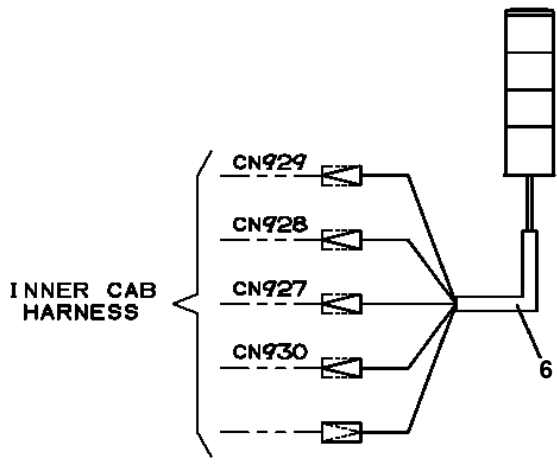


**ELECTRICAL EQUIPMENT
BOX INSIDE CAB**

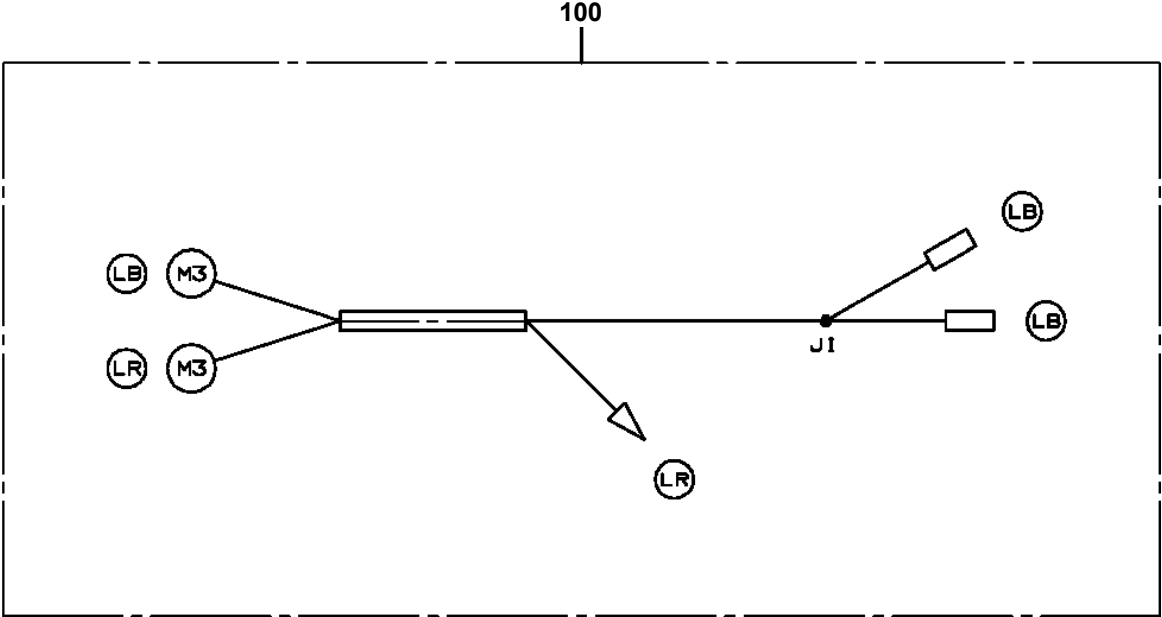


**MAIN VALVE
SWING FRAME**

**GT-550E-1-10302 5 BOOM + 2 JIB,2M2D, KG48UXN
PH1330044-02 LAMP,AML SIGNAL**

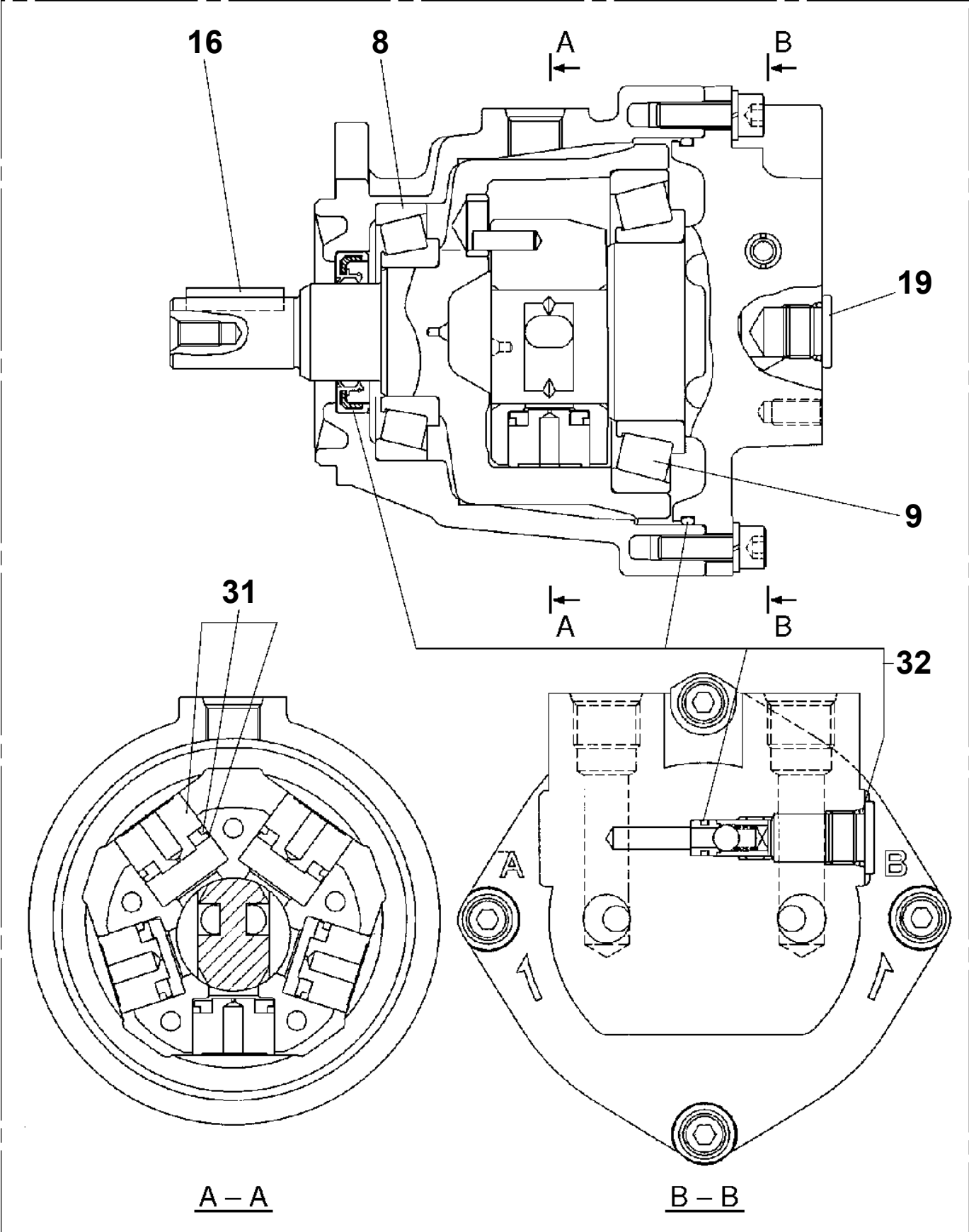


GT-550E-1-10302 5 BOOM + 2 JIB,2M2D, KG48UXN
PH5032457-00 HARNESS



GT-550E-1-10302 5 BOOM + 2 JIB,2M2D, KG48UXN
PI1010186-00 MOTOR, HYDRAULIC

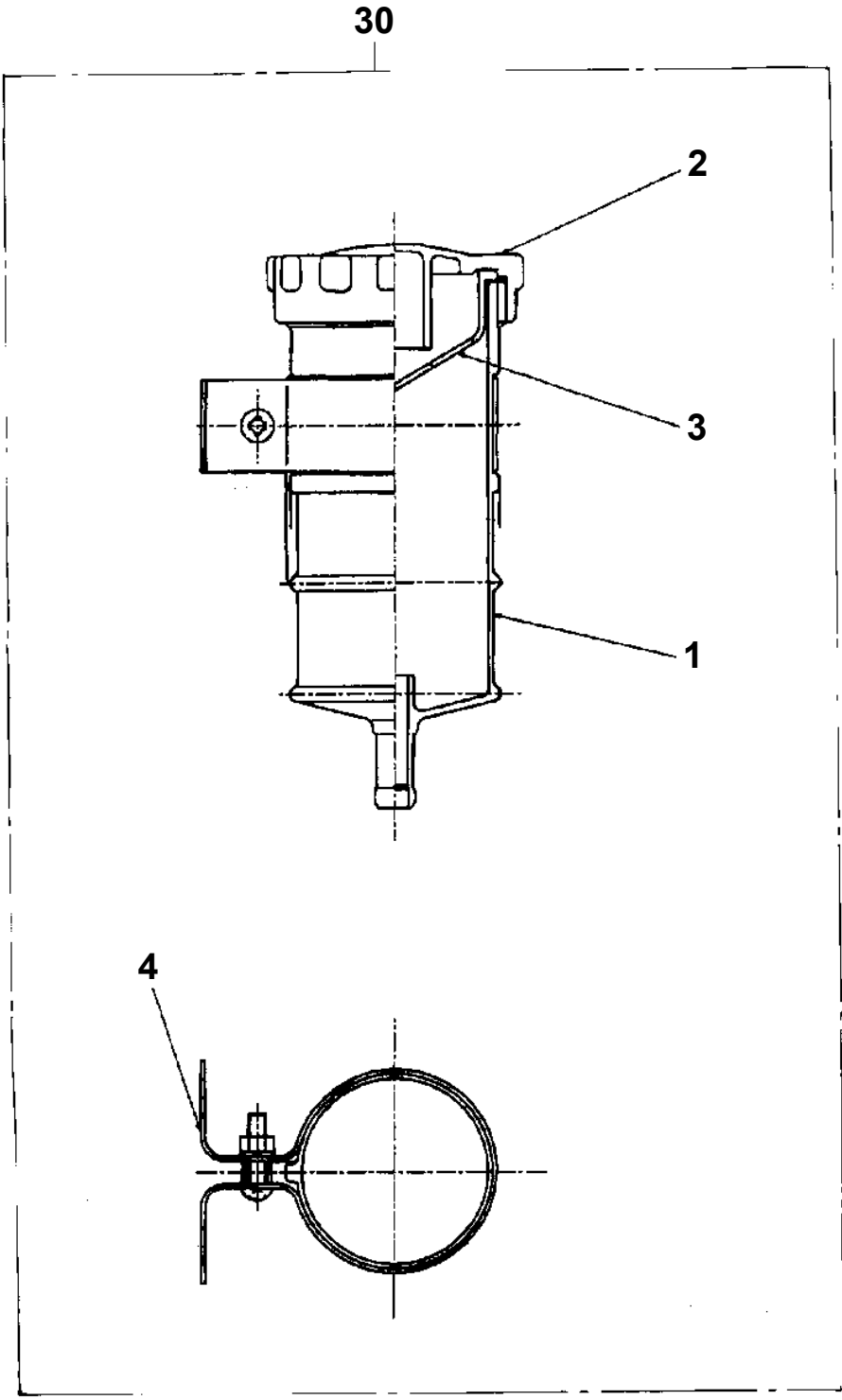
100



GT-550E-1-10302 5 BOOM + 2 JIB,2M2D, KG48UXN

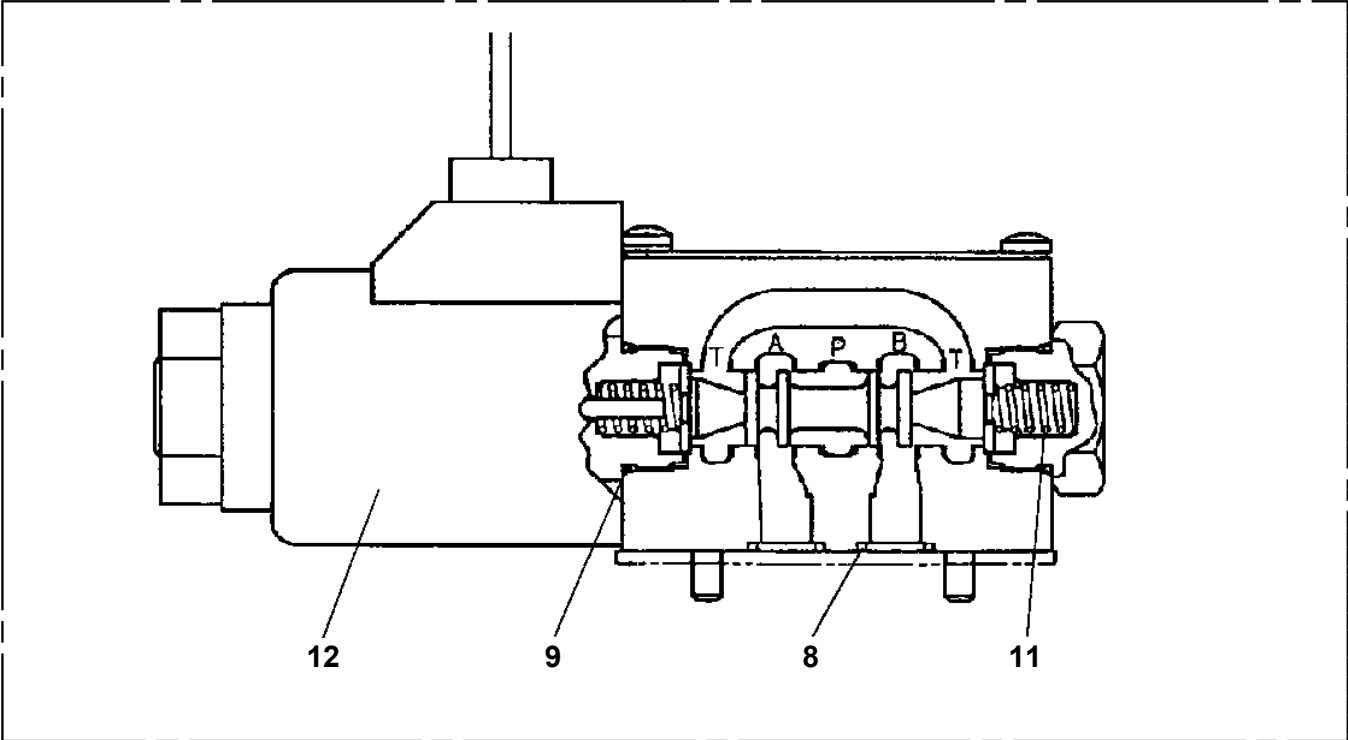
PI1050002-00 RESERVOIR,OIL

Assembly 104110 RESERVOIR, OIL

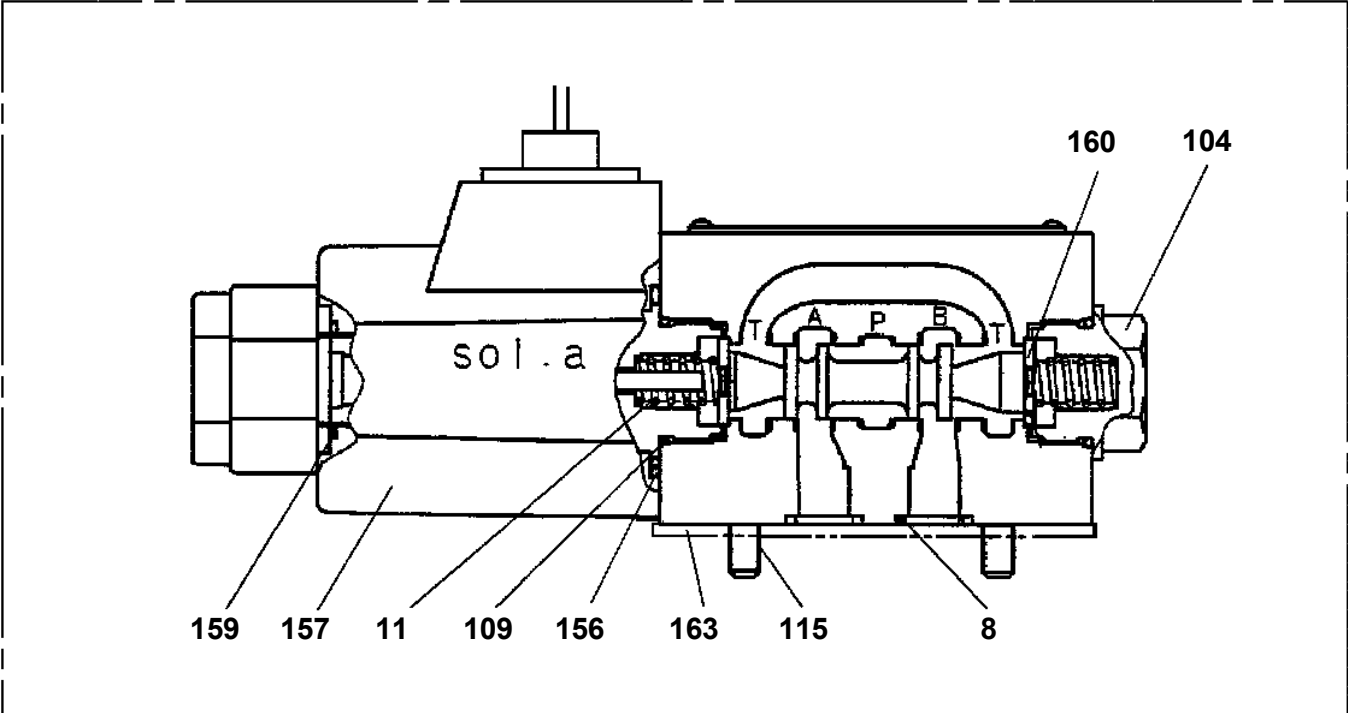


GT-550E-1-10302 5 BOOM + 2 JIB,2M2D, KG48UXN
PI1120265-01 VALVE,SOLENOID

200



200



CLICK HERE TO **DOWNLOAD** THE COMPLETE MANUAL

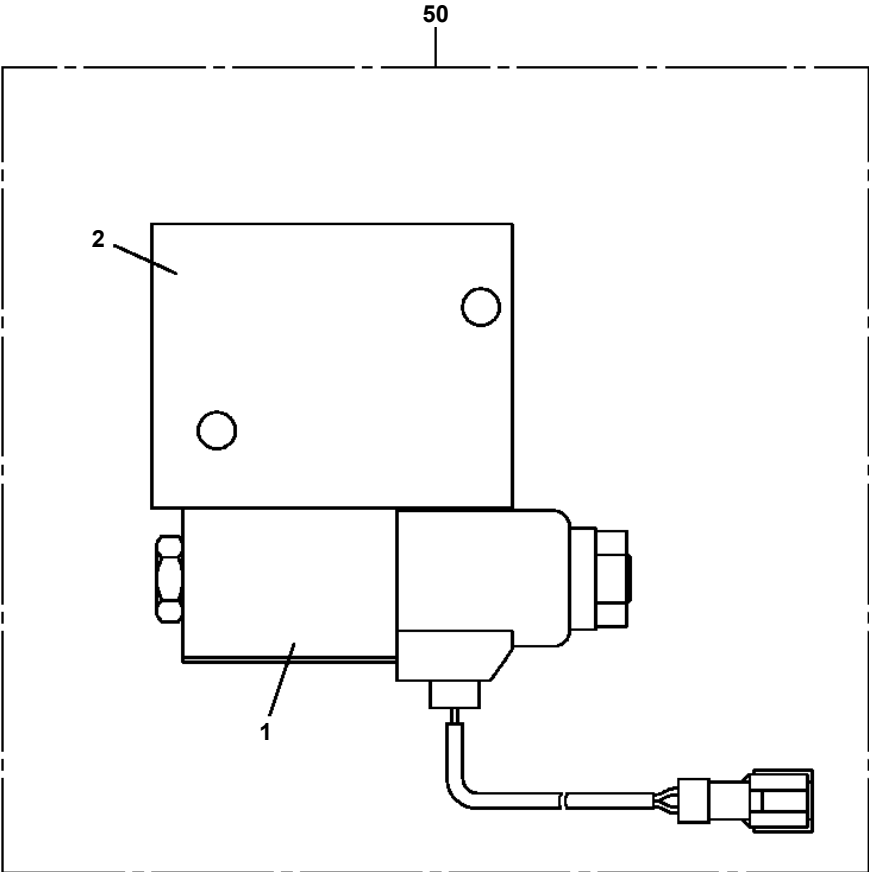
- Thank you very much for reading the preview of the manual.
- You can download the complete manual from: www.heydownloads.com by clicking the link below



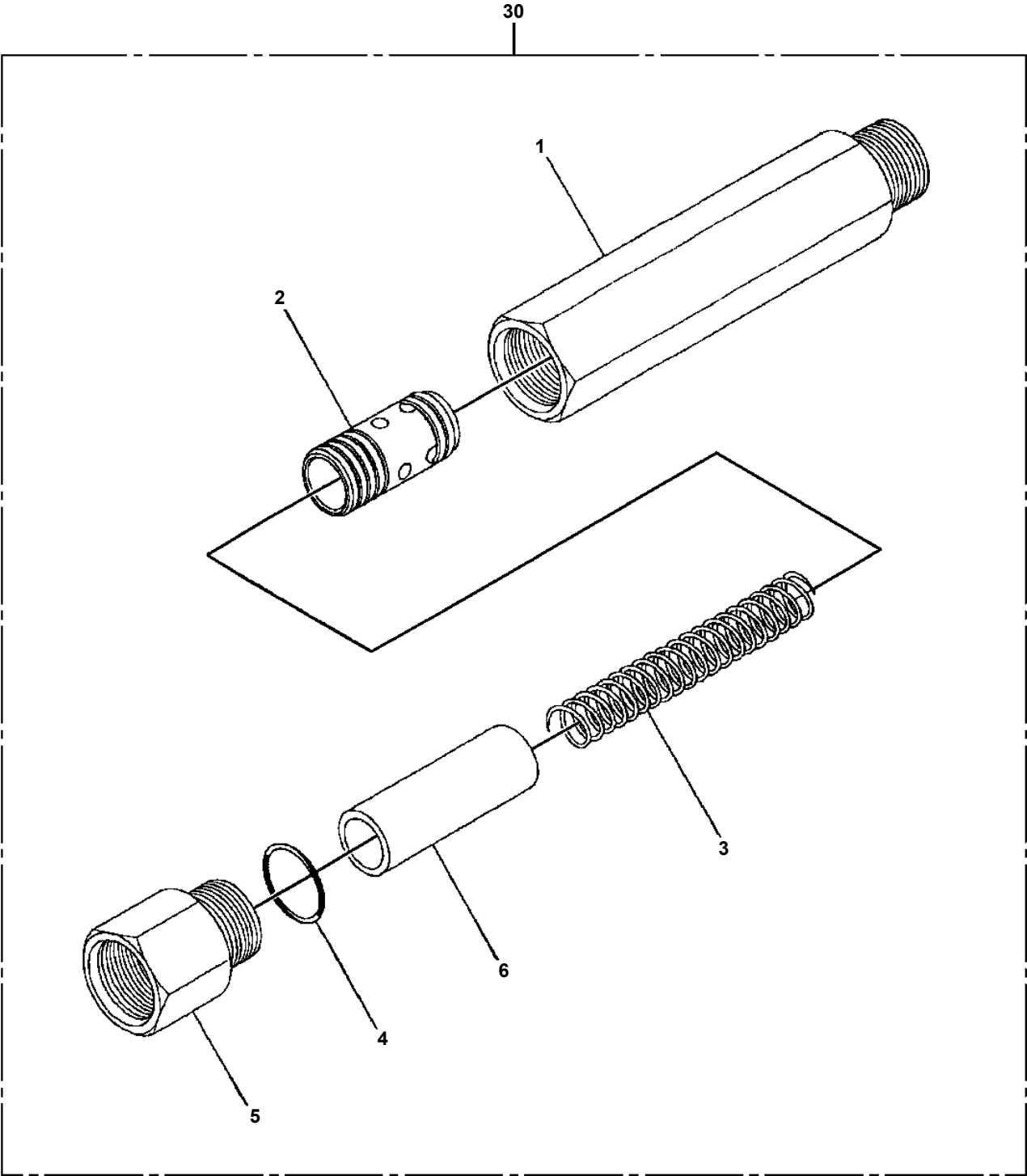
- Please note: If there is no response to CLICKING the link, please download this PDF first and then click on it.

CLICK HERE TO **DOWNLOAD** THE COMPLETE MANUAL

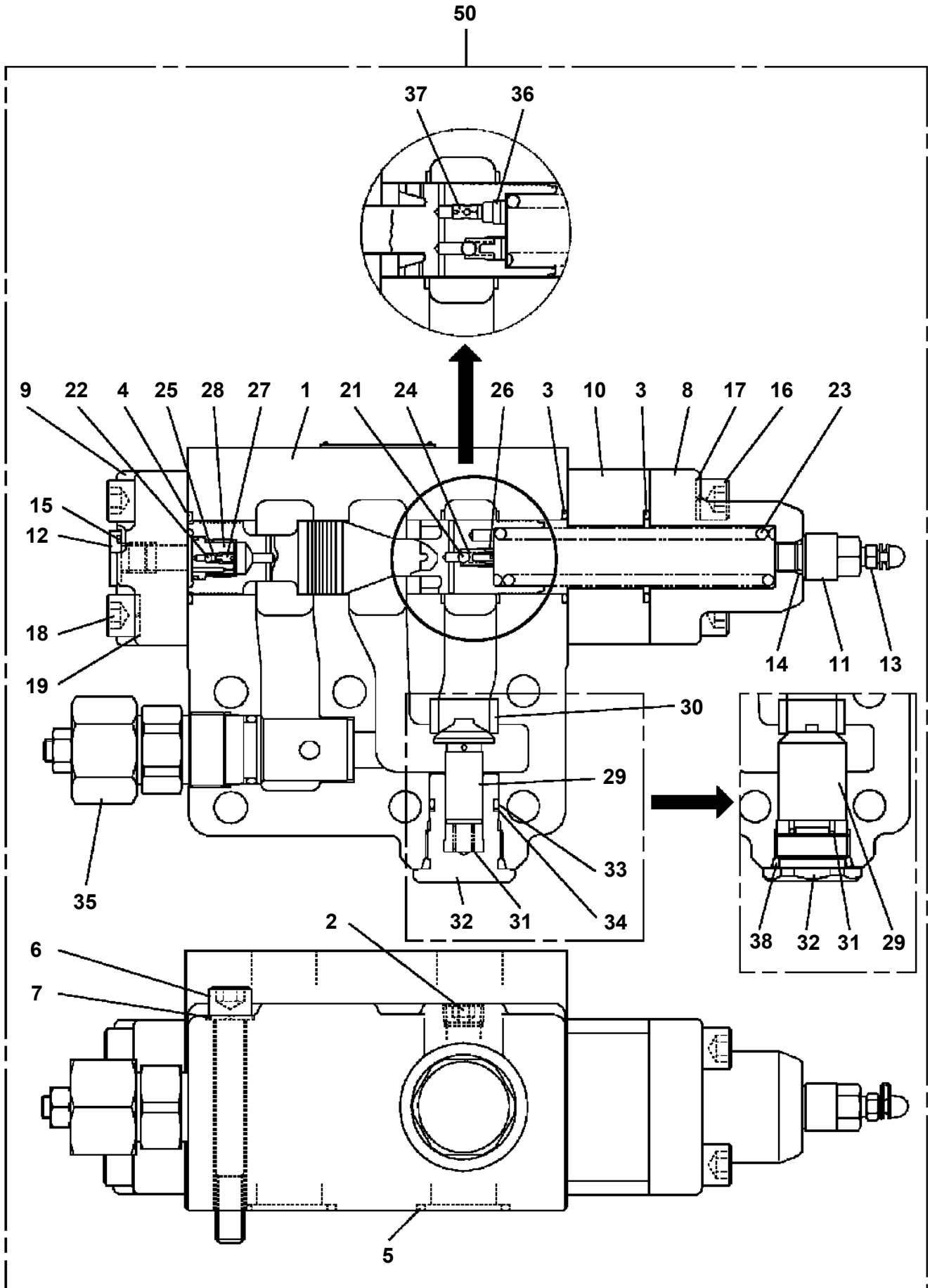
**GT-550E-1-10302 5 BOOM + 2 JIB,2M2D, KG48UXN
PI1120349-00 VALVE,SOLENOID**



GT-550E-1-10302 5 BOOM + 2 JIB,2M2D, KG48UXN
PI1140116-01 VALVE,CHECK

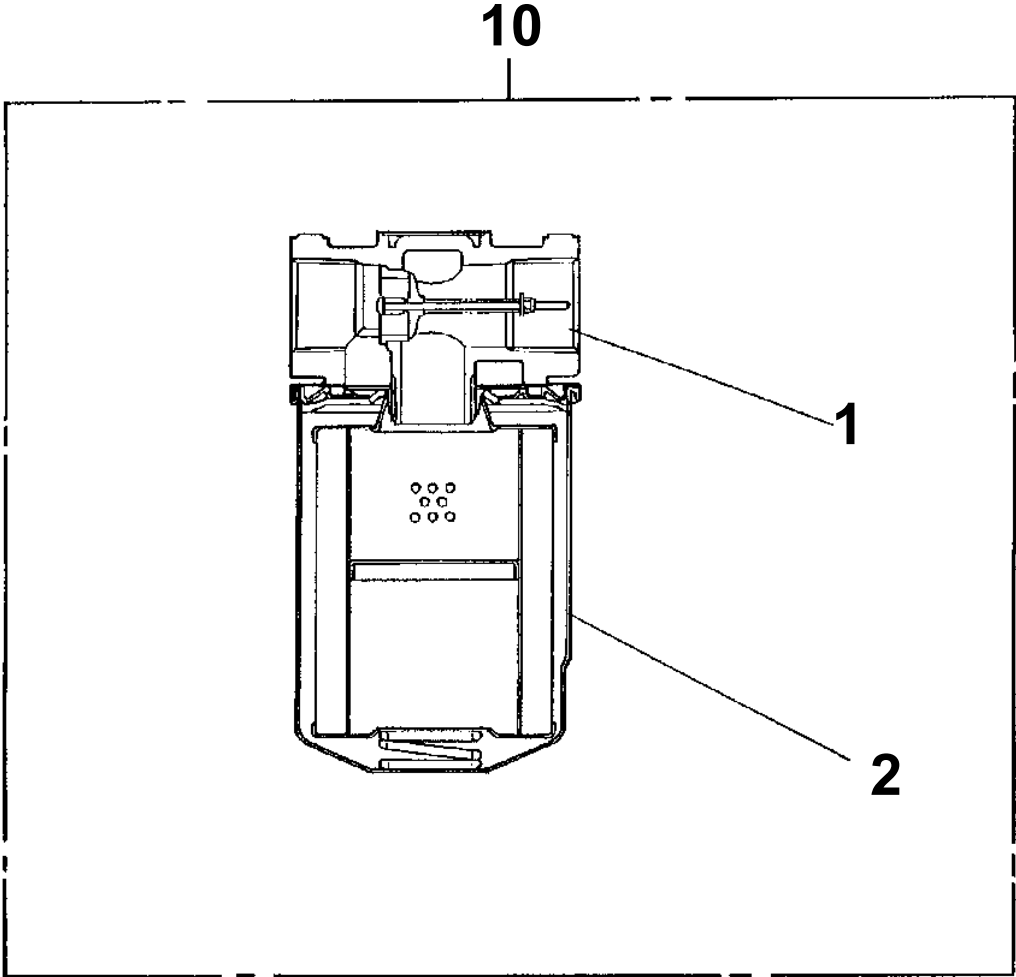


GT-550E-1-10302 5 BOOM + 2 JIB,2M2D, KG48UXN
PI1250099-03 VALVE,COUNTERBALANCE



GT-550E-1-10302 5 BOOM + 2 JIB,2M2D, KG48UXN
PI1300061-02 FILTER,OIL (YAMASHIN)

Assembly Name FILTER, OIL



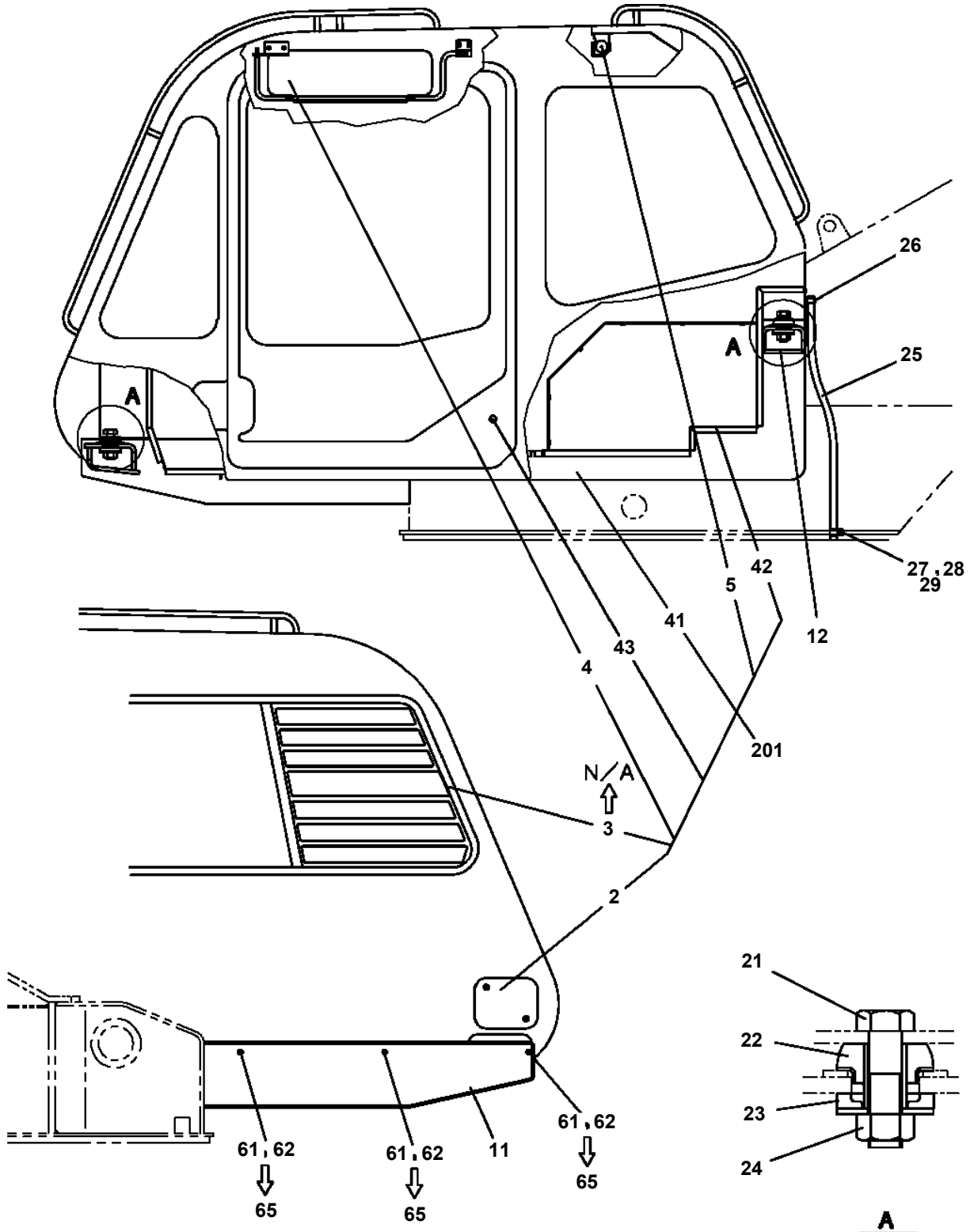
GT-550E-1-10302 5 BOOM + 2 JIB,2M2D, KG48UXN

Pos No.	Parts No	Parts Name	Qty	Unit	Technical Data	Serial No (Start)	Serial No (End)
109	34251480500	COVER	1			437497	
112	82420101613	TRIM	1	M			438297
123	34251289511	COVER ASSY	1				437496
124	82464110002	HINGE	2				437496
127	80147310420	RIVET	8		3.2X6		437496

GT-550E-1-10302 5 BOOM + 2 JIB,2M2D, KG48UXN

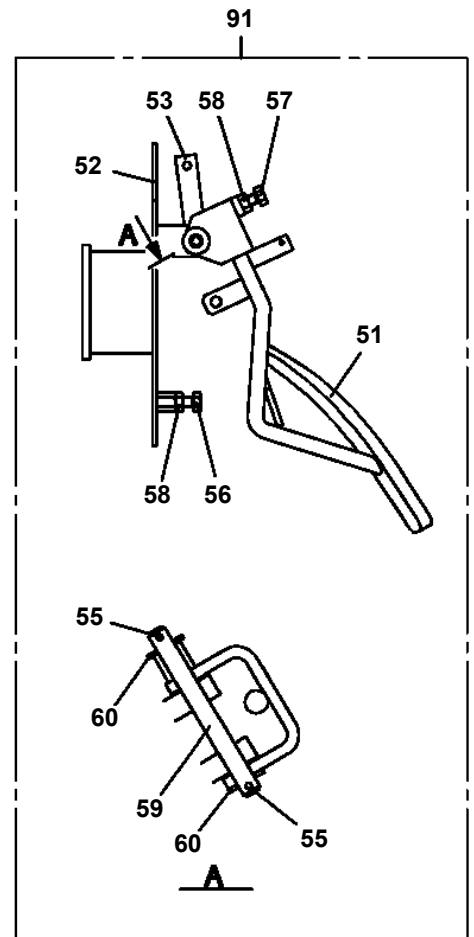
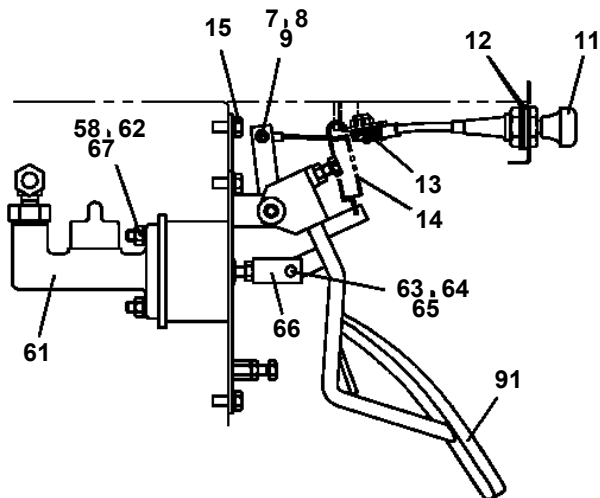
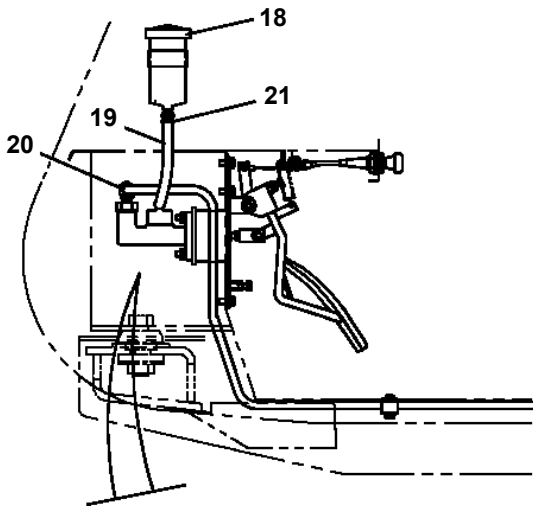
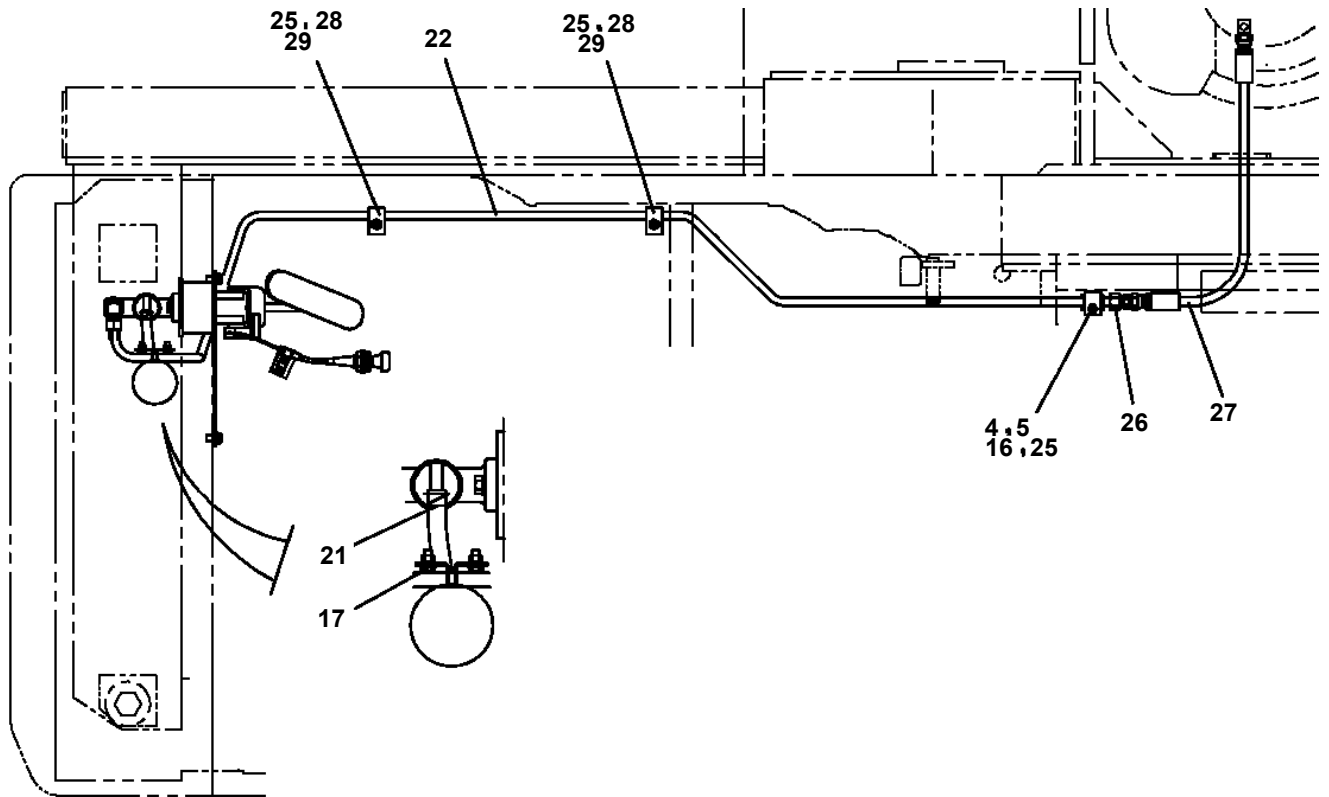
Pos No.	Parts No	Parts Name	Qty	Unit	Technical Data	Serial No (Start)	Serial
291	34260237500	RUBBER (BLADE,WIPER)	2		L=714		43783
	34260237501	RUBBER (BLADE,WIPER)	2		L=700	437834	
460	34260239911	LINK ASSY (WIPER)	1				43792

GT-550E-1-10302 5 BOOM + 2 JIB,2M2D, KG48UXN
PK1410048-03 MOUNT,CAB



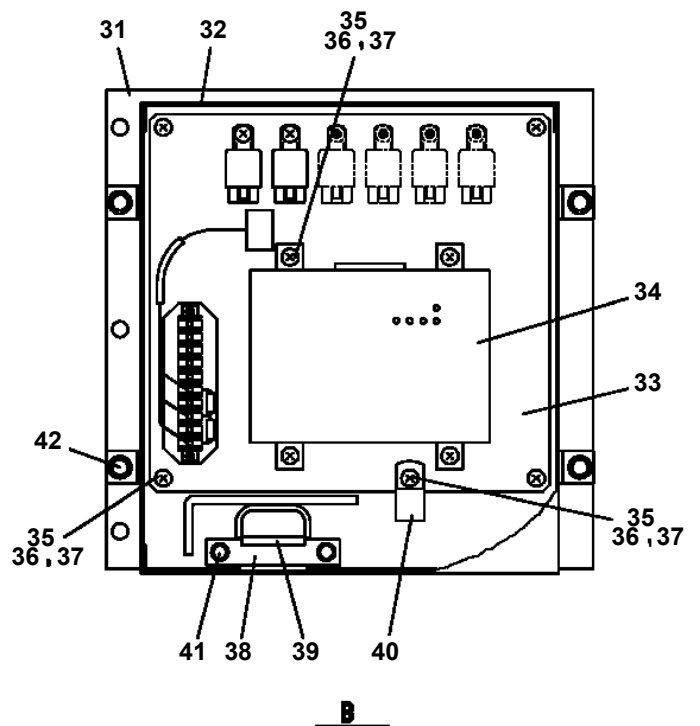
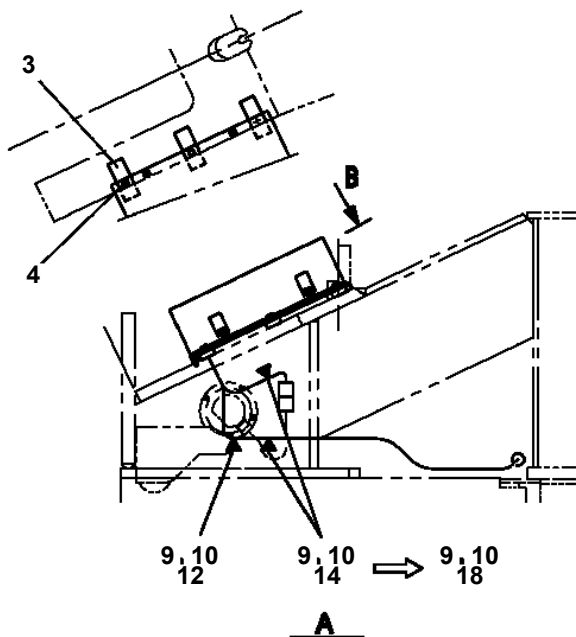
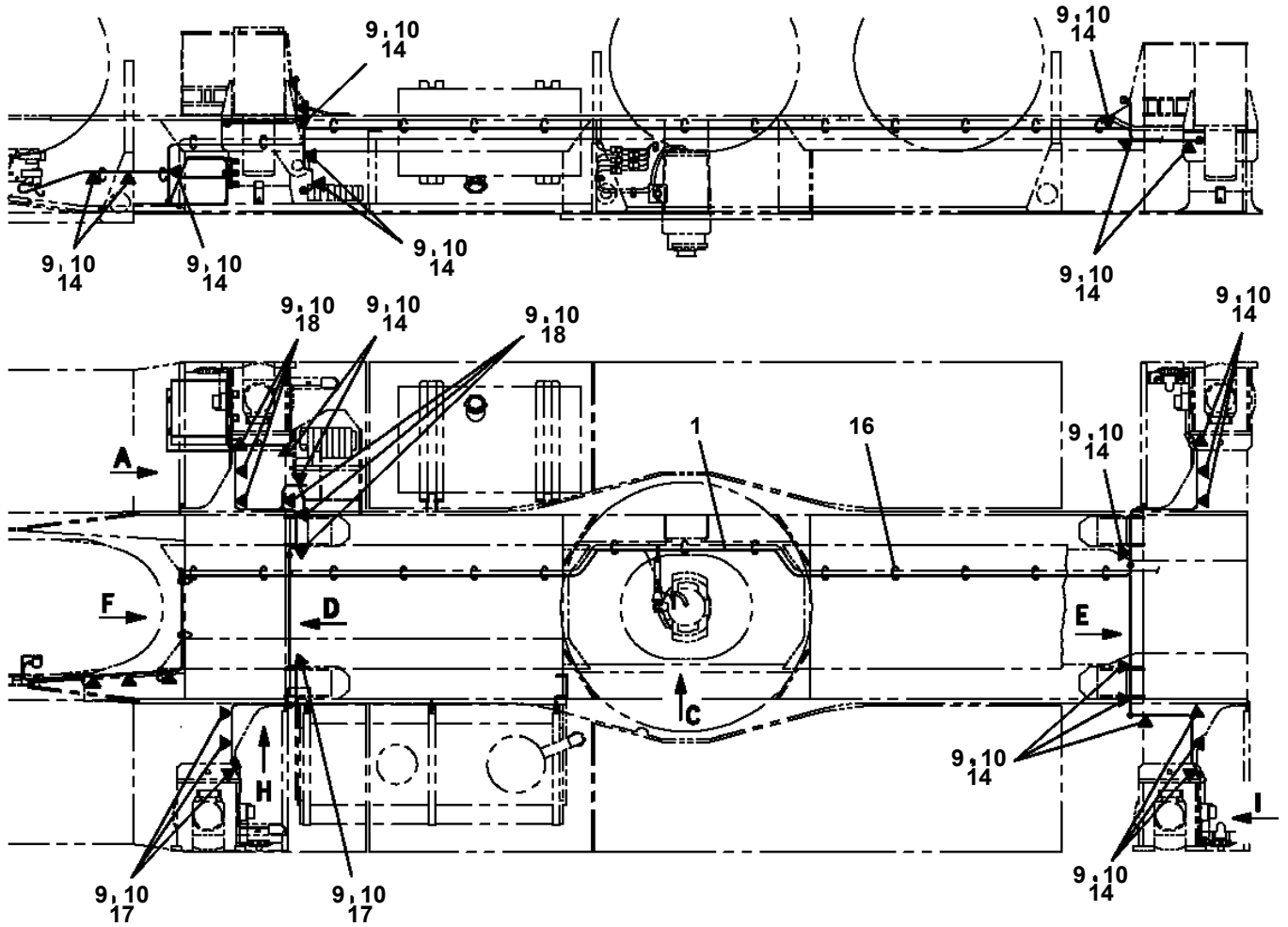
REVERSE SIDE

**GT-550E-1-10302 5 BOOM + 2 JIB,2M2D, KG48UXN
 PL1030821-01 OPE.ASSY,ACCELERATOR (UPPER)**



**GT-550E-1-10302 5 BOOM + 2 JIB,2M2D, KG48UXN
PN1012833-01 ELEC.ASSY (LOWER)**

FRONT ←



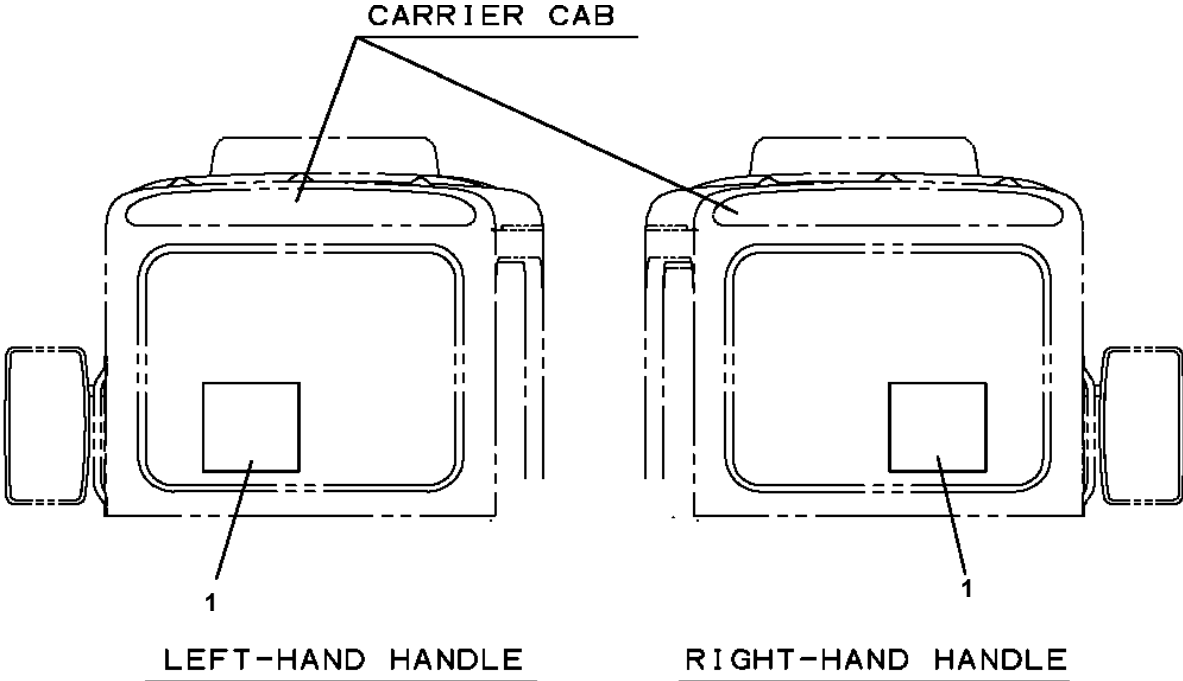
GT-550E-1-10302 5 BOOM + 2 JIB,2M2D, KG48UXN

Pos No.	Parts No	Parts Name	Qty	Unit	Technical Data	Serial No (Start)	Serial No (End)
1	34352992010	HARNESS (SWING FRAME/RIGHT)	1				
2	34352992020	HARNESS (SWING FRAME,LEFT)	1				
3	34362498010	HARNESS	1				437755
	34362498011	HARNESS	1			437756	
4	34352992040	HARNESS (BOOM,TOP)	1				
5	34352832300	LAMP	2		24V 70W		
6	37000500520	PLATE	1				
7	34352062100	CABLE ASSY	1		L=250		
8	90201201000	NUT	1		M10		
9	90302041001	WASHER,SPRING	2		10		
10	90101210016	BOLT	3		M10X16		437512
	90101210016	BOLT	1		M10X16	437513	
11	34351497100	WASHER,WINDOW	1				
12	90101206020	BOLT	1		M6X20		
13	90101206016	BOLT	2		M6X16		
14	90302040601	WASHER,SPRING	4		6		
15	90303070601	WASHER,PLAIN	4		6		
16	34351963400	SUPPORT	1				
17	90280200800	NUT,FLANGE	2		M8		
18	90155308020	BOLT,WELD	1		M8X20		
19	82183901010	CONDENSER	1				
20	34351963900	SWITCH ASSY	1				
22	90280200600	NUT,FLANGE	59		M6		
23	90155306015	BOLT,WELD	63		M6X15		
24	82400000216	GROMMET	2		C30NG79-H		
25	82100002006	CLAMP	27		WR10		
26	82100002010	CLAMP	12		WR15		
27	82100002014	CLAMP	15		WR20		
29	82100002017	CLAMP	5		WR30		
30	37000604250	CLAMP	21				
31	82100002600	HORN (HIGH PITCH)	1				
32	90172106010	BOLT,HEXAGON SOCKET	1		M6X10		
33	34361742100	SWITCH ASSY	1				
34	34352992200	SUPPORT	1				
35	34361892200	SUPPORT	1				
36	90172105025	BOLT,HEXAGON SOCKET	4		M5X25		
37	90201200500	NUT	4		M5		
38	90302040501	WASHER,SPRING	4		5		
39	82104501130	SWITCH,LIMIT	1				
40	34352992100	SUPPORT	1				
41	37000575510	SUPPORT	1				
42	82108901030	SWITCH	1				437764
	82108501270	SWITCH	1			437765	
43	34352992400	SUPPORT	1				
44	82104503427	SWITCH,LIMIT	1				
45	90186210020	BOLT,FLANGE	2		M10X20	437513	
61	82100002873	BULB,LAMP	2		24V 70W		
62	34352837530	LENS	2				
71	34351497630	TANK ASSY (WITH CAP&GROMMET)	1				
72	34351497620	MOTOR & PUMP ASSY	2				
74	34351497611	CAP (BLACK)	1				
91	34430640350	BOX	1				
92	34430562200	COVER	1				
93	90813006012	BOLT,WING	2		M6X12		
94	90302040601	WASHER,SPRING	2		6		
95	90186208025	BOLT,FLANGE	2		M8X25		
96	82161901050	RELAY	1				437839
	82161901051	RELAY	1			437840	
97	82400000079	GROMMET	1				

GT-550E-1-10302 5 BOOM + 2 JIB,2M2D, KG48UXN

Pos No.	Parts No	Parts Name	Qty	Unit	Technical Data	Serial No (Start)	Serial No (End)	Remarks
1	36120555010	CASE ASSY	1					
3	36120555020	BOARD (WITHOUT P-ROM)	1					
5	36120555030	SCREW	9		M3X10			
12	(*****)	P-ROM	1					
100	36120550000	TRANSMITTER,SIGNAL	1					

**GT-550E-1-10302 5 BOOM + 2 JIB,2M2D, KG48UXN
PO1013589-00 PLATE ASSY,NAME (SHIPMENT)**



GT-550E-1-10302 5 BOOM + 2 JIB,2M2D, KG48UXN

Pos No.	Parts No	Parts Name	Qty	Unit	Technical Data	Serial No (Start)	Serial No (E
1	33396151180	PLATE,CAUTION (KEEO HANDS AWAY.)	2				
2	33396151440	PLATE,CAUTION (KEEP HANDS AWAY.)	1				

GT-550E-1-10302 5 BOOM + 2 JIB,2M2D, KG48UXN

Pos No.	Parts No	Parts Name	Qty	Unit	Technical Data	Serial No (Start)	Serial
1	37002204680	PLATE,NAME (ANGLE METER)	1				
2	34391202140	PLATE,CAUTION (DO NOT CLIMB BOOM)	2				
3	34391201430	PLATE,CAUTION (DANGER! KEEP CLEAR)	3				
4	34391202171	PLATE,CAUTION (SWING STRUCTURE)	2				
5	33395904010	PLATE,NAME (GT-550EX)	2				
6	34391201440	PLATE,CAUTION (EXTENDING 2ND JIB)	2				
7	37002209450	PLATE,NAME (TADANO)	2				437965
8	33395901020	PLATE,CAUTION (JIB SET PIN OPERATION)	2				
9	34395411700	PLATE,CAUTION (WHEN MOUNTING OR)	3				
10	33395632060	PLATE,CAUTION (JIB SET PIN POSITION)	1				
12	37002224740	PLATE,NAME (4500KG)	1				
14	34392531200	PLATE,NAME	2				
15	34392531220	PLATE,NAME	2				
16	34392531230	PLATE,NAME	2				
18	90101210016	BOLT	1		M10X16		
19	12647107001	INDICATOR	1				
20	90201201000	NUT	1		M10		
22	34391202060	PLATE,CAUTION (NO STEP)	4				
25	33395901030	PLATE,CAUTION (WHEN THE OVERRIDE)	1				
26	37002212090	PLATE,NAME (MAIN WINCH LEVER)	1				
27	37002212110	PLATE,NAME (ELEVATE LEVER)	1				
28	37002224260	PLATE,NAME (TELES&AUX/W LEVER)	1				
29	37002218710	PLATE,NAME (SWING LEVER)	1				
36	33394822030	PLATE,NAME (OIL)	1				
40	33395901040	PLATE,CAUTION (FUSE)	1				
41	34391202111	PLATE,CAUTION (ELECTROCUTION HAZARD)	1				
42	80147310420	RIVET	4		3.2X6		
44	34395411400	PLATE,NAME (AML ON/OFF)	1				
45	34394681030	PLATE,CAUTION (OVERRIDE KEY SWITCH)	1				
46	33395904100	LOAD CHART BOOKLET	1				
47	14137207000	PLATE,NAME (GREASE)	21				
48	34391201451	PLATE,CAUTION (FAN)	1				
49	37002209500	PLATE,NAME (TADANO)	1				437965
52	37000515850	PLATE	1				
53	90201200600	NUT	1		M6		
54	90305210601	WASHER	1				
55	80186806025	SCREW,MACHINE	1		M6X25		
56	34392251300	PLATE	1				
60	34395412700	PLATE,CAUTION (PULL THE CONTROL)	1				
61	34394781310	PLATE,NAME	1				
62	33395901050	PLATE,CAUTION (USE THE SWING LOCK)	1				
63	37002200010	PLATE,NAME (HORN)	1				
64	37002207270	PLATE,NAME (BOOM EXT.)	1				
65	33395901300	PLATE,CAUTION (!CAUTION STOWING)	1				
81	37002228300	PLATE,NAME (TADANO/BLUE+BLACK)	2			437970	
82	37002228310	PLATE,NAME (TADANO/WHITE+WHITE)	2			437970	
91	37002214470	PLATE,NAME (BLUE & BLACK)	1			437970	
92	37002214490	PLATE,NAME (WHITE & WHITE)	1			437970	

GT-550E-1-10302 5 BOOM + 2 JIB,2M2D, KG48UXN

Pos No.	Parts No	Parts Name	Qty	Unit	Technical Data	Serial No (Start)	Serial No (End)	Remarks	Pa
1	37002224030	PLATE,NAME (WHITE)	16						

GT-550E-1-10302 5 BOOM + 2 JIB,2M2D, KG48UXN

Pos No.	Parts No	Parts Name	Qty	Unit	Technical Data	Serial No (Start)	Serial
1	33395904110	CASE	1				
2	33395904120	PLATE,NAME (SPEC.)	1				
3	33395901130	PLATE,NAME (WORKING AREA 1)	1				
4	33395901140	PLATE,NAME (WORKING AREA 2)	1				
5	33395901150	PLATE,NAME (WORKING AREA 2)	1				
6	33395904160	PLATE,NAME	1				
7	33395904170	PLATE,NAME	1				
8	33395904180	PLATE,NAME	1				
9	33395904190	PLATE,NAME	1				
10	33395901200	PLATE,NAME (SWITCH PANEL)	1				
11	33395901210	PLATE,NAME (DISPOSITION OF CONT. LEVER)	1				
50	33395904100	LOAD CHART BOOKLET	1				

GT-550E-1-10302 5 BOOM + 2 JIB,2M2D, KG48UXN

Pos No.	Parts No	Parts Name	Qty	Unit	Technical Data	Serial No (Start)	Serial No (End)	R
1	37001808530	ROPE,WIRE (KISWIRE/NON-SPIN)	1					

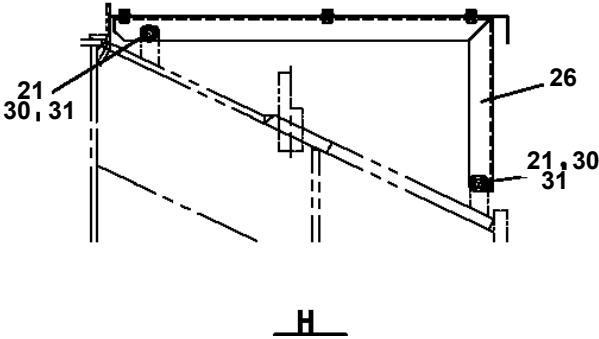
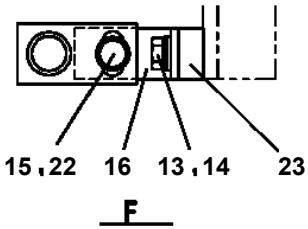
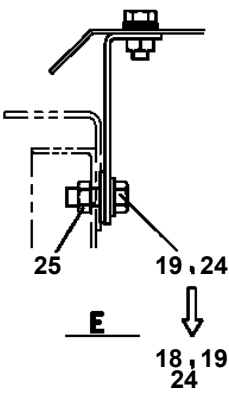
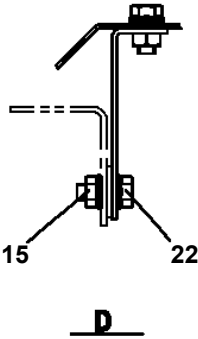
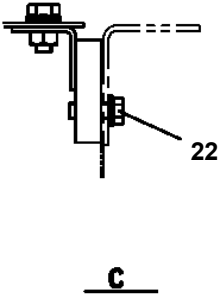
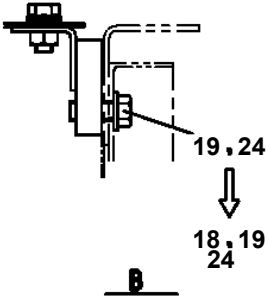
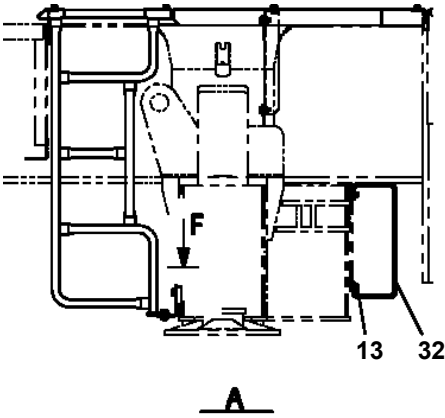
GT-550E-1-10302 5 BOOM + 2 JIB,2M2D, KG48UXN

Pos No.	Parts No	Parts Name	Qty	Unit	Technical Data	Serial No (Start)	Serial No (E
1	34371314201	SUPPORT	1				
2	32370002110	GASKET	1				
3	32370002121	COVER	1				
4	80172303025	SCREW,MACHINE	2		M3X25		
5	90302040301	WASHER,SPRING	2		3		
6	82104102010	SWITCH,LIMIT	1				
7	32370002131	ROD	1				
8	14148373001	SPRING	1				
9	80601110180	RING,RITAINING	1		S18		
10	34371314400	SUPPORT	1				
11	90303070301	WASHER,PLAIN	2		3		
12	82100002505	CONNECTOR (CN-6)	1				
13	82100002506	CONNECTOR	1				
14	32370154070	CORD	1				
15	32370154080	CORD	1				
16	82100000592	TERMINAL (M40.3 TO 1.25)	2				
17	89630201000	HOSE,VINYL	1		6X8,1M		
18	14148375000	GROMMET	1				
19	90101208045	BOLT	2		M8X45		
20	90302040801	WASHER,SPRING	2		8		
21	82100001220	INSULATOR	2				
22	82400000201	GROMMET	1		KG-016		
30	32370009512	ROD ASSY	1				
31	32370002150	SPACER	1		L=12 TO 11		
32	80720103014	PIN,SPRING	1		3X14		
50	34371314101	SWITCH (OVER WIND/JIB & SINGLE TOP)	1				

GT-550E-1-10302 5 BOOM + 2 JIB,2M2D, KG48UXN

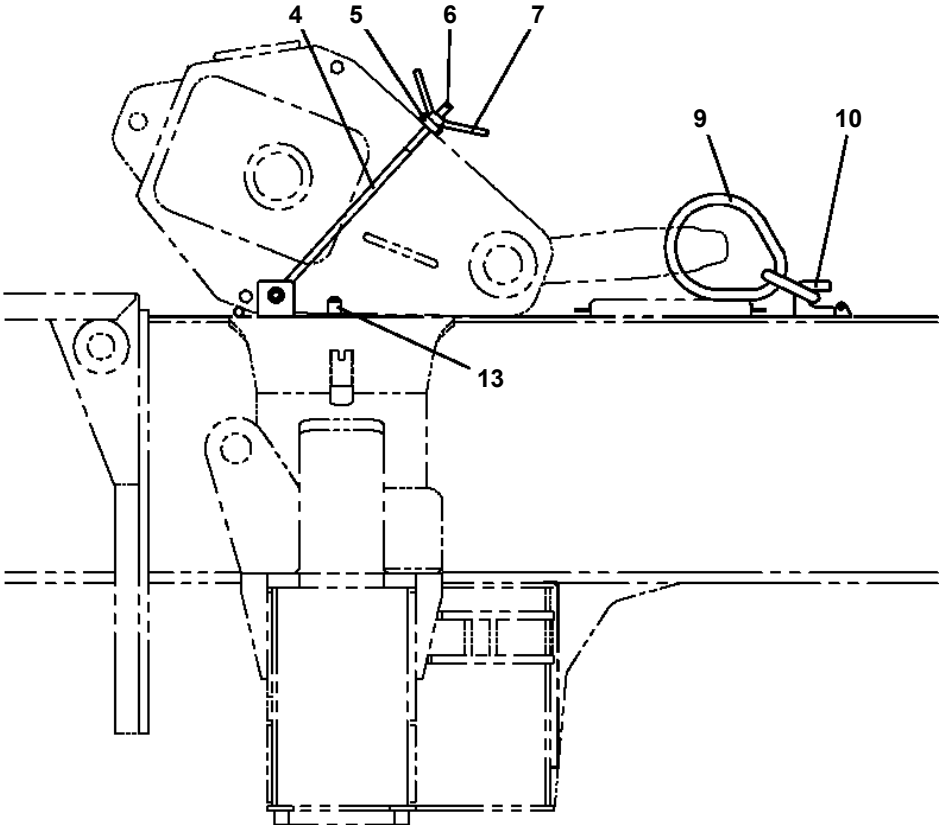
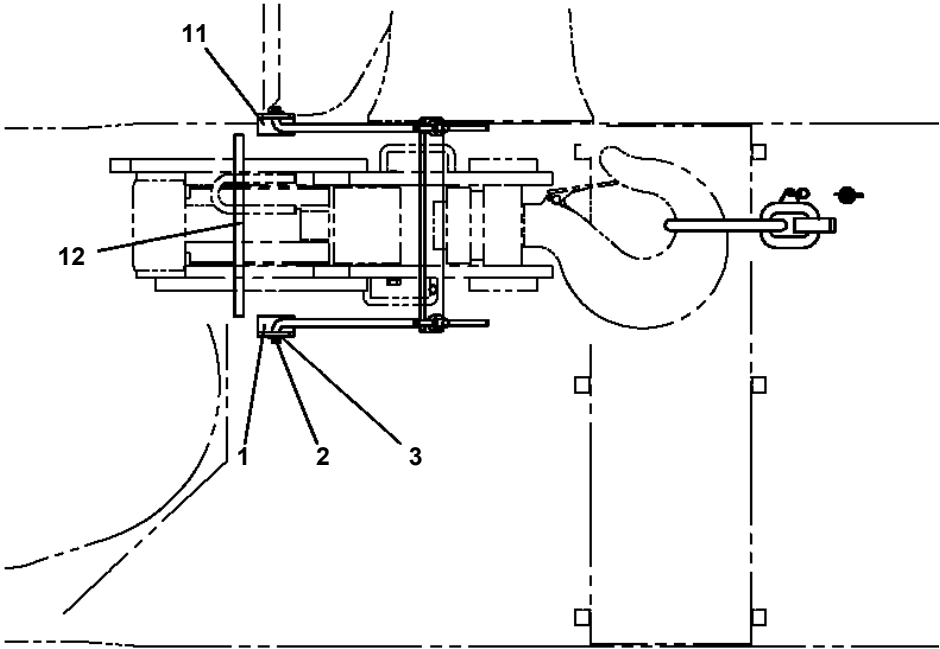
Pos No.	Parts No	Parts Name	Qty	Unit	Technical Data	Serial No (Start)	Serial No (End)	Remarks	Pages
1	91900000003	WORKING WEAR	1						
2	91900000004	HELMET	1						

**GT-550E-1-10302 5 BOOM + 2 JIB,2M2D, KG48UXN
PX1030437-02 FENDER**



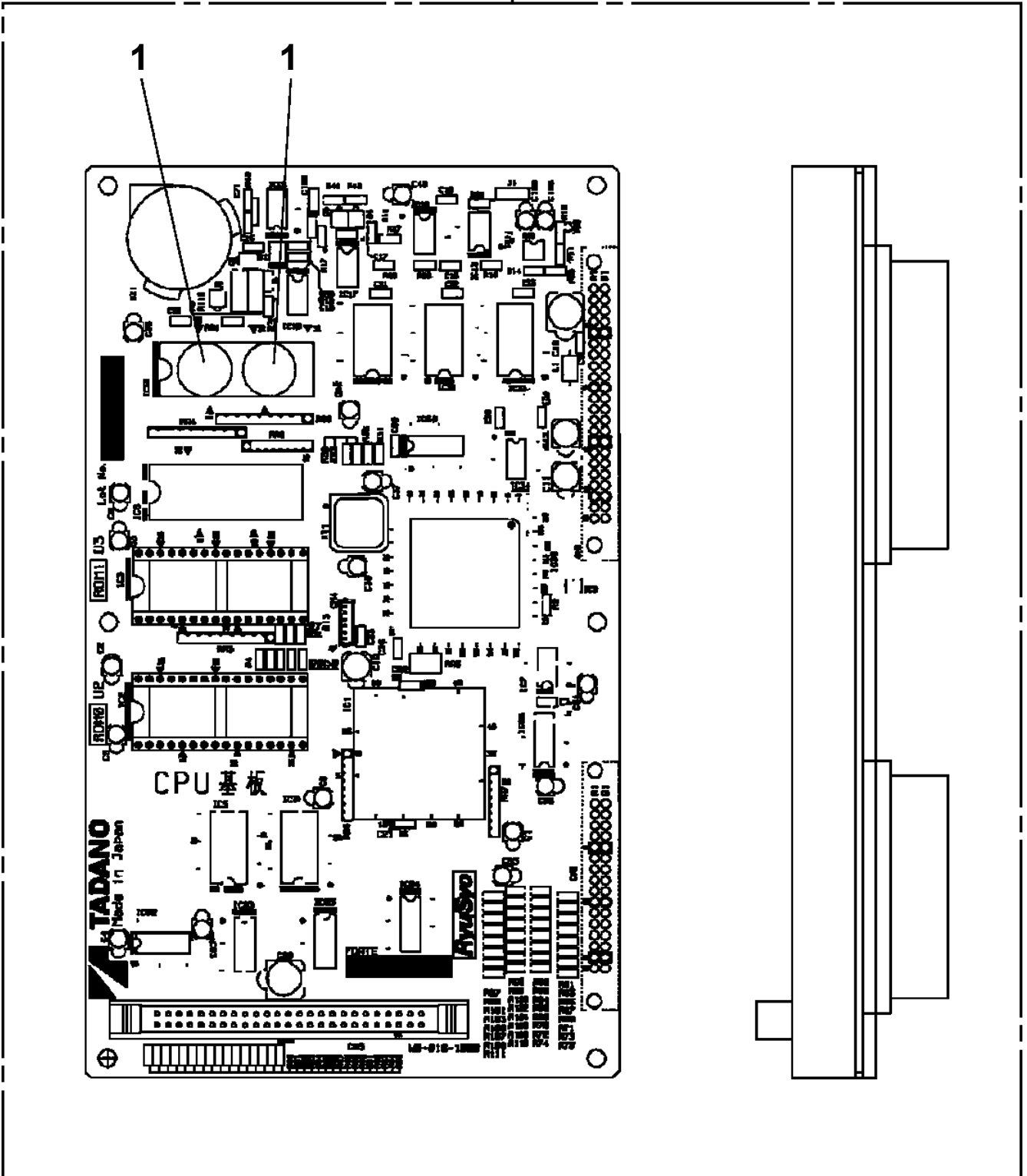
GT-550E-1-10302 5 BOOM + 2 JIB,2M2D, KG48UXN
PX1180271-01 MOUNT,HOOK (MAIN)

FRONT ←

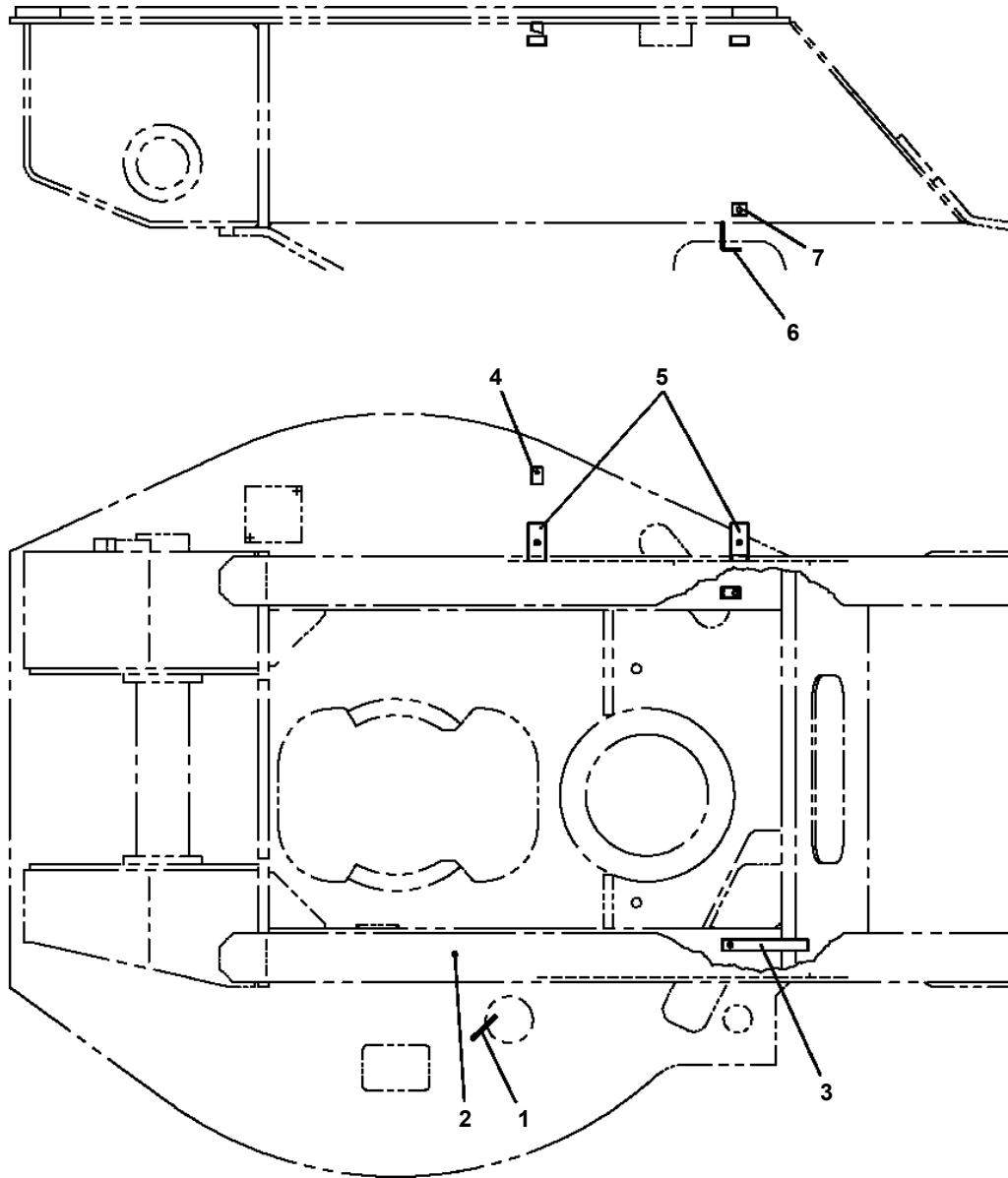


GT-550E-1-10302 5 BOOM + 2 JIB,2M2D, KG48UXN
PX1640014-00 BOARD

100

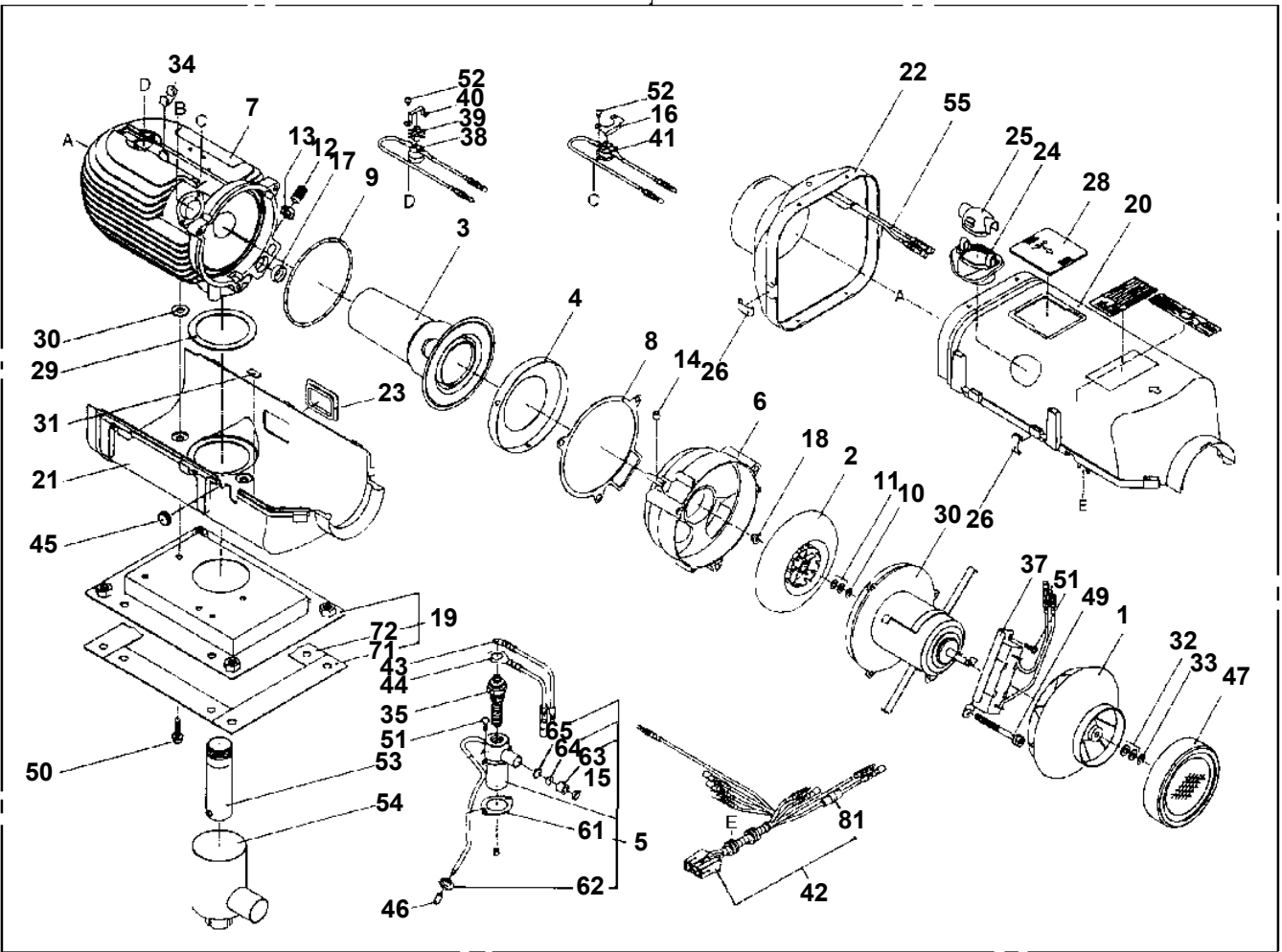


GT-550E-1-10302 5 BOOM + 2 JIB,2M2D, KG48UXN
PX1810104-00 MOUNT,SUPPORT (A/C)

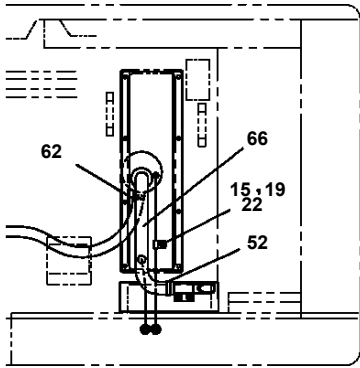


GT-550E-1-10302 5 BOOM + 2 JIB,2M2D, KG48UXN
PY1120018-00 HEATER (BODY,MY30AFD2)

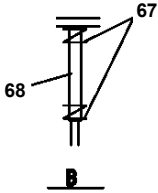
100



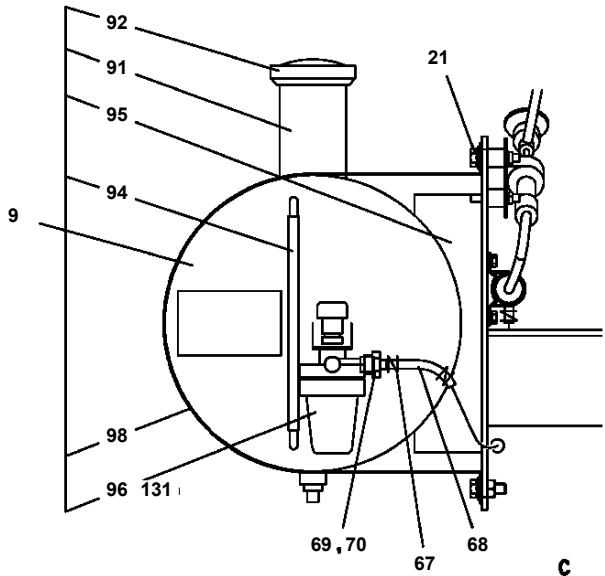
**GT-550E-1-10302 5 BOOM + 2 JIB,2M2D, KG48UXN
 PY1120026-01 HEATER (DIESEL)**



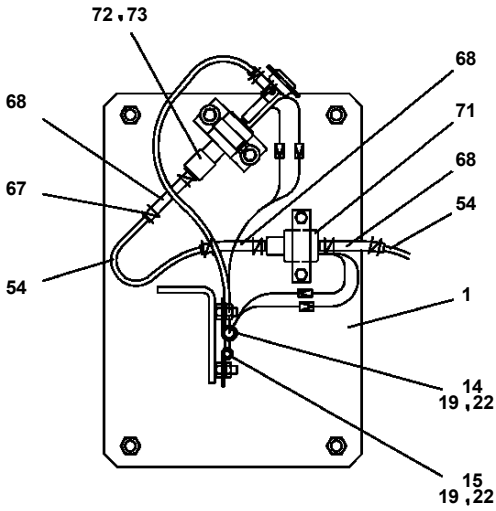
A



B



C



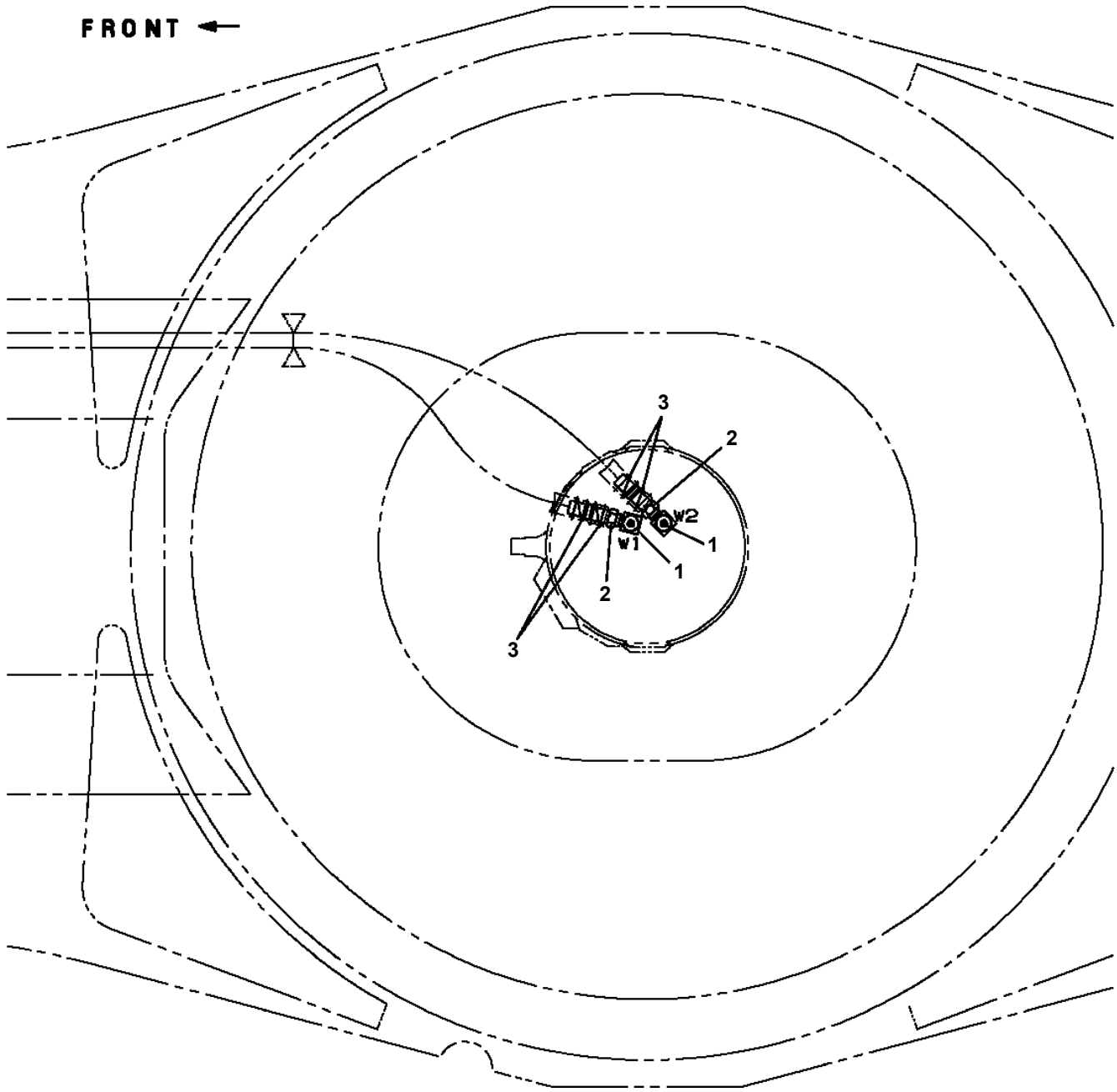
GT-550E-1-10302 5 BOOM + 2 JIB,2M2D, KG48UXN

Pos No.	Parts No	Parts Name	Qty	Unit	Technical Data	Serial No (Start)	Serial No (End)	Remarks
1	34472861000	FAN	1					
2	34490580100	HARNESS	1					
3	90925040125	SCREW,TAPPING (BLACK)	3		M4X12			
4	82183901010	CONDENSER	1					
5	91810130230	FASTENER	5					
6	99172106016	BOLT,TAPPING	1		M6X16			
7	90302040301	WASHER,SPRING	2		3			
21	34472867510	SWITCH	1					

GT-550E-1-10302 5 BOOM + 2 JIB,2M2D, KG48UXN

Pos No.	Parts No	Parts Name	Qty	Unit	Technical Data	Serial No (Start)	Serial No (End)	Remarks
84	36320565790	CASE (FRONT)	1					
85	36320565800	DAMPER	1					
86	36320565810	DAMPER	1					
87	36320565820	DAMPER	1					
88	36320565830	DAMPER	1					
89	36320565840	DAMPER	1					
90	36320565700	SCREW,MACHINE	6					
541	36320565700	SCREW,MACHINE	7					
542	36320565550	CASE	1					
543	36320565560	CASE (BLOWER)	1					
621	36320565700	SCREW,MACHINE	5					
622	36320566020	CASE	1					
623	36320566030	CASE	1					
624	36320565650	DAMPER	1					

GT-550E-1-10302 5 BOOM + 2 JIB,2M2D, KG48UXN
PY2250033-00 PIPING,AIR CONDITIONER (JOINT/HOT WATER)



CLICK HERE TO **DOWNLOAD** THE COMPLETE MANUAL

- Thank you very much for reading the preview of the manual.
- You can download the complete manual from: www.heydownloads.com by clicking the link below



- Please note: If there is no response to CLICKING the link, please download this PDF first and then click on it.

CLICK HERE TO **DOWNLOAD** THE COMPLETE MANUAL