

GT-300E-3-00801 4 BOOM + 2 JIB,2M2D

PB0000332-00 UPPER STRUCTURE SYSTEM

PB0000512-00 LOWER STRUCTURE SYSTEM

ASSEMBLY

CLICK HERE TO **DOWNLOAD** THE COMPLETE MANUAL

- Thank you very much for reading the preview of the manual.
- You can download the complete manual from: www.heydownloads.com by clicking the link below



- Please note: If there is no response to CLICKING the link, please download this PDF first and then click on it.

CLICK HERE TO **DOWNLOAD** THE COMPLETE MANUAL

GT-300E-3-00801 4 BOOM + 2 JIB,2M2D

PS5170045-00 SHAFT ASSY,PROPELLER
PS5220025-00 SINGLE TOP ASSY
PS5220026-00 SINGLE TOP ASSY
PS5250011-00 SOCKET ASSY,ROPE
PS5340051-00 STEERING ASSY (AIR TUBE/CARRIER CAB)
PS5340052-00 STEERING ASSY
PS5340053-01 STEERING ASSY
PS5360019-00 STEP ASSY
PS5410001-00 SUNSHADE
PS5420495-00 SUPPORT ASSY (ACCESSORY PARTS)
PS5420496-00 SUPPORT ASSY (CAB OUTER COVERING)
PS5420497-00 SUPPORT ASSY (HYDRAULIC PARTS)
PS5420498-00 SUPPORT ASSY (WIRING PARTS)
PS5420499-01 SUPPORT ASSY (BOOM)
PS5420500-00 SUPPORT ASSY (PLATE:ABS SENSOR CLAMP/3RD)
PS5420501-00 SUPPORT ASSY (DASHBOARD SUPPORT BAR)
PS5420503-01 SUPPORT ASSY (BOOM,BASE:WIRING)
PS5420504-00 SUPPORT ASSY (BOOM,BASE:JIB ATTACHMENT)
PS5430011-00 SUPPORT ASSY,JIB
PS5500044-00 SWING ASSY
PS5510067-00 SWING FRAME ASSY
PS5520036-03 SWING TABLE ASSY
PS5530200-01 SWITCH ASSY (PRESSURE SWITCH)
PS5530354-01 SWITCH ASSY (3)
PS5530371-00 SWITCH ASSY
PS5530391-01 SWITCH ASSY (1)
PS5530395-01 SWITCH ASSY (R)
PS5530493-00 SWITCH ASSY (PRESSURE SWITCH)
PS5540013-02 SWITCH (OVERWIND/JIB)
PS5550008-00 SUPPORT
PT1340000-01 VALVE,RELAY
PT1360002-00 VALVE,SAFETY
PT5090027-01 TANK ASSY,OIL
PT5090028-00 TANK ASSY,OIL
PT5130092-00 TELESCOPE ASSY
PT5160014-00 TOOL ASSY
PT5340018-00 TABLE,SLEWING
PT5390001-00 TANK (SUB)
PT5650033-01 TRANSMISSION ASSY
PT5650034-00 TRANSMISSION ASSY
PT5650035-00 TRANSMISSION ASSY (HOUSING)
PT5650036-00 TRANSMISSION ASSY (INPUT SHAFT)
PT5650037-00 TRANSMISSION ASSY (COUNTERSHAFT)
PT5650038-00 TRANSMISSION ASSY (MAIN SHAFT)
PT5650039-00 TRANSMISSION ASSY (RETURN)
PT5650040-00 TRANSMISSION ASSY (SHIFT SYSTEM)
PT5650041-00 TRANSMISSION ASSY (GV-SHIFT SYSTEM)
PT5650042-00 TRANSMISSION ASSY (RC HOUSING)
PT5650043-00 TRANSMISSION ASSY (PLANETARY DRIVE)
PT5650044-00 TRANSMISSION ASSY (SYNCHRONIZER GP)
PT5650045-00 TRANSMISSION ASSY (GP SHIFT SYSTEM)
PT5650046-00 TRANSMISSION ASSY (CLUTCH RELEASE DEVICE)
PT5650047-00 TRANSMISSION ASSY (HOUSING)
PT5650048-00 TRANSMISSION ASSY (INPUT)
PT5650049-00 TRANSMISSION ASSY (OUTPUT)
PT5650050-00 TRANSMISSION ASSY (OUTPUT)
PT5650051-00 TRANSMISSION ASSY (SHIFT SYSTEM)
PT5650052-00 TRANSMISSION ASSY (HOUSING)
PT5650053-00 TRANSMISSION ASSY (OUTPUT)
PT5650054-00 TRANSMISSION ASSY (ACTUATOR)
PT5650055-00 TRANSMISSION ASSY (HOUSING)
PT5650056-00 TRANSMISSION ASSY (SHIFT SYSTEM)
PU1060010-00 ROD ASSY
PU5010010-00 UNWIND CUTOUT ASSY (LOWERING LIMITER/MAIN & AUX.)

GT-300E-3-00801 4 BOOM + 2 JIB,2M2D

Pos No.	Parts No	Parts Name	Qty	Unit	Technical Data	Serial No (Start)	Serial No
1	34202720020	BOOM,2ND	1				
2	34202250290	SUPPORT	2				
3	90302041201	WASHER,SPRING	14		12		
4	90171112020	BOLT	14		M12X20		
6	34202250240	PLATE	2				
7	37002020260	PLATE,SLIDE (MATERIAL:OILAMID)	2				
	37002018390	PLATE,SLIDE (MATERIAL:MC801)	2				
8	34202090500	RETAINER (PLATE WORKING)	2				
	34202096850	RETAINER (CAST)	2				
9	90710712350	SCREW,SET	8		M12X35		
10	90201781200	NUT	8		M12		
11	37000587260	PLATE	2		T=9		
12	37000587300	PLATE	2		T=1.2		
13	90171112045	BOLT	4		M12X45		
14	34202096200	SUPPORT	1				
15	90101210016	BOLT	1		M10X16		
	90101210014	BOLT	1		M10X14	430611	430610
16	37000206540	PIN	1				
17	34200060120	SPACER	1		T=3.0		
18	37000515600	PLATE	2		T=1.0		
19	37001107630	ROLLER ASSY	1				
20	37001100150	ROLLER ASSY	1				
21	90171216050	BOLT	2		M16X50		
22	90201781600	NUT	2		M6		
23	37000208250	PIN	2				
24	80602110750	RING,RITAINING	2		R75		
25	90171118130	BOLT	2		M18X130		
26	90201781800	NUT (DACRO)	4		M18		
27	34202090060	PLATE	2		T=2.9		
28	34202090070	PLATE	2		T=4		
29	34202090080	PLATE	2		T=5		
30	34202090090	PLATE	2		T=6		
31	37010100250	PIN	2				
32	90171110018	BOLT	2		M10X18		
33	90303071001	WASHER,PLAIN	6		10		
34	90302041001	WASHER,SPRING	6		10		
35	37001010150	SHEAVE ASSY	2				
36	37000307920	SPACER	2		L=7.5		
37	37000312980	SPACER	2		L=5		
38	37000315630	SPACER	N		L=8.5		
39	37000315640	SPACER	N		L=9.5		
40	34200920700	SUPPORT	2				
41	34202250210	SUPPORT	2				
42	90171110030	BOLT	4		M10X30		
43	37002020140	PLATE,SLIDE (L=160/MATERIAL:OILAMID)	2				
	37002021050	PLATE,SLIDE (L=160/MATERIAL:MC703HL)	2				
45	90172108020	BOLT,HEXAGON SOCKET	4		M8X20		
46	37010501850	PLATE	2				
47	37010501860	PLATE	4				
48	37002018400	PLATE,SLIDE	2				
49	34202096100	SUPPORT	2				
50	90261000800	U-NUT	4		M8		
51	90303070601	WASHER,PLAIN	2		6		
52	82455106000	NIPPLE,GREASE	8		A-M6F FE		
53	37002019600	PLATE,SLIDE (0)	4		160X200		
54	37002019052	PLATE,SLIDE (-2)	N		160X200		
55	34202097010	SHIM	N		T=0.6		
56	37002003180	PLATE,SLIDE	2				
57	37002021110	PLATE,SLIDE	N				
58	37010501990	SHIM	4		T=1.2		
59	37010501980	SHIM	2		T=0.6		
60	90172106016	BOLT,HEXAGON SOCKET	2		M6X16		
61	37000590450	PLATE	N				

GT-300E-3-00801 4 BOOM + 2 JIB,2M2D

Pos No.	Parts No	Parts Name	Qty	Unit	Technical Data	Serial No (Start)	S
102	90202402700	NUT	2		M27		
103	34202090150	SUPPORT	1				
104	90171112028	BOLT	2		M12X28		
105	90302041201	WASHER,SPRING	2		12		
106	90303071201	WASHER,PLAIN	2		12		
107	37000143740	PIN	2				
108	80601110450	RING,RITAINING	2		S45		
109	37001005590	SHEAVE ASSY	1				
110	37001004930	SHEAVE ASSY	1				
111	37000303560	SPACER	4		L=3		
112	90172108012	BOLT,HEXAGON SOCKET	2		M8X12		
113	34202090110	SUPPORT	1				
121	80801003020	BEARING,PLAIN	4				
136	34202721850	SUPPORT	1				
146	34202721950	SUPPORT	1				
152	34202721400	SHEAVE ASSY	1				
154	31205281400	GUIDE	3				
161	80576100209	BEARING,BALL	2				
181	37001003330	SHEAVE ASSY	2				
182	34202321450	SUPPORT	1				
183	80601110400	RING,RITAINING	2		S40		
192	80602110800	RING,RITAINING	2		R80		
193	80513006208	BEARING,BALL	4				
202	(*****)	SUPPORT ASSY (BOOM,BASE:WIRING)	1				
203	(*****)	SUPPORT ASSY (BOOM,BASE:JIB ATTACHMENT)	1				

GT-300E-3-00801 4 BOOM + 2 JIB,2M2D

Pos No.	Parts No	Parts Name	Qty	Unit	Technical Data	Serial No (Start)	Serial No (End)	Remarks	Pages
1	36382686190	SPIDER	1						
2	36382686200	O-RING	1						
3	36382686210	SHOE ASSY	2						
4	36382686220	PIN	2						
5	36382686230	WASHER	1						
6	36382686250	CAMSHAFT	1						
7	36382686260	SPRING	1						
8	36382686270	SPRING	2						
9	36382686290	BRACKET	1						
10	36382686300	SCREW	4						
11	36382686310	NIPPLE,GREASE	1						
12	36382686320	WASHER	1						
13	36382686330	WASHER	1						
14	36382686340	WASHER	2						
16	36382686350	RING,SNAP	1						
17	36382686360	SHIELD (DUST)	1						
18	36382686370	BUSHING	2						
19	36382686380	BUSHING	1						
20	36382686390	SCREW	6						
21	36382686400	SEAL	1						
25	36382686410	PLUG	2						
26	36382686420	BUSHING	1						
27	36382686400	SEAL	1						
28	36382686440	ROLLER	2						
29	36382686450	RETAINER	2						
30	36382686460	PIN	2						
31	36382686481	LINING SET	1						
51	36382686470	SHOE,BRAKE (KIT)	1						
100	36382685010	BRAKE ASSY (RH)	1						

GT-300E-3-00801 4 BOOM + 2 JIB,2M2D

Pos No.	Parts No	Parts Name	Qty	Unit	Technical Data	Serial No (Start)	Serial No (End)	Remarks	P
1	36382665660	BRIDGE	1						
2	36382665670	CARRIER	1						
3	36382665650	HOUSING (LH)	1						
6	36382665720	RETAINER (PAD)	1						
8	36382665680	PISTON KIT	1						
20	36382665691	CAP (ADJUSTER)	1						
21	36382665701	SEAL (ACTUATOR)	1						
22	36382665740	SUPPORT (VWI)	1						
41	36382665711	PAD KIT	1						
42	36382665730	GUIDE KIT	1						
100	36382665370	BRAKE ASSY,DISK (LH)	1						

GT-300E-3-00801 4 BOOM + 2 JIB,2M2D

Pos No.	Parts No	Parts Name	Qty	Unit	Technical Data	Serial No (Start)	Serial No (End)	Remarks	P
1	36042241000	CYLINDER	1						
2	90201202000	NUT	1		M20				
3	91100105500	RING,SEAL	1						
4	36040020301	PISTON	1						
5	36040790101	ROD	1						
6	36040540300	COVER,ROD	1						
7	91002804801	O-RING	1		1B P48A				
8	91694003500	PACKING	1						
9	91410203501	RING,BACKUP	1						
10	91660003501	SEAL,DUST	1						
11	91002802000	O-RING	1		1B P20				
31	36043379900	PACKING SET	1		35X55				
50	36042240000	CYLINDER,EXTENSION	1						

GT-300E-3-00801 4 BOOM + 2 JIB,2M2D

Pos No.	Parts No	Parts Name	Qty	Unit	Technical Data	Serial No (Start)	Serial
1	(*****)	CAB ASSY	1				
2	34262253000	FRAME	1				
3	34261441100	SWITCH ASSY (STARTER & DOOR LOCK CYL.)	1				
4	34260954500	SUN VISOR (FRONT)	1				
5	34260954600	SUNSHADE	1				
6	34260981000	COVER ASSY (ASSY ONLY)	1				
100	34262250100	CAB ASSY (CRANE)	1				

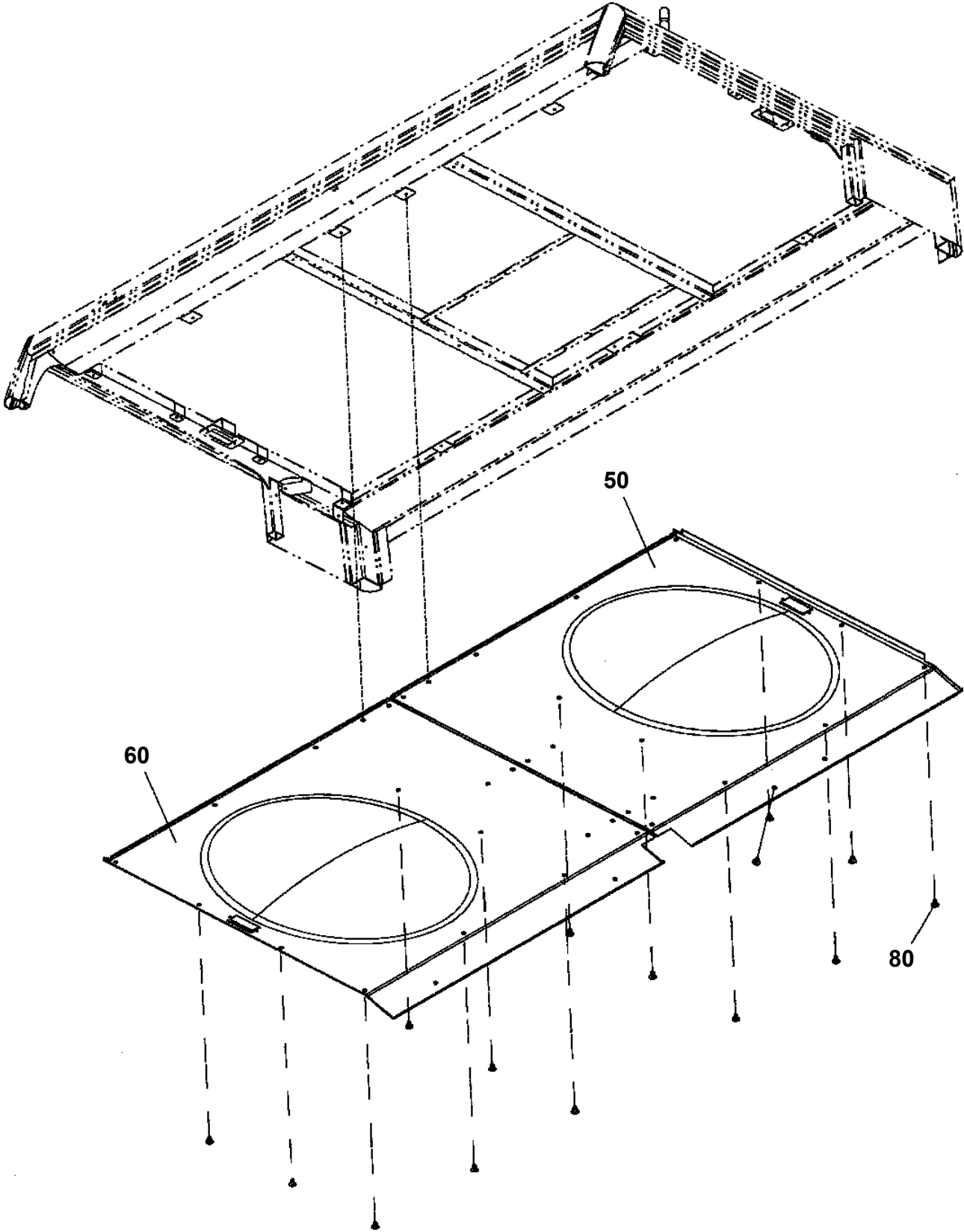
GT-300E-3-00801 4 BOOM + 2 JIB,2M2D

Pos No.	Parts No	Parts Name	Qty	Unit	Technical Data	Serial No (Start)	Serial No (End)
1	(*****)	CAB ASSY	1				
3	(*****)	STEERING ASSY (AIR TUBE/CARRIER CAB)	1				
7	(*****)	ELEC.ASSY (CARRIER CAB)	1				
9	(*****)	OPE.ASSY,TRANSMISSION (CARRIER CAB)	1				
10	(*****)	OPE.ASSY,BRAKE (CARRIER CAB)	1				
12	(*****)	MODIFICATION ASSY (CARRIER CAB)	1				
13	(*****)	OUTER COVERING ASSY(CAB SIDE REAR COVER)	1				
14	(*****)	AIR CONDITIONER ASSY (CARRIER CAB)	1				
15	(*****)	MOUNT ASSY (MFD)	1				
16	(*****)	MIRROR ASSY	1				

GT-300E-3-00801 4 BOOM + 2 JIB,2M2D

Pos No.	Parts No	Parts Name	Qty	Unit	Technical Data	Serial No (Start)	Serial No (End)	Remarks
1	36172515010	BOARD,CPU (WITH DATA)	1					
8	36171595180	SCREW,SET	12					
9	36171595190	SCREW,SET	11					
100	36172510000	CONTROLLER (DCU2)	1					

GT-300E-3-00801 4 BOOM + 2 JIB,2M2D
PC5570210-01 COVER ASSY



GT-300E-3-00801 4 BOOM + 2 JIB,2M2D

Pos No.	Parts No	Parts Name	Qty	Unit	Technical Data	Serial No (Start)	Serial No (End)	Remarks	Pages
10	35620651410	COVER	1						000050
20	35620658345	PLATE	2						
30	35620657850	WASHER	4						
40	35620657560	BOLT	4		M6X22				
50	35620657985	WASHER,PLAIN	13						
60	35620657015	BOLT	4		M8X25				
70	35620651460	COVER	1						
80	35620657515	NUT	5						
90	35620658015	WASHER,SEAL	9						
100	35620657050	BOLT	5		M8X20				
110	35620657965	SEAL	3	M					
130	35620657890	RUBBER,SEAL	3	M					
140	35620657880	SEAL	3	M					
150	35620657310	CLIP	1						
160	35620657390	JOINT,ELBOW	1						
170	35620658355	ROD	1						
180	35620657055	WASHER,PLAIN	5						
190	35620657260	NUT	2		M8				
200	35620658210	COVER	1						
210	35620658215	COVER	1						
220	35620657180	NUT	10						
230	35620657085	WASHER,PLAIN	18						
240	35620657360	BOLT	4		M6X30				
250	35620657070	BOLT	10		M6X16				
260	35620657570	BOLT	4		M8X18				
270	35620657660	RIVET	4						
280	(*****)	LOCK ASSY	1						
290	35620657605	CABLE TIE	3						
300	35620657565	BOLT	4		M8X14				
310	35620657030	SCREW	1		M5X16				
320	35620657915	SEAL	2	M					
330	35620657970	SEAL	1	M					
340	35620657970	SEAL	1	M					
350	35620657990	WASHER,SEAL	4						
360	35620657120	NUT	4		M6				
370	35620657100	BOLT	4		M6X40				

GT-300E-3-00801 4 BOOM + 2 JIB,2M2D

Pos No.	Parts No	Parts Name	Qty	Unit	Technical Data	Serial No (Start)	Serial No (End)	Remarks	Pages
10	35620658445	HINGE	2						
20	35620651420	COVER	1						
30	35620657395	PIN	2						
40	35620657270	RING,SNAP	2						
61	35620651430	COVER	1						
62	35620658320	HINGE	2						
63	35620657635	SCREW	4		M6X20				
64	35620657910	SEAL	3	M					
100	35620651410	COVER	1						

GT-300E-3-00801 4 BOOM + 2 JIB,2M2D

Pos No.	Parts No	Parts Name	Qty	Unit	Technical Data	Serial No (Start)	Serial No (End)	Remarks	Pages
3	35590423830	CUSHION	1						
4	35590423840	CUSHION	1						
100	35590423800	COVER	1						

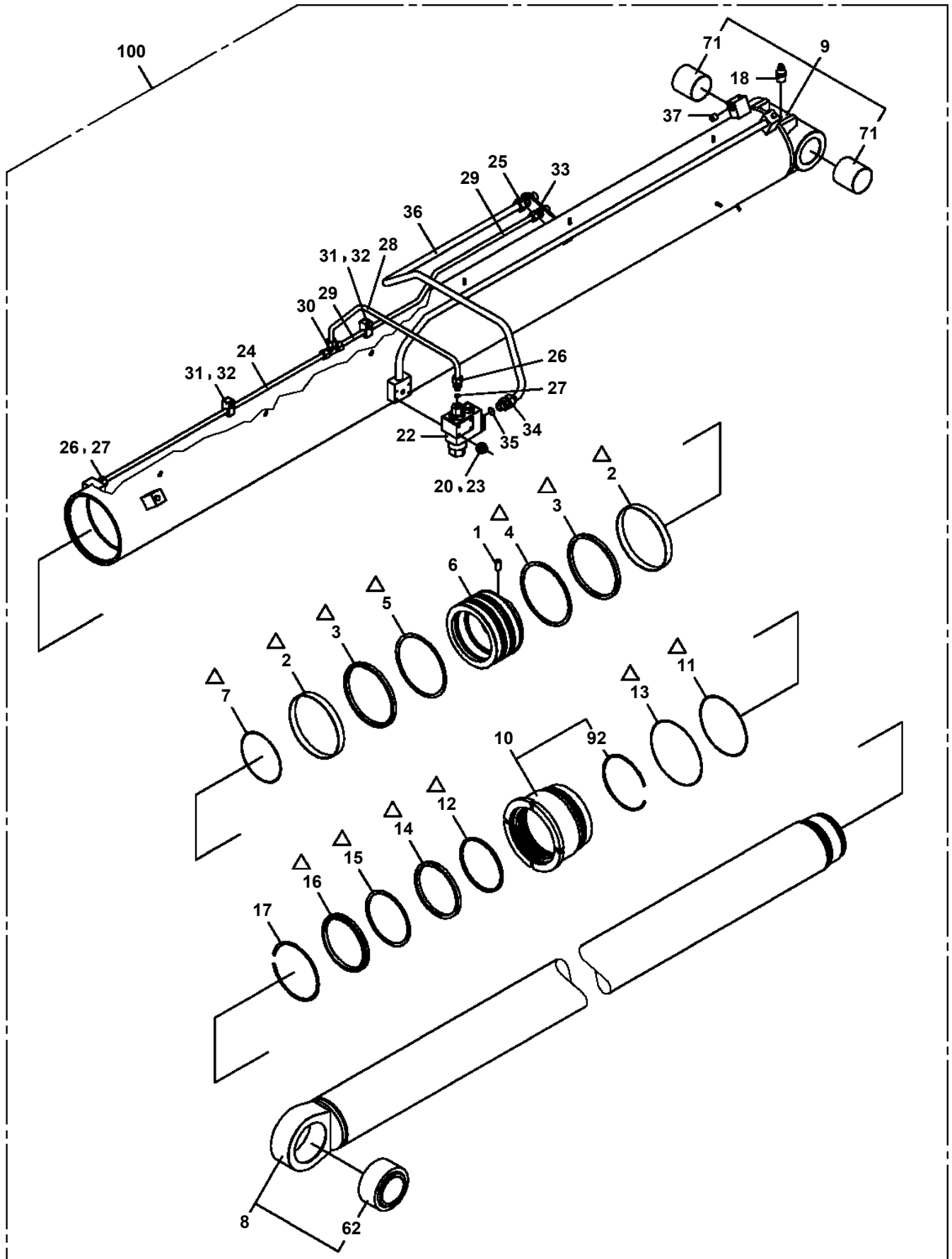
GT-300E-3-00801 4 BOOM + 2 JIB,2M2D

Pos No.	Parts No	Parts Name	Qty	Unit	Technical Data	Serial No (Start)	Serial No (End)	Remarks	Pages
2	35590421590	CUSHION	1						
4	35590421540	CUSHION	1						
5	35590421410	COVER	1						
100	35590421551	COVER	1						

GT-300E-3-00801 4 BOOM + 2 JIB,2M2D

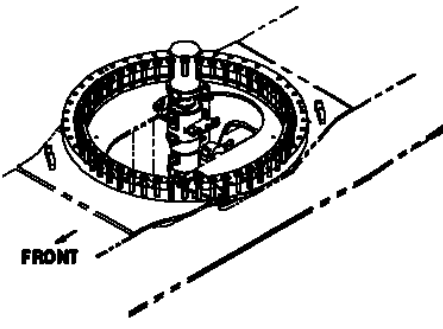
Pos No.	Parts No	Parts Name	Qty	Unit	Technical Data	Serial No (Start)	Serial No (End)	Remarks	Pages
5	36321165470	SPACER	4						
6	36321165480	CUSHION	4						
100	36321162040	CONDENSER	1						

**GT-300E-3-00801 4 BOOM + 2 JIB,2M2D
PC6370047-00 CYLINDER ASSY,DERRICK**



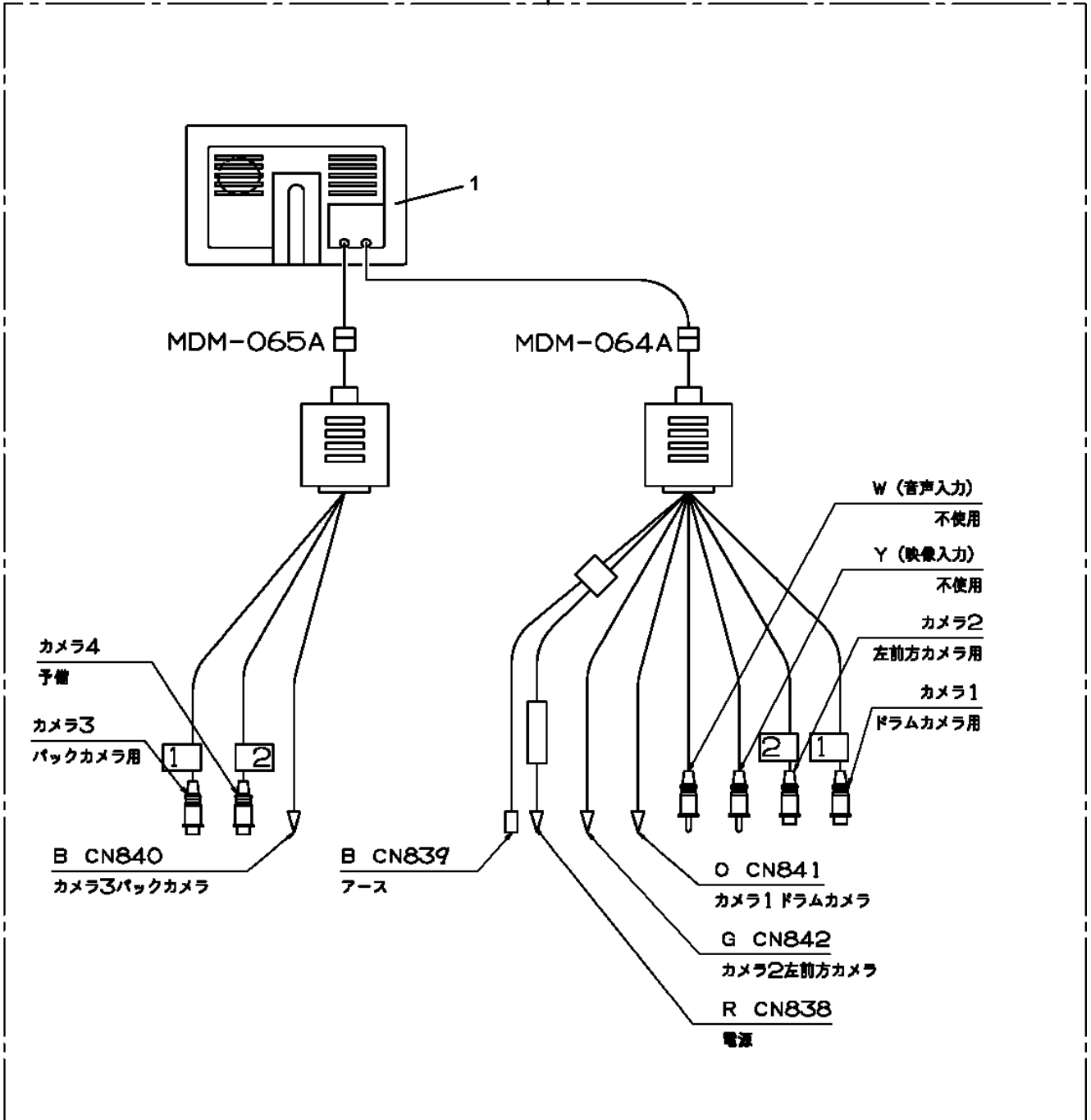
Δ:PACKING SET KEY NO.80 (KEY NO.2,3,4,5,7,11,12,13,14,15,16)

**GT-300E-3-00801 4 BOOM + 2 JIB,2M2D
PD1000681-00 SWING SYSTEM (LOWER)**

<p>1</p>  <p>FRONT</p>		

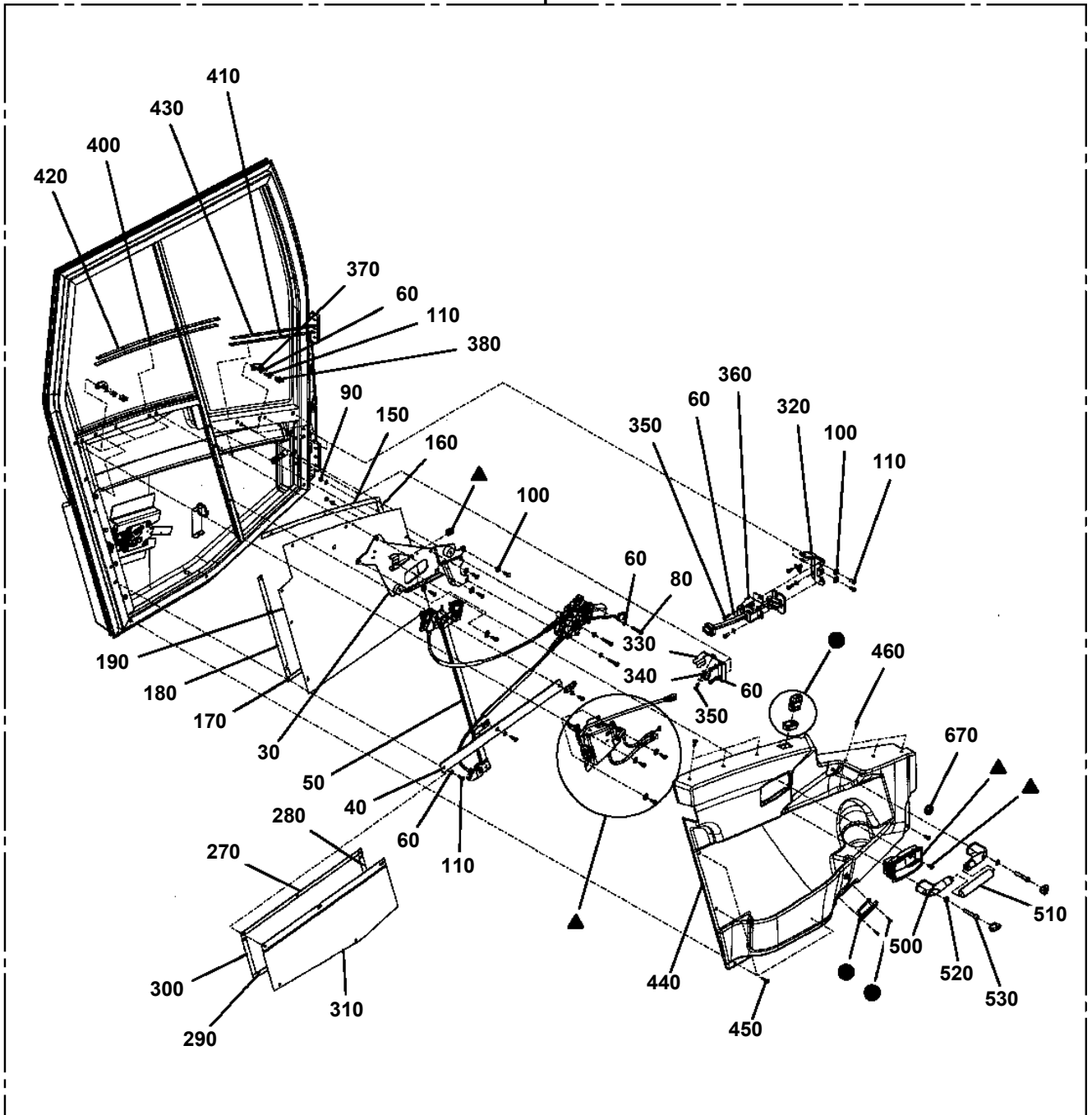
適用製造番号によっては取り付けがないものもあります。
MACHINES OF SOME SERIAL NO. ARE NOT EQUIPPED WITH THESE PARTS.

GT-300E-3-00801 4 BOOM + 2 JIB,2M2D
 PD5160003-02 DISPLAY



**GT-300E-3-00801 4 BOOM + 2 JIB,2M2D
PD5200005-01 DOOR ASSY**

950



- ▲ : LOCK ASSY KEY NO. 200
- : ELEC. ASSY KEY NO. 900

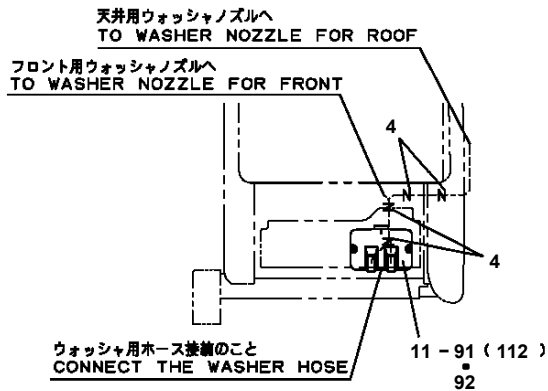
GT-300E-3-00801 4 BOOM + 2 JIB,2M2D

Pos No.	Parts No	Parts Name	Qty	Unit	Technical Data	Serial No (Start)	Serial No (End)	Remarks	Pages
2	34510702250	PACKING	1						
3	34510702260	PACKING	1						
5	34510702270	PACKING	1						
100	34510702200	DUCT	1						

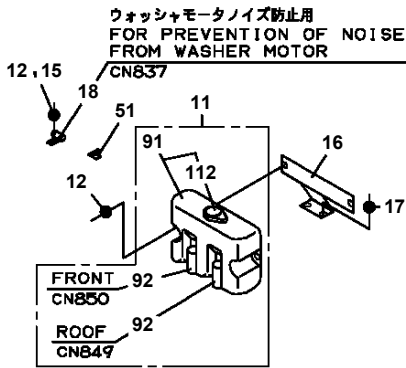
GT-300E-3-00801 4 BOOM + 2 JIB,2M2D

Pos No.	Parts No	Parts Name	Qty	Unit	Technical Data	Serial No (Start)	Serial No (End)	Remarks	Pages
2	34510702730	PACKING	1						
3	34510702740	PACKING	1						
100	34510702700	DUCT	1						

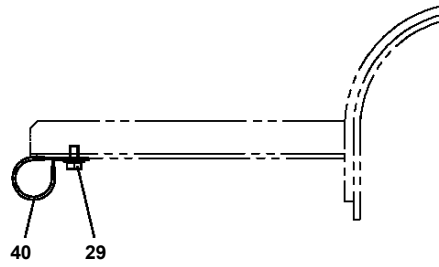
GT-300E-3-00801 4 BOOM + 2 JIB,2M2D
PE5021128-02 ELEC.ASSY (SWING FRAME,BOOM)



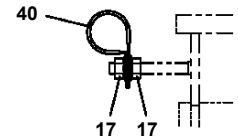
D



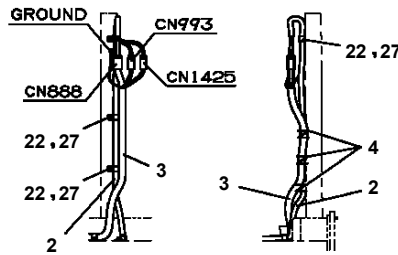
H



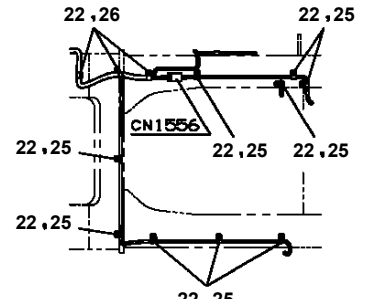
T



F



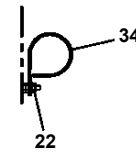
R



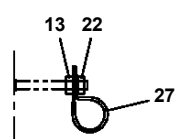
I



J

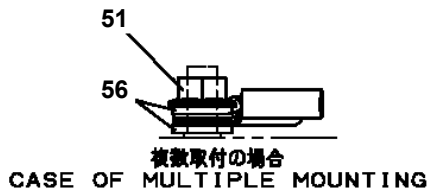
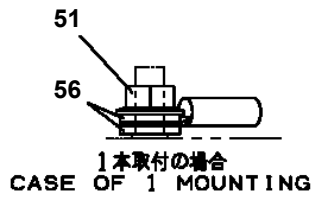
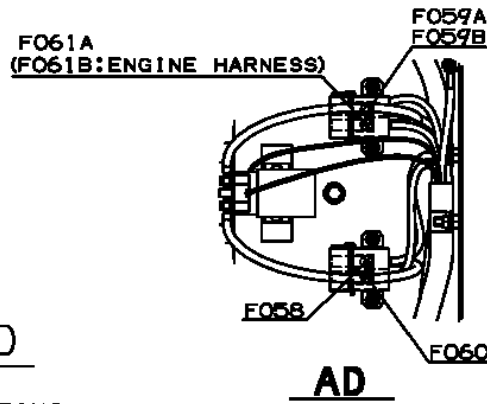
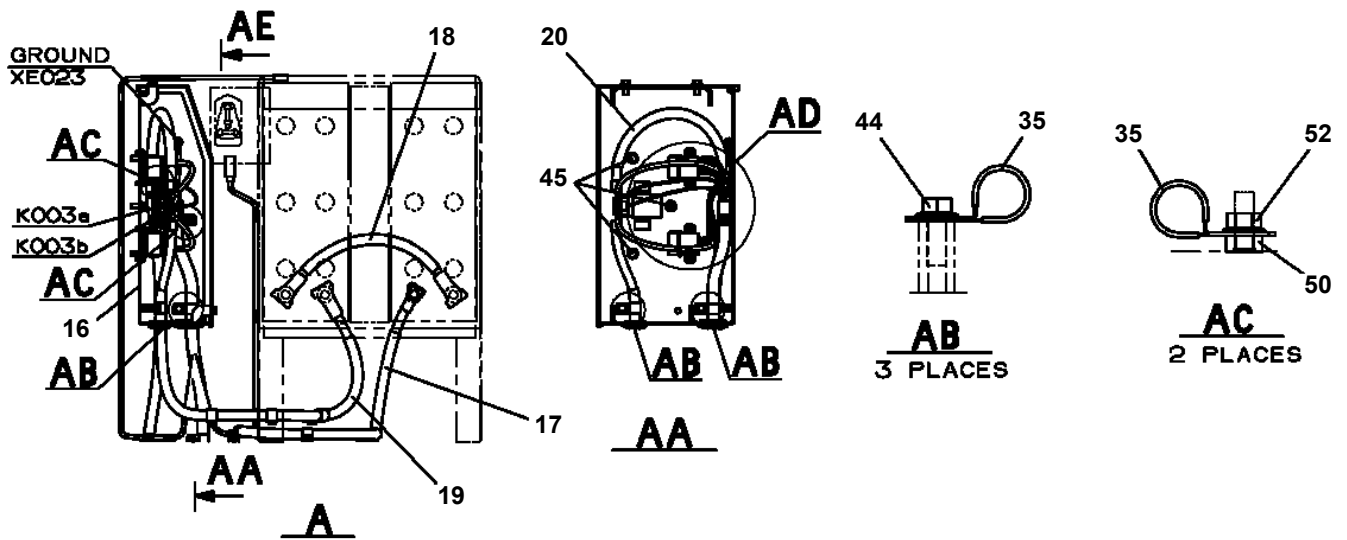
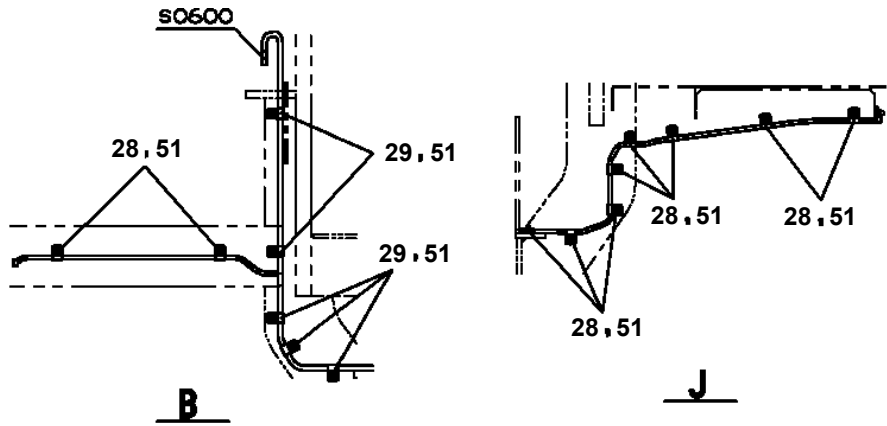


C



K

**GT-300E-3-00801 4 BOOM + 2 JIB,2M2D
PE5021138-01 ELEC.ASSY (CHASSIS)**

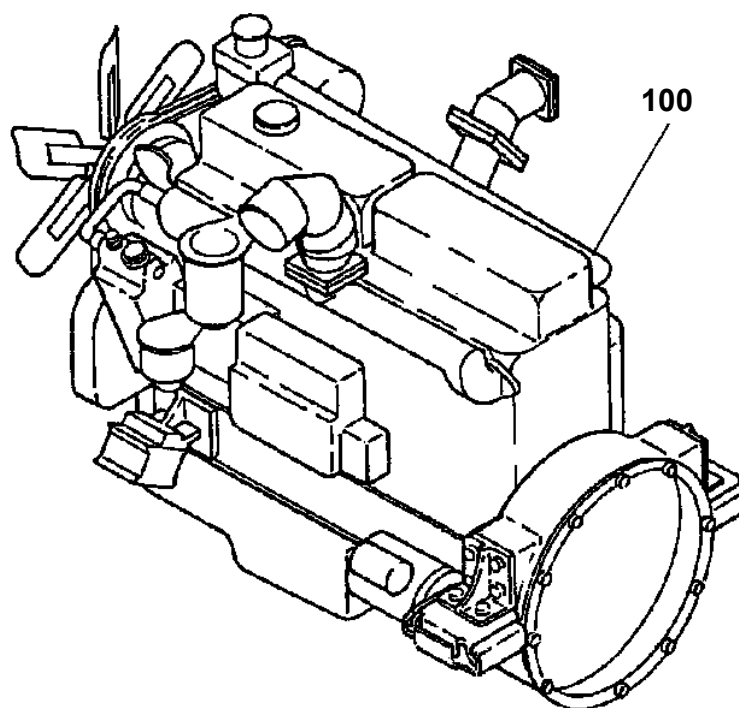


**アース取付詳細
DETAIL OF GROUND INSTALLATION**

GT-300E-3-00801 4 BOOM + 2 JIB,2M2D

Pos No.	Parts No	Parts Name	Qty	Unit	Technical Data	Serial No (Start)	Serial No (End)	Remarks
1	99707063498	CABLE HARNESS-ASSY	1					
2	82100001839	FUSE	1		10A.RED			
3	82100000711	CLAMP	6					
4	82100001802	TUBE,CORRUGATE	1	M	10			
5	91810130240	FASTENER	3					

**GT-300E-3-00801 4 BOOM + 2 JIB,2M2D
PE5210001-01 ENGINE ASSY**



For the parts of the engine, refer to the parts catalog of the engine manufacturer.
エンジン部品については、エンジンメーカーのパーツカタログをご覧ください。

GT-300E-3-00801 4 BOOM + 2 JIB,2M2D

Pos No.	Parts No	Parts Name	Qty	Unit	Technical Data	Serial No (Start)	Serial No (End)	Remarks
1	36321165010	HEATER (CORE)	1					
2	36321165020	CASE (HEATER)	1					
3	36321165030	CASE (DRAIN)	1					
4	36321165040	CLIP	1					
5	36321165050	CASE (INTAKE)	1					
6	36321165060	COVER	1					
7	36321165070	COVER (FILTER)	1					
8	36321165080	CASE (HEATER)	1					
9	36321165090	FILTER	1					
10	36321165100	PACKING	1					
11	36321165110	PACKING	4					
12	36321165120	BRACKET	1					
13	36321165130	HOSE	1					
14	36321165140	MOTOR (BLOWER)	1					
15	36321165150	ACTUATOR	3					
16	36321165160	SENSOR	1					
17	36321165170	SENSOR	1					
18	36321165180	HARNESS ASSY	1					
19	36321165190	LEVER (INTAKE)	1					
20	36321165200	LEVER (INTAKE)	1					
21	36321165210	LEVER	1					
22	36321165220	LEVER	1					
23	36321165230	LEVER	1					
24	36321165240	LEVER	1					
25	36321165250	JOINT	1					
26	36321165260	JOINT	1					
27	36321165270	ROD	3					
28	36321165280	LINK	1					
29	36321165290	LEVER	1					
30	36321165300	LEVER	1					
31	36321165310	LEVER	1					
32	36321165320	JOINT	1					
33	36321165330	DAMPER	1					
34	36321165340	DAMPER	2					
35	36321165350	DAMPER	2					
36	36321165360	DAMPER	1					
37	36320565490	RELAY	2					
38	36320765200	CONTROLLER (FAN)	1					
39	36321165370	EVAPORATOR	1					
40	36320765090	COVER	1					
41	36320565680	O-RING	1					
42	36320565690	O-RING	1					
43	36320765110	VALVE (EXPANSION)	1					
44	36321165380	STAY	1					
45	36321165390	BOLT,HEXAGON SOCKET	2		M5X40			
46	36321165400	SCREW,MACHINE	35					
47	36321165410	SCREW,MACHINE	1					
48	36321165420	NUT	1					
49	36321165430	HOLDER	1					
50	36321165440	HOLDER	1					
51	36321165450	SCREW,MACHINE	3					
52	36321165460	DAMPER	1					
100	36321161011	EVAPORATOR	1					

GT-300E-3-00801 4 BOOM + 2 JIB,2M2D

Pos No.	Parts No	Parts Name	Qty	Unit	Technical Data	Serial No (Start)	Serial No (End)	Remarks	Pages
1	36673720030	ELEMENT	1						
2	36672395020	COVER,HEAD	1						
100	36673720000	FILTER ASSY	1						

GT-300E-3-00801 4 BOOM + 2 JIB,2M2D

Pos No.	Parts No	Parts Name	Qty	Unit	Technical Data	Serial No (Start)	Serial No (End)	Remarks	Pages
10	35620657980	GLASS	1						
20	35620657925	RUBBER,SEAL	6	M					

GT-300E-3-00801 4 BOOM + 2 JIB,2M2D

Pos No.	Parts No	Parts Name	Qty	Unit	Technical Data	Serial No (Start)	Serial No (End)	Remarks	Pages
100	34931041411	HARNESS	1						

GT-300E-3-00801 4 BOOM + 2 JIB,2M2D

Pos No.	Parts No	Parts Name	Qty	Unit	Technical Data	Serial No (Start)	Serial No (End)	Remarks	Pages
100	34494770100	HARNESS (GSMT)	1						

GT-300E-3-00801 4 BOOM + 2 JIB,2M2D

Pos No.	Parts No	Parts Name	Qty	Unit	Technical Data	Serial No (Start)	Serial No (End)	Remarks	Pages
100	34497311400	HARNESS (LIGHT)	1						

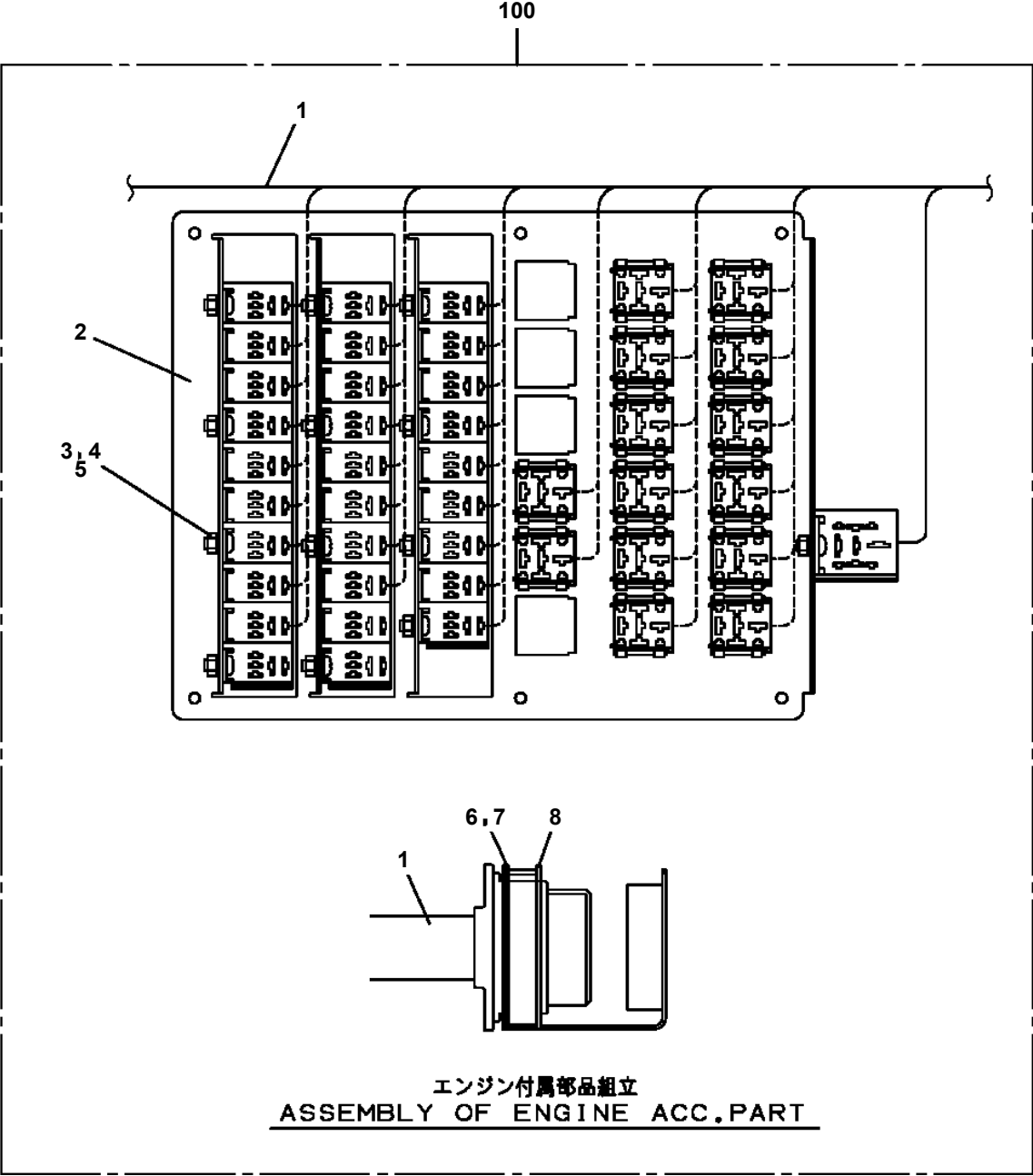
GT-300E-3-00801 4 BOOM + 2 JIB,2M2D

Pos No.	Parts No	Parts Name	Qty	Unit	Technical Data	Serial No (Start)	Serial No (End)	Remark
100	35780603100	HARNESS (TRANSMISSION)	1					

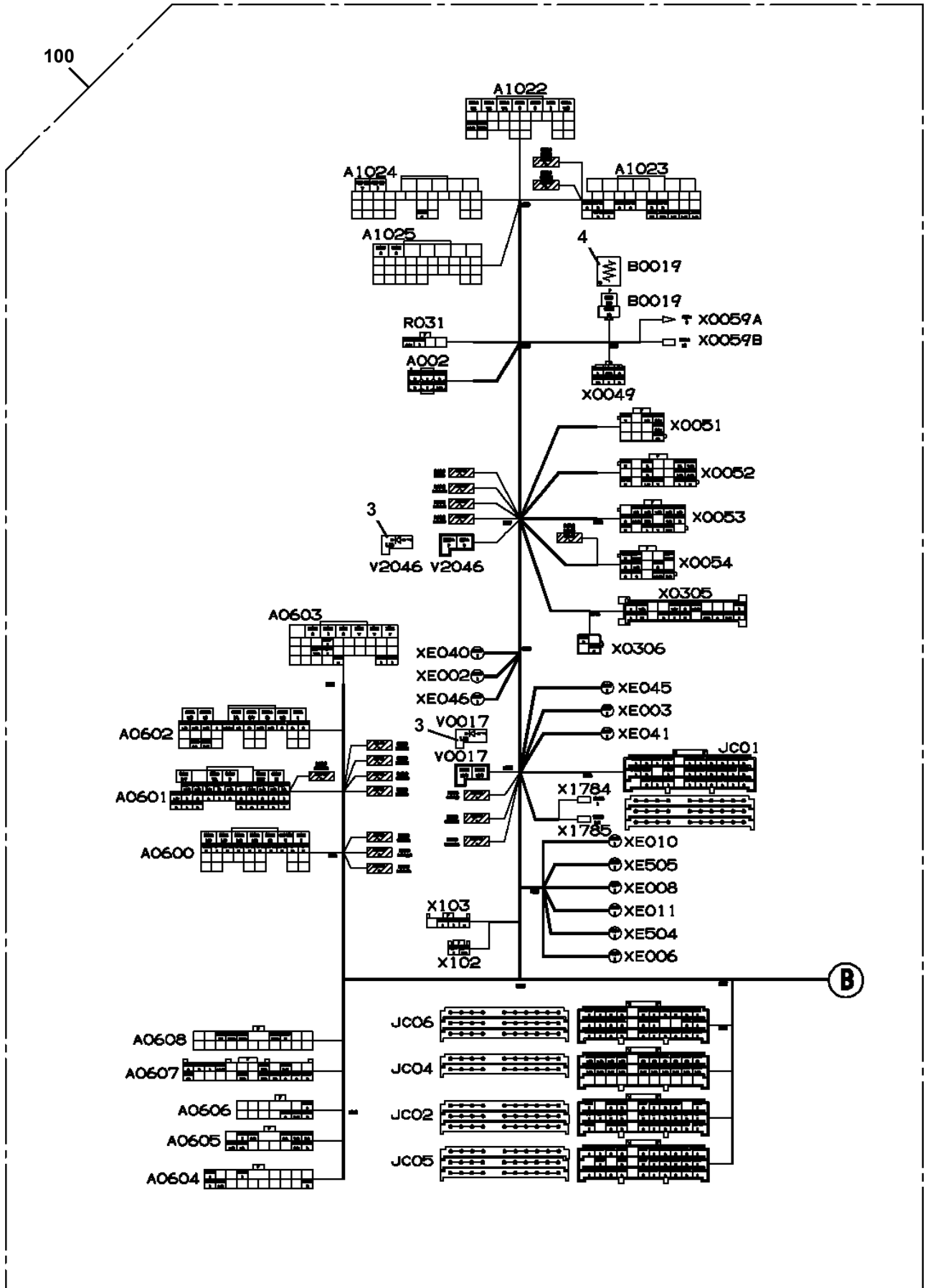
GT-300E-3-00801 4 BOOM + 2 JIB,2M2D

Pos No.	Parts No	Parts Name	Qty	Unit	Technical Data	Serial No (Start)	Serial No (End)	Remarks	Pages
100	34355432300	HARNESS (BOOM)	1						

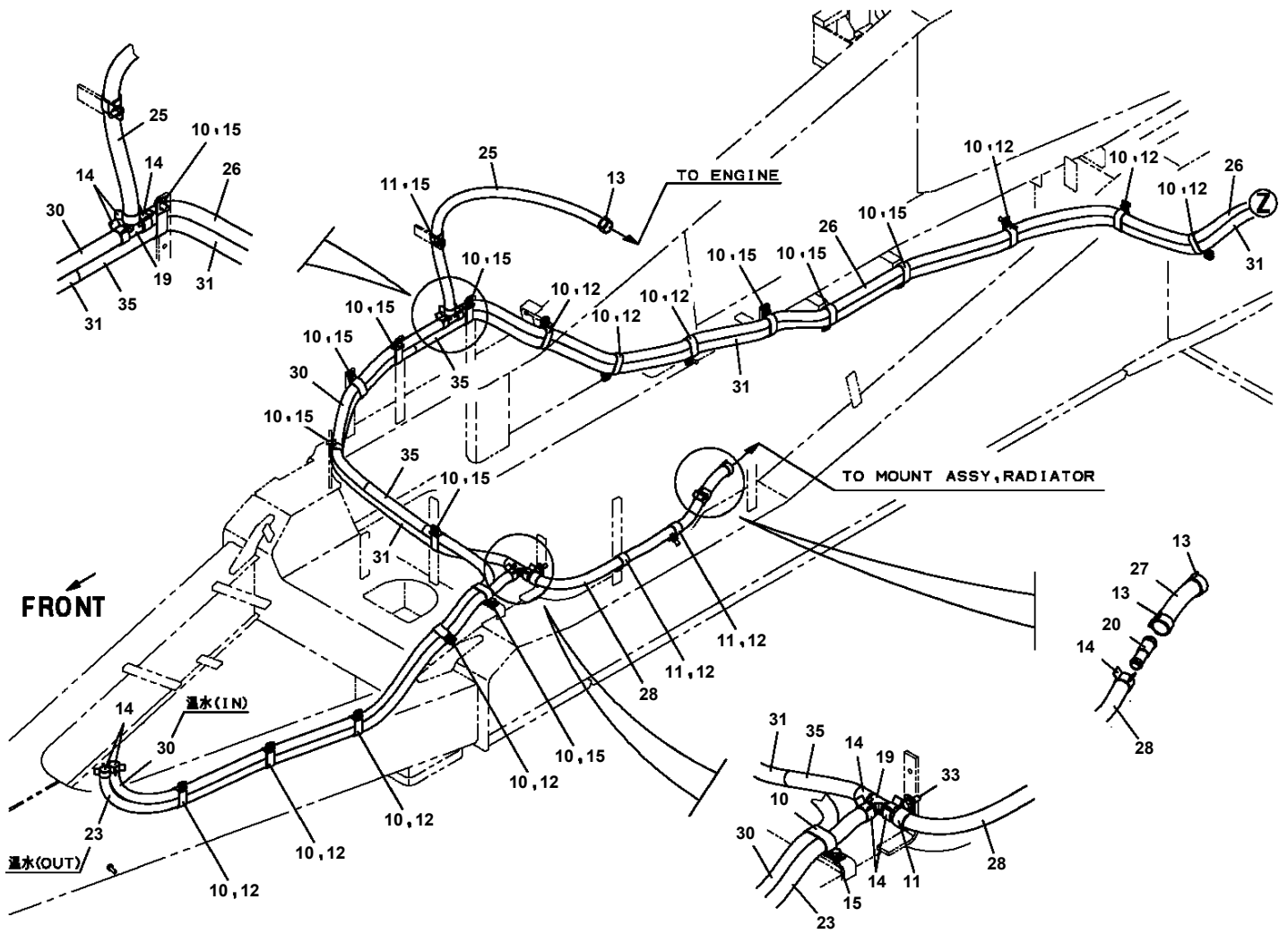
GT-300E-3-00801 4 BOOM + 2 JIB,2M2D
PH5033635-01 HARNESS (CAB/CARRIER)



**GT-300E-3-00801 4 BOOM + 2 JIB,2M2D
PH5033960-00 HARNESS (IN CARRIER CAB)**



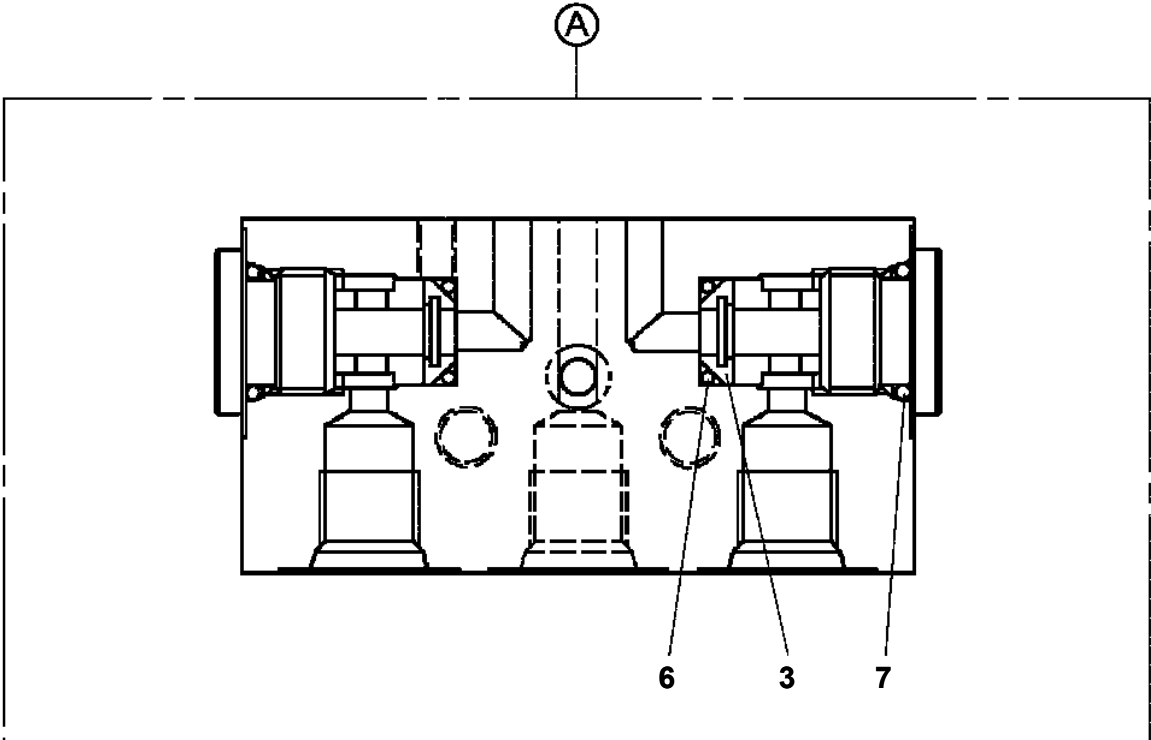
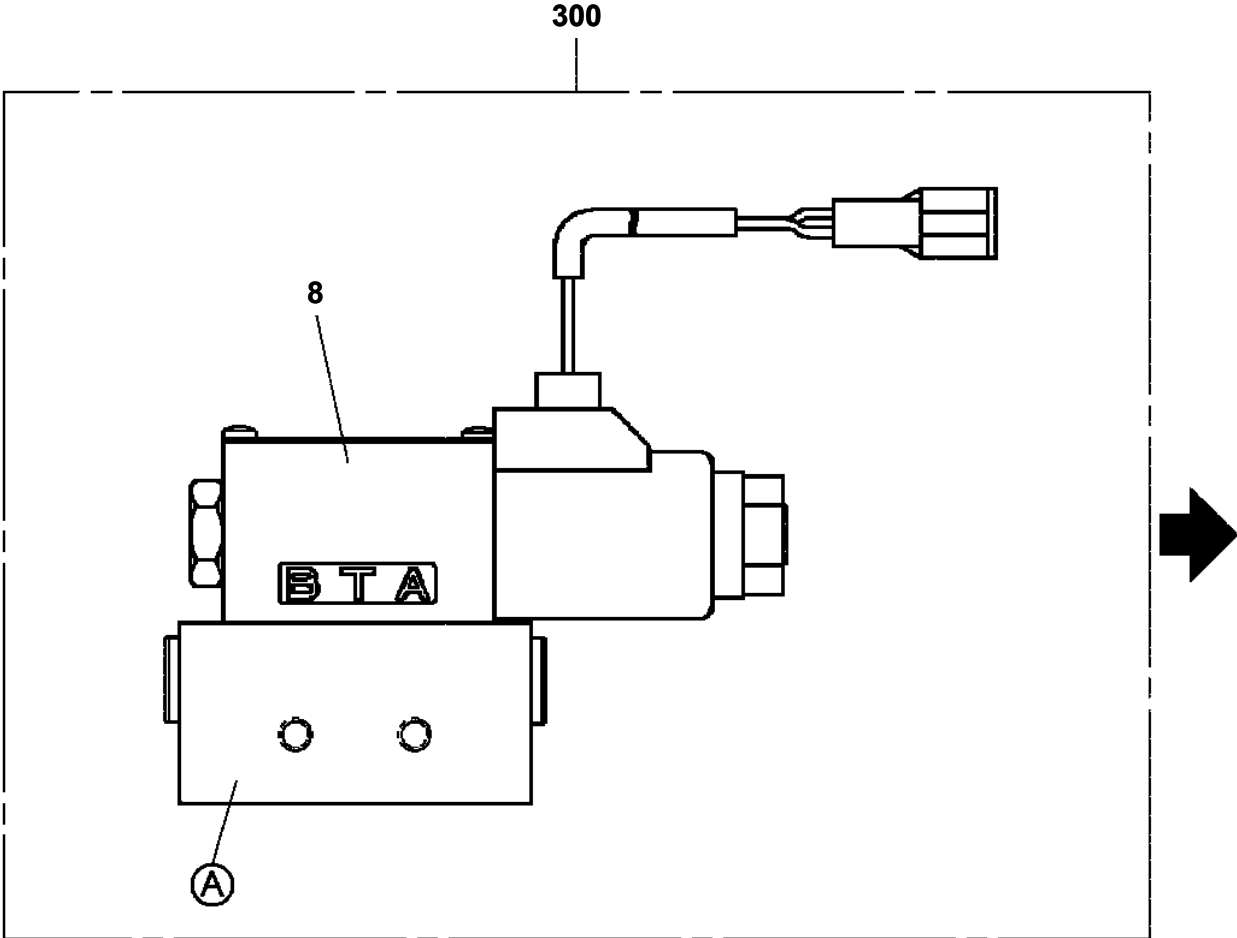
GT-300E-3-00801 4 BOOM + 2 JIB,2M2D
PH5050055-01 HEATER ASSY



GT-300E-3-00801 4 BOOM + 2 JIB,2M2D

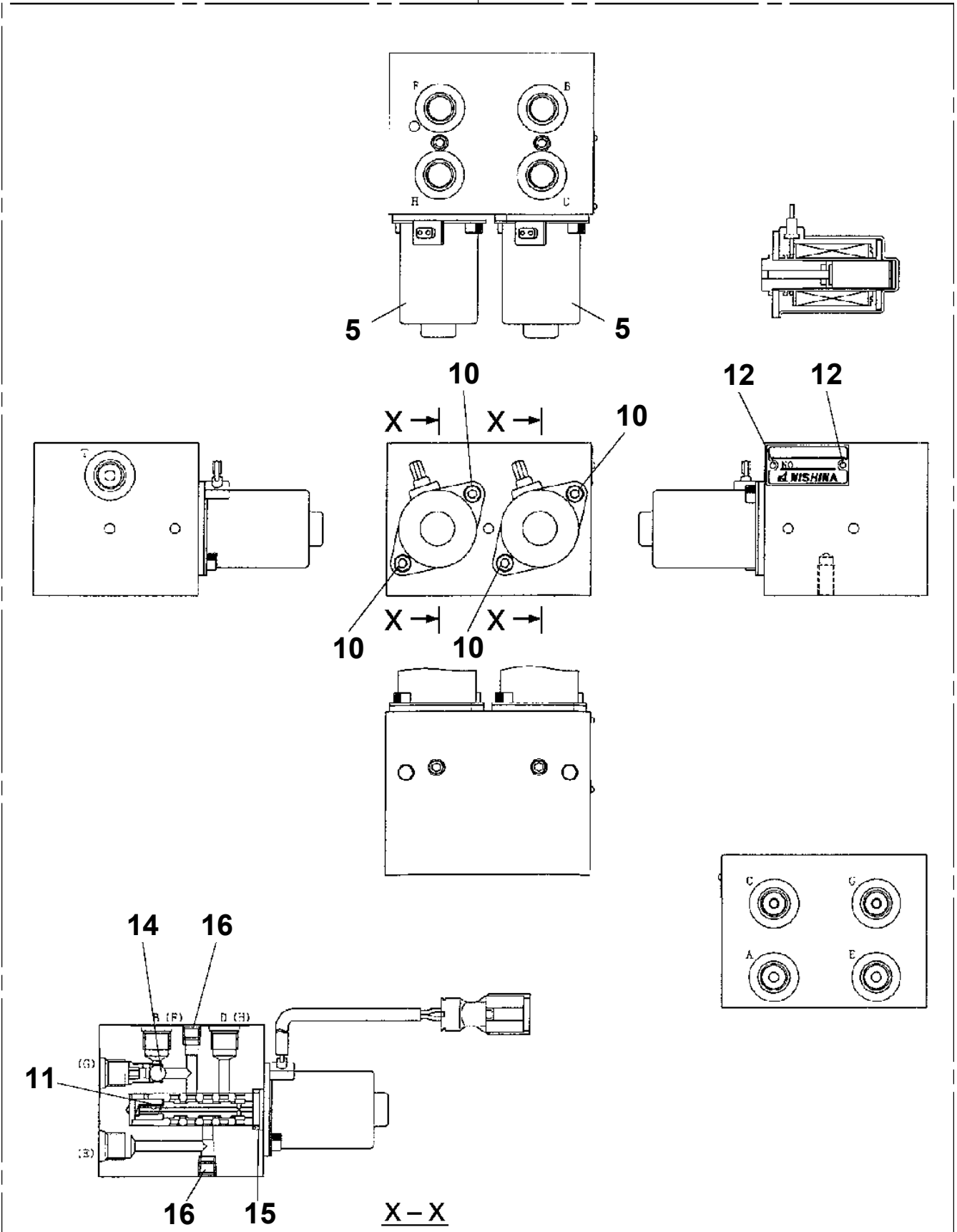
Pos No.	Parts No	Parts Name	Qty	Unit	Technical Data	Serial No (Start)	Serial No (End)	Remarks
1	36081275410	PISTON ASSY	1					
2	36663175010	CASING (SUB)	1					
3	36080865180	COVER ASSY (A,VALVE)	1					
4	36663175020	SHAFT,DRIVING	1					
5	36080865020	SPACER	1					
6	36080865030	CYLINDER	1					
7	36080865040	RETAINER	1					
8	36080865050	SPRING (CYLINDER)	1					
9	36080865060	ROD,PUSH	6					
10	36080865070	SPACER	1					
11	36080865080	SPACER (SPRING)	2					
12	36080865090	PLATE	1					
13	36080865100	PLATE (SHOE)	1					
14	36663175030	PLATE (VALVE A)	1					
15	90131512030	BOLT,HEXAGON SOCKET	4		M12X30			
16	80601110300	RING,RITAINING	1		S30			
17	80602110420	RING,RITAINING	1		R42			
18	80500006306	BEARING,BALL	1					
19	80500006204	BEARING,BALL	1					
20	91002913000	O-RING	1		1B G130			
21	36663175060	SEAL,OIL	1					
22	36080865130	PISTON (BRAKE)	1					
23	91002912500	O-RING	1		1B G125			
24	91002913500	O-RING	1		1B G135			
25	36081275350	SPRING (BRAKE)	20					
26	36080865150	PLATE (FRICTION)	3					
27	36080865160	PLATE (SEPARATOR)	4					
28	36081275230	PLUG	2					
41	36663175050	SEAL KIT	1					
100	36663170000	MOTOR,HYDRAULIC	1					

GT-300E-3-00801 4 BOOM + 2 JIB,2M2D
PI1120138-04 VALVE,SOLENOID



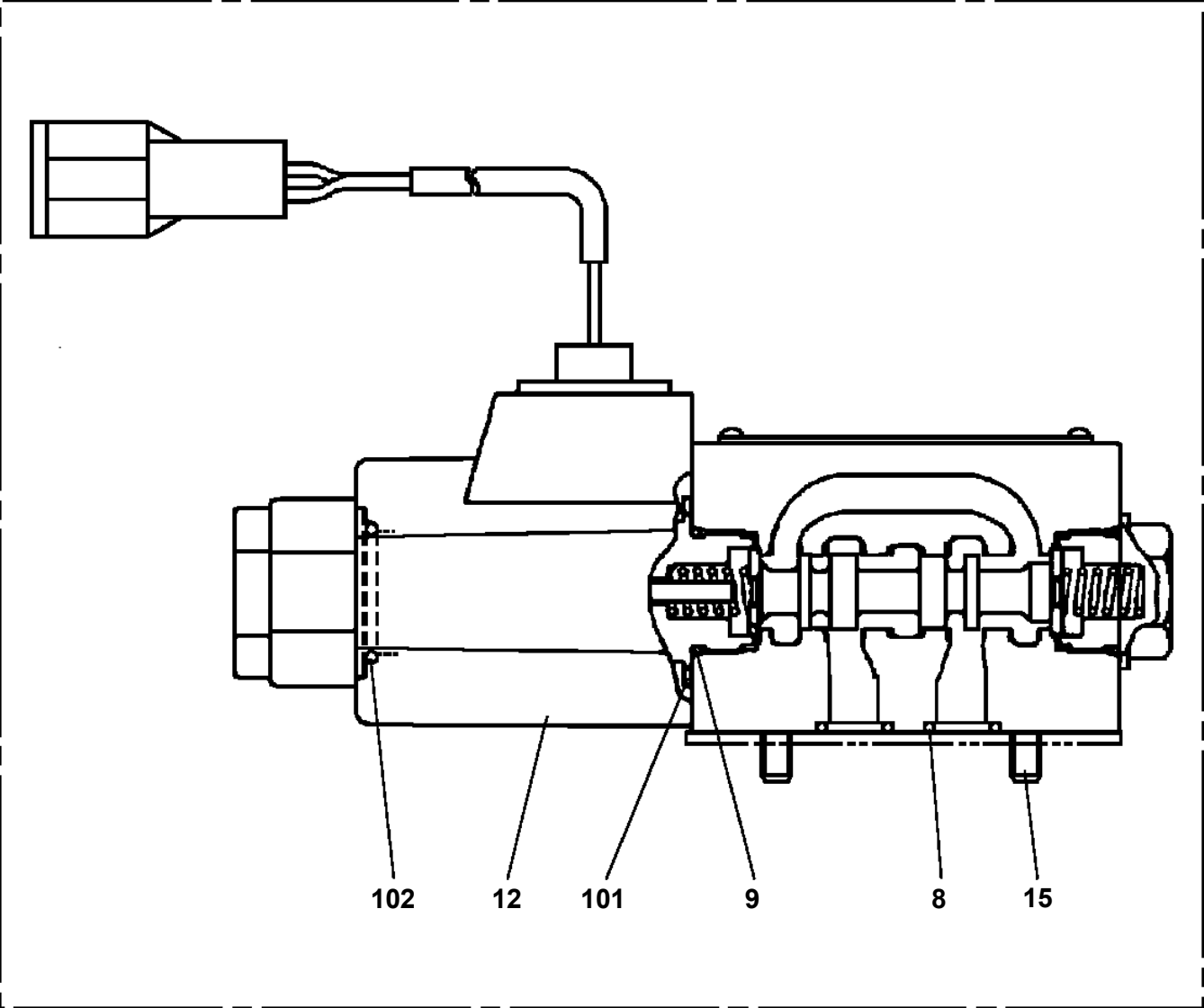
GT-300E-3-00801 4 BOOM + 2 JIB,2M2D
PI1120261-01 VALVE,SOLENOID

100

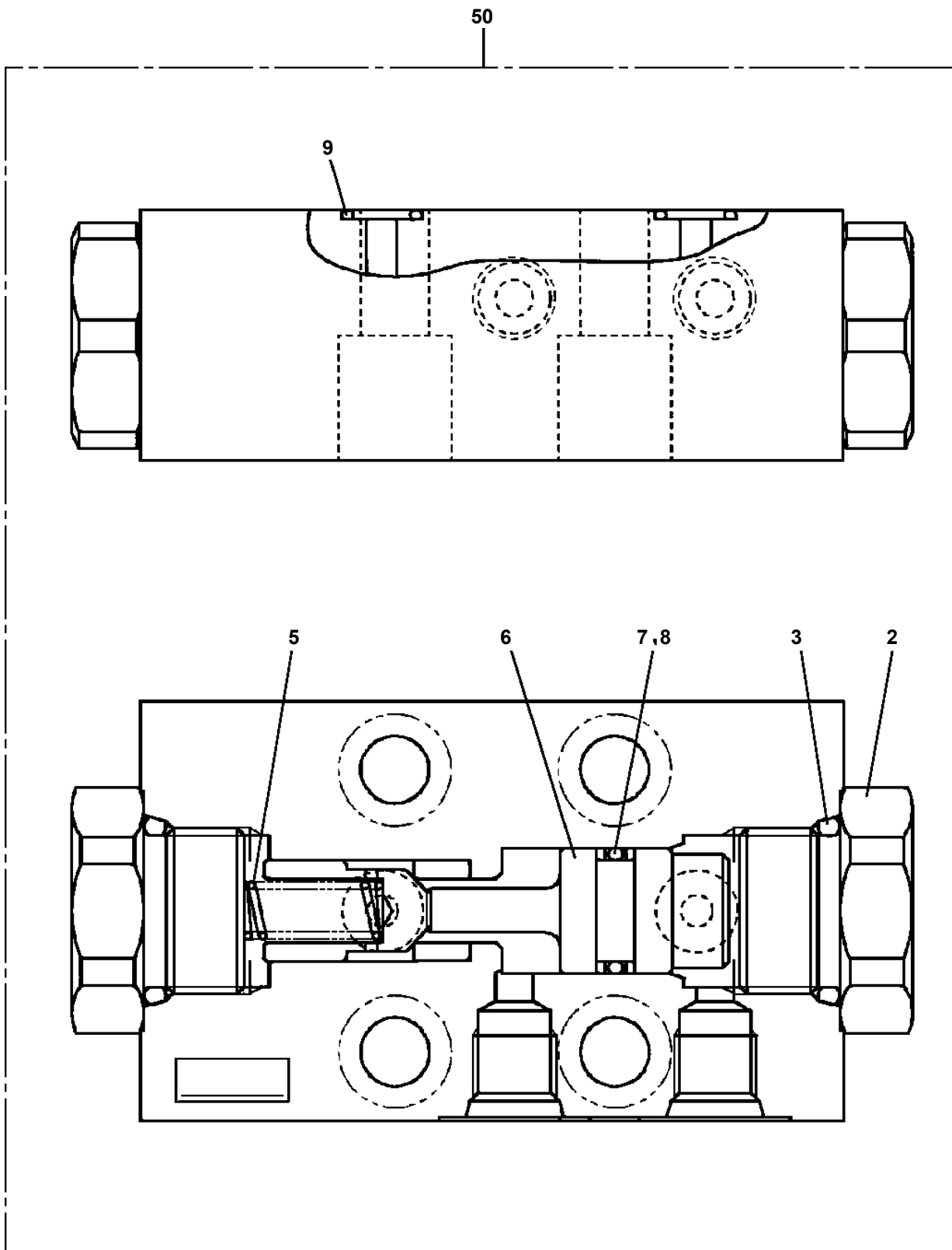


GT-300E-3-00801 4 BOOM + 2 JIB,2M2D
PI1120345-00 VALVE,SOLENOID

200

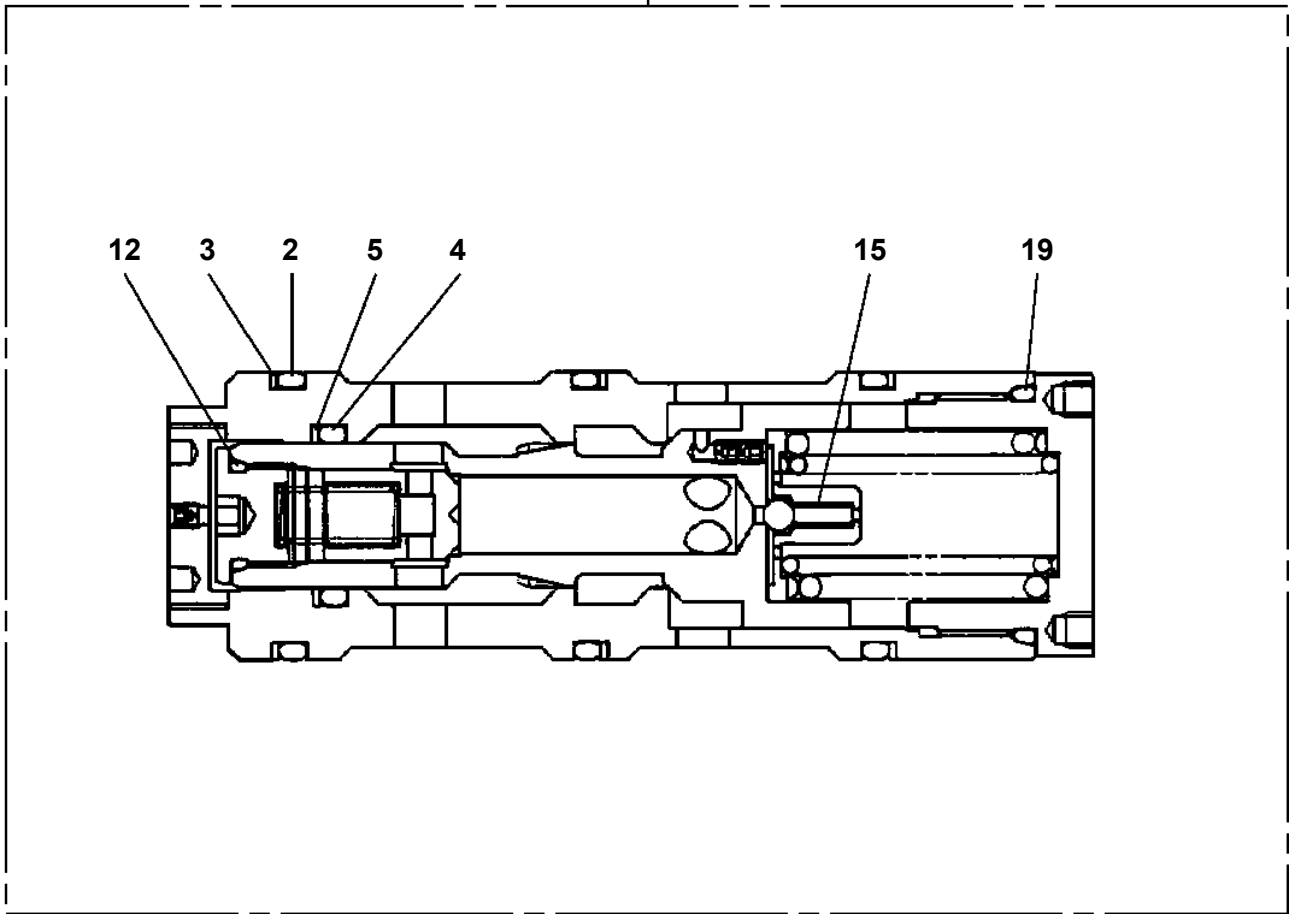


GT-300E-3-00801 4 BOOM + 2 JIB,2M2D
PI1140159-01 VALVE,CHECK



GT-300E-3-00801 4 BOOM + 2 JIB,2M2D
PI1260002-01 CARTRIDGE, COUNTERBALANCE

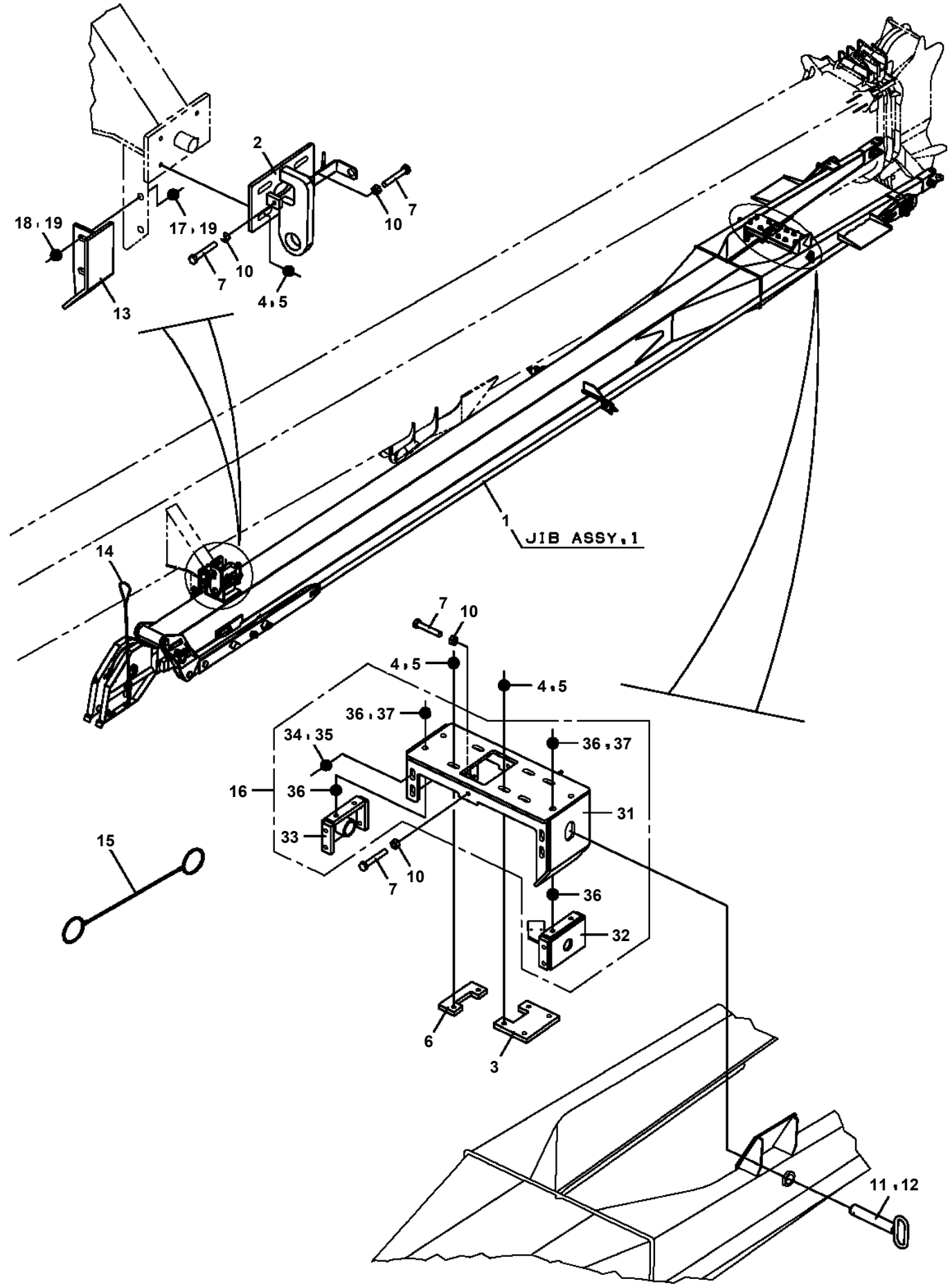
50



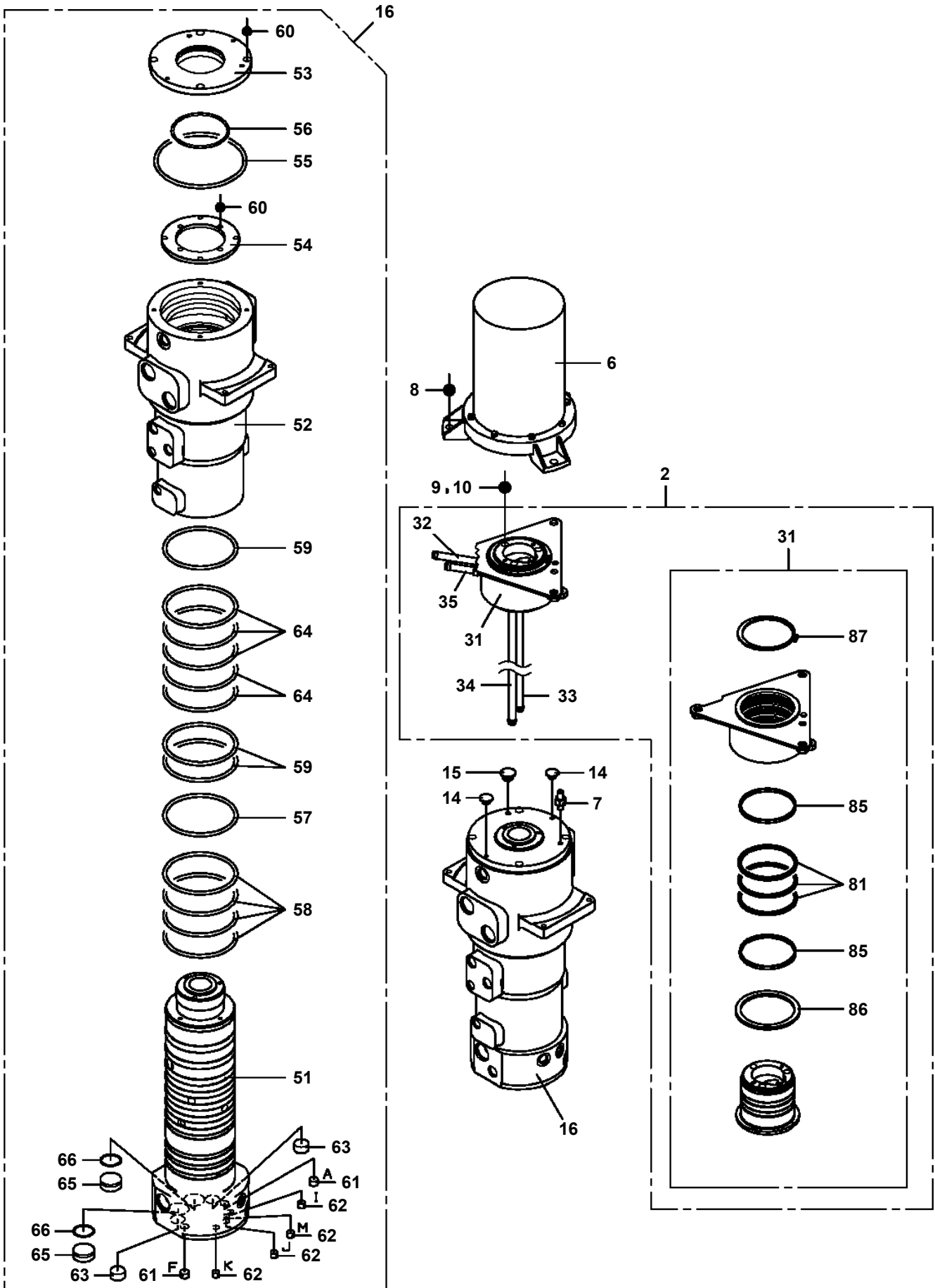
GT-300E-3-00801 4 BOOM + 2 JIB,2M2D

Pos No.	Parts No	Parts Name	Qty	Unit	Technical Data	Serial No (Start)	Serial No (End)	Remarks	Pages
1	82108503360	SWITCH	1						
2	34950750200	SUPPORT	1						
3	90186208014	BOLT,FLANGE	2		M8X14				

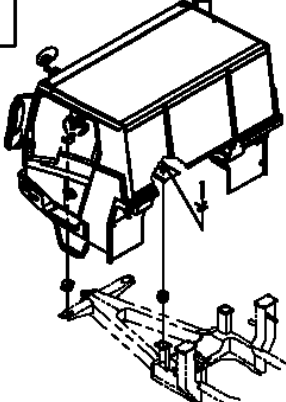
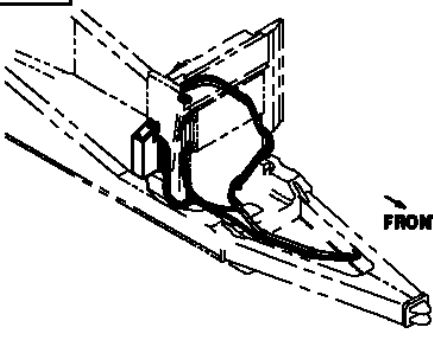
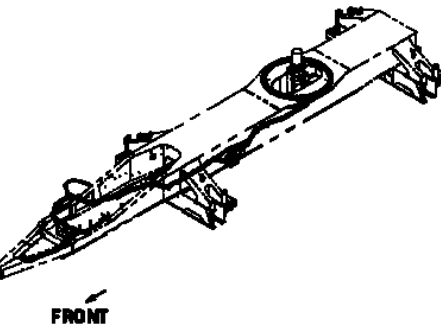
GT-300E-3-00801 4 BOOM + 2 JIB,2M2D
PJ5050100-00 JIB ASSY (MOUNT)



GT-300E-3-00801 4 BOOM + 2 JIB,2M2D
 PJ5090101-00 JOINT ASSY,SWIVEL



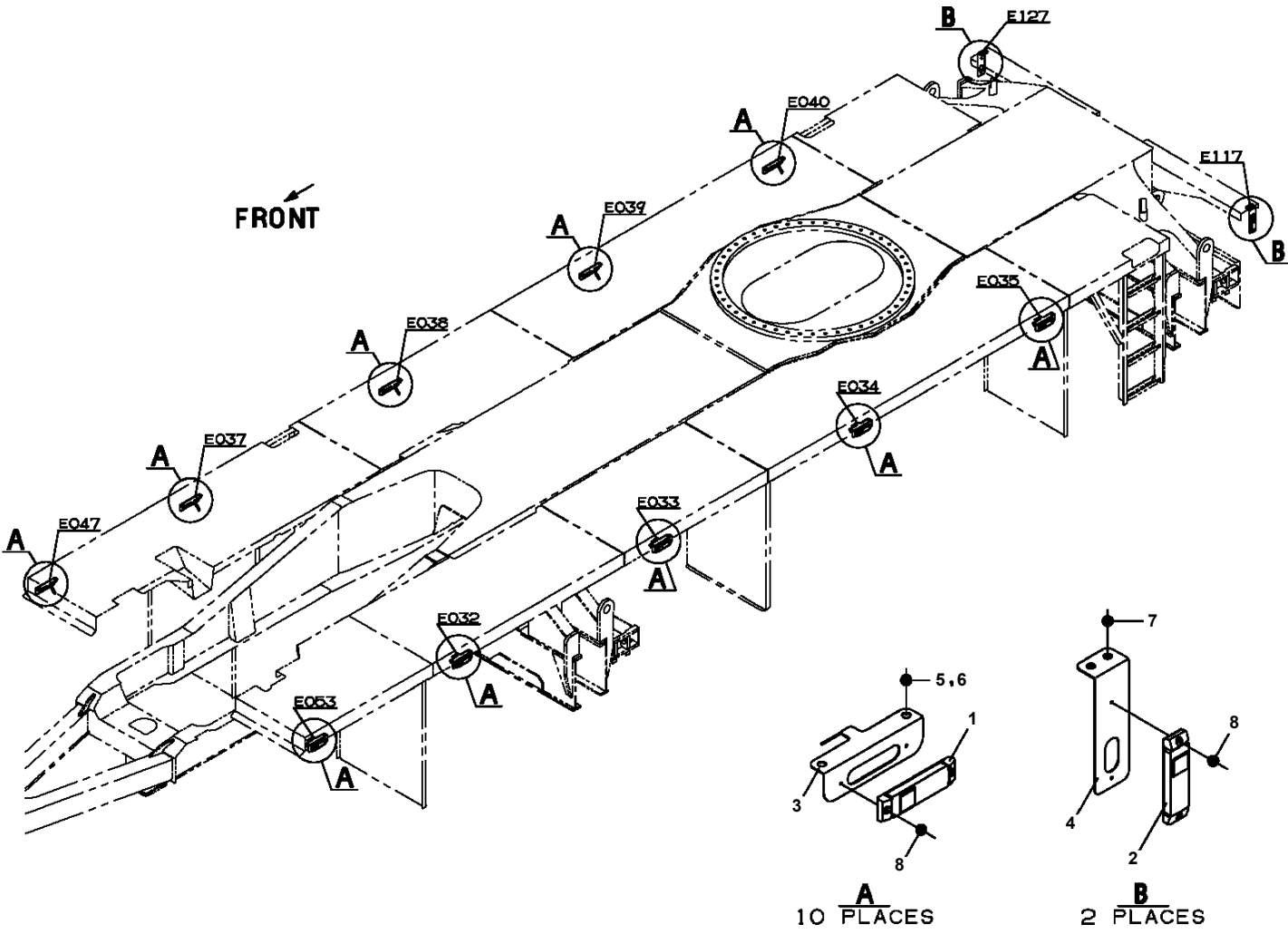
GT-300E-3-00801 4 BOOM + 2 JIB,2M2D
PK5000077-00 CAB SYSTEM (LOWER)

<p>1</p> 	<p>2</p> 	<p>3</p> 

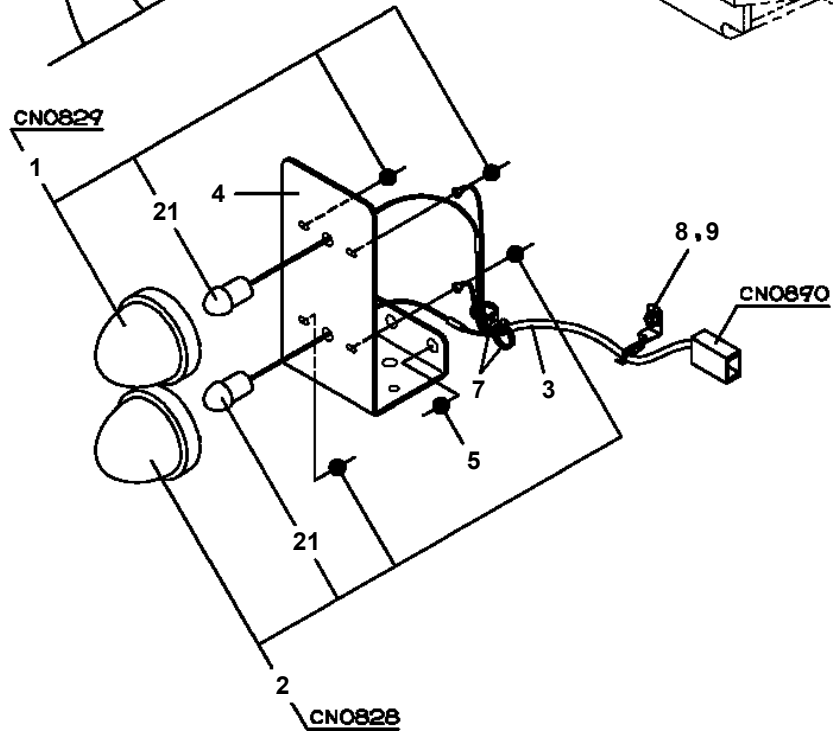
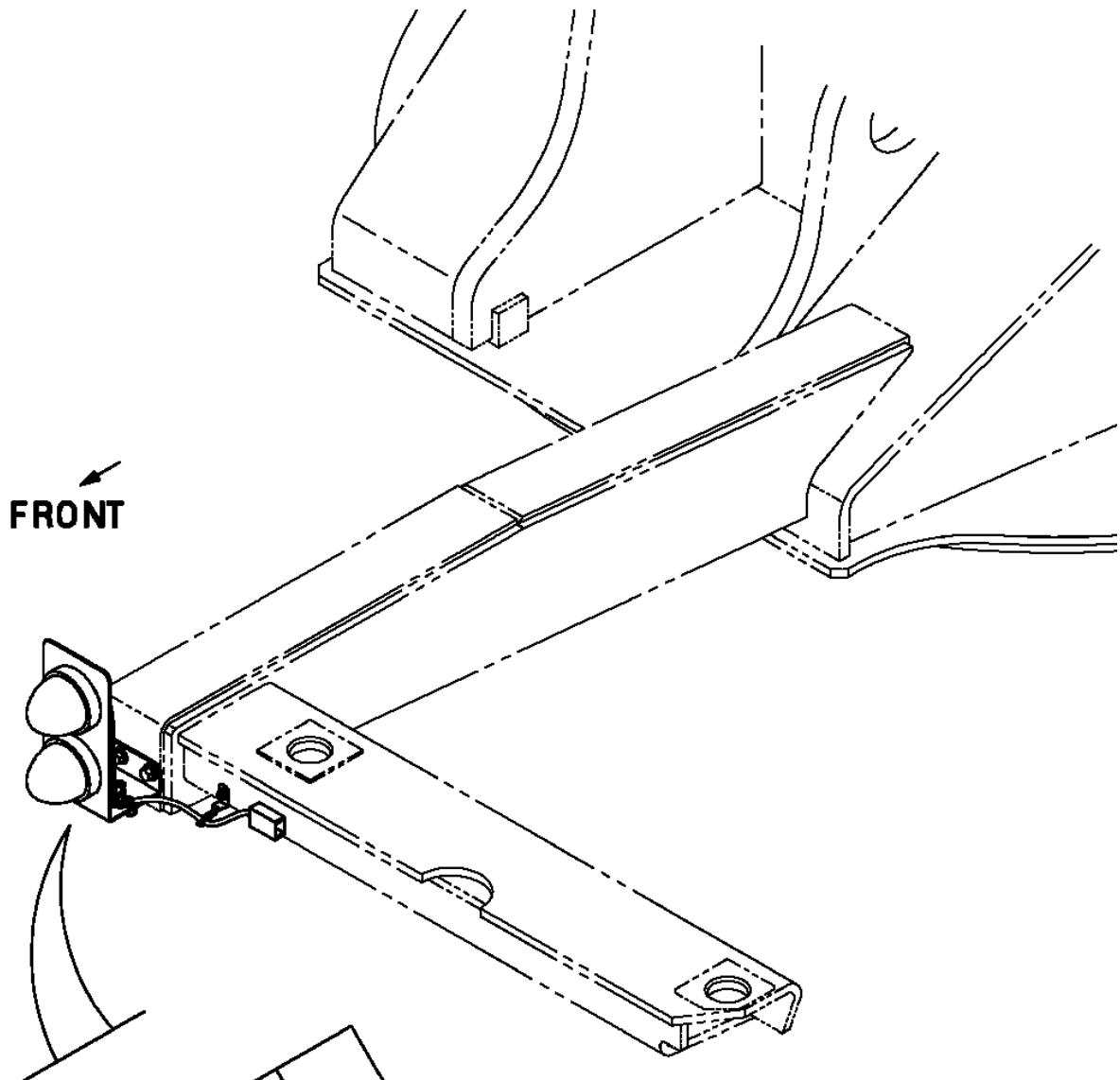
適用製造番号によっては取り付けがないものもあります。

MACHINES OF SOME SERIAL NO. ARE NOT EQUIPPED WITH THESE PARTS.

**GT-300E-3-00801 4 BOOM + 2 JIB,2M2D
PL5020187-00 LAMP ASSY (SIDE MARKER)**

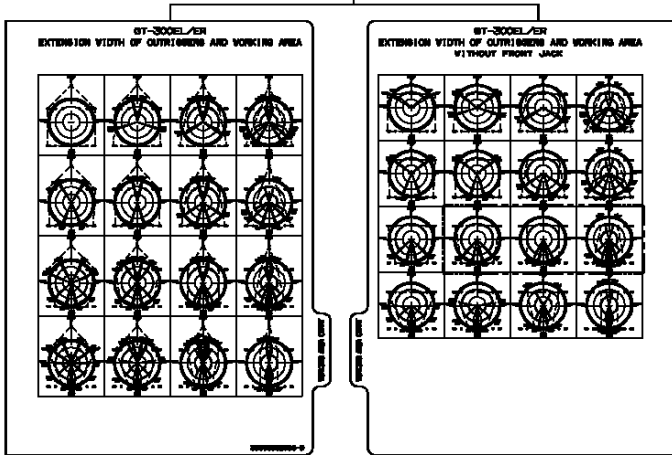


GT-300E-3-00801 4 BOOM + 2 JIB,2M2D
PL5030034-00 LAMP ASSY,AML (2-COLOR)



GT-300E-3-00801 4 BOOM + 2 JIB, 2M2D PL5260383-00 LOAD CHART BOOKLET

9



10

WARNING AND OPERATING INSTRUCTIONS (I)

WARNING AND OPERATING INSTRUCTIONS (II)

WARNING AND OPERATING INSTRUCTIONS (III)

WARNING AND OPERATING INSTRUCTIONS (IV)

11

JIB HANDLING INSTRUCTIONS

JIB HANDLING INSTRUCTIONS (CONTINUATION)

12

INSTRUMENT PANEL

SWITCH PANEL

LINK PANEL

CLICK HERE TO **DOWNLOAD** THE COMPLETE MANUAL

- Thank you very much for reading the preview of the manual.
- You can download the complete manual from: www.heydownloads.com by clicking the link below



- Please note: If there is no response to CLICKING the link, please download this PDF first and then click on it.

CLICK HERE TO **DOWNLOAD** THE COMPLETE MANUAL

GT-300E-3-00801 4 BOOM + 2 JIB,2M2D

Pos No.	Parts No	Parts Name	Qty	Unit	Technical Data	Serial No (Start)	Serial No (End)	Remarks
1	34931937510	LENS (RED)	1					
2	34931937520	LENS (UMBER)	1					
3	34931937530	BULB,LAMP (24V)	1					
4	34931937540	BULB,LAMP (24V)	1					
5	34931937550	REFLECTOR	1					
100	34931933000	LAMP,COMBINATION (R)	1					

GT-300E-3-00801 4 BOOM + 2 JIB,2M2D

Pos No.	Parts No	Parts Name	Qty	Unit	Technical Data	Serial No (Start)	Serial No (End)	Remarks	Pages
1	35620552010	MIRROR	1						
2	35620552020	MIRROR	2						
3	35620552030	MIRROR	1						
4	35620553040	SUPPORT	1			430605			
5	82400000623	MIRROR	1			430605			
6	90303070601	WASHER,PLAIN	4		6	430605			
7	90101206016	BOLT	4		M6X16	430605			
8	90302040601	WASHER,SPRING	4		6	430605			

GT-300E-3-00801 4 BOOM + 2 JIB,2M2D

Pos No.	Parts No	Parts Name	Qty	Unit	Technical Data	Serial No (Start)	Serial No (End)	Remarks	Pa
1	80303080020	JOINT	1		SSTL1/4				
2	37000926730	JOINT,BUSHING	1						
3	80426016106	JOINT,SELF SEALING	1						
4	80457030800	CAP (FOR MALE)	1						

GT-300E-3-00801 4 BOOM + 2 JIB,2M2D

Pos No.	Parts No	Parts Name	Qty	Unit	Technical Data	Serial No (Start)	Serial No (End)	Remarks	Pages
1	34498271100	HARNESS ASSY	1						000156
2	91810130240	FASTENER	1						

GT-300E-3-00801 4 BOOM + 2 JIB,2M2D

Pos No.	Parts No	Parts Name	Qty	Unit	Technical Data	Serial No (Start)	Serial No (End)	Re
2	37002212110	PLATE,NAME (ELEVATE LEVER)	1					

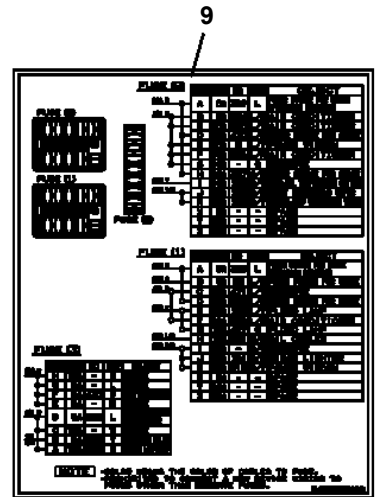
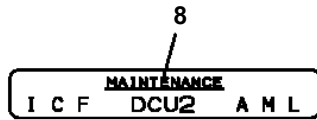
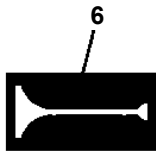
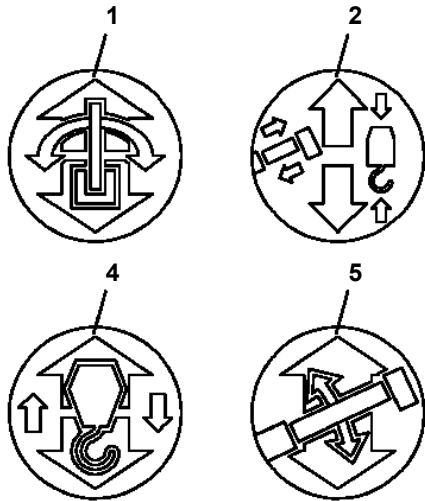
GT-300E-3-00801 4 BOOM + 2 JIB,2M2D

Pos No.	Parts No	Parts Name	Qty	Unit	Technical Data	Serial No (Start)	Serial No (End)	Remarks
314	36664095030	PLUG	1					
315	36663665520	SPRING	1					
316	91002800800	O-RING	1		1B P8			
317	91002802200	O-RING	1		1B P22			
318	91002804200	O-RING	1		1B P42			
319	91002903000	O-RING	2		1B G30			
320	90172110075	BOLT,HEXAGON SOCKET	6		M10X75			
321	90172110065	BOLT,HEXAGON SOCKET	4		M10X65			
323	91002802600	O-RING	1		1B P26			
400	36664165130	FLANGE ASSY (REAR)	1					
410	36664165140	FLANGE SET (REAR)	1					
411	36663745370	SPOOL KIT	1					
421	36663665210	PLUG	1					
438	91002801400	O-RING	1		1B P14			
441	80730050012	PIN	2		5X12			
443	90172114040	BOLT,HEXAGON SOCKET	8		M14X40			
464	36663685140	PLUG	1					
465	91002801800	O-RING	1		1B P18			
466	36663665550	SPRING	1					
480	36664165150	SEAL KIT	1					
500	36664100000	MOTOR ASSY,OIL	1					

GT-300E-3-00801 4 BOOM + 2 JIB,2M2D

Pos No.	Parts No	Parts Name	Qty	Unit	Technical Data	Serial No (Start)	Serial No (End)	Rem
1	82151213051	BATTERY (PANASONIC,130F51)	1					

**GT-300E-3-00801 4 BOOM + 2 JIB,2M2D
PN5011857-00 NAME PLATE ASSY (CRANE CAB)**



WARNING
AML OVERRIDE KEY SWITCH LOCKED IN RIGHT SIDE OF AML IS IN OVERRIDE, SPECIAL LIGHTS UP. ALWAYS SHUT OFF AML OVERRIDE SWITCH WHILE OPERATING CRANE.
USE AML OVERRIDE KEY SWITCH ONLY WHEN YOU STORE CRANE IN EMERGENCY.
CONTINUOUS SAFE OPERATION IS CONTROLLED ONLY BY OPERATOR.
333-962-81020

WARNING
MAKE SURE JIB SET STATUS IS SELECTED ON AUTOMATIC MOMENT LIMITER BEFORE ERECTING AND STOWING JIB OR CHANGING JIB OFFSET ANGLE.
DON'T EXTEND THE BOOM, OR BASE JIB COULD BE DAMAGED.
343-954-70800

Select correct Jib status, or Automatic Moment Limiter does not function precisely and may cause critical condition.
WARNING
333-962-11060

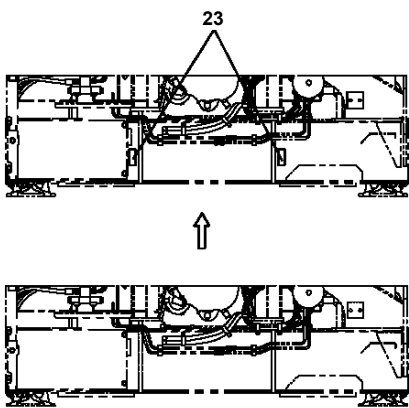
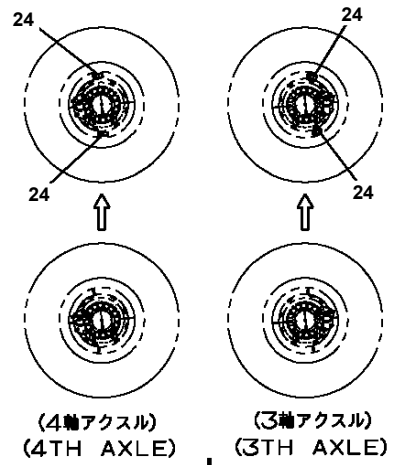
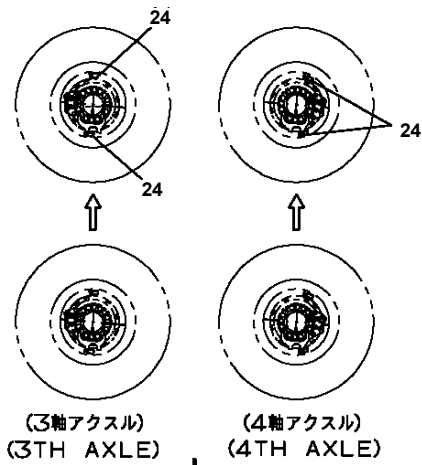
WARNING
PULL THE CONTROL CONSOLE BACKWARD TO THE STOWING POSITION WHEN TRAVELING OR GETTING OUT OF THE CAB.
FOLD UP THE ARMREST BEFORE ADJUSTING THE ANGLE OF CONTROL CONSOLE.
TAKE CARE TO CLOSE THE DOOR WHEN THE CONTROL CONSOLE IS UPRIGHT.
343-984-12700

14

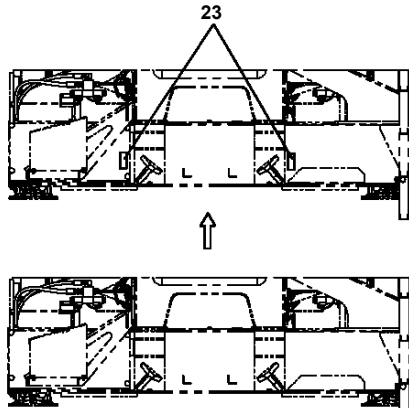
CN10G2	1036 V		850-020 R	850-021 V
	1036 V			
	840 B			850-021 V
			850-020 R	
				850 B
CN10G3			850-807 R	
			850-808 V	
			850-809 R	
		299 L/R	850-805 B	
		295 Y	121 R/B	
		855 B		
			861 B	
CN10G4		3370 P/B		
	850 L/R	743 B/B		711 R/R
	1177 W/R			
	373 B/W	628 R		
847 B/W	633 V			
			810 R/Y	
CN10G5			842 B	
			842 B	843 B
			842 B	843 B
			710 L/R	842 B
		791 L/R		
		792 L/R		
		1087 L/R		
		793 L/R		
		794 B		
CN10G6			1016 V	870 B
			1016 V	825 W/R
			810-005 B	
			810-005 W	
			840-220 W	
	1188 L/R		840-220 W	
			840-220 W	
		870 B		
835 W/R	848 B	000 L/Y	840 B	

3430380030

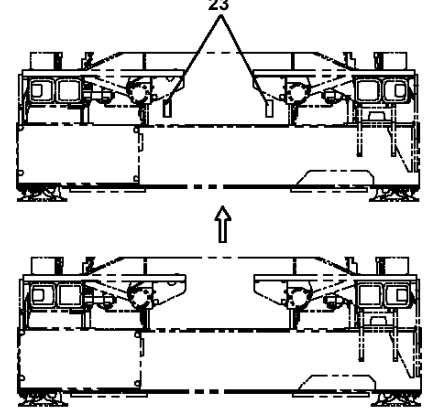
**GT-300E-3-00801 4 BOOM + 2 JIB,2M2D
PN5011871-02 NAME PLATE ASSY (LOWER 1/ENGLISH)**



F
(ラッシングサポート)
(SUPPORT OF THE RASHING)

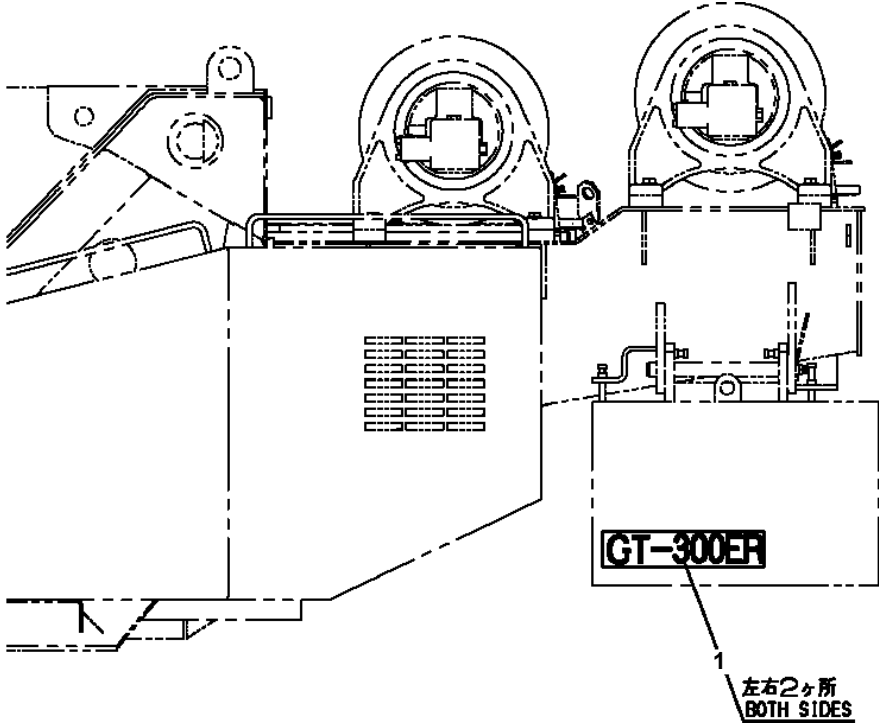


K
(ラッシングサポート)
(SUPPORT OF THE RASHING)

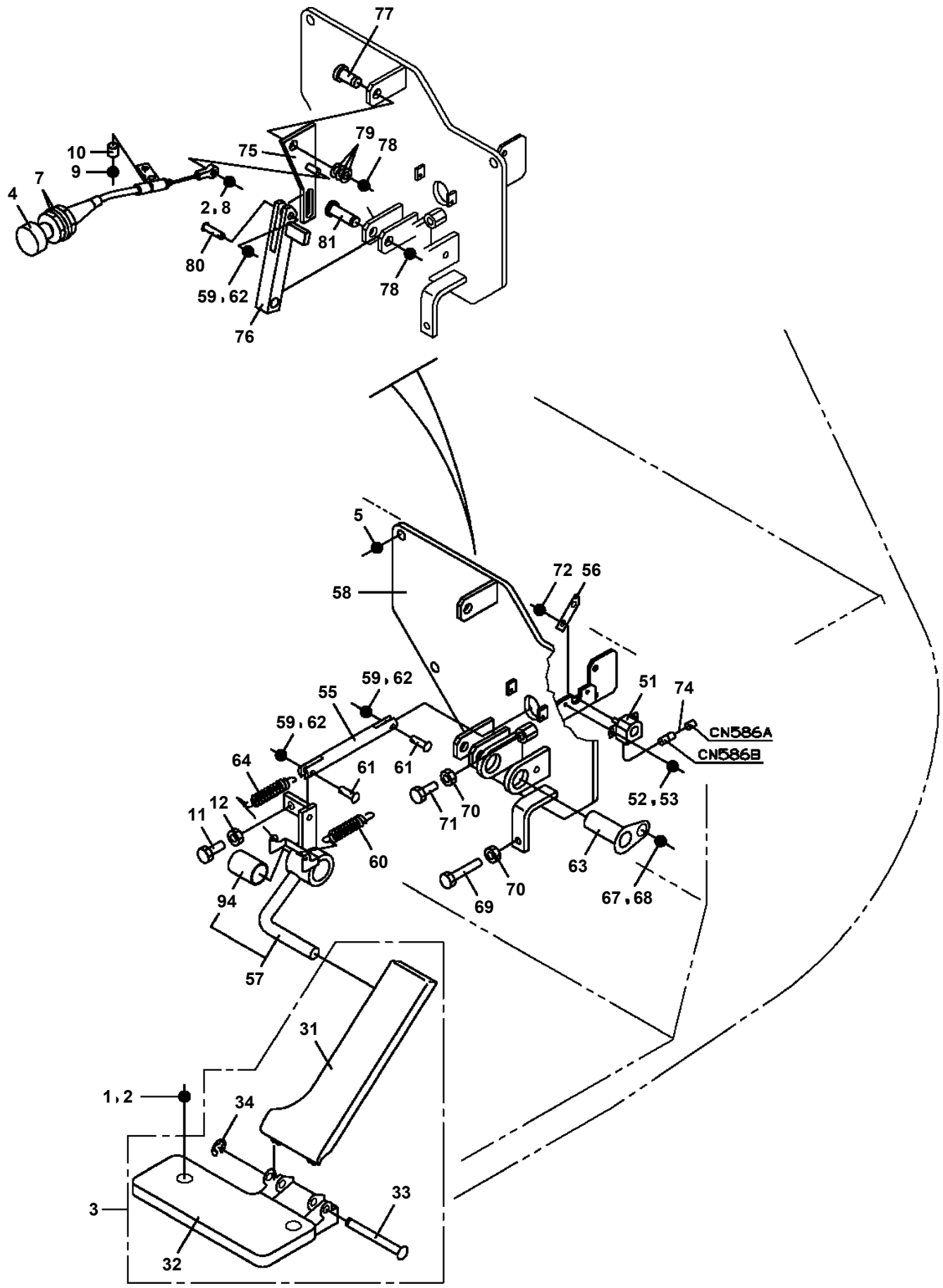


H
(ラッシングサポート)
(SUPPORT OF THE RASHING)

GT-300E-3-00801 4 BOOM + 2 JIB,2M2D
PN5011899-00 NAME PLATE ASSY (GT-300ER)



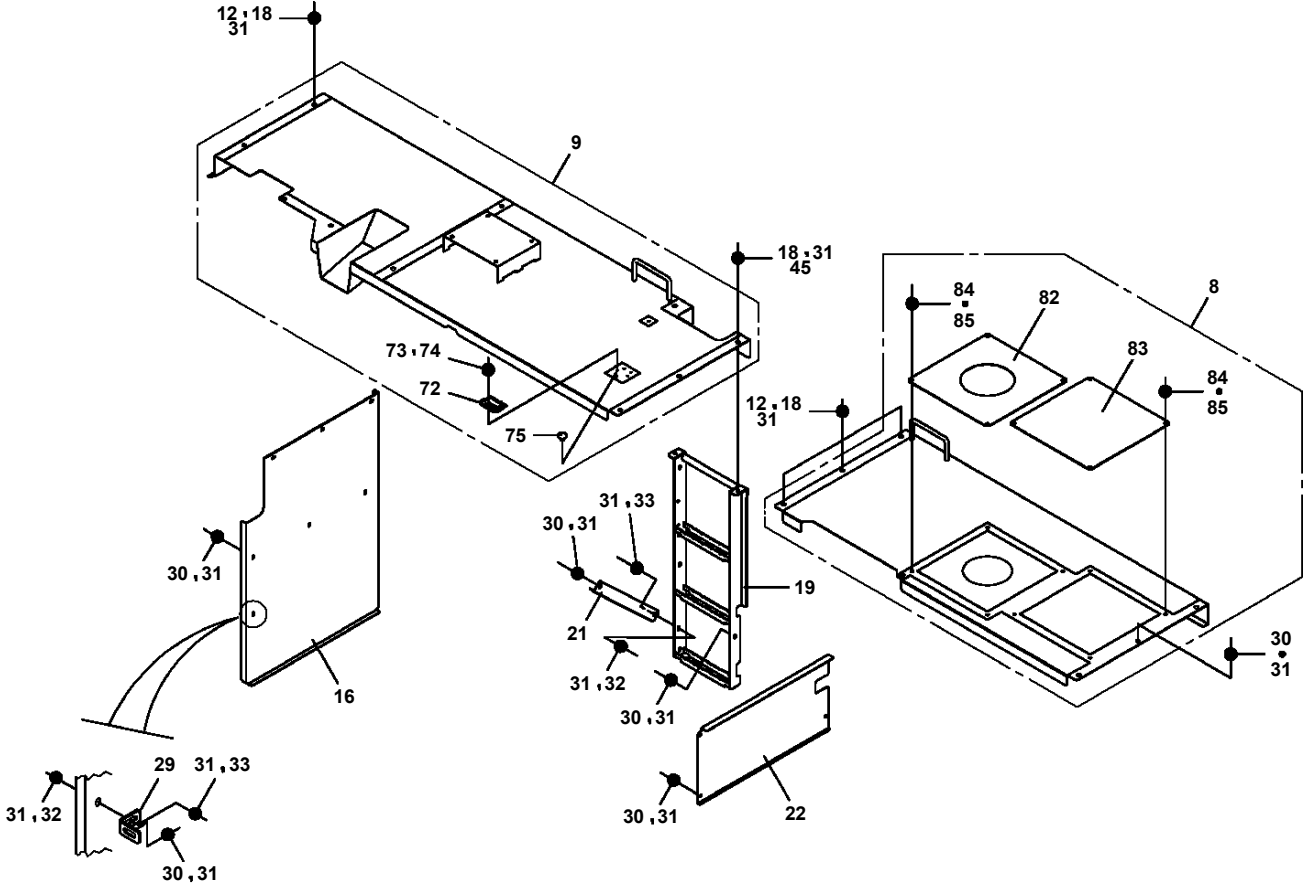
GT-300E-3-00801 4 BOOM + 2 JIB,2M2D
PO5020022-01 OPE.ASSY,ACCELERATOR



GT-300E-3-00801 4 BOOM + 2 JIB,2M2D

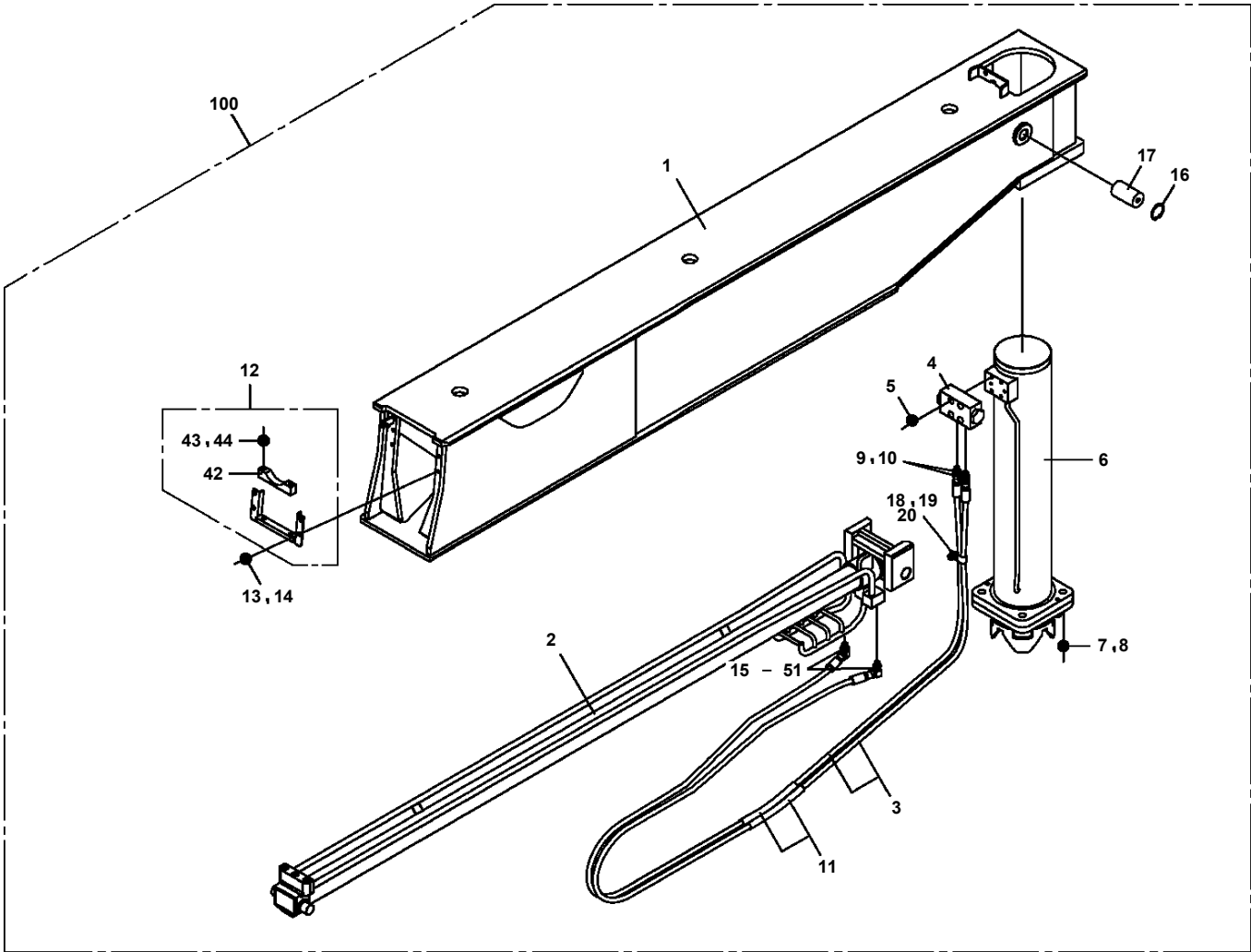
Pos No.	Parts No	Parts Name	Qty	Unit	Technical Data	Serial No (Start)	Serial No (End)	Rem
147	34321966400	BOOT	2					
161	34323251101	BOX ASSY (LEFT)	1					
162	34320901200	COVER	2					
163	34320901300	SUPPORT	1					
164	34320901401	SHAFT	4					
165	82108503280	SWITCH	1					
166	80176404012	SCREW,MACHINE	8		M4X12			
167	90305260401	WASHER	8		4			
168	90280200800	NUT,FLANGE	1		M8			
169	34320904300	KNOB	3					
170	90186208020	BOLT,FLANGE	9		M8X20			
171	37002450710	HOSE	1		L=800			
172	37002472000	HOSE	1		L=730			
173	80400160127	JOINT	10					
175	37002443710	HOSE	1		L=2200			
176	37002451480	HOSE	1		L=2600			
177	90186206010	BOLT,FLANGE	1		M6X10			
178	82114101020	CONNECTOR (2P,MALE)	1					
179	82100002002	CLAMP	1		WR6			
181	90203501200	NUT	8		M12			
182	36634920000	VALVE,CONTROL	2					
183	36672460000	FILTER (NIPPLE TYPE)	2					
184	37002510460	HOSE	2		L=15			
185	34320904201	KNOB (RED)	1					
186	82101700412	SWITCH,PUSH	1					
187	82111101010	TERMINAL	2					
188	82121102020	HOLDER	1					
189	82121101030	PLUG	2					
190	37002472020	HOSE	1		L=2030			
191	37002465820	HOSE	1		L=2050			
192	91810130230	FASTENER	1					
193	82141921070	CABLE	1	M				
211	34320908120	KNOB ASSY	3					
212	34322238010	KNOB ASSY	1					
231	34322235600	SUPPORT	1					
232	37000118050	PIN	1					
233	90186208010	BOLT,FLANGE	1		M8X10			
234	34321961200	LEVER	2					
235	37000515600	PLATE	3		T=1.0			
241	34323252101	BOX ASSY (RIGHT)	1					
248	37002460250	HOSE	1		L=2950			
251	37002450510	HOSE	2		L=1250			
252	37002472030	HOSE	1		L=2460			
255	37002444970	HOSE	1		L=2275			
256	37002473200	HOSE	1		L=2240			
275	80801002010	BEARING,PLAIN	8					

GT-300E-3-00801 4 BOOM + 2 JIB,2M2D
PO5260134-01 OUTER COVERING ASSY (FENDER)



A
RIGHT SIDE

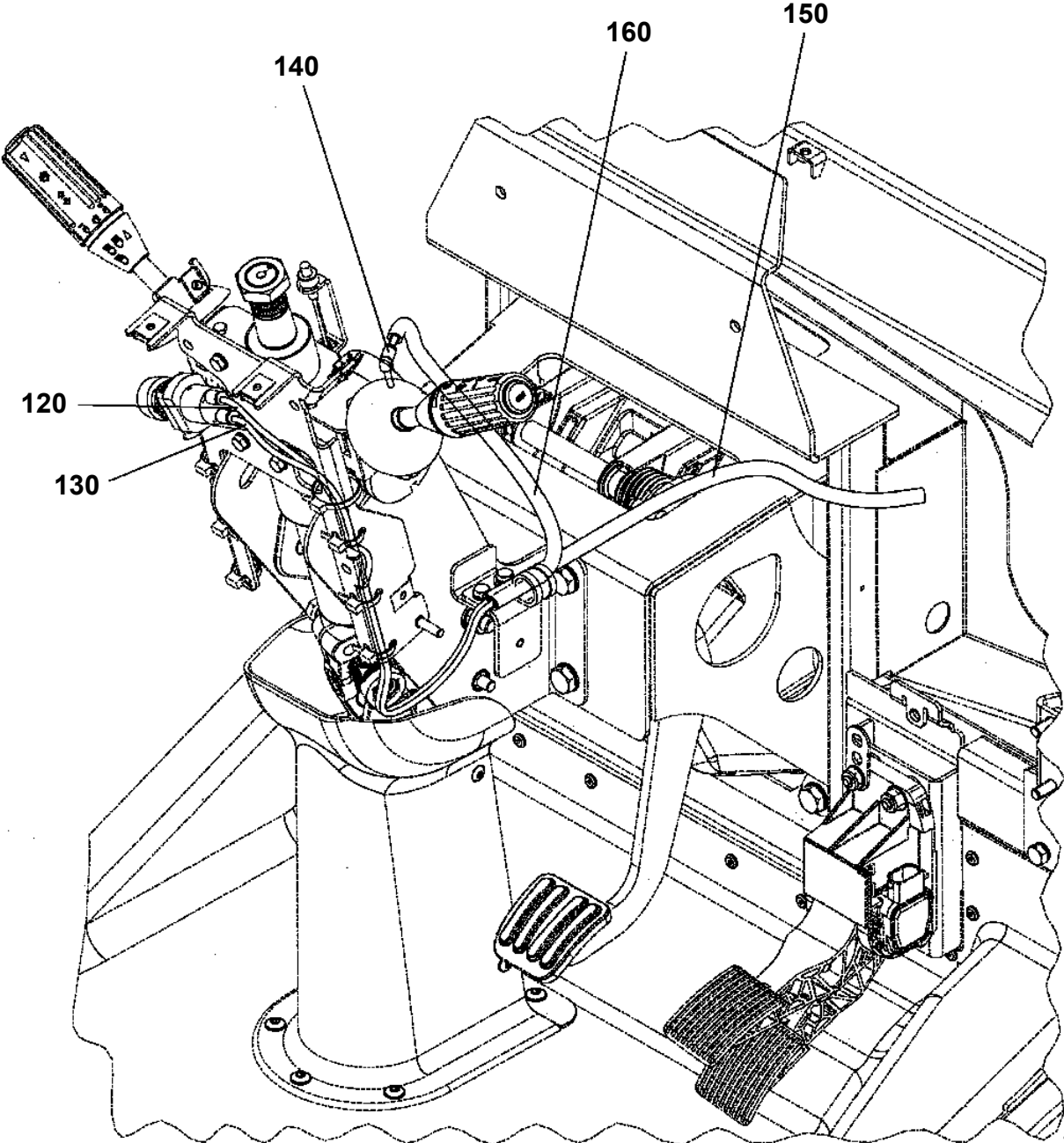
GT-300E-3-00801 4 BOOM + 2 JIB,2M2D
PO5270315-00 OUTRIGGER ASSY (REAR)



GT-300E-3-00801 4 BOOM + 2 JIB,2M2D

Pos No.	Parts No	Parts Name	Qty	Unit	Technical Data	Serial No (Start)	Serial No (E
2	36350850000	TRANSMISSION ASSY	1				
4	36304020000	SHAFT ASSY,PROPELLER (ASSY ONLY)	1				
5	36303980000	SHAFT ASSY,PROPELLER (ASSY ONLY)	1				
6	99707765615	RUBBER-METAL SUPPORT	6				
8	35250200100	SUPPORT (L)	1				
9	35250200200	SUPPORT (R9)	1				
10	90273601400	NUT	16		M14		
12	90171314050	BOLT	16		M14X50		
14	90171110070	BOLT	12		M10X70		
15	90303501005	WASHER,PLAIN	48		10		
16	90171110080	BOLT	12		M10X80		
18	90171316055	BOLT	10		M16X55		
19	90201701000	NUT	24		M10		
21	90303501601	WASHER,PLAIN	16		16		
23	90171110035	BOLT	24		M10X35		
24	90171316045	BOLT	6		M16X45		
25	91860100015	CLAMP	3		KCR-W15		
26	90186208010	BOLT,FLANGE	2		M8X10		
27	42712320100	SUPPORT	1				
28	90280200800	NUT,FLANGE	2		M8		
29	90186208020	BOLT,FLANGE	2		M8X20		

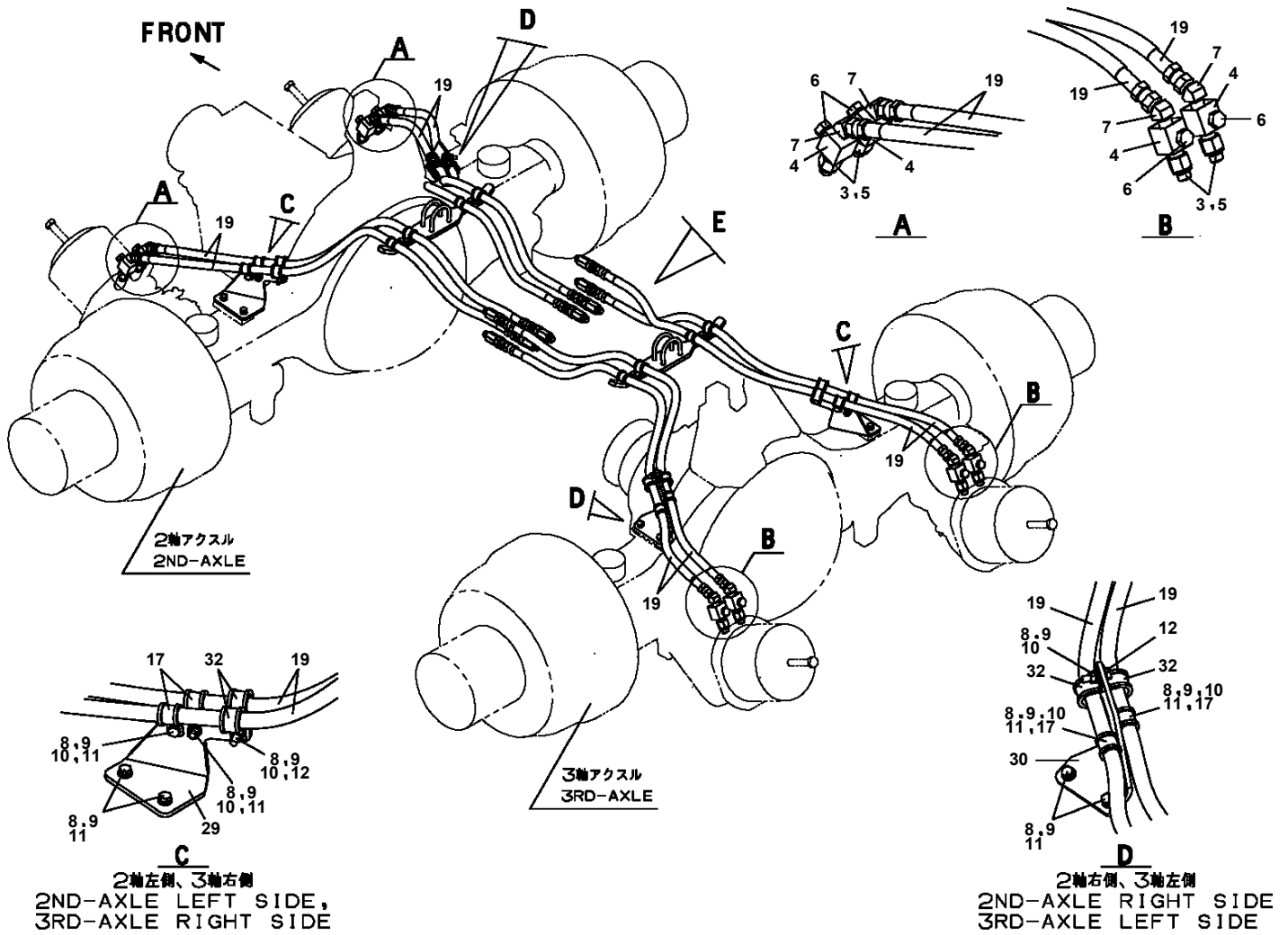
GT-300E-3-00801 4 BOOM + 2 JIB,2M2D
PP6010471-01 PIPING ASSY



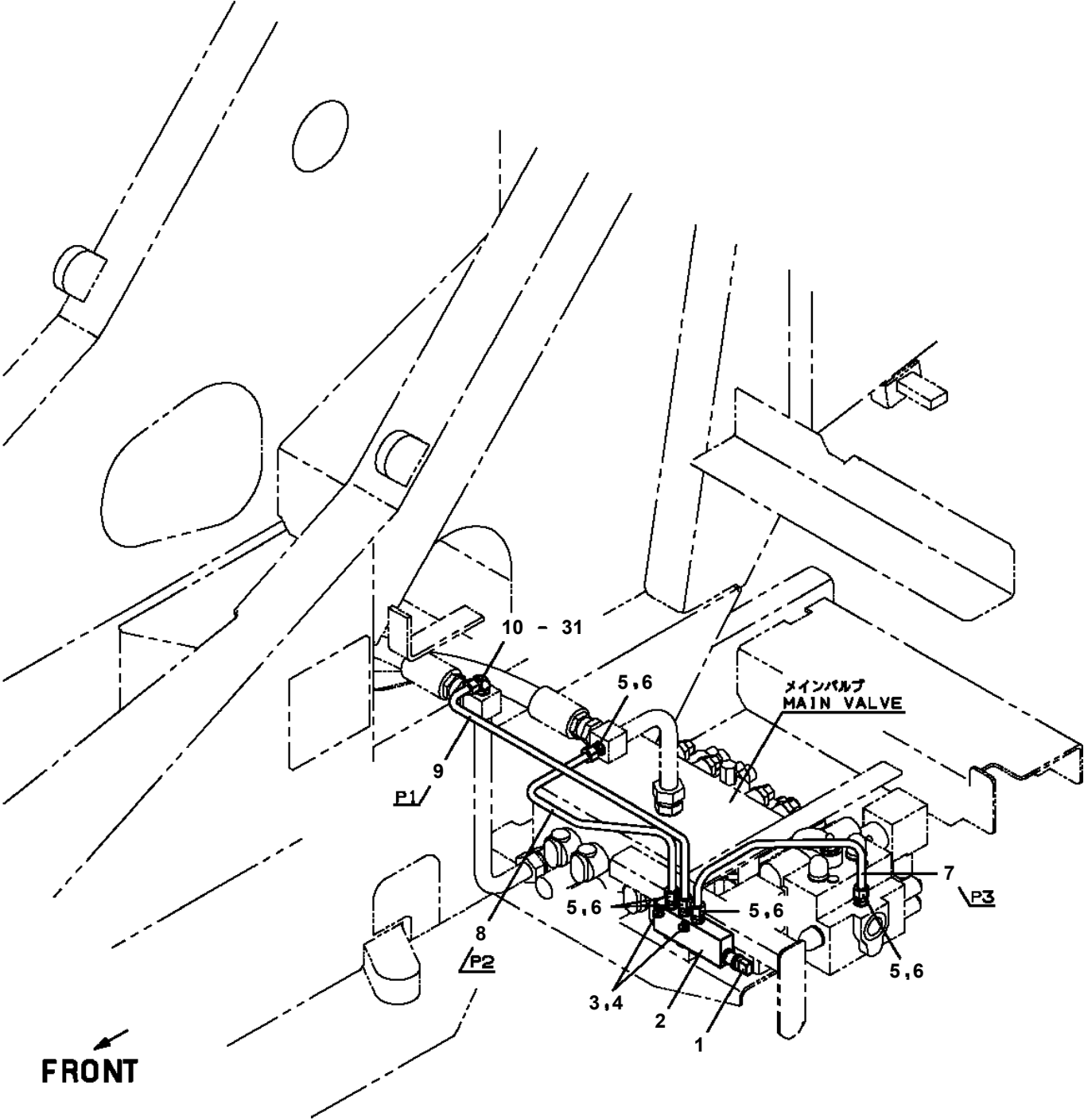
GT-300E-3-00801 4 BOOM + 2 JIB,2M2D

Pos No.	Parts No	Parts Name	Qty	Unit	Technical Data	Serial No (Start)	Serial No (End)
66	35770406360	TUBE ASSY	1		DIN,12X1.5 L=1570		
67	35770406370	TUBE ASSY	1		DIN,12X1.5 L=1540		
68	35770406380	TUBE ASSY	1		DIN,15X1.5 L=4260		
69	35770406390	TUBE ASSY	1		DIN,15X1.5 L=980		
70	35770406410	TUBE ASSY	1		DIN,12X1.5 L=350		
71	35770406420	TUBE ASSY	1		DIN,12X1.5 L=1240		
72	35770406430	TUBE ASSY	1		DIN,12X1.5 L=1520		
73	35770406440	TUBE ASSY	1		DIN,12X1.5 L=350		
74	35770406450	TUBE ASSY	1		DIN,12X1.5 L=1490		
75	35770406460	TUBE ASSY	1		DIN,12X1.5 L=1270		
76	35770406470	TUBE ASSY	1		DIN,10X1.25 L=4240		
77	35770406480	TUBE ASSY	1		DIN,10X1.25 L=390		
78	35770406490	TUBE ASSY	1		DIN,10X1.25 L=4020		
79	35770406510	TUBE ASSY	1		DIN,8X1 L=2940		
80	35770406520	TUBE ASSY	1		DIN,8X1 L=1700		
81	35770406530	TUBE ASSY	1		DIN,8X1 L=1240		
82	35770406540	TUBE ASSY	1		DIN,8X1 L=3670		
83	91810130250	FASTENER	5				

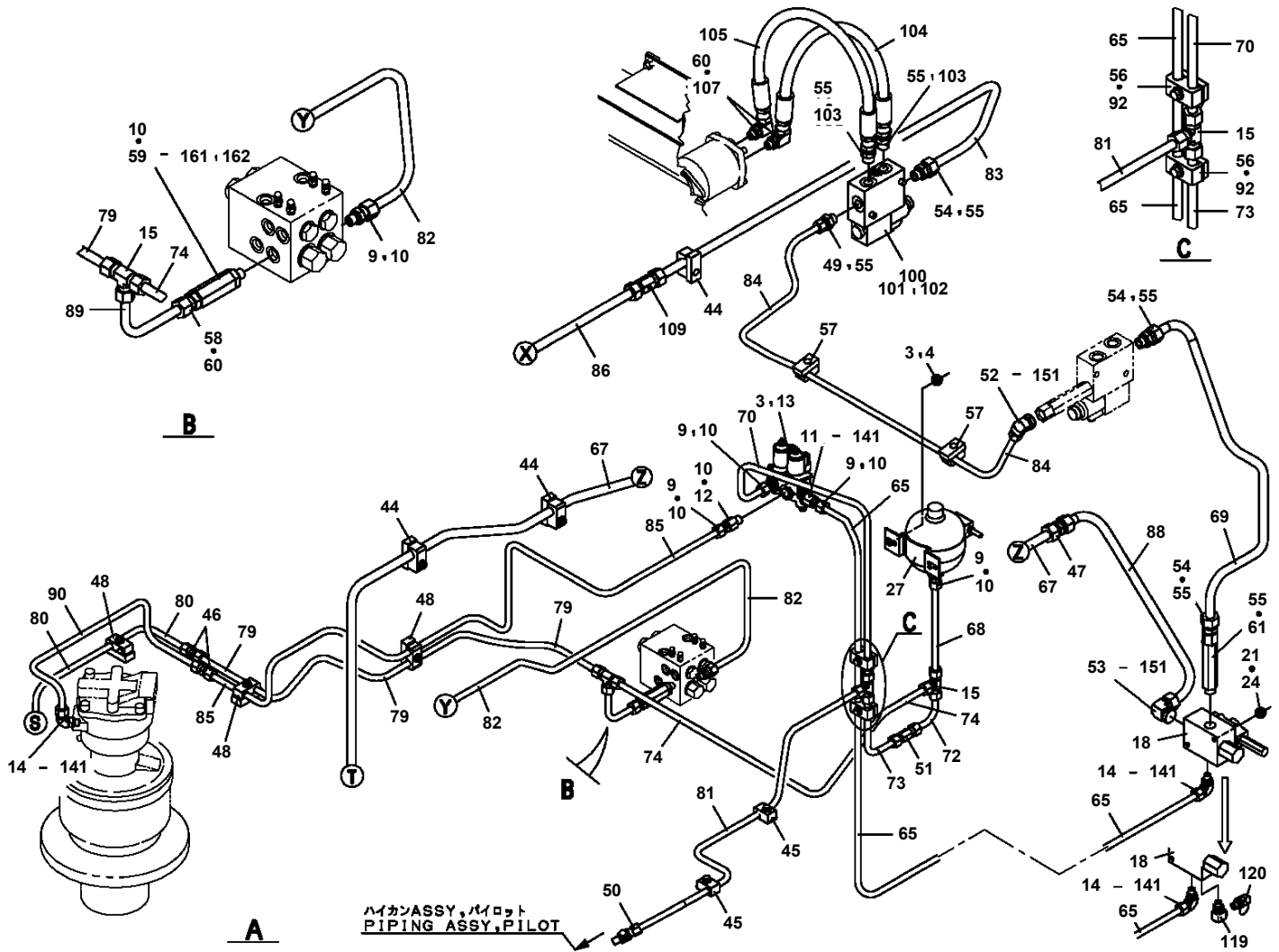
GT-300E-3-00801 4 BOOM + 2 JIB,2M2D
PP6070054-00 PIPING ASSY,BRAKE (2ND-AXLE,3RD-AXLE)



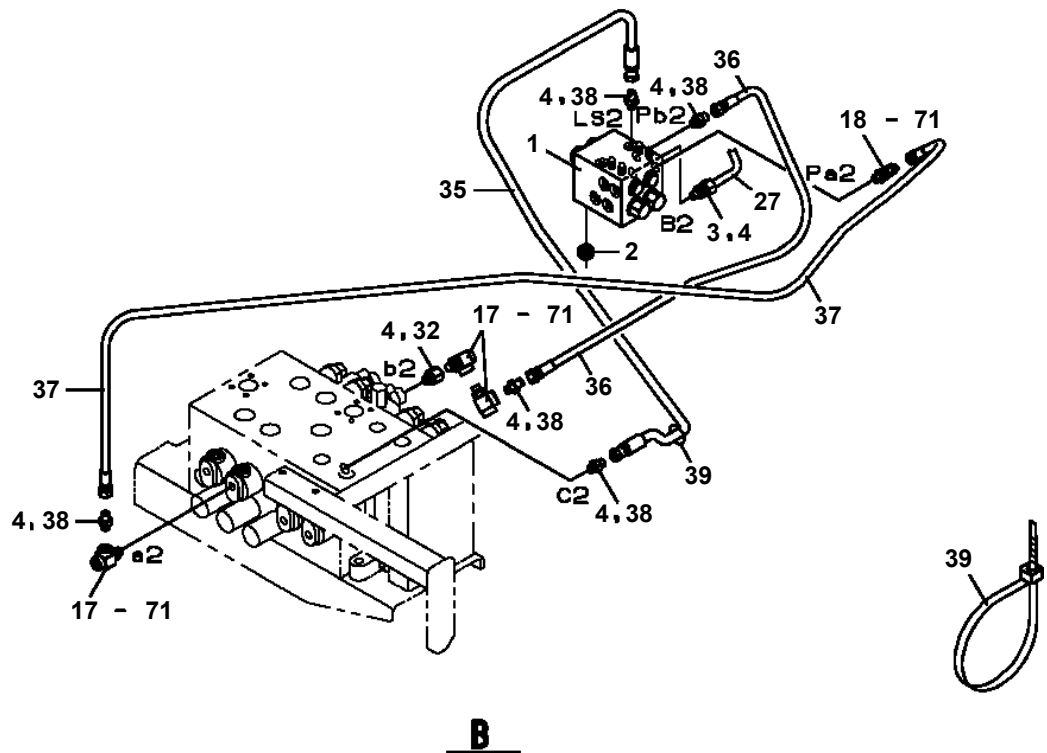
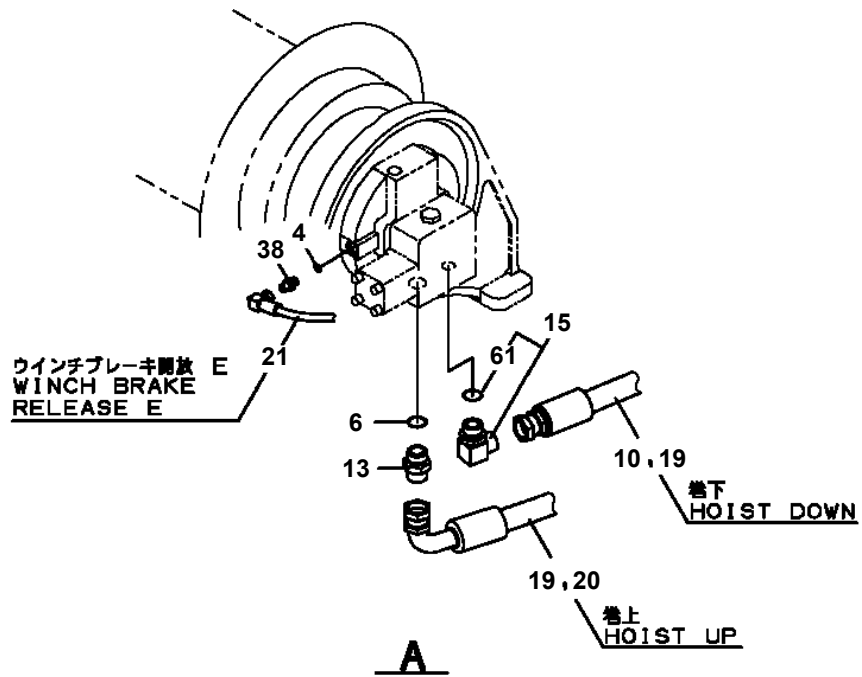
GT-300E-3-00801 4 BOOM + 2 JIB,2M2D
PP6150012-00 PIPING ASSY,GAUGE



GT-300E-3-00801 4 BOOM + 2 JIB,2M2D
PP6270115-02 PIPING ASSY,RETURN (UPPER)

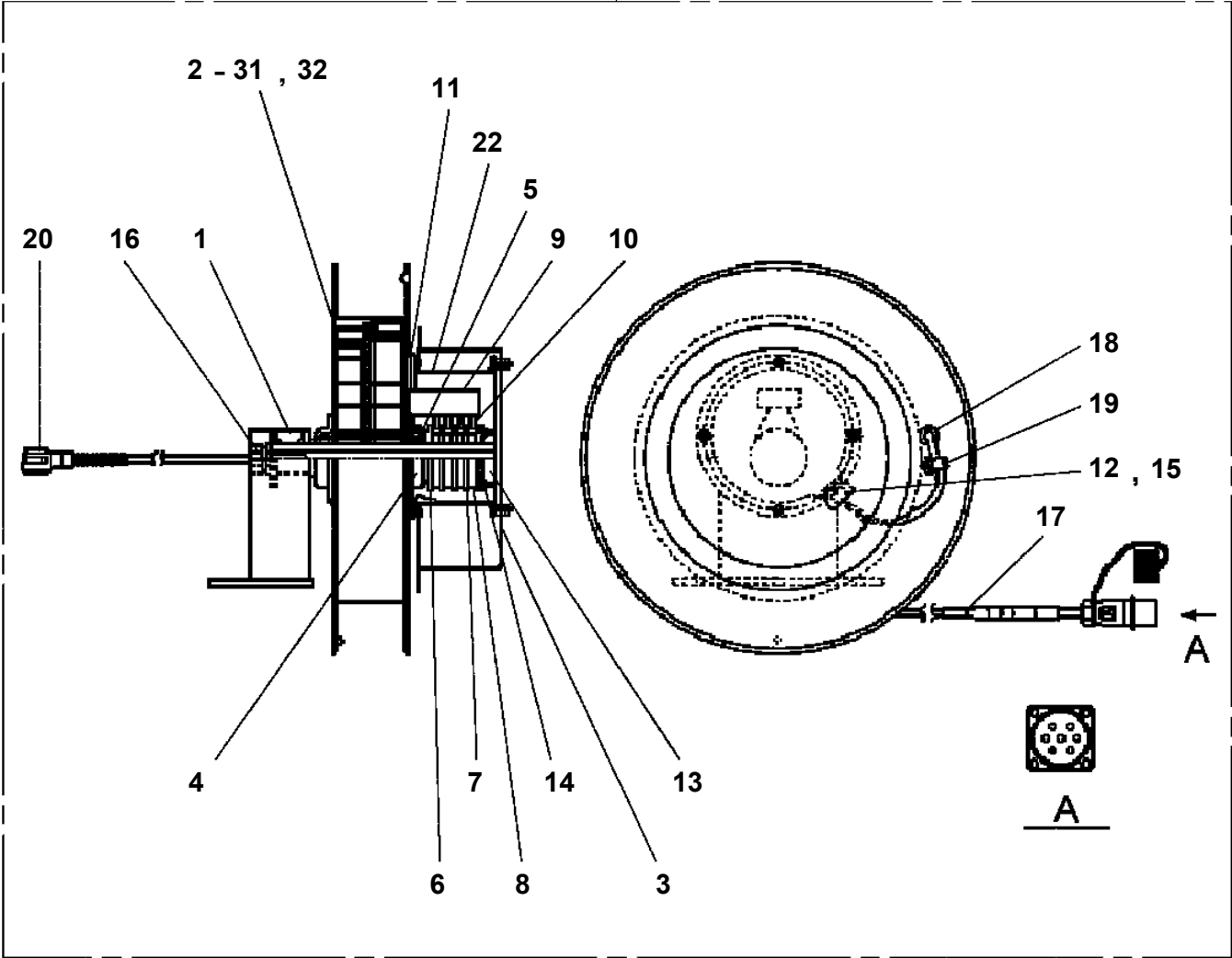


GT-300E-3-00801 4 BOOM + 2 JIB,2M2D
 PP6390050-01 PIPING ASSY,WINCH (MAIN)



GT-300E-3-00801 4 BOOM + 2 JIB,2M2D
PR5050020-01 REEL ASSY,CORD

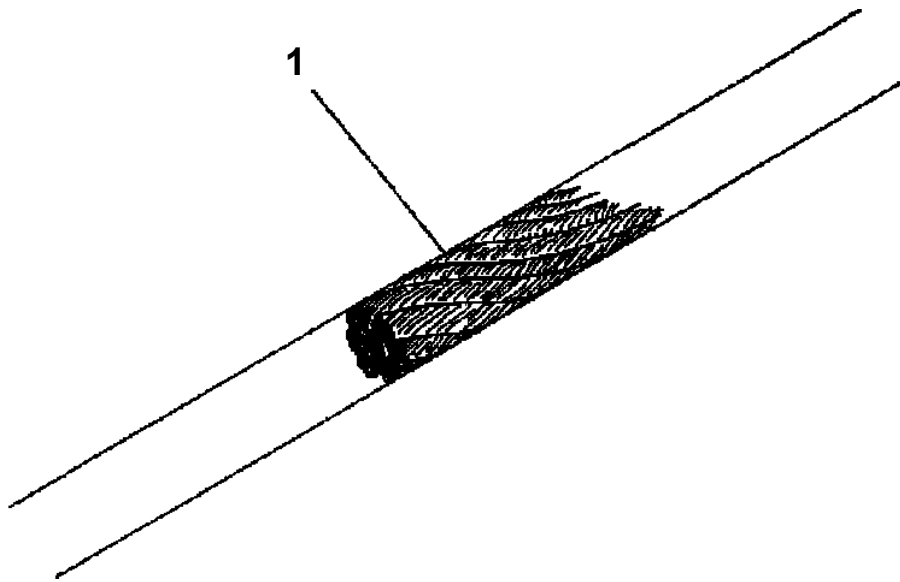
100



GT-300E-3-00801 4 BOOM + 2 JIB,2M2D

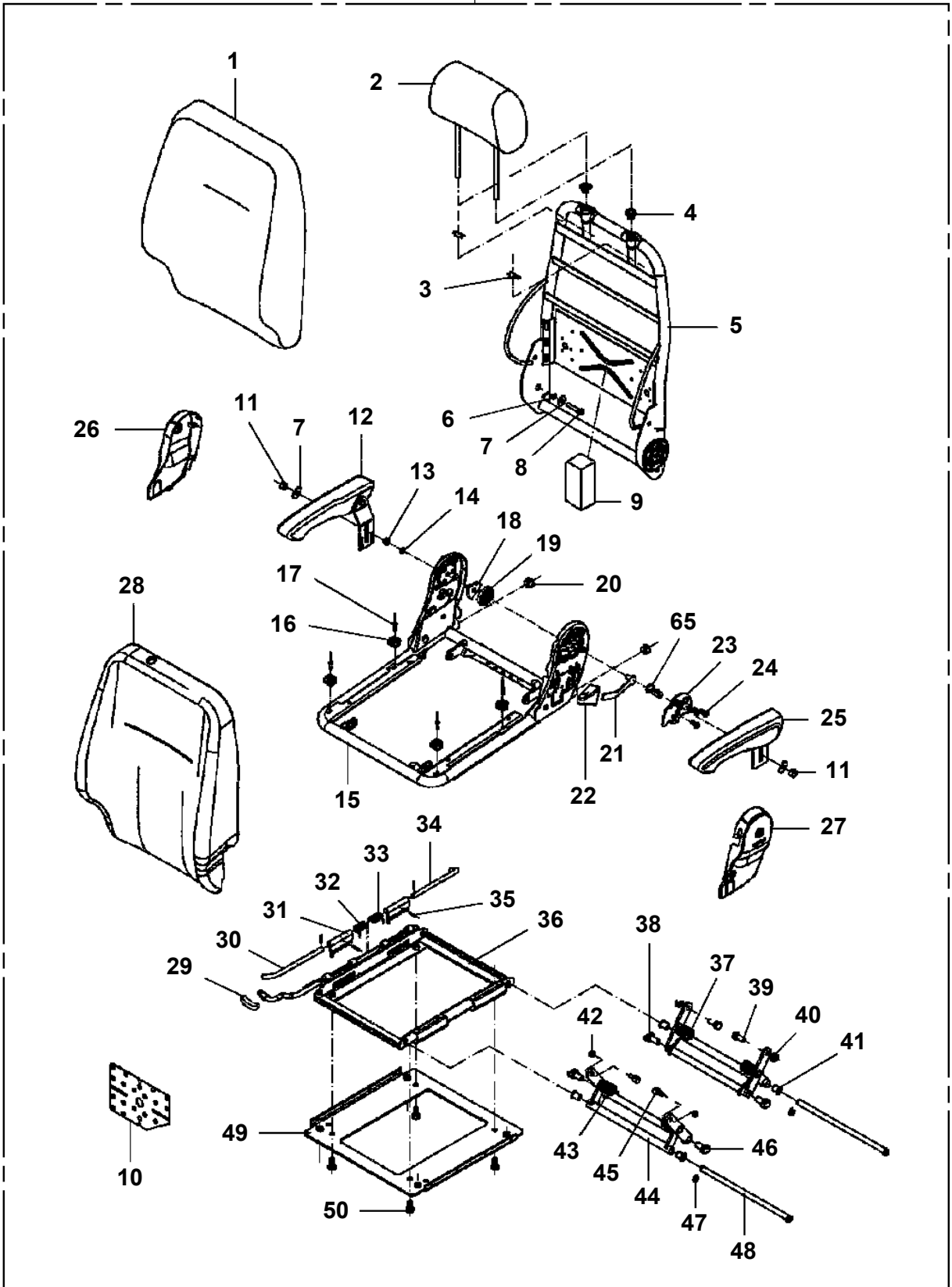
Pos No.	Parts No	Parts Name	Qty	Unit	Technical Data	Serial No (Start)	Serial No (End)
1	35780591600	SUPPORT	1				
3	34930901010	SUPPORT	4				
4	99707790048	BATTERY RELAY	1				
5	82171500030	FUSE	2		30A		
6	82171500050	FUSE	2		50A		
7	82173400010	BOX,FUSE	2				
8	34930901020	CABLE	2		L=350		
10	80192485014	SCREW,MACHINE (WITH WASHER)	2		M5X14		
11	80197586012	SCREW,MACHINE	4		M6X12		
38	82100000956	GROMMET	2		SG-36A		
39	82466302500	GROMMET	1				

GT-300E-3-00801 4 BOOM + 2 JIB,2M2D
PR5170004-00 ROPE,WIRE (KISWIRE/NON-SPIN)

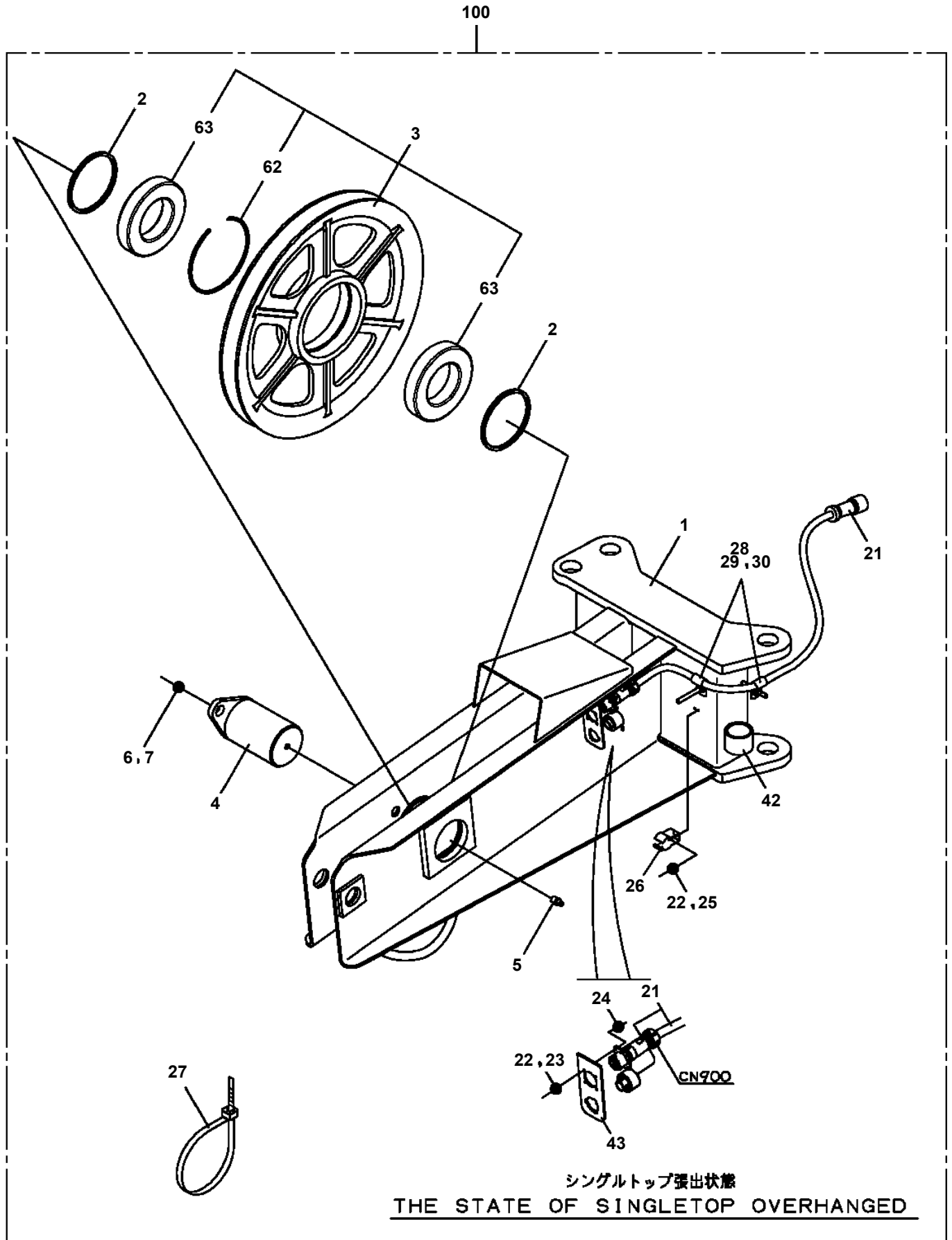


GT-300E-3-00801 4 BOOM + 2 JIB,2M2D
PS5050005-00 SEAT ASSY

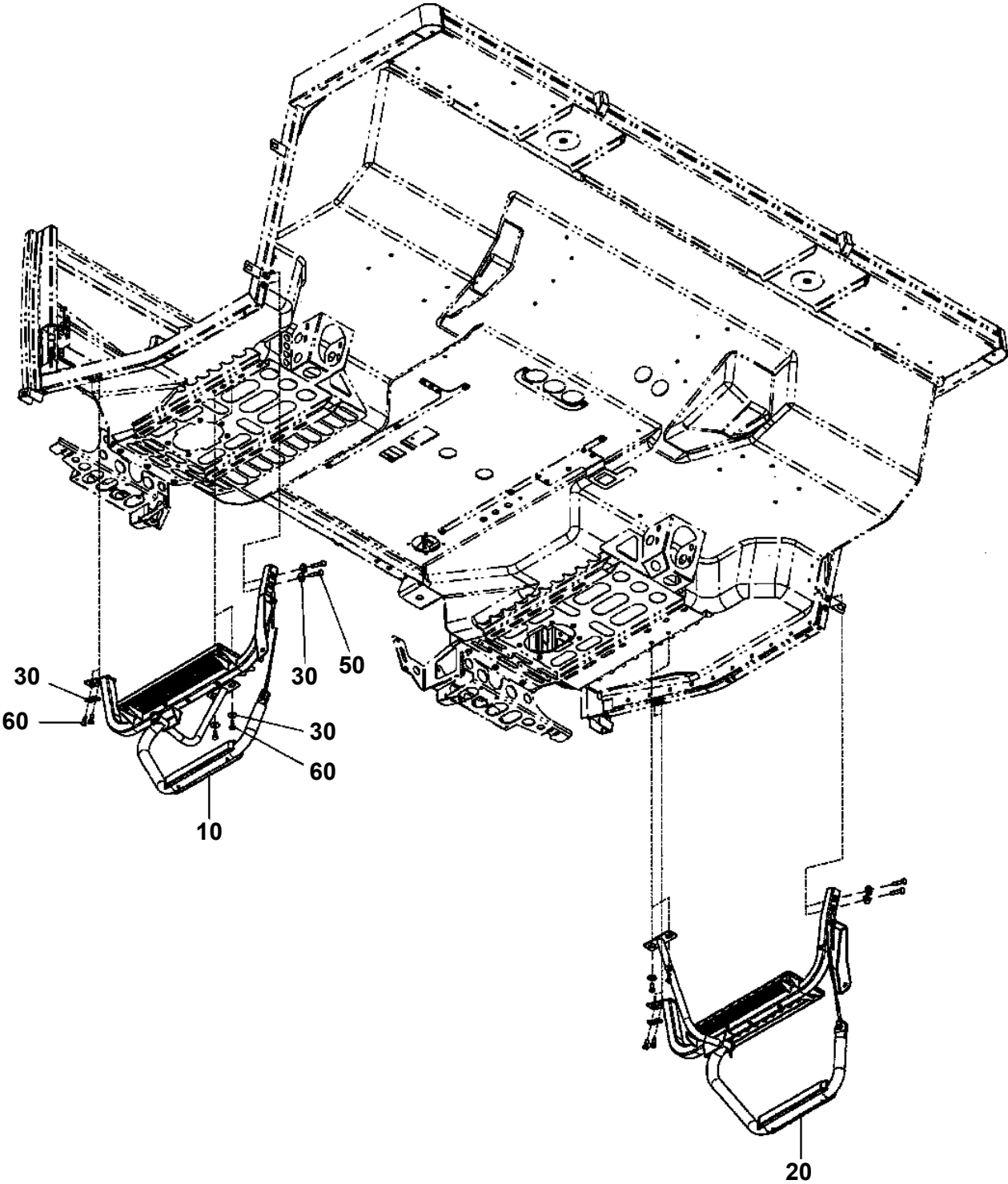
100



GT-300E-3-00801 4 BOOM + 2 JIB,2M2D
 PS5220026-00 SINGLE TOP ASSY



GT-300E-3-00801 4 BOOM + 2 JIB,2M2D
PS5360019-00 STEP ASSY



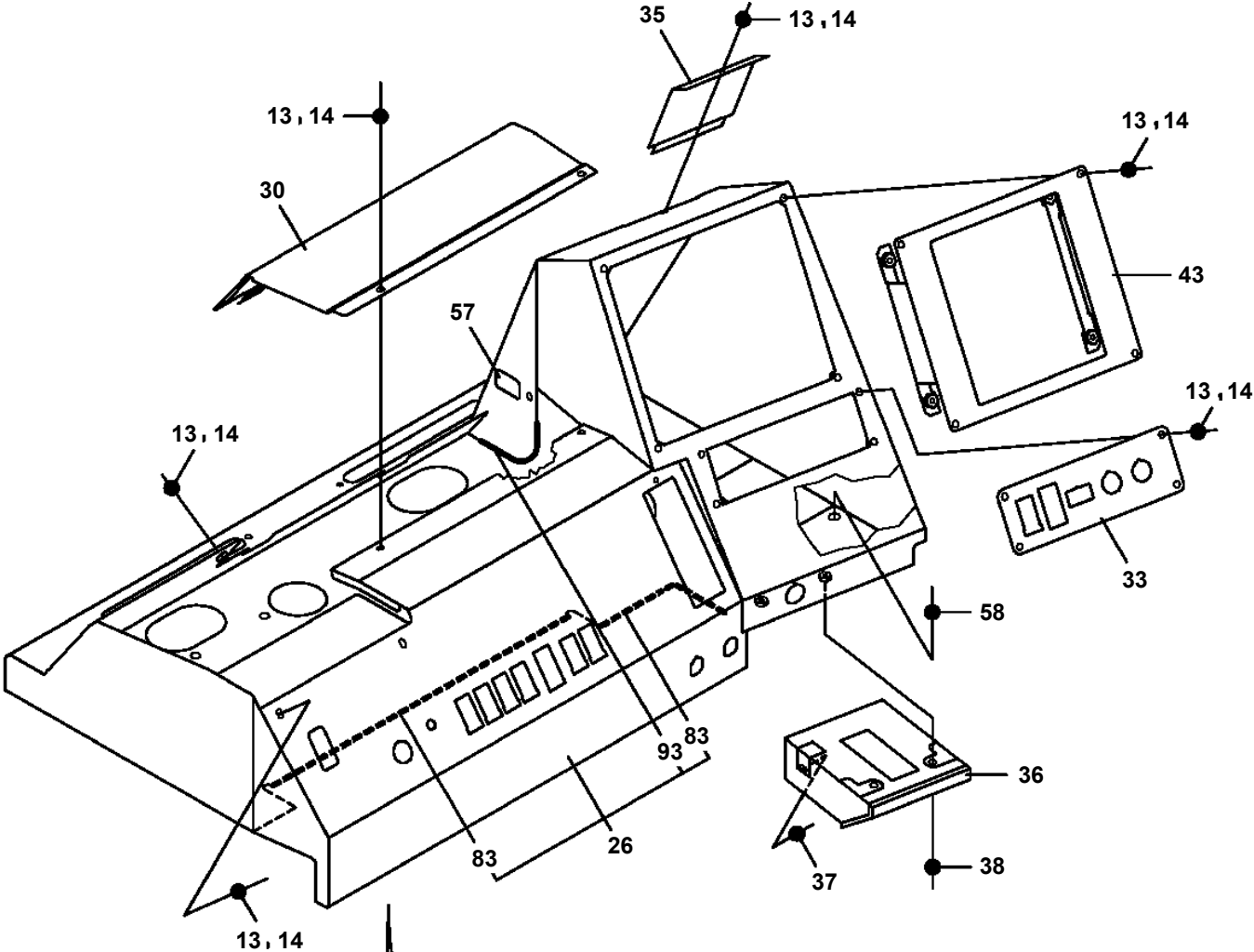
GT-300E-3-00801 4 BOOM + 2 JIB,2M2D

Pos No.	Parts No	Parts Name	Qty	Unit	Technical Data	Serial No (Start)	Serial No (End)	Remarks	Pages
1	34446114600	SUPPORT	1						
2	34446114300	SUPPORT	1						
3	34446124300	SUPPORT	1						
6	3431000060	PLATE	2						
7	37000524090	PLATE	2						
8	34446134300	PLATE	1						
9	37000500870	PLATE	1						
10	37000516500	PLATE	3						
11	37000587430	PLATE	2						
12	42690730040	SUPPORT	1						
15	34444595300	SUPPORT	1						
16	34446134200	PLATE	1						
20	37000537580	PLATE	2						
21	34341434750	SUPPORT	1						
22	34476160500	SUPPORT	1						
23	34344196800	SUPPORT	1						
26	37000562780	PLATE	1						
27	37000562120	SUPPORT	1						
29	34446124100	SUPPORT	1						
30	34446134100	SUPPORT	1						
32	37000578120	SUPPORT	1						

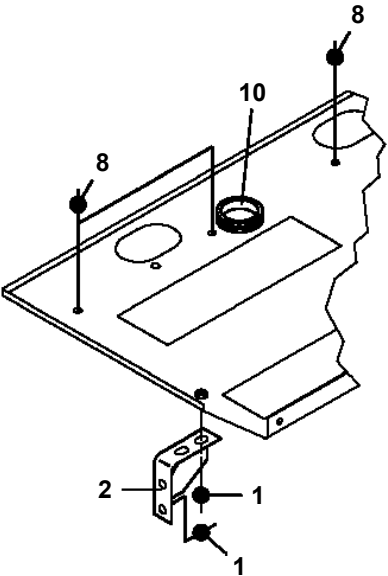
GT-300E-3-00801 4 BOOM + 2 JIB,2M2D

Pos No.	Parts No	Parts Name	Qty	Unit	Technical Data	Serial No (Start)	Serial No (End)	Remarks	Pages
1	34360142010	SUPPORT	1						
2	34201066720	SUPPORT	1						
4	34362432200	GUARD	1						
5	44620316350	PLATE	1						
6	42770634000	PLATE	2						
7	37000169830	PIN	1						
8	37000584140	SUPPORT	1						
10	33360311020	SUPPORT	1						
12	34446061100	PLATE	1						
15	34361103600	SUPPORT	1						
16	37000504700	PLATE	1						

GT-300E-3-00801 4 BOOM + 2 JIB,2M2D
PS5520036-03 SWING TABLE ASSY



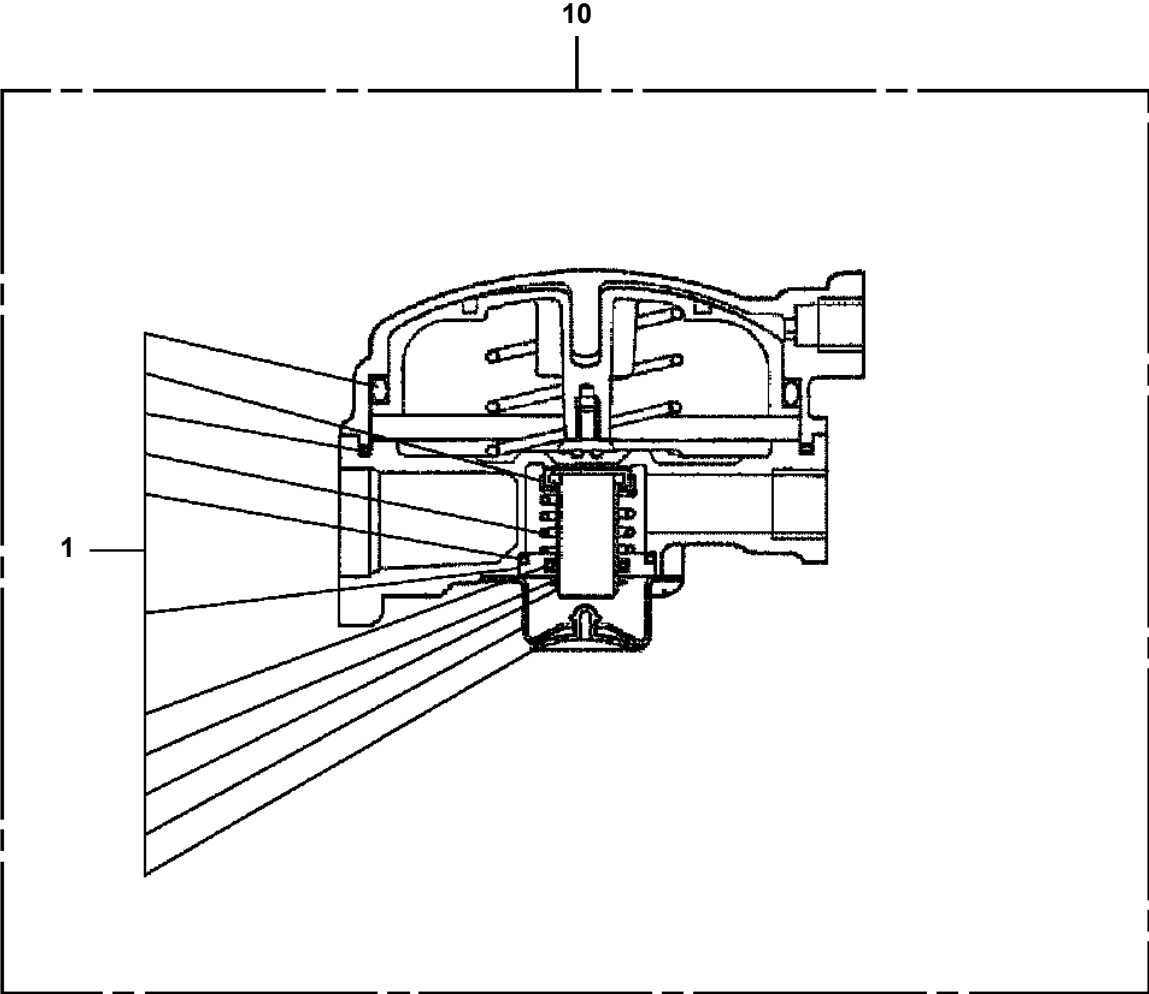
A



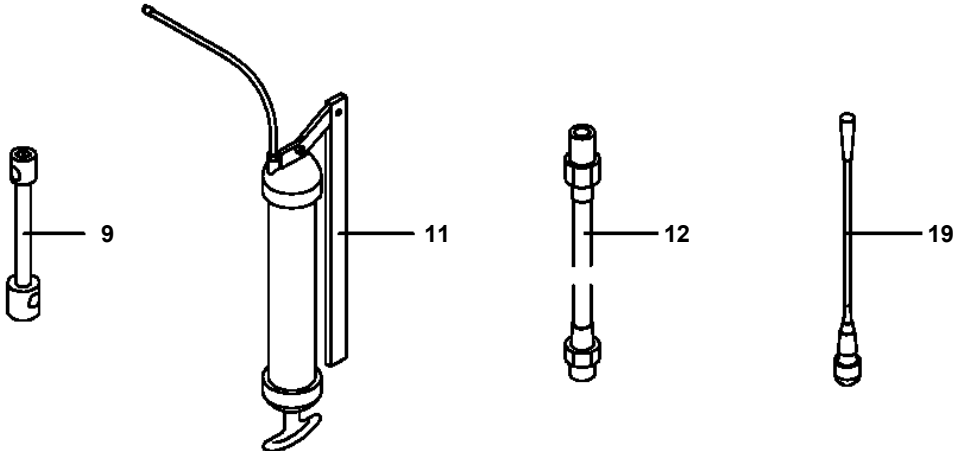
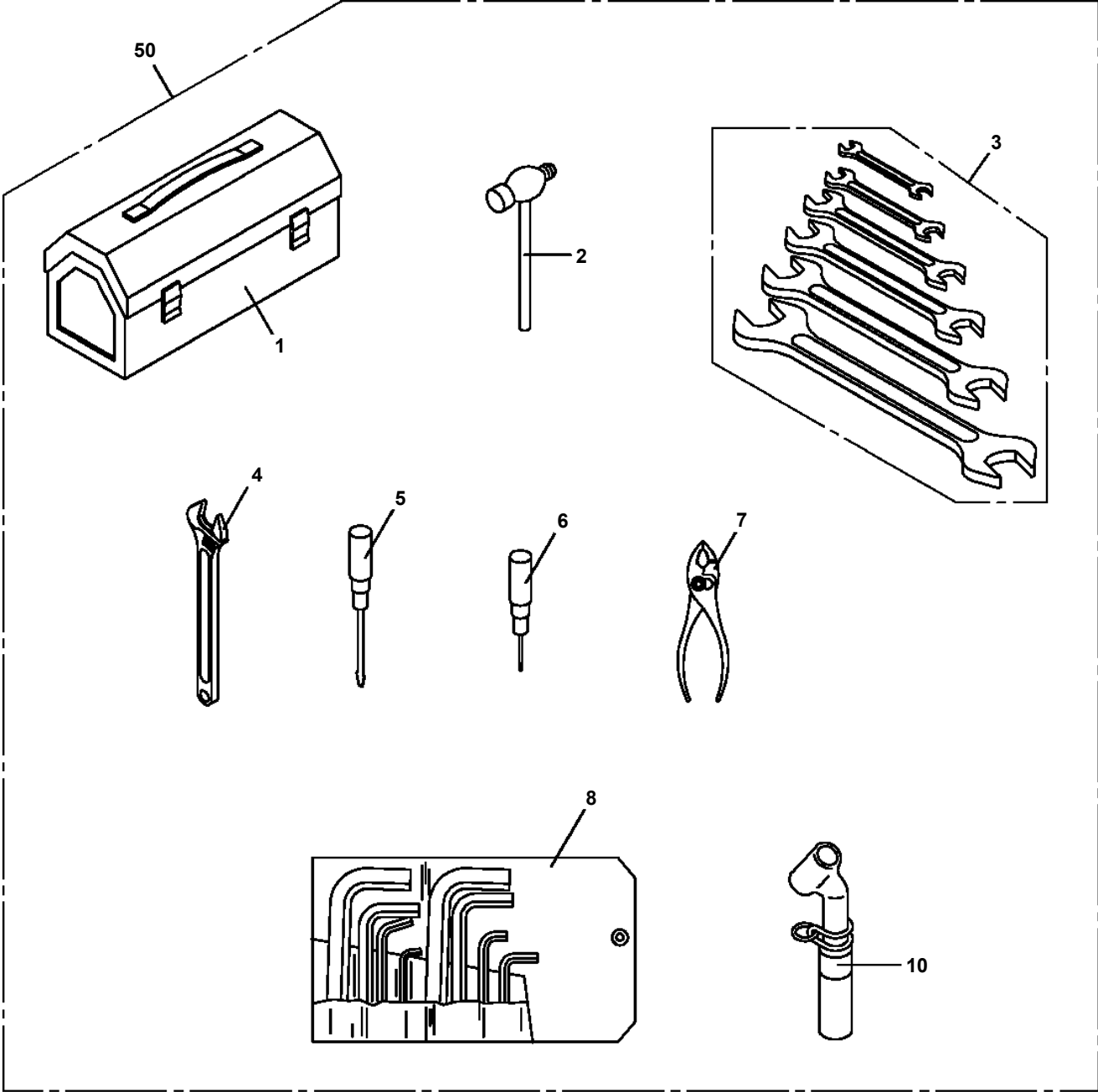
GT-300E-3-00801 4 BOOM + 2 JIB,2M2D
 PS5530391-01 SWITCH ASSY (1)

符号 MARK	名称 NAME	CN. NO
a	非常遮断 OVER CUTOUT DISABLE SW (OPTION)	(CN505)
b	AML解除 LIMITED AML OVERRIDE SW	CN558
c	旋回ブレーキ SWING BRAKE	CN484
d	エコモード ECO MODE	CN447B
e	予備スイッチ SPARE SW	-
f	予備スイッチ SPARE SW	-
g	フロントワイパ FRONT WIPER	CN452
h	フロントウォッシャー FRONT WASHER	(CN453)
i	旋回フリー/ロック切換 SLEWING FREE/LOCK SELECTOR	CN487
j	伸縮/AUX. ウィンチ切換 TELESCAPING AUXILIARY SELECTOR SW	(CN485) (CN922)
k	予備スイッチ SPARE SW	-
l	予備スイッチ SPARE SW	-
m	シガライター CIGAR LIGHTER	(CN824)
n	パワーウインド POWER WINDOW	CN467
o	スタータ STARTER	(CN557)
p	リターンフィルタ目詰まりインジケータ RETURN FILTER CLOGGING INDICATOR	CN1666
q	緊急停止 EMERGENCY STOP	CN915

GT-300E-3-00801 4 BOOM + 2 JIB,2M2D
PT1340000-01 VALVE,RELAY



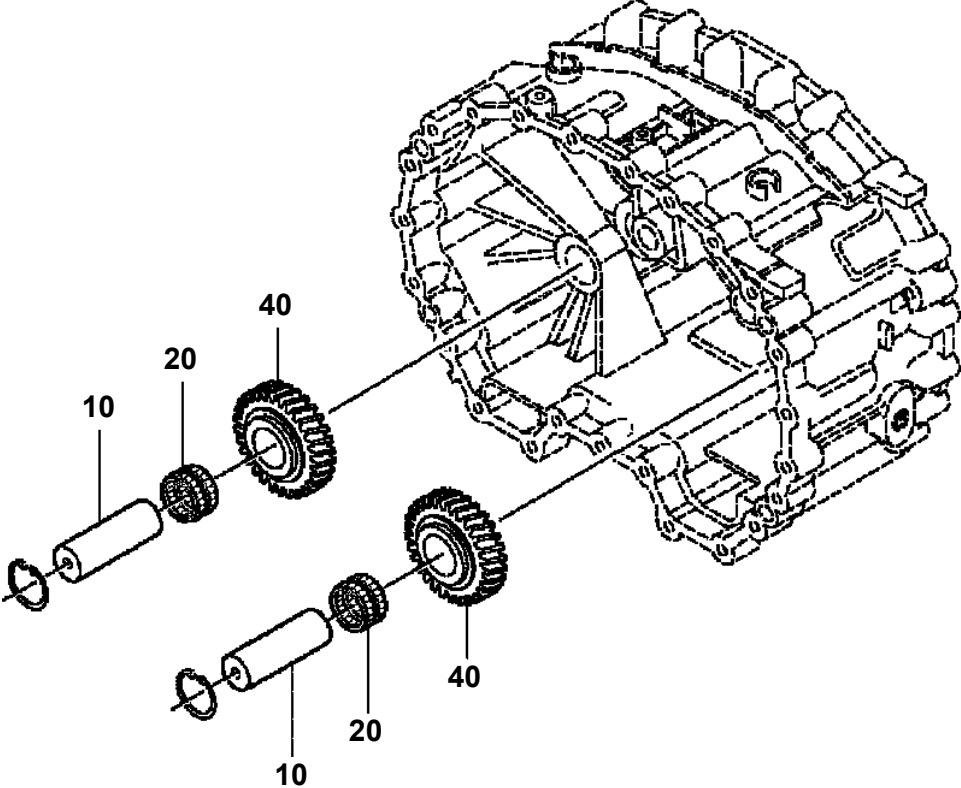
GT-300E-3-00801 4 BOOM + 2 JIB,2M2D
PT5160014-00 TOOL ASSY



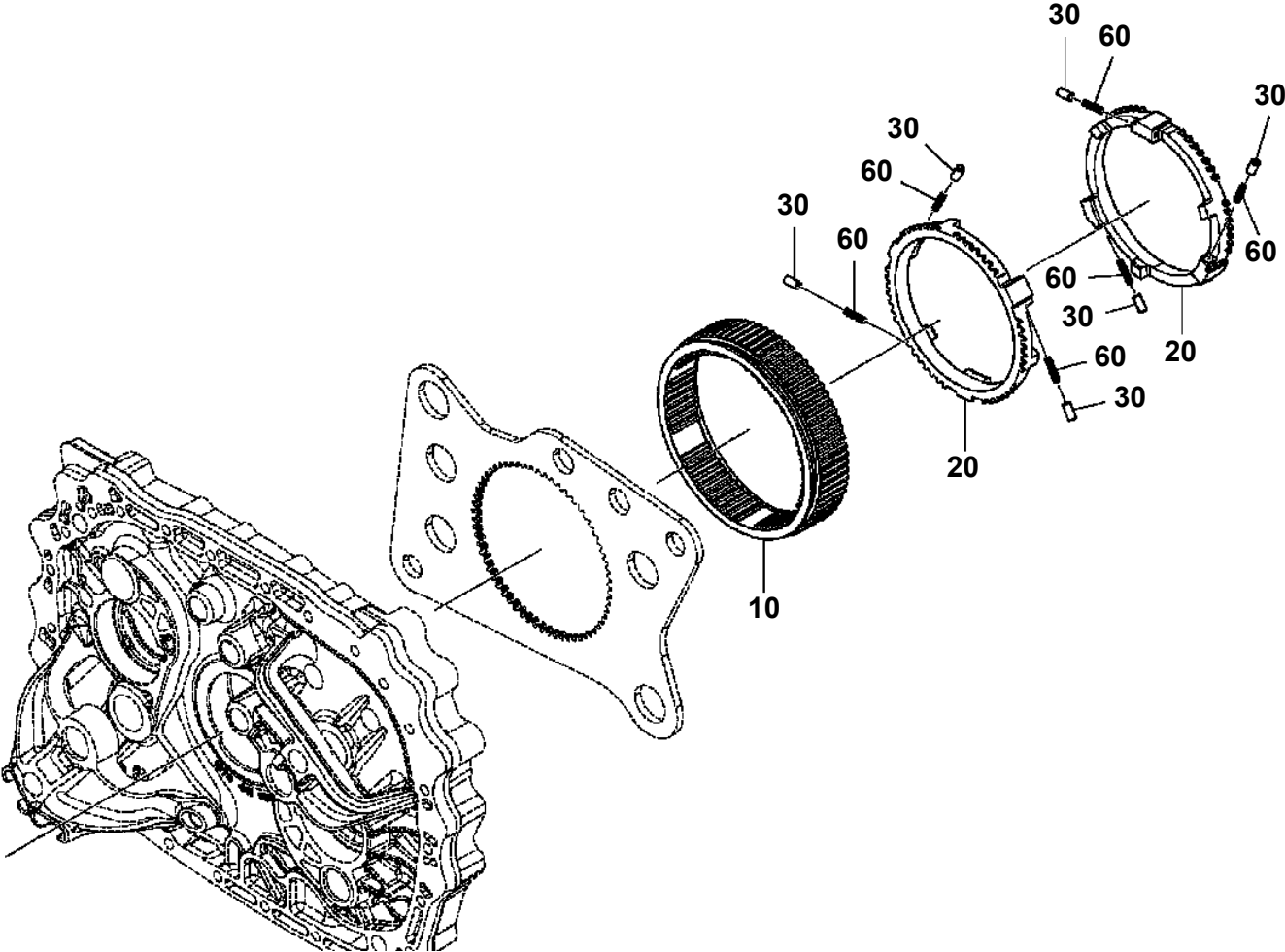
GT-300E-3-00801 4 BOOM + 2 JIB,2M2D

Pos No.	Parts No	Parts Name	Qty	Unit	Technical Data	Serial No (Start)	Ser
1	(*****)	TRANSMISSION ASSY (HOUSING)	1				
2	(*****)	TRANSMISSION ASSY (INPUT SHAFT)	1				
3	(*****)	TRANSMISSION ASSY (COUNTERSHAFT)	1				
4	(*****)	TRANSMISSION ASSY (MAIN SHAFT)	1				
5	(*****)	TRANSMISSION ASSY (RETURN)	1				
6	(*****)	TRANSMISSION ASSY (SHIFT SYSTEM)	1				
7	(*****)	TRANSMISSION ASSY (GV-SHIFT SYSTEM)	1				
8	(*****)	TRANSMISSION ASSY (RC HOUSING)	1				
9	(*****)	TRANSMISSION ASSY (PLANETARY DRIVE)	1				
10	(*****)	TRANSMISSION ASSY (SYNCHRONIZER GP)	1				
11	(*****)	TRANSMISSION ASSY (GP SHIFT SYSTEM)	1				
12	(*****)	TRANSMISSION ASSY (CLUTCH RELEASE DEVICE)	1				
13	(*****)	TRANSMISSION ASSY (HOUSING)	1				
14	(*****)	TRANSMISSION ASSY (INPUT)	1				
15	(*****)	TRANSMISSION ASSY (OUTPUT)	1				
16	(*****)	TRANSMISSION ASSY (OUTPUT)	1				
17	(*****)	TRANSMISSION ASSY (SHIFT SYSTEM)	1				
18	(*****)	TRANSMISSION ASSY (HOUSING)	1				
19	(*****)	TRANSMISSION ASSY (OUTPUT)	1				
20	(*****)	TRANSMISSION ASSY (ACTUATOR)	1				
21	(*****)	TRANSMISSION ASSY (HOUSING)	1				
22	(*****)	TRANSMISSION ASSY (SHIFT SYSTEM)	1				

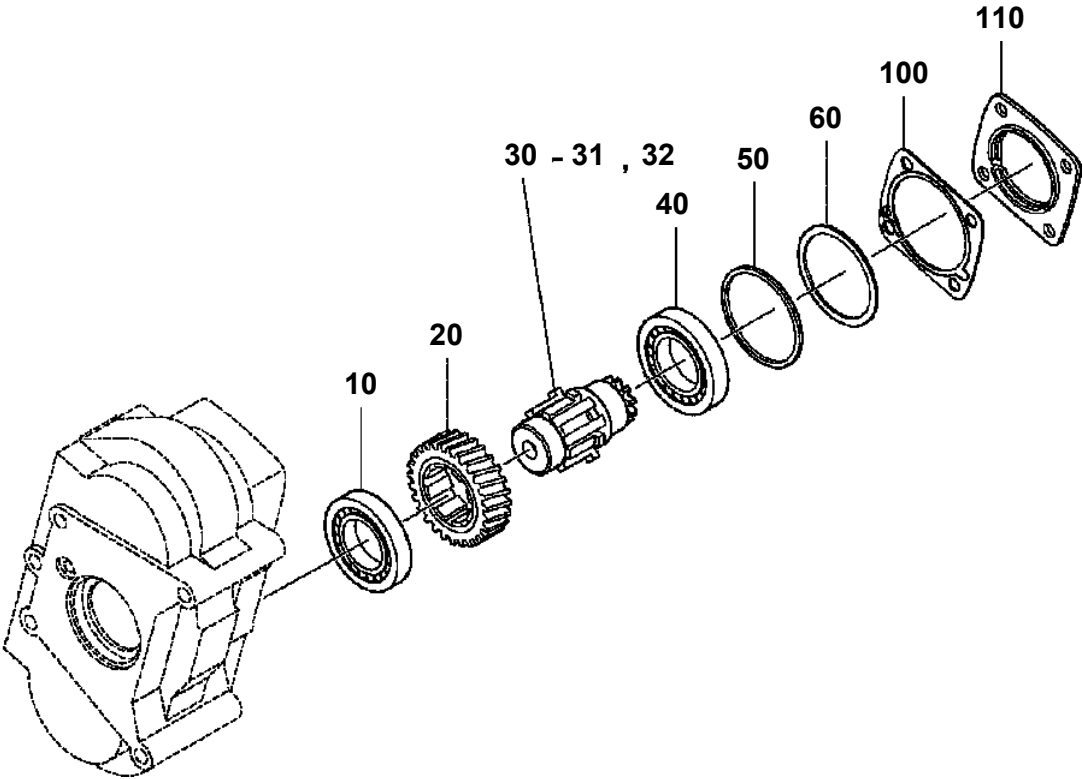
**GT-300E-3-00801 4 BOOM + 2 JIB,2M2D
PT5650039-00 TRANSMISSION ASSY (RETURN)**



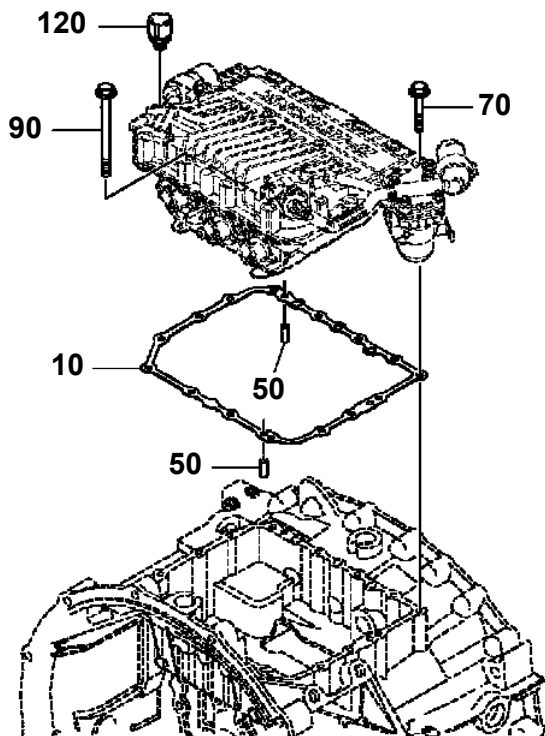
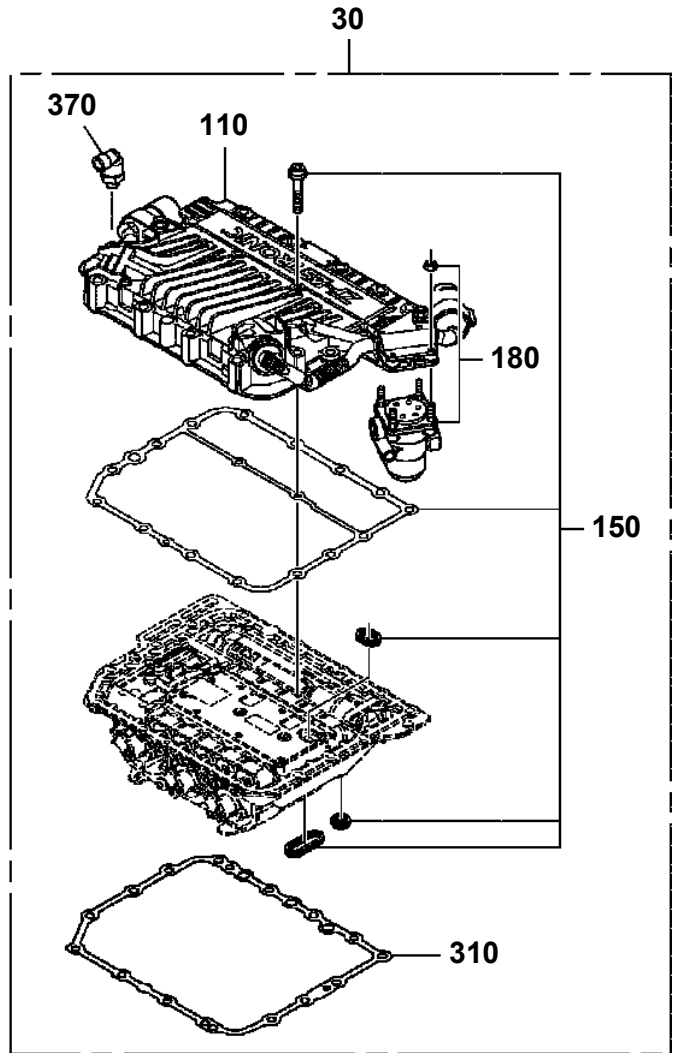
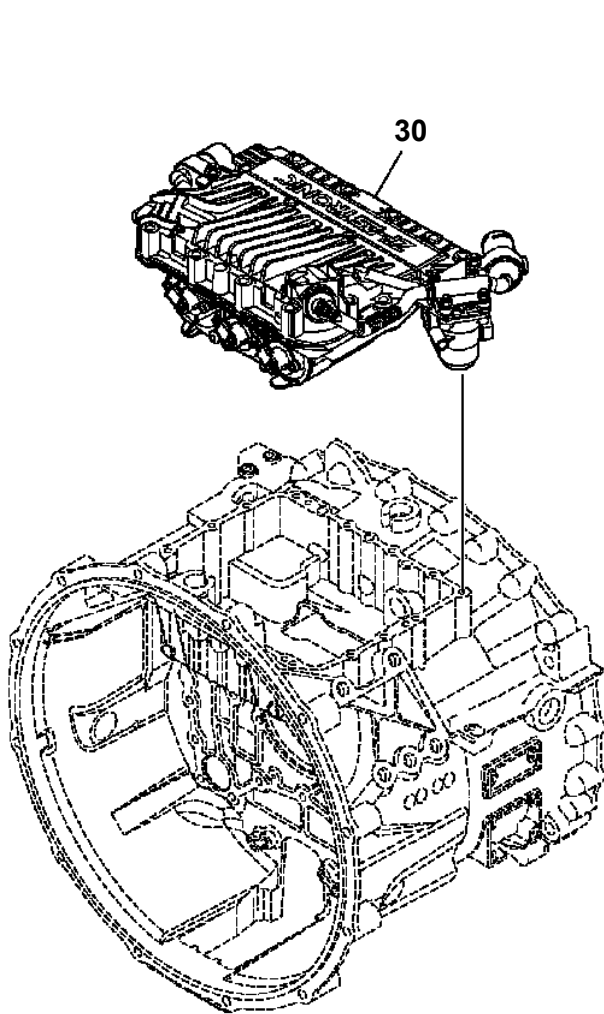
**GT-300E-3-00801 4 BOOM + 2 JIB,2M2D
PT5650044-00 TRANSMISSION ASSY (SYNCHRONIZER GP)**



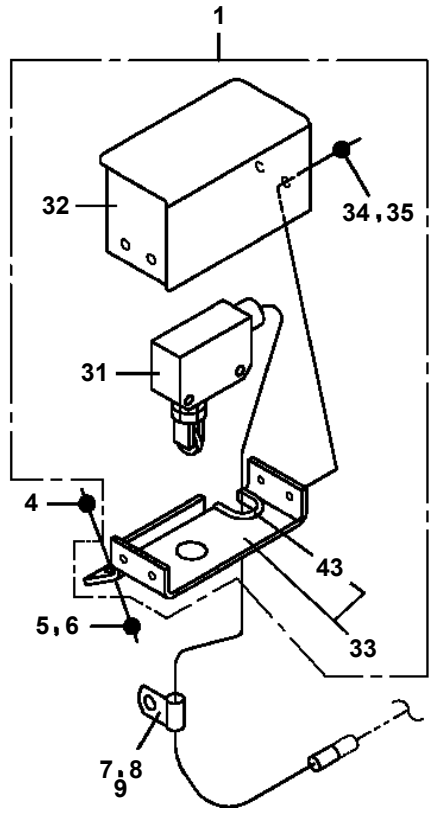
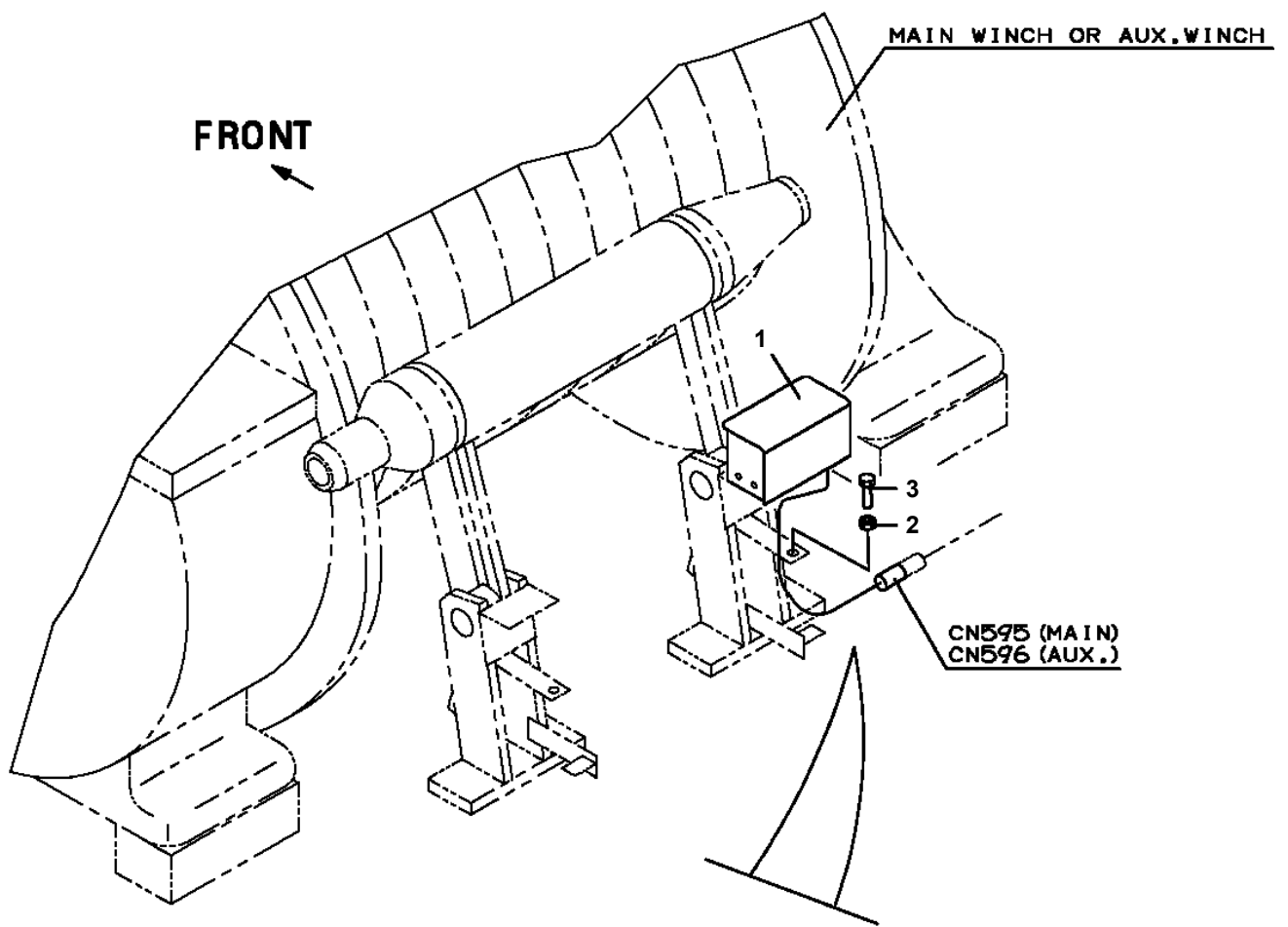
**GT-300E-3-00801 4 BOOM + 2 JIB,2M2D
PT5650049-00 TRANSMISSION ASSY (OUTPUT)**



GT-300E-3-00801 4 BOOM + 2 JIB,2M2D
PT5650054-00 TRANSMISSION ASSY (ACTUATOR)

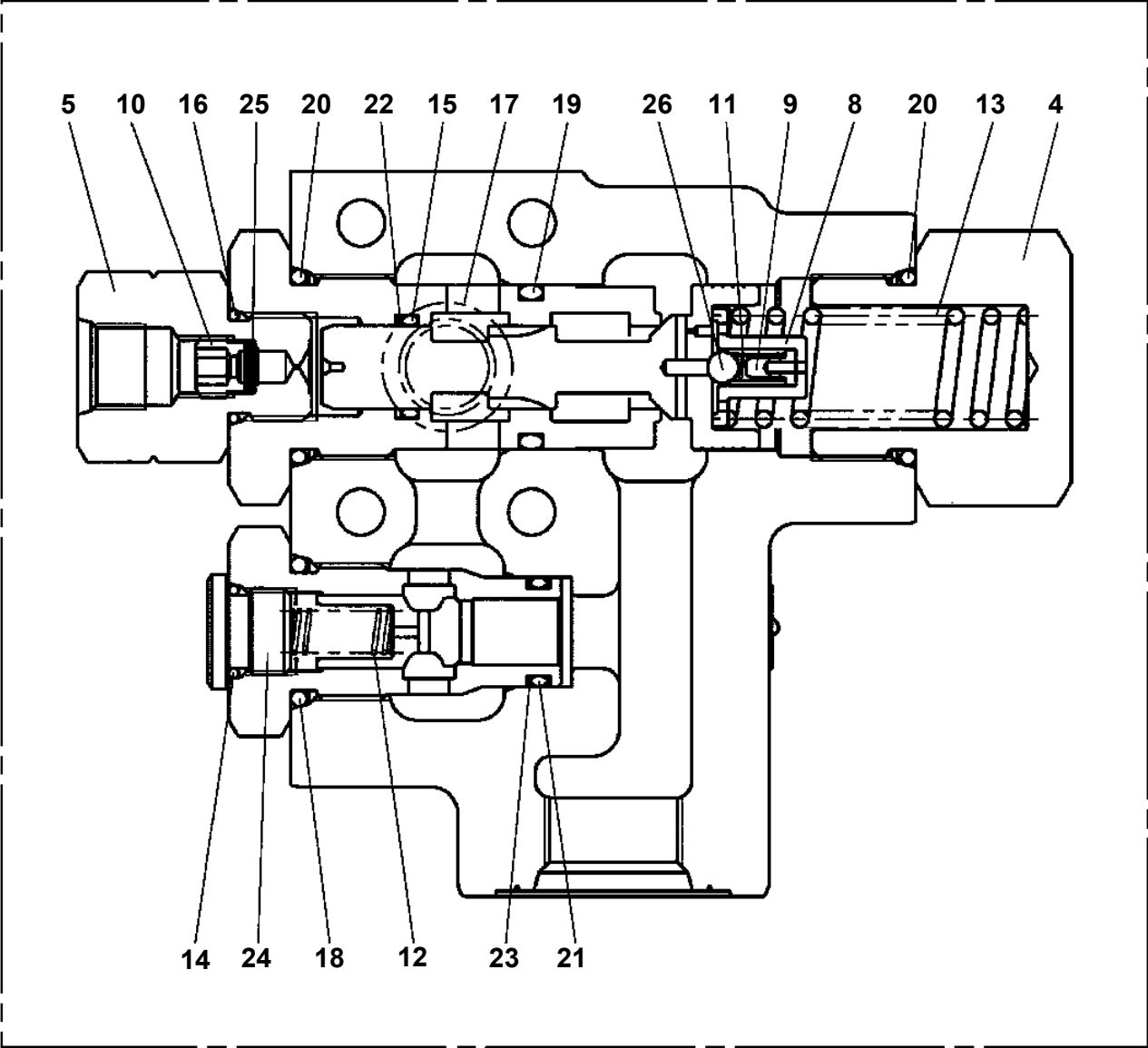


GT-300E-3-00801 4 BOOM + 2 JIB,2M2D
PU5010010-00 UNWIND CUTOUT ASSY (LOWERING LIMITER/MAIN & AUX.)



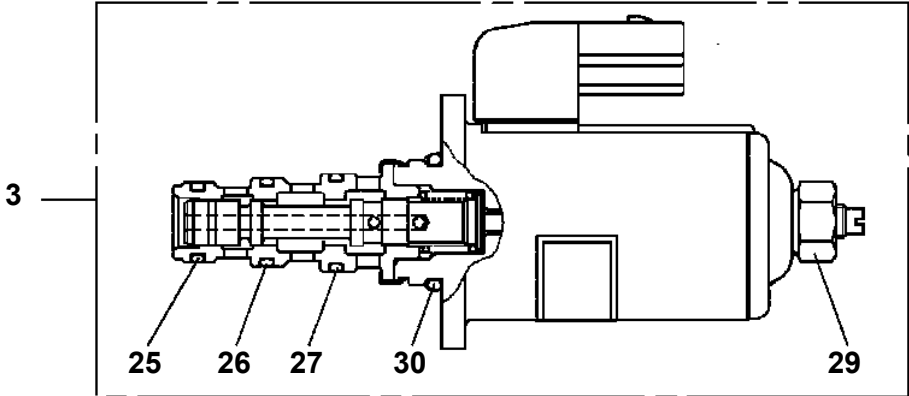
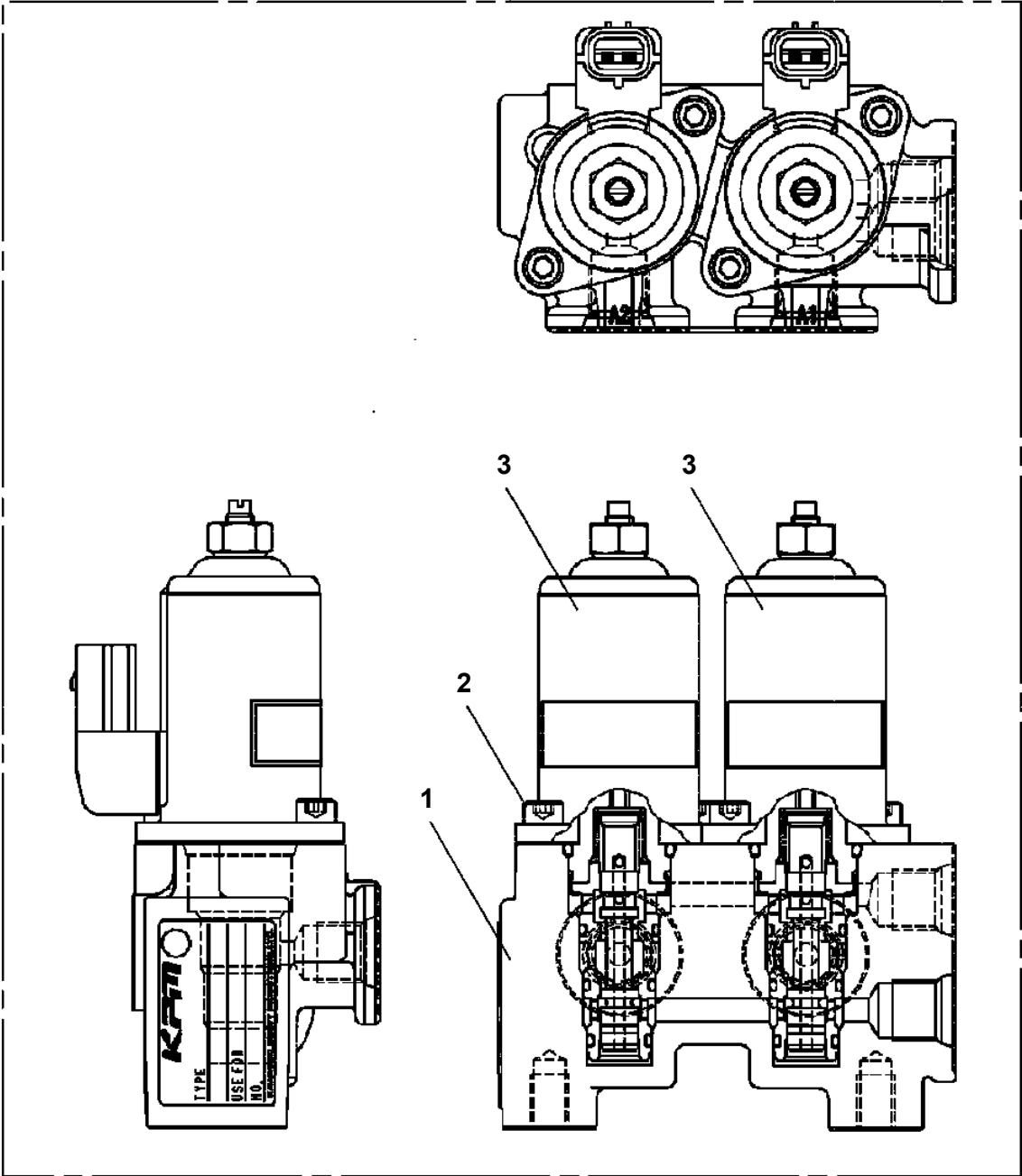
GT-300E-3-00801 4 BOOM + 2 JIB,2M2D
PV5070006-00 VALVE ASSY,COUNTERBALANCE

100



GT-300E-3-00801 4 BOOM + 2 JIB,2M2D
PV5240025-00 VALVE ASSY,SOLENOID

100



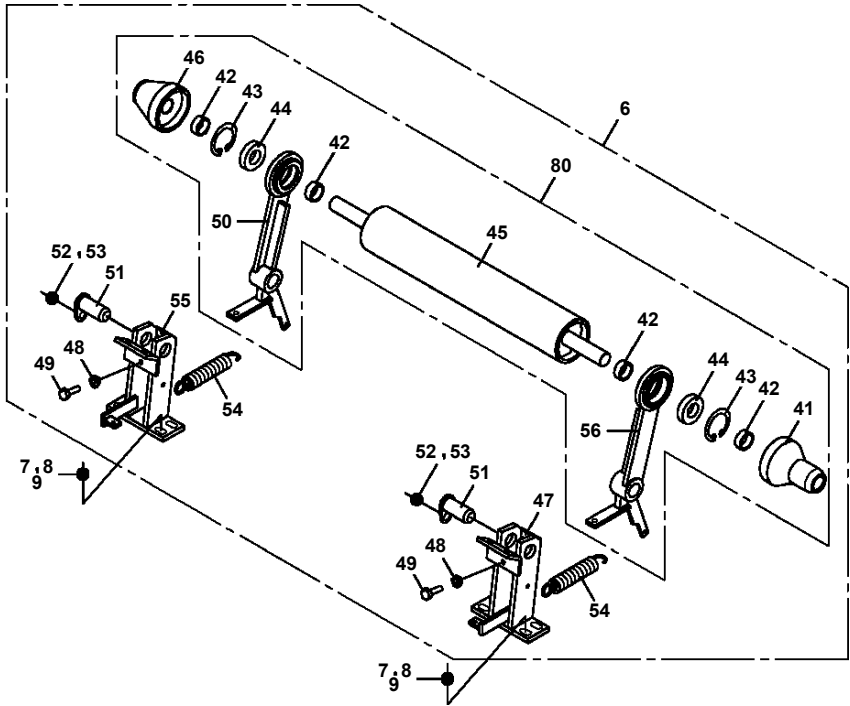
GT-300E-3-00801 4 BOOM + 2 JIB,2M2D

Pos No.	Parts No	Parts Name	Qty	Unit	Technical Data	Serial No (Start)	Serial No (End)	Remarks	P
1	34495470100	CAMERA (ASSY ONLY)	1						
2	34381371100	CABLE	1		L=10000				
3	34495470200	CABLE	1		L=300				
4	34381063300	CABLE	1		L=7000				
5	91810130240	FASTENER	78						

GT-300E-3-00801 4 BOOM + 2 JIB,2M2D

Pos No.	Parts No	Parts Name	Qty	Unit	Technical Data	Serial No (Start)	Serial No (End)	Remarks	Page
1	37003901420	WHEEL,TIRE (TOPY)	1		22.5X9.00				
2	37003805350	TIRE (MICHELIN)	1		315/80R22.5				

**GT-300E-3-00801 4 BOOM + 2 JIB,2M2D
PW5070038-00 WINCH ASSY (MOUNT)**



GT-300E-3-00801 4 BOOM + 2 JIB,2M2D

Pos No.	Parts No	Parts Name	Qty	Unit	Technical Data	Serial No (Start)	Serial No (End)	Remarks	Pages
1	99707063099	PROFILED JOINT	1	M					

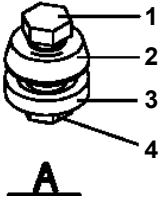
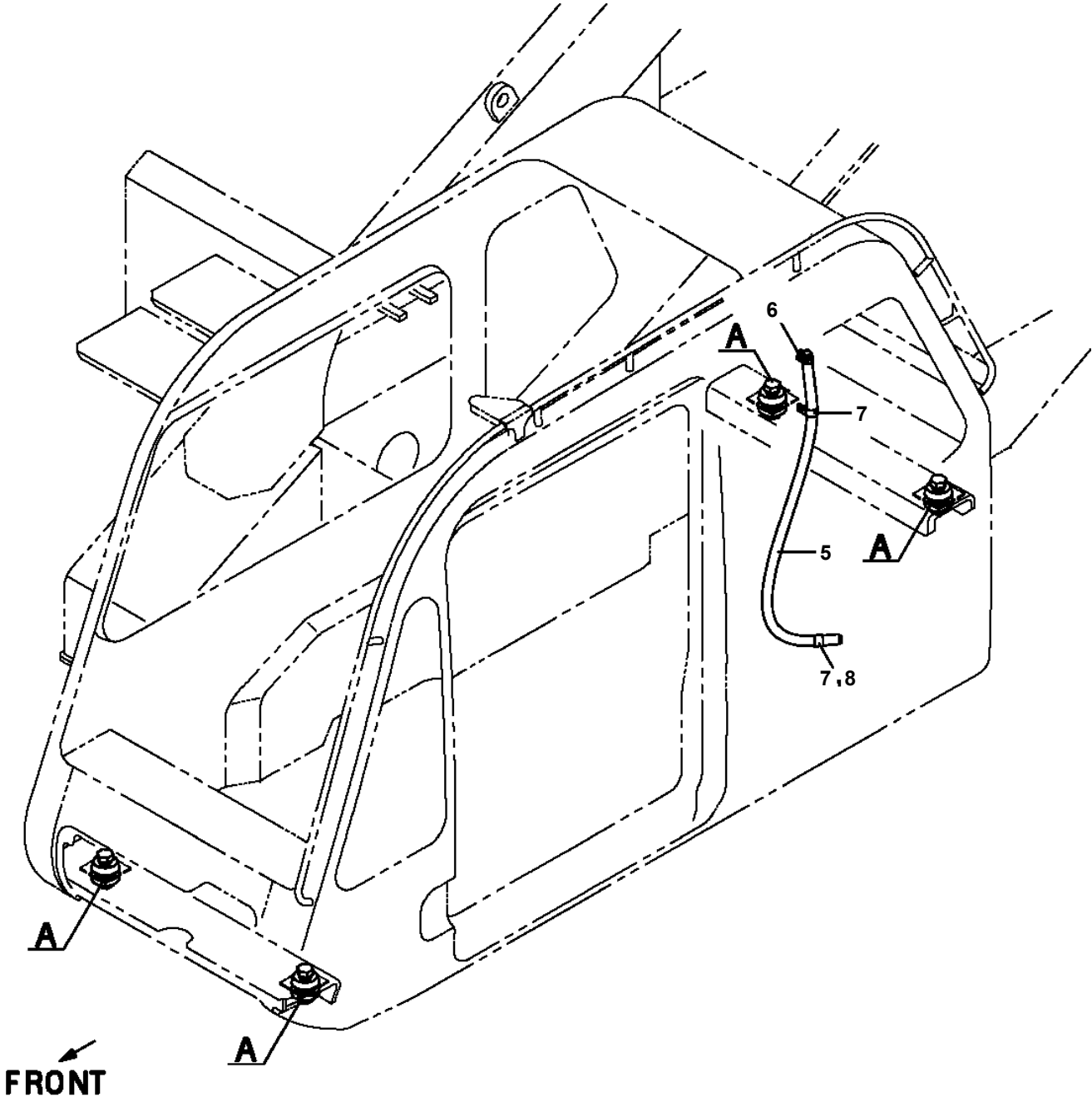
GT-300E-3-00801 4 BOOM + 2 JIB,2M2D

Pos No.	Parts No	Parts Name	Qty	Unit	Technical Data	Serial No (Start)	Serial No (End)	Remarks	Pages
1	36670850000	VALVE,AIR	8						
2	37000914940	JOINT	2						

GT-300E-3-00801 4 BOOM + 2 JIB,2M2D

Pos No.	Parts No	Parts Name	Qty	Unit	Technical Data	Serial No (Start)	Serial No (End)	Remarks	Page
1	82100001802	TUBE,CORRUGATE	4	M	10				
2	82100001803	TUBE,CORRUGATE	6	M	13				
3	82100001804	TUBE,CORRUGATE	2	M	15				
4	82100001805	TUBE,CORRUGATE	2	M	19				
5	82100001806	TUBE,CORRUGATE	2	M	22				
6	82100001807	TUBE,CORRUGATE	2	M	28				
7	82129435005	TUBE,CORRUGATE	2	M	35				

**GT-300E-3-00801 4 BOOM + 2 JIB,2M2D
PX5200014-00 MOUNT ASSY,CAB (CRANE)**



GT-300E-3-00801 4 BOOM + 2 JIB,2M2D

Pos No.	Parts No	Parts Name	Qty	Unit	Technical Data	Serial No (Start)	Serial No (End)	Remarks	Page
1	36101870000	TANK,FUEL (300L)	1						000
2	36180040000	SENDER,FUEL	1						
3	35610110100	SUPPORT	2						
4	35610110200	BAND	2						
5	90171112030	BOLT	8		M12X30				
6	90302041201	WASHER,SPRING	12		12				
11	37000701500	CLAMP ASSY	5		12X1				
12	82100002013	CLAMP	6		WRC18				
13	91803600200	CLIP	10		D=13-20				
14	37000932190	FITTING	4						
15	37000927780	JOINT	3		PT1/4:10				
16	37000913140	JOINT	1						
17	37000701510	CLAMP ASSY	3		12X2				
19	35610170200	SUPPORT	1						
20	34780290310	HOSE	1		L=310				
21	37000904040	FITTING	2		S,M20-M20				
24	34880620350	HOSE	3		L=350				
25	37002513480	HOSE	1		L=2000 TO 2300				
26	90304112001	WASHER (LOCK)	2		20				
27	90211202000	NUT	2		M20				
28	35610175040	PIPE ASSY	1		12XT0.9 L=719				
29	35610175020	PIPE ASSY	1		12XT0.9 L=1940				
30	35610175030	PIPE ASSY	1		12XT0.9 L=1657				
31	90101212040	BOLT	2		M12X40				
32	90303071201	WASHER,PLAIN	6		12				
33	90201200800	NUT	2		M8				
34	90280200800	NUT,FLANGE	2		M8				
35	90171112040	BOLT	2		M12X40				
36	90201701200	NUT	2		M12				
37	35610175060	PIPE ASSY	1		12X0.9 L=1312				
38	82100001804	TUBE,CORRUGATE	1	M	15				
39	91810130250	FASTENER	1						
40	99707014128	SCREWED SOCKET	2						
41	99707006541	SCREW STEM	2						
72	37000904840	NUT,FLARE	8		M20				

CLICK HERE TO **DOWNLOAD** THE COMPLETE MANUAL

- Thank you very much for reading the preview of the manual.
- You can download the complete manual from: www.heydownloads.com by clicking the link below



- Please note: If there is no response to CLICKING the link, please download this PDF first and then click on it.

CLICK HERE TO **DOWNLOAD** THE COMPLETE MANUAL