

GT-300E-3-00401 4 BOOM + 2 JIB,2M2D

PB0000332-00 UPPER STRUCTURE SYSTEM

PB0000512-00 LOWER STRUCTURE SYSTEM

ASSEMBLY

CLICK HERE TO **DOWNLOAD** THE COMPLETE MANUAL

- Thank you very much for reading the preview of the manual.
- You can download the complete manual from: www.heydownloads.com by clicking the link below



- Please note: If there is no response to CLICKING the link, please download this PDF first and then click on it.

CLICK HERE TO **DOWNLOAD** THE COMPLETE MANUAL

GT-300E-3-00401 4 BOOM + 2 JIB,2M2D

PS500049-00 STEERING & SUSPENSION
PS5050005-00 SEAT ASSY
PS5050012-00 SEAT ASSY
PS5170045-00 SHAFT ASSY,PROPELLER
PS5220025-00 SINGLE TOP ASSY
PS5220026-00 SINGLE TOP ASSY
PS5250011-00 SOCKET ASSY,ROPE
PS5340047-00 STEERING ASSY (AIR TUBE/CARRIER CAB)
PS5340049-00 STEERING ASSY
PS5340056-00 STEERING ASSY
PS5360024-00 STEP ASSY
PS5410001-00 SUNSHADE
PS5420467-00 SUPPORT ASSY (DASHBOARD SUPPORT BAR)
PS5420495-00 SUPPORT ASSY (ACCESSORY PARTS)
PS5420496-00 SUPPORT ASSY (CAB OUTER COVERING)
PS5420497-00 SUPPORT ASSY (HYDRAULIC PARTS)
PS5420498-00 SUPPORT ASSY (WIRING PARTS)
PS5420499-01 SUPPORT ASSY (BOOM)
PS5420500-00 SUPPORT ASSY (PLATE:ABS SENSOR CLAMP/3RD)
PS5420503-01 SUPPORT ASSY (BOOM,BASE:WIRING)
PS5420504-00 SUPPORT ASSY (BOOM,BASE:JIB ATTACHMENT)
PS5430011-00 SUPPORT ASSY,JIB
PS5500044-00 SWING ASSY
PS5510067-00 SWING FRAME ASSY
PS5520036-03 SWING TABLE ASSY
PS5530354-01 SWITCH ASSY (3)
PS5530367-02 SWITCH ASSY (L)
PS5530371-00 SWITCH ASSY
PS5530391-01 SWITCH ASSY (1)
PS5530493-00 SWITCH ASSY (PRESSURE SWITCH)
PS5540013-02 SWITCH (OVERWIND/JIB)
PS5550008-00 SUPPORT
PT1340000-01 VALVE,RELAY
PT1360002-00 VALVE,SAFETY
PT5090027-01 TANK ASSY,OIL
PT5090028-00 TANK ASSY,OIL
PT5130092-00 TELESCOPE ASSY
PT5160014-00 TOOL ASSY
PT5340018-00 TABLE,SLEWING
PT5390001-00 TANK (SUB)
PT5650033-01 TRANSMISSION ASSY
PT5650034-00 TRANSMISSION ASSY
PT5650035-00 TRANSMISSION ASSY (HOUSING)
PT5650036-00 TRANSMISSION ASSY (INPUT SHAFT)
PT5650037-00 TRANSMISSION ASSY (COUNTERSHAFT)
PT5650038-00 TRANSMISSION ASSY (MAIN SHAFT)
PT5650039-00 TRANSMISSION ASSY (RETURN)
PT5650040-00 TRANSMISSION ASSY (SHIFT SYSTEM)
PT5650041-00 TRANSMISSION ASSY (GV-SHIFT SYSTEM)
PT5650042-00 TRANSMISSION ASSY (RC HOUSING)
PT5650043-00 TRANSMISSION ASSY (PLANETARY DRIVE)
PT5650044-00 TRANSMISSION ASSY (SYNCHRONIZER GP)
PT5650045-00 TRANSMISSION ASSY (GP SHIFT SYSTEM)
PT5650046-00 TRANSMISSION ASSY (CLUTCH RELEASE DEVICE)
PT5650047-00 TRANSMISSION ASSY (HOUSING)
PT5650048-00 TRANSMISSION ASSY (INPUT)
PT5650049-00 TRANSMISSION ASSY (OUTPUT)
PT5650050-00 TRANSMISSION ASSY (OUTPUT)
PT5650051-00 TRANSMISSION ASSY (SHIFT SYSTEM)
PT5650052-00 TRANSMISSION ASSY (HOUSING)
PT5650053-00 TRANSMISSION ASSY (OUTPUT)
PT5650054-00 TRANSMISSION ASSY (ACTUATOR)
PT5650055-00 TRANSMISSION ASSY (HOUSING)
PT5650056-00 TRANSMISSION ASSY (SHIFT SYSTEM)

GT-300E-3-00401 4 BOOM + 2 JIB,2M2D

Pos No.	Parts No	Parts Name	Qty	Unit	Technical Data	Serial No (Start)	Serial No
1	34202720020	BOOM,2ND	1				
2	34202250290	SUPPORT	2				
3	90302041201	WASHER,SPRING	14		12		
4	90171112020	BOLT	14		M12X20		
6	34202250240	PLATE	2				
7	37002018390	PLATE,SLIDE (MATERIAL:MC801)	2				
	37002020260	PLATE,SLIDE (MATERIAL:OILAMID)	2				
8	34202090500	RETAINER (PLATE WORKING)	2				
	34202096850	RETAINER (CAST)	2				
9	90710712350	SCREW,SET	8		M12X35		
10	90201781200	NUT	8		M12		
11	37000587260	PLATE	2		T=9		
12	37000587300	PLATE	2		T=1.2		
13	90171112045	BOLT	4		M12X45		
14	34202096200	SUPPORT	1				
15	90101210014	BOLT	1		M10X14		
16	37000206540	PIN	1				
17	34200060120	SPACER	1		T=3.0		
18	37000515600	PLATE	2		T=1.0		
19	37001107630	ROLLER ASSY	1				
20	37001100150	ROLLER ASSY	1				
21	90171216050	BOLT	2		M16X50		
22	90201781600	NUT	2		M6		
23	37000208250	PIN	2				
24	80602110750	RING,RITAINING	2		R75		
25	90171118130	BOLT	2		M18X130		
26	90201781800	NUT (DACRO)	4		M18		
27	34202090060	PLATE	2		T=2.9		
28	34202090070	PLATE	2		T=4		
29	34202090080	PLATE	2		T=5		
30	34202090090	PLATE	2		T=6		
31	37010100250	PIN	2				
32	90171110018	BOLT	2		M10X18		
33	90303071001	WASHER,PLAIN	6		10		
34	90302041001	WASHER,SPRING	6		10		
35	37001010150	SHEAVE ASSY	2				
36	37000307920	SPACER	2		L=7.5		
37	37000312980	SPACER	2		L=5		
38	37000315630	SPACER	N		L=8.5		
39	37000315640	SPACER	N		L=9.5		
40	34200920700	SUPPORT	2				
41	34202250210	SUPPORT	2				
42	90171110030	BOLT	4		M10X30		
43	37002021050	PLATE,SLIDE (L=160/MATERIAL:MC703HL)	2				
	37002020140	PLATE,SLIDE (L=160/MATERIAL:OILAMID)	2				
45	90172108020	BOLT,HEXAGON SOCKET	4		M8X20		
46	37010501850	PLATE	2				
47	37010501860	PLATE	4				
48	37002018400	PLATE,SLIDE	2				
49	34202096100	SUPPORT	2				
50	90261000800	U-NUT	4		M8		
51	90303070601	WASHER,PLAIN	2		6		
52	82455106000	NIPPLE,GREASE	8		A-M6F FE		
53	37002019600	PLATE,SLIDE (0)	4		160X200		
54	37002019052	PLATE,SLIDE (-2)	N		160X200		
55	34202097010	SHIM	N		T=0.6		
56	37002003180	PLATE,SLIDE	2				
57	37002021110	PLATE,SLIDE	N				
58	37010501990	SHIM	4		T=1.2		
59	37010501980	SHIM	2		T=0.6		
60	90172106016	BOLT,HEXAGON SOCKET	2		M6X16		
61	37000590450	PLATE	N				
92	80516006004	BEARING,BALL	2				

GT-300E-3-00401 4 BOOM + 2 JIB,2M2D

Pos No.	Parts No	Parts Name	Qty	Unit	Technical Data	Serial No (Start)	S
103	34202090150	SUPPORT	1				
104	90171112028	BOLT	2		M12X28		
105	90302041201	WASHER,SPRING	2		12		
106	90303071201	WASHER,PLAIN	2		12		
107	37000143740	PIN	2				
108	80601110450	RING,RITAINING	2		S45		
109	37001005590	SHEAVE ASSY	1				
110	37001004930	SHEAVE ASSY	1				
111	37000303560	SPACER	4		L=3		
112	90172108012	BOLT,HEXAGON SOCKET	2		M8X12		
113	34202090110	SUPPORT	1				
121	80801003020	BEARING,PLAIN	4				
136	34202721850	SUPPORT	1				
146	34202721950	SUPPORT	1				
152	34202721400	SHEAVE ASSY	1				
154	31205281400	GUIDE	3				
161	80576100209	BEARING,BALL	2				
181	37001003330	SHEAVE ASSY	2				
182	34202321450	SUPPORT	1				
183	80601110400	RING,RITAINING	2		S40		
192	80602110800	RING,RITAINING	2		R80		
193	80513006208	BEARING,BALL	4				
202	(*****)	SUPPORT ASSY (BOOM,BASE:WIRING)	1				
203	(*****)	SUPPORT ASSY (BOOM,BASE:JIB ATTACHMENT)	1				

GT-300E-3-00401 4 BOOM + 2 JIB,2M2D

Pos No.	Parts No	Parts Name	Qty	Unit	Technical Data	Serial No (Start)	Serial No (End)	Remarks	Pages
1	36382686190	SPIDER	1						
2	36382686200	O-RING	1						
3	36382686210	SHOE ASSY	2						
4	36382686220	PIN	2						
5	36382686230	WASHER	1						
6	36382686250	CAMSHAFT	1						
7	36382686260	SPRING	1						
8	36382686270	SPRING	2						
9	36382686290	BRACKET	1						
10	36382686300	SCREW	4						
11	36382686310	NIPPLE,GREASE	1						
12	36382686320	WASHER	1						
13	36382686330	WASHER	1						
14	36382686340	WASHER	2						
16	36382686350	RING,SNAP	1						
17	36382686360	SHIELD (DUST)	1						
18	36382686370	BUSHING	2						
19	36382686380	BUSHING	1						
20	36382686390	SCREW	6						
21	36382686400	SEAL	1						
25	36382686410	PLUG	2						
26	36382686420	BUSHING	1						
27	36382686400	SEAL	1						
28	36382686440	ROLLER	2						
29	36382686450	RETAINER	2						
30	36382686460	PIN	2						
31	36382686481	LINING SET	1						
51	36382686470	SHOE,BRAKE (KIT)	1						
100	36382685010	BRAKE ASSY (RH)	1						

GT-300E-3-00401 4 BOOM + 2 JIB,2M2D

Pos No.	Parts No	Parts Name	Qty	Unit	Technical Data	Serial No (Start)	Serial No (End)	Remarks	P
1	36382665660	BRIDGE	1						
2	36382665670	CARRIER	1						
3	36382665650	HOUSING (LH)	1						
6	36382665720	RETAINER (PAD)	1						
8	36382665680	PISTON KIT	1						
20	36382665691	CAP (ADJUSTER)	1						
21	36382665701	SEAL (ACTUATOR)	1						
22	36382665740	SUPPORT (VWI)	1						
41	36382665711	PAD KIT	1						
42	36382665730	GUIDE KIT	1						
100	36382665370	BRAKE ASSY,DISK (LH)	1						

GT-300E-3-00401 4 BOOM + 2 JIB,2M2D

Pos No.	Parts No	Parts Name	Qty	Unit	Technical Data	Serial No (Start)	Serial No (End)	Remarks	P
1	36042241000	CYLINDER	1						
2	90201202000	NUT	1		M20				
3	91100105500	RING,SEAL	1						
4	36040020301	PISTON	1						
5	36040790101	ROD	1						
6	36040540300	COVER,ROD	1						
7	91002804801	O-RING	1		1B P48A				
8	91694003500	PACKING	1						
9	91410203501	RING,BACKUP	1						
10	91660003501	SEAL,DUST	1						
11	91002802000	O-RING	1		1B P20				
31	36043379900	PACKING SET	1		35X55				
50	36042240000	CYLINDER,EXTENSION	1						

GT-300E-3-00401 4 BOOM + 2 JIB,2M2D

Pos No.	Parts No	Parts Name	Qty	Unit	Technical Data	Serial No (Start)	Serial
1	(*****)	CAB ASSY	1				
2	34262253000	FRAME	1				
3	34261441100	SWITCH ASSY (STARTER & DOOR LOCK CYL.)	1				
4	34260954500	SUN VISOR (FRONT)	1				
5	34260954600	SUNSHADE	1				
6	34260981000	COVER ASSY (ASSY ONLY)	1				
100	34262250100	CAB ASSY (CRANE)	1				

GT-300E-3-00401 4 BOOM + 2 JIB,2M2D

Pos No.	Parts No	Parts Name	Qty	Unit	Technical Data	Serial No (Start)	S
1	35620530000	CAB ASSY	1				
3	(*****)	STEERING ASSY (AIR TUBE/CARRIER CAB)	1				
7	(*****)	ELEC.ASSY (CARRIER CAB)	1				
9	(*****)	OPE.ASSY,TRANSMISSION (CARRIER CAB)	1				
10	(*****)	OPE.ASSY,BRAKE (CARRIER CAB)	1				
12	(*****)	MODIFICATION ASSY (CARRIER CAB)	1				
13	(*****)	OUTER COVERING ASSY(CAB SIDE REAR COVER)	1				
14	(*****)	AIR CONDITIONER ASSY (CARRIER CAB)	1				
15	(*****)	MOUNT ASSY (MFD/CARRIER CAB)	1				
16	(*****)	MIRROR ASSY	1				

GT-300E-3-00401 4 BOOM + 2 JIB,2M2D

Pos No.	Parts No	Parts Name	Qty	Unit	Technical Data	Serial No (Start)	Serial No (End)	Remarks
1	36172515010	BOARD,CPU (WITH DATA)	1					
8	36171595180	SCREW,SET	12					
9	36171595190	SCREW,SET	11					
100	36172510000	CONTROLLER (DCU2)	1					

GT-300E-3-00401 4 BOOM + 2 JIB,2M2D

Pos No.	Parts No	Parts Name	Qty	Unit	Technical Data	Serial No (Start)	Serial No (End)	Remarks	Pages
10	35620658560	COVER	1						
20	35620658565	BRACKET (LH)	1						
30	35620658570	BRACKET (RH)	1						
40	35620658575	BRACKET	4						
50	35620657255	WASHER,PLAIN	24						
60	35620657280	WASHER,PLAIN	2						
70	35620657810	SCREW	24		M4X16				
80	35620657615	SCREW	2		M5X25				
90	35620657625	NUT	6		M4				
100	35620658555	CONSOLE	1						
110	35620657875	PROTECTOR	1	M					
120	35620657655	RIVET	18						
130	35620657870	RIVET	2						

GT-300E-3-00401 4 BOOM + 2 JIB,2M2D

Pos No.	Parts No	Parts Name	Qty	Unit	Technical Data	Serial No (Start)	Serial No (End)	Remarks	Pages
10	99707062990	COVER	1						000050
14	99707062635	PLATE	2						
20	35620657850	WASHER	4						
30	35620657560	BOLT	4		M6X22				
32	35620657985	WASHER,PLAIN	4						
34	35620657015	BOLT	4		M8X25				
40	99707062996	COVER	1						
50	35620657515	NUT	5						
55	35620658015	WASHER,SEAL	9						
60	35620657985	WASHER,PLAIN	5						
70	35620657050	BOLT	5		M8X20				
80	35620657965	SEAL	3	M					
100	35620657890	RUBBER,SEAL	3	M					
110	35620657880	SEAL	3	M					
120	35620657310	CLIP	1						
130	35620657390	JOINT,ELBOW	1						
140	99707062653	ROD	1						
150	35620657055	WASHER,PLAIN	1						
160	35620657260	NUT	2		M8				
170	99707036644	COVER	1						000051
180	99707036645	COVER	1						000052
190	35620657180	NUT	10						
200	35620657085	WASHER,PLAIN	14						
210	35620657360	BOLT	4		M6X30				
220	35620657070	BOLT	10		M6X16				
240	35620657660	RIVET	4						
250	(*****)	LOCK ASSY	1						000222
256	35620657605	CABLE TIE	3						
260	35620657055	WASHER,PLAIN	4						
270	35620657570	BOLT	4		M8X18				
280	35620657985	WASHER,PLAIN	4						
290	35620657565	BOLT	4		M8X14				
300	35620657030	SCREW	1		M5X16				
310	35620657915	SEAL	1	M					
320	35620657915	SEAL	1	M					
330	35620657970	SEAL	1	M					
340	35620657970	SEAL	1	M					
345	35620657990	WASHER,SEAL	4						
346	35620657085	WASHER,PLAIN	4						
350	35620657120	NUT	4		M6				
360	35620657100	BOLT	4		M6X40				

GT-300E-3-00401 4 BOOM + 2 JIB,2M2D

Pos No.	Parts No	Parts Name	Qty	Unit	Technical Data	Serial No (Start)	Serial No (End)	Remarks	Pages
10	99707062988	HINGE	2						
20	99707062991	COVER	1						
30	35620657395	PIN	2						
40	35620657270	RING,SNAP	2						
61	99707062992	COVER	1						
62	99707062482	HINGE	2						
63	35620657635	SCREW	4		M6X20				
64	35620657910	SEAL	3	M					
100	99707062990	COVER	1						

GT-300E-3-00401 4 BOOM + 2 JIB,2M2D

Pos No.	Parts No	Parts Name	Qty	Unit	Technical Data	Serial No (Start)	Serial No (End)	Remarks	Pages
2	35590423670	CUSHION	1						
3	35590424650	INSULATOR	1						
100	35590423650	COVER	1						

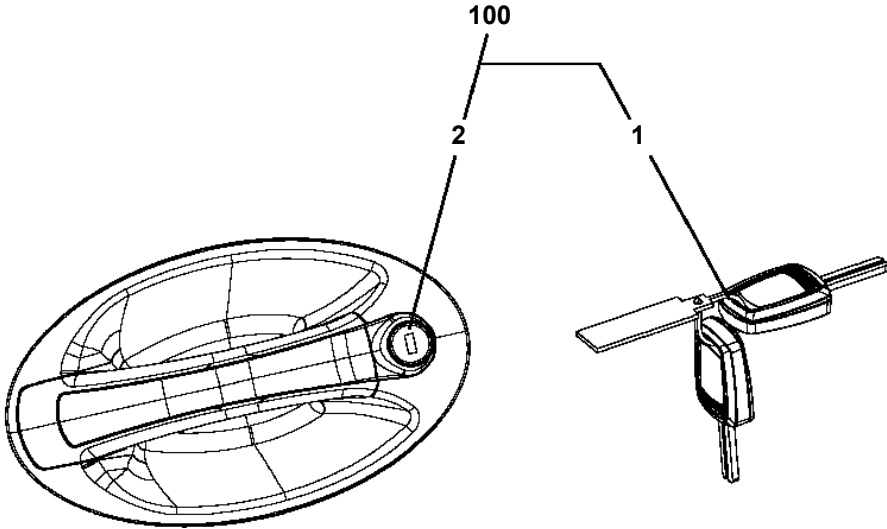
GT-300E-3-00401 4 BOOM + 2 JIB,2M2D

Pos No.	Parts No	Parts Name	Qty	Unit	Technical Data	Serial No (Start)	Serial No (End)	Remarks	Pages
4	35590421180	CUSHION	1						
5	35590421170	CUSHION	1						
6	35590421160	CUSHION	1						
13	35590421150	CUSHION	1						
14	12434402040	SPRING	2						
16	80172305010	SCREW,MACHINE	4		M5X10				
21	35590421250	CUSHION	2						
22	35590421200	CUSHION	2						
100	35590421101	COVER	1						

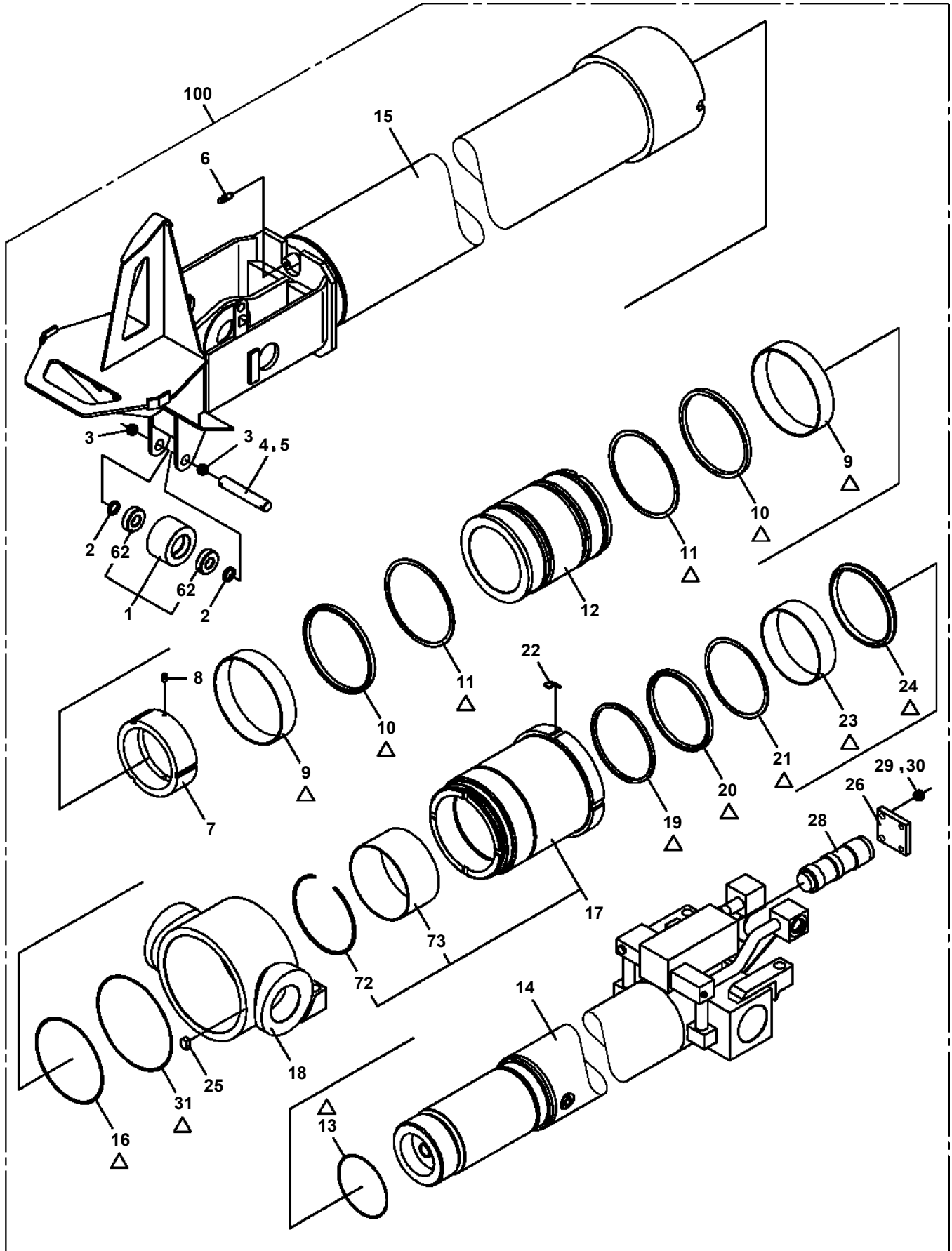
GT-300E-3-00401 4 BOOM + 2 JIB,2M2D

Pos No.	Parts No	Parts Name	Qty	Unit	Technical Data	Serial No (Start)	Serial No (End)	Remarks	Pages
1	35590422100	COVER	1						
2	82400000357	CATCH	1						
22	35590422020	CUSHION	1						
23	35590422030	CUSHION	2						
27	35590422050	CUSHION	1						
100	35590429540	COVER	1						

GT-300E-3-00401 4 BOOM + 2 JIB,2M2D
PC6010043-00 CYLINDER ASSY

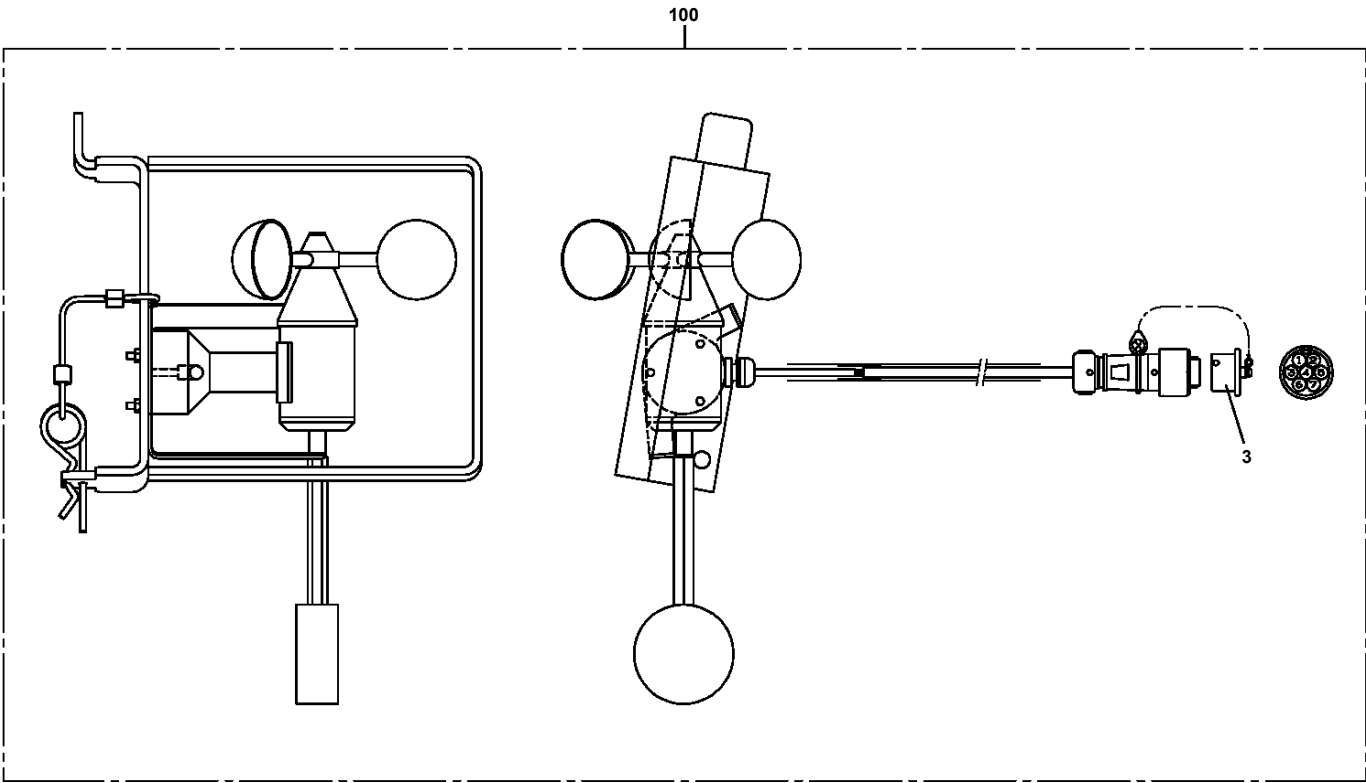


**GT-300E-3-00401 4 BOOM + 2 JIB,2M2D
PC6470127-00 CYLINDER ASSY,TELESCOPING**



△:PACKING SET KEY NO.80 (KEY NO.9,10,11,13,16,19,20,21,23,24,31)

GT-300E-3-00401 4 BOOM + 2 JIB,2M2D
PD5030017-00 DETECTOR ASSY



GT-300E-3-00401 4 BOOM + 2 JIB,2M2D

Pos No.	Parts No	Parts Name	Qty	Unit	Technical Data	Serial No (Start)	Serial No (End)	Remarks
10	99707063473	DOOR ASSY	1					
20	99707063474	DOOR ASSY	1					
30	99707063469	PLATE	4		3MM			
40	99707063470	PLATE	4		1MM			
50	99707063415	PLATE	4					
60	35620657630	BOLT,HEXAGON SOCKET	12		M8X20			
70	99707063225	BRACKET	1					
80	99707063226	BRACKET	1					
85	99707063355	PLATE	4					
90	35620657335	STRIKER	1					
100	35620657340	STRIKER	1					
110	35620657355	SCREW	4		M8X20			
120	35620657235	WASHER,PLAIN	8					
130	35620657670	BOLT	4		M8X25			
140	35620657820	NUT	4		M8			
150	35620657055	WASHER,PLAIN	4					
160	35620657275	NUT,LOCK	4		M8			
210	35620657095	NUT,CAP	4		M8			
215	35620657995	WASHER	4					
220	35620657685	MAGNET	2					
225	35620657700	WASHER,PLAIN	4					
230	35620657755	SCREW	4		M3X8			

GT-300E-3-00401 4 BOOM + 2 JIB,2M2D

Pos No.	Parts No	Parts Name	Qty	Unit	Technical Data	Serial No (Start)	Serial No (End)	Remarks	Pages
1	35580390101	DUCT	1						
2	35580390200	DUCT	1						
3	35580390300	DUCT	1						
4	35580390400	DUCT	1						
100	35580391000	DUCT ASSY	1						

GT-300E-3-00401 4 BOOM + 2 JIB,2M2D

Pos No.	Parts No	Parts Name	Qty	Unit	Technical Data	Serial No (Start)	Serial No (End)	Remarks	Pages
2	34510702620	PACKING	1						
3	34510702650	PACKING	1						
100	34510702600	DUCT	1						

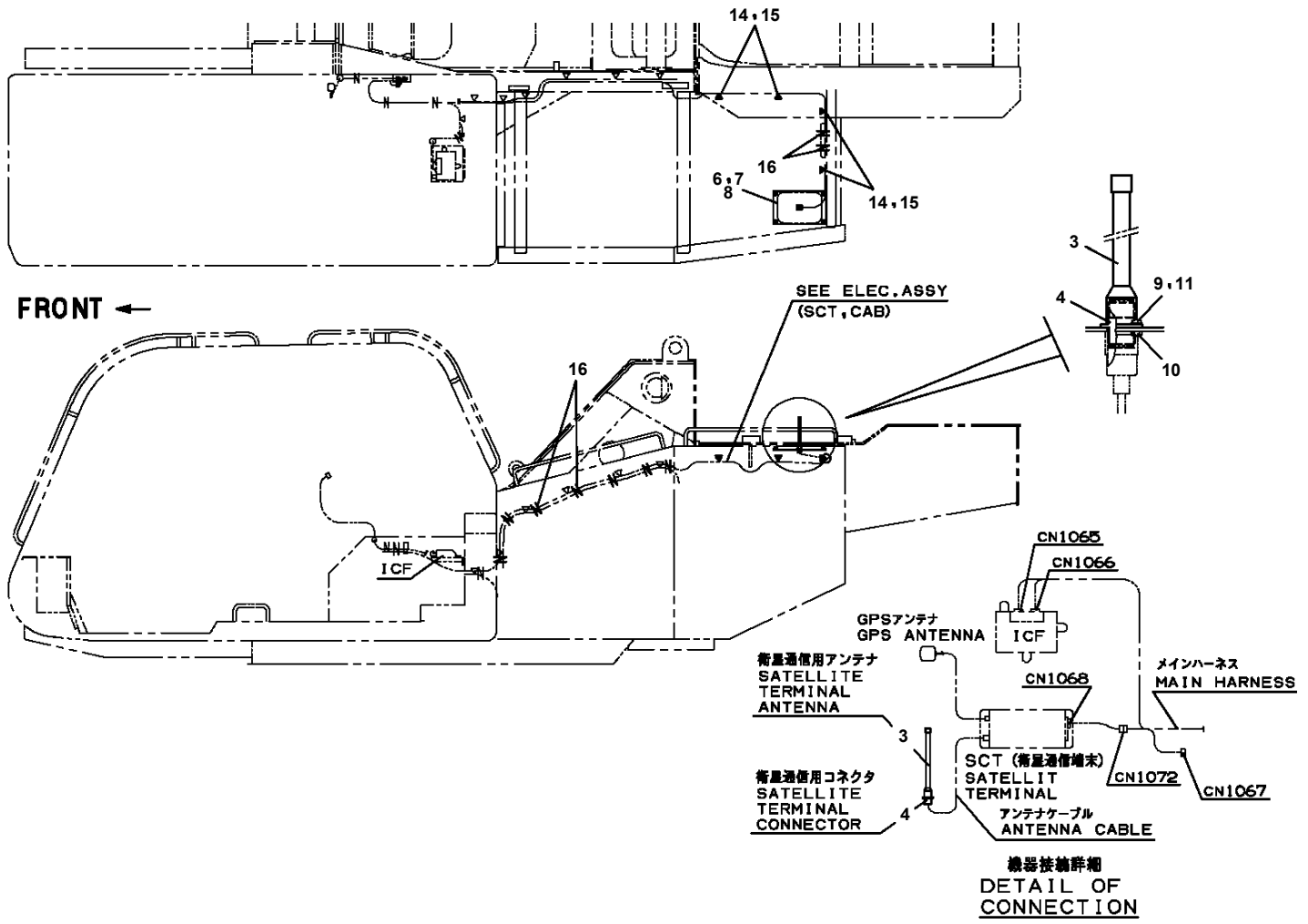
GT-300E-3-00401 4 BOOM + 2 JIB,2M2D

Pos No.	Parts No	Parts Name	Qty	Unit	Technical Data	Serial No (Start)	Serial No (End)
1	35780410102	HARNESS (CAB/CARRIER)	1				
3	(*****)	SWITCH ASSY (L)	1				
4	(*****)	PANEL ASSY (COMBINATION METER)	1				
5	(*****)	PANEL ASSY	1				
6	(*****)	RELAY ASSY	1				
7	35780390301	SUPPORT	1				
8	36172450000	CONTROLLER (VCU)	1				
9	36171090000	CONTROLLER	1				
10	35780390402	SUPPORT	1				
13	90186206010	BOLT,FLANGE	9		M6X10		
14	34783001100	SUPPORT	1				
15	82100002012	CLAMP	1		WR18		
16	90186208014	BOLT,FLANGE	6		M8X14		
18	82100000711	CLAMP	10				
19	90280200800	NUT,FLANGE	4		M8		
20	37000604250	CLAMP	1				
21	82100002011	CLAMP	1		WRC15		
22	80192484012	SCREW,MACHINE (WITH WASHER)	4		M4X12		
23	90280200600	NUT,FLANGE	18		M6		
24	37000604630	CLAMP	4		48		
25	82100002016	CLAMP	4		WR25		
26	90303070601	WASHER,PLAIN	8		6		
29	91810130240	FASTENER	23				
30	37002710741	CABLE	1		L=550		
31	37002711540	CABLE (WITH FASTENER)	1		L=300		
32	90303290800	WASHER,PLAIN	8		8		
33	90186208020	BOLT,FLANGE	3		M8X20		
35	37000583540	SUPPORT	2				
36	90186206014	BOLT,FLANGE	2		M6X14		
37	90303290600	WASHER,PLAIN	10		6		
38	36361393060	BRACKET (ADM NO1)	1				
39	36361393070	BRACKET (ADM NO2)	1				
40	82100001804	TUBE,CORRUGATE	N		15		
41	82100001807	TUBE,CORRUGATE	1	M	28		
42	36350841070	CONTROL UNIT (ASSY ONLY)	1				

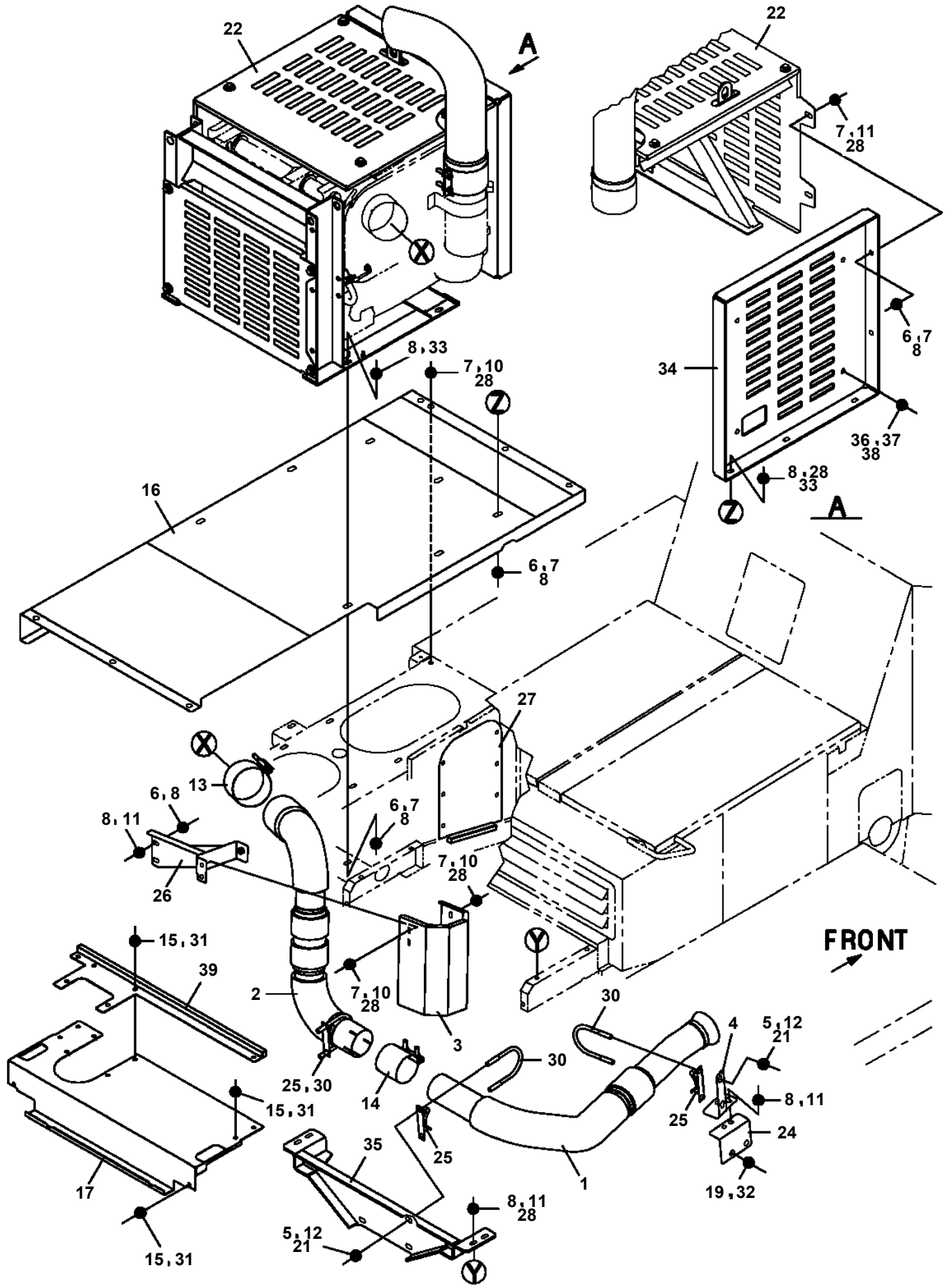
GT-300E-3-00401 4 BOOM + 2 JIB,2M2D

Pos No.	Parts No	Parts Name	Qty	Unit	Technical Data	Serial No (Start)	Serial No (End)	Remark
1	35780603100	HARNESS (TRANSMISSION)	1					
3	91810130240	FASTENER	36					
4	82100002006	CLAMP	1		WR10			
5	82100002011	CLAMP	2		WRC15			
6	90186208020	BOLT,FLANGE	1		M8X20			
7	90202200600	NUT	1		M6			
8	90280200600	NUT,FLANGE	1		M6			
9	90280200800	NUT,FLANGE	1		M8			

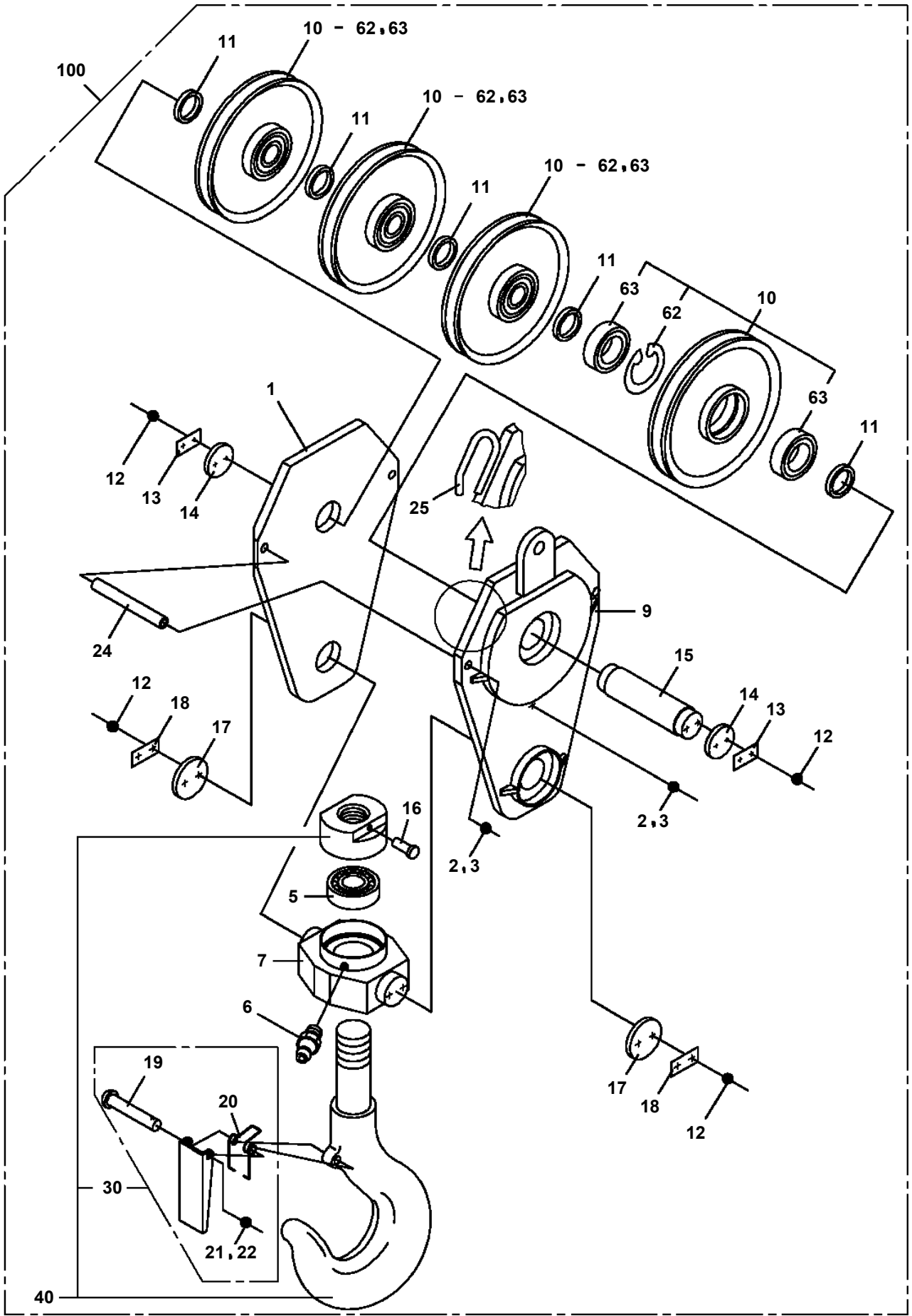
GT-300E-3-00401 4 BOOM + 2 JIB,2M2D
 PE5021215-00 ELEC.ASSY (SCT,ANTENNA)



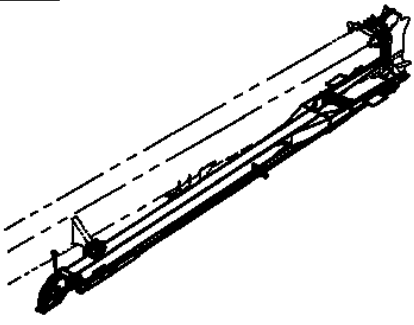
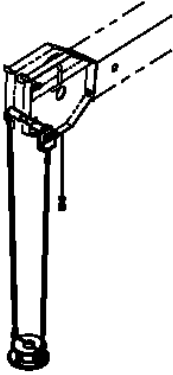
**GT-300E-3-00401 4 BOOM + 2 JIB,2M2D
PE5230045-01 EXHAUST ASSY**



GT-300E-3-00401 4 BOOM + 2 JIB,2M2D
PF1050458-01 HOOK (SHEAVE 4PC'S)

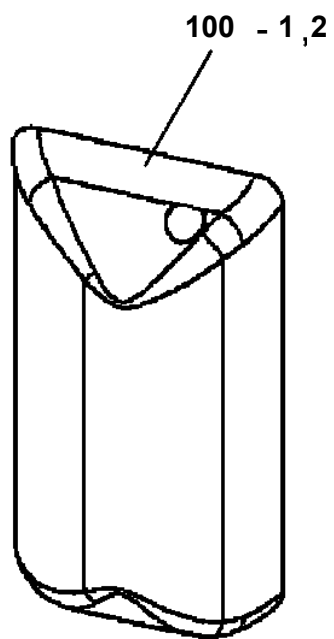


GT-300E-3-00401 4 BOOM + 2 JIB,2M2D
PG3000067-00 JIB SYSTEM

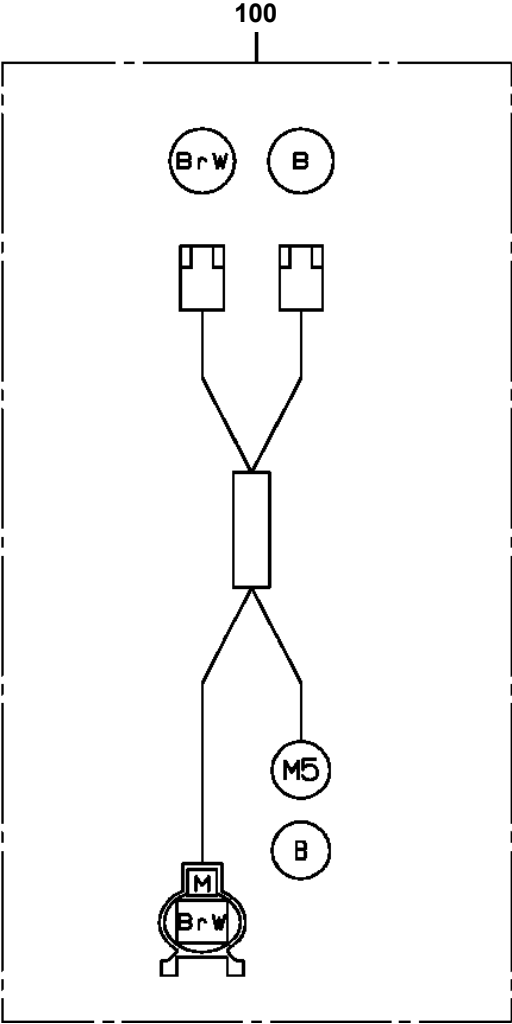
1 	2 	

適用製造番号によっては取り付けがないものもあります。
MACHINES OF SOME SERIAL NO. ARE NOT EQUIPPED WITH THESE PARTS.

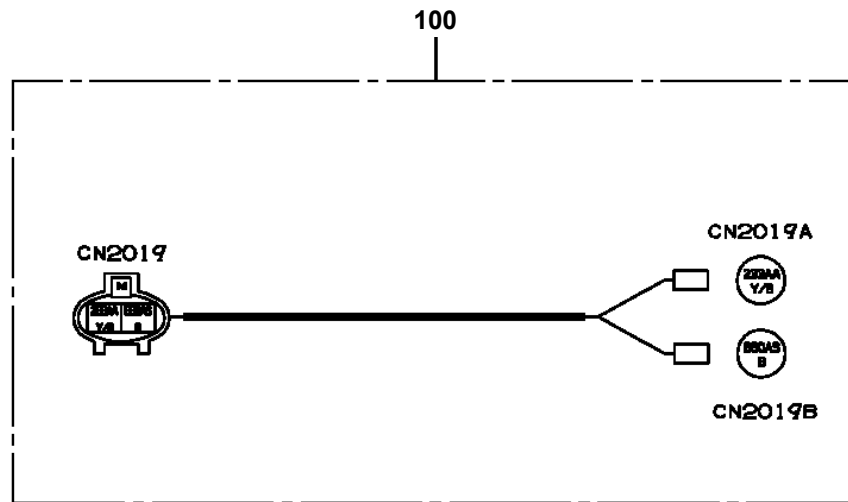
GT-300E-3-00401 4 BOOM + 2 JIB,2M2D
PH1760025-01 MIRROR



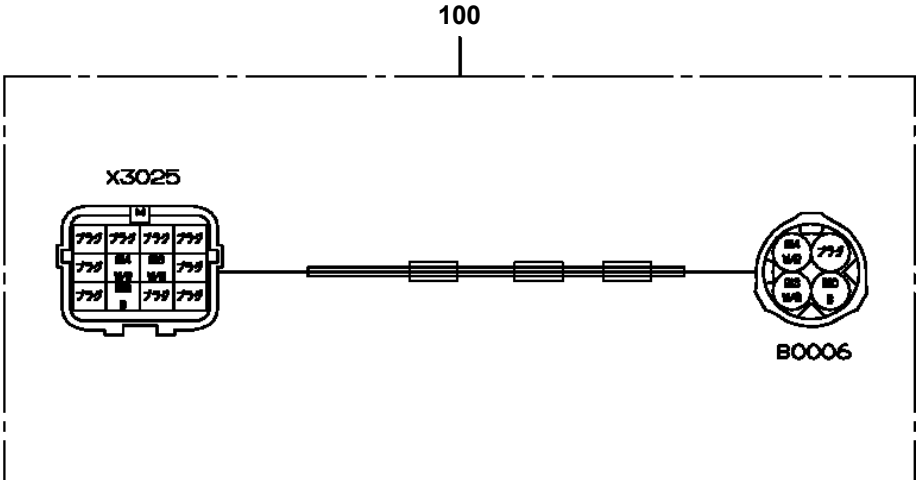
**GT-300E-3-00401 4 BOOM + 2 JIB,2M2D
PH5031282-00 HARNESS**



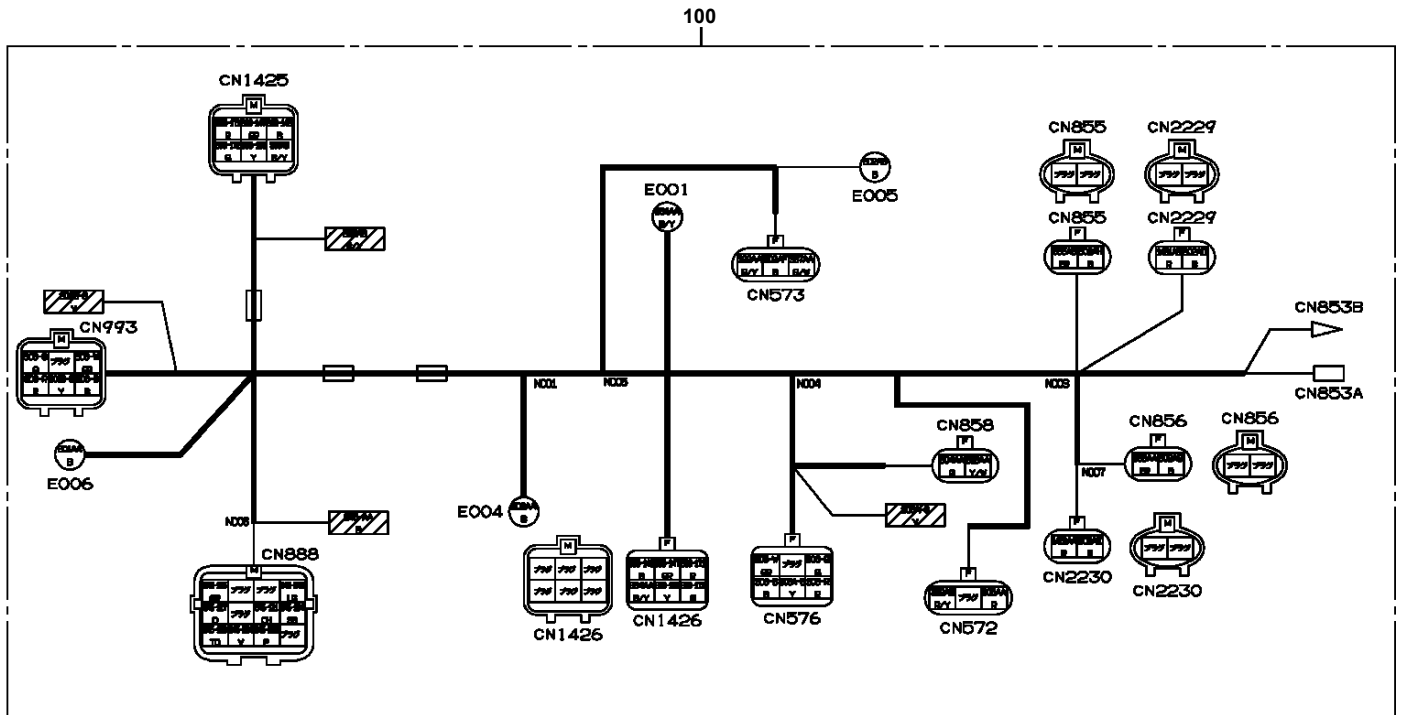
GT-300E-3-00401 4 BOOM + 2 JIB,2M2D
PH5033449-00 HARNESS (LIGHT)



**GT-300E-3-00401 4 BOOM + 2 JIB,2M2D
PH5033501-01 HARNESS (TRANSMISSION)**



GT-300E-3-00401 4 BOOM + 2 JIB,2M2D
PH5033620-00 HARNESS (BOOM)



GT-300E-3-00401 4 BOOM + 2 JIB,2M2D

Pos No.	Parts No	Parts Name	Qty	Unit	Technical Data	Serial No (Start)	Serial No (End)	Remarks	Pa
100	35900412100	HARNESS (ABS:MAIN)	1						

GT-300E-3-00401 4 BOOM + 2 JIB,2M2D

Pos No.	Parts No	Parts Name	Qty	Unit	Technical Data	Serial No (Start)	Serial No (End)	Rem
100	34711302020	HARNESS (FOR CONVERSION)	1					

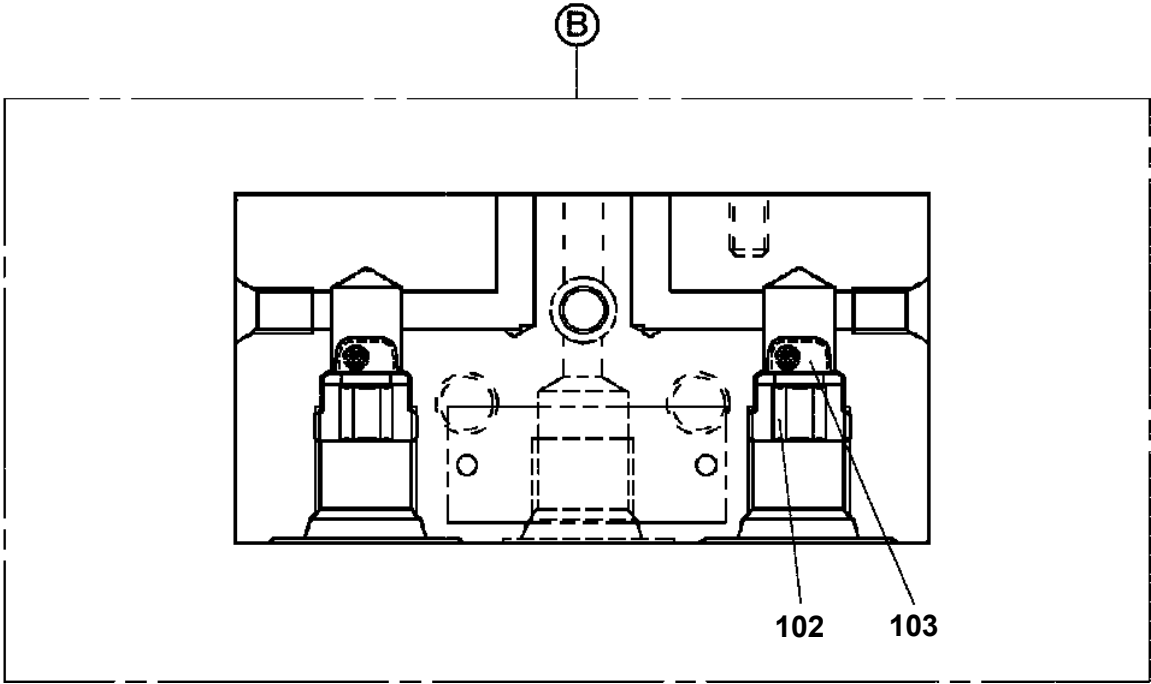
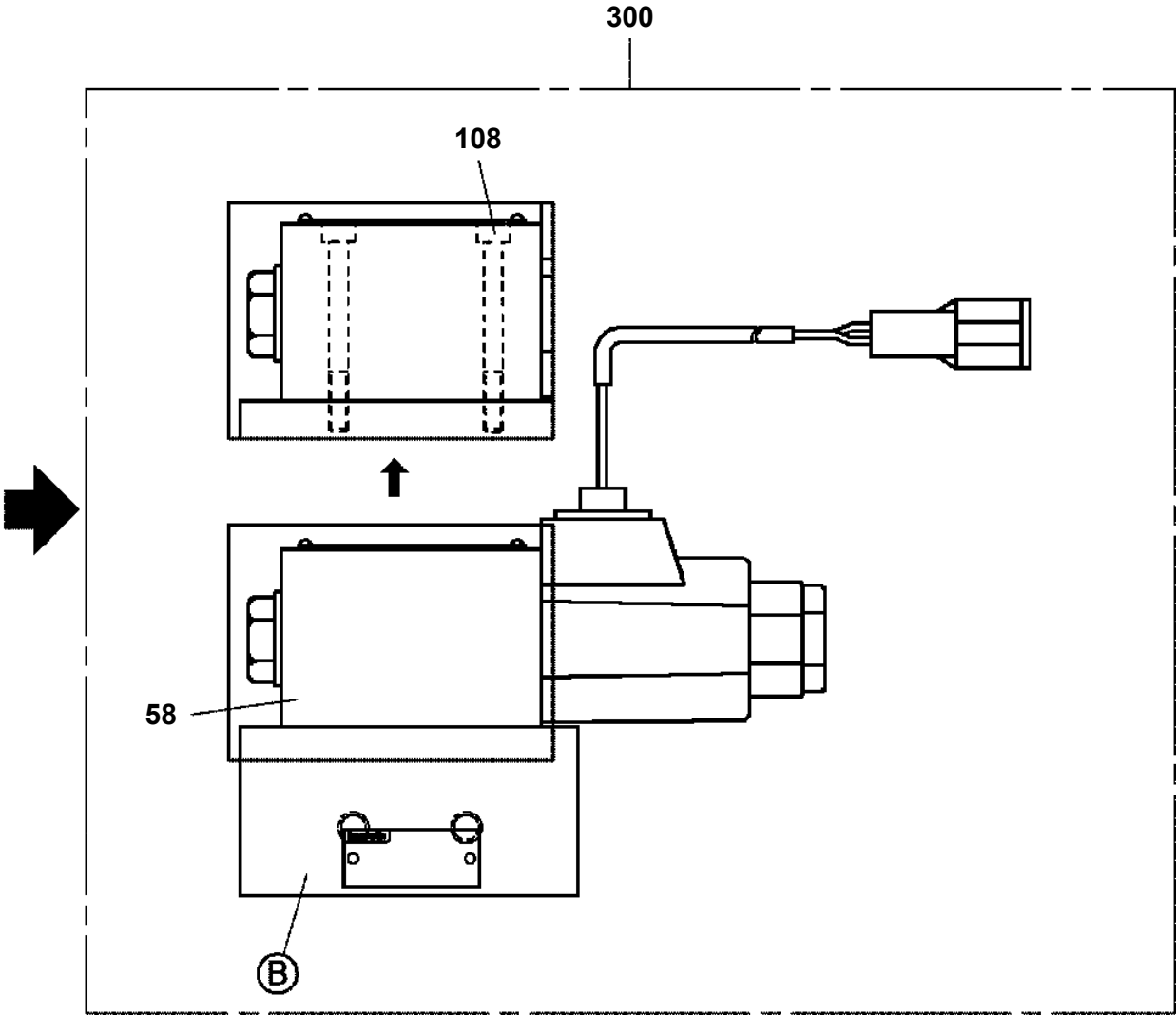
GT-300E-3-00401 4 BOOM + 2 JIB,2M2D

Pos No.	Parts No	Parts Name	Qty	Unit	Technical Data	Serial No (Start)	Serial No (End)	Remarks	Pa
1	34783190200	COVER	1						
2	34783020100	SUPPORT	1						
3	34783841000	FILTER ASSY	1						
5	37000925070	JOINT	2		S,PT3/8-16				
6	37000929220	JOINT	2		S 13-16				
7	90303070801	WASHER,PLAIN	2		8				
8	90302040801	WASHER,SPRING	6		8				
9	90101208016	BOLT	2		M8X16				
10	82100002044	CLAMP	30		WE25				
11	82100002016	CLAMP	8		WR25				
12	90280200800	NUT,FLANGE	44		M8				
13	91801630026	CLIP	3						
14	91801630024	CLIP	15		22.6-26.0				
15	90186208014	BOLT,FLANGE	20		M8X14				
16	91801630022	CLIP	4		D=19.9-22.6				
17	90101208020	BOLT	3		M8X20				
18	90201200800	NUT	4		M8				
19	37000805691	JOINT	2						
20	37000931380	JOINT	1						
21	82100002017	CLAMP	1		WR30				
22	37002520110	HOSE (CAR HEATER)	1		L=630				
23	37002519190	HOSE	1		L=1460				
24	37002519200	HOSE	1		L=460				
25	37002518410	HOSE	1		16,L=750				
26	37002520500	HOSE	1		L=4200				
27	37002516400	HOSE	1		L=200				
28	37002512150	HOSE	1		L=640				
29	37002519800	HOSE (CAR HEATER)	1		L=1500				
30	37002515660	HOSE	1		L=2500				
31	37002520490	HOSE	1		L=7300				
32	91810132530	FASTENER	2						
33	90186208020	BOLT,FLANGE	1		M8X20				
34	82100002042	CLAMP	1		WE20				
35	82100001819	TUBE,SPIRAL	1	M	SE-18BK				
36	37002520930	HOSE (CAR HEATER)	1		L=630				
61	82400000201	GROMMET	1		KG-016				

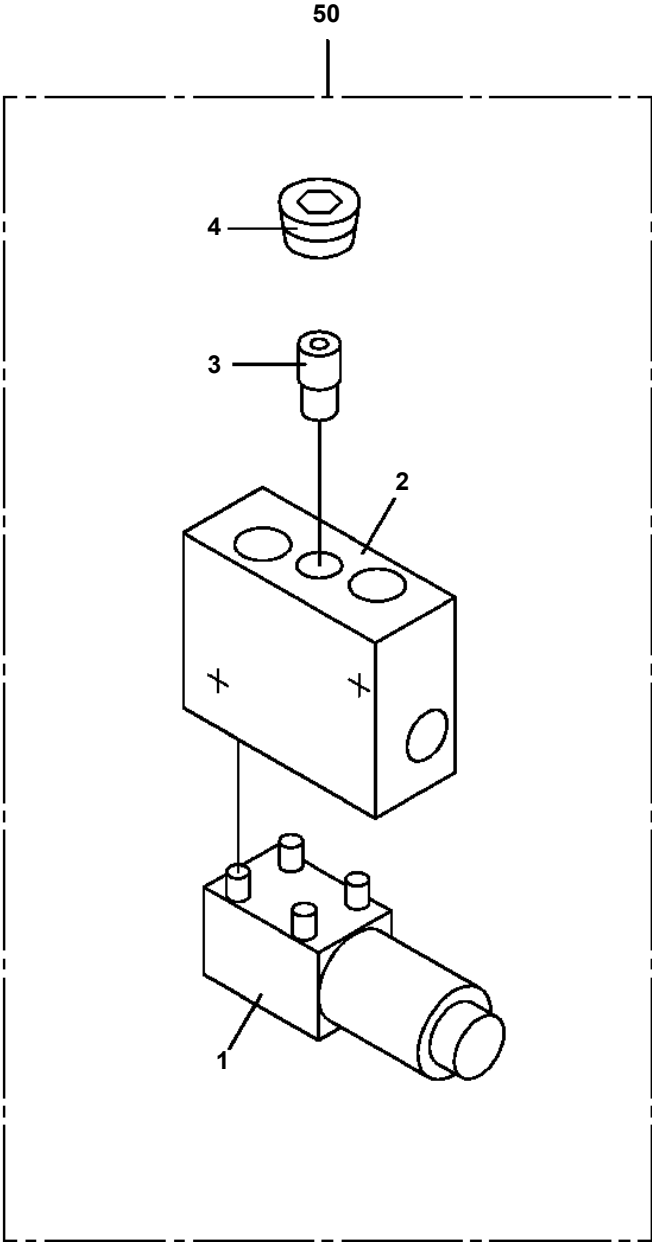
GT-300E-3-00401 4 BOOM + 2 JIB,2M2D

Pos No.	Parts No	Parts Name	Qty	Unit	Technical Data	Serial No (Start)	Serial No (End)	Remarks	Page
51	36663445050	SEAL KIT	1						
100	36663440003	MOTOR,HYDRAULIC	1						

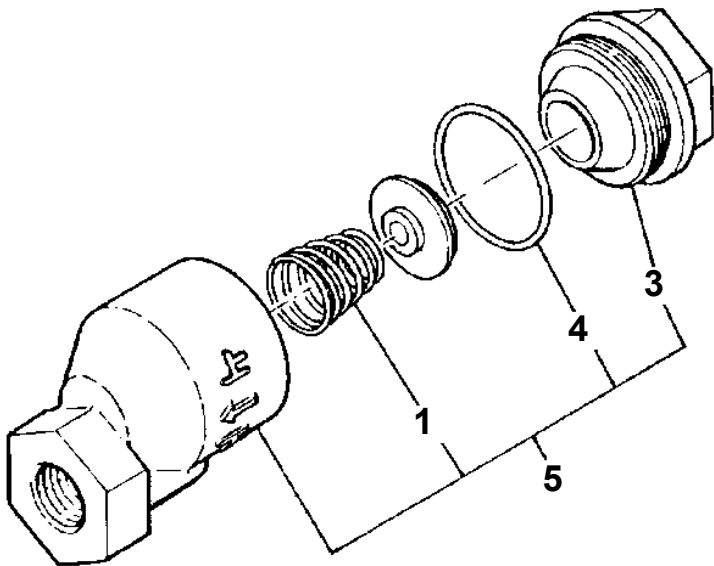
GT-300E-3-00401 4 BOOM + 2 JIB,2M2D
PI1120138-04 VALVE,SOLENOID



GT-300E-3-00401 4 BOOM + 2 JIB,2M2D
PI1120299-00 VALVE,SOLENOID

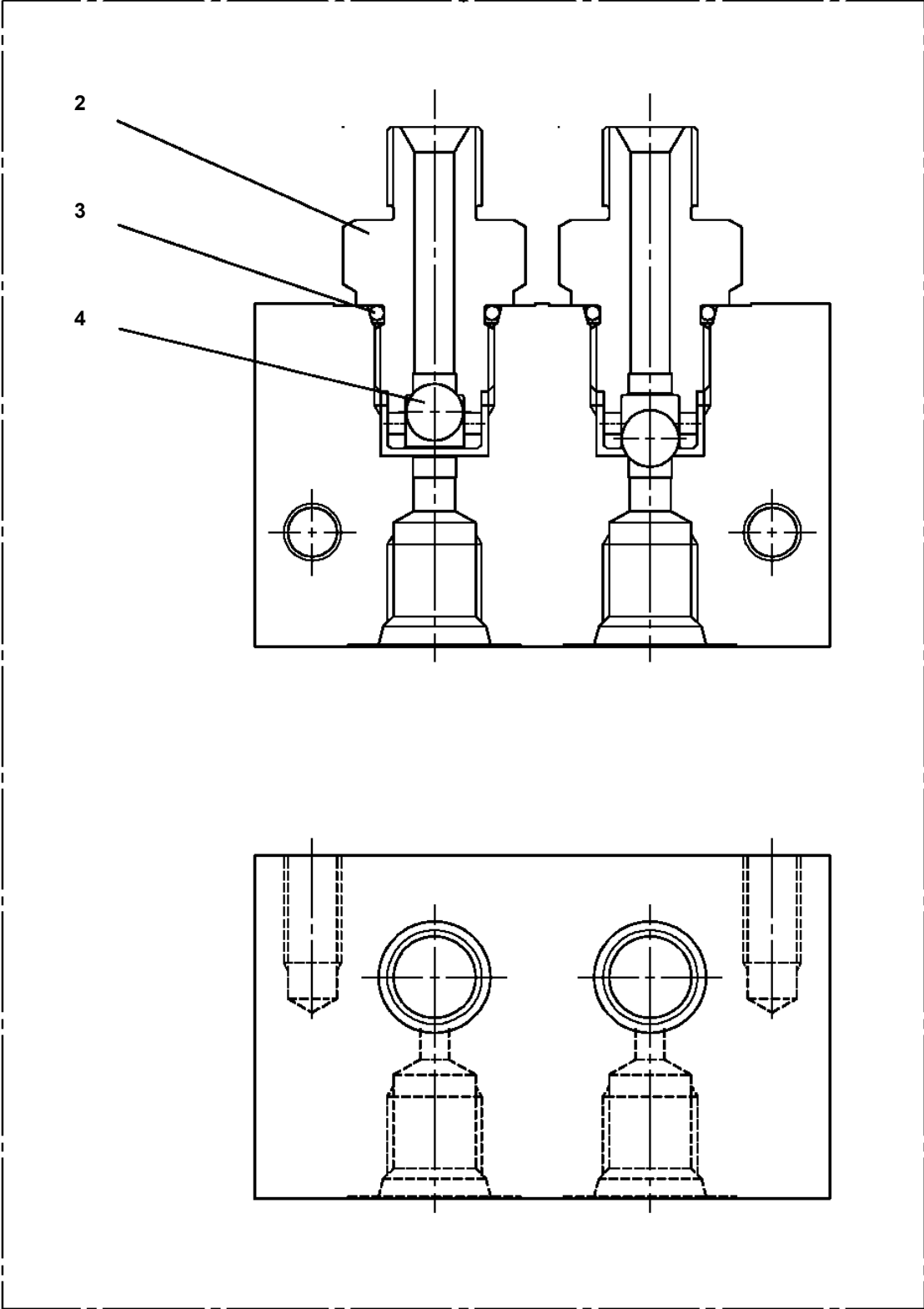


GT-300E-3-00401 4 BOOM + 2 JIB,2M2D
PI1140040-00 VALVE,CHECK



GT-300E-3-00401 4 BOOM + 2 JIB,2M2D
PI1230006-00 VALVE,SHUTTLE

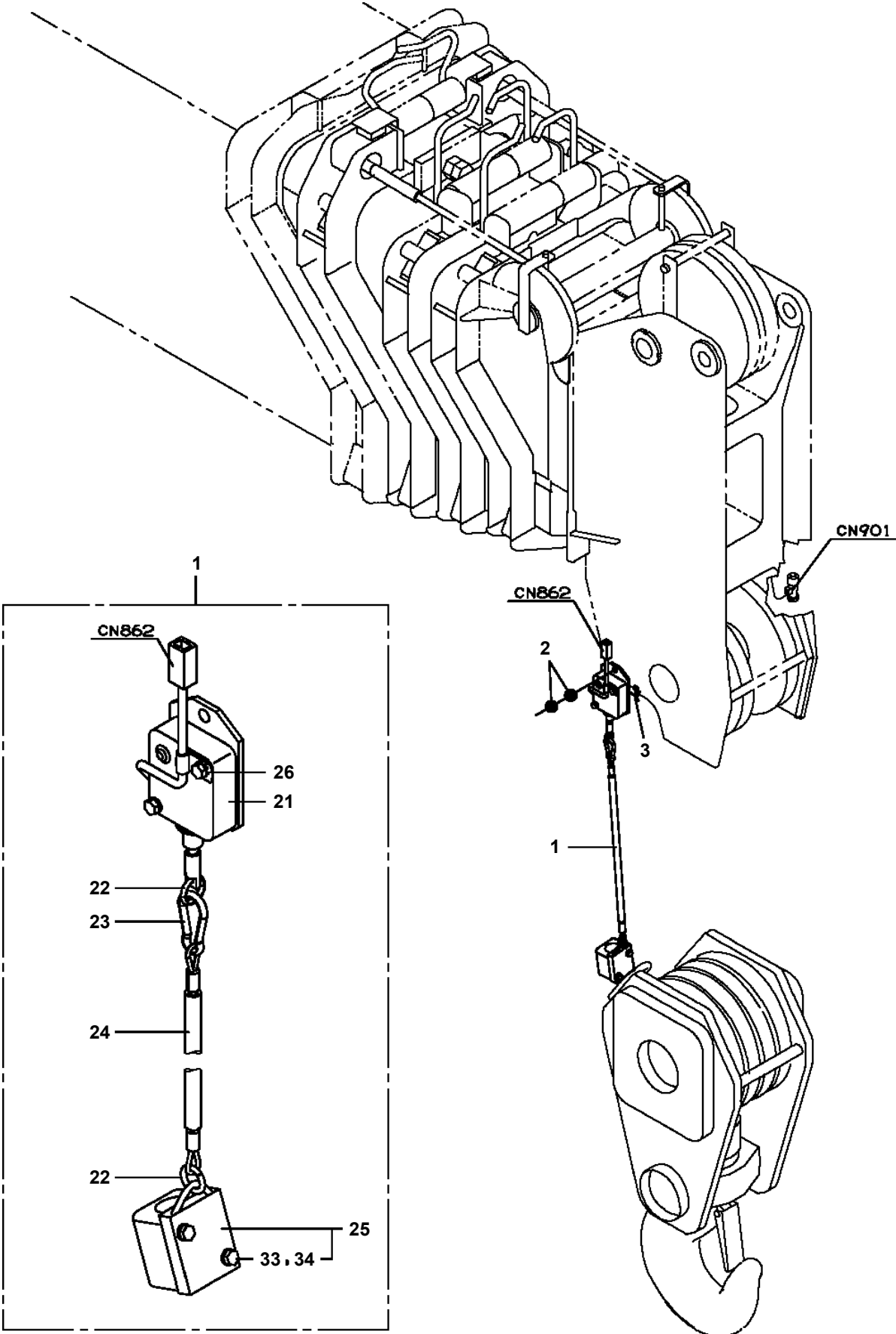
10



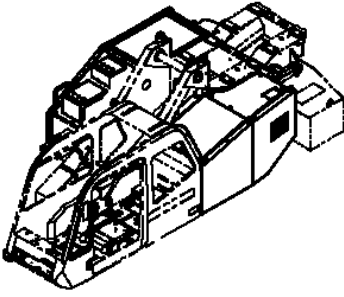
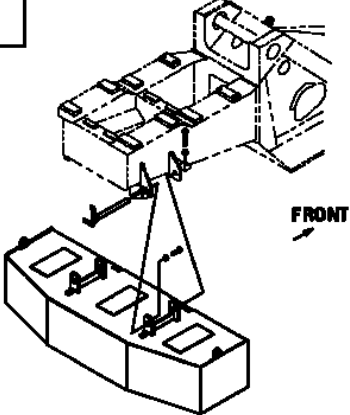
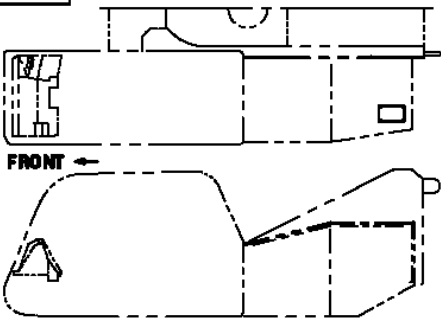
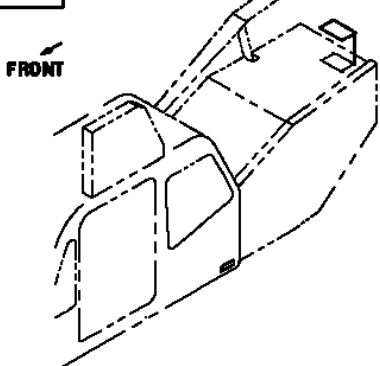
GT-300E-3-00401 4 BOOM + 2 JIB,2M2D

Pos No.	Parts No	Parts Name	Qty	Unit	Technical Data	Serial No (Start)	Serial No (End)	Remarks	Pages
1	35780402600	LAMP ASSY	1						
2	35780403040	PLATE,NAME	1						

GT-300E-3-00401 4 BOOM + 2 JIB,2M2D
PI5070060-00 INDICATOR ASSY,OVERWIND (BOOM)

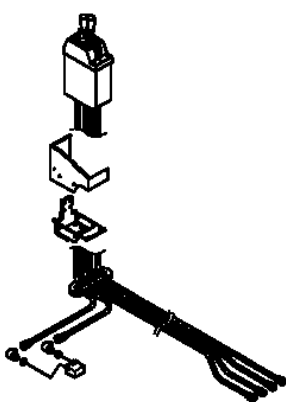
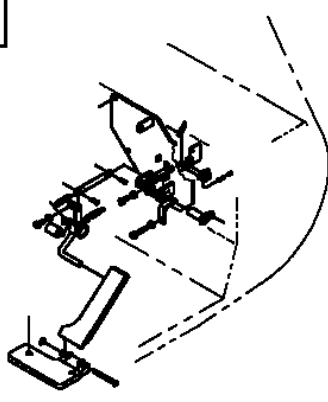


**GT-300E-3-00401 4 BOOM + 2 JIB,2M2D
PK2002155-00 FRAME UNIT**

<p>1</p> 	<p>2</p>  <p>FRONT</p>	<p>3</p>  <p>FRONT</p>
<p>4</p>  <p>FRONT</p>		

適用製造番号によっては取り付けがないものもあります。
MACHINES OF SOME SERIAL NO. ARE NOT EQUIPPED WITH THESE PARTS.

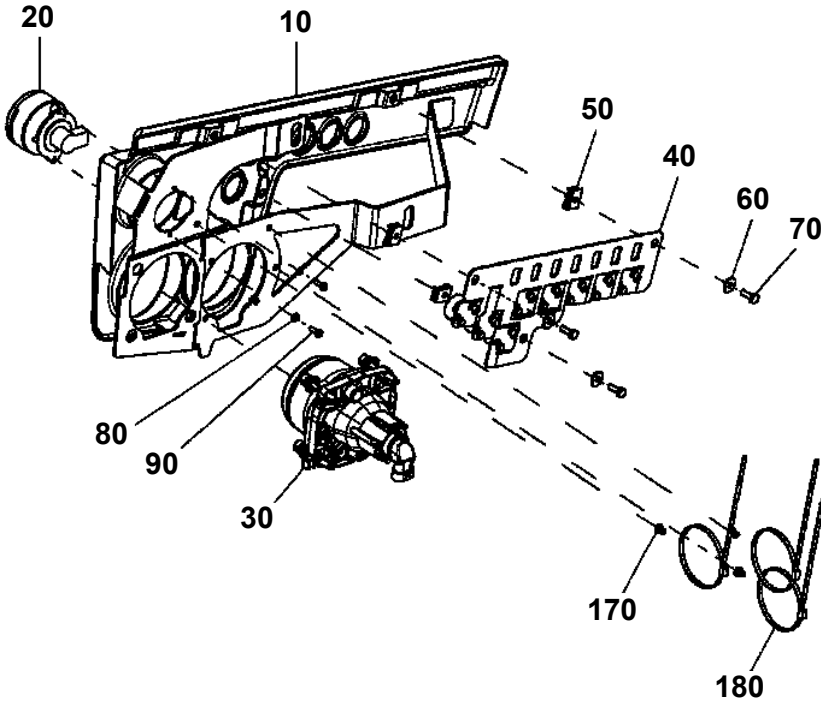
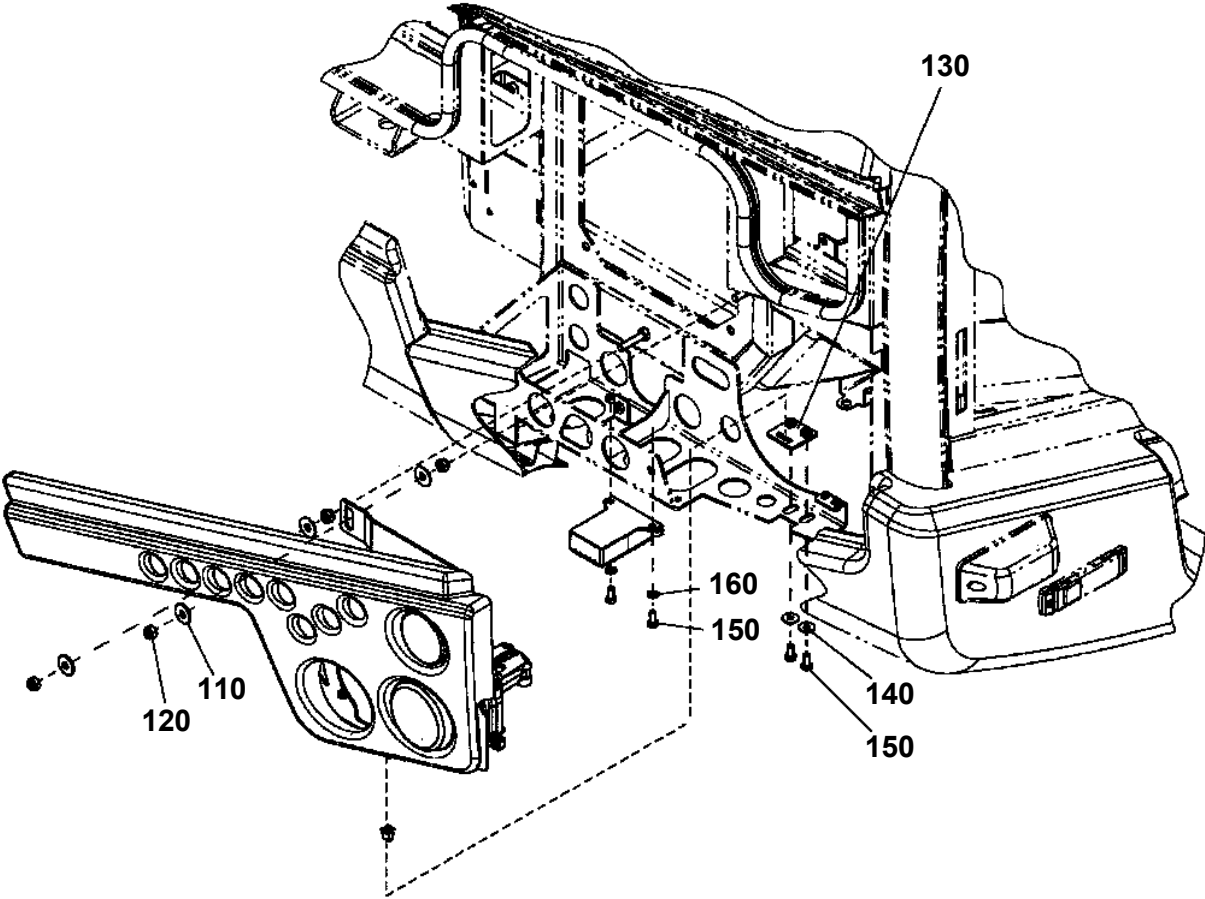
**GT-300E-3-00401 4 BOOM + 2 JIB,2M2D
PL5000067-00 CONTROL SYSTEM (UPPER)**

1 	2 	

適用製造番号によっては取り付けがないものもあります。

MACHINES OF SOME SERIAL NO. ARE NOT EQUIPPED WITH THESE PARTS.

GT-300E-3-00401 4 BOOM + 2 JIB,2M2D
PL5020205-00 LAMP ASSY



GT-300E-3-00401 4 BOOM + 2 JIB,2M2D
PL5070004-00 LAMP ASSY,FOG (REAR)

ランプ ASSY, フォグ (リヤ)
LAMP ASSY, FOG (REAR)

指示番号 KEY NO.	部品名称 PART NAME	備考 REMARK
1	マウントASSY, スイッチ MOUNT ASSY, SWITCH	
2	マウントASSY, テールランプ MOUNT ASSY, TAIL LAMP	

適用製造番号によっては取り付けがないものもあります。

MACHINES OF SOME SERIAL NO. ARE NOT EQUIPPED WITH THESE PARTS.

CLICK HERE TO **DOWNLOAD** THE COMPLETE MANUAL

- Thank you very much for reading the preview of the manual.
- You can download the complete manual from: www.heydownloads.com by clicking the link below



- Please note: If there is no response to CLICKING the link, please download this PDF first and then click on it.

CLICK HERE TO **DOWNLOAD** THE COMPLETE MANUAL

GT-300E-3-00401 4 BOOM + 2 JIB,2M2D

Pos No.	Parts No	Parts Name	Qty	Unit	Technical Data	Serial No (Start)	Serial No (End)	Remarks	Pages
10	35620537520	HANDLE	1						
20	35620657330	CLAMP	2						
30	35620657325	LATCH	2						
40	35620657785	CABLE	1						
50	99707062274	BRACKET	2						
60	35620657200	WASHER,PLAIN	4						
70	35620657555	BOLT	4		M6X14				
80	35620657250	NUT	1		M4				

GT-300E-3-00401 4 BOOM + 2 JIB,2M2D

Pos No.	Parts No	Parts Name	Qty	Unit	Technical Data	Serial No (Start)	Serial No (End)
1	37002224030	PLATE,NAME (WHITE)	24				
11	37002290030	PLATE,NAME (IN:WHITE/OUT:BLACK)	24				

GT-300E-3-00401 4 BOOM + 2 JIB,2M2D

Pos No.	Parts No	Parts Name	Qty	Unit	Technical Data	Serial No (Start)	Serial
1	34271002900	COVER	1				
2	34353831200	PLATE,NAME (TELEMATICS)	1				
3	90186210020	BOLT,FLANGE	4		M10X20		
4	90303071001	WASHER,PLAIN	4		10		
21	37002233280	PLATE,NAME(BEFORE USING MACHINE WITH)	1				

GT-300E-3-00401 4 BOOM + 2 JIB,2M2D

Pos No.	Parts No	Parts Name	Qty	Unit	Technical Data	Serial No (Start)	Serial No (End)	Remarks	Page
1	82100001801	TUBE,CORRUGATE	1	M	7				
2	82100001802	TUBE,CORRUGATE	1	M	10				

GT-300E-3-00401 4 BOOM + 2 JIB,2M2D

Pos No.	Parts No	Parts Name	Qty	Unit	Technical Data	Serial No (Start)	Serial No (End)	Remarks	Pages
6	91002801100	O-RING	4		1B P11				

GT-300E-3-00401 4 BOOM + 2 JIB,2M2D

Pos No.	Parts No	Parts Name	Qty	Unit	Technical Data	Serial No (Start)	Serial No
11	36193345010	BOARD ASSY (CON1,CON2)	1				
13	36193345030	CASE (WITH SEAT)	1				
41	36198375010	BOARD ASSY (WITH DATA CPU,DISP,LCD)	1				
61	36193345060	BATTERY (LITHIUM)	1				
100	36198370000	MOMENT LIMITER:AML	1				

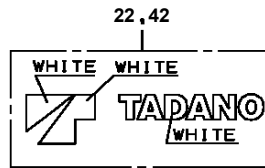
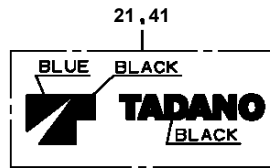
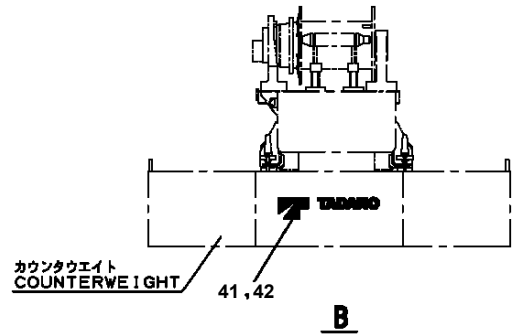
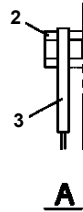
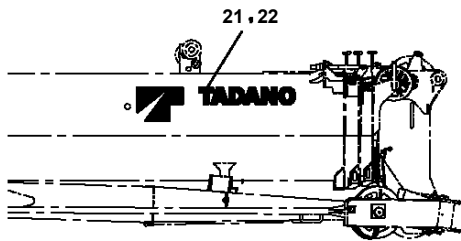
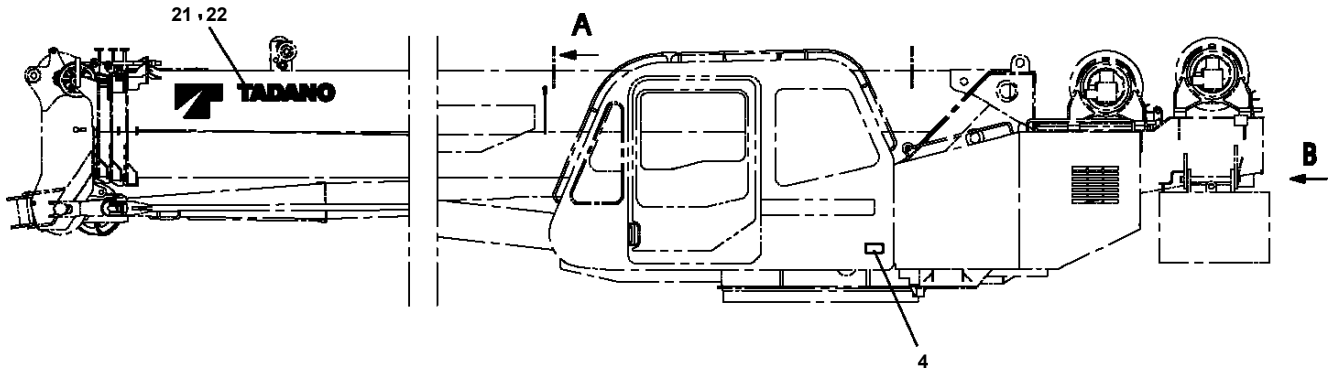
GT-300E-3-00401 4 BOOM + 2 JIB,2M2D

Pos No.	Parts No	Parts Name	Qty	Unit	Technical Data	Serial No (Start)	Serial No (End)	Remarks
3	36171095010	BOARD,CPU (WITH DATA)	1					
100	36171090000	CONTROLLER	1					

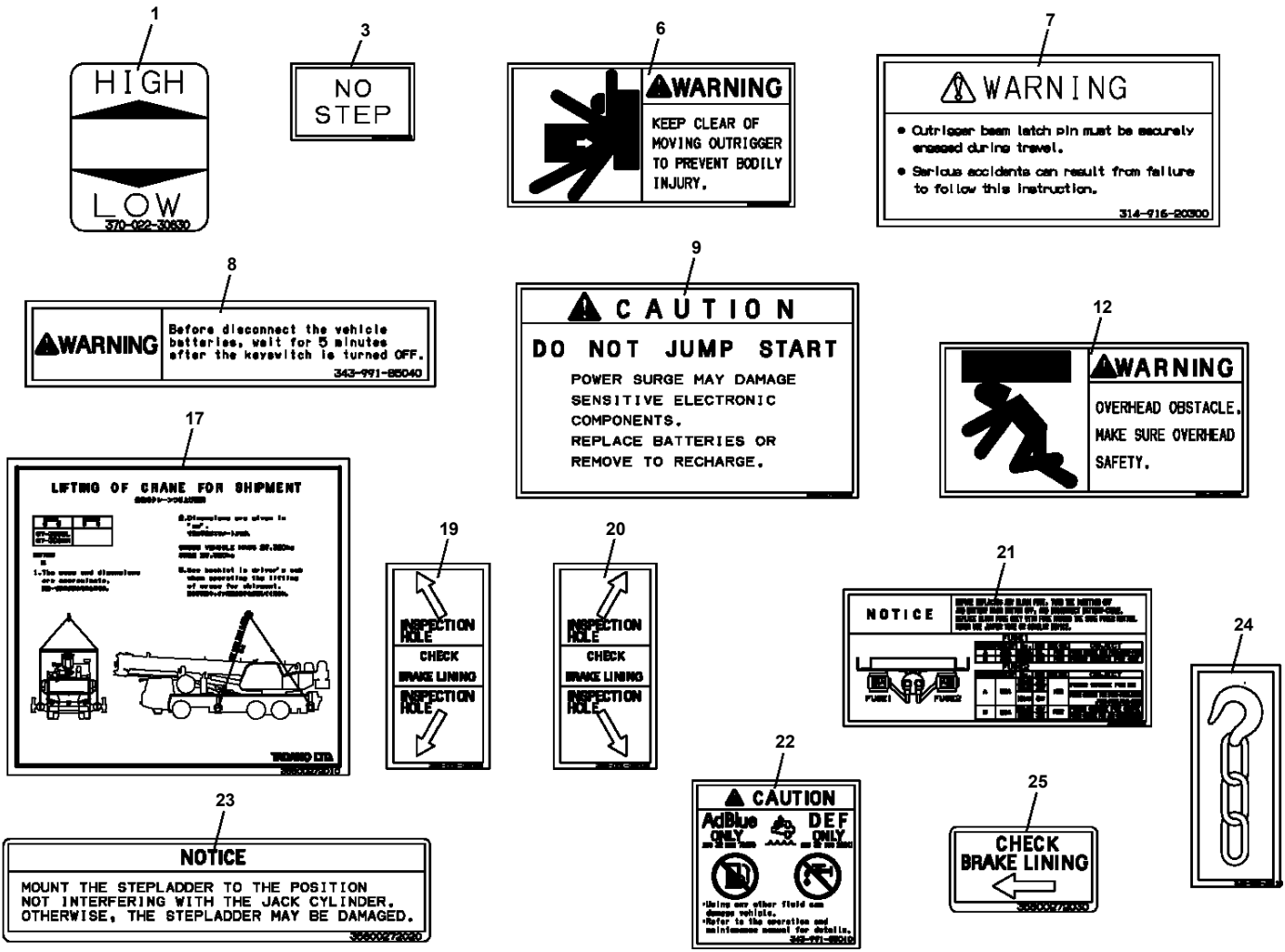
GT-300E-3-00401 4 BOOM + 2 JIB,2M2D

Pos No.	Parts No	Parts Name	Qty	Unit	Technical Data	Serial No (Start)	Serial No (End)
1	37002214500	PLATE,NAME (TADANO BLUE+BLACK)	2				
2	37002214520	PLATE,NAME (TADANO WHITE+WHITE)	2				

GT-300E-3-00401 4 BOOM + 2 JIB,2M2D
 PN5011866-00 NAME PLATE ASSY (UPPER 2/ENGLISH)

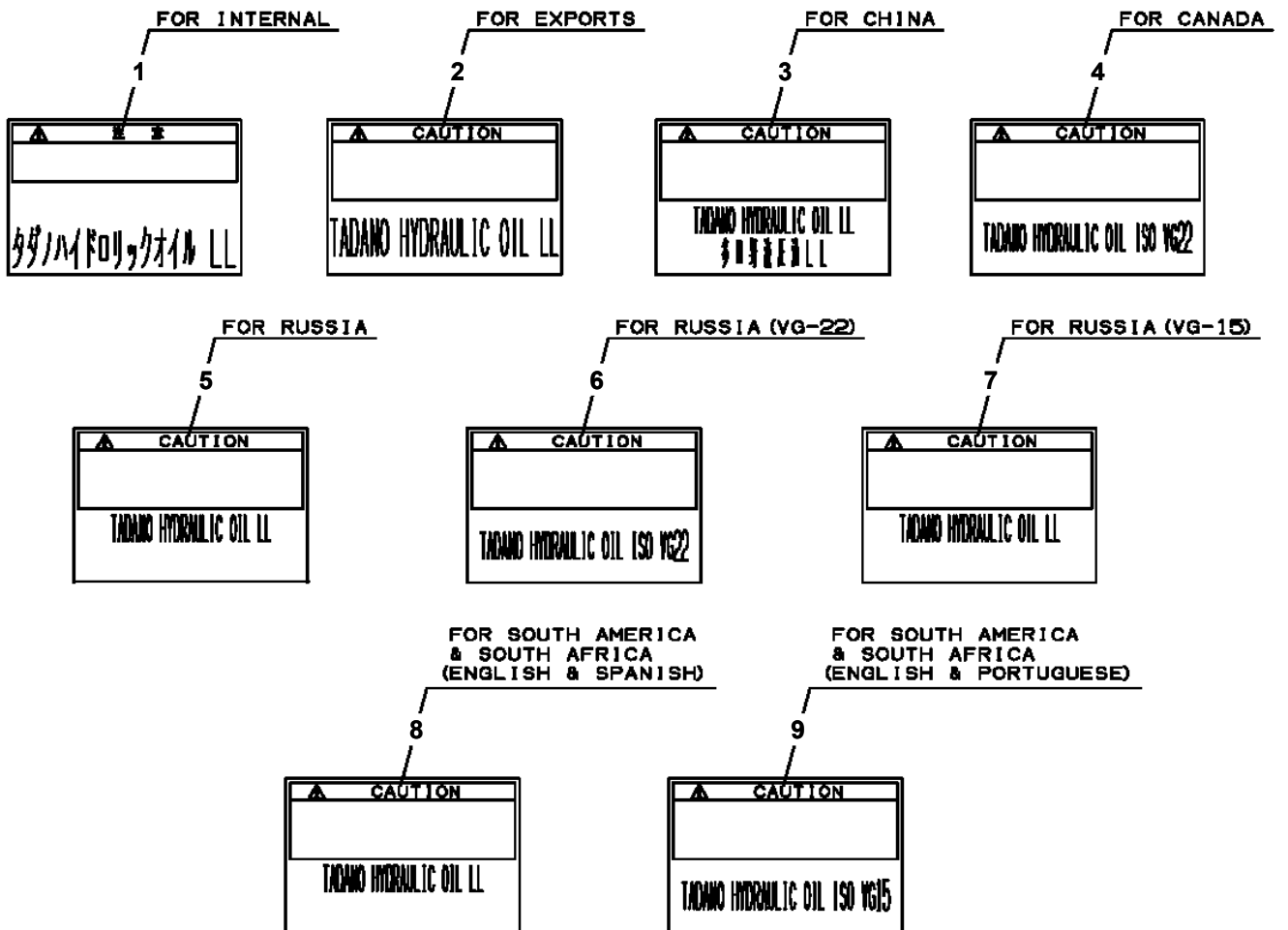
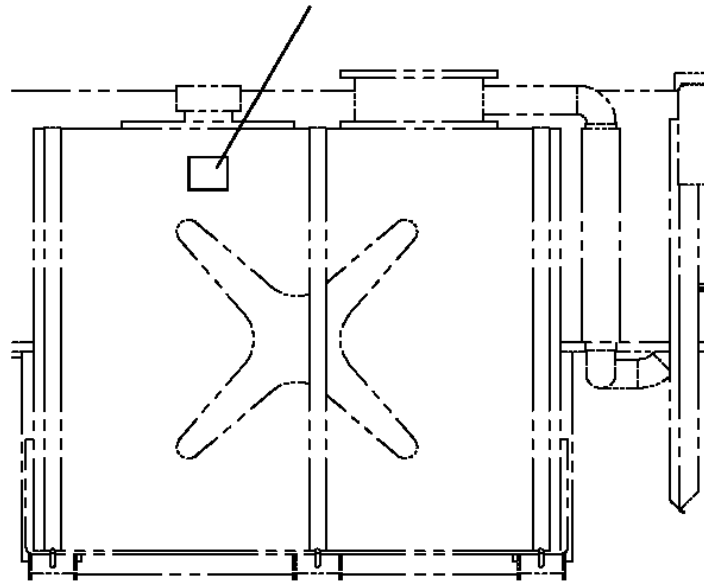


**GT-300E-3-00401 4 BOOM + 2 JIB,2M2D
PN5011872-02 NAME PLATE ASSY (LOWER /ENGLISH)**

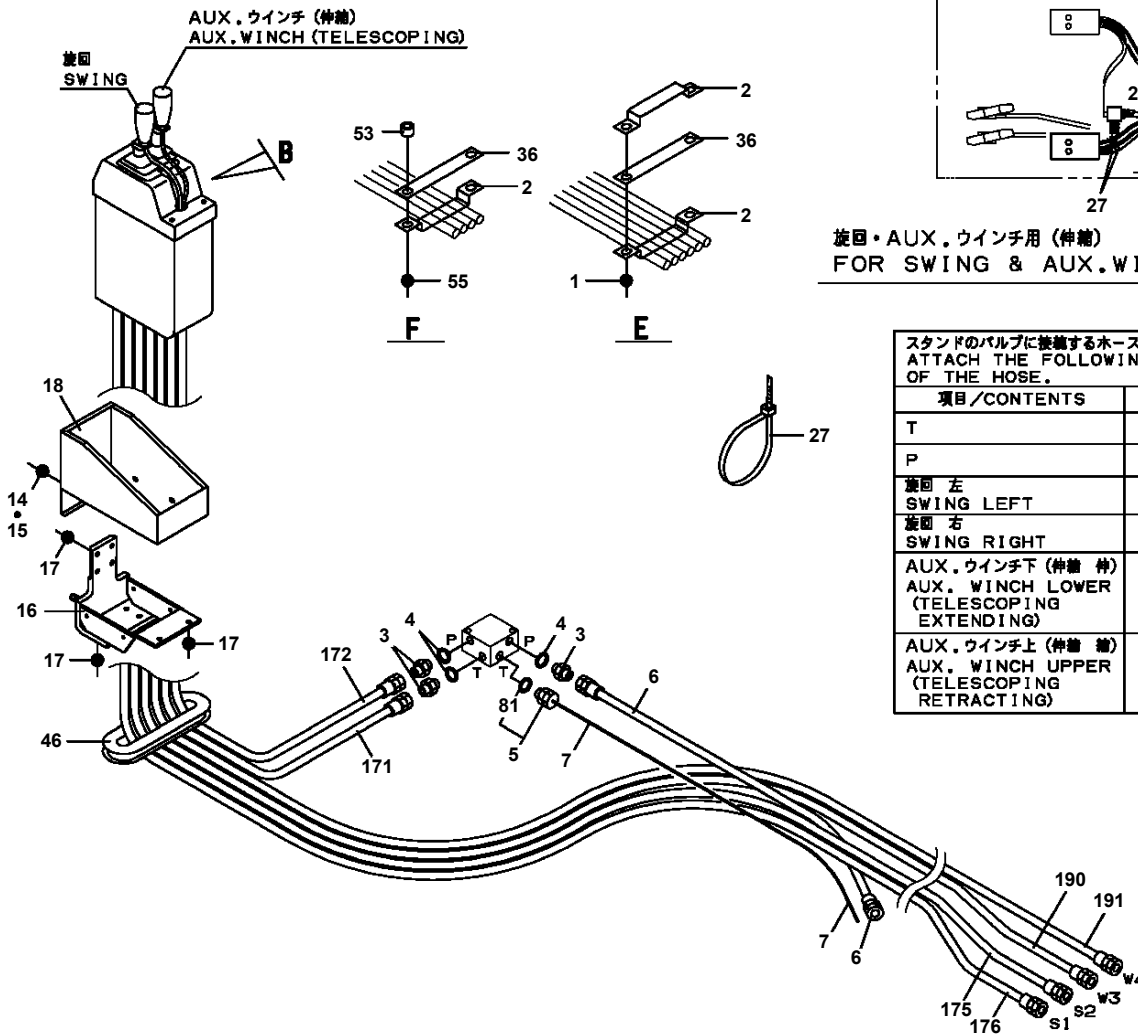


GT-300E-3-00401 4 BOOM + 2 JIB,2M2D
 PO1012825-05 PLATE ASSY,NAME (OIL)

1 OR 2 OR 3 OR 4 OR 5
 5 OR 6 OR 7 OR 8 OR 9



GT-300E-3-00401 4 BOOM + 2 JIB,2M2D
 PO5080277-00 OPE.ASSY,CONT.VALVE (ISO/VISUAL)

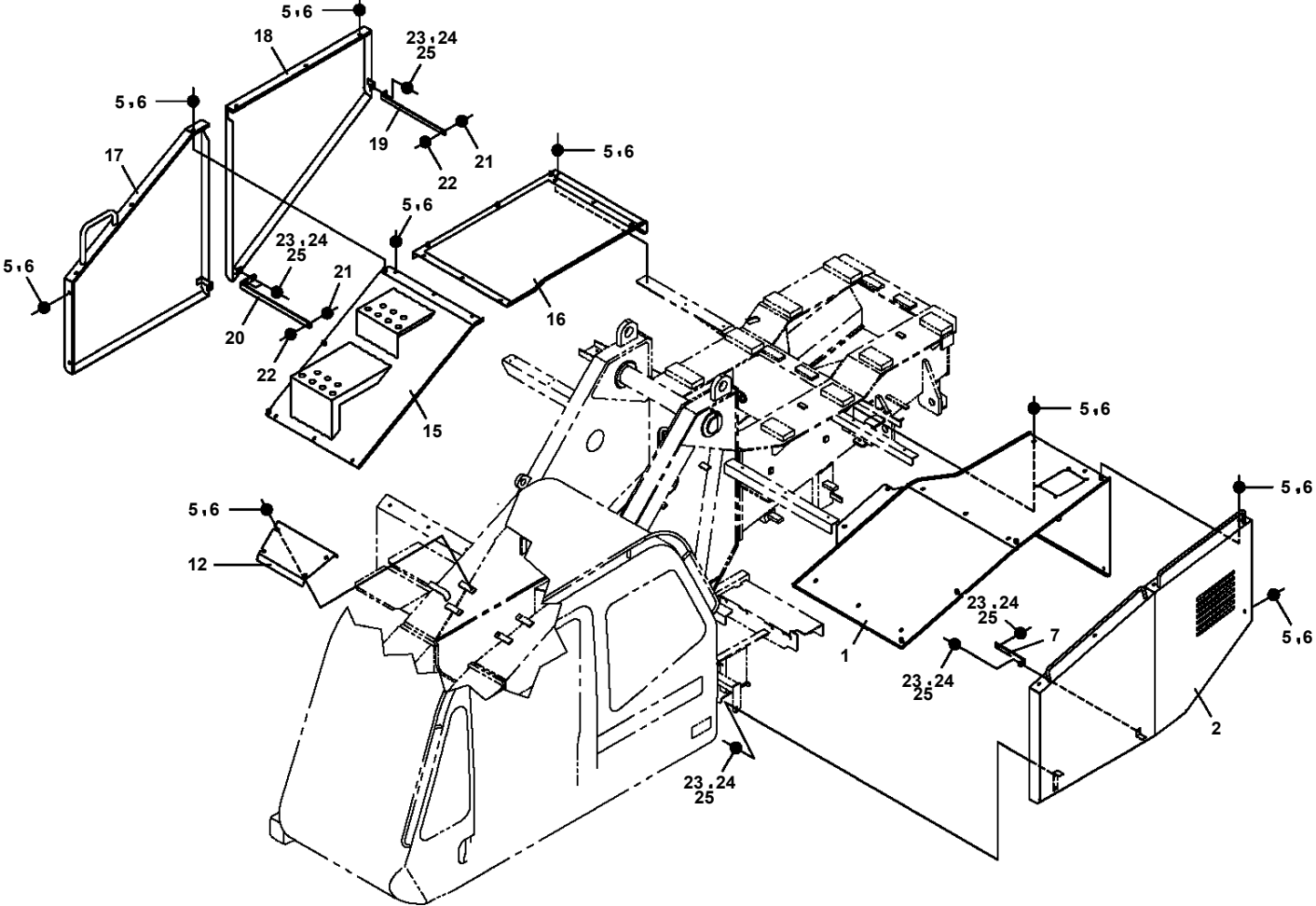


旋回・AUX.ウインチ用 (伸縮)
 FOR SWING & AUX. WINCH (TELESCOPING)

スタンドのバルブに接続するホースの両端には下記マークを施すこと。
 ATTACH THE FOLLOWING MARK ON THE BOTH ENDS OF THE HOSE.

項目/CONTENTS	記号/SYMBOL	符号/ITEM
T	T	44
P	P	42
旋回 左 SWING LEFT	S2	43,38
旋回 右 SWING RIGHT	S1	43,37
AUX.ウインチ下 (伸縮 伸) AUX. WINCH LOWER (TELESCOPING EXTENDING)	W4	45,40
AUX.ウインチ上 (伸縮 縮) AUX. WINCH UPPER (TELESCOPING RETRACTING)	W3	45,39

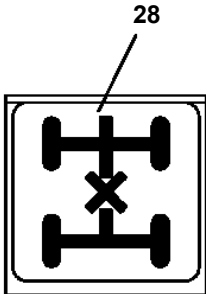
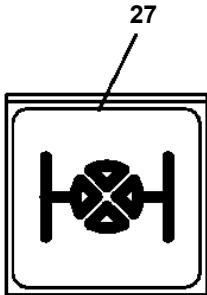
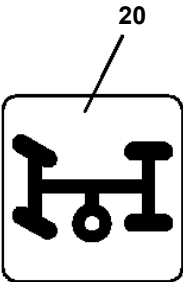
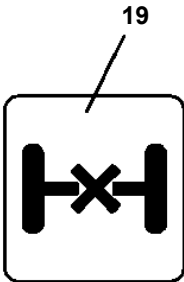
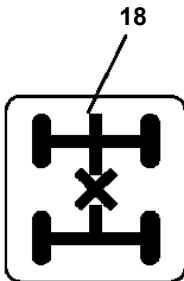
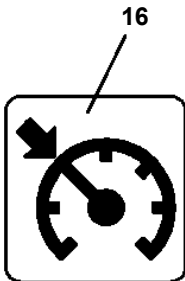
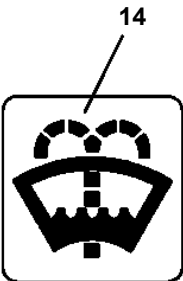
GT-300E-3-00401 4 BOOM + 2 JIB,2M2D
PO5260132-00 OUTER COVERING ASSY (SWING FRAME)



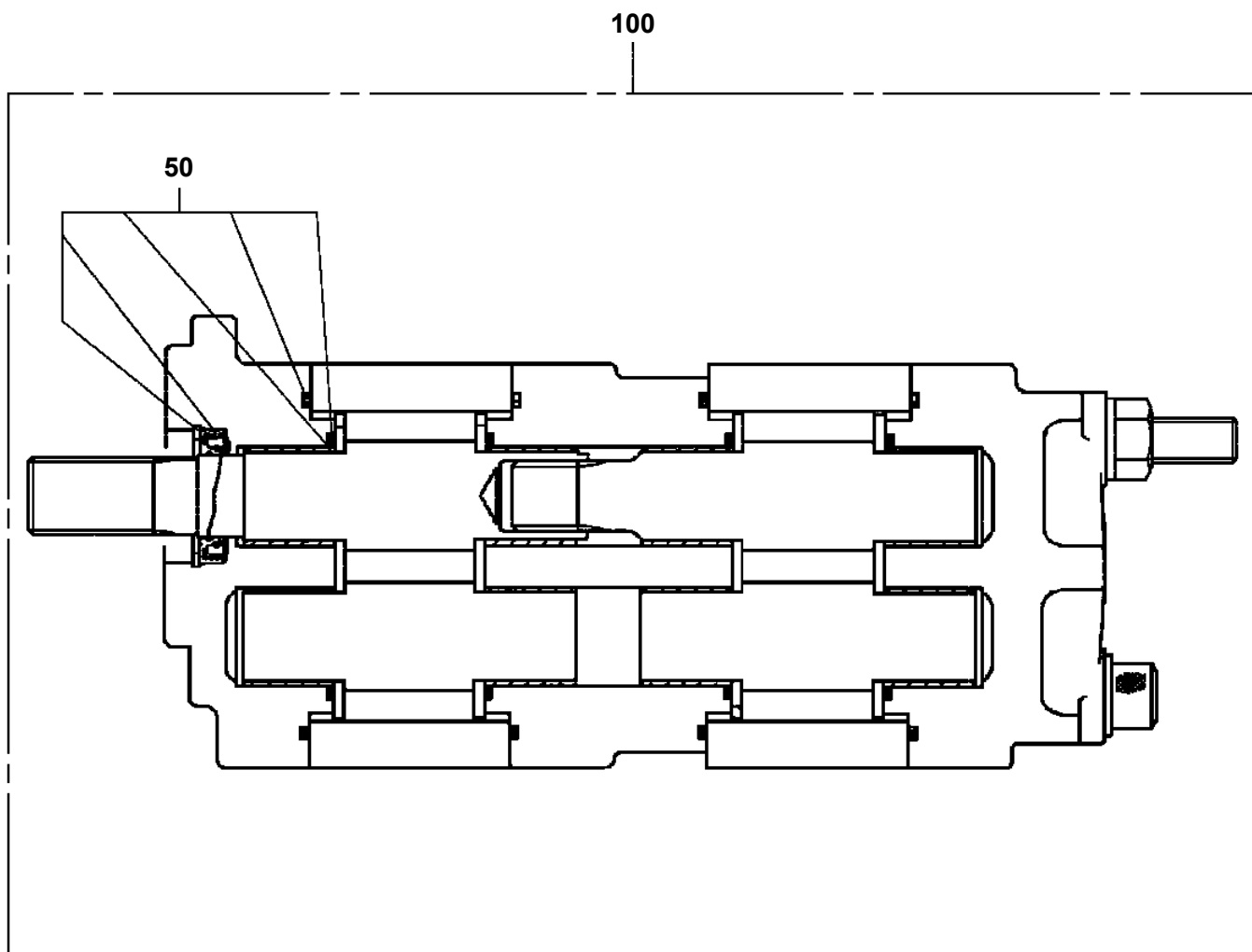
GT-300E-3-00401 4 BOOM + 2 JIB,2M2D

Pos No.	Parts No	Parts Name	Qty	Unit	Technical Data	Serial No (Start)	Serial No (End)	Remarks
1	35590363100	FENDER (NON-SLIP PAINTS)	1					
2	35590363200	FENDER (NON-SLIP PAINTS)	1					
3	35590363300	FENDER (NON-SLIP PAINTS)	1					
4	35590363400	FENDER ASSY	1					
5	35590351500	SUPPORT	1					
6	35590351600	SUPPORT	1					
7	35590363500	FENDER (NON-SLIP PAINTS)	1					
8	35590363600	FENDER ASSY	1					
9	35590363700	FENDER ASSY	1					
10	35590361800	FENDER	1					
11	35590361900	FENDER	1					
12	90101210025	BOLT	19		M10X25			
13	35590362100	FENDER	2					
14	35590362200	FENDER	1					
15	35590362301	FENDER	1					
16	35590362400	FENDER	1					
17	35590362500	STEP	1					
18	90302041001	WASHER,SPRING	20		10			
19	35590362700	STEP	1					
20	35590362800	SUPPORT	1					
21	35590362900	SUPPORT	1					
22	35590363000	COVER	1					
23	34610680200	COVER	2					
24	32813630300	LADDER ASSY	1					
25	90171112070	BOLT	1		M12X70			
26	90303071201	WASHER,PLAIN	2		12			
27	90201781200	NUT	2		M12			
28	34693183500	PLATE	2					
29	34693725150	SUPPORT	6					
30	90186210020	BOLT,FLANGE	N		M10X20			
31	37000505950	PLATE	N		T=3.2			
32	90186210030	BOLT,FLANGE	13		M10X30			
33	90280201000	NUT,FLANGE	9		M10			
34	32691311090	PLATE,SLIDE	1					
35	34733420100	SUPPORT	1					
36	90180208020	BOLT,BUTTON	2		M8X20			
37	90303070801	WASHER,PLAIN	2		8			
38	99707793237	BRACKET	1					
39	99707013606	LOCKING PIN	1					
40	99700306929	HEX NUT	2		M20X1.5			
41	90186208020	BOLT,FLANGE	2		M8X20			
42	90280200800	NUT,FLANGE	2		M8			
44	35590363800	STEP	1					
45	90101210030	BOLT	1		M10X30			
72	59424530000	HANDLE	2					
73	80172305016	SCREW,MACHINE	8		M5X16			
74	90302040501	WASHER,SPRING	8		5			
75	82480007238	PLUG	2					
82	35590369510	COVER (NON SLIP)	1					
83	35590369520	COVER (NON SLIP)	1					
84	90186210020	BOLT,FLANGE	8		M10X20			
85	90303071001	WASHER,PLAIN	8		10			
103	82466003070	GROMMET	1					
104	82100000949	GROMMET	3					
112	82100000958	GROMMET	3		30B			

GT-300E-3-00401 4 BOOM + 2 JIB,2M2D
PP5010035-02 PANEL ASSY



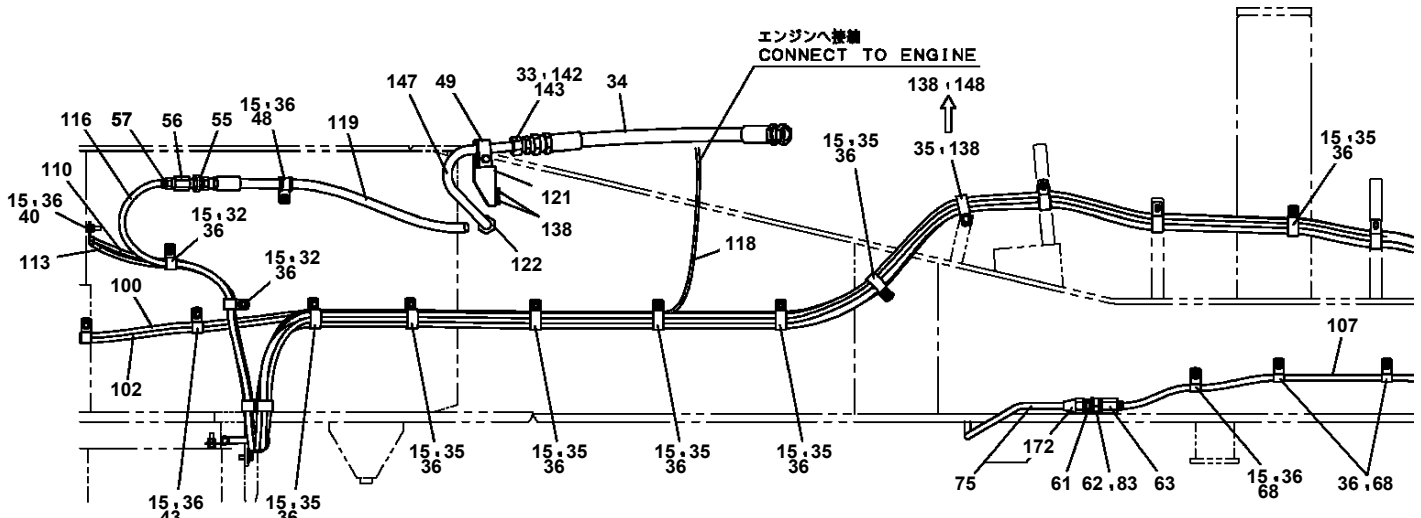
GT-300E-3-00401 4 BOOM + 2 JIB,2M2D
PP5420024-00 PUMP ASSY,OIL



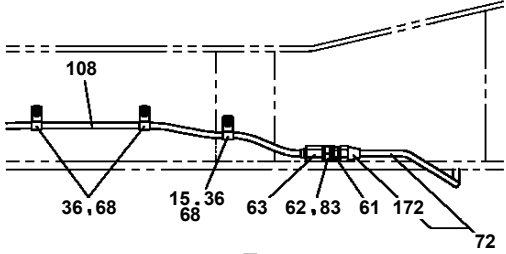
GT-300E-3-00401 4 BOOM + 2 JIB,2M2D

Pos No.	Parts No	Parts Name	Qty	Unit	Technical Data	Serial No (Start)	Serial No (End)
1	36101550000	TANK,AIR (29L)	2				
2	36870490000	VALVE ASSY,AIR	1				
3	36606610000	VALVE ASSY,AIR (ASSY ONLY)	1				
4	36645960000	VALVE ASSY,SOLENOID	3				
5	59181005000	SWITCH,PRESSURE (AIR)	2				
6	80353001530	JOINT	1				
7	80353081230	JOINT	4		PAL12X9-R3/8-C		
8	80353080620	JOINT	2		PAL6X4-R1/4-C		
9	35770383100	SUPPORT	1				
10	34920620430	BAND	4				
11	90302041201	WASHER,SPRING	3		12		
12	90103212025	BOLT	3		M12X1.25X25		
13	37000911610	JOINT	1		R3/8XRC3/8		
14	59451305000	VALVE,SAFETY (ASSY ONLY)	1				
15	80353001230	JOINT	2		S,R3/8-D12		
16	37000927550	JOINT	2		M22X1.5-RC3/8		
17	80353081240	JOINT	1		PAL12X9-R1/2-C		
18	80353081220	JOINT	2		L,R1/4-D12		
19	37000932120	JOINT	2		R1/2-RC3/8-1/4-1/8		
20	80353080820	JOINT	6		PAL8X6-RC1/4-C		
21	37000932370	JOINT	1				
22	37000915040	JOINT	1		T,R1/4-R1/4-R1/4		
23	80353081010	JOINT	1		PAL10X7.5-R1/4-C		
24	80353001210	JOINT	2		S,R1/4-D12		
26	90186208020	BOLT,FLANGE	7		M8X20		
27	90302040801	WASHER,SPRING	2		8		
28	90101208065	BOLT	2		M8X65		
29	80316040040	PLUG	1				
30	90201200800	NUT	16		M8		
31	36870400000	PLUG (DRAIN)	2		R1/2		
32	80353000820	JOINT	2		S,R1/4-D8		
33	80353081030	JOINT	1		PAL10X7.5-R3/8-C		
35	80303030240	FITTING,ELBOW	1				
36	80315020060	JOINT,BUSHING	1		S,R1/2-R1/4		
37	37000923670	JOINT	1		T,R3/8-R1/4-R1/4		
38	80315020080	JOINT,BUSHING	1				
39	42340131120	JOINT	1				
40	90303382201	WASHER	2		M22		
41	37000918060	JOINT,BUSHING	2		S R1/4-RC1/8		
42	37000932750	PLUG	2		R1/8		
45	35770386030	TUBE ASSY	1		DIN,12X1.5 L=240		
46	35770386040	TUBE ASSY	1		DIN,12X1.5 L=450		
47	35770386050	TUBE ASSY	1		DIN,12X1.5 L=380		
48	35770386060	TUBE ASSY	1		DIN,8X1 L=380		
49	35770386070	TUBE ASSY	1		DIN,8X1 L=320		
50	80353081530	JOINT	1		PAL15X12-R3/8-C		
51	35770386080	TUBE ASSY	1		DIN,12X1.5 L=1070		
52	82100002009	CLAMP	1		WRC12		
53	37000920230	JOINT	1				

GT-300E-3-00401 4 BOOM + 2 JIB,2M2D
 PP6020059-04 PIPING ASSY,AIR (FRONT)

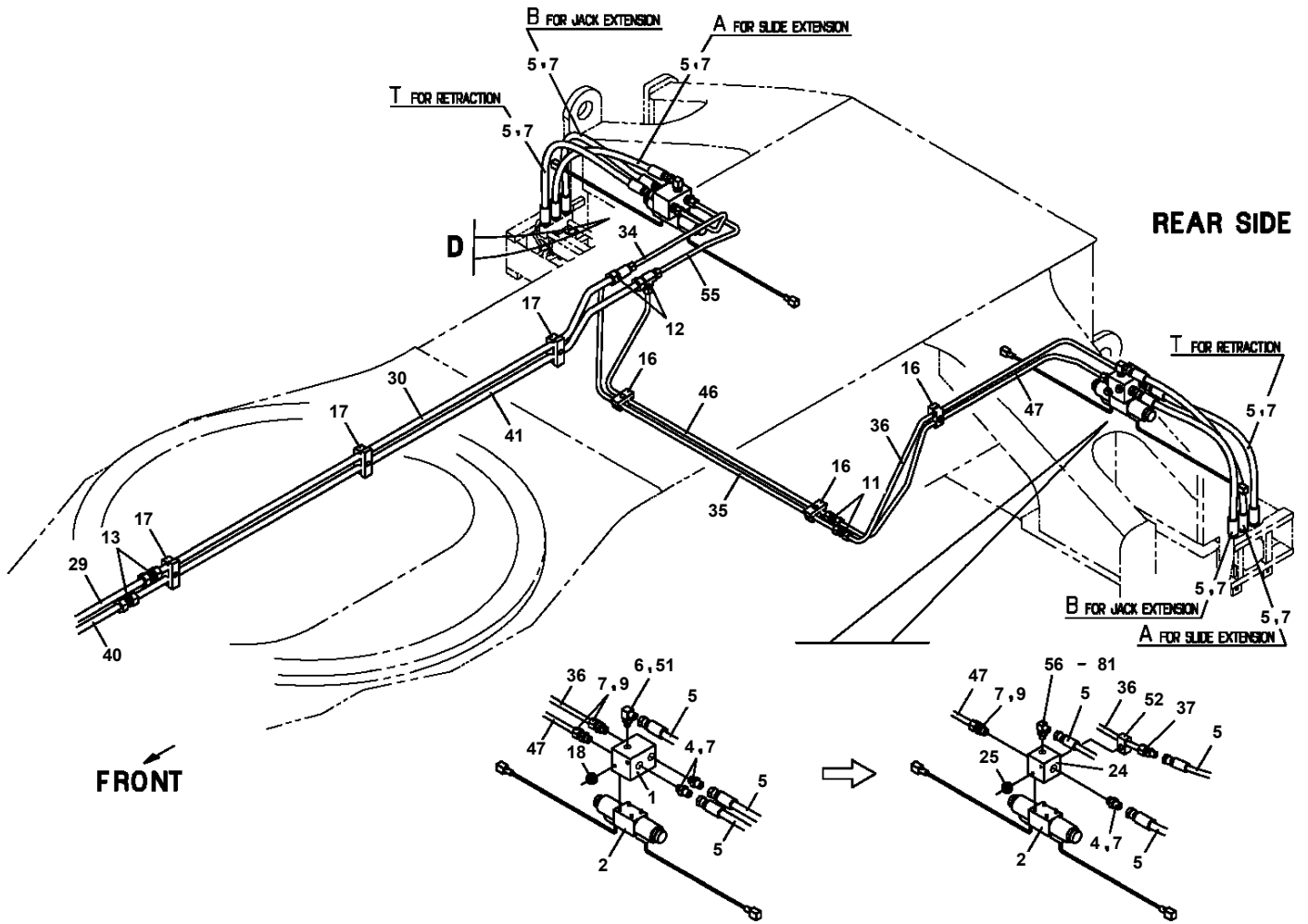


D
 フレーム内部左側
 FRAME INSIDE LEFT SIDE

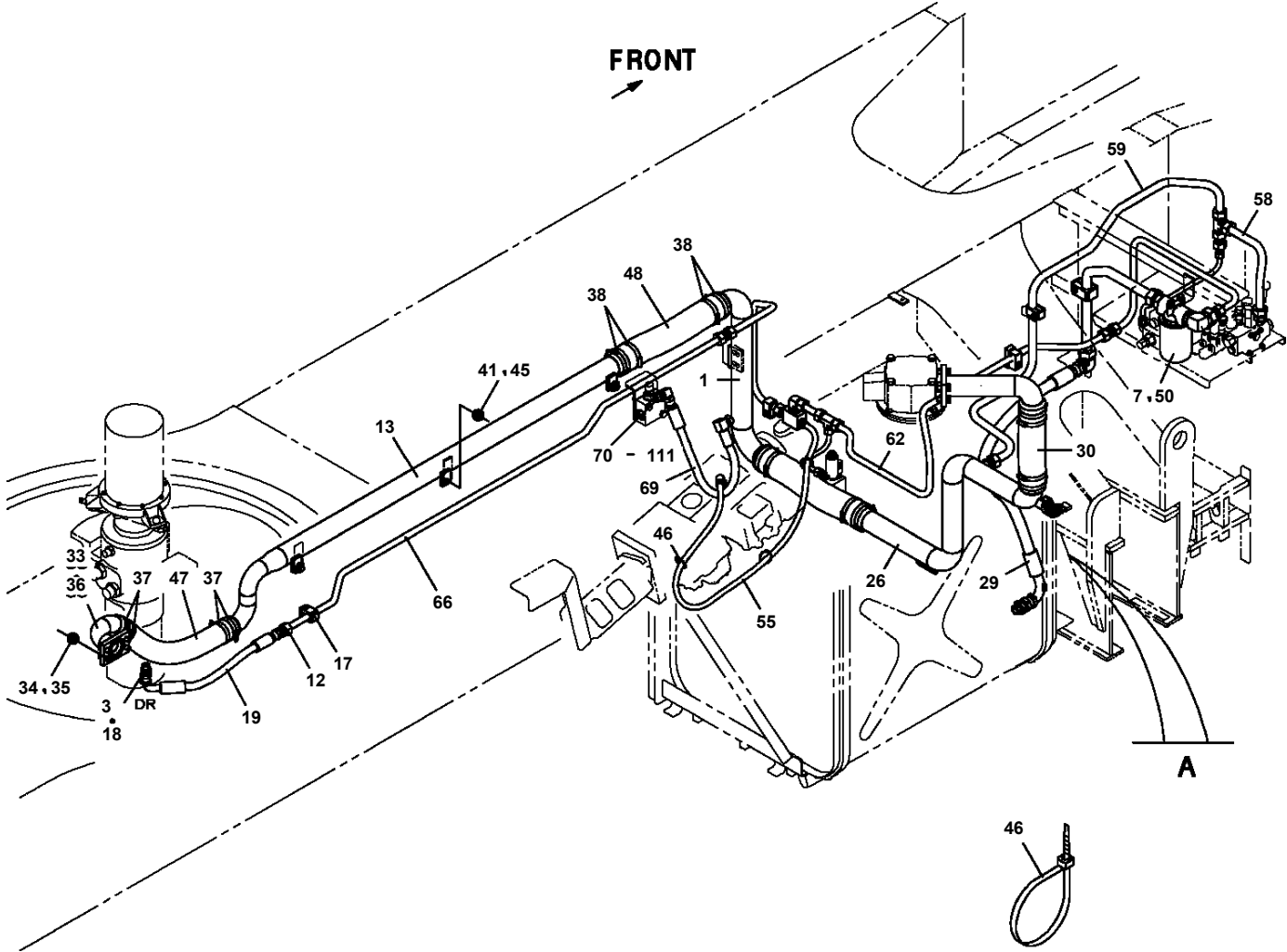


E
 フレーム内部右側 (ブレーキ部)
 FRAME INSIDE RIGHT SIDE (BRAKE PART)

GT-300E-3-00401 4 BOOM + 2 JIB,2M2D
PP6220069-01 PIPING ASSY,OUTRIGGER



GT-300E-3-00401 4 BOOM + 2 JIB,2M2D
PP6270116-00 PIPING ASSY,RETURN (LOWER)

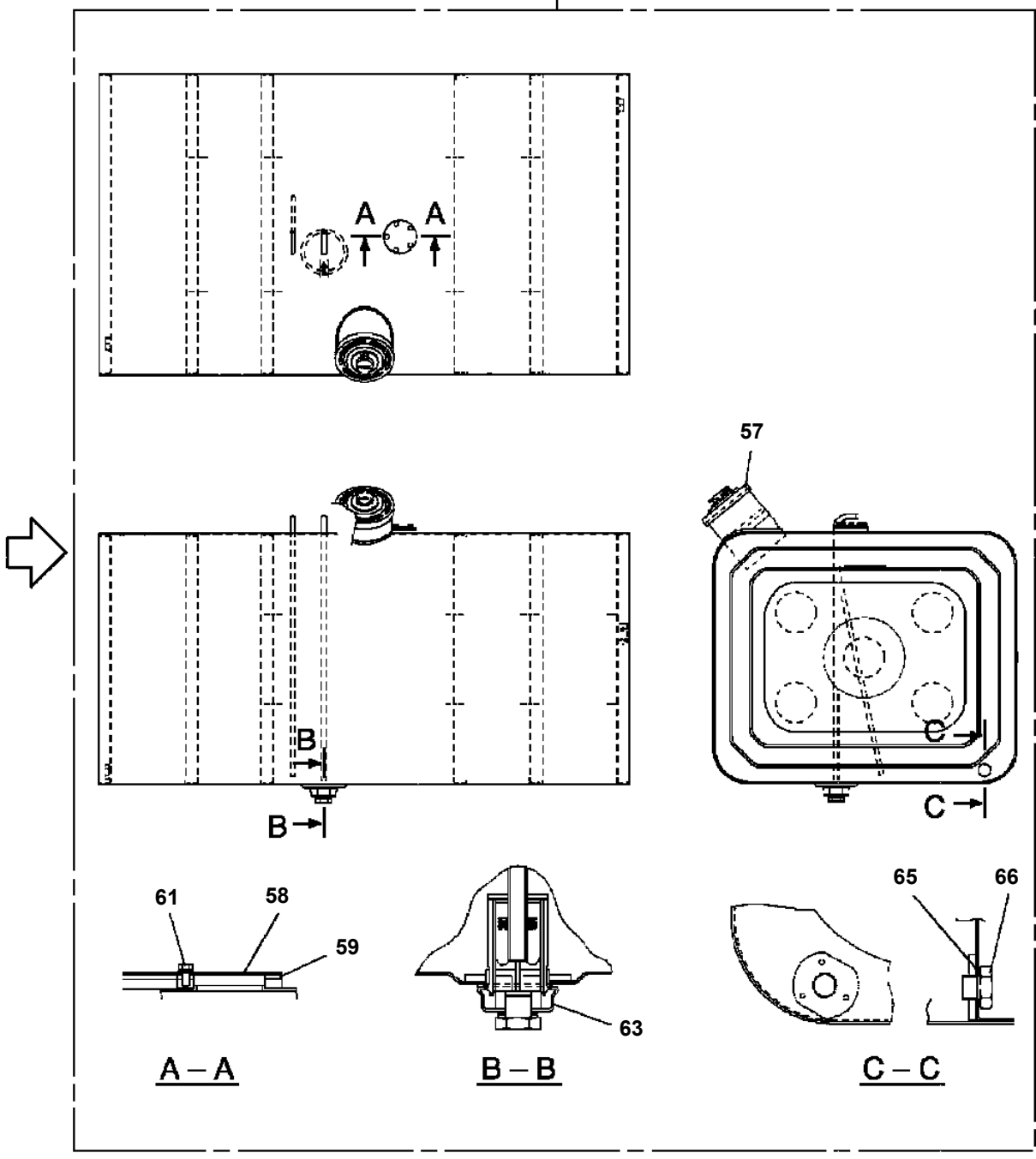


GT-300E-3-00401 4 BOOM + 2 JIB,2M2D

Pos No.	Parts No	Parts Name	Qty	Unit	Technical Data	Serial No (Start)	Serial No (End)	Remarks
1	37000711060	CLAMP ASSY	1		28X1			
2	81408000341	PIPE,STEEL	2	M	28X3.1T			
4	80303130241	FITTING,ELBOW	4		KLO18-040E			
5	37000925660	JOINT	2		S,G3/4-G1/2			
6	90101212020	BOLT	4		M12X20			
7	90302041201	WASHER,SPRING	4		12			
8	36741420000	VALVE,SOLENOID CONTROL	1					
9	80303130321	FITTING,ELBOW	1		KLO28-080E			
10	80320010210	FITTING	1		KUD28-060N			
11	37000714040	CLAMP ASSY	1		18X2			
12	81408000241	PIPE,STEEL	2	M	18X1.9T			
13	81408000241	PIPE,STEEL	3	M	18X1.9T			
14	91002802400	O-RING	2		1B P24			
15	37002440280	HOSE	1		L=900			
41	91002801800	O-RING	4		1B P18			
51	91002802900	O-RING	1		1B P29			

GT-300E-3-00401 4 BOOM + 2 JIB,2M2D
PQ1100033-02 TANK,FUEL (300L)

100



(A)

GT-300E-3-00401 4 BOOM + 2 JIB,2M2D

Pos No.	Parts No	Parts Name	Qty	Unit	Technical Data	Serial No (Start)	Serial No (End)	Remarks
2	90131508050	BOLT,HEXAGON SOCKET	2		M8X50			
3	90131508070	BOLT,HEXAGON SOCKET	2		M8X70			
4	90131506030	BOLT,HEXAGON SOCKET	2		M6X30			
5	90131506020	BOLT,HEXAGON SOCKET	10		M6X20			
6	36664175170	PLUG	5					
35	91002907500	O-RING	1		1B G75			
36	91002800600	O-RING	3		1B P6			
37	36664175200	RING,SQUARE	9					
38	91002801000	O-RING	1		1B P10			
39	91002801800	O-RING	1		1B P18			
40	91002802200	O-RING	1		1B P22			
41	36654555020	O-RING	1					
42	91002802000	O-RING	1		1B P20			
43	91002902500	O-RING	1		1B G25			
44	91002801250	O-RING	1		1B P12.5			
45	36654505030	O-RING	1					
46	91002801100	O-RING	2		1B P11			
47	91002802600	O-RING	1		1B P26			
48	91002903500	O-RING	1		1B G35			
49	90203200800	NUT	1		M8			
50	36654505040	NUT	1					
53	80602110150	RING,RETAINING	2					
60	36650835710	SCREW,SET	1					
100	36655045010	REGULATOR ASSY	1					

GT-300E-3-00401 4 BOOM + 2 JIB,2M2D

Pos No.	Parts No	Parts Name	Qty	Unit	Technical Data	Serial No (Start)	Serial No (End)
1	35780591600	SUPPORT	1				
3	34930901010	SUPPORT	4				
4	99707790048	BATTERY RELAY	1				
5	82171500030	FUSE	2		30A		
6	82171500050	FUSE	2		50A		
7	82173400010	BOX,FUSE	2				
8	34930901020	CABLE	2		L=350		
10	80192485014	SCREW,MACHINE (WITH WASHER)	2		M5X14		
11	80197586012	SCREW,MACHINE	4		M6X12		
38	82100000956	GROMMET	2		SG-36A		
39	82466302500	GROMMET	1				

GT-300E-3-00401 4 BOOM + 2 JIB,2M2D

Pos No.	Parts No	Parts Name	Qty	Unit	Technical Data	Serial No (Start)	Serial No (End)	R
1	37001810400	ROPE,WIRE (KISWIRE/NON-SPIN)	1					

GT-300E-3-00401 4 BOOM + 2 JIB,2M2D

Pos No.	Parts No	Parts Name	Qty	Unit	Technical Data	Serial No (Start)	Serial No (End)	Remarks	Pages
64	34252037825	RIVET	1						
65	34252037830	SCREW	1						
100	34252031000	SEAT ASSY	1						

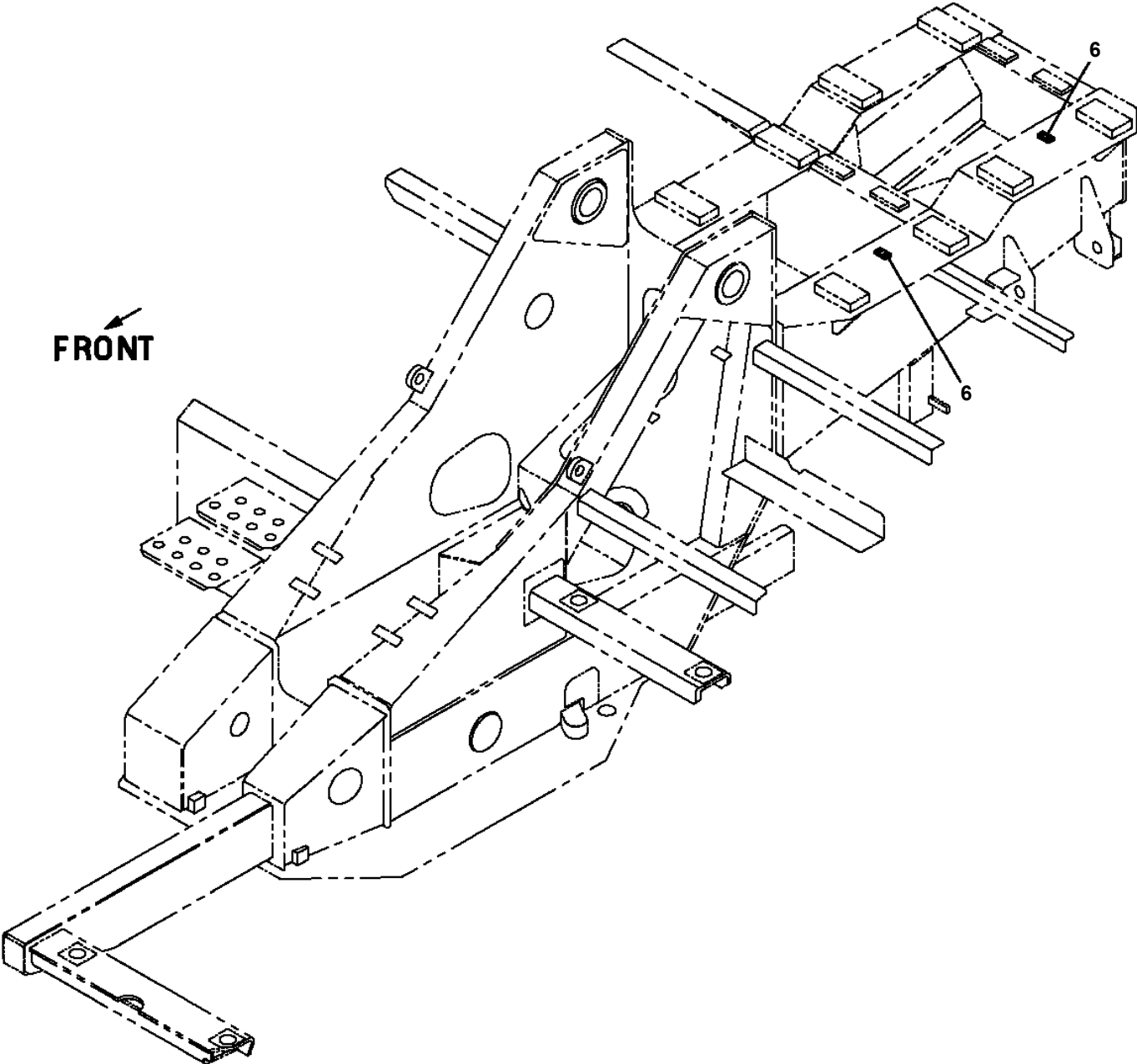
GT-300E-3-00401 4 BOOM + 2 JIB,2M2D

Pos No.	Parts No	Parts Name	Qty	Unit	Technical Data	Serial No (Start)	Serial No (End)	Remarks	Pages
1	80136363045	PIN,SPLIT	1		6.3X45				
2	37000129750	PIN	1						
3	90171110016	BOLT	1		M10X16				
4	90302041001	WASHER,SPRING	1		10				
5	37002600501	SOCKET,ROPE	1		14&16				
6	37002600241	WEDGE	1						000412
8	37002601350	CLIP	1						

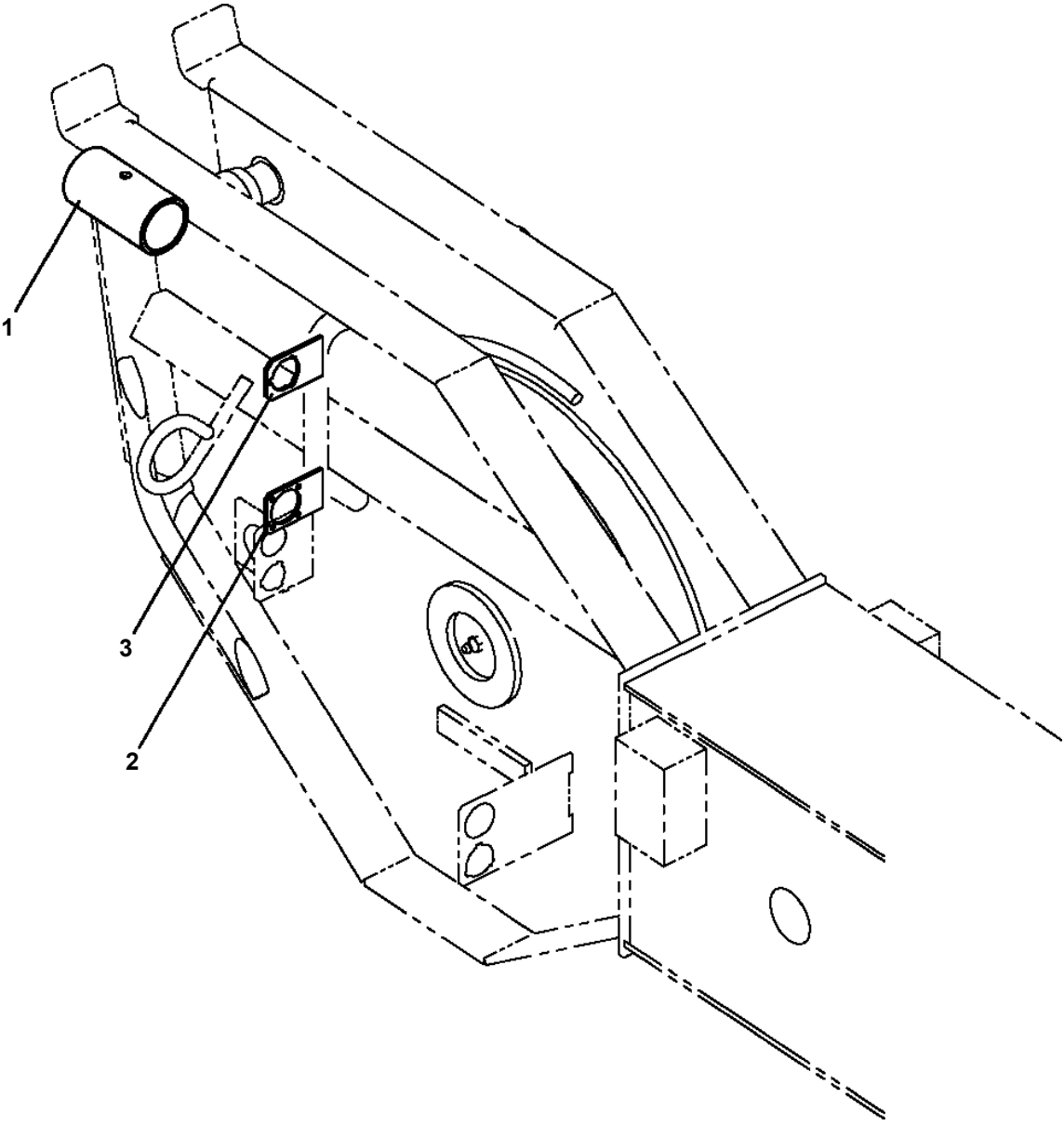
GT-300E-3-00401 4 BOOM + 2 JIB,2M2D

Pos No.	Parts No	Parts Name	Qty	Unit	Technical Data	Serial No (Start)	Serial No (End)	Remarks	Pages
100	34260954600	SUNSHADE	1						

GT-300E-3-00401 4 BOOM + 2 JIB,2M2D
PS5420498-00 SUPPORT ASSY (WIRING PARTS)

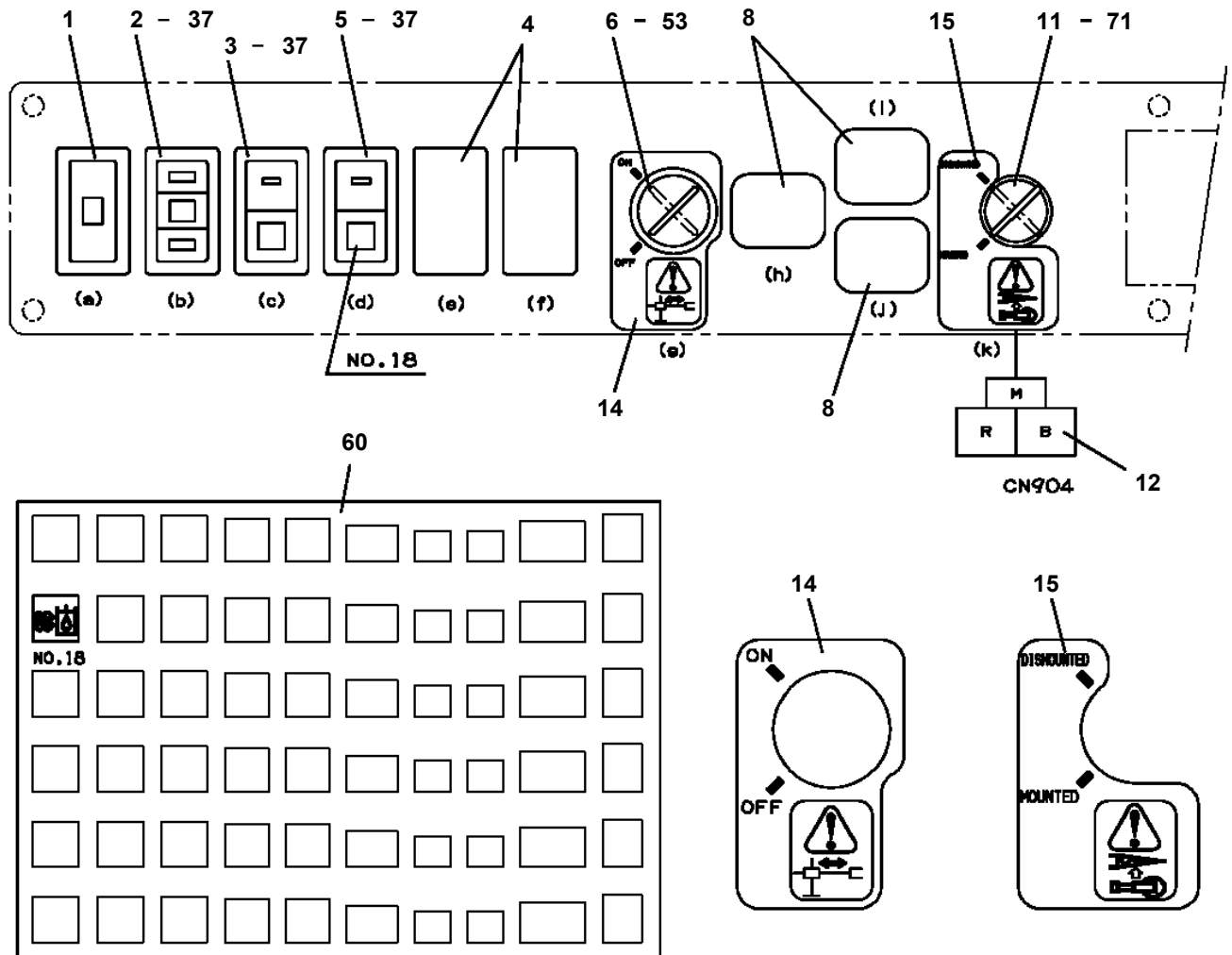


GT-300E-3-00401 4 BOOM + 2 JIB,2M2D
PS5430011-00 SUPPORT ASSY,JIB



ジブ,2
JIB,2

**GT-300E-3-00401 4 BOOM + 2 JIB,2M2D
PS5530354-01 SWITCH ASSY (3)**



符号 MARK	名称 NAME	CN. NO
a	ルーフウォッシャ ROOF WASHER SW	(CN495)
b	ルーフワイパ ROOF WIPER SW	CN468
c	作業灯 FLOOD LAMP SW	CN470B
d	オイルクーラ OIL COOLER SW	CN574
e	予備スイッチ SPARE SW	-
f	予備スイッチ SPARE SW	-
g	非常用O/R状態検定 OUTRIGGER STATUS EMERGENCY REGISTRATION SW	CN907
h	予備スイッチ SPARE SW	-
i	予備スイッチ SPARE SW	-
j	予備スイッチ SPARE SW	-
k	ジブ有り無し切り替え JIB STATUS SW	CN904

GT-300E-3-00401 4 BOOM + 2 JIB,2M2D

Pos No.	Parts No	Parts Name	Qty	Unit	Technical Data	Serial No (Start)	Serial No (End)	Remarks	Page
1	36682750000	SWITCH,PRESSURE	10						
2	91002801100	O-RING	10		1B P11				

GT-300E-3-00401 4 BOOM + 2 JIB,2M2D

Pos No.	Parts No	Parts Name	Qty	Unit	Technical Data	Serial No (Start)	Serial No (End)	Remarks
2	99164008020	BOLT (M8X20)	8					
3	99164010025	BOLT	4		M10X25			
4	33660100030	COVER	1					
5	34660180040	PACKING	1		T=2.0			
6	36672870000	BREATHER ASSY (OBR-30)	1					
7	36673740000	FILTER ASSY	1					
8	34660012000	GAUGE,OIL	1					
9	80205001000	PLUG	1		PT1			
22	33660007511	ELEMENT	1					
24	33660007520	PACKING SET	1					
27	36672875040	KEY	2					
42	33660007530	BOLT	2					
43	34660131140	PACKING	4					
100	36103240001	TANK ASSY,OIL	1					

GT-300E-3-00401 4 BOOM + 2 JIB,2M2D

Pos No.	Parts No	Parts Name	Qty	Unit	Technical Data	Serial No (Start)	Serial No (End)	Remarks	Pages
2	36103285010	CAP (PRESSURE)	1						
100	36103280000	TANK (SUB)	1						

GT-300E-3-00401 4 BOOM + 2 JIB,2M2D

Pos No.	Parts No	Parts Name	Qty	Unit	Technical Data	Serial No (Start)	Serial No (End)	Remarks
500	36350856425	PLATE (CONNECTION)	1					
510	36350856430	SEAL,SHAFT	1					
520	36350856435	FLANGE	1					
522	36350856440	GASKET	1					
530	36350856065	BOLT	4		M8X25			
550	36350856445	ROTOR	1					
560	36350856450	SHAFT,PUMP	1					
570	36350856455	COVER	1					
580	36350856460	SCREW	3		M6X25			
610	36350856465	PISTON	1					
630	36350856470	RING	1					
670	36350856475	BOLT	22		M10X60			

GT-300E-3-00401 4 BOOM + 2 JIB,2M2D

Pos No.	Parts No	Parts Name	Qty	Unit	Technical Data	Serial No (Start)	Serial No (End)	Remarks	Page
10	36350856820	FORK (GEAR SHIFT)	1						
20	36350856825	PAD	2						
80	36350856635	PIN	1						
90	36350856630	SPRING	1						

GT-300E-3-00401 4 BOOM + 2 JIB,2M2D

Pos No.	Parts No	Parts Name	Qty	Unit	Technical Data	Serial No (Start)	Serial No (End)	Rema
10	36350857220	ACTUATOR (CLUTCH)	1					
20	36350857225	BOLT	4		M8X50			
50	36350857230	BEARING (RELEASE DEVICE)	1					
60	36350857235	FORK (RELEASE)	1					
61	36350857240	FORK (RELEASE)	1					
62	36350857245	CUP	1					
63	36350857250	BUSH	1					
65	36350857255	CAM FOLLOWER	2					
110	36350857260	SHAFT	1					
130	36350857265	BOLT	2		M12X50			
150	36350857270	COVER	1					
154	36350856065	BOLT	4		M8X25			
210	36350857275	ROD	1					
300	36350857280	TERMINAL	2					
320	36350857285	TERMINAL	2					
360	36350857290	ANCHOR	1					
370	36350857295	CLAMP	1					

GT-300E-3-00401 4 BOOM + 2 JIB,2M2D

Pos No.	Parts No	Parts Name	Qty	Unit	Technical Data	Serial No (Start)	Serial No (End)	Remarks	Pages
160	36350857685	COVER	1						
180	36350857690	BOLT	8		M8X32				
181	36350857695	WASHER	8						

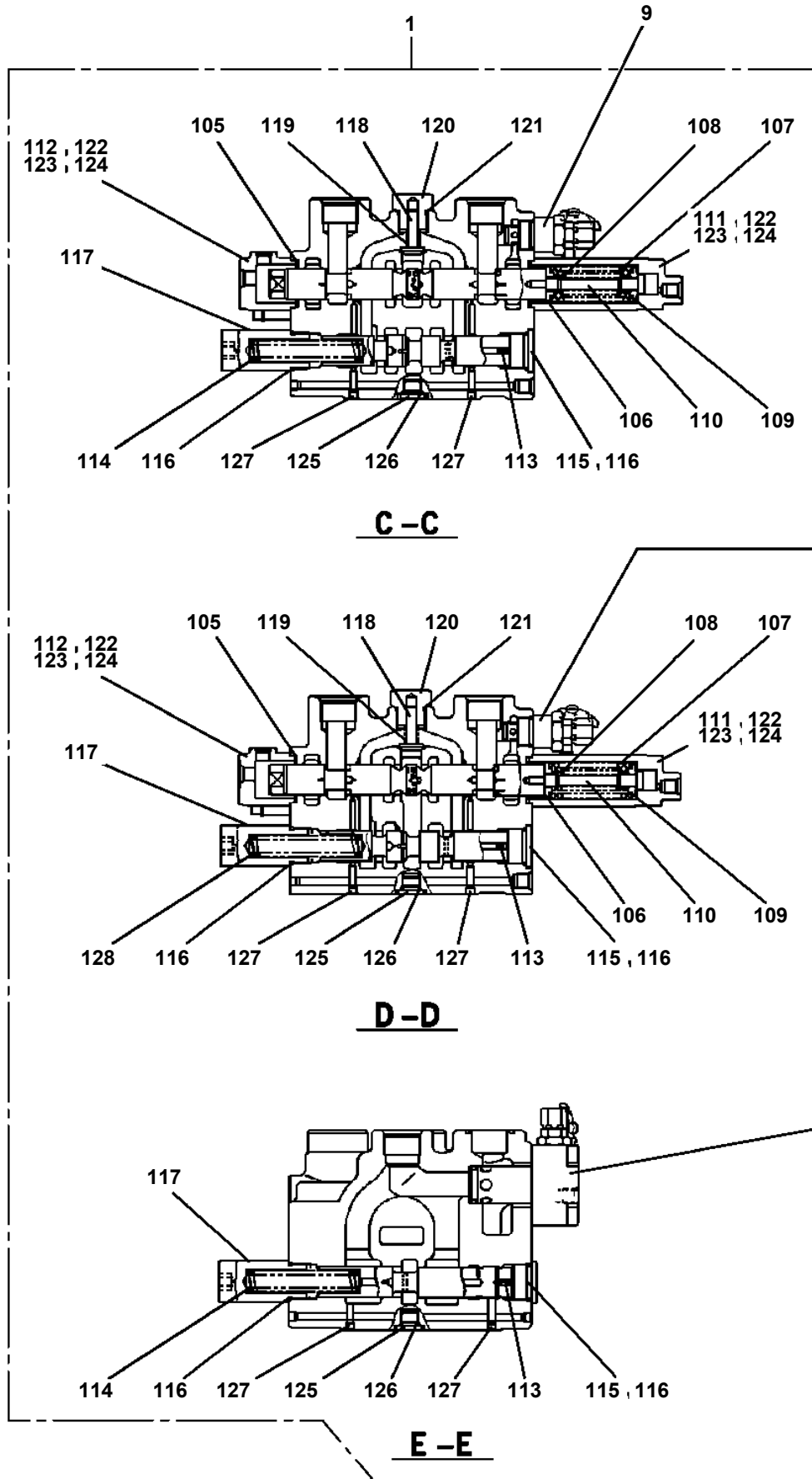
GT-300E-3-00401 4 BOOM + 2 JIB,2M2D

Pos No.	Parts No	Parts Name	Qty	Unit	Technical Data	Serial No (Start)	Serial No (End)	Remarks	Pages
20	36350857835	O-RING	1						
30	36350857840	RING	1						
34	36350857785	BEARING,BALL	1						
40	36350857845	O-RING	1						
50	36350857850	GASKET	1						
60	36350857855	BOLT	2		M12X135				
61	36350857680	WASHER	2						
110	36350857860	BOLT	3		M12X50				
111	36350857680	WASHER	3						

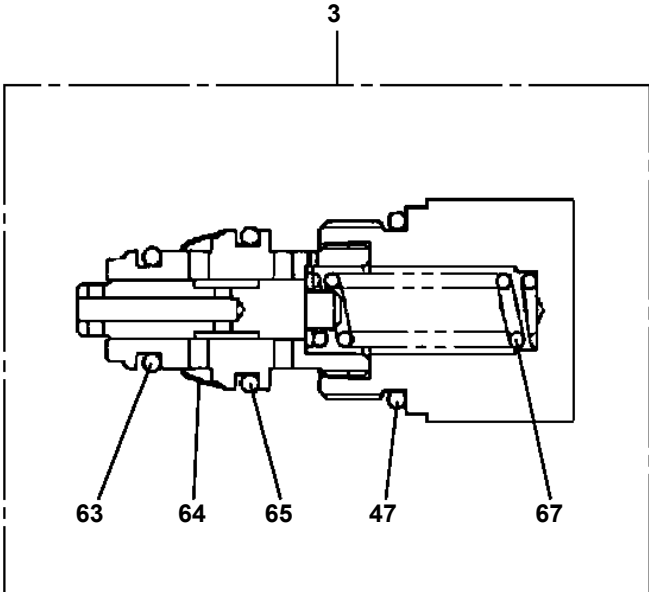
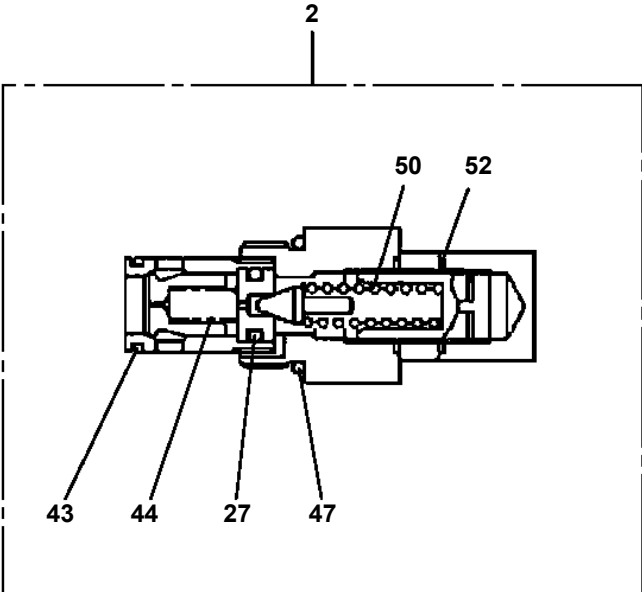
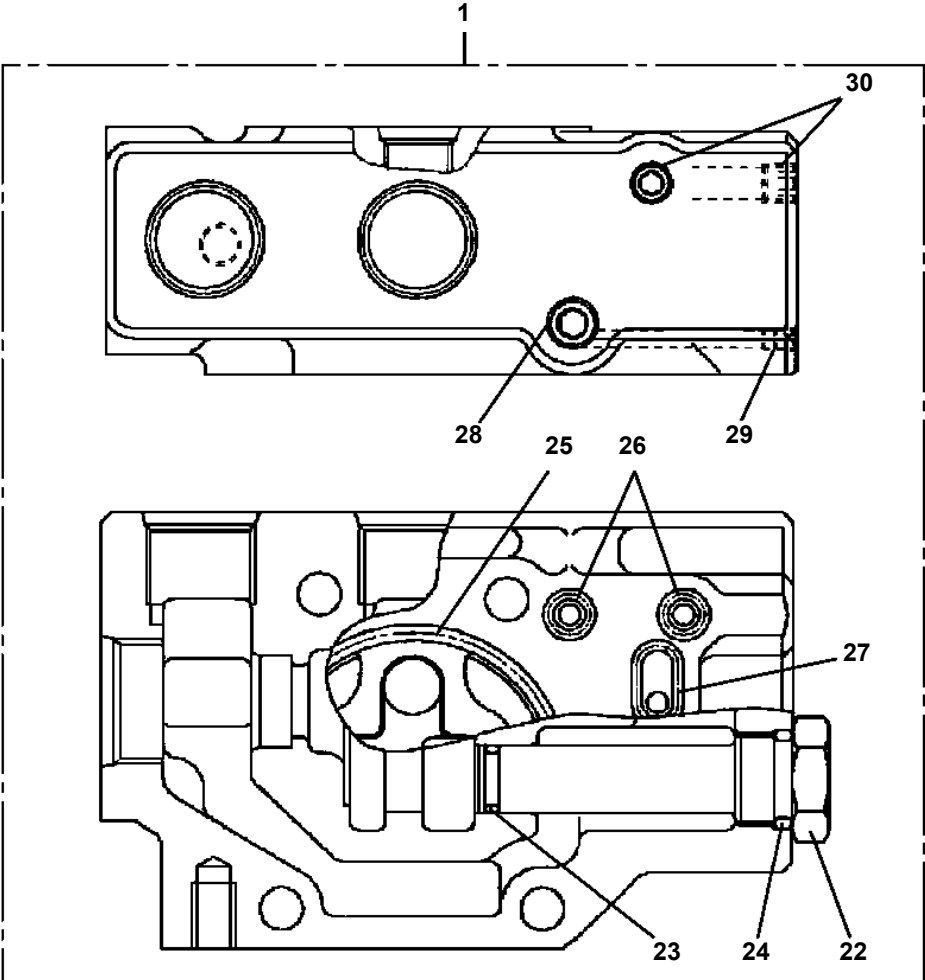
GT-300E-3-00401 4 BOOM + 2 JIB,2M2D

Pos No.	Parts No	Parts Name	Qty	Unit	Technical Data	Serial No (Start)	Serial No (End)	Remarks	Page
2	36622045020	PLUG	1						
3	91002802400	O-RING	2		1B P24				
5	12215120000	SPRING	1						
7	91001101600	O-RING	1		1A P16				
8	91411001600	RING,BACKUP	2		P16				
9	91002801000	O-RING	2		1B P10				
11	36626235020	PLUG	1						
31	36626235030	BODY ASSY	1						
100	36626230000	VALVE ASSY,CHECK	1						

GT-300E-3-00401 4 BOOM + 2 JIB,2M2D
 PV5190004-02 VALVE ASSY,SELECTOR (PILOT CONT.)

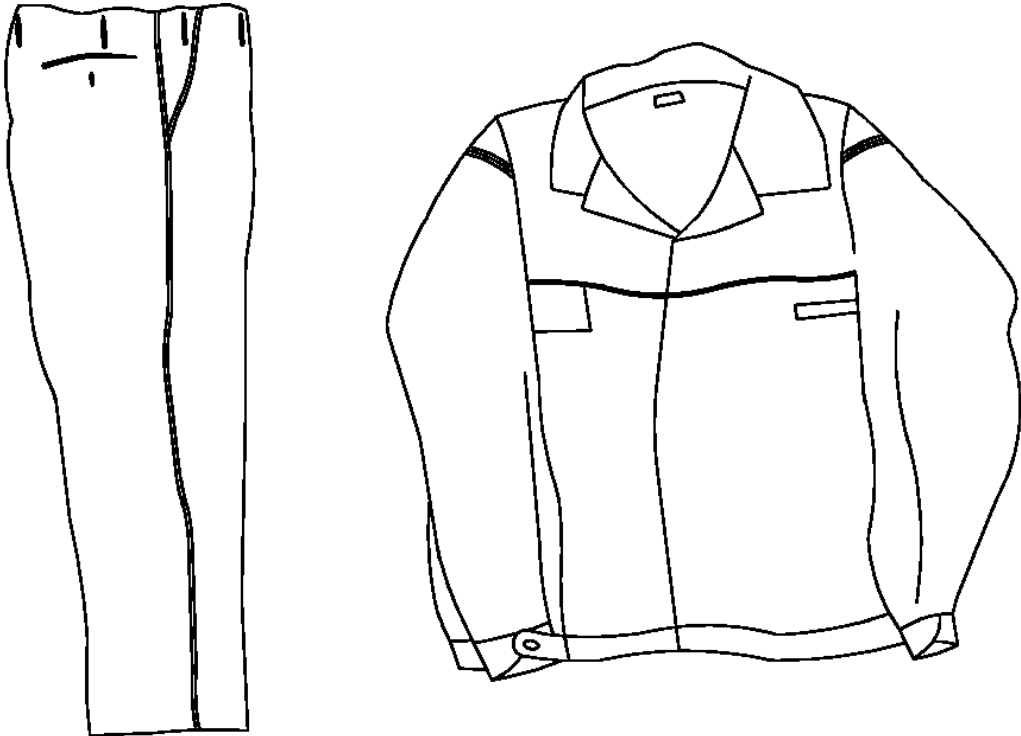


GT-300E-3-00401 4 BOOM + 2 JIB,2M2D
PV5240029-03 VALVE ASSY,SOLENOID

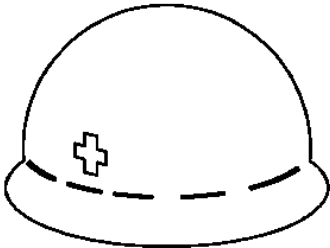


**GT-300E-3-00401 4 BOOM + 2 JIB,2M2D
PW1010146-00 ACCESSORIES (MET & WEAR)**

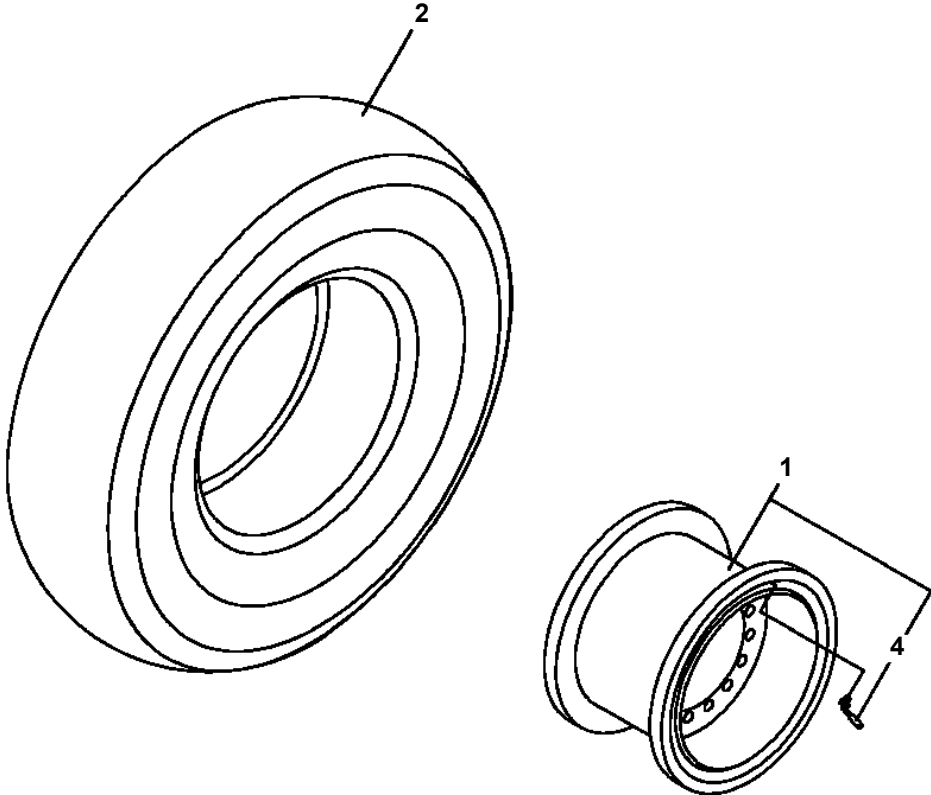
1



2



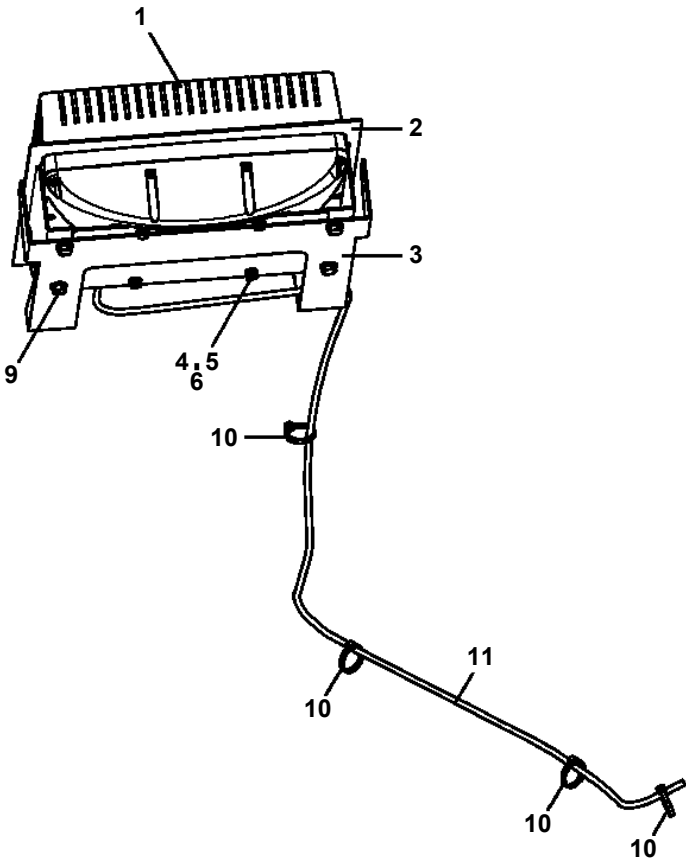
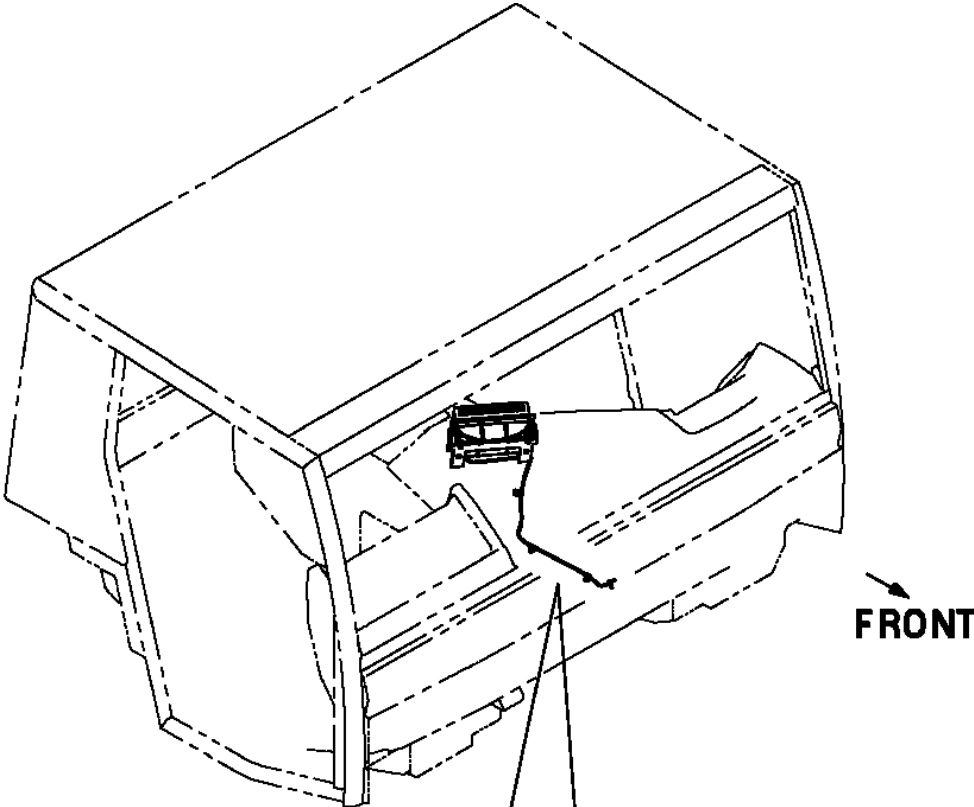
**GT-300E-3-00401 4 BOOM + 2 JIB,2M2D
PW5030062-00 WHEEL ASSY**



GT-300E-3-00401 4 BOOM + 2 JIB,2M2D

Pos No.	Parts No	Parts Name	Qty	Unit	Technical Data	Serial No (Start)	Serial No (End)	Remarks
1	82100002003	CLAMP	1					
2	34373121100	SWITCH (OVERWIND/JIB)	1					
3	14128208000	RING	4					
4	34371212101	WEIGHT ASSY	1					
5	37001900100	ROPE,WIRE	1		L=1180			
6	82401500700	HOOK	2					
7	34371314300	SUPPORT	1					
8	37001900840	WIRE	1		L=1290			
32	90101212040	BOLT	2		M12X40			
33	90302041201	WASHER,SPRING	2		12			
34	90303071201	WASHER,PLAIN	2		12			
50	34373121000	WEIGHT (OVERWIND/JIB)	1					

GT-300E-3-00401 4 BOOM + 2 JIB,2M2D
PX5010531-00 MOUNT ASSY (MFD/CARRIER CAB)



GT-300E-3-00401 4 BOOM + 2 JIB,2M2D

Pos No.	Parts No	Parts Name	Qty	Unit	Technical Data	Serial No (Start)	Serial No (End)	Remarks	Page
1	82100001801	TUBE,CORRUGATE	2	M	7				
2	82100001802	TUBE,CORRUGATE	4	M	10				
3	82100001803	TUBE,CORRUGATE	3	M	13				
4	82100001804	TUBE,CORRUGATE	1	M	15				
5	82100001806	TUBE,CORRUGATE	2	M	22				
6	82100001807	TUBE,CORRUGATE	1	M	28				
7	82129435005	TUBE,CORRUGATE	1	M	35				
8	91810130270	FASTENER	8						

GT-300E-3-00401 4 BOOM + 2 JIB,2M2D

Pos No.	Parts No	Parts Name	Qty	Unit	Technical Data	Serial No (Start)
1	(*****)	BRAKE ASSY (ABS PARTS LIST)	1			
2	35900412000	ELEC.ASSY(ABS)	1			
3	(*****)	MOUNT ASSY,ABS (PIPING)	1			
4	(*****)	SUPPORT ASSY (PLATE:ABS SENSOR CLAMP/3RD)	1			
6	(*****)	INDICATOR ASSY (ABS)	1			

GT-300E-3-00401 4 BOOM + 2 JIB,2M2D

Pos No.	Parts No	Parts Name	Qty	Unit	Technical Data	Serial No (Start)	Serial N
1	80192485014	SCREW,MACHINE (WITH WASHER)	8		M5X14		
2	99172108016	BOLT,TAPPING	19		M8X16		
3	90280200800	NUT,FLANGE	5		M8		
4	34510702800	DUCT	1				
5	34510702700	DUCT	1				
6	34510702100	DUCT	1				
7	34510702400	DUCT	1				
8	34510702300	DUCT	1				
9	34510702200	DUCT	1				
10	34510703200	SUPPORT	1				
11	34510702500	DUCT	1				
12	34510702600	DUCT	1				
13	90186208014	BOLT,FLANGE	4		M8X14		
14	34510703300	SUPPORT	1				
15	37000601600	CLAMP	2		WR54		
16	80175404016	SCREW,MACHINE	6		M4X16		
17	34510712200	SUPPORT	1				
18	34510712101	COVER	1				
19	91810130250	FASTENER	7				
21	90186208010	BOLT,FLANGE	2		M8X10		
22	90925050101	SCREW,TAPPING	4		M5X10		
23	91801300500	CLIP	3		D=45-50		
24	90186208025	BOLT,FLANGE	4		M8X25		
25	34510702900	COVER	1				
101	36321123000	AIR CONDITIONER ASSY (CAB ASSY PARTS)	1				

CLICK HERE TO **DOWNLOAD** THE COMPLETE MANUAL

- Thank you very much for reading the preview of the manual.
- You can download the complete manual from: www.heydownloads.com by clicking the link below



- Please note: If there is no response to CLICKING the link, please download this PDF first and then click on it.

CLICK HERE TO **DOWNLOAD** THE COMPLETE MANUAL