

GR-800E-3-00102 5 BOOM + 2 JIB, 2M2D

PB5000029-00 HYDRAULIC PRESSURE SYSTEM
PB6000073-00 PIPING SYSTEM (UPPER)
PB6000075-00 PIPING SYSTEM (LOWER)
PC1000663-00 OUTRIGGER SYSTEM
PD1000644-00 SWING SYSTEM
PF1000761-00 WINCH SYSTEM
PG3000028-01 JIB SYSTEM
PG5000032-01 BOOM SYSTEM
PH5000029-00 SAFETY SYSTEM
PK1000806-00 FRAME
PK5000032-00 CAB SYSTEM
PL5000032-00 CONTROL SYSTEM
PM1000032-01 LUBRICATION DEVICES
PN1000704-00 ELECTRIC EQUIPMENT (CAB)
PN1000705-00 ELECTRIC EQUIPMENT
PO1000150-00 INDICATION PLATES
PR5000048-00 DRIVING POWER SYSTEM
PS5000023-00 STEERING & SUSPENSION
PW1000097-02 ACCESSORIES & TOOLS
PX1001288-00 MOUNTING PARTS
PY1001735-06 OPTION UNIT,1
ASSEMBLY

CLICK HERE TO **DOWNLOAD** THE COMPLETE MANUAL

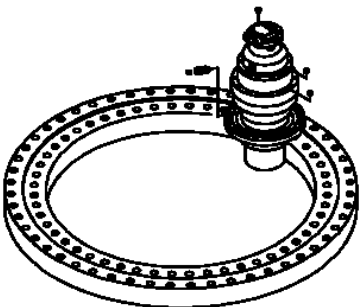
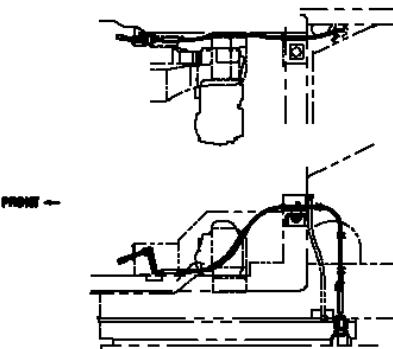
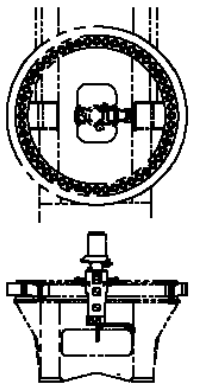
- Thank you very much for reading the preview of the manual.
- You can download the complete manual from: www.heydownloads.com by clicking the link below



- Please note: If there is no response to CLICKING the link, please download this PDF first and then click on it.

CLICK HERE TO **DOWNLOAD** THE COMPLETE MANUAL

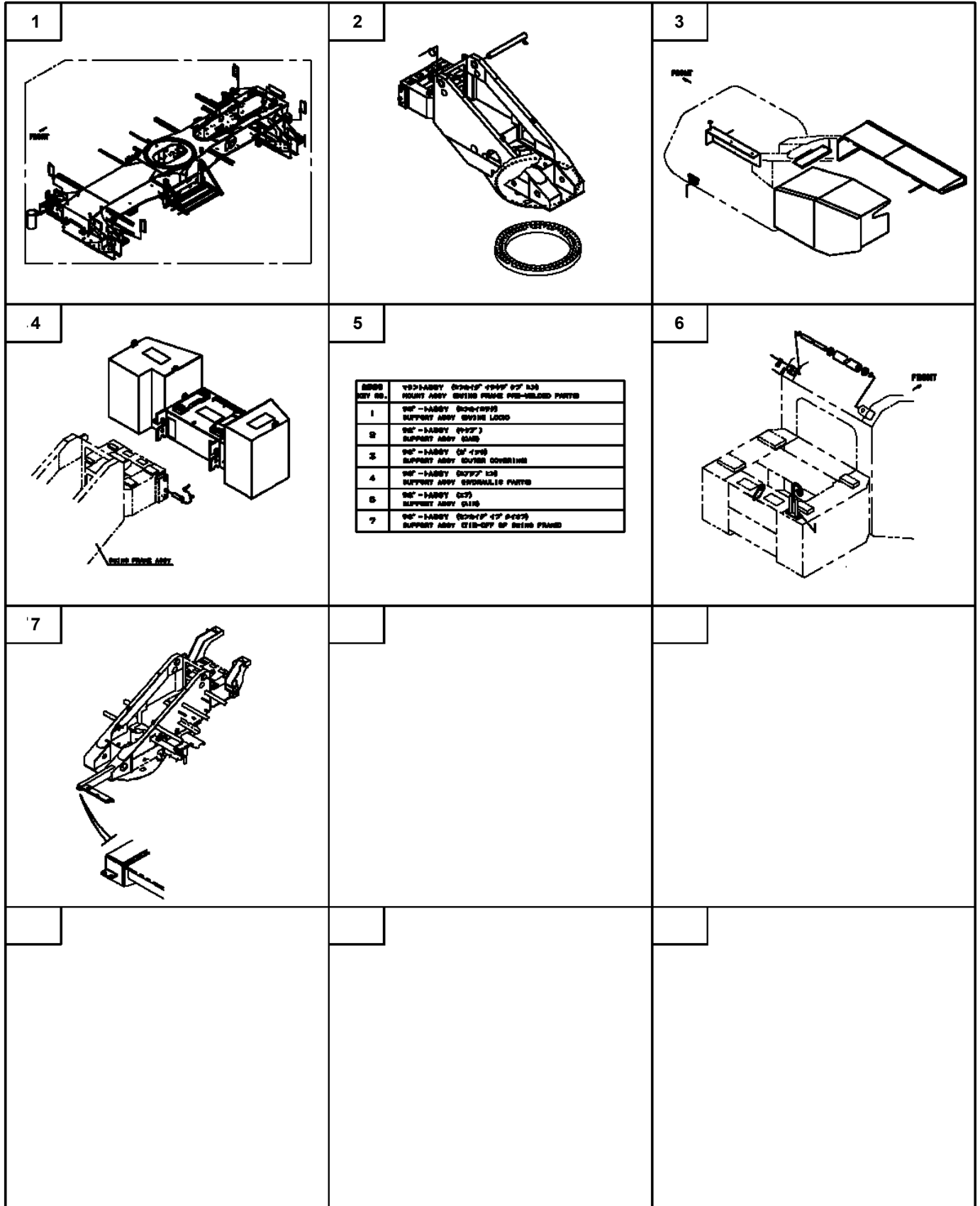
GR-800E-3-00102 5 BOOM + 2 JIB, 2M2D
PD1000644-00 SWING SYSTEM

1	2	3
		

適用製造番号によっては取り付けがないものもあります。

MACHINES OF SOME SERIAL NO. ARE NOT EQUIPPED WITH THESE PARTS.

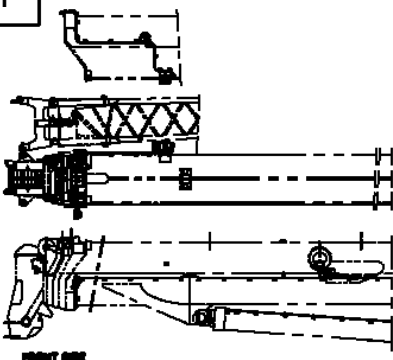
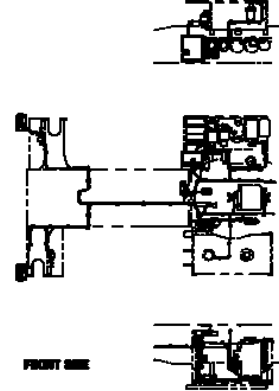
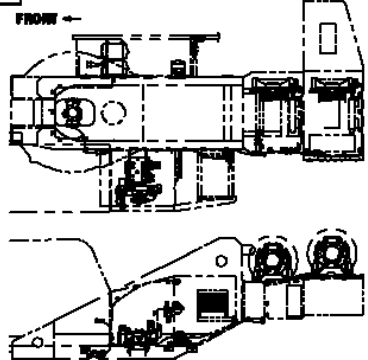
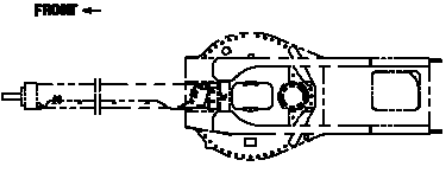
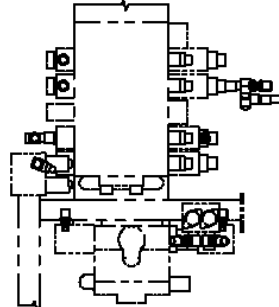
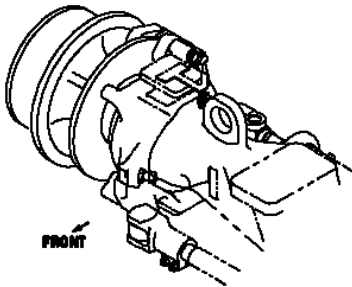
GR-800E-3-00102 5 BOOM + 2 JIB, 2M2D
 PK1000806-00 FRAME



適用製造番号によっては取り付けがないものもあります。

MACHINES OF SOME SERIAL NO. ARE NOT EQUIPPED WITH THESE PARTS.

GR-800E-3-00102 5 BOOM + 2 JIB, 2M2D
 PN1000705-00 ELECTRIC EQUIPMENT

<p>1</p>  <p>FRONT SIDE</p>	<p>2</p>  <p>FRONT SIDE</p>	<p>3</p>  <p>FRONT</p>
<p>4</p>  <p>FRONT</p>	<p>5</p> <p>コントローラ (VCU) CONTROLLER (VCU)</p>	<p>6</p> <p>コントローラ (DCU2) CONTROLLER (DCU2)</p>
<p>7</p> <p>ハ ッ テ リ BATTERY</p>	<p>8</p> 	<p>9</p>  <p>FRONT</p>

適用製造番号によっては取り付けがないものもあります。
 MACHINES OF SOME SERIAL NO. ARE NOT EQUIPPED WITH THESE PARTS.

GR-800E-3-00102 5 BOOM + 2 JIB, 2M2D
 PX1001288-00 MOUNTING PARTS

<p>1</p>	<p>2</p>	<p>3</p>
<p>4</p>	<p>5</p>	<p>6</p>
<p>7</p>	<p>8</p>	

適用製造番号によっては取り付けがないものもあります。
 MACHINES OF SOME SERIAL NO. ARE NOT EQUIPPED WITH THESE PARTS.

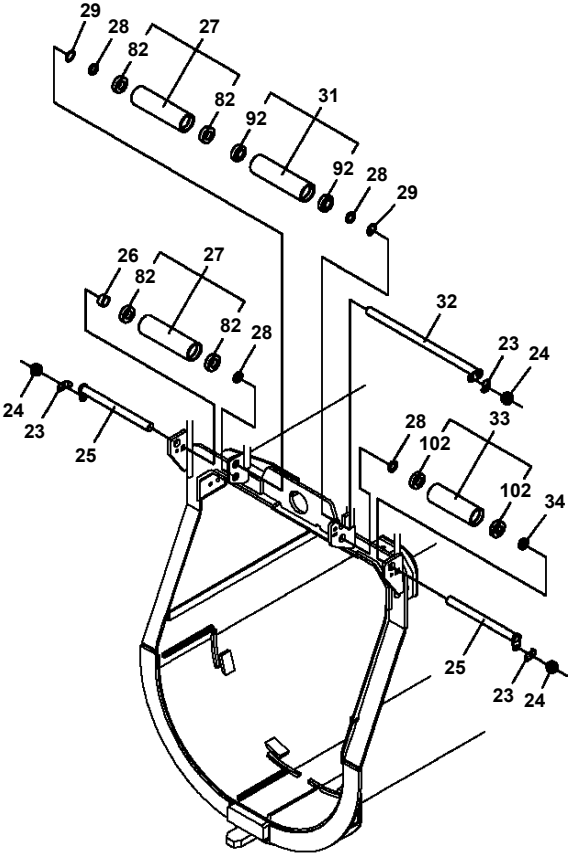
GR-800E-3-00102 5 BOOM + 2 JIB, 2M2D

PP6270080-00 PIPING ASSY,RETURN (LOWER)
PP6290002-03 PIPING ASSY,STEERING (CAB)
PP6300002-00 PIPING ASSY,SUCTION
PP6320006-00 PIPING ASSY,SWING
PP6340002-05 PIPING ASSY,SWIVEL
PP6360003-01 PIPING ASSY,TELESCOPE
PP6390029-01 PIPING ASSY,WINCH (MAIN)
PQ1100033-02 TANK,FUEL (300L)
PR1010017-01 OPE.ASSY,TRANSMISSION (SHIFT SWITCH)
PR1120024-02 CIRCUIT,TORQUE CONVERTER
PR1600029-01 PROPELLER SHAFT,DRIVING
PR1600031-02 SHAFT,PROPELLER (T/M-F/AXLE)
PR1600032-00 SHAFT,PROPELLER (T/M-R/AXLE)
PR5020001-01 RADIATOR ASSY
PR5050019-00 REEL ASSY,CORD
PR5060004-02 REEL ASSY,HOSE
PR5060013-00 REEL ASSY,HOSE
PR5090106-00 RELAY ASSY (CAB)
PR5090108-00 RELAY ASSY (FUSE BOX)
PR5090110-00 RELAY ASSY
PR5090144-00 RELAY ASSY (CAB)
PR5090146-00 RELAY ASSY
PR5130008-01 RING ASSY,SLIP
PR5150042-00 ROLLER ASSY
PR5170004-00 ROPE,WIRE (KISWIRE/NON-SPIN)
PR5170004-00 ROPE,WIRE (KISWIRE/NON-SPIN)
PR5170005-00 ROPE,WIRE (TSK/NON-SPIN)
PR5170005-00 ROPE,WIRE (TSK/NON-SPIN)
PR5170018-00 ROPE,WIRE (KISWIRE/NON-SPIN,EN)
PR5170018-00 ROPE,WIRE (KISWIRE/NON-SPIN,EN)
PS1020007-00 WHEEL,STEERING
PS1340002-02 ORBITROL
PS1400000-01 VALVE,PRIORITY
PS5100002-00 SENDER,PRESSURE
PS5160002-00 SHAFT ASSY
PS5170001-00 SHAFT ASSY,PROPELLER (JTEKT:T/M-T/C)
PS5220010-00 SINGLE TOP ASSY
PS5250010-00 SOCKET ASSY,ROPE
PS5290001-00 SPEED REDUCER ASSY
PS5340004-02 STEERING ASSY (CAB)
PS5340005-01 STEERING ASSY (LOWER)
PS5340021-00 STEERING ASSY (EMERGENCY/ WITHOUT LOW PRESSURE ALARM)
PS5360003-01 STEP ASSY
PS5360026-00 STEP ASSY
PS5410001-00 SUNSHADE
PS5420046-00 SUPPORT ASSY
PS5420049-00 SUPPORT ASSY (CAB)
PS5420052-00 SUPPORT ASSY (AIR)
PS5420058-01 SUPPORT ASSY (OUTER COVERING)
PS5420088-01 SUPPORT ASSY (SWING LOCK)
PS5420114-01 SUPPORT ASSY (HEATER)
PS5420293-00 SUPPORT ASSY (TIE-OFF OF SWING FRAME)
PS5420301-00 SUPPORT ASSY (SWING FRAME,STD)
PS5420303-00 SUPPORT ASSY (BOOM,BASE/LENGTH CORD)
PS5420304-00 SUPPORT ASSY (BOOM,2ND/LENGTH CORD)
PS5420305-00 SUPPORT ASSY (BOOM,3RD/LENGTH CORD)
PS5420306-00 SUPPORT ASSY (BOOM,4TH/LENGTH CORD)
PS5420307-00 SUPPORT ASSY (BOOM,TOP/OVER WIND SW)
PS5420309-00 SUPPORT ASSY (BOOM/ANEMOMETER)
PS5420310-00 SUPPORT ASSY (JIB/ANEMOMETER)
PS5420335-00 SUPPORT ASSY (HYDRAULIC PARTS)
PS5420354-00 SUPPORT ASSY
PS5430002-00 SUPPORT ASSY,JIB
PS5500010-00 SWING ASSY

GR-800E-3-00102 5 BOOM + 2 JIB, 2M2D

Pos No.	Parts No	Parts Name	Qty	Unit	Technical Data	Serial No (Start)	Serial No (End)	Remarks
6	36640425010	COLLAR	4					
7	36640425100	HOLDER (SPRING)	4					
8	36640425070	PLUG	4					
9	36640425080	SPRING	4					
12	36640425150	SLEEVE	1					
16	36648885050	SOLENOID	4				549555	
	36648885051	SOLENOID	4			549556		
21	36648925010	TIE ROD	3					
22	36640425110	SPRING	2					
25	36640425120	END,SPOOL	2					
27	36646975120	PLUG	4		PF1/4			
28	36648135010	BOLT,HEXAGON SOCKET	8		M5X10			
29	90131906080	BOLT,HEXAGON SOCKET	8		M6X80			
31	90267201000	NUT	6		M10			
34	36648135050	O-RING	4		1A P16			
35	91002800600	O-RING	12		1B P6			
37	91002801000	O-RING	4		1B P10			
38	91002801100	O-RING	4		1B P11			
39	91002801200	O-RING	1		1B P12			
41	91002801800	O-RING	1		1B P18			
42	91002802200	O-RING	1		1B P22			
43	91002906500	O-RING	3		1B G65			
44	36640425030	O-RING	4					
61	36640425040	HOUSING ASSY	1					
62	36640425050	INLET ASSY	1					
63	36640425060	SOLENOID ASSY	4				549555	
	36640425061	SOLENOID ASSY	4			549556		
64	36640425090	HOUSING ASSY	1					
65	36640425130	HOUSING ASSY	1					
66	36640425140	VALVE,RELIEF	1					
100	36648920000	VALVE,SOLENOID CONTROL	1					

GR-800E-3-00102 5 BOOM + 2 JIB, 2M2D
PB5190101-01 BOOM ASSY (3RD)



B

GR-800E-3-00102 5 BOOM + 2 JIB, 2M2D

Pos No.	Parts No	Parts Name	Qty	Unit	Technical Data	Serial No (Start)	Serial No (End)	Remarks	Pages
1	34323251301	BOX	1						
2	34323251401	COVER	1						
3	34323251500	SUPPORT	1						
4	34323261600	LEVER	1						
5	34320900800	RATCHET	1						
6	34323251900	GEAR	1						
7	34321064700	ROD	1						
8	19114411000	SPRING	1						
9	80601110160	RING,RITAINING	3		16				
10	90101208025	BOLT	3		M8X25				
11	80182306030	SCREW,MACHINE	1		M6X30				
12	90201200600	NUT	1		M6				
13	80617010060	RING,GRIP	2		6				
14	80176405012	SCREW,MACHINE	5		M5X12				
15	90305260501	WASHER	5		B1-5				
16	34323261700	COVER	1						
17	90302040801	WASHER,SPRING	3		8				
18	19214024000	SPRING	1						
19	80176404012	SCREW,MACHINE	2		M4X12				
20	90305260401	WASHER	2		4				
100	34323251101	BOX ASSY (LEFT)	1						

GR-800E-3-00102 5 BOOM + 2 JIB, 2M2D

Pos No.	Parts No	Parts Name	Qty	Unit	Technical Data	Serial No (Start)	Serial No (End)	Remarks
1	34931671200	BOX	1					
2	34930411200	COVER	1					
3	34931671400	COVER	1					
4	90186208014	BOLT,FLANGE	10		M8X14			
5	34930901010	SUPPORT	2					
6	34931761601	BOX ASSY	1					
7	80197586012	SCREW,MACHINE	7		M6X12			
8	82173400010	BOX,FUSE	1					
9	82171500070	FUSE	1		70A			
10	82174103526	FUSE (75A,7323-3526-40>	2					
11	82161901051	RELAY	1					
13	90186208025	BOLT,FLANGE	2		M8X25			
14	34930941020	CABLE	1		L=250			
16	91810130240	FASTENER	1					
17	82100002017	CLAMP	2		WR30			
19	37000604250	CLAMP	2					
20	90303290600	WASHER,PLAIN	2		6			
26	90280200600	NUT,FLANGE	4		M6			
27	82100002010	CLAMP	2		WR15			
51	82400000202	GROMMET	2					
62	82400000201	GROMMET	1		KG-016			

GR-800E-3-00102 5 BOOM + 2 JIB, 2M2D

Pos No.	Parts No	Parts Name	Qty	Unit	Technical Data	Serial No (Start)	Serial
2	34260954500	SUN VISOR (FRONT)	1				
3	34260954600	SUNSHADE	1				
21	(*****)	CAB ASSY	1				
22	34261443000	FRAME	1				
23	34261441100	SWITCH ASSY (STARTER & DOOR LOCK CYL.)	1				
41	90101024085	BOLT	4		M24X85		
42	34260770200	CUSHION (ASAHI GOMU)	4				
	34780432500	CUSHION (KURASHIKIKAKO)	4				
43	34260230900	CUSHION (KURASHIKIKAKO)	4				
	34260770400	CUSHION (ASAHI GOMU)	4				
44	90201252400	NUT	4		M24		
45	89631501000	HOSE,VINYL	1		18X22,1M		
46	91801300240	CLIP	1		D=21-24		
47	82100002016	CLAMP	1		WR25		
48	90280200800	NUT,FLANGE	1		M8		
301	34261810010	CAB ASSY	1				

GR-800E-3-00102 5 BOOM + 2 JIB, 2M2D

Pos No.	Parts No	Parts Name	Qty	Unit	Technical Data	Serial No (Start)	Serial No
72	80185308035	SCREW,MACHINE	2		M8X35		
73	90302040801	WASHER,SPRING	2		8		
74	90304110801	WASHER,TOOTH	2		8		
75	90201200800	NUT	2		M8		
76	34260957670	COVER (WEATHER STRIP)	1				
77	80192486016	SCREW,MACHINE	2		M6X16		
78	34260957680	TRIM	1				
79	34260957813	CLIP	6				
80	34260957690	COVER	1				
81	80192484012	SCREW,MACHINE (WITH WASHER)	3		M4X12		
82	34260957700	COVER	2				
83	90915040125	SCREW,TAPPING	8		M4X12		
84	34260957710	COVER (WIPER MOTOR)	1				
85	80192486012	SCREW,MACHINE	7		M6X12		
86	34260957720	SUPPORT ASSY	1				
87	99164008020	BOLT (M8X20)	2				
88	34260957793	DOOR ASSY (CAB)	1				
136	82100000951	GROMMET	2				
137	34260952310	JUNCTION (BODY SIDE)	1				
138	34260957730	RUBBER	1				
139	34261817580	GROMMET (C-30NG-79-F)	1				
140	34260957814	COVER (SPEAKER)	1				
141	90915040125	SCREW,TAPPING	4		M4X12		
142	34260957760	COVER	1				
143	99164008010	BOLT (M8X10)	8				
145	34261817560	SHIM	1				
146	34261817570	SCREW	2		M6X18		
147	34261552400	SUPPORT	2				
148	90303360601	WASHER,PLAIN	2		6		
151	34260237501	RUBBER (BLADE,WIPER)	2		L=700		

GR-800E-3-00102 5 BOOM + 2 JIB, 2M2D

Pos No.	Parts No	Parts Name	Qty	Unit	Technical Data	Serial No (Start)	Serial No (End)
1	36320565111	COMPRESSOR	1				
2	36320565120	BASE	1				
3	36320452050	CUSHION (ISOLATOR)	4				
4	36320455800	BRACKET	1				
5	36320562040	PULLEY (OIL MOTOR)	1				
6	36320562050	WASHER (OIL MOTOR AXIS STOPPER)	1				
7	36320562260	BELT (V)	1				
11	36320565131	BOLT	2		M10X25		
12	36320565141	BOLT	4		M10X35		
13	90280211000	NUT,FLANGE	2		M10X1.25		
14	90302040801	WASHER,SPRING	1		8		
15	36320455910	BOLT	1				
100	36320562021	COMPRESSOR ASSY	1				

GR-800E-3-00102 5 BOOM + 2 JIB, 2M2D

Pos No.	Parts No	Parts Name	Qty	Unit	Technical Data	Serial No (Start)	Serial No (End)	Remarks
1	36171995010	BOARD,CPU (WITH DATA)	1					
2	36171585120	BOARD ASSY (VCU SUB)	1					
10	36171585200	SCREW,SET	10					
11	36171585210	SCREW,SET	13					
12	36171585220	SPACER	10					
100	36171990000	CONTROLLER (VCU)	1					

GR-800E-3-00102 5 BOOM + 2 JIB, 2M2D

Pos No.	Parts No	Parts Name	Qty	Unit	Technical Data	Serial No (Start)	Serial No (End)	Remarks	Pa
2	34693111100	COVER	1						
3	34693061100	COVER (L)	1						
4	34693111300	COVER	1						
5	34693061200	COVER (R)	1						
6	90186210014	BOLT,FLANGE	12		M10X14				
9	34693021500	COVER	1						
10	34693021700	COVER	1						
13	90302040801	WASHER,SPRING	8		8				
15	34690923600	HINGE	2						
16	90101208020	BOLT	6		M8X20				
17	90201200800	NUT	6		M8				
18	82466301450	INSULATOR	2						
19	80172804020	SCREW,MACHINE	2		M4X20				
20	37000505950	PLATE	4		T=3.2				
21	34691292900	INSULATOR	4						
22	90186208014	BOLT,FLANGE	14		M8X14				
23	80182308014	SCREW,MACHINE	2		M8X14				
25	82400000357	CATCH	1						
50	35590249511	COVER ASSY	2						
52	34693069510	COVER ASSY	1						
54	82400000346	CATCH	3						
55	80147310430	RIVET	44		NSA 4-3				
60	34692802200	HINGE	2						
70	80147310450	RIVET	4		NSA4-5				
73	82466112900	CATCH	1						
82	34693029520	COVER ASSY	1						
101	34693068010	COVER ASSY,ENGINE	1						
114	82464110002	HINGE	6						

GR-800E-3-00102 5 BOOM + 2 JIB, 2M2D

Pos No.	Parts No	Parts Name	Qty	Unit	Technical Data	Serial No (Start)	Serial No (End)
1	36052061000	CYLINDER (IP)	1				
3	90201702400	NUT	1		M24		
4	36052060010	PISTON	1				
5	91350207000	BEARING,PLAIN (WITH PACKINGX2)	1				
6	91002803500	O-RING	1		1B P35		
7	36052062000	ROD ASSY	1				
8	36052064000	COVER,ROD (IP)	1				
9	91002806000	O-RING	1		1B P60		
10	91251100350	RING,DAMPER	1				
11	91694003500	PACKING	1				
12	91410203501	RING,BACKUP	1				
13	36052065000	PLATE (IP)	1				
14	91660003501	SEAL,DUST	1				
16	91301103500	BEARING,PLAIN	1				
31	80530000204	BEARING,SPHERICAL	2				
32	37000565830	PLATE (IP)	4				
71	36053479900	PACKING SET	1		35X70		
100	36052060001	CYLINDER ASSY (QUICK TURN JIB,IP)	1				

GR-800E-3-00102 5 BOOM + 2 JIB, 2M2D

Pos No.	Parts No	Parts Name	Qty	Unit	Technical Data	Serial No (Start)	Serial No (End)
2	90730008120	SCREW,SET	1		M8X12		
3	36063194000	PISTON	1				
5	91002805000	O-RING	1		1B P50		
7	36060354001	COVER,ROD	1				
8	91002809000	O-RING	1		1B P90		
9	91251100500	RING,DAMPER	1				
10	91694005000	PACKING	1				
11	91410205001	RING,BACKUP	1				
13	91660005001	SEAL,DUST	1				
15	37000400940	BEARING,PLAIN	4				
17	36063193000	BOOT	1				
19	91350210000	BEARING,PLAIN (WITH PACKINGX2)	1				
20	91301105000	BEARING,PLAIN	1				
21	91803601400	CLIP	1		D=110-140		
22	91803600700	CLIP	1		D=55-70		
42	36063199520	ROD ASSY	1				
51	36063199511	CYLINDER ASSY	1				
61	36060359902	PACKING SET	1		50X100		
100	36063190000	CYLINDER ASSY,STEERING	1				

GR-800E-3-00102 5 BOOM + 2 JIB, 2M2D

Pos No.	Parts No	Parts Name	Qty	Unit	Technical Data	Serial No (Start)	Serial No (End)	Remarks
1	36028250000	CYLINDER ASSY,DERRICK	1					

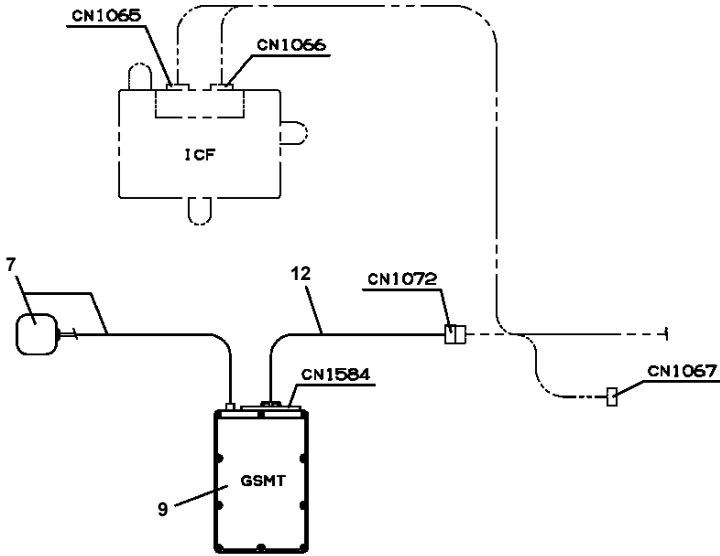
GR-800E-3-00102 5 BOOM + 2 JIB, 2M2D

Pos No.	Parts No	Parts Name	Qty	Unit	Technical Data	Serial No (Start)	Serial No (End)	Remarks	Pages
3	34510702350	PACKING	1						
5	34510702280	PACKING	1						
6	34510702290	PACKING	1						
100	34510702300	DUCT	1						

GR-800E-3-00102 5 BOOM + 2 JIB, 2M2D

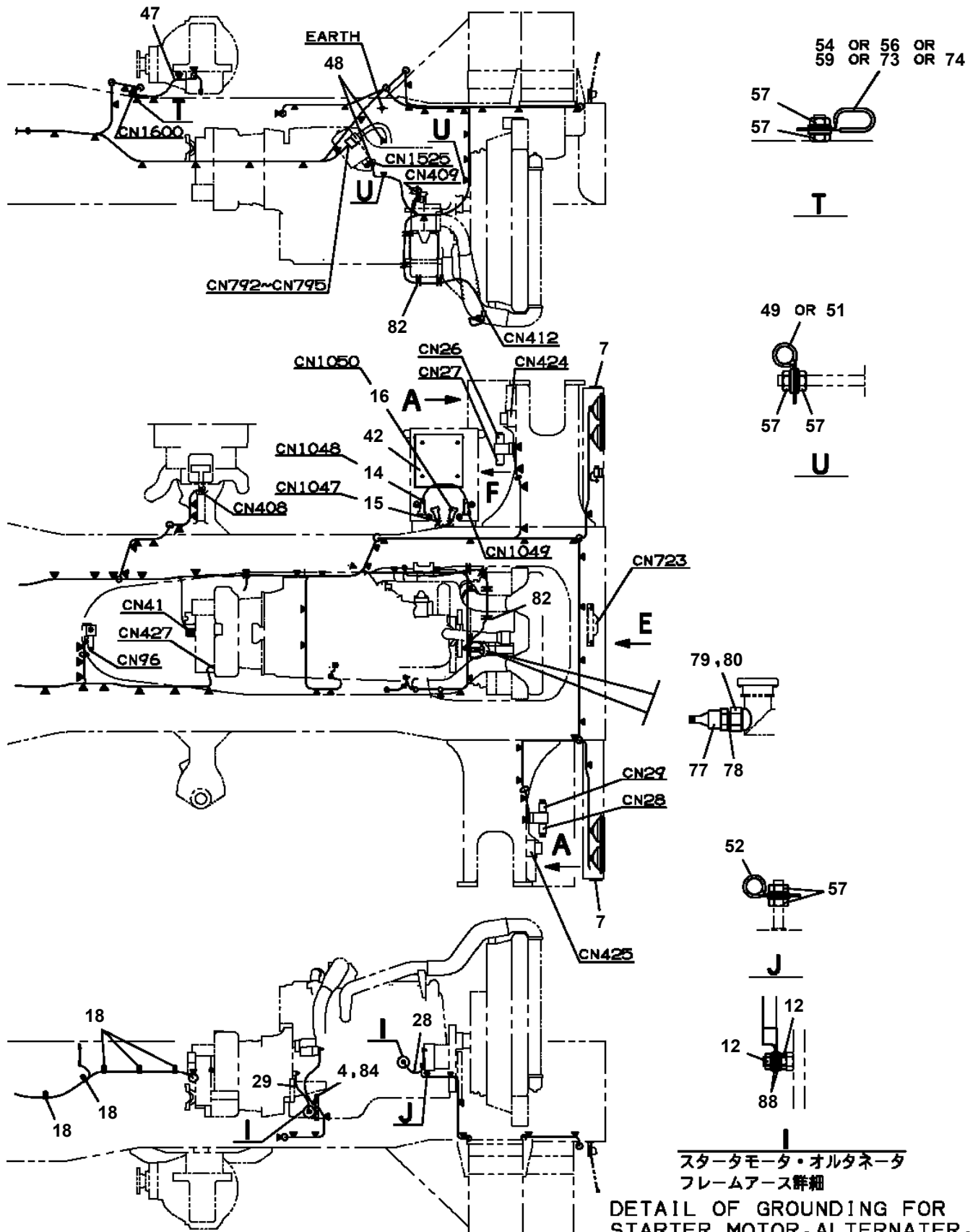
Pos No.	Parts No	Parts Name	Qty	Unit	Technical Data	Serial No (Start)	Serial No (End)
1	91810130240	FASTENER	4				
2	34510952100	BOX	1				
3	34511252020	PLATE,NAME (ENGINE PRE-HEATER)	1				
4	90280200600	NUT,FLANGE	2		M6		
5	82100002006	CLAMP	2		WR10		
6	90186208020	BOLT,FLANGE	2		M8X20		
7	90201200600	NUT	1		M6		
8	34511252100	HARNES (HEATER)	1				
9	34511252010	PLATE,CAUTION (IF THE HEATER IS)	1				
10	80192486016	SCREW,MACHINE	1		M6X16		
34	82464110004	HINGE	1				
35	82400000370	CATCH	1				
36	80147310420	RIVET	4		3.2X6		
37	90303070301	WASHER,PLAIN	4		3		
38	80175304008	SCREW,MACHINE	4		M4X8		
40	90240200400	NUT,CAP	4		M4		
43	82400000201	GROMMET	1		KG-016		
44	90186206014	BOLT,FLANGE	2		M6X14		
51	34353039510	COVER ASSY	1				
101	(*****)	ACCESSORY LIST (HEATER)	1				

**GR-800E-3-00102 5 BOOM + 2 JIB, 2M2D
PE5020549-02 ELEC.ASSY (GSMT)**



DETAIL OF CONNECTION

GR-800E-3-00102 5 BOOM + 2 JIB, 2M2D
 PE5020608-00 ELEC.ASSY (LOWER:MAIN)



スタータモータ・オルタネータ
 フレームアース詳細
 DETAIL OF GROUNDING FOR
 STARTER MOTOR, ALTERNATOR,
 AND FRAME
REAR SIDE

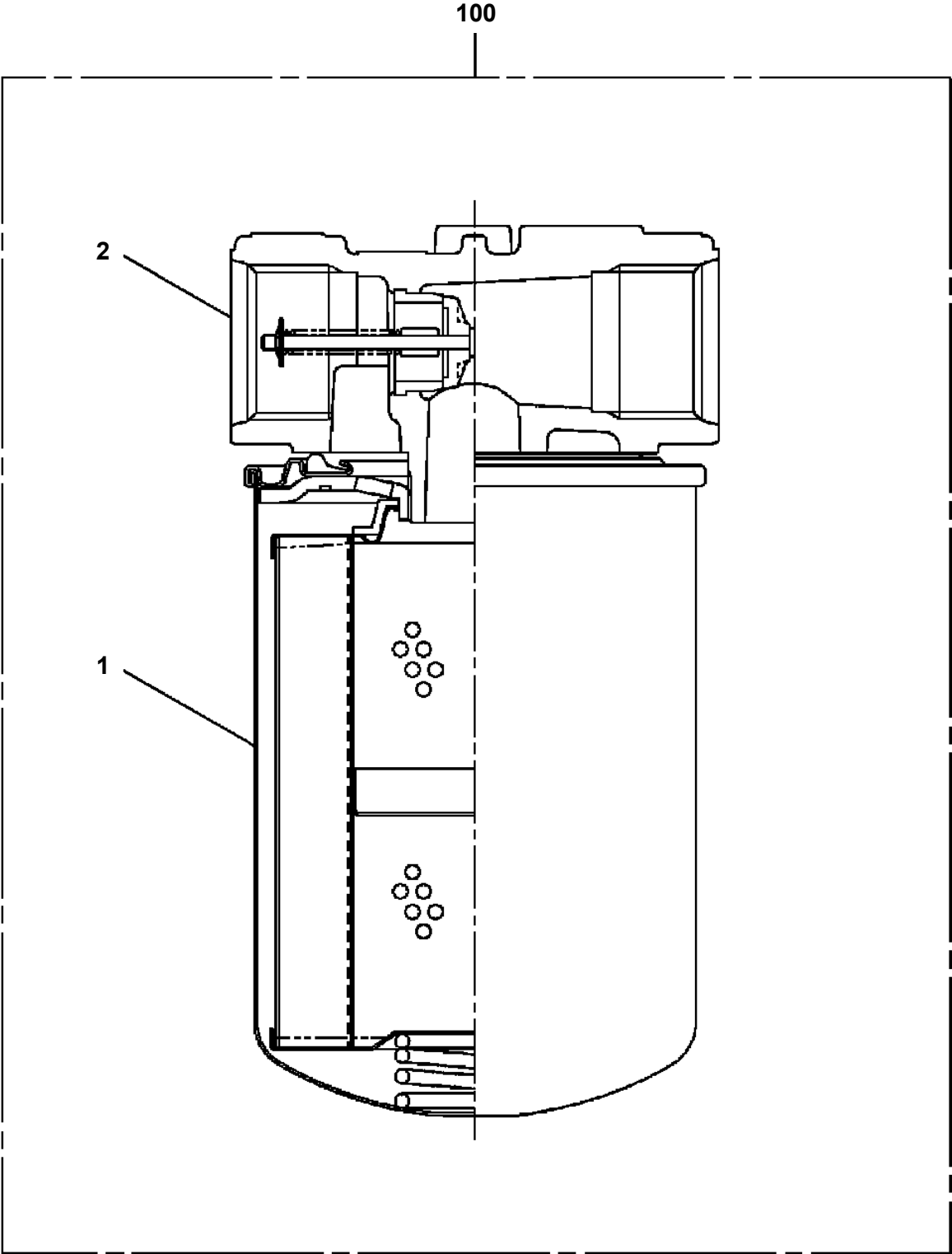
GR-800E-3-00102 5 BOOM + 2 JIB, 2M2D

Pos No.	Parts No	Parts Name	Qty	Unit	Technical Data	Serial No (Start)	Serial No (End)
1	91810130240	FASTENER	4				
2	34510952100	BOX	1				
3	34511252020	PLATE,NAME (ENGINE PRE-HEATER)	1				
4	90280200600	NUT,FLANGE	2		M6		
5	82100002006	CLAMP	2		WR10		
6	90186208020	BOLT,FLANGE	2		M8X20		
7	90201200600	NUT	1		M6		
8	34511252200	HARNES (HEATER)	1				
9	34511252010	PLATE,CAUTION (IF THE HEATER IS)	1				
10	80192486016	SCREW,MACHINE	1		M6X16		
34	82464110004	HINGE	1				
35	82400000370	CATCH	1				
36	80147310420	RIVET	4		3.2X6		
37	90303070301	WASHER,PLAIN	4		3		
38	80175304008	SCREW,MACHINE	4		M4X8		
40	90240200400	NUT,CAP	4		M4		
43	82400000201	GROMMET	1		KG-016		
44	90186206014	BOLT,FLANGE	2		M6X14		
51	34353039510	COVER ASSY	1				
101	(*****)	ACCESSORY LIST (HEATER)	1				

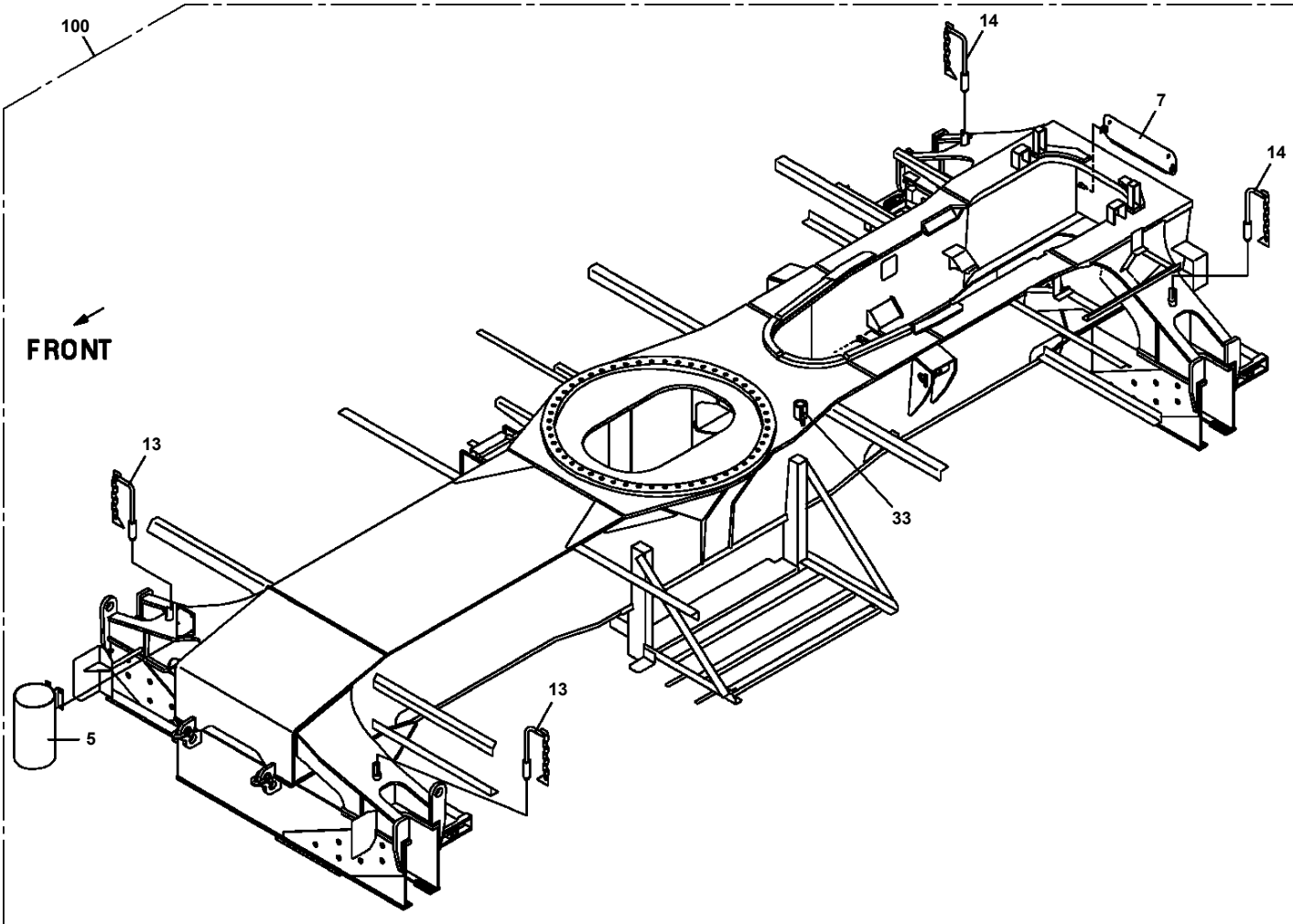
GR-800E-3-00102 5 BOOM + 2 JIB, 2M2D

Pos No.	Parts No	Parts Name	Qty	Unit	Technical Data	Serial No (Start)	Serial No (End)	Remarks
81	36320765360	CASE (REAR)	1					
82	36320765370	CASE (FRONT)	1					
83	36320765380	DAMPER	1					
84	36320765390	DAMPER	1					
85	36320765400	DAMPER	1					
86	36320765410	DAMPER	1					
87	36320765420	DAMPER	1					
88	36320765430	DAMPER	1					
89	36321165400	SCREW,MACHINE	5					
90	36320765440	PACKING	1					
91	36320565680	O-RING	1					
92	36320565690	O-RING	1					

GR-800E-3-00102 5 BOOM + 2 JIB, 2M2D
PF5030006-00 FILTER ASSY

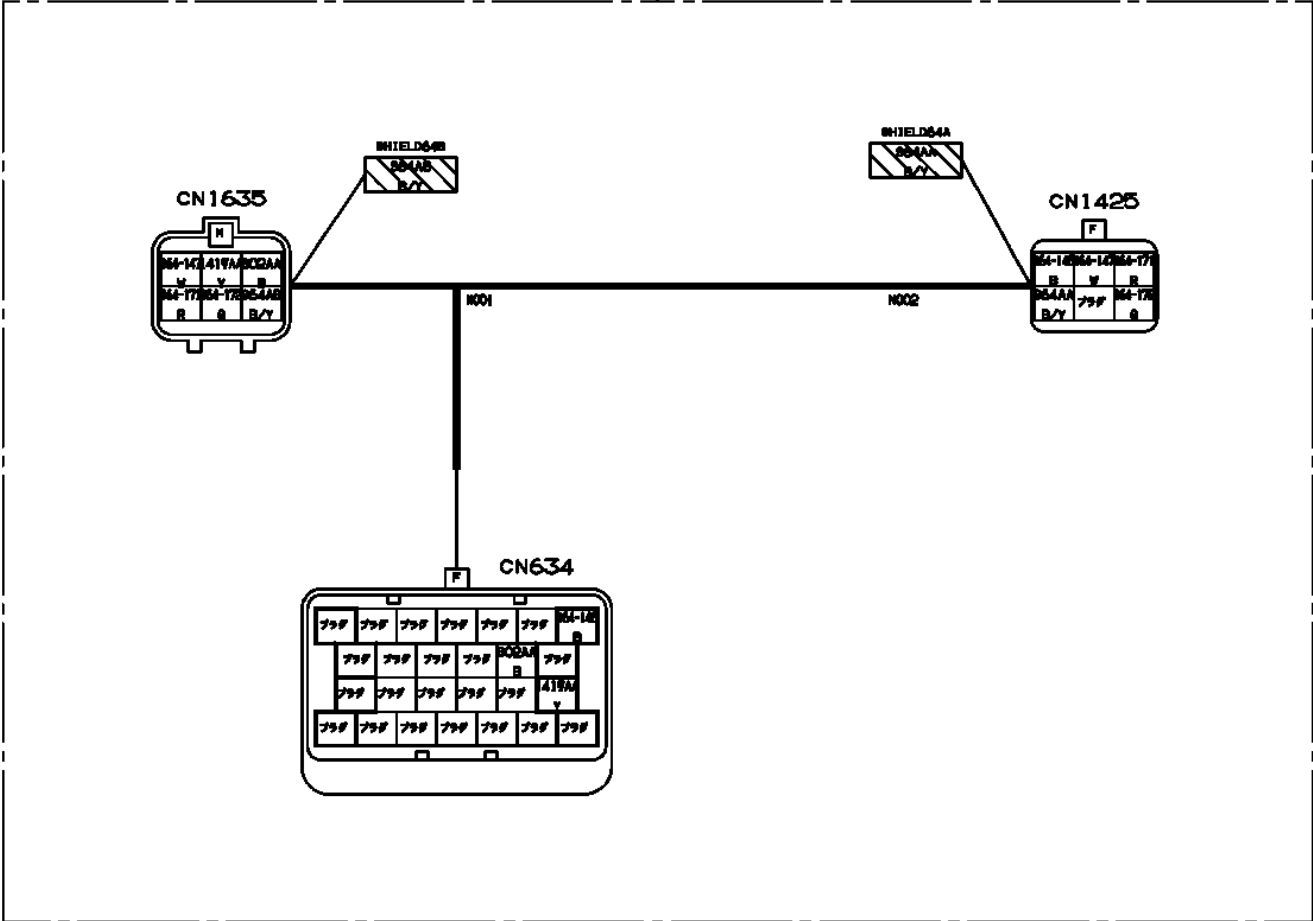


GR-800E-3-00102 5 BOOM + 2 JIB, 2M2D
PF5100278-01 FRAME ASSY



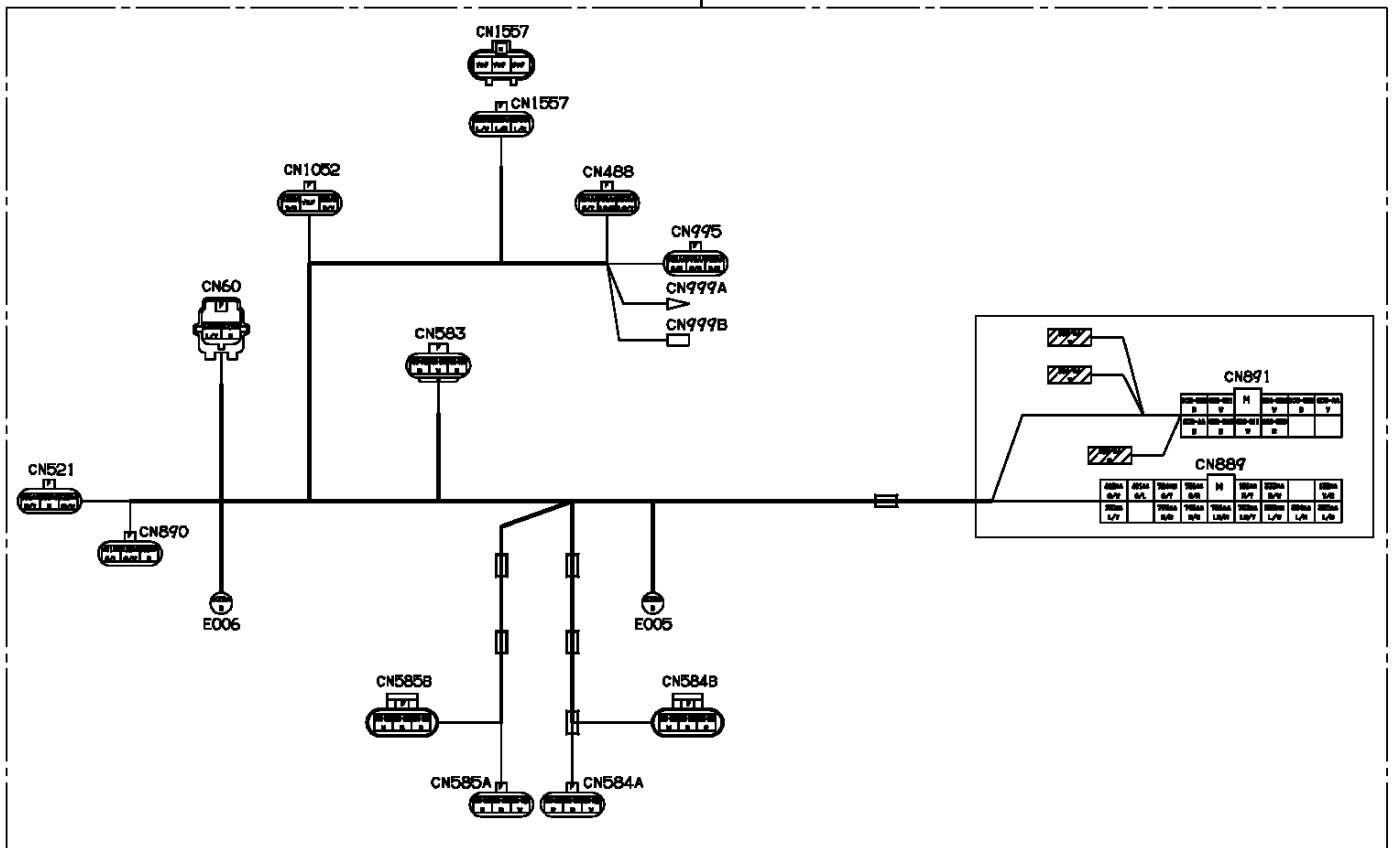
GR-800E-3-00102 5 BOOM + 2 JIB, 2M2D
 PH5030589-00 HARNESS

1



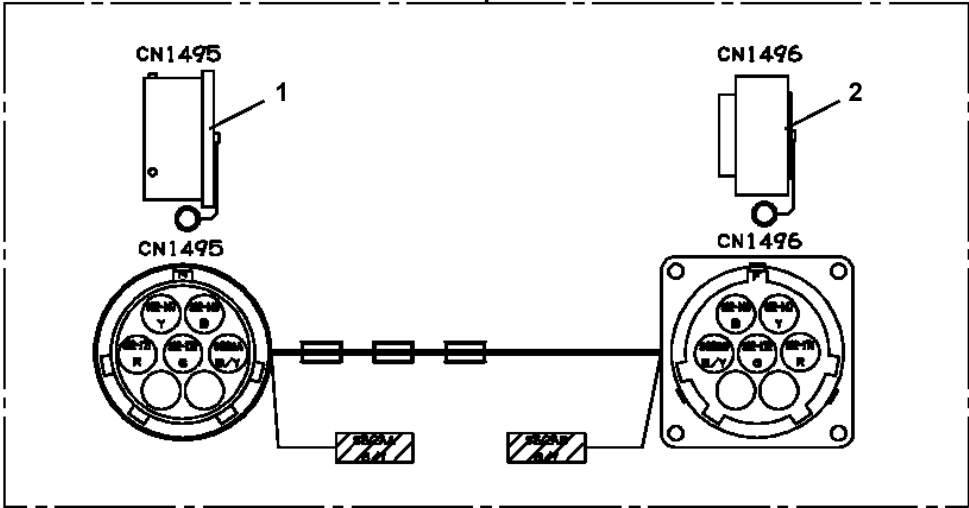
**GR-800E-3-00102 5 BOOM + 2 JIB, 2M2D
PH5031039-00 HARNESS (SWING FRAME,RIGHT)**

100

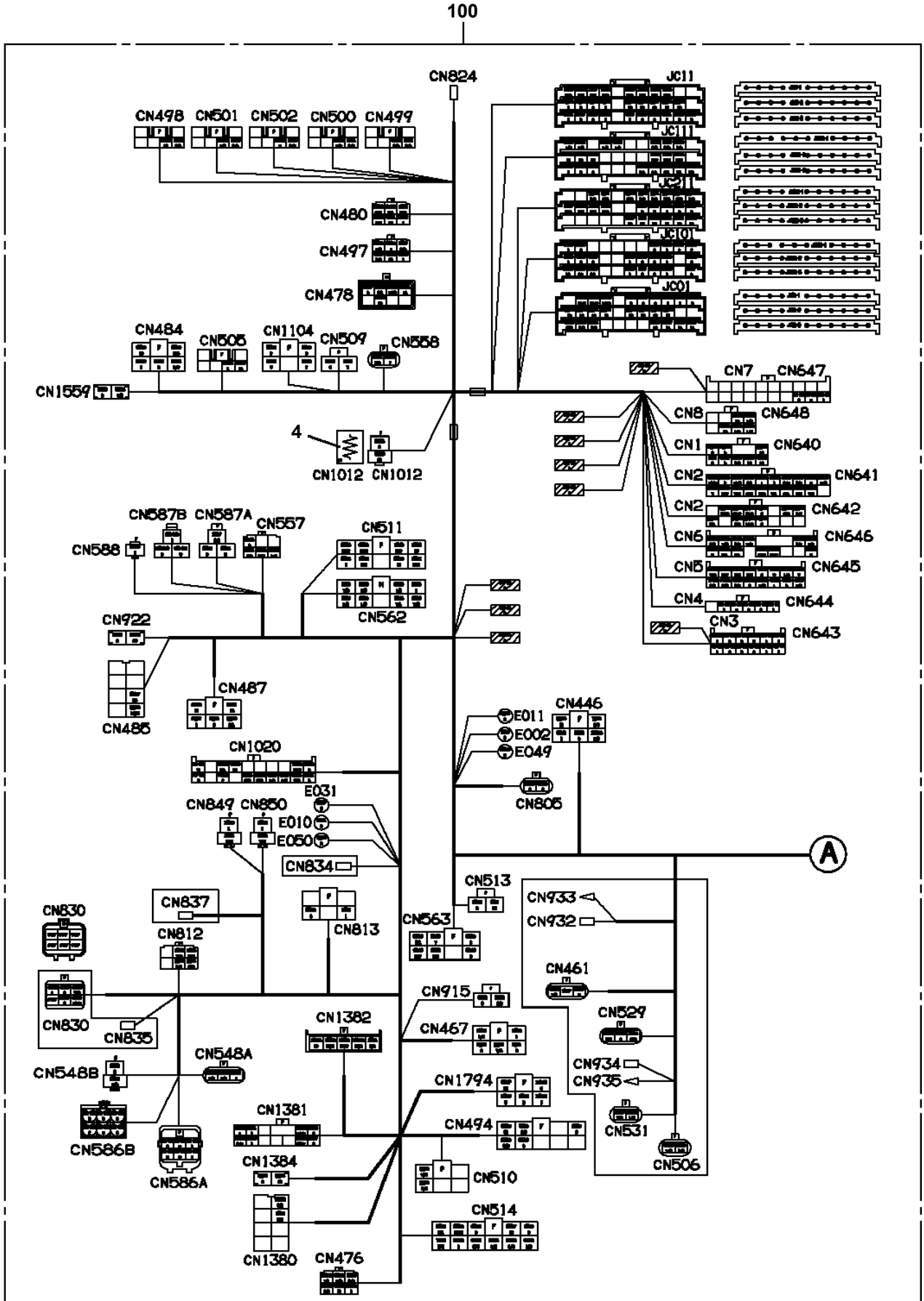


GR-800E-3-00102 5 BOOM + 2 JIB, 2M2D
PH5031047-00 HARNESS (JIB 1)

100



GR-800E-3-00102 5 BOOM + 2 JIB, 2M2D
 PH5031337-00 HARNESS (CAB)



GR-800E-3-00102 5 BOOM + 2 JIB, 2M2D

Pos No.	Parts No	Parts Name	Qty	Unit	Technical Data	Serial No (Start)	Serial No (End)	Remarks	Pages
1	34931870300	HARNESS (AIR)	1						

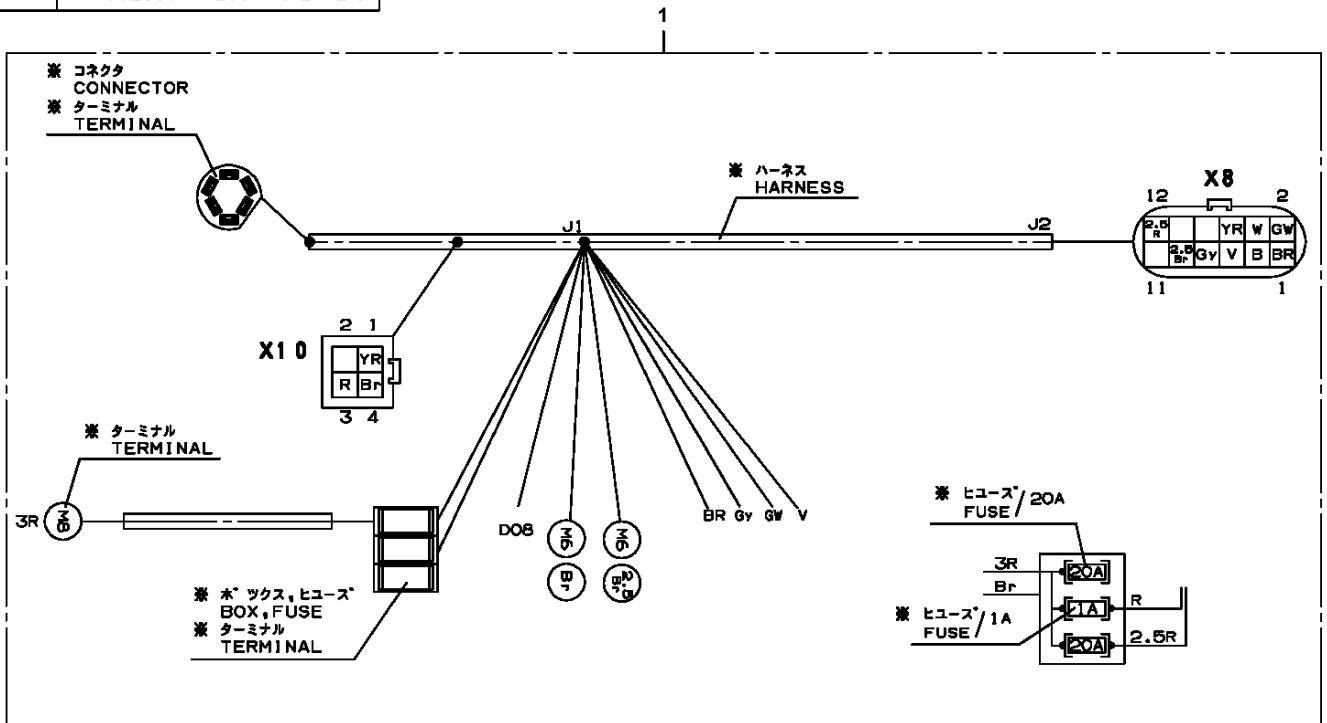
GR-800E-3-00102 5 BOOM + 2 JIB, 2M2D

Pos No.	Parts No	Parts Name	Qty	Unit	Technical Data	Serial No (Start)	Serial No (End)	Remarks	Pages
100	34494770100	HARNESS (GSMT)	1						

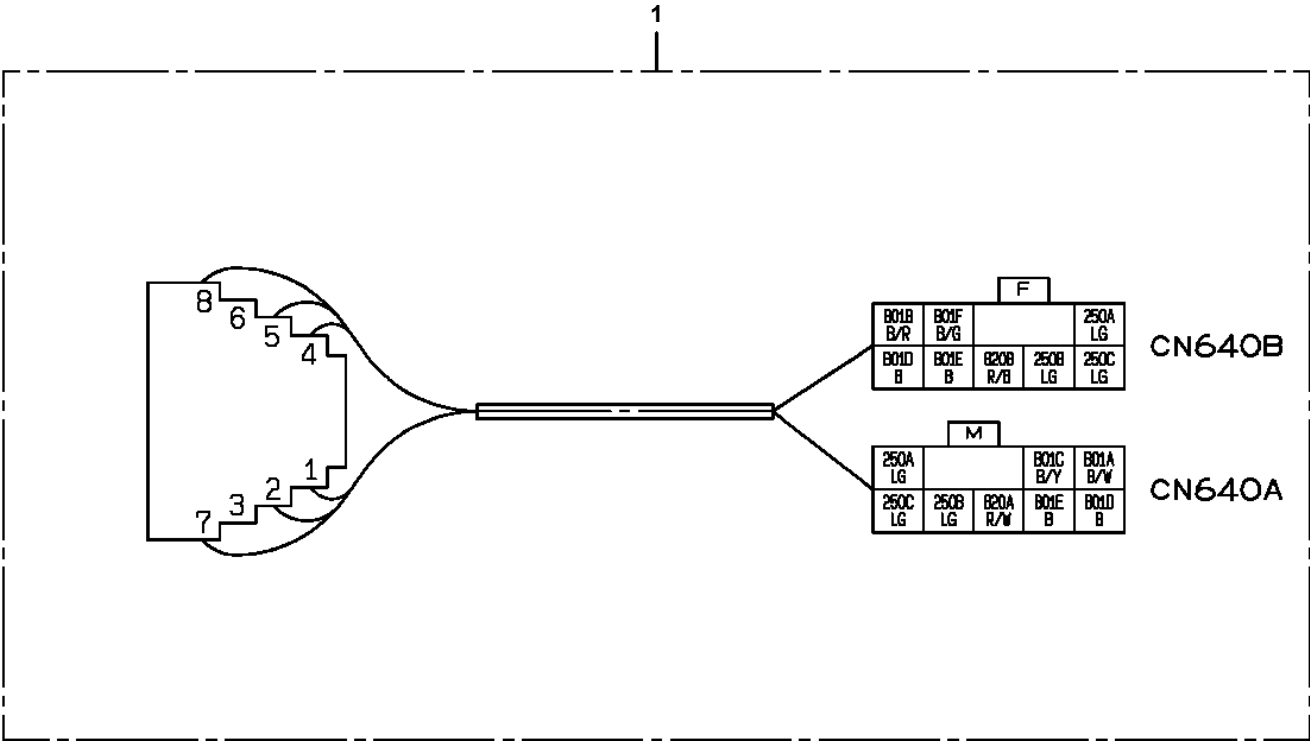
GR-800E-3-00102 5 BOOM + 2 JIB, 2M2D PH5032702-01 HARNESS (HEATER)

※材は [付属品リスト] より検索してください。
FOR THE PART ※, SEE THE CORRESPONDING "ACCESSORY LIST."

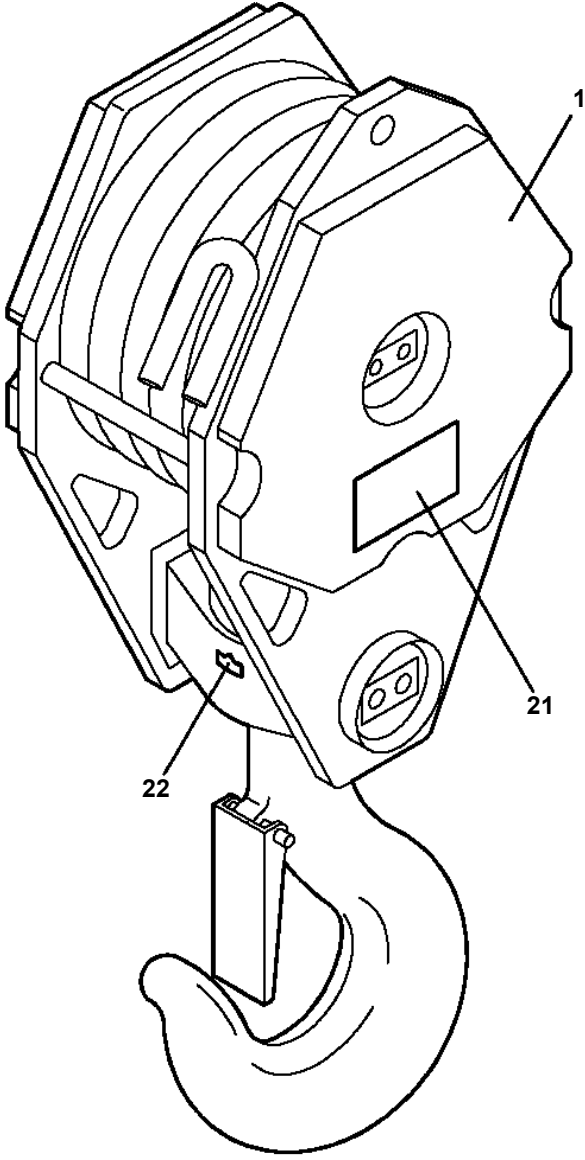
101	フソクヒンリスト (ヒータ) ACCESSORY LIST (HEATER)
-----	---



**GR-800E-3-00102 5 BOOM + 2 JIB, 2M2D
PH5040025-00 HARNESS ASSY**

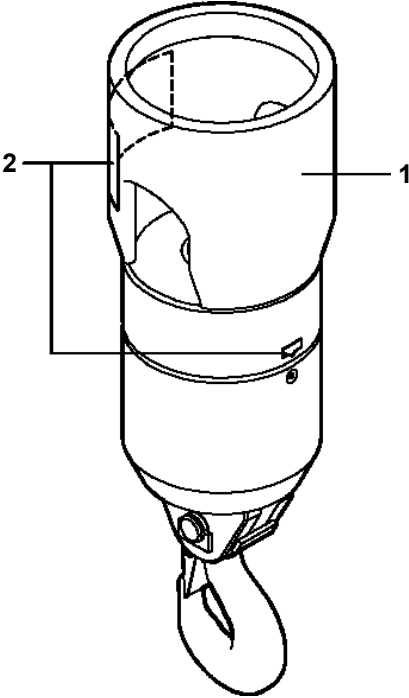


GR-800E-3-00102 5 BOOM + 2 JIB, 2M2D
PH5080016-01 HOOK ASSY (MIDDLE/ENGLISH & RUSSIAN)

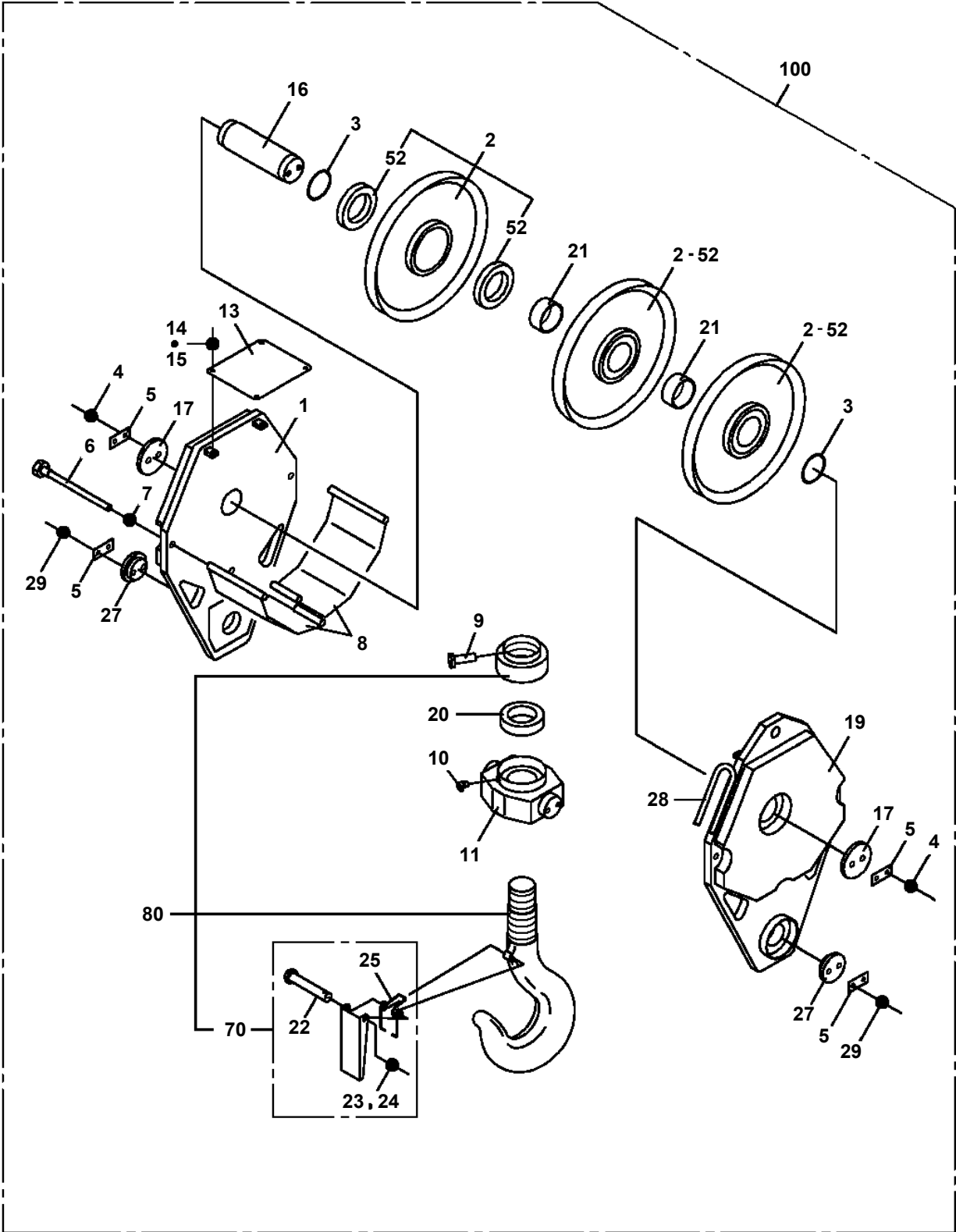


22
GREASE
ЧАШКА

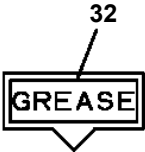
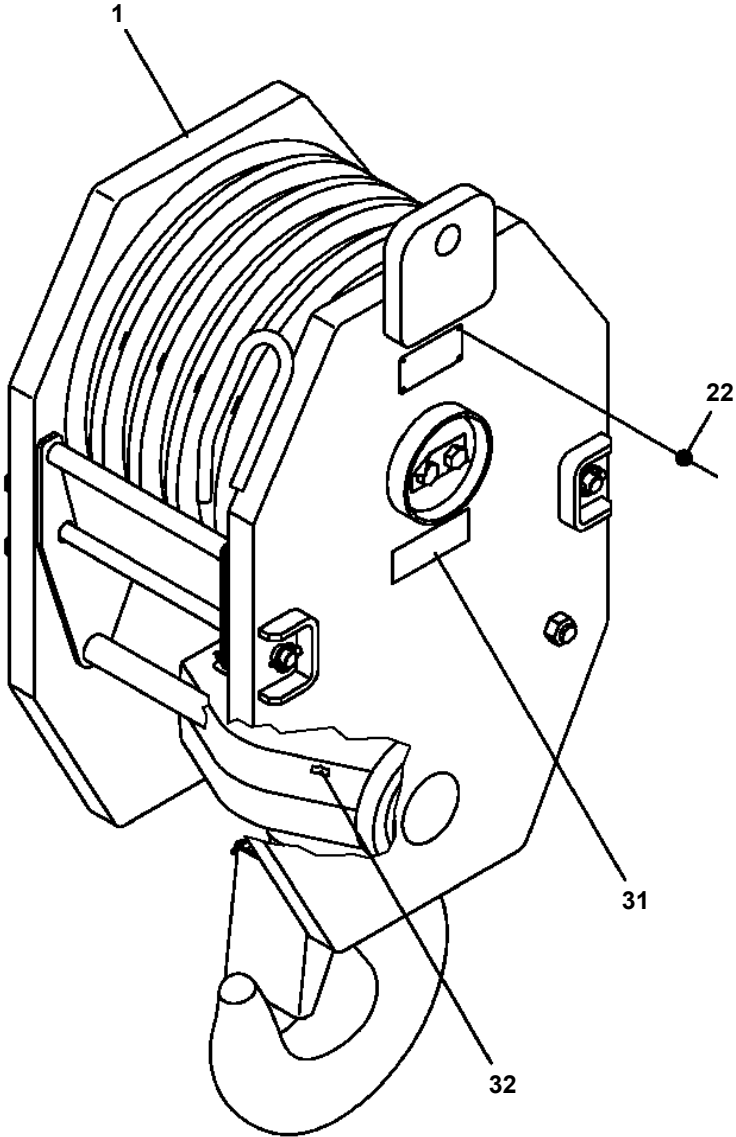
**GR-800E-3-00102 5 BOOM + 2 JIB, 2M2D
PH5080029-01 HOOK ASSY (AUX./ENGLISH)**



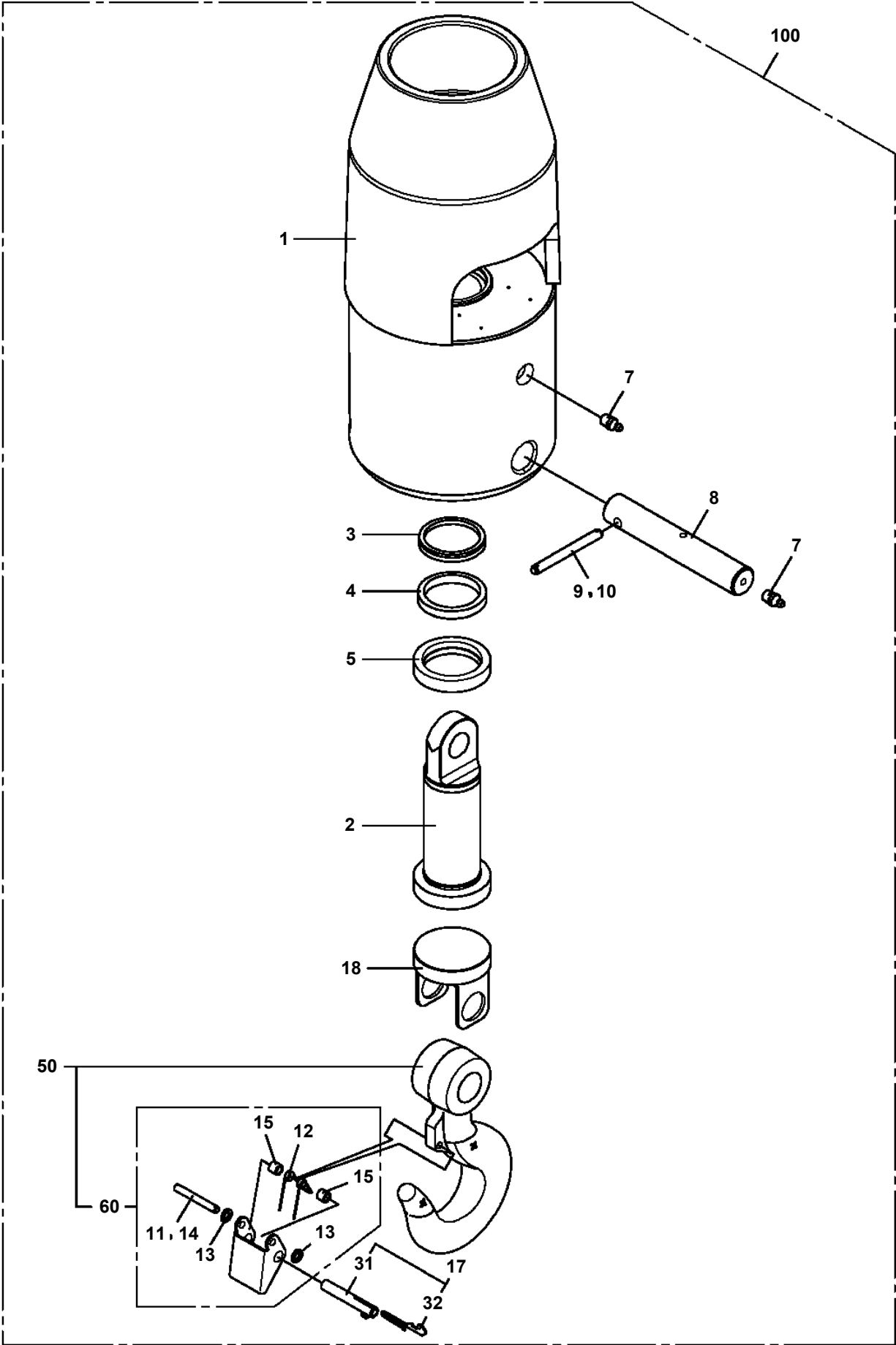
GR-800E-3-00102 5 BOOM + 2 JIB, 2M2D
PH5080047-00 HOOK ASSY (SHEAVE 3 PCS)



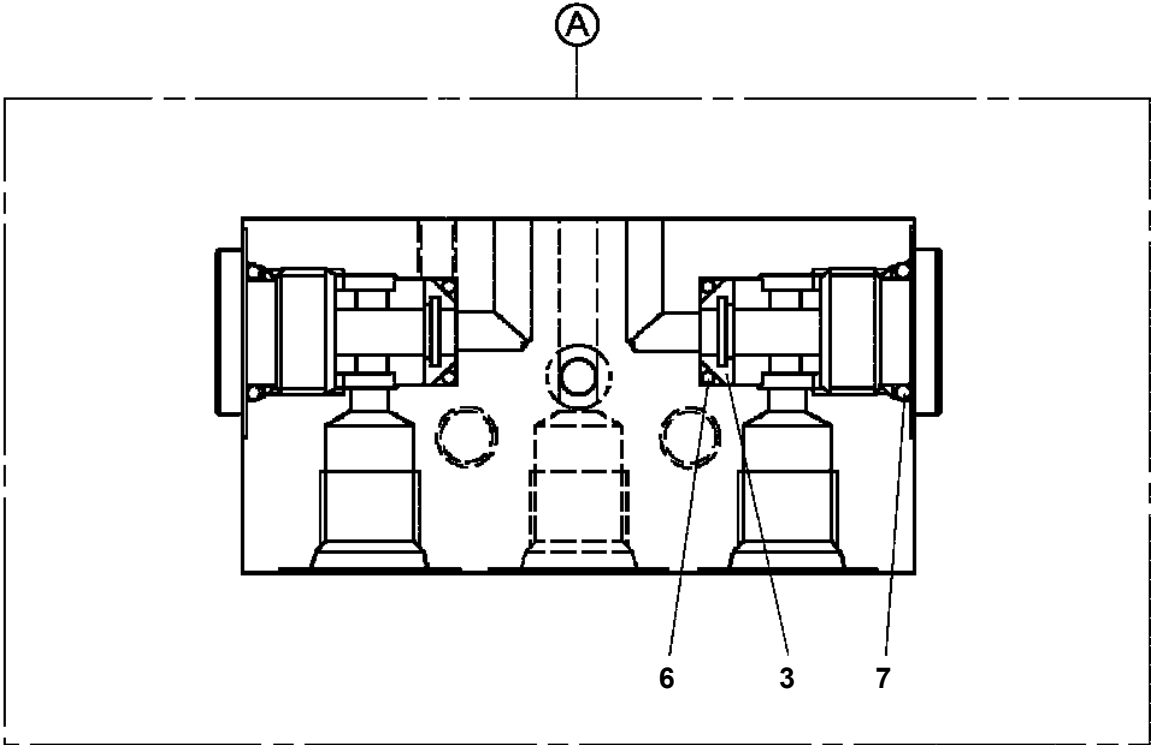
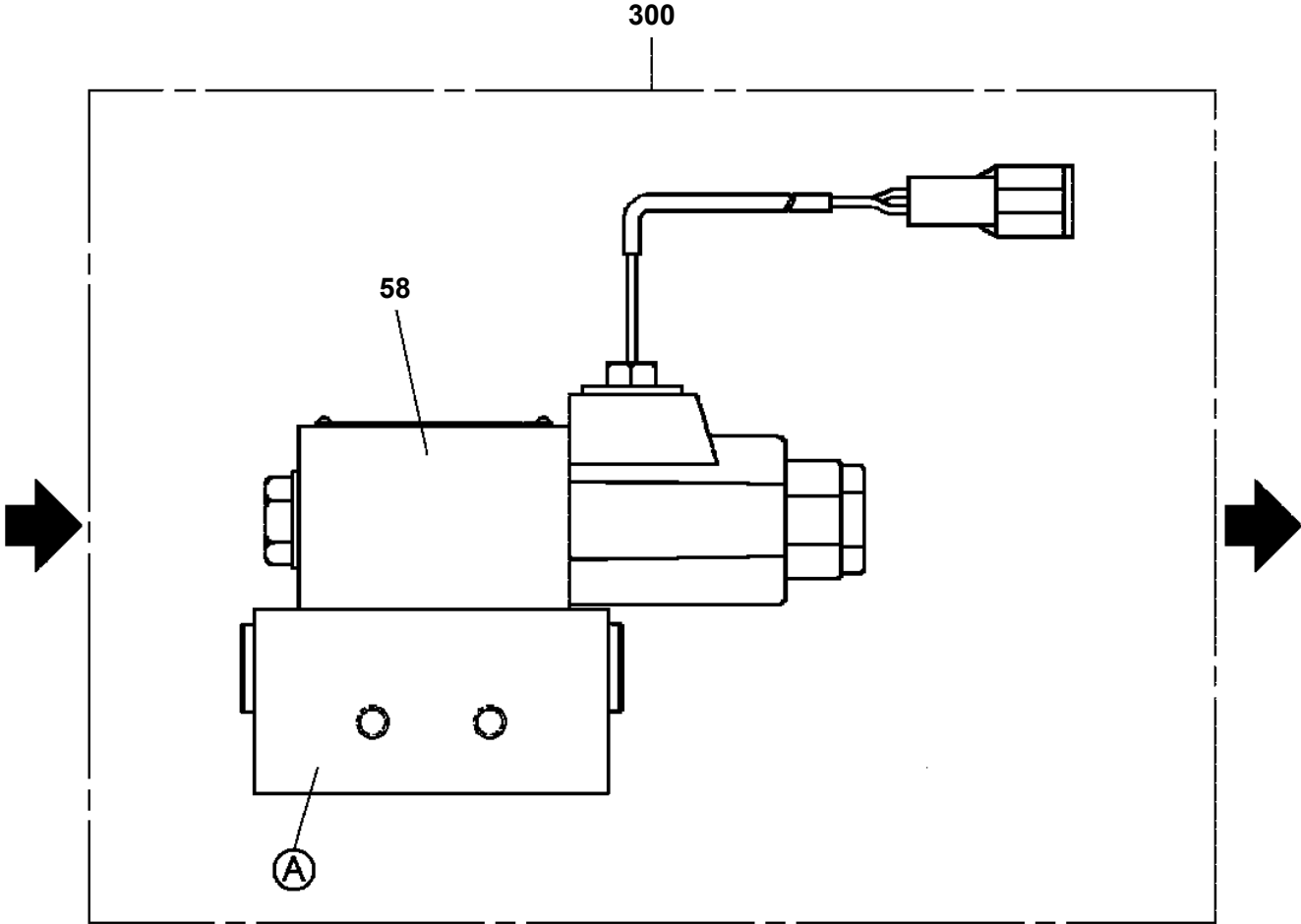
GR-800E-3-00102 5 BOOM + 2 JIB, 2M2D
PH5080203-00 HOOK ASSY (MAIN,50T,WITH SEAVE COVER/ENG.)



GR-800E-3-00102 5 BOOM + 2 JIB, 2M2D
PH5080233-00 HOOK ASSY (AUX.)



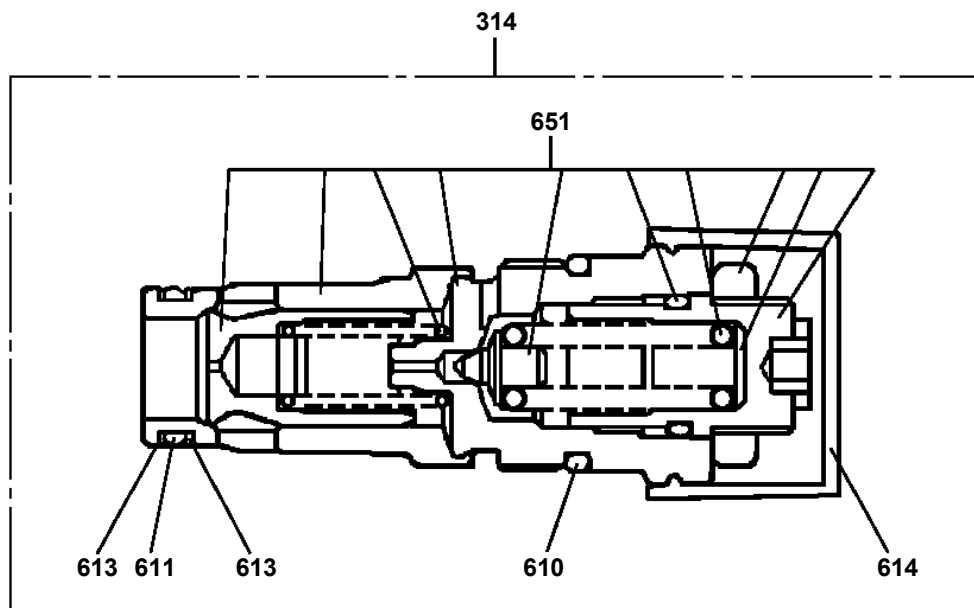
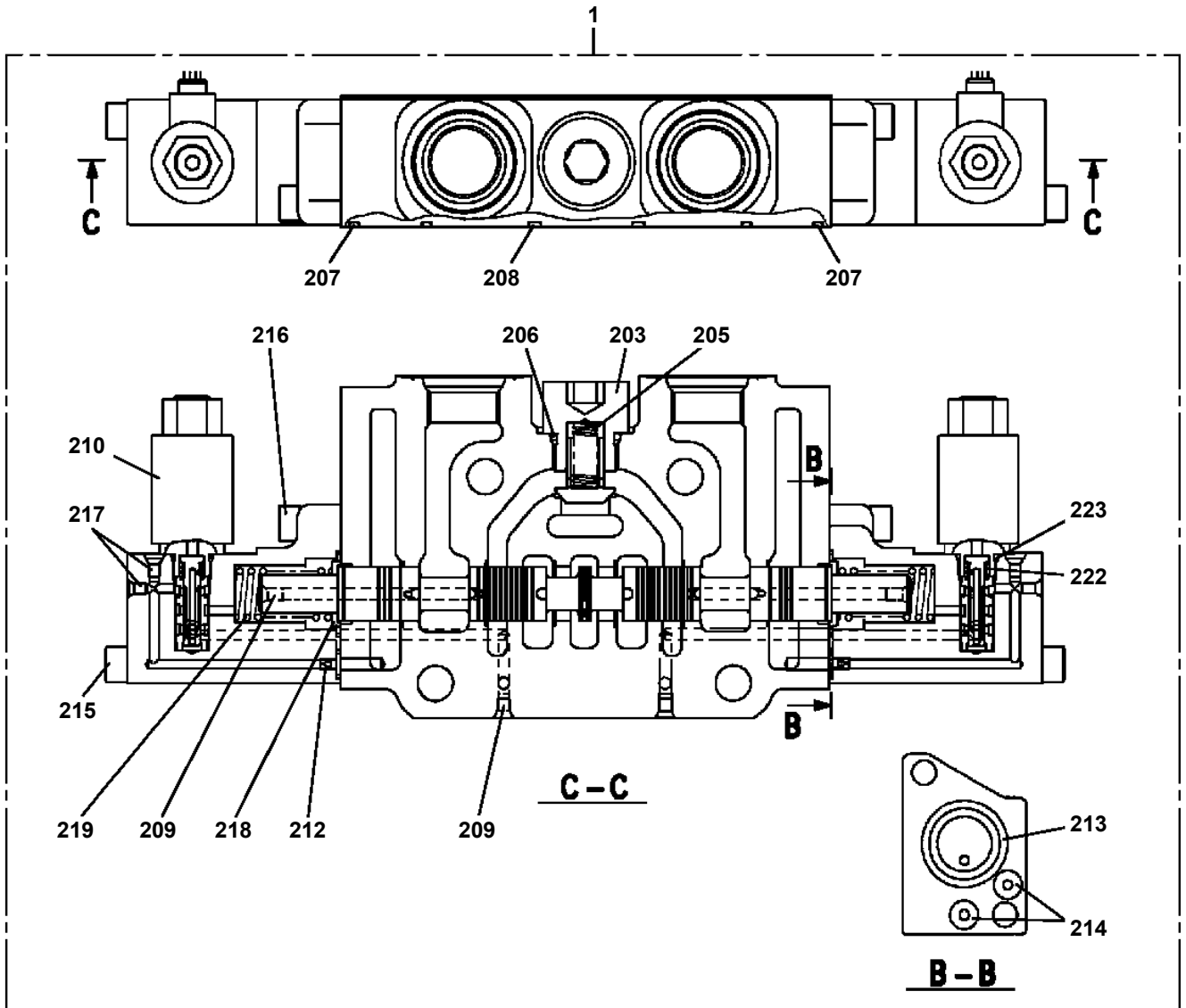
GR-800E-3-00102 5 BOOM + 2 JIB, 2M2D
PI1120138-04 VALVE,SOLENOID



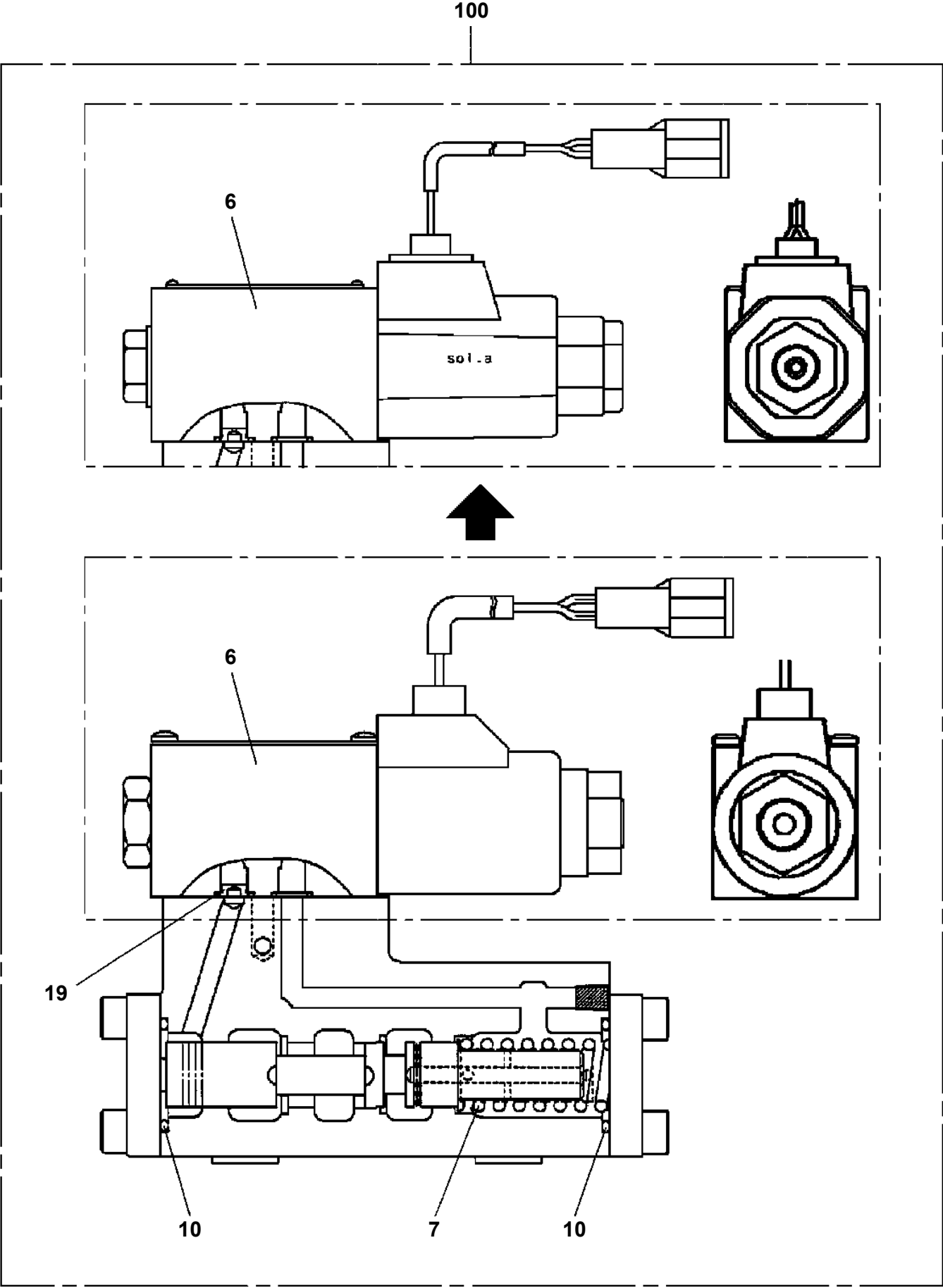
GR-800E-3-00102 5 BOOM + 2 JIB, 2M2D

Pos No.	Parts No	Parts Name	Qty	Unit	Technical Data	Serial No (Start)	Serial No (End)	Remarks
5	36648885050	SOLENOID	2				549555	
	36640035011	SOLENOID	2			549556		
10	36648135010	BOLT,HEXAGON SOCKET	4		M5X10			
11	36648135020	WASHER,PLAIN	2		4			
12	36648135030	RIVET	2					
14	36648135040	BALL,STEEL	2		5/16			
15	36648135050	O-RING	2		1A P16			
16	36646975110	PLUG (HEXAGON SOCKET)	4					
100	36648130000	VALVE,SOLENOID	1					

GR-800E-3-00102 5 BOOM + 2 JIB, 2M2D
PI1120340-04 VALVE,SOLENOID

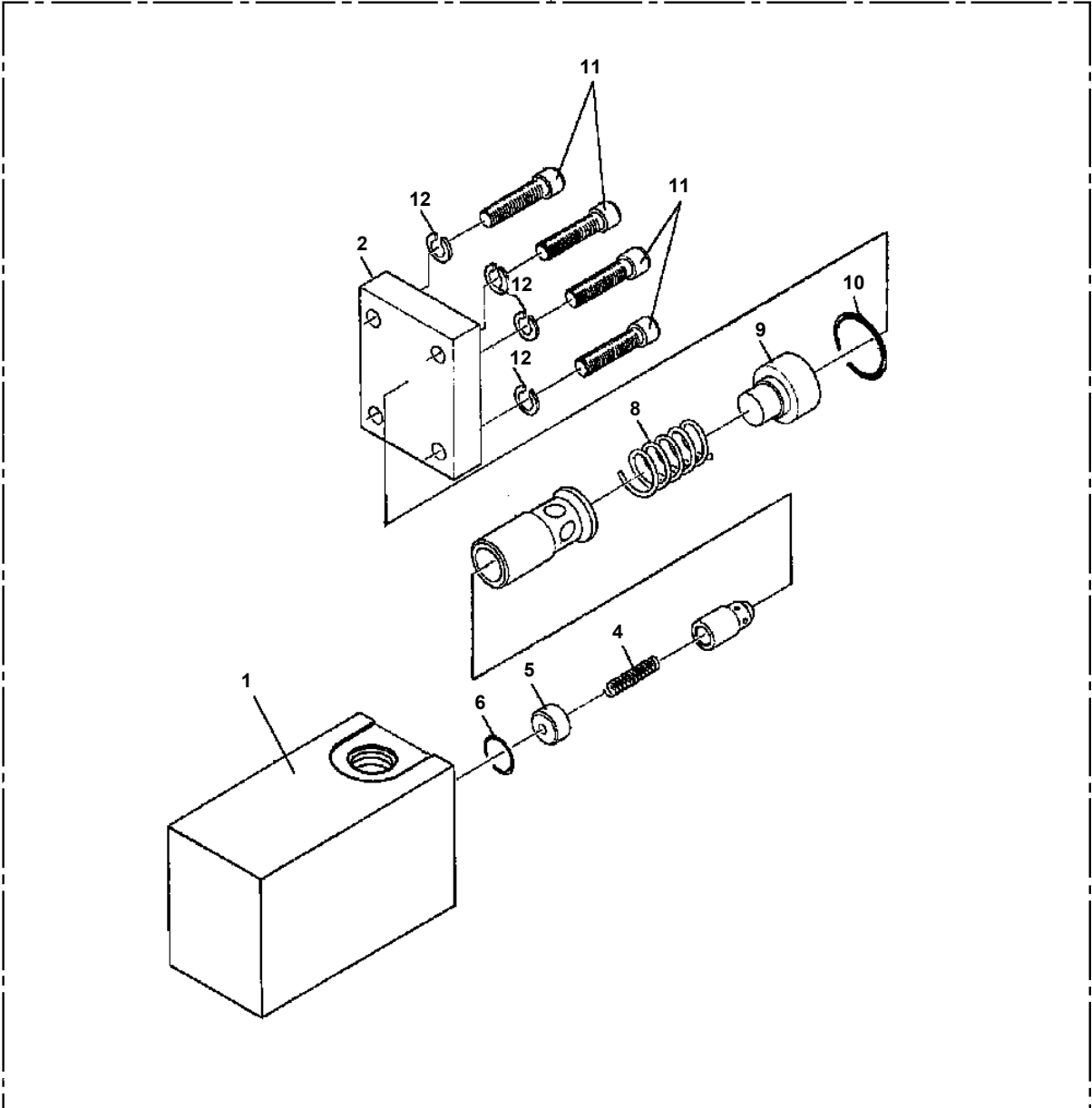


GR-800E-3-00102 5 BOOM + 2 JIB, 2M2D
PI1130044-02 VALVE, HYDRAULIC



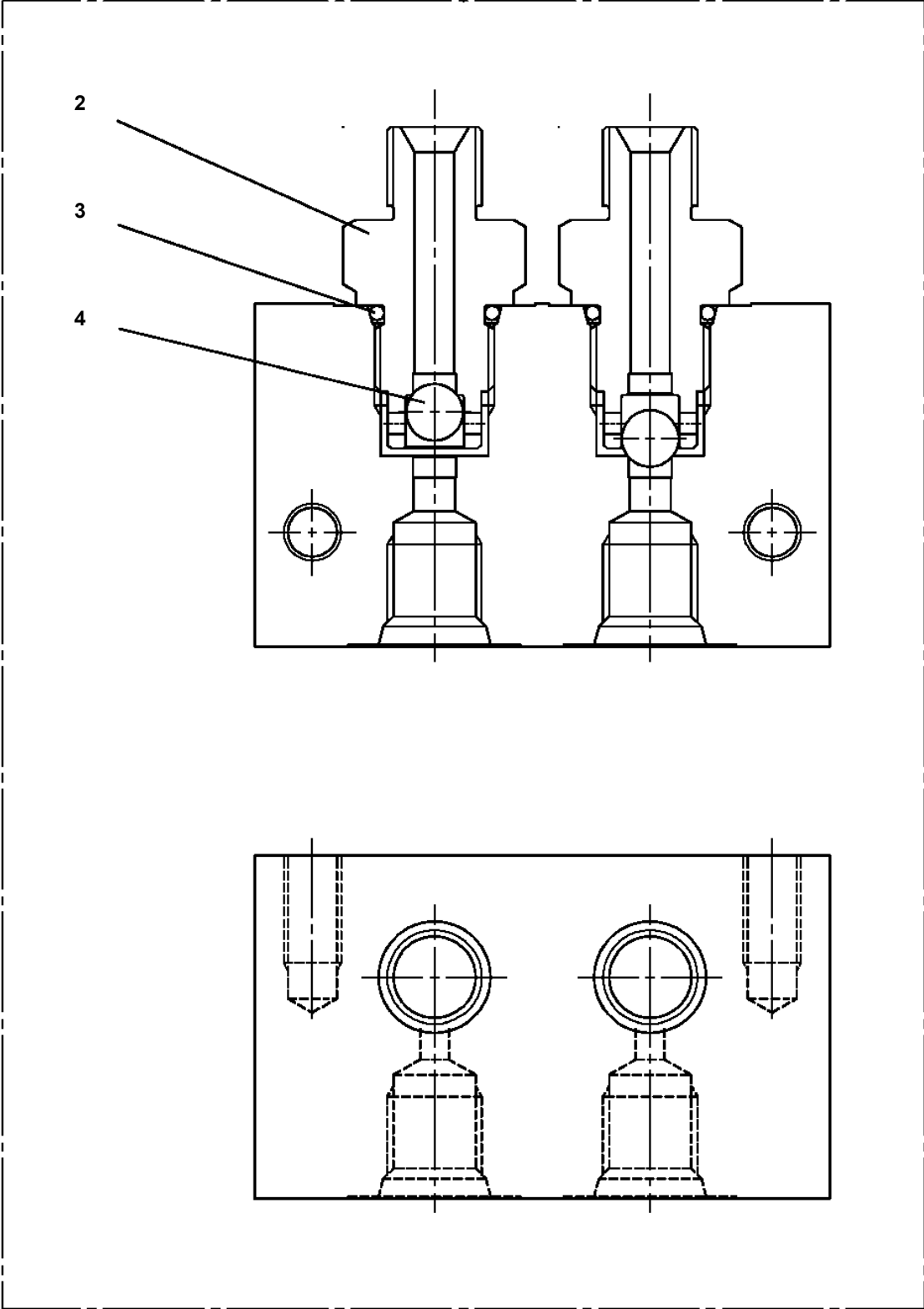
GR-800E-3-00102 5 BOOM + 2 JIB, 2M2D
PI1140117-01 VALVE,CHECK

30



GR-800E-3-00102 5 BOOM + 2 JIB, 2M2D
PI1230006-00 VALVE,SHUTTLE

10



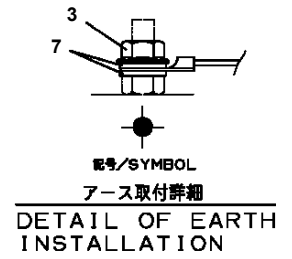
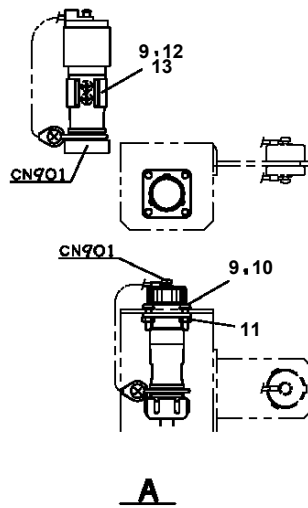
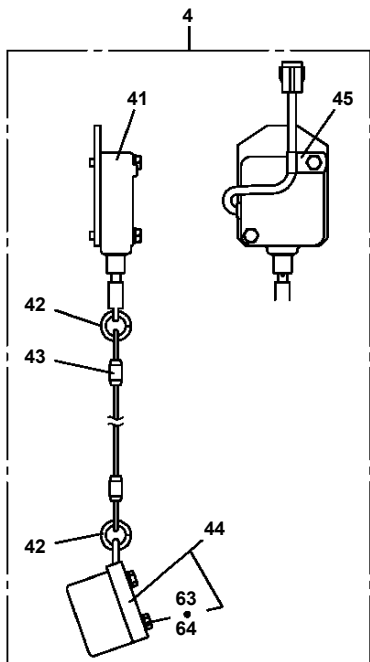
GR-800E-3-00102 5 BOOM + 2 JIB, 2M2D

Pos No.	Parts No	Parts Name	Qty	Unit	Technical Data	Serial No (Start)	Serial No (End)	Remarks
2	36603765010	FILTER	1					
3	36603765020	RETAINER (FILTER)	1					
4	36606035010	VALVE,BACK PRESSURE	1					
5	36606035020	VALVE,REDUCING	1					
6	90131906040	BOLT,HEXAGON SOCKET	4		M6X40			
7	36634535210	PLUG	1		PF1/4			
8	91002801100	O-RING	1		1B P11			
9	36647205050	PLUG	1		NPT1-16			
21	36603765050	COVER (SPRING)	1					
22	36603765060	STOPPER	1					
26	36606035030	SPRING	1					
27	91002802200	O-RING	1		1B P22			
28	91000501500	O-RING	1		AS568-015			
31	36606035040	VALVE ASSY	1					
53	36637335340	O-RING	2		1B P15			
54	14035101130	PLUG	1					
55	36606035050	RETAINER	1					
56	36603765080	SPRING	1					
57	36606035070	SCREW	1					
58	36606035060	BODY	1					
59	91001001600	O-RING	2		1A S16			
60	36630045220	NUT	1		M10			
61	36630045210	NUT,CAP	1					
62	91001100800	O-RING	2		1A P8			
63	91002801400	O-RING	1		1B P14			
100	36606030000	VALVE,SEQUENCE	1					

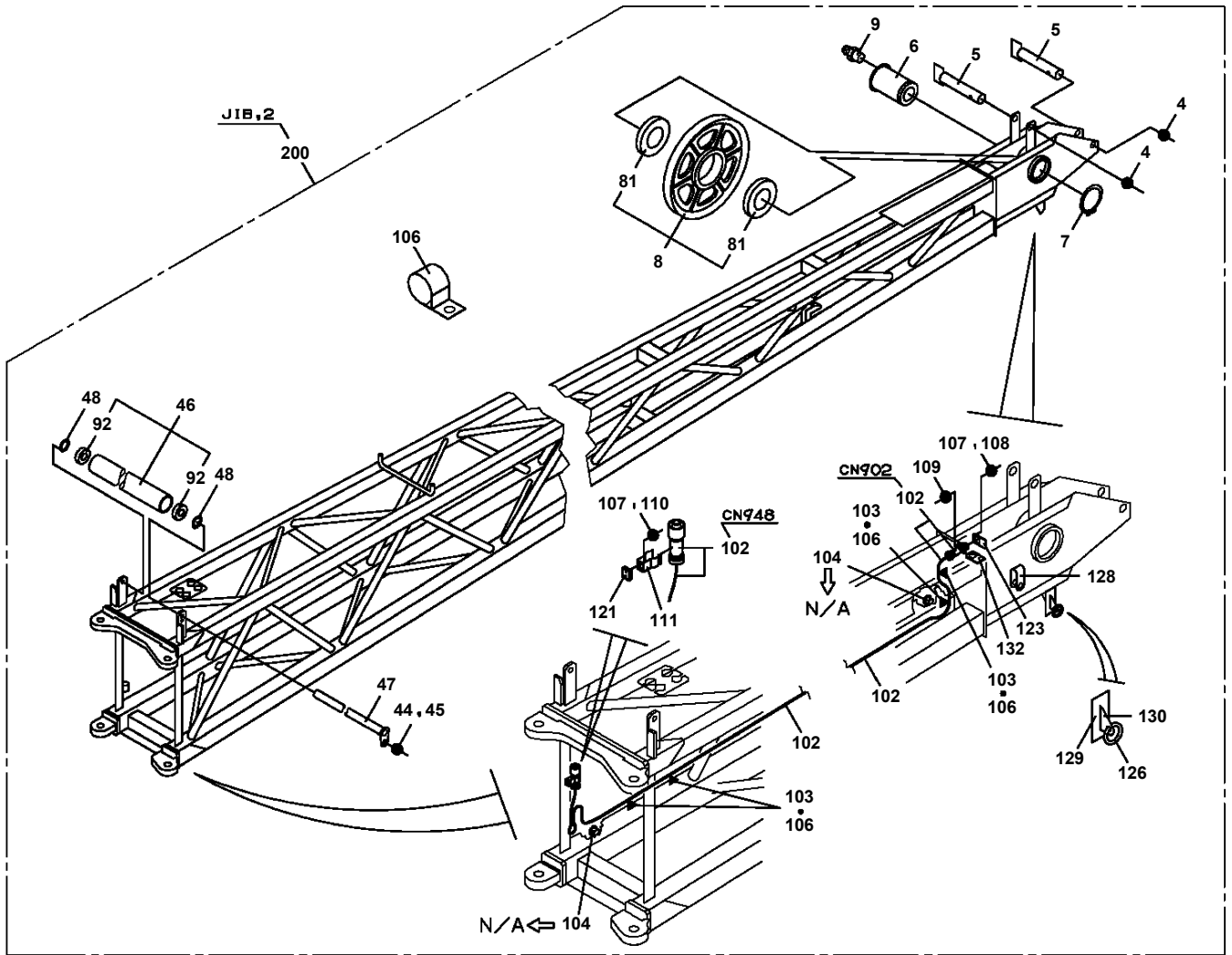
GR-800E-3-00102 5 BOOM + 2 JIB, 2M2D

Pos No.	Parts No	Parts Name	Qty	Unit	Technical Data	Serial No (Start)	Serial No (End)	Remarks	Pages
1	34490461101	PLATE	3		T=3.2				
2	90191208035	BOLT	12		M8X35				
3	90302040801	WASHER,SPRING	12		8				
4	34372770100	SUPPORT	1						
5	82100002001	CLAMP	1		WR5				
6	90186206010	BOLT,FLANGE	1		M6X10				
7	90186210014	BOLT,FLANGE	2		M10X14				
8	37000308440	SPACER	12		L=20				
9	82108501280	SWITCH	1		FL7M506N-901		549509		
	82108503280	SWITCH	1			549510			

GR-800E-3-00102 5 BOOM + 2 JIB, 2M2D
PI5070047-01 INDICATOR ASSY,OVERWIND (BOOM)



GR-800E-3-00102 5 BOOM + 2 JIB, 2M2D
PJ5070024-01 JIB ASSY,2



GR-800E-3-00102 5 BOOM + 2 JIB, 2M2D

Pos No.	Parts No	Parts Name	Qty	Unit	Technical Data	Serial No (Start)	Serial No (End)	Remarks
1	34251287510	CUSHION ASSY	1					
2	34251287520	BACK ASSY	1					
3	34251287580	HEADREST	1					
4	34251287540	ARMREST ASSY (L)	1					
5	34251287550	ARMREST ASSY (R)	1					
6	34251287560	ADJUSTER (SLIDE/L)	1					
7	34251287570	ADJUSTER (SLIDE/R)	1					
8	34251287810	WIRE (SLIDE)	1					
9	34251287590	ADJUSTER (RECLINING)	1					
10	34251287800	COVER (RECLINING)	1					
11	34251287700	BRACKET (CUSHION)	1					
12	34251287820	BRACKET (BACK)	1					
13	34251287720	LEVER (HEIGHT)	1					
14	34251287730	SCREW,MACHINE	1					
15	34251287740	BOLT	4					
17	34252137580	BUSHING	1					
18	34251287620	SCREW (WITH WASHER)	3		M6X16X1.0			
20	34251287630	BRACKET (ARMREST)	1					
21	34251287640	GEAR ASSY (L)	1					
22	34251287650	GEAR ASSY (R)	1					
23	34251287660	SPRING	2					
24	34251287670	SCREW,MACHINE (SEMS)	4		M6X16X1.0			
25	34251287680	SCREW,MACHINE (SEMS)	4		M6X12X1.0			
26	34251287770	NUT (WITH WASHER)	4					
27	34251287780	CLIP	2					
28	34251287790	RISER ASSY	1					
31	34251287830	WASHER	1					
32	34252137570	BOLT (WITH WASHER)	10		M10X25			
50	34251280100	SEAT,OPERATOR	1					

CLICK HERE TO **DOWNLOAD** THE COMPLETE MANUAL

- Thank you very much for reading the preview of the manual.
- You can download the complete manual from: www.heydownloads.com by clicking the link below



- Please note: If there is no response to CLICKING the link, please download this PDF first and then click on it.

CLICK HERE TO **DOWNLOAD** THE COMPLETE MANUAL

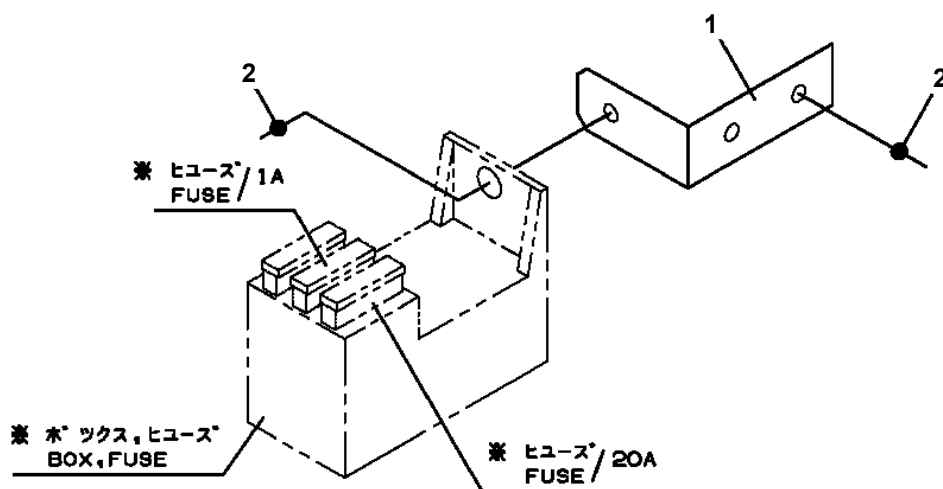
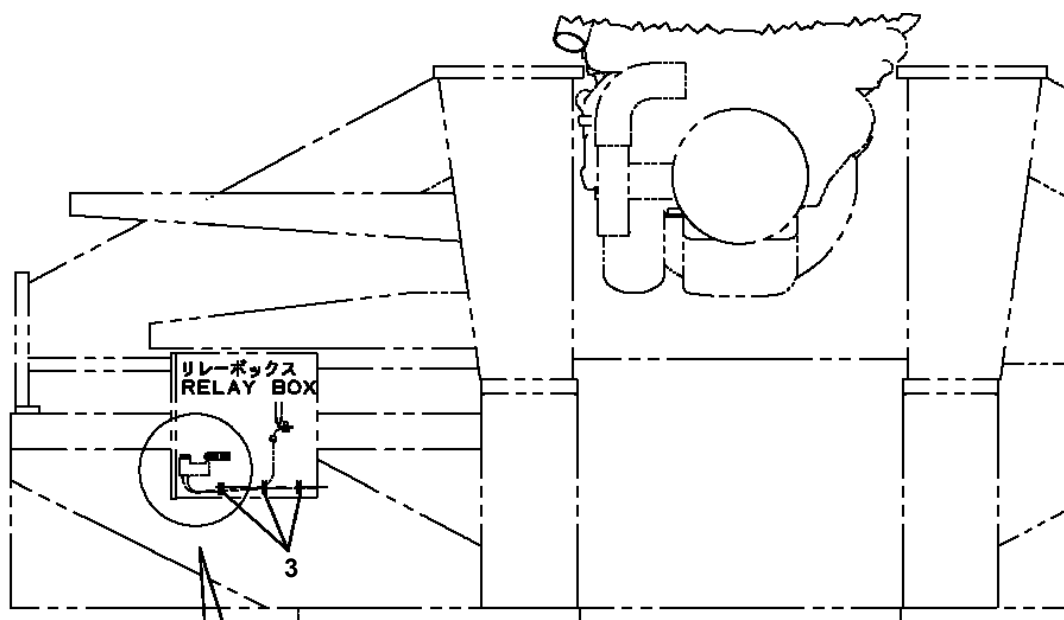
GR-800E-3-00102 5 BOOM + 2 JIB, 2M2D

Pos No.	Parts No	Parts Name	Qty	Unit	Technical Data	Serial No (Start)	Serial No (End)
1	34495510102	LAMP ASSY (ASSY ONLY)	1				
2	34495710100	SUPPORT	1				
3	82100002004	CLAMP	2		WR8		
4	90280200600	NUT,FLANGE	2		M6		
5	90186210025	BOLT,FLANGE	2		M10X25		
6	42395460070	PLATE,NAME (PRESSURE WASHING)	1				
7	90280201000	NUT,FLANGE	2		M10		

GR-800E-3-00102 5 BOOM + 2 JIB, 2M2D

Pos No.	Parts No	Parts Name	Qty	Unit	Technical Data	Serial No (Start)	Serial No (End)	Remarks	Pages
1	82456101000	NIPPLE,GREASE	2		A-PT1/8				
2	82458102000	NIPPLE,GREASE	4		B-PT1/8				

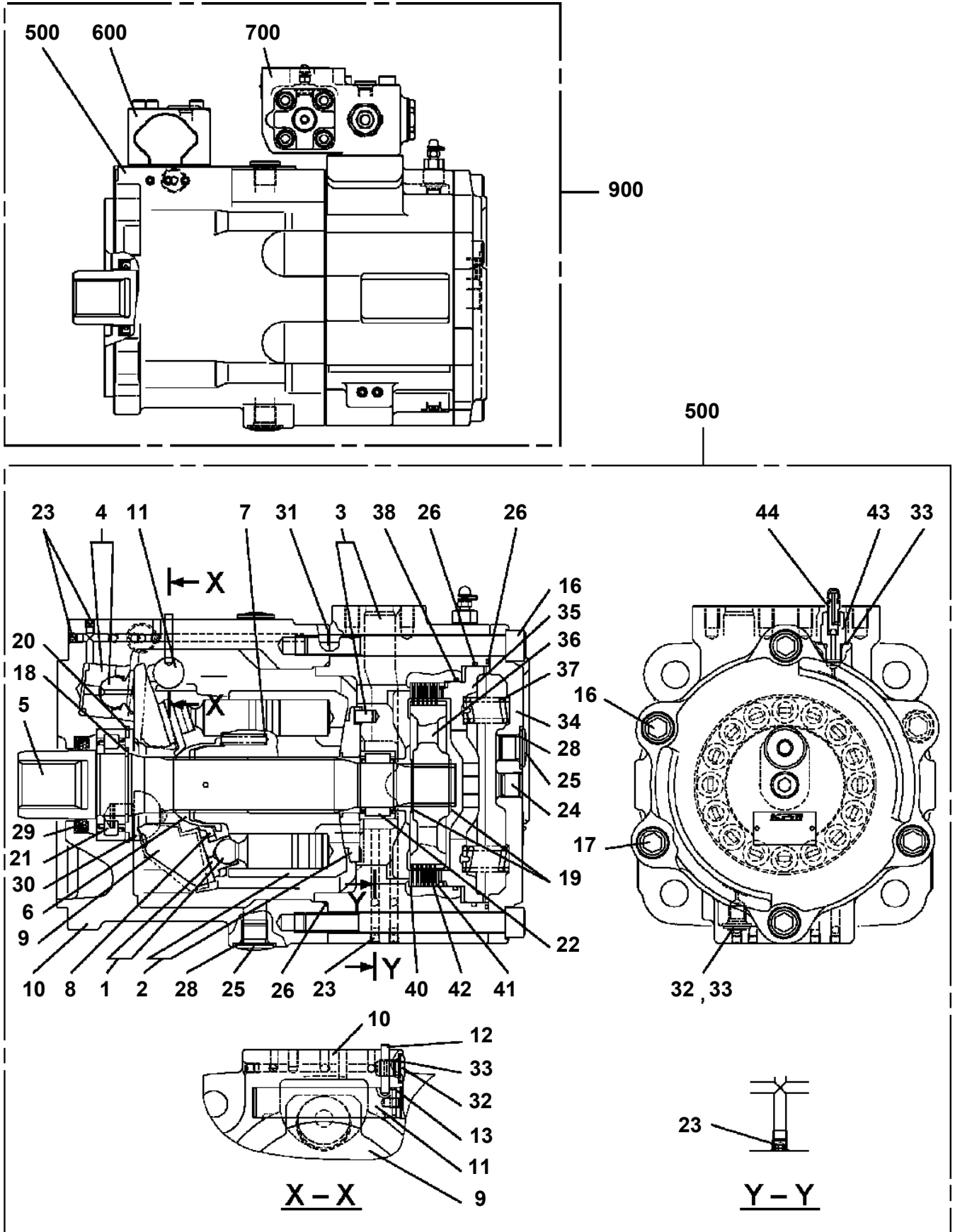
GR-800E-3-00102 5 BOOM + 2 JIB, 2M2D
 PM5150727-01 MODIFICATION ASSY (RELAY BOX)



※材は [付属品リスト] より検索してください。
 FOR THE PART ※, SEE THE CORRESPONDING "ACCESSORY LIST."

101	フックヒンリスト (ヒータ) ACCESSORY LIST (HEATER)
-----	---

GR-800E-3-00102 5 BOOM + 2 JIB, 2M2D
 PM5210004-00 MOTOR ASSY,OIL (WINCH)



展開図有
 ILLUSTRATED BREAKDOWN NO 600 700

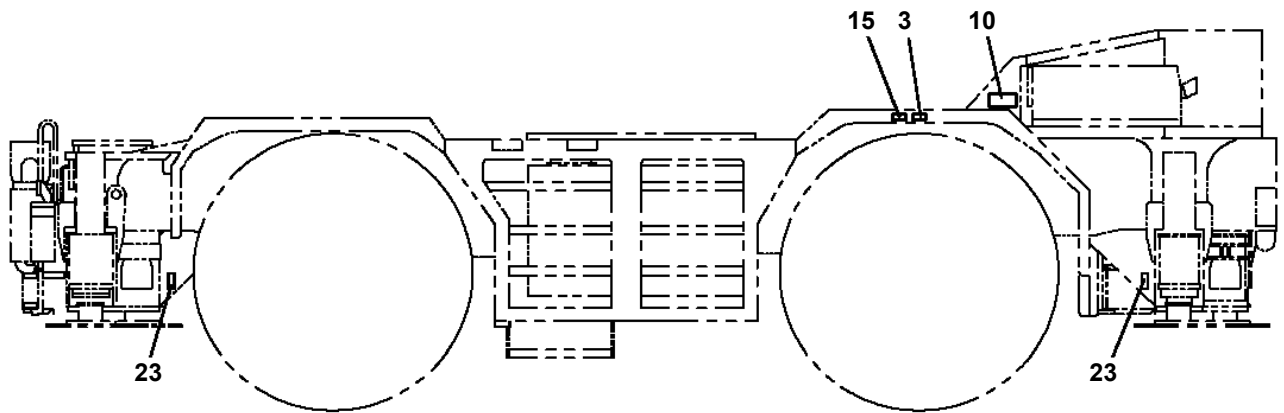
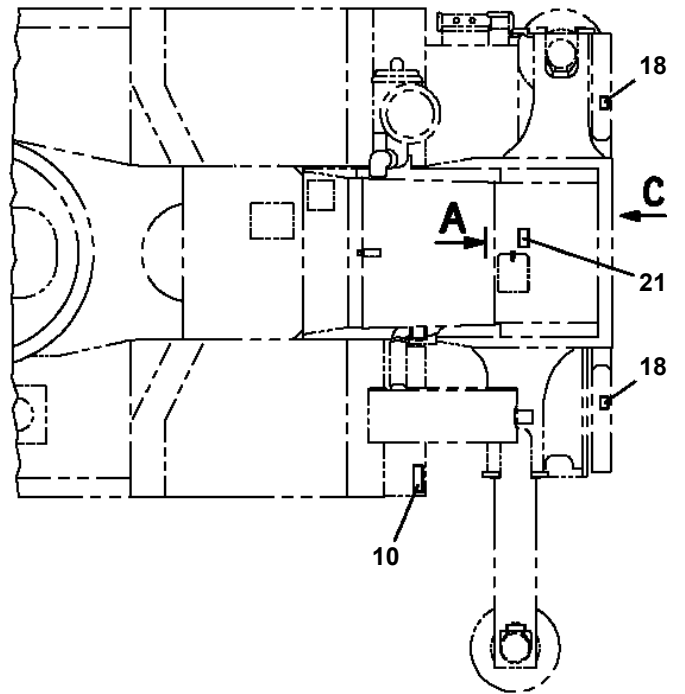
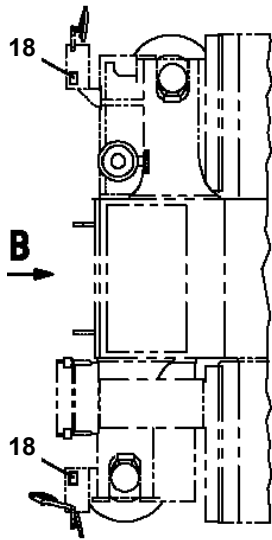
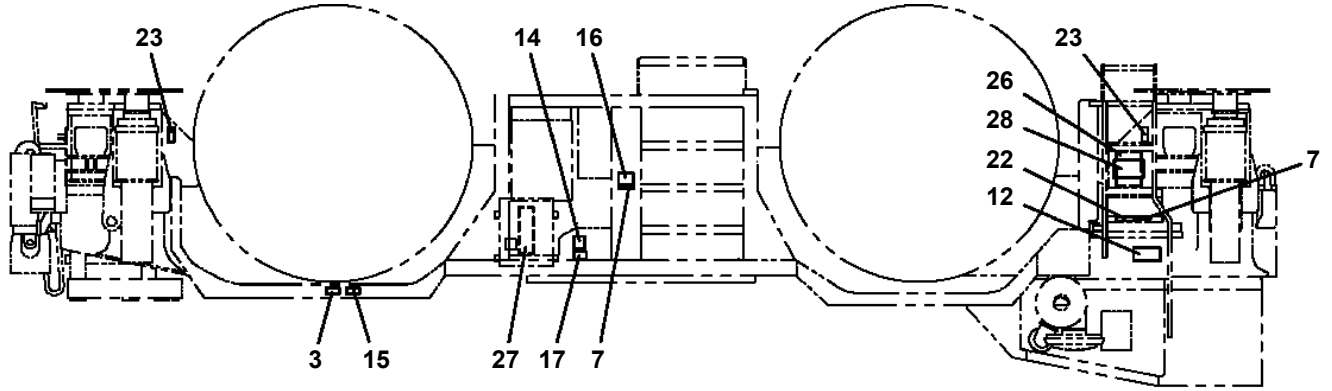
GR-800E-3-00102 5 BOOM + 2 JIB, 2M2D

Pos No.	Parts No	Parts Name	Qty	Unit	Technical Data	Serial No (Start)	Serial No (End)	Remarks
1	34930096000	BATTERY (YUASA,170F51)	1					

GR-800E-3-00102 5 BOOM + 2 JIB, 2M2D

Pos No.	Parts No	Parts Name	Qty	Unit	Technical Data	Serial No (Start)	Serial No (End)
1	37002214500	PLATE,NAME (TADANO BLUE+BLACK)	2				
2	37002214520	PLATE,NAME (TADANO WHITE+WHITE)	2				

GR-800E-3-00102 5 BOOM + 2 JIB, 2M2D
PN5011113-00 NAME PLATE ASSY (LOWER/ENGLISH)



GR-800E-3-00102 5 BOOM + 2 JIB, 2M2D

Pos No.	Parts No	Parts Name	Qty	Unit	Technical Data	Serial No (Start)	Serial No (End)	Re
10	34352901130	PLATE ASSY,NAME (NO.1-NO.38)	1					

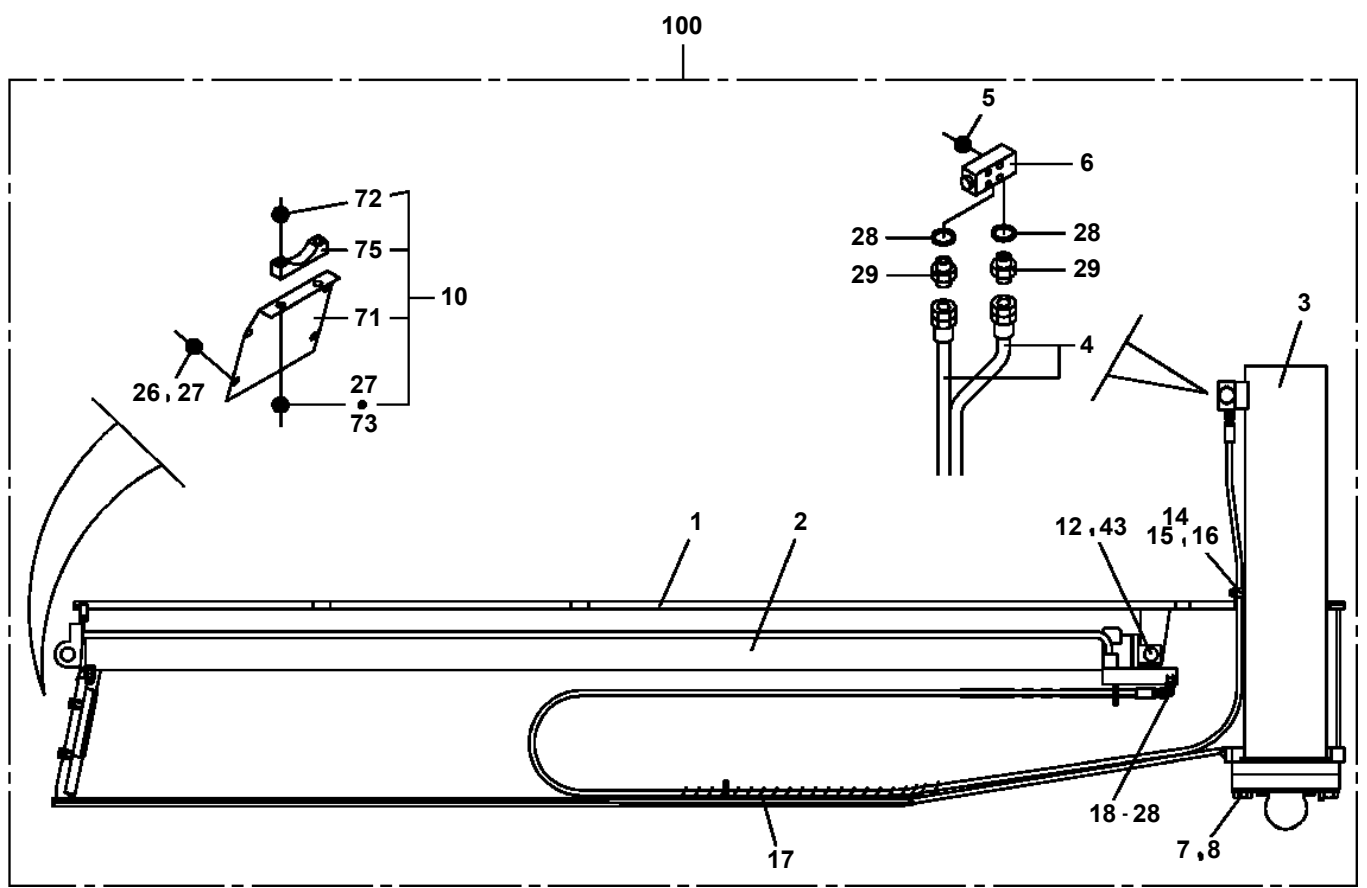
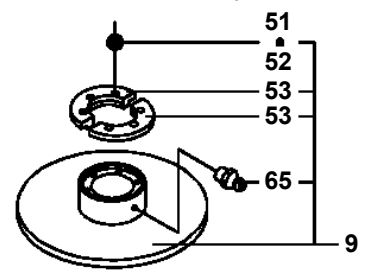
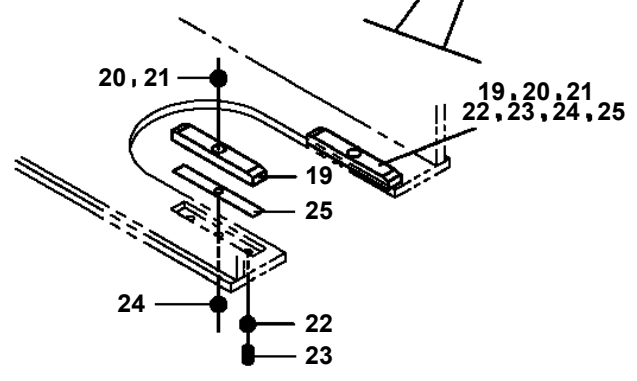
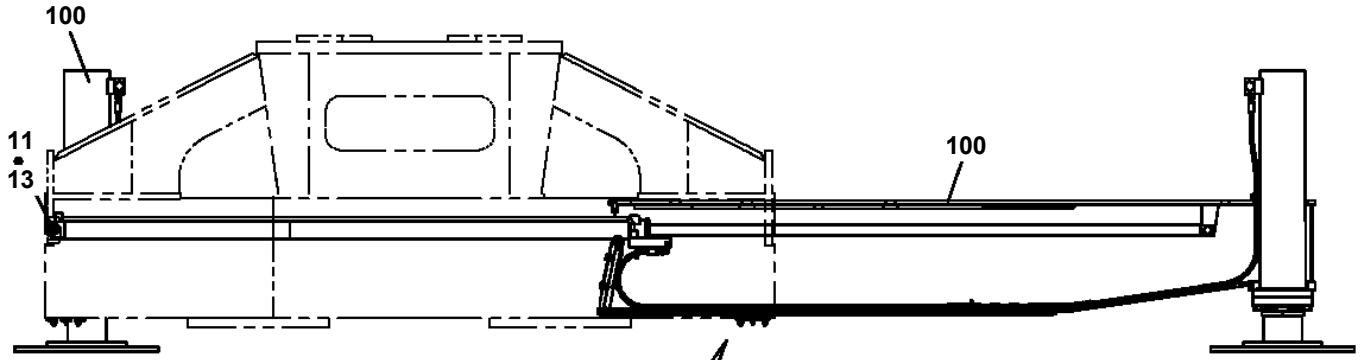
GR-800E-3-00102 5 BOOM + 2 JIB, 2M2D

Pos No.	Parts No	Parts Name	Qty	Unit	Technical Data	Serial No (Start)	Serial No (End)	Rem
1	99171108020	BOLT,TAPPING	8		M8X20			
2	34320902700	CLAMP	7					
3	80400160127	JOINT	7					
4	91002801100	O-RING	9		1B P11			
5	80441010906	FITTING	1					
6	37002448610	HOSE	1		L=1250			
7	89640102000	HOSE	1		880-NFK,2M			
8	34322233000	ROD ASSY	1					
9	34322233500	ROD ASSY	1					
10	80441030904	FITTING,ELBOW (WITH O-RING)	1		L,G1/4-12.7			
11	80430620400	JOINT	2					
12	34321966000	PEDAL ASSY	2					
13	90180208020	BOLT,BUTTON	4		M8X20			
14	80186406016	SCREW,MACHINE	7		M6X16			
15	90305260601	WASHER	7		B1-6			
16	34322383000	SUPPORT	2					
17	90186208020	BOLT,FLANGE	20		M8X20			
18	34322235000	COVER	1					
20	90101208055	BOLT	2		M8X55			
21	90302040801	WASHER,SPRING	6		8			
22	34320903000	JOINT	1					
23	99172108020	BOLT,TAPPING	8		M8X20			
24	34322235500	LEVER ASSY	1					
25	34322236001	SUPPORT	1					
26	36638060000	VALVE,CONTROL	1					
27	91810130250	FASTENER	6					
29	34322234500	COVER	1					
32	37000105730	PIN	4					
33	80136320016	PIN,SPLIT	4		2X16			
34	90303070801	WASHER,PLAIN	12		8			
35	37000582110	PLATE	4					
36	34321025100	CLAMP	3					
37	82135901901	BAND,MARK (1)	6					
38	82135901902	BAND,MARK (2)	6					
39	82135901903	BAND,MARK (3)	2					
40	82135901904	BAND,MARK (4)	2					
41	82135901954	BAND,MARK (D)	4					
42	82135901966	BAND,MARK (P)	6					
43	82135901969	BAND,MARK (S)	4					
44	82135901970	BAND,MARK (T)	4					
45	82135901973	BAND,MARK (W)	8					
46	34320902600	GROMMET	2					
47	36672530000	FILTER (WITH O-RING)	3					
50	82100002039	CLAMP	1					
51	90280200800	NUT,FLANGE	5		M8			
53	37000302040	SPACER	4		L=10			
54	80481002030	JOINT	2		S,G1/4-G3/8			
55	90186208025	BOLT,FLANGE	6		M8X25			
71	91002801400	O-RING	1		1B P14			
81	80565000082	END	2					
82	90291200800	NUT	2		M8			
83	90302040801	WASHER,SPRING	4		8			
84	37001501540	BOLT	2					
85	90201200800	NUT	4		M8			
86	34322233100	ROD	1					
87	37000105730	PIN	2					
88	90303070801	WASHER,PLAIN	2		8			
89	80136320016	PIN,SPLIT	2		2X16			
106	34322233600	ROD	1					
121	91002801100	O-RING	18		1B P11			
131	37000132540	PIN	2		20			
132	90101208012	BOLT	2		M8X12			
134	34321966100	COVER	2					

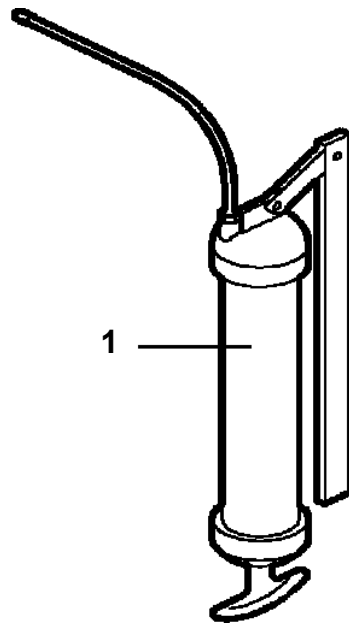
GR-800E-3-00102 5 BOOM + 2 JIB, 2M2D

Pos No.	Parts No	Parts Name	Qty	Unit	Technical Data	Serial No (Start)	S
1	34700351000	SWITCH ASSY(RC,O/R CONTROL BOX/ASSYONLY)	2				
4	34733870100	SUPPORT	1				
7	34251645000	LEVEL ASSY	2				
10	34733873000	PLATE,NAME (OUTRIGGER CONTROL)	2				
11	90186206010	BOLT,FLANGE	8		M6X10		
23	90102205025	BOLT	6		M5X25		
24	37001200180	SPRING	6				
51	34732831150	SUPPORT	1				
52	34733871100	SUPPORT	1				
71	34931870200	HARNES (OPE.ASSY,OUTRIGGER)	1				
73	82100002004	CLAMP	8		WR8		
74	82100002010	CLAMP	8		WR15		
76	90280200600	NUT,FLANGE	16		M6		
77	91810132530	FASTENER	25				

GR-800E-3-00102 5 BOOM + 2 JIB, 2M2D
PO5270040-00 OUTRIGGER ASSY



GR-800E-3-00102 5 BOOM + 2 JIB, 2M2D
PP5450003-00 PUMP, GREASE (240CC)



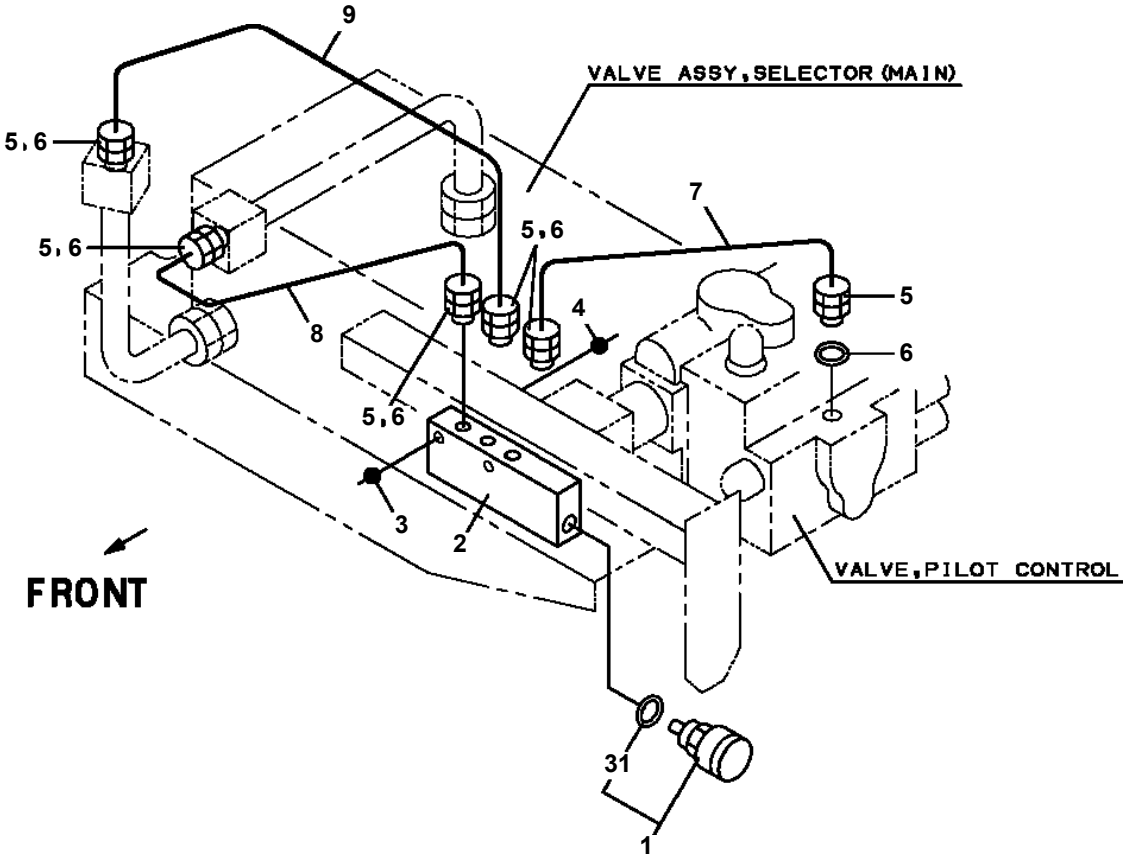
GR-800E-3-00102 5 BOOM + 2 JIB, 2M2D

Pos No.	Parts No	Parts Name	Qty	Unit	Technical Data	Serial No (Start)	Serial No (End)	Remark
75	81408000160	PIPE,STEEL	1	M	12X1.4T			
76	81408000160	PIPE,STEEL	2	M	12X1.4T			
77	81408000160	PIPE,STEEL	1	M	12X1.4T			
78	81408000160	PIPE,STEEL	2	M	12X1.4T			
79	80400160177	JOINT	4		T,G1/2-G1/2-G3/8			
80	91810132530	FASTENER	4					
82	82100001819	TUBE,SPIRAL	1	M	SE-18BK			
83	37002470360	HOSE	2		L=450			
84	91810160010	HOLDER	1					
85	37012404150	HOSE	4		L=900			
111	91002801800	O-RING	1		1B P18		549384	
121	91002801400	O-RING	4		1B P14			
131	36649890000	VALVE,SOLENOID	1					
132	36648911000	BODY	1					
133	80316070040	PLUG	1		PF1/4			
134	91002801100	O-RING	2		1B P11			
135	90172105045	BOLT,HEXAGON SOCKET	4		M5X45			

GR-800E-3-00102 5 BOOM + 2 JIB, 2M2D

Pos No.	Parts No	Parts Name	Qty	Unit	Technical Data	Serial No (Start)	Serial No (End)
1	36101940000	TANK,BRAKE FLUID	1				
2	90186206020	BOLT,FLANGE	4		M6X20		
3	37000915670	JOINT	3		R1/2-M22		
4	90303382201	WASHER	3		M22		
5	90280200600	NUT,FLANGE	6		M6		
6	34921111001	SUPPORT	1				
7	90209201000	NUT	9		M10		
8	90302041001	WASHER,SPRING	21		10		
9	90303071001	WASHER,PLAIN	8		10		
10	37000904230	FITTING,ELBOW	3		L,R1/4-M16		
11	37000904830	NUT,FLARE	12		M16		
12	34920672100	SUPPORT	2				
13	90186210025	BOLT,FLANGE	4		M10X25		
14	90280201000	NUT,FLANGE	4		M10		
15	90269201000	NUT	4		M10		
16	37000922660	FITTING,ELBOW	2				
17	37000904840	NUT,FLARE	4		M20		
18	42340011070	JOINT	2		T,PT1/4-PT1/4-PT1/4		
19	35770292250	SWITCH (STOP LAMP)	1				
20	37000903930	FITTING	2		S,R1/4-M16		
21	90302040801	WASHER,SPRING	6		8		
22	90186208020	BOLT,FLANGE	2		M8X20		
23	37000711000	CLAMP ASSY	3		12-1		
24	37000302720	SLEEVE	16		12-6.35		
25	37000711080	CLAMP ASSY	2		12-2		
26	37000300720	SLEEVE	9		12-10		
27	34922548010	PIPE ASSY	1		10XT0.7 L=1155		
28	34922548020	PIPE ASSY	1		6.35XT0.7 L=2072		
29	34922548030	PIPE ASSY	1		6.35XT0.7 L=1620		
30	34922548040	PIPE ASSY	1		10XT0.7 L=1618		
31	35770292150	SWITCH,PRESSURE (LOW AIR)	1				
32	34922548050	PIPE ASSY	1		6.35XT0.7 L=1530		
33	37000904010	FITTING	2		S,M12-M12		
34	37000904810	NUT,FLARE	34		M12		
35	34922548060	PIPE ASSY	1		6.35XT0.7 L=1122		
36	37000910220	FITTING	1		S,R1/2-12		
37	91803880110	CLIP	4		D=10.0-12.2		
38	37000921430	JOINT	2		T,G1/4-6.35-6.35		
39	37002465700	HOSE,BRAKE	1		L=540		
40	36645960000	VALVE ASSY,SOLENOID	1				
41	82100002002	CLAMP	2		WR6		
42	34922548070	PIPE ASSY	1		6.35XT0.7 L=330		
43	37000904510	FITTING,TEE	1		T,6.35		
44	34920274000	END	1				
45	90209201200	NUT	1		M12		
46	90191212035	BOLT	2		M12X35		
47	90302041201	WASHER,SPRING	2		12		
48	36700140000	CHAMBER,BRAKE	1		16A		
49	34922548080	PIPE ASSY	1		6.35XT0.7 L=1078		
50	37000921420	JOINT	1		T,1/4-M12-M12		
51	34922548090	PIPE ASSY	1		6.35XT0.7 L=616		
52	37000921400	JOINT	2		90,G1/4-6.35		
53	37001600810	NUT	3		PF1/4		
54	90304111401	WASHER,TOOTH	3		14		
55	82100002042	CLAMP	1		WE20		
56	37002437510	HOSE,BRAKE	4		L=535		
58	34922541000	SUPPORT	2				
59	90101210020	BOLT	8		M10X20		
60	37000903400	FITTING,ELBOW <L,R1/2-M16	1				
61	37001601440	NUT	10		M12X1.0		
62	90304111201	WASHER,TOOTH	10		12		
63	34922548110	PIPE ASSY	1		6.35XT0.7 L=616		
64	34922542000	SUPPORT	1				

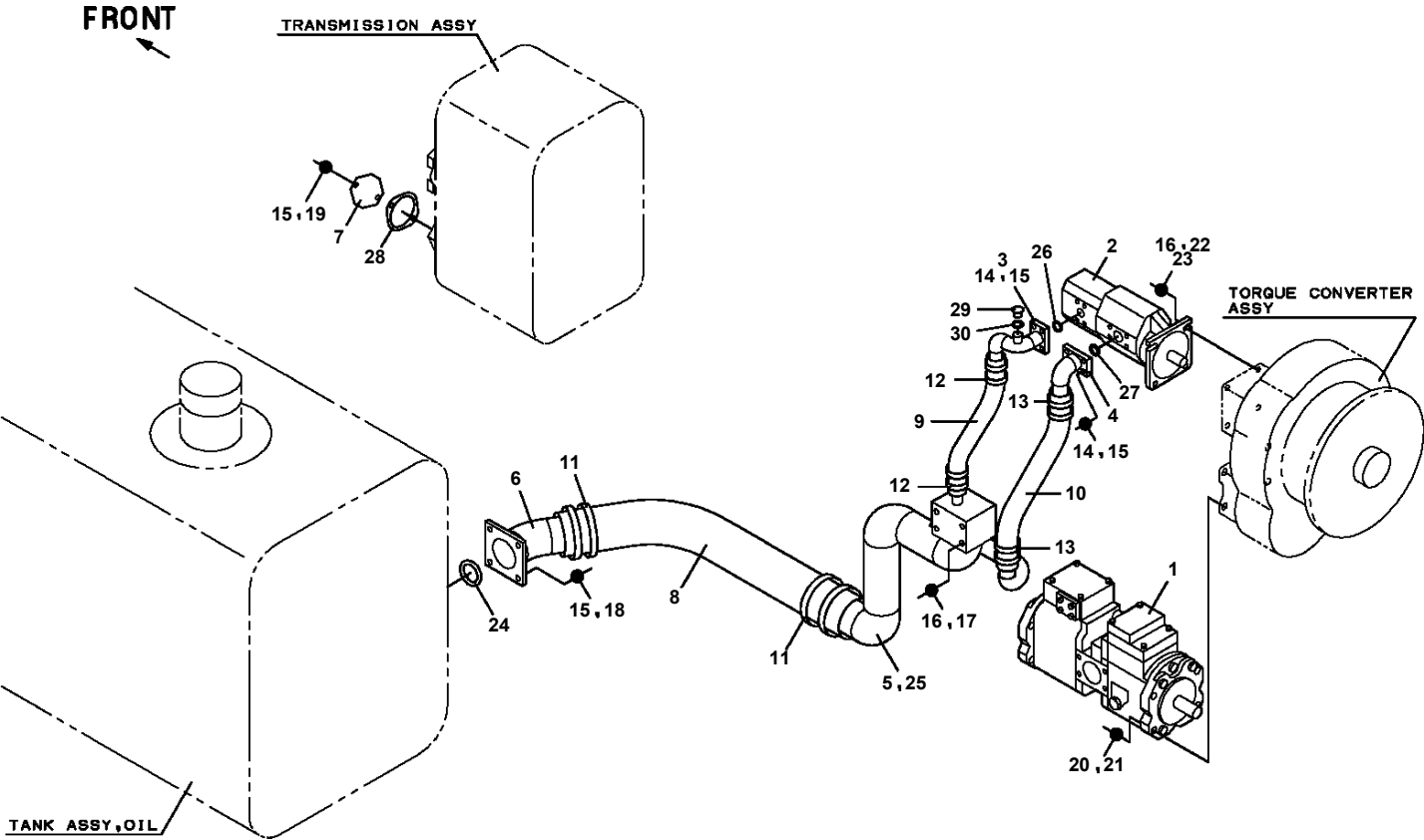
**GR-800E-3-00102 5 BOOM + 2 JIB, 2M2D
PP6150001-00 PIPING ASSY, GAUGE**



GR-800E-3-00102 5 BOOM + 2 JIB, 2M2D

Pos No.	Parts No	Parts Name	Qty	Unit	Technical Data	Serial No (Start)	Serial No (End)	Rem
1	80430620400	JOINT	2					
2	37002484540	HOSE	2		L=600			
3	37000932660	JOINT (WITH O-RING)	1		T G1/4-G1/4-G1/4			
4	37002478140	HOSE	3		L=750			
5	80400160127	JOINT	6				RA0621	
	80400160127	JOINT	4			RA0622		
6	91002801100	O-RING	14		1B P11		RA0621	
	91002801100	O-RING	12		1B P11	RA0622		
7	36730150000	VALVE,SOLENOID	1					
8	90186208014	BOLT,FLANGE	4		M8X14			
9	37002477990	HOSE	1		L=730		RA0621	
	37002478170	HOSE	1		L=950	RA0622		
10	81408000160	PIPE,STEEL	1	M	12X1.4T			
11	81408000160	PIPE,STEEL	1	M	12X1.4T			
12	37000925320	JOINT (FILTER,WITH O-RING)	2		T,3-G1/4			
13	80481002030	JOINT	2		S,G1/4-G3/8			
14	37002408600	HOSE	1		L=425			
15	37002477970	HOSE	1		L=600			
17	37002478080	HOSE	1		L=300			
18	91810130250	FASTENER	10					
19	80302090141	FITTING	4		KCO12-020N			
20	36623690000	VALVE,SHUTTLE	1					
21	37000919390	JOINT (ORIFICE)	2		1.0			
22	82135901901	BAND,MARK (1)	2					
23	82135901902	BAND,MARK (2)	2					
24	82135901903	BAND,MARK (3)	4					
25	82135901904	BAND,MARK (4)	4					
26	82135901905	BAND,MARK (5)	2					
27	82135901906	BAND,MARK (6)	2					
28	82135901954	BAND,MARK (D)	8					
29	82135901970	BAND,MARK (T)	8					
30	82135901966	BAND,MARK (P)	2					
51	91002801100	O-RING	5		1B P11			

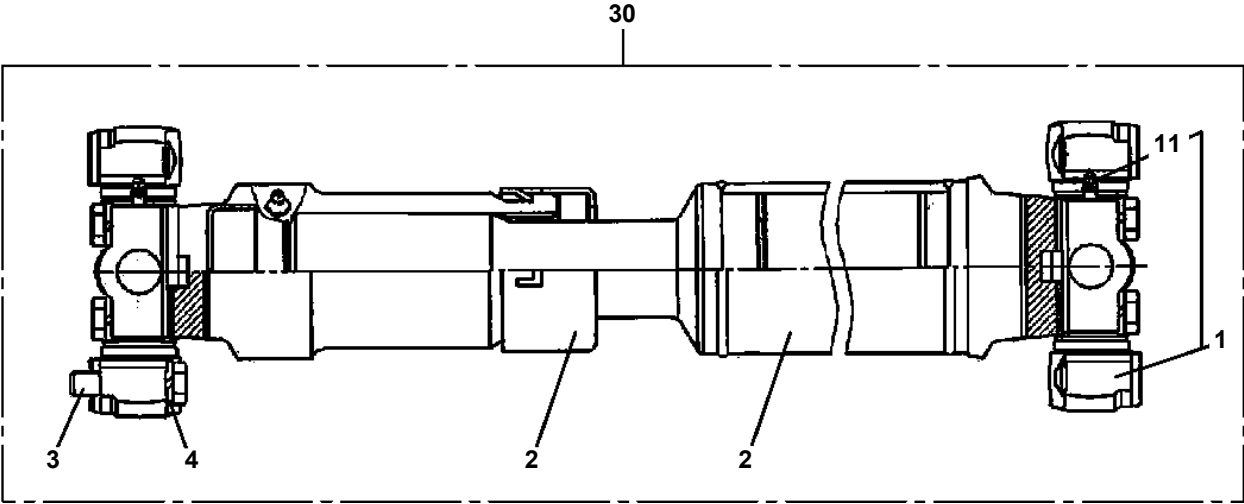
**GR-800E-3-00102 5 BOOM + 2 JIB, 2M2D
PP6300002-00 PIPING ASSY,SUCTION**



GR-800E-3-00102 5 BOOM + 2 JIB, 2M2D

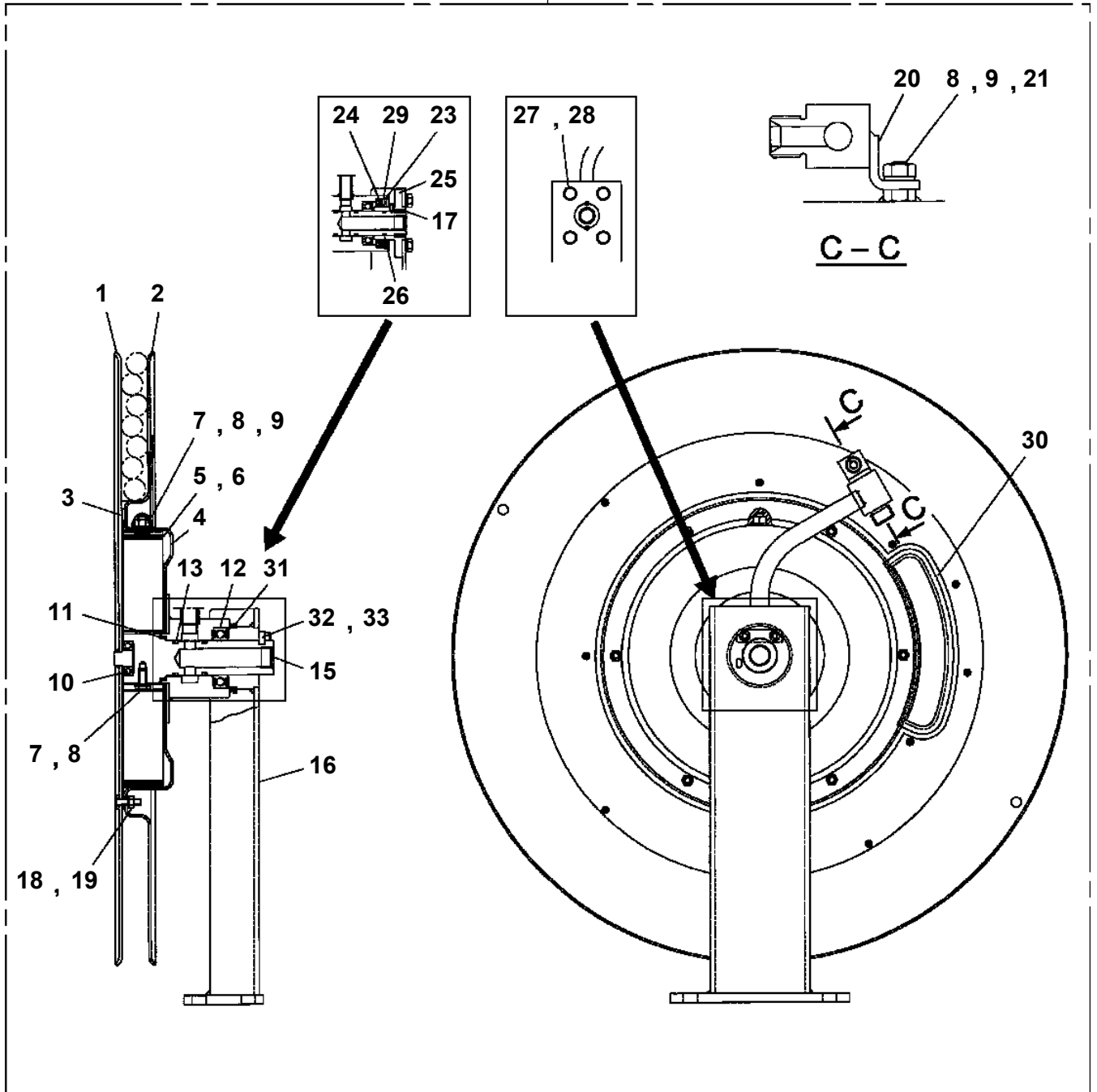
Pos No.	Parts No	Parts Name	Qty	Unit	Technical Data	Serial No (Start)	Serial No (End)	Remark
1	36742080000	VALVE ASSY,HYDRAULIC	1					
2	90186210020	BOLT,FLANGE	4		M10X20		RA0617	
	90186210020	BOLT,FLANGE	2		M10X20	RA0618		
3	80302090141	FITTING	1		KCO12-020N			
4	91002801100	O-RING	8		1B P11			
5	80302090322	FITTING	2		KCO28-080N			
6	91002802900	O-RING	2		1B P29			
7	80303130141	FITTING,ELBOW	1		KLO12-020E			
9	37000711100	CLAMP ASSY	2		28X2			
10	37002489730	HOSE	2		L=1000			
11	80309010105	SLEEVE	2		KK012-000E			
12	80306010105	NUT	2		KKN12-000E			
13	90191510030	BOLT	8		M10X30			
14	80306010245	NUT	2		KKN28-000E			
15	80309010245	SLEEVE	2		28			
16	37000701510	CLAMP ASSY	3		12X2			
17	37000932660	JOINT (WITH O-RING)	3		T G1/4-G1/4-G1/4			
18	80430620400	JOINT	2					
19	36672530000	FILTER (WITH O-RING)	1					
20	36741430000	VALVE,SOLENOID	1				RA0617	
	36742620000	VALVE ASSY,SOLENOID	1			RA0618		
21	37002402520	HOSE	1		L=425			
22	37002470260	HOSE	1		L=775			
24	81408000341	PIPE,STEEL	2	M	28X3.1T			
25	81408000341	PIPE,STEEL	2	M	28X3.1T			
26	81408000160	PIPE,STEEL	3	M	12X1.4T			
32	37000919390	JOINT (ORIFICE)	1		1.0			
34	82100002877	TUBE,SPIRAL	1	M	SE-24BK			
35	37002450240	HOSE	1		L=950			
36	37002478140	HOSE	1		L=750			
37	37002433600	HOSE	1		L=1400			
38	80400160127	JOINT	6					
39	91810130250	FASTENER	8			RA0618		
40	81408000160	PIPE,STEEL	2	M	12X1.4T			
41	90101208016	BOLT	2		M8X16	RA0618		
42	90302040801	WASHER,SPRING	2		8	RA0618		
61	91002801100	O-RING	7		1B P11			
71	91000521900	O-RING	2		AS568-219-1B			

GR-800E-3-00102 5 BOOM + 2 JIB, 2M2D
PR1600031-02 SHAFT,PROPELLER (T/M-F/AXLE)



GR-800E-3-00102 5 BOOM + 2 JIB, 2M2D
PR5060013-00 REEL ASSY,HOSE

100



GR-800E-3-00102 5 BOOM + 2 JIB, 2M2D

Pos No.	Parts No	Parts Name	Qty	Unit	Technical Data	Serial No (Start)	Serial No (End)	F
1	34355121510	PLATE	1					
2	80197586012	SCREW,MACHINE	22		M6X12			
3	34354781710	RELAY (WITH BRACKET)	22					
8	82161324080	RELAY	6					
9	34430095800	RELAY ASSY (WITH CONNECTOR)	1					
10	80172303012	SCREW,MACHINE	2		M3X12			
12	90302040301	WASHER,SPRING	2		3			
13	90303070301	WASHER,PLAIN	2		3			
14	80197585012	SCREW,MACHINE	6		M5X12			

GR-800E-3-00102 5 BOOM + 2 JIB, 2M2D

Pos No.	Parts No	Parts Name	Qty	Unit	Technical Data	Serial No (Start)	Serial No (End)	R
1	37001809170	ROPE,WIRE (KISWIRE/NON-SPIN)	1					

GR-800E-3-00102 5 BOOM + 2 JIB, 2M2D

Pos No.	Parts No	Parts Name	Qty	Unit	Technical Data	Serial No (Start)	Serial No (End)	Remarks	Pages
1	34721427530	KNOB (HANDLE)	1						
2	34721427540	CAP (HORN)	1						
100	34721421100	WHEEL,STEERING	1						

GR-800E-3-00102 5 BOOM + 2 JIB, 2M2D

Pos No.	Parts No	Parts Name	Qty	Unit	Technical Data	Serial No (Start)	Serial No
1	36302115010	SPIDER ASSY	2				
3	36302115030	BOLT	16		M12X53X1.25		
4	36302115040	WASHER,SPRING	16				
11	59236000010	NIPPLE,GREASE (UNF1/4X35A)	2				
21	59236000020	NIPPLE,GREASE	1		NPTF 1/8A		
100	36303561000	SHAFT ASSY,PROPELLER (JTEKT:T/M-T/C)	1				

GR-800E-3-00102 5 BOOM + 2 JIB, 2M2D

Pos No.	Parts No	Parts Name	Qty	Unit	Technical Data	Serial No (Start)	Serial No (End)	Remark
1	36063190000	CYLINDER ASSY,STEERING	2					
2	36063200000	CYLINDER ASSY,STEERING	2					
3	37001505380	BOLT	8		M30X125			
4	37001601880	NUT,CASTLE	8		M30X1.5			
5	80136363056	PIN,SPLIT	8		6.3X56			
6	82456101000	NIPPLE,GREASE	8		A-PT1/8			

GR-800E-3-00102 5 BOOM + 2 JIB, 2M2D

Pos No.	Parts No	Parts Name	Qty	Unit	Technical Data	Serial No (Start)	Serial No (End)	Remarks	Pages
1	34221920911	SUPPORT	1						000109
2	36053160001	CYLINDER,JIB	1						
3	90102520180	BOLT	2		M20X180				
4	34220015200	SUPPORT	1						
5	19411487000	PIN	1						
6	90203402000	NUT	2		M20				
7	90201402000	NUT	2		M20				
8	90302042001	WASHER,SPRING	2		20				
9	34221546550	PIN	1						
10	37000177930	PIN	2		L=100				
11	90303132201	WASHER,PLAIN	4		22				
12	80136340036	PIN,SPLIT	4		4X36				
13	34221540400	PLATE	1						
14	90101208014	BOLT	2		M8X14				
15	90302040801	WASHER,SPRING	2		8				
16	34221546580	PIN	1		L=140				
100	34221920901	SUPPORT ASSY	1						

GR-800E-3-00102 5 BOOM + 2 JIB, 2M2D

Pos No.	Parts No	Parts Name	Qty	Unit	Technical Data	Serial No (Start)	Serial No (End)	Remarks	Pages
1	34511253100	SUPPORT	1						
2	34511253200	SUPPORT	1						
4	34511253300	SUPPORT	1						
5	34494482200	SUPPORT	1						
8	34511042100	PLATE	1				RA0619		
	34511253400	SUPPORT	1			RA0620			
19	37000552320	PLATE	1						

GR-800E-3-00102 5 BOOM + 2 JIB, 2M2D

Pos No.	Parts No	Parts Name	Qty	Unit	Technical Data	Serial No (Start)	Serial No (End)	Remarks	Pages
1	33370260050	SUPPORT	1						

GR-800E-3-00102 5 BOOM + 2 JIB, 2M2D

Pos No.	Parts No	Parts Name	Qty	Unit	Technical Data	Serial No (Start)	Serial No (End)	Remarks	Pages
1	34444595100	SUPPORT	1						
2	34445274100	SUPPORT	1				RA0617		
	34445274300	SUPPORT	1			RA0618			
3	34444595400	PLATE	1						
6	34310000060	PLATE	2						
7	37000524090	PLATE	2						
8	34344460600	SUPPORT	2						
9	37000550730	PLATE	1						
10	37000516500	PLATE	3						
11	37000587430	PLATE	3						
12	37000579880	SUPPORT	1						
13	34345140300	SUPPORT	1						
15	34444595300	SUPPORT	1						
16	34445274200	PLATE	1						
17	34444595500	SUPPORT	1						
18	37000503270	SUPPORT	1						

GR-800E-3-00102 5 BOOM + 2 JIB, 2M2D

Pos No.	Parts No	Parts Name	Qty	Unit	Technical Data	Serial No (Start)	Serial No (End)	Remarks	Pages
1	34231378100	TABLE,SLEWING	1						
2	37010100750	PIN	1						
3	37000564130	PLATE	1						
4	37010100761	PIN	1		L=1048				
5	34231370030	PLATE	1						
6	33230000060	PLATE	1						
9	90303503001	WASHER,PLAIN	54		30XT8				
10	37001501000	BOLT	46		M30X170				
11	37001510330	BOLT	2		M30X190				
12	90303503305	WASHER,PLAIN	2						
13	90201703000	NUT	5		M30				
14	37001509170	BOLT	3		M30X200				
16	34200025400	PLATE	1						
18	90101512045	BOLT	2		M12X45				
19	90302041201	WASHER,SPRING	10		12				
20	90303071201	WASHER,PLAIN	2		12				
21	16612008000	COVER	1						
22	90101208012	BOLT	2		M8X12				
23	90302040801	WASHER,SPRING	2		8				
24	90101512030	BOLT	8		M12X30				

GR-800E-3-00102 5 BOOM + 2 JIB, 2M2D

Pos No.	Parts No	Parts Name	Qty	Unit	Technical Data	Serial No (Start)	Serial No (End)	Remarks	Page
1	36682750000	SWITCH,PRESSURE	10						
2	91002801100	O-RING	10		1B P11				

GR-800E-3-00102 5 BOOM + 2 JIB, 2M2D

Pos No.	Parts No	Parts Name	Qty	Unit	Technical Data	Serial No (Start)	Serial No (End)	Remarks
1	34372351300	SUPPORT	1					
2	32370002110	GASKET	1					
3	32370002121	COVER	1					
4	80172303025	SCREW,MACHINE	2		M3X25			
5	90302040301	WASHER,SPRING	2		3			
6	82104102010	SWITCH,LIMIT	1					
7	32370002131	ROD	1					
8	14148373001	SPRING	1					
9	80601110180	RING,RITAINING	1		S18			
10	34371314400	SUPPORT	1					
11	90303070301	WASHER,PLAIN	2		3			
12	82116700607	CONNECTOR	1					
13	82100000013	TERMINAL	2					
14	82141921040	CABLE	1	M				
15	82122704160	CAP (PLUG)	1					
16	82100000592	TERMINAL (M40.3 TO 1.25)	2					
17	89633001000	HOSE,VINYL	1		7X8,L=1M			
18	14148375000	GROMMET	1					
19	90101208045	BOLT	2		M8X45			
20	90302040801	WASHER,SPRING	2		8			
21	82100001220	INSULATOR	2					
22	82400000201	GROMMET	1		KG-016			
30	32370009512	ROD ASSY	1					
42	32370002150	SPACER	1		L=12 TO 11			
43	80720103014	PIN,SPRING	1		3X14			
51	91001001405	O-RING	2		S-14			
100	34372862100	SWITCH	1					

GR-800E-3-00102 5 BOOM + 2 JIB, 2M2D

Pos No.	Parts No	Parts Name	Qty	Unit	Technical Data	Serial No (Start)	Serial No (End)	Remarks	Page
5	36101800041	CAP	1						
6	36101945060	RING (SLIDE)	1						
7	36101945070	COVER (RING)	1						
8	34921317510	DIAPHRAGM	1						
9	34921317530	BRACKET	1						
100	36101940000	TANK,BRAKE FLUID	1						

GR-800E-3-00102 5 BOOM + 2 JIB, 2M2D

Pos No.	Parts No	Parts Name	Qty	Unit	Technical Data	Serial No (Start)	Serial No (End)	Remarks	Page
59	36870365030	HEATER	1						
60	36870415010	THERMOSTAT	1						
71	36870365010	VALVE ASSY	1						
72	36870365021	CARTRIDGE	1						
73	36870365051	FILTER (REPAIR KIT)	1						
100	36870360000	DRIER,AIR	1						

GR-800E-3-00102 5 BOOM + 2 JIB, 2M2D

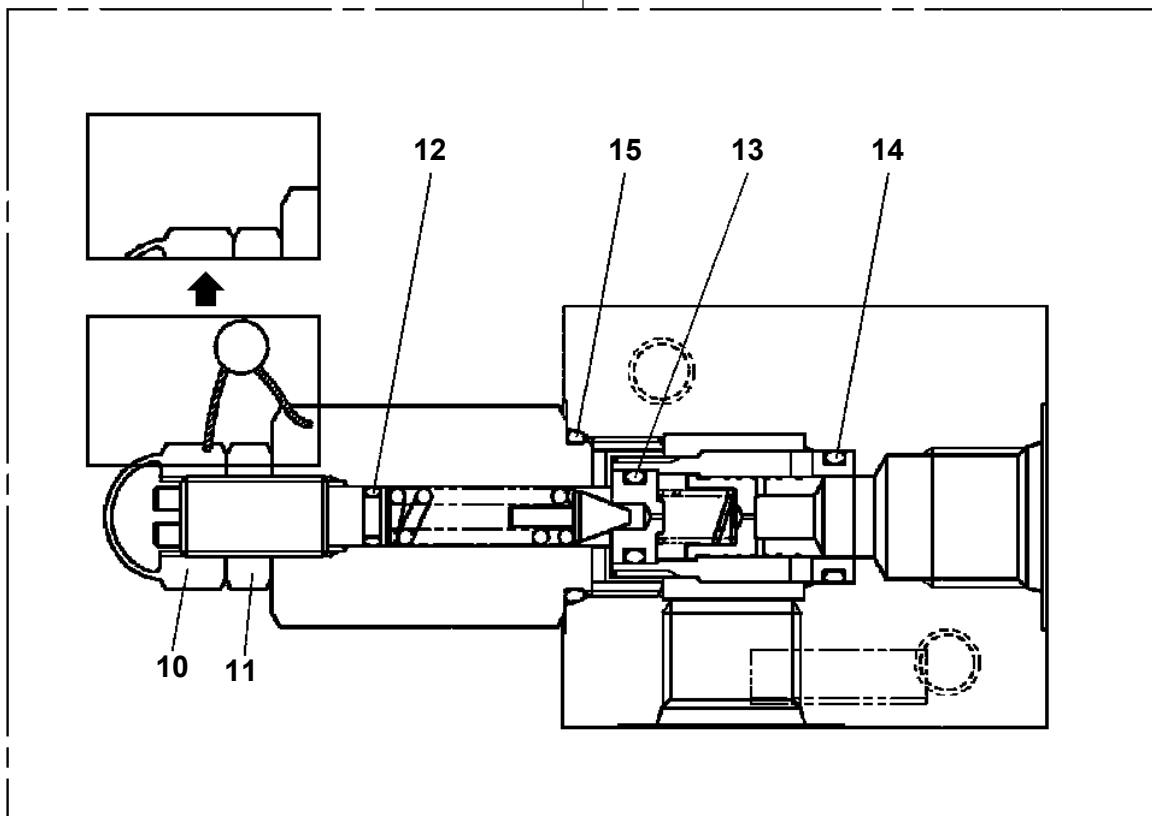
Pos No.	Parts No	Parts Name	Qty	Unit	Technical Data	Serial No (Start)	Serial No (End)	Remarks
1	91990151000	BOX,TOOL	1					
2	91992130750	HAMMER	1		680G			
3	91991340000	SPANNER,OPEN-END	1					
4	91991210300	WRENCH,MONKEY	1		300MM			
5	91994110200	SCREWDRIVER	1		L=200			
6	91994250002	SCREWDRIVER (+)	1		L=100			
8	91995110200	PLIER (200MM)	1					
9	91991540508	WRENCH SET,HEXAGON	1					
10	91991713320	WRENCH SET,WHEEL NUT	1		33			
11	19418930010	HOSE	1		5X7X1300			
12	91996100002	GAUGE,TIRE	1		TV8			
13	37004100030	PUMP,GREASE (240CC)	1					
14	37002455450	HOSE	1		L=337			
50	34462138010	TOOL ASSY	1					

GR-800E-3-00102 5 BOOM + 2 JIB, 2M2D

Pos No.	Parts No	Parts Name	Qty	Unit	Technical Data	Serial No (Start)	Serial No (End)	Remarks	F
1	36370635030	HOUSING	1						
2	36370415160	COVER	1						
3	36370215520	SEAL,OIL	1						
4	36370635040	COVER	1						
5	36370635050	GASKET	1						
6	36370505100	GEAR (N)	1						
7	80601110950	RING,RITAINING	1		S95				
8	36370555080	SHAFT ASSY	1						
9	36370505120	SUPPORT ASSY	1						
10	36370217020	BEARING,BALL	4						
11	36370217050	RING,SEAL	1						
12	36370207570	RING,SEAL	2						
13	36370217070	RING,SEAL	1						
14	36370555090	SHAFT ASSY	1						
15	36370505140	GEAR (Q)	2						
16	36370555100	SHAFT (S)	1						
17	36370505161	SHAFT (C)	1						
18	36370217100	WASHER	6						
19	36370217130	BEARING,BALL	1						
20	80518006209	BEARING,BALL	1						
21	80601110450	RING,RITAINING	6		S45				
22	80601110400	RING,RITAINING	2		S40				
23	36370207130	WASHER	2						
26	36370207190	WASHER	1						
27	80602110950	RING,RITAINING	1		95				
28	36370505180	BEARING,BALL	1						
29	80518006009	BEARING,BALL	1						
30	36370455150	WASHER	1						
31	80602110820	RING,RITAINING	1		82				
32	36370207290	FLANGE	1						
33	91067103500	O-RING	1		4E P35				
34	36370355130	WASHER	1						
35	90103516040	BOLT	1		M16X40				
36	36370615120	SEAL,OIL	1						
37	36350456050	SEAL,OIL	1						
38	80601110350	RING,RITAINING	1		S35				
39	36370207380	WASHER	2						
40	36370207390	SHIM (T=0.2)	N						
41	36370207400	SHIM (T=0.5)	N						
42	36370615130	O-RING	1						
43	36350365760	PISTON	1						
44	36370555110	SPRING	1						
45	36370555120	SPRING	1						
46	36370555130	SPRING	1						
47	36350525320	STOPPER	1						
48	36370505190	COVER	1						
49	36370505200	GASKET	1						
50	36370615190	PLUG	1						
51	36370615200	O-RING	1						
52	36370215550	COVER	1						
53	36350695320	FILTER (COIN)	1						
54	36350695330	O-RING	1						
55	36350265160	PIN	3		10X28				
56	36681890000	SENDER,THERMO (OIL)	1						
57	36370625200	PLUG (MAGNET)	1						
58	36370505220	BOLT ASSY	2						
61	90171110030	BOLT	15		M10X30				
62	90101510065	BOLT	4		M10X65				
64	36350456060	PLUG	17						
65	90171108020	BOLT	8		M8X20				
66	36370555140	GEAR (M)	1						
67	36350365460	SPACER (C)	1						
68	90302050801	WASHER,SPRING	8		8				

GR-800E-3-00102 5 BOOM + 2 JIB, 2M2D
PV5140002-01 VALVE ASSY,RELIEF

100



GR-800E-3-00102 5 BOOM + 2 JIB, 2M2D

Pos No.	Parts No	Parts Name	Qty	Unit	Technical Data	Serial No (Start)	Serial No (End)	Remarks
1	36742625020	CASING	1					
2	36740105030	BOLT,HEXAGON SOCKET	4					
3	36742625010	SOLENOID	2					
25	91000501300	O-RING	2		AS568-013			
26	91000501400	O-RING	2		014 1115-70			
27	91000501500	O-RING	2		AS568-015			
29	36730165030	NUT	2					
30	91002802000	O-RING	2		1B P20			
100	36742620000	VALVE ASSY,SOLENOID	1					

GR-800E-3-00102 5 BOOM + 2 JIB, 2M2D

Pos No.	Parts No	Parts Name	Qty	Unit	Technical Data	Serial No (Start)	Serial No (End)	Remarks	Pages
1	34282691000	COUNTERWEIGHT	1						
2	90171216055	BOLT	4		M16X55				
3	90201201600	NUT	4		M16				
10	37000207400	PIN ASSY	2						

GR-800E-3-00102 5 BOOM + 2 JIB, 2M2D

Pos No.	Parts No	Parts Name	Qty	Unit	Technical Data	Serial No (Start)	Serial No
1	37003901620	WHEEL,TIRE (TOPY,MADE IN WI)	1				
2	37003805270	TIRE (HUNG-A,TIRON,HS658,29.5-25 34PR)	1				

GR-800E-3-00102 5 BOOM + 2 JIB, 2M2D

Pos No.	Parts No	Parts Name	Qty	Unit	Technical Data	Serial No (Start)	Serial No (End)
1	34721421100	WHEEL,STEERING	1				
2	34721722101	COVER	1				
3	34721422201	COVER	1				
4	82100002051	CLAMP	1		WS-A55		
5	80182306010	SCREW,MACHINE	3		M6X10		
6	90302040601	WASHER,SPRING	3		6		
7	82100002039	CLAMP	2				
8	90209201200	NUT	1		M12		
9	90302041201	WASHER,SPRING	1		12		
10	90303071201	WASHER,PLAIN	1		12		
11	34722101500	SHAFT (STEERING)	1				
13	90302040501	WASHER,SPRING	4		5		
14	90131505020	BOLT,HEXAGON SOCKET	4		M5X20		
15	90303070501	WASHER,PLAIN	4		5		
16	34720912600	SHIM	1				
18	90201200500	NUT	4		M5		
19	34720911200	SWITCH ASSY (COMBINATION)	1				
20	90982050145	SCREW,TAPPING	6				
21	80192488016	SCREW,MACHINE	1		M8X16		
22	80192486014	SCREW,MACHINE (WITH WASHER)	2		M6X14		

GR-800E-3-00102 5 BOOM + 2 JIB, 2M2D

Pos No.	Parts No	Parts Name	Qty	Unit	Technical Data	Serial No (Start)	Serial No (End)	Remarks	Pages
1	18023003000	WEDGE	1						

GR-800E-3-00102 5 BOOM + 2 JIB, 2M2D

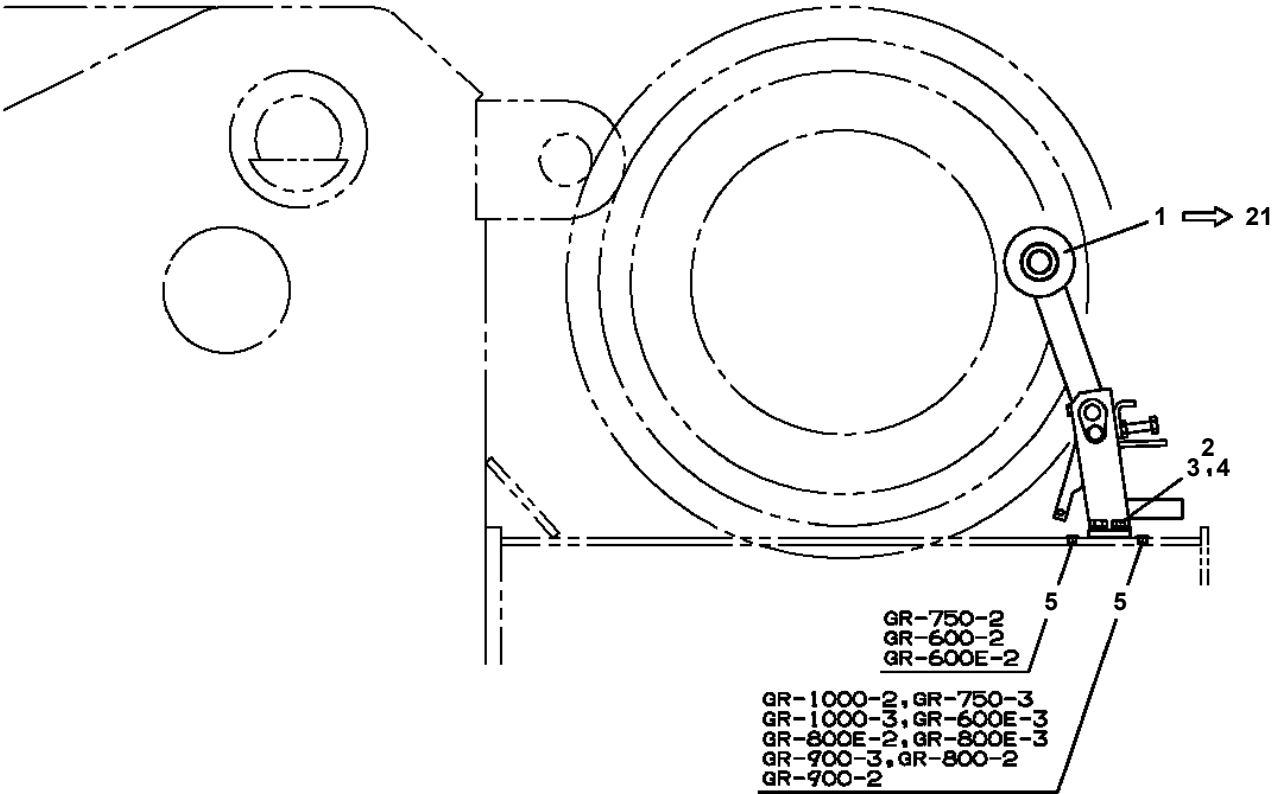
Pos No.	Parts No	Parts Name	Qty	Unit	Technical Data	Serial No (Start)	Serial No (End)	Remarks	Pages
1	34445010100	LAMP (BEACON)	1						000128
3	34445680200	HARNESS	1						
4	34352901120	SWITCH,ROCKER	1						
5	91850310305	CLAMP	10						
6	91810130240	FASTENER	10						
7	34445680100	PLATE,NAME	1						
31	34351967530	BULB,LAMP	1		28V 1.12W				

GR-800E-3-00102 5 BOOM + 2 JIB, 2M2D

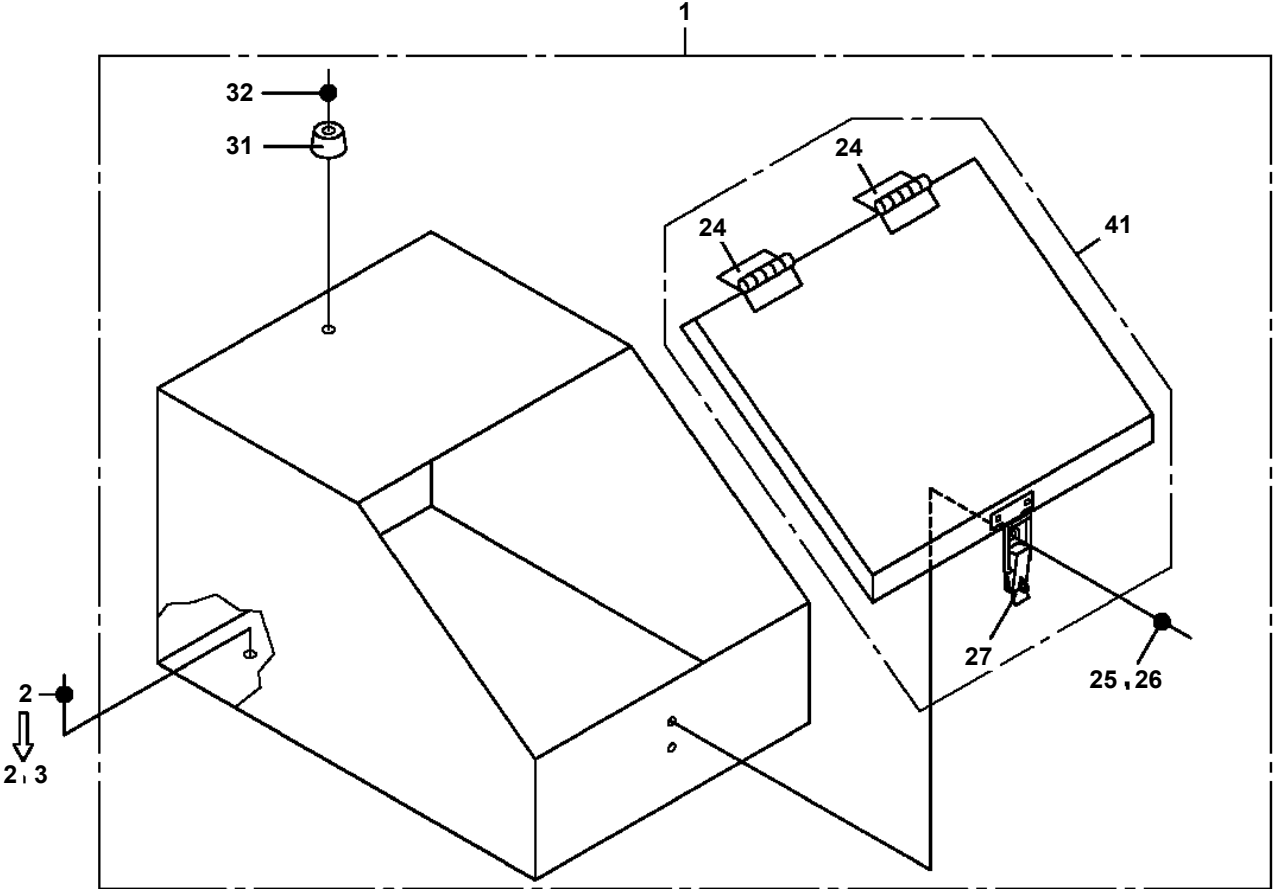
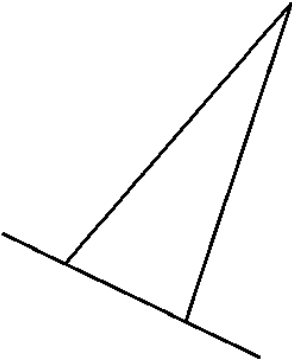
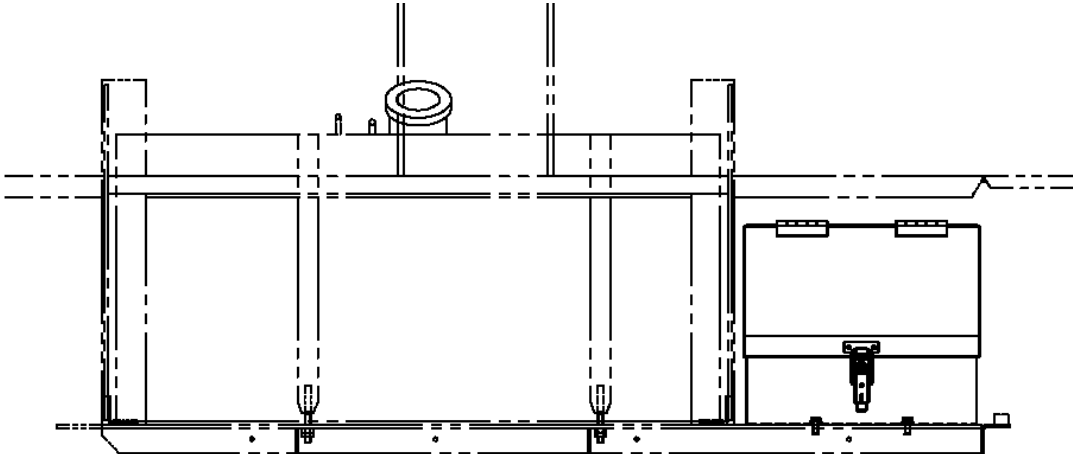
Pos No.	Parts No	Parts Name	Qty	Unit	Technical Data	Serial No (Start)	Serial No (End)	Remarks	Pages
1	34490711200	SUPPORT	1						
	34490711200	SUPPORT	1						
2	90101512020	BOLT	4		M12X20				
	90101512020	BOLT	4		M12X20				
3	90302041201	WASHER,SPRING	4		12				
	90302041201	WASHER,SPRING	4		12				

**GR-800E-3-00102 5 BOOM + 2 JIB, 2M2D
PX5640003-04 MOUNT ASSY,ROLLER (MAIN)**

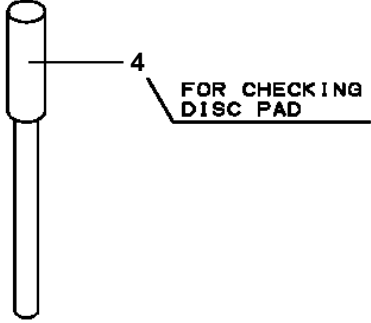
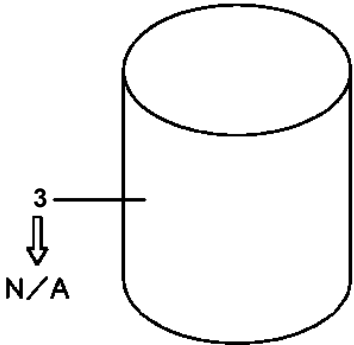
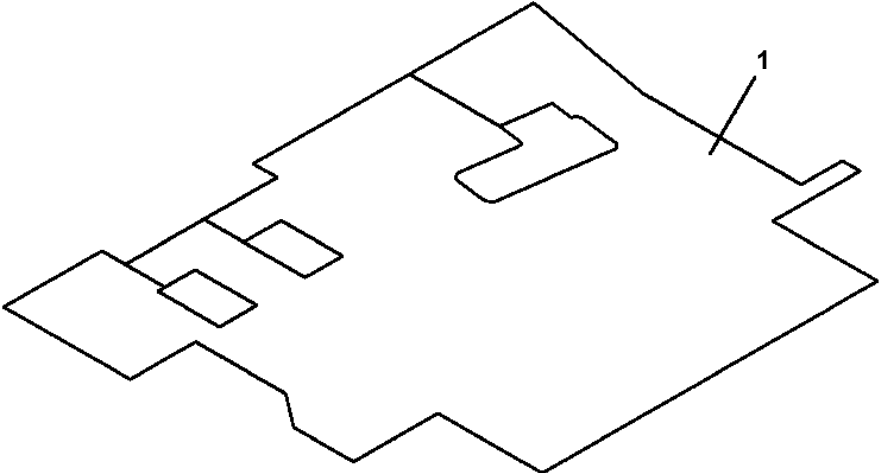
FRONT ←



GR-800E-3-00102 5 BOOM + 2 JIB, 2M2D
PX5780044-02 MOUNT ASSY, TOOL BOX




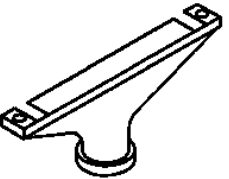
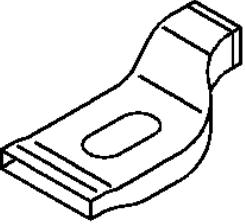
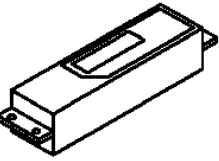
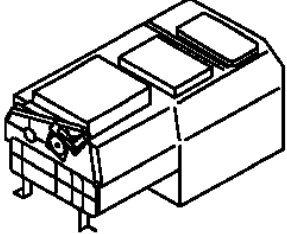
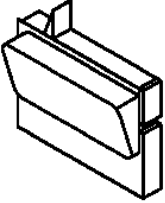
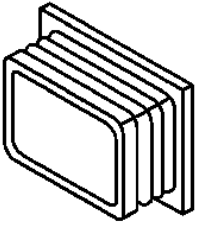
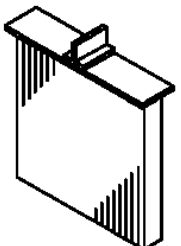
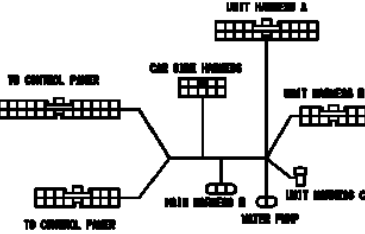


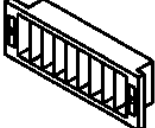



**GR-800E-3-00102 5 BOOM + 2 JIB, 2M2D
PY5020023-01 ACCESSORIES ASSY**



GR-800E-3-00102 5 BOOM + 2 JIB, 2M2D
 PY5140032-00 AIR CONDITIONER ASSY (CAB ASSY PARTS)

100

<p>1</p> <p>ホース (ダクト) HOSE (DUCT)</p> 	<p>2</p> <p>ホース (カフス) HOSE (CUFF)</p> 	<p>3</p> <p>ノズル (エンド) NOZZLE (END)</p> 
<p>4</p> <p>ノズル NOZZLE</p> 	<p>5</p> <p>ダクト (フット) DUCT (FOOT)</p> 	<p>6</p> <p>スイッチASSY (コントロールパネル) SWITCH ASSY (CONTROL PANEL)</p> 
<p>7</p> <p>エバポレータASSY EVAPORATOR ASSY</p> 	<p>8</p> <p>ダクト (フランジ) DUCT (FLANGE)</p> 	<p>9</p> <p>ダクト DUCT</p> 
<p>10</p> <p>フィルタ FILTER</p> 	<p>11</p> <p>ハーネス (メイン A) HARNES (MAIN A)</p> 	<p>12</p> <p>ホース (ドレーン) HOSE (DRAIN)</p> 
<p>13</p> <p>クランプ (ドレーンホース) CLAMP (DRAIN HOSE)</p> 	<p>14</p> <p>ダクト (ルーバー) DUCT (LOUVER)</p> 	<p>15</p> <p>クリップ (カヌー) CLIP (CANONE)</p> 

GR-800E-3-00102 5 BOOM + 2 JIB, 2M2D

Pos No.	Parts No	Parts Name	Qty	Unit	Technical Data	Serial No (Start)	Serial No (End)	Remarks
1	34495751300	HARNES	1					
2	90280200600	NUT,FLANGE	5		M6			
3	34710050600	BOLT	2		M8X140			
4	82100002014	CLAMP	1		WR20			
5	36161830000	REEL ASSY,CORD	1					
6	90101212035	BOLT	4		M12X35			
7	90302041201	WASHER,SPRING	4		12			
8	90201201200	NUT	4		M12			
9	37001108330	ROLLER	2		D15X105			
11	34496121100	SUPPORT	1					
12	91810130250	FASTENER	50					
13	80171303012	SCREW,MACHINE	4		M3X12			
14	34496121200	DETECTOR ASSY	1					
15	90201200800	NUT	4		M8			
16	90302040801	WASHER,SPRING	2		8			
17	80621500110	PIN,SNAP	1					
18	90172104030	BOLT,HEXAGON SOCKET	3		M4X30			
19	90201200400	NUT	3		M4			
20	90302040401	WASHER,SPRING	3		4			
21	90303071401	WASHER,PLAIN	4		14			
22	37001104290	ROLLER	2		D40X63			
23	34495691200	SUPPORT	1					
24	90101208012	BOLT	2		M8X12			
25	37000123760	PIN	2					
26	34362492200	GUIDE	1					
27	34495751400	HARNES	1					
28	34354770000	TRANSMITTER ASSY,SIGNAL	1					
29	90171110020	BOLT	6		M10X20			
30	90303071001	WASHER,PLAIN	6		10			
31	82100002006	CLAMP	3		WR10			
33	34495731200	SUPPORT	1					
34	80192486016	SCREW,MACHINE	2		M6X16			
36	90201200600	NUT	4		M6			
37	82100002018	CLAMP	2		WR35			
39	90302040301	WASHER,SPRING	4		3			
40	90201200300	NUT	4		M3			
41	90303290600	WASHER,PLAIN	2		6			

CLICK HERE TO **DOWNLOAD** THE COMPLETE MANUAL

- Thank you very much for reading the preview of the manual.
- You can download the complete manual from: www.heydownloads.com by clicking the link below



- Please note: If there is no response to CLICKING the link, please download this PDF first and then click on it.

CLICK HERE TO **DOWNLOAD** THE COMPLETE MANUAL