

GR-800-4-00101 5 BOOM + 2 JIB, 2M2D

PB5000063-00 HYDRAULIC PRESSURE SYSTEM

PB6000173-00 PIPING SYSTEM (UPPER)

PB6000174-00 PIPING SYSTEM (LOWER)

PC1000716-00 OUTRIGGER SYSTEM

PD1000690-00 SWING SYSTEM

PF1000819-00 WINCH SYSTEM

PG3000081-00 JIB SYSTEM

PG5000089-01 BOOM SYSTEM

PH5000090-00 SAFETY SYSTEM

PK1000895-00 FRAME

PK5000086-00 CAB SYSTEM

PM1000032-01 LUBRICATION DEVICES

PN1000829-01 ELECTRIC EQUIPMENT

PO1000150-00 INDICATION PLATES

PR5000103-00 DRIVING POWER SYSTEM

PS5000057-00 STEERING & SUSPENSION

PW1000097-02 ACCESSORIES & TOOLS

PX1001396-00 MOUNTING PARTS

PY1001968-00 OPTION UNIT,1

ASSEMBLY

CLICK HERE TO **DOWNLOAD** THE COMPLETE MANUAL

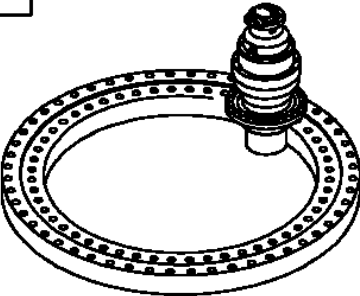
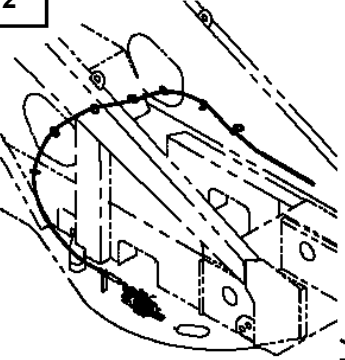
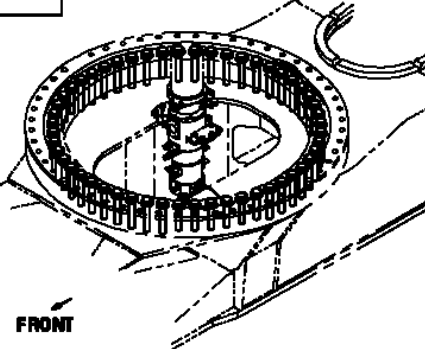
- Thank you very much for reading the preview of the manual.
- You can download the complete manual from: www.heydownloads.com by clicking the link below



- Please note: If there is no response to CLICKING the link, please download this PDF first and then click on it.

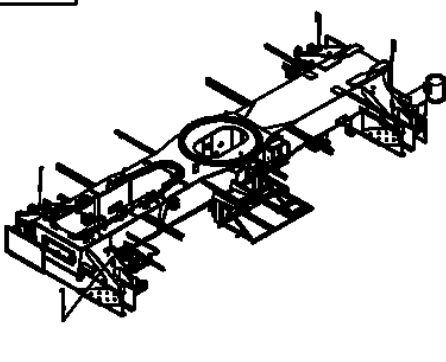
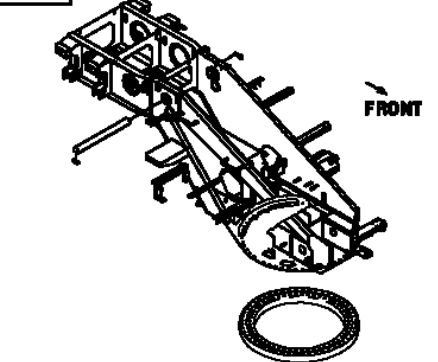
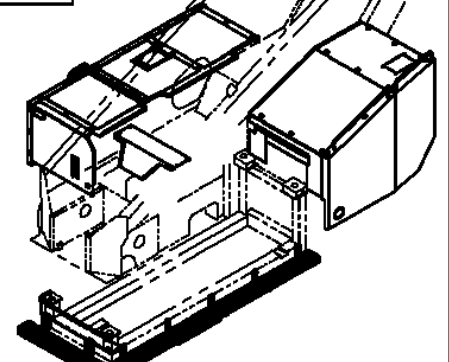
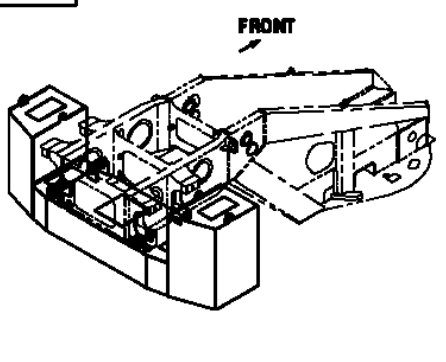
CLICK HERE TO **DOWNLOAD** THE COMPLETE MANUAL

GR-800-4-00101 5 BOOM + 2 JIB, 2M2D
PD1000690-00 SWING SYSTEM

<p>1</p>  <p>FRONT</p>	<p>2</p>  <p>FRONT</p>	<p>3</p>  <p>FRONT</p>

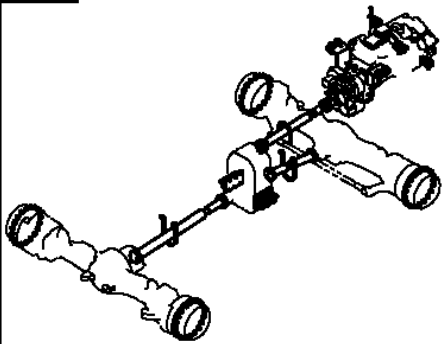
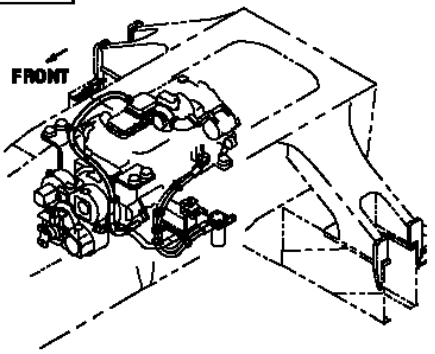
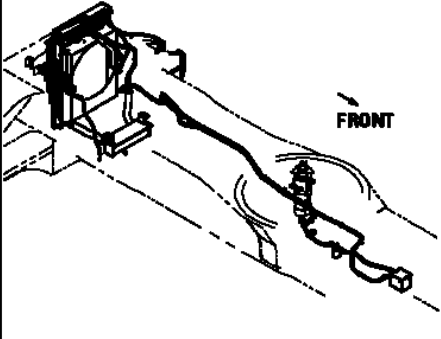
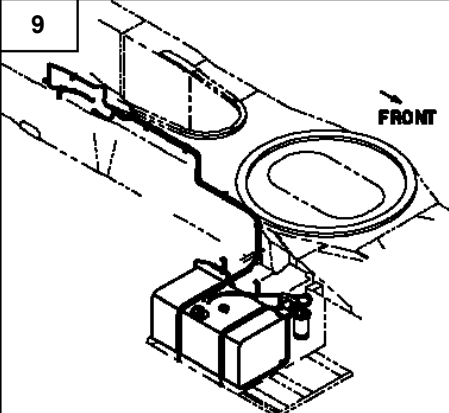
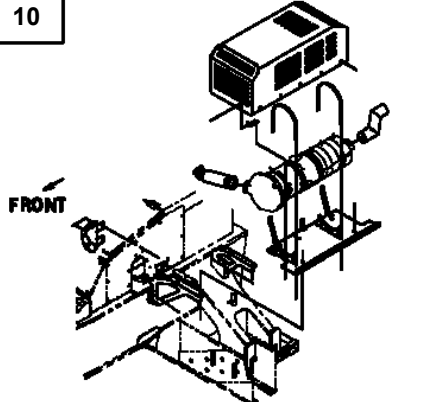
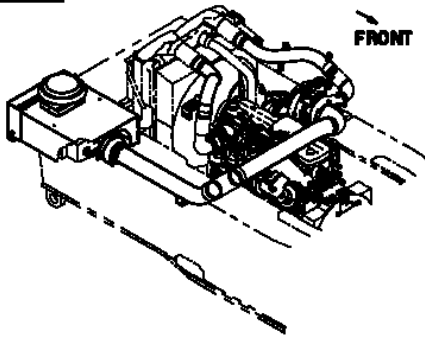
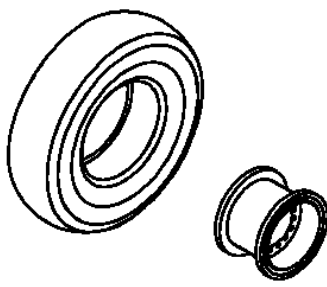
適用製造番号によっては取り付けがないものもあります。
MACHINES OF SOME SERIAL NO. ARE NOT EQUIPPED WITH THESE PARTS.

GR-800-4-00101 5 BOOM + 2 JIB, 2M2D
PK1000895-00 FRAME

<p>1</p> 	<p>2</p> 	<p>3</p> 
<p>4</p> 		

適用製造番号によっては取り付けがないものもあります。
MACHINES OF SOME SERIAL NO. ARE NOT EQUIPPED WITH THESE PARTS.

**GR-800-4-00101 5 BOOM + 2 JIB, 2M2D
PR5000103-00 DRIVING POWER SYSTEM**

<p>1</p> <p>エンジンASSY ENGINE ASSY</p>	<p>2</p> <p>トルクコンバータASSY TORQUE CONVERTER ASSY</p>	<p>3</p> <p>トランスミッションASSY TRANSMISSION ASSY</p>
<p>4</p> <p>アクスルASSY,フロント AXLE ASSY,FRONT</p>	<p>5</p> <p>アクスルASSY (リヤ/ノースピンツキ) AXLE ASSY (REAR/WITH NO SPIN)</p>	<p>6</p> 
<p>7</p> 	<p>8</p> 	<p>9</p> 
<p>10</p> 	<p>11</p> 	<p>12</p> 

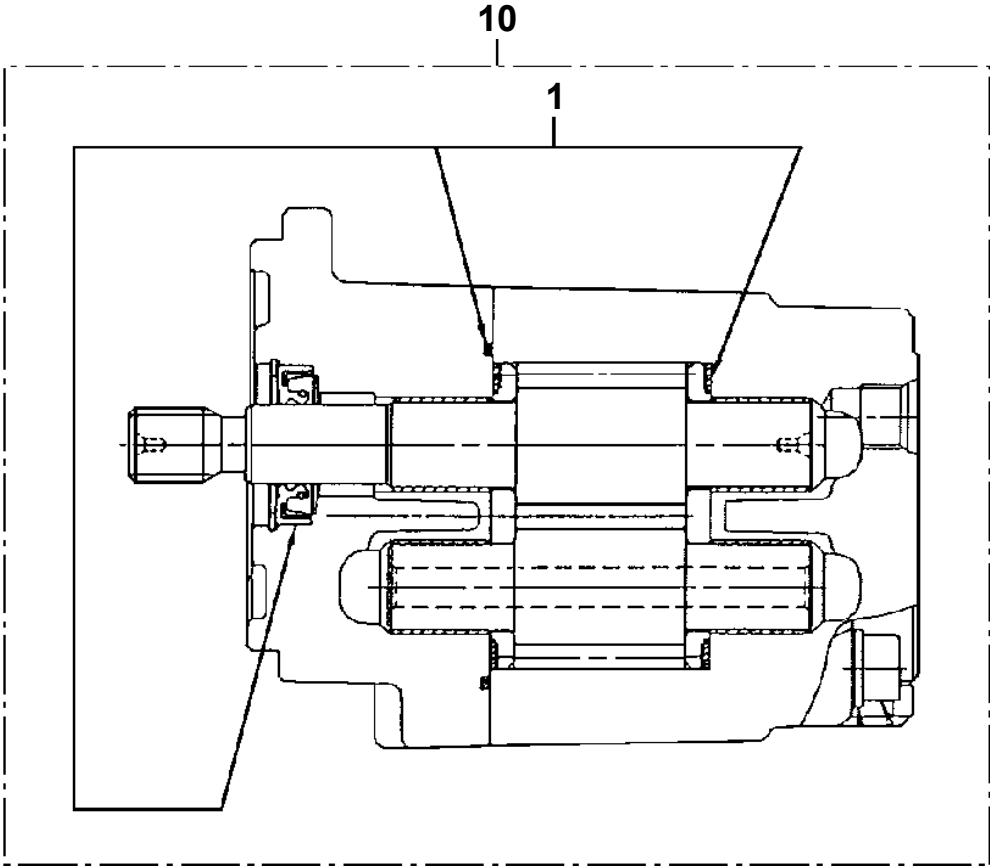
適用製造番号によっては取り付けがないものもあります。

MACHINES OF SOME SERIAL NO. ARE NOT EQUIPPED WITH THESE PARTS.

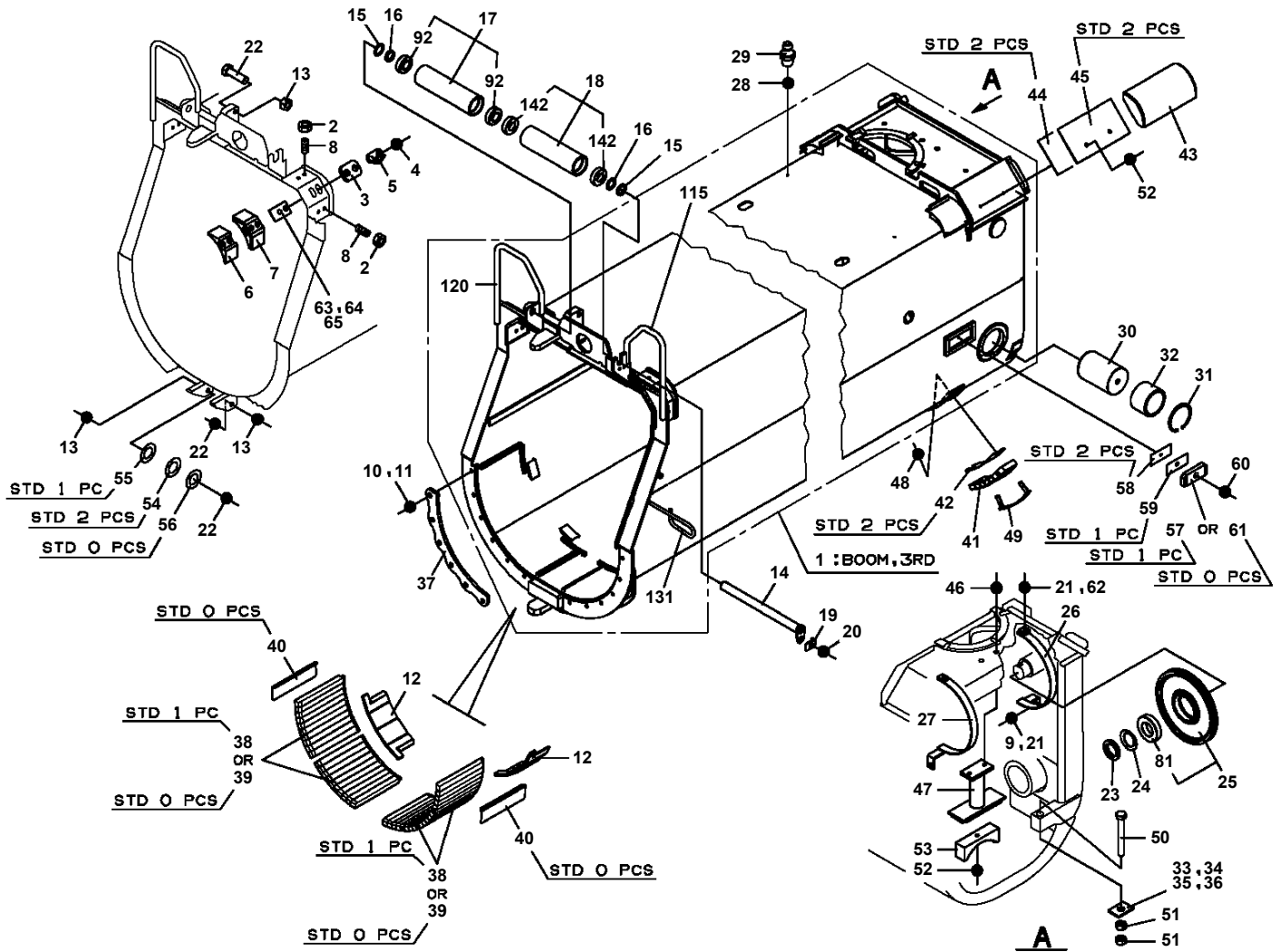
GR-800-4-00101 5 BOOM + 2 JIB, 2M2D

Pos No.	Parts No	Parts Name	Qty	Unit	Technical Data	Se
1	(*****)	HOOK ASSY (AUX./WITH LOCK DEVICE)	1			
2	(*****)	HOOK ASSY (MAIN)	1			
3	(*****)	UNWIND CUTOFF ASSY	2			
4	(*****)	STEERING ASSY (EMERGENCY:WITH LOW PRESSURE ALARM)	1			
5	(*****)	STEERING ASSY (EMERGENCY:WITHOUT LOW PRESSURE ALARM)	1			
7	34730290000	INFLATOR,AIR	1			
8	(*****)	ANEMOMETER ASSY	1			
9	(*****)	HEATER ASSY (ENGINE PRE-HEATER:240V)	1			
10	(*****)	HEATER ASSY (ENGINE PRE-HEATER:120V)	1			
14	(*****)	LAMP ASSY,LICENSE	1			
15	(*****)	ELEC.ASSY (SEARCHLIGHT)	1			

GR-800-4-00101 5 BOOM + 2 JIB, 2M2D
PB1100175-00 PUMP, HYDRAULIC (EMERGENCY STEERING)



GR-800-4-00101 5 BOOM + 2 JIB, 2M2D
PB5190261-00 BOOM ASSY (3RD)



GR-800-4-00101 5 BOOM + 2 JIB, 2M2D

Pos No.	Parts No	Parts Name	Qty	Unit	Technical Data	Serial No (Start)
1	34203090050	BOOM, TOP	1			
2	37000200590	PIN, SNAP	1			
3	37000315310	SPACER	1		L=96	
4	37001004230	SHEAVE ASSY	2			
5	37000314970	SPACER	1		L=37	
6	37000306450	SPACER	1			
7	37000122240	PIN	1			
8	80561100180	NUT	1		AW18	
9	80562100180	WASHER, TOOTH	1		AW18	
10	37010100910	PIN	1			
12	37000315370	SPACER	1		L=52.5	
13	34202120520	COVER	1			
14	37000181700	PIN	1			
16	37000303340	SPACER	3		L=1.6	
17	901711108012	BOLT	6		M8X12	
18	33200494100	BOLT	1		M20X45	
19	90203202000	NUT	1		M20	
20	37000157110	PIN	2			
21	37000201090	PIN, SNAP	2		20	
22	90171216050	BOLT	2		M16X50	
23	90201781600	NUT	2		M6	
24	37000538540	PLATE	2		T=1.0	
25	90303071601	WASHER, PLAIN	1		16	
26	90303501601	WASHER, PLAIN	N		16	
28	90172108020	BOLT, HEXAGON SOCKET	4		M8X20	
29	34201050050	PLATE	2			
30	90171112020	BOLT	6		M12X20	
31	37000100820	PIN	2		20	
32	37002022380	PLATE, SLIDE	2			
33	37010501850	PLATE	6			
34	37010501860	PLATE	2			
35	37001008720	SHEAVE ASSY	2			
36	34200680601	PIN	2		60X38	
37	90302040801	WASHER, SPRING	4		8	
38	37000309610	SPACER	2		T=0.6	
39	37002019260	PLATE, SLIDE	2			
40	90101208025	BOLT	4		M8X25	
41	90261000800	U-NUT	4		M8	
42	37002004640	PLATE, SLIDE	2		T=15	
43	90172106020	BOLT, HEXAGON SOCKET	2		M6X20	
44	37000577400	PLATE	10		T=1.0	
45	37000577410	PLATE	2		T=0.6	
46	37000309600	SPACER	6		T=1.0	
47	37002020910	PLATE, SLIDE	N		T=19	
48	90303070801	WASHER, PLAIN	2		8	
72	80515006018	BEARING, BALL	4			
81	37001009710	SHEAVE ASSY (QUADRANT POLYPENCO, ASSY ONLY)	5			
	37001009740	SHEAVE ASSY (LICHARZ, ASSY ONLY)	5			
	37001009741	SHEAVE ASSY (LICHARZ, ASSY ONLY)	5			RA0423
92	80520314912	BEARING, ROLLER	2			
112	(*****)	SUPPORT ASSY	1			

GR-800-4-00101 5 BOOM + 2 JIB, 2M2D

Pos No.	Parts No	Parts Name	Qty	Unit	Technical Data	Serial No (Start)	Serial No (End)	F
1	34932285110	HARNESS (BATTERY RELAY BOX)	1					
2	34932285120	FUSE ASSY	1					
3	34932285130	FUSE ASSY	1					
4	34932285140	FUSE ASSY	1					
5	34932275150	FUSE ASSY	1					
6	34932022560	FUSE ASSY (SPARE FUSE)	1					
7	82161500022	BRACKET	1					
8	82161500023	BRACKET	3					
32	82100001841	FUSE	1		20A,YELLOW			
33	82100001840	FUSE	6		15A,BLUE			
34	82100001839	FUSE	13		10A.RED			
35	82100001837	FUSE	12		5A			
41	82100001843	FUSE	1		30A.GREEN			
56	82100001860	FUSE	4		1A,BLACK			
100	34932285100	BOX ASSY (FUSE)	1					

GR-800-4-00101 5 BOOM + 2 JIB, 2M2D

Pos No.	Parts No	Parts Name	Qty	Unit	Technical Data	Serial No (Start)	Serial No (End)	Remarks	P
1	(*****)	BOX ASSY (R)	1						00
2	34320901200	COVER	1						
3	34320904300	KNOB	1						
4	34320901401	SHAFT	2						
6	80176404012	SCREW,MACHINE	4		M4X12				
7	90305260401	WASHER	4		4				
8	37012409370	HOSE	1		L=1640				
9	37002510460	HOSE	1		L=15				
10	90186208020	BOLT,FLANGE	4		M8X20				
11	37002443720	HOSE	2		L=880				
12	37012409380	HOSE	2		L=1660				
13	80400160127	JOINT	5						
14	91002801100	O-RING	5		1B P11				
16	37002448530	HOSE	1		L=1680				
17	90203501200	NUT	4		M12				
18	36634920000	VALVE,CONTROL	1						00
19	36672460000	FILTER (NIPPLE TYPE)	1						
20	82100000192	TERMINAL	1						
21	82100000182	INSULATOR	1						
22	34321691110	SOLENOID	1						
23	82100000191	TERMINAL	1						
24	82100000183	INSULATOR	1						
25	34320903800	CAP	1						
26	34320903900	KNOB	1						
27	34320904000	KNOB	1						
28	34320901300	SUPPORT	1						
29	90280200800	NUT,FLANGE	1		M8				
30	90186206010	BOLT,FLANGE	1		M6X10				
31	82100002002	CLAMP	1		WR6				
64	91002801100	O-RING	1		1B P11				

GR-800-4-00101 5 BOOM + 2 JIB, 2M2D

Pos No.	Parts No	Parts Name	Qty	Unit	Technical Data	Serial No (Start)	Serial No (End)
1	(*****)	CAB ASSY (STD)	1				
2	(*****)	SWING TABLE ASSY	1				
4	(*****)	OPE.ASSY,CONT.VALVE (ISO/TACTILE)	1				
5	(*****)	ELEC.ASSY (CAB)	1				
7	36172070000	CONTROLLER (DCU2)	1				
8	36199750000	MOMENT LIMITER:AML	1				
9	(*****)	ELEC.ASSY (SCT)	1				
10	(*****)	NAME PLATE ASSY (CAB/ENGLISH)	1				
11	36173260000	DISPLAY (MFD)	1				
12	36173170000	CONTROLLER (TTC-60)	1				
13	(*****)	MOUNT ASSY (BACK SONAR)	1				

GR-800-4-00101 5 BOOM + 2 JIB, 2M2D

Pos No.	Parts No	Parts Name	Qty	Unit	Technical Data	Serial No (Start)	Serial No (End)	Re
1	36370415070	IMPELLER ASSY	1					
2	36370515050	TURBINE ASSY	1					
3	36370515060	STATOR (WHEEL)	1					
4	36370515070	COVER ASSY (FRONT)	1					
5	36370655030	GUIDE (INPUT)	1					
6	36370655040	PLATE (INPUT)	1					
7	36370216071	RACE, OUTER	1					
8	36370415370	CLUTCH, ONEWAY	1					
9	36370216090	RETAINER (A/ONEWAY CLUTCH)	1					
10	36370216100	RETAINER (B/ONEWAY CLUTCH)	1					
11	36370216111	INNER RACE	1					
12	36370216120	PISTON	1					
13	36370515090	PLATE (PRESSURE)	1					
14	36370415120	WASHER	1					
15	36370216150	BEARING, BALL	1					
16	36370216160	BEARING, BALL	1					
17	36370216170	BEARING, NEEDLE	1					
18	36370216180	WASHER, THRUST	1					
19	36370216190	RING, RETAINING	1					
20	36370415130	RING, SNAP	1					
21	36370695090	BEARING, NEEDLE	1					
22	36370695100	SUPPORT	1					
23	80601110500	RING, RETAINING	1		S50			
24	36370615130	O-RING	1					
25	36370575060	O-RING	1					
26	36370575070	O-RING	1					
27	36370625140	RING (D)	1					
28	36370625150	RING (D)	1					
29	90171108030	BOLT	24		M8X30			
30	90302050801	WASHER, SPRING	24		8			
31	90171110045	BOLT	12		M10X45			
32	36370216300	WASHER	12					
33	36350456060	PLUG	3					
34	36370455100	DISK ASSY	1					
35	80602110900	RING, RETAINING	1		R90			
36	36370515120	WASHER, THRUST	1					
37	36370216340	WASHER, THRUST	1					
38	36370695110	WASHER, THRUST	1					
51	36370795040	OVERHAUL KIT	1					

GR-800-4-00101 5 BOOM + 2 JIB, 2M2D

Pos No.	Parts No	Parts Name	Qty	Unit	Technical Data	Serial No (Start)	Serial No (End)	Remarks	Page
1	36321345020	CONDENSER	1						
2	36321345030	FAN ASSY	1						
3	36321345040	BRACKET	2						
4	36321345050	BOLT	4		M6X35				
5	36321345060	PACKING	2						
6	36321345070	PLATE,NAME (24V)	1						
100	36321342010	CONDENSER ASSY	1						

GR-800-4-00101 5 BOOM + 2 JIB, 2M2D

Pos No.	Parts No	Parts Name	Qty	Unit	Technical Data	Serial No (Start)	Serial No (End)	Remarks	Pages
4	36690435010	COCK	1						
100	36690430000	COOLER ASSY,OIL	1						

GR-800-4-00101 5 BOOM + 2 JIB, 2M2D

Pos No.	Parts No	Parts Name	Qty	Unit	Technical Data	Serial No (Start)	Serial No (End)	Remarks
22	34694249510	COVER (NON-SLIP)	1					
23	90186208020	BOLT,FLANGE	3		M8X20			
100	34694241500	COVER ASSY (NON SLIP)	1					

GR-800-4-00101 5 BOOM + 2 JIB, 2M2D

Pos No.	Parts No	Parts Name	Qty	Unit	Technical Data	Serial No (Start)	Serial No (End)	Remarks	Pa
1	(*****)	COVER ASSY,ENGINE	1						00
2	90101210030	BOLT	4		M10X30				
3	90302041001	WASHER,SPRING	4		10				
4	90303071001	WASHER,PLAIN	4		10				

GR-800-4-00101 5 BOOM + 2 JIB, 2M2D

Pos No.	Parts No	Parts Name	Qty	Unit	Technical Data	Serial No (Start)	Serial No (End)
2	91810130240	FASTENER	3				
100	37002711890	CABLE (ALTERNATOR EARTH/L=220)	1				

GR-800-4-00101 5 BOOM + 2 JIB, 2M2D

Pos No.	Parts No	Parts Name	Qty	Unit	Technical Data	Serial No (Start)	Serial No (End)	Rema
100	37002712240	CABLE (ALTERNATOR--FUSE)	1					

GR-800-4-00101 5 BOOM + 2 JIB, 2M2D

Pos No.	Parts No	Parts Name	Qty	Unit	Technical Data	Serial No (Start)	Serial No (End)	Remarks	Pages
2	34694212320	INSULATOR	1						
3	34694212330	INSULATOR	1						
4	34692983140	INSULATOR	2						
100	34694212300	COVER (R)	1						

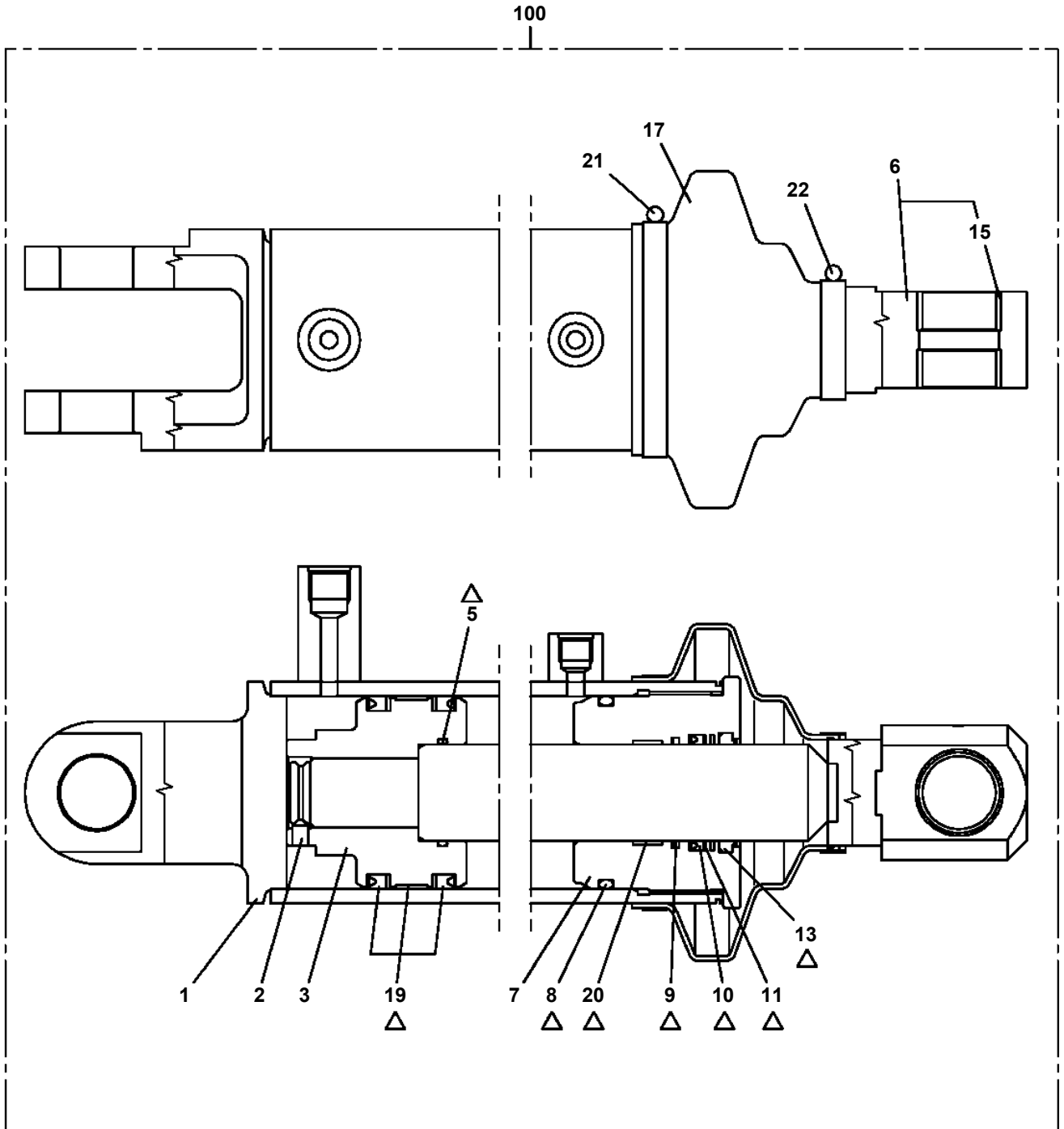
GR-800-4-00101 5 BOOM + 2 JIB, 2M2D

Pos No.	Parts No	Parts Name	Qty	Unit	Technical Data	Serial No (Start)	Serial No (End)	Remarks	Pages
3	34694211650	PLATE	1						
4	80192885012	SCREW,MACHINE	2		M5X12				
100	34694211600	COVER	1						

GR-800-4-00101 5 BOOM + 2 JIB, 2M2D

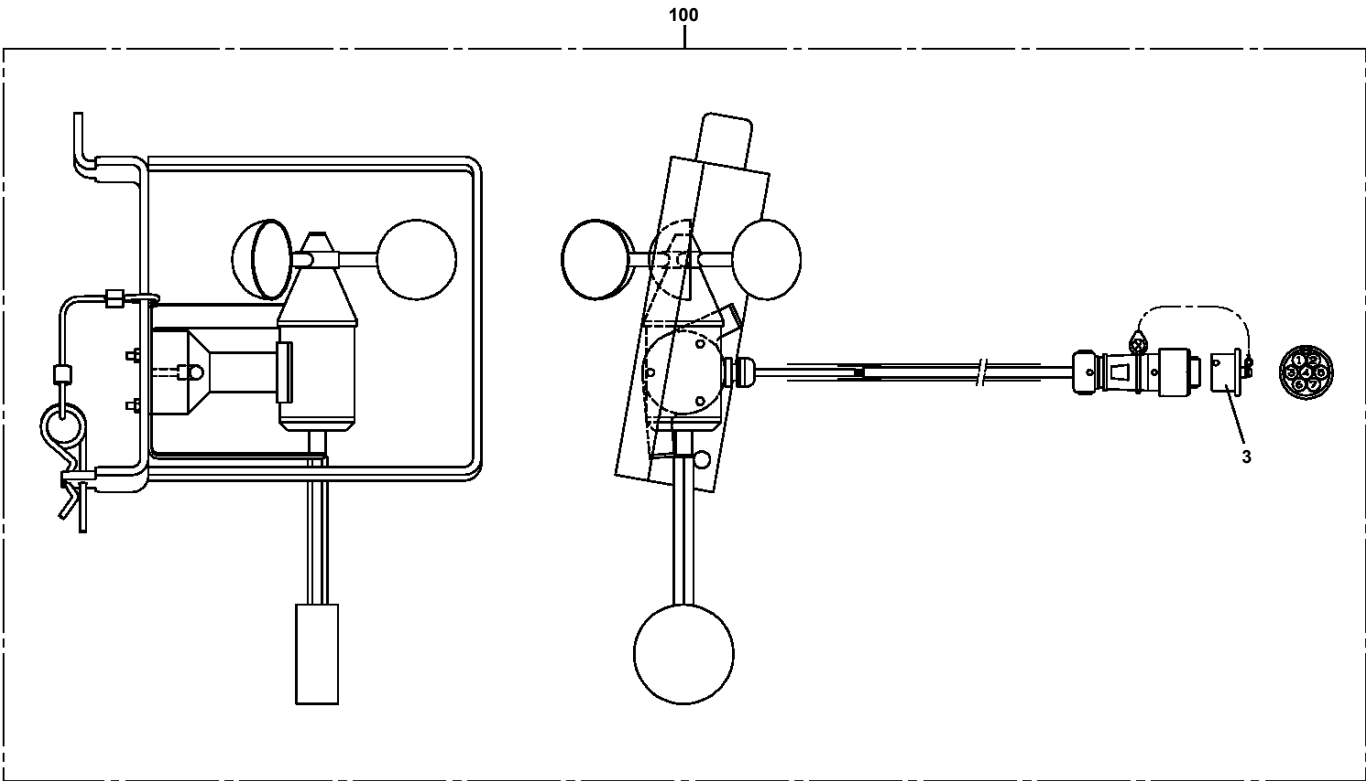
Pos No.	Parts No	Parts Name	Qty	Unit	Technical Data	Serial No (Start)	Serial No (End)
1	36052061000	CYLINDER (IP)	1				
3	90201702400	NUT	1		M24		
4	36052060010	PISTON	1				
5	91350207000	BEARING,PLAIN (WITH PACKINGX2)	1				
6	91002803500	O-RING	1		1B P35		
7	36052062000	ROD ASSY	1				
8	36052064000	COVER,ROD (IP)	1				
9	91002806000	O-RING	1		1B P60		
10	91251100350	RING,DAMPER	1				
11	91694003500	PACKING	1				
12	91410203501	RING,BACKUP	1				
13	36052065000	PLATE (IP)	1				
14	91660003501	SEAL,DUST	1				
16	91301103500	BEARING,PLAIN	1				
31	80530000204	BEARING,SPHERICAL	2				
32	37000565830	PLATE (IP)	4				
71	36053479900	PACKING SET	1		35X70		
100	36052060001	CYLINDER ASSY (QUICK TURN JIB,IP)	1				

**GR-800-4-00101 5 BOOM + 2 JIB, 2M2D
PC6450026-00 CYLINDER ASSY,STEERING**

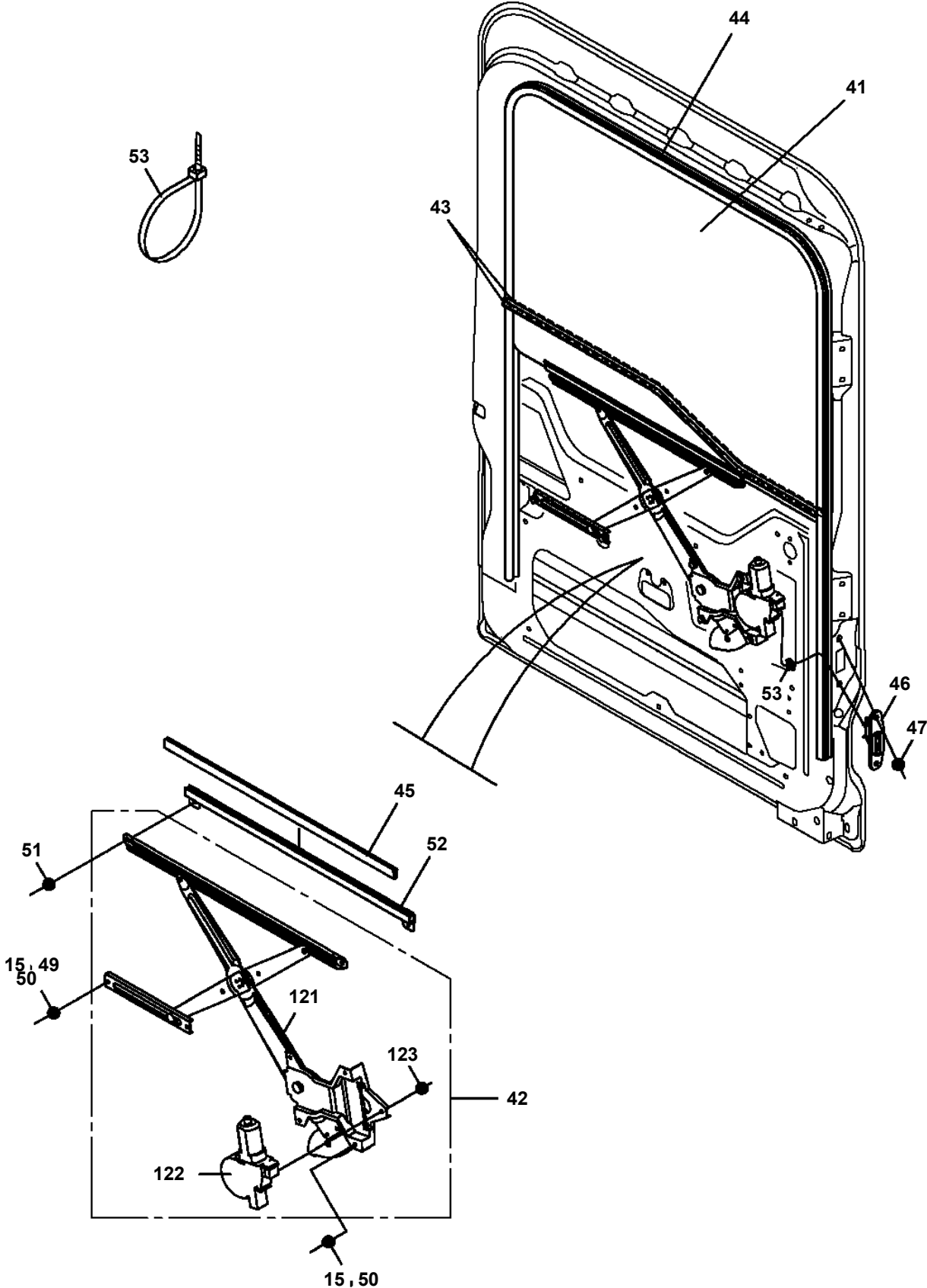


Δ:PACKING SET KEY NO.90 (KEY NO.5,8,9,10,11,13,19,20)

GR-800-4-00101 5 BOOM + 2 JIB, 2M2D
PD5030017-00 DETECTOR ASSY

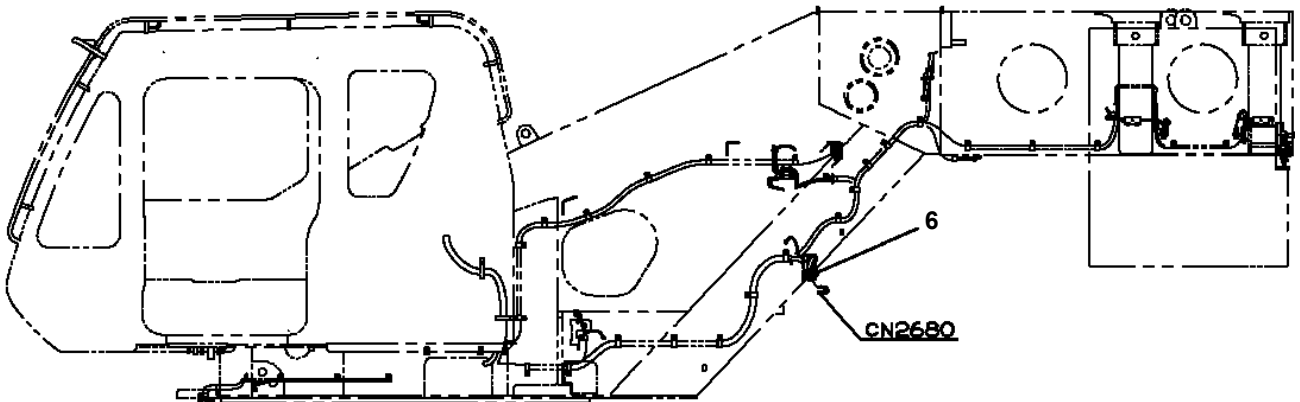
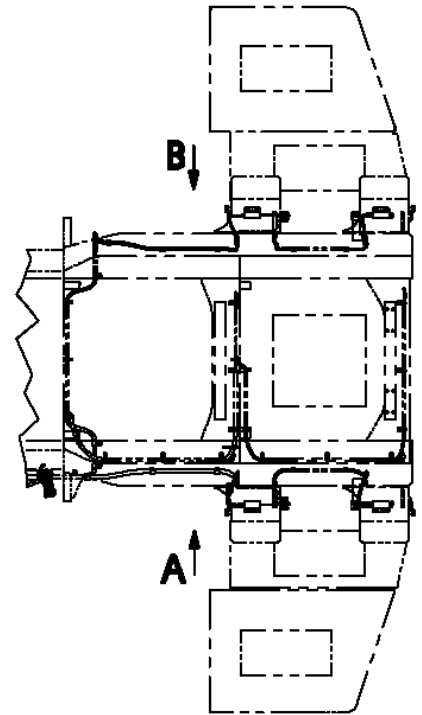
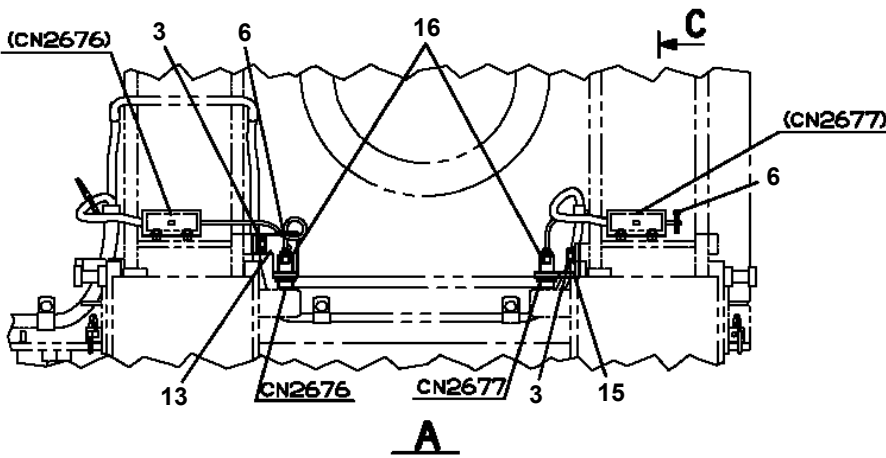
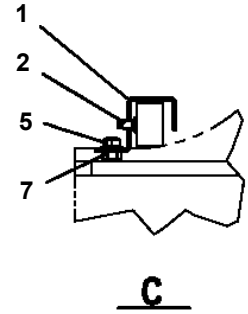
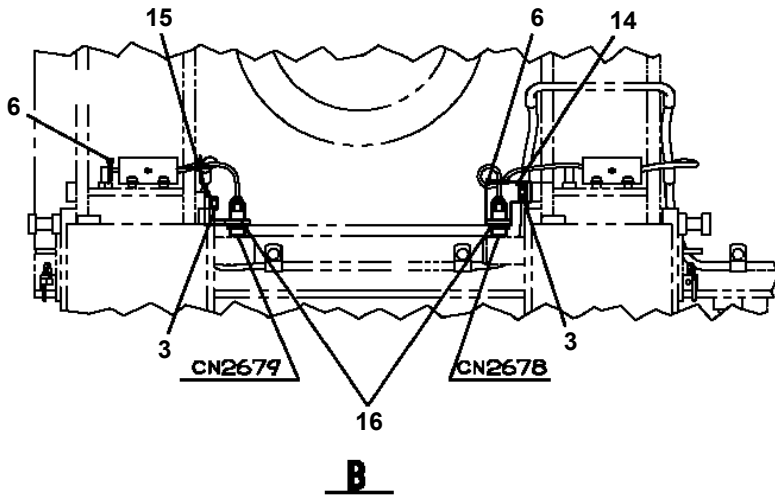


GR-800-4-00101 5 BOOM + 2 JIB, 2M2D
PD5200011-00 DOOR ASSY

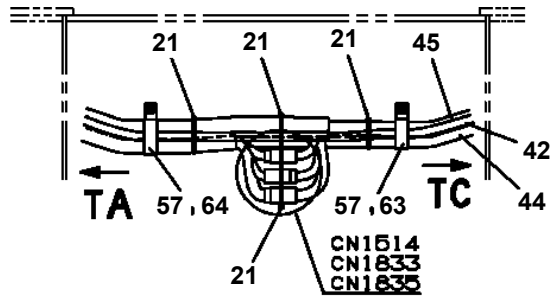


B

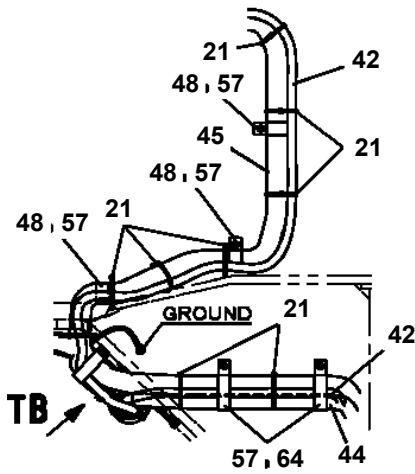
GR-800-4-00101 5 BOOM + 2 JIB, 2M2D
PE5021418-00 ELEC.ASSY (FOR MOUNT/DISMOUNT C/W)



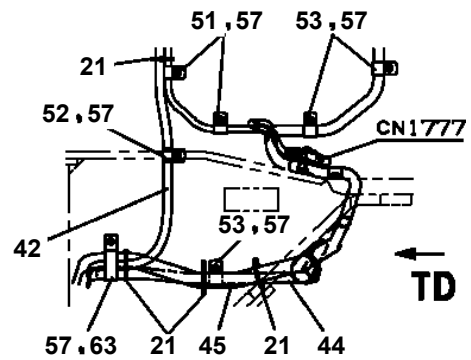
GR-800-4-00101 5 BOOM + 2 JIB, 2M2D
 PE5021419-00 ELEC.ASSY (LOWER)



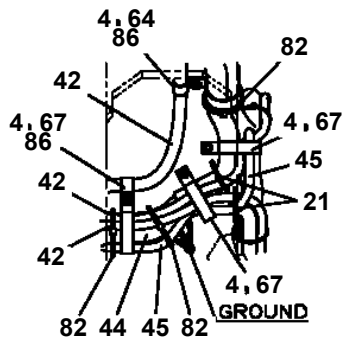
I



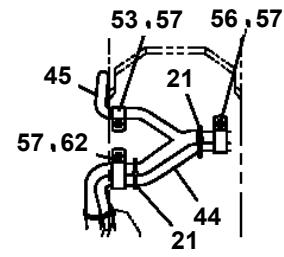
TA



TC



TB



TD

GR-800-4-00101 5 BOOM + 2 JIB, 2M2D

Pos No.	Parts No	Parts Name	Qty	Unit	Technical Data	Serial No (Start)	Serial No (End)
1	34356101100	HARNESS ASSY	1				
2	34355810200	SUPPORT	1				
3	(*****)	RELAY ASSY	1				
4	34355810400	SUPPORT	1				
5	34355810700	SUPPORT	1				
6	(*****)	SWITCH ASSY (1)	1				
7	(*****)	SWITCH ASSY (2)	1				
8	(*****)	SWITCH ASSY (3)	1				
9	(*****)	SWITCH ASSY (5)	1				
10	(*****)	RELAY ASSY	1				
11	34355812200	SUPPORT	1				
13	34355812400	SUPPORT	1				
14	36684530000	METER ASSY (CONBINATION,ASSY ONLY)	1				
15	34355271330	SWITCH ASSY (ASSY ONLY)	1				
16	36173020000	CONTROLLER (ISU)	1				
19	34355811500	CONVERTER (ASSY ONLY)	1				
20	34355271320	SWITCH ASSY (SHIFT SW,ASSY ONLY)	1				
21	34355271340	SWITCH ASSY (MFD CONTROL,ASSY ONLY)	1				
22	34350850530	BUZZER ASSY (WITH HARNESS)	2				
23	34354751600	BUZZER	1				
24	82183901010	CONDENSER	4				
25	82466302500	GROMMET	1				
30	82100002311	RELAY (FLASHER UNIT)	1				
31	36172980000	CONTROLLER (WI-FI CONVERTER,ASSY ONLY)	1				
32	34356182200	SUPPORT	1				
33	34355810450	SUPPORT	1				
34	34355271510	LAMP,ROOM (ASSY ONLY)	1				
35	90280200600	NUT,FLANGE	40		M6		
36	90280200800	NUT,FLANGE	13		M8		
37	90201200800	NUT	1		M8		
38	90186206010	BOLT,FLANGE	10		M6X10		
39	90186206014	BOLT,FLANGE	8		M6X14		
40	90186206016	BOLT,FLANGE	4		M6X16		
41	90186208014	BOLT,FLANGE	4		M8X14		
42	80175304010	SCREW,MACHINE	2		M4X10		
43	80173805010	SCREW,MACHINE	8		M5X10		
44	80192484012	SCREW,MACHINE (WITH WASHER)	4		M4X12		
45	80192485012	SCREW,MACHINE	9		M5X12		
46	80197586012	SCREW,MACHINE	14		M6X12		
47	80192486020	SCREW,MACHINE	3		M6X20		
48	82100002042	CLAMP	2		WE20		
49	82100002011	CLAMP	2		WRC15		
50	82100002014	CLAMP	8		WR20		
51	82100002017	CLAMP	3		WR30		
52	82100002018	CLAMP	6		WR35		
53	37000601600	CLAMP	3		WR54		
54	91860210130	CLAMP	17		10-30		
56	91810130250	FASTENER	2				
57	90302040801	WASHER,SPRING	1		8		
58	90303070801	WASHER,PLAIN	1		8		
59	90303290600	WASHER,PLAIN	16		6		
60	34355271190	CAP	1				
61	91810130270	FASTENER	1				
87	82400000201	GROMMET	1		KG-016		

GR-800-4-00101 5 BOOM + 2 JIB, 2M2D

Pos No.	Parts No	Parts Name	Qty	Unit	Technical Data	Serial No (Start)	Serial No (End)	Remarks	Pages
1	34353830900	ANTENNA	1						
2	82100002006	CLAMP	2		WR10				
3	91810132530	FASTENER	3						

GR-800-4-00101 5 BOOM + 2 JIB, 2M2D

Pos No.	Parts No	Parts Name	Qty	Unit	Technical Data	Serial No (Start)	Serial No (End)	Remarks
1	36321165010	HEATER (CORE)	1					
2	36321165020	CASE (HEATER)	1					
3	36321165030	CASE (DRAIN)	1					
4	36321165040	CLIP	1					
5	36321355010	CASE (INTAKE)	1					
6	36321165060	COVER	1					
7	36321355020	LINER	2					
8	36321355030	CASE (HEATER)	1					
9	36321355040	FILTER	1					
10	36321165100	PACKING	1					
11	36321355050	PACKING	1					
12	36321165130	HOSE	1					
13	36321165140	MOTOR (BLOWER)	1					
14	36321165150	ACTUATOR	3					
15	36321165160	SENSOR	1					
16	36321355060	HARNES ASSY	1					
17	36321355070	LEVER (INTAKE)	1					
18	36321355080	LEVER (INTAKE)	1					
19	36321165210	LEVER	1					
20	36321165220	LEVER	1					
21	36321165230	LEVER	1					
22	36321165240	LEVER	1					
23	36321165250	JOINT	1					
24	36321165260	JOINT	1					
25	36321165270	ROD	3					
26	36321165280	LINK	1					
27	36321165290	LEVER	1					
28	36321165300	LEVER	1					
29	36321165310	LEVER	1					
30	36321165320	JOINT	1					
31	36321355090	DAMPER	1					
32	36321165340	DAMPER	3					
33	36321165350	DAMPER	2					
34	36321165360	DAMPER	1					
35	36321355100	RELAY	3					
36	36320765200	CONTROLLER (FAN)	1					
37	36321165370	EVAPORATOR	1					
38	36320765090	COVER	1					
39	36320565680	O-RING	1					
40	36320565690	O-RING	1					
41	36320765110	VALVE (EXPANSION)	1					
42	36321165380	STAY	1					
43	36321165390	BOLT,HEXAGON SOCKET	2		M5X40			
44	36321165400	SCREW,MACHINE	37					
45	36321165410	SCREW,MACHINE	1					
46	36321165420	NUT	1					
47	36321165430	HOLDER	1					
48	36321165440	HOLDER	1					
49	36321165450	SCREW,MACHINE	3					
100	36321353010	EVAPORATOR ASSY	1					

GR-800-4-00101 5 BOOM + 2 JIB, 2M2D

Pos No.	Parts No	Parts Name	Qty	Unit	Technical Data	Serial No (Start)	Serial No (End)	Remarks	Pages
1	36673720030	ELEMENT	1						
2	36672395020	COVER,HEAD	1						
100	36673720000	FILTER ASSY	1						

GR-800-4-00101 5 BOOM + 2 JIB, 2M2D

Pos No.	Parts No	Parts Name	Qty	Unit	Technical Data	Serial No (Start)	Serial No (End)	Remarks
1	82121517010	HOLDER	1					
2	82100002911	TOOL	1					
3	82100001843	FUSE	1		30A.GREEN			
4	82100001841	FUSE	1		20A,YELLOW			
5	82100001840	FUSE	2		15A,BLUE			
6	82100001839	FUSE	1		10A.RED			
7	82100001837	FUSE	1		5A			
8	82100001860	FUSE	1		1A,BLACK			
100	34932022560	FUSE ASSY (SPARE FUSE)	1					

GR-800-4-00101 5 BOOM + 2 JIB, 2M2D

Pos No.	Parts No	Parts Name	Qty	Unit	Technical Data	Serial No (Start)	Serial No (E
1	82122704160	CAP (PLUG)	1				
2	82122706160	CAP (ADAPTER)	1				
21	91001001405	O-RING	1		S-14		
100	34500712100	HARNESS (SINGLE TOP,OVERWINDING)	1				

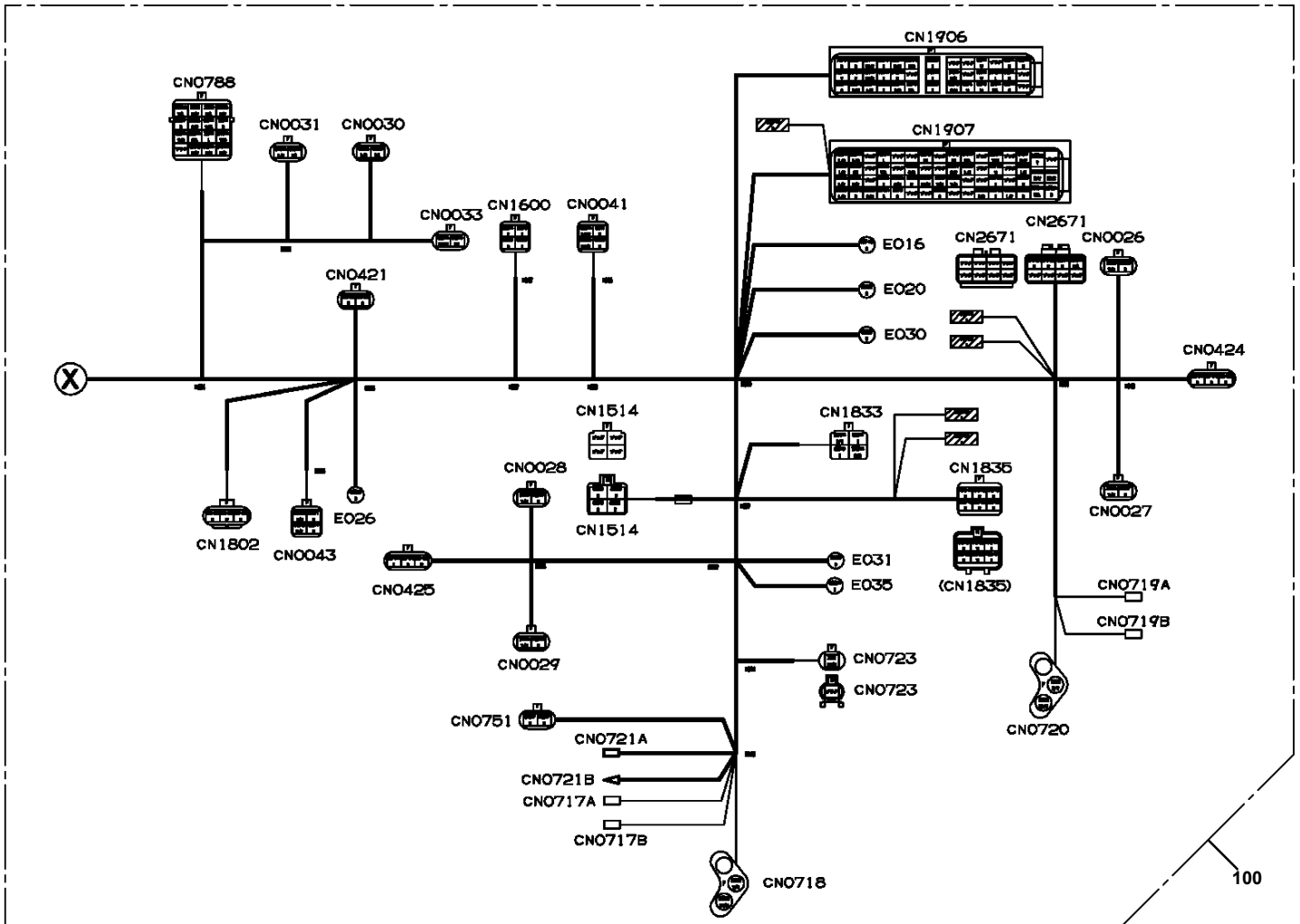
GR-800-4-00101 5 BOOM + 2 JIB, 2M2D

Pos No.	Parts No	Parts Name	Qty	Unit	Technical Data	Serial No (Start)	Serial No (End)	Remarks	Pages
5	82100000411	COVER	1						
8	82163700120	LAMP,PILOT	1						
9	82163700130	LAMP,PILOT	1						
100	34932092700	HARNESS	1						

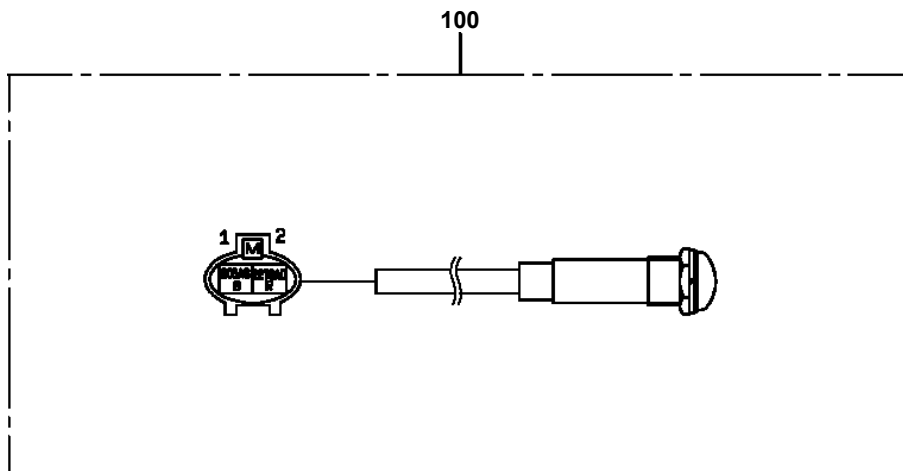
GR-800-4-00101 5 BOOM + 2 JIB, 2M2D

Pos No.	Parts No	Parts Name	Qty	Unit	Technical Data	Serial No (Start)	Serial No (End)	Re
100	34356161200	HARNESS (SWING FRAME,LEFT)	1					

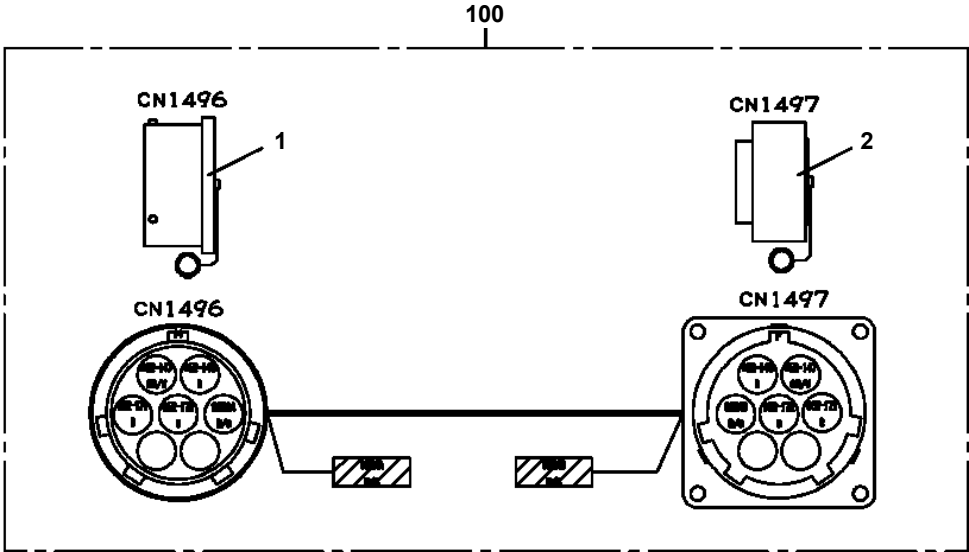
GR-800-4-00101 5 BOOM + 2 JIB, 2M2D
PH5034389-00 HARNESS (MAIN)



**GR-800-4-00101 5 BOOM + 2 JIB, 2M2D
PH5034392-00 HARNESS (LAMP)**



**GR-800-4-00101 5 BOOM + 2 JIB, 2M2D
PH5034409-00 HARNESS (JIB 2,ANEMOMETER)**



GR-800-4-00101 5 BOOM + 2 JIB, 2M2D

Pos No.	Parts No	Parts Name	Qty	Unit	Technical Data	Serial No (Start)	Serial No (End)	Rem
1	82182819834	DIODE	2		1.5A			
2	82182819822	DIODE	13		3A			
3	82181809985	RESISTANCE	1		120 OHM 0.5W			
4	82181809920	RESISTANCE	1		1.3 KILO-OHM ,0.5W			
5	82182819823	DIODE	2		1.5A			
6	82114241010	CONNECTOR (FUSE BOX)	4					
100	34356101011	HARNESS (CAB MAIN)	1					

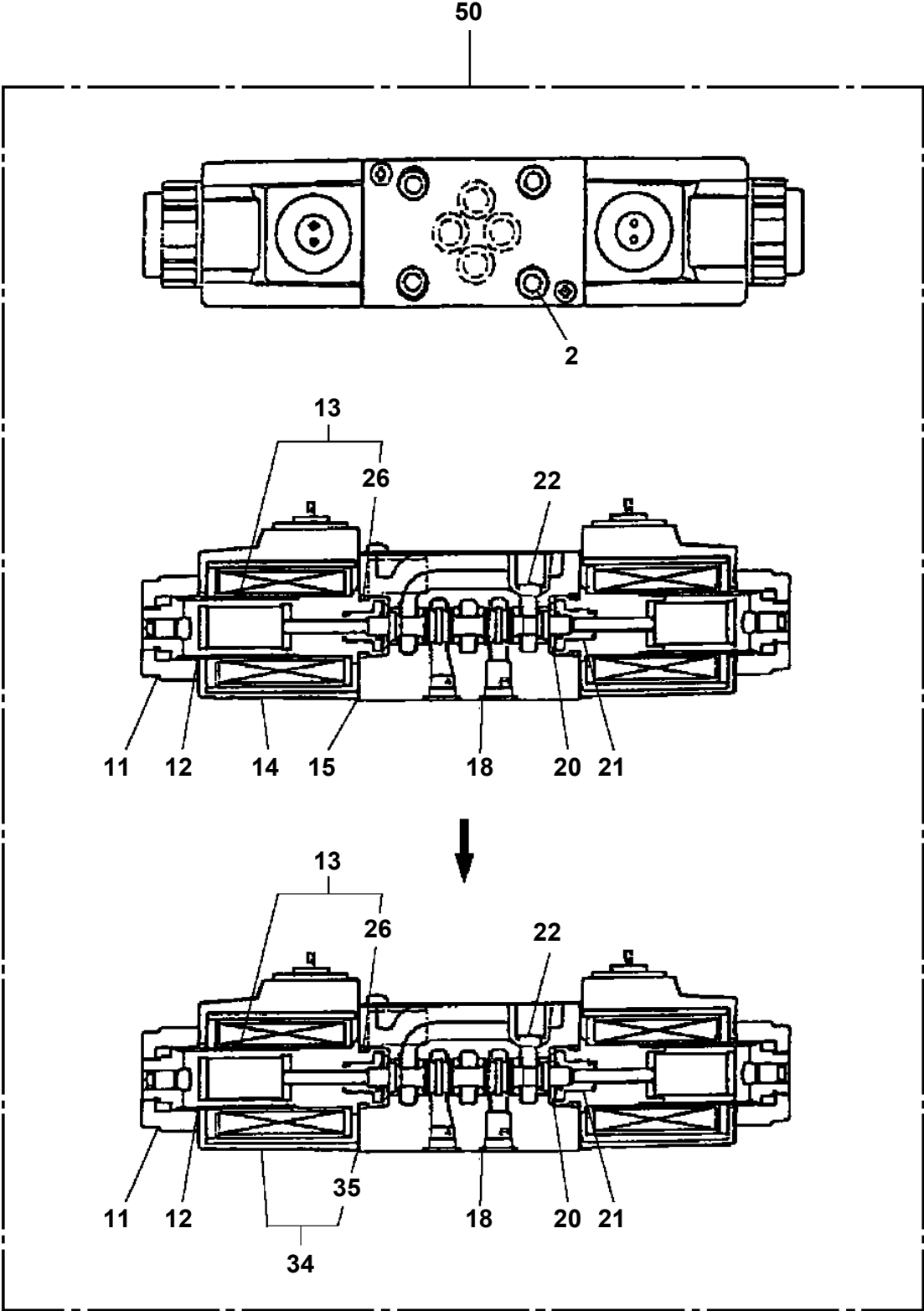
GR-800-4-00101 5 BOOM + 2 JIB, 2M2D

Pos No.	Parts No	Parts Name	Qty	Unit	Technical Data	Serial No (Start)	Serial No (End)	Remarks	Page
1	34734070100	SWITCH	1						
2	34734070200	SWITCH	1						
3	34734070300	CABLE	1		L=1829				
4	82100002013	CLAMP	4		WRC18				
5	90186208014	BOLT,FLANGE	1		M8X14		RA0648		
	90186208014	BOLT,FLANGE	2		M8X14	RA0649			
6	91810130250	FASTENER	9						
7	82100001803	TUBE,CORRUGATE	N		13				
8	34734070400	CABLE	1		L=1829				
9	34734070500	PLATE (120V)	1						
10	90280200800	NUT,FLANGE	3		M8		RA0648		
	90280200800	NUT,FLANGE	2		M8	RA0649			
11	90186208025	BOLT,FLANGE	1		M8X25		RA0648		
12	34734910100	GASKET	1						

GR-800-4-00101 5 BOOM + 2 JIB, 2M2D

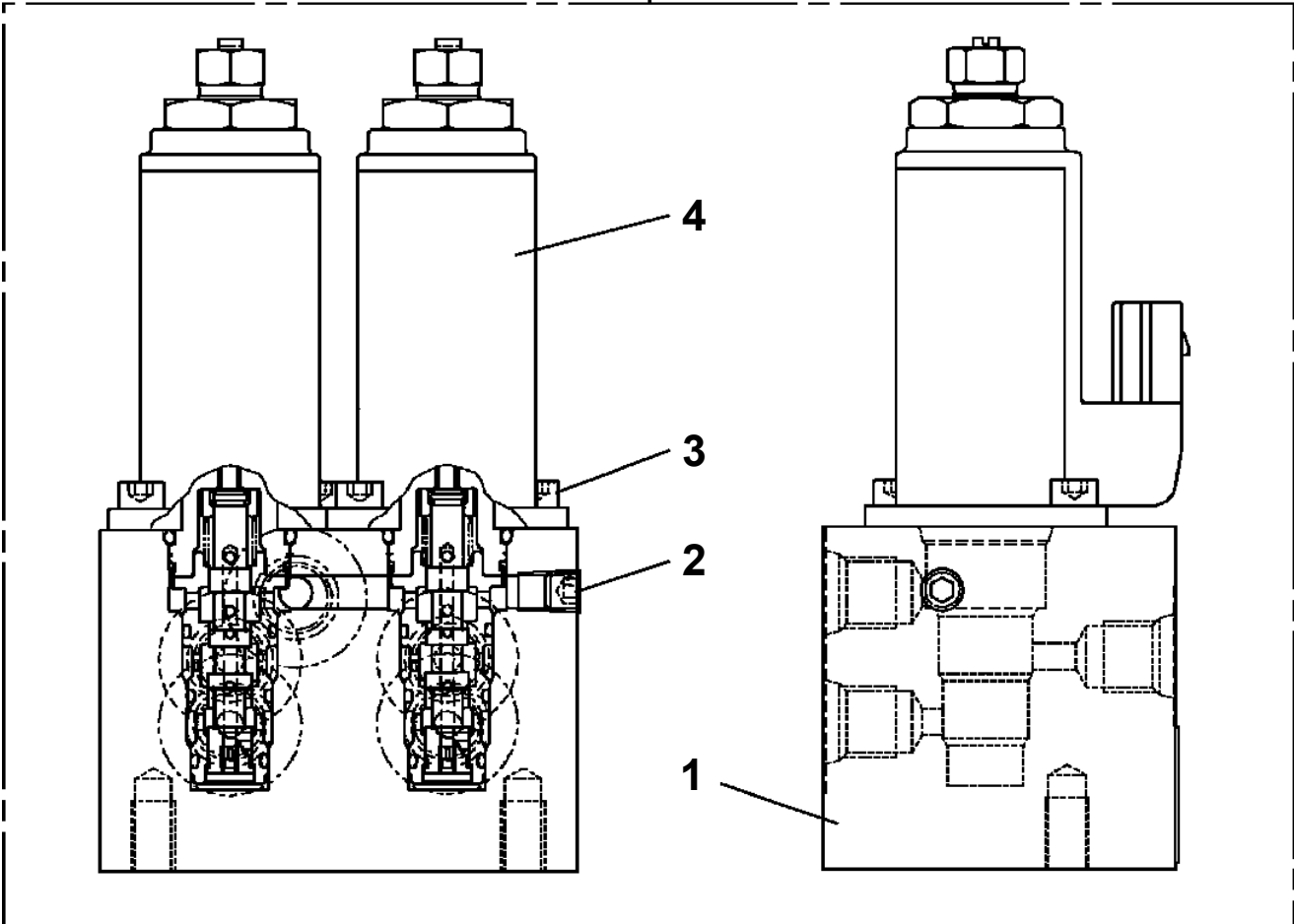
Pos No.	Parts No	Parts Name	Qty	Unit	Technical Data	Serial No (Start)	Serial No (End)	Remarks	Pages
3	91002801200	O-RING	1		1B P12				
5	36645765200	FILTER	1						
6	91002801800	O-RING	1		1B P18				
8	91002802200	O-RING	1		1B P22				
21	36605495020	VALVE,REDUCING	1						
50	36605490000	VALVE,REDUCING	1						

GR-800-4-00101 5 BOOM + 2 JIB, 2M2D
PI1120233-01 VALVE,SOLENOID (TOKIMEC)

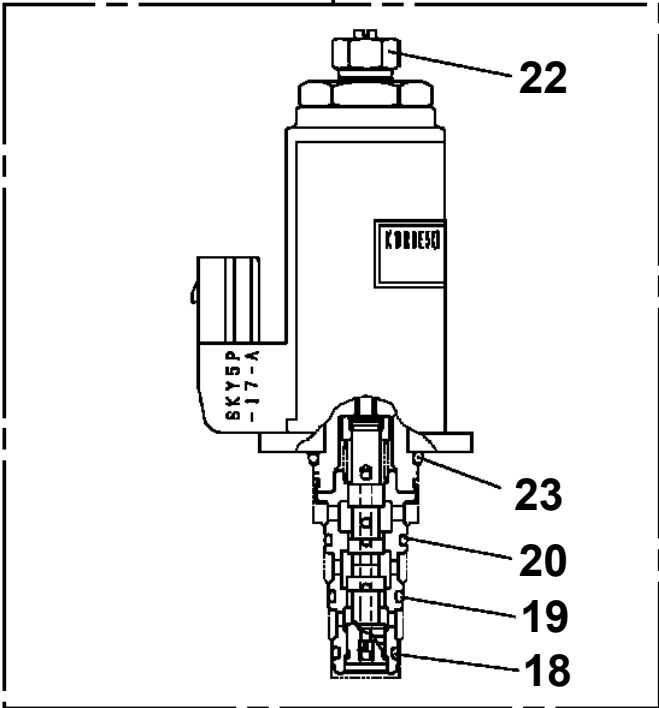


GR-800-4-00101 5 BOOM + 2 JIB, 2M2D
PI1120302-00 VALVE,SOLENOID

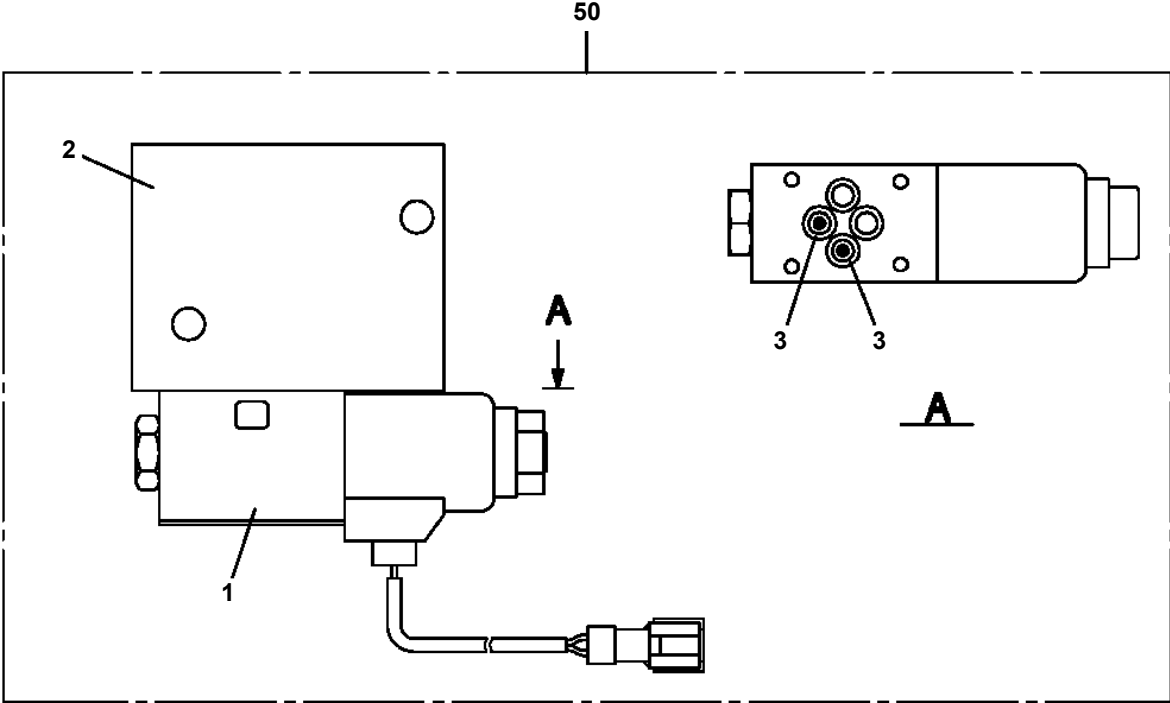
100



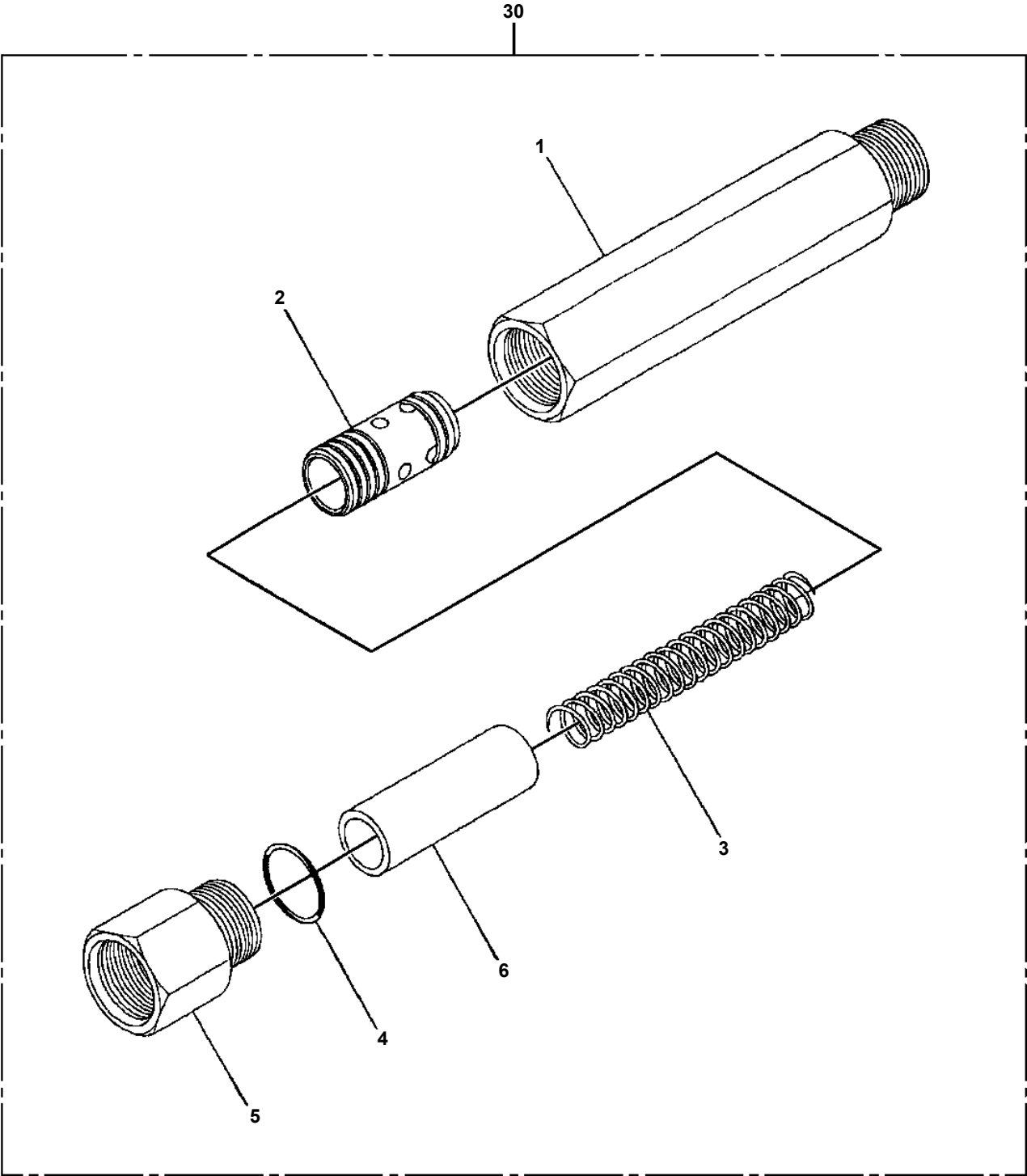
4



GR-800-4-00101 5 BOOM + 2 JIB, 2M2D
PI1120350-00 VALVE,SOLENOID

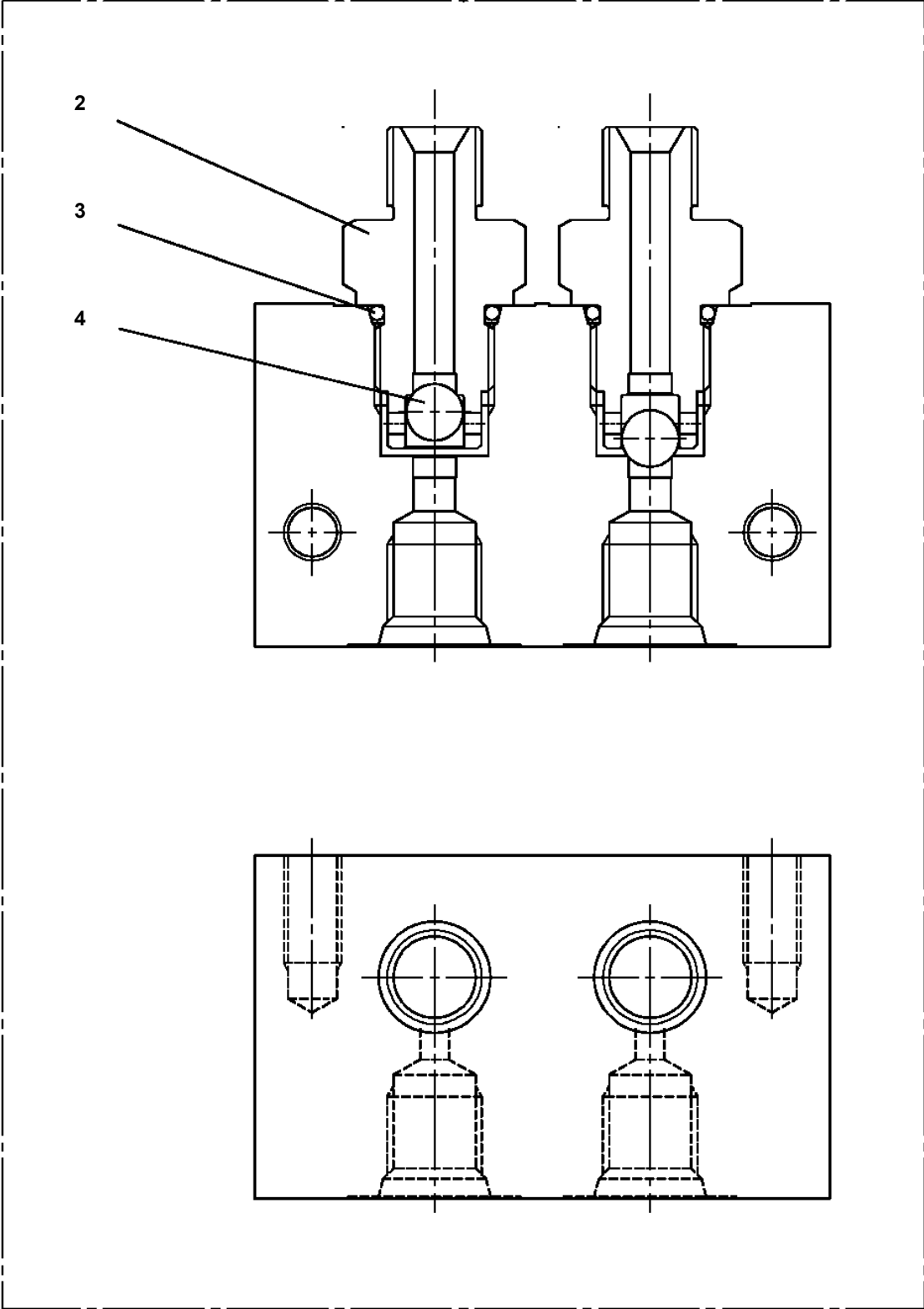


GR-800-4-00101 5 BOOM + 2 JIB, 2M2D
PI1140116-01 VALVE,CHECK



GR-800-4-00101 5 BOOM + 2 JIB, 2M2D
PI1230006-00 VALVE,SHUTTLE

10



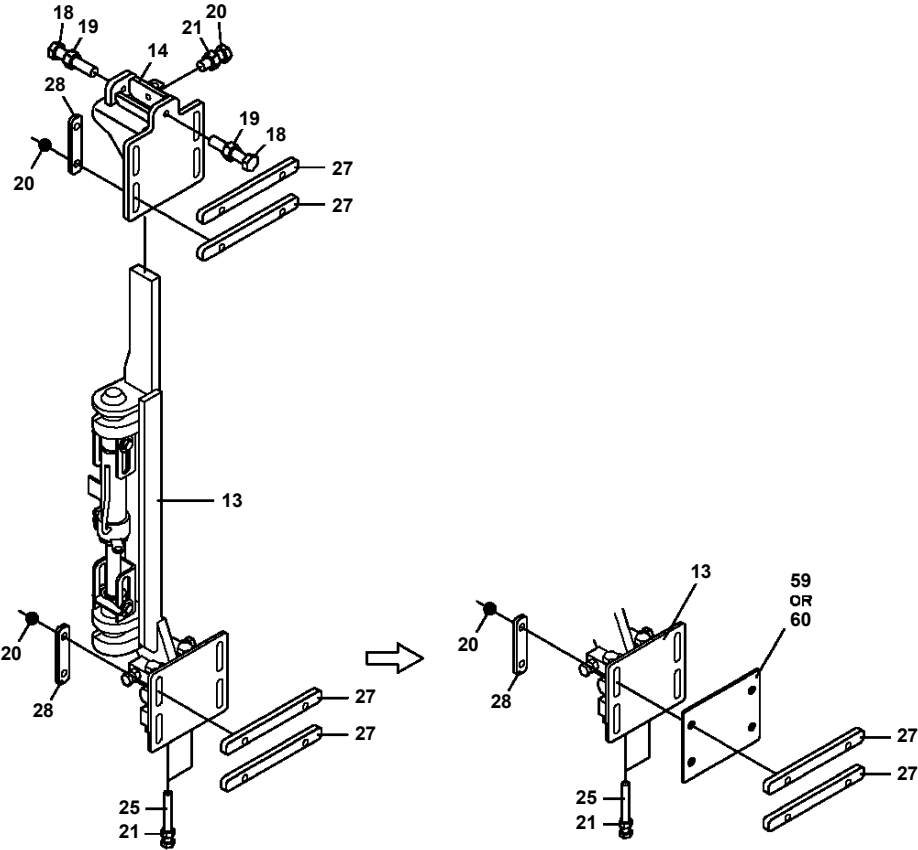
GR-800-4-00101 5 BOOM + 2 JIB, 2M2D

Pos No.	Parts No	Parts Name	Qty	Unit	Technical Data	Serial No (Start)	Serial No (End)	Remarks
2	36603765010	FILTER	1					
3	36603765020	RETAINER (FILTER)	1					
4	36606035010	VALVE,BACK PRESSURE	1					
5	36606035020	VALVE,REDUCING	1					
6	90131906040	BOLT,HEXAGON SOCKET	4		M6X40			
7	36634535210	PLUG	1		PF1/4			
8	91002801100	O-RING	1		1B P11			
9	36647205050	PLUG	1		NPT1-16			
21	36603765050	COVER (SPRING)	1					
22	36603765060	STOPPER	1					
26	36606035030	SPRING	1					
27	91002802200	O-RING	1		1B P22			
28	91000501500	O-RING	1		AS568-015			
31	36606035040	VALVE ASSY	1					
53	36637335340	O-RING	2		1B P15			
54	14035101130	PLUG	1					
55	36606035050	RETAINER	1					
56	36603765080	SPRING	1					
57	36606035070	SCREW	1					
58	36606035060	BODY	1					
59	91001001600	O-RING	2		1A S16			
60	36630045220	NUT	1		M10			
61	36630045210	NUT,CAP	1					
62	91001100800	O-RING	2		1A P8			
63	91002801400	O-RING	1		1B P14			
100	36606030000	VALVE,SEQUENCE	1					

GR-800-4-00101 5 BOOM + 2 JIB, 2M2D

Pos No.	Parts No	Parts Name	Qty	Unit	Technical Data	Serial No (Start)	Serial No (End)	Remarks	Pages
1	82108503360	SWITCH	1						
2	34951730100	SUPPORT	1						
3	90186208014	BOLT,FLANGE	2		M8X14				
4	91810130240	FASTENER	7						

**GR-800-4-00101 5 BOOM + 2 JIB, 2M2D
PJ5050122-01 JIB ASSY (ATTACHMENT)**



C

GR-800-4-00101 5 BOOM + 2 JIB, 2M2D

Pos No.	Parts No	Parts Name	Qty	Unit	Technical Data	Serial No (Start)	Serial No (End)	Re
4	37000200540	PIN,SNAP	2		D=25			
5	37000114400	PIN	2		D=25,L=106			
6	37000180360	PIN	1					
7	80601110900	RING,RITAINING	1		S90			
8	37001002910	SHEAVE ASSY	1					
9	82456101000	NIPPLE,GREASE	1		A-PT1/8			
44	90101208014	BOLT	1		M8X14			
45	90302040801	WASHER,SPRING	1		8			
46	37001110230	ROLLER ASSY	1					
47	37000116020	PIN	1					
48	37000312090	SPACER	2		L=3			
122	80515006018	BEARING,BALL	2					
142	80516006002	BEARING,BALL	2					
152	34373201200	HARNES (JIB2,OVERWINDING)	1					
153	90280200600	NUT,FLANGE	32		M6			
156	82100002006	CLAMP	16		WR10			
157	90302040301	WASHER,SPRING	6		3			
158	80171303012	SCREW,MACHINE	4		M3X12			
159	90201200300	NUT	4		M3			
160	80171303005	SCREW,MACHINE	2		M3X5			
161	37001400140	SPRING	1					
171	37000558150	PLATE	2					
173	34373162100	SUPPORT	1					
176	14128208000	RING	1					
178	33370197110	SUPPORT	1					
179	37000529070	PLATE	1					
180	16318216000	SUPPORT	1					
182	34445045400	SUPPORT	1					
203	34222021950	SUPPORT	1					
206	34222021650	PLATE	1					
207	34222021680	SUPPORT	1					
300	34222489611	JIB ASSY,2	1					

GR-800-4-00101 5 BOOM + 2 JIB, 2M2D

Pos No.	Parts No	Parts Name	Qty	Unit	Technical Data	Serial No (Start)	Serial No (End)	Remarks	Pages
1	34221924650	PLATE	1						

CLICK HERE TO **DOWNLOAD** THE COMPLETE MANUAL

- Thank you very much for reading the preview of the manual.
- You can download the complete manual from: www.heydownloads.com by clicking the link below



- Please note: If there is no response to CLICKING the link, please download this PDF first and then click on it.

CLICK HERE TO **DOWNLOAD** THE COMPLETE MANUAL

GR-800-4-00101 5 BOOM + 2 JIB, 2M2D

Pos No.	Parts No	Parts Name	Qty	Unit	Technical Data	Serial No (Start)	Serial No (End)
1	34494730100	SUPPORT	1				
3	90280200600	NUT,FLANGE	1		M6		
4	90186210020	BOLT,FLANGE	2		M10X20		
5	42395460070	PLATE,NAME (PRESSURE WASHING)	1				
6	34495510102	LAMP ASSY (ASSY ONLY)	1				
7	82100002016	CLAMP	1		WR25		
8	91810130250	FASTENER	1				
9	90201200600	NUT	1		M6		

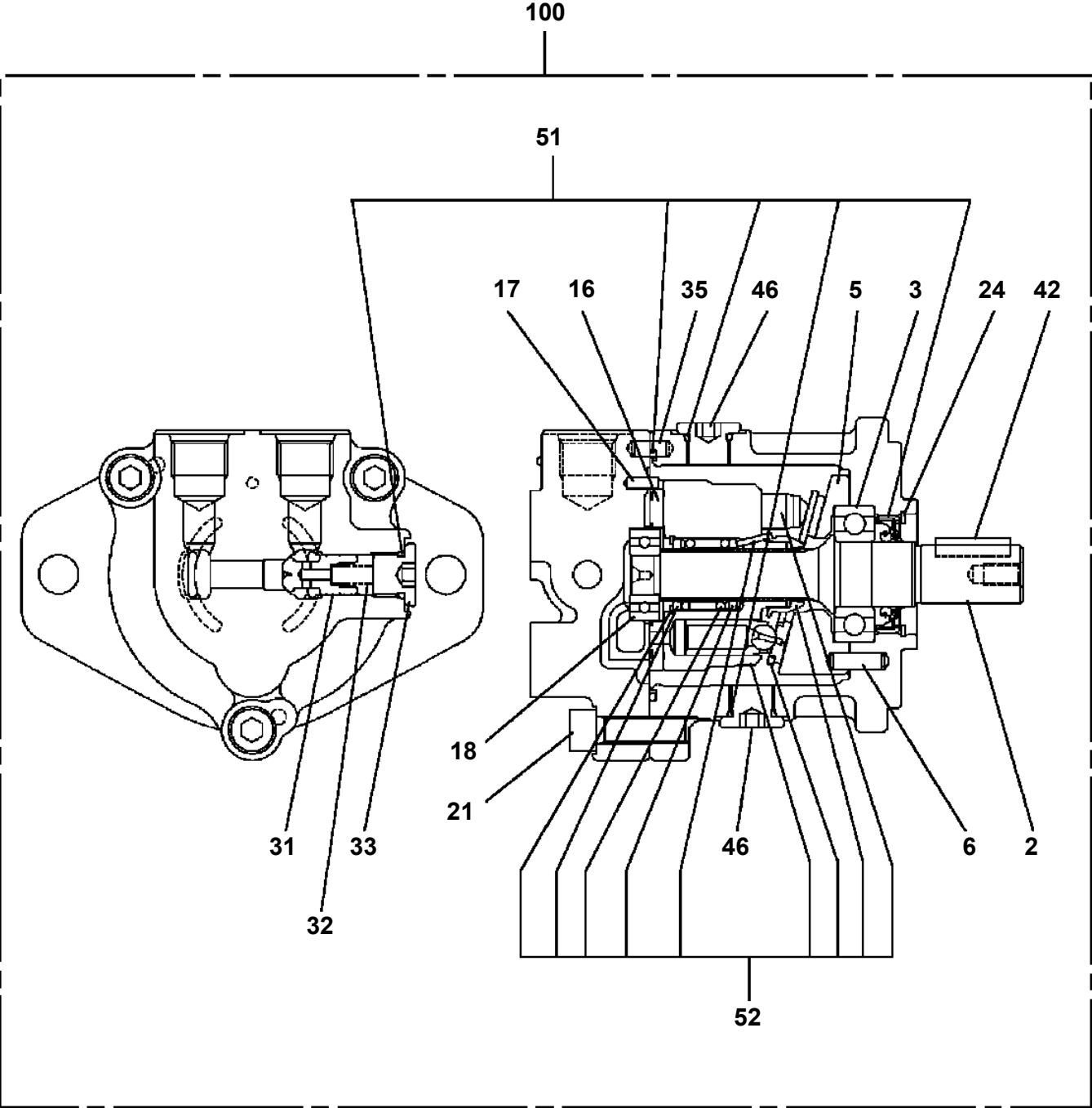
GR-800-4-00101 5 BOOM + 2 JIB, 2M2D

Pos No.	Parts No	Parts Name	Qty	Unit	Technical Data	Serial No (Start)	Serial No (End)	Remarks	Pages
1	34382722000	PIN ASSY	1				RA0456		
2	34382720100	LINK	1						
3	34381550401	SUPPORT	1						
4	37000132170	PIN	1						
5	90303070801	WASHER,PLAIN	2		8				
6	80136320015	PIN,SPLIT	1		2X15				
7	37000163360	PIN	1						
8	90101208014	BOLT	3		M8X14				
9	90302040801	WASHER,SPRING	3		8				
10	37000109680	PIN	1						
11	90303070601	WASHER,PLAIN	1		6				
12	80136316012	PIN,SPLIT	1		1.6X12				
13	91860100010	CLAMP	1		WRC10				
14	90186208020	BOLT,FLANGE	1		M8X20				
15	91810130250	FASTENER	7						
16	91810160010	HOLDER	1						
31	80801001615	BEARING,PLAIN	2						
41	34382722100	GEAR	1				RA0456		
42	90203201600	NUT	1		M16				
43	34380880420	END	1						
51	34381114101	GEAR	1			RA0457			

GR-800-4-00101 5 BOOM + 2 JIB, 2M2D

Pos No.	Parts No	Parts Name	Qty	Unit	Technical Data	Serial No (Start)	Serial No (End)	Re
1	(*****)	ELEC.ASSY	1					
2	36173320000	CONTROLLER (SCT,ASSY ONLY)	1					

GR-800-4-00101 5 BOOM + 2 JIB, 2M2D
PM5210021-00 MOTOR ASSY,OIL



GR-800-4-00101 5 BOOM + 2 JIB, 2M2D

Pos No.	Parts No	Parts Name	Qty	Unit	Technical Data	Serial No (Start)	Serial No (End)	Rem
1	82151213051	BATTERY (PANASONIC,130F51)	1					

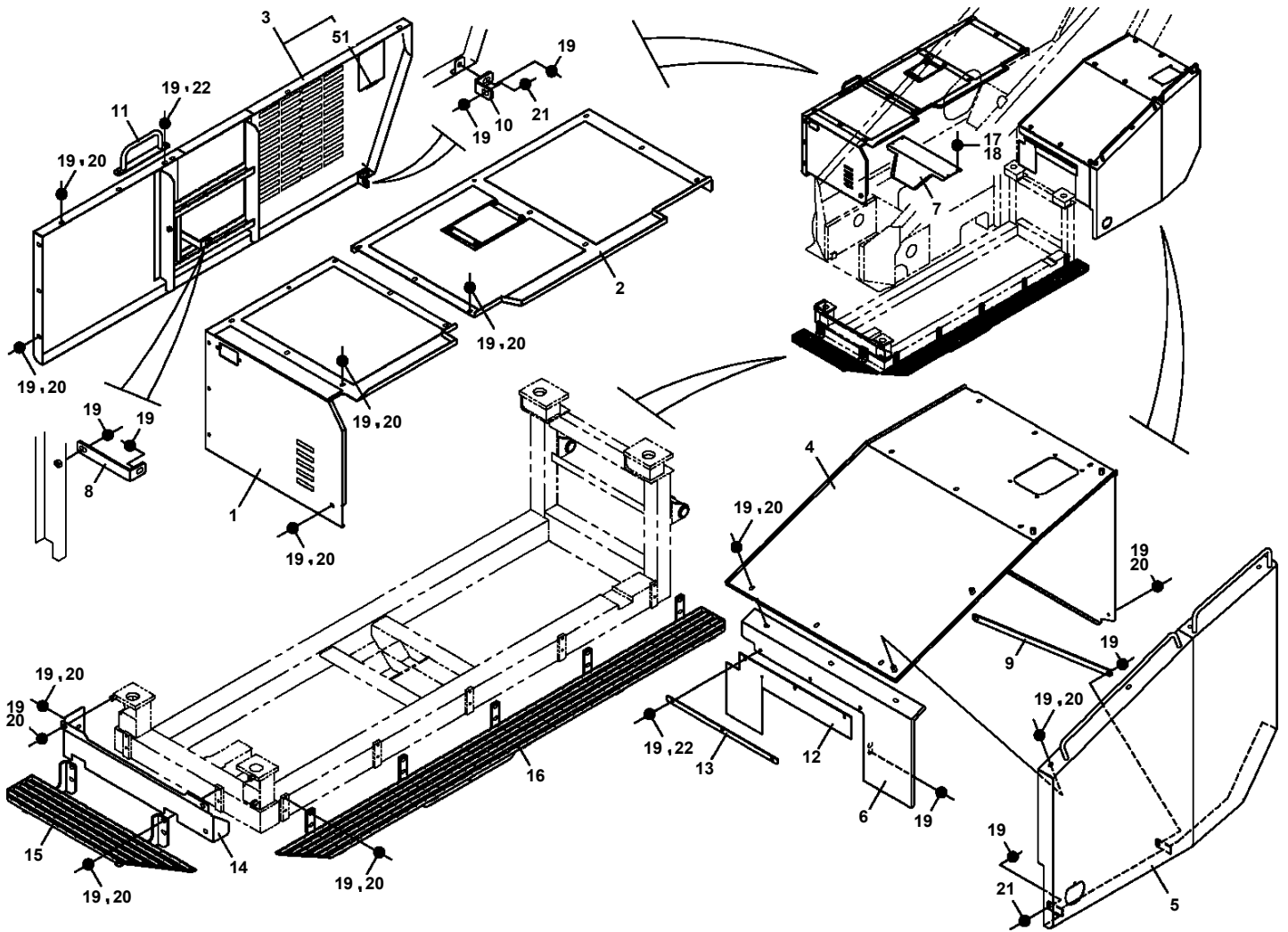
GR-800-4-00101 5 BOOM + 2 JIB, 2M2D

Pos No.	Parts No	Parts Name	Qty	Unit	Technical Data	Serial No (Start)	Serial No (End)
2	90101210016	BOLT	1		M10X16		
3	12647107001	INDICATOR	1				
4	80147310420	RIVET	4		3.2X6		
7	37000515850	PLATE	1				
8	90201200600	NUT	1		M6		
9	90305210601	WASHER	1				
10	80186806025	SCREW,MACHINE	1		M6X25		
11	34392251300	PLATE	1				
12	(*****)	PLATE,NAME	1				
13	34521572000	LOAD CHART BOOKLET	1				
14	37002230750	CABLE	1		L=1800		
15	90000000100	RING	1				
41	37002228300	PLATE,NAME (TADANO/BLUE+BLACK)	2				
42	37002228310	PLATE,NAME (TADANO/WHITE+WHITE)	2				
51	37002214470	PLATE,NAME (BLUE & BLACK)	1				
52	37002214490	PLATE,NAME (WHITE & WHITE)	1				

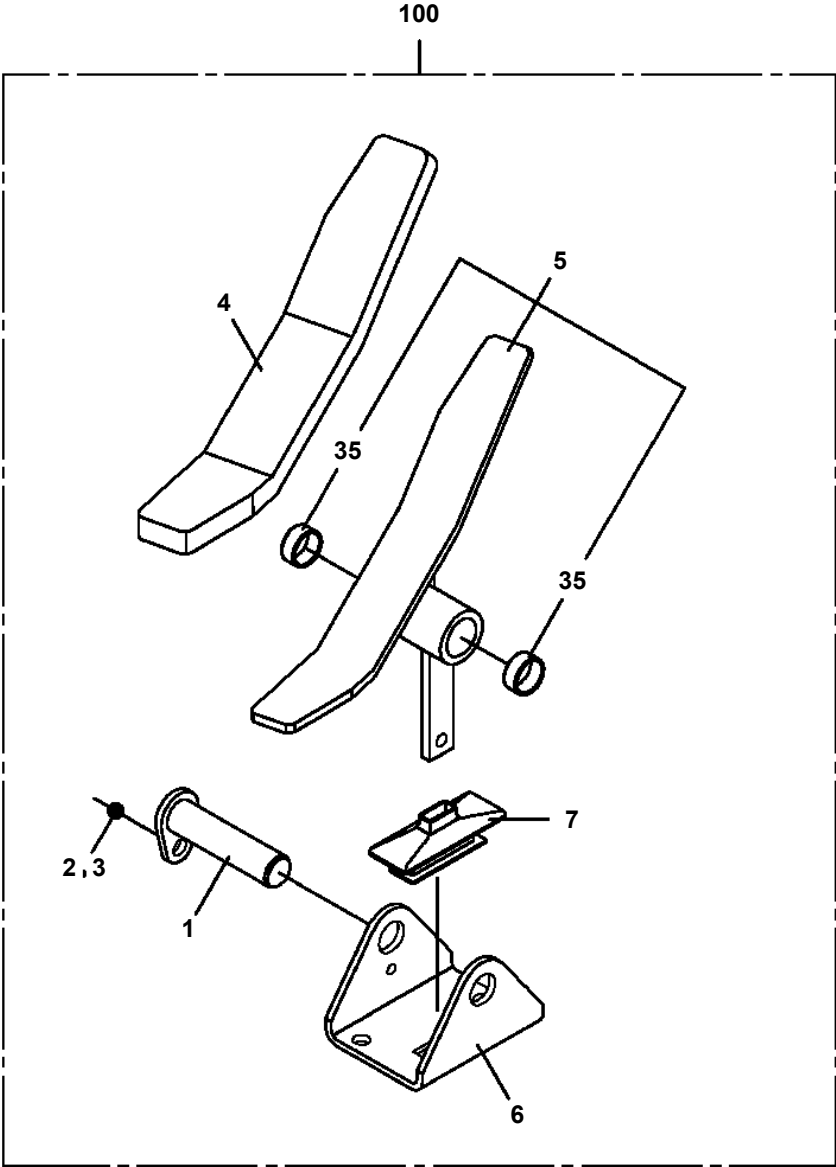
GR-800-4-00101 5 BOOM + 2 JIB, 2M2D

Pos No.	Parts No	Parts Name	Qty	Unit	Technical Data	Serial No (Start)	Serial No (End)	Remarks	Pages
1	80430470650	JOINT	2						
3	80430450650	JOINT	1						
4	90191208030	BOLT	2		M8X30				
5	90302040801	WASHER,SPRING	3		8				
6	90303070801	WASHER,PLAIN	1		8				
7	90101208040	BOLT	1		M8X40				
8	82100002042	CLAMP	16		WE20				
10	90280200800	NUT,FLANGE	7		M8		RA0691		
	90280200800	NUT,FLANGE	5		M8	RA0692			
11	90186208020	BOLT,FLANGE	2		M8X20				
12	90186208014	BOLT,FLANGE	3		M8X14				
15	37012409290	HOSE	2		L=4050				
16	37012409300	HOSE	2		L=3600				
19	82100001819	TUBE,SPIRAL	N		SE-18BK				
20	37000911550	JOINT	1						
21	90201200800	NUT	2		M8	RA0692			
41	36604510000	VALVE,BRAKE	1						000358
42	90710008160	SCREW,SET	1		M8X16				
43	34330161100	ROLLER	1						
44	37000117540	PIN	1						
45	90303071001	WASHER,PLAIN	2		10				
46	80136332016	PIN,SPLIT	2		3.2X16				
48	82400000035	COVER (PEDAL)	1						
49	90102208060	BOLT	1		M8X60				
50	90201200800	NUT	1		M8				
51	37000117490	PIN	1						
62	80804010010	BEARING,PLAIN	1						
81	34721208010	PEDAL ASSY	1						

GR-800-4-00101 5 BOOM + 2 JIB, 2M2D
PO5260158-00 OUTER COVERING ASSY (SWING FRAME)



GR-800-4-00101 5 BOOM + 2 JIB, 2M2D
PP5190003-00 PEDAL ASSY



GR-800-4-00101 5 BOOM + 2 JIB, 2M2D

Pos No.	Parts No	Parts Name	Qty	Unit	Technical Data	Serial No (Start)	Serial No (End)
1	36653975040	SHAFT,DRIVING (F)	1				
2	36653975050	SHAFT,DRIVING (R)	1				
3	36652185030	JOINT,SPLINE	1				
4	36653295050	BEARING,ROLLER	2				
5	36653975060	BEARING,NEEDLE	2				
6	36653975070	SPACER (BEARING)	4				
10	36653355080	PLATE SET	2				
11	36653295040	BUSH	2				
12	36652185090	SPRING (CYLINDER)	18				
13	36652185110	PLATE (SHOE)	2				
16	36654505120	SUPPORT (SWASH PLATE)	2				
17	36653975080	COVER (SEAL)	1				
18	36652185160	COVER (SEAL,R)	1				
19	36652185170	CASING,PUMP	2				
20	36654505110	BLOCK,VALVE	1				
23	36652185200	BOLT,HEXAGON SOCKET	8		M16X175		
24	90131506016	BOLT,HEXAGON SOCKET	8		M6X16		
25	36653355100	PLUG	2				
26	36661465150	PLUG	4				
27	36664175170	PLUG	15				
29	36653355110	PISTON (SERVO)	2				
30	36652185220	STOPPER (LARGE)	2				
31	36652185230	STOPPER (SMALL)	2				
33	36654555010	O-RING	2				
34	91002908500	O-RING	2		1B G85		
35	91002912000	O-RING	2		1B G120		
36	91002911500	O-RING	2		1B G115		
37	36664175200	RING,SQUARE	18				
38	91002801100	O-RING	2		1B P11		
39	91002801800	O-RING	4		1B P18		
40	36654555020	O-RING	2				
41	36654505050	SEAL,OIL	1				
42	91411001600	RING,BACKUP	2		P16		
43	91411103000	RING,BACKUP	2		G30		
44	90203201600	NUT	4		M16		
45	80601110350	RING,RITAINING	2		S35		
46	36652185250	PIN	2				
47	36650835330	PIN,SPRING	4				
48	36653355120	BOLT,EYE	2				
49	36652185260	SCREW,SET	2				
50	36652185270	SCREW,SET	2				
61	36654505060	PISTON KIT	2				
62	36654505070	CYLINDER ASSY (R)	1				
63	36654505080	CYLINDER ASSY (L)	1				
64	36652185310	BARREL ASSY (WITH SWASH PLATE)	2				
65	36653975110	PIN ASSY	2				
71	36654535030	REGULATOR ASSY (FOR FRONT & REAR PUMP)	2				
101	90131908050	BOLT,HEXAGON SOCKET <M8X50.	4				
102	90131908070	BOLT,HEXAGON SOCKET	4		M8X70		
103	90131906030	BOLT,HEXAGON SOCKET	4		M6X30		
104	90131906020	BOLT,HEXAGON SOCKET	20		M6X20		
105	36653355010	PLUG	10				
134	91002907500	O-RING	2		1B G75		
135	91002800600	O-RING	6		1B P6		
136	91002800800	O-RING	18		1B P8		
137	91002801000	O-RING	2		1B P10		
138	91002801800	O-RING	2		1B P18		
139	91002802200	O-RING	2		1B P22		
140	36654555020	O-RING	2				
141	91002802000	O-RING	2		1B P20		
142	91002902500	O-RING	2		1B G25		
143	91002801250	O-RING	2		1B P12.5		
144	36654505030	O-RING	2				

GR-800-4-00101 5 BOOM + 2 JIB, 2M2D

Pos No.	Parts No	Parts Name	Qty	Unit	Technical Data	Serial No (Start)	Serial No (End)	Remark
73	81408000241	PIPE,STEEL	2	M	18X1.9T			
74	81408000160	PIPE,STEEL	2	M	12X1.4T			
75	81408000160	PIPE,STEEL	2	M	12X1.4T			
77	81408000160	PIPE,STEEL	2	M	12X1.4T			
78	81408000160	PIPE,STEEL	3	M	12X1.4T			
79	81408000160	PIPE,STEEL	1	M	12X1.4T		RA0439	
80	81408000160	PIPE,STEEL	1	M	12X1.4T			
81	81408000160	PIPE,STEEL	2	M	12X1.4T			
82	81408000160	PIPE,STEEL	2	M	12X1.4T		RA0439	
83	81408000160	PIPE,STEEL	2	M	12X1.4T			
84	81408000160	PIPE,STEEL	2	M	12X1.4T			
85	81408000241	PIPE,STEEL	1	M	18X1.9T	RA0440		
86	81408000241	PIPE,STEEL	2	M	18X1.9T	RA0440		
87	81408000241	PIPE,STEEL	2	M	18X1.9T	RA0440		
88	81408000160	PIPE,STEEL	1	M	12X1.4T	RA0440		
89	81408000160	PIPE,STEEL	2	M	12X1.4T			
121	91002801400	O-RING	4		1B P14			
131	91002801800	O-RING	4		1B P18			
144	91002801100	O-RING	4		1B P11			
161	36649890000	VALVE,SOLENOID	1					
162	36648911000	BODY	1					
163	37000934150	JOINT,SELF SEAL	1					
165	90172105045	BOLT,HEXAGON SOCKET	4		M5X45			

GR-800-4-00101 5 BOOM + 2 JIB, 2M2D

Pos No.	Parts No	Parts Name	Qty	Unit	Technical Data	Serial No (Start)
97	90101212055	BOLT	2		M12X55	
98	90101208030	BOLT	8		M8X30	
99	90101210070	BOLT	1		M10X70	
100	90201201200	NUT	2		M12	
101	81408000160	PIPE,STEEL	2	M	12X1.4T	
102	81408000160	PIPE,STEEL	1	M	12X1.4T	
103	81408000160	PIPE,STEEL	1	M	12X1.4T	
104	81408000160	PIPE,STEEL	1	M	12X1.4T	
105	81408000160	PIPE,STEEL	2	M	12X1.4T	
106	81408000160	PIPE,STEEL	1	M	12X1.4T	
107	81408000160	PIPE,STEEL	1	M	12X1.4T	
108	81408000160	PIPE,STEEL	1	M	12X1.4T	
109	81408000160	PIPE,STEEL	1	M	12X1.4T	
110	81408000160	PIPE,STEEL	1	M	12X1.4T	
111	81408000160	PIPE,STEEL	2	M	12X1.4T	
112	81408000160	PIPE,STEEL	1	M	12X1.4T	
113	81408000160	PIPE,STEEL	1	M	12X1.4T	
114	81408000160	PIPE,STEEL	3	M	12X1.4T	
115	81408000160	PIPE,STEEL	1	M	12X1.4T	
116	81408000160	PIPE,STEEL	1	M	12X1.4T	
117	81408000160	PIPE,STEEL	1	M	12X1.4T	
118	81408000160	PIPE,STEEL	1	M	12X1.4T	
119	81408000160	PIPE,STEEL	1	M	12X1.4T	
120	81408000160	PIPE,STEEL	2	M	12X1.4T	
121	81408000160	PIPE,STEEL	1	M	12X1.4T	
122	81408000160	PIPE,STEEL	1	M	12X1.4T	
123	81408000160	PIPE,STEEL	1	M	12X1.4T	
124	81408000160	PIPE,STEEL	1	M	12X1.4T	
125	81408000160	PIPE,STEEL	1	M	12X1.4T	
126	81408000160	PIPE,STEEL	1	M	12X1.4T	
127	81408000160	PIPE,STEEL	1	M	12X1.4T	
128	81408000160	PIPE,STEEL	1	M	12X1.4T	
129	81408000160	PIPE,STEEL	1	M	12X1.4T	
130	81408000241	PIPE,STEEL	1	M	18X1.9T	
131	81408000160	PIPE,STEEL	1	M	12X1.4T	
132	81408000160	PIPE,STEEL	1	M	12X1.4T	
133	89640101000	HOSE	1		880-NFK,1M	
134	89640101000	HOSE	1		880-NFK,1M	
135	89640101000	HOSE	1		880-NFK,1M	
136	89640101000	HOSE	1		880-NFK,1M	
137	89640101000	HOSE	1		880-NFK,1M	
138	89640101000	HOSE	1		880-NFK,1M	
139	89640101000	HOSE	1		880-NFK,1M	
140	89640101000	HOSE	1		880-NFK,1M	
142	89640101000	HOSE	1		880-NFK,1M	
143	89640101000	HOSE	1		880-NFK,1M	
144	89640101000	HOSE	1		880-NFK,1M	
146	89640101000	HOSE	1		880-NFK,1M	
147	89640101000	HOSE	1		880-NFK,1M	
148	89640101000	HOSE	1		880-NFK,1M	
149	89640101000	HOSE	1		880-NFK,1M	
150	81408000160	PIPE,STEEL	1	M	12X1.4T	RA0603
151	81408000241	PIPE,STEEL	1	M	18X1.9T	RA0603
152	90101208014	BOLT	2		M8X14	RA0603
153	81408000160	PIPE,STEEL	1	M	12X1.4T	RA0654
154	81408000160	PIPE,STEEL	1	M	12X1.4T	RA0654
155	81408000160	PIPE,STEEL	1	M	12X1.4T	RA0654
156	81408000160	PIPE,STEEL	1	M	12X1.4T	RA0654
157	80305010100	FITTING,TEE	1		KTA12-000N	RA0654
158	37000922540	JOINT (WITH O-RING)	1		45,G1/4-G3/8	RA0654
159	37012402450	HOSE	1		L=530	RA0654
160	37002477960	HOSE	1		L=490	RA0654
181	36647710000	VALVE,SOLENOID	2			

GR-800-4-00101 5 BOOM + 2 JIB, 2M2D

Pos No.	Parts No	Parts Name	Qty	Unit	Technical Data	Serial No (Start)	Serial No (End)	Remarks	P
66	90303071201	WASHER,PLAIN	2		12				
67	91002801400	O-RING	2		1B P14				
68	90304111601	WASHER,TOOTH	1		16				
69	90211201600	NUT	1		M16				
92	37000904830	NUT,FLARE	6		M16				
112	37000904810	NUT,FLARE	24		M12				
133	37000901091	NUT,FLARE	4		M12				

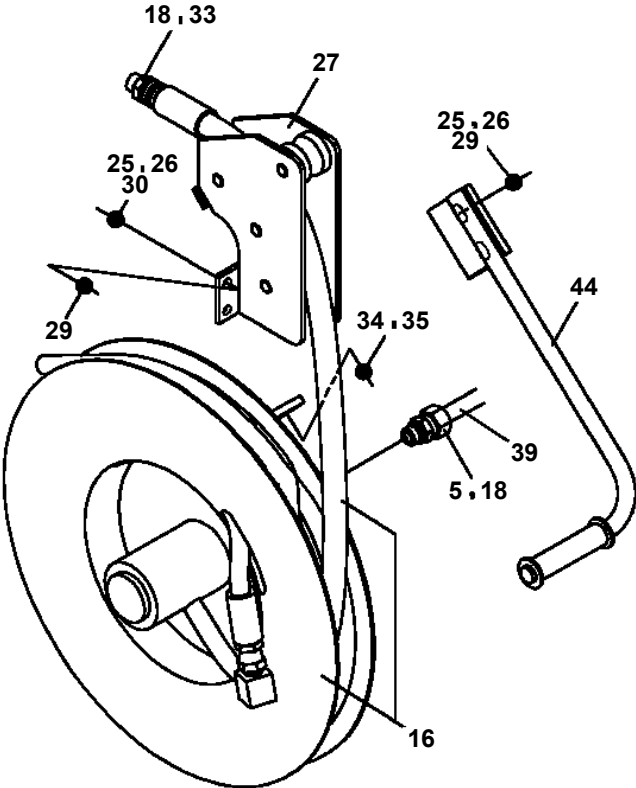
GR-800-4-00101 5 BOOM + 2 JIB, 2M2D

Pos No.	Parts No	Parts Name	Qty	Unit	Technical Data	Serial No (Start)	Serial No (End)	Remarks	Pages
1	80320010080	FITTING	4		KUD12-030N				
3	37000713120	CLAMP ASSY	1		18X4				
4	37000300740	SLEEVE	4		18-12				
5	80302090141	FITTING	4		KCO12-020N				
6	91002801100	O-RING	12		1B P11				
7	80471020502	JOINT	4						
8	37000922250	JOINT (ORIFICE)	2		0.8				
9	80400160127	JOINT	2						
10	37002432120	HOSE	2		L=630				
11	90101210060	BOLT	4		M10X60				
12	90302041001	WASHER,SPRING	4		10				
13	90280201000	NUT,FLANGE	4		M10				
14	36624140000	VALVE,CHECK	2						000189
15	37002419430	HOSE	1		L=650				
16	80430620400	JOINT	2						
17	37002453130	HOSE	1		L=850				
18	80301010100	FITTING	10		KUA12-000N				
19	37000711080	CLAMP ASSY	16		12-2				
20	91810130240	FASTENER	2						
21	81408000160	PIPE,STEEL	2	M	12X1.4T				
22	81408000160	PIPE,STEEL	3	M	12X1.4T				
23	81408000160	PIPE,STEEL	3	M	12X1.4T				
24	81408000160	PIPE,STEEL	3	M	12X1.4T				
25	81408000160	PIPE,STEEL	2	M	12X1.4T				
27	81408000160	PIPE,STEEL	3	M	12X1.4T				
28	81408000160	PIPE,STEEL	3	M	12X1.4T				
29	81408000160	PIPE,STEEL	N		12X1.4T				
30	81408000160	PIPE,STEEL	2	M	12X1.4T				
31	81408000160	PIPE,STEEL	3	M	12X1.4T				
32	81408000160	PIPE,STEEL	3	M	12X1.4T				
33	81408000160	PIPE,STEEL	2	M	12X1.4T				
61	91002801100	O-RING	2		1B P11				

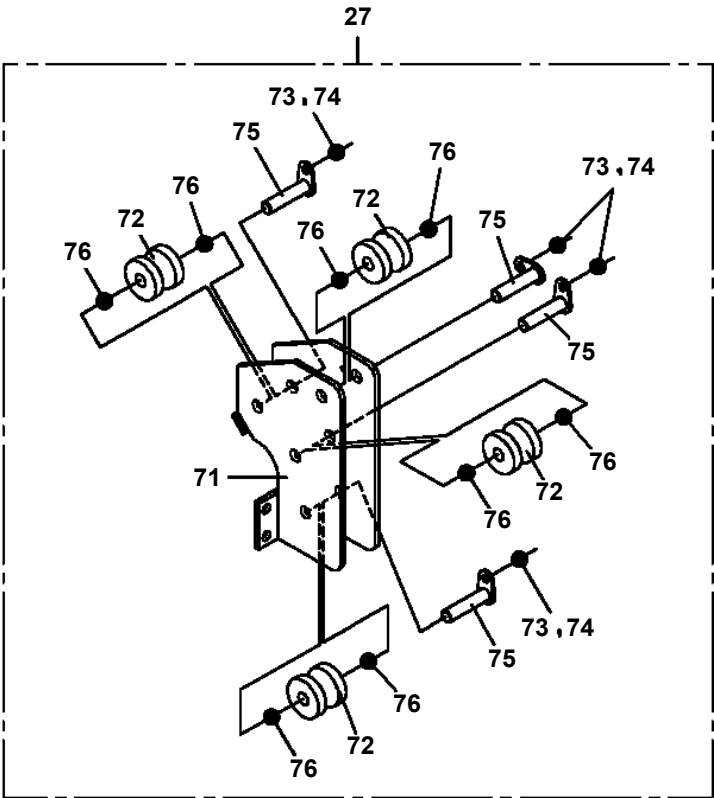
GR-800-4-00101 5 BOOM + 2 JIB, 2M2D

Pos No.	Parts No	Parts Name	Qty	Unit	Technical Data	Serial No (Start)	Serial No (End)	Remarks	Pages
1	37000711100	CLAMP ASSY	1		28X2				
2	81408000341	PIPE,STEEL	1	M	28X3.1T				
3	81408000341	PIPE,STEEL	1	M	28X3.1T				

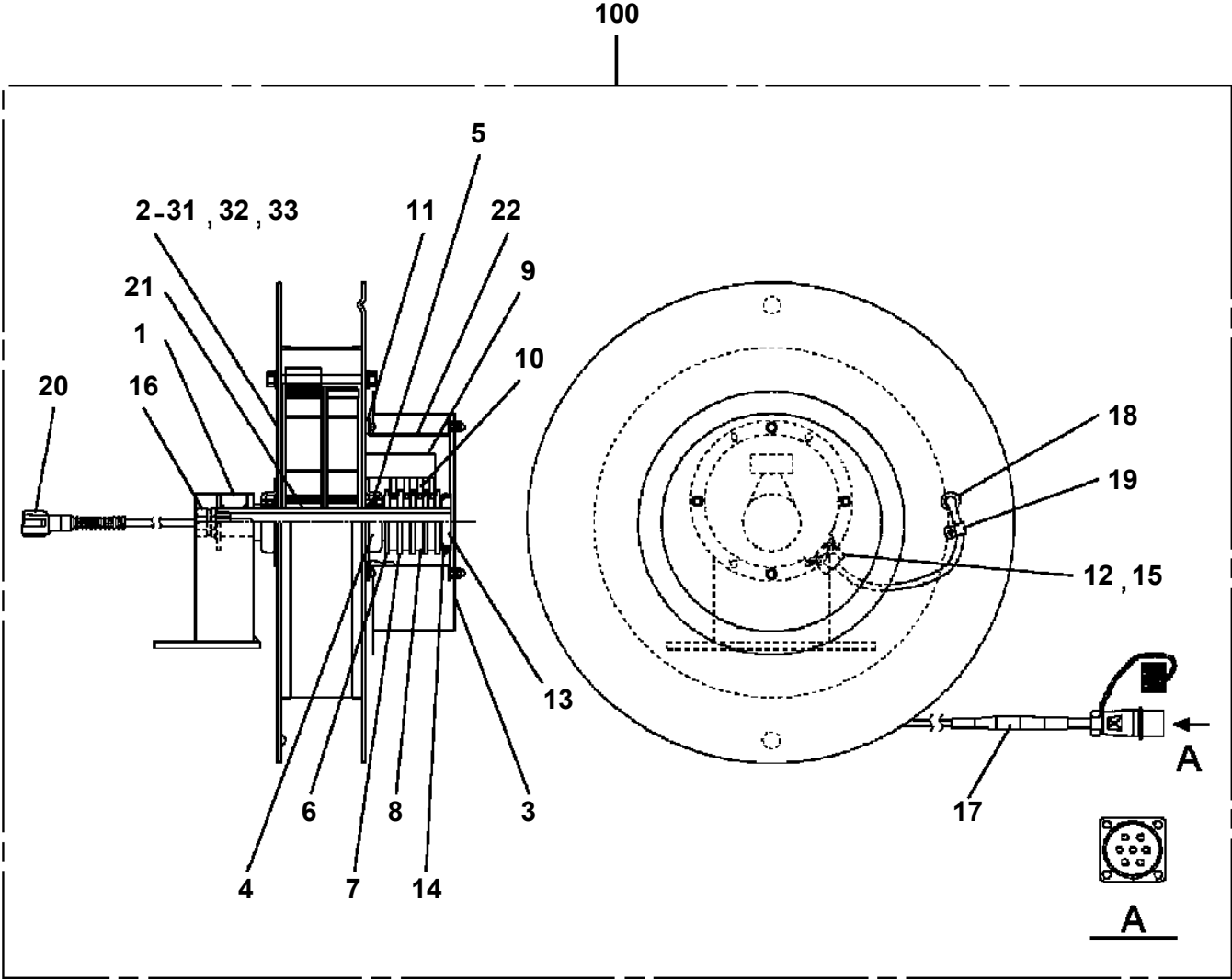
GR-800-4-00101 5 BOOM + 2 JIB, 2M2D
PP6360035-00 PIPING ASSY, TELESCOPE



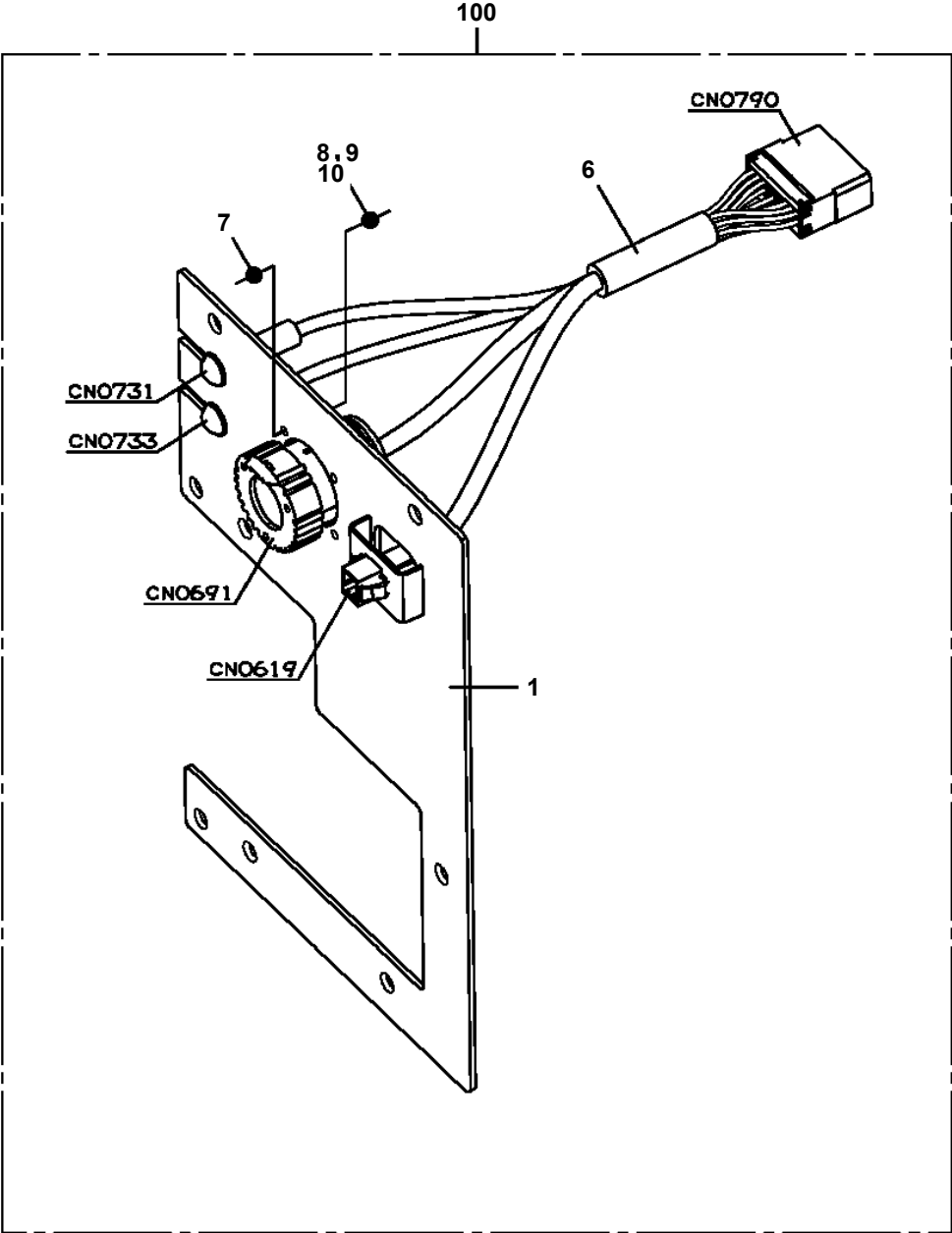
B



GR-800-4-00101 5 BOOM + 2 JIB, 2M2D
PR5050019-00 REEL ASSY, CORD

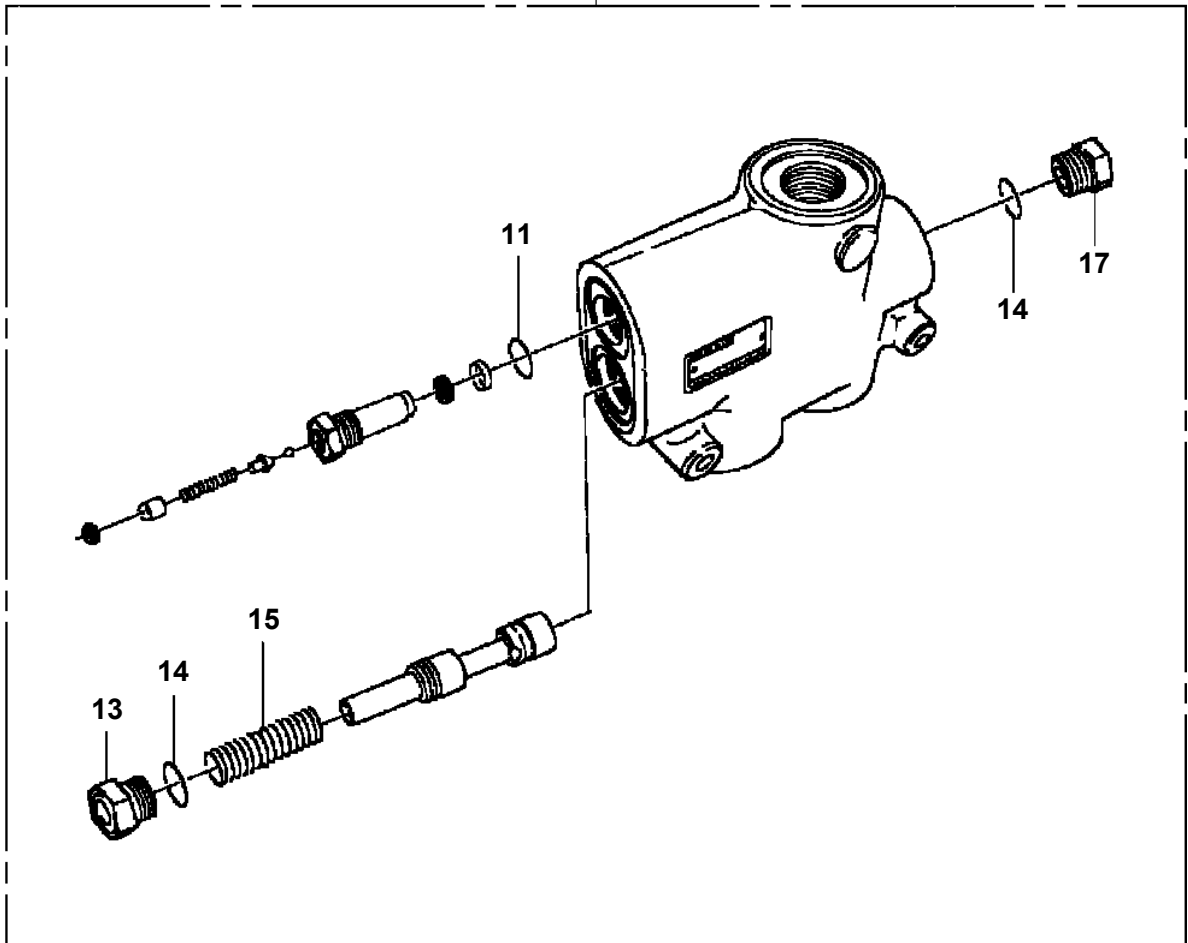


GR-800-4-00101 5 BOOM + 2 JIB, 2M2D
PR5090254-00 RELAY ASSY

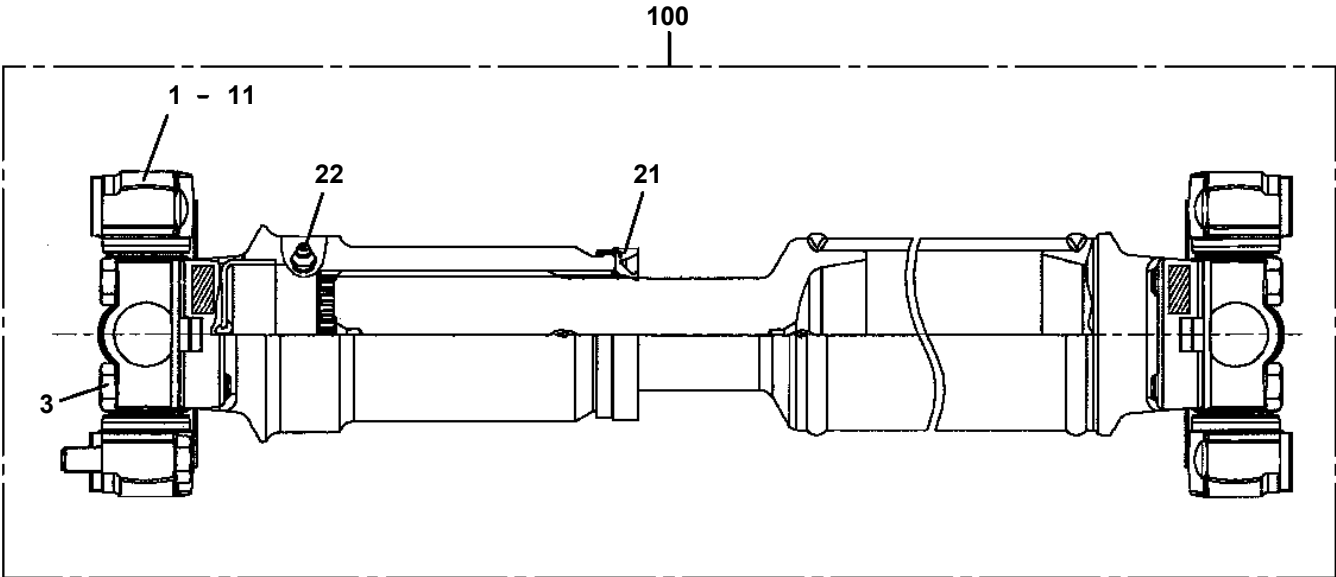


GR-800-4-00101 5 BOOM + 2 JIB, 2M2D
PS1400000-01 VALVE,PRIORITY

50

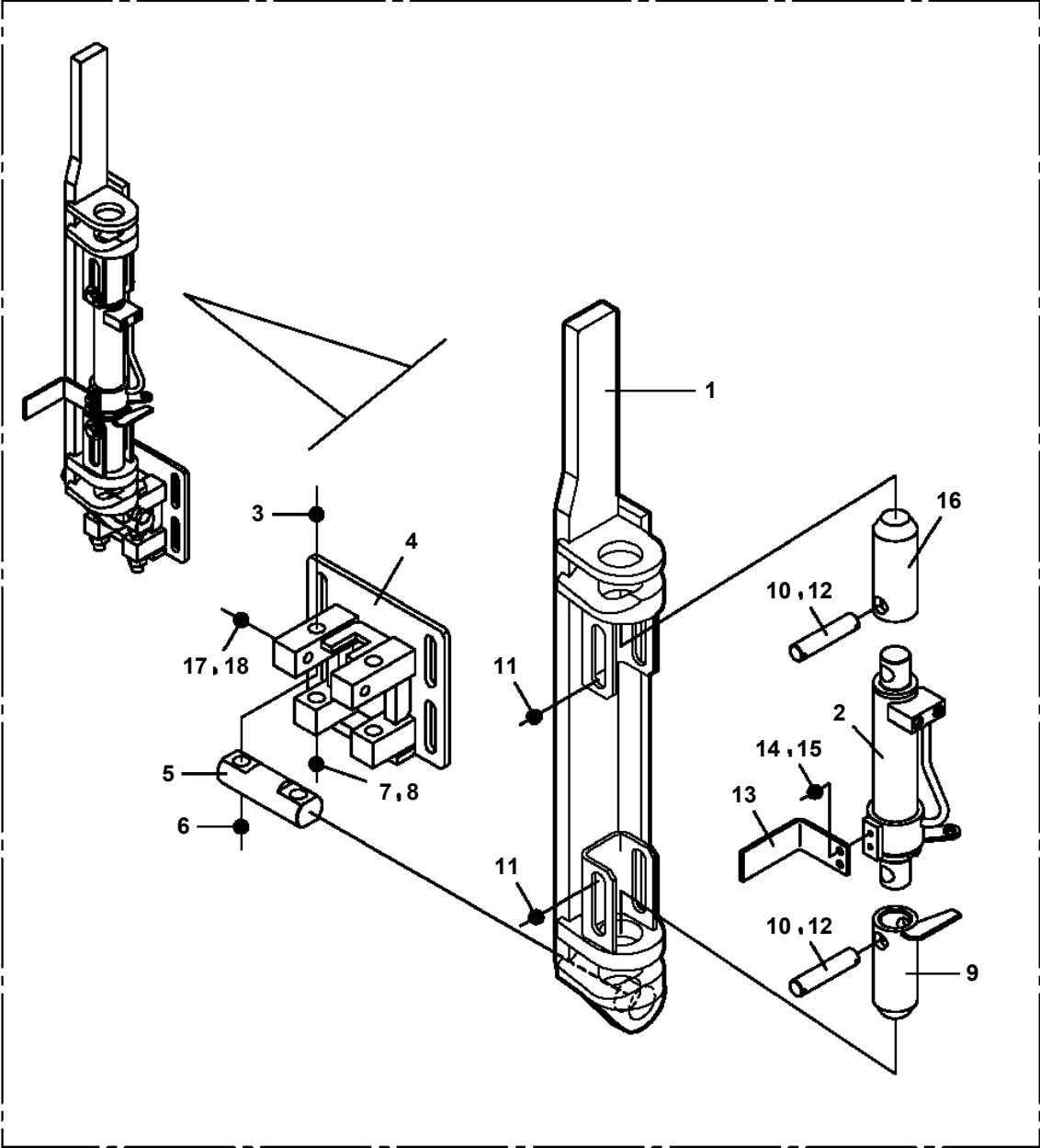


GR-800-4-00101 5 BOOM + 2 JIB, 2M2D
PS5170058-00 SHAFT ASSY,PROPELLER

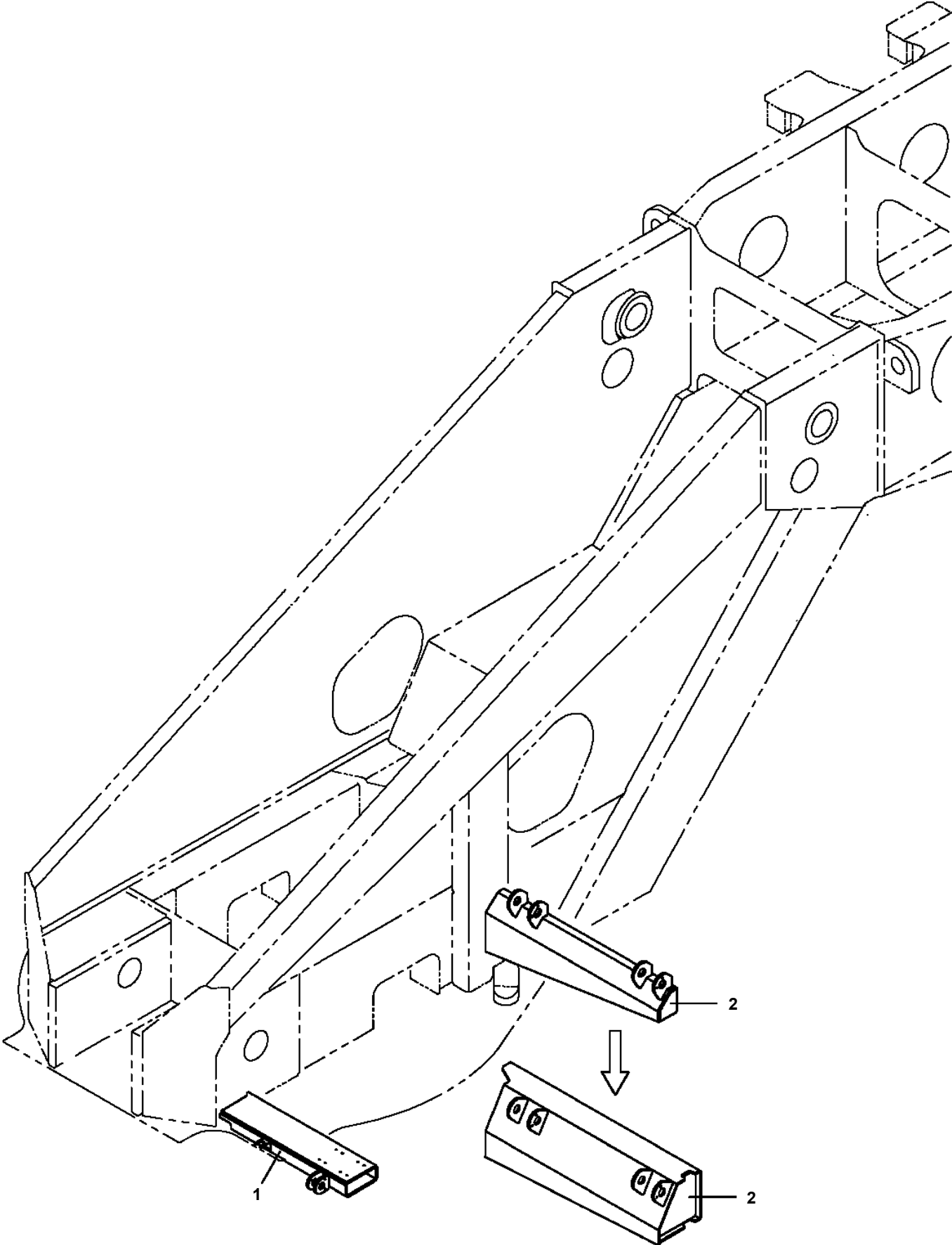


GR-800-4-00101 5 BOOM + 2 JIB, 2M2D
PS5420405-00 SUPPORT ASSY

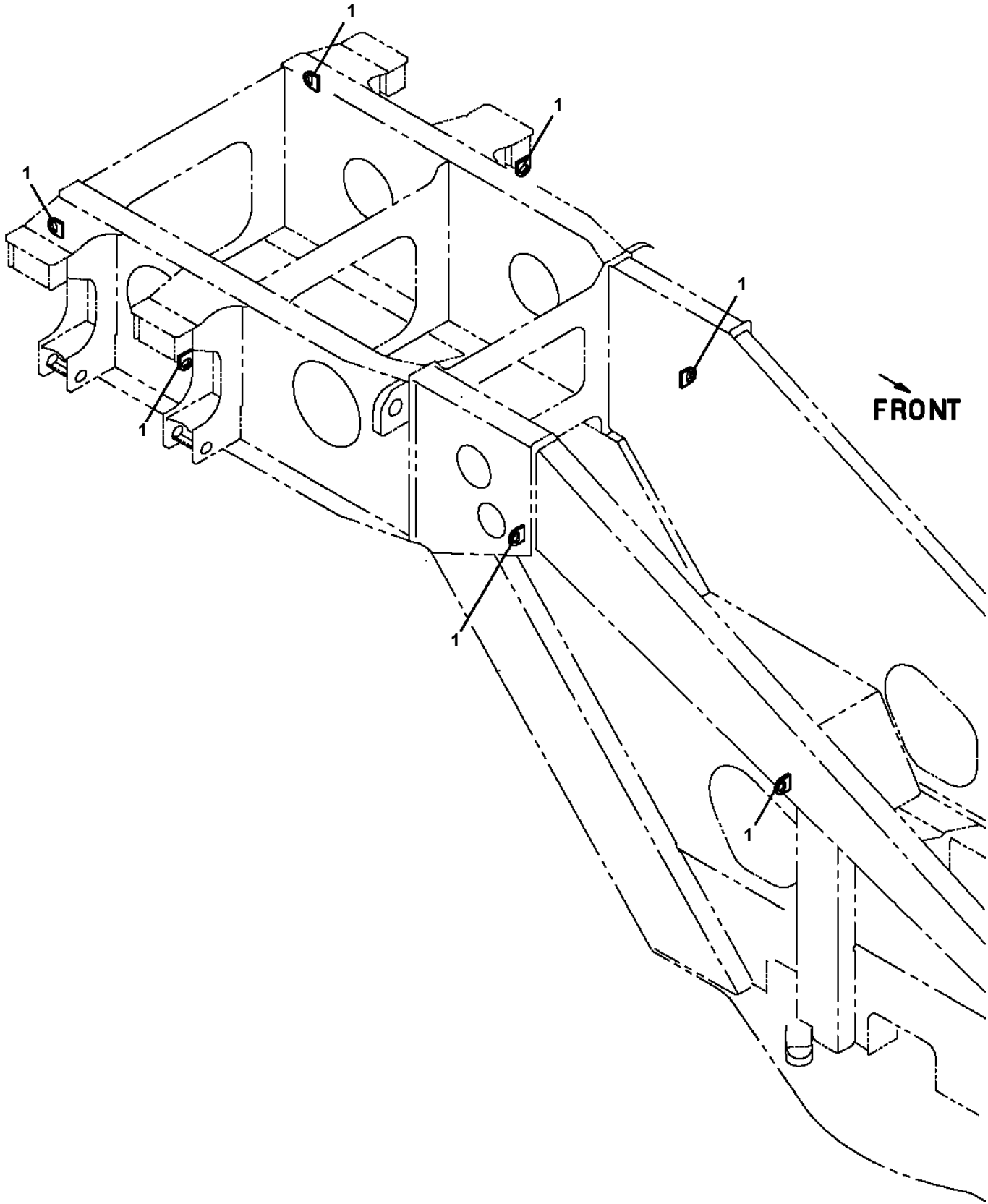
100



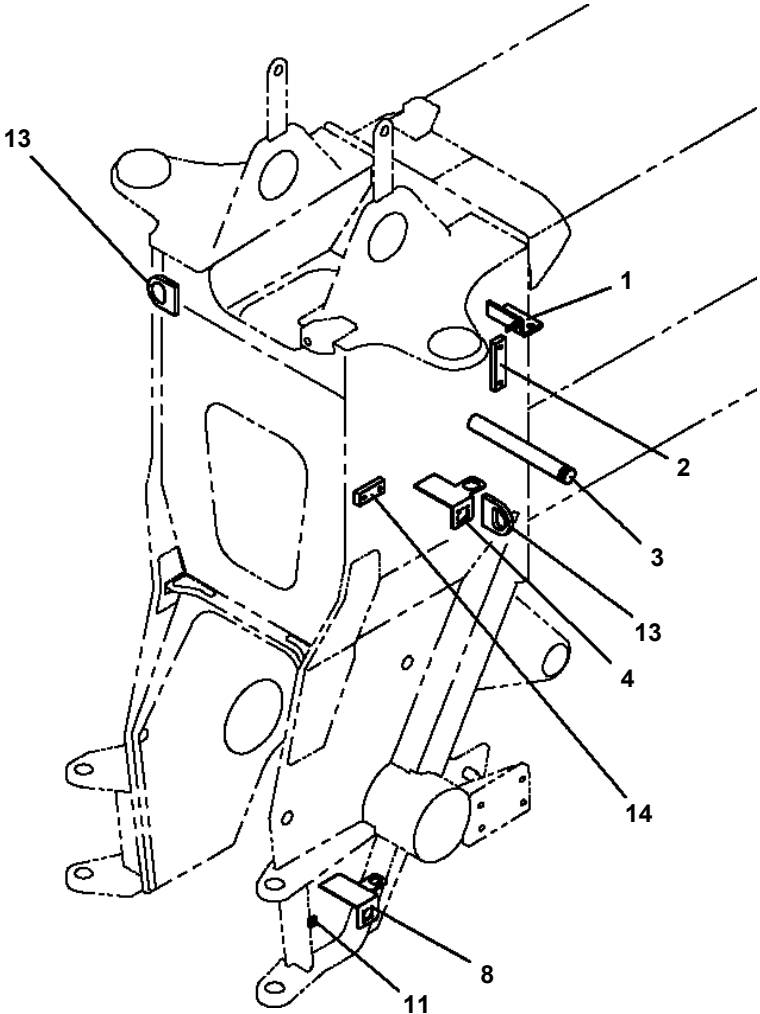
GR-800-4-00101 5 BOOM + 2 JIB, 2M2D
PS5420575-00 SUPPORT ASSY (CAB)



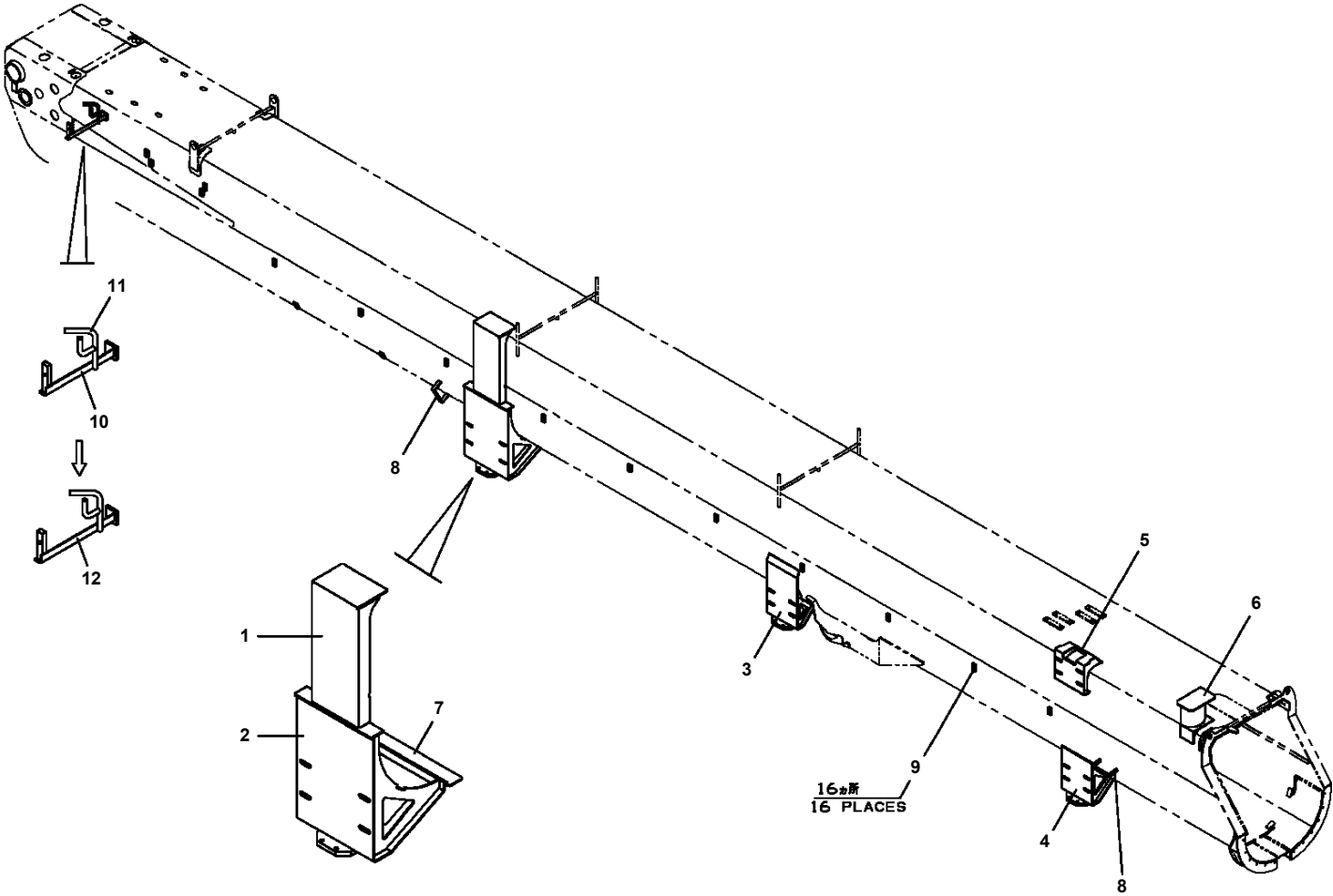
GR-800-4-00101 5 BOOM + 2 JIB, 2M2D
PS5420581-00 SUPPORT ASSY (TIEOFF OF SWING FRAME)



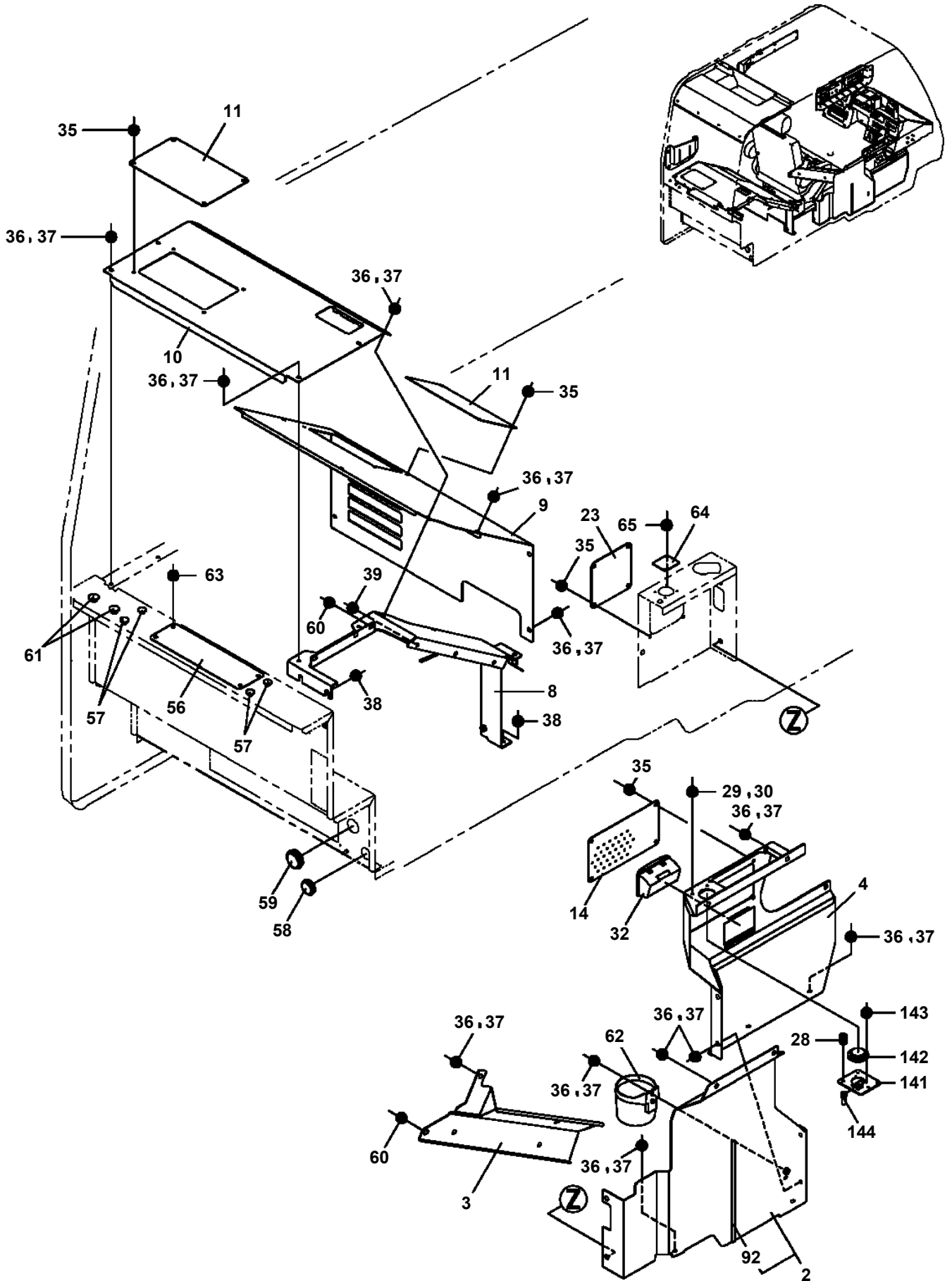
GR-800-4-00101 5 BOOM + 2 JIB, 2M2D
PS5420588-00 SUPPORT ASSY



GR-800-4-00101 5 BOOM + 2 JIB, 2M2D
PS5430014-00 SUPPORT ASSY,JIB



GR-800-4-00101 5 BOOM + 2 JIB, 2M2D
PS5520050-01 SWING TABLE ASSY



GR-800-4-00101 5 BOOM + 2 JIB, 2M2D

Pos No.	Parts No	Parts Name	Qty	Unit	Technical Data	Serial No (Start)	Serial No (End)
1	34351963900	SWITCH ASSY	1				
23	82100002307	COVER (CONTACT BLOCK PROTECTION/BLACK)	1				

GR-800-4-00101 5 BOOM + 2 JIB, 2M2D

Pos No.	Parts No	Parts Name	Qty	Unit	Technical Data	Serial No (Start)	Serial No (End)
1	34355811010	SWITCH ASSY (ASSY ONLY)	1				
2	34355271120	SWITCH,ROCKER (POWER WINDOW)	1				
3	34355271150	SWITCH ASSY (DRIVE MODE SELECTOR)	1				
4	34355271190	CAP	4				
5	34356111110	SOCKET	1				
6	34355811110	SOCKET (USB,ASSY ONLY)	1				
7	34351961360	SWITCH ASSY	1				
8	34352371130	SWITCH ASSY	1				
9	90201200400	NUT	2		M4		
10	90303070401	WASHER,PLAIN	2		4		

GR-800-4-00101 5 BOOM + 2 JIB, 2M2D

Pos No.	Parts No	Parts Name	Qty	Unit	Technical Data	Serial No (Start)	Serial No (End)	Remarks	Pa
50	36604515010	REPAIR KIT	1						
60	36601005090	REPAIR KIT (SPRING)	1						
100	36604510000	VALVE,BRAKE	1						

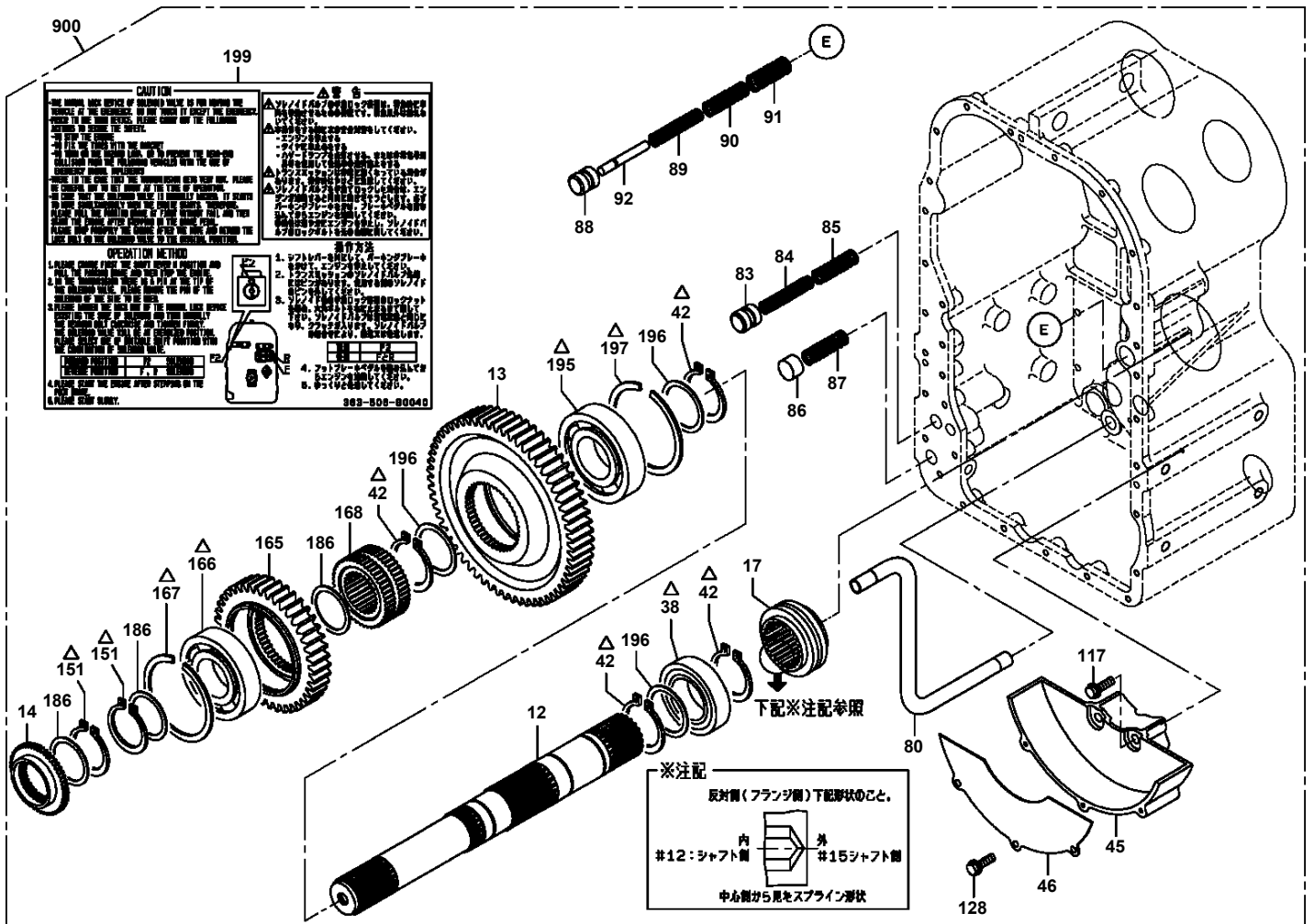
GR-800-4-00101 5 BOOM + 2 JIB, 2M2D

Pos No.	Parts No	Parts Name	Qty	Unit	Technical Data	Serial No (Start)	Serial No (End)	Remarks
1	36061425120	CASING ASSY	1					
3	36061435010	RING, BACKUP	1					
5	36061425100	RING	1					
6	80602110400	RING, RITAINING	1		R40			
8	36061425070	PISTON	1					
14	36061425080	PISTON	1					
16	36061425090	PIN (PISTON)	1					
22	36061425010	SCREW (AIR BREATHER)	1					
23	36061425110	CAP	1					
25	36061425130	PLUG	1					
26	36061425140	WASHER (LOCK)	1					
28	36061425050	PIPE, EXHAUST	1					
31	91001101200	O-RING	1		1A P12			
33	36061425020	VALVE, RELAY	1					
36	36061425030	NIPPLE	1					
50	36061425040	REPAIR KIT (A)	1					
60	36061425060	REPAIR KIT (B)	1					
71	91001103600	O-RING	2		1A P36			
100	36061420000	BOOSTER (BRAKE)	1					

GR-800-4-00101 5 BOOM + 2 JIB, 2M2D

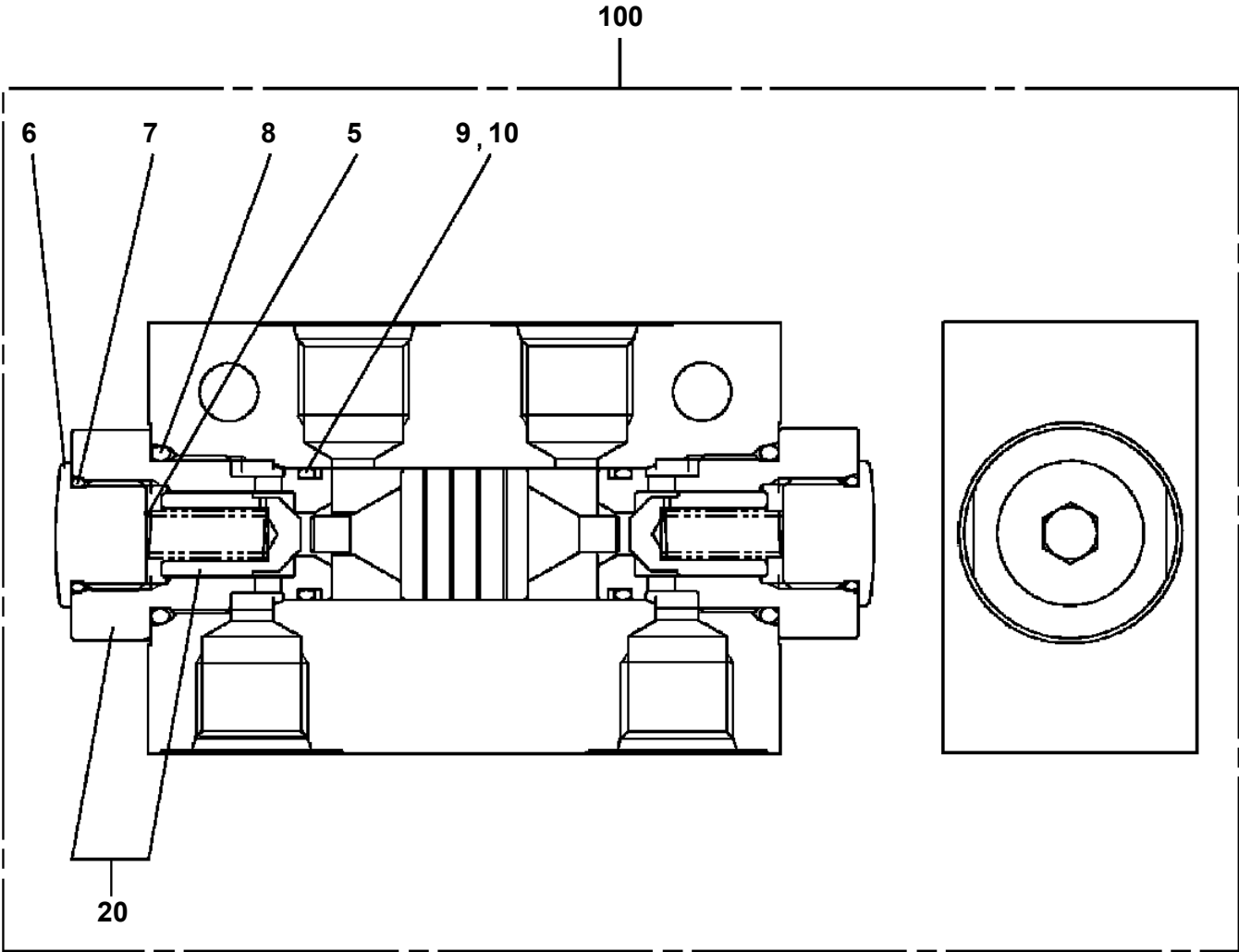
Pos No.	Parts No	Parts Name	Qty	Unit	Technical Data	Serial No (Start)	Serial No (End)	Rema
1	(*****)	TELESCOPE ASSY	1					
2	34202164580	SUPPORT (PLATE WORKING)	1					
	34202160460	SUPPORT (CAST)	1					
3	34202164570	SUPPORT (PLATE WORKING)	1					
	34202160410	SUPPORT (CAST)	1					
4	90171114045	BOLT	6		M14X45			
5	37002016330	PLATE,SLIDE	1					
6	80185306016	SCREW,MACHINE	4		M6X16			
7	37001923770	ROPE,WIRE (TESAC)	4		20X19.853M			
21	37001000270	SHEAVE ASSY	4					
22	37000505440	PLATE	6		T=1.6			
23	37010100180	PIN	1					
24	33201210850	SUPPORT	1					
25	90172110016	BOLT,HEXAGON SOCKET	4		M10X16			
26	37010100240	PIN	1					
27	80136340036	PIN,SPLIT	2		4X36			
41	80520045013	BEARING,ROLLER	4					

GR-800-4-00101 5 BOOM + 2 JIB, 2M2D PT5650061-01 TRANSMISSION ASSY

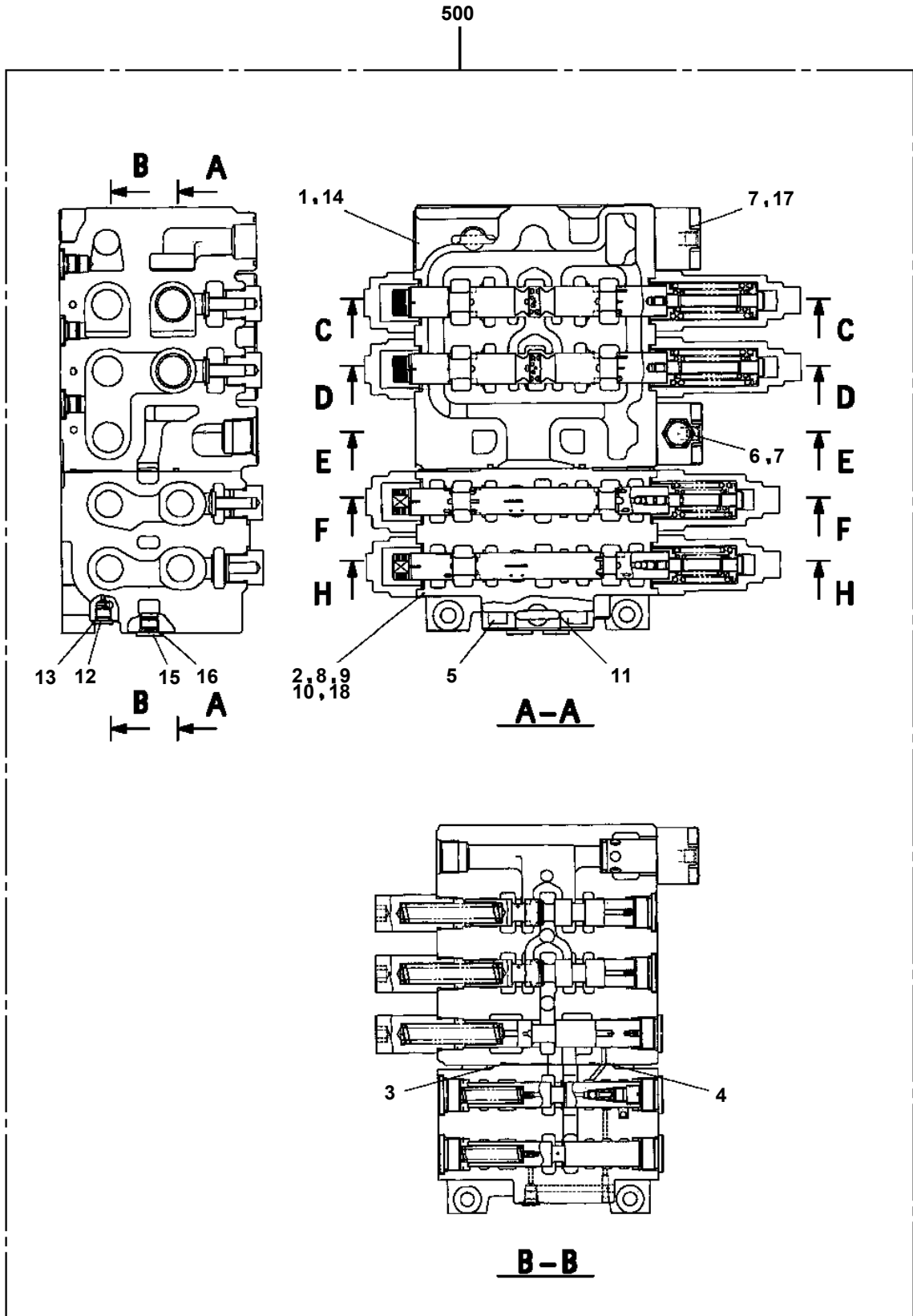


△: OVERHAUL KIT KEY NO. 300 (KEY NO. 38, 42, 151, 166, 167, 195, 197)

GR-800-4-00101 5 BOOM + 2 JIB, 2M2D
PV5040007-00 VALVE ASSY,CHECK



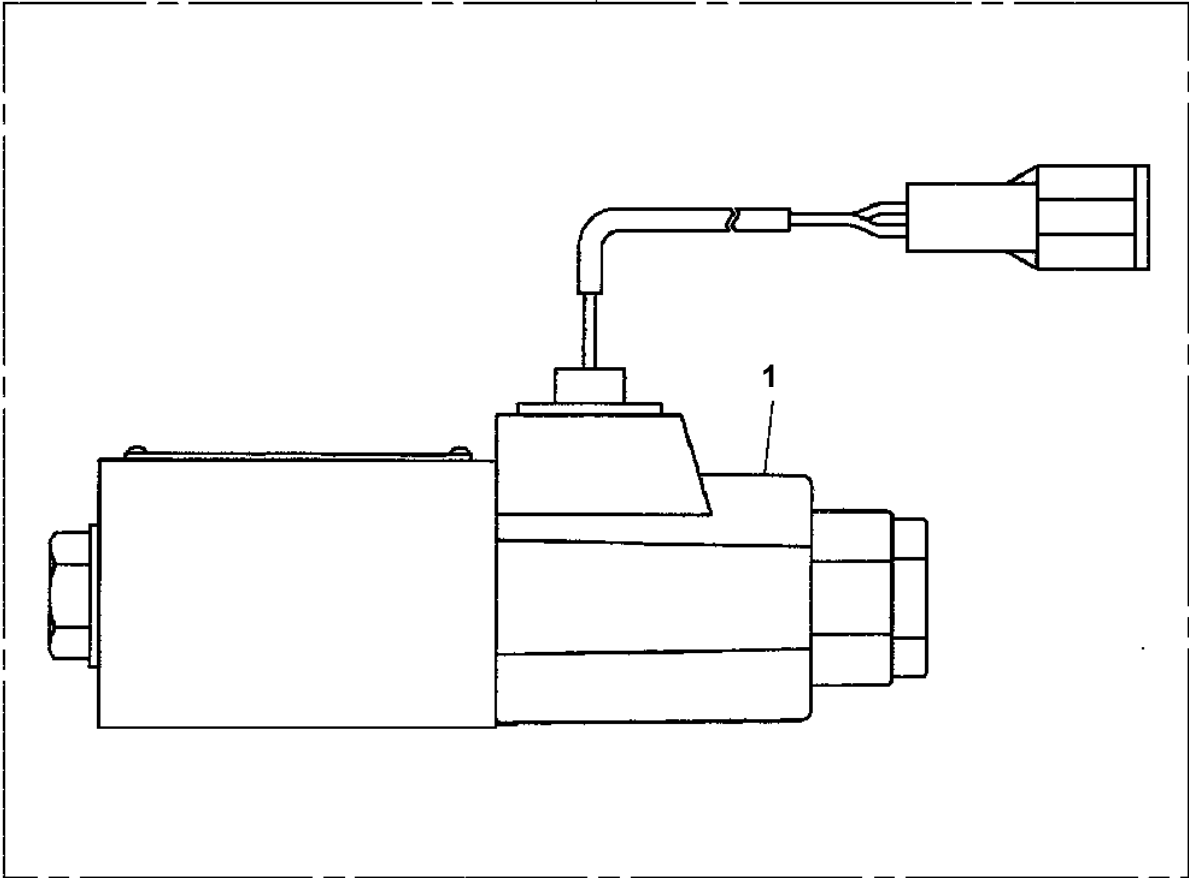
GR-800-4-00101 5 BOOM + 2 JIB, 2M2D
 PV5170036-00 VALVE ASSY,SELECTOR



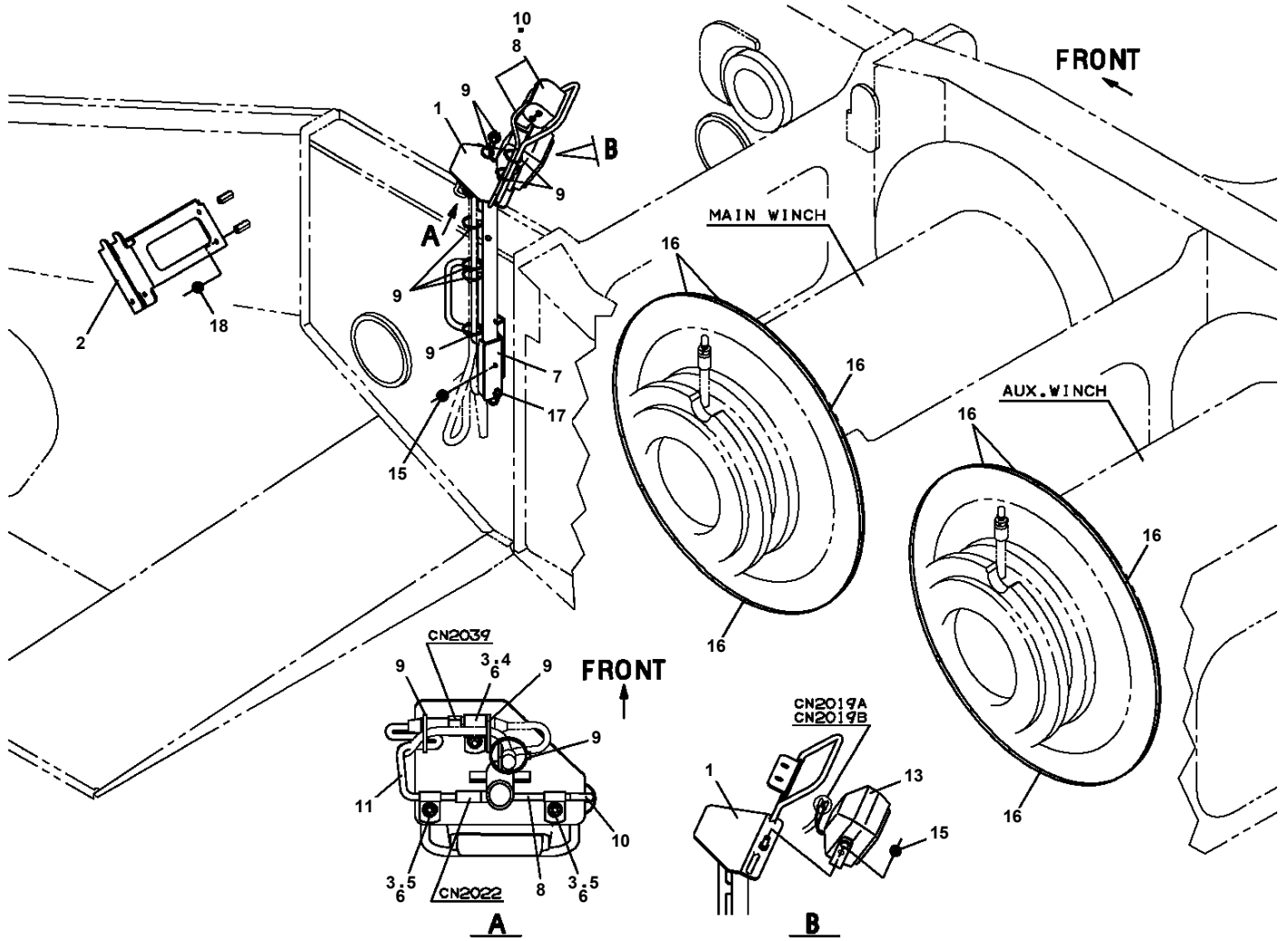
展開図有
 ILLUSTRATED BREAKDOWN NO.1,2,14,17

**GR-800-4-00101 5 BOOM + 2 JIB, 2M2D
PV5240030-00 VALVE ASSY,SOLENOID**

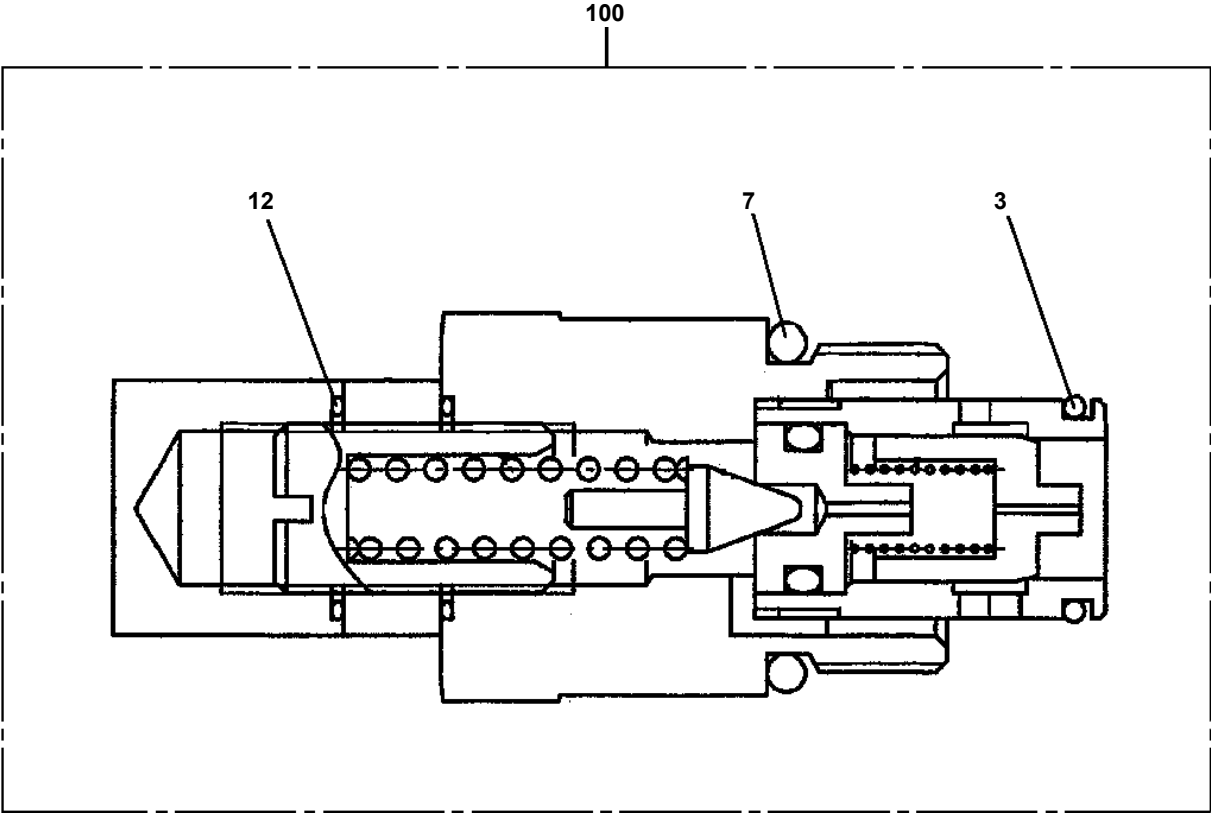
100



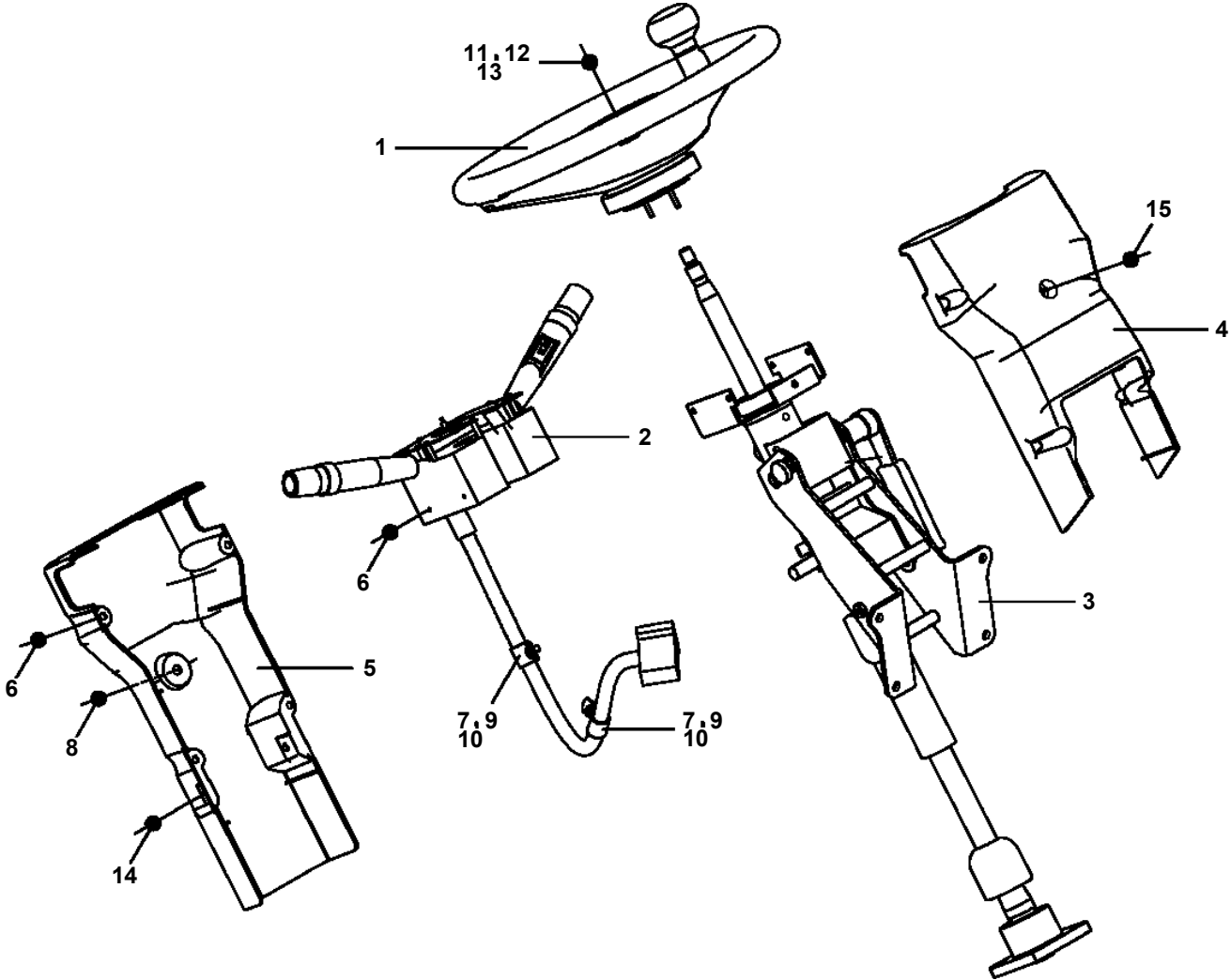
**GR-800-4-00101 5 BOOM + 2 JIB, 2M2D
PV5450153-00 VIEW SYSTEM (DRUM CAMERA)**



GR-800-4-00101 5 BOOM + 2 JIB, 2M2D
PV5480028-00 VALVE,OVERLOAD RELIEF



GR-800-4-00101 5 BOOM + 2 JIB, 2M2D
PW5040006-01 WHEEL,STEERING



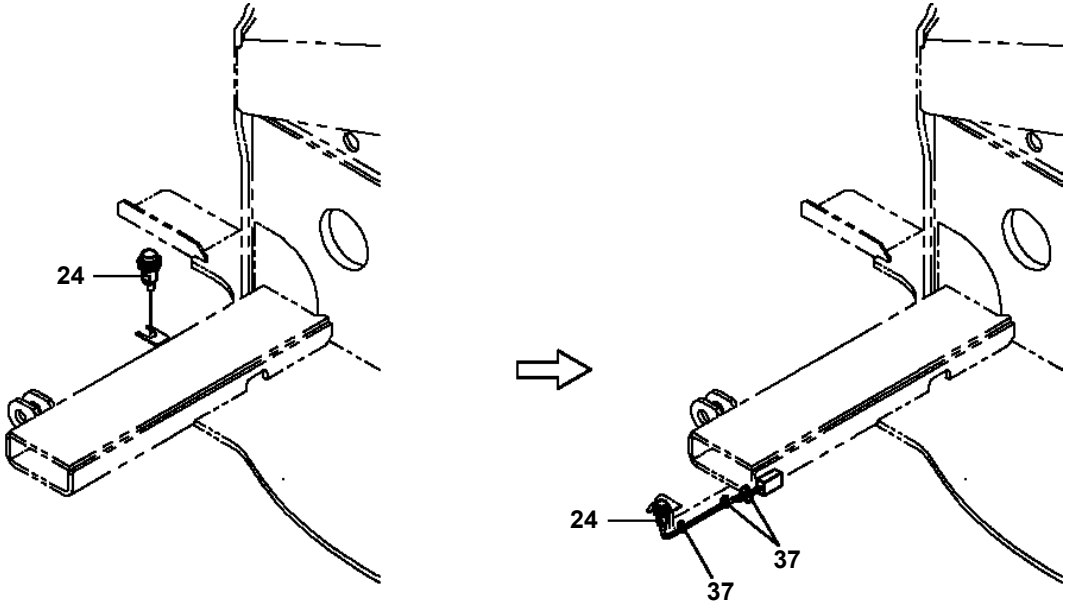
GR-800-4-00101 5 BOOM + 2 JIB, 2M2D

Pos No.	Parts No	Parts Name	Qty	Unit	Technical Data	Serial No (Start)	Serial No (End)	Remark
1	14128208000	RING	3					
2	37001900840	WIRE	1		L=1290			
3	34370050250	WEIGHT (CAST)	1					
	33370090010	WEIGHT (PLATE WORKING)	1					
4	37001900820	WIRE	1		L=1440			
5	37002900040	SHACKLE ASSY	1					
6	34372862100	SWITCH	1					
7	37000117960	PIN	1					
9	82100002003	CLAMP	1					
28	80620210120	PIN,SNAP	1					
100	34373163000	WEIGHT (JIB,WITH SWITCH)	1					

GR-800-4-00101 5 BOOM + 2 JIB, 2M2D

Pos No.	Parts No	Parts Name	Qty	Unit	Technical Data	Serial No (Start)	Serial
1	34263086100	SUN VISOR	1				
2	34263086401	SUPPORT	1				
3	80192488020	SCREW,MACHINE	3		M8X20		
4	80192485014	SCREW,MACHINE (WITH WASHER)	2		M5X14		
5	34262911600	COVER	1				
6	34262911700	COVER	1				
7	34262911800	COVER	2				
8	82400000545	CLIP	10				
16	80192486014	SCREW,MACHINE (WITH WASHER)	5		M6X14		
17	34263086010	GRIP	1				
18	99183808025	BOLT,HEXAGON SOCKET(WITH W,SW/BLACK)	2				
19	34262913000	SUNSHADE	1				
21	82400000200	GROMMET	6		KG-012,L=250		
22	82400000202	GROMMET	2				
41	34263086110	SUPPORT	1				
42	34263086200	SUPPORT	1				
43	34262912500	SUN VISOR	1				
44	90201200800	NUT	2		M8		
45	90303070801	WASHER,PLAIN	3		8		
46	90309330801	WASHER,CONICAL SPRING	2		8		
62	34262910400	SCREEN ASSY (TRANSMISSION SCREEN)	1				
63	34262910500	SCREEN ASSY (SHADING SCREEN)	1				
64	34262911200	SUPPORT	1				
65	34262911300	RAIL (DOOR SIDE)	1				
66	34262911350	STOPPER (END OF DOOR SIDE RAIL)	1				
67	34262911400	RAIL (SASH SIDE)	1				
68	34262911450	STOPPER (END OF SASH SIDE RAIL)	1				

GR-800-4-00101 5 BOOM + 2 JIB, 2M2D
PX5200032-01 MOUNT ASSY,CAB



A

GR-800-4-00101 5 BOOM + 2 JIB, 2M2D

Pos No.	Parts No	Parts Name	Qty	Unit	Technical Data	Serial No (Start)	Serial No (End)
1	90280200600	NUT,FLANGE	2		M6		
2	34881300100	HOSE	3		10,L=340		RA0602
	34881300100	HOSE	2		10,L=340	RA0603	
3	91803600160	CLIP	16		D=11-16		
4	36180040000	SENDER,FUEL	1				
5	90303071201	WASHER,PLAIN	2		12		
6	80136332025	PIN,SPLIT	2		3.2X25		
7	37000104230	PIN	2				
8	34880960400	HOSE	1		10.L=360	RA0603	
10	34880300100	BAND	2				
11	90186210035	BOLT,FLANGE	2		M10X35		
12	90201201000	NUT	4		M10		
13	36101870000	TANK,FUEL (300L)	1				
14	34881310300	HOSE	1		10,L=1060		
15	90186208020	BOLT,FLANGE	4		M8X20		
19	37000904040	FITTING	2		S,M20-M20		
21	82100002010	CLAMP	2		WR15		RA0691
	82100002010	CLAMP	3		WR15	RA0692	
22	37002520220	HOSE	1		L=200		
23	34780000070	ADAPTER	1		8-10		
24	34881380500	HOSE	1				
27	34881385010	PIPE ASSY	1		12XT0.9 L=749.2		
28	34881385020	PIPE ASSY	1		10XT0.7 L=830.1		RA0602
	34881385090	PIPE ASSY	1		10XT0.7 L=843.6	RA0603	
29	34881385030	PIPE ASSY	1		12XT0.9 L=1806.7		
30	34881385040	PIPE ASSY	1		10XT0.7 L=732.4		
31	34881385050	PIPE ASSY	1		12XT0.9 L=2227.5		
32	37000701500	CLAMP ASSY	3		12X1		
34	37000711080	CLAMP ASSY	2		12-2		
35	37000701510	CLAMP ASSY	3		12X2		
36	82100002011	CLAMP	3		WRC15		
38	34881380300	SUPPORT	2				
39	90280200800	NUT,FLANGE	4		M8		RA0691
	90280200800	NUT,FLANGE	6		M8	RA0692	
40	37000300720	SLEEVE	7		12-10		
41	37000802860	JOINT	2		10-12		
42	34881300500	HOSE	1		12,L=430		
43	91803600200	CLIP	4		D=13-20		
44	34881300800	HOSE	1		12,L=80		
53	90280201000	NUT,FLANGE	3		M10		
54	34881380100	SUPPORT	1				
55	34881380200	SUPPORT	1				
56	37000904030	FITTING	2		S,M16-M16		
57	34881300300	HOSE	1		10,L=80		
58	37002520230	HOSE	1		L=400		
59	34881222000	PUMP ASSY,FUEL (ASSY ONLY)	1				RA0602
	34881381000	PUMP ASSY,FUEL (ASSY ONLY)	1			RA0603	
60	33330010100	GASKET	2				
61	37000933840	JOINT	2				
62	90186210016	BOLT,FLANGE	2		M10X16		
63	34881385060	PIPE ASSY	1		12XT0.9 L=327		RA0602
	34881385080	PIPE ASSY	1		12XT0.9 L=292	RA0603	
64	90186210025	BOLT,FLANGE	6		M10X25		
65	35530014000	JOINT	1				
66	90201200800	NUT	1		M8		
67	90201200600	NUT	2		M6		
68	37005700010	CLAMP	1		12X1		
69	90186208040	BOLT,FLANGE	1		M8X40		
70	90186208016	BOLT,FLANGE	1		M8X16		
71	34641157100	SUPPORT	1				
72	34881385070	PIPE ASSY	1		10XT0.7 L=2252.9		
73	34881190120	GASKET	2				
74	37000934330	JOINT	2				

GR-800-4-00101 5 BOOM + 2 JIB, 2M2D

Pos No.	Parts No	Parts Name	Qty	Unit	Technical Data	Serial No (Start)	Serial No (End)
1	36330550000	RADIATOR ASSY	1				
2	36690370000	COOLER ASSY,OIL (ASSY ONLY)	1				
3	34780130300	CUSHION	6				
4	90201201000	NUT	10		M10		
5	37000535710	PLATE	2		50XT3.2		
6	34784040300	SUPPORT	2				
7	90101208020	BOLT	20		M8X20		
8	34782710200	SUPPORT	2				
9	34784070300	PLATE	1				
10	35530080300	HOSE	1		L=61.5		
11	34784070100	INSULATOR (L)	1				
12	34784070200	INSULATOR (R)	1				
13	34782910100	INSULATOR	1				
14	90186208014	BOLT,FLANGE	9		M8X14		
15	36103510000	TANK ASSY	1				
16	34782710100	SUPPORT	2				
18	91803930240	CLIP	2		24		
19	35530080400	PIPE	1		D=10-D=10		
20	37002516930	HOSE	1		D=12-D=9.5		
21	91803880070	CLIP	1		D=13.1-16.2		
22	37002517200	HOSE (RADIATOR)	1				
23	37002517210	HOSE	1				
24	91803930850	CLIP	1		68-85		
25	91803930750	CLIP	3		58-75		
26	91804000280	CLIP	1		28		
27	82100002052	CLAMP	2				
28	90201200800	NUT	16		M8		RA0685
	90201200800	NUT	17		M8	RA0686	
30	82100002016	CLAMP	15		WR25		
31	34784040550	SUPPORT	1				
32	90302040801	WASHER,SPRING	26		8		
33	90303070801	WASHER,PLAIN	24		8		
34	90302041001	WASHER,SPRING	14		10		
35	90303071001	WASHER,PLAIN	14		10		
36	37002517220	HOSE	1				
37	90101210030	BOLT	4		M10X30		
39	36690430000	COOLER ASSY,OIL	1				
40	34784040500	SUPPORT	1				
41	90186210025	BOLT,FLANGE	4		M10X25		RA0685
42	90280201000	NUT,FLANGE	10		M10		
43	90186206014	BOLT,FLANGE	3		M6X14		
44	90103210020	BOLT	2		M10X20		
45	91803920550	CLIP	1		44-56		
46	90101208025	BOLT	4		M8X25		
47	37000930880	JOINT	1		L,1/2-14NPT-17		
48	91801630022	CLIP	5		D=19.9-22.6		
50	37002521050	HOSE	1		L=2940		
51	82100002015	CLAMP	2		WRC20		
53	90280200800	NUT,FLANGE	26		M8		RA0685
	90280200800	NUT,FLANGE	27		M8	RA0686	
54	82100001819	TUBE,SPIRAL	N		SE-18BK		
57	82100002008	CLAMP	5		WR12		
58	90302040601	WASHER,SPRING	2		6		
60	34783840400	SUPPORT	1				
61	37010503980	SUPPORT	2				
62	37002520110	HOSE (CAR HEATER)	1		L=630		
63	91801630026	CLIP	2				
64	37002516380	HOSE (WATER)	1		L=1200		
65	37000806550	JOINT	2				
66	37000932840	JOINT	1		L,3/4-14NPT-19		
67	90101206020	BOLT	2		M6X20		
68	37002521000	HOSE (CAR HEATER)	1		L=750		
69	37002521080	HOSE	1		L=4300		

GR-800-4-00101 5 BOOM + 2 JIB, 2M2D

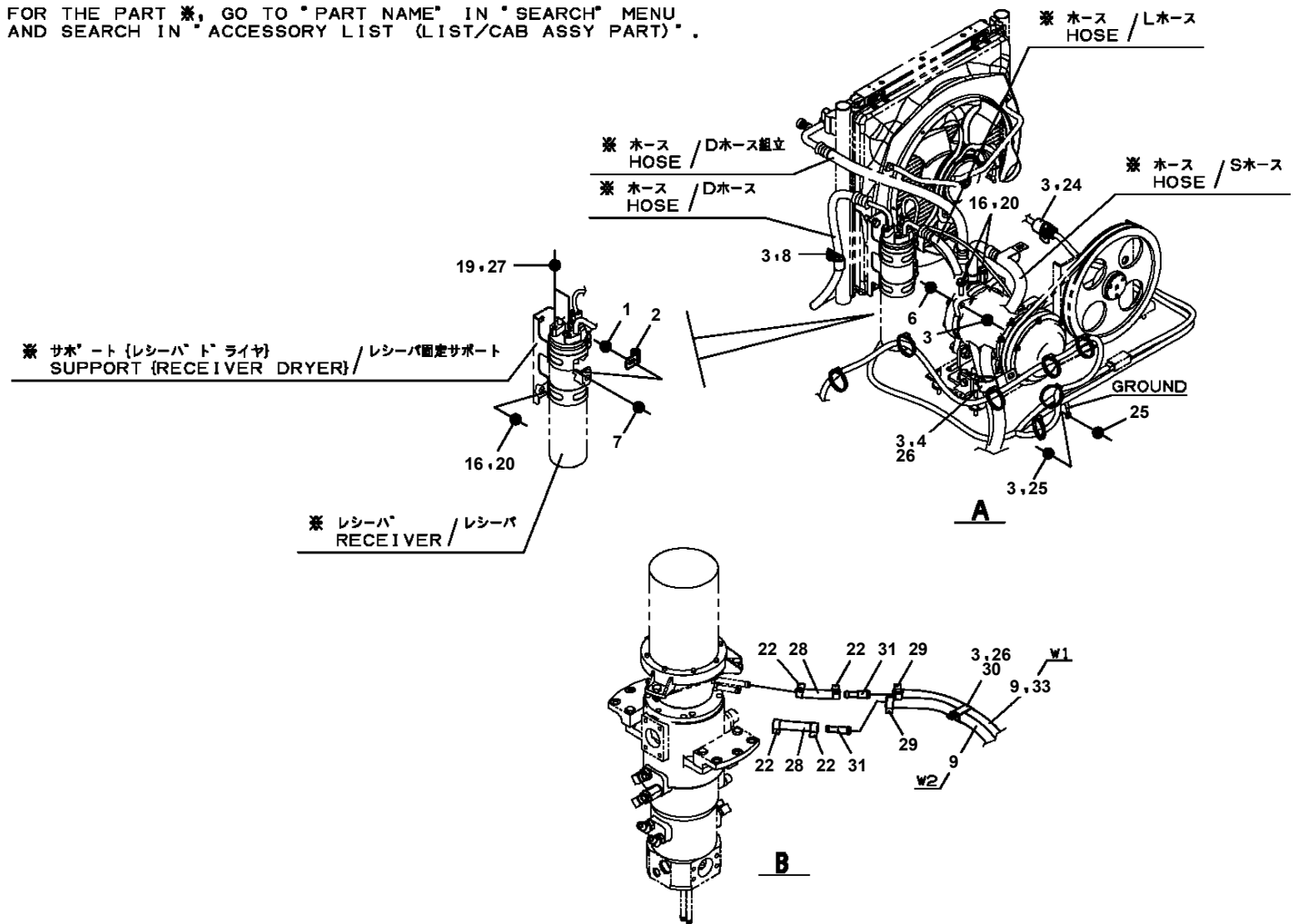
Pos No.	Parts No	Parts Name	Qty	Unit	Technical Data	Serial No (Start)	Serial No (End)	Remarks	Pages
1	37000104230	PIN	2						
2	80136332025	PIN,SPLIT	2		3.2X25				
3	90303071201	WASHER,PLAIN	2		12				
4	34760850100	BAND	2						
5	34762271100	WASHER	2						
6	90201201000	NUT	4		M10				

GR-800-4-00101 5 BOOM + 2 JIB, 2M2D

Pos No.	Parts No	Parts Name	Qty	Unit	Technical Data	Serial No (Start)	Serial No (End)	Remark
1	34463250100	MAT	1					
2	34460760100	ROD	1					
3	91991713320	WRENCH SET,WHEEL NUT	1		33			
4	91991310036	SPANNER,SINGLE END (36)	2					

GR-800-4-00101 5 BOOM + 2 JIB, 2M2D PY5140094-00 AIR CONDITIONER ASSY (MOUNT)

※は「検索」機能の「部品名称」より「エアコンASSY (リスト/キャブ ASSYトリツケフン)」で検索 (半角カナ) してください。
 FOR THE PART ※, GO TO "PART NAME" IN "SEARCH" MENU
 AND SEARCH IN "ACCESSORY LIST (LIST/CAB ASSY PART)".



CLICK HERE TO **DOWNLOAD** THE COMPLETE MANUAL

- Thank you very much for reading the preview of the manual.
- You can download the complete manual from: www.heydownloads.com by clicking the link below



- Please note: If there is no response to CLICKING the link, please download this PDF first and then click on it.

CLICK HERE TO **DOWNLOAD** THE COMPLETE MANUAL