

## **GR-700N-2-00101 6 BOOM + 3 JIB,2M2D**

**PB5000042-00 HYDRAULIC PRESSURE SYSTEM**  
**PB6000109-00 PIPING SYSTEM (UPPER)**  
**PB6000110-00 PIPING SYSTEM (LOWER)**  
**PC1000685-00 OUTRIGGER SYSTEM**  
**PD1000662-00 SWING SYSTEM**  
**PF1000785-01 WINCH SYSTEM**  
**PG3000049-00 JIB SYSTEM**  
**PG5000056-00 BOOM SYSTEM**  
**PH5000049-01 SAFETY SYSTEM**  
**PK1000842-00 FRAME**  
**PK5000049-02 CAB SYSTEM**  
**PL5000049-00 CONTROL SYSTEM**  
**PM1000032-01 LUBRICATION DEVICES**  
**PN1000756-01 ELECTRIC EQUIPMENT**  
**PO1000150-00 INDICATION PLATES**  
**PR5000064-01 DRIVING POWER SYSTEM**  
**PS5000036-00 STEERING & SUSPENSION**  
**PW1000097-02 ACCESSORIES & TOOLS**  
**PX1001344-02 MOUNTING PARTS**  
**PY1001807-08 OPTION UNIT,1**  
**PY2000271-05 OPTION UNIT,2**  
**ASSEMBLY**

CLICK HERE TO **DOWNLOAD** THE COMPLETE MANUAL

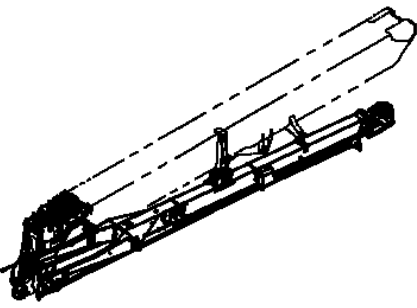
- Thank you very much for reading the preview of the manual.
- You can download the complete manual from: [www.heydownloads.com](http://www.heydownloads.com) by clicking the link below



- Please note: If there is no response to CLICKING the link, please download this PDF first and then click on it.

CLICK HERE TO **DOWNLOAD** THE COMPLETE MANUAL

GR-700N-2-00101 6 BOOM + 3 JIB,2M2D  
PG3000049-00 JIB SYSTEM

1 		

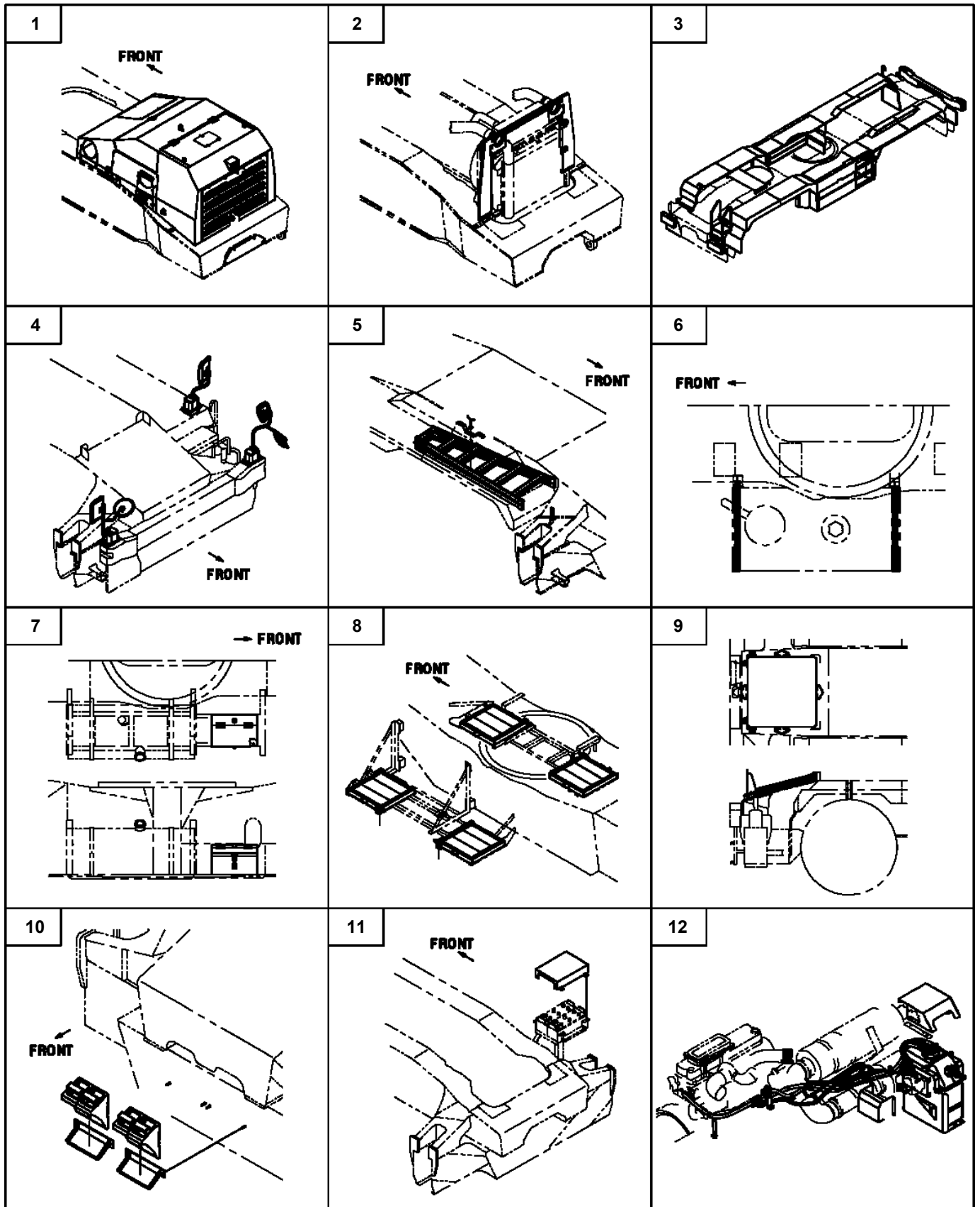
適用製造番号によっては取り付けがないものもあります。

MACHINES OF SOME SERIAL NO. ARE NOT EQUIPPED WITH THESE PARTS.

# GR-700N-2-00101 6 BOOM + 3 JIB,2M2D

Pos No.	Parts No	Parts Name	Qty	Unit	Technical Data	Serial No (Start)	Serial No (End)
1	(*****)	PARTS ASSY,GREASE (SWING BEARING)	1				
2	(*****)	PARTS ASSY,GREASE (MANUAL)	1				
3	(*****)	PARTS ASSY,GREASE (AXLE)	1				

**GR-700N-2-00101 6 BOOM + 3 JIB,2M2D  
PX1001344-02 MOUNTING PARTS**



適用製造番号によっては取り付けがないものもあります。

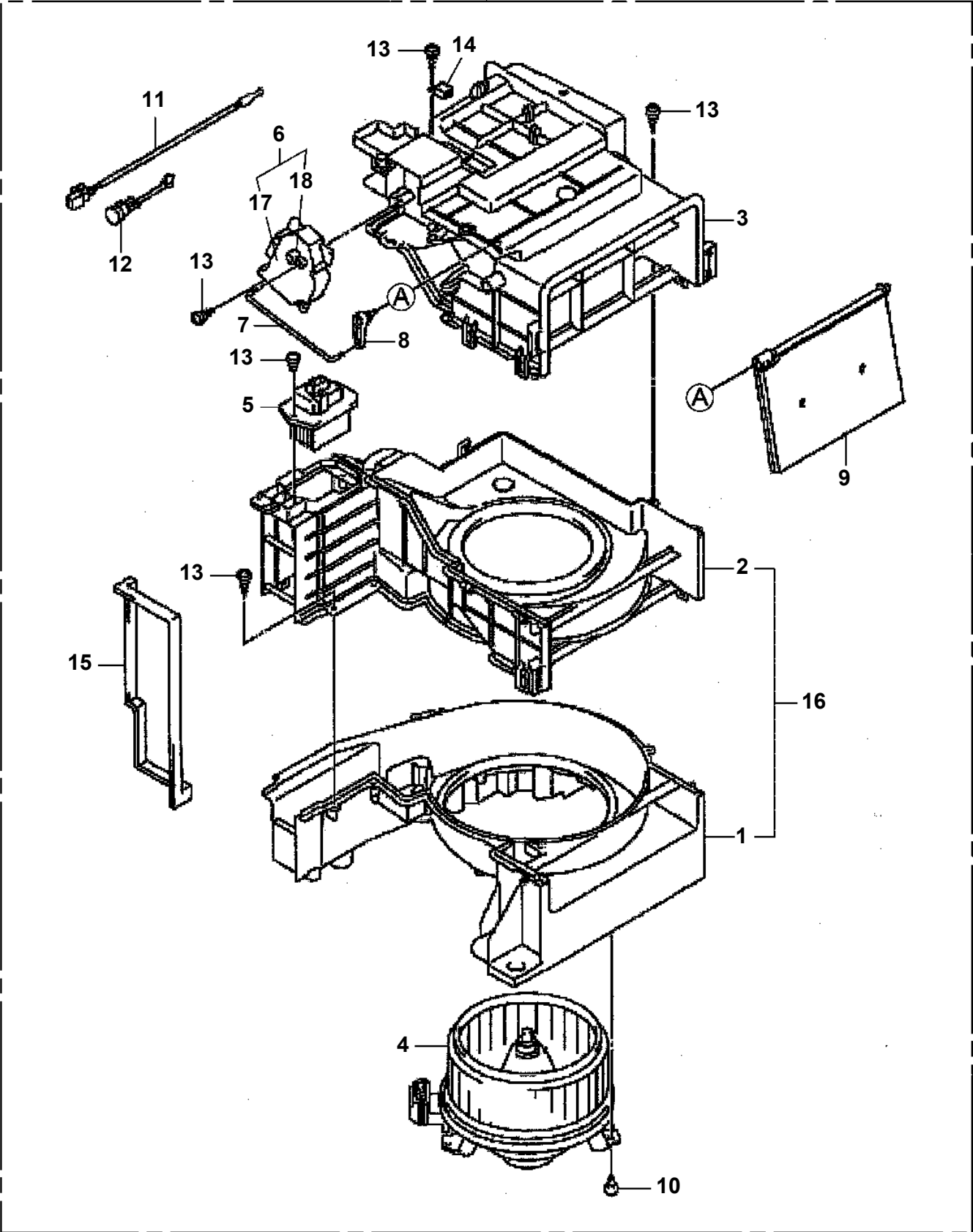
MACHINES OF SOME SERIAL NO. ARE NOT EQUIPPED WITH THESE PARTS.

## GR-700N-2-00101 6 BOOM + 3 JIB,2M2D

PM5150757-00 MODIFICATION ASSY  
PM5150782-01 MODIFICATION ASSY (FOR THE WARNING OF COOLANT QUANTITY)  
PM5150980-00 MODIFICATION ASSY (OIL CATCH TANK FOR AIR DRYER)  
PM5151147-00 MODIFICATION ASSY (LEFT-FRONT CAMERA/NOWEBASTO)  
PM5170007-01 MOMENT LIMITER:AML  
PM5170007-01 MOMENT LIMITER:AML  
PM5210021-00 MOTOR ASSY,OIL  
PN1080436-00 LAMP (WAY SIDE LAMP)  
PN1080437-00 LAMP (WAY SIDE LAMP)  
PN1370123-00 BATTERY (YUASA,145F51)  
PN1370124-00 BATTERY (PANASONIC,130F51)  
PN1370125-00 BATTERY (GLOBAL & YUASA,130F51)  
PN1370143-00 BATTERY (HYUNDAI ENERCELL)  
PN5010460-01 NAME PLATE ASSY (FOR ALREADY DELIVERDE MACHINES)  
PN5011522-00 NAME PLATE ASSY (PEDAL LAYOUT, DIRECTION FO OPERETION)  
PN5011525-00 NAME PLATE ASSY (COLLECTION OF CFC)  
PN5011526-00 NAME PLATE ASSY (STANDARD:CREVO 700 G4)  
PN5011527-00 NAME PLATE ASSY (SILVER:CREVO 700 G4)  
PN5011528-01 NAME PLATE ASSY (UPPER 2)  
PN5011529-01 NAME PLATE ASSY (LOW NOISE,EXHAUST GAS,NETIS)  
PN5011530-01 NAME PLATE ASSY (UPPER 1)  
PN5011531-01 NAME PLATE ASSY (CAB)  
PN5011536-00 NAME PLATE ASSY (EQUIVALENT TO SPARK ARRESTER)  
PN5011537-01 NAME PLATE ASSY (LOWER 2)  
PN5011538-01 NAME PLATE ASSY (LOWER 1)  
PN5011796-00 NAME PLATE ASSY (INSIDE CAB)  
PN5011797-00 NAME PLATE ASSY (OUTSIDE CAB)  
PO1012758-01 PLATE ASSY,NAME (HOOK,SHEAVE 1,OPTION)  
PO1050147-00 MARKING (BOOM)  
PO1080001-02 PLATE,NAME (LOW NOISE MARK)  
PO1080062-01 PLATE,NAME (EMISSION CONTROL STANDARD)  
PO1080084-00 PLATE,NAME (NETIS)  
PO5010038-00 OPE.ASSY (ELECTRIC REMOTE CONTROL UNIT)  
PO5010039-00 OPE.ASSY (ELECTRIC REMOTE CONTROL UNIT)  
PO5020061-00 OPE.ASSY,ACCELERATOR (CAB)  
PO5040023-04 OPE.ASSY,BRAKE  
PO5080218-02 OPE.ASSY,CONT.VALVE (ISO)  
PO5080236-00 OPE.ASSY,CONT.VALVE (ISO,AUX WINCH/MAINWINCH PEDAL)  
PO5080237-00 OPE.ASSY,CONT.VALVE (ISO,TELESCOPING/ELEVATING PEDAL)  
PO5080238-00 OPE.ASSY,CONT.VALVE (ISO,BOOM ELEVAT./AUX WINCH PEDAL)  
PO5080239-00 OPE.ASSY,CONT.VALVE (ISO,TELESCOPING/AUX/MAIN PEDAL)  
PO5080240-00 OPE.ASSY,CONT.VALVE (ISO,TELESCOPING/AUX/ELEVATING)  
PO5080241-00 OPE.ASSY,CONT.VALVE (ISO,ELEVAT./AUX,MAIN WINCH PEDAL)  
PO5080242-00 OPE.ASSY,CONT.VALVE (ISO,ELEVATING/TELESCOPING/AUX)  
PO5080248-01 OPE.ASSY,CONT.VALVE (TDN/ISO TO TDN)  
PO5120012-00 OPE.ASSY,OUTRIGGER  
PO5260099-00 OUTER COVERING ASSY (FENDER)  
PO5260100-00 OUTER COVERING ASSY (SWING FRAME)  
PO5270266-00 OUTRIGGER ASSY  
PO5270267-00 OUTRIGGER ASSY  
PP5120034-00 PARTS ASSY,GREASE (SWING BEARING)  
PP5120035-02 PARTS ASSY,GREASE (AXLE)  
PP5120036-01 PARTS ASSY,GREASE (MANUAL)  
PP5120037-02 PARTS ASSY,GREASE (ELECTRIC)  
PP5240012-00 PLATE,NAME  
PP5250001-01 PLATE,NAME (AML)  
PP5250001-01 PLATE,NAME (AML)  
PP5250001-01 PLATE,NAME (AML)  
PP5400004-00 PUMP (DEF SUPPLY MODULE)  
PP5420007-02 PUMP ASSY,OIL (MAIN)  
PP5420015-00 PUMP ASSY,OIL  
PP5430001-00 PUMP ASSY,WATER  
PP5440046-02 PLATE ASSY (BACK REFLECTOR)  
PP5440054-00 PLATE ASSY (REFLECTOR:YELLOW/BOOM TOP)

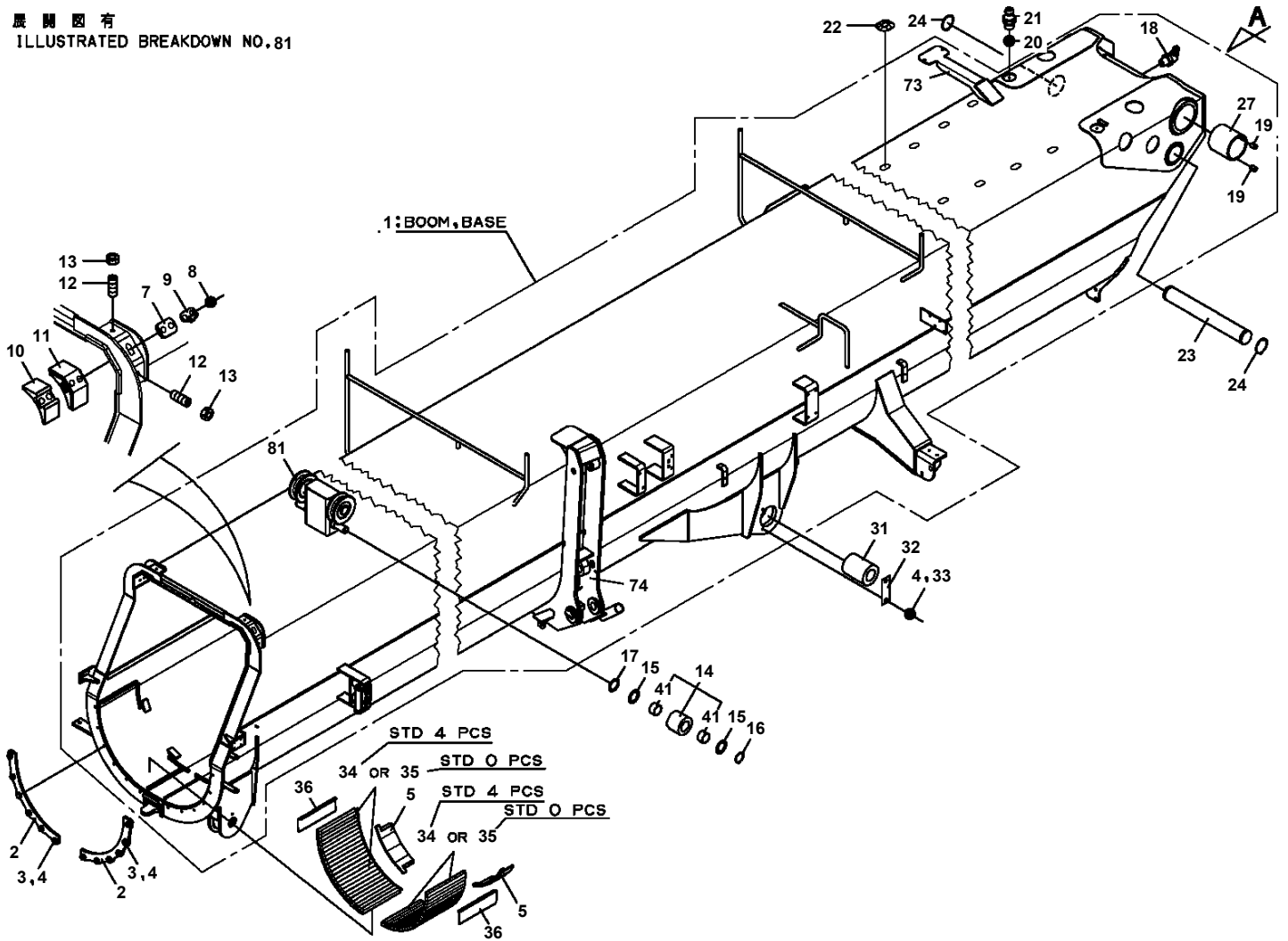
GR-700N-2-00101 6 BOOM + 3 JIB,2M2D  
PB5150001-00 BLOWER ASSY

100



**GR-700N-2-00101 6 BOOM + 3 JIB,2M2D**  
**PB5200018-01 BOOM ASSY,BASE**

展開圖有  
 ILLUSTRATED BREAKDOWN NO.81



# GR-700N-2-00101 6 BOOM + 3 JIB,2M2D

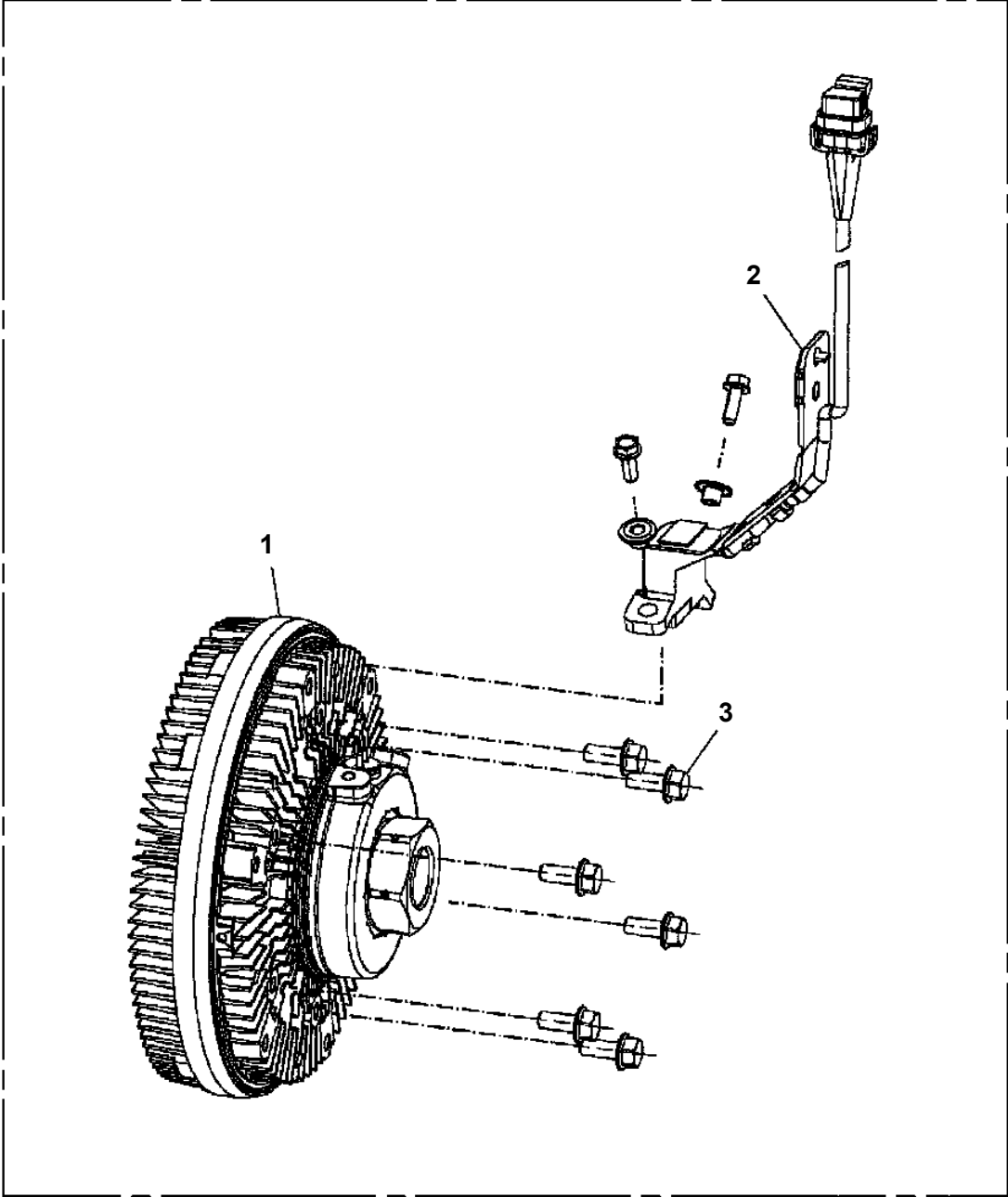
Pos No.	Parts No	Parts Name	Qty	Unit	Technical Data	Serial No (Start)	Serial No (End)
1	34932092100	BOX	1				
2	34932092200	COVER	1				
3	34932092300	COVER	1				
4	34932092400	SUPPORT (SAFETY RELAY)	1				
5	34932092500	BOX ASSY (FUSE)	1				
6	34932092600	RELAY ASSY	1				
7	82161901051	RELAY	1				
8	82173400010	BOX,FUSE	1				
9	34930901010	SUPPORT	2				
10	82171500100	FUSE	1		100A		
11	82171500120	FUSE	1		120A		
12	82121513010	HOLDER	1				
13	82121513020	HOLDER	2				
14	82174103526	FUSE (75A,7323-3526-40>	1				
15	37002711600	CABLE	1		L=200		
16	37002711420	CABLE	1		L=300		
17	37002711160	CABLE	1		L=4000		
18	37002711180	CABLE (ALTERNATOR,FUSE)	1		L=3800		
19	37002711610	CABLE	1		L=4000		
20	37002711620	CABLE	1		L=800		
21	91860100018	CLAMP	2		KCR-W18		FE1389
	91860100018	CLAMP	1		KCR-W18	FE1390	
22	91860100026	CLAMP	1		KCR-W26		
23	91860100045	CLAMP	2		KCR-W45		
24	90186208014	BOLT,FLANGE	12		M8X14		
25	90186208025	BOLT,FLANGE	2		M8X25		
26	80197586012	SCREW,MACHINE	8		M6X12		
27	80192486016	SCREW,MACHINE	9		M6X16		
28	90280200600	NUT,FLANGE	6		M6		
29	90303290600	WASHER,PLAIN	4		6		
30	90280200800	NUT,FLANGE	4		M8		
31	91810130250	FASTENER	5				
33	91860100012	CLAMP	1		KCR-W12		
34	91860100022	CLAMP	1		KCR-W22		
35	90303290800	WASHER,PLAIN	2		8		
36	91860100015	CLAMP	1		KCR-W15	FE1390	
101	(*****)	ACCESSORY LIST (ELECTRICAL DEVICE)	1				

# GR-700N-2-00101 6 BOOM + 3 JIB,2M2D

Pos No.	Parts No	Parts Name	Qty	Unit	Technical Data	Serial No (Start)	Serial No (End)	Remarks	Pages
1	34732711000	FLOAT ASSY	4						
2	34732712000	STOPPER	4						
21	90191512045	BOLT	32		M12X45				
22	90302041201	WASHER,SPRING	32		12				
23	34611242700	COVER	8						
25	82456101000	NIPPLE,GREASE	4		A-PT1/8				

GR-700N-2-00101 6 BOOM + 3 JIB,2M2D  
PC5300002-00 CLUTCH ASSY

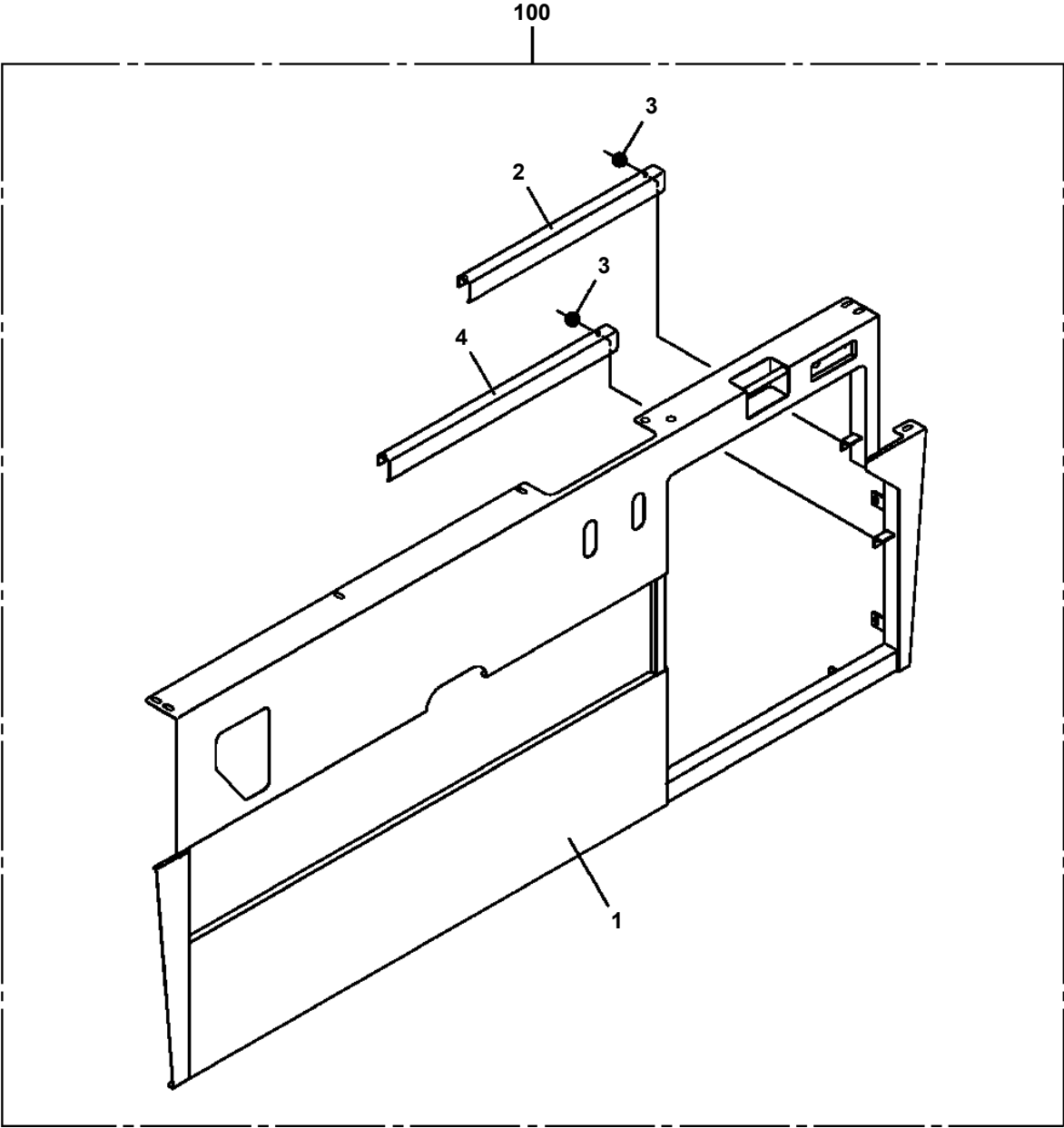
100



# GR-700N-2-00101 6 BOOM + 3 JIB,2M2D

Pos No.	Parts No	Parts Name	Qty	Unit	Technical Data	Serial No (Start)	Serial No (End)	Remarks
1	36172205010	BOARD,CPU (WITH DATA)	1					
2	36171585120	BOARD ASSY (VCU SUB)	1					
10	36171585200	SCREW,SET	10					
11	36171585210	SCREW,SET	13					
12	36171585220	SPACER	10					
100	36172200000	CONTROLLER (VCU)	1					

GR-700N-2-00101 6 BOOM + 3 JIB,2M2D  
PC5570155-00 COVER ASSY



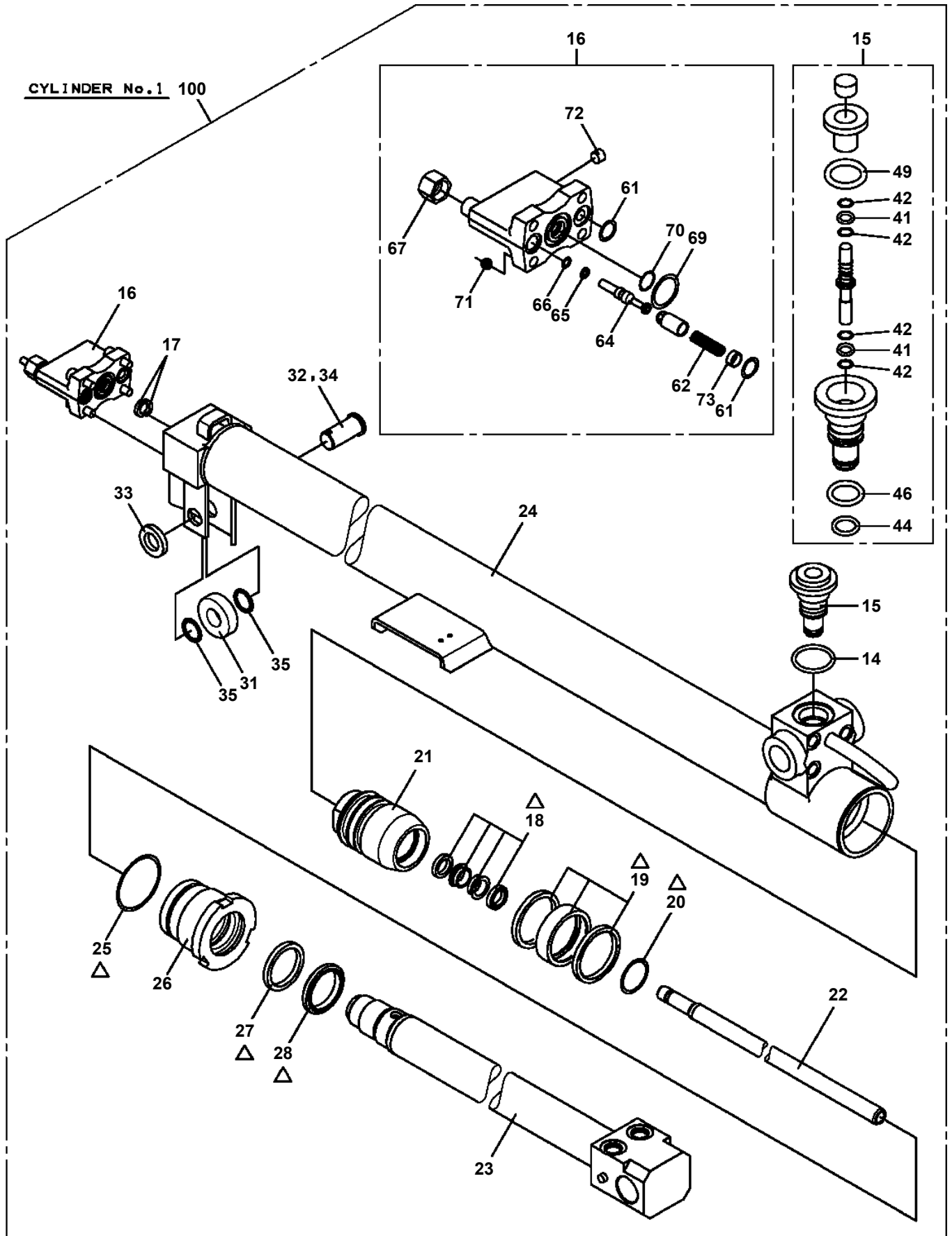
# GR-700N-2-00101 6 BOOM + 3 JIB,2M2D

Pos No.	Parts No	Parts Name	Qty	Unit	Technical Data	Serial No (Start)	Serial No (End)	Remarks	Pages
1	34693494100	COVER (L)	1						
2	34693494200	COVER (R)	1						
3	34693784300	COVER	1						
4	34693784400	COVER (L)	1						
5	34693784500	COVER (R)	1						
6	90186208014	BOLT,FLANGE	6		M8X14				

# GR-700N-2-00101 6 BOOM + 3 JIB,2M2D

Pos No.	Parts No	Parts Name	Qty	Unit	Technical Data	Serial No (Start)	Serial No (End)	Remarks	Pages
1	34496721010	CURTAIN (SIDE)	1						
2	34496721020	CURTAIN (REAR)	1						
3	34496727530	HOOK (RUNNER)	12						
4	34496727540	SCREW	4						
100	34496721001	CURTAIN	1						

**GR-700N-2-00101 6 BOOM + 3 JIB,2M2D**  
**PC6380028-00 CYLINDER ASSY,EXTENSION (NO.1)**



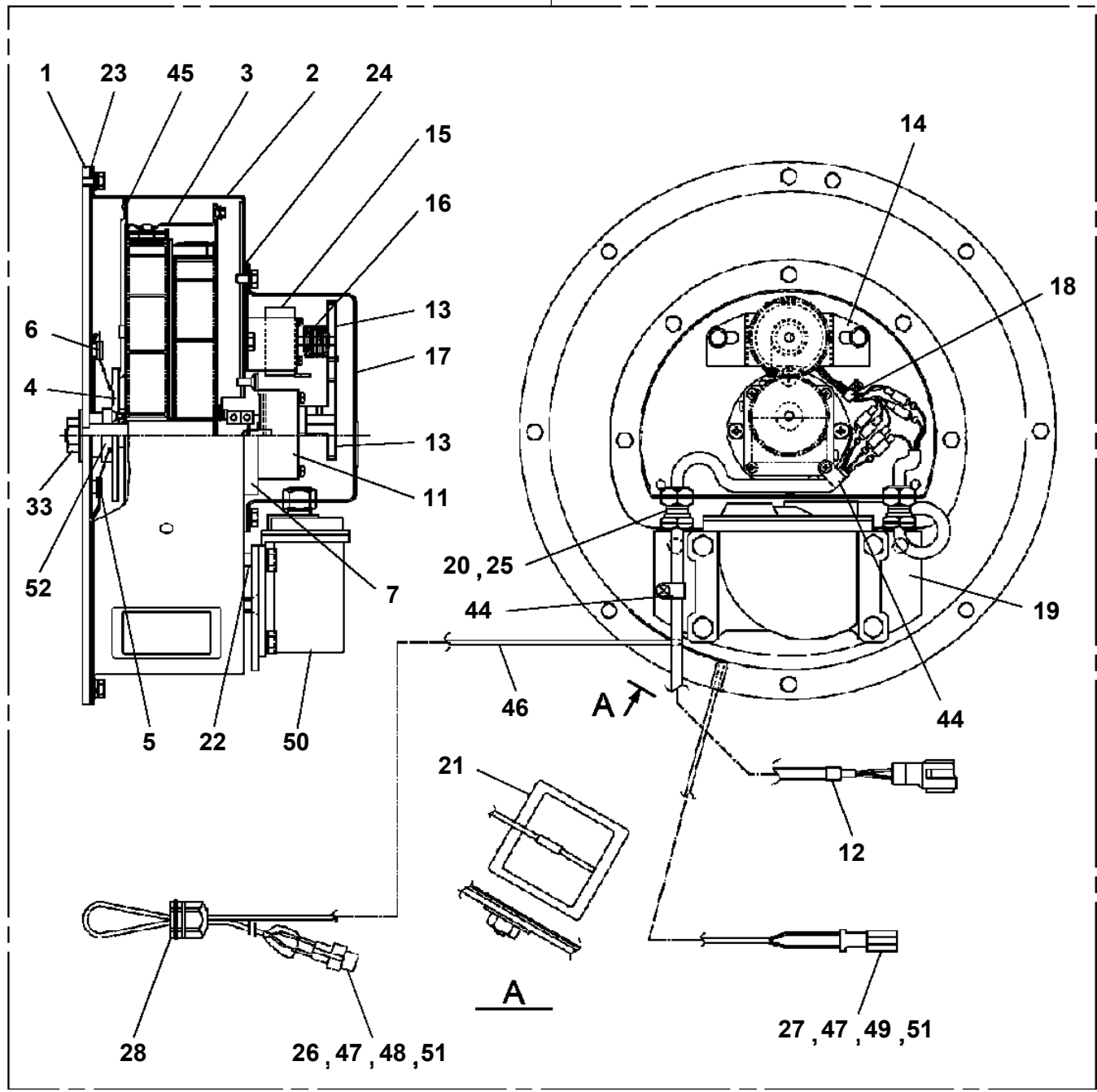
△:PACKING SET KEY NO.80 (KEY NO.18,19,20,25,27,28)

## GR-700N-2-00101 6 BOOM + 3 JIB,2M2D

Pos No.	Parts No	Parts Name	Qty	Unit	Technical Data	Serial No (Start)	Serial No (End)
1	37001101020	ROLLER ASSY	1				
2	37000105550	PIN	1				
3	16316005000	COLLAR	2		L=4		
4	80136340036	PIN,SPLIT	1		4X36		
6	59457138000	PLUG ASSY	1				
7	36018818820	CYLINDER	1				
8	37001602800	NUT	1				
9	90730008120	SCREW,SET	1		M8X12		
10	91302314000	BEARING,PLAIN	2				
11	91684014003	PACKING	2				
12	91431212501	RING,BACKUP	2				
13	91002910000	O-RING	1		1B G100		
14	36015793001	PISTON	1				
15	36018341000	ROD	1				
16	91002914500	O-RING	1		1B G145		
17	91410114500	RING,BACKUP	1				
18	91251101200	RING,DAMPER	1				
19	91694012000	PACKING	1				
20	91430212000	RING,BACKUP	1				
21	91301112000	BEARING,PLAIN	1				
22	91000525800	O-RING	1				
23	91660012001	SEAL,DUST	1				
24	36017203000	COVER,ROD	1				
25	90172110025	BOLT,HEXAGON SOCKET	4		M10X25		
26	90302041001	WASHER,SPRING	4		10		
27	36605480000	CARTRIDGE, COUNTERBALANCE	1				
28	19116004000	COVER	1				
51	80516006204	BEARING,BALL	2				
62	80612111270	RING,RITAINING	1		AR127		
63	37000404100	BEARING,PLAIN	1				
80	36017209901	PACKING SET	1		120X140		
100	36018810000	CYLINDER ASSY,TELESCOPING (NO.1)	1				

GR-700N-2-00101 6 BOOM + 3 JIB,2M2D  
PD5080011-00 DETECTOR ASSY,LENGTH (BOOM)

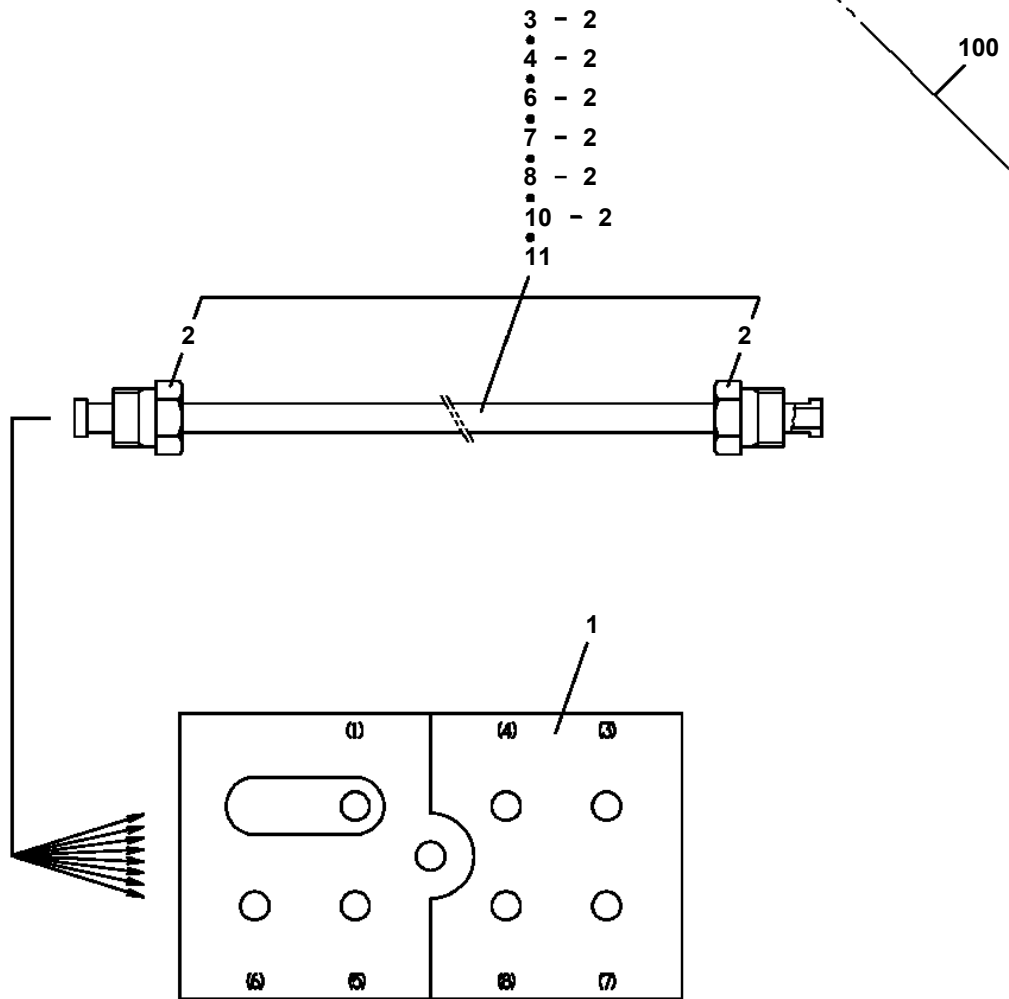
100



# GR-700N-2-00101 6 BOOM + 3 JIB,2M2D

Pos No.	Parts No	Parts Name	Qty	Unit	Technical Data	Serial No (Start)	Serial No (End)	Remarks	Pages
2	34970277510	JOINT	8						
100	34970911000	DISTRIBUTOR	1						

GR-700N-2-00101 6 BOOM + 3 JIB,2M2D  
 PD5180066-01 DISTRIBUTOR ASSY (4TH AXLE-RIGHT:WITH HOSE)

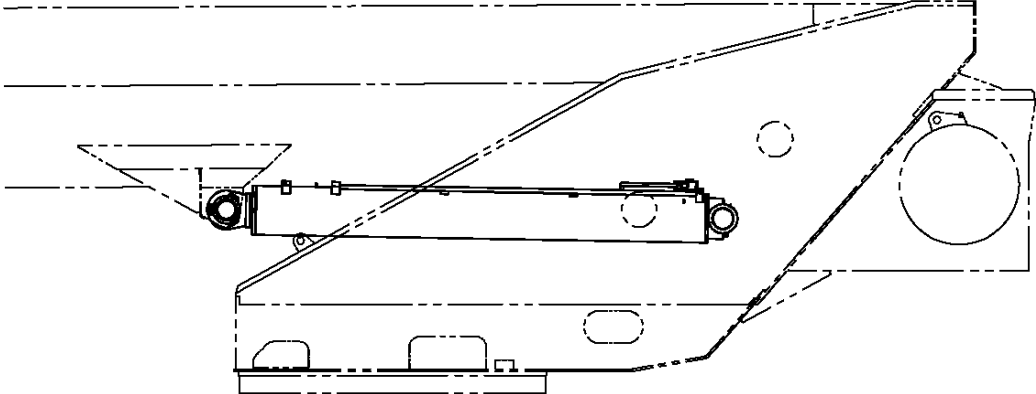
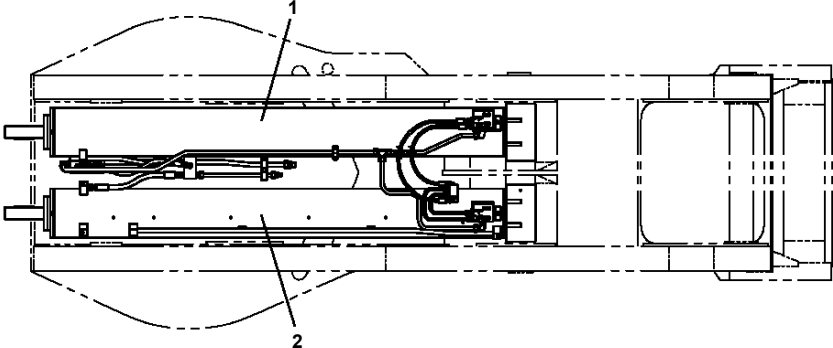


PORT NO.	KEY NO.	CONNECTION POINT
(1)	8	4輪レフトステアリングシリンダ 4 LEFT STEERING CYLINDER
(2)		
(3)	6	4輪ライトキングピンアッパ 4 RIGHT KINGPIN UPPER
(4)	11	4輪ライトステアリングシリンダ 4 RIGHT STEERING CYLINDER
(5)	3	4輪ライトタイロッドエンド 4 RIGHT TIE ROD END
(6)	4	4輪ライトサスシリンダアッパ 4 RIGHT SUSPENSION CYLINDER UPPER
(7)	7	4輪ライトステアリングロッド 4 RIGHT STEERING ROD
(8)	10	4輪ライトサスシリンダロア 4 RIGHT SUSPENSION CYLINDER LOWER

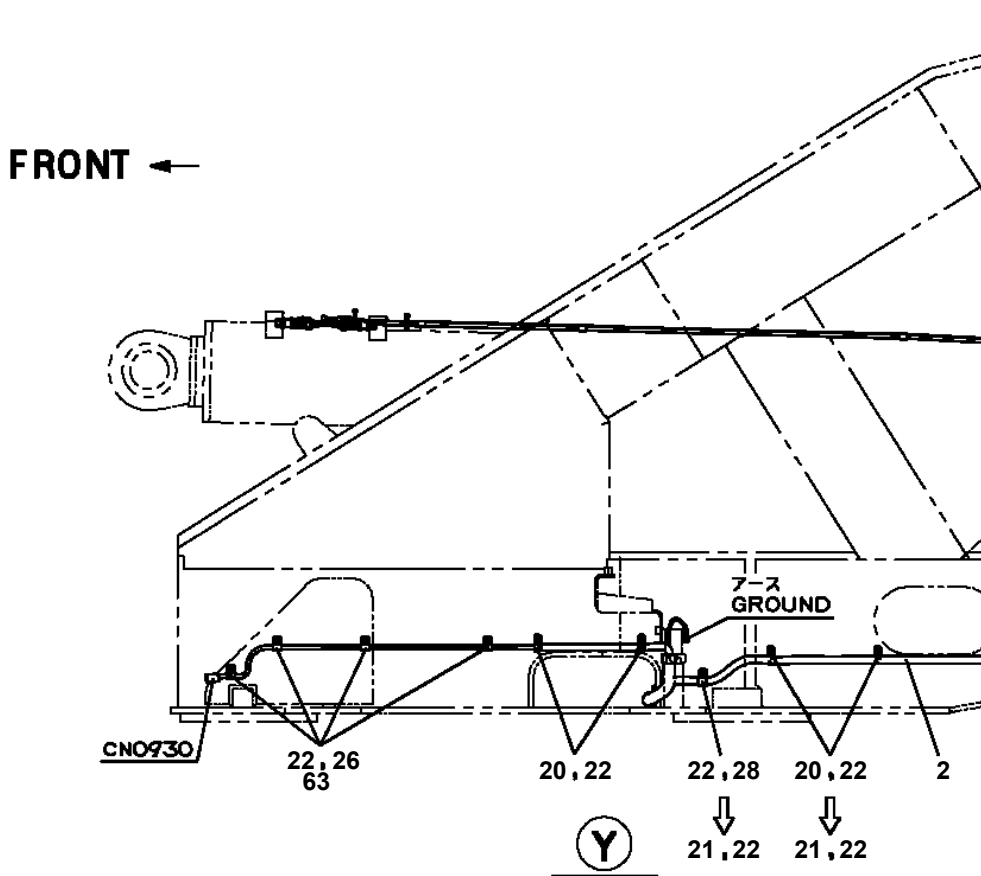
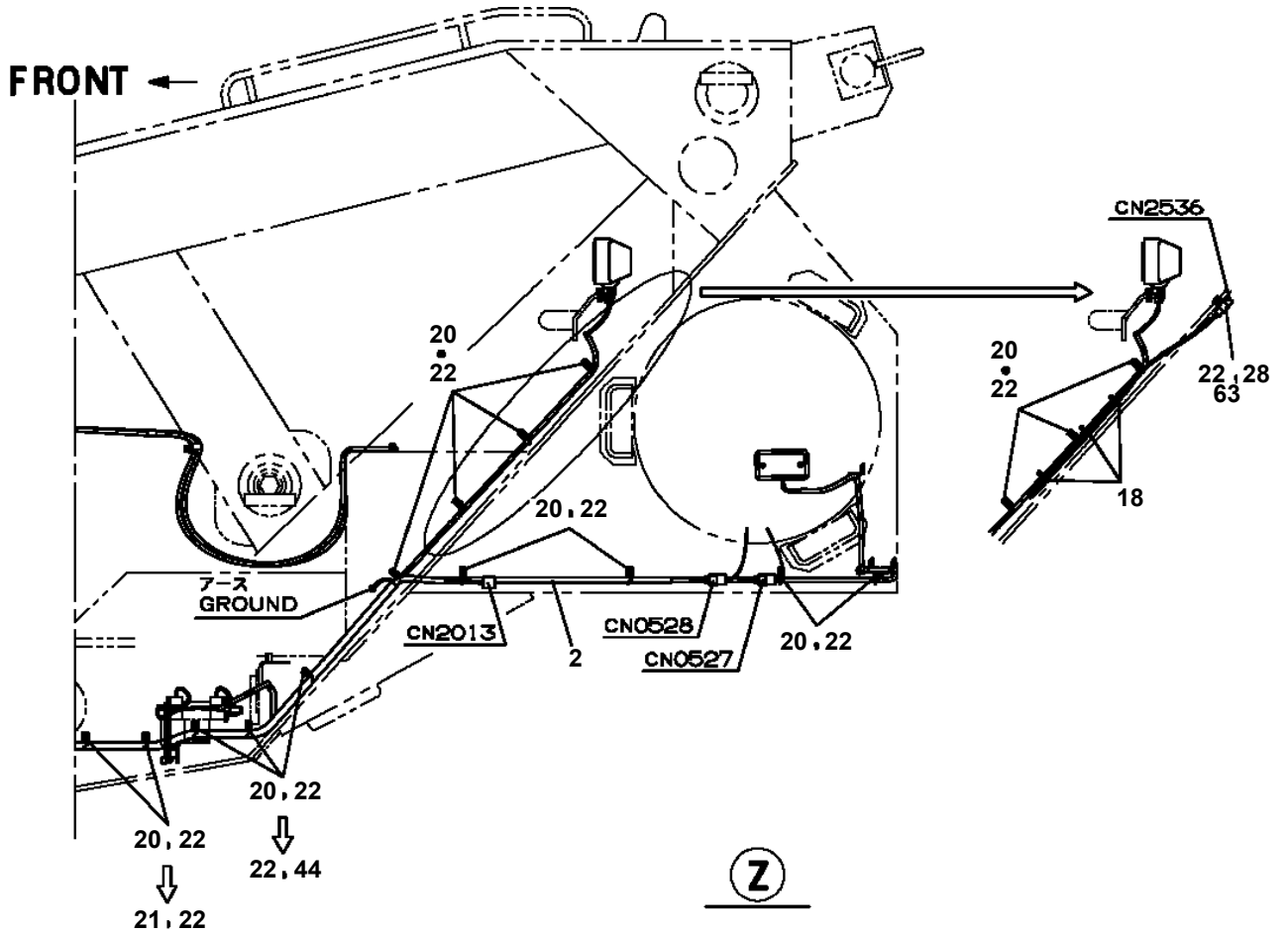
# GR-700N-2-00101 6 BOOM + 3 JIB,2M2D

Pos No.	Parts No	Parts Name	Qty	Unit	Technical Data	Serial No (Start)
1	34970890300	DISTRIBUTOR (ASSY ONLY)	1			
2	56479000080	NUT,FLARE	14			
4	34970649690	HOSE ASSY	1		IHI 6XT1,L=1000	
6	34970609520	HOSE ASSY	1		IHI 6XT1,L=850	
8	34970649720	HOSE ASSY	1		IHI 6XT1,L=1380	
9	34970649730	HOSE ASSY	1		IHI 6XT1,L=880	
11	34970649870	HOSE ASSY	1		IHI 6XT1,L=1620	
12	34970649680	HOSE ASSY	1		IHI 6XT1,L=1790	
13	34970649930	HOSE ASSY	1		IHI 6XT1,L=1450	
100	34970910500	DISTRIBUTOR ASSY (3RD AXLE-RIGHT:WITH HOSE)	1			

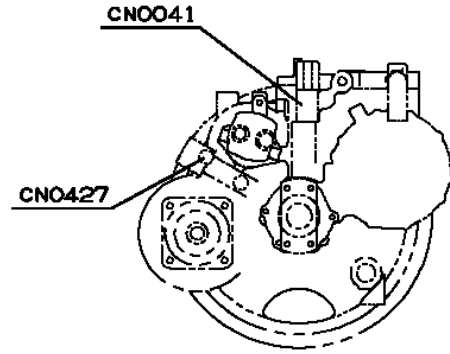
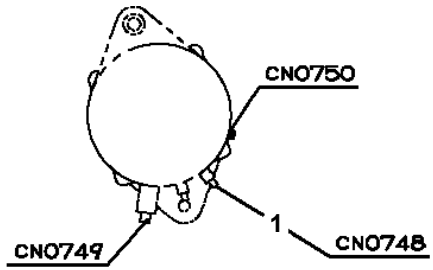
**GR-700N-2-00101 6 BOOM + 3 JIB,2M2D**  
**PE1010506-02 CYLINDER,ELEVATING (MOUNT)**



GR-700N-2-00101 6 BOOM + 3 JIB,2M2D  
 PE5020830-04 ELEC.ASSY (SWING FRAME)

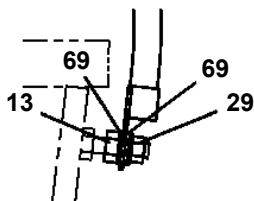
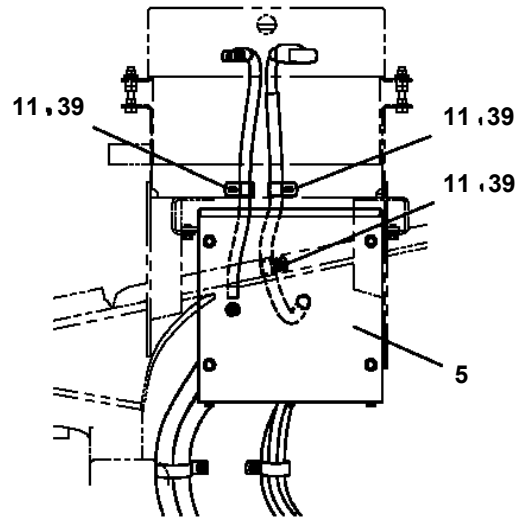
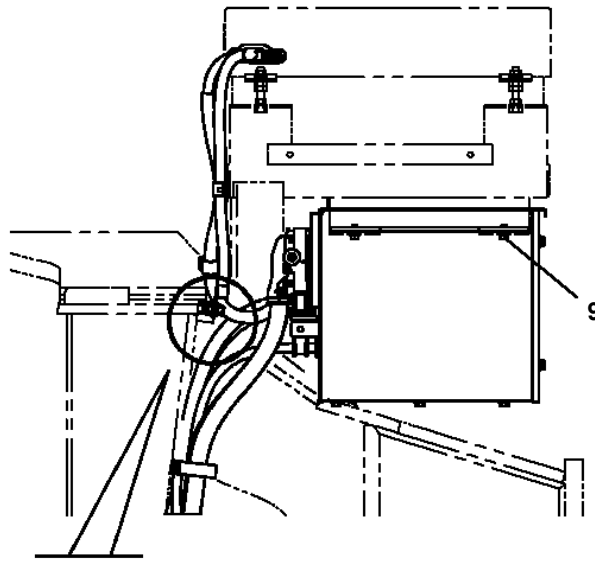


GR-700N-2-00101 6 BOOM + 3 JIB,2M2D  
 PE5020831-07 ELEC.ASSY (LOWER)

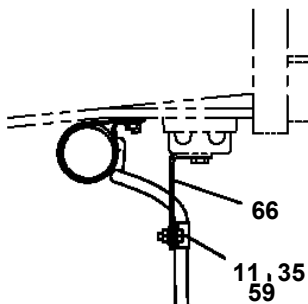


オルタネータ配線接続  
 ALTERNATOR  
 WIRING CONNECTION  
 車両前方より見る  
 VIEW FROM FRONT OF  
 THE VEHICLE

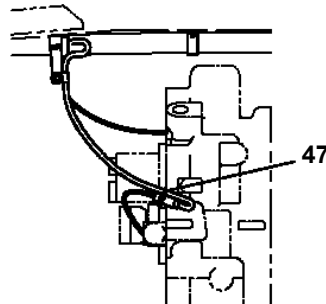
D



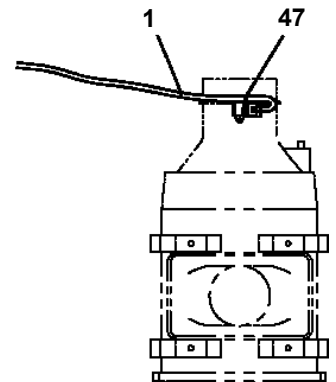
バッテリーアース取付詳細  
 DETAIL OF BATTERY  
 GROUND INSTALLATION



N

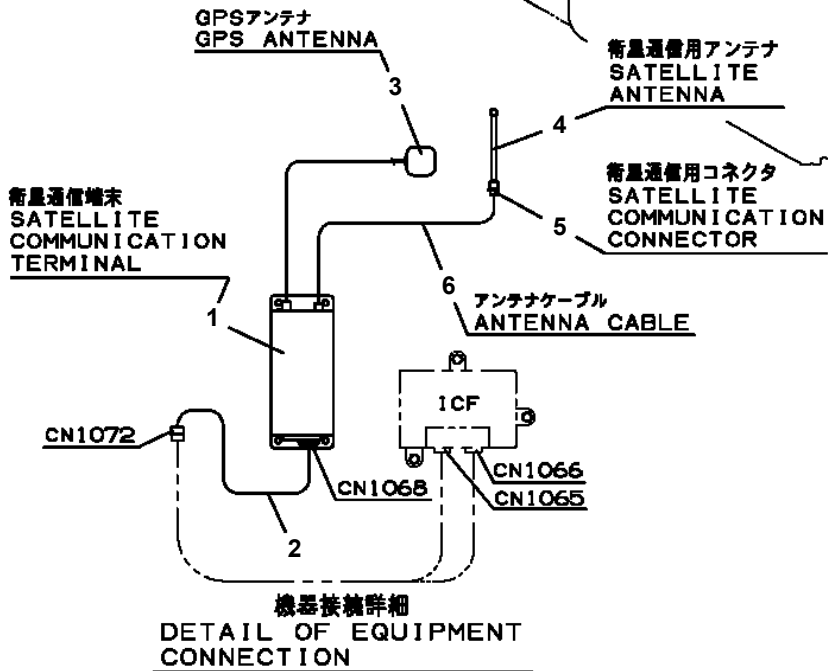
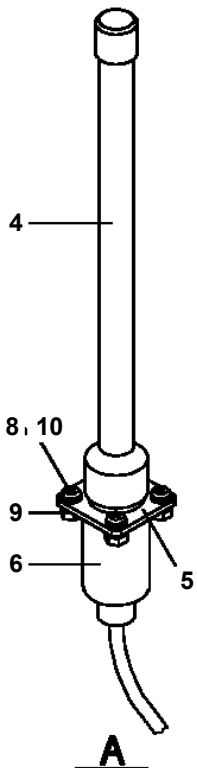
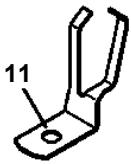
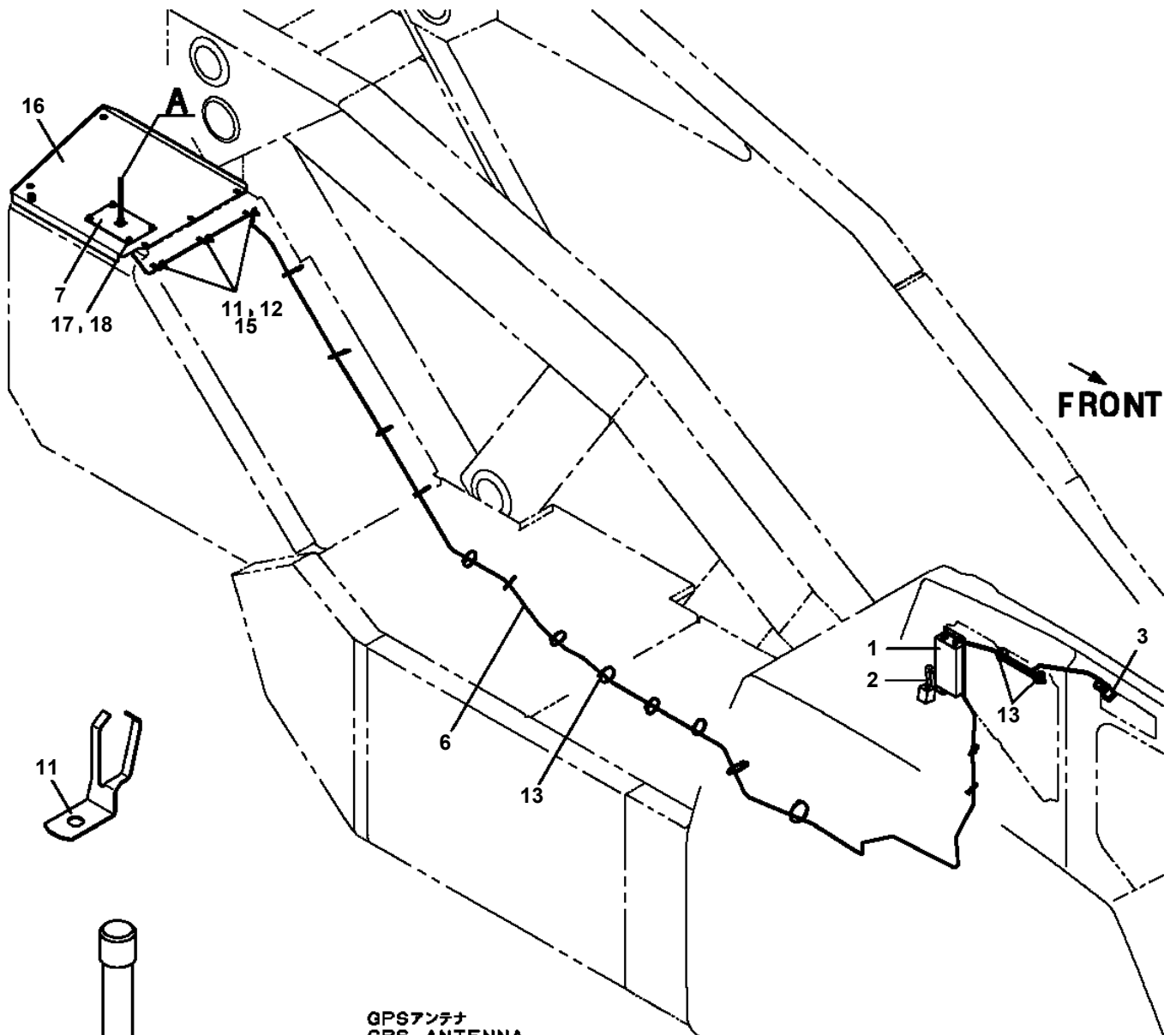


AD



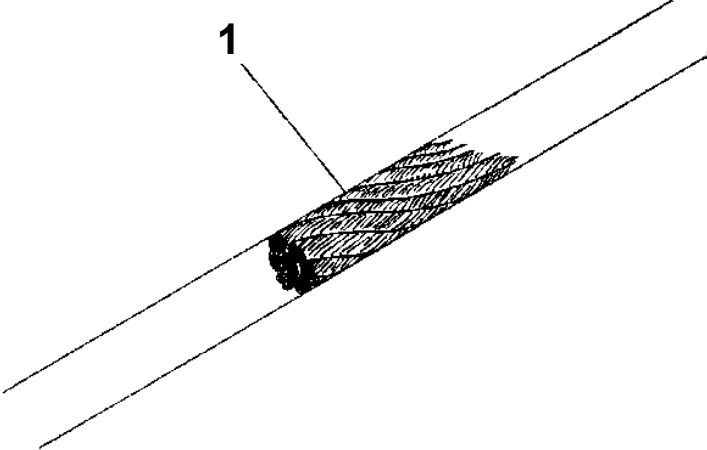
S

**GR-700N-2-00101 6 BOOM + 3 JIB,2M2D**  
**PE5020982-01 ELEC.ASSY (SATELLITE COMMUNICATION TERMINAL)**



**GR-700N-2-00101 6 BOOM + 3 JIB,2M2D**  
**PF1070032-00 ROPE,WIRE (TSK)**

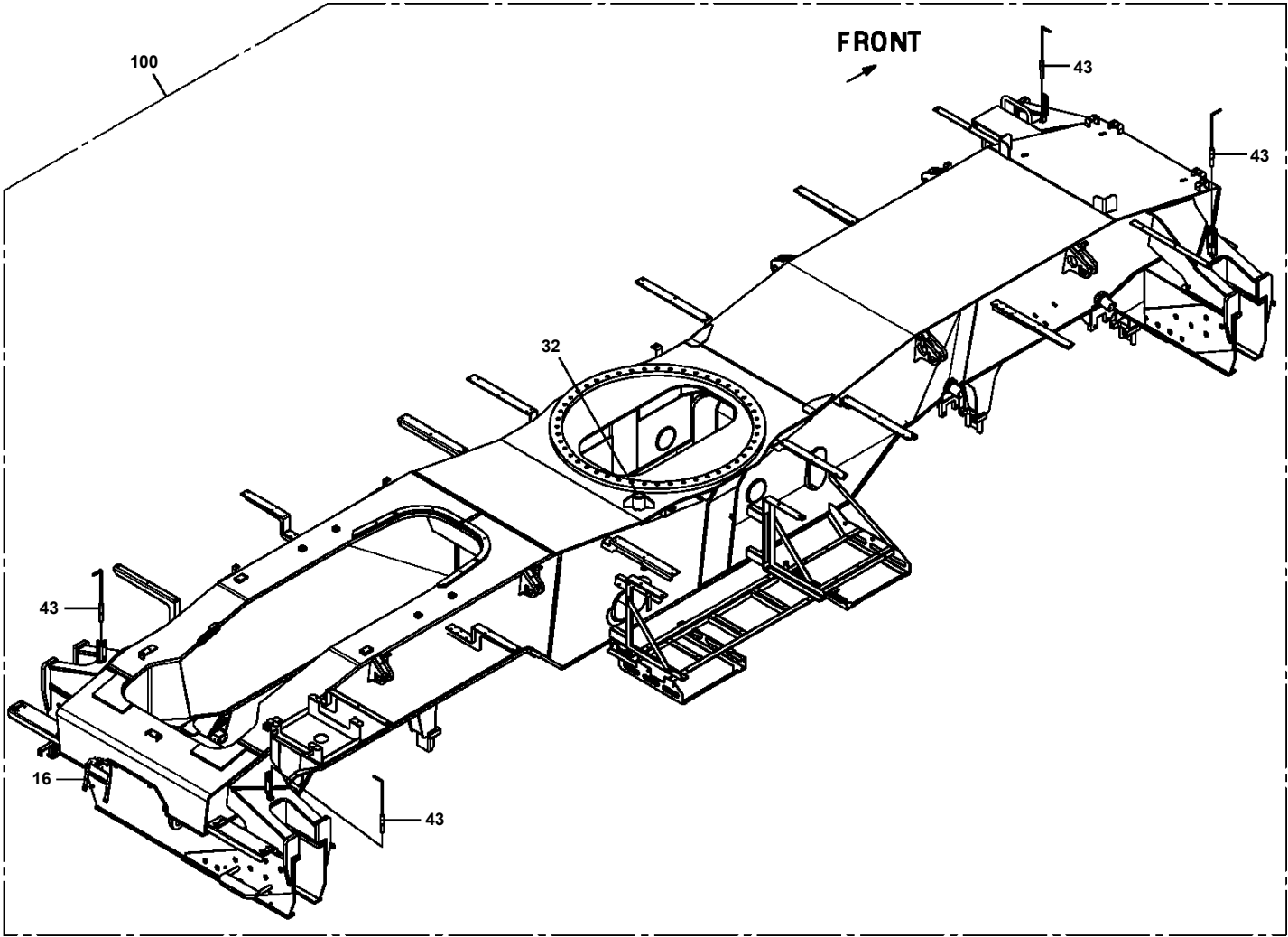
---



# GR-700N-2-00101 6 BOOM + 3 JIB,2M2D

Pos No.	Parts No	Parts Name	Qty	Unit	Technical Data	Serial No (Start)	Serial No (End)	Remarks	P
3	34781957541	ELEMENT KIT	1						
21	34781957530	O-RING	1						
100	34781951002	FILTER ASSY (WATER)	1						

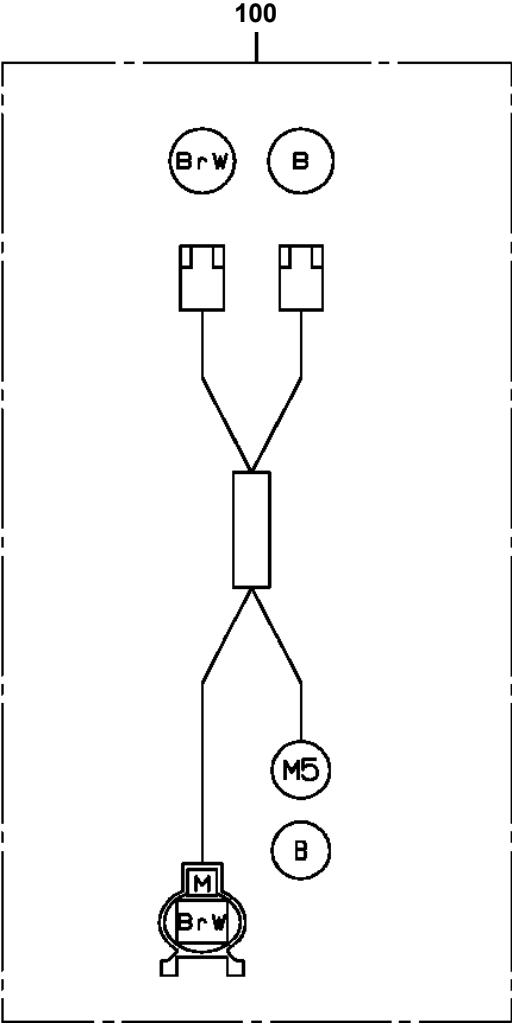
**GR-700N-2-00101 6 BOOM + 3 JIB,2M2D**  
**PF5100361-00 FRAME ASSY (KOZAI-IRON)**



# GR-700N-2-00101 6 BOOM + 3 JIB,2M2D

Pos No.	Parts No	Parts Name	Qty	Unit	Technical Data	Serial No (Start)	Serial No (End)	Remarks	Page
1	36711080000	REEL,HOSE (BODY)	1						0001
2	37002477670	HOSE (TWIN)	1						
3	82100001819	TUBE,SPIRAL	2	M	SE-18BK				
100	34345522500	REEL,HOSE	1						

GR-700N-2-00101 6 BOOM + 3 JIB,2M2D  
PH5031282-00 HARNESS



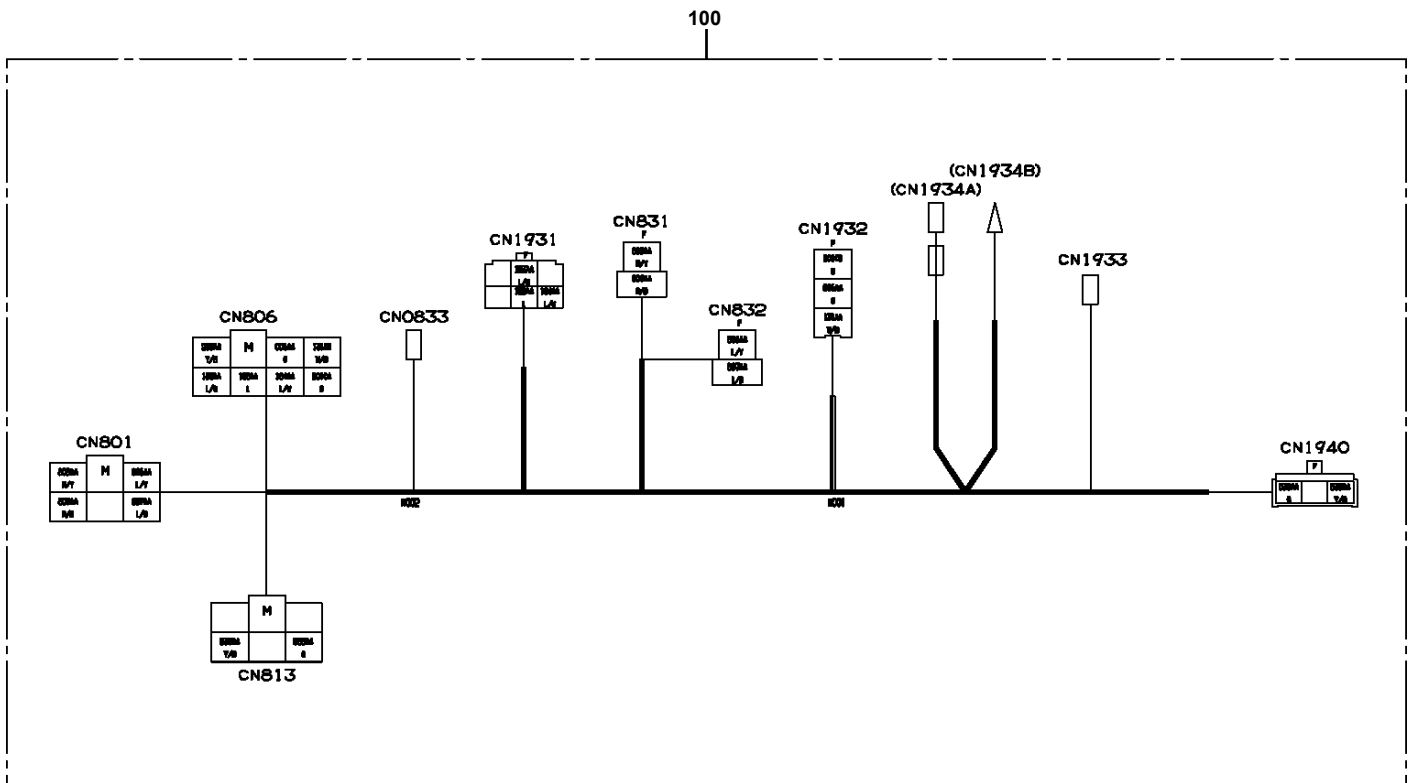
# GR-700N-2-00101 6 BOOM + 3 JIB,2M2D

Pos No.	Parts No	Parts Name	Qty	Unit	Technical Data	Serial No (Start)	Serial No (End)	Rema
1	82182819823	DIODE	14		1.5A			
2	82182819834	DIODE	2		1.5A			
3	82122704200	CAP	1					
4	82181809920	RESISTANCE	1		1.3 KILO-OHM ,0.5W			
5	82182819822	DIODE	3		3A			
100	34355271011	HARNESS (MAIN,IN CAB)	1					

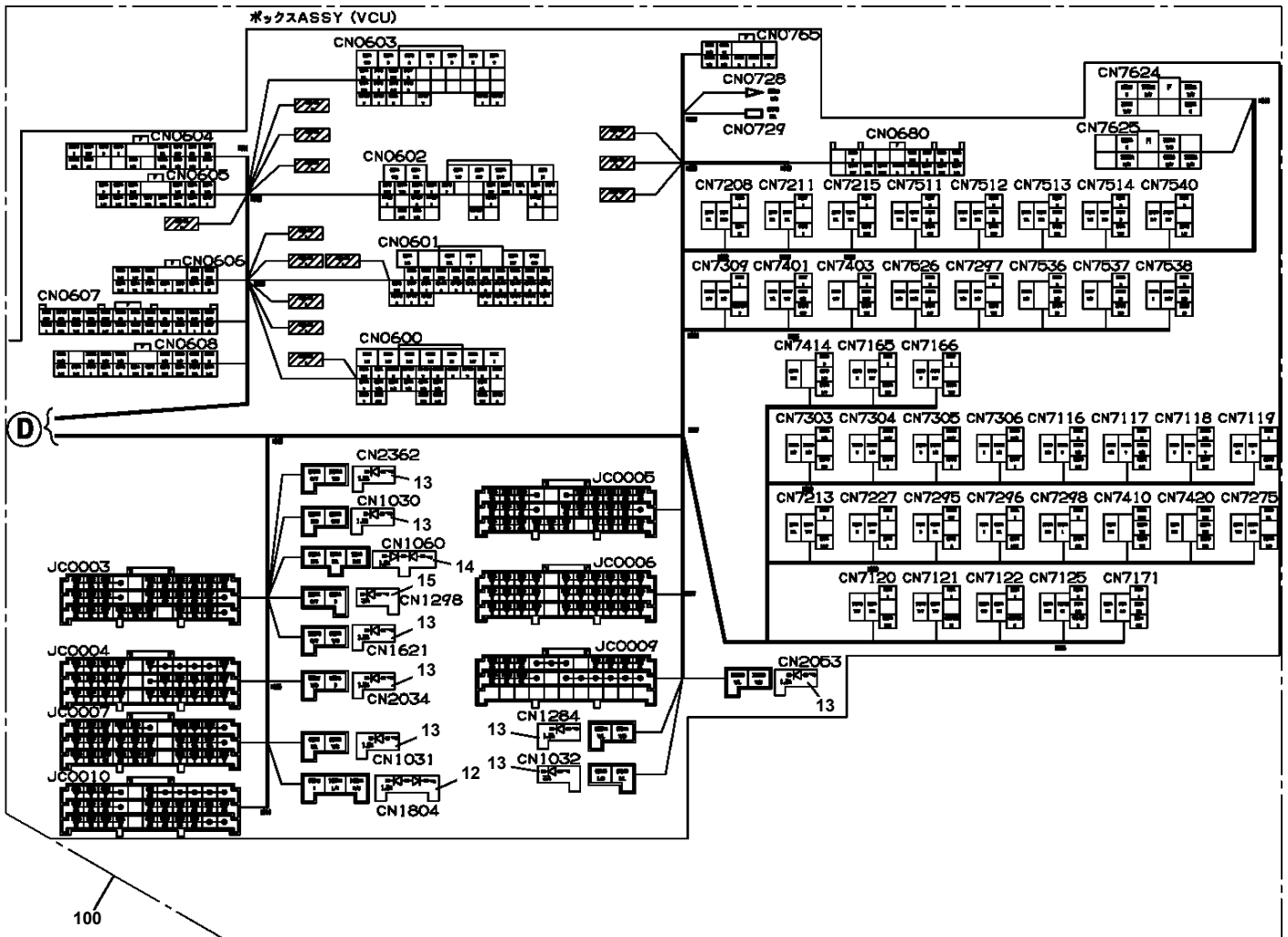
# GR-700N-2-00101 6 BOOM + 3 JIB,2M2D

Pos No.	Parts No	Parts Name	Qty	Unit	Technical Data	Serial No (Start)	Serial No (End)	Remarks	Pages
100	34355472301	HARNESS (BOOM)	1						

**GR-700N-2-00101 6 BOOM + 3 JIB,2M2D  
PH5032962-00 HARNESS**



GR-700N-2-00101 6 BOOM + 3 JIB,2M2D  
 PH5033730-00 HARNESS (MAIN)



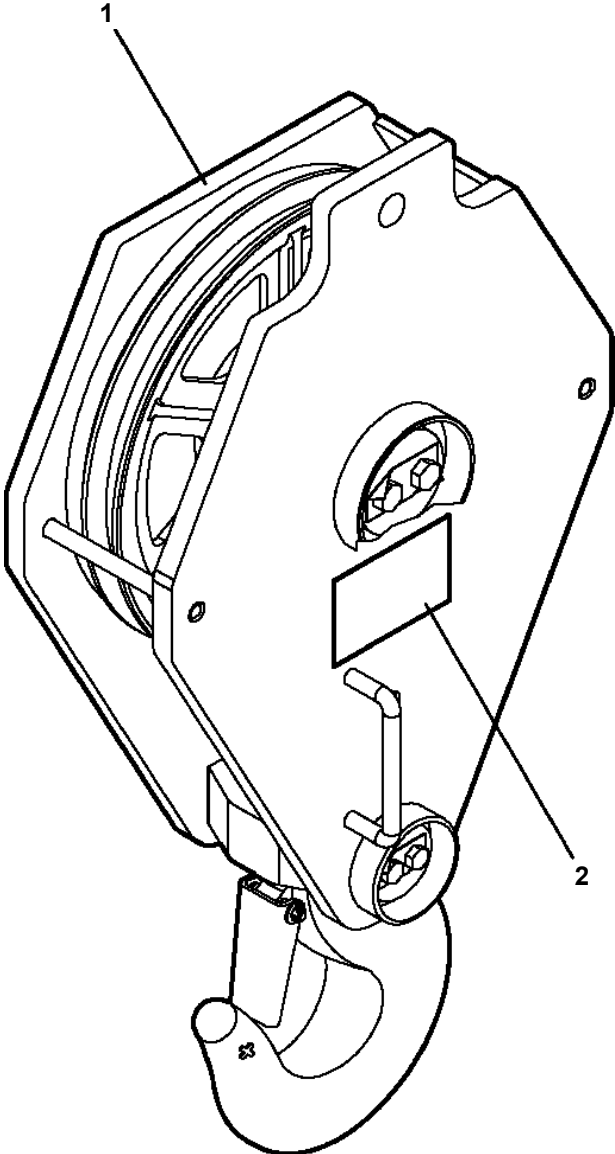
# GR-700N-2-00101 6 BOOM + 3 JIB,2M2D

Pos No.	Parts No	Parts Name	Qty	Unit	Technical Data	Serial No (Start)	Serial No (End)	Remarks	Pages
100	34373434000	HARNESS	1						

# GR-700N-2-00101 6 BOOM + 3 JIB,2M2D

Pos No.	Parts No	Parts Name	Qty	Unit	Technical Data	Serial No (Start)	Serial No (End)	Remarks	Pages
1	37010101660	PIN	1						
2	37001400380	SPRING	1						
3	37003000160	STOPPER	1						
4	80136320015	PIN,SPLIT	1		2X15				

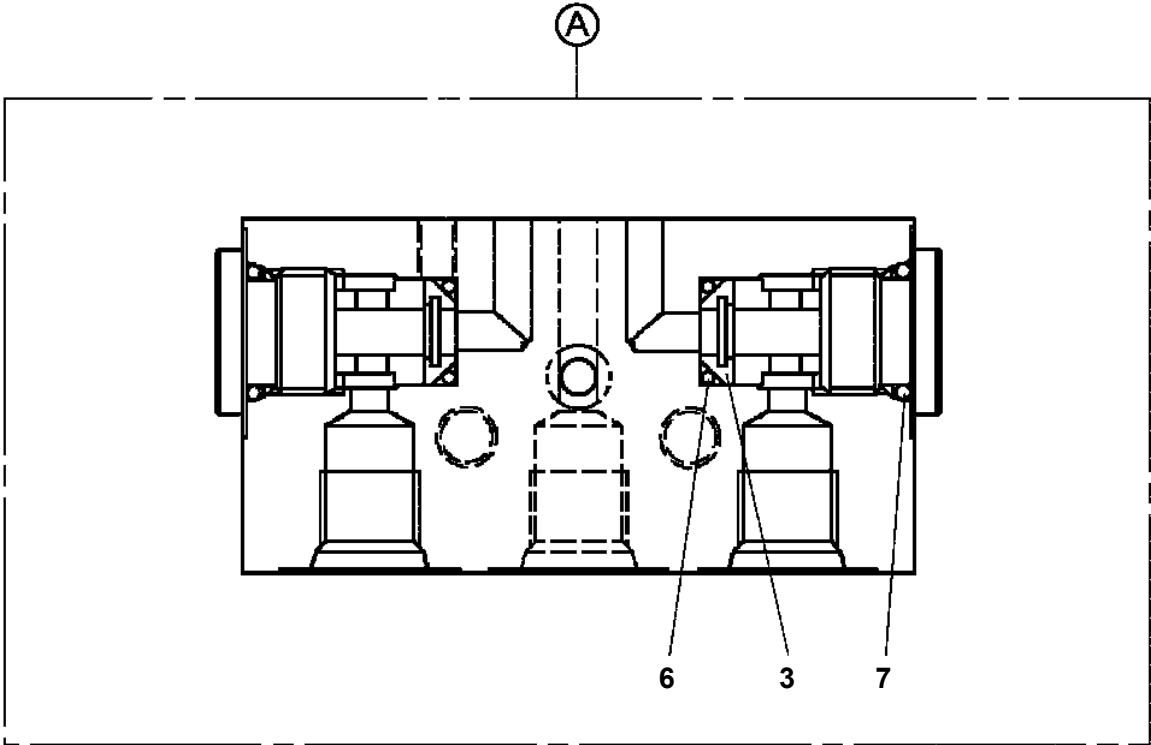
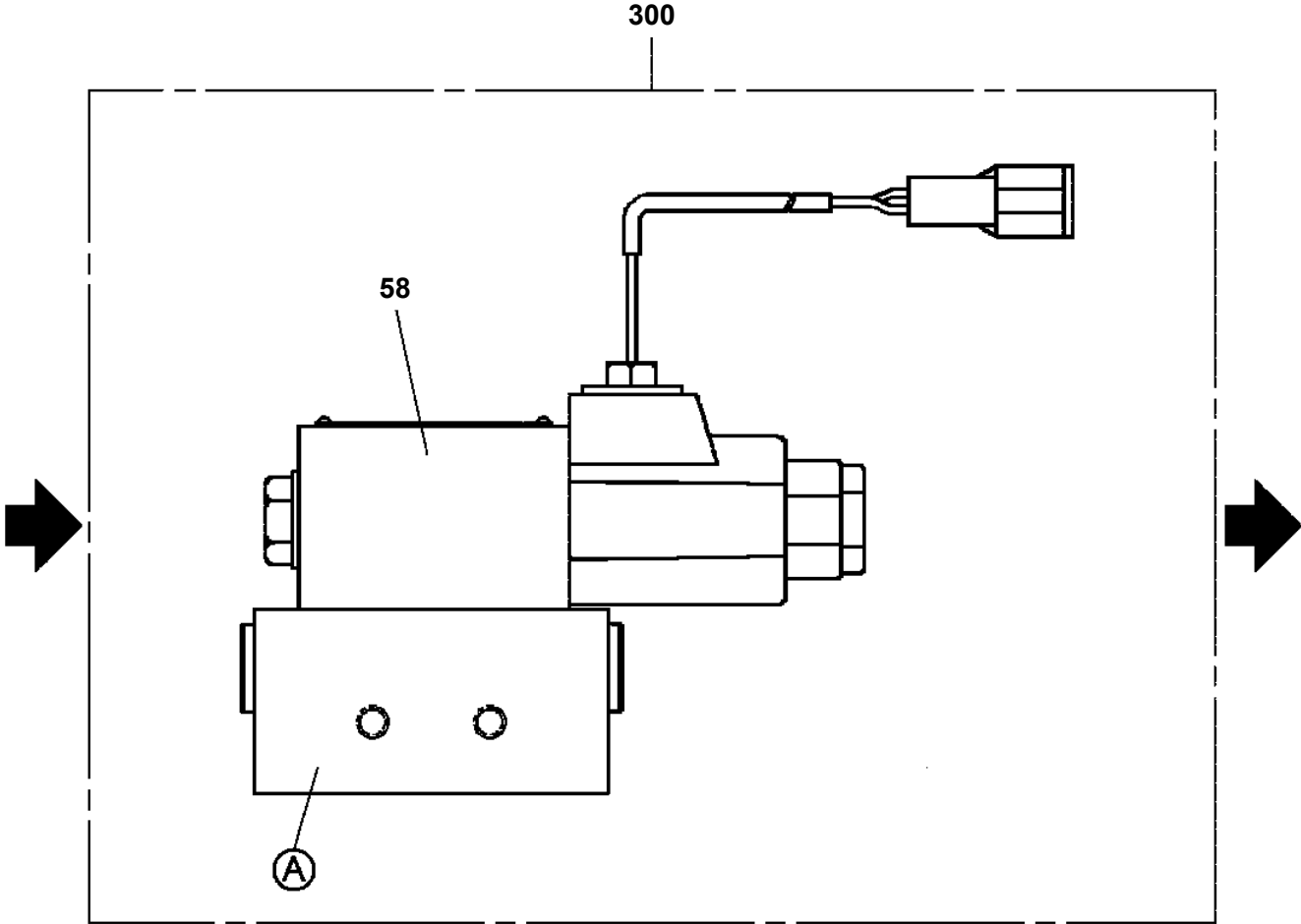
**GR-700N-2-00101 6 BOOM + 3 JIB,2M2D  
PH5080268-00 HOOK ASSY (3-PARTS OF LINE,12T)**



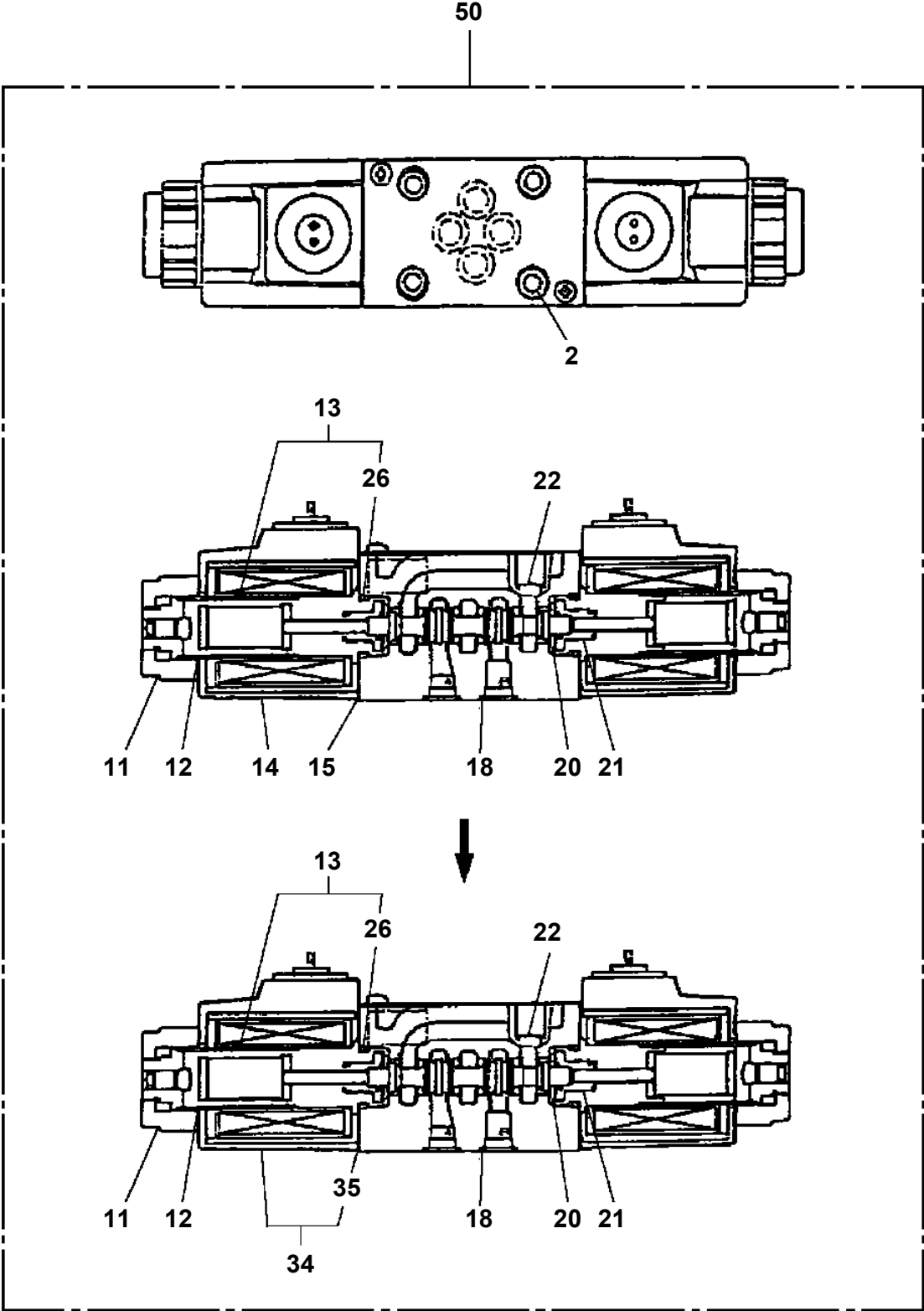
# GR-700N-2-00101 6 BOOM + 3 JIB,2M2D

Pos No.	Parts No	Parts Name	Qty	Unit	Technical Data	Serial No (Start)	Serial No (End)	Remark
1	36663575010	MOTOR,HYDRAULIC	1					
2	36663575020	VALVE,REGULATOR	1					
3	36663315030	VALVE,COUNTERBALANCE	1					
11	36663315040	PISTON	1					
12	36663575170	CYLINDER	1					
13	36663575030	COVER	1					
14	36663315070	PISTON	1					
15	36663575040	SHAFT	1					
16	36663315090	BUSHING (SPHERICAL)	1					
17	36663315100	SPRING	9					
18	36663315110	PLATE	1					
19	36663315120	PLATE,SWASH	1					
20	36663315130	CASING	1					
21	36663575050	STOPPER	1					
22	36663315150	PIN	1					
23	91002802100	O-RING	1		1B P21			
24	90131916160	BOLT,HEXAGON SOCKET	4					
25	90131916130	BOLT,HEXAGON SOCKET	2					
26	80601110500	RING,RITAINING	1		S50			
27	80601110350	RING,RITAINING	2		S35			
28	80602110900	RING,RITAINING	1		R90			
29	36663315160	BEARING,ROLLER	1					
30	36663315170	BEARING,NEEDLE	1					
31	36653355010	PLUG	20					
32	36081275230	PLUG	1					
33	36648355440	PLUG	3					
34	36663315180	O-RING	3					
36	91002801800	O-RING	3		1B P18			
37	36663315190	SEAL,OIL	1					
38	36663315200	BALL	2					
41	36663315230	BALL	3					
43	91002801000	O-RING	4		1B P10			
44	36646965020	PLUG	6					
45	91002801100	O-RING	11		1B P11			
46	36663945060	COVER (BRAKE)	1					
47	36663575090	PISTON (BRAKE)	1					
48	36663575100	COUPLING	1					
49	36663595220	SPRING (BRAKE)	14					
50	36663575110	O-RING	1					
52	36663575120	SHIM	1					
53	36663575130	PLATE (SEPARATOR)	7					
54	36663575140	PLATE (FRICTION)	6					
55	36604915060	RETAINER (VALVE)	1					
56	36080285170	BREATHER,AIR	2					
71	90131908070	BOLT,HEXAGON SOCKET	4		M8X70			
72	90131906045	BOLT,HEXAGON SOCKET	4		M6X45			
73	36663575150	SEAT	3					
74	36663575160	STOPPER	3					
77	36663315240	ORIFICE	3					
80	91002800700	O-RING	3		1B P7			
91	36663315260	CASING	1					
93	91002903000	O-RING	4		1B G30			
97	90131910080	BOLT,HEXAGON SOCKET	7		M10X80			
98	36663315270	COVER	1					
99	36663315280	COVER	1					
101	36663315300	CHOKE	1					
108	90131910060	BOLT,HEXAGON SOCKET	4		M10X60			
109	90131910035	BOLT,HEXAGON SOCKET	4		M10X35			
111	80560054000	BALL,STEEL	1		5/32			
112	36663315320	SPRING	1					
113	36632155030	SPRING	1					
114	36663315330	PISTON	1					
115	36663315340	CHOKE	1					

GR-700N-2-00101 6 BOOM + 3 JIB,2M2D  
PI1120138-04 VALVE,SOLENOID



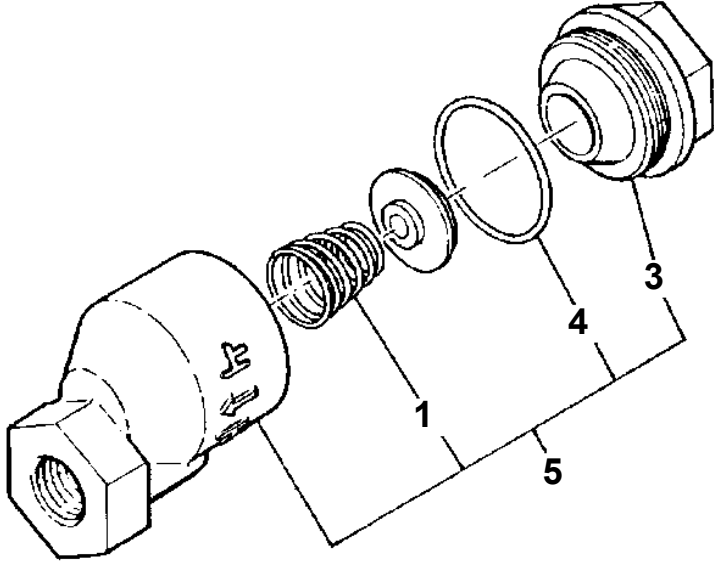
GR-700N-2-00101 6 BOOM + 3 JIB,2M2D  
PI1120233-01 VALVE,SOLENOID (TOKIMEC)



# GR-700N-2-00101 6 BOOM + 3 JIB,2M2D

Pos No.	Parts No	Parts Name	Qty	Unit	Technical Data	Serial No (Start)	Serial No (End)
5	36741555010	SEAT,SPRING	3				
6	36643865010	SPRING	3				
7	90131506020	BOLT,HEXAGON SOCKET	8		M6X20		
8	90131506055	BOLT,HEXAGON SOCKET	2		M6X55		
9	36741555020	SCREW,MACHINE (HEXAGON SOCKET)	2				
10	91002802200	O-RING	4		1B P22		
11	91002800900	O-RING	4		1B P9		
12	91002800700	O-RING	2		1B P7		
13	36741425010	PLUG	10				
14	36741555030	PLUG	2				
15	36645555010	VALVE,SOLENOID	3				
51	91000501300	O-RING	3		AS568-013		
52	91000501400	O-RING	3		014 1115-70		
53	91000501500	O-RING	3		AS568-015		
54	91002802000	O-RING	3		1B P20		
100	36741550000	VALVE,SOLENOID	1				

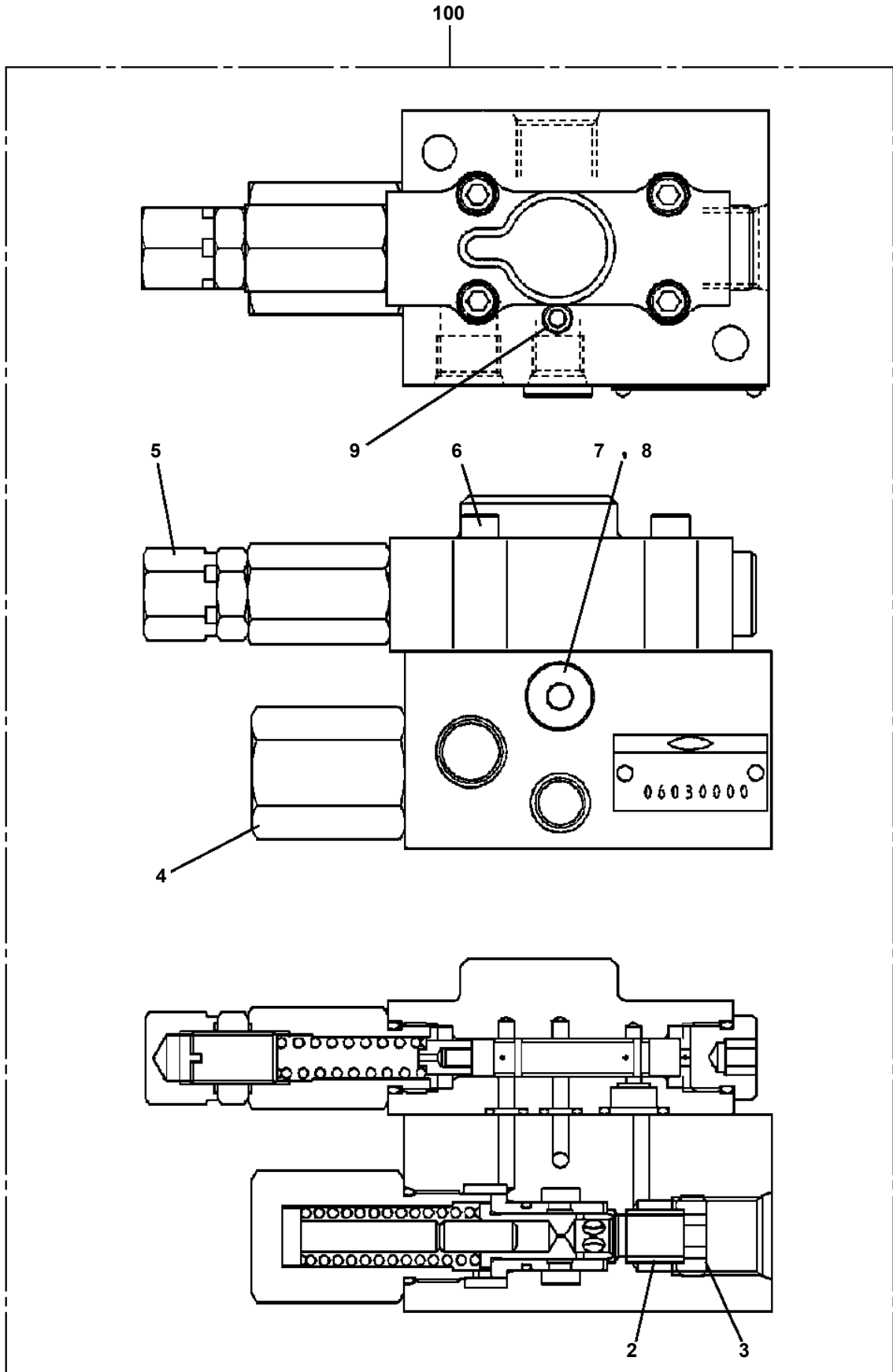
GR-700N-2-00101 6 BOOM + 3 JIB,2M2D  
PI1140040-00 VALVE,CHECK



## GR-700N-2-00101 6 BOOM + 3 JIB,2M2D

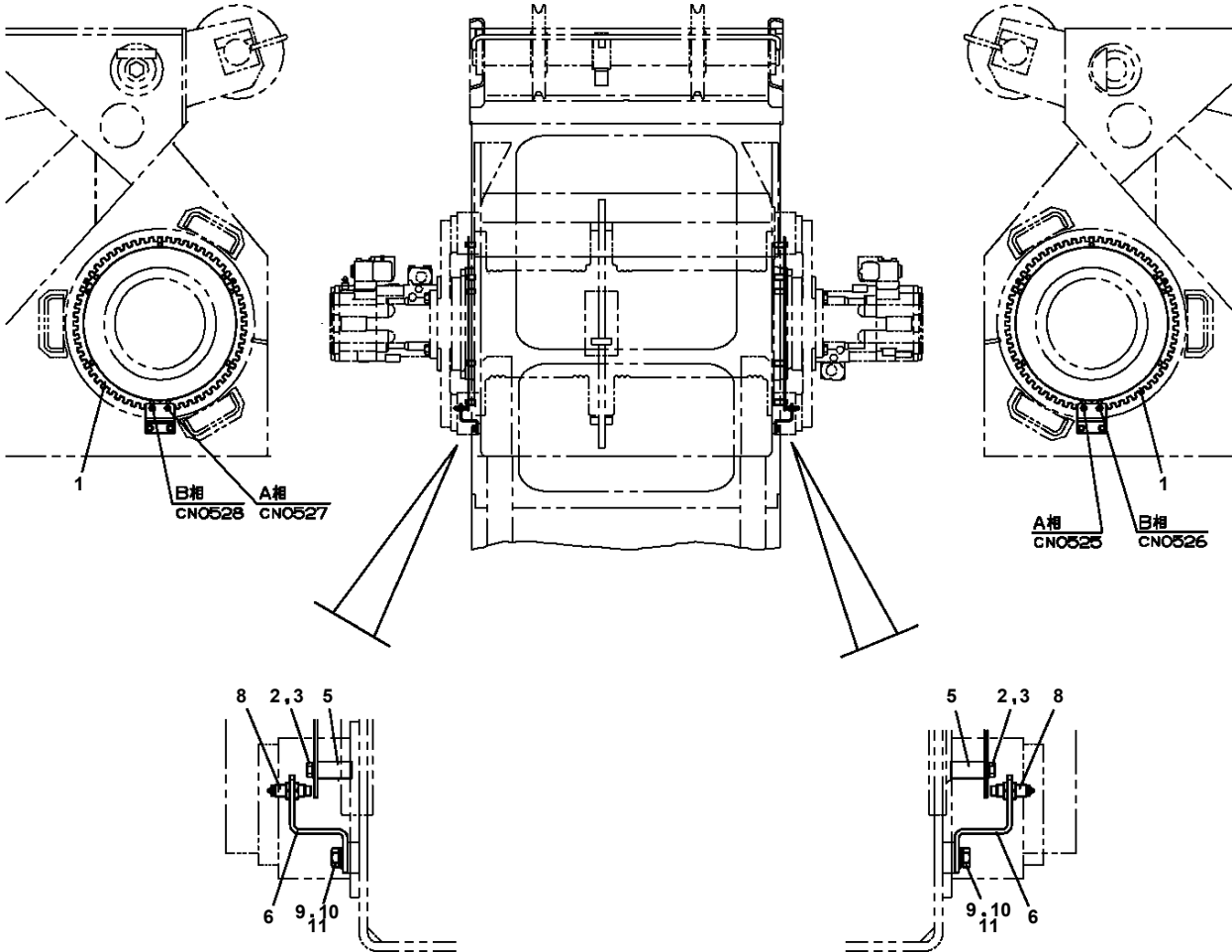
Pos No.	Parts No	Parts Name	Qty	Unit	Technical Data	Serial No (Start)	Serial No (End)	Remarks	Pages
2	36625385020	CAP (1)	1						
3	91002802800	O-RING	1		1B P28				
4	36625385030	CAP (2)	1						
5	91002803200	O-RING	1		1B P32				
6	12215120000	SPRING	1						
10	91002802200	O-RING	1		1B P22				
11	91002800800	O-RING	1		1B P8				
12	91411000800	RING,BACKUP	1						
13	36624685060	SPRING	1						
15	80316090010	PLUG	2		KKT PT1/16				
16	80316090020	PLUG	1		KKT PT1/8				
17	36624645600	VALVE,STOP	1						
18	91002801600	O-RING	1		1B P16				
100	36625380000	VALVE,CHECK	1						

GR-700N-2-00101 6 BOOM + 3 JIB,2M2D  
PI1270012-01 VALVE,SEQUENCE

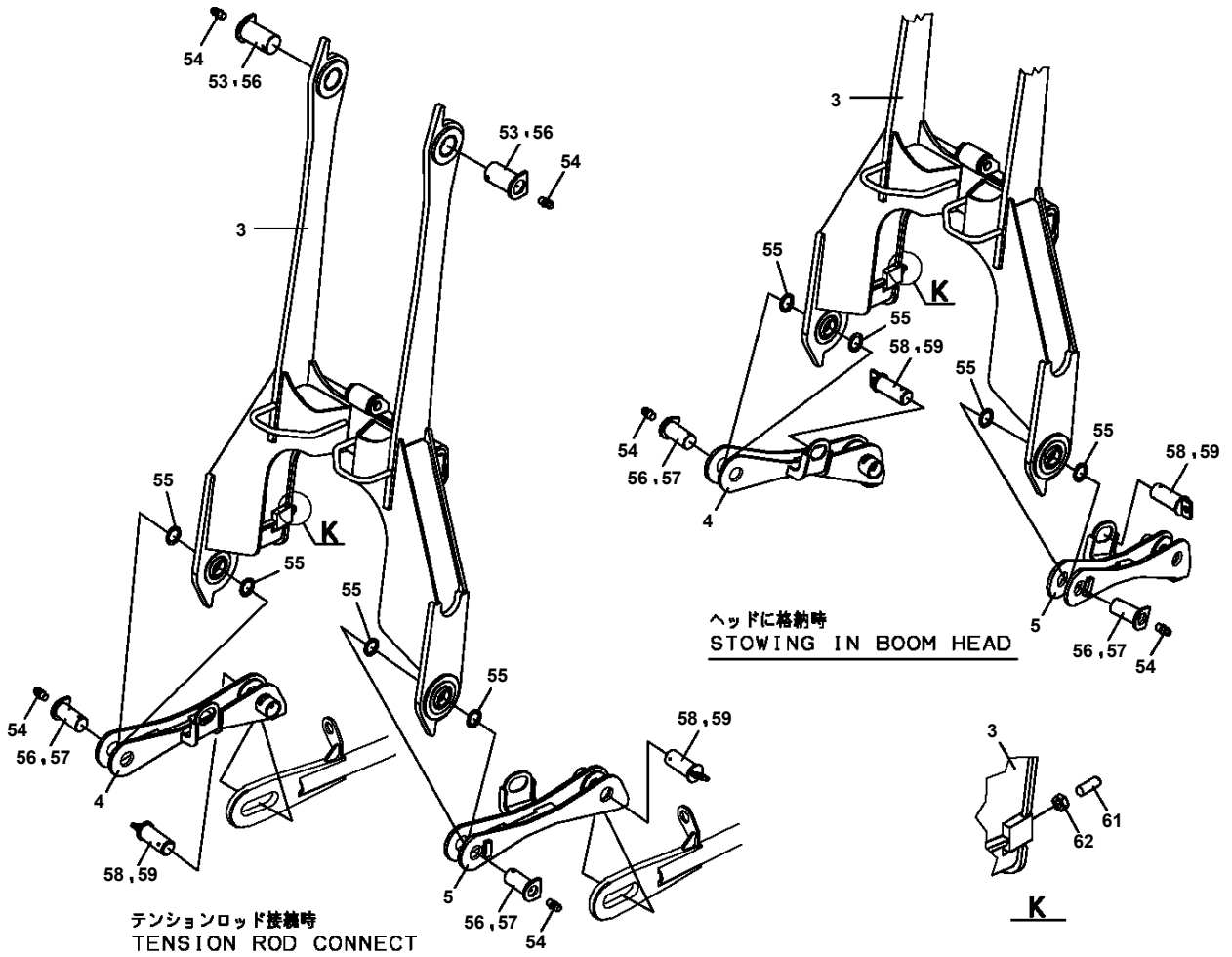


展開圖有  
ILLUSTRATED BREAKDOWN NO.4,5

GR-700N-2-00101 6 BOOM + 3 JIB,2M2D  
PI5030009-01 INDICATOR ASSY,DRUM

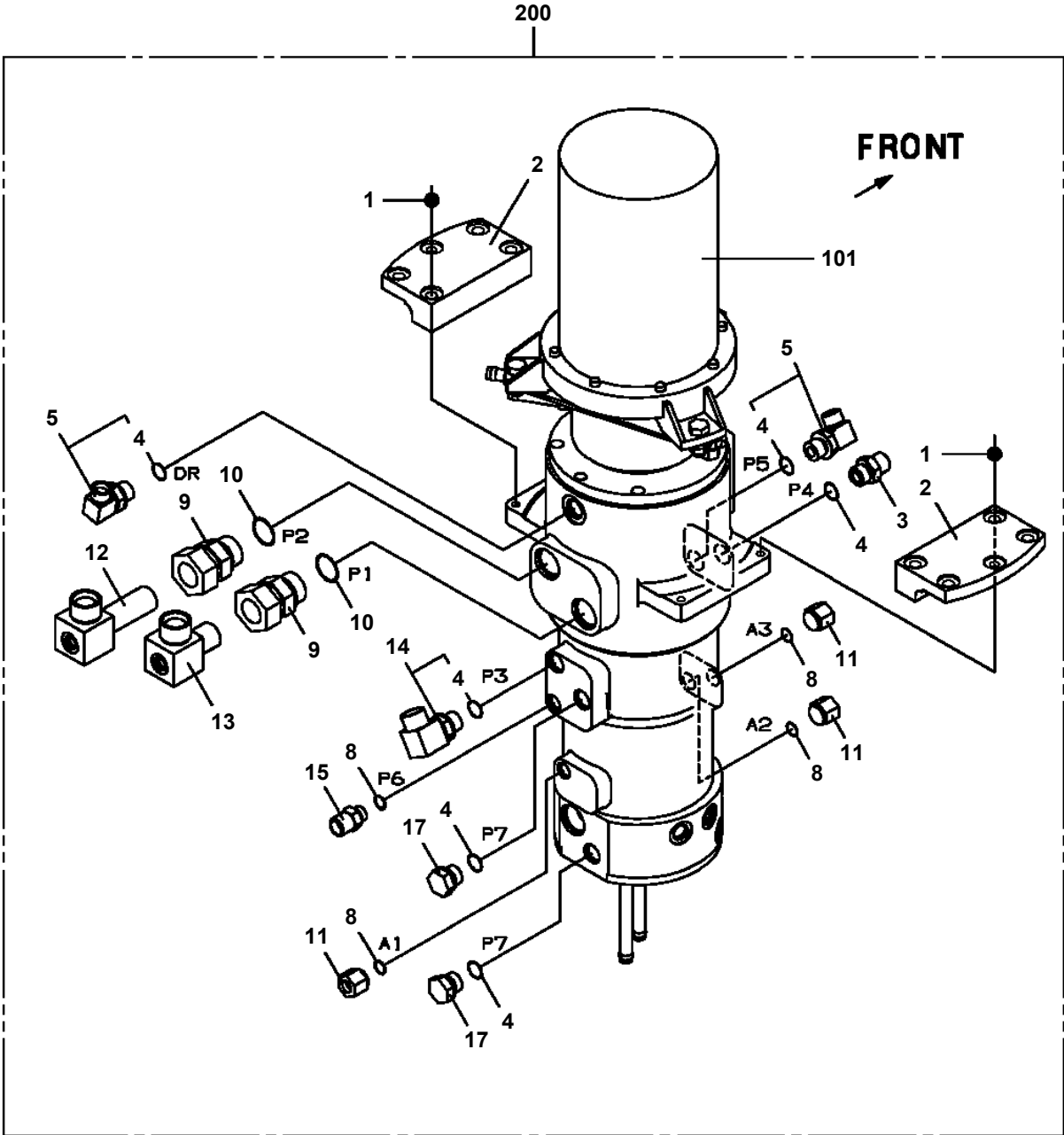


GR-700N-2-00101 6 BOOM + 3 JIB,2M2D  
 PJ5050074-02 JIB ASSY (ATTACHMENT)



**K**

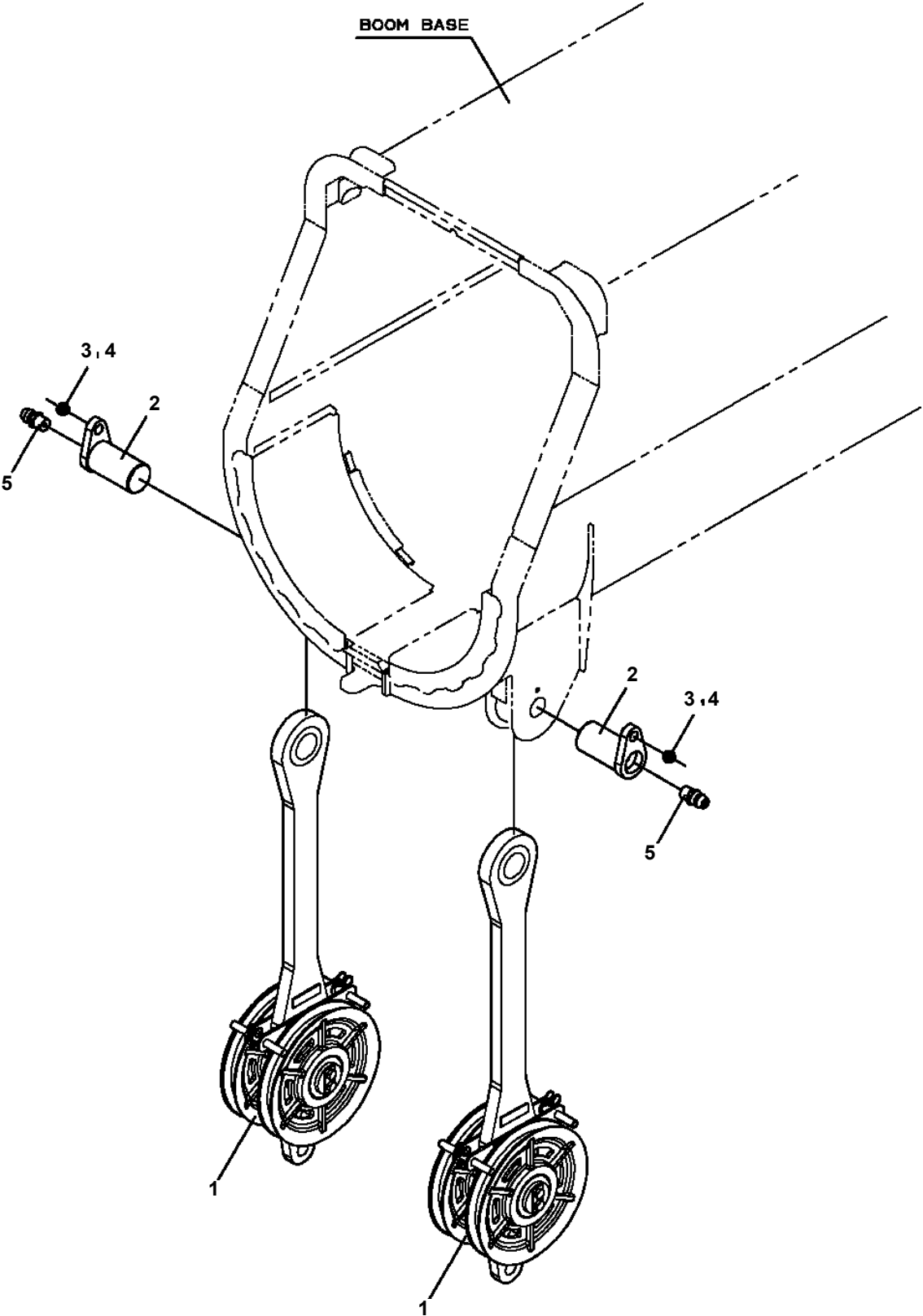
GR-700N-2-00101 6 BOOM + 3 JIB,2M2D  
PJ5090080-00 JOINT ASSY,SWIVEL



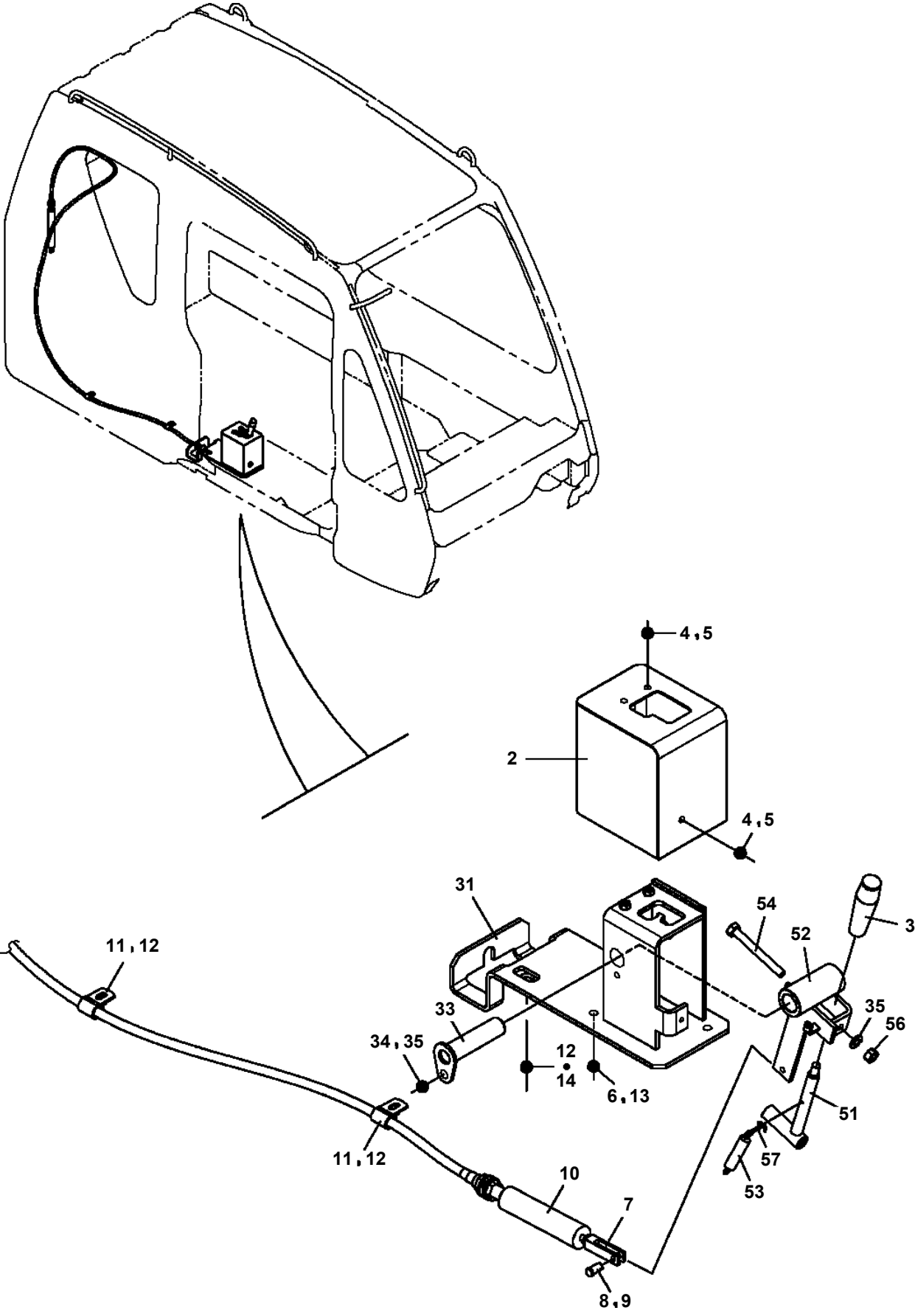
**GR-700N-2-00101 6 BOOM + 3 JIB,2M2D**

Pos No.	Parts No	Parts Name	Qty	Unit	Technical Data	Serial No (Start)	Serial No (End)	Remarks
1	82165510010	LAMP (WAY SIDE LAMP)	1					
2	82165510020	LAMP (WAY SIDE LAMP)	1					
4	90101208020	BOLT	4		M8X20			
7	90101206020	BOLT	4		M6X20			
8	90201200600	NUT	4		M6			
9	90302040601	WASHER,SPRING	4		6			
10	90303070601	WASHER,PLAIN	4		6			
11	90302040801	WASHER,SPRING	4		8			
12	34732430100	SUPPORT	1					
13	34732430200	SUPPORT	1					
14	91810130240	FASTENER	6					
15	90303290600	WASHER,PLAIN	4		6			

**GR-700N-2-00101 6 BOOM + 3 JIB,2M2D**  
**PL5210021-00 LIFTING DEVICE ASSY (HEAVY-LIFT DEVICE)**



GR-700N-2-00101 6 BOOM + 3 JIB,2M2D  
PL5300020-00 LOCK ASSY,SWING



# GR-700N-2-00101 6 BOOM + 3 JIB,2M2D

Pos No.	Parts No	Parts Name	Qty	Unit	Technical Data	Serial No (Start)	Serial No (End)	Re
1	82400000623	MIRROR	2					
2	82400000496	MIRROR	1				FE1393	
	82400000627	MIRROR	1			FE1394		
3	82400000622	MIRROR (WITH HEATER)	2				FE1393	
	82400000622	MIRROR (WITH HEATER)	1			FE1394		
4	34693790300	SUPPORT ASSY (R, ASSY ONLY)	1					
5	34693790400	SUPPORT ASSY (L, ASSY ONLY)	1					
6	34692840500	SUPPORT ASSY (ASSY ONLY)	1					
7	90180210030	BOLT,BUTTON	12		M10X30			
8	90302041001	WASHER,SPRING	12		10			
9	34692840700	SUPPORT	1					
10	91810130240	FASTENER	3				FE1393	
	91810130250	FASTENER	3			FE1394		
11	80457090110	CAP	2					
12	82400000626	MIRROR	1			FE1394		

CLICK HERE TO **DOWNLOAD** THE COMPLETE MANUAL

- Thank you very much for reading the preview of the manual.
- You can download the complete manual from: [www.heydownloads.com](http://www.heydownloads.com) by clicking the link below



- Please note: If there is no response to CLICKING the link, please download this PDF first and then click on it.

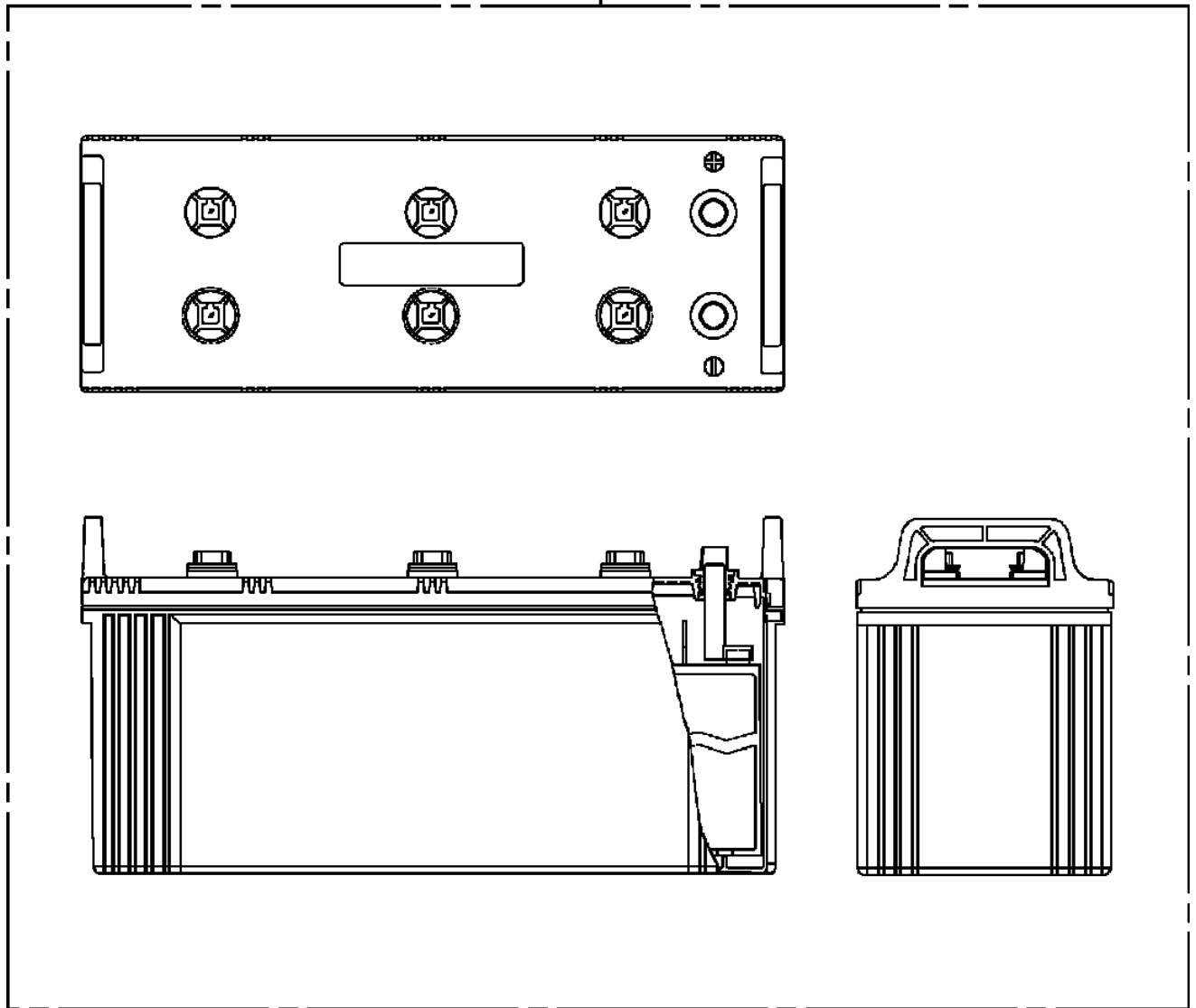
CLICK HERE TO **DOWNLOAD** THE COMPLETE MANUAL

# GR-700N-2-00101 6 BOOM + 3 JIB,2M2D

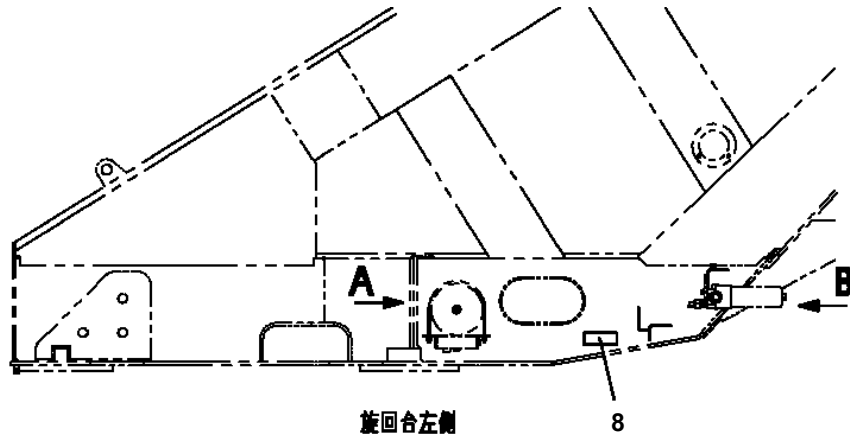
Pos No.	Parts No	Parts Name	Qty	Unit	Technical Data	Serial No (Start)	Serial No (End)	Remarks
7	36197635020	COVER	1					
10	36197635030	PANEL	2					
31	36197915020	BOARD ASSY (WITH DATA)	1					
100	36197910001	MOMENT LIMITER:AML	1					

GR-700N-2-00101 6 BOOM + 3 JIB,2M2D  
PN1370143-00 BATTERY (HYUNDAI ENERCELL)

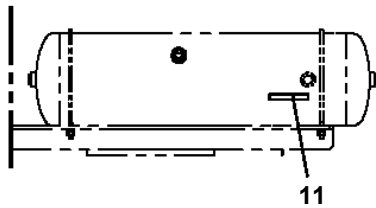
100



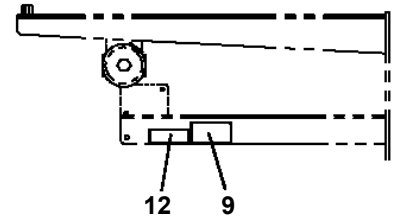
GR-700N-2-00101 6 BOOM + 3 JIB,2M2D  
 PN5011528-01 NAME PLATE ASSY (UPPER 2)



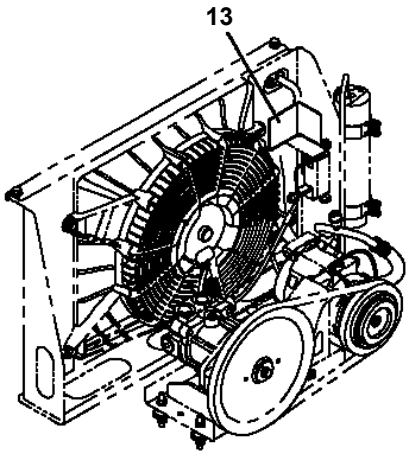
旋回台左側  
 LEFT SIDE OF SWING FRAME



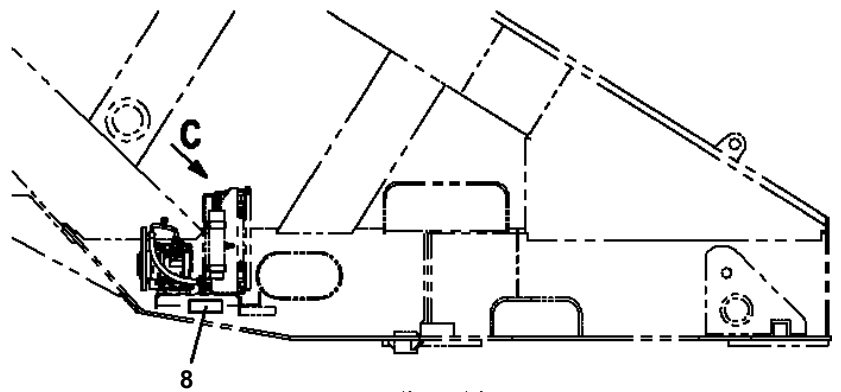
**A**



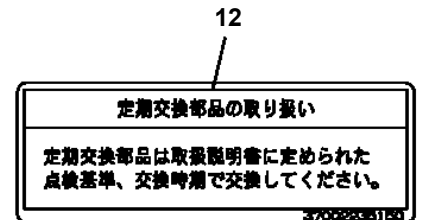
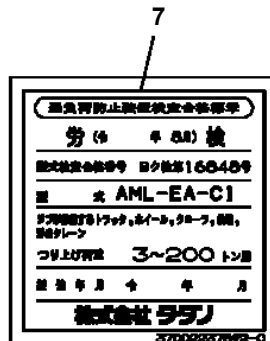
**B**



**C**



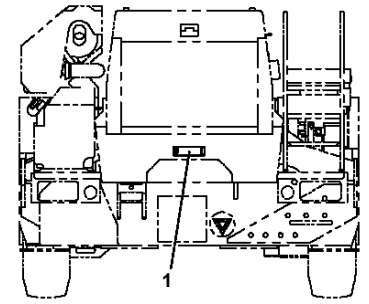
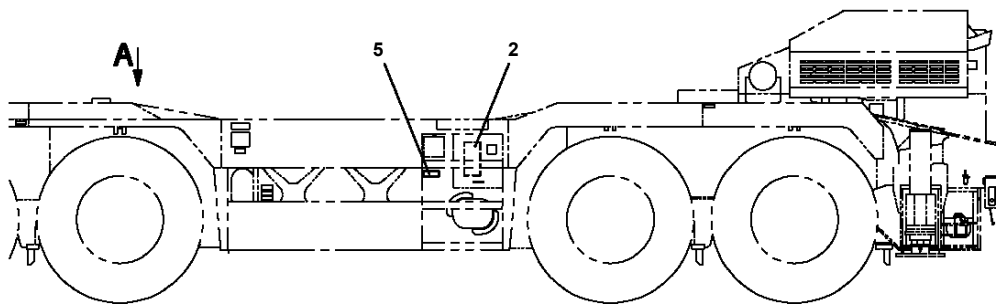
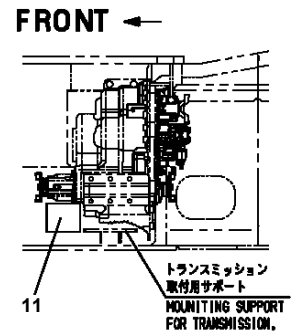
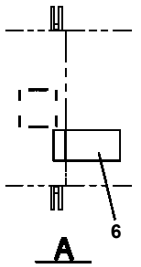
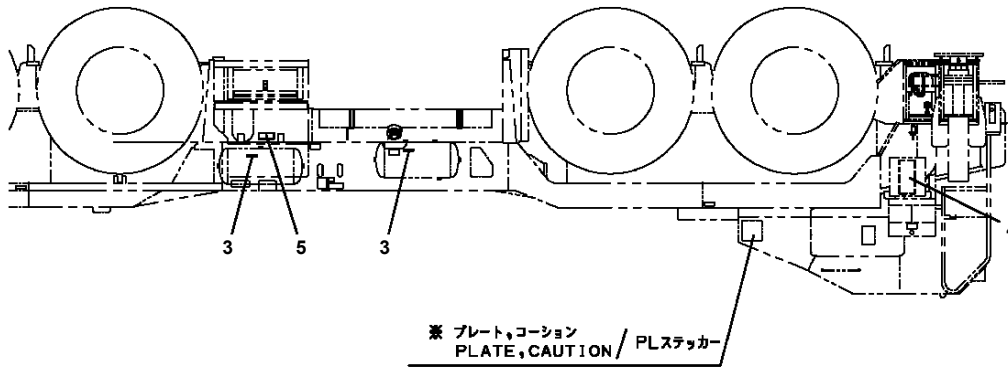
旋回台右側  
 RIGHT SIDE OF SWING FRAME



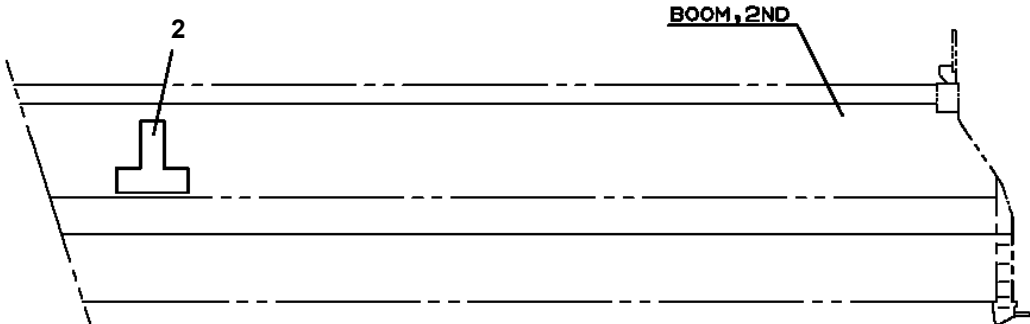
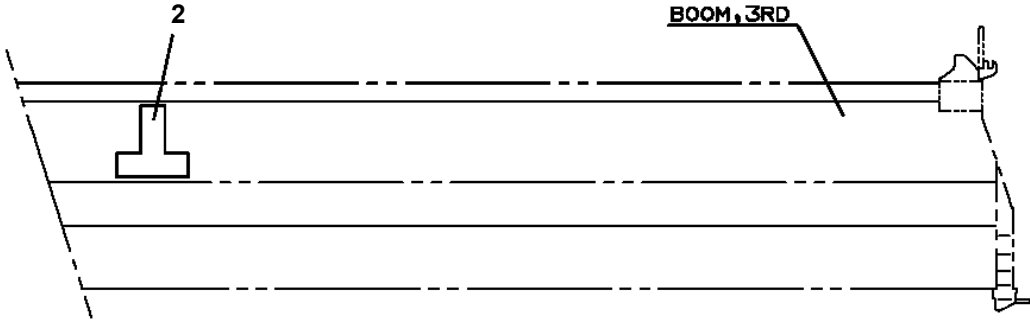
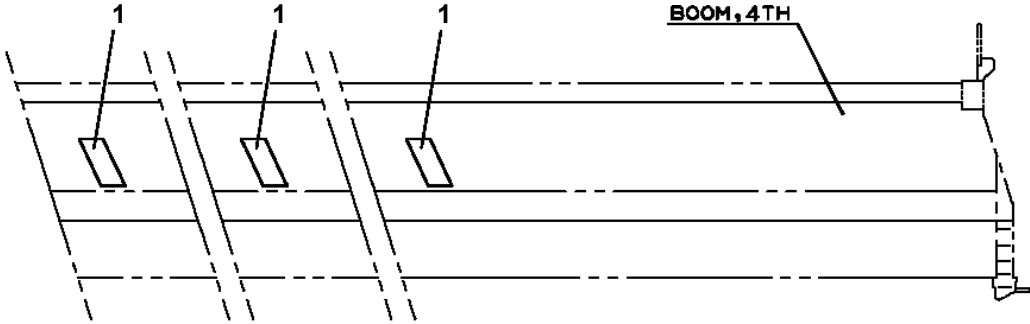
**GR-700N-2-00101 6 BOOM + 3 JIB,2M2D  
PN5011537-01 NAME PLATE ASSY (LOWER 2)**

※材は〔付属品リスト〕より検索してください。  
FOR THE PART ※,SEE THE CORRESPONDING "ACCESSORY LIST."

101	フジ クヒンリスト (エンジン:カソウヒン) ACCESSORY LIST (ENGINE:MOUNTING PARTS)
-----	--



**GR-700N-2-00101 6 BOOM + 3 JIB,2M2D**  
**PO1050147-00 MARKING (BOOM)**



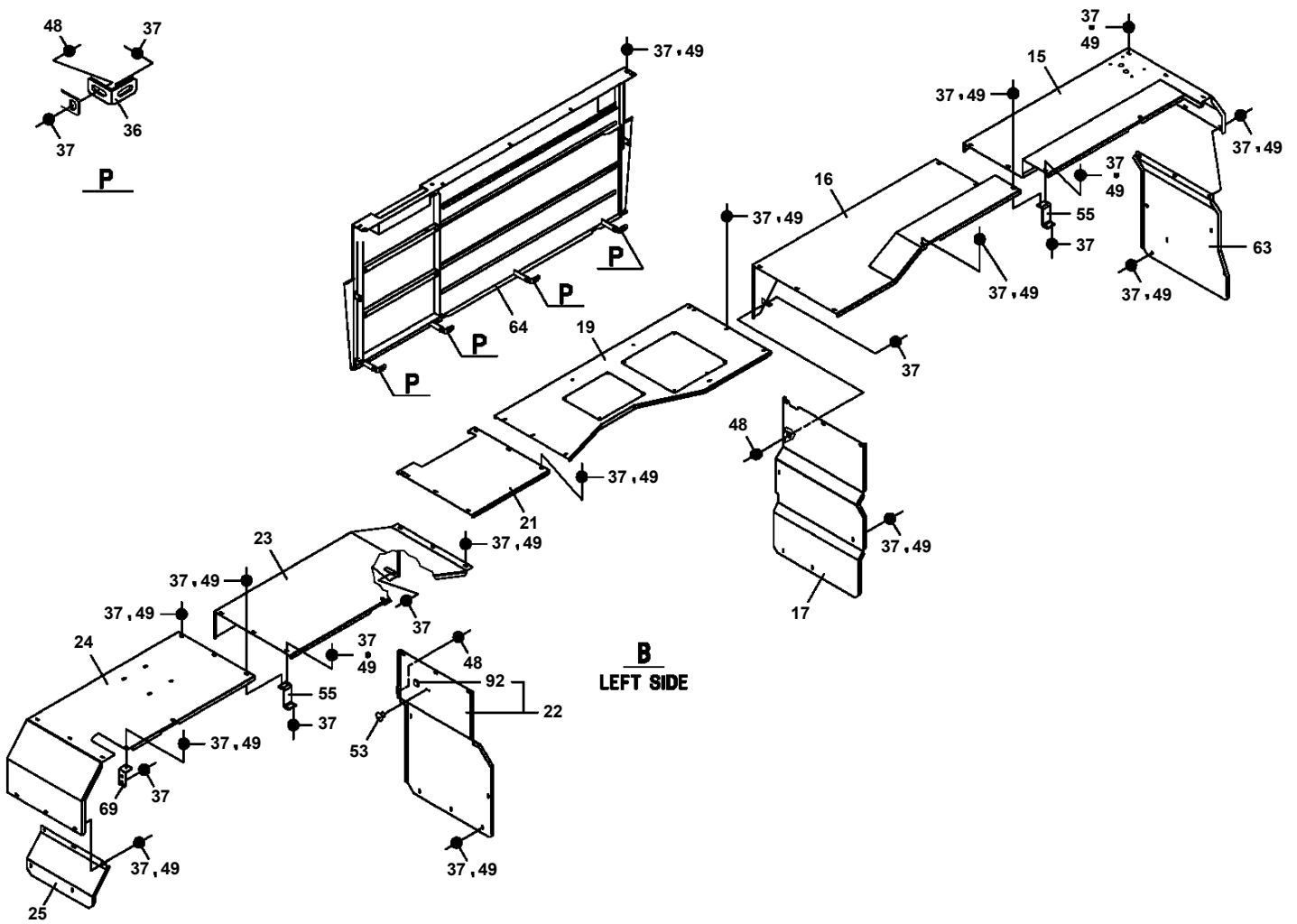
## GR-700N-2-00101 6 BOOM + 3 JIB,2M2D

Pos No.	Parts No	Parts Name	Qty	Unit	Technical Data	Serial No (Start)	Serial No (End)	Remarks
2	99172108020	BOLT,TAPPING	5		M8X20			
21	34711262600	SENSOR (WITH HARNESS)	1					
22	80172304008	SCREW,MACHINE	2		M4X8			
23	90302040401	WASHER,SPRING	4		4			
24	82104501290	SWITCH,LIMIT	1					
25	34711262300	ROD	1					
26	34711262400	LEVER	1					
27	34711401100	PEDAL	1					
28	82400000011	COVER (PEDAL)	1					
29	34711401200	SUPPORT	1					
30	90303070601	WASHER,PLAIN	2		6			
31	37001300410	SPRING	1					
32	37000115550	PIN	2					
33	80136320010	PIN,SPLIT	2		2X10			
34	37000109800	PIN	1					
35	37001300390	SPRING	1					
36	90303070401	WASHER,PLAIN	2		4			
37	90201200400	NUT	2		M4			
38	90101208012	BOLT	1		M8X12			
39	90302040801	WASHER,SPRING	1		8			
41	90201200800	NUT	2		M8			
42	90102208030	BOLT	1		M8X30			
43	90201200600	NUT	1		M6			
44	80172304030	SCREW,MACHINE	2		M4X30			
49	90101208020	BOLT	1		M8X20			
56	80801002030	BEARING,PLAIN	1					

# GR-700N-2-00101 6 BOOM + 3 JIB,2M2D

Pos No.	Parts No	Parts Name	Qty	Unit	Technical Data	Serial No (Start)	Seri
1	37002219370	PLATE,NAME	1				
3	34323673000	PEDAL ASSY	1				
4	34323674000	ROD ASSY	1				
5	36420060000	OPE.ASSY (ELECTRIC REMOTE CONTROL UNIT)	1				
6	34321290300	END	1				
7	90186208025	BOLT,FLANGE	3		M8X25		
8	90203201200	NUT	1		M12		
9	90180208020	BOLT,BUTTON	2		M8X20		
10	90302040801	WASHER,SPRING	3		8		
11	90201200800	NUT	1		M8		
12	34462740300	MAT (3 PEDAL SPECIFICATION)	1				
31	37000132540	PIN	1		20		
32	90101208012	BOLT	1		M8X12		
33	90302040801	WASHER,SPRING	1		8		
34	34321966100	COVER	1				
35	34323673100	PEDAL	1				
36	34323673200	SUPPORT	1				
37	34323673500	PLATE	2				
51	80567000004	END	1				
52	90201200800	NUT	1		M8		
54	80565000082	END	1				
55	90291200800	NUT	1		M8		
56	37001502310	BOLT	1				
75	80801002010	BEARING,PLAIN	2				

**GR-700N-2-00101 6 BOOM + 3 JIB,2M2D**  
**PO5260099-00 OUTER COVERING ASSY (FENDER)**





## GR-700N-2-00101 6 BOOM + 3 JIB,2M2D

Pos No.	Parts No	Parts Name	Qty	Unit	Technical Data	Serial No (Start)	Serial No (End)	Remarks
1	37004100150	PUMP,GREASE	1				FE1450	
2	34731641000	SWITCH ASSY	1					
3	19218113000	LAMP,PILOT	1					
4	34731642000	PLATE,NAME	1					
5	34970370100	COVER	1					
6	90186208014	BOLT,FLANGE	2		M8X14			
7	90280200800	NUT,FLANGE	3		M8			
8	34734255010	PIPE ASSY	1		8XT0.7 L=379.7		FE1450	
	34734255020	PIPE ASSY	1		8XT0.7 L=373.1	FE1451		
9	90186208025	BOLT,FLANGE	3		M8X25	FE1451		
21	37004107570	CAP (GREASE TANK)	1				FE1450	
32	56479000100	NUT,FLARE (FOR PIPE 8)	2		M14			
41	37004100160	PUMP,GREASE	1			FE1451		

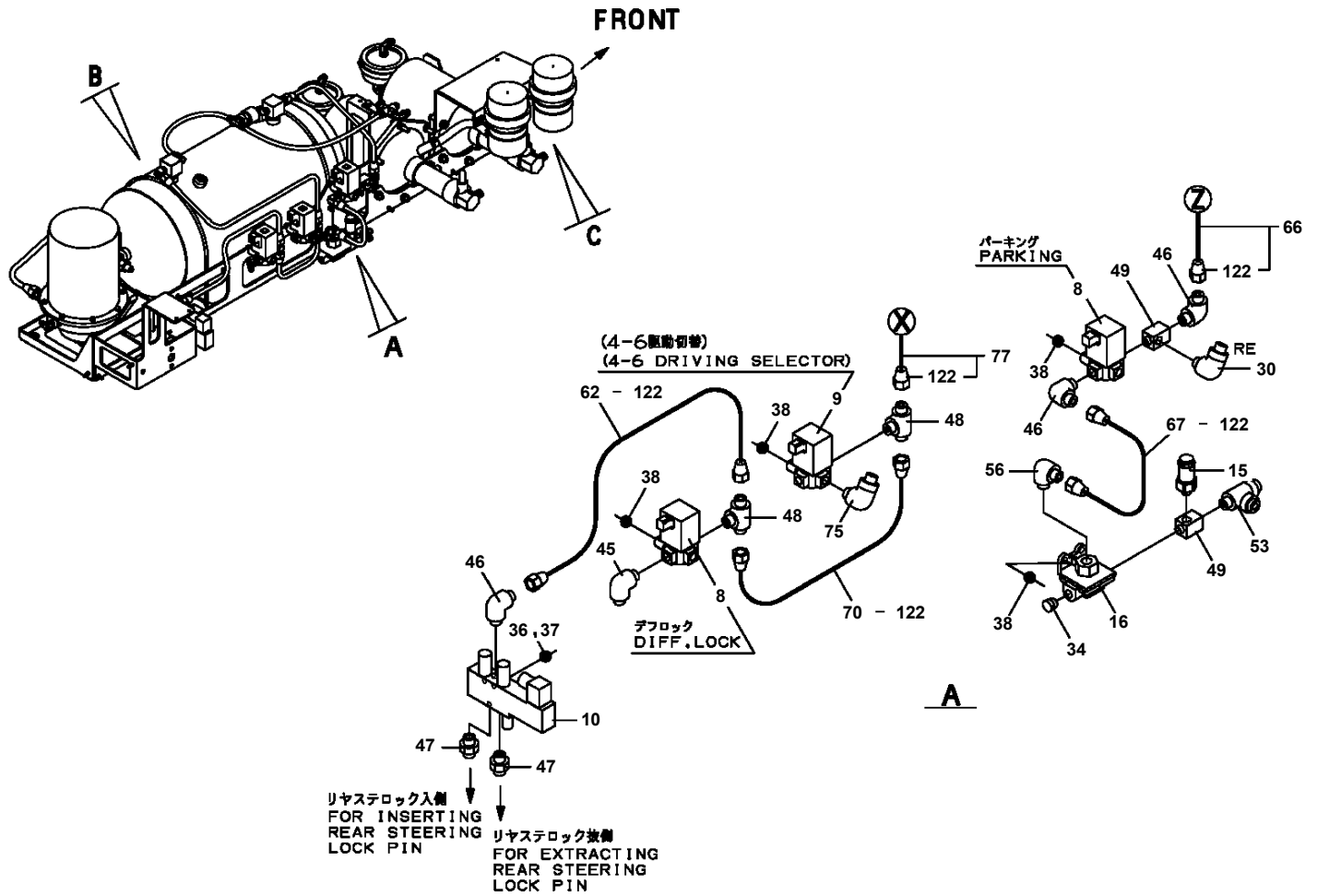
# GR-700N-2-00101 6 BOOM + 3 JIB,2M2D

Pos No.	Parts No	Parts Name	Qty	Unit	Technical Data	Serial No (Start)	Serial No (End)
1	36653975040	SHAFT,DRIVING (F)	1				
2	36653975050	SHAFT,DRIVING (R)	1				
3	36652185030	JOINT,SPLINE	1				
4	36653295050	BEARING,ROLLER	2				
5	36653975060	BEARING,NEEDLE	2				
6	36653975070	SPACER (BEARING)	4				
10	36653355080	PLATE SET	2				
11	36653295040	BUSH	2				
12	36652185090	SPRING (CYLINDER)	18				
13	36652185110	PLATE (SHOE)	2				
16	36652185120	SUPPORT (SWASH PLATE)	2				
	36654505120	SUPPORT (SWASH PLATE)	2			FE1068	
17	36653975080	COVER (SEAL)	1				
18	36652185160	COVER (SEAL,R)	1				
19	36652185170	CASING,PUMP	2				
20	36652185190	BLOCK,VALVE	1				
	36654505110	BLOCK,VALVE	1			FE1068	
23	36652185200	BOLT,HEXAGON SOCKET	8		M16X175		
24	90131506016	BOLT,HEXAGON SOCKET	8		M6X16		
25	36653355100	PLUG	2				
26	36661465150	PLUG	4				
27	36653355010	PLUG	15				
	36664175170	PLUG	15			FE1068	
29	36653355110	PISTON (SERVO)	2				
30	36652185220	STOPPER (LARGE)	2				
31	36652185230	STOPPER (SMALL)	2				
33	36654555010	O-RING	2				
34	91002908500	O-RING	2		1B G85		
35	91002912000	O-RING	2		1B G120		
36	91002911500	O-RING	2		1B G115		
37	91002800800	O-RING	18		1B P8		
	36664175200	RING,SQUARE	18			FE1068	
38	91002801100	O-RING	2		1B P11		
39	91002801800	O-RING	4		1B P18		
40	36654555020	O-RING	2				
41	36654505050	SEAL,OIL	1				
42	91411001600	RING,BACKUP	2		P16		
43	91411103000	RING,BACKUP	2		G30		
44	90203201600	NUT	4		M16		
45	80601110350	RING,RITAINING	2		S35		
46	36652185250	PIN	2				
47	36650835330	PIN,SPRING	4				
48	36653355120	BOLT,EYE	2				
49	36652185260	SCREW,SET	2				
50	36652185270	SCREW,SET	2				
61	36654505060	PISTON KIT	2				
62	36654505070	CYLINDER ASSY (R)	1				
63	36654505080	CYLINDER ASSY (L)	1				
64	36652185310	BARREL ASSY (WITH SWASH PLATE)	2				
65	36653975110	PIN ASSY	2				
71	36654535030	REGULATOR ASSY (FOR FRONT & REAR PUMP)	2				
101	90131908050	BOLT,HEXAGON SOCKET <M8X50.	4				
102	90131908070	BOLT,HEXAGON SOCKET	4		M8X70		
103	90131906030	BOLT,HEXAGON SOCKET	4		M6X30		
104	90131906020	BOLT,HEXAGON SOCKET	20		M6X20		
105	36653355010	PLUG	10				
134	91002907500	O-RING	2		1B G75		
135	91002800600	O-RING	6		1B P6		
136	91002800800	O-RING	18		1B P8		
137	91002801000	O-RING	2		1B P10		
138	91002801800	O-RING	2		1B P18		
139	91002802200	O-RING	2		1B P22		
140	36654555020	O-RING	2				

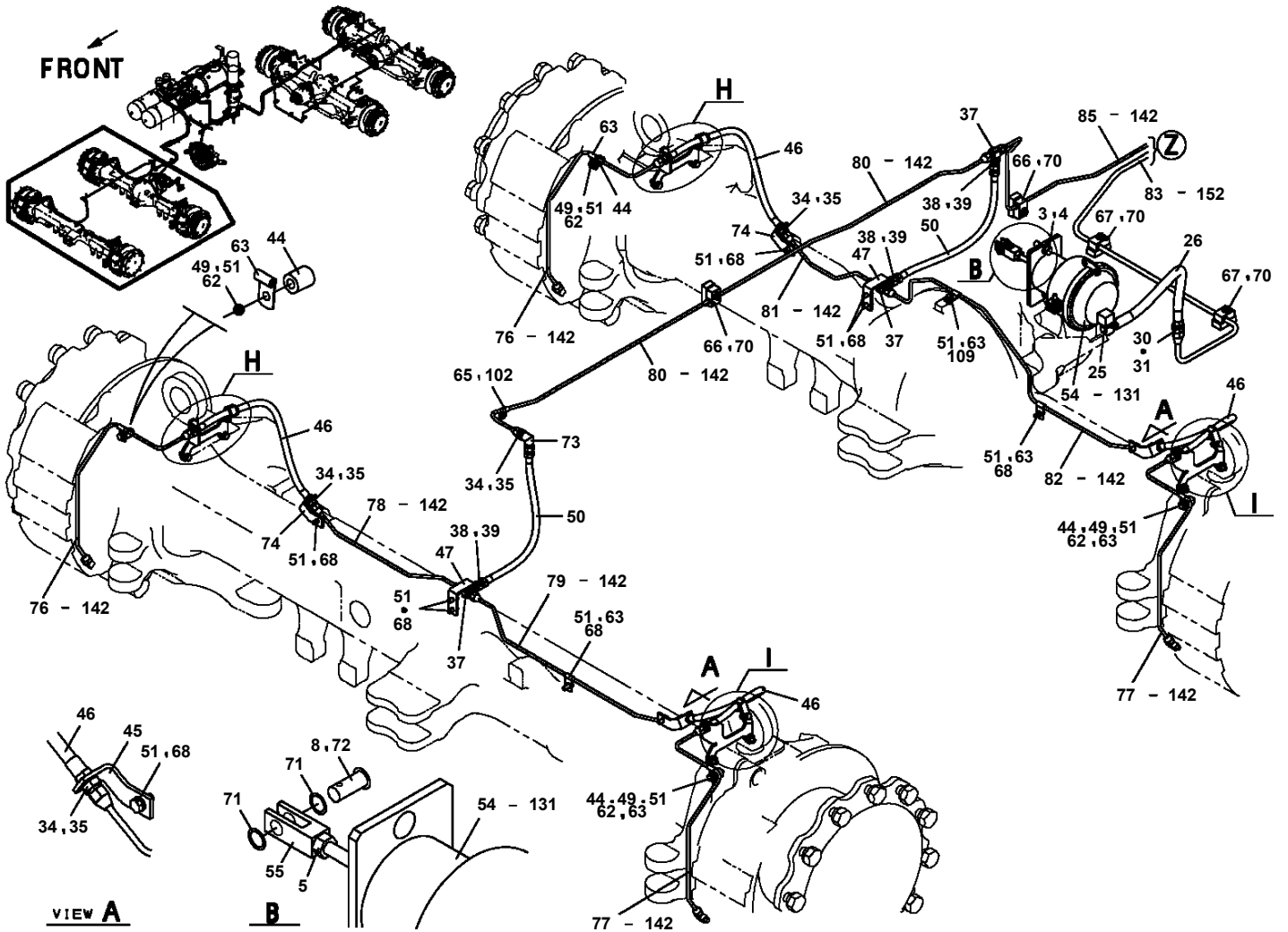
# GR-700N-2-00101 6 BOOM + 3 JIB,2M2D

Pos No.	Parts No	Parts Name	Qty	Unit	Technical Data	Serial No (Start)	Serial No (End)	Remarks
1	34397147070	PLATE,REFLECTOR (GREEN)	8					
2	34397147050	PLATE,REFLECTOR (GREEN)	6					

GR-700N-2-00101 6 BOOM + 3 JIB,2M2D  
 PP6020044-00 PIPING ASSY,AIR (SUB UNIT)



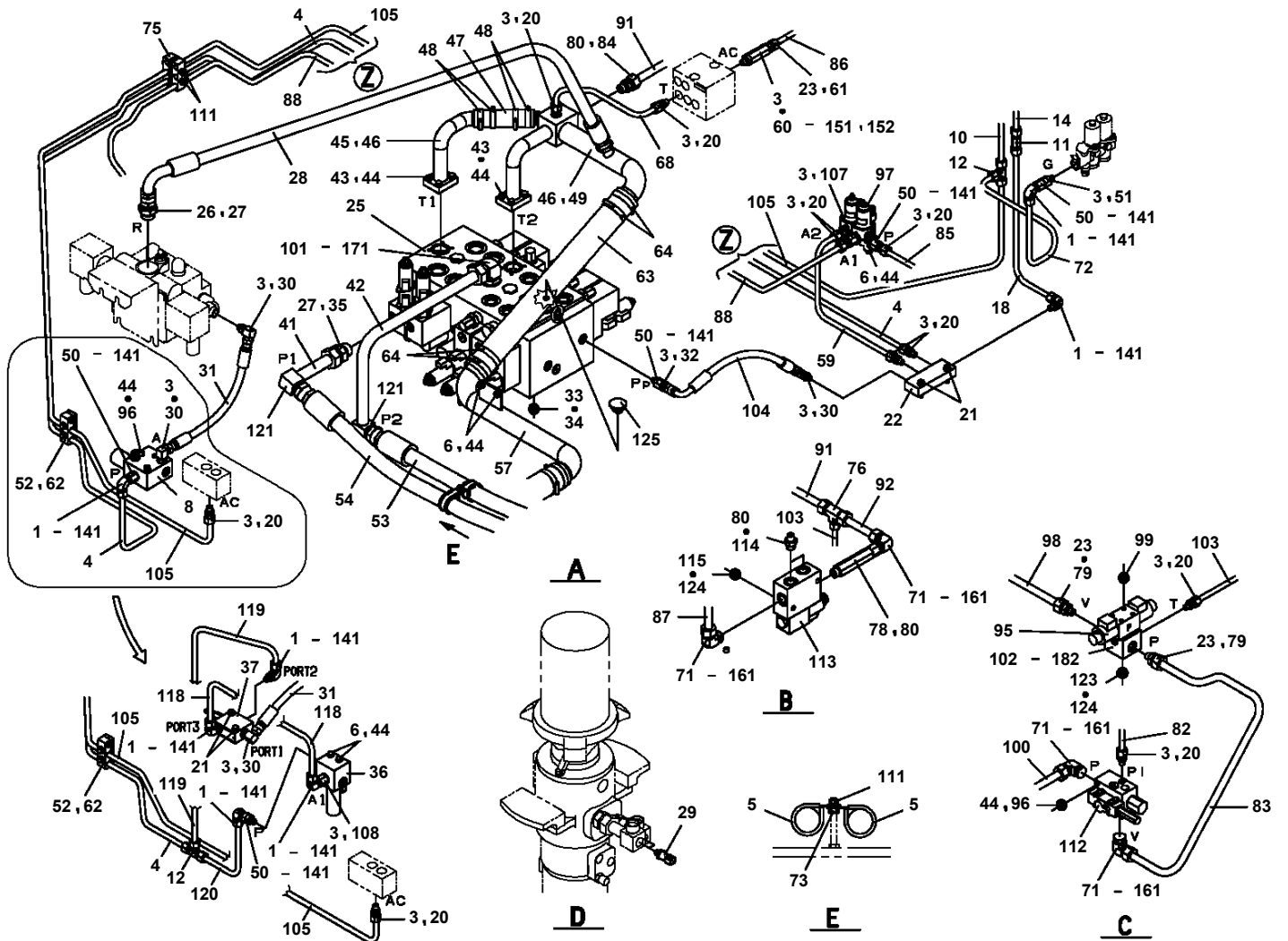
**GR-700N-2-00101 6 BOOM + 3 JIB,2M2D**  
**PP6070040-00 PIPING ASSY,BRAKE (LOWER)**



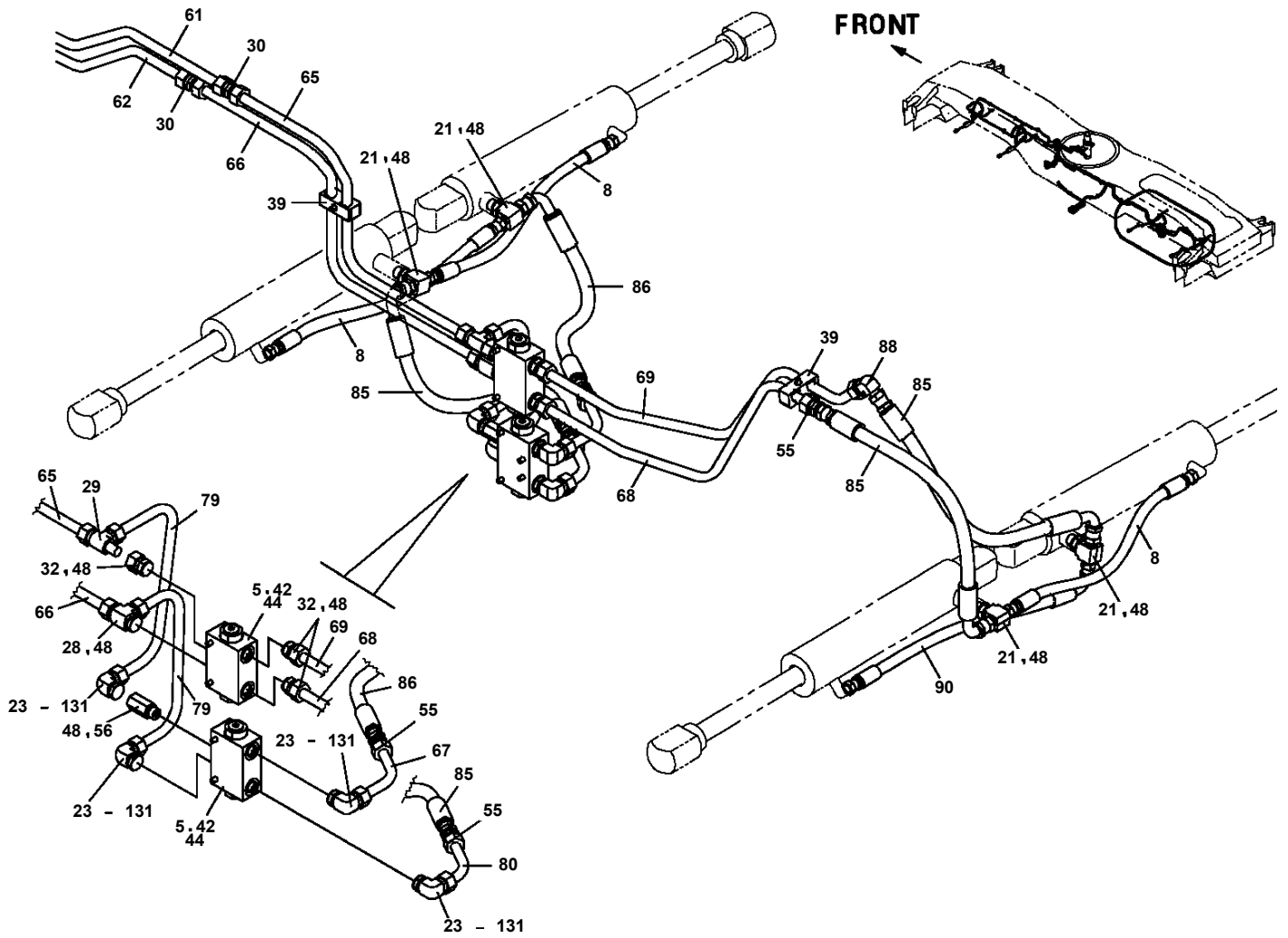
# GR-700N-2-00101 6 BOOM + 3 JIB,2M2D

Pos No.	Parts No	Parts Name	Qty	Unit	Technical Data	Serial No (Start)	Serial No (End)
1	36646080000	VALVE,SOLENOID	1				
2	90186208014	BOLT,FLANGE	2		M8X14		
4	89640102000	HOSE	1		880-NFK,2M		
5	80320010085	FITTING	1		KUD12-040N		
6	80400160120	FITTING	2		20376-U1/2X1/2		
7	89640101000	HOSE	1		880-NFK,1M		
8	80400160126	FITTING,TEE	18		20364-U1/2		
9	89640101000	HOSE	2		880-NFK,1M		
10	80441030904	FITTING,ELBOW (WITH O-RING)	5		L,G1/4-12.7		
11	80441010904	FITTING (WITH O-RING)	11		S G1/4-12.7		
12	89640101000	HOSE	1		880-NFK,1M		
13	89640101000	HOSE	1		880-NFK,1M		
14	89640102000	HOSE	1		880-NFK,2M		
15	80441030908	FITTING,ELBOW (WITH O-RING)	3		L,G1/2-12.7		
16	89640102000	HOSE	1		880-NFK,2M		
18	91002801100	O-RING	9		1B P11		FE1826
	91002801100	O-RING	8		1B P11	FE1827	
19	89640101000	HOSE	1		880-NFK,1M		
20	80302090141	FITTING	4		KCO12-020N		
21	89640102000	HOSE	1		880-NFK,2M		
23	37000921300	JOINT	1		S,PF1/4-PF1/4		FE1826
24	89640101000	HOSE	1		880-NFK,1M		
25	89640103000	HOSE	1		880-NFK,3M		
26	89640101000	HOSE	1		880-NFK,1M		
27	89640101000	HOSE	1		880-NFK,1M		
28	80321112000	VALVE,CHECK	1				
29	89640101000	HOSE	1		880-NFK,1M		
30	89640101000	HOSE	1		880-NFK,1M		
31	37000924590	JOINT	2		S G1/4-G1/4		
33	89640101000	HOSE	1		880-NFK,1M		
34	81408000160	PIPE,STEEL	1	M	12X1.4T		
35	89640101000	HOSE	1		880-NFK,1M		
36	89640101000	HOSE	1		880-NFK,1M		
37	81408000160	PIPE,STEEL	1	M	12X1.4T		
38	89640101000	HOSE	1		880-NFK,1M		FE1826
39	89640101000	HOSE	1		880-NFK,1M		
40	37000920970	JOINT	2		S,G1/4-G1/4		
42	89640101000	HOSE	1		880-NFK,1M		
44	89640101000	HOSE	1		880-NFK,1M		FE1826
45	82100002009	CLAMP	1		WRC12		
47	90280200800	NUT,FLANGE	1		M8		
48	91810130250	FASTENER	50				FE1826
	91810130250	FASTENER	51			FE1827	
49	80441010906	FITTING	4				
50	89640102000	HOSE	1		880-NFK,2M		
51	37002466010	HOSE	1		L=500		
52	89640102000	HOSE	1		880-NFK,2M		
53	80441030906	FITTING,ELBOW	1		L,G3/8-12.7		
54	37000701510	CLAMP ASSY	1		12X2		
55	89640101000	HOSE	1		880-NFK,1M	FE1827	
56	89640101000	HOSE	1		880-NFK,1M	FE1827	
57	89640101000	HOSE	1		880-NFK,1M		
59	80302090161	FITTING	1		KCO12-030N		
61	34342835300	JOINT	1				
62	90101210016	BOLT	2		M10X16		
63	89640102000	HOSE	1		880-NFK,2M		
64	90302041001	WASHER,SPRING	2		10		
65	82100002008	CLAMP	2		WR12		
66	90201200600	NUT	1		M6		
67	90280200600	NUT,FLANGE	2		M6		
75	91002801400	O-RING	1		1B P14		
77	89640101000	HOSE	1		880-NFK,1M		
78	89640101000	HOSE	1		880-NFK,1M		

**GR-700N-2-00101 6 BOOM + 3 JIB,2M2D  
PP6270095-01 PIPING ASSY,RETURN (UPPER)**



**GR-700N-2-00101 6 BOOM + 3 JIB,2M2D**  
**PP6290031-00 PIPING ASSY,STEERING**



# GR-700N-2-00101 6 BOOM + 3 JIB,2M2D

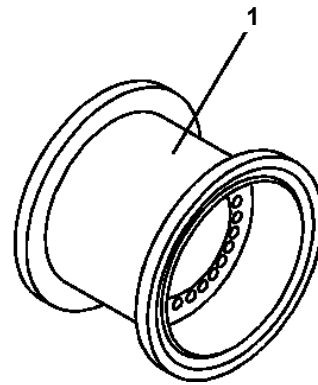
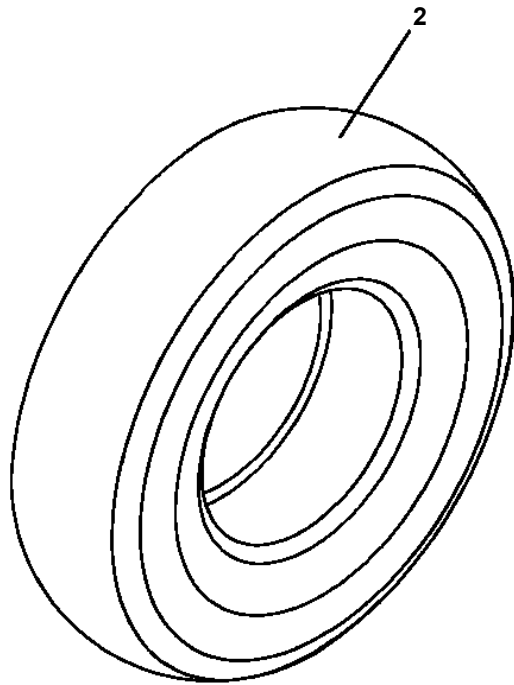
Pos No.	Parts No	Parts Name	Qty	Unit	Technical Data	Serial No (Start)	Serial No (End)	Rema
1	36673640000	ACCUMULATOR (ASSY ONLY)	2					
2	36741520000	VALVE,SOLENOID	2					
3	36672450001	ACCUMULATOR	2					
5	36649900001	VALVE ASSY,SOLENOID	1					
7	37002455540	HOSE	4		L=620			
8	37002455940	HOSE	4		L=650			
9	37002456100	HOSE	4		L=800			
10	37002456110	HOSE	4		L=840			
11	37002415480	HOSE	1		L=600			
12	36672640000	FILTER (WITH O-RING)	2					
13	80301010100	FITTING	6		KUA12-000N			
14	80301010160	FITTING	3		KUA18-000N			
15	80301010200	FITTING	2		KUA22-000N			
18	80302090141	FITTING	8		KCO12-020N			
19	80302090241	FITTING	7		KCO18-040N			
20	80302090281	FITTING	11		KCO22-060N			
22	80303130161	FITTING,ELBOW	1		KLO12-030E			
23	80303130241	FITTING,ELBOW	1		KLO18-040E			
24	80303130281	FITTING,ELBOW	5		KLO22-060E			
25	80305010100	FITTING,TEE	5		KTA12-000N			
26	80320030085	FITTING,ELBOW	1		L,G1/2-D12			
27	80471020504	JOINT	1		HL205-04			
28	80471020506	JOINT	8		45,G3/4-G3/4			
29	80400160132	JOINT	4					
30	80400160133	JOINT	4					
31	80430620800	JOINT	8				FE1397	
	80430720800	JOINT (WITH O-RING)	8		L,G1/2-G1/2	FE1398		
32	80430621200	JOINT	4					
33	37000913850	JOINT (WITH O-RING)	4		L,G3/4-G1/2			
34	80302090161	FITTING	1		KCO12-030N			
35	91002801100	O-RING	8		1B P11			
36	91002801800	O-RING	8		1B P18			
37	91002802400	O-RING	27		1B P24			
38	35760371000	SUPPORT	1					
39	34640896900	BAND	4					
40	37005700010	CLAMP	2		12X1			
41	37005700020	CLAMP	2		12X2			
42	37000711080	CLAMP ASSY	1		12-2			
43	37000711250	CLAMP ASSY	4		22-18			
44	37000711000	CLAMP ASSY	1		12-1			
45	37000701500	CLAMP ASSY	1		12X1			
46	37000701510	CLAMP ASSY	15		12X2		FE1925	
	37000701510	CLAMP ASSY	2		12X2	FE1926		
47	90186208014	BOLT,FLANGE	12		M8X14			
48	90186208050	BOLT,FLANGE	1		M8X50			
49	90186210014	BOLT,FLANGE	18		M10X14			
50	91002801400	O-RING	1		1B P14			
51	90101208065	BOLT	1		M8X65			
52	90101510090	BOLT	16		M10X90		FE1650	
	90171110090	BOLT	16		M10X90	FE1651		
53	90201200800	NUT	1		M8			
54	90201201000	NUT	16		M10			
55	90302040801	WASHER,SPRING	1		8			
56	90302041001	WASHER,SPRING	16		10			
57	90303070801	WASHER,PLAIN	2		8			
58	37000300740	SLEEVE	2		18-12			
59	80303010100	FITTING,ELBOW	1		KLA12-000N			
60	90101208045	BOLT	4		M8X45	FE1581		
63	81408000290	PIPE,STEEL	1	M	22X2.5T			
64	81408000290	PIPE,STEEL	1	M	22X2.5T			
65	81408000160	PIPE,STEEL	2	M	12X1.4T			
66	81408000160	PIPE,STEEL	2	M	12X1.4T			
67	81408000160	PIPE,STEEL	2	M	12X1.4T			



# GR-700N-2-00101 6 BOOM + 3 JIB,2M2D

Pos No.	Parts No	Parts Name	Qty	Unit	Technical Data	Serial No (Start)	Serial No (End)
1	37003899040	VALVE (TRJ653+ ADAPTER(AD-1)+CAP)	1				
10	37003802480	TIRE (WITH VALVE)	1				

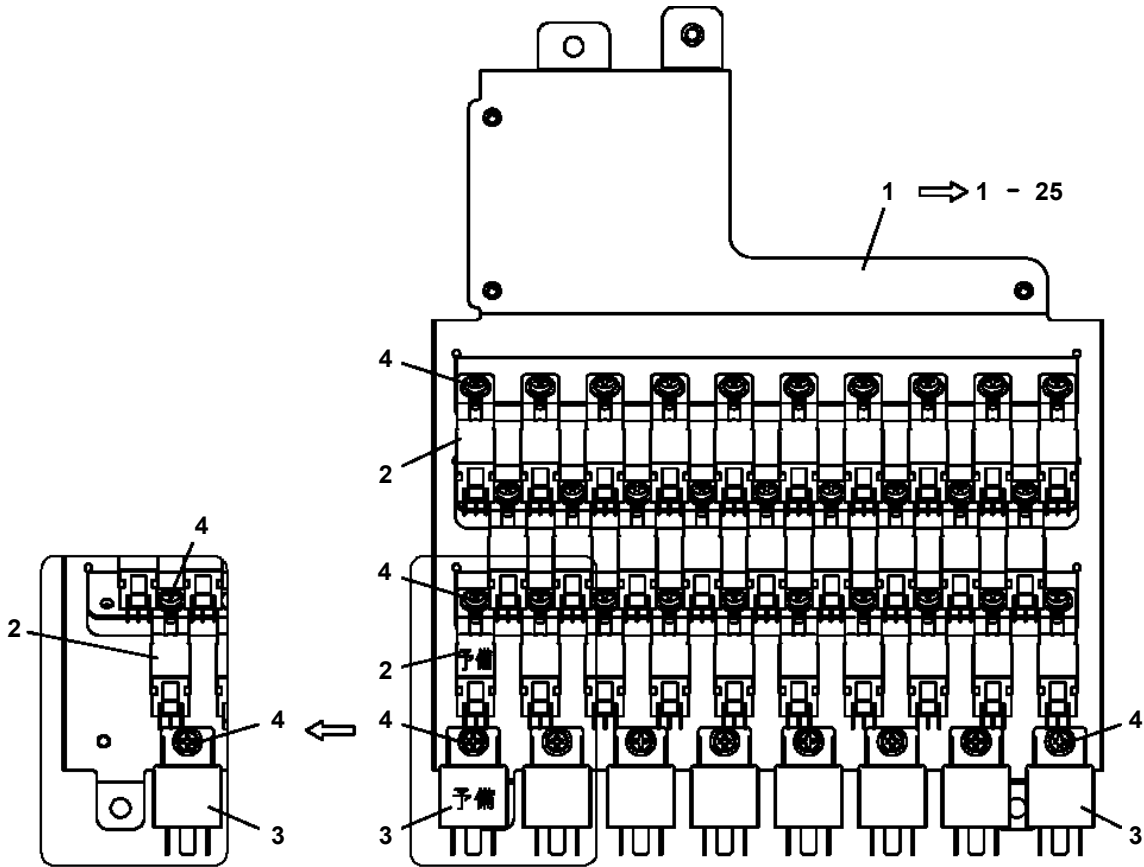
**GR-700N-2-00101 6 BOOM + 3 JIB,2M2D**  
**PR2150054-00 TIRE & WHEEL (BS./VHS + TOPY)**



# GR-700N-2-00101 6 BOOM + 3 JIB,2M2D

Pos No.	Parts No	Parts Name	Qty	Unit	Technical Data	Serial No (Start)	Serial No (End)	Remarks	Pages
1	34496561000	RADIO	1						
2	34496560200	SUPPORT	2						
6	80192485008	SCREW,MACHINE	8		M5X8				
7	82100000920	GROMMET	1						

GR-700N-2-00101 6 BOOM + 3 JIB,2M2D  
 PR5090176-03 RELAY ASSY



	EK7172	EK7043	EK7006	EK7007	EK7009	EK7024	EK7094	EK7093	EK7096	EK7097
	EK7214	EK7036	EK7092	EK7060	EK7048	EK7001	EK7095	EK7026	EK7058	-
-	予備 SPARE	EK7542	EK7539	EK7294	EK7203	EK7226	EK7405	EK7205	EK7206	EK7204
-	予備 SPARE	EK7534	EK7535	EK7501	EK7202	EK7201	EK7503	EK7502	-	-

リレー配置図  
 RELAY LAYOUT DRAWING

## GR-700N-2-00101 6 BOOM + 3 JIB,2M2D

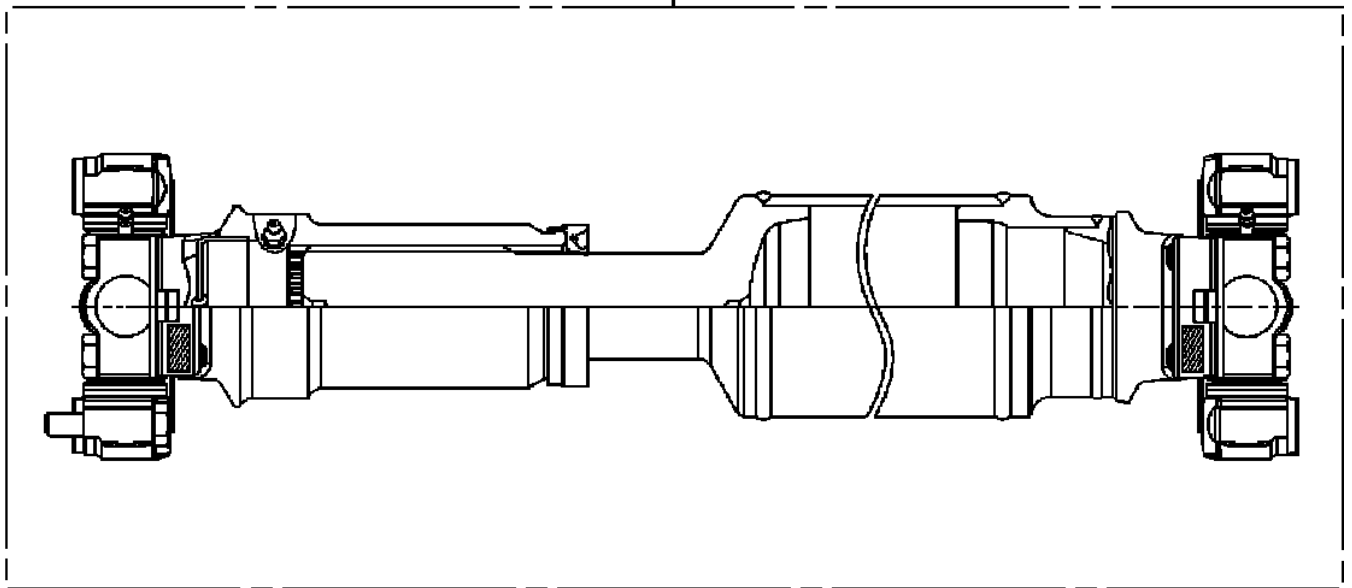
Pos No.	Parts No	Parts Name	Qty	Unit	Technical Data	Serial No (Start)	Serial No (End)	Remarks
1	36081895010	GEAR,SPUR	1					
2	36081655020	RETAINER	1					
3	36081215030	BEARING,ROLLER	1					
4	36081895020	CASING	1					
5	91210100003	SEAL,OIL	1					
6	80500006318	BEARING,BALL	1					
7	80316090060	PLUG	2		KKT PT3/8			
10	36070925180	RING,THRUST	4					
11	36081215070	BEARING,NEEDLE	8		HL-PK35X47X19.8X1			
12	36081655050	GEAR,PLANETARY	4					
15	36081655130	RING,THRUST	1					
16	90101510040	BOLT	8		M10X40			
17	90302041001	WASHER,SPRING	8		10			
18	36081655070	GEAR,SUN	1					
19	36081655080	BRACKET	1					
20	90101516050	BOLT	4		M16X50			
21	90302041601	WASHER,SPRING	4		16			
22	80601110450	RING,RITAINING	1		S45			
23	36081655090	COUPLING	1					
24	36081655100	GEAR,PLANETARY	3					
25	36071915210	BEARING,NEEDLE	3					
26	36070845230	RING,THRUST	4					
28	36081655120	GEAR,SUN	1					
29	36081655140	RING,RETAINING	1					
30	90102210016	BOLT	2		M10X16			
31	36081655150	WASHER,SEAL	2					
51	36081655300	CARRIER ASSY	1					
52	36081655310	CARRIER ASSY	1					
100	36081895000	REDUCER ASSY	1					

## GR-700N-2-00101 6 BOOM + 3 JIB,2M2D

Pos No.	Parts No	Parts Name	Qty	Unit	Technical Data	Serial No (Start)	Serial No (End)	Remarks	Pa
1	36063131000	CYLINDER	1						
2	80136350063	PIN,SPLIT	1						
3	37001600410	NUT	1		M24				
4	36062392000	PISTON	1						
5	91411205701	RING,BACKUP	2						
6	91684007001	PACKING	2						
7	91302207000	BEARING,PLAIN	2						
8	91002803500	O-RING	1		1B P35				
9	36063122000	ROD	1						
10	36061593600	COVER,ROD	1						
11	91002806000	O-RING	1		1B P60				
12	91301103500	BEARING,PLAIN	1						
13	91251100350	RING,DAMPER	1						
14	91694003500	PACKING	1						
15	91410203501	RING,BACKUP	1						
16	91660003501	SEAL,DUST	1						
41	36062589900	PACKING SET	1		35X70				
65	37000400990	BEARING,PLAIN	2						
72	37000402270	BEARING,PLAIN	2						
100	36063130000	CYLINDER,STEERING	1						

**GR-700N-2-00101 6 BOOM + 3 JIB,2M2D**  
**PS5170016-00 SHAFT ASSY,PROPELLER (JTEKT:T/C-T/M)**

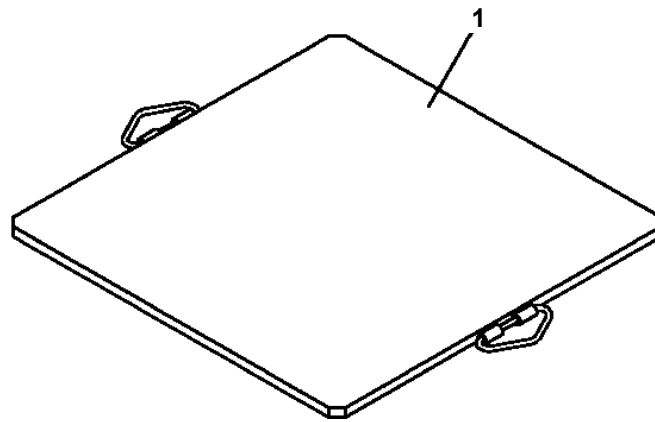
100



# GR-700N-2-00101 6 BOOM + 3 JIB,2M2D

Pos No.	Parts No	Parts Name	Qty	Unit	Technical Data	Serial No (Sta
1	36303425010	CROSS JOINT	2			
11	36303425020	NIPPLE,GREASE	2			
22	36303235050	NIPPLE,GREASE	1			
100	36303681000	SHAFT ASSY,PROPELLER (JTEKT:3RD AXLE-4TH AXLE)	1			

**GR-700N-2-00101 6 BOOM + 3 JIB,2M2D**  
**PS5330003-00 STEEL BASE PLATE (IP)**

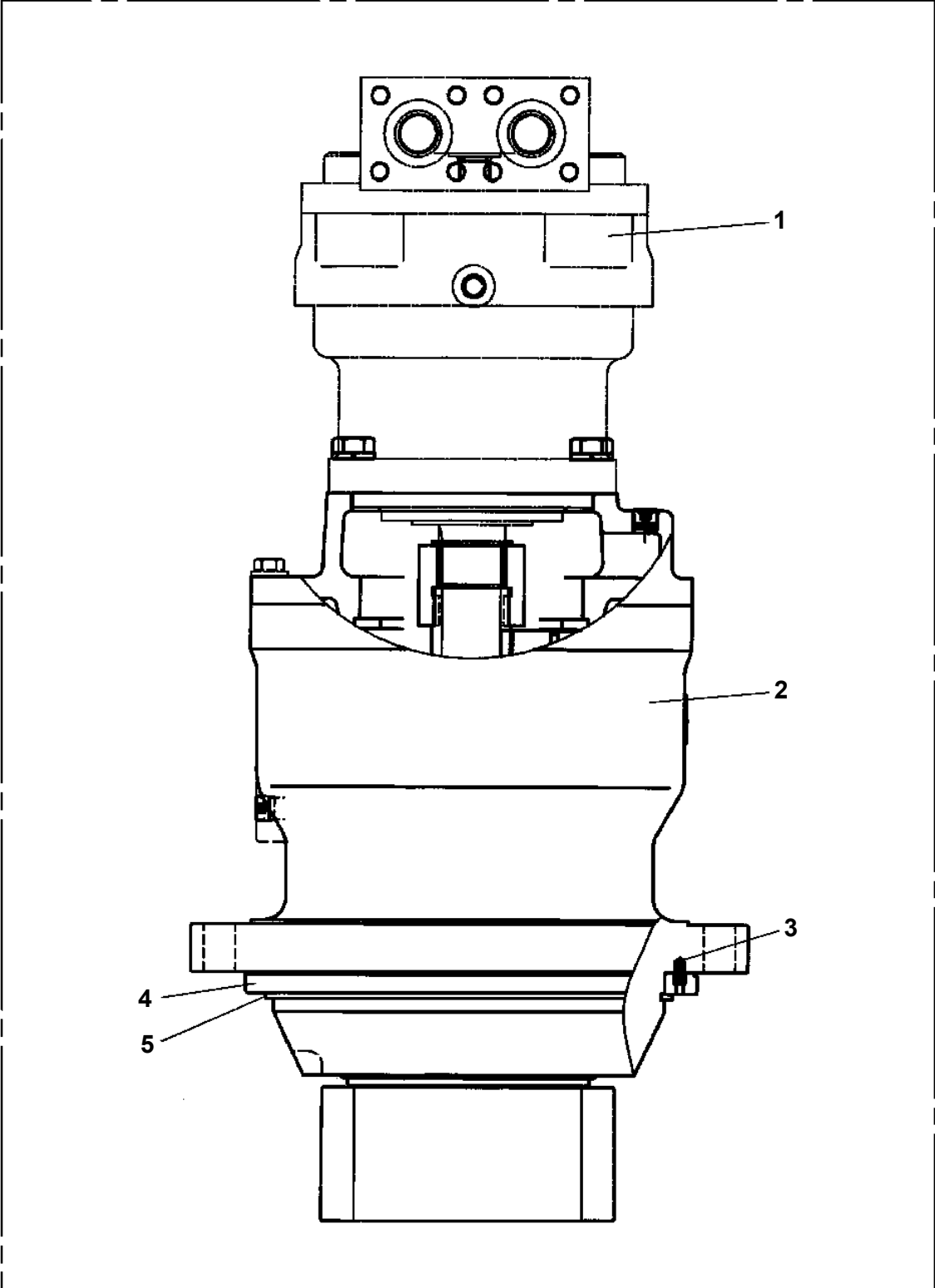


## GR-700N-2-00101 6 BOOM + 3 JIB,2M2D

Pos No.	Parts No	Parts Name	Qty	Unit	Technical Data	Serial No (Start)	Serial No (End)	Remarks	Pa
1	34293629510	SUPPORT	1						
2	37000200590	PIN,SNAP	4						
3	90303071601	WASHER,PLAIN	4		16				
4	37010102270	PIN	2						
5	37001008160	SHEAVE ASSY	2						
6	36010120020	PLATE	4		T=1.6				
7	37000547820	PLATE	2						
8	37000529550	PLATE	2		T=1.6				
9	90171112025	BOLT	4		M12X25				
10	34293261150	PLATE	2						
11	90171112022	BOLT	4		M12X22				
12	37000554860	PLATE	2		T=1				
13	37000549160	PLATE	2						
14	80530000117	BEARING,SPHERICAL	1						
32	80515006211	BEARING,BALL	4						
100	34293621000	SUPPORT ASSY	1						

GR-700N-2-00101 6 BOOM + 3 JIB,2M2D  
PS5500041-00 SWING ASSY

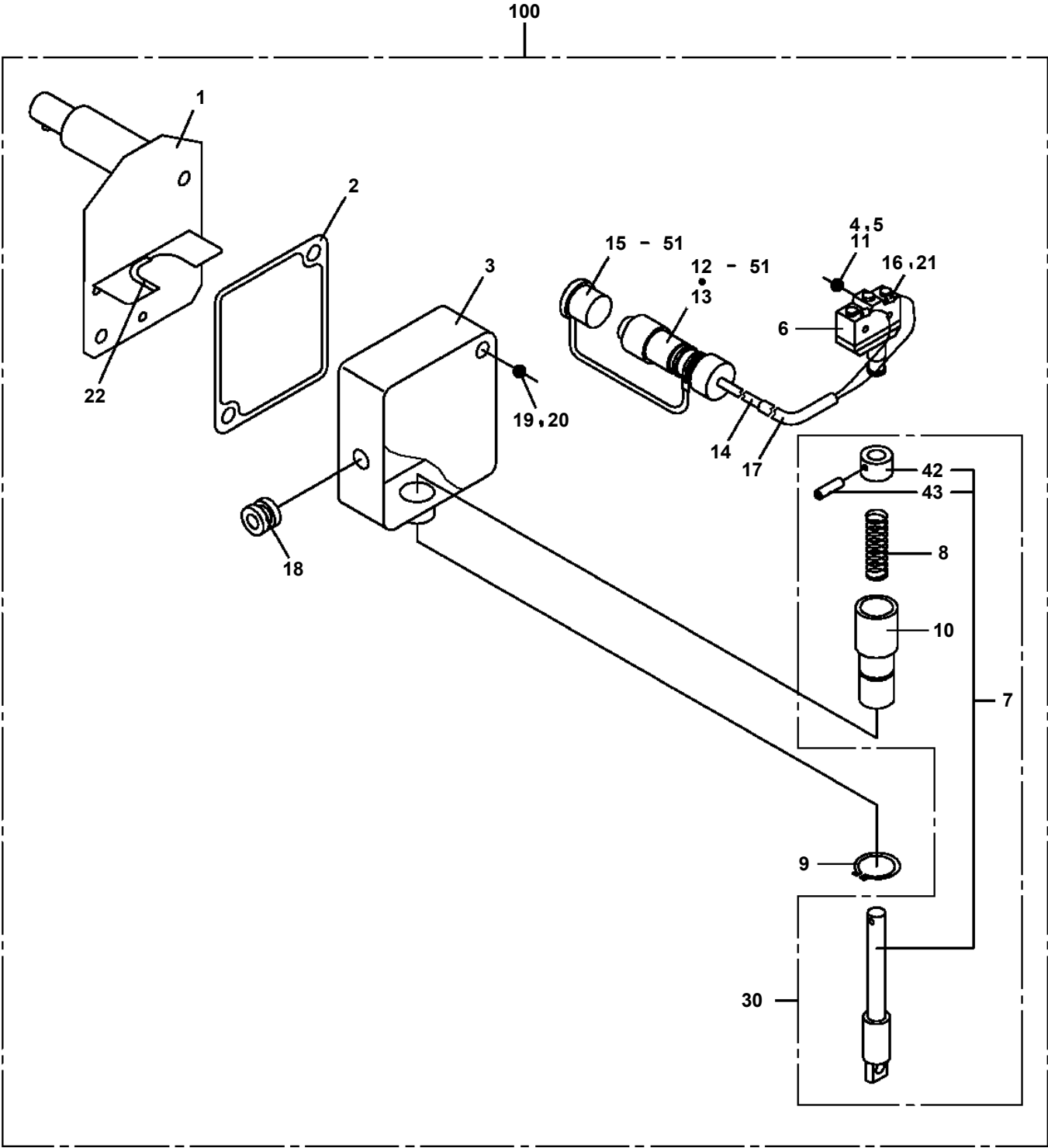
100



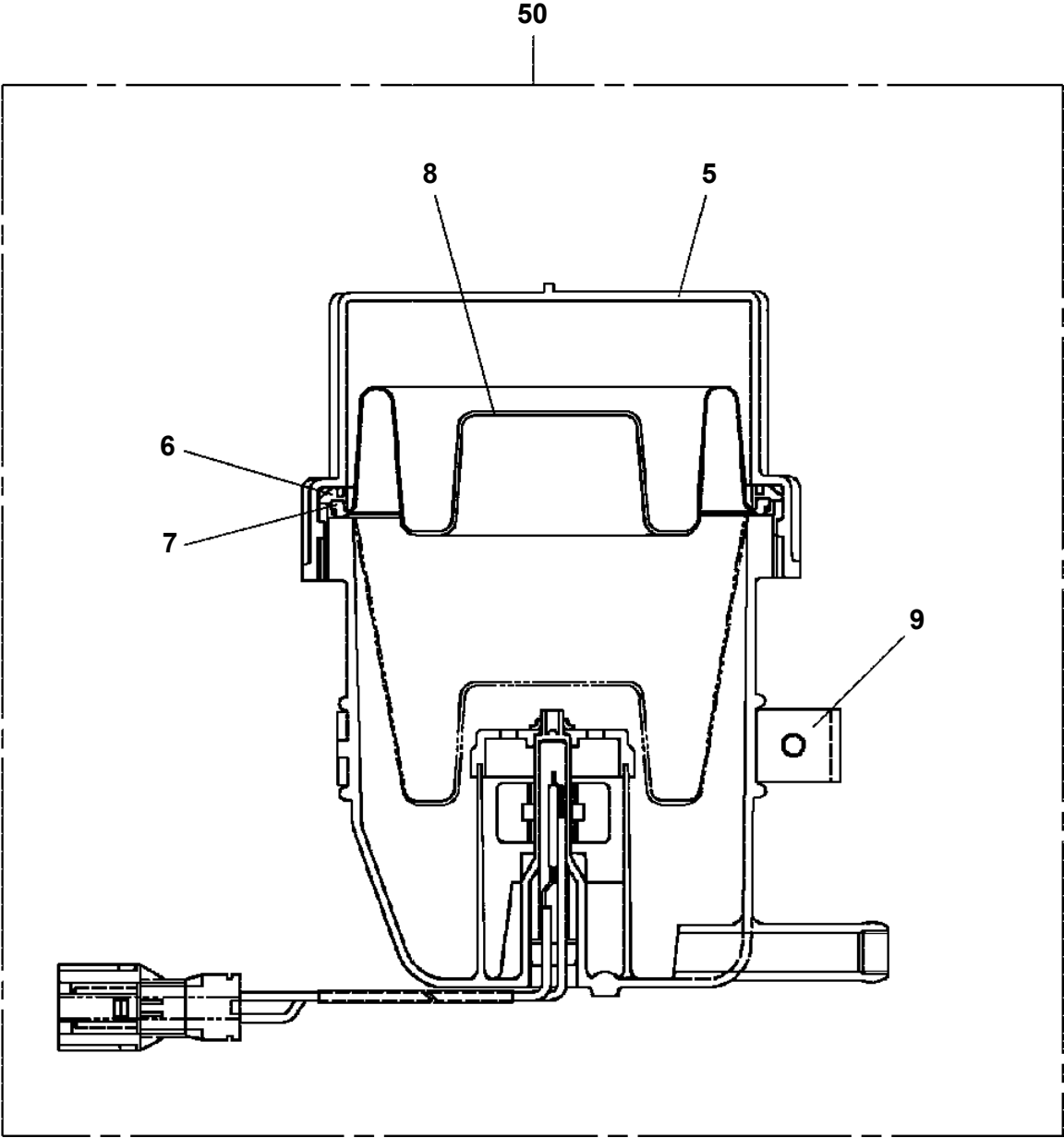
# GR-700N-2-00101 6 BOOM + 3 JIB,2M2D

Pos No.	Parts No	Parts Name	Qty	Unit	Technical Data	Serial No (Start)	S
1	34352211140	SWITCH ASSY	1				
2	34353751210	SWITCH ASSY (WITH KEY)	1				F
	34355271230	SWITCH ASSY (WITH KEY)	1			FE1462	
3	34355271210	SWITCH,ROCKER (ANTI-TWO BLOCK DISABLE)	1				
4	34355271220	SWITCH,ROCKER (EMERGENCY LEVER CONTROL)	1				

GR-700N-2-00101 6 BOOM + 3 JIB,2M2D  
PS5540008-02 SWITCH (OVERWIND/JIB)



GR-700N-2-00101 6 BOOM + 3 JIB,2M2D  
PT1260003-03 TANK,BRAKE FLUID

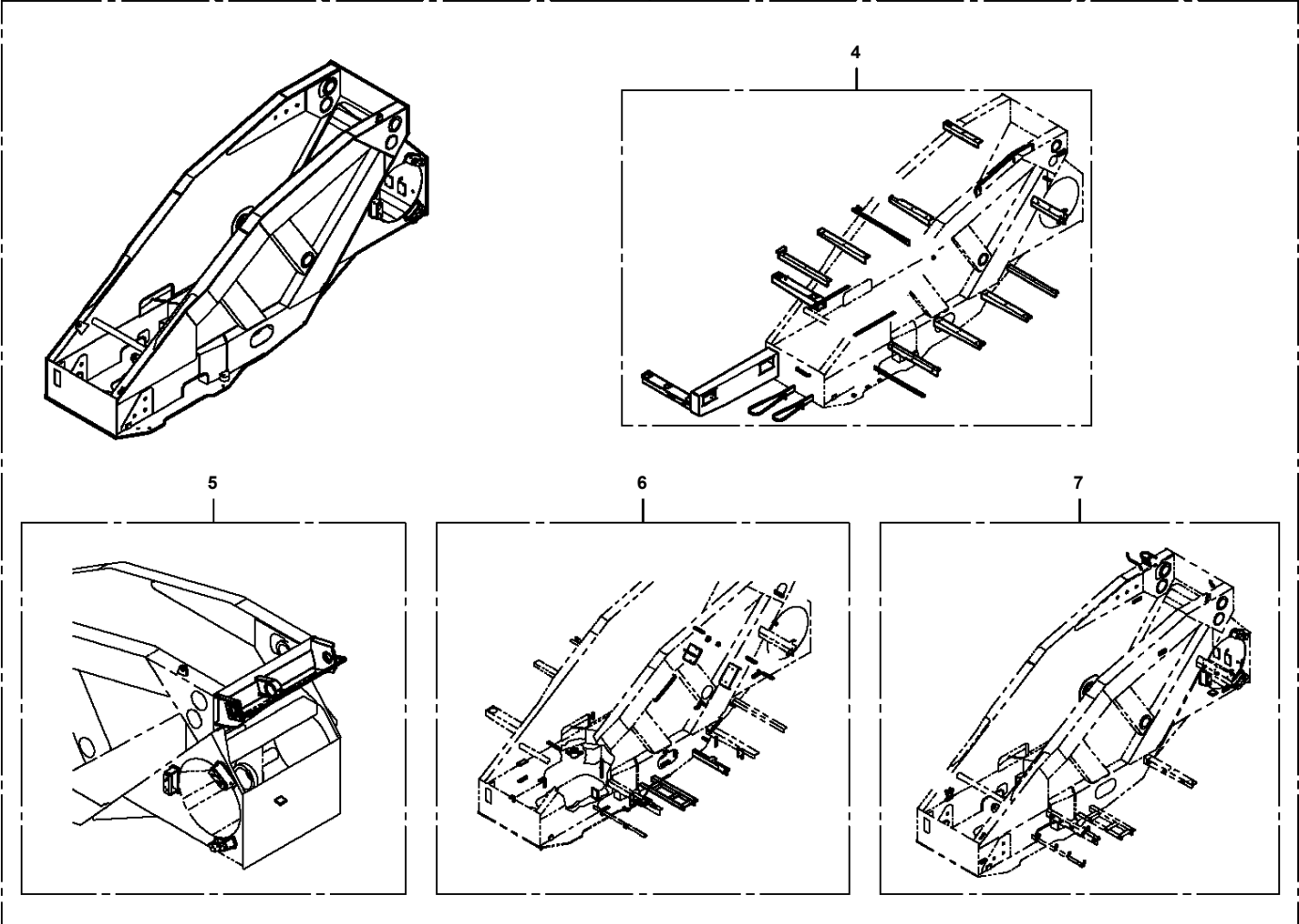


# GR-700N-2-00101 6 BOOM + 3 JIB,2M2D

Pos No.	Parts No	Parts Name	Qty	Unit	Technical Data	Serial No (Start)	Serial No (End)	Remarks	Page
3	36870435010	VALVE ASSY	1						
40	36870435020	CARTRIDGE	1						
59	36870365030	HEATER	1						
60	36870435030	THERMOSTAT ASSY	1						
90	36870435040	FILTER (REPAIR KIT)	1						
100	36870470000	DRIER,AIR	1						

GR-700N-2-00101 6 BOOM + 3 JIB,2M2D  
PT5340010-00 TABLE,SLEWING

100



## GR-700N-2-00101 6 BOOM + 3 JIB,2M2D

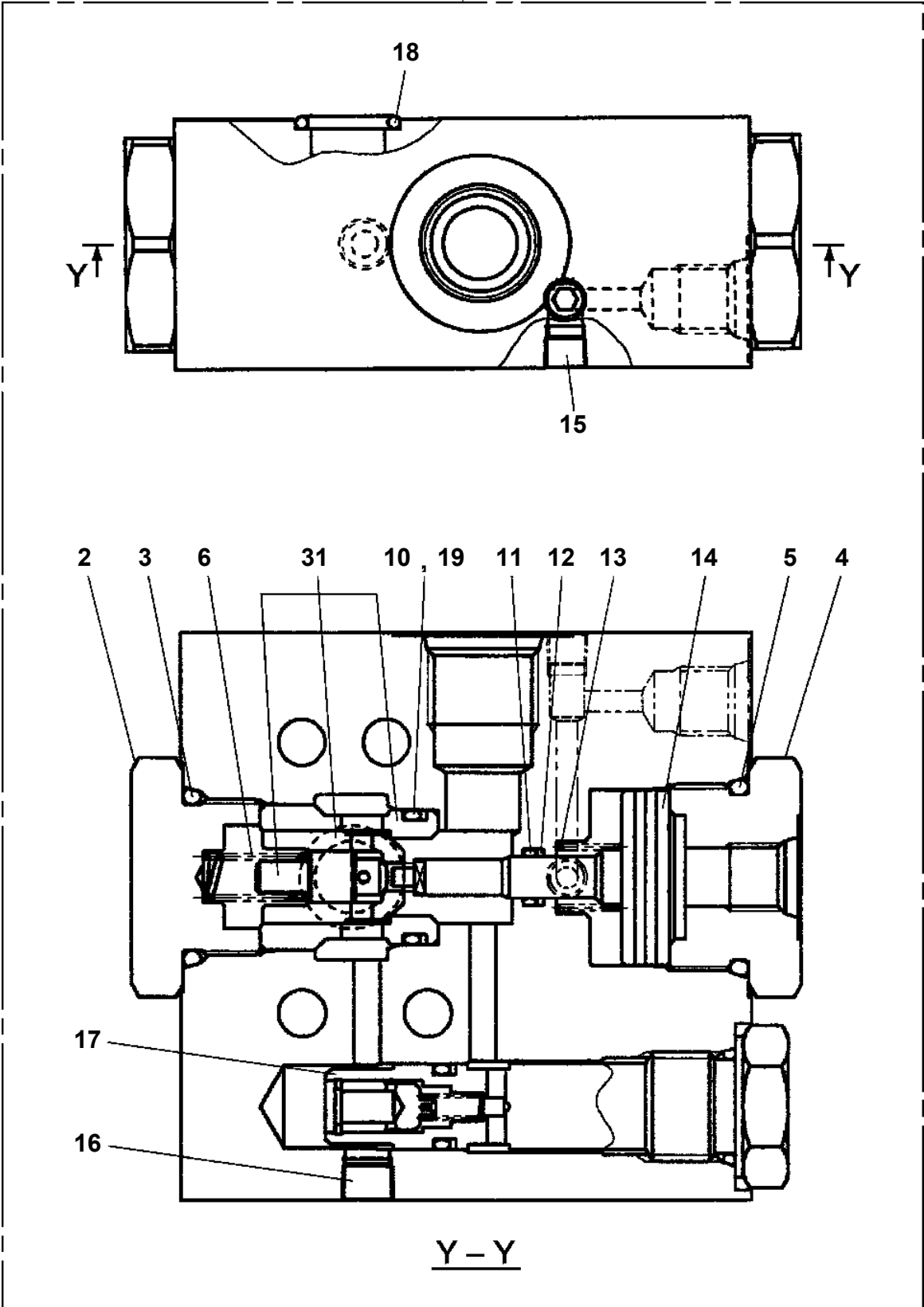
Pos No.	Parts No	Parts Name	Qty	Unit	Technical Data	Serial No (Start)	Serial No (End)	Remarks
68	36370555120	SPRING	1					
69	36370585310	SPRING	1					
70	36350525320	STOPPER	1					
71	36370585320	COVER	1					
72	36370585330	GASKET	1					
73	36370585340	BOLT,HEXAGON SOCKET	3					
74	36350695320	FILTER (COIN)	1					
75	36350695330	O-RING	1					
79	36681890000	SENDER,THERMO (OIL)	1					
80	90302050801	WASHER,SPRING	4		8			
81	36370595040	ADAPTER	1					
82	36370615050	O-RING	1					
83	36370505230	BOLT,HEXAGON SOCKET	4					
84	36370355160	PIPE ASSY	1					

# GR-700N-2-00101 6 BOOM + 3 JIB,2M2D

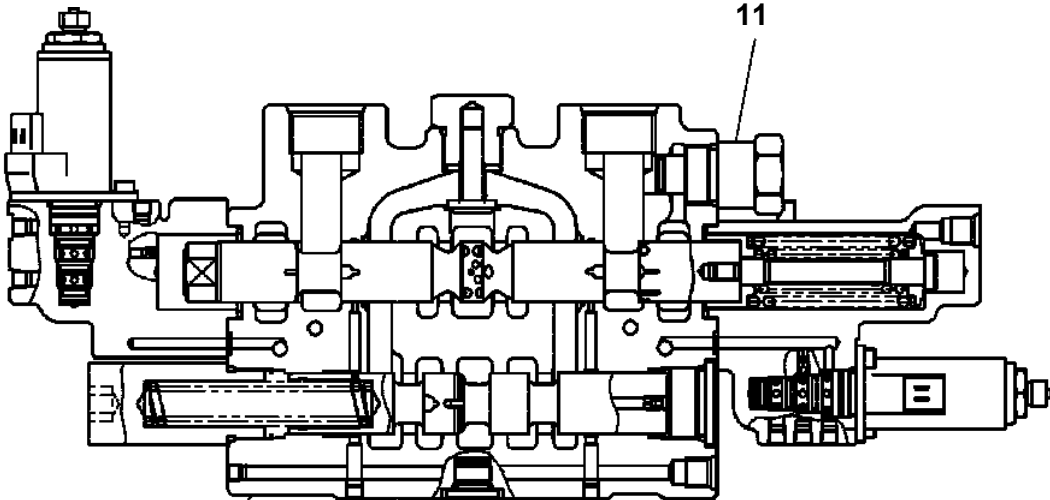
Pos No.	Parts No	Parts Name	Qty	Unit	Technical Data	Serial No (Start)	Serial No (End)	Remarks	P
2	36601005010	VALVE ASSY	1						
16	36607065010	STEM ASSY	1						
23	36607065020	SEAT,SPRING	1						
29	36607065030	VALVE ASSY (LOWER)	1						
37	36607065040	COVER (EXHAUST)	1						
46	36601005060	BOOT (PLUNGER)	1						
47	36607065050	PLUNGER	1						
51	36607065060	REPAIR KIT	1						
52	36607065070	REPAIR KIT (SPRING)	1						
100	36607060000	VALVE ASSY (BRAKE)	1						

GR-700N-2-00101 6 BOOM + 3 JIB,2M2D  
PV5040020-00 VALVE ASSY,CHECK

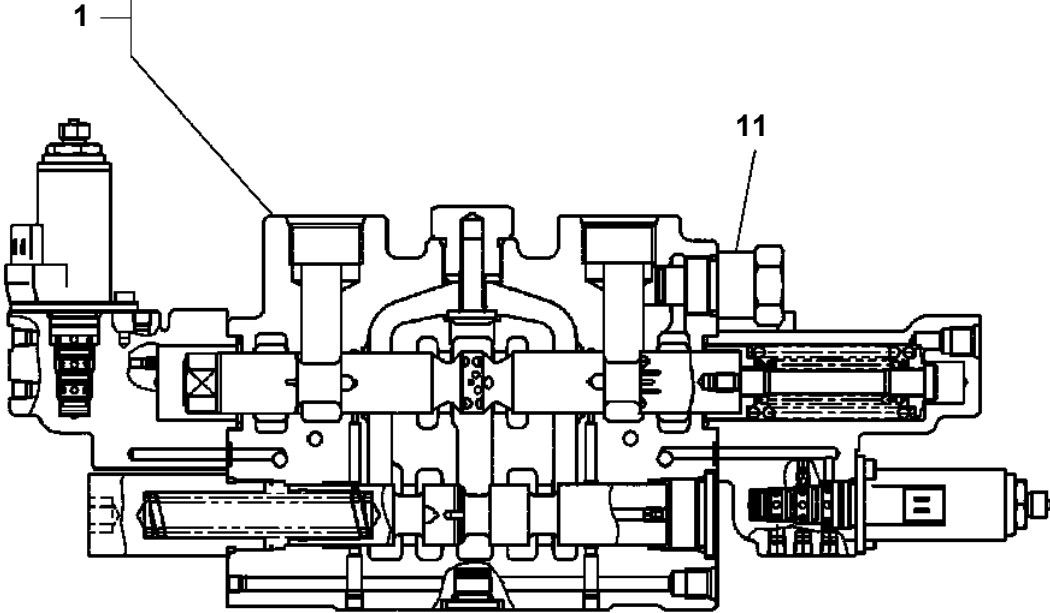
100



GR-700N-2-00101 6 BOOM + 3 JIB,2M2D  
PV5170024-00 VALVE ASSY,SELECTOR



C - C

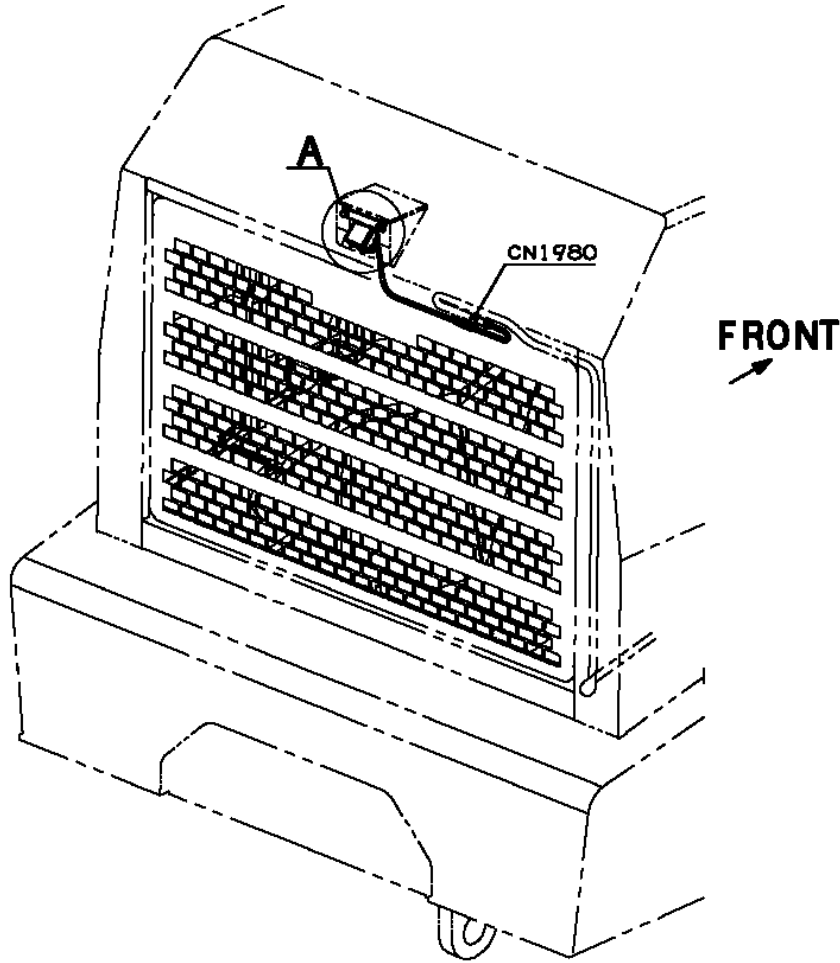


D - D

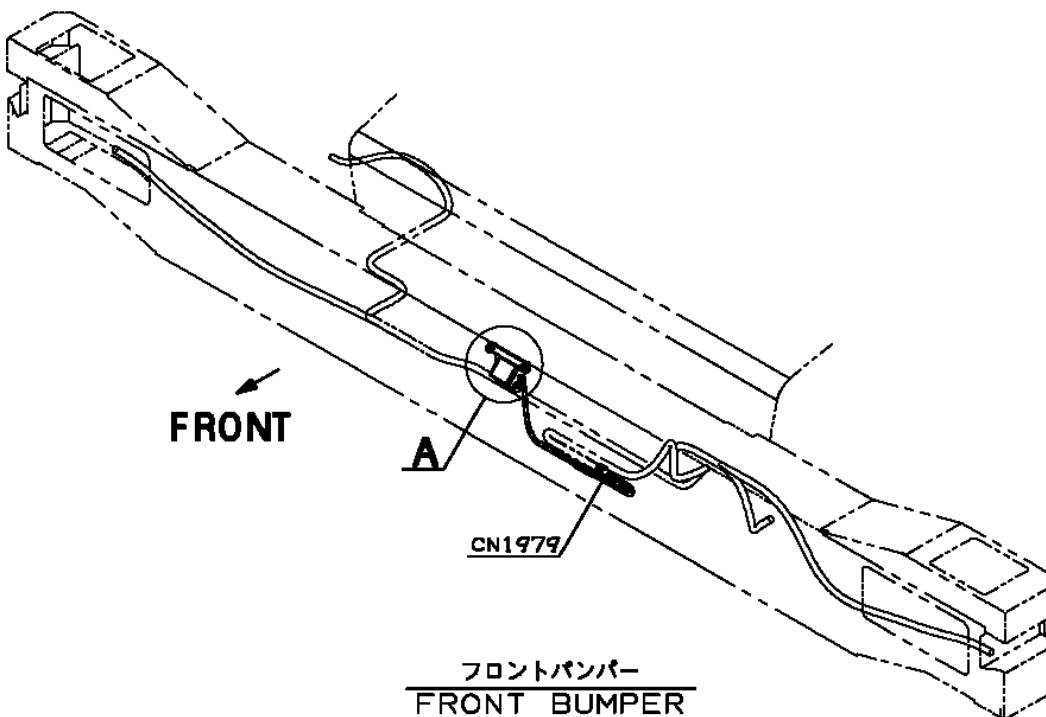
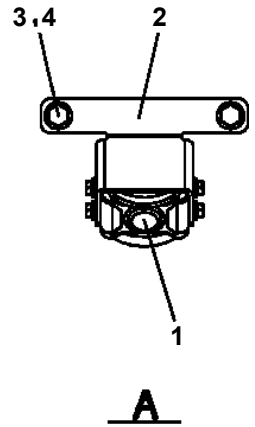
# GR-700N-2-00101 6 BOOM + 3 JIB,2M2D

Pos No.	Parts No	Parts Name	Qty	Unit	Technical Data	Serial No (Start)	Serial No (End)	Remarks	Pages
1	36649565120	PACKING SET	1			FE1827			
100	36607501000	VALVE,REDUCING	1						

GR-700N-2-00101 6 BOOM + 3 JIB,2M2D  
PV5450074-00 VIEW SYSTEM (WIDE SIDE VIEW:LOWER)



エンジンカバー後端  
ENGINE COVER BACK SIDE END

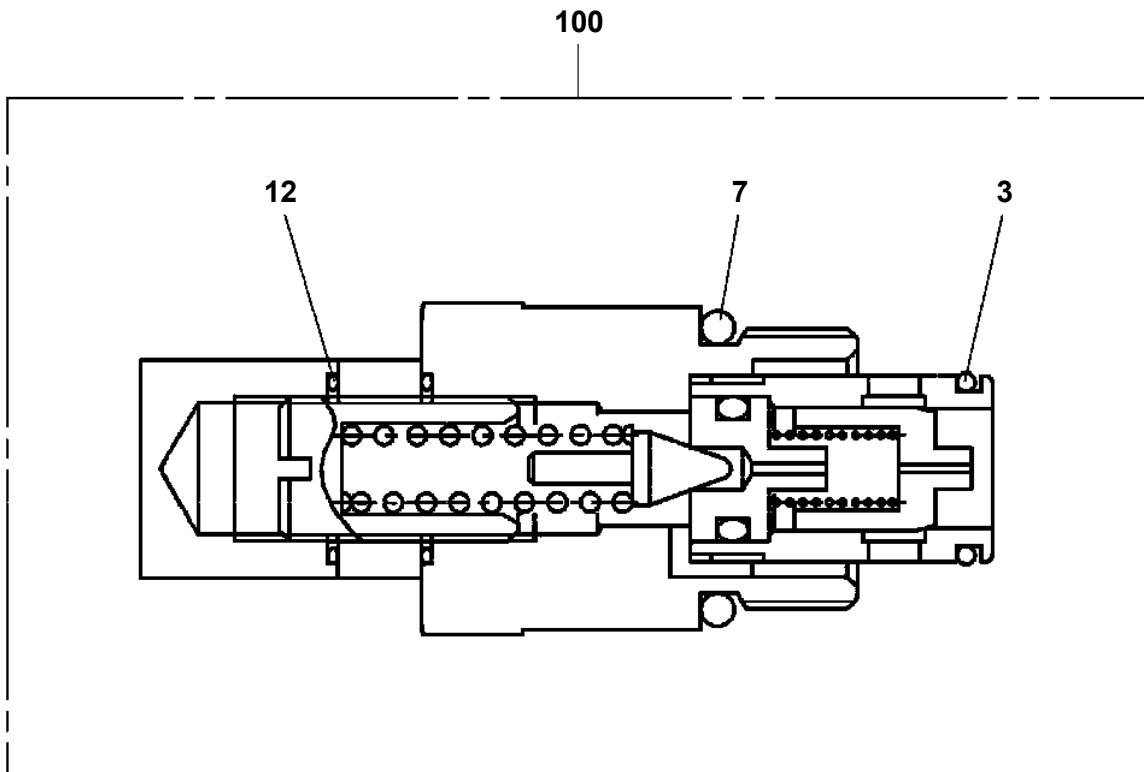


フロントバンパー  
FRONT BUMPER

## GR-700N-2-00101 6 BOOM + 3 JIB,2M2D

Pos No.	Parts No	Parts Name	Qty	Unit	Technical Data	Serial No (Start)	Serial No (End)	Remarks
6	91000512800	O-RING	4					
7	36648985130	RETAINER (SPRING)	2					
8	36646035120	SPRING (W2)	2					
9	36646035130	SPRING (W1)	2					
10	36646675040	RETAINER (SPRING)	2					
11	36648985090	END,SPOOL	2					
12	36742615050	COVER (PILOT)	2					
13	36742615060	COVER (PILOT)	2					
14	36630285200	CHOKE	3					
15	36631055180	SPRING	2					
16	36632585150	PLUG	3					
17	91002903000	O-RING	6		1B G30			
18	36646035150	RETAINER (SPRING)	3					
19	36631055300	VALVE,CHECK	2					
20	36631055310	SPRING	2					
21	36631055320	PLUG (CHECK VALVE)	2					
22	16095101070	O-RING	2					
23	90131508040	BOLT,HEXAGON SOCKET	8		M8X40			
24	90303100801	WASHER,PLAIN	8		8			
25	90302040801	WASHER,SPRING	8		8			
26	36636615210	PLUG	3		NPT3/8			
27	91002801400	O-RING	3		1B P14			
28	36647205050	PLUG	24		NPT1-16			
29	36648985100	SPRING	1					
30	36742615070	VALVE,SOLENOID	4					
31	36742615080	BOLT,HEXAGON SOCKET	8		M5X15			
32	91002800700	O-RING	8		1B P7			
100	36742675010	VALVE,CONTROL	1					

**GR-700N-2-00101 6 BOOM + 3 JIB,2M2D  
PV5480013-00 VALVE,OVERLOAD RELIEF**

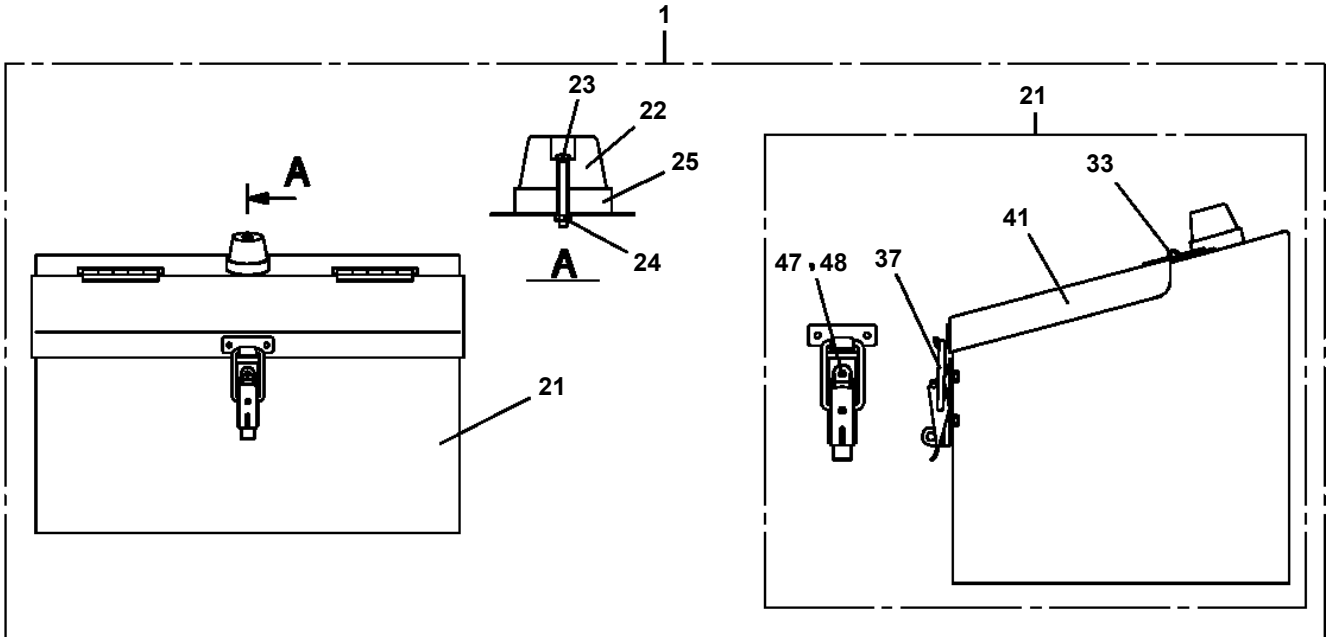
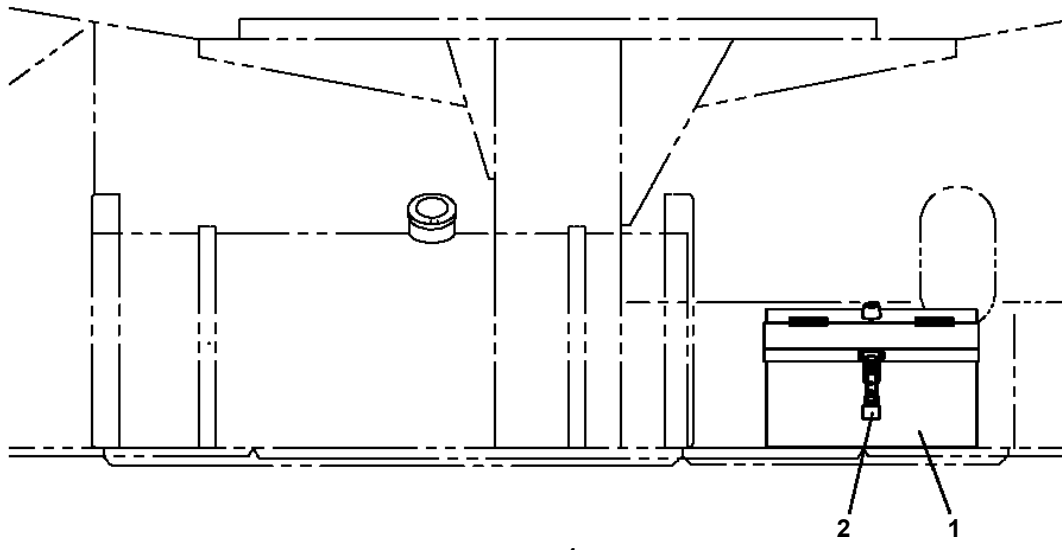
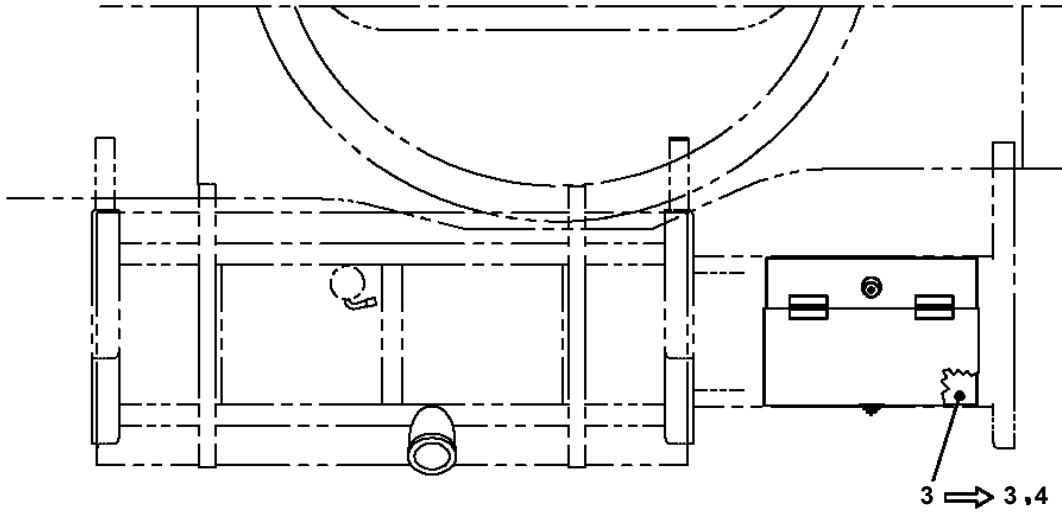


# GR-700N-2-00101 6 BOOM + 3 JIB,2M2D

Pos No.	Parts No	Parts Name	Qty	Unit	Technical Data	Serial No (Start)	Serial No (End)	Remarks
1	80601110950	RING,RITAINING	1		S95			
2	80516006219	BEARING,BALL	1					
3	36073881000	DRUM (WINCH)	1					
4	36073335310	REDUCER,SPEED	1					
5	90172116050	BOLT,HEXAGON SOCKET	16		M16X50			
6	36073333000	SUPPORT (WINCH)	1					
7	36073885010	BOLT (10.9 M22X55)	10					
8	80316030040	PLUG	2		PT1/4			
100	36073880000	WINCH ASSY (MAIN)	1					

GR-700N-2-00101 6 BOOM + 3 JIB,2M2D  
PX1351192-01 BOX,TOOL (FRONT FUEL TANK)

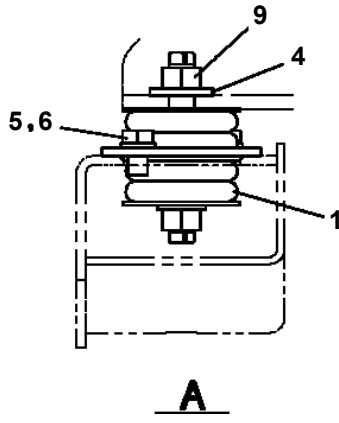
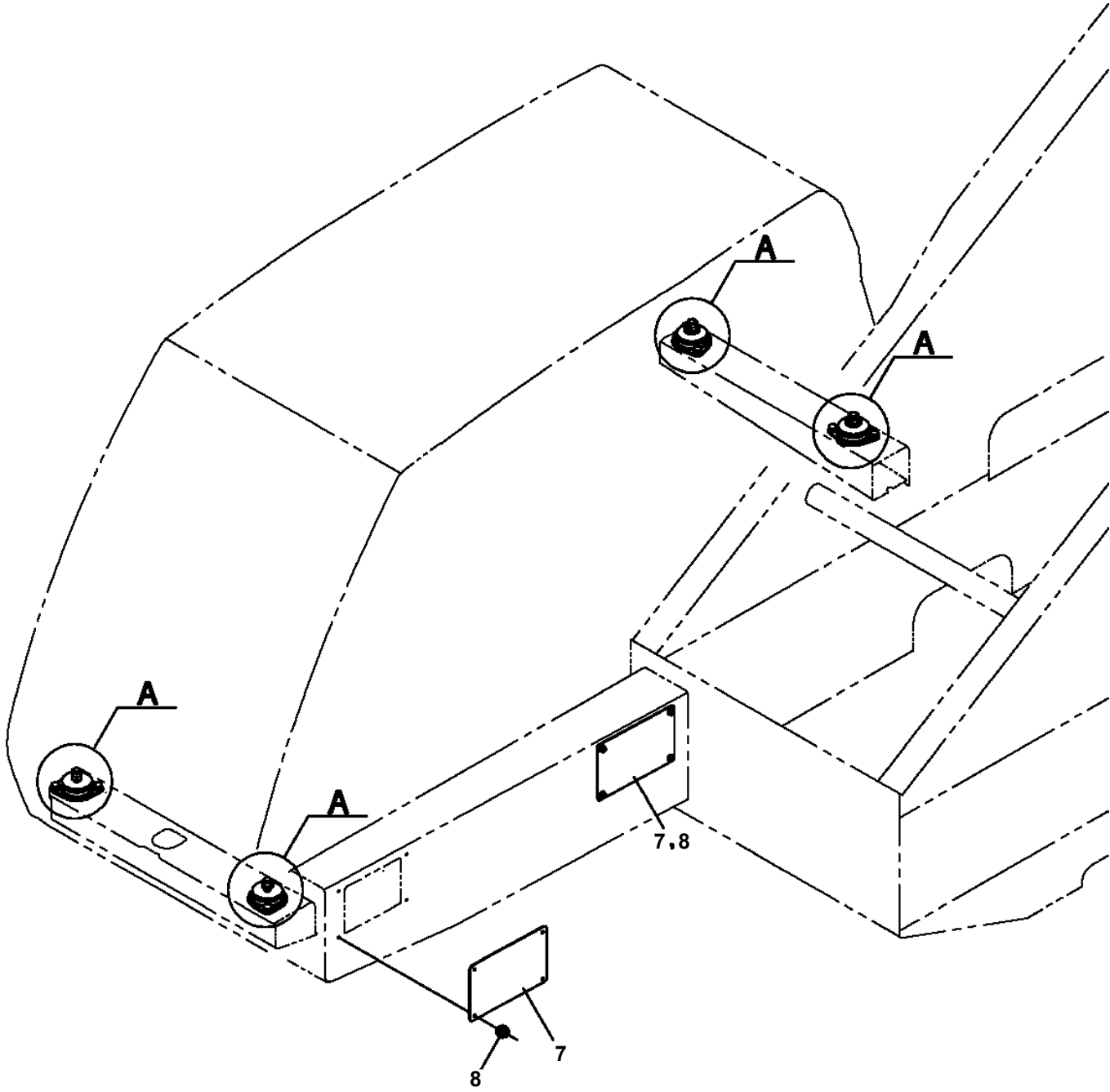
→ FRONT



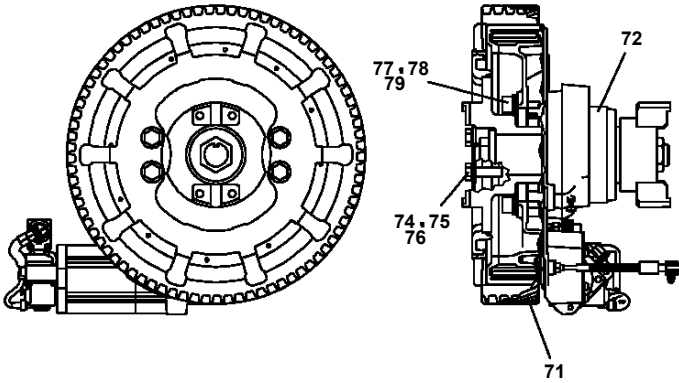
# GR-700N-2-00101 6 BOOM + 3 JIB,2M2D

Pos No.	Parts No	Parts Name	Qty	Unit	Technical Data	Serial No (Start)	Serial
1	34261900301	SUNSHADE (ASSY ONLY)	1				
2	34261886200	RAIL	1				
3	34261886300	RAIL	1				
4	34261900400	HOOK	1				
5	34261886400	GRIP	1				
6	34261886600	COVER (FRONT)	1				
7	82466003002	CUSHION	1				
8	90101206014	BOLT	1		M6X14		
9	90303070601	WASHER,PLAIN	1		6		
10	90302040601	WASHER,SPRING	1		6		
11	80192486014	SCREW,MACHINE (WITH WASHER)	2		M6X14		
12	80173805010	SCREW,MACHINE	6		M5X10		
13	80173805020	SCREW,MACHINE	1		M5X20		
14	80173805030	SCREW,MACHINE	1		M5X30		
15	80192486016	SCREW,MACHINE	1		M6X16		
16	99183808025	BOLT,HEXAGON SOCKET(WITH W,SW/BLACK)	2				
19	82431206001	KNOB	2				FE14
20	82431106101	KNOB	2				FE14
21	90190206012	BOLT	2		M6X12		
22	82100000920	GROMMET	1				
23	82100000956	GROMMET	2		SG-36A		
24	82447077255	PLUG	1				
25	37002240450	PLATE,NAME	2			FE1529	
26	37002240460	PLATE,NAME	2			FE1529	
39	82431432060	KNOB	2			FE1469	
40	82431332061	KNOB	2			FE1469	

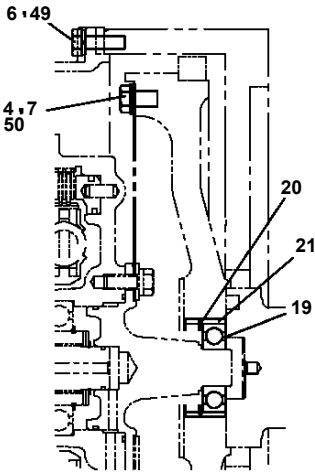
GR-700N-2-00101 6 BOOM + 3 JIB,2M2D  
PX5200011-01 MOUNT ASSY,CAB



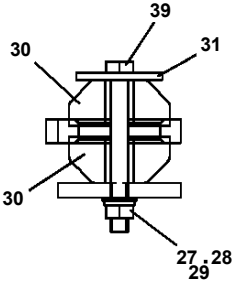
**GR-700N-2-00101 6 BOOM + 3 JIB,2M2D  
PX5560037-00 MOUNT ASSY,POWER TRAIN**



**A**

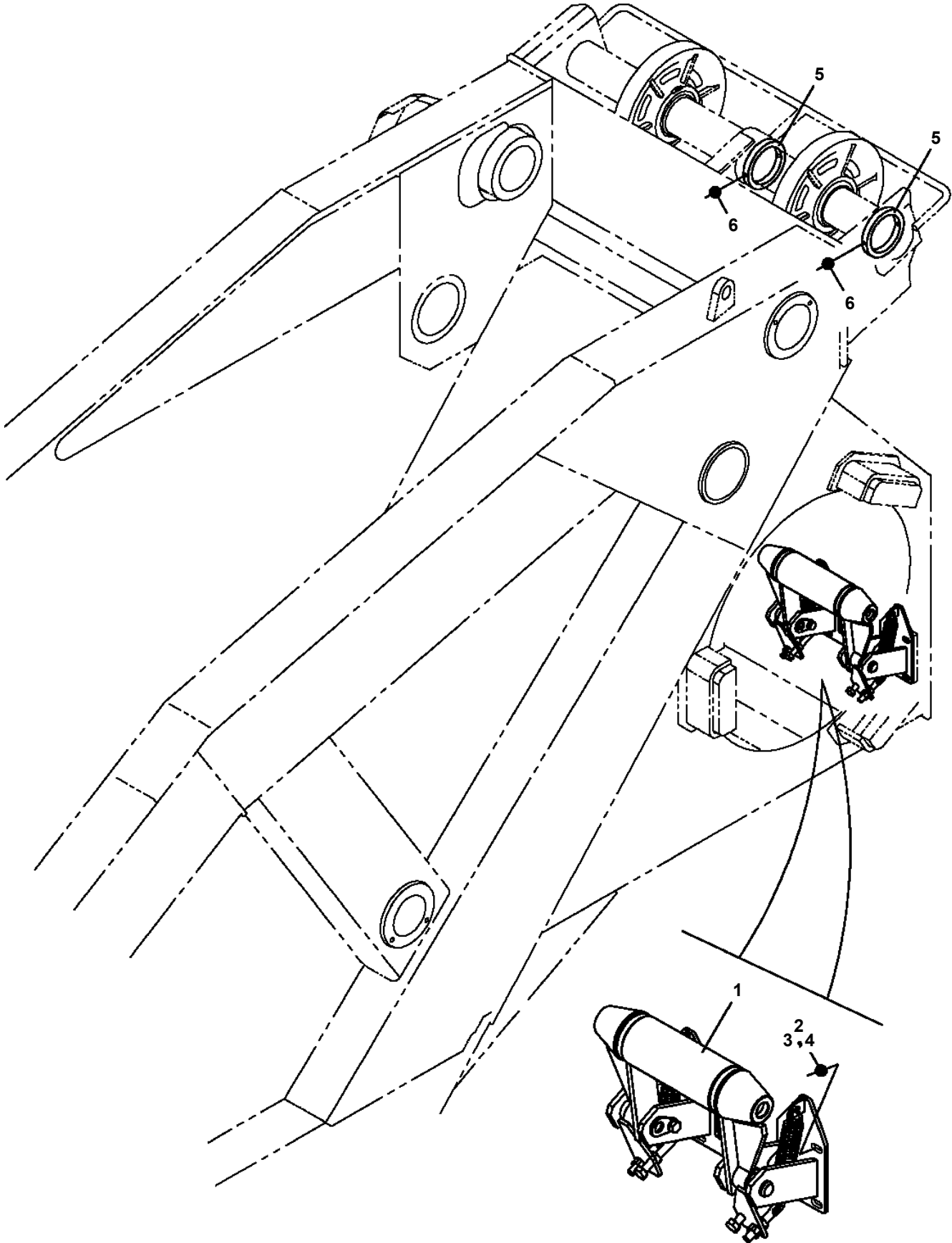


**B**

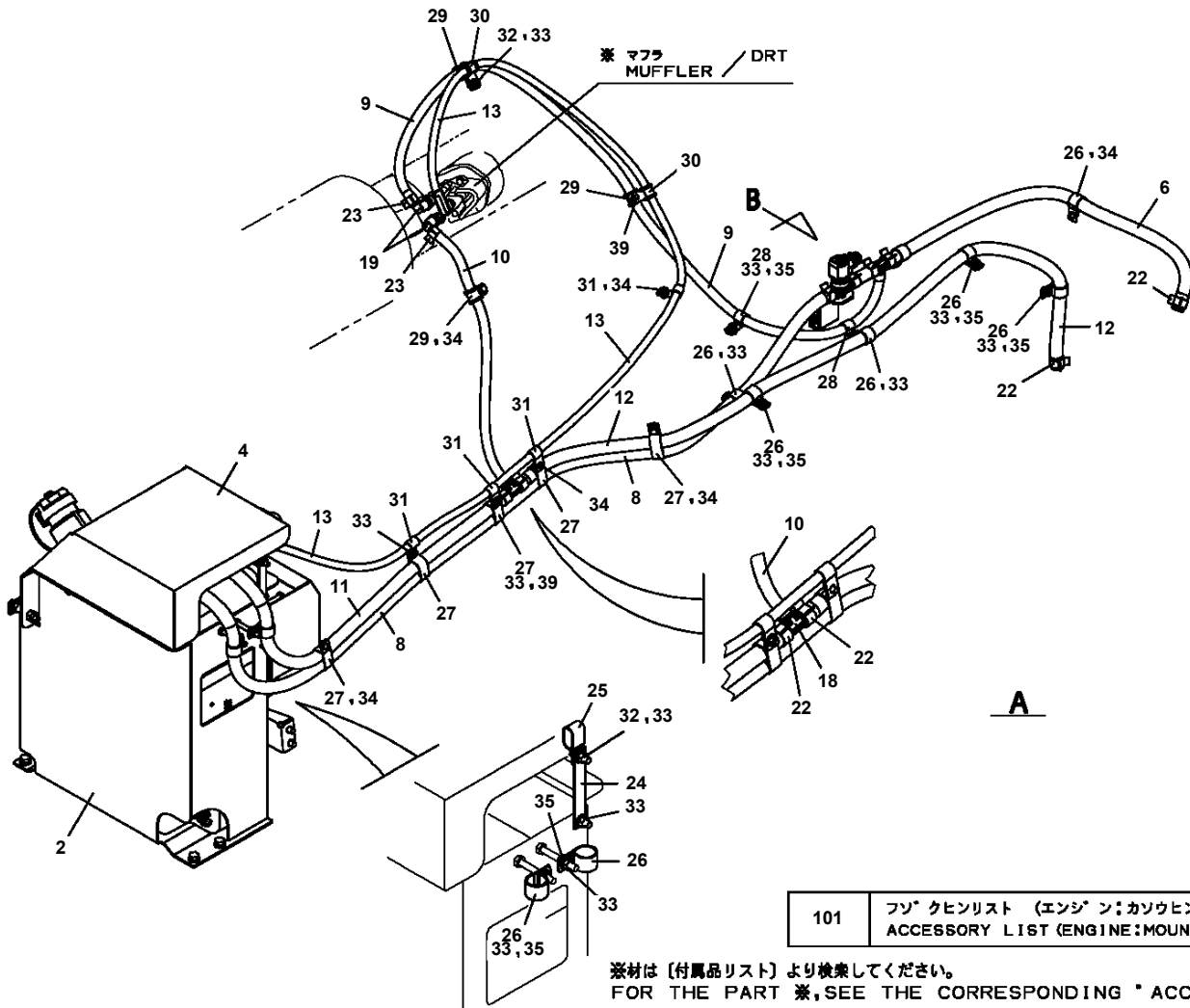


**D**

**GR-700N-2-00101 6 BOOM + 3 JIB,2M2D**  
**PX5640026-00 MOUNT ASSY,ROLLER (SLACK CABLE PREVENTION/AUX.)**



GR-700N-2-00101 6 BOOM + 3 JIB,2M2D  
 PX5750016-01 MOUNT ASSY,TANK (SCR)



101	フソクヒンリスト (エンジン:カソウヒン) ACCESSORY LIST (ENGINE:MOUNTING PARTS)
-----	---

※材は [付属品リスト] より検索してください。  
 FOR THE PART ※,SEE THE CORRESPONDING "ACCESSORY LIST."

CLICK HERE TO **DOWNLOAD** THE COMPLETE MANUAL

- Thank you very much for reading the preview of the manual.
- You can download the complete manual from: [www.heydownloads.com](http://www.heydownloads.com) by clicking the link below



- Please note: If there is no response to CLICKING the link, please download this PDF first and then click on it.

CLICK HERE TO **DOWNLOAD** THE COMPLETE MANUAL