

GR-600N-3-00121 5 BOOM + 2 JIB, 2M2D

PB5000059-00 HYDRAULIC PRESSURE SYSTEM
PB6000160-00 PIPING SYSTEM (UPPER)
PB6000161-00 PIPING SYSTEM (LOWER)
PC1000709-00 OUTRIGGER SYSTEM
PD1000684-00 SWING SYSTEM
PF1000813-01 WINCH SYSTEM
PG3000074-00 JIB SYSTEM
PG5000083-00 BOOM SYSTEM
PH5000087-00 SAFETY SYSTEM
PK1000881-01 FRAME
PK5000081-00 CAB SYSTEM
PL5000072-00 CONTROL SYSTEM
PM1000032-01 LUBRICATION DEVICES
PN1000822-00 ELECTRIC EQUIPMENT
PO1000150-00 INDICATION PLATES
PR5000097-00 DRIVING POWER SYSTEM
PS5000053-00 STEERING & SUSPENSION
PW1000097-02 ACCESSORIES & TOOLS
PX1001383-00 MOUNTING PARTS
PY1001925-04 OPTION UNIT,1
PY2000289-01 OPTION UNIT,2
ASSEMBLY

CLICK HERE TO **DOWNLOAD** THE COMPLETE MANUAL

- Thank you very much for reading the preview of the manual.
- You can download the complete manual from: www.heydownloads.com by clicking the link below



- Please note: If there is no response to CLICKING the link, please download this PDF first and then click on it.

CLICK HERE TO **DOWNLOAD** THE COMPLETE MANUAL

GR-600N-3-00121 5 BOOM + 2 JIB, 2M2D

Pos No.	Parts No	Parts Name	Qty	Unit	Technical Data	Serial No (
1	(*****)	WINCH ASSY (MOUNT)	1			
2	36097460000	HOOK ASSY (SHEAVE 3 PCS,TYPE RSN)	1			
	36097190000	HOOK ASSY (SHEAVE 3 PCS,TYPE RFN)	1			
	36097570000	HOOK ASSY (SHEAVE 3 PCS,TYPE RSN)	1			583670
	36097560000	HOOK ASSY (SHEAVE 3 PCS,TYPE RFN)	1			583670
3	36097180000	HOOK ASSY (AUX.)	1			
5	37001810510	ROPE,WIRE (KISWIRE)	1			
	37001810500	ROPE,WIRE (TOKYO ROPE MFG.)	1			
6	37001810630	ROPE,WIRE (TOKYO ROPE MFG.)	1			
	37001810620	ROPE,WIRE (KISWIRE)	1			
7	(*****)	SOCKET,ROPE	2			
9	(*****)	LIFTING DEVICE ASSY (HEAVY-LIFT DEVICE)	1			
10	(*****)	MOUNT ASSY,ROLLER (SLACK CABLE PREVENTION/MAIN)	1			
11	(*****)	MOUNT ASSY,ROLLER (SLACK CABLE PREVENTION/AUX.)	1			

GR-600N-3-00121 5 BOOM + 2 JIB, 2M2D

Pos No.	Parts No	Parts Name	Qty	Unit	Technical Data	Serial No (Start)	Serial No (End)	Remarks
1	(*****)	OPE.ASSY,CONT.VALVE (ISO)	1					

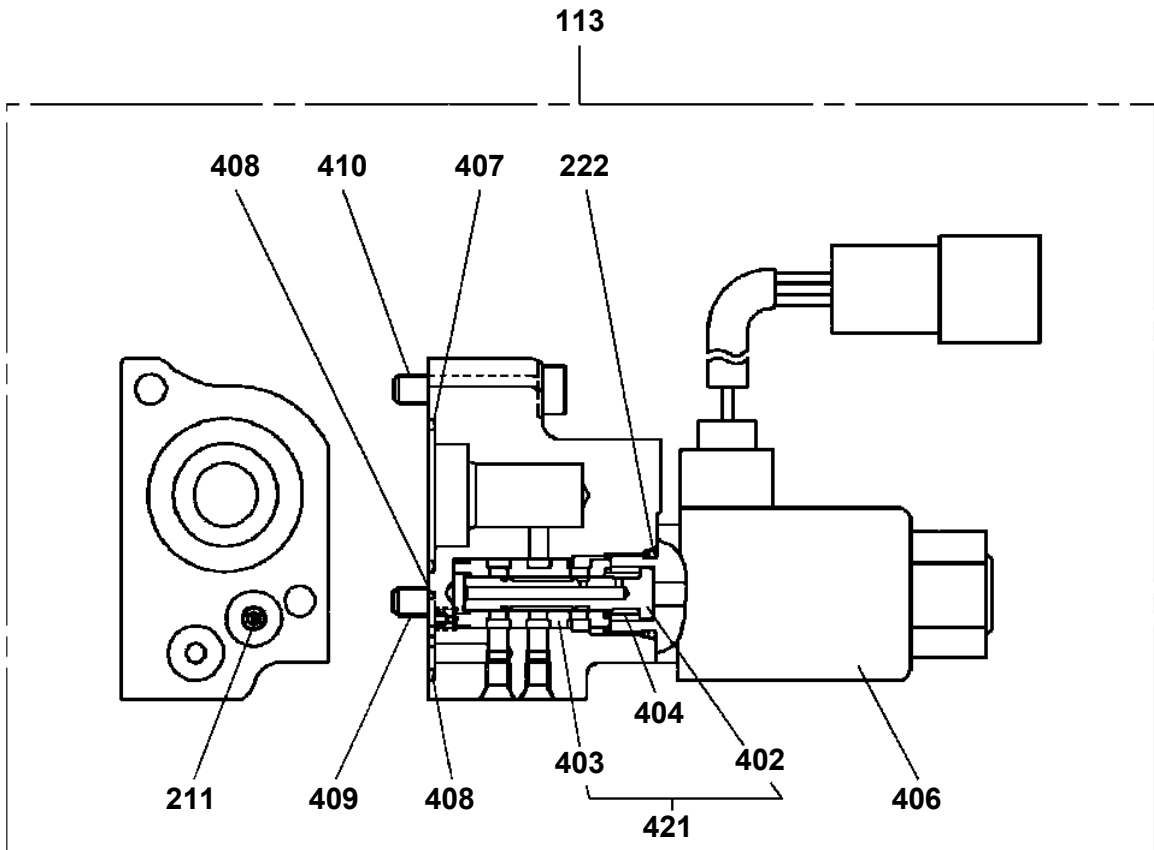
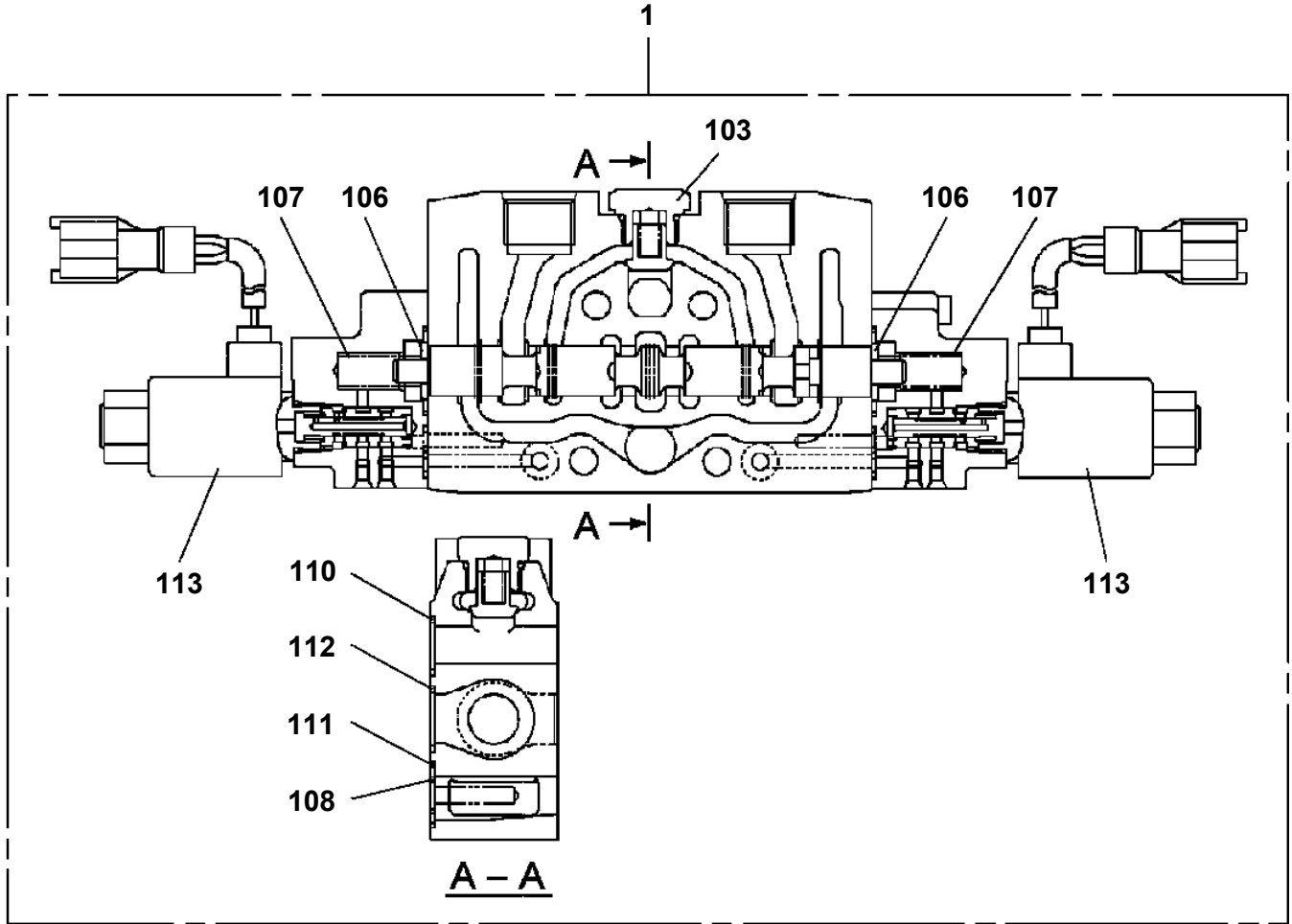
GR-600N-3-00121 5 BOOM + 2 JIB, 2M2D

Pos No.	Parts No	Parts Name	Qty	Unit	Technical Data	Serial No (Start)	Serial No (End)	F
1	(*****)	STEERING ASSY (FRONT)	1					
2	(*****)	STEERING ASSY (REAR)	1					
3	(*****)	MOUNT ASSY,SUSPENSION (FRONT)	1					
4	(*****)	MOUNT ASSY,SUSPENSION (REAR)	1					
5	(*****)	DETECTOR ASSY (SUSPENSION)	1					

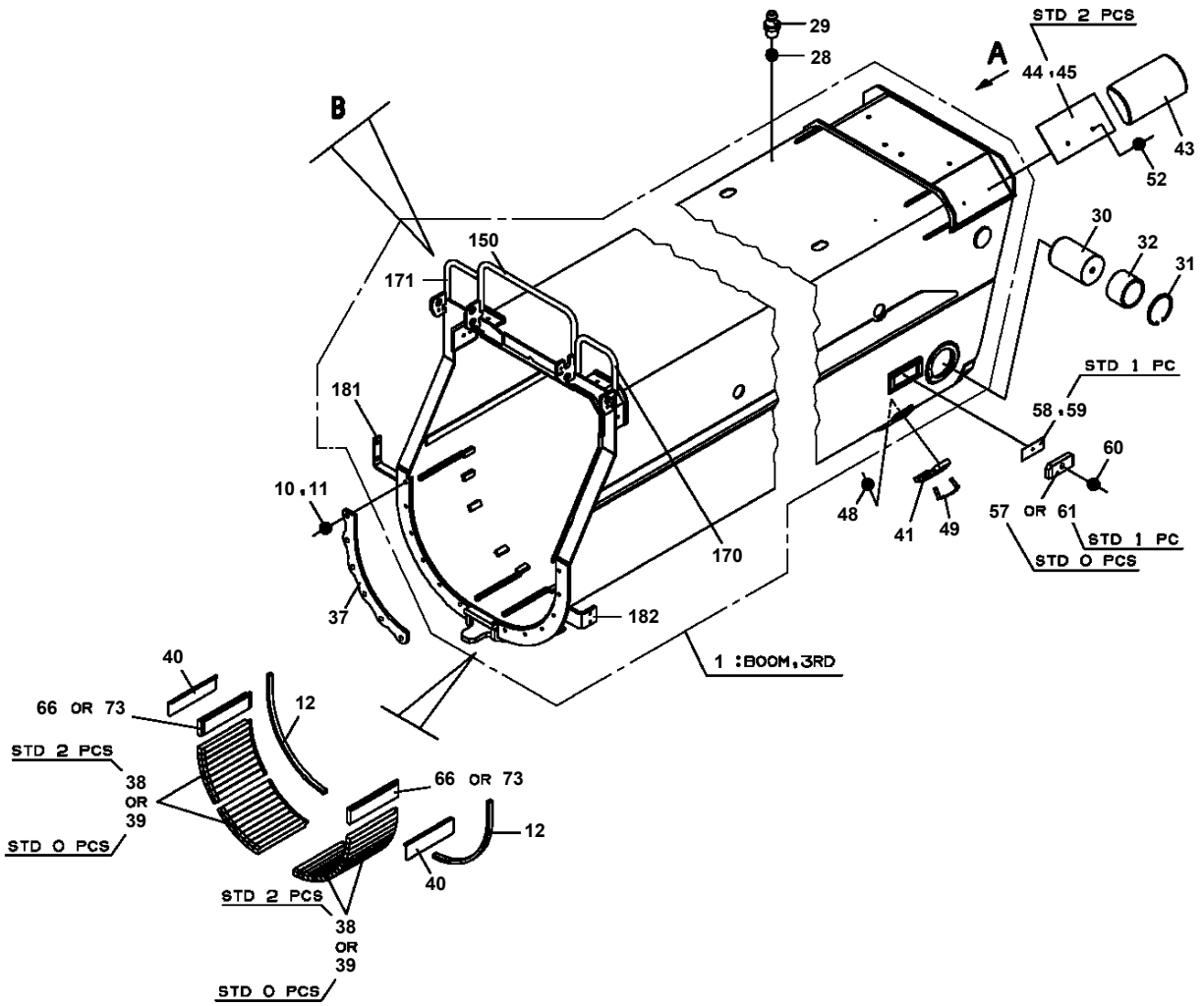
GR-600N-3-00121 5 BOOM + 2 JIB, 2M2D

PB1100175-00 PUMP,HYDRAULIC (EMERGENCY STEERING)
PB1340083-02 VALVE,SOLENOID CONTROL
PB5150001-00 BLOWER ASSY
PB5190226-00 BOOM ASSY
PB5190227-02 BOOM ASSY (2ND)
PB5190228-00 BOOM ASSY (3RD)
PB5190229-01 BOOM ASSY (4TH)
PB5200030-01 BOOM ASSY,BASE
PB5210029-01 BOOM ASSY,TOP
PB5260125-01 BOX ASSY (VCU)
PB5260127-03 BOX ASSY (FUSE)
PB5260172-00 BOX ASSY (BATTERY RELAY)
PB5270020-00 BOX ASSY,OPERATION (R)
PB5270021-00 BOX ASSY,OPERATION (L)
PB5280015-00 BOX,OPERATION
PB5290011-01 BRAKE ASSY (RETARDER)
PB5410137-00 BOX,TOOL
PC5010121-00 CAB ASSY
PC5010122-00 CAB ASSY (STD)
PC5070002-00 CABLE CONVEYER
PC5090001-00 CAMERA
PC5230004-01 CIRCUIT,TORQUE CONVERTER
PC5270005-00 CLEANER ASSY,AIR
PC5300001-00 CLUTCH ASSY (TORQUE CONVERTER)
PC5300002-00 CLUTCH ASSY
PC5340006-00 COMPRESSOR ASSY
PC5350002-00 CONDENSER ASSY
PC5420006-00 CONTROLLER (GSMT)
PC5420009-01 CONTROLLER (DCU2)
PC5420010-01 CONTROLLER (VCU)
PC5420013-00 CONTROLLER (TTC-60)
PC5420029-01 CONTROLLER (HAS)
PC5420034-00 CONTROLLER (TTC-30)
PC5470007-00 COOLER ASSY
PC5490010-00 COOLER ASSY,OIL
PC5570232-00 COVER ASSY
PC5570233-00 COVER ASSY
PC5570234-00 COVER ASSY
PC5570235-00 COVER ASSY
PC5570236-00 COVER ASSY
PC5590058-00 COVER ASSY,ENGINE (RADIATOR)
PC5590078-00 COVER ASSY,ENGINE (UPPER)
PC5590079-00 COVER ASSY,ENGINE
PC5650032-00 CABLE (ALTERNATOR EARTH/L=220)
PC5670003-00 CURTAIN
PC5670004-00 CURTAIN
PC5700011-00 COVER
PC5710009-00 CALIPER ASSY
PC5710010-00 CALIPER ASSY
PC6010029-00 CYLINDER ASSY (SIDE UP)
PC6200012-00 CYLINDER ASSY (JIB TILT)
PC6200019-00 CYLINDER ASSY (JIB)
PC6370054-00 CYLINDER ASSY,DERRICK
PC6380034-00 CYLINDER ASSY,EXTENSION
PC6380037-00 CYLINDER ASSY,EXTENSION (NO.1)
PC6380038-00 CYLINDER ASSY,EXTENSION (NO.2)
PC6390103-00 CYLINDER ASSY,JACK
PC6440011-00 CYLINDER ASSY,SPRING LOCK
PC6440012-00 CYLINDER ASSY,SPRING LOCK
PC6450022-00 CYLINDER ASSY,STEERING
PC6450023-00 CYLINDER ASSY,STEERING
PC6470132-00 CYLINDER ASSY,TELESCOPING (NO.1)
PC6470133-00 CYLINDER ASSY,TELESCOPING (NO.2)
PD5020044-00 DERRICK ASSY (MOUNT)

GR-600N-3-00121 5 BOOM + 2 JIB, 2M2D
 PB1340083-02 VALVE,SOLENOID CONTROL



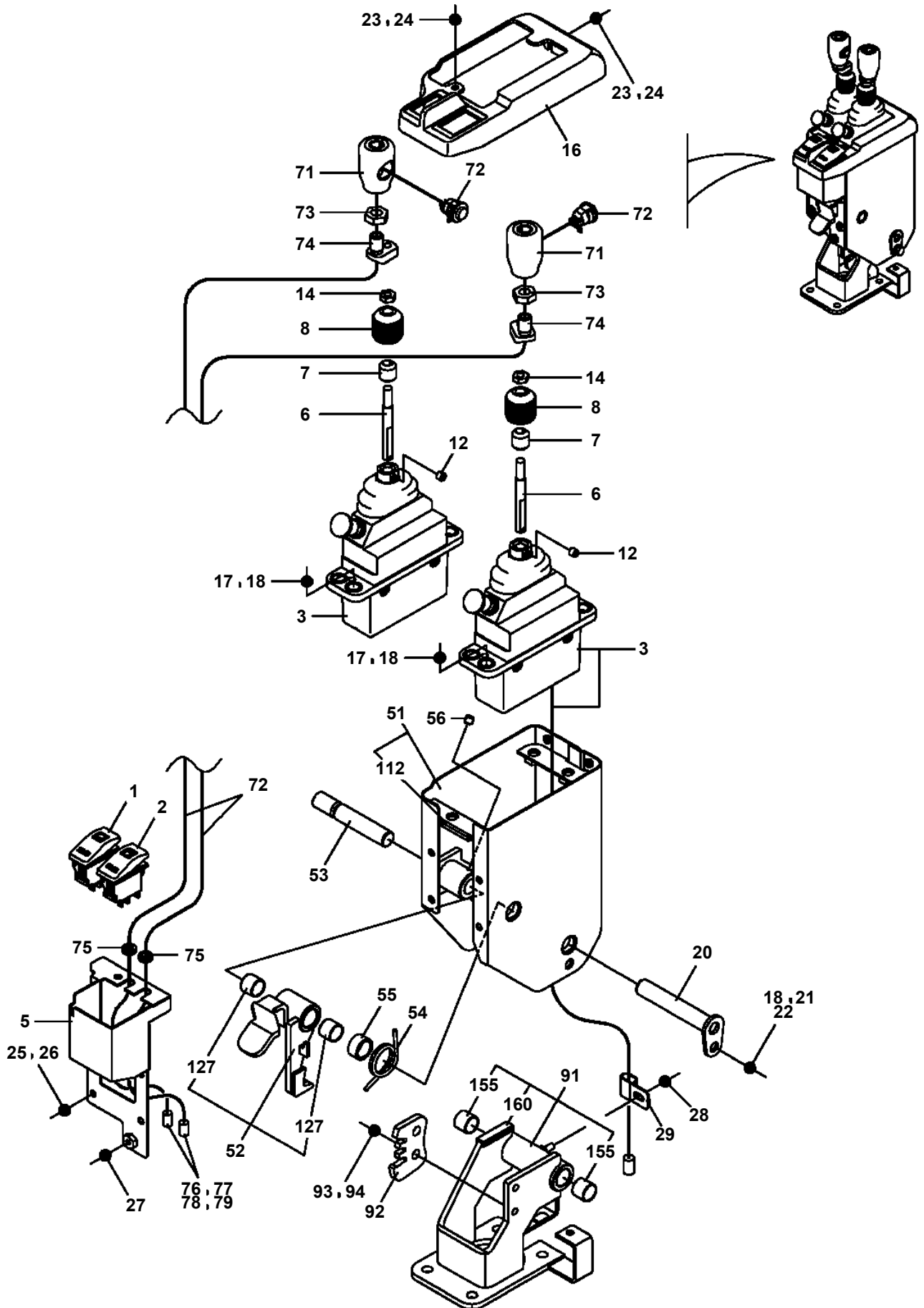
GR-600N-3-00121 5 BOOM + 2 JIB, 2M2D
PB5190228-00 BOOM ASSY (3RD)



GR-600N-3-00121 5 BOOM + 2 JIB, 2M2D

Pos No.	Parts No	Parts Name	Qty	Unit	Technical Data	Serial No (Start)	Serial No
1	34203000050	BOOM, TOP	1				
2	37000201090	PIN, SNAP	3		20		
3	37000307410	SPACER	1				
4	37001010210	SHEAVE ASSY (ASSY ONLY)	5				
5	37000303160	SPACER	1				
6	37000300080	SPACER	4		L=1.6		
7	37000109090	PIN	1				
8	80561100180	NUT	1		AW18		
9	80562100180	WASHER, TOOTH	1		AW18		
10	37000153190	PIN	1				
11	37000502600	PLATE	1				
12	37000314960	SPACER	1		L=124		
13	34202120520	COVER	1				
14	37010103890	PIN	1				
15	90171112030	BOLT	3		M12X30		
16	90303071601	WASHER, PLAIN	2		16		
17	90171108012	BOLT	4		M8X12		
18	34202660610	BOLT	1				
19	90203702000	NUT	1		M20		
20	37000157110	PIN	2				
22	90171216050	BOLT	2		M16X50		
23	90201781600	NUT	2		M6		
28	90172108020	BOLT, HEXAGON SOCKET	4		M8X20		
29	34201050050	PLATE	2				
30	90171112020	BOLT	6		M12X20		
32	37002021050	PLATE, SLIDE (L=160/MATERIAL:MC703HL)	2				
	37002020140	PLATE, SLIDE (L=160/MATERIAL:OILAMID)	2				
33	37010501860	PLATE	4				
34	37010501850	PLATE	4				
35	37001008720	SHEAVE ASSY	2				
36	34200680601	PIN	2		60X38		
37	90302040801	WASHER, SPRING	4		8		
38	37000309600	SPACER	6		T=1.0		
39	37002018580	PLATE, SLIDE	2				
40	90101208025	BOLT	4		M8X25		
41	90261000800	U-NUT	4		M8		
42	37002004640	PLATE, SLIDE	2		T=15		
43	90172106020	BOLT, HEXAGON SOCKET	2		M6X20		
44	37000577400	PLATE	2		T=1.0		
45	37000577410	PLATE	2		T=0.6		
46	37000309610	SPACER	4		T=0.6		
47	37002020910	PLATE, SLIDE	N		T=19		
49	34202120530	COVER	2				
50	90302040601	WASHER, SPRING	8		6		
51	90101206010	BOLT	8		M6X1.0		
52	37001602440	NUT	2				
53	90202781800	NUT	2		M18		
54	16611506000	PLATE	1				
55	90171116035	BOLT	2		M16X35		
56	34202120550	SUPPORT	1				
57	37001007340	SHEAVE ASSY	3				
58	37000103550	PIN	1				
59	37000500000	PLATE	2				
60	82456101000	NIPPLE, GREASE	1		A-PT1/8		
61	90171112025	BOLT	4		M12X25		
62	90303071201	WASHER, PLAIN	4		12		
63	37000300050	SPACER	2		L=5		
65	34202970650	SUPPORT	1				
102	80520314912	BEARING, ROLLER	2				
112	80515006018	BEARING, BALL	6				
128	34361064050	SUPPORT	1				

GR-600N-3-00121 5 BOOM + 2 JIB, 2M2D
PB5270021-00 BOX ASSY,OPERATION (L)



GR-600N-3-00121 5 BOOM + 2 JIB, 2M2D

Pos No.	Parts No	Parts Name	Qty	Unit	Technical Data	Serial No (Start)	Se
1	34262860000	CAB ASSY	1				
2	(*****)	LOCK ASSY,SWING	1				
3	(*****)	OPE.ASSY,ACCELERATOR (CAB)	1				
4	(*****)	OPE.ASSY,BRAKE	1				
5	(*****)	RADIO ASSY	1				
6	(*****)	SPEAKER ASSY (CAB)	1				
7	(*****)	VIEW SYSTEM (WIDE SIDE VIEW/CAB)	1				
8	(*****)	INDICATOR ASSY,SPEED (DIGITAL)	1				
9	(*****)	STEERING ASSY (CAB)	1				
10	(*****)	MOUNT ASSY,EVAPORATOR	1				
11	(*****)	AIR CONDITIONER ASSY (ACCESSORY LIST/CAB)	1				
12	(*****)	MIRROR ASSY (DOOR)	1				

GR-600N-3-00121 5 BOOM + 2 JIB, 2M2D

Pos No.	Parts No	Parts Name	Qty	Unit	Technical Data	Serial No (Start)	Serial No (End)	Remarks	Pages
1	34783647510	CLUTCH (FAN)	1						
2	34783647520	BRACKET	1						
3	34783647530	BOLT	6		M8X20				
100	34783641000	CLUTCH ASSY	1						

GR-600N-3-00121 5 BOOM + 2 JIB, 2M2D

Pos No.	Parts No	Parts Name	Qty	Unit	Technical Data	Serial No (Start)	Serial No (End)	Remarks	P
100	36172850000	CONTROLLER (TTC-60)	1						

GR-600N-3-00121 5 BOOM + 2 JIB, 2M2D

Pos No.	Parts No	Parts Name	Qty	Unit	Technical Data	Serial No (Start)	Serial No (End)	Remarks	Pages
2	34692904910	COVER	1						
3	90186208016	BOLT,FLANGE	7		M8X16				
4	59424530000	HANDLE	1						
5	90302040501	WASHER,SPRING	4		5				
6	80172305016	SCREW,MACHINE	4		M5X16				
7	34691483800	COVER	1						
8	82480007238	PLUG	1						
100	34694121600	COVER ASSY	1						

GR-600N-3-00121 5 BOOM + 2 JIB, 2M2D

Pos No.	Parts No	Parts Name	Qty	Unit	Technical Data	Serial No (Start)	Serial No (End)	Remarks	Pa
1	34694115100	COVER	1						
2	34694116300	COVER	1						
3	34694116400	COVER	1						
4	34694115600	COVER	1						00
5	34694115500	COVER	1						
6	34694115900	COVER	1						
7	34693786050	COVER	1						
8	90186210014	BOLT,FLANGE	28		M10X14				
9	90186208014	BOLT,FLANGE	12		M8X14				
10	82400000357	CATCH	1						
11	80182308014	SCREW,MACHINE	2		M8X14				
12	90302040801	WASHER,SPRING	2		8				
13	34691014401	CUSHION	2						
14	80175305012	SCREW,MACHINE	2		M5X12				
15	80172305012	SCREW,MACHINE	4		M5X12				
16	90303070501	WASHER,PLAIN	4		5				
17	34694115700	COVER	2						
18	34694116100	COVER	1						
19	34693785850	COVER	1						
100	34694115000	COVER ASSY,ENGINE	1						

GR-600N-3-00121 5 BOOM + 2 JIB, 2M2D

Pos No.	Parts No	Parts Name	Qty	Unit	Technical Data	Serial No (Start)	Serial No (End)	Remarks	Pages
2	3638255060	LID	1						
3	36382146180	PISTON	2						
4	36382146190	LID	2						
5	36382146200	PISTON	4						
6	36382146210	SEAL KIT	1						
7	36382146220	BOOT ASSY	1						
8	3638255070	SEAL KIT	1						
9	36382146240	BOLT	12						
10	36382146250	SEAL KIT	1						
12	36382146260	PIN	4						
13	36382146270	BOLT	4						
14	3638255080	BLEEDER	1						
15	36382146290	CAP	1						
50	36382146301	PAD KIT	1						
90	3638255090	SEAL KIT	1						
100	3638255021	CALIPER ASSY	1						

GR-600N-3-00121 5 BOOM + 2 JIB, 2M2D

Pos No.	Parts No	Parts Name	Qty	Unit	Technical Data	Serial No (Start)	Serial No (End)
14	91001103800	O-RING	1		1A P38		
15	36011672000	VALVE ASSY,CHECK	1				
16	36625270000	VALVE,CHECK	1				
17	36010060340	STOPPER	2				
18	37000402120	BEARING,PLAIN (WITH PACKINGX2)	1				
19	91350206500	BEARING,PLAIN (WITH PACKINGX2)	1				
20	91002903500	O-RING	1		1B G35		
21	36014674000	PISTON	1				
22	36043450200	PIPE	1				
23	36043453000	ROD	1				
24	36044254000	CYLINDER	1				
25	91002906000	O-RING	1		1B G60		
26	36010060182	COVER,ROD	1				
27	91694004500	PACKING	1				
28	91660004501	SEAL,DUST	1				
31	80516006204	BEARING,BALL	1				
32	37000183200	PIN	1				
33	37000505600	PLATE	1				
34	80136340032	PIN,SPLIT	1		4X32		
35	37000312480	SPACER	2		T=1.6		
41	91001100900	O-RING	2		1A P9		
42	91411000900	RING,BACKUP	4				
44	91002801600	O-RING	1		1B P16		
46	91002802201	O-RING	1		1B P22A		
49	91001102500	O-RING	1		1A P25		
61	91001101400	O-RING	2		1A P14		
62	37001201560	SPRING	1				
64	36625270200	ROD	1				
65	91001100600	O-RING	1		1A P6		
66	91411000600	RING,BACKUP	1		P6		
67	36622730400	CAP	1				
69	91001202500	O-RING	1		1A G25		
70	91002801500	O-RING	1		1B P15		
71	90131708025	BOLT,HEXAGON SOCKET	4		M8X25		
72	80316090020	PLUG	1		KKT PT1/8		
73	36622730500	SPACER	1		L=5		
80	36042999900	PACKING SET	1		45X65		
100	36043459530	CYLINDER ASSY,EXTENSION (NO.1)	1				

GR-600N-3-00121 5 BOOM + 2 JIB, 2M2D

Pos No.	Parts No	Parts Name	Qty	Unit	Technical Data	Serial No (Start)	Serial No (End)
2	90730008120	SCREW,SET	2		M8X12		
3	36063442000	PISTON	1				
5	91002805000	O-RING	1		1B P50		
6	36063781000	ROD	1				
7	36063444000	COVER,ROD	1				
8	91002808000	O-RING	1		1B P80		
9	91251100500	RING,DAMPER	1				
10	91694005000	PACKING	1				
11	91410205001	RING,BACKUP	1				
13	91660005001	SEAL,DUST	1				
15	37000402270	BEARING,PLAIN	2				
16	37000400990	BEARING,PLAIN	2				
19	91350209000	BEARING,PLAIN (WITH PACKINGX2)	1				
20	91301105000	BEARING,PLAIN	1				
41	36063459510	CYLINDER ASSY	1				
42	36063459520	BOSS	1				
60	36063449530	PACKING SET	1		50X90		
100	36063780000	CYLINDER ASSY,STEERING	1				

GR-600N-3-00121 5 BOOM + 2 JIB, 2M2D

Pos No.	Parts No	Parts Name	Qty	Unit	Technical Data	Serial No (Start)	Serial No (End)	Remarks	Pages
1	35410252100	COVER	1						
2	34790802200	LEVER ASSY	1						
3	90101208016	BOLT	3		M8X16				
4	90302040801	WASHER,SPRING	3		8				
5	90303070801	WASHER,PLAIN	3		8				
6	82100002037	CLAMP	1		WE10				
7	90302040601	WASHER,SPRING	1		6				
8	90201200600	NUT	1		M6				
9	90201202000	NUT	1		M20				
10	90302042001	WASHER,SPRING	1		20				
11	34960631200	PLATE	1						
12	82108503360	SWITCH	2						
13	35410251400	SUPPORT	1						
32	80801002510	BEARING,PLAIN	2						
33	91280412921	SEAL,OIL	2						
50	34790807000	DETECTOR ASSY	1						

GR-600N-3-00121 5 BOOM + 2 JIB, 2M2D

Pos No.	Parts No	Parts Name	Qty	Unit	Technical Data	Serial No (Start)	Serial No (End)	Remarks	Pages
100	36172900001	DISPLAY (MFD)	1						

GR-600N-3-00121 5 BOOM + 2 JIB, 2M2D

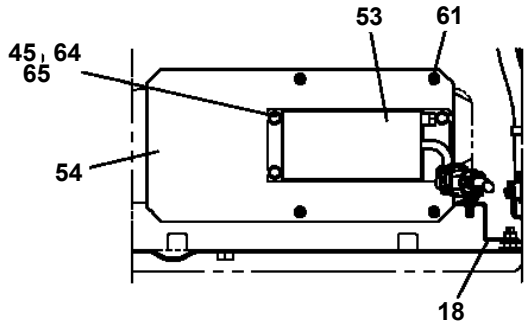
Pos No.	Parts No	Parts Name	Qty	Unit	Technical Data	Serial No (Start)
1	34970890600	DISTRIBUTOR (ASSY ONLY)	1			
2	56479000080	NUT,FLARE	14			
3	34970619630	HOSE ASSY	1		IHI 6XT1,L=1130	
4	34970619670	HOSE ASSY	1		IHI 6XT1,L=790	
5	34970619600	HOSE ASSY	1		IHI 6XT1,L=770	
6	34970609540	HOSE ASSY	1		IHI 6XT1,L=870	
7	34970639540	HOSE ASSY	1		IHI 6XT1,L=1190	
8	34970649660	HOSE ASSY	1		IHI 6XT1,L=1030	
9	34970619800	HOSE ASSY	1		IHI 6XT1,L=1210	
100	34970891600	DISTRIBUTOR ASSY (3RD AXLE-LEFT:WITH HOSE)	1			

GR-600N-3-00121 5 BOOM + 2 JIB, 2M2D

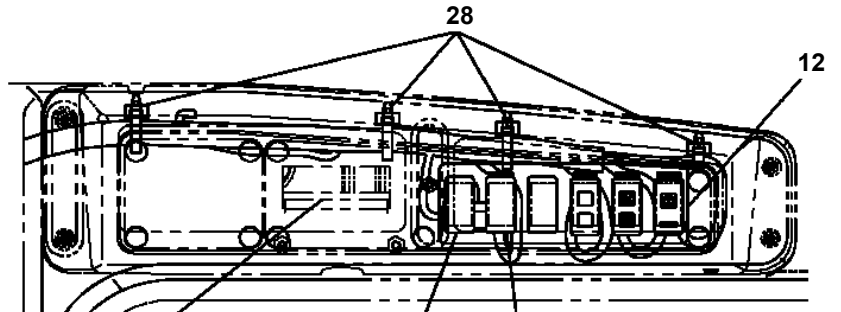
Pos No.	Parts No	Parts Name	Qty	Unit	Technical Data	Serial No (Start)	Serial No (End)	Remarks
1	36172650000	CONTROLLER (GSMT)	1					
2	34355300100	HARNESS (GSMT)	1					
3	80197586012	SCREW,MACHINE	4		M6X12			
4	34494770200	ANTENNA (GPS,ASSY ONLY)	1					
5	91810132530	FASTENER	5					

GR-600N-3-00121 5 BOOM + 2 JIB, 2M2D
PE5021271-00 ELEC.ASSY (CAB)

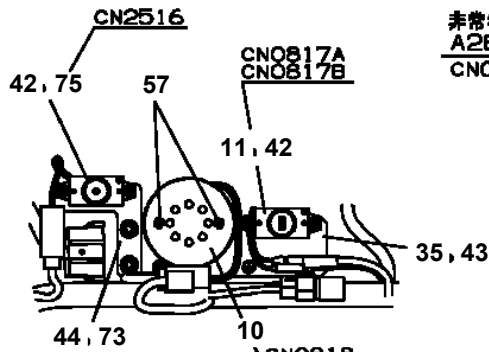
展開図有
ILLUSTRATED BREAKDOWN NO.18



D



E



FA

CN0803
非常巻戻キー-SW
A2B override disable key SW
CN0560

ボイスアラームSW
Voice alarm SW
CN1524

ブーム伸縮/ジブ操作切替SW
Boom telescoping /
Jib operation select SW
CN0485

シフトSW/Shift SW
KNOB:CN0563
シフトレバー (照明)
Shift lever (illumination)
LED:CN0513
シフトダウンSW
Gear downshift SW
LEVER:CN2049

MFD操作SW
MFD Operation SW
CN1942

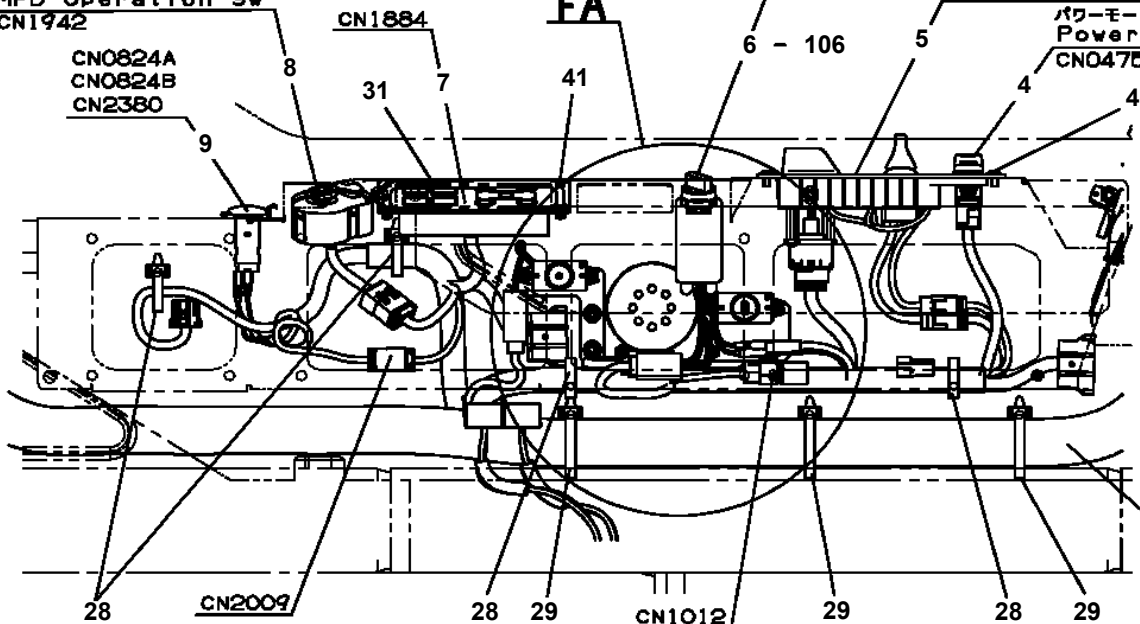
CN0824A
CN0824B
CN2380

CN1884

FA

6 - 106

パワーモードSW
Power mode SW
CN0475



F

インパネハーネスへ
TO
INSTRUMENTAL
PANEL
HARNESS

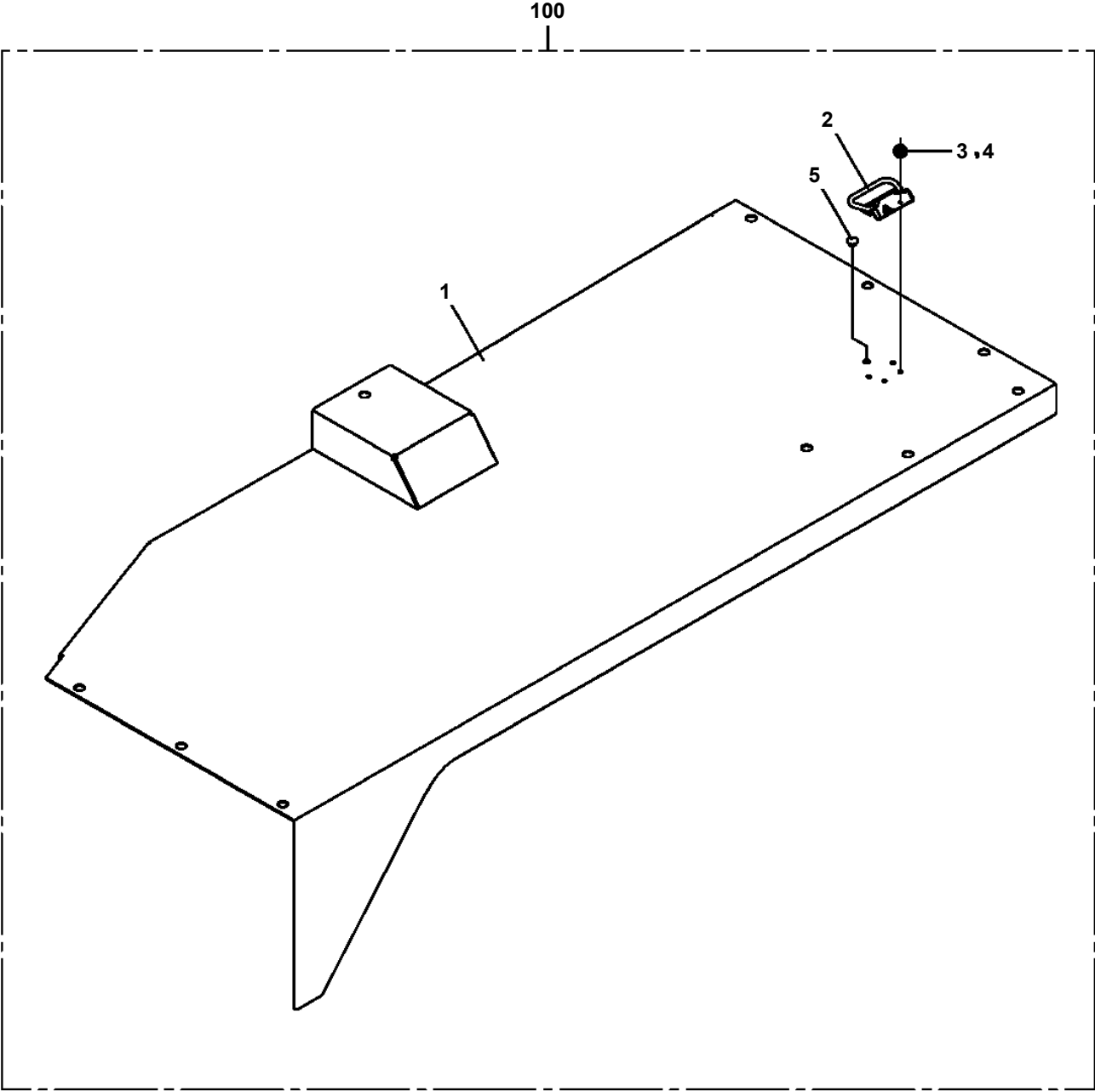
CN2009

CN1012

GR-600N-3-00121 5 BOOM + 2 JIB, 2M2D

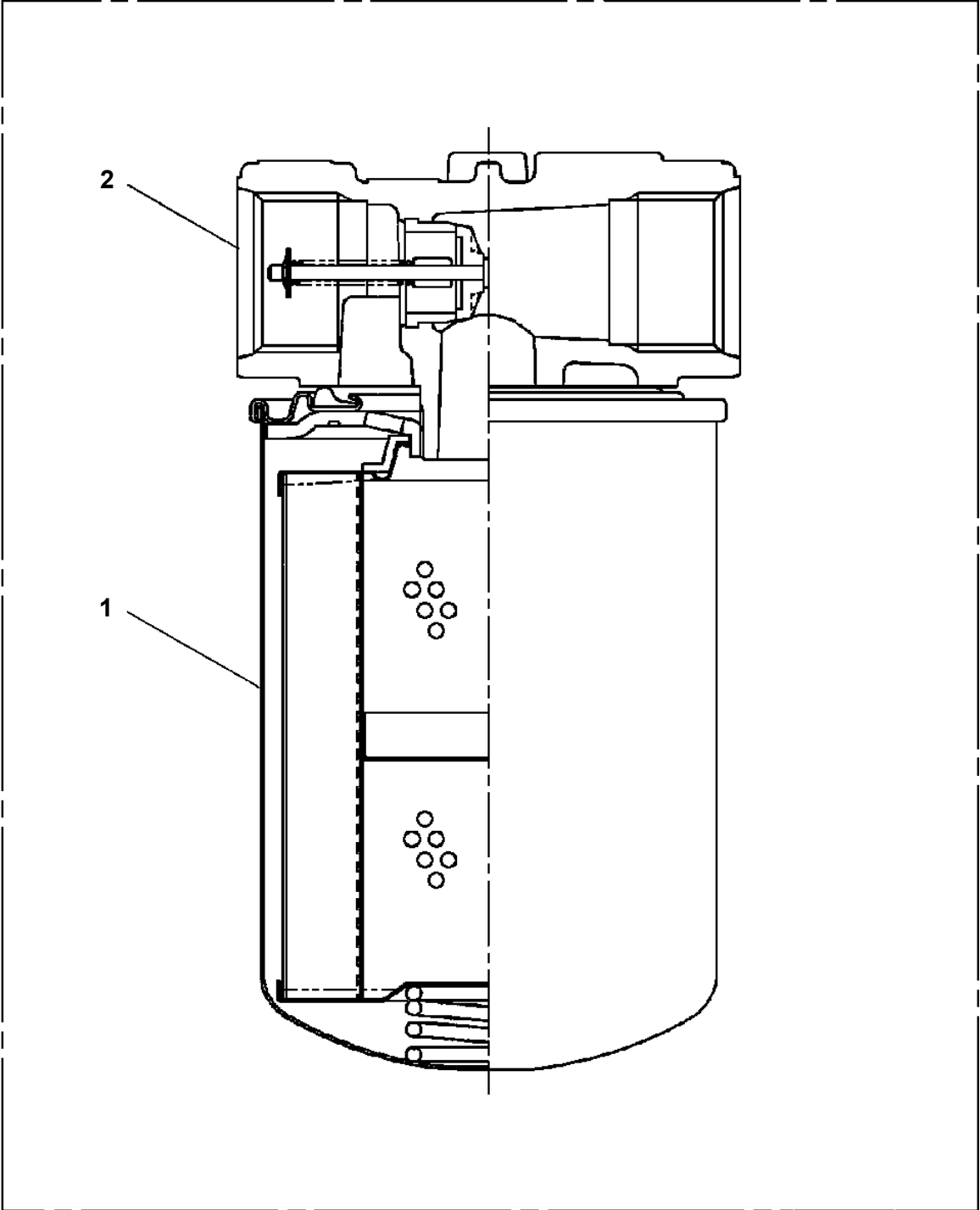
Pos No.	Parts No	Parts Name	Qty	Unit	Technical Data	Serial No (Start)	Serial No (End)
1	(*****)	ACCESSORY LIST (MOUNTING PARTS)	1				
2	(*****)	ACCESSORY LIST (ELECTRICAL DEVICE)	1				
100	36361740000	ENGINE ASSY (CUMMINS)	1				

GR-600N-3-00121 5 BOOM + 2 JIB, 2M2D
PF5020007-00 FENDER ASSY

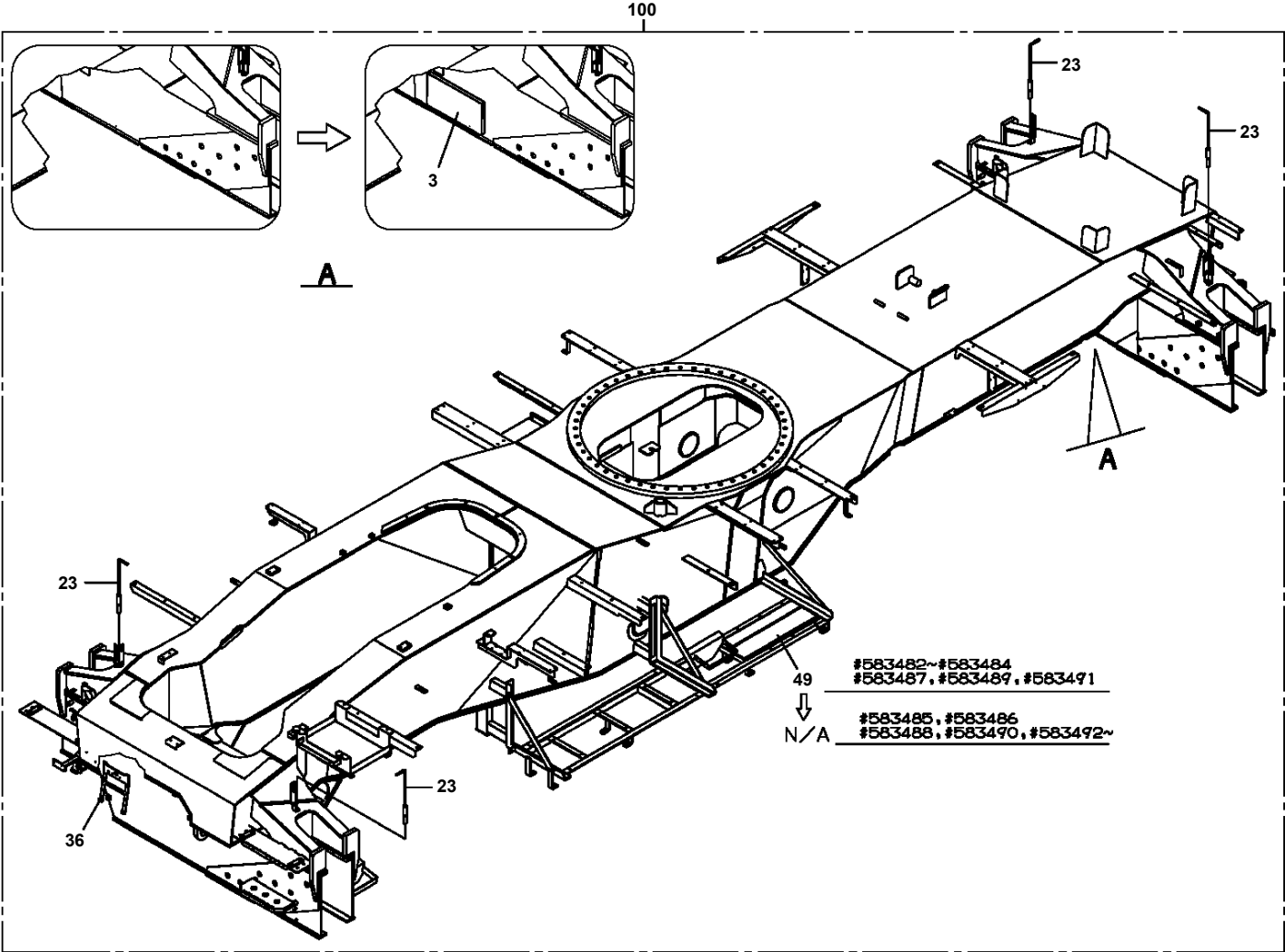


GR-600N-3-00121 5 BOOM + 2 JIB, 2M2D
PF5030020-00 FILTER ASSY

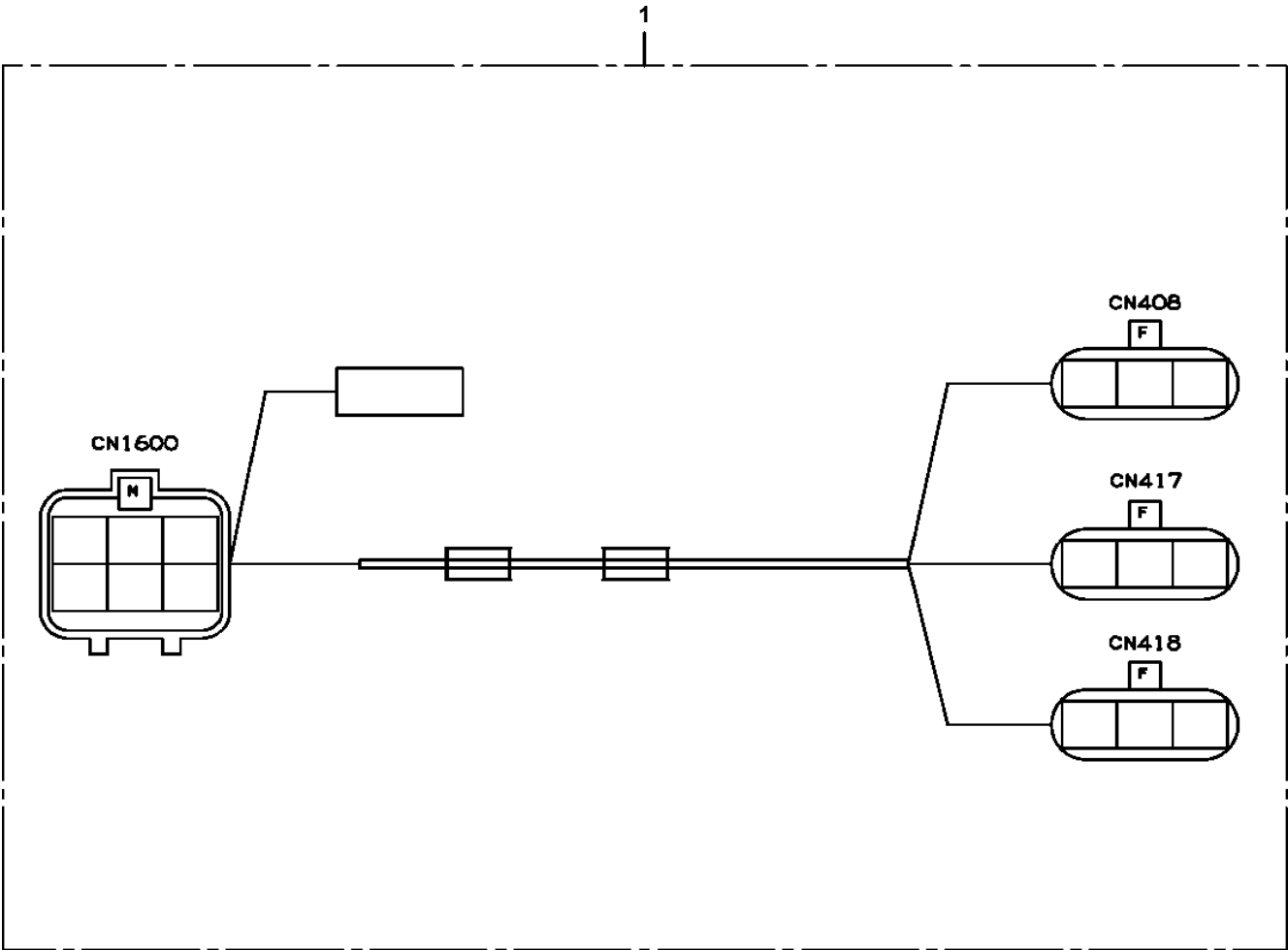
100



GR-600N-3-00121 5 BOOM + 2 JIB, 2M2D
PF5100464-01 FRAME ASSY (KAWANISHI)

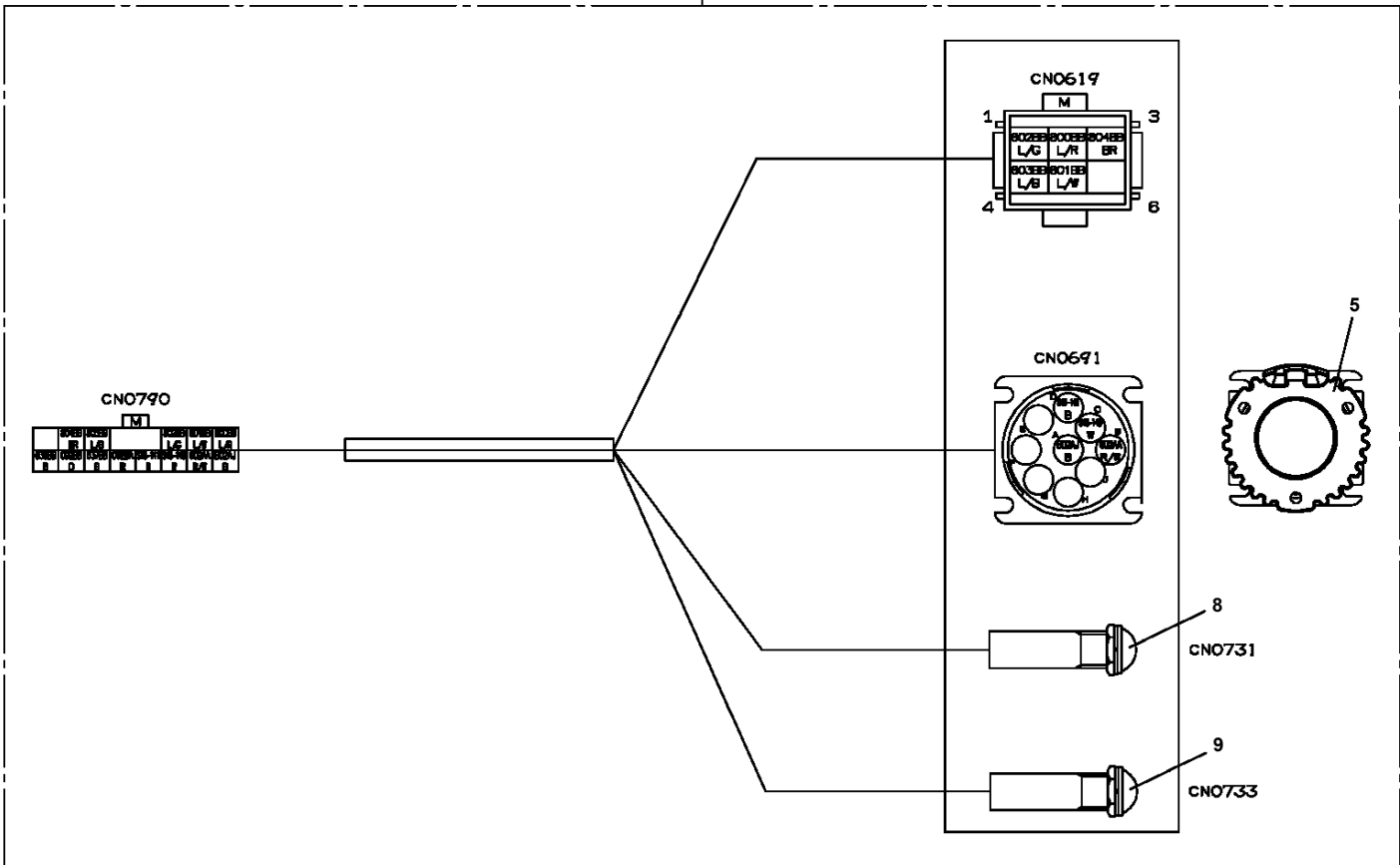


**GR-600N-3-00121 5 BOOM + 2 JIB, 2M2D
PH5030333-00 HARNESS (REAR STEERING)**

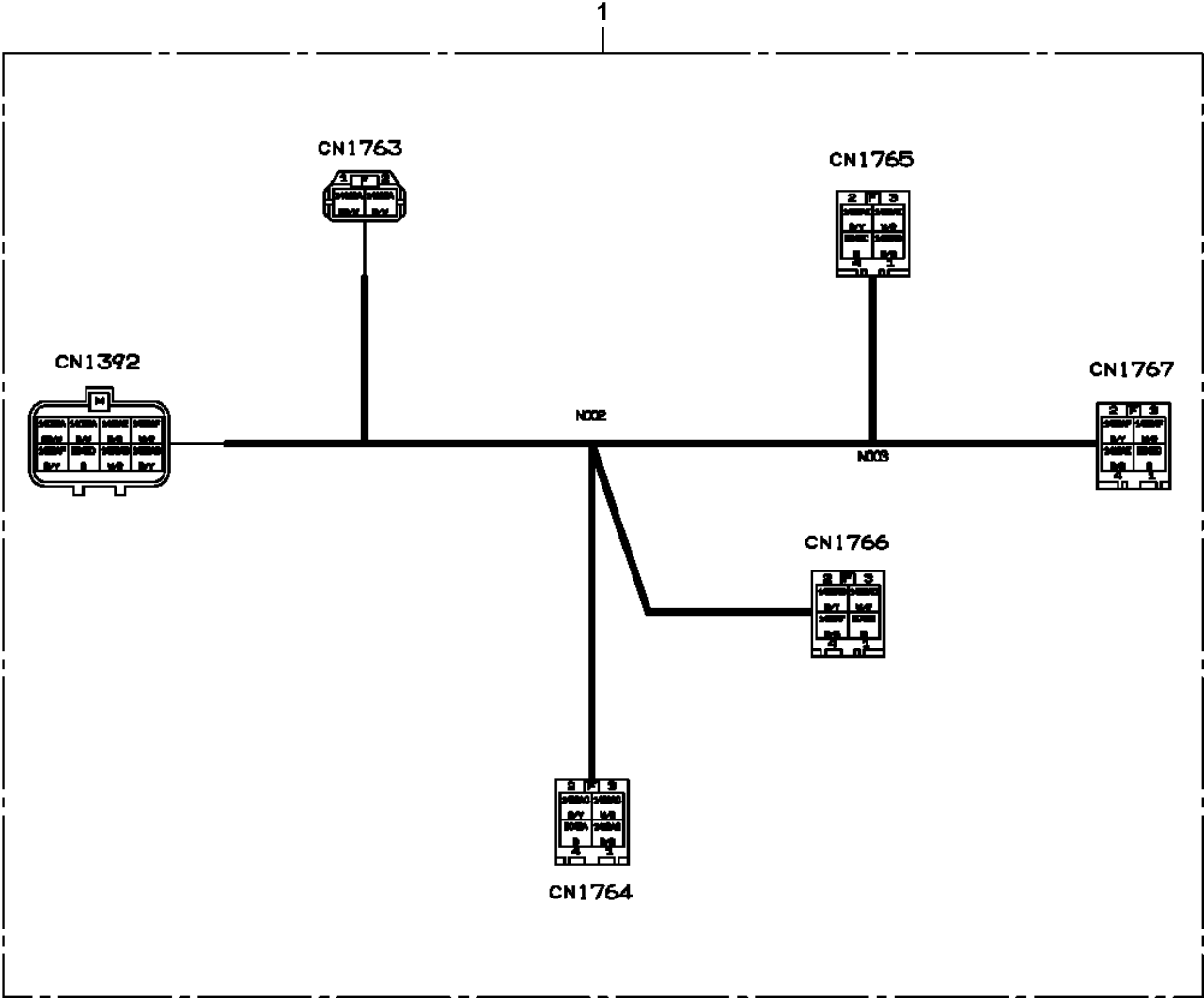


GR-600N-3-00121 5 BOOM + 2 JIB, 2M2D
PH5032751-03 HARNESS

100

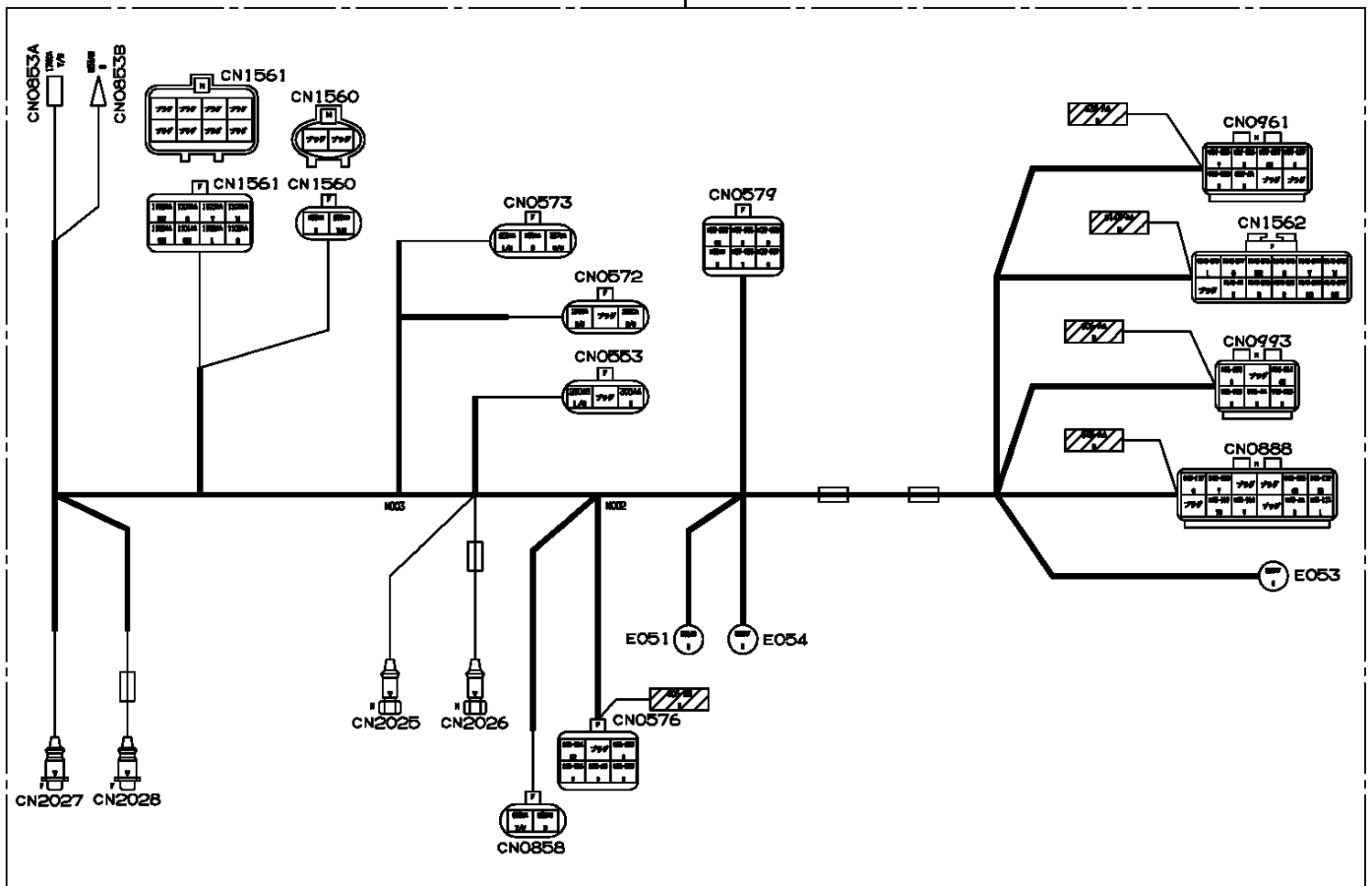


GR-600N-3-00121 5 BOOM + 2 JIB, 2M2D
PH5033795-00 HARNESS (DEF)

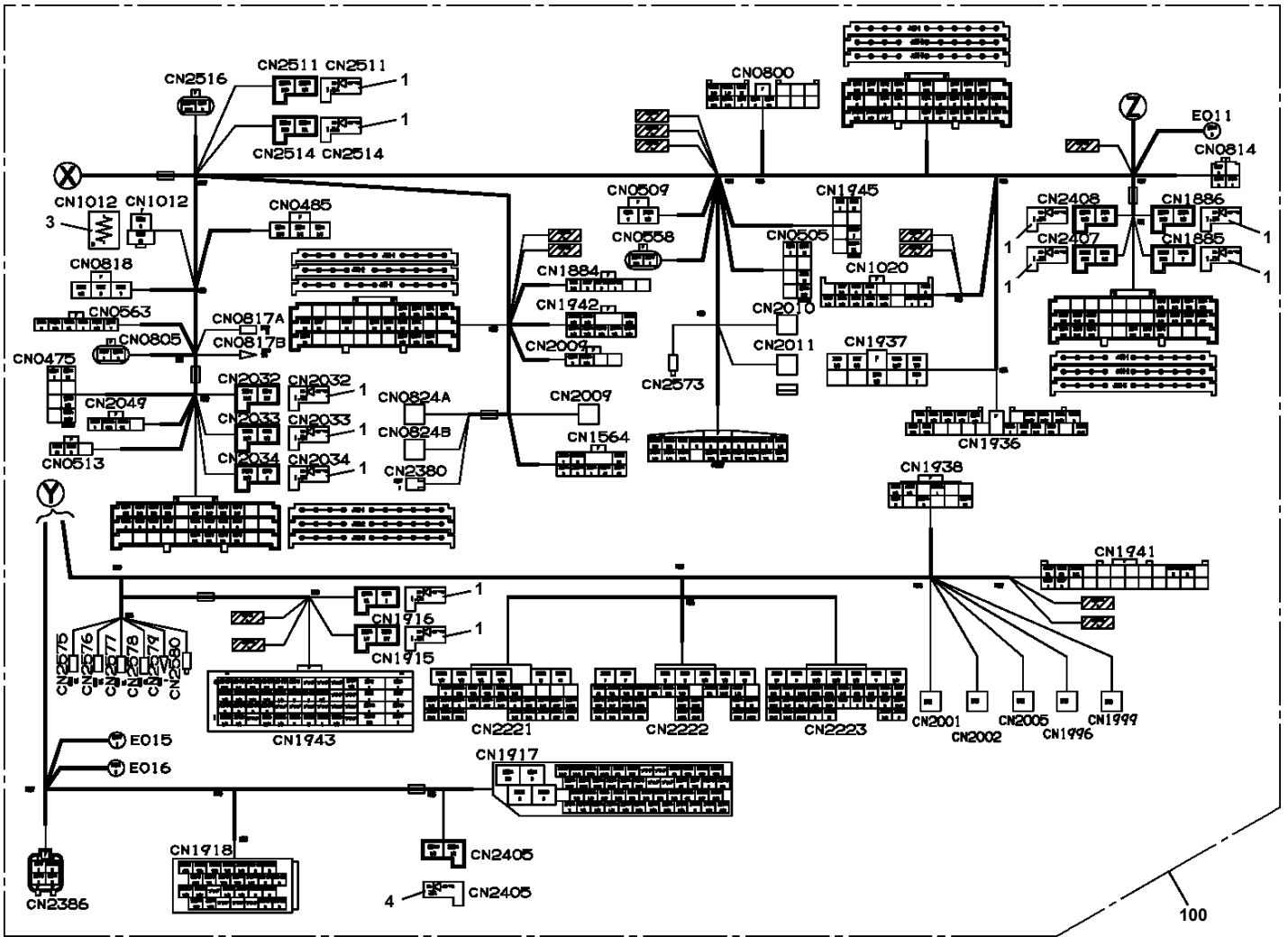


GR-600N-3-00121 5 BOOM + 2 JIB, 2M2D
PH5033831-00 HARNESS(BOOM)

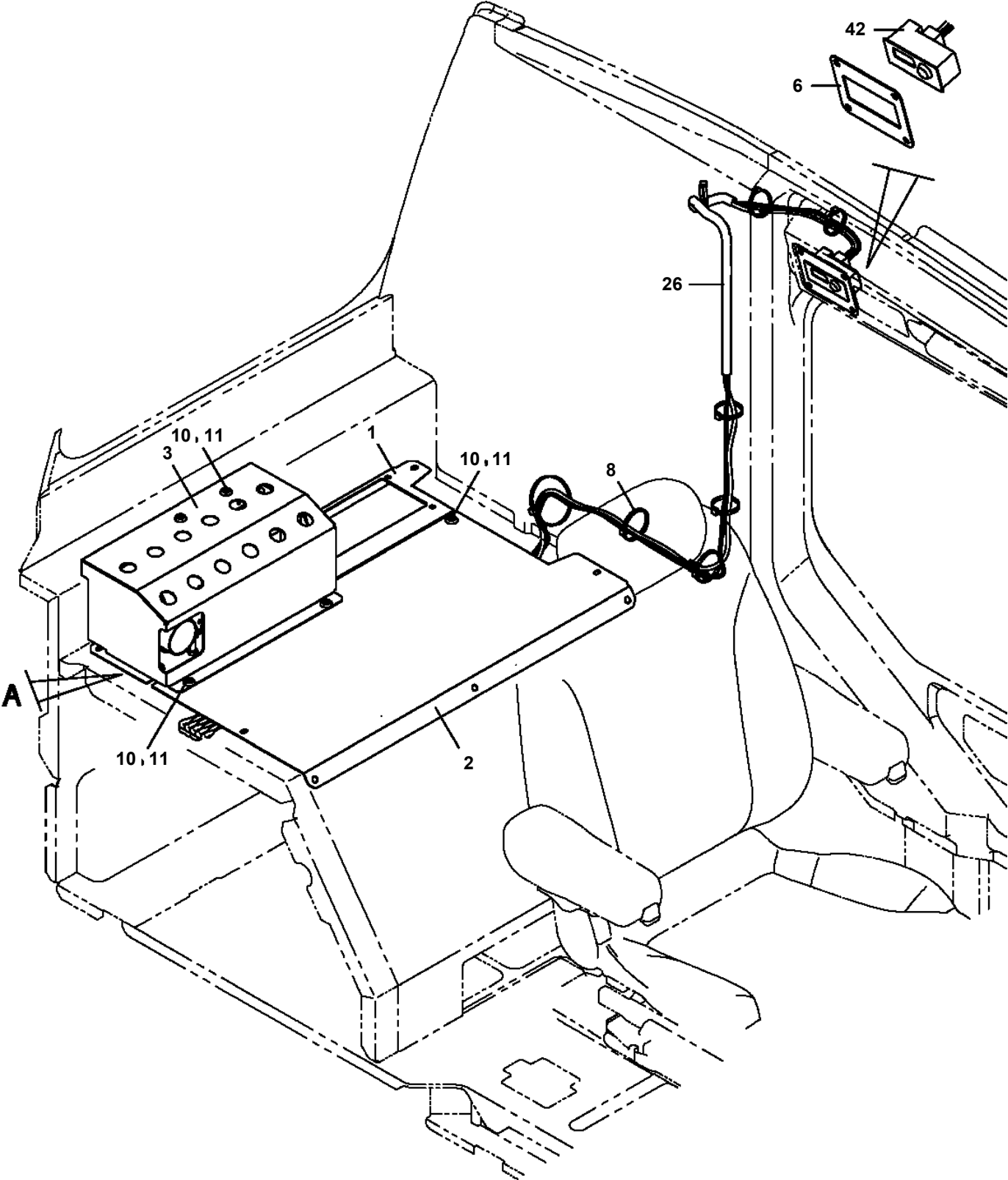
100



**GR-600N-3-00121 5 BOOM + 2 JIB, 2M2D
PH5033850-00 HARNESS (MAIN,IN CAB)**



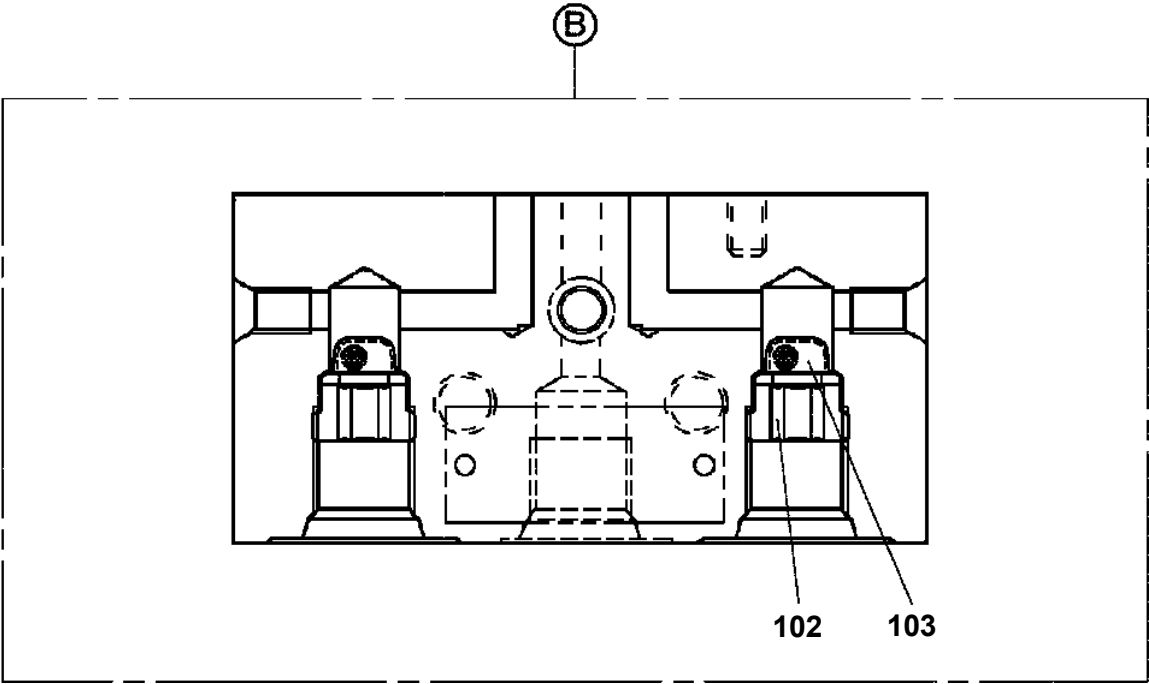
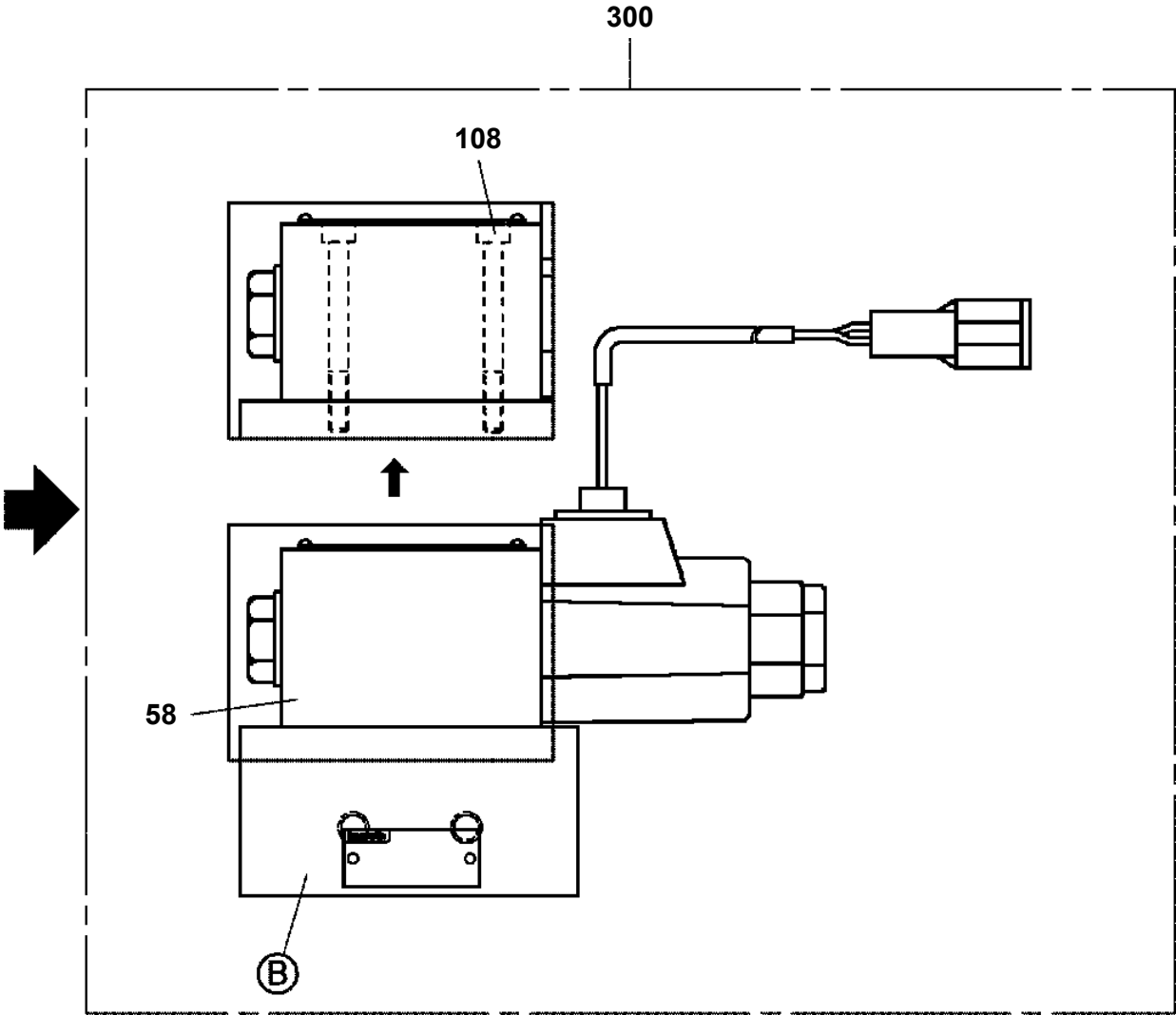
**GR-600N-3-00121 5 BOOM + 2 JIB, 2M2D
PH5050061-00 HEATER ASSY (INSTALLED INSIDE CAB)**



GR-600N-3-00121 5 BOOM + 2 JIB, 2M2D

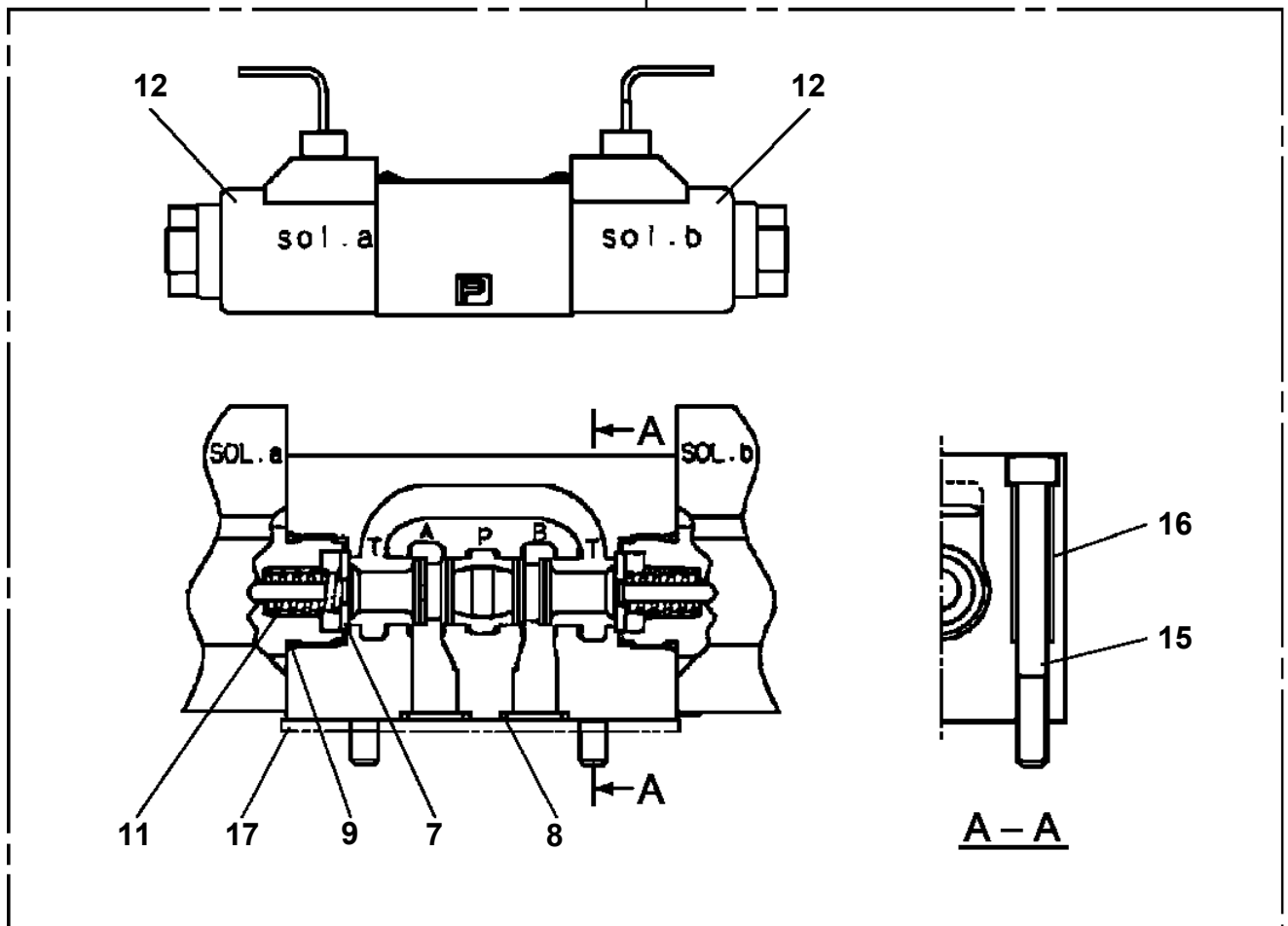
Pos No.	Parts No	Parts Name	Qty	Unit	Technical Data	Serial No (Start)	Serial No (End)	Remarks	Pages
10	37002487260	HOSE (L=1500)	1						

GR-600N-3-00121 5 BOOM + 2 JIB, 2M2D
PI1120138-04 VALVE,SOLENOID

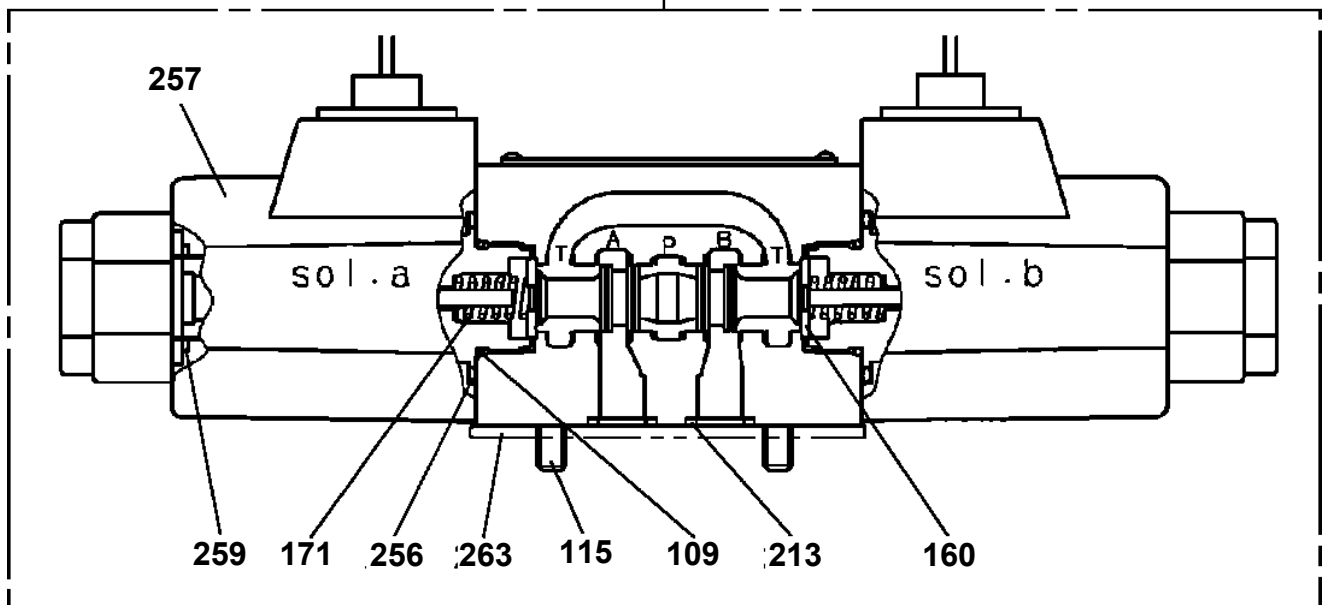


GR-600N-3-00121 5 BOOM + 2 JIB, 2M2D
 PI1120234-01 VALVE,SOLENOID (UCHIDA)

300

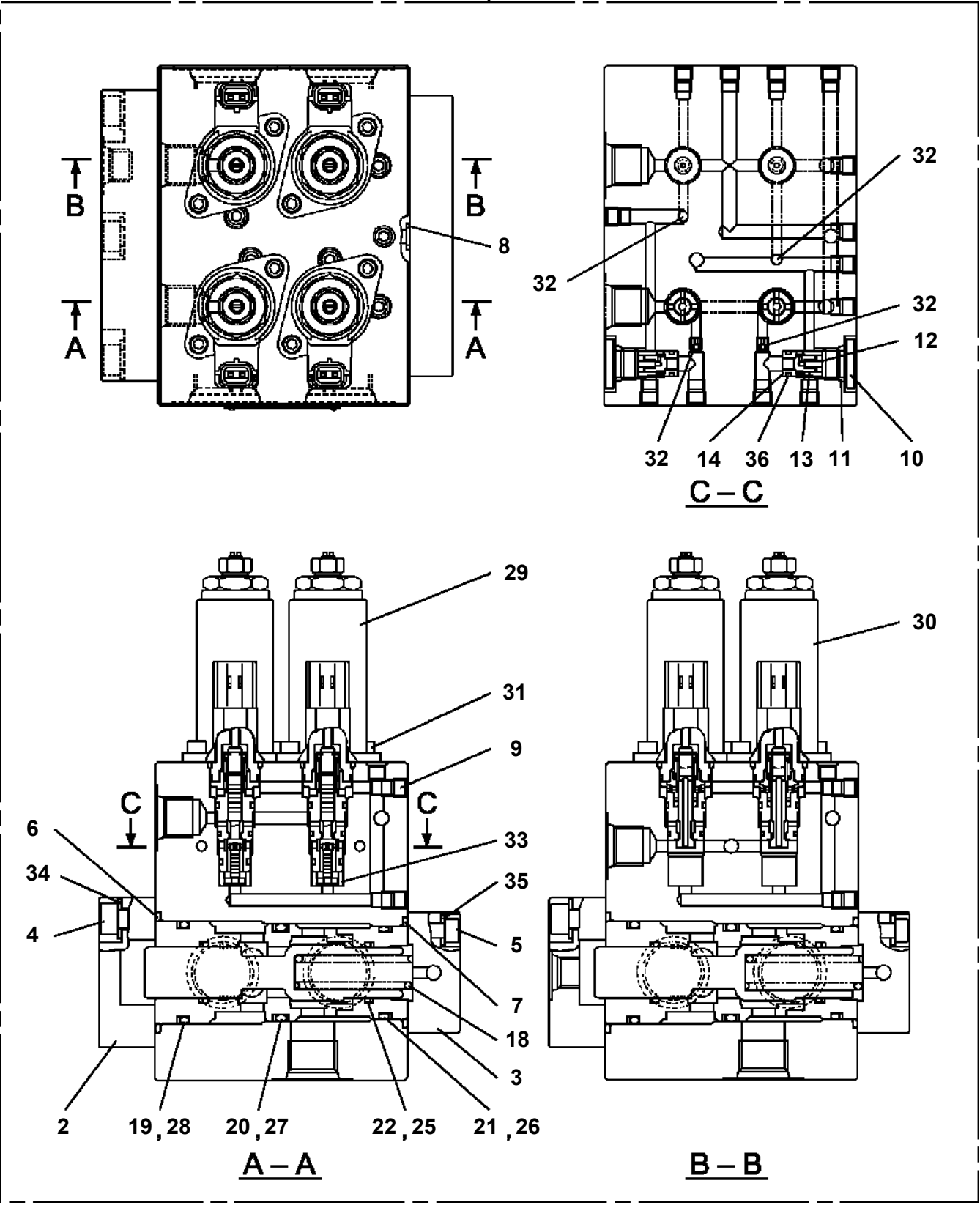


300

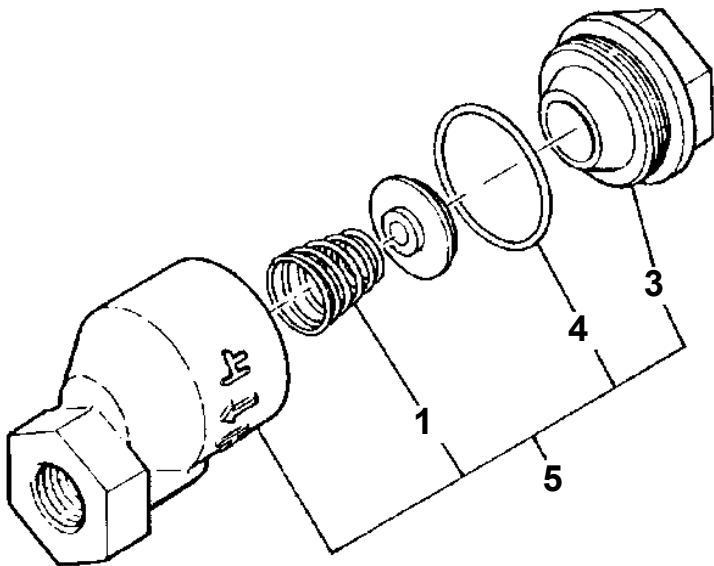


GR-600N-3-00121 5 BOOM + 2 JIB, 2M2D
 PI1120343-00 VALVE,SOLENOID

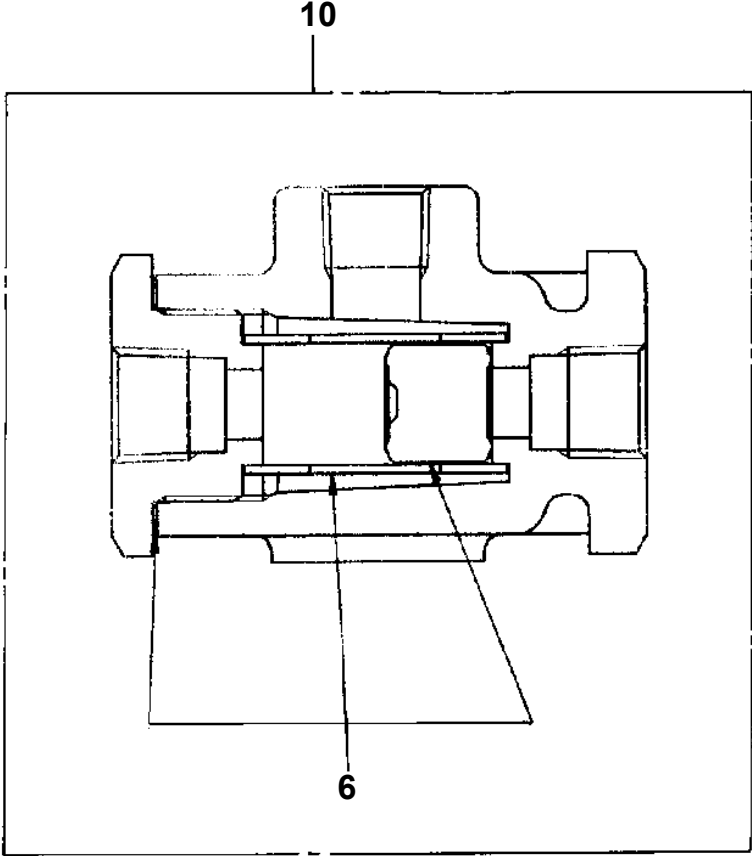
100



GR-600N-3-00121 5 BOOM + 2 JIB, 2M2D
PI1140040-00 VALVE,CHECK



GR-600N-3-00121 5 BOOM + 2 JIB, 2M2D
PI1230016-00 VALVE,SHUTTLE

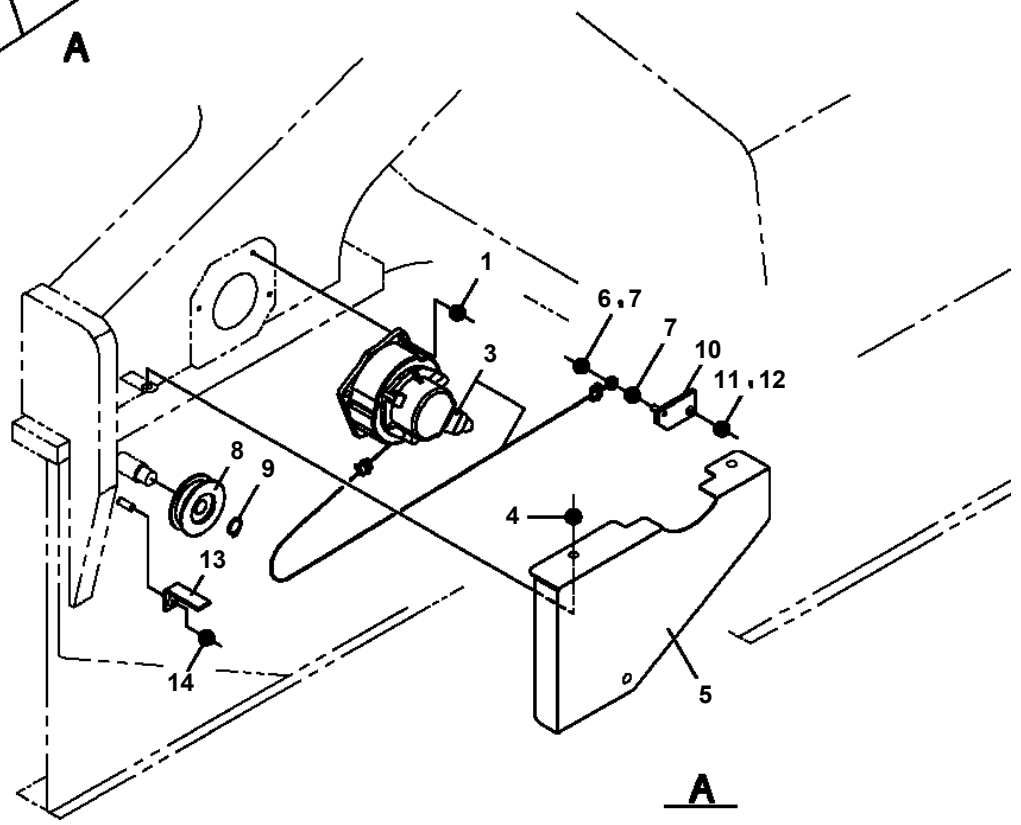
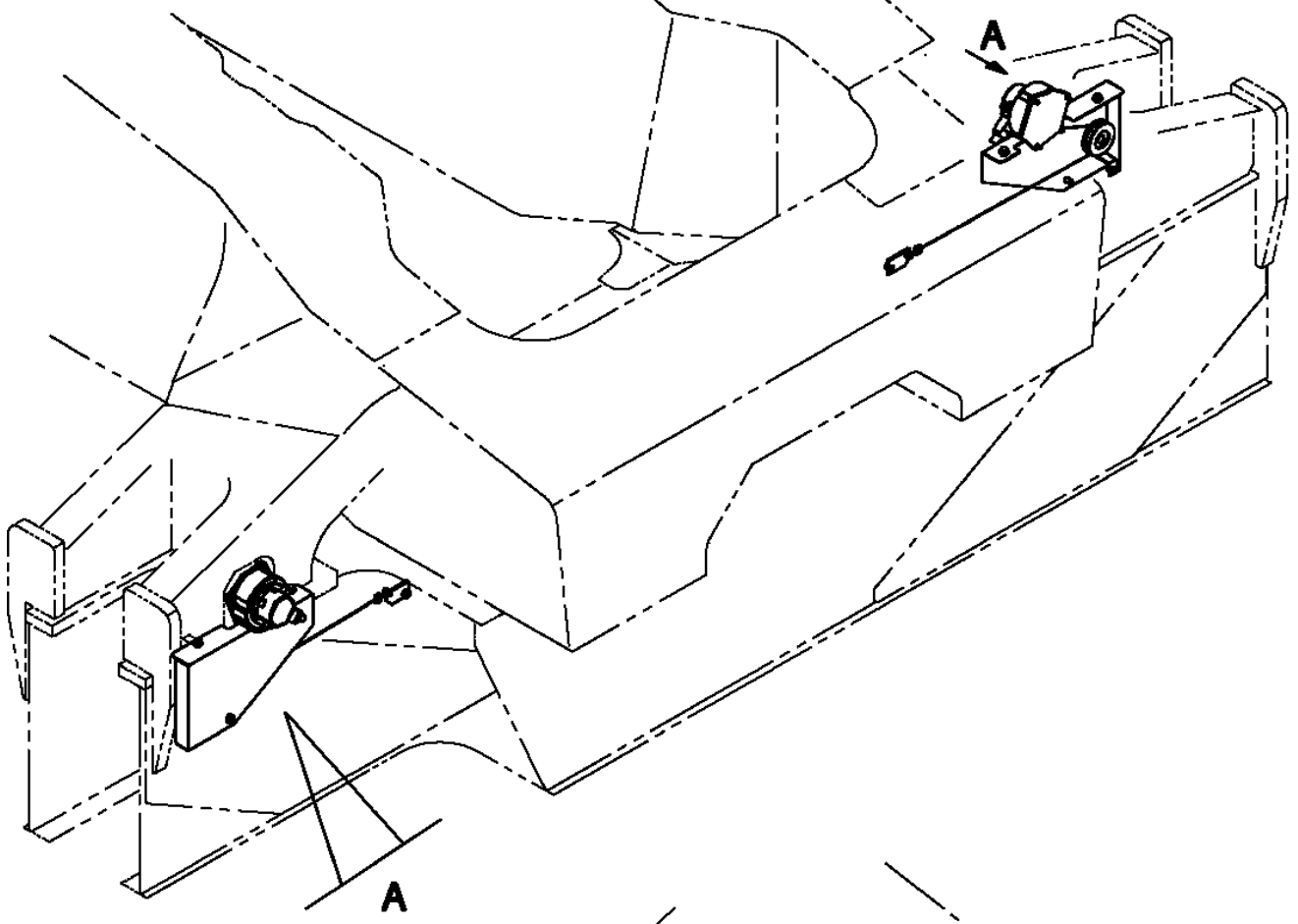


GR-600N-3-00121 5 BOOM + 2 JIB, 2M2D

Pos No.	Parts No	Parts Name	Qty	Unit	Technical Data	Serial No (Start)	Serial No (End)
3	36671279510	ELEMENT	1				
4	36671275020	SPRING	1				
5	36671275030	PLUG (DRAIN)	1				
6	36671275040	VALVE,RELIEF	1				
7	36671275050	PLUG	1				
8	91001209000	O-RING	1		1A G90		
10	91001101400	O-RING	1		1A P14		
11	91002801800	O-RING	1		1B P18		
12	91001101400	O-RING	1		1A P14		
20	36671270000	FILTER,OIL (TORQUE CONVERTER)	1				

GR-600N-3-00121 5 BOOM + 2 JIB, 2M2D
PI5050061-00 INDICATOR ASSY,LENGTH (OUTRIGGER)

FRONT
↙



GR-600N-3-00121 5 BOOM + 2 JIB, 2M2D

Pos No.	Parts No	Parts Name	Qty	Unit	Technical Data	Serial No (Start)	Serial No (End)	Remarks
1	(*****)	JIB ASSY (FAJ)	1					
2	36054490000	CYLINDER ASSY (SIDE UP)	1					
3	34222250301	LINK ASSY	1					
4	34222250800	LINK (R)	1					
5	34222250700	LINK (L)	1					
6	34222254000	SUPPORT	1					
7	34222254201	SUPPORT	1					
	34222724200	SUPPORT	1			583670	583669	
10	34222254400	SUPPORT	1					
11	34222254600	ROLLER ASSY	1					
13	34222254800	PLATE	1					
14	34222254850	SUPPORT	1					
15	34222254901	SUPPORT	1					
16	34222254950	ROD	1					
18	37010103790	PIN	1					
19	90171110016	BOLT	2		M10X16			
20	90302041001	WASHER,SPRING	2		10			
21	37000136820	PIN	1					
22	37010104640	PIN	1					
23	37000517620	PLATE	1					
24	90171108025	BOLT	2		M8X25			
25	90302040801	WASHER,SPRING	4		8			
26	82456101000	NIPPLE,GREASE	1		A-PT1/8			
27	37000144070	PIN	1					
28	37000201110	PIN,SNAP	1					
29	37001510960	BOLT	1		M20			
30	90201782000	NUT	1		M20			
31	37001510970	BOLT	1					
32	90201781600	NUT	4		M6			
33	37010102200	PIN	1		L=85			
34	90201201000	NUT	1		M10			
35	37000200590	PIN,SNAP	1					
36	37000121630	PIN	1					
37	90101208020	BOLT	2		M8X20			
39	90171112035	BOLT	4		M12X35			
40	90303501201	WASHER,PLAIN	6		12			
41	90201781200	NUT	2		M12			
42	34200650600	SHIM	5		T=1			
43	34222293200	PLATE	1					
44	90171112020	BOLT	2		M12X20			
45	90303071201	WASHER,PLAIN	2		12			
46	34222294100	PLATE	3					
47	34222294200	PLATE	3					
48	90171216050	BOLT	11		M16X50			
49	90303501601	WASHER,PLAIN	14		16			
53	37000105261	PIN	2					
54	82455106000	NIPPLE,GREASE	4		A-M6F FE			
55	37000528070	PLATE	4		T=2.3			
56	80136380071	PIN,SPLIT	4		8X71			
57	37000106700	PIN	2					
58	37010104620	PIN	2					
59	34220470090	PIN,SNAP	2					
60	34222254500	PLATE	1					
61	37001511400	BOLT	1					
62	90203701600	NUT	1		M16			
77	34446142250	SUPPORT	1					
78	90303161001	WASHER,PLAIN	1		10			
81	37001113360	ROLLER ASSY	1					
82	80601110300	RING,RITAINING	1		S30			
83	34222254650	SUPPORT	1					
92	80513006306	BEARING,BALL	1					
93	80602110720	RING,RITAINING	1		R72			

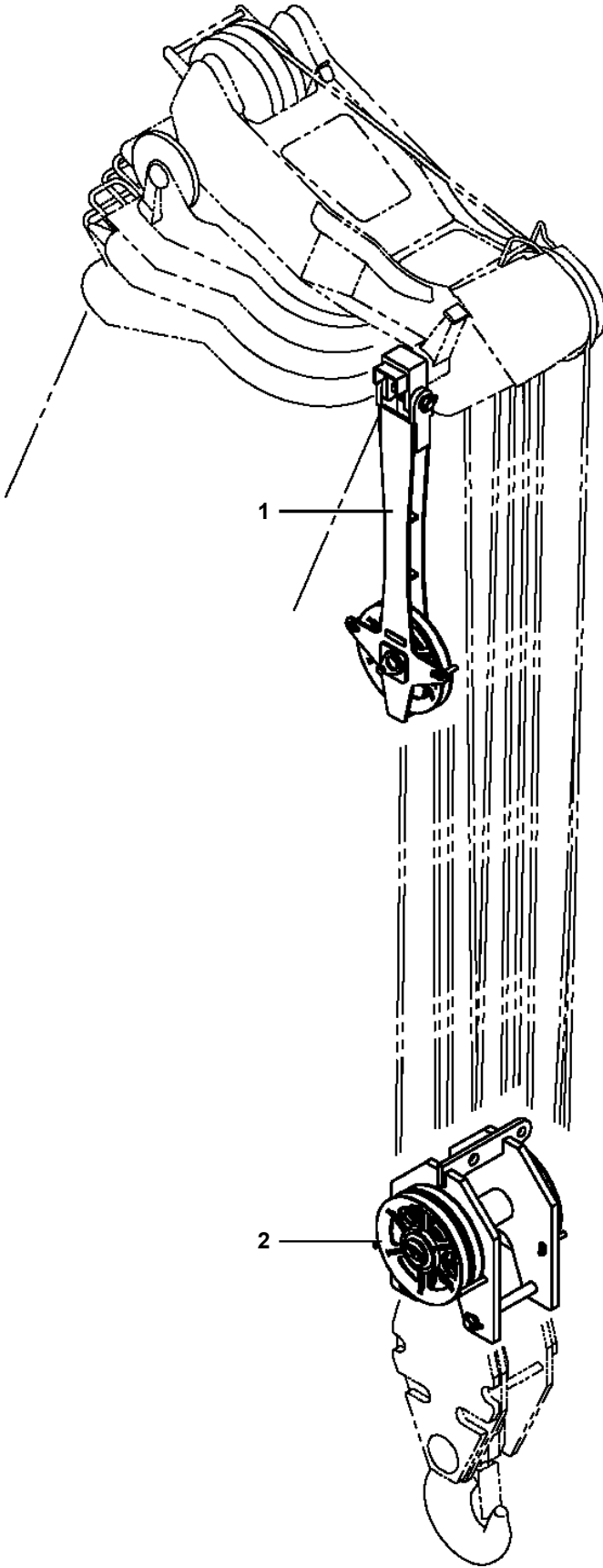
GR-600N-3-00121 5 BOOM + 2 JIB, 2M2D

Pos No.	Parts No	Parts Name	Qty	Unit	Technical Data	Serial No (Start)	Serial No (End)	Remarks
2	34631153000	JOINT ASSY,SWIVEL	1					
6	34631132000	RING ASSY,SLIP	1					
7	37001509460	BOLT	1		M10X40			
8	90171112030	BOLT	3		M12X30			
9	90172106100	BOLT,HEXAGON SOCKET	3		M6X100			
10	90302040601	WASHER,SPRING	3		6			
14	82401800080	PLUG (FOR M8)	2					
15	82401800100	PLUG (FOR M10)	1					
16	34630706001	JOINT,ROTARY	1					
41	34631150300	JOINT ASSY,SWIVEL	1					
42	34630703500	PIPE	1					
	34630703560	PIPE (IP)	1					
43	34630703400	PIPE	1					
	34630703460	PIPE (IP)	1					
44	34630703360	PIPE (IP)	1					
	34630703300	PIPE	1					
45	34630703960	PIPE (IP)	1					
	34630703900	PIPE	1					
61	34630706101	CORE	1					
62	34630706200	BODY	1					
63	34630705300	COVER	1					
64	34630705400	PLATE	1					
65	91001214500	O-RING	1		1A G145			
66	91002809000	O-RING	1		1B P90			
67	91002813000	O-RING	1		1B P130			
68	34630702100	SEAL,RING	4					
69	34630702200	SEAL,RING	3					
70	90172108020	BOLT,HEXAGON SOCKET	8		M8X20			
71	80316090060	PLUG	2		KKT PT3/8			
72	80316090040	PLUG SOCKET	4		R1/4			
73	80316090100	PLUG	2		KKT PT3/4			
74	34630702300	SEAL,RING	5					
75	34630875300	PLUG	2					
76	91001003200	O-RING	2		1A S32			
91	91153010006	SEAL,RING	3					
95	91360110000	BEARING,PLAIN	2					
96	37000404910	BEARING,PLAIN	1					
97	80601310950	RING,RETAINING	1					

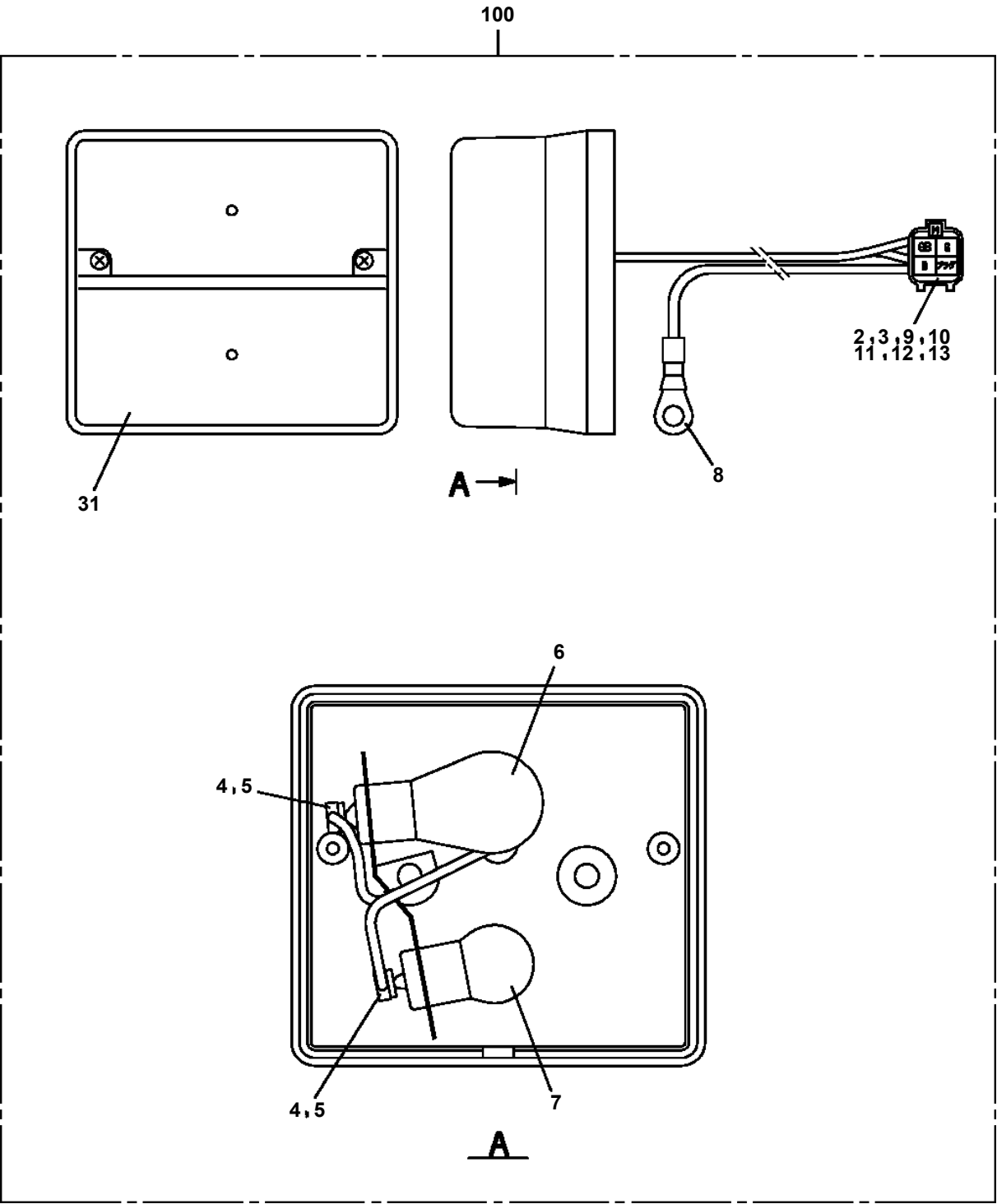
GR-600N-3-00121 5 BOOM + 2 JIB, 2M2D

Pos No.	Parts No	Parts Name	Qty	Unit	Technical Data	Serial No (Start)	Serial No
1	34355380100	LAMP ASSY (WITH REMOTE CONTROL SW)	1				
3	34355380300	SUPPORT	1				
4	90101210020	BOLT	7		M10X20		
5	90302041001	WASHER,SPRING	7		10		
6	90303071001	WASHER,PLAIN	7		10		
9	91810130240	FASTENER	2				
10	34355380200	COVER	1				
14	34355380400	COVER	1				
15	90928040101	SCREW,TAPPING	4		M4X10		
43	82400000201	GROMMET	2		KG-016		

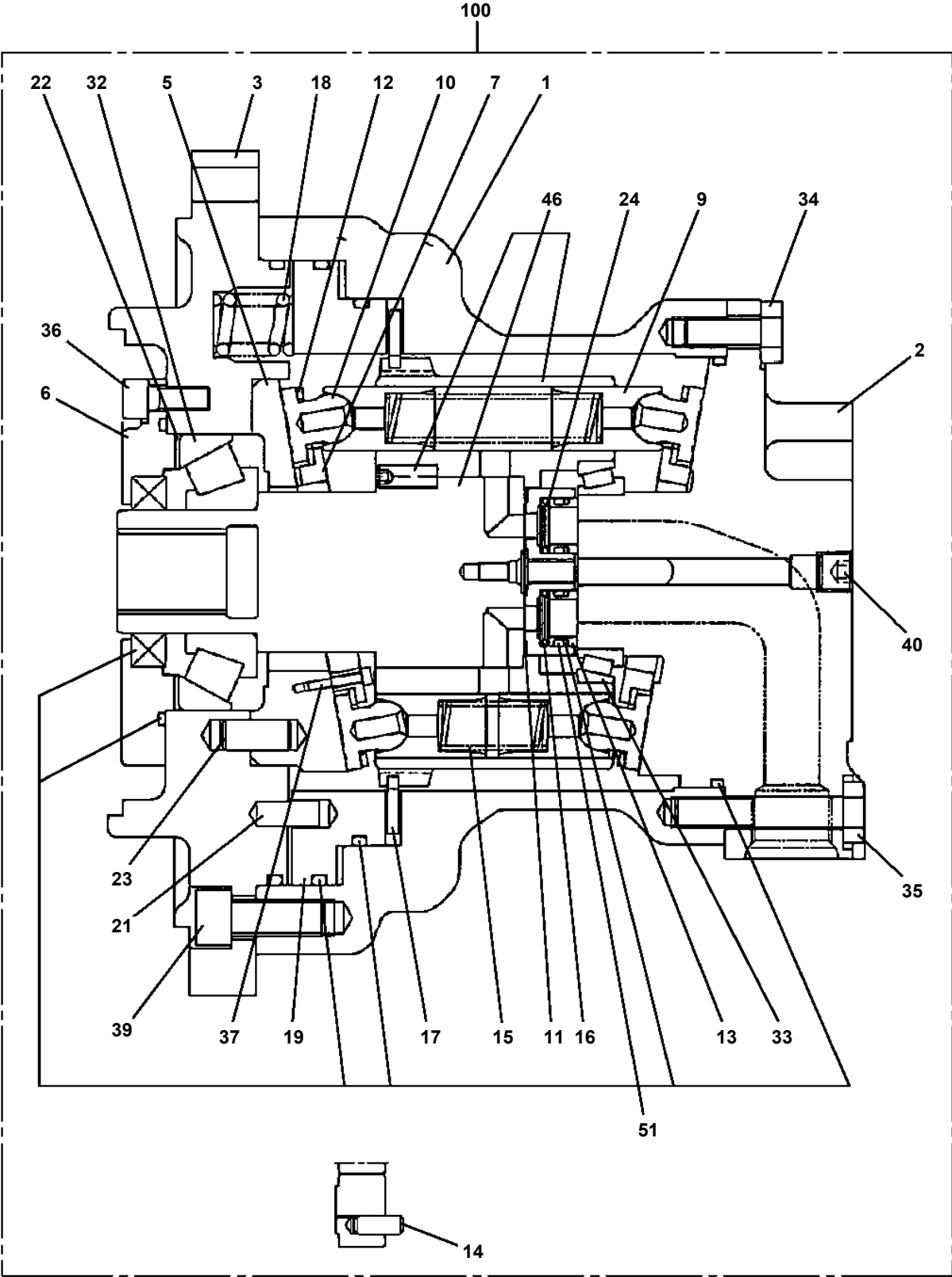
GR-600N-3-00121 5 BOOM + 2 JIB, 2M2D
PL5210029-00 LIFTING DEVICE ASSY (HEAVY-LIFT DEVICE)



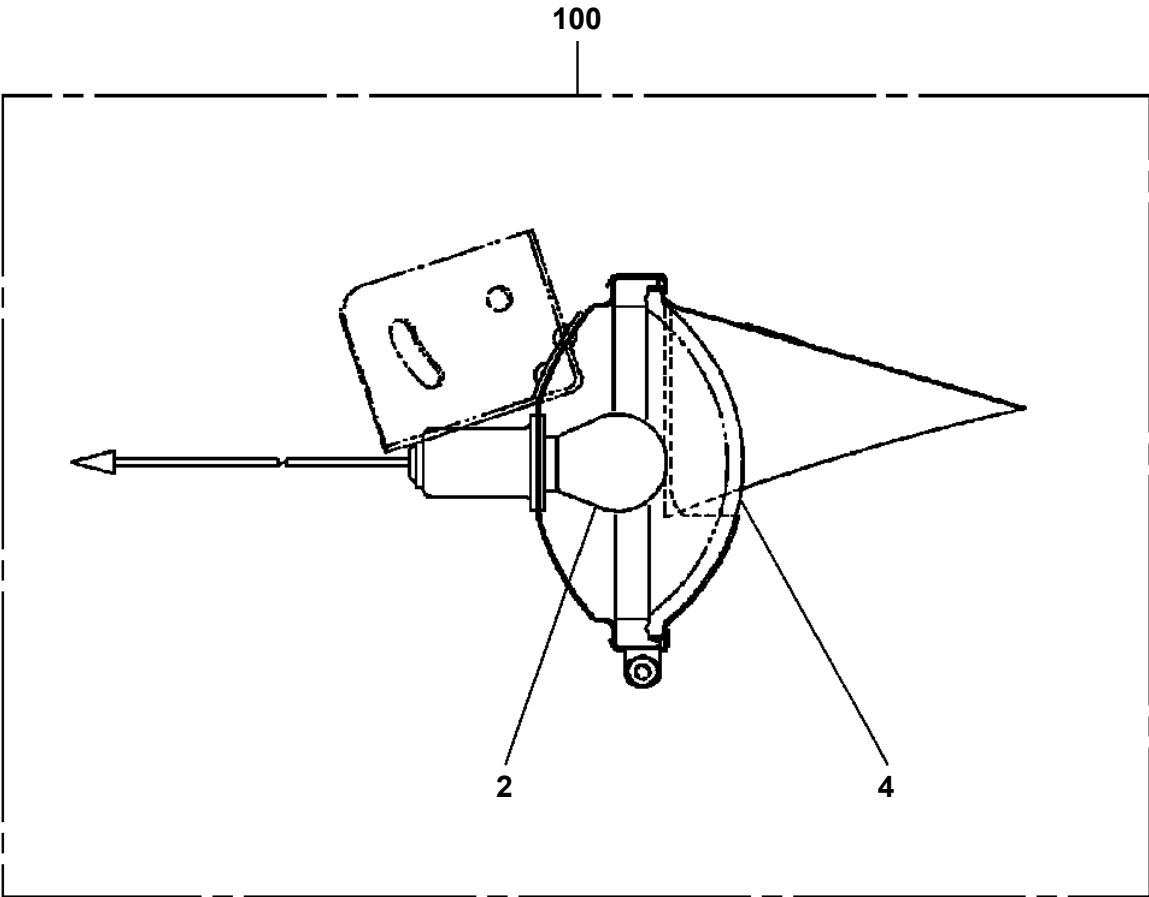
GR-600N-3-00121 5 BOOM + 2 JIB, 2M2D
PL5350001-01 LAMP,COMBINATION



GR-600N-3-00121 5 BOOM + 2 JIB, 2M2D
PM5210005-01 MOTOR ASSY,OIL

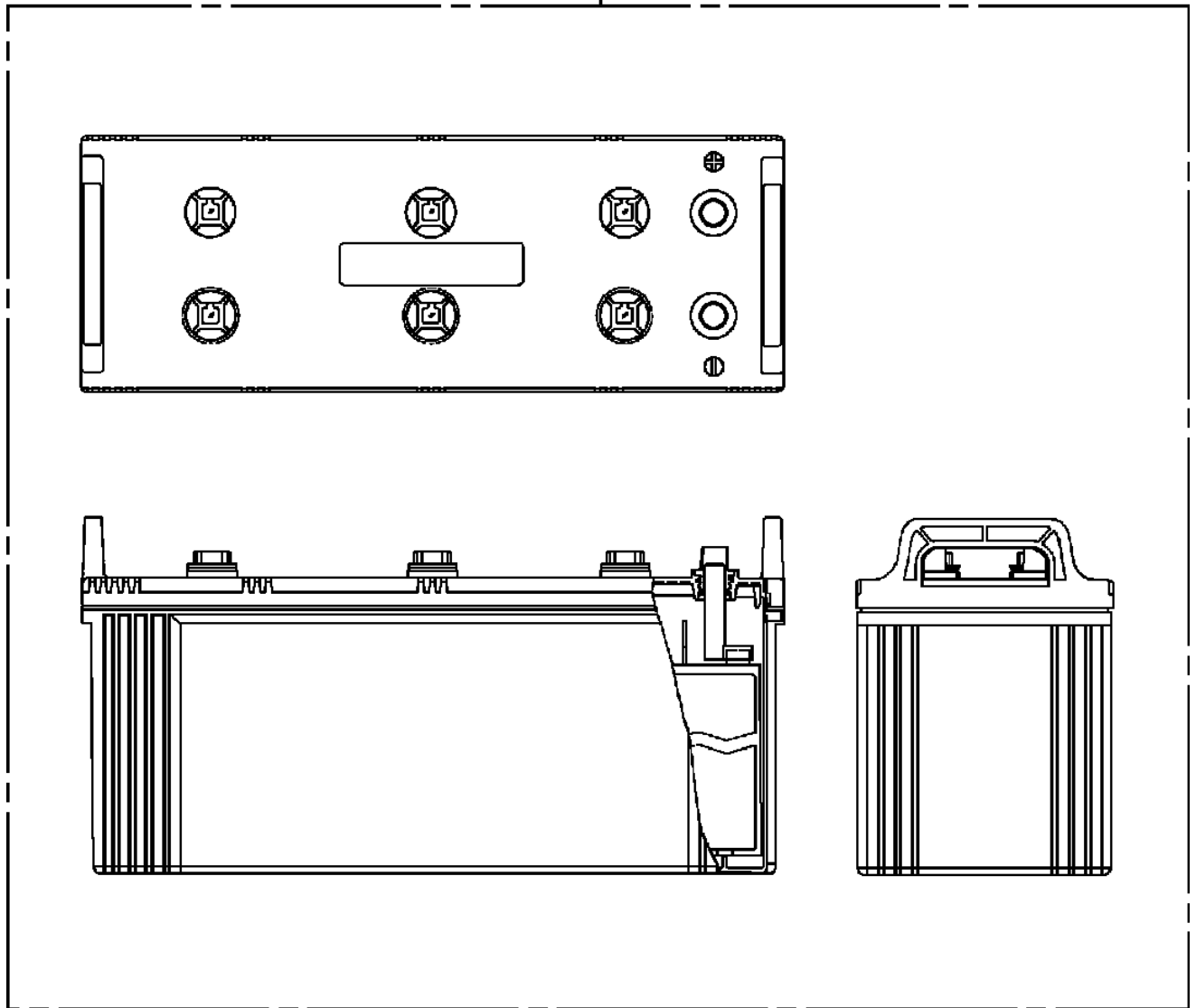


GR-600N-3-00121 5 BOOM + 2 JIB, 2M2D
PN1080436-00 LAMP (WAY SIDE LAMP)



GR-600N-3-00121 5 BOOM + 2 JIB, 2M2D
PN1370143-00 BATTERY (HYUNDAI ENERCELL)

100



GR-600N-3-00121 5 BOOM + 2 JIB, 2M2D

Pos No.	Parts No	Parts Name	Qty	Unit	Technical Data	Serial No (Start)	Serial No (End)	Remarks	Pages
2	37002224710	PLATE,NAME	1						
3	37002227450	PLATE,CAUTION	1						
4	32472680310	PLATE,CAUTION	1						
5	32472680320	PLATE,CAUTION	1						
6	34494443100	PLATE,CAUTION	1						
7	37002235170	PLATE,NAME	1						

CLICK HERE TO **DOWNLOAD** THE COMPLETE MANUAL

- Thank you very much for reading the preview of the manual.
- You can download the complete manual from: www.heydownloads.com by clicking the link below



- Please note: If there is no response to CLICKING the link, please download this PDF first and then click on it.

CLICK HERE TO **DOWNLOAD** THE COMPLETE MANUAL

GR-600N-3-00121 5 BOOM + 2 JIB, 2M2D

Pos No.	Parts No	Parts Name	Qty	Unit	Technical Data	Serial No (Start)	Serial
1	37002228021	PLATE,CAUTION	4				
2	31642171550	PLATE,NAME	2				
3	37002236910	PLATE,CAUTION	1				
4	37002236510	PLATE,CAUTION	1				
5	56370132000	PLATE,NAME	1				
6	34521211210	PLATE,NAME	1				
7	34393375400	PLATE,CAUTION	1				
8	12117140000	PLATE,NAME (GREASE)	11				
9	37002217250	PLATE,NAME	2				
10	37002237311	PLATE,CAUTION	1				
11	37002237410	PLATE,CAUTION	2				
12	37002237110	PLATE,CAUTION	1				
13	37002234950	PLATE,NAME	1				
14	37002235130	PLATE,NAME	1				
15	37002235910	PLATE,CAUTION(MAJOR ACCIDENT HAZARD)	1				
16	37002235510	PLATE,CAUTION	1				
17	37002235610	PLATE,CAUTION	1				
18	37002235140	PLATE,NAME	1				
19	37002235150	PLATE,NAME	1				
20	37002235160	PLATE,NAME	1				
21	37002235320	PLATE,NAME	2				
22	34391202060	PLATE,CAUTION (NO STEP)	1				

GR-600N-3-00121 5 BOOM + 2 JIB, 2M2D

Pos No.	Parts No	Parts Name	Qty	Unit	Technical Data	Serial No (Start)	Seri
1	36420065010	BELLOWS	1				
2	36420055020	HOUSING (CAP)	1				
3	36420055030	PLATE (DOUBLE LOCK)	1				
4	36420055040	TERMINAL	6				
5	36420055050	RUBBER,SEAL	6				
100	36420060000	OPE.ASSY (ELECTRIC REMOTE CONTROL UNIT)	1				

GR-600N-3-00121 5 BOOM + 2 JIB, 2M2D

Pos No.	Parts No	Parts Name	Qty	Unit	Technical Data	Serial No (Start)	Serial No (End)	Remarks	Pages
1	37002217900	PLATE,NAME	1						

GR-600N-3-00121 5 BOOM + 2 JIB, 2M2D

Pos No.	Parts No	Parts Name	Qty	Unit	Technical Data	Serial No (Start)	Serial No (End)
1	37002217400	PLATE,NAME(APPARATUS EQUIPMENJ PEDAL)	1				
2	37002224960	PLATE,NAME	1				
4	34323670200	PLUG	1				
6	91810130240	FASTENER	3				583663
	91810130240	FASTENER	2			583663	

GR-600N-3-00121 5 BOOM + 2 JIB, 2M2D

Pos No.	Parts No	Parts Name	Qty	Unit	Technical Data	Serial No (Start)	Serial No (End)	Remarks
2	34731641000	SWITCH ASSY	1					
3	19218113000	LAMP,PILOT	1					
4	34731642000	PLATE,NAME	1					
5	34970370100	COVER	1					
6	90186208014	BOLT,FLANGE	2		M8X14			
7	90280200800	NUT,FLANGE	3		M8			
8	34734255020	PIPE ASSY	1		8XT0.7 L=373.1			
9	90186208025	BOLT,FLANGE	3		M8X25			
32	56479000100	NUT,FLARE (FOR PIPE 8)	2		M14			
41	37004100160	PUMP,GREASE	1					

GR-600N-3-00121 5 BOOM + 2 JIB, 2M2D

Pos No.	Parts No	Parts Name	Qty	Unit	Technical Data	Serial No (Start)	Serial No (End)	Rem
1	36361747520	FILTER	1					
100	36361631321	PUMP (DEF SUPPLY MODULE)	1					

GR-600N-3-00121 5 BOOM + 2 JIB, 2M2D

Pos No.	Parts No	Parts Name	Qty	Unit	Technical Data	Serial No (Start)	Serial No (End)	Remarks	Pages
1	34393926550	PLATE (NON-SLIP)	5						
2	42834433300	PLATE (NON-SLIP)	4						
3	34393926540	PLATE (NON-SLIP)	7						
4	34393906520	PLATE (NON-SLIP)	6						
5	34393926560	PLATE (NON-SLIP)	17						
8	42397246020	PLATE (NON-SLIP)	2						
9	42397246010	PLATE (NON-SLIP)	1						

GR-600N-3-00121 5 BOOM + 2 JIB, 2M2D

Pos No.	Parts No	Parts Name	Qty	Unit	Technical Data	Serial No (Start)	Serial No (End)
78	42712320100	SUPPORT	1				
99	82400000204	GROMMET	1		L=320		
112	37000904840	NUT,FLARE	2		M20		
122	37000904830	NUT,FLARE	6		M16		

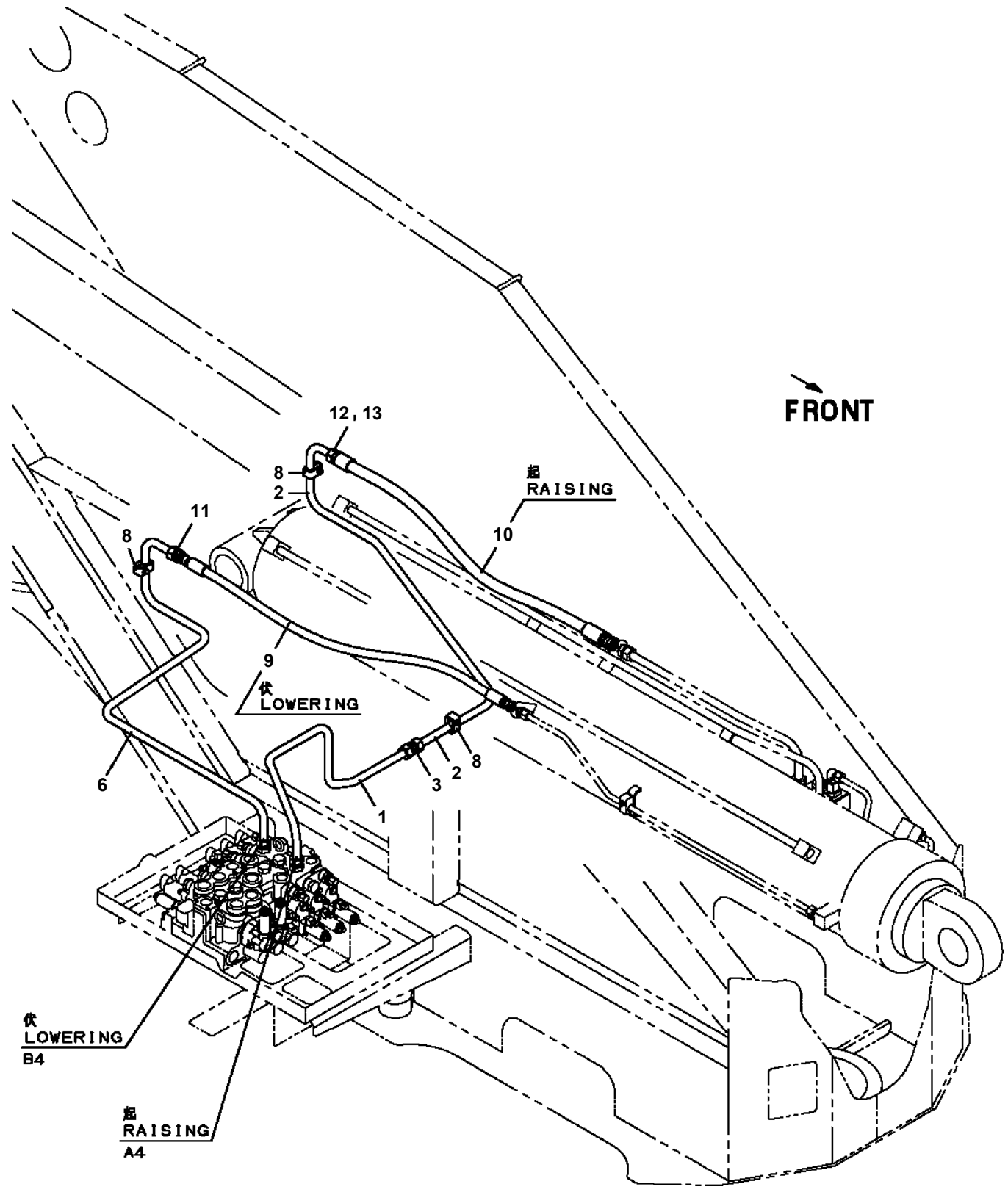
GR-600N-3-00121 5 BOOM + 2 JIB, 2M2D

Pos No.	Parts No	Parts Name	Qty	Unit	Technical Data	Serial No (Start)	Serial No (End)
60	90101208016	BOLT	8		M8X16		583607
	90101208016	BOLT	10		M8X16	583608	
62	90101208030	BOLT	8		M8X30		
63	90101208060	BOLT	6		M8X60		583607
	90101208060	BOLT	4		M8X60	583608	
64	90101210016	BOLT	6		M10X16		583607
	90101210016	BOLT	4		M10X16	583608	
65	90101212020	BOLT	8		M12X20		
66	90172105045	BOLT,HEXAGON SOCKET	4		M5X45		
67	80561100110	NUT	1		AN11		
68	90302040801	WASHER,SPRING	22		8		583607
	90302040801	WASHER,SPRING	24		8	583608	
69	90302041001	WASHER,SPRING	6		10		583607
	90302041001	WASHER,SPRING	4		10	583608	
70	90302041201	WASHER,SPRING	8		12		
71	80562100110	WASHER,TOOTH	1		AW11		
72	91810130250	FASTENER	7				
73	81408000341	PIPE,STEEL	1	M	28X3.1T		
74	91803930500	CLIP	4		38-50		
75	37002501040	HOSE	1		L=140		
76	81408000341	PIPE,STEEL	1	M	28X3.1T		
77	81408000241	PIPE,STEEL	1	M	18X1.9T		
78	81408000160	PIPE,STEEL	1	M	12X1.4T		
79	81408000160	PIPE,STEEL	1	M	12X1.4T		
80	81408000160	PIPE,STEEL	1	M	12X1.4T		
81	81408000160	PIPE,STEEL	1	M	12X1.4T		
82	81408000160	PIPE,STEEL	1	M	12X1.4T		
83	81408000160	PIPE,STEEL	1	M	12X1.4T		
84	81408000160	PIPE,STEEL	1	M	12X1.4T		
85	81408000160	PIPE,STEEL	1	M	12X1.4T		
86	81408000160	PIPE,STEEL	1	M	12X1.4T		
87	81408000160	PIPE,STEEL	1	M	12X1.4T		
88	81408000160	PIPE,STEEL	1	M	12X1.4T		
89	81408000160	PIPE,STEEL	1	M	12X1.4T		
90	81408000160	PIPE,STEEL	1	M	12X1.4T		
91	81408000160	PIPE,STEEL	1	M	12X1.4T		
92	81408000160	PIPE,STEEL	1	M	12X1.4T		
93	81408000160	PIPE,STEEL	1	M	12X1.4T		
94	81408000160	PIPE,STEEL	1	M	12X1.4T		
95	81408000160	PIPE,STEEL	1	M	12X1.4T		
96	81408000160	PIPE,STEEL	1	M	12X1.4T		
97	81408000160	PIPE,STEEL	1	M	12X1.4T		
98	81408000160	PIPE,STEEL	1	M	12X1.4T		
99	81408000160	PIPE,STEEL	1	M	12X1.4T		
100	89640101000	HOSE	1		880-NFK,1M		
101	89640101000	HOSE	1		880-NFK,1M		
102	89640101000	HOSE	1		880-NFK,1M		
103	89640101000	HOSE	3		880-NFK,1M		
104	89640101000	HOSE	1		880-NFK,1M		
105	89640101000	HOSE	1		880-NFK,1M		
106	89640101000	HOSE	1		880-NFK,1M		
107	89640101000	HOSE	1		880-NFK,1M		
108	89640101000	HOSE	1		880-NFK,1M		
109	89640101000	HOSE	1		880-NFK,1M		
110	89640101000	HOSE	1		880-NFK,1M		
111	89640101000	HOSE	1		880-NFK,1M		
112	89640101000	HOSE	1		880-NFK,1M		
113	89640101000	HOSE	1		880-NFK,1M		
114	80301010241	FITTING	1		KUA28-000N		
115	34347431900	SUPPORT	1			583608	
116	36740090000	VALVE,SOLENOID	1			583608	
117	90101208035	BOLT	2		M8X35	583608	
118	90186208040	BOLT,FLANGE	2		M8X40	583608	

GR-600N-3-00121 5 BOOM + 2 JIB, 2M2D

Pos No.	Parts No	Parts Name	Qty	Unit	Technical Data	Serial No (Start)	Serial No (End)	Remarks	Pa
1	34345522500	REEL,HOSE	1						000
2	80302090231	FITTING	2		KCO18-030N				
3	91002801400	O-RING	4		1B P14				
4	81408000160	PIPE,STEEL	4	M	12X1.4T				
5	81408000160	PIPE,STEEL	4	M	12X1.4T				
6	37000162680	PIN	1						
7	37012408470	HOSE	2		L=2100				
8	37000711080	CLAMP ASSY	1		12-2				
9	37000921750	JOINT	1						
10	80320010140	FITTING	2		KUD18-040N				
11	90303071001	WASHER,PLAIN	16		10				
12	90101210022	BOLT	14		M10X22				
13	34341961100	ROLLER ASSY	1						
14	34343262100	ROLLER ASSY	3						000
15	82100002044	CLAMP	1		WE25				
16	34341962100	ROLLER ASSY	1						
17	90171112030	BOLT	4		M12X30				
18	90303071201	WASHER,PLAIN	6		12				
19	37000712790	CLAMP ASSY	2		18X2-12X2				
20	37000713120	CLAMP ASSY	1		18X4				
21	90186208025	BOLT,FLANGE	1		M8X25				
22	90280200800	NUT,FLANGE	1		M8				
23	81408000241	PIPE,STEEL	2	M	18X1.9T				
24	81408000241	PIPE,STEEL	2	M	18X1.9T				
25	36626120000	VALVE ASSY,CHECK	2						000
26	80302090241	FITTING	4		KCO18-040N				
27	91002801800	O-RING	4		1B P18				
28	80430720400	JOINT (WITH O-RING)	2		L,G1/4-G1/4				
29	37012404490	HOSE	1		L=530				
30	80400160127	JOINT	2						
31	91002801100	O-RING	6		1B P11				
32	80302090141	FITTING	2		KCO12-020N				
33	37000919390	JOINT (ORIFICE)	1		1.0				
34	81408000241	PIPE,STEEL	3	M	18X1.9T				
35	81408000241	PIPE,STEEL	3	M	18X1.9T				
36	80301010100	FITTING	2		KUA12-000N				
37	80320010080	FITTING	2		KUD12-030N				
39	37012408460	HOSE	2		L=2100				
40	37000300740	SLEEVE	2		18-12				
41	90101210060	BOLT	2		M10X60				
42	90201201000	NUT	2		M10				
43	36624140000	VALVE,CHECK	1						000
44	81408000160	PIPE,STEEL	1	M	12X1.4T				
45	81408000160	PIPE,STEEL	1	M	12X1.4T				
46	37001107960	ROLLER	1						
47	80136340025	PIN,SPLIT	2		4X25				
48	37002441510	HOSE	1		L=440				
49	37000932150	JOINT	2		S,G3/8-G3/8				
50	82100002042	CLAMP	1		WE20				
81	37000114860	PIN	1						
82	90303070801	WASHER,PLAIN	1		8				
83	80136320014	PIN,SPLIT	1		2X14				
84	34341961201	SUPPORT	1						
85	80136332028	PIN,SPLIT	1		3.2X28				
86	90303132001	WASHER,PLAIN	3		20				
87	34341961400	ROLLER ASSY	2						
88	34341961301	SUPPORT	1						
89	37000574860	PLATE	1						
90	90236201400	NUT,CASTLE	1		M14				
101	34341962110	SUPPORT	1						
104	80136350040	PIN,SPLIT	1		5X40				
114	91002801100	O-RING	2		1B P11				
131	34341961250	PIN ASSY	1						

GR-600N-3-00121 5 BOOM + 2 JIB, 2M2D
PP6100025-00 PIPING ASSY,DERRICK



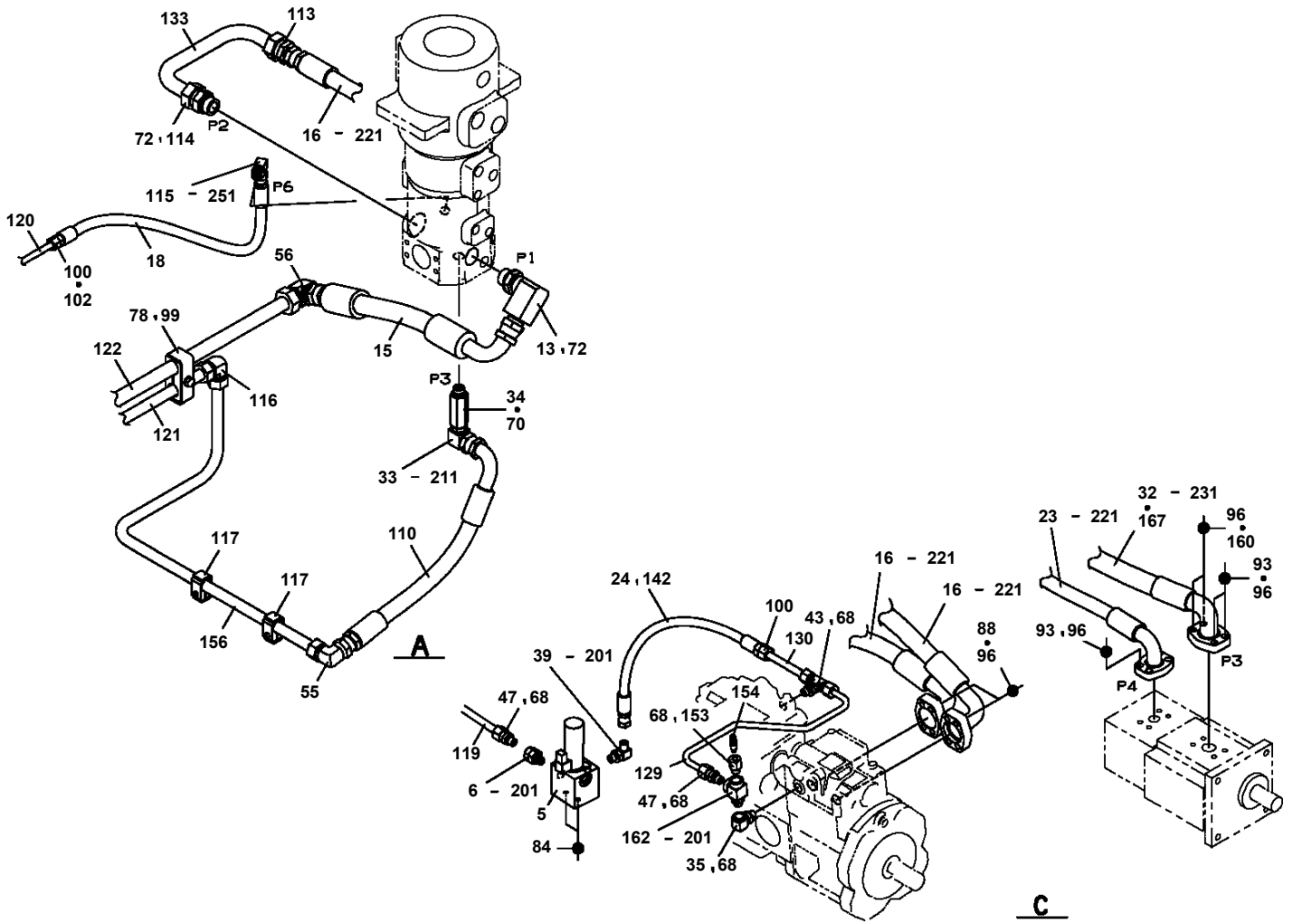
GR-600N-3-00121 5 BOOM + 2 JIB, 2M2D

Pos No.	Parts No	Parts Name	Qty	Unit	Technical Data	Serial No (Start)	Serial No (End)
1	80303130141	FITTING,ELBOW	1		KLO12-020E		
2	80305151202	FITTING,TEE	1		KTK012-020N		
3	91002801100	O-RING	3		1B P11		
4	90186208014	BOLT,FLANGE	2		M8X14		
5	91860100040	CLAMP	2		KCR-W40		
6	90101208016	BOLT	2		M8X16		
8	36672630000	FILTER (WITH O-RING)	3				
9	34347435400	SUPPORT	1				
10	37012406040	HOSE	1		L=970		
11	37002444210	HOSE	1		L=1050		
13	80306010165	NUT	1		KKN018-000E		
14	80309010165	SLEEVE	1				
15	34347435100	JOINT	1				
16	37000701550	CLAMP ASSY	3		18X1		
17	37002501800	HOSE	1		L=375		
18	91803930650	CLIP	8		50-65		
19	37000711060	CLAMP ASSY	2		28X1		
20	80302090141	FITTING	2		KCO12-020N		
21	80301010160	FITTING	1		KUA18-000N		
22	37002500600	HOSE	1		L=165		
23	80303130241	FITTING,ELBOW	2		KLO18-040E		
25	90201200800	NUT	1		M8		
28	36624530000	VALVE,CHECK	1				
29	36180370000	SENDER,PRESSURE (ASSY ONLY)	2				
30	91002801800	O-RING	3		1B P18		
31	80301010100	FITTING	3		KUA12-000N		
32	37000701500	CLAMP ASSY	6		12X1		
33	37002472320	HOSE	1		L=350		
34	90302041201	WASHER,SPRING	4		12		
35	90280200800	NUT,FLANGE	1		M8		
38	90101212030	BOLT	4		M12X30		
39	34347063100	FITTING,FLANGE	1				
40	91002906000	O-RING	1		1B G60		
41	36741500000	VALVE,SOLENOID	1				
42	80400160130	JOINT	2		S,G1/2-G3/8		
43	90101210060	BOLT	2		M10X60		
44	90302040801	WASHER,SPRING	2		8		
45	80320030220	FITTING,ELBOW	2		KLE28-080N		
46	90302041001	WASHER,SPRING	2		10		
47	37000714300	CLAMP ASSY	1				
48	37000537230	PLATE	1				
49	37000711090	CLAMP ASSY	1		18X2		
50	80303130281	FITTING,ELBOW	1		KLO22-060E		
51	81408000341	PIPE,STEEL	2	M	28X3.1T		
52	81408000341	PIPE,STEEL	1	M	28X3.1T		
53	81408000241	PIPE,STEEL	2	M	18X1.9T		
54	81408000241	PIPE,STEEL	2	M	18X1.9T		
55	81408000160	PIPE,STEEL	2	M	12X1.4T		
56	81408000160	PIPE,STEEL	2	M	12X1.4T		
57	81408000160	PIPE,STEEL	1	M	12X1.4T		
58	81408000160	PIPE,STEEL	2	M	12X1.4T		
59	81408000160	PIPE,STEEL	1	M	12X1.4T		
60	81408000241	PIPE,STEEL	2	M	18X1.9T		
61	81408000241	PIPE,STEEL	3	M	18X1.9T		
62	81408000160	PIPE,STEEL	3	M	12X1.4T		
63	81408000160	PIPE,STEEL	2	M	12X1.4T		
64	81408000290	PIPE,STEEL	3	M	22X2.5T		
81	91002801100	O-RING	4		1B P11		
91	91002801800	O-RING	2		1B P18		
101	91002802400	O-RING	1		1B P24		

GR-600N-3-00121 5 BOOM + 2 JIB, 2M2D

Pos No.	Parts No	Parts Name	Qty	Unit	Technical Data	Serial No (Start)	Serial No (End)	Remark
4	36640830000	VALVE,HYDRAULIC	1					
5	36626190000	VALVE ASSY,CHECK	1					
6	36741550000	VALVE,SOLENOID	1					
7	37002457550	HOSE	5		L=600			
12	37002456240	HOSE	1		L=580			
13	37012406000	HOSE	1		L=1450			
15	31732992400	HOSE	1		L=1330			
17	80430620800	JOINT	1					
18	36672630000	FILTER (WITH O-RING)	1					
19	80471020504	JOINT	1		HL205-04			
20	80471020506	JOINT	2		45,G3/4-G3/4			
21	80400160177	JOINT	6		T,G1/2-G1/2-G3/8			
22	80303130141	FITTING,ELBOW	2		KLO12-020E			
23	80303130241	FITTING,ELBOW	2		KLO18-040E			
27	80305140180	FITTING,TEE	1		T,18-18-18			
30	80301010160	FITTING	4		KUA18-000N			
32	80302090241	FITTING	8		KCO18-040N			
33	91860100030	CLAMP	3		KCR-W30			
34	91860100035	CLAMP	3		KCR-W35			
36	37000910010	JOINT	1		G3/4-25			
37	37000701550	CLAMP ASSY	6		18X1			
38	37000701560	CLAMP ASSY	4		18X2			
39	37000711090	CLAMP ASSY	3		18X2			
40	90172108070	BOLT,HEXAGON SOCKET	3		M8X70			
41	90186210014	BOLT,FLANGE	3		M10X14			
42	90101210060	BOLT	2		M10X60			
43	90280200800	NUT,FLANGE	4		M8			
44	90302041001	WASHER,SPRING	2		10			
45	91803600400	CLIP	4		D=27-40			
46	91002801100	O-RING	1		1B P11			
47	91002801400	O-RING	2		1B P14			
48	91002801800	O-RING	15		1B P18			
49	91002802400	O-RING	4		1B P24			
50	36606940000	VALVE ASSY,RELIEF	1					
51	80305151203	FITTING,TEE	1		T,G3/8-D12X2			
52	80321112050	VALVE,CHECK	4					
53	80305100120	FITTING,TEE	2		KTC12-000N			
54	80330001300	FITTING,TEE	2		KTR18-120N			
55	80320010140	FITTING	6		KUD18-040N			
56	37000925740	JOINT	1		S G1/2-G1/2			
58	80316070040	PLUG	1		PF1/4			
60	80305010160	FITTING,TEE	1		KTA18-000E			
61	81408000241	PIPE,STEEL	3	M	18X1.9T			
62	81408000241	PIPE,STEEL	3	M	18X1.9T			
63	81408000241	PIPE,STEEL	2	M	18X1.9T			
64	81408000241	PIPE,STEEL	2	M	18X1.9T			
68	81408000241	PIPE,STEEL	1	M	18X1.9T			
69	81408000241	PIPE,STEEL	1	M	18X1.9T			
70	81408000241	PIPE,STEEL	1	M	18X1.9T			
71	81408000241	PIPE,STEEL	2	M	18X1.9T			
72	81408000160	PIPE,STEEL	1	M	12X1.4T			
73	81408000241	PIPE,STEEL	2	M	18X1.9T			
74	81408000241	PIPE,STEEL	2	M	18X1.9T			
75	81408000241	PIPE,STEEL	1	M	18X1.9T			
76	81408000241	PIPE,STEEL	1	M	18X1.9T			
77	81408000241	PIPE,STEEL	2	M	18X1.9T			
78	81408000241	PIPE,STEEL	2	M	18X1.9T			
82	81408000241	PIPE,STEEL	1	M	18X1.9T			
83	90186208016	BOLT,FLANGE	1		M8X16			
85	37012400090	HOSE	4		L=630			
86	37012400100	HOSE	2		L=740			
88	80320030140	FITTING,ELBOW	2		KLE18-040N			
89	90201200800	NUT	4		M8			

GR-600N-3-00121 5 BOOM + 2 JIB, 2M2D
PP6340043-01 PIPING ASSY,SWIVEL



GR-600N-3-00121 5 BOOM + 2 JIB, 2M2D

Pos No.	Parts No	Parts Name	Qty	Unit	Technical Data	Serial No (Start)	Serial No (End)	Rem
1	36350645460	SHAFT ASSY	1					
2	36350645310	RING,SEAL	2					
3	36350645320	PISTON ASSY	2					
4	36350645330	RING,SEAL	2					
5	36350645340	PLATE (DRIVE)	16					
6	36350645350	DISK ASSY	16					
7	36350645360	PLATE (BACK)	2					
8	36350645370	PLATE (CONICAL)	2					
9	36350297040	RING,RETAINING	2					
10	36350695150	WASHER	4					
11	36350645380	SPRING	2					
12	80601110600	RING,RITAINING	2		S60			
13	36350645390	GEAR (F)	1					
14	36350267100	BEARING,BALL	4					
15	36350556230	RING,RETAINING	2					
16	36350645470	GEAR (D)	1					
17	36350297130	WASHER	3					
18	36350485760	BEARING,ROLLER	1					
19	36350455590	WASHER	3					
20	80601110450	RING,RITAINING	2		S45			
21	36350297070	BEARING,BALL	1					
22	36350485890	WASHER	2					
23	80601110550	RING,RITAINING	1		S55			
24	36350267140	RING,SEAL	3					
50	36350645450	DISK KIT	1					
100	36350645020	CLUTCH PACK,TRANSMISSION	1					

GR-600N-3-00121 5 BOOM + 2 JIB, 2M2D

Pos No.	Parts No	Parts Name	Qty	Unit	Technical Data	Serial No (Start)	Serial No (End)	Remarks	P
5	36381995460	PLATE (LOCK)	1						
6	36381385270	BOLT (WITH WASHER)	6						
7	36381995470	BOOT,RUBBER	1						
8	36381995480	BAND (BOOT)	1						
9	36381995490	BAND (BOOT)	1						
100	36381995220	JOINT,BALL	1						

GR-600N-3-00121 5 BOOM + 2 JIB, 2M2D

Pos No.	Parts No	Parts Name	Qty	Unit	Technical Data	Serial No (Start)	Serial No (End)
1	34952341000	SWITCH ASSY (EMERGENCY STOP,ASSY ONLY)	2				
2	34952420100	SUPPORT	1				
3	82100002010	CLAMP	1		WR15		
4	90186208020	BOLT,FLANGE	2		M8X20		
5	90186206016	BOLT,FLANGE	2		M6X16		
6	82100002014	CLAMP	1		WR20		
7	80172305016	SCREW,MACHINE	8		M5X16		
8	90302040501	WASHER,SPRING	8		5		
9	90303070501	WASHER,PLAIN	8		5		
10	90201200500	NUT	8		M5		
11	91810130250	FASTENER	1				
12	90280200800	NUT,FLANGE	2		M8		

GR-600N-3-00121 5 BOOM + 2 JIB, 2M2D

Pos No.	Parts No	Parts Name	Qty	Unit	Technical Data	Serial No (Start)	Serial No (End)	Remarks
1	34932092610	SUPPORT	1					
2	82161324080	RELAY	2					
3	34354781710	RELAY (WITH BRACKET)	1					
4	90280200500	NUT,FLANGE	2		M5			
5	90280200600	NUT,FLANGE	1		M6			
6	34932092700	HARNESS	1					
7	80171303010	SCREW,MACHINE	4		M3X10			
8	90303070301	WASHER,PLAIN	4		3			
9	90302040301	WASHER,SPRING	4		3			
10	90201200300	NUT	4		M3			
100	34932092600	RELAY ASSY	1					

GR-600N-3-00121 5 BOOM + 2 JIB, 2M2D

Pos No.	Parts No	Parts Name	Qty	Unit	Technical Data	Serial No (Start)	Serial No (End)	Remarks	Pa
1	90302041001	WASHER,SPRING	2		10				
2	37000315860	SPACER	4		L=12.5				
3	80602110520	RING,RITAINING	2		R52				
4	80516006205	BEARING,BALL	2						
5	34447451100	ROLLER	1						
6	34440631300	ROLLER	2						
7	34447451400	LEVER	1						
8	37000151100	PIN	2						
10	37000309190	SPACER	2						
11	34447451200	SUPPORT	1						
12	34447451500	LEVER	1						
13	90171110016	BOLT	2		M10X16				
14	90102212100	BOLT	2		M12X100				
15	14124015000	BOLT	2						
16	90201201200	NUT	6		M12				
17	37001300190	SPRING	2						
80	34447459510	ROLLER ASSY	1						
100	34447451000	ROLLER ASSY (MAIN)	1						

GR-600N-3-00121 5 BOOM + 2 JIB, 2M2D

Pos No.	Parts No	Parts Name	Qty	Unit	Technical Data	Serial No (Start)	Serial No (End)	Remark
1	36081935060	GEAR,SPUR	1					
2	36081215020	RETAINER	1					
3	36081215030	BEARING,ROLLER	1					
4	91210100003	SEAL,OIL	1					
5	36081215040	BEARING,ROLLER	1					
6	80316090060	PLUG	1		KKT PT3/8			
9	36070925180	RING,THRUST	4					
10	36081215070	BEARING,NEEDLE	8		HL-PK35X47X19.8X1			
11	36081215080	GEAR,PLANETARY	4					
14	36081935010	CASING	1					
15	36081215120	SPACER (A)	1					
16	80316090040	PLUG SOCKET	1		R1/4			
17	36081925200	BEARING,BALL	1					
18	36081935021	GEAR	1					
19	36081935030	BRACKET	1					
20	90101510110	BOLT	8		M10X110			
21	90302041001	WASHER,SPRING	8		10			
22	36081935040	GEAR,SUN (A)	1					
23	36081935050	SPACER	1					
24	36081215140	GEAR,PLANETARY (A)	3					
25	36071795200	BEARING,NEEDLE	3		PK30X40X24.8X			
26	36070845230	RING,THRUST	4					
28	36081215150	GEAR,SUN (B)	1					
29	80601110900	RING,RITAINING	1		S90			
51	36081215300	CARRIER ASSY (A)	1					
52	36081215310	CARRIER ASSY (B)	1					
100	36081935000	REDUCER ASSY	1					

GR-600N-3-00121 5 BOOM + 2 JIB, 2M2D

Pos No.	Parts No	Parts Name	Qty	Unit	Technical Data	Serial No (Start)	Serial No (End)	Remarks	Pages
11	36610275020	O-RING	1		AS568-908				
13	36611425010	PLUG	1						
14	36610275040	O-RING	2						
15	36610385010	SPRING	1						
17	36610275060	PLUG	1						
50	36611420000	VALVE,PRIORITY	1						

GR-600N-3-00121 5 BOOM + 2 JIB, 2M2D

Pos No.	Parts No	Parts Name	Qty	Unit	Technical Data	Serial No (Start)	Serial No (End)	Re
1	36303495010	BOLT	16					
5	36303495030	FLANGE ASSY	1					
9	36303495040	NIPPLE,GREASE	3					
11	36303495050	JOURNAL ASSY	2					
21	36304155010	TUBE ASSY	1					
100	36304151000	SHAFT ASSY,PROPELLER (JBK)	1					

GR-600N-3-00121 5 BOOM + 2 JIB, 2M2D

Pos No.	Parts No	Parts Name	Qty	Unit	Technical Data	Serial No (Start)	Serial No (End)	Remarks	Pages
1	34694124300	SUPPORT	1						
2	34694124410	SUPPORT	1						
3	90186208016	BOLT,FLANGE	3		M8X16				
4	34694124460	COVER	1						
100	34694124400	SUPPORT ASSY	1						

GR-600N-3-00121 5 BOOM + 2 JIB, 2M2D

Pos No.	Parts No	Parts Name	Qty	Unit	Technical Data	Serial No (Start)	Serial No (End)	Remarks	Pages
7	34444976100	GUARD	1						
14	37000502700	PLATE	2						
15	34444976200	GUIDE	1						
17	31624322300	PLATE	1						
18	34445996100	SUPPORT	1						
21	37000604250	CLAMP	17						
23	34478720100	PLATE	1						
24	42266341640	PLATE	1						

GR-600N-3-00121 5 BOOM + 2 JIB, 2M2D

Pos No.	Parts No	Parts Name	Qty	Unit	Technical Data	Serial No (Start)	Serial No (End)	Remarks	Page
1	34231820010	TABLE,SLEWING	1						000
2	34231465000	PLATE	2						
3	37010105940	PIN	1						
4	37010104480	PIN	1						
6	90171112030	BOLT	4		M12X30				
7	90302041201	WASHER,SPRING	4		12				
8	37000557890	PLATE	2						
9	90303502701	WASHER,PLAIN <27)	33						
10	37001509330	BOLT	11		M27X140				
11	90201702700	NUT	5		M27				
12	37001507930	BOLT	3		M27X175				
13	90303503001	WASHER,PLAIN	2		30XT8				
14	37001509110	BOLT	2		M27X172				
17	37001509050	BOLT	12		M27X160				
18	37001506630	BOLT	2		M27X190				

GR-600N-3-00121 5 BOOM + 2 JIB, 2M2D

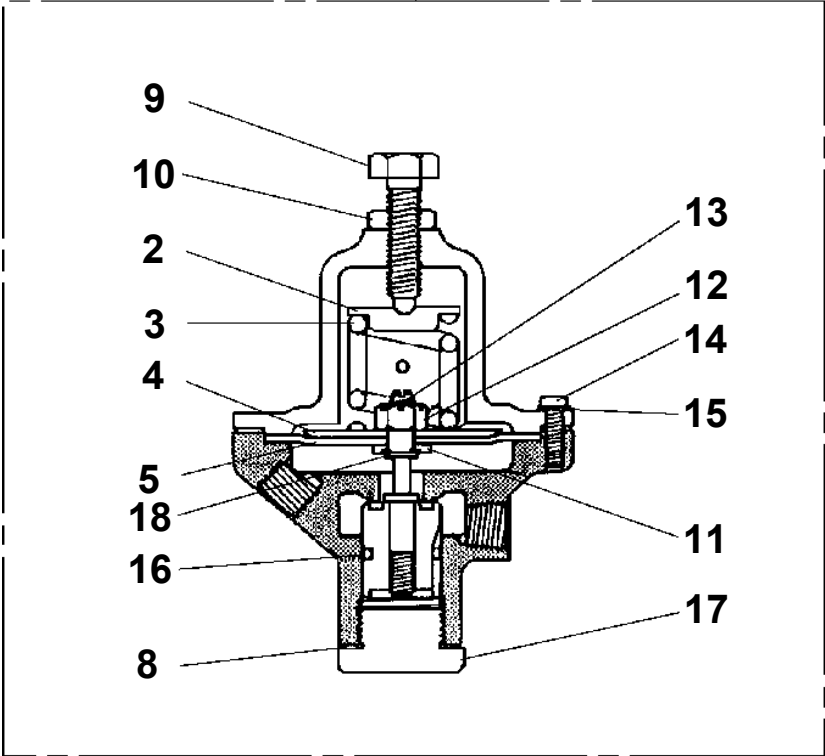
Pos No.	Parts No	Parts Name	Qty	Unit	Technical Data	Serial No (Start)	Serial No (End)
1	34355271560	SUPPORT	1				
2	42507124300	SWITCH ASSY (WITH HARNESS,1 SW)	1				
21	34351961800	LAMP	1		12W		
22	34352771700	LAMP (SHINWOO)	1				
31	82100000783	BULB,LAMP	1		24V 12W		
32	34351967510	LENS (TRANSPARENT)	1				
41	34352777540	BULB,LAMP	1				
42	34352777530	LENS	1				

GR-600N-3-00121 5 BOOM + 2 JIB, 2M2D

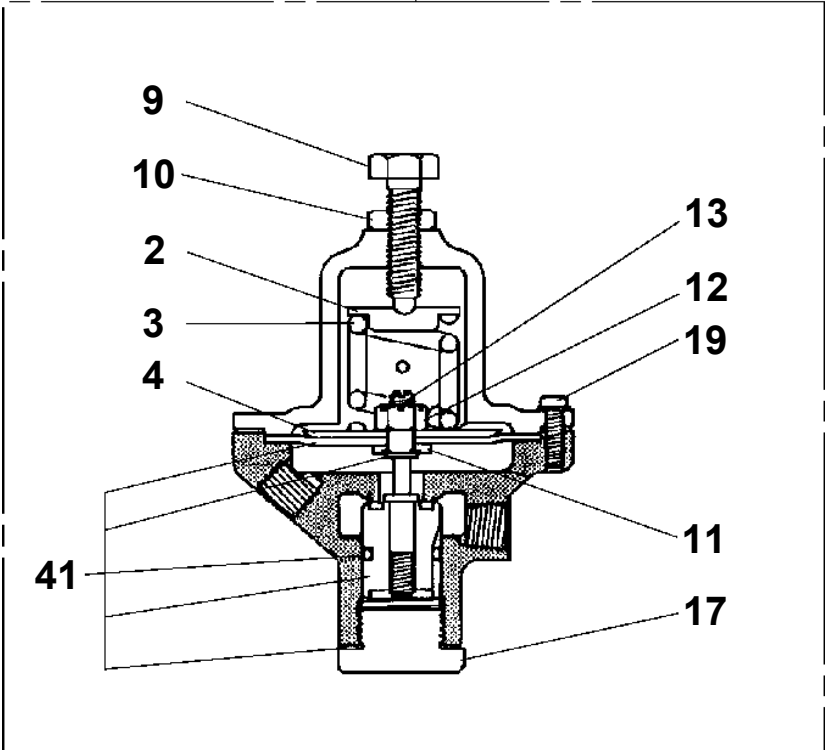
Pos No.	Parts No	Parts Name	Qty	Unit	Technical Data	Serial No (Start)	Serial No (End)	Remarks
1	34372682600	SUPPORT	1					
2	32370002110	GASKET	1					
3	32370002121	COVER	1					
4	80172303025	SCREW,MACHINE	2		M3X25			
5	90302040301	WASHER,SPRING	2		3			
6	82104102010	SWITCH,LIMIT	1					
7	32370002131	ROD	1					
8	14148373001	SPRING	1					
9	80601110180	RING,RITAINING	1		S18			
10	34371314400	SUPPORT	1					
11	90303070301	WASHER,PLAIN	2		3			
12	82116700607	CONNECTOR	1					
13	82100000013	TERMINAL	2					
14	82141921040	CABLE	1	M				
15	82122704160	CAP (PLUG)	1					
16	82100000592	TERMINAL (M40.3 TO 1.25)	2					
17	89633001000	HOSE,VINYL	1		7X8,L=1M			
18	14148375000	GROMMET	1					
19	90101208045	BOLT	2		M8X45			
20	90302040801	WASHER,SPRING	2		8			
21	82100001220	INSULATOR	2					
22	82400000201	GROMMET	1		KG-016			
30	32370009512	ROD ASSY	1					
42	32370002150	SPACER	1		L=12 TO 11			
43	80720103014	PIN,SPRING	1		3X14			
51	91001001405	O-RING	2		S-14			
100	34372922100	SWITCH (OVERWIND/JIB)	1					

GR-600N-3-00121 5 BOOM + 2 JIB, 2M2D
PT1280002-00 VALVE,REDUCING

50

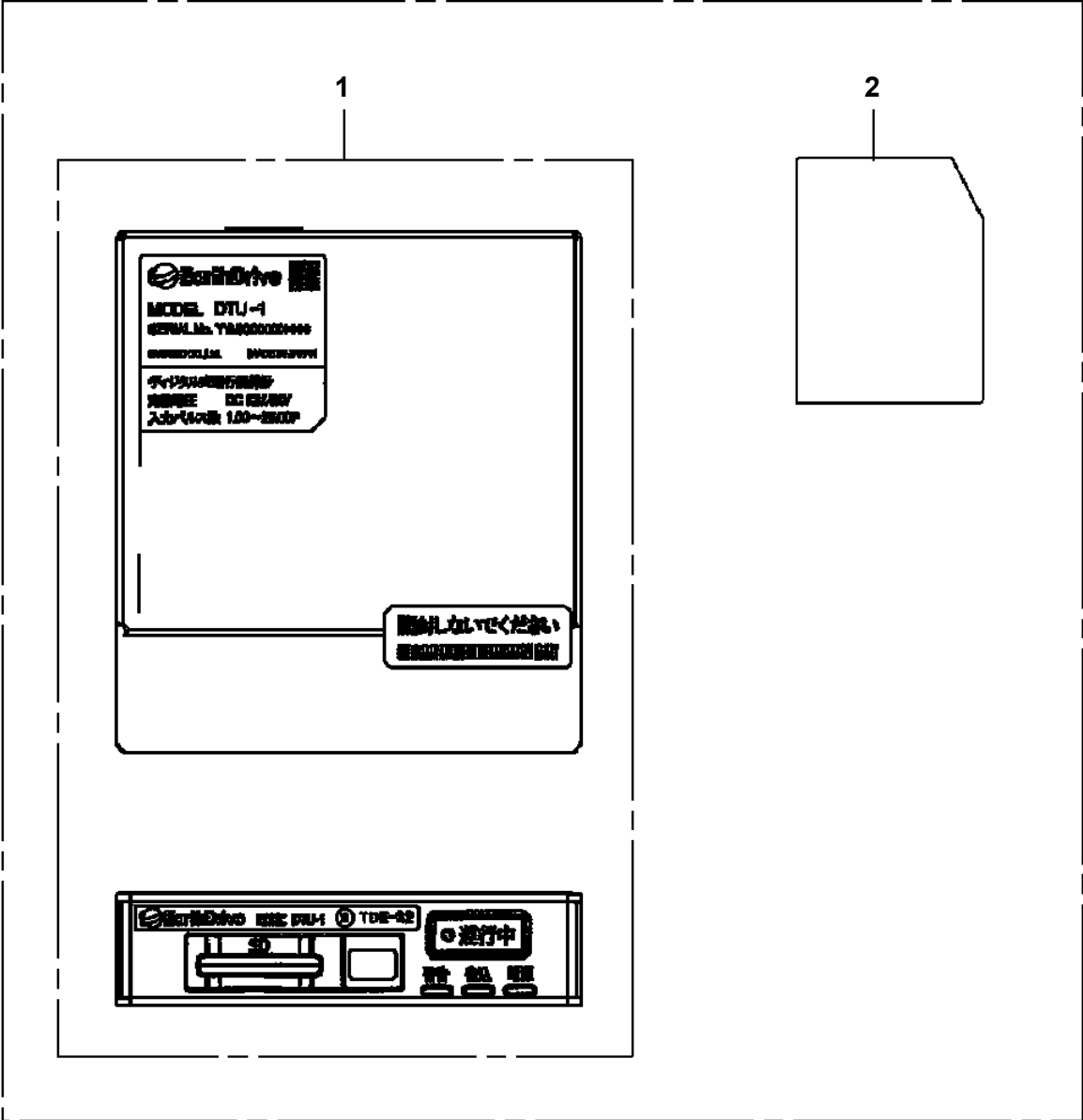


50



GR-600N-3-00121 5 BOOM + 2 JIB, 2M2D
PT5020001-00 TACHOGRAPH

100



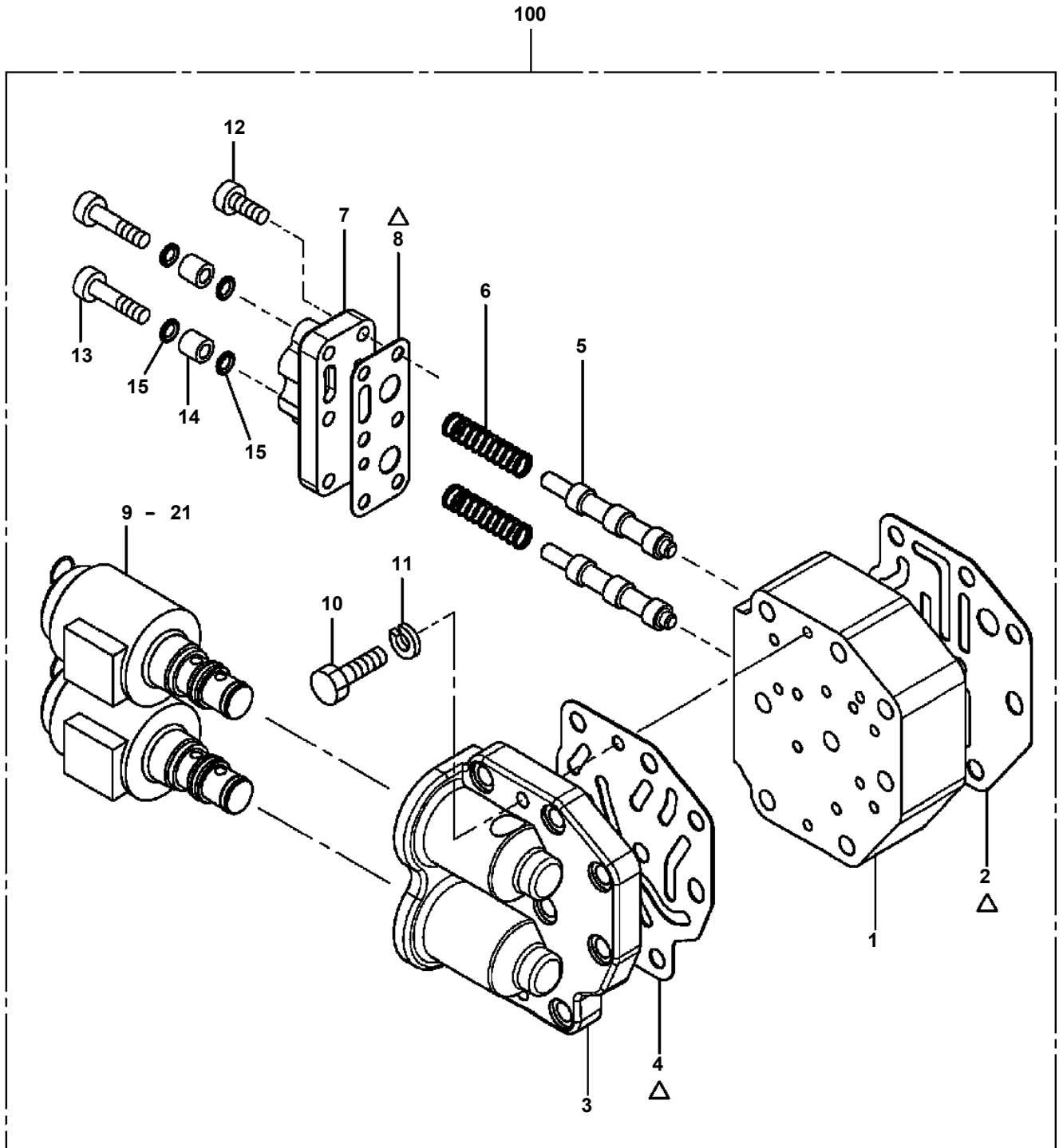
GR-600N-3-00121 5 BOOM + 2 JIB, 2M2D

Pos No.	Parts No	Parts Name	Qty	Unit	Technical Data	Serial No (Start)	Serial No (End)	Remarks
10	37003805390	TIRE (SNOW/YOKOHAMA)	1					

GR-600N-3-00121 5 BOOM + 2 JIB, 2M2D

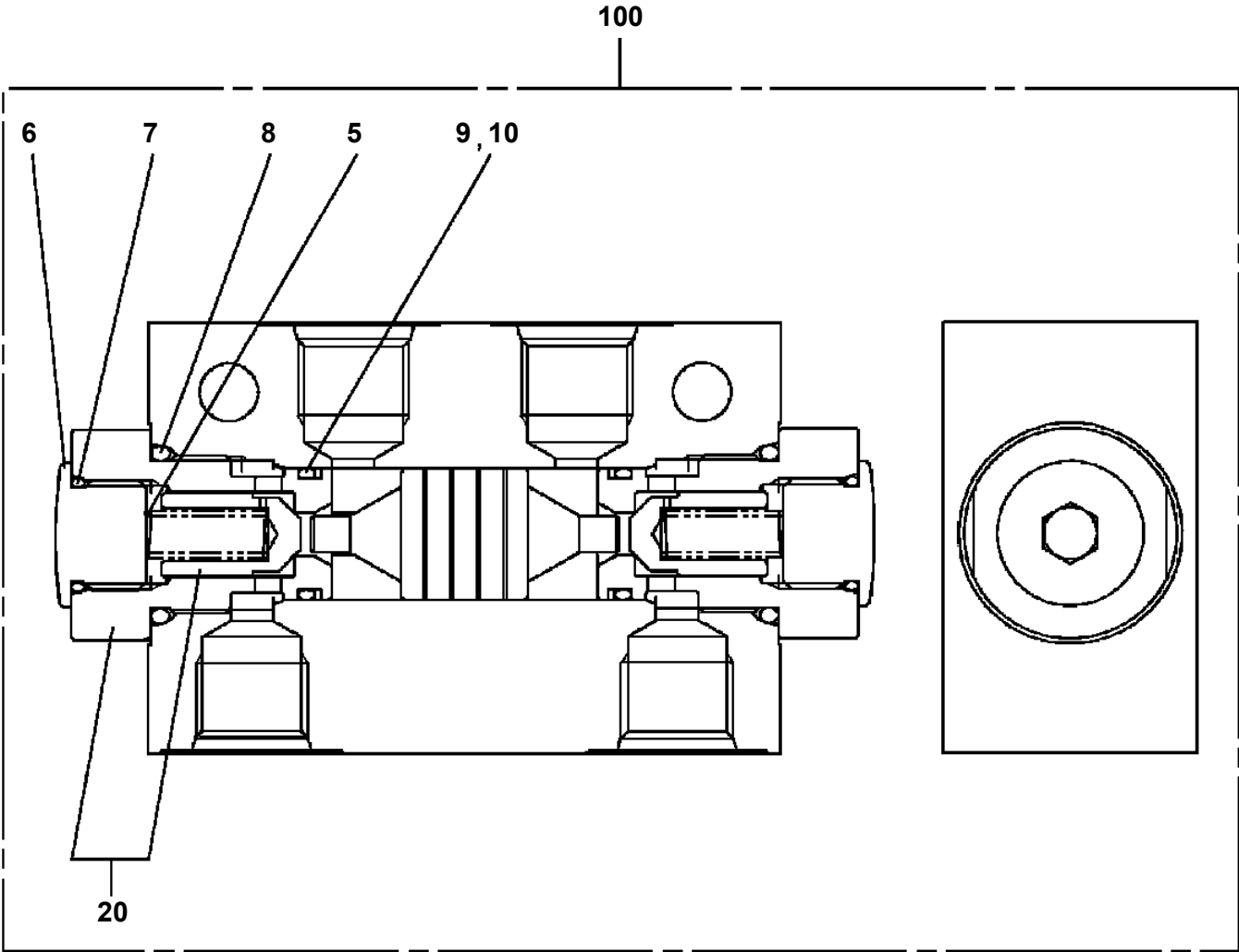
Pos No.	Parts No	Parts Name	Qty	Unit	Technical Data	Serial No (Start)	Serial No (End)
1	(*****)	CIRCUIT,TORQUE CONVERTER	1				
2	(*****)	TORQUE CONVERTER ASSY	1				
3	36370675030	CLUTCH ASSY (TORQUE CONVERTER)	1				
4	36370655050	VALVE,SOLENOID	1				
5	36370785030	PUMP,GEAR	1				
6	36370615250	GASKET	1				
9	90171110030	BOLT	2		M10X30		
10	90302051001	WASHER,SPRING	2		10		
11	36370615030	BOLT,HEXAGON SOCKET	4				
12	36370415060	BOLT,HEXAGON SOCKET	8		M10X25		
13	36370615050	O-RING	1				
14	36350685220	CLIP	1				
15	36370625060	PLATE	1				
16	90171110035	BOLT	1		M10X35		
17	36370216300	WASHER	3				
18	36370615150	O-RING	1				
19	36370675040	ADAPTER	1				
20	36350456060	PLUG	2				
23	36370505040	O-RING	1				
100	36370670000	TORQUE CONVERTER ASSY	1				

GR-600N-3-00121 5 BOOM + 2 JIB, 2M2D
PV5010038-00 VALVE ASSY

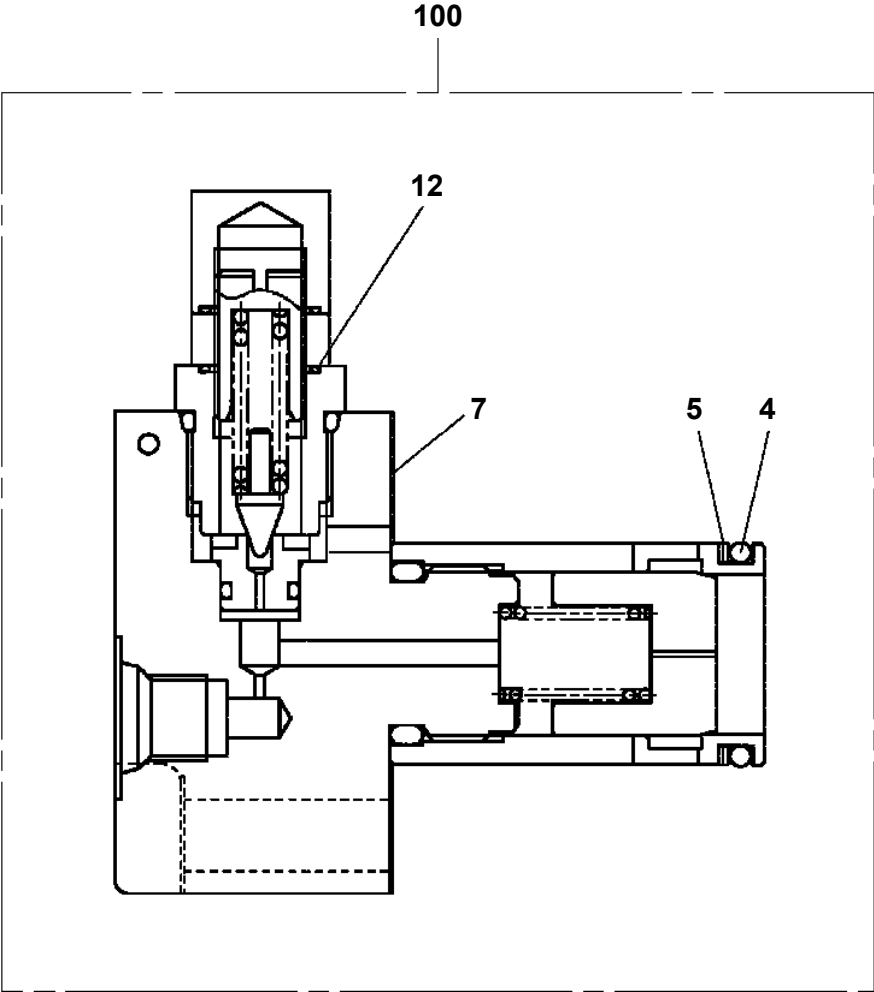


△:OVERHAUL KIT KEY NO. 51 (KEY NO.2,4,8)

GR-600N-3-00121 5 BOOM + 2 JIB, 2M2D
PV5040007-00 VALVE ASSY,CHECK



GR-600N-3-00121 5 BOOM + 2 JIB, 2M2D
PV5140024-00 VALVE ASSY,RELIEF



GR-600N-3-00121 5 BOOM + 2 JIB, 2M2D

Pos No.	Parts No	Parts Name	Qty	Unit	Technical Data	Serial No (Start)	Serial No (End)	Remarks
9	36646085020	O-RING	2					
15	36642935070	BOLT,HEXAGON SOCKET	4		M5X30			
113	36642935040	RING	4					
156	36602555010	O-RING	2					
157	36646085031	SOLENOID	2					
159	36649855100	O-RING	2					
200	36742250000	VALVE ASSY,SOLENOID	1					

GR-600N-3-00121 5 BOOM + 2 JIB, 2M2D

Pos No.	Parts No	Parts Name	Qty	Unit	Technical Data	Serial No (Start)	Serial No (End)	Remarks	Pages
1	36646605110	O-RING	1						
2	36646605140	O-RING	1						
3	36646605130	O-RING	1						
100	36646605170	VALVE,SOLENOID	1						

GR-600N-3-00121 5 BOOM + 2 JIB, 2M2D

Pos No.	Parts No	Parts Name	Qty	Unit	Technical Data	Serial No (Start)	Serial No (End)	Rema
1	34498400300	SUPPORT	1					
2	90186206014	BOLT,FLANGE	2		M6X14			
7	34478250300	HARNESS (EARTH LINE)	1		L=200			
8	34495480100	CAMERA	1					
9	91810130240	FASTENER	3					
10	82100001410	TUBE, SPIRAL	1	M	SE-04BK			
11	34495470200	CABLE	1		L=300			
12	90303290800	WASHER, PLAIN	2		8			
13	34477831000	LAMP (VISION/REAR & DRUM)	1					
14	90186208020	BOLT, FLANGE	3		M8X20			
15	90280200800	NUT, FLANGE	2		M8			
16	34477830800	TAPE	6					
17	37000604250	CLAMP	2					

GR-600N-3-00121 5 BOOM + 2 JIB, 2M2D

Pos No.	Parts No	Parts Name	Qty	Unit	Technical Data	Serial No (Start)	Serial No (End)	Remarks
3	36646675030	RETAINER (SPRING)	1					
4	36646035160	SPRING (B1)	1					
5	36646035170	SPRING (B2)	1					
6	36646675040	RETAINER (SPRING)	1					
7	36646675050	END,SPOOL	1					
8	90720008120	SCREW,SET	2		M8X12			
9	36648985110	BALL,STEEL	2		1/4			
10	36742615090	COVER (PILOT)	1					
11	91000512800	O-RING	2					
12	36742615100	COVER (PILOT)	1					
13	90131508040	BOLT,HEXAGON SOCKET	4		M8X40			
14	36648985120	BALL,STEEL	1		5/16			
15	91002800800	O-RING	1		1B P8			
16	36636615280	PLUG	1					
18	36632585150	PLUG	2					
19	91002903000	O-RING	2		1B G30			
20	36741645060	CHOKE	1					
21	36646035180	SPRING	1					
22	36647205050	PLUG	8		NPT1-16			
23	36631055300	VALVE,CHECK	1					
24	36631055310	SPRING	1					
25	36631055320	PLUG (CHECK VALVE)	1					
26	16095101070	O-RING	1					
27	90303100801	WASHER,PLAIN	4		8			
28	90302040801	WASHER,SPRING	4		8			
29	91002800900	O-RING	2		1B P9			
30	91002800700	O-RING	2		1B P7			
31	36742615070	VALVE,SOLENOID	2					
32	36742615080	BOLT,HEXAGON SOCKET	4		M5X15			
33	36634535210	PLUG	2		PF1/4			
34	91002801100	O-RING	2		1B P11			
100	36742675020	VALVE,CONTROL	1					

GR-600N-3-00121 5 BOOM + 2 JIB, 2M2D

Pos No.	Parts No	Parts Name	Qty	Unit	Technical Data	Serial No (Start)	Serial No (End)	Remarks
3	91000501500	O-RING	1		AS568-015			
7	16095101070	O-RING	1					
12	91001001600	O-RING	2		1A S16			
100	36742671050	VALVE,OVERLOAD RELIEF	1					

GR-600N-3-00121 5 BOOM + 2 JIB, 2M2D

Pos No.	Parts No	Parts Name	Qty	Unit	Technical Data	Serial No (Start)	Serial No (End)	Remarks
1	37003901460	WHEEL,TIRE (TOPY)	1					
2	37003805390	TIRE (SNOW/YOKOHAMA)	1					

GR-600N-3-00121 5 BOOM + 2 JIB, 2M2D

Pos No.	Parts No	Parts Name	Qty	Unit	Technical Data	Serial No (Start)	Serial No (End)	Remarks
1	82100002003	CLAMP	1					
2	34372922100	SWITCH (OVERWIND/JIB)	1					
3	14128208000	RING	4					
4	34371212101	WEIGHT ASSY	1					
5	37001900100	ROPE,WIRE	1		L=1180			
6	82401500700	HOOK	4					
7	32370000070	SUPPORT	1					
8	37001900840	WIRE	1		L=1290			
9	37000100480	PIN	1					
10	37000201090	PIN,SNAP	1		20			
11	82402002025	CHAIN	1	M				
12	82400042540	RING	4					
32	90101212040	BOLT	2		M12X40			
33	90302041201	WASHER,SPRING	2		12			
34	90303071201	WASHER,PLAIN	2		12			
50	34373432000	WEIGHT (OVERWIND/JIB)	1					

GR-600N-3-00121 5 BOOM + 2 JIB, 2M2D

Pos No.	Parts No	Parts Name	Qty	Unit	Technical Data	Serial No (Start)	Serial
1	34261900301	SUNSHADE (ASSY ONLY)	1				
2	34261886200	RAIL	1				
3	34261886300	RAIL	1				
4	34261900400	HOOK	1				
5	34261886400	GRIP	1				
6	34261886600	COVER (FRONT)	1				
7	82466003002	CUSHION	1				
8	90101206014	BOLT	1		M6X14		
9	90303070601	WASHER,PLAIN	1		6		
10	90302040601	WASHER,SPRING	1		6		
11	80192486014	SCREW,MACHINE (WITH WASHER)	2		M6X14		
12	80173805010	SCREW,MACHINE	6		M5X10		
13	80173805020	SCREW,MACHINE	1		M5X20		
14	80173805030	SCREW,MACHINE	1		M5X30		
15	80192486016	SCREW,MACHINE	1		M6X16		
16	99183808025	BOLT,HEXAGON SOCKET(WITH W,SW/BLACK)	2				
21	90190206012	BOLT	2		M6X12		
22	82100000920	GROMMET	1				
23	82100000956	GROMMET	2		SG-36A		
24	82447077255	PLUG	1				
25	37002240450	PLATE,NAME	2				
26	37002240460	PLATE,NAME	2				
39	82431432060	KNOB	2				
40	82431332061	KNOB	2				

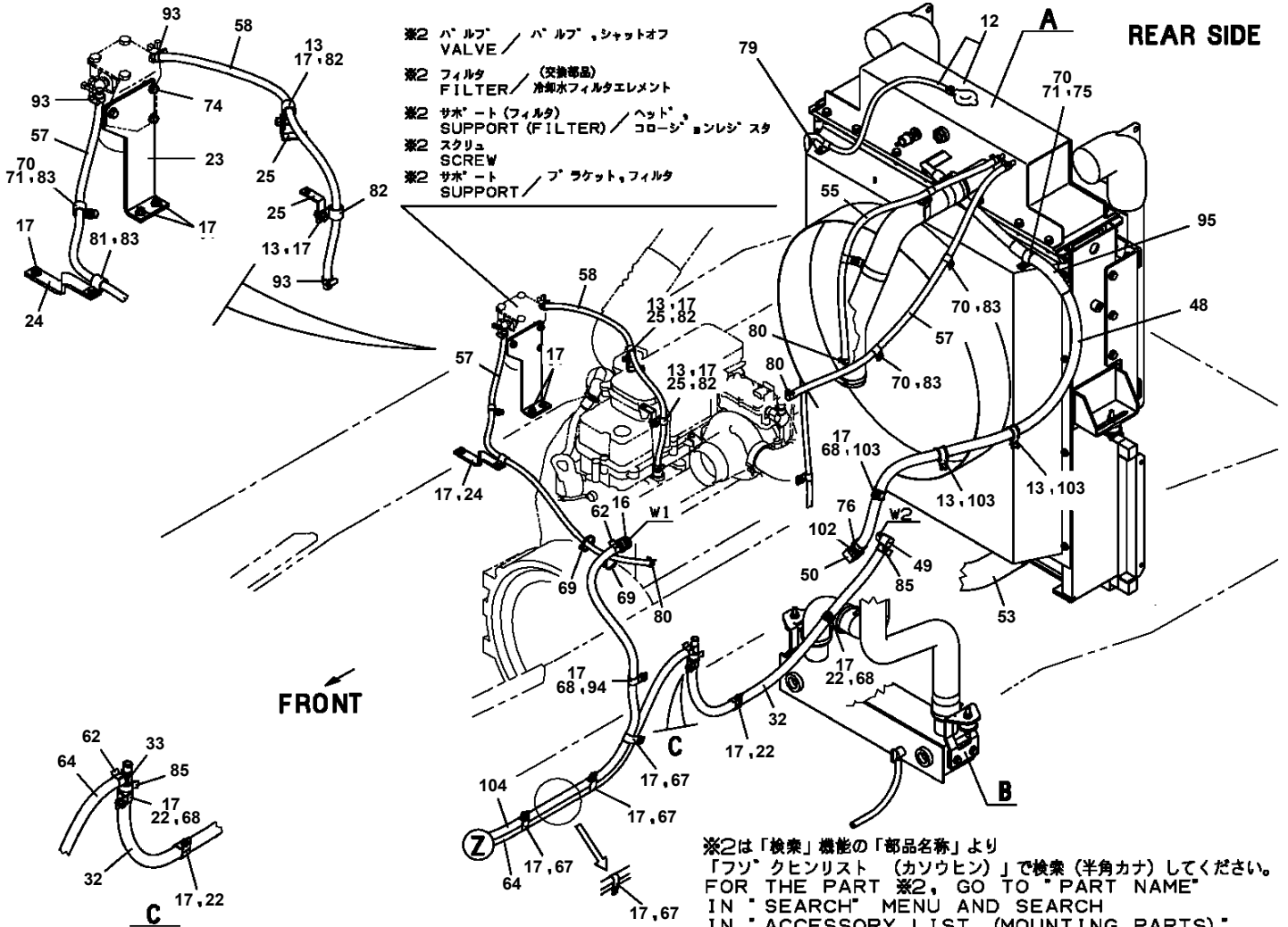
GR-600N-3-00121 5 BOOM + 2 JIB, 2M2D

Pos No.	Parts No	Parts Name	Qty	Unit	Technical Data	Serial No (Start)	Serial No (End)	Remarks	Pages
1	34382780100	CAMERA	1						000043
2	34499321100	SUPPORT	1						
3	90186206014	BOLT,FLANGE	2		M6X14				
5	34495470200	CABLE	1		L=300				
6	91810130240	FASTENER	3						

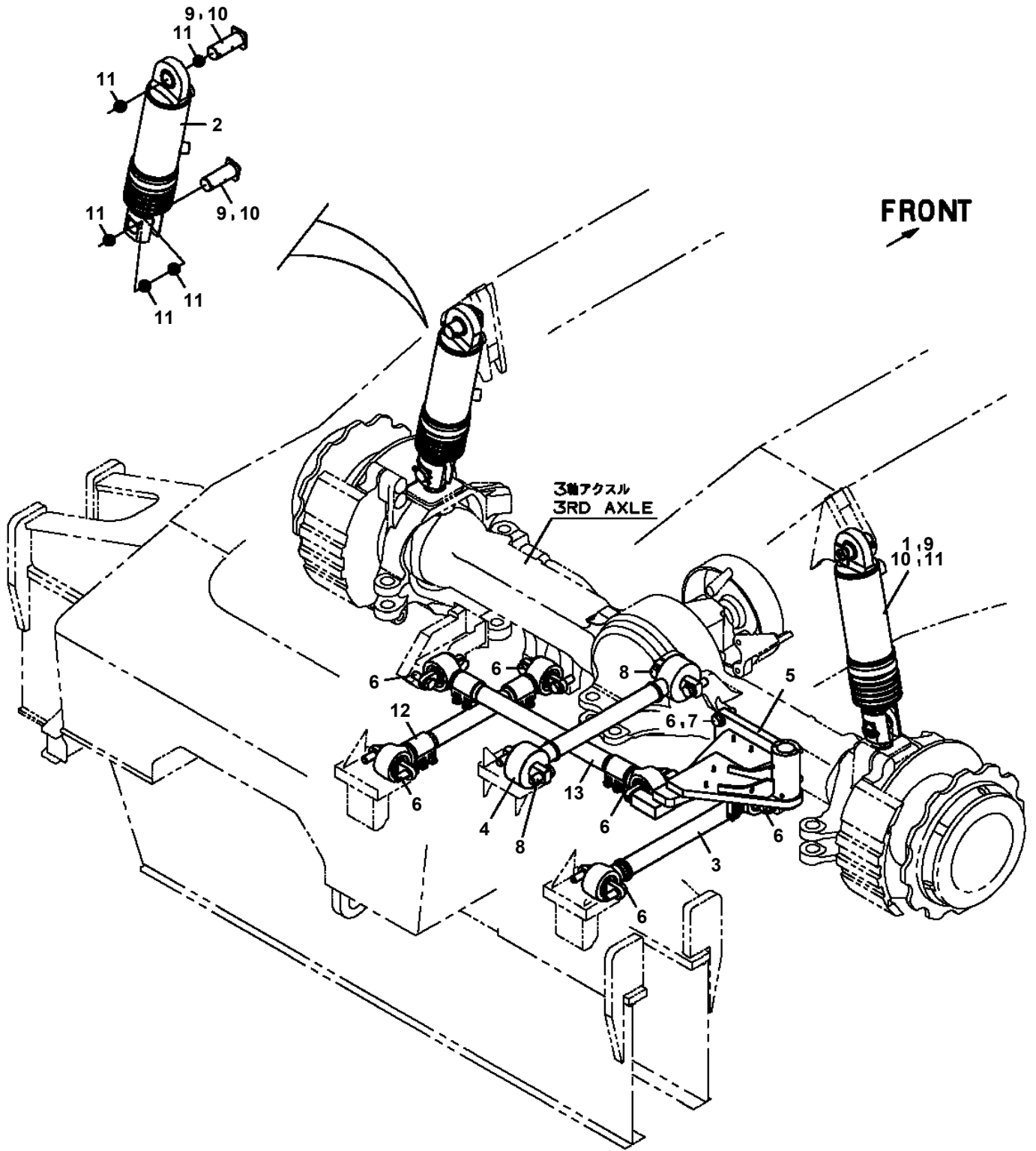
GR-600N-3-00121 5 BOOM + 2 JIB, 2M2D

Pos No.	Parts No	Parts Name	Qty	Unit	Technical Data	Serial No (Start)	Serial No (End)	Remarks	Pages
1	34511531000	DUCT	1						
2	34511531100	DUCT	1						
3	34511531200	DUCT	1						
4	34511531300	DUCT	1						
5	34511531400	SUPPORT	2						
6	90302040601	WASHER,SPRING	4		6				
7	90303070601	WASHER,PLAIN	4		6				
8	90201200600	NUT	4		M6				
9	80192486012	SCREW,MACHINE	4		M6X12				
10	82400000702	CLIP	5						
11	34511532000	DUCT	1						
12	34511532100	DUCT	1						
13	34511532200	DUCT	1						
14	34511532300	DUCT	1						
15	34511532400	DUCT	1						
16	34511532500	NOZZLE	2						
17	34511532601	CLAMP	1						
18	34511532700	PIPE,FLEXIBLE	2						
19	80176404008	SCREW,MACHINE	4		M4X8				
20	80192486016	SCREW,MACHINE	2		M6X16				
21	34511533000	DUCT	1						
22	34511731000	DUCT	1						
24	34511535000	DUCT	1						
25	34511535100	DUCT	1						
26	99172106016	BOLT,TAPPING	4		M6X16				
27	37000549940	PLATE	6		T=3.2				
28	90302041001	WASHER,SPRING	6		10				
29	90101210028	BOLT	6		M10X28				
30	80192485012	SCREW,MACHINE	4		M5X12				
31	82400000544	CLIP	4						
32	80457090120	CAP	1						
33	91810130250	FASTENER	1						
34	34511532800	CUSHION	1						
35	90280200600	NUT,FLANGE	5		M6				
36	82100002006	CLAMP	1		WR10				
37	82100002010	CLAMP	1		WR15				
62	34511531020	PACKING	2						
63	34511531030	PACKING	1						
82	34511531120	PACKING	1						
92	34511531220	PACKING	1						
102	34511531320	PACKING	1						
103	34511531330	PACKING	1						
104	34511531340	PACKING	1						
122	34511532020	PACKING	1						
132	34511532220	PACKING	1						
142	34511532320	PACKING	1						
152	34511532420	PACKING	1						
153	34511532430	PACKING	1						
172	34511533020	PACKING	1						
182	34511534020	PACKING	1						
183	34511731030	PACKING	1						
202	34511535020	PACKING	1						
203	34511535030	PACKING	1						
218	34511535190	CUSHION	2						
219	34511535200	CUSHION	2						
220	82400000597	GROMMET	1			583607			

**GR-600N-3-00121 5 BOOM + 2 JIB, 2M2D
PX5600035-02 MOUNT ASSY,RADIATOR**



GR-600N-3-00121 5 BOOM + 2 JIB, 2M2D
PX570025-00 MOUNT ASSY,SUSPENSION (REAR)



GR-600N-3-00121 5 BOOM + 2 JIB, 2M2D

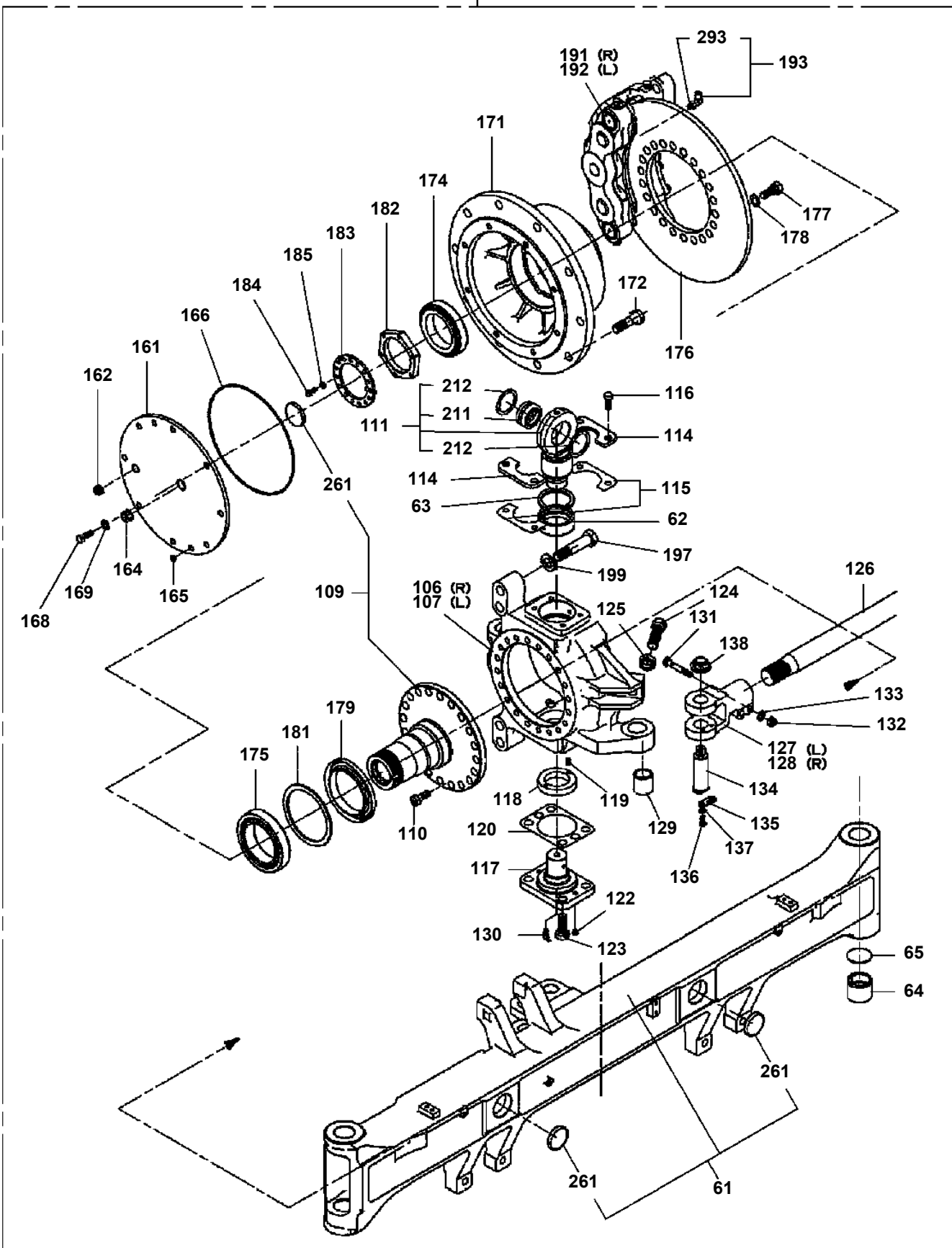
Pos No.	Parts No	Parts Name	Qty	Unit	Technical Data	Serial No (Start)	Serial No (End)
1	42460012550	WEDGE (STOPPER FOR TIRE/JUSTIN)	4				

GR-600N-3-00121 5 BOOM + 2 JIB, 2M2D

Pos No.	Parts No	Parts Name	Qty	Unit	Technical Data	Serial No (Start)
1	36321141100	PUMP ASSY,WATER	1			
3	36321141300	CLIP	4			
4	36321171400	HOSE	2		L=80	
100	36321174000	AIR CONDITIONER ASSY (LIST/PUMP ASSY,WATER)	1			

GR-600N-3-00121 5 BOOM + 2 JIB, 2M2D
PY5330044-01 AXLE ASSY (1ST)

500



CLICK HERE TO **DOWNLOAD** THE COMPLETE MANUAL

- Thank you very much for reading the preview of the manual.
- You can download the complete manual from: www.heydownloads.com by clicking the link below



- Please note: If there is no response to CLICKING the link, please download this PDF first and then click on it.

CLICK HERE TO **DOWNLOAD** THE COMPLETE MANUAL