

GR-600-1-00104 5 BOOM + 2 JIB, 2M2D

PB1000631-01 HYDRAULIC PRESSURE GENERATING SYSTEM
PC1000524-00 OUTRIGGER SYSTEM
PD1000543-00 SWING SYSTEM
PE1000547-00 ELEVATING SYSTEM
PF1000768-00 WINCH SYSTEM
PG1000498-00 TELESCOPING SYSTEM
PH1000642-00 SAFETY DEVICES
PK1000585-00 FRAME
PL1000573-00 CONTROL DEVICES
PM1000032-01 LUBRICATION DEVICES
PN1000722-00 ELECTRIC EQUIPMENT
PO1000150-00 INDICATION PLATES
PQ1000189-00 DRIVING POWER GENERATING SYSTEM
PR1000166-00 DRIVING POWER TRANSMISSION SYSTEM
PS1000141-00 STEERING SYSTEM
PT1000120-00 BRAKE SYSTEM
PU1000114-00 SUSPENSION
PW1000097-02 ACCESSORIES & TOOLS
PX1000765-00 MOUNTING PARTS
PY1000790-03 OPTIONS
ASSEMBLY

CLICK HERE TO **DOWNLOAD** THE COMPLETE MANUAL

- Thank you very much for reading the preview of the manual.
- You can download the complete manual from: www.heydownloads.com by clicking the link below



- Please note: If there is no response to CLICKING the link, please download this PDF first and then click on it.

CLICK HERE TO **DOWNLOAD** THE COMPLETE MANUAL

GR-600-1-00104 5 BOOM + 2 JIB, 2M2D

Pos No.	Parts No	Parts Name	Qty	Unit	Technical Data	Serial No (Start)	Serial No (End)	Remarks	P
1	37001807590	ROPE,WIRE (KISWIRE)	1						00
	37001800350	ROPE,WIRE (TSK)	1						00
2	37001806990	ROPE,WIRE (TSK)	1						00
	37001807160	ROPE,WIRE (KISWIRE)	1						00
3	(*****)	SOCKET,ROPE	2						00
4	(*****)	PIPING,WINCH (MAIN)	1						00
5	(*****)	PIPING,WINCH (AUX.)	1						00
6	(*****)	MOUNT,WINCH (MAIN)	1						00
7	(*****)	MOUNT,WINCH (AUX.)	1						00

GR-600-1-00104 5 BOOM + 2 JIB, 2M2D

Pos No.	Parts No	Parts Name	Qty	Unit	Technical Data	Serial No (Start)	Serial No (End)	Remarks	Pages
1	(*****)	PARTS,GREASING	1						000197

GR-600-1-00104 5 BOOM + 2 JIB, 2M2D

Pos No.	Parts No	Parts Name	Qty	Unit	Technical Data	Serial No (Start)	Serial No (End)	Remarks
1	(*****)	OPE.ASSY,STEERING (CAB)	1					
2	(*****)	PIPING,STEERING (UPPER)	1					
3	(*****)	PIPING,STEERING (LOWER)	1					
4	(*****)	STEERING ASSY	1					

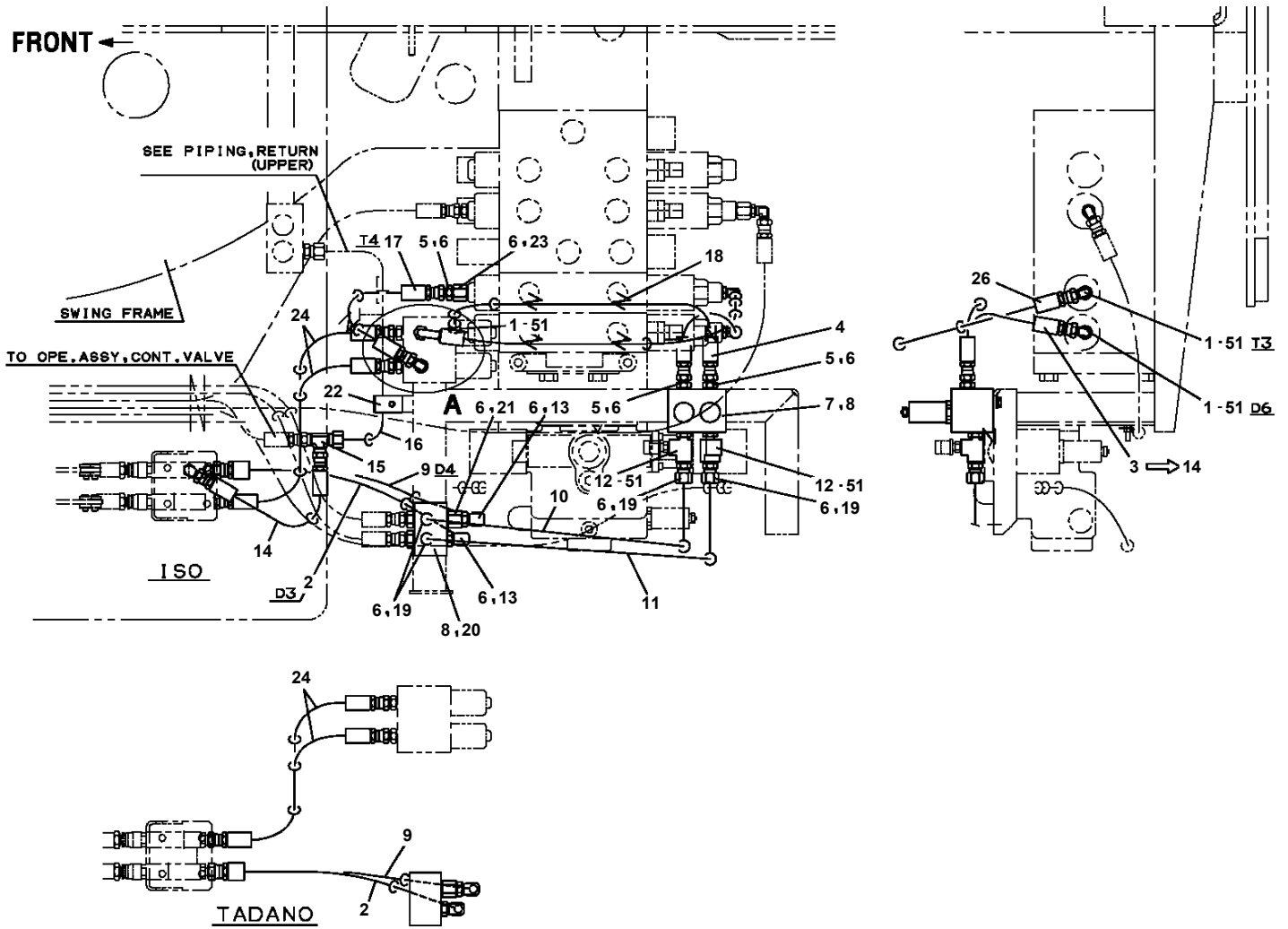
GR-600-1-00104 5 BOOM + 2 JIB, 2M2D

Pos No.	Parts No	Parts Name	Qty	Unit	Technical Data	Serial No (Start)	S
1	(*****)	DETECTOR,DISORDERLY WIND (MAIN)	1				
2	(*****)	DETECTOR,DISORDERLY WIND (AUX.)	1				
3	(*****)	SINGLE TOP	1				
4	(*****)	DETECTOR,DRUM ROTATION (MAIN/TACTILE)	1				
5	(*****)	DETECTOR,DRUM ROTATION (AUX.)	1				
6	(*****)	PIPING,EMERGENCY STEERING (LOW PRESSURE)	1				
	(*****)	PIPING,EMERGENCY STEERING (GRAND DRIVE)	1				
7	(*****)	MIRROR (WINCH DRUM MONITOR)	1				
8	(*****)	FAN	1				
9	34730290000	INFLATOR,AIR	1				
16	37001901160	ROPE,WIRE (MAIN HOOK STOWING)	1				
17	(*****)	HOUR METER	1				
18	(*****)	ACCESSORIES (HUB)	1				
19	(*****)	OPE.ASSY,CONT.VALVE (PEDAL NEUTRAL)	1				
20	(*****)	LAMP (LICENSE)	1				
22	(*****)	MODIFICATION ASSY (OH&S ALBERTA TIE OFF)	1				
31	(*****)	COMPRESSOR & CONDENSER ASSY	1				
32	(*****)	EVAPORATOR INSTALLATION,AIR CONDITIONER	1				
33	(*****)	PIPING,AIR CONDITIONER	1				
34	(*****)	PIPING,RADIATOR	1				
36	(*****)	AIR CONDITIONER ASSY	1				
38	(*****)	PLATE ASSY,NAME (FAN,BELT CAUTION)	1				
41	36091770000	HOOK (SHEAVE 5 PC'S)	1				
42	36090870000	HOOK (AUX.,5.6TON)	1				
43	(*****)	MOUNT,HOOK (MAIN,ROPE)	1				
44	(*****)	MOUNT,HOOK (AUX.)	1				
51	(*****)	PLATE ASSY,NAME (MAIN,OPTION)	1				
52	(*****)	NAME PLATE ASSY (AUX. HOOK)	1				

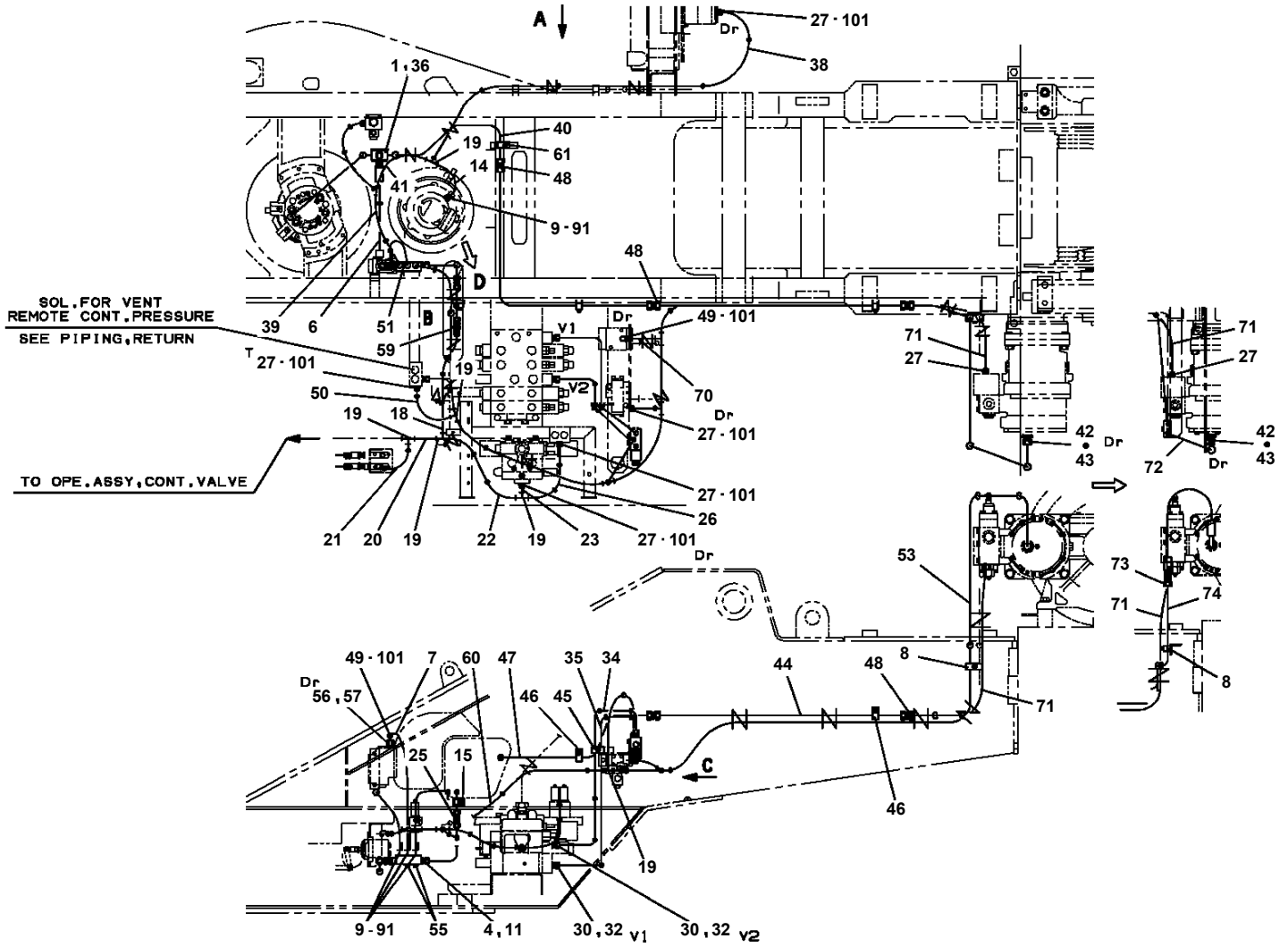
GR-600-1-00104 5 BOOM + 2 JIB, 2M2D

Pos No.	Parts No	Parts Name	Qty	Unit	Technical Data	Serial No (Start)	Serial N
1	36653525010	SEAL KIT	1				
10	36653520000	PUMP,HYDRAULIC (EMERGENCY STEERING)	1				

**GR-600-1-00104 5 BOOM + 2 JIB, 2M2D
PB1250045-03 PIPING,PILOT**



**GR-600-1-00104 5 BOOM + 2 JIB, 2M2D
PB1270131-02 PIPING,DRAIN**



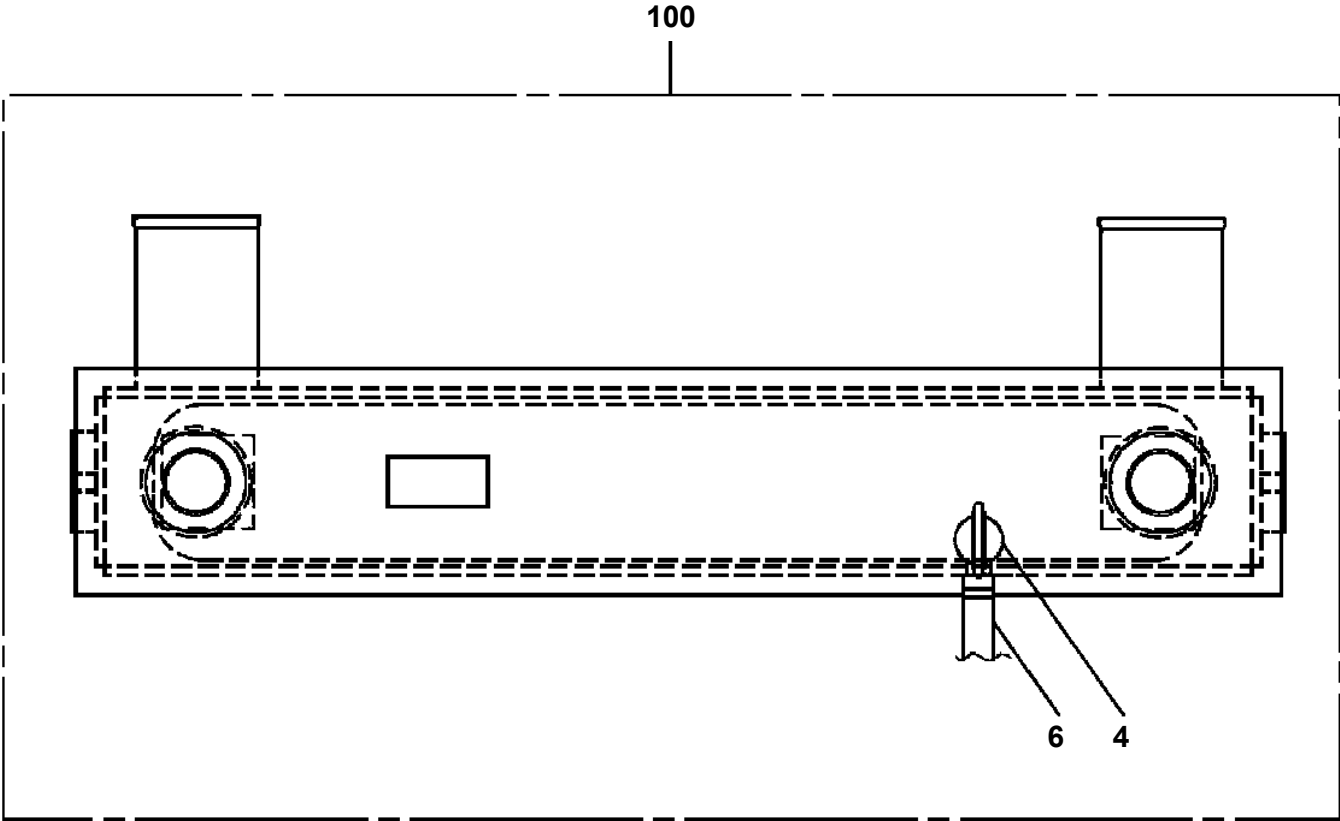
GR-600-1-00104 5 BOOM + 2 JIB, 2M2D

Pos No.	Parts No	Parts Name	Qty	Unit	Technical Data	Serial No (Start)	Serial No (End)
10	34630597610	BRUSH	6				
13	34630597620	BRUSH	24				
18	34630597630	GUIDE	1				
19	34630597640	O-RING	1				
22	34630597660	PACKING	1				
26	34630981500	BREATHER	1				
27	34630981600	JOINT	1				
29	34630597670	BOLT,HEXAGON SOCKET	2		M6X6		
50	34630597650	POTENTIOMETER (WITH SUPPORT)	1				
100	34630591001	BRUSH,ROTARY JOINT	1				

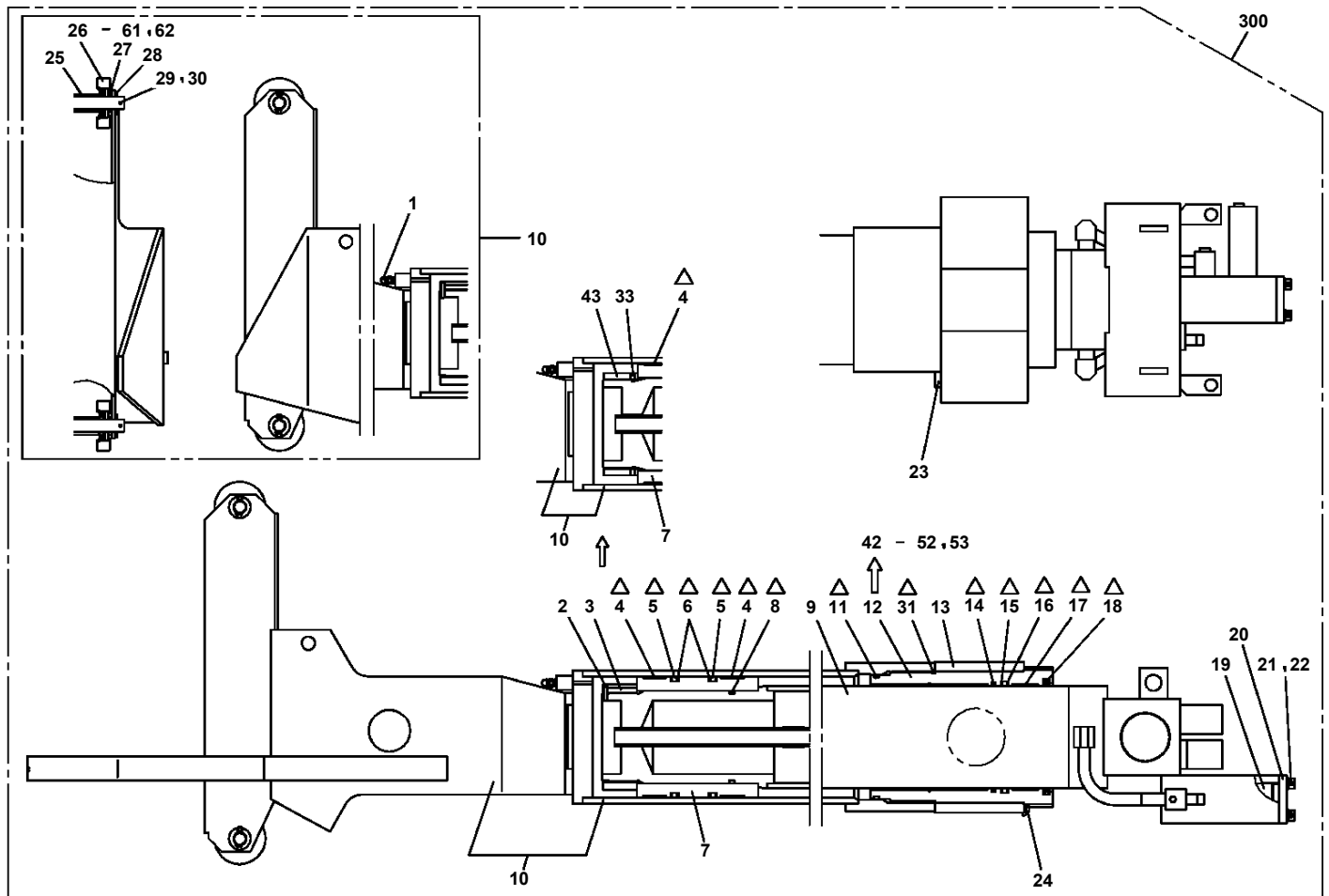
GR-600-1-00104 5 BOOM + 2 JIB, 2M2D

Pos No.	Parts No	Parts Name	Qty	Unit	Technical Data	Serial No (Start)	Serial No (End)	Remarks	P
1	36042421000	CYLINDER	1				547334		
	36042421500	CYLINDER	1			547335			
2	90201202000	NUT	1		M20				
3	91100106500	SEAL,RING	1						
4	36040000030	PISTON	1				547799		
	36040000031	PISTON	1			547800			
5	36040490020	ROD	1				547799		
	36040490021	ROD	1			547800			
6	36040170041	COVER,ROD	1						
7	91002805800	O-RING	1		1B P58				
8	91694004500	PACKING	1						
9	91410204502	RING,BACKUP	1						
10	91660004501	SEAL,DUST	1						
11	91002802000	O-RING	1		1B P20	547800			
41	36040499900	PACKING SET	1		45X65		547799		
42	36043549900	PACKING SET	1		45X65	547800			
50	36042420000	CYLINDER,EXTENSION	1						

GR-600-1-00104 5 BOOM + 2 JIB, 2M2D
PC5490010-00 COOLER ASSY,OIL



GR-600-1-00104 5 BOOM + 2 JIB, 2M2D
PC6470096-00 CYLINDER ASSY,TELESCOPING (NO.2)



△:PACKING SET KEY NO.101 (KEY NO.4,5,6,8,11,14,15,16,17,18,31)

△:PACKING SET KEY NO.102! (KEY NO.4,5,6,8,11,14,15,16,17,18,31)

GR-600-1-00104 5 BOOM + 2 JIB, 2M2D

Pos No.	Parts No	Parts Name	Qty	Unit	Technical Data	Serial No (Start)	Serial No (End)
1	34381441000	LEVER ASSY	1				
2	37000515600	PLATE	2		T=1.0		
3	80601110200	RING,RITAINING	1		S20		
4	34381551000	ROD ASSY	1				
6	34230760101	SUPPORT (PLATE WORKING)	1				
	34444813200	SUPPORT (STEEL CAST)	1			547522	
7	80186406016	SCREW,MACHINE	4		M6X16		
8	90305260601	WASHER	4		B1-6		
9	34381110100	COVER	1				
10	34381441500	INSULATOR	1				
11	80192484012	SCREW,MACHINE (WITH WASHER)	3		M4X12		
12	34381552000	ROD ASSY	1				
13	34381550100	LEVER	1				
14	34381550200	LINK	1				
15	90303070801	WASHER,PLAIN	2		8		
16	80136320015	PIN,SPLIT	1		2X15		
17	37000132170	PIN	1				
18	90101208014	BOLT	2		M8X14		546214
	90101208014	BOLT	4		M8X14	546215	
19	90302040801	WASHER,SPRING	2		8		546214
	90302040801	WASHER,SPRING	4		8	546215	
20	37000115010	PIN	2				
21	34381550300	SUPPORT	2				
22	90303071001	WASHER,PLAIN	1		10		
23	80136332020	PIN,SPLIT	1		3.2X20		
24	34381550401	SUPPORT	1			546215	
41	82430608050	GRIP	1				
42	34381441100	LEVER	1				
43	80136332025	PIN,SPLIT	1		3.2X25		
44	19119314000	SPRING	1				
45	37000104680	PIN	1				
46	80136320015	PIN,SPLIT	1		2X15		
47	90303070801	WASHER,PLAIN	3		8		
48	34381441200	LEVER	1				
51	37000105730	PIN	2				
53	80136320016	PIN,SPLIT	2		2X16		
54	34380881300	END	1				
55	90291200800	NUT	1		M8		
56	90201200800	NUT	3		M8		
57	34381551200	ROD	1				
58	34380881500	END	1				
61	34381114101	GEAR	1				
62	90203201600	NUT	1		M16		
63	34380880420	END	1				
72	90302040801	WASHER,SPRING	1		8		
73	80565000082	END	1				
74	34381552100	BOLT	1				

GR-600-1-00104 5 BOOM + 2 JIB, 2M2D

Pos No.	Parts No	Parts Name	Qty	Unit	Technical Data	Serial No (Start)	Serial No (End)	Remarks	Pages
2	34510702520	PACKING	1						
3	34510702530	PACKING	1				546215		
	34510702550	PACKING	1			546216			
100	34510702500	DUCT	1						

GR-600-1-00104 5 BOOM + 2 JIB, 2M2D

Pos No.	Parts No	Parts Name	Qty	Unit	Technical Data	Serial No (Start)	Serial No (End)	Remarks	Pages
1	37000711100	CLAMP ASSY	3		28X2				
2	37000300780	SLEEVE	6		28-22				
3	81408000290	PIPE,STEEL	2	M	22X2.5T				
4	81408000290	PIPE,STEEL	2	M	22X2.5T				
5	37002470900	HOSE	1		L=1145				
6	37002448060	HOSE	1		L=1120				
7	80320010170	FITTING	1		KUD22-040N				
8	80306010205	NUT	1		KKN22-000E				
9	80309010205	SLEEVE	1		KKO22-000E				
10	80301010200	FITTING	2		KUA22-000N				
11	81408000290	PIPE,STEEL	2	M	22X2.5T				
12	81408000290	PIPE,STEEL	2	M	22X2.5T				
14	80302090281	FITTING	2		KCO22-060N				
15	91002802400	O-RING	2		1B P24				

GR-600-1-00104 5 BOOM + 2 JIB, 2M2D

Pos No.	Parts No	Parts Name	Qty	Unit	Technical Data	Serial No (Start)	Serial No (End)	Remarks
64	36320765270	SCREW,MACHINE	2					
65	36320565510	BAND	1					

GR-600-1-00104 5 BOOM + 2 JIB, 2M2D

Pos No.	Parts No	Parts Name	Qty	Unit	Technical Data	Serial No (Start)	Serial No (End)	Remarks	Pages
1	37001800350	ROPE,WIRE (TSK)	1						

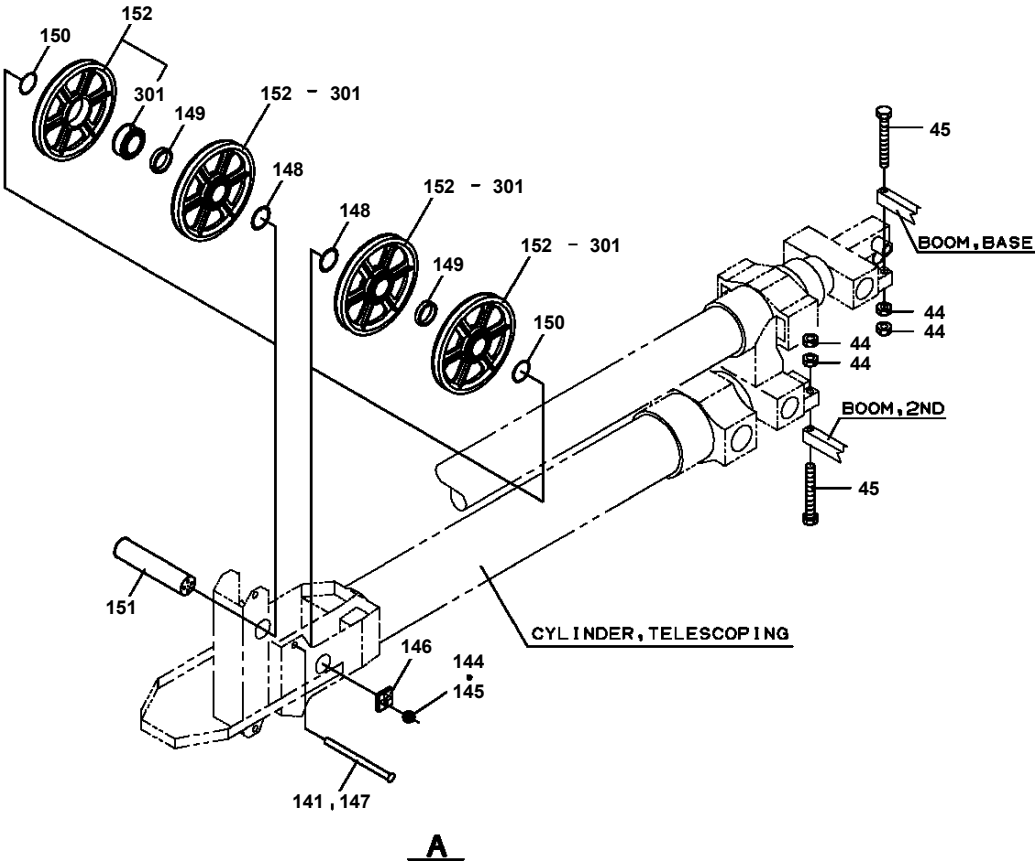
GR-600-1-00104 5 BOOM + 2 JIB, 2M2D

Pos No.	Parts No	Parts Name	Qty	Unit	Technical Data	Serial No (Start)	Serial No (End)	Remarks	Pages
1	34310111000	ROLLER ASSY	1						000285
2	90101210022	BOLT	8		M10X22				
3	90302041001	WASHER,SPRING	8		10				
4	90303071001	WASHER,PLAIN	8		10				

GR-600-1-00104 5 BOOM + 2 JIB, 2M2D

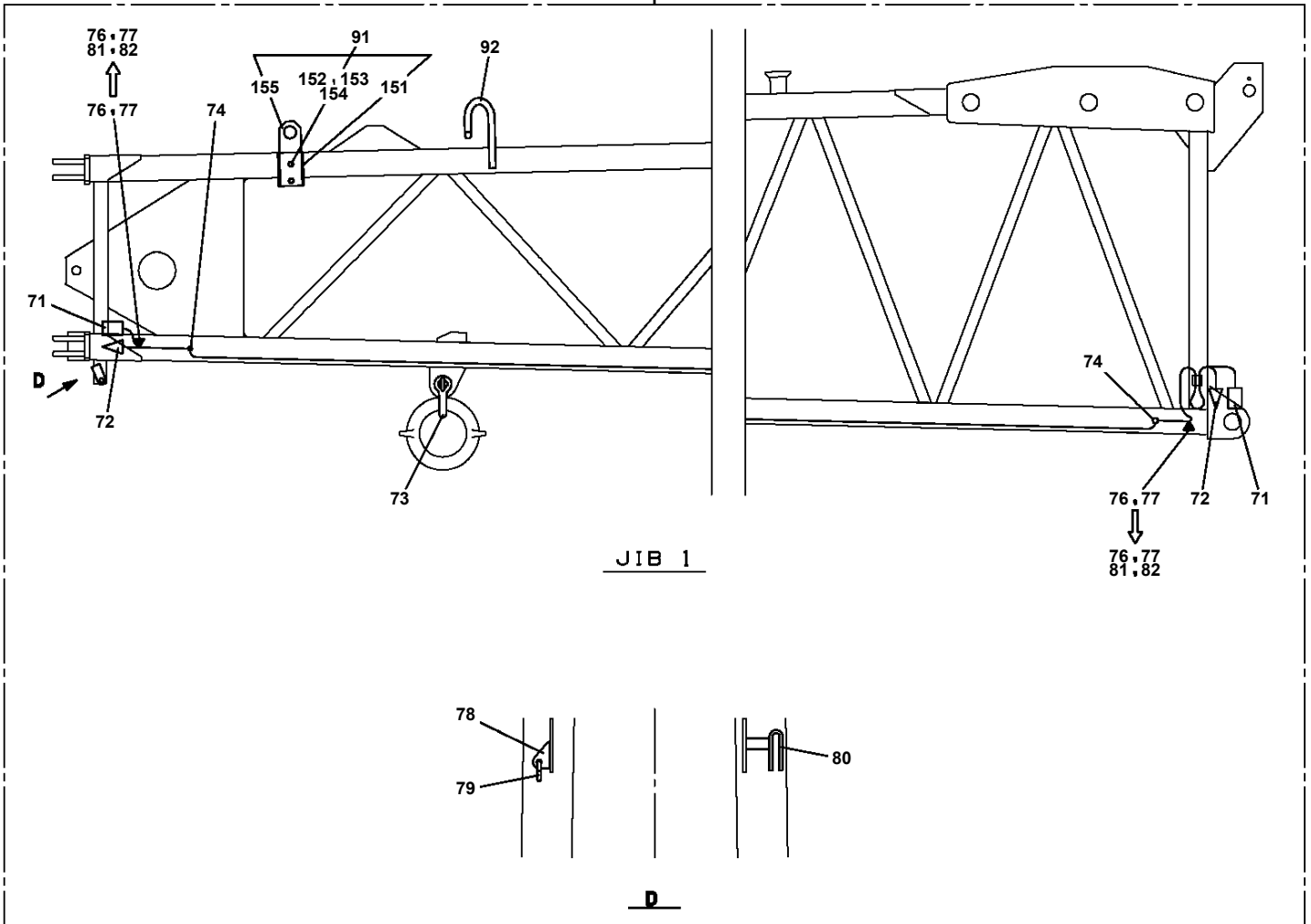
Pos No.	Parts No	Parts Name	Qty	Unit	Technical Data	Serial No (Start)	Serial No (End)	Remarks	Pages
2	32430117520	BUSH	4						
3	32430117530	COLLAR	4						
10	34478931100	INDICATOR,DRUM	1						

GR-600-1-00104 5 BOOM + 2 JIB, 2M2D
PG1010855-05 BOOM

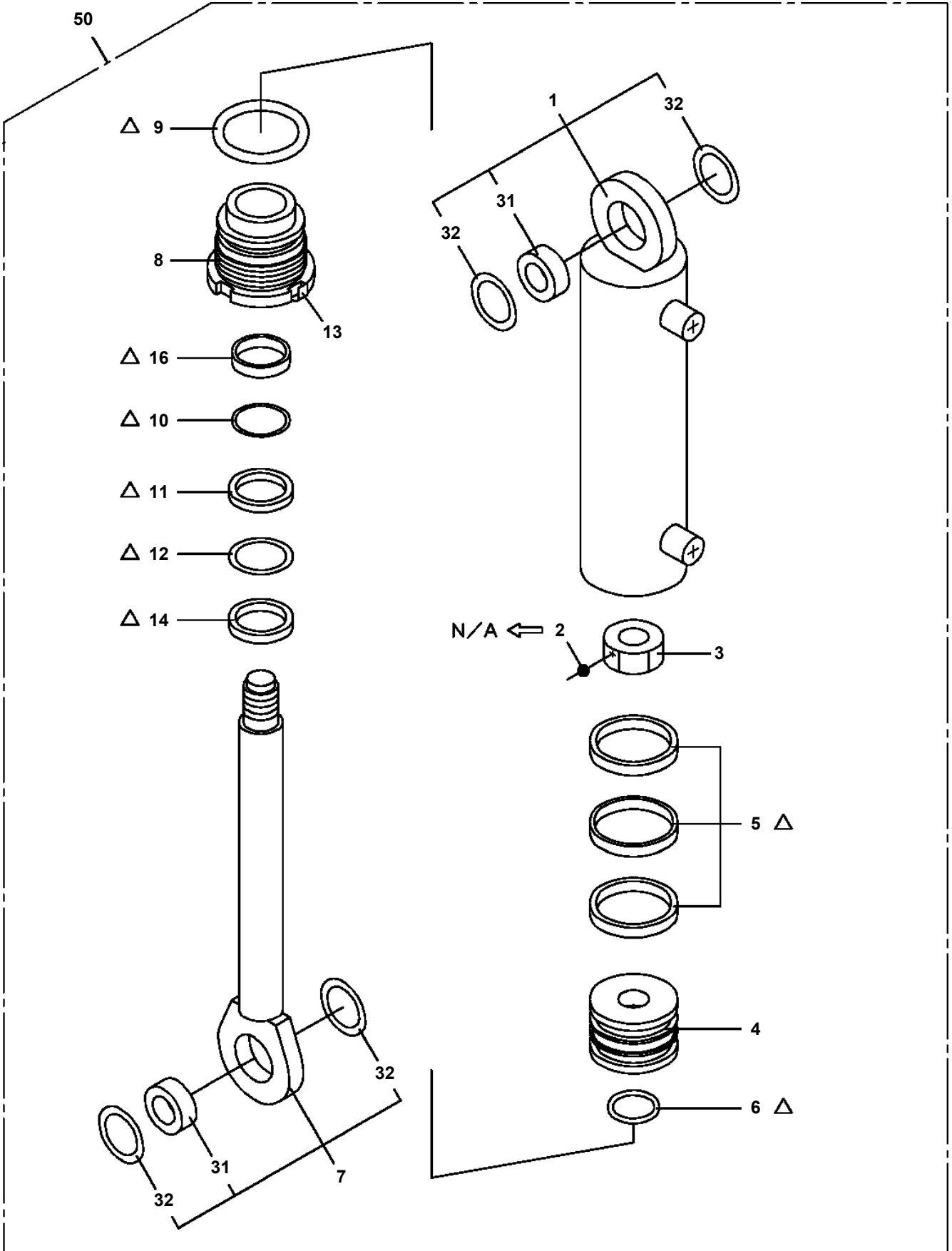


GR-600-1-00104 5 BOOM + 2 JIB, 2M2D
PG1040276-03 JIB (BASE)

200

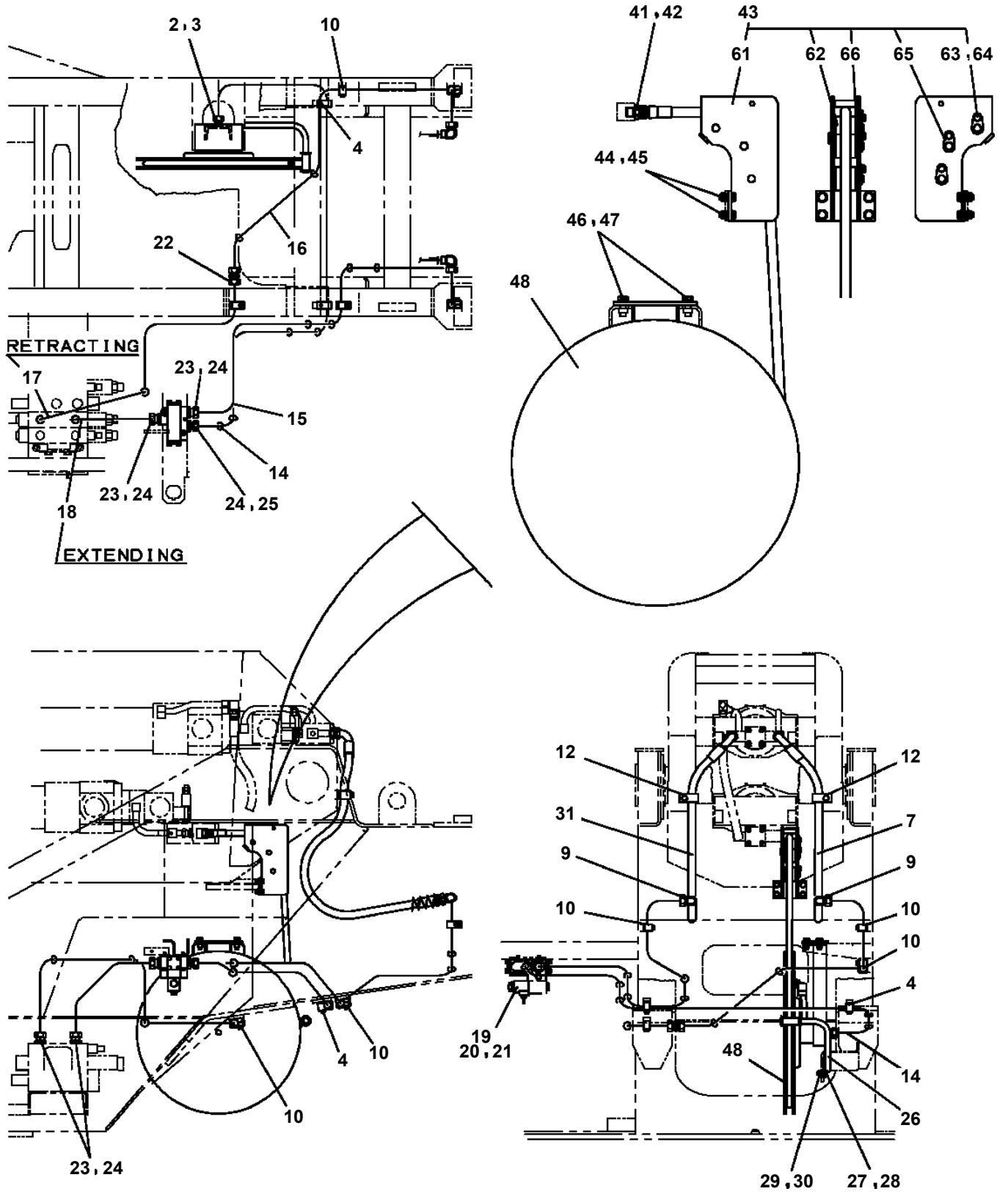


**GR-600-1-00104 5 BOOM + 2 JIB, 2M2D
PG1080031-02 CYLINDER,JIB (QUICK TURN,IP)**



△:PACKING SET KEY NO.71 (KEY NO.5,6,9,10,11,12,14,16)

**GR-600-1-00104 5 BOOM + 2 JIB, 2M2D
PG1200172-03 PIPING,TELESCOPING**



GR-600-1-00104 5 BOOM + 2 JIB, 2M2D

Pos No.	Parts No	Parts Name	Qty	Unit	Technical Data	Serial No (Start)	Serial No (End)	Remarks	Pages
1	34221546711	SUPPORT	1						
2	34343052100	SUPPORT	1						
3	34221685200	SUPPORT	1						
4	34221685300	SUPPORT	1						
5	34221685400	SUPPORT	1						
6	34221545500	SUPPORT	1						
7	34221545600	SUPPORT	1						
8	37000529230	PLATE	9						
9	37000512780	PLATE	1						
10	34221545700	SUPPORT	1						

GR-600-1-00104 5 BOOM + 2 JIB, 2M2D

Pos No.	Parts No	Parts Name	Qty	Unit	Technical Data	Serial No (Start)	Serial No
1	14128208000	RING	3				
2	37001900840	WIRE	1		L=1290		
3	33370090010	WEIGHT (PLATE WORKING)	1				
	34370050250	WEIGHT (CAST)	1			547260	
4	37001900820	WIRE	1		L=1440		
5	37002900040	SHACKLE ASSY	1				
6	33370888041	SWITCH,OVER WIND DETECTOR (JIB&S/T)	2				
7	37000117960	PIN	1				
8	82400000324	RING	1				
9	82100002005	CLAMP	1		WRC8		
21	16268231000	LABEL (SWITCH,OVER WINDING)	1				548518
100	34370058021	WEIGHT	1				547259
	34370058022	WEIGHT	1			547260	

GR-600-1-00104 5 BOOM + 2 JIB, 2M2D

Pos No.	Parts No	Parts Name	Qty	Unit	Technical Data	Serial No (Start)	Serial No (End)	Remarks	Page
6	36682750000	SWITCH,PRESSURE	1						
7	91002801100	O-RING	1		1B P11				
8	44320491010	LAMP ASSY (RED)	2						
9	34352903100	PLATE,NAME	1						
10	82190596710	LAMP ASSY	1						
31	82190511185	SWITCH,ROCKER	1						
51	82190908582	BULB,LAMP	1		24V 2W				

GR-600-1-00104 5 BOOM + 2 JIB, 2M2D

Pos No.	Parts No	Parts Name	Qty	Unit	Technical Data	Serial No (Start)	Serial No (End)	Remarks	Pages
10	34251200500	LEVEL GAUGE	1						

GR-600-1-00104 5 BOOM + 2 JIB, 2M2D

Pos No.	Parts No	Parts Name	Qty	Unit	Technical Data	Serial No (Start)	Serial No (End)	Remarks	Pages
100	34372440010	HARNESS	1						

GR-600-1-00104 5 BOOM + 2 JIB, 2M2D

Pos No.	Parts No	Parts Name	Qty	Unit	Technical Data	Serial No (Start)	Serial No (End)	Remarks	P
100	34353022040	HARNESS (BOOM, TOP)	1						

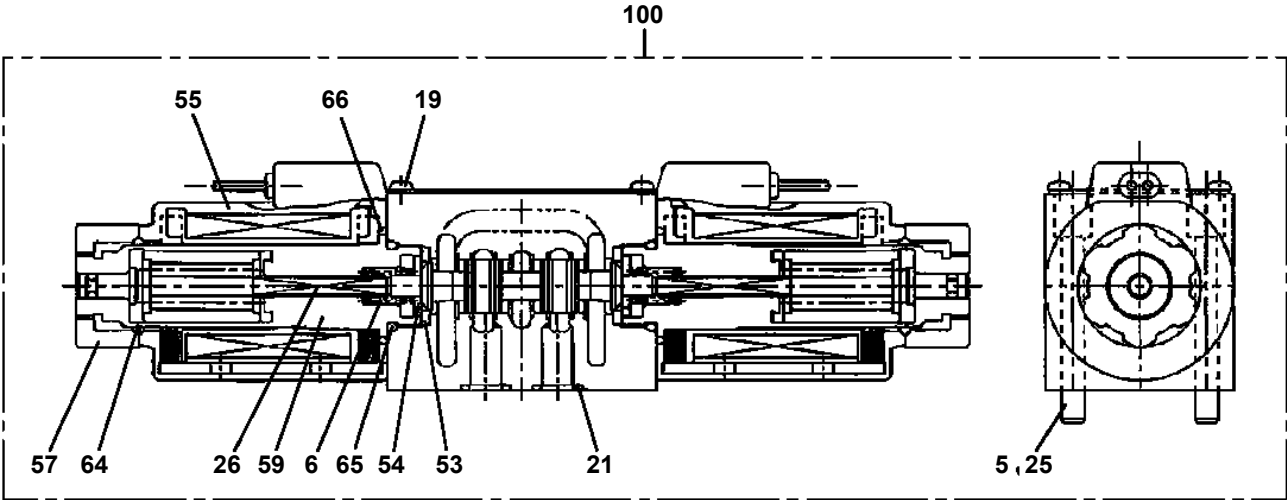
GR-600-1-00104 5 BOOM + 2 JIB, 2M2D

Pos No.	Parts No	Parts Name	Qty	Unit	Technical Data	Serial No (Start)	Serial No (End)	Remarks
100	34362931300	HARNESS (RETRACTION)	1					

GR-600-1-00104 5 BOOM + 2 JIB, 2M2D

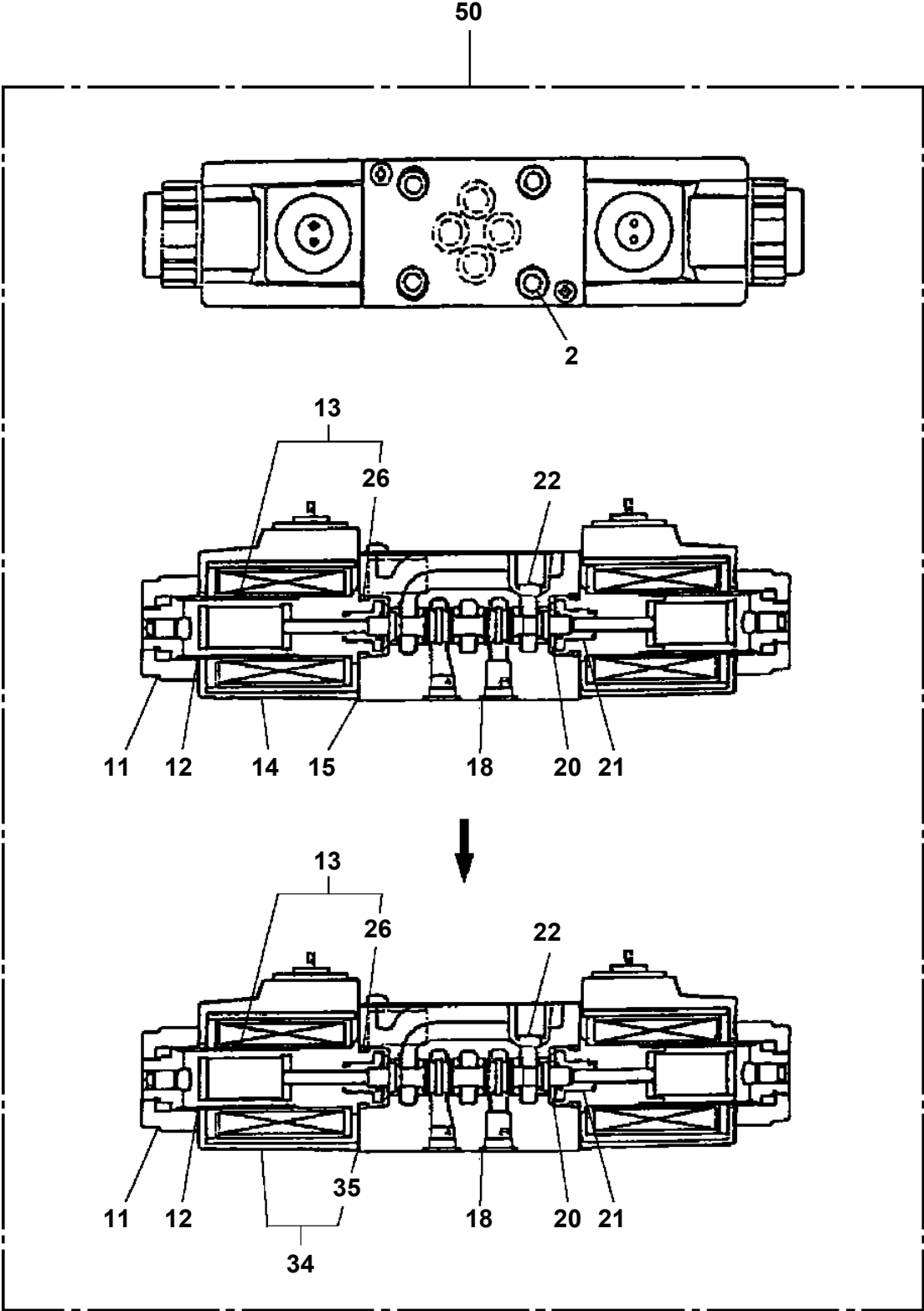
Pos No.	Parts No	Parts Name	Qty	Unit	Technical Data	Serial No (Start)	Serial No (End)	Remark
1	36662825260	SHAFT,DRIVING	1					
2	36662825020	SPACER	1					
4	36662825030	RETAINER	1					
5	36662825040	SPRING (CYLINDER)	9					
8	36662825050	PLATE SET	1					
9	36662825060	PLATE (SHOE)	1					
11	36662825070	CASING (A)	1					
13	36662825270	COVER (FRONT)	1					
16	90131518085	BOLT,HEXAGON SOCKET	1		M18X85			
17	90131518040	BOLT,HEXAGON SOCKET	9		M18X40			
18	90101210025	BOLT	4		M10X25			
19	90131512085	BOLT,HEXAGON SOCKET	12		M12X85			
20	80601110750	RING,RITAINING	1		S75			
21	80601110450	RING,RITAINING	2		S45			
22	36662825090	BEARING,ROLLER	1					
23	36662825280	BEARING,NEEDLE	1					
25	80316030060	PLUG	1		PT3/8			
26	36661465170	PLUG	5					
27	91002913000	O-RING	1		1B G130			
28	36661475030	O-RING	1					
29	91001704600	O-RING	2		WG46			
30	36662825110	O-RING	1					
31	91002802400	O-RING	5		1B P24			
32	36662825120	SEAL,OIL	1					
33	91002800800	O-RING	4		1B P8			
34	36662825290	COVER (BRAKE)	1					
35	36662825140	PISTON (BRAKE)	1					
36	36662825300	COUPLING (D)	1					
37	36662825160	SPRING (BRAKE)	12					
38	91001704100	O-RING	1		WG41			
40	36662825170	SHIM (BRAKE)	1					
41	36662825310	CASING,BRAKE (A)	1					
42	36662825190	PLATE (SEPARATOR)	7					
43	36662825200	PLATE (FRICTION)	6					
44	36662825210	PLUG	1					
45	91002801100	O-RING	2		1B P11			
46	36604915060	RETAINER (VALVE)	1					
47	36080285170	BREATHER,AIR	1					
51	36662825320	PISTON ASSY	1					
52	36662825330	CYLINDER ASSY (D)	1					
53	36662825240	COVER ASSY (B)	1					
150	36605820000	VALVE,COUNTERBALANCE	1					
200	36663550000	MOTOR,HYDRAULIC	1					

GR-600-1-00104 5 BOOM + 2 JIB, 2M2D
PI1120135-05 VALVE,SOLENOID (NACHI)



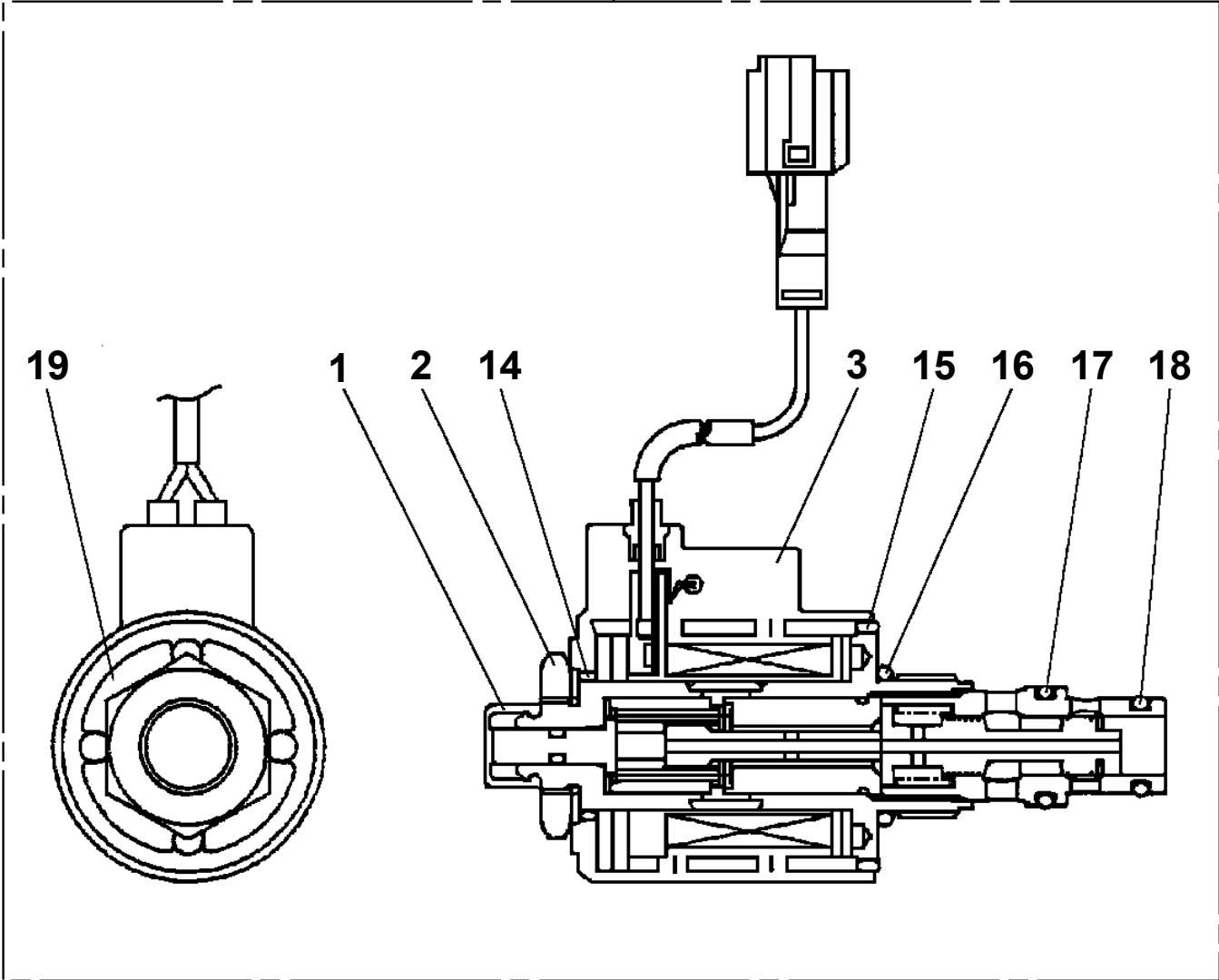
A

GR-600-1-00104 5 BOOM + 2 JIB, 2M2D
PI1120233-01 VALVE,SOLENOID (TOKIMEC)

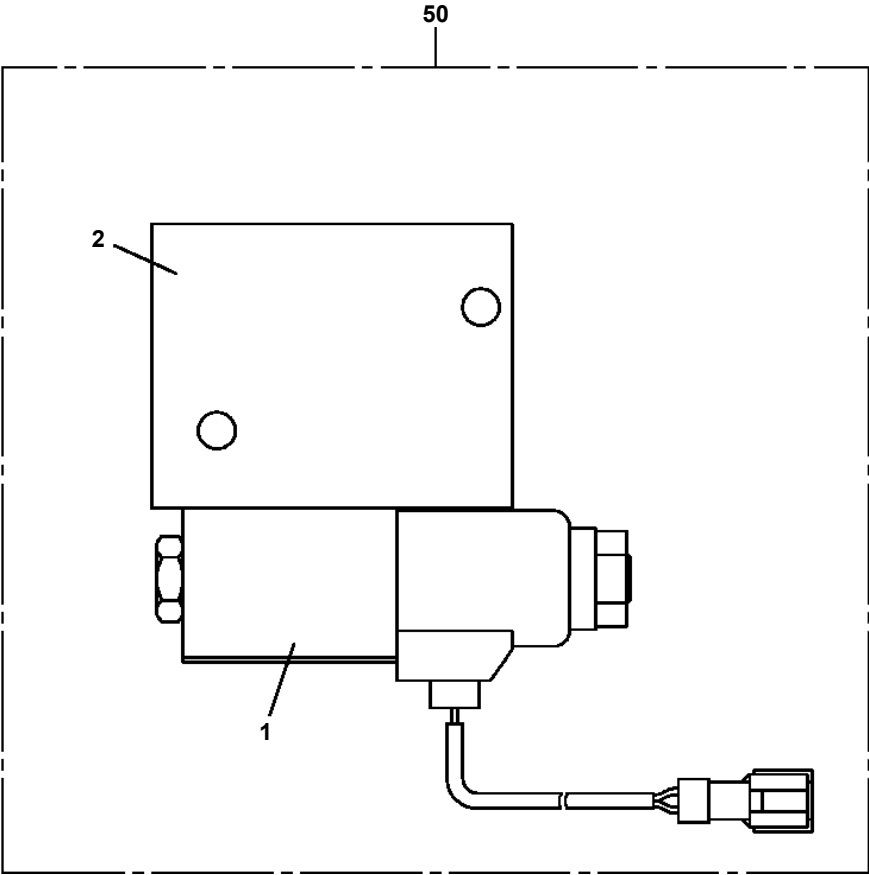


GR-600-1-00104 5 BOOM + 2 JIB, 2M2D
PI1120294-00 VALVE,SOLENOID

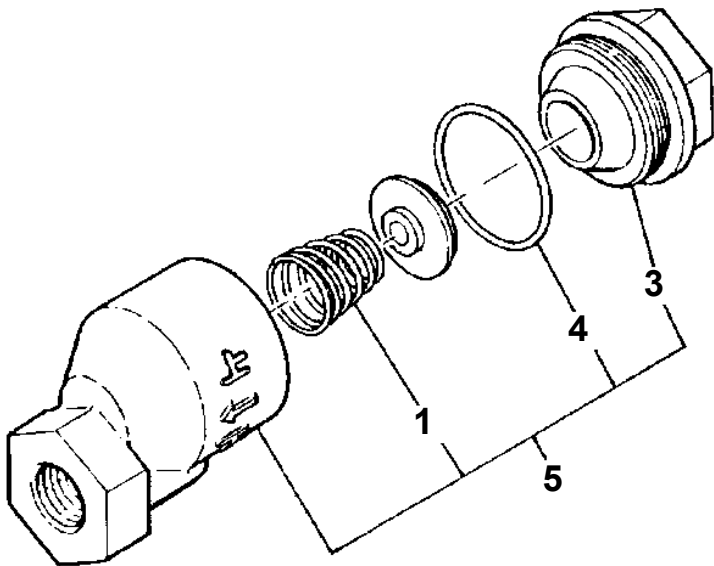
50



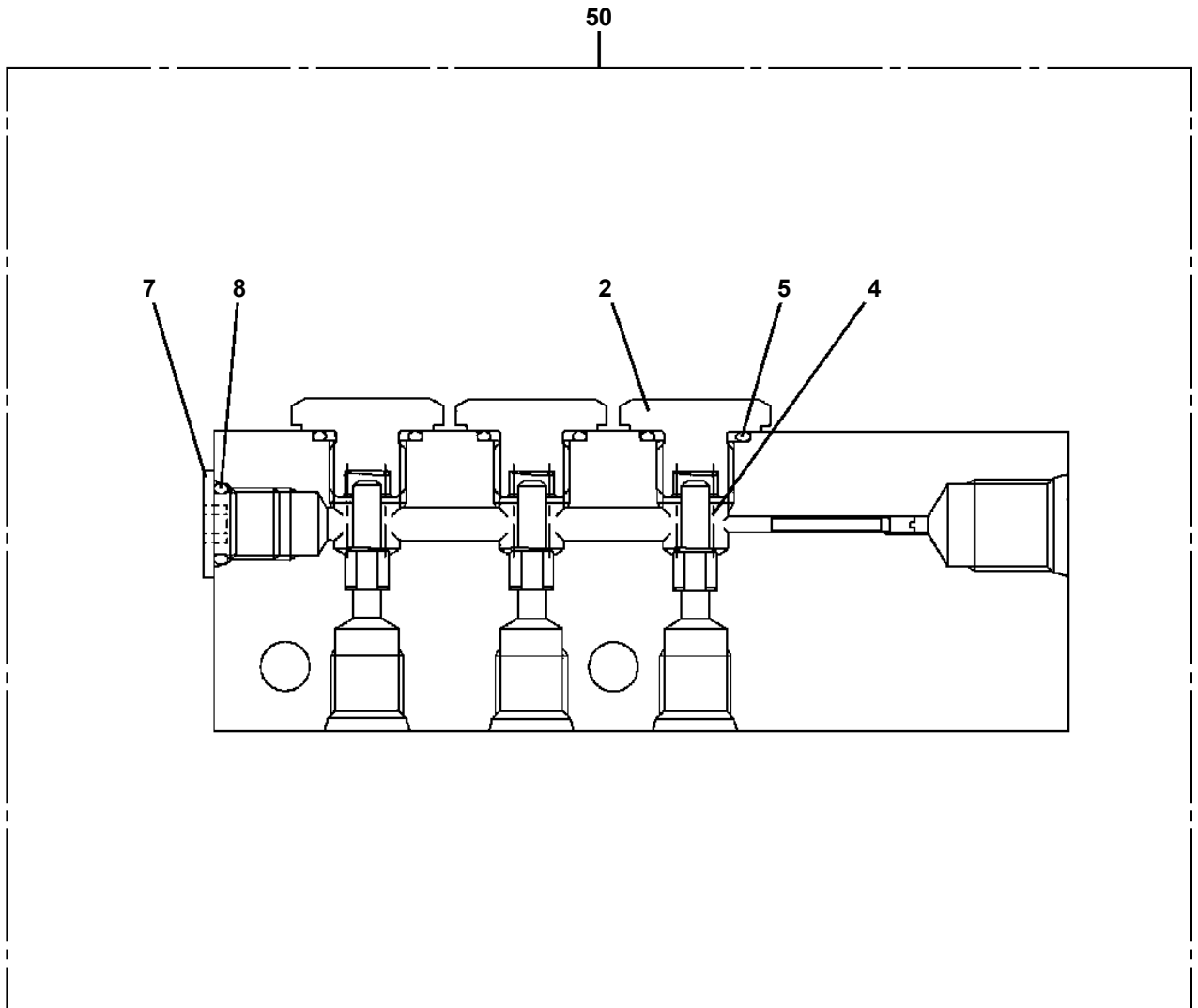
GR-600-1-00104 5 BOOM + 2 JIB, 2M2D
PI1120349-00 VALVE,SOLENOID



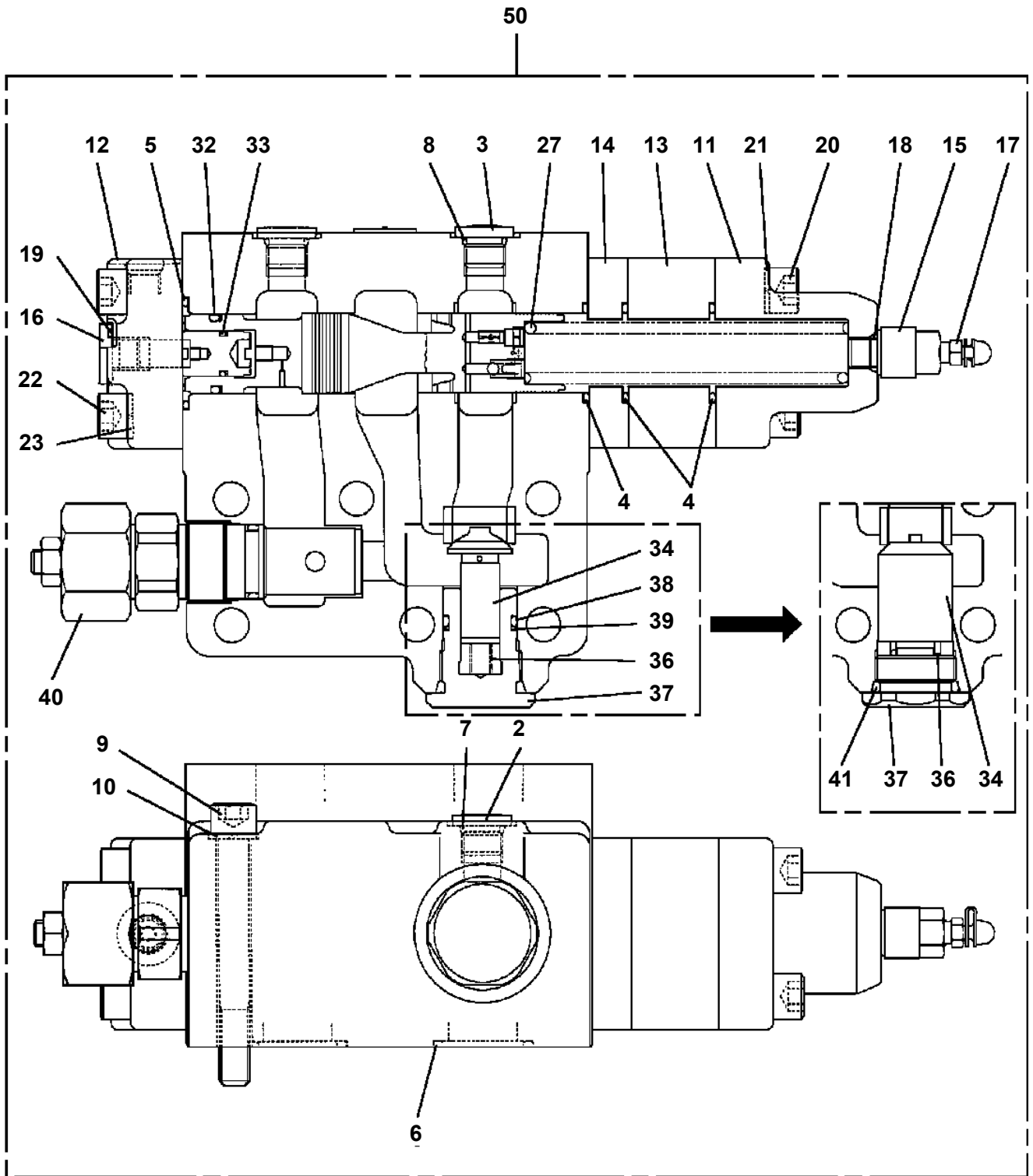
GR-600-1-00104 5 BOOM + 2 JIB, 2M2D
PI1140040-00 VALVE,CHECK



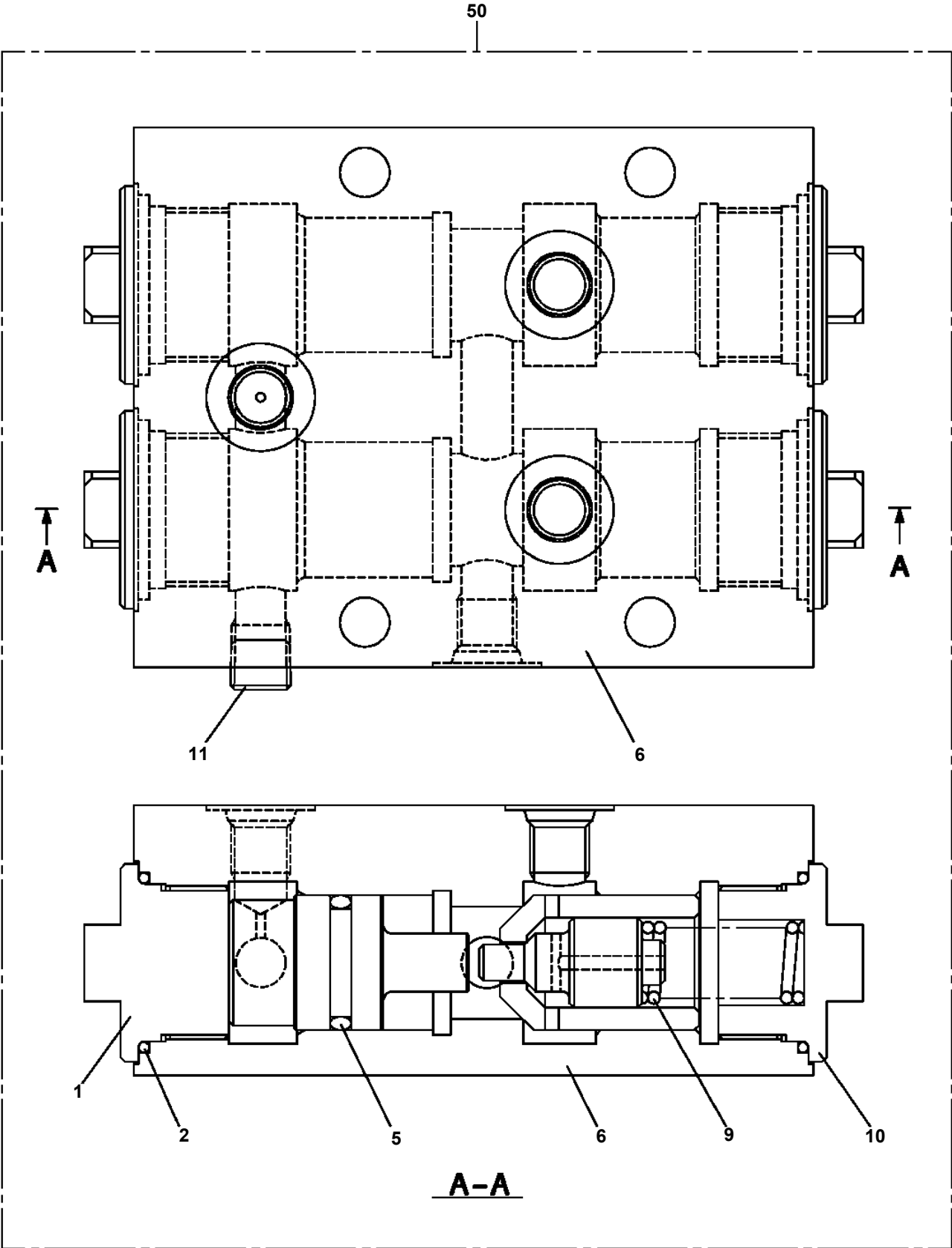
GR-600-1-00104 5 BOOM + 2 JIB, 2M2D
PI1140161-03 VALVE,CHECK



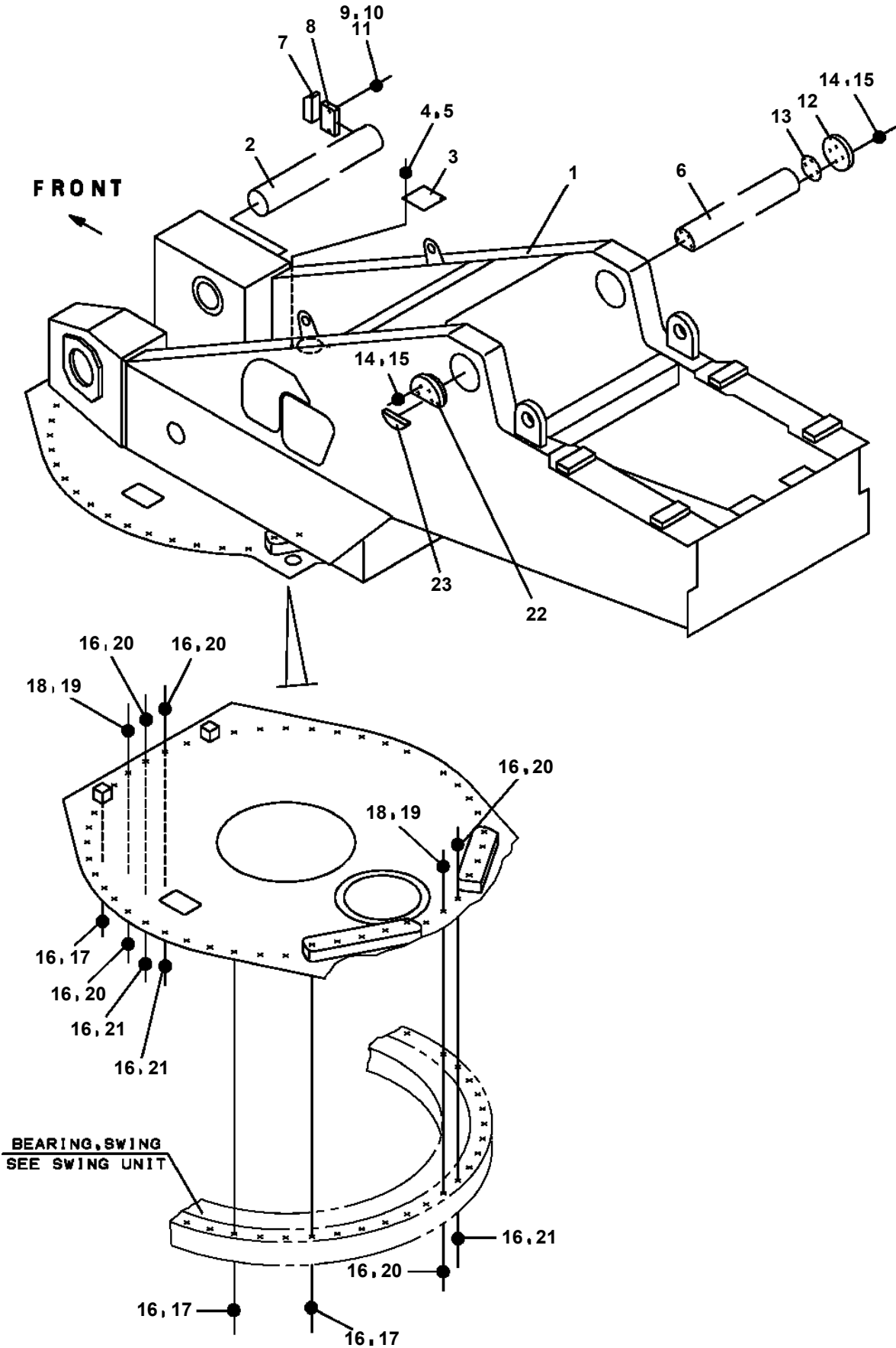
GR-600-1-00104 5 BOOM + 2 JIB, 2M2D
PI1250148-01 VALVE,COUNTERBALANCE



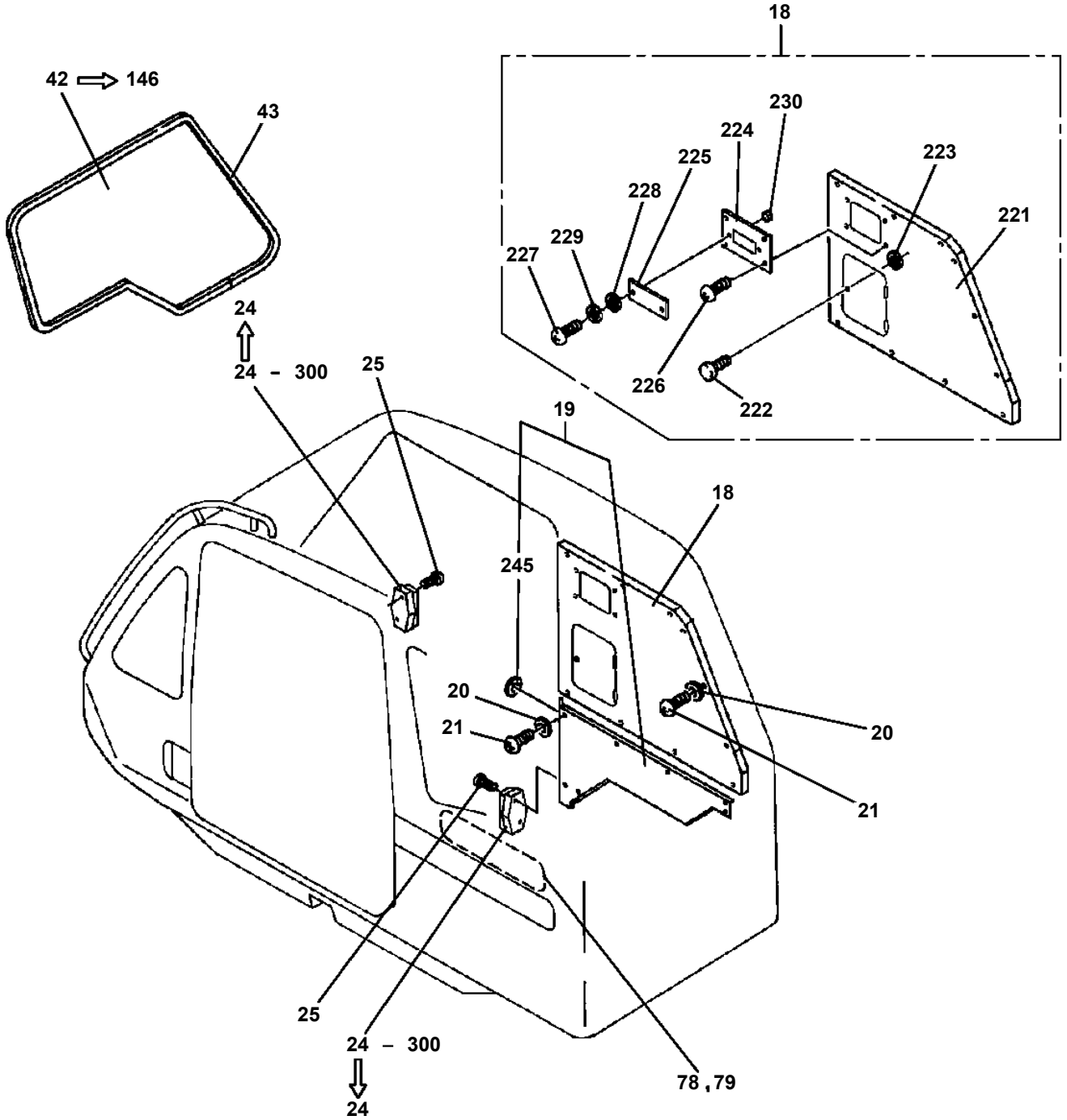
**GR-600-1-00104 5 BOOM + 2 JIB, 2M2D
PI1280077-00 VALVE,PILOT CHECK**



GR-600-1-00104 5 BOOM + 2 JIB, 2M2D
PK1100370-01 SWING FRAME



GR-600-1-00104 5 BOOM + 2 JIB, 2M2D
 PK1140170-07 CAB, OPERATOR



GR-600-1-00104 5 BOOM + 2 JIB, 2M2D

Pos No.	Parts No	Parts Name	Qty	Unit	Technical Data	Serial No (Start)	Serial No (End)	Remarks
1	34251287510	CUSHION ASSY	1					
2	34251287520	BACK ASSY	1					
3	34251287580	HEADREST	1					
4	34251287540	ARMREST ASSY (L)	1					
5	34251287550	ARMREST ASSY (R)	1					
6	34251287560	ADJUSTER (SLIDE/L)	1					
7	34251287570	ADJUSTER (SLIDE/R)	1					
8	34251287690	WIRE	1				548423	
	34251287810	WIRE (SLIDE)	1			548424		
9	34251287590	ADJUSTER (RECLINING)	1					
10	34251287800	COVER (RECLINING)	1					
11	34251287700	BRACKET (CUSHION)	1					
12	34251287710	BRACKET (BACK)	1				548423	
	34251287820	BRACKET (BACK)	1			548424		
13	34251287720	LEVER (HEIGHT)	1					
14	34251287730	SCREW,MACHINE	1					
15	34251287740	BOLT	4					
16	34251287750	BOLT,SEMS	10				548423	
17	34251287760	BUSHING	1				548423	
	34252137580	BUSHING	1			548424		
18	34251287620	SCREW (WITH WASHER)	3		M6X16X1.0			
20	34251287630	BRACKET (ARMREST)	1					
21	34251287640	GEAR ASSY (L)	1					
22	34251287650	GEAR ASSY (R)	1					
23	34251287660	SPRING	2					
24	34251287670	SCREW,MACHINE (SEMS)	4		M6X16X1.0			
25	34251287680	SCREW,MACHINE (SEMS)	4		M6X12X1.0			
26	34251287770	NUT (WITH WASHER)	4					
27	34251287780	CLIP	2					
28	34251287790	RISER ASSY	1					
31	34251287830	WASHER	1			548424		
32	34252137570	BOLT (WITH WASHER)	10		M10X25	548424		
50	34251280100	SEAT,OPERATOR	1					

CLICK HERE TO **DOWNLOAD** THE COMPLETE MANUAL

- Thank you very much for reading the preview of the manual.
- You can download the complete manual from: www.heydownloads.com by clicking the link below

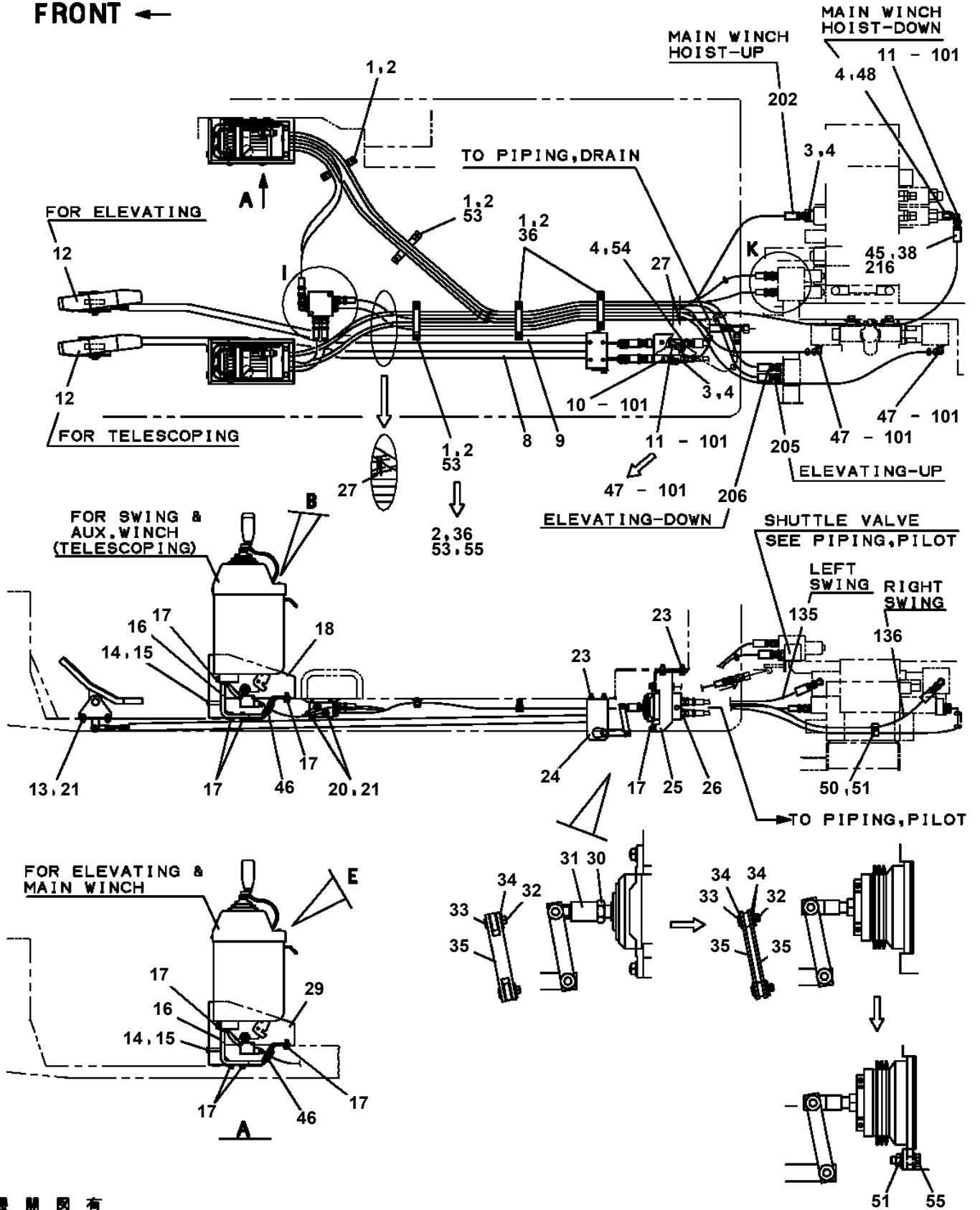


- Please note: If there is no response to CLICKING the link, please download this PDF first and then click on it.

CLICK HERE TO **DOWNLOAD** THE COMPLETE MANUAL

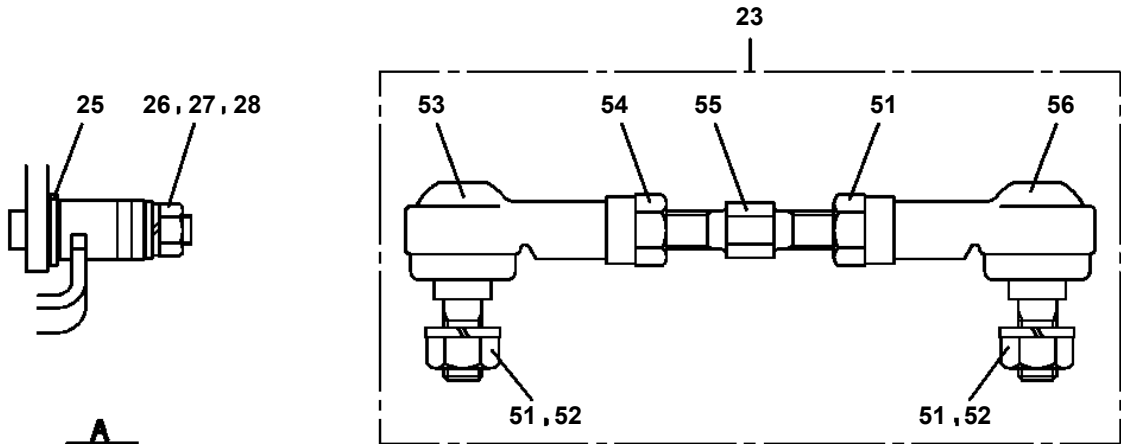
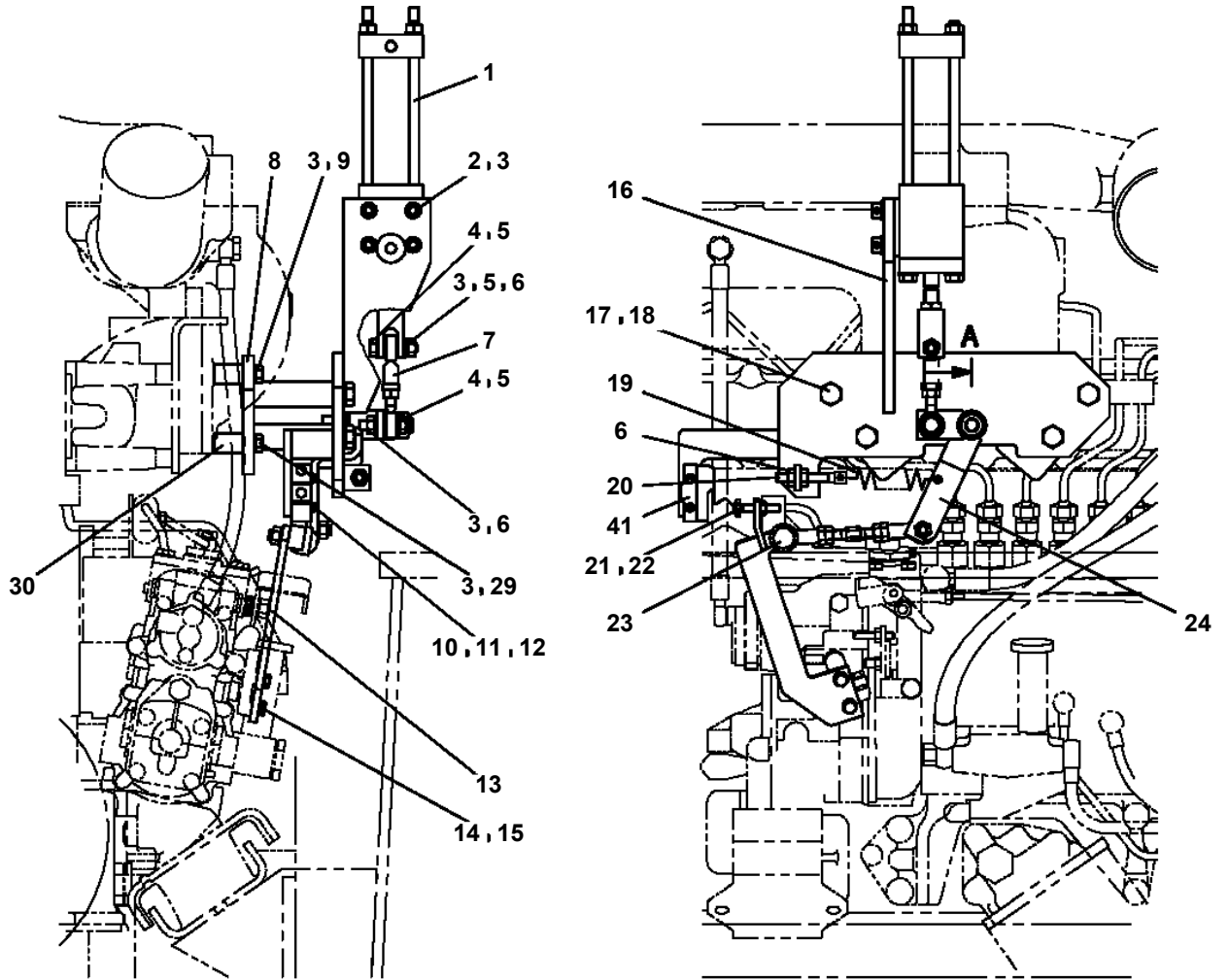
GR-600-1-00104 5 BOOM + 2 JIB, 2M2D
 PL1010959-08 OPE.ASSY,CONT.VALVE (ISO)

FRONT ←



展開図有
 ILLUSTRATED BREAKDOWN NO. 8, 9, 12, 24

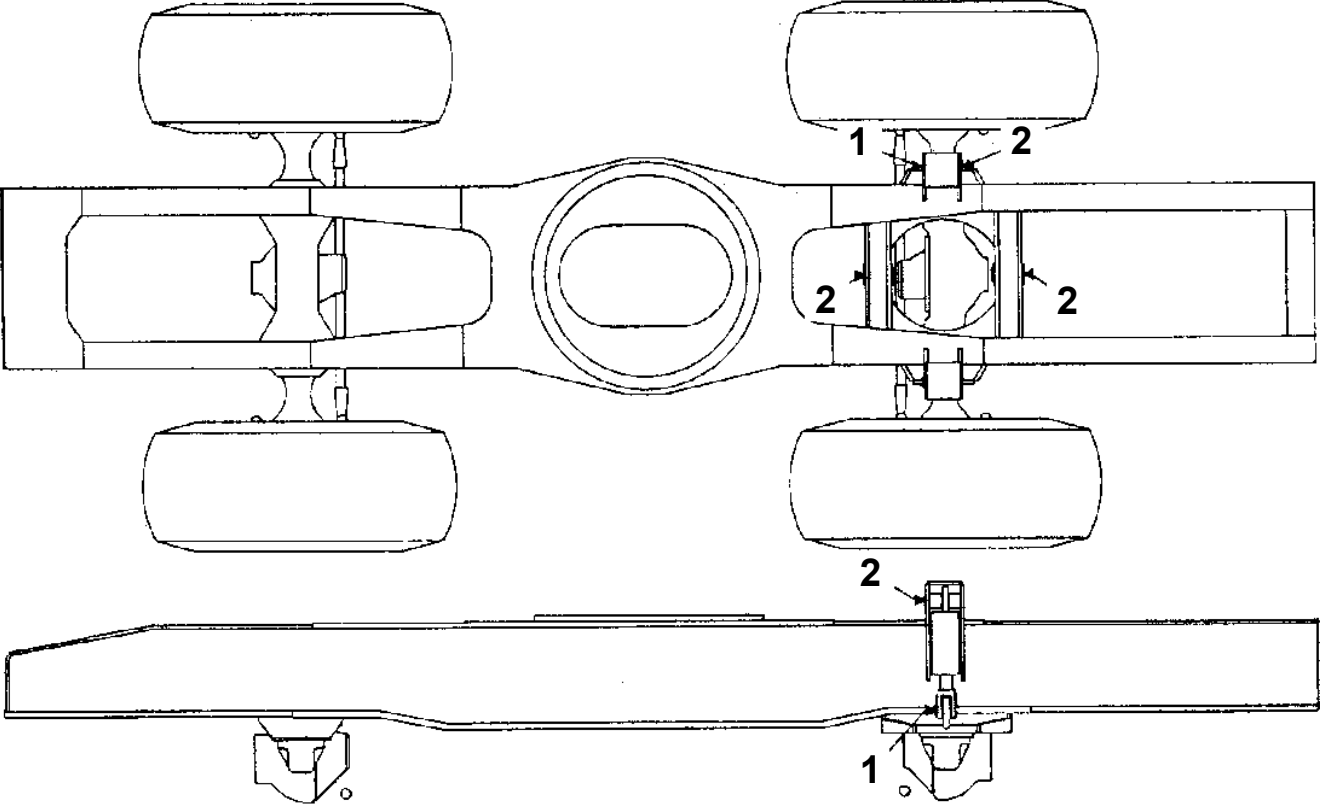
GR-600-1-00104 5 BOOM + 2 JIB, 2M2D
PL1030800-00 OPE.ASSY,ACCELERATOR (LOWER)



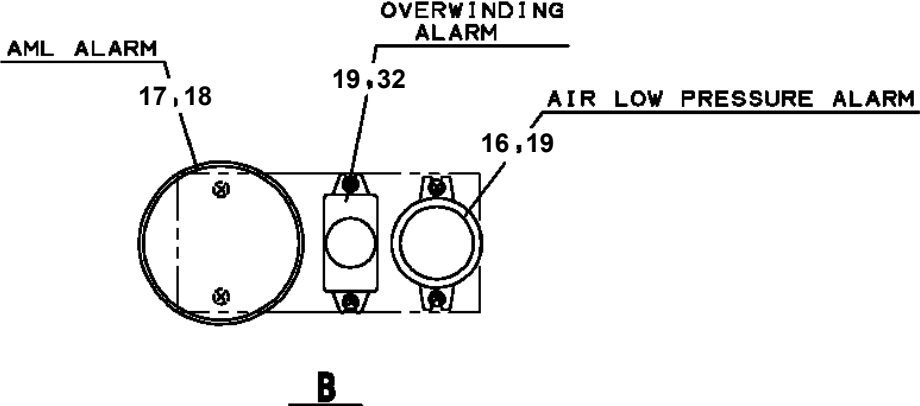
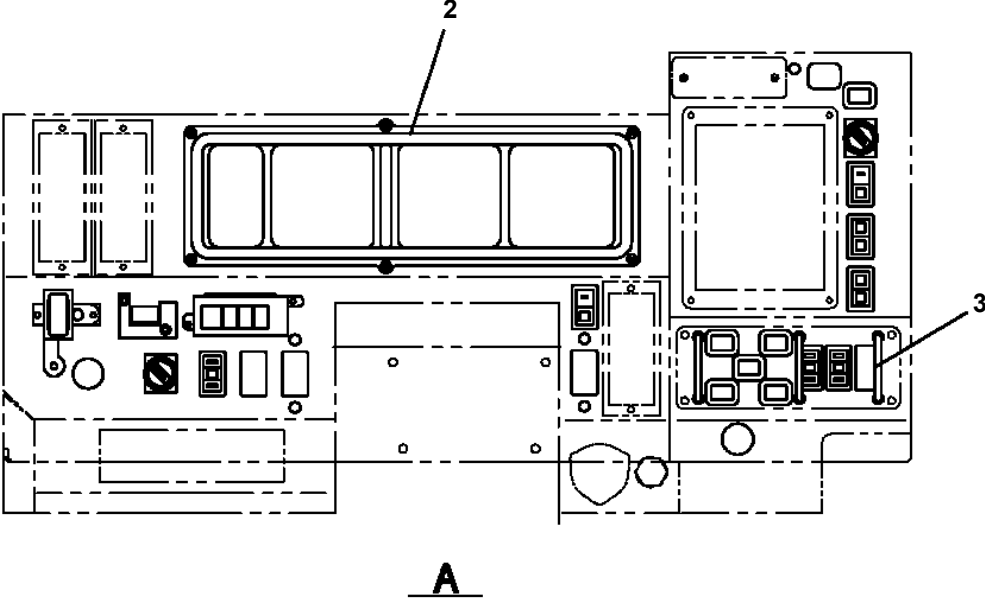
GR-600-1-00104 5 BOOM + 2 JIB, 2M2D

Pos No.	Parts No	Parts Name	Qty	Unit	Technical Data	Serial No (Start)	Serial No (End)	Remarks	Pages
31	36635335040	BELLOWS	2						
50	36634920000	VALVE,CONTROL	1						

GR-600-1-00104 5 BOOM + 2 JIB, 2M2D
PM1010002-00 PARTS, GREASING



**GR-600-1-00104 5 BOOM + 2 JIB, 2M2D
PN1013706-04 ELEC.ASSY (CAB)**



GR-600-1-00104 5 BOOM + 2 JIB, 2M2D

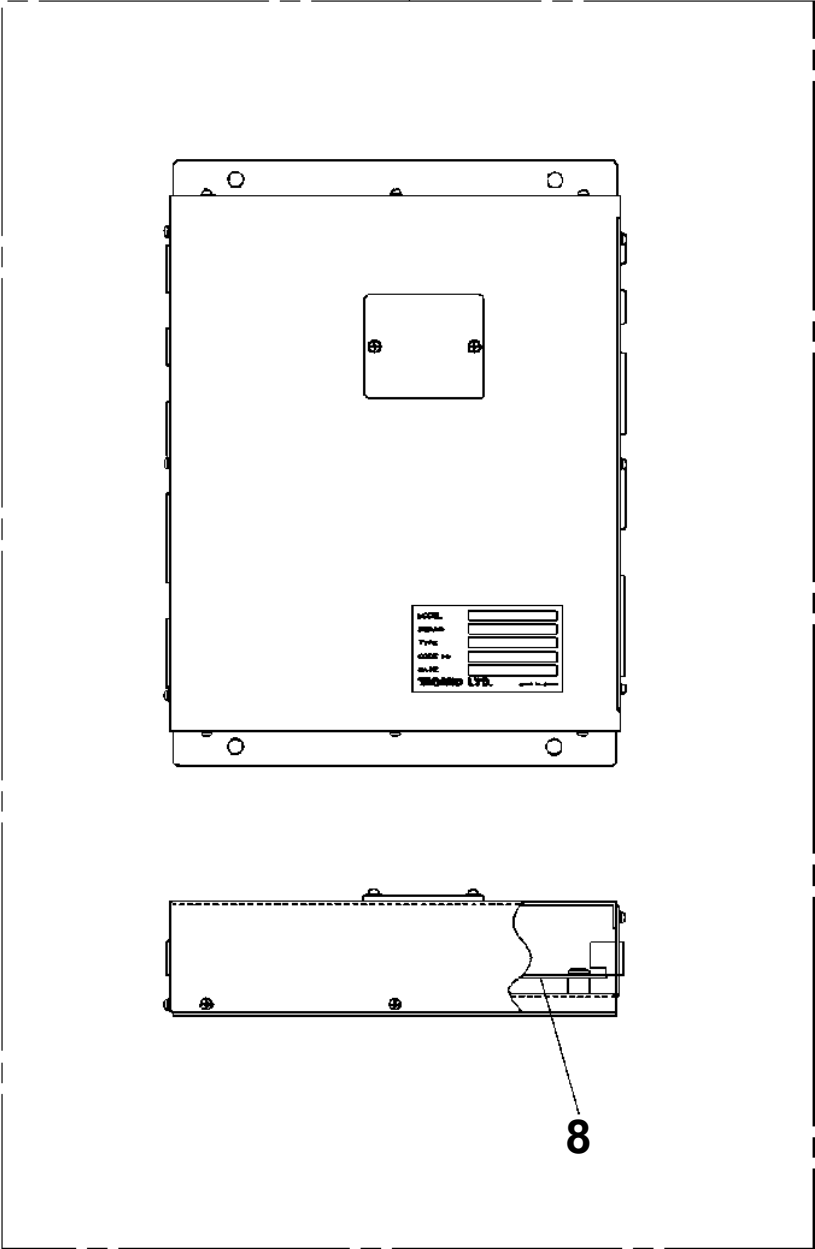
Pos No.	Parts No	Parts Name	Qty	Unit	Technical Data	Serial No (Start)	Serial No (End)	Re
1	34352901110	SWITCH,PUSH (ASSY ONLY)	2					
2	34352781210	SWITCH ASSY	1					
3	34352901120	SWITCH,ROCKER	2					
4	34352901130	PLATE ASSY,NAME (NO.1-NO.38)	1					
5	82100001882	LIGHTER,CIGARETTE	1					
6	34352371130	SWITCH ASSY	1					
7	34351961190	SWITCH,ROCKER	1					
9	36683400000	METER,COMBINATION	1					
10	80192485018	SCREW,MACHINE	6					
12	82100002125	PLUG	1		22.5			
13	34351961150	SWITCH,ROCKER	1					
14	34351961160	SWITCH (HAZARD)	1					
15	34352061110	SWITCH,ROCKER (ASSY ONLY)	1					
16	34352061150	CAP	4					
17	80192444012	SCREW,MACHINE	9		M4X12			
18	34351961210	SUPPORT	1					
19	34352061180	SUPPORT	1					
20	82198300301	PLUG	4		AL-B1			
22	34353021310	PLATE,NAME (AUX.)	1					
24	82190596273	COVER	1					
41	44320491010	LAMP ASSY (RED)	1					
53	34351967530	BULB,LAMP	3		28V 1.12W			
86	34351967540	LAMP (SOCKET)	1		28V/1.8W			

GR-600-1-00104 5 BOOM + 2 JIB, 2M2D

Pos No.	Parts No	Parts Name	Qty	Unit	Technical Data	Serial No (Start)	Serial No (End)	Remarks	P
11	34930707510	LENS	1						
12	34930707560	BULB,LAMP (24V21W)	1				547146		
	82166300210	BULB,LAMP (KOITO)	1		24V 21W	547147			
13	34930707570	BULB,LAMP (24V5W)	1				547146		
	82166300050	BULB,LAMP (KOITO)	1		24V 5W	547147			
100	34930704000	LAMP (COMBINATION)	1						

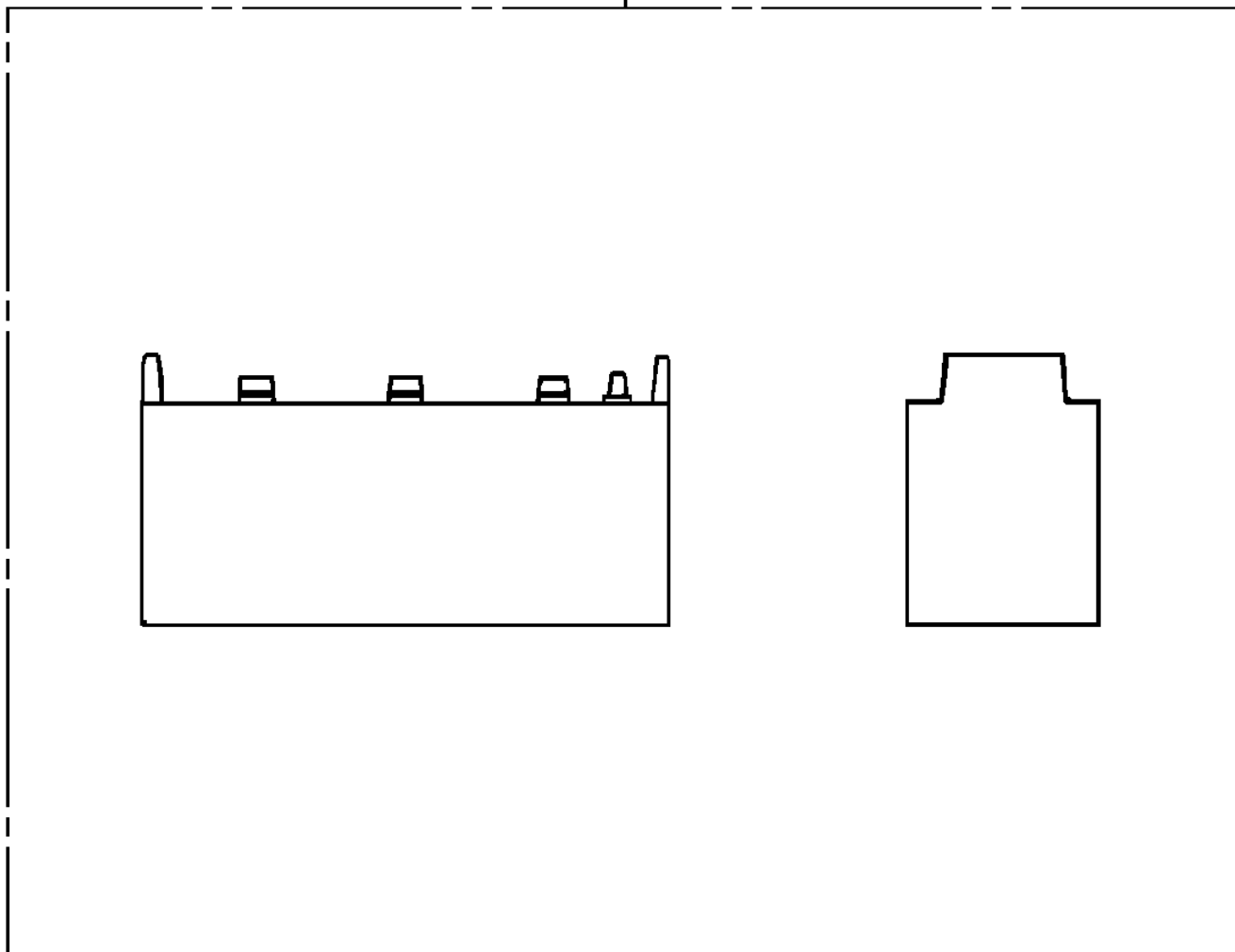
**GR-600-1-00104 5 BOOM + 2 JIB, 2M2D
PN1200032-00 TRANSMITTER, MULTI.DATA (UPPER)**

100

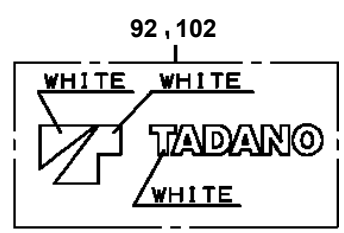
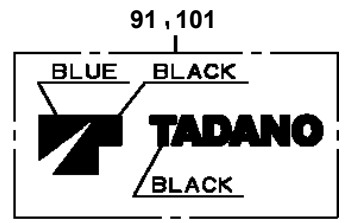
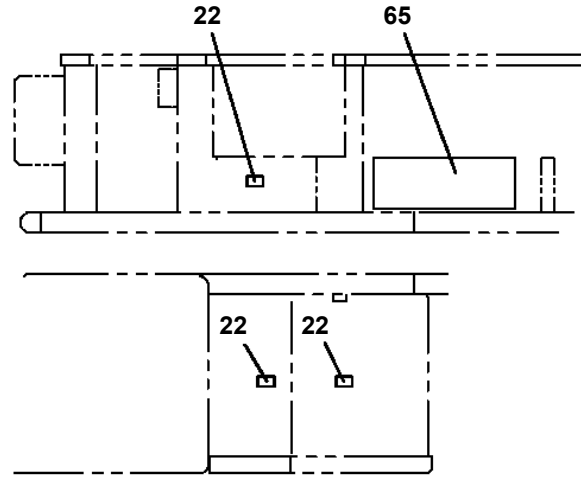
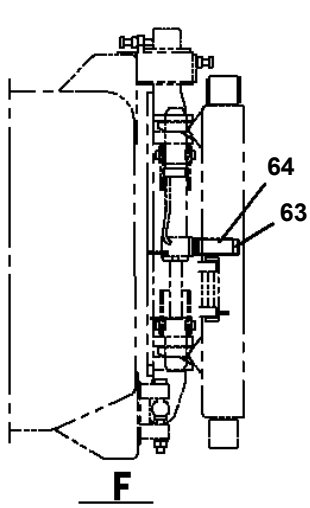
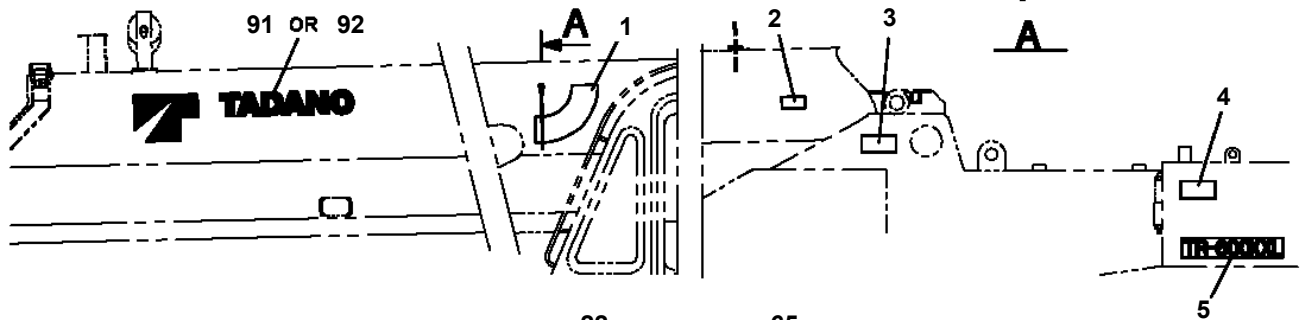
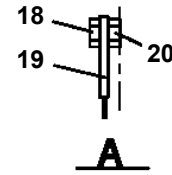
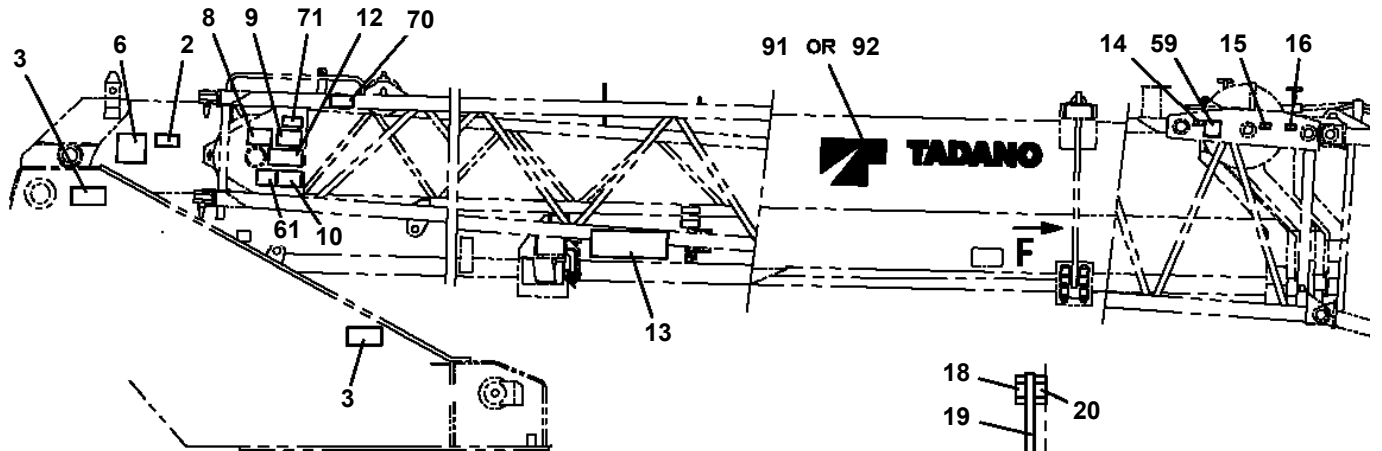


GR-600-1-00104 5 BOOM + 2 JIB, 2M2D
PN1370123-00 BATTERY (YUASA,145F51)

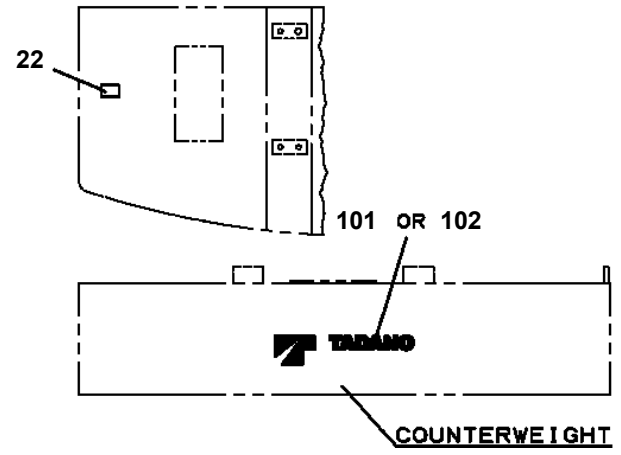
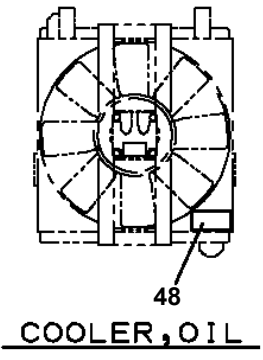
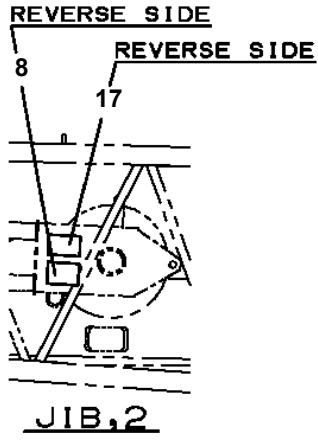
1



**GR-600-1-00104 5 BOOM + 2 JIB, 2M2D
PN5011206-02 NAME PLATE ASSY (UPPER)**



TOP OF OUTER FACE



GR-600-1-00104 5 BOOM + 2 JIB, 2M2D

Pos No.	Parts No	Parts Name	Qty	Unit	Technical Data	Serial No (Start)	Serial No (E
1	37002219500	PLATE,CAUTION (OIL/FOR EXP.)	1				
	37002217330	PLATE,CAUTION (TADANO HYDRAULIC)	1				

GR-600-1-00104 5 BOOM + 2 JIB, 2M2D
 PO1013637-01 PLATE ASSY,NAME (LOWER)

13

DANGER
ELECTROCUTION HAZARD
 CAN CAUSE DEATH OR SEVERE INJURY.
 NEVER OPERATE THIS CRANE WITHIN ANY DISTANCE OF A POWER SOURCE OR POWER LINE WITHOUT FIRST NOTIFYING THE POWER OR UTILITY COMPANY.
 THIS MACHINE IS NOT EQUIPPED WITH ANY WORKING OR INSULATING DEVICES.
 ALLOW FOR BOOM DEFLECTION, ELECTRICAL POWER LINE, AND LOAD LINE SWAYING.
 NEVER OPERATE CRANE-ANY PART THEREOF OR LOAD WITHIN 20 FEET OF ANY ELECTRICAL POWER LINE OR POWER SOURCE ON ANY DISTANCE AS IS SPECIFIED OR REQUIRED BY LOCAL OR OTHER APPLICABLE SAFETY CODES OR REGULATIONS.
 NEVER OPERATE, SERVICE OR MAINTAIN THIS CRANE WITHOUT PROPER INSTRUCTIONS. IT IS THE EMPLOYER'S RESPONSIBILITY TO PROVIDE ALL SAFETY DEVICES OR MEANS THAT MAY BE NECESSARY OR REQUIRED FOR ANY USE, OPERATION, SET-UP OR SERVICE.

DANGER
 THIS MACHINE IS NOT EQUIPPED WITH ANY WORKING OR INSULATING DEVICES.
 EXTREME CAUTION MUST BE EXERCISED BY ALL PERSONNEL WORKING WITH AND AROUND THIS MACHINE WHEN IN THE VICINITY OF IDENTIFIED POWER SOURCES OR POWER LINES. DEATH OR SERIOUS INJURY CAN RESULT FROM CONTACT OR IMMEDIATE CLEARANCE.
 ALL PERSONNEL MUST BE ADEQUATELY WARNED OF SAFETY PROCEDURES.

15

HAND SIGNALS

HOIST, LOWER, HOIST HEAD HOIST, HOIST STOP LINE (Emergency Stop), RAISE BOOM, LOWER BOOM, HOIST SLANGLY, CRANE THE BOOM AND, MOVE THE CRANE AND, STOP, EMERGENCY STOP, EXTEND BOOM, FOG EVERYWHERE, TOWER, RETRACT BOOM.

27

Wiring diagrams for components: BMT, CH1, CH2, CH3, CH4, CH5, CH6, CH7, CH8, CH9, CH10, CH11, CH12.

21

WARNING
 DO NOT REMOVE RADIATOR CAP WHEN ENGINE IS HOT.

23

WARNING
 STAND CLEAR OF OUTRIGGER WHILE MACHINE IS BEING OPERATED.

24

WARNING
 STAND CLEAR OF MOVING MACHINE TO PREVENT BODILY INJURY.

26

Label	No.	Rating	Color	Notes
A	10A	10A	RG	RESERVE FUSE
B	15A	15A	RG	RESERVE FUSE
C	10A	10A	RY	RESERVE FUSE
D	10A	10A	RY	RESERVE FUSE
E	10A	10A	RY	RESERVE FUSE
F	10A	10A	RY	RESERVE FUSE
G	15A	15A	RY	RESERVE FUSE
H	15A	15A	RY	RESERVE FUSE
I	15A	15A	RY	RESERVE FUSE
J	15A	15A	RY	RESERVE FUSE
K	15A	15A	RY	RESERVE FUSE
L	15A	15A	RY	RESERVE FUSE
M	15A	15A	RY	RESERVE FUSE
N	15A	15A	RY	RESERVE FUSE
O	15A	15A	RY	RESERVE FUSE
P	15A	15A	RY	RESERVE FUSE
Q	15A	15A	RY	RESERVE FUSE
R	15A	15A	RY	RESERVE FUSE
S	15A	15A	RY	RESERVE FUSE
T	15A	15A	RY	RESERVE FUSE
U	15A	15A	RY	RESERVE FUSE
V	15A	15A	RY	RESERVE FUSE
W	15A	15A	RY	RESERVE FUSE
X	15A	15A	RY	RESERVE FUSE
Y	15A	15A	RY	RESERVE FUSE
Z	15A	15A	RY	RESERVE FUSE

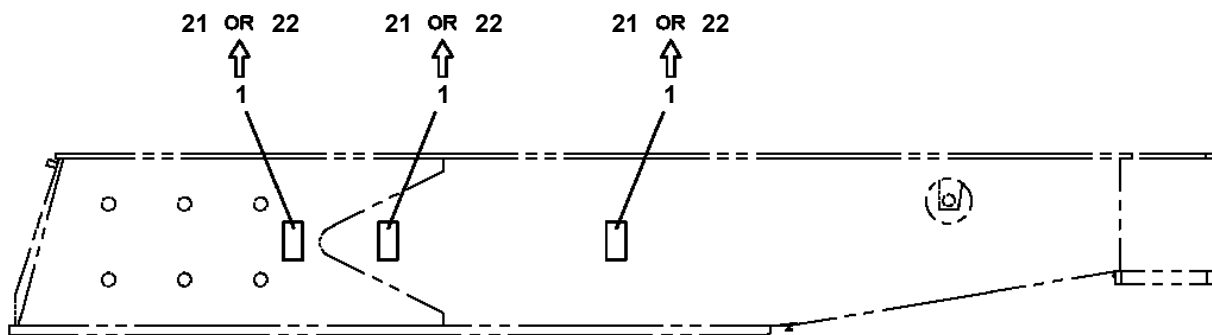
ALTERNATOR - 70A - BATTERY 6000
 POWER SOURCE FOR OTHER SERVICE - 70A - BATTERY 6000

[NOTE] - COLOR MEANS THE COLOR OF CABLES TO FUSE.
 - PROHIBITED TO CONNECT A NEW DEVICE WIRING TO FUSES OTHER THAN RESERVE FUSES.

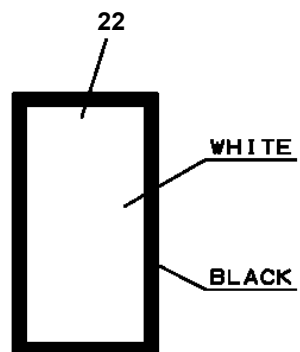
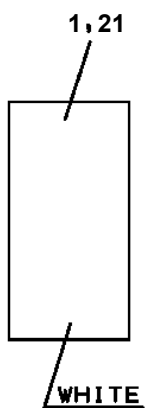
28

CAUTION
DO NOT JUMP START
 POWER SURGE MAY DAMAGE SENSITIVE ELECTRONIC COMPONENTS.
 REPLACE BATTERIES OR REMOVE TO RECHARGE.

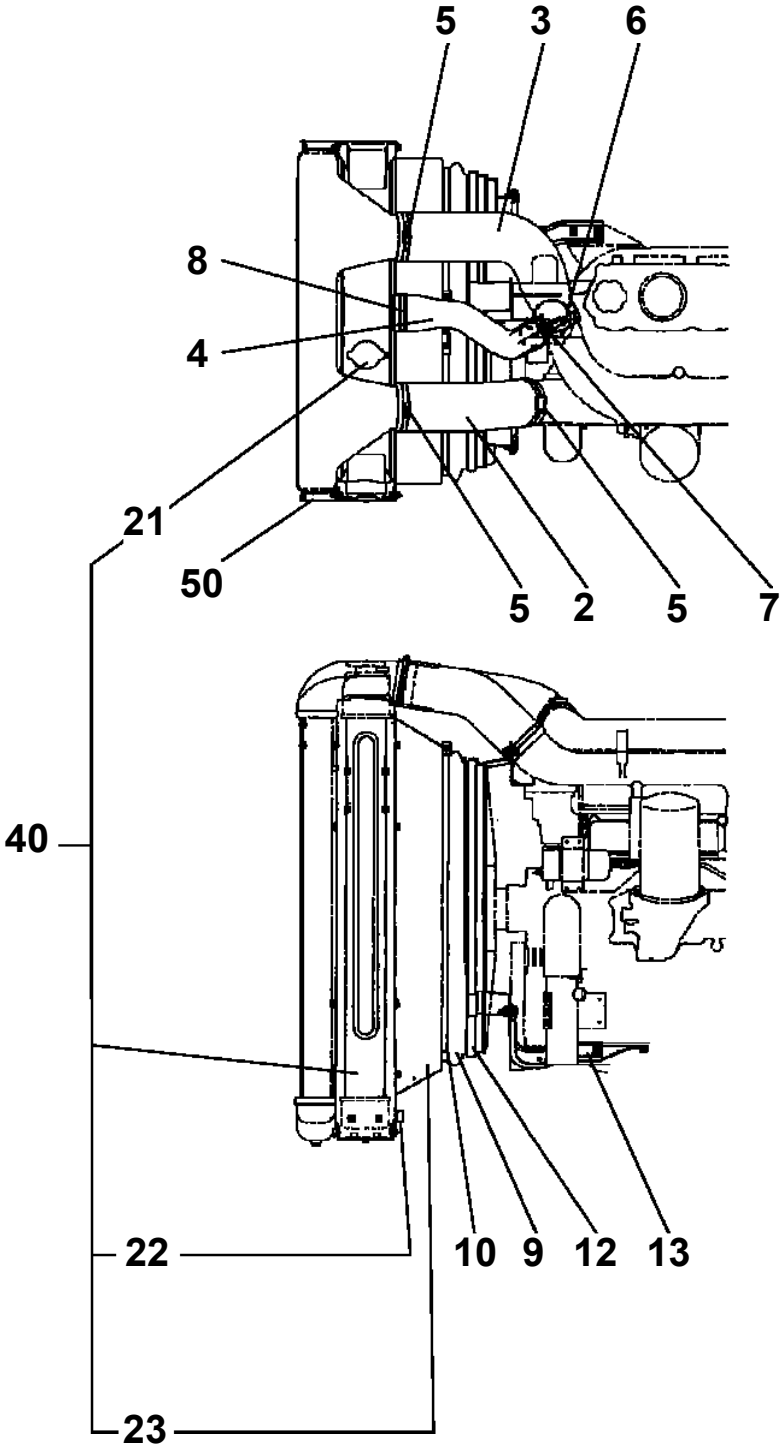
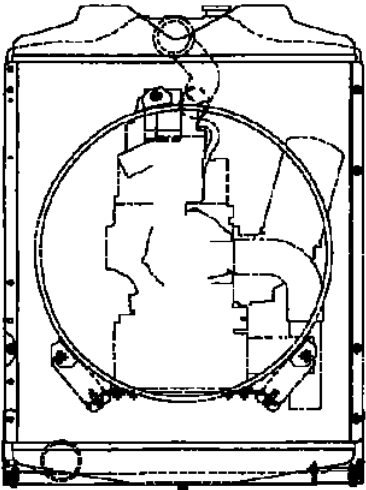
GR-600-1-00104 5 BOOM + 2 JIB, 2M2D
PO1050021-01 MARKING (OUTRIGGER)



アウトリガ内箱



GR-600-1-00104 5 BOOM + 2 JIB, 2M2D
PQ1030041-03 RADIATOR (WITH INTER COOLER)

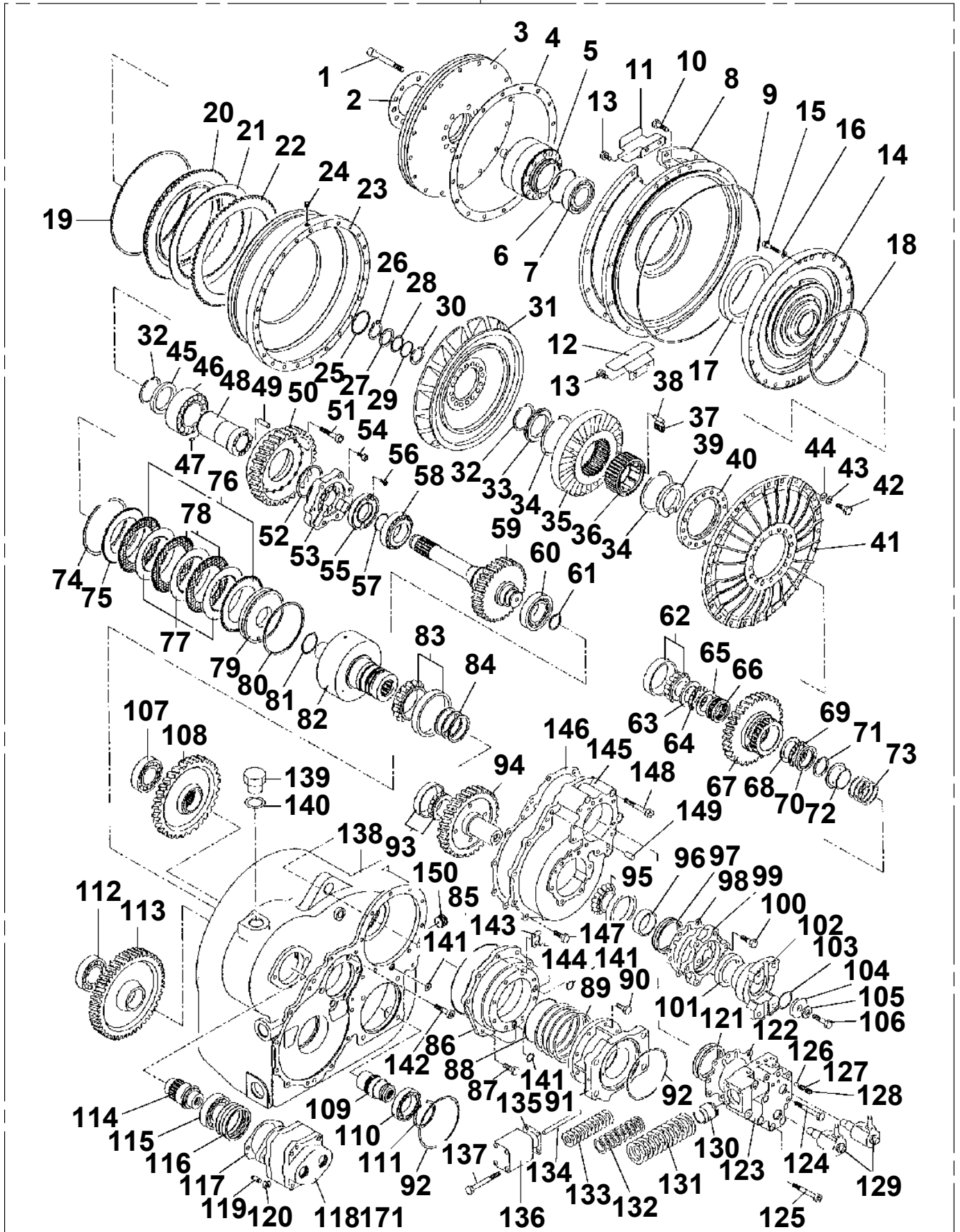


GR-600-1-00104 5 BOOM + 2 JIB, 2M2D

Pos No.	Parts No	Parts Name	Qty	Unit	Technical Data	Serial No (Start)	Serial No (End)	Remarks	P
57	36102835010	CAP (FUEL,WITH KEY)	1						
58	36101875030	COVER	1						
59	36101875040	PACKING	1						
61	36101875050	BOLT (WITH WASHER)	5		M5X10				
63	36101875060	STRAINER ASSY	1						
65	90303391601	WASHER	2		M16				
66	36101875070	PLUG	2						
100	36101870000	TANK,FUEL (300L)	1						

GR-600-1-00104 5 BOOM + 2 JIB, 2M2D
PR1100032-00 TORQUE CONVERTER

200



GR-600-1-00104 5 BOOM + 2 JIB, 2M2D

Pos No.	Parts No	Parts Name	Qty	Unit	Technical Data	Serial No (Start)	Serial No (End)
1	90194316045	BOLT	1		M16X45		
2	90302041601	WASHER,SPRING	1		16		
3	36350465950	WASHER	1				
4	36370405270	O-RING	1				
5	36370405260	FLANGE (OUTPUT)	1				
6	36350345200	BEARING,ROLLER	1				
7	36350475220	WASHER	1				
8	36350245340	WASHER,THRUST	2				
9	36350205640	BEARING,THRUST NEEDLE	2				
10	59433040250	WASHER,THRUST	2				
11	36350465710	BEARING,NEEDLE	1				
12	36350475230	GEAR (A)	1				
13	59133020040	RING,RETAINING	1				
14	36350475250	PLATE (BACK)	1				
15	36350465730	PLATE (FIBER)	2				
16	36350465740	PLATE (FIBER)	5				
17	36350465750	PLATE (STEEL)	6				
18	36350205710	RING,RETAINING	1				
19	36350465760	SPRING	1				
20	36350465770	PISTON (CLUTCH)	1				
21	59133020100	RING,OIL SEAL	1				
22	59433040110	RING,OIL SEAL	1				
23	36350475270	SHAFT	1				
24	59433520050	RING,OIL SEAL	1				
25	36350035720	RING,OIL SEAL	1				
26	36350465580	PISTON (CLUTCH)	1				
27	36350465570	SPRING	1				
28	36350035740	RING,RETAINING	1				
29	36350465530	WASHER,THRUST	2				
30	36350465540	NEEDLE (THRUST)	2				
31	36350036950	WASHER,THRUST	2				
32	36370375290	PLATE (FIBER)	2				
33	36370375310	PLATE (FIBER)	7				
34	36370375300	PLATE (STEEL)	8				
35	36350035910	PLATE (BACK)	1				
36	36350035800	RING,RETAINING	1				
37	36350475280	GEAR (C)	1				
38	36350036130	BEARING,NEEDLE	1				
39	36350465520	WASHER	1				
40	36370375400	BEARING,TAPER ROLLER	1				
41	36350465640	RING,OIL SEAL	3				
50	36350475020	CLUTCH PACK, TRANSMISSION (F2-R)	1				

GR-600-1-00104 5 BOOM + 2 JIB, 2M2D

Pos No.	Parts No	Parts Name	Qty	Unit	Technical Data	Serial No (Start)	Serial No (End)	Remarks	P
1	91001202500	O-RING	1		1A G25				
2	36350205430	BUSH	1						
3	36350205440	SEAL,OIL	1						
4	36350205450	BUSH	1						
5	36350205460	GEAR,DRIVEN	1						
6	59133070230	BUSH	1						
7	59133070210	PLUG	2						
8	59133070200	PACKING (COPPER)	2						
9	36350205480	CASE (SPEEDOMETER)	1						
10	36350205470	PACKING	1						
11	90101510030	BOLT	5		M10X30				
12	36350245290	BEARING,BALL	1						
13	36350205500	WASHER	1						
14	80601110250	RING,RITAINING	1		S25				
15	36350245300	BEARING,BALL	1						
16	36350475430	GEAR ASSY (DRIVE)	1						
17	36350475440	SHROUD	1						
18	90101510020	BOLT	2		M10X20				

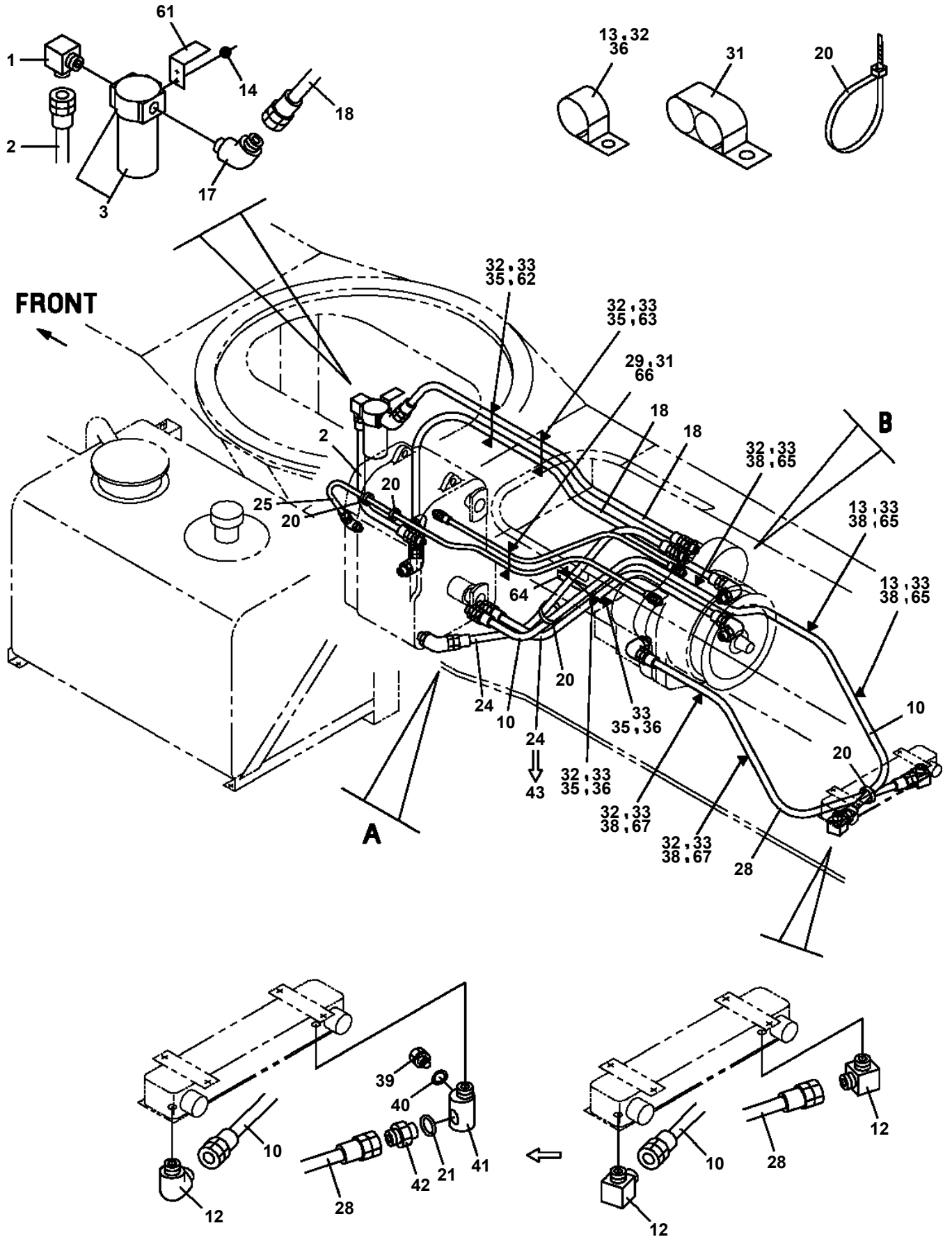
GR-600-1-00104 5 BOOM + 2 JIB, 2M2D

Pos No.	Parts No	Parts Name	Qty	Unit	Technical Data	Serial No (Start)	Serial No (End)	Rem
1	36302115010	SPIDER ASSY	2					
2	36302285010	YOKE ASSY	1					
3	36302115030	BOLT	16		M12X53X1.25			
4	36302115040	WASHER,SPRING	16					
11	59236000010	NIPPLE,GREASE (UNF1/4X35A)	2					
30	36302285000	SHAFT,PROPELLER (T/C-T/M)	1					

GR-600-1-00104 5 BOOM + 2 JIB, 2M2D

Pos No.	Parts No	Parts Name	Qty	Unit	Technical Data	Serial No (Start)	Serial I
1	36381215020	CARRIER SET	1				
2	59172010030	NUT,RING	2				
3	59172010040	PIN	2				
4	34680005180	PLUG (THRUST)	1				
5	34680005190	BOLT (M24,THRUST)	1				
6	34680005220	NUT	1		M24		
7	36380365290	SHIM SET	1				
8	36381215040	CASE SET (DIFF.)	1				
9	36380075010	DIFFERENTIAL ASSY (NO-SPIN)	1				
14	59172071030	BEARING,TAPER ROLLER(INSIDE=80.962MM)	1				
15	36380065090	BEARING,TAPER ROLLER(INSIDE=85.725MM)	1				
16	36381445030	GEAR SET (HYPOID PINION GEAR)	1				
17	36381225050	BOLT	16		M16X42		
18	36381355020	YOKE ASSY	1				
19	36380065140	BEARING CAGE,PINION	1				
20	36380065150	SPACER (PINION BEARING)	1				
21	36380075020	COVER (BEARING CAGE)	1				
24	36380105190	NUT (HYPOID PINION)	1				
25	59172071070	BEARING,ROLLER	1				
26	36380075030	BEARING,TAPER ROLLER	1				
27	36380065170	BEARING,TAPER ROLLER	1				
28	36380065160	PACKING	1				
29	90191512050	BOLT	9		M12X50		
30	90302041201	WASHER,SPRING	9		12		
31	80601110320	RING,RETAINING	1		S32		
32	36380105210	SEAL,OIL	1				
45	36380365360	GROMMET	2				
51	90171116045	BOLT	10		M16X45		
52	90171116050	BOLT	4		M16X50		
53	90302051601	WASHER,SPRING (16)	14				
61	36381455020	HOUSING ASSY (AXLE)	1				
62	36381595010	BUSH,KING PIN	4				
64	59172030030	BREATHER,AIR	1				
65	36380705280	PLUG	1				
66	59172081020	PLUG,MAGNET	1		PT3/4		
67	36380705080	RETAINER	2				
68	36380995070	BUSHING (AXLE HONSING)	2				
69	36381345080	SEAL,OIL (AXLE HOUSING)	2				
70	36380705090	O-RING	2				
80	36381225020	CASE ASSY (DIFFERNITIAL).	1				
101	36380065351	BOOT,RUBBER (KNUCKLE)	2			545875	545874
	36380065352	BOOT,RUBBER (KNUCKLE)	2				
102	59172030450	BAND	2				
103	36380065360	PLATE (LOCK)	4				
104	36380435010	BOLT (WITH WASHER)	28				
106	36381595020	KNUCKLE (1)	1				
107	36381595030	KNUCKLE (2)	1				
108	36381455030	PLATE	1				
109	36380435010	BOLT (WITH WASHER)	4				
110	59172080010	NIPPLE,GREASE	6		PT1/8		
111	36380995100	SPINDLE,KNUCKLE	2				
112	90103720055	BOLT	36		M20X55		
114	36380365240	SEAL,OIL	2				
115	36380365020	COLLAR (SEAL)	2				
116	36381595040	PIN,KING	2				
117	36381595050	WASHER,THRUST	2				
118	36381595060	PIN,KING	2				
119	36381595070	WASHER,THRUST	2				
120	36380065410	PIN	4				
121	36381595080	SHIM SET	1				
122	36380215350	COVER	8				
123	36381595090	BOLT	16				
124	34680005670	BOLT,STOPPER	2				

**GR-600-1-00104 5 BOOM + 2 JIB, 2M2D
PR1700067-03 PIPING, CONVERTER**



GR-600-1-00104 5 BOOM + 2 JIB, 2M2D

Pos No.	Parts No	Parts Name	Qty	Unit	Technical Data	Serial No (Start)	Serial No (End)	Remarks	Pages
1	37003900010	WHEEL,TIRE	1						

GR-600-1-00104 5 BOOM + 2 JIB, 2M2D

Pos No.	Parts No	Parts Name	Qty	Unit	Technical Data	Serial No (Start)	Serial I
217	36381125120	PAD KIT	2				
218	36380065910	BOLT	16				
219	36380685070	PLATE (COVER)	2				
220	36381445220	PLUG (PISTON)	6				
221	36380685080	SEAL KIT	2				
222	36380675640	PISTON	12				
223	36380675650	CAP (BREATHER)	2				
231	36380675490	O-RING	2				
241	90191520130	BOLT	4		M20X130		
242	90303502001	WASHER,PLAIN	4		20		
251	36380105090	BOLT (SHORT)	8				
252	36380105080	BOLT (LONG)	8				
300	36381465010	CARRIER,DIFFERENTIAL	1				
500	36381590001	AXLE (REAR NO-SPIN)	1				

GR-600-1-00104 5 BOOM + 2 JIB, 2M2D

Pos No.	Parts No	Parts Name	Qty	Unit	Technical Data	Serial No (Start)	Serial
1	37003900010	WHEEL,TIRE	1				
2	37003804520	TIRE	1				
21	34397020100	PLATE,NAME (INSTALLED TIRES AT TIME OF)	1			545878	

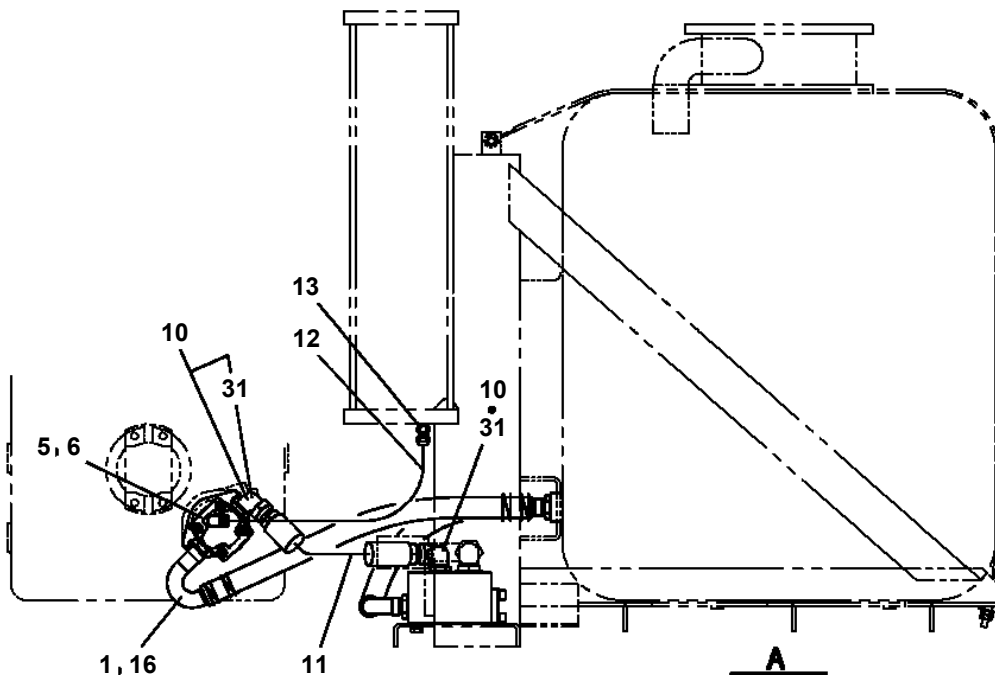
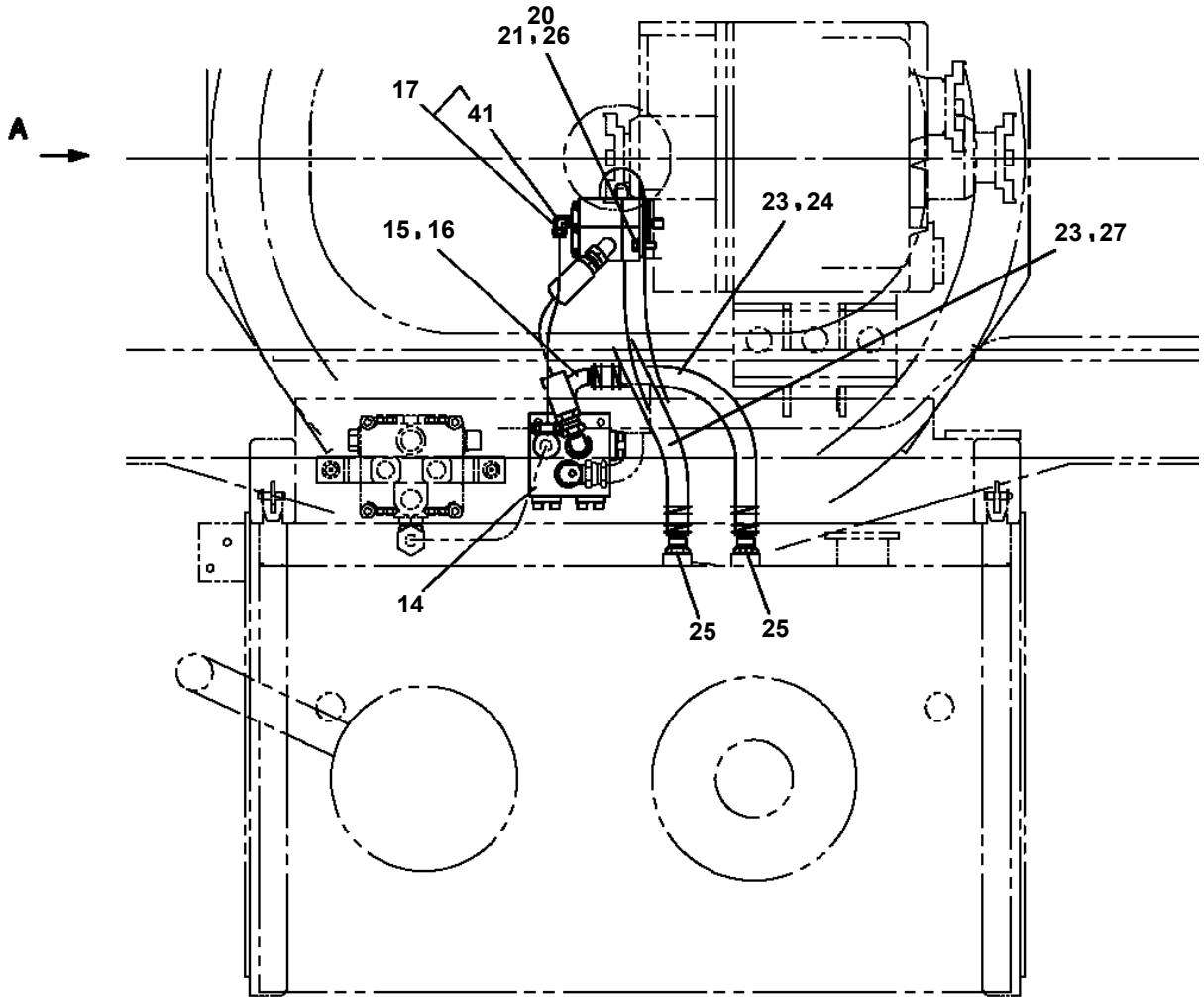
GR-600-1-00104 5 BOOM + 2 JIB, 2M2D

Pos No.	Parts No	Parts Name	Qty	Unit	Technical Data	Serial No (Start)	Serial
1	37003901520	WHEEL,TIRE	1				
2	37003804510	TIRE (HUNG-A)	1				
4	37003804720	VALVE	1				
21	34397020100	PLATE,NAME (INSTALLED TIRES AT TIME OF)	1				

GR-600-1-00104 5 BOOM + 2 JIB, 2M2D

Pos No.	Parts No	Parts Name	Qty	Unit	Technical Data	Serial No (Start)	Serial No (End)	Remarks
1	99135538025	BOLT,HEXAGON SOCKET	4		3/8-16UNCX25			
2	90302040042	WASHER,SPRING	4		W3/8			
3	34720221300	ADAPTER	1					
4	36635270001	ORBITROL	1					
5	34721221100	SUPPORT	1					
6	99172108016	BOLT,TAPPING	3		M8X16			
7	37000560260	PLATE	1					
8	99172106012	BOLT,TAPPING	2		M6X12			
11	99172106016	BOLT,TAPPING	3		M6X16			
12	34721221200	COVER	1					
13	99172108020	BOLT,TAPPING	4		M8X20			
14	(***** *****)	WHEEL,STEERING	1					

GR-600-1-00104 5 BOOM + 2 JIB, 2M2D
PS1210006-01 PIPING,EMERGENCY STEERING (GRAND DRIVE)



GR-600-1-00104 5 BOOM + 2 JIB, 2M2D

Pos No.	Parts No	Parts Name	Qty	Unit	Technical Data	Serial No (Start)	Serial No (End)	Remarks	Pages
11	36610275020	O-RING	1		AS568-908				
13	36610385020	PLUG	1						
14	36610275040	O-RING	2						
15	36610385010	SPRING	1						
17	36610275060	PLUG	1						
50	36610380000	VALVE,PRIORITY	1						

GR-600-1-00104 5 BOOM + 2 JIB, 2M2D

Pos No.	Parts No	Parts Name	Qty	Unit	Technical Data	Serial No (Start)	Serial No (End)	Remarks	Pages
5	34510703250	PACKING	1						
6	34510703260	PACKING	1						
100	34510703200	SUPPORT	1						

GR-600-1-00104 5 BOOM + 2 JIB, 2M2D

Pos No.	Parts No	Parts Name	Qty	Unit	Technical Data	Serial No (Start)	Serial N
1	36101940000	TANK,BRAKE FLUID	1				
2	90186206020	BOLT,FLANGE	4		M6X20		
3	37000915670	JOINT	3		R1/2-M22		
4	90303382201	WASHER	3		M22		
5	90280200600	NUT,FLANGE	12		M6		
6	34921111001	SUPPORT	1				
7	90209201000	NUT	9		M10		
8	90302041001	WASHER,SPRING	21		10		
9	90303071001	WASHER,PLAIN	8		10		
10	37000904230	FITTING,ELBOW	3		L,R1/4-M16		
11	37000904830	NUT,FLARE	12		M16		
12	34920672100	SUPPORT	2				
13	90186210025	BOLT,FLANGE	4		M10X25		
14	90280201000	NUT,FLANGE	4		M10		
15	90269201000	NUT	4		M10		
16	37000922660	FITTING,ELBOW	2				
17	37000904840	NUT,FLARE	4		M20		
18	42340011070	JOINT	2		T,PT1/4-PT1/4-PT1/4		
19	36870020000	SWITCH,PRESSURE (AIR/STOP LAMP)	1				
20	37000903930	FITTING	2		S,R1/4-M16		
21	90302040801	WASHER,SPRING	6		8		
22	90186208020	BOLT,FLANGE	2		M8X20		
23	37000711000	CLAMP ASSY	2		12-1		
24	37000302720	SLEEVE	15		12-6.35		
25	37000711080	CLAMP ASSY	2		12-2		
26	37000300720	SLEEVE	6		12-10		
27	34921848080	PIPE ASSY	1				
28	34921418020	PIPE ASSY	1		6.35XT0.7,L=2095 TO		
29	34921418240	PIPE ASSY	1		6.35XT0.7,L=1641		
30	34921418250	PIPE ASSY	1		10XT0.7,L=1562		
31	36720040000	SWITCH,PRESSURE (LOW AIR)	1				
32	34921418260	PIPE ASSY	1		6.35XT0.7,L=1515		
33	37000904010	FITTING	1		S,M12-M12		
34	37000904810	NUT,FLARE	26		M12		
35	34921418060	PIPE ASSY	1		6.35XT0.7,L=1440		
36	34921848120	PIPE ASSY	1				
37	91801300190	CLIP	4		D=16-19		
38	37002506500	HOSE	1		L=160		
39	37002506590	HOSE <L=260)	1				
40	36645960000	VALVE ASSY,SOLENOID	1				
41	82100002002	CLAMP	5		WR6		
42	34921418080	PIPE ASSY	1		6.35XT0.7,L=495		
43	37000904510	FITTING,TEE	2		T,6.35		
44	34780352000	LINK ASSY	1				
45	90209201200	NUT	1		M12		
46	90191212035	BOLT	2		M12X35		
47	90302041201	WASHER,SPRING	2		12		
48	36700150000	CHAMBER,BRAKE	1		16A		
49	34921418090	PIPE ASSY	1		6.35XT0.7,L=1145		
50	37000921420	JOINT	2		T,1/4-M12-M12		
51	34921418100	PIPE ASSY	1		6.35XT0.7,L=530		
52	37000901091	NUT,FLARE	6		M12		
53	37001600810	NUT	2		PF1/4		
54	90304111401	WASHER,TOOTH	2		14		
55	82100002010	CLAMP	2		WR15		
56	37002437530	HOSE,BRAKE	4		L=605		
57	34921418110	PIPE ASSY	1		6.35XT0.7,L=560		
58	34921413000	SUPPORT	1				
59	90101210020	BOLT	8		M10X20		
60	37000903400	FITTING,ELBOW <L,R1/2-M16	1				
61	37001601440	NUT	9		M12X1.0		
62	90304111201	WASHER,TOOTH	9		12		
63	34921418120	PIPE ASSY	1		6.35XT0.7,L=530		

GR-600-1-00104 5 BOOM + 2 JIB, 2M2D

Pos No.	Parts No	Parts Name	Qty	Unit	Technical Data	Serial No (Start)	Serial No (End)	Remarks	Page
5	36101800041	CAP	1						
6	36101945060	RING (SLIDE)	1						
7	36101945070	COVER (RING)	1						
8	34921317510	DIAPHRAGM	1						
9	34921317530	BRACKET	1						
100	36101940000	TANK,BRAKE FLUID	1						

GR-600-1-00104 5 BOOM + 2 JIB, 2M2D

Pos No.	Parts No	Parts Name	Qty	Unit	Technical Data	Serial No (Start)	Serial No (End)	Remarks	Page
59	36870365030	HEATER	1						
60	36870415010	THERMOSTAT	1						
71	36870365010	VALVE ASSY	1						
72	36870365020	CARTRIDGE	1				547342		
	36870365021	CARTRIDGE	1			547343			
73	36870365051	FILTER (REPAIR KIT)	1						
100	36870360000	DRIER,AIR	1						

GR-600-1-00104 5 BOOM + 2 JIB, 2M2D

Pos No.	Parts No	Parts Name	Qty	Unit	Technical Data	Serial No (Start)	Serial No (End)	Remarks
1	36646085031	SOLENOID	1					
100	36740705010	VALVE ASSY,SOLENOID	1					

GR-600-1-00104 5 BOOM + 2 JIB, 2M2D

Pos No.	Parts No	Parts Name	Qty	Unit	Technical Data	Serial No (Start)	Serial
1	37003901500	WHEEL,TIRE	1				
2	37003804950	TIRE (YOKOHAMA)	1				
11	34397020100	PLATE,NAME (INSTALLED TIRES AT TIME OF)	1				

GR-600-1-00104 5 BOOM + 2 JIB, 2M2D

Pos No.	Parts No	Parts Name	Qty	Unit	Technical Data	Serial No (Start)	Serial No (End)
1	34721421100	WHEEL,STEERING	1				
2	34721722100	COVER	1				
3	34721422200	COVER	1				
4	82100002051	CLAMP	1		WS-A55		
5	80182306010	SCREW,MACHINE	3		M6X10		
6	90302040601	WASHER,SPRING	3		6		
7	82100002039	CLAMP	2				
8	90209201200	NUT	1		M12		
9	90302041201	WASHER,SPRING	1		12		
10	90303071201	WASHER,PLAIN	1		12		
11	34721422301	SHAFT ASSY (STEERING)	1				
12	80172305010	SCREW,MACHINE	3		M5X10		
13	90302040501	WASHER,SPRING	7		5		
14	90131505020	BOLT,HEXAGON SOCKET	4		M5X20		
15	90303070501	WASHER,PLAIN	4		5		
16	34720912600	SHIM	1				
17	34721182400	ADAPTER	1				
18	90201200500	NUT	4		M5		
19	34720911200	SWITCH ASSY (COMBINATION)	1				
20	90982050145	SCREW,TAPPING	4				
21	80192488016	SCREW,MACHINE	1		M8X16		
22	80192486014	SCREW,MACHINE (WITH WASHER)	2		M6X14		
23	82420503212	TRIM	1	M			

GR-600-1-00104 5 BOOM + 2 JIB, 2M2D

Pos No.	Parts No	Parts Name	Qty	Unit	Technical Data	Serial No (Start)	Serial No (End)	Remarks	Pages
1	37000525300	PLATE	4						
2	90101208016	BOLT	4		M8X16				
3	90302040801	WASHER,SPRING	4		8				
4	90303070801	WASHER,PLAIN	4		8				
5	34691476100	COVER	1						

GR-600-1-00104 5 BOOM + 2 JIB, 2M2D

Pos No.	Parts No	Parts Name	Qty	Unit	Technical Data	Serial No (Start)	Serial No (End)	Remarks	Pages
1	34490711200	SUPPORT	1						
2	90101512030	BOLT	4		M12X30				
3	90302041201	WASHER,SPRING	4		12				
5	34490711300	PLATE	1						

GR-600-1-00104 5 BOOM + 2 JIB, 2M2D

Pos No.	Parts No	Parts Name	Qty	Unit	Technical Data	Serial No (Start)	Serial No (End)	Remarks	Pages
1	34761625100	BOX,TOOL	1						
2	91901200300	KEY	1						
3	90101210022	BOLT	4		M10X22				
4	90302041001	WASHER,SPRING	4		10				
5	90303071001	WASHER,PLAIN	4		10				
6	34761625500	SUPPORT	1						
7	90201201000	NUT	4		M10				
20	34761629510	COVER ASSY	1						
24	82466022800	CATCH	1						
26	80172304014	SCREW,MACHINE	2		M4X14				
27	90302040401	WASHER,SPRING	2		4				
29	34760135150	HINGE	2						
31	34761625150	CUSHION	2						
32	34761625160	CUSHION	2						

GR-600-1-00104 5 BOOM + 2 JIB, 2M2D

Pos No.	Parts No	Parts Name	Qty	Unit	Technical Data	Serial No (Start)	Serial No (End)	Remarks	Pages
1	34344460600	SUPPORT	1						
4	37000517210	SUPPORT	1						
5	37000524090	PLATE	2						
6	37000553870	PLATE	1						
7	34310000060	PLATE	1						

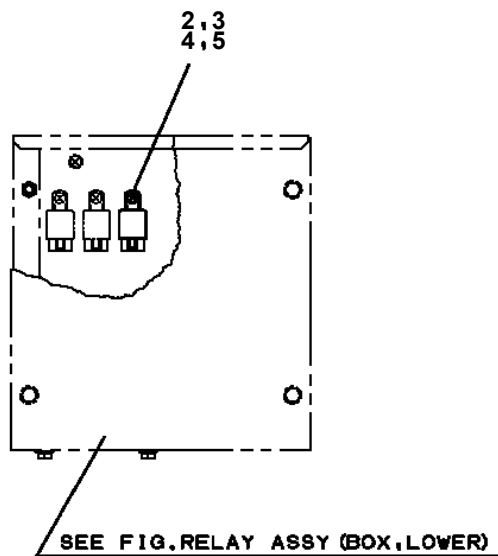
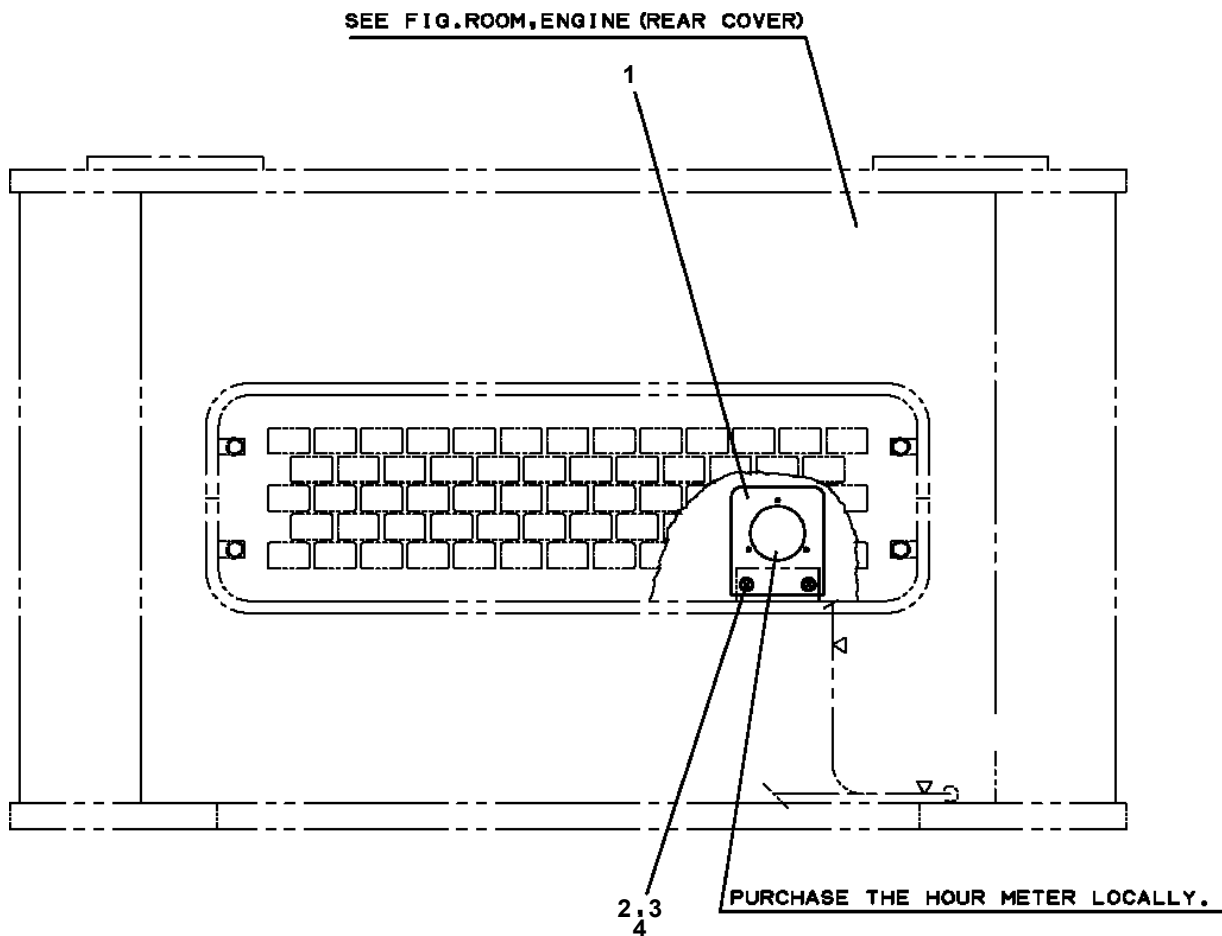
GR-600-1-00104 5 BOOM + 2 JIB, 2M2D

Pos No.	Parts No	Parts Name	Qty	Unit	Technical Data	Serial No (Start)	Serial No (End)	Remarks
1	36690121000	COOLER,OIL	1					
2	36663120000	MOTOR,HYDRAULIC	1					
3	36690291000	SUPPORT	1					
4	90101210020	BOLT	4		M10X20			
5	90201201000	NUT	4		M10			
6	90302041001	WASHER,SPRING	6		10			
7	90172110025	BOLT,HEXAGON SOCKET	2		M10X25			
8	36690040500	FLANGE	1					
9	90101208018	BOLT	5		M8X18			
10	90302040801	WASHER,SPRING	5		8			
11	37000509410	PLATE	1					
12	90303071001	WASHER,PLAIN	2		10			
13	90201401000	NUT	2		M10			

GR-600-1-00104 5 BOOM + 2 JIB, 2M2D

Pos No.	Parts No	Parts Name	Qty	Unit	Technical Data	Serial No (Start)	Serial No (End)	Remarks
84	36320565790	CASE (FRONT)	1					
85	36320565800	DAMPER	1					
86	36320565810	DAMPER	1					
87	36320565820	DAMPER	1					
88	36320565830	DAMPER	1					
89	36320565840	DAMPER	1					
90	36320565700	SCREW,MACHINE	6					
541	36320565700	SCREW,MACHINE	7					
542	36320565550	CASE	1					
543	36320565560	CASE (BLOWER)	1					
621	36320565700	SCREW,MACHINE	5					
622	36320566020	CASE	1					
623	36320566030	CASE	1					
624	36320565650	DAMPER	1					

**GR-600-1-00104 5 BOOM + 2 JIB, 2M2D
PY1510040-01 HOUR METER**



GR-600-1-00104 5 BOOM + 2 JIB, 2M2D

Pos No.	Parts No	Parts Name	Qty	Unit	Technical Data	Serial No (Start)	Serial No (End)	Remarks
1	36320395200	CLIP	1					
2	36320396180	SEAL (MECHANICAL)	1					
3	36320395220	ARMATURE ASSY	1					
4	36320395260	HOLDER ASSY (MOTOR)	1					
5	36320395270	BRACKET	1					
6	36320395280	BODY ASSY	1					
7	36320395350	CASING,PUMP	1					
8	36320395360	IMPELLER	1					
10	36320395370	SCREW (WITH WASHER)	2					
11	36320395380	BOLT (WITH WASHER)	3		M6X30			
12	36320395390	BOLT (WITH WASHER)	1		M6X20			
13	36320395400	WASHER	3					
14	36320395410	WASHER,SPRING	1					
15	36320395420	WASHER (RUBBER)	1					
16	36320395430	NUT,HEXAGON	1		M6			
17	36320395440	O-RING	1					
18	36320395450	O-RING	1					
19	36320395460	BAND	1					
22	36320395230	RING	2					
23	36320395030	BEARING,BALL	1					
24	36320395250	BEARING,BALL	1					
31	36320395290	BRUSH (CARBON)	2					
32	36320395300	HOLDER,BRUSH	1					
33	36320395310	SPRING	2					
34	36320395320	GROMMET	1					
35	36320395330	TUBE	1					
36	36320395340	WIRE ASSY	1					
50	36320392081	PUMP,WATER	1					

CLICK HERE TO **DOWNLOAD** THE COMPLETE MANUAL

- Thank you very much for reading the preview of the manual.
- You can download the complete manual from: www.heydownloads.com by clicking the link below



- Please note: If there is no response to CLICKING the link, please download this PDF first and then click on it.

CLICK HERE TO **DOWNLOAD** THE COMPLETE MANUAL