

## **GR-550-2-00104 4 BOOM + 2 JIB,2M2D**

**PB5000011-00 HYDRAULIC PRESSURE SYSTEM**  
**PB6000022-00 PIPING SYSTEM (UPPER)**  
**PB6000023-00 PIPING SYSTEM (LOWER)**  
**PC1000634-00 OUTRIGGER SYSTEM**  
**PD1000625-00 SWING SYSTEM**  
**PF1000716-00 WINCH SYSTEM**  
**PG5000010-00 BOOM SYSTEM**  
**PG6000009-00 JIB SYSTEM**  
**PH5000010-00 SAFETY SYSTEM**  
**PK1000732-02 FRAME**  
**PK5000010-00 CAB SYSTEM**  
**PL5000010-00 CONTROL SYSTEM**  
**PM1000032-01 LUBRICATION DEVICES**  
**PN1000619-00 ELECTRIC EQUIPMENT (CAB)**  
**PN1000621-00 ELECTRIC EQUIPMENT**  
**PO1000150-00 INDICATION PLATES**  
**PR5000014-01 DRIVING POWER SYSTEM**  
**PS5000010-00 STEERING & SUSPENSION**  
**PW1000097-02 ACCESSORIES & TOOLS**  
**PX1001205-02 MOUNTING PARTS**  
**PY1001546-03 OPTIONS**  
**ASSEMBLY**

CLICK HERE TO **DOWNLOAD** THE COMPLETE MANUAL

- Thank you very much for reading the preview of the manual.
- You can download the complete manual from: [www.heydownloads.com](http://www.heydownloads.com) by clicking the link below



- Please note: If there is no response to CLICKING the link, please download this PDF first and then click on it.

CLICK HERE TO **DOWNLOAD** THE COMPLETE MANUAL

# GR-550-2-00104 4 BOOM + 2 JIB,2M2D

Pos No.	Parts No	Parts Name	Qty	Unit	Technical Data	Serial No (Start)	Serial No (End)	Re
1	(*****)	PIPING ASSY,SUCTION	1					
2	(*****)	PIPING ASSY (STEER/SPING LOCK)	1					
3	(*****)	PIPING ASSY,OUTRIGGER	1					
4	(*****)	PIPING ASSY,SWIVEL	1					
5	(*****)	PIPING ASSY,RETURN (LOWER)	1					
6	(*****)	PIPING ASSY,CONVERTER	1					
7	(*****)	PIPING ASSY,BRAKE (LOWER)	1					
8	(*****)	PIPING ASSY,AIR	1					

# GR-550-2-00104 4 BOOM + 2 JIB,2M2D

Pos No.	Parts No	Parts Name	Qty	Unit	Technical Data	Serial No (Start)	Serial No (End)
1	(*****)	JIB ASSY	1				
2	(*****)	ATTACHMENT,JIB	1				
3	(*****)	SUPPORT ASSY (JIB)	1				
4	(*****)	DETECTOR,OVER WIND (WEIGHT/JIB)	1				
5	(*****)	MOUNT ASSY (JIB HANDLE)	1				

# GR-550-2-00104 4 BOOM + 2 JIB,2M2D

Pos No.	Parts No	Parts Name	Qty	Unit	Technical Data	Serial No (Start)	Serial No (End)	Remarks	Page
1	(***** *****)	PARTS,GREASING PARTS ASSY,GREASE	1 1			541314	541313		0002 0002

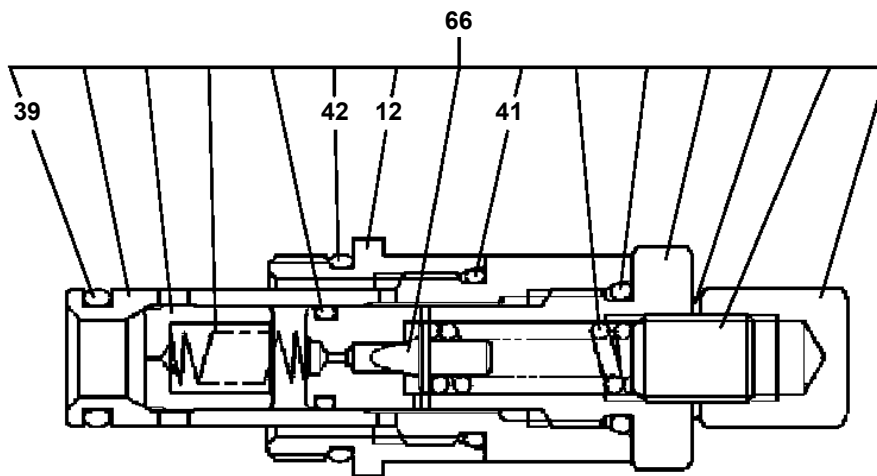
# GR-550-2-00104 4 BOOM + 2 JIB,2M2D

Pos No.	Parts No	Parts Name	Qty	Unit	Technical Data	Serial No (Start)	Serial No (End)	Remarks
1	(*****)	STEERING ASSY (LOWER)	1					
2	(*****)	MOUNT,SUSPENSION	1					

## GR-550-2-00104 4 BOOM + 2 JIB,2M2D

PM5020005-00 MARKING (BOOM)  
PM5110001-00 METER,COMBINATION  
PM5130006-02 MIRROR ASSY (DRUM)  
PM5130009-00 MIRROR ASSY  
PM5130019-00 MIRROR ASSY (DRUM)  
PM5150474-00 MODIFICATION ASSY (HARNES)  
PM5170001-01 MOMENT LIMITER:AML  
PM5170001-01 MOMENT LIMITER:AML  
PN1060204-01 SWITCH PANEL (2)  
PN1080161-03 LAMP  
PN1080431-01 LAMP (COMBINATION)  
PN1370121-00 BATTERY (YUASA,170F51)  
PN1370124-00 BATTERY (PANASONIC,130F51)  
PN1370125-00 BATTERY (GLOBAL & YUASA,130F51)  
PN1370143-00 BATTERY (HYUNDAI ENERCELL)  
PN5010362-00 NAME PLATE ASSY (LOGO MARK)  
PN5010371-01 NAME PLATE ASSY (UPPER/ENGLISH)  
PN5010372-00 NAME PLATE ASSY (LOWER/ENGLISH)  
PN5010398-01 NAME PLATE ASSY (UPPER/ENGLISH & SPANISH)  
PN5010403-00 NAME PLATE ASSY (LOWER/ENGLISH & SPANISH)  
PN5010404-01 NAME PLATE ASSY (UPPER/ENGLISH & PORTUGUESE)  
PN5010405-00 NAME PLATE ASSY (LOWER/ENGLISH & PORTUGUESE)  
PN5010786-00 NAME PLATE ASSY (FILLING OIL DISTINCTION)  
PO1012825-05 PLATE ASSY,NAME (OIL)  
PO1014823-02 PLATE ASSY,NAME (LLC FOR COLD DISTRICT)  
PO1015261-00 PLATE ASSY,NAME (NO.1-NO.38)  
PO1030017-00 TADANO (CAB,BLUE/BLACK)  
PO1030018-00 TADANO (CAB,WHITE/WHITE)  
PO1030019-00 TADANO (CAB,BLUE/WHITE)  
PO1050084-03 MARKING (OUTRIGGER)  
PO5020015-04 OPE.ASSY,ACCELERATOR  
PO5040004-00 OPE.ASSY,BRAKE  
PO5080038-01 OPE.ASSY,CONT.VALVE (ISO/VISUAL)  
PO5080039-01 OPE.ASSY,CONT.VALVE (ISO/TACTILE)  
PO5260016-00 OUTER COVERING ASSY (FRAME)  
PO5260017-07 OUTER COVERING ASSY (FENDER)  
PO5260039-00 OUTER COVERING ASSY (NON SLIP SEAL)  
PO5260040-05 OUTER COVERING ASSY (NON-SLIP PAINT)  
PO5270048-01 OUTRIGGER ASSY  
PP5050013-01 PARTS ASSY,AML  
PP5120028-00 PARTS ASSY,GREASE  
PP5240024-00 PLATE,NAME  
PP5420007-02 PUMP ASSY,OIL (MAIN)  
PP6010088-03 PIPING ASSY (JIB SET)  
PP6010089-01 PIPING ASSY (STEER/SPING LOCK)  
PP6010090-00 PIPING ASSY (AUX. WINCH)  
PP6020006-00 PIPING ASSY,AIR  
PP6070004-00 PIPING ASSY,BRAKE (UPPER)  
PP6070005-00 PIPING ASSY,BRAKE (LOWER)  
PP6090003-03 PIPING ASSY,CONVERTER  
PP6100005-00 PIPING ASSY,DERRICK  
PP6110029-00 PIPING ASSY,DRAIN  
PP6150002-00 PIPING ASSY,GAUGE  
PP6180004-00 PIPING ASSY,JIB  
PP6220009-01 PIPING ASSY,OUTRIGGER  
PP6240007-02 PIPING ASSY,PILOT  
PP6270012-00 PIPING ASSY,RETURN (UPPER)  
PP6270030-00 PIPING ASSY,RETURN (LOWER)  
PP6290003-00 PIPING ASSY,STEERING  
PP6300004-00 PIPING ASSY,SUCTION  
PP6320007-00 PIPING ASSY,SWING  
PP6340005-04 PIPING ASSY,SWIVEL  
PP6360004-00 PIPING ASSY,TELESCOPE  
PP6390010-00 PIPING ASSY,WINCH (MAIN)

GR-550-2-00104 4 BOOM + 2 JIB,2M2D  
PB1340068-01 VALVE,SOLENOID CONTROL





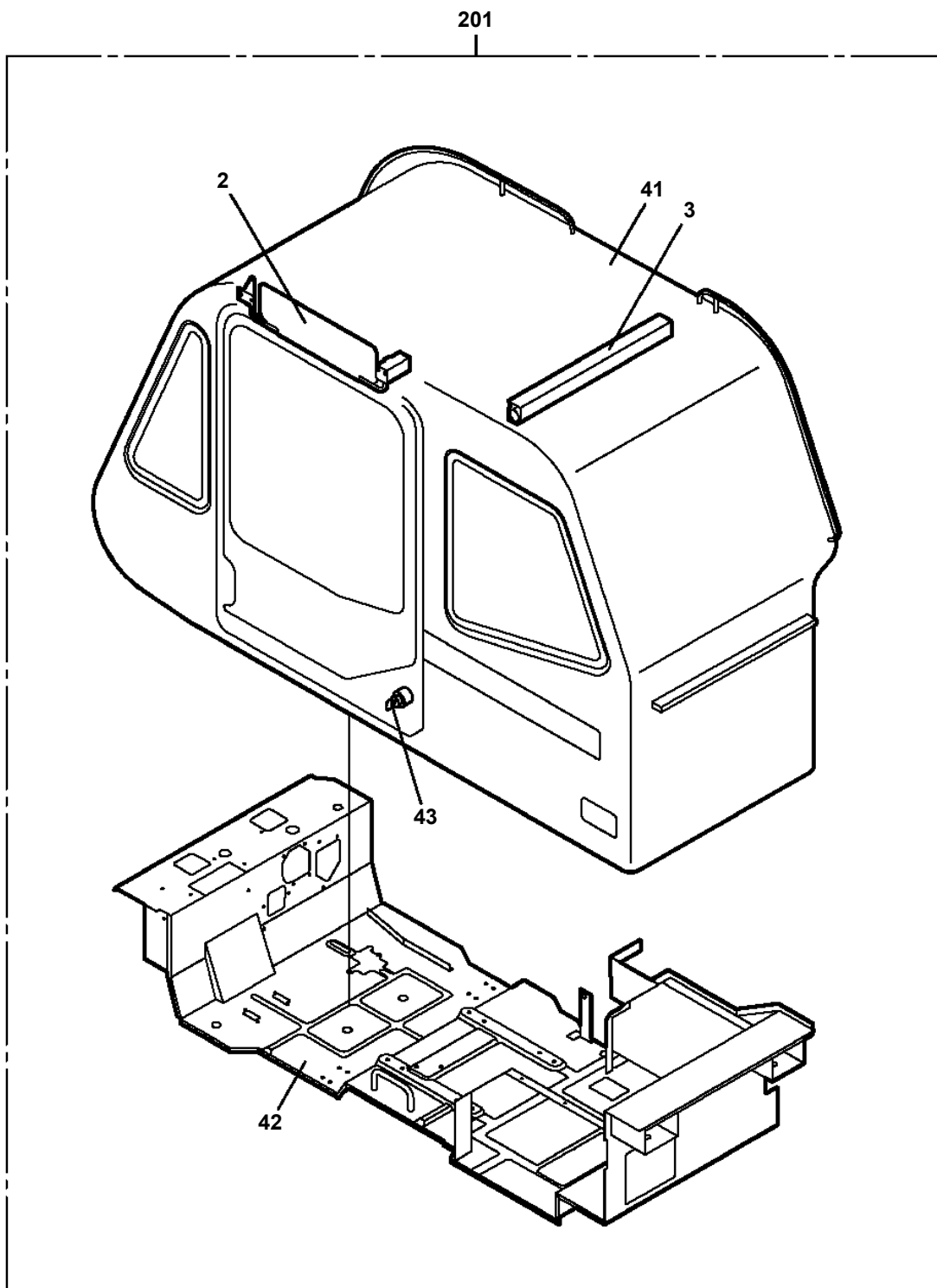
## GR-550-2-00104 4 BOOM + 2 JIB,2M2D

Pos No.	Parts No	Parts Name	Qty	Unit	Technical Data	Serial No (Start)	Serial No (End)	Remarks	Pages
1	34323251301	BOX	1						
2	34323251401	COVER	1						
3	34323251500	SUPPORT	1						
4	34323261600	LEVER	1						
5	34320900800	RATCHET	1						
6	34323251900	GEAR	1						
7	34321064700	ROD	1						
8	19114411000	SPRING	1						
9	80601110160	RING,RITAINING	3		16				
10	90101208025	BOLT	3		M8X25				
11	80182306030	SCREW,MACHINE	1		M6X30				
12	90201200600	NUT	1		M6				
13	80617010060	RING,GRIP	2		6				
14	80176405012	SCREW,MACHINE	5		M5X12				
15	90305260501	WASHER	5		B1-5				
16	34323261700	COVER	1						
17	90302040801	WASHER,SPRING	3		8				
18	19214024000	SPRING	1						
19	80176404012	SCREW,MACHINE	2		M4X12				
20	90305260401	WASHER	2		4				
100	34323251101	BOX ASSY (LEFT)	1						

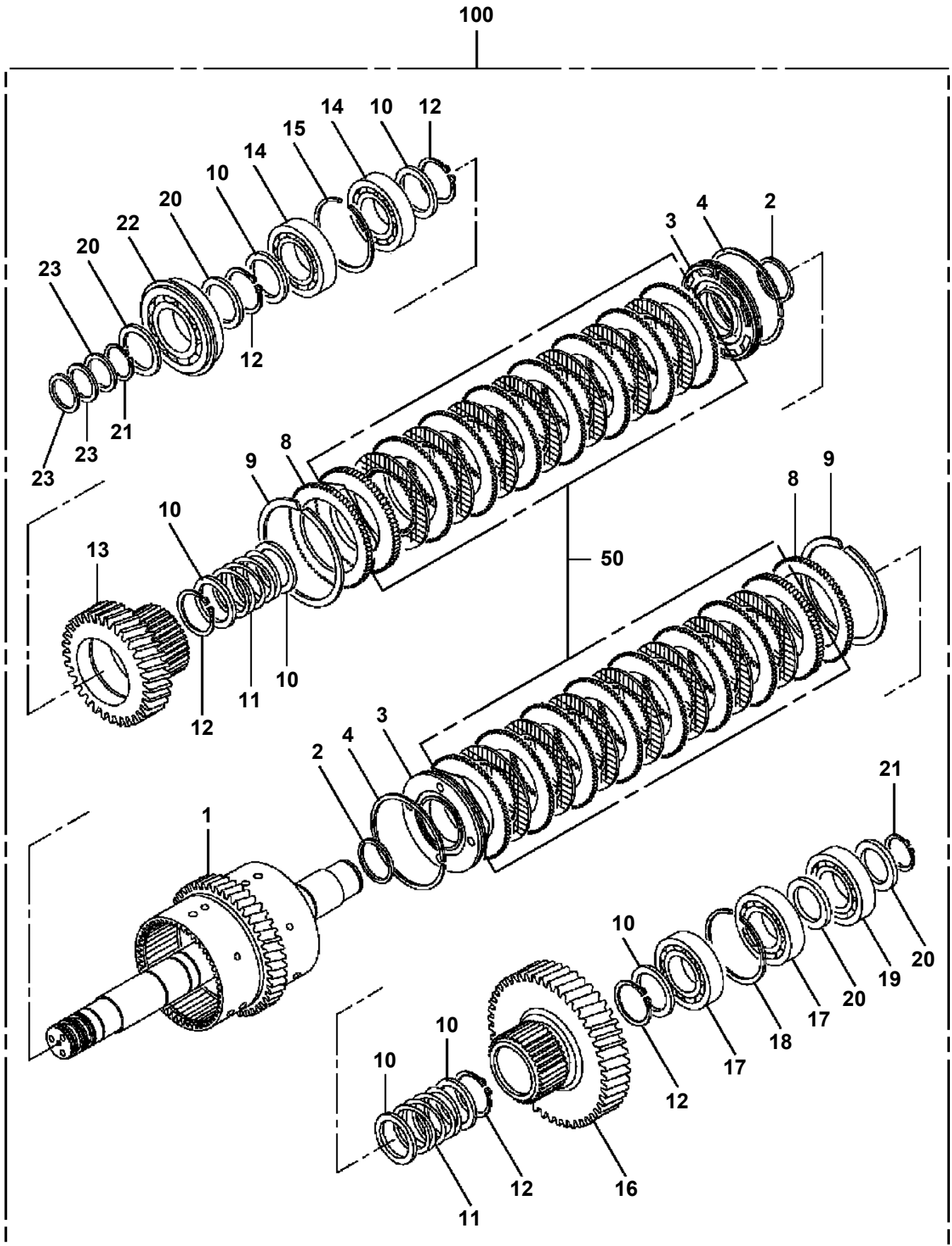
# GR-550-2-00104 4 BOOM + 2 JIB,2M2D

Pos No.	Parts No	Parts Name	Qty	Unit	Technical Data	Serial No (Start)	Serial No (End)	Remarks
1	36131800000	DETECTOR ASSY,LENGTH	4					
2	37001600850	NUT	16					
3	80182306012	SCREW,MACHINE	16		M6X12			
4	90302040601	WASHER,SPRING	16		6			
5	37001107031	ROLLER ASSY	4					
7	80601110170	RING,RITAINING	4		S17			
8	80136320016	PIN,SPLIT	4		2X16			
9	90303070601	WASHER,PLAIN	4		6			
10	90186208010	BOLT,FLANGE	12		M8X10			
16	34931275200	PIN	4					
21	34931275300	PLATE	4					
22	34952101100	COVER	4					

GR-550-2-00104 4 BOOM + 2 JIB,2M2D  
PC5010011-00 CAB ASSY

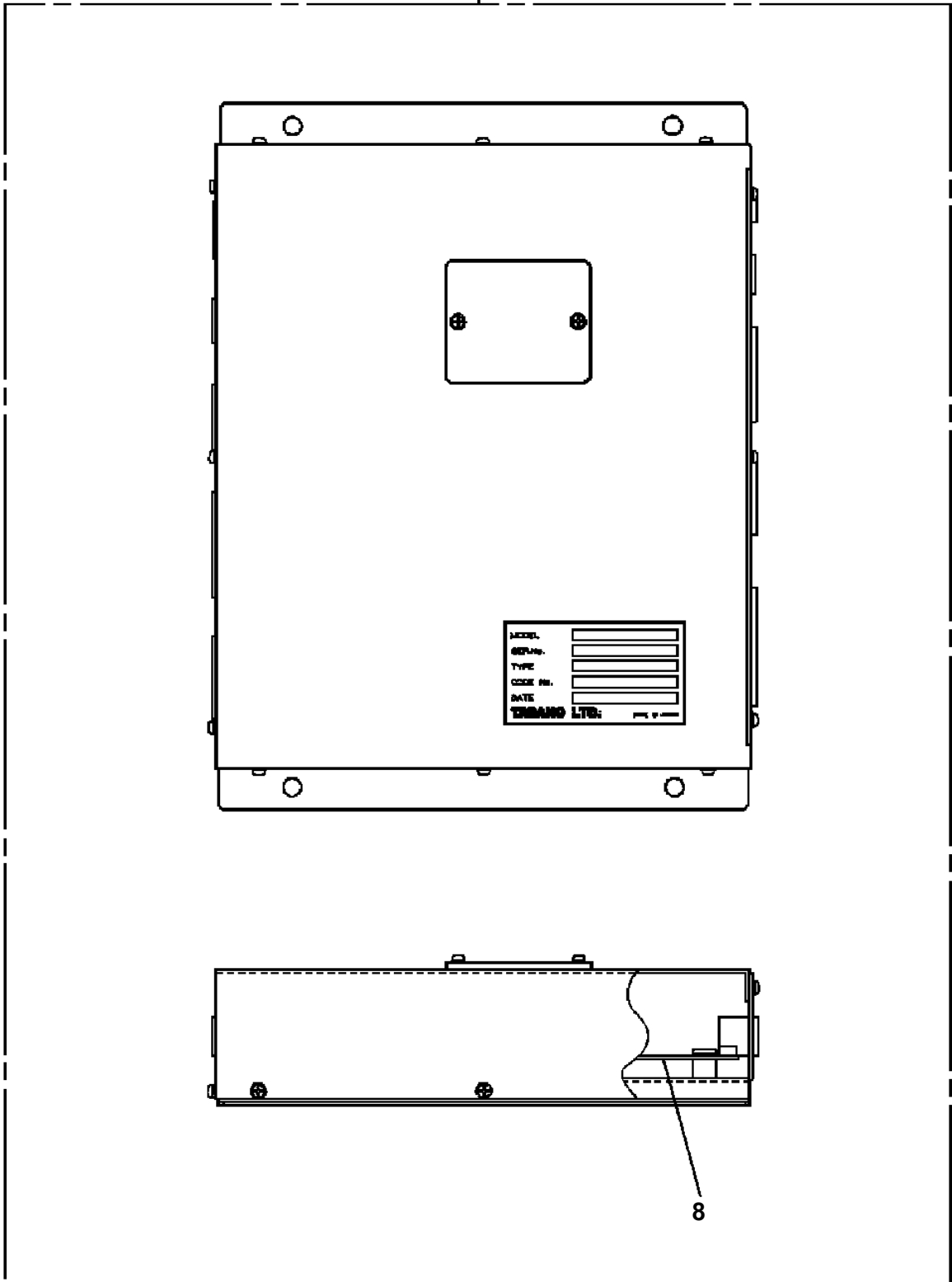


GR-550-2-00104 4 BOOM + 2 JIB,2M2D  
PC5310004-00 CLUTCH PACK,TRANSMISSION

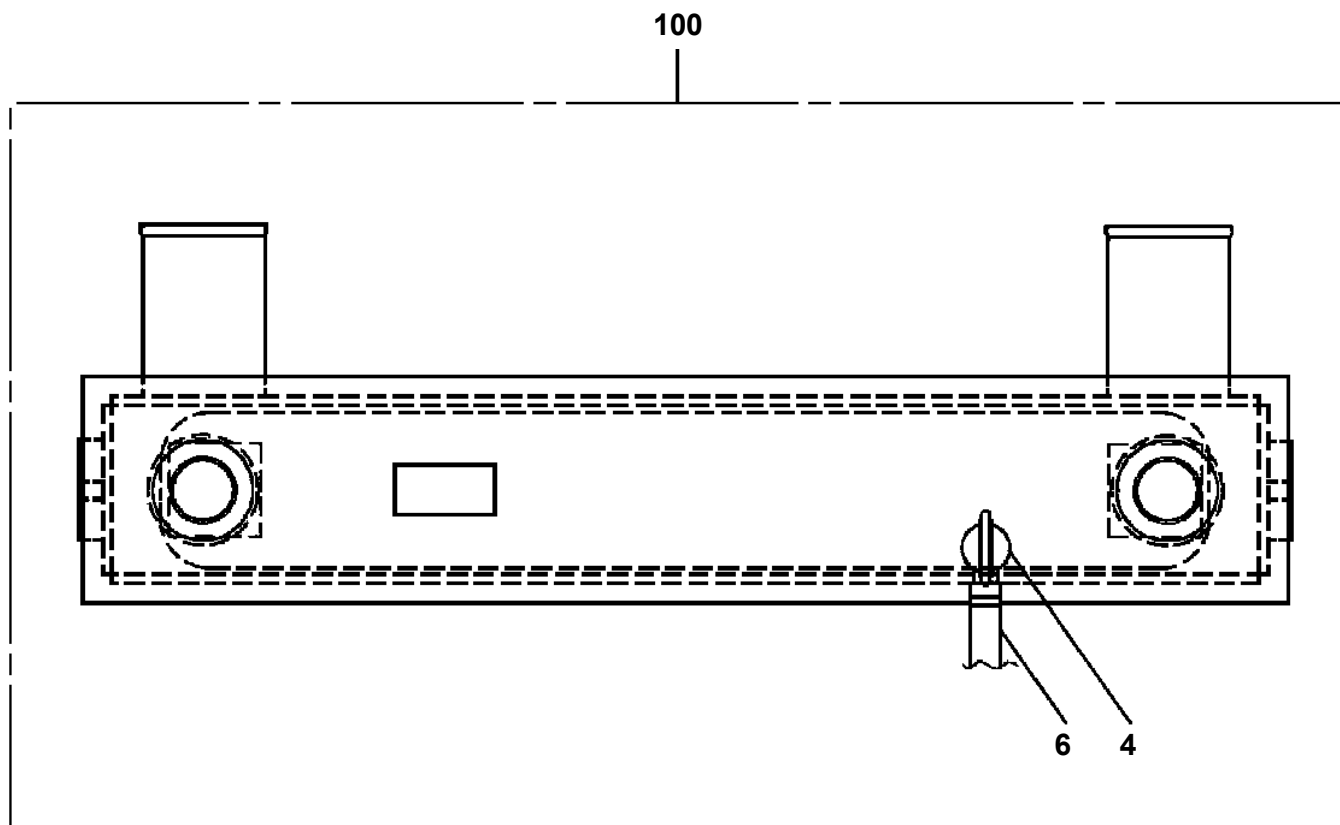


GR-550-2-00104 4 BOOM + 2 JIB,2M2D  
PC5420001-00 CONTROLLER (MDT/UPPER)

100



GR-550-2-00104 4 BOOM + 2 JIB,2M2D  
PC5490010-00 COOLER ASSY,OIL



# GR-550-2-00104 4 BOOM + 2 JIB,2M2D

Pos No.	Parts No	Parts Name	Qty	Unit	Technical Data	Serial No (Start)	Serial No (End)	Remarks	Pages
1	82122704160	CAP (PLUG)	1						
2	82122705160	CAP (PLUG)	1						
10	37002711310	CABLE	1		L=10800				
21	91001001405	O-RING	2		S-14				

## GR-550-2-00104 4 BOOM + 2 JIB,2M2D

Pos No.	Parts No	Parts Name	Qty	Unit	Technical Data	Serial No (Start)
1	36051221002	CYLINDER ASSY	1			
3	90201702400	NUT	1		M24	
4	36054273500	PISTON	1			
5	91332207000	BEARING,PLAIN	1			
6	91002803500	O-RING	1		1B P35	
7	36051082001	ROD ASSY	1			
8	36061593600	COVER,ROD	1			
9	91002806000	O-RING	1		1B P60	
10	91251100350	RING,DAMPER	1			
11	91694003500	PACKING	1			
12	91410203501	RING,BACKUP	1			
13	16616016000	PLATE	1			
14	91660003501	SEAL,DUST	1			
16	91301103500	BEARING,PLAIN	1			
17	91350307000	PACKING ASSY (PACKING X2+BACKUP RING X2)	1			
41	80530000204	BEARING,SPHERICAL	2			
80	36054279900	PACKING SET	1		35X70	
100	36054280000	CYLINDER ASSY (QUICK TURN JIB,PISTON:PACKING)	1			

# GR-550-2-00104 4 BOOM + 2 JIB,2M2D

Pos No.	Parts No	Parts Name	Qty	Unit	Technical Data	Serial No (Start)	Serial No (End)	R
1	59457138000	PLUG ASSY	1					
2	90730008120	SCREW,SET	1		M8X12			
3	36017500010	NUT	1					
4	91302319000	BEARING,PLAIN	2					
5	91684019000	PACKING	2					
6	91431217501	RING,BACKUP	2					
7	36010920101	PISTON	1					
8	91002813500	O-RING	1		1B P135			
9	36018671000	ROD	1					
10	36018528810	CYLINDER	1				540967	
	36019158810	CYLINDER	1			540968	541111	
	36019158811	CYLINDER	1			541112		
11	91002918500	O-RING	1		1B G185			
12	91411013500	RING,BACKUP	1					
13	36018523000	SUPPORT	1					
14	91251101600	RING,DAMPER	1					
15	91694016000	PACKING	1					
16	91410216001	RING,BACKUP	1					
17	91301116000	BEARING,PLAIN	1					
18	91660016001	SEAL,DUST	1					
19	36605480000	CARTRIDGE, COUNTERBALANCE	1					
20	19116004000	COVER	1					
21	90172110025	BOLT,HEXAGON SOCKET	4		M10X25			
22	90302041001	WASHER,SPRING	4		10			
23	18336032000	PLATE	1				541111	
	36019160010	PLATE	1			541112		
24	16616016000	PLATE	1					
25	37001105530	ROLLER ASSY	1				540967	
	37001113210	ROLLER ASSY	1			540968		
26	37000302950	SPACER	2		L=5			
27	90303102001	WASHER,PLAIN	2		20			
28	80136340030	PIN,SPLIT	2		4X30			
29	37000117060	PIN	1		L=120		540967	
	37000208010	PIN	1		L=178	540968		
30	91000526500	O-RING	1		AS568-265			
31	36016664000	COVER,ROD	1					
52	80516006204	BEARING,BALL	2					
72	80612111700	RING,RITAINING	1		AR170			
73	37000404290	BEARING,PLAIN	1					
80	36018529900	PACKING SET	1		160X190			
100	36018670000	CYLINDER ASSY,TELESCOPING	1					

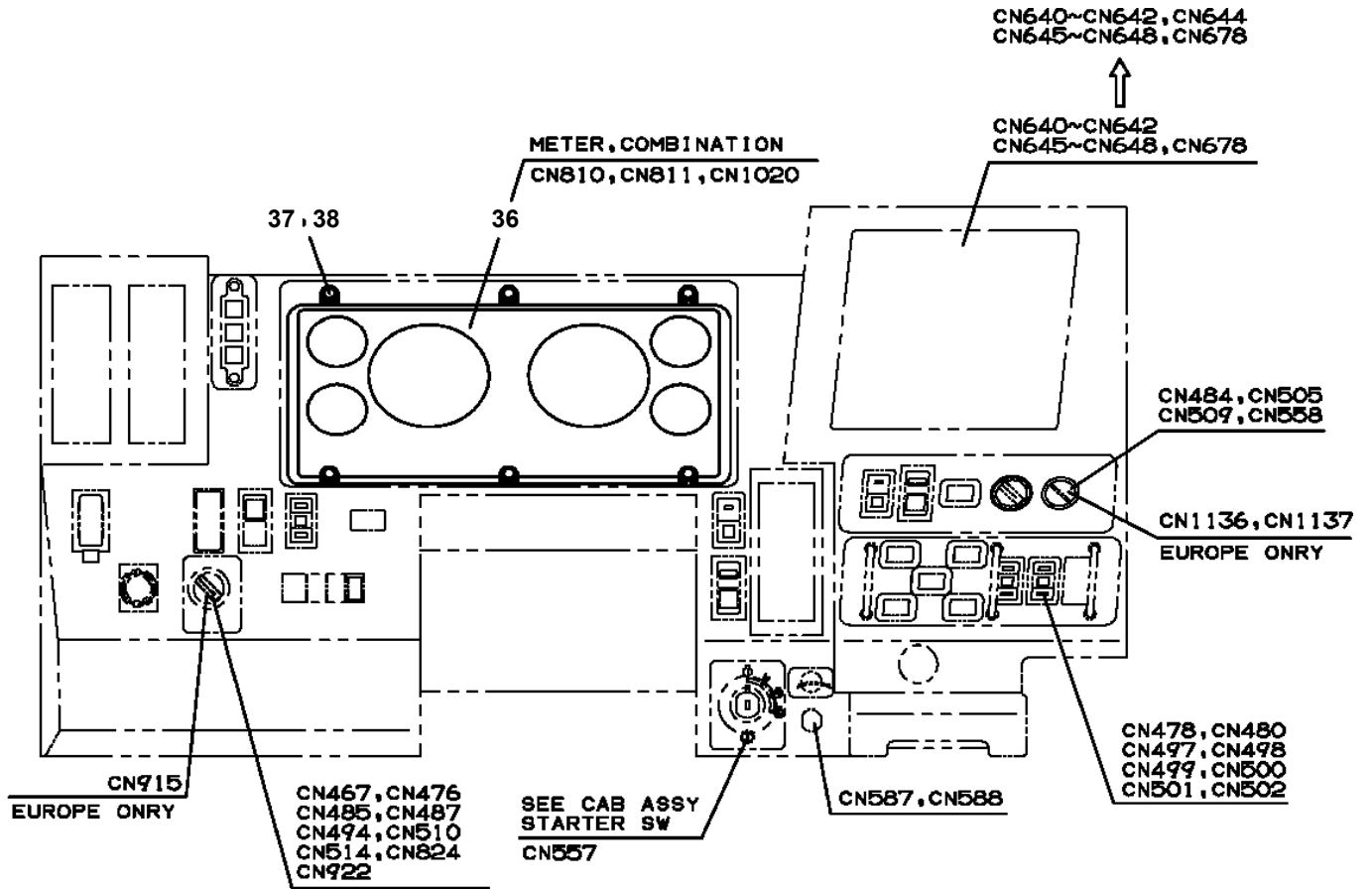
# GR-550-2-00104 4 BOOM + 2 JIB,2M2D

Pos No.	Parts No	Parts Name	Qty	Unit	Technical Data	Serial No (Start)	Serial No (End)	Remarks	Pages
2	34510702340	PACKING	1				540735		
3	34510702350	PACKING	1						
4	34510702270	PACKING	1				540735		
5	34510702280	PACKING	1			540736			
6	34510702290	PACKING	1			540736			
100	34510702300	DUCT	1						

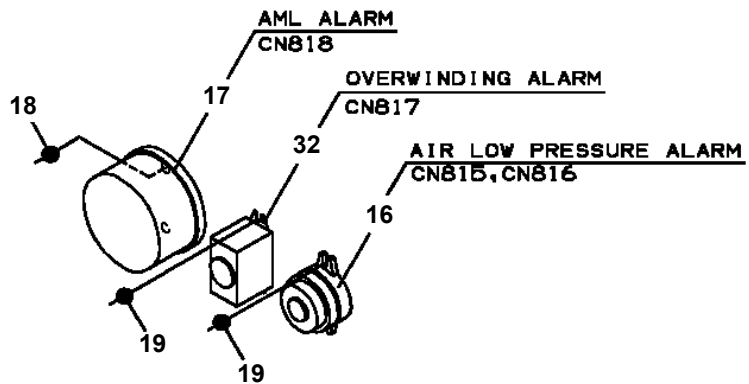
# GR-550-2-00104 4 BOOM + 2 JIB,2M2D

Pos No.	Parts No	Parts Name	Qty	Unit	Technical Data	Serial No (Start)	Serial No (End)	Remarks	Pages
2	34510702840	PACKING	1						
3	34510702850	PACKING	1						
100	34510702800	DUCT	1						

GR-550-2-00104 4 BOOM + 2 JIB,2M2D  
 PE5020152-03 ELEC.ASSY (CAB/STANDARD)



**A**

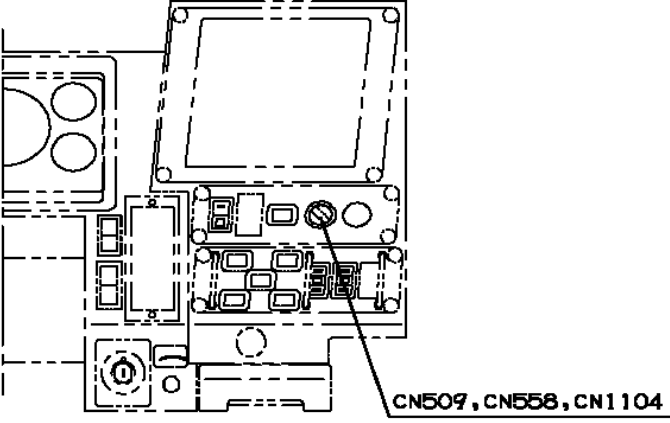
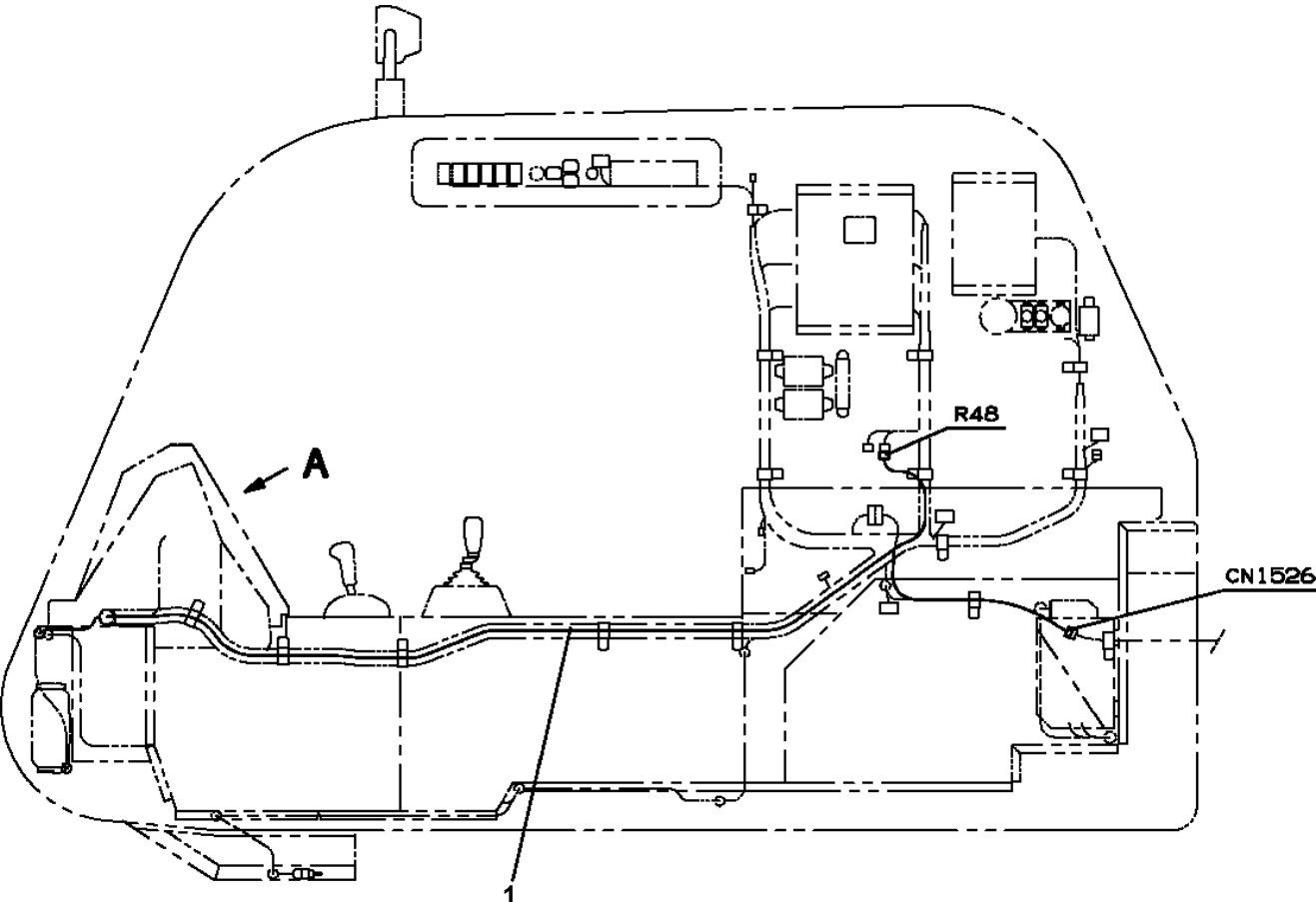


**B**

# GR-550-2-00104 4 BOOM + 2 JIB,2M2D

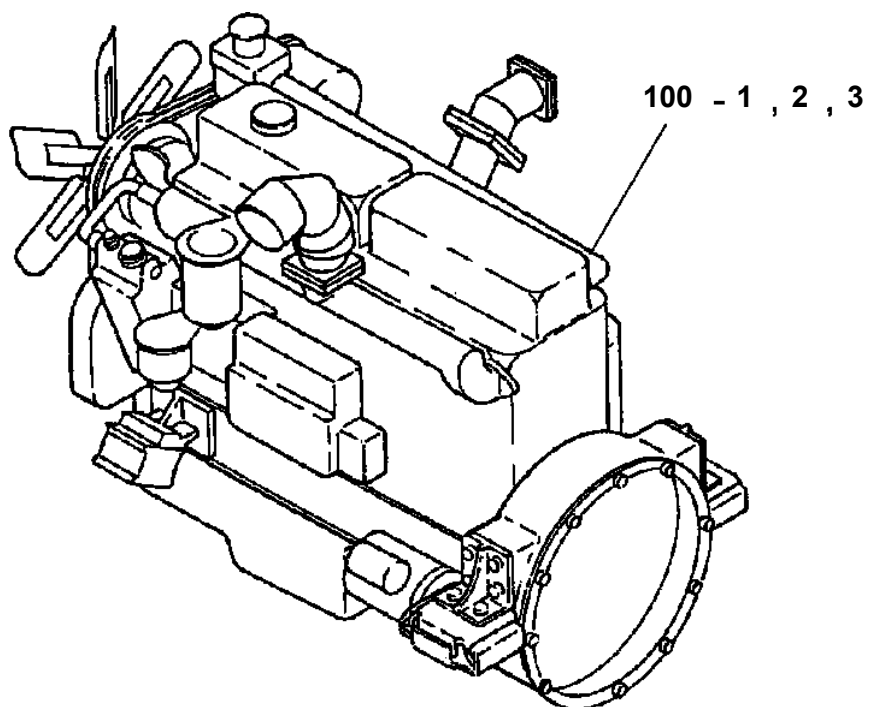
Pos No.	Parts No	Parts Name	Qty	Unit	Technical Data	Serial No (Start)	Serial No (End)
1	34930706000	LAMP,BACKUP	1				
2	44960012000	BUZZER ASSY	1				
3	90186208014	BOLT,FLANGE	24		M8X14		
4	90280200800	NUT,FLANGE	5		M8		
5	80192486012	SCREW,MACHINE	13		M6X12		
7	90925035121	SCREW,TAPPING	4		3.5X12		
8	34930090500	LAMP,COMBINATION (RIGHT)	1				
9	34930090600	LAMP,COMBINATION (LEFT)	1				
12	90280201000	NUT,FLANGE	2		M10		
14	34650001301	CABLE (BATTERY)	1		L=400		
15	37002711020	CABLE (BATTERY-BATTERY RELAY)	1				
16	37002705510	CABLE (BATTERY-EARTH)	1				
18	82100002003	CLAMP	6				
19	82100002040	CLAMP	1		WE15		
22	34931273300	COVER	1				
23	34930662501	COVER	1				
25	90186206014	BOLT,FLANGE	5		M6X14		
27	34930662410	PLATE	1				
32	90302040501	WASHER,SPRING	4		5		
33	34930704000	LAMP (COMBINATION)	2				
34	90201200500	NUT	4		M5		
35	34931341500	LAMP,HEAD	2				
39	82100002019	CLAMP	2		WR40		
42	(*****)	BOX ASSY (BATTERY)	1				
45	34931351100	HARNESS (MAIN)	1				540859
	34931351500	HARNESS (LOWER/MAIN)	1			540860	
46	34931351300	HARNESS (AIR)	1				
48	82100002017	CLAMP	8		WR30		
49	82100002002	CLAMP	19		WR6		
50	82100002004	CLAMP	22		WR8		
51	82100002006	CLAMP	62		WR10		540685
	82100002006	CLAMP	60		WR10	540686	
52	82100002008	CLAMP	10		WR12		
53	82100002010	CLAMP	11		WR15		
54	82100002014	CLAMP	13		WR20		
55	82100002016	CLAMP	8		WR25		
56	82100002018	CLAMP	2		WR35		
57	90280200600	NUT,FLANGE	N		M6		
58	37000601600	CLAMP	1		WR54		
60	34930705000	LAMP,TURN SIGNAL (L)	1				
61	34930704500	LAMP,TURN SIGNAL (R)	1				
65	90303070401	WASHER,PLAIN	4		4		
66	80172304016	SCREW,MACHINE	4		M4X16		
68	34930430200	SUPPORT	1				
72	90101205014	BOLT	4		M5X14		
73	82100002037	CLAMP	4		WE10		
82	91810132530	FASTENER	3				
83	91810130250	FASTENER	3				540685
	91810130250	FASTENER	2			540686	540941
	91810130250	FASTENER	3			540942	
106	80172304020	SCREW,MACHINE	2		M4X20		
107	90302040401	WASHER,SPRING	4		4		
108	90201200400	NUT	2		M4		
111	82166300210	BULB,LAMP (KOITO)	3		24V 21W		
123	34930097650	LENS (RED)	2				
124	34930097660	LENS (ORANGE)	2				
128	34930097670	BULB,LAMP	2		24V 21/5W		
129	34930097680	BULB,LAMP	2		24V 21W		
130	34930097690	BULB,LAMP	2		24V 3W		
131	34930097800	REFLECTOR (REAR SIDE)	2				
144	82400000201	GROMMET	1		KG-016		
161	35780313200	LAMP,HEAD (ASSY ONLY)	2				
162	35780313401	BULB,LAMP (ASSY ONLY)	2				

**GR-550-2-00104 4 BOOM + 2 JIB,2M2D  
PE5020187-00 ELEC.ASSY (CAB HARNESS:PTO/FOR NORTH AMERICA)**



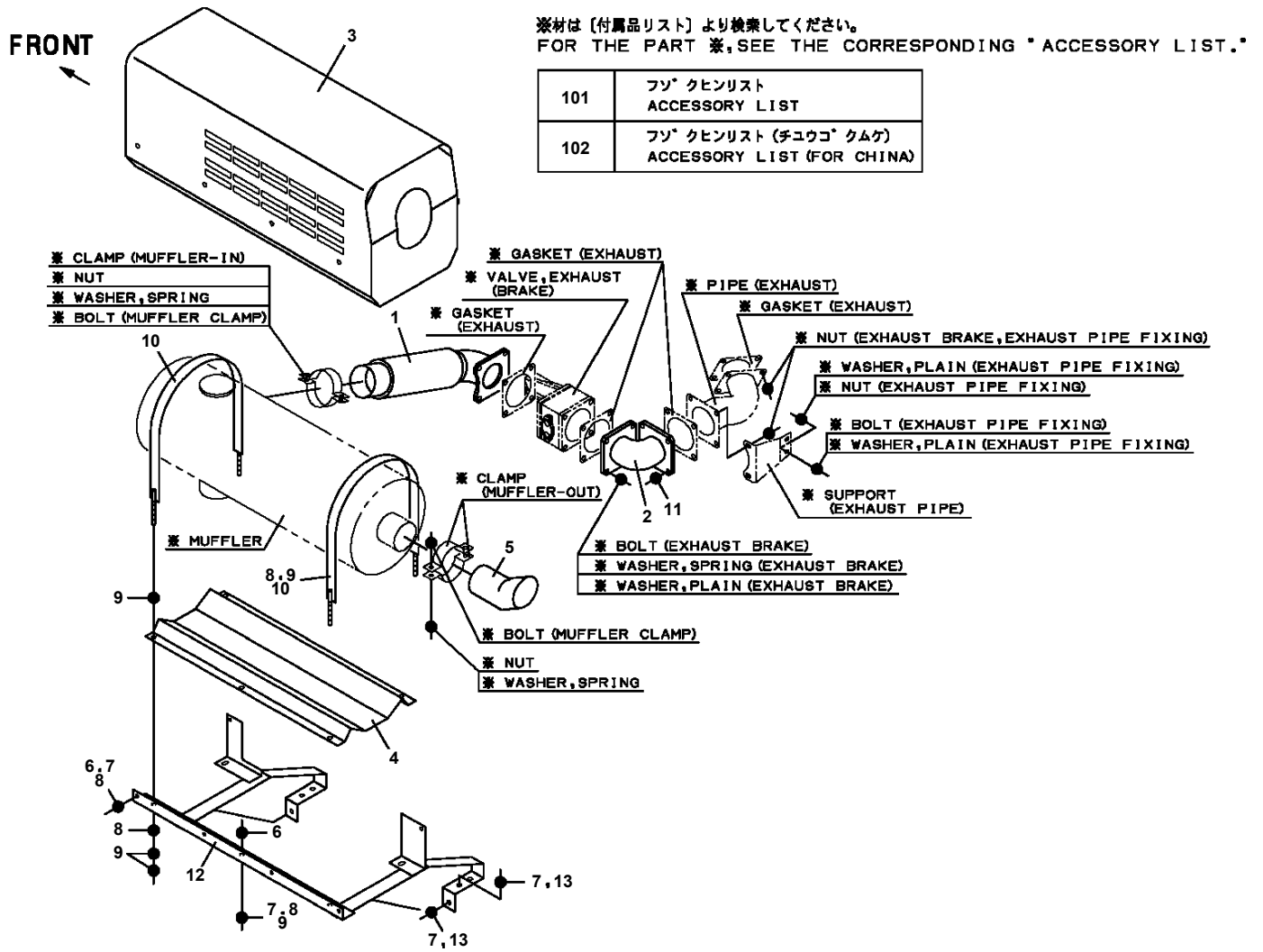
**A**

**GR-550-2-00104 4 BOOM + 2 JIB,2M2D  
PE5210021-01 ENGINE ASSY (MITSUBISHI)**

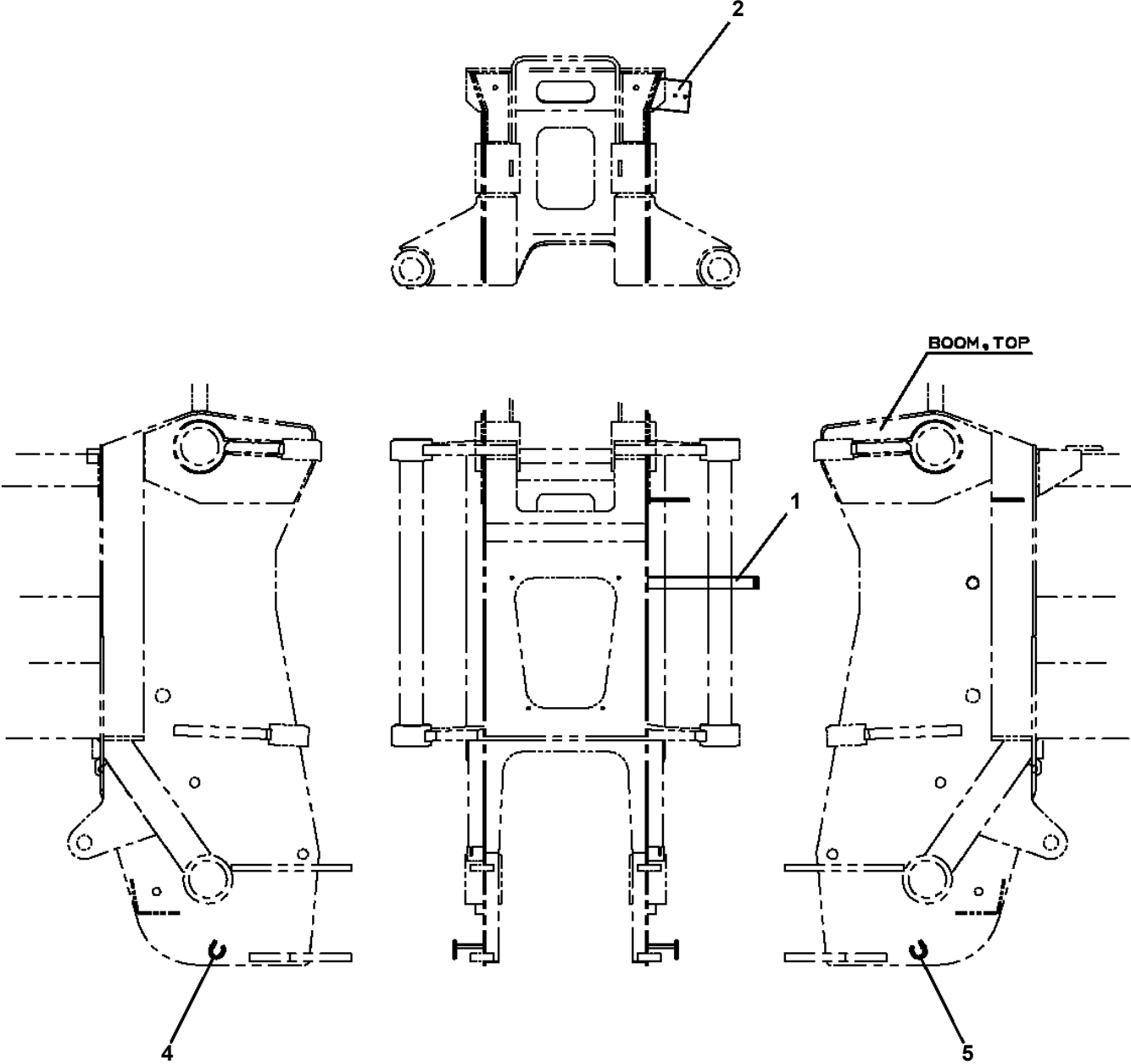


For the parts of the engine, refer to the parts catalog of the engine manufacturer.  
エンジン部品については、エンジンメーカーのパーツカタログをご覧ください。

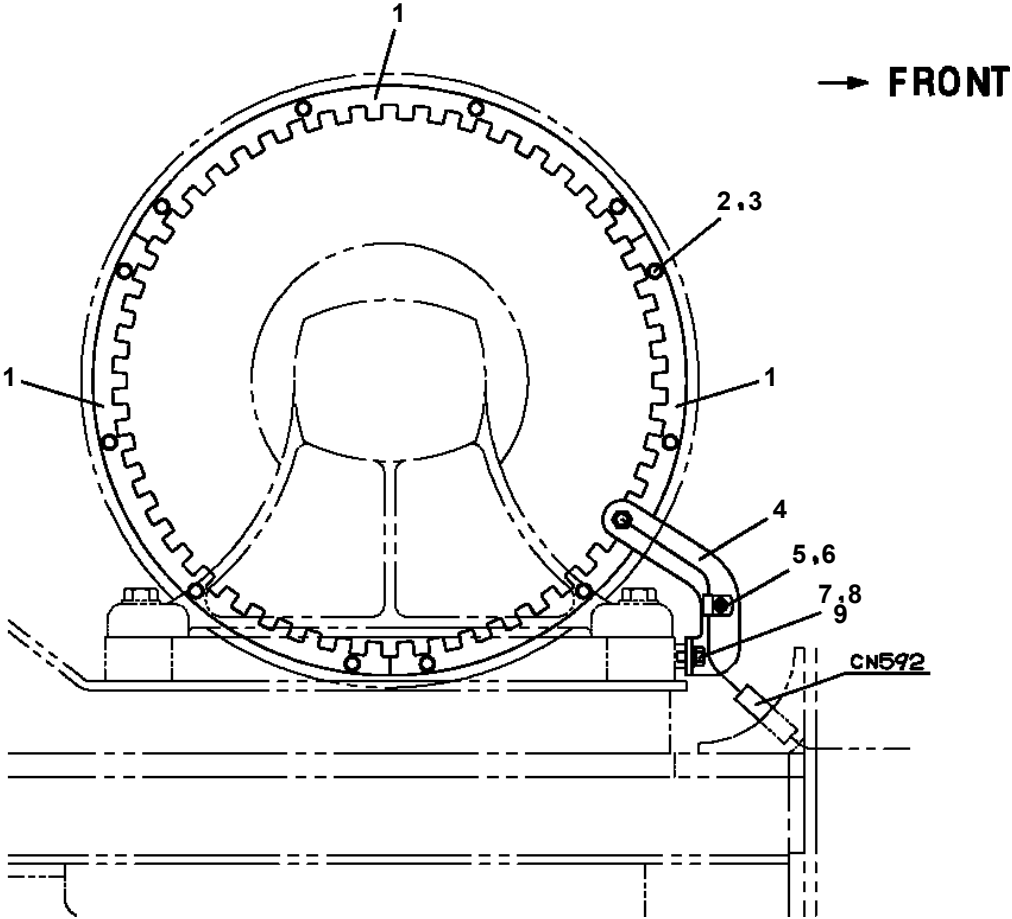
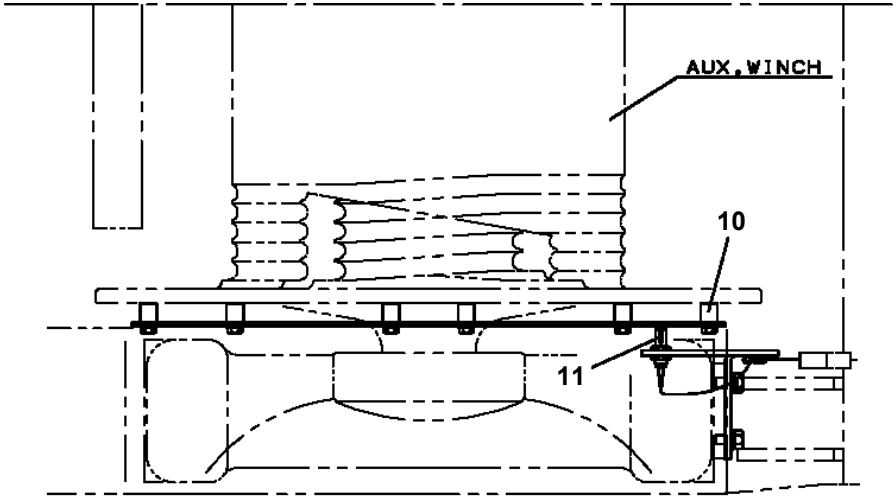
# GR-550-2-00104 4 BOOM + 2 JIB,2M2D PE5230005-01 EXHAUST ASSY



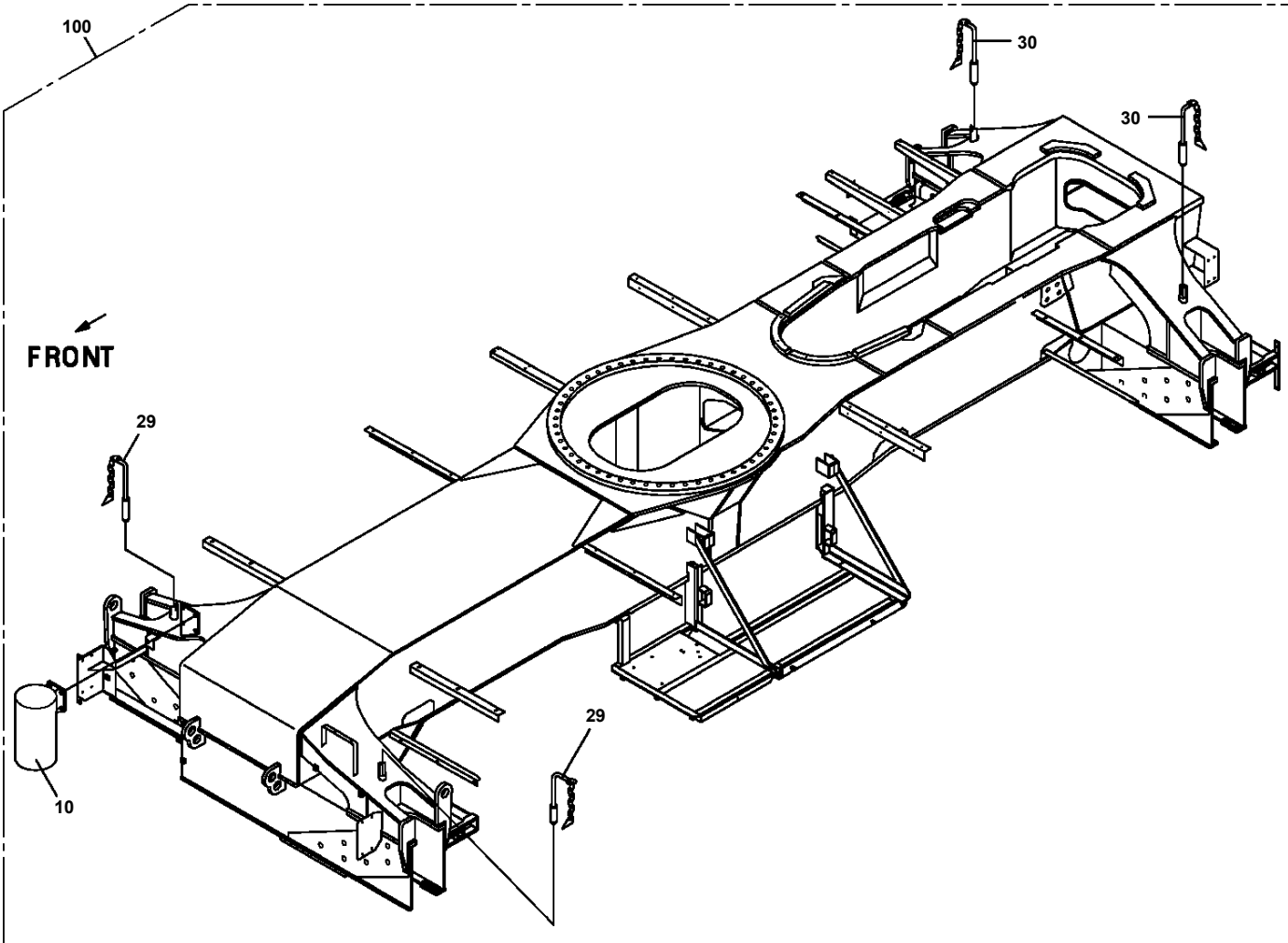
GR-550-2-00104 4 BOOM + 2 JIB,2M2D  
PF1080275-00 SUPPORT (BOOM, TOP)



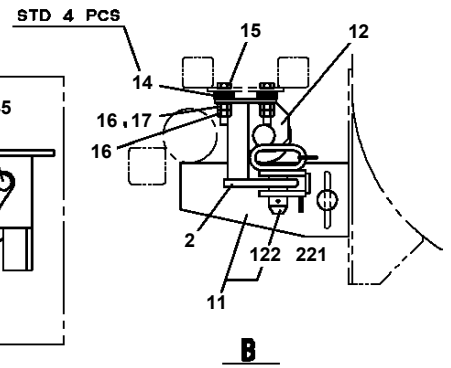
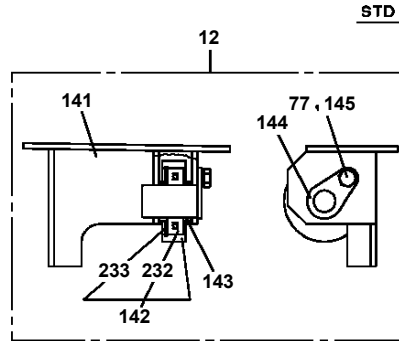
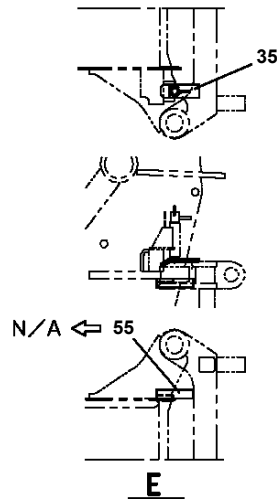
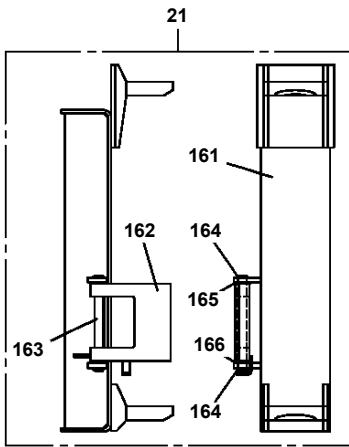
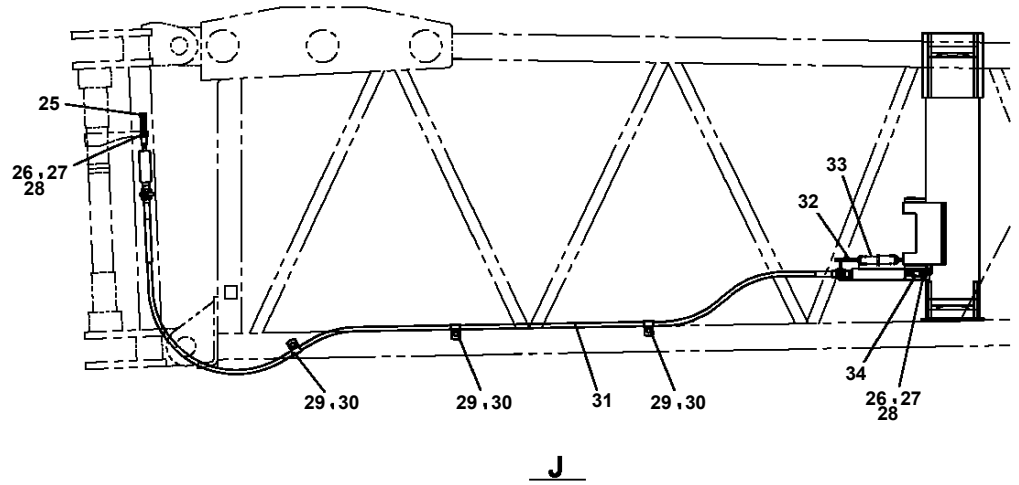
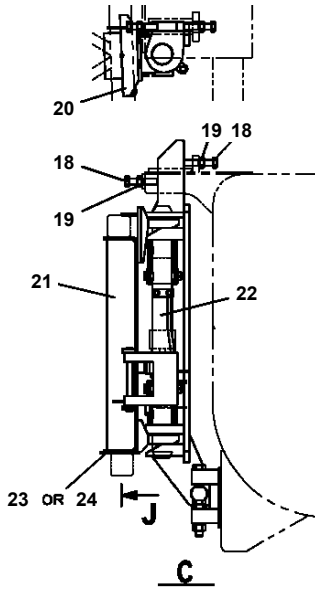
GR-550-2-00104 4 BOOM + 2 JIB,2M2D  
PF1250102-00 DETECTOR,DRUM ROTATION (AUX.)



**GR-550-2-00104 4 BOOM + 2 JIB,2M2D**  
**PF5100069-00 FRAME ASSY (SANSYO)**



**GR-550-2-00104 4 BOOM + 2 JIB,2M2D**  
**PG1250029-02 ATTACHMENT,JIB**



## GR-550-2-00104 4 BOOM + 2 JIB,2M2D

Pos No.	Parts No	Parts Name	Qty	Unit	Technical Data	Serial No (Start)	Serial No
1	34372351300	SUPPORT	1				
2	32370002110	GASKET	1				
3	32370002121	COVER	1				
4	80172303025	SCREW,MACHINE	2		M3X25		
5	90302040301	WASHER,SPRING	2		3		
6	82104102010	SWITCH,LIMIT	1				
7	32370002131	ROD	1				
8	14148373001	SPRING	1				
9	80601110180	RING,RITAINING	1		S18		
10	34371314400	SUPPORT	1				
11	90303070301	WASHER,PLAIN	2		3		
12	82100002505	CONNECTOR (CN-6)	1				
13	82100002506	CONNECTOR	1				
14	32370005200	CORD	1				
15	32370005210	CORD	1				
16	82100000592	TERMINAL (M40.3 TO 1.25)	2				
17	89630201000	HOSE,VINYL	1		6X8,1M		
18	14148375000	GROMMET	1				
19	90101208045	BOLT	2		M8X45		
20	90302040801	WASHER,SPRING	2		8		
22	82100001220	INSULATOR	2				
23	82400000201	GROMMET	1		KG-016		
30	32370009512	ROD ASSY	1				
41	32370002150	SPACER	1		L=12 TO 11		
42	80720103014	PIN,SPRING	1		3X14		
50	33370888041	SWITCH,OVER WIND DETECTOR (JIB&S/T)	1				

# GR-550-2-00104 4 BOOM + 2 JIB,2M2D

Pos No.	Parts No	Parts Name	Qty	Unit	Technical Data	Serial No (Start)	Serial No (End)
1	82182819834	DIODE	1		1.5A		
10	34354101620	HARNESS (O/R,T/M,SPRING LOCK)	1				

# GR-550-2-00104 4 BOOM + 2 JIB,2M2D

Pos No.	Parts No	Parts Name	Qty	Unit	Technical Data	Serial No (Start)	Serial No (End)	Remarks
1	34931361100	HARNESS (GOVERNOR)	1					

# GR-550-2-00104 4 BOOM + 2 JIB,2M2D

Pos No.	Parts No	Parts Name	Qty	Unit	Technical Data	Serial No (Start)	Serial No (End)	Remarks	Pages
1	34363611101	HARNESS (AML)	1						

# GR-550-2-00104 4 BOOM + 2 JIB,2M2D

Pos No.	Parts No	Parts Name	Qty	Unit	Technical Data	Serial No (Start)	Serial No (End)	Remarks	Pages
1	34354001400	HARNESS	1						

# GR-550-2-00104 4 BOOM + 2 JIB,2M2D

Pos No.	Parts No	Parts Name	Qty	Unit	Technical Data	Serial No (Start)	Serial No (End)	Remarks	Pages
100	34494100101	HARNESS (SCT)	1						

# GR-550-2-00104 4 BOOM + 2 JIB,2M2D

Pos No.	Parts No	Parts Name	Qty	Unit	Technical Data	Serial No (Start)	Serial No (End)	Remarks	Pages
100	34494100100	HARNESS (SCT)	1						

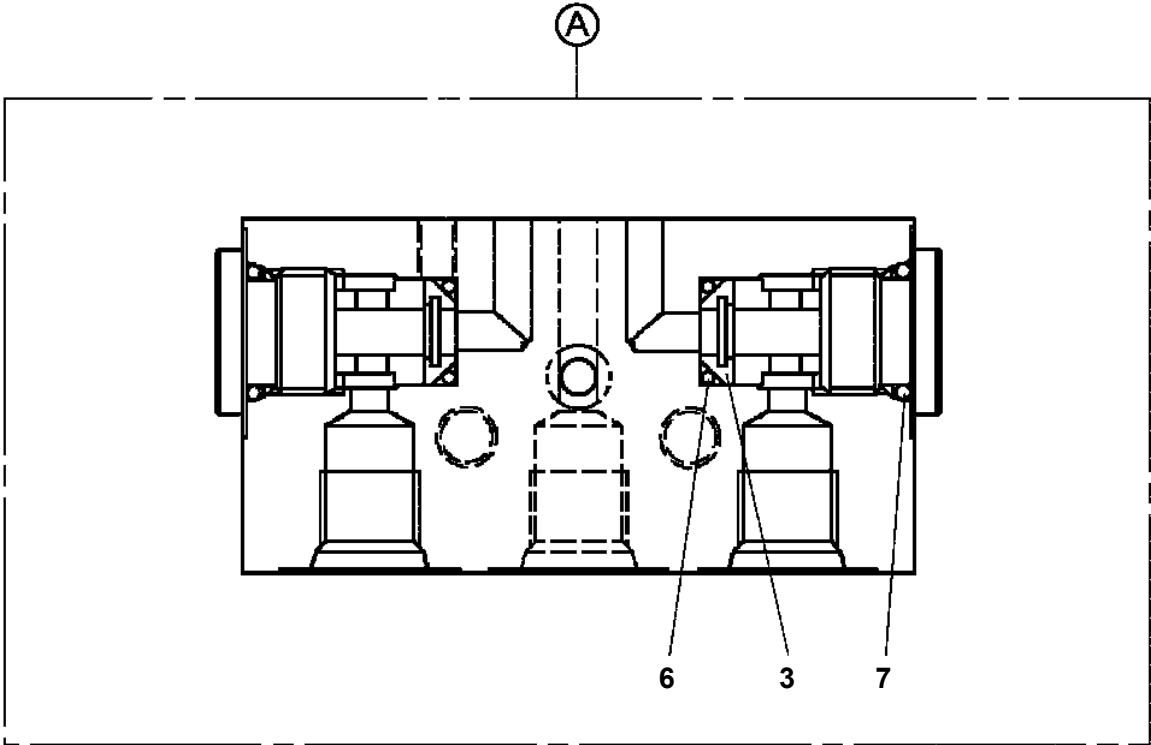
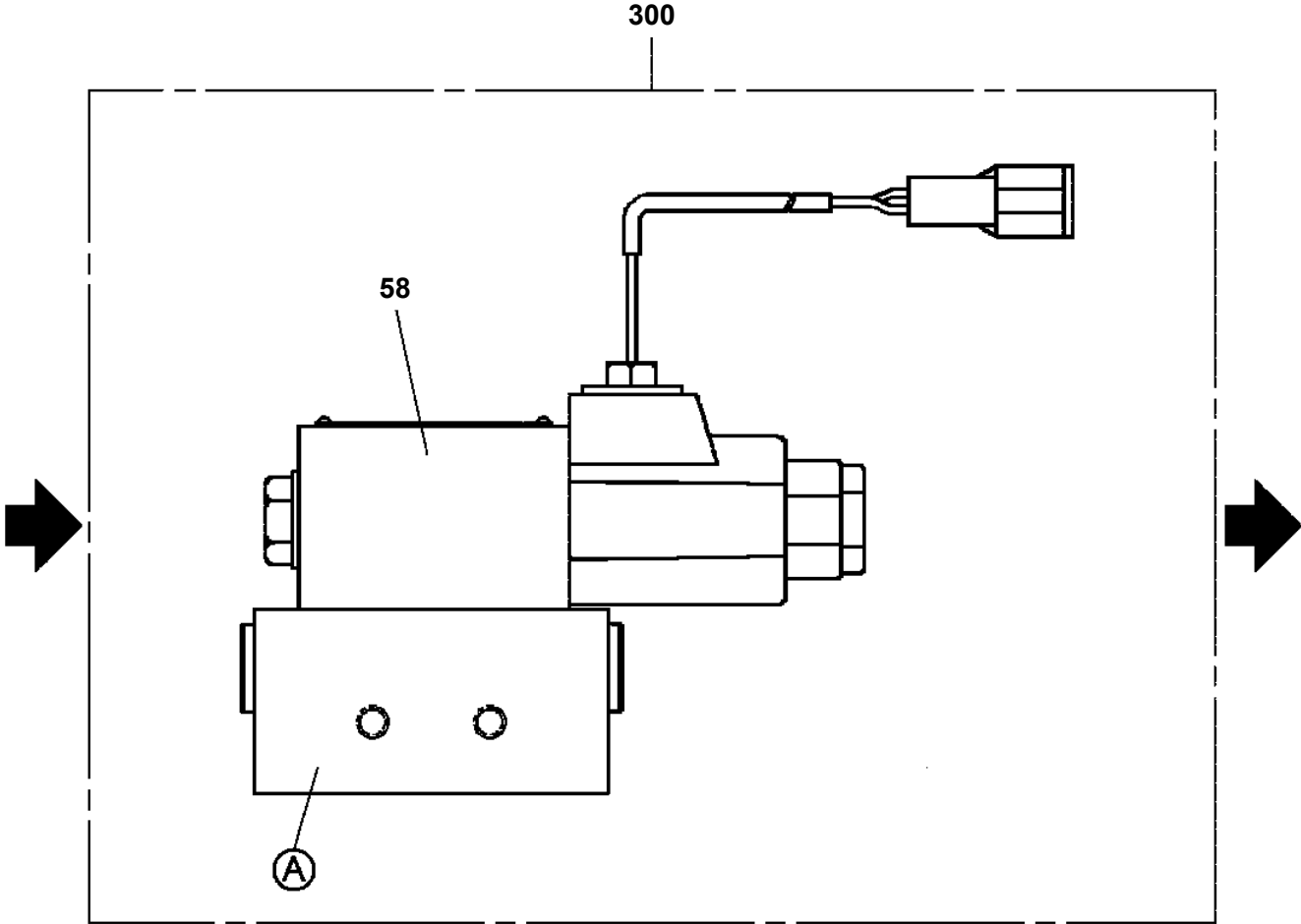
# GR-550-2-00104 4 BOOM + 2 JIB,2M2D

Pos No.	Parts No	Parts Name	Qty	Unit	Technical Data	Serial No (Start)	Serial No (End)	Remarks
1	36095660000	HOOK ASSY (SHEAVE 5 PCS)	1				540698	
	36095980000	HOOK ASSY (SHEAVE 5 PCS)	1			540699		
21	37002232510	PLATE,NAME (50000KG)	2					
22	14137207000	PLATE,NAME (GREASE)	1					

# GR-550-2-00104 4 BOOM + 2 JIB,2M2D

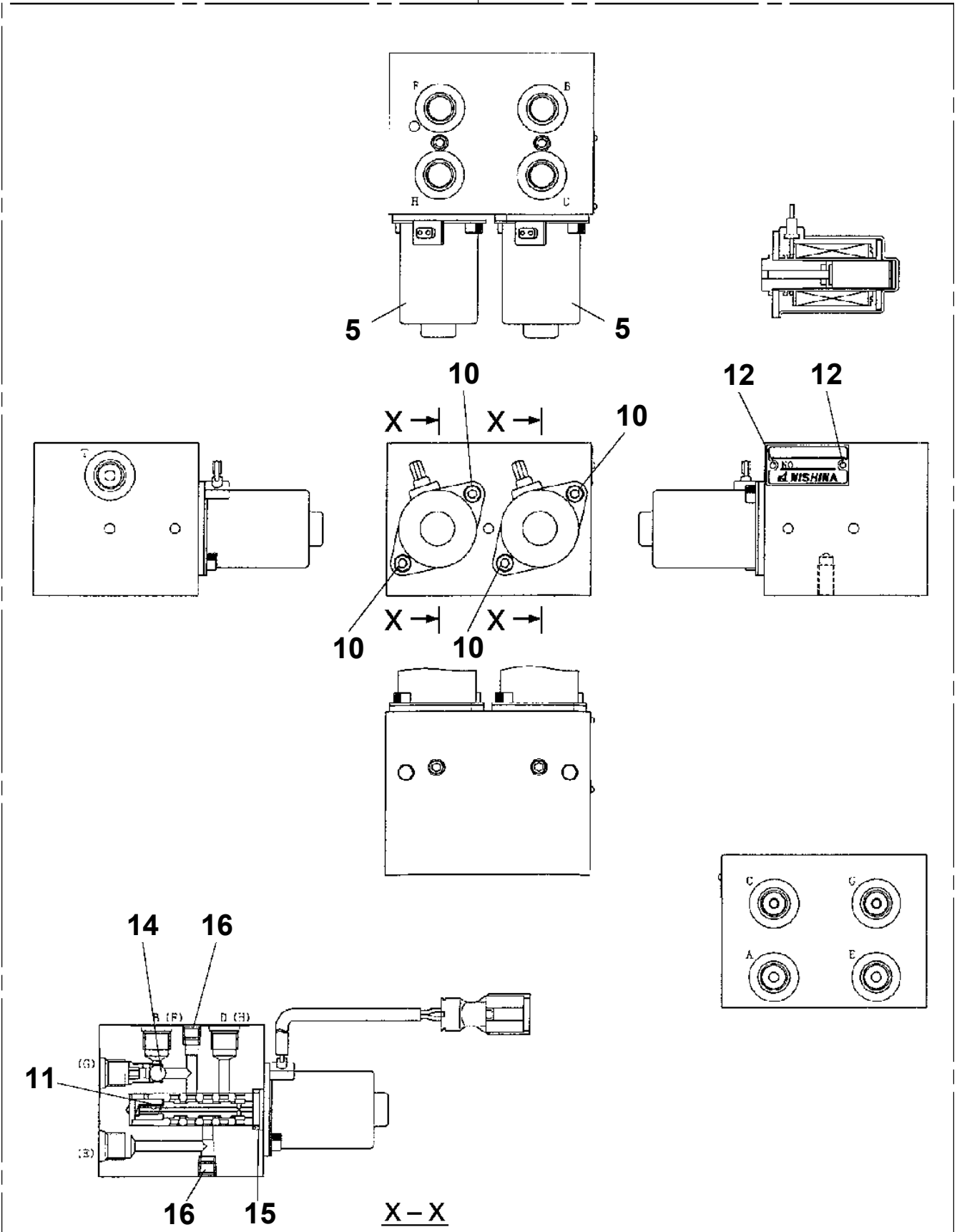
Pos No.	Parts No	Parts Name	Qty	Unit	Technical Data	Serial No (Start)	Serial No (End)	Remarks	Page
51	36663445050	SEAL KIT	1						
100	36663440003	MOTOR,HYDRAULIC	1						

GR-550-2-00104 4 BOOM + 2 JIB,2M2D  
PI1120138-04 VALVE,SOLENOID

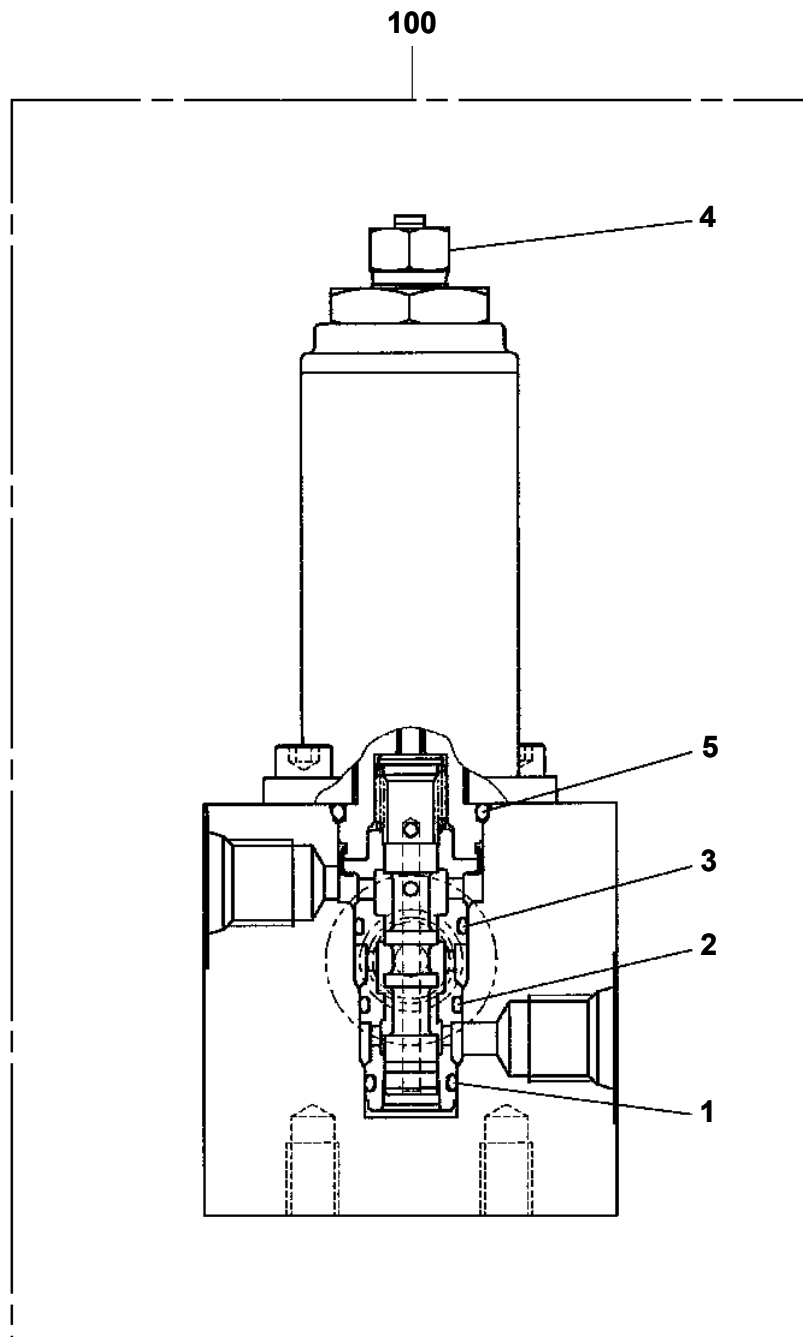


GR-550-2-00104 4 BOOM + 2 JIB,2M2D  
PI1120261-01 VALVE,SOLENOID

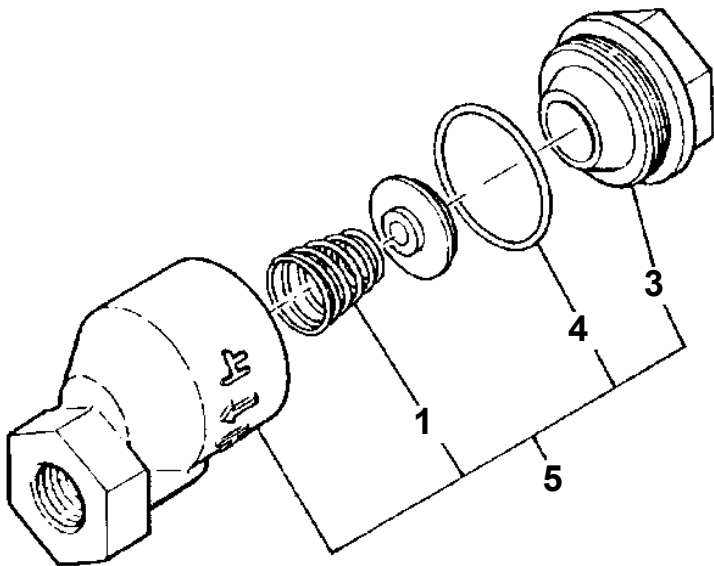
100



GR-550-2-00104 4 BOOM + 2 JIB,2M2D  
PI1120304-01 VALVE,SOLENOID

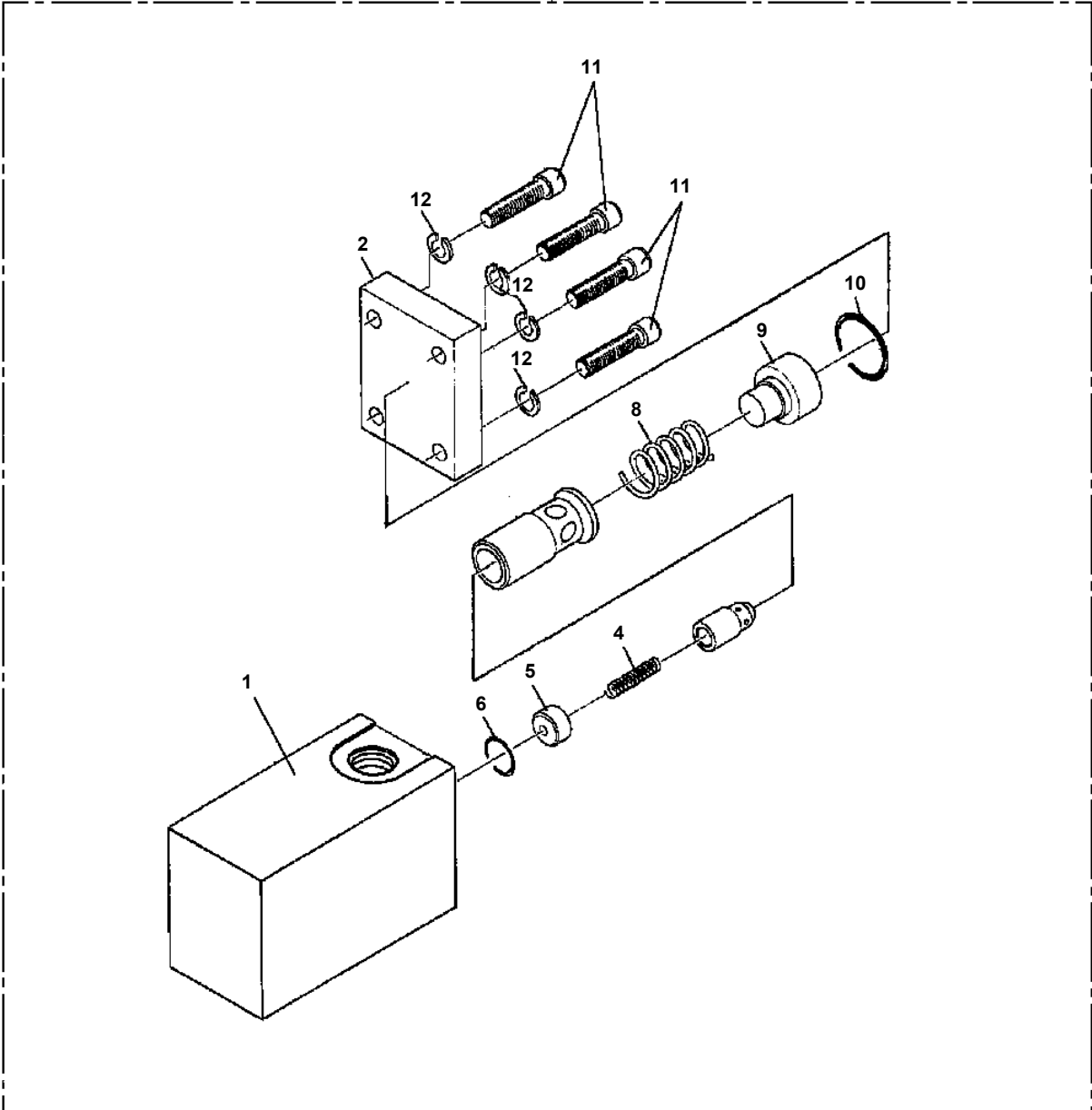


GR-550-2-00104 4 BOOM + 2 JIB,2M2D  
PI1140040-00 VALVE,CHECK



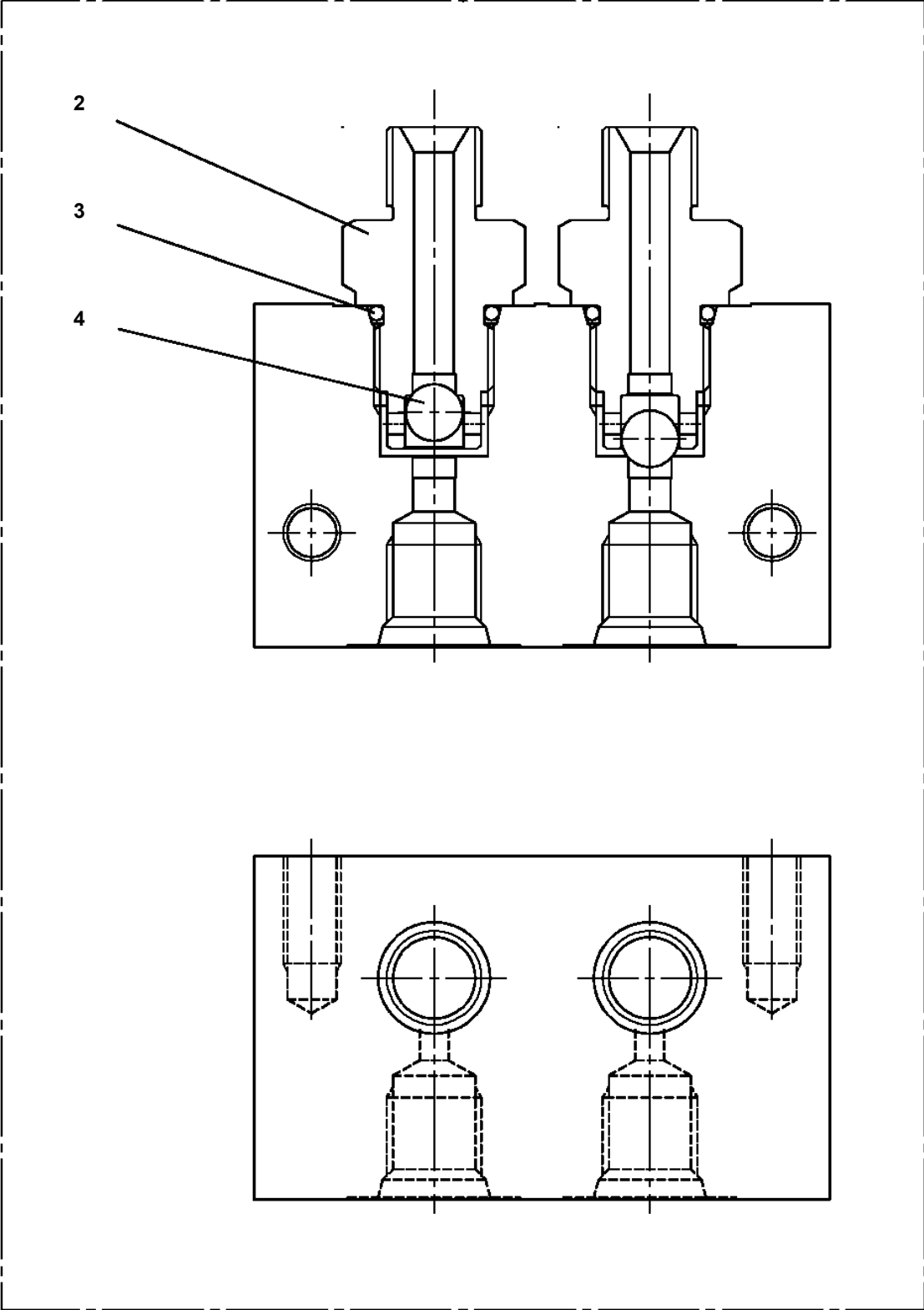
GR-550-2-00104 4 BOOM + 2 JIB,2M2D  
PI1140117-01 VALVE,CHECK

30



GR-550-2-00104 4 BOOM + 2 JIB,2M2D  
PI1230006-00 VALVE,SHUTTLE

10



# GR-550-2-00104 4 BOOM + 2 JIB,2M2D

Pos No.	Parts No	Parts Name	Qty	Unit	Technical Data	Serial No (Start)	Serial No (End)
3	36671279510	ELEMENT	1				
4	36671275020	SPRING	1				
5	36671275030	PLUG (DRAIN)	1				
6	36671275040	VALVE,RELIEF	1				
7	36671275050	PLUG	1				
8	91001209000	O-RING	1		1A G90		
10	91001101400	O-RING	1		1A P14		
11	91002801800	O-RING	1		1B P18		
12	91001101400	O-RING	1		1A P14		
20	36671270000	FILTER,OIL (TORQUE CONVERTER)	1				

# GR-550-2-00104 4 BOOM + 2 JIB,2M2D

Pos No.	Parts No	Parts Name	Qty	Unit	Technical Data	Serial No (Start)	Serial No (End)	Remarks	Pages
1	82108501100	SWITCH	1		FL7M-5A6N-901		541506		
	82108503100	SWITCH	1		FL7M-5A6N-903	541507			

# GR-550-2-00104 4 BOOM + 2 JIB,2M2D

Pos No.	Parts No	Parts Name	Qty	Unit	Technical Data	Serial No (Start)	Serial No (End)	Re
3	34221942100	SUPPORT (JIB,0)	1					
4	37000200540	PIN,SNAP	3		D=25			
5	37000114400	PIN	3		D=25,L=106			
6	37000180360	PIN	1					
7	80601110900	RING,RITAINING	1		S90			
8	37001002910	SHEAVE ASSY	2					
9	82456101000	NIPPLE,GREASE	6		A-PT1/8			
10	37010101100	PIN	4					
11	37000201100	PIN,SNAP	4					
12	34221924650	PLATE	1					
13	34220123000	GUIDE ASSY	1					
14	90186210014	BOLT,FLANGE	3		M10X14			
15	37000111110	PIN	1					
16	37000312410	SPACER	2					
17	37001000240	SHEAVE ASSY	1					
18	33220000080	PLATE	12					
19	37000180340	PIN	2					
20	37000201110	PIN,SNAP	3					
21	34221482100	LINK	2					
22	37000300260	PLATE	4		T=0.6			
23	37000300270	PLATE	4		T=1.0			
24	37000300280	PLATE	4		T=2.0			
25	37000180330	PIN	2					
26	90303073901	WASHER,PLAIN	4		39			
27	80136363071	PIN,SPLIT	10		6.3X71			
28	34220072000	STOPPER	2					
29	37000100420	PIN	3		D=45,L=110			
30	90303074501	WASHER,PLAIN	4		45			
31	37000132480	PIN	1					
32	37000312140	SPACER	4		L=9			
33	37001105400	ROLLER ASSY	2					
34	37000174490	PIN	2					
35	90171112025	BOLT	4		M12X25			
36	90302041201	WASHER,SPRING	4		12			
37	90186208010	BOLT,FLANGE	1		M8X10			
38	37001110230	ROLLER ASSY	1					
39	37000116020	PIN	1					
40	37000312090	SPACER	2		L=3			
41	37000127180	PIN	1					
42	80601110700	RING,RITAINING	2		S70			
43	37000301000	PLATE	2		T=20			
44	37001009450	SHEAVE ASSY (BEARING:6214Z)	1					
45	37000163630	PIN	1		D=40,L=140			
46	37000314940	SPACER	2					
47	37000312890	SPACER	2		L=5.5			
48	37010100190	PIN	1					
49	37000201090	PIN,SNAP	2		20			
50	34221852601	SUPPORT	1					
51	16314011000	SPRING	1					
52	33474010110	PLATE	2					
53	34221852500	PIN ASSY	2					
54	90203201600	NUT	4		M16			
55	33220691500	BOLT	4		M16X38			
56	33220691600	PLATE	4					
57	31220141200	BRACKET	1					
58	90101204008	BOLT	3		M4X8			
59	90302040401	WASHER,SPRING	3		4			
101	34221949570	JIB ASSY,1	1					
102	34221949580	JIB ASSY,2	1					
	34221949581	JIB ASSY,2	1			540999	540998	
122	80515006018	BEARING,BALL	4					
141	34220123010	GUIDE	1					
142	34220123050	SUPPORT	1					

CLICK HERE TO **DOWNLOAD** THE COMPLETE MANUAL

- Thank you very much for reading the preview of the manual.
- You can download the complete manual from: [www.heydownloads.com](http://www.heydownloads.com) by clicking the link below



- Please note: If there is no response to CLICKING the link, please download this PDF first and then click on it.

CLICK HERE TO **DOWNLOAD** THE COMPLETE MANUAL

## GR-550-2-00104 4 BOOM + 2 JIB,2M2D

Pos No.	Parts No	Parts Name	Qty	Unit	Technical Data	Serial No (Start)	Serial No (End)	Remarks
1	34251287510	CUSHION ASSY	1					
2	34251287520	BACK ASSY	1					
3	34251287580	HEADREST	1					
4	34251287540	ARMREST ASSY (L)	1					
5	34251287550	ARMREST ASSY (R)	1					
6	34251287560	ADJUSTER (SLIDE/L)	1					
7	34251287570	ADJUSTER (SLIDE/R)	1					
8	34251287690	WIRE	1				540967	
	34251287810	WIRE (SLIDE)	1			540968		
9	34251287590	ADJUSTER (RECLINING)	1					
10	34251287800	COVER (RECLINING)	1					
11	34251287700	BRACKET (CUSHION)	1					
12	34251287710	BRACKET (BACK)	1				540967	
	34251287820	BRACKET (BACK)	1			540968		
13	34251287720	LEVER (HEIGHT)	1					
14	34251287730	SCREW,MACHINE	1					
15	34251287740	BOLT	4					
16	34251287750	BOLT,SEMS	10				540967	
17	34251287760	BUSHING	1				540967	
	34252137580	BUSHING	1			540968		
18	34251287620	SCREW (WITH WASHER)	3		M6X16X1.0			
20	34251287630	BRACKET (ARMREST)	1					
21	34251287640	GEAR ASSY (L)	1					
22	34251287650	GEAR ASSY (R)	1					
23	34251287660	SPRING	2					
24	34251287670	SCREW,MACHINE (SEMS)	4		M6X16X1.0			
25	34251287680	SCREW,MACHINE (SEMS)	4		M6X12X1.0			
26	34251287770	NUT (WITH WASHER)	4					
27	34251287780	CLIP	2					
28	34251287790	RISER ASSY	1					
31	34251287830	WASHER	1			540968		
32	34252137570	BOLT (WITH WASHER)	10		M10X25	540968		
50	34251280100	SEAT,OPERATOR	1					

# GR-550-2-00104 4 BOOM + 2 JIB,2M2D

Pos No.	Parts No	Parts Name	Qty	Unit	Technical Data	Serial No (Start)	Serial No (End)	Remarks	Pages
3	34491680100	HARNESS	1						000141
11	82199444129	LAMP (RED)	1		24V 12W				
12	82199444329	LAMP (YELLOW)	1		24V 12W				
31	82166600010	BULB,LAMP	2		24V/12W				

# GR-550-2-00104 4 BOOM + 2 JIB,2M2D

Pos No.	Parts No	Parts Name	Qty	Unit	Technical Data	Serial No (Start)	S
1	37002232010	CASE ASSY	1				
2	34398771120	PLATE,NAME	1				
3	34398771130	PLATE,NAME	1				
4	34398771140	PLATE,NAME	1				
5	34398771150	PLATE,NAME (CAPACIDADES DE CARGA DE GR)	1				
6	34398771160	PLATE,NAME	1				
7	34398771170	PLATE,CAUTION	1				
8	34398771180	PLATE,CAUTION(ADVERTENANCIA INSTUCCIONE)	1				
9	34398771190	PLATE,CAUTION	1				
10	34398771200	PLATE,NAME	1				
11	34398711970	PLATE,CAUTION	1				5
50	34398771100	LOAD CHART BOOKLET (SPANISH)	1				

# GR-550-2-00104 4 BOOM + 2 JIB,2M2D

Pos No.	Parts No	Parts Name	Qty	Unit	Technical Data	Serial No (Start)	Serial No (End)	Remarks	P
2	36683755010	GLASS ASSY	1						
100	36684060000	METER,COMBINATION	1						

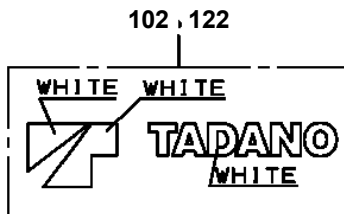
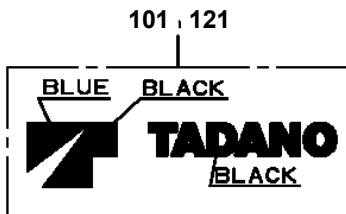
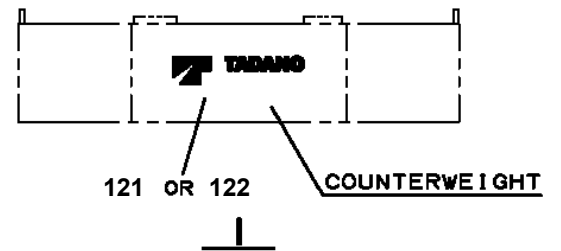
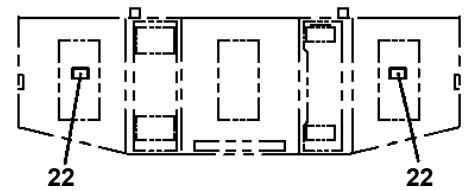
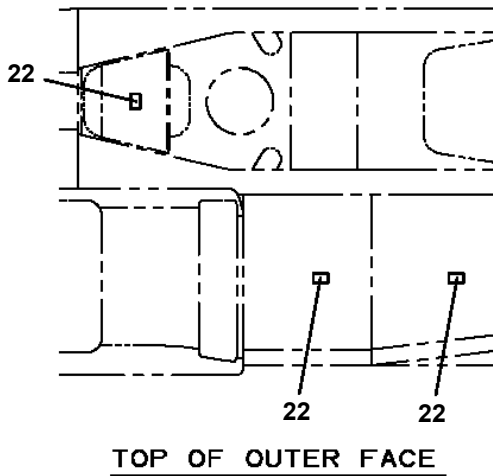
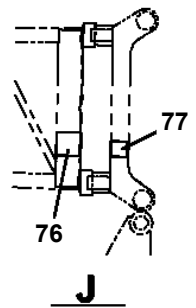
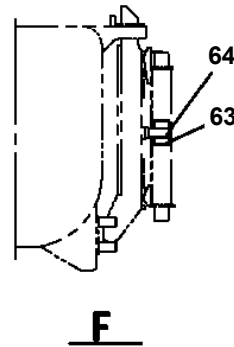
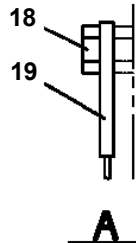
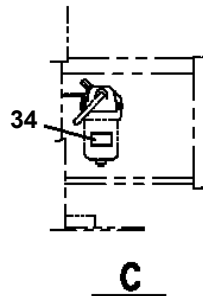
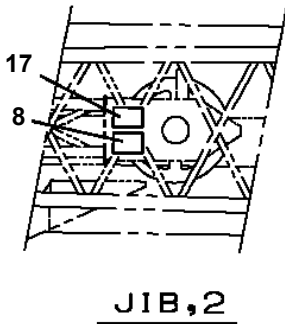
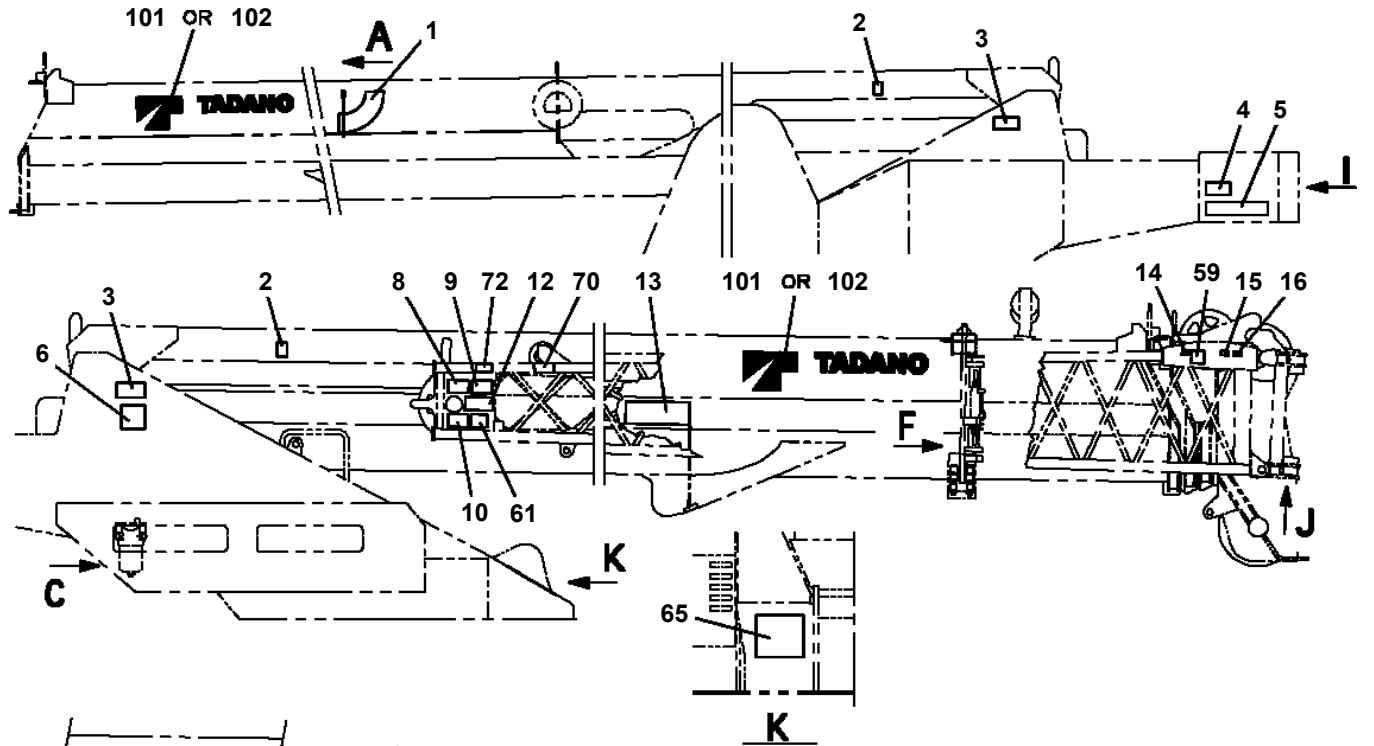
# GR-550-2-00104 4 BOOM + 2 JIB,2M2D

Pos No.	Parts No	Parts Name	Qty	Unit	Technical Data	Serial No (Start)	Serial No
11	36193345010	BOARD ASSY (CON1,CON2)	1				
13	36193345030	CASE (WITH SEAT)	1				
41	36195415010	BOARD ASSY (WITH DATA CPU,DISP,LCD)	1				
61	36193345050	BATTERY (LITHIUM)	1				
	36193345060	BATTERY (LITHIUM)	1			541658	541657
100	36195410000	MOMENT LIMITER:AML	1				

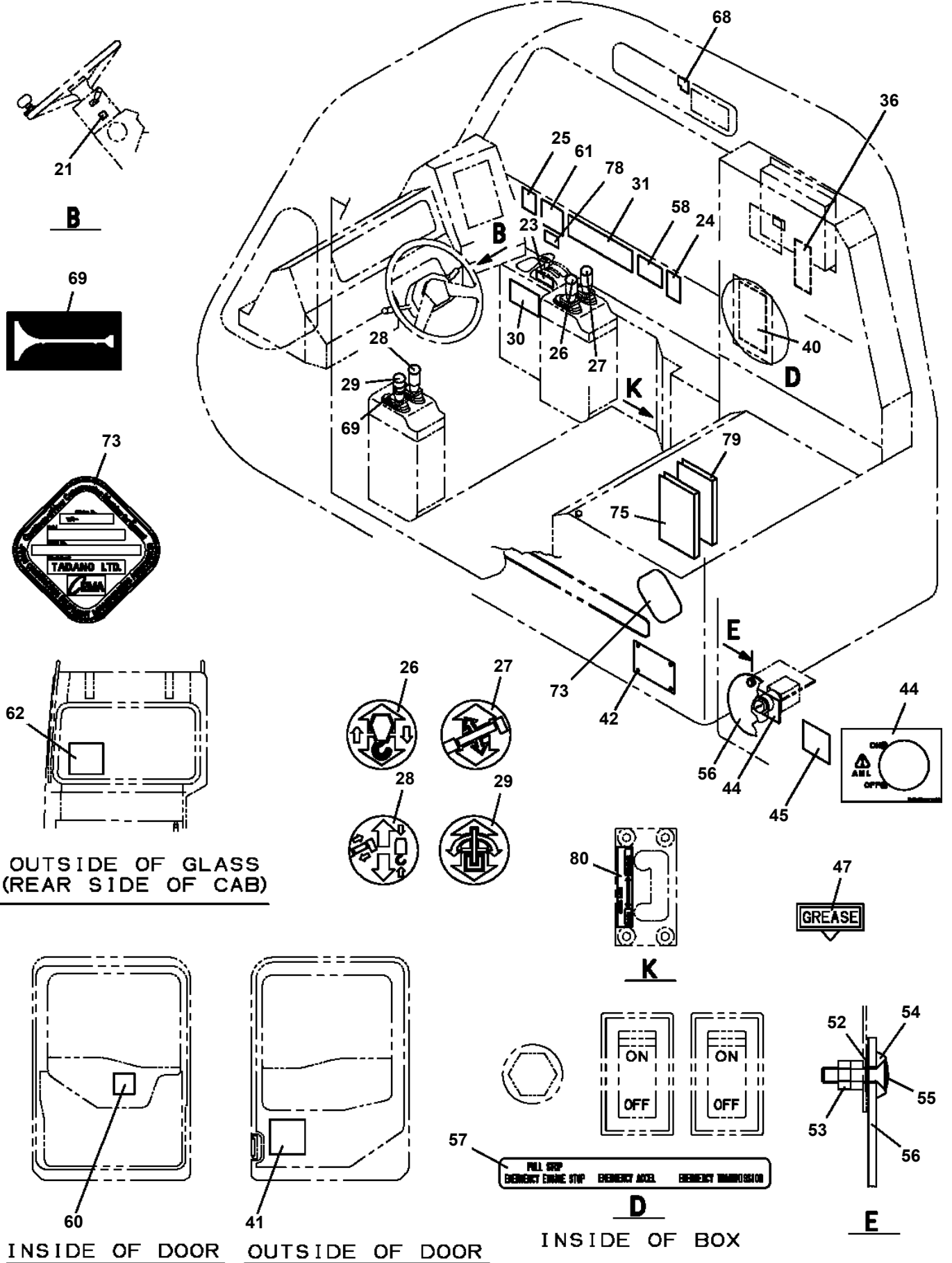
# GR-550-2-00104 4 BOOM + 2 JIB,2M2D

Pos No.	Parts No	Parts Name	Qty	Unit	Technical Data	Serial No (Start)	Serial No (End)	Remarks
1	34930096000	BATTERY (YUASA,170F51)	1					

**GR-550-2-00104 4 BOOM + 2 JIB,2M2D**  
**PN5010371-01 NAME PLATE ASSY (UPPER/ENGLISH)**



**GR-550-2-00104 4 BOOM + 2 JIB,2M2D  
PN5010398-01 NAME PLATE ASSY (UPPER/ENGLISH & SPANISH)**



OUTSIDE OF GLASS  
(REAR SIDE OF CAB)

INSIDE OF DOOR

OUTSIDE OF DOOR

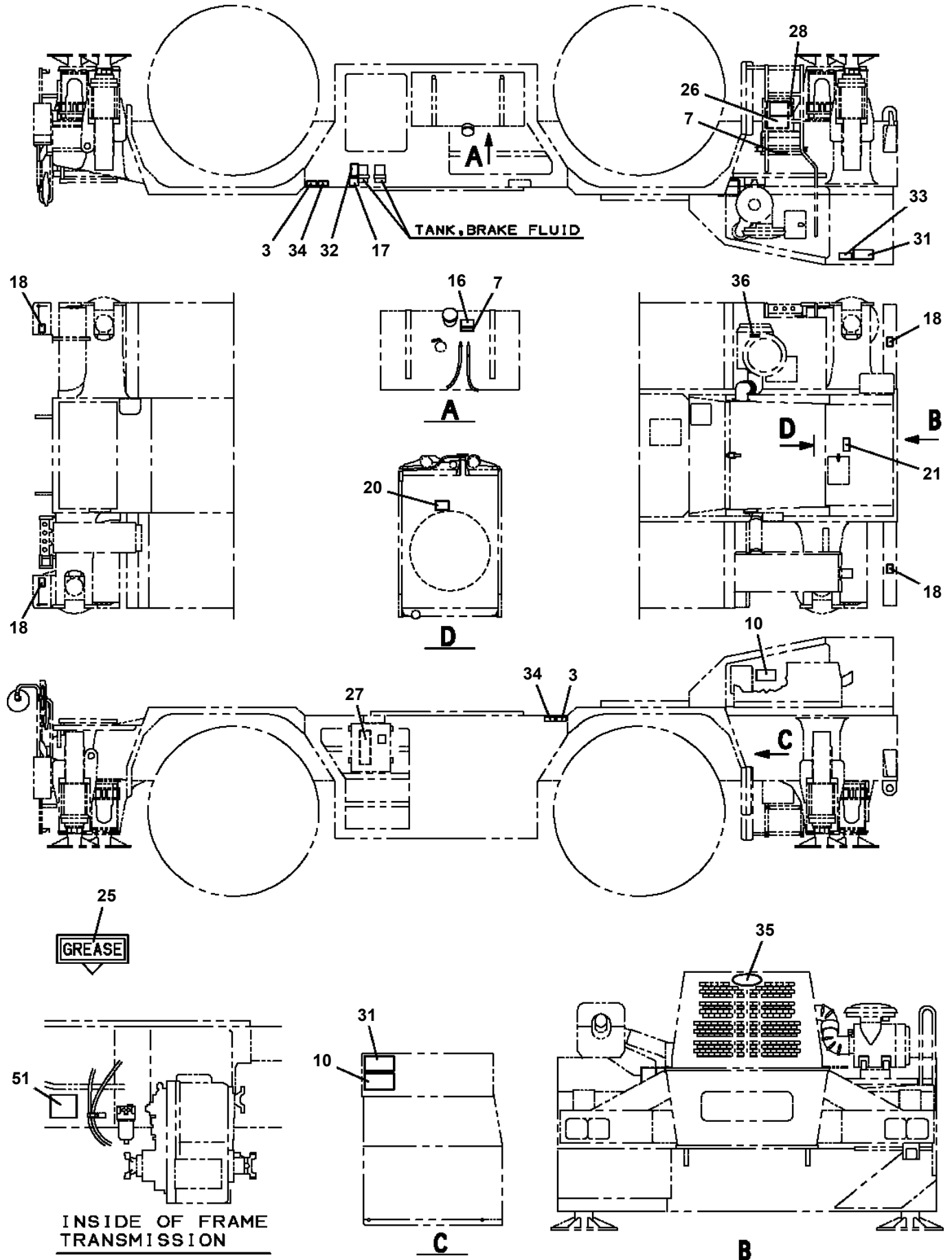
INSIDE OF BOX

E

D

K

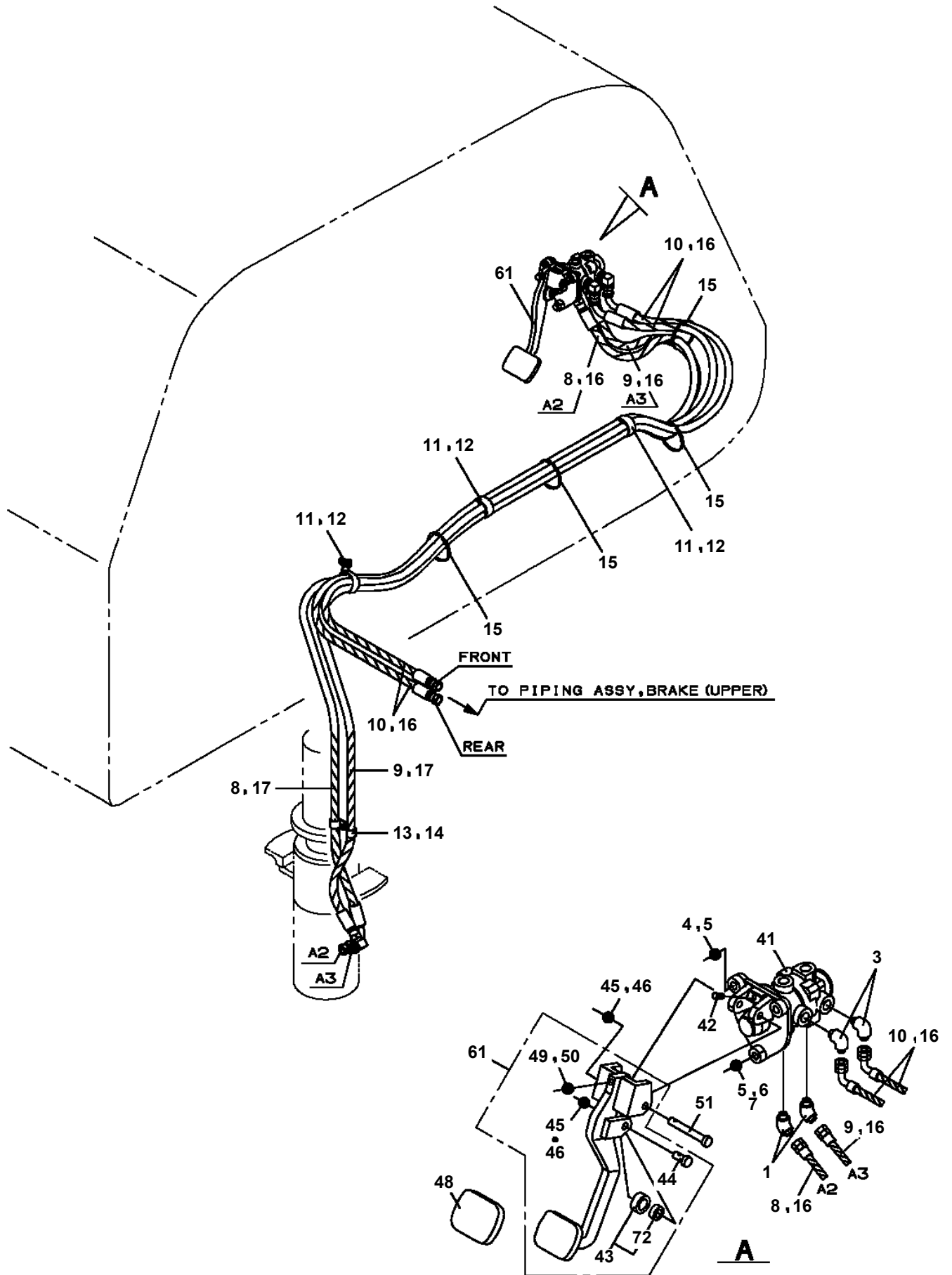
**GR-550-2-00104 4 BOOM + 2 JIB,2M2D**  
**PN5010405-00 NAME PLATE ASSY (LOWER/ENGLISH & PORTUGUESE)**



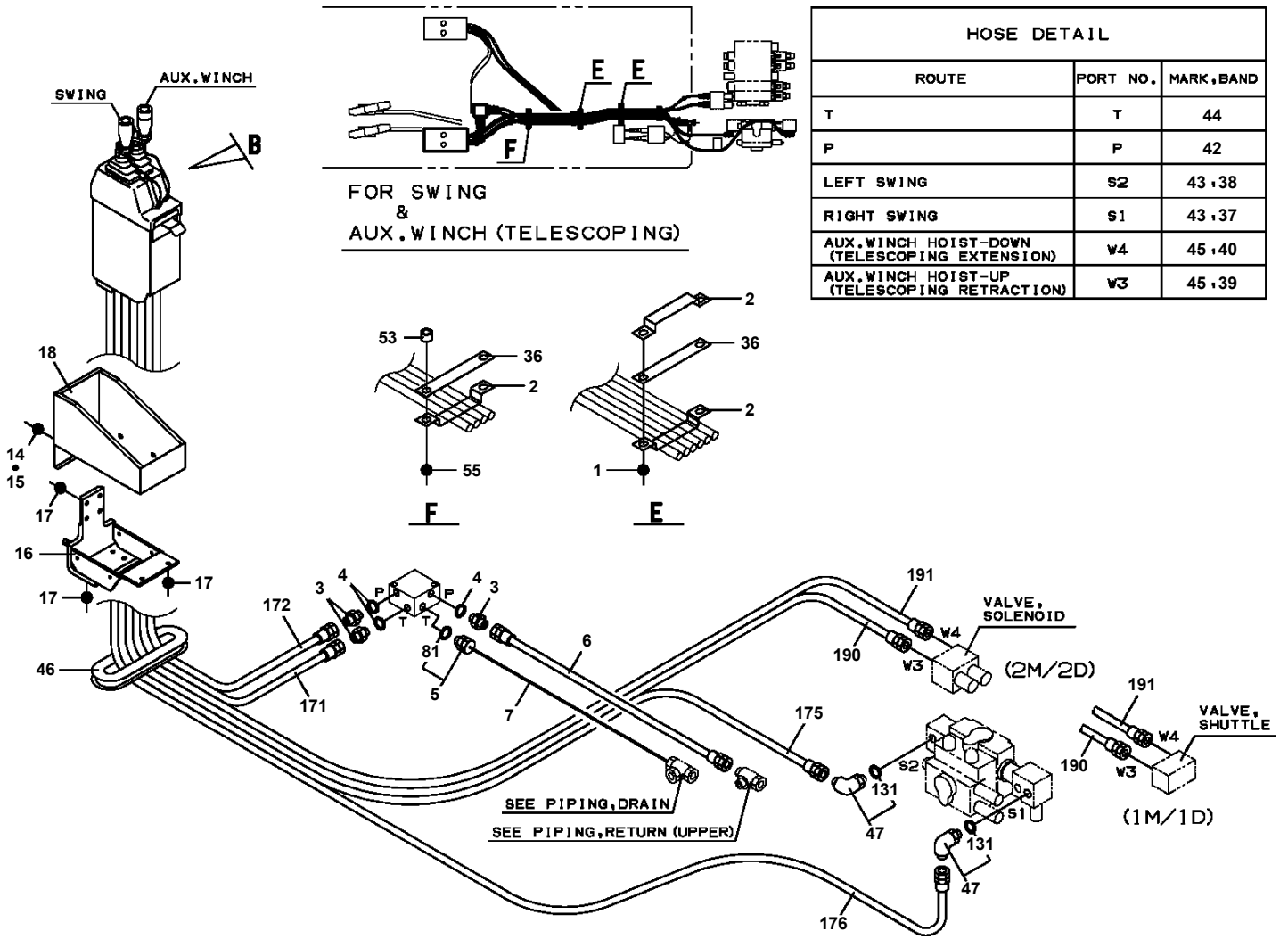
GR-550-2-00104 4 BOOM + 2 JIB,2M2D  
PO1030017-00 TADANO (CAB, BLUE/BLACK)



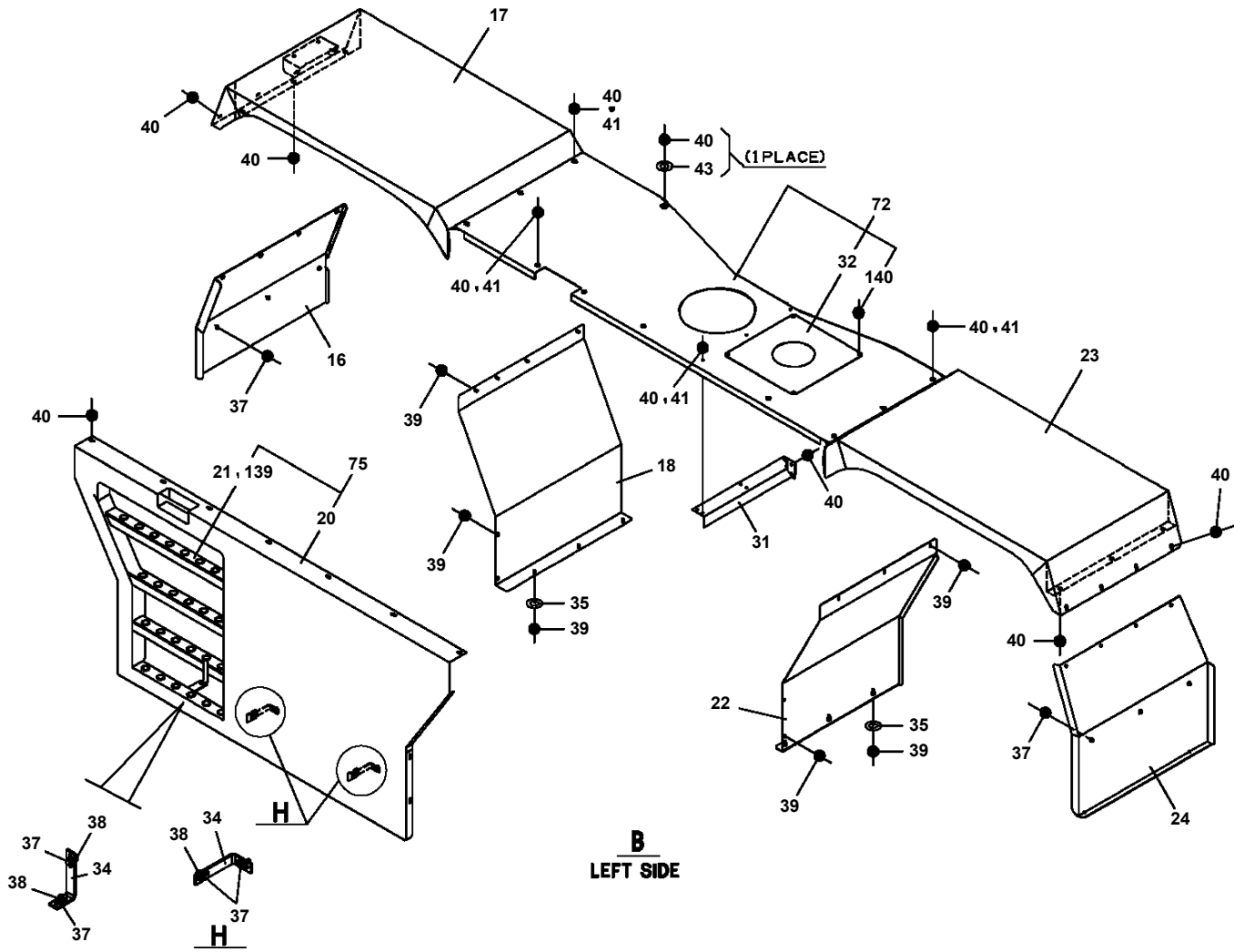
GR-550-2-00104 4 BOOM + 2 JIB,2M2D  
PO5040004-00 OPE.ASSY,BRAKE



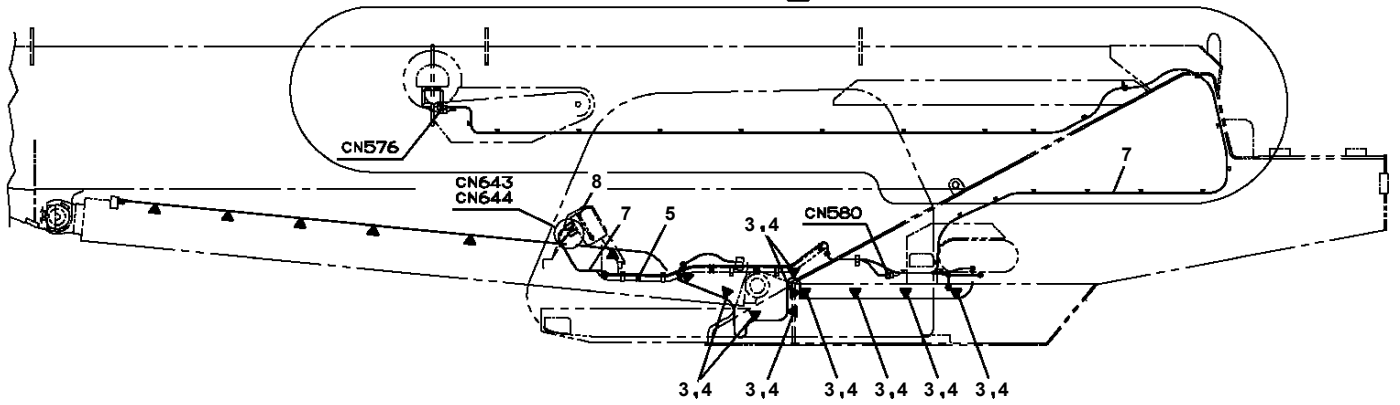
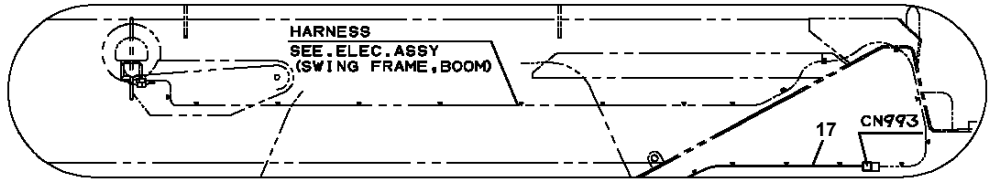
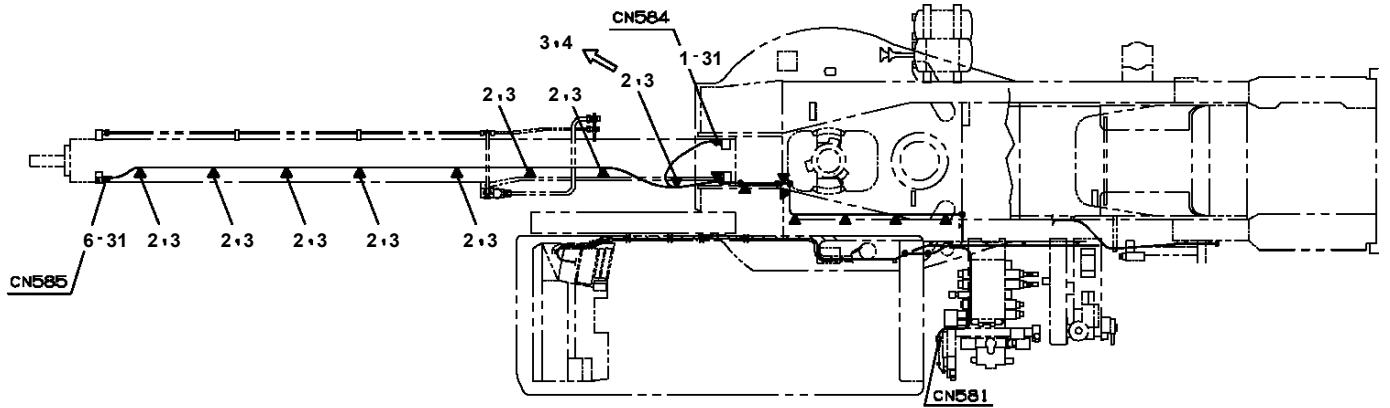
**GR-550-2-00104 4 BOOM + 2 JIB,2M2D  
PO5080039-01 OPE.ASSY,CONT.VALVE (ISO/TACTILE)**



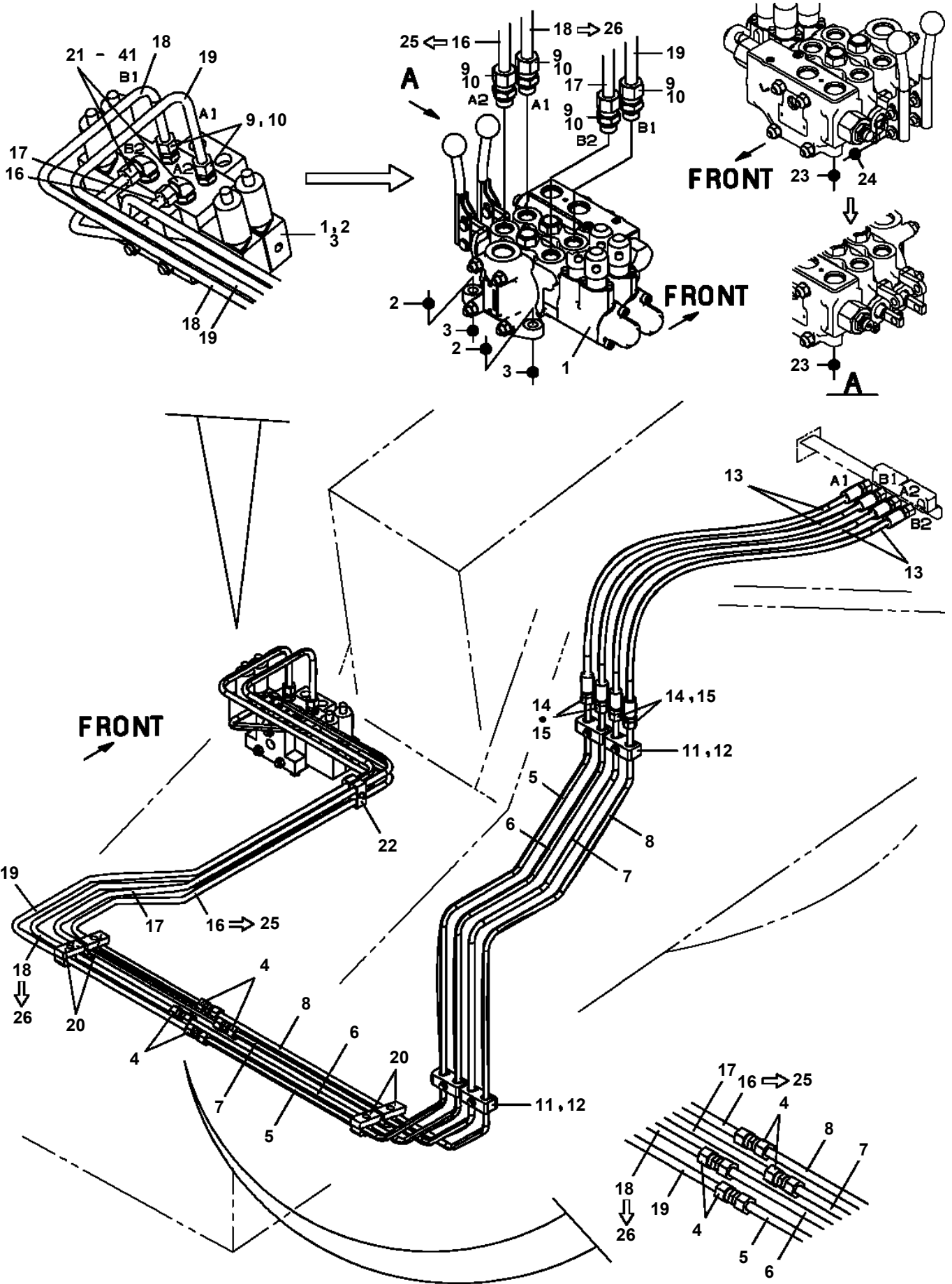
**GR-550-2-00104 4 BOOM + 2 JIB,2M2D**  
**PO5260017-07 OUTER COVERING ASSY (FENDER)**



GR-550-2-00104 4 BOOM + 2 JIB,2M2D  
PP5050013-01 PARTS ASSY,AML



**GR-550-2-00104 4 BOOM + 2 JIB,2M2D  
PP6010088-03 PIPING ASSY (JIB SET)**



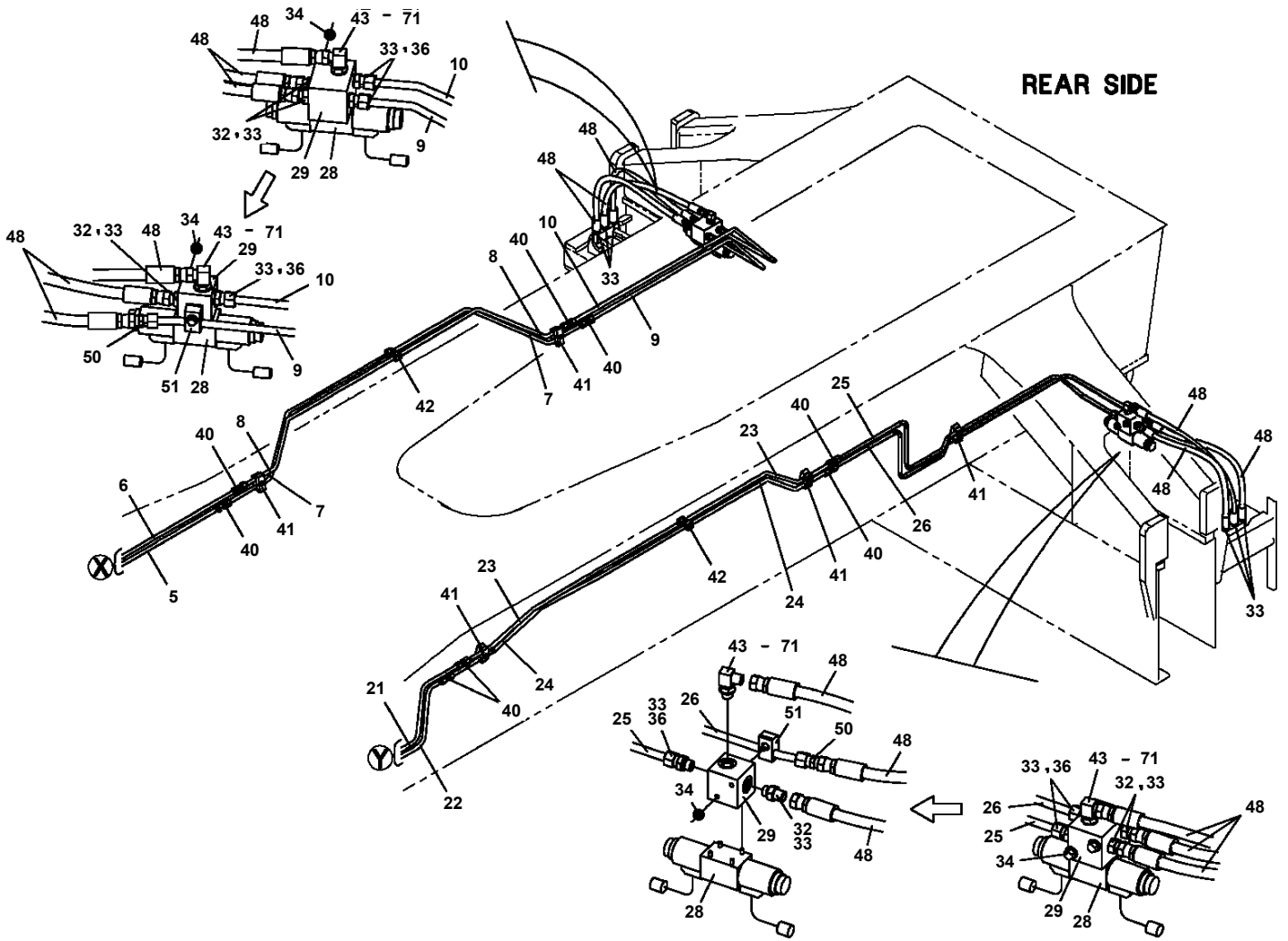
# GR-550-2-00104 4 BOOM + 2 JIB,2M2D

Pos No.	Parts No	Parts Name	Qty	Unit	Technical Data	Serial No (Start)
1	37000903420	FITTING	2		S,R3/8-M16	
2	37000300720	SLEEVE	2		12-10	
3	36870400000	PLUG (DRAIN)	4		R1/2	
4	34922708010	PIPE ASSY	1		12XT0.9 L=1902	
5	37000905160	JOINT	1		R1/2-2XRC3/8-RC1/8	
6	59451304000	VALVE,CHECK	3			
7	37000904830	NUT,FLARE	16		M16	
8	37000918840	FITTING,TEE	1		T,R3/8-10-10	
9	59181005000	SWITCH,PRESSURE (AIR)	1			
10	37000911840	JOINT	1		R1/2-RC1/4-RC1/4	
11	59451305000	VALVE,SAFETY (ASSY ONLY)	1			
12	34922708020	PIPE ASSY	1		12XT0.9 L=816	
13	37000904230	FITTING,ELBOW	1		L,R1/4-M16	
14	37000904840	NUT,FLARE	6		M20	
15	34922708180	PIPE ASSY	1		12XT0.9 L=1044	
16	34922708040	PIPE ASSY	1		10XT0.7 L=597	
18	90201200800	NUT	32		M8	
19	80471020503	JOINT	1		45,G3/8-G3/8	
22	37000904330	FITTING,TEE	1		T,R1/4-10-10	
23	37000909690	FITTING	1		S,R1/4-M20	
24	59459001000	JOINT	1		L,PT1/2-PT3/8	
25	59459007000	FITTING,ELBOW	2		L,R3/8-M16	
26	90304111601	WASHER,TOOTH	1		16	
27	90211201600	NUT	1		M16	
30	36645970000	VALVE ASSY,SOLENOID (ASSY ONLY)	1			
31	90186208020	BOLT,FLANGE	2		M8X20	
32	37000904810	NUT,FLARE	4		M12	
33	56476172000	FITTING	1		S,R1/4-M12	
34	59159035000	FITTING,ELBOW	2		L,R1/2-M20	
38	34922708050	PIPE ASSY	1		10XT0.7 L=279	
40	34922708060	PIPE ASSY	1		10XT0.7 L=334	
43	37000302720	SLEEVE	2		12-6.35	
44	37000711120	CLAMP ASSY	1		12X2	
	37000711080	CLAMP ASSY	1		12-2	541084
47	34922708070	PIPE ASSY	1		10XT0.7 L=329	
48	90304111201	WASHER,TOOTH	2		12	
49	37001601440	NUT	2		M12X1.0	
50	37000900731	FITTING	1		S,M12-M12	
51	90304112001	WASHER (LOCK)	2		20	
52	90211202000	NUT	2		M20	
53	37000904140	FITTING	1		S,M20-M20	
57	37000904530	FITTING,TEE	2		3-M16	
58	90186210025	BOLT,FLANGE	6		M10X25	
59	90280200800	NUT,FLANGE	1		M8	
61	34922708080	PIPE ASSY	1		10XT0.7 L=180	
62	34922708090	PIPE ASSY	1		10XT0.7 L=1533	
63	34922708190	PIPE ASSY	1		10XT0.7 L=786	
66	90186208014	BOLT,FLANGE	1		M8X14	
67	34922718010	PIPE ASSY	1		10XT0.7 L=347	
68	90303382201	WASHER	13		M22	
69	37002460950	HOSE	1		L=600	
70	34922708110	PIPE ASSY	1		6.35XT0.7 L=1105	
72	37000915670	JOINT	9		R1/2-M22	
73	42340240370	JOINT	1		RT,R1/2-R1/2-R3/8	
74	91002801400	O-RING	1		1B P14	
76	34922708130	PIPE ASSY	1		6.35XT0.7 L=1535	
77	37000711170	CLAMP ASSY	1		12X3	
79	80316040060	PLUG	1		NTN PGDPT3/8	
80	37000929110	PLUG (FOR M22)	4			
81	34921853100	BAND	6			
86	34922702001	SUPPORT	1			
87	36102710000	TANK,AIR	1			
	36103130000	TANK,AIR (ASSY ONLY)	1			541131

# GR-550-2-00104 4 BOOM + 2 JIB,2M2D

Pos No.	Parts No	Parts Name	Qty	Unit	Technical Data	Serial No (Start)	Serial No (End)
1	80430451650	JOINT	1				
2	37002484840	HOSE	1		L=680		
3	36671270000	FILTER,OIL (TORQUE CONVERTER)	1				
4	80400160135	JOINT	2				
5	91067102900	O-RING	6		P29		
6	80434508080	JOINT	3		L,G1,G1		
7	80400160137	JOINT	1				
8	91067103800	O-RING	3		P38		
9	37002461060	HOSE	1		L=1600		
10	37002471540	HOSE	1		L=3000		
11	80481110100	JOINT	1		L,G1-1/4,G1-1/4		
12	37000916500	JOINT	1		L,R1-G3/4	540942	540941
	37000916500	JOINT	2		L,R1-G3/4		
13	37004000090	SWITCH,THERMO	1				540941
14	90186210020	BOLT,FLANGE	2		M10X20		
15	37000912850	JOINT	1		S,G1-G11/4		
16	33330010100	GASKET	1				540941
17	80430471650	JOINT	1		45,R1-G1		
18	37012401260	HOSE	1		L=1920		
19	37012401270	HOSE	1		L=2560		
20	91810132530	FASTENER	4				541187
	91810132530	FASTENER	5			541188	
22	91067101400	O-RING	4		P14		
23	80471020510	JOINT	1		45,G1 1/4-G1 1/4		
24	37002471560	HOSE	1		L=1750		
25	37002487350	HOSE	1		L=2160		
26	37002487190	HOSE	1		L=1550		
27	80400160129	JOINT	3				
28	37002459600	HOSE	1		L=1600		
29	37000929810	JOINT	1		R1-G3/4-M16		540941
30	80471020506	JOINT	1		45,G3/4-G3/4		
31	91067102400	O-RING	2		P24		540941
	91067102400	O-RING	1		P24	540942	
32	37000600120	CLAMP	1		WR45		541187
	91860100045	CLAMP	1		KCR-W45	541188	
33	80400160133	JOINT	1				540941
34	80471020503	JOINT	1		45,G3/8-G3/8		
35	90186208014	BOLT,FLANGE	4		M8X14		
36	82100002018	CLAMP	16		WR35		541187
	91860100035	CLAMP	16		KCR-W35	541188	
37	90280200800	NUT,FLANGE	17		M8		
38	82100002041	CLAMP	1				
39	82100002013	CLAMP	2		WRC18		541187
	91860100020	CLAMP	2		KCR-W20	541188	
40	90186208025	BOLT,FLANGE	4		M8X25		
41	37000601600	CLAMP	1		WR54		

GR-550-2-00104 4 BOOM + 2 JIB,2M2D  
PP6220009-01 PIPING ASSY,OUTRIGGER

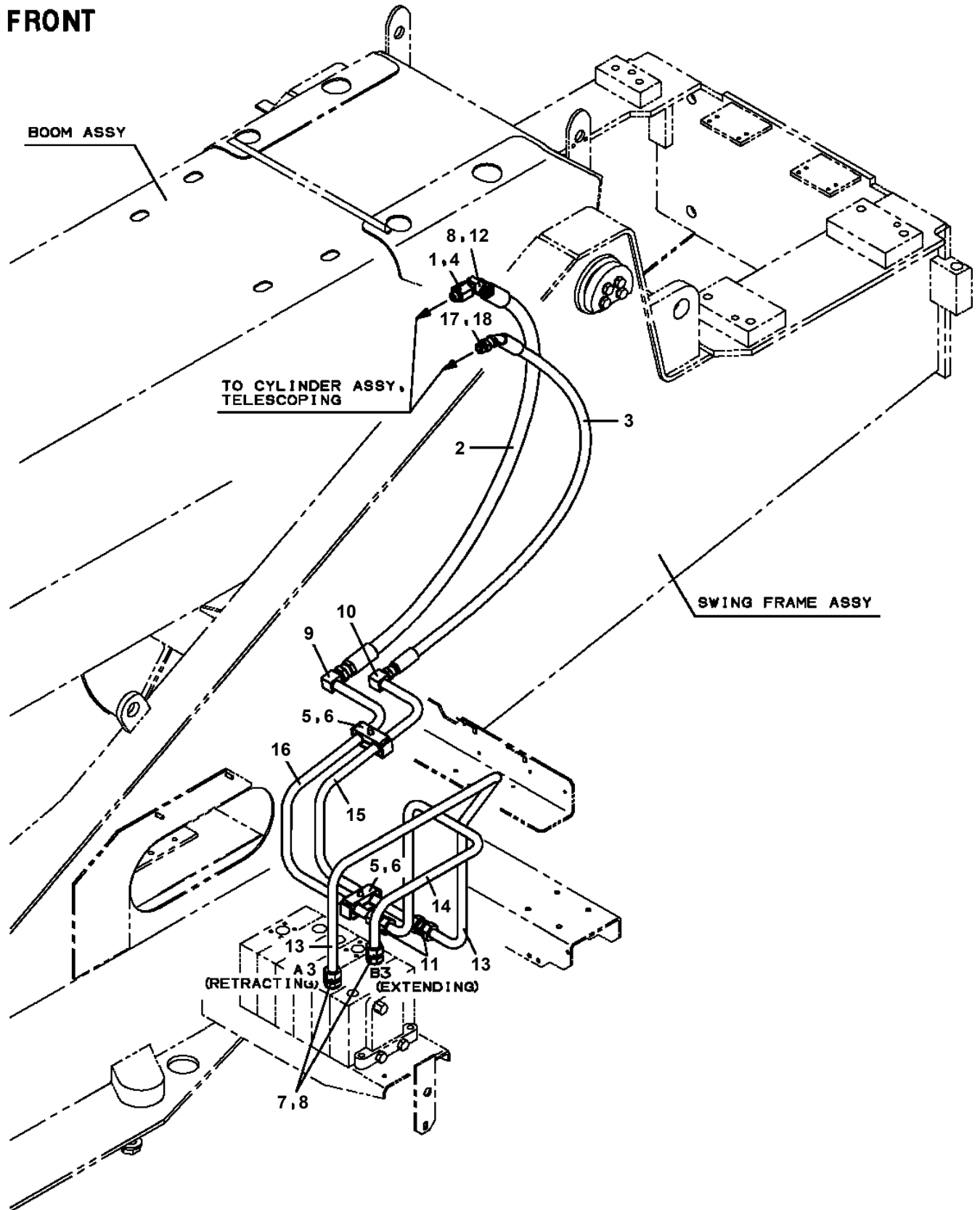


## GR-550-2-00104 4 BOOM + 2 JIB,2M2D

Pos No.	Parts No	Parts Name	Qty	Unit	Technical Data	Serial No (Start)	Serial No (End)	Rem
75	81408000241	PIPE,STEEL	2	M	18X1.9T			
76	81408000241	PIPE,STEEL	1	M	18X1.9T			
77	82100001819	TUBE,SPIRAL	1	M	SE-18BK			
78	89640101000	HOSE	1		880-NFK,1M			
81	89640101000	HOSE	1		880-NFK,1M			
82	89640102000	HOSE	1		880-NFK,2M			
83	81408000241	PIPE,STEEL	3	M	18X1.9T			
84	81408000241	PIPE,STEEL	2	M	18X1.9T			
85	81408000241	PIPE,STEEL	1	M	18X1.9T			
86	81408000241	PIPE,STEEL	3	M	18X1.9T			
87	89640102000	HOSE	1		880-NFK,2M			
88	90186208014	BOLT,FLANGE	4		M8X14			
89	33330010100	GASKET	1					
90	37004000040	SWITCH,THERMO	1		85C			
91	82100002018	CLAMP	1		WR35			
92	90186208010	BOLT,FLANGE	1		M8X10			
111	91002801100	O-RING	2		1B P11			
121	91002802900	O-RING	5		1B P29			
131	91002801400	O-RING	2		1B P14			
141	91002801800	O-RING	5		1B P18			

GR-550-2-00104 4 BOOM + 2 JIB,2M2D  
PP6360004-00 PIPING ASSY,TELESCOPE

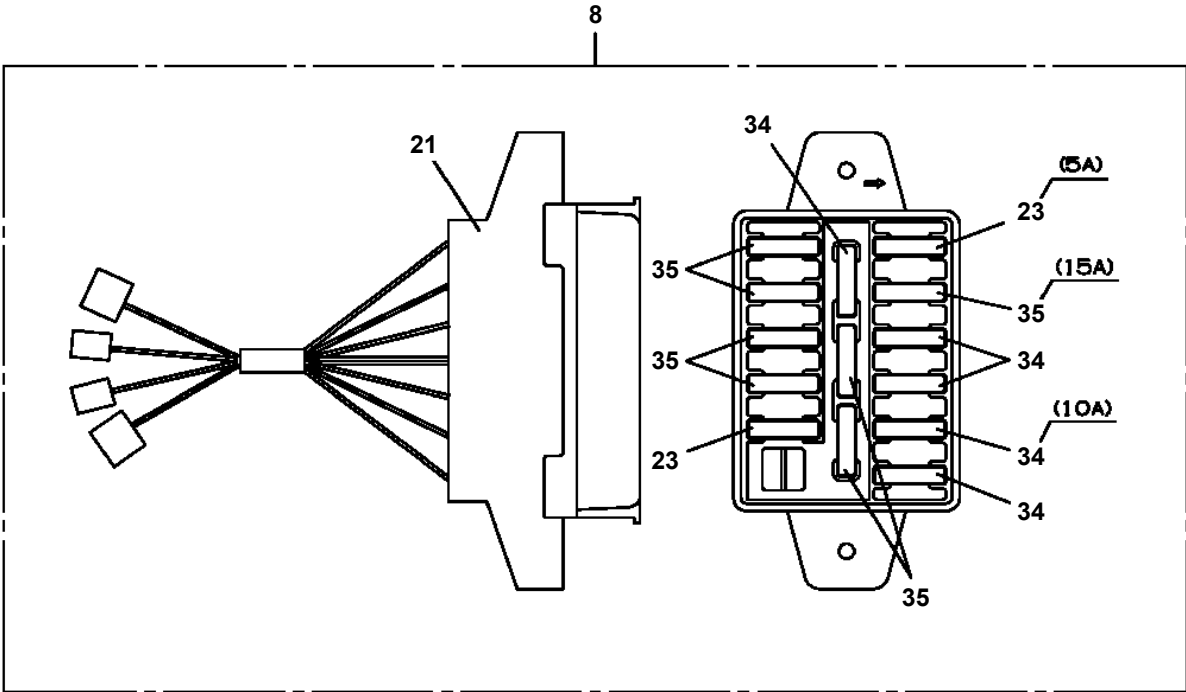
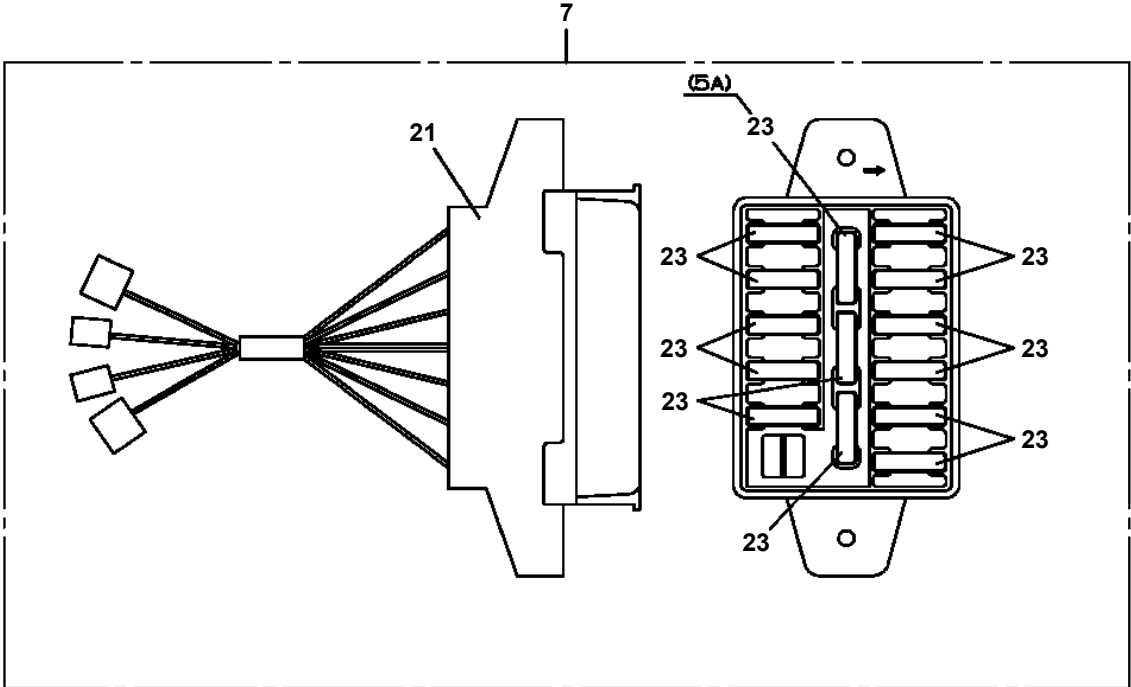
FRONT



## GR-550-2-00104 4 BOOM + 2 JIB,2M2D

Pos No.	Parts No	Parts Name	Qty	Unit	Technical Data	Serial No (Start)	Serial No (End)	Re
1	36370415070	IMPELLER ASSY	1					
2	36370515050	TURBINE ASSY	1					
3	36370515060	STATOR (WHEEL)	1					
4	36370515070	COVER ASSY (FRONT)	1					
5	36370575050	GUIDE (INPUT)	1					
6	36370575140	PLATE (INPUT)	1					
7	36370216071	RACE, OUTER	1					
8	36370415370	CLUTCH, ONEWAY	1					
9	36370216090	RETAINER (A/ONEWAY CLUTCH)	1					
10	36370216100	RETAINER (B/ONEWAY CLUTCH)	1					
11	36370216111	INNER RACE	1					
12	36370216120	PISTON	1					
13	36370515090	PLATE (PRESSURE)	1					
14	36370415120	WASHER	1					
15	36370216150	BEARING, BALL	1					
16	36370216160	BEARING, BALL	1					
17	36370216170	BEARING, NEEDLE	1					
18	36370216180	WASHER, THRUST	1					
19	36370216190	RING, RETAINING	1					
20	36370415130	RING, SNAP	1					
21	36370216210	BEARING, NEEDLE	1					
22	36370515100	SUPPORT	1					
23	80601110500	RING, RETAINING	1		S50			
24	36370615130	O-RING	1					
25	36370575060	O-RING	1					
26	36370575070	O-RING	1					
27	36370625140	RING (D)	1					
28	36370625150	RING (D)	1					
29	90171108030	BOLT	24		M8X30			
30	90302050801	WASHER, SPRING	24		8			
31	90171110060	BOLT	12		M10X60			
32	36370216300	WASHER	12					
33	36350456060	PLUG	3					
34	36370455100	DISK ASSY	1					
35	80602110900	RING, RETAINING	1		R90			
36	36370515120	WASHER, THRUST	1					
37	36370216340	WASHER, THRUST	1					

GR-550-2-00104 4 BOOM + 2 JIB,2M2D  
PR5090029-00 RELAY ASSY



# GR-550-2-00104 4 BOOM + 2 JIB,2M2D

Pos No.	Parts No	Parts Name	Qty	Unit	Technical Data	Serial No (Start)	Serial No (End)	Remarks	Pages
1	34310111601	ROLLER	1						
3	80602110520	RING,RITAINING	2		R52				
4	80516006205	BEARING,BALL	2						
6	33310000232	ROLLER	1						
8	90203201000	NUT	2		M10				
9	90102510030	BOLT	2		M10X30				
10	34310111201	LEVER	1						
11	37000119960	PIN	2						
12	90101210012	BOLT	2		M10X12				
13	90302041001	WASHER,SPRING	2		10				
14	16314011000	SPRING	2						
15	34495921300	SUPPORT	1						
16	34310111401	LEVER	1						
17	34495921500	SUPPORT	1						
18	34492781202	ROLLER	1						
19	37000315870	SPACER	4		L=14				
50	34492789513	ROLLER ASSY	1						
100	34492783000	ROLLER ASSY	1						

# GR-550-2-00104 4 BOOM + 2 JIB,2M2D

Pos No.	Parts No	Parts Name	Qty	Unit	Technical Data	Serial No (Start)	Serial No (End)	Remarks
5	82182819823	DIODE	1		1.5A			
9	34354781710	RELAY (WITH BRACKET)	1					
100	34354781740	RELAY	1					

# GR-550-2-00104 4 BOOM + 2 JIB,2M2D

Pos No.	Parts No	Parts Name	Qty	Unit	Technical Data	Serial No (Start)	Serial No (End)	Remarks	Pages
3	36610385010	SPRING	1						
12	36610275020	O-RING	1		AS568-908				
15	36610275060	PLUG	1						
16	36610275040	O-RING	2						
17	36610385020	PLUG	1						
100	36611580000	VALVE,PRIORITY	1						

# GR-550-2-00104 4 BOOM + 2 JIB,2M2D

Pos No.	Parts No	Parts Name	Qty	Unit	Technical Data	Serial No (Start)	Serial No (End)	Remarks	Pa
1	36062150000	CYLINDER,STEERING	2						00
2	36062160000	CYLINDER,STEERING	2						00
3	37001505370	BOLT	4						
4	37001505380	BOLT	4		M30X125				
5	37001601880	NUT,CASTLE	8		M30X1.5				
6	80136363056	PIN,SPLIT	8		6.3X56				

# GR-550-2-00104 4 BOOM + 2 JIB,2M2D

Pos No.	Parts No	Parts Name	Qty	Unit	Technical Data	Serial No (Start)	Serial No (End)	Remarks	Pages
1	34360142010	SUPPORT	1						
2	34201066720	SUPPORT	1						
5	44620316350	PLATE	1						
6	42770634000	PLATE	2						
7	37000169830	PIN	1						
8	37000584140	SUPPORT	1						
10	33360311020	SUPPORT	1						
12	37000586010	PLATE	2			540999			
13	34361103600	SUPPORT	1			540999			
14	37000504700	PLATE	1			540999			

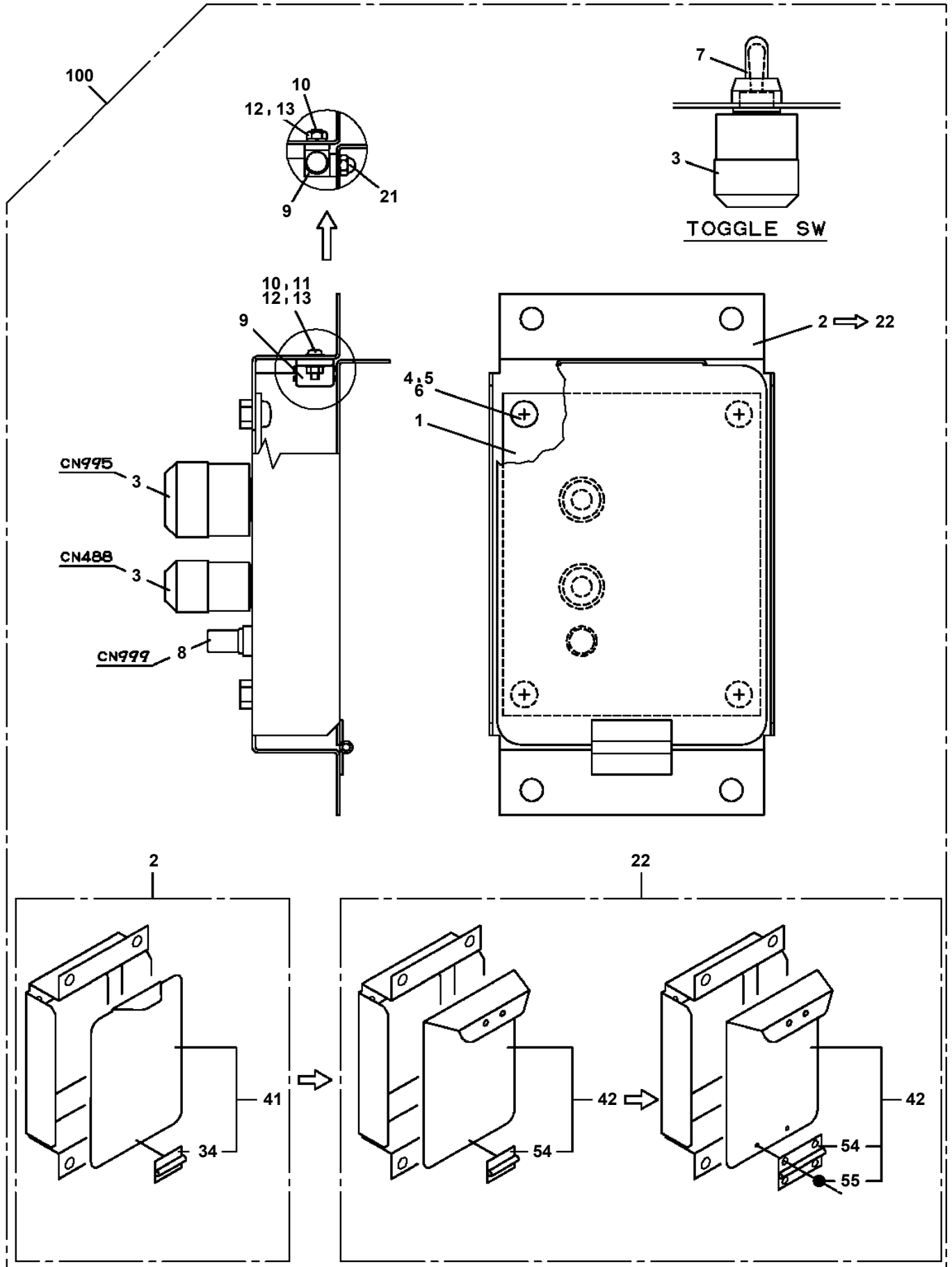
# GR-550-2-00104 4 BOOM + 2 JIB,2M2D

Pos No.	Parts No	Parts Name	Qty	Unit	Technical Data	Serial No (Start)	Serial No (End)	Remarks	Pages
1	34444737100	GUARD	1						

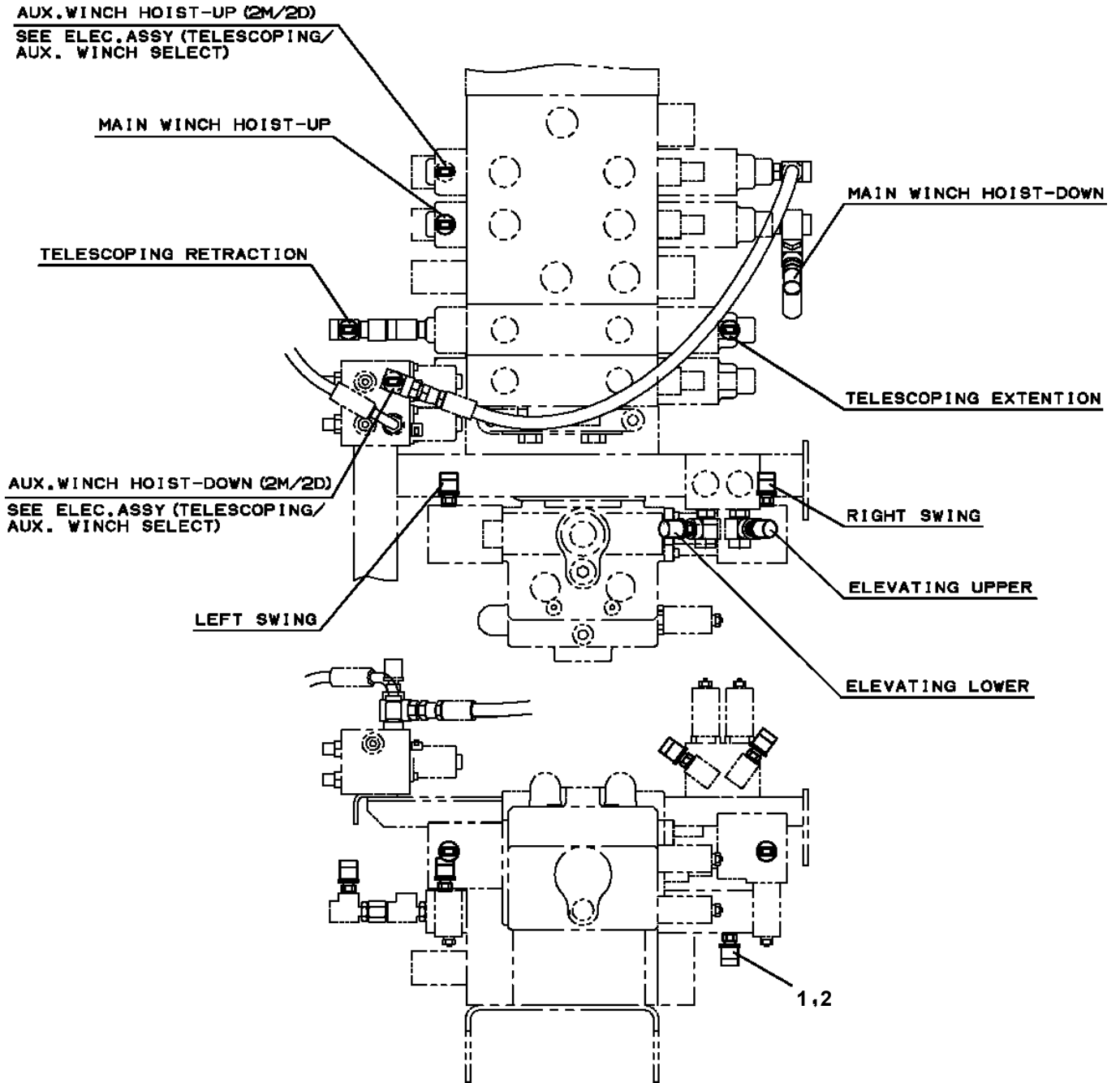
# GR-550-2-00104 4 BOOM + 2 JIB,2M2D

Pos No.	Parts No	Parts Name	Qty	Unit	Technical Data	Serial No (Start)	Serial No (End)	Remarks	Pages
2	37000558150	PLATE	2						
3	34495693110	SUPPORT	2						
4	37000589150	PLATE	1		T=6				
5	34495753110	SUPPORT	2						
6	34495693210	SUPPORT	1						

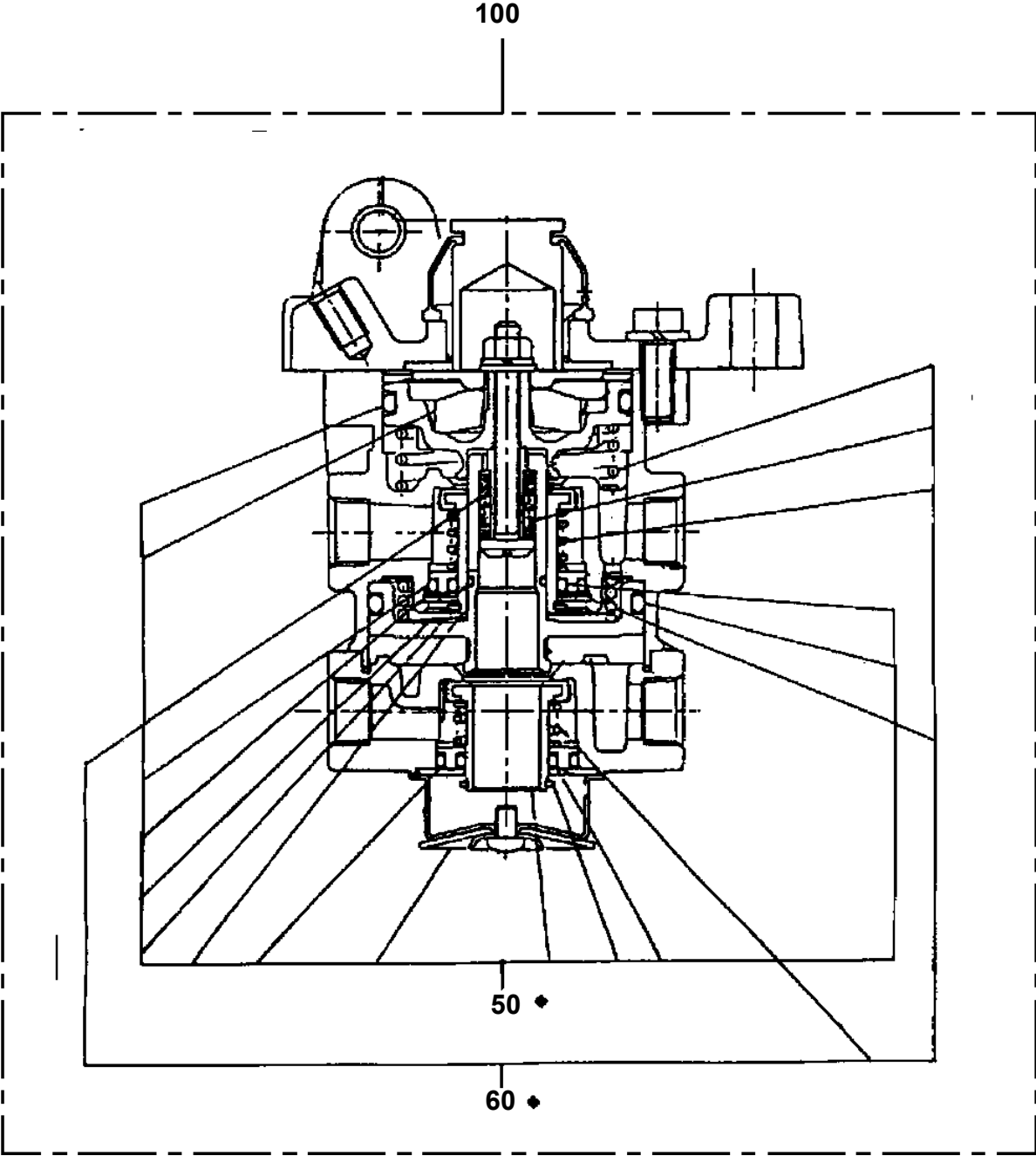
**GR-550-2-00104 4 BOOM + 2 JIB,2M2D**  
**PS5530044-03 SWITCH ASSY (JIB HANDLING)**



**GR-550-2-00104 4 BOOM + 2 JIB,2M2D**  
**PS5530069-00 SWITCH ASSY (OPERATION DETECTION)**



GR-550-2-00104 4 BOOM + 2 JIB,2M2D  
PT1240004-01 VALVE,BRAKE



## GR-550-2-00104 4 BOOM + 2 JIB,2M2D

Pos No.	Parts No	Parts Name	Qty	Unit	Technical Data	Serial No (Start)	Serial No (End)	Remarks
2	99164008020	BOLT (M8X20)	8					
3	99163010016	BOLT (M10X16)	8					
4	34660100030	COVER	1					
5	34660180040	PACKING	1		T=2.0			
6	36672870000	BREATHER ASSY (OBR-30)	1					
7	36673360000	FILTER,OIL	1				541506	
	36673700000	FILTER ASSY	1			541507		
8	33660000211	GAUGE,OIL	1					
9	80205001000	PLUG	1		PT1			
10	80316070100	PLUG	2		G3/4			
11	91002802400	O-RING	2		1B P24			
12	91001226000	O-RING	2		1A G260			
13	34660010061	COVER	1					
14	99164010020	BOLT (M10X20)	8					
15	34660520030	COVER	1					
22	33660007511	ELEMENT	1					
24	33660007520	PACKING SET	1					
27	36672875040	KEY	2					
41	33660007530	BOLT	2					
42	34660131140	PACKING	4					
100	34660530000	TANK ASSY,OIL	1					

# GR-550-2-00104 4 BOOM + 2 JIB,2M2D

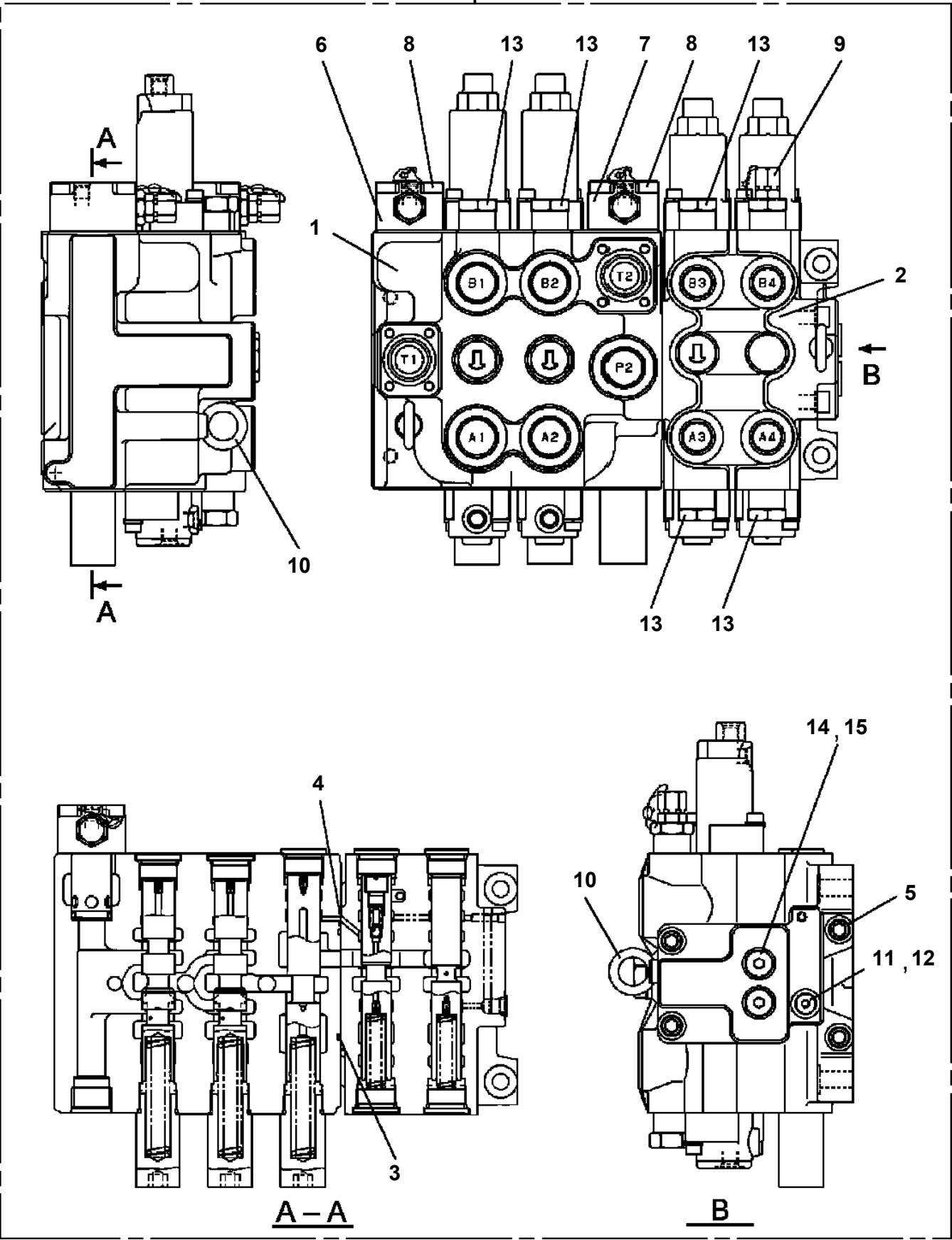
Pos No.	Parts No	Parts Name	Qty	Unit	Technical Data	Serial No (Start)	Serial No (End)
10	36120640000	TRANSMITTER ASSY,SIGNAL (LOWER)	1				

# GR-550-2-00104 4 BOOM + 2 JIB,2M2D

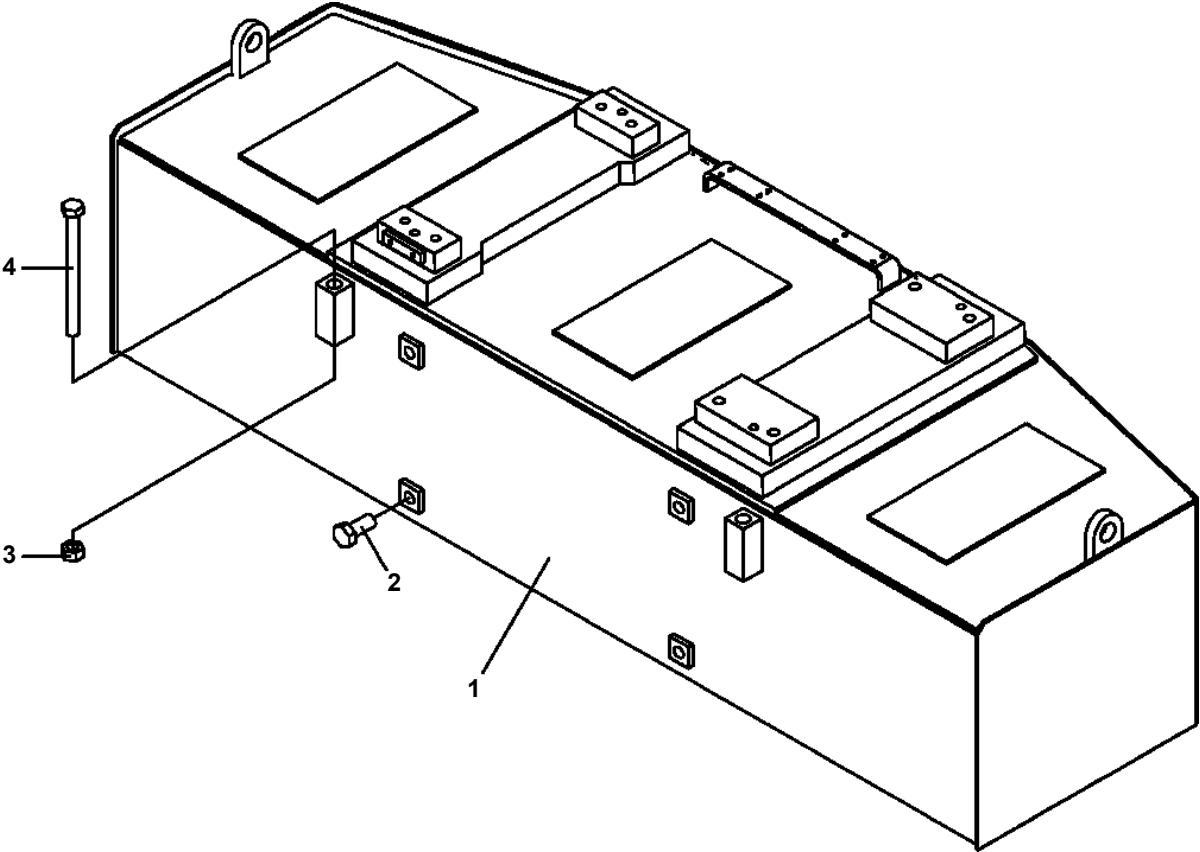
Pos No.	Parts No	Parts Name	Qty	Unit	Technical Data	Serial No (Start)	Serial No (End)	Remarks
68	90302050801	WASHER,SPRING	8		8			
69	90302051001	WASHER,SPRING	20		10			
70	36350455450	CHOKE	1					
71	90171110090	BOLT	1		M10X90			
72	36370655070	GEAR (M)	1					
73	36350365460	SPACER (C)	1					

GR-550-2-00104 4 BOOM + 2 JIB,2M2D  
 PV5170002-01 VALVE ASSY,SELECTOR

900

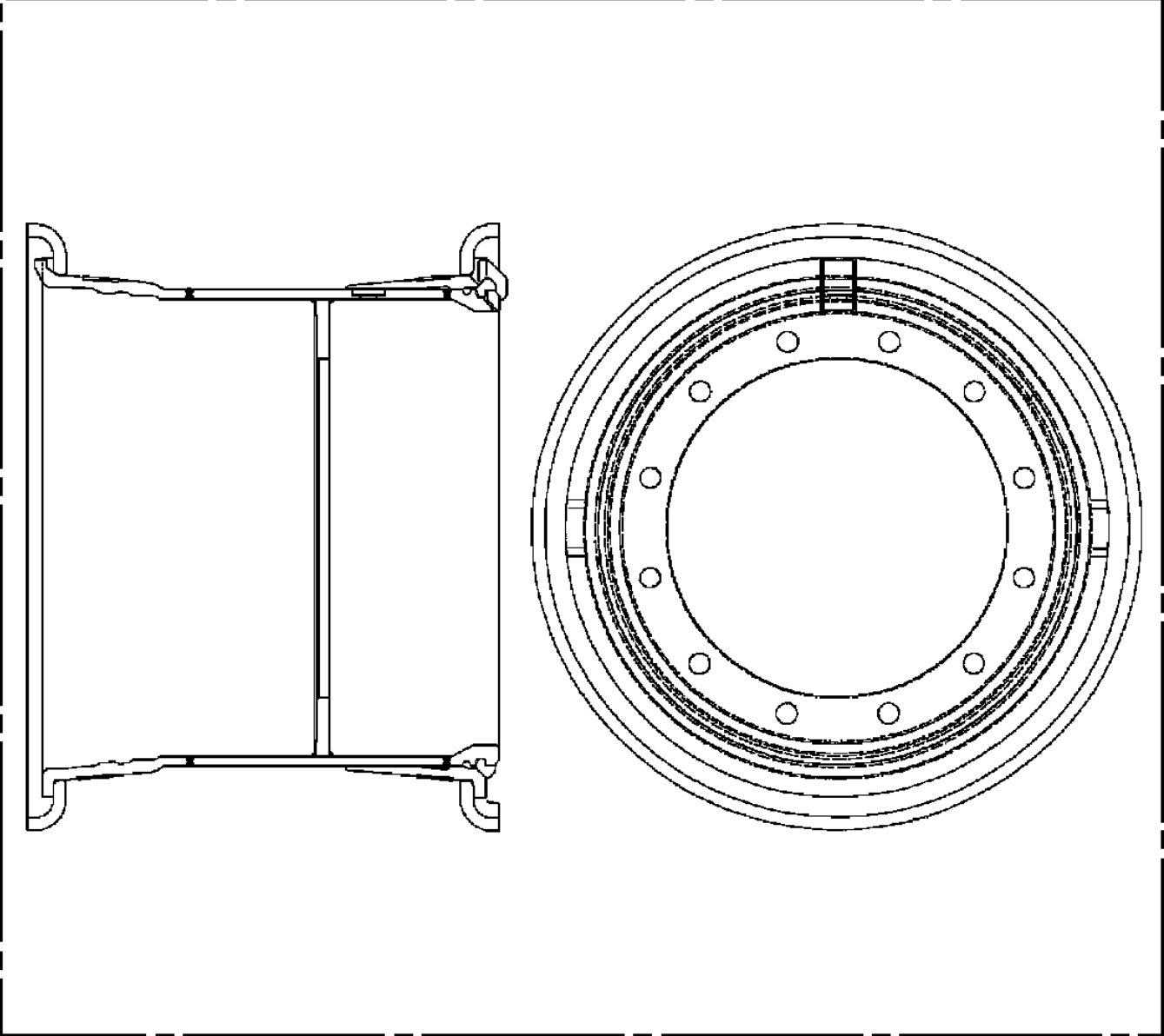


GR-550-2-00104 4 BOOM + 2 JIB,2M2D  
PW5020011-00 WEIGHT ASSY

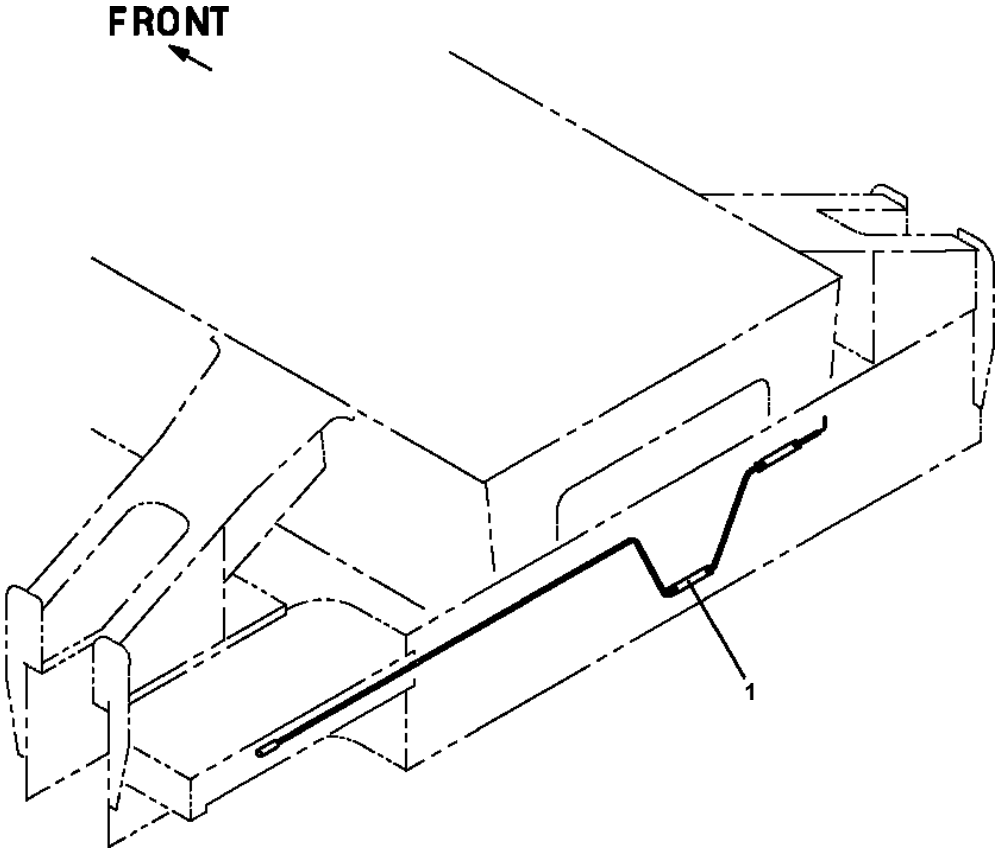


**GR-550-2-00104 4 BOOM + 2 JIB,2M2D**  
**PW5050003-00 WHEEL,TIRE**

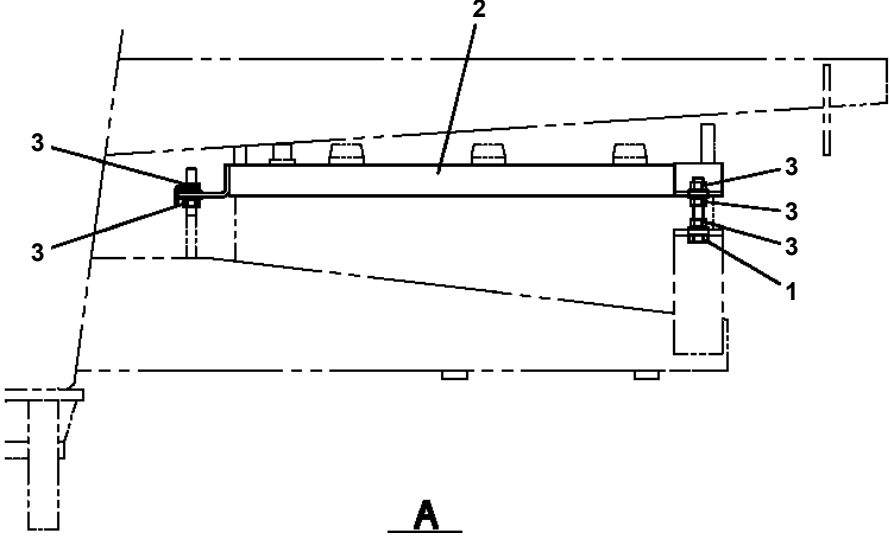
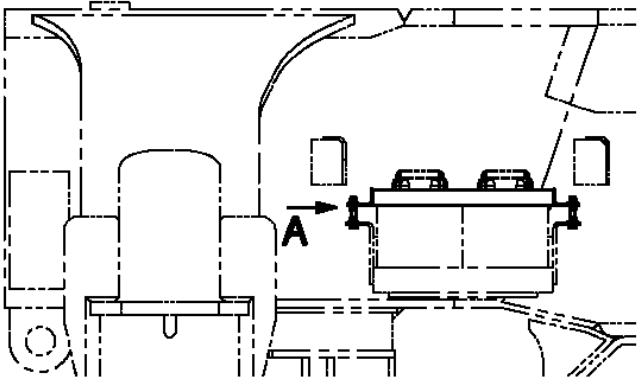
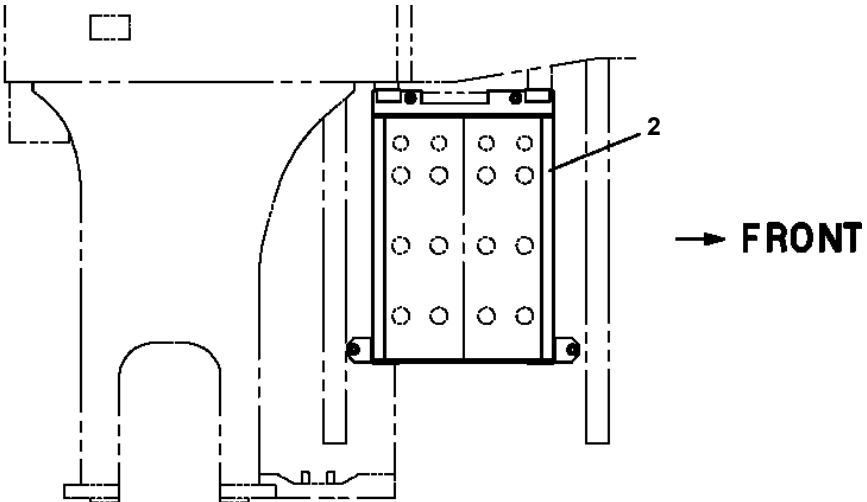
100



**GR-550-2-00104 4 BOOM + 2 JIB,2M2D**  
**PX5010078-00 MOUNT ASSY (JIB HANDLE)**



**GR-550-2-00104 4 BOOM + 2 JIB,2M2D  
PX5060003-00 MOUNT ASSY,BATTERY**

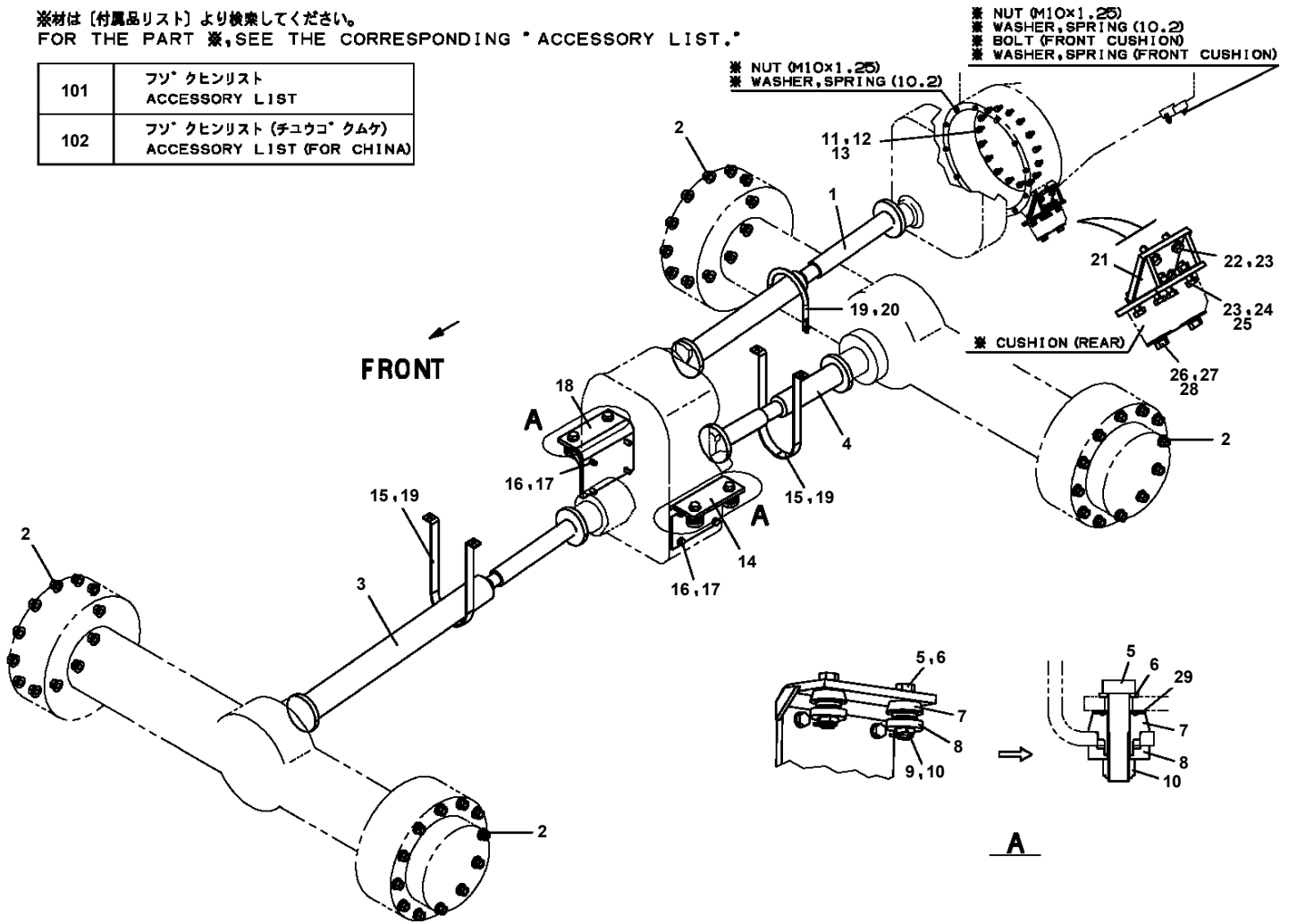


# GR-550-2-00104 4 BOOM + 2 JIB,2M2D PX5560005-02 MOUNT ASSY,POWER TRAIN

※材は〔付属品リスト〕より検索してください。

FOR THE PART ※,SEE THE CORRESPONDING "ACCESSORY LIST."

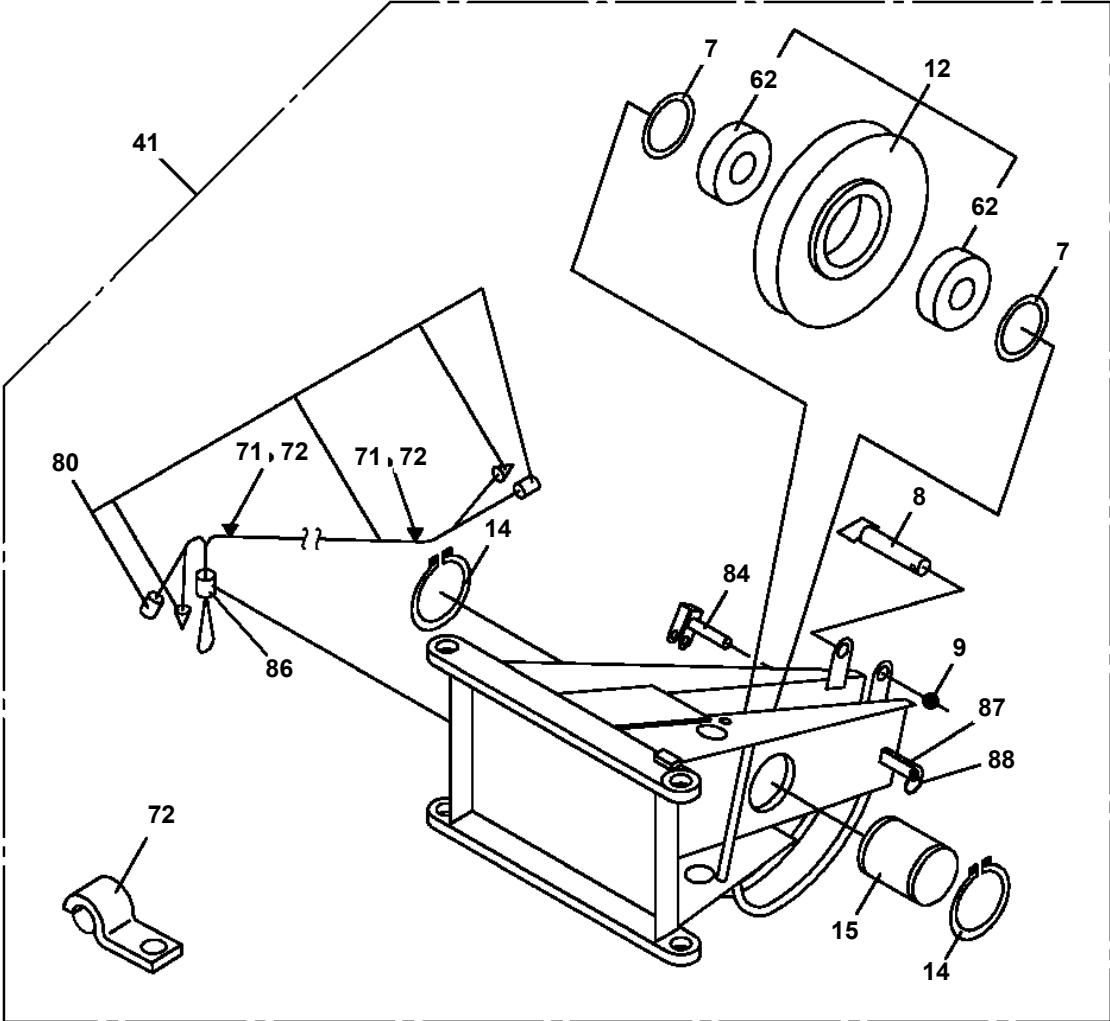
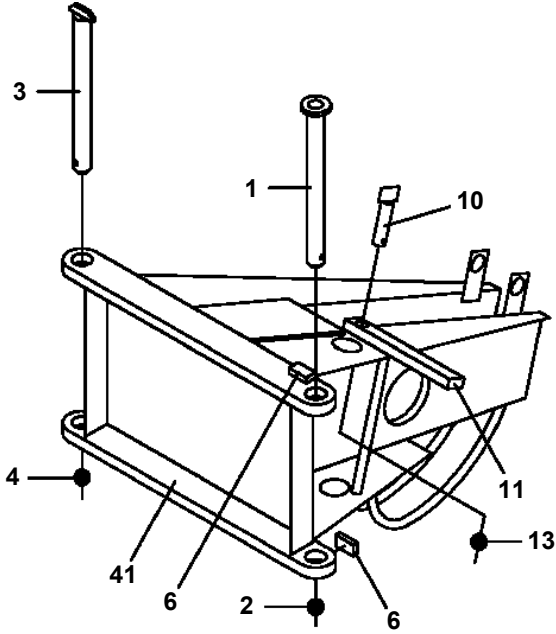
101	フソ <sup>®</sup> クヒンリスト ACCESSORY LIST
102	フソ <sup>®</sup> クヒンリスト (チユウコ <sup>®</sup> クムケ) ACCESSORY LIST (FOR CHINA)



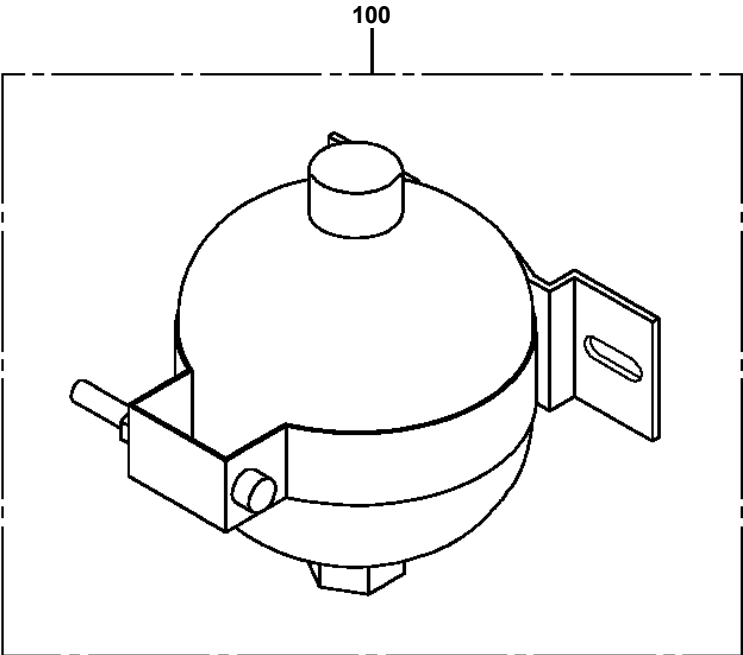
# GR-550-2-00104 4 BOOM + 2 JIB,2M2D

Pos No.	Parts No	Parts Name	Qty	Unit	Technical Data	Serial No (Start)	Serial No (End)
1	91803600800	CLIP	2		D=60-80		
2	34782210100	INSULATOR	1				
3	34782210200	INSULATOR	1				
5	34782250100	INSULATOR	1				
6	36690370000	COOLER ASSY,OIL (ASSY ONLY)	1				
7	91803600900	CLIP	3		D=70-90		
8	82100002008	CLAMP	5		WR12		
9	90103210020	BOLT	2		M10X20		
10	90280200600	NUT,FLANGE	5		M6		
11	37002511350	HOSE	1		L=1500		
12	37002515610	HOSE	1		L=970		
13	91803880070	CLIP	3		D=13.1-16.2		
14	90186208014	BOLT,FLANGE	10		M8X14		
15	36690390000	COOLER ASSY,OIL	1				
16	34782210400	SUPPORT	2				
17	37002516880	HOSE	1		L=507		
18	37002514910	HOSE (RADIATOR)	1				
19	34781750100	PLATE	2		T=4.5		
20	34782600200	SUPPORT	1				
21	36101920000	TANK,RESERVOR	1				
22	34780681800	CLAMP	1				
24	90186210020	BOLT,FLANGE	4		M10X20		
25	34781810400	SUPPORT	1				
26	34781810500	SUPPORT	1				
27	34780130300	CUSHION	6				
28	90303071001	WASHER,PLAIN	14		10		
29	90101210030	BOLT	4		M10X30		
30	90302041001	WASHER,SPRING	14		10		
31	90201201000	NUT	10		M10		
32	90280201000	NUT,FLANGE	4		M10		
34	34782280400	SUPPORT	2				
35	37000535710	PLATE	2		50XT3.2		
36	90101208020	BOLT	12		M8X20		
37	90302040801	WASHER,SPRING	12		8	540760	
38	90303070801	WASHER,PLAIN	10		8		
40	90201200800	NUT	8		M8	540760	
42	37000931470	JOINT	1		R1/2-13		
43	34781951002	FILTER ASSY (WATER)	1				
44	90101206055	BOLT	2		M6X55		
45	90302040601	WASHER,SPRING	2		6		
46	90303070601	WASHER,PLAIN	6		6		
47	37000931450	JOINT	1		L,R1/2-17		
48	37002514470	HOSE	1		L=400		
49	37002513340	HOSE	1		L=4000		
50	37002514680	HOSE	1				
51	91801630022	CLIP	5		D=19.9-22.6		
52	91801630024	CLIP	3		22.6-26.0		
53	37000927100	JOINT	1		L,PT3/8-PT3/8		
54	82100002015	CLAMP	5		WRC20		
55	82100002044	CLAMP	10		WE25		
56	90280200800	NUT,FLANGE	15		M8		
57	37000929050	JOINT	1		S R3/8-13		
58	91810132530	FASTENER	2				
59	82100001803	TUBE,CORRUGATE	1	M	13		
	82100001412	TUBE,SPIRAL	1	M	SE-12BK		
60	82100002016	CLAMP	1		WR25		
101	34781213100	SUPPORT	1				
102	34781213200	SUPPORT	1				
103	34782213100	SUPPORT	1				
104	90101508025	BOLT	6		M8X25		
105	90302040801	WASHER,SPRING	8		8		
106	90101210030	BOLT	3		M10X30		
107	90302041001	WASHER,SPRING	7		10		

GR-550-2-00104 4 BOOM + 2 JIB,2M2D  
PY1030146-01 SINGLE TOP



**GR-550-2-00104 4 BOOM + 2 JIB,2M2D  
PY5040001-00 ACCUMULATOR**

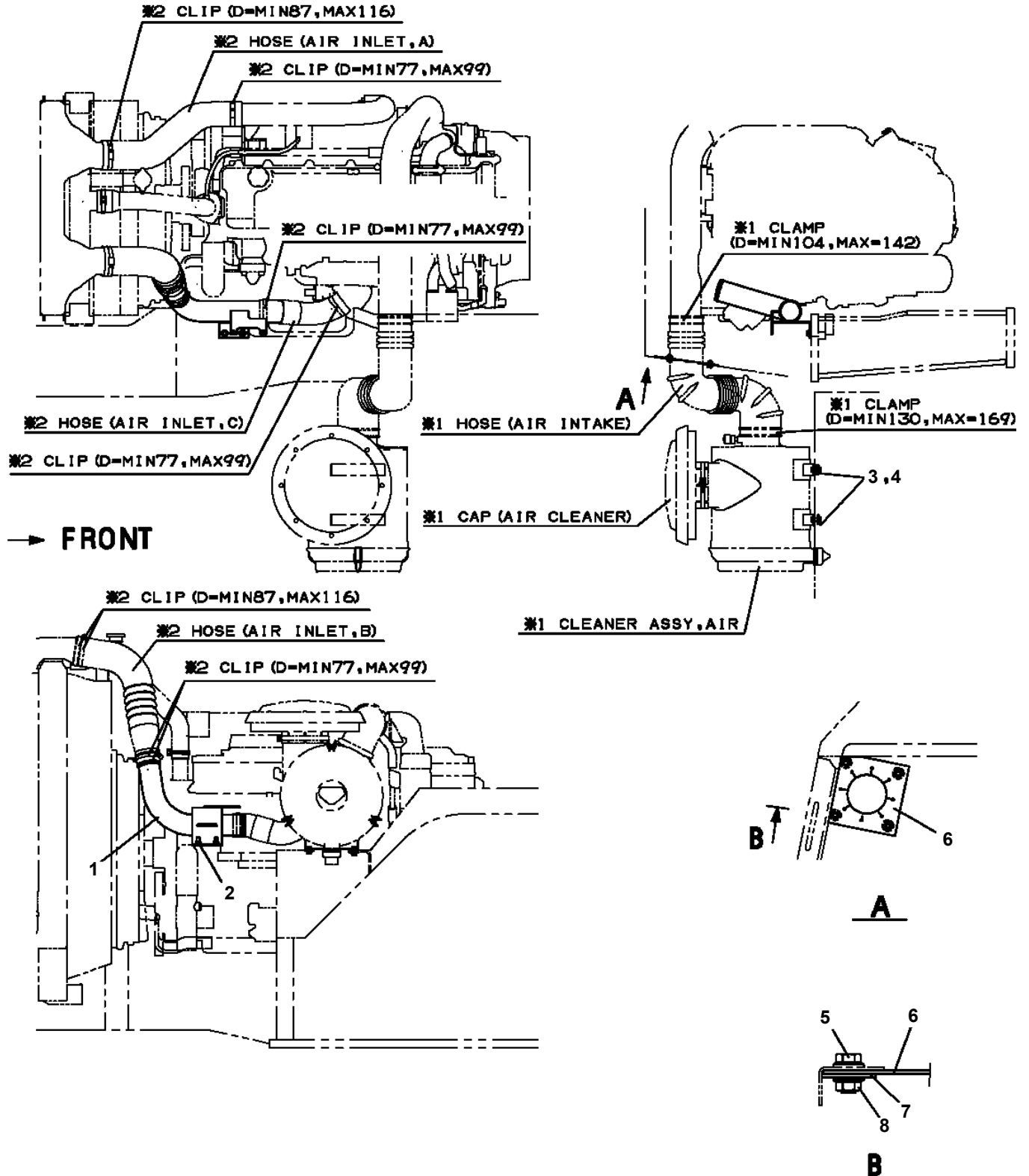


# GR-550-2-00104 4 BOOM + 2 JIB,2M2D PY5150025-00 AIR INTAKE ASSY

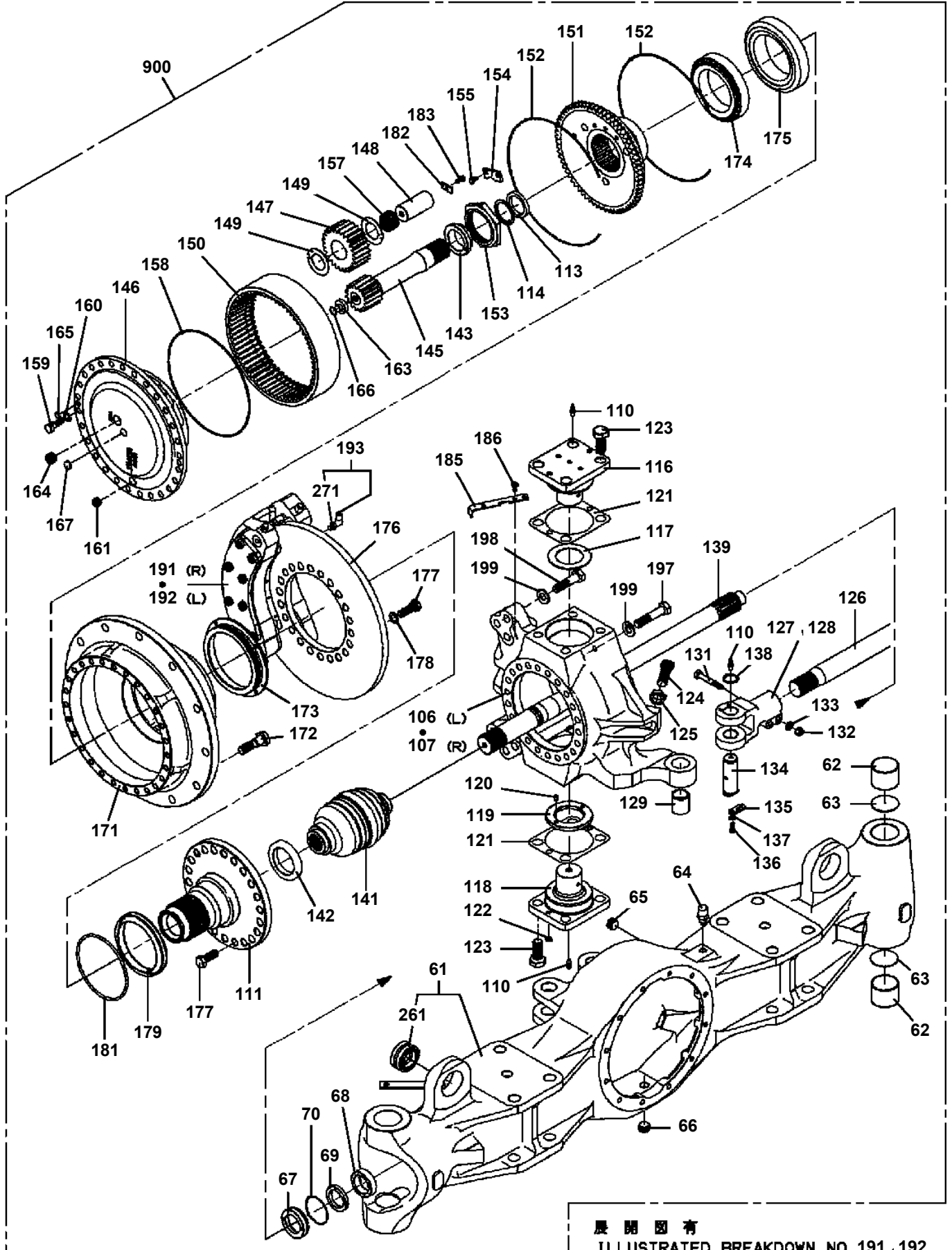
※材は〔付属品リスト〕より検索してください。

FOR THE PART ※,SEE THE CORRESPONDING "ACCESSORY LIST."

※1	101	フソクヒンリスト (エンジン) ACCESSORY LIST (ENGINE)
※2	201	フソクヒンリスト (ラジエータ) ACCESSORY LIST (RADIATOR)



GR-550-2-00104 4 BOOM + 2 JIB,2M2D  
 PY5330002-04 AXLE ASSY (REAR,NO-SPIN)



展開圖有  
 ILLUSTRATED BREAKDOWN NO.191.192

## GR-550-2-00104 4 BOOM + 2 JIB,2M2D

Pos No.	Parts No	Parts Name	Qty	Unit	Technical Data	Serial No (Start)	Serial No (End)
123	36381595090	BOLT	16				
124	34680005670	BOLT,STOPPER	2				
125	34680005850	NUT	2		M24		
126	36380675231	TIE ROD	1				
127	36380705310	END,TIE ROD (RIGHT HAND SCREW)	1				
128	36380705320	END,TIE ROD (LEFT HAND SCREW)	1				
129	36380675261	BUSHING (TIE ROD END)	2				
131	90171112080	BOLT	4		M12X80		
132	90201701200	NUT	4		M12		
133	90303071201	WASHER,PLAIN	4		12		
134	36380705161	PIN (TIE ROD END)	2				
135	59172030340	PLATE (LOCK)	2				
136	90171108020	BOLT	12		M8X20		
137	90302040801	WASHER,SPRING	4		8		
138	80601110350	RING,RITAINING	2		S35		
139	36382205110	SHAFT(AXLE)	2				
141	36382205120	JOINT ASSY(BALL)	2				
142	36382205130	BEARING,BALL	2				
143	36382205140	WASHER,THRUST	2				
145	36382205150	GEAR,SUN	2				
146	36382205160	SPIDER,PLANETARY GEAR	2				
147	36382205170	GEAR,PLANETARY	6				
148	36382205180	SHAFT(PLANETARY GEAR)	6				
149	36380105680	WASHER,THRUST	12				
150	36382205190	GEAR,INTERNAL	2				
151	36382205200	HUB,INTERNAL GEAR	2				
152	36382205210	WIRE,STOP	4				
153	36380105720	NUT,BEARING	2				
154	36380105730	WASHER (LOCK)	2				
155	90171108016	BOLT	4		M8X16		
157	36380105770	BEARING,NEEDLE	12				
158	36382205220	O-RING	2				
159	90171114045	BOLT	54		M14X45		
160	36380675390	WASHER	54				
161	36380215250	PLUG,MAGNET	2				
163	36381995330	STOPPER (SHAFT)	2				
164	80316030100	PLUG	2		PT3/4		
165	36381995340	PLUG	4				
166	36381995350	O-RING	2				
167	36381995360	PLUG	2				
171	36382205230	HUB,WHEEL	2				
172	36381995380	BOLT (HUB)	24				
173	36380705131	RETAINER	2				
174	59172071060	BEARING,ROLLER	2				
175	36380105850	BEARING,TAPER ROLLER	2				
176	36382225120	DISK	2				
177	36381445170	BOLT	88				
178	36380675380	WASHER,PLAIN	88				
179	36380675451	SEAL,OIL	2				
181	36380705140	O-RING	2				
182	36381995420	PLATE (LOCK)	6				
183	90171108016	BOLT	10		M8X16		
191	36381445190	BRAKE,CALIPER (3,6-PISTONS)	1				
192	36381445200	BRAKE,CALIPER (4,6-PISTONS)	1				
193	36381975030	CONNECTOR (WITH O-RING)	2				
197	36381995450	BOLT (CALIPER)	6				
198	36381095070	BOLT (S)	6				
199	36381125050	WASHER	12				
251	90171116095	BOLT (DACRO)	4		M16X95		
252	34680005240	WASHER	4				
261	36381245090	BUSHING	2				
271	36380675490	O-RING	2				
281	36380105090	BOLT (SHORT)	12				

CLICK HERE TO **DOWNLOAD** THE COMPLETE MANUAL

- Thank you very much for reading the preview of the manual.
- You can download the complete manual from: [www.heydownloads.com](http://www.heydownloads.com) by clicking the link below



- Please note: If there is no response to CLICKING the link, please download this PDF first and then click on it.

CLICK HERE TO **DOWNLOAD** THE COMPLETE MANUAL