

GR-550-2-00251 4 BOOM + 2 JIB, 2M2D

PB5000011-00 HYDRAULIC PRESSURE SYSTEM
PB6000022-00 PIPING SYSTEM (UPPER)
PB6000023-00 PIPING SYSTEM (LOWER)
PC1000634-00 OUTRIGGER SYSTEM
PD1000625-00 SWING SYSTEM
PF1000716-00 WINCH SYSTEM
PG5000010-00 BOOM SYSTEM
PG6000009-00 JIB SYSTEM
PH5000010-00 SAFETY SYSTEM
PK1000732-02 FRAME
PK5000010-00 CAB SYSTEM
PL5000010-00 CONTROL SYSTEM
PM1000032-01 LUBRICATION DEVICES
PN1000620-00 ELECTRIC EQUIPMENT (CAB)
PN1000621-00 ELECTRIC EQUIPMENT
PO1000150-00 INDICATION PLATES
PR5000023-00 DRIVING POWER SYSTEM
PS5000010-00 STEERING & SUSPENSION
PW1000097-02 ACCESSORIES & TOOLS
PX1001205-02 MOUNTING PARTS
PY1001498-05 OPTIONS
ASSEMBLY

CLICK HERE TO **DOWNLOAD** THE COMPLETE MANUAL

- Thank you very much for reading the preview of the manual.
- You can download the complete manual from: www.heydownloads.com by clicking the link below



- Please note: If there is no response to CLICKING the link, please download this PDF first and then click on it.

CLICK HERE TO **DOWNLOAD** THE COMPLETE MANUAL

GR-550-2-00251 4 BOOM + 2 JIB, 2M2D

Pos No.	Parts No	Parts Name	Qty	Unit	Technical Data	Serial No (Start)	Serial No (End)	Re
1	(*****)	PIPING ASSY,SUCTION	1					
2	(*****)	PIPING ASSY (STEER/SPING LOCK)	1					
3	(*****)	PIPING ASSY,OUTRIGGER	1					
4	(*****)	PIPING ASSY,SWIVEL	1					
5	(*****)	PIPING ASSY,RETURN (LOWER)	1					
6	(*****)	PIPING ASSY,CONVERTER	1					
7	(*****)	PIPING ASSY,BRAKE (LOWER)	1					
8	(*****)	PIPING ASSY,AIR	1					

GR-550-2-00251 4 BOOM + 2 JIB, 2M2D

Pos No.	Parts No	Parts Name	Qty	Unit	Technical Data	Serial No (Start)	Serial No (End)
1	(*****)	JIB ASSY	1				
2	(*****)	ATTACHMENT,JIB	1				
3	(*****)	SUPPORT ASSY (JIB)	1				
4	(*****)	DETECTOR,OVER WIND (WEIGHT/JIB)	1				
5	(*****)	MOUNT ASSY (JIB HANDLE)	1				

GR-550-2-00251 4 BOOM + 2 JIB, 2M2D

Pos No.	Parts No	Parts Name	Qty	Unit	Technical Data	Serial No (Start)	Serial No (End)	Remarks	Page
1	(***** *****)	PARTS,GREASING	1				541313		0002
	(***** *****)	PARTS ASSY,GREASE	1			541314			0002

GR-550-2-00251 4 BOOM + 2 JIB, 2M2D

Pos No.	Parts No	Parts Name	Qty	Unit	Technical Data	Serial No (Start)	Serial No (End)	Remarks
1	(*****)	STEERING ASSY (LOWER)	1					
2	(*****)	MOUNT,SUSPENSION	1					

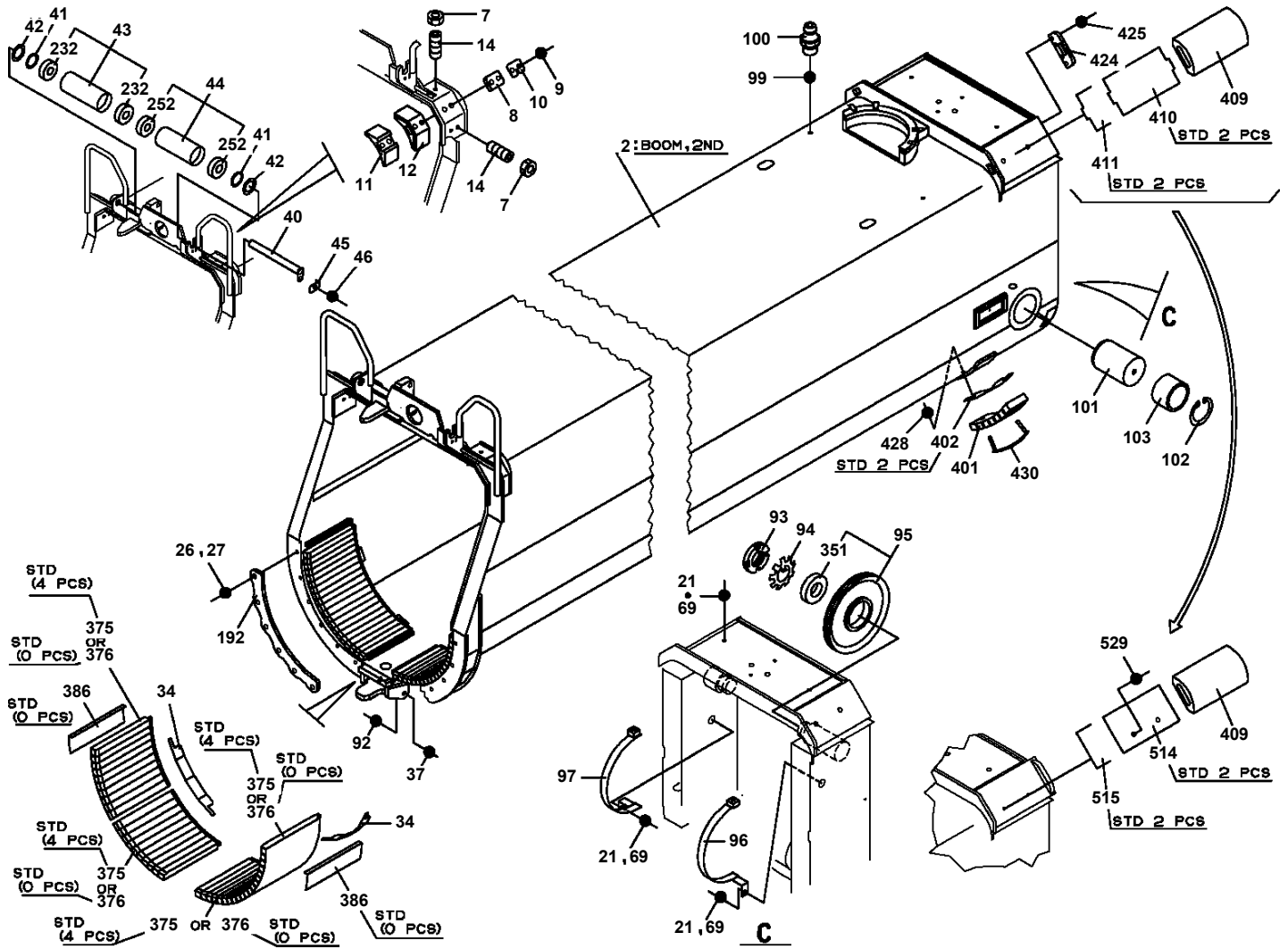
GR-550-2-00251 4 BOOM + 2 JIB, 2M2D

PM5150499-00 MODIFICATION ASSY (CAB/EMERGENCY EXIT)
PM5150650-02 MODIFICATION ASSY (DATA LOGGER)
PN1060204-01 SWITCH PANEL (2)
PN1080161-03 LAMP
PN1080431-01 LAMP (COMBINATION)
PN1370121-00 BATTERY (YUASA,170F51)
PN1370124-00 BATTERY (PANASONIC,130F51)
PN1370125-00 BATTERY (GLOBAL & YUASA,130F51)
PN1370143-00 BATTERY (HYUNDAI ENERCELL)
PN5010362-00 NAME PLATE ASSY (LOGO MARK)
PN5010434-00 NAME PLATE ASSY (SI)
PN5010564-01 NAME PLATE ASSY (LOWER)
PN5010604-00 NAME PLATE ASSY
PN5010786-00 NAME PLATE ASSY (FILLING OIL DISTINCTION)
PN5010925-00 NAME PLATE ASSY (TIE-OFF)
PN5011547-00 NAME PLATE ASSY (AUX. HOOK)
PN5012133-00 NAME PLATE ASSY (UPPER)
PO1012825-05 PLATE ASSY,NAME (OIL)
PO1015261-00 PLATE ASSY,NAME (NO.1-NO.38)
PO1050084-03 MARKING (OUTRIGGER)
PO5020006-03 OPE.ASSY,ACCELERATOR
PO5040010-00 OPE.ASSY,BRAKE
PO5080038-01 OPE.ASSY,CONT.VALVE (ISO/VISUAL)
PO5080039-01 OPE.ASSY,CONT.VALVE (ISO/TACTILE)
PO5260016-00 OUTER COVERING ASSY (FRAME)
PO5260023-04 OUTER COVERING ASSY (FENDER)
PO5260041-00 OUTER COVERING ASSY (NON SLIP SEAL)
PO5260042-04 OUTER COVERING ASSY (NON-SLIP PAINT)
PO5270048-01 OUTRIGGER ASSY
PP5050013-01 PARTS ASSY,AML
PP5120028-00 PARTS ASSY,GREASE
PP5240024-00 PLATE,NAME
PP5420007-02 PUMP ASSY,OIL (MAIN)
PP6010088-03 PIPING ASSY (JIB SET)
PP6010089-01 PIPING ASSY (STEER/SPING LOCK)
PP6010090-00 PIPING ASSY (AUX. WINCH)
PP6020014-01 PIPING ASSY,AIR
PP6070004-00 PIPING ASSY,BRAKE (UPPER)
PP6070013-00 PIPING ASSY,BRAKE (LOWER)
PP6090005-02 PIPING ASSY,CONVERTER
PP6100005-00 PIPING ASSY,DERRICK
PP6110029-00 PIPING ASSY,DRAIN
PP6150002-00 PIPING ASSY,GAUGE
PP6180004-00 PIPING ASSY,JIB
PP6220009-01 PIPING ASSY,OUTRIGGER
PP6240007-02 PIPING ASSY,PILOT
PP6270012-00 PIPING ASSY,RETURN (UPPER)
PP6270042-00 PIPING ASSY,RETURN (LOWER)
PP6290003-00 PIPING ASSY,STEERING
PP6300004-00 PIPING ASSY,SUCTION
PP6320007-00 PIPING ASSY,SWING
PP6340005-04 PIPING ASSY,SWIVEL
PP6360004-00 PIPING ASSY,TELESCOPE
PP6390010-00 PIPING ASSY,WINCH (MAIN)
PQ1100033-02 TANK,FUEL (300L)
PR1010021-00 OPE.ASSY,TRANSMISSION (SHIFT SWITCH)
PR1600035-01 PROPELLER SHAFT,DRIVING
PR5020003-00 RADIATOR ASSY
PR5050017-01 REEL ASSY,CORD
PR5090029-00 RELAY ASSY
PR5090033-02 RELAY ASSY (CAB/STD)
PR5090034-00 RELAY ASSY (CAB:EMERGENCY ACCELERATOR SW)
PR5090035-00 RELAY ASSY (DPF EMERGENCY OVERRIDE)
PR5090036-00 RELAY ASSY (CAB:SPRING LOCK)

GR-550-2-00251 4 BOOM + 2 JIB, 2M2D

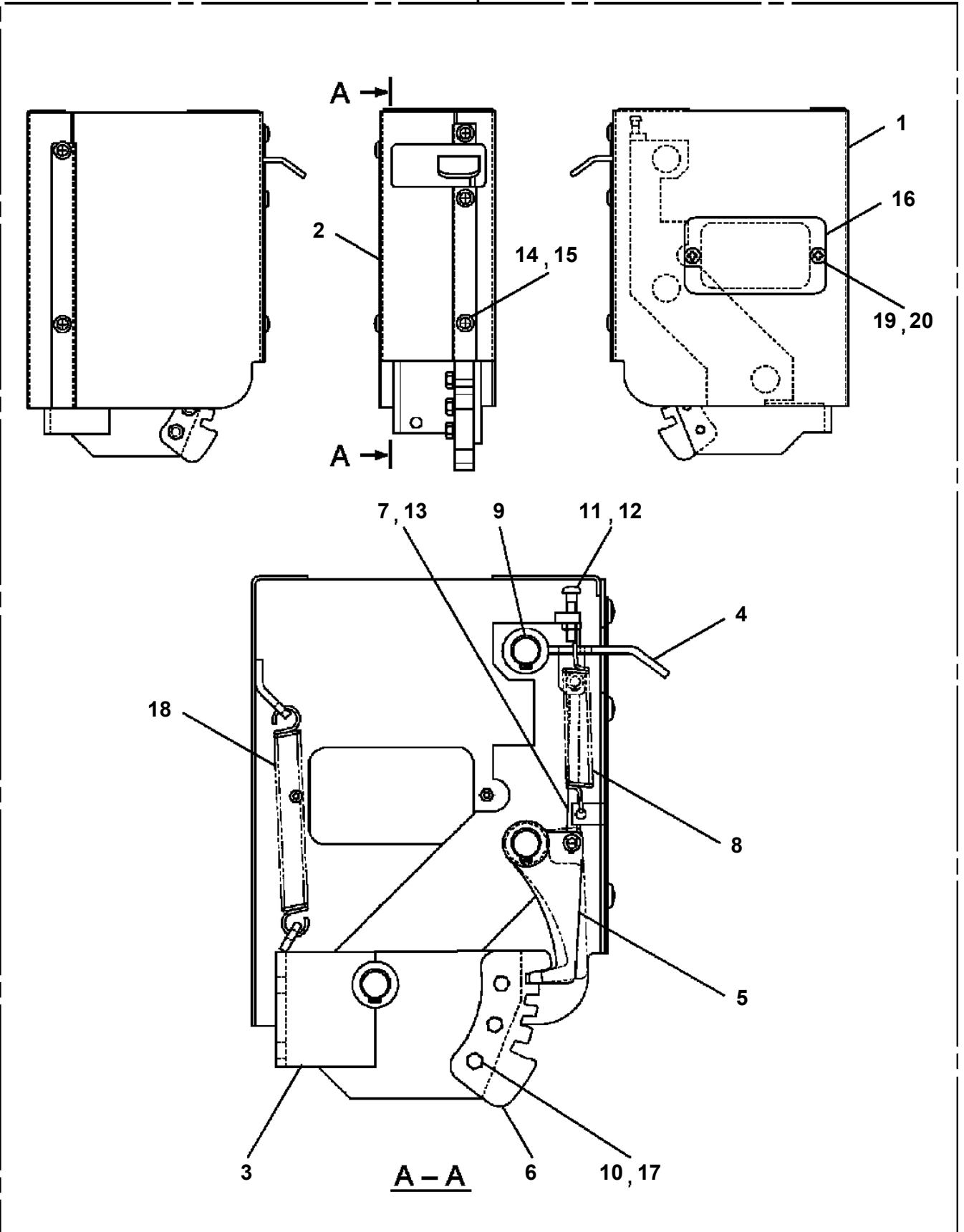
Pos No.	Parts No	Parts Name	Qty	Unit	Technical Data	Serial No (Start)	Serial No (End)	Remarks
6	36640425010	COLLAR	4					
7	36640425100	HOLDER (SPRING)	4					
8	36640425070	PLUG	4					
9	36640425080	SPRING	4					
12	36640425150	SLEEVE	1					
16	36648885050	SOLENOID	4				541458	
	36648885051	SOLENOID	4			541459		
21	36648925010	TIE ROD	3					
22	36640425110	SPRING	2					
25	36640425120	END,SPOOL	2					
27	36646975120	PLUG	4		PF1/4			
28	36648135010	BOLT,HEXAGON SOCKET	8		M5X10			
29	90131906080	BOLT,HEXAGON SOCKET	8		M6X80			
31	90267201000	NUT	6		M10			
34	36648135050	O-RING	4		1A P16			
35	91002800600	O-RING	12		1B P6			
37	91002801000	O-RING	4		1B P10			
38	91002801100	O-RING	4		1B P11			
39	91002801200	O-RING	1		1B P12			
41	91002801800	O-RING	1		1B P18			
42	91002802200	O-RING	1		1B P22			
43	91002906500	O-RING	3		1B G65			
44	36640425030	O-RING	4					
61	36640425040	HOUSING ASSY	1					
62	36640425050	INLET ASSY	1					
63	36640425060	SOLENOID ASSY	4				541458	
	36640425061	SOLENOID ASSY	4			541459		
64	36640425090	HOUSING ASSY	1					
65	36640425130	HOUSING ASSY	1					
66	36640425140	VALVE,RELIEF	1					
100	36648920000	VALVE,SOLENOID CONTROL	1					

GR-550-2-00251 4 BOOM + 2 JIB, 2M2D
PB5190018-02 BOOM ASSY



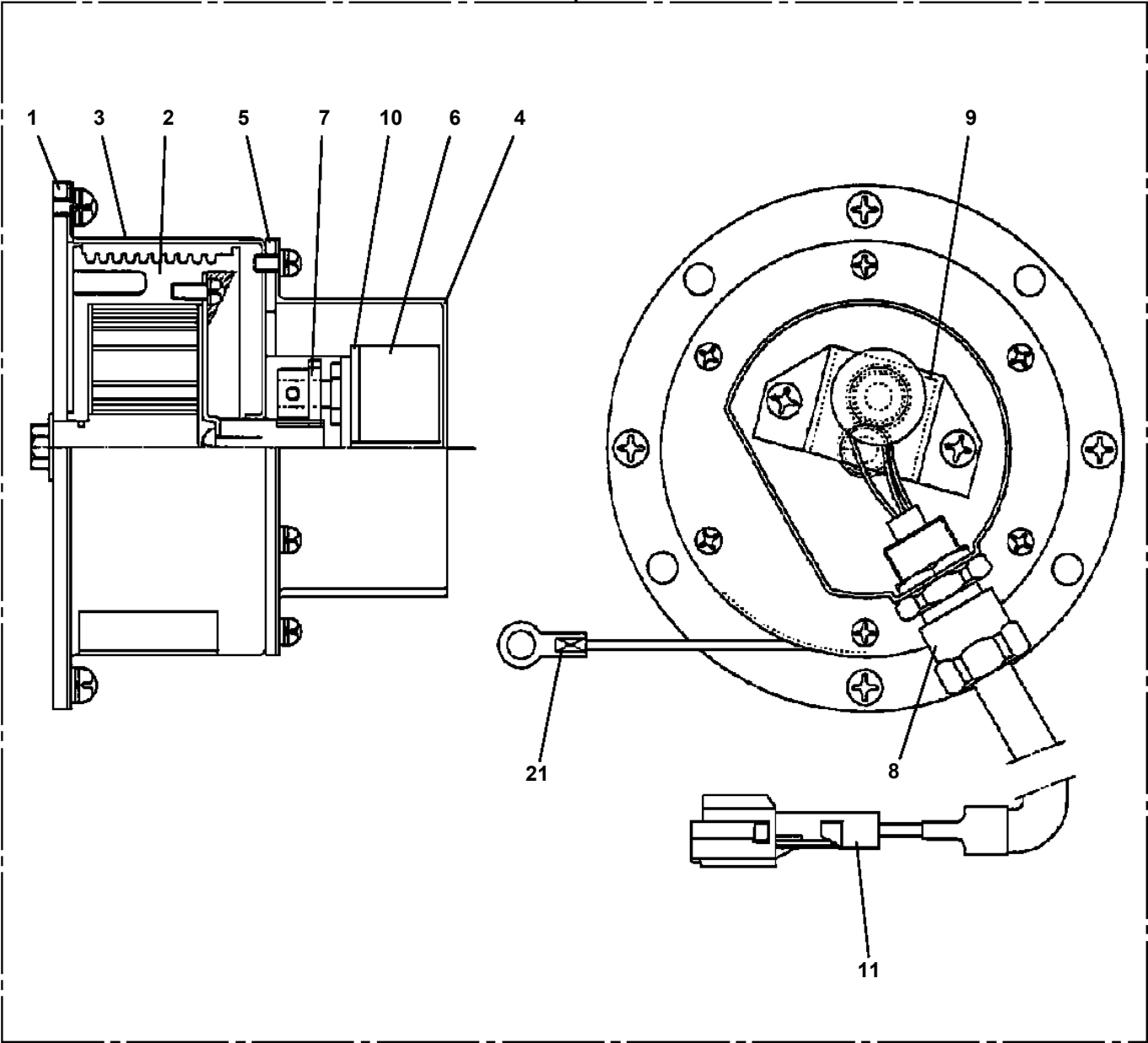
GR-550-2-00251 4 BOOM + 2 JIB, 2M2D
PB5260013-00 BOX ASSY (RIGHT)

100



GR-550-2-00251 4 BOOM + 2 JIB, 2M2D
PC1380012-02 DETECTOR ASSY,LENGTH

50



GR-550-2-00251 4 BOOM + 2 JIB, 2M2D

Pos No.	Parts No	Parts Name	Qty	Unit	Technical Data	Serial No (Start)	Serial
2	34260954500	SUN VISOR (FRONT)	1				
3	34260954600	SUNSHADE	1				
21	90101024085	BOLT	4		M24X85		
22	34260770200	CUSHION (ASAHI GOMU)	4				
	34780432500	CUSHION (KURASHIKAKO)	4				
23	34260230900	CUSHION (KURASHIKAKO)	4				
	34260770400	CUSHION (ASAHI GOMU)	4				
24	90201252400	NUT	4		M24		
25	89631501000	HOSE,VINYL	1		18X22,1M		
26	91801300240	CLIP	1		D=21-24		
27	82100002016	CLAMP	1		WR25		
28	90280200800	NUT,FLANGE	1		M8		
41	(*****)	CAB ASSY	1				
42	34261443000	FRAME	1				
43	34261441100	SWITCH ASSY (STARTER & DOOR LOCK CYL.)	1				
201	34261440010	CAB ASSY	1				

GR-550-2-00251 4 BOOM + 2 JIB, 2M2D

Pos No.	Parts No	Parts Name	Qty	Unit	Technical Data	Serial No (Start)	Serial No (End)	Rem
1	36350725170	SHAFT ASSY	1					
2	36350355600	RING,SEAL	2					
3	36350455560	PISTON ASSY	2					
4	36350355620	RING,SEAL	2					
8	36350486010	PLATE (CONICAL)	2					
9	36350455570	RING,RETAINING	2					
10	36350485890	WASHER	4					
11	36350485900	SPRING	2					
12	80601110700	RING,RITAINING	2		S70			
13	36350556320	GEAR (H)	1					
14	80500006012	BEARING,BALL	2					
16	36350725180	GEAR	1					
17	80500006211	BEARING,BALL	2					
18	36350365320	WASHER	1					
19	36350645570	RING,RETAINING	1					
21	80601110550	RING,RITAINING	2		S55			
22	36350297130	WASHER	2					
23	36350556380	WASHER	1					
24	80601110600	RING,RITAINING	1		S60			
25	36350556390	GEAR (E)	1					
26	36370325160	BEARING,BALL	1					
27	36350277050	WASHER,THRUST	1					
28	80601110500	RING,RITAINING	1		S50			
29	36350295420	BEARING,BALL	1					
30	36350267140	RING,SEAL	3					
50	36350725190	DISK KIT	1					
100	36350725030	CLUTCH PACK,TRANSMISSION	1					

GR-550-2-00251 4 BOOM + 2 JIB, 2M2D

Pos No.	Parts No	Parts Name	Qty	Unit	Technical Data	Serial No (Start)	Serial No (End)	Remarks
9	36171395010	BOARD,CPU (WITH DATA)	1					
10	36171011200	BOARD ASSY	1					
100	36171390000	CONTROLLER (LOWER)	1					

GR-550-2-00251 4 BOOM + 2 JIB, 2M2D

Pos No.	Parts No	Parts Name	Qty	Unit	Technical Data	Serial No (Start)	Serial No (End)	Remarks	Pages
1	34271002900	COVER	1						
3	90186210020	BOLT,FLANGE	4		M10X20				
4	90303071001	WASHER,PLAIN	4		10				

GR-550-2-00251 4 BOOM + 2 JIB, 2M2D

Pos No.	Parts No	Parts Name	Qty	Unit	Technical Data	Serial No (Start)	Serial No (End)	Remarks	Pages
2	34510702920	CUSHION	2						
100	34510702900	COVER	1						

GR-550-2-00251 4 BOOM + 2 JIB, 2M2D

Pos No.	Parts No	Parts Name	Qty	Unit	Technical Data	Serial No
1	36051221002	CYLINDER ASSY	1			
3	90201702400	NUT	1		M24	
4	36054280010	PISTON	1			
5	91332207000	BEARING,PLAIN	1			
6	91002803500	O-RING	1		1B P35	
7	36051082001	ROD ASSY	1			
8	36061593600	COVER,ROD	1			
9	91002806000	O-RING	1		1B P60	
10	91251100350	RING,DAMPER	1			
11	91694003500	PACKING	1			
12	91410203501	RING,BACKUP	1			
13	16616016000	PLATE	1			
14	91660003501	SEAL,DUST	1			
16	91301103500	BEARING,PLAIN	1			
17	91350307000	PACKING ASSY (PACKING X2+BACKUP RING X2)	1			
41	80530000204	BEARING,SPHERICAL	2			
80	36054279900	PACKING SET	1		35X70	
100	36054280001	CYLINDER ASSY (QUICK TURN JIB,PISTON:PACKING ASSY)	1			

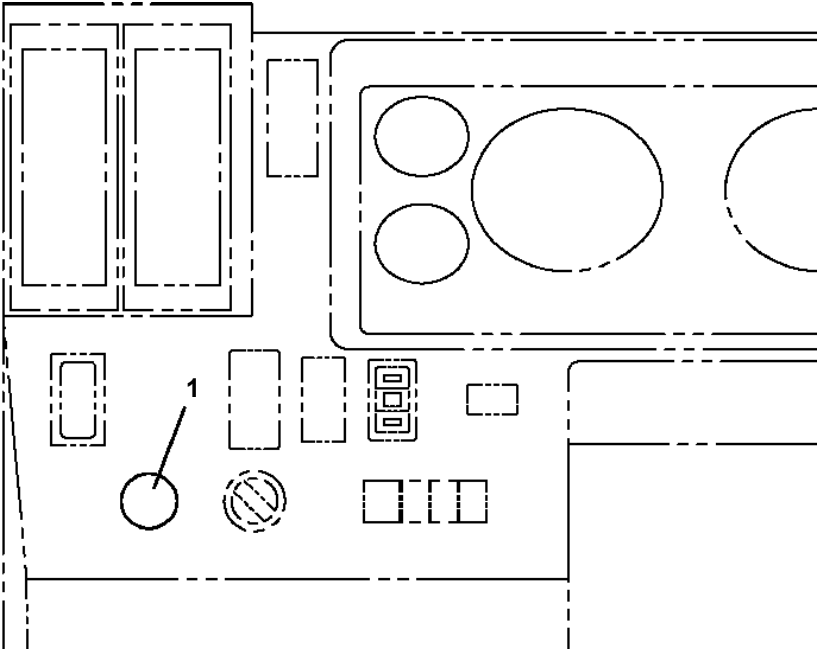
GR-550-2-00251 4 BOOM + 2 JIB, 2M2D

Pos No.	Parts No	Parts Name	Qty	Unit	Technical Data	Serial No (Start)	Serial No (End)
1	36131235010	PLATE (BASE)	1				
2	36131935010	CASE	1				
3	36132285030	DRUM ASSY	1				
4	36130515020	RING ASSY (CONTACT)	1				
5	33370025170	CONTACTOR ASSY (70)	1				
6	32360005060	CONTACTOR ASSY	1				
7	36132215020	CASE (BEARING)	2				
11	36132215030	REDUCER	1				
12	36132265010	CABLE ASSY (WITH CONNECTOR)	1				
13	36130045050	GEAR	2				
14	36132215040	BRACKET	1				
15	36130945010	POTENTIOMETER	1				
16	36131905020	SPRING	1				
17	36131455040	COVER	1				
18	32360005150	CLIP (NYLON)	1				
19	36131455070	SUPPORT	1				
20	36130235100	CLAMP (CORD)	2				
21	36130015080	GUIDE (CORD)	1				
22	36131455080	COLLAR	3				
23	36130045110	PACKING	1				
24	36131455050	PACKING	1				
25	32360005220	PACKING	2				
26	82114102020	CONNECTOR	1				
27	82114101020	CONNECTOR (2P,MALE)	1				
28	36131935020	LOCK (CORD)	1				
33	36130335030	WASHER	1				
44	36130045090	CLIP (NYLON)	2				
45	36161385020	CORD	43	M			
46	36132215050	STOPPER	12				
47	82121102020	HOLDER	2				
48	82111101510	TERMINAL	2				
49	82111101010	TERMINAL	2				
50	36131455060	DETECTOR,ANGLE	1				
51	82121101085	PLUG (AVS0.85)	4				
52	36131135060	COLLAR	1				
59	36131905050	COLLAR	3				
60	31370005070	GROMMET	1				
100	36132280001	DETECTOR ASSY,LENGTH (BOOM)	1				

GR-550-2-00251 4 BOOM + 2 JIB, 2M2D

Pos No.	Parts No	Parts Name	Qty	Unit	Technical Data	Serial No (Start)	Serial No (End)	Remarks	Pages
2	34510702620	PACKING	1						
3	34510702650	PACKING	1						
100	34510702600	DUCT	1						

**GR-550-2-00251 4 BOOM + 2 JIB, 2M2D
PE5020144-00 ELEC.ASSY (CAB/PLUG FOR EMERGENCY STOP SW)**

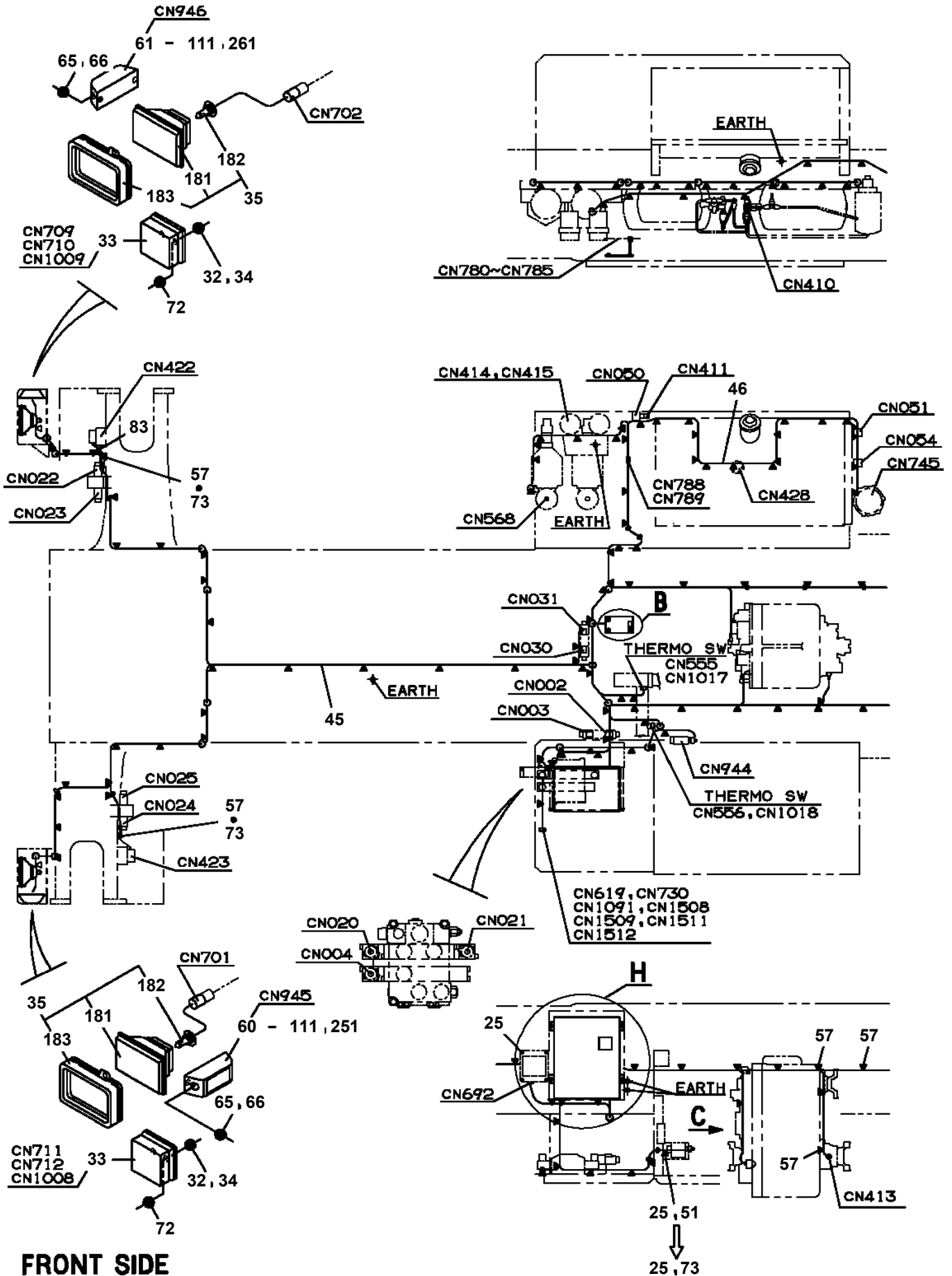


FRONT PANEL

GR-550-2-00251 4 BOOM + 2 JIB, 2M2D

Pos No.	Parts No	Parts Name	Qty	Unit	Technical Data	Serial No (Start)	Serial No (End)	Remarks	Pages
1	34354021710	HARNESS	1						000138

**GR-550-2-00251 4 BOOM + 2 JIB, 2M2D
PE5020192-01 ELEC.ASSY (LOWER)**



FRONT SIDE

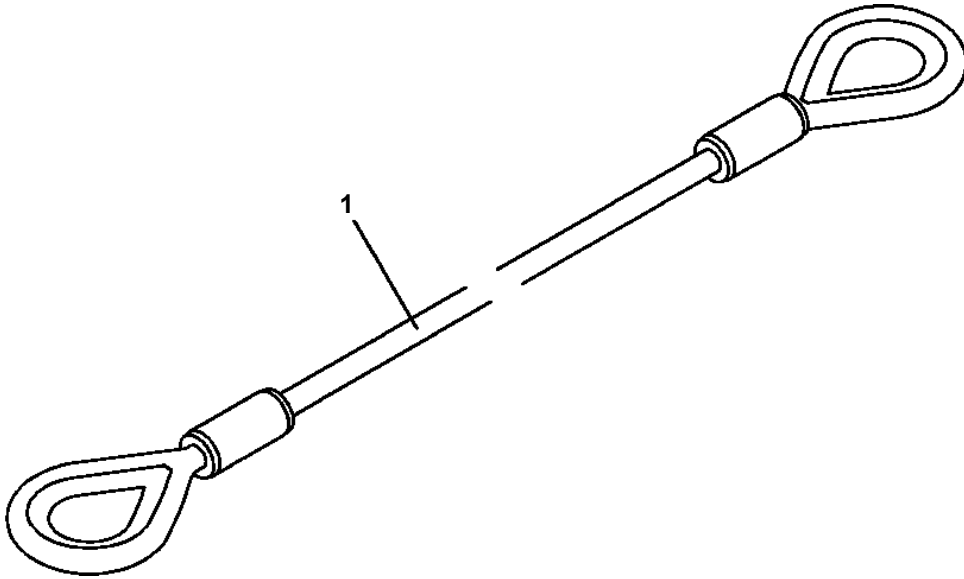
GR-550-2-00251 4 BOOM + 2 JIB, 2M2D

Pos No.	Parts No	Parts Name	Qty	Unit	Technical Data	Serial No (Start)	Serial
1	34271002900	COVER	1				
3	90186210020	BOLT,FLANGE	4		M10X20		
4	90303071001	WASHER,PLAIN	4		10		
7	34494770200	ANTENNA (GPS,ASSY ONLY)	1				
8	82400000071	GROMMET	1		OG-1		
9	36171550000	CONTROLLER (GSMT)	1				
	36172650000	CONTROLLER (GSMT)	1			541649	54164
11	80192486014	SCREW,MACHINE (WITH WASHER)	4		M6X14		
12	34494770100	HARNESS (GSMT)	1				
14	91850310305	CLAMP	3				
15	91810130240	FASTENER	3				
41	37002233280	PLATE,NAME(BEFORE USING MACHINE WITH)	1				
42	34353831200	PLATE,NAME (TELEMATICS)	1				

GR-550-2-00251 4 BOOM + 2 JIB, 2M2D

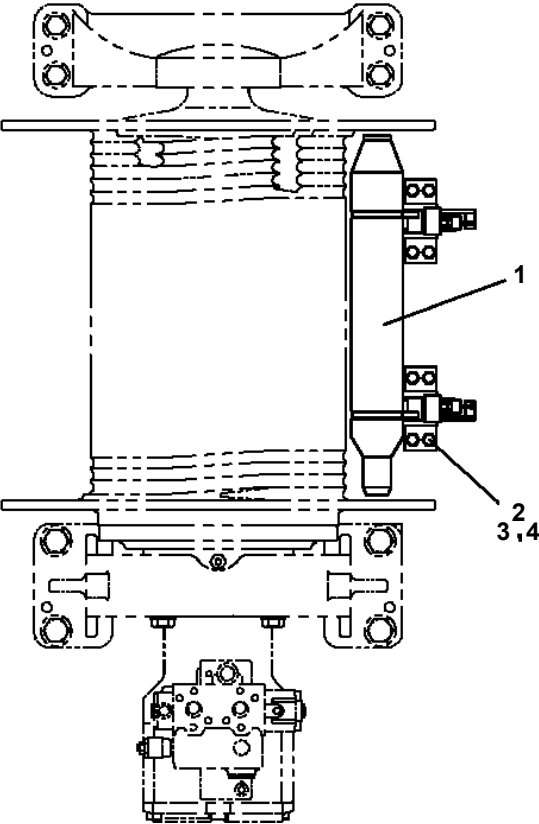
Pos No.	Parts No	Parts Name	Qty	Unit	Technical Data	Serial No (Start)	Serial No (End)	Remarks
81	36320765360	CASE (REAR)	1					
82	36320765370	CASE (FRONT)	1					
83	36320765380	DAMPER	1					
84	36320765390	DAMPER	1					
85	36320765400	DAMPER	1					
86	36320765410	DAMPER	1					
87	36320765420	DAMPER	1					
88	36320765430	DAMPER	1					
89	36321165400	SCREW,MACHINE	5					
90	36320765440	PACKING	1					
91	36320565680	O-RING	1					
92	36320565690	O-RING	1					

GR-550-2-00251 4 BOOM + 2 JIB, 2M2D
PF1070024-00 ROPE,WIRE (MAIN HOOK STOWING)

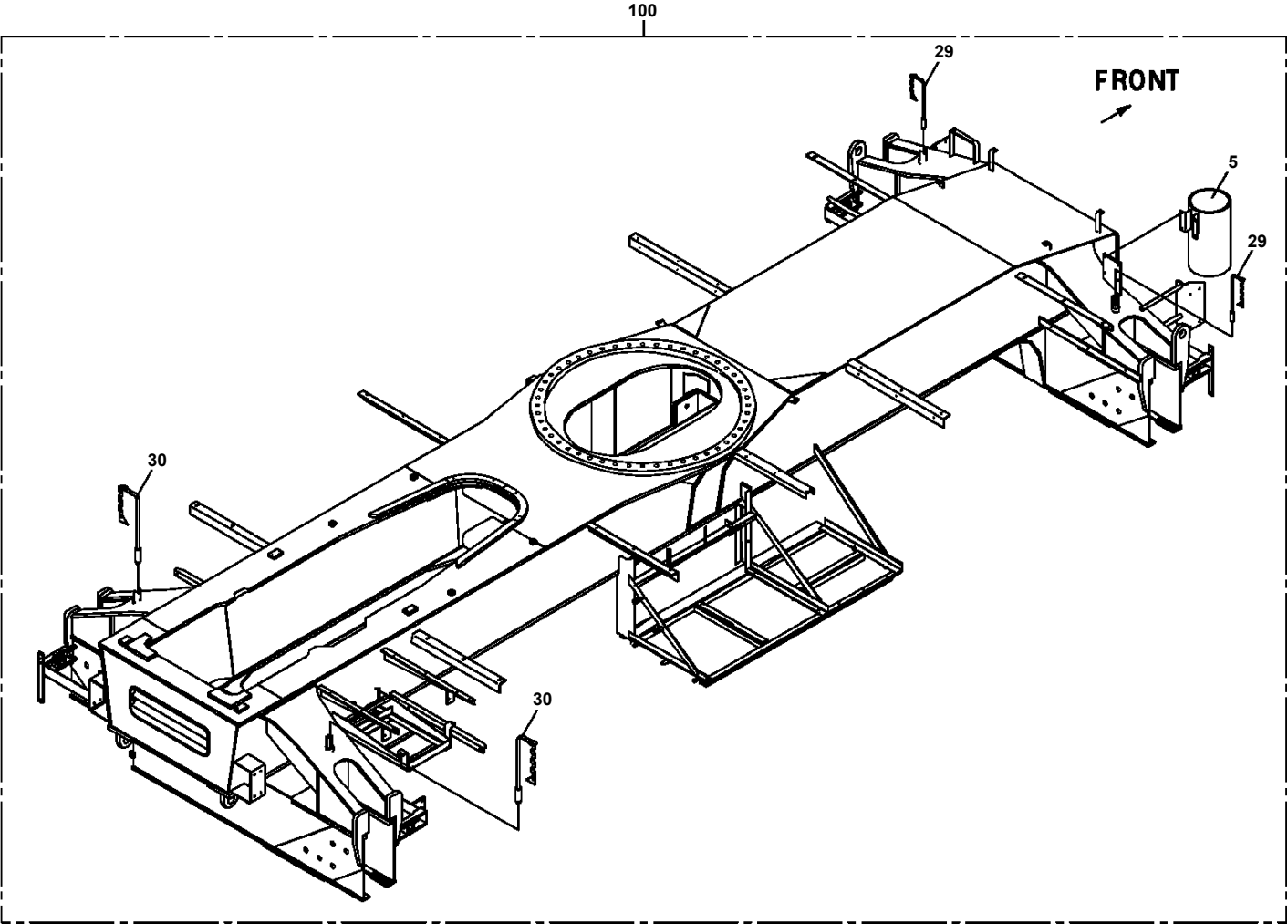


GR-550-2-00251 4 BOOM + 2 JIB, 2M2D
PF1180083-02 DETECTOR,DISORDERLY WIND

FRONT ←

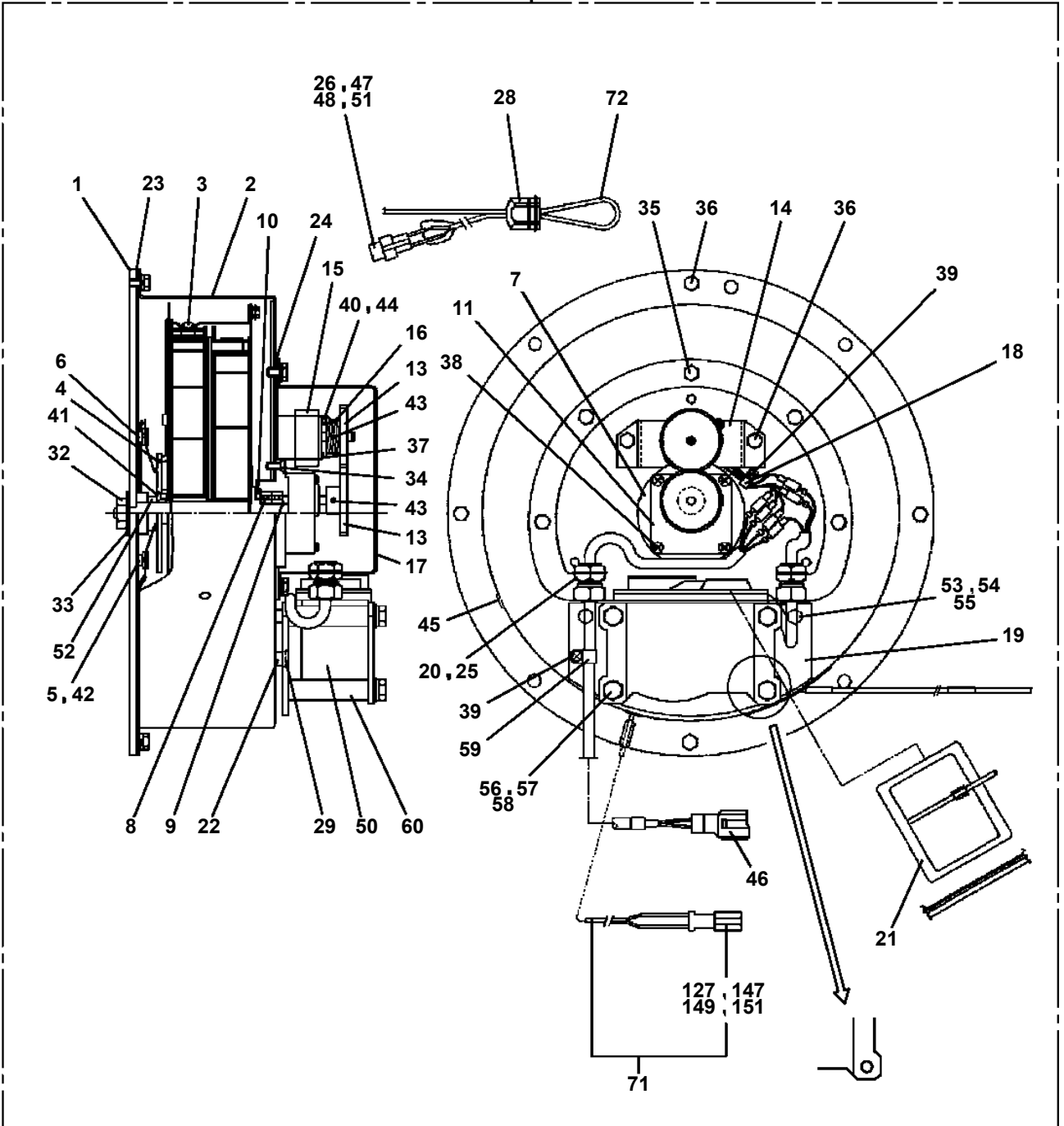


GR-550-2-00251 4 BOOM + 2 JIB, 2M2D
PF5100136-00 FRAME ASSY (SANSYO)



GR-550-2-00251 4 BOOM + 2 JIB, 2M2D
PG1120216-02 DETECTOR, BOOM LENGTH (BOOM)

200



GR-550-2-00251 4 BOOM + 2 JIB, 2M2D

Pos No.	Parts No	Parts Name	Qty	Unit	Technical Data	Serial No (Start)	Serial No (End)	Re
1	34372690010	HARNES	1					
2	82100002004	CLAMP	14		WR8			
3	90280200600	NUT,FLANGE	15		M6			
4	34372351000	SWITCH ASSY	1					
5	90201201200	NUT	2		M12			
6	80620210140	PIN,SNAP	1					
7	90303290600	WASHER,PLAIN	2		6			
31	34372351101	SWITCH,OVER WIND DETECTOR	1					
32	14128208000	RING	2					
33	37001900280	WIRE	1		L=875			
34	32370000130	WEIGHT	1					
35	82100002005	CLAMP	1		WRC8			
53	90101208030	BOLT	2		M8X30			
54	90302040801	WASHER,SPRING	2		8			

GR-550-2-00251 4 BOOM + 2 JIB, 2M2D

Pos No.	Parts No	Parts Name	Qty	Unit	Technical Data	Serial No (Start)	Serial No (End)	Remarks
1	82182819822	DIODE	2		3A			
2	82182819823	DIODE	1		1.5A			
3	82182819834	DIODE	1		1.5A			
4	82181809920	RESISTANCE	1		1.3 KILO-OHM ,0.5W			
10	34354001040	HARNESS (CARRIER)	1					

GR-550-2-00251 4 BOOM + 2 JIB, 2M2D

Pos No.	Parts No	Parts Name	Qty	Unit	Technical Data	Serial No (Start)	Serial No (End)	Remarks	Pages
1	34354121610	HARNESS (DPF)	1						

GR-550-2-00251 4 BOOM + 2 JIB, 2M2D

Pos No.	Parts No	Parts Name	Qty	Unit	Technical Data	Serial No (Start)	Serial No (End)	Rema
1	34931432300	HARNESS (STARTER MOTOR)	1					

GR-550-2-00251 4 BOOM + 2 JIB, 2M2D

Pos No.	Parts No	Parts Name	Qty	Unit	Technical Data	Serial No (Start)	Serial No (End)	Remarks	Pages
1	34495751300	HARNESS	1						

GR-550-2-00251 4 BOOM + 2 JIB, 2M2D

Pos No.	Parts No	Parts Name	Qty	Unit	Technical Data	Serial No (Start)	Serial No (End)	Remarks	Pages
100	34931041411	HARNESS	1						

GR-550-2-00251 4 BOOM + 2 JIB, 2M2D

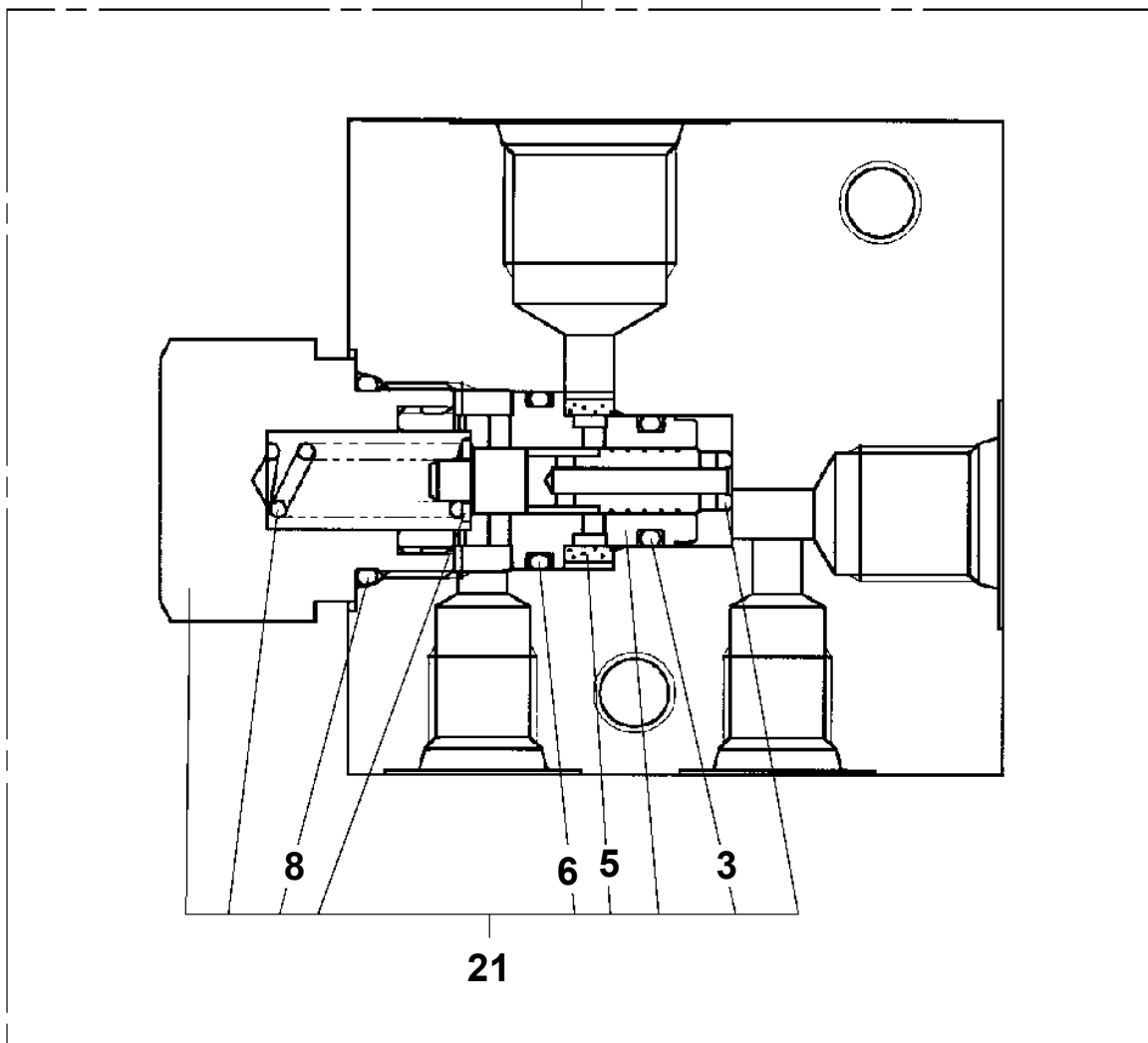
Pos No.	Parts No	Parts Name	Qty	Unit	Technical Data	Serial No (Start)	Serial No (End)	Remarks	Pages
10	34494170010	HARNESS	1						

GR-550-2-00251 4 BOOM + 2 JIB, 2M2D

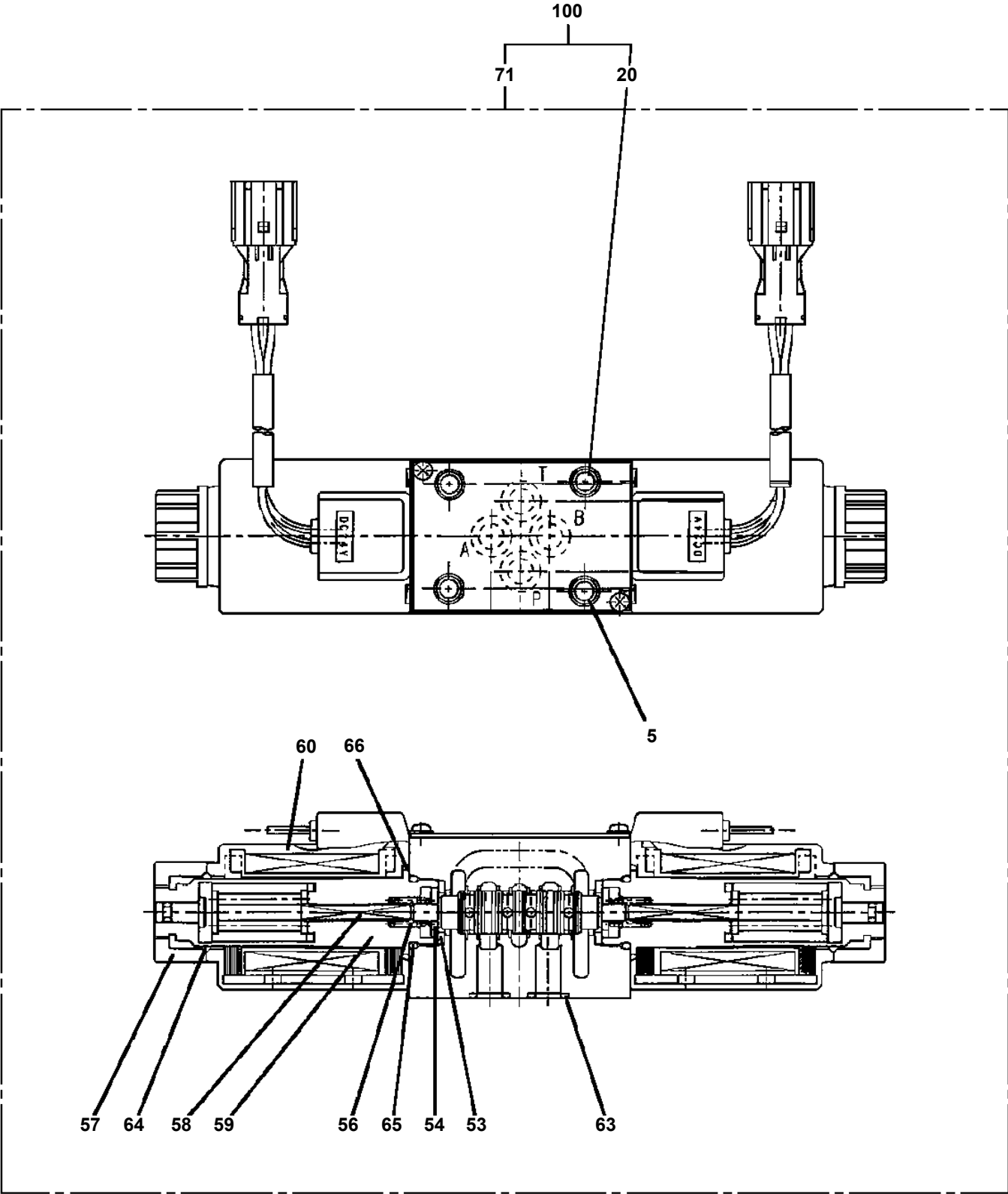
Pos No.	Parts No	Parts Name	Qty	Unit	Technical Data	Serial No (Start)	Serial
1	34354001060	HARNESS (CRANE)	1				
2	34354001400	HARNESS	1				
10	34354001070	HARNESS ASSY (CRANE,ANEMOMETOR,ETC.)	1				

GR-550-2-00251 4 BOOM + 2 JIB, 2M2D
PI1090012-00 VALVE,REDUCING

50

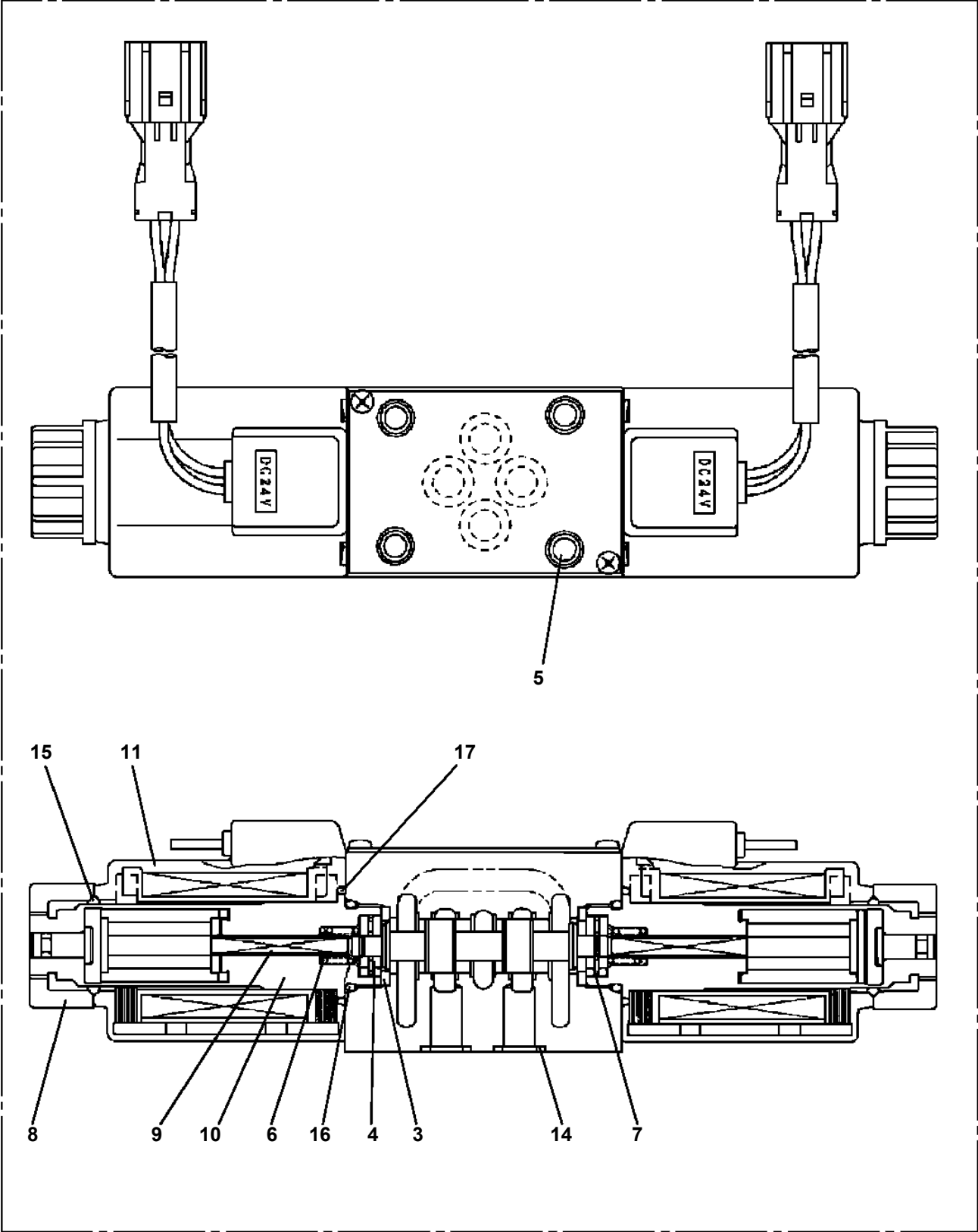


GR-550-2-00251 4 BOOM + 2 JIB, 2M2D
PI1120197-02 VALVE,SOLENOID



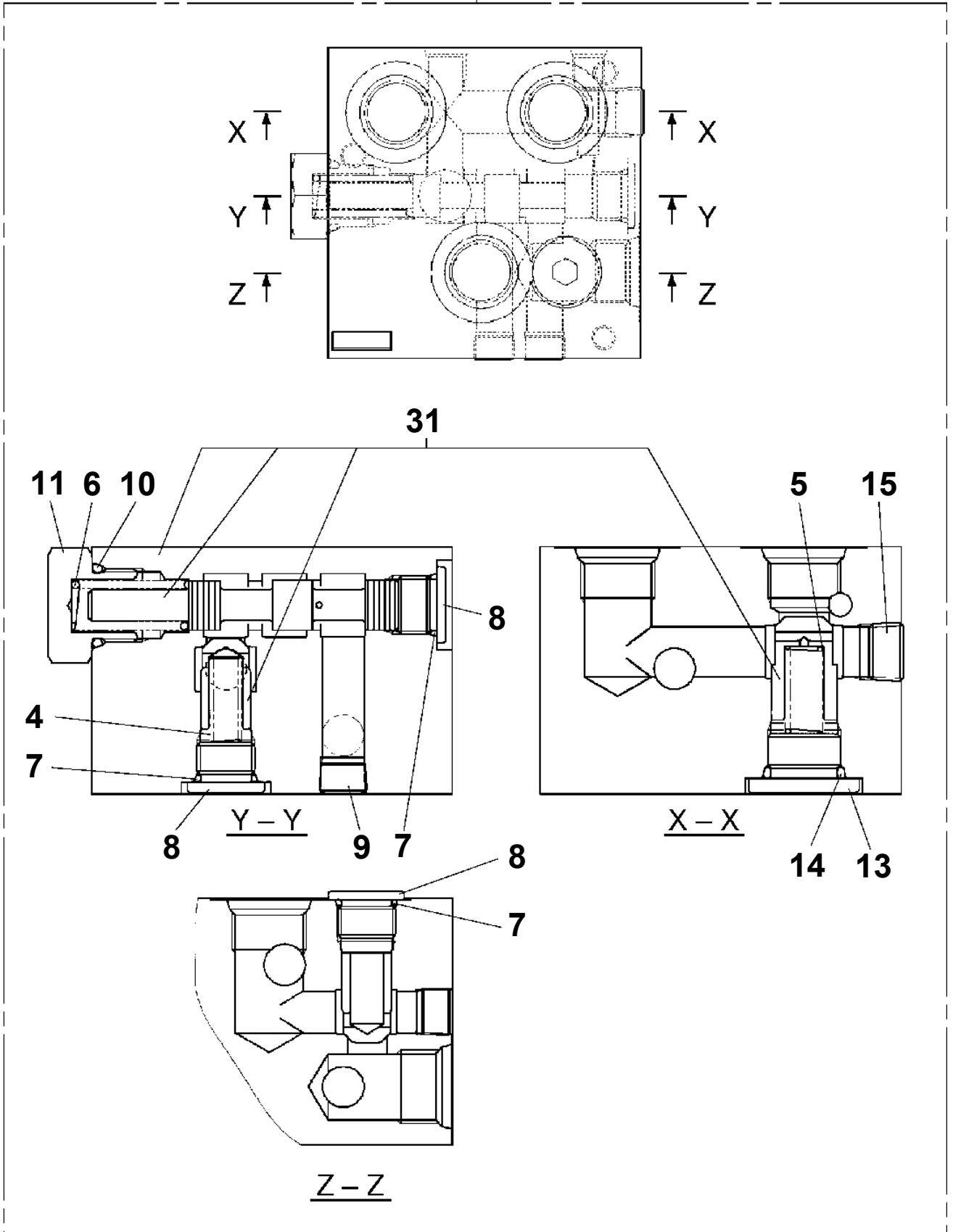
GR-550-2-00251 4 BOOM + 2 JIB, 2M2D
PI1120284-01 VALVE,SOLENOID

100

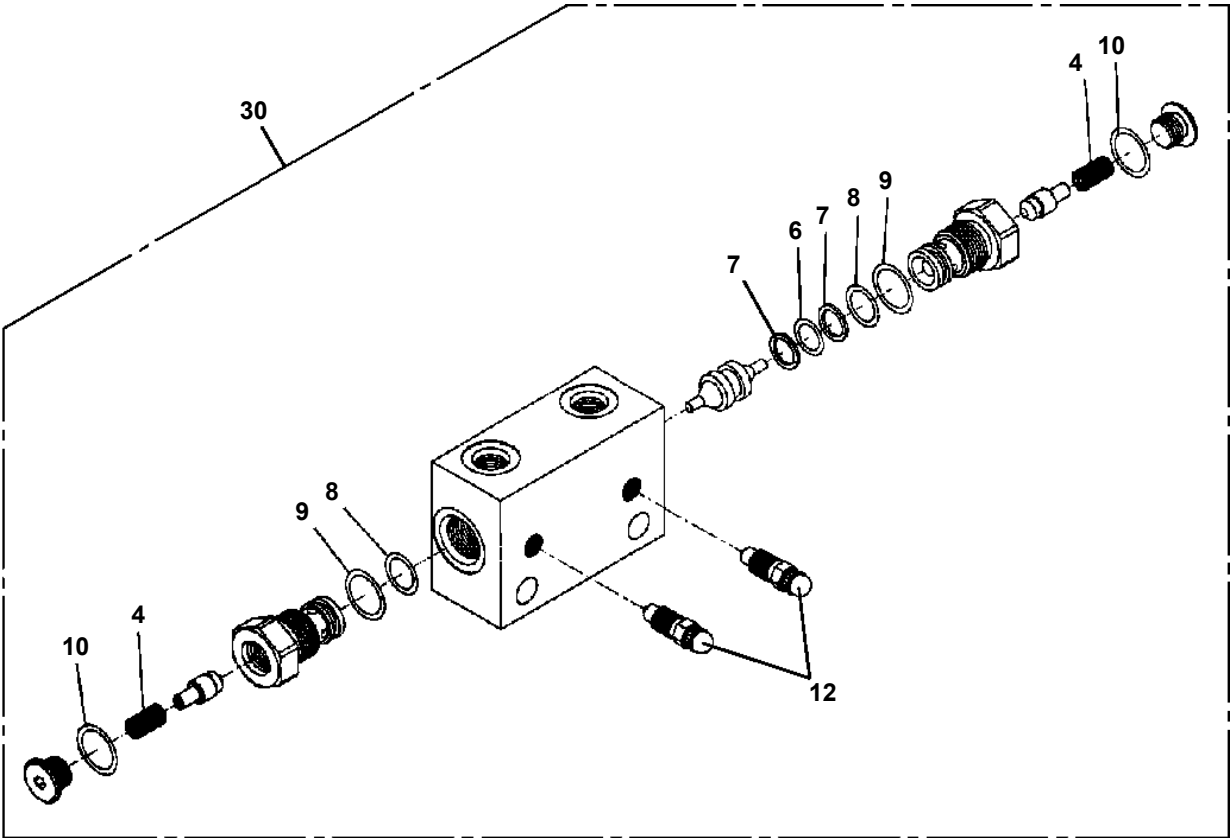


GR-550-2-00251 4 BOOM + 2 JIB, 2M2D
PI1130047-00 VALVE, HYDRAULIC

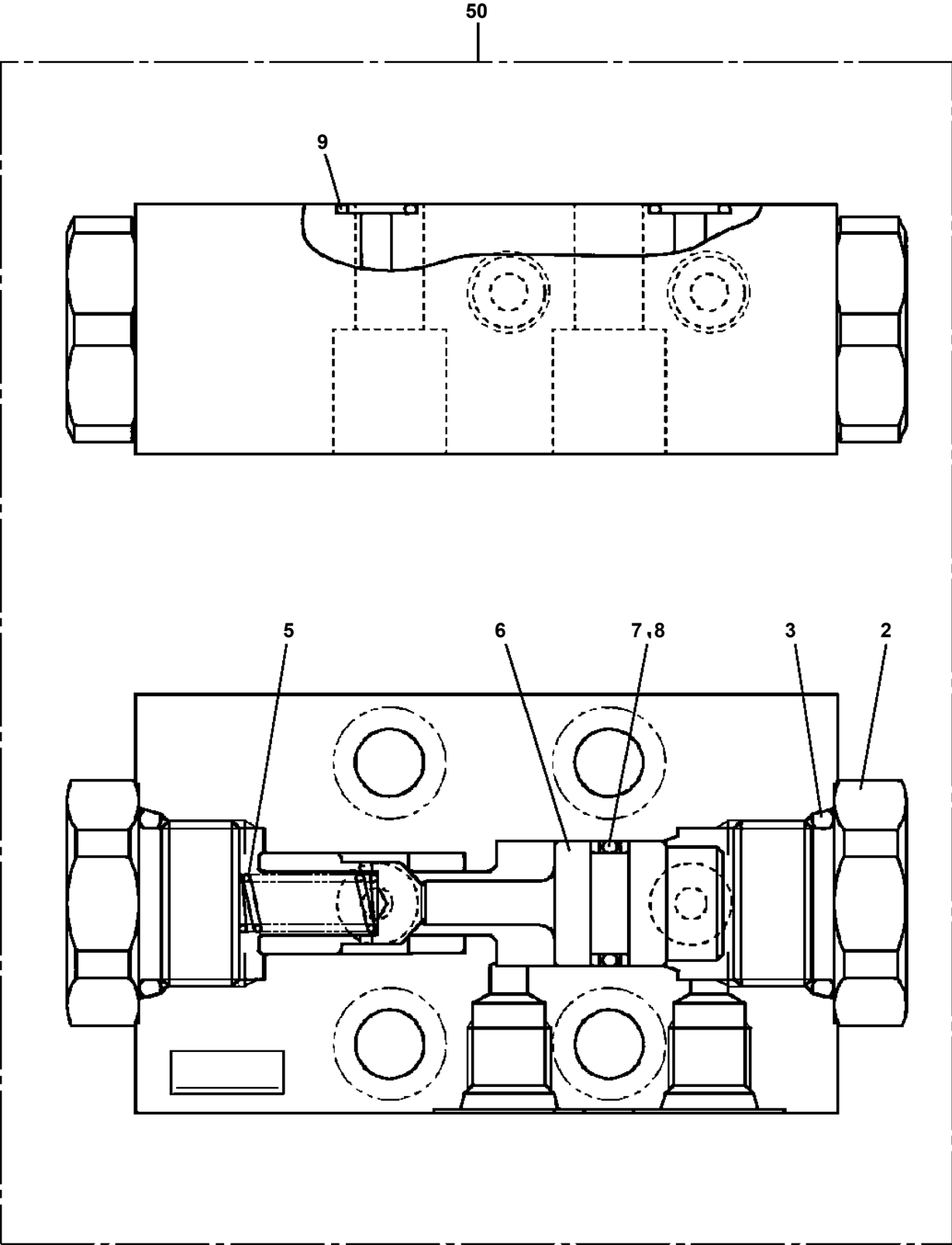
100



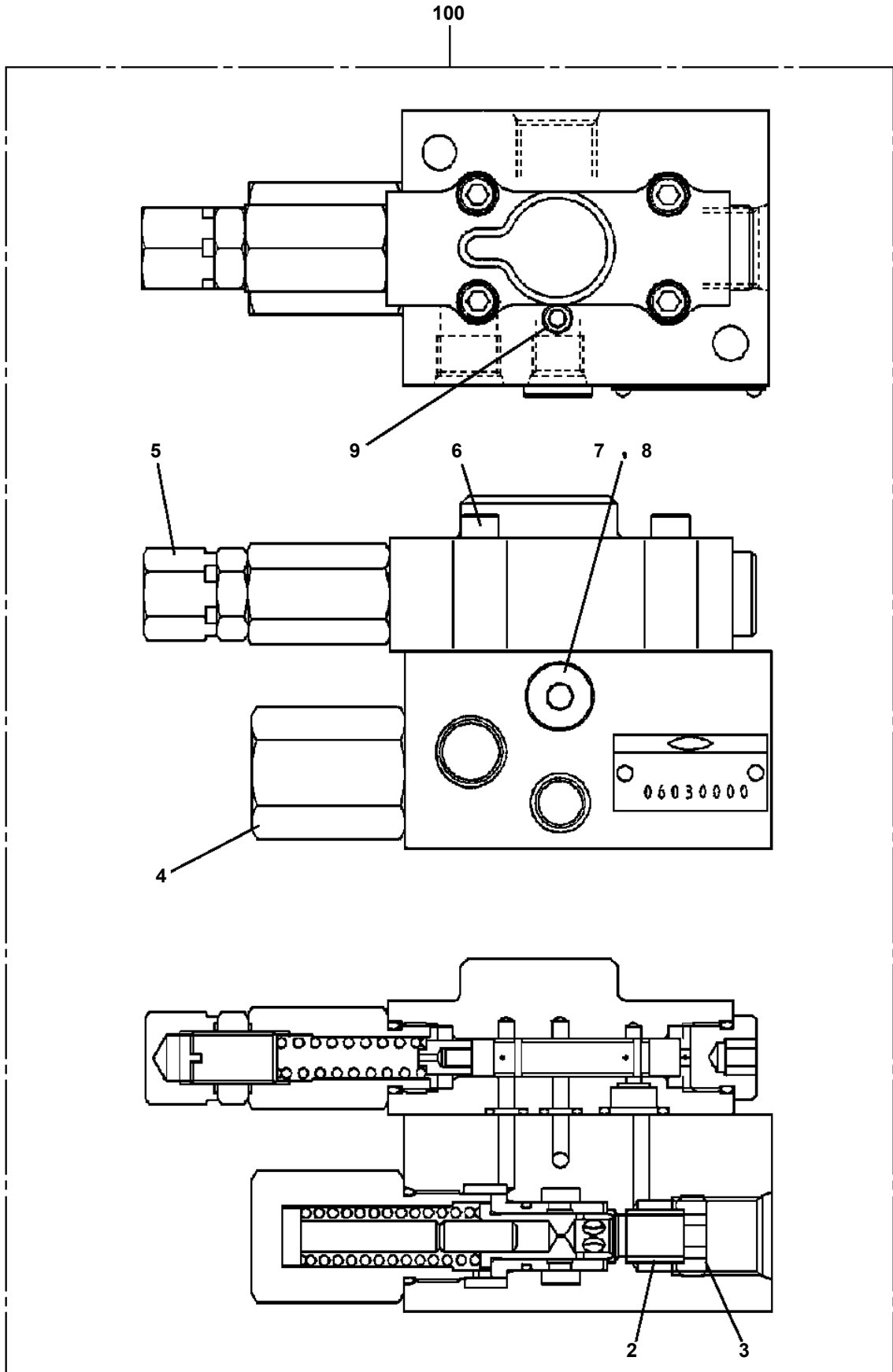
**GR-550-2-00251 4 BOOM + 2 JIB, 2M2D
PI1140108-02 VALVE,CHECK**



GR-550-2-00251 4 BOOM + 2 JIB, 2M2D
PI1140159-01 VALVE,CHECK



GR-550-2-00251 4 BOOM + 2 JIB, 2M2D
PI1270012-01 VALVE,SEQUENCE



展開圖有
ILLUSTRATED BREAKDOWN NO.4,5

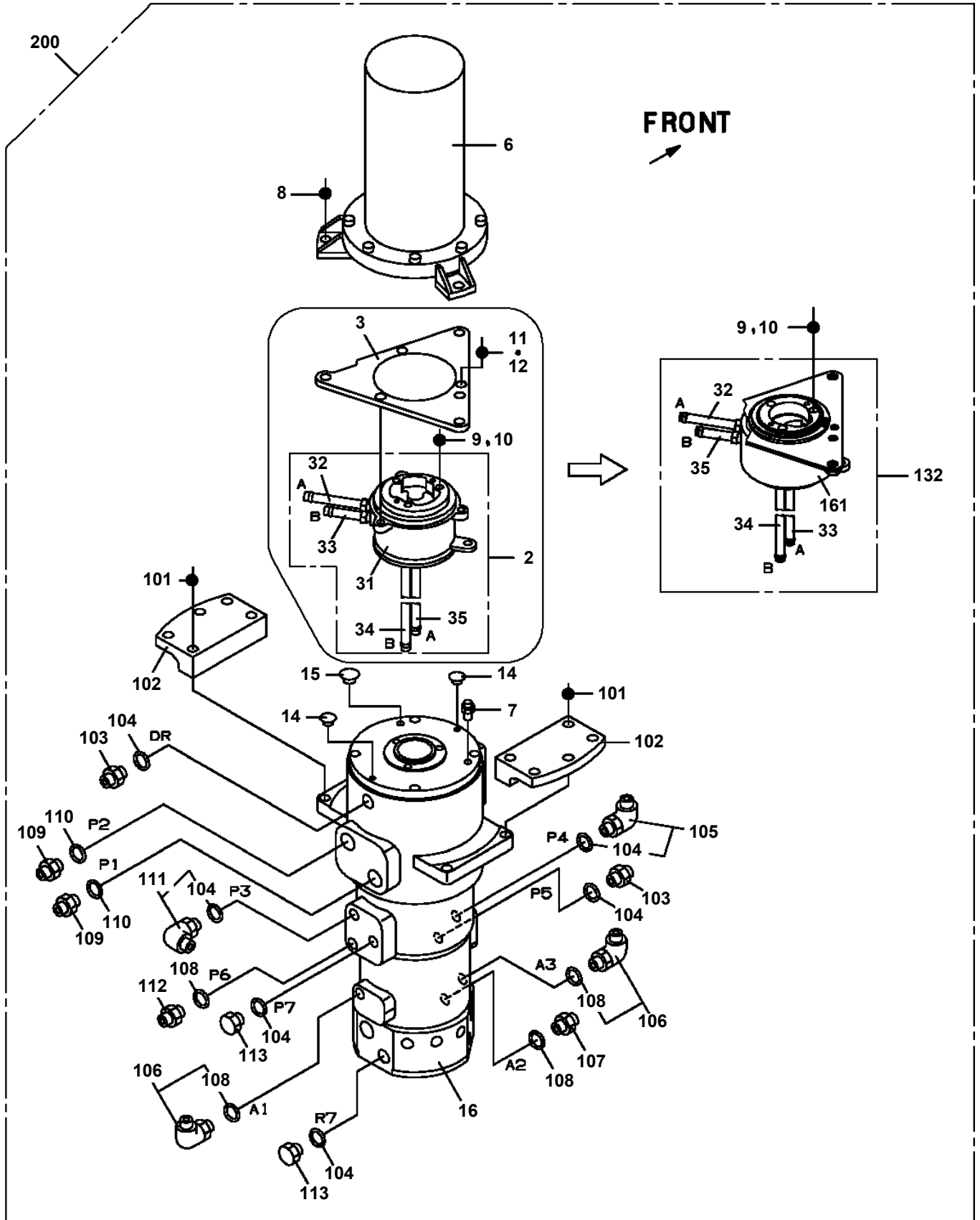
GR-550-2-00251 4 BOOM + 2 JIB, 2M2D

Pos No.	Parts No	Parts Name	Qty	Unit	Technical Data	Serial No (Start)	Serial No (End)	Remarks	Pages
1	36673360030	ELEMENT ASSY	1						
2	36673365020	HOUSING (VALVE)	1						
3	36673365030	VALVE	1						
4	36673365040	SPRING	1						
5	36673365050	SPACER	1						
6	36673365060	RING,RETAINING	1						
7	36673365070	PLATE	1						
8	36673365080	BOLT (CENTER)	1						
9	36670515030	PLATE	1						
10	90236201609	NUT,CASTLE	1		M16				
11	80620210160	PIN,SNAP	1						
100	36673360000	FILTER,OIL	1						

GR-550-2-00251 4 BOOM + 2 JIB, 2M2D

Pos No.	Parts No	Parts Name	Qty	Unit	Technical Data	Serial No (Start)	Serial No (End)	Remarks	Pa
1	37000913700	JOINT	1						
2	91801300160	CLIP	2		D=14-16				
3	34730920030	HOSE	1		L=8955				
4	80426026204	JOINT,SELF SEALING	1						
5	80426016106	JOINT,SELF SEALING	1						
6	80457030800	CAP (FOR MALE)	1						
30	34730928010	HOSE ASSY	1						

GR-550-2-00251 4 BOOM + 2 JIB, 2M2D
 PJ5090005-02 JOINT ASSY, SWIVEL



展開圖有
 ILLUSTRATED BREAKDOWN NO. 16, 31, 161

CLICK HERE TO **DOWNLOAD** THE COMPLETE MANUAL

- Thank you very much for reading the preview of the manual.
- You can download the complete manual from: www.heydownloads.com by clicking the link below



- Please note: If there is no response to CLICKING the link, please download this PDF first and then click on it.

CLICK HERE TO **DOWNLOAD** THE COMPLETE MANUAL

GR-550-2-00251 4 BOOM + 2 JIB, 2M2D

Pos No.	Parts No	Parts Name	Qty	Unit	Technical Data	Serial No (Start)	Serial No (End)	Remarks	Pages
31	36635335040	BELLOWS	2						
50	36634920000	VALVE,CONTROL	1						

GR-550-2-00251 4 BOOM + 2 JIB, 2M2D PL5260119-02 LOAD CHART BOOKLET (ENGLISH)

5

GR-BOOK RATED LIFTING CAPACITIES (IN METRIC TON)

GR-BOOK RATED LIFTING CAPACITIES (IN METRIC TON)

Boom Length (m)	Capacity (t)
10.0	10.0
12.0	12.0
14.0	14.0
16.0	16.0
18.0	18.0
20.0	20.0
22.0	22.0
24.0	24.0
26.0	26.0
28.0	28.0
30.0	30.0
32.0	32.0
34.0	34.0
36.0	36.0
38.0	38.0
40.0	40.0
42.0	42.0
44.0	44.0
46.0	46.0
48.0	48.0
50.0	50.0
52.0	52.0
54.0	54.0
56.0	56.0
58.0	58.0
60.0	60.0
62.0	62.0
64.0	64.0
66.0	66.0
68.0	68.0
70.0	70.0
72.0	72.0
74.0	74.0
76.0	76.0
78.0	78.0
80.0	80.0
82.0	82.0
84.0	84.0
86.0	86.0
88.0	88.0
90.0	90.0
92.0	92.0
94.0	94.0
96.0	96.0
98.0	98.0
100.0	100.0

343-982-51150

GR-BOOK RATED LIFTING CAPACITIES (IN METRIC TON)

GR-BOOK RATED LIFTING CAPACITIES (IN METRIC TON)

Boom Length (m)	Capacity (t)
10.0	10.0
12.0	12.0
14.0	14.0
16.0	16.0
18.0	18.0
20.0	20.0
22.0	22.0
24.0	24.0
26.0	26.0
28.0	28.0
30.0	30.0
32.0	32.0
34.0	34.0
36.0	36.0
38.0	38.0
40.0	40.0
42.0	42.0
44.0	44.0
46.0	46.0
48.0	48.0
50.0	50.0
52.0	52.0
54.0	54.0
56.0	56.0
58.0	58.0
60.0	60.0
62.0	62.0
64.0	64.0
66.0	66.0
68.0	68.0
70.0	70.0
72.0	72.0
74.0	74.0
76.0	76.0
78.0	78.0
80.0	80.0
82.0	82.0
84.0	84.0
86.0	86.0
88.0	88.0
90.0	90.0
92.0	92.0
94.0	94.0
96.0	96.0
98.0	98.0
100.0	100.0

343-982-51150

6

GR-BOOK RATED LIFTING CAPACITIES (IN METRIC TON)

GR-BOOK RATED LIFTING CAPACITIES (IN METRIC TON)

Boom Length (m)	Capacity (t)
10.0	10.0
12.0	12.0
14.0	14.0
16.0	16.0
18.0	18.0
20.0	20.0
22.0	22.0
24.0	24.0
26.0	26.0
28.0	28.0
30.0	30.0
32.0	32.0
34.0	34.0
36.0	36.0
38.0	38.0
40.0	40.0
42.0	42.0
44.0	44.0
46.0	46.0
48.0	48.0
50.0	50.0
52.0	52.0
54.0	54.0
56.0	56.0
58.0	58.0
60.0	60.0
62.0	62.0
64.0	64.0
66.0	66.0
68.0	68.0
70.0	70.0
72.0	72.0
74.0	74.0
76.0	76.0
78.0	78.0
80.0	80.0
82.0	82.0
84.0	84.0
86.0	86.0
88.0	88.0
90.0	90.0
92.0	92.0
94.0	94.0
96.0	96.0
98.0	98.0
100.0	100.0

343-982-51160

WEIGHT REDUCTIONS FOR AUXILIARY LOAD HANDLING EQUIPMENT (IN METRIC TON)

WEIGHT REDUCTIONS FOR AUXILIARY LOAD HANDLING EQUIPMENT (IN METRIC TON)

Equipment	Weight Reduction (t)
Crane	10.0
Hoist	5.0
Winch	3.0
Block	2.0
Hook	1.0
Shackle	0.5
Wire Rope	0.2
Slings	0.1

343-982-51160

7

GR-BOOK WORKING RANGE CHART

343-982-51170

WARNING AND OPERATING INSTRUCTIONS (I)

WARNING AND OPERATING INSTRUCTIONS (I)

1. Read the manual carefully before operating the crane. The operator must be trained and certified to operate this crane.

2. The crane must be used within its rated capacity. Do not overload the crane.

3. The crane must be used on a firm, level surface. Do not use the crane on uneven ground.

4. The crane must be used in accordance with the manufacturer's instructions.

5. The crane must be used in accordance with the applicable regulations and standards.

6. The crane must be used in accordance with the applicable safety standards.

7. The crane must be used in accordance with the applicable safety standards.

8. The crane must be used in accordance with the applicable safety standards.

9. The crane must be used in accordance with the applicable safety standards.

10. The crane must be used in accordance with the applicable safety standards.

11. The crane must be used in accordance with the applicable safety standards.

12. The crane must be used in accordance with the applicable safety standards.

13. The crane must be used in accordance with the applicable safety standards.

14. The crane must be used in accordance with the applicable safety standards.

15. The crane must be used in accordance with the applicable safety standards.

16. The crane must be used in accordance with the applicable safety standards.

17. The crane must be used in accordance with the applicable safety standards.

18. The crane must be used in accordance with the applicable safety standards.

19. The crane must be used in accordance with the applicable safety standards.

20. The crane must be used in accordance with the applicable safety standards.

343-982-51170

8

WARNING AND OPERATING INSTRUCTIONS (II)

WARNING AND OPERATING INSTRUCTIONS (II)

1. Read the manual carefully before operating the crane. The operator must be trained and certified to operate this crane.

2. The crane must be used within its rated capacity. Do not overload the crane.

3. The crane must be used on a firm, level surface. Do not use the crane on uneven ground.

4. The crane must be used in accordance with the manufacturer's instructions.

5. The crane must be used in accordance with the applicable regulations and standards.

6. The crane must be used in accordance with the applicable safety standards.

7. The crane must be used in accordance with the applicable safety standards.

8. The crane must be used in accordance with the applicable safety standards.

9. The crane must be used in accordance with the applicable safety standards.

10. The crane must be used in accordance with the applicable safety standards.

11. The crane must be used in accordance with the applicable safety standards.

12. The crane must be used in accordance with the applicable safety standards.

13. The crane must be used in accordance with the applicable safety standards.

14. The crane must be used in accordance with the applicable safety standards.

15. The crane must be used in accordance with the applicable safety standards.

16. The crane must be used in accordance with the applicable safety standards.

17. The crane must be used in accordance with the applicable safety standards.

18. The crane must be used in accordance with the applicable safety standards.

19. The crane must be used in accordance with the applicable safety standards.

20. The crane must be used in accordance with the applicable safety standards.

343-982-51180

JIB HANDLING INSTRUCTIONS (I)

JIB HANDLING INSTRUCTIONS (I)

1. Read the manual carefully before operating the crane. The operator must be trained and certified to operate this crane.

2. The crane must be used within its rated capacity. Do not overload the crane.

3. The crane must be used on a firm, level surface. Do not use the crane on uneven ground.

4. The crane must be used in accordance with the manufacturer's instructions.

5. The crane must be used in accordance with the applicable regulations and standards.

6. The crane must be used in accordance with the applicable safety standards.

7. The crane must be used in accordance with the applicable safety standards.

8. The crane must be used in accordance with the applicable safety standards.

9. The crane must be used in accordance with the applicable safety standards.

10. The crane must be used in accordance with the applicable safety standards.

11. The crane must be used in accordance with the applicable safety standards.

12. The crane must be used in accordance with the applicable safety standards.

13. The crane must be used in accordance with the applicable safety standards.

14. The crane must be used in accordance with the applicable safety standards.

15. The crane must be used in accordance with the applicable safety standards.

16. The crane must be used in accordance with the applicable safety standards.

17. The crane must be used in accordance with the applicable safety standards.

18. The crane must be used in accordance with the applicable safety standards.

19. The crane must be used in accordance with the applicable safety standards.

20. The crane must be used in accordance with the applicable safety standards.

343-982-51180

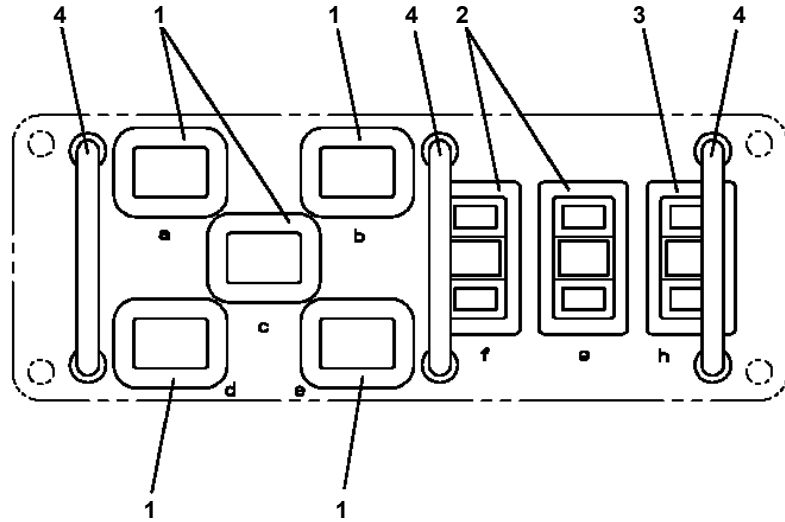
GR-550-2-00251 4 BOOM + 2 JIB, 2M2D

Pos No.	Parts No	Parts Name	Qty	Unit	Technical Data	Serial No (Start)	Serial No (End)	Remarks	Pages
1	82456101000	NIPPLE,GREASE	11		A-PT1/8				
2	82458102000	NIPPLE,GREASE	22		B-PT1/8				
3	82459103000	NIPPLE,GREASE	4		C-PT1/8				

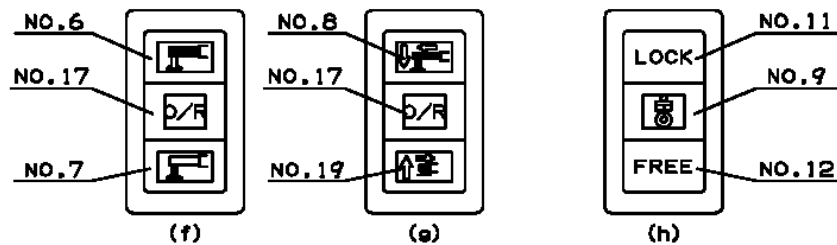
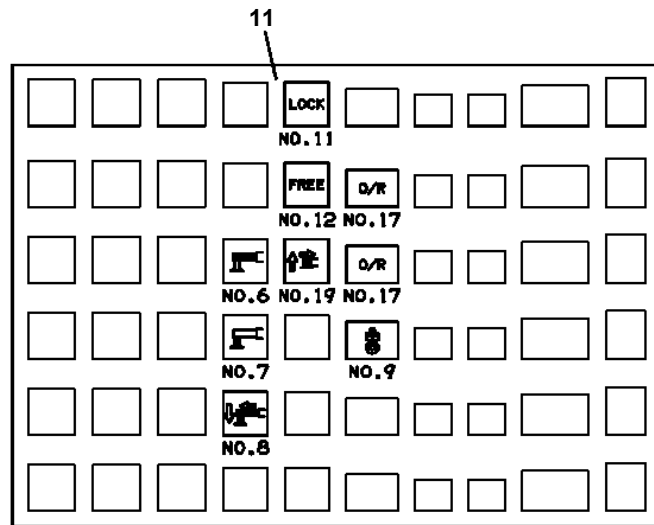
GR-550-2-00251 4 BOOM + 2 JIB, 2M2D

Pos No.	Parts No	Parts Name	Qty	Unit	Technical Data	Serial No (Start)	Serial No (End)	Remarks	Pages
1	82400000464	MIRROR	2						
2	34493791001	SUPPORT	1						
3	90101208016	BOLT	2		M8X16				
4	90302040801	WASHER,SPRING	4		8				
5	34494582000	SUPPORT	1						
6	90101208025	BOLT	2		M8X25				
7	90303070801	WASHER,PLAIN	2		8				
31	34493791030	SUPPORT	1						
32	34493792000	SUPPORT	1						
33	37000517380	PLATE	2		T=2.3 TO 3.2				
34	37001200470	SPRING	1						
35	80136330025	PIN,SPLIT	1						

**GR-550-2-00251 4 BOOM + 2 JIB, 2M2D
PN1060204-01 SWITCH PANEL (2)**



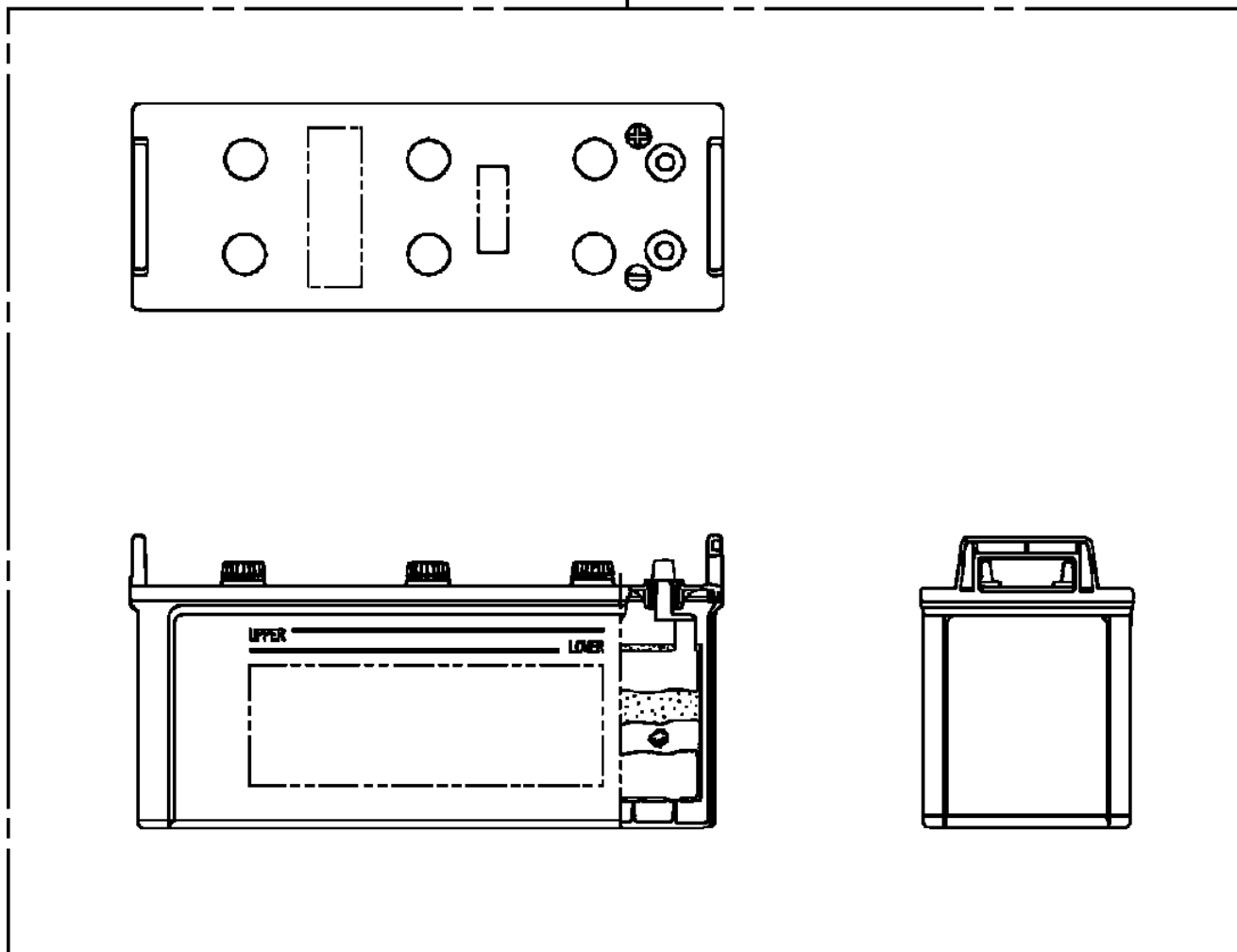
a	O/R (FL)	CN499
b	O/R (FR)	CN500
c	O/R (ALL)	CN498
d	O/R (RL)	CN501
e	O/R (RR)	CN502
f	O/R (JACK/SLIDE SELECT)	CN480
g	O/R (EXT./RET.)	CN497
h	SPRING LOCK	CN478



AFFIX NAMEPLATES INDICATED IN 11 TO THE LOCATION ABOVE.

**GR-550-2-00251 4 BOOM + 2 JIB, 2M2D
PN1370125-00 BATTERY (GLOBAL & YUASA,130F51)**

1



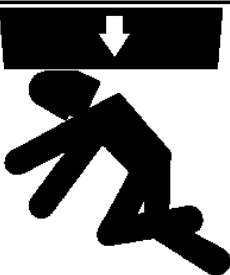
GR-550-2-00251 4 BOOM + 2 JIB, 2M2D
 PN5010564-01 NAME PLATE ASSY (LOWER)

1



WARNING
 KEEP CLEAR OF
 MOVING OUTRIGGER
 TO PREVENT BODILY
 INJURY.

2




DANGER
 FALLING LOAD OR BOOM
 CAN CAUSE SEVERE PERSONAL
 INJURY OR DEATH.
 STAY CLEAR OF LOAD
 AND BOOM.

3

	AIR PRESSURE (TIRE SIZE: 23.5-25)
FOR TRAVEL	65 psi (450 kPa)
FOR ON-RUBBER OPERATION	

4



WARNING
 DO NOT STUMBLE
 OVER PROJECTION.

5

NOTICE
 HYDRAULIC
 FLUID ONLY

CAUTION
 READ OPERATORS MANUAL BEFORE SERVICING.
 DO NOT FAIL TO BREATHE OUT AIR FROM
 THE HYDRAULIC PUMP. EVERY TIME HYDRAULIC
 FLUID IS REFILLED OR THE PUMP IS REPLACED,
 ALL CYLINDERS MUST BE RETRACTED WHEN
 CHECKING FLUID LEVEL.
 TEMPERATURE CONVERSION FOR LEVEL GAUGE
 40° C (104° F) , 20° C (68° F) , 0° C (32° F)

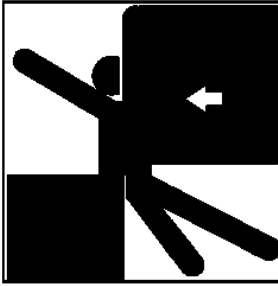
7

USE OF FIRE STRICTLY PROHIBITED

8


DANGER
 HIGH PRESSURE CAN CAUSE SEVERE INJURY
 OR DEATH.
 STAY CLEAR WHEN INFLATING TIRES.
 ALWAYS USE AN AIR CHUCK AND TIRE CAGE
 RIM SIDE OR LOCK RING CAN BLOW OUT.

9




DANGER
 SWINGING STRUCTURE
 STAY CLEAR TO PREVENT
 SEVERE PERSONAL INJURY
 OR DEATH.

10



CAUTION
 Burning Injury can occur.
 Do not touch
 the exhaust pipe surface
 while engine is running or
 just when it is stopped.

11



WARNING
 DO NOT CLIMB UP
 OR DOWN WHILE
 MACHINE IS
 WORKING.

16

CAUTION
 ULTRA LOW SULFUR
 DIESEL FUEL ONLY

The ASTM American Society for Testing and Material requires the use of fuel with a sulfur content of 15ppm or less.
 Carefully prevent contaminants and water from entering the storage tank and fuel tank and tighten the filler cap securely.
 When you clean the fuel tank, dislodge deposits from the drain plug at the bottom of fuel tank.

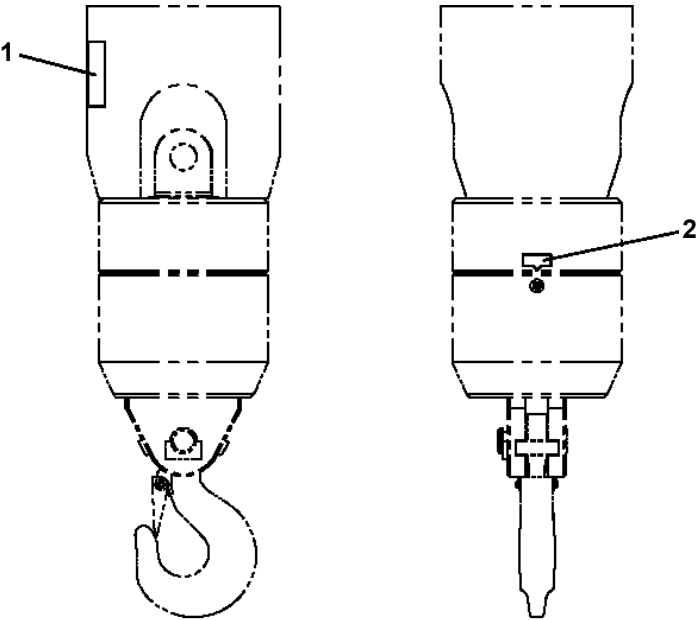
17

WARNING
 NEVER USE SILICON-CONTAINING
 OR MINERAL-OIL-BASED BRAKE FLUID.
 NEVER MIX WITH OTHER BRAKE
 FLUID.
 USE TADANO GENUINE BRAKE FLUID.
 (DOTS, 12)

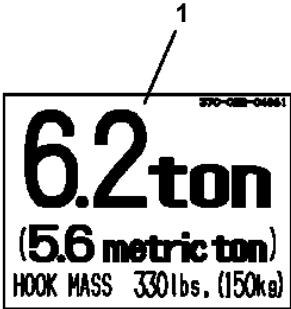
18

**NO
 STEP**

GR-550-2-00251 4 BOOM + 2 JIB, 2M2D
PN5011547-00 NAME PLATE ASSY (AUX. HOOK)



AUX. HOOK



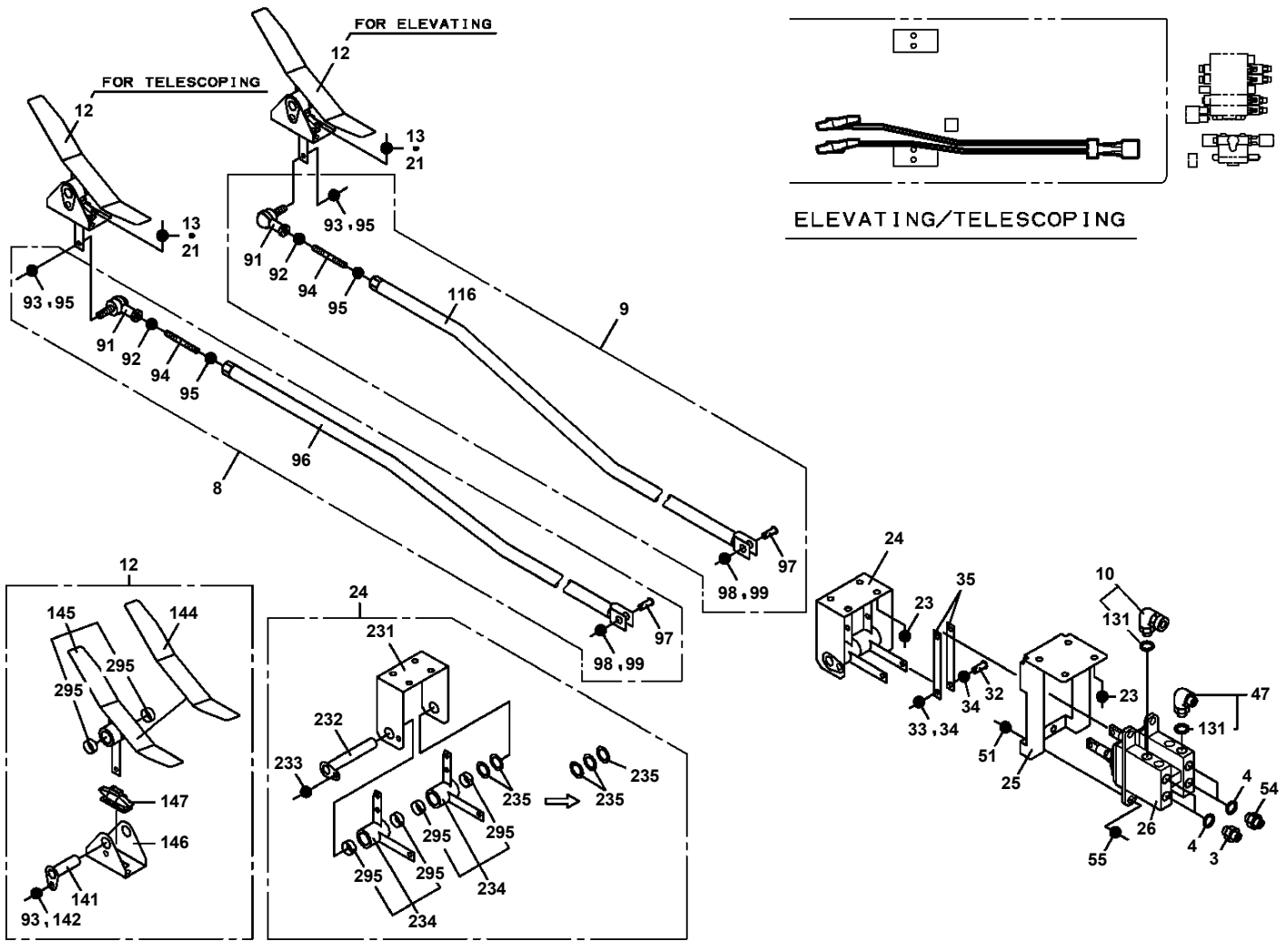
GR-550-2-00251 4 BOOM + 2 JIB, 2M2D

Pos No.	Parts No	Parts Name	Qty	Unit	Technical Data	Serial No (Start)	S
71	32391332030	PLATE,CAUTION (WARNING/TO PREVENT)	1				
72	34395841020	PLATE,CAUTION (WARNING/MAKE SURE)	1				
73	(*****)	PLATE,NAME	1				
74	34397961050	PLATE,CAUTION (DPF WARNING)	1				
75	34521301500	LOAD CHART BOOKLET	1				
76	34397993200	PLATE,CAUTION (PREVENTION OF JIB FALL)	1				
77	34397993300	PLATE,CAUTION (PREVENTION OF JIB FALL)	1				
78	34521051010	PLATE,CAUTION	1				
101	37002228300	PLATE,NAME (TADANO/BLUE+BLACK)	2				
102	37002228310	PLATE,NAME (TADANO/WHITE+WHITE)	2				
121	37002214470	PLATE,NAME (BLUE & BLACK)	1				
122	37002214490	PLATE,NAME (WHITE & WHITE)	1				

GR-550-2-00251 4 BOOM + 2 JIB, 2M2D

Pos No.	Parts No	Parts Name	Qty	Unit	Technical Data	Serial No (Start)	Serial No (End)	Remarks	Pages
1	80430470650	JOINT	2						
3	80430450650	JOINT	2						
4	90191208030	BOLT	2		M8X30				
5	90302040801	WASHER,SPRING	3		8				
6	90303070801	WASHER,PLAIN	1		8				
7	90101208040	BOLT	1		M8X40				
9	37012401720	HOSE	1		L=2850				
10	37012401730	HOSE	2		L=2250				
11	37000600120	CLAMP	3		WR45				
12	90186208025	BOLT,FLANGE	3		M8X25				
13	82100002013	CLAMP	2		WRC18				
14	90280200800	NUT,FLANGE	1		M8				
15	91810132530	FASTENER	4						
16	82100001819	TUBE,SPIRAL	1	M	SE-18BK				
17	82100001819	TUBE,SPIRAL	1	M	SE-18BK				
18	37002471360	HOSE	1		L=2800				
41	36604510000	VALVE,BRAKE	1						000328
42	90710008160	SCREW,SET	1		M8X16				
43	34330161100	ROLLER	1						
44	37000117540	PIN	1						
45	90303071001	WASHER,PLAIN	2		10				
46	80136332016	PIN,SPLIT	2		3.2X16				
48	82400000035	COVER (PEDAL)	1						
49	90102208060	BOLT	1		M8X60				
50	90201200800	NUT	1		M8				
51	37000117490	PIN	1						
61	34721208010	PEDAL ASSY	1						
72	80804010010	BEARING,PLAIN	1						

GR-550-2-00251 4 BOOM + 2 JIB, 2M2D
PO5080039-01 OPE.ASSY,CONT.VALVE (ISO/TACTILE)



GR-550-2-00251 4 BOOM + 2 JIB, 2M2D

Pos No.	Parts No	Parts Name	Qty	Unit	Technical Data	Serial No (Start)	Serial No (End)	Remarks	Pages
1	34693032700	SUPPORT	1						
2	34693041100	FENDER (R)	1						
3	34693041200	FENDER (R)	1						
4	34693041300	COVER (R)	1						
6	34691483800	COVER	1						
7	34693041500	COVER (R)	1						
8	34693041600	COVER (RR)	1						
9	34693041700	FENDER (RR)	1						
10	34693041800	FENDER (RR)	1						
11	34693231100	COVER	1						
12	34693042000	STEP	1						
13	34693042100	STEP	1						
14	34693032800	SUPPORT	1						
15	34693052200	COVER	1						
16	34693042200	FENDER (FL)	1						
17	34693042300	FENDER (FL)	1						
18	34693042400	COVER (FL)	1						
20	34693042600	COVER (L)	1						
21	34693043200	STEP	1						
22	34693042700	COVER (RL)	1						
23	34693042800	FENDER (RL)	1						
24	34693042900	FENDER (RL)	1						
25	34693033400	COVER	2						
26	34693043100	COVER	1						
28	34692904910	COVER	1						
29	34693032900	SUPPORT	1						
30	34693033000	SUPPORT	1						
31	34691861150	SUPPORT	1						
32	34691523600	COVER	1						
33	34693053300	COVER	1						
34	34691265500	SUPPORT	6						
35	37000506550	PLATE	12		T=1.6				
36	90186206010	BOLT,FLANGE	8		M6X10				
37	90186208020	BOLT,FLANGE	23		M8X20				
38	90280200800	NUT,FLANGE	11		M8				
39	90186208014	BOLT,FLANGE	28		M8X14				
40	90186210020	BOLT,FLANGE	N		M10X20				
41	90303071001	WASHER,PLAIN	46		10				
42	90302041001	WASHER,SPRING	6		10				
43	37000505950	PLATE	6		T=3.2				
44	90101210130	BOLT	2		M10X130				
45	90186210014	BOLT,FLANGE	3		M10X14				
46	34691523400	SUPPORT	1						
47	34693231200	COVER	1						
48	90101210170	BOLT	2		M10X170				
61	34693048010	COVER ASSY	1						
62	34693048020	COVER ASSY	1						
63	34693228010	COVER ASSY	1						
64	34693048050	COVER ASSY	1						
102	82400000200	GROMMET	1		KG-012,L=250		541152		
139	90186208014	BOLT,FLANGE	9		M8X14				
140	90186210020	BOLT,FLANGE	4		M10X20				

GR-550-2-00251 4 BOOM + 2 JIB, 2M2D

Pos No.	Parts No	Parts Name	Qty	Unit	Technical Data	Serial No (Start)	Serial No (End)	Remarks	Page
1	36180110000	SENDER,PRESSURE	1						
2	82100002004	CLAMP	7		WR8				
3	90280200600	NUT,FLANGE	17		M6				
4	82100002037	CLAMP	10		WE10				
5	91810130250	FASTENER	6						
6	36180160000	SENDER,PRESSURE	1						
8	80192486016	SCREW,MACHINE	4		M6X16				
17	34363611101	HARNESS (AML)	1						000
31	91002801400	O-RING	2		1B P14				

GR-550-2-00251 4 BOOM + 2 JIB, 2M2D

Pos No.	Parts No	Parts Name	Qty	Unit	Technical Data	Serial No (Start)	Serial No (End)	Remarks
1	36648920000	VALVE,SOLENOID CONTROL	1				541930	
	36743660000	VALVE ASSY,SOLENOID	1			541931		
2	90103210020	BOLT	4		M10X20		541930	
	90186208030	BOLT,FLANGE	2		M8X30	541931		
3	90302041001	WASHER,SPRING	4		10		541930	
	90280200800	NUT,FLANGE	2		M8	541931		
4	80301010100	FITTING	4		KUA12-000N			
5	81408000160	PIPE,STEEL	3	M	12X1.4T			
6	81408000160	PIPE,STEEL	3	M	12X1.4T			
7	81408000160	PIPE,STEEL	3	M	12X1.4T			
8	81408000160	PIPE,STEEL	3	M	12X1.4T			
9	80302090161	FITTING	2		KCO12-030N		541930	
	80302090161	FITTING	4		KCO12-030N	541931		
10	91002801400	O-RING	2		1B P14		541930	
	91002801400	O-RING	4		1B P14	541931		
11	37000711090	CLAMP ASSY	4		18X2			
12	37000300740	SLEEVE	8		18-12			
13	37002485240	HOSE	4		L=100			
14	80306010105	NUT	4		KKN12-000E			
15	80309010105	SLEEVE	4		KK012-000E			
16	81408000160	PIPE,STEEL	3	M	12X1.4T		541934	
17	81408000160	PIPE,STEEL	3	M	12X1.4T			
18	81408000160	PIPE,STEEL	3	M	12X1.4T		541934	
19	81408000160	PIPE,STEEL	3	M	12X1.4T			
20	37000701510	CLAMP ASSY	4		12X2			
21	80303130161	FITTING,ELBOW	2		KLO12-030E		541930	
22	37000711410	CLAMP ASSY	1		12-4			
23	90186208016	BOLT,FLANGE	1		M8X16	541931		
25	81408000160	PIPE,STEEL	3	M	12X1.4T	541935		
26	81408000160	PIPE,STEEL	3	M	12X1.4T	541935		
41	91002801400	O-RING	2		1B P14		541930	

GR-550-2-00251 4 BOOM + 2 JIB, 2M2D

Pos No.	Parts No	Parts Name	Qty	Unit	Technical Data	Serial No (Star
1	37000903420	FITTING	2		S,R3/8-M16	
2	37000300720	SLEEVE	7		12-10	
3	36870400000	PLUG (DRAIN)	4		R1/2	
4	34922838060	PIPE ASSY	1		12XT0.9 L=14387.2	
5	37000905160	JOINT	1		R1/2-2XRC3/8-RC1/8	
6	59451304000	VALVE,CHECK	3			
7	37000904830	NUT,FLARE	20		M16	
8	37000918840	FITTING,TEE	1		T,R3/8-10-10	
9	59181005000	SWITCH,PRESSURE (AIR)	1			
10	37000911840	JOINT	1		R1/2-RC1/4-RC1/4	
11	59451305000	VALVE,SAFETY (ASSY ONLY)	1			
12	34922838040	PIPE ASSY	1		12XT0.9 L=782.5	
14	37000904840	NUT,FLARE	8		M20	
15	34922708180	PIPE ASSY	1		12XT0.9 L=1044	
16	34922708040	PIPE ASSY	1		10XT0.7 L=597	
18	90201200800	NUT	32		M8	
19	80471020503	JOINT	1		45,G3/8-G3/8	
22	37000904230	FITTING,ELBOW	2		L,R1/4-M16	
23	37000909690	FITTING	1		S,R1/4-M20	
24	59459001000	JOINT	1		L,PT1/2-PT3/8	
25	59459007000	FITTING,ELBOW	2		L,R3/8-M16	
26	90304111601	WASHER,TOOTH	3		16	
27	90211201600	NUT	3		M16	
30	36645970000	VALVE ASSY,SOLENOID (ASSY ONLY)	1			
31	90186208020	BOLT,FLANGE	2		M8X20	
32	37000904810	NUT,FLARE	4		M12	
34	59159035000	FITTING,ELBOW	2		L,R1/2-M20	
35	37002444790	HOSE,AIR	1		L=600	
36	37000701500	CLAMP ASSY	3		12X1	
38	34922708050	PIPE ASSY	1		10XT0.7 L=279	
40	34922708060	PIPE ASSY	1		10XT0.7 L=334	
43	37000302720	SLEEVE	3		12-6.35	
44	37000711080	CLAMP ASSY	2		12-2	
47	34922708070	PIPE ASSY	1		10XT0.7 L=329	
48	90304111201	WASHER,TOOTH	2		12	
49	37001601440	NUT	2		M12X1.0	
50	37000900731	FITTING	1		S,M12-M12	
51	90304112001	WASHER (LOCK)	2		20	
52	90211202000	NUT	2		M20	
53	37000904140	FITTING	1		S,M20-M20	
57	37000904530	FITTING,TEE	2		3-M16	
58	90186210025	BOLT,FLANGE	6		M10X25	
59	90280200800	NUT,FLANGE	2		M8	
61	34922708080	PIPE ASSY	1		10XT0.7 L=180	
62	34922708090	PIPE ASSY	1		10XT0.7 L=1533	
66	90186208014	BOLT,FLANGE	1		M8X14	
68	90303382201	WASHER	13		M22	
69	37012401510	HOSE	1		L=540	
70	34922838020	PIPE ASSY	1		6.35XT0.7 L=997.8	
71	34922838110	PIPE ASSY	1		10XT0.7 L=1326.8	
72	37000915670	JOINT	9		R1/2-M22	
73	42340240370	JOINT	1		RT,R1/2-R1/2-R3/8	
74	91002801400	O-RING	1		1B P14	
75	34922838010	PIPE ASSY	1		10XT0.7 L=560.6	
76	34922708130	PIPE ASSY	1		6.35XT0.7 L=1535	
78	34922838050	PIPE ASSY	1		10XT0.7 L=1721.9	
79	80316040060	PLUG	1		NTN PGDPT3/8	
80	37000929110	PLUG (FOR M22)	4			
81	34921853100	BAND	6			
83	34922838080	PIPE ASSY	1		10XT0.7 L=962.4	
86	34922832000	SUPPORT	1			
87	36102710000	TANK,AIR	1			
	36103130000	TANK,AIR (ASSY ONLY)	1			

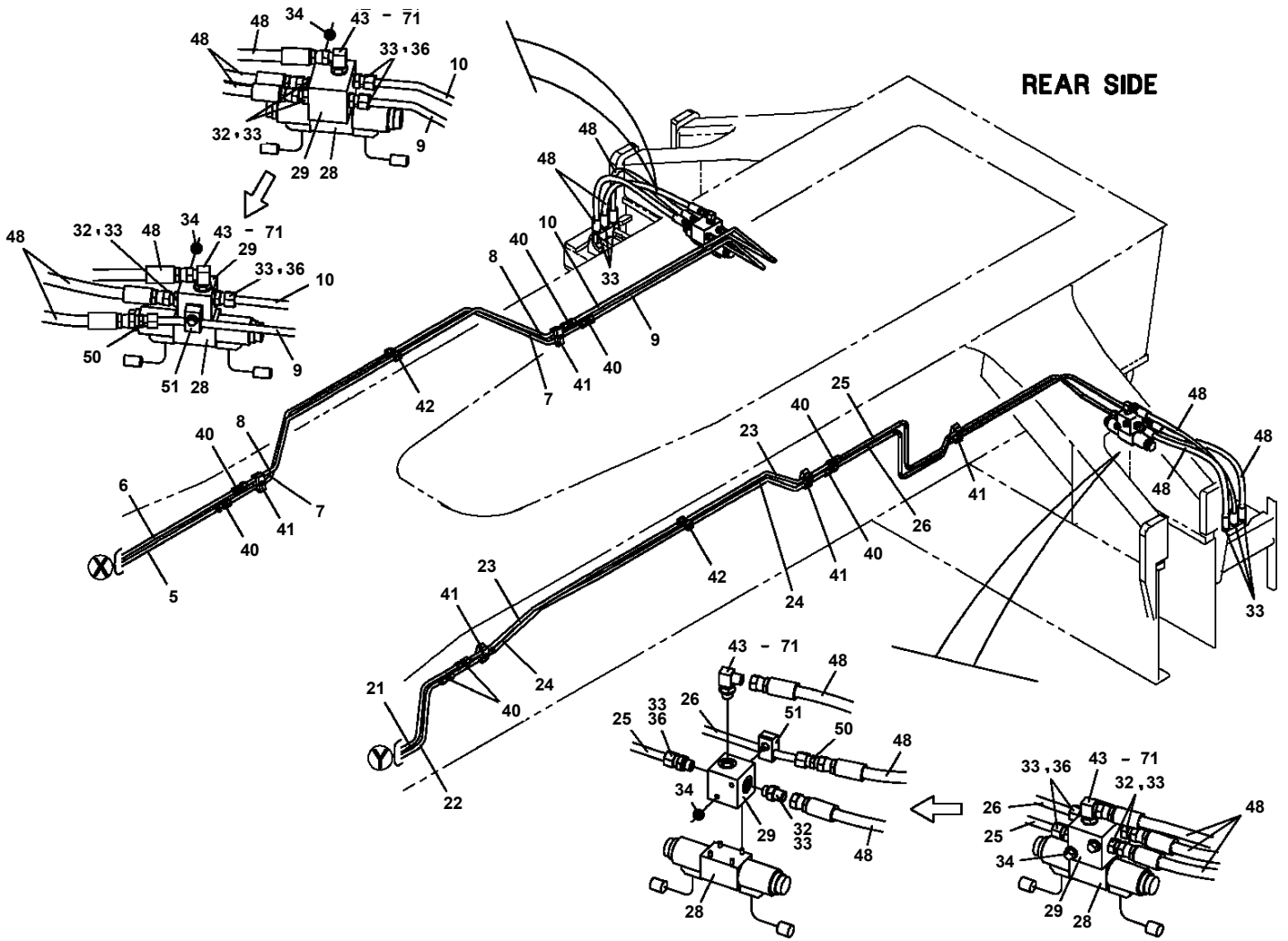
541131

000251

GR-550-2-00251 4 BOOM + 2 JIB, 2M2D

Pos No.	Parts No	Parts Name	Qty	Unit	Technical Data	Serial No (Start)	Serial No (End)
1	80430451650	JOINT	1				
2	37002484840	HOSE	1		L=680		
3	36671270000	FILTER,OIL (TORQUE CONVERTER)	1				
4	80400160135	JOINT	2				
5	91067102900	O-RING	6		P29		
6	80434508080	JOINT	3		L,G1,G1		
7	80400160137	JOINT	1				
8	91067103800	O-RING	3		P38		
9	37002461060	HOSE	1		L=1600		
10	37002489150	HOSE	1		L=2400		
11	80481110100	JOINT	1		L,G1-1/4,G1-1/4		
12	37000916500	JOINT	1		L,R1-G3/4		540941
	37000916500	JOINT	2		L,R1-G3/4	540942	
13	37004000090	SWITCH,THERMO	1				540941
14	90186210020	BOLT,FLANGE	2		M10X20		
15	37000912850	JOINT	1		S,G1-G11/4		
16	33330010100	GASKET	1				540941
17	80430471650	JOINT	1		45,R1-G1		
18	37012401260	HOSE	1		L=1920		
19	37012401270	HOSE	1		L=2560		
20	91810132530	FASTENER	4				541187
	91810132530	FASTENER	5			541188	
22	91067101400	O-RING	4		P14		
23	80471020510	JOINT	1		45,G1 1/4-G1 1/4		
24	37002471560	HOSE	1		L=1750		
25	37002487350	HOSE	1		L=2160		
26	37002487190	HOSE	1		L=1550		
27	80400160129	JOINT	3				
28	37002415560	HOSE	1		L=960		
29	37000929810	JOINT	1		R1-G3/4-M16		540941
30	80471020506	JOINT	1		45,G3/4-G3/4		
31	91067102400	O-RING	2		P24		540941
	91067102400	O-RING	1		P24	540942	
32	37000600120	CLAMP	1		WR45		541187
	91860100045	CLAMP	1		KCR-W45	541188	
33	80400160133	JOINT	1				540941
34	80471020503	JOINT	1		45,G3/8-G3/8		
35	90186208014	BOLT,FLANGE	1		M8X14		
36	82100002018	CLAMP	11		WR35		541187
	91860100035	CLAMP	11		KCR-W35	541188	
37	90280200800	NUT,FLANGE	14		M8		
38	82100002041	CLAMP	1				
39	82100002013	CLAMP	2		WRC18		541187
	91860100020	CLAMP	2		KCR-W20	541188	
40	90186208025	BOLT,FLANGE	4		M8X25		
41	37000601600	CLAMP	1		WR54		
44	82100001413	TUBE,SPIRAL	2	M	SE-15BK		

GR-550-2-00251 4 BOOM + 2 JIB, 2M2D
PP6220009-01 PIPING ASSY,OUTRIGGER

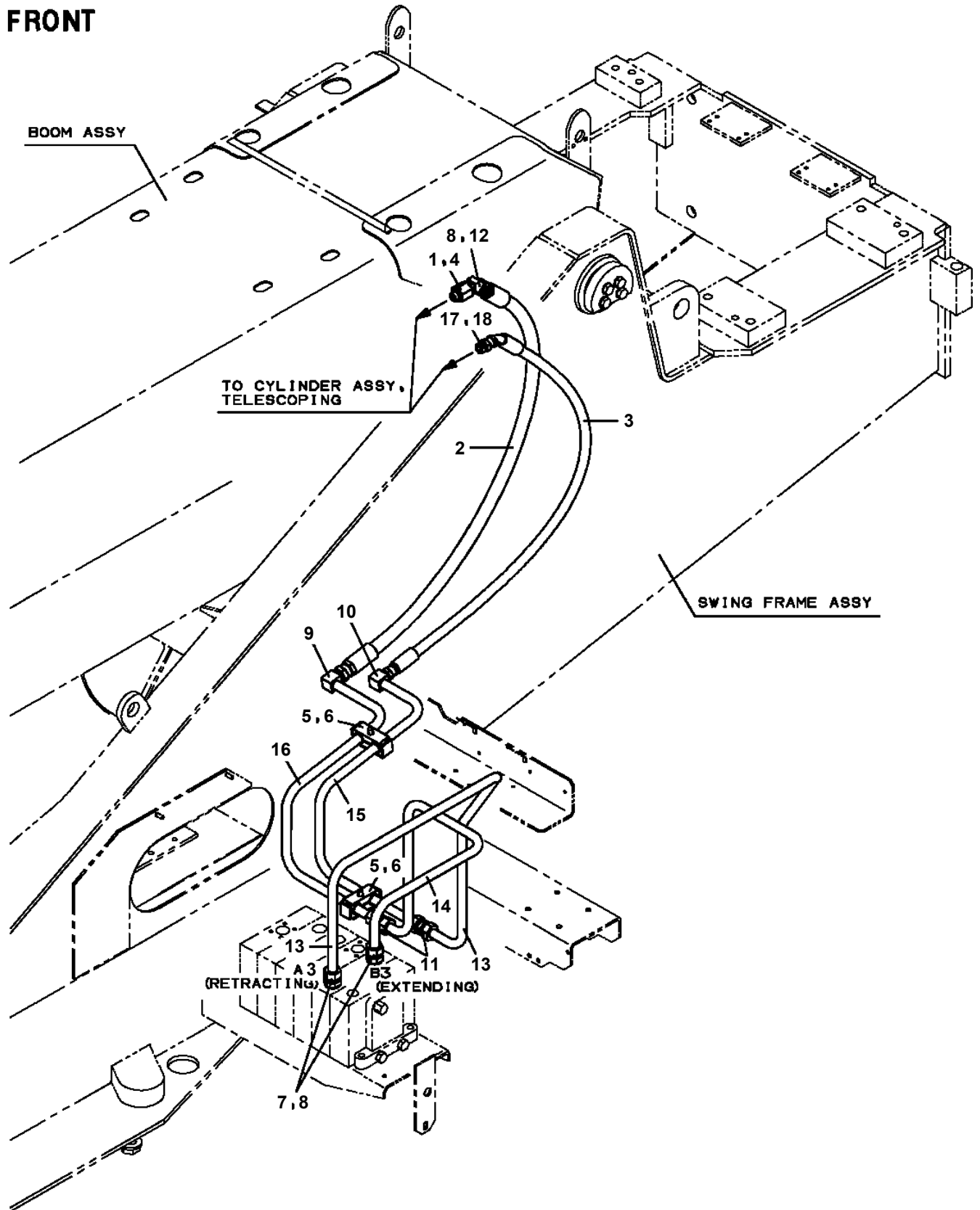


GR-550-2-00251 4 BOOM + 2 JIB, 2M2D

Pos No.	Parts No	Parts Name	Qty	Unit	Technical Data	Serial No (Start)	Serial No (End)	Rem
78	89640101000	HOSE	1		880-NFK,1M			
81	89640101000	HOSE	1		880-NFK,1M			
82	89640102000	HOSE	1		880-NFK,2M			
83	81408000241	PIPE,STEEL	3	M	18X1.9T			
84	81408000241	PIPE,STEEL	2	M	18X1.9T			
85	81408000241	PIPE,STEEL	1	M	18X1.9T			
86	81408000241	PIPE,STEEL	3	M	18X1.9T			
87	89640102000	HOSE	1		880-NFK,2M			
88	90186208014	BOLT,FLANGE	4		M8X14			
89	33330010100	GASKET	1					
90	37004000040	SWITCH,THERMO	1		85C			
91	82100002018	CLAMP	1		WR35			
92	90186208010	BOLT,FLANGE	1		M8X10			
93	80320030220	FITTING,ELBOW	2		KLE28-080N			
94	37002412840	HOSE	1		L=490			
111	91002801100	O-RING	2		1B P11			
121	91002802900	O-RING	5		1B P29			
131	91002801400	O-RING	2		1B P14			
141	91002801800	O-RING	5		1B P18			

GR-550-2-00251 4 BOOM + 2 JIB, 2M2D
PP6360004-00 PIPING ASSY, TELESCOPE

FRONT



GR-550-2-00251 4 BOOM + 2 JIB, 2M2D

Pos No.	Parts No	Parts Name	Qty	Unit	Technical Data	Serial No (Start)	Serial No (End)	Rem
1	36302115010	SPIDER ASSY	2					
2	36302255010	YOKE ASSY	1					
3	36302115030	BOLT	16		M12X53X1.25			
4	36302115040	WASHER,SPRING	16					
11	59236000010	NIPPLE,GREASE (UNF1/4X35A)	2					
21	59236000020	NIPPLE,GREASE	1		NPTF 1/8A			
30	36302251000	PROPELLER SHAFT,DRIVING	1					

GR-550-2-00251 4 BOOM + 2 JIB, 2M2D

Pos No.	Parts No	Parts Name	Qty	Unit	Technical Data	Serial No (Start)	Serial No (End)	F
1	34354001550	PLATE	1				541239	
	34354341511	PLATE	1			541240		
2	80192486012	SCREW,MACHINE	28		M6X12		541239	
	80192486012	SCREW,MACHINE	24		M6X12	541240		
5	34354781720	RELAY (WITH HARNESS)	16					
6	34354781730	RELAY	3					
7	34354781740	RELAY	1					
8	82161161125	RELAY	5				541239	
	82161324080	RELAY	4			541240		
9	34353291550	SWITCH ASSY	1					
10	80172303012	SCREW,MACHINE	2		M3X12			
11	80172303016	SCREW,MACHINE	2		M3X16			
12	90302040301	WASHER,SPRING	4		3			
13	90303070301	WASHER,PLAIN	4		3			
14	34352991600	HARNESS	4			541240		
16	80197585012	SCREW,MACHINE	4		M5X12	541240		
17	34430075510	BOX ASSY (FUSE)	2					
18	82100001837	FUSE	6		5A			
19	82100001839	FUSE	12		10A.RED			
20	82100001840	FUSE	10		15A,BLUE			
21	34351961640	SWITCH ASSY	1					
22	82100001884	TERMINAL	1					
23	34350351500	PLATE	1					
24	82100001404	TERMINAL	4					
25	82100001219	INSULATOR	4					
28	82114214082	CONNECTOR	1					
29	82111207051	TERMINAL (MAIL)	4					
31	82181024152	RESISTANCE	1					
33	82181024102	RESISTANCE	1		1.0K			
34	82181024202	RESISTANCE	1		2.0K			
35	82181024562	RESISTANCE	1		5.6K			
37	82100002267	CONNECTOR	1					
38	34351571350	RELAY ASSY (WITH CONNECTOR)	1					
40	34930661130	BOX ASSY (FUSE)	1					
41	80192486016	SCREW,MACHINE	2		M6X16			
61	34351562510	BOX,FUSE	2					
91	34430255710	BOX,FUSE	1					
97	82100001839	FUSE	3		10A.RED			
98	82100001837	FUSE	5		5A			

GR-550-2-00251 4 BOOM + 2 JIB, 2M2D

Pos No.	Parts No	Parts Name	Qty	Unit	Technical Data	Serial No (Start)	Serial No (End)	Remarks	
3	34630937531	POTENTIOMETER ASSY	1						
4	34630937541	O-RING	1						
5	34630937551	COVER	1						
100	34630932000	RING ASSY,SLIP	1						

GR-550-2-00251 4 BOOM + 2 JIB, 2M2D

Pos No.	Parts No	Parts Name	Qty	Unit	Technical Data	Serial No (Start)	Serial No (End)	Remarks
5	82182819823	DIODE	1		1.5A			
9	34354781710	RELAY (WITH BRACKET)	1					
100	34354781720	RELAY (WITH HARNESS)	1					

GR-550-2-00251 4 BOOM + 2 JIB, 2M2D

Pos No.	Parts No	Parts Name	Qty	Unit	Technical Data	Serial No (Start)	Serial No (End)	Remarks	Pa
1	36062151000	CYLINDER	1						
2	80136350071	PIN,SPLIT	1						
3	37001600340	NUT	1						
4	36062133000	PISTON	1						
5	91302207500	BEARING,PLAIN	2						
6	91002804000	O-RING	1		1B P40				
7	36062152000	ROD	1						
8	36061134000	COVER,ROD	1						
9	91002806500	O-RING	1		1B P65				
10	91251100400	RING,DAMPER	1						
11	91694004000	PACKING	1						
12	91410204001	RING,BACKUP	1						
13	91660004001	SEAL,DUST	1						
14	91301104000	BEARING,PLAIN	1						
15	91801301000	CLIP	1						
16	36061133000	BOOT	1						
17	91801300650	CLIP	1		D=60-65				
18	91411206201	RING,BACKUP	2						
19	91684007501	PACKING	2						
35	37000402270	BEARING,PLAIN	2						
43	37000402910	BEARING,PLAIN	2						
50	36062150000	CYLINDER,STEERING	1						
60	36062139900	PACKING SET (40X75)	1						

GR-550-2-00251 4 BOOM + 2 JIB, 2M2D

Pos No.	Parts No	Parts Name	Qty	Unit	Technical Data	Serial No (Start)	Serial No (End)	Remarks
1	36303425010	CROSS JOINT	2					
3	36303575010	BOLT	16					
11	36303425020	NIPPLE,GREASE	2					
22	36303235050	NIPPLE,GREASE	1					
100	36303571000	SHAFT ASSY,PROPELLER	1					

GR-550-2-00251 4 BOOM + 2 JIB, 2M2D

Pos No.	Parts No	Parts Name	Qty	Unit	Technical Data	Serial No (Start)	Serial No (End)	Remarks	Pages
100	34260954600	SUNSHADE	1						

GR-550-2-00251 4 BOOM + 2 JIB, 2M2D

Pos No.	Parts No	Parts Name	Qty	Unit	Technical Data	Serial No (Start)	Serial No (End)	Remarks	Pages
1	34444595100	SUPPORT	1						
2	34444595200	SUPPORT	1						
3	34444595400	PLATE	1						
6	3431000060	PLATE	2						
7	37000524090	PLATE	2						
8	37000513360	PLATE	1						
9	37000507310	PLATE	1						
10	37000516500	PLATE	1						
11	37000587430	PLATE	2						
12	37000508420	PLATE	2						
13	34345140300	SUPPORT	2						
15	34444595300	SUPPORT	1						
16	37000533440	PLATE	1						
17	34444735100	SUPPORT	1						
18	37000552290	SUPPORT	1						
19	37000513250	PLATE	1						

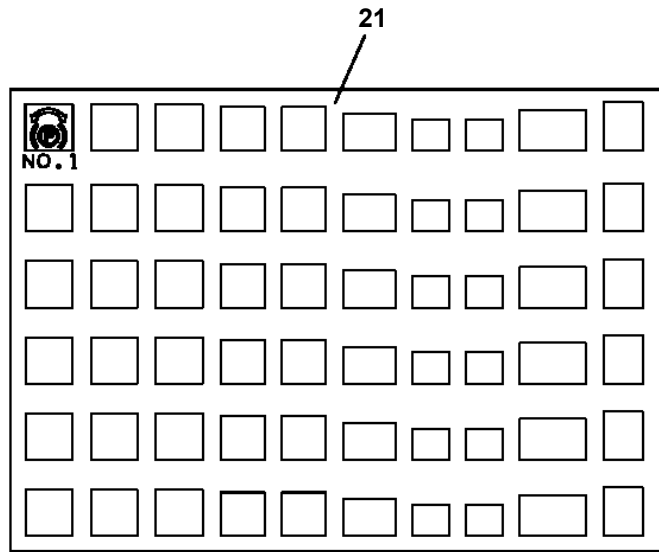
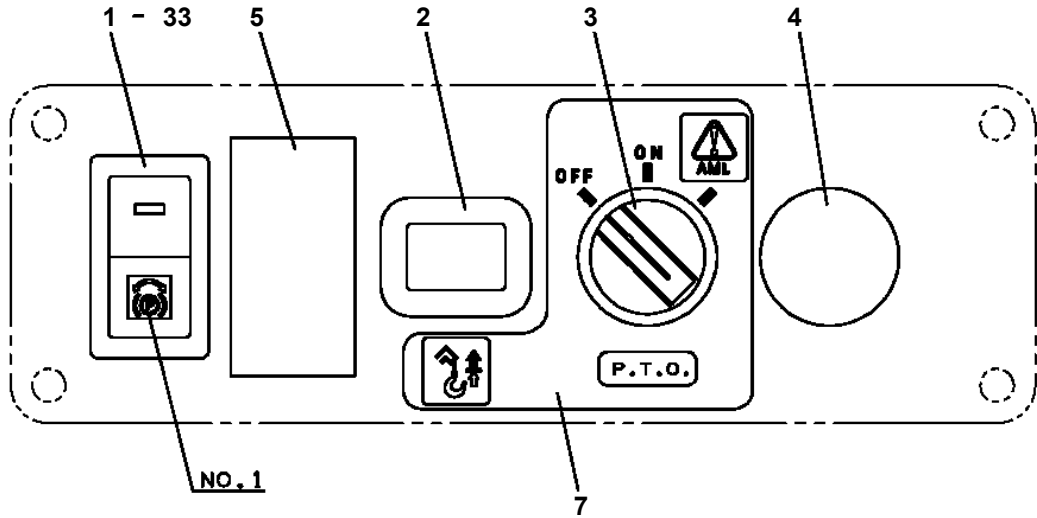
GR-550-2-00251 4 BOOM + 2 JIB, 2M2D

Pos No.	Parts No	Parts Name	Qty	Unit	Technical Data	Serial No (Start)	Serial No (End)	Remarks	Pages
1	33370260050	SUPPORT	1						

GR-550-2-00251 4 BOOM + 2 JIB, 2M2D

Pos No.	Parts No	Parts Name	Qty	Unit	Technical Data	Serial No (Start)	Serial No (End)	Remark
1	37002304590	BEARING,SWING (NTN)	1					
	37002304990	BEARING,SWING (HITACHI)	1					
2	36081480000	DRIVING UNIT,SWING	1					
3	90171118050	BOLT	12					
4	90303501805	WASHER,PLAIN	12		18			
5	37000911610	JOINT	1		R3/8XRC3/8			
6	80316030060	PLUG	1		PT3/8			
7	82401800100	PLUG (FOR M10)	2					
8	82401800200	PLUG	2		FOR M20			
11	37002305740	BEARING,SWING (SHILLA)	1					
31	82456101000	NIPPLE,GREASE	6		A-PT1/8			

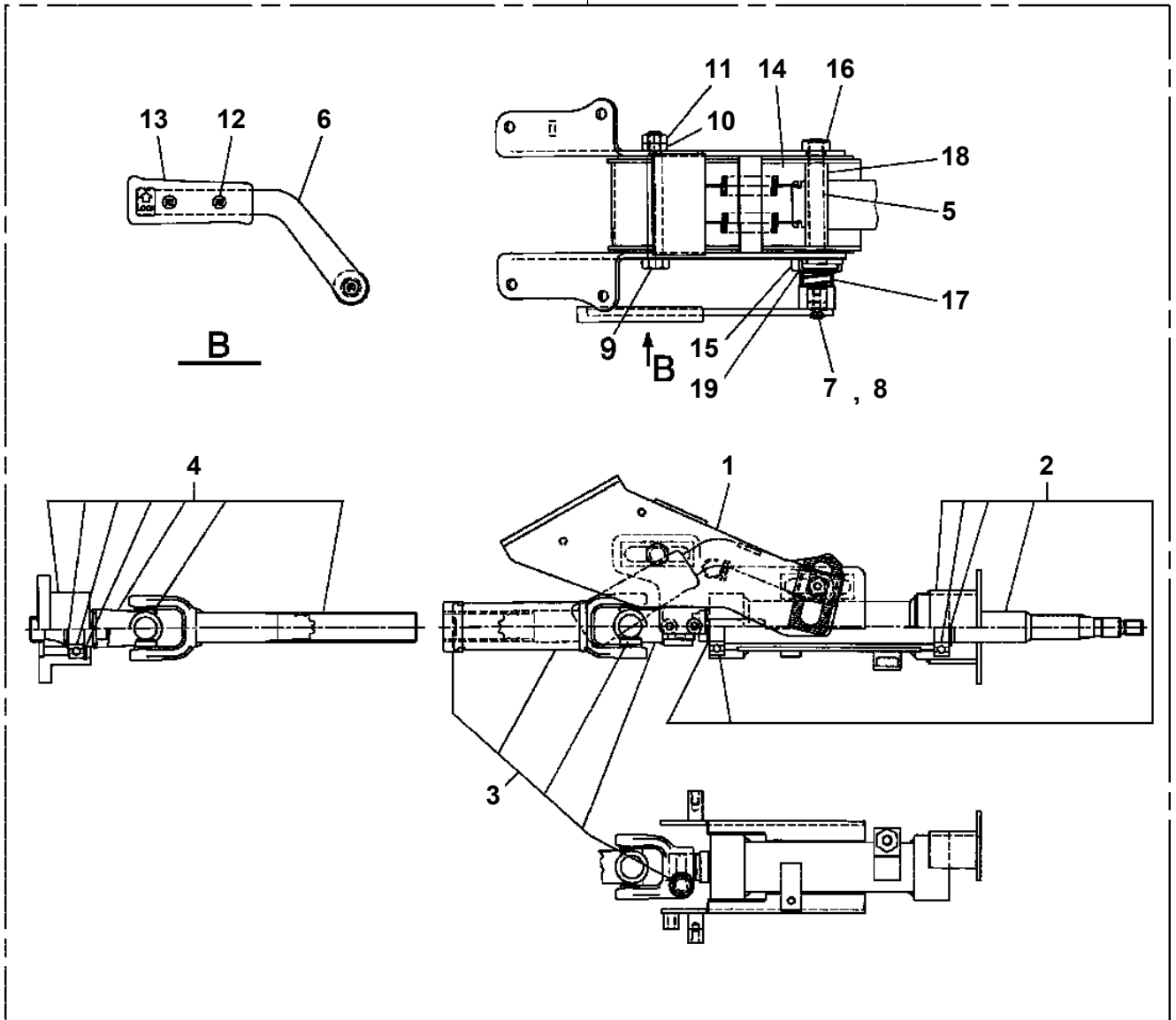
**GR-550-2-00251 4 BOOM + 2 JIB, 2M2D
PS5530049-01 SWITCH ASSY (CAB/P.T.O. SWITCH)**



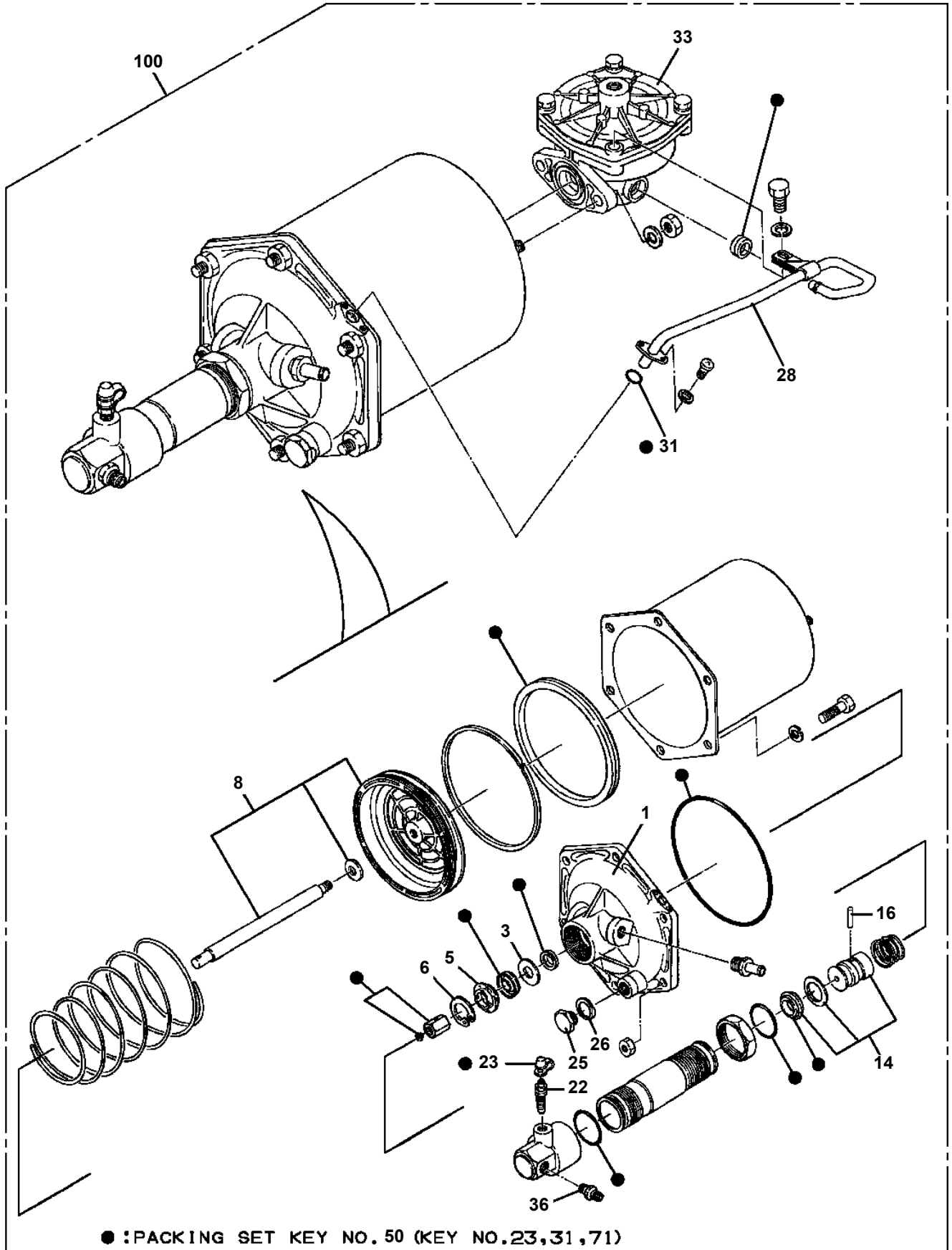
1	SWING BRAKE	CN484
5	COVER	-
2	OVERWIND CUTOUT DISABLE	CN505
3	PTO, AML OVERRIDE	CN509, CN558, CN1104
4	COVER	-

GR-550-2-00251 4 BOOM + 2 JIB, 2M2D
PS5580001-00 SHAFT (STEERING)

100



GR-550-2-00251 4 BOOM + 2 JIB, 2M2D
 PT1420011-07 BOOSTER (BRAKE)



展開図有
 ILLUSTRATED BREAKDOWN NO. 33

GR-550-2-00251 4 BOOM + 2 JIB, 2M2D

Pos No.	Parts No	Parts Name	Qty	Unit	Technical Data	Serial No (Start)	Serial No (End)	Remarks	Pages
100	37003804990	TIRE	1						

GR-550-2-00251 4 BOOM + 2 JIB, 2M2D

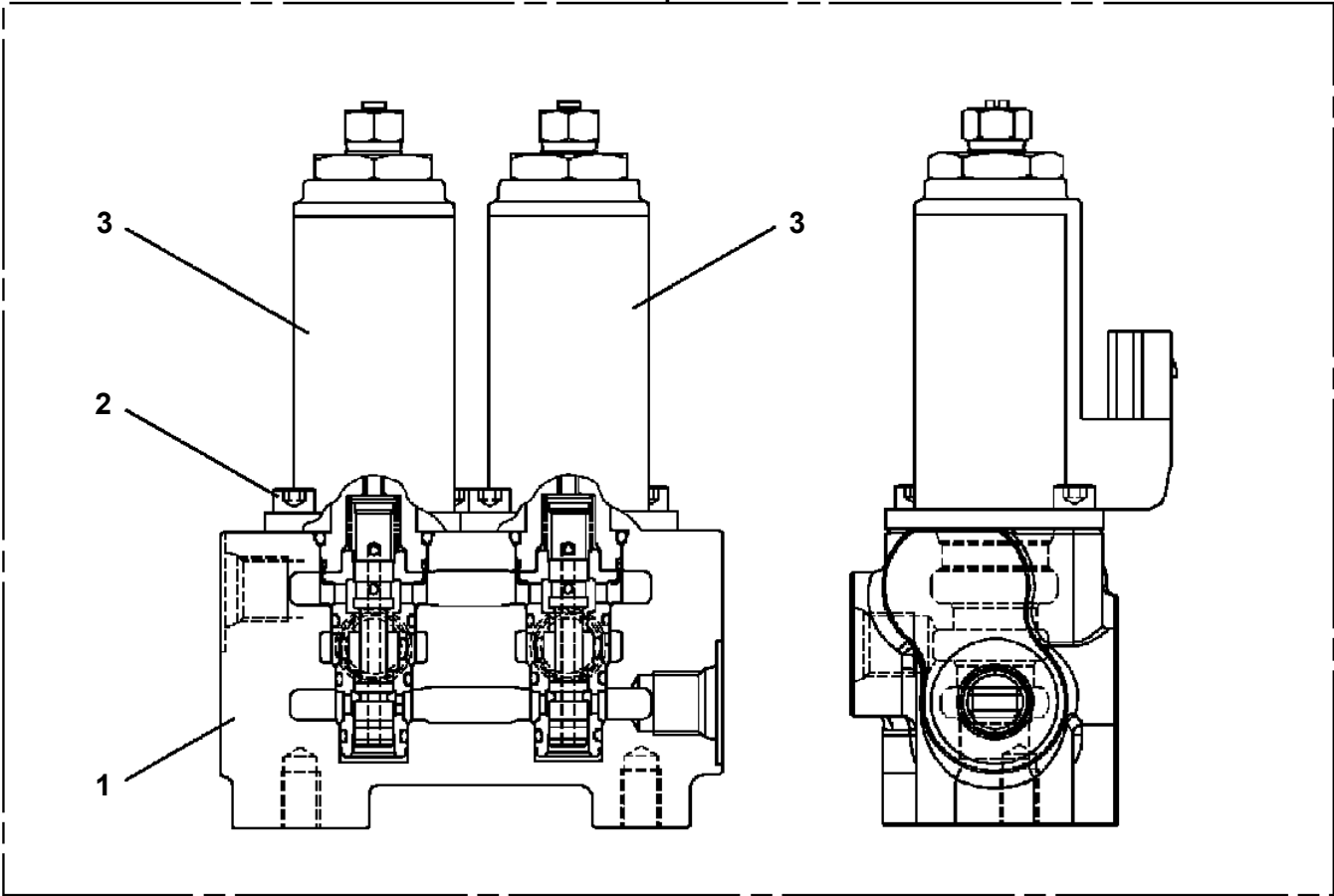
Pos No.	Parts No	Parts Name	Qty	Unit	Technical Data	Serial No (Start)	Serial No (End)
1	(*****)	TORQUE CONVERTER ASSY(CIRCUIT)	1				
2	(*****)	TORQUE CONVERTER ASSY(MISSION)	1				541671
	(*****)	TORQUE CONVERTER ASSY (MISSION)	1			541672	
3	36370635020	CLUTCH,POWER TAKE OFF	1				
4	36370655050	VALVE,SOLENOID	1				541729
	36370655051	VALVE,SOLENOID	1			541730	
5	36370365040	PUMP,HYDRAULIC	1				541671
	36370365041	PUMP,HYDRAULIC	1			541672	
6	36370505040	O-RING	1				
7	36370615050	O-RING	1				
8	36370217150	GASKET	1				541671
	36370615250	GASKET	1			541672	
11	36350685190	BOLT	1				
12	90171110030	BOLT	2		M10X30		
13	36370615030	BOLT,HEXAGON SOCKET	4				
24	36370295060	BAND,MARK (5)	1				
26	36370295070	BAND,MARK (8)	1				
27	36350685220	CLIP	1				
28	36370625060	PLATE	1				
29	90302051001	WASHER,SPRING	3		10		
30	36370216300	WASHER	3				
51	36370305870	SEAL KIT	1				541671
100	36370650000	TORQUE CONVERTER ASSY	1				

GR-550-2-00251 4 BOOM + 2 JIB, 2M2D

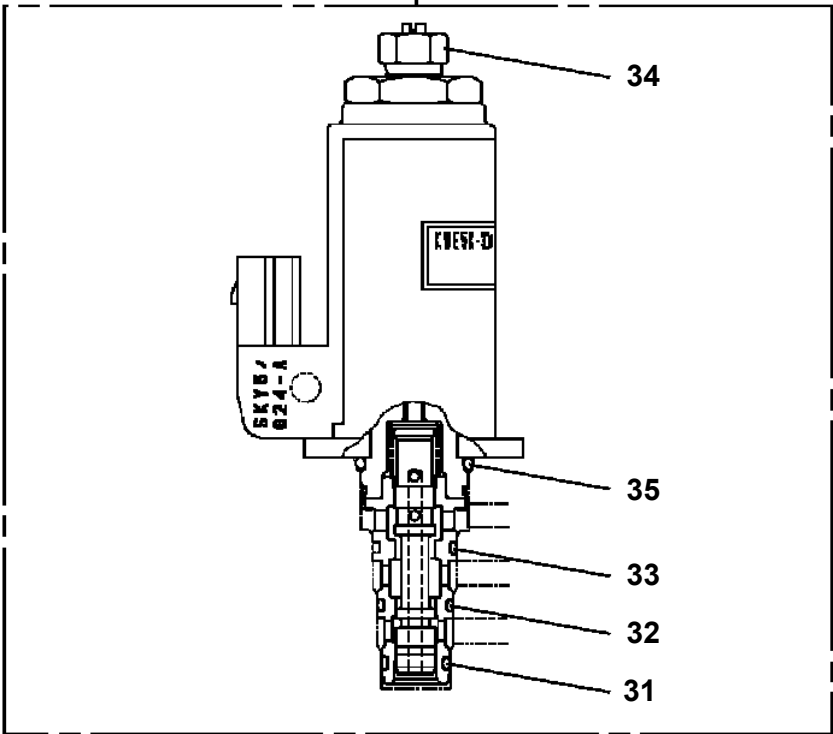
Pos No.	Parts No	Parts Name	Qty	Unit	Technical Data	Serial No (Start)	Serial No (End)
1	36410205010	SPRING (LEAF NO.1,WITH BUSHING)	1				
2	36410205020	SPRING (LEAF NO.2)	1				
3	36410205030	SPRING (LEAF NO.3)	1				
4	36410205040	SPRING (LEAF NO.4)	1				
11	36410065040	BUSHING	1				
12	36410135060	BOLT (CENTER)	1				
13	36410065060	NUT	1				
14	36410095050	SPACER (CENTER)	4				
20	36410200000	SPRING,LEAF	1				

**GR-550-2-00251 4 BOOM + 2 JIB, 2M2D
PV5240013-00 VALVE ASSY,SOLENOID**

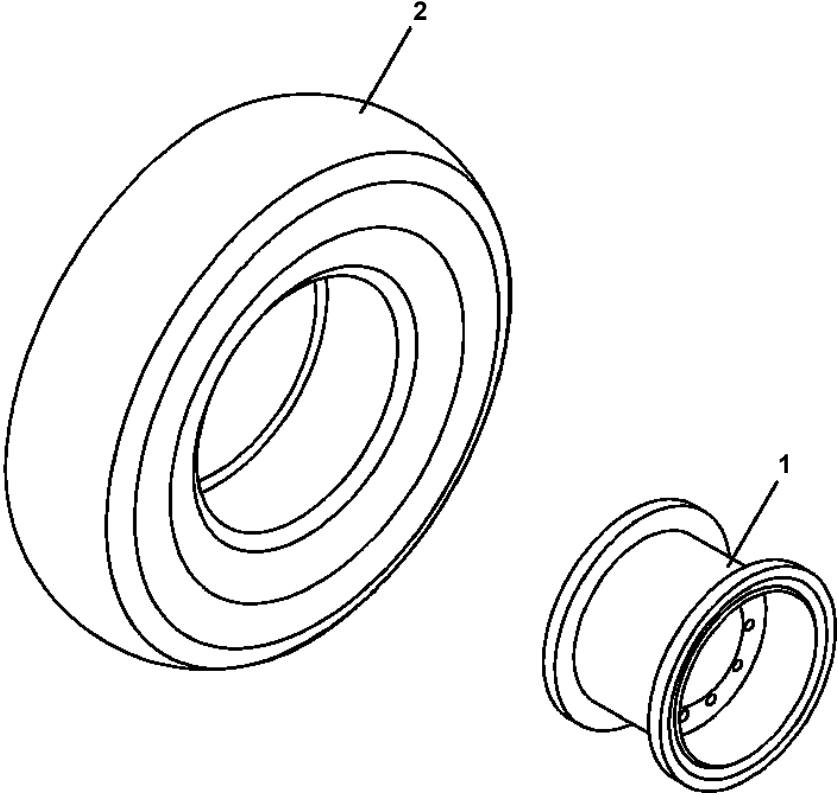
100



3

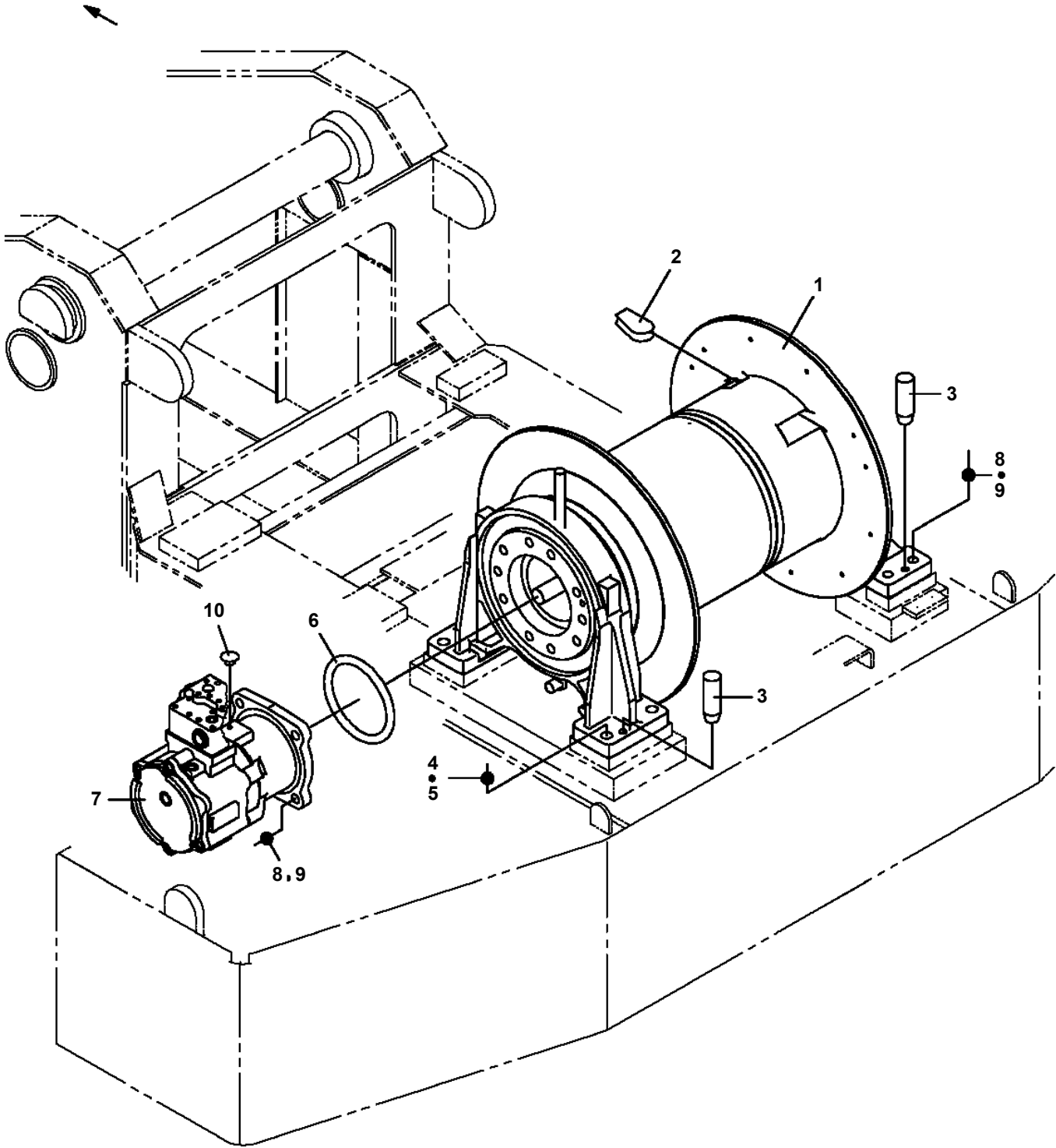


GR-550-2-00251 4 BOOM + 2 JIB, 2M2D
PW5030028-00 WHEEL ASSY (WI + YOKOHAMA)

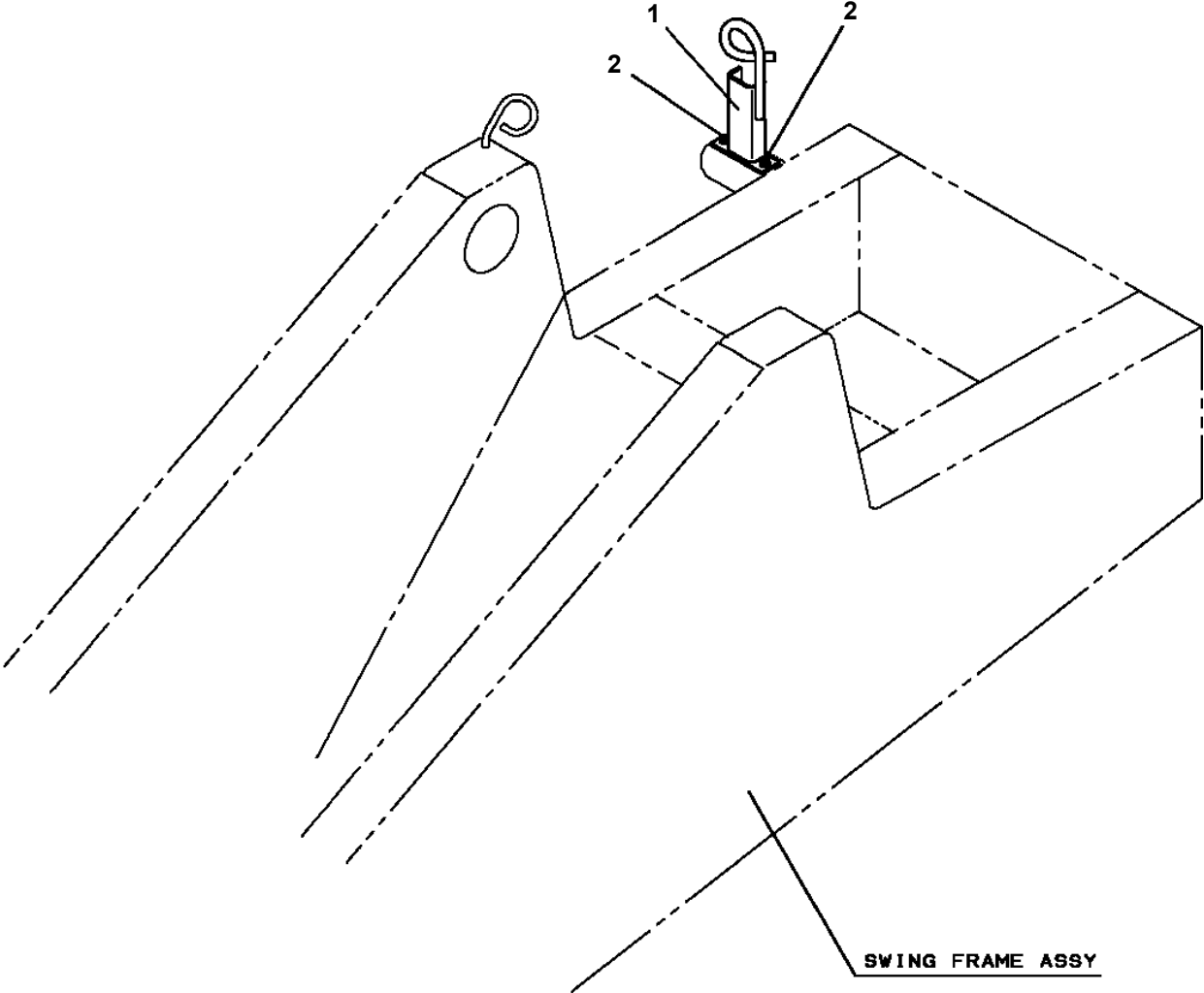


**GR-550-2-00251 4 BOOM + 2 JIB, 2M2D
PW5060010-01 WINCH ASSY (AUX./MOUNT)**

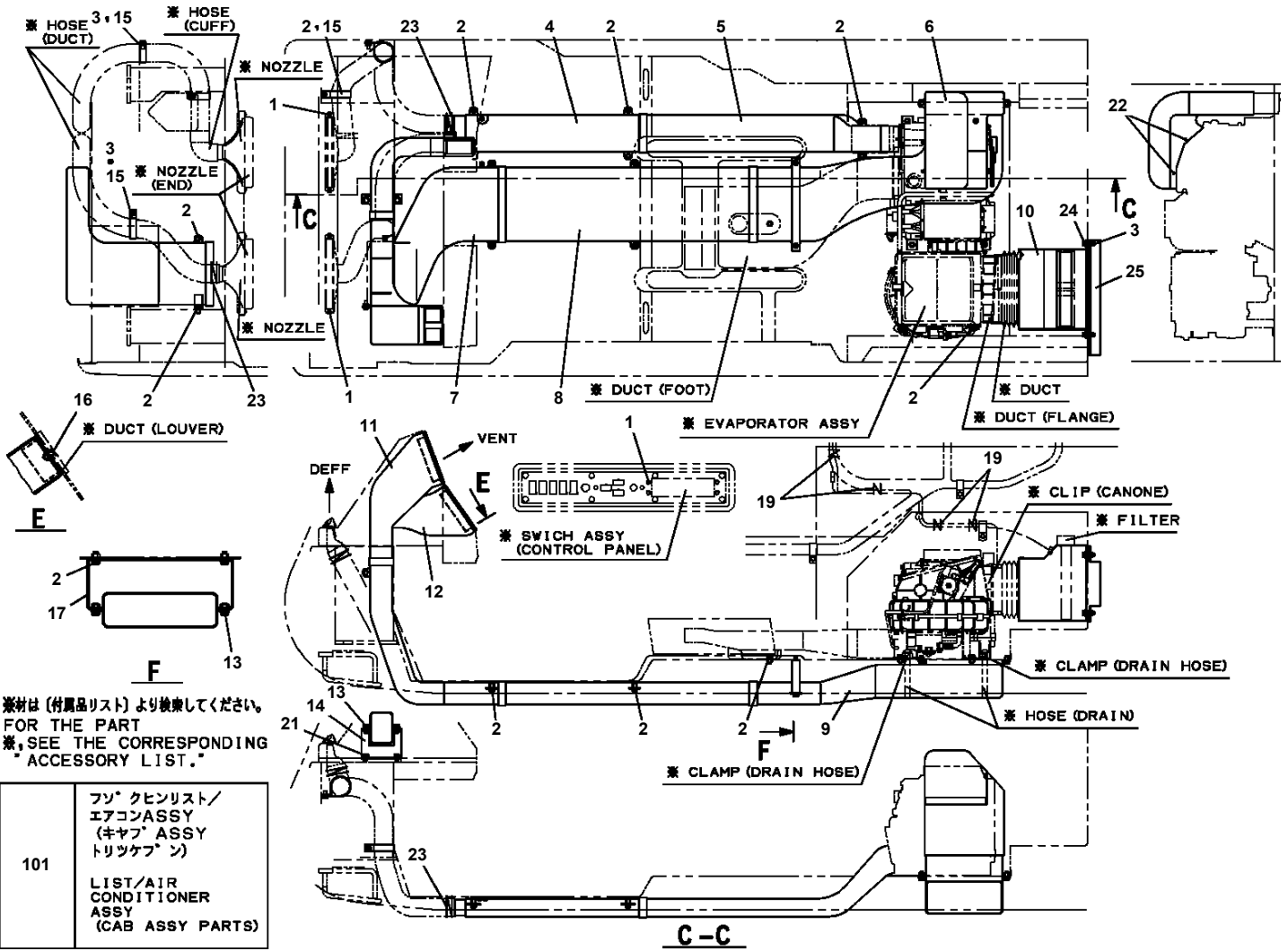
FRONT



GR-550-2-00251 4 BOOM + 2 JIB, 2M2D
PX5010103-00 MOUNT ASSY (AUX. WIRE FOR STOWING)



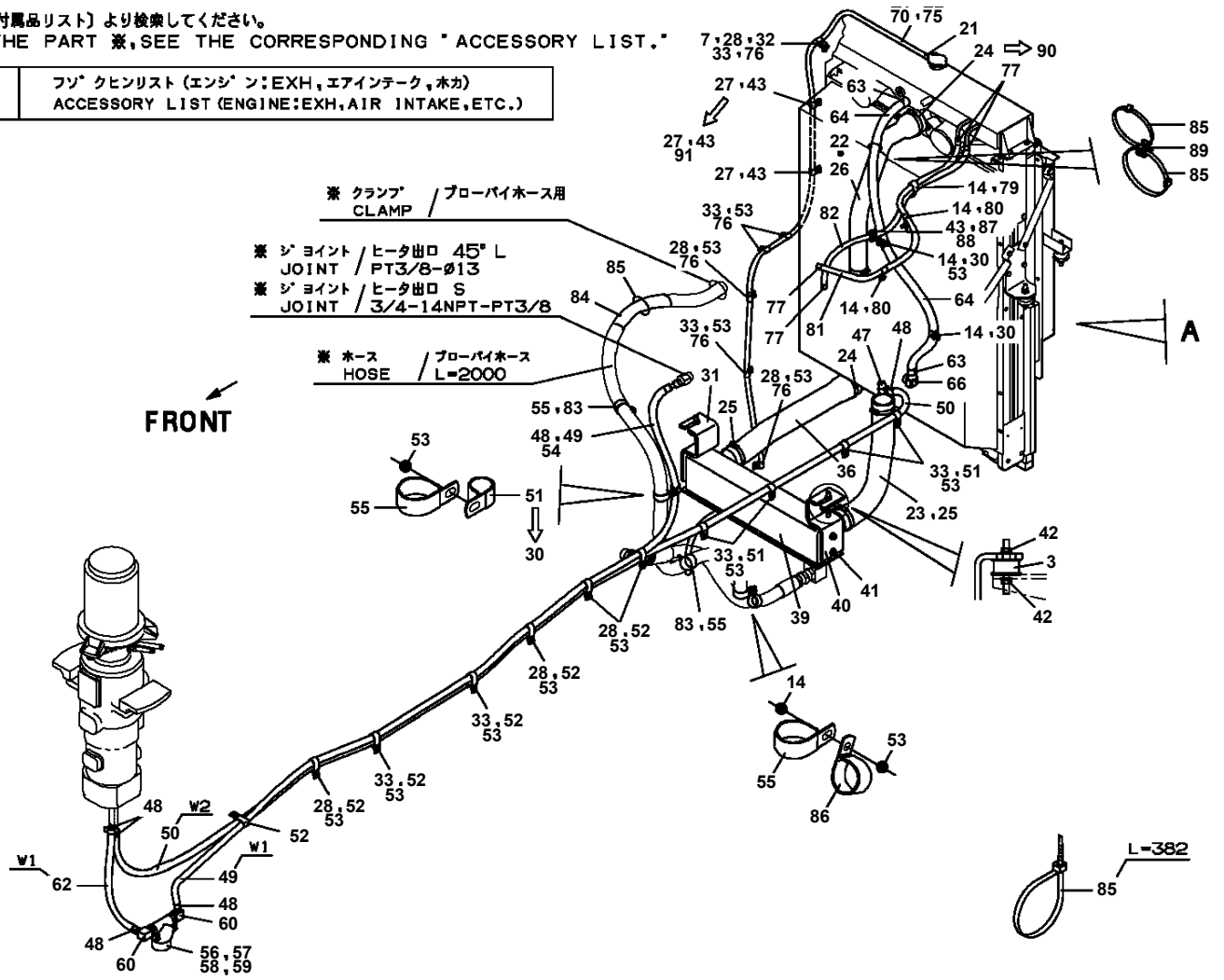
**GR-550-2-00251 4 BOOM + 2 JIB, 2M2D
PX5320002-01 MOUNT ASSY, EVAPORATOR**



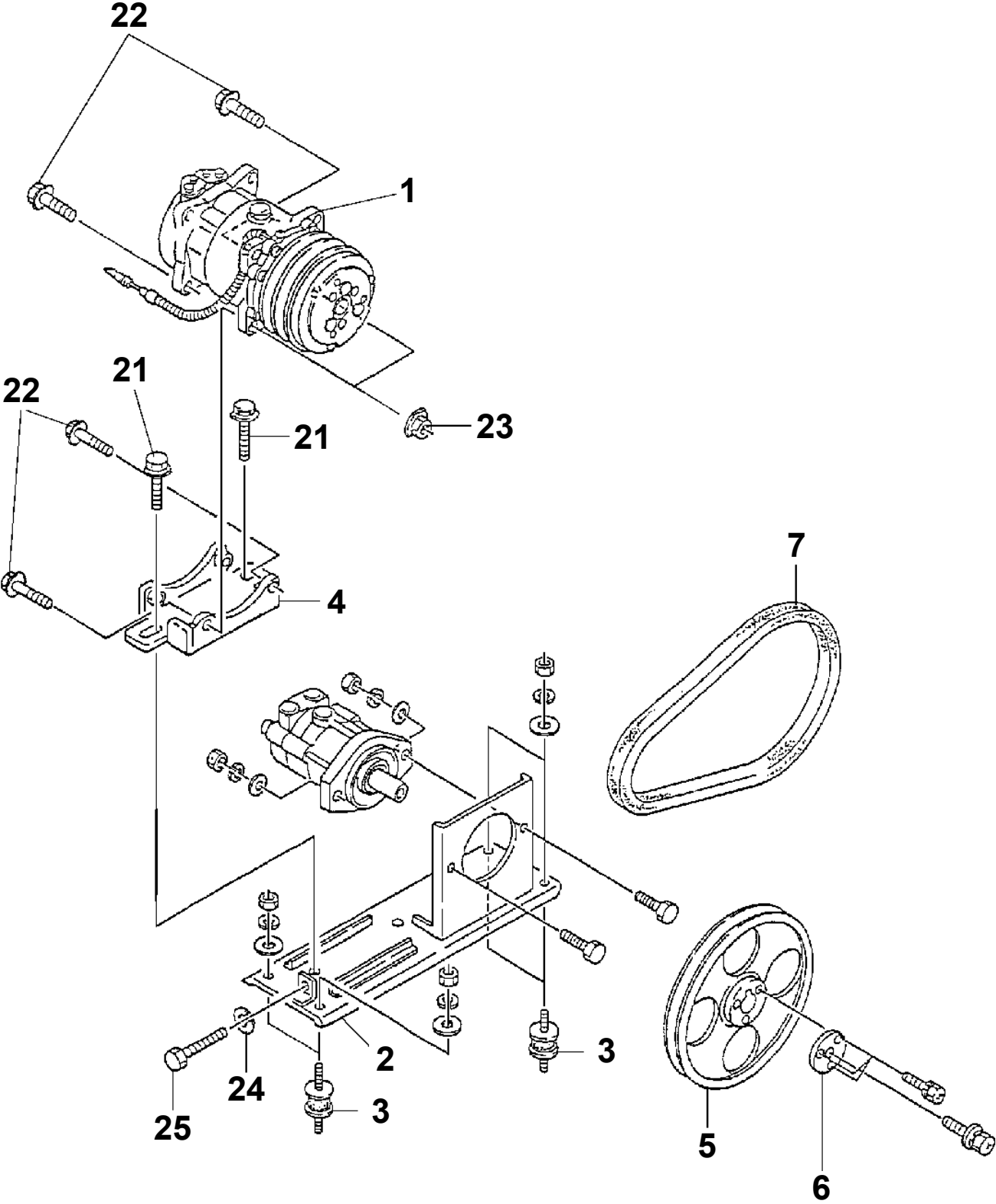
GR-550-2-00251 4 BOOM + 2 JIB, 2M2D PX5600006-04 MOUNT ASSY,RADIATOR

※材は [付属品リスト] より検索してください。
FOR THE PART ※,SEE THE CORRESPONDING "ACCESSORY LIST."

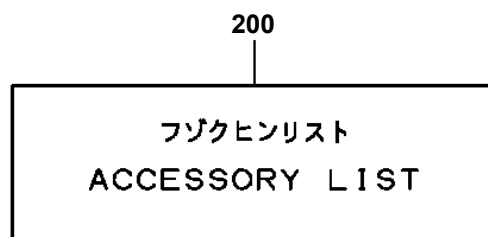
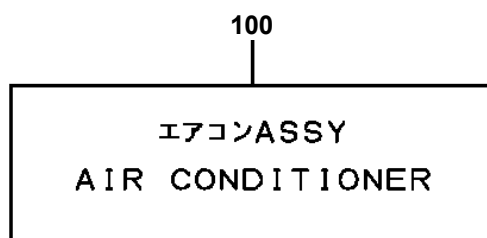
201	フジ クヒンリスト (エンジン:EXH,エアインテーク,ホカ) ACCESSORY LIST (ENGINE:EXH,AIR INTAKE,ETC.)
-----	--



**GR-550-2-00251 4 BOOM + 2 JIB, 2M2D
PY1380061-00 COMPRESSOR**



GR-550-2-00251 4 BOOM + 2 JIB, 2M2D
PY5140009-02 AIR CONDITIONER ASSY



GR-550-2-00251 4 BOOM + 2 JIB, 2M2D

Pos No.	Parts No	Parts Name	Qty	Unit	Technical Data	Serial No (Start)	Serial No (End)	Rem
1	(*****)	ANEMOMETER ASSY (BOOM)	1					
2	(*****)	ANEMOMETER ASSY (JIB)	1					
4	(*****)	MODIFICATION ASSY (HARNES)	1				541091	
21	(*****)	SUPPORT ASSY (BOOM)	1					
22	(*****)	SUPPORT ASSY (JIB)	1					

GR-550-2-00251 4 BOOM + 2 JIB, 2M2D

Pos No.	Parts No	Parts Name	Qty	Unit	Technical Data	Serial No (Start)	Serial No (End)
1	36381395020	CARRIER SET	1				
2	34680005170	NUT,RING	2				
3	59172010040	PIN	2				
4	34680005180	PLUG (THRUST)	1				
5	34680005190	BOLT (M24,THRUST)	1				
6	34680005220	NUT	1		M24		
7	36381395030	SHIM SET	1				
8	34680005320	BEARING,ROLLER	2				
9	36381385040	GEAR SET (SPIRAL PINION GEAR)	1				
10	36381225050	BOLT	16		M16X42		
11	34680005100	CAGE,BEARING	1				
12	34680005080	PIECE,DISTANCE	1				
13	36380875030	COLLAR (SPIRAL PINION)	1				
14	34680005110	CASE (OIL SEAL)	1				
15	34680005230	NUT	1		M30		
16	34680005280	PACKING	1				
17	34680005290	BEARING,ROLLER	1				
18	34680005330	BEARING,ROLLER	2				
19	90191512050	BOLT	6		M12X50		
20	90302041201	WASHER,SPRING	6		12		
21	80601110300	RING,RITAINING	1		S30		
22	34680005310	SEAL,OIL	1				
23	36380215350	COVER	2				
24	36381395040	YOKE ASSY	1				
30	36381385070	CASE SET (DIFFERENTIAL)	1				
31	36381115020	DIFFERENTIAL ASSY (NO-SPIN)	1				
51	36382205040	BOLT	8				
52	90103712040	BOLT	4		M12X40		
53	90302041201	WASHER,SPRING	12		12		
61	36382215010	HOUSING(AXLE)	1				
62	36381595010	BUSH,KING PIN	4				
63	36381345070	PLATE (AXLE HOUSING)	4				
64	59172030030	BREATHER,AIR	1				
65	80316030100	PLUG	1		PT3/4		
66	59172081020	PLUG,MAGNET	1		PT3/4		
67	36380675680	RETAINER	2				
68	36382225090	BUSH	2				
69	36381385110	SEAL,OIL	2				
70	36380675690	O-RING	2				
106	36382205060	KNUCKLE	1				
107	36382215020	KNUCKLE	1				
110	59172080010	NIPPLE,GREASE	6		PT1/8	541187	
111	36382205080	SPINDLE,KNUCKLE	2				
113	36382205090	COLLAR	2				
114	36382205100	SEAL,OIL	2				
116	36381595040	PIN,KING	2				
117	36381595050	WASHER,THRUST	2				
118	36381595060	PIN,KING	2				
119	36381595070	WASHER,THRUST	2				
120	36381585030	PIN	4				
121	36381595080	SHIM SET	1				
122	36380215350	COVER	8				
123	36381595090	BOLT	16				
124	34680005670	BOLT,STOPPER	2				
125	34680005850	NUT	2		M24		
126	36380675231	TIE ROD	1				
127	36380705310	END,TIE ROD (RIGHT HAND SCREW)	1				
128	36380705320	END,TIE ROD (LEFT HAND SCREW)	1				
129	36380675261	BUSHING (TIE ROD END)	2				
131	90171112080	BOLT	4		M12X80		
132	90201701200	NUT	4		M12		
133	90303071201	WASHER,PLAIN	4		12		
134	36380705161	PIN (TIE ROD END)	2				

CLICK HERE TO **DOWNLOAD** THE COMPLETE MANUAL

- Thank you very much for reading the preview of the manual.
- You can download the complete manual from: www.heydownloads.com by clicking the link below



- Please note: If there is no response to CLICKING the link, please download this PDF first and then click on it.

CLICK HERE TO **DOWNLOAD** THE COMPLETE MANUAL