

## **GR-500N-2-00101 5 BOOM + 3 JIB,2M2D**

**PB5000033-00 HYDRAULIC PRESSURE SYSTEM**  
**PB6000086-00 PIPING SYSTEM (UPPER)**  
**PB6000087-00 PIPING SYSTEM (LOWER)**  
**PC1000668-00 OUTRIGGER SYSTEM**  
**PD1000651-00 SWING SYSTEM**  
**PF1000766-00 WINCH SYSTEM**  
**PG3000032-00 JIB SYSTEM**  
**PG5000039-00 BOOM SYSTEM**  
**PH5000035-00 SAFETY SYSTEM**  
**PK1000814-00 FRAME**  
**PK5000039-00 CAB SYSTEM**  
**PL5000040-00 CONTROL SYSTEM**  
**PM1000032-01 LUBRICATION DEVICES**  
**PN1000718-00 ELECTRIC EQUIPMENT**  
**PO1000150-00 INDICATION PLATES**  
**PR5000055-01 DRIVING POWER SYSTEM**  
**PS5000027-00 STEERING & SUSPENSION**  
**PW1000097-02 ACCESSORIES & TOOLS**  
**PX1001305-01 MOUNTING PARTS**  
**PY1001757-02 OPTION UNIT,1**  
**PY2000262-01 OPTION UNIT,2**  
**ASSEMBLY**

CLICK HERE TO **DOWNLOAD** THE COMPLETE MANUAL

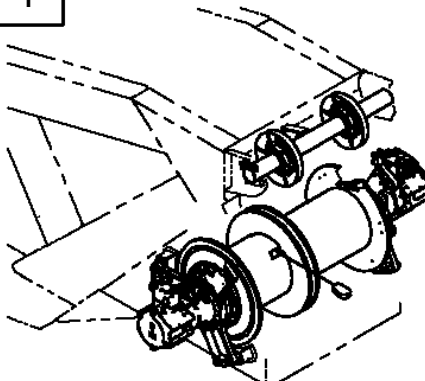
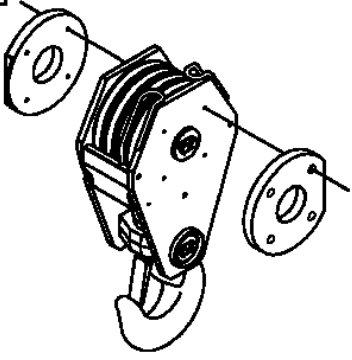
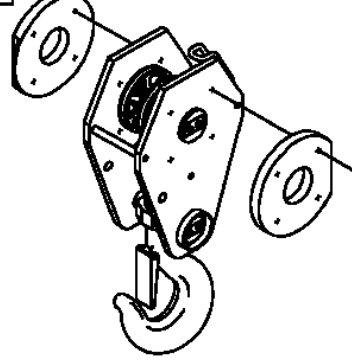
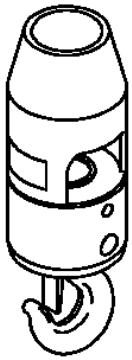
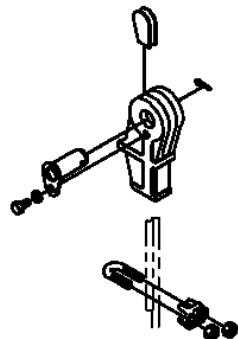
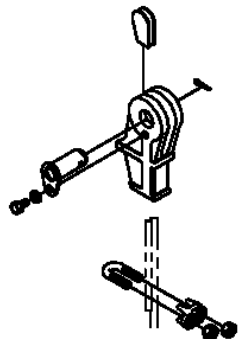
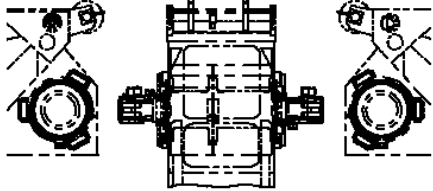
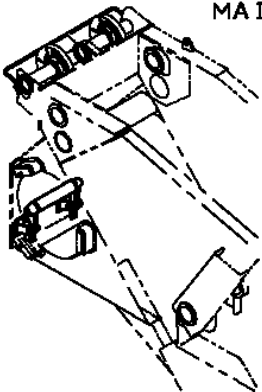
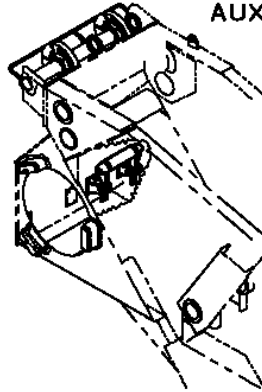
- Thank you very much for reading the preview of the manual.
- You can download the complete manual from: [www.heydownloads.com](http://www.heydownloads.com) by clicking the link below



- Please note: If there is no response to CLICKING the link, please download this PDF first and then click on it.

CLICK HERE TO **DOWNLOAD** THE COMPLETE MANUAL

GR-500N-2-00101 5 BOOM + 3 JIB,2M2D  
 PF1000766-00 WINCH SYSTEM

<p>1</p> 	<p>2</p> 	<p>3</p> 
<p>4</p> 	<p>5</p> <p>ロープ,ワイヤ (メイン)      &lt;18x206M&gt;      ROPE, WIRE (MAIN)      &lt;18x206M&gt;</p>	<p>6</p> <p>ロープ,ワイヤ (オグジュアリ)      &lt;18x123M&gt;      ROPE, WIRE (AUX.)      &lt;18x123M&gt;</p>
<p>7</p> <p>MAIN</p> 	<p>8</p> <p>AUX.</p> 	<p>9</p> 
<p>11</p> <p>MAIN</p> 	<p>12</p> <p>AUX.</p> 	<p></p>

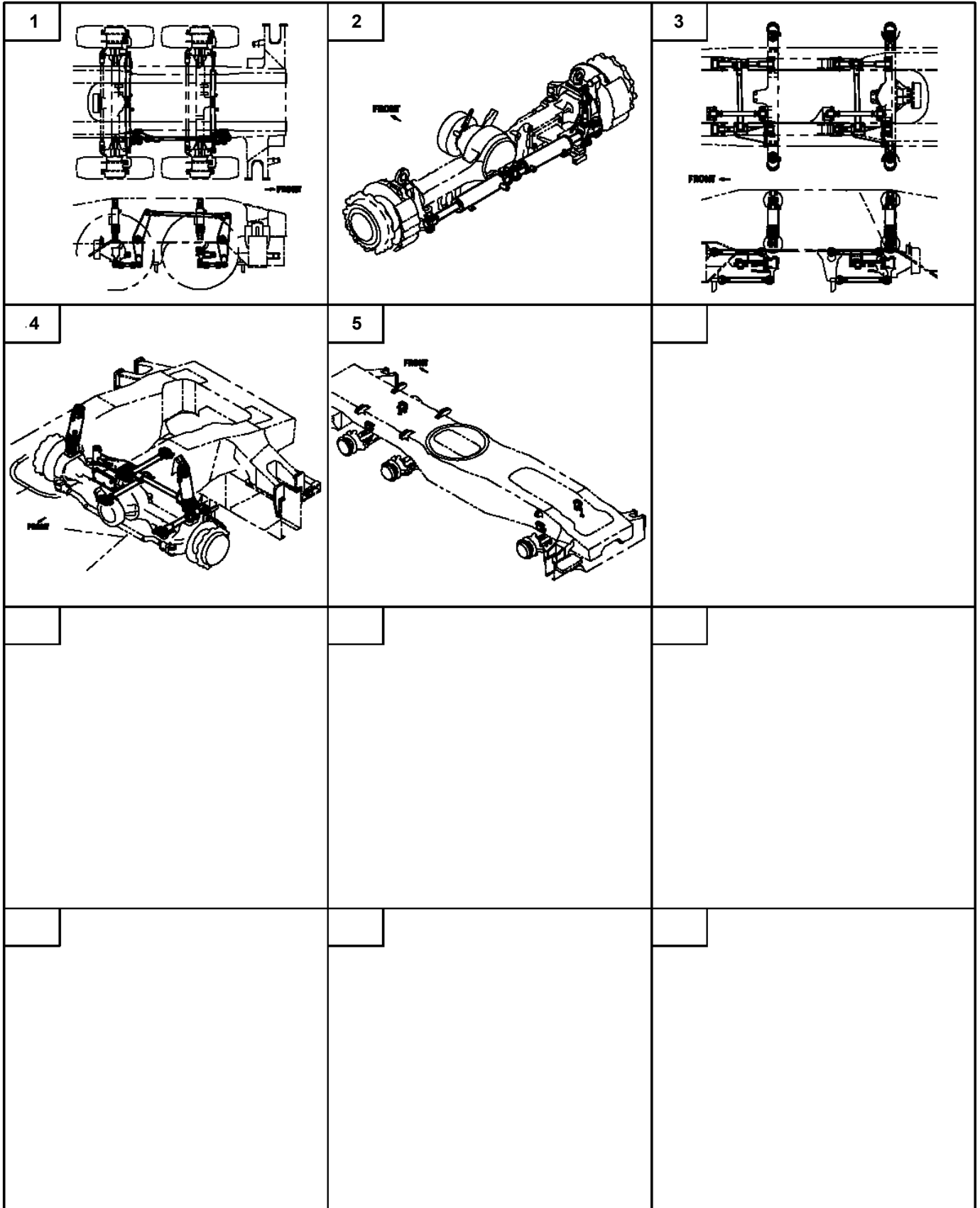
適用製造番号によっては取り付けがないものもあります。

MACHINES OF SOME SERIAL NO. ARE NOT EQUIPPED WITH THESE PARTS.

# GR-500N-2-00101 5 BOOM + 3 JIB,2M2D

Pos No.	Parts No	Parts Name	Qty	Unit	Technical Data	Serial No (Start)	Se
1	34261550100	CAB ASSY	1				
2	(*****)	SWING TABLE ASSY	1				
3	(*****)	STEERING ASSY (CAB)	1				
4	(*****)	RADIO ASSY	1				
5	(*****)	SPEAKER ASSY (CAB)	1				
6	(*****)	INDICATOR ASSY,SPEED	1			583205	58
	(*****)	INDICATOR ASSY,SPEED	1				
7	(*****)	MOUNT ASSY,CAB	1				
8	(*****)	MOUNT (SIDE VISOR)	1				
9	(*****)	MIRROR (CAB)	1				
11	(*****)	MOUNT ASSY,COMPRESSOR	1				
12	(*****)	MOUNT ASSY,EVAPORATOR	1				
13	(*****)	AIR CONDITIONER ASSY (SYSTEM)	1				
14	(*****)	AIR CONDITIONER ASSY (OUTDOOR)	1				
15	(*****)	AIR CONDITIONER ASSY (ACCESSORY LIST/CAB)	1				

GR-500N-2-00101 5 BOOM + 3 JIB,2M2D  
 PS5000027-00 STEERING & SUSPENSION



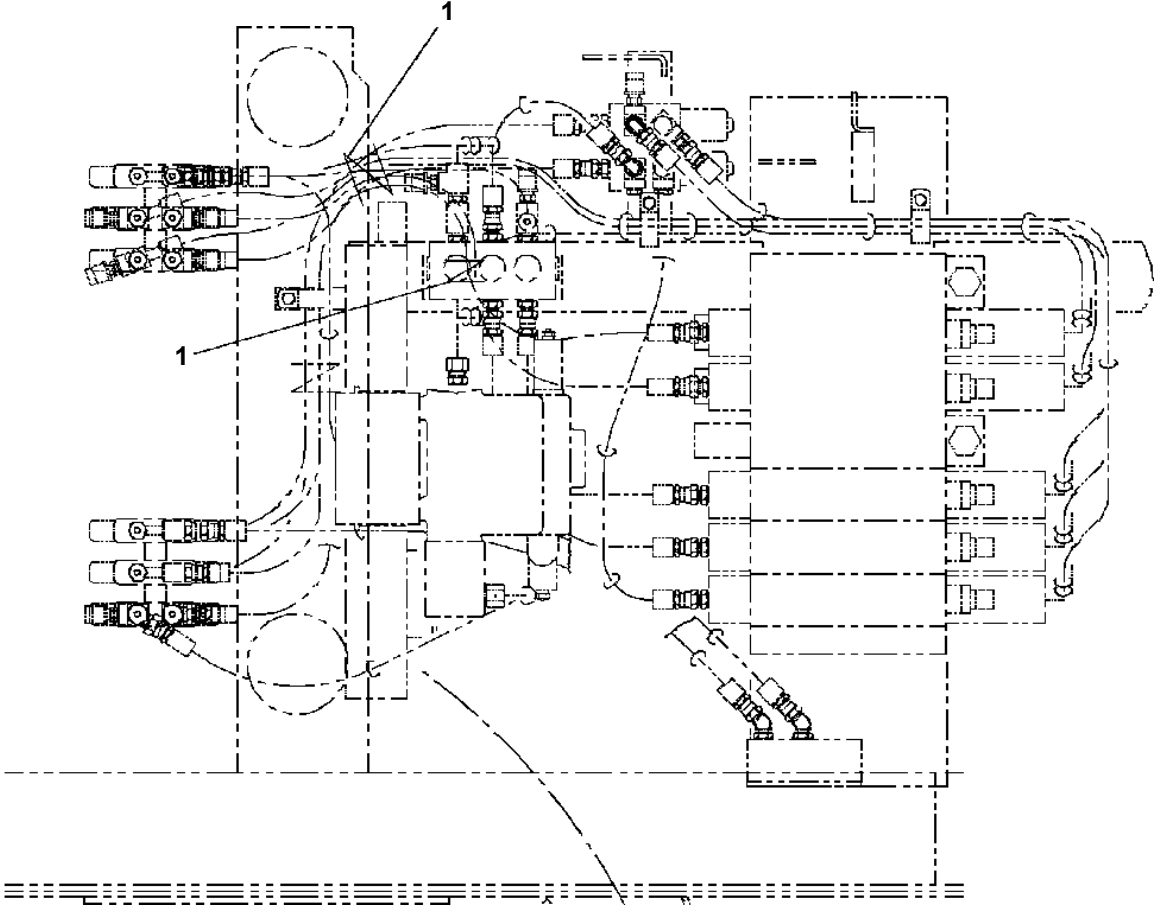
適用製造番号によっては取り付けがないものもあります。

MACHINES OF SOME SERIAL NO. ARE NOT EQUIPPED WITH THESE PARTS.

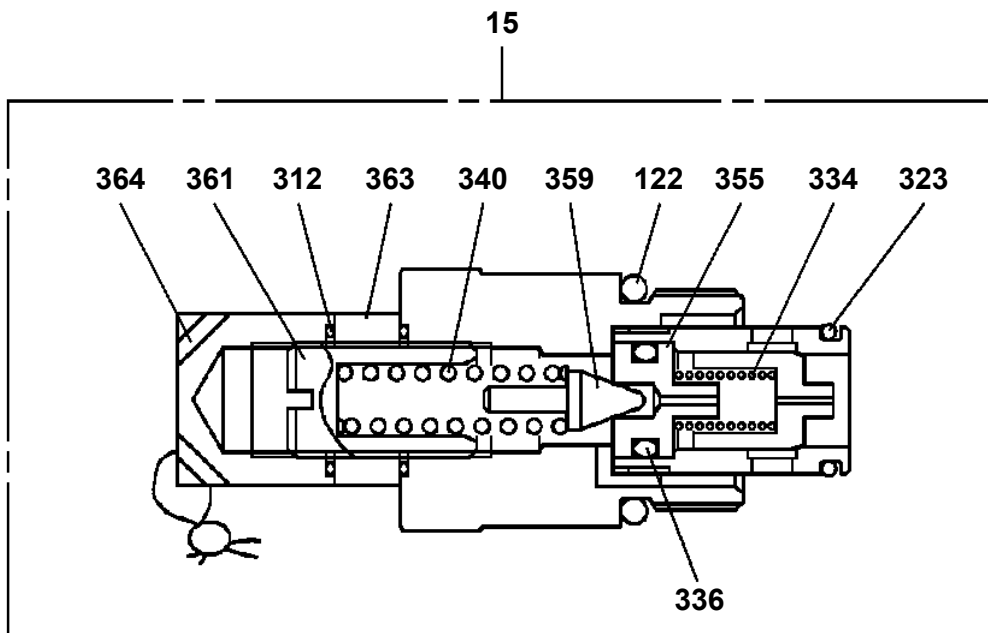
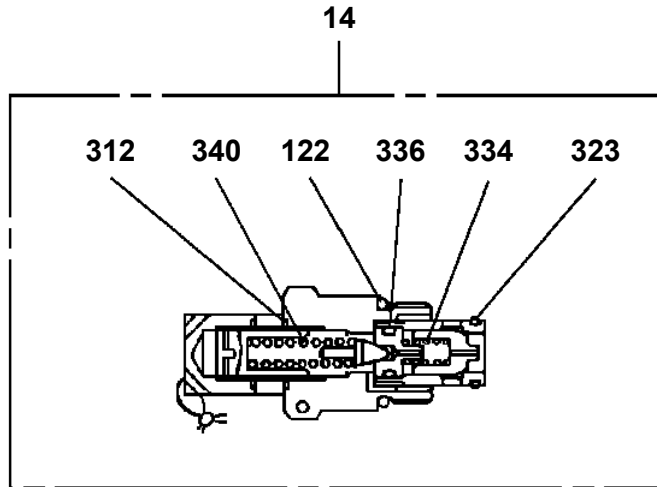
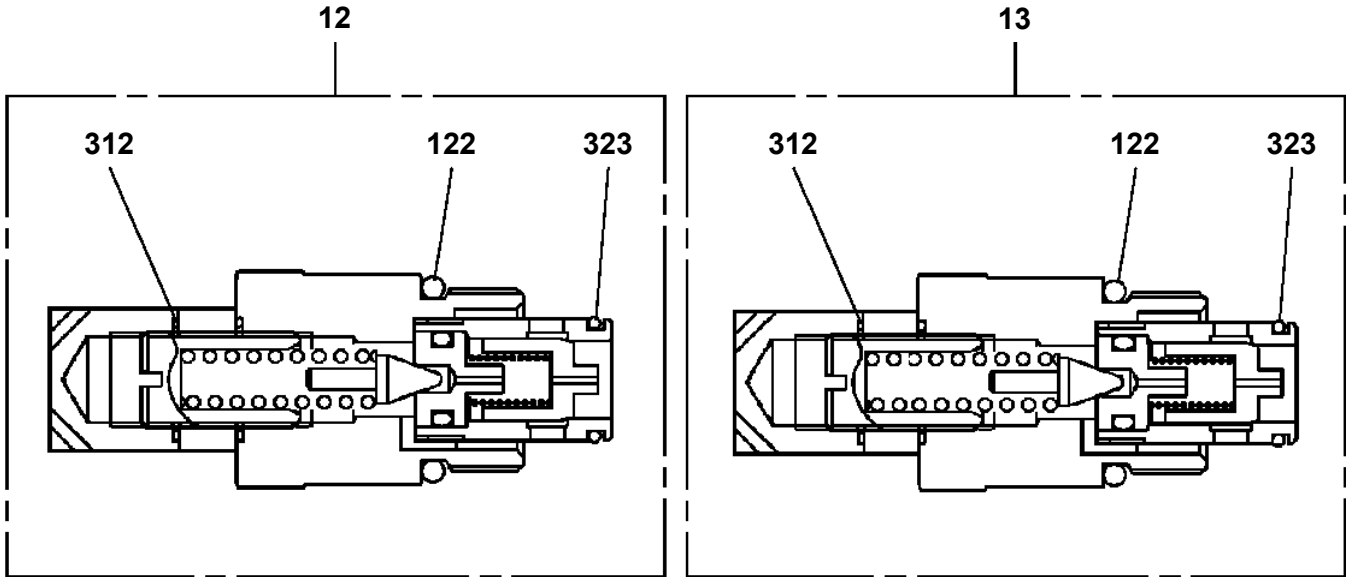
# GR-500N-2-00101 5 BOOM + 3 JIB,2M2D

Pos No.	Parts No	Parts Name	Qty	Unit	Technical Data	Serial No (Start)	Serial No
2	(*****)	HOOK (1-PART LINE)	1				
4	37003804440	TIRE (SNOW/MICHELIN)	1				
5	37003805390	TIRE (SNOW/YOKOHAMA)	1				
6	(*****)	HOOK ASSY (MAIN HOOK SAFETY LATCH)	1				
7	(*****)	HOOK ASSY (AUX. HOOK SAFETY LATCH)	1				

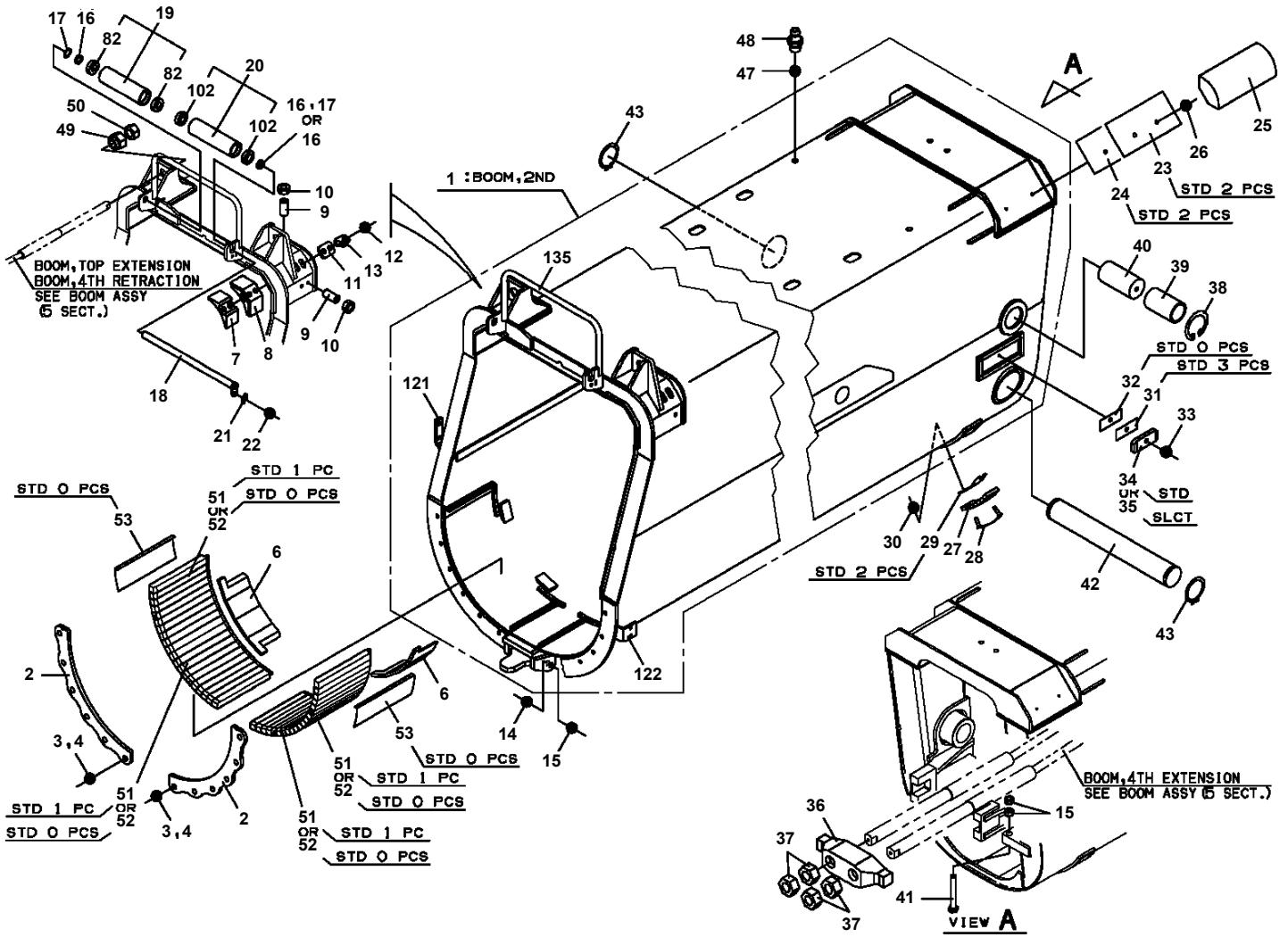
**GR-500N-2-00101 5 BOOM + 3 JIB,2M2D**  
**PB1250050-00 PIPING,PILOT (ISO P/T,M & AUX.PEDAL)**



GR-500N-2-00101 5 BOOM + 3 JIB,2M2D  
PB1350033-00 VALVE,PILOT OPERATED CONTROL



**GR-500N-2-00101 5 BOOM + 3 JIB,2M2D**  
**PB5190131-00 BOOM ASSY (2ND)**



## GR-500N-2-00101 5 BOOM + 3 JIB,2M2D

Pos No.	Parts No	Parts Name	Qty	Unit	Technical Data	Serial No (Start)	Serial No (End)
2	80192486012	SCREW,MACHINE	24		M6X12		
4	82161201010	RELAY	4				
5	82100002596	RELAY	21				
6	82100002597	RELAY	5				
7	82114214082	CONNECTOR	1				
8	80192483010	SCREW,MACHINE	6		M3X10		
9	90186206020	BOLT,FLANGE	6		M6X20		
10	90280200600	NUT,FLANGE	6		M6		
11	34351571350	RELAY ASSY (WITH CONNECTOR)	1				
13	42614362301	LAMP ASSY (ORANGE,WITH HARNESS)	1				
14	42809631200	LAMP ASSY (RED,WITH HARNESS)	1				
15	42653673200	LAMP ASSY (GREEN,WITH HARNESS)	1				
16	82400000202	GROMMET	2				
17	34931731110	PLATE	1				
18	82100001989	TERMINAL	2				
19	80192483016	SCREW,MACHINE	4		M3X16		
20	34350032400	PLATE	2				
21	82100001404	TERMINAL	11				
22	82181201001	RESISTANCE	5		13 OHM,2W		
23	82181024910	RESISTANCE	1		91 OHM,1W		
24	82114214061	CONNECTOR (CAP)	1				
25	82111207051	TERMINAL (MAIL)	11				
27	82100001219	INSULATOR	11				
28	82100002361	RESISTANCE	1				
29	34430095800	RELAY ASSY (WITH CONNECTOR)	2				
30	34731620200	SUPPORT	2				
100	34931731100	BOX ASSY	1				

# GR-500N-2-00101 5 BOOM + 3 JIB,2M2D

Pos No.	Parts No	Parts Name	Qty	Unit	Technical Data	Serial No (Start)	Serial No (End)	Remarks	Pages
2	36382146170	LID	1						
3	36382146180	PISTON	2						
4	36382146190	LID	2						
5	36382146200	PISTON	4						
6	36382146210	SEAL KIT	1						
7	36382146220	BOOT ASSY	1						
8	36382146230	SEAL KIT	1						
9	36382146240	BOLT	12						
10	36382146250	SEAL KIT	1						
12	36382146260	PIN	4						
13	36382146270	BOLT	4						
14	36382555080	BLEEDER	1						
15	36382146290	CAP	1						
50	36382146301	PAD KIT	1						
90	36382146310	SEAL KIT	1						
100	36382435050	BRAKE,CALIPER	1						

# GR-500N-2-00101 5 BOOM + 3 JIB,2M2D

Pos No.	Parts No	Parts Name	Qty	Unit	Technical Data	Serial No (Start)	Serial
77	90240600600	NUT,CAP	3				
78	90180105012	BOLT,BUTTON	2				
80	90303360601	WASHER,PLAIN	1		6		583492
	90303360601	WASHER,PLAIN	2		6	583492	
109	(*****)	CAB ASSY (COVER ELECTRICAL BOX)	1				
110	34260632100	COVER (FRONT)	1				
113	(*****)	CAB ASSY (HOSE WASHER,WINDOW)	1				
115	34261552150	PANEL,SWITCH	1				
116	34261552160	DOOR ASSY	1				
117	34260882300	TRIM ASSY	1				
118	34260313220	CAB,OPERATOR (ARM ASS,WIPER)	2				
119	34261552200	MOTOR ASSY,WIPER (WITH LINK,ASSY ONLY)	1				
120	34260233200	MOTOR,WIPER (WITH/LINK)	1				
122	34260233221	BLADE,WIPER	2				
126	34261052110	GLASS (FRONT)	1		T=6.8		
127	34261052120	GLASS (ROOF T=6)	1				
128	34261052130	GLASS (RIGHT-FRONT)	1		T=4		
130	34261052150	GLASS (RIGHT-REAR)	1		T=4		
131	34261052160	GLASS (REAR)	1		T=4		
132	34260233260	WEATHER STRIP (L=3900,DOOR)	1				
135	34260581420	MOLDING (FRONT T=6.8)	1				
136	34260632220	WEDGE (ROOF T=6)	1				
140	34260952310	JUNCTION (BODY SIDE)	1				
142	34261552400	SUPPORT	1				
	34261552400	SUPPORT	2			583492	583492
271	34260639380	TRIM (RIGHT-FRONT, L=1650)	1				
272	34260639390	TRIM (RIGHT-REAR,L=2300)	1				
273	34260639400	TRIM (FRONT,L=3600)	1				
274	34260639410	TRIM (ROOF,L=3500)	1				
275	34260639420	WEDGE (RIGHT-FRONT)	1				
276	34260639430	WEDGE (RIGHT-REAR)	1				
297	34260639510	WASHER,THRUST	1				
331	34260639600	PLATE	1				
333	90302040601	WASHER,SPRING	1		6		
335	34260639610	STOPPER (RUBBER)	1				
336	34260639620	COLLAR	1				
337	90101206030	BOLT	1		M6X30		
338	34260639630	HOOK (SPRING)	1				
339	90303070801	WASHER,PLAIN	1		8		
341	99172106012	BOLT,TAPPING	1		M6X12		
381	34260639640	PLATE	1				
382	34260639650	PLATE	1				
383	34260639680	PIN	2				
384	34260639690	LEVER	1				
385	34260639700	PIN	1				
386	34260639710	LINK	1				
387	34260639660	HOOK	1				
388	34260639670	PIN	1				
395	80192486012	SCREW,MACHINE	1		M6X12		
413	80192484016	SCREW,MACHINE	2		M4X16		
453	33260015170	NUT (WITH RUBBER)	1		M6		
454	33260495130	PACKING	1				
460	34260239911	LINK ASSY (WIPER)	1				
509	34260237501	RUBBER (BLADE,WIPER)	2		L=700		
520	34260637725	BULB,LAMP	2				
600	34261052100	SASH	1				
603	34261057550	FRAME	1				
604	34260639180	RAIL	1				
606	34260697580	RUN CHANNEL	2				
607	34260639200	WATER STRIP	1				
608	34260639210	LOCK ASSY	1				
609	34260639220	PACKING (LOCK)	1				
610	32260228190	STRIKER (FRONT)	1				

## GR-500N-2-00101 5 BOOM + 3 JIB,2M2D

Pos No.	Parts No	Parts Name	Qty	Unit	Technical Data	Serial No (Start)	Serial No (End)	Re
1	36370585040	IMPELLER ASSY	1					
2	36370585050	TURBINE ASSY	1					
3	36370206030	STATOR (WHEEL)	1					
4	36370365090	COVER ASSY (FRONT)	1					
5	36370675050	GUIDE (INPUT)	1					
6	36370675060	PLATE (INPUT)	1					
7	36370206071	RACE, OUTER	1					
8	36370206080	CLUTCH, ONEWAY	1					
9	36370585080	RETAINER (A/ONEWAY CLUTCH)	1					
10	36370485100	RETAINER (B/ONEWAY CLUTCH)	1					
11	36370206111	INNER RACE	1					
12	36370365100	PISTON	1					
13	36370485110	PLATE (PRESSURE)	1					
14	36370295170	WASHER	1					
15	36350595250	BEARING, BALL	1					
16	80500006212	BEARING, BALL	1					
17	36370206170	BEARING, NEEDLE	1					
18	36370206180	WASHER, THRUST	1					
19	36370206190	RING, RETAINING	1					
20	36370206200	RING, RETAINING	1					
21	36370585410	BEARING, NEEDLE	1					
22	36370585101	COLLAR	1					
23	80601110600	RING, RETAINING	1		S60			
24	36370585110	O-RING	1					
25	36370585120	O-RING	1					
26	36370585130	O-RING	1					
27	36370585140	RING (D)	1					
28	36370675070	D-RING	1					
29	36370585420	WASHER, THRUST	1					
30	36370485140	WASHER, THRUST	1					
31	90171110030	BOLT	24		M10X30			
32	36370585160	BOLT	12					
33	36370585170	WASHER	12					
34	36350456060	PLUG	3					
35	36370206340	PLATE	2					
36	36370485130	DISK ASSY	2					
37	80602111100	RING, RETAINING	1		110			
38	90302051001	WASHER, SPRING	24		10			

# GR-500N-2-00101 5 BOOM + 3 JIB,2M2D

Pos No.	Parts No	Parts Name	Qty	Unit	Technical Data	Serial No (Start)	Serial No (End)	Remarks
1	36171845010	BOARD,CPU (WITH DATA)	1					
2	36171585120	BOARD ASSY (VCU SUB)	1					
10	36171585200	SCREW,SET	10					
11	36171585210	SCREW,SET	13					
12	36171585220	SPACER	10					
100	36171840000	CONTROLLER (VCU)	1					

# GR-500N-2-00101 5 BOOM + 3 JIB,2M2D

Pos No.	Parts No	Parts Name	Qty	Unit	Technical Data	Serial No (Start)	Serial No (End)	Remarks	Pages
100	36063540000	CYLINDER ASSY	1						

# GR-500N-2-00101 5 BOOM + 3 JIB,2M2D

Pos No.	Parts No	Parts Name	Qty	Unit	Technical Data	Serial No (Start)	Serial No (End)	R
1	36028661000	CYLINDER	1					
3	91302230000	BEARING,PLAIN	2					
4	91684030000	PACKING	2					
5	91431227501	RING,BACKUP	1					
6	91411227501	RING,BACKUP	1					
7	91002825000	O-RING	1		1B P250			
8	36028030010	PISTON	1					
9	36028662000	ROD ASSY	1					
11	91002828500	O-RING	2		1B P285			
12	91251102500	RING,DAMPER	1					
13	91694125000	PACKING	1					
14	91410225003	RING,BACKUP	1					
15	91660025000	SEAL,DUST	1					
19	37000568540	SUPPORT	1					
20	80320020100	FITTING	1					
21	80320020180	FITTING	1					
22	80302090181	FITTING	2		KCO15-030N			
23	91002801400	O-RING	2		1B P14			
24	81408000290	PIPE,STEEL	1	M	22X2.5T			
25	81408000210	PIPE,STEEL	1		15X2.0T			
28	37000711010	CLAMP ASSY	1		18X1			
29	37000300750	SLEEVE	1		18-15			
30	90171108085	BOLT	4		M8X85			
31	90302040801	WASHER,SPRING	4		8			
32	36606600000	VALVE,COUNTERBALANCE	1			583482	583481	
	36606600001	VALVE ASSY,COUNTERBALANCE	1					
33	80303130281	FITTING,ELBOW	1		KLO22-060E			
35	37000926070	ORIFICE	1		M8,0.6			
36	82456101000	NIPPLE,GREASE	1		A-PT1/8			
37	81408000210	PIPE,STEEL	1		15X2.0T			
38	91000527800	O-RING	1		AS568-278			
39	36026380200	COVER,HEAD	1					
40	91410025000	RING,BACKUP	1		P250			
41	90730008200	SCREW,SET	1		M8X20			
43	36026380102	COVER ASSY,ROD	1					
44	80622002500	RING,RETAINING	1					
45	80303130181	FITTING,ELBOW	1		KLO15-030E			
61	37000400220	BEARING,PLAIN	2					
62	90730010160	SCREW,SET	4		M10X16			
72	80543000120	BEARING,SPHERICAL (ELGES)	1					
	18116221000	BEARING,SPHERICAL (NTN)	1					
82	36026380180	SUPPORT	1					
83	37000404590	BEARING,PLAIN	1					
91	91002802400	O-RING	1		1B P24			
101	91002801400	O-RING	1		1B P14			
150	36026569900	PACKING SET	1		250X300			
200	36028660000	CYLINDER ASSY,DERRICK	1					

## GR-500N-2-00101 5 BOOM + 3 JIB,2M2D

Pos No.	Parts No	Parts Name	Qty	Unit	Technical Data	Serial No (Start)	Serial No (End)
2	90730008120	SCREW,SET	2		M8X12		
3	36063442000	PISTON	1				
5	91002805000	O-RING	1		1B P50		
6	36063781000	ROD	1				
7	36063444000	COVER,ROD	1				
8	91002808000	O-RING	1		1B P80		
9	91251100500	RING,DAMPER	1				
10	91694005000	PACKING	1				
11	91410205001	RING,BACKUP	1				
13	91660005001	SEAL,DUST	1				
15	37000402270	BEARING,PLAIN	2				
16	37000400990	BEARING,PLAIN	2				
19	91350209000	BEARING,PLAIN (WITH PACKINGX2)	1				
20	91301105000	BEARING,PLAIN	1				
41	36063459510	CYLINDER ASSY	1				
42	36063459520	BOSS	1				
60	36063449530	PACKING SET	1		50X90		
100	36063780000	CYLINDER ASSY,STEERING	1				

# GR-500N-2-00101 5 BOOM + 3 JIB,2M2D

Pos No.	Parts No	Parts Name	Qty	Unit	Technical Data	Serial No (Start)	Serial No (End)	Remarks	Pages
1	35410252100	COVER	1						
2	35410252200	LEVER ASSY	1						
3	90101208016	BOLT	3		M8X16				
4	90302040801	WASHER,SPRING	3		8				
5	90303070801	WASHER,PLAIN	3		8				
6	82100002037	CLAMP	1		WE10				
7	90302040601	WASHER,SPRING	1		6				
8	90201200600	NUT	1		M6				
9	90201202000	NUT	1		M20				
10	90302042001	WASHER,SPRING	1		20				
11	34960631200	PLATE	1						
12	82108501360	SWITCH	2				583337		
13	35410251400	SUPPORT	1						
32	80801002510	BEARING,PLAIN	2						
33	91280412921	SEAL,OIL	2						
50	34790767000	DETECTOR ASSY	1						

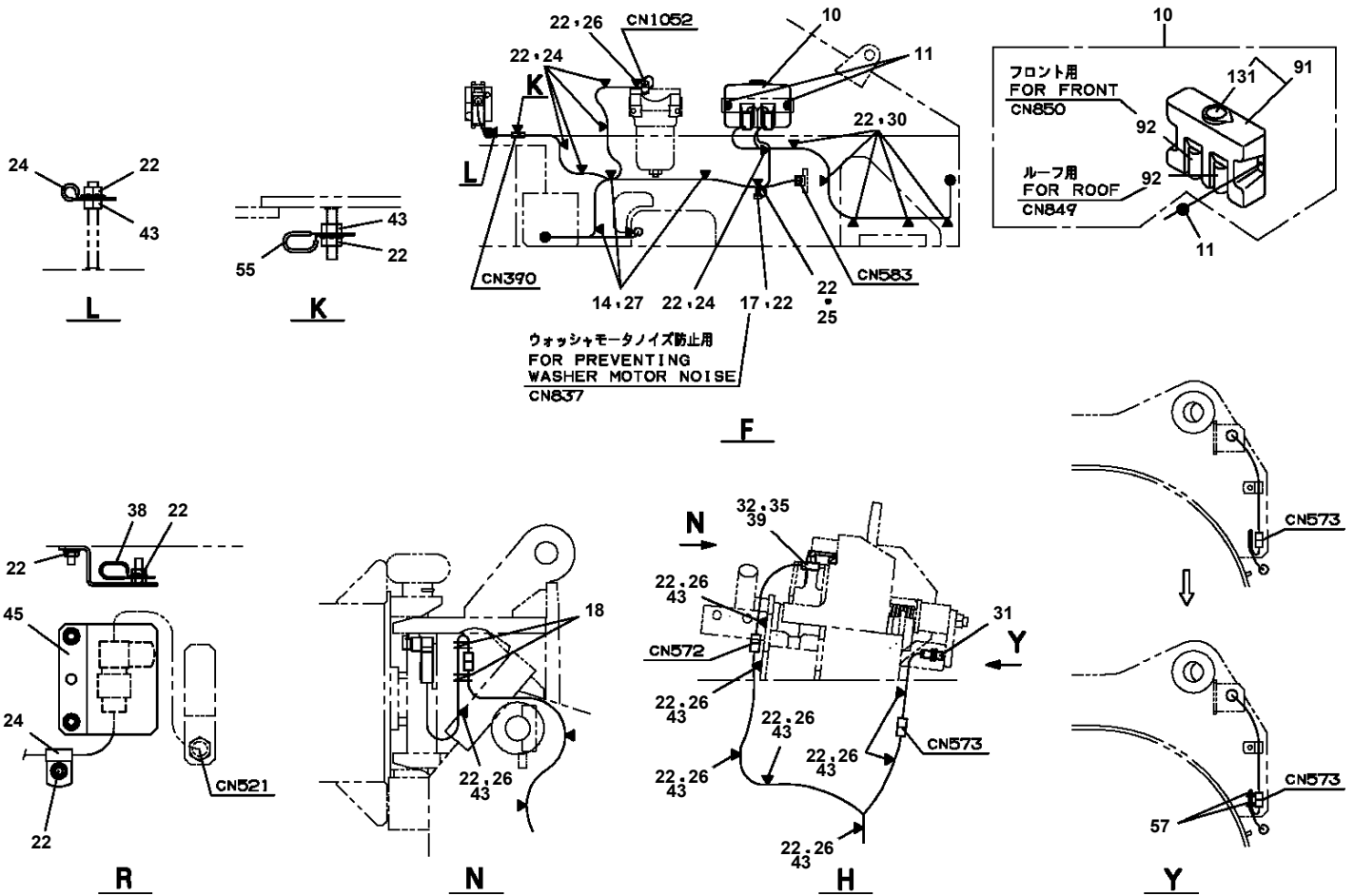
## GR-500N-2-00101 5 BOOM + 3 JIB,2M2D

Pos No.	Parts No	Parts Name	Qty	Unit	Technical Data	Serial No (Start)	Serial No (End)	Ren
1	36132635010	CASE	1					
2	36132315020	PLATE (BASE)	1					
3	36132635060	DRUM ASSY	1					
4	82111101010	TERMINAL	2					
5	82121101085	PLUG (AVS0.85)	4					
6	82114101020	CONNECTOR (2P,MALE)	1					
10	36132635050	CASE (BEARING)	1					
11	36132215030	REDUCER	1					
12	36132315080	GEAR	2					
13	36132215040	BRACKET	1					
14	36132315100	POTENTIOMETER	1					
15	36131905020	SPRING	1					
16	36132315110	COVER	1					
17	32360005150	CLIP (NYLON)	1					
18	36130045090	CLIP (NYLON)	1					
19	36130235100	CLAMP (CORD)	1					
22	36161385020	CORD	15	M				
23	36132315130	GUIDE (CORD)	1					
24	32360005200	PACKING	1					
25	36132315140	PACKING	1					
26	32360005220	PACKING	1					
27	32360005060	CONTACTOR ASSY	1					
28	36130515020	RING ASSY (CONTACT)	1					
32	36130335030	WASHER	1					
43	36132635020	CABLE ASSY (COMPUTER)	1					
45	82111101510	TERMINAL	1					
46	33370025170	CONTACTOR ASSY (70)	1					
47	36132215050	STOPPER	12					
48	82121102020	HOLDER	2					
100	36132630001	DETECTOR ASSY,LENGTH (JIB)	1					

# GR-500N-2-00101 5 BOOM + 3 JIB,2M2D

Pos No.	Parts No	Parts Name	Qty	Unit	Technical Data	Serial No (Start)
1	34970270300	DISTRIBUTOR (ASSY ONLY)	1			
2	56479000080	NUT,FLARE	14			
4	34970619520	HOSE ASSY	1		IHI 6XT1,L=1570	
5	34970649730	HOSE ASSY	1		IHI 6XT1,L=880	
6	34970649860	HOSE ASSY	2		IHI 6XT1,L=1365	
7	34970619560	HOSE ASSY	1		IHI 6XT1,L=840	
8	34970749510	HOSE ASSY	1		IHI 6XT1,L=1960	
	34970649510	HOSE ASSY	1		IHI 6XT1,L=2080	583205
9	34970629520	HOSE ASSY	1		IHI 6XT1,L=1080	
100	34970741100	DISTRIBUTOR ASSY (3RD AXLE-RIGHT:WITH HOSE)	1			

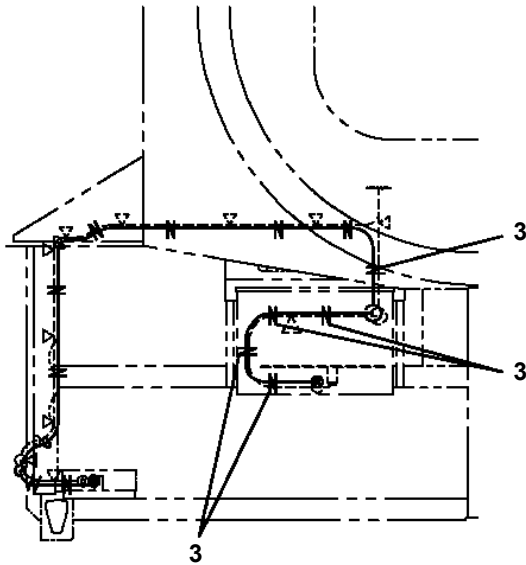
**GR-500N-2-00101 5 BOOM + 3 JIB,2M2D**  
**PE5020635-03 ELEC.ASSY (SWING FRAME,BOOM)**





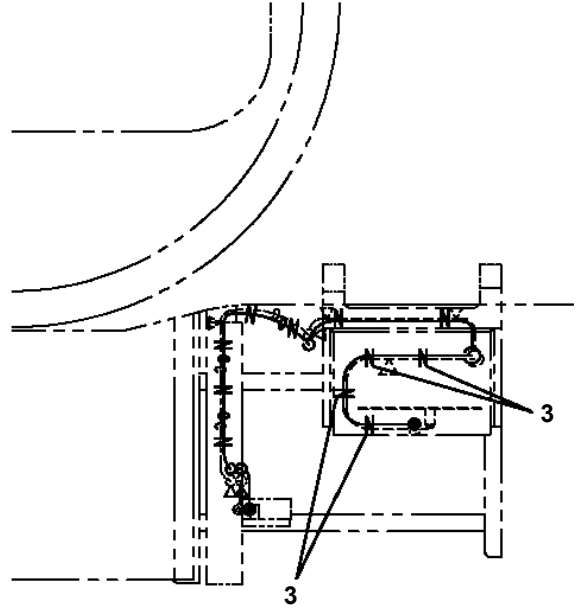
GR-500N-2-00101 5 BOOM + 3 JIB,2M2D  
 PE5140006-00 ELEC.ASSY,MODIFICATION (LOWER)

FRONT ←

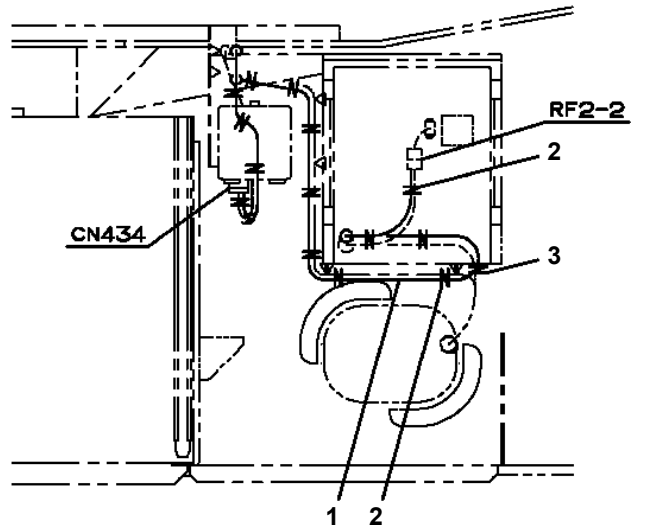
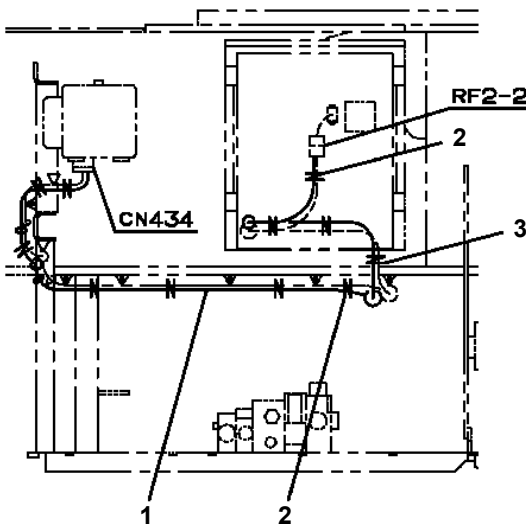


GR-250N-3

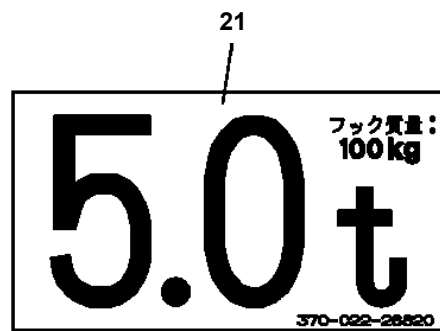
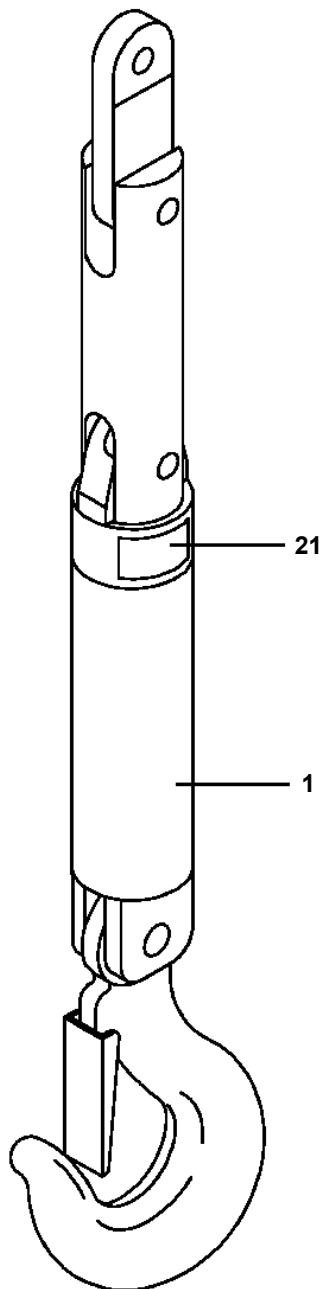
FRONT ←



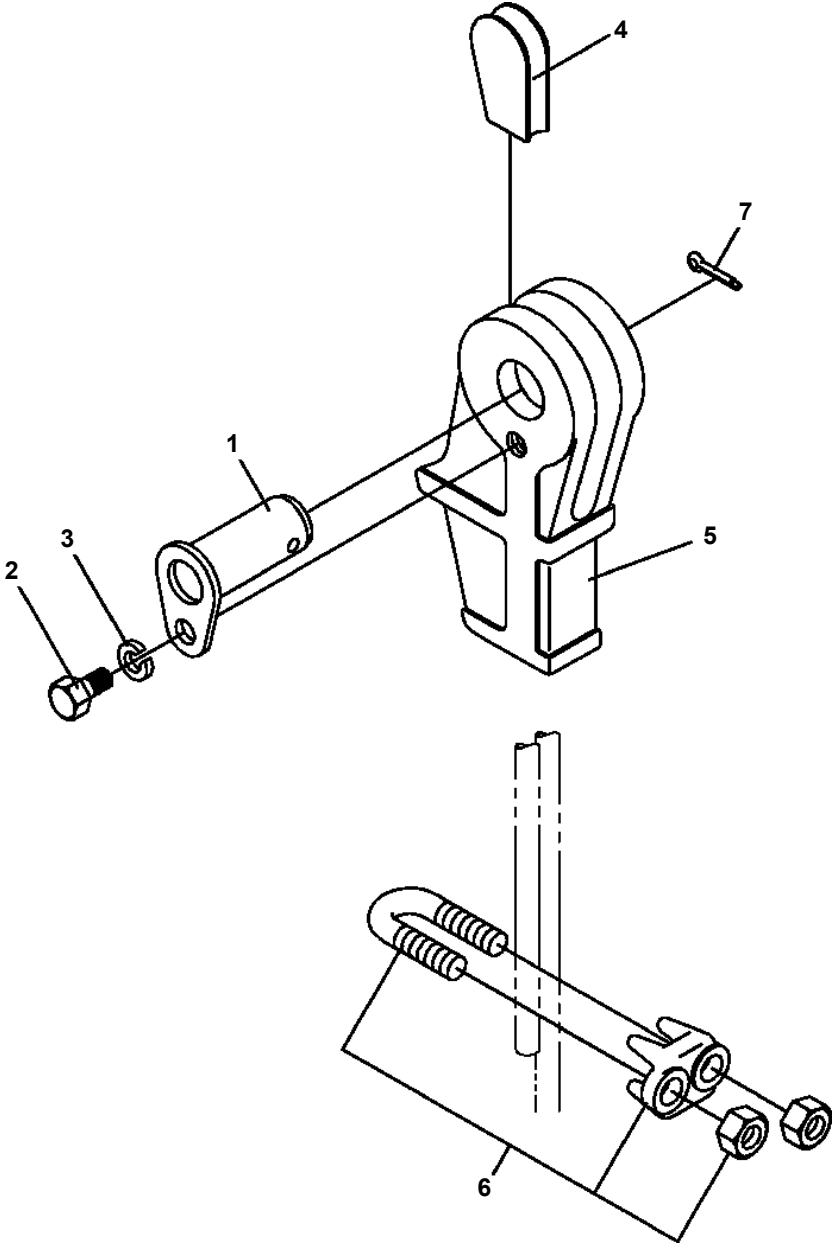
GR-700N-1  
GR-500N-2



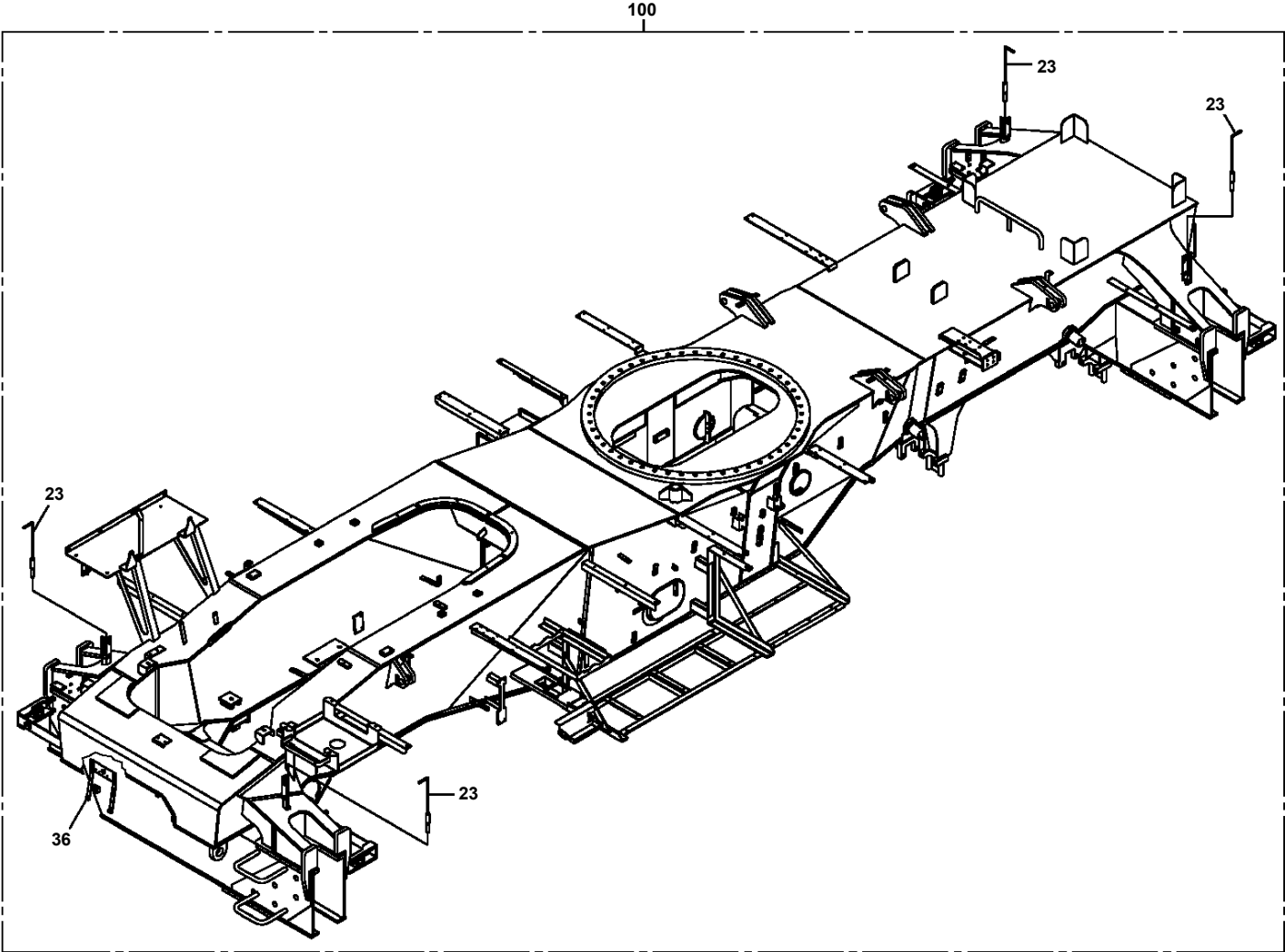
GR-500N-2-00101 5 BOOM + 3 JIB,2M2D  
PF1050568-01 HOOK (1-PART LINE)



GR-500N-2-00101 5 BOOM + 3 JIB,2M2D  
PF1090004-00 SOCKET,ROPE



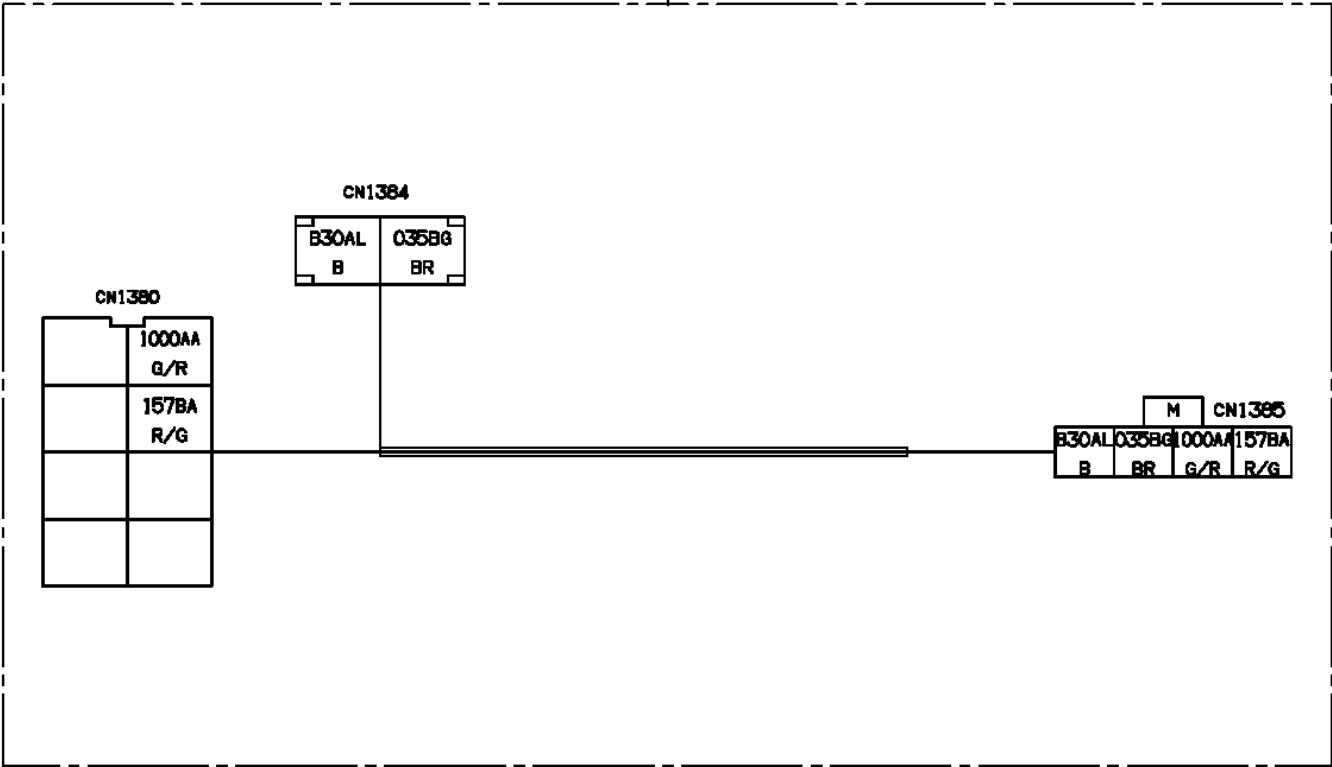
GR-500N-2-00101 5 BOOM + 3 JIB,2M2D  
PF5100308-00 FRAME ASSY (KOZAI)



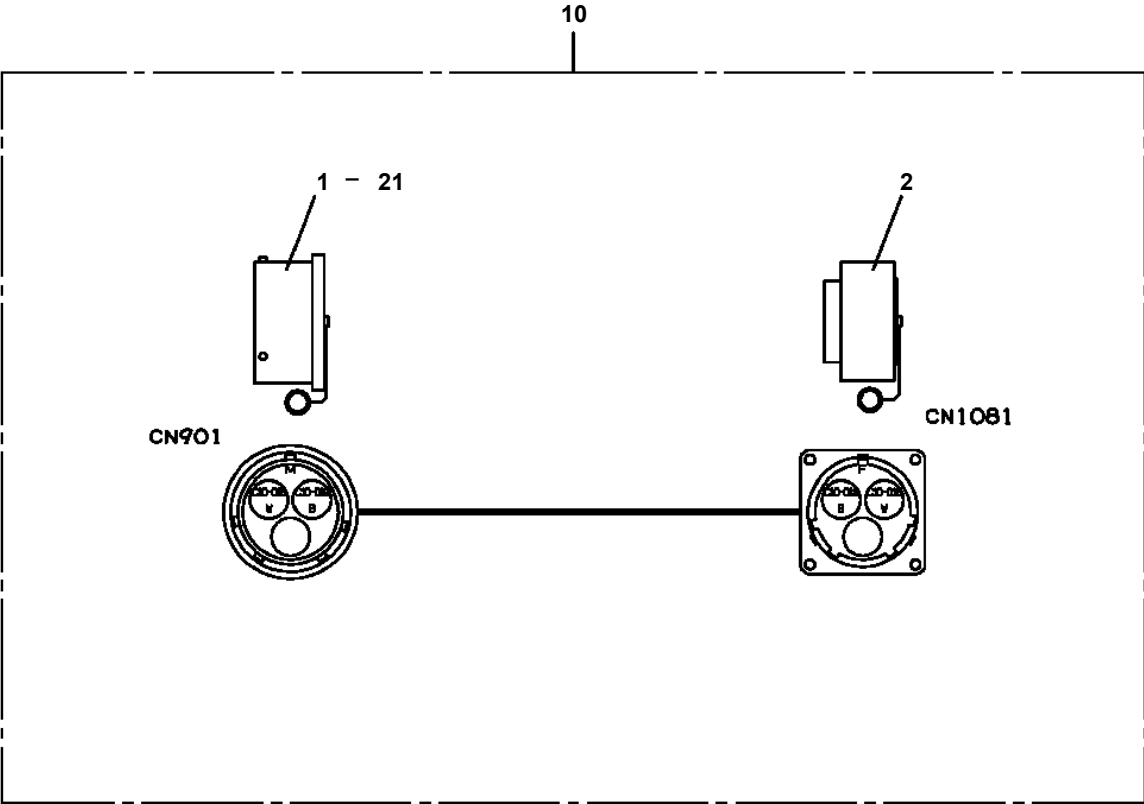


GR-500N-2-00101 5 BOOM + 3 JIB,2M2D  
PH5030369-00 HARNESS (DPF)

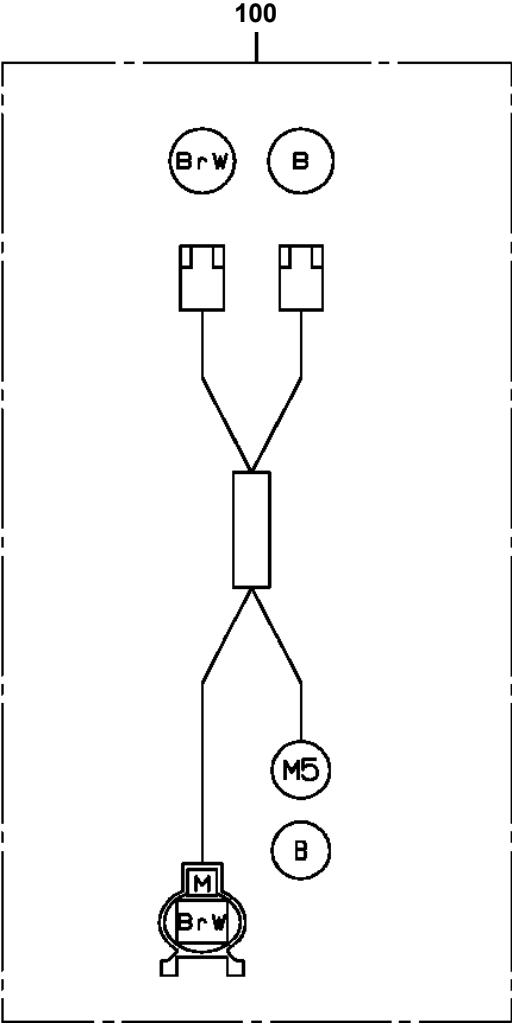
1



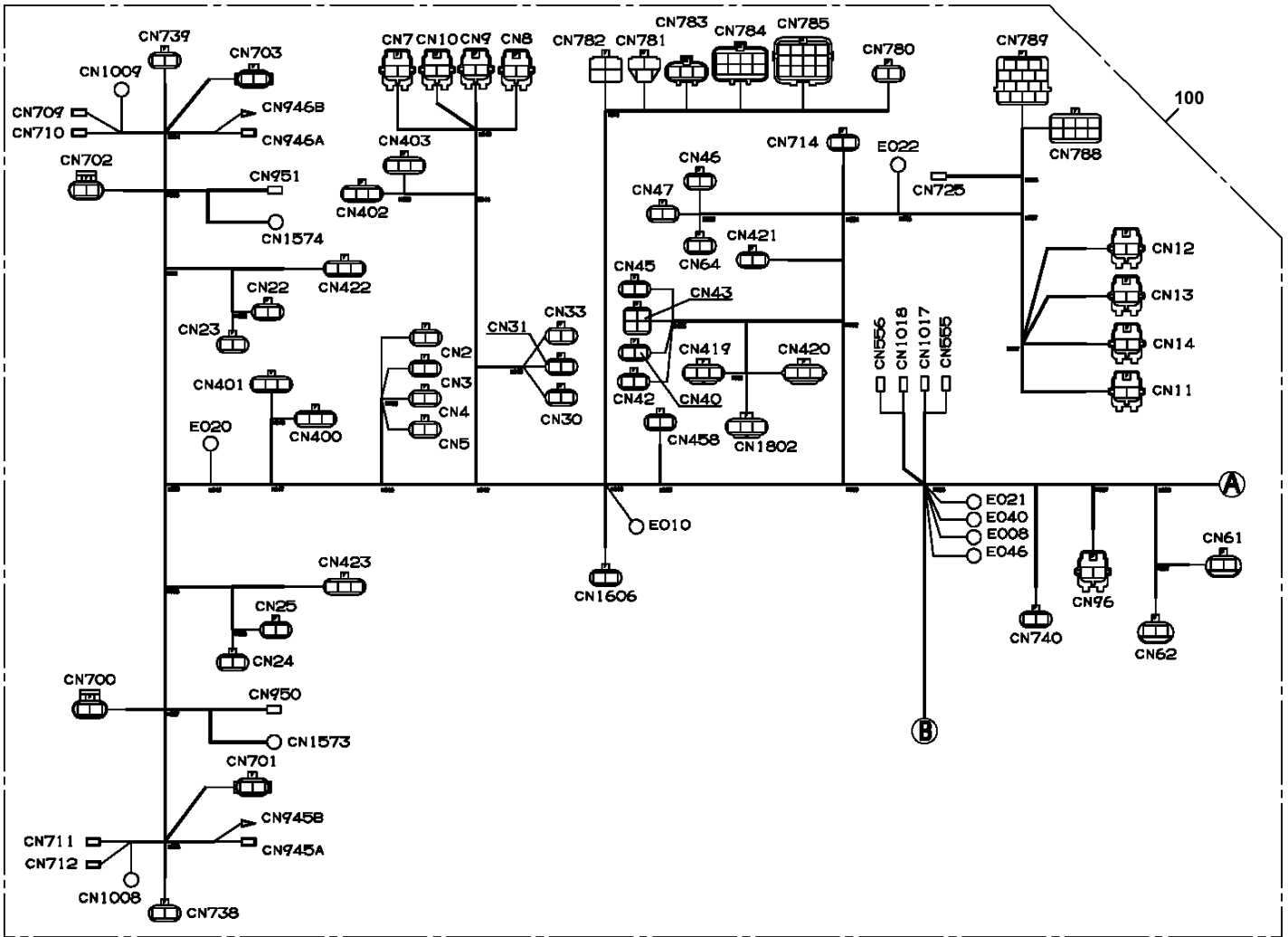
**GR-500N-2-00101 5 BOOM + 3 JIB,2M2D  
PH5030750-01 HARNESS**



**GR-500N-2-00101 5 BOOM + 3 JIB,2M2D  
PH5031282-00 HARNESS**



**GR-500N-2-00101 5 BOOM + 3 JIB,2M2D  
PH5031589-00 HARNESS (MAIN)**



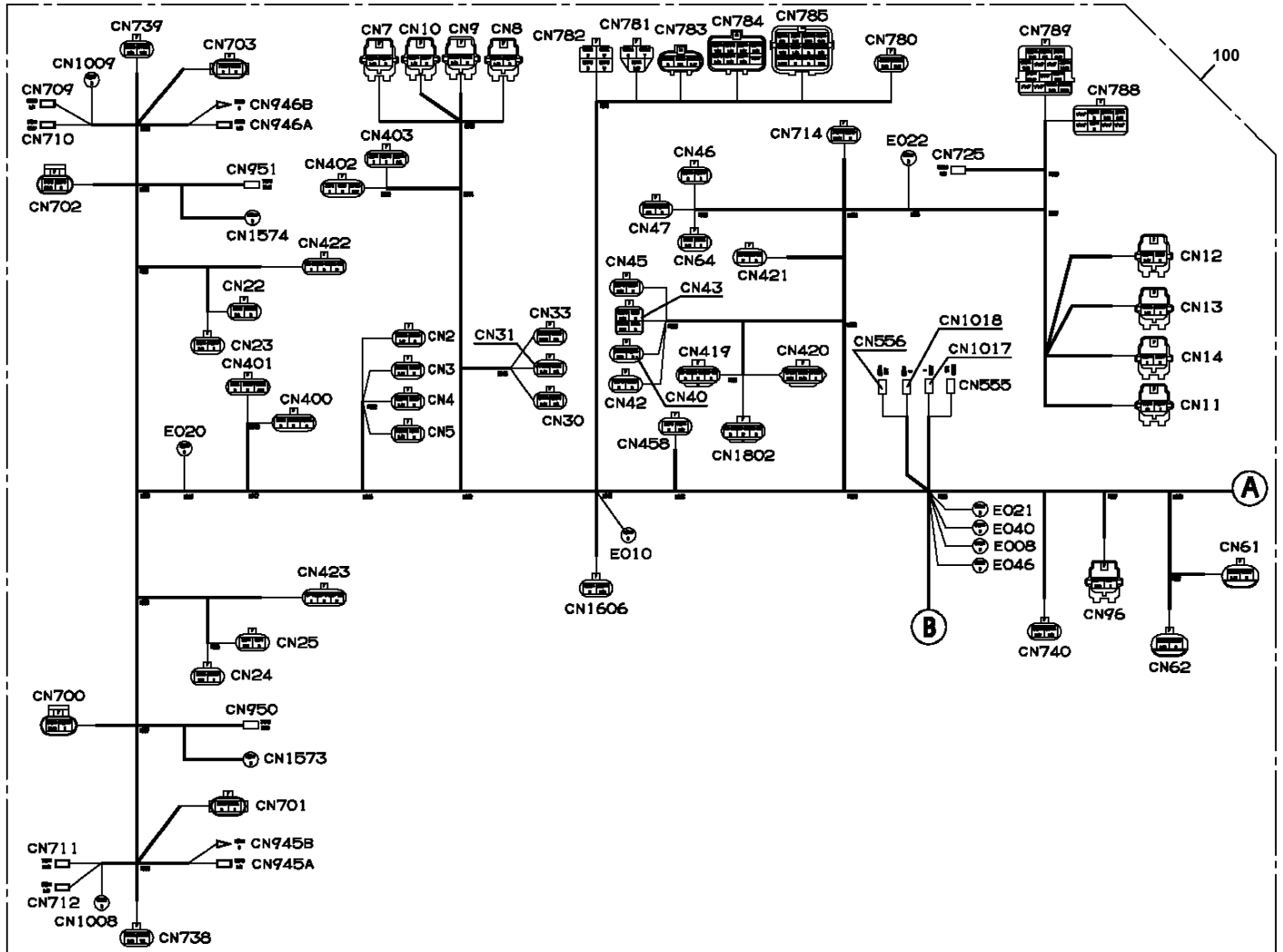
# GR-500N-2-00101 5 BOOM + 3 JIB,2M2D

Pos No.	Parts No	Parts Name	Qty	Unit	Technical Data	Serial No (Start)	Serial No (End)	Remarks	Pages
1	82182819822	DIODE	1		3A				
100	34496110200	HARNESS	1						

# GR-500N-2-00101 5 BOOM + 3 JIB,2M2D

Pos No.	Parts No	Parts Name	Qty	Unit	Technical Data	Serial No (Start)	Serial No (End)	Remarks	Pages
1	82182819822	DIODE	1		3A				
2	82182819823	DIODE	5		1.5A				
100	34496110201	HARNESS	1						

GR-500N-2-00101 5 BOOM + 3 JIB,2M2D  
PH5032424-00 HARNESS (MAIN)



# GR-500N-2-00101 5 BOOM + 3 JIB,2M2D

Pos No.	Parts No	Parts Name	Qty	Unit	Technical Data	Serial No (Start)	Serial No (End)	Remarks	Pages
100	34732430300	HARNESS	1						

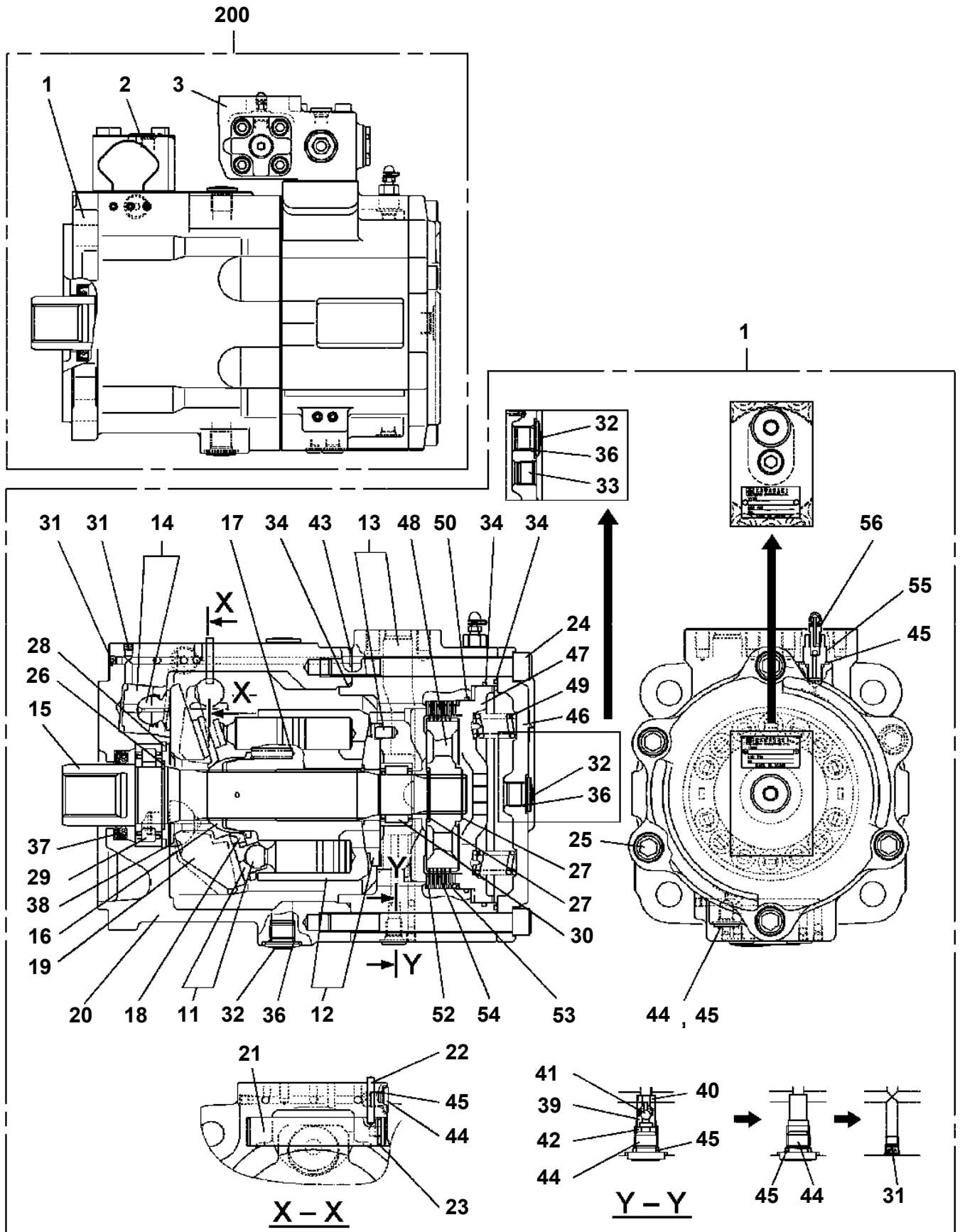
# GR-500N-2-00101 5 BOOM + 3 JIB,2M2D

Pos No.	Parts No	Parts Name	Qty	Unit	Technical Data	Serial No (Start)	Serial No (End)	Remarks	P
1	34931730311	HARNESS (STEP MAIN)	1						0
3	34931730101	HARNESS (MAIN)	1						0
100	34931730301	HARNESS ASSY (MAIN)	1						

## GR-500N-2-00101 5 BOOM + 3 JIB,2M2D

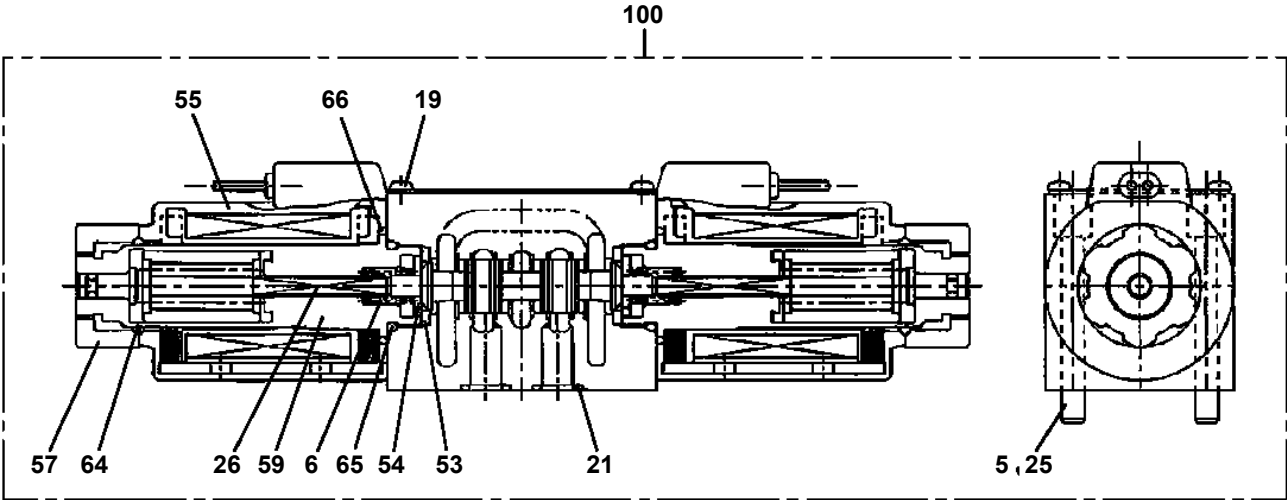
Pos No.	Parts No	Parts Name	Qty	Unit	Technical Data	Serial No (Start)	Serial No (End)	Remarks
1	36095810100	PLATE	1					
2	36095810200	PLATE	1					
3	37001004230	SHEAVE ASSY	4				583543	
	37001010080	SHEAVE ASSY	4			583544		
4	37000300610	SPACER	5		L=3.5			
5	37000175730	PIN	1					
7	36092014000	BOLT	3					
8	90302042001	WASHER,SPRING	3		20			
11	82456101000	NIPPLE,GREASE	1		A-PT1/8			
12	80500051218	BEARING,BALL	1					
13	36090140700	TRUNNION	1					
16	37000105200	PIN	1					
17	90303071001	WASHER,PLAIN	2		10			
18	80136332020	PIN,SPLIT	1		3.2X20			
19	37001400040	SPRING	1					
20	16611506000	PLATE	2					
21	90101516035	BOLT	4		M16X35			
22	16611505000	PLATE	2					
23	37000105000	PIN	1					
24	37000523520	PLATE	2					
25	90101520050	BOLT	4		M20X50			
26	37000523510	PLATE	2					
28	33441152300	SPACER	1		L=217			
29	36095810500	COVER	1					
30	90172110025	BOLT,HEXAGON SOCKET	2		M10X25			
31	36093350800	CUSHION	1					
32	90101210020	BOLT	2		M10X20			
33	90302041001	WASHER,SPRING	2		10			
34	37000301010	SPACER	2		L=12			
57	90303071001	WASHER,PLAIN	1		10			
71	36091229510	STOPPER ASSY	1					
81	36095739510	HOOK ASSY	1					
92	80515006018	BEARING,BALL	8				583543	
	80516006018	BEARING,BALL	8			583544		
100	36095810000	HOOK ASSY (SHEAVE 4 PCS)	1					

GR-500N-2-00101 5 BOOM + 3 JIB,2M2D  
 PI1010195-02 MOTOR,HYDRAULIC



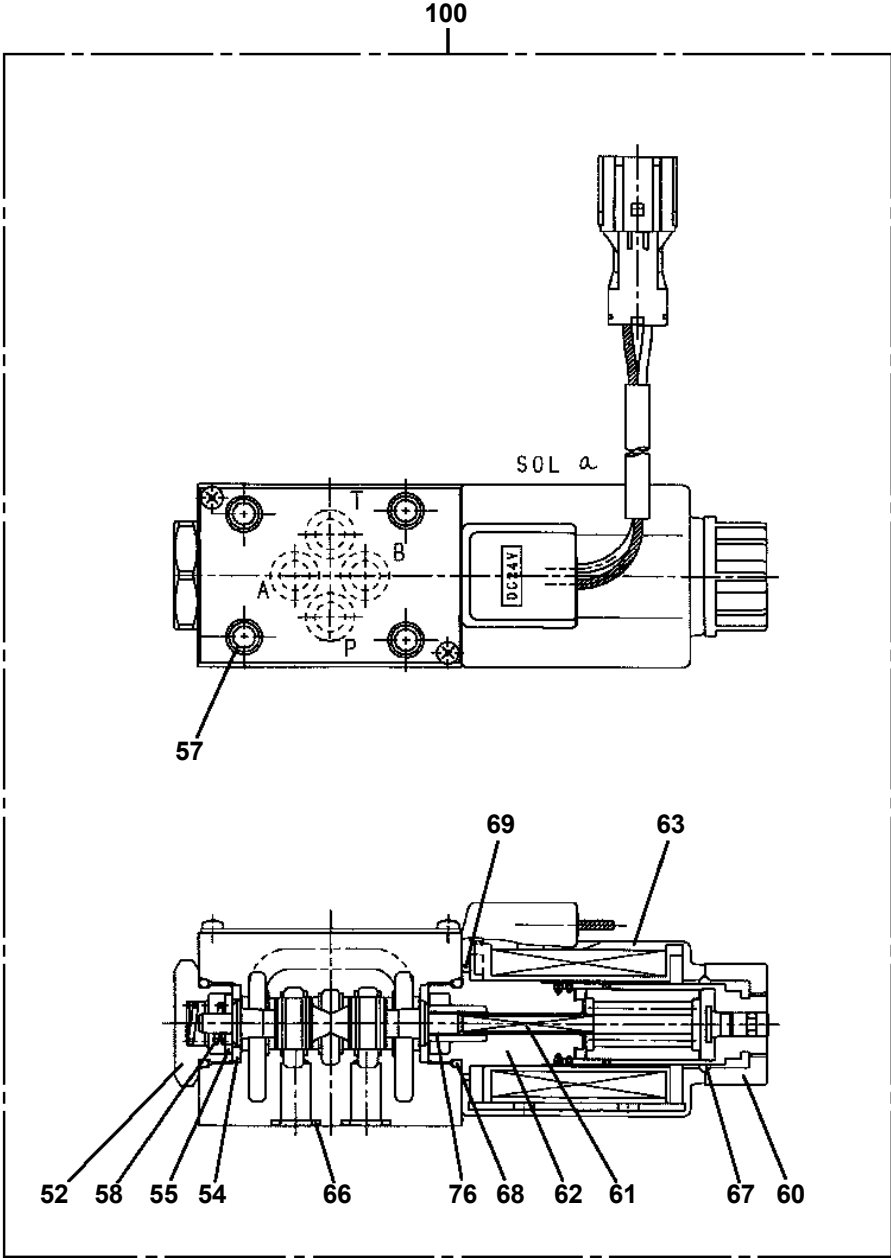
展開圖有  
 ILLUSTRATED BREAKDOWN NO.2, 3

**GR-500N-2-00101 5 BOOM + 3 JIB,2M2D  
PI1120135-05 VALVE,SOLENOID (NACHI)**

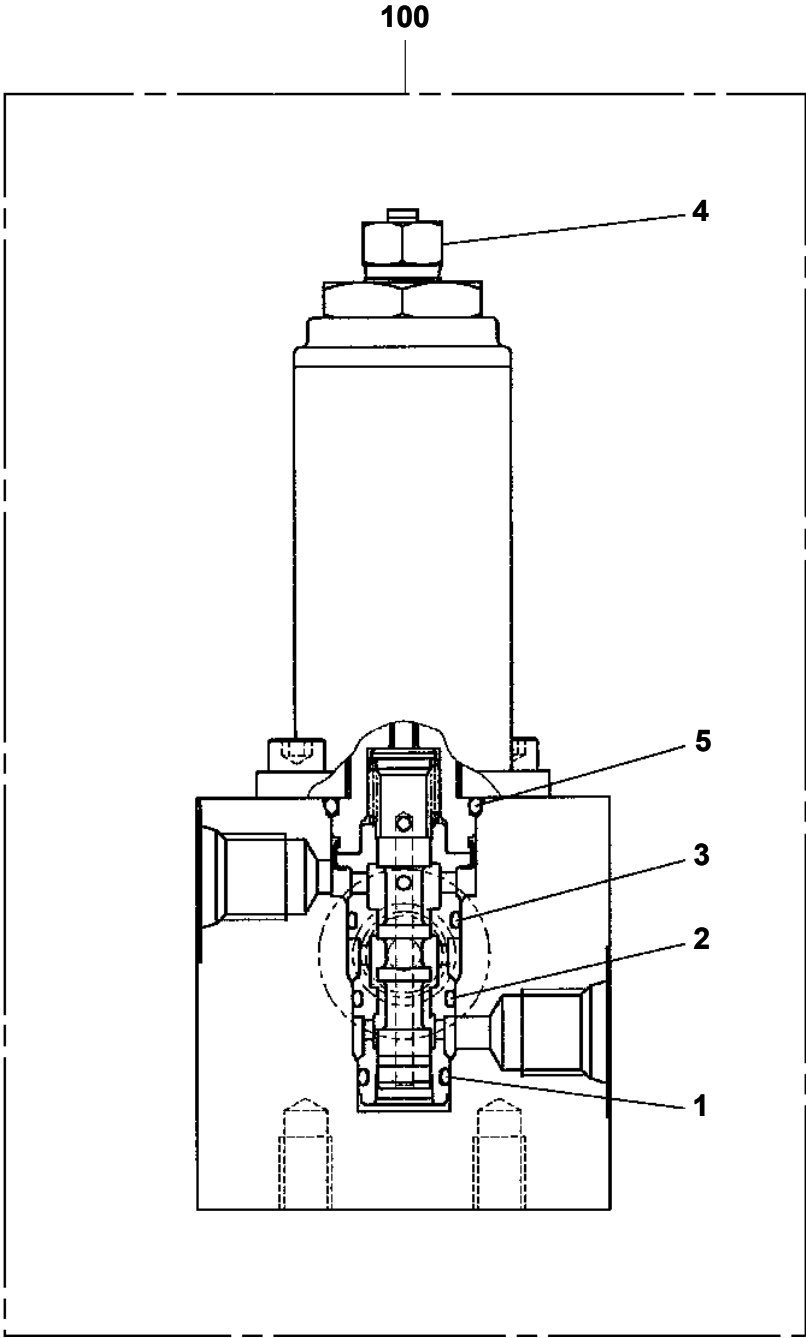


A

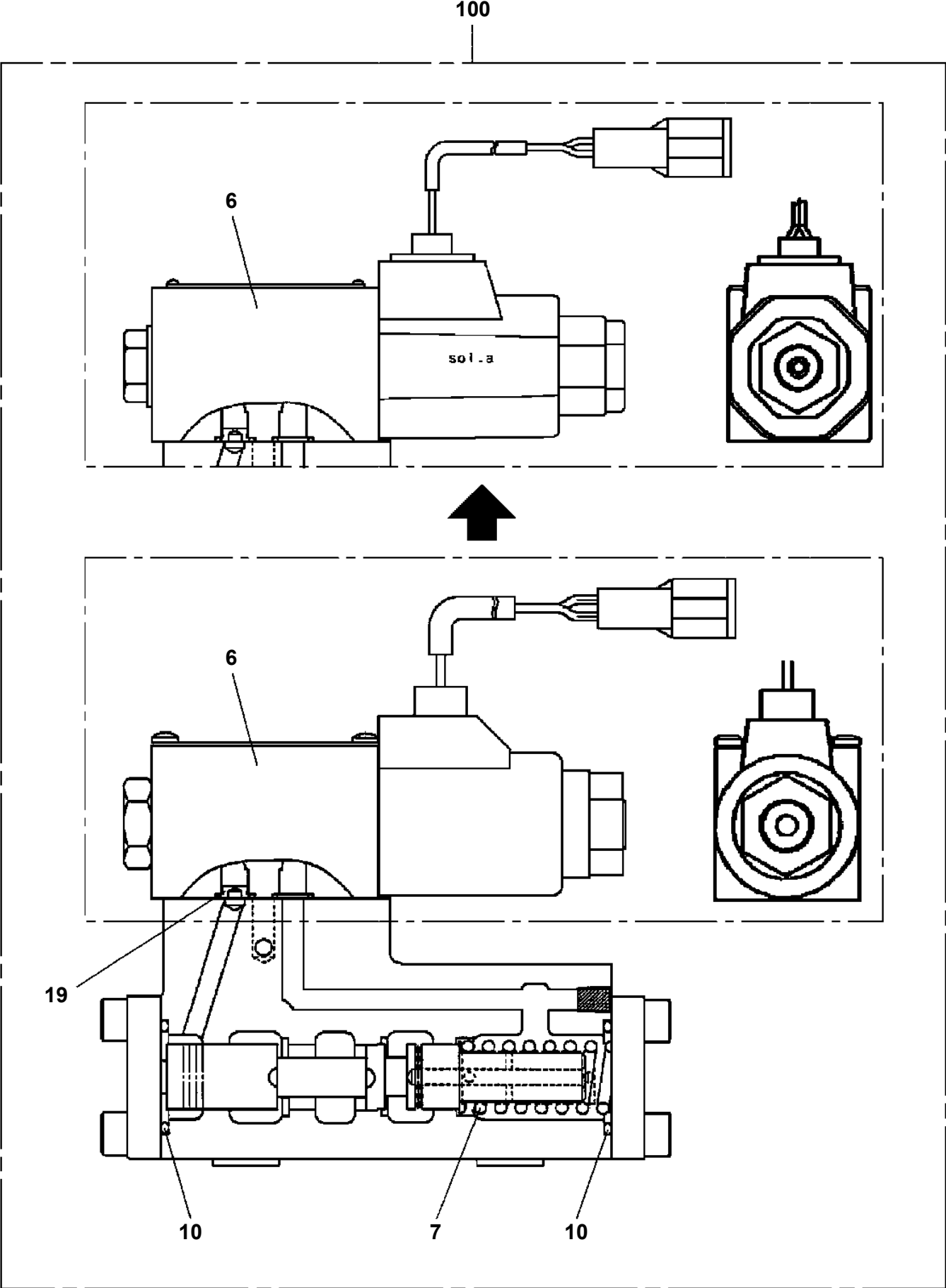
**GR-500N-2-00101 5 BOOM + 3 JIB,2M2D  
PI1120196-03 VALVE,SOLENOID**



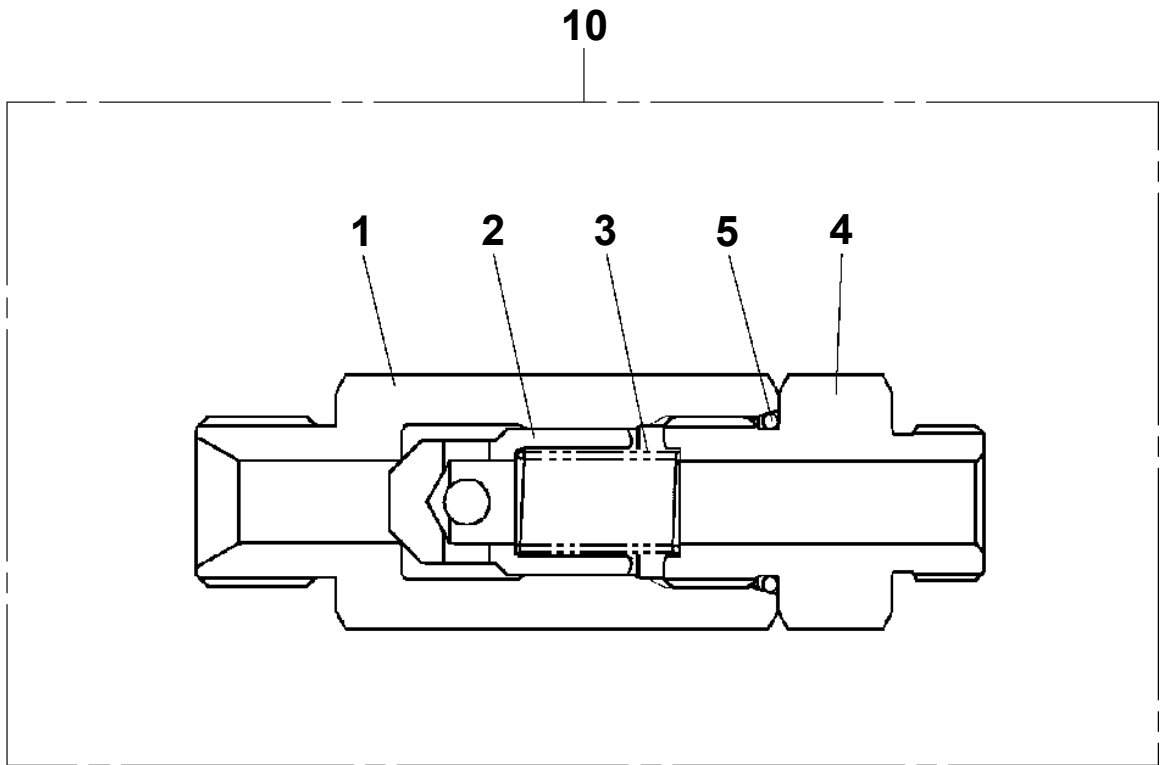
**GR-500N-2-00101 5 BOOM + 3 JIB,2M2D**  
**PI1120304-01 VALVE,SOLENOID**



GR-500N-2-00101 5 BOOM + 3 JIB,2M2D  
PI1130044-02 VALVE,HYDRAULIC

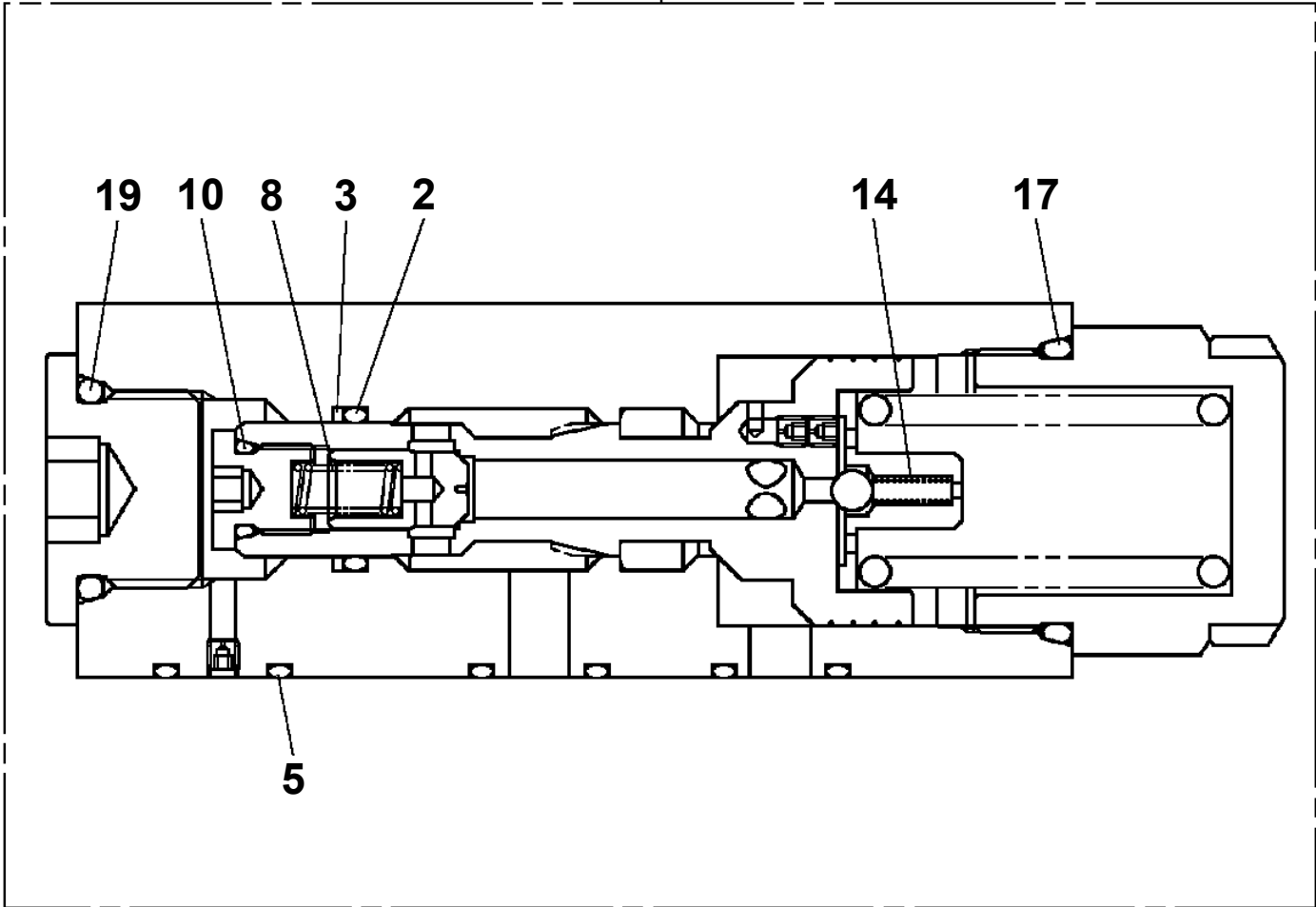


**GR-500N-2-00101 5 BOOM + 3 JIB,2M2D**  
**PI1140156-00 VALVE,CHECK**



GR-500N-2-00101 5 BOOM + 3 JIB,2M2D  
PI1250142-00 VALVE,COUNTERBALANCE

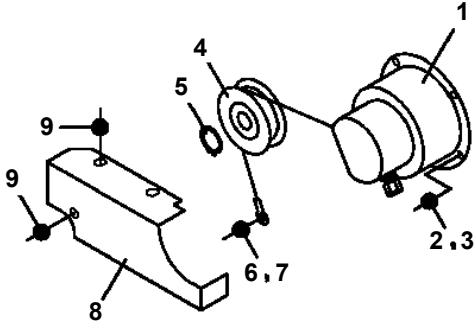
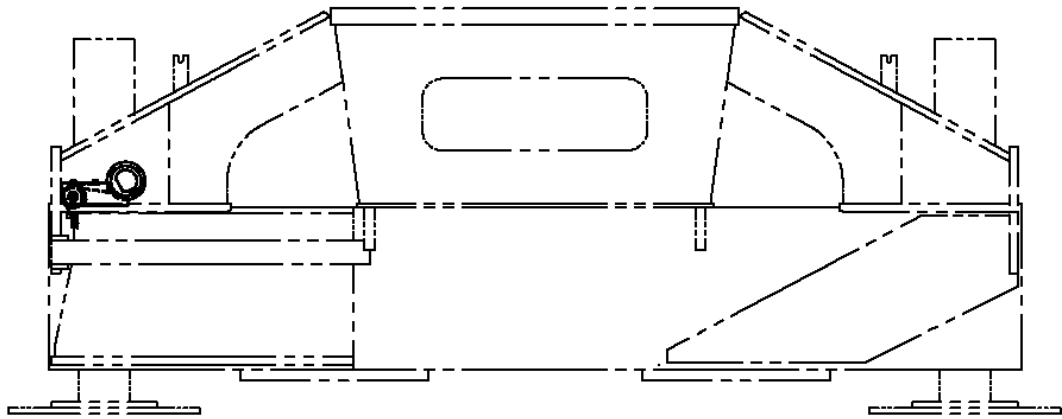
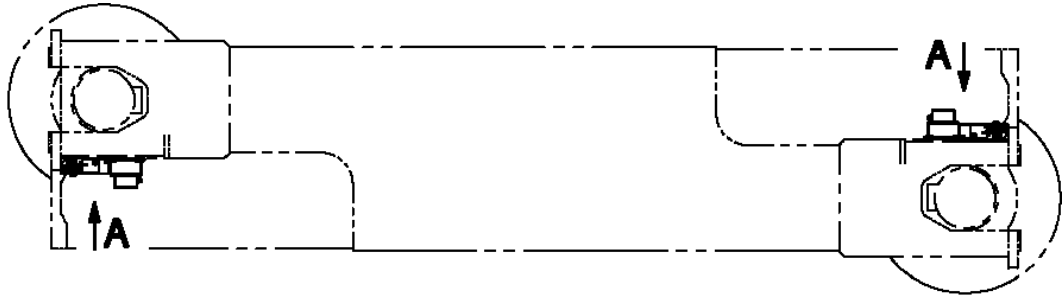
100



# GR-500N-2-00101 5 BOOM + 3 JIB,2M2D

Pos No.	Parts No	Parts Name	Qty	Unit	Technical Data	Serial No (Start)	Serial No (End)	Remarks	Pages
3	36673375070	ELEMENT KIT	1						
4	36673375020	O-RING	1						
5	36673375030	RING,BACKUP	1						
7	36673375040	INDICATOR ASSY	1						
8	36673375050	BOLT (DRAIN)	1						
9	36673375060	O-RING	1						
100	36673370000	FILTER,OIL	1						

GR-500N-2-00101 5 BOOM + 3 JIB,2M2D  
PI5050005-00 INDICATOR ASSY,LENGTH (OUTRIGGER)

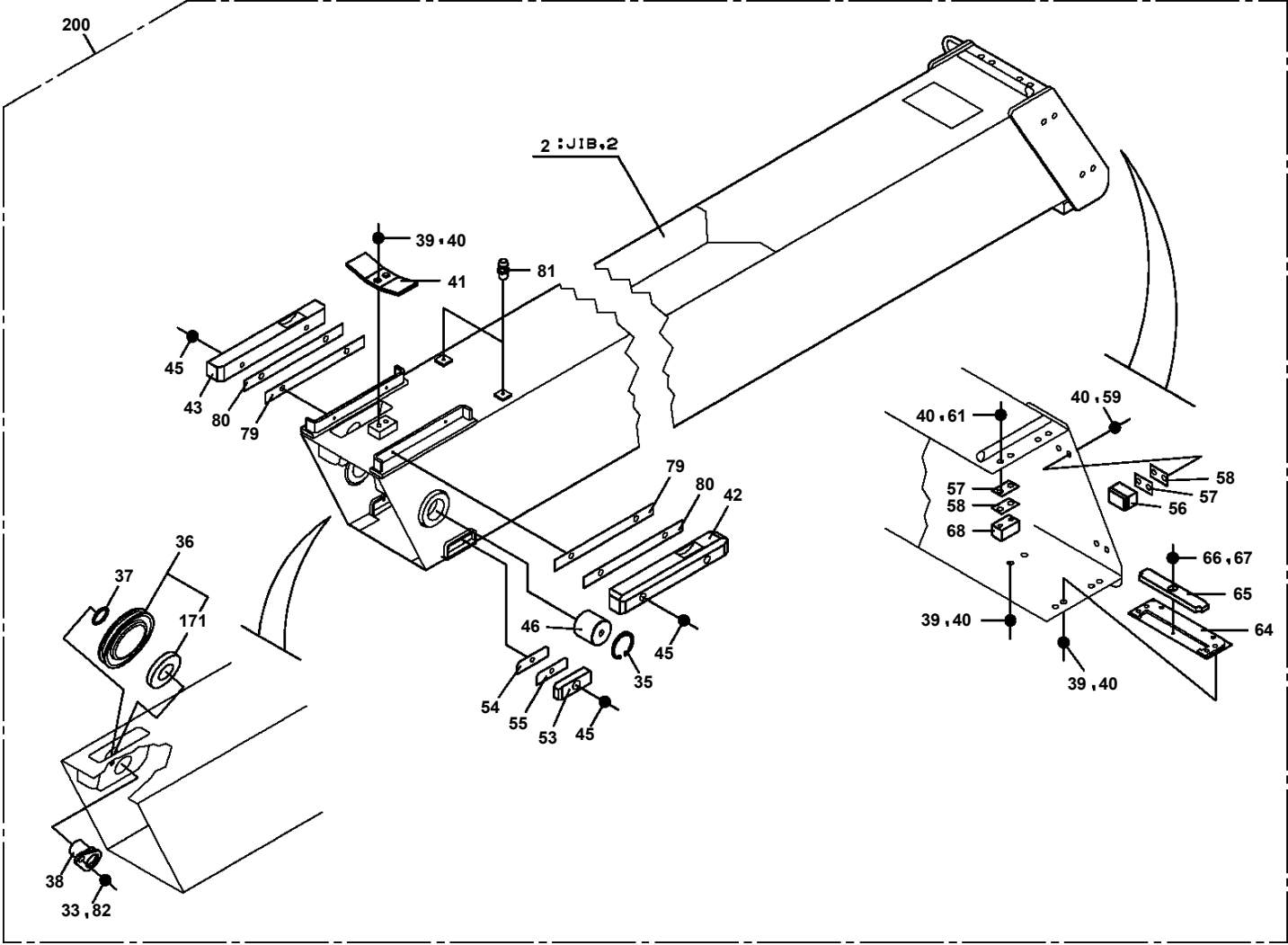


A

# GR-500N-2-00101 5 BOOM + 3 JIB,2M2D

Pos No.	Parts No	Parts Name	Qty	Unit	Technical Data	Serial No (Start)	Serial No (End)	F
1	36683480000	TACHOGRAPH	1					
2	36683192000	CONVERTER (ASSY ONLY)	1					
3	80172305010	SCREW,MACHINE	2		M5X10			
4	90302040501	WASHER,SPRING	2		5			
21	36683485010	KEY	1					
22	36683485020	CHART SET (100KM/H,ONE WEEK)	1					

GR-500N-2-00101 5 BOOM + 3 JIB,2M2D  
PJ5070015-01 JIB ASSY,2



## GR-500N-2-00101 5 BOOM + 3 JIB,2M2D

Pos No.	Parts No	Parts Name	Qty	Unit	Technical Data	Serial No (Start)	Serial No (End)	Remarks	Page
1	34354701101	HARNESS (JIB 1)	1						00013
2	37002711200	CABLE (WITH CAP)	1		L=5600				
3	37002711190	CABLE (WITH CAP)	1		L=3800				
4	37001400140	SPRING	4						
5	80171303005	SCREW,MACHINE	8		M3X5				
6	90302040301	WASHER,SPRING	8		3				
7	82100002002	CLAMP	2		WR6				
9	82100002006	CLAMP	9		WR10				
12	90280200600	NUT,FLANGE	32		M6				
13	91810130230	FASTENER	8						
14	90303290600	WASHER,PLAIN	2		6				
15	90186206010	BOLT,FLANGE	1		M6X10				
16	82100002012	CLAMP	8		WR18				
17	90201200600	NUT	31		M6				
18	82100002010	CLAMP	10		WR15				
19	82100002037	CLAMP	1		WE10				
20	82100002035	CLAMP	2		WE8				
41	33343972100	JOINT	1						
43	34344527200	SUPPORT	10						
44	34344527300	PLATE	1						
45	34344527100	PLATE	1						
46	37000538820	PLATE	1						
47	34445001100	PLATE	1						
55	37000549300	PLATE	1						
56	37000505350	PLATE	1						
57	37000558150	PLATE	4						
60	33370020610	SUPPORT	1						
64	37000525410	PLATE	1						
72	34222041800	SUPPORT ASSY	2						
91	82100002478	CAP	2						
100	34222040070	JIB,1	1						

# GR-500N-2-00101 5 BOOM + 3 JIB,2M2D

Pos No.	Parts No	Parts Name	Qty	Unit	Technical Data	Serial No (Start)	Serial No (End)	Remarks	Pages
1	37002217900	PLATE,NAME	1						
2	90101208030	BOLT	1		M8X30				

## GR-500N-2-00101 5 BOOM + 3 JIB,2M2D

Pos No.	Parts No	Parts Name	Qty	Unit	Technical Data	Serial No (Start)	Serial No (End)	Remarks	Pages
1	34321310400	ROD ASSY	1						
2	37002224050	PLATE,NAME	1						
3	90180208020	BOLT,BUTTON	2		M8X20				
4	90302040801	WASHER,SPRING	2		8				
5	34321966000	PEDAL ASSY	1						
31	80565000081	END	1						
32	90201200800	NUT	3		M8				
33	90302040801	WASHER,SPRING	3		8				
34	34321310410	ROD	1						
35	90291200800	NUT	1		M8				
36	80565000082	END	1						
51	37000132540	PIN	1		20				
52	90101208012	BOLT	1		M8X12				
54	34321966100	COVER	1						
55	34321966200	PEDAL	1						
56	34321966300	SUPPORT	1						
57	34321966400	BOOT	1						
75	80801002010	BEARING,PLAIN	2						

CLICK HERE TO **DOWNLOAD** THE COMPLETE MANUAL

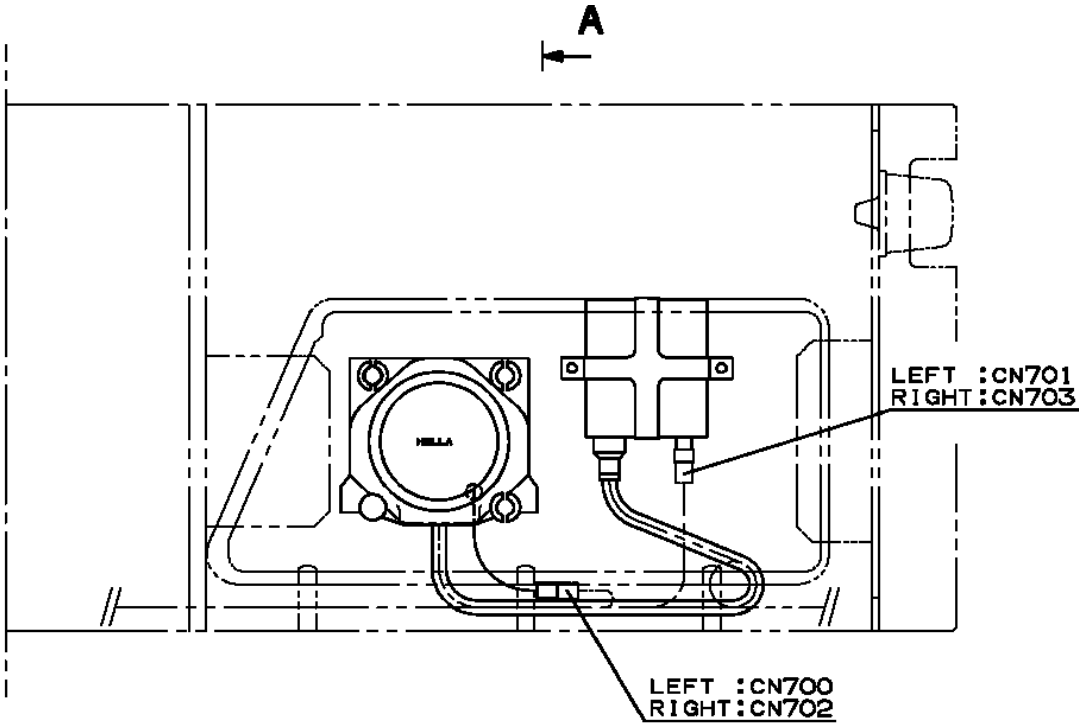
- Thank you very much for reading the preview of the manual.
- You can download the complete manual from: [www.heydownloads.com](http://www.heydownloads.com) by clicking the link below



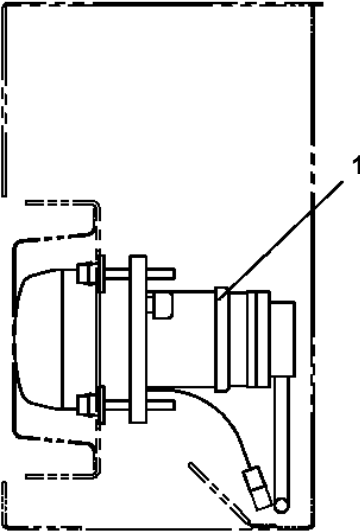
- Please note: If there is no response to CLICKING the link, please download this PDF first and then click on it.

CLICK HERE TO **DOWNLOAD** THE COMPLETE MANUAL

GR-500N-2-00101 5 BOOM + 3 JIB,2M2D  
PL5020075-01 LAMP ASSY (DISCHARGE HEADLAMP)

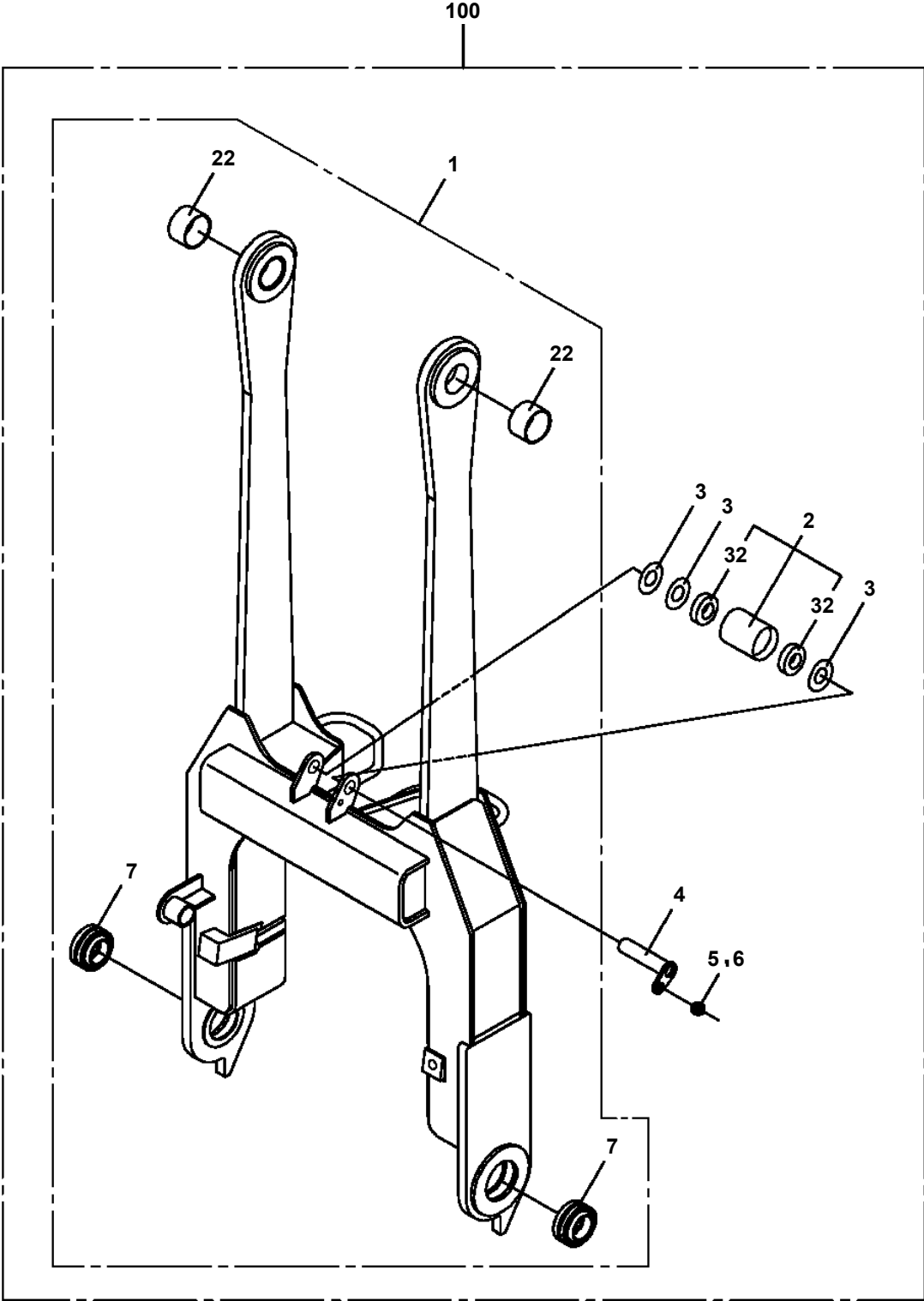


バンパ左側正面 (右側対称)  
BUMPER LEFT SIDE FRONT (RIGHT SYMMETRY)

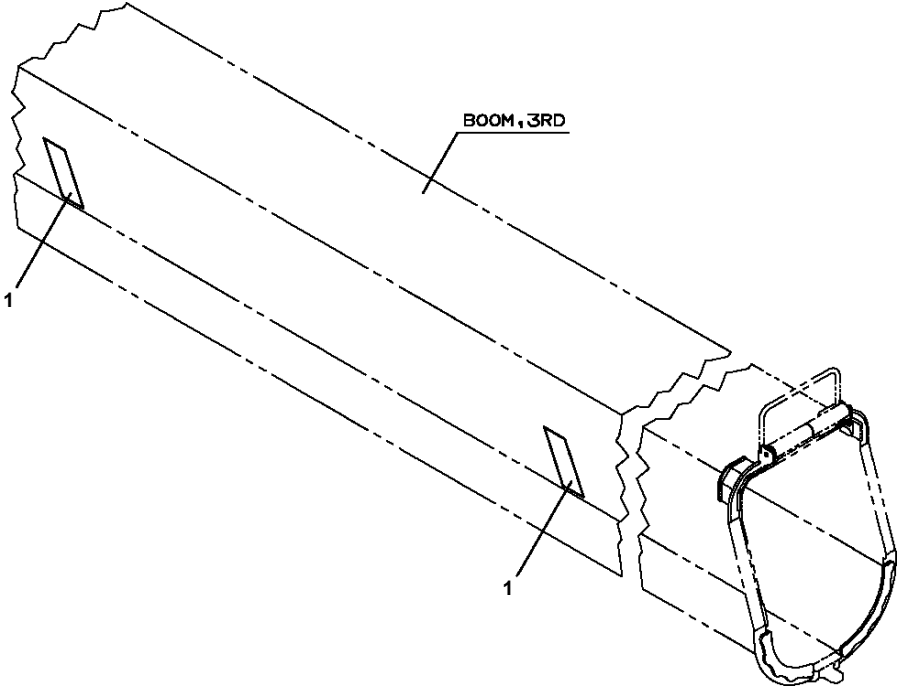


A

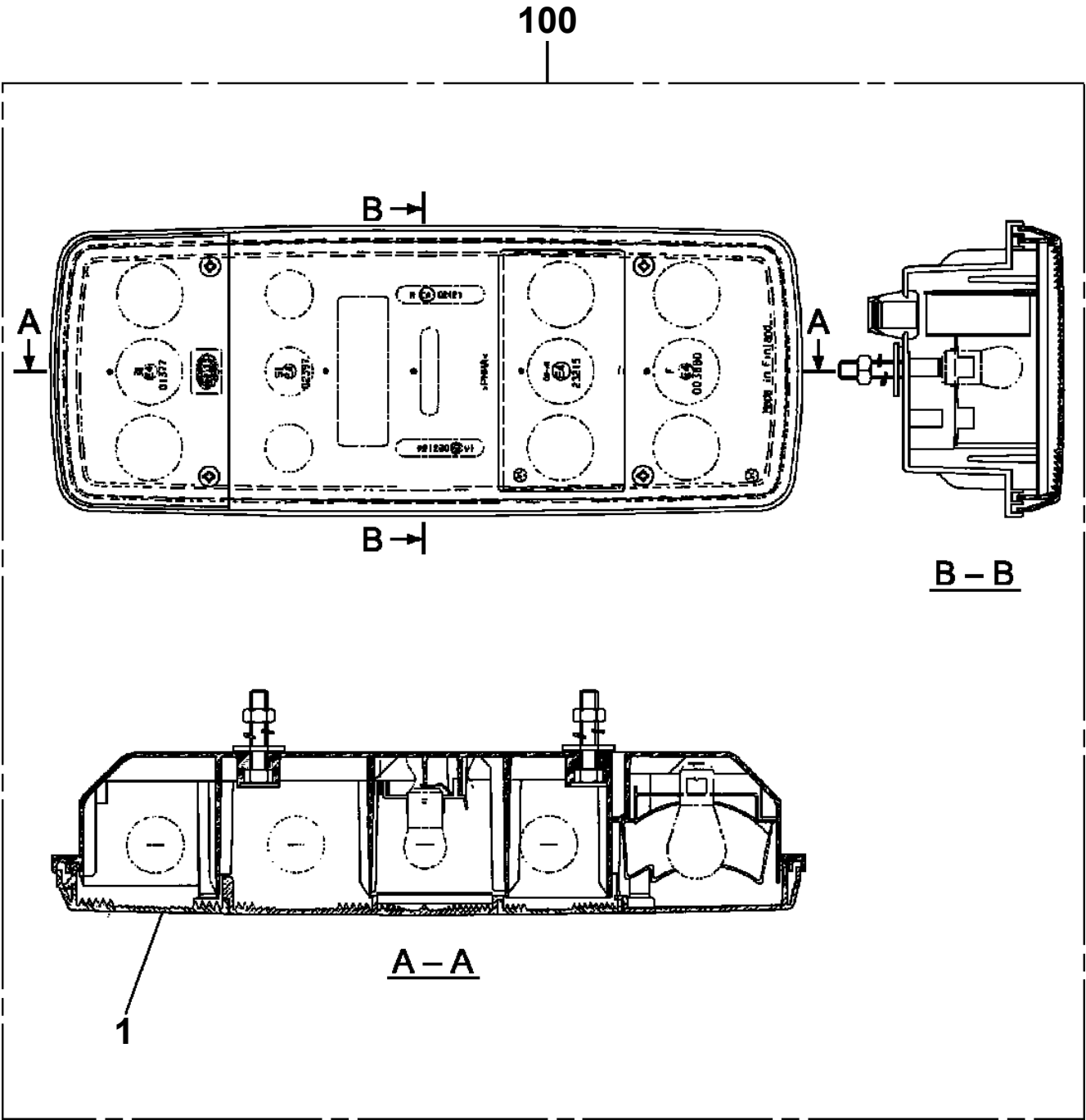
GR-500N-2-00101 5 BOOM + 3 JIB,2M2D  
PL5250072-00 LINK ASSY (F)



**GR-500N-2-00101 5 BOOM + 3 JIB,2M2D**  
**PM5020015-01 MARKING (BOOM)**

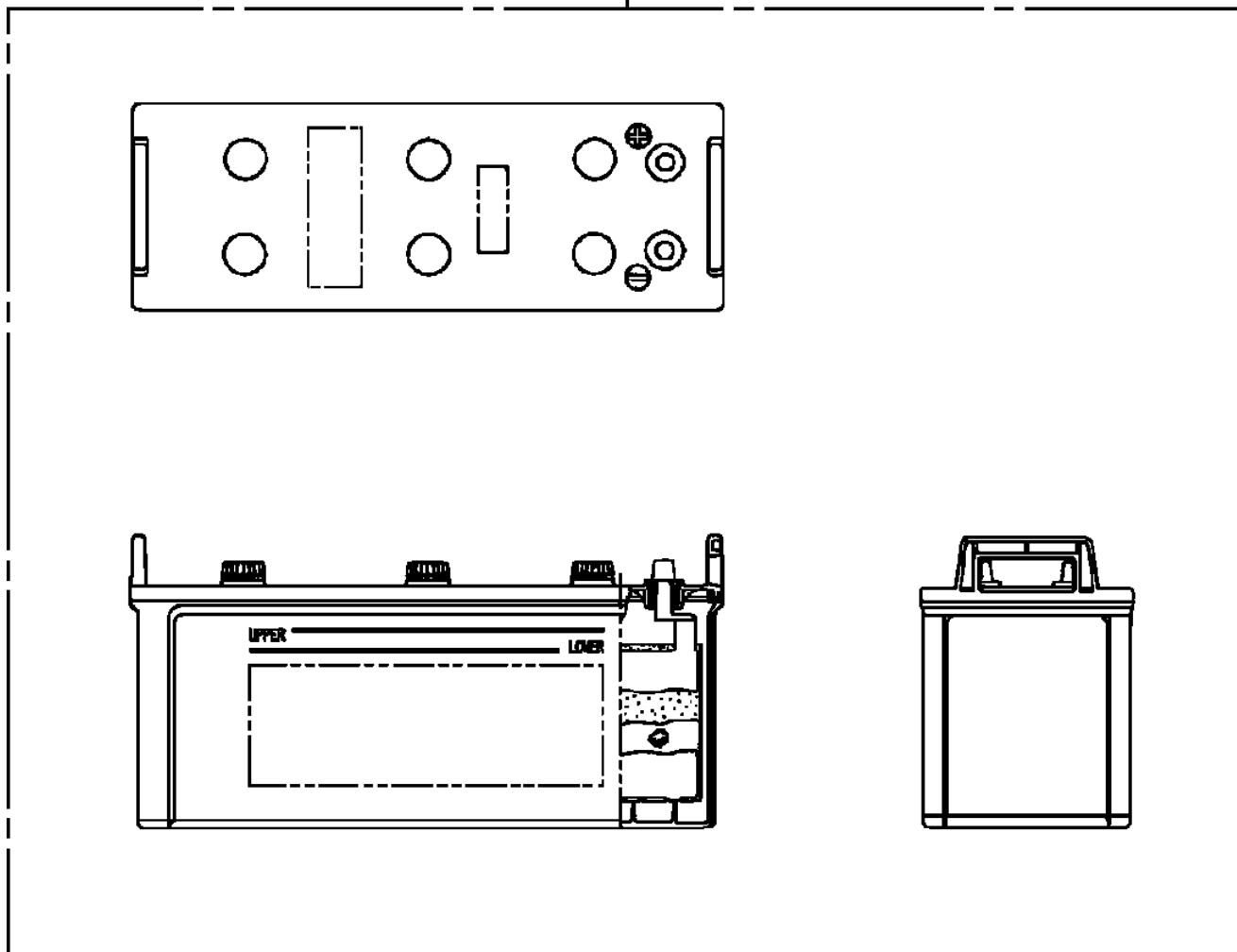


GR-500N-2-00101 5 BOOM + 3 JIB,2M2D  
PN1080319-00 LAMP (CASE,L)



**GR-500N-2-00101 5 BOOM + 3 JIB,2M2D  
PN1370125-00 BATTERY (GLOBAL & YUASA,130F51)**

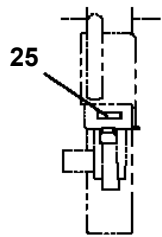
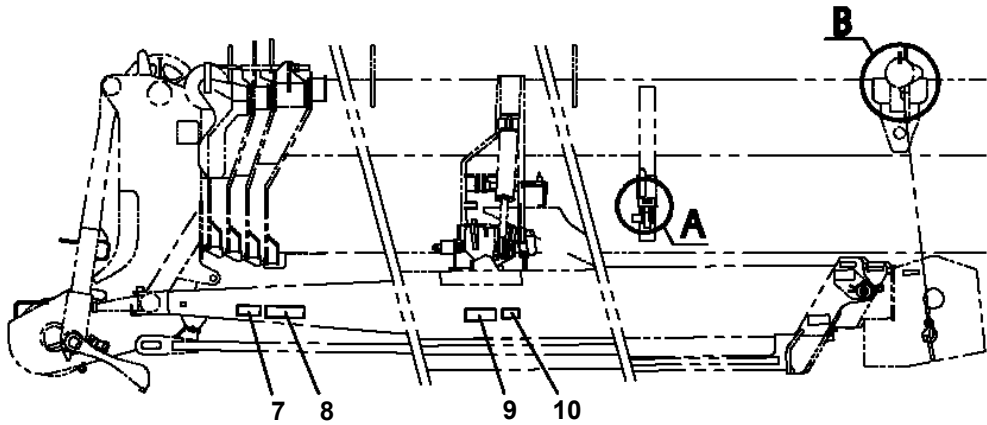
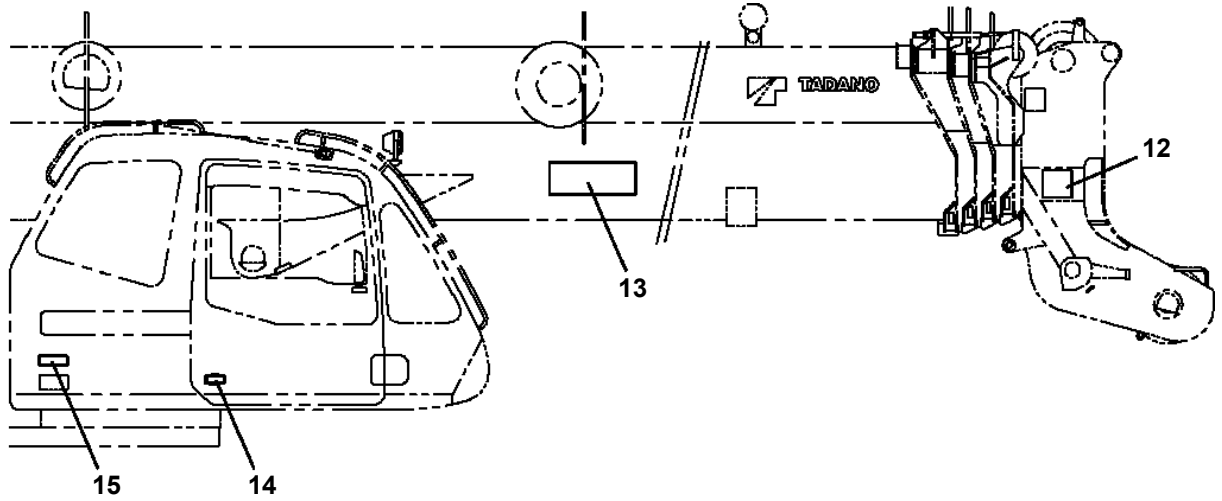
1



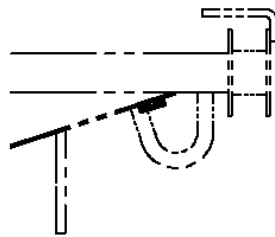
# GR-500N-2-00101 5 BOOM + 3 JIB,2M2D

Pos No.	Parts No	Parts Name	Qty	Unit	Technical Data	Serial No (Start)	Serial No (End)	Remarks	Pages
2	31771310800	PLATE,CAUTION	1						

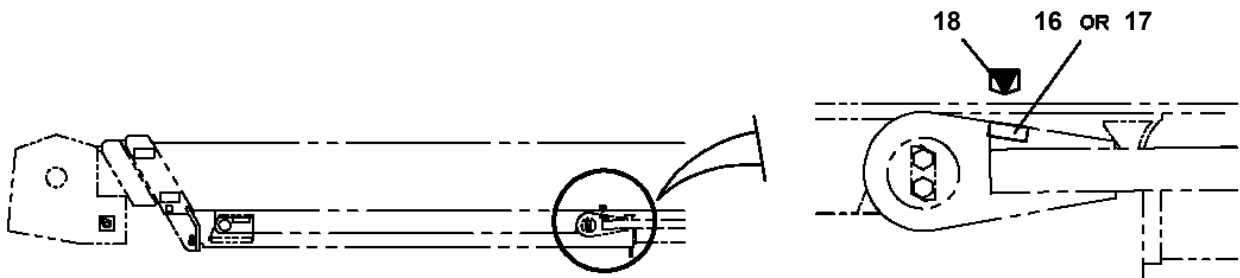
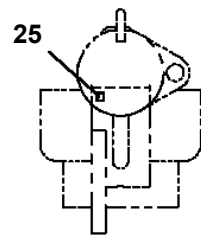
**GR-500N-2-00101 5 BOOM + 3 JIB,2M2D  
PN5011195-00 NAME PLATE ASSY (UPPER 1)**



**A**



**B**



**ジブ右側面図  
RIGHT SIDE VIEW OF JIB  
(ブーム下面にジブを装着時)  
(WHEN JIB IS MOUNTED  
ON BOOM BOTTOM FACE)**

# GR-500N-2-00101 5 BOOM + 3 JIB,2M2D

Pos No.	Parts No	Parts Name	Qty	Unit	Technical Data	Serial No (Start)
1	37002212120	PLATE,NAME (SWING LEVER)	1			
2	37002212130	PLATE,NAME (TELESCOP LEVER)	1			
3	37002212100	PLATE,NAME (AUX. WINCH LEVER)	1			
4	37002212090	PLATE,NAME (MAIN WINCH LEVER)	1			
5	37002212110	PLATE,NAME (ELEVATE LEVER)	1			
6	37002224960	PLATE,NAME	1			
7	34398867100	PLATE,NAME(EMERGENCY MISSION,ACCELERATOR	1			
8	34395171400	PLATE,NAME	1			
9	34399927200	PLATE,CAUTION	1			
10	34393901100	COVER	1			
11	34397171700	PLATE,NAME	1			
12	37002217320	PLATE,CAUTION	1			
13	34390731280	PLATE,NAME (WINKER)	1			
14	37002220410	PLATE,CAUTION	1			
15	37002221060	PLATE,CAUTION	1			
16	37002220440	PLATE,CAUTION	1			
17	34399927300	PLATE,NAME	1			
18	37002217270	PLATE,CAUTION	1			
19	37002217280	PLATE,CAUTION	1			
20	34397141400	PLATE,NAME	1			
21	34397141500	PLATE,NAME	1			
22	34397141700	PLATE,CAUTION	1			
23	34393692400	PLATE,CAUTION	1			
24	34393921400	PLATE,CAUTION (SUSPENSION LOCK)	1			
25	34398867400	PLATE,NAME (THIS MACHINE IS JAPAN SPEC)	1			
26	37002234490	PLATE,CAUTION	1			
27	34399927100	PLATE,NAME	1			
28	34393131600	PLATE,NAME	1			

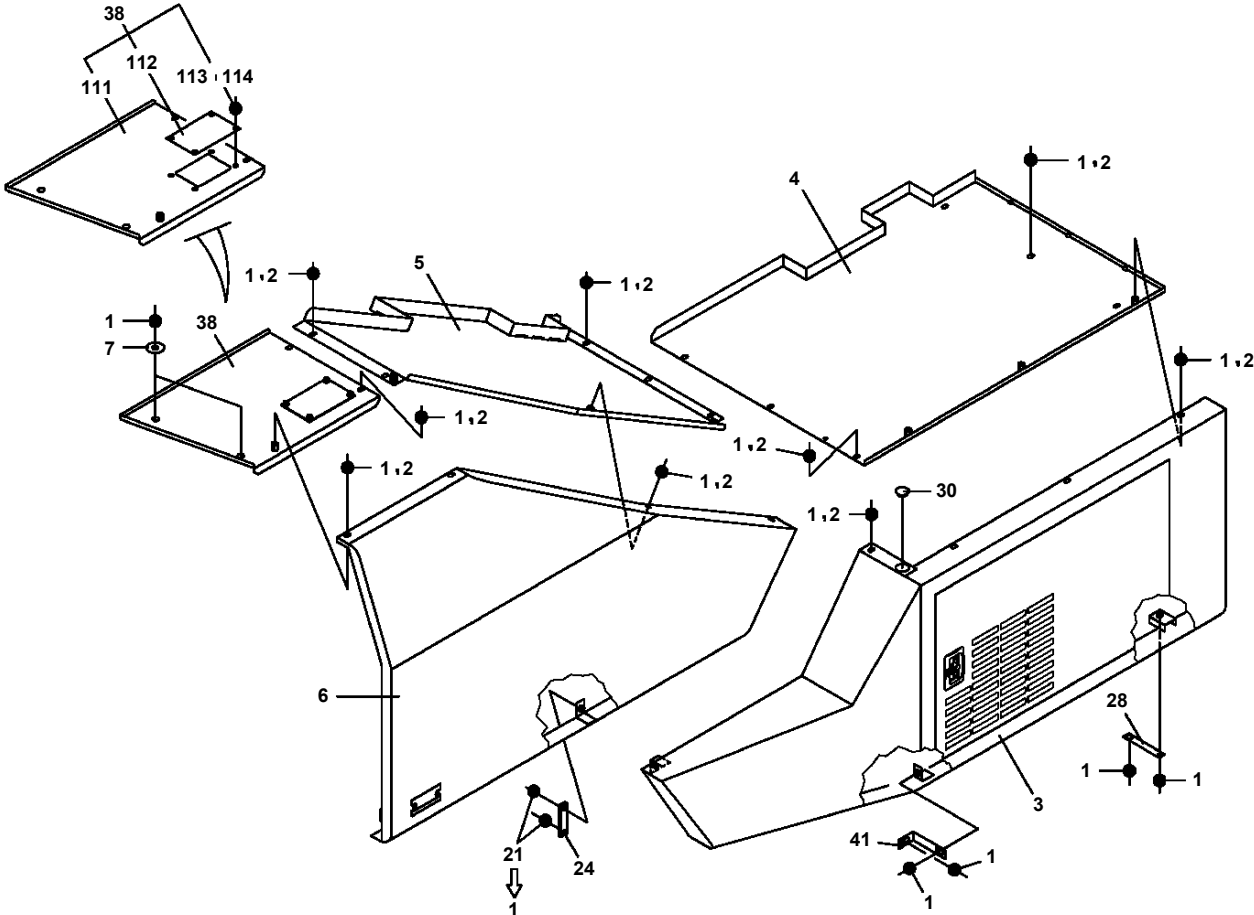
## GR-500N-2-00101 5 BOOM + 3 JIB,2M2D

Pos No.	Parts No	Parts Name	Qty	Unit	Technical Data	Serial No (Start)	Serial No (End)	Remarks
1	90172106020	BOLT,HEXAGON SOCKET	2		M6X20			
2	90303070601	WASHER,PLAIN	2		6			
3	34711042000	PEDAL ASSY	1					
4	34711241000	SWITCH (IDOLE VOLUME)	1					
5	99172108020	BOLT,TAPPING	5		M8X20			
31	34711042100	PEDAL	1					
32	34711042200	SUPPORT	1					
33	34711042300	PIN	1					
34	80613110060	RING,RETAINING	1					
51	34711262600	SENSOR (WITH HARNESS)	1					
52	80172304008	SCREW,MACHINE	2		M4X8			
53	90302040401	WASHER,SPRING	4		4			
54	82104501290	SWITCH,LIMIT	1					
55	34711262300	ROD	1					
56	34711262400	LEVER	1					
57	34711262100	LEVER	1					
58	34711262200	SUPPORT	1					
59	90303070601	WASHER,PLAIN	2		6			
60	37001300410	SPRING	1					
61	37000115550	PIN	2					
62	80136320010	PIN,SPLIT	2		2X10			
63	37000109800	PIN	1					
64	37001300390	SPRING	1					
65	90303070401	WASHER,PLAIN	2		4			
66	90201200400	NUT	2		M4			
67	90101208012	BOLT	1		M8X12			
68	90302040801	WASHER,SPRING	1		8			
69	90102208040	BOLT	1		M8X40			
70	90201200800	NUT	2		M8			
71	90101208020	BOLT	1		M8X20			
72	90201200600	NUT	1		M6			
73	80172304030	SCREW,MACHINE	2		M4X30			
84	80801002030	BEARING,PLAIN	1					

# GR-500N-2-00101 5 BOOM + 3 JIB,2M2D

Pos No.	Parts No	Parts Name	Qty	Unit	Technical Data	Serial No (Start)	Se
1	80430620400	JOINT	3				
2	80441010904	FITTING (WITH O-RING)	2		S G1/4-12.7		
3	34322011000	LEVER ASSY	1				
4	90180208020	BOLT,BUTTON	4		M8X20		
5	90201200800	NUT	7		M8		
6	90101208030	BOLT	4		M8X30		
7	90302040801	WASHER,SPRING	20		8		
8	90101208035	BOLT	1		M8X35		
9	99172106016	BOLT,TAPPING	12		M6X16		
10	34322013000	ROD ASSY	2				
11	34321320100	ROD ASSY	1				
12	34321310400	ROD ASSY	1				
13	34322013400	ROD ASSY	1				
14	34322014000	LEVER ASSY	1				
15	34322012000	LEVER ASSY	1				
16	34322013200	ROD ASSY	1				
17	34322013500	ROD ASSY	1				
18	91002801100	O-RING	10		1B P11		
19	34322014400	COVER	1				
20	37000932660	JOINT (WITH O-RING)	6		T G1/4-G1/4-G1/4		
21	34321310800	ROD ASSY	1				
22	34321310900	ROD ASSY	1				
23	37000118170	PIN	1				
24	80136320016	PIN,SPLIT	13		2X16		
25	90303070801	WASHER,PLAIN	37		8		
26	37000582120	PLATE	12				
27	(*****)	LEVER ASSY (3-LEVER)	1				
28	99172108020	BOLT,TAPPING	19		M8X20		
29	80400160127	JOINT	5				
30	36637750000	VALVE,CONTROL	2				
31	36672460000	FILTER (NIPPLE TYPE)	2				
32	34350002100	CAP	2				
33	34321960300	COVER	1				
34	(*****)	LEVER ASSY (2-LEVER)	1				
35	34321966000	PEDAL ASSY	2				
36	37000105730	PIN	12				
37	34322030300	COVER	1				
38	91810130240	FASTENER	1				
39	82100000920	GROMMET	2				
40	90101208040	BOLT	1		M8X40		
41	82100002033	CLAMP	1				
42	90201200600	NUT	2		M6		
43	90302040601	WASHER,SPRING	2		6		
44	82100002002	CLAMP	1		WR6		
45	34321960601	COVER	1				
46	80186406016	SCREW,MACHINE	8		M6X16		
47	90305260601	WASHER	8		B1-6		
48	34321966500	SUPPORT	1				
49	34321960701	COVER	1				
50	34321966600	SUPPORT	1				
52	37002217390	PLATE,NAME(APPARATUS EQUIPMENJ PEDAL)	1				
54	99191208020	BOLT,TAPPING	9		M8X20		
55	90203200800	NUT	1		M8		
56	90180208025	BOLT,BUTTON	1		M8X25		
57	90303070601	WASHER,PLAIN	4		6		
58	80481102030	JOINT	4		L G1/4-G3/8		
59	37000928930	JOINT (ORIFICE)	1				
81	91002801100	O-RING	13		1B P11		
91	34322011100	LEVER	1				
92	34322011200	LEVER	1				
93	34322011300	LEVER	2				
94	34322011400	SUPPORT	1				
95	37000110040	PIN	1				

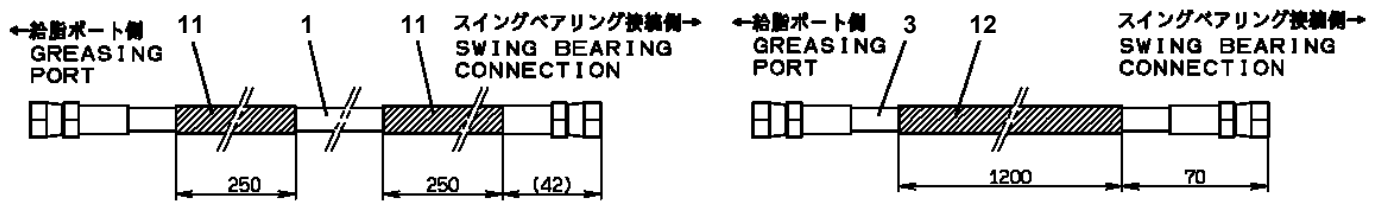
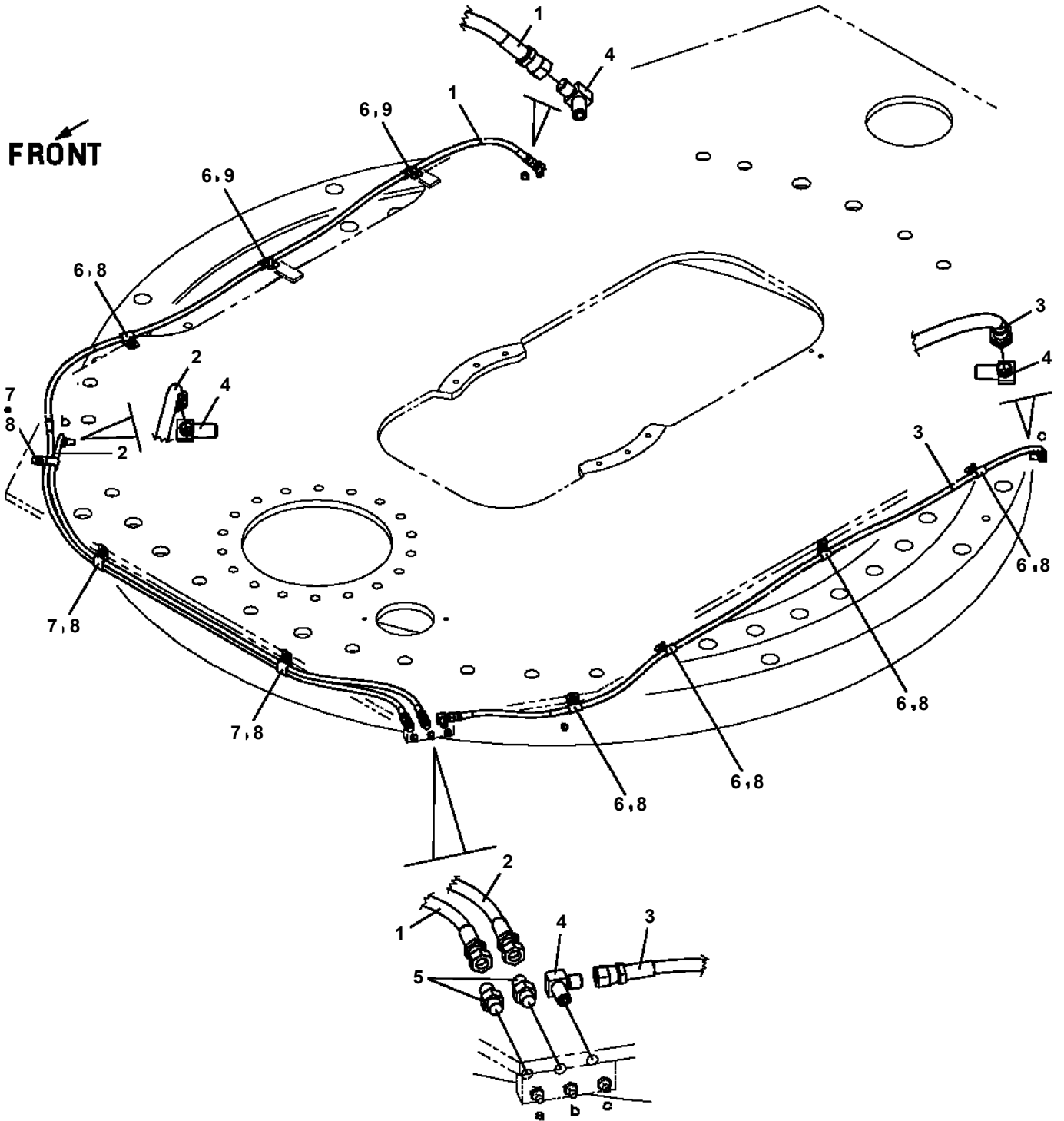
**GR-500N-2-00101 5 BOOM + 3 JIB,2M2D**  
**PO5260086-03 OUTER COVERING ASSY (SWING FRAME)**



展開圖有  
 ILLUSTRATED BREAKDOWN NO.3

**B**  
 RIGHT SIDE

GR-500N-2-00101 5 BOOM + 3 JIB,2M2D  
 PP5120009-01 PARTS ASSY,GREASE (UPPER)

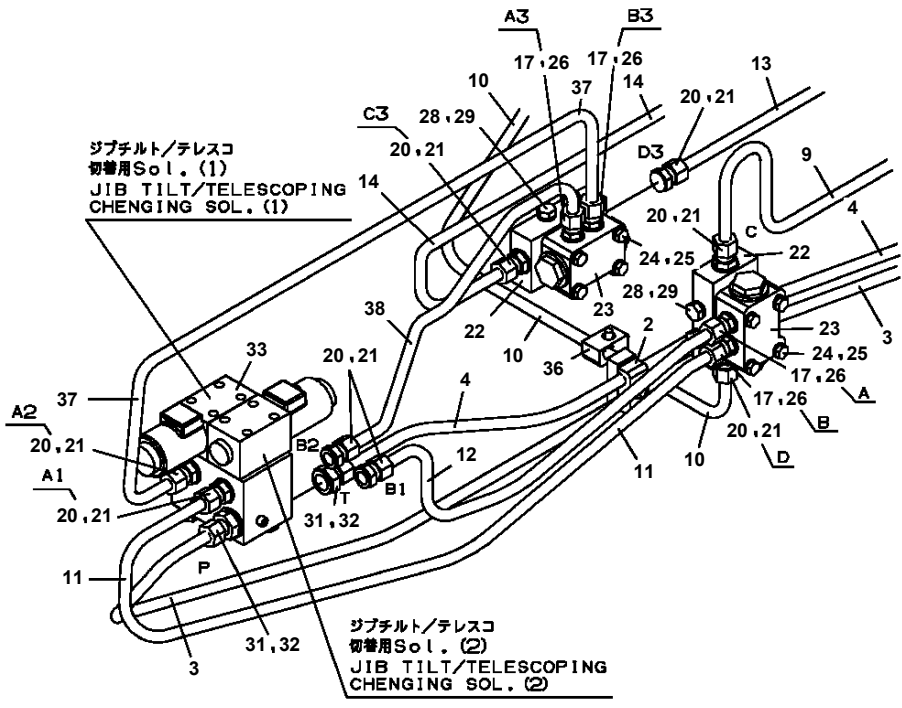


ガード取付位置  
 GUARD INSTALLATION LOCATION

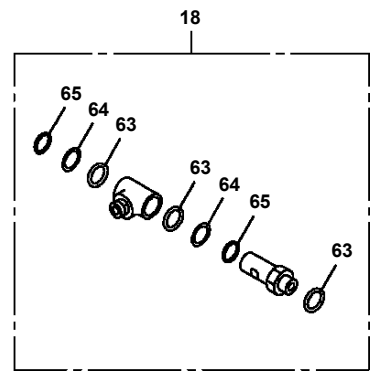
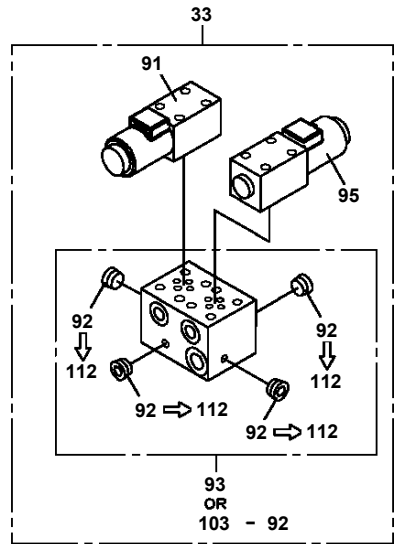
# GR-500N-2-00101 5 BOOM + 3 JIB,2M2D

Pos No.	Parts No	Parts Name	Qty	Unit	Technical Data	Serial No (Start)	Serial No (End)	Remarks	Pages
1	(*****)	PLATE,NAME (AML)	1						

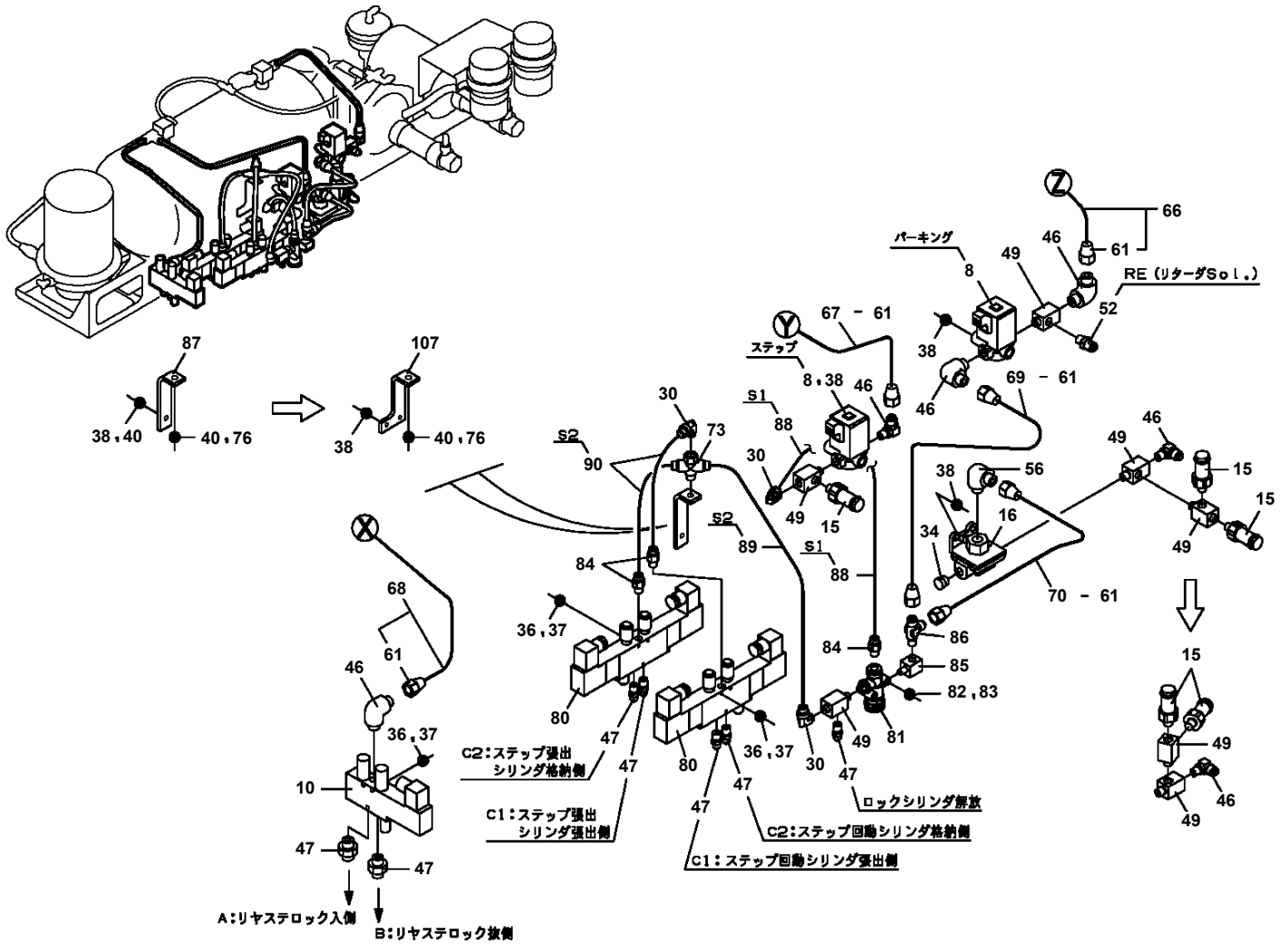
**GR-500N-2-00101 5 BOOM + 3 JIB,2M2D**  
**PP6010232-03 PIPING ASSY (JIB TILT/TELESCOPING)**



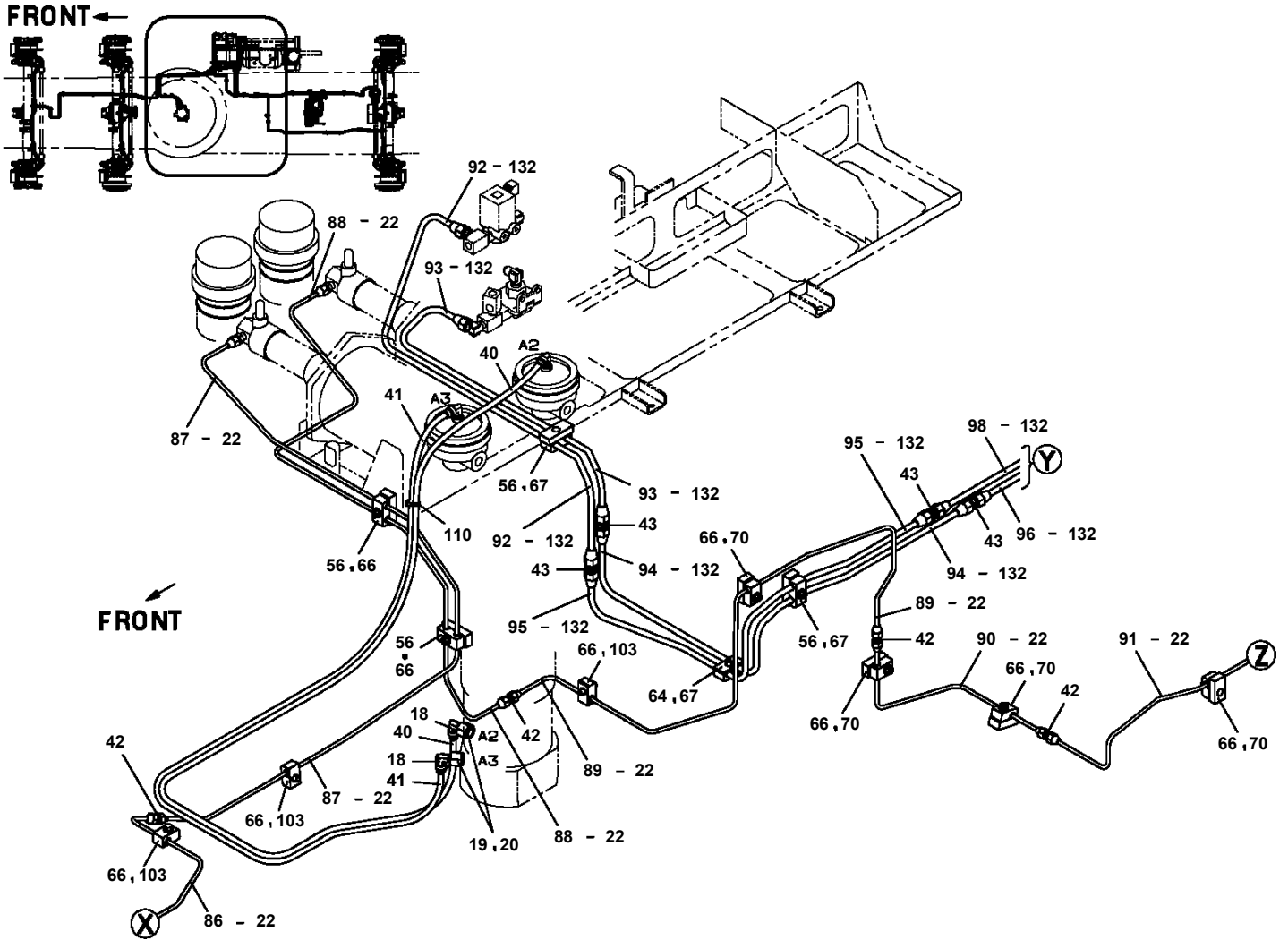
**A**



**GR-500N-2-00101 5 BOOM + 3 JIB,2M2D**  
**PP6020038-00 PIPING ASSY,AIR (SUB UNIT)**



**GR-500N-2-00101 5 BOOM + 3 JIB,2M2D**  
**PP6070035-00 PIPING ASSY,BRAKE (LOWER)**

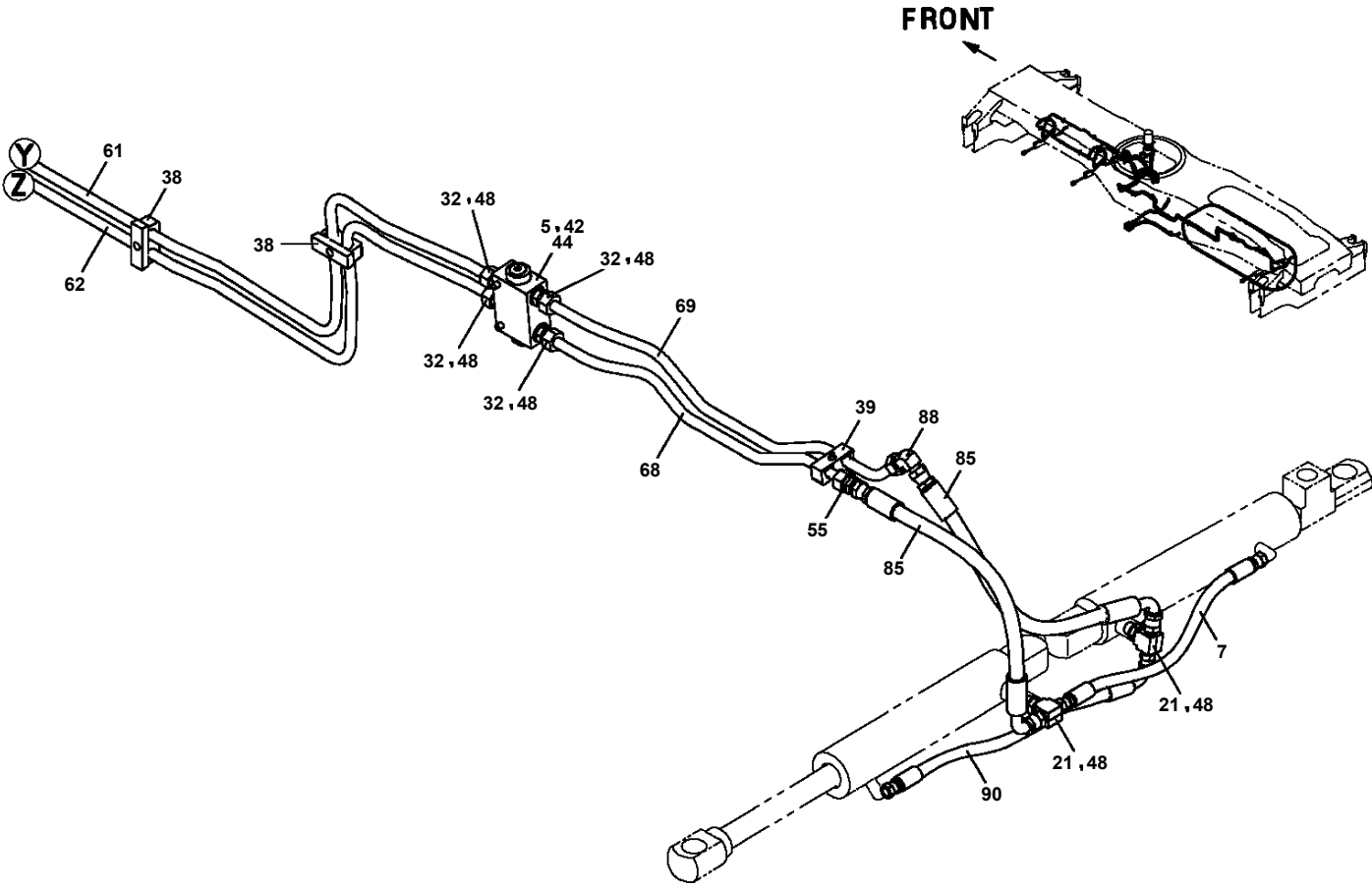


# GR-500N-2-00101 5 BOOM + 3 JIB,2M2D

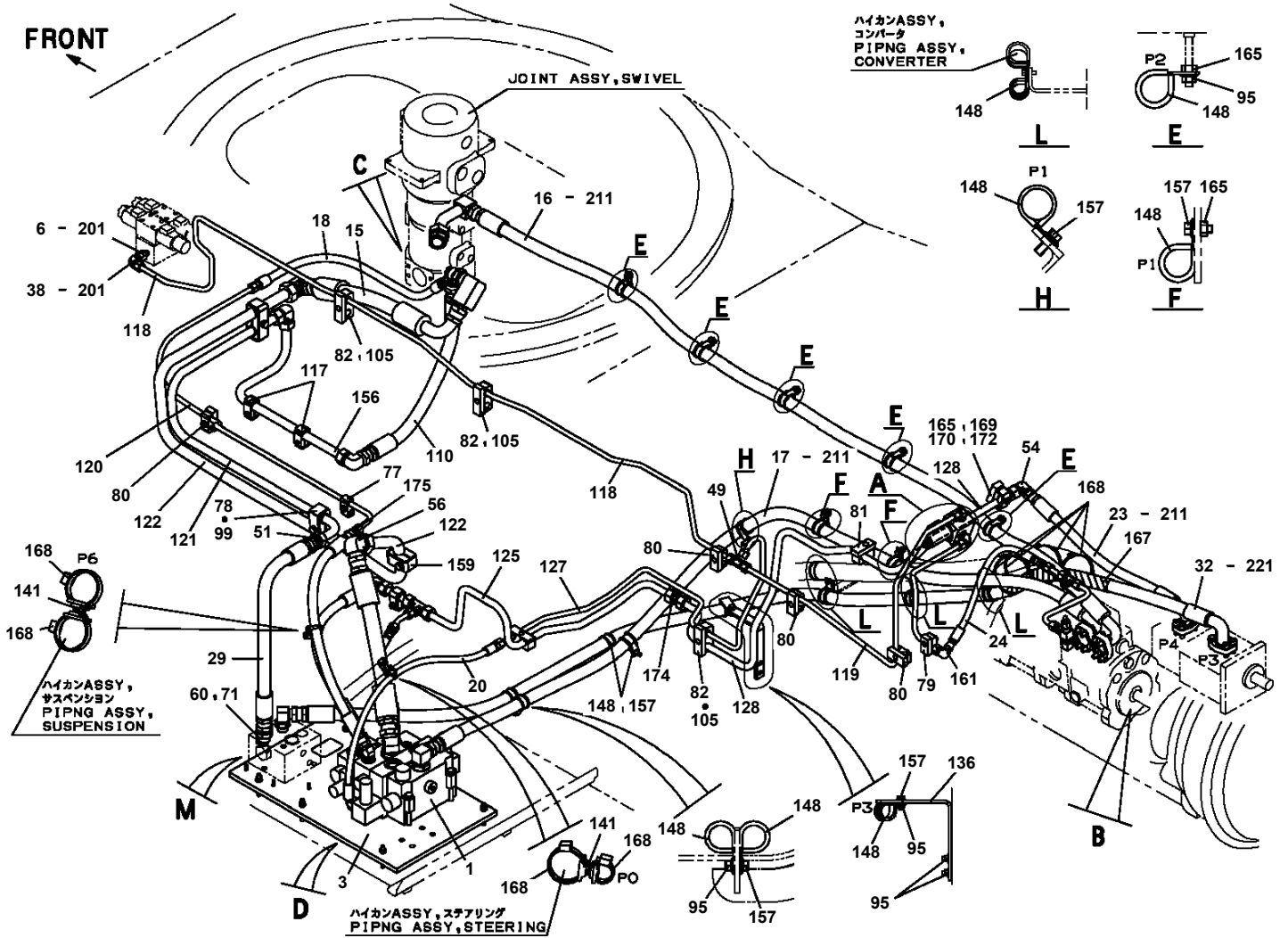
Pos No.	Parts No	Parts Name	Qty	Unit	Technical Data	Serial No (Start)	Serial No (End)
93	37000925950	JOINT	2		S,G1/4-G1/4	583239	
94	80441030906	FITTING,ELBOW	1		L,G3/8-12.7		
112	90101210018	BOLT	2		M10X18		
121	91002801100	O-RING	13		1B P11		
131	91002801800	O-RING	2		1B P18		
141	91002801400	O-RING	4		1B P14		



**GR-500N-2-00101 5 BOOM + 3 JIB,2M2D**  
**PP6290024-00 PIPING ASSY,STEERING**



**GR-500N-2-00101 5 BOOM + 3 JIB,2M2D**  
**PP6340030-00 PIPING ASSY,SWIVEL**



# GR-500N-2-00101 5 BOOM + 3 JIB,2M2D

Pos No.	Parts No	Parts Name	Qty	Unit	Technical Data	Serial No (Start)	Serial No (End)
1	34721211001	SWITCH ASSY	1				
2	80192485014	SCREW,MACHINE (WITH WASHER)	4		M5X14		

# GR-500N-2-00101 5 BOOM + 3 JIB,2M2D

Pos No.	Parts No	Parts Name	Qty	Unit	Technical Data	Serial No (Start)	Serial No (End)	Remarks	P
10	37003804440	TIRE (SNOW/MICHELIN)	1						

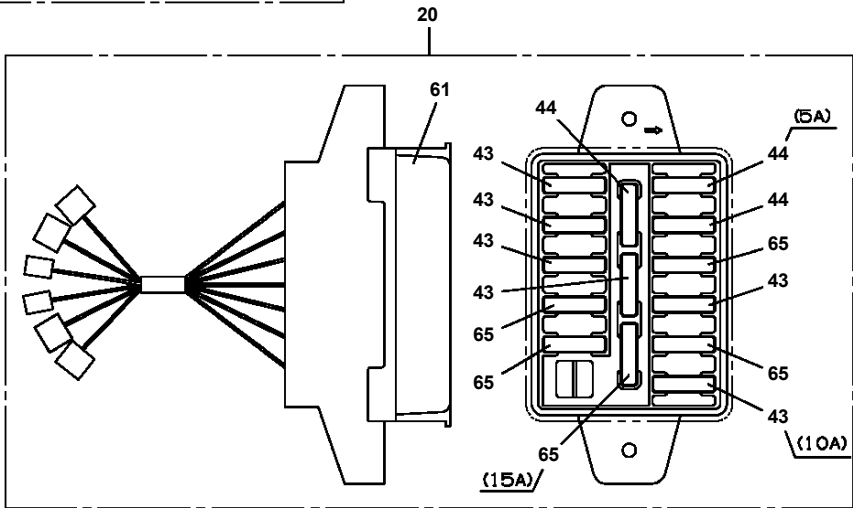
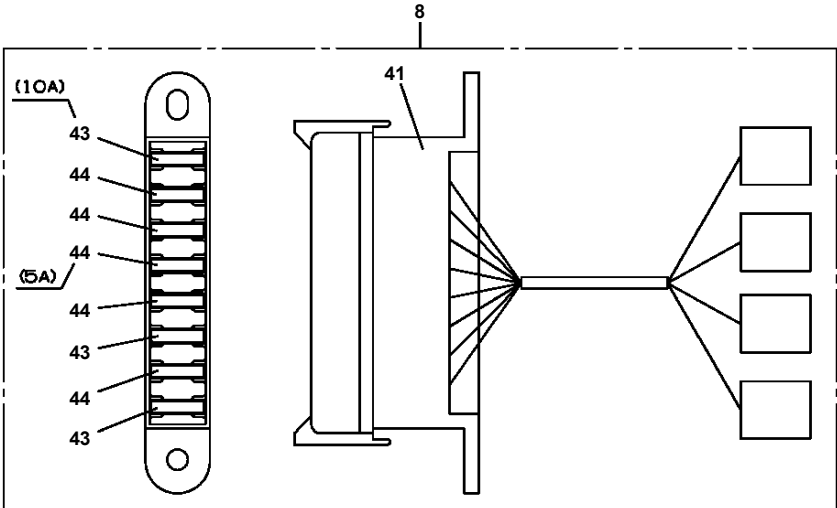
**GR-500N-2-00101 5 BOOM + 3 JIB,2M2D**

Pos No.	Parts No	Parts Name	Qty	Unit	Technical Data	Serial No (Start)	Serial No (End)	Remarks
2	36382146170	LID	1					
3	36382146180	PISTON	2					
4	36382146190	LID	2					
5	36382146200	PISTON	4					
6	36382146210	SEAL KIT	1					
7	36382146220	BOOT ASSY	1					
8	36382146230	SEAL KIT	1					
9	36382146240	BOLT	12					
10	36382146250	SEAL KIT	1					
12	36382146260	PIN	4					
13	36382146270	BOLT	4					
14	36382146280	BLEEDER	1					
15	36382146290	CAP	1					
50	36382146300	PAD KIT	1					
90	36382146310	SEAL KIT	1					
100	36382145230	AXLE (BRAKE,CALIPER)	1					

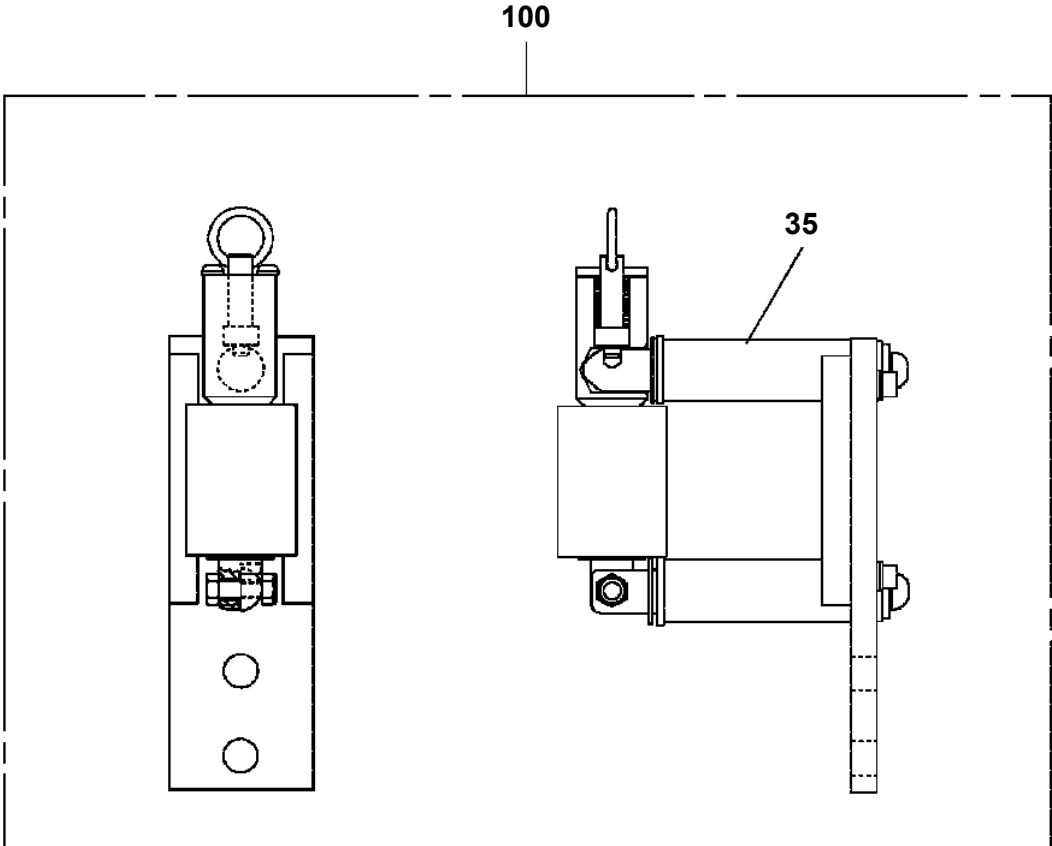
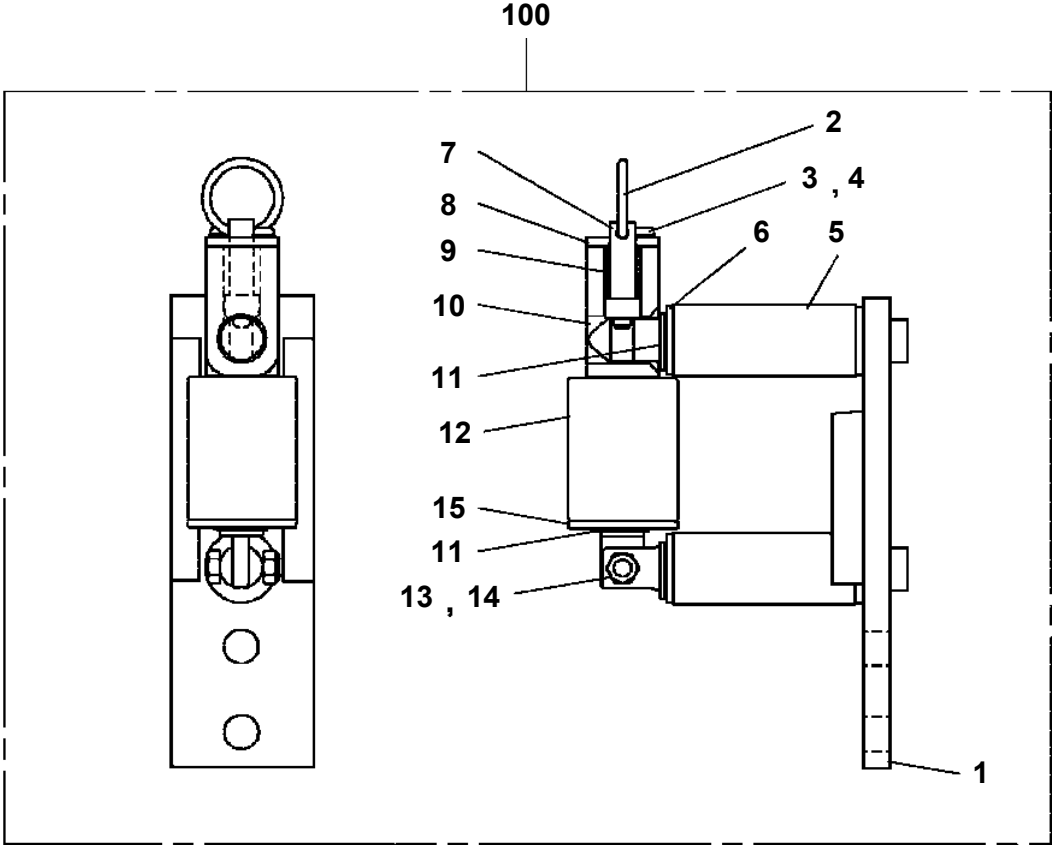
# GR-500N-2-00101 5 BOOM + 3 JIB,2M2D

Pos No.	Parts No	Parts Name	Qty	Unit	Technical Data	Serial No (Start)	Serial No (End)	Remarks
1	36161635010	FRAME ASSY	1					
2	36161115010	DRUM ASSY	1					
3	36161435020	COVER	1					
4	36160225040	CASE (BEARING)	1					
5	36710305020	BEARING,BALL	2					
6	36160225060	COLLAR (A)	1					
7	36160845030	COLLAR (B)	6					
8	36160845050	RING	6					
9	36160955050	HOLDER	1					
10	36160225100	CONTACTOR	6					
11	36161095030	PACKING	1					
12	36130235090	WASHER,SEAL	1					
13	80561100050	NUT	1		AN05			
14	80562100050	WASHER,PLAIN	1					
15	36130235100	CLAMP (CORD)	1					
16	36161325010	CLAMP (CORD)	1					
17	36161635040	CABLE ASSY (OUT PUT)	1					
18	36160225120	GROMMET	1					
19	32360005160	CLIP (NYLON)	1					
20	36161635030	CABLE ASSY (IN PUT)	1					
21	36160815050	BEARING	1					
22	36160945050	BRACKET	1					
23	36161115060	KEY	1					
24	36161435060	COVER	1					
100	36161630002	REEL ASSY,CORD	1					

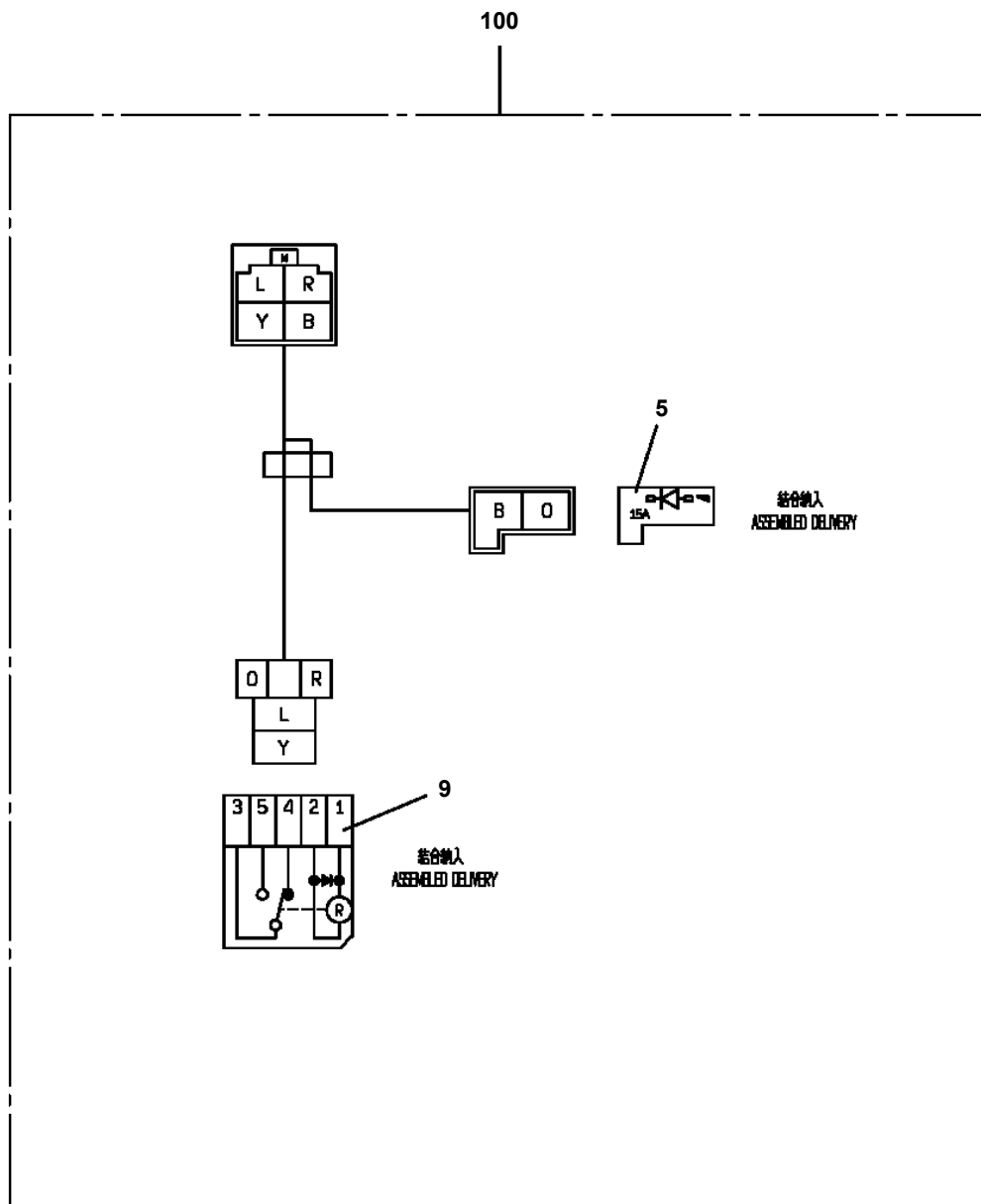
GR-500N-2-00101 5 BOOM + 3 JIB,2M2D  
PR5090161-00 RELAY ASSY (CAB)



GR-500N-2-00101 5 BOOM + 3 JIB,2M2D  
PR5150026-00 ROLLER ASSY



GR-500N-2-00101 5 BOOM + 3 JIB,2M2D  
PR5210001-00 RELAY (WITH HARNESS)



## GR-500N-2-00101 5 BOOM + 3 JIB,2M2D

Pos No.	Parts No	Parts Name	Qty	Unit	Technical Data	Serial No (Start)	Serial No (End)	Remarks	Pa
1	36063111000	CYLINDER	1						
2	80136340045	PIN,SPLIT	1		4X45				
3	90201202000	NUT	1		M20				
4	36062712000	PISTON	1						
5	91302206000	BEARING,PLAIN	2						
6	91684006000	PACKING	2						
7	91411205001	RING,BACKUP	2						
8	91002803000	O-RING	1		1B P30				
9	36063102000	ROD	1						
10	36062714000	COVER,ROD	1						
11	91002805001	O-RING	1		1B P50A				
12	91301103000	BEARING,PLAIN	1						
13	91251100300	RING,DAMPER	1						
14	91694003000	PACKING	1						
15	91410203001	RING,BACKUP	1						
16	91660003000	SEAL,DUST	1						
17	80622000300	RING,RITAINING	1		SP30				
41	36062719900	PACKING SET	1		30X60				
65	37000400990	BEARING,PLAIN	2						
72	37000402270	BEARING,PLAIN	2						
100	36063110000	CYLINDER,STEERING	1						

## GR-500N-2-00101 5 BOOM + 3 JIB,2M2D

Pos No.	Parts No	Parts Name	Qty	Unit	Technical Data	Serial No (Start)	Serial No (End)	Re
1	34721987680	BRACKET (COLUMN)	1					
2	34721987520	COLUMN ASSY	1					
3	34721987690	JOINT ASSY(UNIVERSAL JOINT)	1					
4	34721987530	NUT	1					
5	34721987540	PIN (LOCK)	1					
6	34721987550	LEVER	1					
7	34721987560	SCREW,MACHINE	1		M6X30			
8	34721987570	WASHER,TOOTH	1		M6			
9	34721987580	PIN	1					
10	34721987590	NUT	1		M10			
11	34721987600	U-NUT	1					
12	34721987610	GRIP	1					
13	34721987620	SCREW,MACHINE	2		M5X10			
14	34721987630	SPRING	2					
17	34721987650	SPRING	1					
18	34721987660	SPACER	1					
19	34721987670	WASHER,THRUST	1					
35	34721427550	BOLT	2					
36	34721427560	WASHER,SPRING	2					
51	34721987640	RACK (WITH PLATE)	1					
500	34721983301	SHAFT ASSY	1					

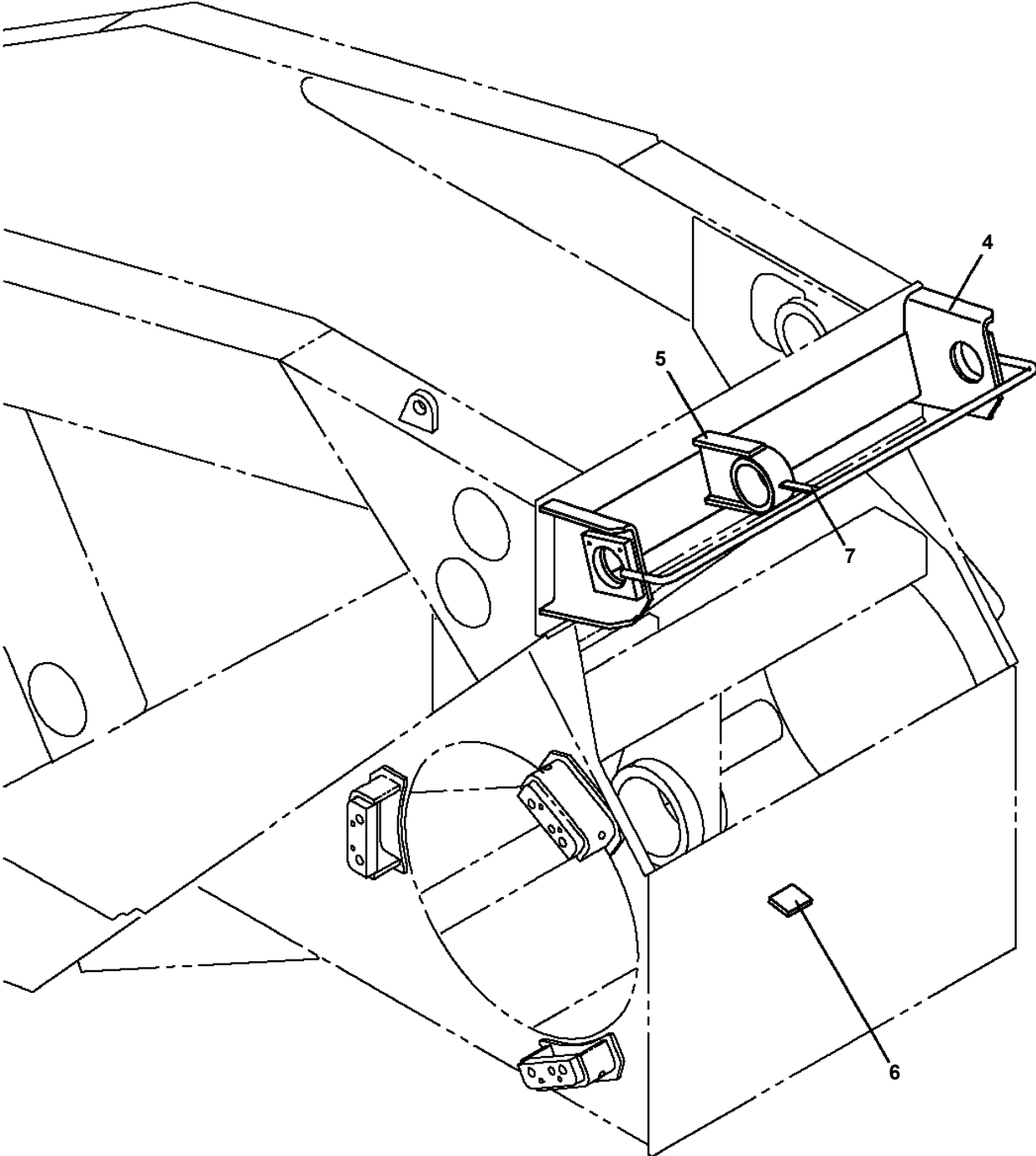
# GR-500N-2-00101 5 BOOM + 3 JIB,2M2D

Pos No.	Parts No	Parts Name	Qty	Unit	Technical Data	Serial No (Start)	Serial No (End)
100	36303781000	SHAFT ASSY,PROPELLER (JTEKT)	1				

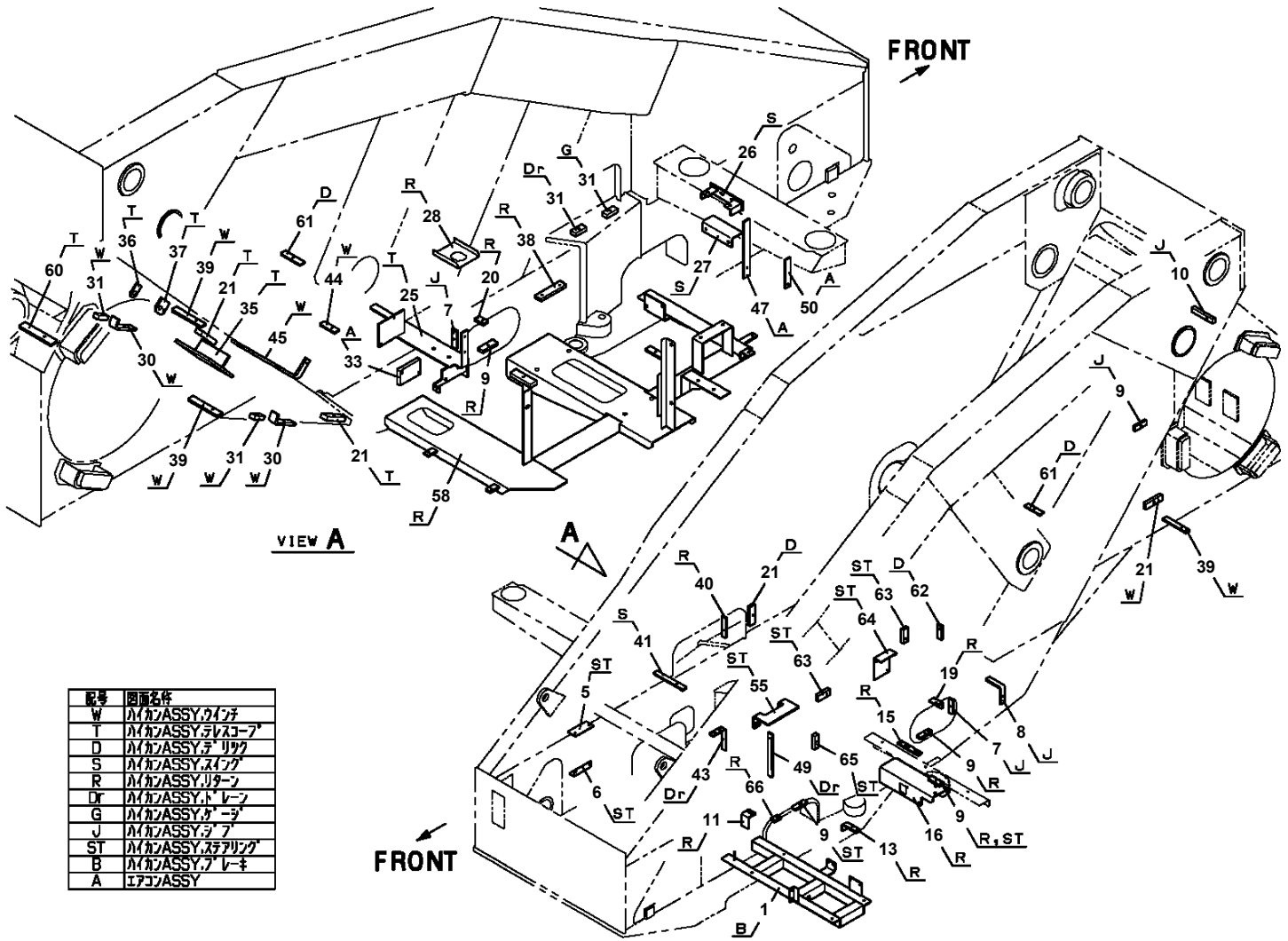
# GR-500N-2-00101 5 BOOM + 3 JIB,2M2D

Pos No.	Parts No	Parts Name	Qty	Unit	Technical Data	Serial No (Start)	Serial No (End)	Remarks	Page
1	37005600380	STEEL BASE PLATE	1						

**GR-500N-2-00101 5 BOOM + 3 JIB,2M2D**  
**PS5420226-00 SUPPORT ASSY (WINCH)**



**GR-500N-2-00101 5 BOOM + 3 JIB,2M2D**  
**PS5420360-00 SUPPORT ASSY (HYDRAULIC PARTS)**



記号	部品名
W	M/M ASSY.ワッシャー
T	M/M ASSY.ナット
D	M/M ASSY.ダイヤフラム
S	M/M ASSY.シール
R	M/M ASSY.リブ
Dr	M/M ASSY.ドリル
G	M/M ASSY.グリス
J	M/M ASSY.ジョイント
ST	M/M ASSY.ステータス
B	M/M ASSY.ボルト
A	アソビ

# GR-500N-2-00101 5 BOOM + 3 JIB,2M2D

Pos No.	Parts No	Parts Name	Qty	Unit	Technical Data	Serial No (Start)	Serial No (End)
153	34251950280	PLATE,NAME	1				583367
	34251950281	PLATE,NAME	1			583368	
172	82400000203	GROMMET	1		L=250		
173	82400000202	GROMMET	3				

# GR-500N-2-00101 5 BOOM + 3 JIB,2M2D

Pos No.	Parts No	Parts Name	Qty	Unit	Technical Data	Serial No (Start)	Serial No (End)	Remarks	Page
1	36682750000	SWITCH,PRESSURE	6						
2	91002801100	O-RING	6		1B P11				

## GR-500N-2-00101 5 BOOM + 3 JIB,2M2D

Pos No.	Parts No	Parts Name	Qty	Unit	Technical Data	Serial No (Start)	Serial No (End)	Remarks
1	34372682600	SUPPORT	1					
2	32370002110	GASKET	1					
3	32370002121	COVER	1					
4	80172303025	SCREW,MACHINE	2		M3X25			
5	90302040301	WASHER,SPRING	2		3			
6	82104102010	SWITCH,LIMIT	1					
7	32370002131	ROD	1					
8	14148373001	SPRING	1					
9	80601110180	RING,RITAINING	1		S18			
10	34371314400	SUPPORT	1					
11	90303070301	WASHER,PLAIN	2		3			
12	82116700607	CONNECTOR	1					
13	82100000013	TERMINAL	2					
14	82141921040	CABLE	1	M				
15	82122704160	CAP (PLUG)	1					
16	82100000592	TERMINAL (M40.3 TO 1.25)	2					
17	89633001000	HOSE,VINYL	1		7X8,L=1M			
18	14148375000	GROMMET	1					
19	90101208045	BOLT	2		M8X45			
20	90302040801	WASHER,SPRING	2		8			
21	82100001220	INSULATOR	2					
22	82400000201	GROMMET	1		KG-016			
30	32370009512	ROD ASSY	1					
42	32370002150	SPACER	1		L=12 TO 11			
43	80720103014	PIN,SPRING	1		3X14			
51	91001001405	O-RING	2		S-14			
100	34372922100	SWITCH (OVERWIND/JIB)	1					

# GR-500N-2-00101 5 BOOM + 3 JIB,2M2D

Pos No.	Parts No	Parts Name	Qty	Unit	Technical Data	Serial No (Start)	Serial No (End)	Remarks	Page
5	36101800041	CAP	1						
6	36101945060	RING (SLIDE)	1						
7	36101945070	COVER (RING)	1						
8	34921317510	DIAPHRAGM	1						
9	34921317530	BRACKET	1						
50	34921313000	TANK,BRAKE FLUID	1						

# GR-500N-2-00101 5 BOOM + 3 JIB,2M2D

Pos No.	Parts No	Parts Name	Qty	Unit	Technical Data	Serial No (Start)	Serial No (End)	Remarks	Page
3	36870435010	VALVE ASSY	1						
40	36870435020	CARTRIDGE	1						
59	36870365030	HEATER	1						
60	36870435030	THERMOSTAT ASSY	1						
90	36870435040	FILTER (REPAIR KIT)	1						
100	36870470000	DRIER,AIR	1						

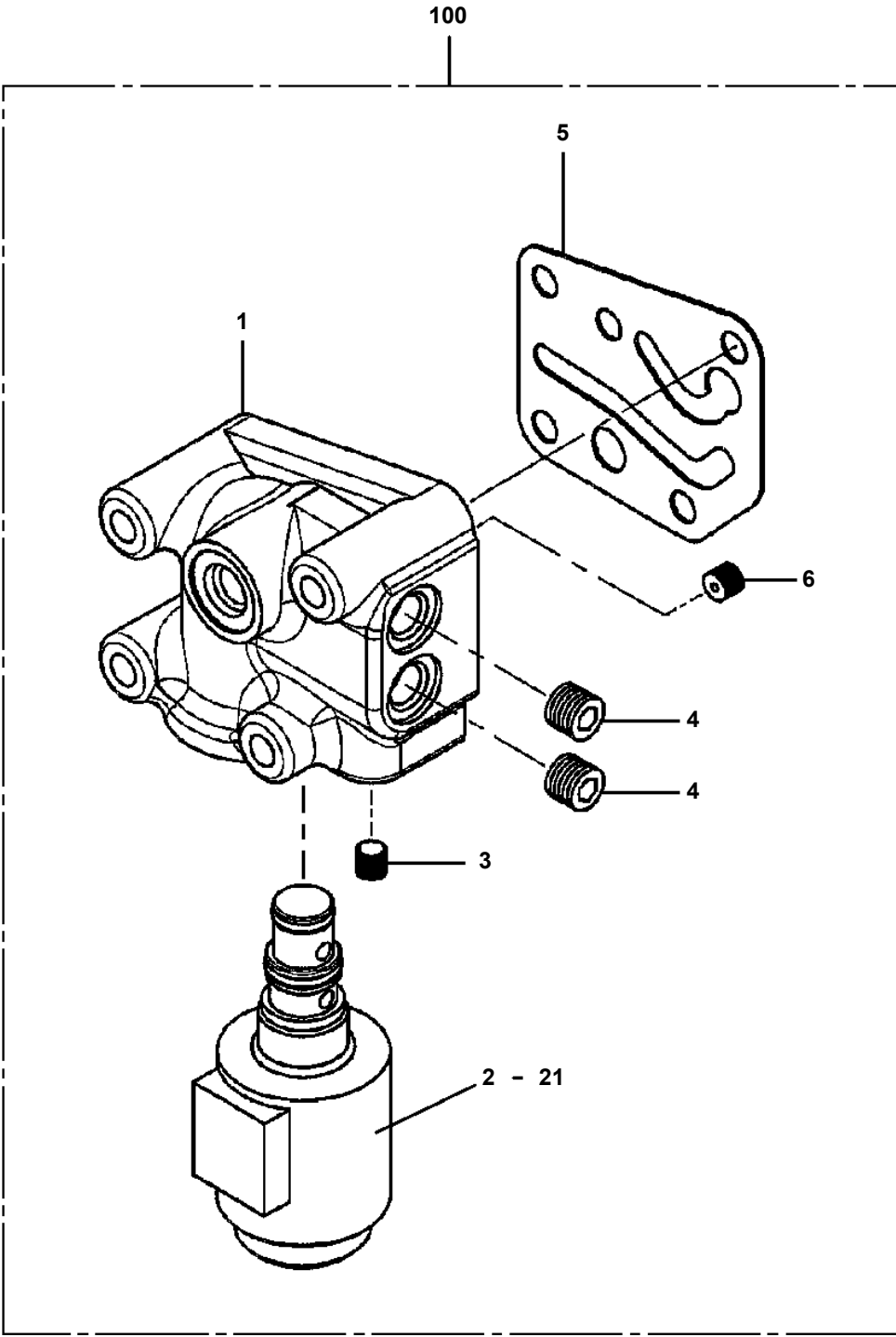
# GR-500N-2-00101 5 BOOM + 3 JIB,2M2D

Pos No.	Parts No	Parts Name	Qty	Unit	Technical Data	Serial No (Start)	Serial No (End)	Remarks	Pages
1	34260634211	TRIM	1						
2	34260882320	TRIM	1						
3	34260634230	TRIM	1						
10	34260634280	CLIP	13						
11	34260887560	HANGER	1						
12	80172803010	SCREW,MACHINE	2		M3X10				
13	34260634700	CLIP	16						
100	34260882300	TRIM ASSY	1						

## GR-500N-2-00101 5 BOOM + 3 JIB,2M2D

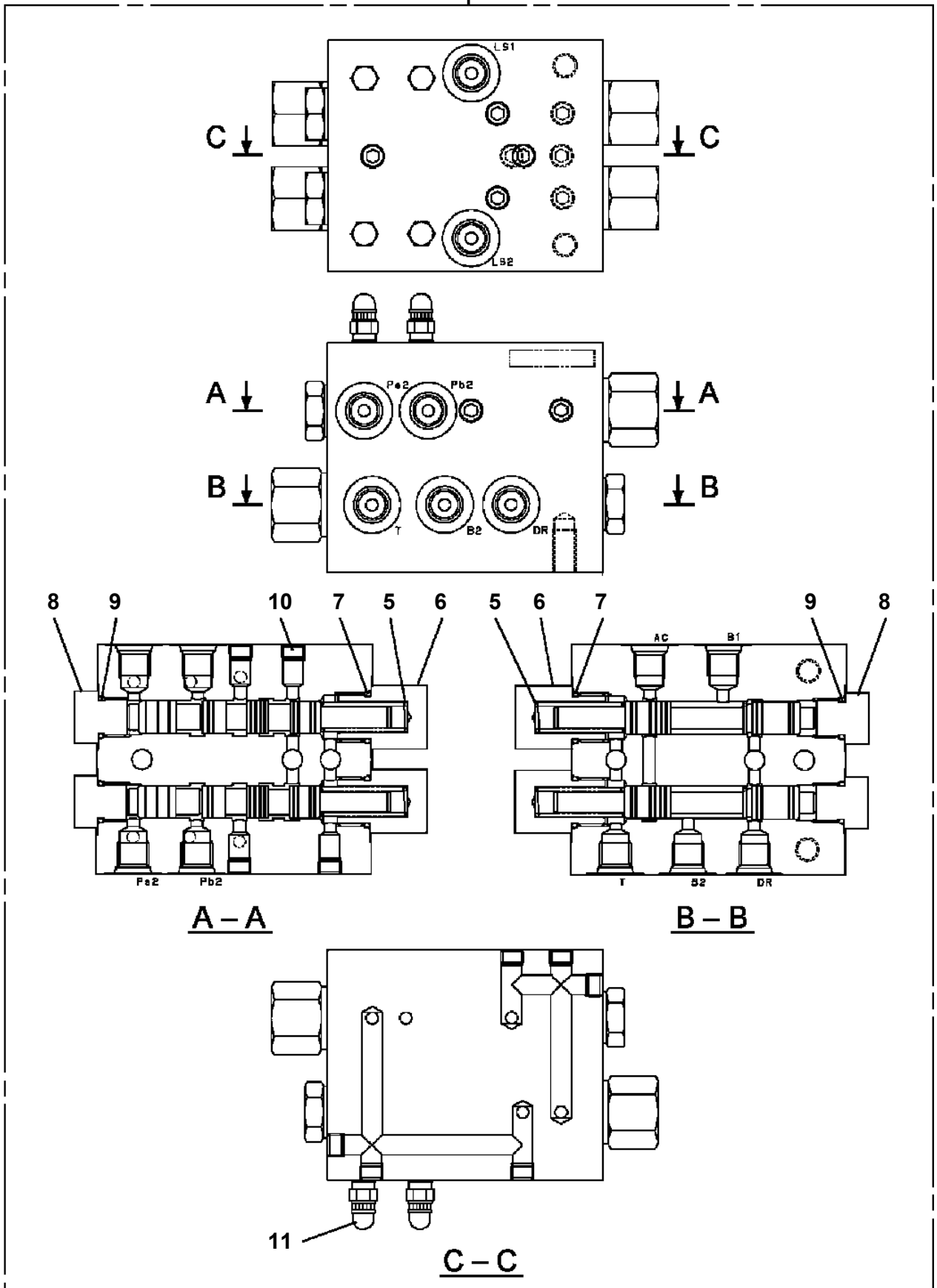
Pos No.	Parts No	Parts Name	Qty	Unit	Technical Data	Serial No (Start)	Serial No (End)	Remarks
1	36370675080	HOUSING	1					
2	36370485160	COVER	1					
3	36370205520	SEAL,OIL	1					
4	36370675090	GEAR	1					
5	80601111150	RING,RETAINING	1					
6	36370585200	SHAFT (TURBINE)	1					
7	36350267510	BEARING,BALL	1					
8	36370217050	RING,SEAL	2					
9	36370585210	SUPPORT (STATOR)	1					
10	36370585220	GEAR (P)	1					
11	36370675100	GEAR	1					
12	36370675110	SHAFT	1					
13	36370675120	SHAFT	1					
14	36370207570	RING,SEAL	1					
16	90171110030	BOLT	11		M10X30			
17	90302051001	WASHER,SPRING	11		10			
18	36370365140	RING,SEAL	1					
19	80601110450	RING,RITAINING	7		S45			
20	36370217100	WASHER	3					
21	36370217130	BEARING,BALL	1					
22	80518006209	BEARING,BALL	1					
23	80601110400	RING,RITAINING	1		S40			
24	36370207190	WASHER	1					
25	80602110950	RING,RITAINING	1		95			
26	36370217220	O-RING	3					
27	36370505180	BEARING,BALL	1					
28	80518006009	BEARING,BALL	1					
29	36370455150	WASHER	1					
30	36370207130	WASHER	1					
31	80602110820	RING,RITAINING	1		82			
32	36350365250	CHOKE	1					
33	36370585260	SPACER	1					
34	36370207290	FLANGE	1					
35	91067103500	O-RING	1		4E P35			
36	36370355130	WASHER	1					
37	90103516040	BOLT	1		M16X40			
38	36370675140	GASKET	1					
39	36370585270	COVER	1					
40	36370615120	SEAL,OIL	1					
41	36350456050	SEAL,OIL	1					
42	80601110350	RING,RITAINING	1		S35			
43	36370695210	WASHER	2					
44	36370695220	SHIM	N					
45	36370695230	SHIM	N					
46	36370585280	O-RING	1					
47	90171108020	BOLT	4		M8X20			
50	36370585300	COVER	1					
51	36370505220	BOLT ASSY	2					
52	36370675150	PLUG (MAGNET)	1					
53	36350456060	PLUG	8					
55	36370415280	PLUG	4					
56	36370615160	PLUG	2					
57	36370615180	BREATHER	1					
58	36370615170	O-RING	2					
59	36370207440	SPRING	1					
60	36370207450	PISTON	1					
61	36370305620	SPRING (PRESSURE)	1					
62	36370305610	SPRING (PRESSURE)	1					
63	36370207500	PISTON	1					
64	36370615190	PLUG	1					
65	36370615200	O-RING	1					
66	36350365760	PISTON	1					
67	36370555110	SPRING	1					

GR-500N-2-00101 5 BOOM + 3 JIB,2M2D  
PV5010040-00 VALVE ASSY



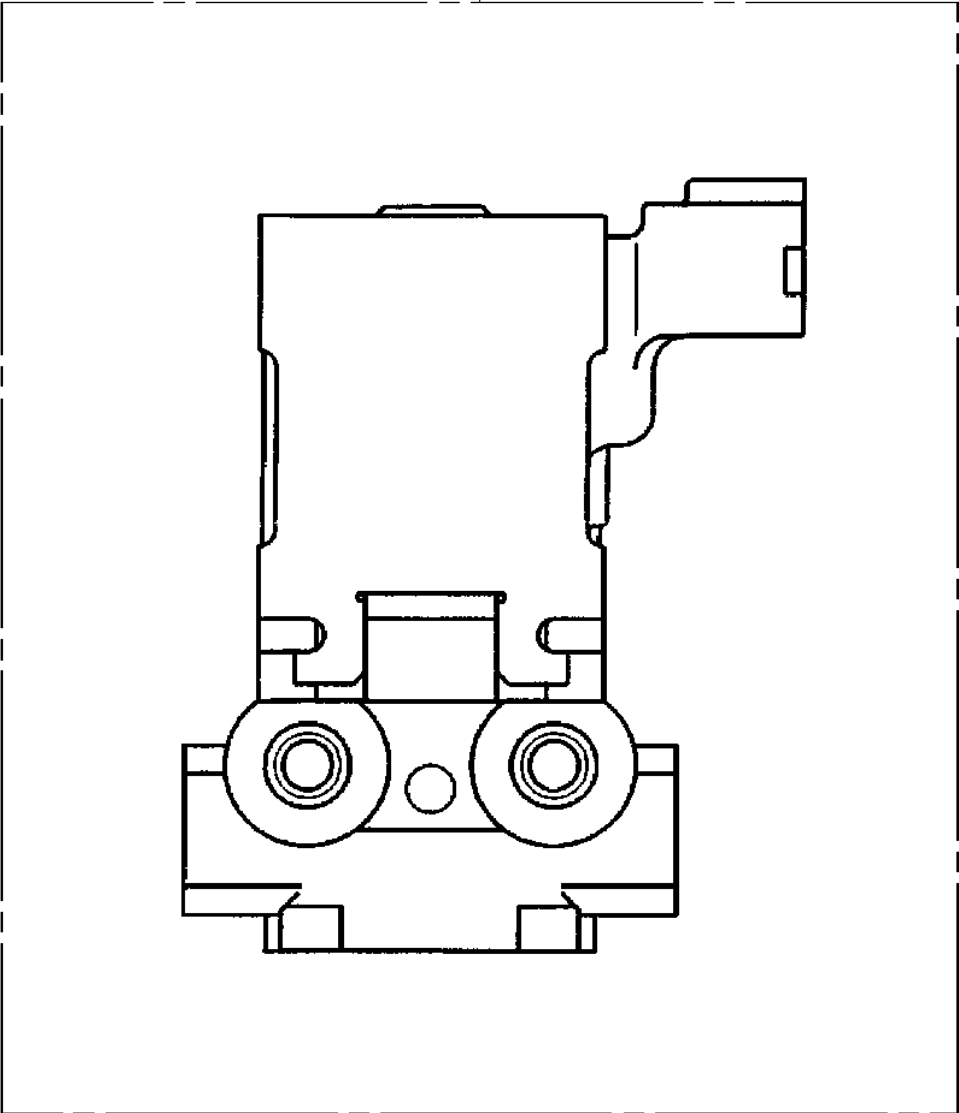
GR-500N-2-00101 5 BOOM + 3 JIB,2M2D  
PV5090001-00 VALVE ASSY, HYDRAULIC

100



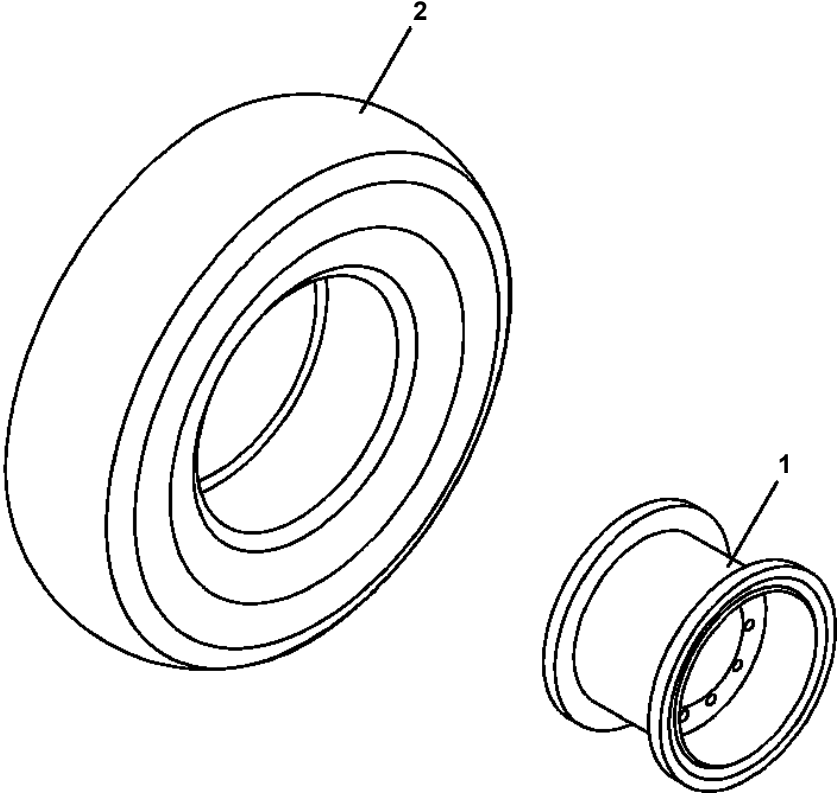
**GR-500N-2-00101 5 BOOM + 3 JIB,2M2D  
PV5240027-00 VALVE ASSY,SOLENOID**

100

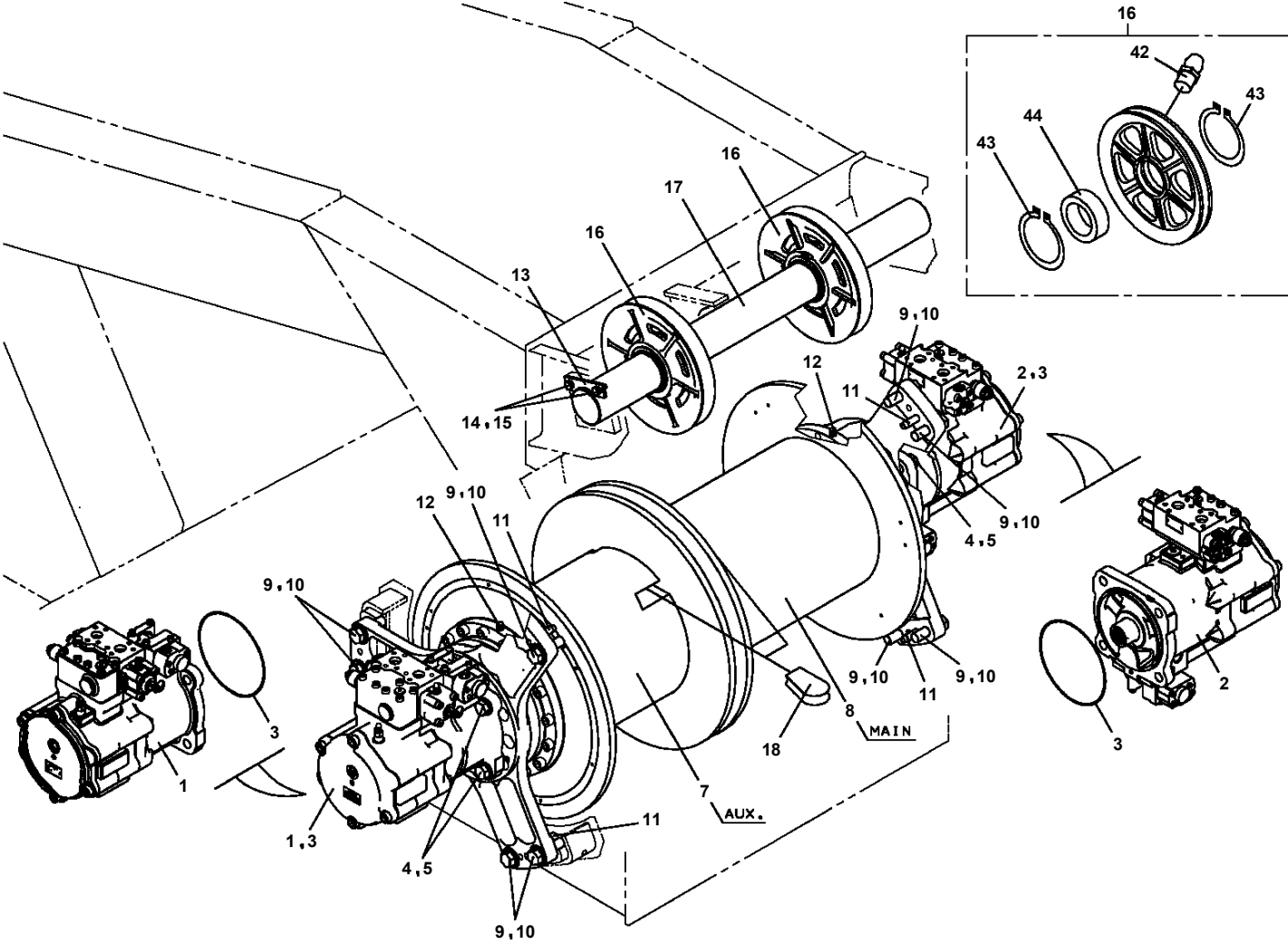




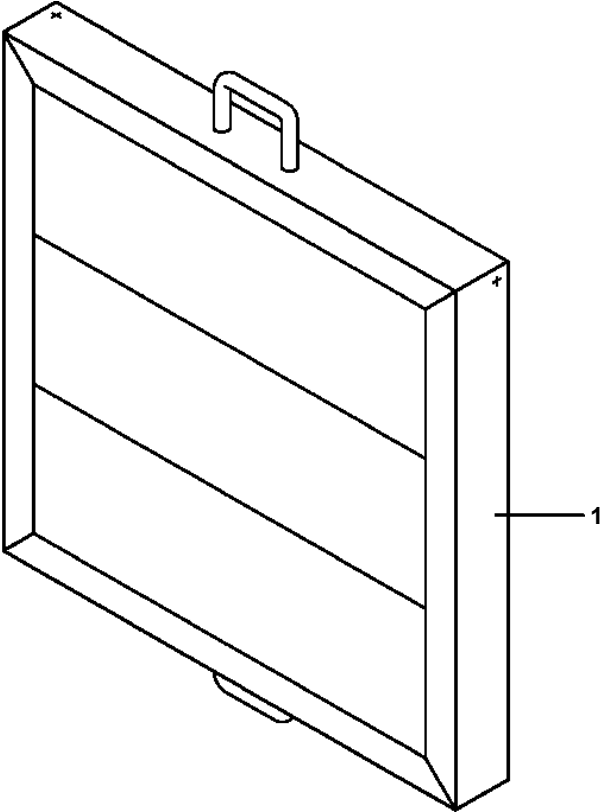
**GR-500N-2-00101 5 BOOM + 3 JIB,2M2D**  
**PW5030031-00 WHEEL ASSY (WI + MICHELIN:XSNOPPLUS)**



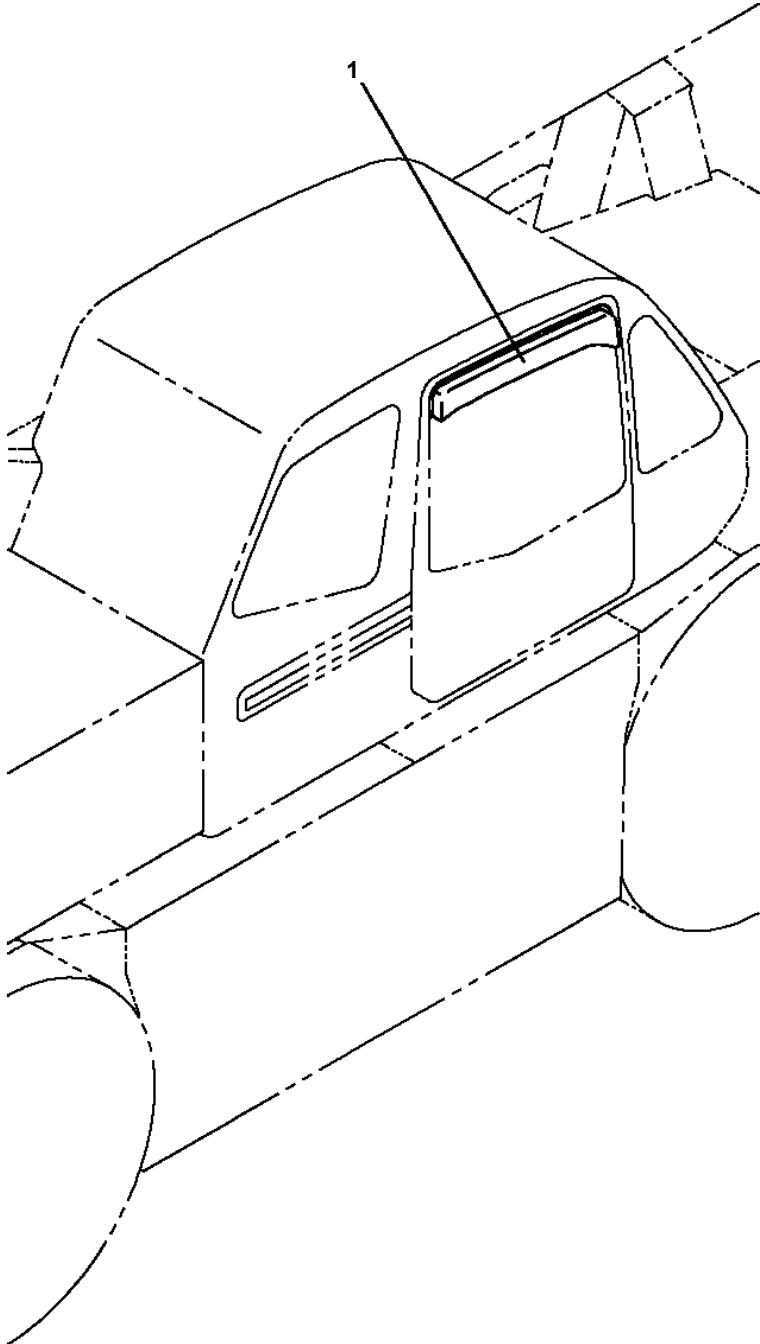
**GR-500N-2-00101 5 BOOM + 3 JIB,2M2D**  
**PW5070016-01 WINCH ASSY (MOUNT)**



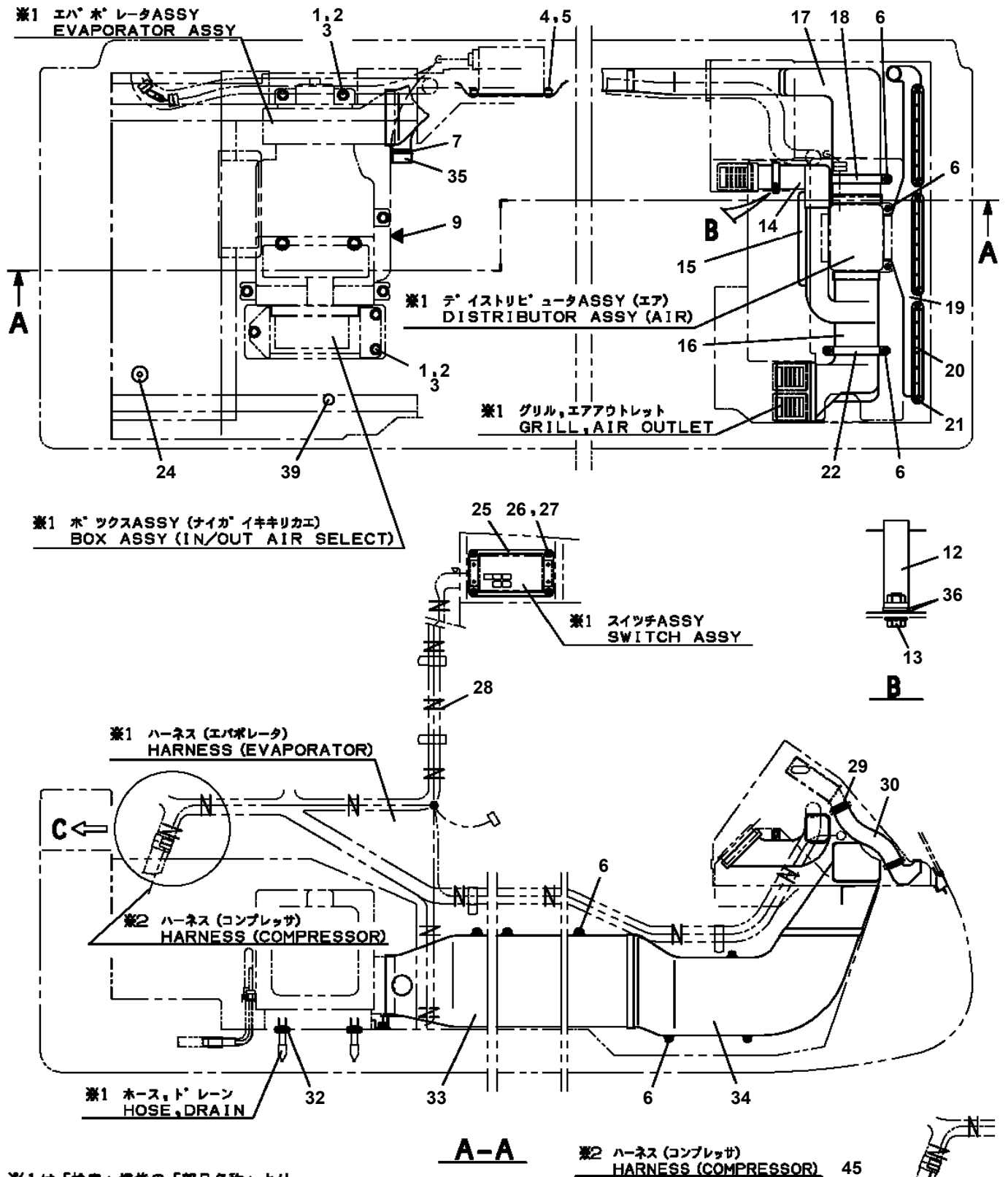
GR-500N-2-00101 5 BOOM + 3 JIB,2M2D  
PX1270144-00 WOOD BLOCK



**GR-500N-2-00101 5 BOOM + 3 JIB,2M2D  
PX1940333-00 MOUNT (SIDE VISOR)**



**GR-500N-2-00101 5 BOOM + 3 JIB,2M2D  
PX5320007-02 MOUNT ASSY, EVAPORATOR**



※1は「検索」機能の「部品名称」より「エアコンASSY (リスト/キャブ ASSYトリックアップン)」で検索 (半角カナ) してください。  
 FOR THE PART ※1, GO TO "PART NAME" IN "SEARCH" MENU AND SEARCH IN "ACCESSORY LIST (LIST/CAB ASSY PART)".

※2は「検索」機能の「部品名称」より「エアコンASSY (フックヒンリスト)」で検索 (半角カナ) してください。  
 FOR THE PART ※2, GO TO "PART NAME" IN "SEARCH" MENU AND SEARCH IN "ACCESSORY LIST (ACCESSORY LIST)".

# GR-500N-2-00101 5 BOOM + 3 JIB,2M2D

Pos No.	Parts No	Parts Name	Qty	Unit	Technical Data	Serial No (Star
85	91801630024	CLIP	4		22.6-26.0	
86	37000929220	JOINT	1		S 13-16	
88	37002517980	HOSE (RADIATOR)	1		L=100	
89	34783020100	SUPPORT	1			
90	34783190200	COVER	1			
91	90101208020	BOLT	3		M8X20	
92	90302040801	WASHER,SPRING	3		8	
93	91803600200	CLIP	2		D=13-20	
94	82100002015	CLAMP	1		WRC20	
95	82100001413	TUBE,SPIRAL	1	M	SE-15BK	
96	91804000360	CLIP	2		50-73	
	91804000360	CLIP	3		50-73	583252
98	90186208025	BOLT,FLANGE	4		M8X25	
99	34783001500	SUPPORT	1			
100	90101212020	BOLT	2		M12X20	
101	90302041201	WASHER,SPRING	2		12	
102	37000931750	JOINT	1			
103	91860100026	CLAMP	3		KCR-W26	
104	37002518740	HOSE	1		L=4150	
105	34781951002	FILTER ASSY (WATER)	1			
106	90101206055	BOLT	2		M6X55	
107	90302040601	WASHER,SPRING	2		6	
108	90303070601	WASHER,PLAIN	2		6	
109	37000931450	JOINT	1		L,R1/2-17	
110	37000931460	JOINT	1		S,R1/2-13	
135	82400000201	GROMMET	1		KG-016	
137	37002518330	HOSE	1		16,L=350	
201	(*****)	ACCESSORY LIST (ENGINE:MOUNTING PARTS)	1			
202	(*****)	AIR CONDITIONER ASSY (LIST/PUMP ASSY,WATER)	1			

CLICK HERE TO **DOWNLOAD** THE COMPLETE MANUAL

- Thank you very much for reading the preview of the manual.
- You can download the complete manual from: [www.heydownloads.com](http://www.heydownloads.com) by clicking the link below



- Please note: If there is no response to CLICKING the link, please download this PDF first and then click on it.

CLICK HERE TO **DOWNLOAD** THE COMPLETE MANUAL