

GR-500E-3-00104 4BOOM + 2 JIB,2M2D

PB5000028-00 HYDRAULIC PRESSURE SYSTEM
PB6000069-00 PIPING SYSTEM (UPPER)
PB6000070-00 PIPING SYSTEM (LOWER)
PC1000661-00 OUTRIGGER SYSTEM
PD1000643-00 SWING SYSTEM
PF1000759-00 WINCH SYSTEM
PG3000027-01 JIB SYSTEM
PG5000030-00 BOOM SYSTEM
PH5000028-00 SAFETY SYSTEM
PK1000804-00 FRAME
PK5000030-00 CAB SYSTEM
PL5000030-00 CONTROL SYSTEM
PM1000032-01 LUBRICATION DEVICES
PN1000700-00 ELECTRIC EQUIPMENT (CAB)
PN1000701-00 ELECTRIC EQUIPMENT
PO1000150-00 INDICATION PLATES
PR5000042-00 DRIVING POWER SYSTEM
PS5000022-00 STEERING & SUSPENSION
PW1000097-02 ACCESSORIES & TOOLS
PX1001285-00 MOUNTING PARTS
PY1001732-02 OPTION UNIT,1
ASSEMBLY

CLICK HERE TO **DOWNLOAD** THE COMPLETE MANUAL

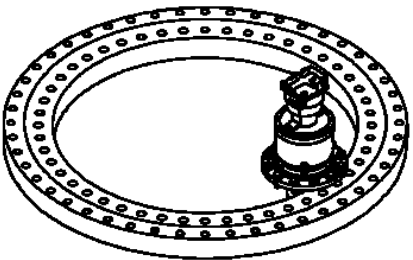
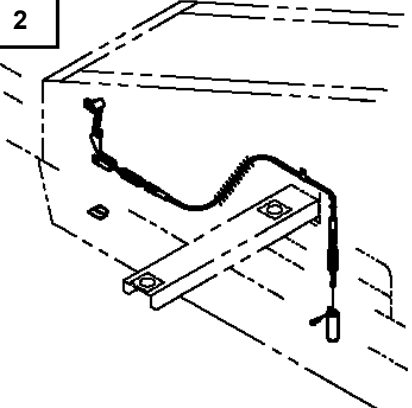
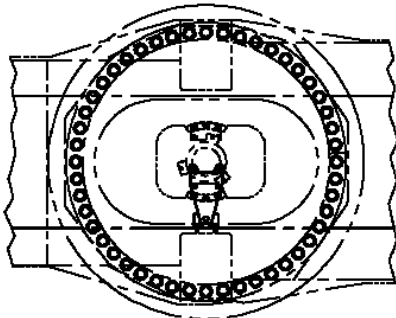
- Thank you very much for reading the preview of the manual.
- You can download the complete manual from: www.heydownloads.com by clicking the link below



- Please note: If there is no response to CLICKING the link, please download this PDF first and then click on it.

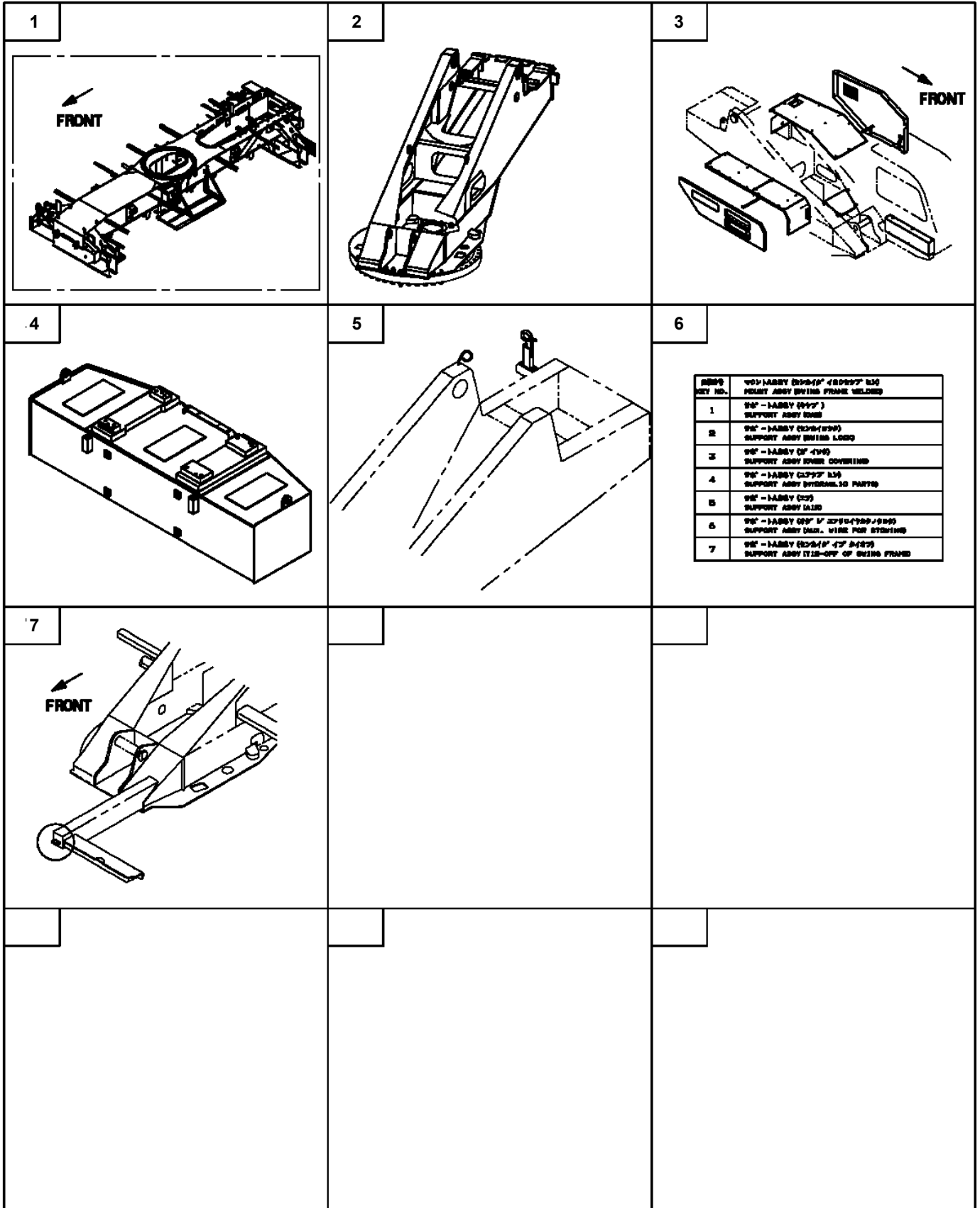
CLICK HERE TO **DOWNLOAD** THE COMPLETE MANUAL

GR-500E-3-00104 4BOOM + 2 JIB,2M2D
PD1000643-00 SWING SYSTEM

1 	2 	3 

適用製造番号によっては取り付けがないものもあります。
MACHINES OF SOME SERIAL NO. ARE NOT EQUIPPED WITH THESE PARTS.

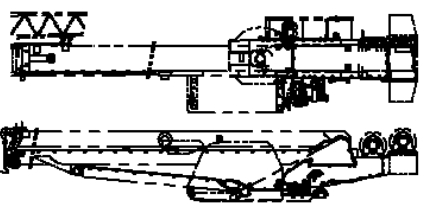
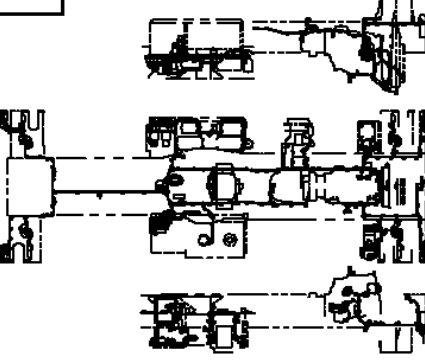
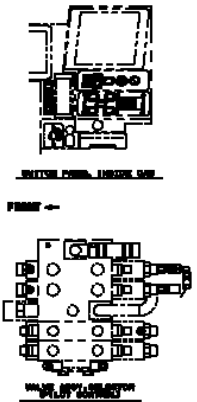
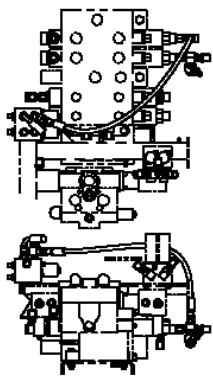
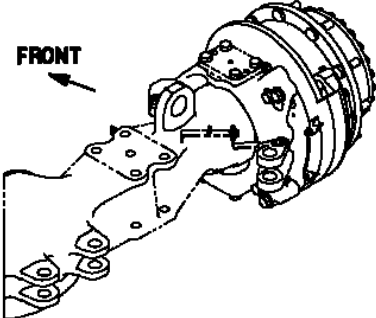
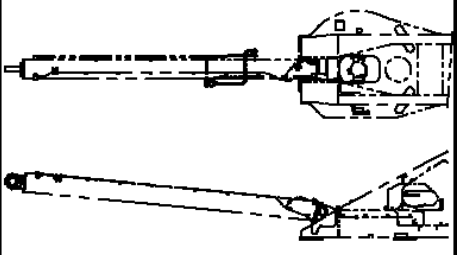
GR-500E-3-00104 4BOOM + 2 JIB,2M2D
 PK1000804-00 FRAME



適用製造番号によっては取り付けがないものもあります。

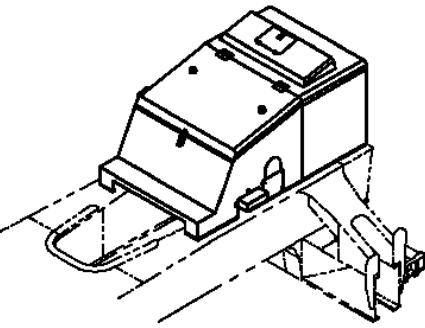
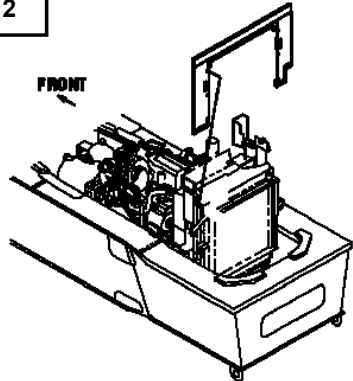
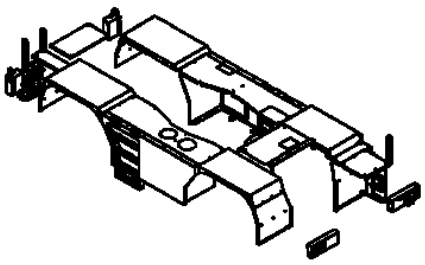
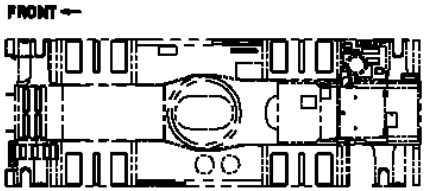
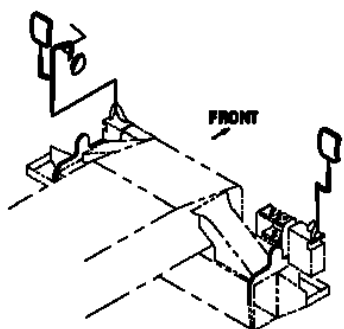
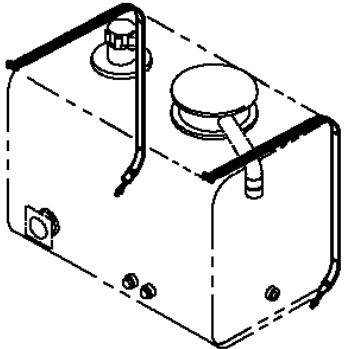
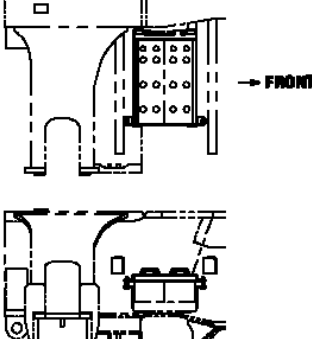
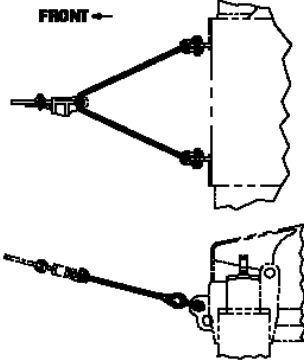
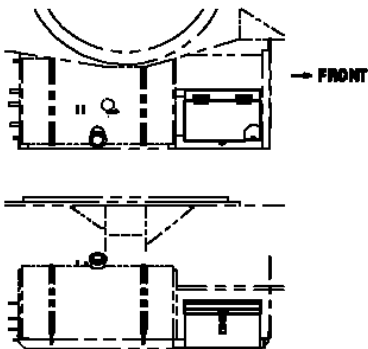
MACHINES OF SOME SERIAL NO. ARE NOT EQUIPPED WITH THESE PARTS.

GR-500E-3-00104 4BOOM + 2 JIB,2M2D
 PN1000701-00 ELECTRIC EQUIPMENT

<p>1</p> 	<p>2</p> 	<p>5</p> 
<p>7</p> <p>コントローラ (VCU) CONTROLLER (VCU)</p>	<p>8</p> <p>コントローラ (DCU2) CONTROLLER (DCU2)</p>	<p>9</p> <p>ハ ッ テ リ BATTERY</p>
<p>10</p> 	<p>13</p> <p>FRONT</p> 	<p>15</p> 

適用製造番号によっては取り付けがないものもあります。
 MACHINES OF SOME SERIAL NO. ARE NOT EQUIPPED WITH THESE PARTS.

**GR-500E-3-00104 4BOOM + 2 JIB,2M2D
PX1001285-00 MOUNTING PARTS**

<p>1</p> 	<p>2</p> 	<p>3</p> 
<p>4</p> 	<p>5</p> 	<p>6</p> 
<p>7</p> 	<p>8</p> 	<p>9</p> 

適用製造番号によっては取り付けがないものもあります。

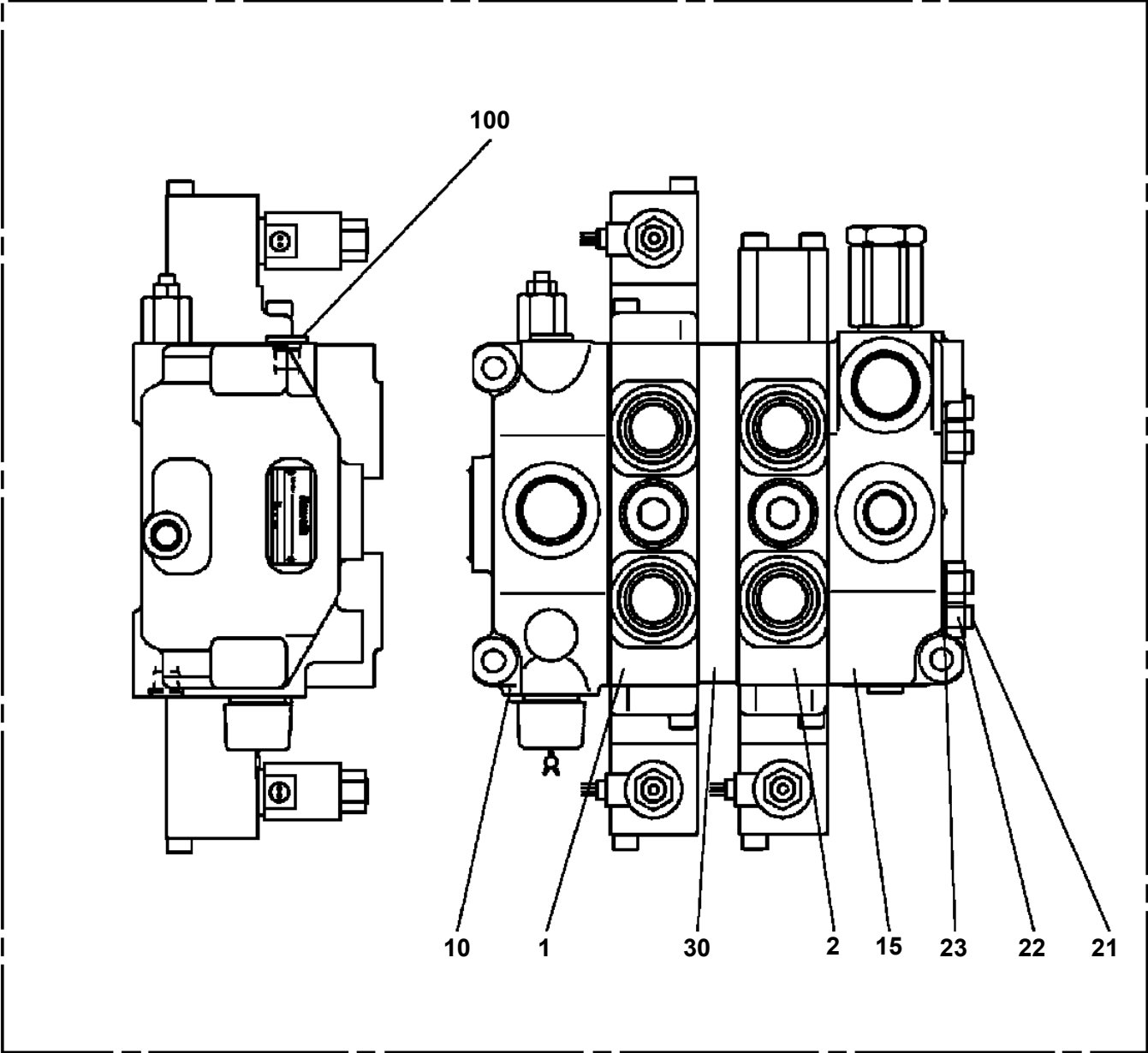
MACHINES OF SOME SERIAL NO. ARE NOT EQUIPPED WITH THESE PARTS.

GR-500E-3-00104 4BOOM + 2 JIB,2M2D

PR5170005-00 ROPE,WIRE (TSK/NON-SPIN)
PS1020007-00 WHEEL,STEERING
PS1340003-01 ORBITROL
PS1360034-04 CYLINDER,STEERING
PS1360035-03 CYLINDER,STEERING
PS1400010-01 VALVE,PRIORITY
PS5160002-00 SHAFT ASSY
PS5170001-00 SHAFT ASSY,PROPELLER (JTEKT:T/M-T/C)
PS5170002-00 SHAFT ASSY,PROPELLER
PS5220013-00 SINGLE TOP ASSY
PS5250010-00 SOCKET ASSY,ROPE
PS5340003-02 STEERING ASSY (CAB)
PS5340008-00 STEERING ASSY (LOWER)
PS5410001-00 SUNSHADE
PS5420069-00 SUPPORT ASSY (JIB)
PS5420071-00 SUPPORT ASSY (CAB)
PS5420072-00 SUPPORT ASSY (SWING LOCK)
PS5420073-00 SUPPORT ASSY (OVER COVERING)
PS5420076-00 SUPPORT ASSY (AUX. WIRE FOR STOWING)
PS5420111-00 SUPPORT ASSY (BOOM,2ND:INDICATOR ASSY)
PS5420112-00 SUPPORT ASSY (BOOM,3RD:INDICATOR ASSY)
PS5420298-00 SUPPORT ASSY (TIE-OFF OF SWING FRAME)
PS5420321-00 SUPPORT ASSY (BOOM,TOP)
PS5420322-00 SUPPORT ASSY (BOOM,BASE/LENGTH CORD)
PS5420323-00 SUPPORT ASSY (JIB)
PS5420324-01 SUPPORT ASSY (BOOM)
PS5420325-00 SUPPORT ASSY (AIR)
PS5420326-00 SUPPORT ASSY (HYDRAULIC PARTS)
PS5420327-00 SUPPORT ASSY (SWING FRAME)
PS5420334-00 SUPPORT ASSY (HEATER)
PS5420570-00 SUPPORT ASSY (JIB,0)
PS5500013-01 SWING ASSY
PS5510017-00 SWING FRAME ASSY
PS5520027-02 SWING TABLE ASSY
PS5530044-03 SWITCH ASSY (JIB HANDLING)
PS5530068-02 SWITCH ASSY (3/CAB:UPPER RIGHT SWITCH)
PS5530205-00 SWITCH ASSY (OPERATION DETECTION)
PS5530210-00 SWITCH ASSY (2/CAB:OUTRIGGER,P.T.O)
PS5530212-00 SWITCH ASSY (1/CAB:FRONT SWITCH)
PS5530213-00 SWITCH ASSY (4/CAB:FUSE)
PS5540012-02 SWITCH
PS5550008-00 SUPPORT
PS5580001-00 SHAFT (STEERING)
PT1100001-00 CHAMBER,SPRING
PT1240004-01 VALVE,BRAKE
PT1260003-03 TANK,BRAKE FLUID
PT1420011-07 BOOSTER (BRAKE)
PT1430009-00 DRIER,AIR
PT5090017-00 TANK ASSY,OIL
PT5130067-00 TELESCOPE ASSY (MOUNT)
PT5140007-00 TIRE
PT5160005-00 TOOL ASSY
PT5650002-02 TRANSMISSION ASSY
PT5710019-01 TORQUE CONVERTER ASSY
PT5710020-01 TORQUE CONVERTER ASSY (MISSION)
PU1010004-00 SPRING,LEAF
PU1050041-02 CYLINDER,SPRING LOCK
PU1050042-02 CYLINDER,SPRING LOCK
PU1100052-02 MOUNT,SUSPENSION
PU5010008-00 UNWIND CUTOFF ASSY
PV5090001-00 VALVE ASSY,HYDRAULIC
PV5170002-01 VALVE ASSY,SELECTOR
PV5170009-00 VALVE ASSY,SELECTOR
PV5240013-00 VALVE ASSY,SOLENOID

GR-500E-3-00104 4BOOM + 2 JIB,2M2D
PB1350031-00 VALVE,PILOT OPERATED CONTROL

999



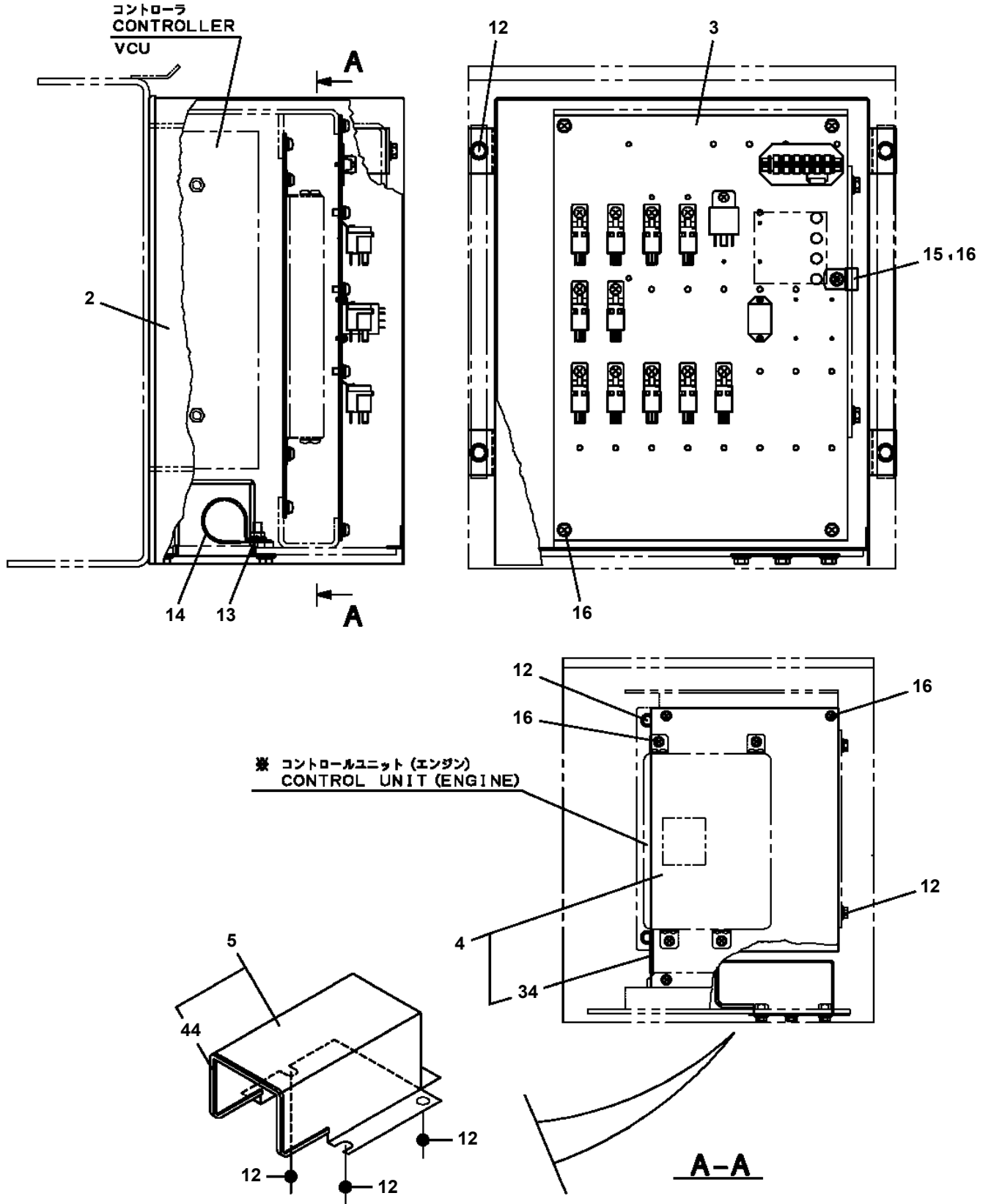
GR-500E-3-00104 4BOOM + 2 JIB,2M2D

Pos No.	Parts No	Parts Name	Qty	Unit	Technical Data	Serial No (Start)	Serial No (End)	Remarks	Pa
1	(*****)	BOOM ASSY,BASE	1						00
2	(*****)	BOOM ASSY (2ND)	1						00
3	(*****)	BOOM ASSY (3RD)	1						00
4	(*****)	BOOM ASSY, TOP	1						00
5	37001923420	ROPE,WIRE (TESAC)	1		11.2X39.37M				
	37001923410	ROPE,WIRE (J-WITEX)	1		11.2X39.37M				
6	37001923460	ROPE,WIRE (J-WITEX)	2		16X20.21M				
	37001923470	ROPE,WIRE (TESAC)	2		16X20.21M				
7	37001602730	NUT	2		M27				
8	90203202700	NUT	2		M27				
9	33201210150	SUPPORT	1						
10	37001600110	NUT	4		M33				
11	90202203300	NUT	4		M33				

GR-500E-3-00104 4BOOM + 2 JIB,2M2D

Pos No.	Parts No	Parts Name	Qty	Unit	Technical Data	Serial No (Start)	Serial No (End)	Remarks	Pages
1	34323251301	BOX	1						
2	34323251401	COVER	1						
3	34323252500	SUPPORT	1						
4	34323261600	LEVER	1						
5	34320900800	RATCHET	1						
6	34320904100	GEAR	1						
7	34321064700	ROD	1						
8	19114411000	SPRING	1						
9	80601110160	RING,RITAINING	3		16				
10	90101208025	BOLT	3		M8X25				
11	80182306030	SCREW,MACHINE	1		M6X30				
12	90201200600	NUT	1		M6				
13	80617010060	RING,GRIP	2		6				
14	80176405012	SCREW,MACHINE	5		M5X12				
15	90305260501	WASHER	5		B1-5				
16	34323261700	COVER	1						
17	90302040801	WASHER,SPRING	3		8				
18	19214024000	SPRING	1						
19	80176404012	SCREW,MACHINE	2		M4X12				
20	90305260401	WASHER	2		4				
100	34323252101	BOX ASSY (RIGHT)	1						

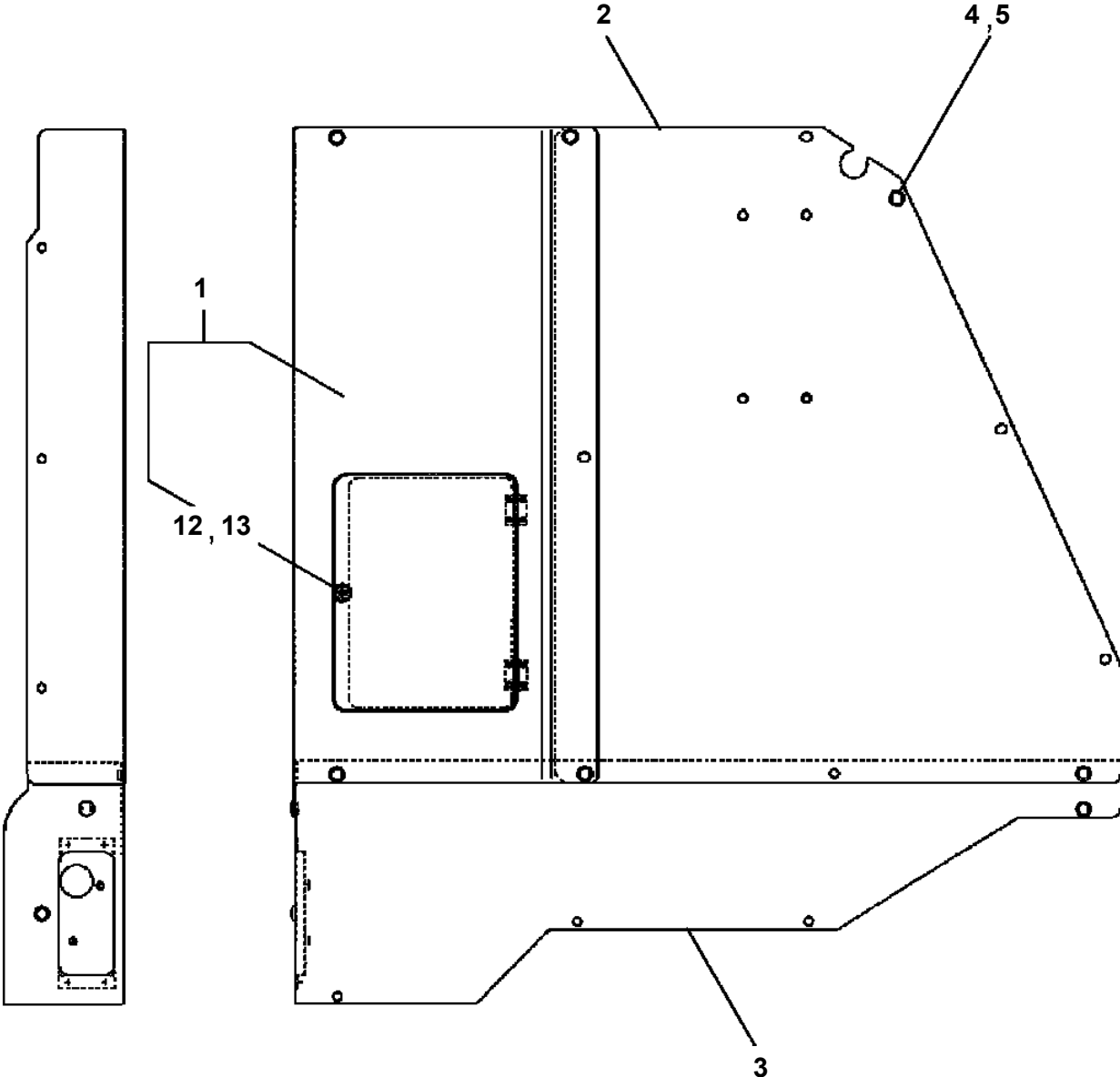
GR-500E-3-00104 4BOOM + 2 JIB,2M2D
PB5260115-01 BOX ASSY (VCU)



※材はエンジンASSY [付属品リスト (電装品)] より検索してください。

FOR THE PART ※, SEE THE CORRESPONDING
ENGINE ASSY * ACCESSORY LIST (ELECTRICAL DEVICE) .*

GR-500E-3-00104 4BOOM + 2 JIB,2M2D
PC5010065-00 CAB ASSY (FUSEBOX COVER)



GR-500E-3-00104 4BOOM + 2 JIB,2M2D

Pos No.	Parts No	Parts Name	Qty	Unit	Technical Data	Serial No (Start)	Serial No
72	80185308035	SCREW,MACHINE	2		M8X35		
73	90302040801	WASHER,SPRING	2		8		
74	90304110801	WASHER,TOOTH	2		8		
75	90201200800	NUT	2		M8		
76	34260957670	COVER (WEATHER STRIP)	1				
77	80192486016	SCREW,MACHINE	2		M6X16		
78	34260957680	TRIM	1				
79	34260957813	CLIP	6				
80	34260957690	COVER	1				
81	80192484012	SCREW,MACHINE (WITH WASHER)	3		M4X12		
82	34260957700	COVER	2				
83	90915040125	SCREW,TAPPING	8		M4X12		
84	34260957710	COVER (WIPER MOTOR)	1				
85	80192486012	SCREW,MACHINE	7		M6X12		
86	34260957720	SUPPORT ASSY	1				
87	99164008020	BOLT (M8X20)	2				
88	34260957793	DOOR ASSY (CAB)	1				
136	82100000951	GROMMET	2				
137	34260952310	JUNCTION (BODY SIDE)	1				
138	34260957730	RUBBER	1				
139	34261817580	GROMMET (C-30NG-79-F)	1				
140	34260957814	COVER (SPEAKER)	1				
141	90915040125	SCREW,TAPPING	4		M4X12		
142	34260957760	COVER	1				
143	99164008010	BOLT (M8X10)	8				
145	34261817560	SHIM	1				
146	34261817570	SCREW	2		M6X18		
147	34261552400	SUPPORT	2				
148	90303360601	WASHER,PLAIN	2		6		
151	34260237501	RUBBER (BLADE,WIPER)	2		L=700		

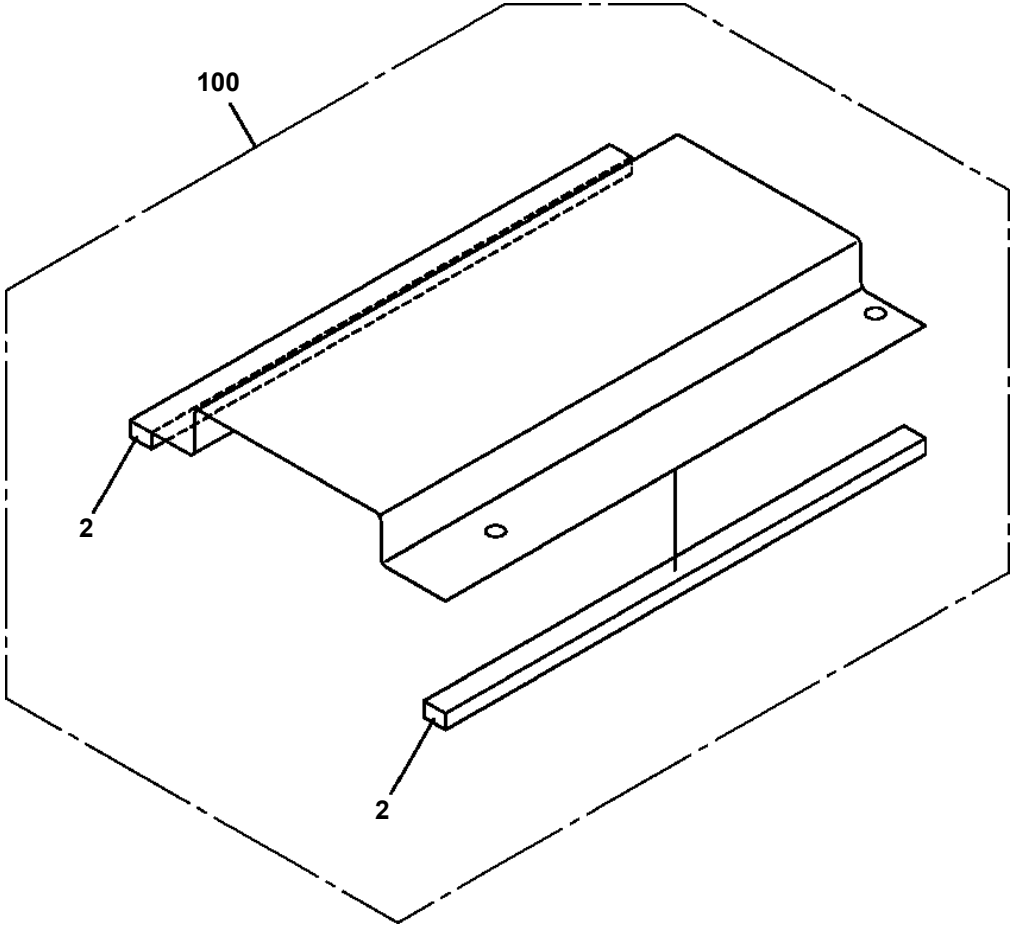
GR-500E-3-00104 4BOOM + 2 JIB,2M2D

Pos No.	Parts No	Parts Name	Qty	Unit	Technical Data	Serial No (Start)	Serial No (End)	Remark
1	36370635060	SHAFT ASSY	1					
2	36350365950	RING,SEAL	1					
3	36370217050	RING,SEAL	1					
4	36370485330	PISTON ASSY	1					
8	36370485340	RING,RETAINING	1					
9	36370365240	SPRING	1					
10	36350297140	WASHER	1					
11	80601110450	RING,RITAINING	1		S45			
12	36370505250	GEAR (P)	1					
13	80602110720	RING,RITAINING	1		R72			
14	36370208140	BEARING,BALL	2					
15	36350277130	WASHER,THRUST	1					
16	80518006209	BEARING,BALL	1					
17	80500006914	BEARING,BALL	1					
18	36370515220	RING,RETAINING	1					
19	36370395100	RING,SEAL	3					
20	80601110500	RING,RITAINING	1		S50			
21	36370395110	CAP	1					
50	36370505260	DISK KIT	1					
500	36370635020	CLUTCH,POWER TAKE OFF	1					

GR-500E-3-00104 4BOOM + 2 JIB,2M2D

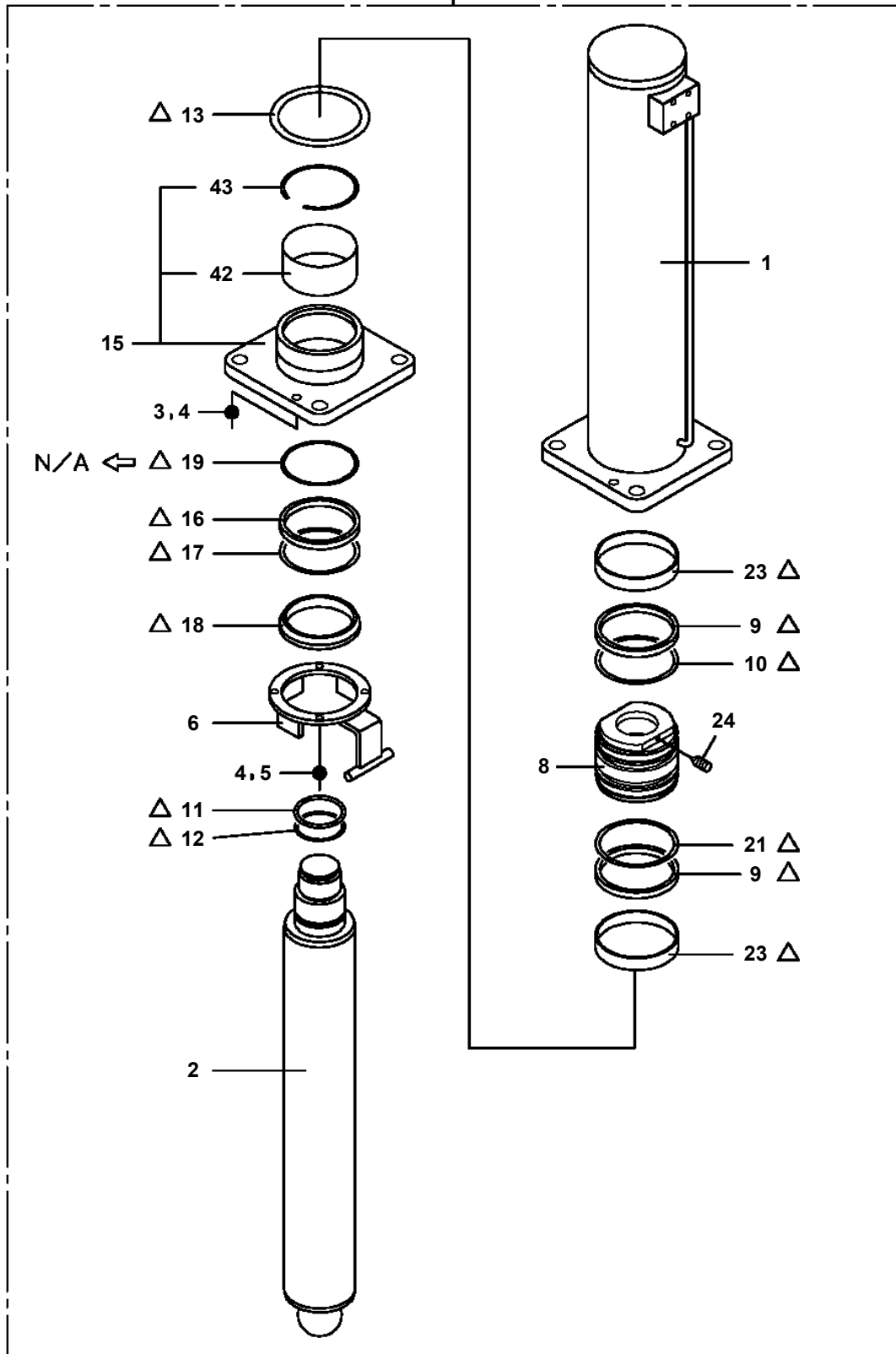
Pos No.	Parts No	Parts Name	Qty	Unit	Technical Data	Serial No (Start)	Serial No (End)	Remarks	Pages
4	36330025070	PLUG	1		M18X2				
6	36330235040	HOSE	1						
100	36690390000	COOLER ASSY,OIL	1						

GR-500E-3-00104 4BOOM + 2 JIB,2M2D
PC5700047-00 COVER



GR-500E-3-00104 4BOOM + 2 JIB,2M2D
 PC6390025-02 CYLINDER ASSY,JACK

100



△:PACKING SET KEY NO. 80 (KEY NO.9,10,11,12,13,16,17,18,19,21,23)



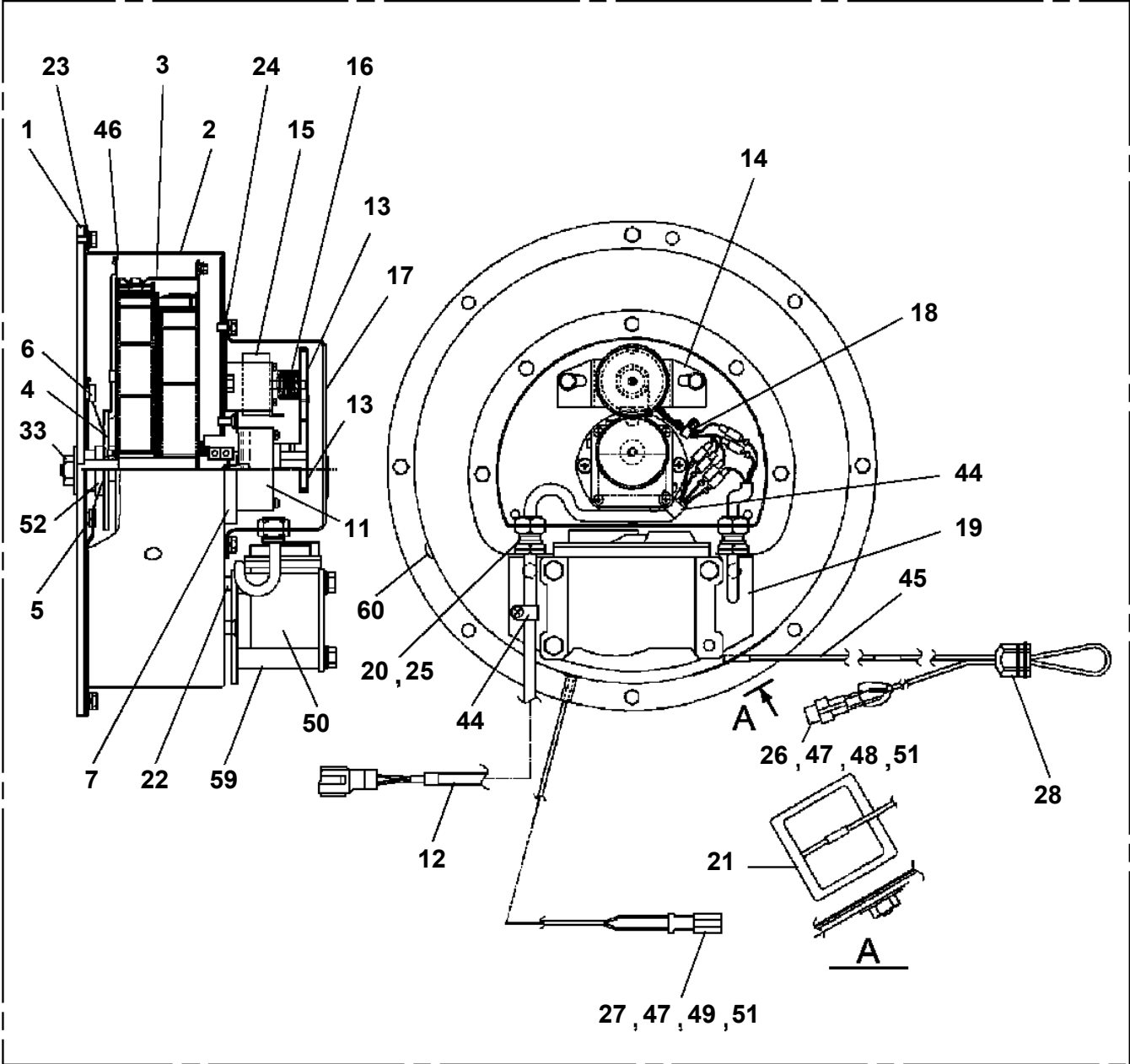
△:PACKING SET KEY NO. 81 (KEY NO.9,10,11,12,13,16,17,18,19,21,23)



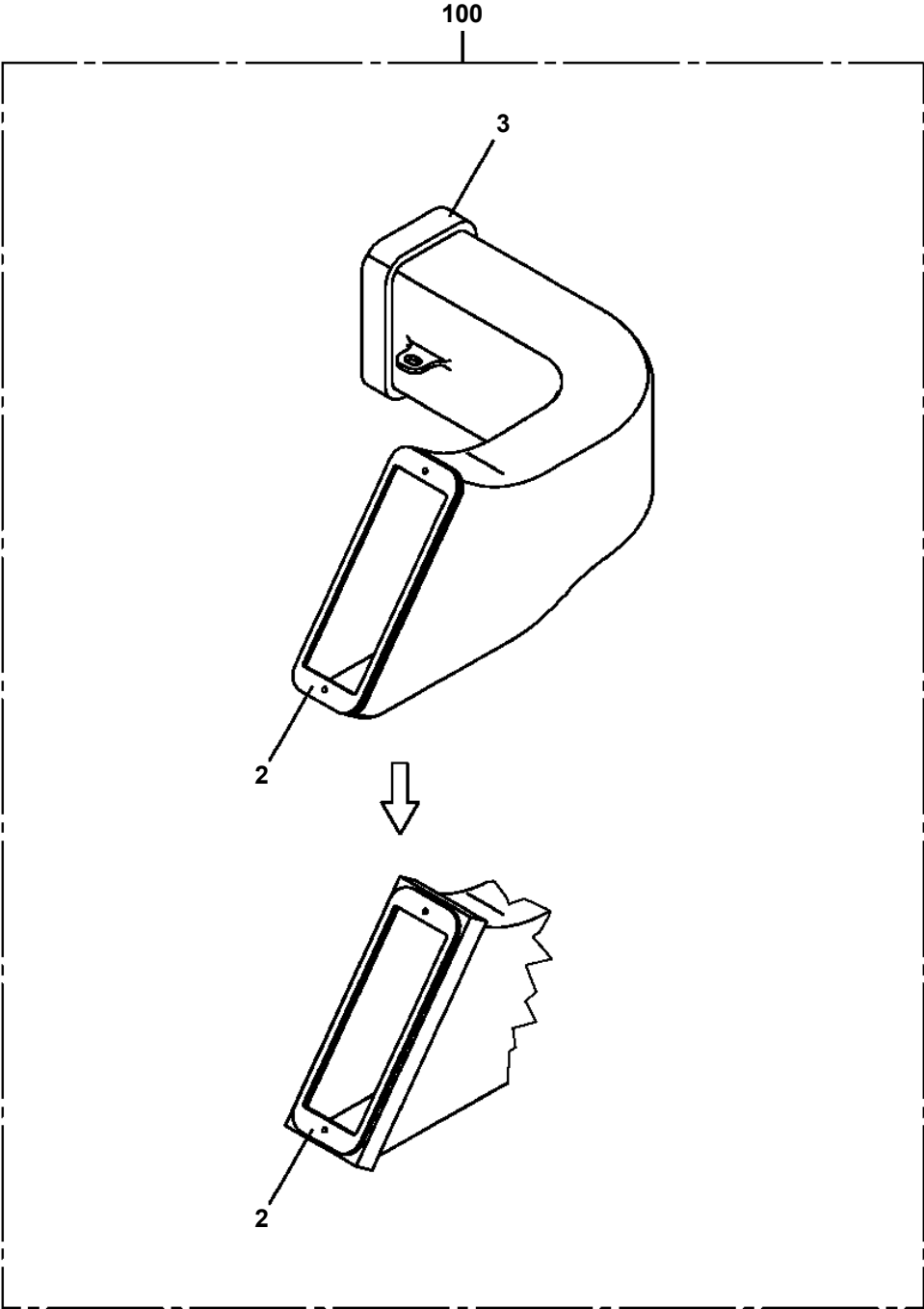
△:PACKING SET KEY NO. 82 (KEY NO.9,10,11,12,13,16,17,18,21,23)

GR-500E-3-00104 4BOOM + 2 JIB,2M2D
PD5080017-00 DETECTOR ASSY,LENGTH (BOOM)

100



GR-500E-3-00104 4BOOM + 2 JIB,2M2D
PD5360005-00 DUCT



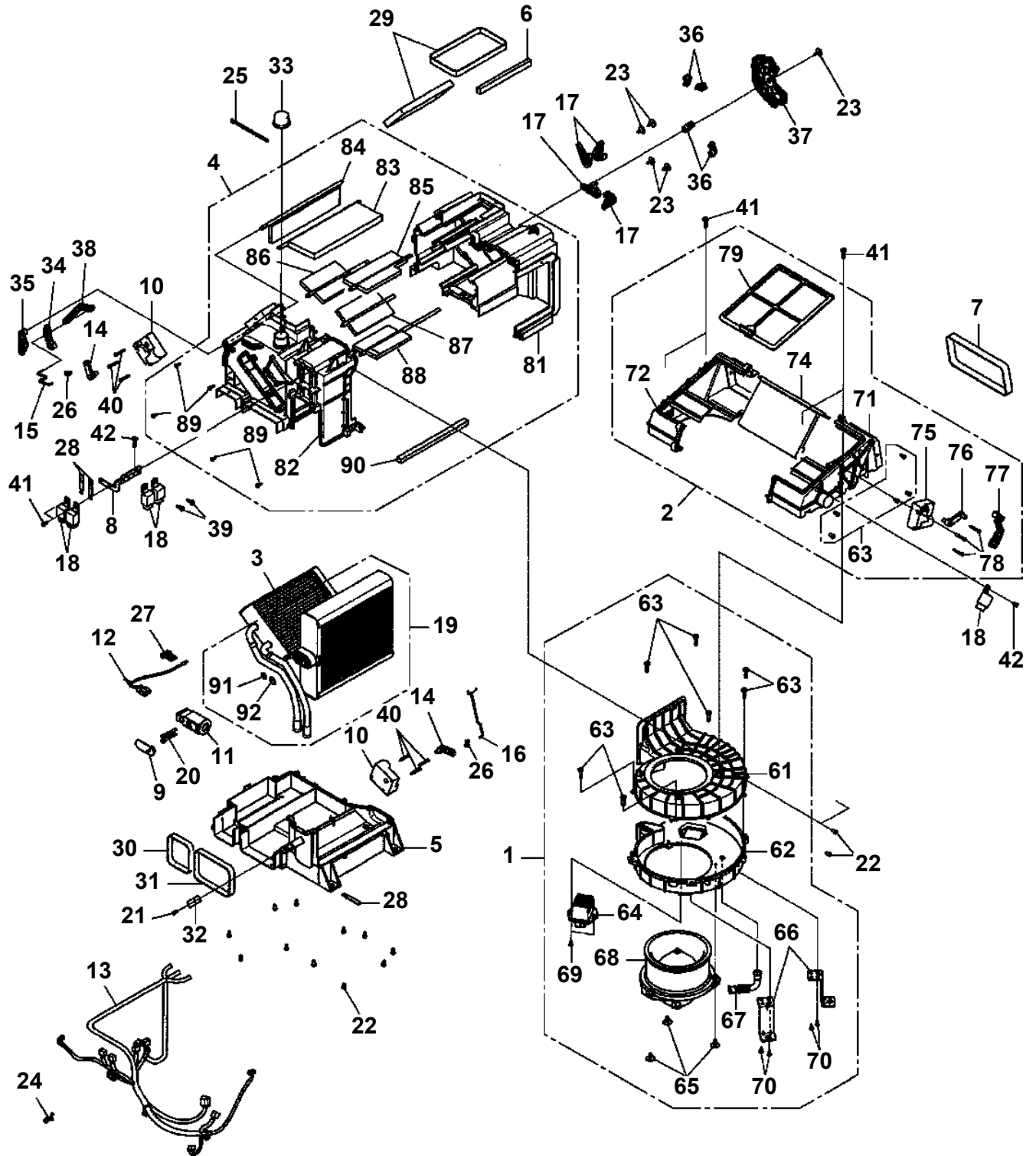
GR-500E-3-00104 4BOOM + 2 JIB,2M2D

Pos No.	Parts No	Parts Name	Qty	Unit	Technical Data	Serial No (Start)	Serial No (End)
1	91810130240	FASTENER	6				
2	34510952100	BOX	1				
3	34511252020	PLATE,NAME (ENGINE PRE-HEATER)	1				
4	90280200600	NUT,FLANGE	4		M6		
5	82100002006	CLAMP	4		WR10		
6	90186208020	BOLT,FLANGE	2		M8X20		
7	90186206010	BOLT,FLANGE	1		M6X10		
8	82100002010	CLAMP	1		WR15		
9	34511382100	HARNESS (HEATER)	1				
10	34511252010	PLATE,CAUTION (IF THE HEATER IS)	1				
11	80192486016	SCREW,MACHINE	1		M6X16		
34	82464110004	HINGE	1				
35	82400000370	CATCH	1				
36	80147310420	RIVET	4		3.2X6		
37	90303070301	WASHER,PLAIN	4		3		
38	80175304008	SCREW,MACHINE	4		M4X8		
40	90240200400	NUT,CAP	4		M4		
43	82400000201	GROMMET	1		KG-016		
44	90186206014	BOLT,FLANGE	2		M6X14		
51	34353039510	COVER ASSY	1				
101	(*****)	ACCESSORY LIST (HEATER)	1				

GR-500E-3-00104 4BOOM + 2 JIB,2M2D

Pos No.	Parts No	Parts Name	Qty	Unit	Technical Data	Serial No (Start)	Serial No (End)
1	34355121011	HARNESS (CAB)	1				
7	34354871700	SUPPORT	1				
10	36171740004	CONTROLLER (ICF,ASSY ONLY)	1				541740
	36172580001	CONTROLLER (ICF,ASSY ONLY)	1			541679	541848
	36172830000	CONTROLLER (ICF,ASSY ONLY)	1			541849	
11	82100002311	RELAY (FLASHER UNIT)	1				
12	82183901010	CONDENSER	4				
17	34354751600	BUZZER	1				
18	80175304010	SCREW,MACHINE	2		M4X10		
19	80192484010	SCREW,MACHINE	8		M4X10		
21	90303290600	WASHER,PLAIN	10		6		
22	90280200600	NUT,FLANGE	11		M6		
23	99172106016	BOLT,TAPPING	25		M6X16		
24	42507124300	SWITCH ASSY (WITH HARNESS,1 SW)	1				
25	82100002019	CLAMP	6		WR40		
26	82100002017	CLAMP	7		WR30		
27	82100002016	CLAMP	2		WR25		
32	34350850530	BUZZER ASSY (WITH HARNESS)	1				
33	90101208010	BOLT	2		M8X10		
34	90302040801	WASHER,SPRING	2		8		
35	36684240000	METER,COMBINATION (ASSY ONLY)	1				
37	82100002018	CLAMP	1		WR35		
38	82100002010	CLAMP	2		WR15		

GR-500E-3-00104 4BOOM + 2 JIB,2M2D
PE5220003-00 EVAPORATOR ASSY



GR-500E-3-00104 4BOOM + 2 JIB,2M2D

Pos No.	Parts No	Parts Name	Qty	Unit	Technical Data	Serial No (Start)	Serial No (End)	Remarks	Page
4	80500051312	BEARING,BALL	1						
6	80136380085	PIN,SPLIT	1		8X85				
7	82456101000	NIPPLE,GREASE	1		A-PT1/8				
9	37000527170	PLATE	1						
10	37000125160	PIN	1						
15	16511605000	PIN	1						
16	90303070801	WASHER,PLAIN	2		8				
17	80136320015	PIN,SPLIT	2		2X15				
18	16511606000	SPRING	1						
40	36090519510	HOOK ASSY	1						
50	36090879510	SHAFT ASSY	1						
70	36090099510	STOPPER ASSY	1						
80	36090870000	HOOK (AUX.,5.6TON)	1						
90	36090879520	BODY ASSY (HOOK)	1						

GR-500E-3-00104 4BOOM + 2 JIB,2M2D

Pos No.	Parts No	Parts Name	Qty	Unit	Technical Data	Serial No (Start)	Serial No (End)	Remarks	Pages
1	34492783000	ROLLER ASSY	1						000277
2	90101210022	BOLT	8		M10X22				
3	90302041001	WASHER,SPRING	8		10				
4	90303071001	WASHER,PLAIN	8		10				

GR-500E-3-00104 4BOOM + 2 JIB,2M2D

Pos No.	Parts No	Parts Name	Qty	Unit	Technical Data	Serial No (Start)	Serial No (End)	Remarks	P
3	34781957541	ELEMENT KIT	1						
21	34781957530	O-RING	1						
100	34781951002	FILTER ASSY (WATER)	1						

GR-500E-3-00104 4BOOM + 2 JIB,2M2D

Pos No.	Parts No	Parts Name	Qty	Unit	Technical Data	Serial No (Start)	Serial No (End)	Re
1	34372351300	SUPPORT	1					
2	32370002110	GASKET	1					
3	32370002121	COVER	1					
4	80172303025	SCREW,MACHINE	2		M3X25			
5	90302040301	WASHER,SPRING	2		3			
6	82104102010	SWITCH,LIMIT	1					
7	34372351200	ROD	1					
8	14148373001	SPRING	1					
9	80601110180	RING,RITAINING	1		S18			
10	34371314400	SUPPORT	1					
11	90303070301	WASHER,PLAIN	2		3			
12	82114101020	CONNECTOR (2P,MALE)	1					
13	82111101010	TERMINAL	2					
14	32370005200	CORD	1					
15	32370005210	CORD	1					
16	82100000592	TERMINAL (M40.3 TO 1.25)	2					
17	89630201000	HOSE,VINYL	1		6X8,1M			
18	14148375000	GROMMET	1					
19	90101208045	BOLT	2		M8X45			
20	90302040801	WASHER,SPRING	2		8			
21	82121102020	HOLDER	1					
22	82100001220	INSULATOR	2					
23	82121101085	PLUG (AVS0.85)	2					
24	82400000201	GROMMET	1		KG-016			
30	34372359510	ROD ASSY	1					
42	32370002150	SPACER	1		L=12 TO 11			
43	80720103014	PIN,SPRING	1		3X14			
100	34372351101	SWITCH,OVER WIND DETECTOR	1					

GR-500E-3-00104 4BOOM + 2 JIB,2M2D

Pos No.	Parts No	Parts Name	Qty	Unit	Technical Data	Serial No (Start)	Serial No (E
1	82122704160	CAP (PLUG)	1				
2	82122706160	CAP (ADAPTER)	1				
21	91001001405	O-RING	1		S-14		
100	34500712100	HARNESS (SINGLE TOP,OVERWINDING)	1				

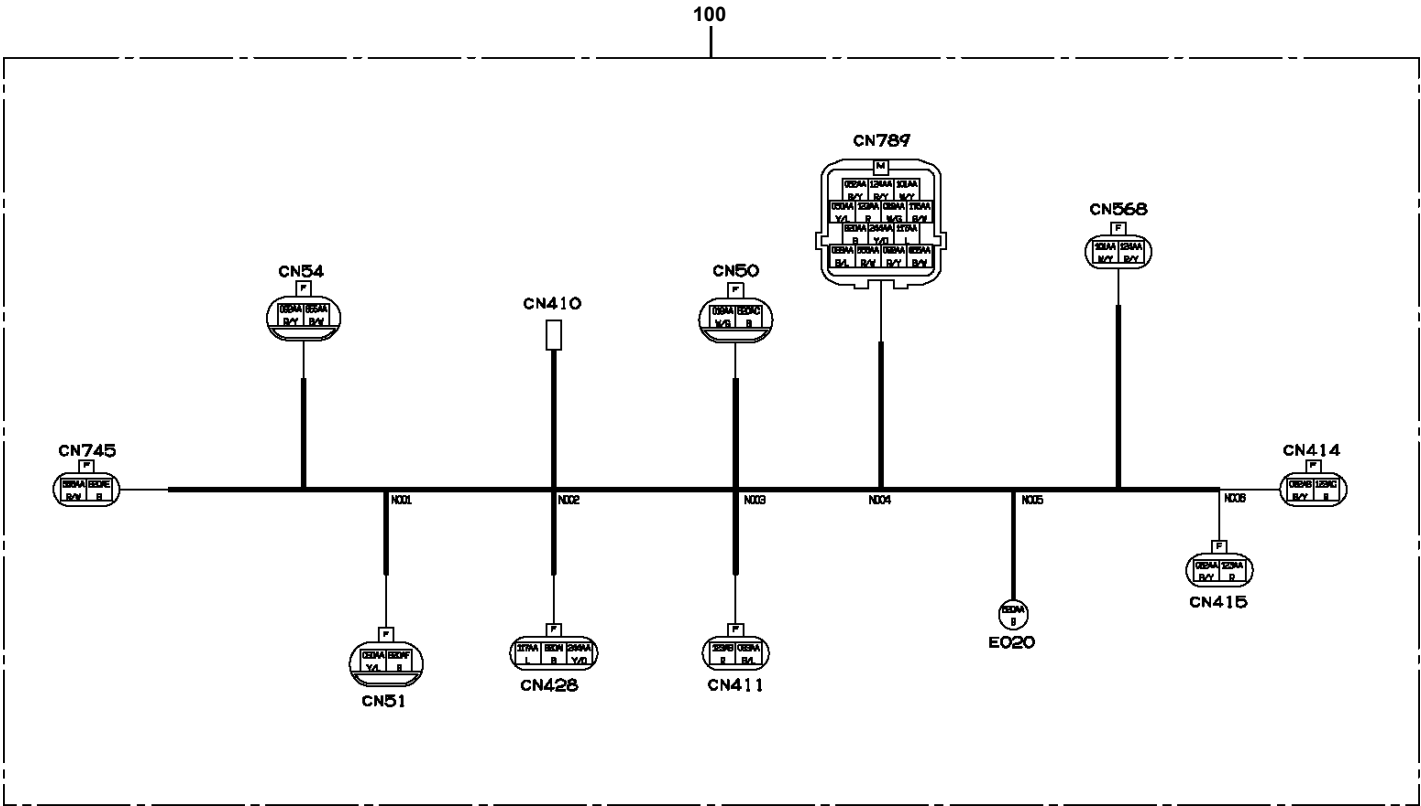
GR-500E-3-00104 4BOOM + 2 JIB,2M2D

Pos No.	Parts No	Parts Name	Qty	Unit	Technical Data	Serial No (Start)	Serial No (End)	Remarks	Pages
100	34354962400	HARNESS (BOOM)	1						

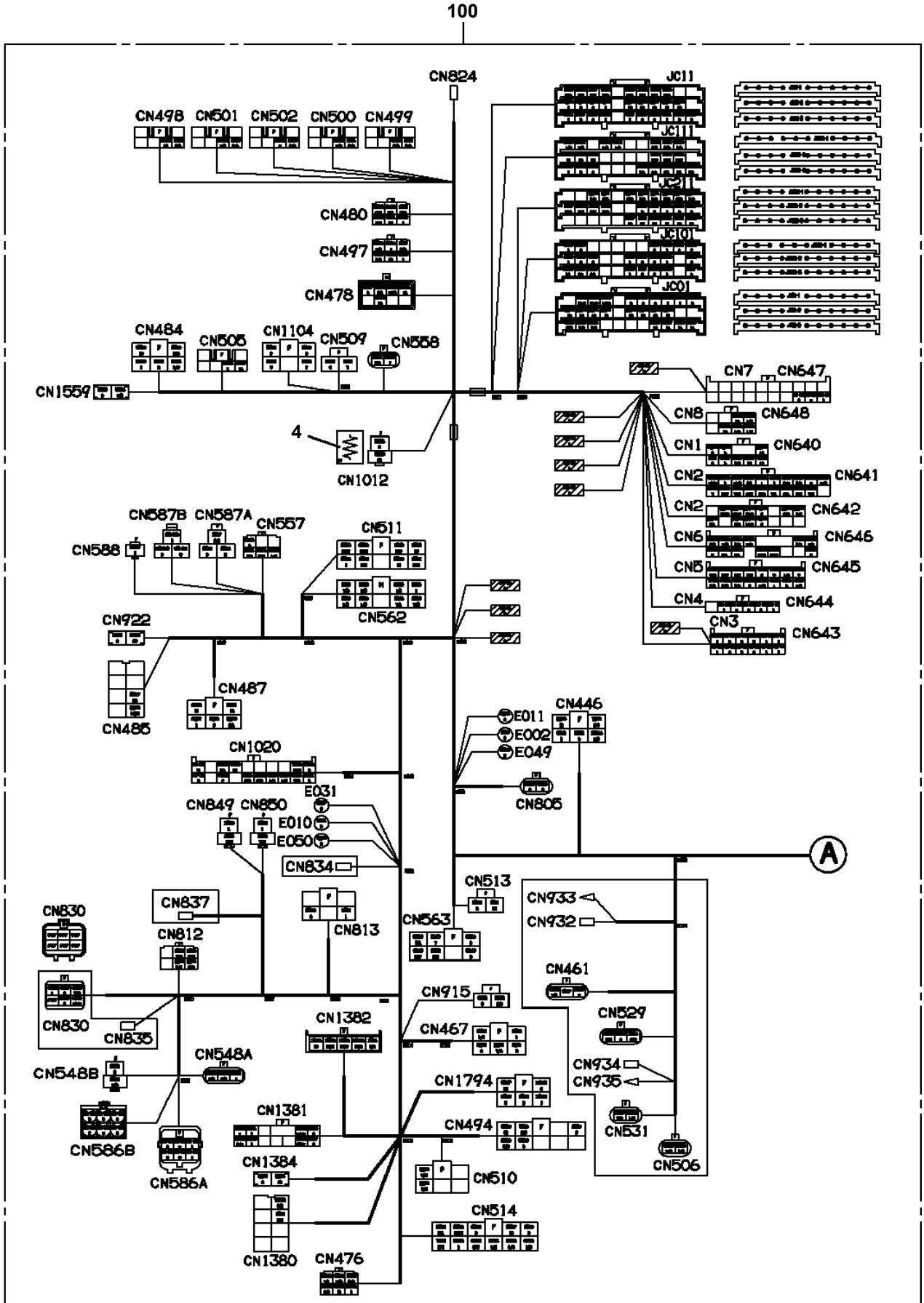
GR-500E-3-00104 4BOOM + 2 JIB,2M2D

Pos No.	Parts No	Parts Name	Qty	Unit	Technical Data	Serial No (Start)	Serial No (End)	Remarks	Pages
100	34931041411	HARNESS	1						

**GR-500E-3-00104 4BOOM + 2 JIB,2M2D
PH5031395-00 HARNESS(AIR)**

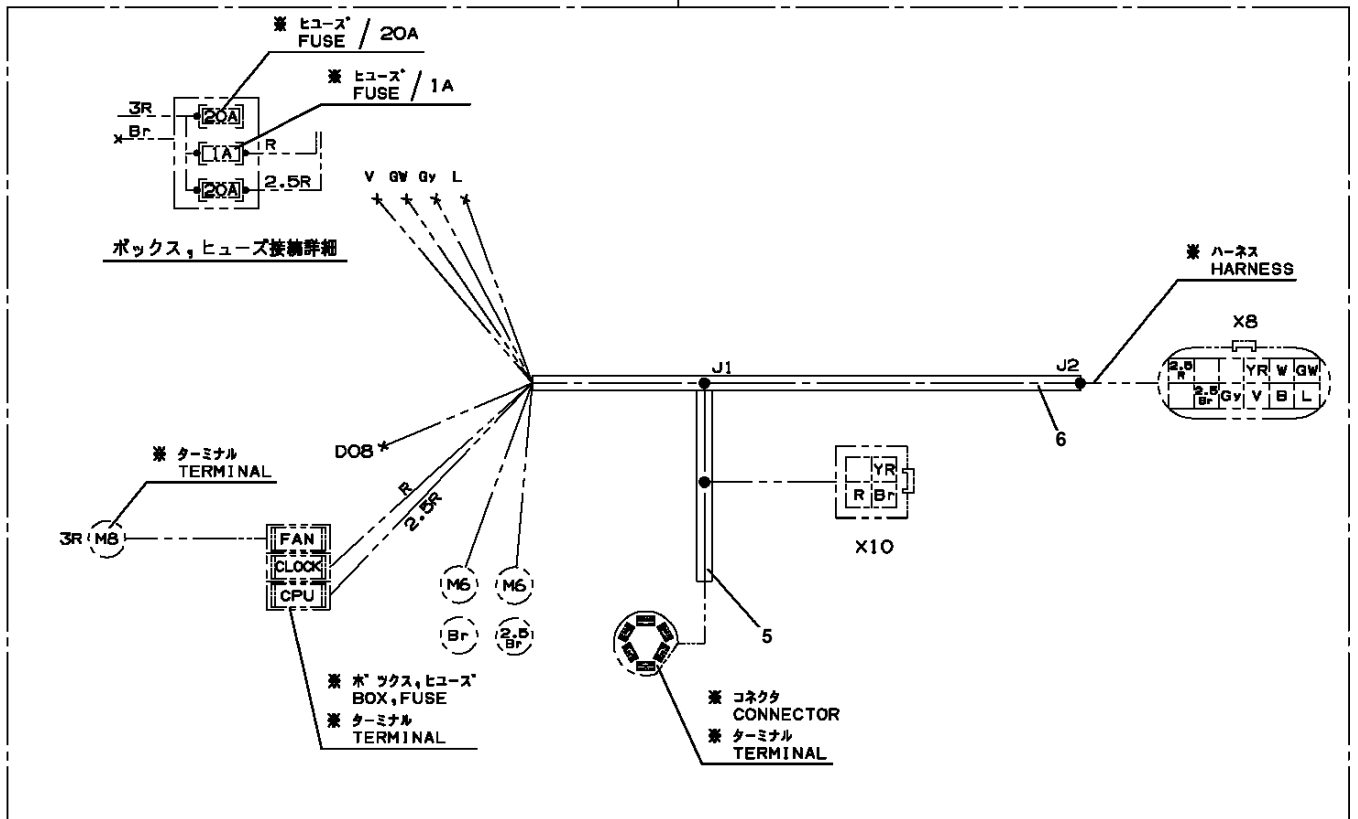


GR-500E-3-00104 4BOOM + 2 JIB,2M2D
PH5032254-00 HARNESS (CAB)



GR-500E-3-00104 4BOOM + 2 JIB,2M2D
PH5033522-00 HARNESS (HEATER)

100



101	フックヒンリスト (ヒータ) ACCESSORY LIST (HEATER)
-----	---

※材料は【付属品リスト】より検索してください。
FOR THE PART ※, SEE THE CORRESPONDING "ACCESSORY LIST."

GR-500E-3-00104 4BOOM + 2 JIB,2M2D

Pos No.	Parts No	Parts Name	Qty	Unit	Technical Data	Serial No (Start)	Serial No (End)	Re
1	36290841030	JOINT	1		D=60			
5	91860100065	CLAMP	1		D=63			
10	91810132530	FASTENER	3					
11	91810130240	FASTENER	16					
13	82100000192	TERMINAL	3					
14	82100000182	INSULATOR	3					
15	82100001221	INSULATOR	1					
16	82100000594	TERMINAL	1					
19	82100001803	TUBE,CORRUGATE	1	M	13	541652		
23	91850310305	CLAMP	4					
24	82100001219	INSULATOR	1					
25	82100000865	TERMINAL	1					
26	99172106016	BOLT,TAPPING	1		M6X16			
30	90280201000	NUT,FLANGE	2		M10			
51	36290700300	HEATER (AT2000ST,24VDIESEL)	1					
52	36290751100	TIMER (12V/24V)	1					
53	36290700400	HARNESS (MAIN)	1					
54	36290700040	GRILL,AIR OUTLET	1					
55	36290700050	GASKET	1					
56	36290751200	HARNESS (TIMER)	1					

GR-500E-3-00104 4BOOM + 2 JIB,2M2D

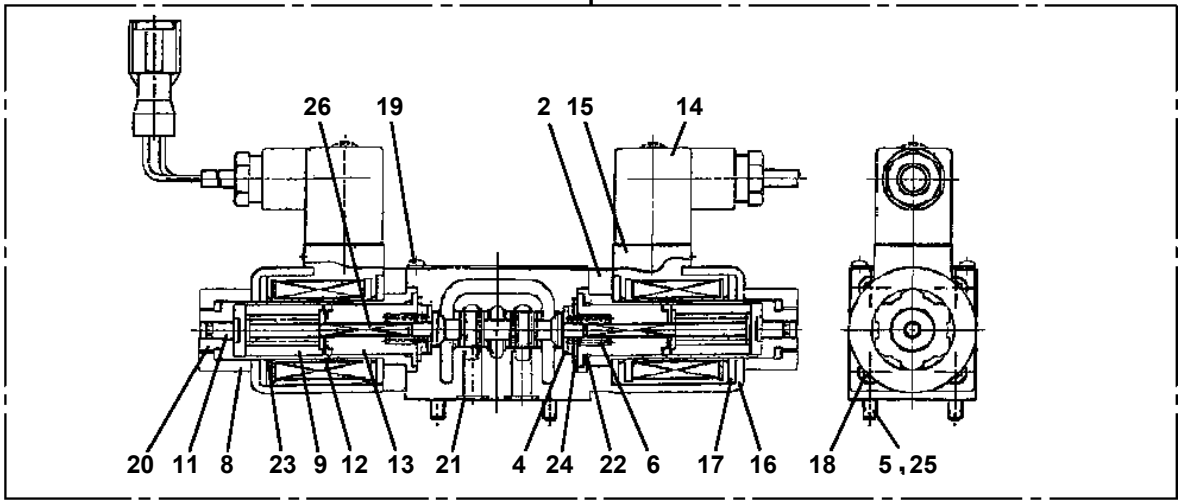
Pos No.	Parts No	Parts Name	Qty	Unit	Technical Data	Serial No (Start)	Serial No (End)	Remarks	Page
1	36290841030	JOINT	1		D=60				
5	91860100065	CLAMP	1		D=63				
10	91810132530	FASTENER	3						
11	91810130240	FASTENER	15						
13	82100000192	TERMINAL	3						
14	82100000182	INSULATOR	3						
15	82100001221	INSULATOR	1						
16	82100000594	TERMINAL	1						
19	82100001803	TUBE,CORRUGATE	1	M	13				
23	91850310305	CLAMP	4						
24	82100001219	INSULATOR	1						
25	82100000865	TERMINAL	1						
26	99172106016	BOLT,TAPPING	1		M6X16				
30	90280201000	NUT,FLANGE	2		M10				

GR-500E-3-00104 4BOOM + 2 JIB,2M2D

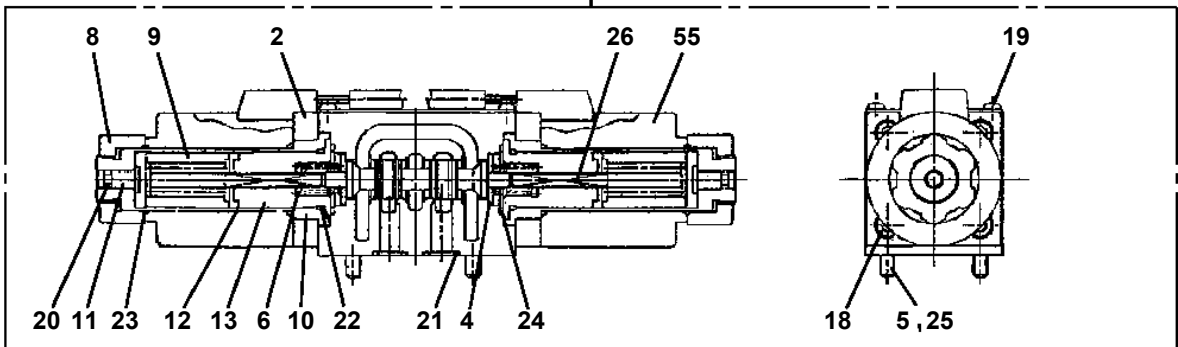
Pos No.	Parts No	Parts Name	Qty	Unit	Technical Data	Serial No (Start)	Serial No (End)	Remarks	Page
1	36097111000	ADAPTER	1						
2	36097110010	SHAFT	1						
3	91250000070	SEAL,RING	1						
4	36096560020	BEARING,PLAIN	1						
5	80500051115	BEARING,BALL	1						
7	82456101000	NIPPLE,GREASE	2		A-PT1/8				
8	37010103990	PIN	1						
9	37000163070	PIN	1						
10	80136340020	PIN,SPLIT	2		4X20				
11	37010103630	PIN	1						
12	37001400030	SPRING	1						
13	90303101001	WASHER,PLAIN	2		10				
14	80136325020	PIN,SPLIT	2		2.5X20				
15	37000316020	SPACER	2						
17	36096732000	PIN ASSY	1						
31	36096732100	PIN	1						
32	36096732400	LEVER	1						
50	36096739510	HOOK ASSY	1						
60	36096739520	STOPPER ASSY	1						
100	36097110000	HOOK ASSY (AUX.)	1						

**GR-500E-3-00104 4BOOM + 2 JIB,2M2D
PI1120135-05 VALVE,SOLENOID (NACHI)**

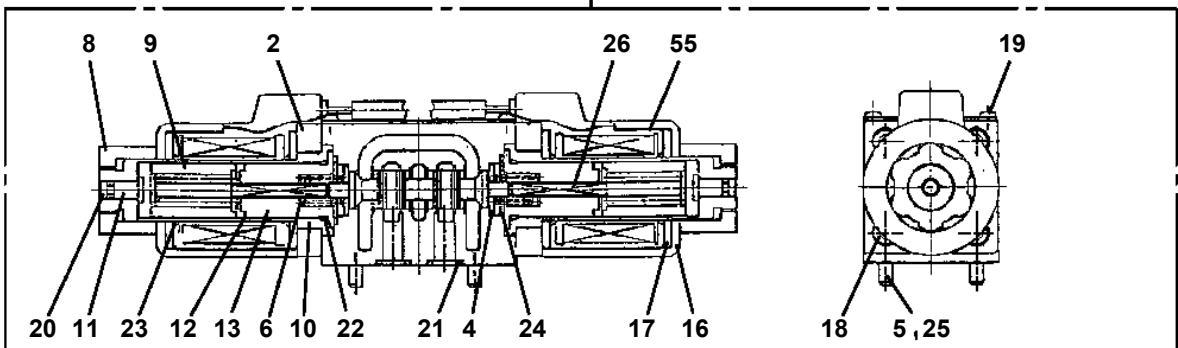
100



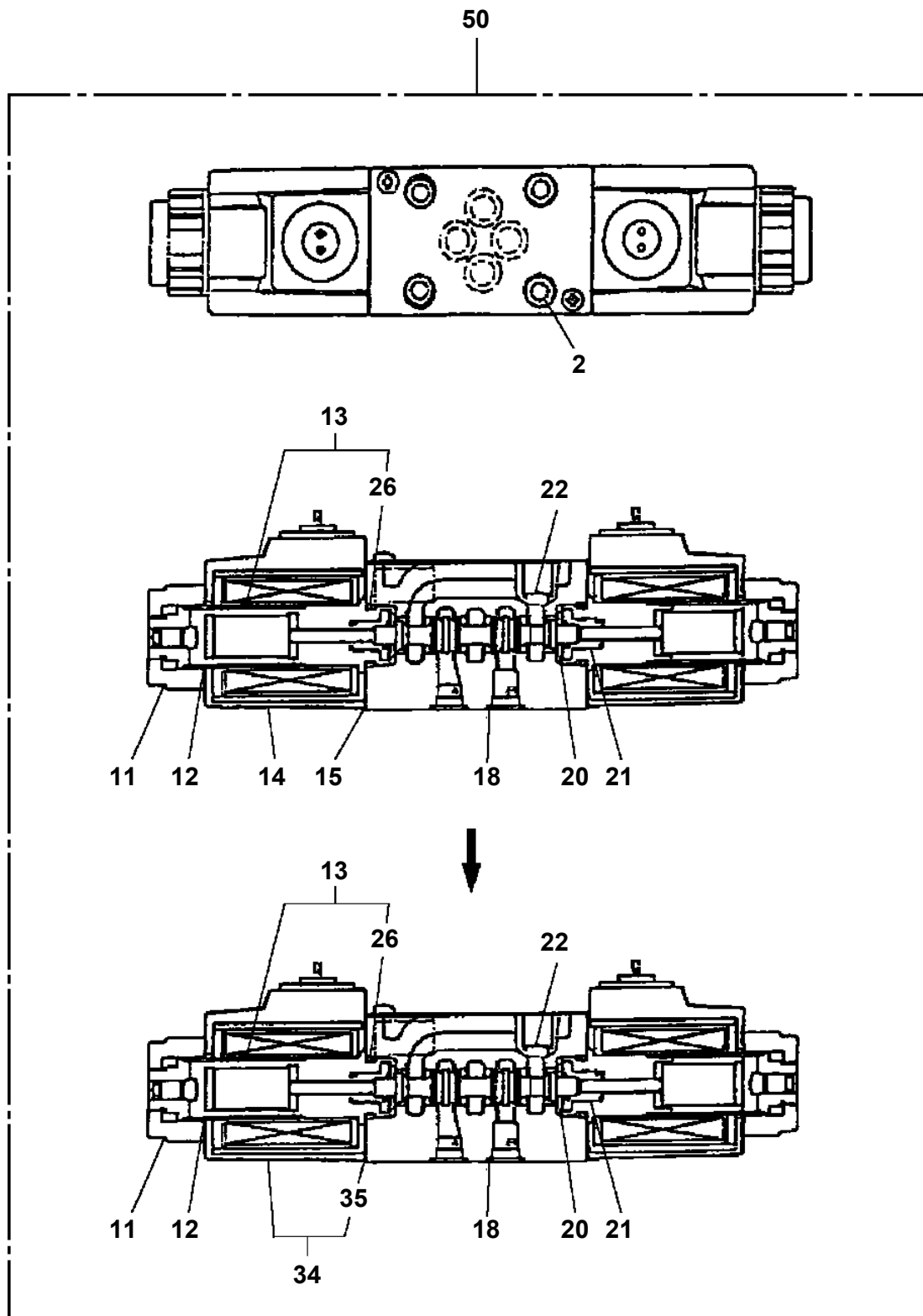
100



100

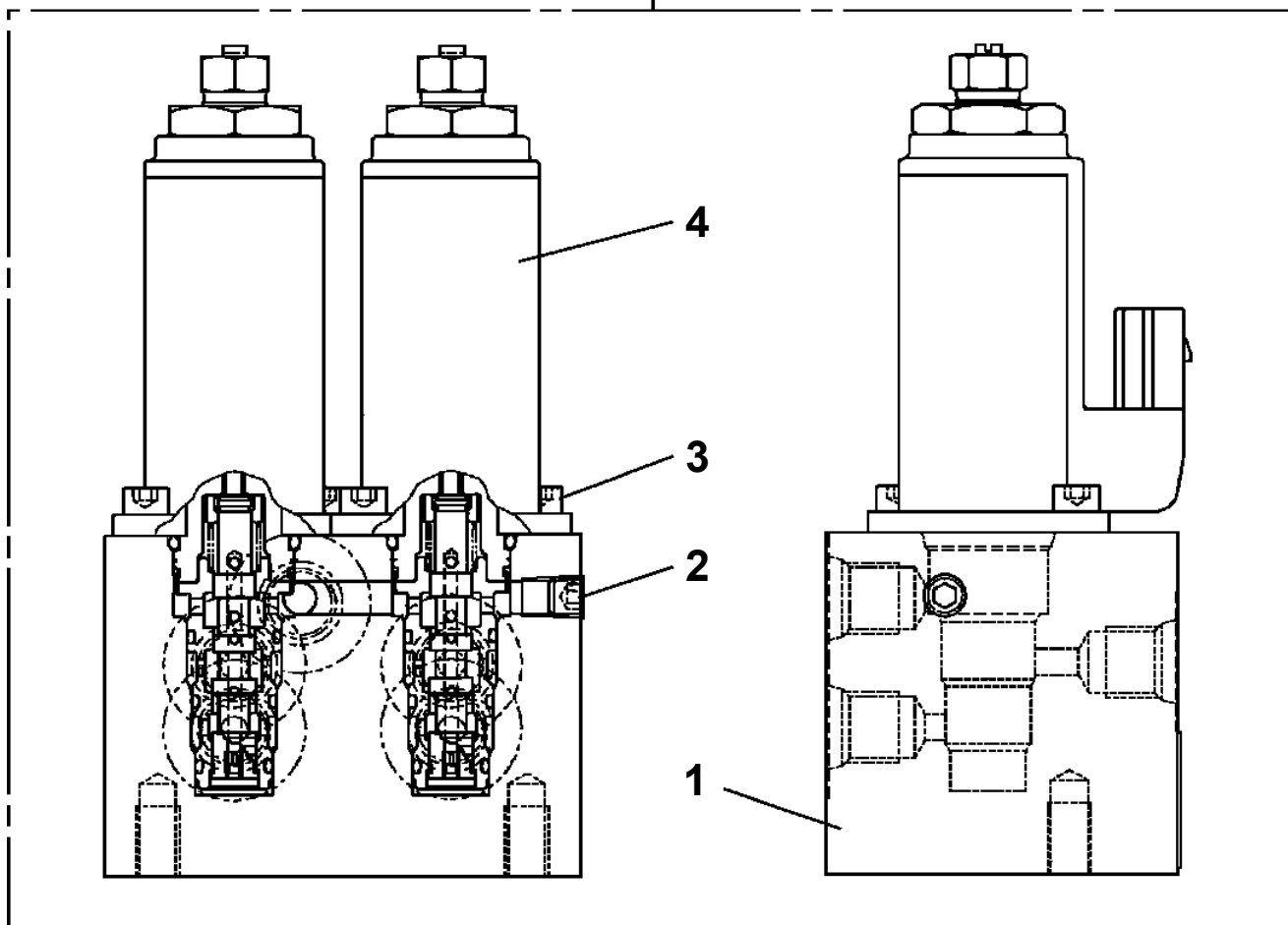


GR-500E-3-00104 4BOOM + 2 JIB,2M2D
PI1120233-01 VALVE,SOLENOID (TOKIMEC)

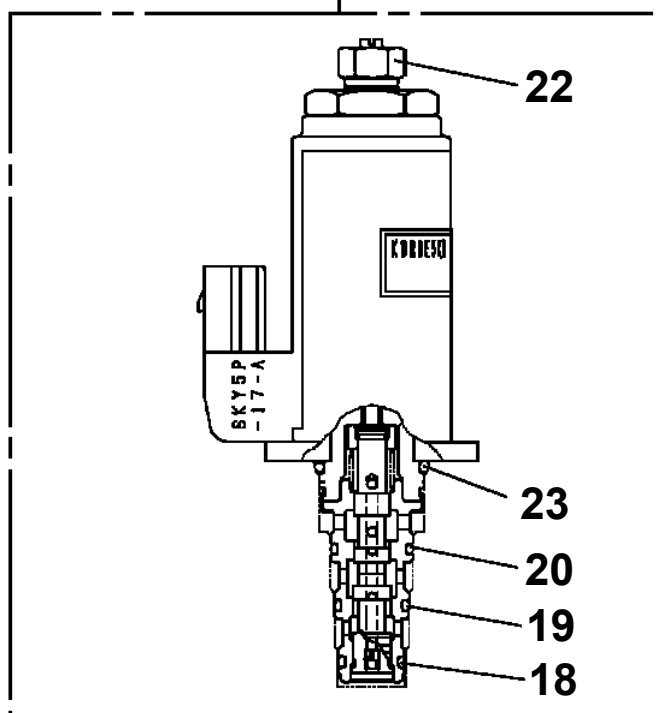


GR-500E-3-00104 4BOOM + 2 JIB,2M2D
PI1120302-00 VALVE,SOLENOID

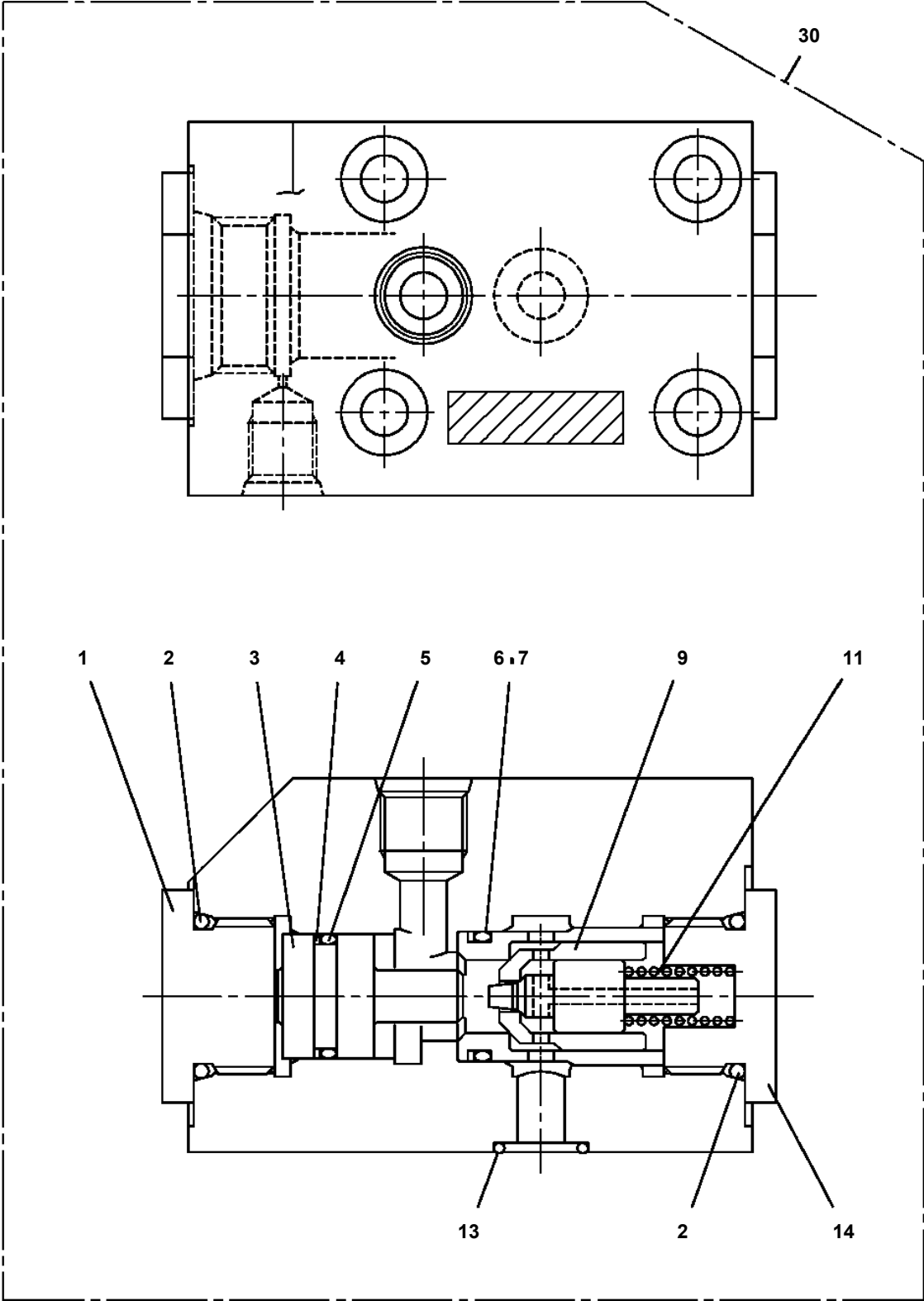
100



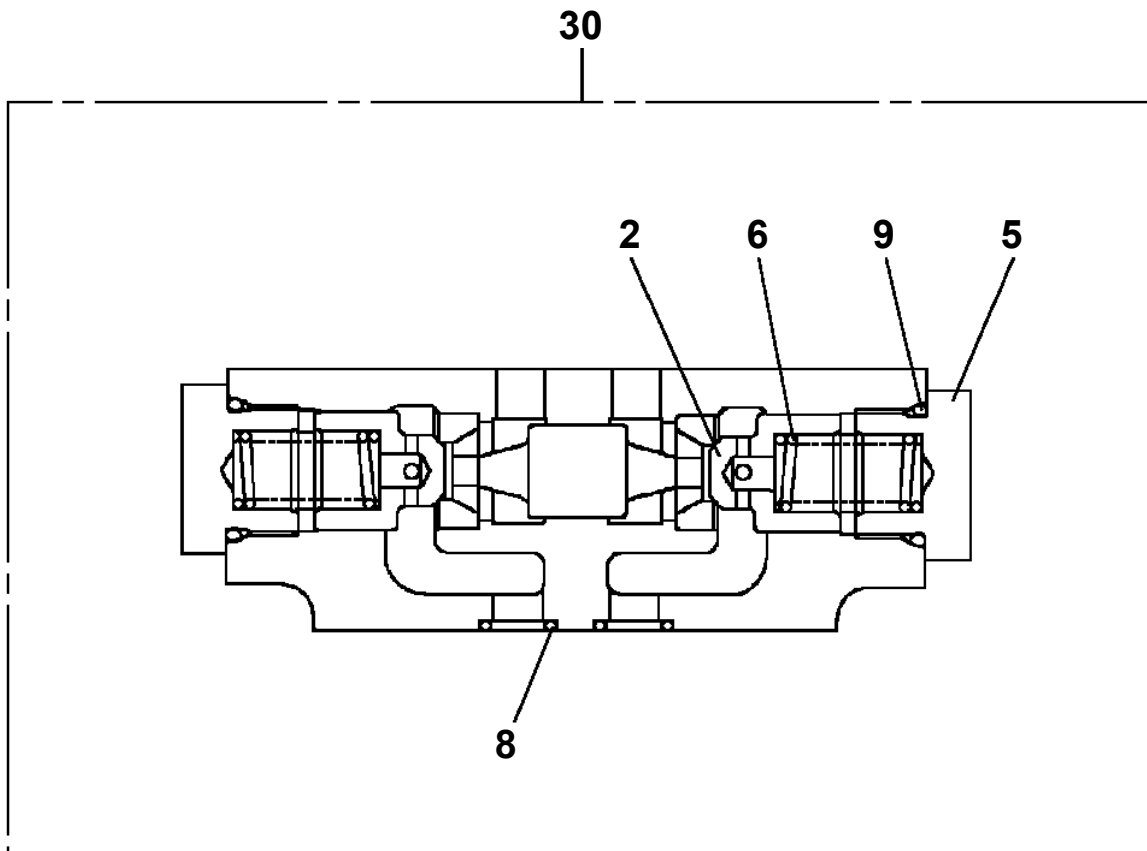
4



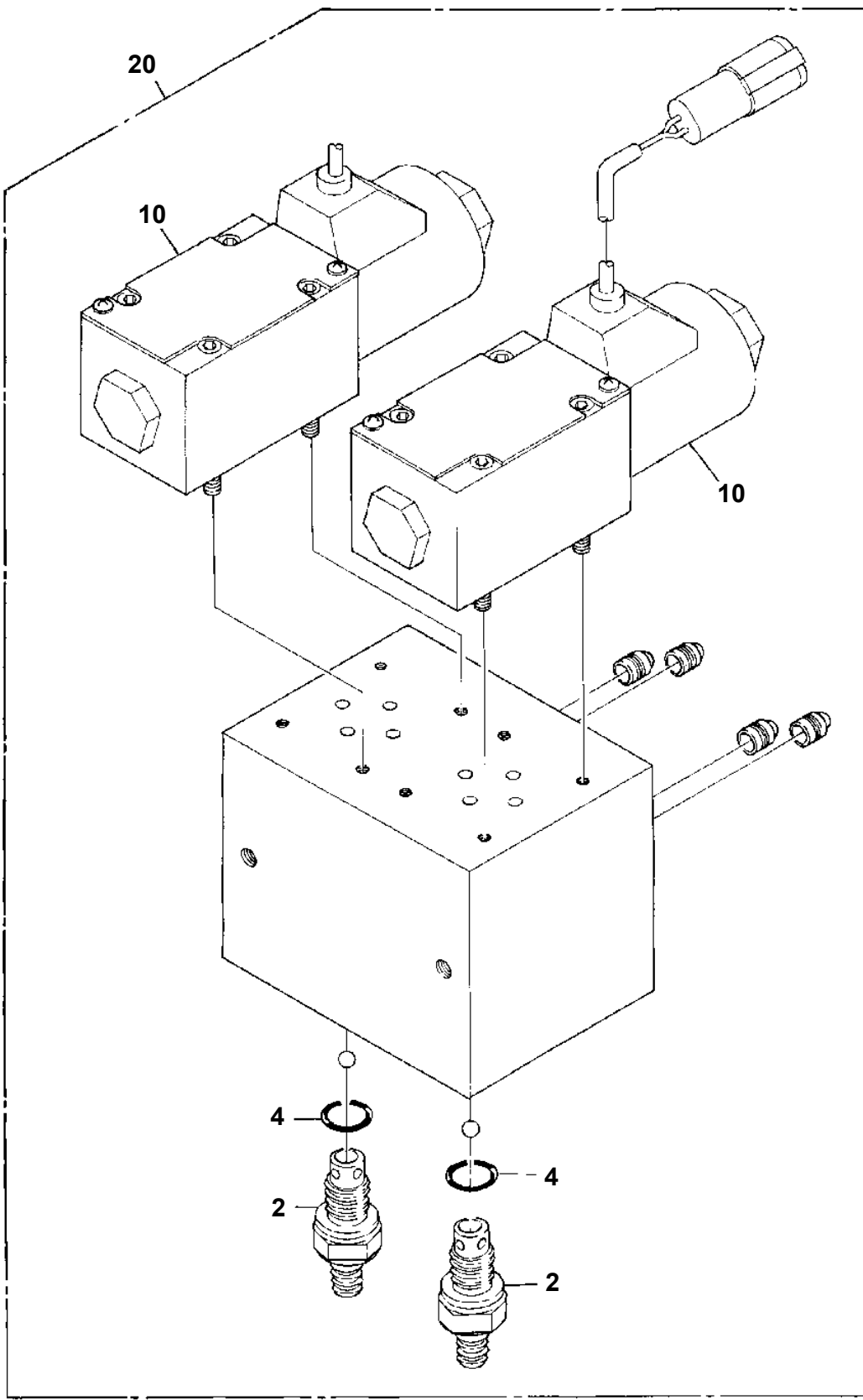
GR-500E-3-00104 4BOOM + 2 JIB,2M2D
PI1140066-00 VALVE,CHECK



GR-500E-3-00104 4BOOM + 2 JIB,2M2D
PI1140121-01 VALVE,CHECK



GR-500E-3-00104 4BOOM + 2 JIB,2M2D
PI1230015-00 VALVE,SHUTTLE
Assembly Name VALVE, SHUTTLE



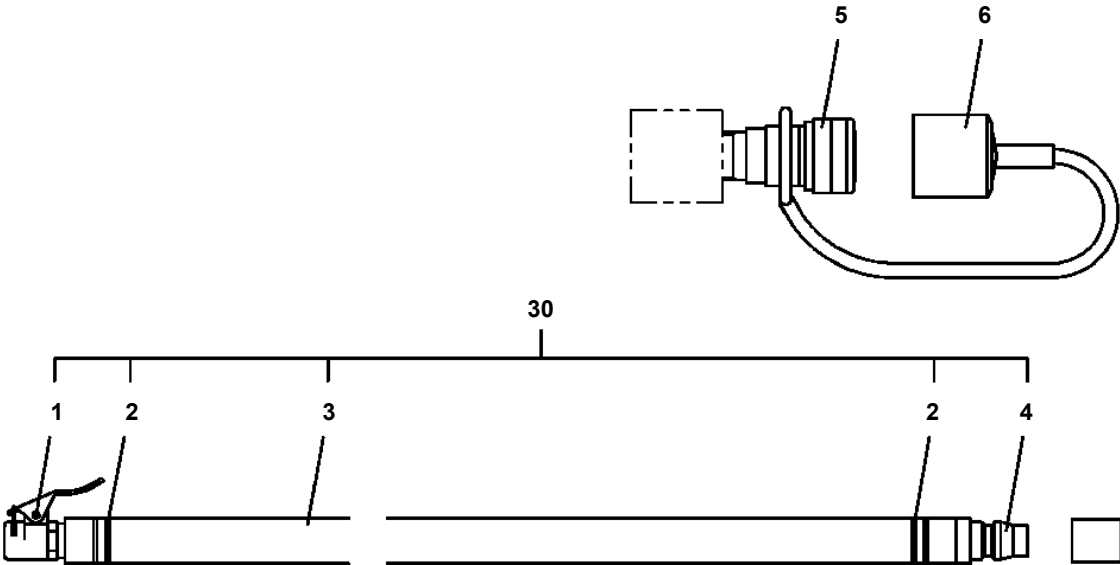
GR-500E-3-00104 4BOOM + 2 JIB,2M2D

Pos No.	Parts No	Parts Name	Qty	Unit	Technical Data	Serial No (Start)	Serial No (End)
3	36671279510	ELEMENT	1				
4	36671275020	SPRING	1				
5	36671275030	PLUG (DRAIN)	1				
6	36671275040	VALVE,RELIEF	1				
7	36671275050	PLUG	1				
8	91001209000	O-RING	1		1A G90		
10	91001101400	O-RING	1		1A P14		
11	91002801800	O-RING	1		1B P18		
12	91001101400	O-RING	1		1A P14		
20	36671270000	FILTER,OIL (TORQUE CONVERTER)	1				

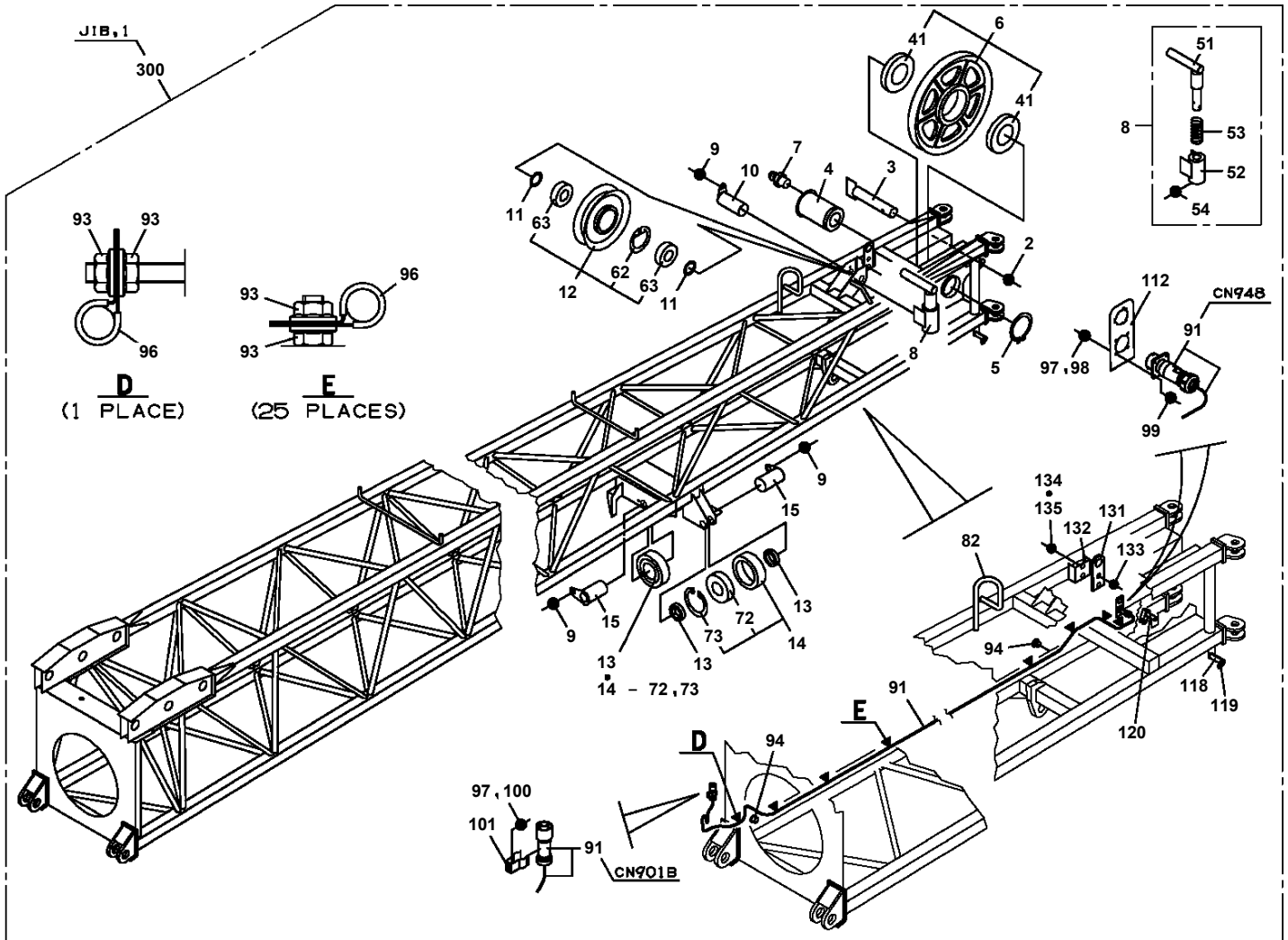
GR-500E-3-00104 4BOOM + 2 JIB,2M2D

Pos No.	Parts No	Parts Name	Qty	Unit	Technical Data	Serial No (Start)	Serial No (End)	Remarks	Pages
1	34490461101	PLATE	3		T=3.2				
2	90191208035	BOLT	12		M8X35				
3	90302040801	WASHER,SPRING	12		8				
4	34493570100	SUPPORT	1						
5	82100002037	CLAMP	1		WE10				
6	90186206010	BOLT,FLANGE	1		M6X10				
7	90186210014	BOLT,FLANGE	2		M10X14				
8	91810130240	FASTENER	1						
10	37000308440	SPACER	12		L=20				
11	82108503280	SWITCH	1						

GR-500E-3-00104 4BOOM + 2 JIB,2M2D
PI5140001-00 INFLATOR,AIR



GR-500E-3-00104 4BOOM + 2 JIB,2M2D
PJ5060022-01 JIB ASSY,1



GR-500E-3-00104 4BOOM + 2 JIB,2M2D

Pos No.	Parts No	Parts Name	Qty	Unit	Technical Data	Serial No (Start)	Serial No (End)	Remarks
2	34630703000	JOINT,ROTARY	1				541818	
3	34630701200	PLATE	1				541818	
6	34630932000	RING ASSY,SLIP	1					
7	37001509460	BOLT	1		M10X40			
8	90171112030	BOLT	3		M12X30			
9	90172106100	BOLT,HEXAGON SOCKET	3		M6X100			
10	90302040601	WASHER,SPRING	3		6			
11	90172110020	BOLT,HEXAGON SOCKET	3		M10X20		541818	
12	90302041001	WASHER,SPRING	3		10		541818	
14	82401800080	PLUG (FOR M8)	2					
15	82401800100	PLUG (FOR M10)	1					
16	34630706001	JOINT,ROTARY	1					
31	34630850300	JOINT,SWIVEL	1				541818	
32	34630703560	PIPE (IP)	1					
	34630703500	PIPE	1					
33	34630703460	PIPE (IP)	1					
	34630703400	PIPE	1					
34	34630703300	PIPE	1					
	34630703360	PIPE (IP)	1					
35	34630703900	PIPE	1					
	34630703960	PIPE (IP)	1					
51	34630706101	CORE	1					
52	34630706200	BODY	1					
53	34630705300	COVER	1					
54	34630705400	PLATE	1					
55	91001214500	O-RING	1		1A G145			
56	91002809000	O-RING	1		1B P90			
57	91002813000	O-RING	1		1B P130			
58	34630702100	SEAL,RING	4					
59	34630702200	SEAL,RING	3					
60	90172108020	BOLT,HEXAGON SOCKET	8		M8X20			
61	80316090060	PLUG	2		KKT PT3/8			
62	80316090040	PLUG SOCKET	4		R1/4			
63	80316090100	PLUG	2		KKT PT3/4			
64	34630702300	SEAL,RING	5					
65	34630875300	PLUG	2					
66	91001003200	O-RING	2		1A S32			
81	34630703700	PACKING	3				541818	
82	34630703800	O-RING	2				541818	
85	37000404180	BEARING,PLAIN	2				541818	
86	37000404170	BEARING,PLAIN	1				541818	
87	80601311000	RING,RETAINING	1				541818	
101	90101510060	BOLT	4		M10X60			
102	34630704400	SUPPORT	2					
103	80400160131	JOINT	2					
104	91002801800	O-RING	6		1B P18			
105	80430620800	JOINT	1					
106	80430620600	JOINT (WITH O-RING)	2		L,G3/8-G3/8			
107	80400160129	JOINT	1					
108	91002801400	O-RING	4		1B P14			
109	80400160135	JOINT	2					
110	91002802900	O-RING	2		1B P29			
111	37000911890	JOINT (WITH O-RING)	1		L,G1/2-G3/4			
112	80481003040	JOINT	1		S,G1/2-G3/8			
113	80316070080	PLUG	2		PF1/2			
132	34631153000	JOINT ASSY,SWIVEL	1			541819		
161	34631150300	JOINT ASSY,SWIVEL	1			541819		
181	91153010006	SEAL,RING	3			541819		
185	91360110000	BEARING,PLAIN	2			541819		
186	37000404910	BEARING,PLAIN	1			541819		
187	80601310950	RING,RETAINING	1			541819		
200	34630920000	JOINT ASSY,SWIVEL	1					

CLICK HERE TO **DOWNLOAD** THE COMPLETE MANUAL

- Thank you very much for reading the preview of the manual.
- You can download the complete manual from: www.heydownloads.com by clicking the link below



- Please note: If there is no response to CLICKING the link, please download this PDF first and then click on it.

CLICK HERE TO **DOWNLOAD** THE COMPLETE MANUAL

GR-500E-3-00104 4BOOM + 2 JIB,2M2D

Pos No.	Parts No	Parts Name	Qty	Unit	Technical Data	Serial No (Start)	Serial No (End)	Remarks	Pages
3	34491680100	HARNESS	1						000129
11	82199444129	LAMP (RED)	1		24V 12W				
12	82199444329	LAMP (YELLOW)	1		24V 12W				
31	82166600010	BULB,LAMP	2		24V/12W				

GR-500E-3-00104 4BOOM + 2 JIB,2M2D

Pos No.	Parts No	Parts Name	Qty	Unit	Technical Data	Serial No (Start)	Serial No (End)
1	34381461000	LEVER ASSY	1				
2	80601110200	RING,RITAINING	1		S20		
3	37000515600	PLATE	2		T=1.0		
4	37001709770	CABLE,CONTROL	1		L=1900		
5	34381110100	COVER	1				
6	90305260601	WASHER	4		B1-6		
7	80186406016	SCREW,MACHINE	4		M6X16		
8	34381441500	INSULATOR	1				
9	80192484012	SCREW,MACHINE (WITH WASHER)	3		M4X12		
10	82100001411	TUBE,SPIRAL	1	M	SE-08BK		
11	37000109680	PIN	2				
12	80136316012	PIN,SPLIT	2		1.6X12		
13	88200102060	END	1				
14	82100002006	CLAMP	1		WR10		
15	90201200600	NUT	1		M6		
16	90280200600	NUT,FLANGE	1		M6		
17	90303070601	WASHER,PLAIN	2		6		
18	34381250100	PIN	1				
19	91810130250	FASTENER	5				
41	82430608050	GRIP	1				
42	34381111100	LEVER	1				
43	80136332025	PIN,SPLIT	1		3.2X25		
44	19119314000	SPRING	1				
45	37000104680	PIN	1				
46	80136320015	PIN,SPLIT	1		2X15		
47	90303070801	WASHER,PLAIN	1		8		
48	34381461100	LEVER	1				

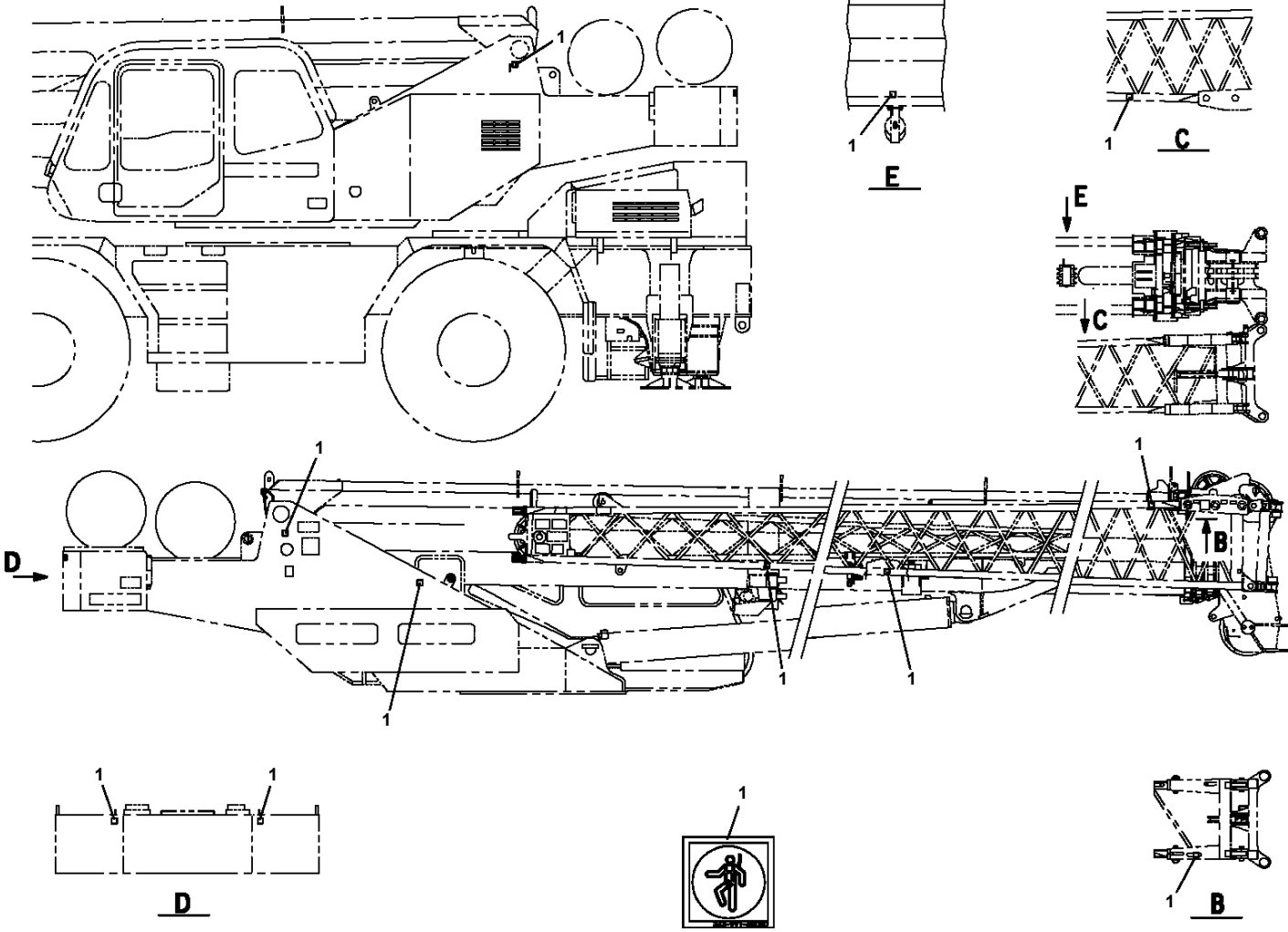
GR-500E-3-00104 4BOOM + 2 JIB,2M2D

Pos No.	Parts No	Parts Name	Qty	Unit	Technical Data	Serial No (Start)	Serial No
11	36193345010	BOARD ASSY (CON1,CON2)	1				
13	36193345030	CASE (WITH SEAT)	1				
41	36197665010	BOARD ASSY (WITH DATA CPU,DISP,LCD)	1				
61	36193345050	BATTERY (LITHIUM)	1				
	36193345060	BATTERY (LITHIUM)	1			541658	541657
100	36197660000	MOMENT LIMITER:AML	1				

GR-500E-3-00104 4BOOM + 2 JIB,2M2D

Pos No.	Parts No	Parts Name	Qty	Unit	Technical Data	Serial No (Start)	Serial No (End)
1	82100002827	BATTERY (GLOBAL & YUASA,130F51)	1				

GR-500E-3-00104 4BOOM + 2 JIB,2M2D
PN5011084-00 NAME PLATE ASSY (TIEOFF)



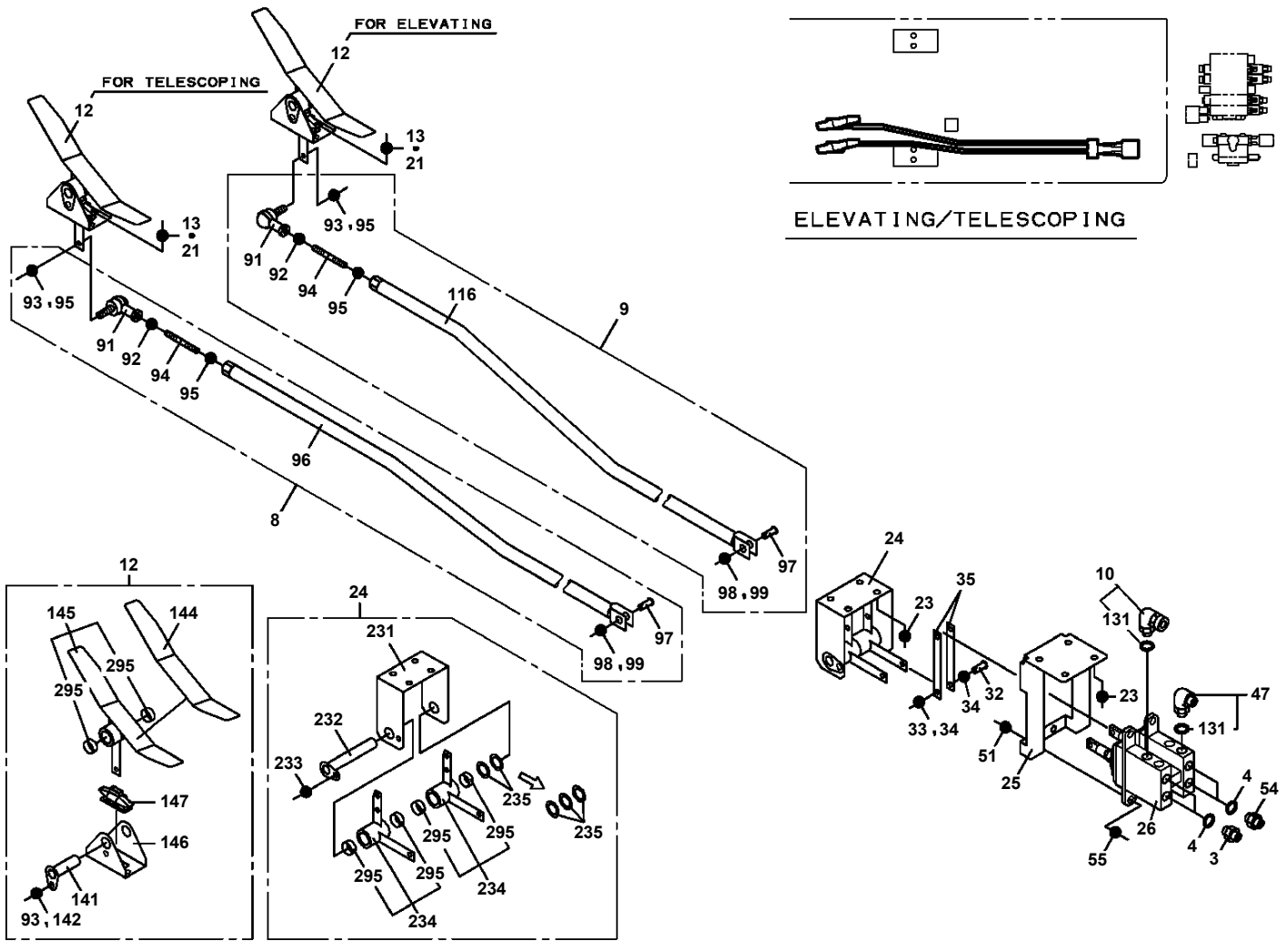
GR-500E-3-00104 4BOOM + 2 JIB,2M2D

Pos No.	Parts No	Parts Name	Qty	Unit	Technical Data	Serial No (Start)	Serial No (End)
1	37002217330	PLATE,CAUTION (TADANO HYDRAULIC)	1				
2	37002219500	PLATE,CAUTION (OIL/FOR EXP.)	1				
3	37002220720	PLATE,CAUTION (OIL/FOR CHINA)	1				
4	37002220980	PLATE,CAUTION (OIL ISO VG22)	1				
5	37002232700	PLATE,NAME (TADANO HYDRAULIC OIL LL)	1				
6	37002232710	PLATE,NAME (HYDRAULIC OIL ISO VG22)	1				
7	37002232720	PLATE,NAME (HYDRAULIC OIL ISO VG15)	1				
8	37002232640	PLATE,CAUTION (TADANO HYDRAULIC OIL LL)	1				
9	37002232650	PLATE,CAUTION (TADANO HYDRAULIC OIL LL)	1				

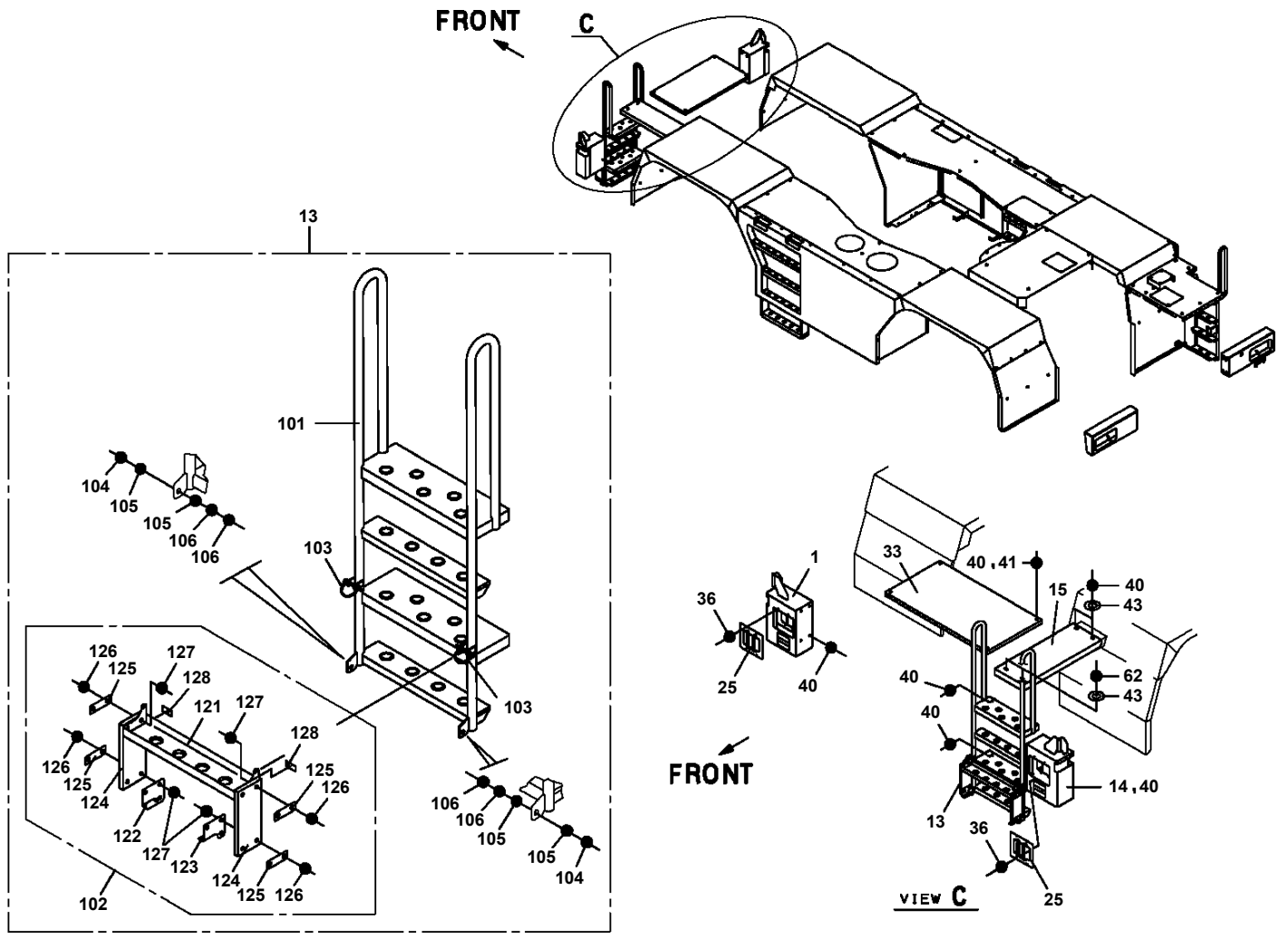
GR-500E-3-00104 4BOOM + 2 JIB,2M2D

Pos No.	Parts No	Parts Name	Qty	Unit	Technical Data	Serial No (Start)	Serial No (End)	Remarks	Pages
1	80430470650	JOINT	2						
3	80430450650	JOINT	2						
4	90191208030	BOLT	2		M8X30				
5	90302040801	WASHER,SPRING	3		8				
6	90303070801	WASHER,PLAIN	1		8				
7	90101208040	BOLT	1		M8X40				
8	37002471360	HOSE	1		L=2800				
9	37012401720	HOSE	1		L=2850				
10	37012401730	HOSE	2		L=2250				
11	37000600120	CLAMP	3		WR45				
12	90186208025	BOLT,FLANGE	3		M8X25				
13	82100002013	CLAMP	2		WRC18				
14	90280200800	NUT,FLANGE	1		M8				
15	91810132530	FASTENER	4						
16	82100001819	TUBE,SPIRAL	1	M	SE-18BK				
17	82100001819	TUBE,SPIRAL	1	M	SE-18BK				
41	36604510000	VALVE,BRAKE	1						000323
42	90710008160	SCREW,SET	1		M8X16				
43	34330161100	ROLLER	1						
44	37000117540	PIN	1						
45	90303071001	WASHER,PLAIN	2		10				
46	80136332016	PIN,SPLIT	2		3.2X16				
48	82400000035	COVER (PEDAL)	1						
49	90102208060	BOLT	1		M8X60				
50	90201200800	NUT	1		M8				
51	37000117490	PIN	1						
61	34721208010	PEDAL ASSY	1						
72	80804010010	BEARING,PLAIN	1						

**GR-500E-3-00104 4BOOM + 2 JIB,2M2D
PO5080063-01 OPE.ASSY,CONT.VALVE (ISO/TACTILE)**



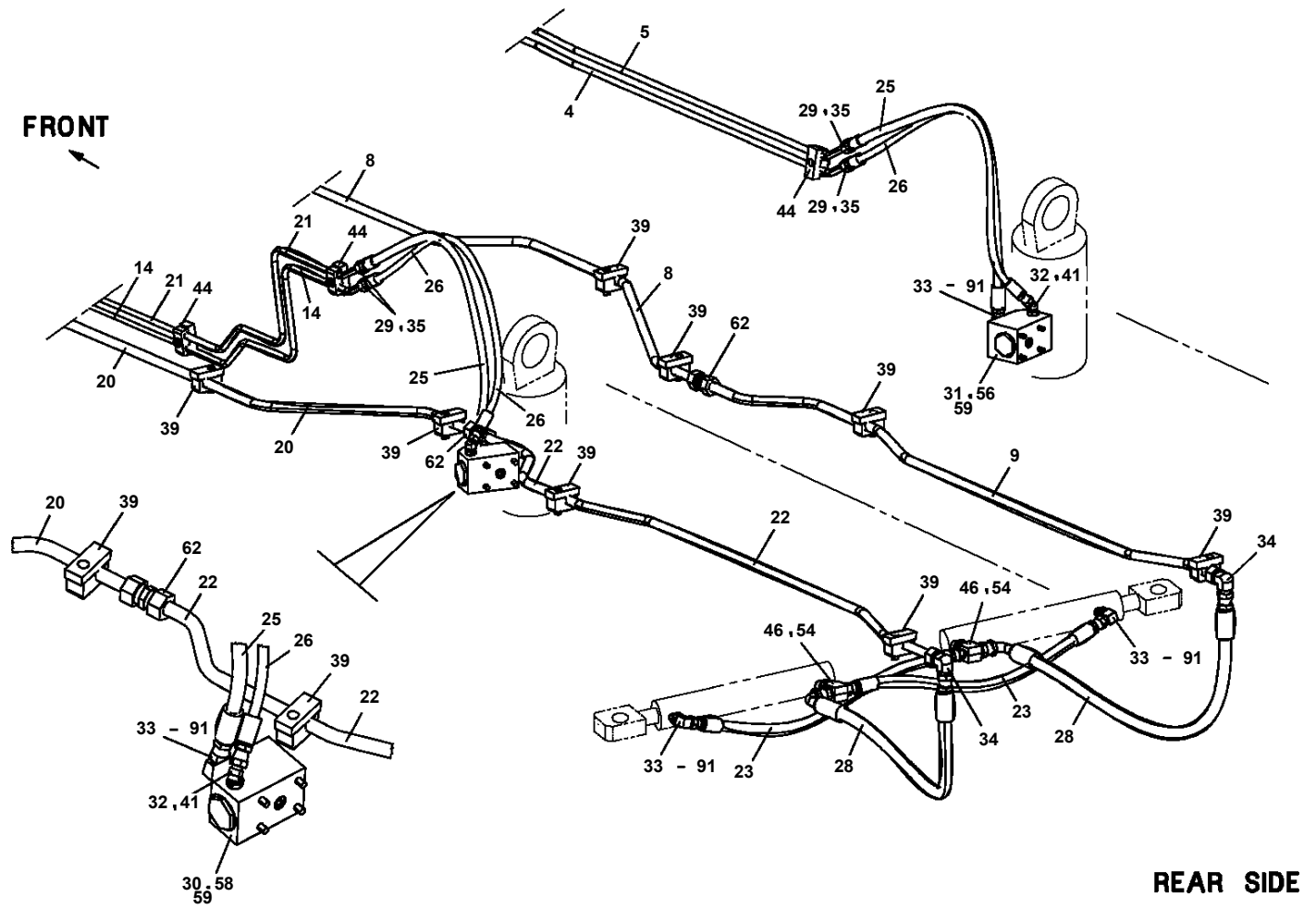
GR-500E-3-00104 4BOOM + 2 JIB,2M2D
PO5260079-03 OUTER COVERING ASSY (FENDER)



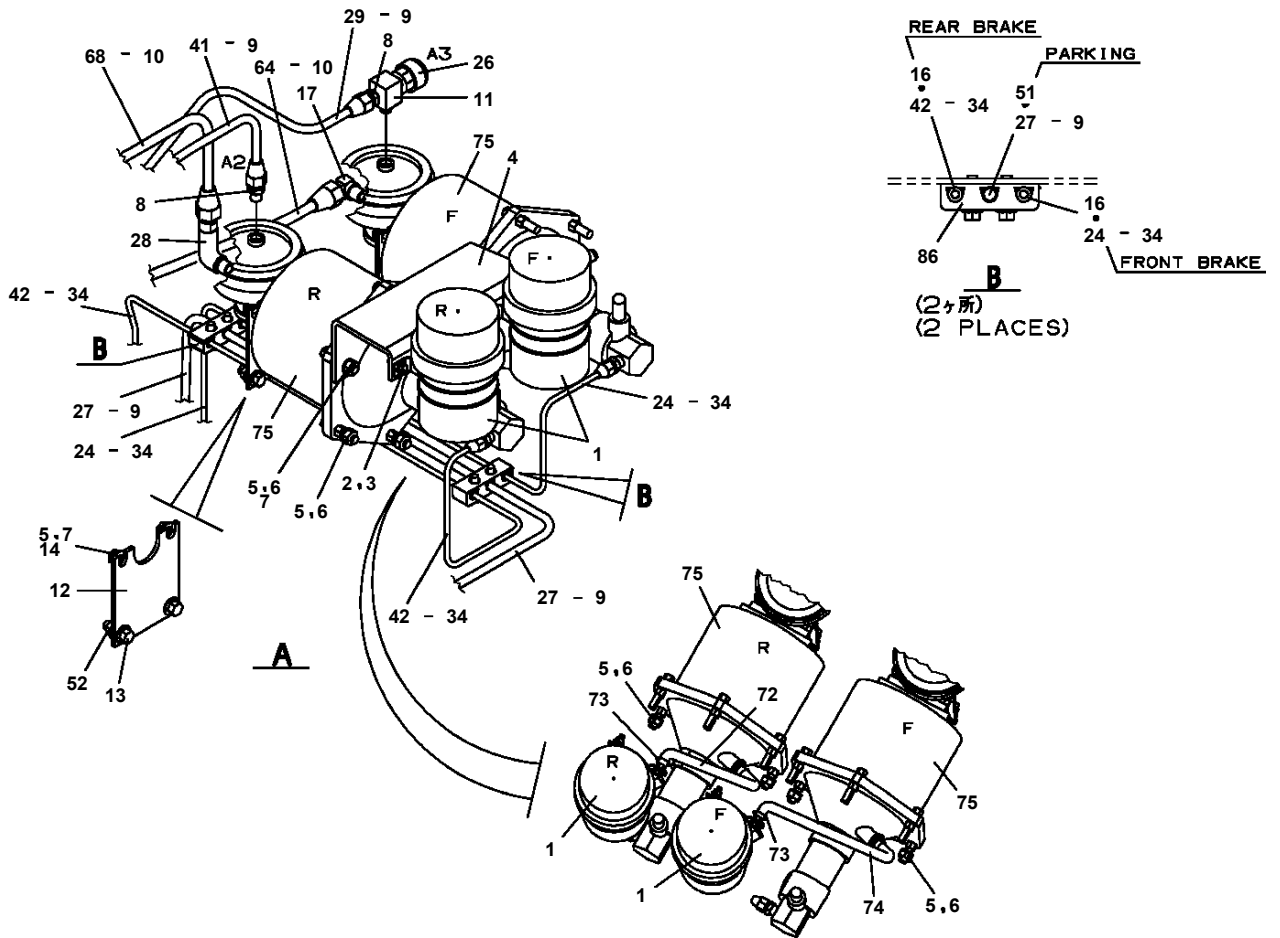
GR-500E-3-00104 4BOOM + 2 JIB,2M2D

Pos No.	Parts No	Parts Name	Qty	Unit	Technical Data	Serial No (Start)	Serial No (End)	Remarks	Pages
1	(*****)	PLATE,NAME	1						

GR-500E-3-00104 4BOOM + 2 JIB,2M2D
PP6010089-01 PIPING ASSY (STEER/SPING LOCK)



**GR-500E-3-00104 4BOOM + 2 JIB,2M2D
PP6070030-00 PIPING ASSY,BRAKE (LOWER)**



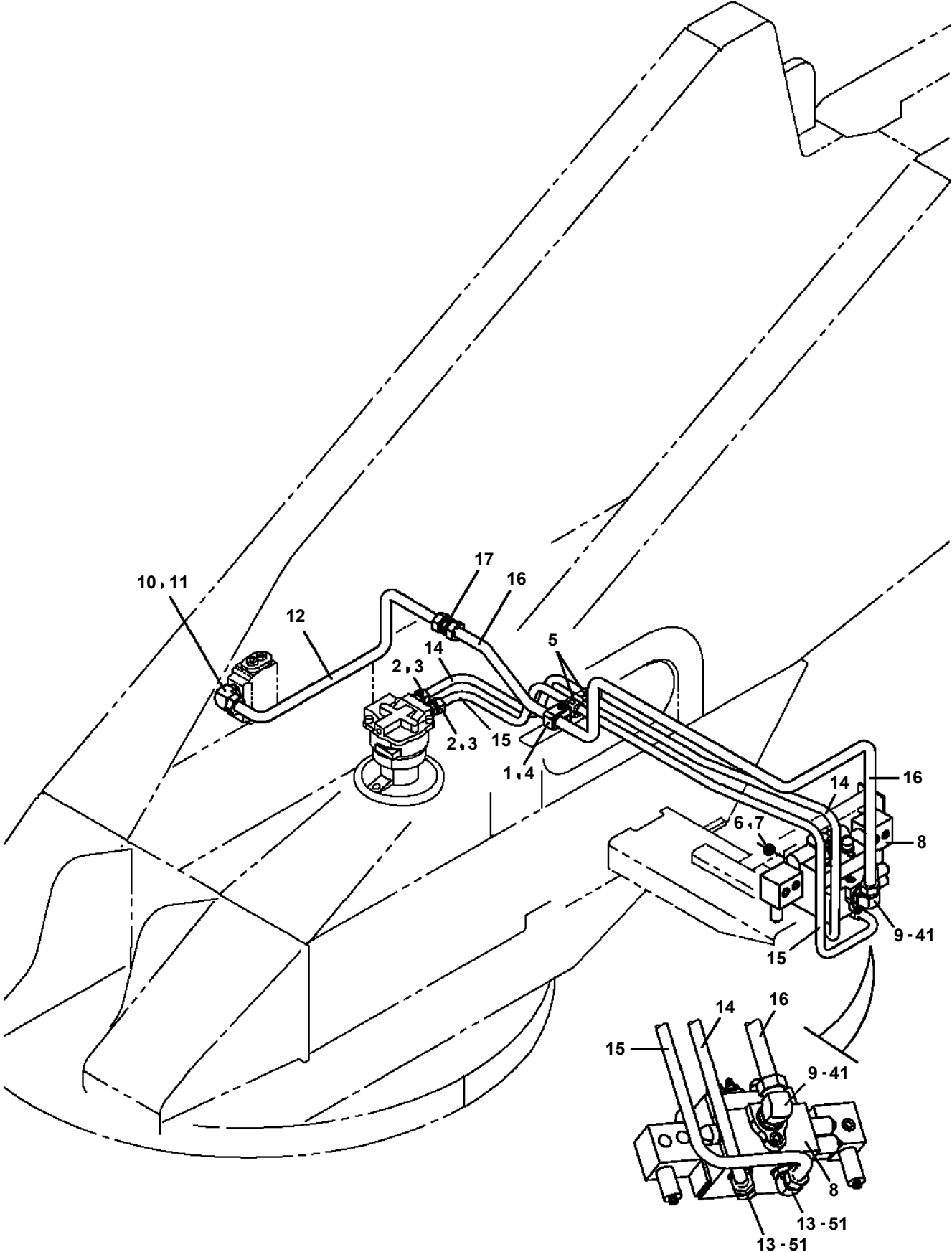
GR-500E-3-00104 4BOOM + 2 JIB,2M2D

Pos No.	Parts No	Parts Name	Qty	Unit	Technical Data	Serial No (Start)	Serial No (End)	Remarks	Page
1	36180130000	SENDER,PRESSURE	1						
2	36625120000	VALVE,CHECK	1						000
3	90186208045	BOLT,FLANGE	2		M8X45				
4	90280200800	NUT,FLANGE	2		M8				
5	80302090141	FITTING	6		KCO12-020N				
6	91002801100	O-RING	6		1B P11				
7	81408000160	PIPE,STEEL	1	M	12X1.4T				
8	81408000160	PIPE,STEEL	1	M	12X1.4T				
9	81408000160	PIPE,STEEL	1	M	12X1.4T				
31	91002801400	O-RING	1		1B P14				

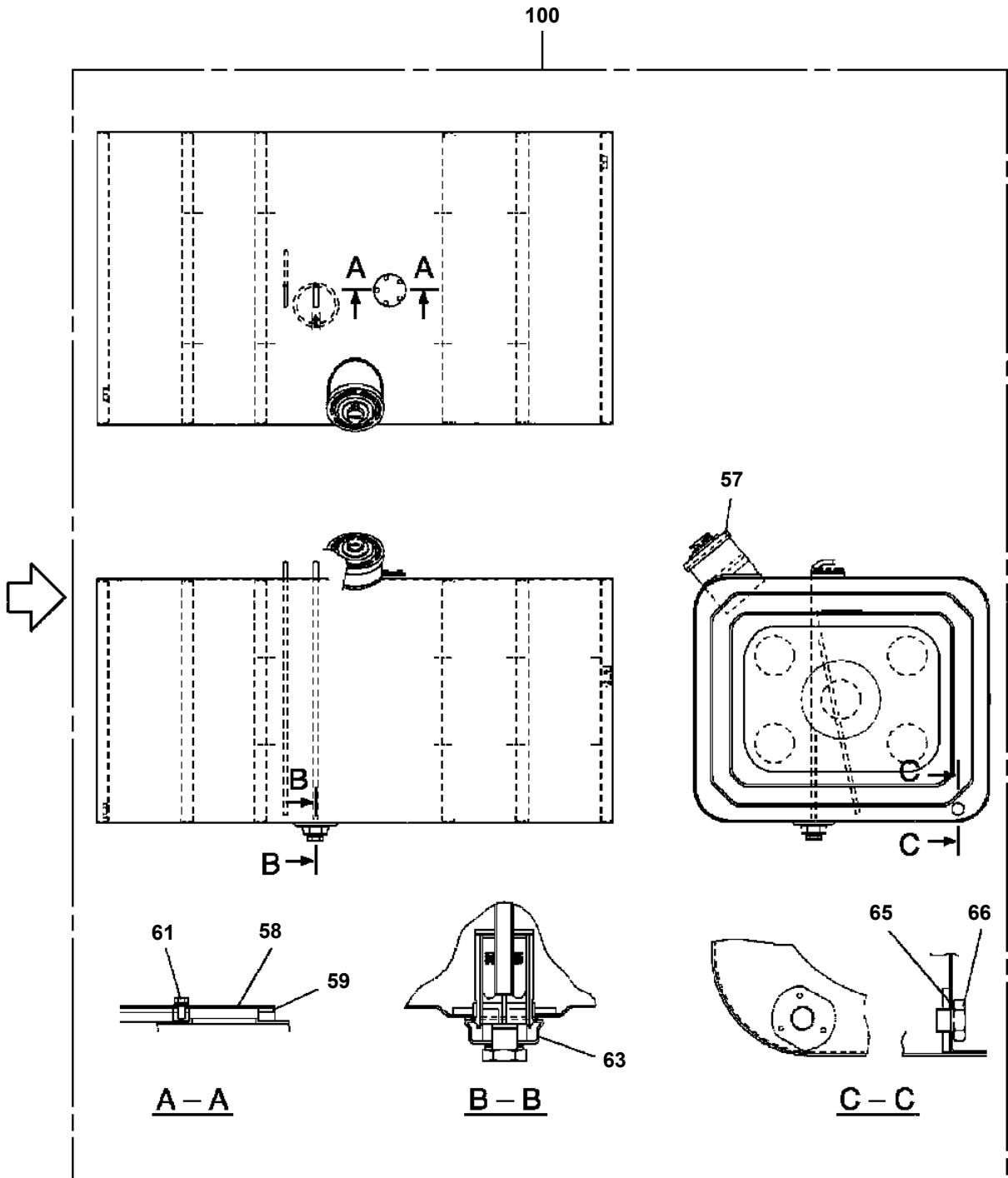
GR-500E-3-00104 4BOOM + 2 JIB,2M2D

Pos No.	Parts No	Parts Name	Qty	Unit	Technical Data	Serial No (Start)	Serial No (End)	Rem
1	91803600900	CLIP	8		D=70-90			
2	80441010904	FITTING (WITH O-RING)	1		S G1/4-12.7			
3	34641525101	JOINT	1					
4	34641035850	SUPPORT	1					
5	37002470880	HOSE	1		L=850			
6	37002502320	HOSE	1		L=280			
7	37002485260	HOSE	1		L=720			
8	37002485520	HOSE	1		L=800			
9	34641035750	FITTING,FLANGE	1					
10	91002906000	O-RING	1		1B G60			
11	34641495101	JOINT ASSY	1				541967	
	34641495102	JOINT ASSY	1			541968		
12	80400160133	JOINT	1					
13	91002802400	O-RING	2		1B P24			
14	37000701550	CLAMP ASSY	8		18X1			
15	37002456230	HOSE	1		L=600			
16	36673470000	FILTER ASSY	1				541535	
	36673720000	FILTER ASSY	1			541536		
17	37002514790	HOSE	1		L=380			
18	37000913040	JOINT (WITH O-RING)	2		L,G1-G3/4			
19	90186210014	BOLT,FLANGE	2		M10X14			
20	80400160126	FITTING,TEE	1		20364-U1/2			
21	80471020504	JOINT	1		HL205-04			
22	91002801800	O-RING	1		1B P18			
23	34641015300	JOINT	1					
24	80305010160	FITTING,TEE	3		KTA18-000E			
25	91002906500	O-RING	1		1B G65			
26	37000711060	CLAMP ASSY	1		28X1			
27	34641555700	FITTING,FLANGE	1					
28	80441030906	FITTING,ELBOW	1		L,G3/8-12.7			
29	80430620800	JOINT	4					
30	80302090322	FITTING	2		KCO28-080N			
31	91002802900	O-RING	2		1B P29			
32	90302041201	WASHER,SPRING	10		12			
33	90101212018	BOLT	2		M12X18			
34	80306010165	NUT	4		KKN018-000E			
36	80303130321	FITTING,ELBOW	2		KLO28-080E			
37	80430621600	JOINT	1					
38	80306010245	NUT	1		KKN28-000E			
39	80441030908	FITTING,ELBOW (WITH O-RING)	1		L,G1/2-12.7			
40	90186208020	BOLT,FLANGE	4		M8X20			
41	80309010165	SLEEVE	4					
42	80309010245	SLEEVE	1		28			
43	37002503470	HOSE	1		L=400			
44	37000711100	CLAMP ASSY	5		28X2			
45	80320010221	FITTING	2		KUD28			
46	82100002039	CLAMP	4					
47	80441030904	FITTING,ELBOW (WITH O-RING)	1		L,G1/4-12.7			
48	82100002009	CLAMP	1		WRC12			
49	90280200800	NUT,FLANGE	9		M8			
50	37002470950	HOSE	4		L=700			
52	37002456260	HOSE	1		L=1050			
53	80301010241	FITTING	4		KUA28-000N			
55	80302090251	FITTING	1		KCO018-060N			
58	91803930650	CLIP	4		50-65			
59	90101212030	BOLT	8		M12X30			
63	80441010906	FITTING	1					
66	91810130240	FASTENER	15					
67	81408000341	PIPE,STEEL	1	M	28X3.1T			
68	81408000341	PIPE,STEEL	3	M	28X3.1T			
69	81408000341	PIPE,STEEL	2	M	28X3.1T			
70	81408000341	PIPE,STEEL	1	M	28X3.1T			
71	81408000341	PIPE,STEEL	1	M	28X3.1T			

GR-500E-3-00104 4BOOM + 2 JIB,2M2D
PP6320007-00 PIPING ASSY,SWING



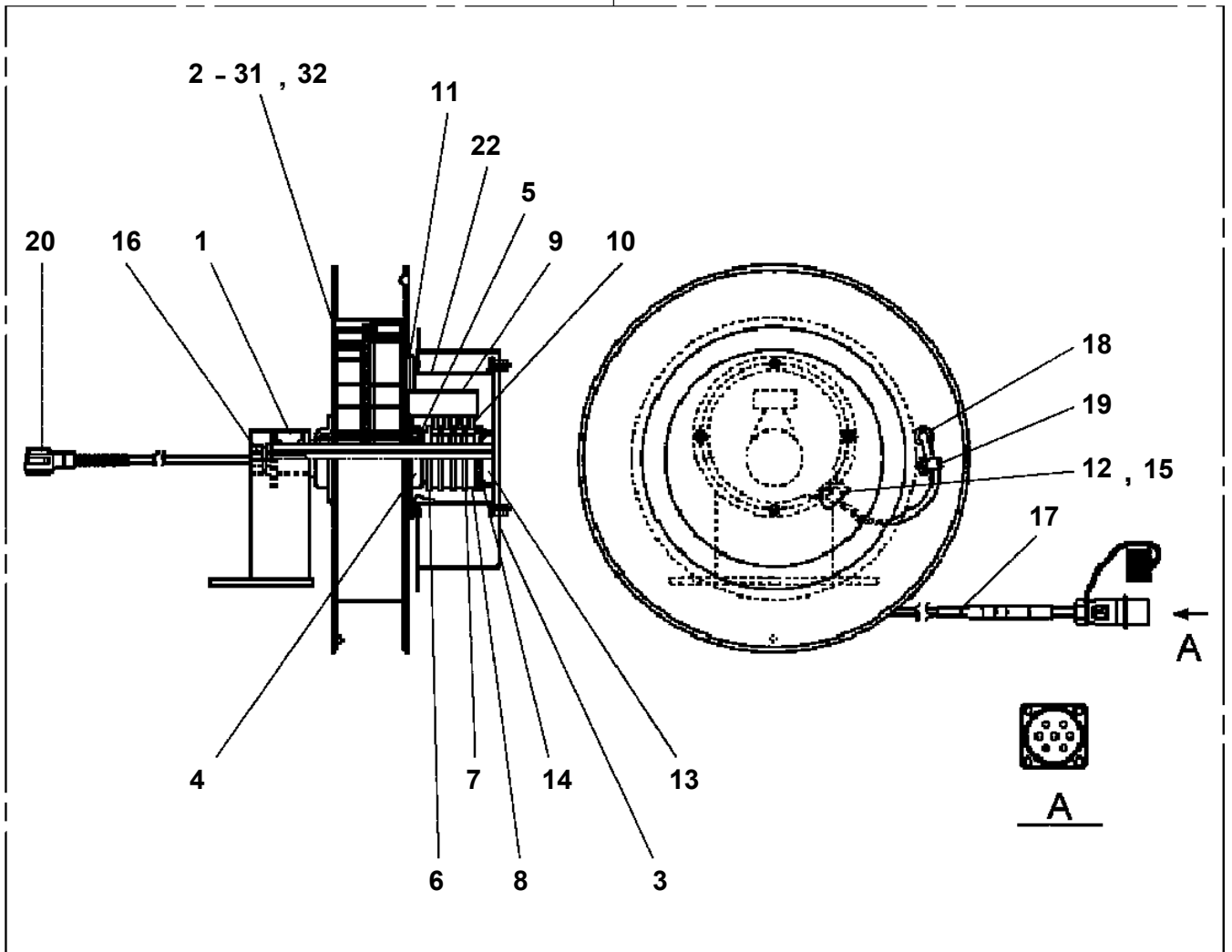
GR-500E-3-00104 4BOOM + 2 JIB,2M2D
PQ1100033-02 TANK,FUEL (300L)



(A)

GR-500E-3-00104 4BOOM + 2 JIB,2M2D
PR5050020-01 REEL ASSY,CORD

100



GR-500E-3-00104 4BOOM + 2 JIB,2M2D

Pos No.	Parts No	Parts Name	Qty	Unit	Technical Data	Serial No (Start)	Serial No (End)	F
1	34355121510	PLATE	1					
2	80197586012	SCREW,MACHINE	22		M6X12			
3	34354781710	RELAY (WITH BRACKET)	22					
8	82161324080	RELAY	6					
9	34430095800	RELAY ASSY (WITH CONNECTOR)	1					
10	80172303012	SCREW,MACHINE	2		M3X12			
12	90302040301	WASHER,SPRING	2		3			
13	90303070301	WASHER,PLAIN	2		3			
14	80197585012	SCREW,MACHINE	6		M5X12			

GR-500E-3-00104 4BOOM + 2 JIB,2M2D

Pos No.	Parts No	Parts Name	Qty	Unit	Technical Data	Serial No (Start)	Serial No (End)	Remarks
1	37001808800	ROPE,WIRE (TSK/NON-SPIN)	1					

GR-500E-3-00104 4BOOM + 2 JIB,2M2D

Pos No.	Parts No	Parts Name	Qty	Unit	Technical Data	Serial No (Start)	Serial No (End)	Remarks	Pages
3	36610385010	SPRING	1						
12	36610275020	O-RING	1		AS568-908				
15	36610275060	PLUG	1						
16	36610275040	O-RING	2						
17	36610385020	PLUG	1						
100	36611580000	VALVE,PRIORITY	1						

GR-500E-3-00104 4BOOM + 2 JIB,2M2D

Pos No.	Parts No	Parts Name	Qty	Unit	Technical Data	Serial No (Start)	Serial No (End)	Remarks	Pages
1	80136363056	PIN,SPLIT	1		6.3X56				
2	37000129790	PIN	1						
3	90171110016	BOLT	1		M10X16				
4	90302041001	WASHER,SPRING	1		10				
5	37002600520	SOCKET,ROPE	1		20				
6	37002600260	WEDGE	1		20				
7	37002601400	CLIP	1						

GR-500E-3-00104 4BOOM + 2 JIB,2M2D

Pos No.	Parts No	Parts Name	Qty	Unit	Technical Data	Serial No (Start)	Serial No (End)	Remarks	Pages
1	34444731400	SUPPORT,IP	1						
	34444731100	SUPPORT	1						
2	34444731200	SUPPORT	1						

GR-500E-3-00104 4BOOM + 2 JIB,2M2D

Pos No.	Parts No	Parts Name	Qty	Unit	Technical Data	Serial No (Start)	Serial No (End)	Remarks	Pages
1	33370260050	SUPPORT	1						

GR-500E-3-00104 4BOOM + 2 JIB,2M2D

Pos No.	Parts No	Parts Name	Qty	Unit	Technical Data	Serial No (Start)	Serial No (End)	Remarks	Pages
2	34222021950	SUPPORT	1						
3	34361103300	SUPPORT	1						
4	34496143300	SUPPORT	1						
5	33370260040	SUPPORT	3						

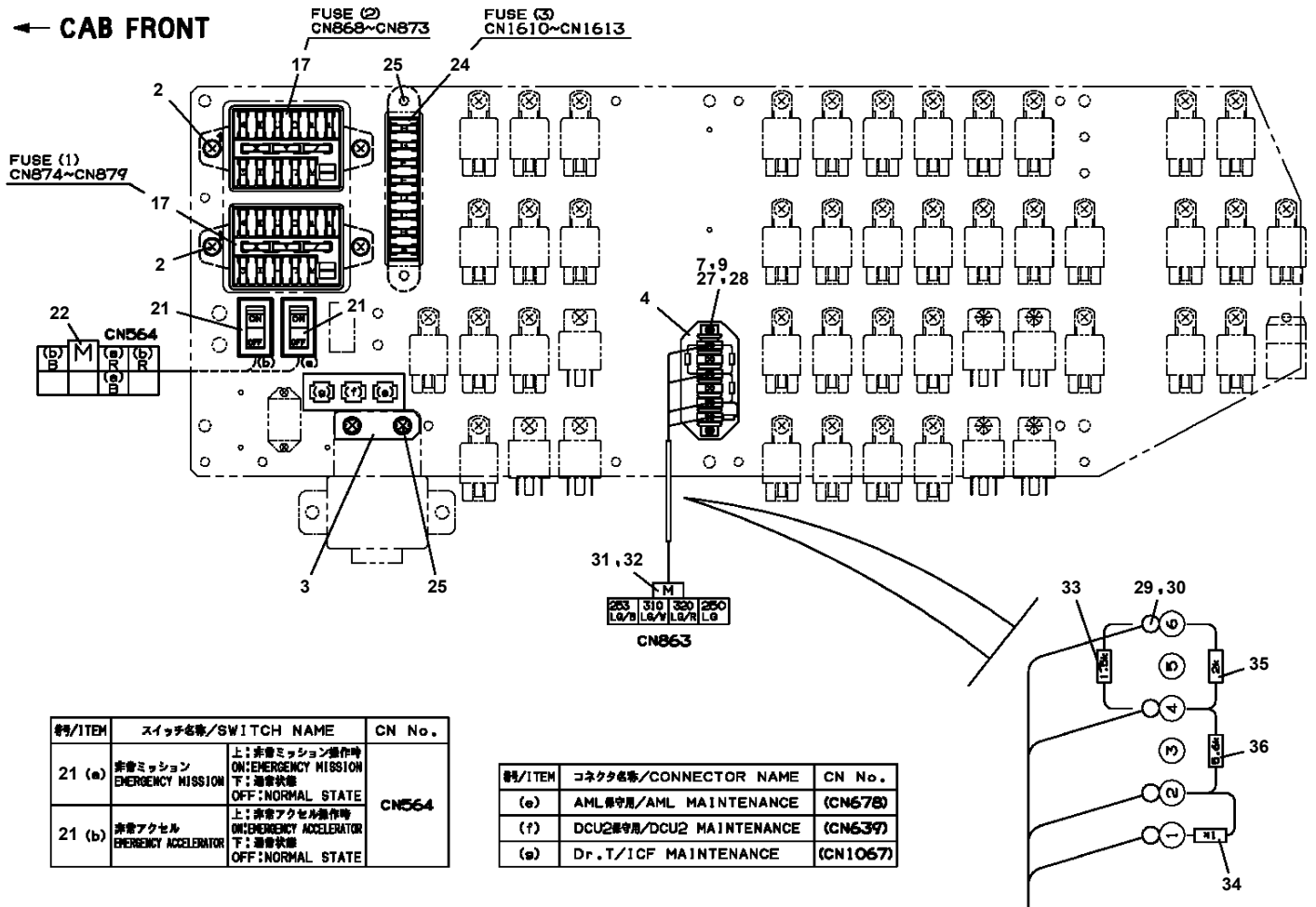
GR-500E-3-00104 4BOOM + 2 JIB,2M2D

Pos No.	Parts No	Parts Name	Qty	Unit	Technical Data	Serial No (Start)	Serial No (End)	Remarks	P
1	34221942100	SUPPORT (JIB,0)	1						
26	82100002006	CLAMP	1		WR10				
33	90186206020	BOLT,FLANGE	1		M6X20				
51	37000558150	PLATE	1						
64	42262511600	SUPPORT	1						
65	37000302290	SPACER	1						
100	34221949550	SUPPORT ASSY (JIB,0)	1						

GR-500E-3-00104 4BOOM + 2 JIB,2M2D

Pos No.	Parts No	Parts Name	Qty	Unit	Technical Data	Serial No (Start)	Serial No (End)
1	34353022110	COVER	1				
3	42433932100	SWITCH ASSY (WITH HARNESS,1 SW)	2				
4	80182406010	SCREW,MACHINE	4		M6X10		
5	90302350601	WASHER,SPRING (6)	4				
6	90303360601	WASHER,PLAIN	4		6		
7	82197518119	CAP (PLUS ONE MFG./BLACK)	2				
	82197518114	CAP (MATSUSHITA/BLACK)	2				
8	42653673200	LAMP ASSY (GREEN,WITH HARNESS)	1				
9	82466109001	CATCH	1				
10	80175804008	SCREW,MACHINE	4		M4X8		
12	90201500400	NUT	2		M4		
13	90302510401	WASHER,SPRING	2		4		
21	90240200400	NUT,CAP	2		M4		
22	34354002150	SUPPORT ASSY	1				
42	34354009520	COVER ASSY	1				541926
	34354009530	COVER ASSY	1			541927	
54	82400000348	HINGE	1				541926
	82464110004	HINGE	1			541927	
55	80147310420	RIVET	2		3.2X6	541927	
100	34354002100	SWITCH ASSY (JIB HANDLING)	1				

GR-500E-3-00104 4BOOM + 2 JIB,2M2D PS5530213-00 SWITCH ASSY (4/CAB:FUSE)

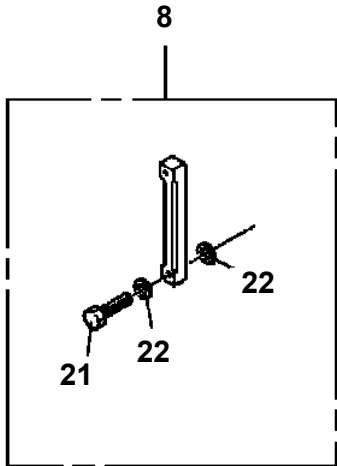
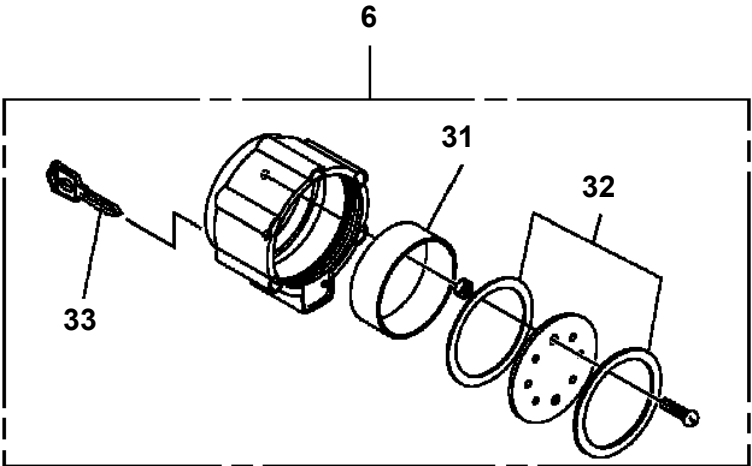
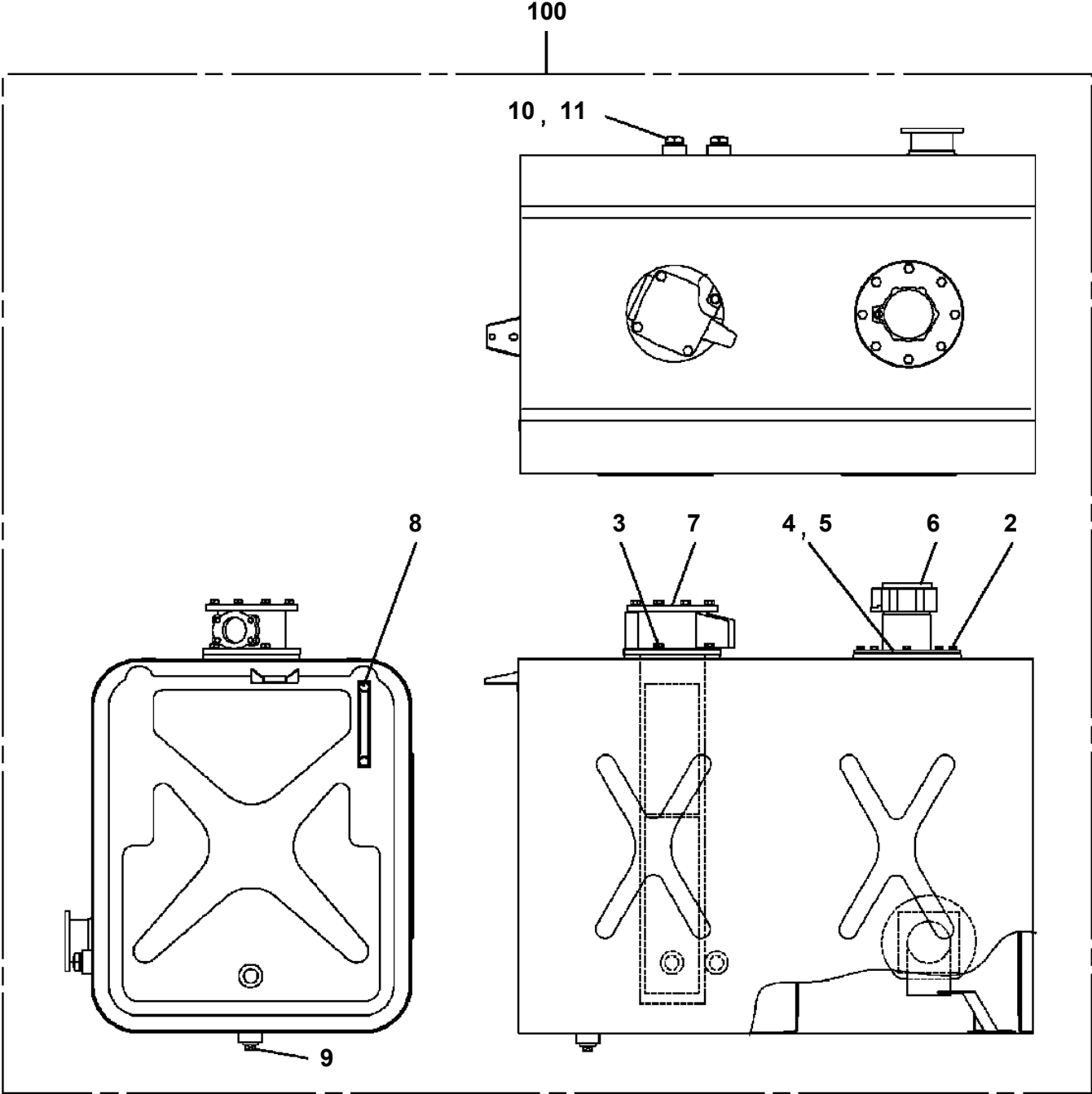


展開図有
ILLUSTRATED BREAKDOWN NO.17 241

GR-500E-3-00104 4BOOM + 2 JIB,2M2D

Pos No.	Parts No	Parts Name	Qty	Unit	Technical Data	Serial No (Start)	Serial No (End)	Remarks	Pa
3	36700185020	SPRING	1						
4	36700015010	DIAPHRAGM (NO.16A)	1						
20	36700180000	CHAMBER,SPRING	1						

GR-500E-3-00104 4BOOM + 2 JIB,2M2D
PT5090017-00 TANK ASSY,OIL

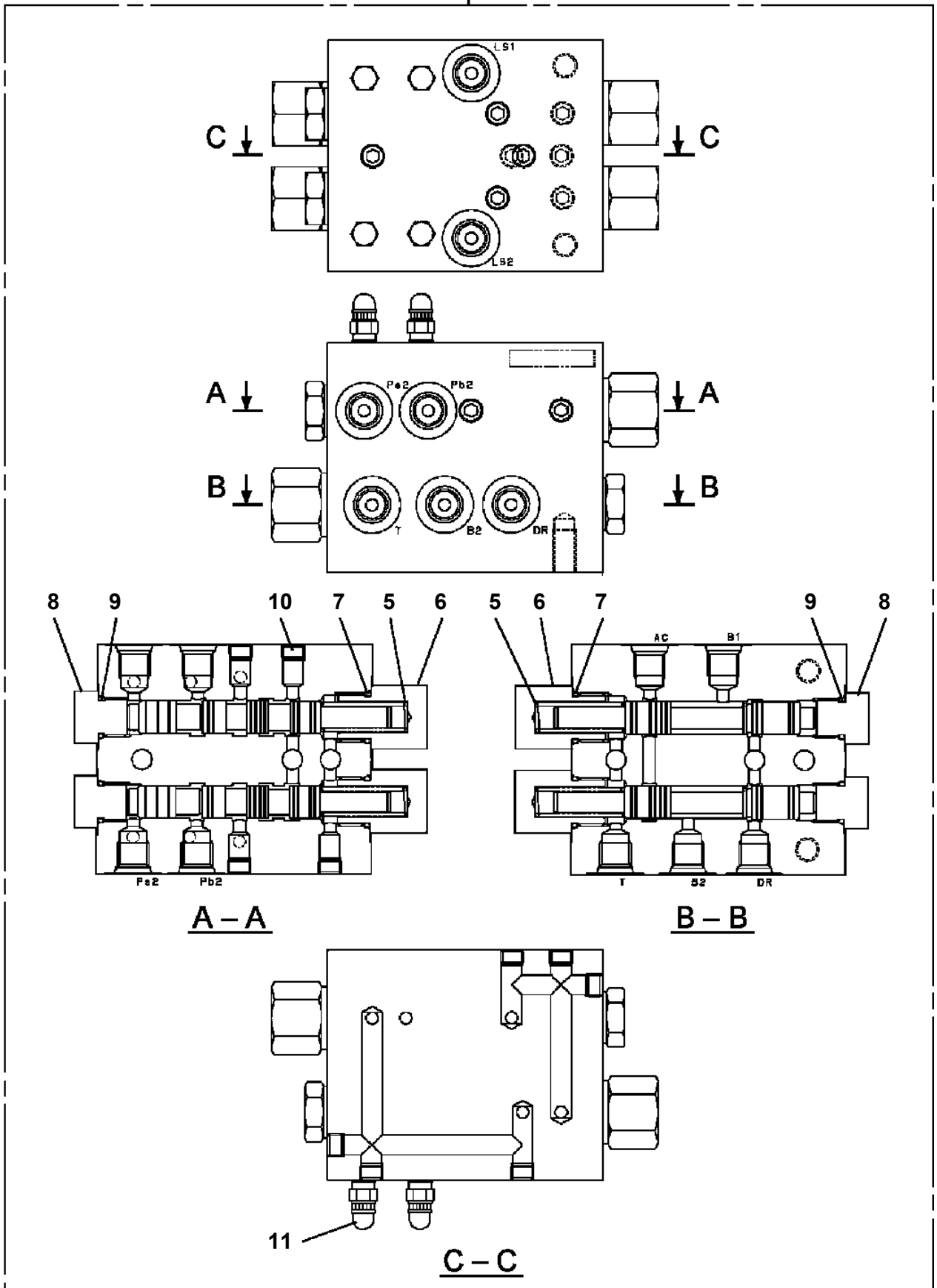


GR-500E-3-00104 4BOOM + 2 JIB,2M2D

Pos No.	Parts No	Parts Name	Qty	Unit	Technical Data	Serial No (Start)	Serial No (End)
1	36410205010	SPRING (LEAF NO.1,WITH BUSHING)	1				
2	36410205020	SPRING (LEAF NO.2)	1				
3	36410205030	SPRING (LEAF NO.3)	1				
4	36410205040	SPRING (LEAF NO.4)	1				
11	36410065040	BUSHING	1				
12	36410135060	BOLT (CENTER)	1				
13	36410065060	NUT	1				
14	36410095050	SPACER (CENTER)	4				
20	36410200000	SPRING,LEAF	1				

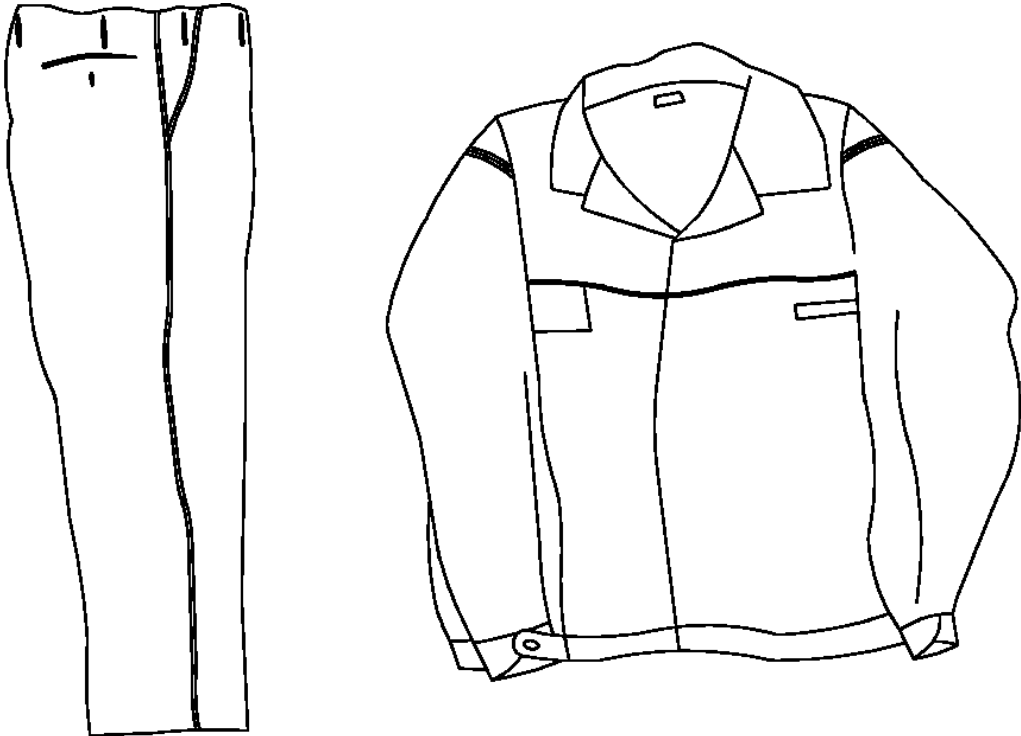
GR-500E-3-00104 4BOOM + 2 JIB,2M2D
PV5090001-00 VALVE ASSY, HYDRAULIC

100

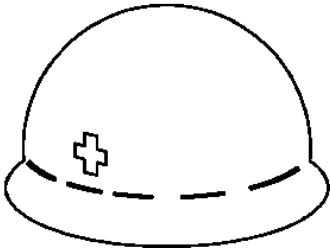


**GR-500E-3-00104 4BOOM + 2 JIB,2M2D
PW1010146-00 ACCESSORIES (MET & WEAR)**

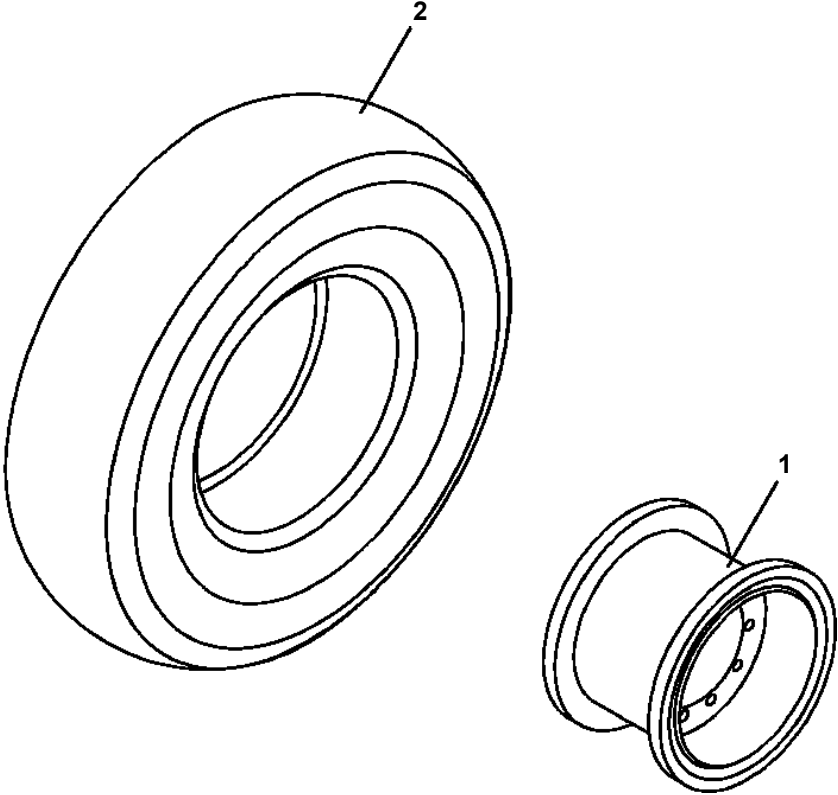
1



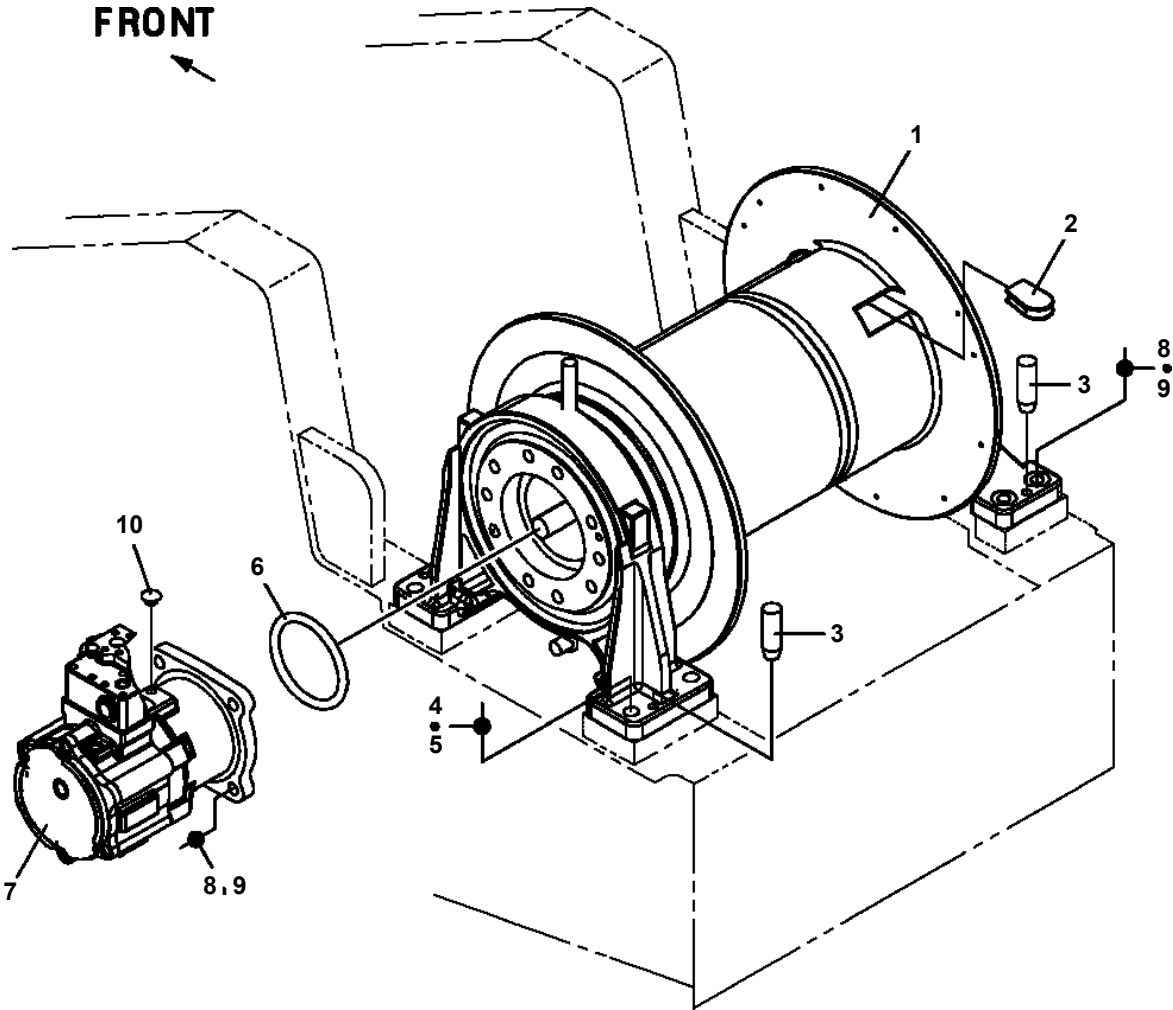
2



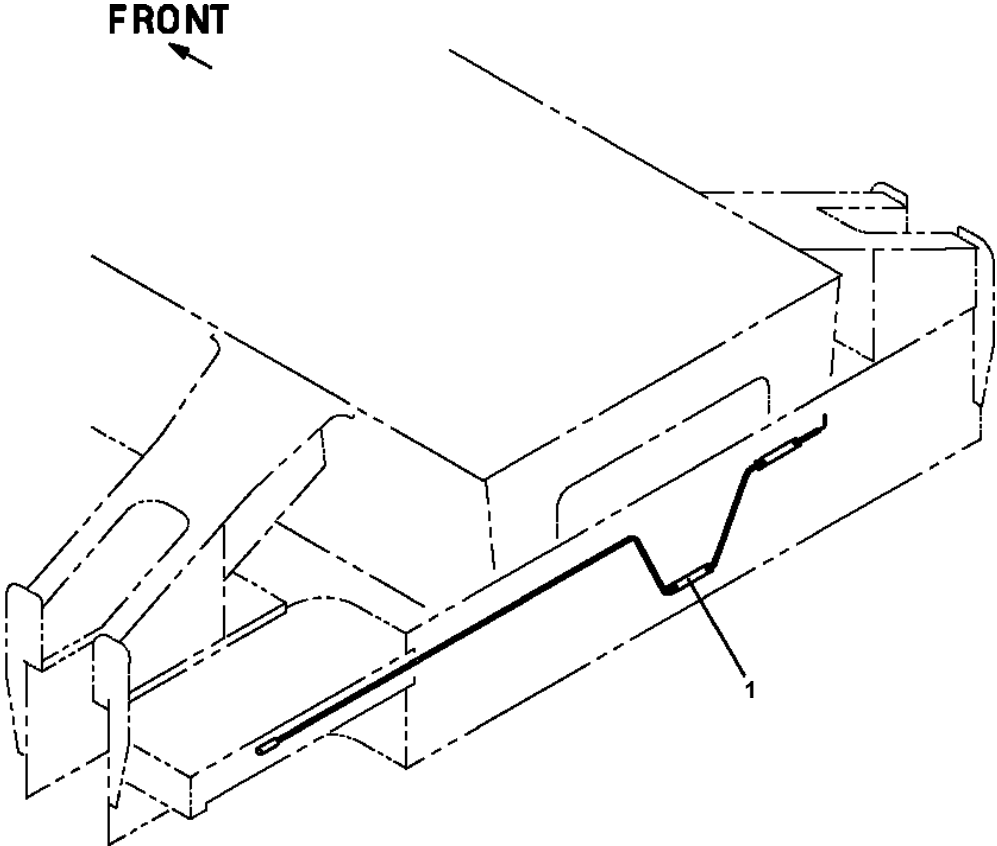
GR-500E-3-00104 4BOOM + 2 JIB,2M2D
PW5030028-00 WHEEL ASSY (WI + YOKOHAMA)



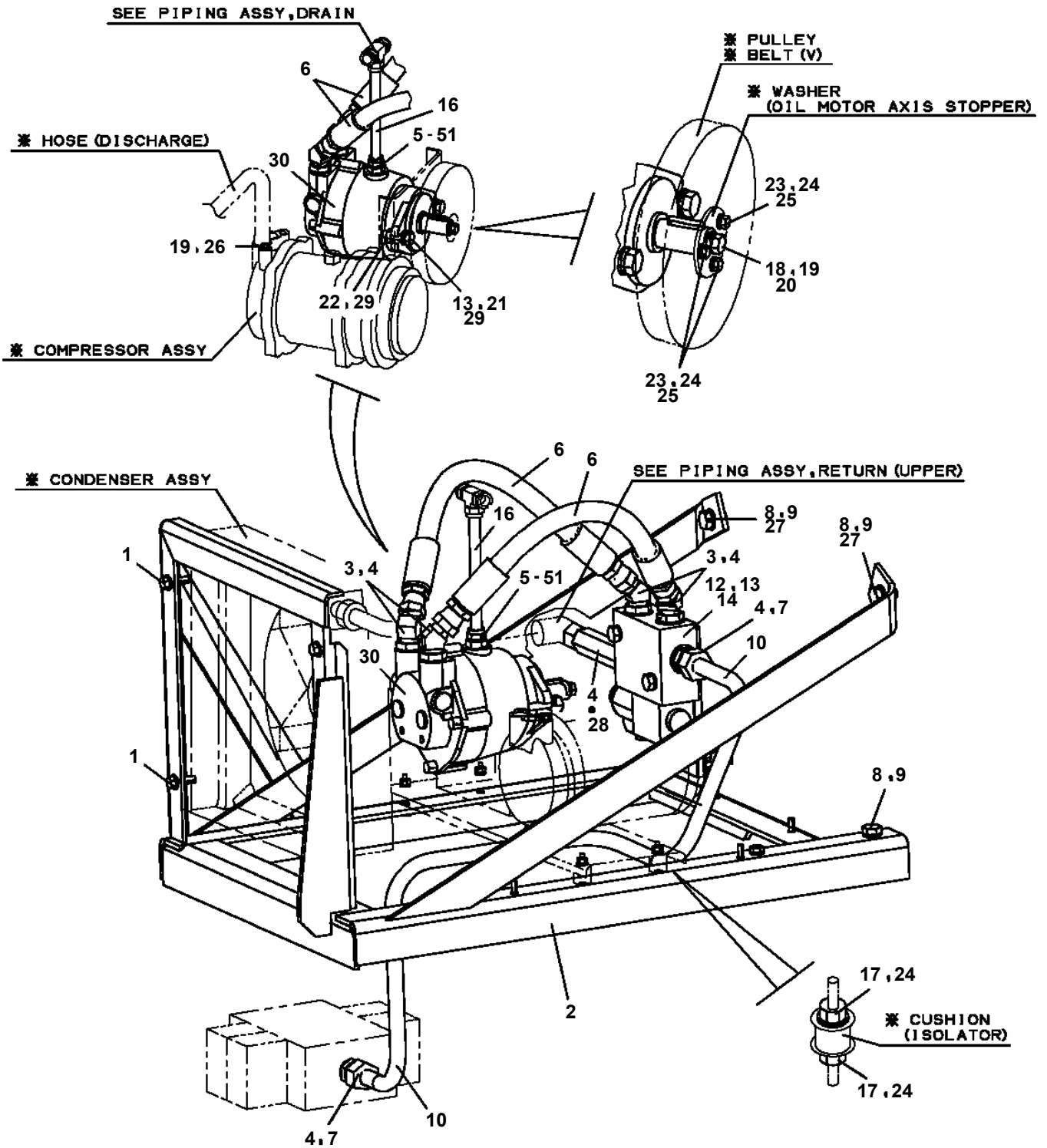
**GR-500E-3-00104 4BOOM + 2 JIB,2M2D
PW5060063-00 WINCH ASSY (MAIN/MOUNT)**



GR-500E-3-00104 4BOOM + 2 JIB,2M2D
PX5010078-00 MOUNT ASSY (JIB HANDLE)



GR-500E-3-00104 4BOOM + 2 JIB,2M2D
 PX5250008-01 MOUNT ASSY,COMPRESSOR

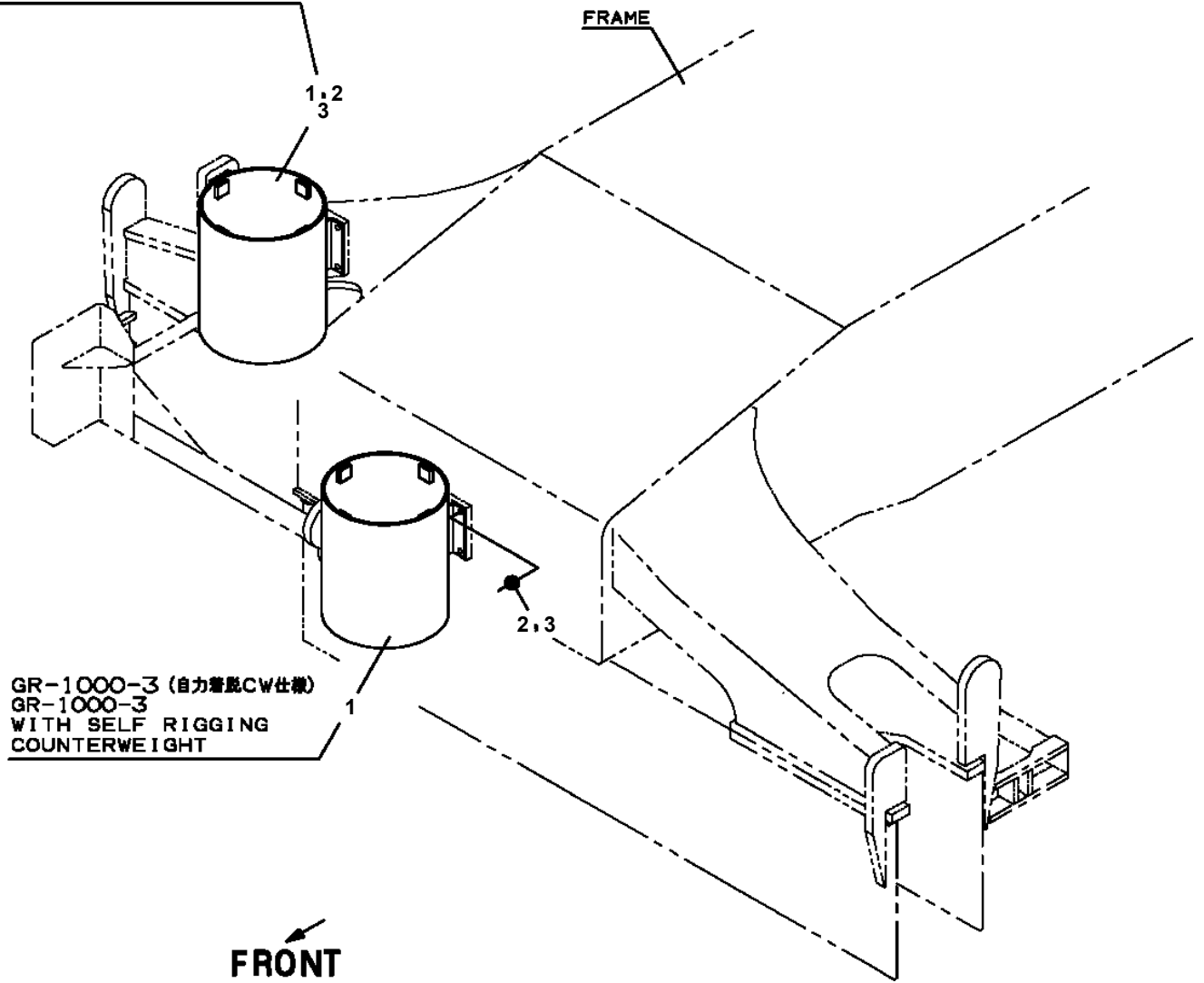


※材は〔付属品リスト〕より検索してください。
 FOR THE PART ※,SEE THE CORRESPONDING "ACCESSORY LIST."

101	フジ クヒンリスト (エアコン, シヤナイトリツケ) ACCESSORY LIST (AIR CONDITIONER,COMPANY)
-----	--

GR-500E-3-00104 4BOOM + 2 JIB,2M2D
PX5440026-00 MOUNT ASSY,HOOK (AUX.)

自力着脱CW仕様以外のスペック
THE MODEL
WITHOUT SELF RIGGING
COUNTERWEIGHT



GR-1000-3 (自力着脱CW仕様)
GR-1000-3
WITH SELF RIGGING
COUNTERWEIGHT

GR-500E-3-00104 4BOOM + 2 JIB,2M2D

Pos No.	Parts No	Parts Name	Qty	Unit	Technical Data	Serial No (Start)	Serial No (End)	Remarks	Pages
1	34762113200	SUPPORT	1						
2	34762033200	SUPPORT	1						
3	90101512025	BOLT	6		M12X25				
4	90302041201	WASHER,SPRING	6		12				
5	90303503001	WASHER,PLAIN	48		30XT8				
6	37001501000	BOLT	40		M30X170				
7	37001509300	BOLT	8		M30X140				
8	90101510030	BOLT	6		M10X30				
9	90303501005	WASHER,PLAIN	6		10				

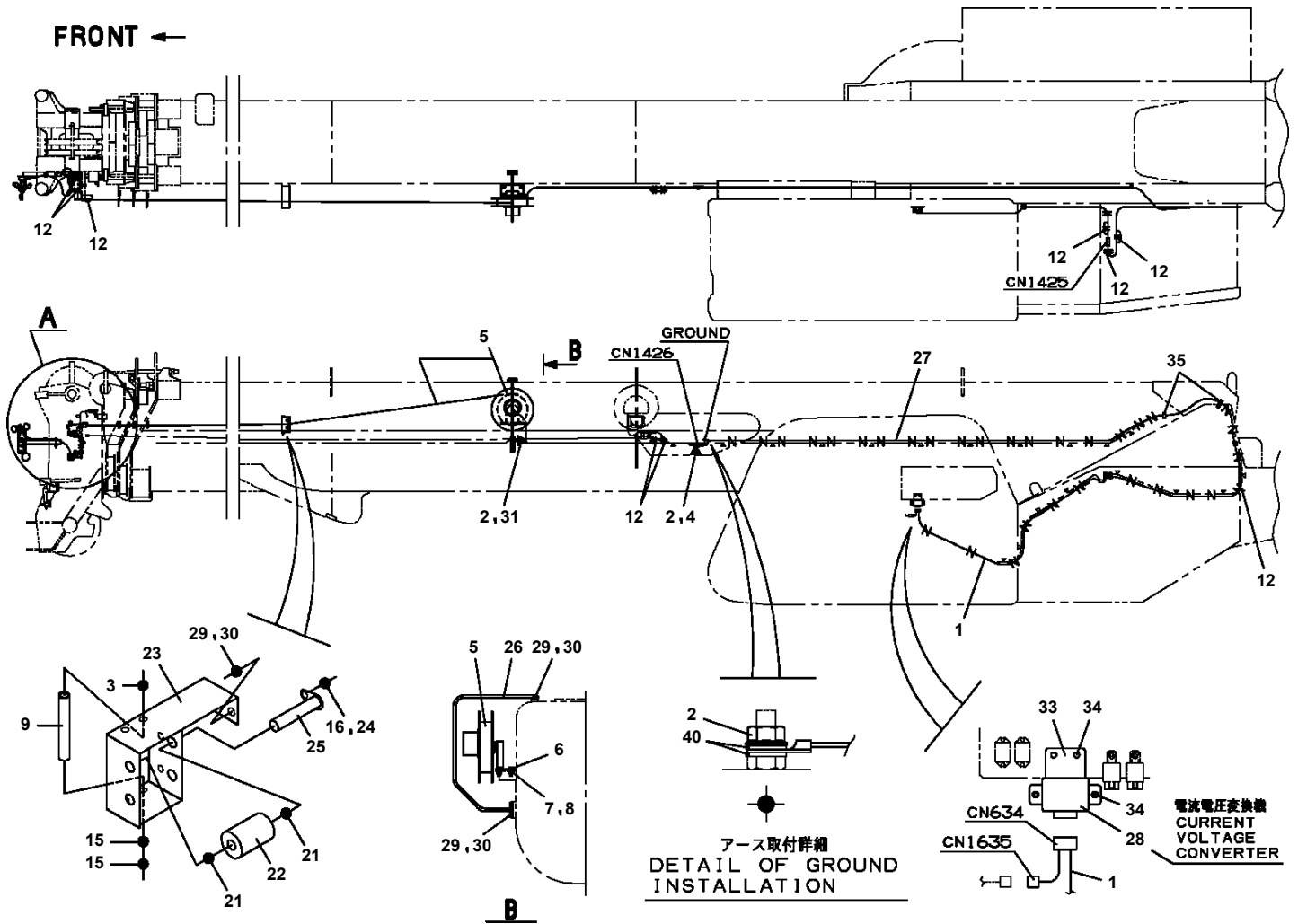
GR-500E-3-00104 4BOOM + 2 JIB,2M2D

Pos No.	Parts No	Parts Name	Qty	Unit	Technical Data	Serial No (Start)	Serial No (End)	Remarks	Pages
1	34461260100	MAT (FLOOR)	1						
2	34460760100	ROD	1						

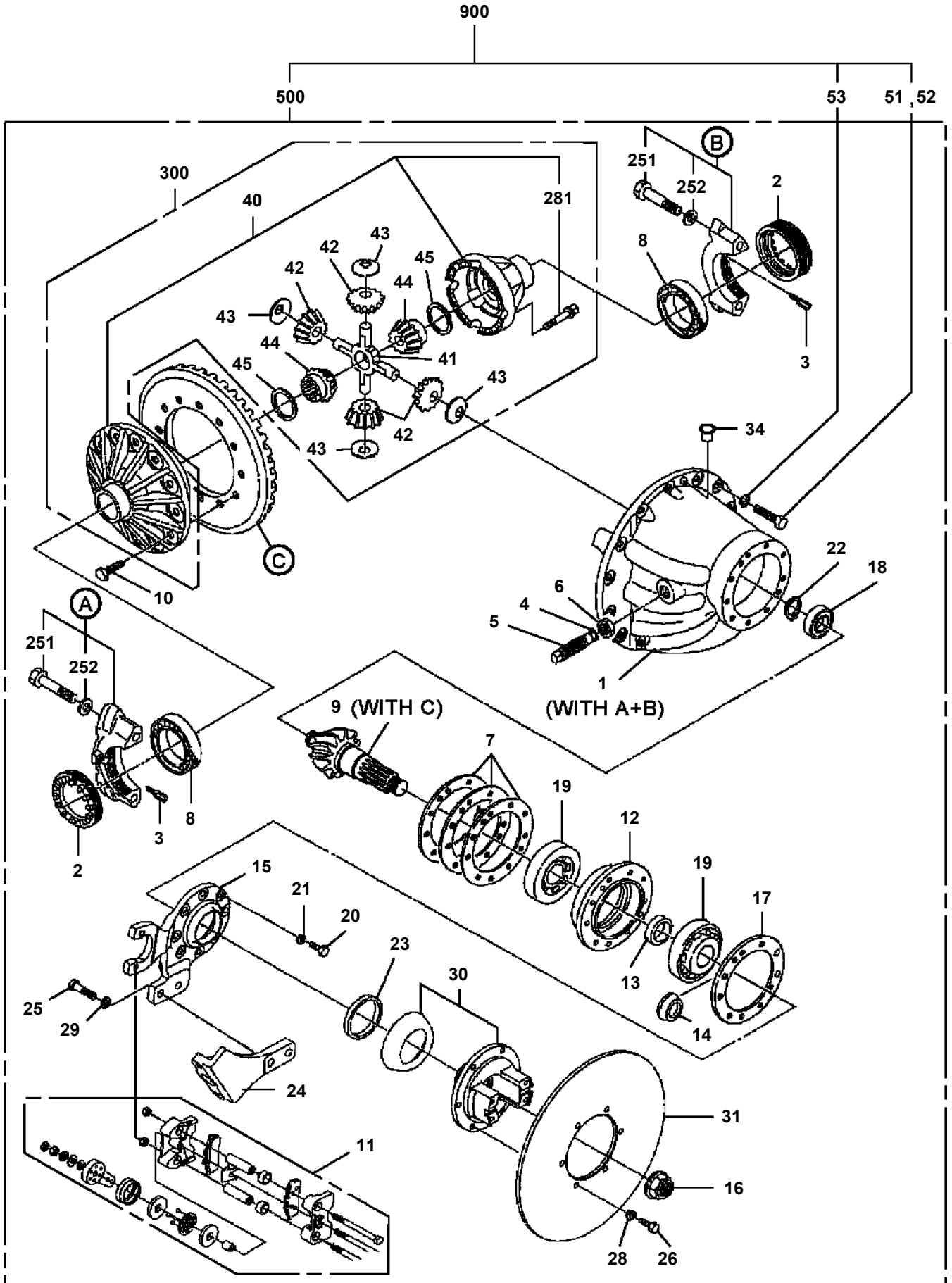
GR-500E-3-00104 4BOOM + 2 JIB,2M2D

Pos No.	Parts No	Parts Name	Qty	Unit	Technical Data	Serial No (Start)	Se
1	90280200600	NUT,FLANGE	7		M6		
2	82100002006	CLAMP	3		WR10		
3	90280200800	NUT,FLANGE	11		M8		
4	82100002042	CLAMP	6		WE20		
5	90101506020	BOLT	2		M6X20		
6	90186208025	BOLT,FLANGE	4		M8X25		
7	91801630024	CLIP	4		22.6-26.0		
8	82100002044	CLAMP	4		WE25		
9	32510041050	HOSE	1		L=1700		
10	37002516680	HOSE	1		L=240		
11	37002514930	HOSE	1		L=500		
12	36320392081	PUMP,WATER	1				
13	82100002016	CLAMP	1		WR25		
14	91810132530	FASTENER	8				
15	90101208018	BOLT	2		M8X18		
16	90302040801	WASHER,SPRING	3		8		
17	34510703100	COVER	1				
18	90186208014	BOLT,FLANGE	4		M8X14		
19	90302040601	WASHER,SPRING	2		6		
20	90101508025	BOLT	1		M8X25		
21	37002514920	HOSE	1		L=220		
22	91801630022	CLIP	6		D=19.9-22.6		
23	37000929220	JOINT	2		S 13-16		
24	82100002002	CLAMP	4		WR6		
25	37002517180	HOSE	1		L=1100		
26	90303290800	WASHER,PLAIN	2		8		
101	36320768020	ACCESSORY LIST (AIR CONDITIONER,COMPANY)	1				

**GR-500E-3-00104 4BOOM + 2 JIB,2M2D
PY5220026-01 ANEMOMETER ASSY (BOOM)**



**GR-500E-3-00104 4BOOM + 2 JIB,2M2D
PY5340005-00 AXLE ASSY,FRONT**



GR-500E-3-00104 4BOOM + 2 JIB,2M2D

Pos No.	Parts No	Parts Name	Qty	Unit	Technical Data	Serial No (Start)	Serial No (End)	Rem
1	36290810230	HARNESS	1					
3	36290700130	PIPE (FUEL)	1					
5	36290700160	CLAMP (FUEL HOSE)	8					
6	36290810100	HOSE	2		L=2200			
7	36290810110	DUCT (SUCTION)	1					
9	36290810130	DUCT (EXHAUST)	1					
10	36290810160	CLAMP	7		23-35			
11	36290810170	CLAMP (EXHAUST PIPE)<39-42)	1					
12	36291271010	BOX,FUSE	1					
13	36291271020	CONNECTOR	1					
14	36291271030	TERMINAL	4					
15	36291271040	SWITCH	1					
16	36291271050	PLATE,NAME	1					
17	36291271060	HOSE (FUEL)	1		4.5X10.5			
18	36291271070	BRACKET (FUEL PUMP)	1					
19	36291271080	CLAMP (FUEL PUMP)	1					
20	36291271090	PUMP ASSY,FUEL	1					
21	36290842040	FILTER (FUEL)	1					
22	36291271110	FUSE	1		5A			
23	36291271120	FUSE	1		20A			
24	36291271130	COVER	2					
25	36291271140	TERMINAL	2					
26	36291271150	TERMINAL	2					
27	36291271160	HARNESS (FUEL PUMP)	1					
28	36291271170	SUPPORT	1					
29	36290810220	CAP (SUCTION PIPE)	1					

CLICK HERE TO **DOWNLOAD** THE COMPLETE MANUAL

- Thank you very much for reading the preview of the manual.
- You can download the complete manual from: www.heydownloads.com by clicking the link below



- Please note: If there is no response to CLICKING the link, please download this PDF first and then click on it.

CLICK HERE TO **DOWNLOAD** THE COMPLETE MANUAL