

GR-500E-3-00102 5BOOM + 2 JIB,2M2D,H

PB5000032-00 HYDRAULIC PRESSURE SYSTEM
PB6000084-00 PIPING SYSTEM (LOWER)
PB6000085-00 PIPING SYSTEM (UPPER)
PC1000667-00 OUTRIGGER SYSTEM
PD1000650-00 SWING SYSTEM
PF1000767-00 WINCH SYSTEM
PG3000031-00 JIB SYSTEM
PG5000038-00 BOOM SYSTEM
PH5000034-00 SAFETY SYSTEM
PK1000813-01 FRAME
PK5000038-01 CAB SYSTEM
PL5000039-00 CONTROL SYSTEM
PM1000032-01 LUBRICATION DEVICES
PN1000716-00 ELECTRIC EQUIPMENT (CAB)
PN1000717-00 ELECTRIC EQUIPMENT
PO1000150-00 INDICATION PLATES
PR5000054-01 DRIVING POWER SYSTEM
PS5000026-00 STEERING & SUSPENSION
PW1000097-02 ACCESSORIES & TOOLS
PX1001304-01 MOUNTING PARTS
PY1001756-04 OPTION UNIT,1
ASSEMBLY

CLICK HERE TO **DOWNLOAD** THE COMPLETE MANUAL

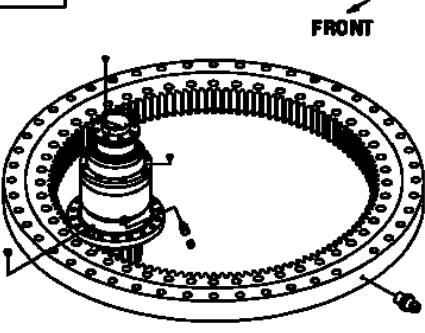
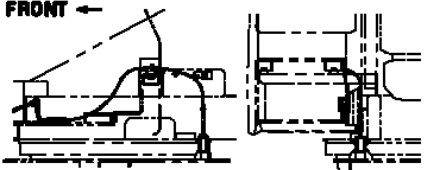
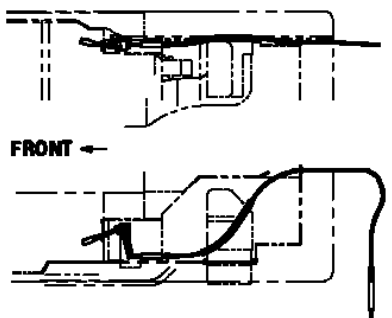
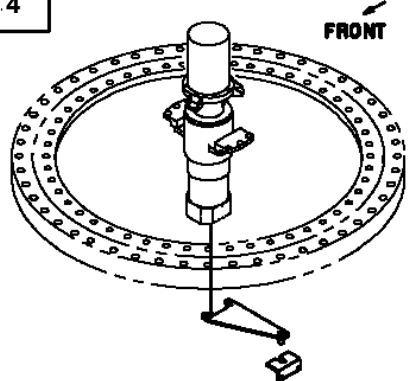
- Thank you very much for reading the preview of the manual.
- You can download the complete manual from: www.heydownloads.com by clicking the link below



- Please note: If there is no response to CLICKING the link, please download this PDF first and then click on it.

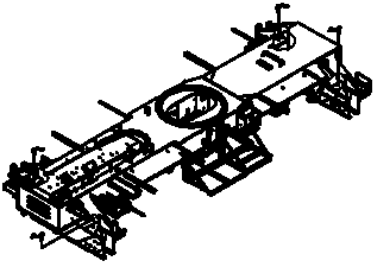
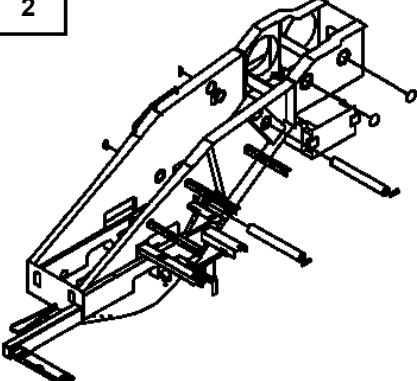
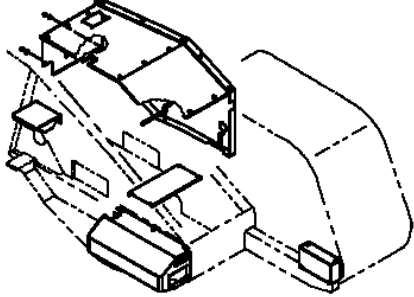
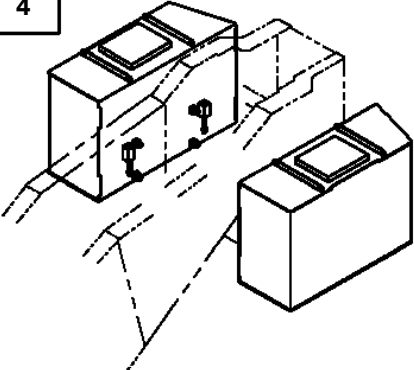
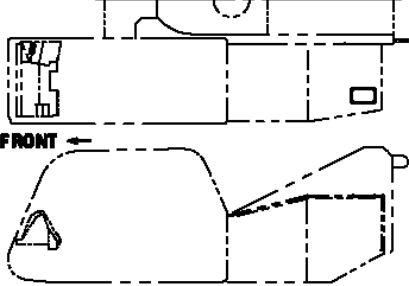
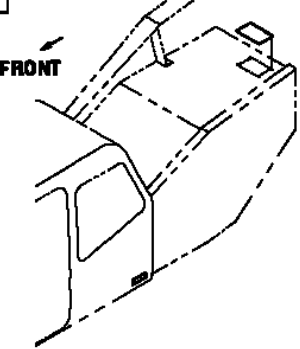
CLICK HERE TO **DOWNLOAD** THE COMPLETE MANUAL

**GR-500E-3-00102 5BOOM + 2 JIB,2M2D,H
PD1000650-00 SWING SYSTEM**

<p>1</p> 	<p>2</p> 	<p>3</p> 
<p>4</p> 		

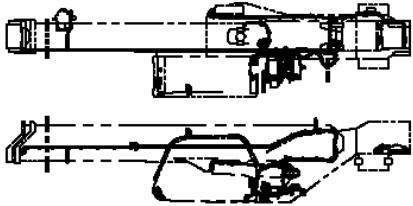
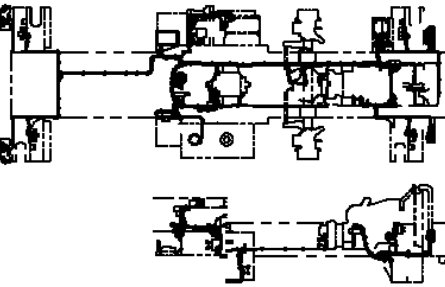
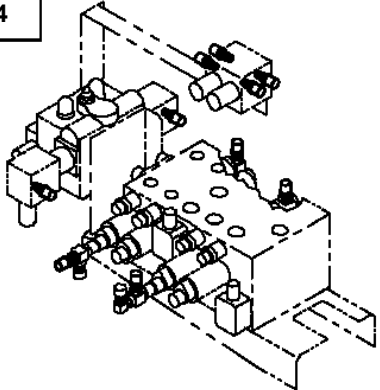
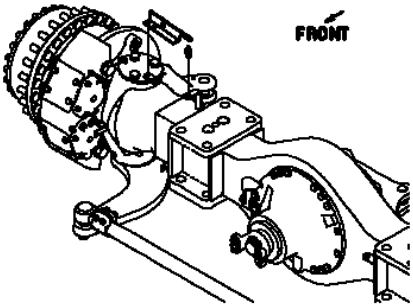
適用製造番号によっては取り付けがないものもあります。
MACHINES OF SOME SERIAL NO. ARE NOT EQUIPPED WITH THESE PARTS.

GR-500E-3-00102 5BOOM + 2 JIB,2M2D,H
PK1000813-01 FRAME

<p>1</p> 	<p>2</p> 	<p>3</p> 
<p>4</p> 	<p>7</p> 	<p>8</p> 
Empty cell	Empty cell	Empty cell
Empty cell	Empty cell	Empty cell

適用製造番号によっては取り付けがないものもあります。
MACHINES OF SOME SERIAL NO. ARE NOT EQUIPPED WITH THESE PARTS.

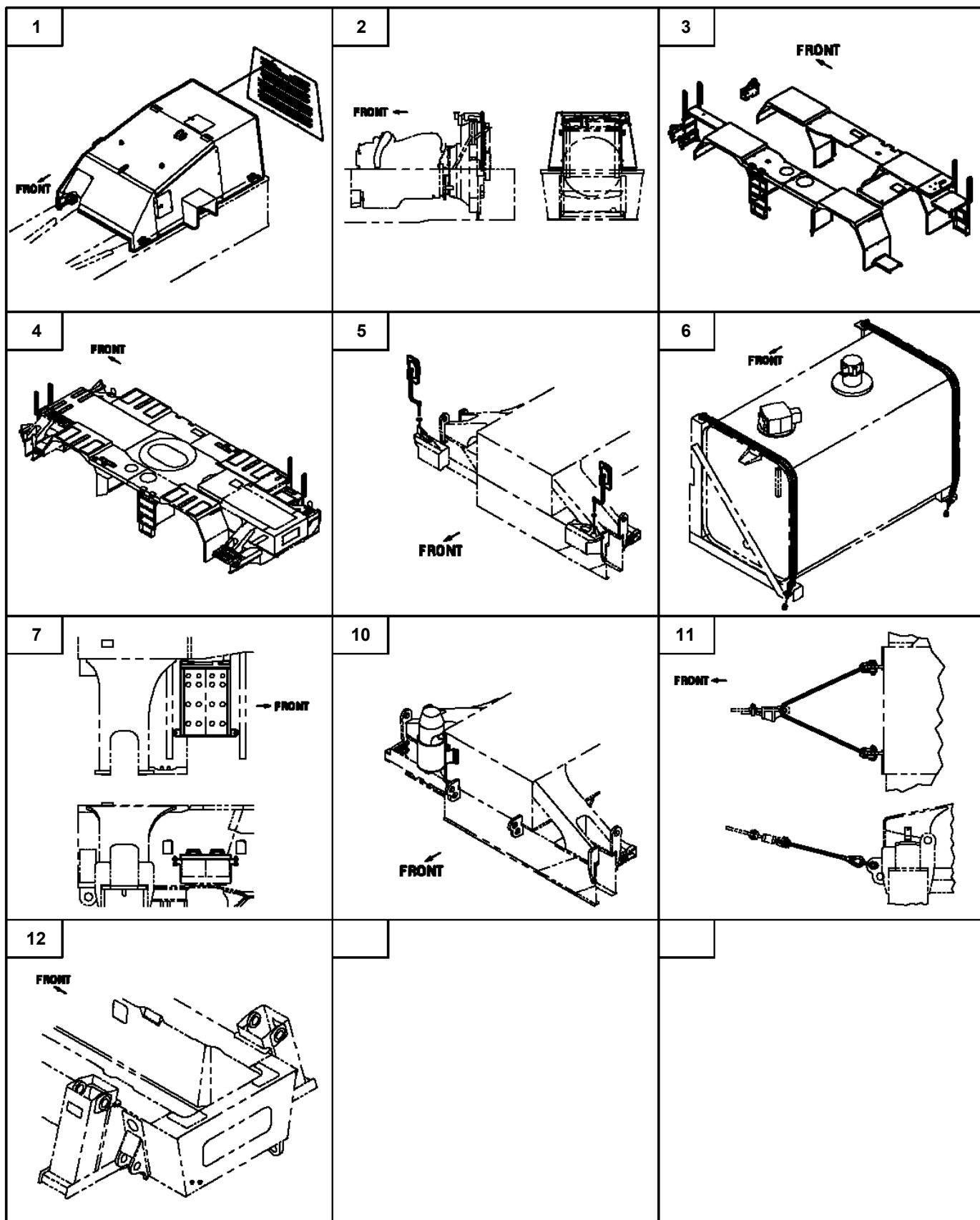
GR-500E-3-00102 5BOOM + 2 JIB,2M2D,H
 PN1000717-00 ELECTRIC EQUIPMENT

<p>1</p> 	<p>2</p> 	<p>4</p> 
<p>5</p>  <p>FRONT</p>	<p>7</p> <p>コントローラ (VCU) CONTROLLER (VCU)</p>	<p>8</p> <p>コントローラ (DCU2) CONTROLLER (DCU2)</p>
<p>9</p> <p>ハ ッテリ BATTERY</p>		

適用製造番号によっては取り付けがないものもあります。

MACHINES OF SOME SERIAL NO. ARE NOT EQUIPPED WITH THESE PARTS.

GR-500E-3-00102 5BOOM + 2 JIB,2M2D,H
 PX1001304-01 MOUNTING PARTS



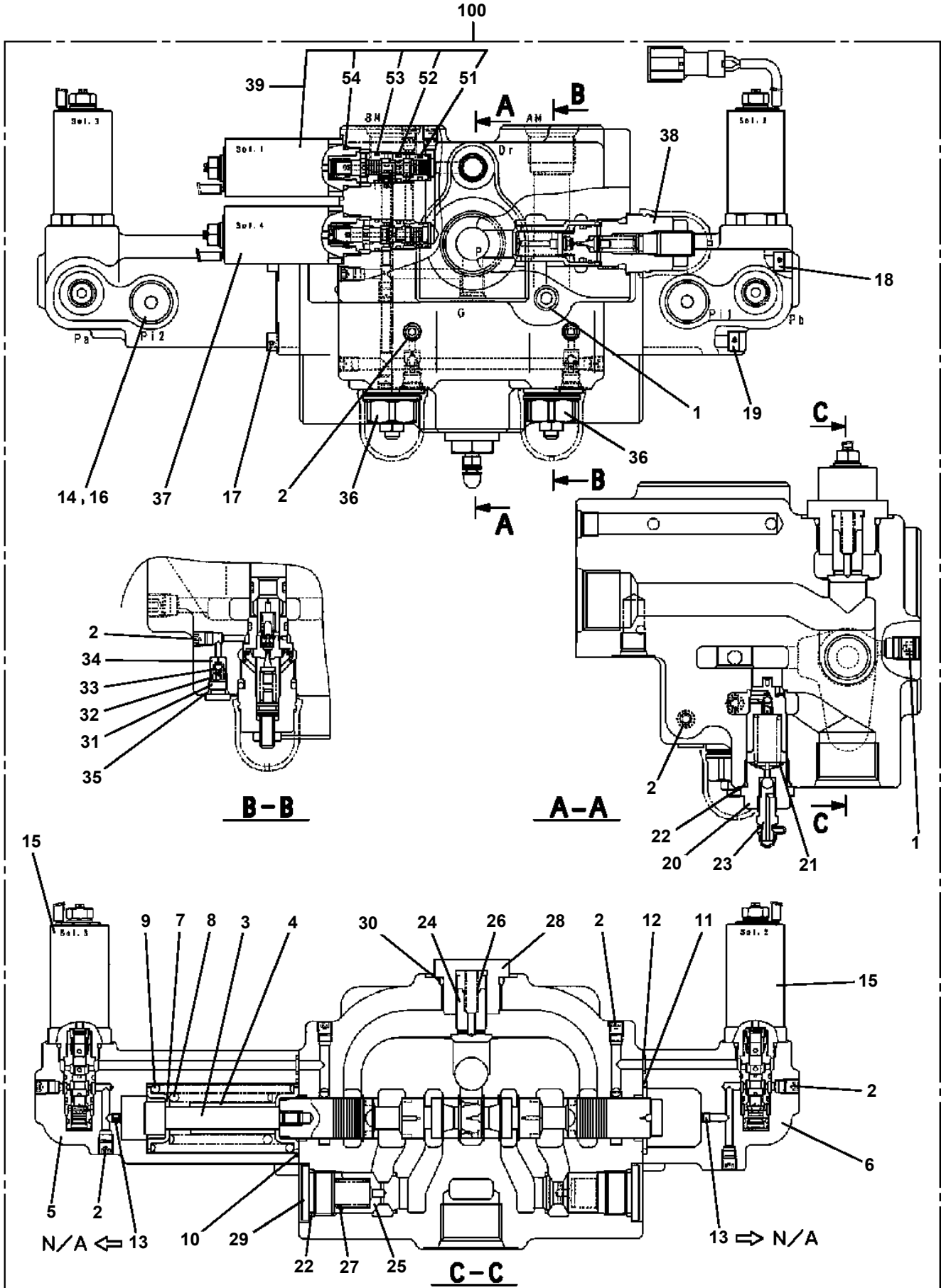
適用製造番号によっては取り付けがないものもあります。

MACHINES OF SOME SERIAL NO. ARE NOT EQUIPPED WITH THESE PARTS.

GR-500E-3-00102 5BOOM + 2 JIB,2M2D,H

PP6340026-04 PIPING ASSY,SWIVEL
PP6360013-00 PIPING ASSY,TELESCOPE
PP6390034-01 PIPING ASSY,WINCH
PP6400003-00 PIPING ASSY,WINCH BRAKE
PQ1100033-02 TANK,FUEL (300L)
PR1010017-01 OPE.ASSY,TRANSMISSION (SHIFT SWITCH)
PR1120024-02 CIRCUIT,TORQUE CONVERTER
PR1800004-00 TIRE (WITH VALVE)
PR1800031-00 TIRE
PR5020001-01 RADIATOR ASSY
PR5050019-00 REEL ASSY,CORD
PR5060013-00 REEL ASSY,HOSE
PR5090108-00 RELAY ASSY (FUSE BOX)
PR5090113-00 RELAY ASSY
PR5090115-00 RELAY ASSY (CAB)
PR5090148-00 RELAY ASSY (CAB)
PR5090156-00 RELAY ASSY
PR5130008-01 RING ASSY,SLIP
PR5150022-00 ROLLER ASSY
PR5150034-00 ROLLER ASSY
PR5150035-00 ROLLER ASSY
PR5170004-00 ROPE,WIRE (KISWIRE/NON-SPIN)
PR5170004-00 ROPE,WIRE (KISWIRE/NON-SPIN)
PR5170015-00 ROPE,WIRE (TOKYO ROPE MFG./NON-SPIN)
PR5170015-00 ROPE,WIRE (TOKYO ROPE MFG./NON-SPIN)
PR5210001-00 RELAY (WITH HARNESS)
PR5210004-01 RELAY ASSY
PS1020007-00 WHEEL,STEERING
PS1340003-01 ORBITROL
PS1400010-01 VALVE,PRIORITY
PS5050005-00 SEAT ASSY
PS5100002-00 SENDER,PRESSURE
PS5160002-00 SHAFT ASSY
PS5170031-01 SHAFT ASSY,PROPELLER (JTEKT)
PS5170032-01 SHAFT ASSY,PROPELLER (JTEKT)
PS5170033-01 SHAFT ASSY,PROPELLER (JTEKT)
PS5180006-00 SHEAVE ASSY (FOR BOOM, TOP SHEAVE 5 PC'SSET)
PS5180007-00 SHEAVE ASSY (ATTACHMENT SHEAVE)
PS5220015-02 SINGLE TOP ASSY
PS5250011-00 SOCKET ASSY,ROPE
PS5320001-00 SPRING ASSY
PS5340003-02 STEERING ASSY (CAB)
PS5340037-00 STEERING ASSY (LOWER)
PS5340038-00 STEERING ASSY (EMERGENCY)
PS5360005-00 STEP ASSY
PS5360010-01 STEP ASSY
PS5360011-00 STEP ASSY (R)
PS5360012-00 STEP ASSY (L)
PS5360013-00 STEP ASSY (FRONT)
PS5410001-00 SUNSHADE
PS5420339-00 SUPPORT ASSY (BOOM,BASE:PRE-WELDED PARTS FOR HARNESS)
PS5420340-00 SUPPORT ASSY (BOOM,BASE:PRE-WELDED PARTS FOR PIPING)
PS5420341-00 SUPPORT ASSY (BOOM,BASE:WIRE GUIDE)
PS5420345-00 SUPPORT ASSY (ACCESSORY PARTS)
PS5420346-00 SUPPORT ASSY (CAB, OUTER COVERING)
PS5420347-00 SUPPORT ASSY (HYDRAULIC PARTS)
PS5420349-00 SUPPORT ASSY (BOOM/ANEMOMETER)
PS5420350-00 SUPPORT ASSY
PS5420376-00 SUPPORT ASSY (INCLINOMETER)
PS5420398-00 SUPPORT ASSY (KAWANISHI)
PS5420399-00 SUPPORT ASSY (SANSHO)
PS5430005-00 SUPPORT ASSY,JIB (ANEMOMETER,JIB,2)
PS5500029-01 SWING ASSY
PS5510037-00 SWING FRAME ASSY

**GR-500E-3-00102 5BOOM + 2 JIB,2M2D,H
PB1340082-01 VALVE,SOLENOID CONTROL**

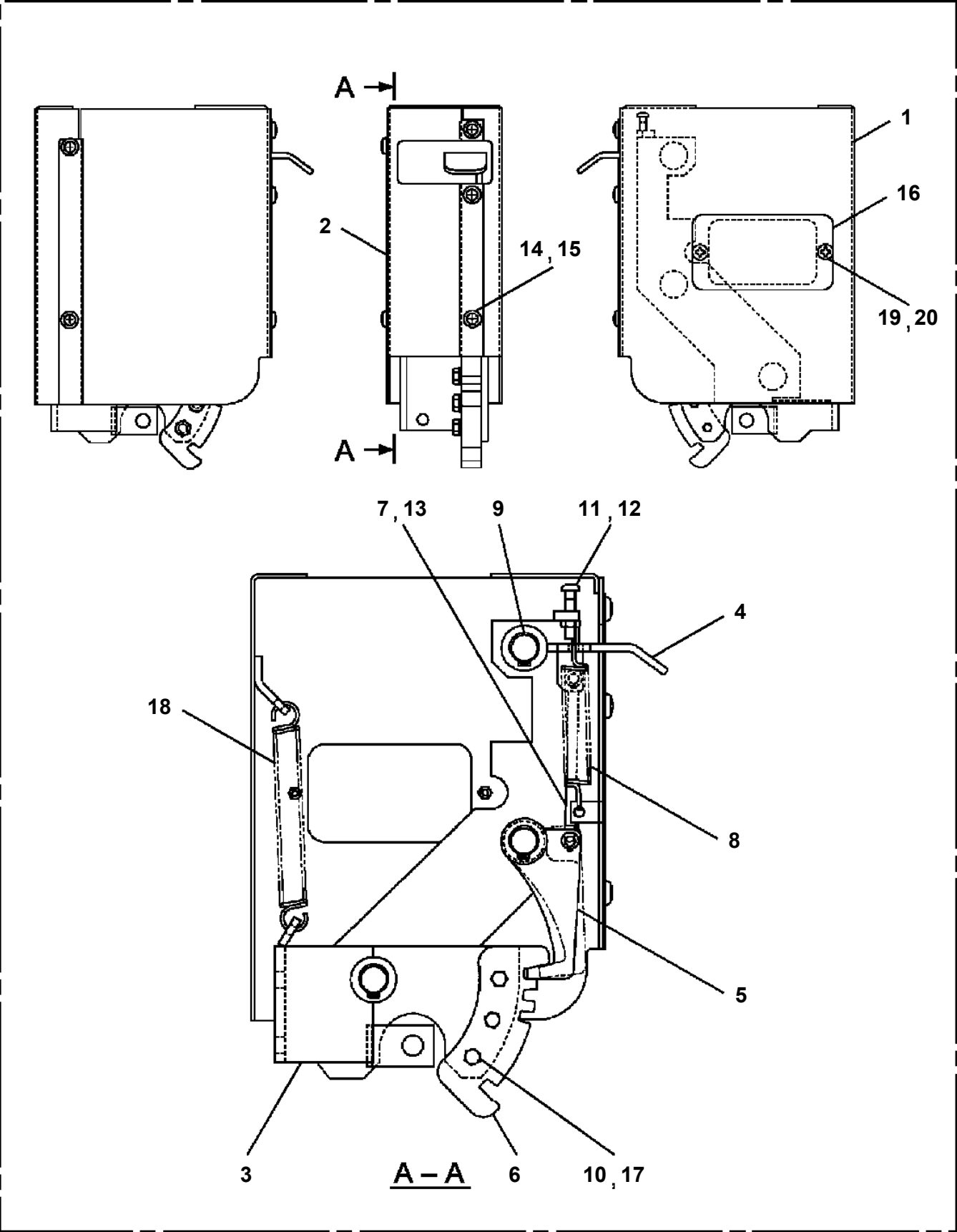


GR-500E-3-00102 5BOOM + 2 JIB,2M2D,H

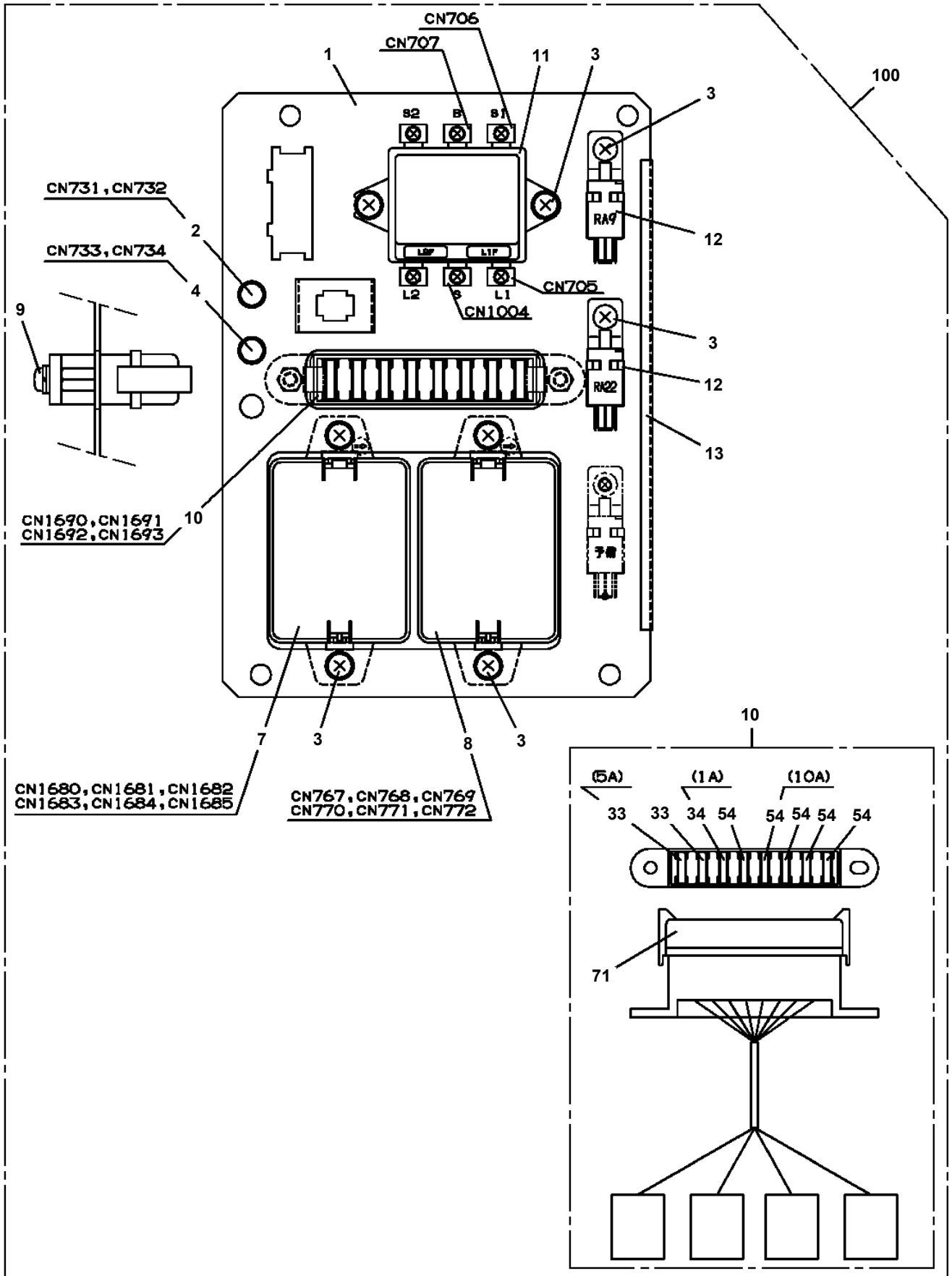
Pos No.	Parts No	Parts Name	Qty	Unit	Technical Data	Serial No (Start)	Serial No (End)	Remarks
64	37000304660	SPACER	N		L=2			
81	33370260040	SUPPORT	1					
82	33442120100	GUIDE	2					
83	34443411700	GUARD	2					
91	80576100209	BEARING,BALL	2					
106	82455106000	NIPPLE,GREASE	4		A-M6F FE			
112	80513006206	BEARING,BALL	4					

GR-500E-3-00102 5BOOM + 2 JIB,2M2D,H
PB5260012-00 BOX ASSY (LEFT)

100



GR-500E-3-00102 5BOOM + 2 JIB,2M2D,H
PB5260108-00 BOX ASSY



展開図有
 ILLUSTRATED BREAKDOWN NO. 7, 8.

GR-500E-3-00102 5BOOM + 2 JIB,2M2D,H

Pos No.	Parts No	Parts Name	Qty	Unit	Technical Data	Serial No (Start)	Serial No (End)	Remarks	Pages
480	36382465680	BRAKE PAD KIT	1						
483	36382465690	REPAIR KIT	1						
484	36382465700	REPAIR KIT	1						
490	36382465730	BLEEDER	2						
494	36382465740	PARTS	1						
569	36382465750	GASKET	1						
700	36382465650	BRAKE ASSY	1						

GR-500E-3-00102 5BOOM + 2 JIB,2M2D,H

Pos No.	Parts No	Parts Name	Qty	Unit	Technical Data	Serial No (Start)	Serial
2	34260952330	GLASS (DOOR)	1				
3	34260581400	WEATHER STRIP (DOOR GLASS LAN L=2800)	1				
4	34260952360	WEATHER STRIP (1SET)	1				
6	34260581200	REGULATOR,WINDOW	1				
7	34260952301	JUNCTION (DOOR SIDE)	1				
18	34261441100	SWITCH ASSY (STARTER & DOOR LOCK CYL.)	1				
19	34260957806	LINK (OUTER HANDLE)	1				
20	34260957807	HANDLE (ROD INNER)	1				
21	34260957808	ROD (REMOTE)	1				
22	34260957825	ROD (KEY)	1				
23	34260365010	CLIP (FOR ROD)	4				
24	34260957810	PIN (OPEN)	1				
25	82100001140	CLAMP	6		D=6.8		
27	34260957811	VINYL	1				
28	34260957812	TRIM	1				
29	34260957813	CLIP	16				
31	90303070501	WASHER,PLAIN	1		5		
32	80136015010	PIN,SPLIT	1		1.5X10		
33	90925040121	SCREW,TAPPING	6				
34	80192488016	SCREW,MACHINE	2		M8X16		
61	90180106012	BOLT,BUTTON	6		M6X12		
62	90302040601	WASHER,SPRING	6		6		
63	80192486012	SCREW,MACHINE	2		M6X12		
91	34260957800	COVER	1				
92	80192484012	SCREW,MACHINE (WITH WASHER)	10		M4X12		
101	34260957801	ARM ASSY	1				
102	34260657630	BOLT (WITH WASHER))	2		M10X30		
111	34260957802	ARM ASSY (LOWER)	1				
112	34260657600	BOLT (WITH WASHER)	3		M8X25		
121	34260957803	ARM ASSY	1				
122	34260657580	BOLT,HEXAGON SOCKET(WITH WASHER)	2		M8X16		
131	34260367840	REMOTE CONTROL ASSY	1				
132	80185306016	SCREW,MACHINE	2		M6X16		
133	90304120601	WASHER	2		6		
141	34260239810	HANDLE (INNER)	1				
142	80192435016	SCREW,MACHINE	2		M5X16		
151	34260957804	REMOTE ASSY	1				
152	80185306016	SCREW,MACHINE	3		M6X16		
153	90304120601	WASHER	3		6		
161	34260239710	HANDLE (DOOR/OUTER)	1				
162	80192486016	SCREW,MACHINE	2		M6X16		
171	34260957805	LOCK	1				
172	80192436016	SCREW,MACHINE	3		M6X16		
231	34260365010	CLIP (FOR ROD)	1				
261	34260957824	COVER (OUTER HANDLE)	1				
262	80192486012	SCREW,MACHINE	2		M6X12		
301	34260035220	STRIKER,SLIDE	2				
302	80192486016	SCREW,MACHINE	4		M6X16		
361	34260581310	SUPPORT	1				
362	34260581320	REGULATOR,WINDOW	1				
363	34260581330	MOTOR ASSY (REGULATOR)	1				
364	34260581340	SCREW,TAPPING	3				
365	82100002261	CONNECTOR (2POLES,MALE)	1				
366	82100002256	TERMINAL	2				
500	34260957793	DOOR ASSY (CAB)	1				

GR-500E-3-00102 5BOOM + 2 JIB,2M2D,H

Pos No.	Parts No	Parts Name	Qty	Unit	Technical Data	Serial No (Start)	Serial No (End)	Remarks	Page
1	36361325010	ELEMENT,OUTER	1						
2	36361495010	ELEMENT,INNER	1						
3	36361495020	INDICATOR ASSY	1						
4	36361325050	COVER	1						
100	36361491080	CLEANER ASSY,AIR	1						

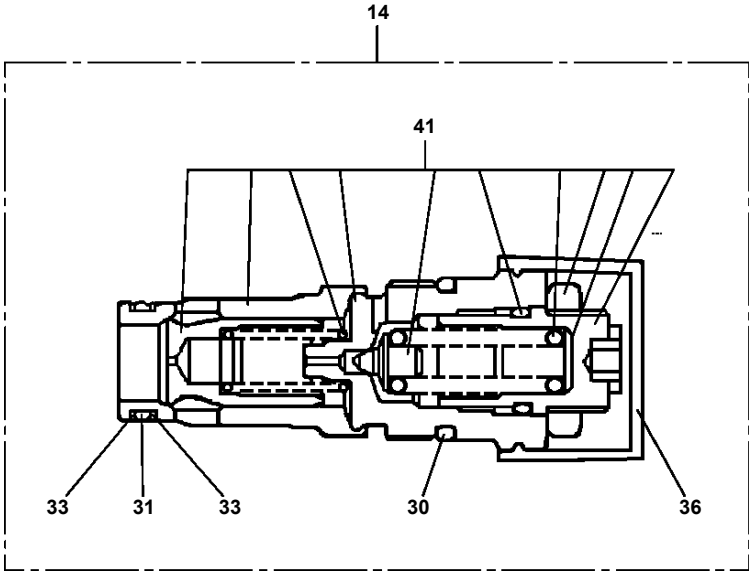
GR-500E-3-00102 5BOOM + 2 JIB,2M2D,H

Pos No.	Parts No	Parts Name	Qty	Unit	Technical Data	Serial No (Start)	Serial No (End)
1	36320565111	COMPRESSOR	1				
2	36320565120	BASE	1				
3	36320452050	CUSHION (ISOLATOR)	4				
4	36320455800	BRACKET	1				
5	36320562040	PULLEY (OIL MOTOR)	1				
6	36320562050	WASHER (OIL MOTOR AXIS STOPPER)	1				
7	36320562260	BELT (V)	1				
11	36320565131	BOLT	2		M10X25		
12	36320565141	BOLT	4		M10X35		
13	90280211000	NUT,FLANGE	2		M10X1.25		
14	90302040801	WASHER,SPRING	1		8		
15	36320455910	BOLT	1				
100	36320562021	COMPRESSOR ASSY	1				

GR-500E-3-00102 5BOOM + 2 JIB,2M2D,H

Pos No.	Parts No	Parts Name	Qty	Unit	Technical Data	Serial No (Start)	Serial No (End)	Remarks
1	36171855010	BOARD,CPU (WITH DATA)	1					
2	36171585120	BOARD ASSY (VCU SUB)	1					
10	36171585200	SCREW,SET	10					
11	36171585210	SCREW,SET	13					
12	36171585220	SPACER	10					
100	36171850000	CONTROLLER (VCU)	1					

GR-500E-3-00102 5BOOM + 2 JIB,2M2D,H
PC5570258-01 COVER ASSY



GR-500E-3-00102 5BOOM + 2 JIB,2M2D,H

Pos No.	Parts No	Parts Name	Qty	Unit	Technical Data	Serial No (Start)	Serial No (End)	Remarks	Pages
2	34510702920	CUSHION	2						
100	34510702900	COVER	1						

GR-500E-3-00102 5BOOM + 2 JIB,2M2D,H

Pos No.	Parts No	Parts Name	Qty	Unit	Technical Data	Serial No (Start)	Serial No (End)	Remark
1	36063461000	CYLINDER ASSY	1					
4	36063463000	PISTON	1					
5	91411004000	RING,BACKUP	1		P40			
6	91002804000	O-RING	1		1B P40			
7	36063462000	ROD ASSY	1					
8	36061134000	COVER,ROD	1					
9	91002806500	O-RING	1		1B P65			
10	91251100400	RING,DAMPER	1					
11	91694004000	PACKING	1					
12	91410204001	RING,BACKUP	1					
13	91660004001	SEAL,DUST	1					
14	91301104000	BEARING,PLAIN	1					
18	91302207500	BEARING,PLAIN	2					
19	91684007501	PACKING	2					
20	91431206201	RING,BACKUP	2					
21	90730008120	SCREW,SET	1		M8X12			
42	80541700035	BEARING,SPHERICAL (NTN)	2					
	80530000214	BEARING,SPHERICAL (IKO)	2					
80	36063469900	PACKING SET	1		40X75			
100	36063460000	CYLINDER ASSY,STEERING	1					

GR-500E-3-00102 5BOOM + 2 JIB,2M2D,H

Pos No.	Parts No	Parts Name	Qty	Unit	Technical Data	Serial No (Start)	Serial No (End)	Remarks
1	36028650000	CYLINDER ASSY,DERRICK	1					
2	36028670000	CYLINDER ASSY,DERRICK	1					
4	91002801800	O-RING	3		1B P18			
5	37002425610	HOSE	1		L=530			
8	80430620600	JOINT (WITH O-RING)	2		L,G3/8-G3/8			
9	37002440010	HOSE	1		L=550		541393	
	37002467010	HOSE	1		L=530	541394		
10	81408000241	PIPE,STEEL	1	M	18X1.9T			
11	37000711030	CLAMP ASSY	2		22X1			
12	37002460220	HOSE	1		L=875			
13	37002448590	HOSE	1		L=750			
14	80400160127	JOINT	2					
15	91002801100	O-RING	6		1B P11			
16	80303130241	FITTING,ELBOW	2		KLO18-040E			
17	80430620400	JOINT	2					
18	81408000290	PIPE,STEEL	2	M	22X2.5T			
19	80330000200	FITTING,TEE	1		KTZ-00004N			
20	81408000241	PIPE,STEEL	1	M	18X1.9T			
21	81408000160	PIPE,STEEL	1	M	12X1.4T			
22	81408000160	PIPE,STEEL	1	M	12X1.4T			
23	80302090141	FITTING	4		KCO12-020N			
24	81408000290	PIPE,STEEL	1	M	22X2.5T			
25	80320010180	FITTING	1		KUD22-060N			
29	80303130281	FITTING,ELBOW	1		KLO22-060E			
30	80302090281	FITTING	1		KCO22-060N			
31	91002802400	O-RING	1		1B P24			
32	82100001413	TUBE,SPIRAL	1	M	SE-15BK			
33	82100001413	TUBE,SPIRAL	1	M	SE-15BK			
34	91810130240	FASTENER	2					
35	80400160131	JOINT	3					
51	91002801400	O-RING	2		1B P14			
61	91002801800	O-RING	2		1B P18			
71	91002801100	O-RING	2		1B P11			
81	91002802400	O-RING	1		1B P24			

GR-500E-3-00102 5BOOM + 2 JIB,2M2D,H

Pos No.	Parts No	Parts Name	Qty	Unit	Technical Data	Serial No (Start)	Serial No
1	34970631700	DISTRIBUTOR (ASSY ONLY)	1				
2	56479000080	NUT,FLARE	8				
3	34970619740	HOSE ASSY	1		IHI 6XT1,L=670		
4	34970609550	HOSE ASSY	1		IHI 6XT1,L=1100		
5	34970649880	HOSE ASSY	1		IHI 6XT1,L=1480		
6	34970629520	HOSE ASSY	1		IHI 6XT1,L=1080		
50	34970681200	DISTRIBUTOR ASSY (F-LEFT:WITH HOSE)	1				

GR-500E-3-00102 5BOOM + 2 JIB,2M2D,H

Pos No.	Parts No	Parts Name	Qty	Unit	Technical Data	Serial No (Start)	Serial N
1	34970772300	DISTRIBUTOR	1				
2	56479000080	NUT,FLARE	14				
3	34970619520	HOSE ASSY	1		IHI 6XT1,L=1570		
4	34970619530	HOSE ASSY	1		IHI 6XT1,L=950		
5	34970599550	HOSE ASSY	1		IHI 6XT1,L=450		
6	34970609750	HOSE ASSY	1		IHI 6XT1,L=650		
7	34970649621	HOSE ASSY	1		IHI 6XT1,L=1680		
8	34970649680	HOSE ASSY	1		IHI 6XT1,L=1790		
9	34970599570	HOSE ASSY	1		IHI 6XT1,L=430		
50	34970712600	DISTRIBUTOR ASSY (R-RIGHT:WITH HOSE)	1				

GR-500E-3-00102 5BOOM + 2 JIB,2M2D,H

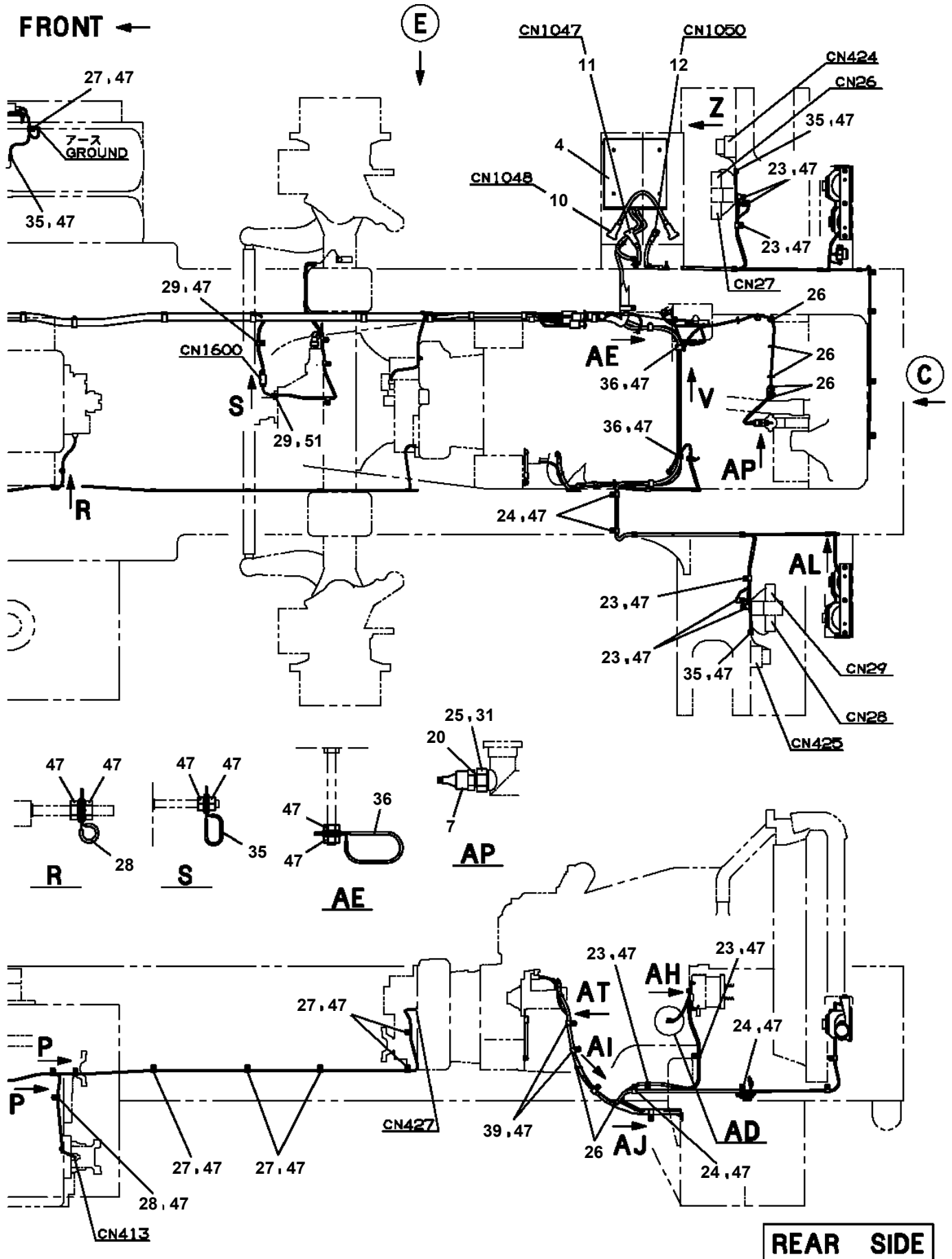
Pos No.	Parts No	Parts Name	Qty	Unit	Technical Data	Serial No (Start)	Serial No (End)	Remarks	Pages
2	34510702250	PACKING	1						
3	34510702260	PACKING	1						
5	34510702270	PACKING	1						
100	34510702200	DUCT	1						

GR-500E-3-00102 5BOOM + 2 JIB,2M2D,H

Pos No.	Parts No	Parts Name	Qty	Unit	Technical Data	Serial No (Start)	Serial No (End)	Remarks	Pages
2	34510702840	PACKING	1						
3	34510702850	PACKING	1						
100	34510702800	DUCT	1						

GR-500E-3-00102 5BOOM + 2 JIB,2M2D,H
 PE5020613-01 ELEC.ASSY (LOWER)

FRONT ←



REAR SIDE

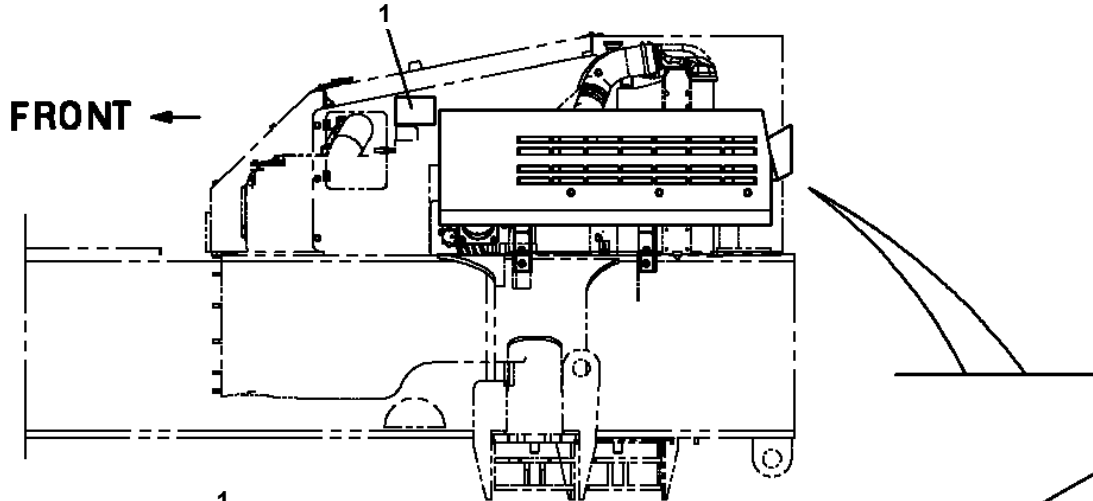
GR-500E-3-00102 5BOOM + 2 JIB,2M2D,H

Pos No.	Parts No	Parts Name	Qty	Unit	Technical Data	Serial No (Start)	Serial No (End)	Re
1	36171150000	CONTROLLER (SCT,ASSY ONLY)	1					
2	34353830200	ANTENNA (GPS)	1					
5	34353830500	CABLE (ANTENNA)	1					
12	99172106016	BOLT,TAPPING	4		M6X16			
13	82400000071	GROMMET	1		OG-1			
16	91810132530	FASTENER	8					
18	91850310305	CLAMP	2					
19	91810130240	FASTENER	2					
22	34494100101	HARNESS (SCT)	1					

GR-500E-3-00102 5BOOM + 2 JIB,2M2D,H

Pos No.	Parts No	Parts Name	Qty	Unit	Technical Data	Serial No (Start)	Serial
1	34355011012	HARNESS (INSIDE CAB)	1				
3	(*****)	SWITCH ASSY (1)	1				
4	(*****)	SWITCH ASSY (2)	1				
5	(*****)	SWITCH ASSY (3/CAB:UPPER RIGHT SWITCH)	1				
6	(*****)	RELAY ASSY (CAB)	1				
7	34354871700	SUPPORT	1				
9	36171740004	CONTROLLER (ICF,ASSY ONLY)	1				54174
	36172580001	CONTROLLER (ICF,ASSY ONLY)	1			541679	54184
	36172830000	CONTROLLER (ICF,ASSY ONLY)	1			541849	
11	82100002311	RELAY (FLASHER UNIT)	1				
12	82183901010	CONDENSER	4				
17	34354751600	BUZZER	1				
18	80175304010	SCREW,MACHINE	2		M4X10		
19	80192484010	SCREW,MACHINE	8		M4X10		
21	90303290600	WASHER,PLAIN	12		6		
22	90280200600	NUT,FLANGE	11		M6		
23	99172106016	BOLT,TAPPING	26		M6X16		
24	42507124300	SWITCH ASSY (WITH HARNESS,1 SW)	1				
25	82100002019	CLAMP	6		WR40		
26	82100002017	CLAMP	7		WR30		
27	82100002016	CLAMP	3		WR25		
32	34350850530	BUZZER ASSY (WITH HARNESS)	1				
33	90101208010	BOLT	2		M8X10		
34	90302040801	WASHER,SPRING	2		8		
35	36684240000	METER,COMBINATION (ASSY ONLY)	1				
38	82100002010	CLAMP	2		WR15		
43	91810130250	FASTENER	2				

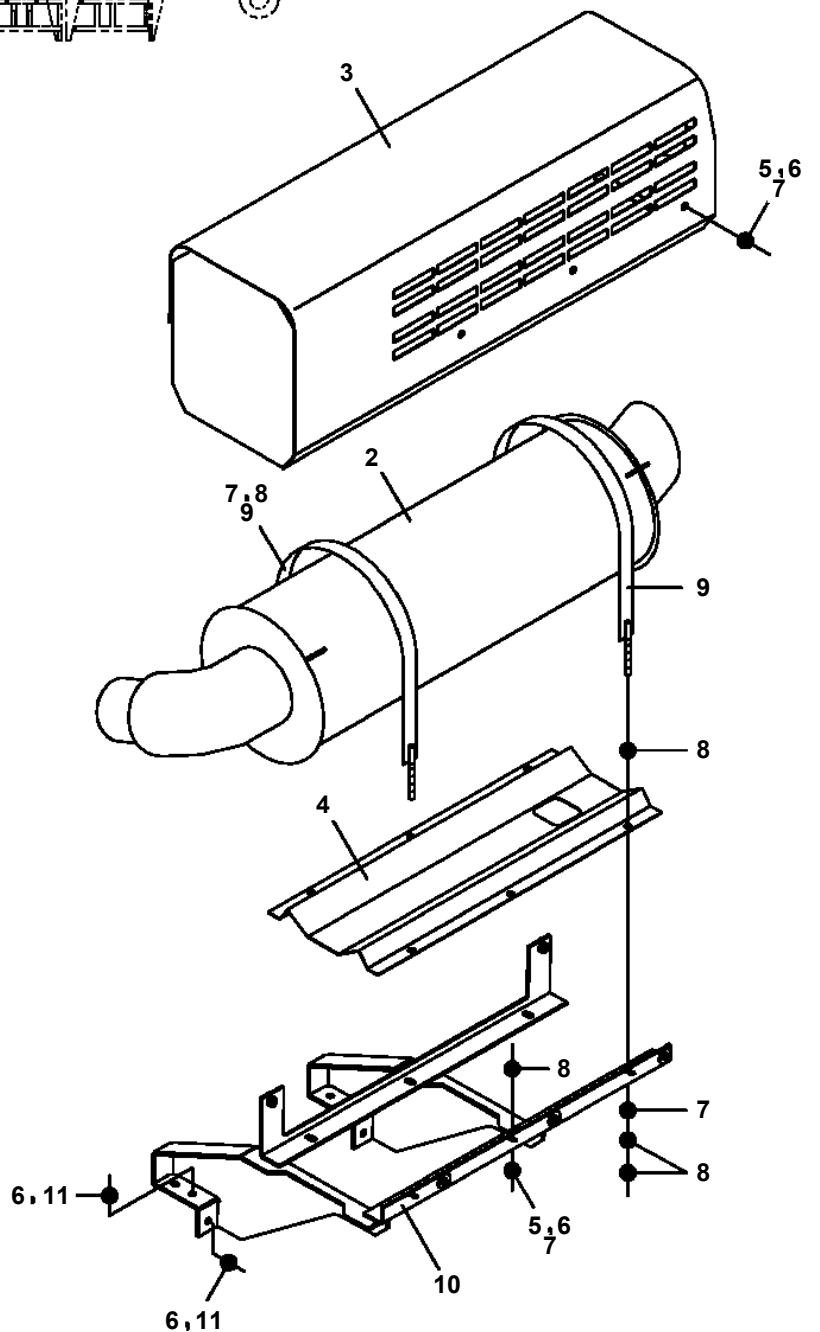
GR-500E-3-00102 5BOOM + 2 JIB,2M2D,H
PE5230030-00 EXHAUST ASSY (SPARK ARRESTER)



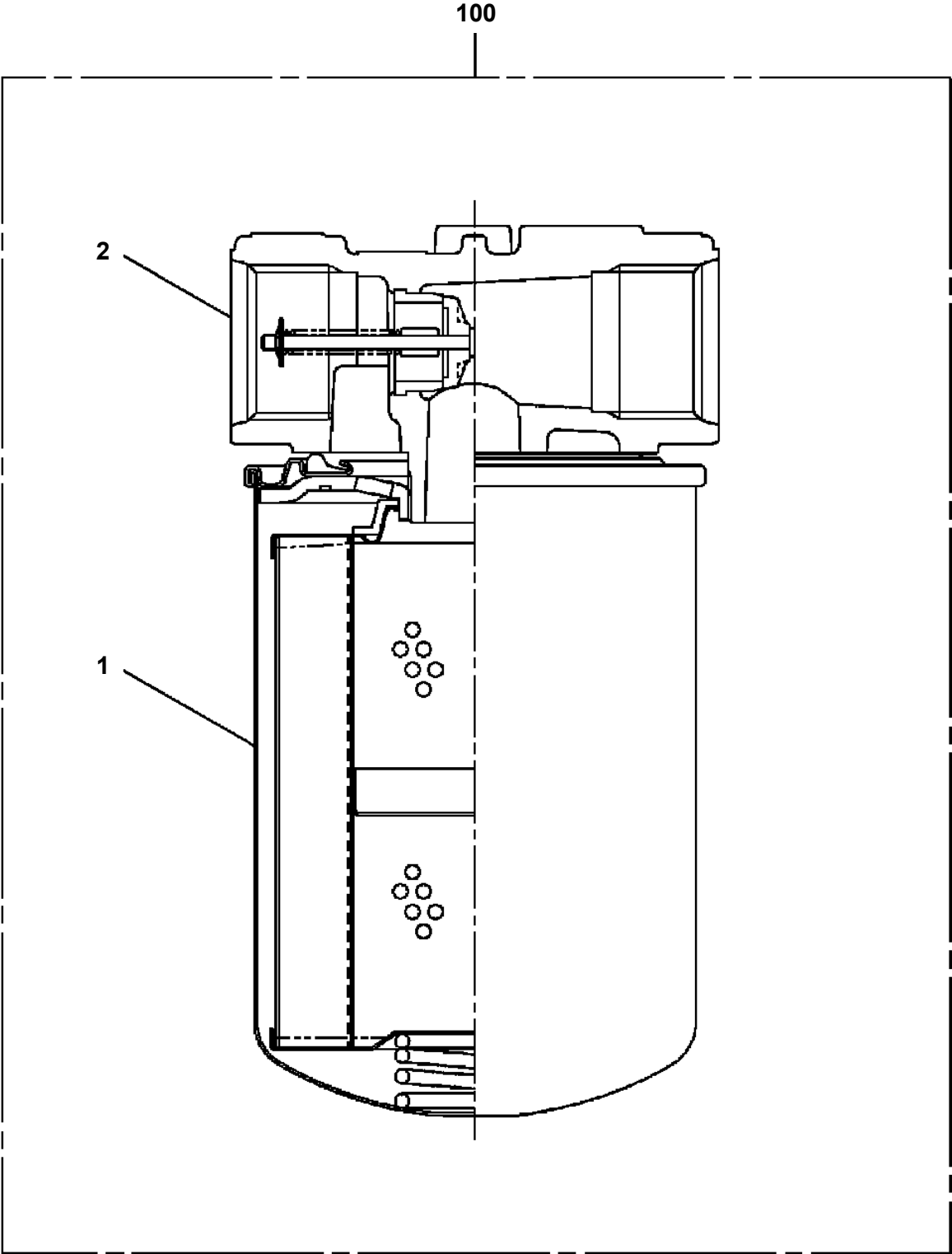
**Spark Arresters
mounted vehicle**

Loose the bolt to drain trapped
water from inside the muffler.

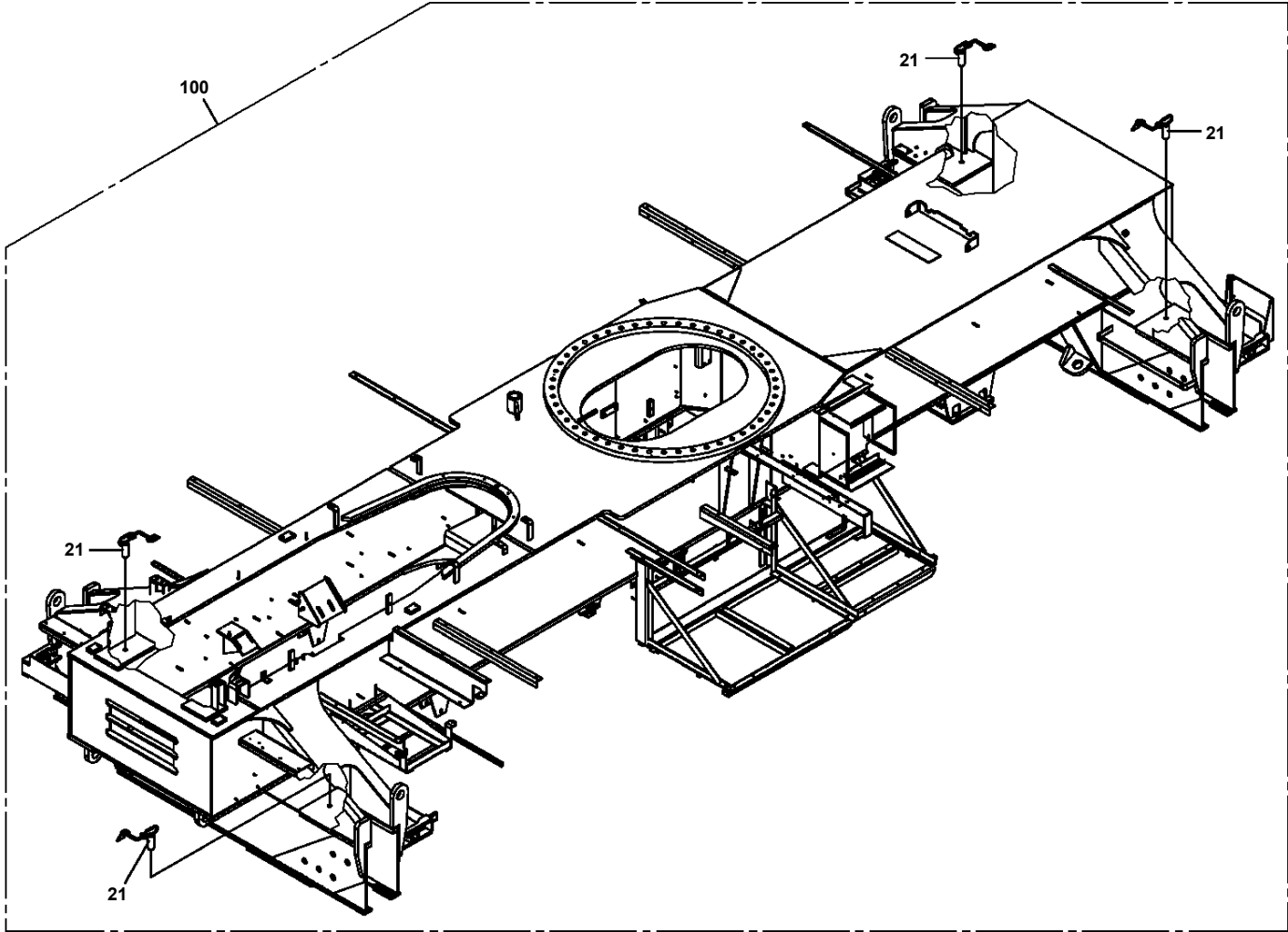
TEREX



GR-500E-3-00102 5BOOM + 2 JIB,2M2D,H
PF5030006-00 FILTER ASSY

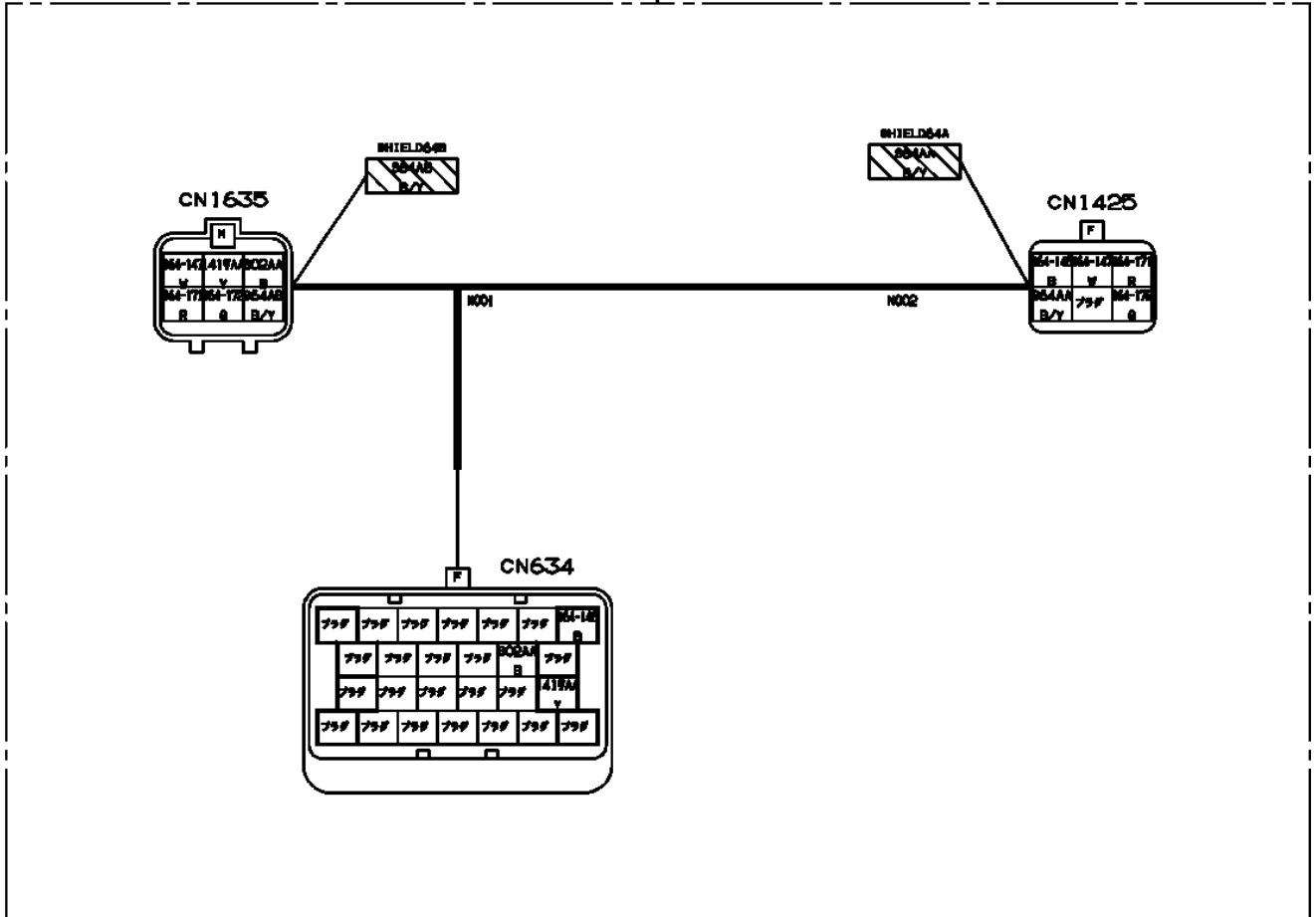


GR-500E-3-00102 5BOOM + 2 JIB,2M2D,H
PF5100283-00 FRAME ASSY (KAWANISHI)

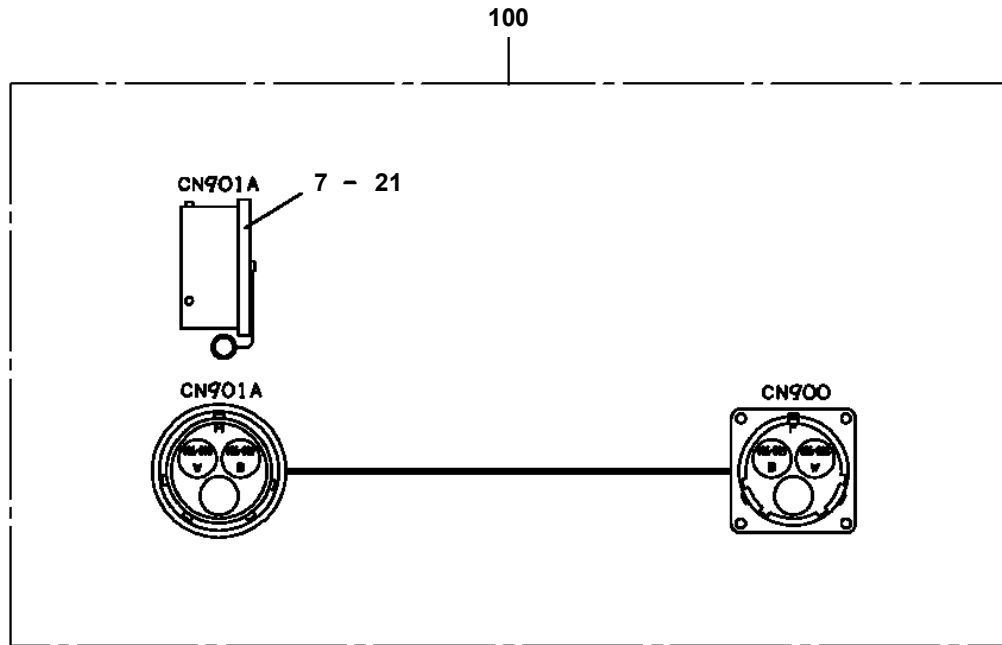


GR-500E-3-00102 5BOOM + 2 JIB,2M2D,H
 PH5030589-00 HARNESS

1

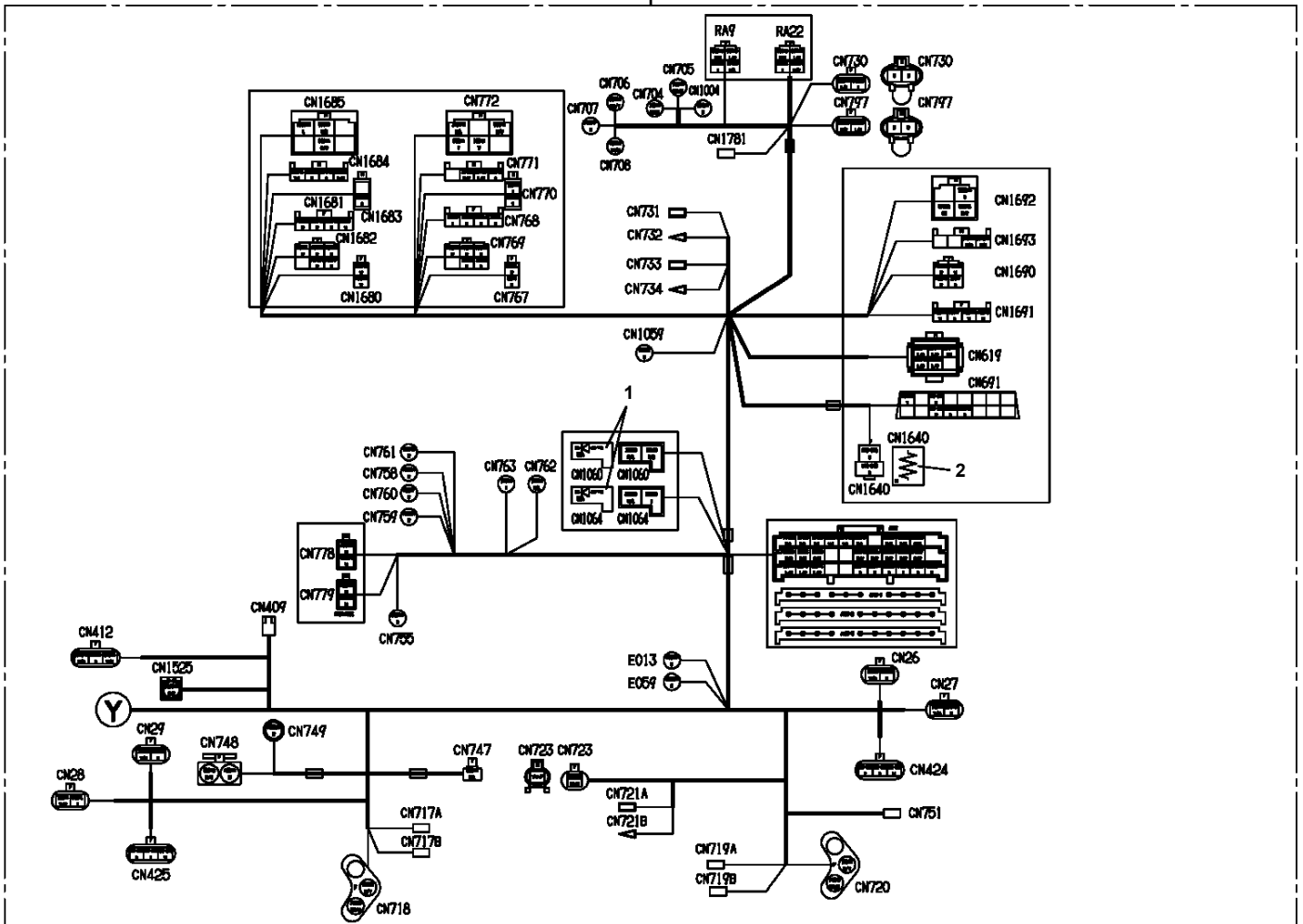


GR-500E-3-00102 5BOOM + 2 JIB,2M2D,H
PH5031415-01 HARNESS (SINGLE TOP,OVERWINDING)



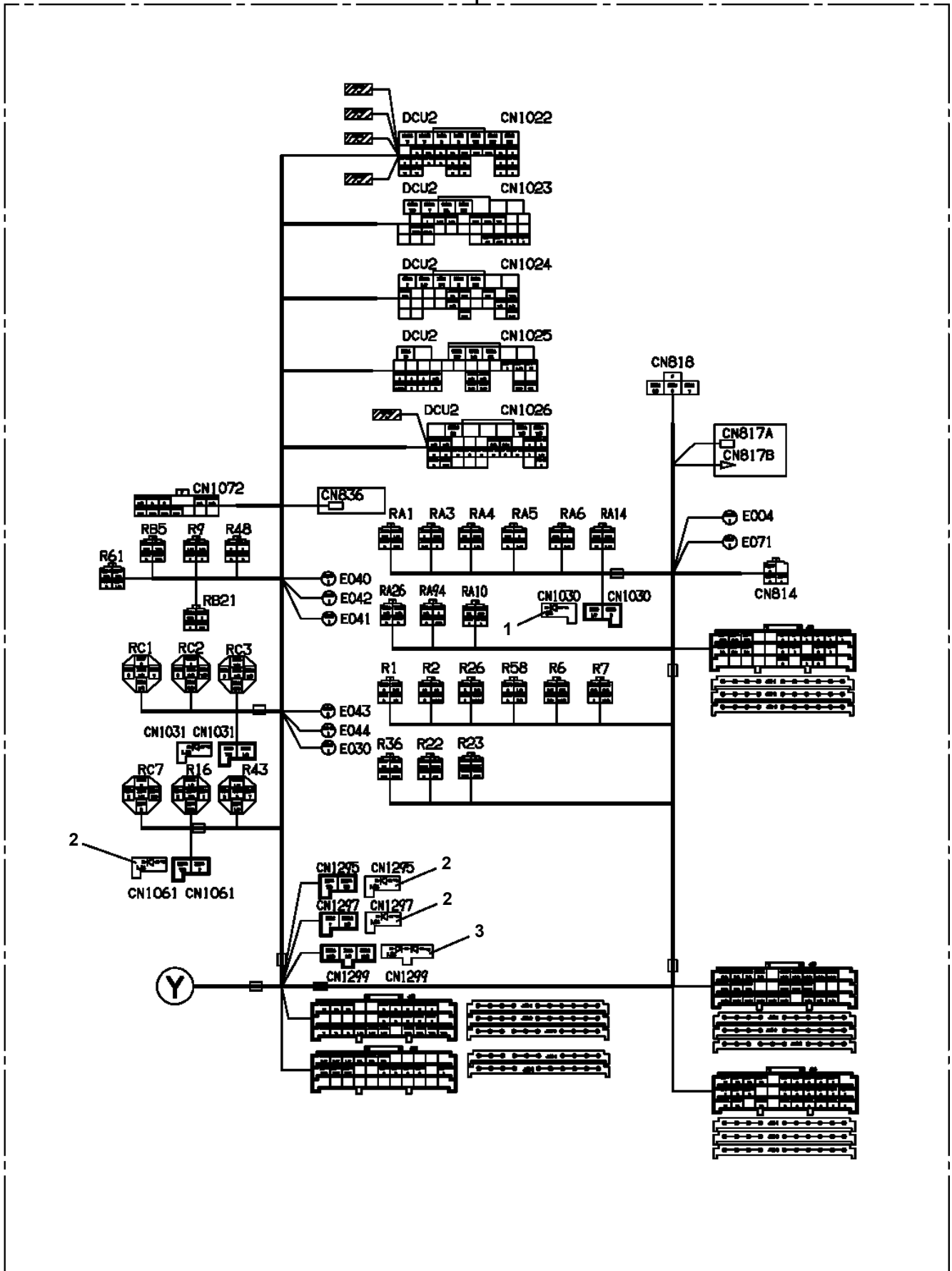
GR-500E-3-00102 5BOOM + 2 JIB,2M2D,H
PH5031428-00 HARNESS (MAIN)

100

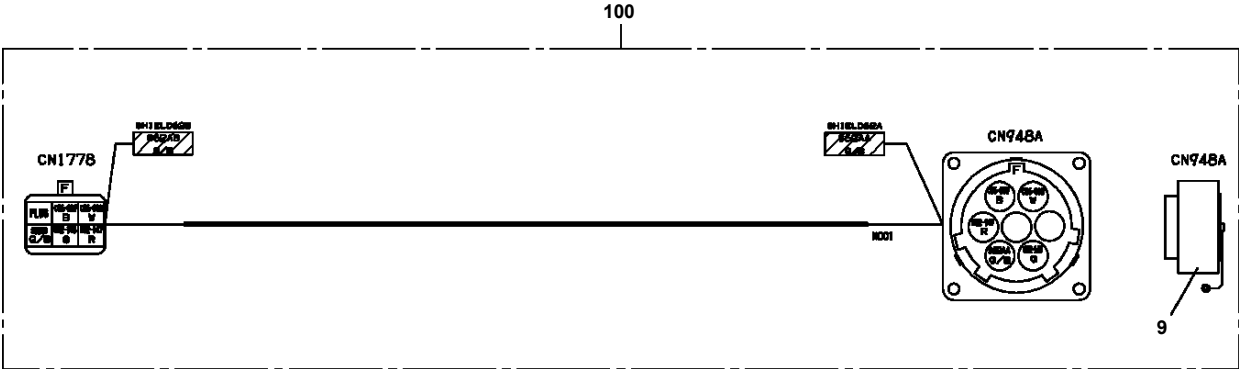


GR-500E-3-00102 5BOOM + 2 JIB,2M2D,H
 PH5031436-00 HARNESS (INSIDE CAB)

100

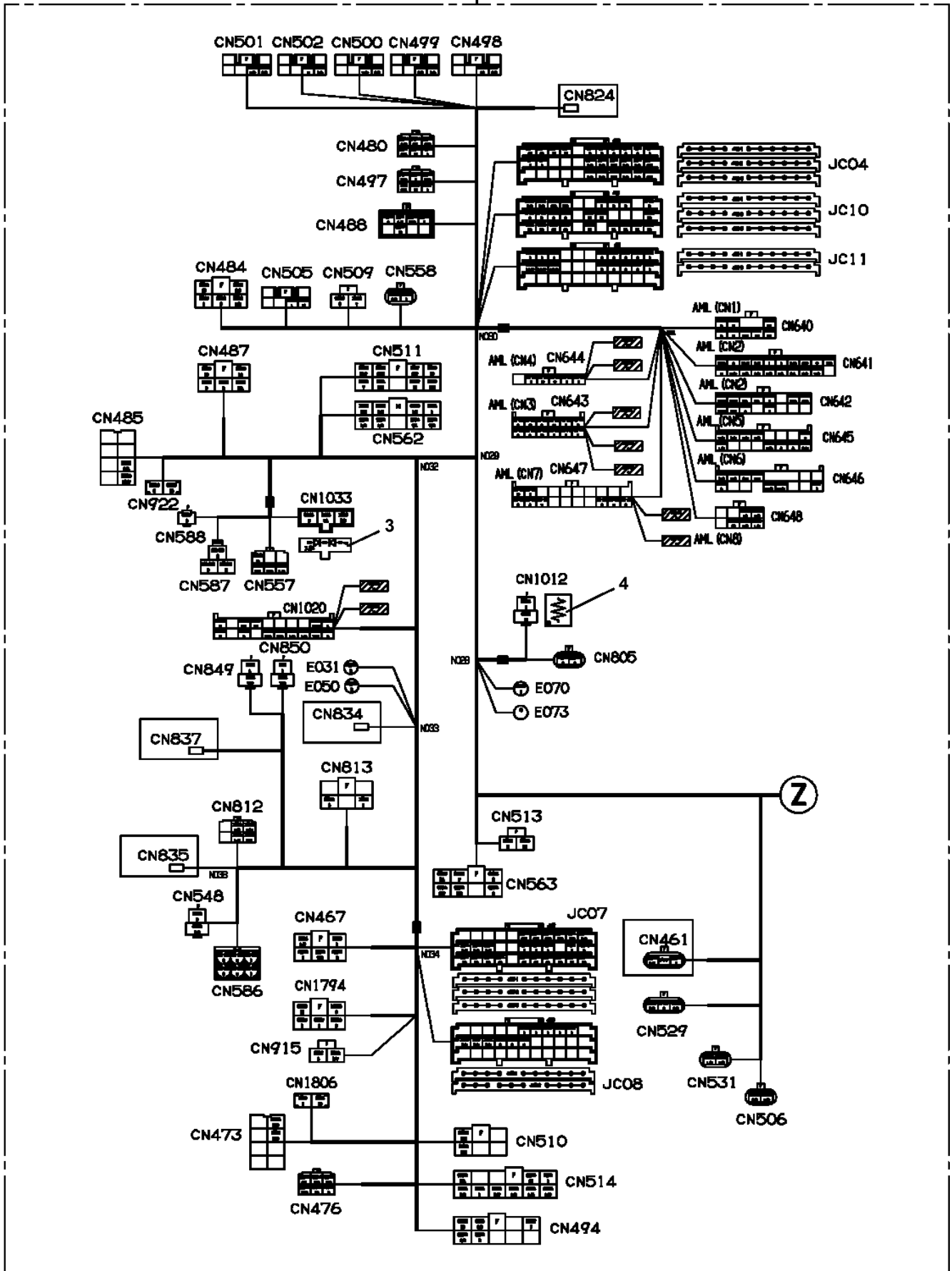


GR-500E-3-00102 5BOOM + 2 JIB,2M2D,H
PH5031446-00 HARNESS (JIB 2,OVERWINDING,ANEMOMETER)

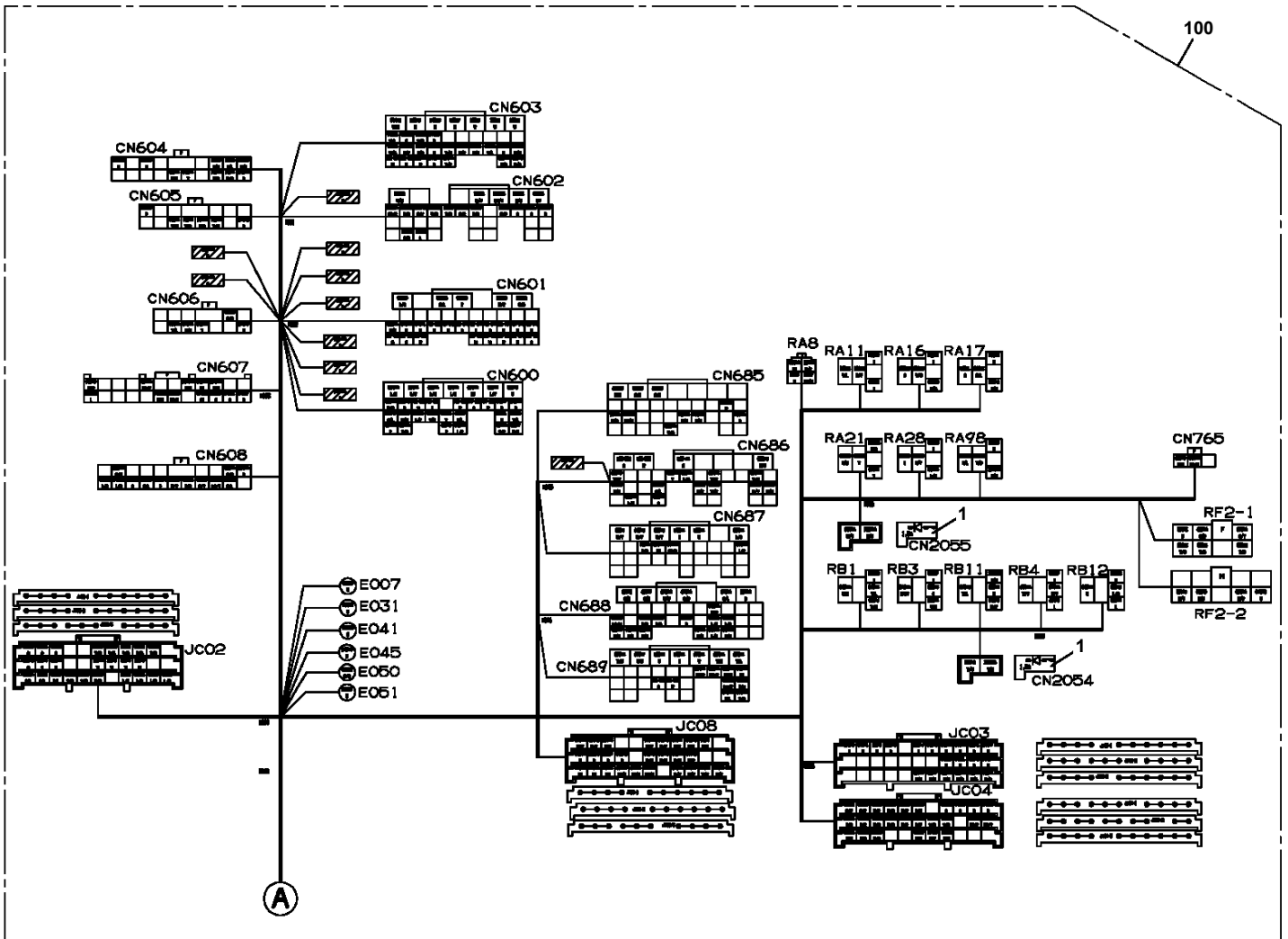


GR-500E-3-00102 5BOOM + 2 JIB,2M2D,H
PH5032391-00 HARNESS (INSIDE CAB)

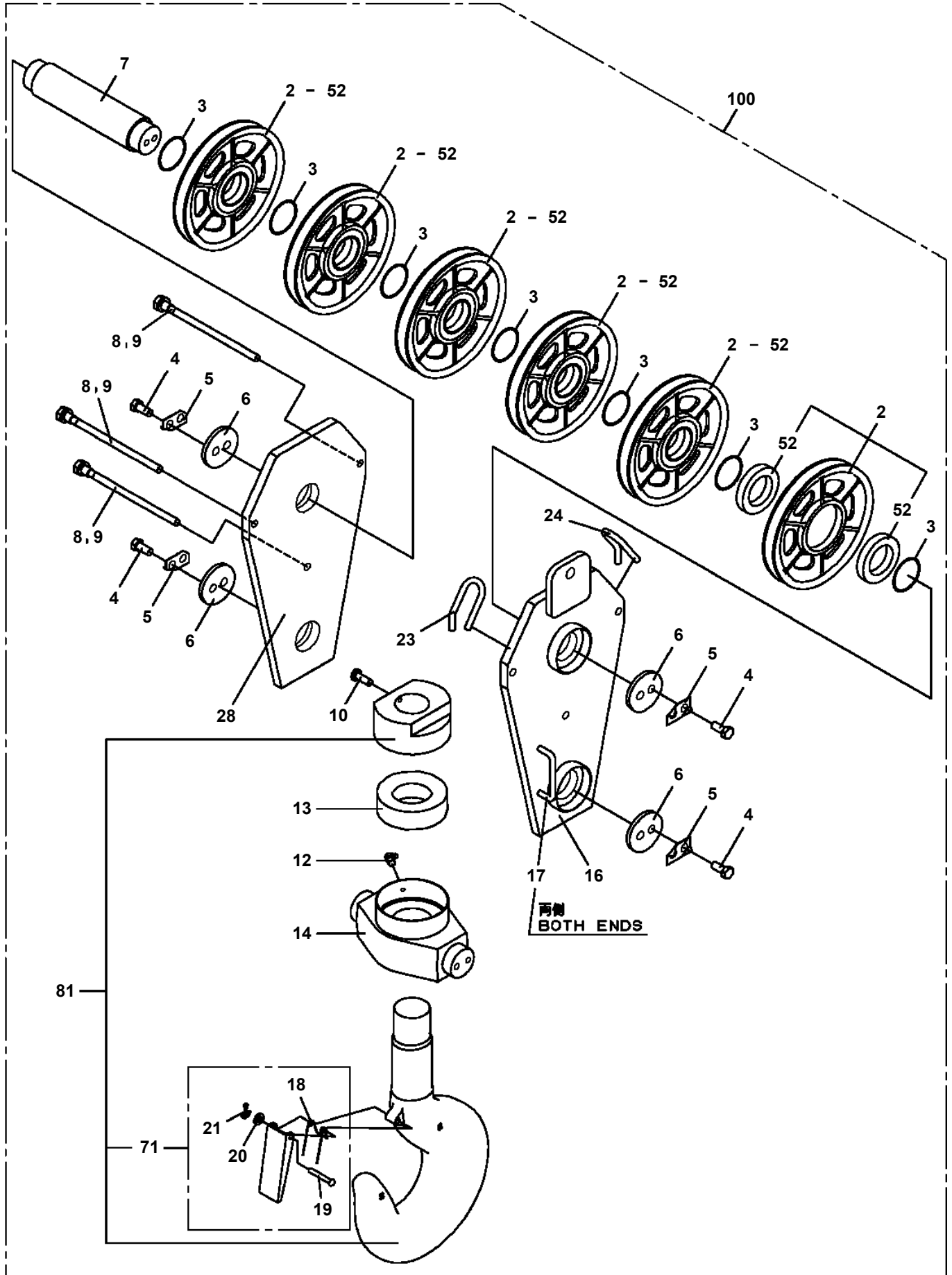
100



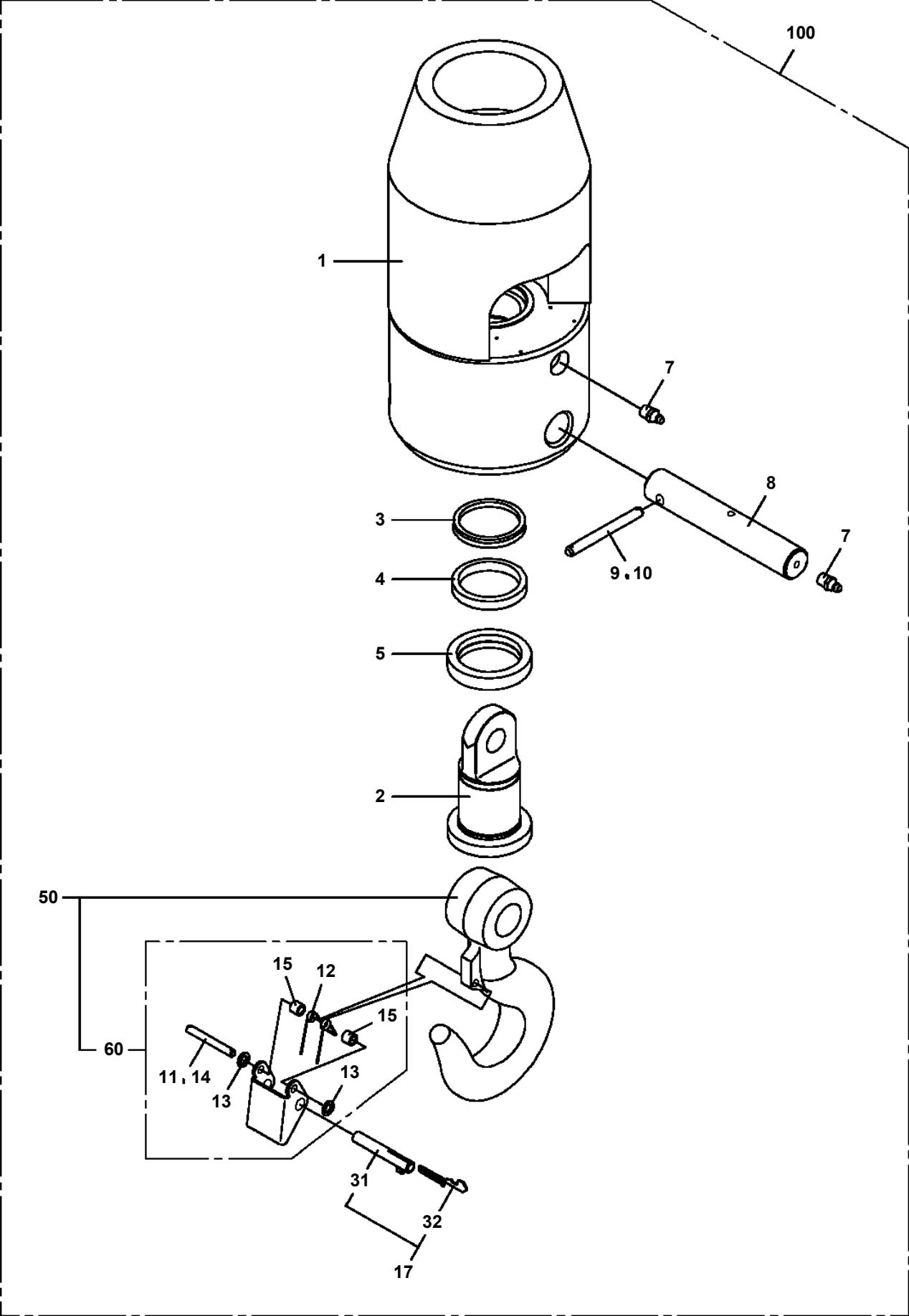
GR-500E-3-00102 5BOOM + 2 JIB,2M2D,H
 PH503731-00 HARNESS (MAIN)



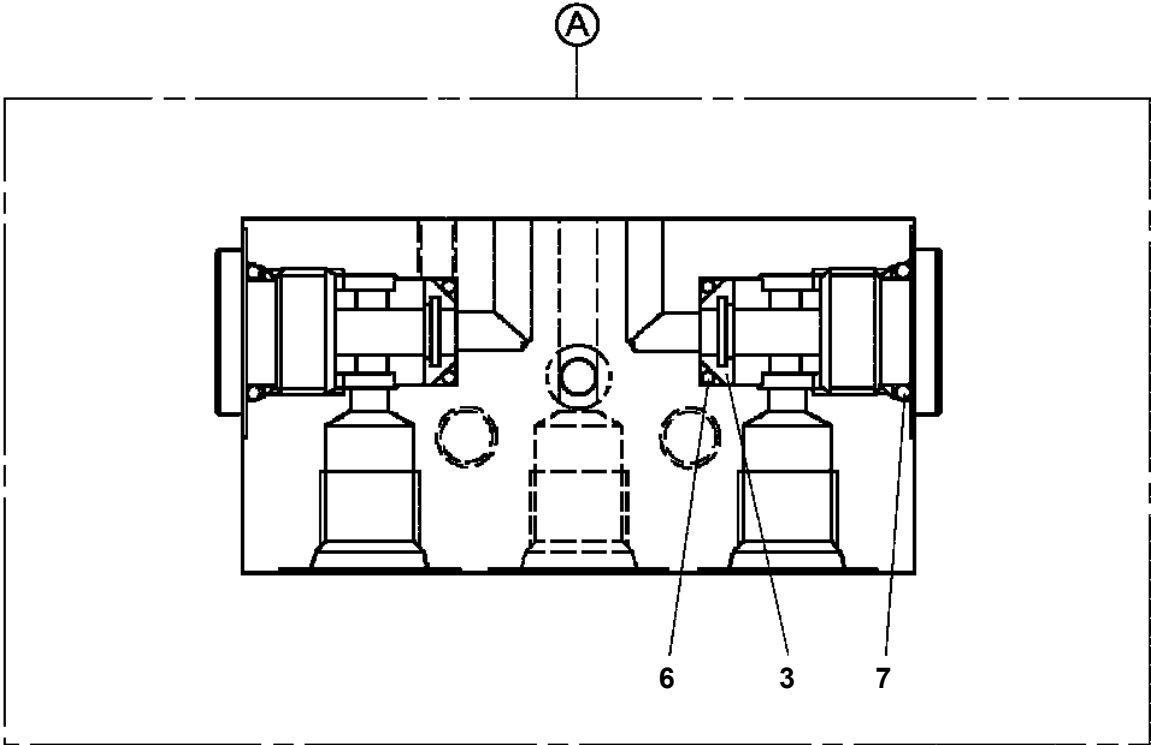
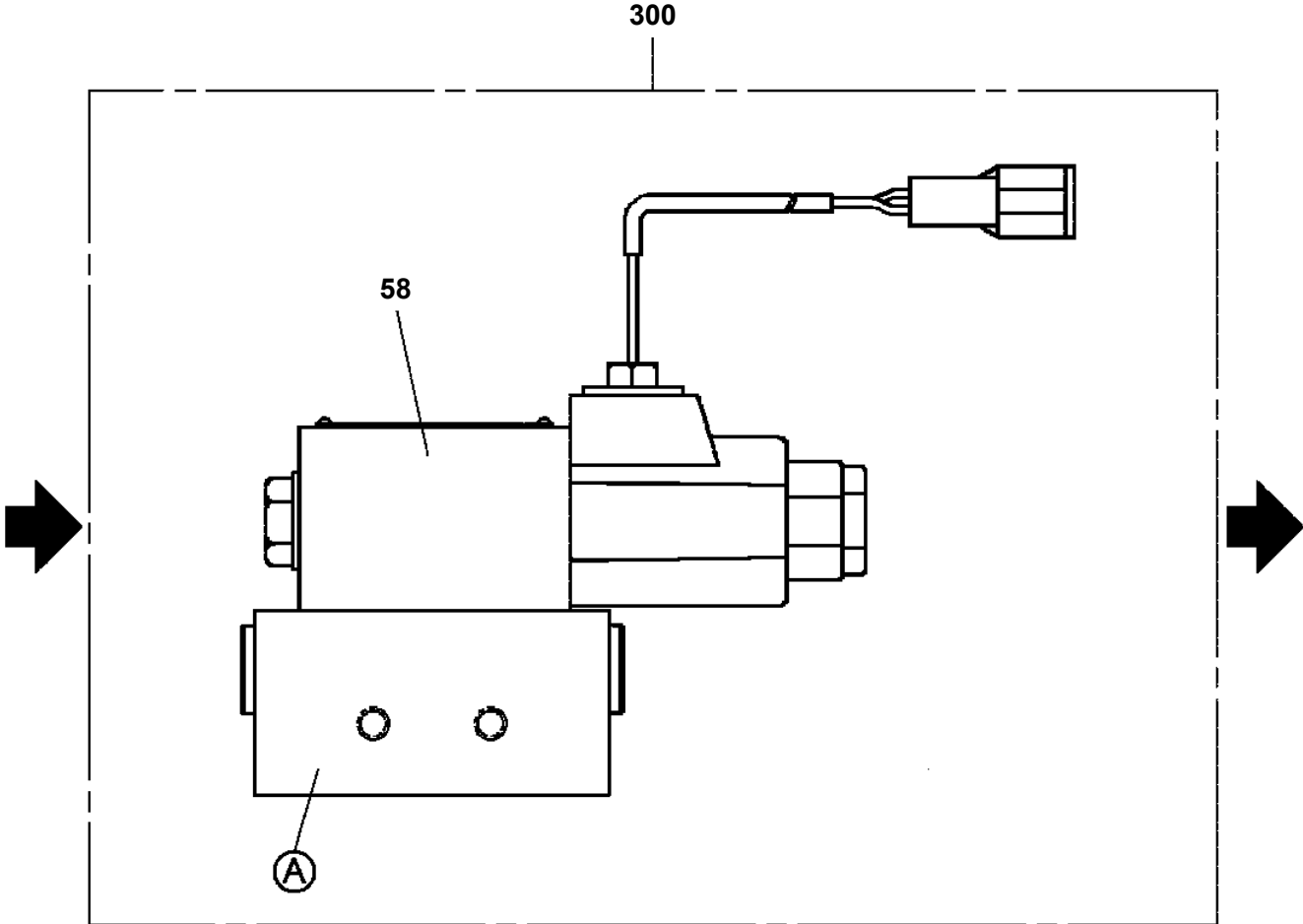
GR-500E-3-00102 5BOOM + 2 JIB,2M2D,H
 PH5080148-00 HOOK ASSY (SHEAVE 6 PC'S)



GR-500E-3-00102 5BOOM + 2 JIB,2M2D,H
PH5080217-00 HOOK ASSY (AUX.)

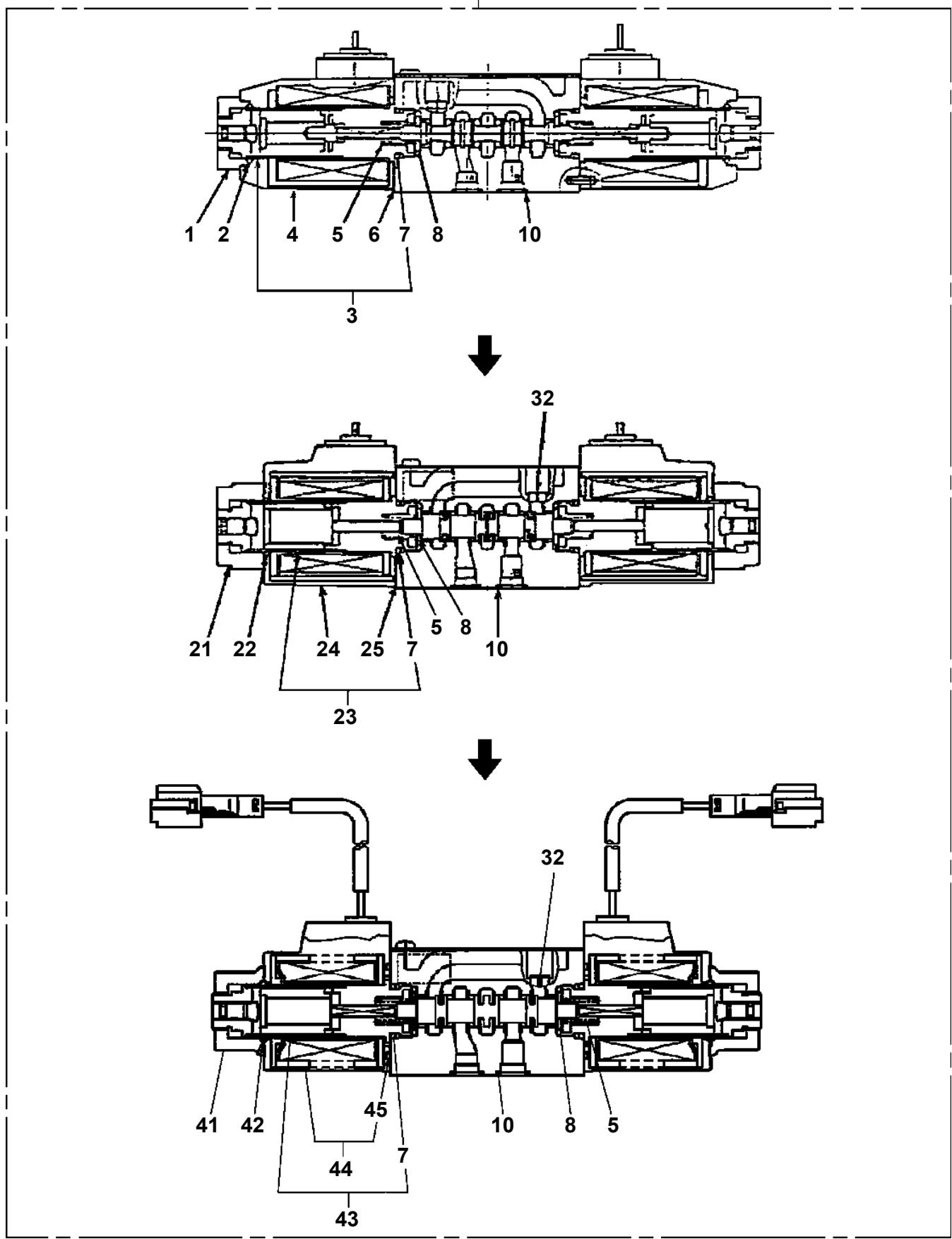


GR-500E-3-00102 5BOOM + 2 JIB,2M2D,H
PI1120138-04 VALVE,SOLENOID



GR-500E-3-00102 5BOOM + 2 JIB,2M2D,H
PI1120238-02 VALVE,SOLENOID

100



GR-500E-3-00102 5BOOM + 2 JIB,2M2D,H

Pos No.	Parts No	Parts Name	Qty	Unit	Technical Data	Serial No (Start)	Serial No (End)	Remarks	Pages
1	36645900000	VALVE,SOLENOID	1						00017
2	36740171000	BODY	1						
3	36741500100	ORIFICE	2						
50	36741500000	VALVE,SOLENOID	1						

GR-500E-3-00102 5BOOM + 2 JIB,2M2D,H

Pos No.	Parts No	Parts Name	Qty	Unit	Technical Data	Serial No (Start)	Serial No (End)	Remarks	Pages
4	36624145040	SPRING	2						
6	91040101200	O-RING	1		P12				
7	91411001200	RING,BACKUP	2		P12				
8	91002801400	O-RING	2		1B P14				
9	91002801800	O-RING	2		1B P18				
10	91002801100	O-RING	2		1B P11				
12	59457138000	PLUG ASSY	2						
30	36624140000	VALVE,CHECK	1						

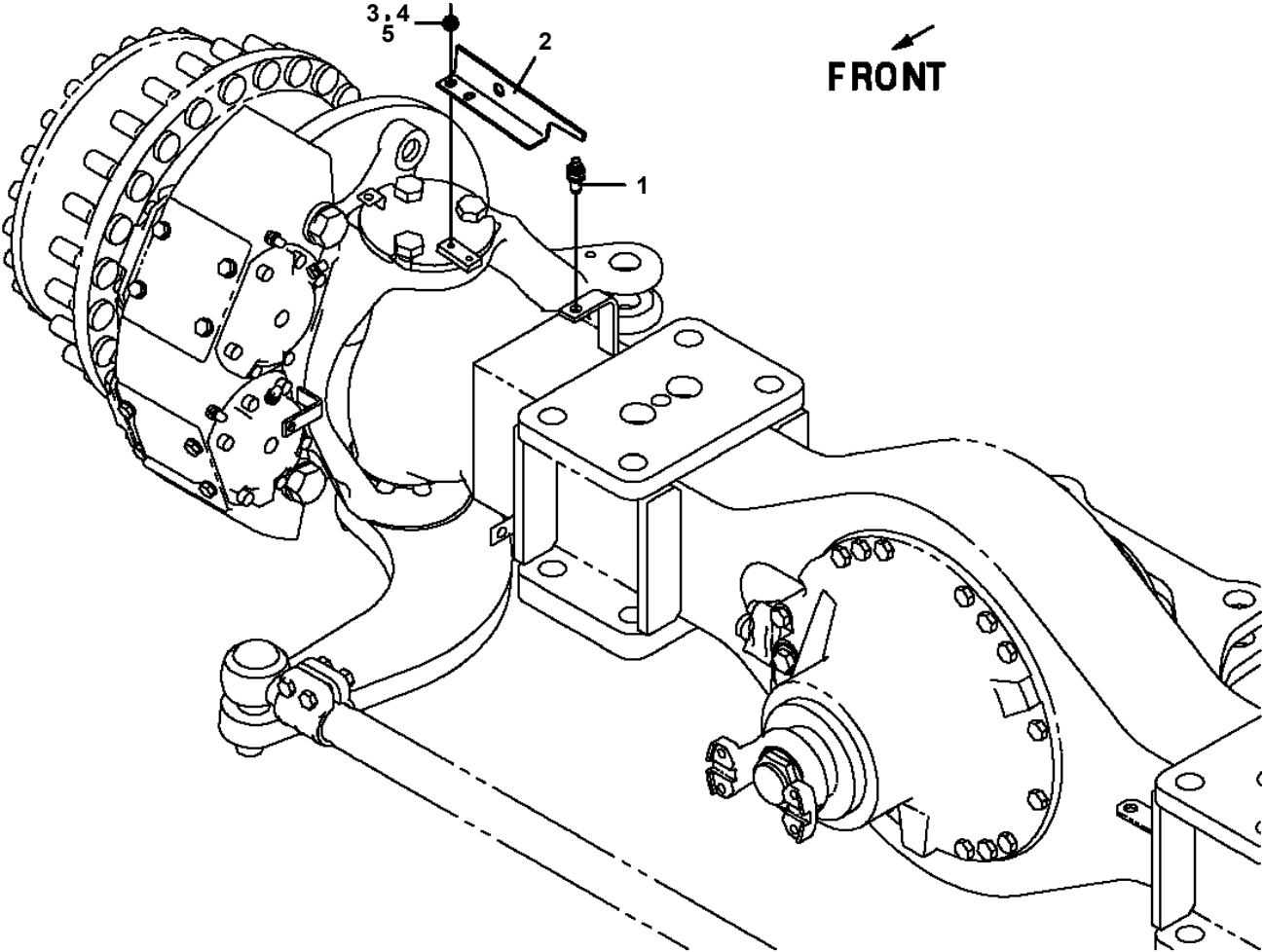
GR-500E-3-00102 5BOOM + 2 JIB,2M2D,H

Pos No.	Parts No	Parts Name	Qty	Unit	Technical Data	Serial No (Start)	Serial No (End)	Remarks	Pages
1	36625065010	BODY	1						
2	36625065020	VALVE	1						
3	36625065040	SPRING	1						
4	36625065030	PLUG	1						
5	91002801800	O-RING	1		1B P18				
10	36625060000	VALVE,CHECK	1						

GR-500E-3-00102 5BOOM + 2 JIB,2M2D,H

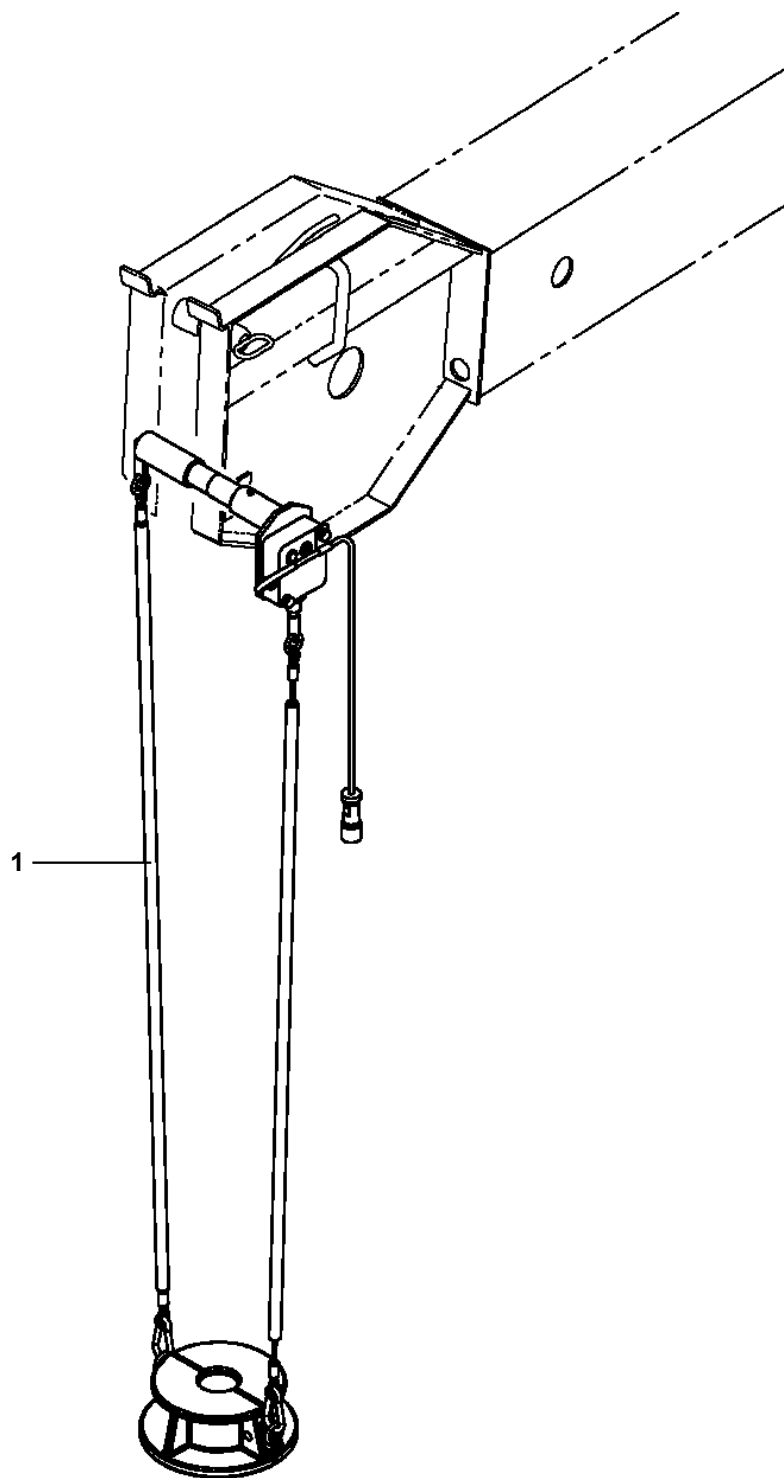
Pos No.	Parts No	Parts Name	Qty	Unit	Technical Data	Serial No (Start)	Serial No (End)	Remark
4	36604395060	PLUG	1					
5	36604395070	BUSHING	1					
8	36604395080	SEAT,SPRING	1					
9	36604395090	SEAT,SPRING	1					
10	36604395100	ORIFICE	1		4.0			
11	36604395010	SPRING	1					
12	36604395020	SPRING	1					
13	36604395030	SPRING	1					
14	91002801400	O-RING	1		1B P14			
15	91001101600	O-RING	1		1A P16			
16	91002801800	O-RING	1		1B P18			
17	91002802400	O-RING	1		1B P24			
18	91002802600	O-RING	1		1B P26			
19	91002803200	O-RING	2		1B P32			
20	91000511400	O-RING	1		AS568-114			
21	91411001600	RING,BACKUP	1		P16			
22	36604395040	RING,BACKUP	2				541676	
	36632465400	RING,BACKUP	2			541677		
23	36651835130	PLUG	1		3/8			
24	36604395050	FILTER	1					
25	80560006000	BALL,STEEL	1		6			
31	36604395110	BODY ASSY	1					
32	36604395120	GUIDE ASSY	1					
50	36604390000	VALVE,COUNTERBALANCE	1					

GR-500E-3-00102 5BOOM + 2 JIB,2M2D,H
PI5010030-00 INDICATOR ASSY (STRAIGHT DRIVING DETECTOR SW)

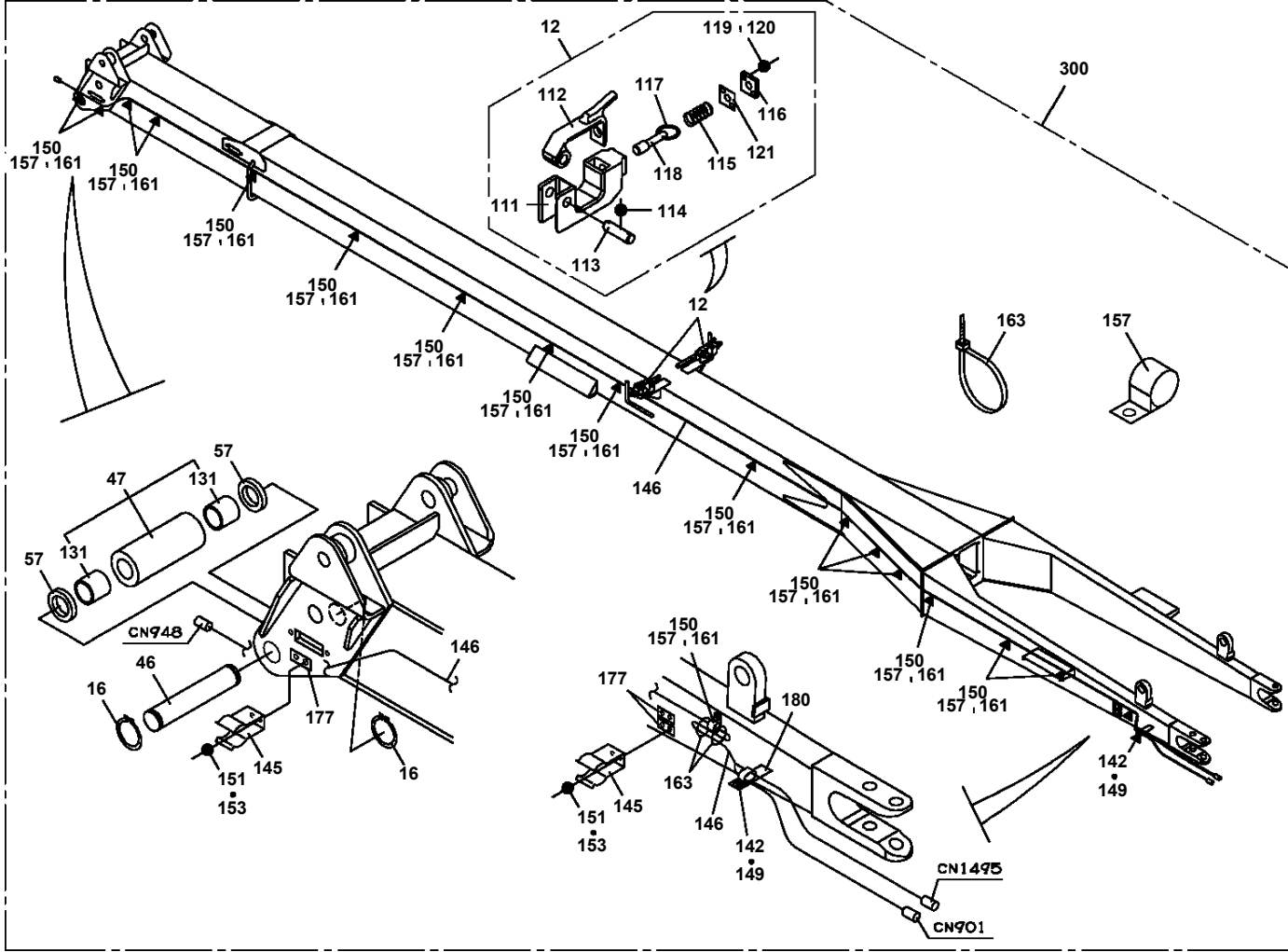


リヤアクスル右側
REAR AXLE RIGHT SIDE

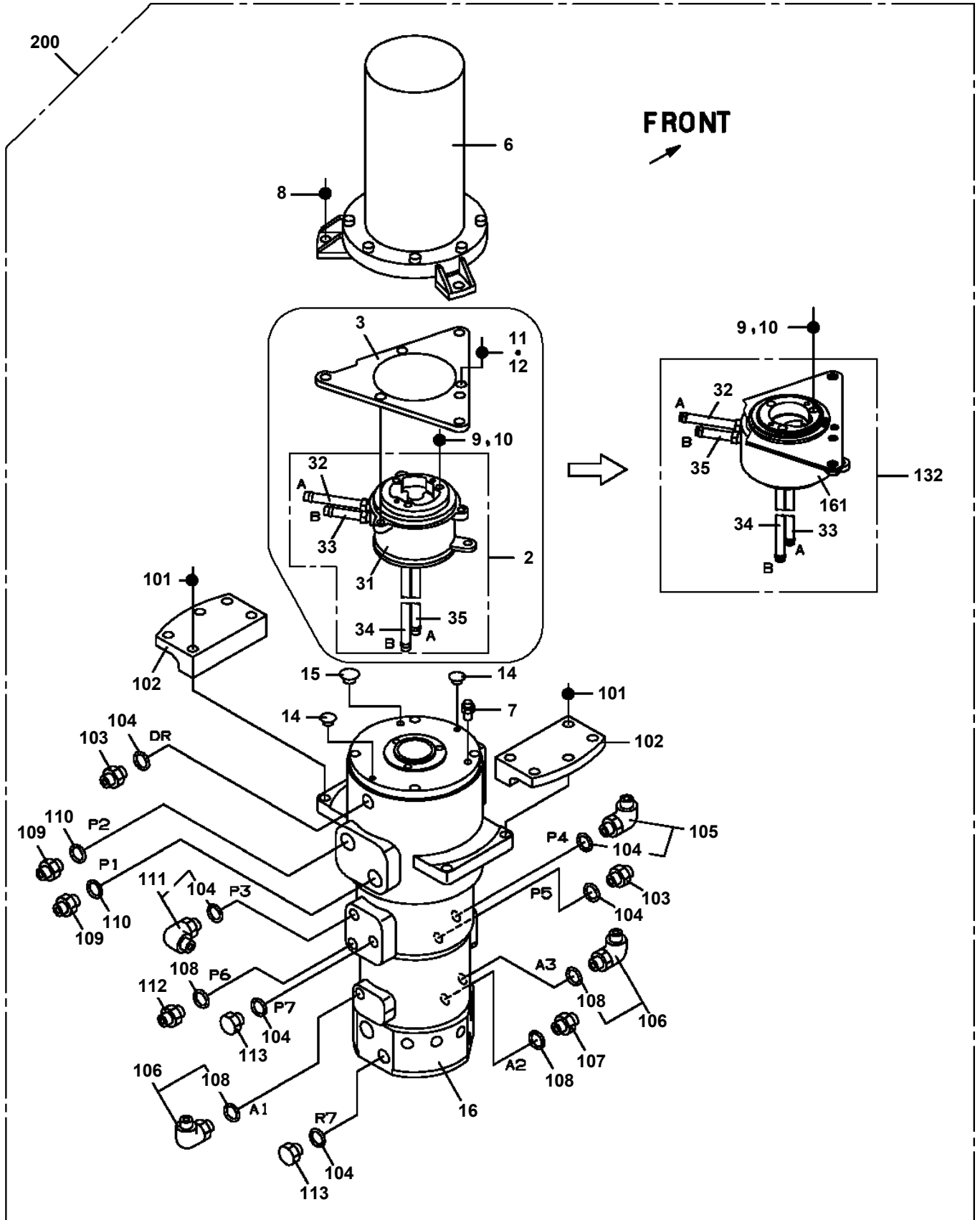
GR-500E-3-00102 5BOOM + 2 JIB,2M2D,H
PI5070058-00 INDICATOR ASSY,OVERWIND (JIB)



GR-500E-3-00102 5BOOM + 2 JIB,2M2D,H
PJ5060024-01 JIB ASSY,1



GR-500E-3-00102 5BOOM + 2 JIB,2M2D,H
 PJ5090005-02 JOINT ASSY,SWIVEL



展開圖有
 ILLUSTRATED BREAKDOWN NO. 16, 31, 161

GR-500E-3-00102 5BOOM + 2 JIB,2M2D,H

Pos No.	Parts No	Parts Name	Qty	Unit	Technical Data	Serial No (Start)	Serial No (End)
1	34495510102	LAMP ASSY (ASSY ONLY)	1				
2	34445491000	SUPPORT	1				
3	82100002004	CLAMP	1		WR8		
4	90280200600	NUT,FLANGE	1		M6		
5	42395460070	PLATE,NAME (PRESSURE WASHING)	1				
6	34372921300	PLUG	1				
7	90186210020	BOLT,FLANGE	4		M10X20		
8	90303071001	WASHER,PLAIN	4		10		
9	91810130240	FASTENER	2				

CLICK HERE TO **DOWNLOAD** THE COMPLETE MANUAL

- Thank you very much for reading the preview of the manual.
- You can download the complete manual from: www.heydownloads.com by clicking the link below



- Please note: If there is no response to CLICKING the link, please download this PDF first and then click on it.

CLICK HERE TO **DOWNLOAD** THE COMPLETE MANUAL

GR-500E-3-00102 5BOOM + 2 JIB,2M2D,H

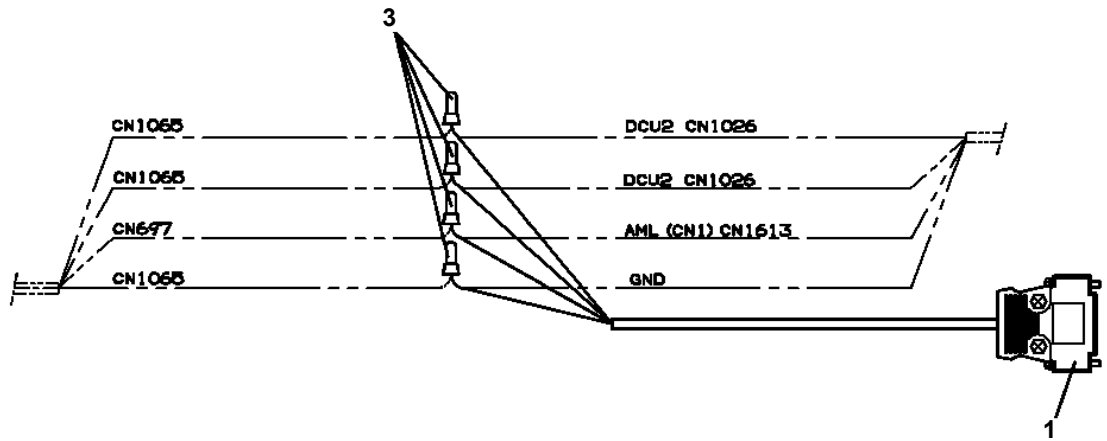
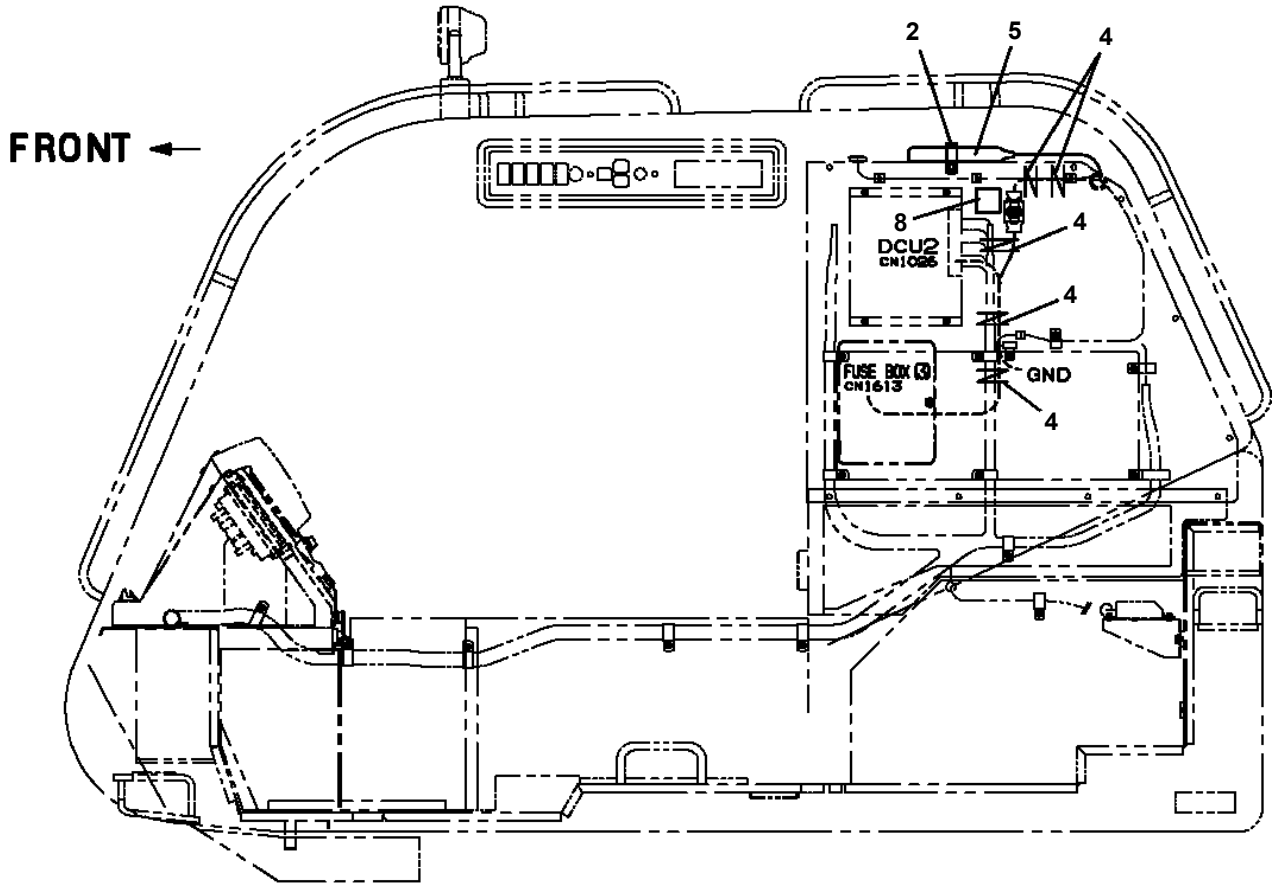
Pos No.	Parts No	Parts Name	Qty	Unit	Technical Data	Serial No (Start)	Serial No (End)	Remarks	Pages
1	82100002006	CLAMP	1		WR10				
2	90201200600	NUT	1		M6				
3	90280200600	NUT,FLANGE	1		M6				
4	34380620200	PIN	1						
5	90303070601	WASHER,PLAIN	1		6				
6	37000109680	PIN	1						
7	80136316012	PIN,SPLIT	1		1.6X12				
8	91810130250	FASTENER	1						
9	91810132530	FASTENER	1						

GR-500E-3-00102 5BOOM + 2 JIB,2M2D,H

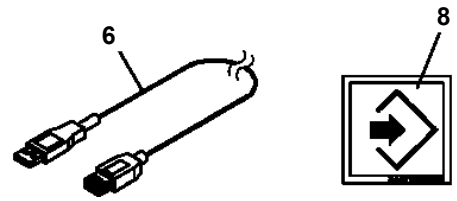
Pos No.	Parts No	Parts Name	Qty	Unit	Technical Data	Serial No (Start)	Serial No (End)	Remarks	Pages
1	34690766200	STAY	2						
2	82400000464	MIRROR	2						
3	90303101601	WASHER,PLAIN	6		16				
4	90303071201	WASHER,PLAIN	4		12				
5	90302041201	WASHER,SPRING	2		12				
6	90209201200	NUT	4		M12				

GR-500E-3-00102 5BOOM + 2 JIB,2M2D,H
 PM5150650-02 MODIFICATION ASSY (DATA LOGGER)

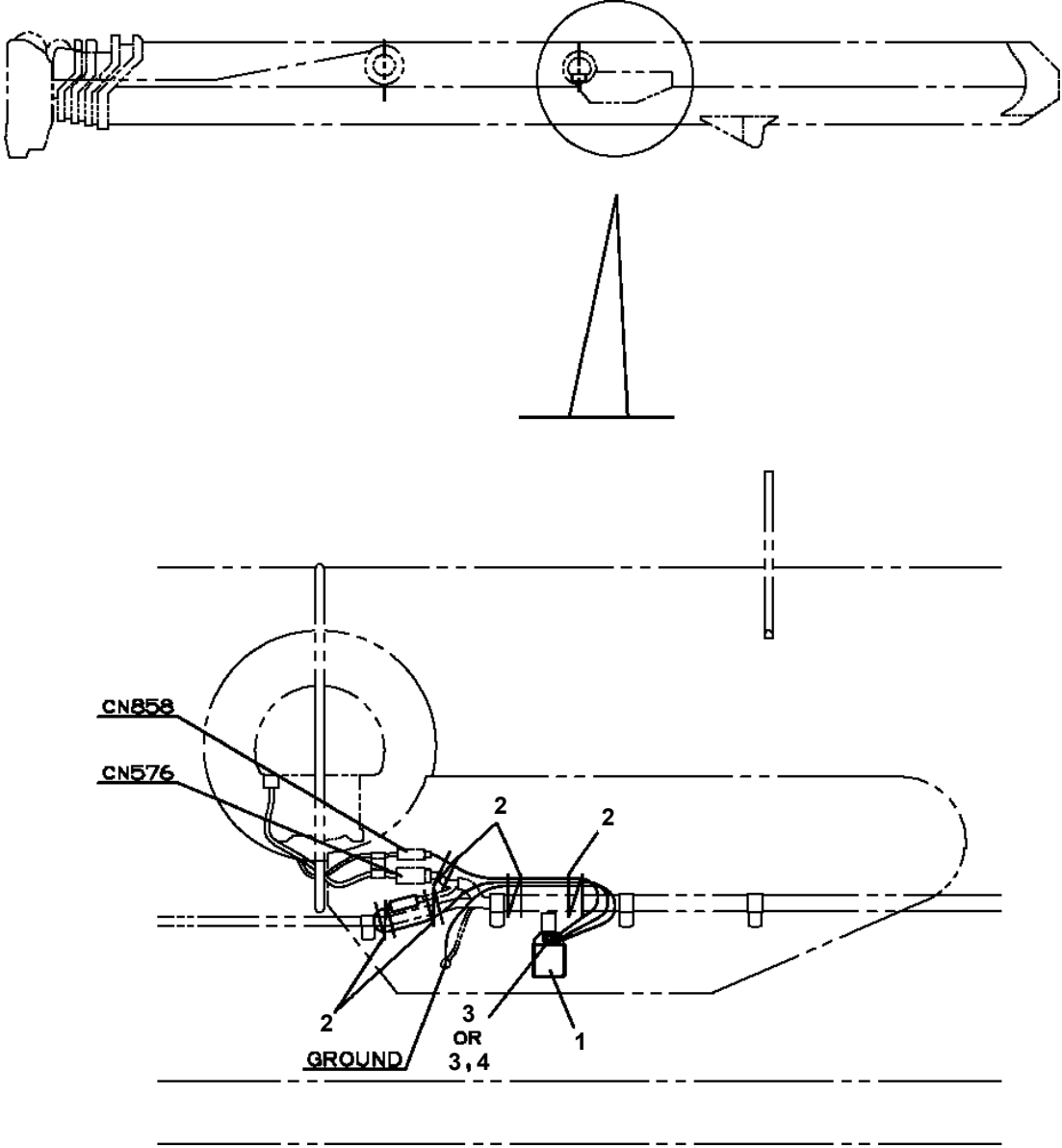
<3型/TYP E-III>



キャブハーネス改造詳細
 DETAIL OF THE REMODELING OF THE HARNESS OF THE CAB

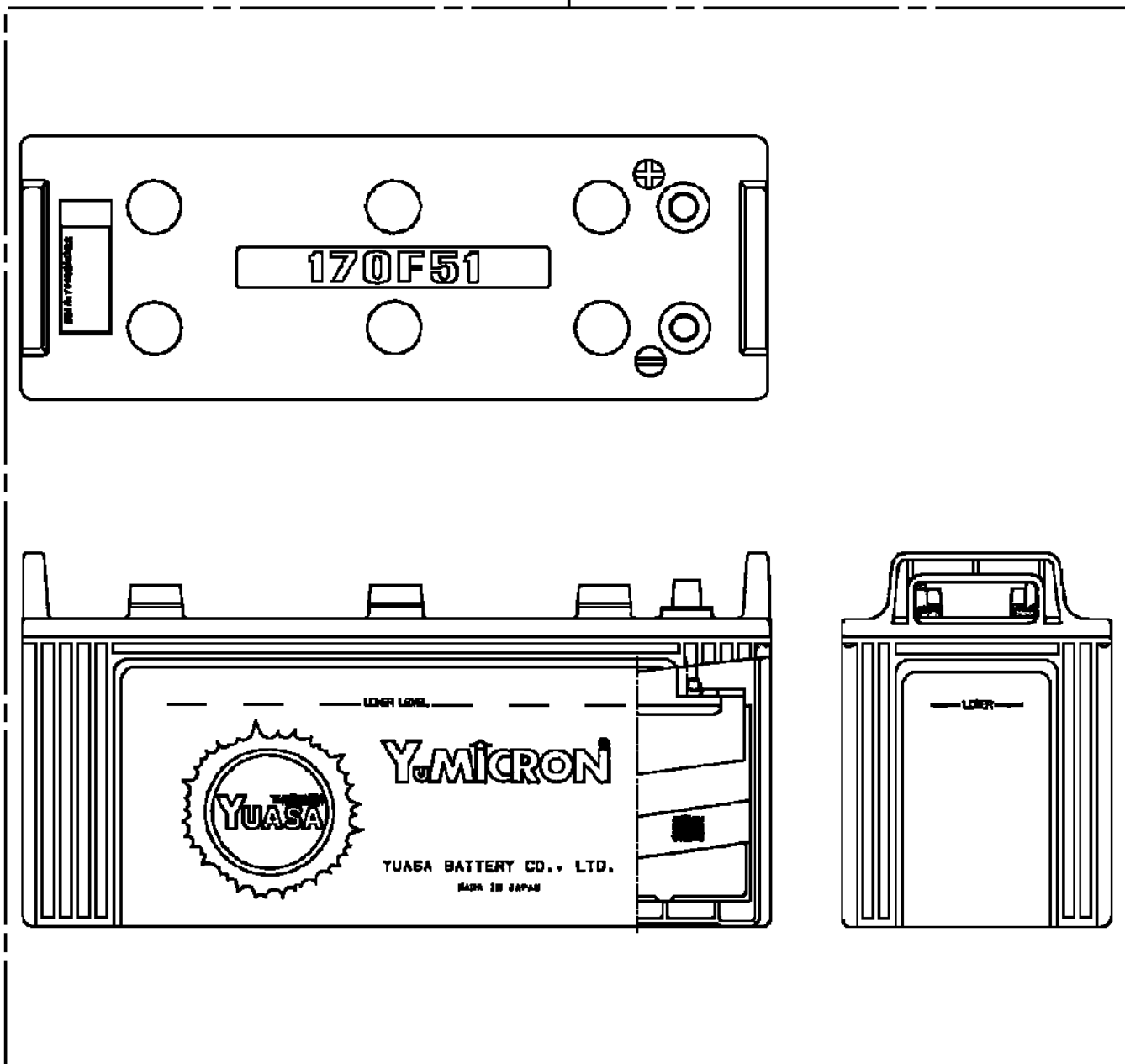


GR-500E-3-00102 5BOOM + 2 JIB,2M2D,H
PM5150797-00 MODIFICATION ASSY (BOOM HARNES)

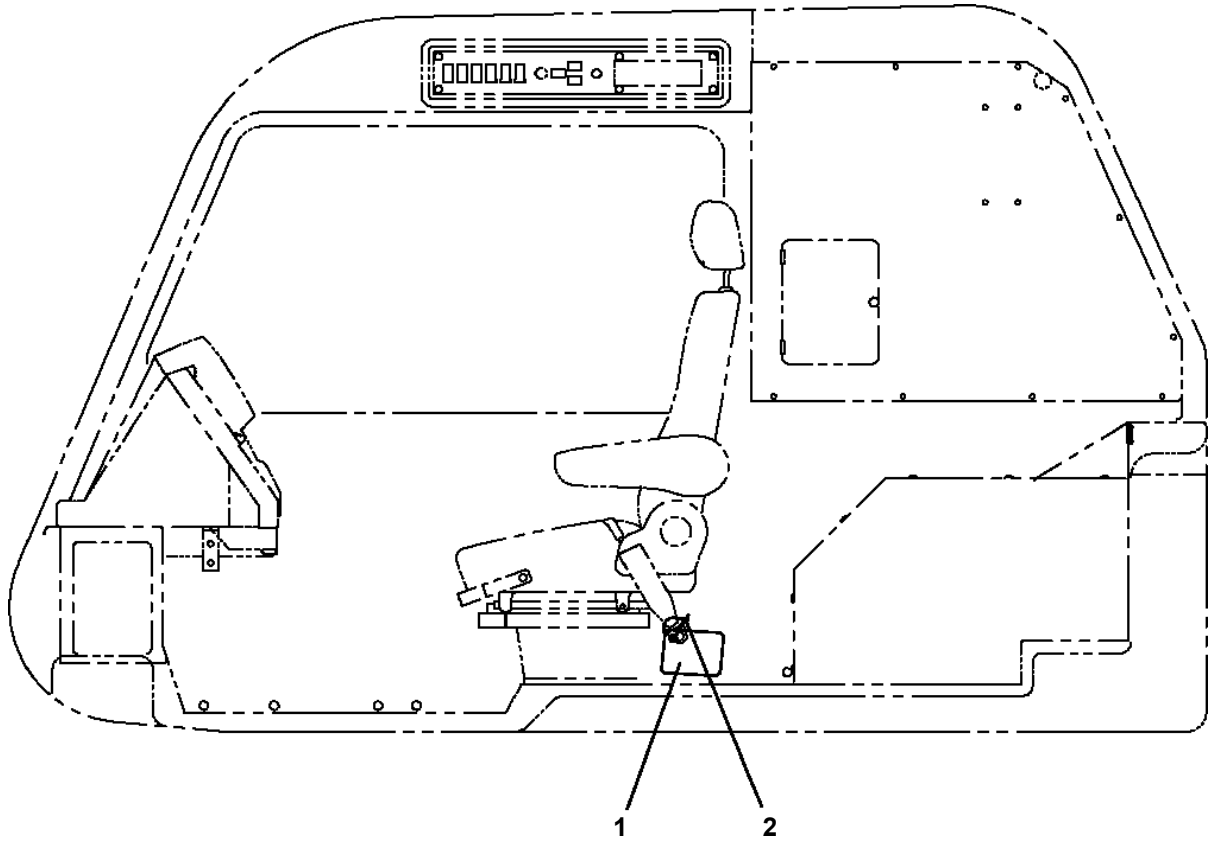


GR-500E-3-00102 5BOOM + 2 JIB,2M2D,H
PN1370121-00 BATTERY (YUASA,170F51)


1



**GR-500E-3-00102 5BOOM + 2 JIB,2M2D,H
PN5010786-00 NAME PLATE ASSY (FILLING OIL DISTINCTION)**



1

 OIL FILLED IN THE FACTORY Keep this list until next oil exchange			
Hydraulic oil	SAE 10W-30 ISO VG68-2R	ISO VG68	ISO VG100
Engine Oil	SAE 15W-40	SAE 15W-50	
Gear Oil in operator's seat	SAE 90	SAE 70W-90	
Gear Oil in main planetary gear	SAE 90	SAE 70W-90	
LLO (Main coolant)	30%	40%	50%
*Grade and viscosity of oil depend on ambient temperature or working conditions. *Further information regarding recommended lubricant or fluid is shown in operational manual.			
370-020-34000			

GR-500E-3-00102 5BOOM + 2 JIB,2M2D,H

Pos No.	Parts No	Parts Name	Qty	Unit	Technical Data	Serial No (Start)	S
1	34399163020	PLATE,CAUTION (DU-3 AIR DRYER)	1				
3	34399163010	PLATE,CAUTION (AIR PRESSURE)	2				
7	34396875100	PLATE,CAUTION (USE OF FIRE STRICTLY)	2				
10	34392735010	PLATE,CAUTION (DO NOT TOUCH)	2				
13	34399185040	PLATE,CAUTION (WARNING,BEFOR DISCONNECT)	1				
14	34398445110	PLATE,NAME	8				
16	34391202050	PLATE,NAME (DIESEL FUEL)	1				
17	37002211751	PLATE,CAUTION (BRAKE FLUID)	1				
18	34391202060	PLATE,CAUTION (NO STEP)	4				
20	34391202201	PLATE,CAUTION (ROTATING FAN.)	1				
21	34391202130	PLATE,CAUTION (!WARNING RADIATOR)	1				
25	14137207000	PLATE,NAME (GREASE)	25				
28	34394192030	PLATE,CAUTION (!CAUTION DO NOT)	1				
31	34395755100	PLATE,CAUTION (OVERHEAD OBSTACLE.)	2				
32	34397965040	PLATE,CAUTION (AFTER REFILLING BRAKE)	1				
33	32391332030	PLATE,CAUTION (WARNING/TO PREVENT)	1				
34	34398425020	PLATE,CAUTION (WHEEL NUT TIGHTENING)	2				
36	34940170040	PLATE,CAUTION (MOVING OUTRIGGER)	2				

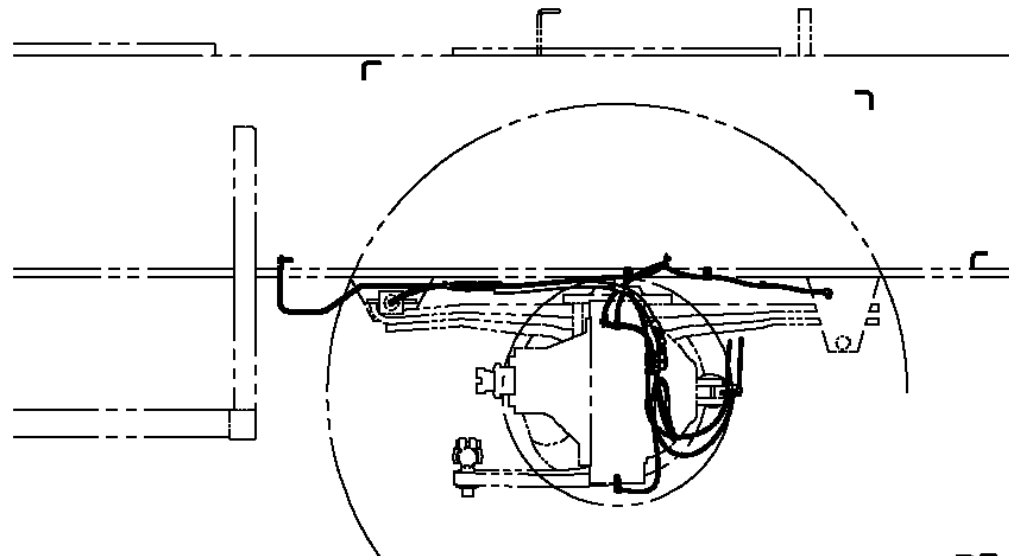
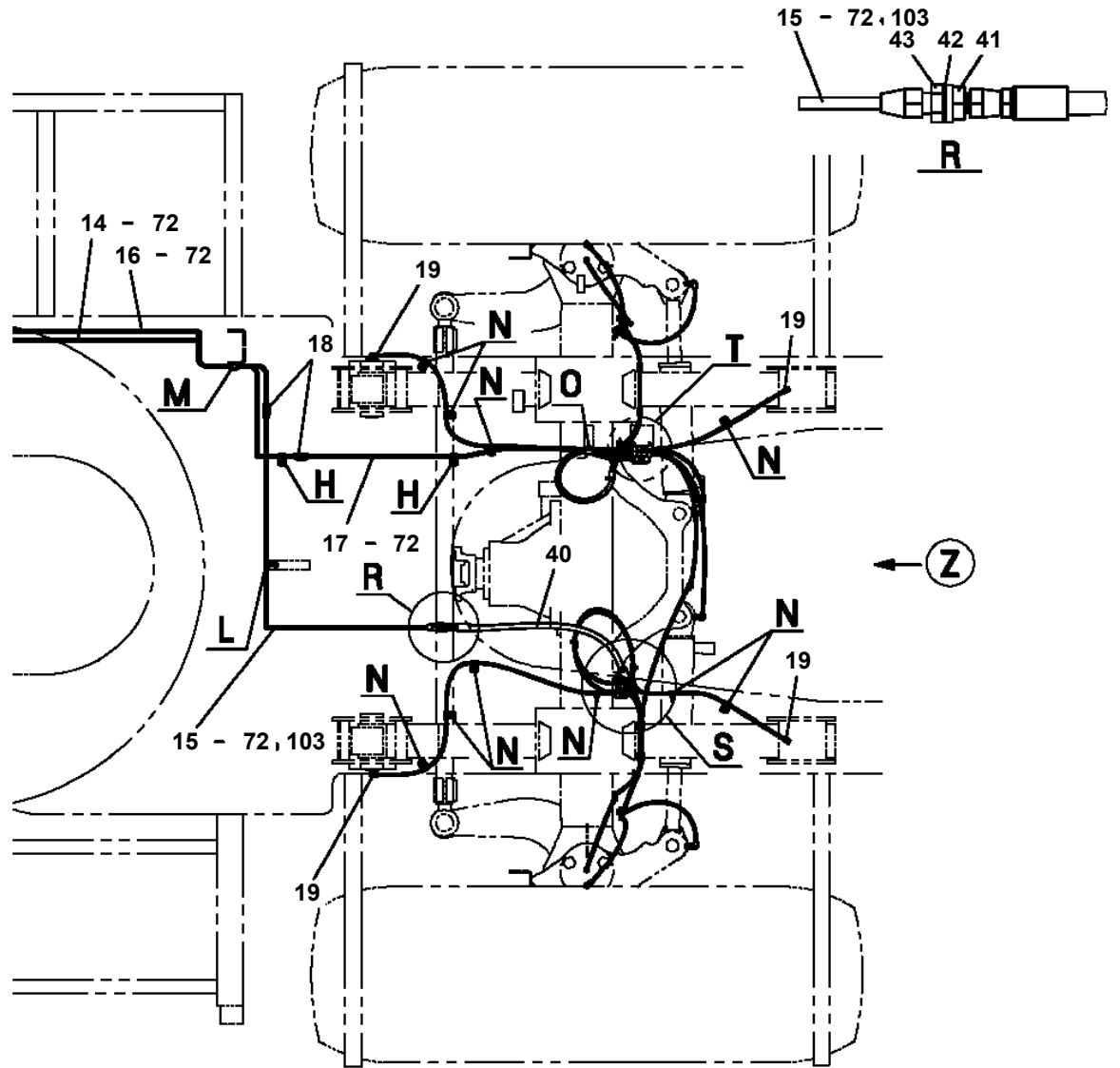
GR-500E-3-00102 5BOOM + 2 JIB,2M2D,H

Pos No.	Parts No	Parts Name	Qty	Unit	Technical Data	Serial No (Start)	Serial No (End)	Re
10	34352901130	PLATE ASSY,NAME (NO.1-NO.38)	1					

GR-500E-3-00102 5BOOM + 2 JIB,2M2D,H

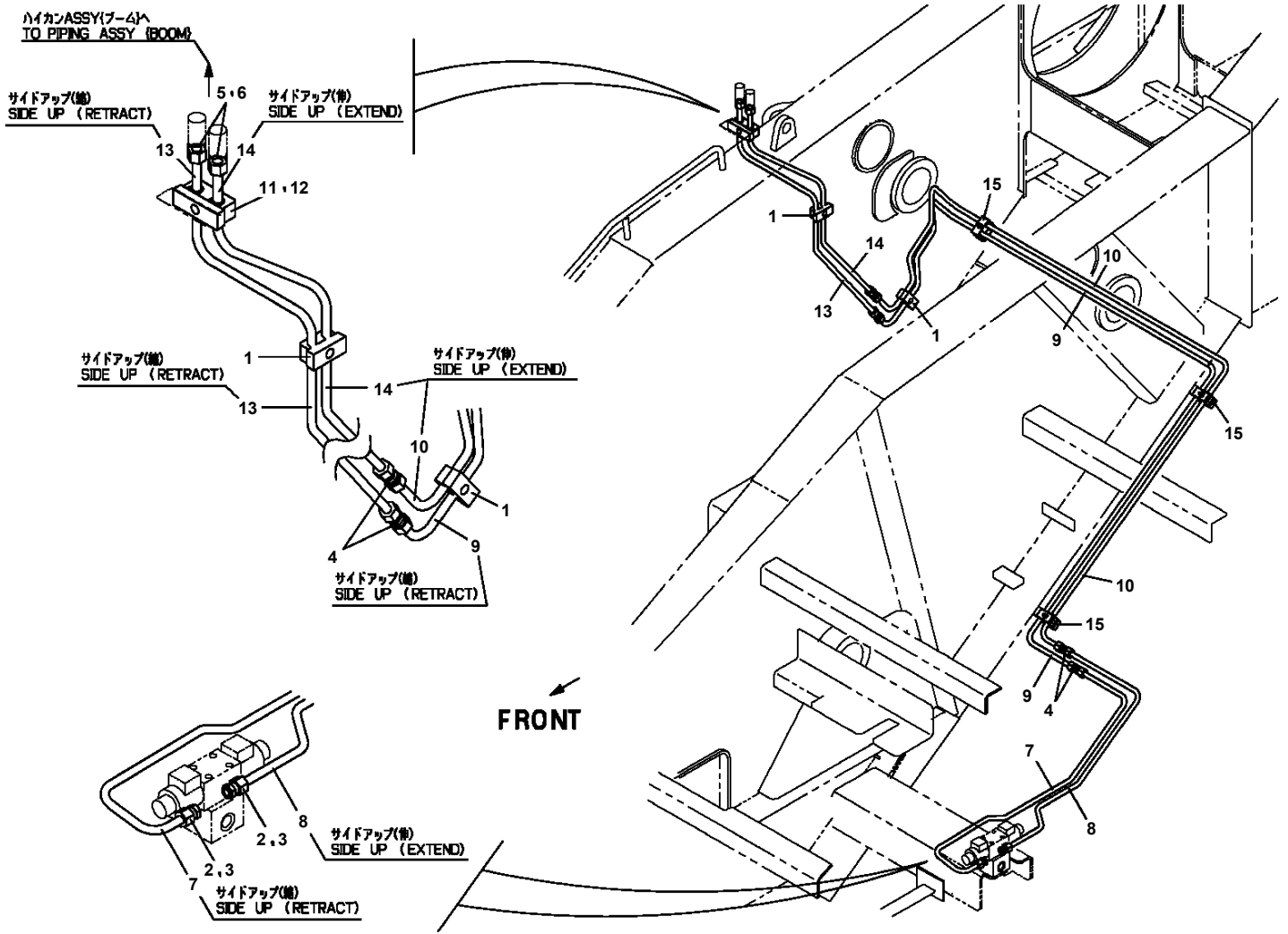
Pos No.	Parts No	Parts Name	Qty	Unit	Technical Data	Serial No (Start)	Serial No (End)	Remarks	Page
1	34693570300	SUPPORT (L)	1						
2	34693570100	SUPPORT (R)	1						
3	34693612000	STEP ASSY (FRONT)	1						000
4	34693571100	FENDER (FR)	2						
5	34693612300	FENDER (FR)	1						
6	34693571300	COVER (FR)	2						
7	34693611100	COVER	1						
8	34693571500	SUPPORT	1						
9	34693571600	FENDER (FL)	1						
10	34693612500	FENDER (FL)	1						
11	34693571800	COVER (FL)	1						
12	34693572100	FENDER (RR)	1						
13	34693572200	COVER (RR)	1						
14	34693616100	FENDER (R,RR)	1						
15	34693573200	FENDER (LR)	1						
16	34693615000	COVER ASSY	1				541328		
17	34693611200	COVER ASSY (RR)	1				541328		
18	34693572700	SUPPORT	1				541328		
19	34693611300	COVER ASSY (LF)	1				541328		
20	34693612900	COVER (L)	1				541328		
21	34693614000	STEP ASSY (L)	1						000
22	34693611500	COVER	1						
23	34693613200	SUPPORT	2						
24	34693613000	STEP ASSY (R)	1						000
25	34693573550	COVER	1						
27	34693573651	SUPPORT	1						
28	34693573700	COVER	1						
29	34693573800	COVER	1						
30	34693577000	STEP ASSY	1						000
31	34693573900	SUPPORT	1						
32	34693575600	COVER ASSY	1						
33	34693574200	COVER	2						
36	34693571900	PLATE	2			541342			
37	90186210020	BOLT,FLANGE	N		M10X20				
38	37000505950	PLATE	77		T=3.2		541328		
	37000505950	PLATE	72		T=3.2	541271			
39	90280201000	NUT,FLANGE	33		M10		541270		
	90280201000	NUT,FLANGE	34		M10	541271			
41	90303071001	WASHER,PLAIN	1		10				
42	90186206010	BOLT,FLANGE	8		M6X10				
43	82401800100	PLUG (FOR M10)	4						
44	82401800120	PLUG (FOR M12)	4						
66	34693618100	COVER ASSY	1			541329			
68	34693613300	SUPPORT	1			541329			
70	34693618300	COVER ASSY	1			541329			
82	34691483800	COVER	1						
83	90186208014	BOLT,FLANGE	7		M8X14				
91	34693612700	COVER (R)	1				541250		
	34693612701	COVER (R)	1			541251	541328		
94	59424530000	HANDLE	2						
95	80172305016	SCREW,MACHINE	8		M5X16				
96	90201200500	NUT	8		M5		541250		
97	90302040501	WASHER,SPRING	8		5				
98	82480007238	PLUG	2						
111	34693612800	COVER	1				541250		
	34693612801	COVER	1			541251	541328		
122	34692904910	COVER	1						

GR-500E-3-00102 5BOOM + 2 JIB,2M2D,H
PP5120022-04 PARTS ASSY,GREASE (ELECTRIC CENTRAL LUBRICATION SYSTEM)



REAR SIDE

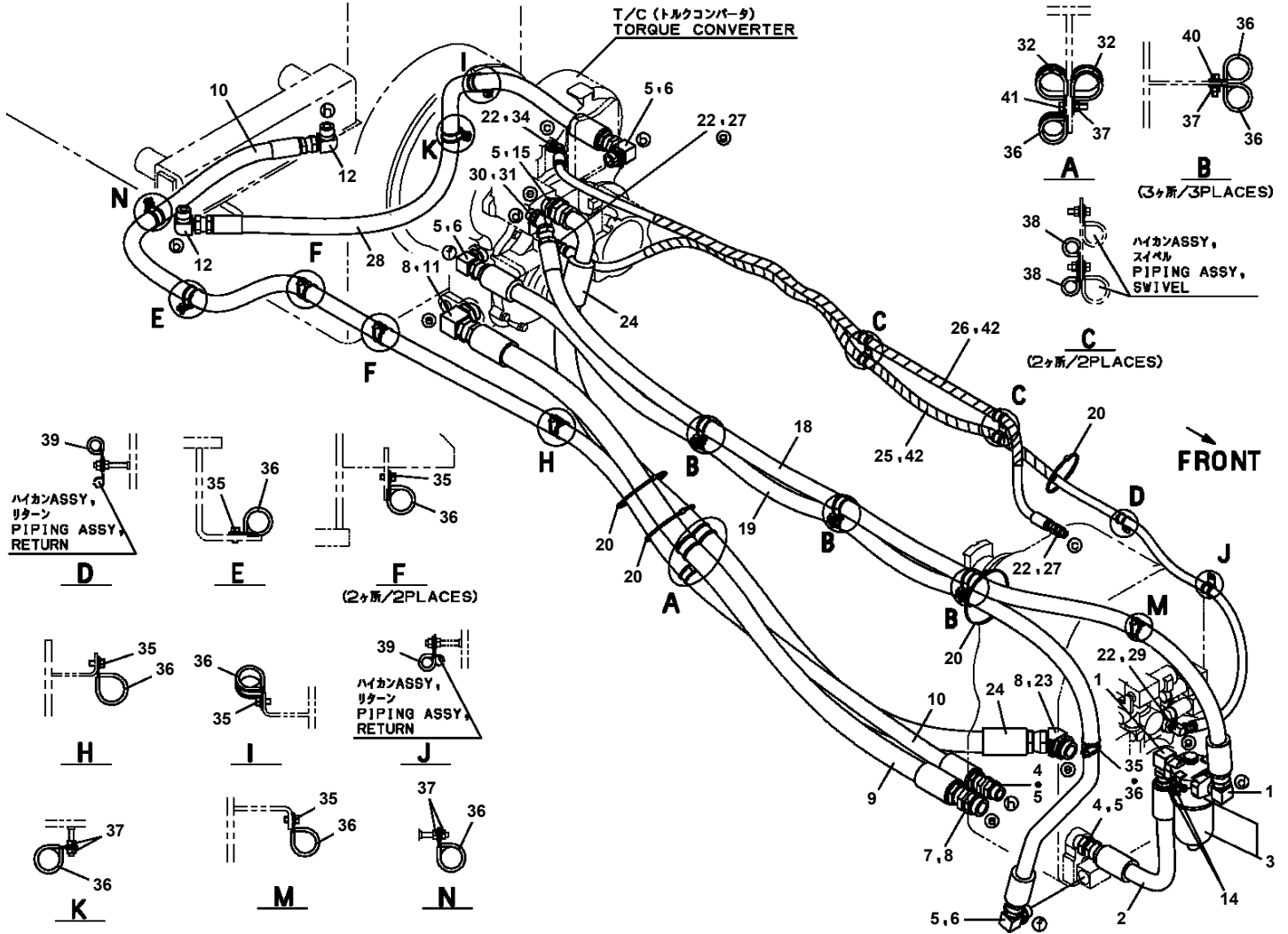
GR-500E-3-00102 5BOOM + 2 JIB,2M2D,H
PP6010325-00 PIPING ASSY (JIB/SWING FRAME)



GR-500E-3-00102 5BOOM + 2 JIB,2M2D,H

Pos No.	Parts No	Parts Name	Qty	Unit	Technical Data	Serial No (Start)
67	34923265120	PIPE ASSY	1		8XT0.7 L=604.6	
69	37002460950	HOSE	1		L=600	
70	34923265130	PIPE ASSY	1		6.35XT0.7 L=1912.6	
73	42340240370	JOINT	1		RT,R1/2-R1/2-R3/8	
74	91002801400	O-RING	1		1B P14	
76	34923265140	PIPE ASSY	1		6.35XT0.7 L=1147.0	
79	80316040060	PLUG	1		NTN PGDPT3/8	
80	80316050080	PLUG	8		NTN/PGCPT1/2	
81	59460001000	BAND	4			
86	34923262000	SUPPORT	1			
87	36101560000	TANK,AIR (ASSY ONLY)	2			
91	36870360000	DRIER,AIR	1			
92	90103210025	BOLT	3		M10X25	
93	90302041001	WASHER,SPRING	3		10	
98	34921651100	SUPPORT	1			
101	37002447900	HOSE,AIR	1		L=900	
104	80430620400	JOINT	1			
105	37002444770	HOSE,AIR	1		L=450	
107	82100002015	CLAMP	1		WRC20	
110	37000711460	CLAMP ASSY	1		12X6	
111	80315050060	JOINT	1			
142	37000904810	NUT,FLARE	4		M12	
152	37000904820	NUT,FLARE	4		M14	
162	37000904830	NUT,FLARE	12		M16	
172	37000904840	NUT,FLARE	8		M20	
181	91002801100	O-RING	1		1B P11	
201	(*****)	ACCESSORY LIST (ENGINE:MOUNTING PARTS)	1			
	(*****)	ACCESSORY LIST (ENGINE:MOUNTING PARTS)	1			541413

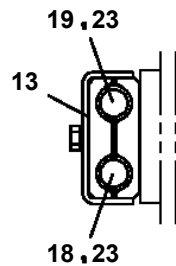
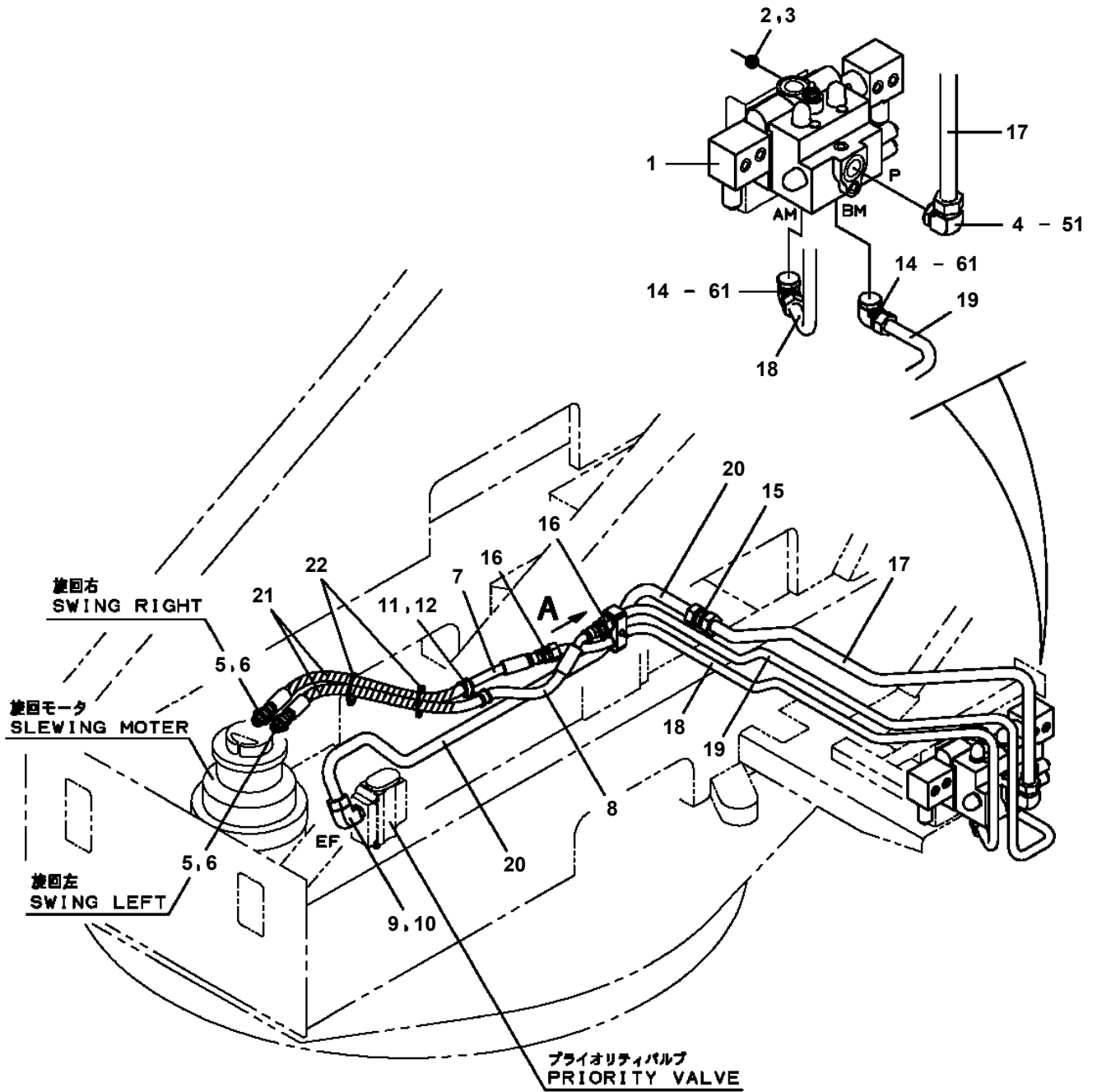
**GR-500E-3-00102 5BOOM + 2 JIB,2M2D,H
PP6090014-03 PIPING ASSY, CONVERTER**



GR-500E-3-00102 5BOOM + 2 JIB,2M2D,H

Pos No.	Parts No	Parts Name	Qty	Unit	Technical Data	Serial No (Start)	Serial No (End)
1	36741650000	VALVE ASSY,SELECTOR (PILOT CONT.)	1				
2	36606030000	VALVE,SEQUENCE	1				
3	36673300000	ACCUMULATOR	1				
4	36645930000	VALVE,SOLENOID	1				
5	80321112050	VALVE,CHECK	1				
6	36740100001	VALVE ASSY,SOLENOID	1				
7	91803930650	CLIP	4		50-65		
8	34345734100	FITTING,FLANGE	1				
9	34346614100	JOINT	1				
10	37002502980	HOSE	1		L=975		
11	90101208030	BOLT	8		M8X30		
12	90302040801	WASHER,SPRING	11		8		
13	37002508730	HOSE	1		L=150		
14	91803930500	CLIP	4		38-50		
15	91002904000	O-RING	2		1B G40		
16	90302041201	WASHER,SPRING	8		12		
17	91002906000	O-RING	1		1B G60		
18	90101212030	BOLT	4		M12X30		
19	36672630000	FILTER (WITH O-RING)	3				
20	37000806380	FITTING,FLANGE	1				
21	90172105045	BOLT,HEXAGON SOCKET	4		M5X45		
22	34345734400	FITTING,FLANGE	1				
23	90186208014	BOLT,FLANGE	4		M8X14		
24	80302090141	FITTING	10		KCO12-020N		
25	37000919390	JOINT (ORIFICE)	1		1.0		
26	80305010100	FITTING,TEE	6		KTA12-000N		
27	80302090322	FITTING	3		KCO28-080N		
28	91002802900	O-RING	3		1B P29		
29	90172108060	BOLT,HEXAGON SOCKET	2		M8X60		
30	90101212055	BOLT	2		M12X55		
31	90201201200	NUT	2		M12		
32	90101212020	BOLT	2		M12X20		
33	37000916520	JOINT	2		L,G1-G1/4-28		
34	37000711000	CLAMP ASSY	2		12-1		
35	80400160212	JOINT	1		T,12XG1/4XG1/4		
36	80302090241	FITTING	3		KCO18-040N		
37	91002801800	O-RING	3		1B P18		
38	80303130241	FITTING,ELBOW	2		KLO18-040E		
39	37000701560	CLAMP ASSY	2		18X2		
40	37002444210	HOSE	1		L=1050		
41	37000701500	CLAMP ASSY	2		12X1		
42	80330001300	FITTING,TEE	1		KTR18-120N		
43	91002801400	O-RING	2		1B P14		
44	91002801100	O-RING	13		1B P11		
45	80301010160	FITTING	1		KUA18-000N		
46	80302090231	FITTING	2		KCO18-030N		
47	37000711080	CLAMP ASSY	2		12-2		
48	37000711090	CLAMP ASSY	1		18X2		
49	80301010100	FITTING	1		KUA12-000N		
50	37012404620	HOSE	1		L=1200		
51	90101210016	BOLT	2		M10X16		
52	90302041001	WASHER,SPRING	2		10		
53	37000514600	PLATE	2				
54	80320010140	FITTING	1		KUD18-040N		
55	37002474890	HOSE	1		L=500		
56	37000711010	CLAMP ASSY	1		18X1		
57	80316070040	PLUG	2		PF1/4		
58	37000300740	SLEEVE	2		18-12		
59	81408000341	PIPE,STEEL	1	M	28X3.1T		
60	81408000341	PIPE,STEEL	1	M	28X3.1T		
61	81408000341	PIPE,STEEL	2	M	28X3.1T		
62	81408000160	PIPE,STEEL	2	M	12X1.4T		
63	81408000160	PIPE,STEEL	2	M	12X1.4T		

GR-500E-3-00102 5BOOM + 2 JIB,2M2D,H
 PP6320024-00 PIPING ASSY,SWING

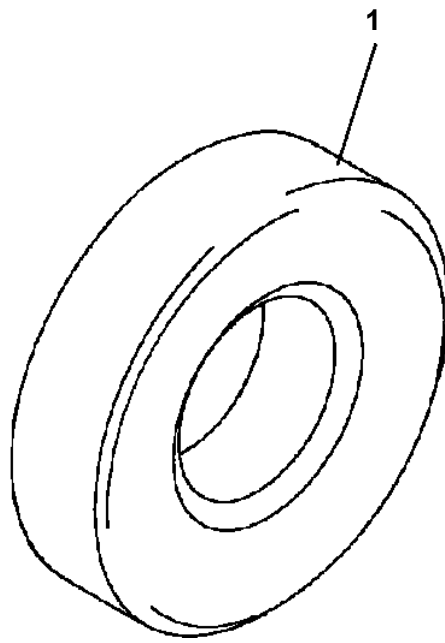


A

GR-500E-3-00102 5BOOM + 2 JIB,2M2D,H

Pos No.	Parts No	Parts Name	Qty	Unit	Technical Data	Serial No (Start)	Serial No (End)	Remarks
1	36671970000	FILTER ASSY	1					
2	36742080000	VALVE ASSY,HYDRAULIC	1					
3	91002801100	O-RING	10		1B P11			
4	80302090141	FITTING	8		KCO12-020N			
5	81408000160	PIPE,STEEL	1	M	12X1.4T			
6	81408000160	PIPE,STEEL	2	M	12X1.4T			
7	81408000160	PIPE,STEEL	3	M	12X1.4T			
8	81408000160	PIPE,STEEL	1	M	12X1.4T			
9	81408000160	PIPE,STEEL	3	M	12X1.4T			
10	80301010100	FITTING	2		KUA12-000N			
11	90186210020	BOLT,FLANGE	2		M10X20			
12	80302090161	FITTING	1		KCO12-030N			
13	91002801400	O-RING	1		1B P14			
14	37000711000	CLAMP ASSY	1		12-1			
15	37000924590	JOINT	2		S G1/4-G1/4			
16	80303130141	FITTING,ELBOW	1		KLO12-020E			
17	81408000160	PIPE,STEEL	2	M	12X1.4T			
18	81408000160	PIPE,STEEL	1	M	12X1.4T			
19	81408000160	PIPE,STEEL	1	M	12X1.4T			
51	36671975050	BODY	1					
52	36671975060	ELEMENT	1					
61	91002801100	O-RING	1		1B P11			

GR-500E-3-00102 5BOOM + 2 JIB,2M2D,H
PR1800031-00 TIRE



GR-500E-3-00102 5BOOM + 2 JIB,2M2D,H

Pos No.	Parts No	Parts Name	Qty	Unit	Technical Data	Serial No (Start)	Serial No (End)
1	34931761700	SUPPORT	1				
2	42809631200	LAMP ASSY (RED,WITH HARNESS)	1				
3	80197586012	SCREW,MACHINE	8		M6X12		
4	42614362301	LAMP ASSY (ORANGE,WITH HARNESS)	1				
7	34931602300	BOX ASSY (FUSE/11 POLES)	1				541219
8	34931572200	BOX ASSY (FUSE/11 POLES)	1				
9	80192486016	SCREW,MACHINE	2		M6X16		
10	34931602400	BOX ASSY (FUSE/8 POLES)	1				
11	34930400200	RELAY (FOR HEAD LAMP)	1				
12	82100002596	RELAY	2				
24	82400000311	GROMMET	1		L=1000		
37	34931761800	BOX ASSY (FUSE/11 POLES)	1			541220	
51	34351562510	BOX,FUSE	2				
53	82100001837	FUSE	11		5A		541219
	82100001837	FUSE	4		5A		
	82100001837	FUSE	9		5A	541220	
54	82100001860	FUSE	4		1A,BLACK		
65	82100001840	FUSE	6		15A,BLUE		
	82100001840	FUSE	2		15A,BLUE	541220	
74	82100001839	FUSE	8		10A.RED		
76	82100001841	FUSE	3		20A,YELLOW		
81	34430255710	BOX,FUSE	1				
200	34931761600	RELAY ASSY (FUSE BOX)	1				

GR-500E-3-00102 5BOOM + 2 JIB,2M2D,H

Pos No.	Parts No	Parts Name	Qty	Unit	Technical Data	Serial No (Start)	Serial No (End)	F
1	34931712510	PLATE	1					
2	80197586012	SCREW,MACHINE	12		M6X12			
3	82400000202	GROMMET	2					
4	34354781710	RELAY (WITH BRACKET)	12					
8	80192483010	SCREW,MACHINE	2		M3X10			
11	34351571350	RELAY ASSY (WITH CONNECTOR)	1					
13	82100001404	TERMINAL	2					
14	82100001219	INSULATOR	2					
16	82100001989	TERMINAL	1					
17	80192483016	SCREW,MACHINE	2		M3X16			
18	34350032400	PLATE	1					
19	82114214031	CONNECTOR (3POLES,CAP)	1					
20	82111207051	TERMINAL (MAIL)	2					
23	82181024271	RESISTANCE	1					
100	34931761101	RELAY ASSY	1					

GR-500E-3-00102 5BOOM + 2 JIB,2M2D,H

Pos No.	Parts No	Parts Name	Qty	Unit	Technical Data	Serial No (Start)	Serial No (End)	R
1	37001809840	ROPE,WIRE (KISWIRE/NON-SPIN)	1					

GR-500E-3-00102 5BOOM + 2 JIB,2M2D,H

Pos No.	Parts No	Parts Name	Qty	Unit	Technical Data	Serial No (Start)	Serial No (End)	F
1	34931712510	PLATE	1					
2	80197586012	SCREW,MACHINE	12		M6X12			
3	8240000202	GROMMET	2					
4	34354781710	RELAY (WITH BRACKET)	11					
5	34354781720	RELAY (WITH HARNESS)	1					
8	80192483010	SCREW,MACHINE	2		M3X10			
11	34351571350	RELAY ASSY (WITH CONNECTOR)	1					
13	82100001404	TERMINAL	2					
14	82100001219	INSULATOR	2					
16	82100001989	TERMINAL	1					
17	80192483016	SCREW,MACHINE	2		M3X16			
18	34350032400	PLATE	1					
19	82114214031	CONNECTOR (3POLES,CAP)	1					
20	82111207051	TERMINAL (MAIL)	2					
23	82181024271	RESISTANCE	1					
100	34931762100	RELAY ASSY	1					

GR-500E-3-00102 5BOOM + 2 JIB,2M2D,H

Pos No.	Parts No	Parts Name	Qty	Unit	Technical Data	Serial No (Start)	Serial No (End)	Remarks	Pages
64	34252037825	RIVET	1						
65	34252037830	SCREW	1						
100	34252031000	SEAT ASSY	1						

GR-500E-3-00102 5BOOM + 2 JIB,2M2D,H

Pos No.	Parts No	Parts Name	Qty	Unit	Technical Data	Serial No (Start)	Serial No (End)
1	36303835010	CROSS JOINT	2				
3	36300055030	BOLT	8		NF1/2X51X20		
11	36303425020	NIPPLE,GREASE	2				
22	36303235050	NIPPLE,GREASE	1				
100	36303841000	SHAFT ASSY,PROPELLER (JTEKT)	1				

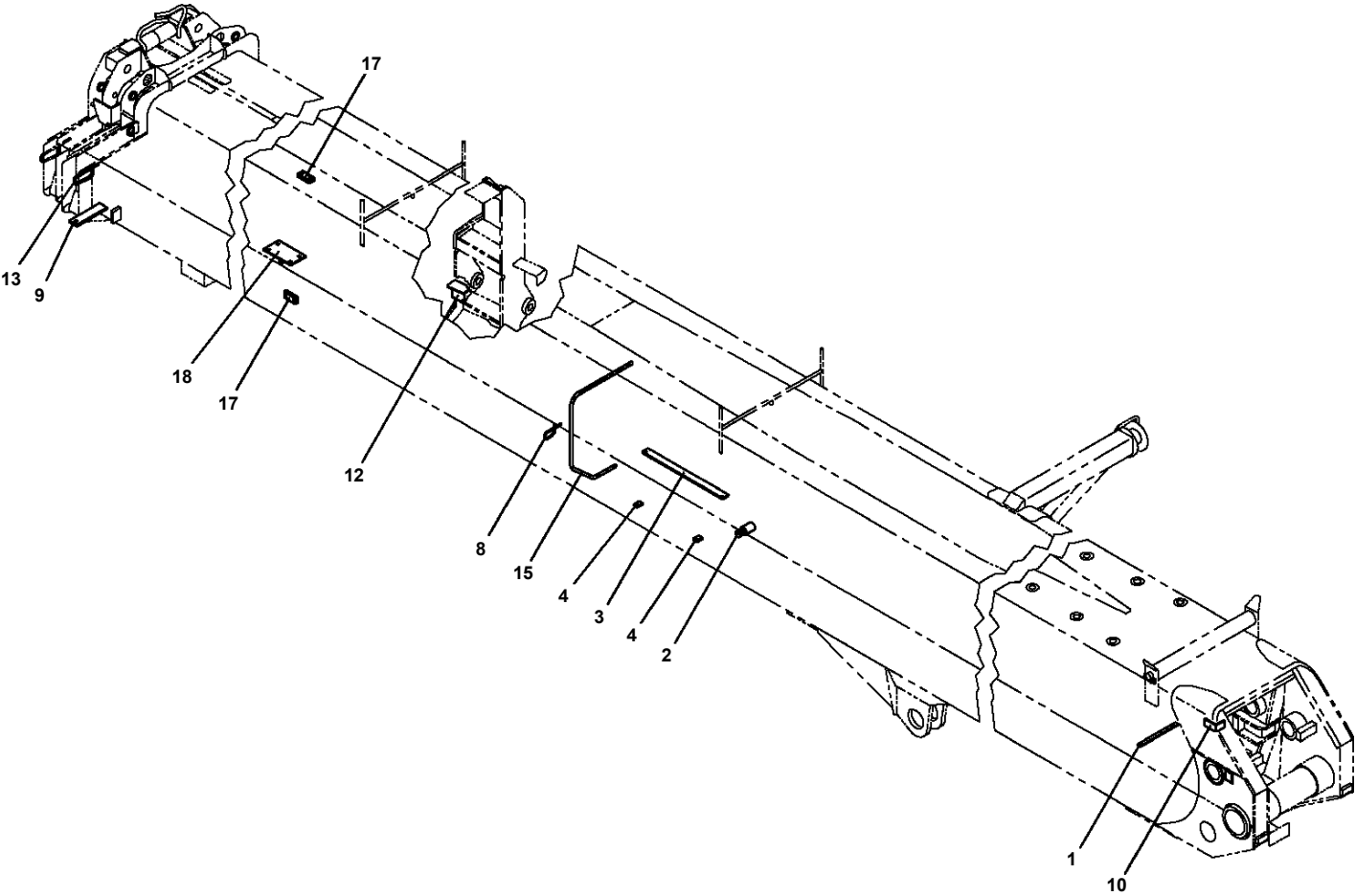
GR-500E-3-00102 5BOOM + 2 JIB,2M2D,H

Pos No.	Parts No	Parts Name	Qty	Unit	Technical Data	Serial No (Start)	Serial No (End)	Remarks	Pages
100	36410310000	SPRING ASSY	1						

GR-500E-3-00102 5BOOM + 2 JIB,2M2D,H

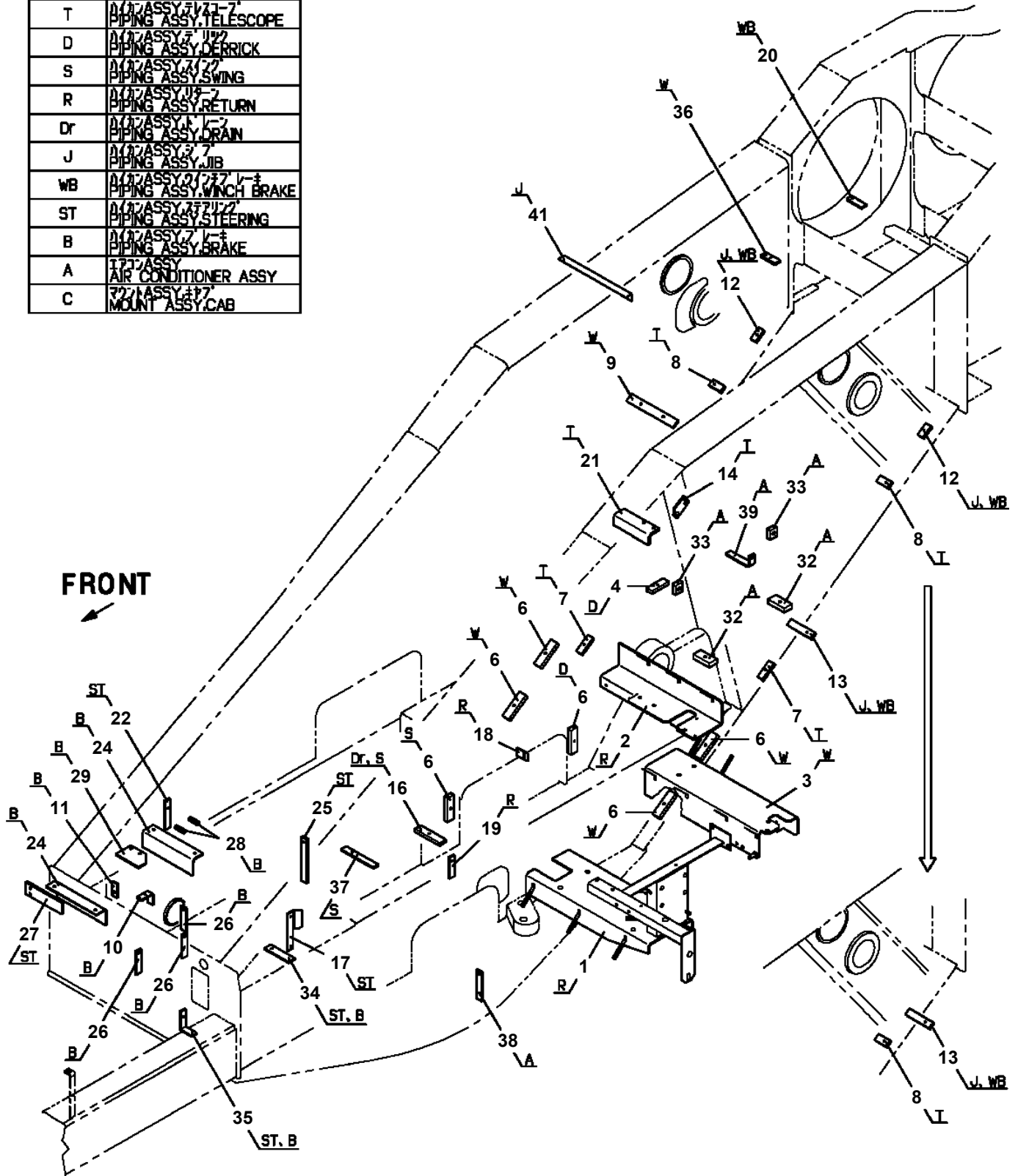
Pos No.	Parts No	Parts Name	Qty	Unit	Technical Data	Serial No (Start)	Serial No (End)	Remarks	Pages
1	34693577010	STEP	1						
2	34693576800	STEP	1						
3	34693541951	PLATE	2						
4	37010501281	PLATE	4						
5	90186210035	BOLT,FLANGE	8		M10X35				
6	90280201000	NUT,FLANGE	8		M10				
50	34693577000	STEP ASSY	1						

GR-500E-3-00102 5BOOM + 2 JIB,2M2D,H
PS5420339-00 SUPPORT ASSY (BOOM,BASE:PRE-WELDED PARTS FOR HARNESS)

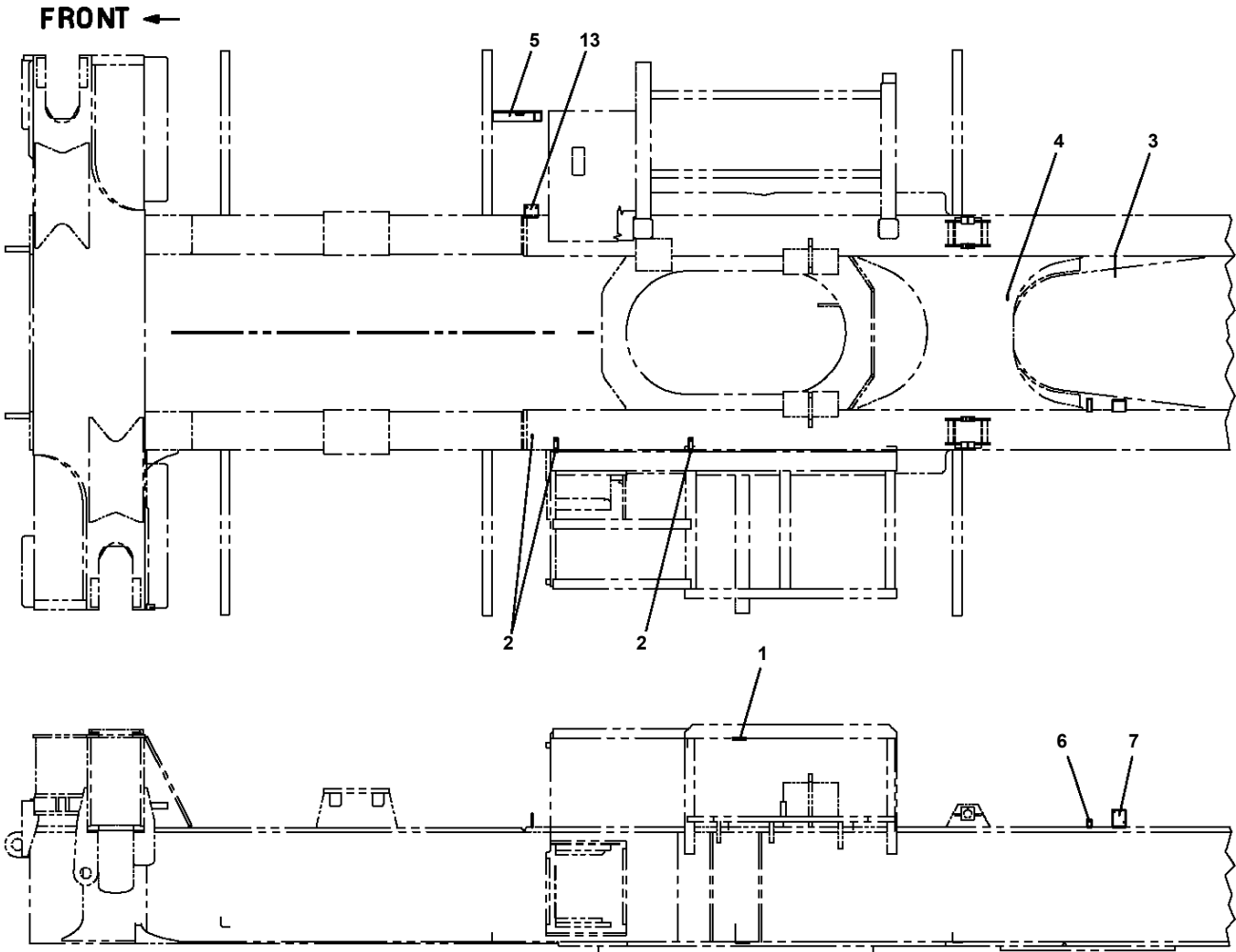


**GR-500E-3-00102 5BOOM + 2 JIB,2M2D,H
PS5420347-00 SUPPORT ASSY (HYDRAULIC PARTS)**

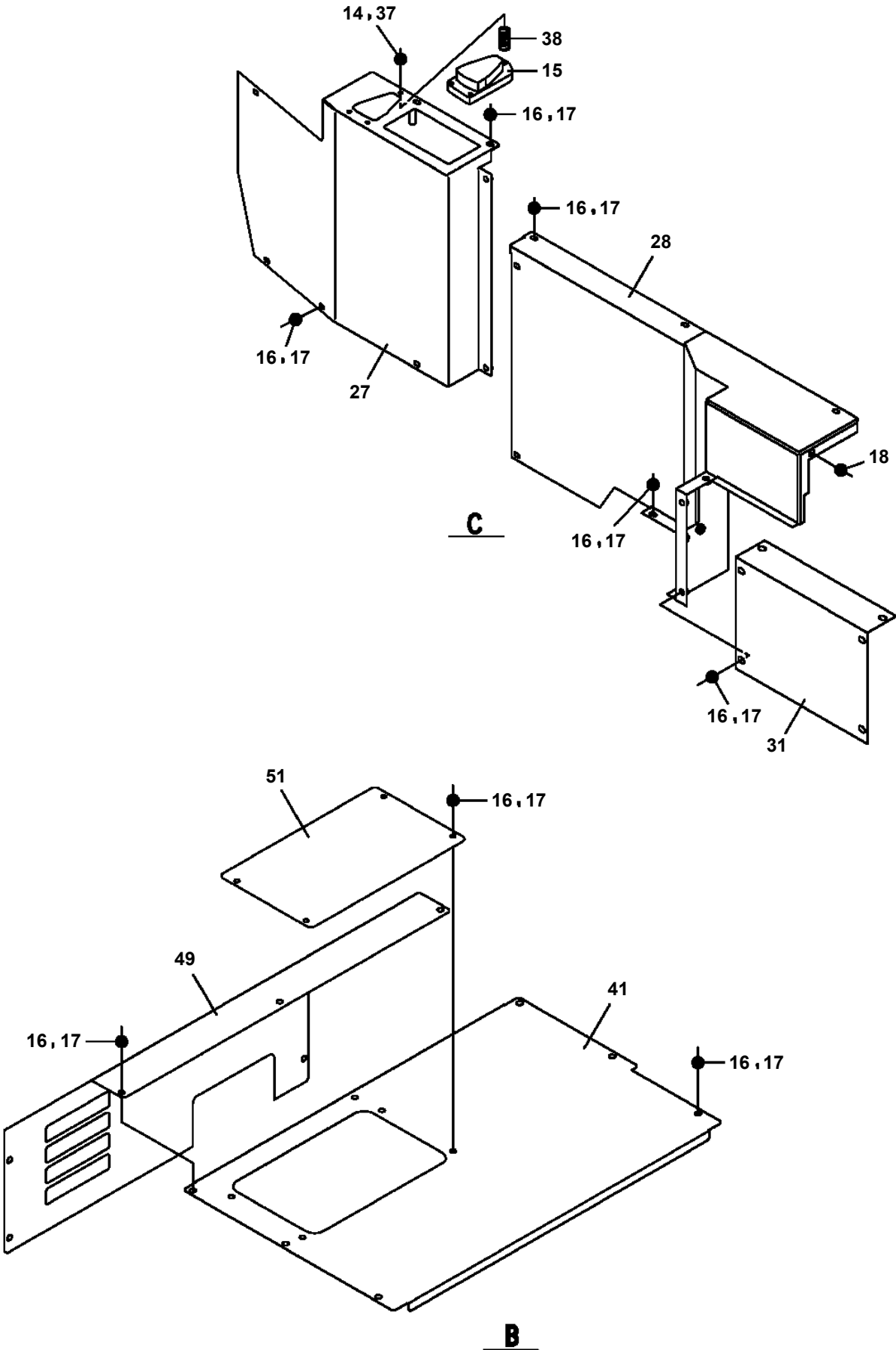
FIG./ITEM	図名/DRAWING NAME
W	010/ASSY 010-7 PIPING ASSY,WINCH
T	010/ASSY 010-7 PIPING ASSY,TELESCOPE
D	010/ASSY 010-7 PIPING ASSY,DERRICK
S	010/ASSY 010-7 PIPING ASSY,SWING
R	010/ASSY 010-7 PIPING ASSY,RETURN
Dr	010/ASSY 010-7 PIPING ASSY,DRAIN
J	010/ASSY 010-7 PIPING ASSY,JIB
WB	010/ASSY 010-7 PIPING ASSY,WINCH BRAKE
ST	010/ASSY 010-7 PIPING ASSY,STEERING
B	010/ASSY 010-7 PIPING ASSY,BRAKE
A	177/ASSY AIR CONDITIONER ASSY
C	777/ASSY 177 MOUNT ASSY,CAB



GR-500E-3-00102 5BOOM + 2 JIB,2M2D,H
PS5420399-00 SUPPORT ASSY (SANSHO)



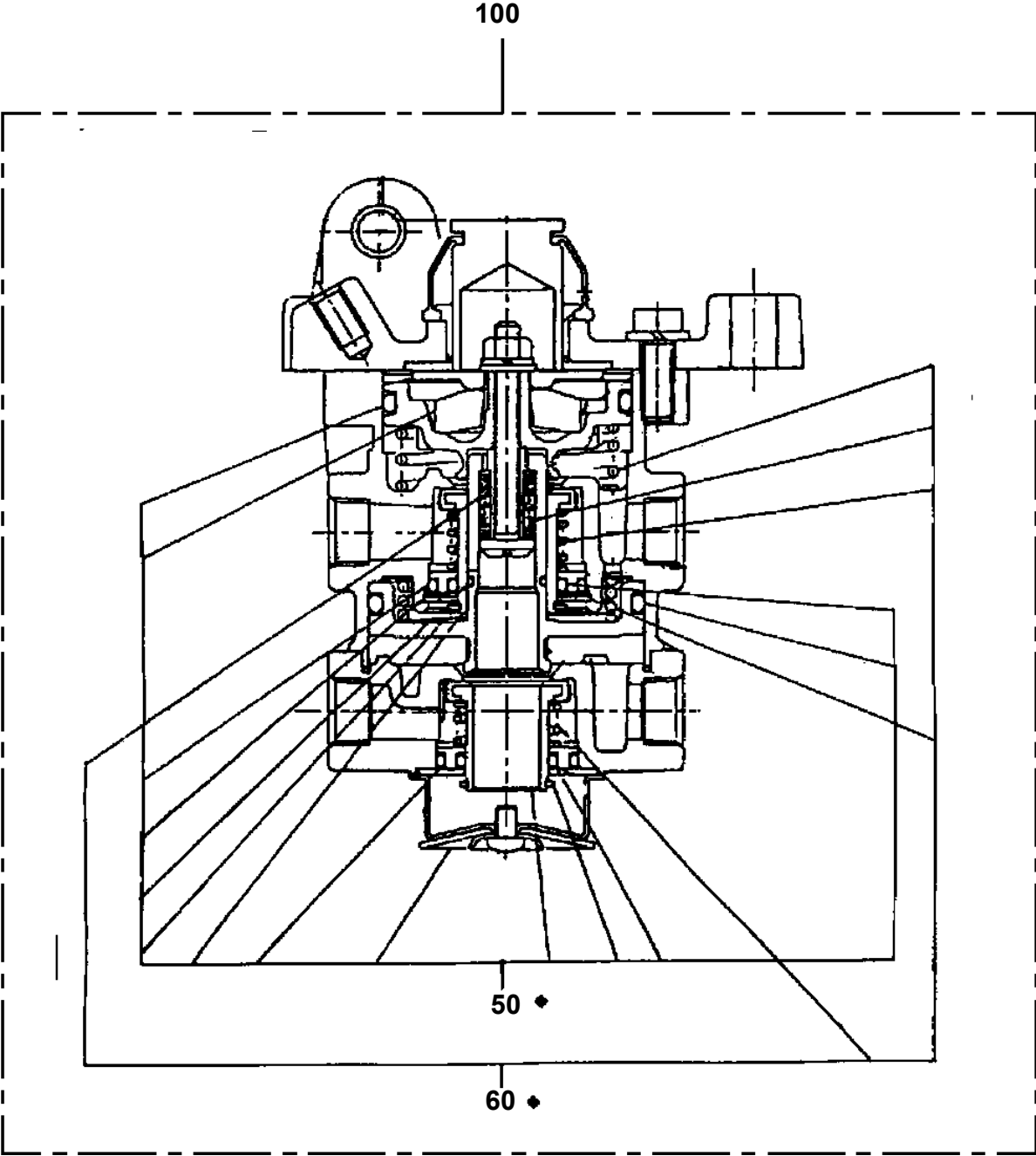
GR-500E-3-00102 5BOOM + 2 JIB,2M2D,H
PS5520030-03 SWING TABLE ASSY



GR-500E-3-00102 5BOOM + 2 JIB,2M2D,H
 PS5530229-00 SWITCH ASSY (2)

符号/MARK	名称/NAME	CN.No
a	O/R (FL)	(CN499)
b	O/R (FR)	(CN500)
c	O/R (ALL)	(CN498)
d	O/R (RL)	(CN501)
e	O/R (RR)	(CN502)
f	O/R (J/S切换) O/R (J/S SERECTOR)	CN480
g	O/R (張出/格納) O/R (EXTEND/RETRACT SERECTOR)	CN497
h	ジブ (張出/格納) JIB (EXTEND/RETRACT SERECTOR)	CN488
l	旋回ブレーキ SWING BRAKE	CN484
J	カバー COVER	-
k	非常停止 OVER CUTOUT DISABLE SWITCH (OPTION)	(CN505)
l	PTO	CN509
m	AML解除 LIMITED AML OVERRIDE SWITCH	CN558

GR-500E-3-00102 5BOOM + 2 JIB,2M2D,H
PT1240004-01 VALVE,BRAKE



GR-500E-3-00102 5BOOM + 2 JIB,2M2D,H

Pos No.	Parts No	Parts Name	Qty	Unit	Technical Data	Serial No (Start)	Serial No (End)	Remarks
1	36061425120	CASING ASSY	1					
3	36061435010	RING,BACKUP	1					
5	36061425100	RING	1					
6	80602110400	RING,RITAINING	1		R40			
8	36061425070	PISTON	1					
14	36061425080	PISTON	1					
16	36061425090	PIN (PISTON)	1					
22	36061425010	SCREW (AIR BREATHER)	1					
23	36061425110	CAP	1					
25	36061425130	PLUG	1					
26	36061425140	WASHER (LOCK)	1					
28	36061425050	PIPE,EXHAUST	1					
31	91001101200	O-RING	1		1A P12			
33	36061425020	VALVE,RELAY	1					
36	36061425030	NIPPLE	1					
50	36061425040	REPAIR KIT (A)	1					
60	36061425060	REPAIR KIT (B)	1					
71	91001103600	O-RING	2		1A P36			
100	36061420000	BOOSTER (BRAKE)	1					

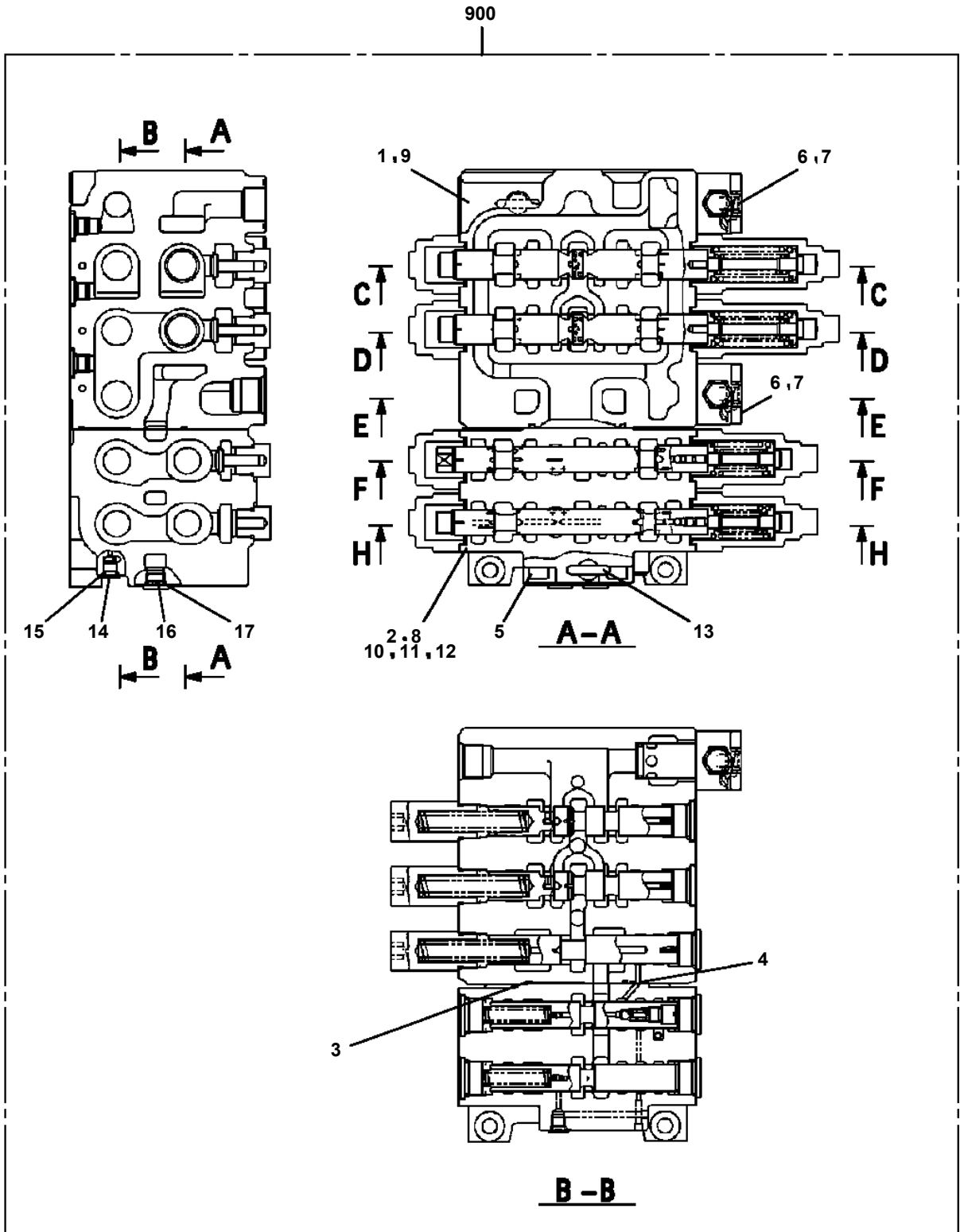
GR-500E-3-00102 5BOOM + 2 JIB,2M2D,H

Pos No.	Parts No	Parts Name	Qty	Unit	Technical Data	Serial No (Start)	Serial No (End)
3	(*****)	SUPPORT ASSY (ACCESSORY PARTS)	1				
4	(*****)	SUPPORT ASSY (CAB, OUTER COVERING)	1				
5	(*****)	SUPPORT ASSY (HYDRAULIC PARTS)	1				
7	(*****)	MOUNT ASSY (COUNTERWEIGHT)	1				
8	(*****)	STEP ASSY	1				
9	(*****)	SUPPORT ASSY (INCLINOMETER)	1			541343	
100	34231580010	TABLE, SLEWING	1				

GR-500E-3-00102 5BOOM + 2 JIB,2M2D,H

Pos No.	Parts No	Parts Name	Qty	Unit	Technical Data	Serial No (Start)	Serial No (End)	Remarks
1	36370635030	HOUSING	1					
2	36370415160	COVER	1					
3	36370215520	SEAL,OIL	1					
4	36370635040	COVER	1					
5	36370635050	GASKET	1					
6	36370505100	GEAR (N)	1					
7	80601110950	RING,RITAINING	1		S95			
8	36370655060	SHAFT ASSY	1					
9	36370505120	SUPPORT ASSY	1					
10	36370217020	BEARING,BALL	4					
11	36370217050	RING,SEAL	1					
12	36370207570	RING,SEAL	2					
13	36370217070	RING,SEAL	1					
14	36370555090	SHAFT ASSY	1					
15	36370505140	GEAR (Q)	2					
16	36370505150	SHAFT (S)	1					
17	36370505161	SHAFT (C)	1					
18	36370217100	WASHER	6					
19	36370217130	BEARING,BALL	1					
20	80518006209	BEARING,BALL	1					
21	80601110450	RING,RITAINING	6		S45			
22	80601110400	RING,RITAINING	2		S40			
23	36370207130	WASHER	2					
26	36370207190	WASHER	1					
27	80602110950	RING,RITAINING	1		95			
28	36370505180	BEARING,BALL	1					
29	80518006009	BEARING,BALL	1					
30	36370455150	WASHER	1					
31	80602110820	RING,RITAINING	1		82			
32	36370207290	FLANGE	1					
33	91067103500	O-RING	1		4E P35			
34	36370355130	WASHER	1					
35	90103516040	BOLT	1		M16X40			
36	36370615120	SEAL,OIL	1					
37	36350456050	SEAL,OIL	1					
38	80601110350	RING,RITAINING	1		S35			
39	36370207380	WASHER	2					
40	36370207390	SHIM (T=0.2)	N					
41	36370207400	SHIM (T=0.5)	N					
42	36370615130	O-RING	1					
43	36350365760	PISTON	1					
44	36370555110	SPRING	1					
45	36370555120	SPRING	1					
46	36370555130	SPRING	1					
47	36350525320	STOPPER	1					
48	36370505190	COVER	1					
49	36370505200	GASKET	1					
50	36370615190	PLUG	1					
51	36370615200	O-RING	1					
52	36370215550	COVER	1					
53	36350695320	FILTER (COIN)	1					
54	36350695330	O-RING	1					
55	36350265160	PIN	3		10X28			
56	36681890000	SENDER,THERMO (OIL)	1					
57	36370675150	PLUG (MAGNET)	1					
58	36370505220	BOLT ASSY	2					
59	90171108020	BOLT	8		M8X20			
61	90171110030	BOLT	15		M10X30			
62	90101510065	BOLT	4		M10X65			
63	36370505230	BOLT,HEXAGON SOCKET	4					
64	36350456060	PLUG	18					
65	36370595040	ADAPTER	1					
66	36370615050	O-RING	1					

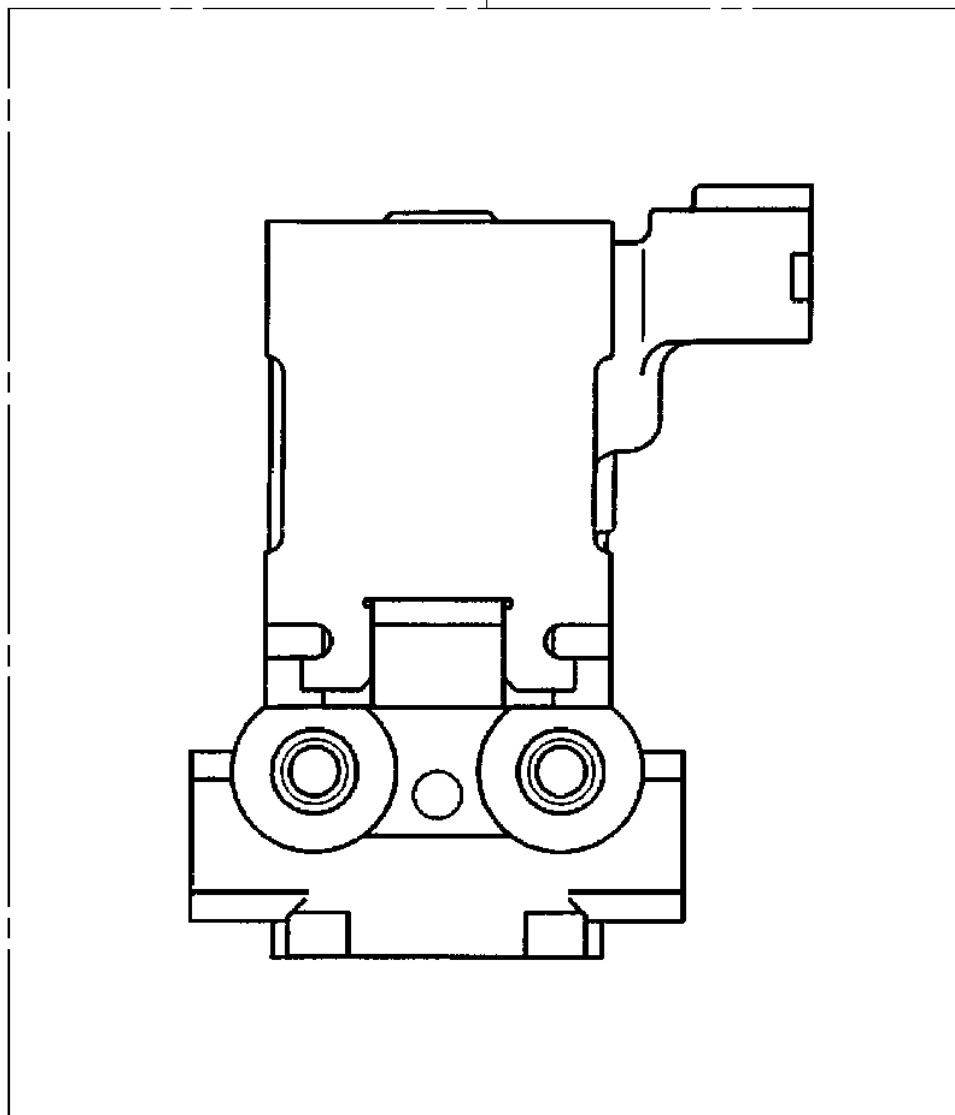
GR-500E-3-00102 5BOOM + 2 JIB,2M2D,H
 PV5190004-02 VALVE ASSY,SELECTOR (PILOT CONT.)



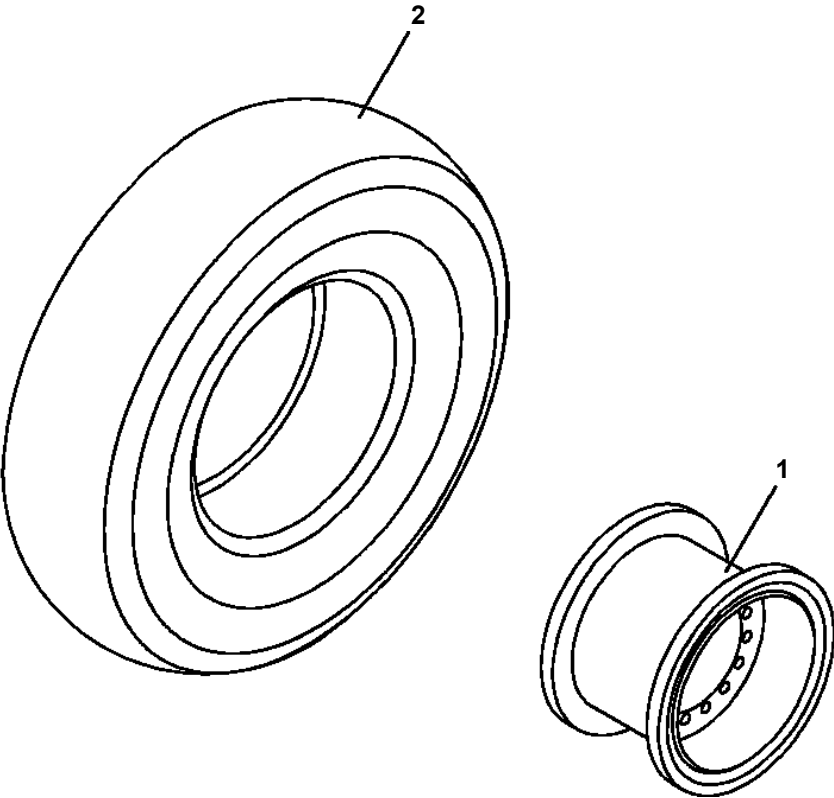
展開図有
 ILLUSTRATED BREAKDOWN NO.1,2,6,8,9,10,11,12

GR-500E-3-00102 5BOOM + 2 JIB,2M2D,H
PV5240027-00 VALVE ASSY,SOLENOID

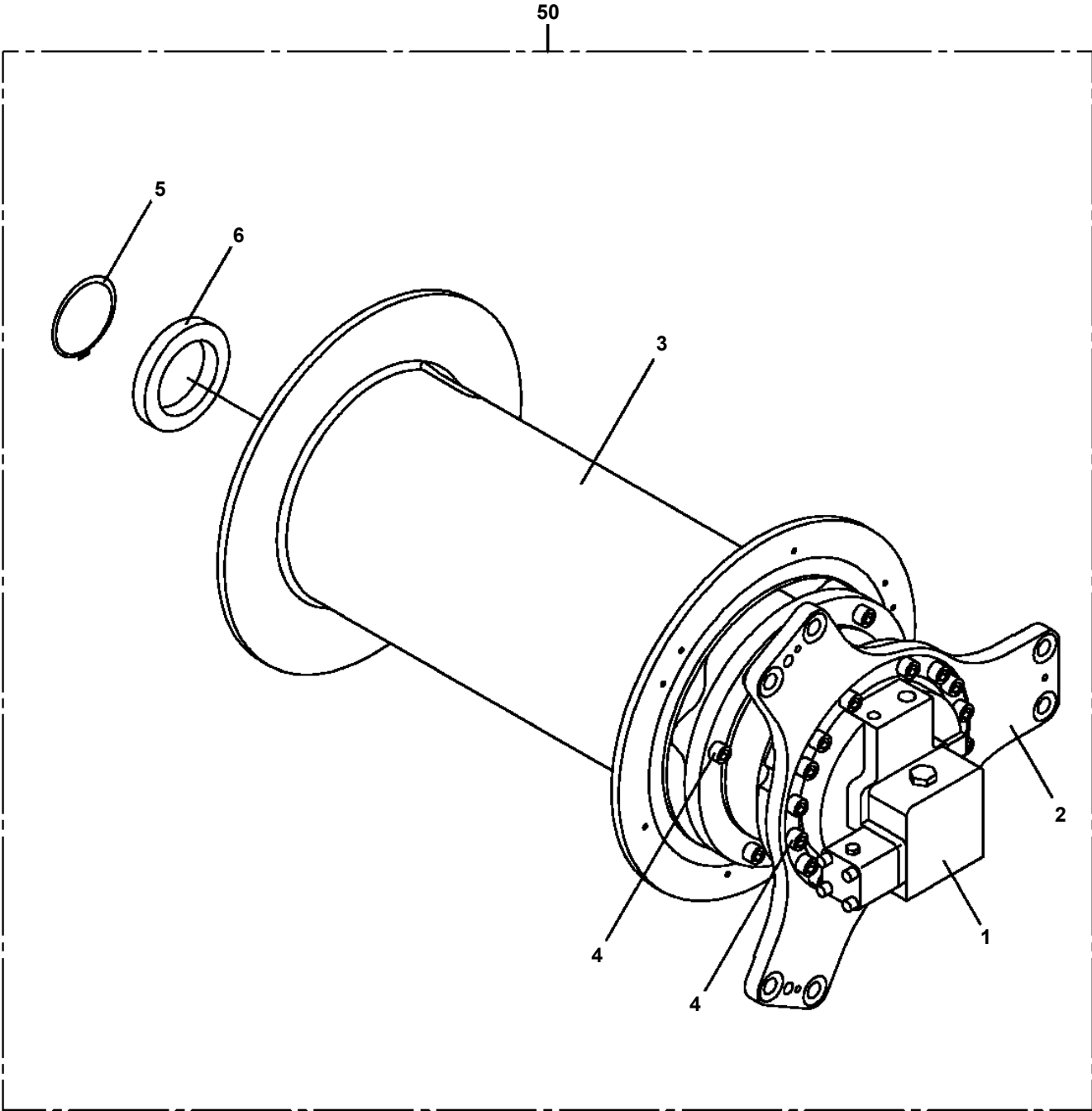
100



GR-500E-3-00102 5BOOM + 2 JIB,2M2D,H
PW5030017-00 WHEEL ASSY (TOPY + YOKOHAMA)

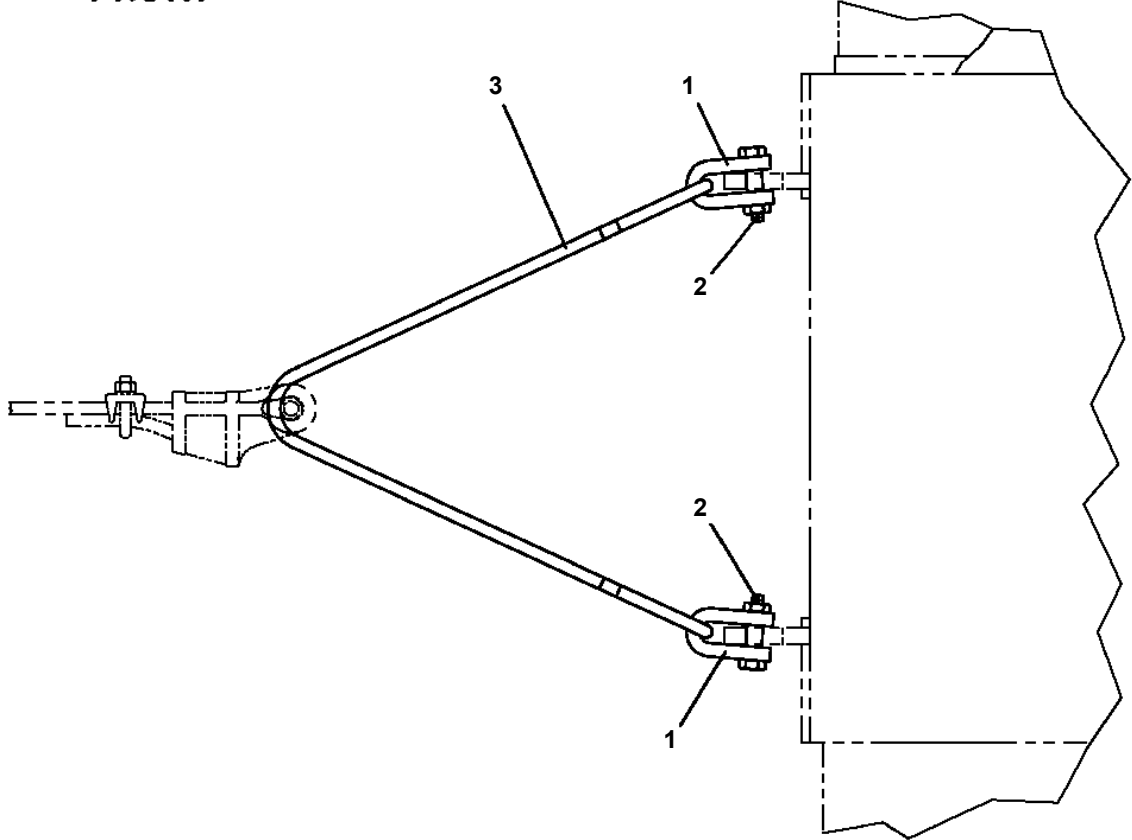


GR-500E-3-00102 5BOOM + 2 JIB,2M2D,H
PW5060066-00 WINCH ASSY

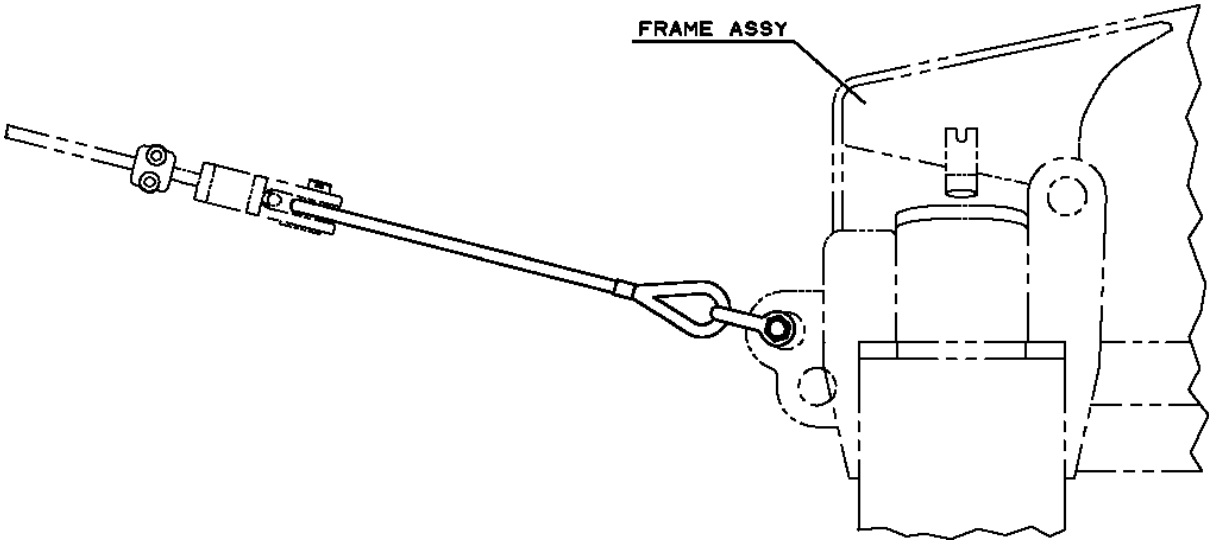


**GR-500E-3-00102 5BOOM + 2 JIB,2M2D,H
PX5010079-00 MOUNT ASSY (WIRE)**

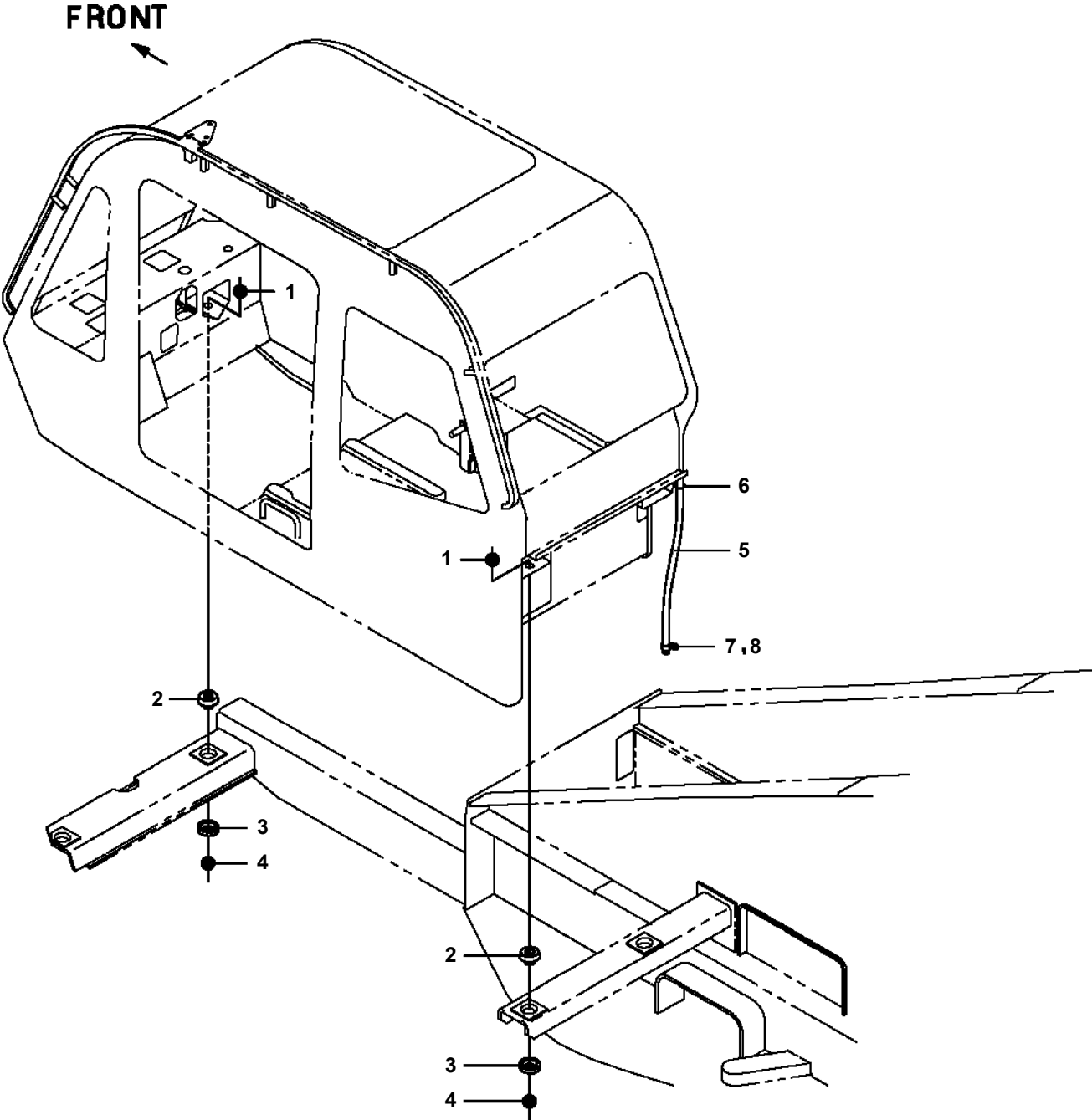
FRONT ←



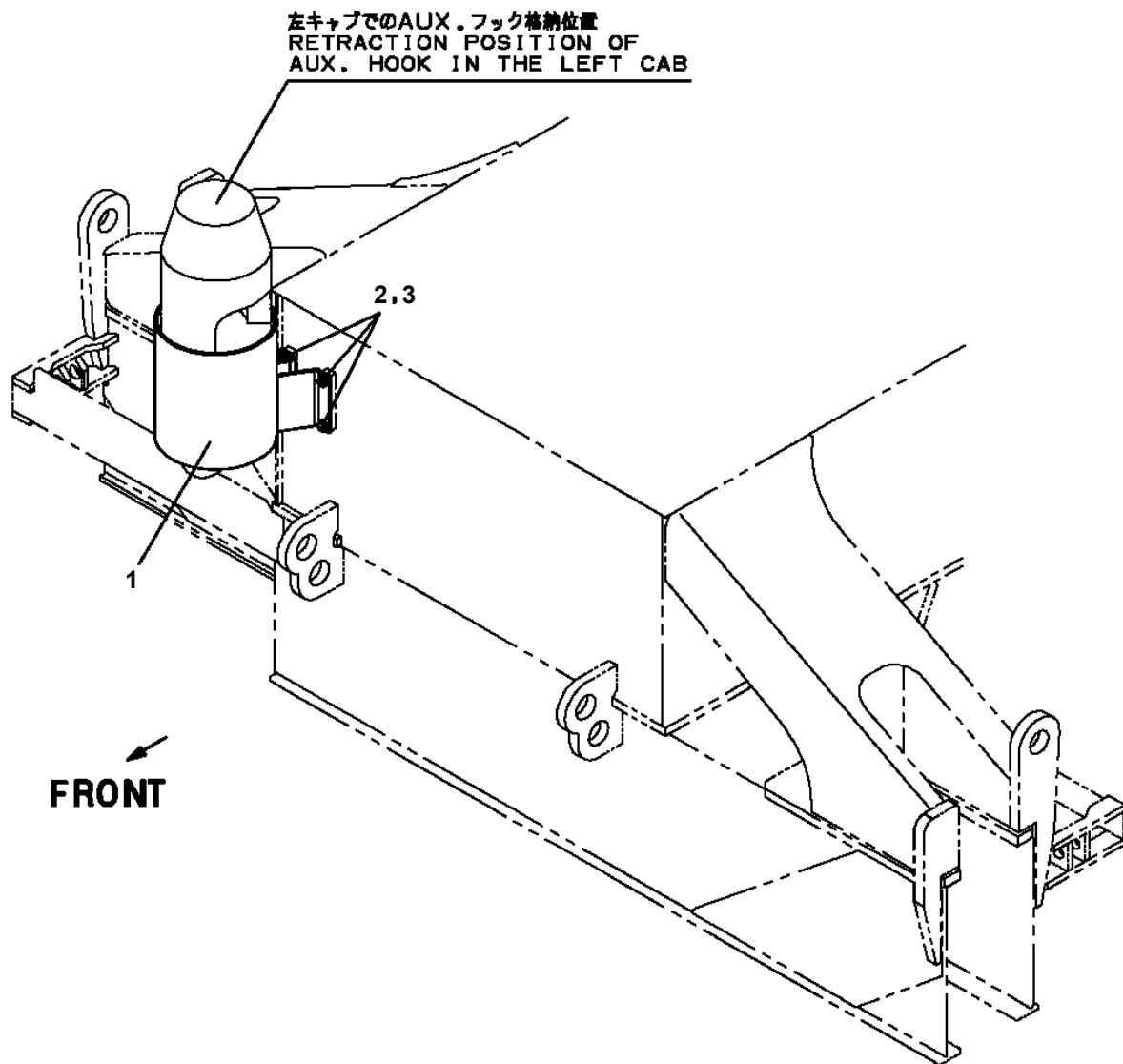
FRAME ASSY



GR-500E-3-00102 5BOOM + 2 JIB,2M2D,H
PX5200009-00 MOUNT ASSY,CAB



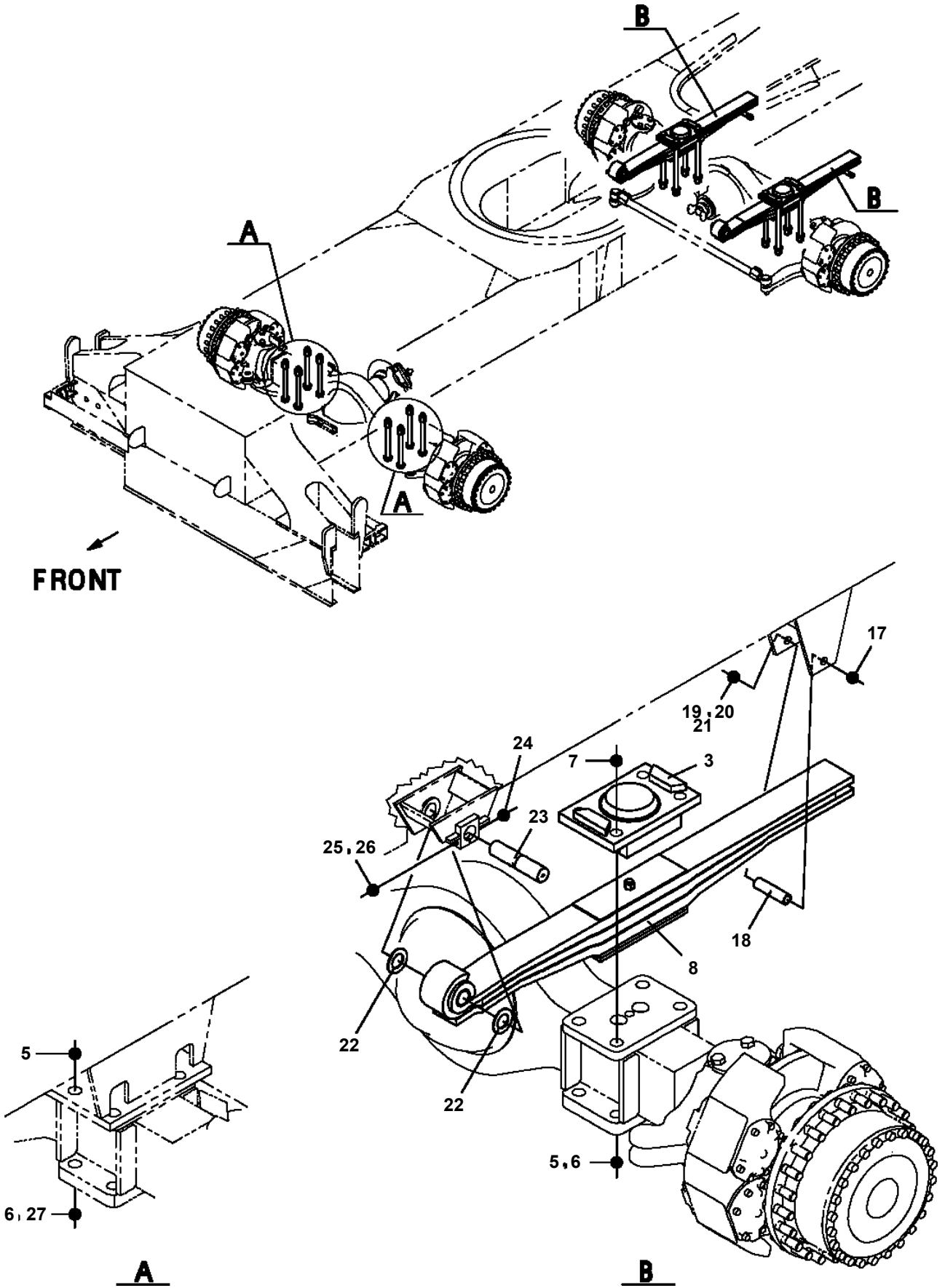
GR-500E-3-00102 5BOOM + 2 JIB,2M2D,H
PX5440018-01 MOUNT ASSY,HOOK (AUX.)



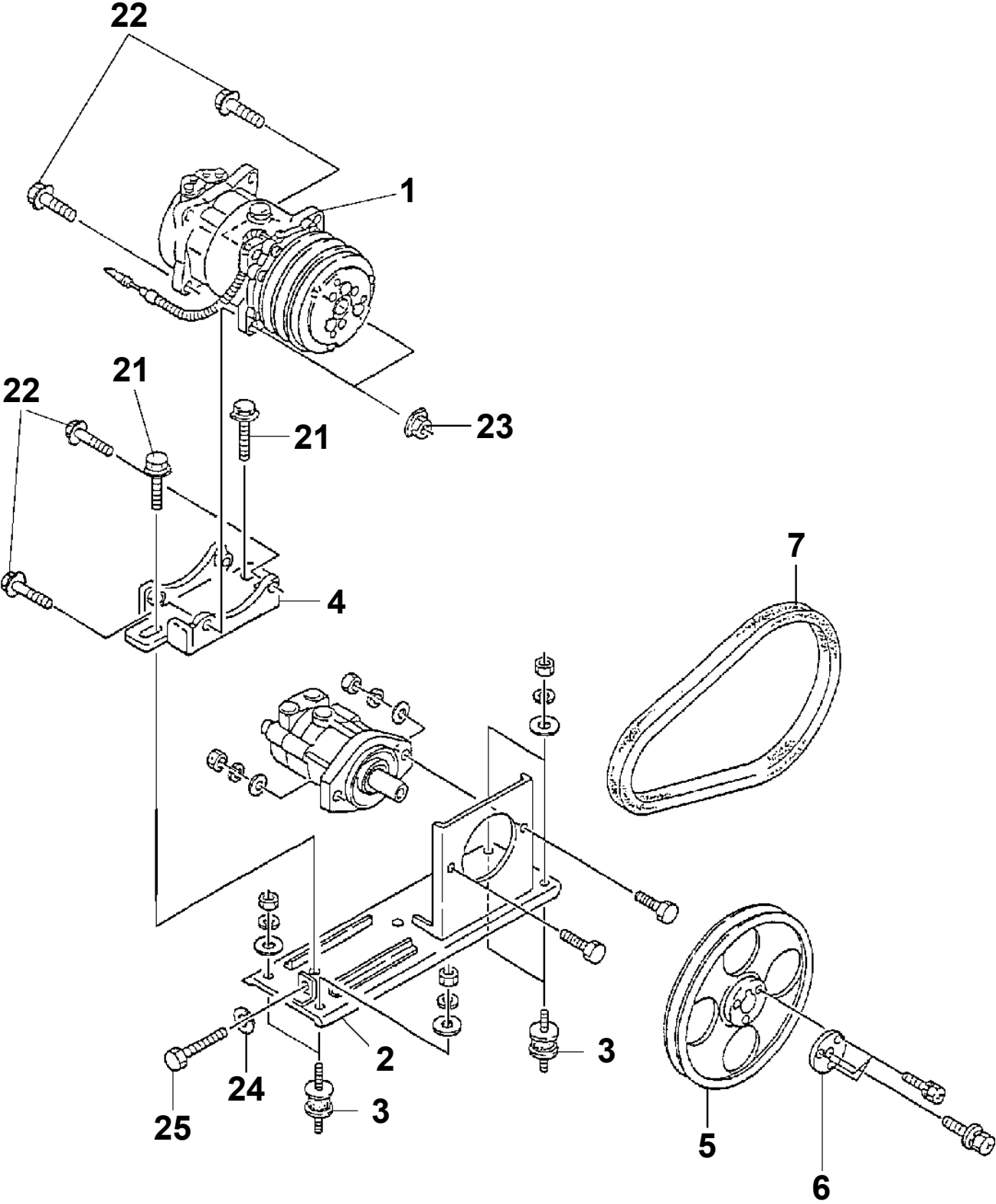
GR-500E-3-00102 5BOOM + 2 JIB,2M2D,H

Pos No.	Parts No	Parts Name	Qty	Unit	Technical Data	Serial No (Start)	Serial No (End)	Re
1	91803600800	CLIP	2		D=60-80		541815	
	91803930750	CLIP	2		58-75	541816		
2	34782210100	INSULATOR	1					
3	34782210200	INSULATOR	1					
5	34783350100	INSULATOR	1					
6	36690370000	COOLER ASSY,OIL (ASSY ONLY)	1					
7	91803600900	CLIP	3		D=70-90		541815	
	91803930850	CLIP	3		68-85	541816		
8	82100002008	CLAMP	6		WR12			
9	90103210020	BOLT	2		M10X20			
10	90280200600	NUT,FLANGE	6		M6			
11	37002511350	HOSE	1		L=1500			
12	37002515610	HOSE	1		L=970			
13	91803880070	CLIP	3		D=13.1-16.2			
14	90186208014	BOLT,FLANGE	14		M8X14			
15	36690390000	COOLER ASSY,OIL	1					
16	34782210400	SUPPORT	2					
17	37002518270	HOSE	1		D=66-D=59			
18	37002518280	HOSE	1		D=64-D=59			
19	34781750100	PLATE	2		T=4.5			
20	34782600200	SUPPORT	1					
21	36102160000	TANK,RESERVOR	1					
22	34780681800	CLAMP	1					
23	34783350400	COVER	1					
24	90186210014	BOLT,FLANGE	4		M10X14			
25	37002518420	HOSE	1		L=240		541973	
	37002521890	HOSE	1		L=270	541974		
26	34783350300	SUPPORT	2					
27	34780130300	CUSHION	6					
28	90303071001	WASHER,PLAIN	14		10			
29	90101210030	BOLT	4		M10X30			
30	90302041001	WASHER,SPRING	14		10			
31	90201201000	NUT	10		M10			
32	90280201000	NUT,FLANGE	4		M10			
34	34782280400	SUPPORT	2					
35	37000535710	PLATE	2		50XT3.2			
36	90101208020	BOLT	15		M8X20			
37	90302040801	WASHER,SPRING	15		8			
38	90303070801	WASHER,PLAIN	9		8			
40	90201200800	NUT	13		M8			
41	34783020100	SUPPORT	1					
42	34783190200	COVER	1					
43	34781951002	FILTER ASSY (WATER)	1					
44	90101206055	BOLT	2		M6X55			
45	90302040601	WASHER,SPRING	2		6			
46	90303070601	WASHER,PLAIN	6		6			
47	37000931450	JOINT	2		L,R1/2-17			
48	37002517990	HOSE (RADIATOR)	1		L=440			
49	37002518000	HOSE (RADIATOR)	1		L=4300			
50	37002516420	HOSE	1		L=5500			
51	91801630022	CLIP	5		D=19.9-22.6			
52	91801630024	CLIP	7		22.6-26.0			
53	37000927100	JOINT	1		L,PT3/8-PT3/8			
54	82100002016	CLAMP	1		WR25			
55	82100002044	CLAMP	10		WE25			
56	90280200800	NUT,FLANGE	21		M8			
57	37000929050	JOINT	1		S R3/8-13			
58	91810132530	FASTENER	3					
59	82100001803	TUBE,CORRUGATE	N		13			
60	37002517980	HOSE (RADIATOR)	1		L=100			
61	37000929220	JOINT	1		S 13-16			
62	90201200600	NUT	1		M6			
63	82100002015	CLAMP	5		WRC20			

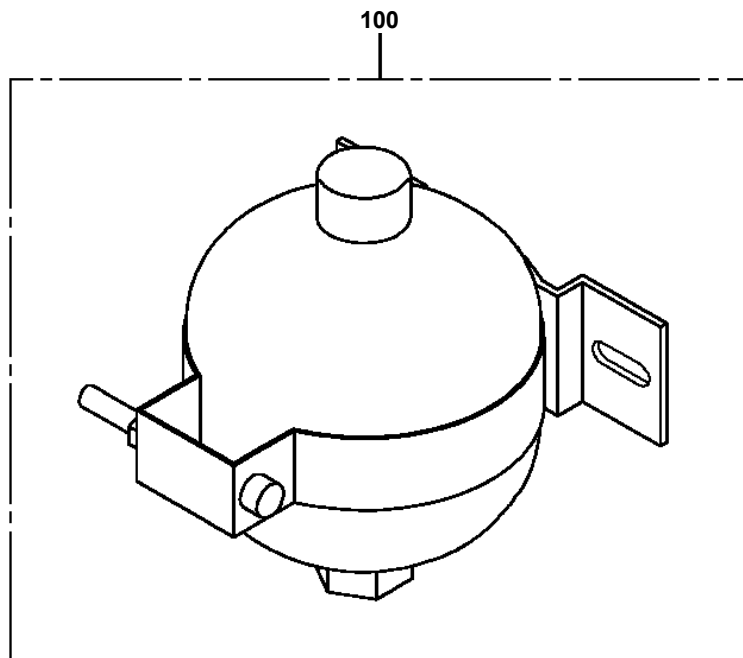
GR-500E-3-00102 5BOOM + 2 JIB,2M2D,H
PX5700011-00 MOUNT ASSY,SUSPENSION



**GR-500E-3-00102 5BOOM + 2 JIB,2M2D,H
PY1380061-00 COMPRESSOR**



GR-500E-3-00102 5BOOM + 2 JIB,2M2D,H
PY5040001-00 ACCUMULATOR



GR-500E-3-00102 5BOOM + 2 JIB,2M2D,H
 PY5140043-01 AIR CONDITIONER ASSY (CAB ASSY PARTS)

エアコンASSY (キャブ ASSYトリツケフン)
 AIR CONDITIONER ASSY (CAB ASSY PARTS)

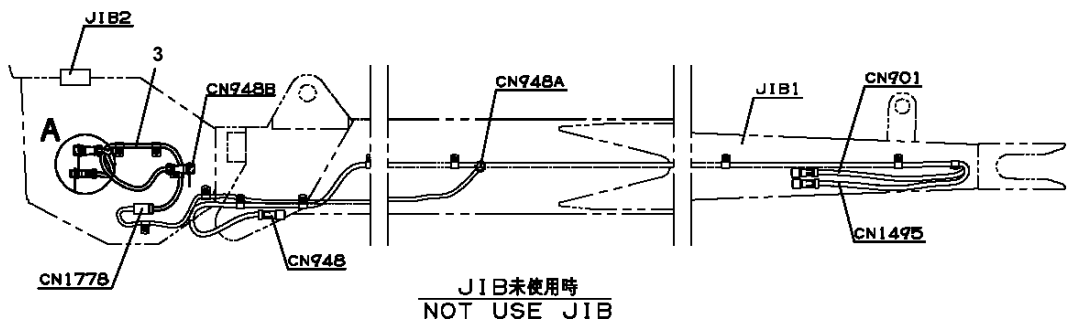
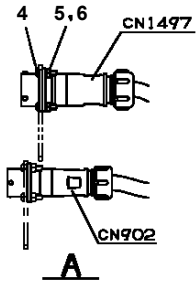
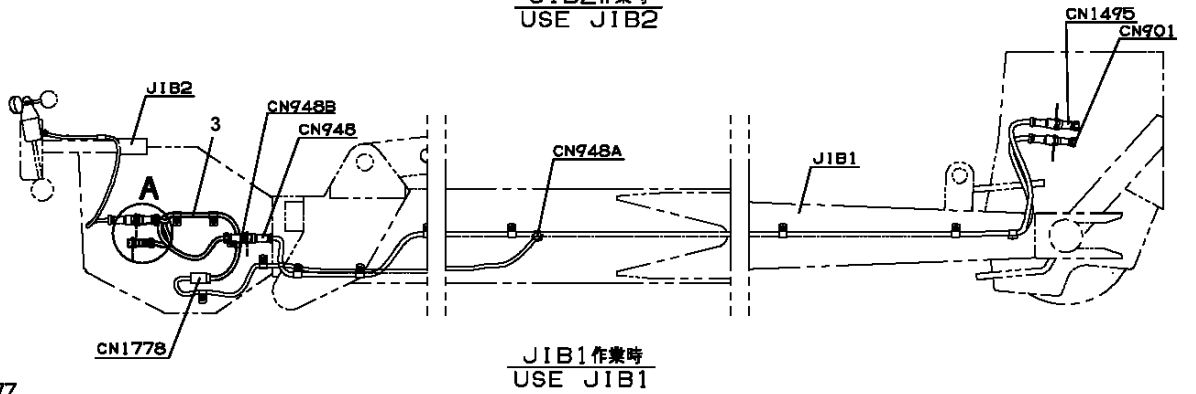
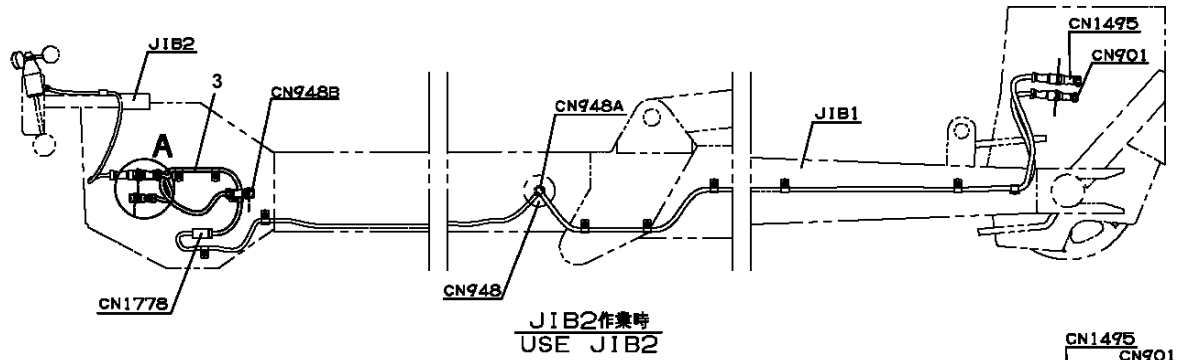
100

NO.	部品名称/PART NAME	備考/REMARK
1	ホース HOSE	ダクトホース (デフ)
2	ホース HOSE	カフス
3	ノズル NOZZLE	ノズルエンド
4	ノズル NOZZLE	ノズル組立
5	ダクト DUCT	ダクトフット
6	スイッチASSY SWITCH ASSY	コントロールパネル
7	エバポレータASSY EVAPORATOR ASSY	A/Cユニット総組立
8	ダクト DUCT	外気導入ロダクトフランジ
9	ダクト DUCT	外気導入ロダクト組立
10	フィルタ FILTER	フィルタ
11	ハーネス HARNESS	ハーネスA組立
12	ホース HOSE	ドレンホース
13	クランプ CLAMP	クランプ14C
14	ダクト DUCT	吹出しグリル
15	クリップ CLIP	カヌークリップ

適用製造番号によっては取り付けがないものもあります。

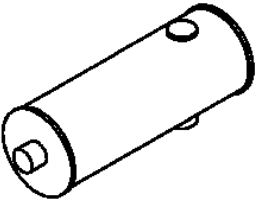

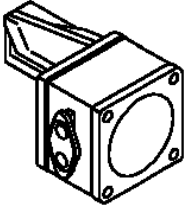



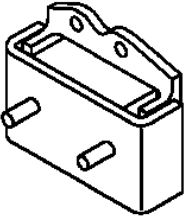

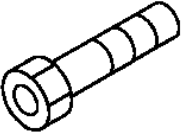



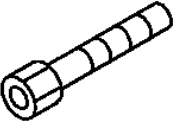
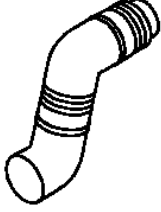
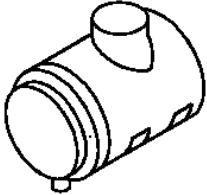
MACHINES OF SOME SERIAL NO. ARE NOT EQUIPPED WITH THESE PARTS.

GR-500E-3-00102 5BOOM + 2 JIB,2M2D,H
 PY5220032-00 ANEMOMETER ASSY (JIB)



GR-500E-3-00102 5BOOM + 2 JIB,2M2D,H

PY5360002-01 ACCESSORY LIST (ENGINE:MOUNTING PARTS)

<p>1 マフラ MUFFLER</p> 	<p>2 ガasket (エグゾーストヨウ) GASKET (EXHAUST)</p> 	<p>3 ハールブ ASSY VALVE, EXHAUST (BRAKE)</p> 
<p>4 クランプ (D=MIN130,MAX169) CLAMP (D=MIN130,MAX169)</p> 	<p>5 ナット NUT</p> 	<p>6 ワッシャ、スプリング WASHER, SPRING</p> 
<p>7 クッション (リヤ) CUSHION (REAR)</p> 	<p>8 クランプ (D=MIN104,MAX142) CLAMP (D=MIN104,MAX142)</p> 	<p>9 ボルト (フロントクッションヨウ) BOLT (FRONT CUSHION)</p> 
<p>10 ワッシャ、プレーン (フロントクッションヨウ) WASHER, PLAIN (FRONT CUSHION)</p> 	<p>11 クランプ (マフライリクチ) CLAMP (MUFFLER-IN)</p> 	<p>12 クランプ (マフラテクチ) CLAMP (MUFFLER-OUT)</p> 
<p>13 ボルト (マフラクランプヨウ) BOLT (MUFFLER CLAMP)</p> 	<p>14 ホース (エアインテークヨウ) HOSE (AIR INTAKE)</p> 	<p>15 クリーナASSY, エア CLEANER ASSY, AIR</p> 

CLICK HERE TO **DOWNLOAD** THE COMPLETE MANUAL

- Thank you very much for reading the preview of the manual.
- You can download the complete manual from: www.heydownloads.com by clicking the link below



- Please note: If there is no response to CLICKING the link, please download this PDF first and then click on it.

CLICK HERE TO **DOWNLOAD** THE COMPLETE MANUAL