

GR-500E-2-00302 4BOOM + 2 JIB,2M2D

PB5000005-00 HYDRAULIC PRESSURE SYSTEM
PB6000022-00 PIPING SYSTEM (UPPER)
PB6000023-00 PIPING SYSTEM (LOWER)
PC1000628-00 OUTRIGGER SYSTEM
PD1000620-00 SWING SYSTEM
PF1000708-00 WINCH SYSTEM
PG5000005-00 BOOM SYSTEM
PG6000004-00 JIB SYSTEM
PH5000002-00 SAFETY SYSTEM
PK1000724-01 FRAME
PK5000005-00 CAB SYSTEM
PL5000005-00 CONTROL SYSTEM
PM1000032-01 LUBRICATION DEVICES
PN1000740-00 ELECTRIC EQUIPMENT (·-iP)
PN1000741-00 ELECTRIC EQUIPMENT
PO1000150-00 INDICATION PLATES
PR5000018-01 DRIVING POWER SYSTEM
PS5000005-00 STEERING & SUSPENSION
PW1000097-02 ACCESSORIES & TOOLS
PX1001193-02 MOUNTING PARTS
PY1001599-02 OPTIONS
ASSEMBLY

CLICK HERE TO **DOWNLOAD** THE COMPLETE MANUAL

- Thank you very much for reading the preview of the manual.
- You can download the complete manual from: www.heydownloads.com by clicking the link below



- Please note: If there is no response to CLICKING the link, please download this PDF first and then click on it.

CLICK HERE TO **DOWNLOAD** THE COMPLETE MANUAL

GR-500E-2-00302 4BOOM + 2 JIB,2M2D

Pos No.	Parts No	Parts Name	Qty	Unit	Technical Data	Serial No (Start)	Serial No (End)	Re
1	(*****)	PIPING ASSY,SUCTION	1					
2	(*****)	PIPING ASSY (STEER/SPING LOCK)	1					
3	(*****)	PIPING ASSY,OUTRIGGER	1					
4	(*****)	PIPING ASSY,SWIVEL	1					
5	(*****)	PIPING ASSY,RETURN (LOWER)	1					
6	(*****)	PIPING ASSY,CONVERTER	1					
7	(*****)	PIPING ASSY,BRAKE (LOWER)	1					
8	(*****)	PIPING ASSY,AIR	1					

GR-500E-2-00302 4BOOM + 2 JIB,2M2D

Pos No.	Parts No	Parts Name	Qty	Unit	Technical Data	Serial No (Start)	Serial No (End)
1	(*****)	JIB ASSY	1				
2	(*****)	ATTACHMENT,JIB	1				
3	(*****)	SUPPORT ASSY (JIB)	1				
4	(*****)	DETECTOR,OVER WIND (WEIGHT/JIB)	1				
5	(*****)	MOUNT ASSY (JIB HANDLE)	1				

GR-500E-2-00302 4BOOM + 2 JIB,2M2D

Pos No.	Parts No	Parts Name	Qty	Unit	Technical Data	Serial No (Start)	Serial No (End)	Remarks	Pages
1	(*****)	PARTS,GREASING	1						000203

GR-500E-2-00302 4BOOM + 2 JIB,2M2D

Pos No.	Parts No	Parts Name	Qty	Unit	Technical Data	Serial No (Start)	Serial No (End)	Remarks
1	(*****)	STEERING ASSY (LOWER)	1					
2	(*****)	MOUNT,SUSPENSION	1					

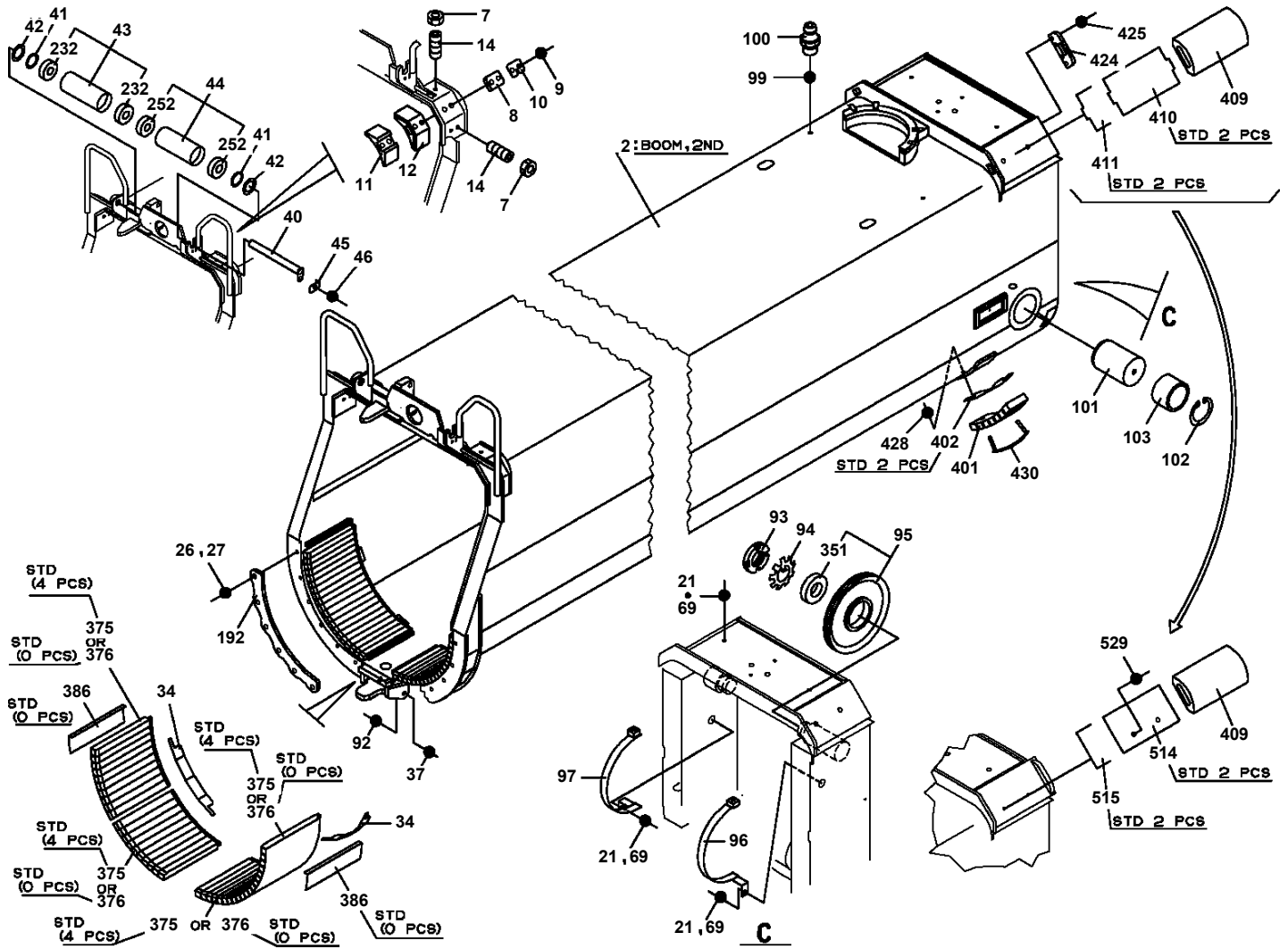
GR-500E-2-00302 4BOOM + 2 JIB,2M2D

PN1370121-00 BATTERY (YUASA,170F51)
PN1370123-00 BATTERY (YUASA,145F51)
PN1370124-00 BATTERY (PANASONIC,130F51)
PN1370125-00 BATTERY (GLOBAL & YUASA,130F51)
PN1370143-00 BATTERY (HYUNDAI ENERCELL)
PN5010303-00 NAME PLATE ASSY (AUX.HOOK)
PN5010362-00 NAME PLATE ASSY (LOGO MARK)
PN5010499-03 NAME PLATE ASSY (UPPER/ENGLISH & CHINESE)
PN5010500-01 NAME PLATE ASSY (LOWER/ENGLISH & CHINESE)
PN5010786-00 NAME PLATE ASSY (FILLING OIL DISTINCTION)
PO1012825-05 PLATE ASSY,NAME (OIL)
PO1014823-02 PLATE ASSY,NAME (LLC FOR COLD DISTRICT)
PO1015261-00 PLATE ASSY,NAME (NO.1-NO.38)
PO1050084-03 MARKING (OUTRIGGER)
PO5020015-04 OPE.ASSY,ACCELERATOR
PO5040004-00 OPE.ASSY,BRAKE
PO5080038-01 OPE.ASSY,CONT.VALVE (ISO/VISUAL)
PO5080039-01 OPE.ASSY,CONT.VALVE (ISO/TACTILE)
PO5260016-00 OUTER COVERING ASSY (FRAME)
PO5260017-07 OUTER COVERING ASSY (FENDER)
PO5260039-00 OUTER COVERING ASSY (NON SLIP SEAL)
PO5260040-05 OUTER COVERING ASSY (NON-SLIP PAINT)
PO5270048-01 OUTRIGGER ASSY
PP5050013-01 PARTS ASSY,AML
PP5240024-00 PLATE,NAME
PP5420007-02 PUMP ASSY,OIL (MAIN)
PP5450003-00 PUMP,GREASE (240CC)
PP6010088-03 PIPING ASSY (JIB SET)
PP6010089-01 PIPING ASSY (STEER/SPING LOCK)
PP6010090-00 PIPING ASSY (AUX. WINCH)
PP6020012-01 PIPING ASSY,AIR
PP6070004-00 PIPING ASSY,BRAKE (UPPER)
PP6070005-00 PIPING ASSY,BRAKE (LOWER)
PP6090003-03 PIPING ASSY,CONVERTER
PP6100005-00 PIPING ASSY,DERRICK
PP6110029-00 PIPING ASSY,DRAIN
PP6150002-00 PIPING ASSY,GAUGE
PP6180004-00 PIPING ASSY,JIB
PP6220009-01 PIPING ASSY,OUTRIGGER
PP6240007-02 PIPING ASSY,PILOT
PP6270012-00 PIPING ASSY,RETURN (UPPER)
PP6270030-00 PIPING ASSY,RETURN (LOWER)
PP6290003-00 PIPING ASSY,STEERING
PP6300004-00 PIPING ASSY,SUCTION
PP6320007-00 PIPING ASSY,SWING
PP6340005-04 PIPING ASSY,SWIVEL
PP6360004-00 PIPING ASSY,TELESCOPE
PP6390010-00 PIPING ASSY,WINCH (MAIN)
PQ1100033-02 TANK,FUEL (300L)
PR1010021-00 OPE.ASSY,TRANSMISSION (SHIFT SWITCH)
PR1120024-02 CIRCUIT,TORQUE CONVERTER
PR1600035-01 PROPELLER SHAFT,DRIVING
PR5020001-01 RADIATOR ASSY
PR5050017-01 REEL ASSY,CORD
PR5090024-02 RELAY ASSY (MDT)
PR5090029-00 RELAY ASSY
PR5090056-01 RELAY ASSY (CAB)
PR5130008-01 RING ASSY,SLIP
PR5150041-00 ROLLER ASSY
PR5150042-00 ROLLER ASSY
PR5170002-00 ROPE,WIRE (KISWIRE)
PR5170002-00 ROPE,WIRE (KISWIRE)
PS1020007-00 WHEEL,STEERING
PS1340003-01 ORBITROL

GR-500E-2-00302 4BOOM + 2 JIB,2M2D

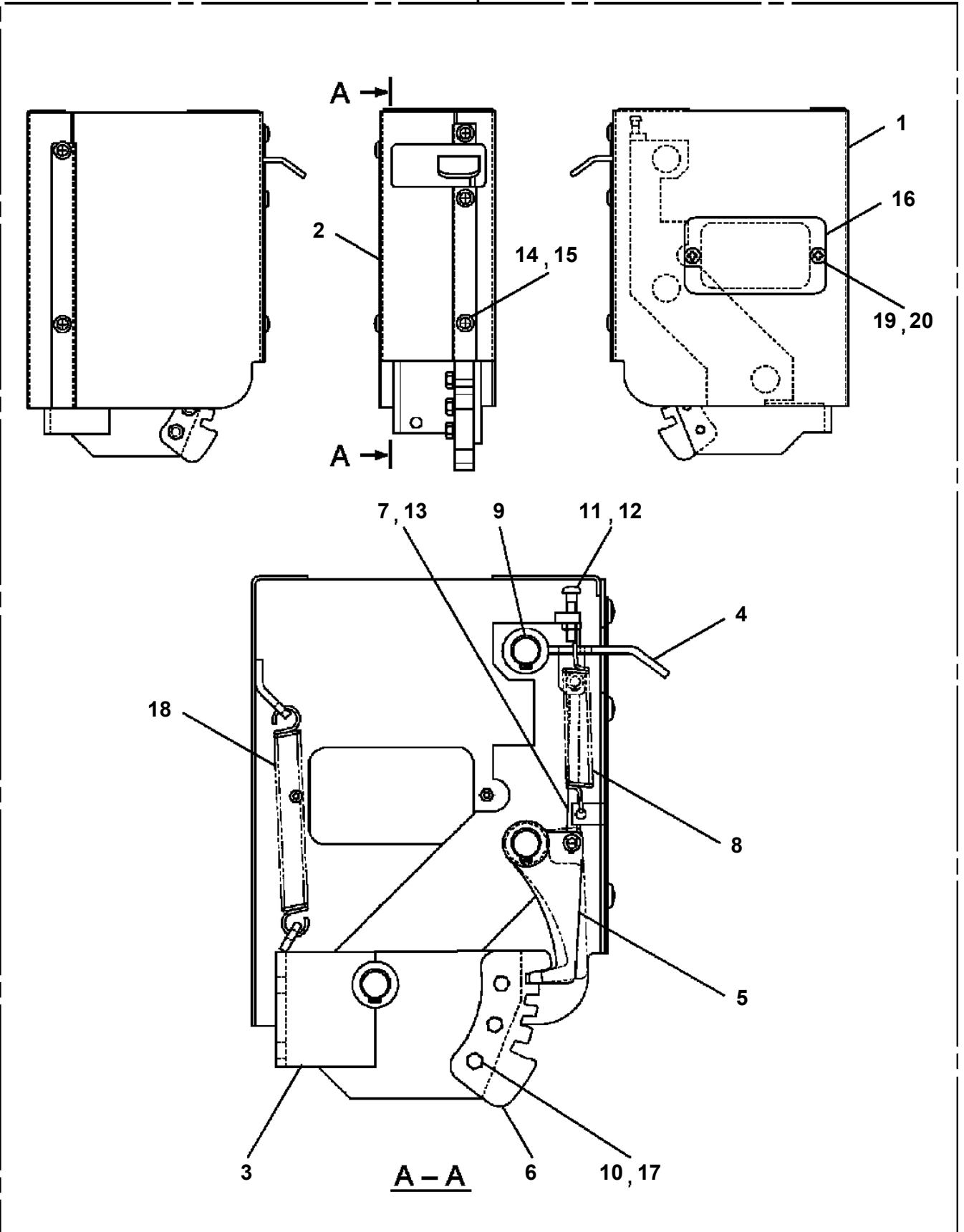
Pos No.	Parts No	Parts Name	Qty	Unit	Technical Data	Serial No (Start)	Serial No (End)	Remarks
6	36640425010	COLLAR	4					
7	36640425100	HOLDER (SPRING)	4					
8	36640425070	PLUG	4					
9	36640425080	SPRING	4					
12	36640425150	SLEEVE	1					
16	36648885050	SOLENOID	4				541458	
	36648885051	SOLENOID	4			541459		
21	36648925010	TIE ROD	3					
22	36640425110	SPRING	2					
25	36640425120	END,SPOOL	2					
27	36646975120	PLUG	4		PF1/4			
28	36648135010	BOLT,HEXAGON SOCKET	8		M5X10			
29	90131906080	BOLT,HEXAGON SOCKET	8		M6X80			
31	90267201000	NUT	6		M10			
34	36648135050	O-RING	4		1A P16			
35	91002800600	O-RING	12		1B P6			
37	91002801000	O-RING	4		1B P10			
38	91002801100	O-RING	4		1B P11			
39	91002801200	O-RING	1		1B P12			
41	91002801800	O-RING	1		1B P18			
42	91002802200	O-RING	1		1B P22			
43	91002906500	O-RING	3		1B G65			
44	36640425030	O-RING	4					
61	36640425040	HOUSING ASSY	1					
62	36640425050	INLET ASSY	1					
63	36640425060	SOLENOID ASSY	4				541458	
	36640425061	SOLENOID ASSY	4			541459		
64	36640425090	HOUSING ASSY	1					
65	36640425130	HOUSING ASSY	1					
66	36640425140	VALVE,RELIEF	1					
100	36648920000	VALVE,SOLENOID CONTROL	1					

GR-500E-2-00302 4BOOM + 2 JIB,2M2D
PB5190018-02 BOOM ASSY



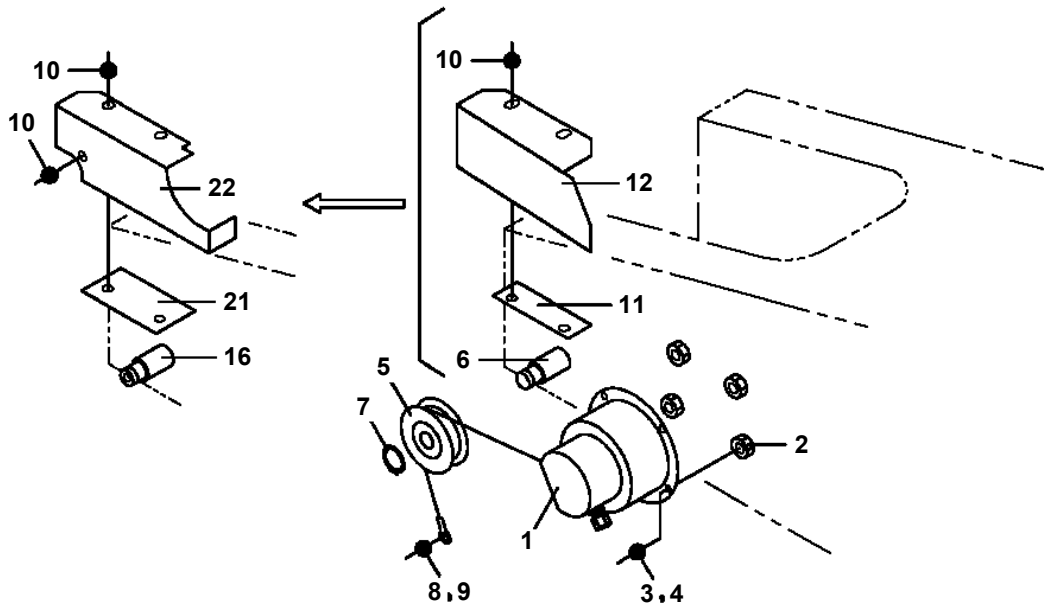
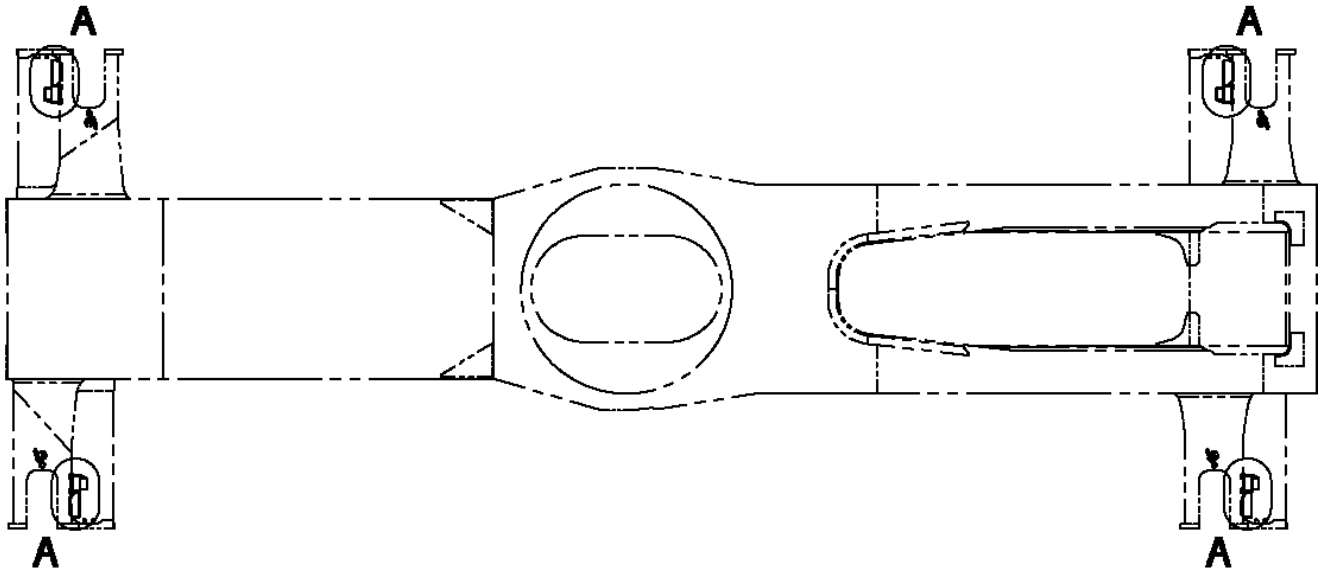
GR-500E-2-00302 4BOOM + 2 JIB,2M2D
PB5260013-00 BOX ASSY (RIGHT)

100



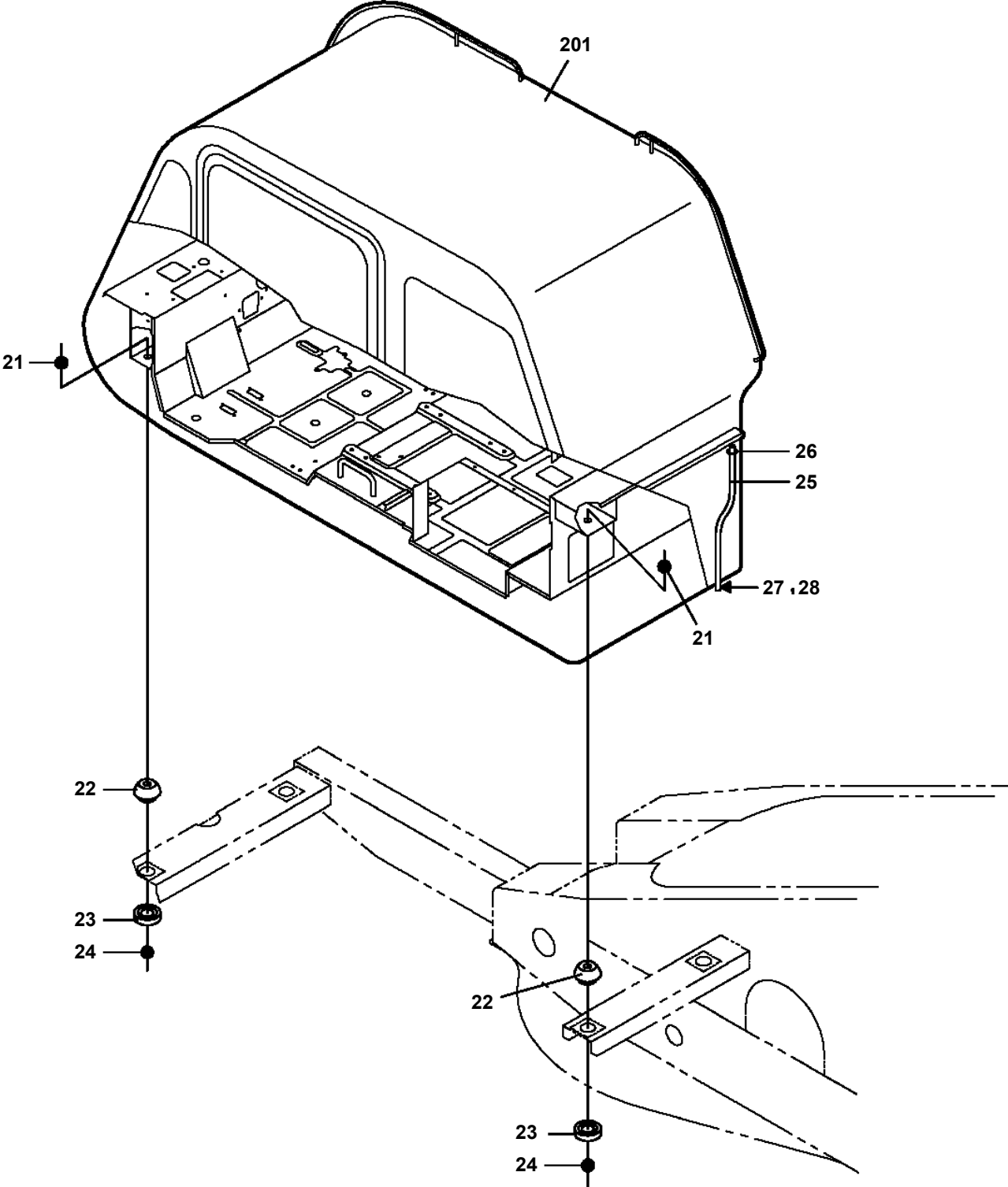
GR-500E-2-00302 4BOOM + 2 JIB,2M2D
PC1370032-01 DETECTOR SYSTEM,OUTRIGGER LENGTH

FRONT ←



A

GR-500E-2-00302 4BOOM + 2 JIB,2M2D
PC5010011-00 CAB ASSY



展開図有
ILLUSTRATED BREAKDOWN NO. 201

GR-500E-2-00302 4BOOM + 2 JIB,2M2D

Pos No.	Parts No	Parts Name	Qty	Unit	Technical Data	Serial No (Start)	Serial No (End)	Rem
1	36350725120	SHAFT ASSY	1					
2	36350485690	RING,SEAL	2					
3	36350485700	PISTON ASSY	2					
4	36350485710	RING,SEAL	2					
8	36350485820	PLATE (CONICAL)	2					
9	36350277040	RING,RETAINING	2					
10	36350277050	WASHER,THRUST	8					
11	36350485750	SPRING	2					
12	80601110500	RING,RITAINING	7		S50			
13	36350725130	GEAR	1					
14	80500006010	BEARING,BALL	4					
15	36350556050	RING,RETAINING	2					
16	36350725140	GEAR	1					
17	36350267180	WASHER	1					
18	36370325160	BEARING,BALL	1					
19	36370208100	BEARING,BALL	1					
20	36350556070	WASHER	2					
21	80601110450	RING,RITAINING	1		S45			
22	36350267140	RING,SEAL	3					
50	36350556080	DISK KIT	1					
100	36350725010	CLUTCH PACK,TRANSMISSION	1					

GR-500E-2-00302 4BOOM + 2 JIB,2M2D

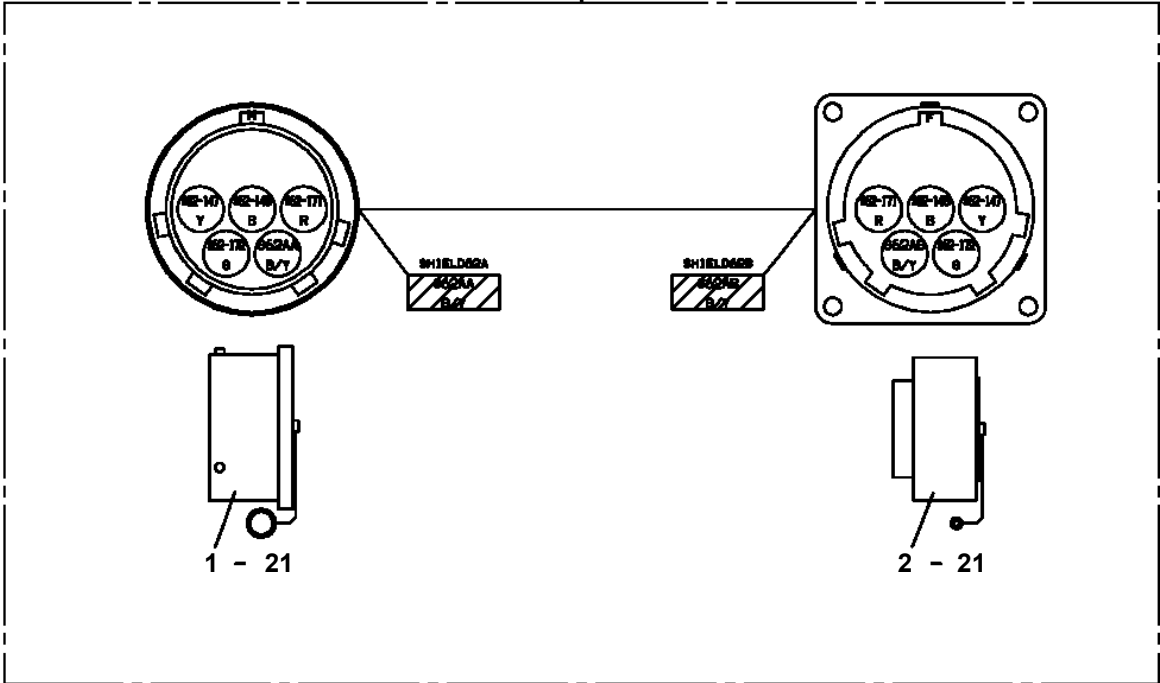
Pos No.	Parts No	Parts Name	Qty	Unit	Technical Data	Serial No (Start)	Serial No (End)	Remarks	Page
1	36320455490	CONDENSER	1						
2	36320765010	SUPPORT	1						
3	36320565030	SUPPORT	1						
4	36320565040	SUPPORT	1						
5	36320765020	FAN ASSY	1						
6	36320565060	PIPE	1						
7	36320765030	RECEIVER (DRIER)	1						
8	36320765040	BOLT	4						
9	36320765050	BOLT	6						
10	36320765060	NUT	8						
11	36320765070	WASHER	6						
12	36320765080	WASHER,SPRING	8						
13	36320455940	BOLT	1						
14	36320565100	WASHER	2						
100	36320762010	CONDENSER ASSY	1						

GR-500E-2-00302 4BOOM + 2 JIB,2M2D

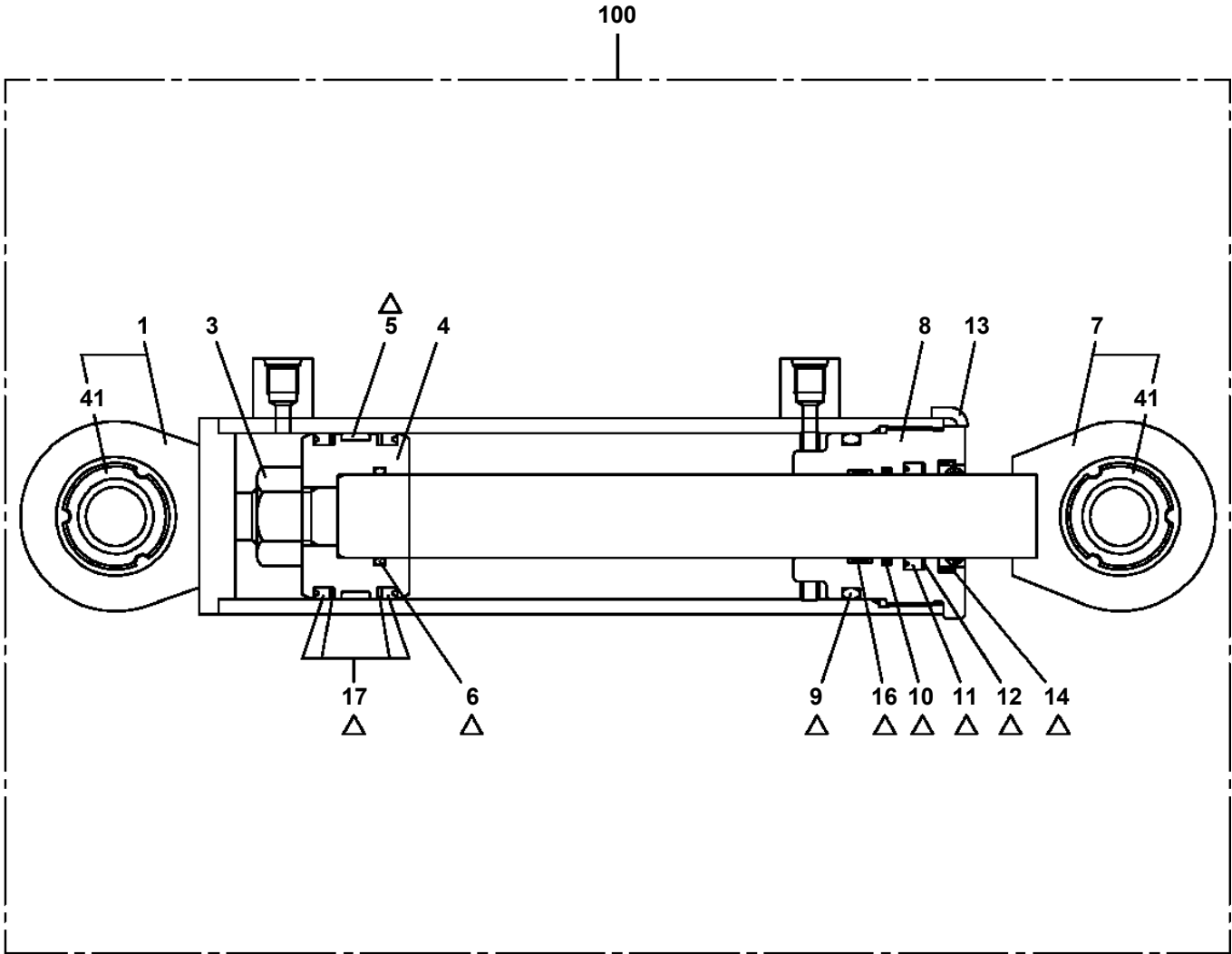
Pos No.	Parts No	Parts Name	Qty	Unit	Technical Data	Serial No (Start)	Serial No (End)	Remarks	P
100	36172650000	CONTROLLER (GSMT)	1						

GR-500E-2-00302 4BOOM + 2 JIB,2M2D
PC5650013-01 CABLE

10

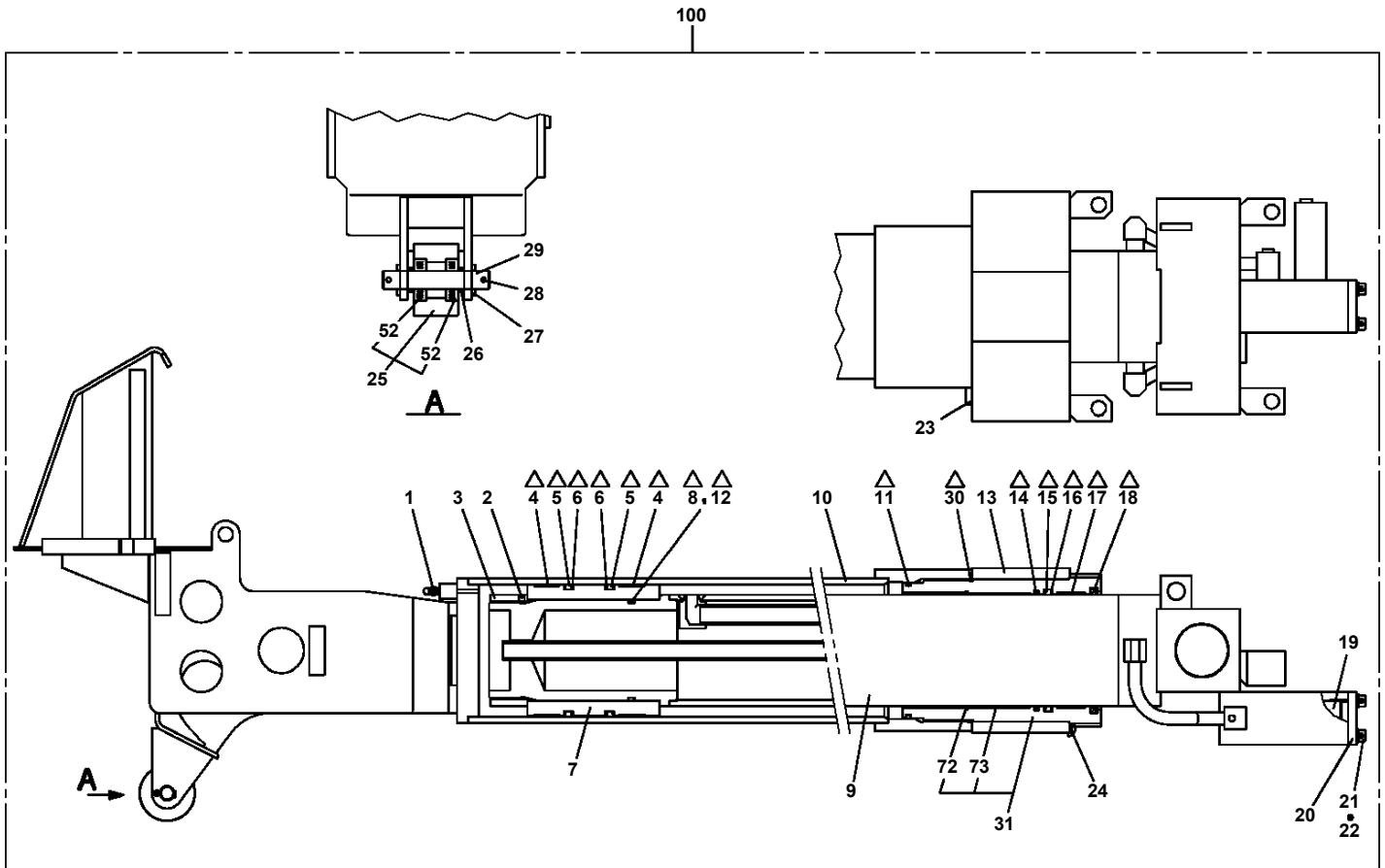


GR-500E-2-00302 4BOOM + 2 JIB,2M2D
PC6200005-02 CYLINDER ASSY (QUICK TURN JIB,PISTON:PACKING)



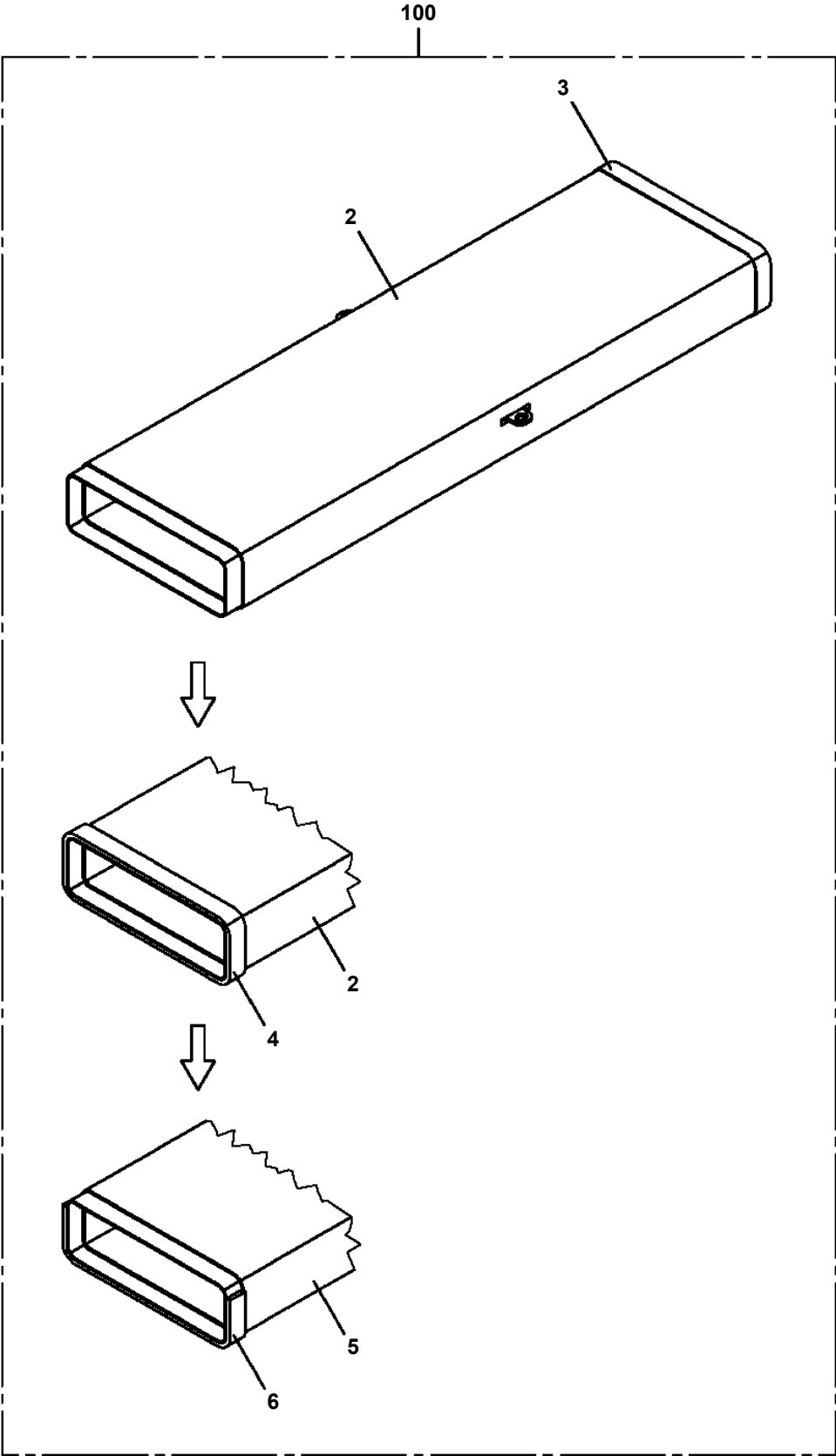
△:PACKING SET KEY NO.80 (KEY NO.5,6,9,10,11,12,14,16,17)

**GR-500E-2-00302 4BOOM + 2 JIB,2M2D
PC6470008-00 CYLINDER ASSY,TELESCOPING**



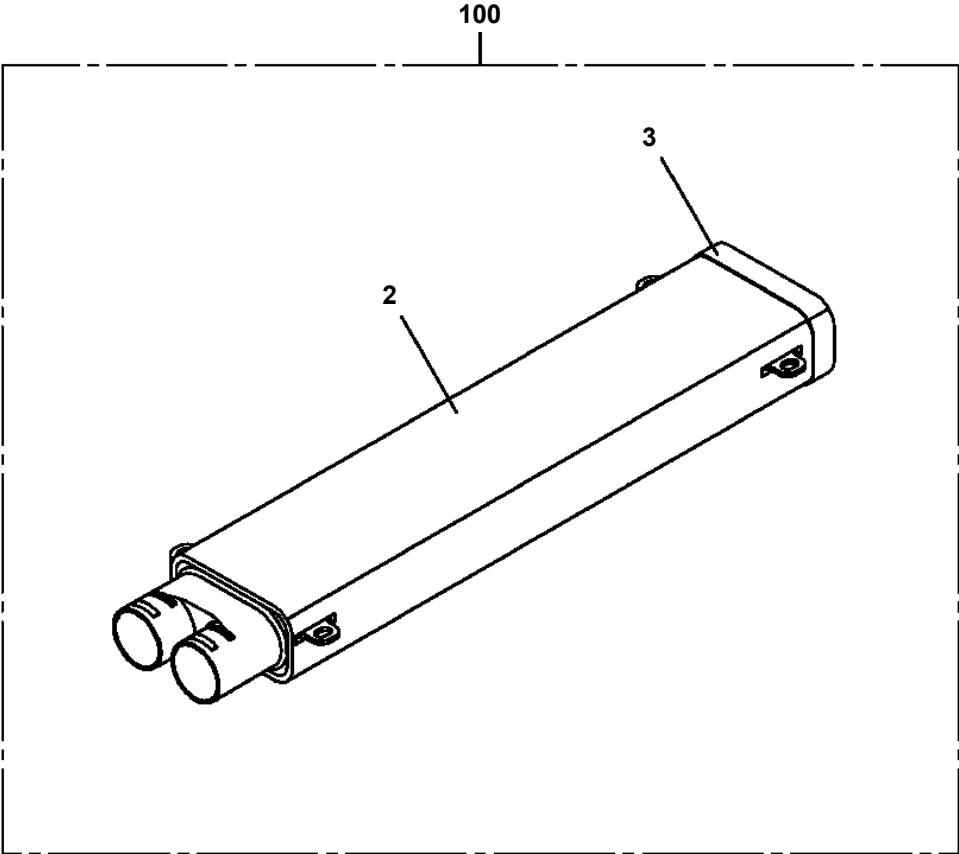
Δ:PACKING SET KEY NO.80 (KEY NO.4,5,6,8,11,12,14,15,16,17,18,30)

GR-500E-2-00302 4BOOM + 2 JIB,2M2D
PD5360002-00 DUCT



GR-500E-2-00302 4BOOM + 2 JIB,2M2D

PD5360007-00 DUCT

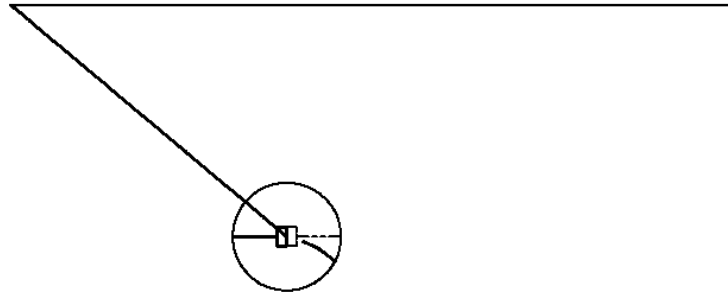


**GR-500E-2-00302 4BOOM + 2 JIB,2M2D
PE5020152-03 ELEC.ASSY (CAB/STANDARD)**

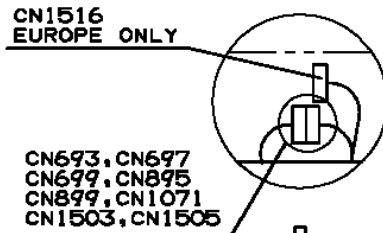
SWING FRAME (LEFT) : CN893, CN894, CN1331, CN1333
 CN1526 (NORTH AMERICA&EUROPE ONLY)
 SWING FRAME (RIGHT) : CN889, CN1332
 JOINT SWIVEL : CN880~CN885
 BOOM : CN887
 DETECTOR ASSY ANGLE: CN921 (OPT)



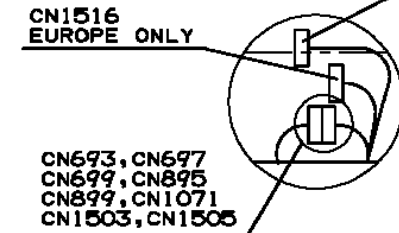
SWING FRAME (LEFT) : CN893, CN894, CN1331, CN1333
 CN1526 (NORTH AMERICA&EUROPE ONLY)
 SWING FRAME (RIGHT) : CN889, CN1332
 JOINT SWIVEL : CN880~CN885
 BOOM : CN887



D



ANEMOMETER: CN1635 (OPT)

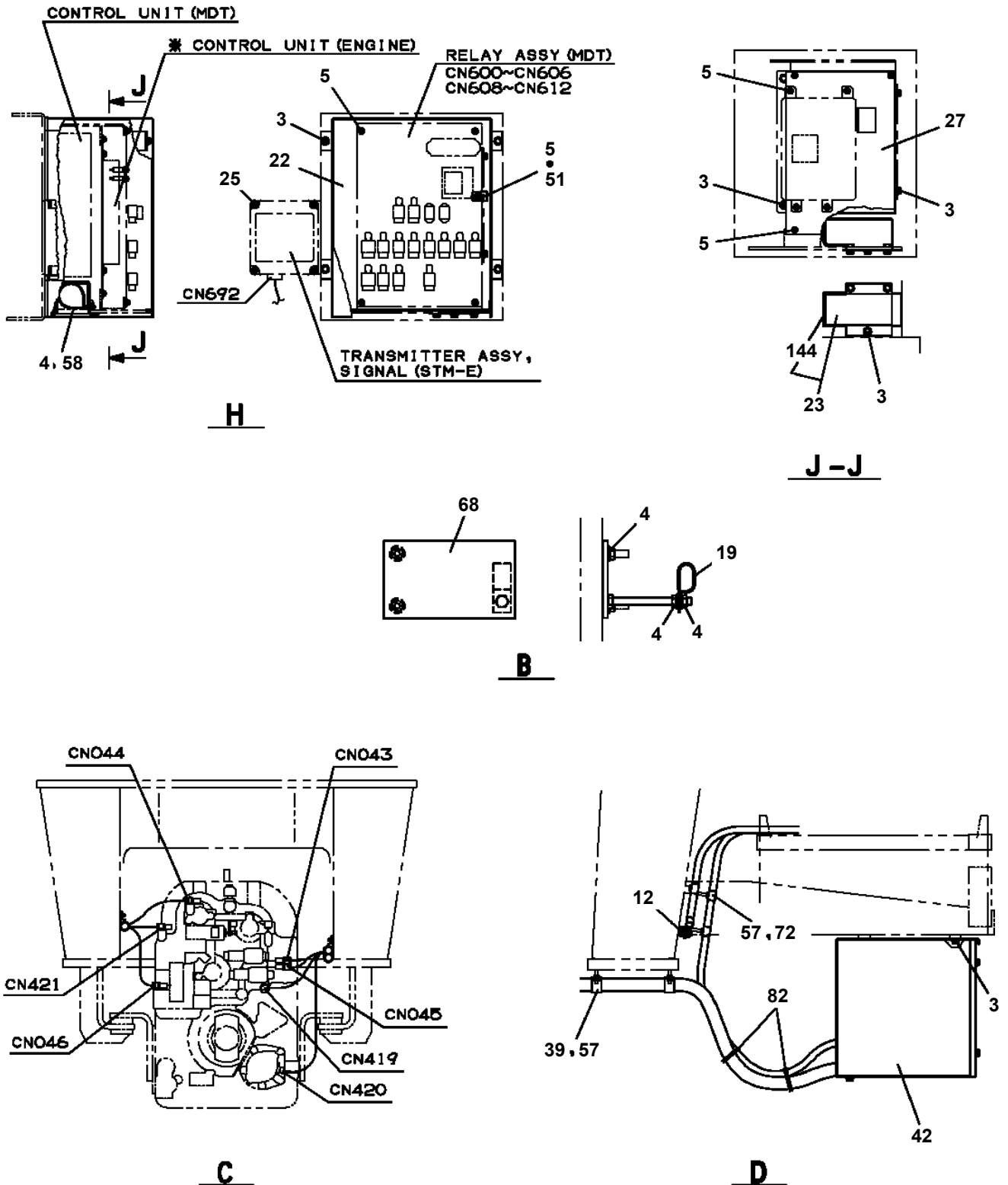


E

**GR-500E-2-00302 4BOOM + 2 JIB,2M2D
PE5020155-05 ELEC.ASSY (LOWER)**

※材はエンジンASSY [付属品リスト (電装品)] より検索してください。

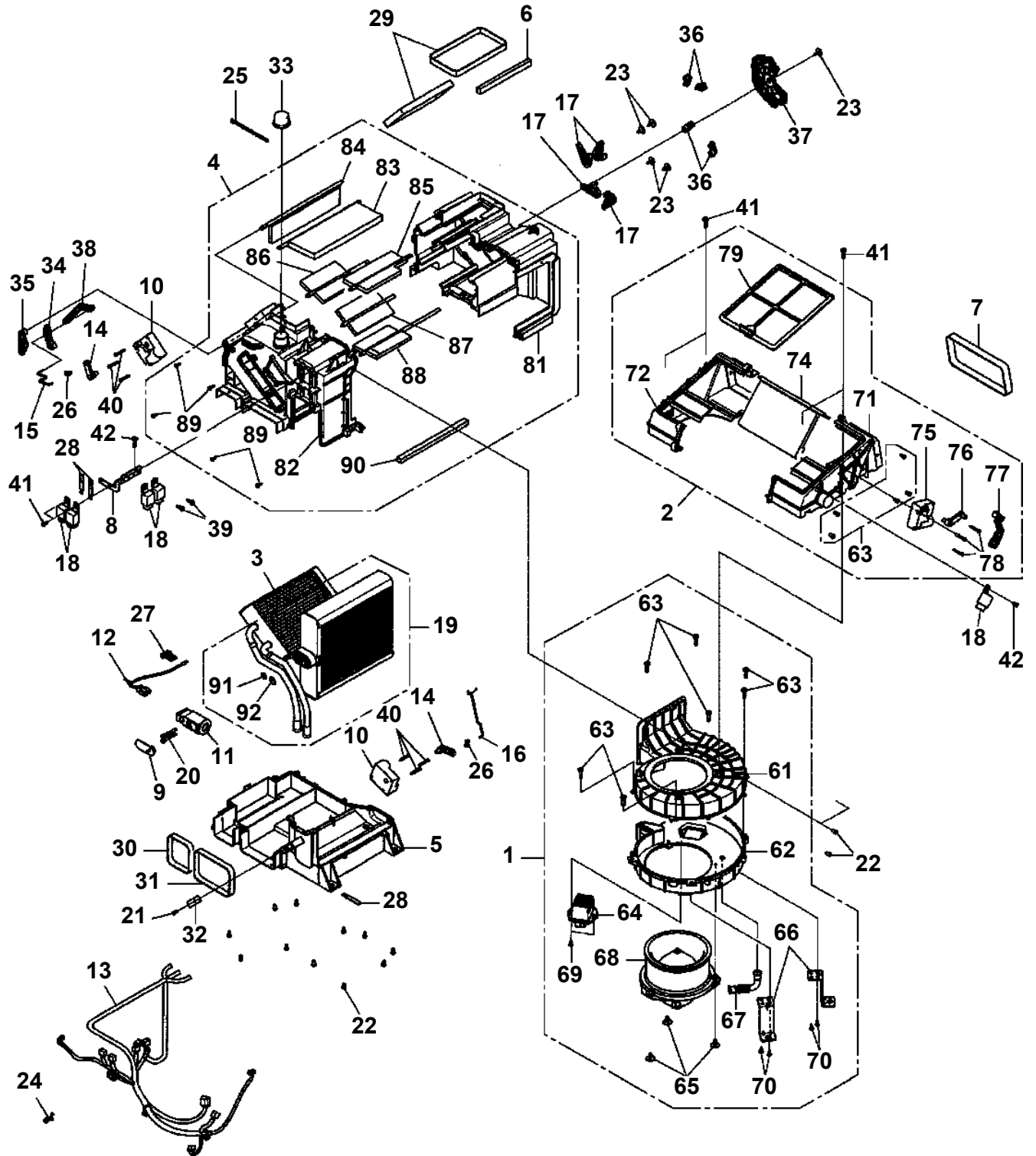
FOR THE PART ※, SEE THE CORRESPONDING ENGINE ASSY "ACCESSORY LIST (ELECTRICAL DEVICE) ."



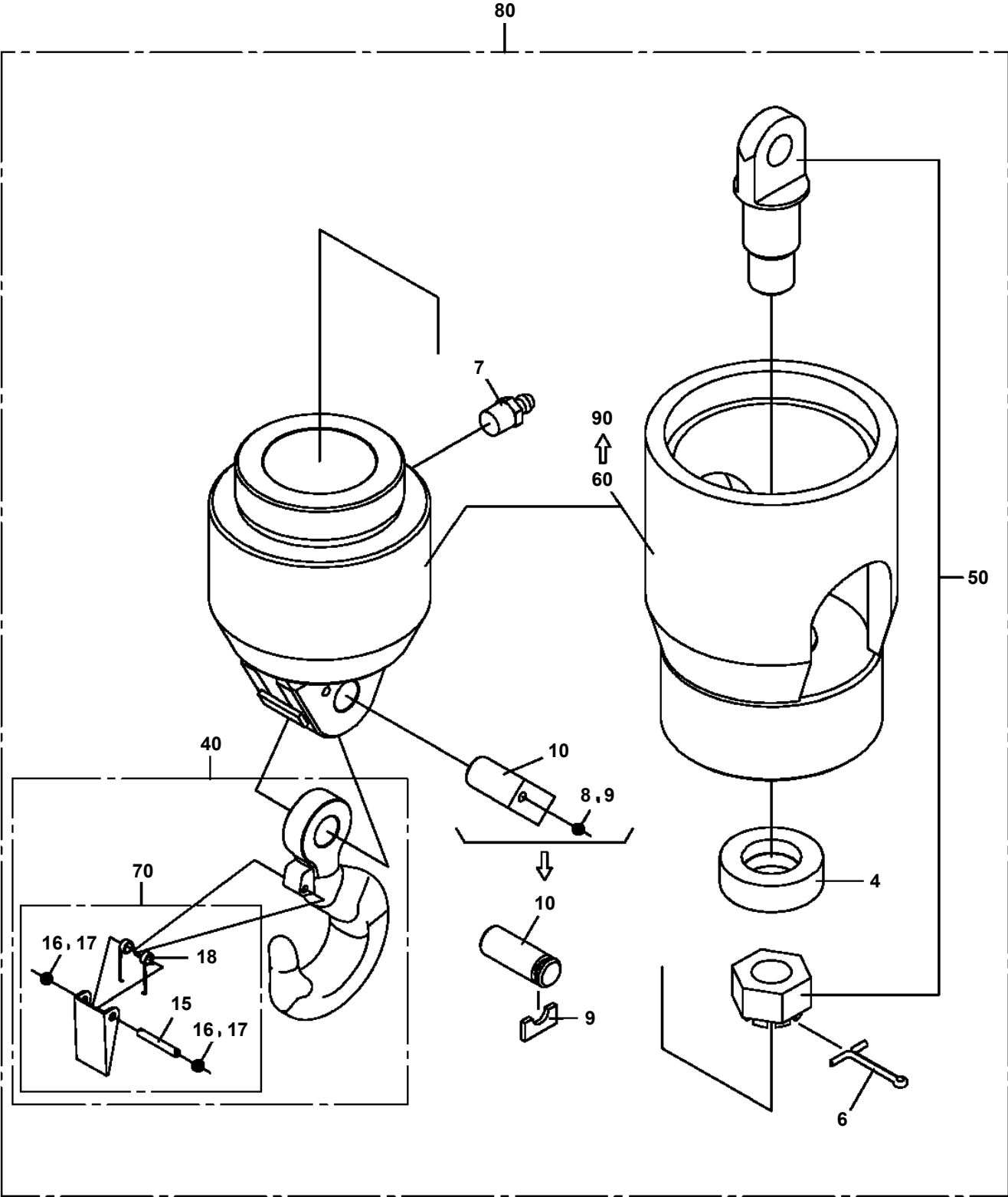
GR-500E-2-00302 4BOOM + 2 JIB,2M2D

Pos No.	Parts No	Parts Name	Qty	Unit	Technical Data	Serial No (Start)	Serial
1	34271002900	COVER	1				
3	90186210020	BOLT,FLANGE	4		M10X20		
4	90303071001	WASHER,PLAIN	4		10		
7	34494770200	ANTENNA (GPS,ASSY ONLY)	1				
8	82400000071	GROMMET	1		OG-1		
9	36171550000	CONTROLLER (GSMT)	1				
	36172650000	CONTROLLER (GSMT)	1			541649	54164
11	80192486014	SCREW,MACHINE (WITH WASHER)	4		M6X14		
12	34494770100	HARNESS (GSMT)	1				
14	91850310305	CLAMP	3				
15	91810130240	FASTENER	3				
41	37002233280	PLATE,NAME(BEFORE USING MACHINE WITH)	1				
42	34353831200	PLATE,NAME (TELEMATICS)	1				

GR-500E-2-00302 4BOOM + 2 JIB,2M2D
PE5220003-00 EVAPORATOR ASSY

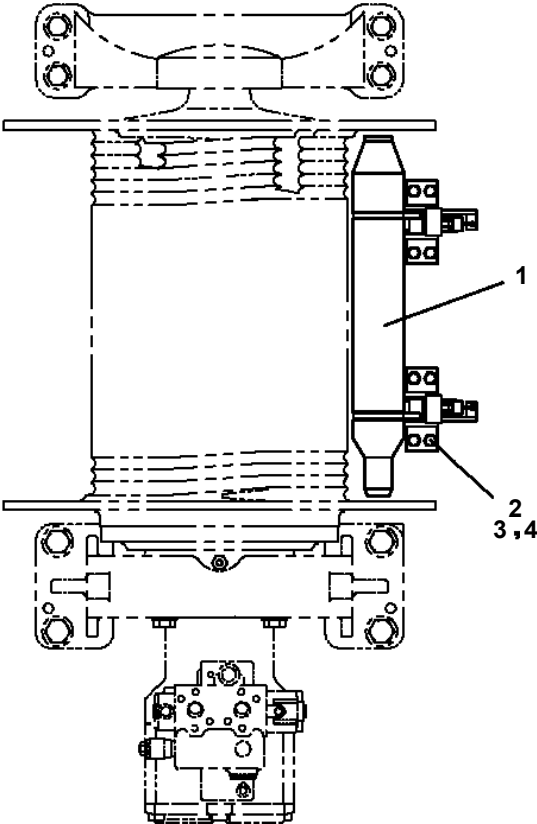


GR-500E-2-00302 4BOOM + 2 JIB,2M2D
PF1050471-04 HOOK (AUX.,5.6TON)

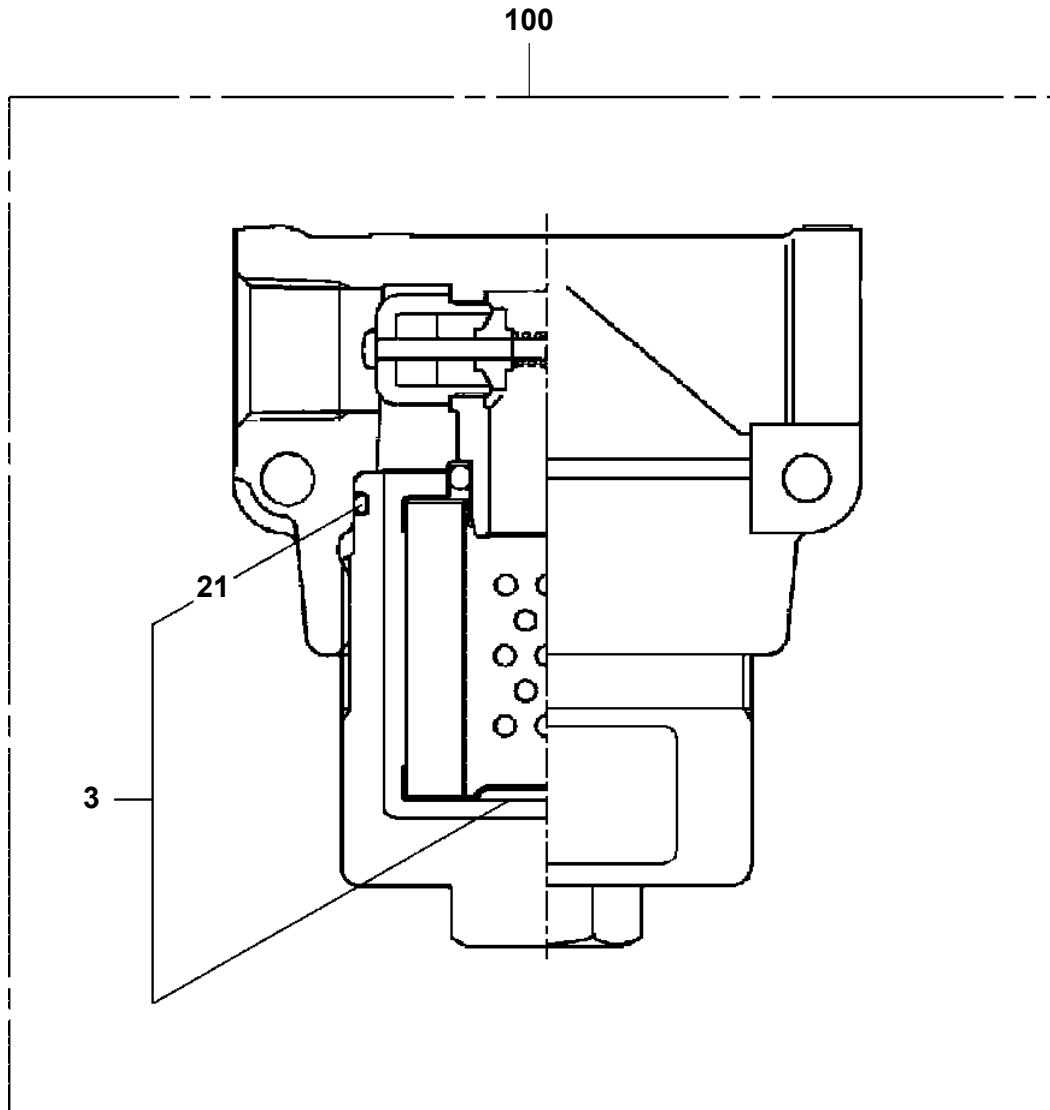


GR-500E-2-00302 4BOOM + 2 JIB,2M2D
PF1180082-02 DETECTOR,DISORDERLY WIND

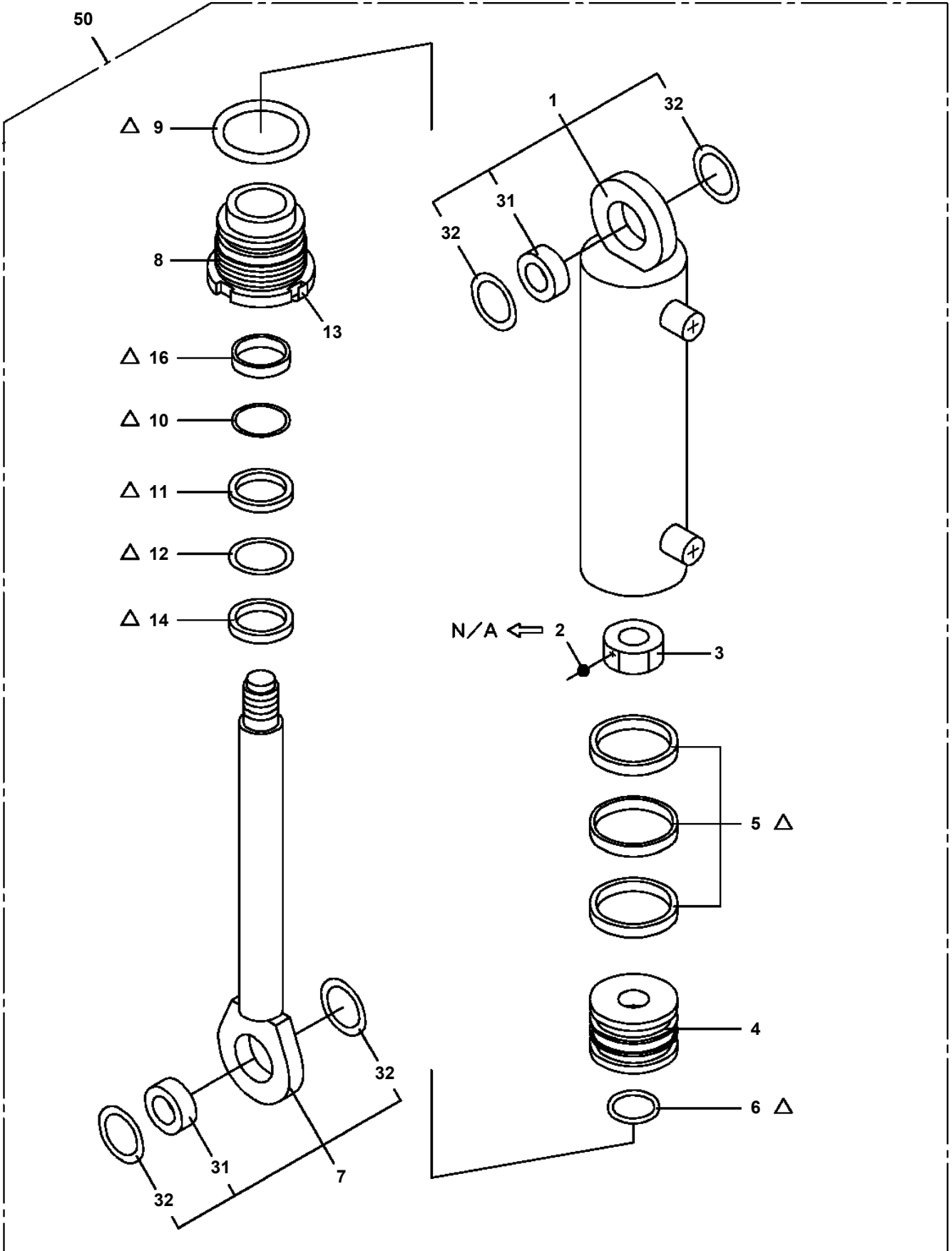
FRONT ←



GR-500E-2-00302 4BOOM + 2 JIB,2M2D
PF5030011-02 FILTER ASSY (WATER)



**GR-500E-2-00302 4BOOM + 2 JIB,2M2D
PG1080031-02 CYLINDER,JIB (QUICK TURN,IP)**



△:PACKING SET KEY NO.71

(KEY NO.5,6,9,10,11,12,14,16)

GR-500E-2-00302 4BOOM + 2 JIB,2M2D

Pos No.	Parts No	Parts Name	Qty	Unit	Technical Data	Serial No
83	34221481470	SUPPORT	2			
84	14121856000	PIN	3			
85	80136320015	PIN,SPLIT	6		2X15	
86	90303070801	WASHER,PLAIN	6		8	
91	34221850211	SUPPORT	1			
101	14121851000	PIN (STOPPER)	1			
102	34221481961	SUPPORT	1			
103	16311309000	SPRING	1			
104	34221543810	SUPPORT	1			
122	37000100570	PIN	1			
141	34221850600	SUPPORT	1			
142	37001105400	ROLLER ASSY	1			
143	37000312140	SPACER	2		L=9	
144	37000174490	PIN	1			
145	90101210016	BOLT	1		M10X16	
161	34221850710	SUPPORT	1			
162	34221546910	LINK (STEEL CAST)	1			
	34221546300	LINK (PLATE WORKING)	1			
163	37000175920	PIN	1			
164	80601110150	RING,RITAINING	2		15	
165	37000538540	PLATE	1		T=1.0	
166	90303071601	WASHER,PLAIN	1		16	
181	34221481460	PIN	1			
182	34221481500	SUPPORT	1			
221	14117513000	PIN,SNAP	3			
232	80516006207	BEARING,BALL	1			
233	80602110720	RING,RITAINING	1		R72	

GR-500E-2-00302 4BOOM + 2 JIB,2M2D

Pos No.	Parts No	Parts Name	Qty	Unit	Technical Data	Serial No (Start)	Serial No (End)	Remarks	Pages
1	34490091000	LAMP	1						000212
2	34493360100	SUPPORT	1						
3	82100002004	CLAMP	2		WR8				
4	90280200600	NUT,FLANGE	2		M6				
6	82100001411	TUBE, SPIRAL	1	M	SE-08BK				
7	82400000216	GROMMET	1		C30NG79-H				
8	90155306015	BOLT,WELD	1		M6X15				

GR-500E-2-00302 4BOOM + 2 JIB,2M2D

Pos No.	Parts No	Parts Name	Qty	Unit	Technical Data	Serial No (Start)	Serial No (End)	R
1	34354202011	HARNESS (SWING FRAME,RIGHT)	1					

GR-500E-2-00302 4BOOM + 2 JIB,2M2D

Pos No.	Parts No	Parts Name	Qty	Unit	Technical Data	Serial No (Start)	Serial No (End)	Re
1	34354202022	HARNESS (SWING FRAME:LEFT)	1					

GR-500E-2-00302 4BOOM + 2 JIB,2M2D

Pos No.	Parts No	Parts Name	Qty	Unit	Technical Data	Serial No (Start)	Serial No (End)	Remarks	Pages
1	34495751400	HARNESS	1						

GR-500E-2-00302 4BOOM + 2 JIB,2M2D

Pos No.	Parts No	Parts Name	Qty	Unit	Technical Data	Serial No (Start)	Serial No (End)	Remarks	Pages
1	34445010300	HARNESS	1						

GR-500E-2-00302 4BOOM + 2 JIB,2M2D

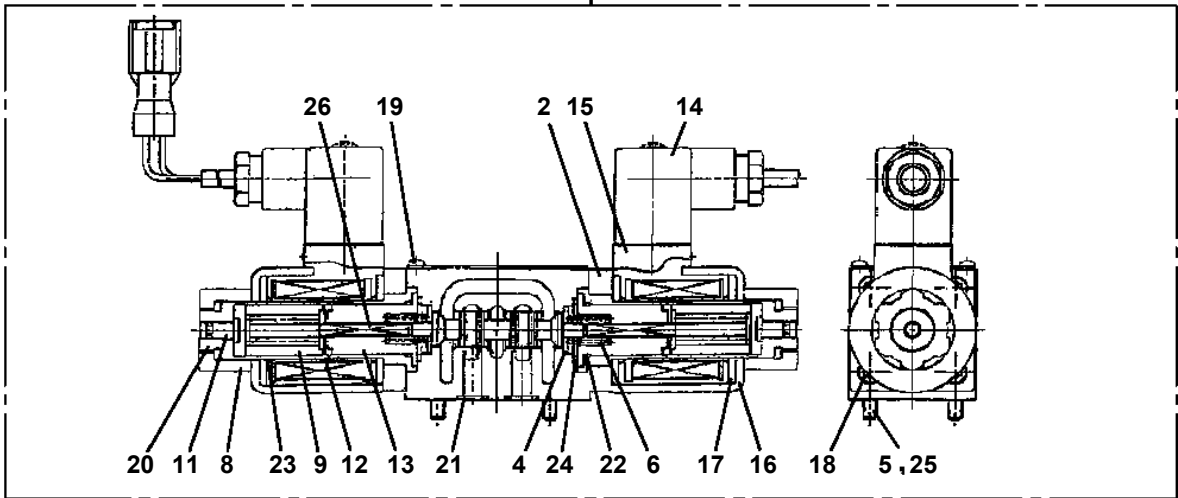
Pos No.	Parts No	Parts Name	Qty	Unit	Technical Data	Serial No (Start)	Serial No (End)	Remarks	Pages
10	34494170010	HARNESS	1						

GR-500E-2-00302 4BOOM + 2 JIB,2M2D

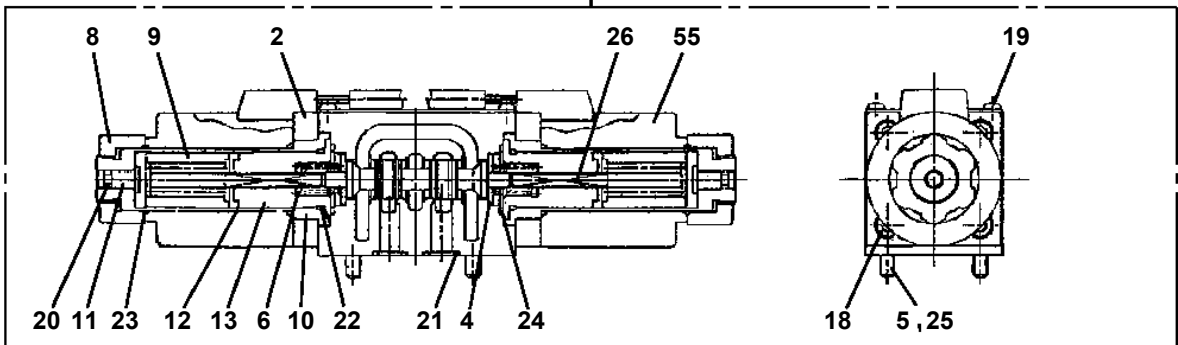
Pos No.	Parts No	Parts Name	Qty	Unit	Technical Data	Serial No (Start)	Serial No (End)	Remarks
1	36095980000	HOOK ASSY (SHEAVE 5 PCS)	1					
21	34494141050	PLATE,NAME (50000KG)	2					
22	37002201170	PLATE,NAME (GREASE)	1					

**GR-500E-2-00302 4BOOM + 2 JIB,2M2D
PI1120135-05 VALVE,SOLENOID (NACHI)**

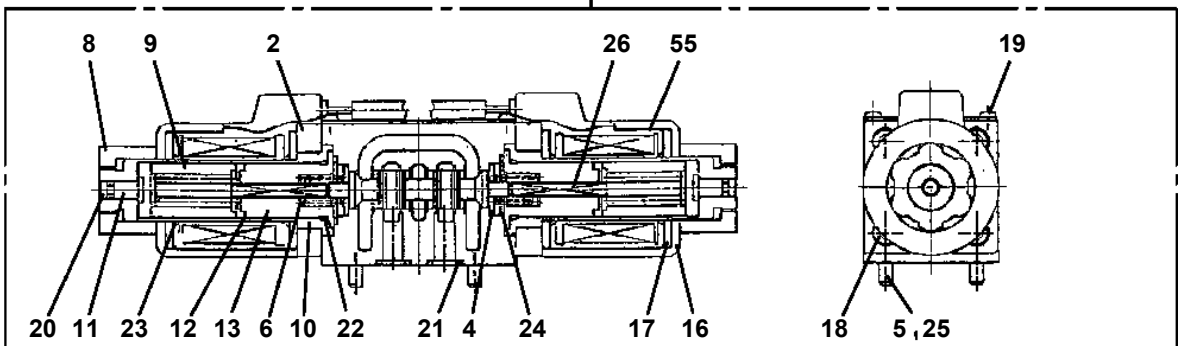
100



100

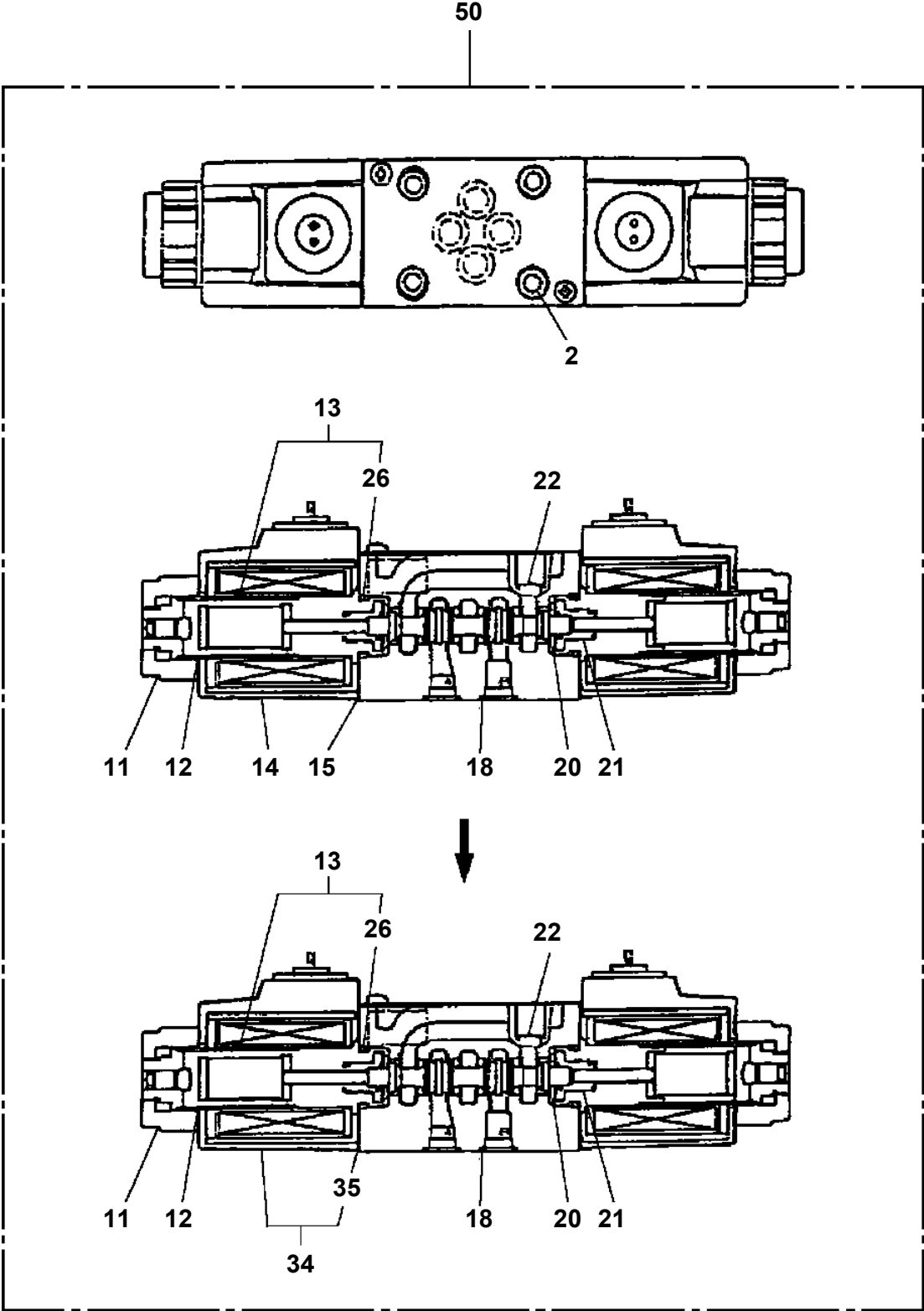


100



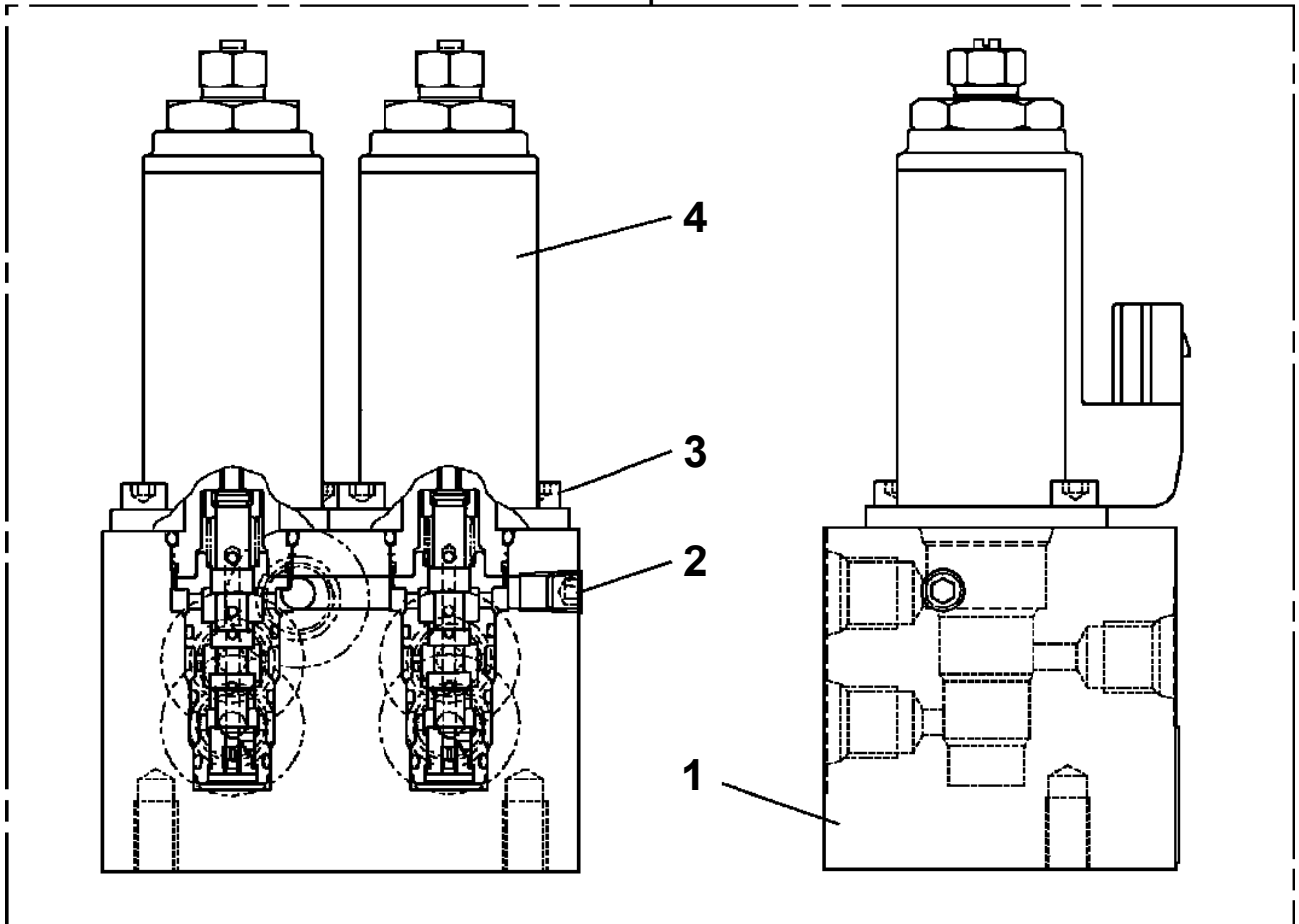
A

GR-500E-2-00302 4BOOM + 2 JIB,2M2D
PI1120233-01 VALVE,SOLENOID (TOKIMEC)

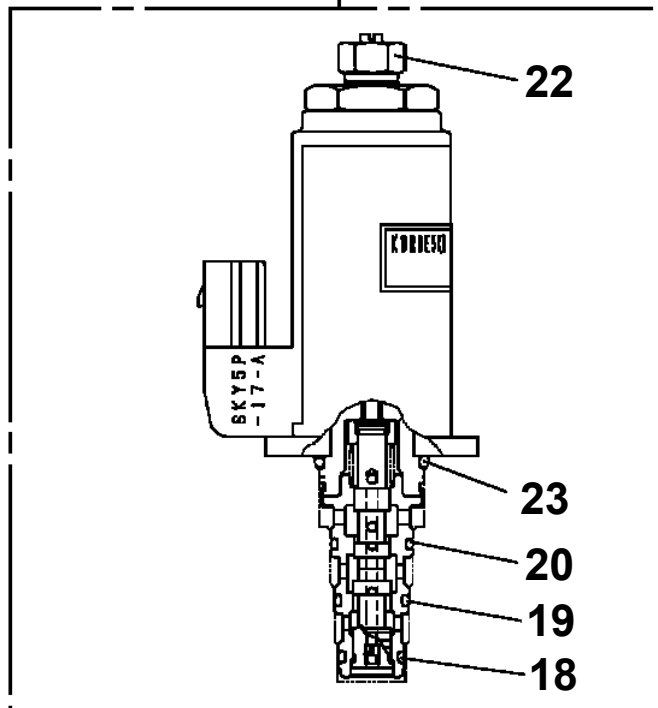


GR-500E-2-00302 4BOOM + 2 JIB,2M2D
PI1120302-00 VALVE,SOLENOID

100

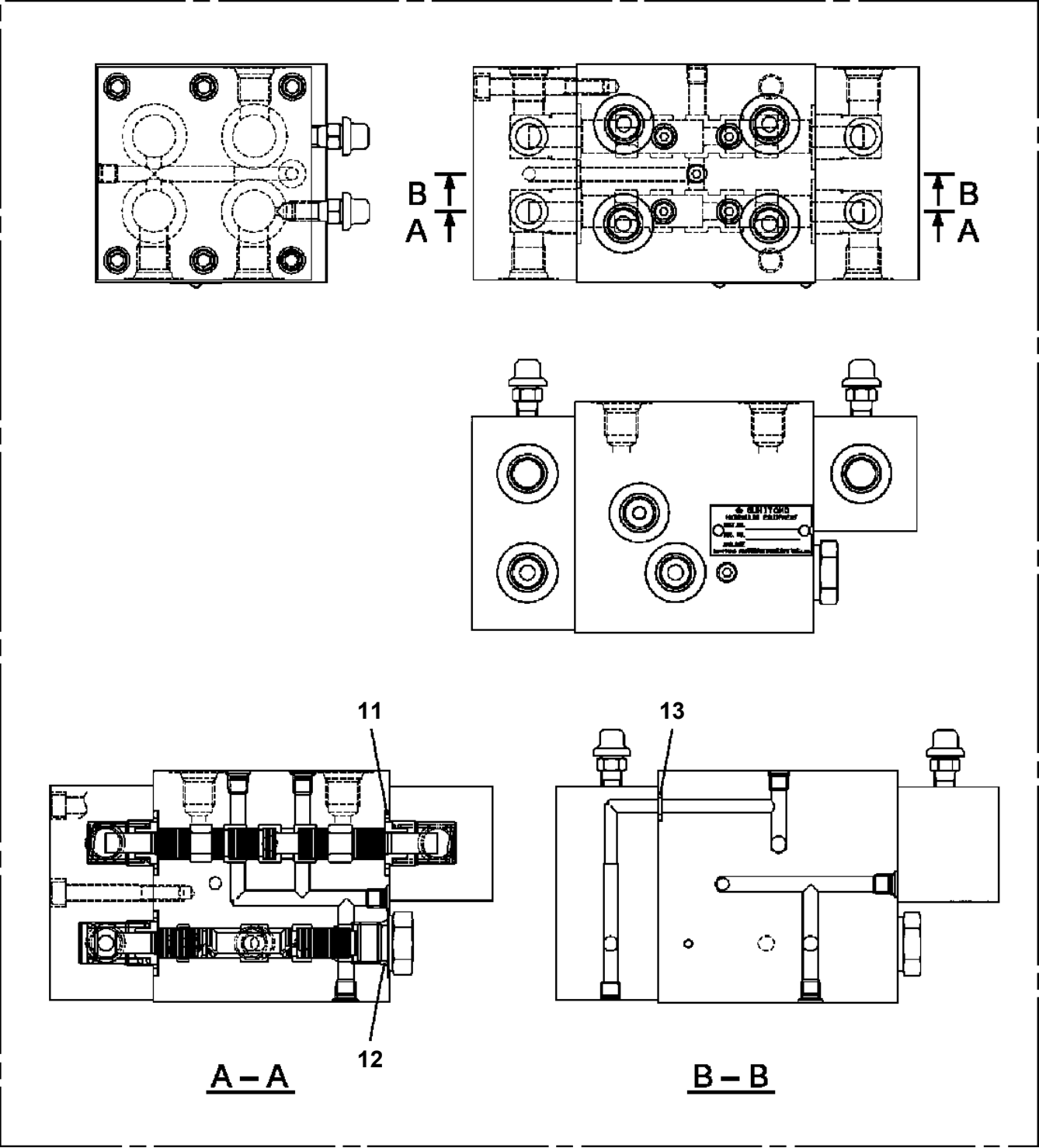


4

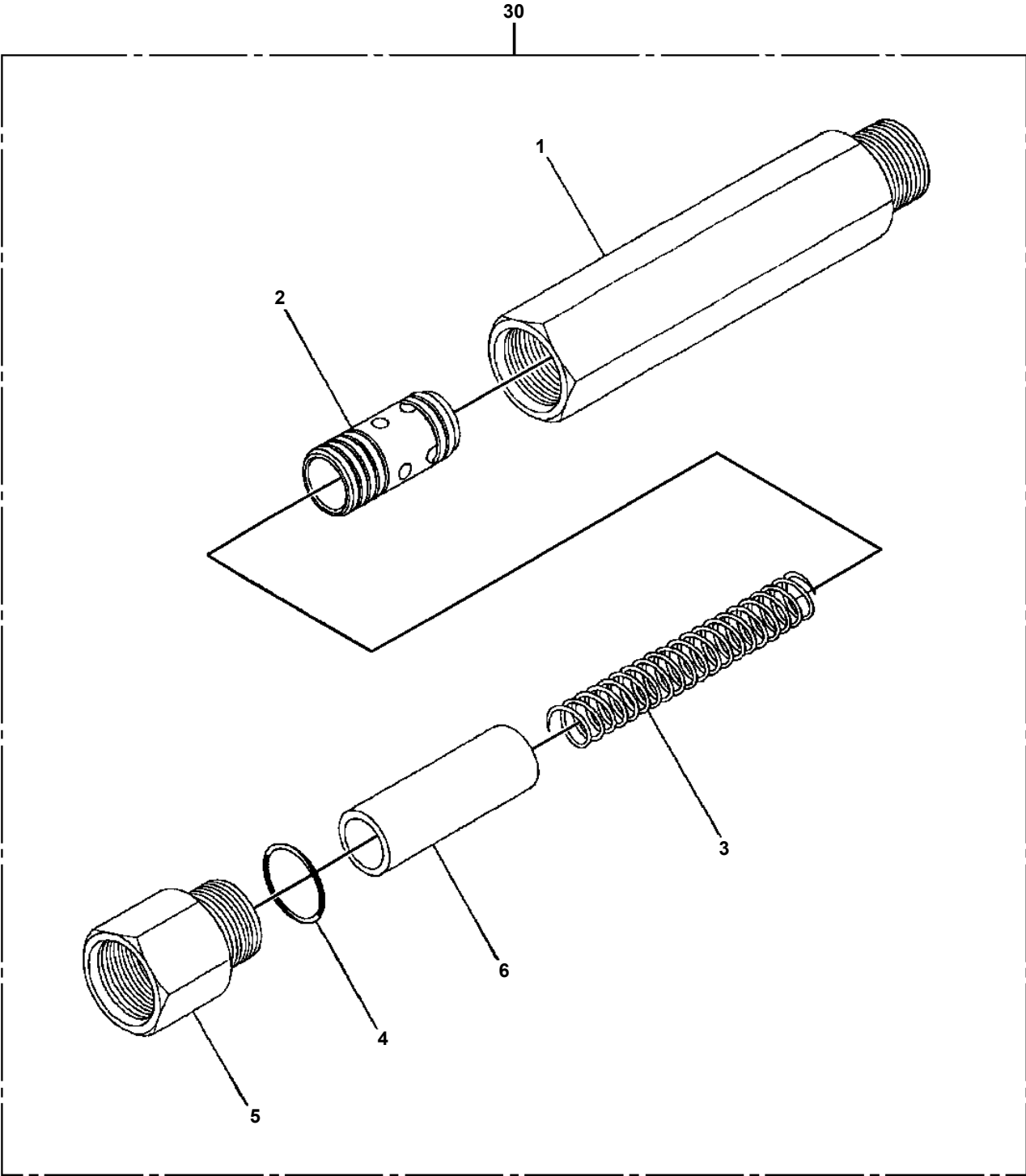


GR-500E-2-00302 4BOOM + 2 JIB,2M2D
PI1130062-00 VALVE,HYDRAULIC

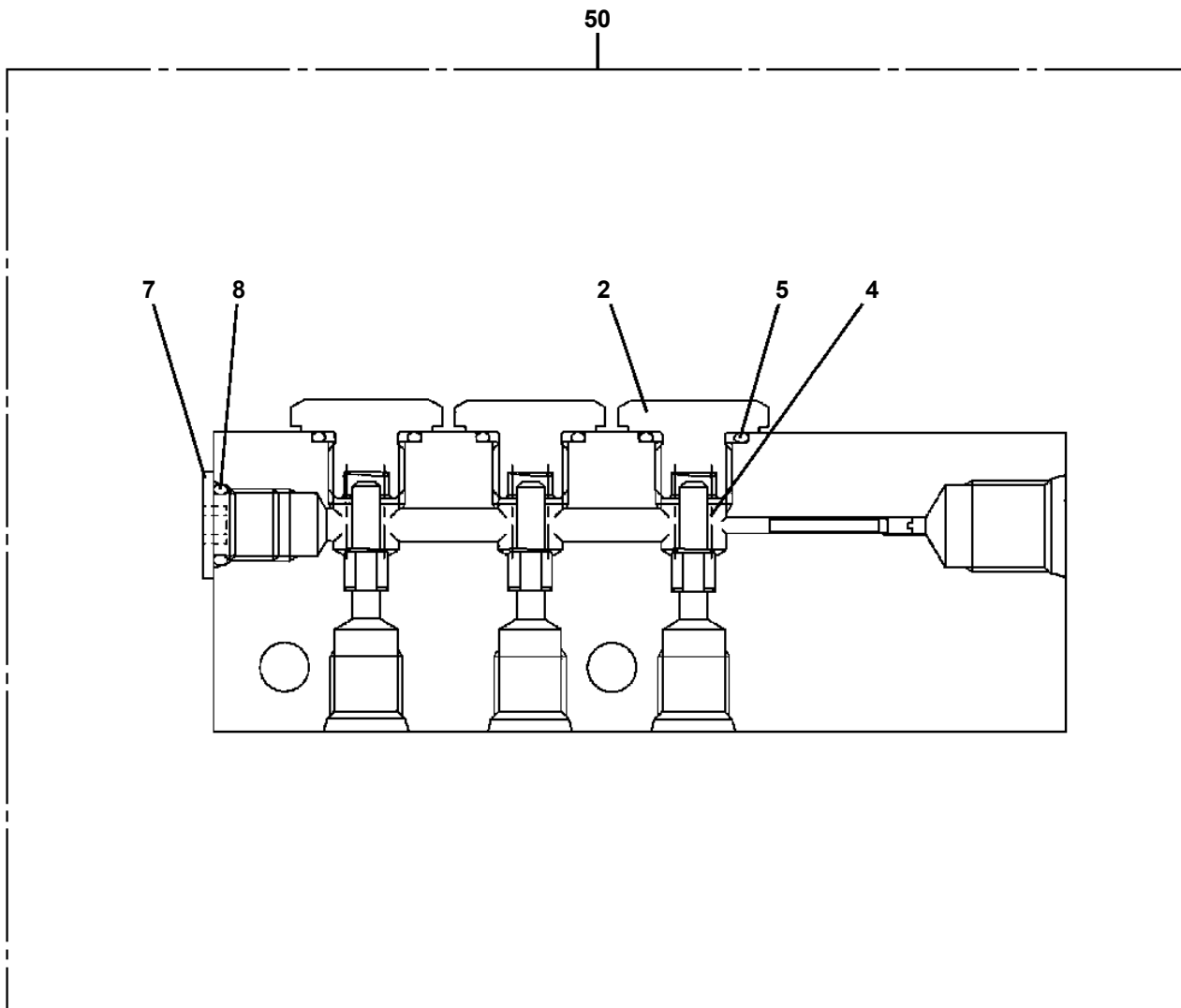
100



GR-500E-2-00302 4BOOM + 2 JIB,2M2D
PI1140116-01 VALVE,CHECK



GR-500E-2-00302 4BOOM + 2 JIB,2M2D
PI1140161-03 VALVE,CHECK



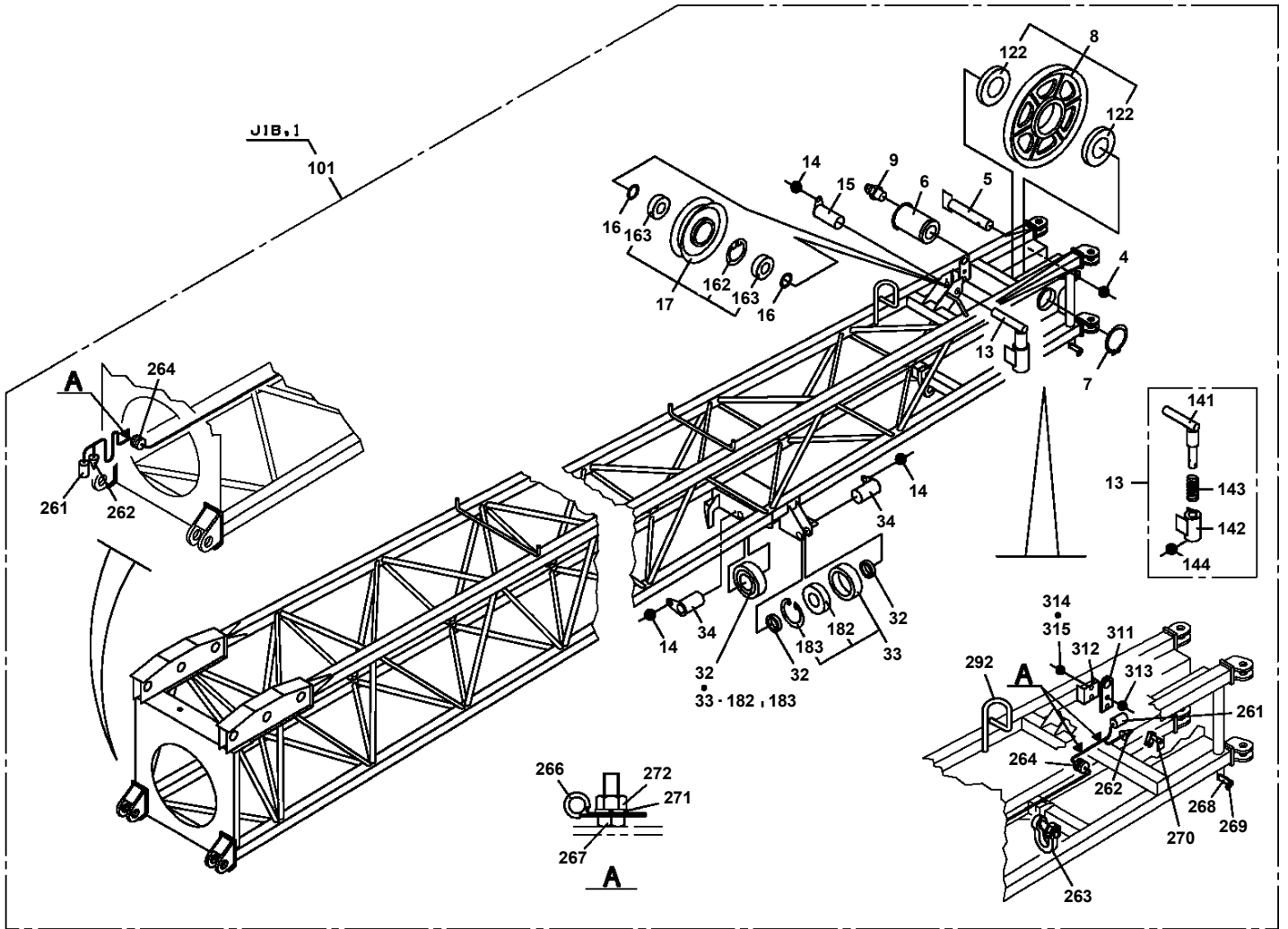
GR-500E-2-00302 4BOOM + 2 JIB,2M2D

Pos No.	Parts No	Parts Name	Qty	Unit	Technical Data	Serial No (Start)	Serial No (End)	Remarks
2	36603765010	FILTER	1					
3	36603765020	RETAINER (FILTER)	1					
4	36606035010	VALVE,BACK PRESSURE	1					
5	36606035020	VALVE,REDUCING	1					
6	90131906040	BOLT,HEXAGON SOCKET	4		M6X40			
7	36634535210	PLUG	1		PF1/4			
8	91002801100	O-RING	1		1B P11			
9	36647205050	PLUG	1		NPT1-16			
21	36603765050	COVER (SPRING)	1					
22	36603765060	STOPPER	1					
26	36606035030	SPRING	1					
27	91002802200	O-RING	1		1B P22			
28	91000501500	O-RING	1		AS568-015			
31	36606035040	VALVE ASSY	1					
53	36637335340	O-RING	2		1B P15			
54	14035101130	PLUG	1					
55	36606035050	RETAINER	1					
56	36603765080	SPRING	1					
57	36606035070	SCREW	1					
58	36606035060	BODY	1					
59	91001001600	O-RING	2		1A S16			
60	36630045220	NUT	1		M10			
61	36630045210	NUT,CAP	1					
62	91001100800	O-RING	2		1A P8			
63	91002801400	O-RING	1		1B P14			
100	36606030000	VALVE,SEQUENCE	1					

GR-500E-2-00302 4BOOM + 2 JIB,2M2D

Pos No.	Parts No	Parts Name	Qty	Unit	Technical Data	Serial No (Start)	Serial No (End)	Remarks	Pages
2	36072165140	RING,THRUST	3		AS35X60X1				
3	36073335020	GEAR,PLANETARY	3						
4	36073335140	PLATE,THRUST	3						
5	36073335150	RING,RETAINING	3						
7	36072165130	BEARING,NEEDLE	3						
8	36071585390	RING,THRUST	2		GS81104				
9	36073335050	GEAR,SUN	1						
10	36073335060	PLATE,THRUST	1						
11	36073335070	GEAR,SUN	1						
12	36073335080	COVER,END	1						
13	90101508025	BOLT	16		M8X25				
14	90302040801	WASHER,SPRING	16		8				
15	36073335090	WHEEL	1						
21	36072345320	RING,THRUST	1		GS81111				
22	80601112200	RING,RITAINING	1		S220				
23	80316090040	PLUG SOCKET	1		R1/4				
25	36071915100	BUSHING	1						
26	91280453411	SEAL,OIL	1						
28	80602112700	RING,RITAINING	1		R270				
29	80500006844	BEARING,BALL	1						
30	80316090060	PLUG	1		KKT PT3/8				
51	36073335510	CARRIER ASSY	1						
52	36073335520	CARRIER ASSY	1						
53	36073335530	SPINDLE ASSY	1						
100	36073335310	REDUCER,SPEED	1						

GR-500E-2-00302 4BOOM + 2 JIB,2M2D
PJ5050008-01 JIB ASSY



CLICK HERE TO **DOWNLOAD** THE COMPLETE MANUAL

- Thank you very much for reading the preview of the manual.
- You can download the complete manual from: www.heydownloads.com by clicking the link below



- Please note: If there is no response to CLICKING the link, please download this PDF first and then click on it.

CLICK HERE TO **DOWNLOAD** THE COMPLETE MANUAL

GR-500E-2-00302 4BOOM + 2 JIB,2M2D

Pos No.	Parts No	Parts Name	Qty	Unit	Technical Data	Serial No (Start)	Serial No (End)	Remarks
2	34630703000	JOINT,ROTARY	1				541818	
3	34630701200	PLATE	1				541818	
6	34630932000	RING ASSY,SLIP	1					
7	37001509460	BOLT	1		M10X40			
8	90171112030	BOLT	3		M12X30			
9	90172106100	BOLT,HEXAGON SOCKET	3		M6X100			
10	90302040601	WASHER,SPRING	3		6			
11	90172110020	BOLT,HEXAGON SOCKET	3		M10X20		541818	
12	90302041001	WASHER,SPRING	3		10		541818	
14	82401800080	PLUG (FOR M8)	2					
15	82401800100	PLUG (FOR M10)	1					
16	34630706001	JOINT,ROTARY	1					
31	34630850300	JOINT,SWIVEL	1				541818	
32	34630703500	PIPE	1					
	34630703560	PIPE (IP)	1					
33	34630703460	PIPE (IP)	1					
	34630703400	PIPE	1					
34	34630703360	PIPE (IP)	1					
	34630703300	PIPE	1					
35	34630703900	PIPE	1					
	34630703960	PIPE (IP)	1					
51	34630706101	CORE	1					
52	34630706200	BODY	1					
53	34630705300	COVER	1					
54	34630705400	PLATE	1					
55	91001214500	O-RING	1		1A G145			
56	91002809000	O-RING	1		1B P90			
57	91002813000	O-RING	1		1B P130			
58	34630702100	SEAL,RING	4					
59	34630702200	SEAL,RING	3					
60	90172108020	BOLT,HEXAGON SOCKET	8		M8X20			
61	80316090060	PLUG	2		KKT PT3/8			
62	80316090040	PLUG SOCKET	4		R1/4			
63	80316090100	PLUG	2		KKT PT3/4			
64	34630702300	SEAL,RING	5					
65	34630875300	PLUG	2					
66	91001003200	O-RING	2		1A S32			
81	34630703700	PACKING	3				541818	
82	34630703800	O-RING	2				541818	
85	37000404180	BEARING,PLAIN	2				541818	
86	37000404170	BEARING,PLAIN	1				541818	
87	80601311000	RING,RETAINING	1				541818	
101	90101510060	BOLT	4		M10X60			
102	34630704400	SUPPORT	2					
103	80400160131	JOINT	2					
104	91002801800	O-RING	6		1B P18			
105	80430620800	JOINT	1					
106	80430620600	JOINT (WITH O-RING)	2		L,G3/8-G3/8			
107	80400160129	JOINT	1					
108	91002801400	O-RING	4		1B P14			
109	80400160135	JOINT	2					
110	91002802900	O-RING	2		1B P29			
111	37000911890	JOINT (WITH O-RING)	1		L,G1/2-G3/4			
112	80481003040	JOINT	1		S,G1/2-G3/8			
113	80316070080	PLUG	2		PF1/2			
132	34631153000	JOINT ASSY,SWIVEL	1			541819		
161	34631150300	JOINT ASSY,SWIVEL	1			541819		
181	91153010006	SEAL,RING	3			541819		
185	91360110000	BEARING,PLAIN	2			541819		
186	37000404910	BEARING,PLAIN	1			541819		
187	80601310950	RING,RETAINING	1			541819		
200	34630920000	JOINT ASSY,SWIVEL	1					

GR-500E-2-00302 4BOOM + 2 JIB,2M2D

Pos No.	Parts No	Parts Name	Qty	Unit	Technical Data	Serial No (Start)	Serial No (End)	Remarks	Pages
3	34491680100	HARNESS	1						000139
11	82199444129	LAMP (RED)	1		24V 12W				
12	82199444329	LAMP (YELLOW)	1		24V 12W				
31	82166600010	BULB,LAMP	2		24V/12W				

GR-500E-2-00302 4BOOM + 2 JIB,2M2D

Pos No.	Parts No	Parts Name	Qty	Unit	Technical Data	Serial No (Start)	Serial No (End)	Remarks	Pages
1	82456101000	NIPPLE,GREASE	11		A-PT1/8				
2	82458102000	NIPPLE,GREASE	22		B-PT1/8				
3	82459103000	NIPPLE,GREASE	4		C-PT1/8				

GR-500E-2-00302 4BOOM + 2 JIB,2M2D

Pos No.	Parts No	Parts Name	Qty	Unit	Technical Data	Serial No (Start)	Serial No (End)	Remarks	Pages
1	82400000464	MIRROR	2						
2	34493791001	SUPPORT	1						
3	90101208016	BOLT	2		M8X16				
4	90302040801	WASHER,SPRING	4		8				
5	34494582000	SUPPORT	1						
6	90101208025	BOLT	2		M8X25				
7	90303070801	WASHER,PLAIN	2		8				
31	34493791030	SUPPORT	1						
32	34493792000	SUPPORT	1						
33	37000517380	PLATE	2		T=2.3 TO 3.2				
34	37001200470	SPRING	1						
35	80136330025	PIN,SPLIT	1						

GR-500E-2-00302 4BOOM + 2 JIB,2M2D

Pos No.	Parts No	Parts Name	Qty	Unit	Technical Data	Serial No (Start)	Serial No (End)	Remarks	Pages
1	34492610100	LAMP	1						
2	37000582110	PLATE	1						
3	90303070601	WASHER,PLAIN	2		6				
4	90280200600	NUT,FLANGE	2		M6				
5	90155306015	BOLT,WELD	2		M6X15				

GR-500E-2-00302 4BOOM + 2 JIB,2M2D

Pos No.	Parts No	Parts Name	Qty	Unit	Technical Data	Serial No (Start)	Serial No (End)
1	82100002827	BATTERY (GLOBAL & YUASA,130F51)	1				

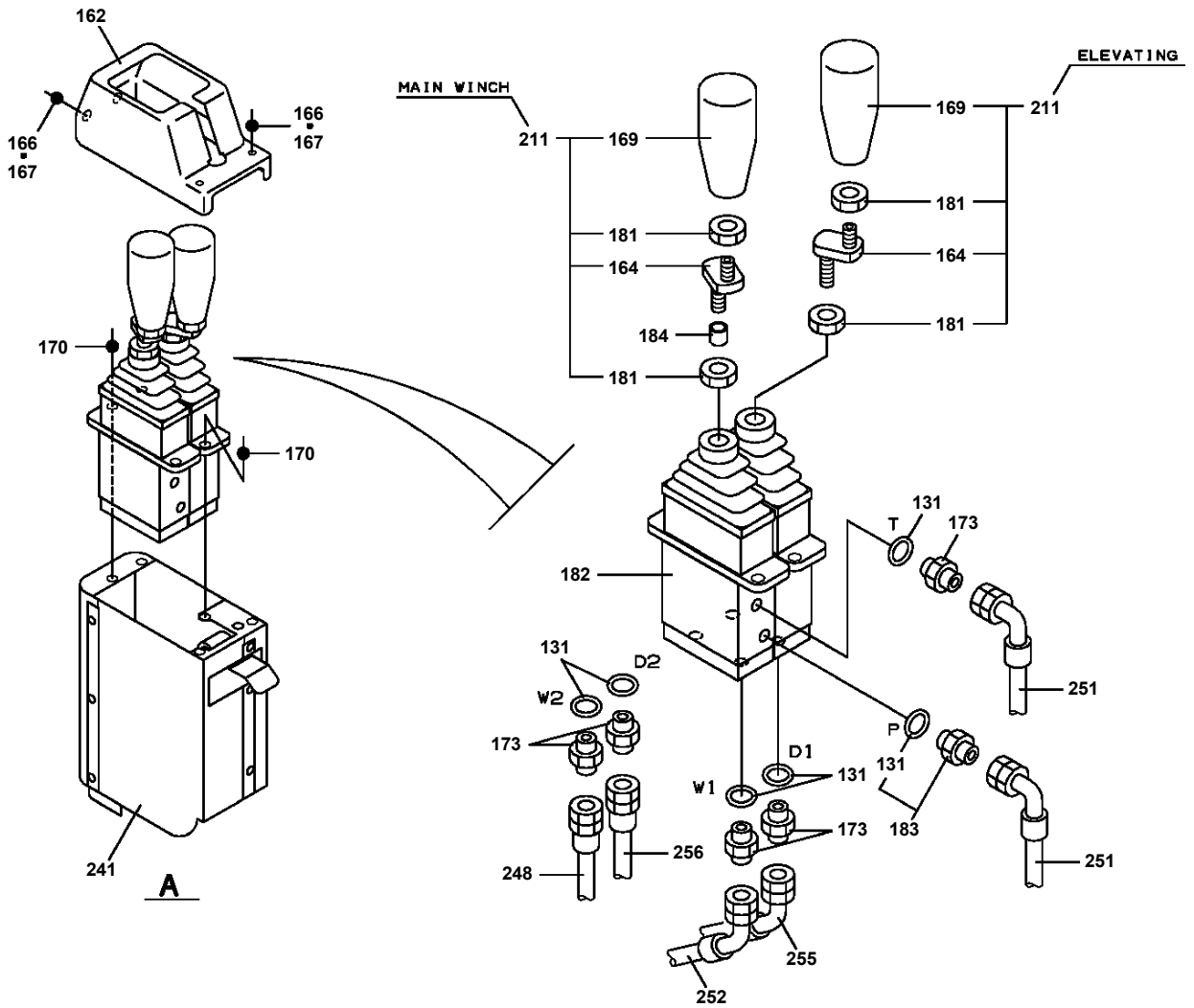
GR-500E-2-00302 4BOOM + 2 JIB,2M2D

Pos No.	Parts No	Parts Name	Qty	Unit	Technical Data	Serial No (Start)	S
1	37002204680	PLATE,NAME (ANGLE METER)	1				
2	33396051011	PLATE,CAUTION (TO PREVENT BODILY INJURY)	2				
3	33395892061	PLATE,CAUTION (KEEP CLEAR OF LOWERING)	2				
4	33396051021	PLATE,CAUTION (SWINGING STRUCTURE)	2				
5	34398201010	PLATE,NAME (GR-500EX)	2				
6	34398211050	PLATE,CAUTION (STOWING AUXILIARY WINCH)	1				
8	33396051041	PLATE,CAUTION (WHEN MOUNTING OR STOWING)	2				
9	34394881361	PLATE,CAUTION (HAZARDOUS CONDITION CAN)	1				
10	34394881371	PLATE,CAUTION (FALLING OBJECT CAN CAUSE)	1				
12	33396221021	PLATE,CAUTION(JIB HANDLING INSTRUCTIONS)	1				
13	33396221031	PLATE,CAUTION (JIB PIN STATUS)	1				
14	33395892010	PLATE,NAME	2				
15	33395892020	PLATE,NAME	2				
16	33395892030	PLATE,NAME	2				
17	33396221051	PLATE,CAUTION (HAZARDOUS CONDITION CAN)	1				
18	90101210016	BOLT	1		M10X16		
19	12647107001	INDICATOR	1				
21	34390981210	PLATE,NAME	1				
22	34397085100	PLATE,CAUTION (NO STEP)	5				
23	34397781100	PLATE,CAUTION (DO NOT KEEP SHIFT LEVER)	1				
24	34397781150	PLATE,CAUTION (AFTER REPLACEMENT OR)	1				
25	34397781200	PLATE,CAUTION (AML OVERRIDE KEY SWITCH)	1				
26	37002212090	PLATE,NAME (MAIN WINCH LEVER)	1				
27	37002212110	PLATE,NAME (ELEVATE LEVER)	1				
28	37002224260	PLATE,NAME (TELES&AUX/W LEVER)	1				
29	37002218710	PLATE,NAME (SWING LEVER)	1				
30	33396221061	PLATE,CAUTION (DO NOT ATTEMPT TO ENGAGE)	1				
31	34398211100	PLATE,CAUTION(PRECAUTIONS FOR TRAVELING)	1				
32	33396051600	PLATE,CAUTION	2				
33	33396051700	PLATE,CAUTION	2				
34	34397781300	PLATE,CAUTION(ALWAYS REPLACE THE FILTER)	1				
35	33396051510	PLATE,NAME (SWING LOCK)	1				
36	34397781350	PLATE,NAME	1				
40	34397781400	PLATE,CAUTION (EMERGENCY TRANSMISSION)	1				
41	34394881331	PLATE,CAUTION (ELECTROCUTION HAZARD)	1				
42	80147310420	RIVET	4		3.2X6		
47	37002201170	PLATE,NAME (GREASE)	17				
54	90305210601	WASHER	1				
55	80186806025	SCREW,MACHINE	1		M6X25		
56	34397931200	COVER	1				
57	34397781450	PLATE,NAME (PULL STOP)	1				
58	34397080202	PLATE,CAUTION (WHEN STARTING THE ENGINE)	1				
59	34391131481	PLATE,CAUTION (FOR JIB OFFSET)	2				
60	33396051081	PLATE,CAUTION (PULL THE CONTROL CONSOLE)	1				
61	33396221411	PLATE,CAUTION (MAKE SURE JIB SET STATUS)	2				
62	34398211150	PLATE,NAME (LIFTING OF CRANE FOR)	1				
63	34398331700	PLATE,NAME (BLUE/WHITE)	1				
64	34395751900	PLATE,NAME (RED)	1				
65	34397631170	PLATE	1				
68	33396221451	PLATE,CAUTION(SELECT CORRECT JIB STATUS)	1				
69	37002200010	PLATE,NAME (HORN)	1				
70	33396221491	PLATE,CAUTION (TOP JIB OPERATION)	1				
73	(*****)	PLATE,NAME	1				
75	34398212100	LOAD CHART BOOKLET	1				
76	34397221301	PLATE,CAUTION(ALWAYS MAKE SURE THAT)	1				
77	34397221401	PLATE,CAUTION (DANGER)	1				
101	37002228300	PLATE,NAME (TADANO/BLUE+BLACK)	2				
102	37002228310	PLATE,NAME (TADANO/WHITE+WHITE)	2				
121	37002214470	PLATE,NAME (BLUE & BLACK)	1				
122	37002214490	PLATE,NAME (WHITE & WHITE)	1				

GR-500E-2-00302 4BOOM + 2 JIB,2M2D

Pos No.	Parts No	Parts Name	Qty	Unit	Technical Data	Serial No (Start)	Serial No (End)	Re
10	34352901130	PLATE ASSY,NAME (NO.1-NO.38)	1					

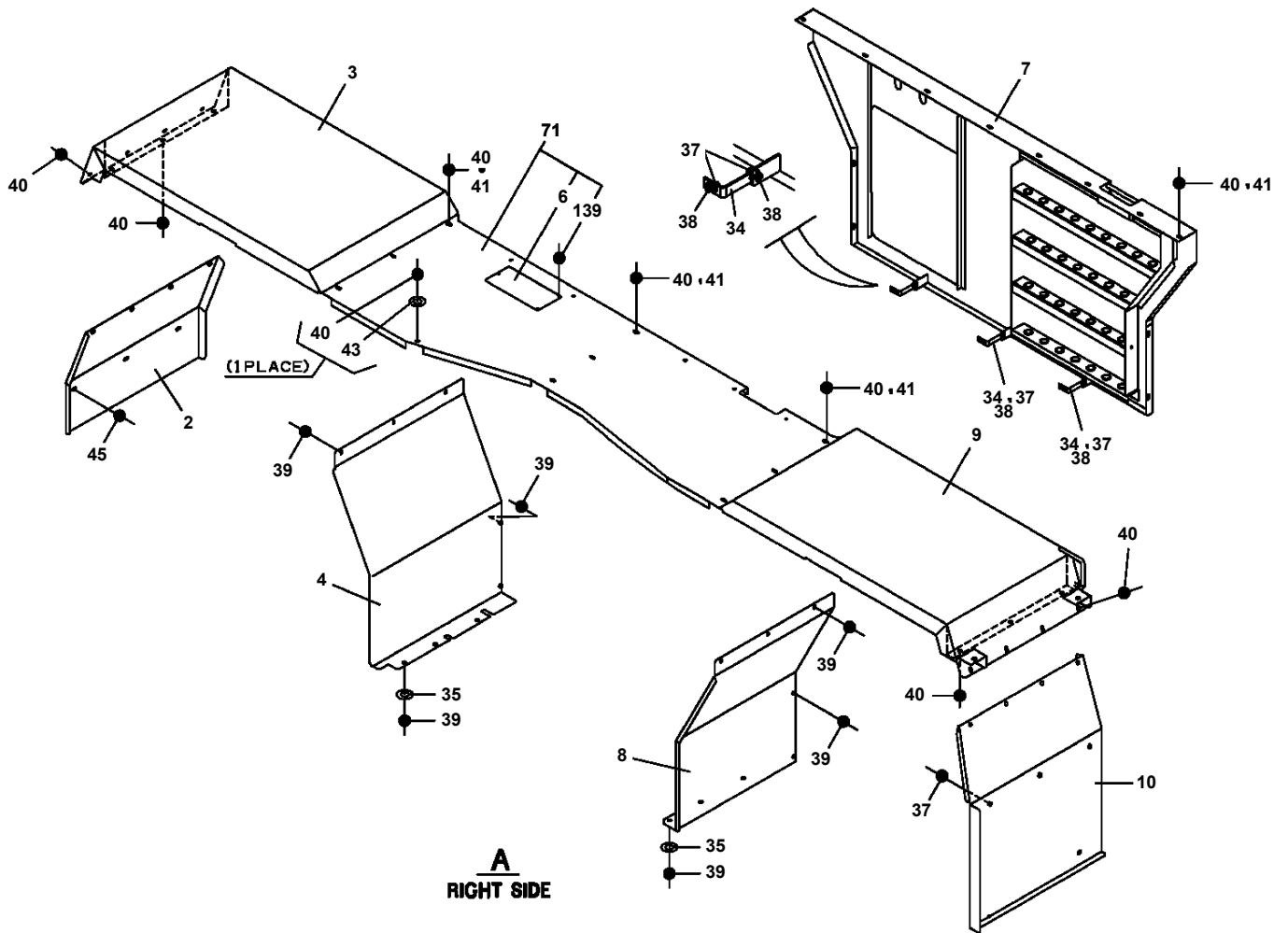
**GR-500E-2-00302 4BOOM + 2 JIB,2M2D
PO5080038-01 OPE.ASSY,CONT.VALVE (ISO/VISUAL)**



GR-500E-2-00302 4BOOM + 2 JIB,2M2D

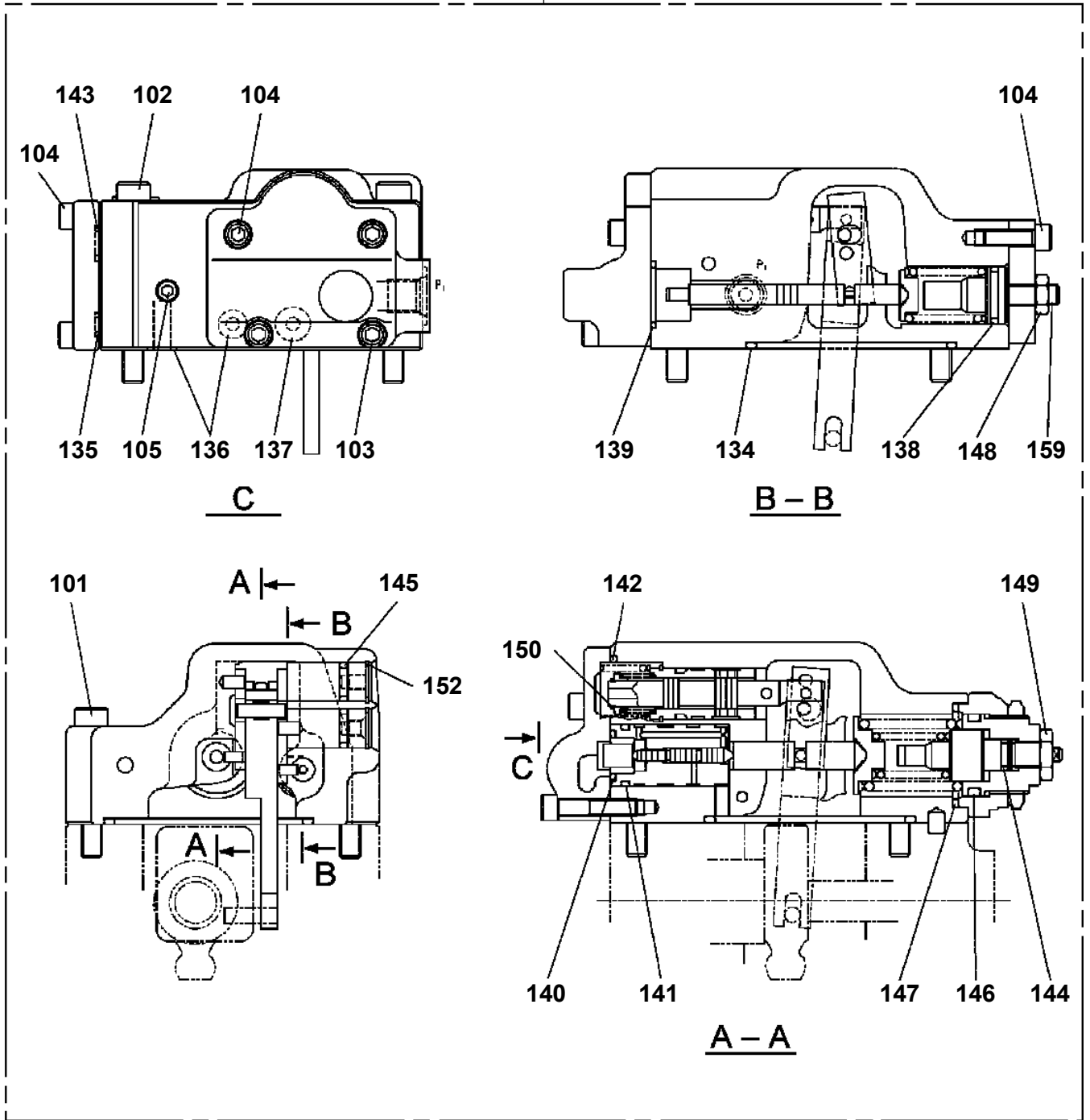
Pos No.	Parts No	Parts Name	Qty	Unit	Technical Data	Serial No (Start)	Serial No (End)	Rem
145	34321966200	PEDAL	2					
146	34321966300	SUPPORT	2					
147	34321966400	BOOT	2					
161	34323251101	BOX ASSY (LEFT)	1					
162	34320901200	COVER	2					
163	34320901300	SUPPORT	2					
164	34320901401	SHAFT	4					
165	82108501280	SWITCH	1		FL7M506N-901		541413	
	82108503280	SWITCH	1			541414		
166	80176404012	SCREW,MACHINE	8		M4X12			
167	90305260401	WASHER	8		4			
168	90280200800	NUT,FLANGE	2		M8			
170	90186208020	BOLT,FLANGE	10		M8X20			
171	37002450710	HOSE	1		L=800			
172	37002472000	HOSE	1		L=730			
173	80400160127	JOINT	10					
175	37002443710	HOSE	1		L=2200			
176	37002451480	HOSE	1		L=2600			
177	90186206010	BOLT,FLANGE	2		M6X10			
178	82114101020	CONNECTOR (2P,MALE)	1					
179	82100002033	CLAMP	1					
181	90203501200	NUT	8		M12			
182	36634920000	VALVE,CONTROL	2					
183	36672460000	FILTER (NIPPLE TYPE)	2					
184	37002510460	HOSE	2		L=15			
185	34320904201	KNOB (RED)	1					
186	82101700412	SWITCH,PUSH	1					
187	82111101010	TERMINAL	2					
188	82121102020	HOLDER	1					
189	82121101030	PLUG	2					
190	37002472020	HOSE	1		L=2030			
191	37002465820	HOSE	1		L=2050			
192	34320903800	CAP	2					
193	34320903900	KNOB	2					
194	34321691110	SOLENOID	2					
195	34320904000	KNOB	2					
197	82100000192	TERMINAL	2					
198	82100000182	INSULATOR	2					
199	82100000191	TERMINAL	2					
200	82100000183	INSULATOR	2					
201	91810130230	FASTENER	1					
202	82141921070	CABLE	1	M				
211	34322238020	KNOB ASSY	1					
212	34322238010	KNOB ASSY	1					
231	34322235600	SUPPORT	1					
232	37000118050	PIN	1					
233	90186208010	BOLT,FLANGE	1		M8X10			
234	34321961200	LEVER	2					
235	37000515600	PLATE	2		T=1.0		540977	
	37000515600	PLATE	3		T=1.0	540978		
241	34323252101	BOX ASSY (RIGHT)	1					
251	37002450510	HOSE	2		L=1250			
252	37002472030	HOSE	1		L=2460			
255	37002444970	HOSE	1		L=2275			
256	37002473200	HOSE	1		L=2240			
259	82100002002	CLAMP	1		WR6			
266	37002460250	HOSE	1		L=2950			
271	34320904300	KNOB	1					
281	34322238030	KNOB ASSY	1					
282	34320908120	KNOB ASSY	1					
295	80801002010	BEARING,PLAIN	8					

GR-500E-2-00302 4BOOM + 2 JIB,2M2D
PO5260040-05 OUTER COVERING ASSY (NON-SLIP PAINT)



GR-500E-2-00302 4BOOM + 2 JIB,2M2D
PP5420007-02 PUMP ASSY,OIL (MAIN)

71



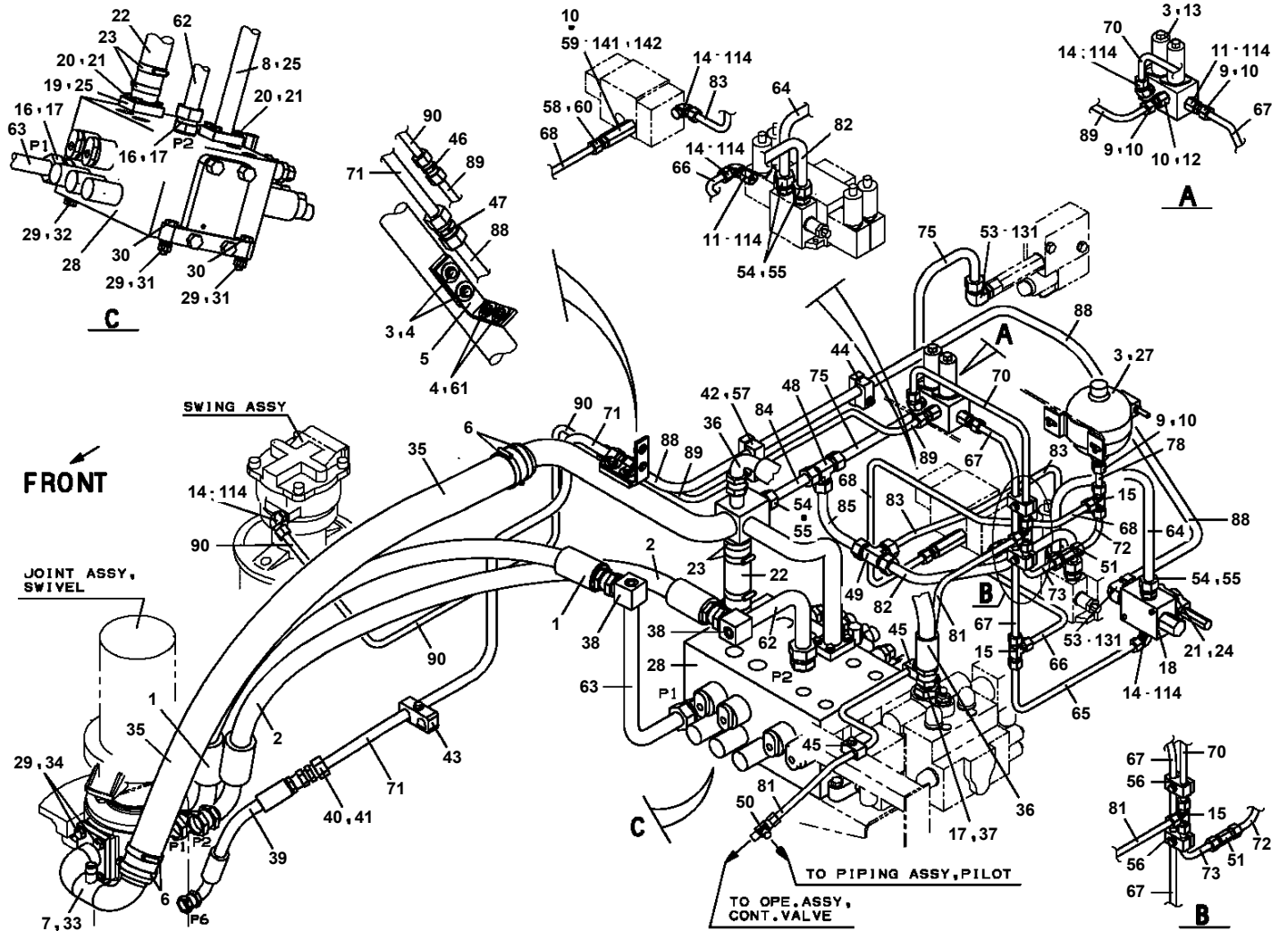
GR-500E-2-00302 4BOOM + 2 JIB,2M2D

Pos No.	Parts No	Parts Name	Qty	Unit	Technical Data	Serial No (Start)	Serial No (End)	Remark
1	81408000241	PIPE,STEEL	2	M	18X1.9T			
2	81408000160	PIPE,STEEL	1	M	12X1.4T			
3	81408000160	PIPE,STEEL	1	M	12X1.4T			
4	81408000160	PIPE,STEEL	3	M	12X1.4T			
5	81408000160	PIPE,STEEL	3	M	12X1.4T			
6	81408000160	PIPE,STEEL	2	M	12X1.4T			
7	81408000241	PIPE,STEEL	2	M	18X1.9T			
8	81408000241	PIPE,STEEL	3	M	18X1.9T			
9	81408000241	PIPE,STEEL	2	M	18X1.9T			
10	81408000241	PIPE,STEEL	1	M	18X1.9T			
11	81408000241	PIPE,STEEL	3	M	18X1.9T			
12	81408000160	PIPE,STEEL	2	M	12X1.4T			
13	81408000160	PIPE,STEEL	1	M	12X1.4T			
14	81408000160	PIPE,STEEL	3	M	12X1.4T			
15	81408000160	PIPE,STEEL	1	M	12X1.4T			
16	81408000241	PIPE,STEEL	2	M	18X1.9T			
17	81408000160	PIPE,STEEL	1	M	12X1.4T			
18	81408000160	PIPE,STEEL	1	M	12X1.4T			
19	81408000241	PIPE,STEEL	1	M	18X1.9T			
20	81408000241	PIPE,STEEL	3	M	18X1.9T			
21	81408000160	PIPE,STEEL	3	M	12X1.4T			
22	81408000241	PIPE,STEEL	2	M	18X1.9T			
23	37002446950	HOSE	4		L=690			
24	37012400090	HOSE	2		L=630			
25	37002471880	HOSE	4		L=830			
26	37002471580	HOSE	4		L=830			
27	37002435590	HOSE	1		L=500			
28	37002481750	HOSE	2		L=860			
29	80309010105	SLEEVE	8		KK012-000E			
30	36623380001	VALVE,CHECK	2					
31	36623370001	VALVE,CHECK	2					
32	80471020502	JOINT	4					
33	80430620600	JOINT (WITH O-RING)	8		L,G3/8-G3/8			
34	80320030140	FITTING,ELBOW	4		KLE18-040N			
35	80306010105	NUT	8		KKN12-000E			
36	80305010100	FITTING,TEE	3		KTA12-000N			
37	80330004900	FITTING,TEE	2		KTR12X18X12			
38	80305010160	FITTING,TEE	2		KTA18-000E			
39	37000701550	CLAMP ASSY	16		18X1			
40	37000701560	CLAMP ASSY	1		18X2			
41	91002801100	O-RING	7		1B P11			
42	80302090251	FITTING	1		KCO018-060N			
43	91002802400	O-RING	1		1B P24			
44	37000701510	CLAMP ASSY	5		12X2		541148	
	37000701510	CLAMP ASSY	6		12X2	541149		
45	80303130141	FITTING,ELBOW	1		KLO12-020E			
46	80400160177	JOINT	4		T,G1/2-G1/2-G3/8			
47	37000711080	CLAMP ASSY	2		12-2			
50	36672630000	FILTER (WITH O-RING)	1					
51	80305131202	FITTING,TEE	1		T G1/4-12-12			
52	80303130241	FITTING,ELBOW	2		KLO18-040E			
53	80302090241	FITTING	2		KCO18-040N			
54	91002801800	O-RING	8		1B P18			
55	80302090141	FITTING	1		KCO12-020N			
56	37000711090	CLAMP ASSY	1		18X2			
57	37000701500	CLAMP ASSY	2		12X1			
58	90172108065	BOLT,HEXAGON SOCKET	16		M8X65			
59	90302040801	WASHER,SPRING	16		8			
60	90186210020	BOLT,FLANGE	2		M10X20			
61	90186208014	BOLT,FLANGE	2		M8X14			
62	80301010160	FITTING	2		KUA18-000N			
63	80320010140	FITTING	2		KUD18-040N			
64	80471020504	JOINT	1		HL205-04			

GR-500E-2-00302 4BOOM + 2 JIB,2M2D

Pos No.	Parts No	Parts Name	Qty	Unit	Technical Data	Serial No (Start)	Serial No (End)
1	36646080000	VALVE,SOLENOID	1				
2	90186208014	BOLT,FLANGE	2		M8X14		
3	80302090141	FITTING	2		KCO12-020N		
4	80303130141	FITTING,ELBOW	2		KLO12-020E		
5	91002801100	O-RING	3		1B P11		
6	80306010165	NUT	1		KKN018-000E		
7	80309010165	SLEEVE	1				
8	80330001300	FITTING,TEE	1		KTR18-120N		
9	80320010140	FITTING	1		KUD18-040N		
10	80321112000	VALVE,CHECK	1				
11	80320010085	FITTING	1		KUD12-040N		
13	80400160120	FITTING	2		20376-U1/2X1/2		
14	37000921090	JOINT	1		S,7/16-20UNF-PF1/4		
15	91000590400	O-RING	1		AS568-904		
16	80441010904	FITTING (WITH O-RING)	5		S G1/4-12.7		
17	80400160126	FITTING,TEE	12		20364-U1/2		
18	80441030904	FITTING,ELBOW (WITH O-RING)	4		L,G1/4-12.7		
19	80441010906	FITTING	1				
20	80441030908	FITTING,ELBOW (WITH O-RING)	1		L,G1/2-12.7		
21	37000921300	JOINT	1		S,PF1/4-PF1/4		
22	37002472320	HOSE	1		L=350		
23	89640101000	HOSE	1		880-NFK,1M		
24	89640101000	HOSE	1		880-NFK,1M		
26	89640101000	HOSE	1		880-NFK,1M		
27	89640101000	HOSE	1		880-NFK,1M		
28	89640101000	HOSE	1		880-NFK,1M		
29	89640101000	HOSE	1		880-NFK,1M		
30	89640101000	HOSE	1		880-NFK,1M		
31	89640101000	HOSE	1		880-NFK,1M		
32	89640101000	HOSE	1		880-NFK,1M		
33	89640101000	HOSE	1		880-NFK,1M		
34	89640102000	HOSE	1		880-NFK,2M		
36	89640102000	HOSE	1		880-NFK,2M		
38	89640102000	HOSE	1		880-NFK,2M		
39	80441030906	FITTING,ELBOW	1		L,G3/8-12.7		
40	37000711010	CLAMP ASSY	1		18X1		
42	89640102000	HOSE	1		880-NFK,2M		
43	89640101000	HOSE	1		880-NFK,1M		
44	89640102000	HOSE	1		880-NFK,2M		
45	89640101000	HOSE	1		880-NFK,1M		
46	89640103000	HOSE	1		880-NFK,3M		
47	91810130250	FASTENER	13				
49	89640101000	HOSE	1		880-NFK,1M		
50	89640101000	HOSE	1		880-NFK,1M		
55	89640101000	HOSE	1		880-NFK,1M		
56	89640101000	HOSE	1		880-NFK,1M		
57	89640101000	HOSE	1		880-NFK,1M		
59	89640101000	HOSE	1		880-NFK,1M		
60	81408000241	PIPE,STEEL	1	M	18X1.9T		
61	81408000160	PIPE,STEEL	1	M	12X1.4T		
62	81408000160	PIPE,STEEL	1	M	12X1.4T		
63	81408000241	PIPE,STEEL	1	M	18X1.9T		
65	81408000160	PIPE,STEEL	1	M	12X1.4T		
66	81408000160	PIPE,STEEL	1	M	12X1.4T		
91	91002801100	O-RING	11		1B P11		
101	91002801400	O-RING	2		1B P14		
111	91002801800	O-RING	1		1B P18		

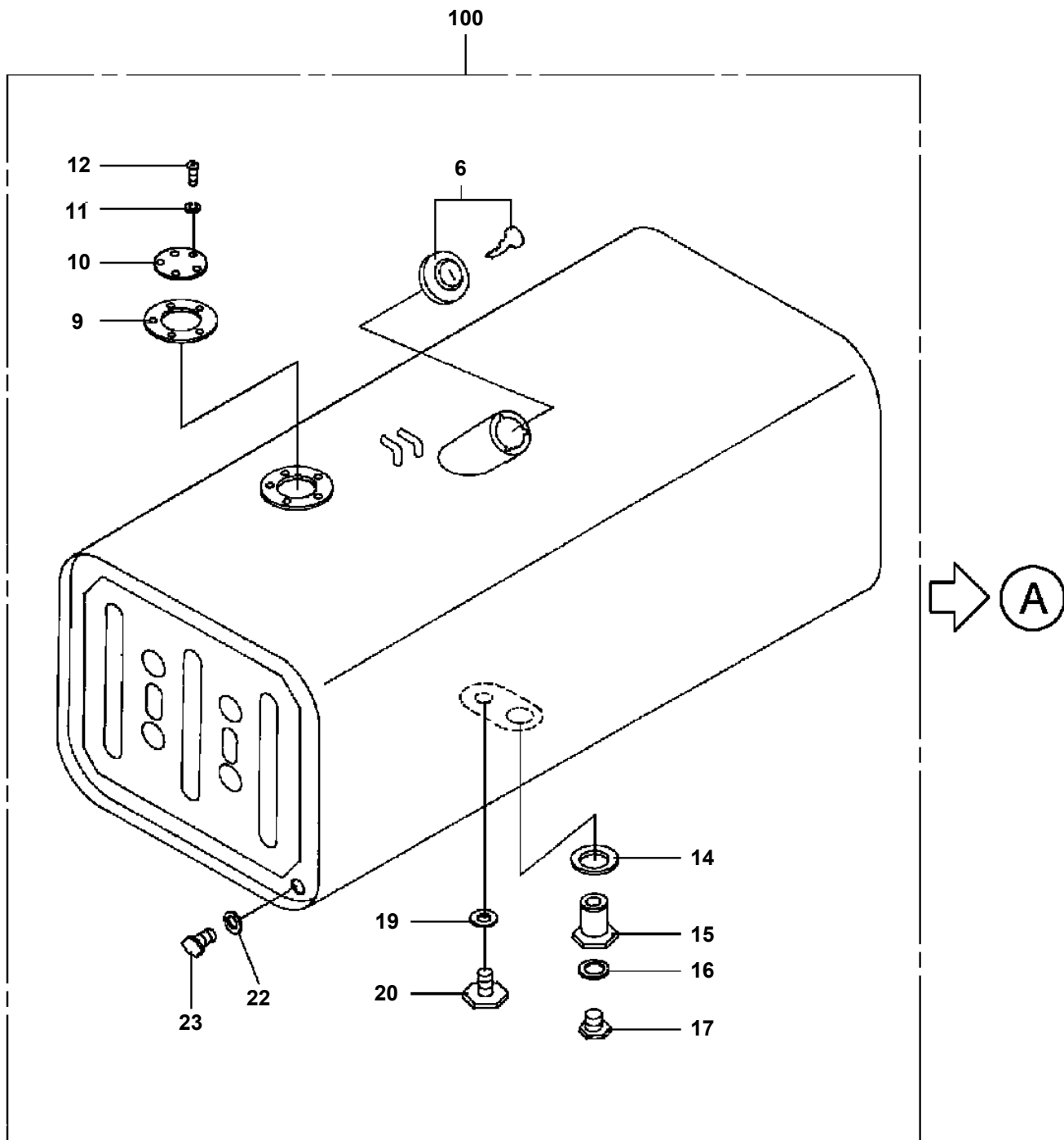
**GR-500E-2-00302 4BOOM + 2 JIB,2M2D
PP6270012-00 PIPING ASSY,RETURN (UPPER)**



GR-500E-2-00302 4BOOM + 2 JIB,2M2D

Pos No.	Parts No	Parts Name	Qty	Unit	Technical Data	Serial No (Start)	Serial No (End)	Remarks
1	34640441400	PLATE	1					
2	34640271700	GASKET	1					
3	90191210025	BOLT	2		M10X25			
4	91803600600	CLIP	4		D=45-60			
5	34641521100	FITTING,FLANGE	1					
6	91002907000	O-RING	1		1B G70			
7	37002516990	HOSE	1		L=970			
8	90302041001	WASHER,SPRING	18		10			
9	90172116060	BOLT,HEXAGON SOCKET	4		M16X60			
10	90302041601	WASHER,SPRING	4		16			
11	90101510030	BOLT	4		M10X30			
12	34641011200	JOINT	1					
13	91002911000	O-RING	1		1B G110			
14	90101512100	BOLT	4		M12X100			
15	90302041201	WASHER,SPRING	4		12			
16	80316070040	PLUG	1		PF1/4			
17	91002801100	O-RING	1		1B P11			
18	90172110030	BOLT,HEXAGON SOCKET	6		M10X30			
19	36654530001	PUMP ASSY,OIL (MAIN)	1					
20	37002511370	HOSE	1		L=310			
21	91803930500	CLIP	4		38-50			
22	34641341101	FITTING,FLANGE	1					
23	91002903000	O-RING	1		1B G30			
24	36653300000	PUMP,HYDRAULIC	1					
25	37002502870	HOSE	1		L=280			
26	34640781200	FITTING,FLANGE	1					
27	91002903500	O-RING	1		1B G35			
28	90101510035	BOLT	4		M10X35			
29	91803931120	CLIP	4		87-112			
30	90171110030	BOLT	2		M10X30			

GR-500E-2-00302 4BOOM + 2 JIB,2M2D
PQ1100033-02 TANK,FUEL (300L)



Ⓐ 部へ変更
ALTERATION TO Ⓐ

GR-500E-2-00302 4BOOM + 2 JIB,2M2D

Pos No.	Parts No	Parts Name	Qty	Unit	Technical Data	Serial No (Start)	Serial No (End)	Remarks	Pages
1	36361325070	RADIATOR ASSY	1						
2	36361325080	COOLER ASSY	1						
100	36361493010	RADIATOR ASSY	1						

GR-500E-2-00302 4BOOM + 2 JIB,2M2D

Pos No.	Parts No	Parts Name	Qty	Unit	Technical Data	Serial No (Start)	Serial No (End)	F
1	34354001550	PLATE	1				541239	
	34354341511	PLATE	1			541240		
2	80192486012	SCREW,MACHINE	30		M6X12		541239	
	80192486012	SCREW,MACHINE	26		M6X12	541240		
5	82100002596	RELAY	16					
6	82100002597	RELAY	5					
7	82161201010	RELAY	1			541240		
8	82161161125	RELAY	5				541239	
	82161324080	RELAY	4			541240		
9	34353291550	SWITCH ASSY	1					
10	80172303012	SCREW,MACHINE	2		M3X12			
11	80172303016	SCREW,MACHINE	2		M3X16			
12	90302040301	WASHER,SPRING	4		3			
13	90303070301	WASHER,PLAIN	4		3			
14	34352991600	HARNES	4			541240		
16	80197585012	SCREW,MACHINE	4		M5X12	541240		
17	34430075510	BOX ASSY (FUSE)	2					
18	82100001837	FUSE	6		5A			
19	82100001839	FUSE	12		10A.RED			
20	82100001840	FUSE	10		15A,BLUE			
21	34351961640	SWITCH ASSY	2					
22	82100001884	TERMINAL	1					
23	34350351500	PLATE	1					
24	82100001404	TERMINAL	4					
25	82100001219	INSULATOR	4					
28	82114214082	CONNECTOR	1					
29	82111207051	TERMINAL (MAIL)	4					
31	82181024152	RESISTANCE	1					
33	82181024102	RESISTANCE	1		1.0K			
34	82181024202	RESISTANCE	1		2.0K			
35	82181024562	RESISTANCE	1		5.6K			
37	82100002267	CONNECTOR	1					
38	34351571350	RELAY ASSY (WITH CONNECTOR)	1					
40	34930661130	BOX ASSY (FUSE)	1					
41	80192486016	SCREW,MACHINE	2		M6X16			
61	34351562510	BOX,FUSE	2					
71	34430255710	BOX,FUSE	1					
77	82100001839	FUSE	3		10A.RED			
78	82100001837	FUSE	5		5A			

GR-500E-2-00302 4BOOM + 2 JIB,2M2D

Pos No.	Parts No	Parts Name	Qty	Unit	Technical Data	Serial No (Start)	Serial No (End)	Remarks	P
1	37001808780	ROPE,WIRE (KISWIRE)	1						

GR-500E-2-00302 4BOOM + 2 JIB,2M2D

Pos No.	Parts No	Parts Name	Qty	Unit	Technical Data	Serial No (Start)	Serial No (End)	Remarks	Pages
3	36610385010	SPRING	1						
12	36610275020	O-RING	1		AS568-908				
15	36610275060	PLUG	1						
16	36610275040	O-RING	2						
17	36610385020	PLUG	1						
100	36611580000	VALVE,PRIORITY	1						

GR-500E-2-00302 4BOOM + 2 JIB,2M2D

Pos No.	Parts No	Parts Name	Qty	Unit	Technical Data	Serial No (Start)	Serial No (End)	Remarks	Pa
1	36062150000	CYLINDER,STEERING	2						00
2	36062160000	CYLINDER,STEERING	2						00
3	37001505370	BOLT	4						
4	37001505380	BOLT	4		M30X125				
5	37001601880	NUT,CASTLE	8		M30X1.5				
6	80136363056	PIN,SPLIT	8		6.3X56				

GR-500E-2-00302 4BOOM + 2 JIB,2M2D

Pos No.	Parts No	Parts Name	Qty	Unit	Technical Data	Serial No (Start)	Serial No (End)	Remarks	Pages
1	34444731100	SUPPORT	1						
	34444731400	SUPPORT,IP	1			541181			
2	34444731200	SUPPORT	1						

GR-500E-2-00302 4BOOM + 2 JIB,2M2D

Pos No.	Parts No	Parts Name	Qty	Unit	Technical Data	Serial No (Start)	Serial No (End)	Remarks	Pages
1	34444737100	GUARD	1						

GR-500E-2-00302 4BOOM + 2 JIB,2M2D

Pos No.	Parts No	Parts Name	Qty	Unit	Technical Data	Serial No (Start)	Serial No (End)	Remark
1	37002304990	BEARING,SWING (HITACHI)	1					
	37002304590	BEARING,SWING (NTN)	1					
2	36081480000	DRIVING UNIT,SWING	1					
3	90171118050	BOLT	12					
4	90303501805	WASHER,PLAIN	12		18			
5	37000911610	JOINT	1		R3/8XRC3/8			
6	80316030060	PLUG	1		PT3/8			
7	82401800100	PLUG (FOR M10)	2					
8	82401800200	PLUG	2		FOR M20			
11	37002305740	BEARING,SWING (SHILLA)	1					
31	82456101000	NIPPLE,GREASE	6		A-PT1/8			

GR-500E-2-00302 4BOOM + 2 JIB,2M2D

Pos No.	Parts No	Parts Name	Qty	Unit	Technical Data	Serial No (Start)	Serial No (End)
1	34353022110	COVER	1				
2	34354002120	SUPPORT ASSY	1				540795
3	42433932100	SWITCH ASSY (WITH HARNESS,1 SW)	2				
4	80182406010	SCREW,MACHINE	4		M6X10		
5	90302350601	WASHER,SPRING (6)	4				
6	90303360601	WASHER,PLAIN	4		6		
7	82197518114	CAP (MATSUSHITA/BLACK)	2				
	82197518119	CAP (PLUS ONE MFG./BLACK)	2				
8	44320491020	LAMP ASSY (GREEN)	1				541133
	42653673200	LAMP ASSY (GREEN,WITH HARNESS)	1			541134	
9	82466009202	CATCH	1				540795
	82466109001	CATCH	1			540796	
10	80172803010	SCREW,MACHINE	2		M3X10		540795
	80175804008	SCREW,MACHINE	4		M4X8	540796	
11	90303520301	WASHER,PLAIN	2		3		540795
12	90201500300	NUT	2		M3		540795
	90201500400	NUT	2		M4	540796	
13	90302510301	WASHER,SPRING (SUS 3)	2				540795
	90302510401	WASHER,SPRING	2		4	540796	
21	90240200400	NUT,CAP	2		M4	540796	
22	34354002150	SUPPORT ASSY	1			540796	
34	92001140100	HINGE	1				540795
41	34354009510	COVER ASSY	1				540795
42	34354009520	COVER ASSY	1			540796	541926
	34354009530	COVER ASSY	1			541927	
54	82400000348	HINGE	1			540796	541926
	82464110004	HINGE	1			541927	
55	80147310420	RIVET	2		3.2X6	541927	
100	34354002100	SWITCH ASSY (JIB HANDLING)	1				

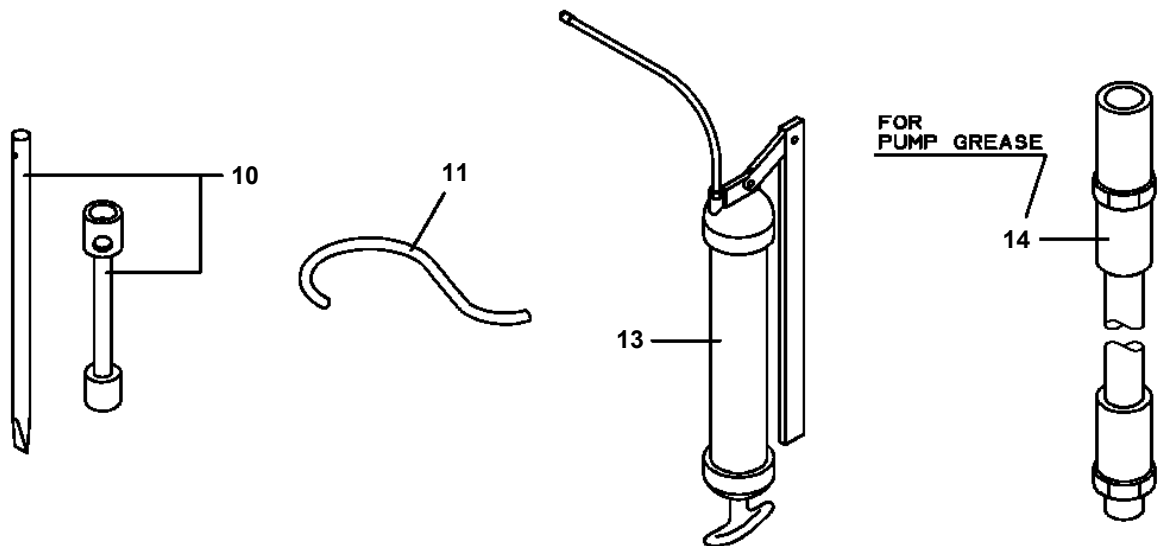
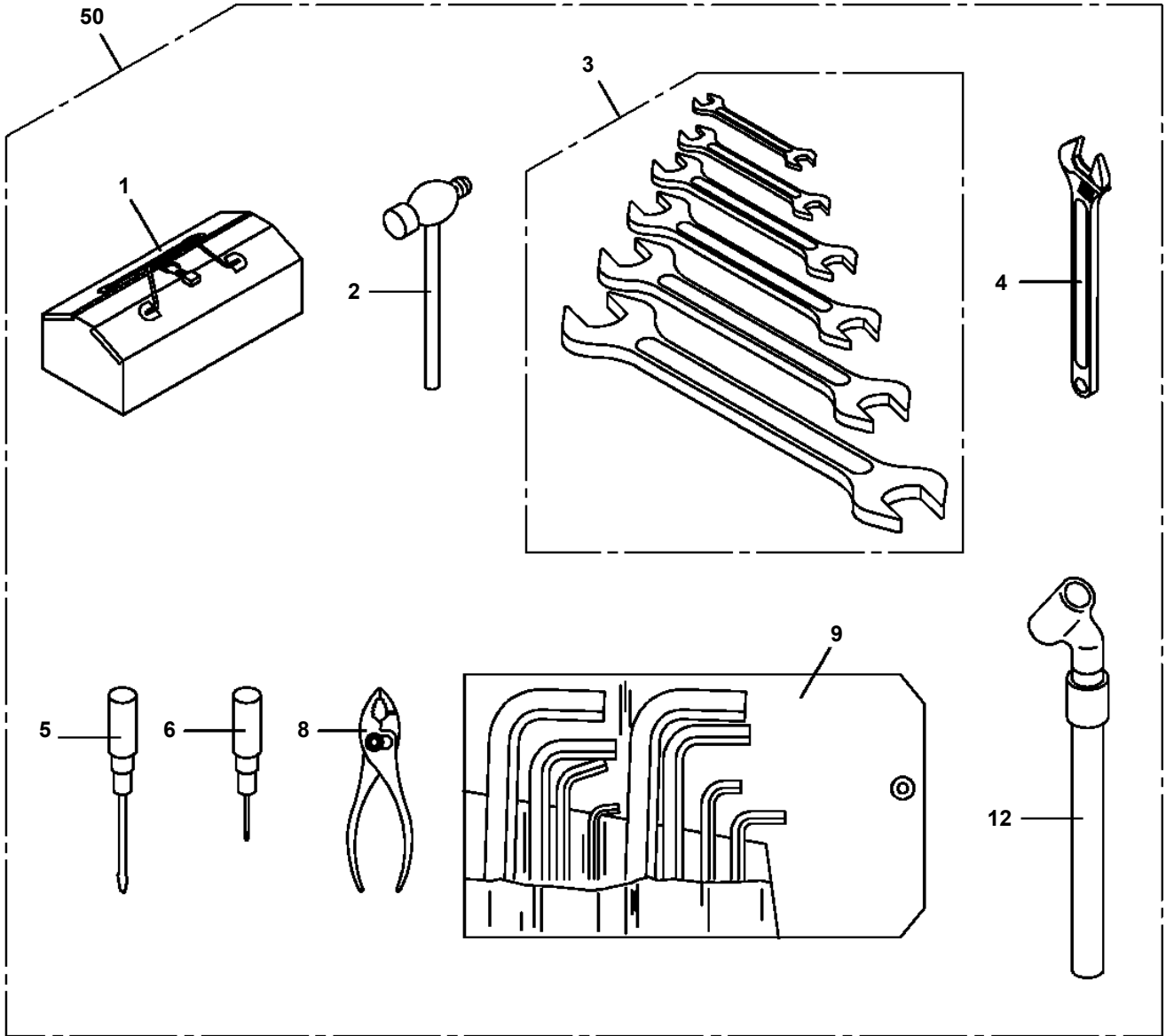
GR-500E-2-00302 4BOOM + 2 JIB,2M2D

Pos No.	Parts No	Parts Name	Qty	Unit	Technical Data	Serial No (Start)	Serial No (End)	Remarks	Pages
5	34510703250	PACKING	1						
6	34510703260	PACKING	1						
100	34510703200	SUPPORT	1						

GR-500E-2-00302 4BOOM + 2 JIB,2M2D

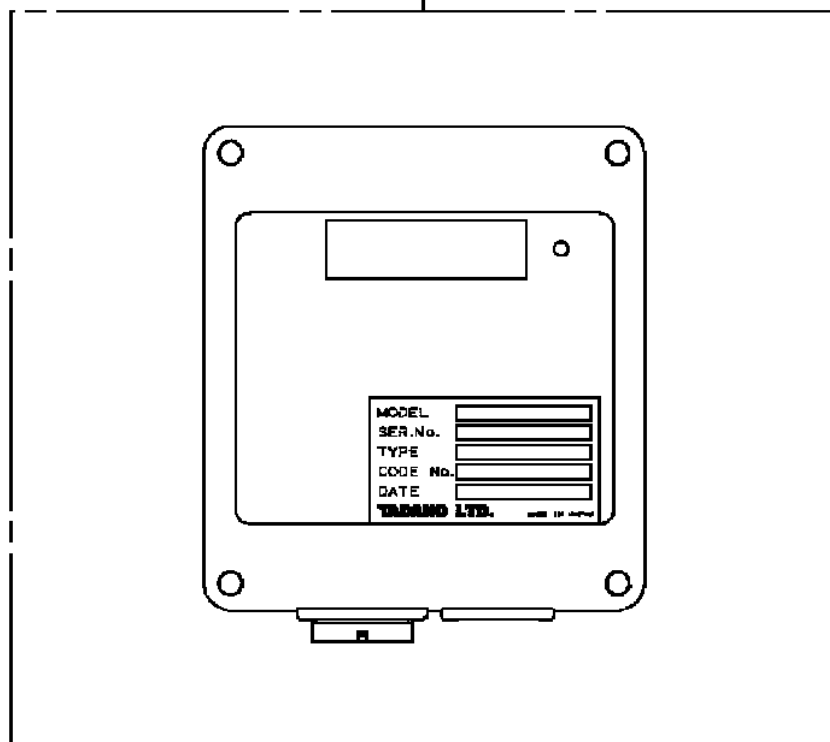
Pos No.	Parts No	Parts Name	Qty	Unit	Technical Data	Serial No (Start)	Serial No (End)	Remarks	Page
5	36101800041	CAP	1						
6	36101945060	RING (SLIDE)	1						
7	36101945070	COVER (RING)	1						
8	34921317510	DIAPHRAGM	1						
9	34921317530	BRACKET	1						
50	34921313000	TANK,BRAKE FLUID	1						

GR-500E-2-00302 4BOOM + 2 JIB,2M2D
PT5160005-00 TOOL ASSY



**GR-500E-2-00302 4BOOM + 2 JIB,2M2D
PT5670001-00 TRANSMITTER ASSY,SIGNAL (LOWER)**

10



GR-500E-2-00302 4BOOM + 2 JIB,2M2D

Pos No.	Parts No	Parts Name	Qty	Unit	Technical Data	Serial No (Start)	Serial No (End)	Remarks
1	36370635030	HOUSING	1					
2	36370415160	COVER	1					
3	36370215520	SEAL,OIL	1					
4	36370635040	COVER	1					
5	36370635050	GASKET	1					
6	36370505100	GEAR (N)	1					
7	80601110950	RING,RITAINING	1		S95			
8	36370655060	SHAFT ASSY	1					
9	36370505120	SUPPORT ASSY	1					
10	36370217020	BEARING,BALL	4					
11	36370217050	RING,SEAL	1					
12	36370207570	RING,SEAL	2					
13	36370217070	RING,SEAL	1					
14	36370555090	SHAFT ASSY	1					
15	36370505140	GEAR (Q)	2					
16	36370505150	SHAFT (S)	1					
17	36370505161	SHAFT (C)	1					
18	36370217100	WASHER	6					
19	36370217130	BEARING,BALL	1					
20	80518006209	BEARING,BALL	1					
21	80601110450	RING,RITAINING	6		S45			
22	80601110400	RING,RITAINING	2		S40			
23	36370207130	WASHER	2					
26	36370207190	WASHER	1					
27	80602110950	RING,RITAINING	1		95			
28	36370505180	BEARING,BALL	1					
29	80518006009	BEARING,BALL	1					
30	36370455150	WASHER	1					
31	80602110820	RING,RITAINING	1		82			
32	36370207290	FLANGE	1					
33	91067103500	O-RING	1		4E P35			
34	36370355130	WASHER	1					
35	90103516040	BOLT	1		M16X40			
36	36370615120	SEAL,OIL	1					
37	36350456050	SEAL,OIL	1					
38	80601110350	RING,RITAINING	1		S35			
39	36370207380	WASHER	2					
40	36370207390	SHIM (T=0.2)	N					
41	36370207400	SHIM (T=0.5)	N					
42	36370615130	O-RING	1					
43	36350365760	PISTON	1					
44	36370555110	SPRING	1					
45	36370555120	SPRING	1					
46	36370555130	SPRING	1					
47	36350525320	STOPPER	1					
48	36370505190	COVER	1					
49	36370505200	GASKET	1					
50	36370615190	PLUG	1					
51	36370615200	O-RING	1					
52	36370215550	COVER	1					
53	36350695320	FILTER (COIN)	1					
54	36350695330	O-RING	1					
55	36350265160	PIN	3		10X28			
56	36681890000	SENDER,THERMO (OIL)	1					
57	36370675150	PLUG (MAGNET)	1					
58	36370505220	BOLT ASSY	2					
59	90171108020	BOLT	8		M8X20			
61	90171110030	BOLT	15		M10X30			
62	90101510065	BOLT	4		M10X65			
63	36370505230	BOLT,HEXAGON SOCKET	4					
64	36350456060	PLUG	18					
65	36370595040	ADAPTER	1					
66	36370615050	O-RING	1					

GR-500E-2-00302 4BOOM + 2 JIB,2M2D

Pos No.	Parts No	Parts Name	Qty	Unit	Technical Data	Serial No (Start)	Serial No (End)	Remarks
2	36062890000	CYLINDER,SPRING LOCK	2					
3	34790212000	SUPPORT	4					
4	36410200000	SPRING,LEAF	4					
5	37001600940	NUT	16		M27			
6	90303502701	WASHER,PLAIN <27)	16					
7	37001507040	BOLT	16					
8	37000157731	PIN	4					
9	37000555860	PLATE	8					
10	80136380071	PIN,SPLIT	8		8X71			
11	36062880000	CYLINDER,SPRING LOCK	2					
12	37000157701	PIN	4					
13	37000309290	SPACER	8					
14	37001506450	BOLT	8		M16X155		541153	
	90171316035	BOLT	8		M16X35	541154		
15	90302041601	WASHER,SPRING	8		16		541153	
16	34790104000	PLATE,SLIDE	4				541153	
	34763606100	PLATE,SLIDE	4			541154		
17	37001500290	BOLT	4		M20			
18	37000302600	SPACER	4		L=102			
19	90236202009	NUT,CASTLE	4		M20			
20	80136340035	PIN,SPLIT	4		4X35			
21	90303072001	WASHER,PLAIN	4		20			
22	59160536000	SPACER	8					
23	59160537000	PIN	4					
24	59160552001	BOLT	4		M12X85			
25	90210201200	NUT	4		M12		541820	
	90217201200	NUT	4		M12X1.5	541821		
26	90302041201	WASHER,SPRING	4		12			
41	34790451100	SUPPORT	1					
42	34790451200	SUPPORT	1					
43	34790451300	SUPPORT	2					
44	34790211300	SUPPORT	2					
45	34790211400	SUPPORT	2					
46	34790211500	SUPPORT	2					
47	34790451400	SUPPORT	2					
48	37000520710	PLATE	4					

GR-500E-2-00302 4BOOM + 2 JIB,2M2D

Pos No.	Parts No	Parts Name	Qty	Unit	Technical Data	Serial No (Start)	Serial No (End)	Remark
1	91991310027	SPANNER,SINGLE END (27)	1					
2	91991310030	SPANNER,SINGLE END (30)	1					
3	91991310032	SPANNER,SINGLE END (32)	1					
4	91991310036	SPANNER,SINGLE END (36)	1					
5	91991310041	SPANNER,SINGLE END (41)	1					
6	91994250003	SCREWDRIVER (+)	1		L=150			
7	91991110350	WRENCH,PIPE	1		350MM			
20	34460904000	TOOLS (WORK)	1					

GR-500E-2-00302 4BOOM + 2 JIB,2M2D

Pos No.	Parts No	Parts Name	Qty	Unit	Technical Data	Serial No (Start)	Serial No (End)
1	34721421100	WHEEL,STEERING	1				
2	34721722101	COVER	1				
3	34721422201	COVER	1				
4	82100002051	CLAMP	1		WS-A55		
5	80182306010	SCREW,MACHINE	3		M6X10		
6	90302040601	WASHER,SPRING	3		6		
7	82100002039	CLAMP	2				
8	90209201200	NUT	1		M12		
9	90302041201	WASHER,SPRING	1		12		
10	90303071201	WASHER,PLAIN	1		12		
11	34722101500	SHAFT (STEERING)	1				
13	90302040501	WASHER,SPRING	4		5		
14	90131505020	BOLT,HEXAGON SOCKET	4		M5X20		
15	90303070501	WASHER,PLAIN	4		5		
16	34720912600	SHIM	1				
18	90201200500	NUT	4		M5		
19	34720911200	SWITCH ASSY (COMBINATION)	1				
20	90982050145	SCREW,TAPPING	6				
21	80192488016	SCREW,MACHINE	1		M8X16		
22	80192486014	SCREW,MACHINE (WITH WASHER)	2		M6X14		

GR-500E-2-00302 4BOOM + 2 JIB,2M2D

Pos No.	Parts No	Parts Name	Qty	Unit	Technical Data	Serial No (Start)	Serial No (End)	Remarks	Pages
1	34761005100	BOX,TOOL	1						
2	91901200300	KEY	1						
3	90186210020	BOLT,FLANGE	6		M10X20				
4	90303071001	WASHER,PLAIN	6		10	541506			
21	82464110208	HINGE	2						
22	82466022800	CATCH	1						
23	34761009512	COVER ASSY	1				541352		
	34761009513	COVER ASSY	1			541353			
24	80172304014	SCREW,MACHINE	2		M4X14				
25	90302040401	WASHER,SPRING	2		4				

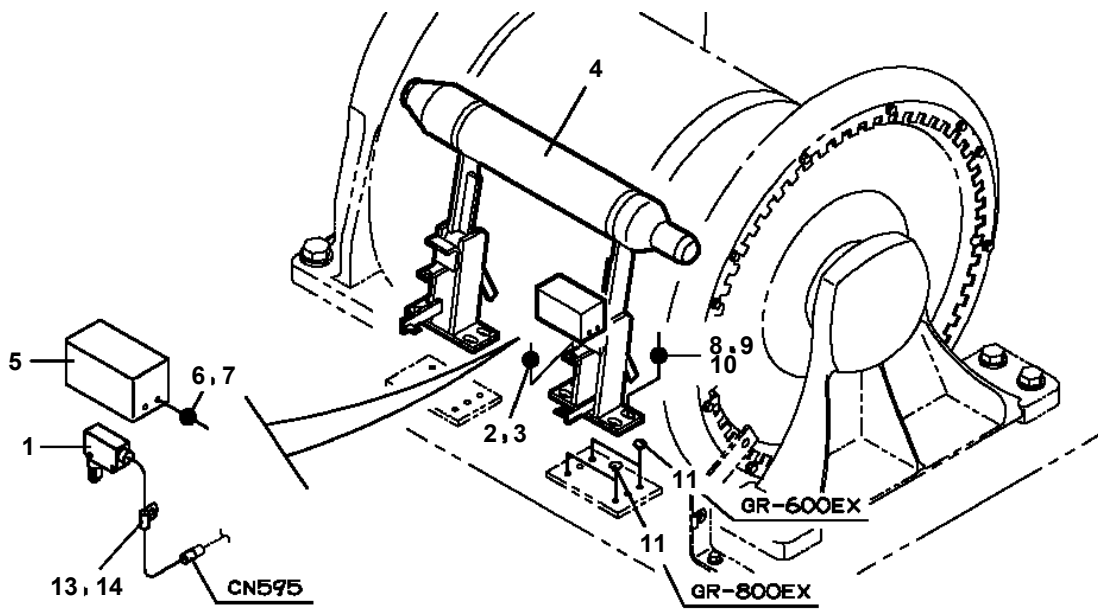
GR-500E-2-00302 4BOOM + 2 JIB,2M2D

Pos No.	Parts No	Parts Name	Qty	Unit	Technical Data	Serial No (Start)	Serial No (End)	Remarks	Pages
1	34393926530	PLATE (NON-SLIP)	8						
2	34393926560	PLATE (NON-SLIP)	4						
3	34393926550	PLATE (NON-SLIP)	4						
4	34393926540	PLATE (NON-SLIP)	1						
5	42834433300	PLATE (NON-SLIP)	5						
6	34394166510	PLATE (NON-SLIP)	2						
7	34393906520	PLATE (NON-SLIP)	4						

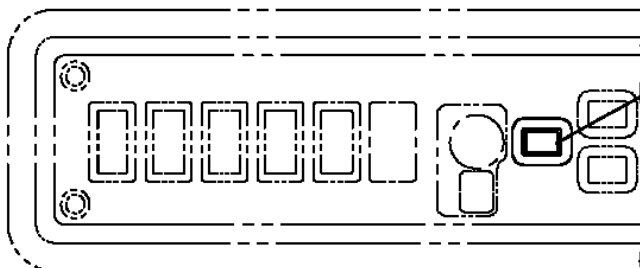
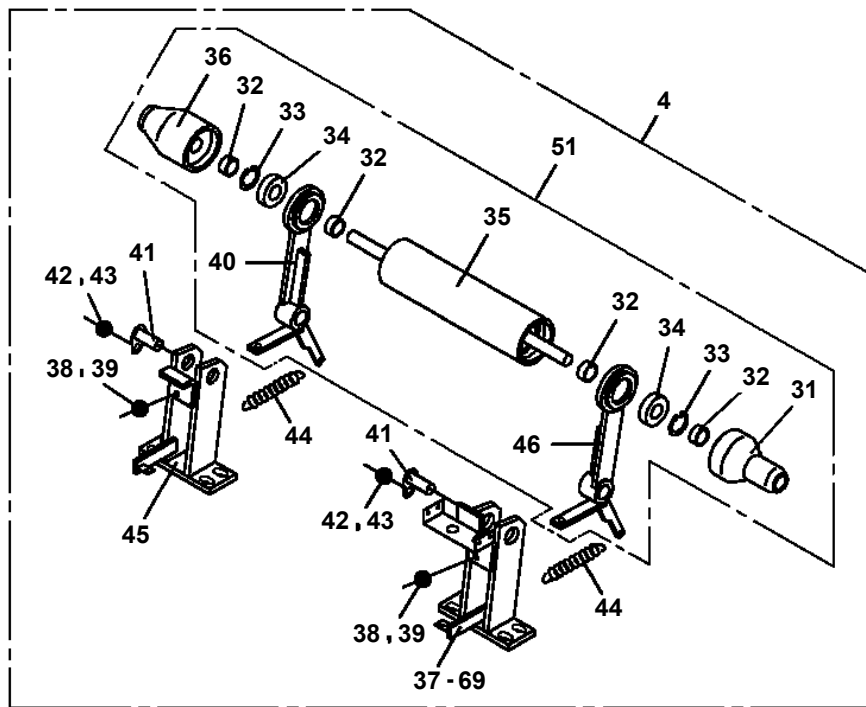
GR-500E-2-00302 4BOOM + 2 JIB,2M2D

Pos No.	Parts No	Parts Name	Qty	Unit	Technical Data	Serial No (Start)	Serial No (End)	Remarks	Page
1	99510300000	FIRE EXTINGUISHER	1						
2	34445020100	COVER	1			540942			

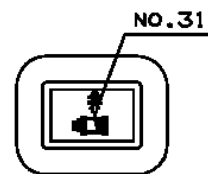
**GR-500E-2-00302 4BOOM + 2 JIB,2M2D
PX5640005-01 MOUNT ASSY,ROLLER (MAIN ROPE RUN-OUT DETECTION SW)**



MAIN WINCH

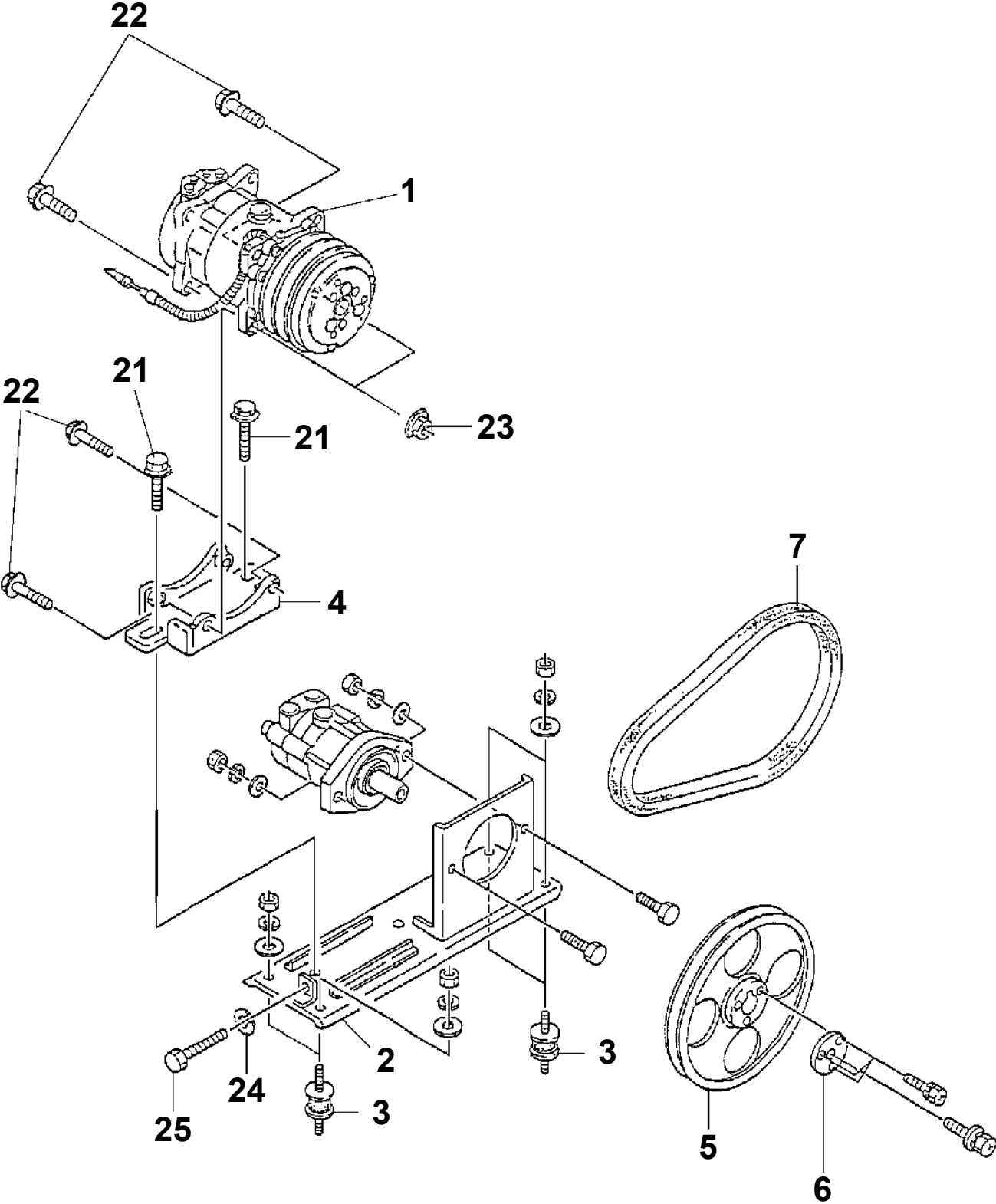


**THE UPPER RIGHT SWITCH PANEL
INSIDE CAB**

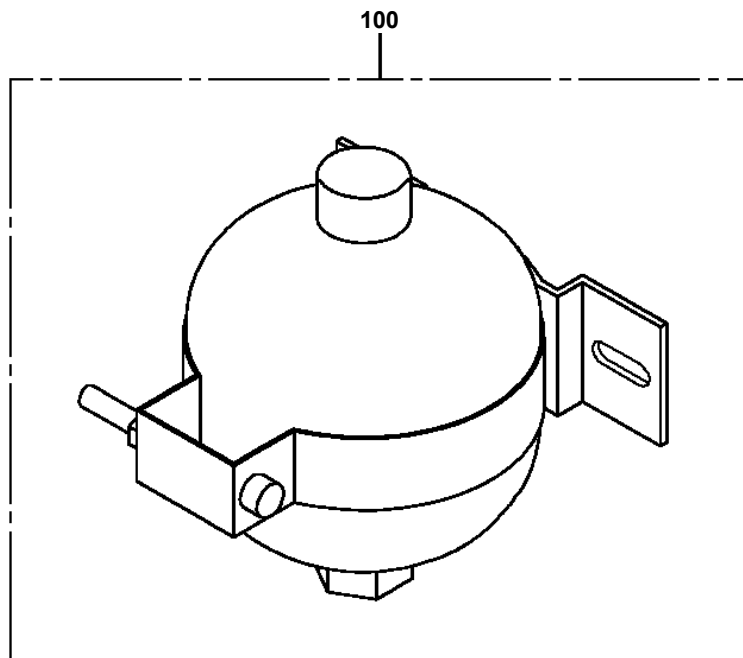


**AFFIX NAMEPLATES INDICATED IN
SWITCH ASSY (CAB/FRONT SWITCH)
TO THE LOCATION ABOVE.**

**GR-500E-2-00302 4BOOM + 2 JIB,2M2D
PY1380061-00 COMPRESSOR**



GR-500E-2-00302 4BOOM + 2 JIB,2M2D
PY5040001-00 ACCUMULATOR

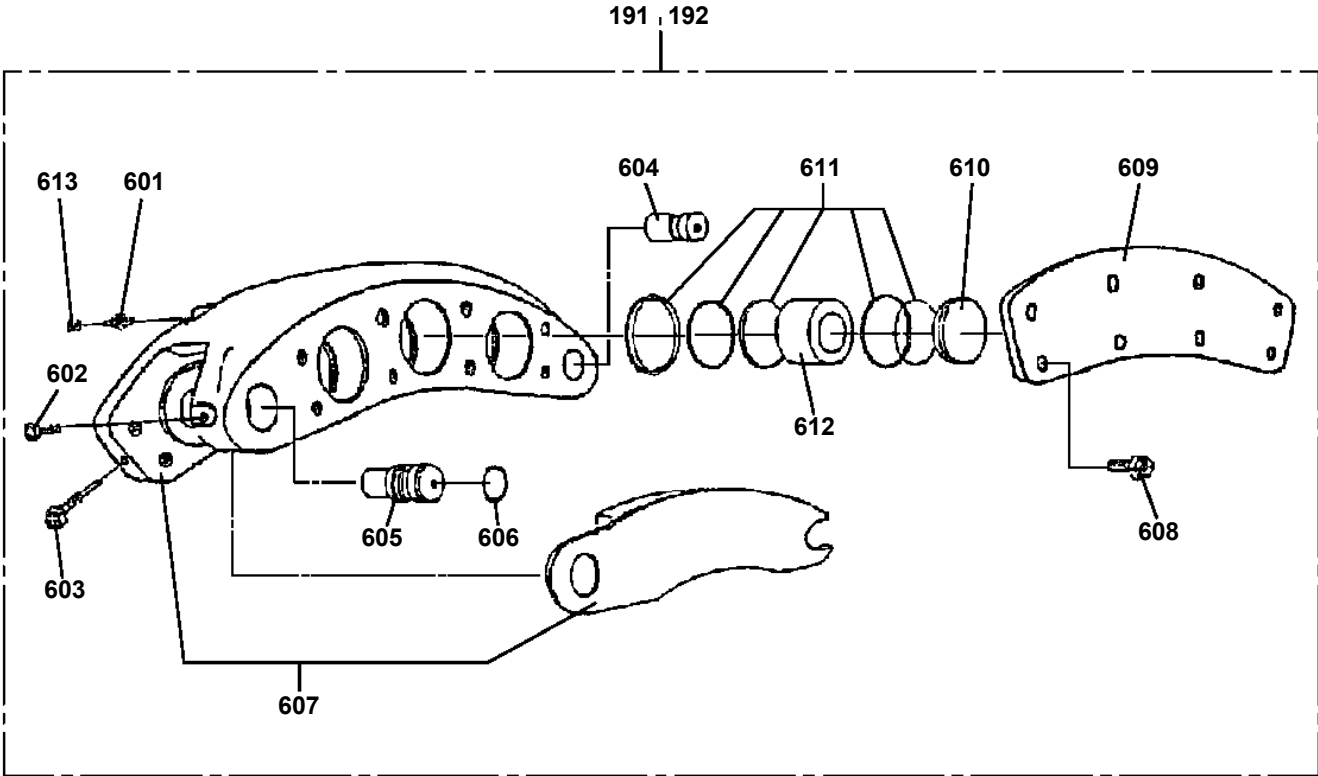


GR-500E-2-00302 4BOOM + 2 JIB,2M2D
PY5220008-00 ANEMOMETER ASSY (DIGITAL)

アネモメータASSY (デジタル)
ANEMOMETER ASSY (DIGITAL)

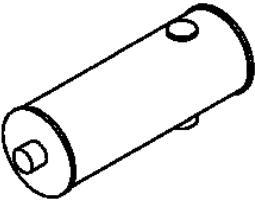

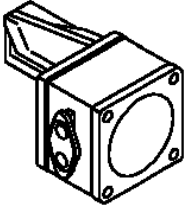



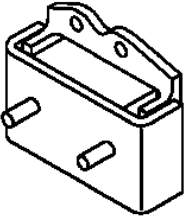

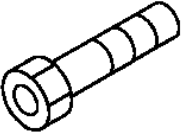



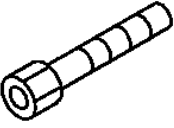
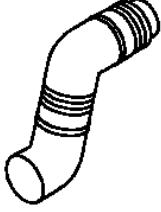
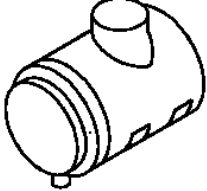
【組立名称一覧】より選択してください。
SEE THE CORRESPONDING "ASSEMBLY NAME" LIST.

**GR-500E-2-00302 4BOOM + 2 JIB,2M2D
PY5330002-04 AXLE ASSY (REAR,NO-SPIN)**



GR-500E-2-00302 4BOOM + 2 JIB,2M2D

PY5360002-01 ACCESSORY LIST (ENGINE:MOUNTING PARTS)

<p>1 マフラ MUFFLER</p> 	<p>2 ガasket (エグゾーストヨウ) GASKET (EXHAUST)</p> 	<p>3 ハールブ ASSY VALVE, EXHAUST (BRAKE)</p> 
<p>4 クランプ (D=MIN130,MAX169) CLAMP (D=MIN130,MAX169)</p> 	<p>5 ナット NUT</p> 	<p>6 ワッシャ、スプリング WASHER, SPRING</p> 
<p>7 クッション (リヤ) CUSHION (REAR)</p> 	<p>8 クランプ (D=MIN104,MAX142) CLAMP (D=MIN104,MAX142)</p> 	<p>9 ボルト (フロントクッションヨウ) BOLT (FRONT CUSHION)</p> 
<p>10 ワッシャ、プレーン (フロントクッションヨウ) WASHER, PLAIN (FRONT CUSHION)</p> 	<p>11 クランプ (マフライリクチ) CLAMP (MUFFLER-IN)</p> 	<p>12 クランプ (マフラテクチ) CLAMP (MUFFLER-OUT)</p> 
<p>13 ボルト (マフラクランプヨウ) BOLT (MUFFLER CLAMP)</p> 	<p>14 ホース (エアインテークヨウ) HOSE (AIR INTAKE)</p> 	<p>15 クリーナASSY, エア CLEANER ASSY, AIR</p> 

CLICK HERE TO **DOWNLOAD** THE COMPLETE MANUAL

- Thank you very much for reading the preview of the manual.
- You can download the complete manual from: www.heydownloads.com by clicking the link below



- Please note: If there is no response to CLICKING the link, please download this PDF first and then click on it.

CLICK HERE TO **DOWNLOAD** THE COMPLETE MANUAL