

GR-500-2-00201 4 BOOM + 2 JIB,2M2D

**PB5000011-00 HYDRAULIC PRESSURE SYSTEM
PB6000022-00 PIPING SYSTEM (UPPER)
PB6000023-00 PIPING SYSTEM (LOWER)
PC1000634-00 OUTRIGGER SYSTEM
PD1000625-00 SWING SYSTEM
PF1000716-00 WINCH SYSTEM
PG5000010-00 BOOM SYSTEM
PG6000009-00 JIB SYSTEM
PH5000010-00 SAFETY SYSTEM
PK1000732-02 FRAME
PK5000010-00 CAB SYSTEM
PL5000010-00 CONTROL SYSTEM
PM1000032-01 LUBRICATION DEVICES
PN1000620-00 ELECTRIC EQUIPMENT (CAB)
PN1000621-00 ELECTRIC EQUIPMENT
PO1000150-00 INDICATION PLATES
PR5000023-00 DRIVING POWER SYSTEM
PS5000010-00 STEERING & SUSPENSION
PW1000097-02 ACCESSORIES & TOOLS
PX1001205-02 MOUNTING PARTS
PY1001498-05 OPTIONS
ASSEMBLY**

CLICK HERE TO **DOWNLOAD** THE COMPLETE MANUAL

- Thank you very much for reading the preview of the manual.
- You can download the complete manual from: www.heydownloads.com by clicking the link below



- Please note: If there is no response to CLICKING the link, please download this PDF first and then click on it.

CLICK HERE TO **DOWNLOAD** THE COMPLETE MANUAL

GR-500-2-00201 4 BOOM + 2 JIB,2M2D

Pos No.	Parts No	Parts Name	Qty	Unit	Technical Data	Serial No (Start)	Serial No (End)	Re
1	(*****)	PIPING ASSY,SUCTION	1					
2	(*****)	PIPING ASSY (STEER/SPING LOCK)	1					
3	(*****)	PIPING ASSY,OUTRIGGER	1					
4	(*****)	PIPING ASSY,SWIVEL	1					
5	(*****)	PIPING ASSY,RETURN (LOWER)	1					
6	(*****)	PIPING ASSY,CONVERTER	1					
7	(*****)	PIPING ASSY,BRAKE (LOWER)	1					
8	(*****)	PIPING ASSY,AIR	1					

GR-500-2-00201 4 BOOM + 2 JIB,2M2D

Pos No.	Parts No	Parts Name	Qty	Unit	Technical Data	Serial No (Start)	Serial No (End)
1	(*****)	JIB ASSY	1				
2	(*****)	ATTACHMENT,JIB	1				
3	(*****)	SUPPORT ASSY (JIB)	1				
4	(*****)	DETECTOR,OVER WIND (WEIGHT/JIB)	1				
5	(*****)	MOUNT ASSY (JIB HANDLE)	1				

GR-500-2-00201 4 BOOM + 2 JIB,2M2D

Pos No.	Parts No	Parts Name	Qty	Unit	Technical Data	Serial No (Start)	Serial No (End)	Remarks	Page
1	(*****)	PARTS ASSY,GREASE	1						0002

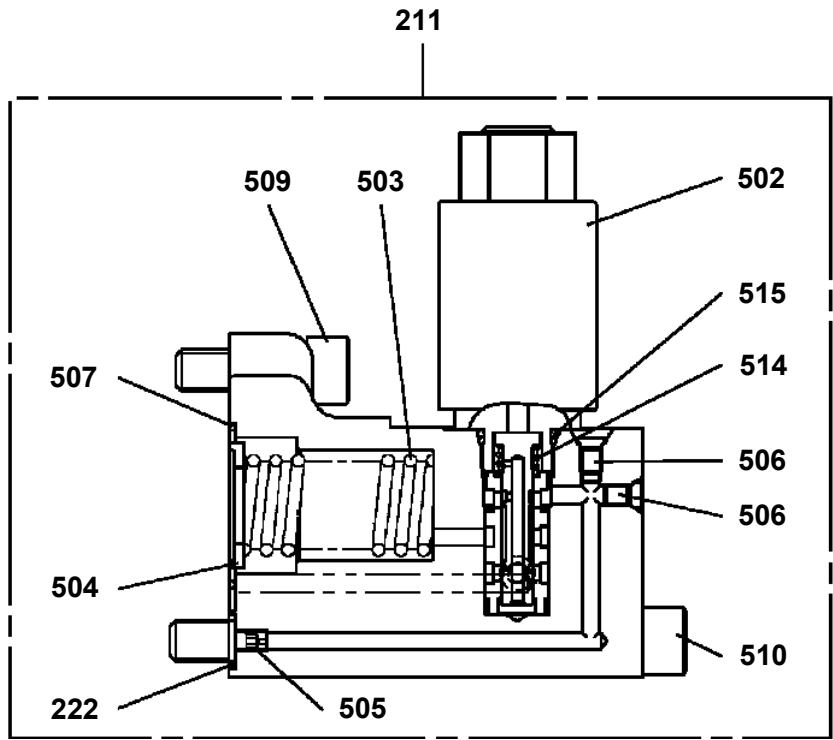
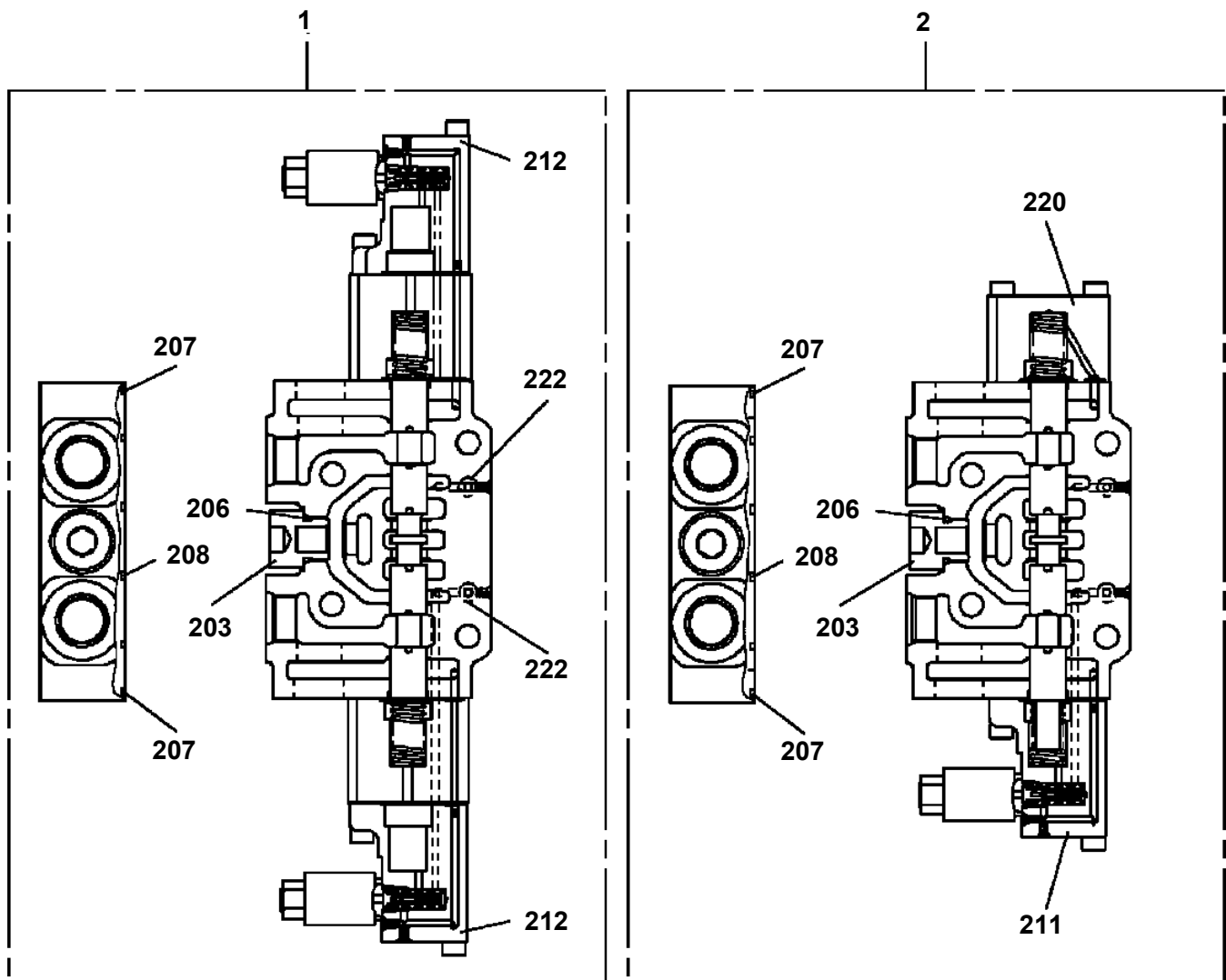
GR-500-2-00201 4 BOOM + 2 JIB,2M2D

Pos No.	Parts No	Parts Name	Qty	Unit	Technical Data	Serial No (Start)	Serial No (End)	Remarks
1	(*****)	STEERING ASSY (LOWER)	1					
2	(*****)	MOUNT,SUSPENSION	1					

GR-500-2-00201 4 BOOM + 2 JIB,2M2D

PN5011547-00 NAME PLATE ASSY (AUX. HOOK)
PO1012825-05 PLATE ASSY,NAME (OIL)
PO1015261-00 PLATE ASSY,NAME (NO.1-NO.38)
PO1050084-03 MARKING (OUTRIGGER)
PO5020006-03 OPE.ASSY,ACCELERATOR
PO5040010-00 OPE.ASSY,BRAKE
PO5080038-01 OPE.ASSY,CONT.VALVE (ISO/VISUAL)
PO5080039-01 OPE.ASSY,CONT.VALVE (ISO/TACTILE)
PO5260016-00 OUTER COVERING ASSY (FRAME)
PO5260023-04 OUTER COVERING ASSY (FENDER)
PO5260041-00 OUTER COVERING ASSY (NON SLIP SEAL)
PO5260042-04 OUTER COVERING ASSY (NON-SLIP PAINT)
PO5270048-01 OUTRIGGER ASSY
PP5050013-01 PARTS ASSY,AML
PP5120028-00 PARTS ASSY,GREASE
PP5240024-00 PLATE,NAME
PP5420007-02 PUMP ASSY,OIL (MAIN)
PP6010088-03 PIPING ASSY (JIB SET)
PP6010089-01 PIPING ASSY (STEER/SPING LOCK)
PP6010090-00 PIPING ASSY (AUX. WINCH)
PP6020014-01 PIPING ASSY,AIR
PP6070004-00 PIPING ASSY,BRAKE (UPPER)
PP6070013-00 PIPING ASSY,BRAKE (LOWER)
PP6090005-02 PIPING ASSY,CONVERTER
PP6100005-00 PIPING ASSY,DERRICK
PP6110029-00 PIPING ASSY,DRAIN
PP6150002-00 PIPING ASSY,GAUGE
PP6180004-00 PIPING ASSY,JIB
PP6220009-01 PIPING ASSY,OUTRIGGER
PP6240007-02 PIPING ASSY,PILOT
PP6270012-00 PIPING ASSY,RETURN (UPPER)
PP6270042-00 PIPING ASSY,RETURN (LOWER)
PP6290003-00 PIPING ASSY,STEERING
PP6300004-00 PIPING ASSY,SUCTION
PP6320007-00 PIPING ASSY,SWING
PP6340005-04 PIPING ASSY,SWIVEL
PP6360004-00 PIPING ASSY,TELESCOPE
PP6390010-00 PIPING ASSY,WINCH (MAIN)
PQ1100033-02 TANK,FUEL (300L)
PR1010021-00 OPE.ASSY,TRANSMISSION (SHIFT SWITCH)
PR1600035-01 PROPELLER SHAFT,DRIVING
PR5020003-00 RADIATOR ASSY
PR5050017-01 REEL ASSY,CORD
PR5090029-00 RELAY ASSY
PR5090033-02 RELAY ASSY (CAB/STD)
PR5090034-00 RELAY ASSY (CAB:EMERGENCY ACCELERATOR SW)
PR5090035-00 RELAY ASSY (DPF EMERGENCY OVERRIDE)
PR5090036-00 RELAY ASSY (CAB:SPRING LOCK)
PR5090038-01 RELAY ASSY (INSIDE MDT BOX)
PR5130008-01 RING ASSY,SLIP
PR5150042-00 ROLLER ASSY
PR5170002-00 ROPE,WIRE (KISWIRE)
PR5170002-00 ROPE,WIRE (KISWIRE)
PR5210001-00 RELAY (WITH HARNESS)
PR5210002-00 RELAY
PR5210003-00 RELAY
PS1020007-00 WHEEL,STEERING
PS1340003-01 ORBITROL
PS1360034-04 CYLINDER,STEERING
PS1360035-03 CYLINDER,STEERING
PS1400010-01 VALVE,PRIORITY
PS5170001-00 SHAFT ASSY,PROPELLER (JTEKT:T/M-T/C)
PS5170002-00 SHAFT ASSY,PROPELLER
PS5340003-02 STEERING ASSY (CAB)

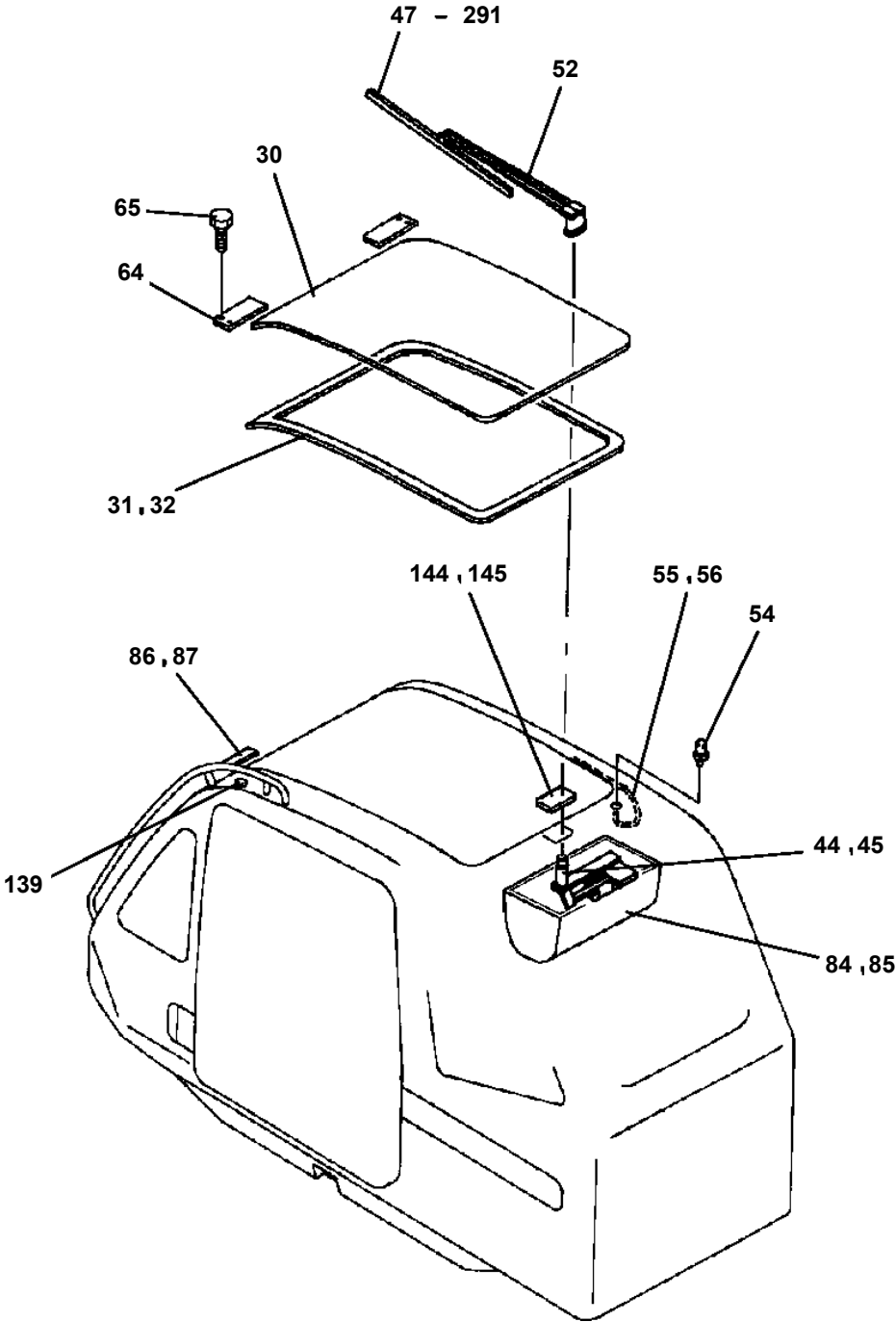
**GR-500-2-00201 4 BOOM + 2 JIB,2M2D
PB1350031-00 VALVE,PILOT OPERATED CONTROL**



GR-500-2-00201 4 BOOM + 2 JIB,2M2D

Pos No.	Parts No	Parts Name	Qty	Unit	Technical Data	Serial No (Start)	Serial No (End)
1	(*****)	BOOM,BASE	1				
2	34202203001	BOOM	1				
3	34202213000	BOOM,3RD	1				
5	34202165000	BOOM,TOP	1				
7	90201781200	NUT	24		M12		
8	37000587260	PLATE	6		T=9		
9	90171112045	BOLT	12		M12X45		
10	37000587300	PLATE	6		T=1.2		
11	37002020260	PLATE,SLIDE (MATERIAL:OILAMID)	6				
12	34202096850	RETAINER (CAST)	2				
	34202090500	RETAINER (PLATE WORKING)	2				
13	90710712700	SCREW,SET	8		M12X70		
14	90710712350	SCREW,SET	16		M12X35		
15	34202160260	RETAINER (STEEL CAST)	2				
	34202160150	RETAINER (PLATE WORKING)	2				
16	34202120150	RETAINER (PLATE WORKING)	2				
	34202120730	RETAINER (CAST)	2				
17	34202160200	SPACER	1				
18	37000108460	PIN	1				
19	34201570550	GUIDE	2				
20	90302040801	WASHER,SPRING	14		8		
21	90171108020	BOLT	16		M8X20		
22	37001000760	SHEAVE ASSY	2				
23	90171114025	BOLT	8		M14X25		
24	37000206520	PIN	2				
25	34202090300	SUPPORT (PLATE WORKING)	2				
	34202097210	SUPPORT (STEEL CAST)	2				
26	90171112025	BOLT	34		M12X25		
27	90302041201	WASHER,SPRING	42		12		
33	34202200060	PLATE	2				
34	34202200070	PLATE	2				
35	34202200080	PLATE	2				
37	90201781600	NUT	6		M6		
38	34202210150	ROLLER ASSY	1				
39	90171112020	BOLT	10		M12X20		
40	37000108500	PIN	2				
41	37000302950	SPACER	4		L=5		
42	37000515600	PLATE	4		T=1.0		
43	37001112370	ROLLER ASSY	2				
44	37001112390	ROLLER ASSY	2				
45	34202096200	SUPPORT	2				
46	90101210016	BOLT	2		M10X16		
47	37001923440	ROPE,WIRE (TESAC)	4		20X18.363M		
48	37001923420	ROPE,WIRE (TESAC)	1		11.2X39.37M		
	37001923410	ROPE,WIRE (J-WITEX)	1		11.2X39.37M		
49	37001923470	ROPE,WIRE (TESAC)	2		16X20.21M		
	37001923460	ROPE,WIRE (J-WITEX)	2		16X20.21M		
50	37001602730	NUT	2		M27		
51	90203202700	NUT	2		M27		
52	37000168930	PIN	1				
53	37000509860	PLATE	1				
54	90171112030	BOLT	4		M12X30		
55	90302041601	WASHER,SPRING	8		16		
56	34200025400	PLATE	1				
57	37000102510	PIN	1				
58	37000201090	PIN,SNAP	3		20		
59	37000315230	SPACER	1		L=81		
60	37000314970	SPACER	1		L=37		
61	37001002910	SHEAVE ASSY	2				
62	37000109090	PIN	1				
63	80561100180	NUT	1		AW18		
64	80562100180	WASHER,TOOTH	1		AW18		
65	34202120520	COVER	1				

GR-500-2-00201 4 BOOM + 2 JIB,2M2D
PC5010008-05 CAB ASSY



GR-500-2-00201 4 BOOM + 2 JIB,2M2D

Pos No.	Parts No	Parts Name	Qty	Unit	Technical Data	Serial No (Start)	Serial No (End)	Rem
1	36350725120	SHAFT ASSY	1					
2	36350485690	RING,SEAL	2					
3	36350485700	PISTON ASSY	2					
4	36350485710	RING,SEAL	2					
8	36350485820	PLATE (CONICAL)	2					
9	36350277040	RING,RETAINING	2					
10	36350277050	WASHER,THRUST	8					
11	36350485750	SPRING	2					
12	80601110500	RING,RITAINING	7		S50			
13	36350725130	GEAR	1					
14	80500006010	BEARING,BALL	4					
15	36350556050	RING,RETAINING	2					
16	36350725140	GEAR	1					
17	36350267180	WASHER	1					
18	36370325160	BEARING,BALL	1					
19	36370208100	BEARING,BALL	1					
20	36350556070	WASHER	2					
21	80601110450	RING,RITAINING	1		S45			
22	36350267140	RING,SEAL	3					
50	36350556080	DISK KIT	1					
100	36350725010	CLUTCH PACK,TRANSMISSION	1					

GR-500-2-00201 4 BOOM + 2 JIB,2M2D

Pos No.	Parts No	Parts Name	Qty	Unit	Technical Data	Serial No (Start)	Serial No (End)	Remarks	Page
1	36320455490	CONDENSER	1						
2	36320765010	SUPPORT	1						
3	36320565030	SUPPORT	1						
4	36320565040	SUPPORT	1						
5	36320765020	FAN ASSY	1						
6	36320565060	PIPE	1						
7	36320765030	RECEIVER (DRIER)	1						
8	36320765040	BOLT	4						
9	36320765050	BOLT	6						
10	36320765060	NUT	8						
11	36320765070	WASHER	6						
12	36320765080	WASHER,SPRING	8						
13	36320455940	BOLT	1						
14	36320565100	WASHER	2						
100	36320762010	CONDENSER ASSY	1						

GR-500-2-00201 4 BOOM + 2 JIB,2M2D

Pos No.	Parts No	Parts Name	Qty	Unit	Technical Data	Serial No (Start)	Serial No (End)	Remarks	Pages
4	36330025070	PLUG	1		M18X2				
6	36330235040	HOSE	1						
100	36690390000	COOLER ASSY,OIL	1						

GR-500-2-00201 4 BOOM + 2 JIB,2M2D

Pos No.	Parts No	Parts Name	Qty	Unit	Technical Data	Serial No (Start)	Serial No (End)	Remarks	Pages
1	82122704160	CAP (PLUG)	1						
2	82122705160	CAP (PLUG)	1						
10	37002711320	CABLE	1		L=8400				
21	91001001405	O-RING	2		S-14				

GR-500-2-00201 4 BOOM + 2 JIB,2M2D

Pos No.	Parts No	Parts Name	Qty	Unit	Technical Data	Serial No (Start)	Serial No (End)	Remark
1	36028241000	CYLINDER	1					
2	90730008200	SCREW,SET	1		M8X20			
3	91302223500	BEARING,PLAIN	2					
4	91684023500	PACKING	2					
5	91431221501	RING,BACKUP	1					
6	91411221501	RING,BACKUP	1					
7	91002818500	O-RING	1		1B P185			
8	36026730100	PISTON	1					
9	36028242000	ROD ASSY	1					
10	36025794001	COVER,ROD	1					
11	91002822000	O-RING	1		1B P220			
12	91251101850	RING,DAMPER	1					
13	91694018500	PACKING	1					
14	91410218501	RING,BACKUP	1					
15	91000527100	O-RING	1		AS568-271			
16	91660018500	SEAL,DUST	1					
17	80622001850	RING,RITAINING	1		SP185			
19	91002802400	O-RING	1		1B P24			
21	80302090281	FITTING	1		KCO22-060N			
22	36605170000	VALVE,COUNTERBALANCE	1					
23	81408000290	PIPE,STEEL	2	M	22X2.5T			
24	81408000210	PIPE,STEEL	1	M	15X2.0T			
25	80305010120	FITTING,TEE	1		ZKTA15-000N			
26	90171108075	BOLT	4		M8X75			
27	90302040801	WASHER,SPRING	4		8			
28	80302090181	FITTING	2		KCO15-030N			
29	91002801400	O-RING	2		1B P14			
30	81408000210	PIPE,STEEL	3	M	15X2.0T			
31	80320020100	FITTING	1					
32	80320020180	FITTING	1					
33	37000711010	CLAMP ASSY	2		18X1			
34	37000300750	SLEEVE	2		18-15			
35	81408000210	PIPE,STEEL	1	M	15X2.0T			
36	82456101000	NIPPLE,GREASE	1		A-PT1/8			
38	37000926070	ORIFICE	1		M8,0.6			
45	80801009090	BEARING,PLAIN	2					
	80805090090	BEARING,PLAIN	2					
52	80542035100	BEARING,SPHERICAL (IKO)	1		GE100ES			
	80541500100	BEARING,SPHERICAL (NTN)	1		SA1-100B			
53	82456101000	NIPPLE,GREASE	1		A-PT1/8			
72	80612112000	RING,RITAINING	1		AR200			
80	36025799900	PACKING SET	1		185X235			
100	36028240000	CYLINDER ASSY,DERRICK	1					

GR-500-2-00201 4 BOOM + 2 JIB,2M2D

Pos No.	Parts No	Parts Name	Qty	Unit	Technical Data	Serial No (Start)	Serial No (End)	Remarks	Pages
3	34510702350	PACKING	1						
5	34510702280	PACKING	1						
6	34510702290	PACKING	1						
100	34510702300	DUCT	1						

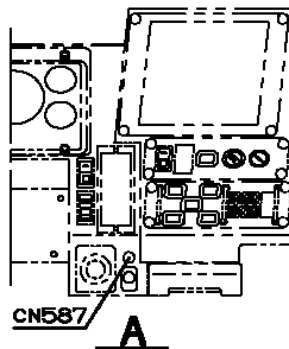
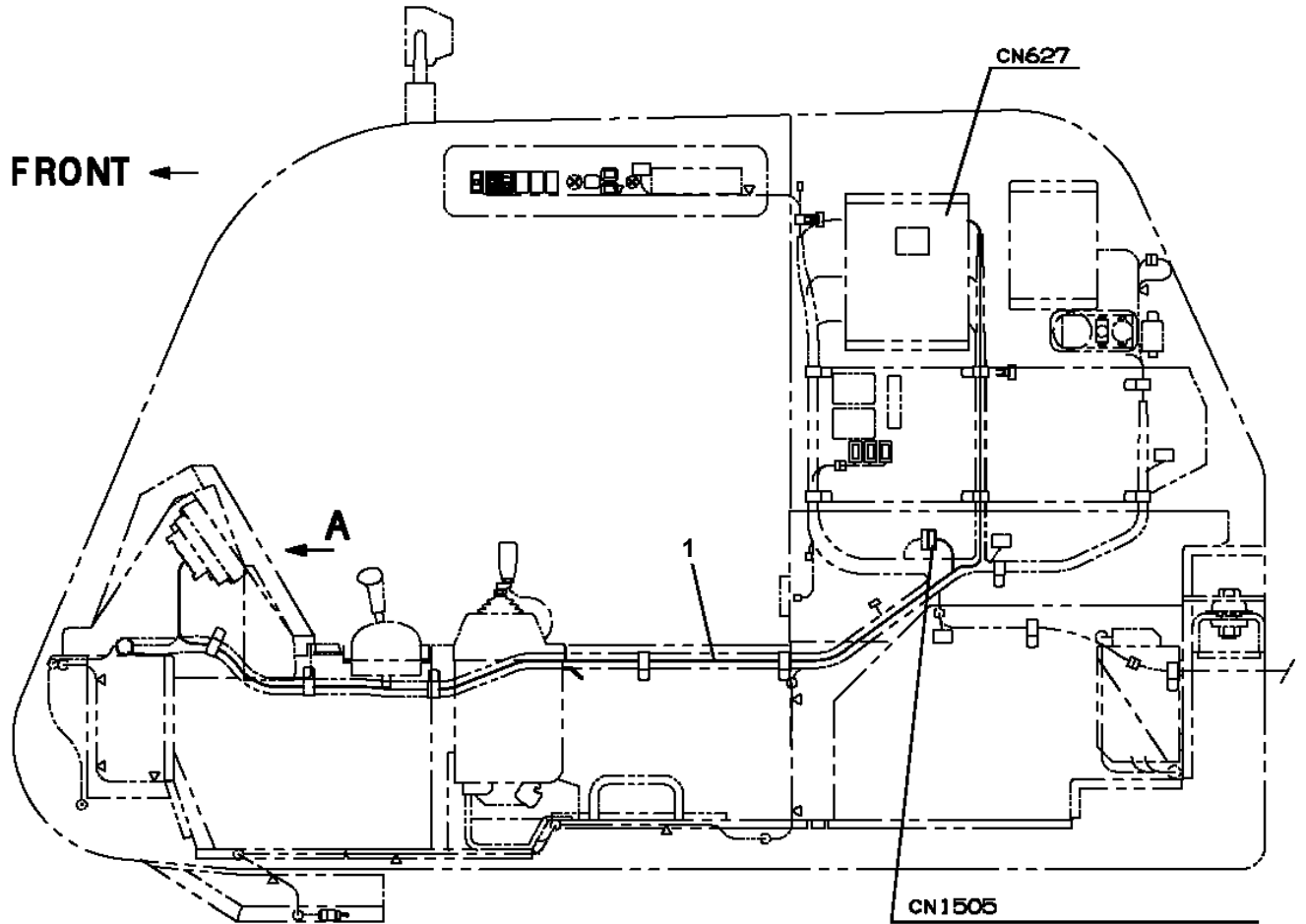
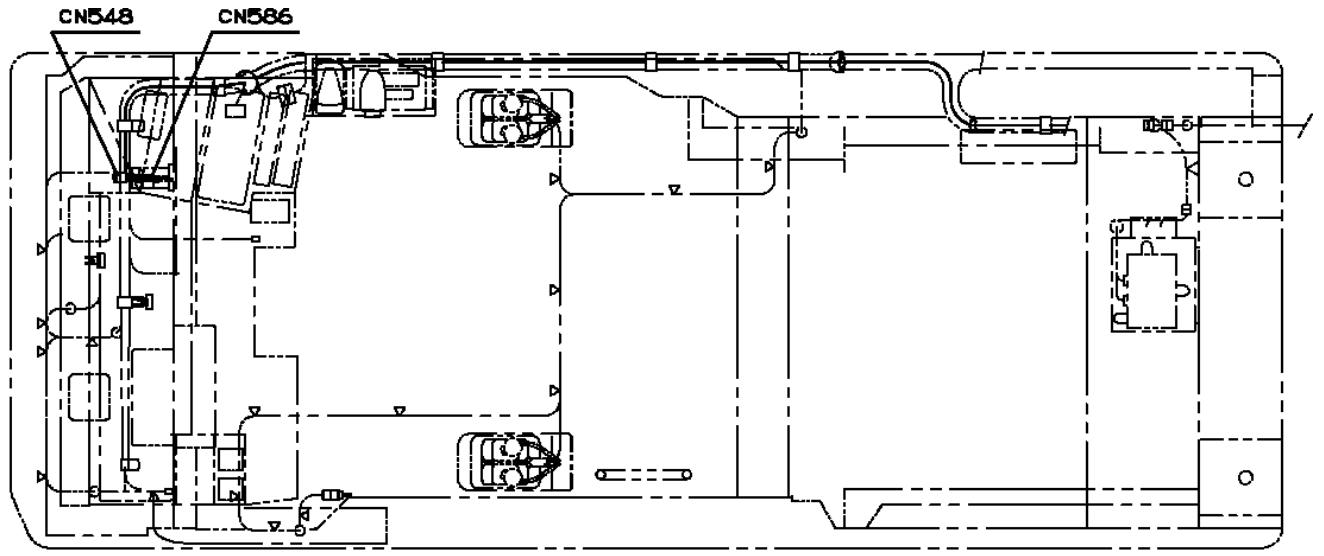
GR-500-2-00201 4 BOOM + 2 JIB,2M2D

Pos No.	Parts No	Parts Name	Qty	Unit	Technical Data	Serial No (Start)	Serial No (End)	Remarks	Pages
2	34510702840	PACKING	1						
3	34510702850	PACKING	1						
100	34510702800	DUCT	1						

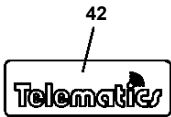
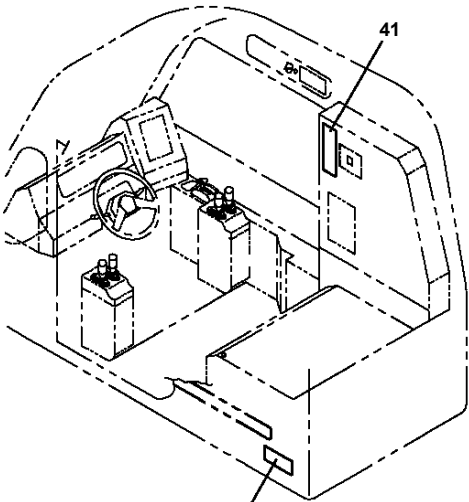
GR-500-2-00201 4 BOOM + 2 JIB,2M2D

Pos No.	Parts No	Parts Name	Qty	Unit	Technical Data	Serial No (Start)	Serial No (End)	Remarks	Page
1	82190511185	SWITCH,ROCKER	1						
2	36682750000	SWITCH,PRESSURE	2						
3	91002801100	O-RING	2		1B P11				
4	34352903100	PLATE,NAME	1						

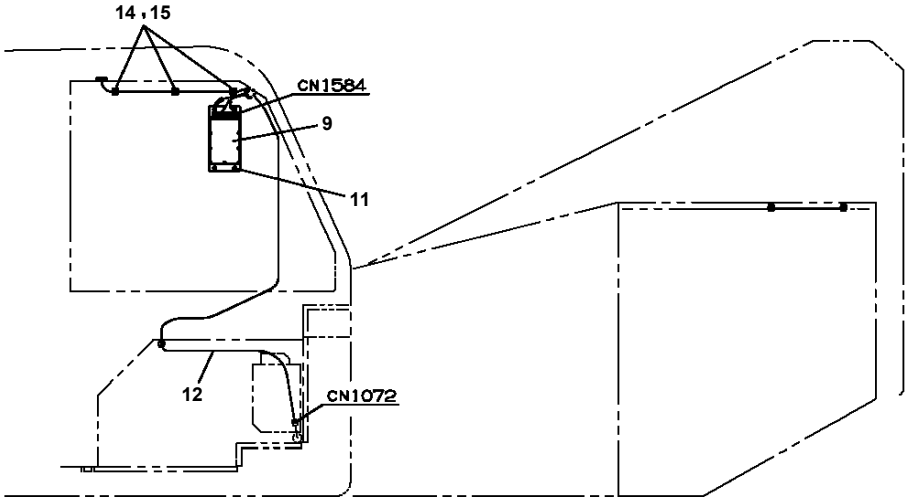
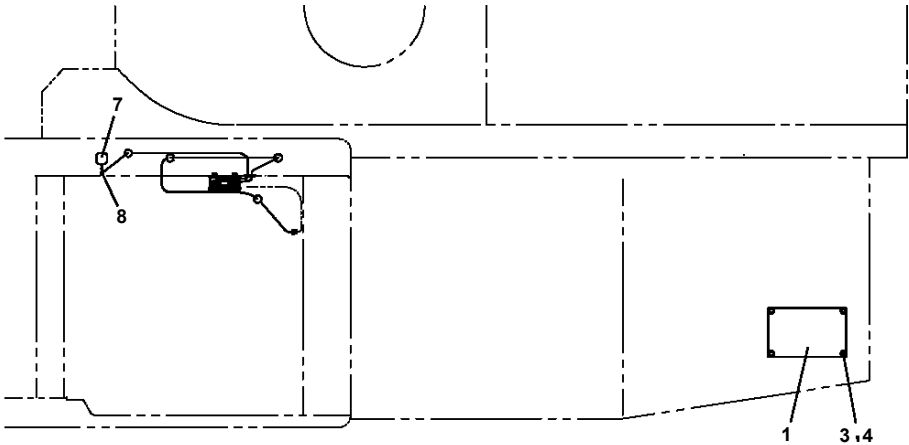
GR-500-2-00201 4 BOOM + 2 JIB,2M2D
PE5020191-00 ELEC.ASSY (HARNESS:FOR CARRIER ACCELERATOR)



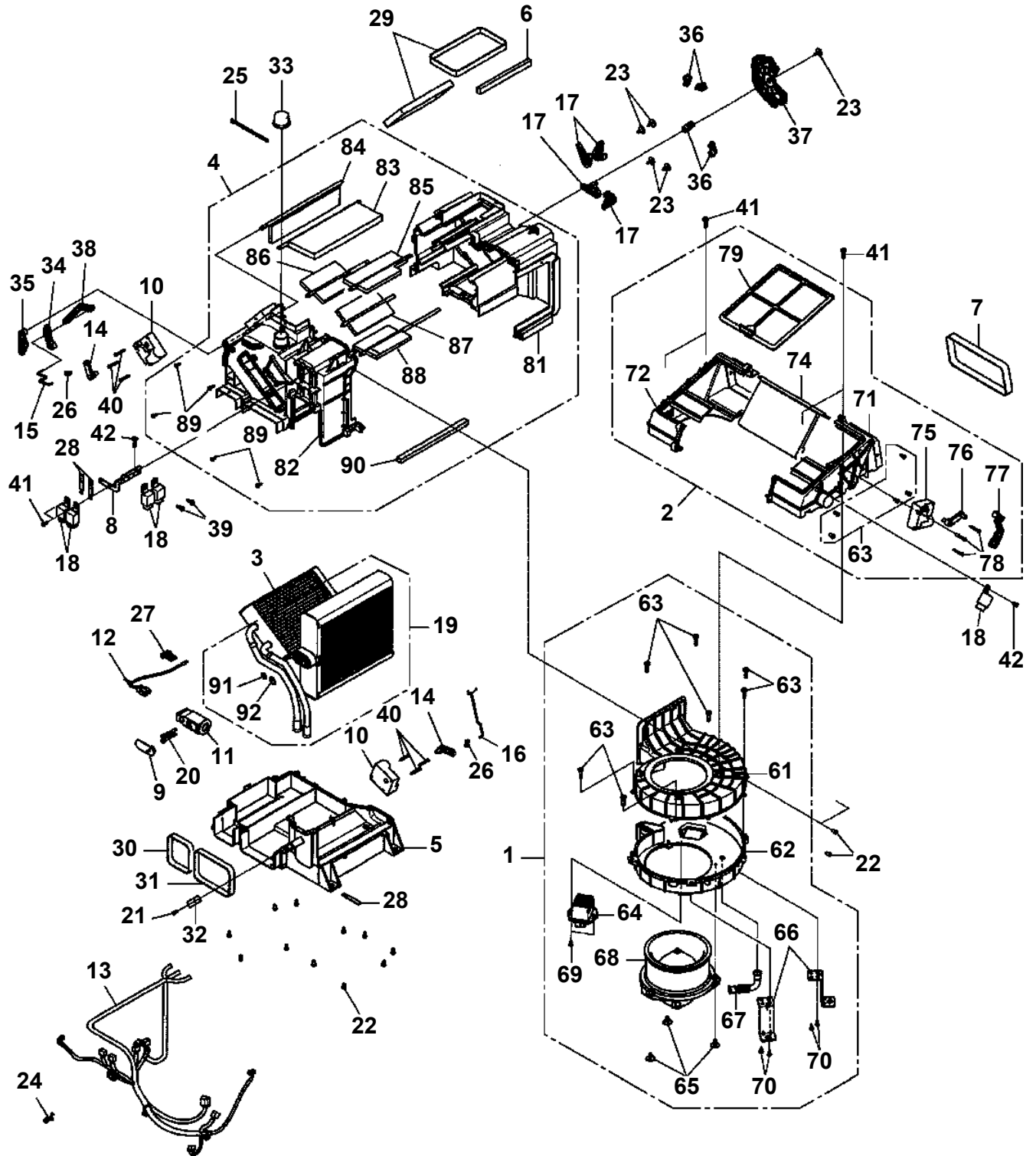
GR-500-2-00201 4 BOOM + 2 JIB,2M2D
PE5020249-02 ELEC.ASSY (GSMT)



FRONT ←



GR-500-2-00201 4 BOOM + 2 JIB,2M2D
PE5220003-00 EVAPORATOR ASSY



GR-500-2-00201 4 BOOM + 2 JIB,2M2D

Pos No.	Parts No	Parts Name	Qty	Unit	Technical Data	Serial No (Start)	Serial No (End)
1	37001901160	ROPE,WIRE (MAIN HOOK STOWING)	1				

GR-500-2-00201 4 BOOM + 2 JIB,2M2D

Pos No.	Parts No	Parts Name	Qty	Unit	Technical Data	Serial No (Start)	Serial No (End)	Remarks	Pages
1	34492783000	ROLLER ASSY	1						000265
2	90101210022	BOLT	8		M10X22				
3	90302041001	WASHER,SPRING	8		10				
4	90303071001	WASHER,PLAIN	8		10				

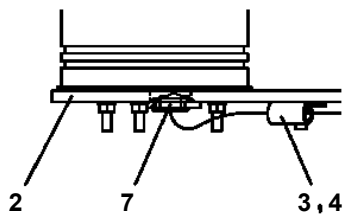
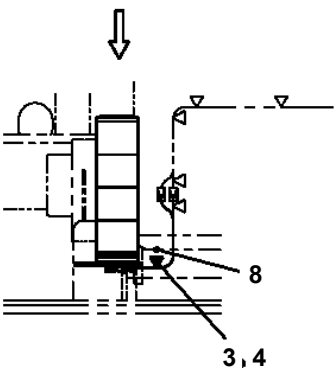
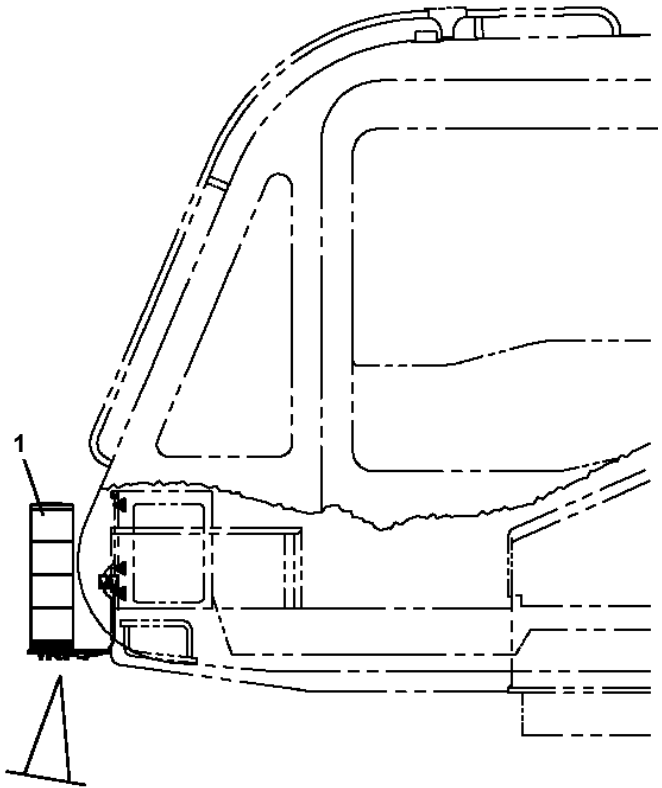
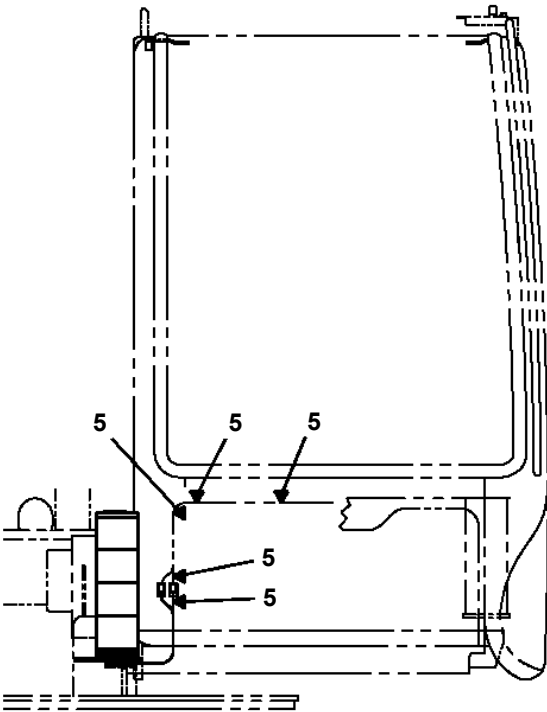
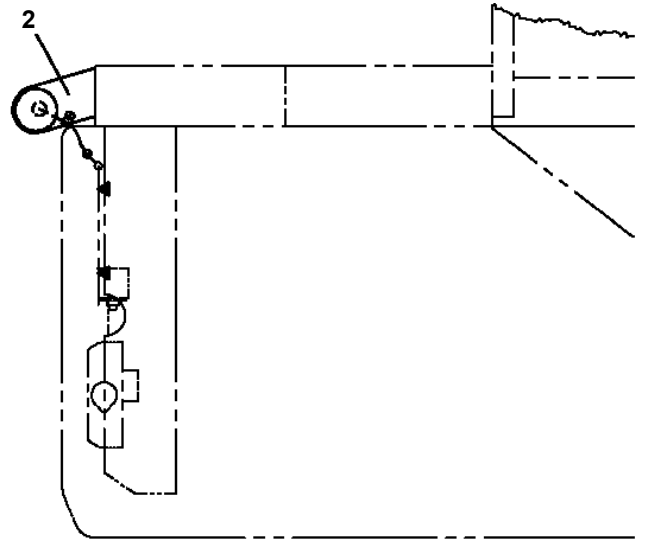
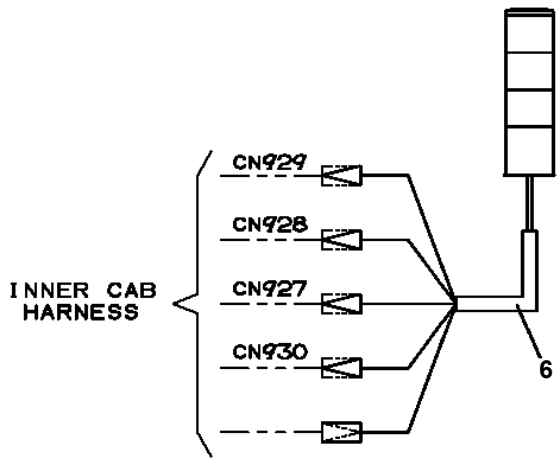
GR-500-2-00201 4 BOOM + 2 JIB,2M2D

Pos No.	Parts No	Parts Name	Qty	Unit	Technical Data	Serial No (Start)	Serial No (End)	Remark
5	(*****)	MOUNT ASSY,HOOK (AUX.)	1					
29	34620294300	PIN	2					
30	34860160900	PIN	2					
100	34621078011	FRAME ASSY (SANSYO)	1					

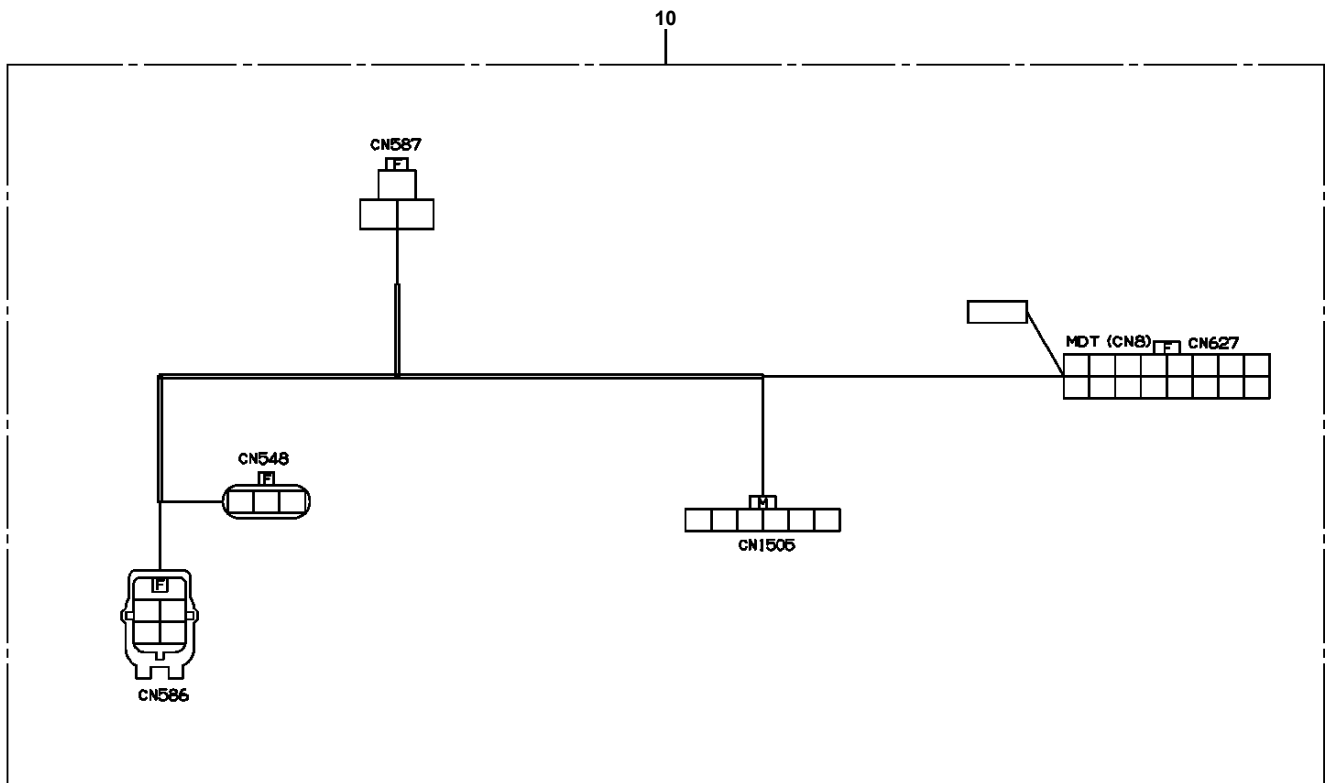
GR-500-2-00201 4 BOOM + 2 JIB,2M2D

Pos No.	Parts No	Parts Name	Qty	Unit	Technical Data	Serial No
2	34221485950	PLATE	3			
3	34221481950	PIN ASSY	1			
4	90171110022	BOLT	12		M10X22	
5	90302041001	WASHER,SPRING	14		10	
6	90303071001	WASHER,PLAIN	14		10	
7	34221540550	SUPPORT	1			
8	90201202000	NUT	8		M20	
9	31220140700	STOPPER	2			
10	90201701200	NUT	2		M12	
11	34221850300	SUPPORT ASSY	1			
12	34221850500	SUPPORT ASSY	1			
13	90303501201	WASHER,PLAIN	4		12	
14	33221630560	PLATE	N		32X3	
15	90102512060	BOLT	4		M12X60	
16	90201401200	NUT	8		M12	
17	90303071201	WASHER,PLAIN	4		12	
18	90102516075	BOLT	2		M16X75	
19	90261001600	NUT	2		M16	
20	33221631100	PLATE	1			
21	34221850700	SUPPORT ASSY	1			
22	34221850900	SUPPORT	1			
23	33221631440	PLATE	N		T=6.0	
24	33221631411	PLATE	N		T=4.0	
25	34221546450	END	1			
26	37000105720	PIN	2			
27	80136320010	PIN,SPLIT	2		2X10	
28	90303070601	WASHER,PLAIN	2		6	
29	82100002006	CLAMP	3		WR10	
30	90280200600	NUT,FLANGE	4		M6	
31	37001707960	CABLE,CONTROL	1			
32	34221850800	SUPPORT	1			
33	37001300010	SPRING	1			
34	88200100060	END	1			
35	34221851600	PLATE	1			
38	34221541600	SUPPORT	1			
41	34221851200	SUPPORT	1			
42	90101506020	BOLT	2		M6X20	
43	90303070801	WASHER,PLAIN	2		8	
44	37002013300	PLATE,SLIDE	1			
45	34221540800	SHIM	N		T=0.6	
46	90101510018	BOLT	2		M10X18	
47	34221544700	SUPPORT	1			
48	34221481450	PIN ASSY	1			
49	34221481650	SUPPORT	1			
53	90171112050	BOLT	2		M12X50	
56	34221851670	STOPPER	1			
72	37000111390	PIN	2			
73	34221851400	LINK	1			
74	36051220002	CYLINDER ASSY (QUICK TURN JIB,PISTON WPB)	1			
	36054280001	CYLINDER ASSY (QUICK TURN JIB,PISTON:PACKING ASSY)	1			
	36052060001	CYLINDER ASSY (QUICK TURN JIB,IP)	1			
75	37000141460	PIN	1			
76	90101510016	BOLT	3		M10X16	
77	90302041001	WASHER,SPRING	4		10	
78	90303071001	WASHER,PLAIN	3		10	
79	37000151100	PIN	1			
80	37000146300	PIN	1			
81	34221541500	PIN	1			
82	37001200470	SPRING	2			
83	34221481470	SUPPORT	2			
84	14121856000	PIN	3			
85	80136320015	PIN,SPLIT	6		2X15	
86	90303070801	WASHER,PLAIN	6		8	

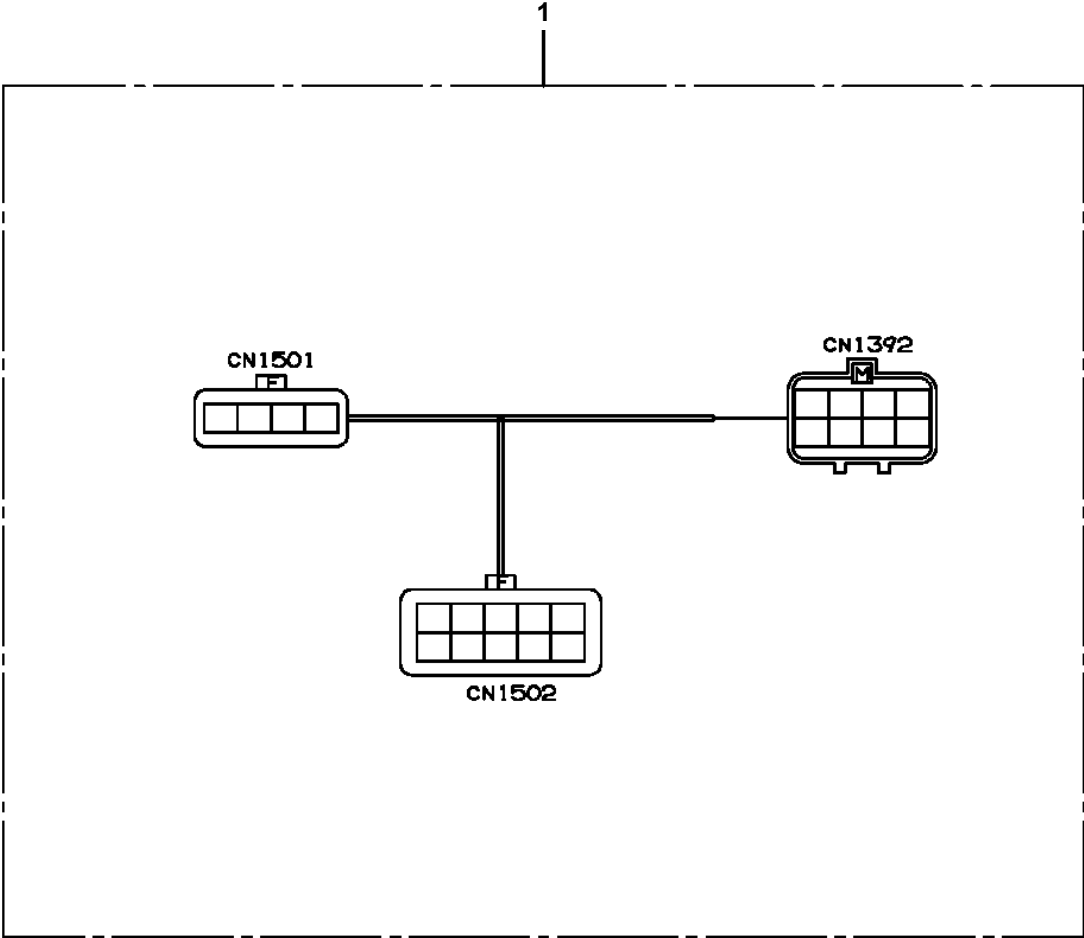
GR-500-2-00201 4 BOOM + 2 JIB,2M2D
PH1330044-02 LAMP,AML SIGNAL



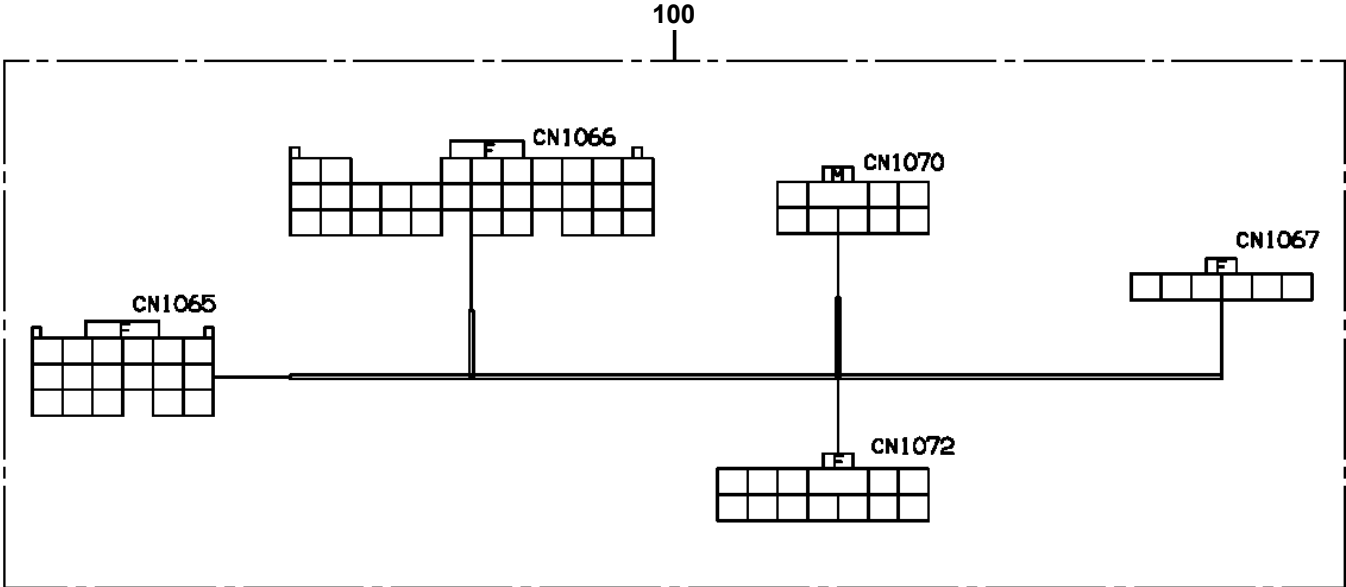
GR-500-2-00201 4 BOOM + 2 JIB,2M2D
PH5030092-00 HARNESS (ACCELERATOR)



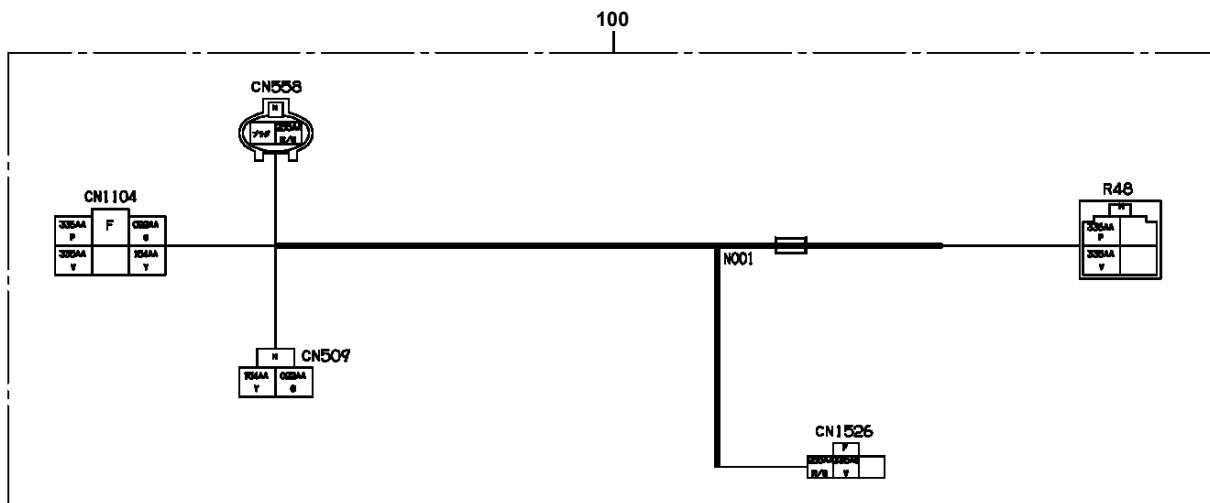
**GR-500-2-00201 4 BOOM + 2 JIB,2M2D
PH5030106-00 HARNESS (FOR DPF)**



GR-500-2-00201 4 BOOM + 2 JIB,2M2D
PH5030339-00 HARNESS (FOR TELEMATICS)

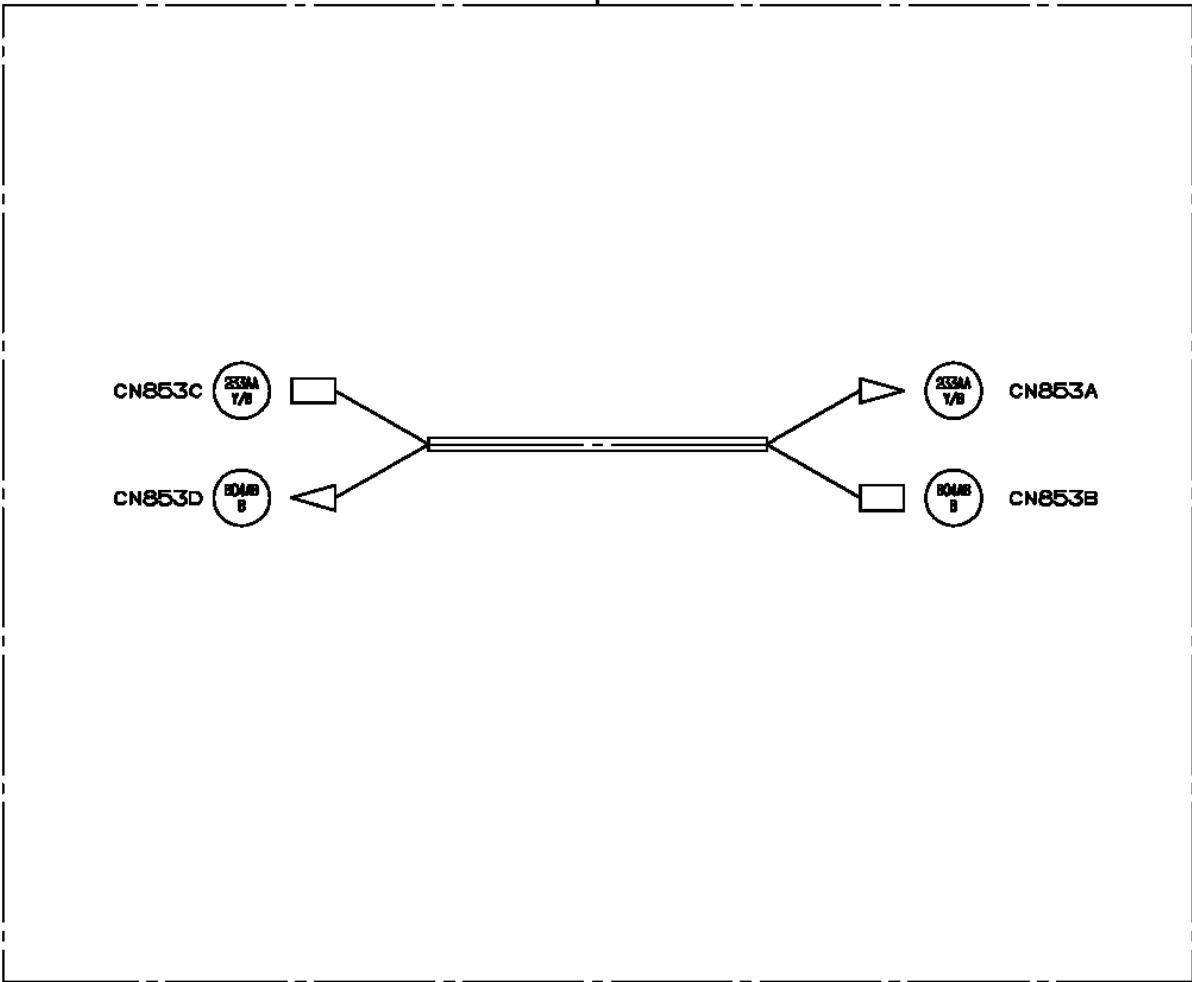


GR-500-2-00201 4 BOOM + 2 JIB,2M2D
PH5031021-00 HARNESS

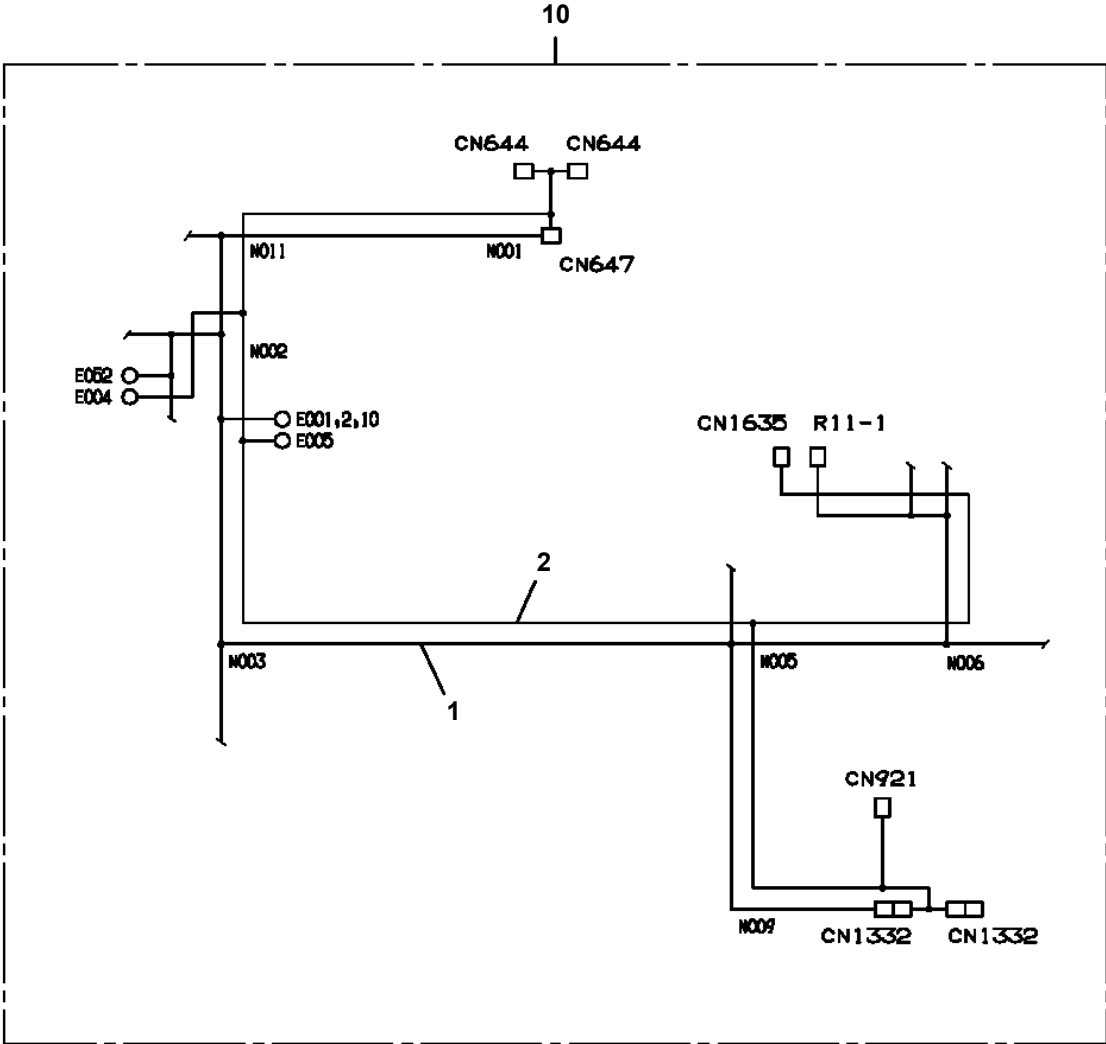


**GR-500-2-00201 4 BOOM + 2 JIB,2M2D
PH5032556-00 HARNESS**

10



GR-500-2-00201 4 BOOM + 2 JIB,2M2D
PH5040003-00 HARNESS ASSY (CRANE,ANEMOMETOR,ETC.)

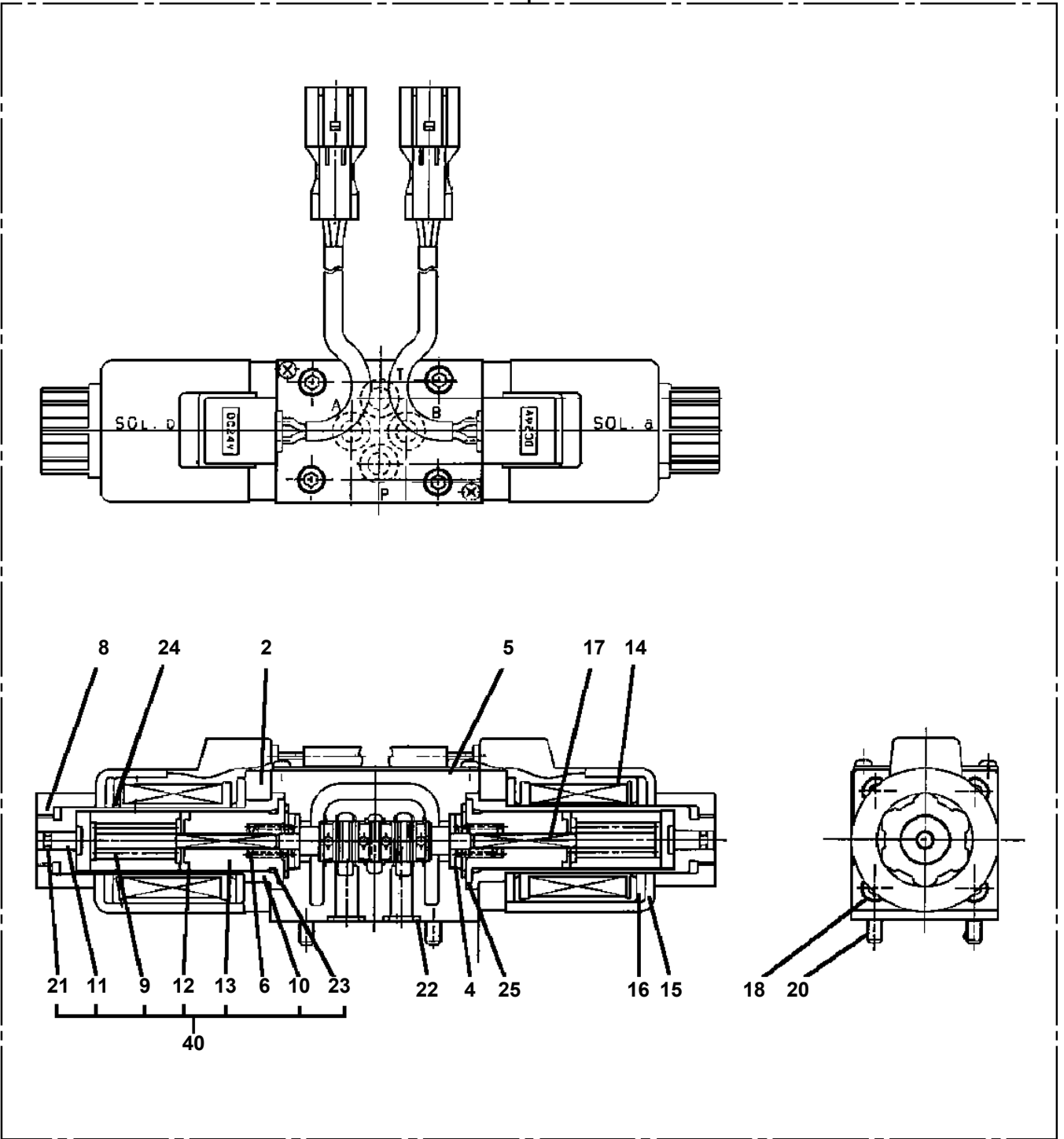


GR-500-2-00201 4 BOOM + 2 JIB,2M2D

Pos No.	Parts No	Parts Name	Qty	Unit	Technical Data	Serial No (Start)	Serial No (End)	Remark
1	36663805010	MOTOR,HYDRAULIC	1					
2	36663315030	VALVE,COUNTERBALANCE	1					
11	36663315040	PISTON	1					
12	36663805020	CYLINDER	1					
13	36663805030	COVER	1					
14	36663805040	SHAFT	1					
15	36663315090	BUSHING (SPHERICAL)	1					
16	36663315100	SPRING	9					
17	36663315110	PLATE	1					
18	36663805050	PLATE (SHOE)	1					
19	36663805060	COVER	1					
20	90131916160	BOLT,HEXAGON SOCKET	4					
21	90131916130	BOLT,HEXAGON SOCKET	2					
22	80601110500	RING,RITAINING	1		S50			
23	80601110350	RING,RITAINING	2		S35			
24	36663805070	RING,RETAINING	1					
25	36663805080	BEARING,ROLLER	1					
26	36663315170	BEARING,NEEDLE	1					
27	36081275230	PLUG	1					
28	36648355440	PLUG	3					
29	91002911000	O-RING	1		1B G110			
30	36663315180	O-RING	3					
31	91002801800	O-RING	3		1B P18			
32	36663315190	SEAL,OIL	1					
33	36646965020	PLUG	4					
34	91002801100	O-RING	5		1B P11			
35	36663805090	COVER (BRAKE)	1					
36	36663575090	PISTON (BRAKE)	1					
37	36663575100	COUPLING	1					
38	36663595220	SPRING (BRAKE)	16					
39	36663575110	O-RING	1					
41	36663575120	SHIM	1					
42	36663575130	PLATE (SEPARATOR)	7					
43	36663575140	PLATE (FRICTION)	6					
44	36604915060	RETAINER (VALVE)	1					
45	36080285170	BREATHER,AIR	2					
101	36663315260	CASING	1					
103	91002903000	O-RING	4		1B G30			
107	90131910080	BOLT,HEXAGON SOCKET	7		M10X80			
108	36663315270	COVER	1					
109	36663315280	COVER	1					
111	36663315300	CHOKE	1					
118	90131910060	BOLT,HEXAGON SOCKET	4		M10X60			
119	90131910035	BOLT,HEXAGON SOCKET	4		M10X35			
121	80560054000	BALL,STEEL	1		5/32			
122	36663315320	SPRING	1					
123	36632155030	SPRING	1					
124	36663315330	PISTON	1					
125	36663315340	CHOKE	1					
126	36604915200	CHOKE	1					
127	36663315350	STOPPER	1					
128	36663315360	FILTER	1					
129	36663315370	PLUNGER	1					
130	36663315380	SEAT	1					
131	36663315390	SPRING	1					
132	36663315400	PLUG	1					
133	91002802400	O-RING	1		1B P24			
134	36663315410	VALVE,RELIEF	1					
135	91001102100	O-RING	1		1A P21			
136	91001101500	O-RING	1		1A P15			
151	36663315420	SPOOL ASSY	1					
300	36663800000	MOTOR,HYDRAULIC	1					

GR-500-2-00201 4 BOOM + 2 JIB,2M2D
PI1120197-02 VALVE,SOLENOID

100



↓
A

GR-500-2-00201 4 BOOM + 2 JIB,2M2D

Pos No.	Parts No	Parts Name	Qty	Unit	Technical Data	Serial No (Start)	Serial No (End)	Remarks
8	36642935040	RING	4					
11	36640085025	SPRING	2					
104	36642935050	PLUG	1					
109	36642935060	O-RING	2					
115	90131505050	BOLT,HEXAGON SOCKET	4		M5X50			
156	36602555010	O-RING	1					
157	36646085031	SOLENOID	1					
159	36649855100	O-RING	1					
160	36640085015	RETAINER	2					
163	36647895010	PROTECTOR	1					
200	36645900000	VALVE,SOLENOID	1					

GR-500-2-00201 4 BOOM + 2 JIB,2M2D

Pos No.	Parts No	Parts Name	Qty	Unit	Technical Data	Serial No (Start)	Serial No (End)	Remarks	Pages
1	36645900000	VALVE,SOLENOID	1						00014
2	36740171000	BODY	1						
3	36741500100	ORIFICE	2						
50	36741500000	VALVE,SOLENOID	1						

GR-500-2-00201 4 BOOM + 2 JIB,2M2D

Pos No.	Parts No	Parts Name	Qty	Unit	Technical Data	Serial No (Start)	Serial No (End)	Remarks	Pages
1	36620571000	PLUG	1						
2	91002802600	O-RING	2		1B P26				
3	36623370500	PISTON	1						
4	91411002000	RING,BACKUP	1		P20				
5	91001102000	O-RING	1		1A P20				
6	91411002100	RING,BACKUP	1		P21				
7	91002802100	O-RING	1		1B P21				
9	36623370300	POPPET	1						
11	37001200060	SPRING	1						
13	91002801400	O-RING	1		1B P14				
14	36623370100	PLUG	1						
30	36623380001	VALVE,CHECK	1						

GR-500-2-00201 4 BOOM + 2 JIB,2M2D

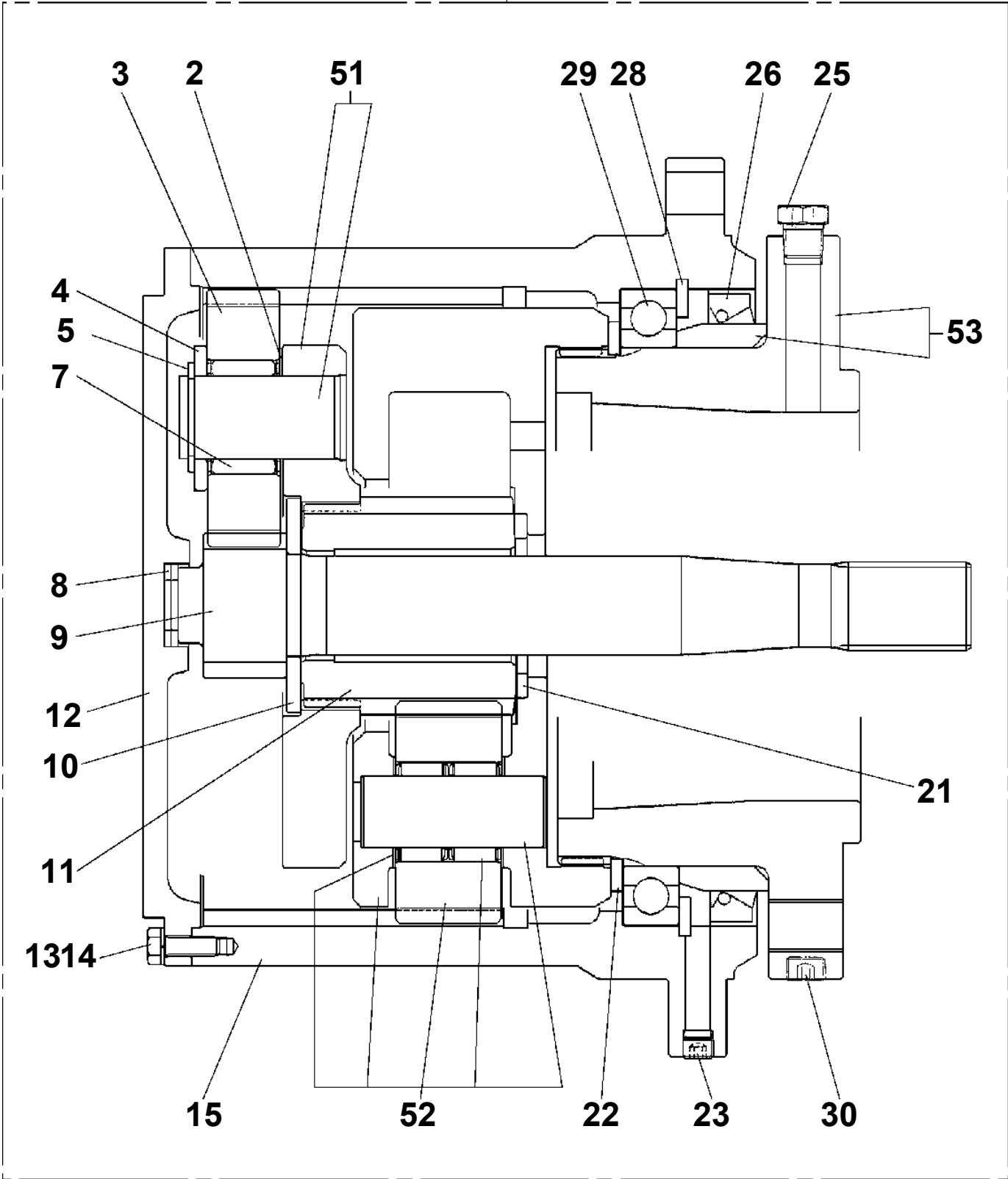
Pos No.	Parts No	Parts Name	Qty	Unit	Technical Data	Serial No (Start)	Serial No (End)	Remarks	Pages
1	36625065010	BODY	1						
2	36625065020	VALVE	1						
3	36625065040	SPRING	1						
4	36625065030	PLUG	1						
5	91002801800	O-RING	1		1B P18				
10	36625060000	VALVE,CHECK	1						

GR-500-2-00201 4 BOOM + 2 JIB,2M2D

Pos No.	Parts No	Parts Name	Qty	Unit	Technical Data	Serial No (Start)	Serial No (End)	R
2	91002804400	O-RING	3		1B P44			
3	91411004400	RING,BACKUP	3		P44			
4	91002802500	O-RING	1		1B P25			
5	91410002500	RING,BACKUP	1		P25			
12	91002801500	O-RING	1		1B P15			
15	36605175100	SPRING	1					
19	91002803800	O-RING	1		1B P38			
50	36605480000	CARTRIDGE, COUNTERBALANCE	1					

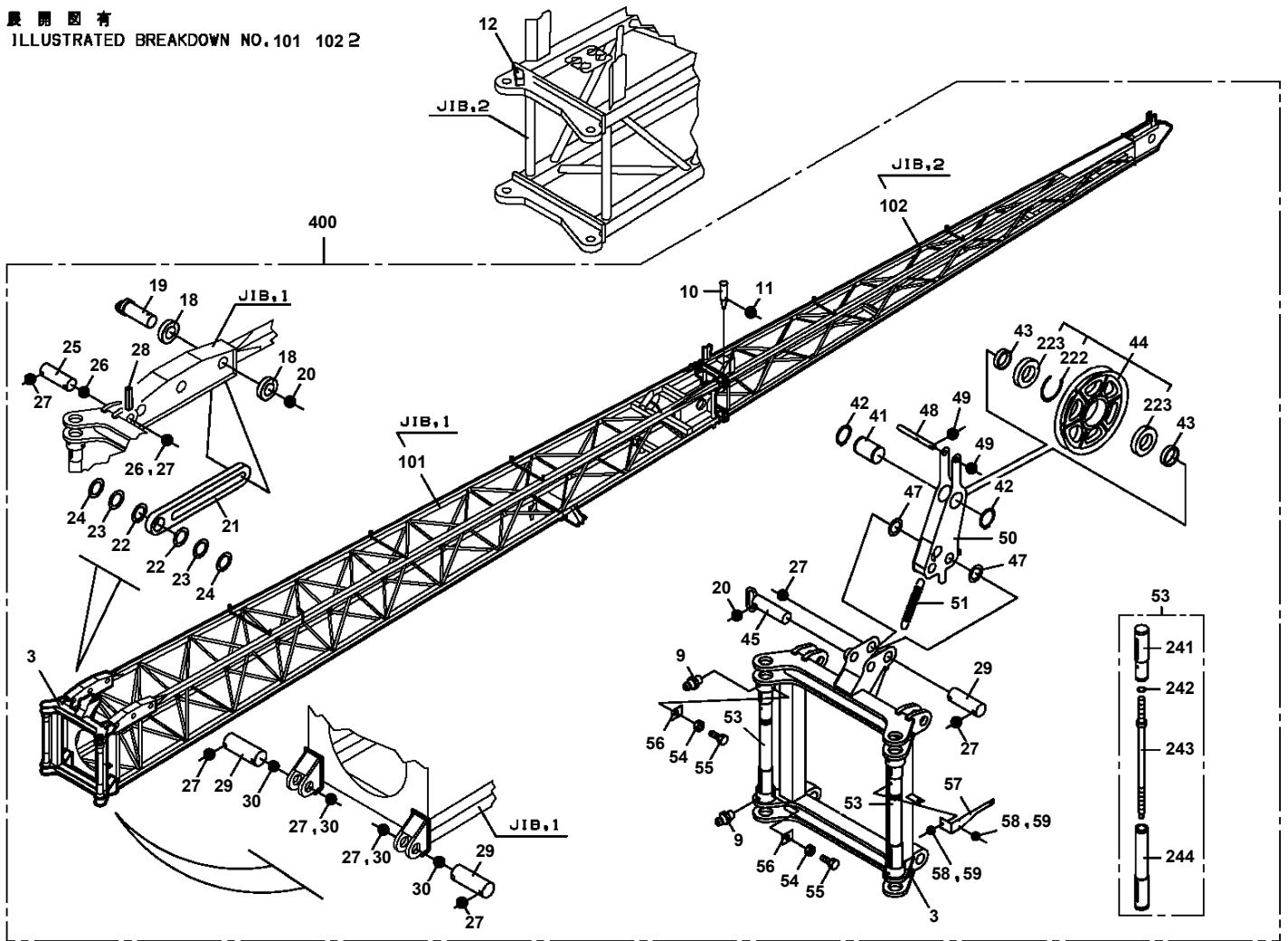
GR-500-2-00201 4 BOOM + 2 JIB,2M2D
PI1500002-00 REDUCER,SPEED

100

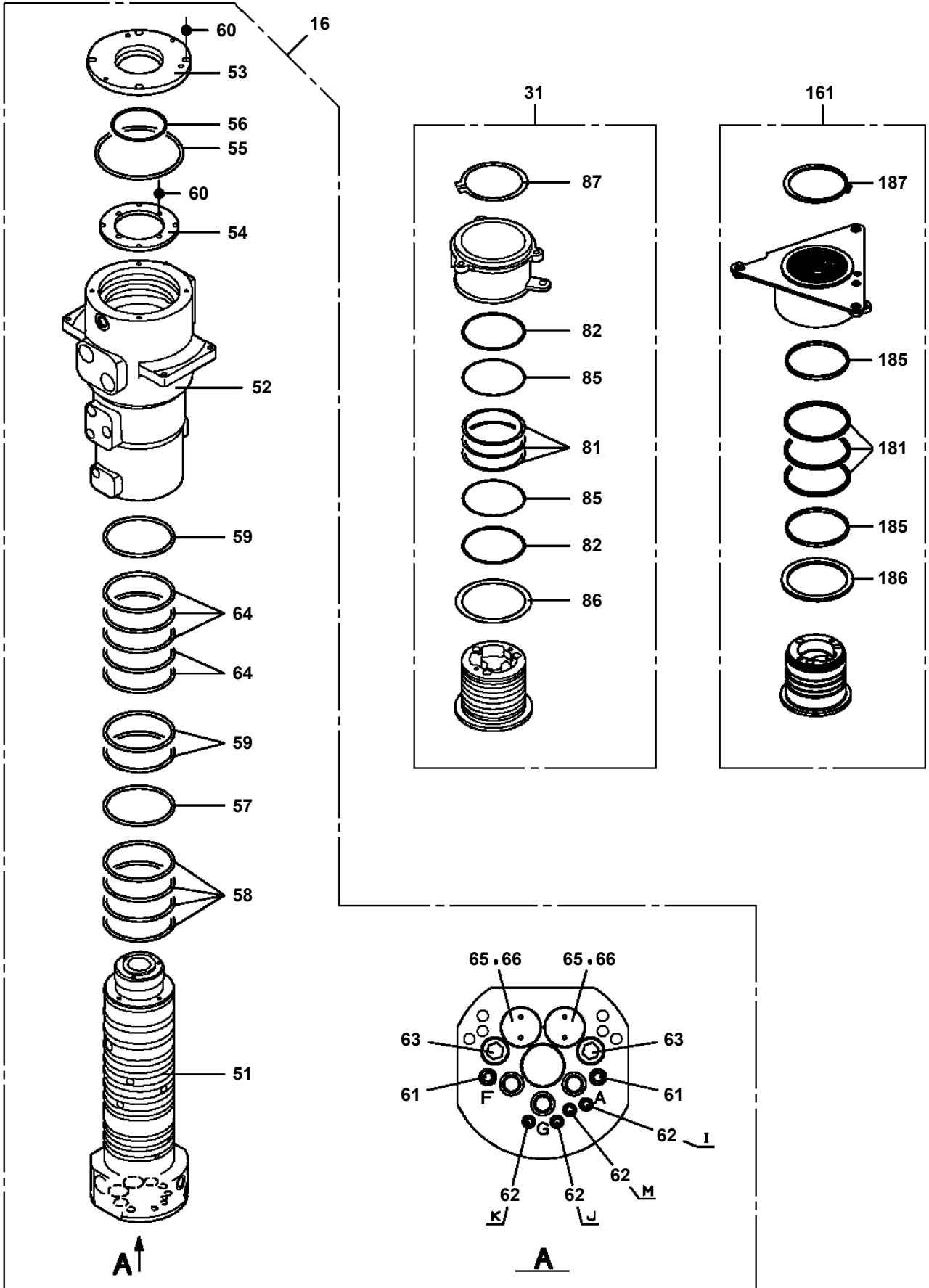


GR-500-2-00201 4 BOOM + 2 JIB,2M2D
PJ5050008-01 JIB ASSY

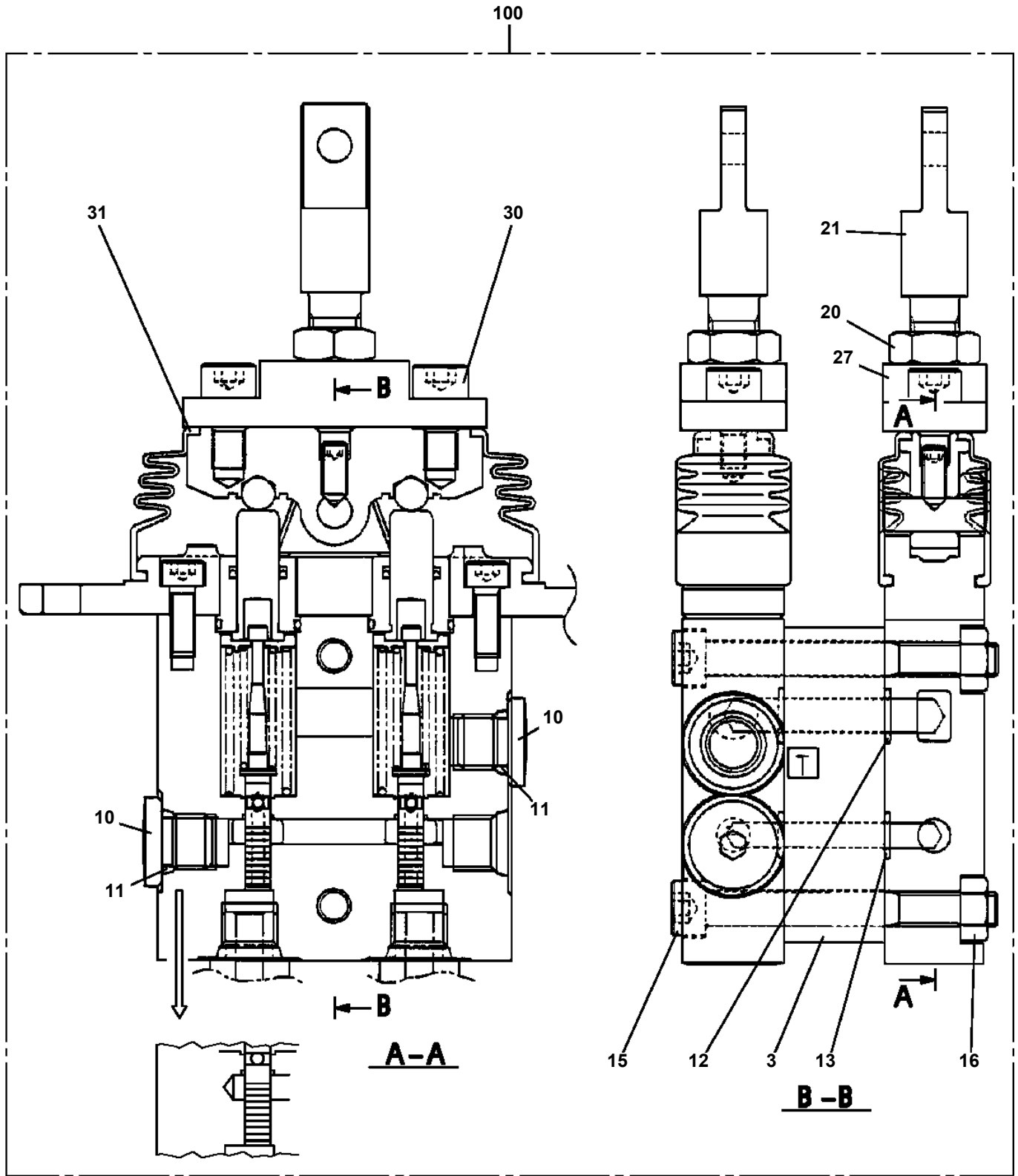
展開圖有
 ILLUSTRATED BREAKDOWN NO.101 102 2



GR-500-2-00201 4 BOOM + 2 JIB,2M2D
 PJ5090005-02 JOINT ASSY,SWIVEL



GR-500-2-00201 4 BOOM + 2 JIB,2M2D
PL1250031-01 VALVE,CONTROL



CLICK HERE TO **DOWNLOAD** THE COMPLETE MANUAL

- Thank you very much for reading the preview of the manual.
- You can download the complete manual from: www.heydownloads.com by clicking the link below



- Please note: If there is no response to CLICKING the link, please download this PDF first and then click on it.

CLICK HERE TO **DOWNLOAD** THE COMPLETE MANUAL

GR-500-2-00201 4 BOOM + 2 JIB,2M2D PL5260119-02 LOAD CHART BOOKLET (ENGLISH)

9

JIB HANDLING INSTRUCTIONS

1. When the jib is in the stowed position, the boom should be lowered to the ground. The boom should be lowered to the ground in a controlled manner. Do not allow the boom to drop. The boom should be lowered to the ground in a controlled manner. Do not allow the boom to drop. The boom should be lowered to the ground in a controlled manner. Do not allow the boom to drop.

343-983-31590

INSTRUMENT PANEL

343-983-31600

10

343-983-31600

DISPOSITION OF CONTROL LEVER AND PEDAL

11 ⇒ N/A

REPAIR PARTS LIST

Part Name	Quantity	Part Number
...
...
...

343-979-01250

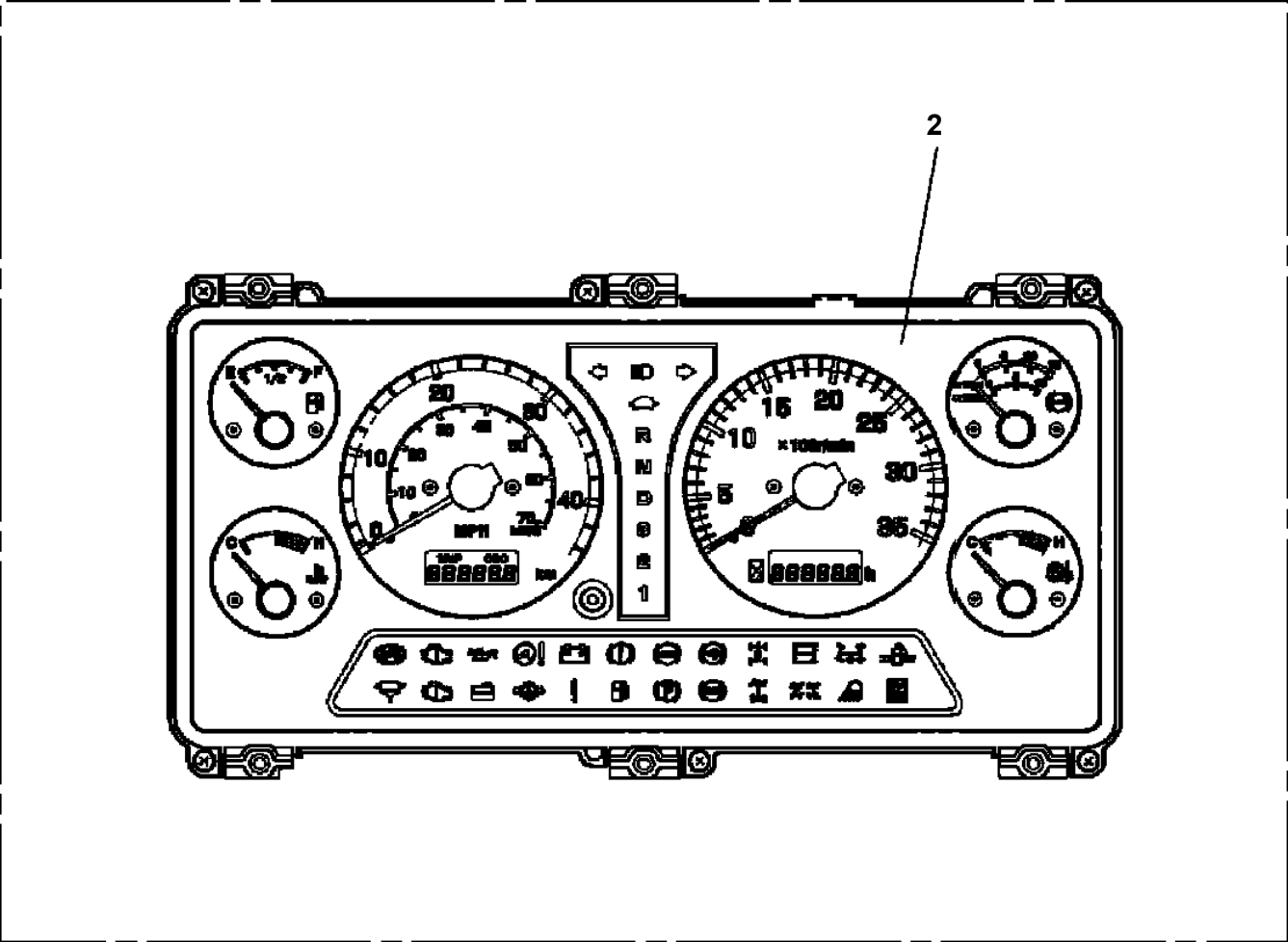
REPAIR PARTS LIST

Part Name	Quantity	Part Number
...
...
...

GR-500-2-00201 4 BOOM + 2 JIB,2M2D
PM5110001-00 METER,COMBINATION

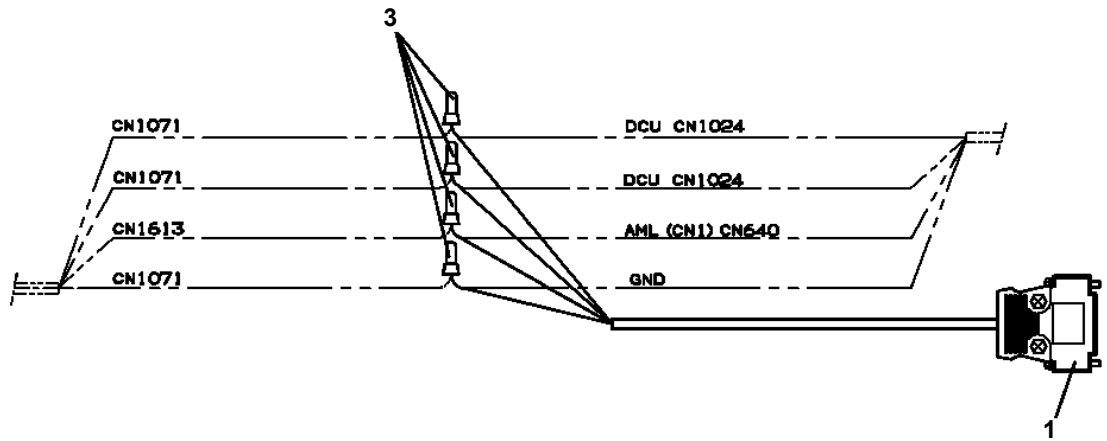
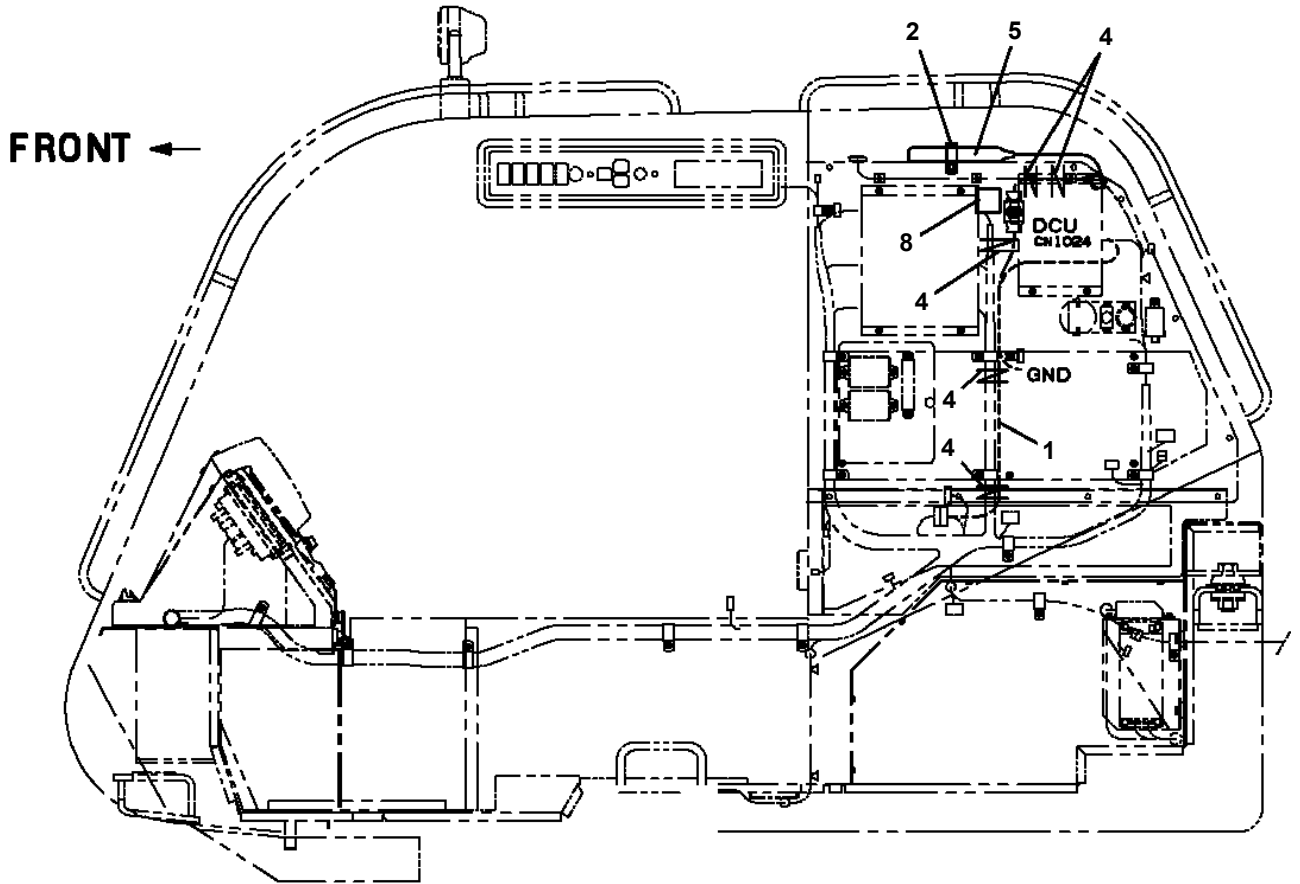
100

2

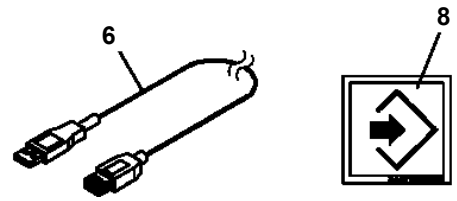


GR-500-2-00201 4 BOOM + 2 JIB,2M2D
 PM5150650-02 MODIFICATION ASSY (DATA LOGGER)

<2型/TYPE-II>



キャブハーネス改造詳細
 DETAIL OF THE REMODELING OF THE HARNESS OF THE CAB



GR-500-2-00201 4 BOOM + 2 JIB,2M2D

Pos No.	Parts No	Parts Name	Qty	Unit	Technical Data	Serial No (Start)	Serial No (End)	Remarks	P
11	34930707510	LENS	1						
12	82166300210	BULB,LAMP (KOITO)	1		24V 21W				
13	82166300050	BULB,LAMP (KOITO)	1		24V 5W				
100	34930704000	LAMP (COMBINATION)	1						

GR-500-2-00201 4 BOOM + 2 JIB,2M2D

Pos No.	Parts No	Parts Name	Qty	Unit	Technical Data	Serial No (Start)	Serial No (End)
1	37002214500	PLATE,NAME (TADANO BLUE+BLACK)	2				
2	37002214520	PLATE,NAME (TADANO WHITE+WHITE)	2				

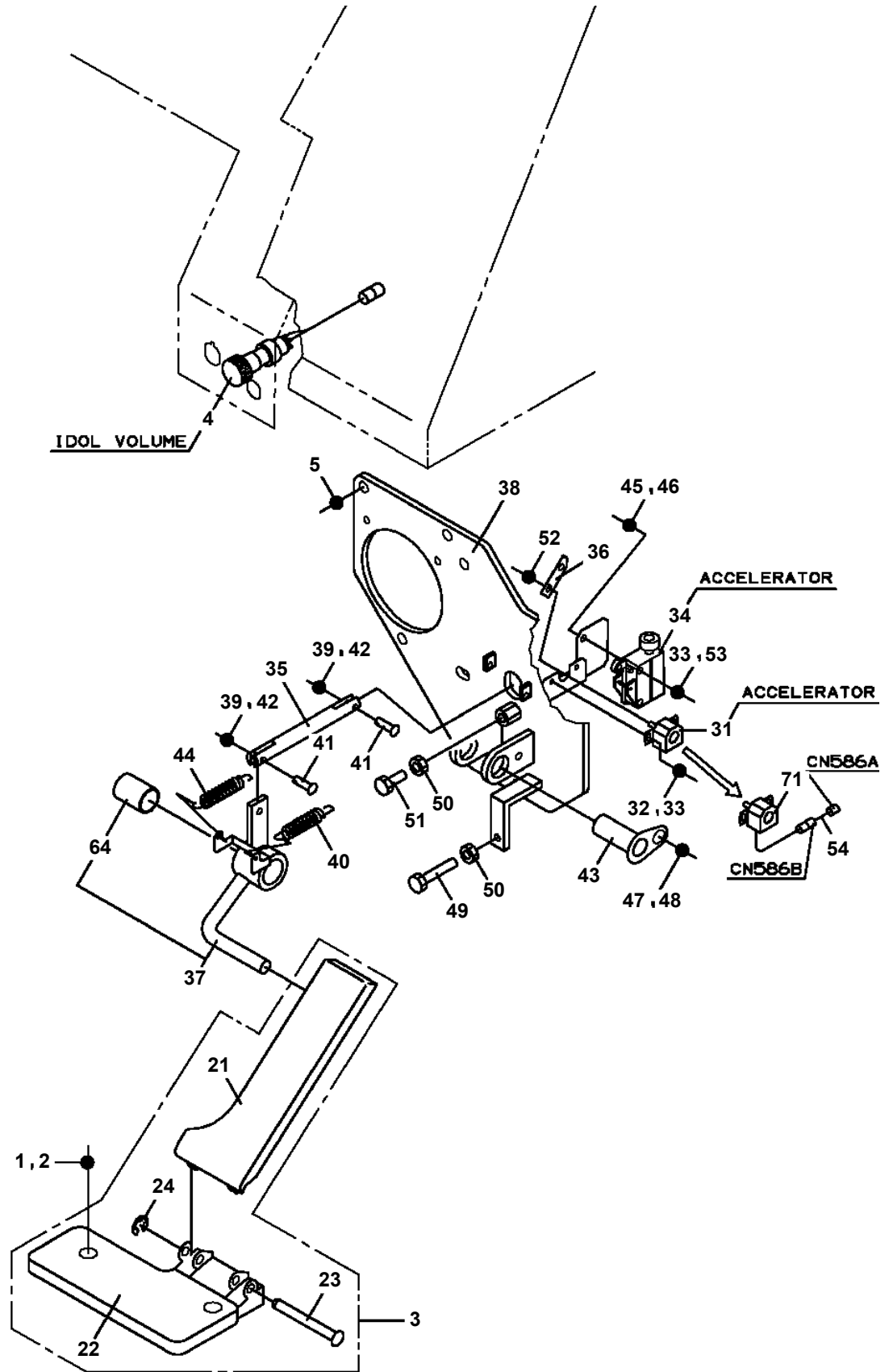
GR-500-2-00201 4 BOOM + 2 JIB,2M2D

Pos No.	Parts No	Parts Name	Qty	Unit	Technical Data	Serial No (Start)	S
1	34495432010	PLATE,CAUTION (REMOVE THE ANCHOR POINT)	4				
2	34495432020	PLATE,CAUTION(US THE ANCHOR POINTS ONLY)	5				
3	34495432030	PLATE,CAUTION(US THE ANCHOR POINTS ONLY)	1				
4	34495432040	PLATE,NAME (ANCHOR POINT)	5				
5	34495442050	PLATE,CAUTION(LOCATION OF ONCHEOR POINTS	1				

GR-500-2-00201 4 BOOM + 2 JIB,2M2D

Pos No.	Parts No	Parts Name	Qty	Unit	Technical Data	Serial No (Start)	S
1	37002204680	PLATE,NAME (ANGLE METER)	1				
2	37002213400	PLATE,CAUTION (WARNING)	2				
3	34391201430	PLATE,CAUTION (DANGER! KEEP CLEAR)	2				
4	34391202171	PLATE,CAUTION (SWING STRUCTURE)	2				
5	34396883010	PLATE,NAME (GR-500XL)	2				
6	34398331200	PLATE,CAUTION (STOWING AUXILIARY WINCH)	1				
8	34395411700	PLATE,CAUTION (WHEN MOUNTING OR)	2				
9	34391201071	PLATE,CAUTION (HAZARDOUS CONDITION)	1				
10	34394191360	PLATE,CAUTION (!WARNING)	1				
12	34395412500	PLATE,CAUTION (JIB HANDLING INSTRUCTION)	1				
13	34395412600	PLATE,CAUTION (JIB PIN STATUS)	1				
14	34392531200	PLATE,NAME	2				
15	34392531220	PLATE,NAME	2				
16	34392531230	PLATE,NAME	2				
17	34395411500	PLATE,CAUTION (HAZRDOUS CONDITION)	1				
18	90101210016	BOLT	1		M10X16		
19	12647107001	INDICATOR	1				
21	34390731280	PLATE,NAME (WINKER)	1				
22	34391202060	PLATE,CAUTION (NO STEP)	5				
23	19047017000	PLATE,CAUTION (DON'T KEEP GEAR)	1				
24	34397791060	PLATE,CAUTION (AFTER REPLACEMENT OR)	1				
25	34395411800	PLATE,CAUTION (WHEN THE OVERRIDE KEY SW)	1				
26	37002212090	PLATE,NAME (MAIN WINCH LEVER)	1				
27	37002212110	PLATE,NAME (ELEVATE LEVER)	1				
28	37002224260	PLATE,NAME (TELES&AUX/W LEVER)	1				
29	37002218710	PLATE,NAME (SWING LEVER)	1				
30	34393761210	PLATE,CAUTION (WARNING)	1				
31	34398331300	PLATE,CAUTION(PRECAUTIONS FOR TRAVELING)	1				
32	34391201230	PLATE,CAUTION (DO NOT LIFT PEOPLE.)	1				
33	34394191350	PLATE,CAUTION (!CAUTION)	1				
34	34397521010	PLATE,CAUTION (FILTER ELEMENT)	1				
35	34391201300	PLATE,CAUTION (HAND SIGNALS)	1				
36	34397791041	PLATE,NAME	1				
37	34392531480	PLATE,CAUTION (PROPOSITION65 WARN)	1				
38	34392531361	PLATE,CAUTION (!WARNING:AVOID PER)	1				
39	34391201261	PLATE,CAUTION (READ OPERATION)	1				
40	34397791050	PLATE,CAUTION (EMERGENCY TRANSMISSION)	1				
41	34396872200	PLATE,CAUTION (ELECTROCUTION HAZARD)	1				
42	80147310420	RIVET	4		3.2X6		
44	34395411400	PLATE,NAME (AML ON/OFF)	1				
45	34394191320	PLATE,CAUTION (THIS KEY S/W BYPASSES)	1				
46	34397791110	PLATE,NAME (EMERGENCY EXIT)	1				
47	14137207000	PLATE,NAME (GREASE)	17				
50	34392531270	PLATE,CAUTION (NEVER REMOVE)	1				
51	34392531450	PLATE,CAUTION (AML)	1				
52	37000515850	PLATE	1				
53	90201200600	NUT	1		M6		
54	90305210601	WASHER	1				
55	80186806025	SCREW,MACHINE	1		M6X25		
56	34392251300	PLATE	1				
57	34397961030	PLATE,NAME(PULL STOP---DPF REGENERATION)	1				
58	34396870200	PLATE,CAUTION (WHEN STARTING THE E/G)	1				
59	34392531210	PLATE,CAUTION (JIB TILT)	2				
60	34395412700	PLATE,CAUTION (PULL THE CONTROL)	1				
61	34395751500	PLATE,CAUTION (MAKE SURE JIB SET)	2				
62	34398331400	PLATE,NAME (LIFTING OF CRANE FOR)	1				
63	34398331700	PLATE,NAME (BLUE/WHITE)	1				
64	34395751900	PLATE,NAME (RED)	1				
65	34397631170	PLATE	1				
67	34397795010	PLATE,CAUTION (ULTRA LOW SULFUR DIESEL)	1				
68	34395752400	PLATE,CAUTION (SELECT CORRECT)	1				
69	37002200010	PLATE,NAME (HORN)	1				
70	34395752600	PLATE,CAUTION (TOP JIB OPERATION)	1				

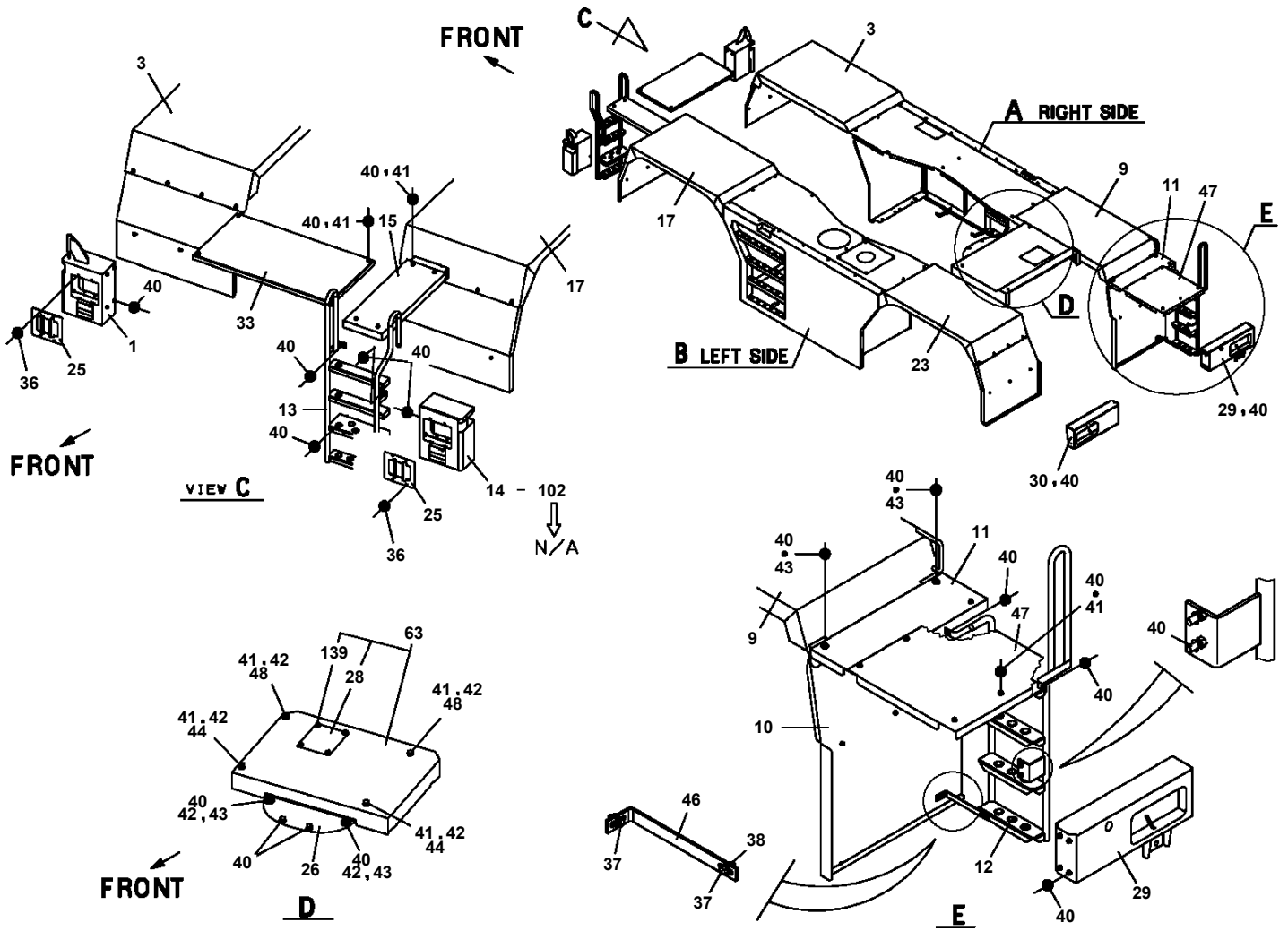
GR-500-2-00201 4 BOOM + 2 JIB,2M2D
PO5020006-03 OPE.ASSY,ACCELERATOR



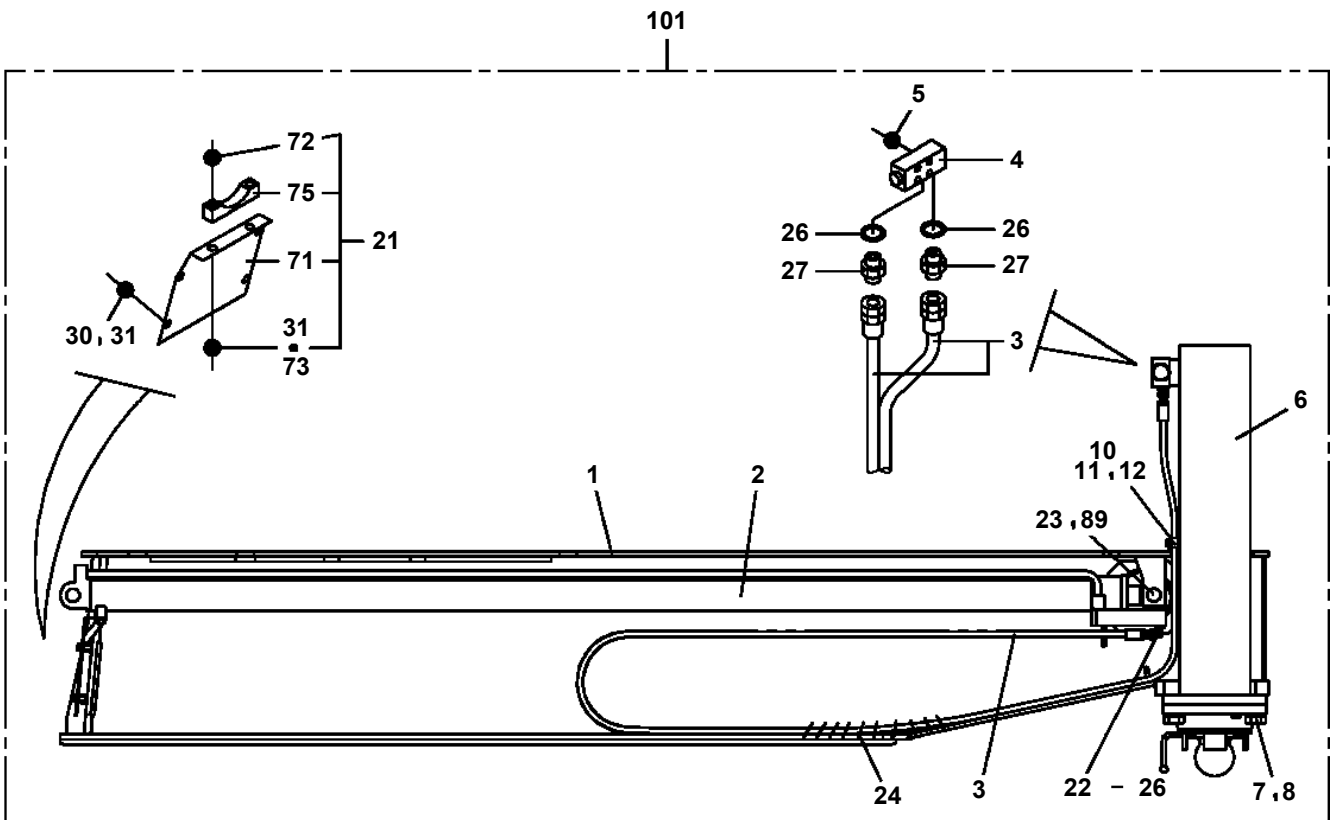
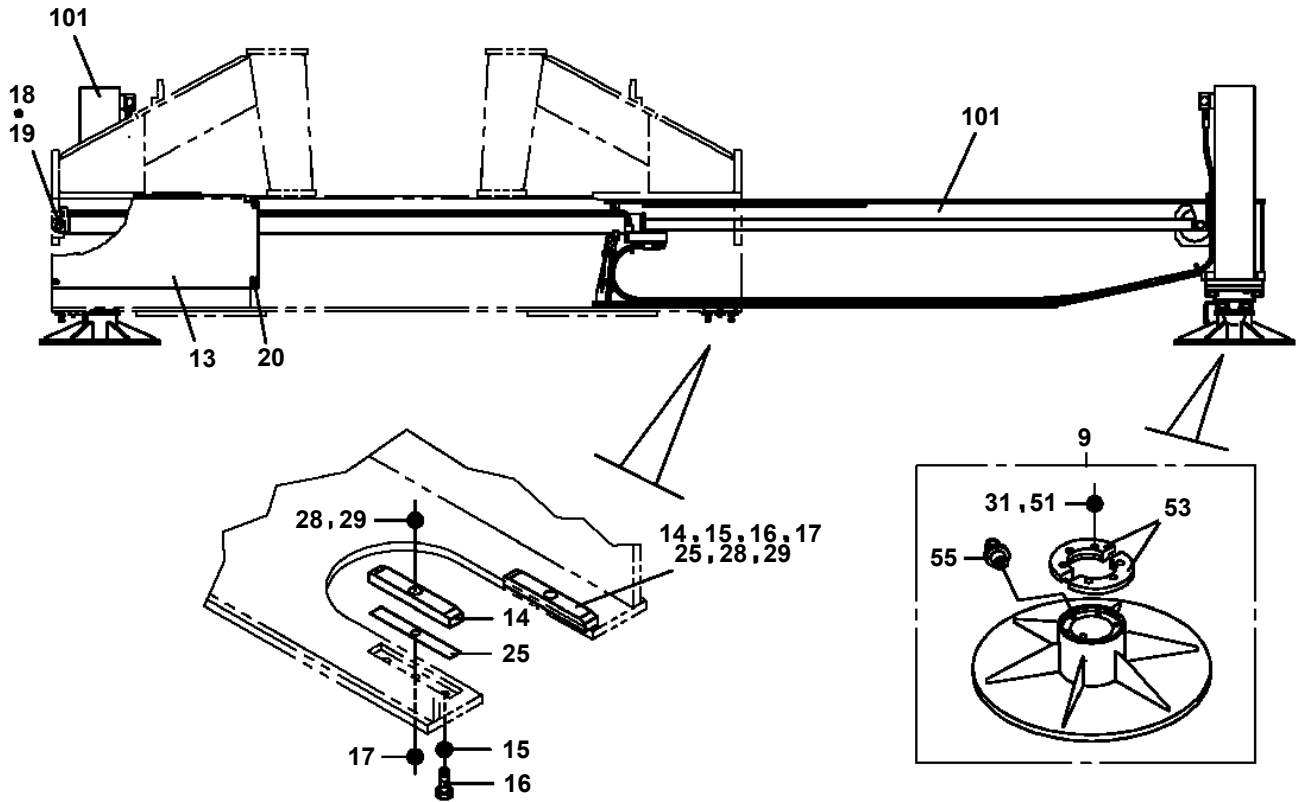
GR-500-2-00201 4 BOOM + 2 JIB,2M2D

Pos No.	Parts No	Parts Name	Qty	Unit	Technical Data	Serial No (Start)	Serial No (End)	Rem
145	34321966200	PEDAL	2					
146	34321966300	SUPPORT	2					
147	34321966400	BOOT	2					
161	34323251101	BOX ASSY (LEFT)	1					
162	34320901200	COVER	2					
163	34320901300	SUPPORT	1					
164	34320901401	SHAFT	4					
165	82108503280	SWITCH	1					
168	90280200800	NUT,FLANGE	1		M8			
169	34320904300	KNOB	3					
170	90186208020	BOLT,FLANGE	9		M8X20			
171	37002450710	HOSE	1		L=800			
172	37002472000	HOSE	1		L=730			
173	80400160127	JOINT	10					
175	37002443710	HOSE	1		L=2200			
176	37002451480	HOSE	1		L=2600			
177	90186206010	BOLT,FLANGE	1		M6X10			
178	82114101020	CONNECTOR (2P,MALE)	1					
179	82100002002	CLAMP	1		WR6			
181	90203501200	NUT	8		M12			
182	36634920000	VALVE,CONTROL	2					
183	36672460000	FILTER (NIPPLE TYPE)	2					
184	37002510460	HOSE	2		L=15			
185	34320904201	KNOB (RED)	1					
186	82101700412	SWITCH,PUSH	1					
187	82111101010	TERMINAL	2					
188	82121102020	HOLDER	1					
189	82121101030	PLUG	2					
190	37002472020	HOSE	1		L=2030			
191	37002465820	HOSE	1		L=2050			
192	91810130230	FASTENER	1					
193	82141921070	CABLE	1	M				
211	34320908120	KNOB ASSY	3					
212	34322238010	KNOB ASSY	1					
231	34322235600	SUPPORT	1					
232	37000118050	PIN	1					
233	90186208010	BOLT,FLANGE	1		M8X10			
234	34321961200	LEVER	2					
235	37000515600	PLATE	3		T=1.0			
241	34323252101	BOX ASSY (RIGHT)	1					
246	80176404012	SCREW,MACHINE	8		M4X12			
247	90305260401	WASHER	8		4			
248	37002460250	HOSE	1		L=2950			
251	37002450510	HOSE	2		L=1250			
252	37002472030	HOSE	1		L=2460			
255	37002444970	HOSE	1		L=2275			
256	37002473200	HOSE	1		L=2240			
275	80801002010	BEARING,PLAIN	8					

GR-500-2-00201 4 BOOM + 2 JIB,2M2D
PO5260023-04 OUTER COVERING ASSY (FENDER)



GR-500-2-00201 4 BOOM + 2 JIB,2M2D
 PO5270048-01 OUTRIGGER ASSY



GR-500-2-00201 4 BOOM + 2 JIB,2M2D

Pos No.	Parts No	Parts Name	Qty	Unit	Technical Data	Serial No (Start)	Serial No (End)
1	36653975040	SHAFT,DRIVING (F)	1				
2	36653975050	SHAFT,DRIVING (R)	1				
3	36652185030	JOINT,SPLINE	1				
4	36653295050	BEARING,ROLLER	2				
5	36653975060	BEARING,NEEDLE	2				
6	36653975070	SPACER (BEARING)	4				
10	36653355080	PLATE SET	2				
11	36653295040	BUSH	2				
12	36652185090	SPRING (CYLINDER)	18				
13	36652185110	PLATE (SHOE)	2				
16	36654505120	SUPPORT (SWASH PLATE)	2				
17	36653975080	COVER (SEAL)	1				
18	36652185160	COVER (SEAL,R)	1				
19	36652185170	CASING,PUMP	2				
20	36654505110	BLOCK,VALVE	1				
23	36652185200	BOLT,HEXAGON SOCKET	8		M16X175		
24	90131506016	BOLT,HEXAGON SOCKET	8		M6X16		
25	36653355100	PLUG	2				
26	36661465150	PLUG	4				
27	36664175170	PLUG	15				
29	36653355110	PISTON (SERVO)	2				
30	36652185220	STOPPER (LARGE)	2				
31	36652185230	STOPPER (SMALL)	2				
33	36654555010	O-RING	2				
34	91002908500	O-RING	2		1B G85		
35	91002912000	O-RING	2		1B G120		
36	91002911500	O-RING	2		1B G115		
37	36664175200	RING,SQUARE	18				
38	91002801100	O-RING	2		1B P11		
39	91002801800	O-RING	4		1B P18		
40	36654555020	O-RING	2				
41	36654505050	SEAL,OIL	1				
42	91411001600	RING,BACKUP	2		P16		
43	91411103000	RING,BACKUP	2		G30		
44	90203201600	NUT	4		M16		
45	80601110350	RING,RITAINING	2		S35		
46	36652185250	PIN	2				
47	36650835330	PIN,SPRING	4				
48	36653355120	BOLT,EYE	2				
49	36652185260	SCREW,SET	2				
50	36652185270	SCREW,SET	2				
61	36654505060	PISTON KIT	2				
62	36654505070	CYLINDER ASSY (R)	1				
63	36654505080	CYLINDER ASSY (L)	1				
64	36652185310	BARREL ASSY (WITH SWASH PLATE)	2				
65	36653975110	PIN ASSY	2				
71	36654535030	REGULATOR ASSY (FOR FRONT & REAR PUMP)	2				
101	90131908050	BOLT,HEXAGON SOCKET <M8X50.	4				
102	90131908070	BOLT,HEXAGON SOCKET	4		M8X70		
103	90131906030	BOLT,HEXAGON SOCKET	4		M6X30		
104	90131906020	BOLT,HEXAGON SOCKET	20		M6X20		
105	36653355010	PLUG	10				
134	91002907500	O-RING	2		1B G75		
135	91002800600	O-RING	6		1B P6		
136	91002800800	O-RING	18		1B P8		
137	91002801000	O-RING	2		1B P10		
138	91002801800	O-RING	2		1B P18		
139	91002802200	O-RING	2		1B P22		
140	36654555020	O-RING	2				
141	91002802000	O-RING	2		1B P20		
142	91002902500	O-RING	2		1B G25		
143	91002801250	O-RING	2		1B P12.5		
144	36654505030	O-RING	2				

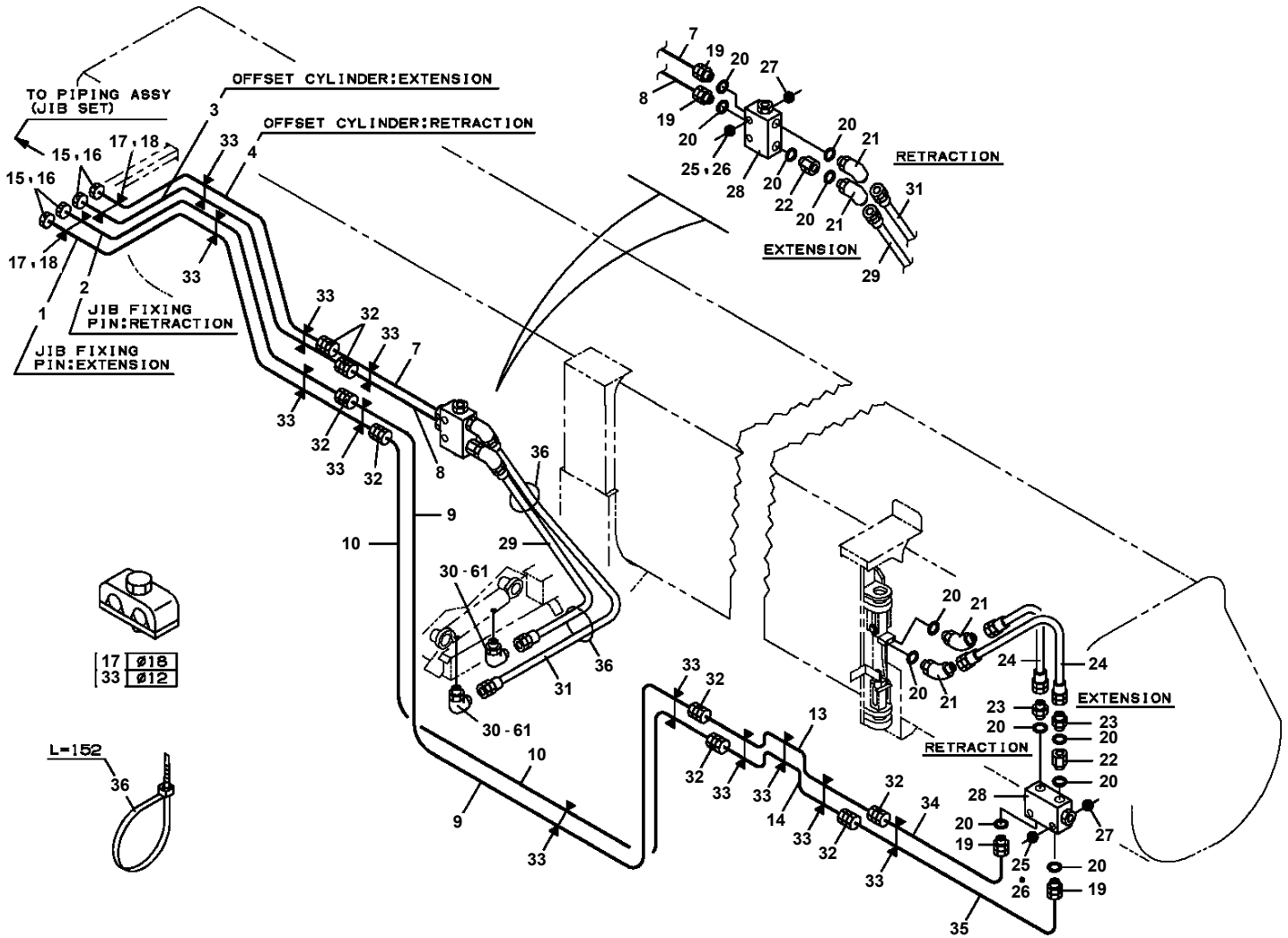
GR-500-2-00201 4 BOOM + 2 JIB,2M2D

Pos No.	Parts No	Parts Name	Qty	Unit	Technical Data	Serial No (Start)	Serial No (End)	R
1	36648130000	VALVE,SOLENOID	1					
2	90186208016	BOLT,FLANGE	2		M8X16			
3	80400160127	JOINT	8					
4	91002801100	O-RING	17		1B P11			
5	37002472160	HOSE	1		L=600			
6	37000932660	JOINT (WITH O-RING)	3		T G1/4-G1/4-G1/4			
7	80302090141	FITTING	6		KCO12-020N			
8	37002478140	HOSE	1		L=750			
9	80303130141	FITTING,ELBOW	3		KLO12-020E			
10	91002802900	O-RING	4		1B P29			
11	80302090322	FITTING	4		KCO28-080N			
12	37000932510	JOINT	2		G1-G1/4-28			
13	37000701500	CLAMP ASSY	3		12X1			
14	37000711100	CLAMP ASSY	3		28X2			
16	37000921300	JOINT	1		S,PF1/4-PF1/4			
17	34345605301	PLATE	1		T=4.5			
18	80306010245	NUT	2		KKN28-000E			
19	80309010245	SLEEVE	2		28			
20	80306010105	NUT	1		KKN12-000E			
21	80309010105	SLEEVE	1		KK012-000E			
22	37012400870	HOSE	2		L=1250			
23	37012400880	HOSE	1		L=950			
24	89640102000	HOSE	1		880-NFK,2M			
25	89640102000	HOSE	1		880-NFK,2M			
26	80441030904	FITTING,ELBOW (WITH O-RING)	1		L,G1/4-12.7			
27	80441030908	FITTING,ELBOW (WITH O-RING)	1		L,G1/2-12.7			
28	80481102030	JOINT	1		L G1/4-G3/8			
29	90191510030	BOLT	8		M10X30			
31	81408000341	PIPE,STEEL	1	M	28X3.1T			
32	81408000341	PIPE,STEEL	3	M	28X3.1T			
33	81408000341	PIPE,STEEL	3	M	28X3.1T			
34	81408000160	PIPE,STEEL	2	M	12X1.4T			
35	81408000160	PIPE,STEEL	1	M	12X1.4T			
36	81408000160	PIPE,STEEL	1	M	12X1.4T			
37	81408000160	PIPE,STEEL	1	M	12X1.4T			
38	81408000160	PIPE,STEEL	1	M	12X1.4T			
39	90101208016	BOLT	3	M	12X1.4T			
40	90302040801	WASHER,SPRING	3		M8X16			
42	82135901973	BAND,MARK (W)	4		8			
43	82135901905	BAND,MARK (5)	2					
44	82135901906	BAND,MARK (6)	2					
45	82100002039	CLAMP	1					
46	80400160126	FITTING,TEE	2		20364-U1/2			
47	37000919390	JOINT (ORIFICE)	1		1.0			
74	91002801100	O-RING	7		1B P11			
91	91000521900	O-RING	2		AS568-219-1B			
101	91002801800	O-RING	1		1B P18			

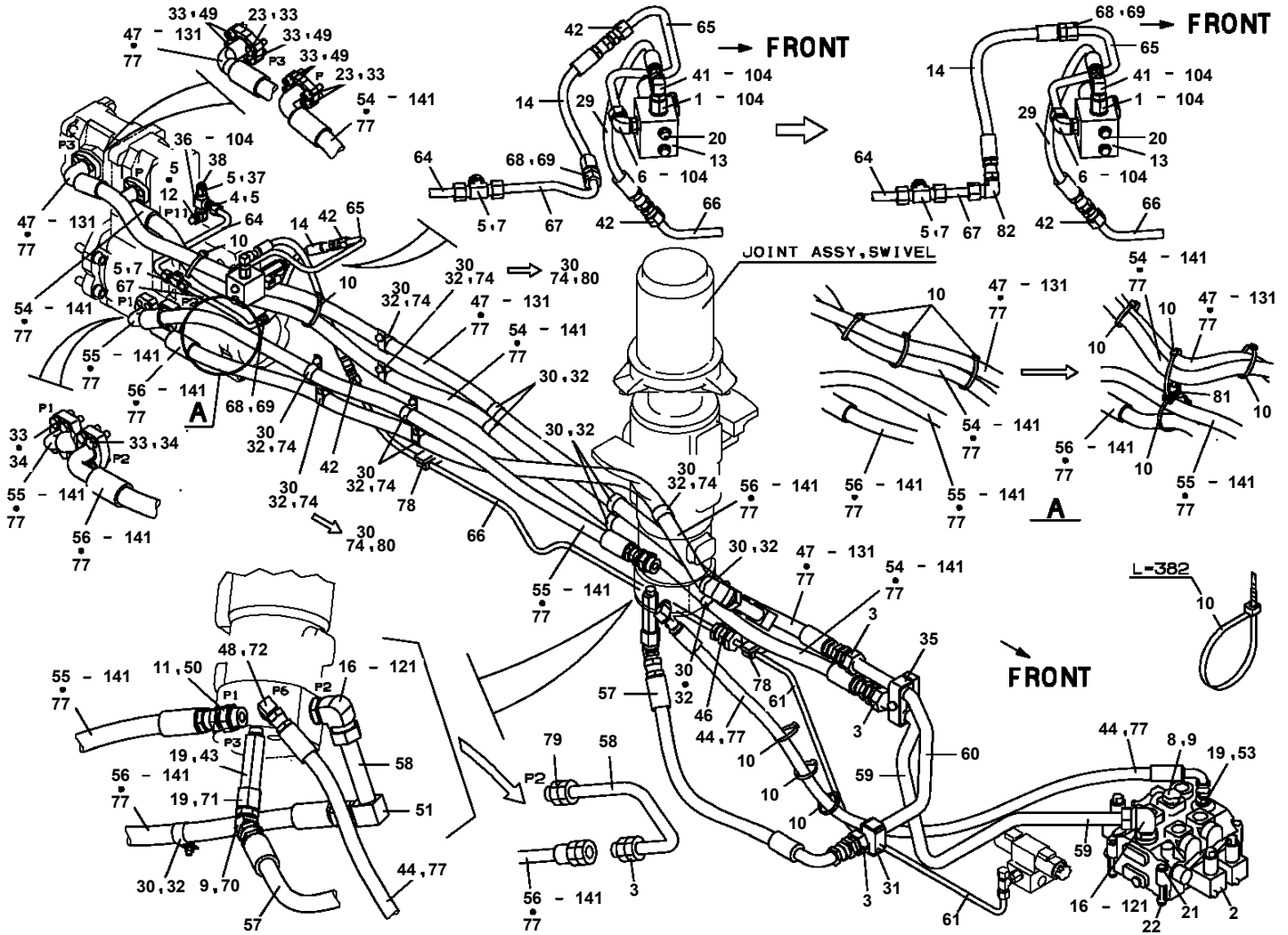
GR-500-2-00201 4 BOOM + 2 JIB,2M2D

Pos No.	Parts No	Parts Name	Qty	Unit	Technical Data	Serial No (Start)	Serial No (End)
1	34921313000	TANK,BRAKE FLUID	2				
2	90280200600	NUT,FLANGE	18		M6		
3	90186206020	BOLT,FLANGE	4		M6X20		
4	34921353000	SUPPORT	1				
5	90302041001	WASHER,SPRING	21		10		
6	90209201000	NUT	9		M10		
7	90303071001	WASHER,PLAIN	8		10		
8	37000903930	FITTING	2		S,R1/4-M16		
9	37000904830	NUT,FLARE	10		M16		
10	37000904840	NUT,FLARE	4		M20		
11	37000915040	JOINT	1		T,R1/4-R1/4-R1/4		
12	34920672100	SUPPORT	2				
13	90186210025	BOLT,FLANGE	4		M10X25		
14	90269201000	NUT	4		M10		
15	37000711000	CLAMP ASSY	4		12-1		
16	37000302720	SLEEVE	8		12-6.35		
17	37000904240	FITTING,ELBOW	1				
18	82100002042	CLAMP	1		WE20		
21	90304111601	WASHER,TOOTH	4		16		
22	90211201600	NUT	4		M16		
23	37000904130	FITTING	1		M16-M16		
24	34922688080	PIPE ASSY	1		6.35XT0.7 L=1301		
25	34922688100	PIPE ASSY	1		6.35XT0.7 L=375		
26	35770292250	SWITCH (STOP LAMP)	1				
27	34922688210	PIPE ASSY	1		10XT0.7 L=1595		
28	37000922660	FITTING,ELBOW	1				
29	34922688040	PIPE ASSY	1		10XT0.7 L=1393		
30	37000909600	FITTING	4		S,G1/4-M12		
31	42340011070	JOINT	1		T,PT1/4-PT1/4-PT1/4		
32	37000904230	FITTING,ELBOW	2		L,R1/4-M16		
33	37002444760	HOSE,BRAKE	4		L=550		
34	37000904810	NUT,FLARE	24		M12		
35	37000921430	JOINT	2		T,G1/4-6.35-6.35		
36	90304111401	WASHER,TOOTH	2		14		
37	37001600810	NUT	2		PF1/4		
38	90304111201	WASHER,TOOTH	11		12		
39	37001601440	NUT	11		M12X1.0		
40	37002453050	HOSE,BRAKE	1		L=550		
41	34922688020	PIPE ASSY	1		10XT0.7 L=1417		
42	34922688220	PIPE ASSY	1		6.35XT0.7 L=1932		
43	37000904010	FITTING	1		S,M12-M12		
44	35770292150	SWITCH,PRESSURE (LOW AIR)	1				
45	37000711080	CLAMP ASSY	1		12-2		
46	37002437540	HOSE,BRAKE	2		L=505		
47	34922688090	PIPE ASSY	1		6.35XT0.7 L=983		
48	36645960000	VALVE ASSY,SOLENOID	1				
51	37000300720	SLEEVE	5		12-10		
52	90280201000	NUT,FLANGE	4		M10		
53	34922688110	PIPE ASSY	1		6.35XT0.7 L=998		
54	37000117540	PIN	1				
55	80136332020	PIN,SPLIT	1		3.2X20		
56	34920274000	END	1				
57	90209201200	NUT	1		M12		
58	90191212035	BOLT	2		M12X35		
59	90302041201	WASHER,SPRING	2		12		
60	36700180000	CHAMBER,SPRING	1				
61	90186208020	BOLT,FLANGE	2		M8X20		
62	37000903400	FITTING,ELBOW <L,R1/2-M16	1				
63	34922688170	PIPE ASSY	2		6.35XT0.7 L=582		
64	34922688030	PIPE ASSY	1		12XT0.9 L=1299		
65	82100002010	CLAMP	1		WR15		
66	90186208014	BOLT,FLANGE	1		M8X14		
67	90101210020	BOLT	8		M10X20		

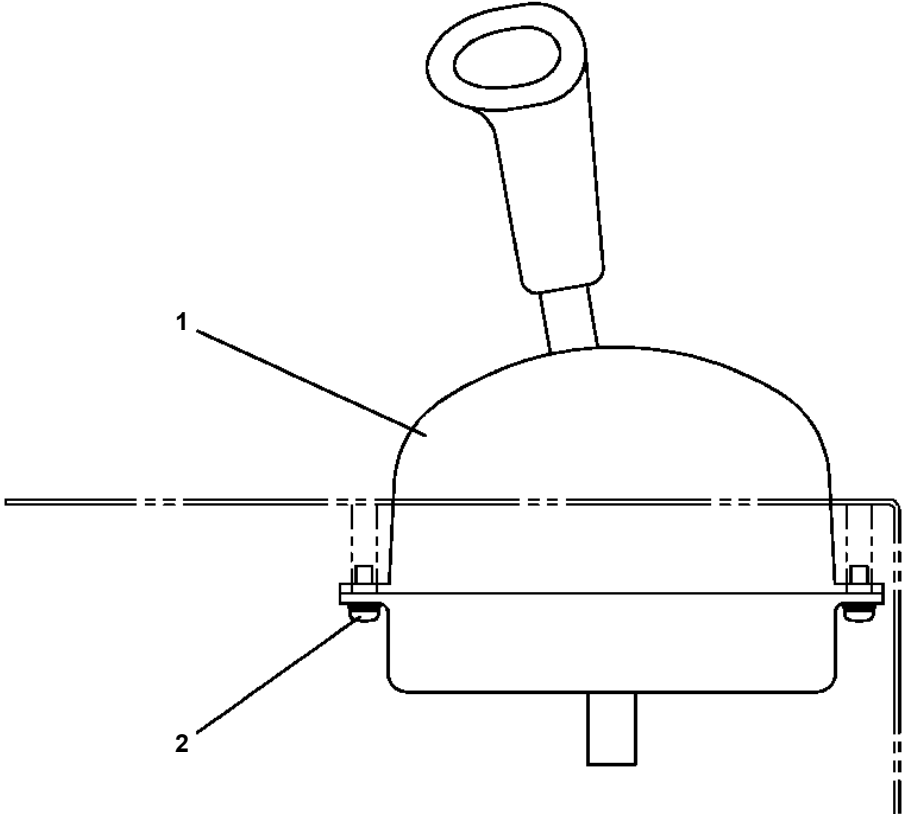
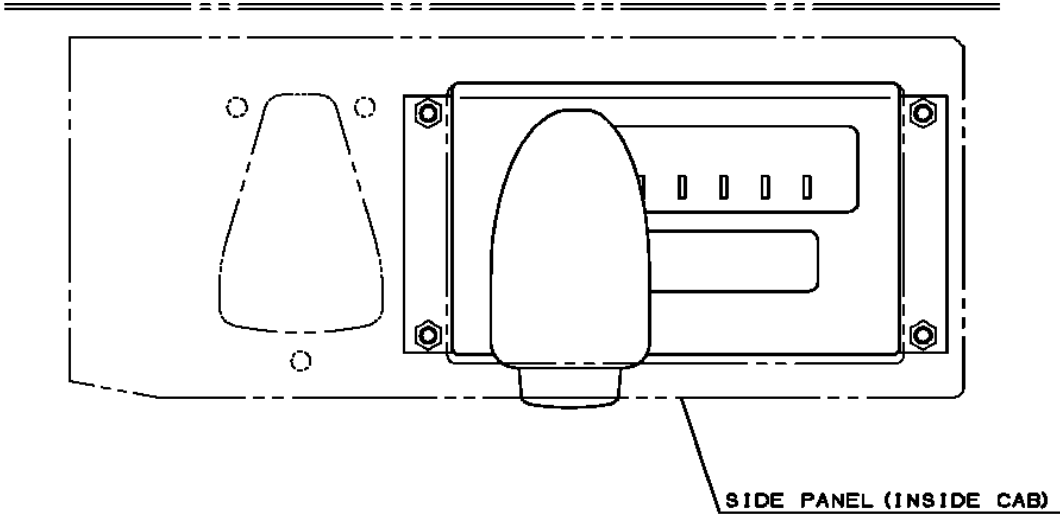
GR-500-2-00201 4 BOOM + 2 JIB,2M2D
PP6180004-00 PIPING ASSY,JIB



GR-500-2-00201 4 BOOM + 2 JIB,2M2D
PP6340005-04 PIPING ASSY,SWIVEL



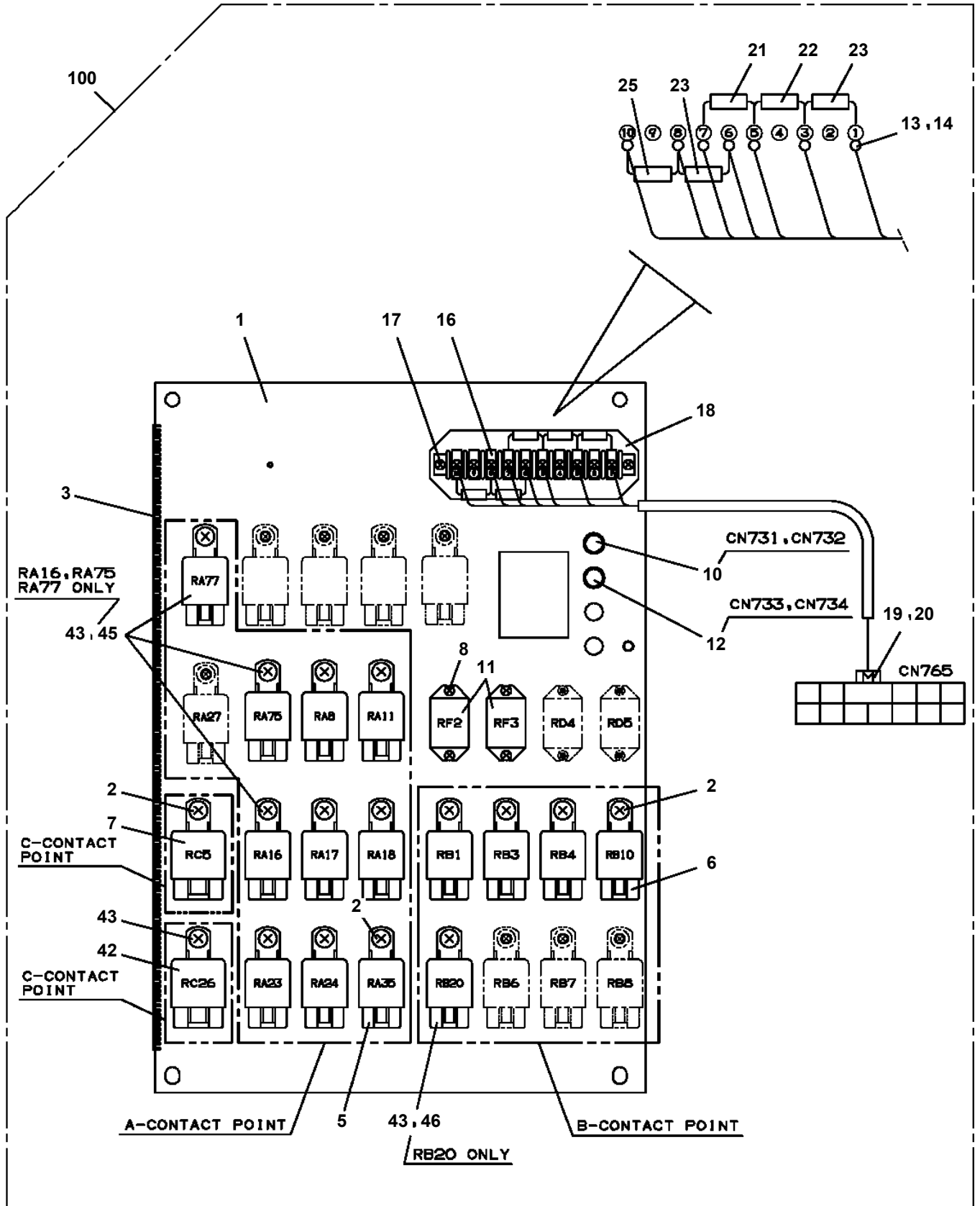
GR-500-2-00201 4 BOOM + 2 JIB,2M2D
PR1010021-00 OPE.ASSY,TRANSMISSION (SHIFT SWITCH)



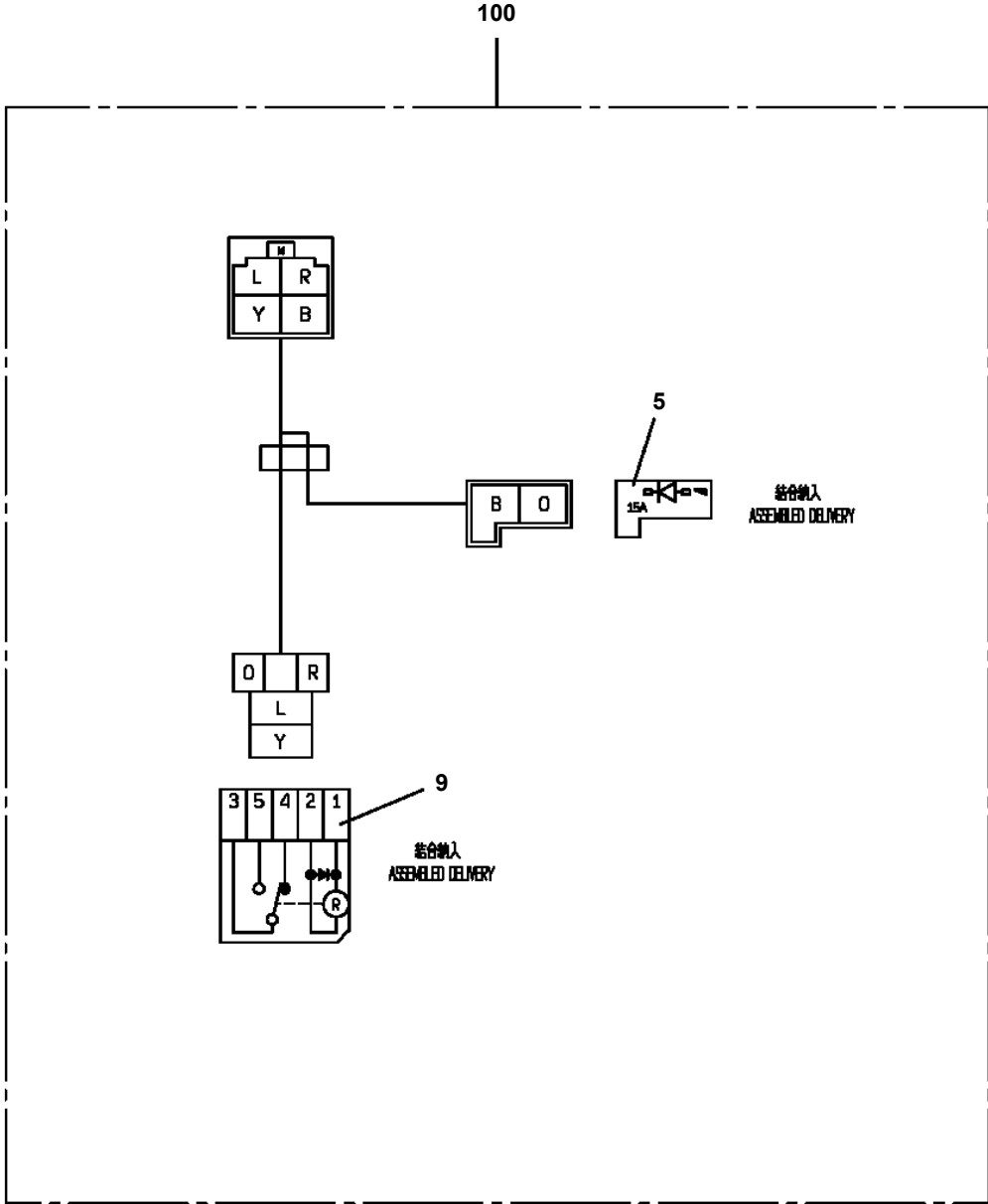
GR-500-2-00201 4 BOOM + 2 JIB,2M2D

Pos No.	Parts No	Parts Name	Qty	Unit	Technical Data	Serial No (Start)	Serial No (End)	Remarks
1	34930941350	SUPPORT	1					
3	80192486012	SCREW,MACHINE	6		M6X12			
6	82400000311	GROMMET	1		L=1000			
7	34930346200	BOX ASSY (FUSE)	1					
8	34930661200	BOX ASSY (FUSE)	1					
9	80192486016	SCREW,MACHINE	2		M6X16			
10	34931031310	BOX ASSY (FUSE)	1					
11	34930400200	RELAY (FOR HEAD LAMP)	1					
21	34351562510	BOX,FUSE	2					
23	82100001837	FUSE	18		5A			
34	82100001839	FUSE	7		10A.RED			
35	82100001840	FUSE	9		15A,BLUE			
51	34430255710	BOX,FUSE	1					
60	82100001843	FUSE	2		30A.GREEN			
100	34931291250	RELAY ASSY	1					

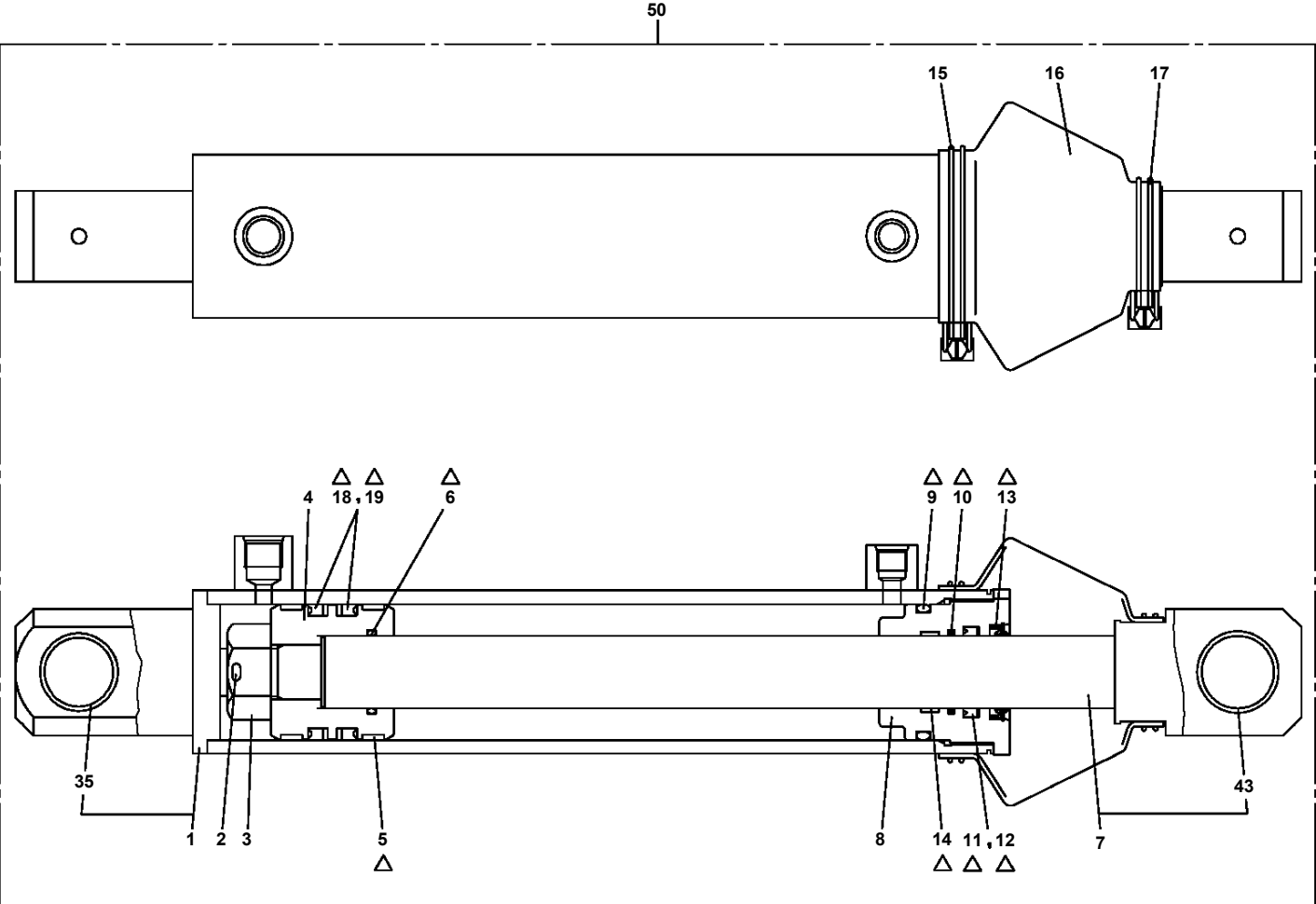
**GR-500-2-00201 4 BOOM + 2 JIB,2M2D
PR5090038-01 RELAY ASSY (INSIDE MDT BOX)**



GR-500-2-00201 4 BOOM + 2 JIB,2M2D
PR5210001-00 RELAY (WITH HARNESS)

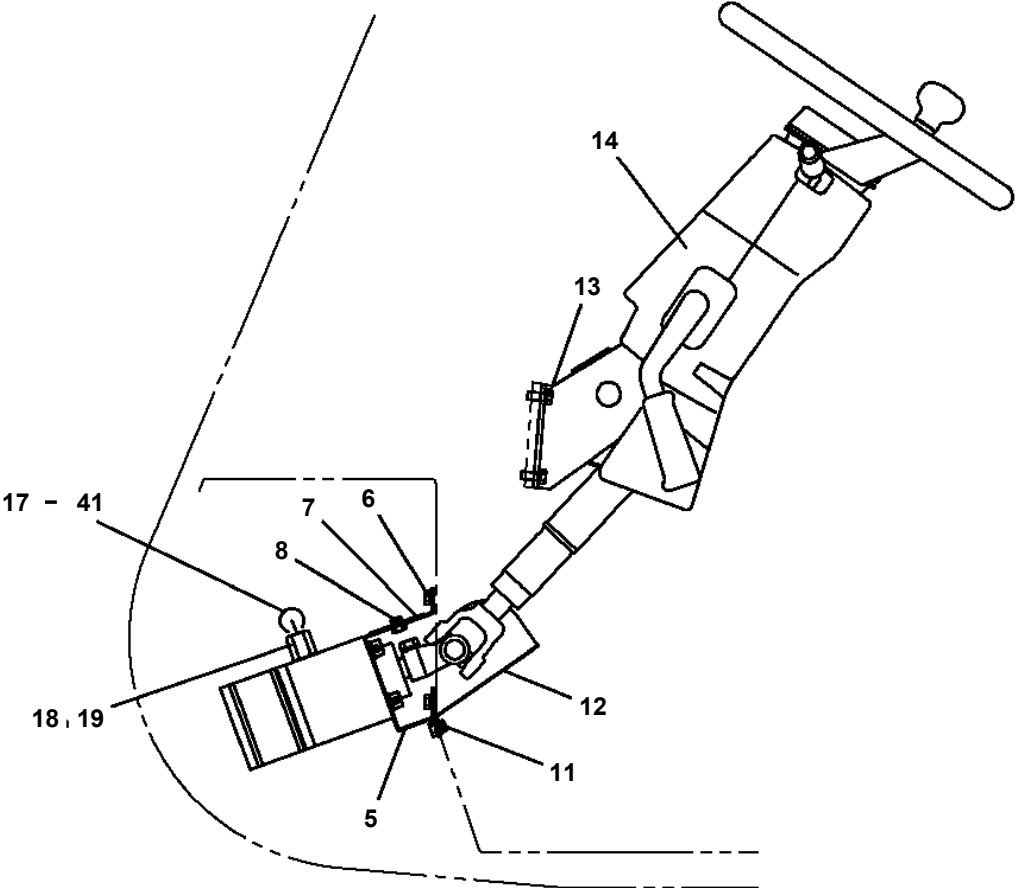
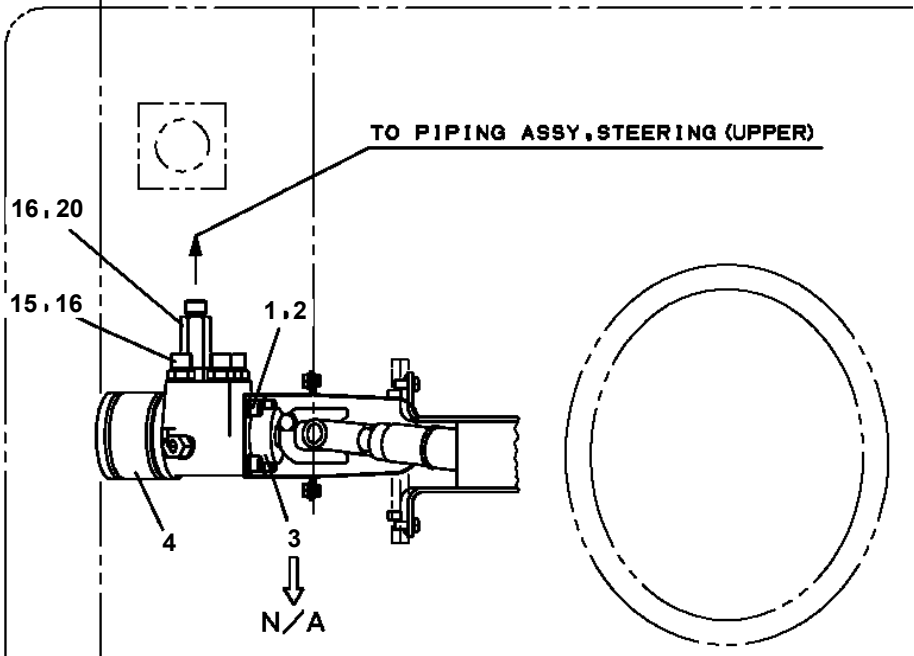


GR-500-2-00201 4 BOOM + 2 JIB,2M2D
PS1360034-04 CYLINDER,STEERING

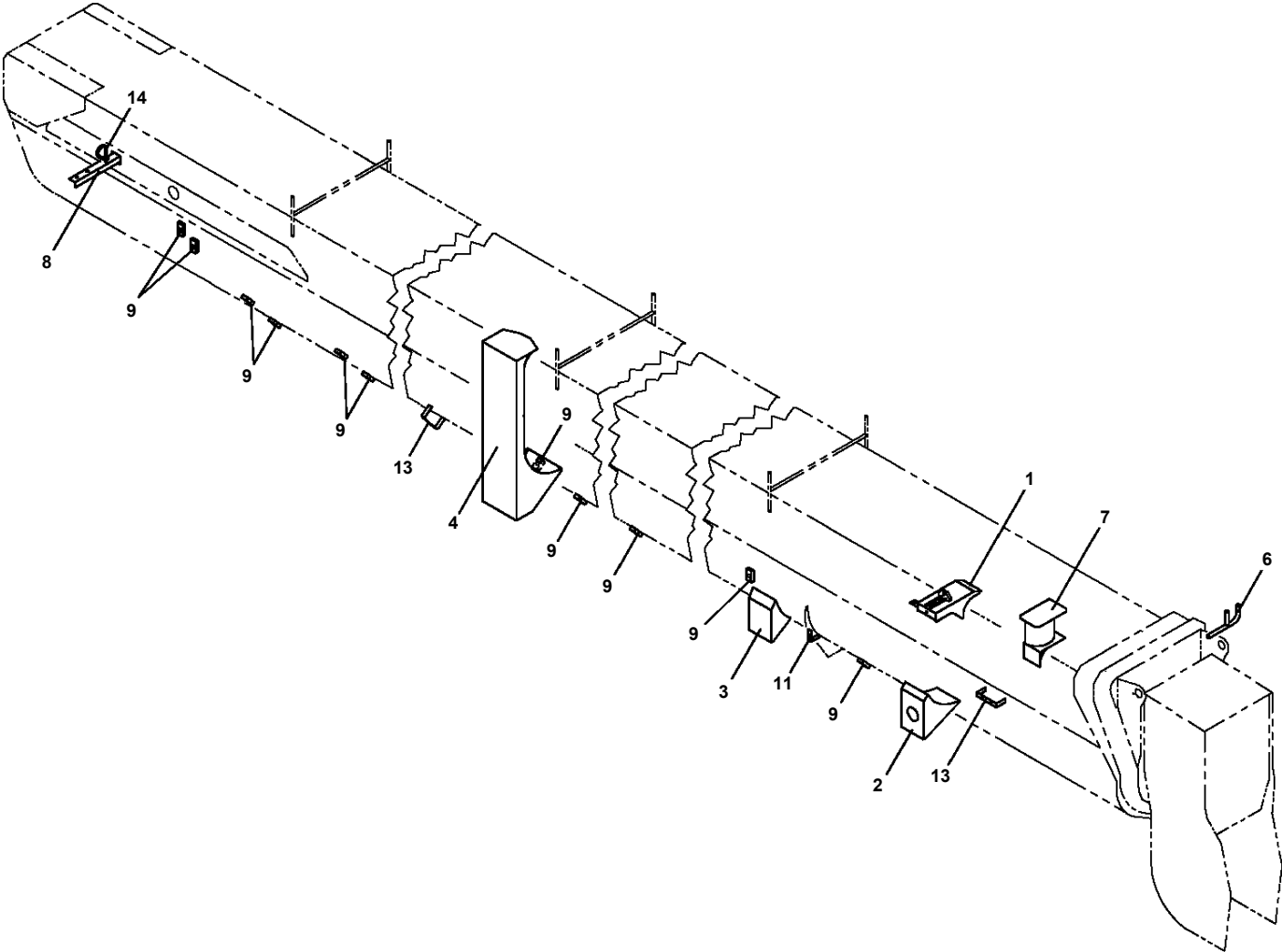


Δ:PACKING SET KEY NO.60 (KEY NO.5,6,9,10,11,12,13,14,18,19)

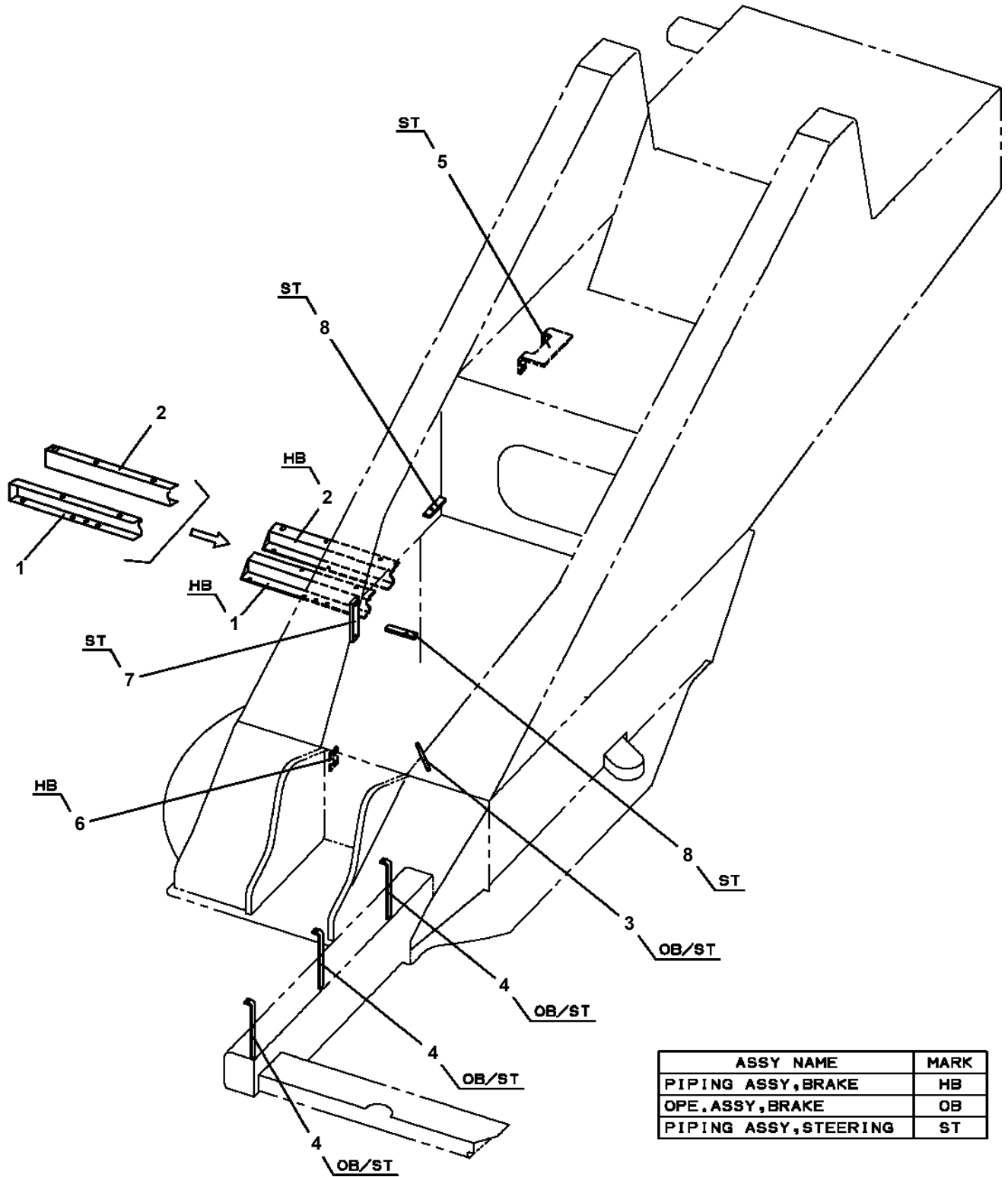
GR-500-2-00201 4 BOOM + 2 JIB,2M2D
PS5340003-02 STEERING ASSY (CAB)



GR-500-2-00201 4 BOOM + 2 JIB,2M2D
PS5420069-00 SUPPORT ASSY (JIB)



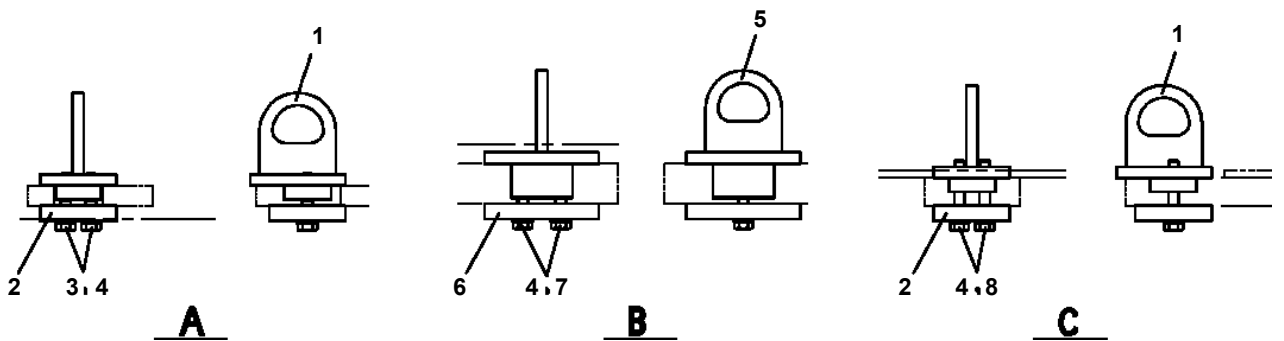
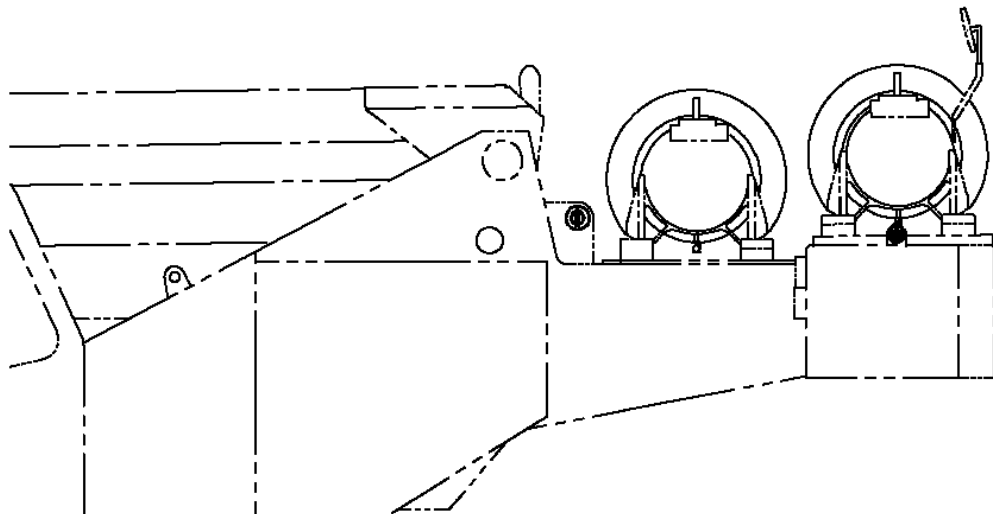
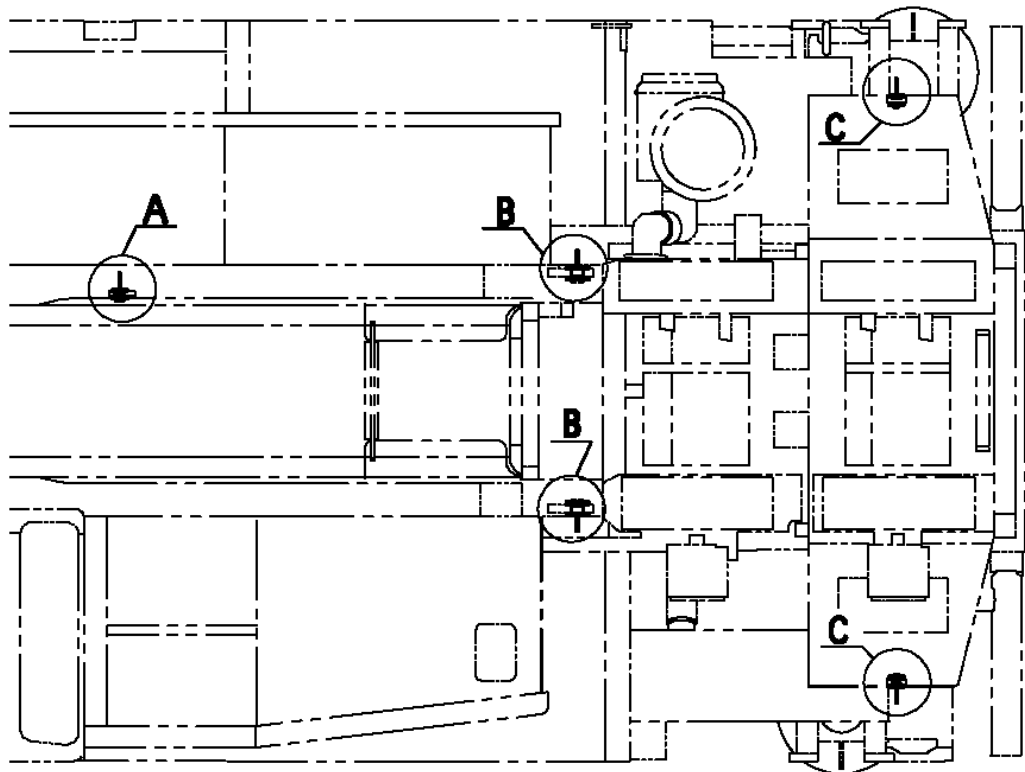
GR-500-2-00201 4 BOOM + 2 JIB,2M2D
 PS5420075-00 SUPPORT ASSY (AIR)



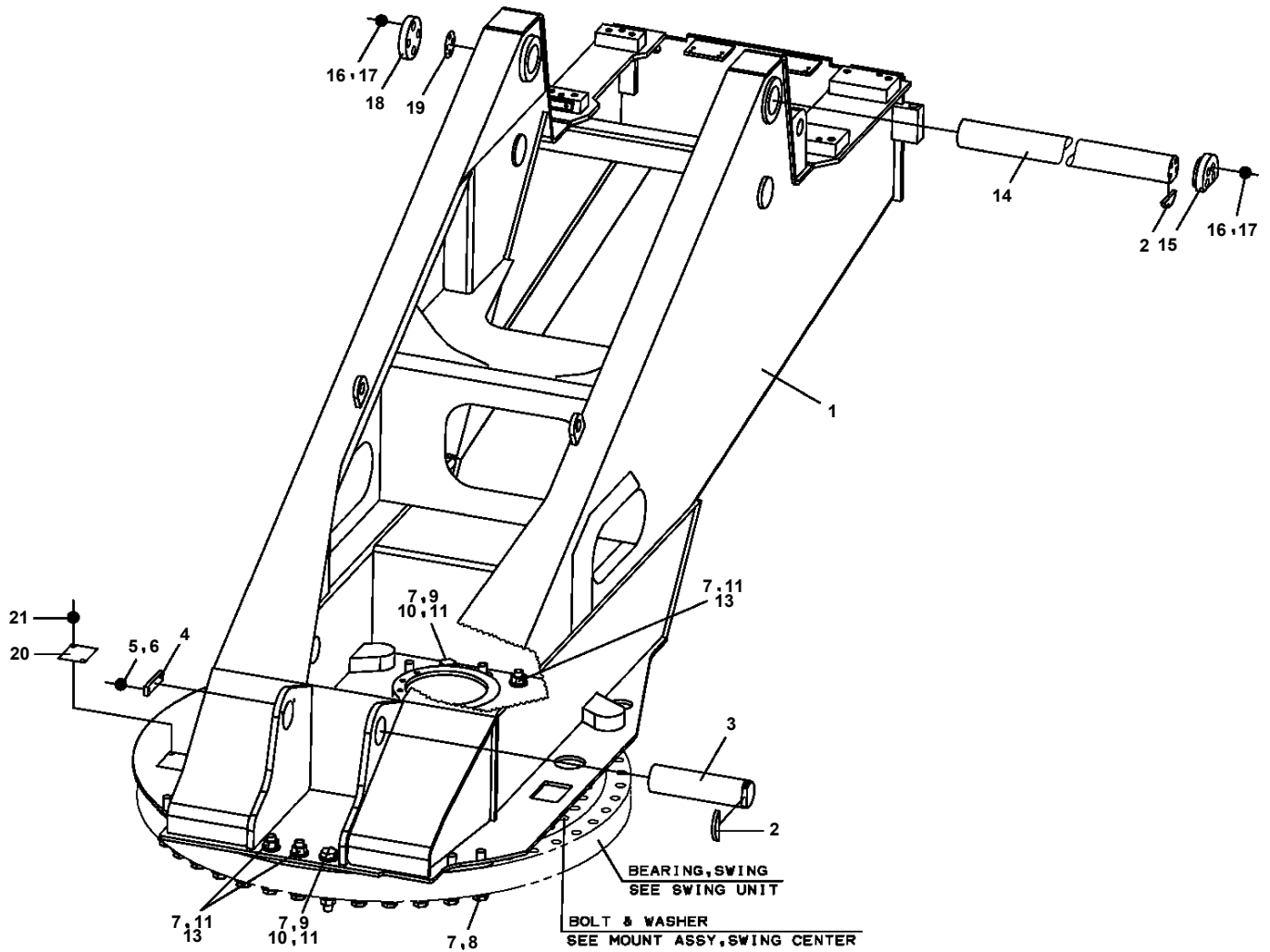
ASSY NAME	MARK
PIPING ASSY, BRAKE	HB
OPE. ASSY, BRAKE	OB
PIPING ASSY, STEERING	ST

GR-500-2-00201 4 BOOM + 2 JIB,2M2D
PS5420160-00 SUPPORT ASSY

FRONT ←



GR-500-2-00201 4 BOOM + 2 JIB,2M2D
PS5510012-00 SWING FRAME ASSY



GR-500-2-00201 4 BOOM + 2 JIB,2M2D

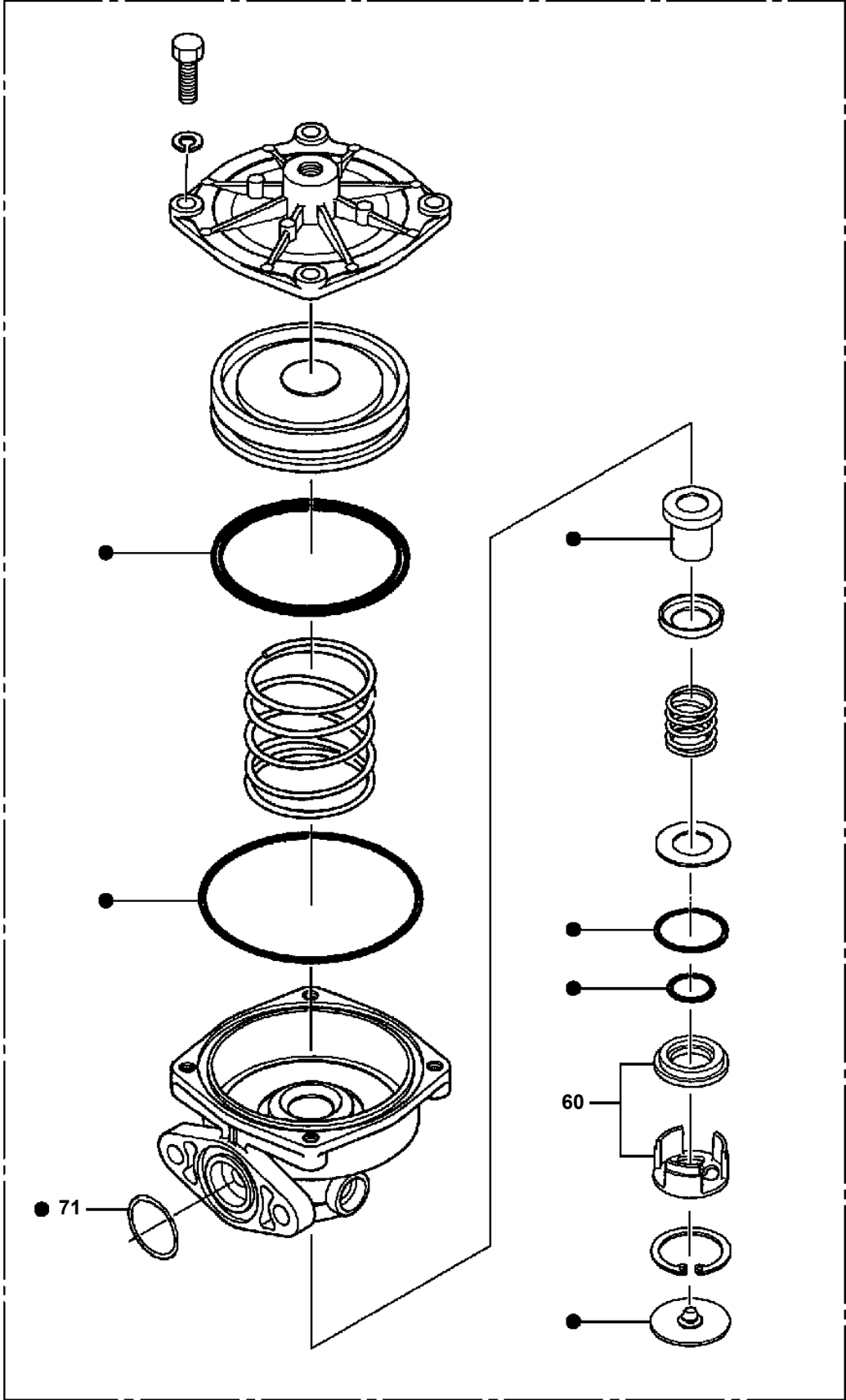
Pos No.	Parts No	Parts Name	Qty	Unit	Technical Data	Serial No (Start)	Serial No (End)	Re
1	34352901120	SWITCH,ROCKER	1					
2	34352901110	SWITCH,PUSH (ASSY ONLY)	1					
3	34352781210	SWITCH ASSY	1					
4	82100002125	PLUG	1		22.5			
5	82190596273	COVER	1					
7	34354021410	PLATE,NAME	1					
21	34352901130	PLATE ASSY,NAME (NO.1-NO.38)	1					
33	34351967530	BULB,LAMP	1		28V 1.12W			

GR-500-2-00201 4 BOOM + 2 JIB,2M2D

Pos No.	Parts No	Parts Name	Qty	Unit	Technical Data	Serial No (Start)	Serial No (End)	Remarks
1	34722107510	BRACKET (COLUMN)	1					
2	34722107520	COLUMN ASSY	1					
3	34722107530	SHAFT ASSY	1					
4	34722107540	SHAFT ASSY	1					
5	34721987540	PIN (LOCK)	1					
6	34721987550	LEVER	1					
7	34721987560	SCREW,MACHINE	1		M6X30			
8	34721987570	WASHER,TOOTH	1		M6			
9	34721987580	PIN	1					
10	34721987590	NUT	1		M10			
11	34721987600	U-NUT	1					
12	34721987620	SCREW,MACHINE	2		M5X10			
13	34721987610	GRIP	1					
14	34721987630	SPRING	2					
15	34722107550	RACK (WITH OUT PLATE)	1					
16	34721987530	NUT	1					
17	34721987650	SPRING	1					
18	34721987660	SPACER	1					
19	34721987670	WASHER,THRUST	1					
100	34722101500	SHAFT (STEERING)	1					

GR-500-2-00201 4 BOOM + 2 JIB,2M2D
PT1420011-07 BOOSTER (BRAKE)

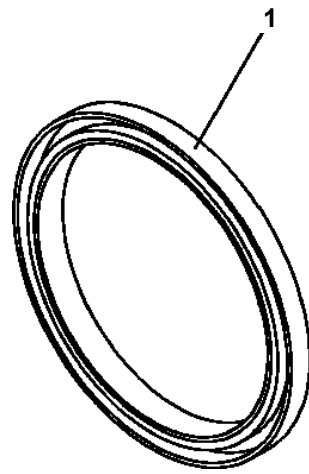
33



GR-500-2-00201 4 BOOM + 2 JIB,2M2D

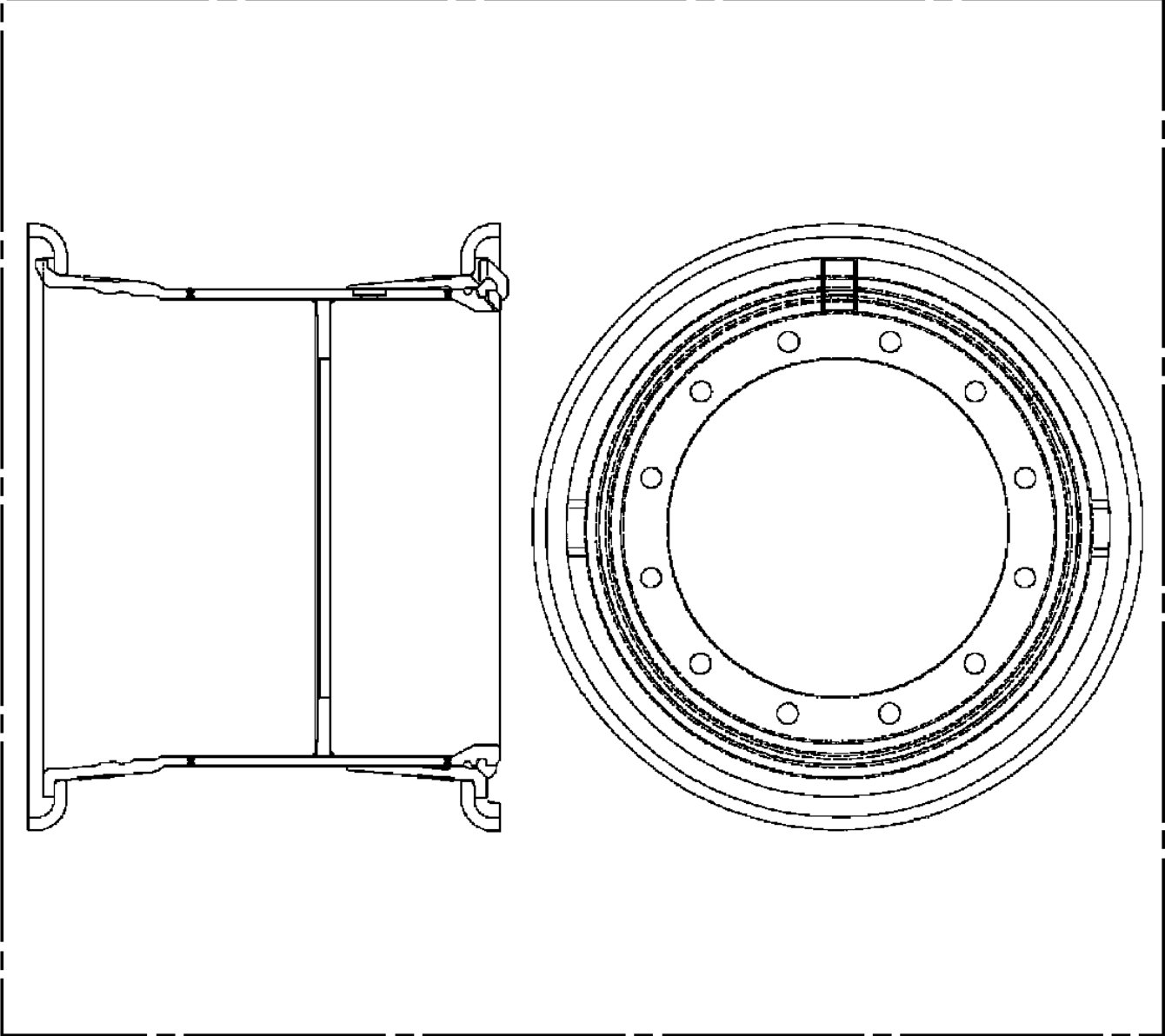
Pos No.	Parts No	Parts Name	Qty	Unit	Technical Data	Serial No (Start)	Serial No (End)	Remarks
3	36062172001	PISTON	1					
4	91302211500	BEARING,PLAIN	2					
5	91684011500	PACKING	2					
6	91431210001	RING,BACKUP	2					
7	91002806000	O-RING	1		1B P60			
8	91411006000	RING,BACKUP	1		P60			
9	91002810500	O-RING	1		1B P105			
10	91411010500	RING,BACKUP	1					
11	91251100600	RING,DAMPER	1					
12	91694006000	PACKING	1					
13	91410206002	RING,BACKUP	1					
15	36062173000	COVER,ROD	1					
16	91660006000	SEAL,DUST	1					
17	80622000600	RING,RITAINING	1		SP60			
18	36062174001	ROD	1					
19	91301106000	BEARING,PLAIN	1					
20	90730008140	SCREW,SET	1		M8X14			
41	36062179900	PACKING SET	1					
57	80591180451	BEARING,SPHERICAL	1					
61	36062891001	CYLINDER	1					
100	36062890000	CYLINDER,SPRING LOCK	1					

GR-500-2-00201 4 BOOM + 2 JIB,2M2D
PW1010370-00 ACCESSORIES (FOR COLDPROOF SEAL)

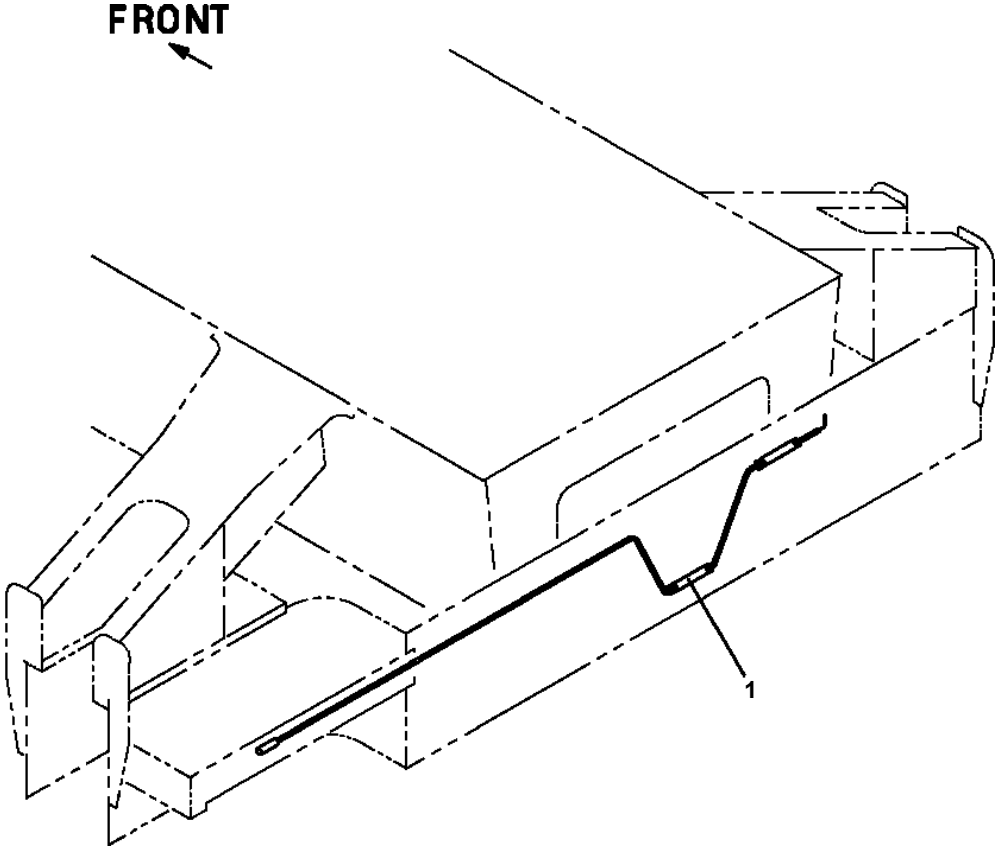


GR-500-2-00201 4 BOOM + 2 JIB,2M2D
PW5050003-00 WHEEL,TIRE

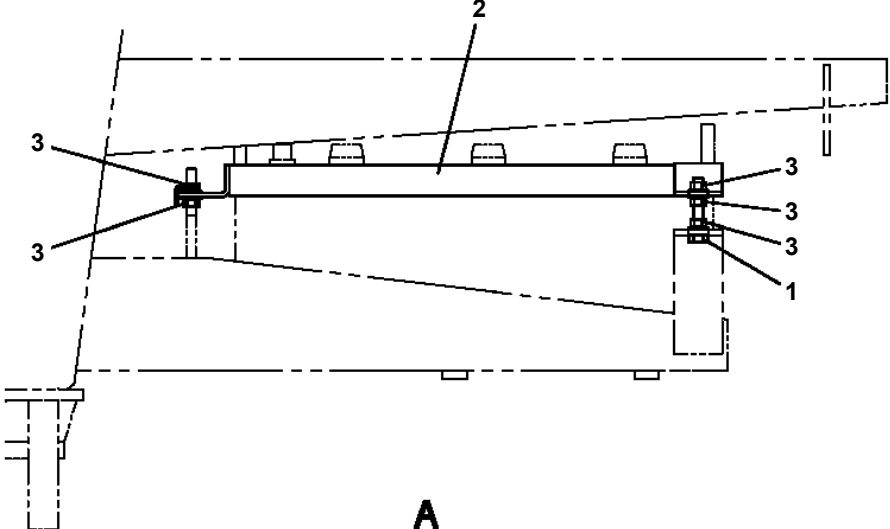
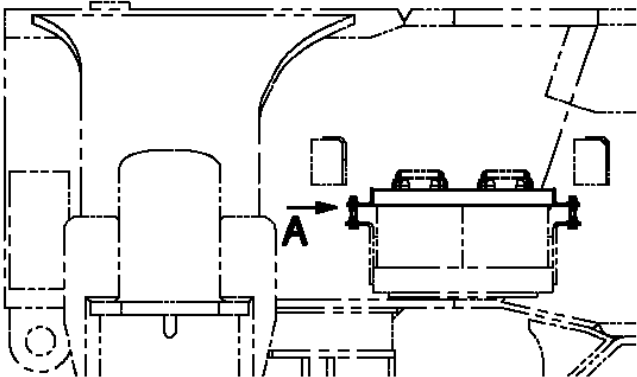
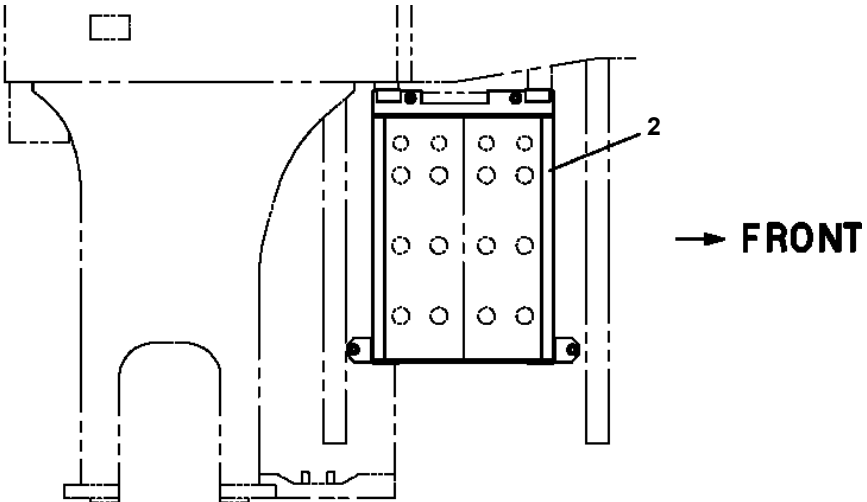
100



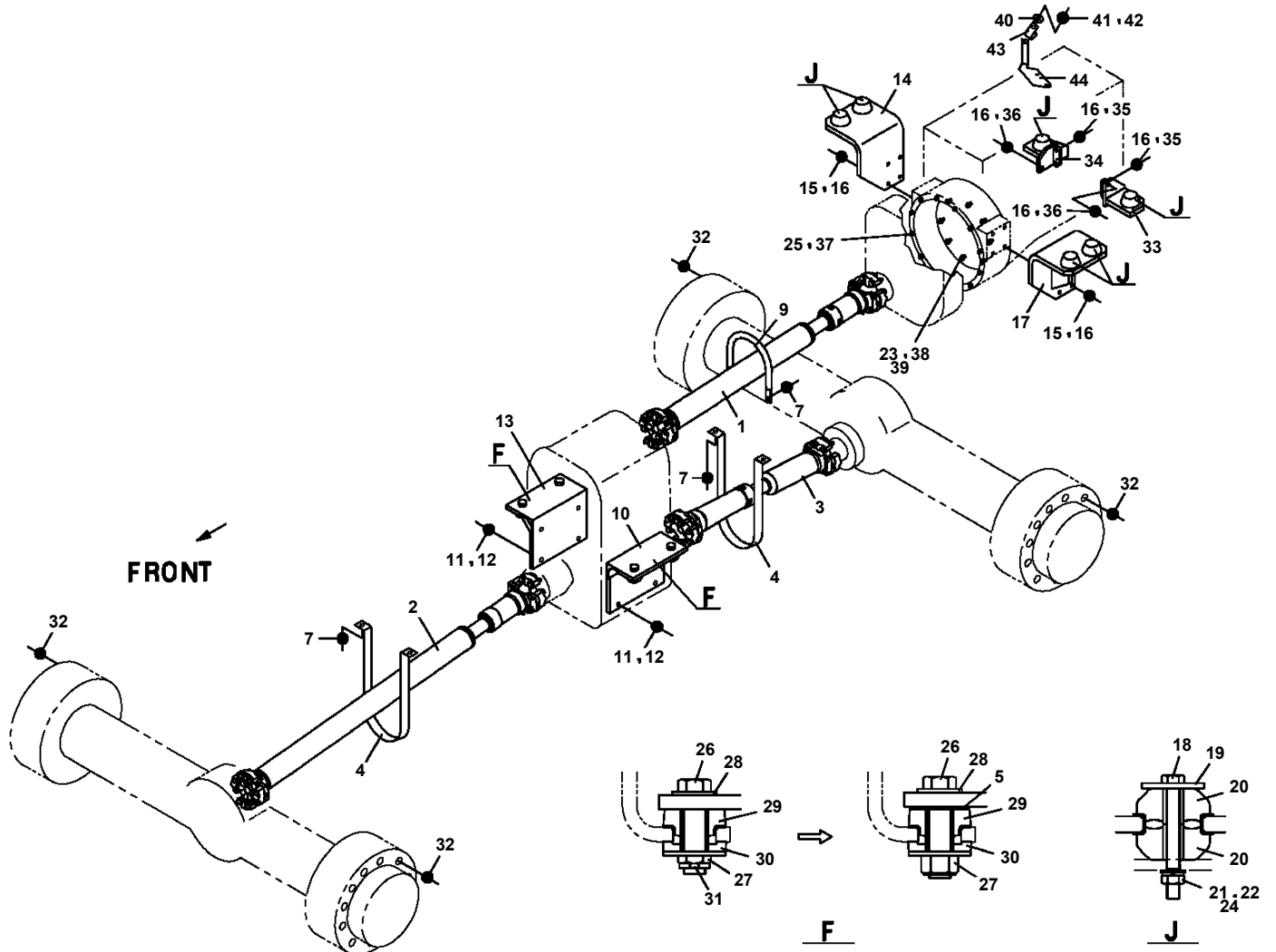
GR-500-2-00201 4 BOOM + 2 JIB,2M2D
PX5010078-00 MOUNT ASSY (JIB HANDLE)



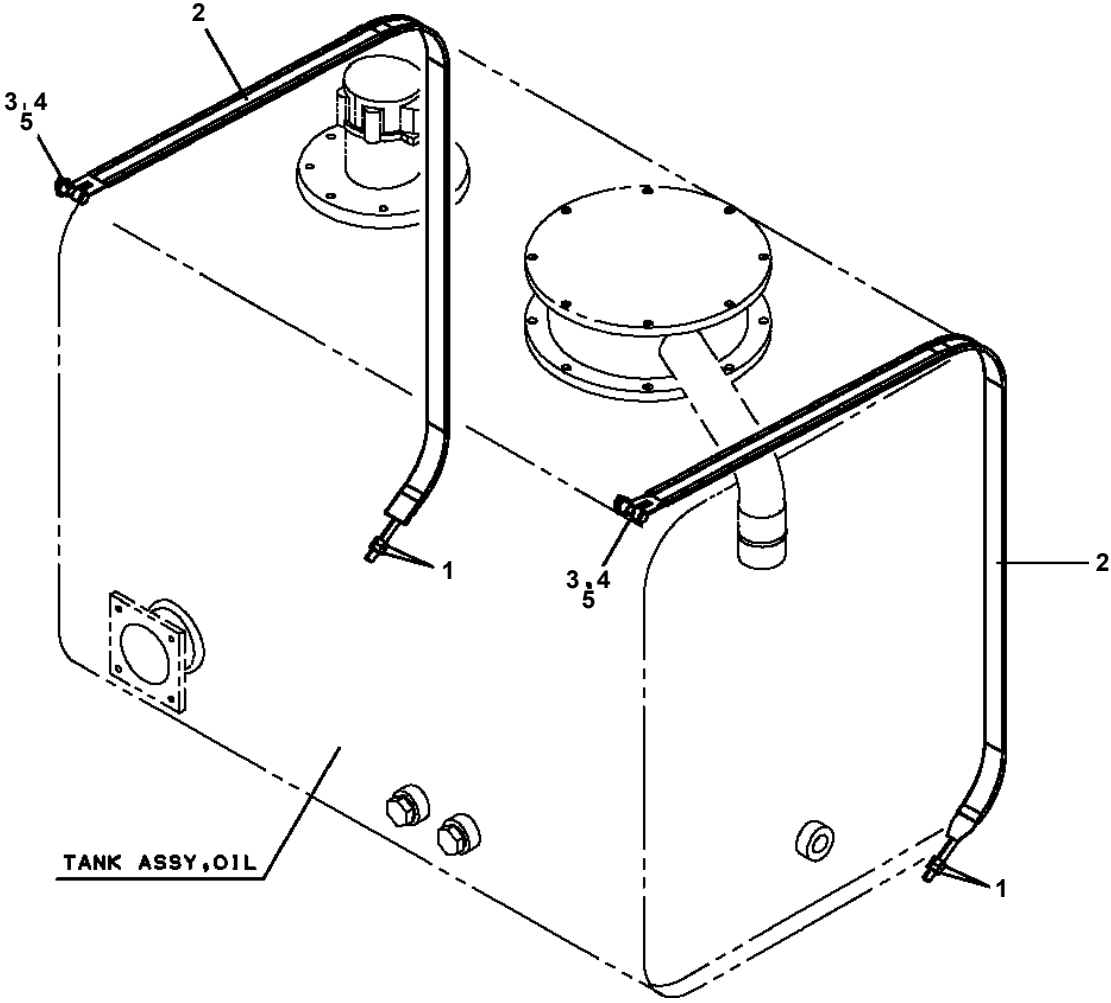
**GR-500-2-00201 4 BOOM + 2 JIB,2M2D
PX5060003-00 MOUNT ASSY,BATTERY**



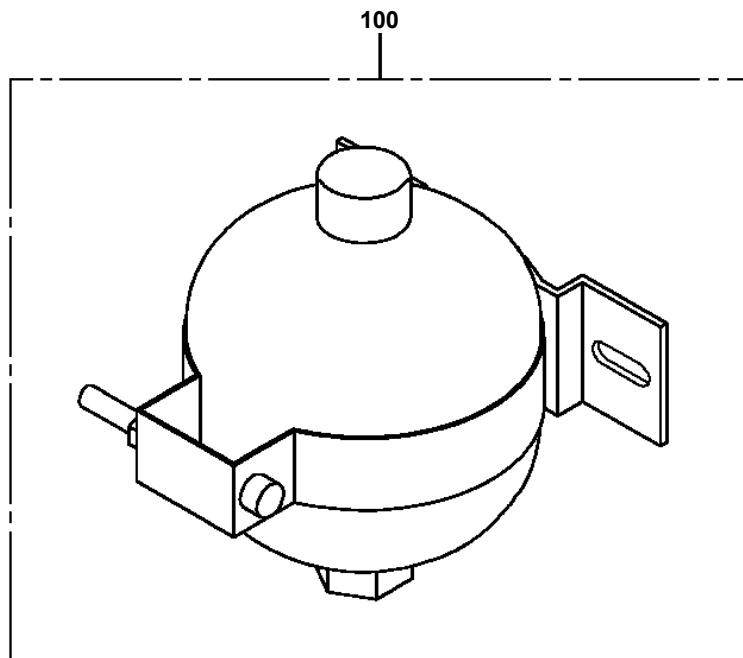
GR-500-2-00201 4 BOOM + 2 JIB,2M2D
PX5560007-01 MOUNT ASSY,POWER TRAIN



GR-500-2-00201 4 BOOM + 2 JIB,2M2D
PX5760008-00 MOUNT ASSY,TANK SUPPORT



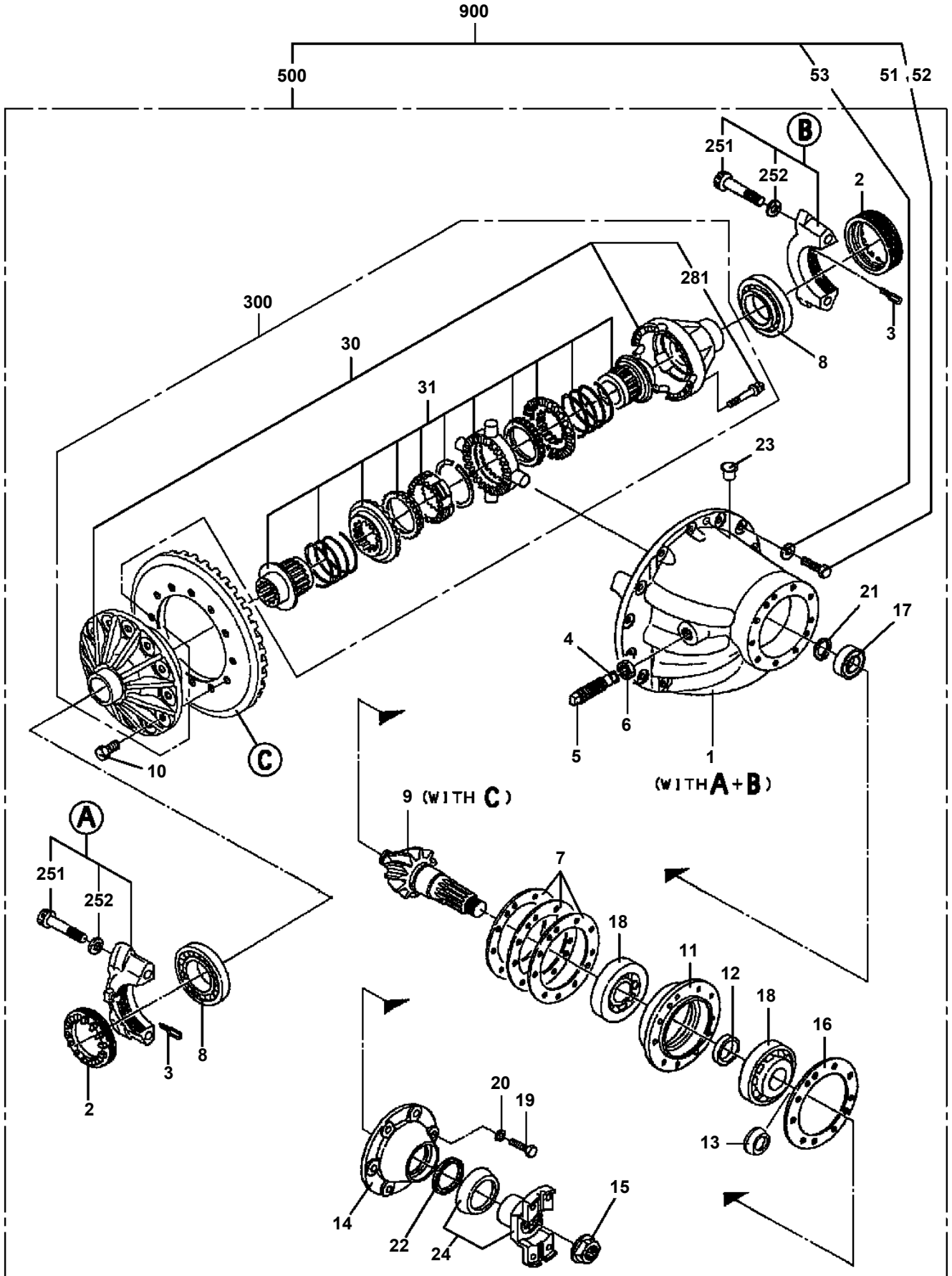
GR-500-2-00201 4 BOOM + 2 JIB,2M2D
PY5040001-00 ACCUMULATOR



GR-500-2-00201 4 BOOM + 2 JIB,2M2D

Pos No.	Parts No	Parts Name	Qty	Unit	Technical Data	Serial No (Start)	S
1	34782940100	PIPE	1				
4	34782940200	PIPE	1				
5	90101206020	BOLT	8		M6X20		
6	90302040601	WASHER,SPRING	8		6		
7	34780521100	CAP (RAIN)	1				
8	37002511300	HOSE	1		L=140		
9	33420261110	CLAMP	1		D=5		
10	34782532040	CLAMP	1		D=101.6		
11	34782940300	PIPE	1				
12	34782940400	PIPE	1				
15	34690601600	SUPPORT	1				
16	90303071001	WASHER,PLAIN	12		10		
17	90302041001	WASHER,SPRING	4		10		
18	90101210020	BOLT	2		M10X20		
19	90101210030	BOLT	2		M10X30		
20	90201201000	NUT	2		M10		
21	90302040801	WASHER,SPRING	5		8		
22	90101208025	BOLT	2		M8X25		
23	44421700020	INDICATOR	1				
24	34782941000	COVER	1				
25	34782941501	COVER	1				
26	90813108016	BOLT,WING	3		M8X16		
27	90303070801	WASHER,PLAIN	3		8		
42	34780527550	CLAMP ASSY	1				
201	(*****)	ACCESSORY LIST (ENGINE:EXH,AIR INTAKE,ETC.)	1				

GR-500-2-00201 4 BOOM + 2 JIB,2M2D
PY5330002-04 AXLE ASSY (REAR,NO-SPIN)



GR-500-2-00201 4 BOOM + 2 JIB,2M2D

Pos No.	Parts No	Parts Name	Qty	Unit	Technical Data	Serial No (Start)	Serial No (End)
300	36382205030	GEAR & CASE ASSY(DIFF)	1				
500	36382205010	CARRIER ASSY(DIFF)	1				
601	36380065880	VALVE (BREEDER)	2				
602	36380675540	BOLT (SELF LOCK)	6				
603	36380685050	BOLT (SELF LOCK)	2				
604	36380675560	PIN	4				
605	36380675570	PIN (WITH SLOT)	4				
606	36380675580	O-RING	8				
607	36381125120	PAD KIT	2				
608	36380065910	BOLT	16				
609	36380685070	PLATE (COVER)	2				
610	36381445220	PLUG (PISTON)	6				
611	36380685080	SEAL KIT	2				
612	36380675640	PISTON	12				
613	36380675650	CAP (BREATHER)	2				
900	36382200000	AXLE ASSY,FRONT	1				

CLICK HERE TO **DOWNLOAD** THE COMPLETE MANUAL

- Thank you very much for reading the preview of the manual.
- You can download the complete manual from: www.heydownloads.com by clicking the link below



- Please note: If there is no response to CLICKING the link, please download this PDF first and then click on it.

CLICK HERE TO **DOWNLOAD** THE COMPLETE MANUAL