

## **GR-450-1-00101 4 BOOM + 2 JIB, 2M2D**

**PB1000487-01 HYDRAULIC PRESSURE GENERATING SYSTEM**  
**PC1000402-01 OUTRIGGER SYSTEM**  
**PD1000434-01 SWING SYSTEM**  
**PE1000437-01 ELEVATING SYSTEM**  
**PF1000387-01 WINCH SYSTEM**  
**PG1000389-01 TELESCOPING SYSTEM**  
**PH1000393-01 SAFETY DEVICES**  
**PK1000449-01 FRAME**  
**PL1000461-01 CONTROL DEVICES**  
**PM1000032-01 LUBRICATION DEVICES**  
**PN1000337-02 ELECTRIC EQUIPMENT**  
**PO1000114-01 INDICATION PLATES**  
**PQ1000143-01 DRIVING POWER GENERATING SYSTEM**  
**PR1000083-01 DRIVING POWER TRANSMISSION SYSTEM**  
**PS1000109-01 STEERING SYSTEM**  
**PT1000091-01 BRAKE SYSTEM**  
**PU1000084-01 SUSPENSION**  
**PW1000097-02 ACCESSORIES & TOOLS**  
**PX1000477-00 MOUNTING PARTS**  
**PY1000403-02 OPTIONS**  
**ASSEMBLY**

CLICK HERE TO **DOWNLOAD** THE COMPLETE MANUAL

- Thank you very much for reading the preview of the manual.
- You can download the complete manual from: [www.heydownloads.com](http://www.heydownloads.com) by clicking the link below



- Please note: If there is no response to CLICKING the link, please download this PDF first and then click on it.

CLICK HERE TO **DOWNLOAD** THE COMPLETE MANUAL

# GR-450-1-00101 4 BOOM + 2 JIB, 2M2D

Pos No.	Parts No	Parts Name	Qty	Unit	Technical Data	Serial No (Start)	Serial No (End)	Remarks	P
1	37001807640	ROPE,WIRE (KISWIRE)	1						00
	37001806770	ROPE,WIRE (TSK)	1						00
2	37001806780	ROPE,WIRE (TSK)	1						00
	37001807650	ROPE,WIRE (KISWIRE)	1						00
3	(*****)	SOCKET,ROPE	2						00
4	(*****)	PIPING,WINCH (MAIN)	1						00
5	(*****)	PIPING,WINCH (AUX.)	1						00
7	(*****)	MOUNT,WINCH (MAIN)	1						00
8	(*****)	MOUNT,WINCH (AUX.)	1						00

# GR-450-1-00101 4 BOOM + 2 JIB, 2M2D

Pos No.	Parts No	Parts Name	Qty	Unit	Technical Data	Serial No (Start)	Serial No (End)	Remarks	Pages
1	(*****)	PARTS,GREASING	1						000195

# GR-450-1-00101 4 BOOM + 2 JIB, 2M2D

Pos No.	Parts No	Parts Name	Qty	Unit	Technical Data	Serial No (Start)	Serial No (End)
1	(*****)	PIPING,STEERING (UPPER)	1				
2	(*****)	PIPING,STEERING (LOWER)	1				
3	(*****)	STEERING ASSY (CAB)	1				
4	(*****)	CYLINDER,STEERING INSTALLATION	1				

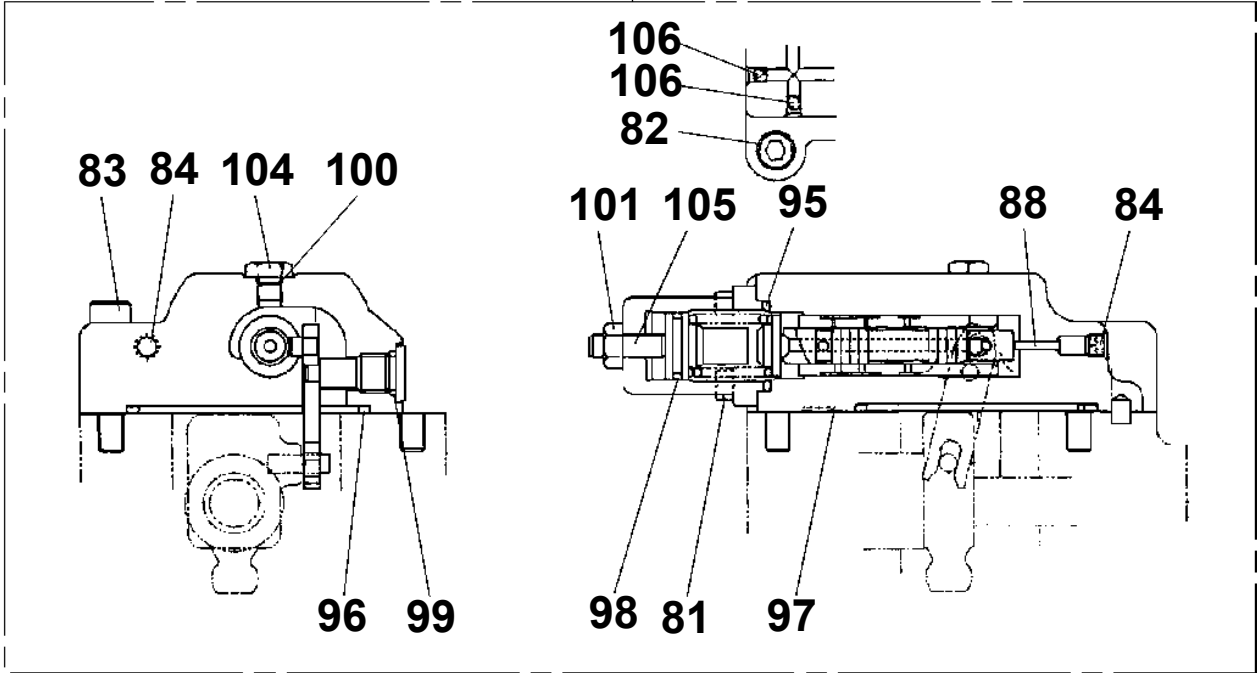
# GR-450-1-00101 4 BOOM + 2 JIB, 2M2D

Pos No.	Parts No	Parts Name	Qty	Unit	Technical Data	Serial No (Start)	Se
1	36091790000	HOOK (MAIN)	1				
2	36090870000	HOOK (AUX.,5.6TON)	1				
3	37001907000	ROPE,WIRE (STOWING FOR MAIN HOOK)	1				
4	(*****)	DETECTOR,DISORDERLY WIND (MAIN)	1				
5	(*****)	DETECTOR,DISORDERLY WIND (AUX.)	1				
6	(*****)	DETECTOR,DRUM ROTATION (MAIN/TACTILE)	1				
7	(*****)	DETECTOR,DRUM ROTATION (AUX.)	1				
8	(*****)	PLATE ASSY,NAME (MAIN HOOK)	1				
9	(*****)	PLATE ASSY,NAME (AUX. HOOK)	1				
10	(*****)	PLATE ASSY,NAME (FAN,BELT CAUTION)	1				
11	(*****)	PIPING (HOT-WATER)	1				
12	(*****)	PIPING,EMERGENCY STEERING	1				
14	(*****)	MIRROR (WINCH DRUM MONITOR)	1				
15	(*****)	SINGLE TOP	1				
16	(*****)	FAN INSTALLATION	1				
17	(*****)	INFLATOR,AIR	1				
18	(*****)	HOUR METER	1				
19	(*****)	COVER,OUTRIGGER	1				
20	(*****)	AIR CONDITIONER SYSTEM	1				
21	(*****)	EVAPORATOR INSTALLATION,AIR CONDITIONER	1				
22	(*****)	COMPRESSOR & CONDENSER ASSY	1				
23	(*****)	AIR CONDITIONER ASSY	1				
25	(*****)	OPE.ASSY,CONT.VALVE (PEDAL NEUTRAL)	1				
27	(*****)	LAMP,LOAD MOMENT INDICATOR (OPTION)	1				
28	(*****)	MOUNT,HOOK (AUX.)	1				
29	(*****)	ACCESSORIES (FOR COLDPROOF SEAL)	1				

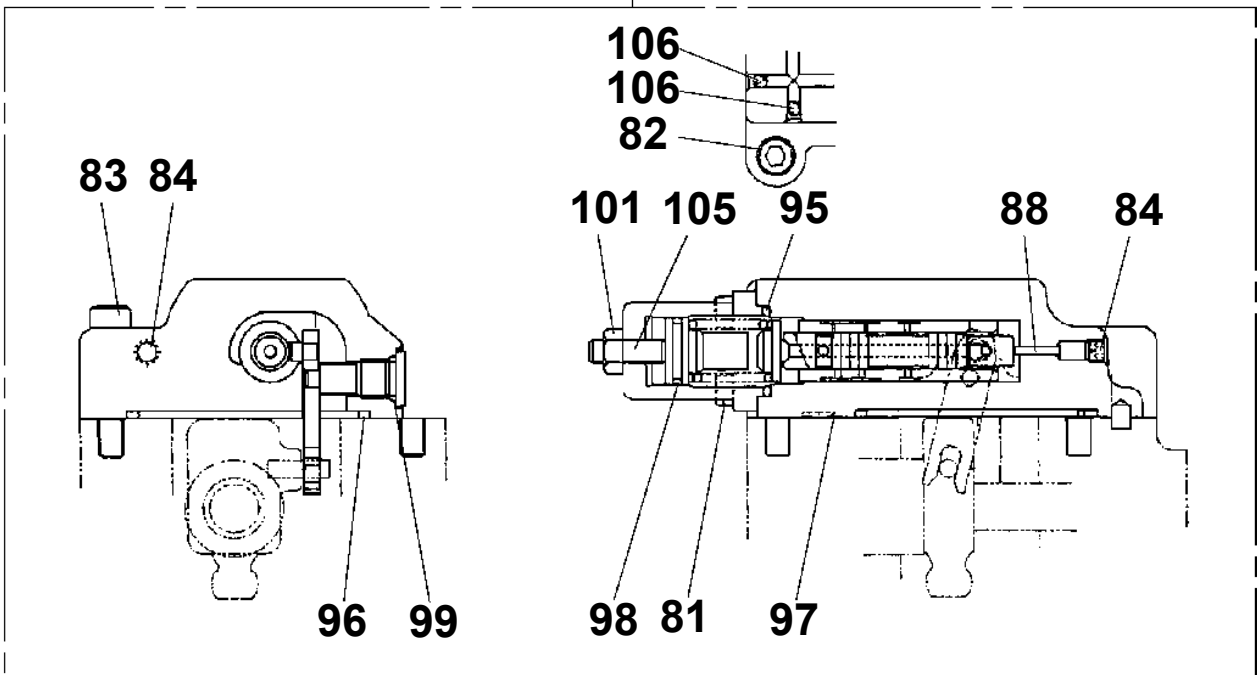
GR-450-1-00101 4 BOOM + 2 JIB, 2M2D  
PB1100154-03 PUMP, HYDRAULIC (MAIN)

200

71

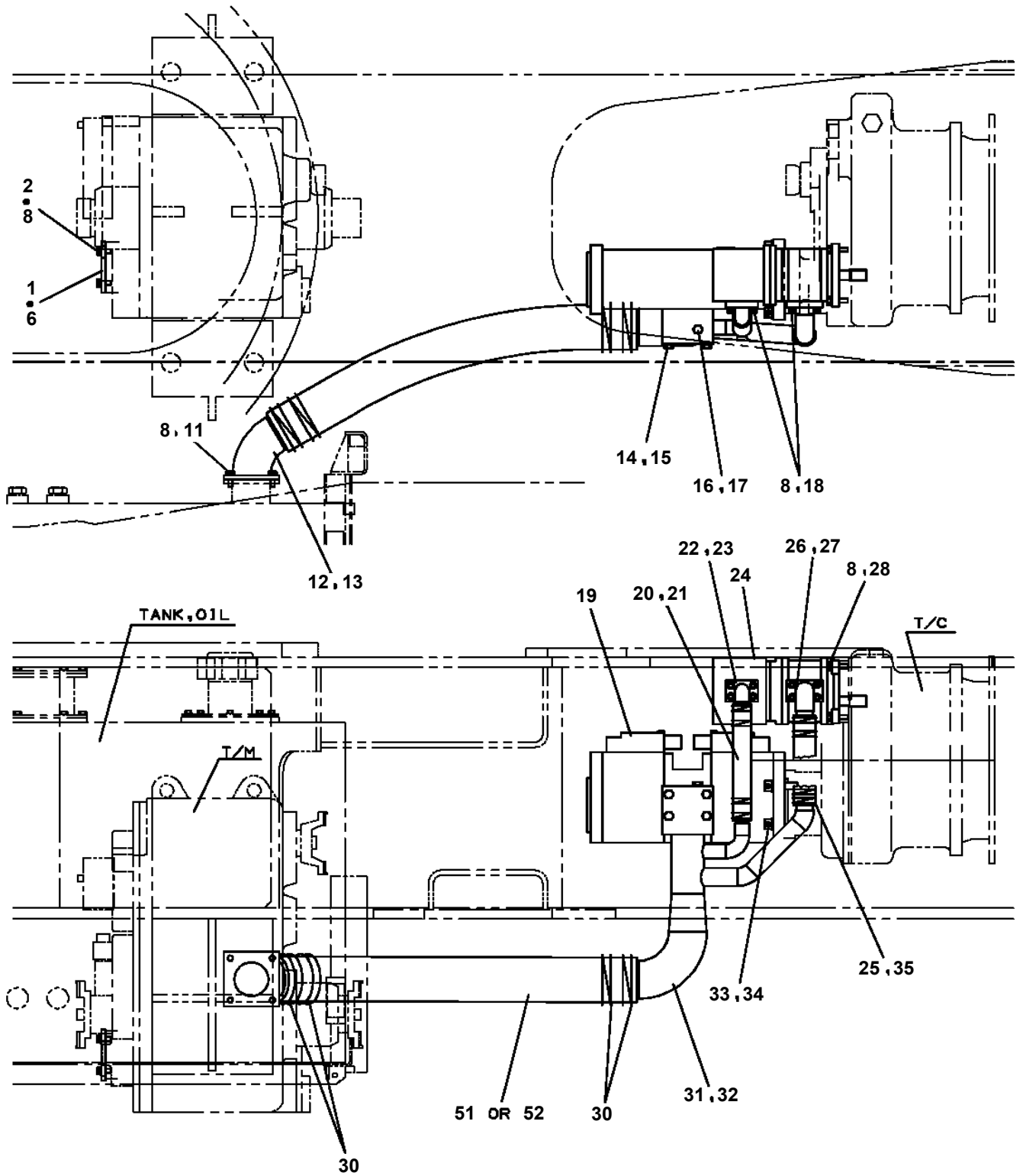


71

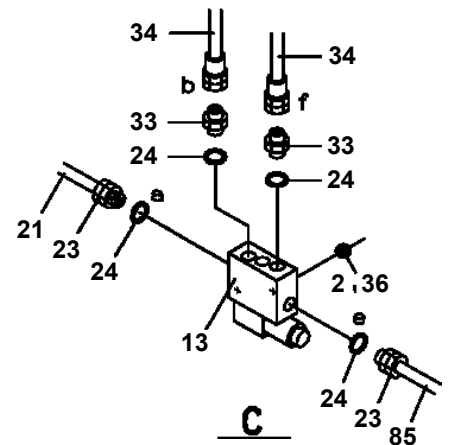
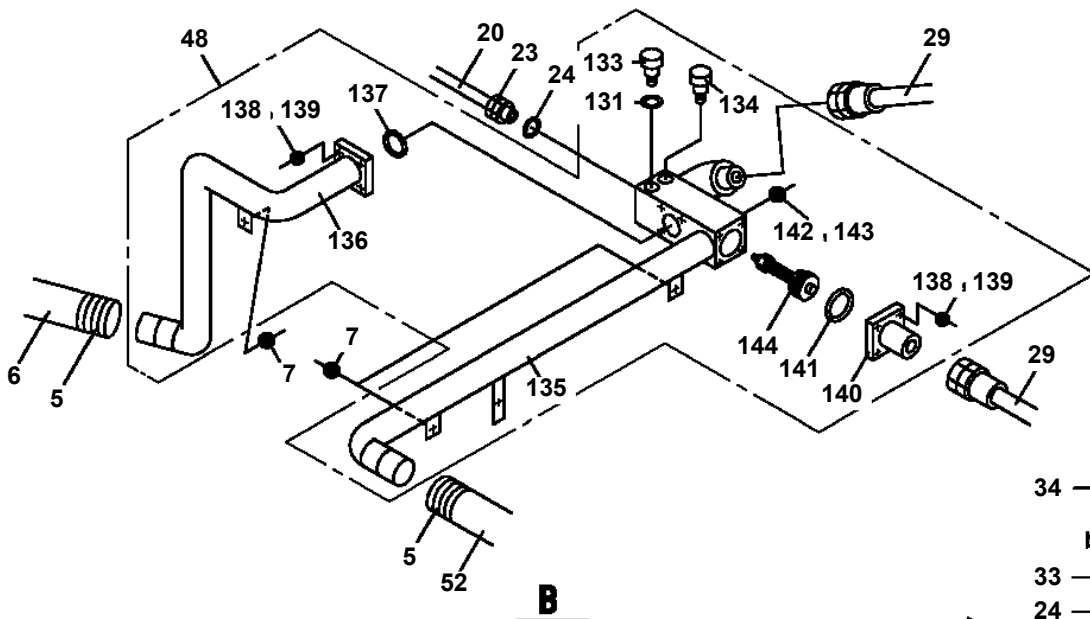
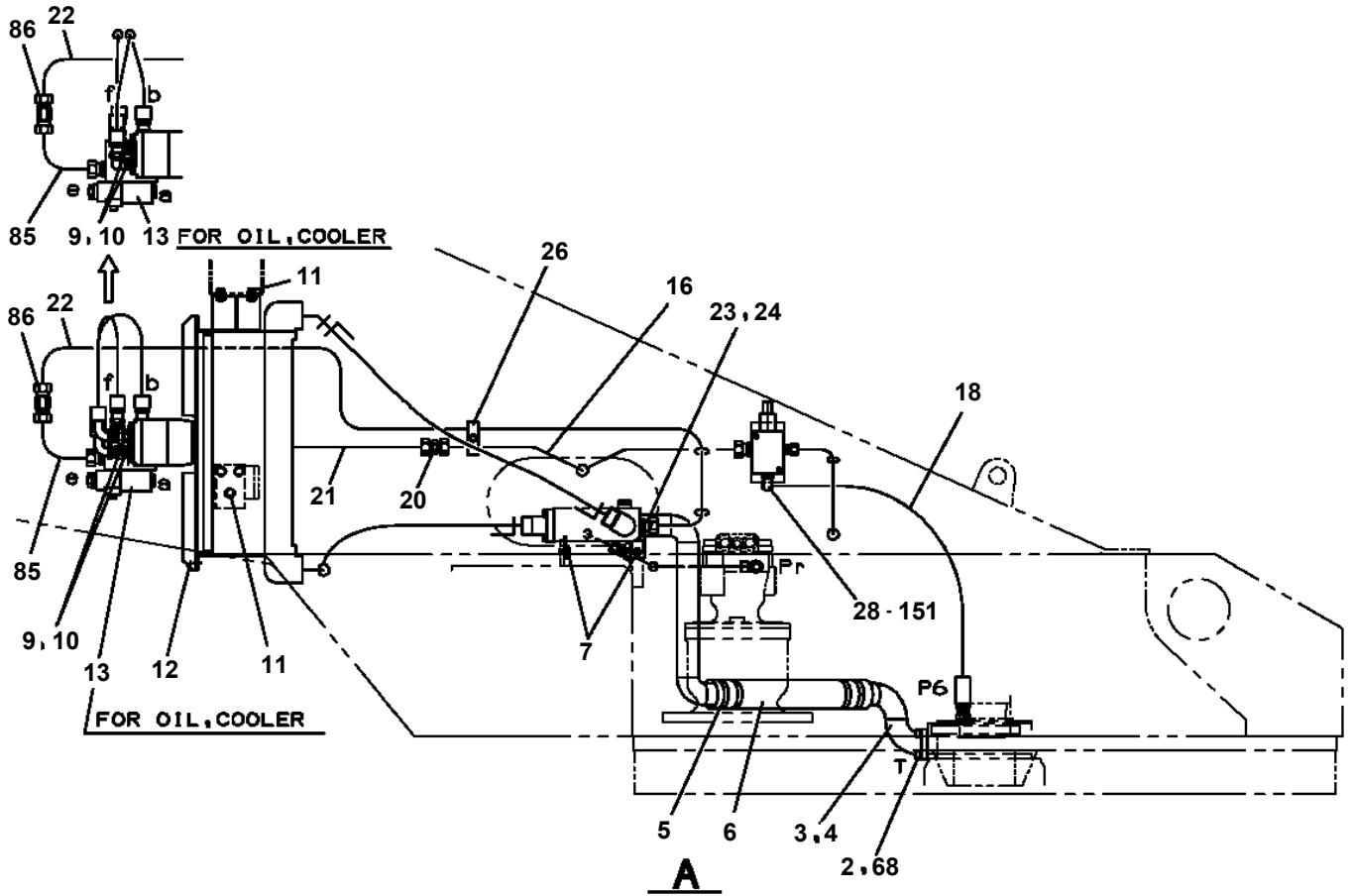


GR-450-1-00101 4 BOOM + 2 JIB, 2M2D  
PB1200152-00 PIPING,SUCTION

FRONT ←

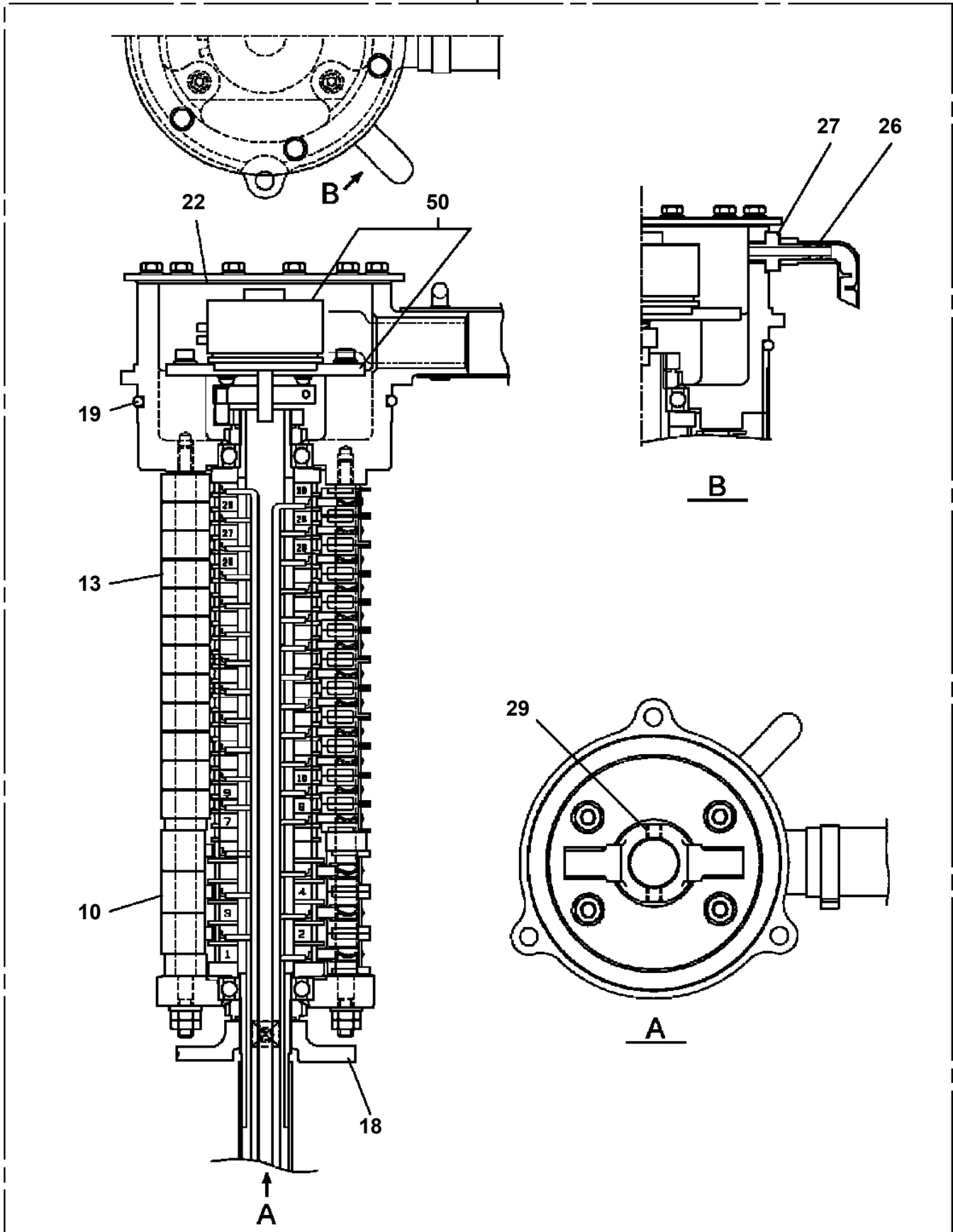


**GR-450-1-00101 4 BOOM + 2 JIB, 2M2D  
PB1260185-03 PIPING, UPPER RETURN**

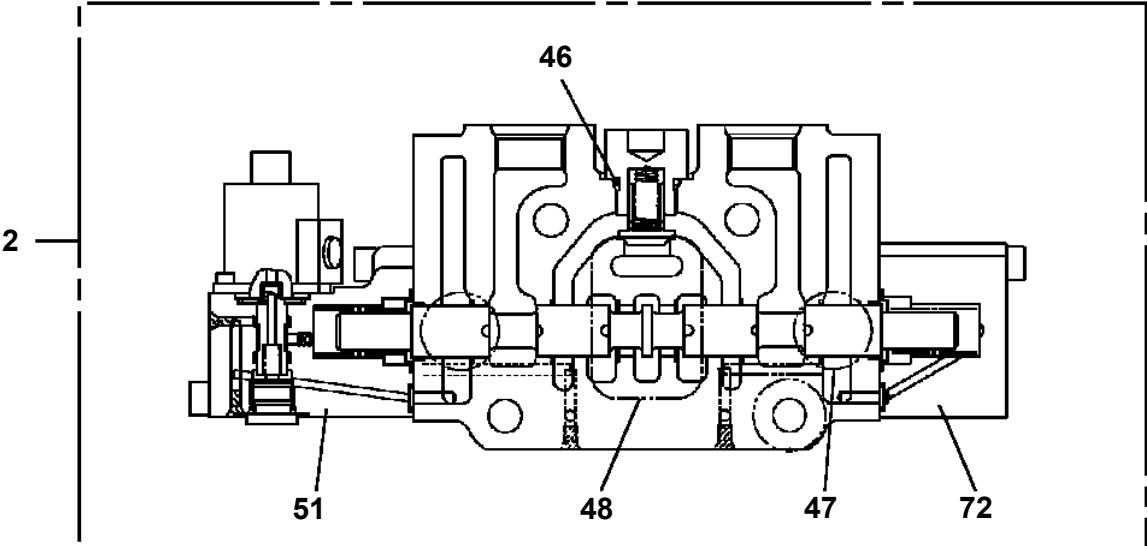
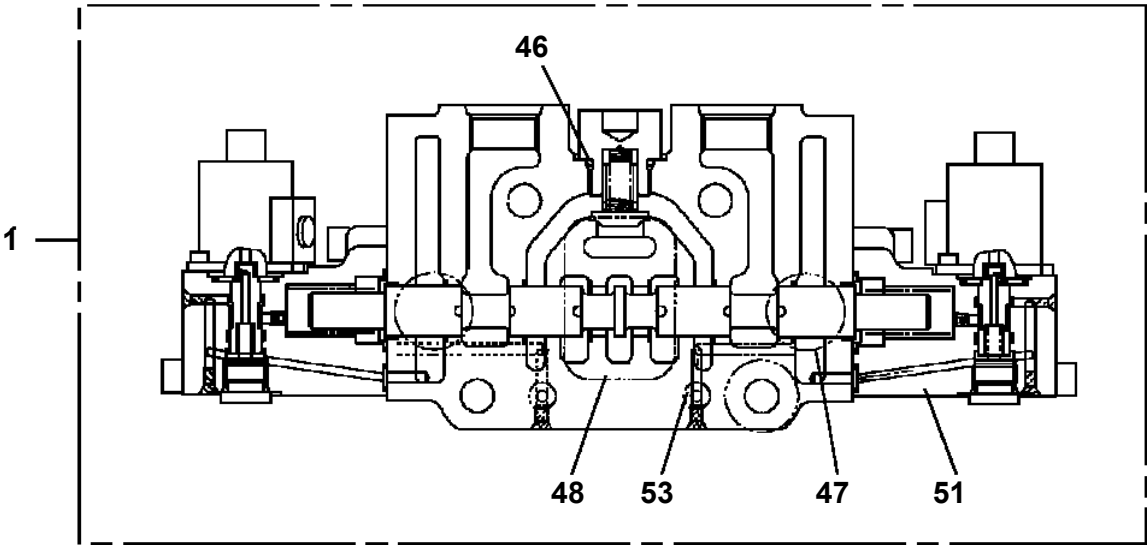
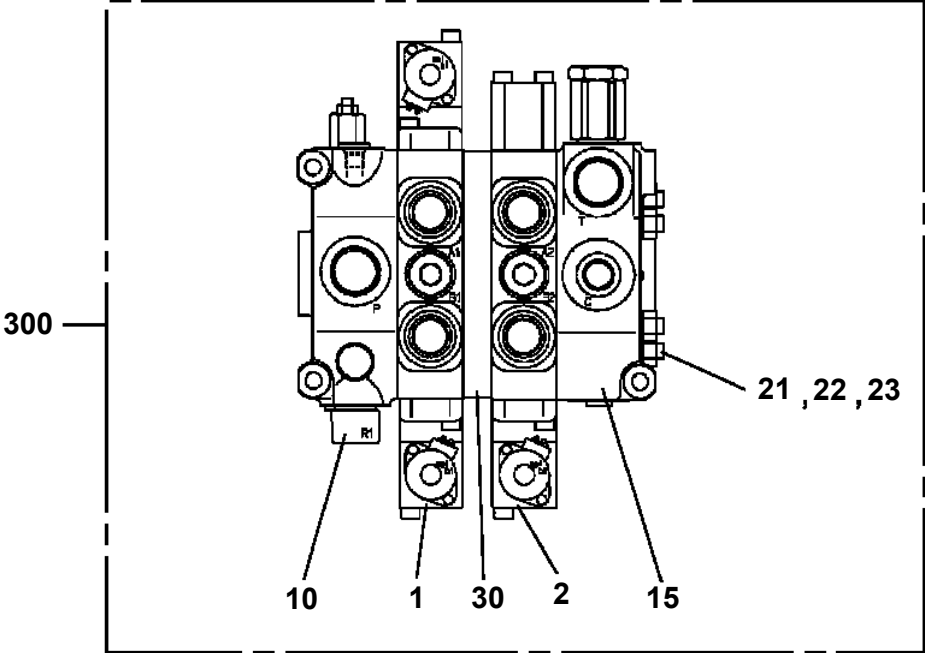


GR-450-1-00101 4 BOOM + 2 JIB, 2M2D  
PB1310035-02 BRUSH,ROTARY JOINT

100



**GR-450-1-00101 4 BOOM + 2 JIB, 2M2D**  
**PB1350024-00 VALVE,PILOT OPERATED CONTROL**



## GR-450-1-00101 4 BOOM + 2 JIB, 2M2D

Pos No.	Parts No	Parts Name	Qty	Unit	Technical Data	Serial No (Start)	Serial No (End)	Remarks	Pages
2	91803600250	CLIP	8		D=18-25				
3	37002514100	HOSE	1		L=5800				
4	37002511970	HOSE	1		L=3800		540312		
	37002513790	HOSE	1		L=3850	540313			
5	37000925070	JOINT	3		S,PT3/8-16				
7	37000925060	JOINT	1						
8	90280200800	NUT,FLANGE	17		M8				
9	82100002044	CLAMP	7		WE25				
10	82100002016	CLAMP	5		WR25				
31	90155308020	BOLT,WELD	7		M8X20				
32	90155208030	BOLT,WELD	5		M8X30				

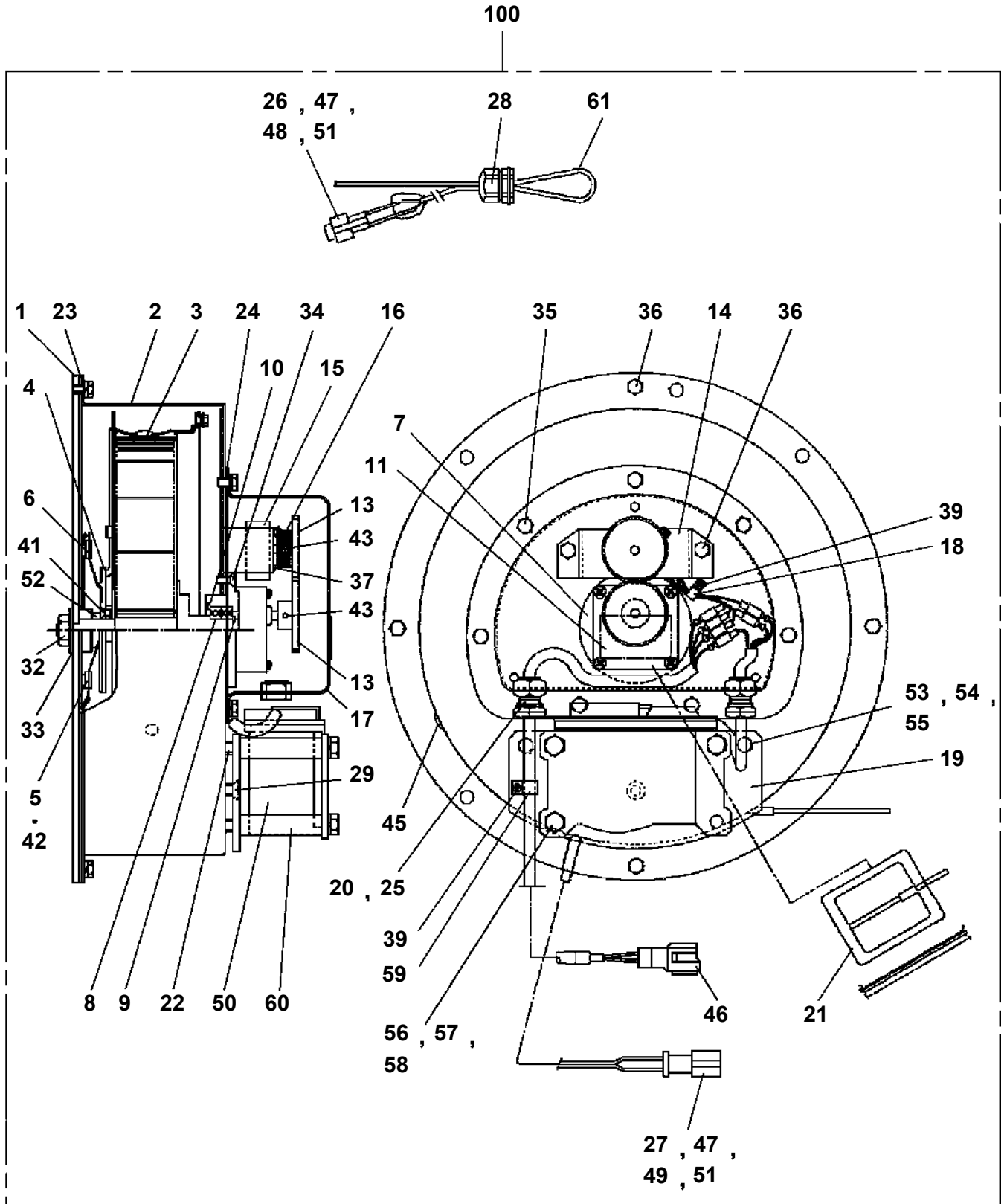
## GR-450-1-00101 4 BOOM + 2 JIB, 2M2D

Pos No.	Parts No	Parts Name	Qty	Unit	Technical Data	Serial No (Start)	Serial No (End)	Rema
2	34640523100	FITTING,FLANGE	4					
4	37000711080	CLAMP ASSY	5		12-2			
5	80400160129	JOINT	8					
6	91002801400	O-RING	28		1B P14			
7	90186210014	BOLT,FLANGE	8		M10X14			
9	81408000160	PIPE,STEEL	2	M	12X1.4T			
10	81408000160	PIPE,STEEL	2	M	12X1.4T			
11	80301010100	FITTING	10		KUA12-000N			
12	81408000160	PIPE,STEEL	2	M	12X1.4T			
13	81408000160	PIPE,STEEL	2	M	12X1.4T			
14	81408000241	PIPE,STEEL	2	M	18X1.9T			
15	81408000241	PIPE,STEEL	2	M	18X1.9T			
16	81408000160	PIPE,STEEL	2	M	12X1.4T			
17	81408000160	PIPE,STEEL	2	M	12X1.4T			
18	81408000160	PIPE,STEEL	2	M	12X1.4T			
19	81408000160	PIPE,STEEL	2	M	12X1.4T			
20	37000701510	CLAMP ASSY	9		12X2			
21	90155208045	BOLT,WELD	9		M8X45			
22	80330004900	FITTING,TEE	4		KTR12X18X12			
23	37000526460	PLATE	1					
24	80430620600	JOINT (WITH O-RING)	4		L,G3/8-G3/8			
25	80302090161	FITTING	8		KCO12-030N			
26	81408000241	PIPE,STEEL	1	M	18X1.9T			
27	81408000160	PIPE,STEEL	3	M	12X1.4T			
28	81408000160	PIPE,STEEL	3	M	12X1.4T			
29	81408000160	PIPE,STEEL	2	M	12X1.4T			
30	81408000160	PIPE,STEEL	2	M	12X1.4T			
31	81408000160	PIPE,STEEL	4	M	12X1.4T			
32	81408000160	PIPE,STEEL	4	M	12X1.4T			
33	81408000160	PIPE,STEEL	2	M	12X1.4T			
34	81408000160	PIPE,STEEL	2	M	12X1.4T			
35	81408000241	PIPE,STEEL	1	M	18X1.9T			
36	80305010160	FITTING,TEE	2		KTA18-000E			
37	81408000241	PIPE,STEEL	1	M	18X1.9T			
38	80302090251	FITTING	2		KCO018-060N			
39	91002802400	O-RING	2		1B P24			
40	81408000241	PIPE,STEEL	1	M	18X1.9T			
41	81408000160	PIPE,STEEL	2	M	12X1.4T			
42	81408000160	PIPE,STEEL	2	M	12X1.4T			
43	81408000241	PIPE,STEEL	1	M	18X1.9T			
44	80302090241	FITTING	2		KCO18-040N			
45	91002801800	O-RING	2		1B P18			
46	90186210020	BOLT,FLANGE	2		M10X20			
47	36624540000	VALVE,CHECK	1					
48	37002466900	HOSE	12		L=660			
71	36647890000	VALVE,SOLENOID (UCHIDA)	4					
72	36647900000	VALVE,SOLENOID (TOKIMEC)	4					
73	36645730000	VALVE,SOLENOID (NACHI)	4					
81	91002801400	O-RING	4		1B P14			

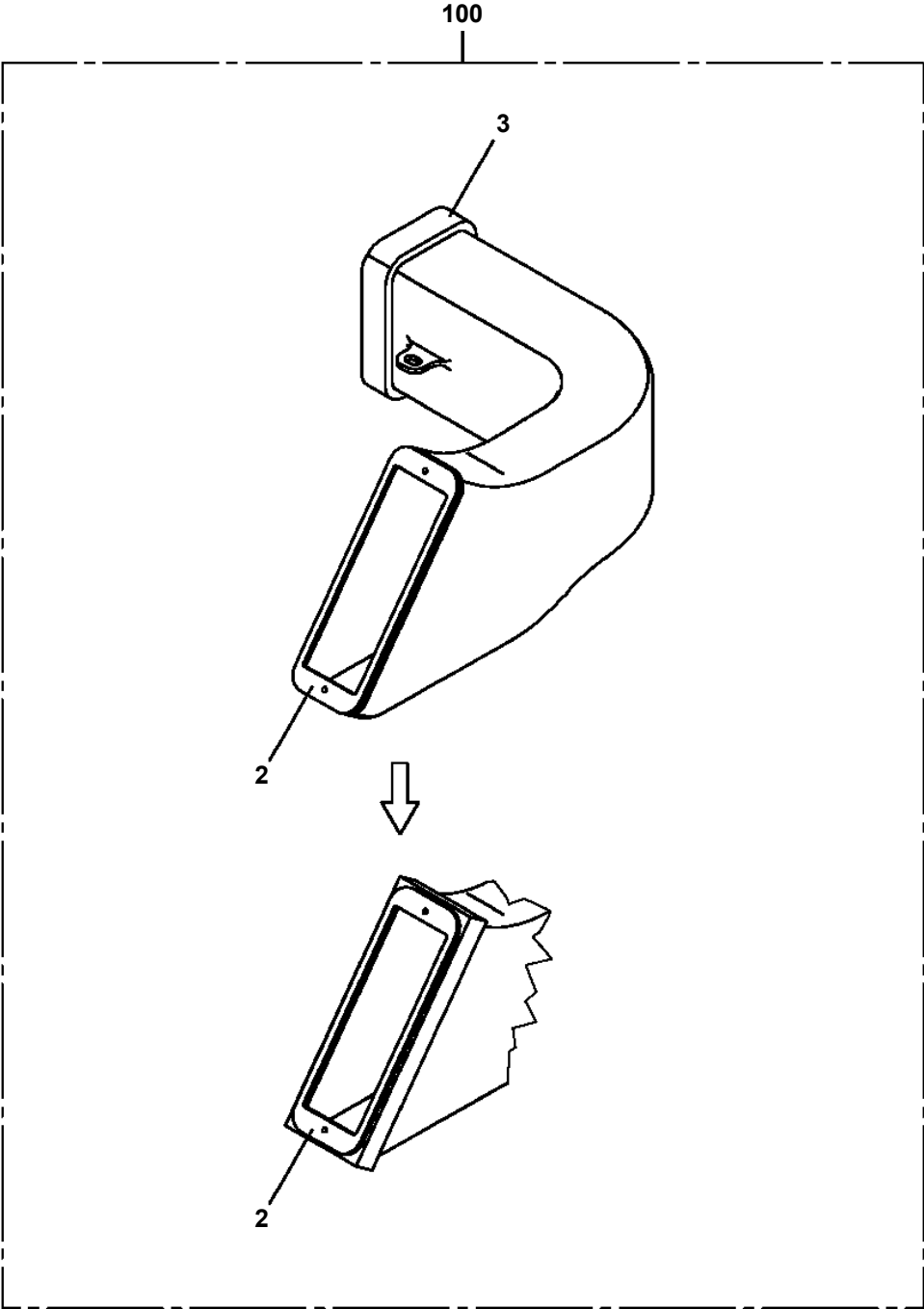
# GR-450-1-00101 4 BOOM + 2 JIB, 2M2D

Pos No.	Parts No	Parts Name	Qty	Unit	Technical Data	Serial No (Start)	Serial No (End)	Remarks	Pages
2	34510702920	CUSHION	2						
100	34510702900	COVER	1						

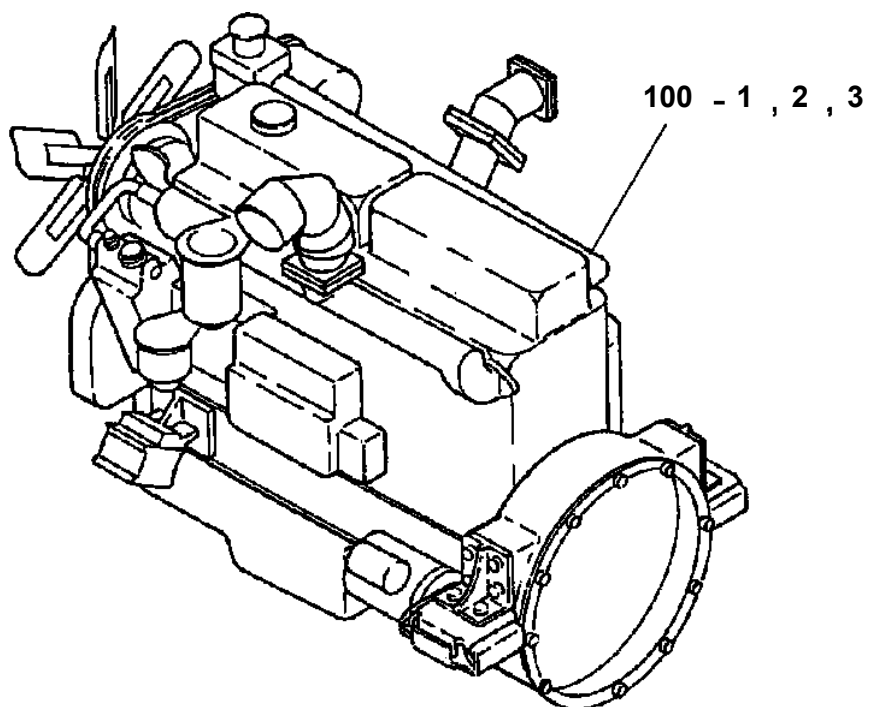
GR-450-1-00101 4 BOOM + 2 JIB, 2M2D  
PD5080048-00 DETECTOR ASSY,LENGTH (BOOM)



GR-450-1-00101 4 BOOM + 2 JIB, 2M2D  
PD5360005-00 DUCT

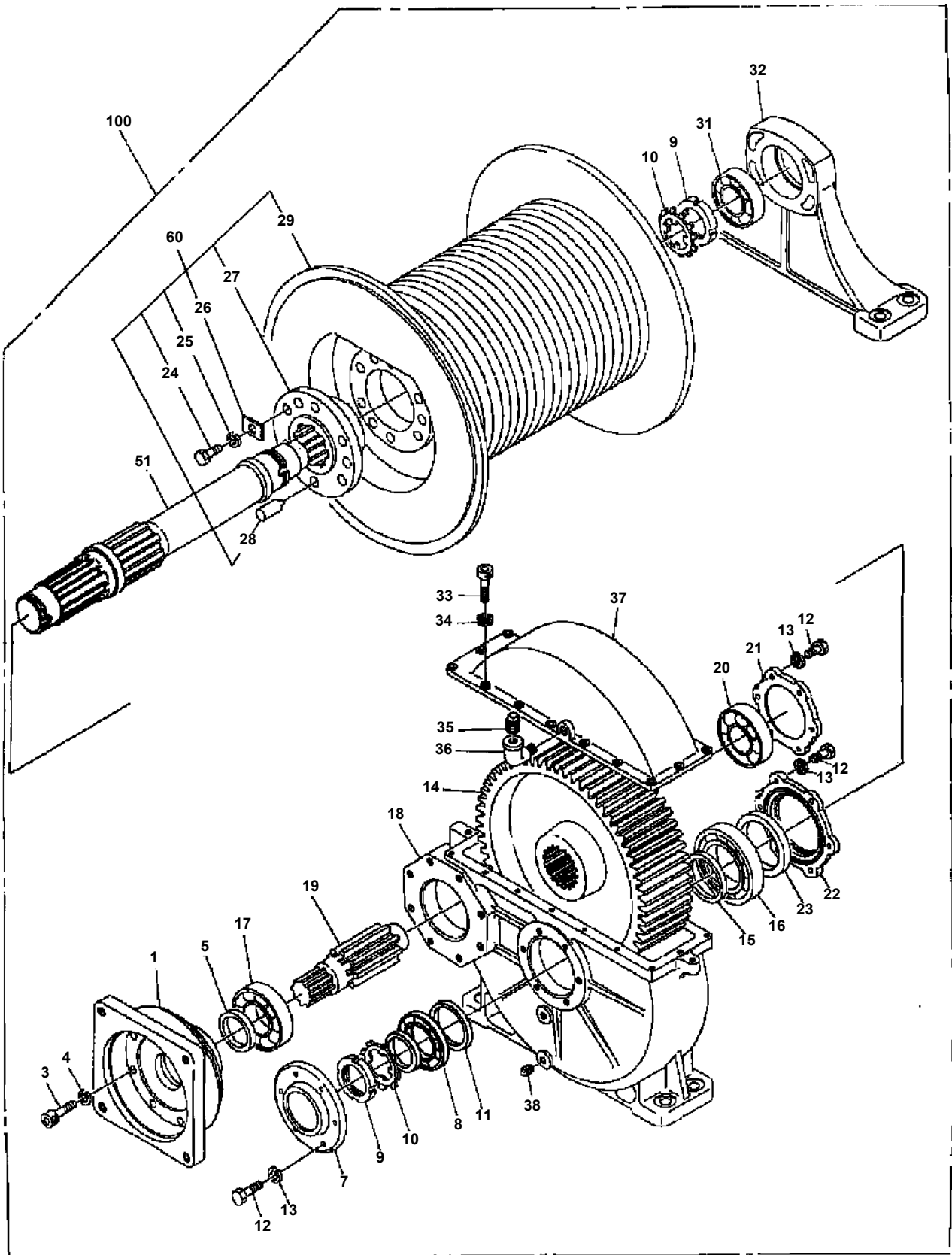


**GR-450-1-00101 4 BOOM + 2 JIB, 2M2D  
PE5210021-01 ENGINE ASSY (MITSUBISHI)**



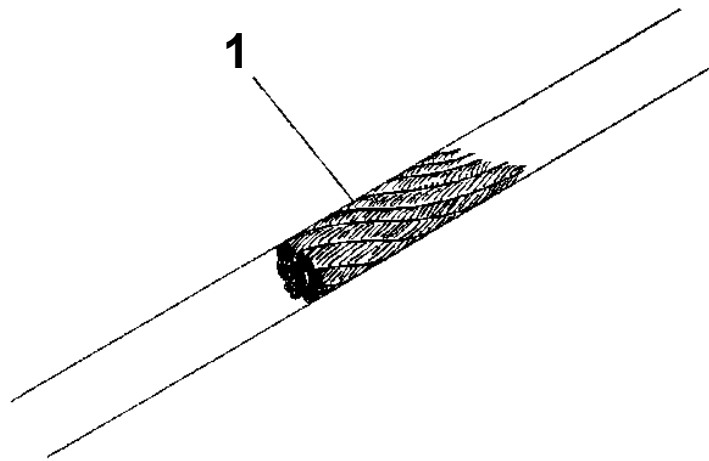
For the parts of the engine, refer to the parts catalog of the engine manufacturer.  
エンジン部品については、エンジンメーカーのパーツカタログをご覧ください。

GR-450-1-00101 4 BOOM + 2 JIB, 2M2D  
PF1010206-01 WINCH

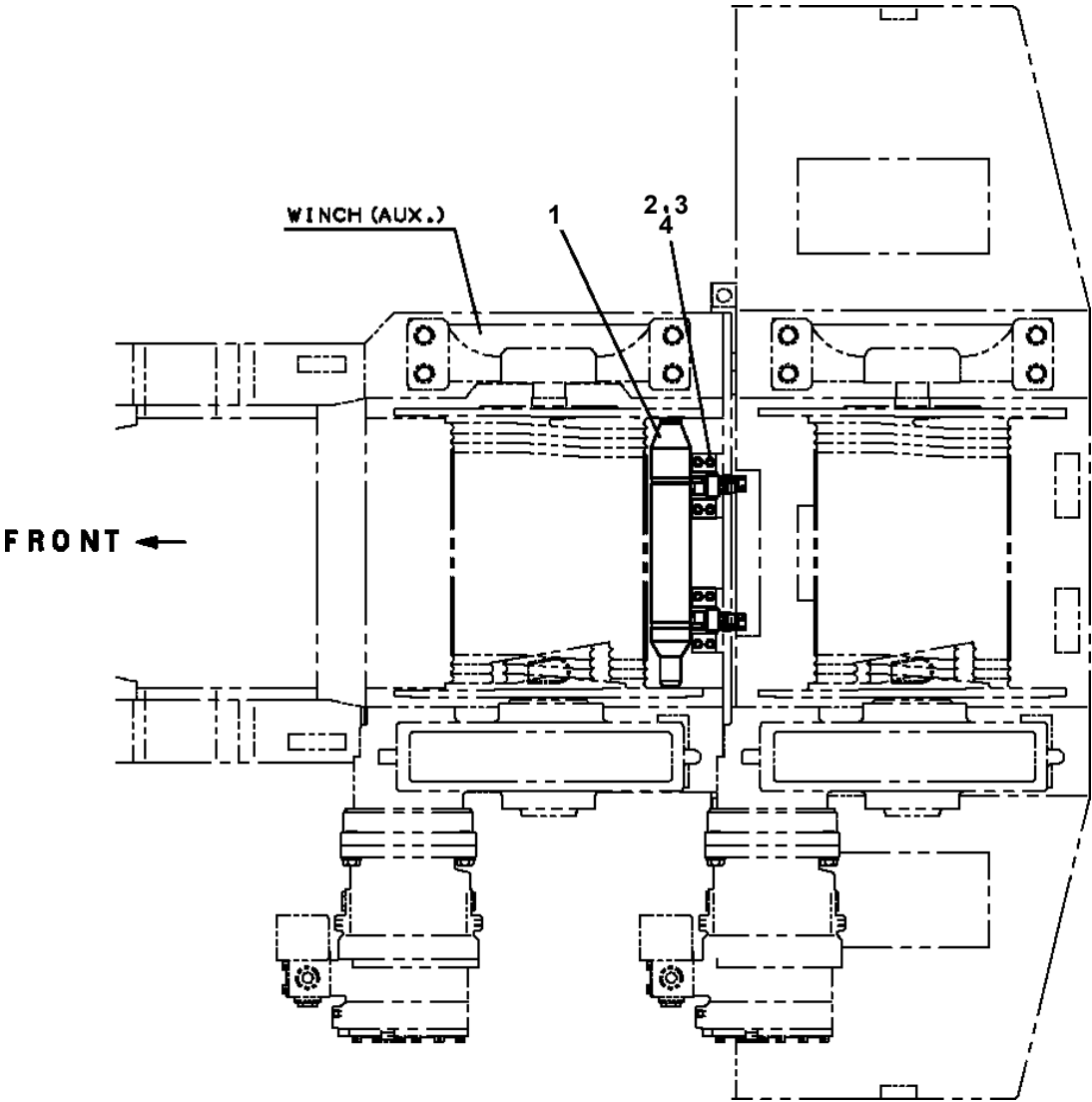


**GR-450-1-00101 4 BOOM + 2 JIB, 2M2D**  
**PF1070033-00 ROPE, WIRE (KISWIRE)**

---

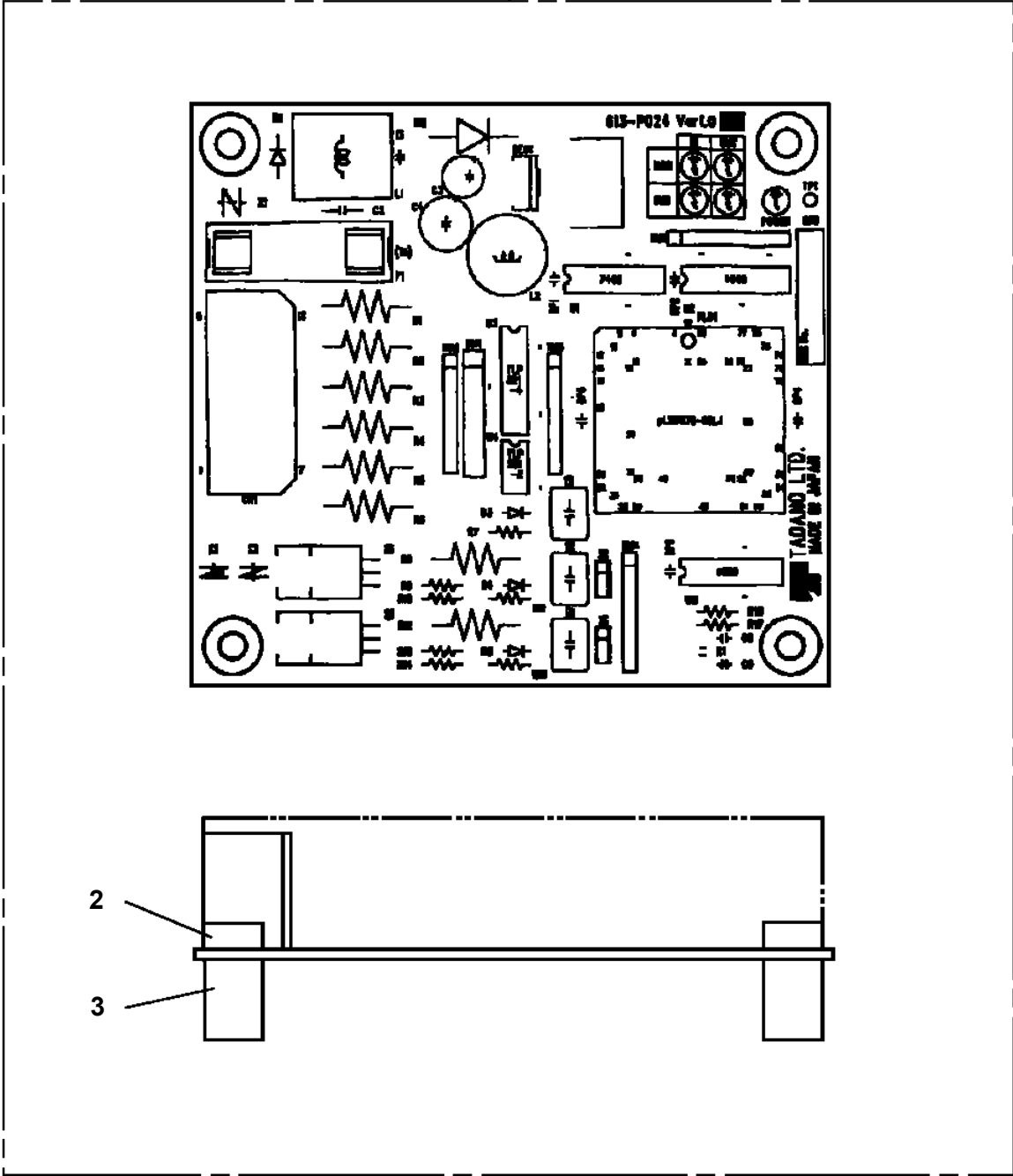


**GR-450-1-00101 4 BOOM + 2 JIB, 2M2D**  
**PF1180070-00 DETECTOR,DISORDERLY WIND (AUX.)**

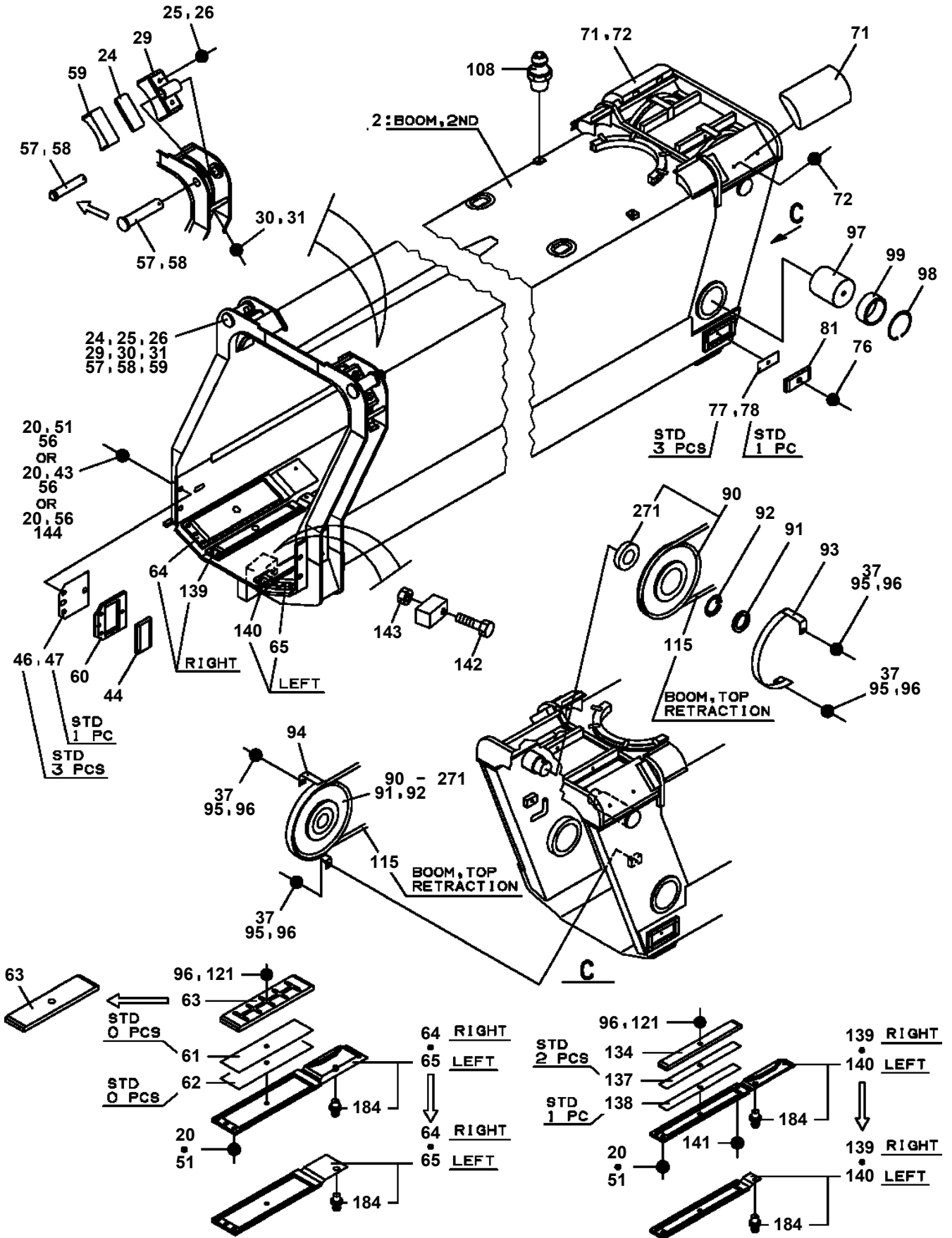


GR-450-1-00101 4 BOOM + 2 JIB, 2M2D  
PF1260013-01 INDICATOR,DRUM

10

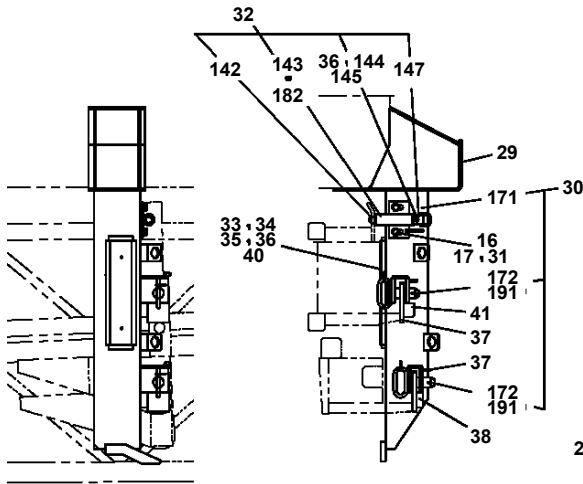


**GR-450-1-00101 4 BOOM + 2 JIB, 2M2D**  
**PG1010716-07 BOOM (4 SECT.)**

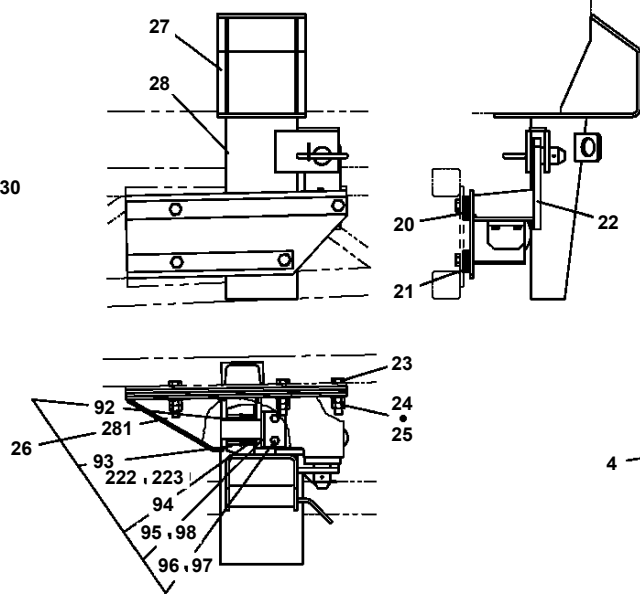


図中の左右の表示は、ブーム後端から先端を見たものです。  
 THE RIGHT AND LEFT IN FIGURE ARE THE EXPRESSION THAT SEES FROM BOOM END TO TOP.

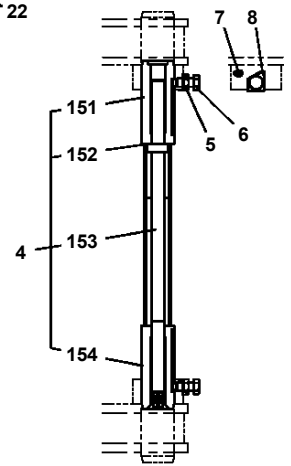
**GR-450-1-00101 4 BOOM + 2 JIB, 2M2D**  
**PG1040262-02 JIB**



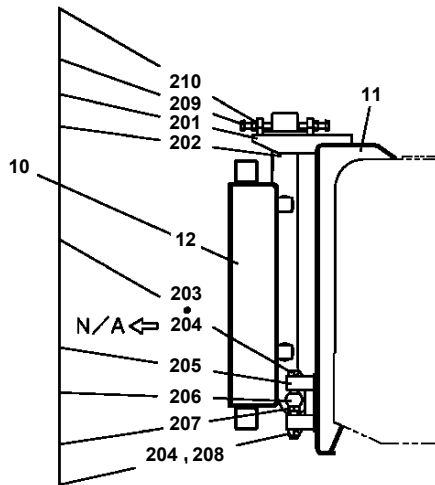
**C**



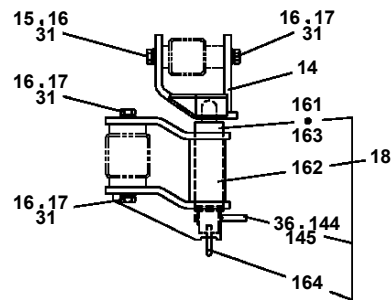
**D**



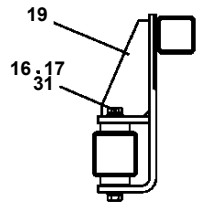
**J-J**



**R**



**F**



**E**

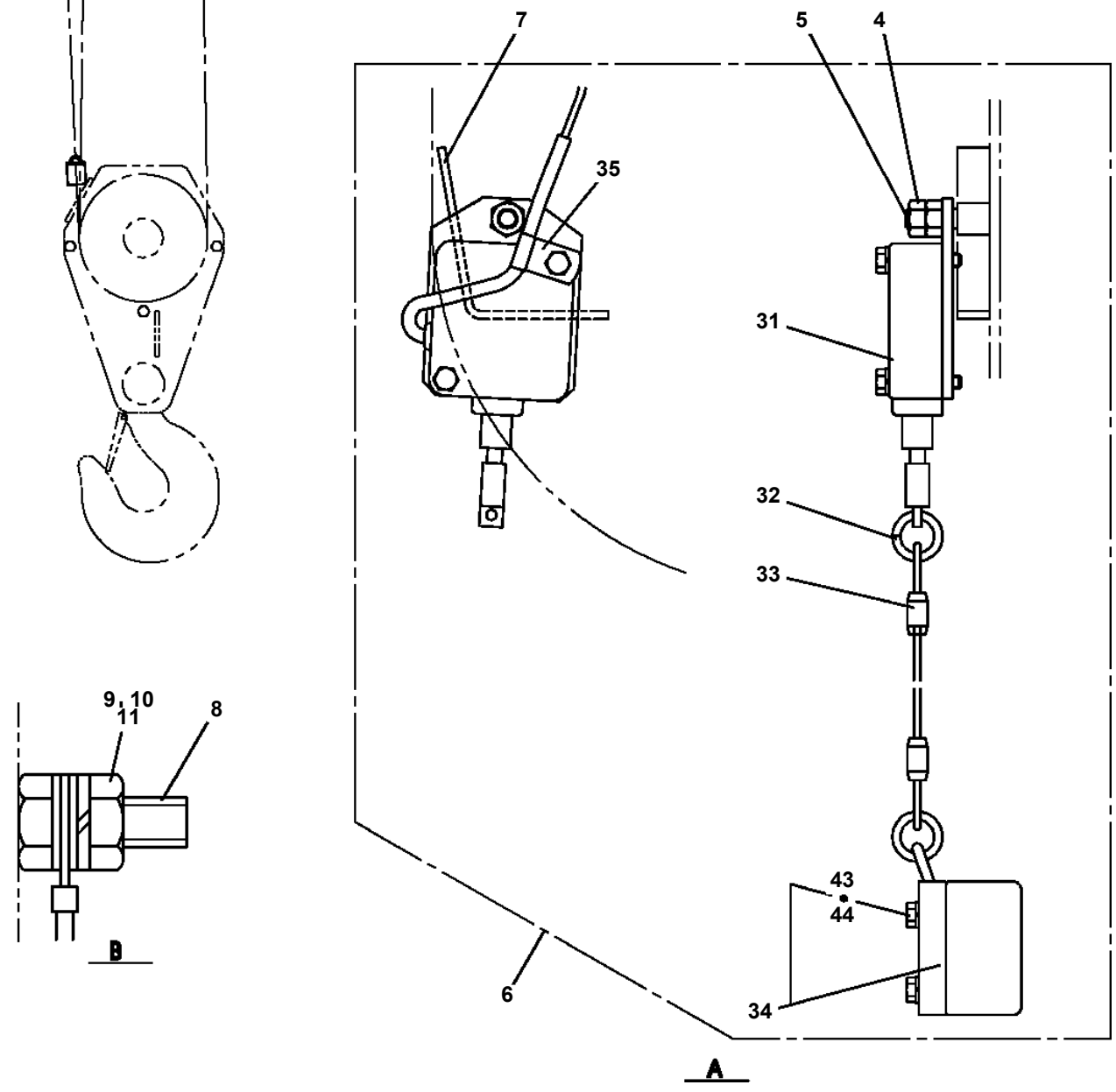
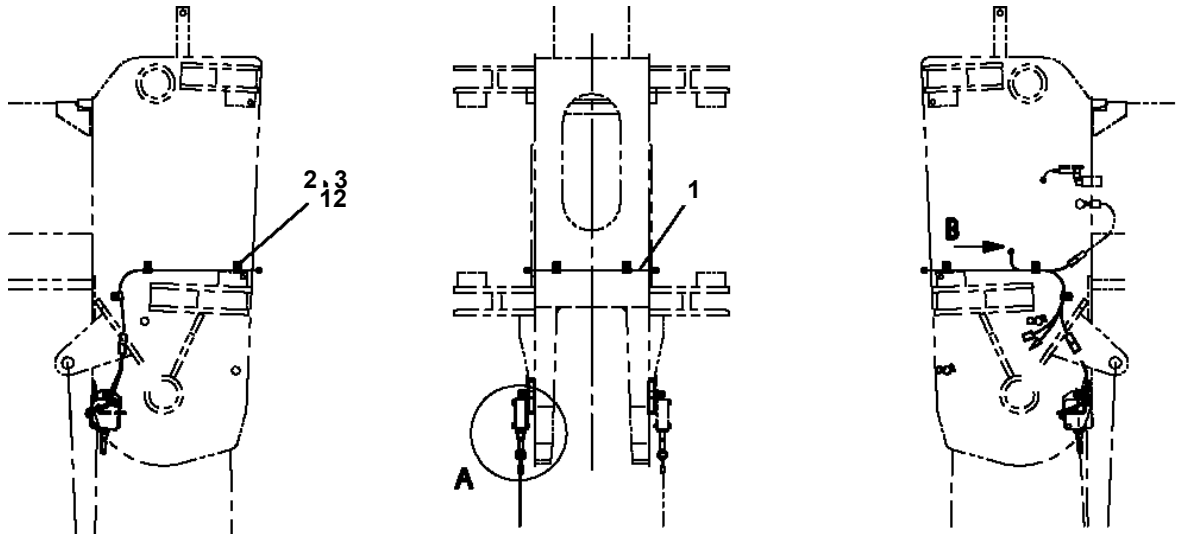
# GR-450-1-00101 4 BOOM + 2 JIB, 2M2D

Pos No.	Parts No	Parts Name	Qty	Unit	Technical Data	Serial No (Start)	Serial No (End)
1	33370610010	SUPPORT	1				
2	34360142010	SUPPORT	4				
3	33370260040	SUPPORT	1				
4	34201066720	SUPPORT	1				
5	90186210014	BOLT,FLANGE	4		M10X14		
6	34362432100	COVER	1				
7	37001007890	SHEAVE ASSY	1				
8	80601110300	RING,RITAINING	1		S30		
9	37000169830	PIN	1				
10	34361732300	GUARD	1				540307
	34362432200	GUARD	1			540308	
11	36131900000	DETECTOR,BOOM LENGTH	1				540390
	36132270000	DETECTOR,BOOM LENGTH	1			540391	540612
	36132270001	DETECTOR ASSY,LENGTH (BOOM)	1			540613	
12	37001601180	NUT	4		M8		
13	90303070801	WASHER,PLAIN	6		8		
14	90172108020	BOLT,HEXAGON SOCKET	4		M8X20		
15	90302040801	WASHER,SPRING	4		8		
16	44620316350	PLATE	1				
17	42770634000	PLATE	2				
18	34361742100	SWITCH ASSY	1				540357
	82104503248	SWITCH,LIMIT	1			540358	540625
	34362432300	SWITCH ASSY (WITH HARNESS)	1			540626	
19	37000525410	PLATE	1				
20	33430563010	PLATE	1				
21	90101206016	BOLT	1		M6X16		
22	90201200600	NUT	1		M6		
23	90302040601	WASHER,SPRING	1		6		
24	90303070601	WASHER,PLAIN	1		6		
25	90131505025	BOLT,HEXAGON SOCKET	2		M5X25		
26	90201200500	NUT	2		M5		
27	90302040501	WASHER,SPRING	2		5		

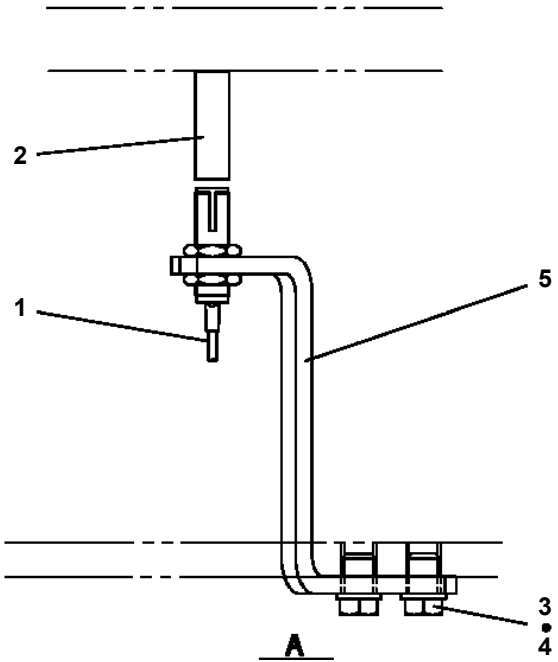
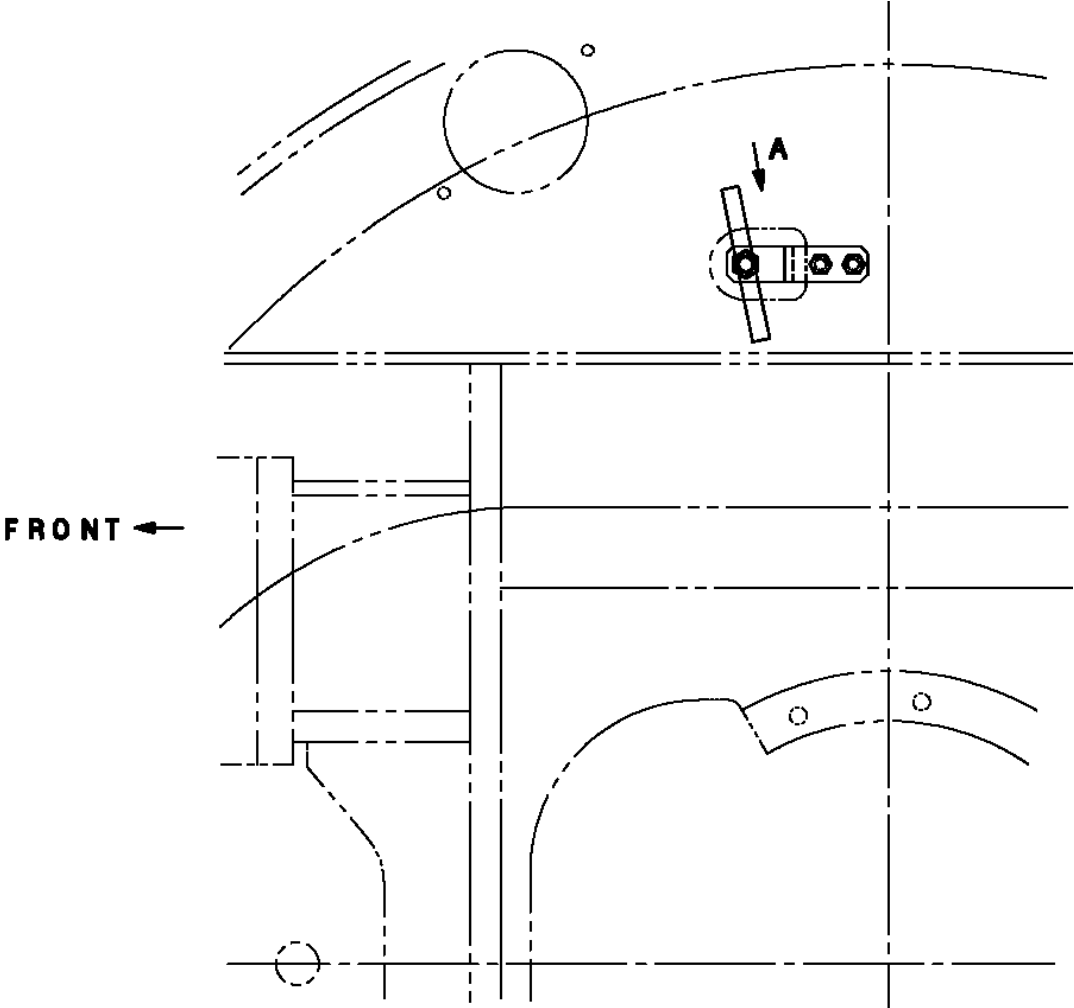
# GR-450-1-00101 4 BOOM + 2 JIB, 2M2D

Pos No.	Parts No	Parts Name	Qty	Unit	Technical Data	Serial No (Start)	Serial No (End)	Remarks	Pages
1	37000502410	PLATE	1						

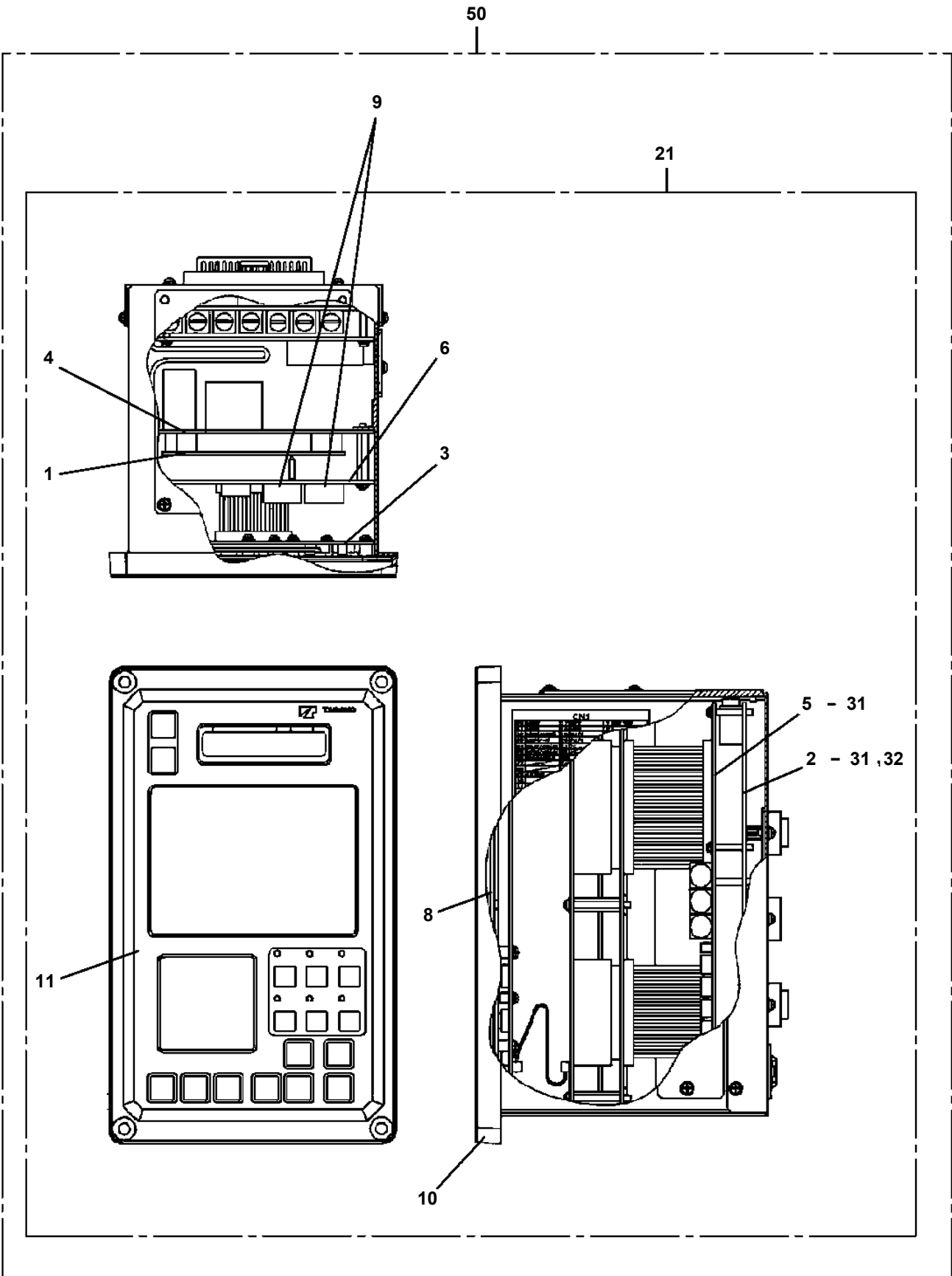
**GR-450-1-00101 4 BOOM + 2 JIB, 2M2D  
PH1060366-00 DETECTOR,OVERWIND**



GR-450-1-00101 4 BOOM + 2 JIB, 2M2D  
PH1100065-00 DETECTOR, OVER FRONT AREA



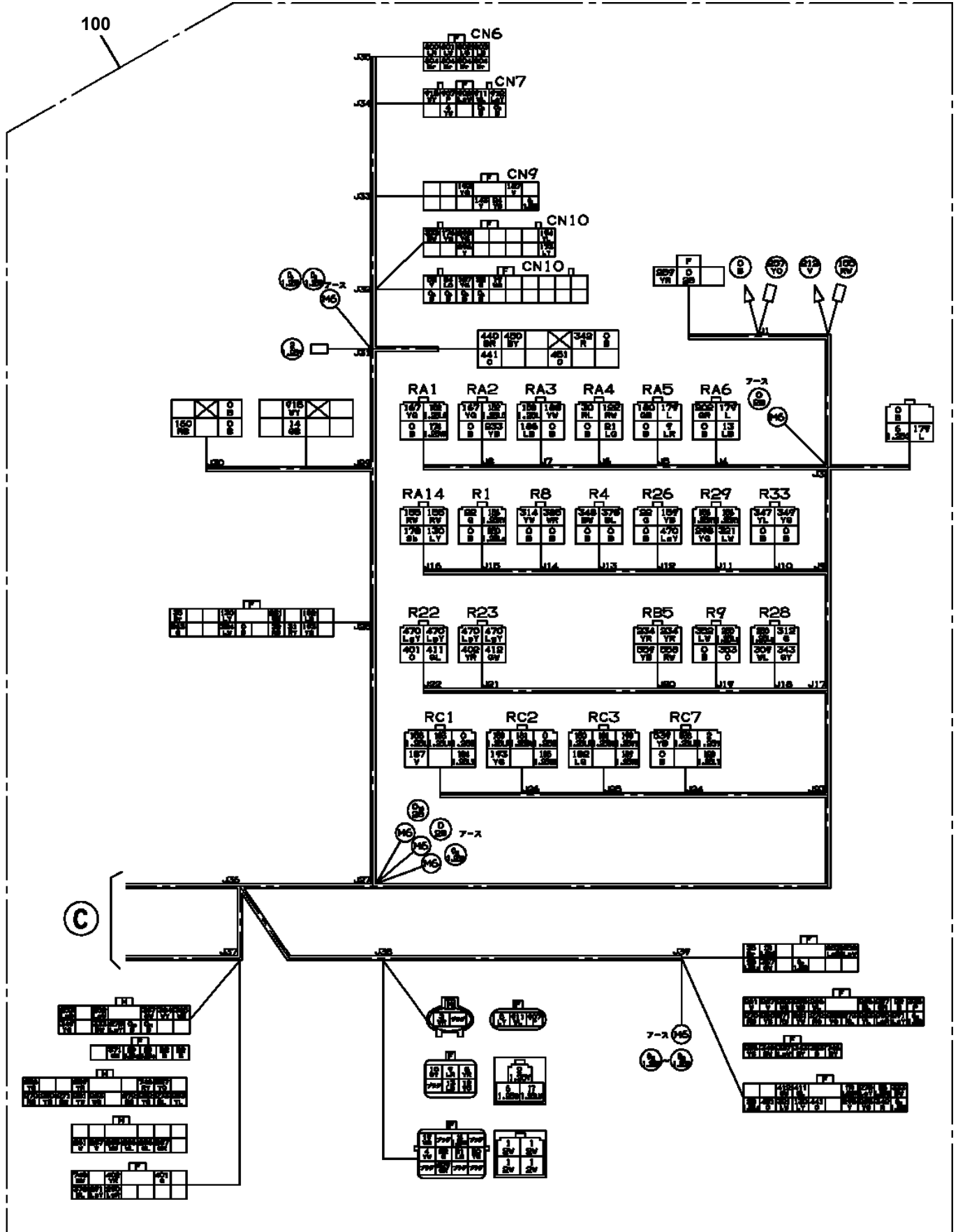
GR-450-1-00101 4 BOOM + 2 JIB, 2M2D  
PH1250050-02 MOMENT LIMITER (AML-L2C)



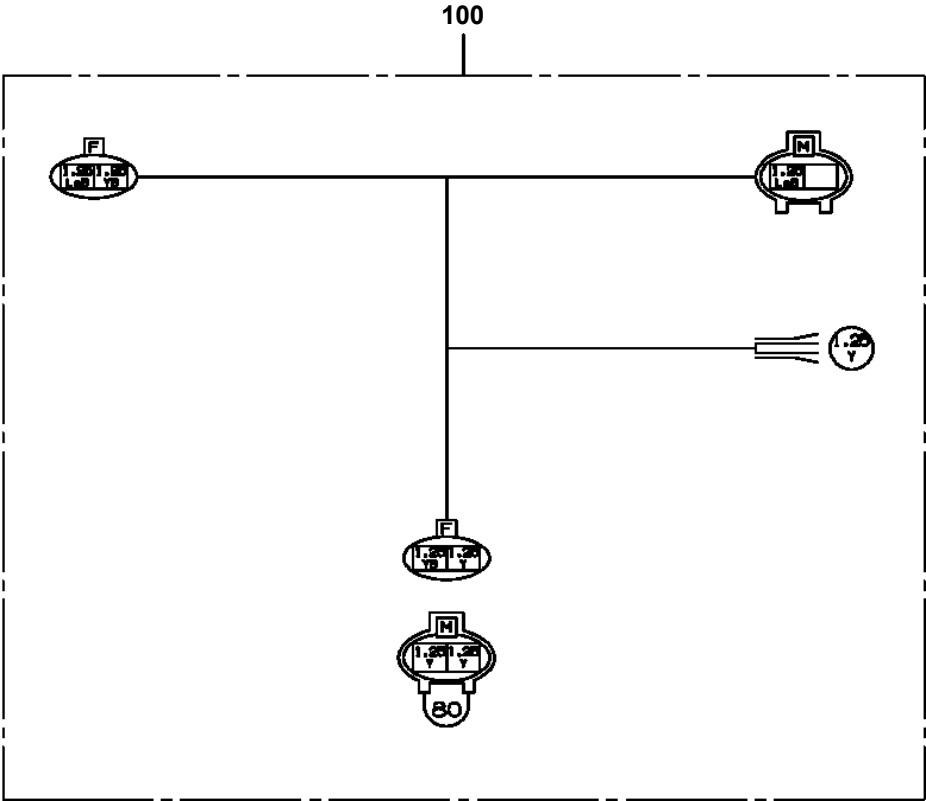
# GR-450-1-00101 4 BOOM + 2 JIB, 2M2D

Pos No.	Parts No	Parts Name	Qty	Unit	Technical Data	Serial No (Start)	Serial No (End)	Remarks	Pages
10	34362438010	HARNESS	1						

GR-450-1-00101 4 BOOM + 2 JIB, 2M2D  
 PH5034189-00 HARNESS (CAB)



GR-450-1-00101 4 BOOM + 2 JIB, 2M2D  
PH5034200-00 HARNESS



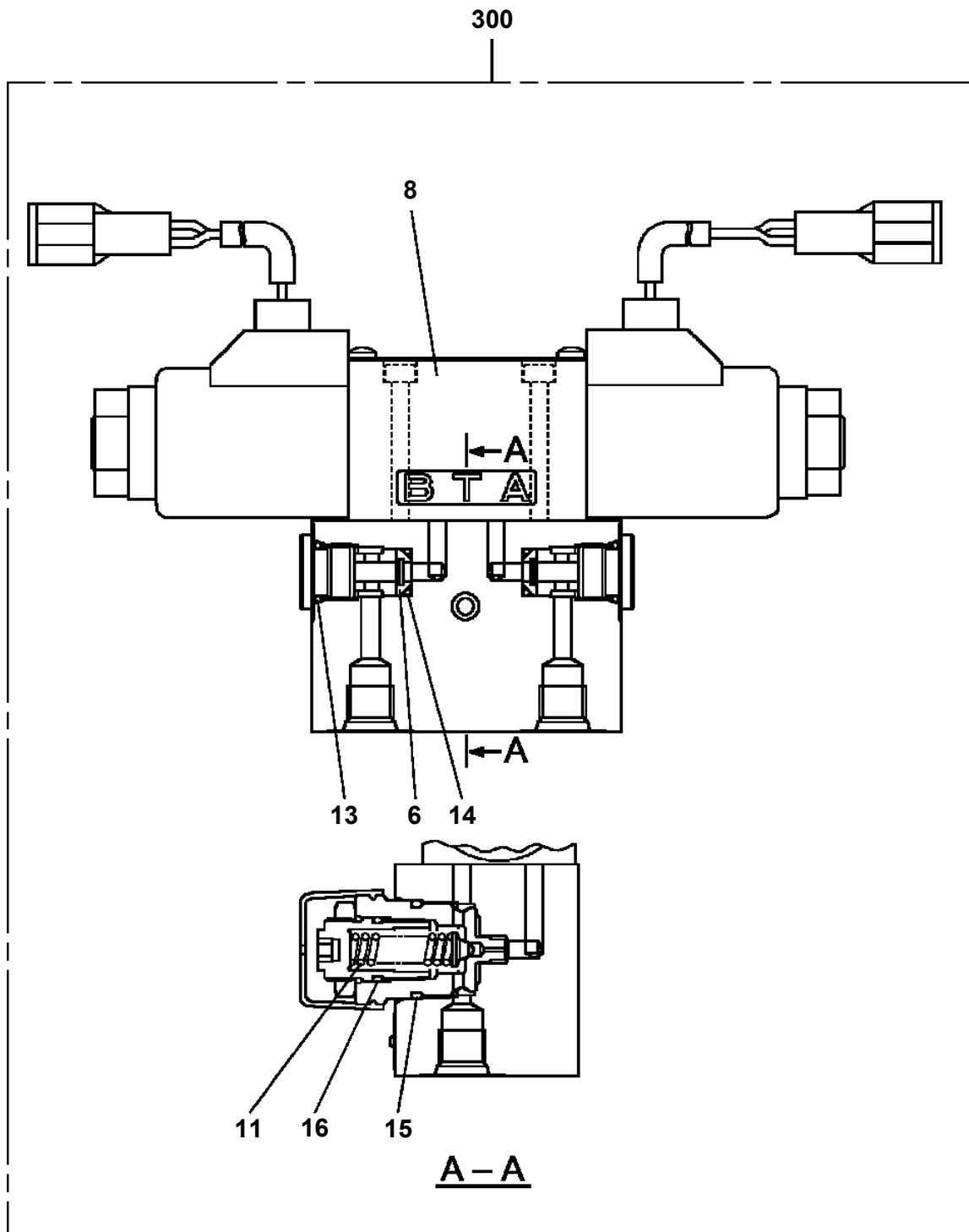
**GR-450-1-00101 4 BOOM + 2 JIB, 2M2D**

Pos No.	Parts No	Parts Name	Qty	Unit	Technical Data	Serial No (Start)	Serial No (E
4	36662215010	BEARING	1				
5	36662015020	RING,RETAINING	1				
6	36662215070	ADAPTER (SEAL)	1				
7	91001205000	O-RING	1		1A G50		
8	36662345020	SEAL,OIL	1				
9	36662015050	RING,RETAINING	1				
16	36662215020	SPACER (SPRING)	2				
17	36662215030	RING,RETAINING	1				
18	36662215040	SPRING	1				
23	36662345030	GASKET	1				
26	36662015080	KEY	1				
27	36662215060	BEARING,NEEDLE	1				
28	36662215080	RING,RETAINING	1				
30	36662345010	SEAL KIT	1				
50	36662210000	MOTOR,HYDRAULIC (AIR CONDITIONER)	1				

# GR-450-1-00101 4 BOOM + 2 JIB, 2M2D

Pos No.	Parts No	Parts Name	Qty	Unit	Technical Data	Serial No (Start)	Serial No (End)	Remarks	Page
32	36663445050	SEAL KIT	1						
100	36663440002	MOTOR, HYDRAULIC	1						

GR-450-1-00101 4 BOOM + 2 JIB, 2M2D  
PI1120161-02 VALVE,SOLENOID



## GR-450-1-00101 4 BOOM + 2 JIB, 2M2D

Pos No.	Parts No	Parts Name	Qty	Unit	Technical Data	Serial No (Start)	Serial No (End)	Remarks
5	36640175040	SPACER	4					
20	90131905045	BOLT,HEXAGON SOCKET	4		M5X45			
53	36641687520	RETAINER (A)	2					
54	36641687530	RETAINER (B)	2					
56	36641687560	SPRING (C)	2					
57	36642915020	NUT	2					
58	36641687570	ROD	2					
59	36641687580	GUIDE (SOLENOID)	2				541914	
	36740075010	GUIDE (SOLENOID)	2			541915		
60	36646375050	COIL,SOLENOID	2					
63	91000501200	O-RING	4					
64	91001102000	O-RING	2		1A P20		541914	
	36740455020	O-RING	2			541915		
65	91002801800	O-RING	2		1B P18			
66	91001002500	O-RING	2		S25		541914	
	36740455040	O-RING	2			541915		
71	36646821000	VALVE,SOLENOID	1					
100	36646820000	VALVE,SOLENOID	1					

## GR-450-1-00101 4 BOOM + 2 JIB, 2M2D

Pos No.	Parts No	Parts Name	Qty	Unit	Technical Data	Serial No (Start)	Serial No (End)	Remarks
5	36648885050	SOLENOID	2				541458	
	36640035011	SOLENOID	2			541459		
10	36648135010	BOLT,HEXAGON SOCKET	4		M5X10			
11	36648135020	WASHER,PLAIN	2		4			
12	36648135030	RIVET	2					
14	36648135040	BALL,STEEL	2		5/16			
15	36648135050	O-RING	2		1A P16			
16	36646975110	PLUG (HEXAGON SOCKET)	4					
100	36648130000	VALVE,SOLENOID	1					

# GR-450-1-00101 4 BOOM + 2 JIB, 2M2D

Pos No.	Parts No	Parts Name	Qty	Unit	Technical Data	Serial No (Start)	Serial No (End)	Remarks
1	36730155010	CASING	1					
2	36653355010	PLUG	1					
3	36730165010	BOLT,HEXAGON SOCKET	4					
4	36730105060	VALVE,SOLENOID	2					
18	91000501300	O-RING	2		AS568-013			
19	91000501400	O-RING	2		014 1115-70			
20	91000501500	O-RING	2		AS568-015			
22	36730165030	NUT	2					
23	36646605110	O-RING	2					
100	36730150000	VALVE,SOLENOID	1					

## GR-450-1-00101 4 BOOM + 2 JIB, 2M2D

Pos No.	Parts No	Parts Name	Qty	Unit	Technical Data	Serial No (Start)	Serial No (End)	Remarks
1	36646975010	SEAL,WASHER	1					
10	36646975020	POPPET	2					
11	36646975030	PLUG	1					
12	36646975040	SPRING (COMPRES)	1					
19	36646975060	POPPET	1					
20	36646975070	SPRING (COMPRES)	1					
24	36646975100	PLUG	1					
26	80316070040	PLUG	4		PF1/4			
27	80316070060	PLUG	2		PF3/8			
28	80316070080	PLUG	2		PF1/2			
32	91002801001	O-RING	1		1B P10A			
33	91002801100	O-RING	4		1B P11			
34	91002801400	O-RING	3		1B P14			
35	91002801800	O-RING	2		1B P18			
36	91000591000	O-RING	2		AS568-910			
37	36646975110	PLUG (HEXAGON SOCKET)	5					
43	36646975150	PLUG	1					
50	36646985010	SPRING (COMPRES)	1					
51	36646975160	WASHER	1					
100	36646980000	VALVE,HYDRAULIC	1					

# GR-450-1-00101 4 BOOM + 2 JIB, 2M2D

Pos No.	Parts No	Parts Name	Qty	Unit	Technical Data	Serial No (Start)	Serial No (End)	Remarks	Pages
1	36624535100	BODY	1						
2	36624525200	VALVE,CHECK	1						
3	36624525300	SPRING	1						
4	91002801800	O-RING	1		1B P18				
5	36624525500	PLUG	1						
6	36624525600	COLLAR	1						
30	36624530000	VALVE,CHECK	1						

# GR-450-1-00101 4 BOOM + 2 JIB, 2M2D

Pos No.	Parts No	Parts Name	Qty	Unit	Technical Data	Serial No (Start)	Serial No (End)	Remarks	Pages
2	36624085200	PLUG	3						
4	36621305020	SPRING	3						
5	91002801600	O-RING	3		1B P16				
7	36646127500	PLUG	1						
8	91002801100	O-RING	1		1B P11				
50	36625120000	VALVE,CHECK	1						

## GR-450-1-00101 4 BOOM + 2 JIB, 2M2D

Pos No.	Parts No	Parts Name	Qty	Unit	Technical Data	Serial No (Start)	Serial No (End)	Remarks
2	36603765010	FILTER	1					
3	36603765020	RETAINER (FILTER)	1					
4	36603885010	VALVE,BACK PRESSURE	1					
5	36603765040	VALVE,REDUCING	1					
6	90131506040	BOLT,HEXAGON SOCKET	4		M6X40			
8	91002801100	O-RING	1		1B P11			
21	36603765050	COVER (SPRING)	1					
22	36603765060	STOPPER	1					
26	36603885020	SPRING	1					
27	91002802200	O-RING	1		1B P22			
28	91000501500	O-RING	1		AS568-015			
43	91002801500	O-RING	2		1B P15			
46	36603765080	SPRING	1					
49	91001001600	O-RING	2		1A S16			
52	91001100800	O-RING	2		1A P8			
53	91002801400	O-RING	1		1B P14			
100	36603880000	VALVE,SEQUENCE	1					

# GR-450-1-00101 4 BOOM + 2 JIB, 2M2D

Pos No.	Parts No	Parts Name	Qty	Unit	Technical Data	Serial No (Start)	Serial No (End)	Remarks	Pag
1	34230980010	TABLE,SLEWING	1						
2	33230026000	PLATE	2						
3	37000174310	PIN	1						
4	37000557890	PLATE	1						
5	90101512030	BOLT	2		M12X30				
6	90302041201	WASHER,SPRING	2		12				
7	90303502701	WASHER,PLAIN <27)	50						
8	37001505310	BOLT	40		M27X152				
9	37001509110	BOLT	2		M27X172				
10	90303503001	WASHER,PLAIN	2		30XT8				
11	90201702700	NUT	5		M27				
13	37001507930	BOLT	5		M27X175				
14	37000179410	PIN	1						
15	34230980100	COVER	1						
16	90101516060	BOLT	8		M16X60				
17	90302041601	WASHER,SPRING	8		16				
18	34230980200	PLATE	1						
19	34230980300	SHIM (T=1.2)	N						
20	16612008000	COVER	1						
21	90101208012	BOLT	2		M8X12				
22	90302040801	WASHER,SPRING	2		8				

CLICK HERE TO **DOWNLOAD** THE COMPLETE MANUAL

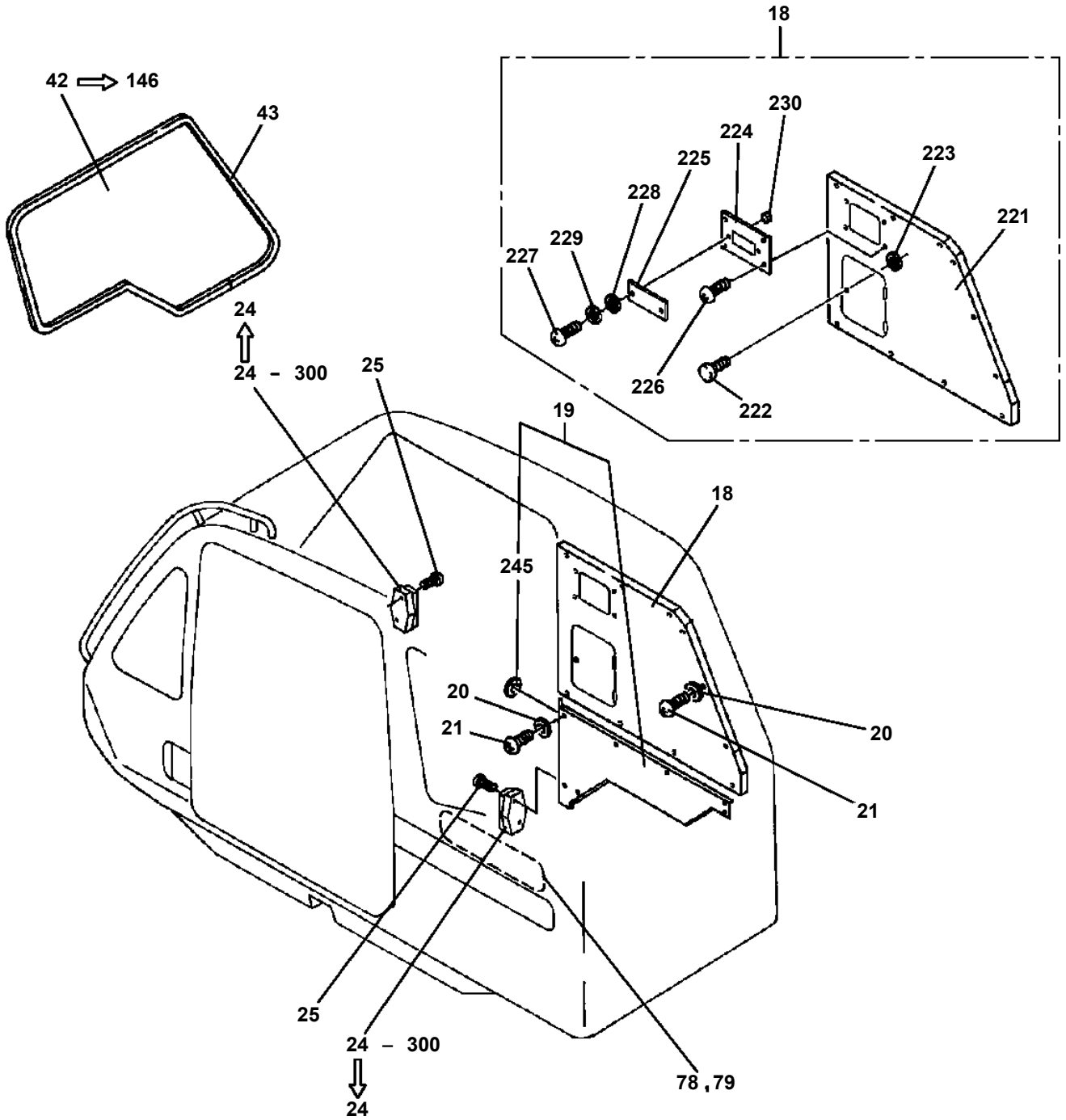
- Thank you very much for reading the preview of the manual.
- You can download the complete manual from: [www.heydownloads.com](http://www.heydownloads.com) by clicking the link below



- Please note: If there is no response to CLICKING the link, please download this PDF first and then click on it.

CLICK HERE TO **DOWNLOAD** THE COMPLETE MANUAL

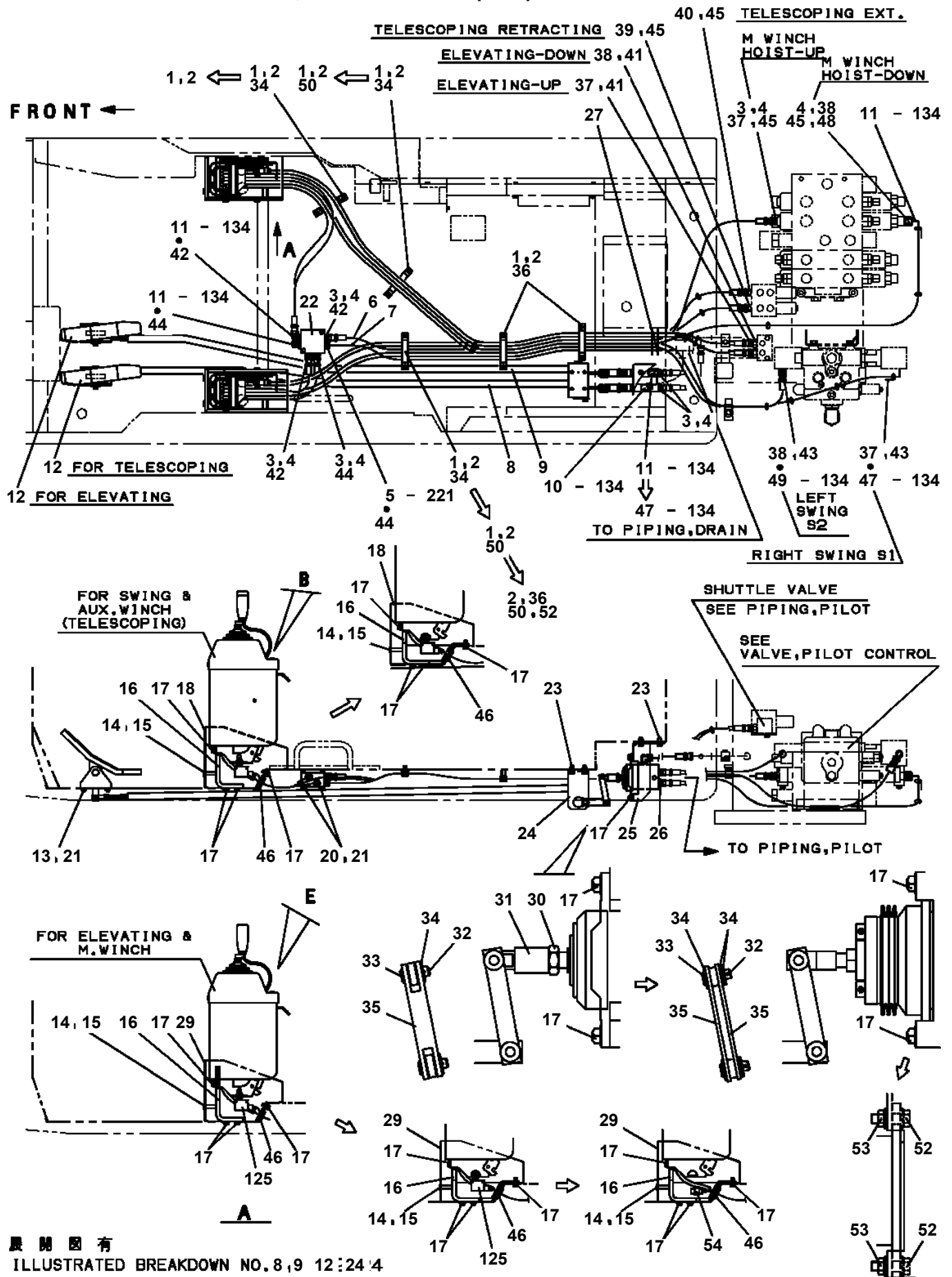
GR-450-1-00101 4 BOOM + 2 JIB, 2M2D  
PK1140170-07 CAB, OPERATOR



## GR-450-1-00101 4 BOOM + 2 JIB, 2M2D

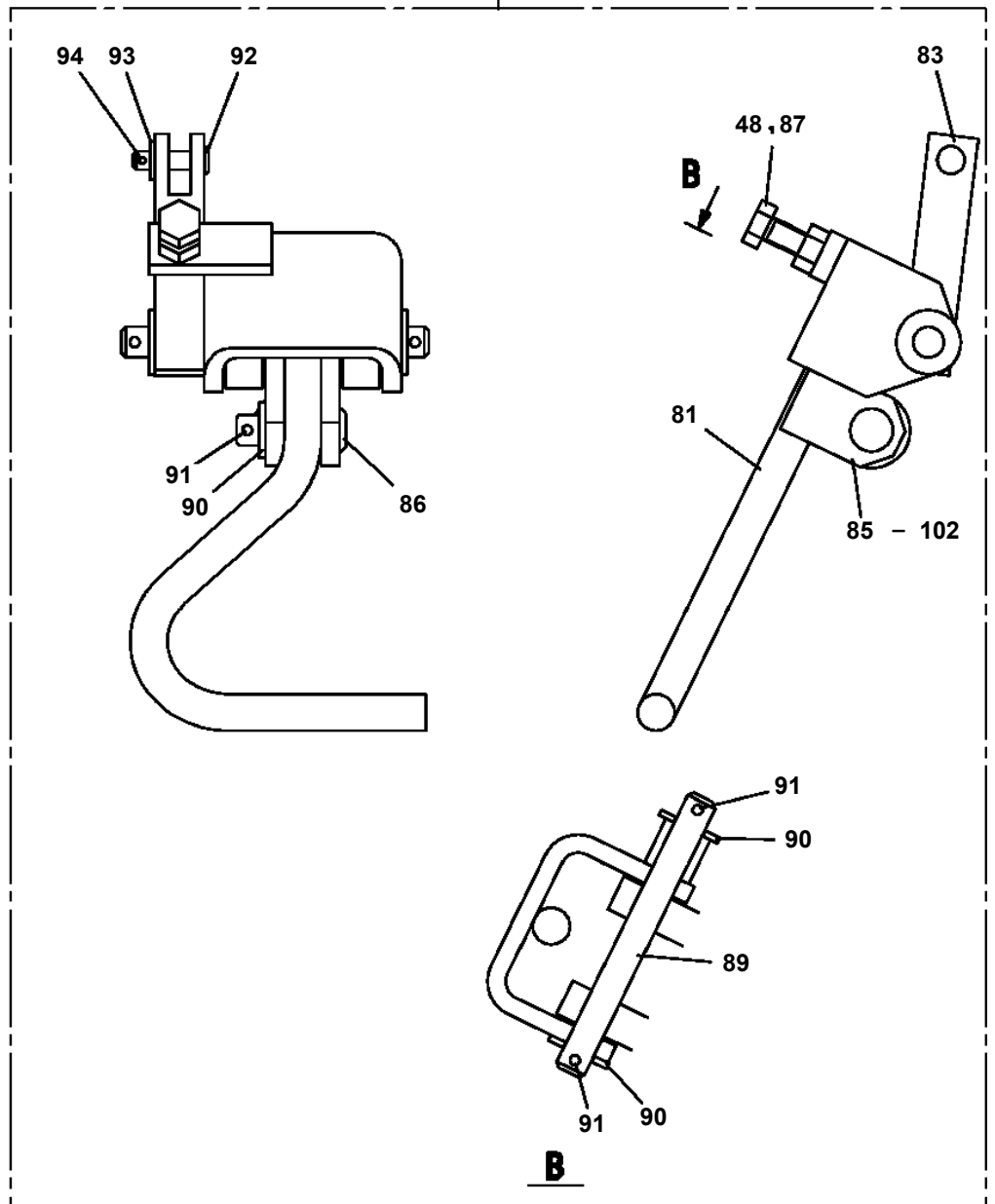
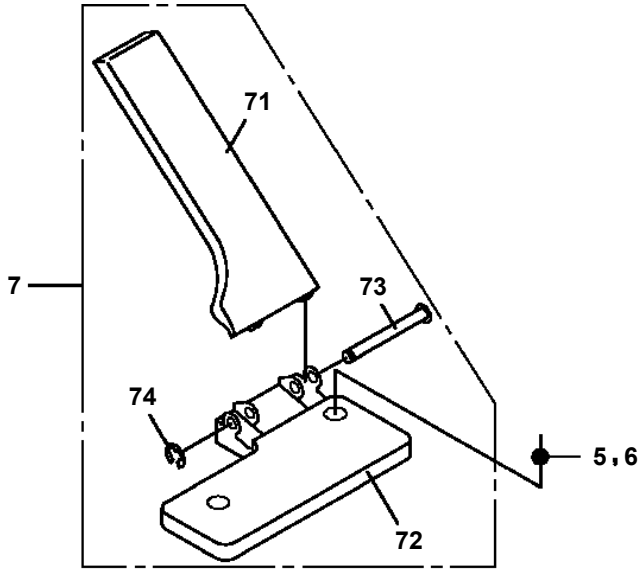
Pos No.	Parts No	Parts Name	Qty	Unit	Technical Data	Serial No (Start)	Serial No (End)	Remarks
1	34251287510	CUSHION ASSY	1					
2	34251287520	BACK ASSY	1					
3	34251287530	HEADREST	1					
4	34251287540	ARMREST ASSY (L)	1					
5	34251287550	ARMREST ASSY (R)	1					
6	34251287560	ADJUSTER (SLIDE/L)	1					
7	34251287570	ADJUSTER (SLIDE/R)	1					
8	34251287690	WIRE	1				540967	
	34251287810	WIRE (SLIDE)	1			540968		
9	34251287590	ADJUSTER (RECLINING)	1					
10	34251287800	COVER (RECLINING)	1					
11	34251287700	BRACKET (CUSHION)	1					
12	34251287710	BRACKET (BACK)	1				540967	
	34251287820	BRACKET (BACK)	1			540968		
13	34251287720	LEVER (HEIGHT)	1					
14	34251287730	SCREW,MACHINE	1					
15	34251287740	BOLT	4					
16	34251287750	BOLT,SEMS	10				540967	
17	34251287760	BUSHING	1				540967	
	34252137580	BUSHING	1			540968		
18	34251287620	SCREW (WITH WASHER)	3		M6X16X1.0			
20	34251287630	BRACKET (ARMREST)	1					
21	34251287640	GEAR ASSY (L)	1					
22	34251287650	GEAR ASSY (R)	1					
23	34251287660	SPRING	2					
24	34251287670	SCREW,MACHINE (SEMS)	4		M6X16X1.0			
25	34251287680	SCREW,MACHINE (SEMS)	4		M6X12X1.0			
26	34251287770	NUT (WITH WASHER)	4					
27	34251287780	CLIP	2					
28	34251287790	RISER ASSY	1					
31	34251287830	WASHER	1			540968		
32	34252137570	BOLT (WITH WASHER)	10		M10X25	540968		
50	34251280100	SEAT,OPERATOR	1					

**GR-450-1-00101 4 BOOM + 2 JIB, 2M2D**  
**PL1010895-11 OPE.ASSY,CONT.VALVE (ISO)**

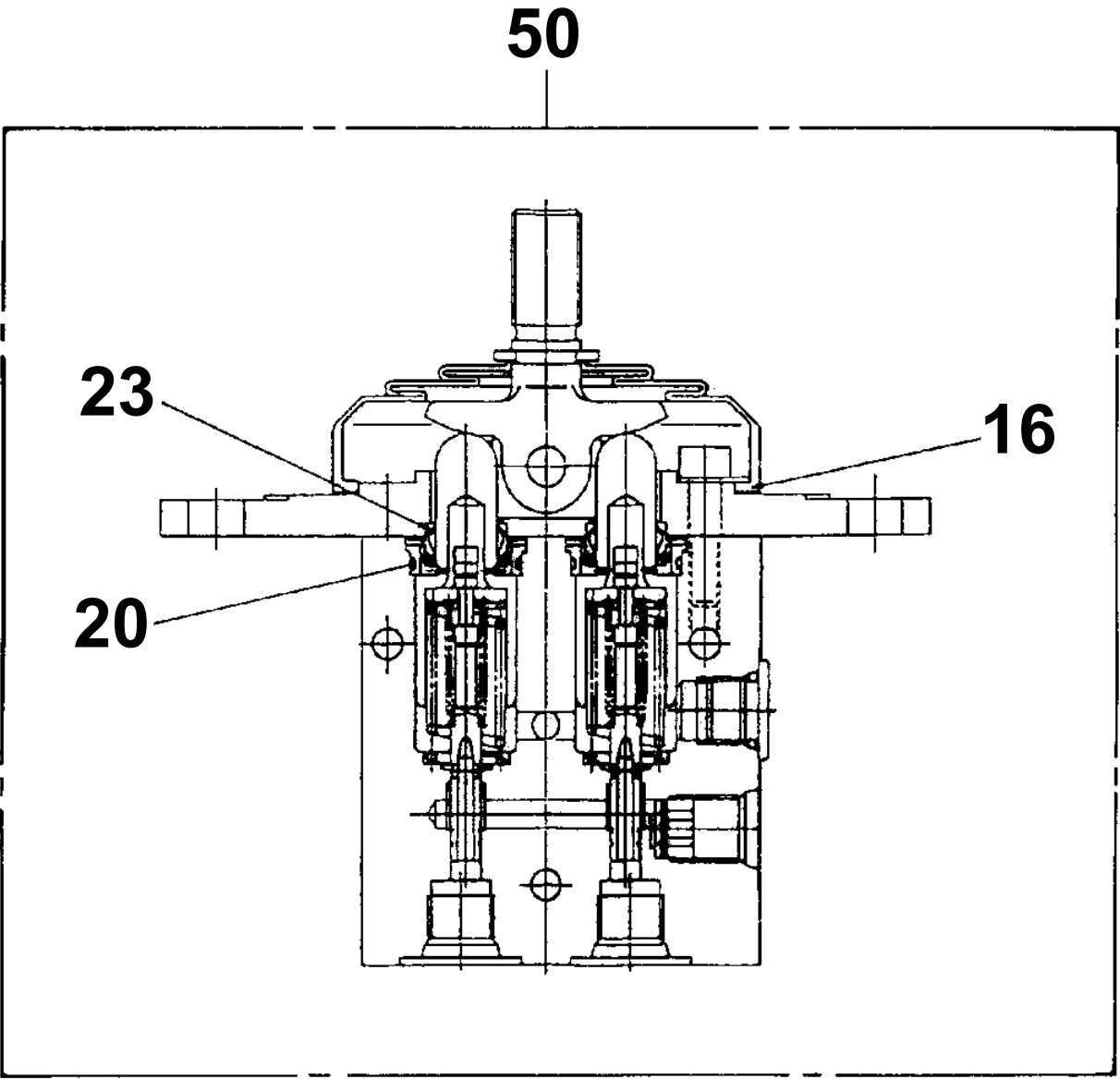


展開図有  
 ILLUSTRATED BREAKDOWN NO. 8,9 12:24.4

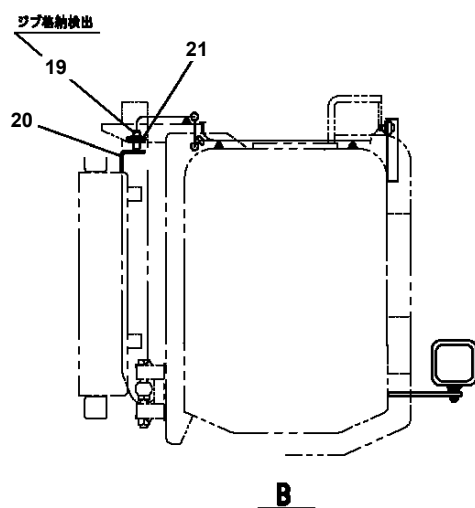
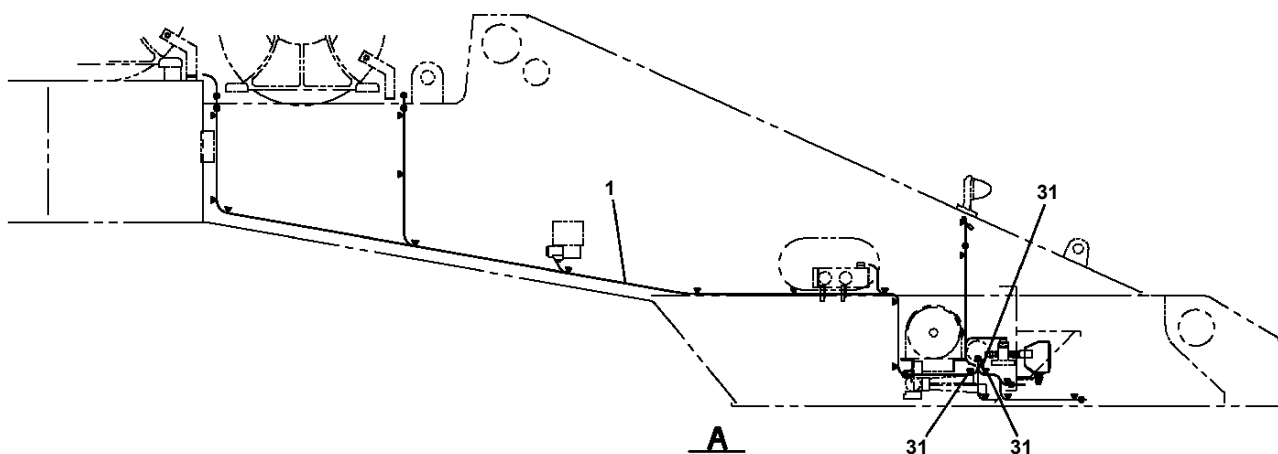
GR-450-1-00101 4 BOOM + 2 JIB, 2M2D  
PL1030799-01 OPE.ASSY,ACCELERATOR (UPPER)



GR-450-1-00101 4 BOOM + 2 JIB, 2M2D  
PL1250020-00 VALVE,CONTROL (2 LEVER)



GR-450-1-00101 4 BOOM + 2 JIB, 2M2D  
PN1012652-02 ELEC.ASSY (SWING FRAME,BOOM)



# GR-450-1-00101 4 BOOM + 2 JIB, 2M2D

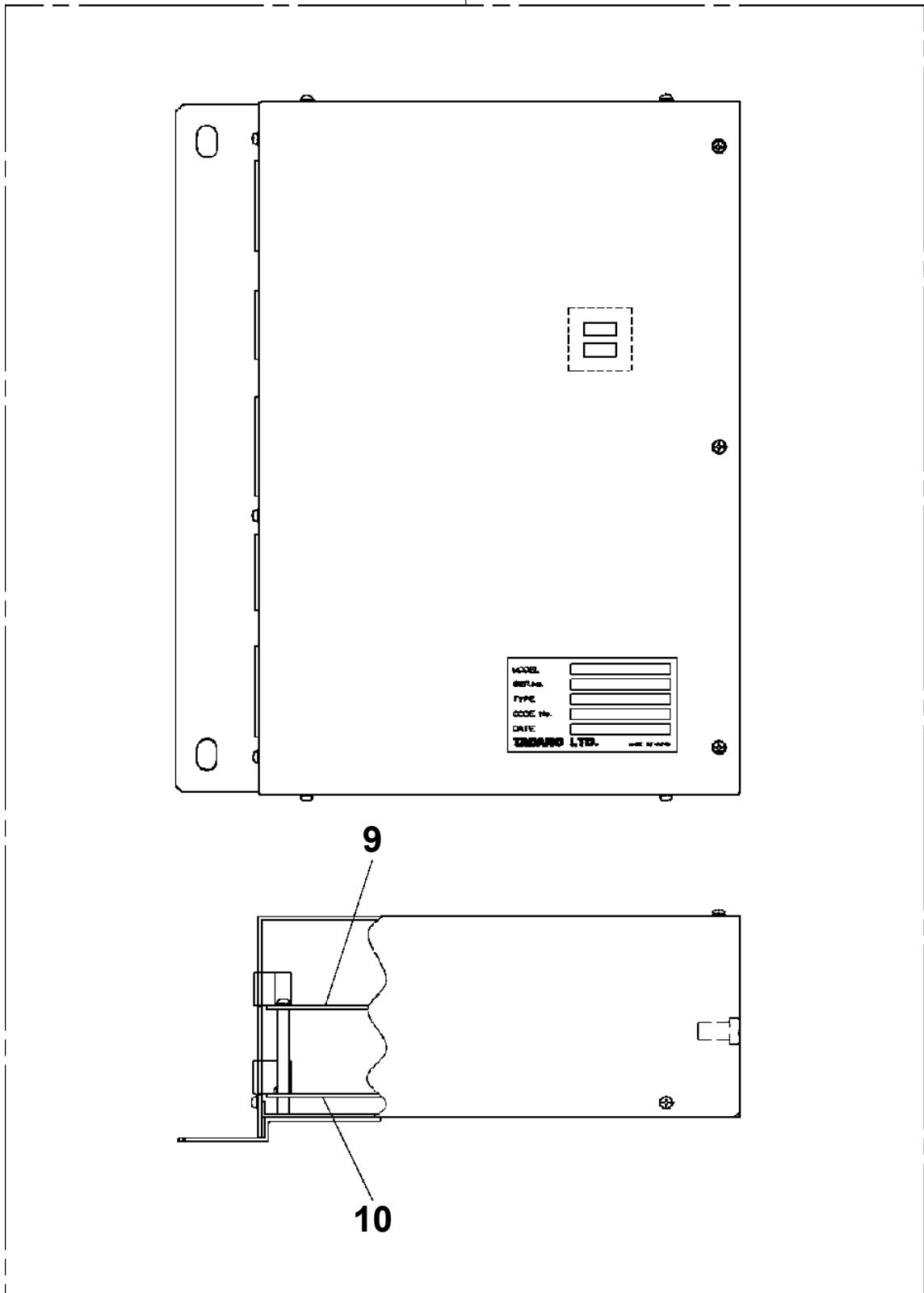
Pos No.	Parts No	Parts Name	Qty	Unit	Technical Data	Serial No (Start)	Serial No (End)	Ren
1	36683405010	SPEEDOMETER	1				540386	
	36683405012	SPEEDOMETER ASSY	1			540387		
2	36683405020	TACHOMETER ASSY	1				540365	
	36683405021	TACHOMETER ASSY	1			540366		
3	36683405030	GAUGE ASSY (COMBINATION)	1					
4	36683405040	GAUGE,AIR PRESSURE	1					
5	36681875050	COMPUTER ASSY	1					
6	36681875060	CASE ASSY	1				540386	
	36683185030	CASE ASSY	1			540387		
7	36681875070	HOOD (METER)	1					
8	36683405050	GLASS (W/PACKING)	1					
9	36681875090	PLATE	1					
10	36681875100	CASE (LWR)	1					
11	36681875110	GROMMET	1				540365	
12	36681875120	COLLAR	1				540365	
13	36683405060	CIRCUIT ASSY	1				540386	
	36683405061	CIRCUIT ASSY	1			540387		
14	36681875140	SCREW,TAPPING	9		M3			
15	36681875150	SCREW	8		M3			
16	36681875160	SCREW	6		M3			
17	36681875170	SCREW,TAPPING	8		M4			
18	36681875180	SCREW,TAPPING	4		M4			
19	36681875190	SCREW,TAPPING	5		M4			
20	36681875200	SOCKET ASSY (SUB)	5					
21	36681875210	SOCKET ASSY (SUB)	1					
22	36681875220	SOCKET ASSY (SUB)	2					
23	36683395010	SOCKET ASSY	29					
24	36681875230	BULB,LAMP (SUB,GREEN)	5					
25	36681875240	BULB,LAMP (SUB,GREEN)	1					
26	36681875250	BULB,LAMP (FOR DOT MATRIX)	2					
27	36681875260	BULB,LAMP (FOR INDICATOR)	29					
50	36683400000	METER,COMBINATION	1					

# GR-450-1-00101 4 BOOM + 2 JIB, 2M2D

Pos No.	Parts No	Parts Name	Qty	Unit	Technical Data	Serial No (Start)	Serial No (End)	Remarks
1	34930431100	BOX	1					
2	34930411200	COVER	1					
3	34930411300	COVER	1					
4	90186208014	BOLT,FLANGE	7		M8X14			
5	34930711100	RELAY	1				540343	
	34930711101	RELAY	1			540344		
6	80182306016	SCREW,MACHINE	8		M6X16			
7	90302040601	WASHER,SPRING	8		6			
8	90303070601	WASHER,PLAIN	8		6			
9	82174103526	FUSE (75A,7323-3526-40>	1					
10	82161901050	RELAY	1					
11	90186208025	BOLT,FLANGE	2		M8X25			
12	82100002018	CLAMP	1		WR35			
13	34930110600	HARNESS	1		15B L=250			
14	80172305010	SCREW,MACHINE	2		M5X10			
15	90302040501	WASHER,SPRING	2		5			
16	90303070501	WASHER,PLAIN	2		5			
31	36360592010	RELAY,SAFETY	1					
32	36360952010	RELAY (AIR HEATER)	1					
33	36360752010	RELAY (ENGINE STOP)	1					
50	80172303016	SCREW,MACHINE	2		M3X16			
51	34930661110	SUPPORT	1					
52	82100002596	RELAY	1					
53	82100002597	RELAY	1					
54	90302040601	WASHER,SPRING	6		6			
55	90303070601	WASHER,PLAIN	6		6			
56	80182306012	SCREW,MACHINE	6		M6X12			
57	34930346200	BOX ASSY (FUSE)	1					
58	34930661200	BOX ASSY (FUSE)	1					
59	82100000640	TERMINAL,BASE	1					
61	90302040301	WASHER,SPRING	2		3			
62	90303070301	WASHER,PLAIN	2		3			
63	34350003350	PLATE	1					
64	82100001404	TERMINAL	7				540343	
	82100001404	TERMINAL	8			540344		
65	82100001220	INSULATOR	7				540343	
	82100001220	INSULATOR	8			540344		
66	82100001200	DIODE	4					
67	82400000202	GROMMET	1					
68	82111207051	TERMINAL (MAIL)	7				540343	
	82111207051	TERMINAL (MAIL)	8			540344		
69	82114214121	CONNECTOR	1					
81	34351562510	BOX,FUSE	2					
83	82100001837	FUSE	16		5A		540343	
	82100001837	FUSE	16		5A	540344		
94	82100001839	FUSE	5		10A.RED			
95	82100001840	FUSE	7		15A,BLUE			
112	82400000201	GROMMET	1		KG-016			

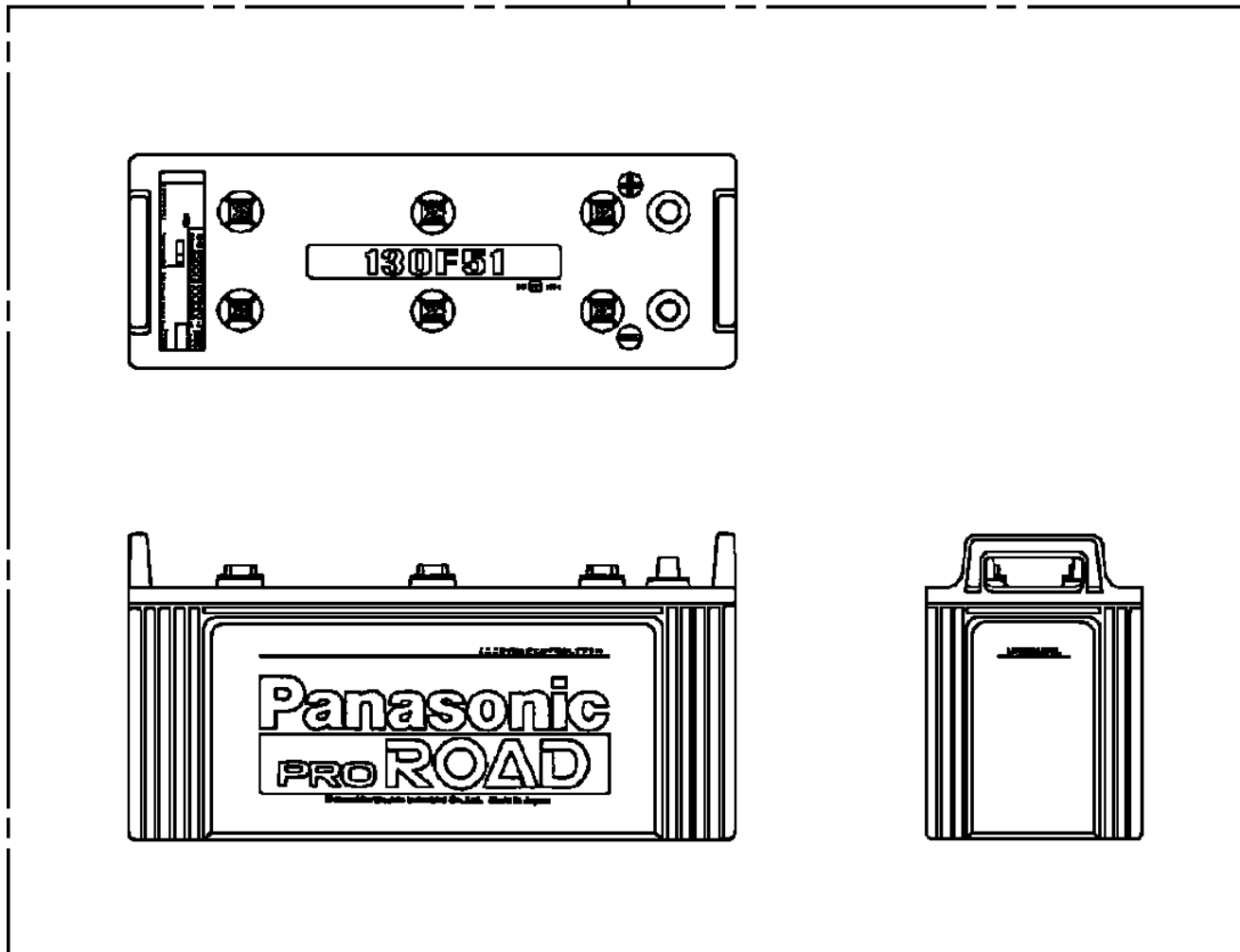
**GR-450-1-00101 4 BOOM + 2 JIB, 2M2D  
PN1200033-00 TRANSMITTER, MULTI.DATA (LOWER)**

**100**

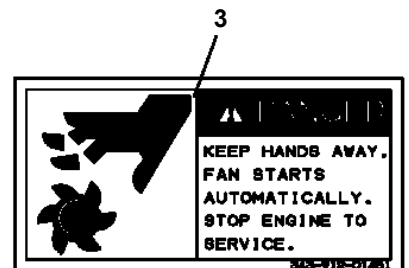
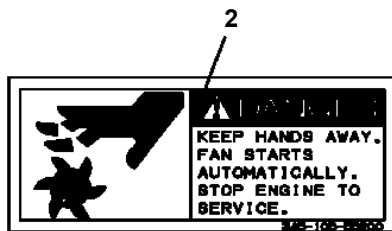
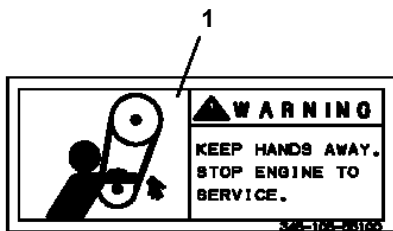
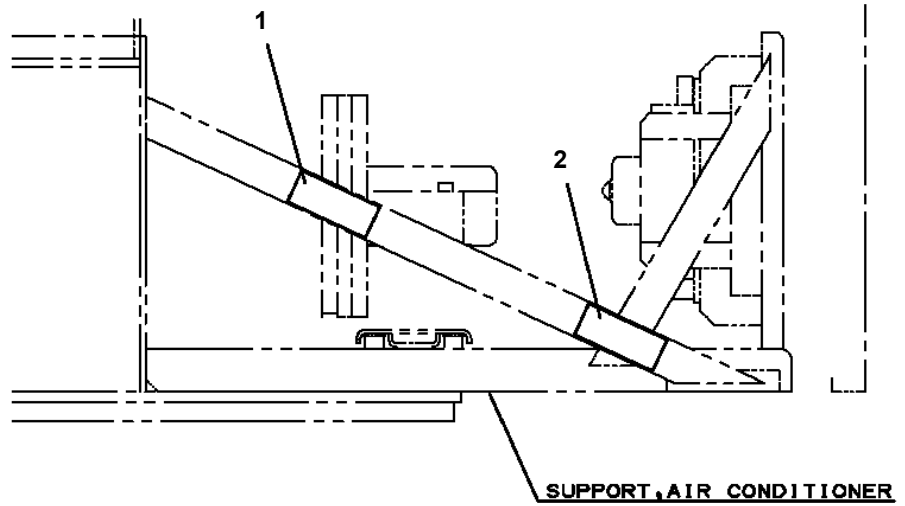
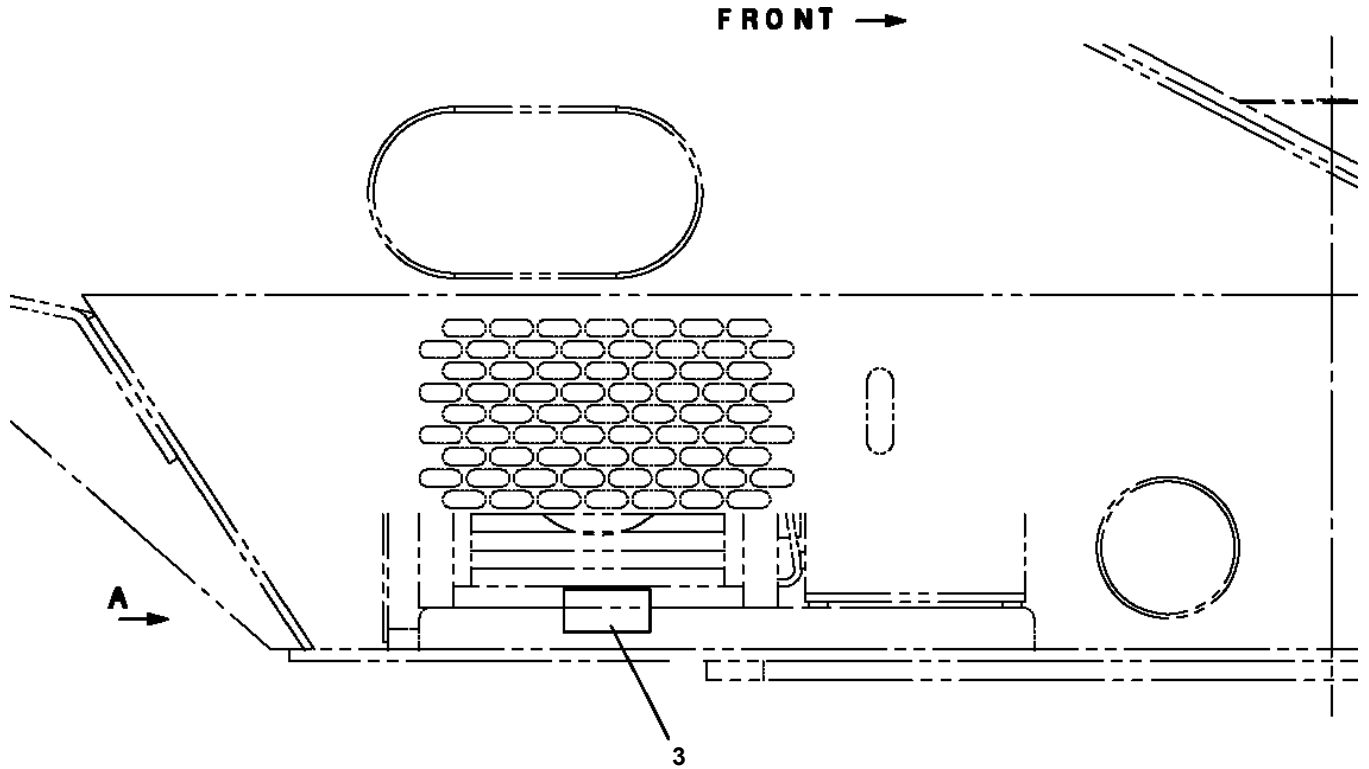


GR-450-1-00101 4 BOOM + 2 JIB, 2M2D  
PN1370124-00 BATTERY (PANASONIC,130F51)

1



GR-450-1-00101 4 BOOM + 2 JIB, 2M2D  
 PO1012955-02 PLATE ASSY,NAME (FAN,BELT CAUTION)

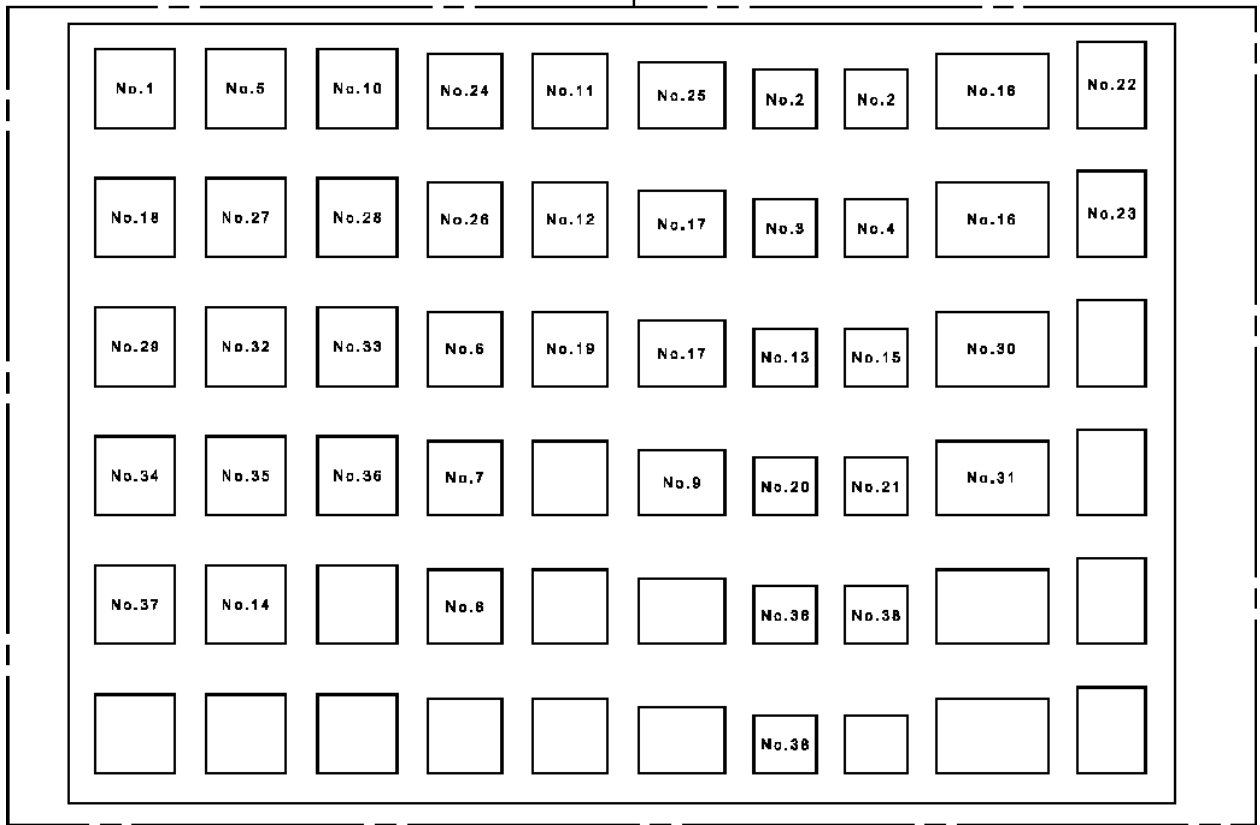


# GR-450-1-00101 4 BOOM + 2 JIB, 2M2D

Pos No.	Parts No	Parts Name	Qty	Unit	Technical Data	Serial No (Start)	Se
64	90000000100	RING	1			540354	
65	34395752300	WIRE	1			540354	
66	37002200010	PLATE,NAME (HORN)	1			540354	
81	37002214500	PLATE,NAME (TADANO BLUE+BLACK)	1				
82	37002214510	PLATE,NAME (TADANO BLUE+WHITE)	1				
83	37002214520	PLATE,NAME (TADANO WHITE+WHITE)	1				

GR-450-1-00101 4 BOOM + 2 JIB, 2M2D  
 PO1015261-00 PLATE ASSY,NAME (NO.1-NO.38)

10



No.1



No.2



No.3



No.4



No.5



No.6



No.7



No.8



No.9



No.10



No.11



No.12



No.13



No.14



No.15



No.16



No.17



No.18



No.19



No.20



No.21



No.22



No.23



No.24



No.25



No.26



No.27



No.28



No.29



No.30



No.31



No.32



No.33



No.34



No.35



No.36

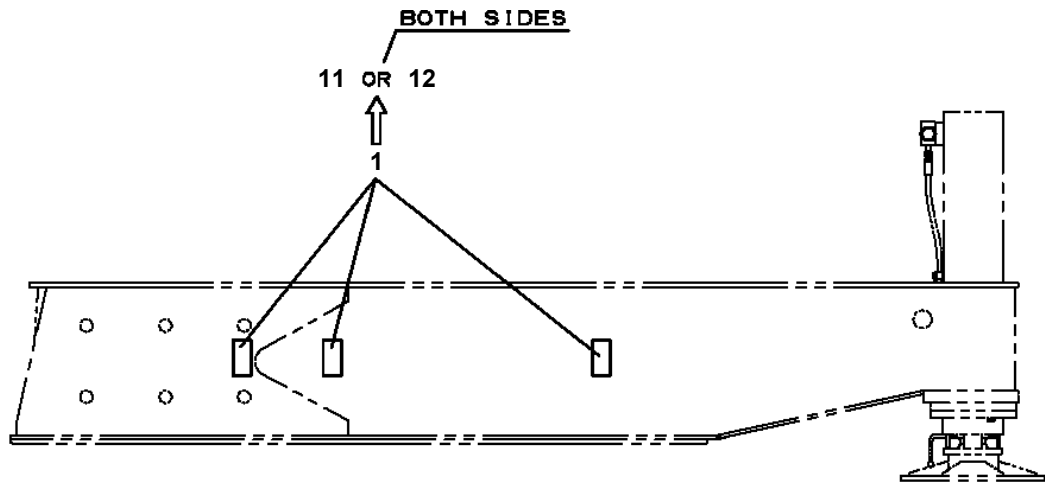


No.37

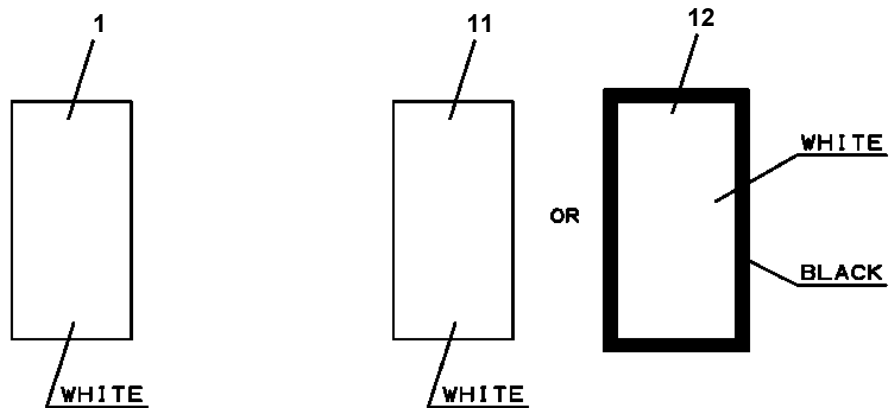


No.38

GR-450-1-00101 4 BOOM + 2 JIB, 2M2D  
PO1050084-03 MARKING (OUTRIGGER)



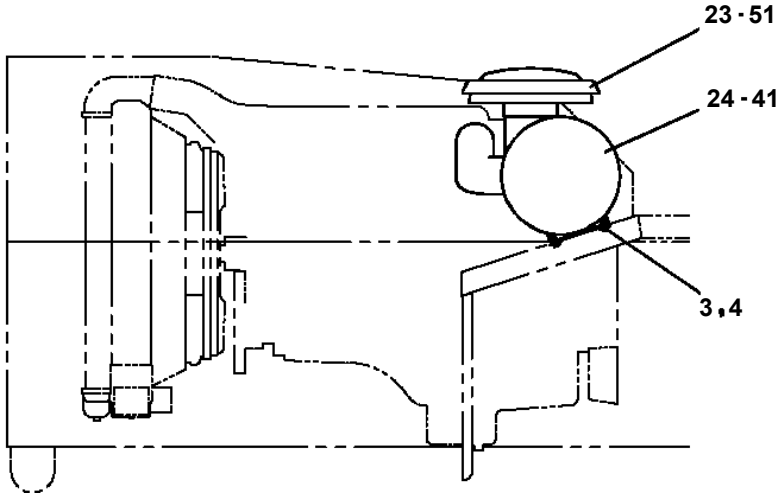
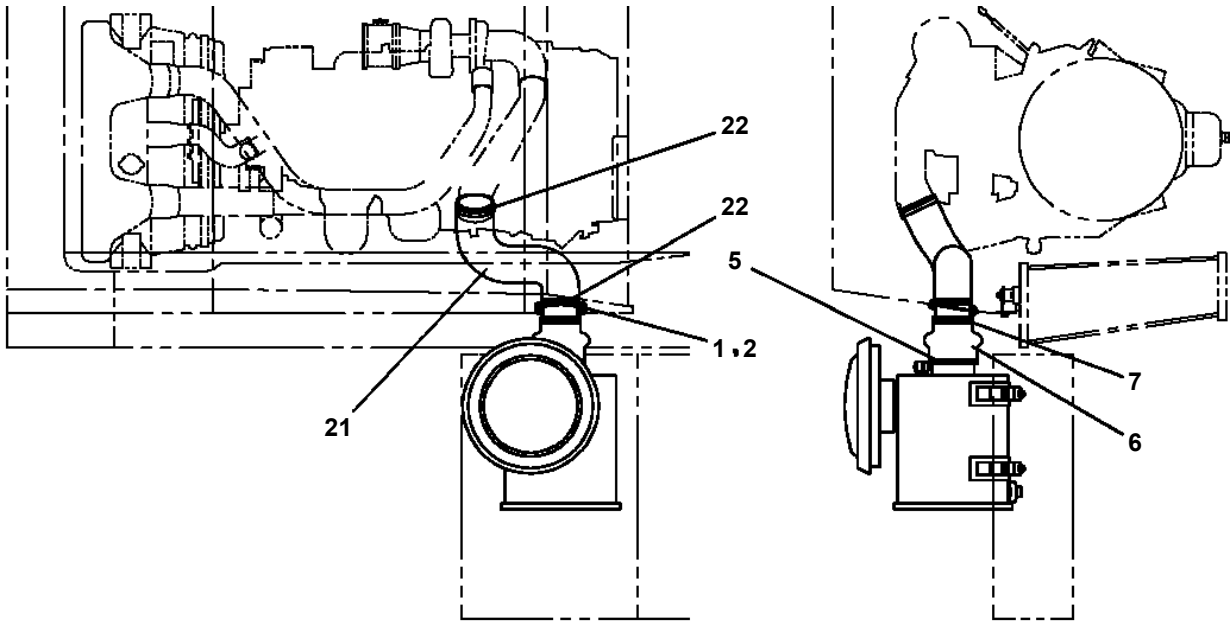
アウトリガ内箱  
INNER BOX



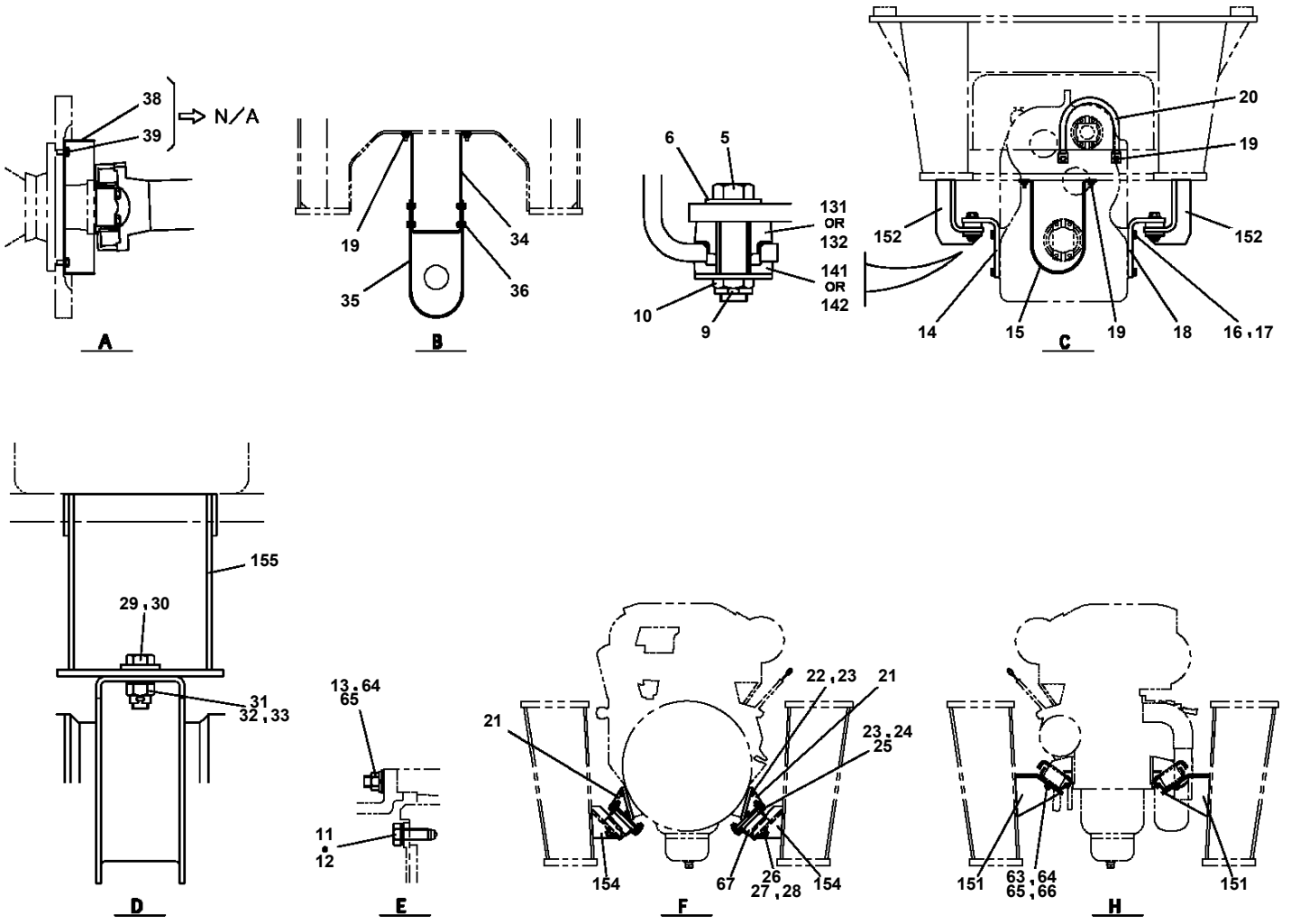
# GR-450-1-00101 4 BOOM + 2 JIB, 2M2D

Pos No.	Parts No	Parts Name	Qty	Unit	Technical Data	Serial No (Start)	Serial
1	91803600700	CLIP	2		D=55-70		
2	34781710100	INSULATOR (L)	1				
3	34781710200	INSULATOR (R)	1				
5	34781710300	INSULATOR	1				
7	91803600900	CLIP	3		D=70-90		
8	82100002008	CLAMP	2		WR12		
9	90103210020	BOLT	4		M10X20		
10	90280200600	NUT,FLANGE	2		M6		
11	37002512190	HOSE	1		L=450		
12	37002511360	HOSE	1		L=800		
13	91803880070	CLIP	3		D=13.1-16.2		
14	90186208014	BOLT,FLANGE	18		M8X14		
16	34780150200	SUPPORT	2				
17	37002512820	HOSE	1				
18	37002512830	HOSE	1				
19	34781250901	SUPPORT	1				
20	34780681700	SUPPORT	1				
21	36102160000	TANK,RESERVOR	1				
22	34780681800	CLAMP	1				
23	34781531101	SUPPORT	2				
27	34780130300	CUSHION	4				
28	90303071001	WASHER,PLAIN	4		10		
29	34780991100	SUPPORT	2				
30	90302041001	WASHER,SPRING	4		10		
31	90186210025	BOLT,FLANGE	4		M10X25		
32	90280201000	NUT,FLANGE	18		M10		
33	56427028000	SUPPORT	2				
34	56427051000	PIN	4				
35	90303071401	WASHER,PLAIN	4		14		
36	56427050000	GROMMET	4				
38	90186208025	BOLT,FLANGE	4		M8X25		
39	90280200800	NUT,FLANGE	4		M8		
40	90303070801	WASHER,PLAIN	4		8		
41	34780992300	SUPPORT	1				
42	90186206014	BOLT,FLANGE	1		M6X14		
43	37000535710	PLATE	2		50XT3.2		
61	36360803050	CLIP (INTERCOOLER HOSE/D=MIN87,MAX116)	3				
62	36360953020	HOSE	1				
63	36360803040	HOSE	1				
64	36360803060	CLIP (INTERCOOLER HOSE/D=MIN77,MAX99)	1				
65	36360803070	CLIP (RADIATER HOSE/D=60)	1				
66	36360953030	HOSE	1				
67	36360803080	CLIP (RADIATER HOSE/D=80)	1				
68	(*****)	RADIATOR (WITH INTER COOLER)	1				
69	36360803090	GUIDE (FAN SHROUD)	1				
70	36360591050	CLAMP (FAN SHROUD SEAL)	1				
71	36360803110	COOLER,OIL (T/C)	1				54035
91	34781213100	SUPPORT	1				
92	34781213200	SUPPORT	1				
93	34781293300	SUPPORT	1				
94	90101508025	BOLT	6		M8X25		
95	90302040801	WASHER,SPRING	8		8		
96	90101210030	BOLT	3		M10X30		
97	90302041001	WASHER,SPRING	7		10		
98	90303071001	WASHER,PLAIN	6		10		
99	90201201000	NUT	3		M10		
100	90103210020	BOLT	4		M10X20		
101	90101208035	BOLT	2		M8X35		
102	36360591030	GUIDE (FAN RING)	1				
103	36360953040	SUPPORT (FAN RING)	2				
111	34781715100	SUPPORT	1				
112	34781715200	SUPPORT	1				
113	34781715300	SUPPORT	2				

**GR-450-1-00101 4 BOOM + 2 JIB, 2M2D**  
**PQ1060034-02 AIR INTAKE INSTALLATION**

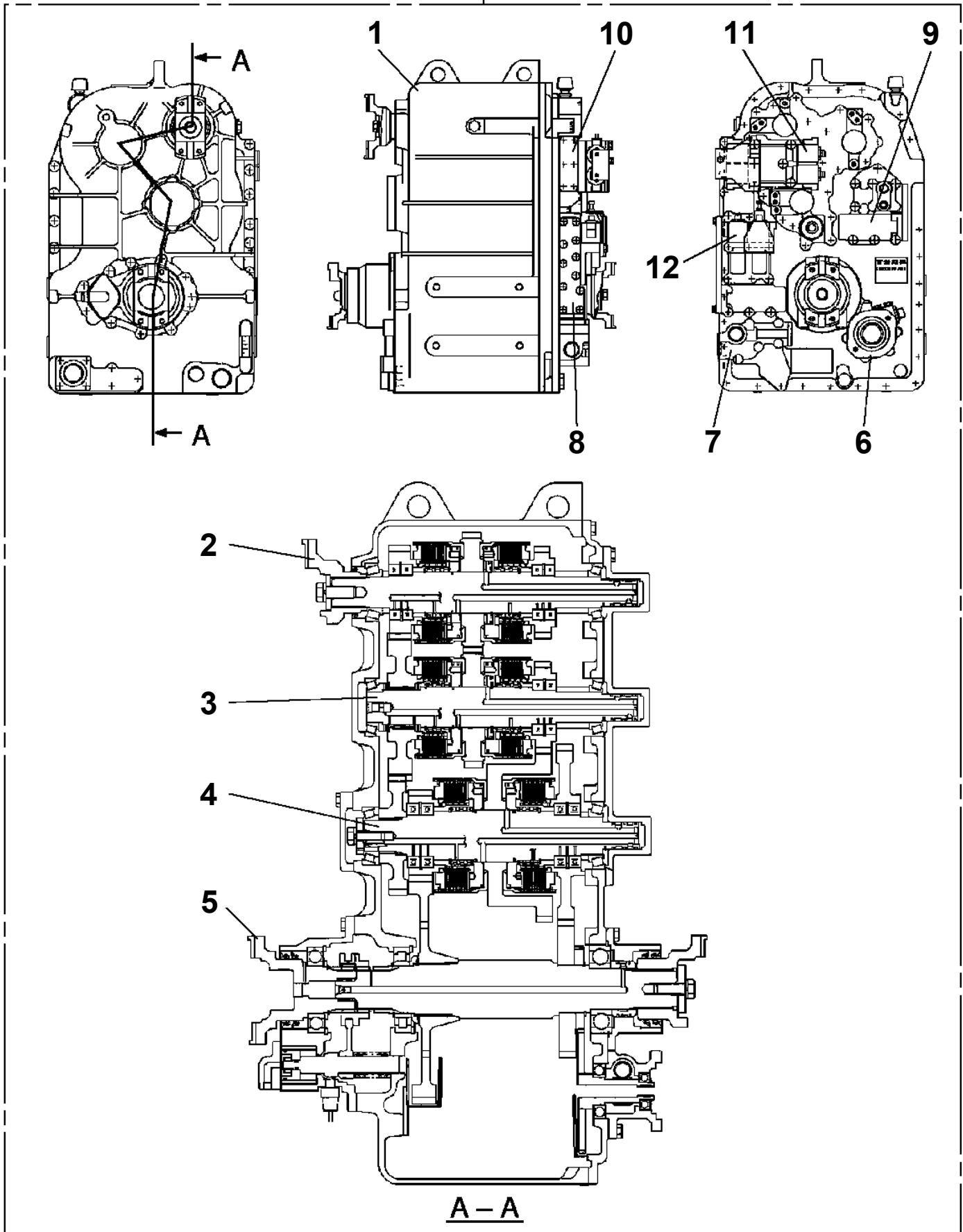


**GR-450-1-00101 4 BOOM + 2 JIB, 2M2D**  
**PQ1140094-02 POWER TRAIN**



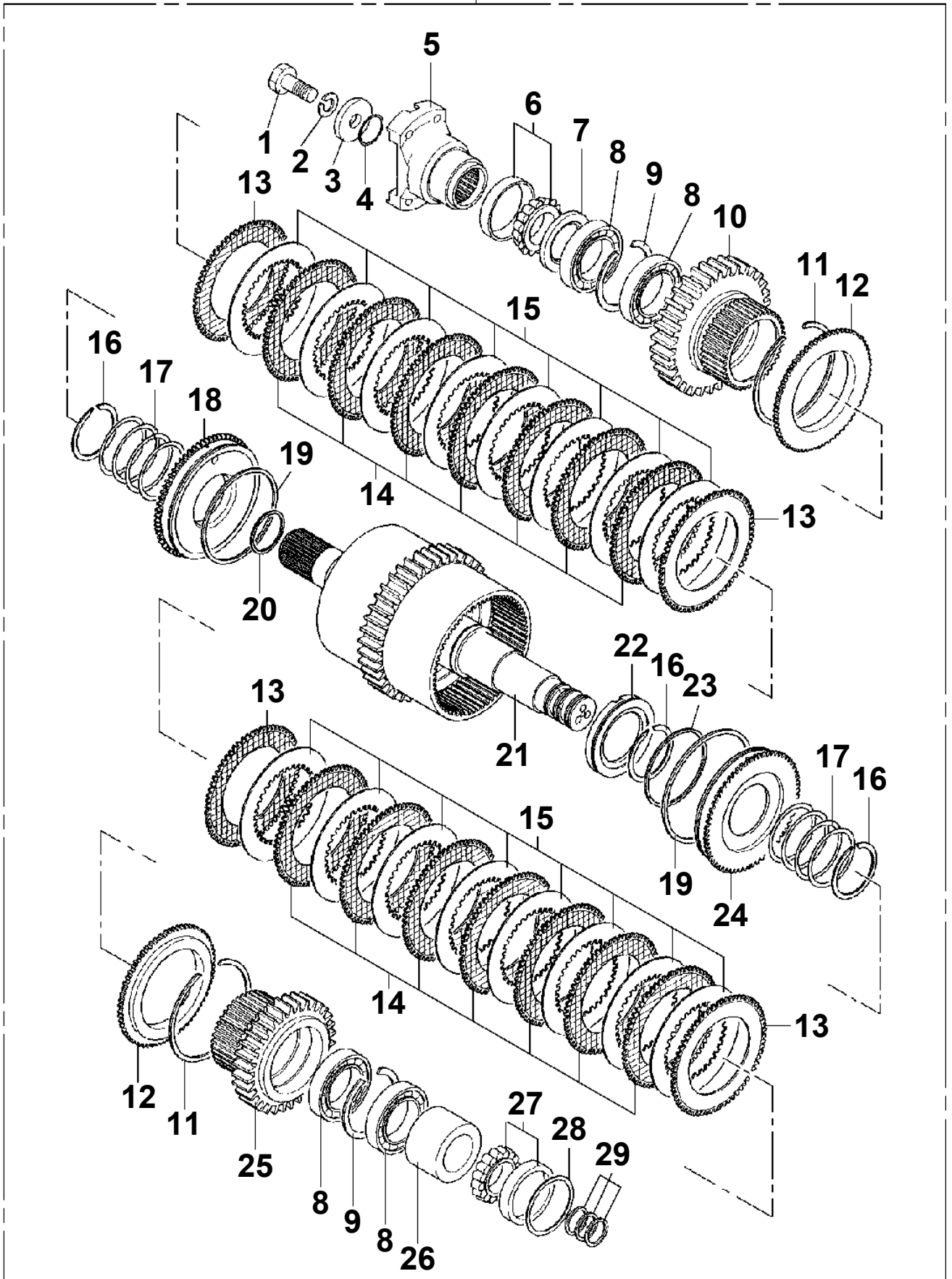
GR-450-1-00101 4 BOOM + 2 JIB, 2M2D  
PR1400031-00 TRANSMISSION

20



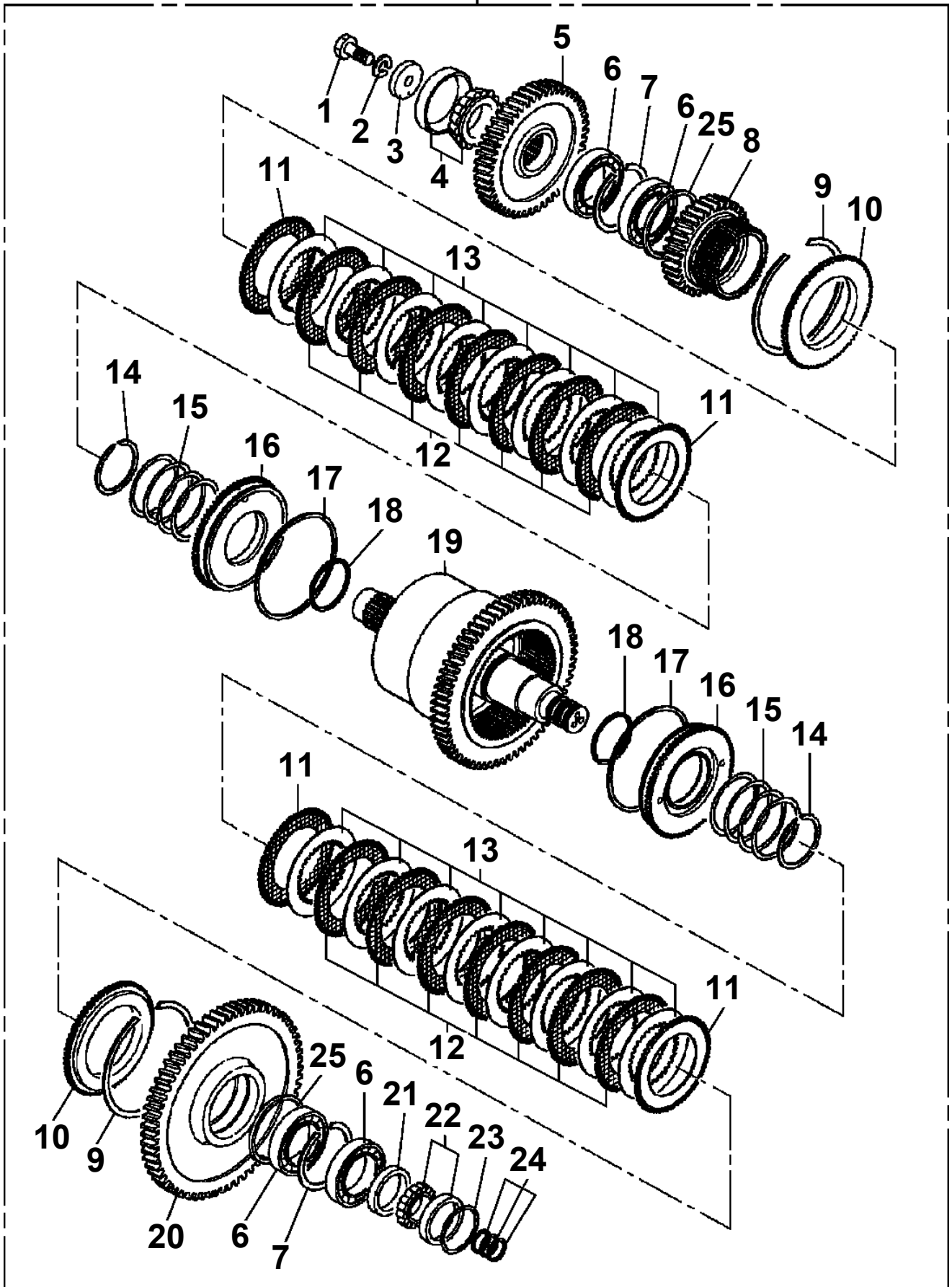
GR-450-1-00101 4 BOOM + 2 JIB, 2M2D  
PR1460010-00 CLUTCH PACK, TRANSMISSION (F2&R)

50



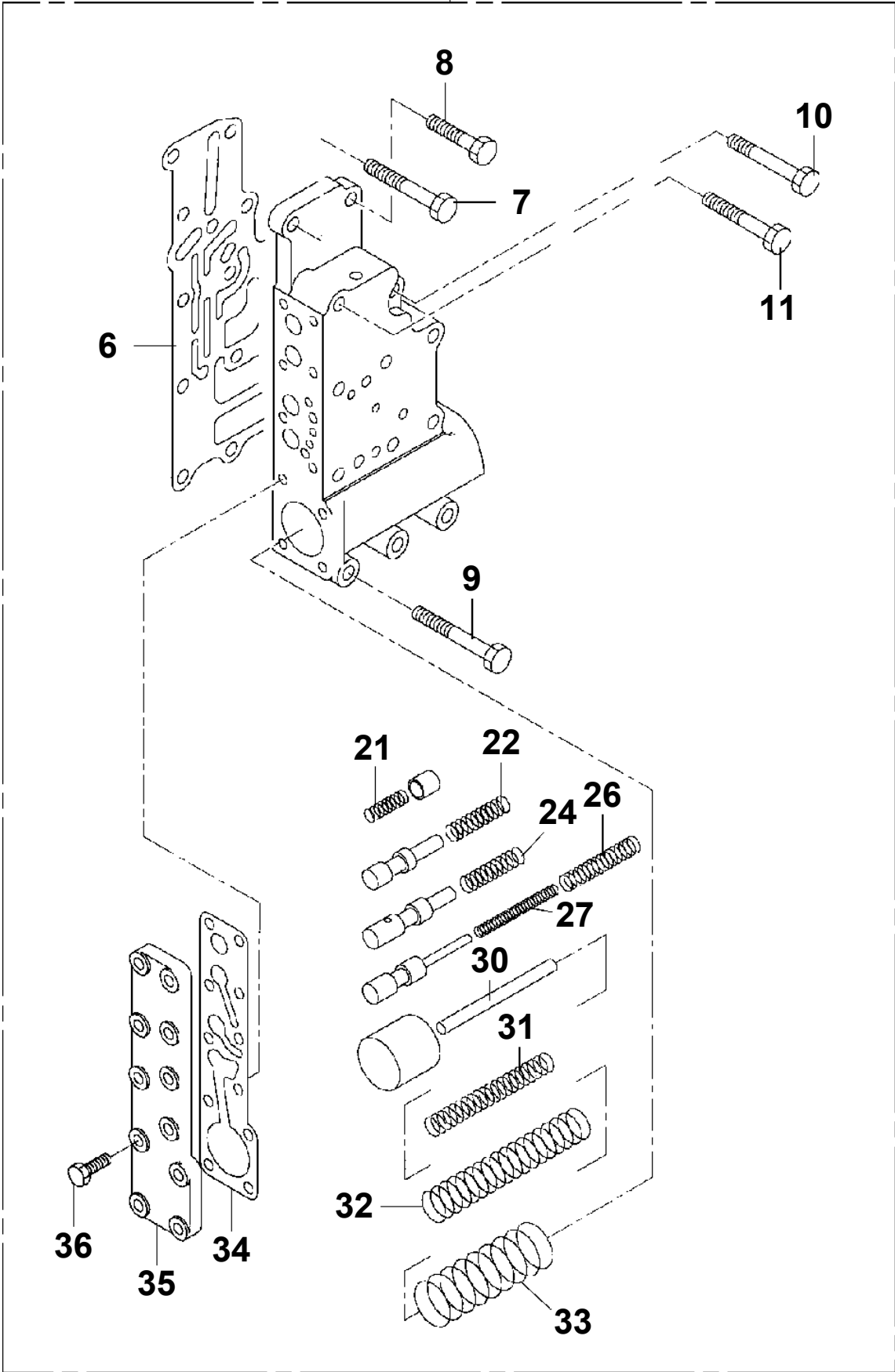
GR-450-1-00101 4 BOOM + 2 JIB, 2M2D  
PR1460019-00 CLUTCH PACK, TRANSMISSION (HI&LOW)

50



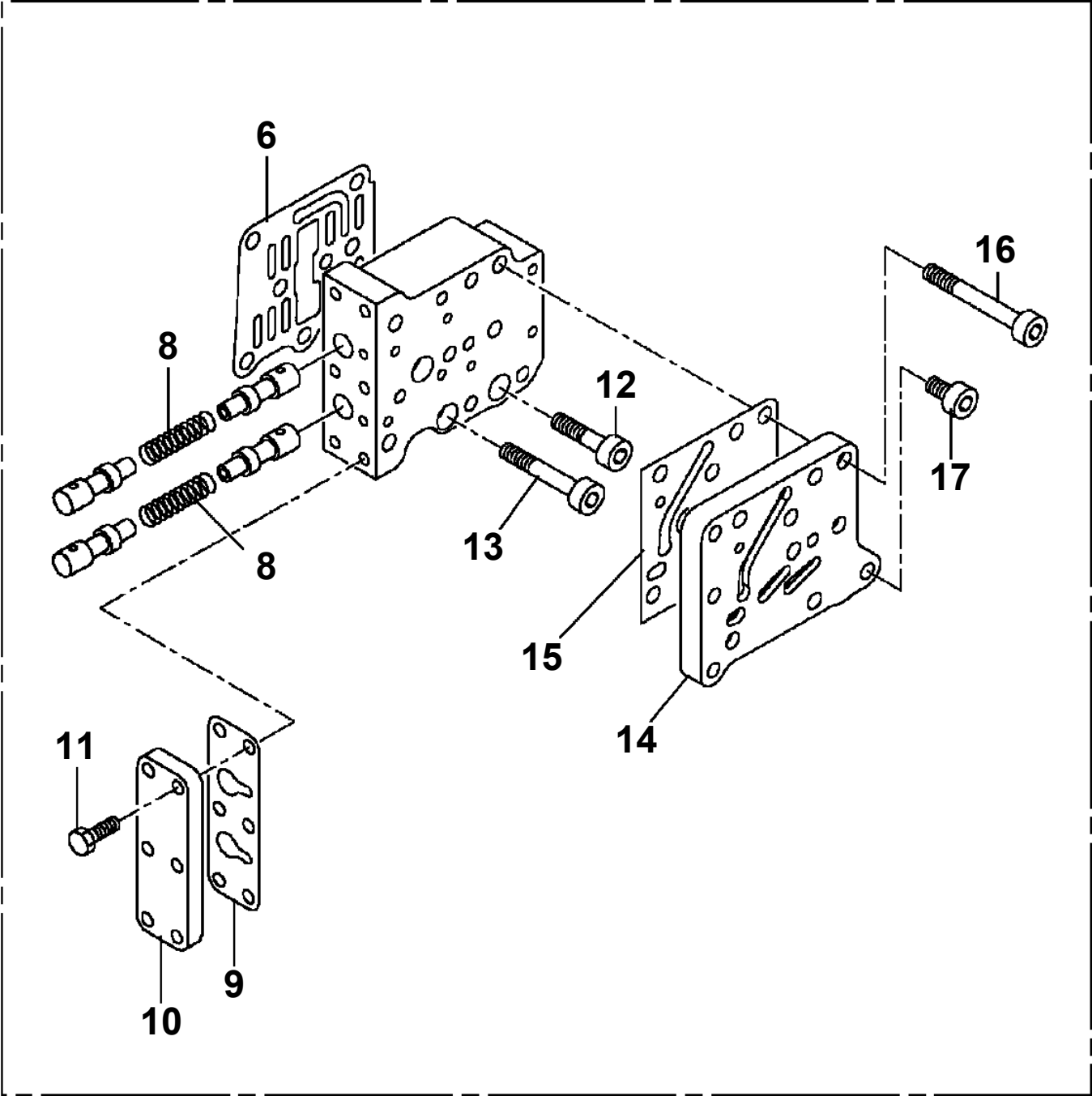
**GR-450-1-00101 4 BOOM + 2 JIB, 2M2D  
PR1530004-00 VALVE,REGULATOR (TRANSMISSION)**

**50**



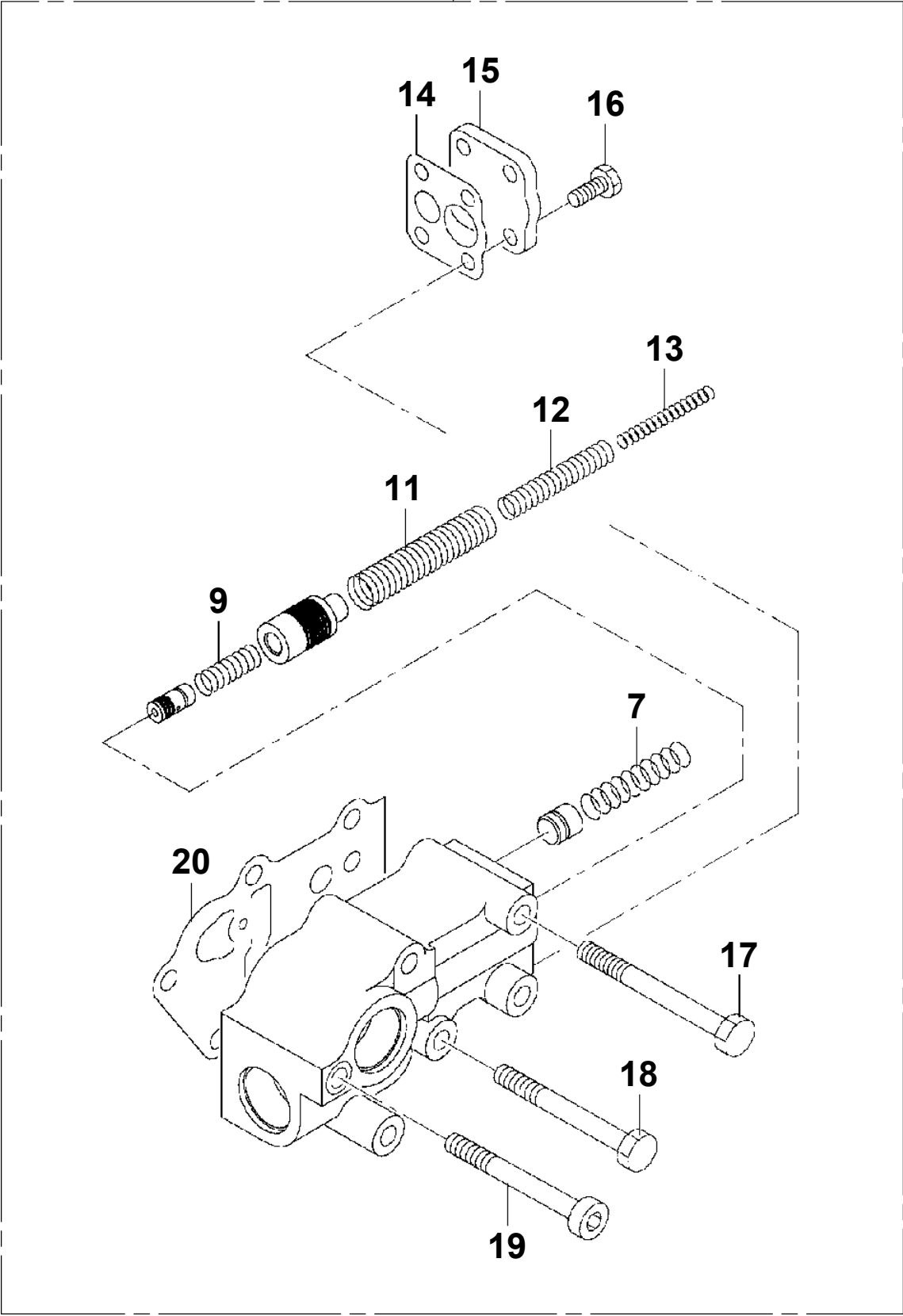
GR-450-1-00101 4 BOOM + 2 JIB, 2M2D  
PR1560022-00 VALVE,CONTROL (TRANSMISSION)

50



**GR-450-1-00101 4 BOOM + 2 JIB, 2M2D**  
**PR1610002-00 VALVE,RELIEF (TRANSMISSION)**

**50**

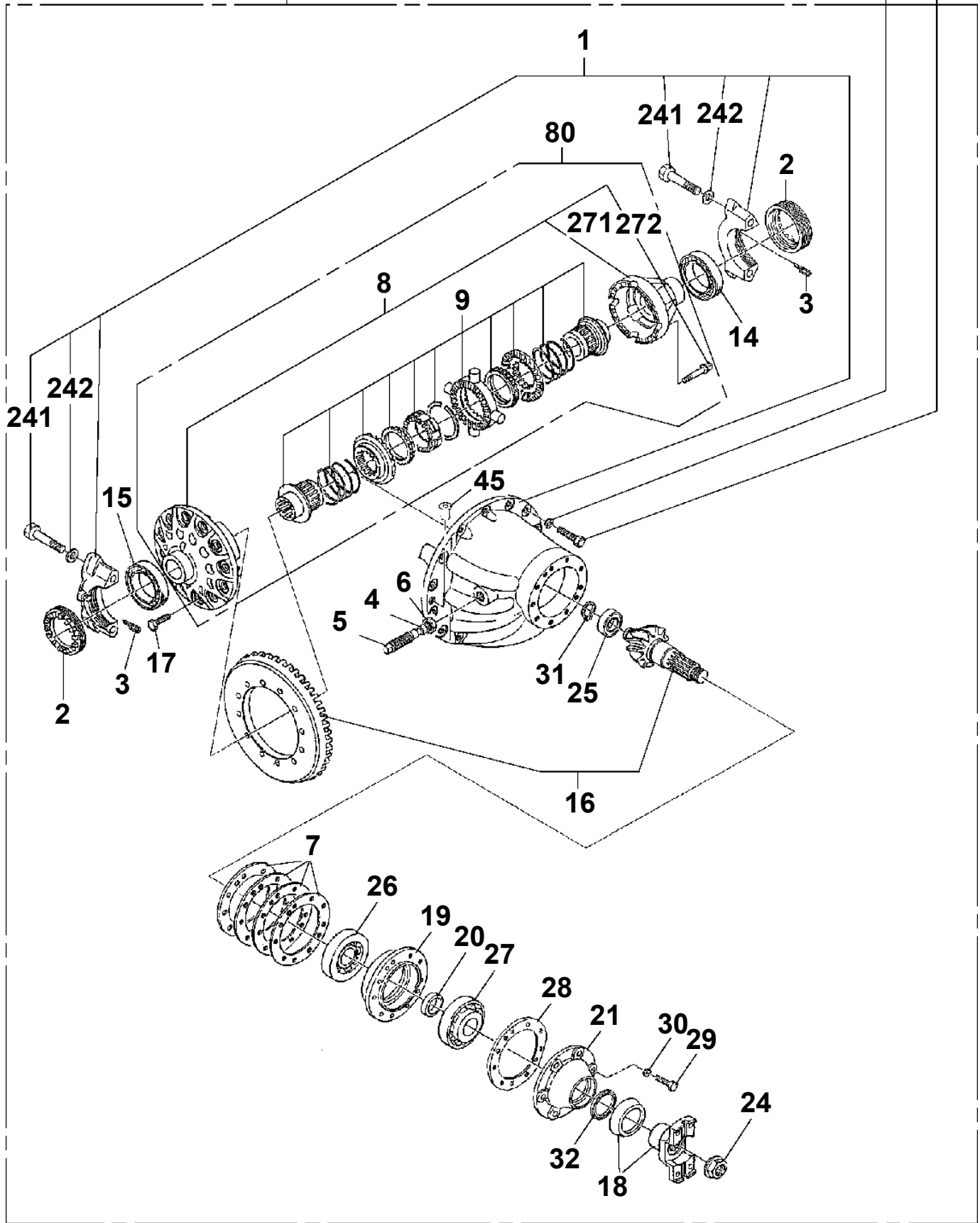


GR-450-1-00101 4 BOOM + 2 JIB, 2M2D  
PR1620090-00 AXLE,DRIVING (REAR,NO-SPIN)

400

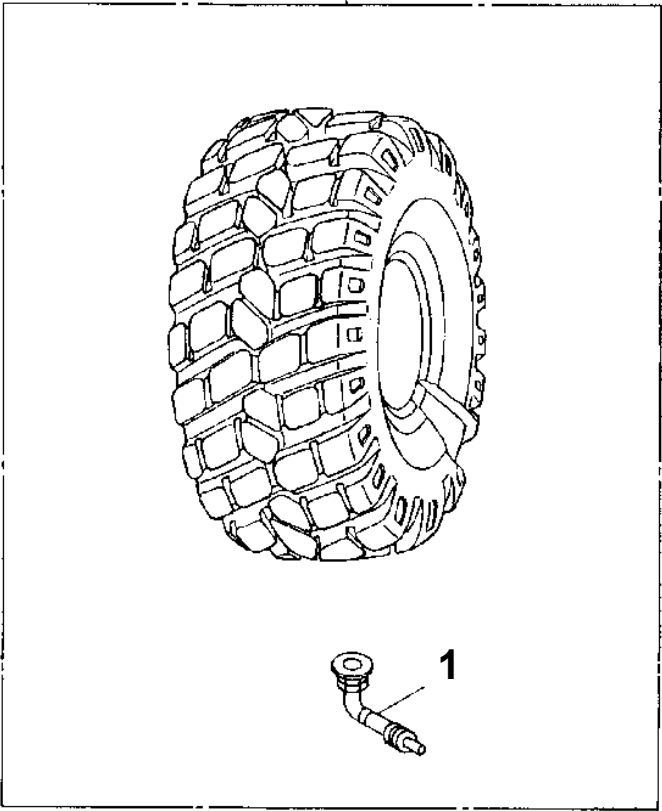
300

53 51 52



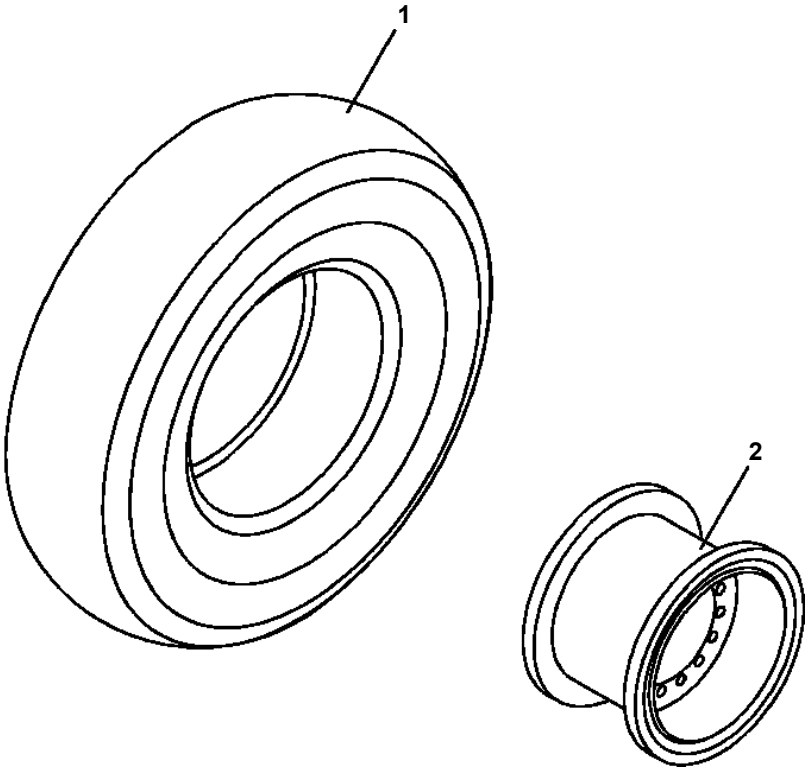
**GR-450-1-00101 4 BOOM + 2 JIB, 2M2D**  
**PR1800004-00 TIRE (WITH VALVE)**

**10**

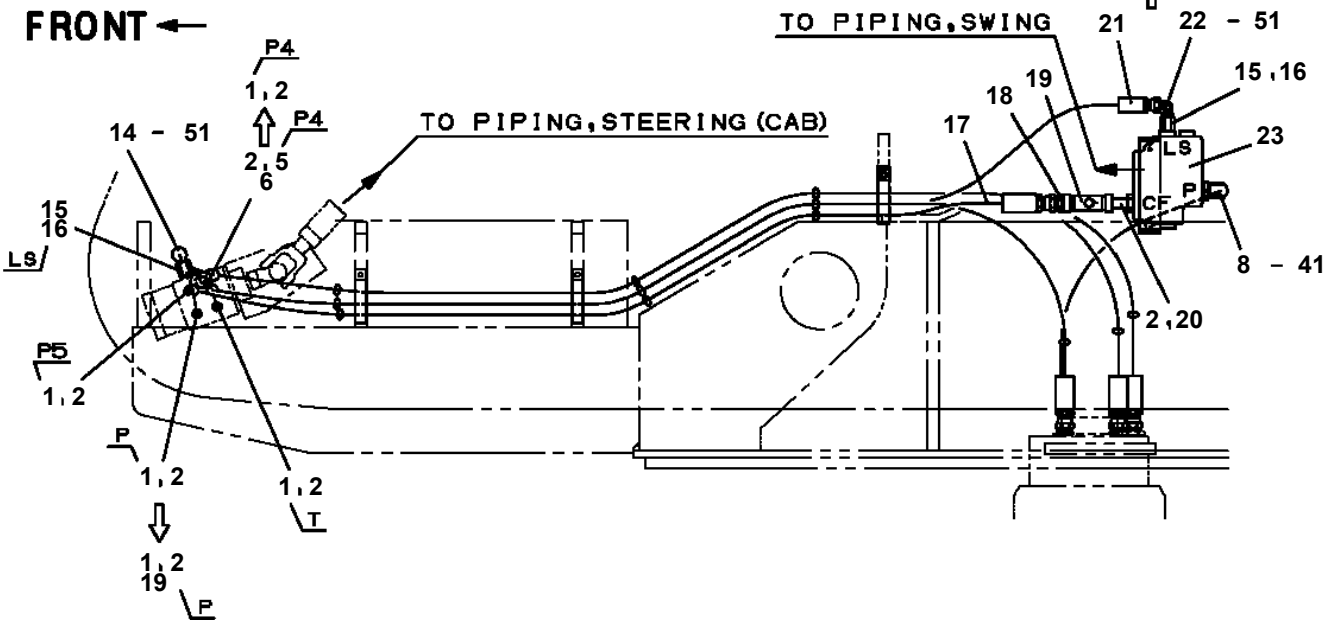
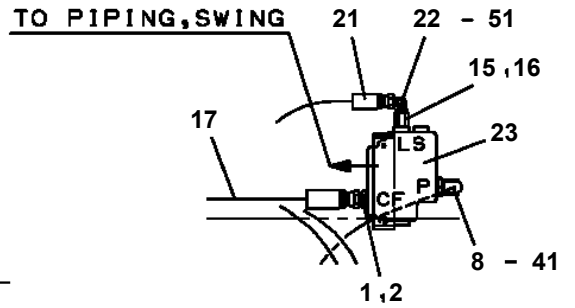
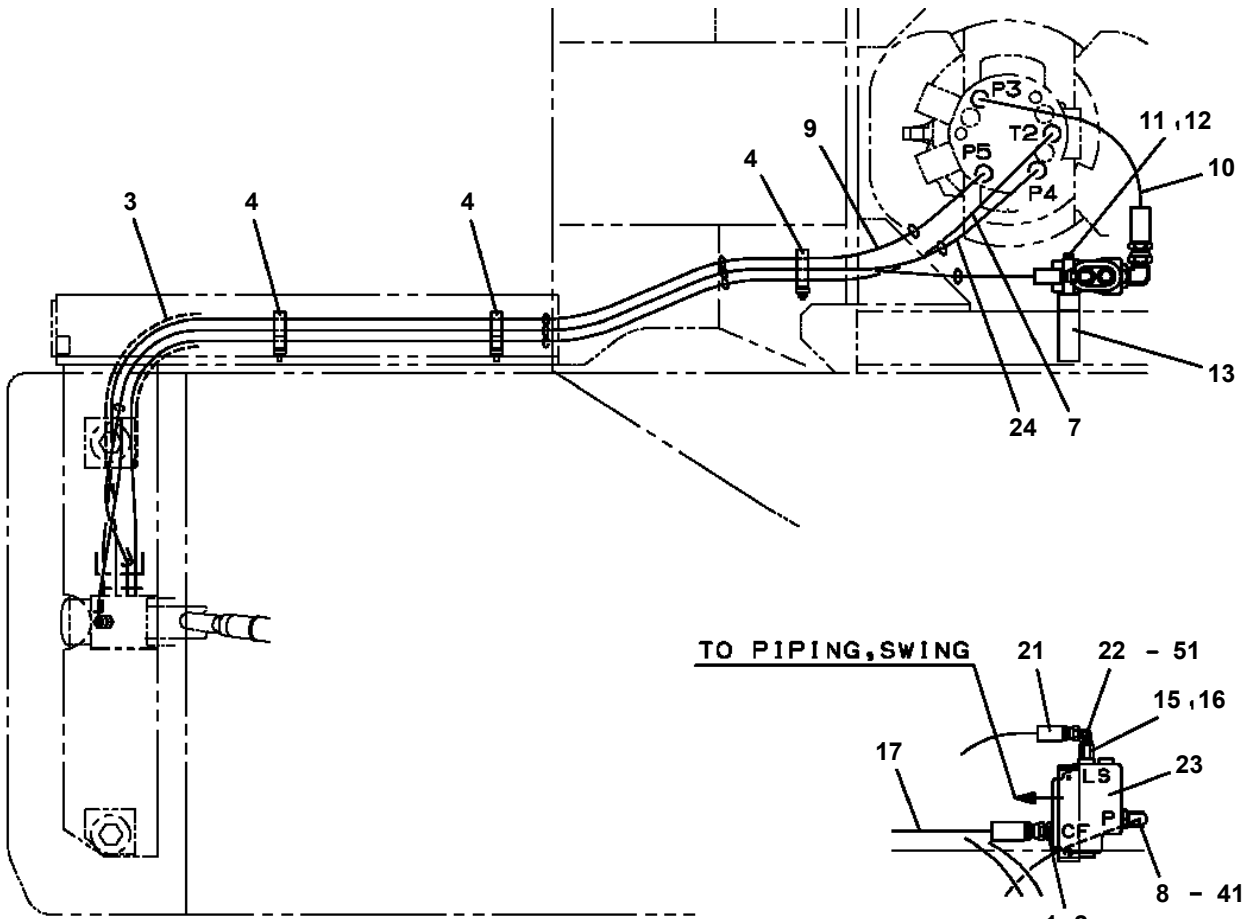


**1**

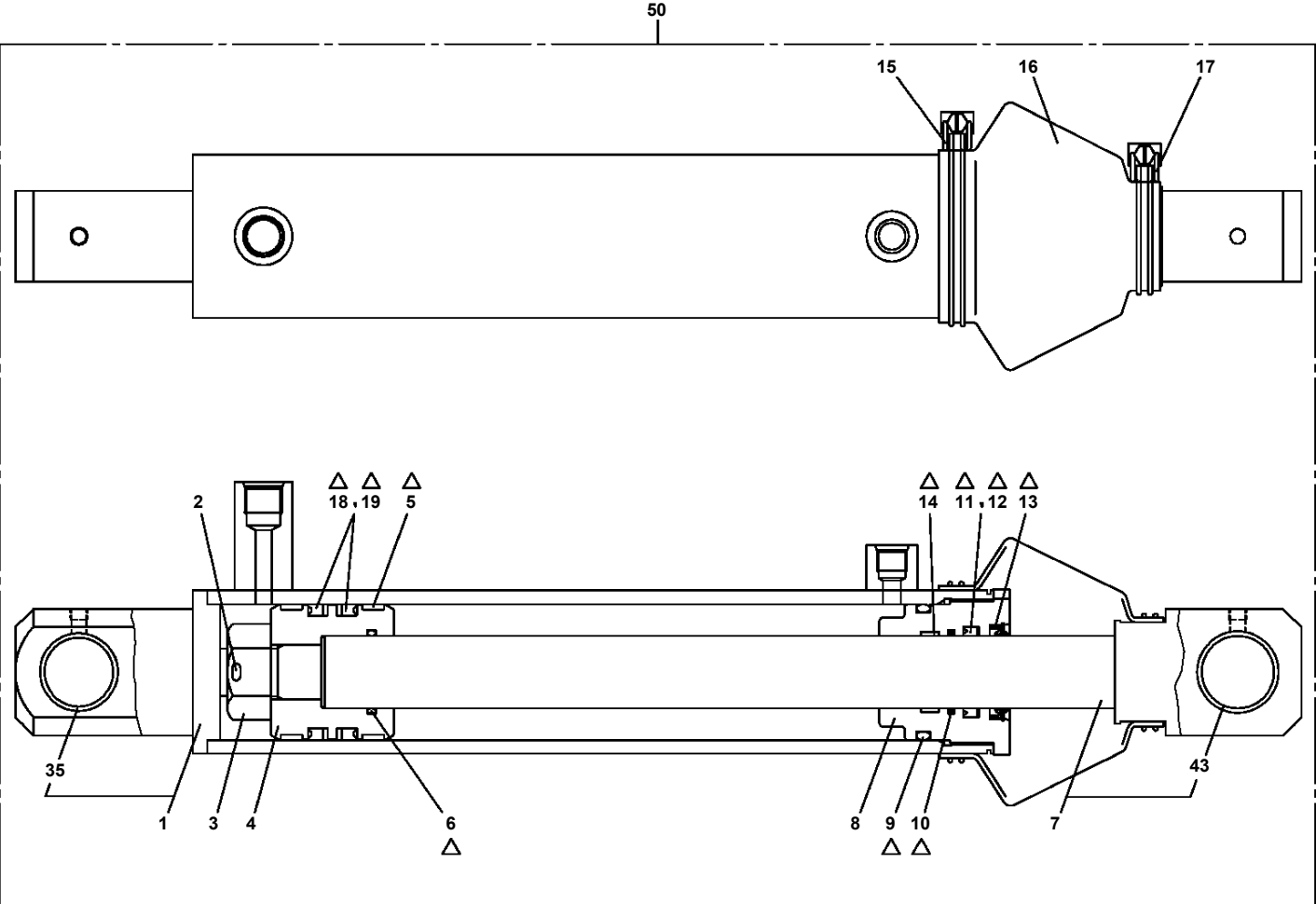
**GR-450-1-00101 4 BOOM + 2 JIB, 2M2D**  
**PR2150072-00 TIRE & WHEEL (B.S./VMT + WHEELS INDIA)**



**GR-450-1-00101 4 BOOM + 2 JIB, 2M2D  
PS1200137-04 PIPING,STEERING (UPPER)**

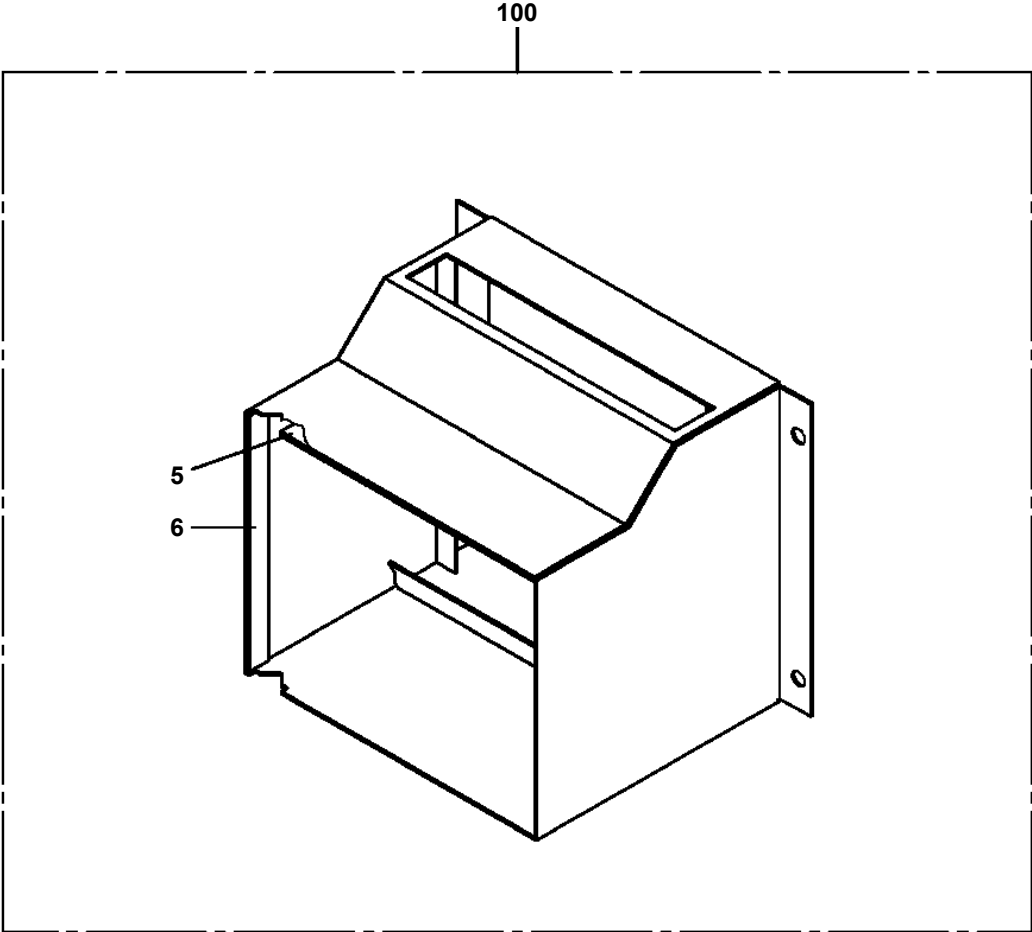


**GR-450-1-00101 4 BOOM + 2 JIB, 2M2D  
PS1360035-03 CYLINDER,STEERING**



△:PACKING SET KEY NO.60 (KEY NO.5,6,9,10,11,12,13,14,18,19)

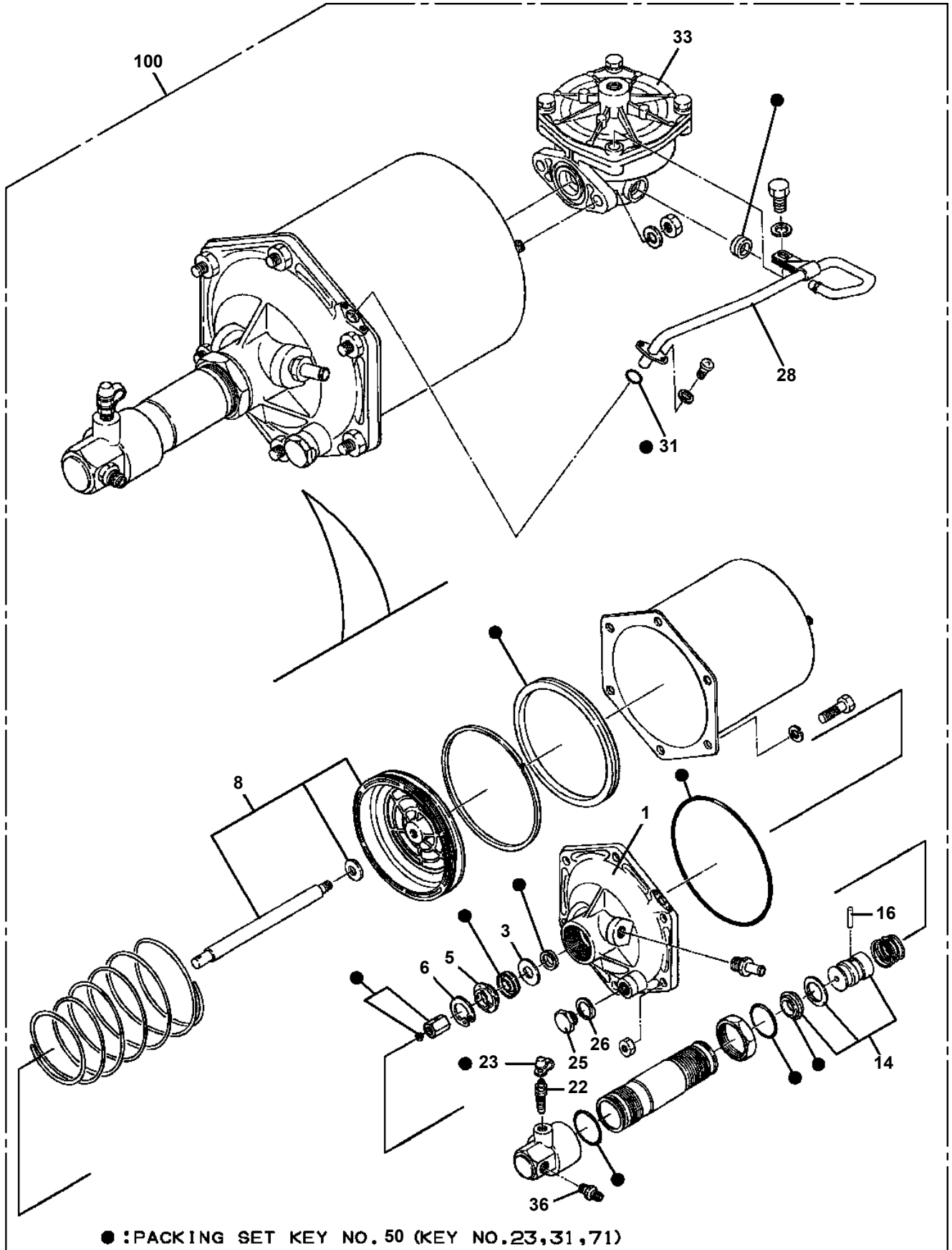
**GR-450-1-00101 4 BOOM + 2 JIB, 2M2D**  
**PS5550008-00 SUPPORT**



## GR-450-1-00101 4 BOOM + 2 JIB, 2M2D

Pos No.	Parts No	Parts Name	Qty	Unit	Technical Data	Serial No (Start)	Serial No
64	37000901091	NUT,FLARE	6		M12		
65	82100002010	CLAMP	2		WR15		
66	34921791000	SUPPORT	1				
67	90101212020	BOLT	8		M12X20		
69	34921798160	PIPE ASSY	1				
71	37000900731	FITTING	2		S,M12-M12		
72	37002512440	HOSE	1				
73	91801300190	CLIP	4		D=16-19		
74	37002512450	HOSE	1				
75	36061420000	BOOSTER (BRAKE)	2				
76	34921798070	PIPE ASSY	1				
77	34921798080	PIPE ASSY	1				
78	34921648090	PIPE ASSY	1				
79	34921648070	PIPE ASSY	1		12XT0.9 L=435		
80	59159035000	FITTING,ELBOW	1		L,R1/2-M20		
81	37002437530	HOSE,BRAKE	2		L=605		
82	34920611500	SUPPORT	1				
83	34920611600	SUPPORT	1				
84	34921798170	PIPE ASSY	1				
85	34921798090	PIPE ASSY	1				
86	37000921400	JOINT	1		90,G1/4-6.35		
87	37000909690	FITTING	1		S,R1/4-M20		
88	82100002002	CLAMP	4		WR6		
89	34921798180	PIPE ASSY	1				
90	34921791100	SUPPORT	1				
91	34921798190	PIPE ASSY	1				
92	34921798100	PIPE ASSY	1				
93	34921798110	PIPE ASSY	1				
94	37002438580	HOSE,AIR	2		L=750		
95	37000922540	JOINT (WITH O-RING)	2		45,G1/4-G3/8		
96	34921798210	PIPE ASSY	1				
97	34921798220	PIPE ASSY	1				
98	34921798120	PIPE ASSY	1				
99	34921798200	PIPE ASSY	1				
100	37000903370	JOINT	1		L,G1/4-R1/8		
101	37002437440	HOSE,AIR	1		L=680		
102	82100002014	CLAMP	1		WR20		
103	90186206014	BOLT,FLANGE	1		M6X14		
104	34921417000	SUPPORT	1				
105	34920611700	SPACER	6		L=23		
106	34920611800	CLAMP	6		6		
107	90171108040	BOLT	6		M8X40		
108	90302040801	WASHER,SPRING	6		8		
109	90303070801	WASHER,PLAIN	12		8		
110	56436117000	JOINT	1		L,R1/4-R1/4		
111	82100002006	CLAMP	1		WR10		
112	37000701500	CLAMP ASSY	1		12X1		
131	36700015010	DIAPHRAGM (NO.16A)	1				
141	91002801100	O-RING	2		1B P11		

GR-450-1-00101 4 BOOM + 2 JIB, 2M2D  
 PT1420011-07 BOOSTER (BRAKE)

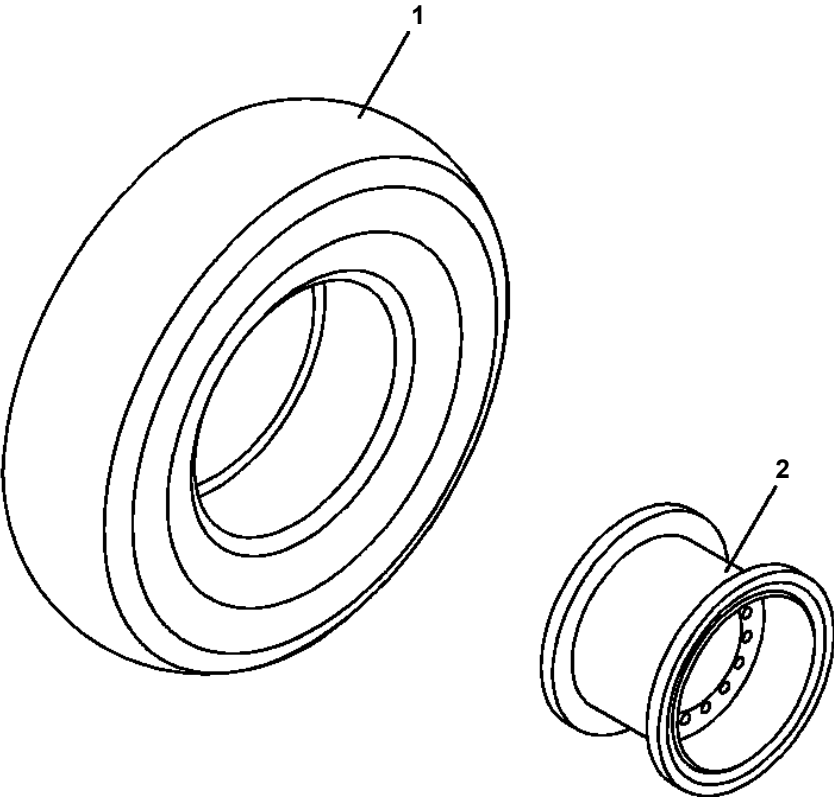


展開図有  
 ILLUSTRATED BREAKDOWN NO. 33

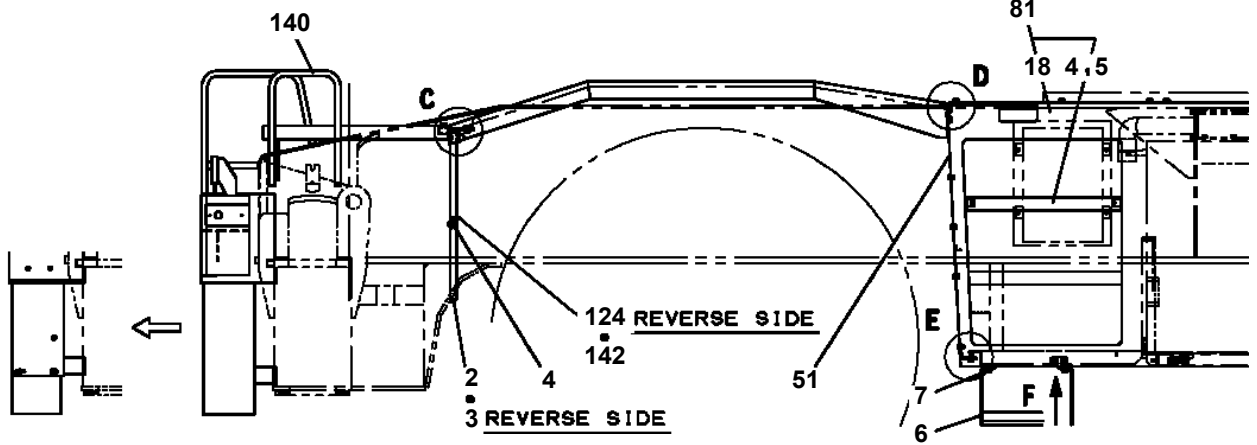
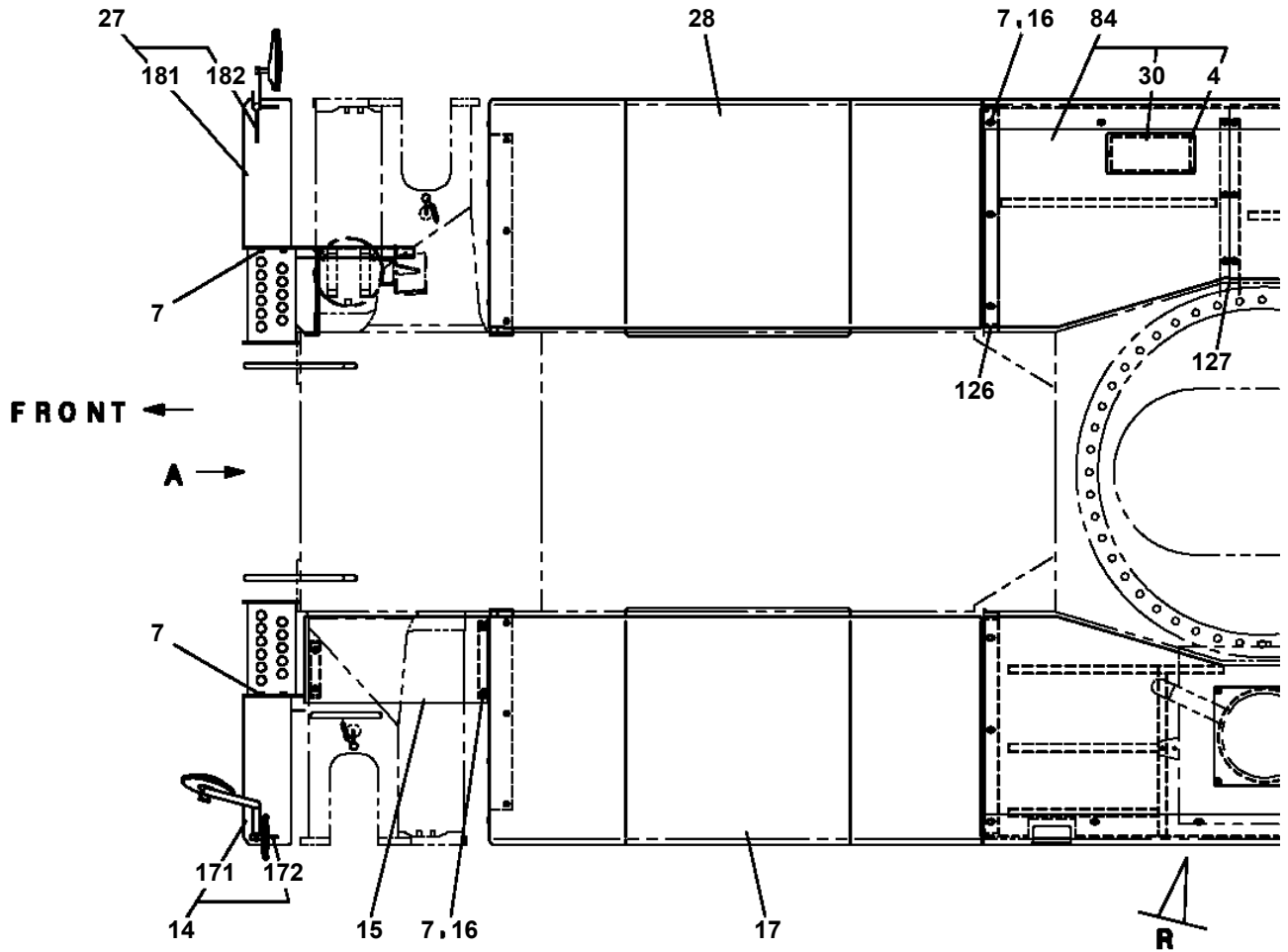
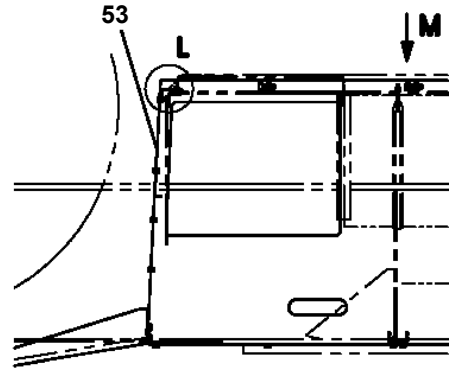
## GR-450-1-00101 4 BOOM + 2 JIB, 2M2D

Pos No.	Parts No	Parts Name	Qty	Unit	Technical Data	Serial No (Start)	Serial No (End)	Remarks
1	36062891000	CYLINDER	1				540511	
2	80136363071	PIN,SPLIT	1		6.3X71		540511	
3	36062172000	PISTON	1				540511	
	36062172001	PISTON	1			540512		
4	91302211500	BEARING,PLAIN	2					
5	91684011500	PACKING	2					
6	91431210001	RING,BACKUP	2					
7	91002806000	O-RING	1		1B P60			
8	91411006000	RING,BACKUP	1		P60			
9	91002810500	O-RING	1		1B P105			
10	91411010500	RING,BACKUP	1					
11	91251100600	RING,DAMPER	1					
12	91694006000	PACKING	1					
13	91410206002	RING,BACKUP	1					
14	36060383000	PLATE	1				540511	
15	36062173000	COVER,ROD	1					
16	91660006000	SEAL,DUST	1					
17	80622000600	RING,RITAINING	1		SP60			
18	36062174000	ROD	1				540511	
	36062174001	ROD	1			540512		
19	91301106000	BEARING,PLAIN	1					
20	90730008140	SCREW,SET	1		M8X14	540512		
41	36062179900	PACKING SET	1					
56	36020672040	RETAINER	2				540511	
57	80591180451	BEARING,SPHERICAL	1					
61	36062891001	CYLINDER	1			540512		
100	36062890000	CYLINDER,SPRING LOCK	1					

**GR-450-1-00101 4 BOOM + 2 JIB, 2M2D**  
**PW5030011-00 WHEEL ASSY (B.S./VL2 + STEEL WHEELS)**

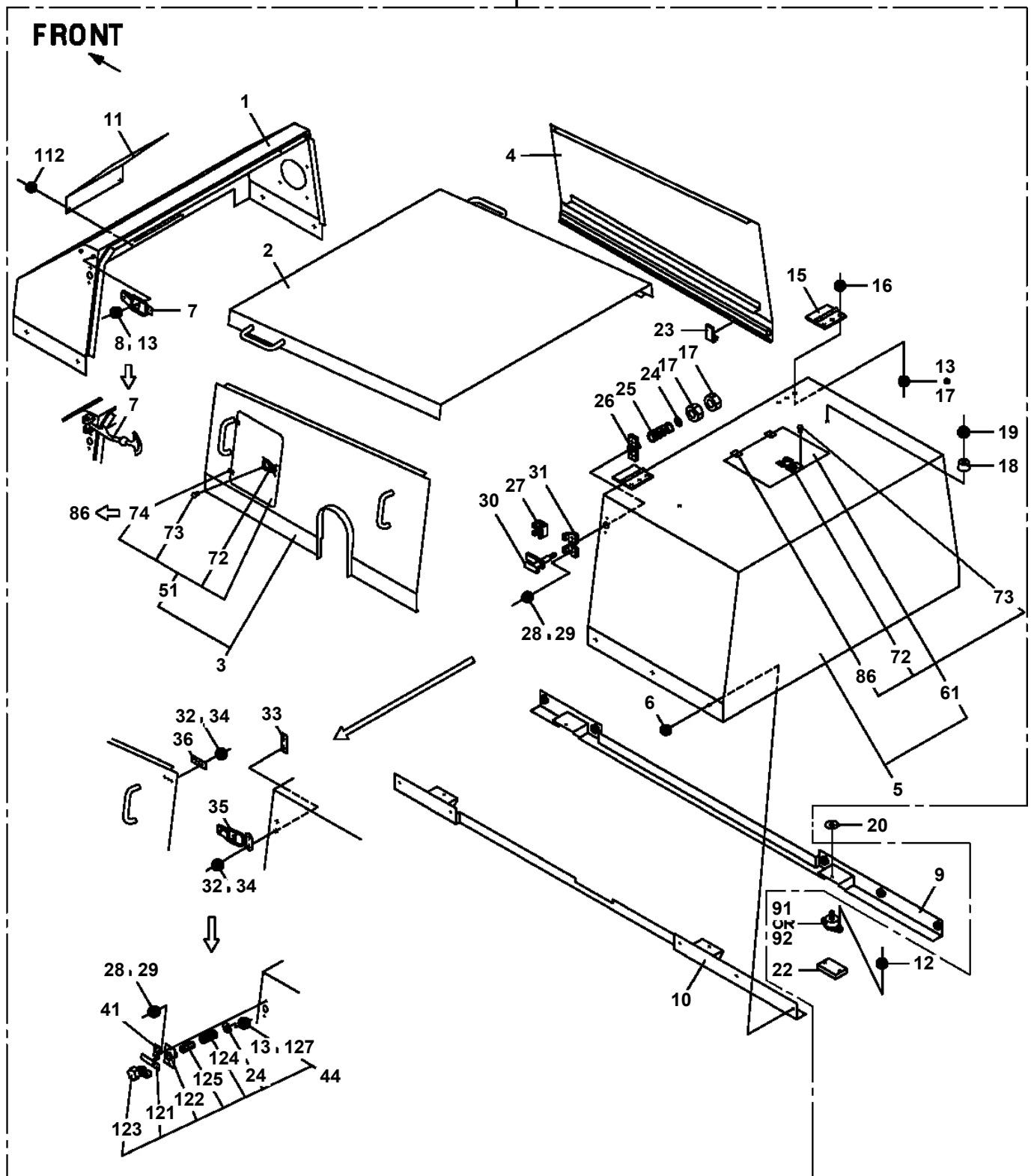


GR-450-1-00101 4 BOOM + 2 JIB, 2M2D  
PX1030411-03 FENDER



GR-450-1-00101 4 BOOM + 2 JIB, 2M2D  
PX1050101-03 ROOM,ENGINE

100



# GR-450-1-00101 4 BOOM + 2 JIB, 2M2D

Pos No.	Parts No	Parts Name	Qty	Unit	Technical Data	Serial No (Start)	Serial No (End)	Remarks
1	82400000464	MIRROR	1					
2	34479101000	SUPPORT	1					
3	90131508035	BOLT,HEXAGON SOCKET	2		M8X35			

# GR-450-1-00101 4 BOOM + 2 JIB, 2M2D

Pos No.	Parts No	Parts Name	Qty	Unit	Technical Data	Serial No (Start)	Serial No (End)	Remarks	Pages
1	36119675060	BATTERY	2						
100	36119671400	BOARD	1						

## GR-450-1-00101 4 BOOM + 2 JIB, 2M2D

Pos No.	Parts No	Parts Name	Qty	Unit	Technical Data	Serial No (Start)	Serial No (End)	Remarks	Pages
1	34472861000	FAN	1						
2	34471260100	HARNESS	1						
3	91810130230	FASTENER	1						
4	82183901010	CONDENSER	1						
11	34472867510	SWITCH	1						

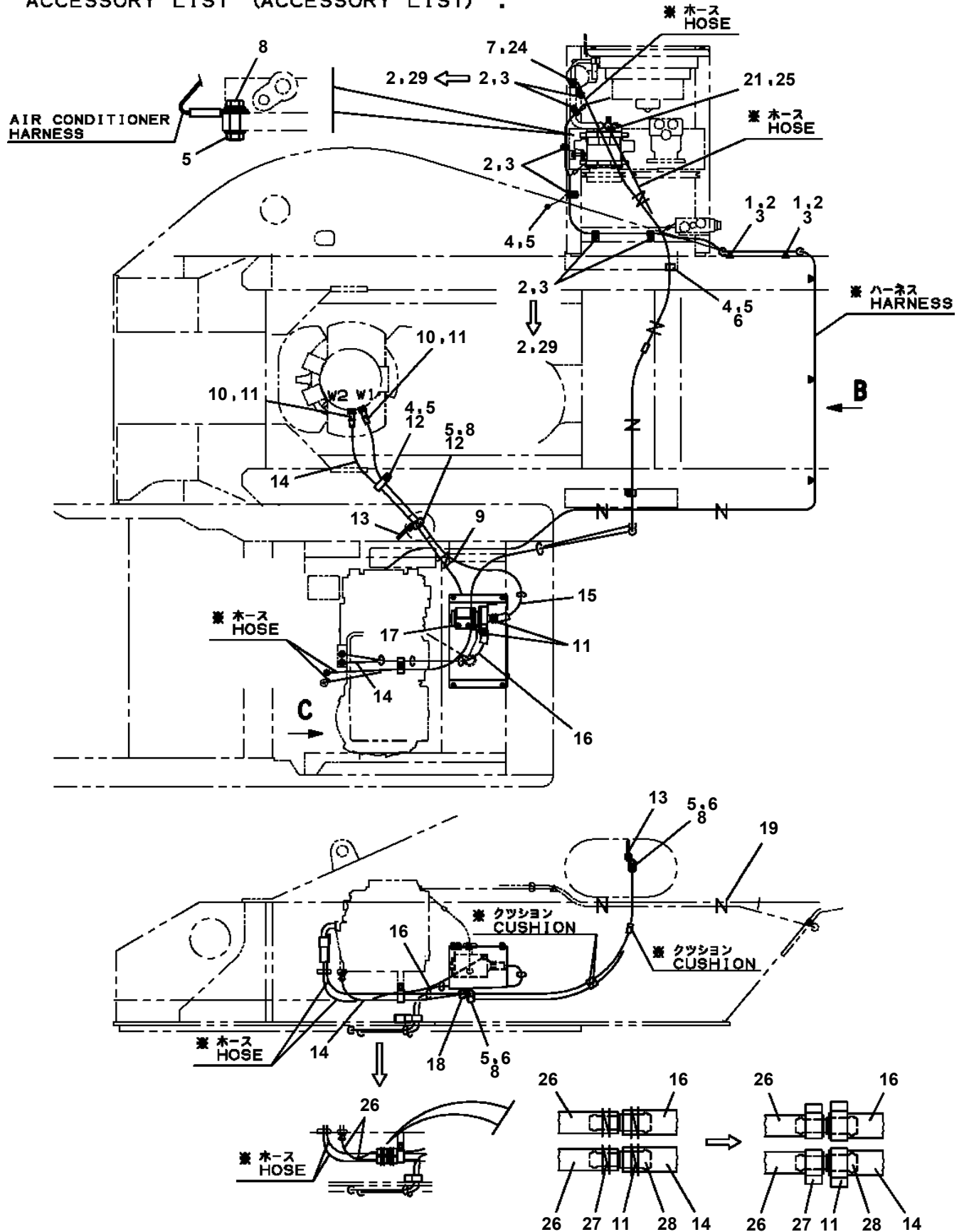
# GR-450-1-00101 4 BOOM + 2 JIB, 2M2D

Pos No.	Parts No	Parts Name	Qty	Unit	Technical Data	Serial No (Start)	Serial No (End)	Remarks	Pages
1	36320565010	CONDENSER	1						
2	36320565020	SUPPORT	1						
3	36320565030	SUPPORT	1						
4	36320565040	SUPPORT	1						
5	36320565050	INSULATOR	1						
6	36320455530	SUPPORT	2						
7	36320455510	FAN	1						
8	36320455560	COVER	1						
9	36320455500	MOTOR	1						
10	36320565060	PIPE	1						
11	36320565070	RECEIVER (DRIER)	1						
12	36320455590	CLAMP	1						
21	36320565080	BOLT	1						
22	99165006020	BOLT	4						
23	90101206020	BOLT	4		M6X20				
24	90280200600	NUT,FLANGE	4		M6				
25	36320565090	BOLT	4						
26	36320565100	WASHER	2						
27	90101206065	BOLT	6		M6X65				
28	90303130601	WASHER,PLAIN	6		6				
29	90302040601	WASHER,SPRING	8		6				
30	90202200600	NUT	8		M6				
31	36320455940	BOLT	1						

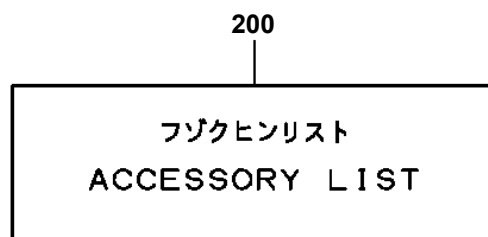
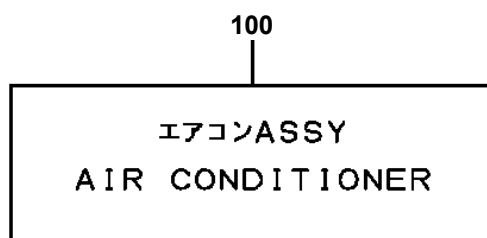
# GR-450-1-00101 4 BOOM + 2 JIB, 2M2D PY2230029-03 AIR CONDITIONER SYSTEM

※は「検索」機能の「部品名称」より「エアコンASSY (フソクヒンリスト)」  
で検索 (半角カナ) してください。

FOR THE PART ※, GO TO "PART NAME" IN "SEARCH" MENU AND SEARCH IN  
"ACCESSORY LIST (ACCESSORY LIST)".



GR-450-1-00101 4 BOOM + 2 JIB, 2M2D  
PY5140009-02 AIR CONDITIONER ASSY



CLICK HERE TO **DOWNLOAD** THE COMPLETE MANUAL

- Thank you very much for reading the preview of the manual.
- You can download the complete manual from: [www.heydownloads.com](http://www.heydownloads.com) by clicking the link below



- Please note: If there is no response to CLICKING the link, please download this PDF first and then click on it.

CLICK HERE TO **DOWNLOAD** THE COMPLETE MANUAL