

GR-350-2-00103 4 BOOM + 2 JIB, 2M2D

PB5000010-00 HYDRAULIC PRESSURE SYSTEM
PB6000010-00 PIPING SYSTEM (LOWER)
PB6000020-00 PIPING SYSTEM (UPPER)
PC1000633-00 OUTRIGGER SYSTEM
PD1000624-00 SWING SYSTEM
PF1000715-00 WINCH SYSTEM
PG5000009-00 BOOM SYSTEM
PG6000008-01 JIB SYSTEM
PH5000009-00 SAFETY SYSTEM
PK1000731-00 FRAME
PK5000009-00 CAB SYSTEM
PL5000009-00 CONTROL SYSTEM
PM1000032-01 LUBRICATION DEVICES
PN1000618-01 ELECTRIC EQUIPMENT
PN1000624-00 ELECTRIC EQUIPMENT (CAB)
PO1000150-00 INDICATION PLATES
PR5000013-00 DRIVING POWER SYSTEM
PS5000009-00 STEERING & SUSPENSION
PW1000097-02 ACCESSORIES & TOOLS
PX1001204-01 MOUNTING PARTS
PY1001520-03 OPTIONS
ASSEMBLY

CLICK HERE TO **DOWNLOAD** THE COMPLETE MANUAL

- Thank you very much for reading the preview of the manual.
- You can download the complete manual from: www.heydownloads.com by clicking the link below



- Please note: If there is no response to CLICKING the link, please download this PDF first and then click on it.

CLICK HERE TO **DOWNLOAD** THE COMPLETE MANUAL

GR-350-2-00103 4 BOOM + 2 JIB, 2M2D

Pos No.	Parts No	Parts Name	Qty	Unit	Technical Data	Serial No (Start)	Serial No (End)
1	(*****)	SWING UNIT	1				
2	(*****)	LOCK,SWING FRAME	1				
3	(*****)	ATTACHMENT PARTS,SWING BEARING	1				

GR-350-2-00103 4 BOOM + 2 JIB, 2M2D

Pos No.	Parts No	Parts Name	Qty	Unit	Technical Data	Serial No (Start)
1	34621038010	FRAME ASSY	1			
	34621038011	FRAME ASSY	1			561748
2	(*****)	SWING FRAME ASSY	1			
3	(*****)	OUTER COVERING ASSY (SWING FRAME)	1			
4	(*****)	WEIGHT	1			
5	(*****)	MOUNT ASSY (SWING FRAME PRE-WELDED PARTS)	1			

GR-350-2-00103 4 BOOM + 2 JIB, 2M2D

Pos No.	Parts No	Parts Name	Qty	Unit	Technical Data	Serial No (Sta
1	(*****)	ELEC.ASSY (CAB,STD)	1			
2	(*****)	ELEC.ASSY (CAB HARNESS:PTO/FOR NORTH AMERICA)	1			
3	(*****)	SWITCH ASSY (CAB/FRONT SWITCH)	1			
4	(*****)	SWITCH PANEL (2)	1			
5	(*****)	SWITCH ASSY (CAB/UPPER RIGHT SWITCH)	1			
6	(*****)	SWITCH ASSY (CAB/P.T.O. SWITCH)	1			
7	34354101550	RELAY ASSY (CAB)	1			
9	(*****)	ELEC.ASSY (SCT)	1			
10	(*****)	ELEC.ASSY (CAB/PLUG FOR EMERGENCY STOP SW)	1			
11	(*****)	ELEC.ASSY (GSMT)	1			
	(*****)	ELEC.ASSY (GSMT)	1			561571

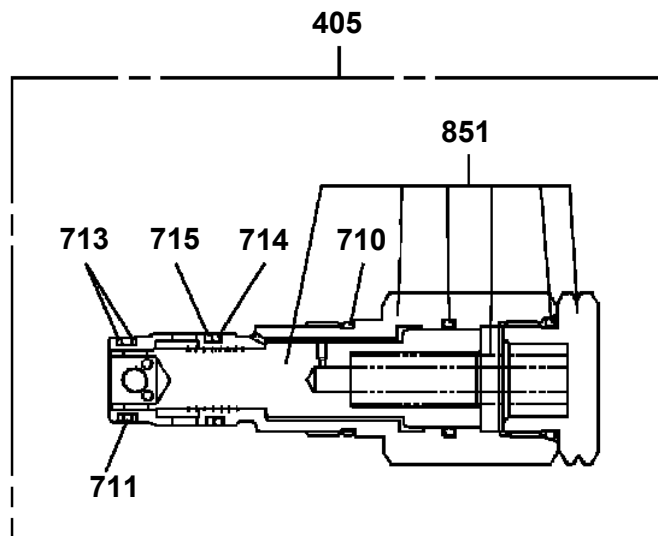
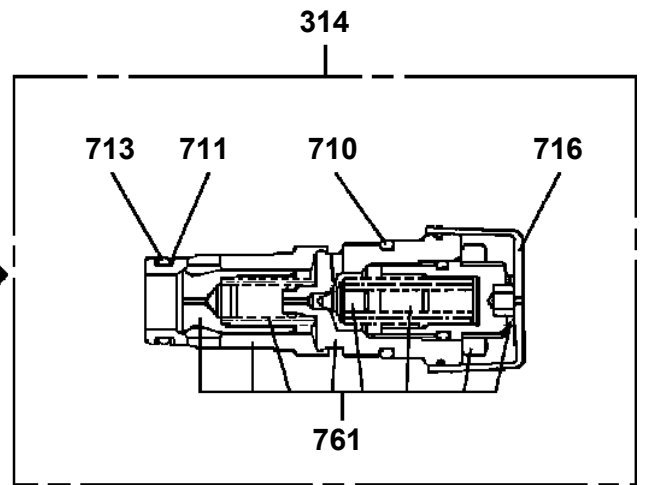
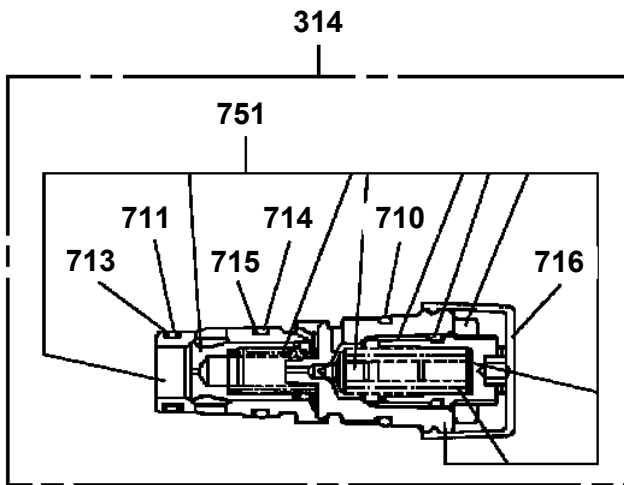
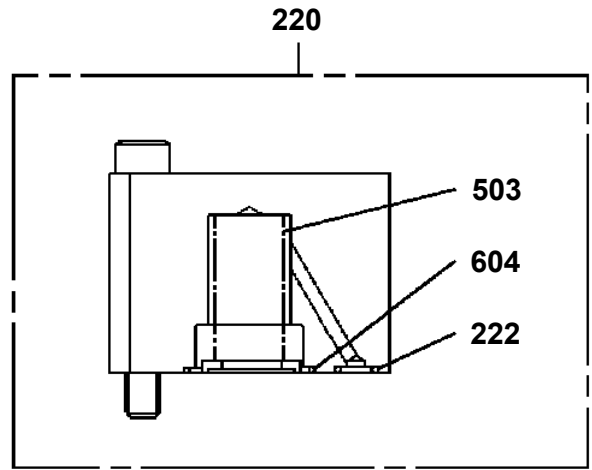
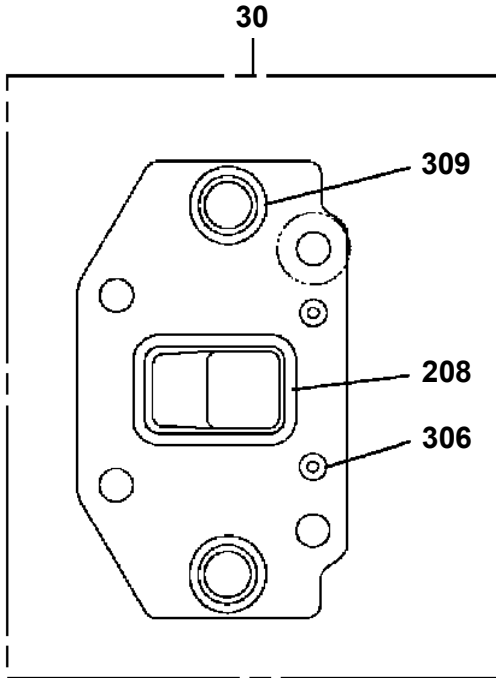
GR-350-2-00103 4 BOOM + 2 JIB, 2M2D

Pos No.	Parts No	Parts Name	Qty	Unit	Technical Data	Serial No (Start)	Serial No (End)
1	(*****)	COVER ASSY,ENGINE	1				
2	(*****)	COVER ASSY,ENGINE (RADIATOR)	1				
3	(*****)	OUTER COVERING ASSY (FENDER/NONSLIP PAINT)	1				56
	(*****)	OUTER COVERING ASSY (FENDERINT)	1				56
	(*****)	OUTER COVERING ASSY (FENDER/NON-SLIP PAINT)	1			561748	
	(*****)	OUTER COVERING ASSY (FENDER)	1			561748	
4	(*****)	TANK SUPPORT	1				
5	(*****)	MOUNT ASSY,BATTERY	1				
6	(*****)	MOUNT ASSY (WIRE)	1				
7	(*****)	MIRROR ASSY	1				

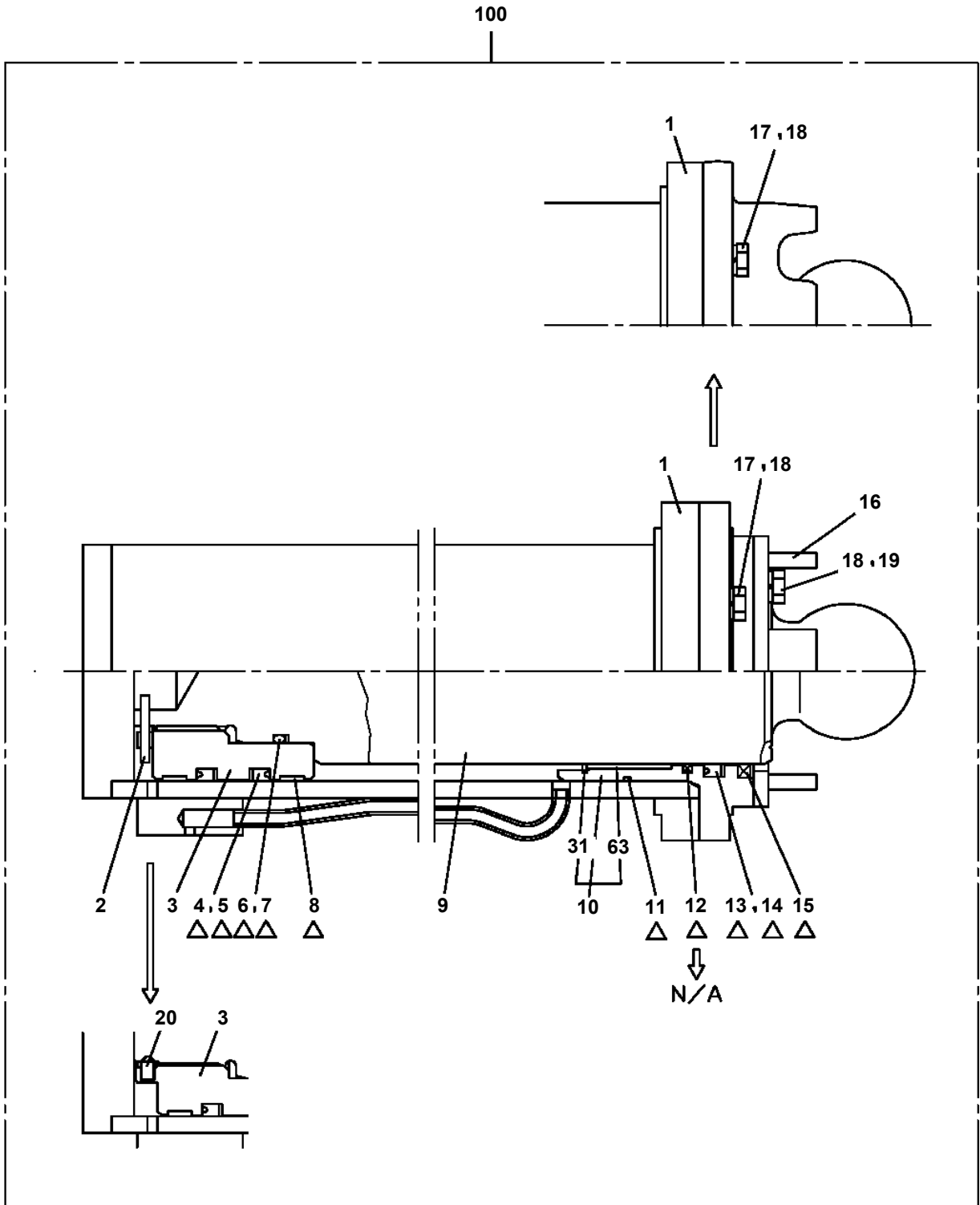
GR-350-2-00103 4 BOOM + 2 JIB, 2M2D

Pos No.	Parts No	Parts Name	Qty	Unit	Technical Data	Serial No (Start)	Serial No (End)	Remarks
1	36653305010	PUMP,GEAR	1					
2	36653305020	COUPLING	1					
3	36653305030	PUMP,GEAR	1					
20	90131512030	BOLT,HEXAGON SOCKET	32		M12X30			
22	91002909500	O-RING	4		1B G95			
26	80740060016	PIN	6		H7 6X16			
27	36650885030	SEAL,OIL	1					
28	36653305040	SEAL,OIL	1					
29	36653305050	RING,RETAINING	1		48			
31	36650205010	JOINT	1					
32	91002905500	O-RING	1		1B G55			
33	36653305060	PIN	1		H7 6X38			
34	90131510030	BOLT,HEXAGON SOCKET	4		M10X30			
50	36653300000	PUMP,HYDRAULIC	1					

GR-350-2-00103 4 BOOM + 2 JIB, 2M2D
PB1350031-00 VALVE,PILOT OPERATED CONTROL



**GR-350-2-00103 4 BOOM + 2 JIB, 2M2D
PC1030208-05 CYLINDER,JACK**



Δ:PACKING SET KEY NO. 51 (KEY NO.4,5,6,7,8,11,12,13,14,15)

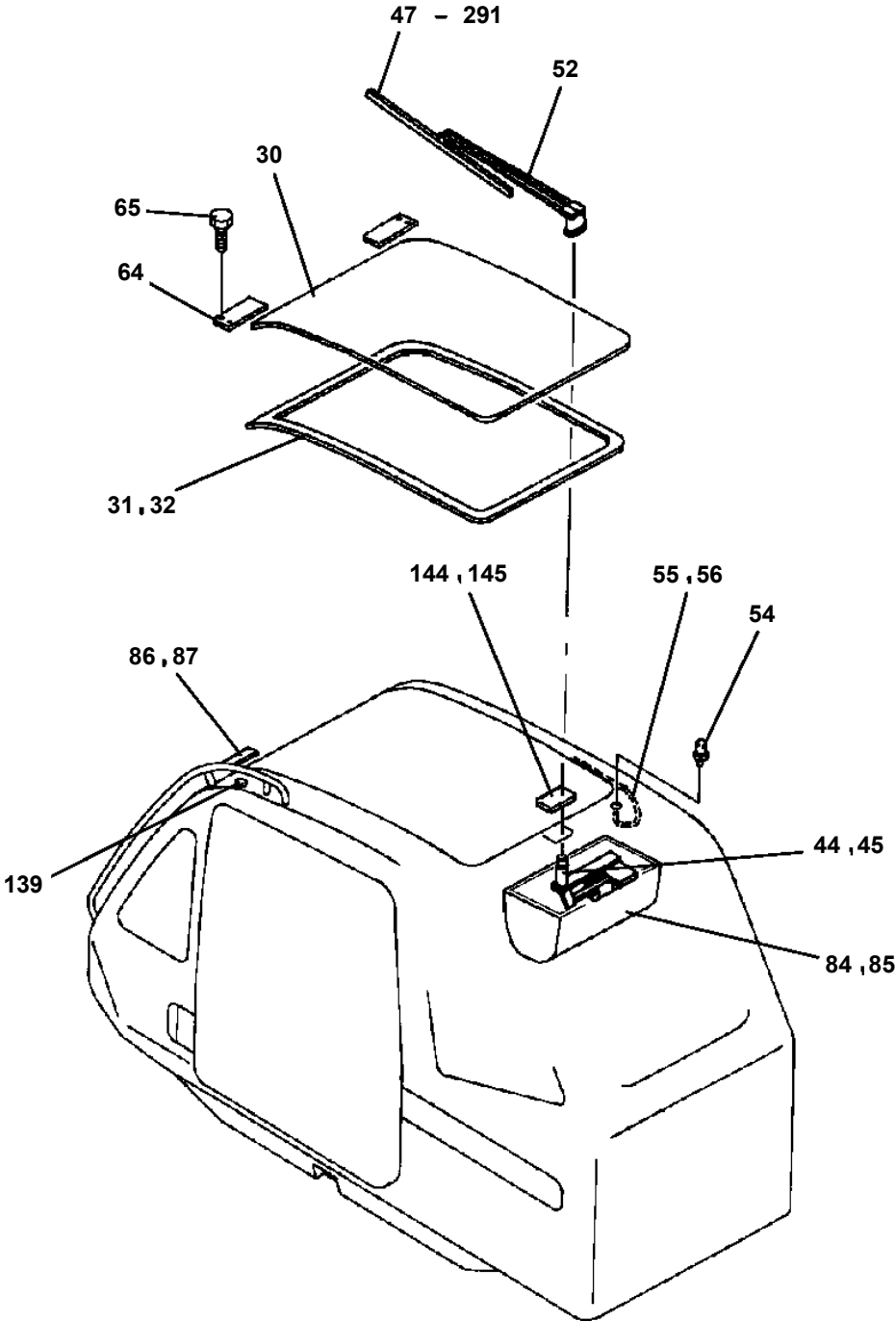


Δ:PACKING SET KEY NO. 52 (KEY NO.4,5,6,7,8,11,12,13,14,15)



Δ:PACKING SET KEY NO. 53 (KEY NO.4,5,6,7,8,11,13,14,15)

GR-350-2-00103 4 BOOM + 2 JIB, 2M2D
PC5010008-05 CAB ASSY



GR-350-2-00103 4 BOOM + 2 JIB, 2M2D

Pos No.	Parts No	Parts Name	Qty	Unit	Technical Data	Serial No (Start)	Serial No (End)	Rema
4	34260957815	RUN CHANNEL	2					
5	34260957816	WATER STRIP	1					
6	34260639290	LOCK ASSY	1					
7	34260639210	LOCK ASSY	1					
9	34261447560	PACKING (LOCK)	1					
10	32260228190	STRIKER (FRONT)	1					
11	34260639230	STRIKER (REAR)	1					
12	34261447570	LINING	6					
13	34260639250	STOPPER	4					
14	34260639250	STOPPER	2					
17	34260639260	SPACER	5					
19	34261447580	STOPPER	1					
21	32260015460	SCREW,MACHINE	2		M4X7			
22	34261447590	SCREW,MACHINE	2		M3X6			
23	34261447600	SCREW,MACHINE	2		M3X8			
24	32260228230	SCREW,MACHINE	8		M3X6			
25	34261447610	SCREW,MACHINE	4		M3X20			
26	34261447620	SCREW,MACHINE	2		M4X10			
27	32260015490	RIVET	2		3X18			
31	34260957818	GLASS (RIGHT-FRONT)	1					
32	34260957819	GLASS (RIGHT-REAR)	1					
41	34261447630	WATER STRIP (WITH FRAME)	1					
100	34261447540	SASH ASSY	1					

GR-350-2-00103 4 BOOM + 2 JIB, 2M2D

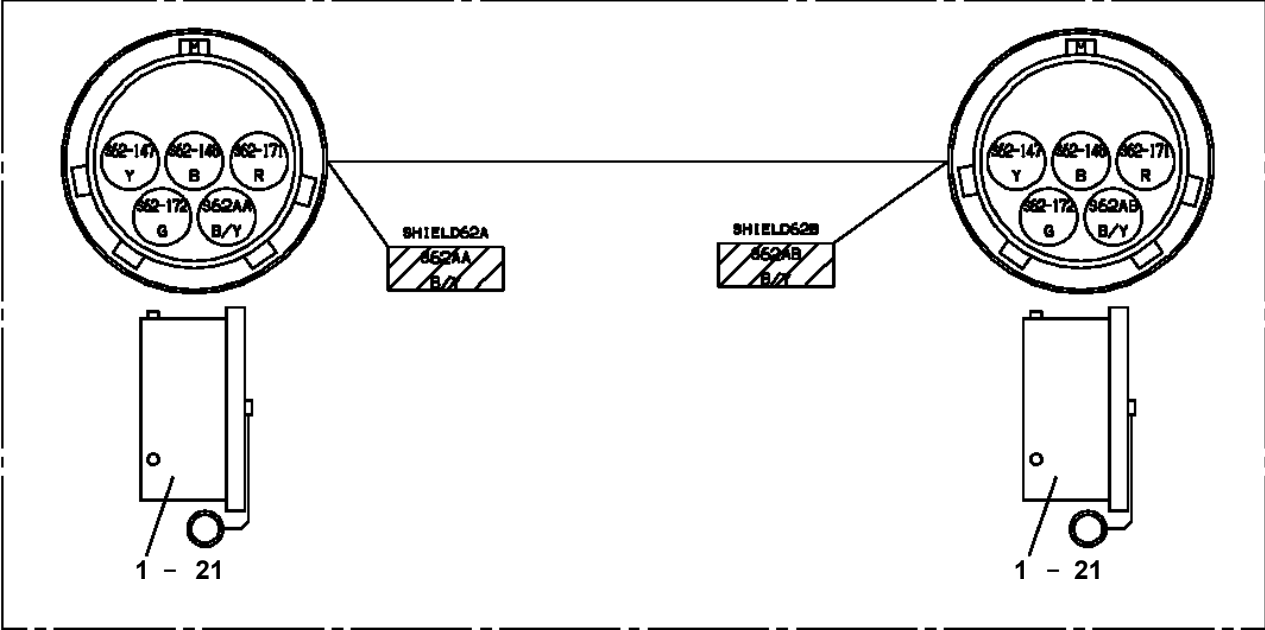
Pos No.	Parts No	Parts Name	Qty	Unit	Technical Data	Serial No (Start)	Serial No (End)
1	36320565111	COMPRESSOR	1				
2	36320565120	BASE	1				
3	36320452050	CUSHION (ISOLATOR)	4				
4	36320455800	BRACKET	1				
5	36320562040	PULLEY (OIL MOTOR)	1				
6	36320562050	WASHER (OIL MOTOR AXIS STOPPER)	1				
7	36320562260	BELT (V)	1				
11	36320565131	BOLT	2		M10X25		
12	36320565141	BOLT	4		M10X35		
13	90280211000	NUT,FLANGE	2		M10X1.25		
14	90302040801	WASHER,SPRING	1		8		
15	36320455910	BOLT	1				
100	36320562021	COMPRESSOR ASSY	1				

GR-350-2-00103 4 BOOM + 2 JIB, 2M2D

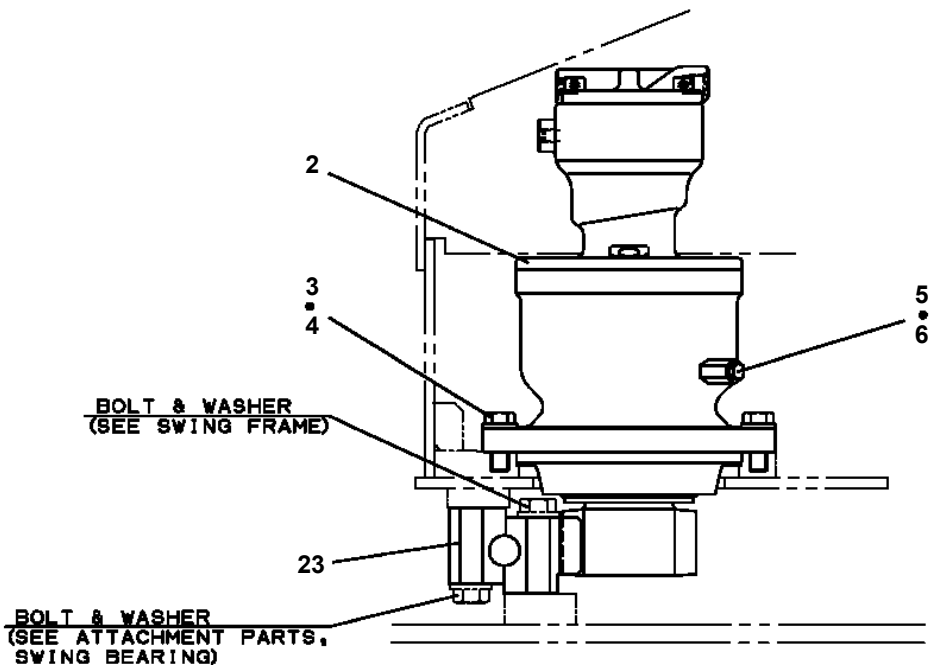
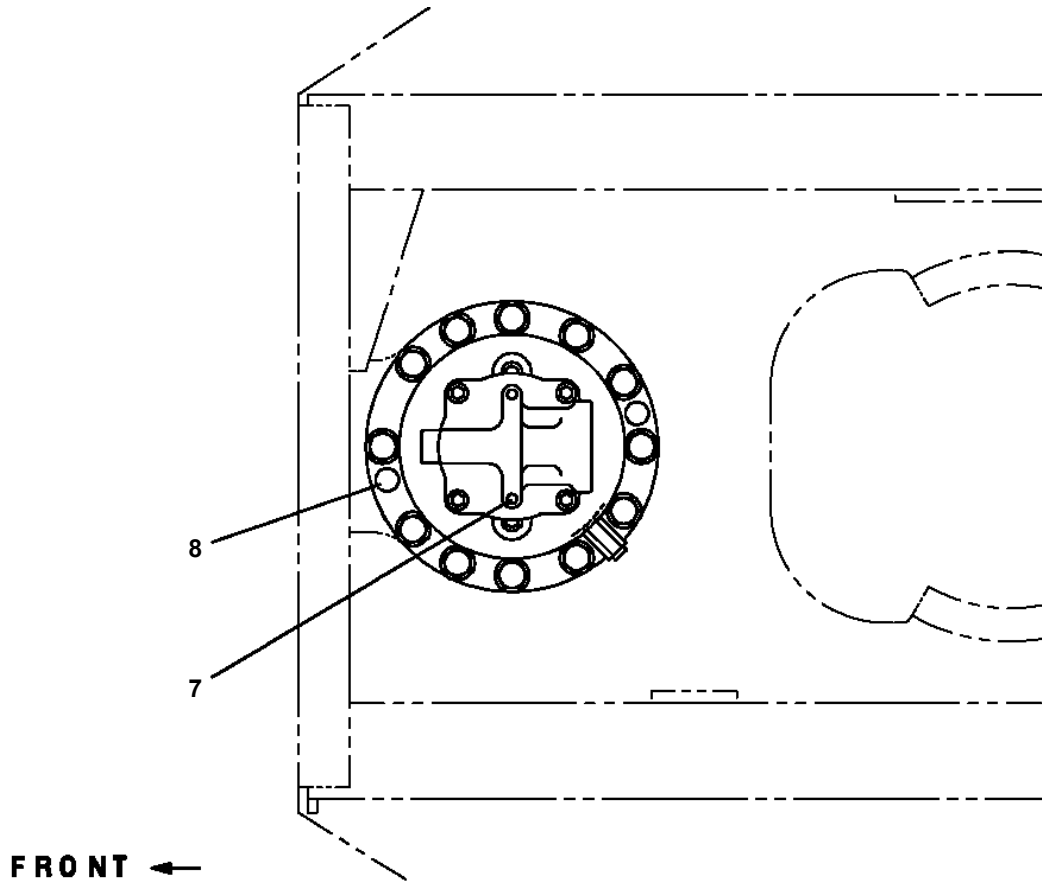
Pos No.	Parts No	Parts Name	Qty	Unit	Technical Data	Serial No (Start)	Serial No (End)	Remarks	P
100	36171550000	CONTROLLER (GSMT)	1						

GR-350-2-00103 4 BOOM + 2 JIB, 2M2D
PC5650015-01 CABLE

10



GR-350-2-00103 4 BOOM + 2 JIB, 2M2D
PD1020023-01 SWING UNIT



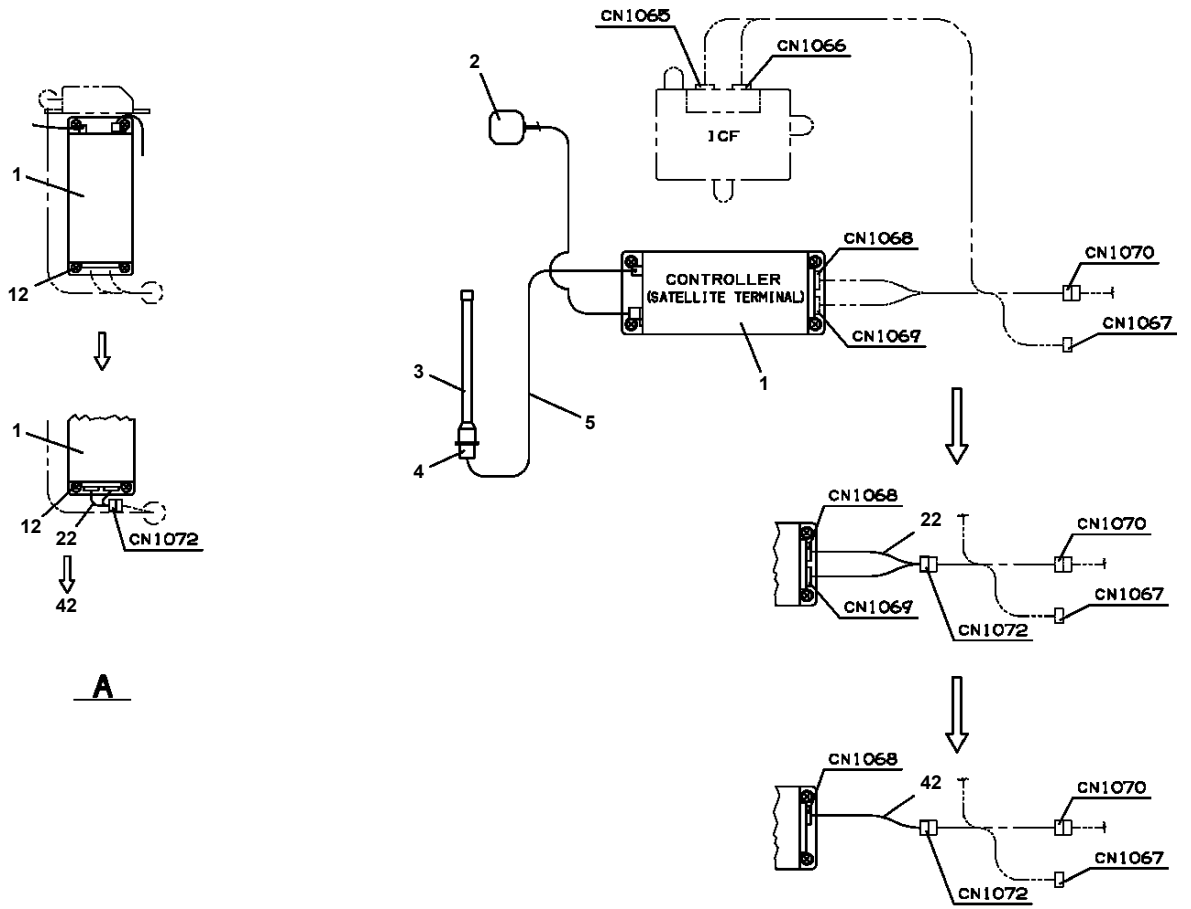
GR-350-2-00103 4 BOOM + 2 JIB, 2M2D

Pos No.	Parts No	Parts Name	Qty	Unit	Technical Data	Serial No (Start)	Serial No (End)
1	36131235010	PLATE (BASE)	1				
2	36131905010	CASE	1				
3	36132335010	DRUM ASSY	1				
4	36130515020	RING ASSY (CONTACT)	1				
5	33370025170	CONTACTOR ASSY (70)	1				
6	32360005060	CONTACTOR ASSY	1				
7	36132215020	CASE (BEARING)	2				
11	36132215030	REDUCER	1				
12	36130045090	CLIP (NYLON)	2				
13	36130045050	GEAR	2				
14	36132215040	BRACKET	1				
15	36130945010	POTENTIOMETER	1				
16	36131905020	SPRING	1				
17	36131455040	COVER	1				
18	32360005150	CLIP (NYLON)	1				
19	36131455070	SUPPORT	1				
20	36130235100	CLAMP (CORD)	2				
21	36130015080	GUIDE (CORD)	1				
22	36131455080	COLLAR	3				
23	36130045110	PACKING	1				
24	36131455050	PACKING	1				
25	32360005220	PACKING	2				
26	82114102020	CONNECTOR	1				
27	82114101020	CONNECTOR (2P,MALE)	1				
28	36131935020	LOCK (CORD)	1				
33	36130335030	WASHER	1				
44	36132215050	STOPPER	12				
45	36161385020	CORD	32	M			
46	36132265010	CABLE ASSY (WITH CONNECTOR)	1				
47	82121102020	HOLDER	2				
48	82111101510	TERMINAL	2				
49	82111101010	TERMINAL	2				
50	36131455060	DETECTOR,ANGLE	1				
51	82121101085	PLUG (AVS0.85)	4				
52	36131135060	COLLAR	1				
59	36131905050	COLLAR	3				
60	31370005070	GROMMET	1				
100	36132330001	DETECTOR ASSY,LENGTH (BOOM)	1				

GR-350-2-00103 4 BOOM + 2 JIB, 2M2D

Pos No.	Parts No	Parts Name	Qty	Unit	Technical Data	Serial No (Start)	Serial No (End)	Remarks	Pages
2	34510702620	PACKING	1						
3	34510702650	PACKING	1						
100	34510702600	DUCT	1						

GR-350-2-00103 4 BOOM + 2 JIB, 2M2D
PE5020121-04 ELEC.ASSY (SCT)



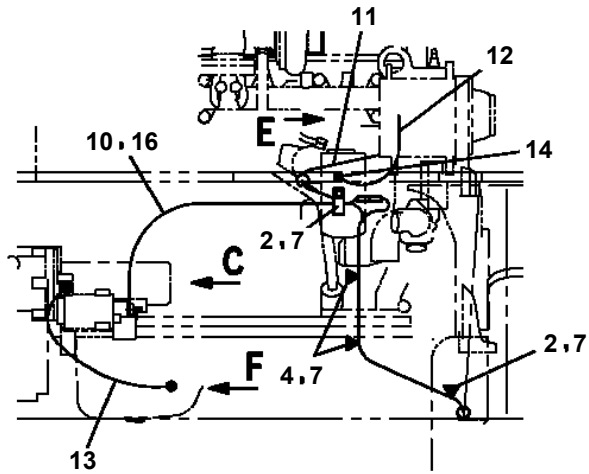
A

DETAIL OF CONNECTION

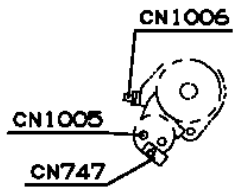
GR-350-2-00103 4 BOOM + 2 JIB, 2M2D

Pos No.	Parts No	Parts Name	Qty	Unit	Technical Data	Serial No (Start)	Serial No (End)
1	34354102011	HARNESS (SWING FRAME:RIGHT)	1				
2	34354102020	HARNESS (SWING FRAME:LEFT)	1				561585
	34354102021	HARNESS (SWING FRAME:LEFT)	1			561586	
3	34363538040	HARNESS (AML + BOOM)	1				561585
4	34353412040	HARNESS (BOOM POINT)	1				561585
7	34352062100	CABLE ASSY	1		L=250		
8	90201201000	NUT	1		M10		
9	90302041001	WASHER,SPRING	2		10		
10	34351497100	WASHER,WINDOW	1				
11	90186206020	BOLT,FLANGE	3		M6X20		
13	90303290600	WASHER,PLAIN	10		6		
14	34353792500	SUPPORT	1				
15	90280200800	NUT,FLANGE	2		M8		
17	82183901010	CONDENSER	1				
18	90101210016	BOLT	1		M10X16		
19	82108901120	SWITCH	1				
20	37000578160	SUPPORT	1				
22	90280200600	NUT,FLANGE	79		M6		561585
	90280200600	NUT,FLANGE	80		M6	561586	561753
	90280200600	NUT,FLANGE	83		M6	561754	
24	82100002002	CLAMP	10		WR6		561585
	82100002002	CLAMP	11		WR6	561586	
26	82100002006	CLAMP	22		WR10		
28	82100002014	CLAMP	10		WR20		
30	82100002017	CLAMP	1		WR30		
31	82100002019	CLAMP	1		WR40		
39	34352831700	LAMP	1		24V 70W		
40	90186206016	BOLT,FLANGE	2		M6X16		
41	82100002044	CLAMP	4		WE25		
42	37000601600	CLAMP	1		WR54		
43	82100002008	CLAMP	7		WR12		
44	82100002012	CLAMP	2		WR18		
45	37000604250	CLAMP	14				561753
	37000604250	CLAMP	17			561754	
46	91810130250	FASTENER	1				
47	91810130240	FASTENER	4				561585
	91810130240	FASTENER	7			561586	
48	90186210014	BOLT,FLANGE	6		M10X14	561794	
49	90303071001	WASHER,PLAIN	6		10	561794	
53	34354102031	HARNESS (BOOM)	1			561586	
61	34351497630	TANK ASSY (WITH CAP&GROMMET)	1				
62	34351497620	MOTOR & PUMP ASSY	2				
71	82100002873	BULB,LAMP	1		24V 70W		
72	34352837530	LENS	1				
81	34351497611	CAP (BLACK)	1				

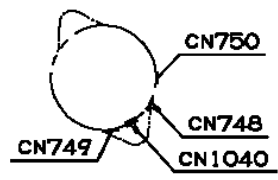
**GR-350-2-00103 4 BOOM + 2 JIB, 2M2D
PE5020176-01 ELEC.ASSY (ENGINE)**



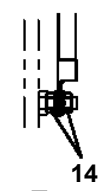
H



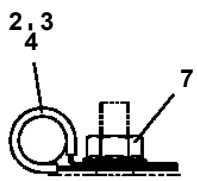
C



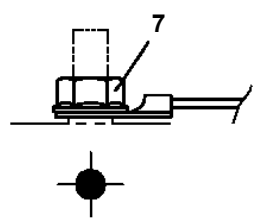
E



F

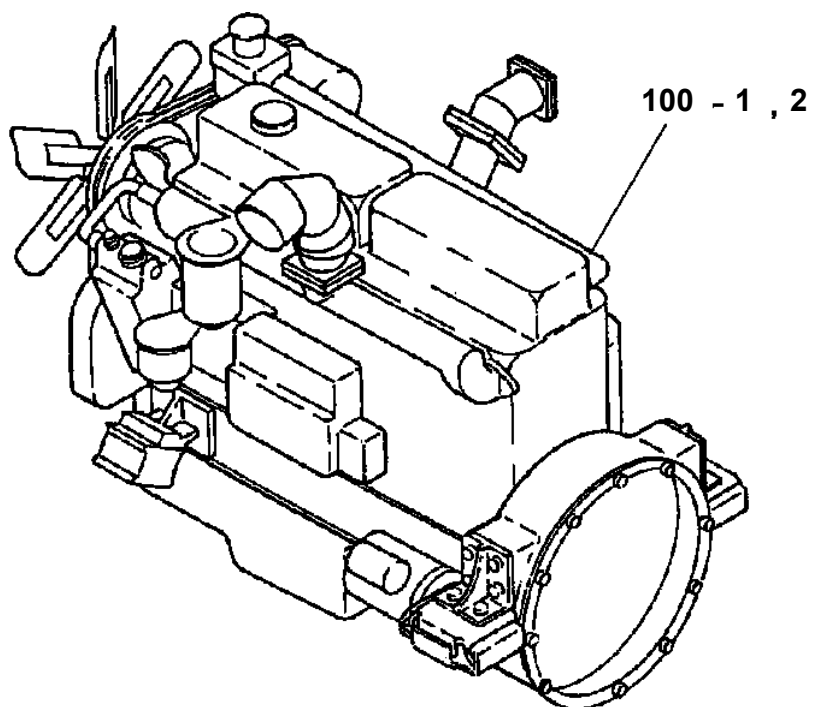


DETAIL OF CLAMP INSTALLATION



DETAIL OF EARTH INSTALLATION

**GR-350-2-00103 4 BOOM + 2 JIB, 2M2D
PE5210020-01 ENGINE ASSY (CUMMINS)**



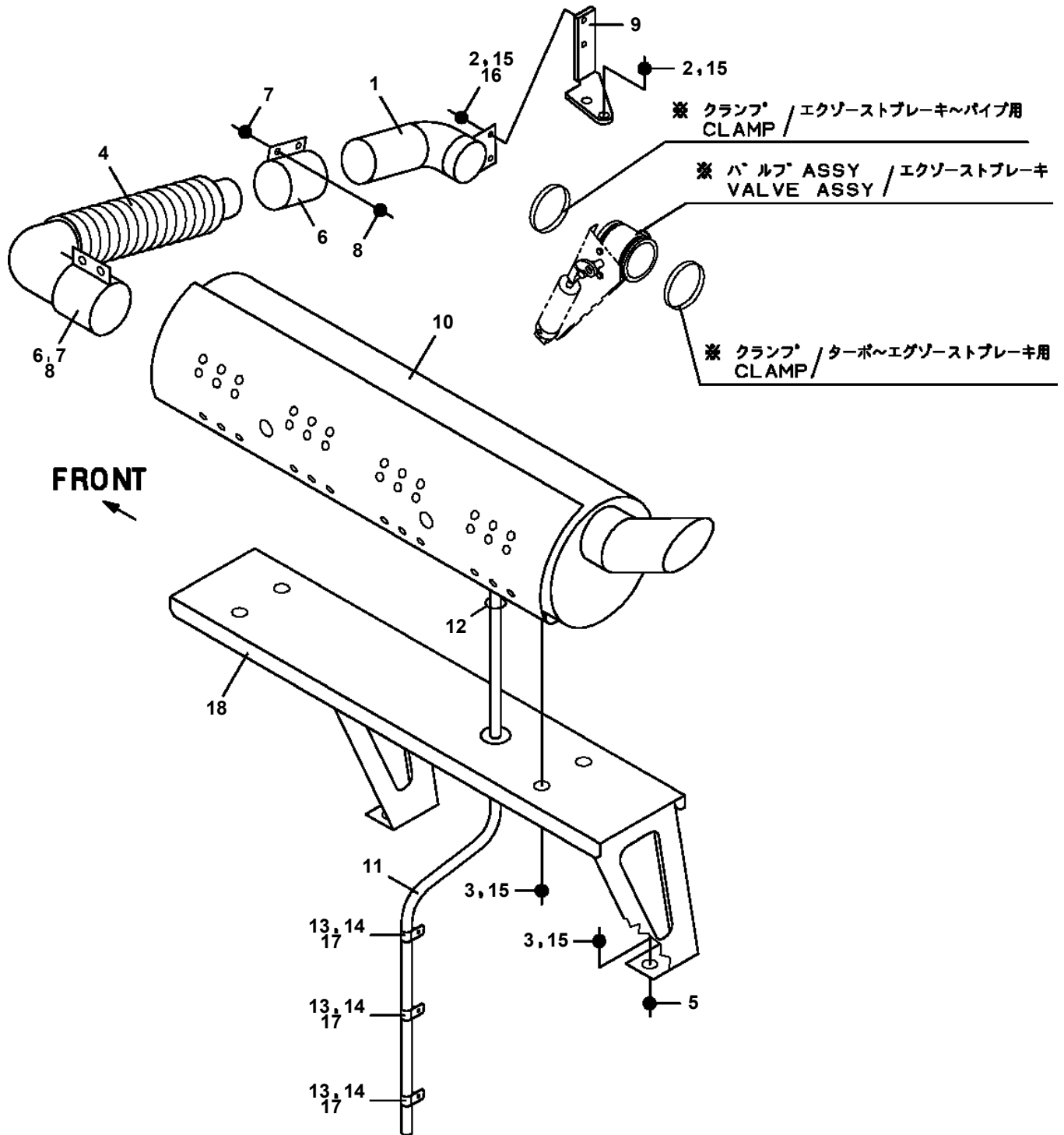
For the parts of the engine, refer to the parts catalog of the engine manufacturer.
エンジン部品については、エンジンメーカーのパーツカタログをご覧ください。

GR-350-2-00103 4 BOOM + 2 JIB, 2M2D PE5230023-00 EXHAUST ASSY

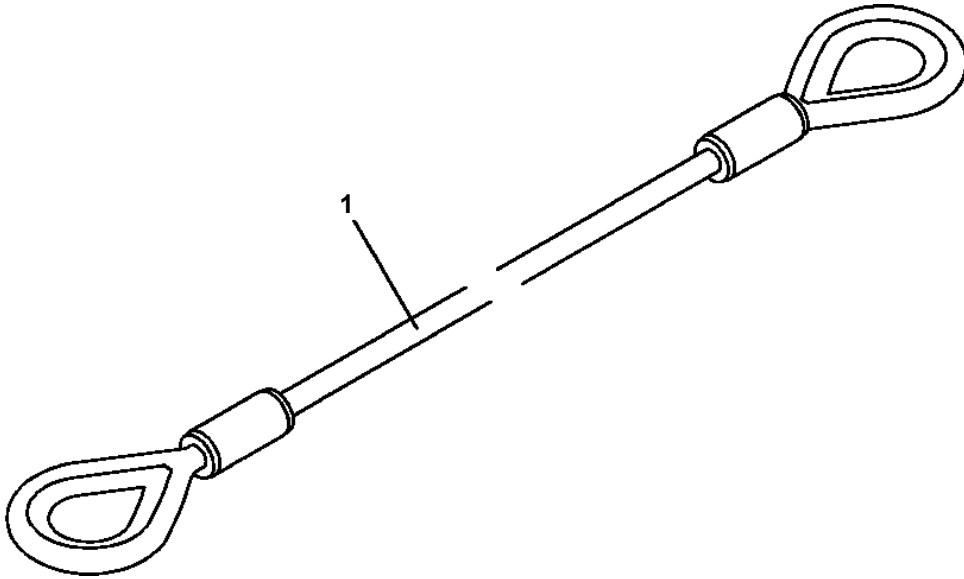
※材は〔付属品リスト〕より検索してください。

FOR THE PART ※,SEE THE CORRESPONDING "ACCESSORY LIST."

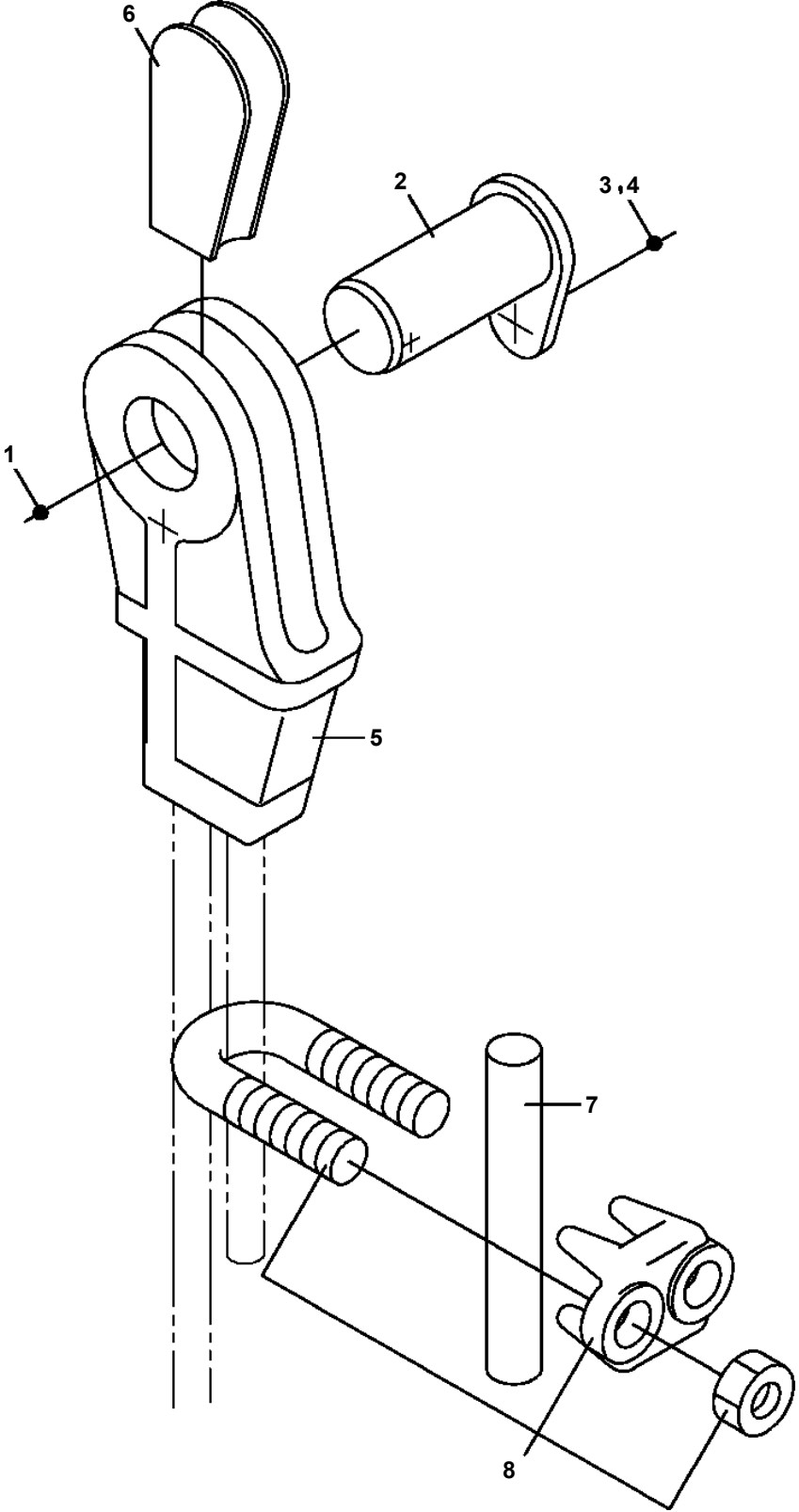
101	フゾクヘンリスト (エンジン:カソウヒン) ACCESSORY LIST (ENGINE:MOUNTING PARTS)
-----	---



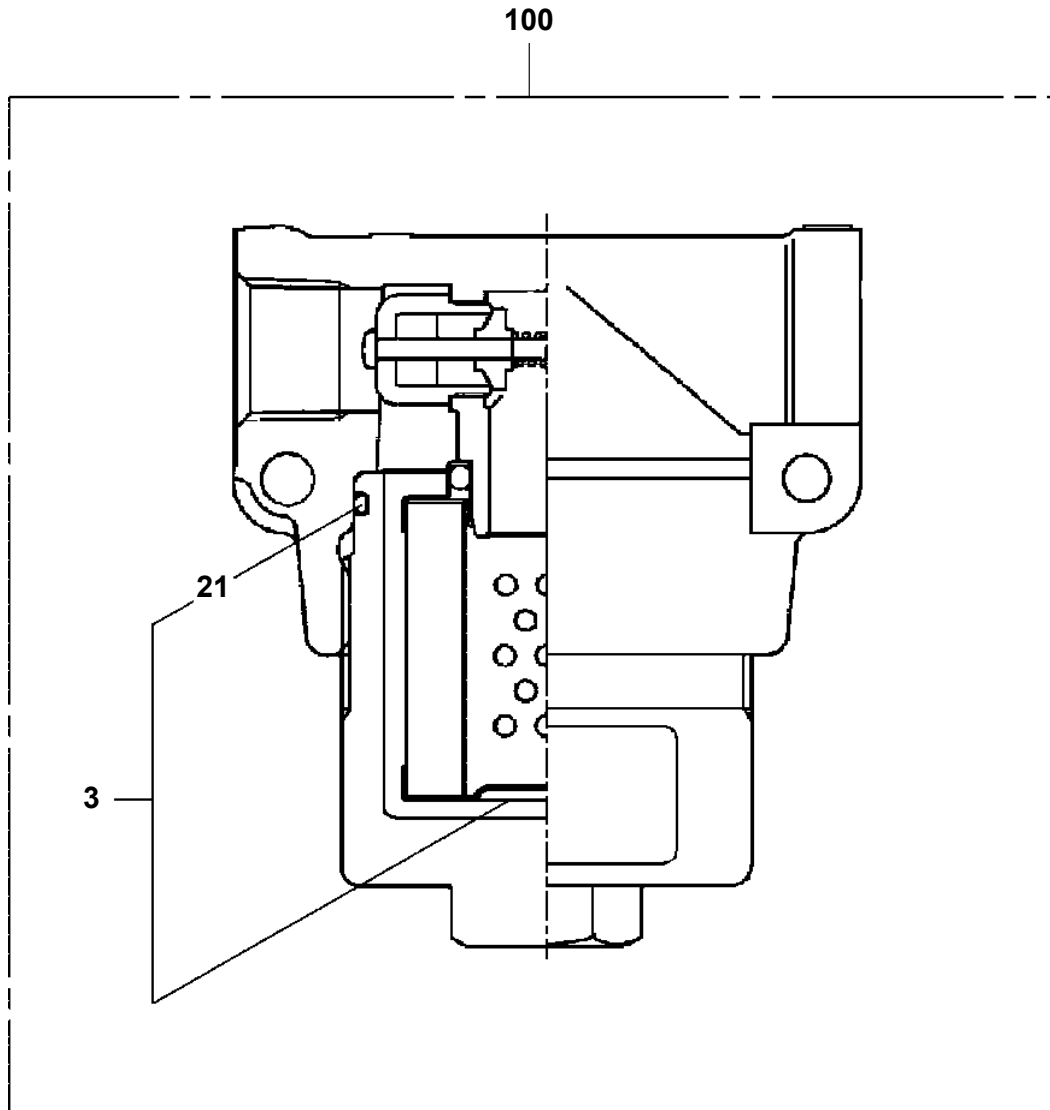
GR-350-2-00103 4 BOOM + 2 JIB, 2M2D
PF1070024-00 ROPE,WIRE (MAIN HOOK STOWING)



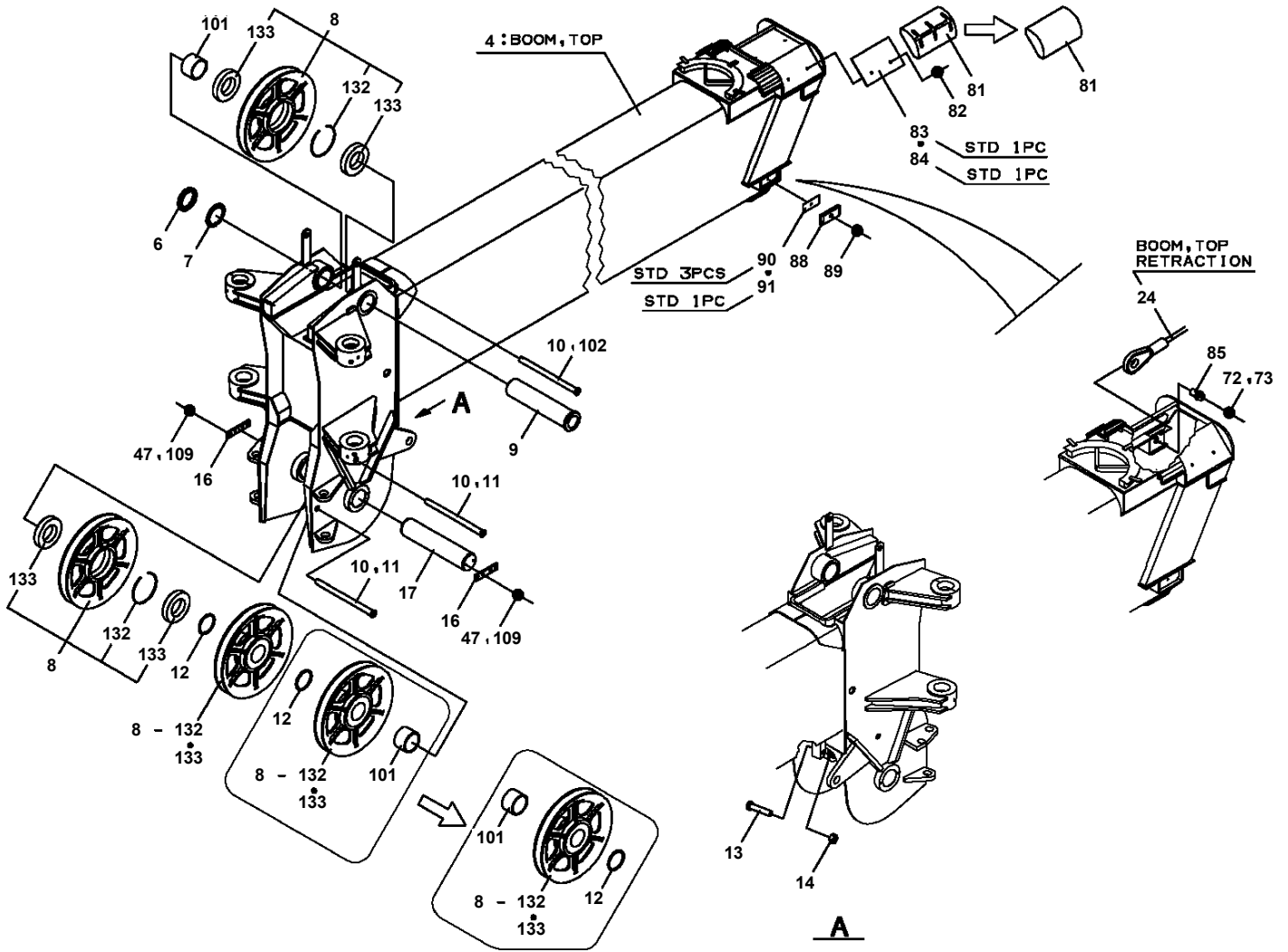
GR-350-2-00103 4 BOOM + 2 JIB, 2M2D
PF1090014-00 SOCKET,ROPE



GR-350-2-00103 4 BOOM + 2 JIB, 2M2D
PF5030011-02 FILTER ASSY (WATER)



GR-350-2-00103 4 BOOM + 2 JIB, 2M2D
PG1010857-06 BOOM



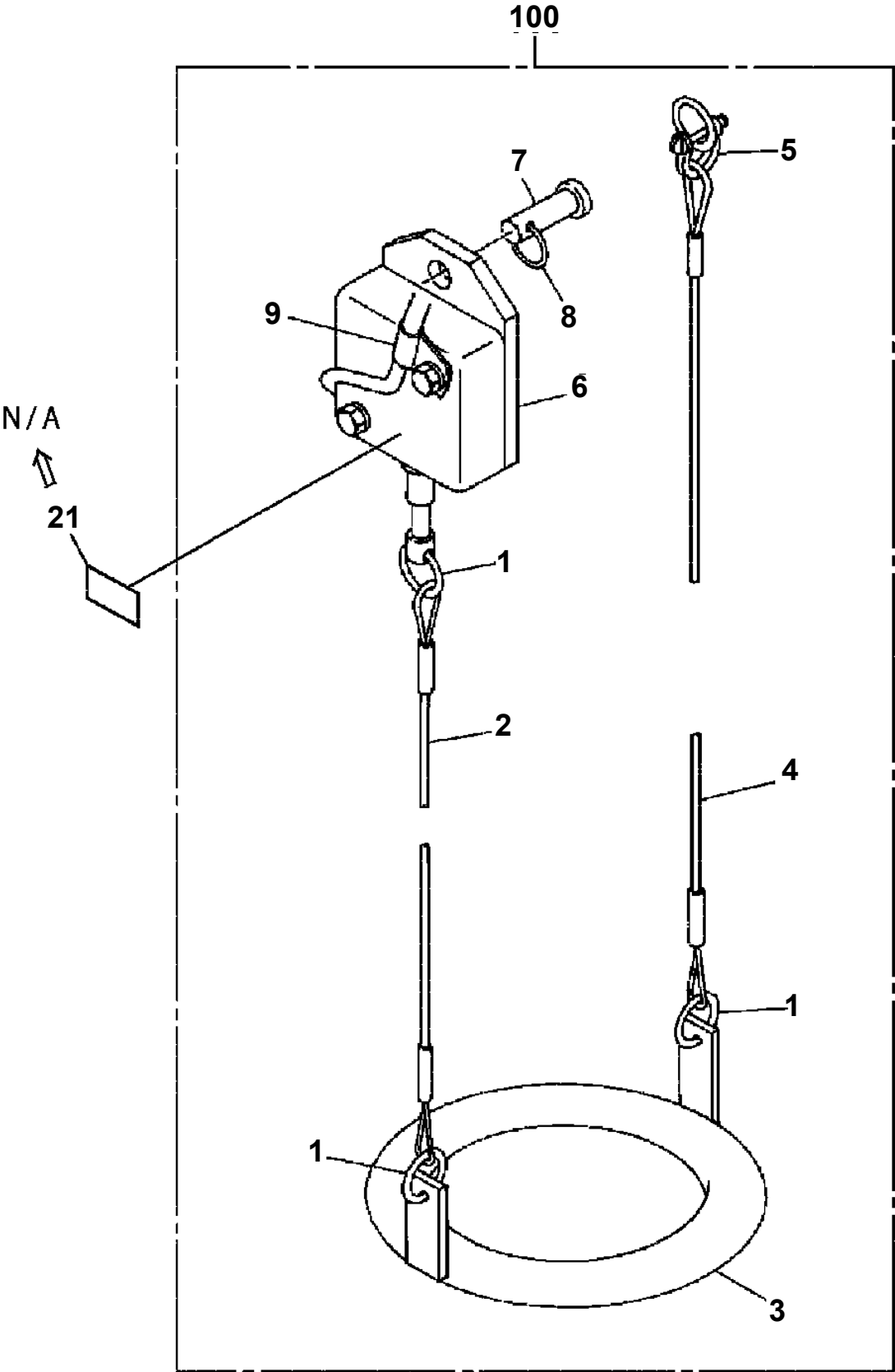
GR-350-2-00103 4 BOOM + 2 JIB, 2M2D

Pos No.	Parts No	Parts Name	Qty	Unit	Technical Data	Serial No (Start)	Serial No (End)	Remarks	Pages
1	34220125100	HANDLE	1						
11	19218903000	HOLDER	1						
12	56260007000	HOLDER	2						

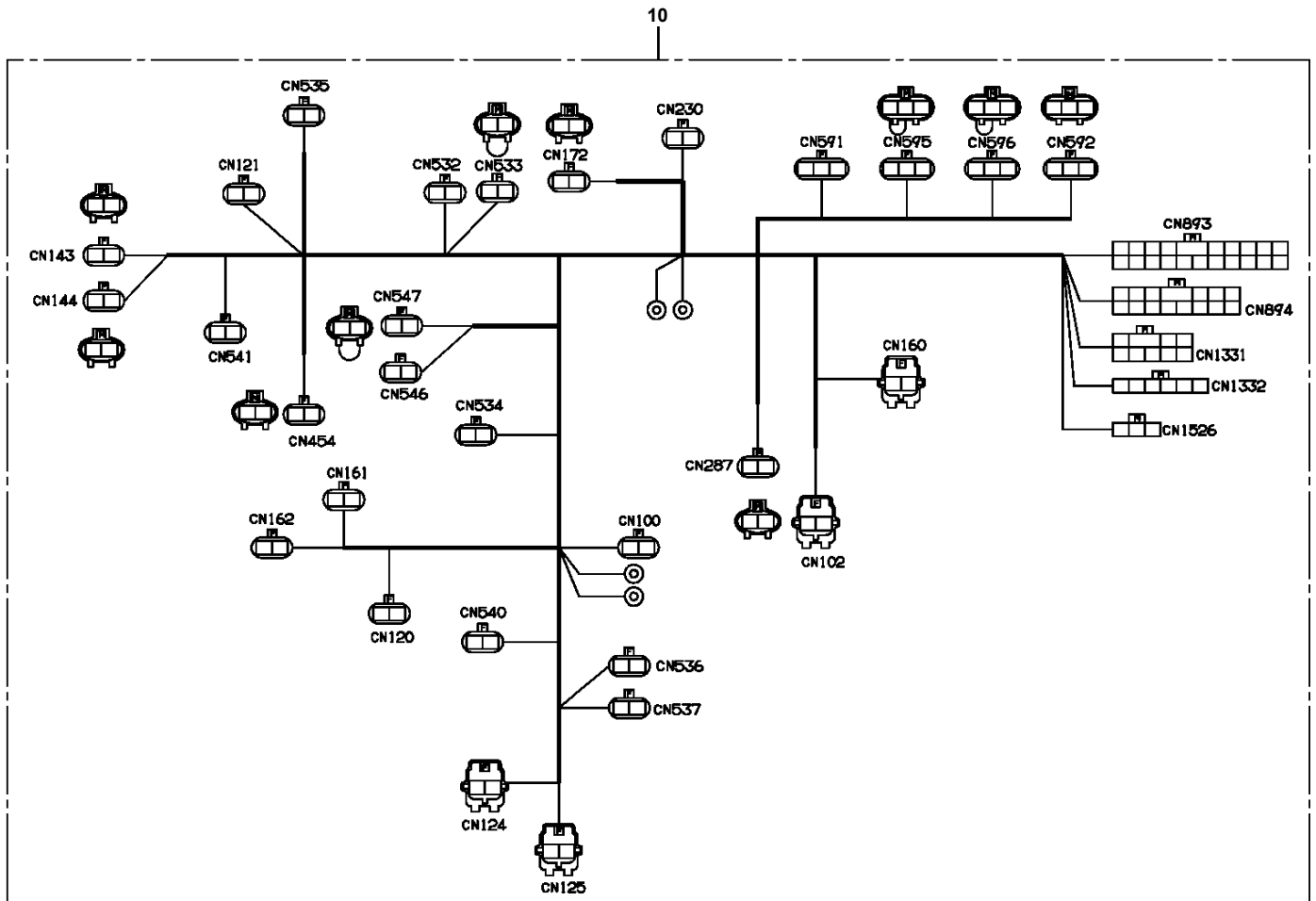
GR-350-2-00103 4 BOOM + 2 JIB, 2M2D

Pos No.	Parts No	Parts Name	Qty	Unit	Technical Data	Serial No (Start)	Serial No (End)
1	33370260060	SUPPORT	1				
2	33370260030	SUPPORT	3				
3	90201200500	NUT	2		M5		
4	36132330000	DETECTOR,BOOM LENGTH	1				561884
	36132330001	DETECTOR ASSY,LENGTH (BOOM)	1			561885	
5	34362432100	COVER	1				
6	37000169830	PIN	1				
7	80601110300	RING,RITAINING	1		S30		
8	37001007890	SHEAVE ASSY	1				
9	90302040501	WASHER,SPRING	2		5		
10	90172108020	BOLT,HEXAGON SOCKET	4		M8X20		
11	90302040801	WASHER,SPRING	4		8		
12	90303070801	WASHER,PLAIN	6		8		
13	34362432200	GUARD	1				
14	37001601180	NUT	4		M8		
15	44620316350	PLATE	1				
16	42770634000	PLATE	2				
17	90186210014	BOLT,FLANGE	4		M10X14		
18	34201066720	SUPPORT	1				
19	34362432300	SWITCH ASSY (WITH HARNESS)	1				
20	34354006100	PLATE	1				
21	37000575510	SUPPORT	1				
22	90172105025	BOLT,HEXAGON SOCKET	2		M5X25		
24	90155306015	BOLT,WELD	1		M6X15		
25	90280200600	NUT,FLANGE	1		M6		
26	90303290600	WASHER,PLAIN	2		6		

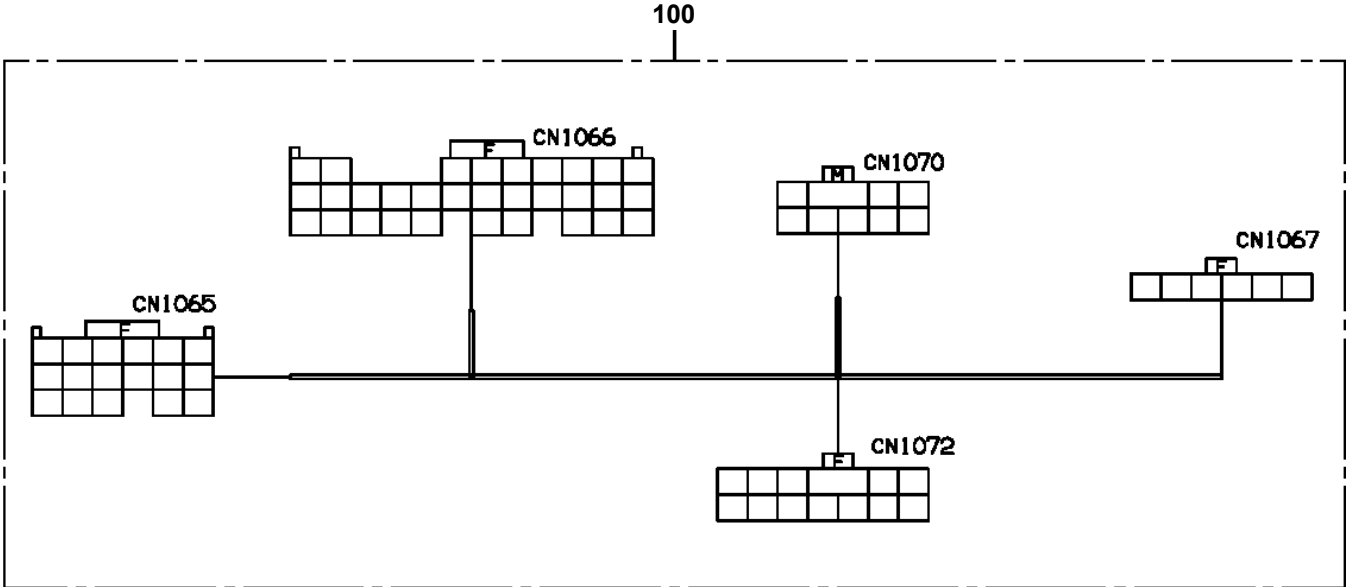
GR-350-2-00103 4 BOOM + 2 JIB, 2M2D
PH1060294-03 DETECTOR, OVER WIND (WEIGHT/JIB)



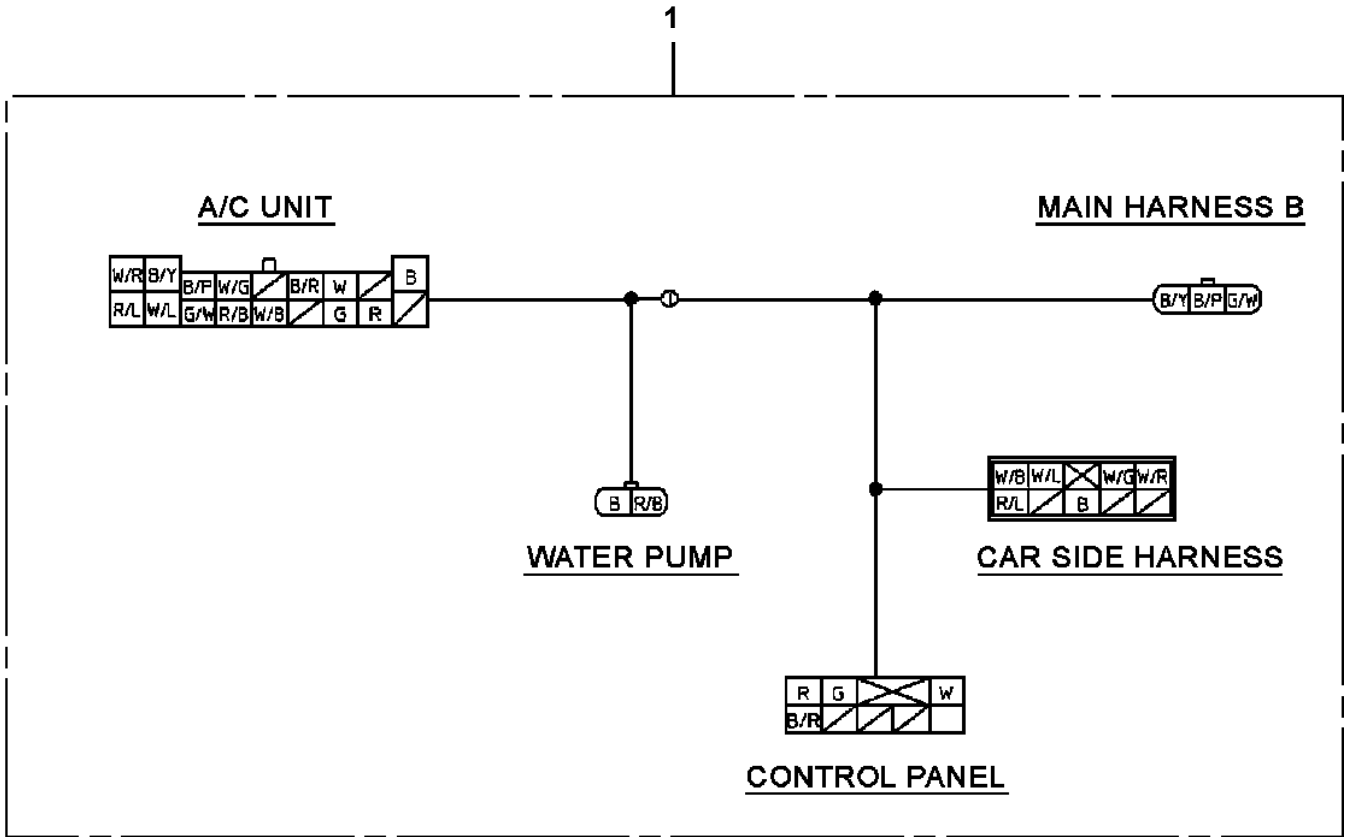
GR-350-2-00103 4 BOOM + 2 JIB, 2M2D
PH5030090-00 HARNESS (SWING FRAME:LEFT)



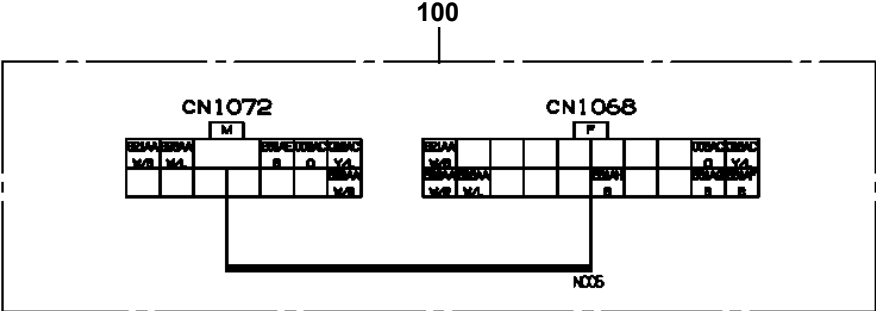
**GR-350-2-00103 4 BOOM + 2 JIB, 2M2D
PH5030339-00 HARNESS (FOR TELEMATICS)**



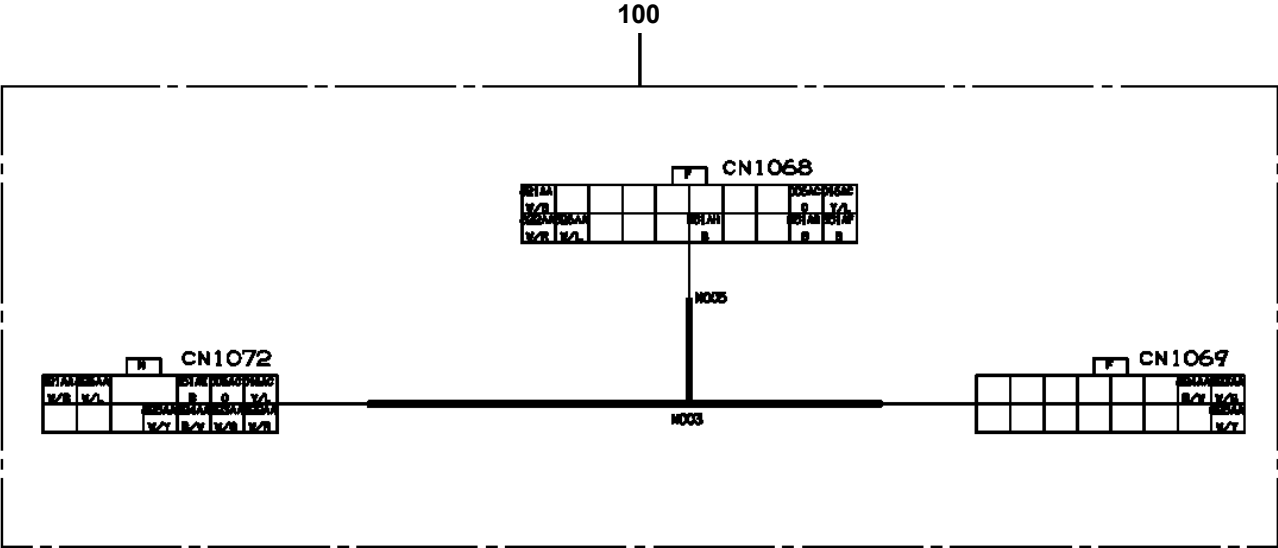
**GR-350-2-00103 4 BOOM + 2 JIB, 2M2D
PH5030609-00 HARNESS (MAIN A)**



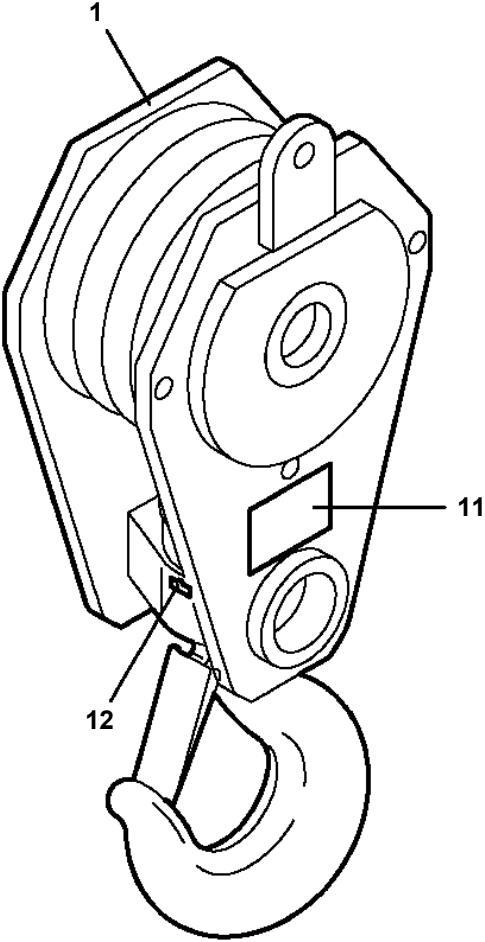
GR-350-2-00103 4 BOOM + 2 JIB, 2M2D
PH5031896-00 HARNESS (SCT)



GR-350-2-00103 4 BOOM + 2 JIB, 2M2D
PH5033783-00 HARNESS (SCT)



GR-350-2-00103 4 BOOM + 2 JIB, 2M2D
PH5080065-00 HOOK ASSY (MAIN,31.8TON /ENG.& SPANISH & PORTUGUESE)



11

31800 kg
Hook Mass
Masa del Gancho : 270 kg (600lb)
Masa do Gancho

12

GREASE

GR-350-2-00103 4 BOOM + 2 JIB, 2M2D

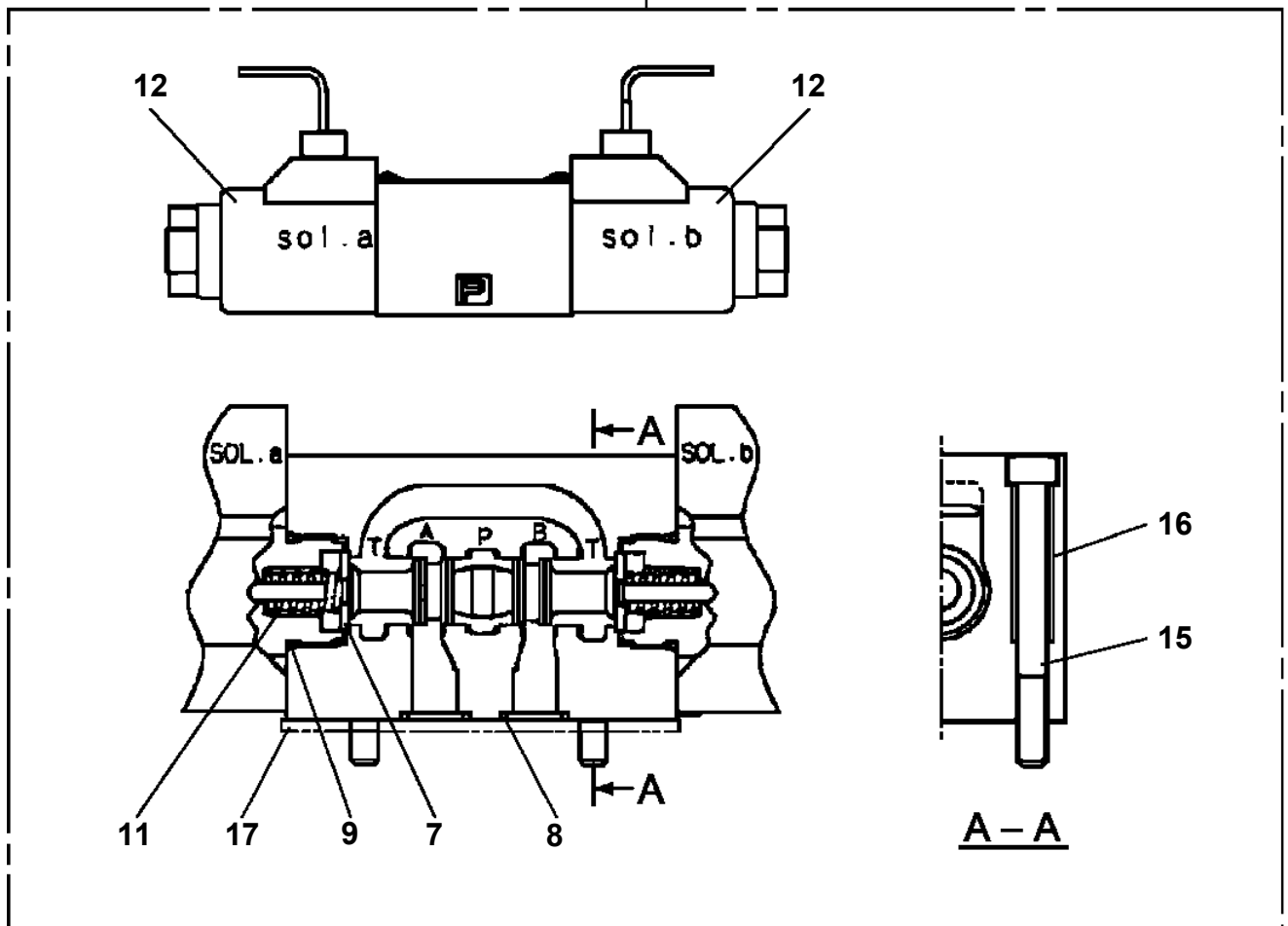
Pos No.	Parts No	Parts Name	Qty	Unit	Technical Data	Serial No (Start)	Serial No (End)	Remarks
306	36663665440	STOPPER	1					
307	36663665450	COVER	1				561984	
	36664105030	COVER	1			561985		
308	36663665460	PLUG	1					
309	36663665470	PLUG	1					
310	36663665480	SPRING	1					
311	36663925100	SPRING	1					
313	36663665500	VALVE	1					
314	36663665510	PLUG	1					
315	36663665520	SPRING	1					
316	91002800800	O-RING	1		1B P8			
317	91002802200	O-RING	1		1B P22			
318	91002804200	O-RING	1		1B P42			
319	91002903000	O-RING	2		1B G30			
320	90172110075	BOLT,HEXAGON SOCKET	6		M10X75			
321	90172110065	BOLT,HEXAGON SOCKET	4		M10X65			
322	90302041001	WASHER,SPRING	4		10		561984	
323	91002802600	O-RING	1		1B P26			
401	36663685130	FLANGE SET	1					
411	36663685120	FLANGE ASSY	1					
421	36663665210	PLUG	1					
438	91002801400	O-RING	1		1B P14			
441	80730050012	PIN	2		5X12			
443	90172114040	BOLT,HEXAGON SOCKET	8		M14X40			
450	36663685160	SEAL KIT	1					
464	36663685140	PLUG	1					
465	91002801800	O-RING	1		1B P18			
469	36663665240	PLUG	2					
470	91002801100	O-RING	2		1B P11			
471	36663685150	SPOOL	1					
500	36663680000	MOTOR,HYDRAULIC	1					

GR-350-2-00103 4 BOOM + 2 JIB, 2M2D

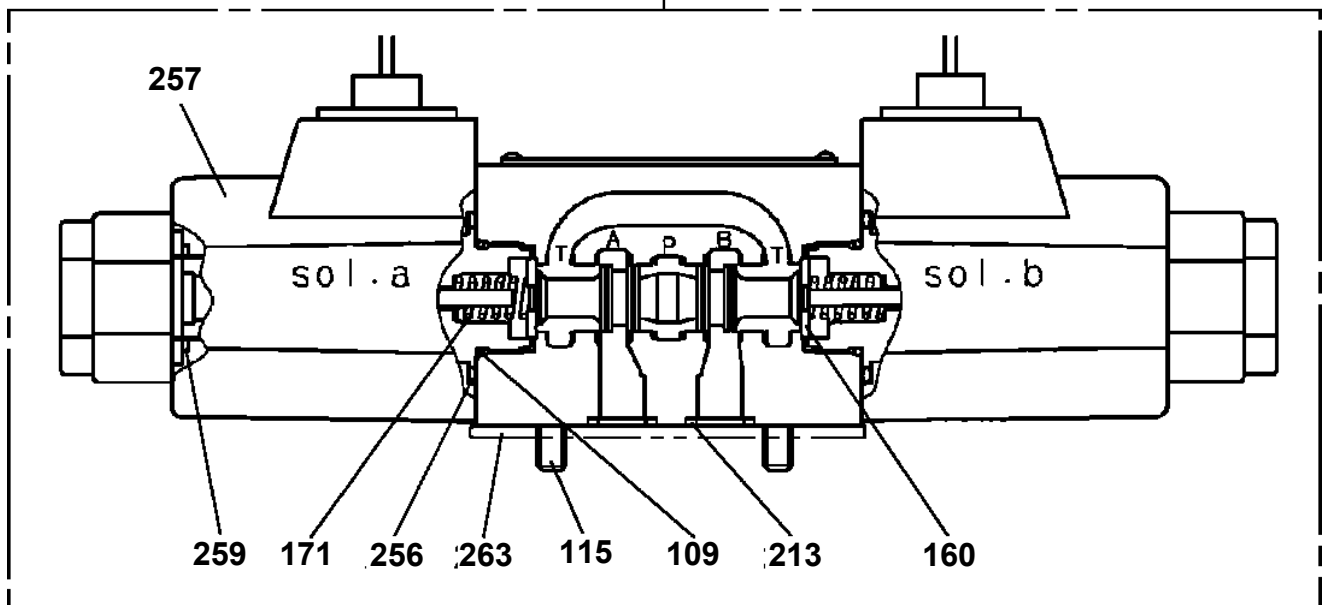
Pos No.	Parts No	Parts Name	Qty	Unit	Technical Data	Serial No (Start)	Serial No (End)	Remarks
5	36640175040	SPACER	4					
6	36641687560	SPRING (C)	2					
19	36646375030	SCREW	2					
21	91000501200	O-RING	4					
25	90131905045	BOLT,HEXAGON SOCKET	4		M5X45			
26	36641687570	ROD	2					
53	36641687520	RETAINER (A)	2					
54	36641687530	RETAINER (B)	2					
55	36646375050	COIL,SOLENOID	2					
57	36642915020	NUT	2					
59	36641687580	GUIDE (SOLENOID)	2					
64	91001102000	O-RING	2		1A P20			
65	91002801800	O-RING	2		1B P18			
66	91001002500	O-RING	2		S25			
100	36645730000	VALVE,SOLENOID (NACHI)	1					

GR-350-2-00103 4 BOOM + 2 JIB, 2M2D
 PI1120234-01 VALVE,SOLENOID (UCHIDA)

300

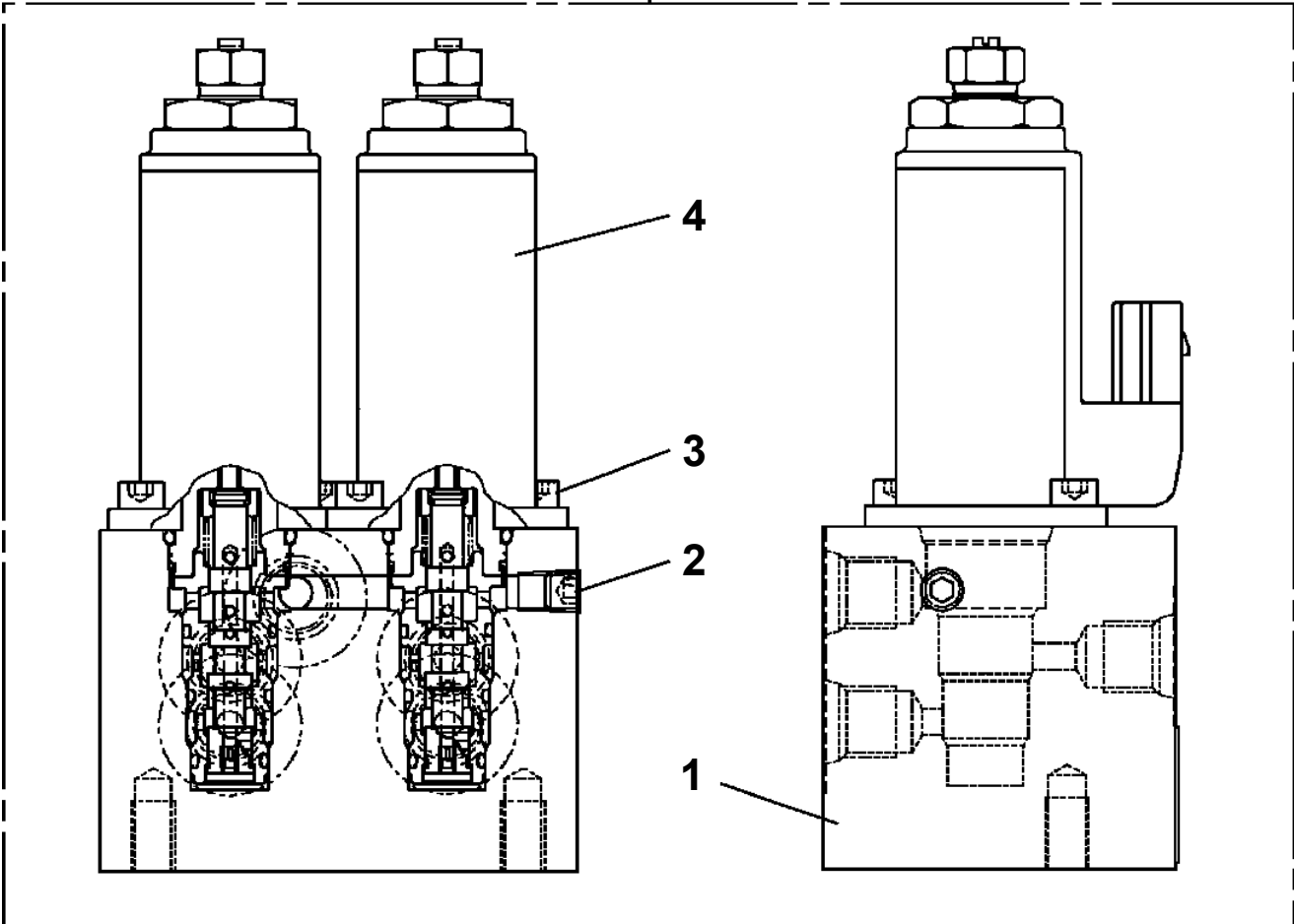


300

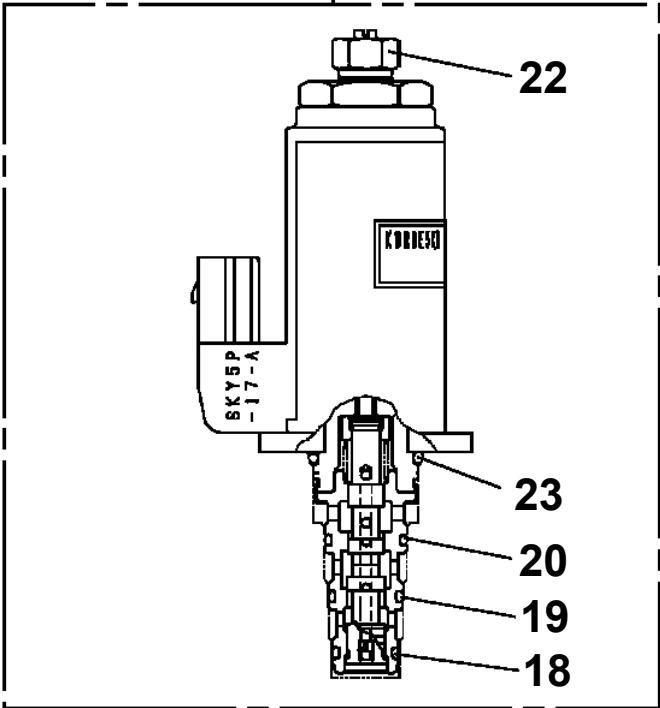


GR-350-2-00103 4 BOOM + 2 JIB, 2M2D
PI1120302-00 VALVE,SOLENOID

100

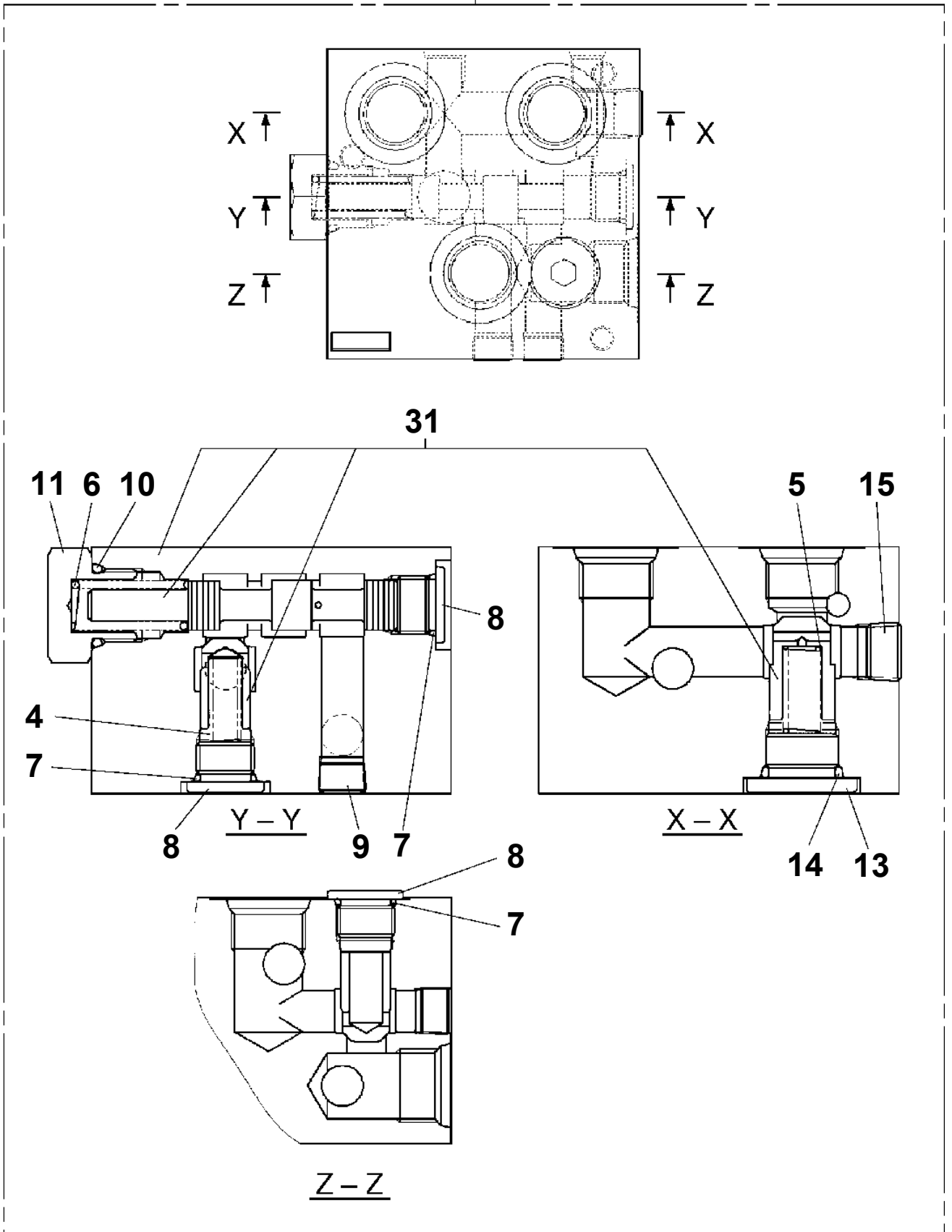


4

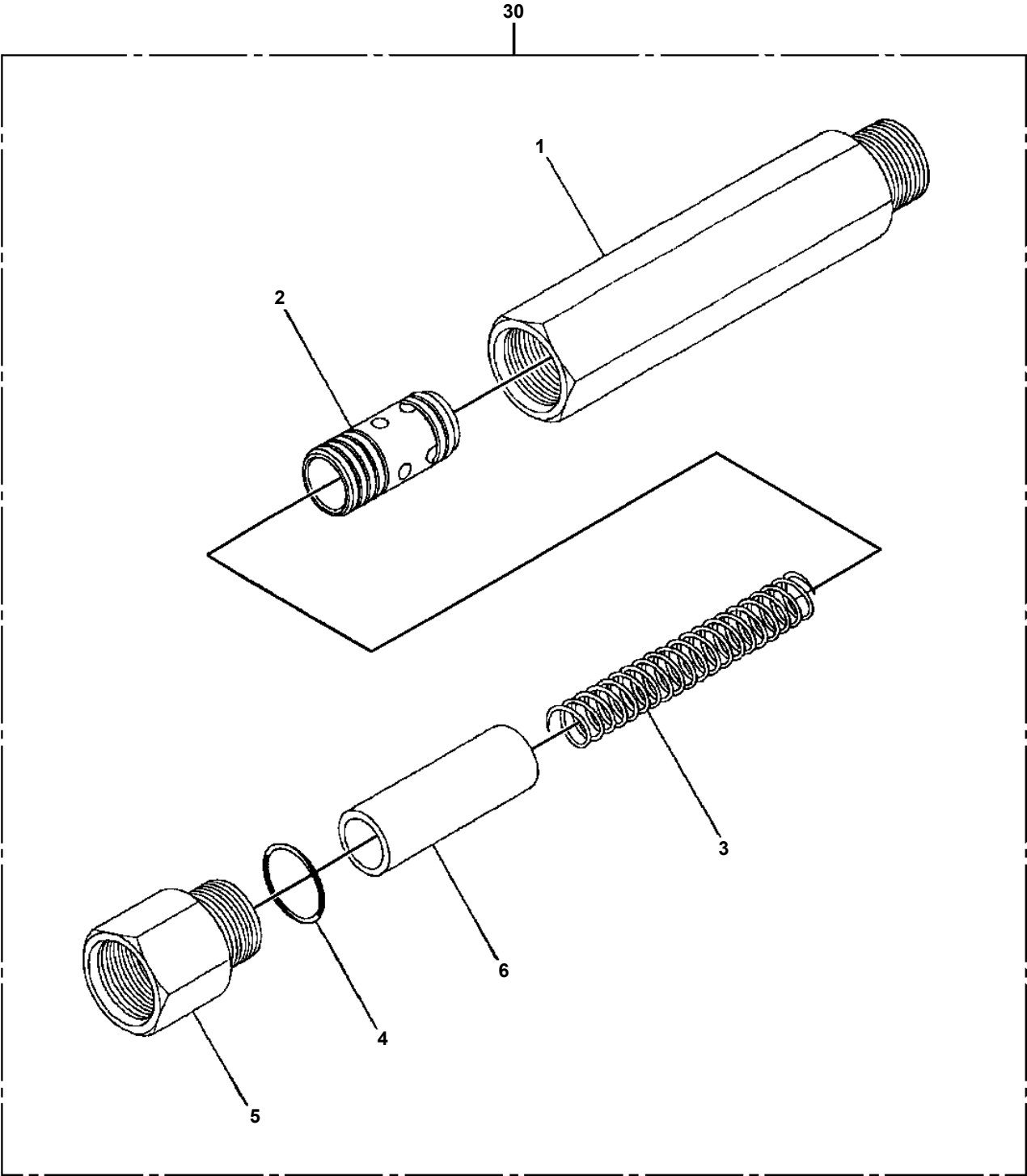


GR-350-2-00103 4 BOOM + 2 JIB, 2M2D
PI1130047-00 VALVE, HYDRAULIC

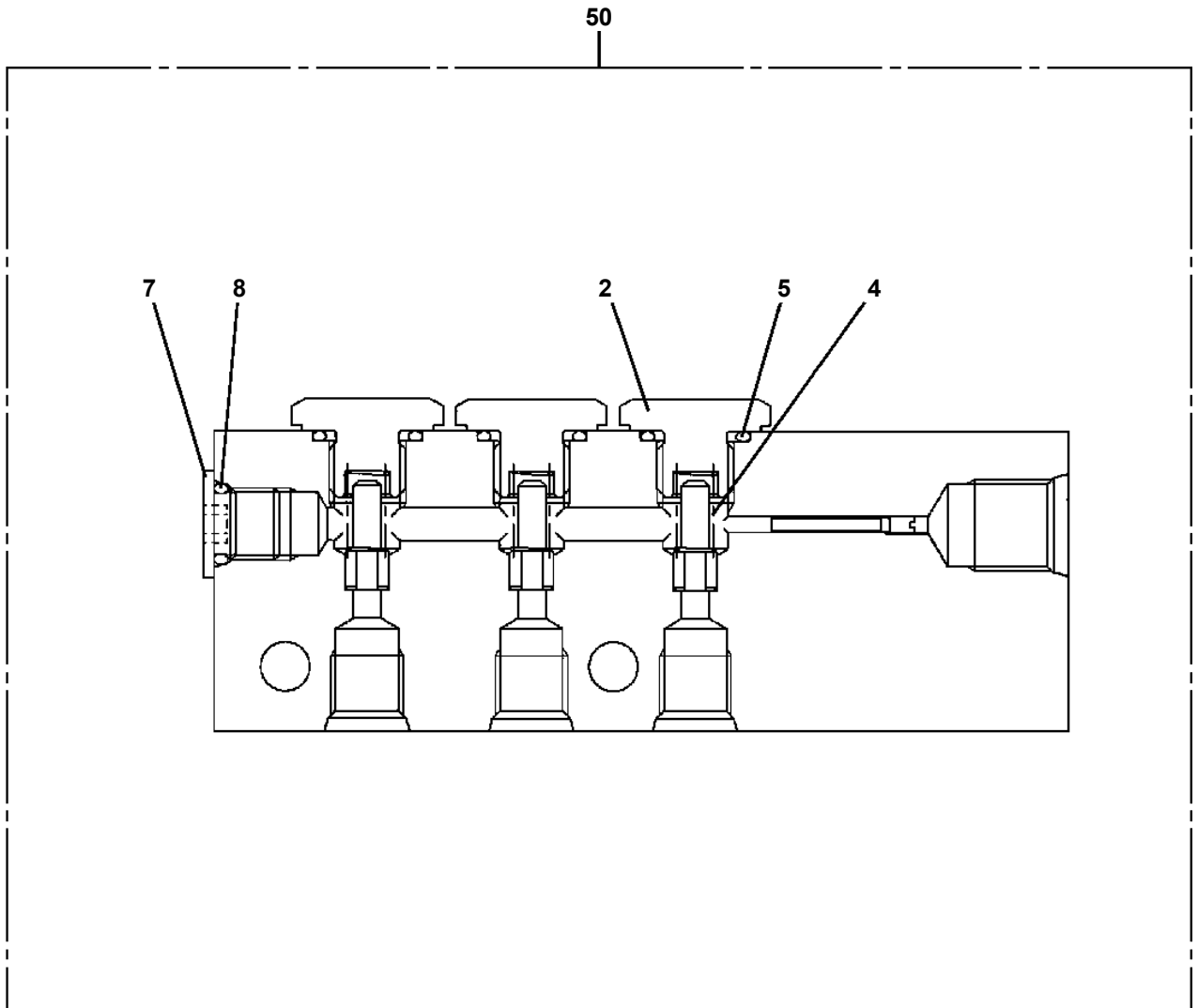
100



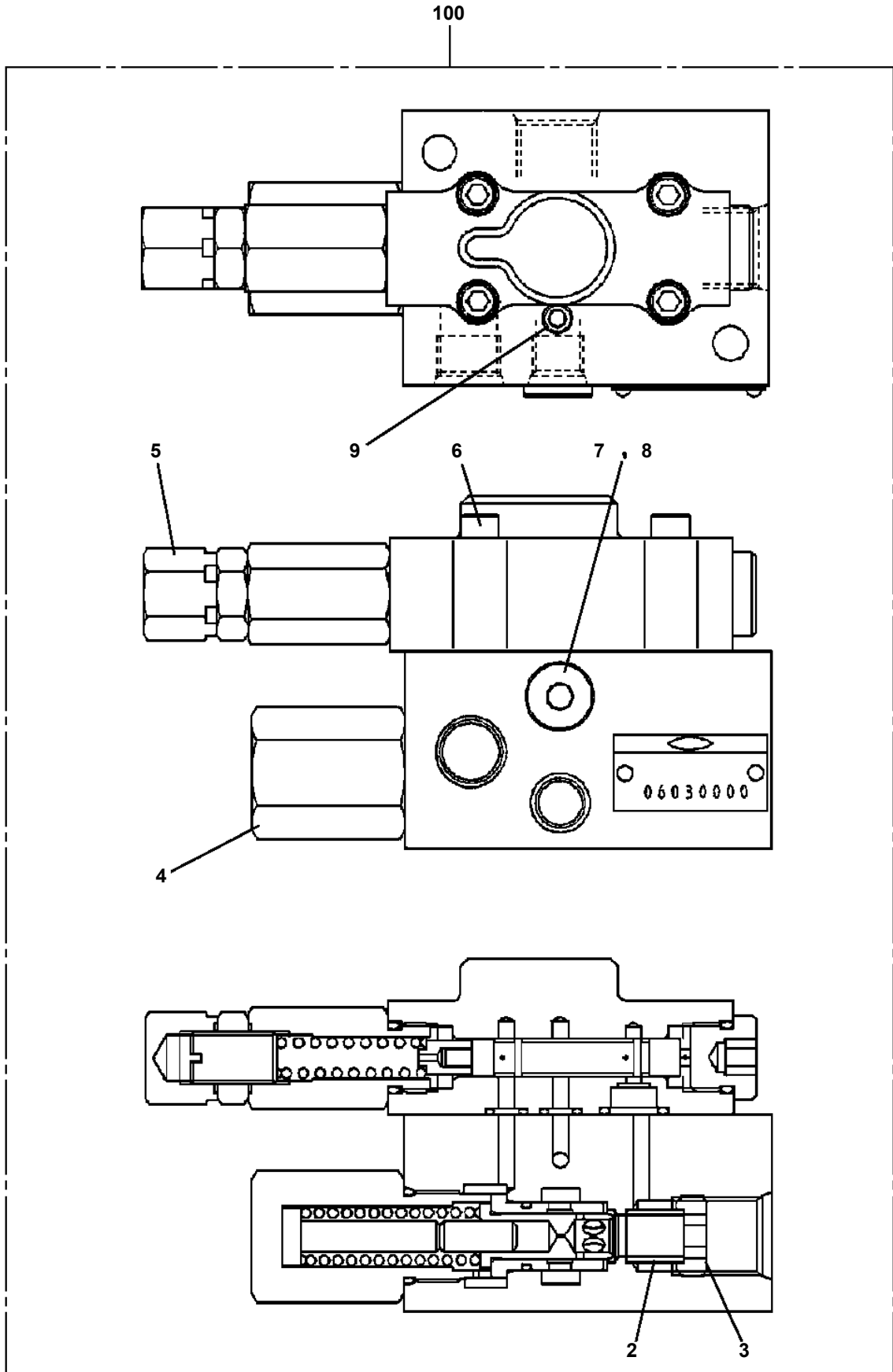
GR-350-2-00103 4 BOOM + 2 JIB, 2M2D
PI1140116-01 VALVE,CHECK



GR-350-2-00103 4 BOOM + 2 JIB, 2M2D
PI1140161-03 VALVE,CHECK



GR-350-2-00103 4 BOOM + 2 JIB, 2M2D
PI1270012-01 VALVE,SEQUENCE



展開圖有
ILLUSTRATED BREAKDOWN NO.4,5

GR-350-2-00103 4 BOOM + 2 JIB, 2M2D

Pos No.	Parts No	Parts Name	Qty	Unit	Technical Data	Serial No (Start)	Serial No (End)	Remarks	Pages
3	36673375070	ELEMENT KIT	1						
4	36673375020	O-RING	1						
5	36673375030	RING,BACKUP	1						
7	36673375040	INDICATOR ASSY	1						
8	36673375050	BOLT (DRAIN)	1						
9	36673375060	O-RING	1						
100	36673370000	FILTER,OIL	1						

GR-350-2-00103 4 BOOM + 2 JIB, 2M2D

Pos No.	Parts No	Parts Name	Qty	Unit	Technical Data	Serial No (Start)	Serial No (End)	Remarks	Pa
1	37000913700	JOINT	1						
2	91801300160	CLIP	2		D=14-16				
3	34730920030	HOSE	1		L=8955				
4	80426026204	JOINT,SELF SEALING	1						
5	80426016106	JOINT,SELF SEALING	1						
6	80457030800	CAP (FOR MALE)	1						
30	34730928010	HOSE ASSY	1						

CLICK HERE TO **DOWNLOAD** THE COMPLETE MANUAL

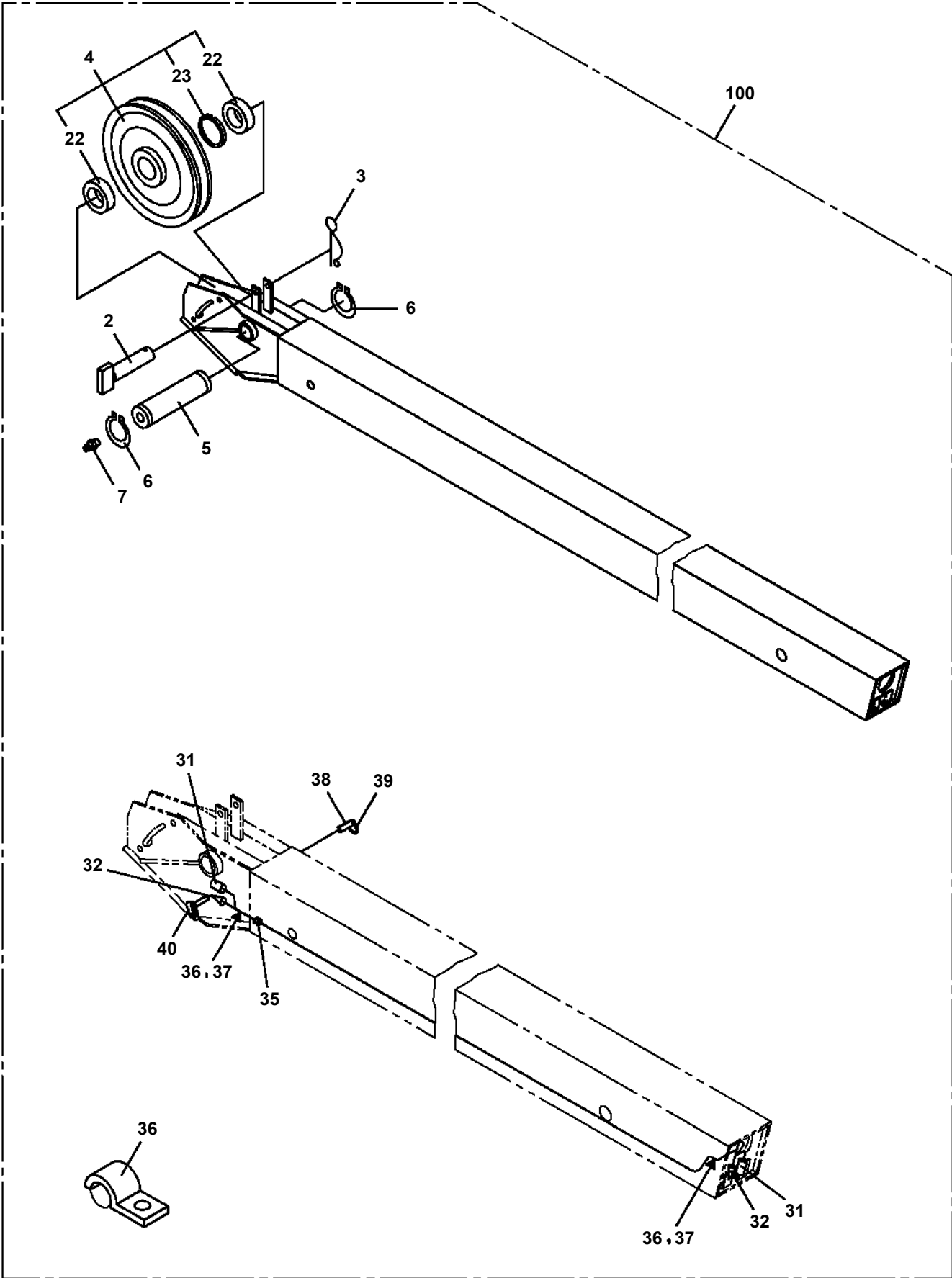
- Thank you very much for reading the preview of the manual.
- You can download the complete manual from: www.heydownloads.com by clicking the link below



- Please note: If there is no response to CLICKING the link, please download this PDF first and then click on it.

CLICK HERE TO **DOWNLOAD** THE COMPLETE MANUAL

GR-350-2-00103 4 BOOM + 2 JIB, 2M2D
PJ5070005-00 JIB ASSY,2



GR-350-2-00103 4 BOOM + 2 JIB, 2M2D

Pos No.	Parts No	Parts Name	Qty	Unit	Technical Data	Serial No (Start)	Serial No (End)	Remarks
1	34251287510	CUSHION ASSY	1					
2	34251287520	BACK ASSY	1					
3	34251287580	HEADREST	1					
4	34251287540	ARMREST ASSY (L)	1					
5	34251287550	ARMREST ASSY (R)	1					
6	34251287560	ADJUSTER (SLIDE/L)	1					
7	34251287570	ADJUSTER (SLIDE/R)	1					
8	34251287690	WIRE	1				561766	
	34251287810	WIRE (SLIDE)	1			561767		
9	34251287590	ADJUSTER (RECLINING)	1					
10	34251287800	COVER (RECLINING)	1					
11	34251287700	BRACKET (CUSHION)	1					
12	34251287710	BRACKET (BACK)	1				561766	
	34251287820	BRACKET (BACK)	1			561767		
13	34251287720	LEVER (HEIGHT)	1					
14	34251287730	SCREW,MACHINE	1					
15	34251287740	BOLT	4					
16	34251287750	BOLT,SEMS	10				561766	
17	34251287760	BUSHING	1				561766	
	34252137580	BUSHING	1			561767		
18	34251287620	SCREW (WITH WASHER)	3		M6X16X1.0			
20	34251287630	BRACKET (ARMREST)	1					
21	34251287640	GEAR ASSY (L)	1					
22	34251287650	GEAR ASSY (R)	1					
23	34251287660	SPRING	2					
24	34251287670	SCREW,MACHINE (SEMS)	4		M6X16X1.0			
25	34251287680	SCREW,MACHINE (SEMS)	4		M6X12X1.0			
26	34251287770	NUT (WITH WASHER)	4					
27	34251287780	CLIP	2					
28	34251287790	RISER ASSY	1					
31	34251287830	WASHER	1			561767		
32	34252137570	BOLT (WITH WASHER)	10		M10X25	561767		
50	34251280100	SEAT,OPERATOR	1					

GR-350-2-00103 4 BOOM + 2 JIB, 2M2D

Pos No.	Parts No	Parts Name	Qty	Unit	Technical Data	Serial No (Start)	Serial No (End)	Remarks
3	36637755010	PLATE	1					
10	36646965020	PLUG	2				562159	
	36637755130	PLUG	2			562160		
11	91002801100	O-RING	2		1B P11			
12	91002801000	O-RING	2		1B P10			
13	91002800800	O-RING	2		1B P8			
15	90131508070	BOLT,HEXAGON SOCKET	2		M8X70		562159	
	36638775150	BOLT,HEXAGON SOCKET	2		M8X70	562160		
16	36638065010	NUT	2				562159	
	36637755160	NUT	2			562160		
20	36637755080	NUT,LOCK	2					
21	36637755040	LEVER	2				562159	
	36638855010	LEVER	2			562160		
27	36637755050	BLOCK	2					
30	36637755090	BOLT,HEXAGON SOCKET	4					
31	36637755070	BELLOWS	2					
100	36638060000	VALVE,CONTROL	1					

GR-350-2-00103 4 BOOM + 2 JIB, 2M2D

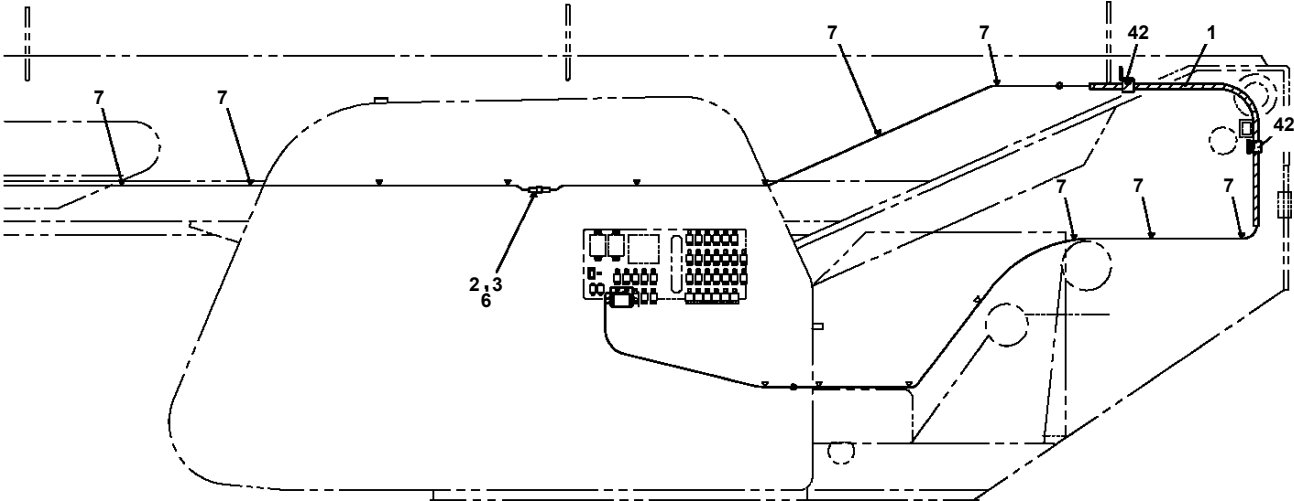
Pos No.	Parts No	Parts Name	Qty	Unit	Technical Data	Serial No (Start)	Serial No (End)
1	37002232010	CASE ASSY	1				
2	34398751120	PLATE,NAME(ESPECIFICACIONES DE GR-350XL)	1				
3	34398751130	PLATE,NAME (GR-350XL RATED LIFTING CAPA)	1				
4	34398751140	PLATE,NAME (CAPACIDADES DE CARGA DE GR)	1				
5	34398751150	PLATE,NAME (CAPACIDADES DE CARGA DE GR)	1				
6	34398751160	PLATE,NAME (CAPACIDADES DE CARGA DE GR)	1				
7	34398751170	PLATE,NAME (GRAFICO DA GAMA DE TRABAJO)	1				
8	34398751180	PLATE,CAUTION	1				
9	34398751190	PLATE,NAME	1				
10	34398751200	PLATE,NAME (DISPOSICION DEL CONTROLE DE)	1				
11	34398711970	PLATE,CAUTION	1				
50	34398751100	LOAD CHART BOOKLET (SPANISH)	1				

56

GR-350-2-00103 4 BOOM + 2 JIB, 2M2D

Pos No.	Parts No	Parts Name	Qty	Unit	Technical Data	Serial No (Start)	Serial No (End)	Remarks	Pages
1	34495674100	HARNESS	2						000151

GR-350-2-00103 4 BOOM + 2 JIB, 2M2D
PN1130014-04 ANEMOMETER (SWING FRAME.BOOM)



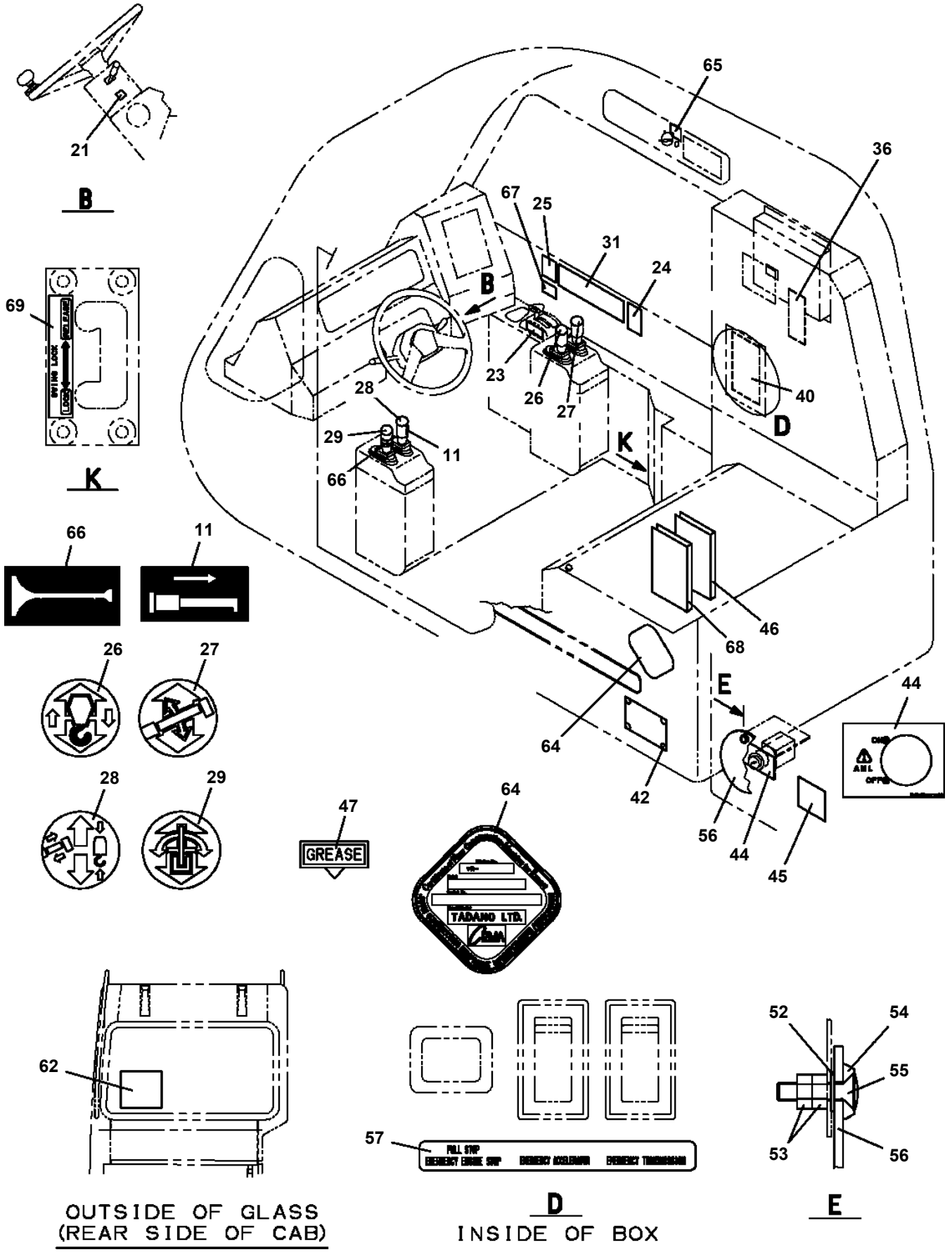
GR-350-2-00103 4 BOOM + 2 JIB, 2M2D

Pos No.	Parts No	Parts Name	Qty	Unit	Technical Data	Serial No (Start)	Serial No (End)
1	82100002827	BATTERY (GLOBAL & YUASA,130F51)	1				

GR-350-2-00103 4 BOOM + 2 JIB, 2M2D

Pos No.	Parts No	Parts Name	Qty	Unit	Technical Data	Serial No (Start)	S
1	37002204680	PLATE,NAME (ANGLE METER)	1				
5	34397961010	PLATE,NAME (GR-350XL)	2				
6	34396362100	PLATE,CAUTION(STWING AUX.WINCH ROPE)	1				
11	37002207270	PLATE,NAME (BOOM EXT.)	1				
14	33390521090	PLATE,NAME	2				
15	33394772040	PLATE,NAME	2				
16	33394772030	PLATE,NAME	2				
17	34391291051	PLATE,CAUTION (JIB HANDLING INSTRUCTION)	1				
18	90101210016	BOLT	1		M10X16		
19	12647107001	INDICATOR	1				
21	34390731280	PLATE,NAME (WINKER)	1				
23	19047017000	PLATE,CAUTION (DON'T KEEP GEAR)	1				
24	34397791060	PLATE,CAUTION (AFTER REPLACEMENT OR)	1				
25	34395411800	PLATE,CAUTION (WHEN THE OVERRIDE KEY SW)	1				
26	37002212090	PLATE,NAME (MAIN WINCH LEVER)	1				
27	37002212110	PLATE,NAME (ELEVATE LEVER)	1				
28	37002224260	PLATE,NAME (TELES&AUX/W LEVER)	1				
29	37002218710	PLATE,NAME (SWING LEVER)	1				
31	34398321010	PLATE,CAUTION(PRECAUTIONS FOR TRAVELING)	1				
34	34397521010	PLATE,CAUTION (FILTER ELEMENT)	1				
36	34397791041	PLATE,NAME	1				
40	34397791050	PLATE,CAUTION (EMERGENCY TRANSMISSION)	1				
41	34396970100	PLATE,CAUTION (ELECTROCUTION HAZARD)	1				
42	80147310420	RIVET	4		3.2X6		
44	34395411400	PLATE,NAME (AML ON/OFF)	1				
45	34394191320	PLATE,CAUTION (THIS KEY S/W BYPASSES)	1				
46	34398321100	LOAD CHART BOOKLET	1				
47	14137207000	PLATE,NAME (GREASE)	20				
52	37000515850	PLATE	1				
53	90201200600	NUT	2		M6		
54	90305210601	WASHER	1				
55	80186806025	SCREW,MACHINE	1		M6X25		
56	34392251300	PLATE	1				
57	34397791070	PLATE,NAME (PULL STOP)	1				
59	34392531210	PLATE,CAUTION (JIB TILT)	2				
60	34395412700	PLATE,CAUTION (PULL THE CONTROL)	1				
62	34397961040	PLATE,NAME(LIFTING OF CRANE FOR SHIPMEN)	1				
64	(*****)	PLATE,NAME	1				
65	34395752400	PLATE,CAUTION (SELECT CORRECT)	1				
66	37002200010	PLATE,NAME (HORN)	1				
67	34398261010	PLATE,CAUTION (SAE85%)	1				
81	37002214470	PLATE,NAME (BLUE & BLACK)	3				
82	37002214490	PLATE,NAME (WHITE & WHITE)	3				

**GR-350-2-00103 4 BOOM + 2 JIB, 2M2D
PN5010408-01 NAME PLATE ASSY (UPPER/ENG.& PORTUGUESE)**



**OUTSIDE OF GLASS
(REAR SIDE OF CAB)**

INSIDE OF BOX

E

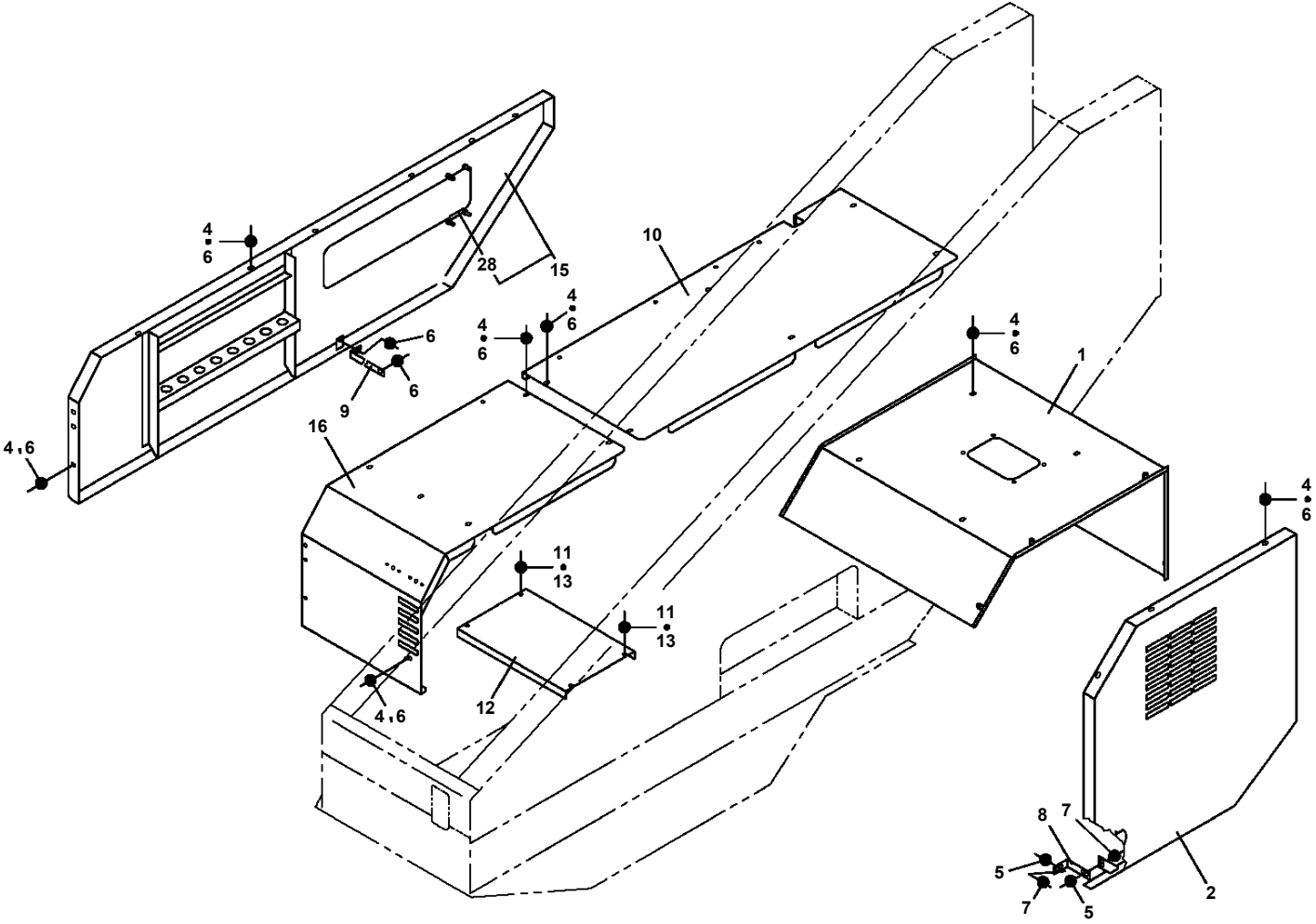
GR-350-2-00103 4 BOOM + 2 JIB, 2M2D

Pos No.	Parts No	Parts Name	Qty	Unit	Technical Data	Serial No (Start)	Serial No (End)	Re
10	34352901130	PLATE ASSY,NAME (NO.1-NO.38)	1					

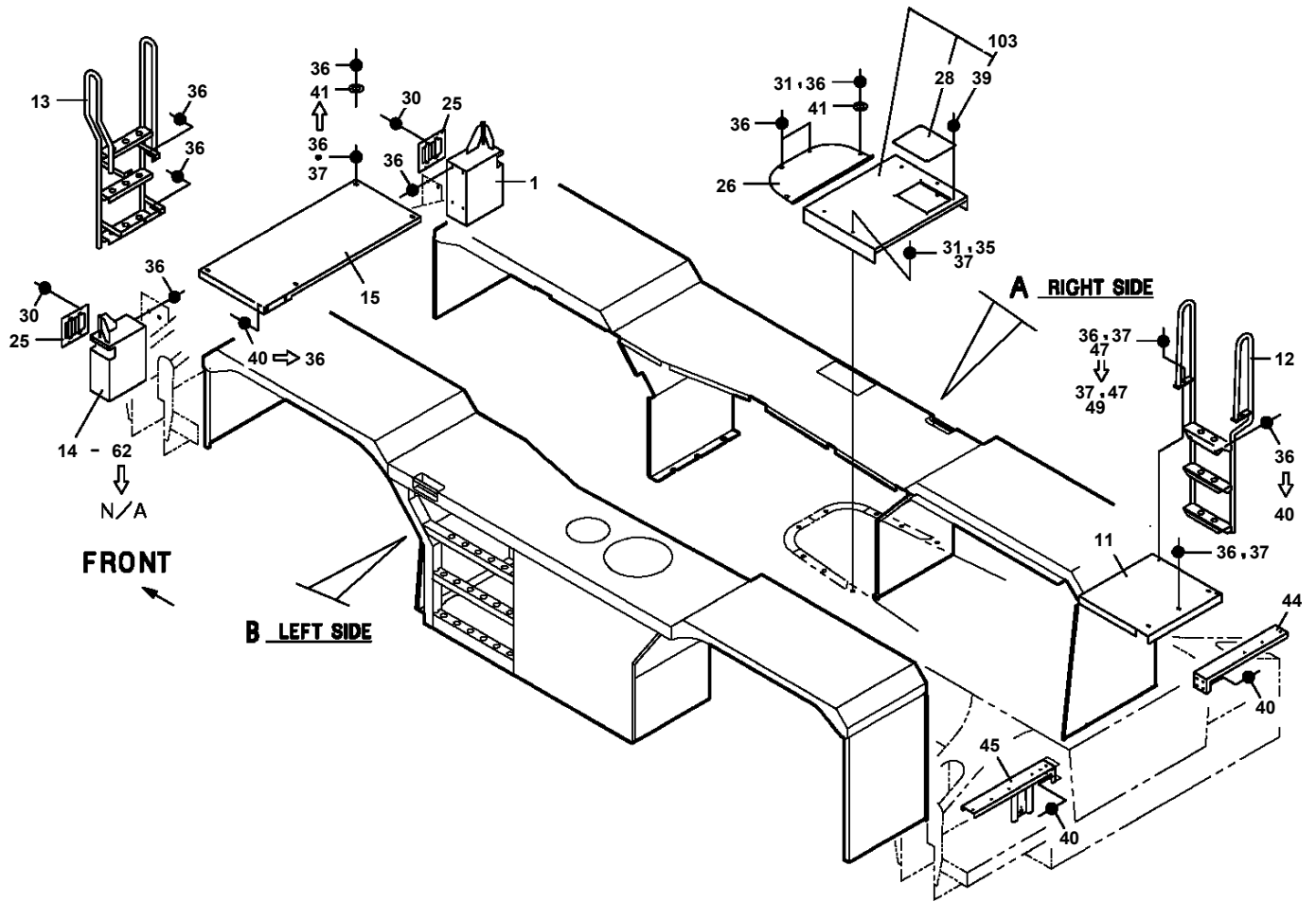
GR-350-2-00103 4 BOOM + 2 JIB, 2M2D

Pos No.	Parts No	Parts Name	Qty	Unit	Technical Data	Serial No (Start)	Serial No (End)	Rem
1	99171108020	BOLT,TAPPING	8		M8X20			
2	34320902700	CLAMP	7					
3	80400160127	JOINT	7					
4	91002801100	O-RING	9		1B P11			
5	80441010906	FITTING	1					
6	37002448610	HOSE	1		L=1250			
7	89640102000	HOSE	1		880-NFK,2M			
8	34322233000	ROD ASSY	1					
9	34322233500	ROD ASSY	1					
10	80441030904	FITTING,ELBOW (WITH O-RING)	1		L,G1/4-12.7			
11	80430620400	JOINT	2					
12	34321966000	PEDAL ASSY	2					
13	90180208020	BOLT,BUTTON	4		M8X20			
14	80186406016	SCREW,MACHINE	7		M6X16			
15	90305260601	WASHER	7		B1-6			
16	34322383000	SUPPORT	2					
17	90186208020	BOLT,FLANGE	20		M8X20			
18	34322235000	COVER	1					
20	90101208055	BOLT	2		M8X55			
21	90302040801	WASHER,SPRING	6		8			
22	34320903000	JOINT	1					
23	99172108020	BOLT,TAPPING	8		M8X20			
24	34322235500	LEVER ASSY	1					
25	34322236001	SUPPORT	1					
26	36638060000	VALVE,CONTROL	1					
27	91810130250	FASTENER	6					
29	34322234500	COVER	1					
32	37000105730	PIN	4					
33	80136320016	PIN,SPLIT	4		2X16			
34	90303070801	WASHER,PLAIN	12		8			
35	37000582110	PLATE	4					
36	34321025100	CLAMP	3					
37	82135901901	BAND,MARK (1)	6					
38	82135901902	BAND,MARK (2)	6					
39	82135901903	BAND,MARK (3)	2					
40	82135901904	BAND,MARK (4)	2					
41	82135901954	BAND,MARK (D)	4					
42	82135901966	BAND,MARK (P)	6					
43	82135901969	BAND,MARK (S)	4					
44	82135901970	BAND,MARK (T)	4					
45	82135901973	BAND,MARK (W)	8					
46	34320902600	GROMMET	2					
47	36672530000	FILTER (WITH O-RING)	3					
50	82100002039	CLAMP	1					
51	90280200800	NUT,FLANGE	5		M8			
53	37000302040	SPACER	4		L=10			
54	80481002030	JOINT	2		S,G1/4-G3/8			
55	90186208025	BOLT,FLANGE	6		M8X25			
71	91002801400	O-RING	1		1B P14			
81	80565000082	END	2					
82	90291200800	NUT	2		M8			
83	90302040801	WASHER,SPRING	4		8			
84	37001501540	BOLT	2					
85	90201200800	NUT	4		M8			
86	34322233100	ROD	1					
87	37000105730	PIN	2					
88	90303070801	WASHER,PLAIN	2		8			
89	80136320016	PIN,SPLIT	2		2X16			
106	34322233600	ROD	1					
121	91002801100	O-RING	18		1B P11			
131	37000132540	PIN	2		20			
132	90101208012	BOLT	2		M8X12			
134	34321966100	COVER	2					

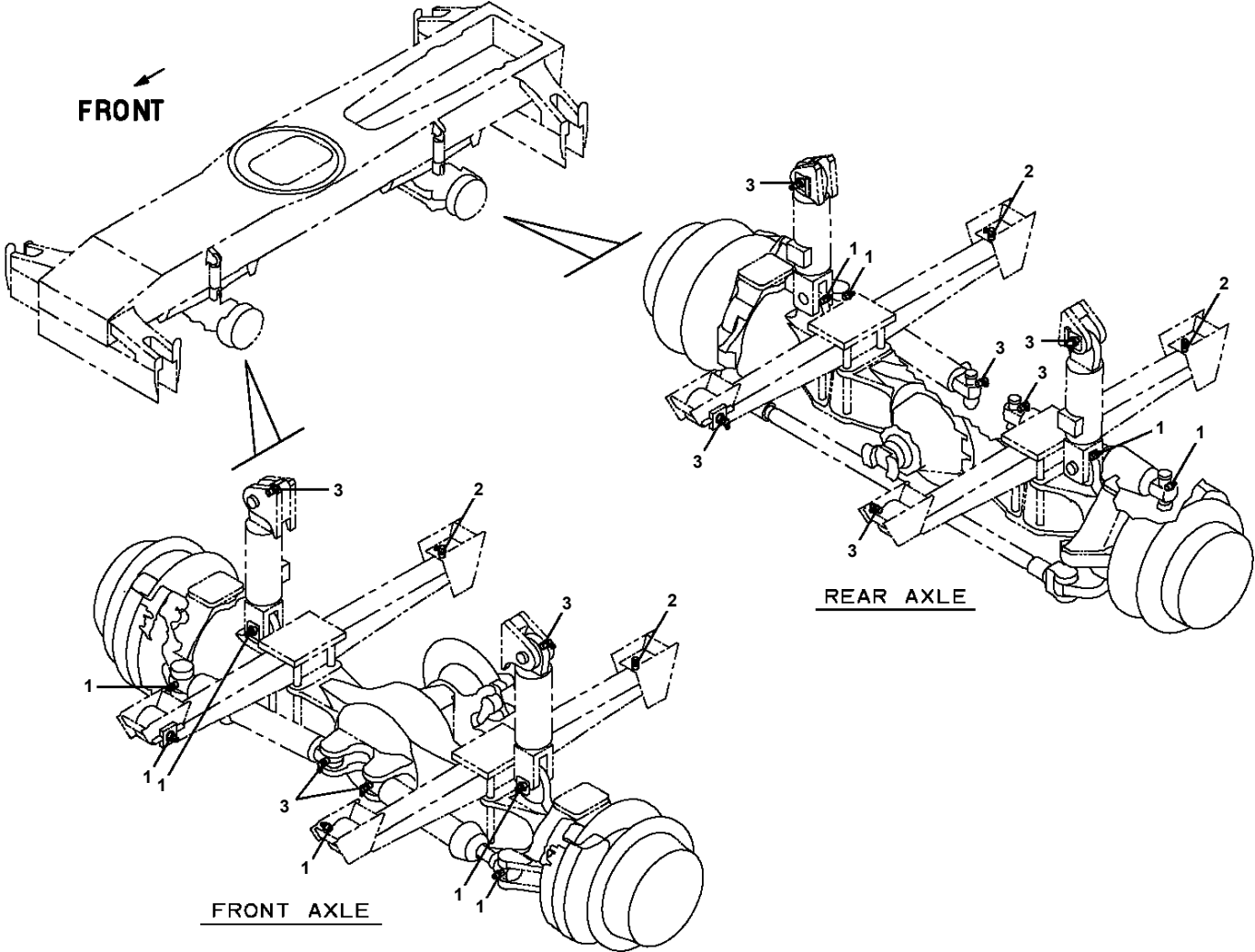
GR-350-2-00103 4 BOOM + 2 JIB, 2M2D
PO5260018-00 OUTER COVERING ASSY (SWING FRAME)



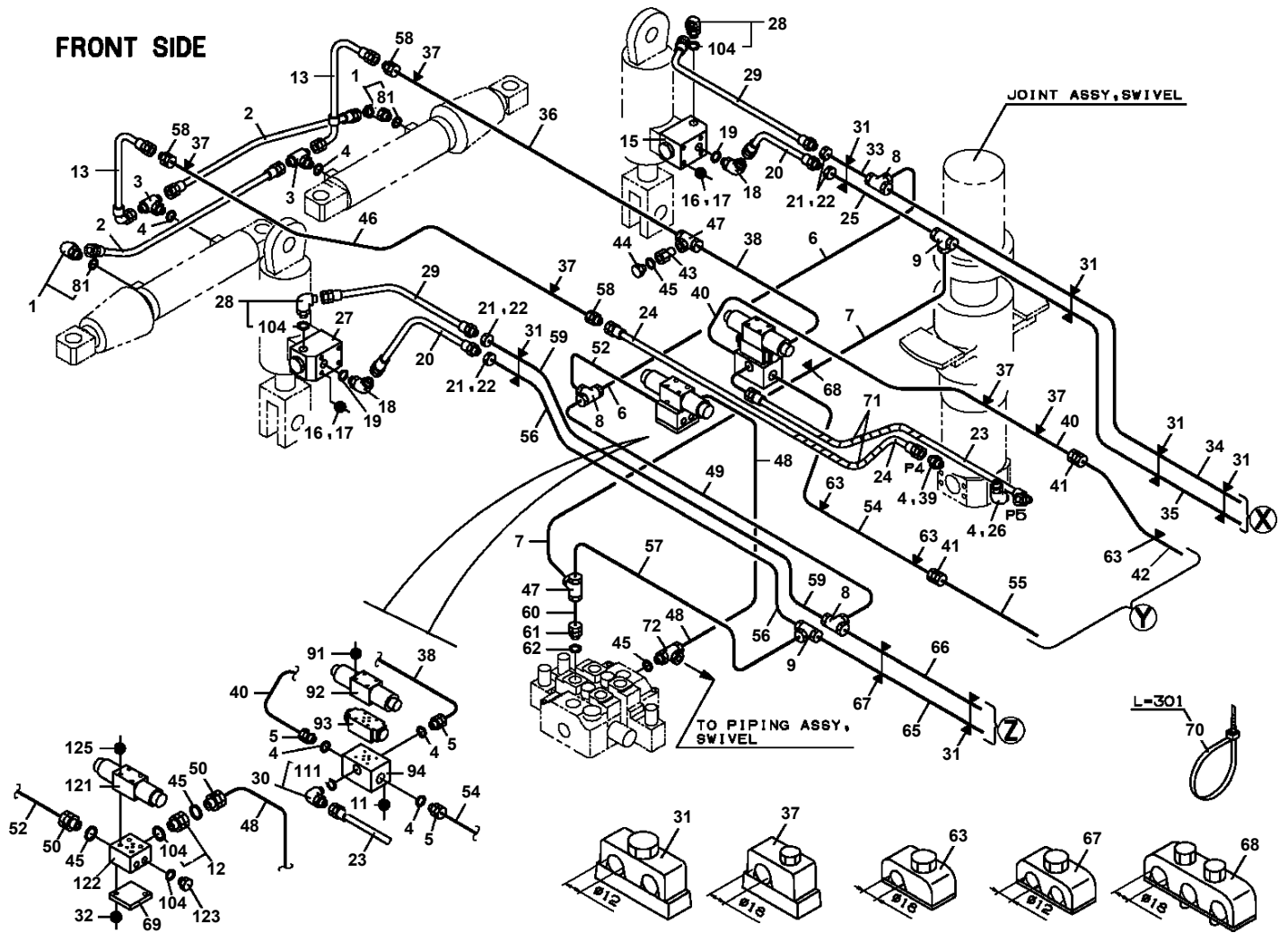
GR-350-2-00103 4 BOOM + 2 JIB, 2M2D
PO5260051-04 OUTER COVERING ASSY (FENDER)



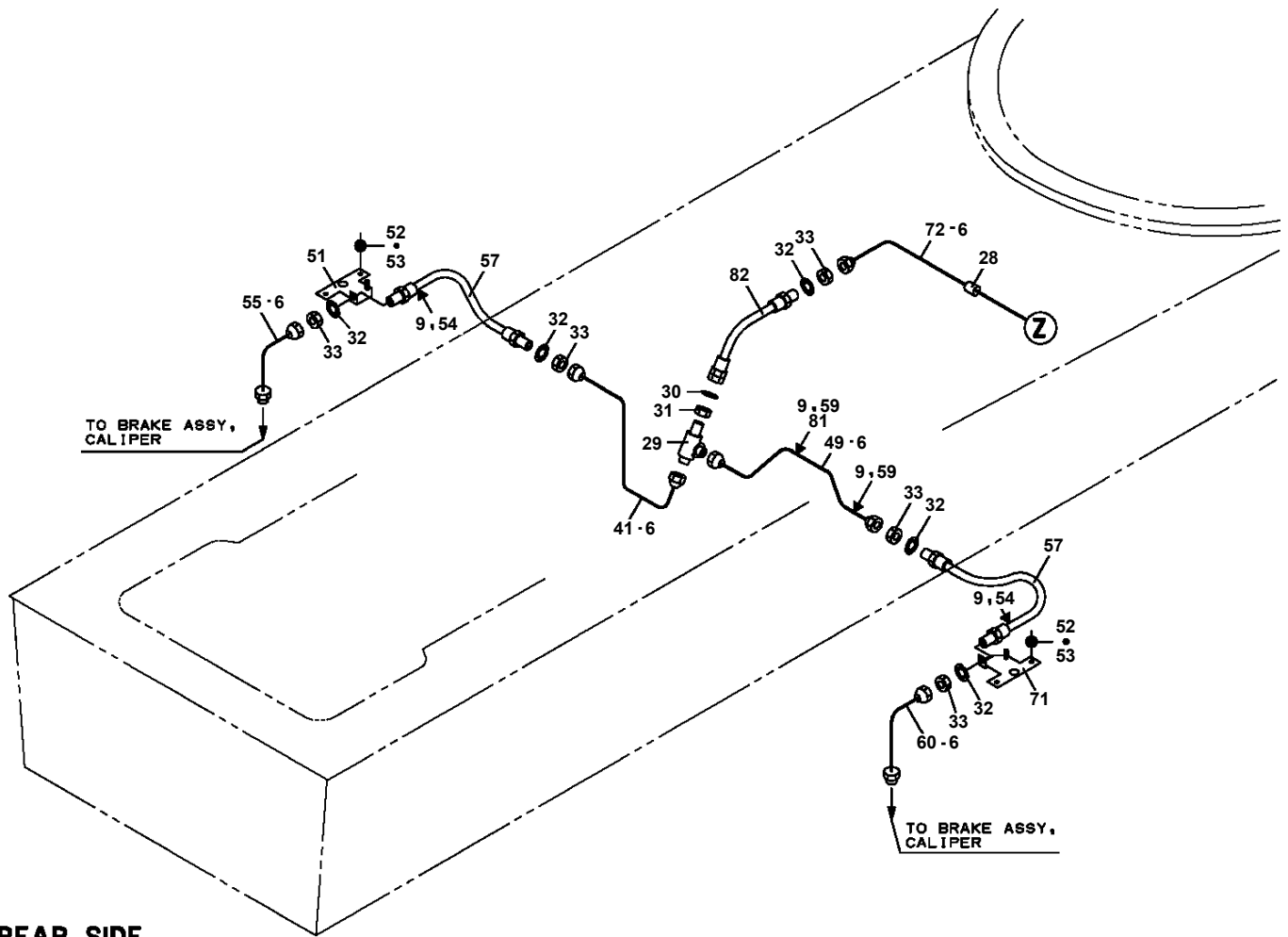
GR-350-2-00103 4 BOOM + 2 JIB, 2M2D
PP5120030-00 PARTS ASSY,GREASE



GR-350-2-00103 4 BOOM + 2 JIB, 2M2D
PP6010096-00 PIPING ASSY (STEER/SPRING LOCK)



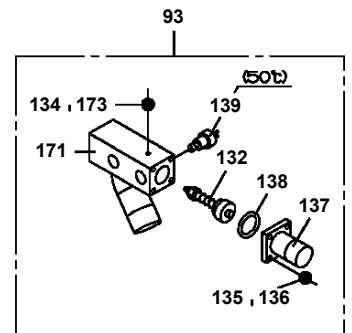
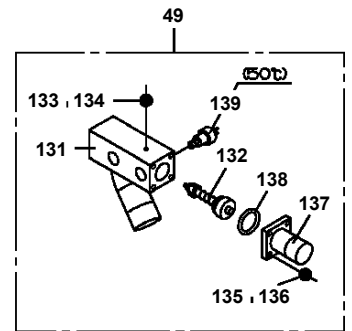
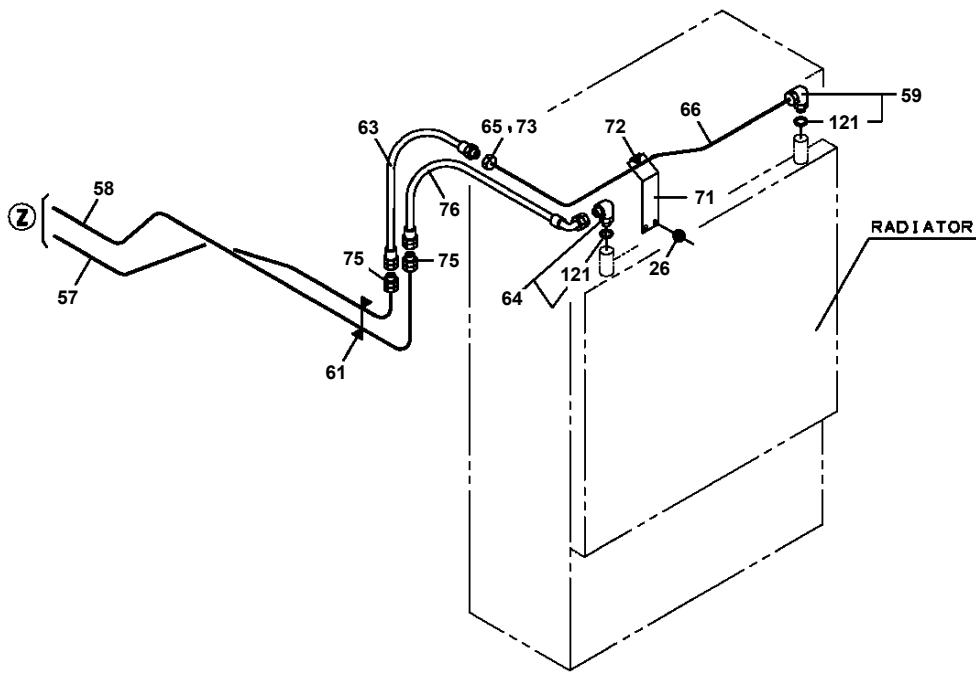
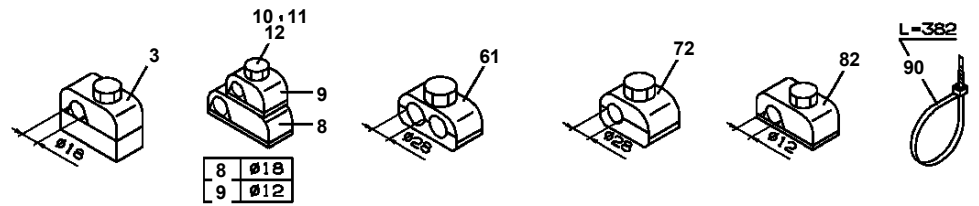
GR-350-2-00103 4 BOOM + 2 JIB, 2M2D
PP6070006-00 PIPING ASSY, BRAKE (LOWER)



GR-350-2-00103 4 BOOM + 2 JIB, 2M2D

Pos No.	Parts No	Parts Name	Qty	Unit	Technical Data	Serial No (Start)	Serial No (End)
81	91002801400	O-RING	4		1B P14	561562	
91	91002801800	O-RING	1		1B P18		

GR-350-2-00103 4 BOOM + 2 JIB, 2M2D
PP6270015-02 PIPING ASSY, RETURN (LOWER)



GR-350-2-00103 4 BOOM + 2 JIB, 2M2D

Pos No.	Parts No	Parts Name	Qty	Unit	Technical Data	Serial No (Start)	Serial No (End)
1	80400160131	JOINT	1				
2	91002801800	O-RING	3		1B P18		
3	37002442560	HOSE	1		L=1300		
4	37000924110	JOINT	1		S,G1/2-G1/2		
5	90101510035	BOLT	8		M10X35		
6	90302041001	WASHER,SPRING	16		10		
7	90172110030	BOLT,HEXAGON SOCKET	5		M10X30		561797
	90172110030	BOLT,HEXAGON SOCKET	6		M10X30	561798	
8	80303130321	FITTING,ELBOW	1		KLO28-080E		
10	90101210100	BOLT	3		M10X100		
11	90280201000	NUT,FLANGE	3		M10		
12	90191510030	BOLT	3		M10X30		561797
	90191510030	BOLT	2		M10X30	561798	
15	91002802400	O-RING	1		1B P24		
18	37002411260	HOSE	1		L=2650		
19	37002415790	HOSE	1		L=1375		561582
20	37002411070	HOSE	1		L=2650		
21	37002485370	HOSE	1		L=1650		
22	81408000341	PIPE,STEEL	1	M	28X3.1T		
23	37000909610	JOINT	1				561582
24	91002802900	O-RING	1		1B P29		561582
	91002802900	O-RING	2		1B P29	561583	
26	80316070100	PLUG	1		G3/4		
27	82100002535	TUBE,SPIRAL	5	M	SE-29BK		
28	90280200800	NUT,FLANGE	19		M8		
29	37000908580	JOINT	1		L G3/4-28		
32	82100002017	CLAMP	8		WR30		
33	82100002015	CLAMP	1		WRC20		
34	82100002016	CLAMP	6		WR25		
35	90186208014	BOLT,FLANGE	4		M8X14		
36	36740730001	VALVE,PILOT OPERATED CONTROL	1				
40	81408000160	PIPE,STEEL	1	M	12X1.4T		
41	81408000160	PIPE,STEEL	1	M	12X1.4T		
42	81408000160	PIPE,STEEL	2	M	12X1.4T		
43	81408000160	PIPE,STEEL	2	M	12X1.4T		
45	37002425870	HOSE	1		L=600		561865
46	37002474860	HOSE	1		L=480		561865
47	80306010105	NUT	1		KKN12-000E		561865
48	80309010105	SLEEVE	1		KK012-000E		561865
49	80430620400	JOINT	2				
50	80305131202	FITTING,TEE	1		T G1/4-12-12		
51	91002801100	O-RING	4		1B P11		
53	80302090141	FITTING	1		KCO12-020N		
54	37000921720	JOINT	1		S G1/4-M10		
55	37000932660	JOINT (WITH O-RING)	1		T G1/4-G1/4-G1/4		
56	59457138000	PLUG ASSY	1				
57	80481702020	JOINT	1		L,G1/4-G1/4		
58	80320010075	FITTING	1		KUD12-020N		561865
	80320010075	FITTING	2		KUD12-020N	561866	
61	36740110000	VALVE,SOLENOID	1				
62	80430620800	JOINT	1				
63	82100002009	CLAMP	1		WRC12		
64	37000918330	JOINT	1		G1/2-G3/4		
65	80301010100	FITTING	1		KUA12-000N		
66	37000913040	JOINT (WITH O-RING)	1		L,G1-G3/4		
67	37000701500	CLAMP ASSY	3		12X1		
68	36672630000	FILTER (WITH O-RING)	1				
69	37000711000	CLAMP ASSY	1		12-1		
70	82100002877	TUBE,SPIRAL	1	M	SE-24BK		
71	37002416300	HOSE	1		L=1380	561583	
72	37000930200	JOINT	1		S,G1-G1	561583	
73	80400160134	JOINT	1			561583	
74	37002411660	HOSE	2		L=630	561866	

GR-350-2-00103 4 BOOM + 2 JIB, 2M2D

Pos No.	Parts No	Parts Name	Qty	Unit	Technical Data	Serial No (Start)	Serial No (End)	Rem
1	36302115010	SPIDER ASSY	2					
2	36302695010	YOKE ASSY	1					
3	36302115030	BOLT	16		M12X53X1.25			
4	36302115040	WASHER,SPRING	16					
11	59236000010	NIPPLE,GREASE (UNF1/4X35A)	2					
21	59236000020	NIPPLE,GREASE	1		NPTF 1/8A			
30	36302695000	PROPELLER SHAFT,DRIVING	1					

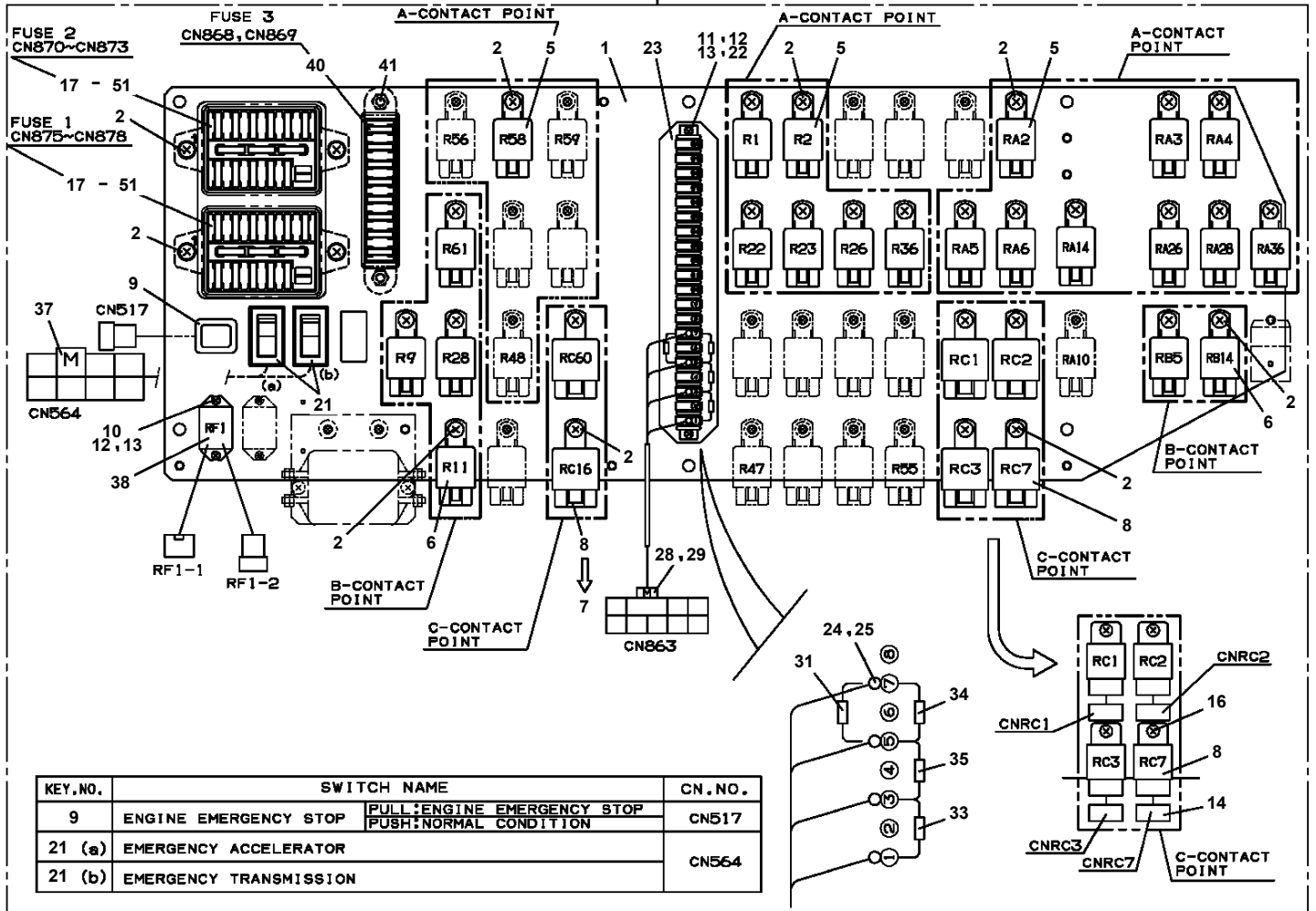
GR-350-2-00103 4 BOOM + 2 JIB, 2M2D

Pos No.	Parts No	Parts Name	Qty	Unit	Technical Data	Serial No (Start)	Serial No (End)	Remarks	P
5	36381995460	PLATE (LOCK)	1						
6	36381385270	BOLT (WITH WASHER)	6						
7	36381995470	BOOT,RUBBER	1						
8	36381995480	BAND (BOOT)	1						
9	36381995490	BAND (BOOT)	1						
100	36381995220	JOINT,BALL	1						

GR-350-2-00103 4 BOOM + 2 JIB, 2M2D PR5090047-01 RELAY ASSY (CAB)

展開圖有
ILLUSTRATED BREAKDOWN NO. 17 40)

100



GR-350-2-00103 4 BOOM + 2 JIB, 2M2D

Pos No.	Parts No	Parts Name	Qty	Unit	Technical Data	Serial No (Start)	Serial No (End)
1	36061921000	CYLINDER	1				
	36061921000	CYLINDER	1				
2	80136350071	PIN,SPLIT	1				
	80136350071	PIN,SPLIT	1				
3	37001600340	NUT	1				
	37001600340	NUT	1				
4	36061136000	PISTON	1				
	36061136000	PISTON	1				
5	91350207500	BEARING,PLAIN (WITH PACKINGX2)	1				
	91350207500	BEARING,PLAIN (WITH PACKINGX2)	1				
6	91002804000	O-RING	1		1B P40		
	91002804000	O-RING	1		1B P40		
7	36061132000	ROD ASSY	1				
	36061132000	ROD ASSY	1				
8	36061134000	COVER,ROD	1				
	36061134000	COVER,ROD	1				
9	91002806500	O-RING	1		1B P65		
	91002806500	O-RING	1		1B P65		
10	91251100400	RING,DAMPER	1				
	91251100400	RING,DAMPER	1				
11	91694004000	PACKING	1				
	91694004000	PACKING	1				
12	91410204001	RING,BACKUP	1				
	91410204001	RING,BACKUP	1				
13	91660004001	SEAL,DUST	1				
	91660004001	SEAL,DUST	1				
15	91801301000	CLIP	1				
	91801301000	CLIP	1				
16	36061133000	BOOT	1				
	36061133000	BOOT	1				
17	91801300650	CLIP	1		D=60-65		
	91801300650	CLIP	1		D=60-65		
18	91301104000	BEARING,PLAIN	1				
	91301104000	BEARING,PLAIN	1				
30	37000400990	BEARING,PLAIN	2				
	37000400990	BEARING,PLAIN	2				
41	37000402270	BEARING,PLAIN	2				
	37000402270	BEARING,PLAIN	2				
50	36061929900	PACKING SET	1		40X75		
	36061929900	PACKING SET	1		40X75		
100	36061920000	CYLINDER,STEERING	1				
	36061920000	CYLINDER,STEERING	1				

GR-350-2-00103 4 BOOM + 2 JIB, 2M2D

Pos No.	Parts No	Parts Name	Qty	Unit	Technical Data	Serial No (Start)	Serial No (End)
1	36303085040	JOINT,UNIVERSAL	2				
4	36302705040	BOLT	8				
5	36302705050	WASHER,SPRING	8				
11	82457109000	NIPPLE,GREASE	2		A-PT1/4		
21	82455106000	NIPPLE,GREASE	1		A-M6F FE		
51	36303535020	YOKE ASSY	1				
100	36303533000	SHAFT ASSY,PROPELLER (MATSUI)	1				

GR-350-2-00103 4 BOOM + 2 JIB, 2M2D

Pos No.	Parts No	Parts Name	Qty	Unit	Technical Data	Serial No (Start)	Serial M
1	34640791200	JOINT	1				
2	91002802400	O-RING	5		1B P24		
3	36653520000	PUMP,HYDRAULIC (EMERGENCY STEERING)	1				
4	34640271700	GASKET	1				
5	91803600400	CLIP	8		D=27-40		
6	37002413410	HOSE	1		L=710		
7	34640272300	JOINT	2		G3/4		
8	37002509620	HOSE	1		L=400		
9	80441030904	FITTING,ELBOW (WITH O-RING)	1		L,G1/4-12.7		
10	90186210016	BOLT,FLANGE	3		M10X16		
11	90303071001	WASHER,PLAIN	2		10		
12	90191510030	BOLT	2		M10X30		
13	90302041001	WASHER,SPRING	2		10		
16	89640101000	HOSE	1		880-NFK,1M		
17	80400160126	FITTING,TEE	1		20364-U1/2		
18	37002513300	HOSE	1		L=535		
19	37000910010	JOINT	1		G3/4-25		
20	80430621200	JOINT	3				
22	36640830000	VALVE,HYDRAULIC	1				
24	80400160133	JOINT	1				
25	80316100020	PLUG	1		GPF 1/4		
26	91002801100	O-RING	1		1B P11		
27	82100001819	TUBE,SPIRAL	2	M	SE-18BK		
28	91810130270	FASTENER	3				
29	91002801400	O-RING	1		1B P14		
30	80316070060	PLUG	1		PF3/8		
31	37002408750	HOSE	1		L=1060		
41	91002801100	O-RING	1		1B P11		
51	91002802400	O-RING	3		1B P24		

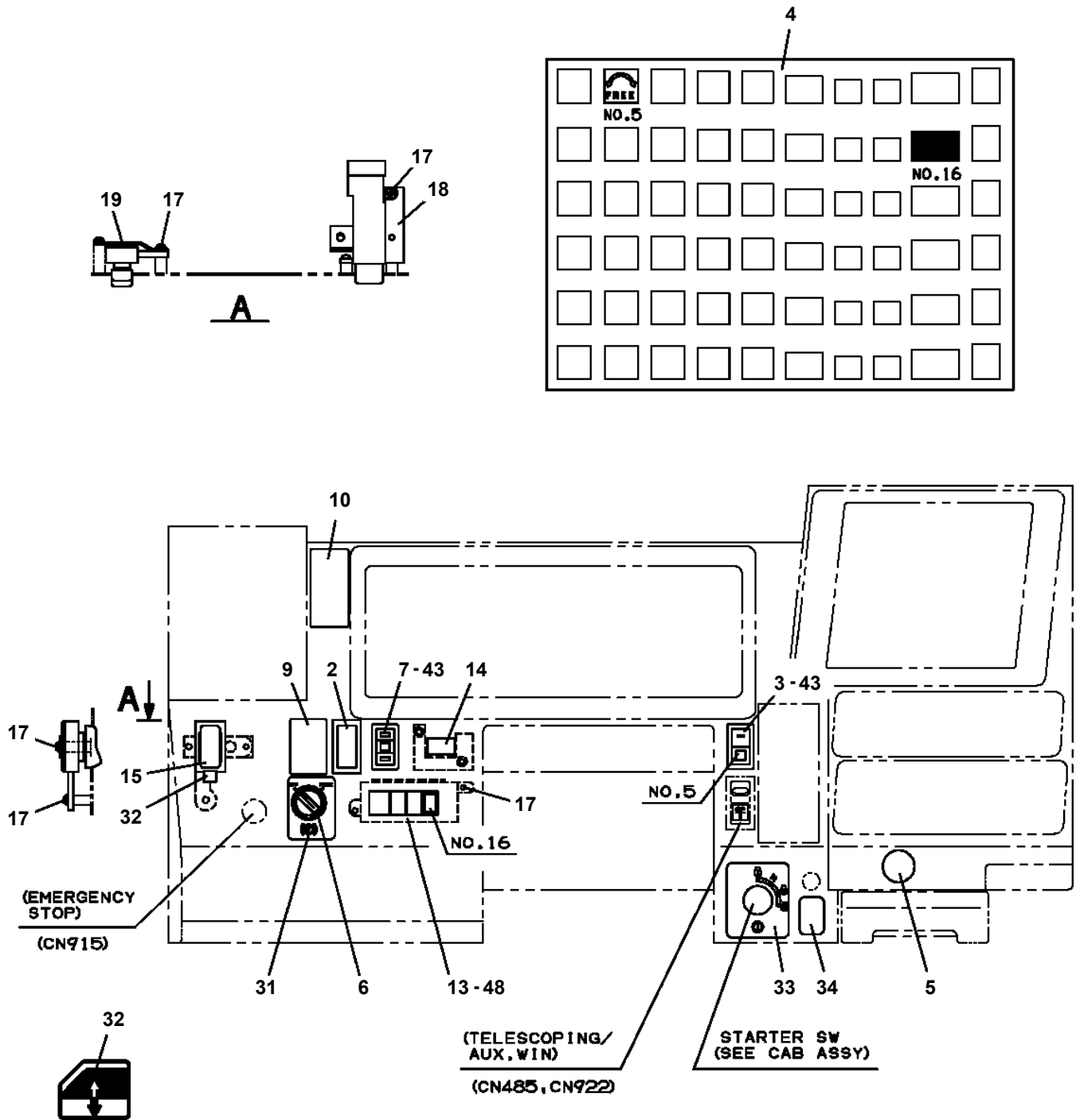
GR-350-2-00103 4 BOOM + 2 JIB, 2M2D

Pos No.	Parts No	Parts Name	Qty	Unit	Technical Data	Serial No (Start)	Serial No (End)	Remarks	Pages
1	34443941100	SUPPORT	1						
2	34260955200	SUPPORT	1						
3	34443941500	SUPPORT	2						
4	34444651100	SUPPORT	1						
6	34444593400	SUPPORT	1						
7	34444593500	SUPPORT	2						
8	37000551220	PLATE	3				561558		
	37000551220	PLATE	2			561559			
9	37000513560	PLATE	2						
10	34444651200	GRIP	1						
11	42625565960	PLATE	1			561559			

GR-350-2-00103 4 BOOM + 2 JIB, 2M2D

Pos No.	Parts No	Parts Name	Qty	Unit	Technical Data	Serial No (Start)	Serial No (End)	Remarks	Pages
1	34231328100	TABLE,SLEWING	1						
2	37000103710	PIN	1						
3	37000102990	PIN	1						
4	34230007000	PLATE	1						
5	34200025400	PLATE	1						
6	33230310010	COVER	1						
7	90186208014	BOLT,FLANGE	2		M8X14				
9	34230006000	PLATE	1						
10	90101510030	BOLT	4		M10X30				
11	90302041001	WASHER,SPRING	4		10				
12	16242002001	PLATE	1						
13	37001503440	BOLT	18		M22X125				
14	90303502201	WASHER,PLAIN	29		22				
16	90201702200	NUT	5		M22				
17	37001503930	BOLT	6		M22X145				
18	37001508250	BOLT	2		M22X145				
19	90303502401	WASHER,PLAIN	2		24				

**GR-350-2-00103 4 BOOM + 2 JIB, 2M2D
PS5530078-00 SWITCH ASSY (CAB/FRONT SWITCH)**

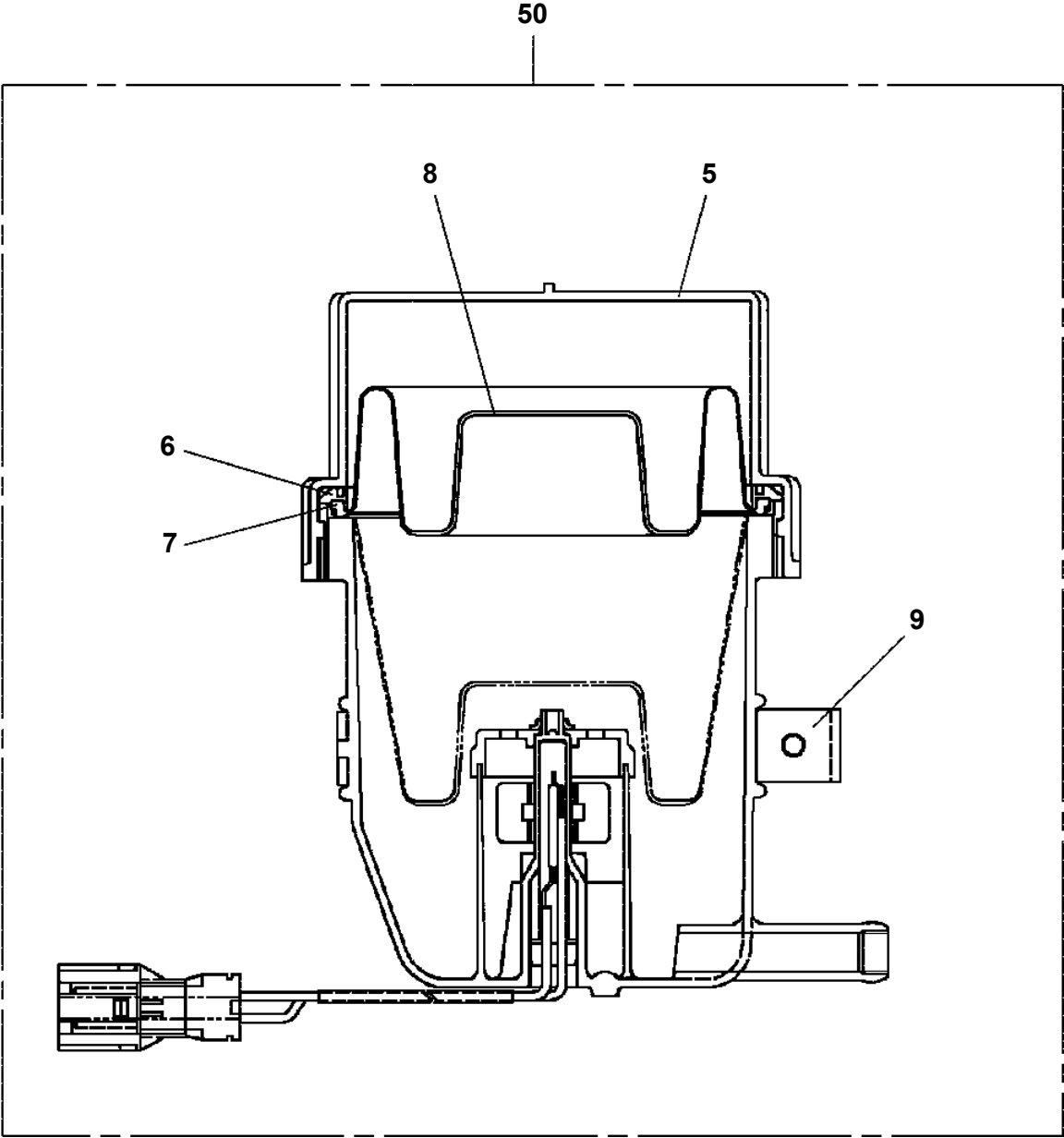


KEY.NO.	NAME	CN.NO.	KEY.NO.	NAME	CN.NO.
2	COVER	CN1380	9	NAME PLATE (DPF LEVEL GAUGE)	(CN1382)
3	SWING FREE/LOCK	CN487	10	NAME PLATE (INDICATOR FOR DPF)	(CN1381)
5	CIGARETTE LIGHTER	CN824	13	STEERING MODE SELECT	CN514
6	PARKING BRAKE	CN510	14	HAZARD LAMP	CN494
7	DRIVE MODE SELECT	CN476	15	POWER WINDOW	CN467

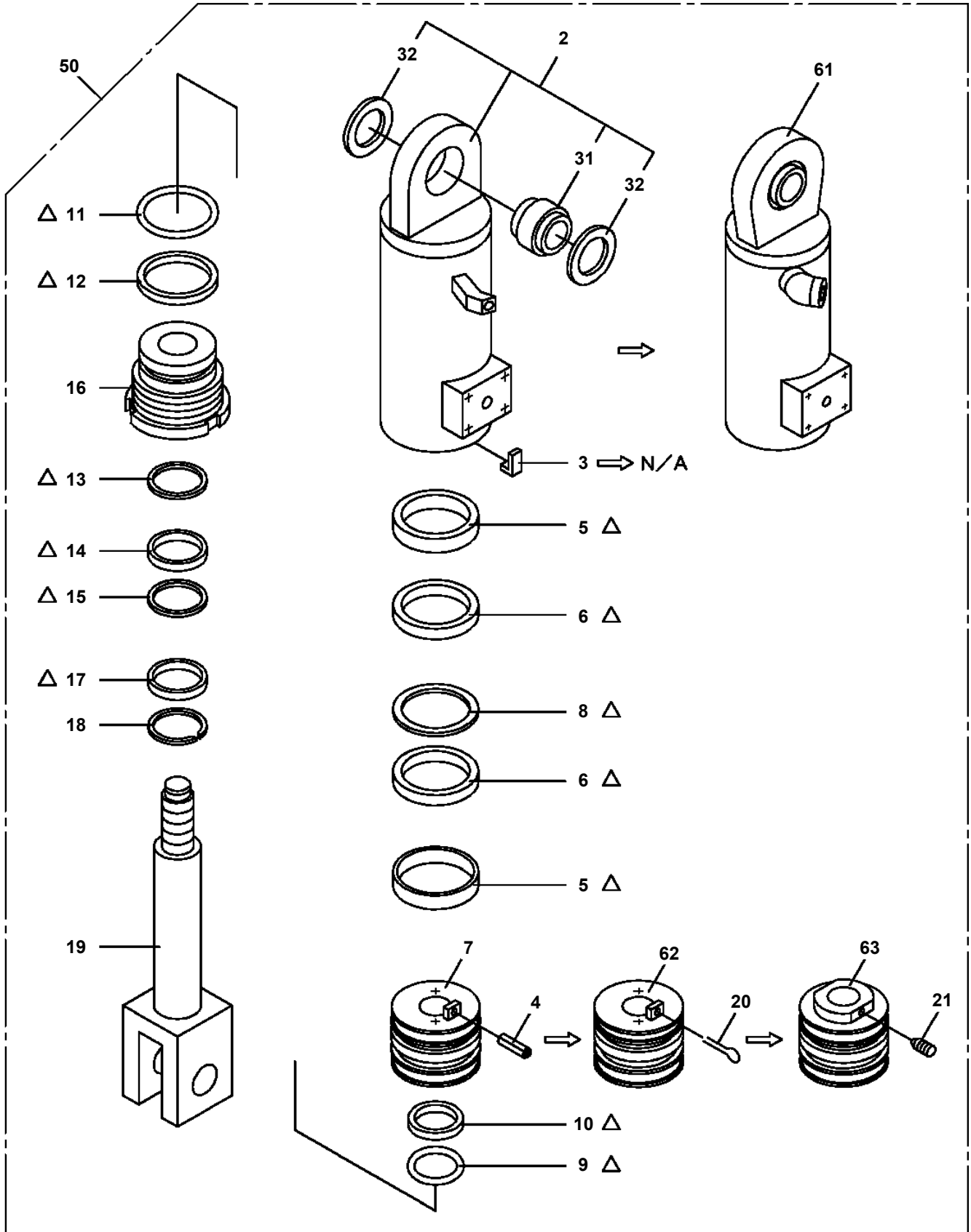
GR-350-2-00103 4 BOOM + 2 JIB, 2M2D

Pos No.	Parts No	Parts Name	Qty	Unit	Technical Data	Serial No (Start)	Serial No (End)	Remarks	Pages
1	80430470650	JOINT	4						
3	82100001819	TUBE, SPIRAL	1	M	SE-18BK		561639		
	82100001819	TUBE, SPIRAL	2	M	SE-18BK	561640			
4	37000600120	CLAMP	3		WR45				
5	90186208025	BOLT, FLANGE	2		M8X25				
6	37002474820	HOSE	2		L=2150		561639		
	37002471350	HOSE	2		L=2000	561640			
7	90280200800	NUT, FLANGE	1		M8				
8	37002484210	HOSE	1		L=2400				
9	37002471320	HOSE	1		L=2350		561639		
	37012401730	HOSE	1		L=2250	561640			
10	90191208030	BOLT	2		M8X30				
11	90302040801	WASHER, SPRING	3		8				
12	90303070801	WASHER, PLAIN	1		8				
13	90101208040	BOLT	1		M8X40				
14	91810130250	FASTENER	1						
15	82100001819	TUBE, SPIRAL	3	M	SE-18BK	561640			
16	82100001819	TUBE, SPIRAL	3	M	SE-18BK	561640			
31	36604510000	VALVE, BRAKE	1						000328
32	90710008160	SCREW, SET	1		M8X16				
35	90303071001	WASHER, PLAIN	2		10				
36	80136332016	PIN, SPLIT	2		3.2X16				
37	34721208010	PEDAL ASSY	1						
38	82400000035	COVER (PEDAL)	1						
41	37000117490	PIN	1						
51	34330161100	ROLLER	1						
52	37000117540	PIN	1						
56	90102208060	BOLT	1		M8X60				
57	90201200800	NUT	1		M8				
72	80804010010	BEARING, PLAIN	1						

GR-350-2-00103 4 BOOM + 2 JIB, 2M2D
PT1260003-03 TANK,BRAKE FLUID

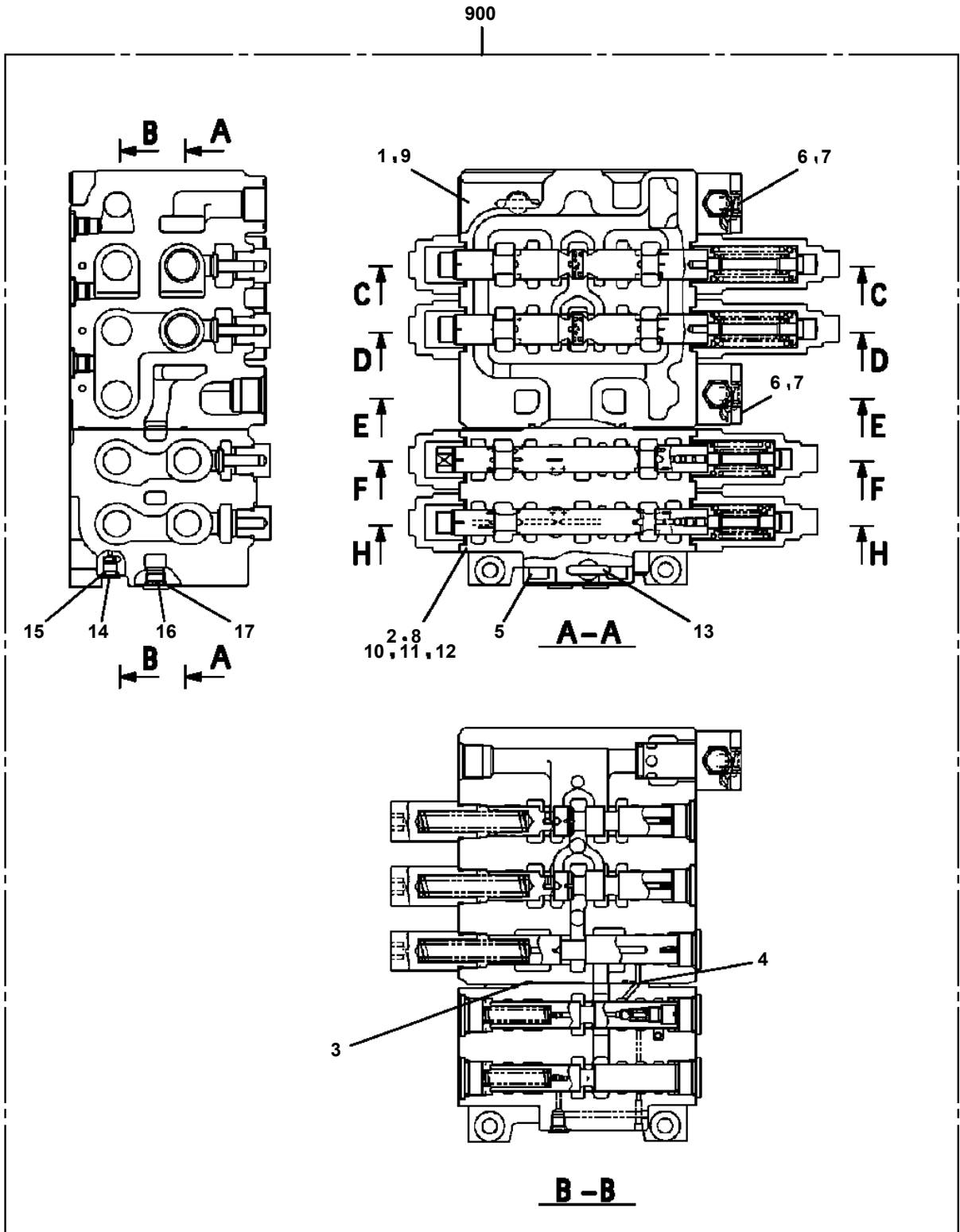


**GR-350-2-00103 4 BOOM + 2 JIB, 2M2D
 PU1050031-05 CYLINDER,SPRING LOCK**



Δ:PACKING SET KEY NO.40 (KEY NO.5,6,8,9,10,11,12,13,14,15,17)

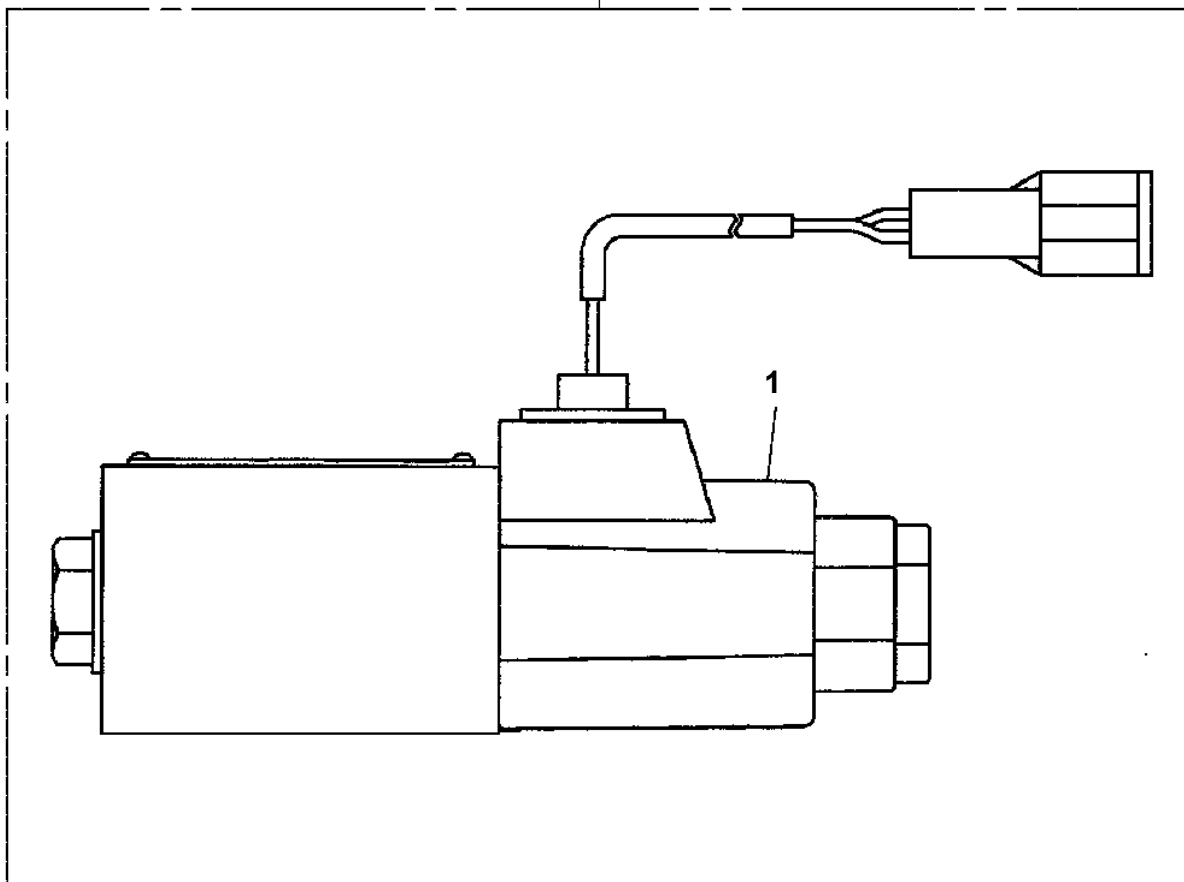
GR-350-2-00103 4 BOOM + 2 JIB, 2M2D
 PV5190004-02 VALVE ASSY,SELECTOR (PILOT CONT.)



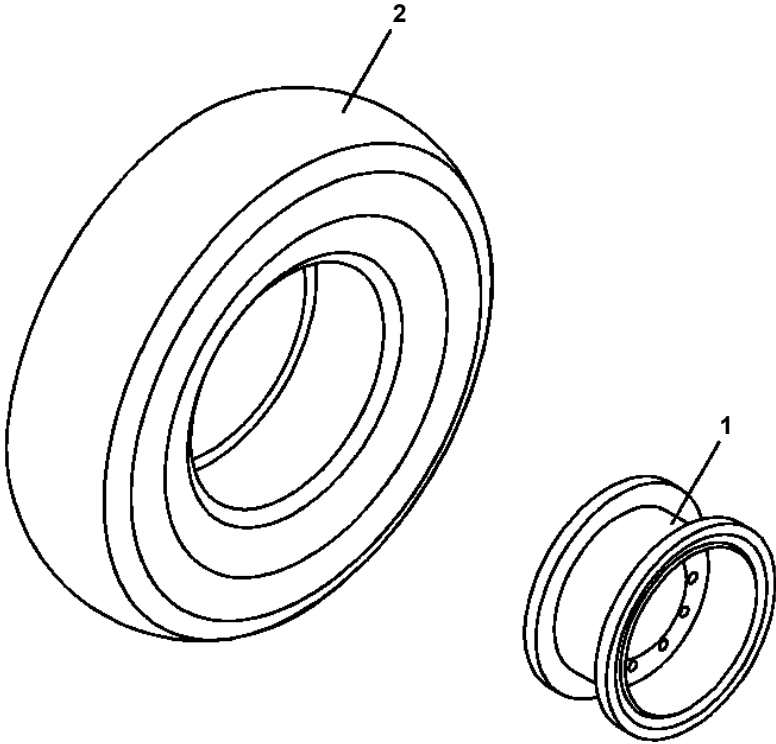
展開図有
 ILLUSTRATED BREAKDOWN NO.1,2,6,8,9,10,11,12

GR-350-2-00103 4 BOOM + 2 JIB, 2M2D
PV5240030-00 VALVE ASSY,SOLENOID

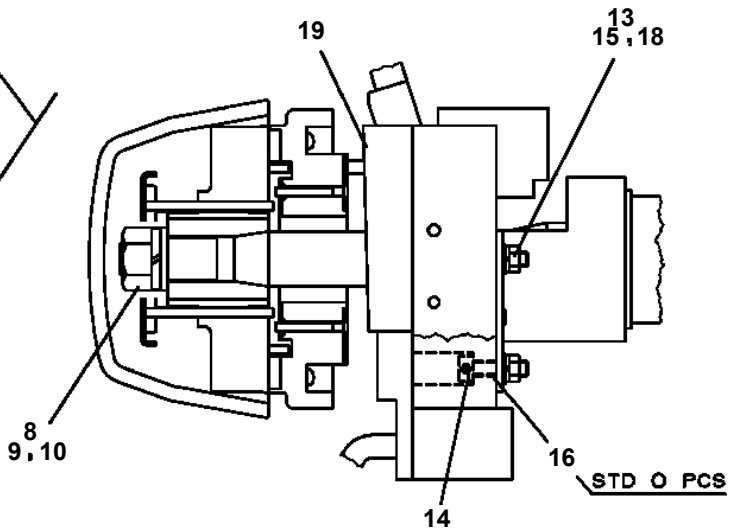
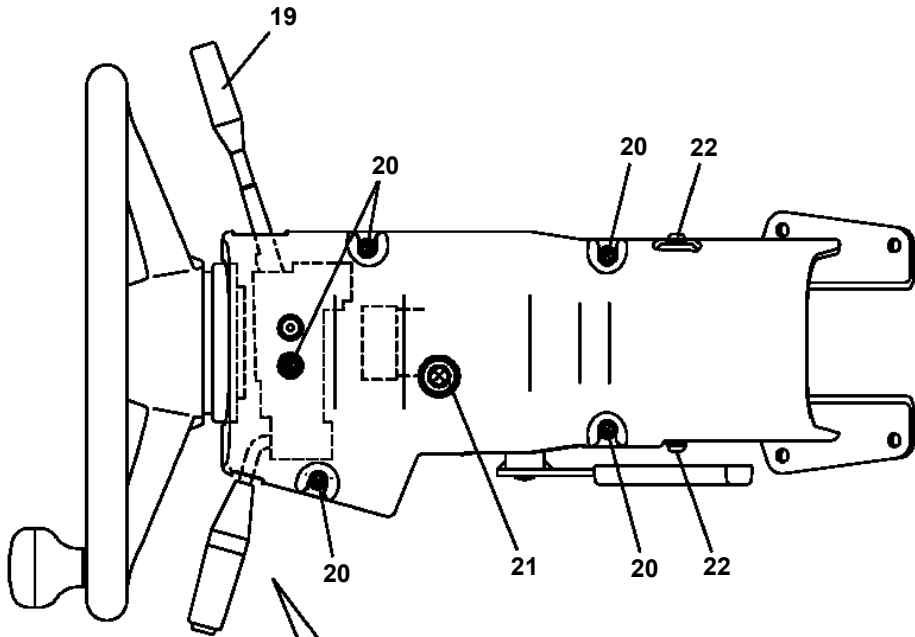
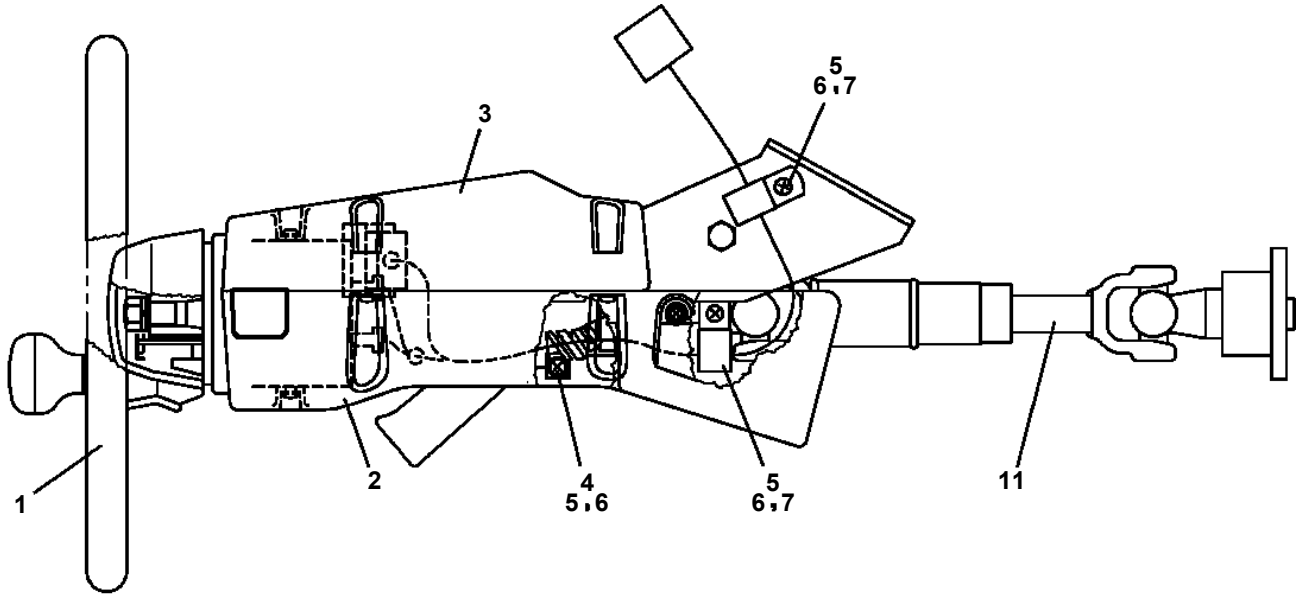
100



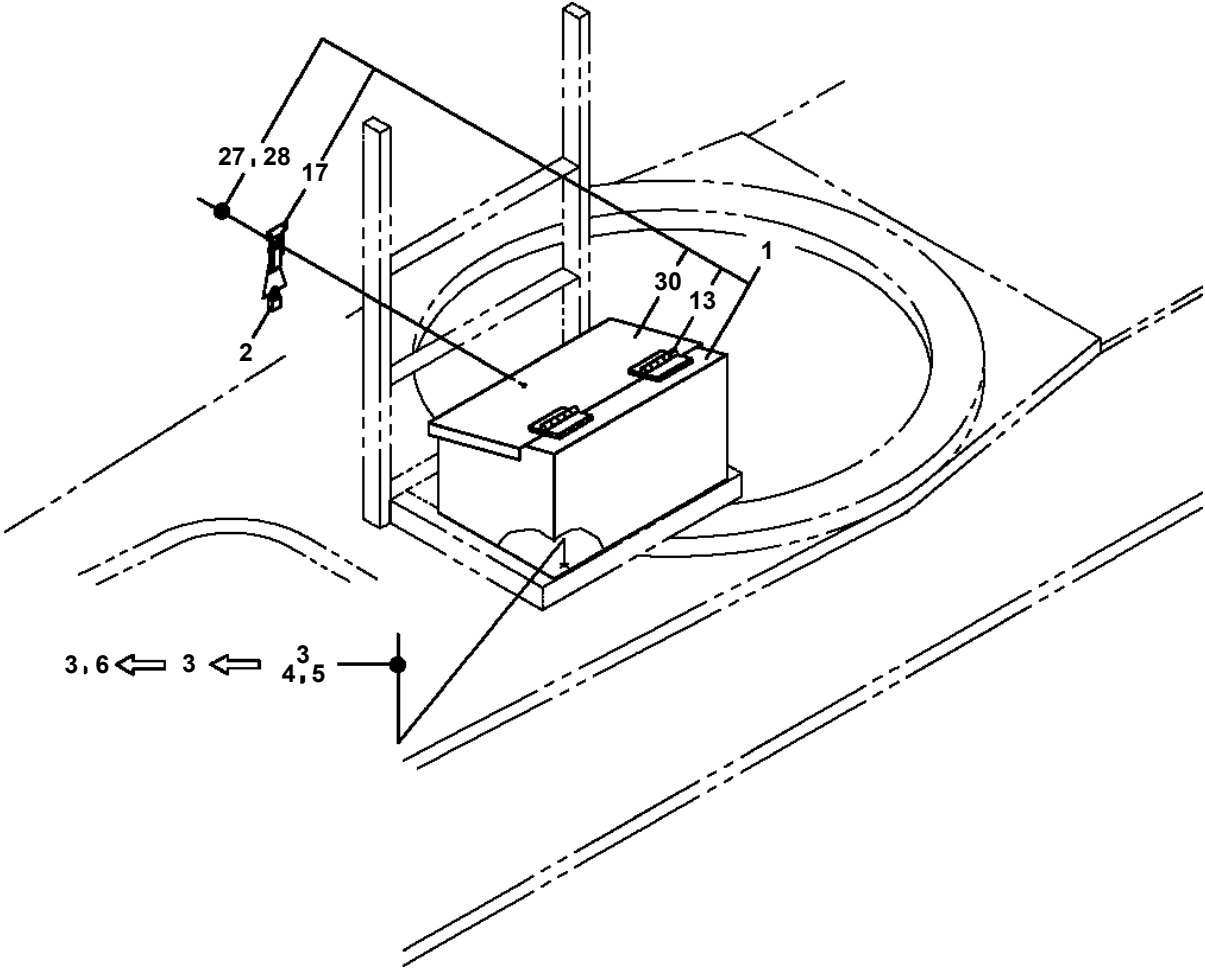
GR-350-2-00103 4 BOOM + 2 JIB, 2M2D
PW5030020-00 WHEEL ASSY (TOPY + TOYO)



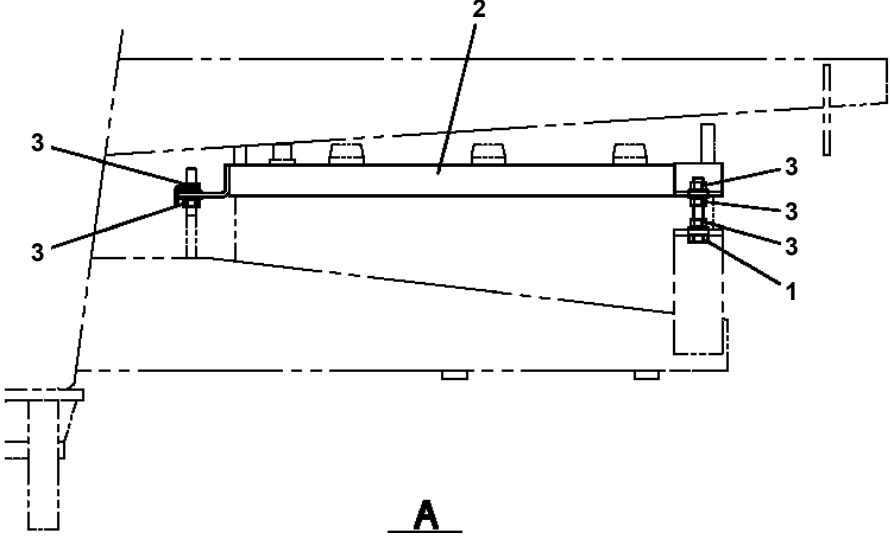
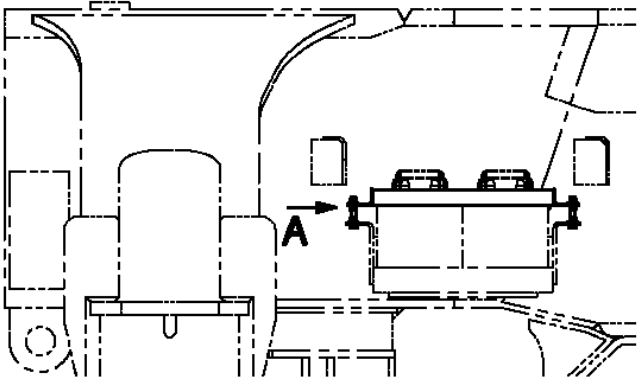
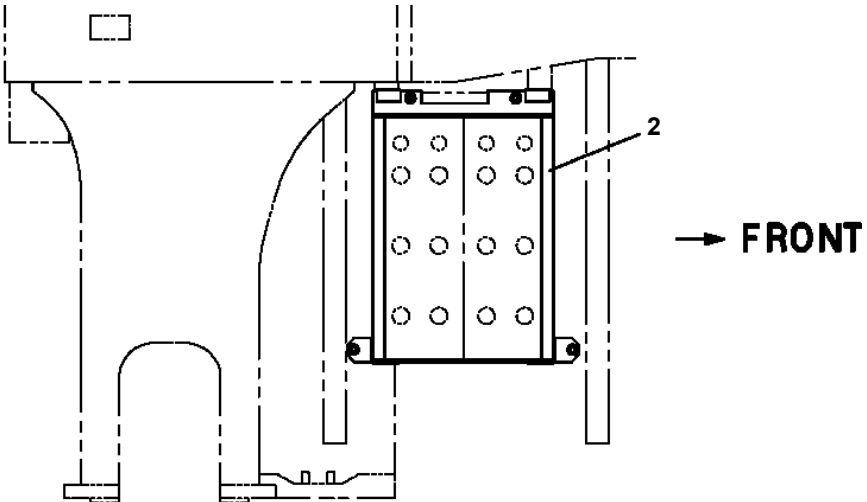
GR-350-2-00103 4 BOOM + 2 JIB, 2M2D
PW5040004-00 WHEEL,STEERING



GR-350-2-00103 4 BOOM + 2 JIB, 2M2D
PX1350106-03 TOOL BOX INSTALLATION (IRON)



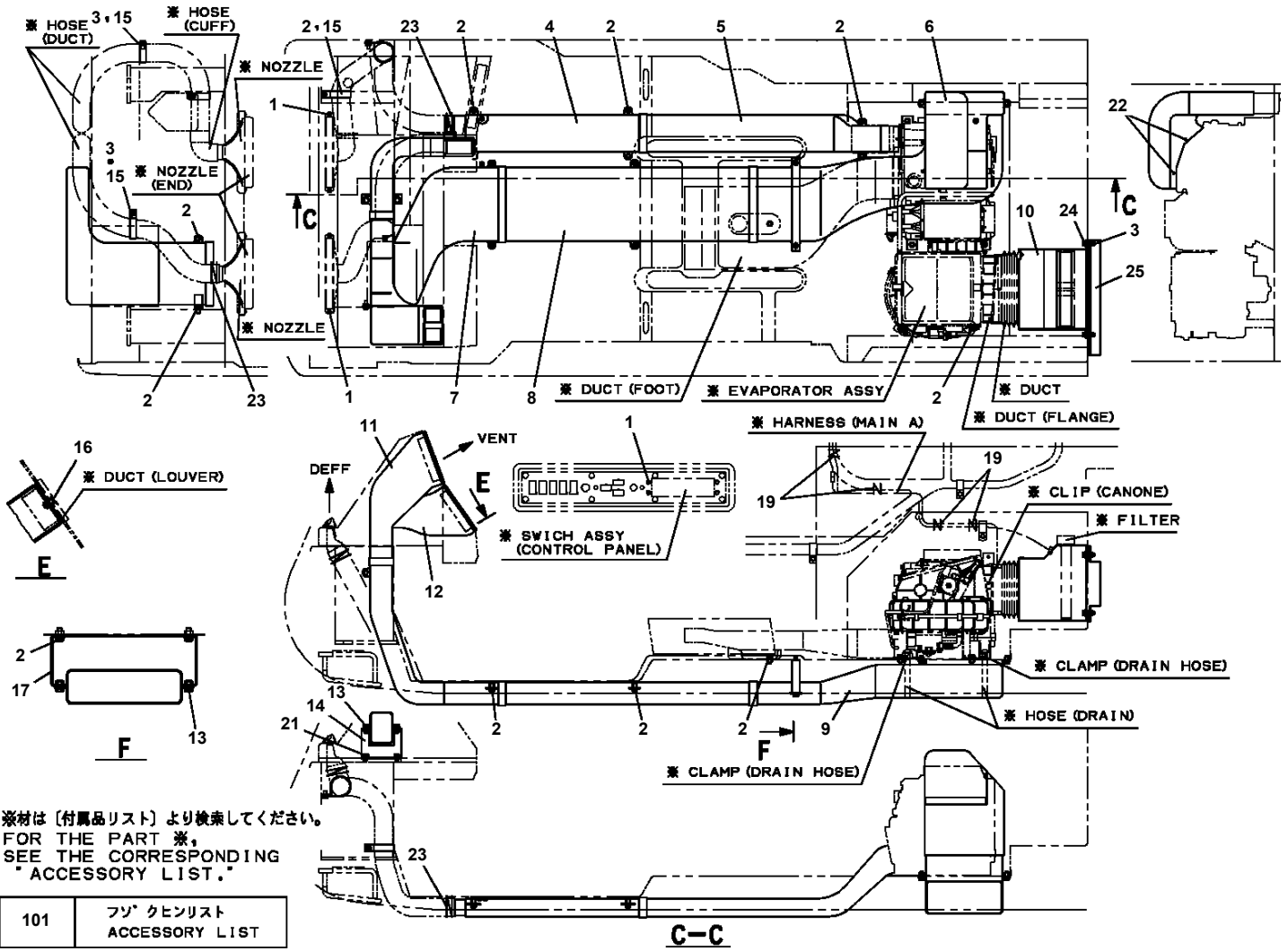
GR-350-2-00103 4 BOOM + 2 JIB, 2M2D
PX5060003-00 MOUNT ASSY,BATTERY



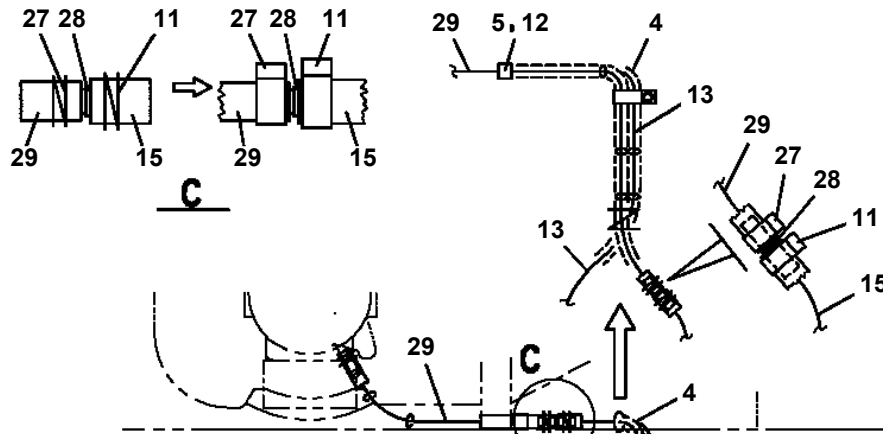
GR-350-2-00103 4 BOOM + 2 JIB, 2M2D

Pos No.	Parts No	Parts Name	Qty	Unit	Technical Data	Serial No (Start)
1	36330540000	RADIATOR ASSY	1			
2	36690370000	COOLER ASSY,OIL (ASSY ONLY)	1			
3	34780130300	CUSHION	6			
4	90201201000	NUT	10		M10	
5	37000535710	PLATE	2		50XT3.2	
6	34782210400	SUPPORT	2			
7	90101208020	BOLT	10		M8X20	
8	34782710200	SUPPORT	2			
9	34782030010	PLATE	2			
10	37002515771	HOSE	1		L=102	
11	34782720200	INSULATOR	1			
12	34782720300	INSULATOR	1			
13	34782720100	INSULATOR	1			
14	90186208014	BOLT,FLANGE	4		M8X14	
15	36101920000	TANK,RESERVOR	1			
16	34780681700	SUPPORT	1			
17	34780681800	CLAMP	1			
18	37000582190	SUPPORT	1			
19	37002516840	HOSE	1		L=1050	
20	37002511100	HOSE	1		L=1250	
	37002511350	HOSE	1		L=1500	561555
21	91803880070	CLIP	3		D=13.1-16.2	
22	37002516901	HOSE	1			
23	37002517160	HOSE	1		D=57-D=53	
24	91803600900	CLIP	2		D=70-90	561794
	91803600900	CLIP	1		D=70-90	
25	91803600800	CLIP	1		D=60-80	
26	91803600600	CLIP	1		D=45-60	
27	82100002008	CLAMP	7		WR12	
28	90201200800	NUT	5		M8	
29	90280200600	NUT,FLANGE	7		M6	
30	82100002009	CLAMP	1		WRC12	
31	90101208014	BOLT	1		M8X14	
32	90302040801	WASHER,SPRING	15		8	
33	90303070801	WASHER,PLAIN	14		8	
34	90302041001	WASHER,SPRING	16		10	
35	90303071001	WASHER,PLAIN	14		10	
36	37002517150	HOSE	1		D=56-D=53	
37	90101210030	BOLT	4		M10X30	
38	91803600700	CLIP	2		D=55-70	
39	36690410000	COOLER,OIL	1			
40	34780991100	SUPPORT	2			
41	90186210030	BOLT,FLANGE	4		M10X30	
42	90280201000	NUT,FLANGE	8		M10	
44	90103210020	BOLT	2		M10X20	
45	91803600550	CLIP	2		D=40-55	
46	90101208025	BOLT	4		M8X25	
47	37000930540	JOINT	1		L,1/2-14NPT-13	
48	91801630022	CLIP	6		D=19.9-22.6	
49	37002515280	HOSE	1		L=2800	
50	37002515290	HOSE	1		L=3250	
	37002500400	HOSE	1		L=4000 TO 4050	561555
51	82100002015	CLAMP	4		WRC20	
52	82100002042	CLAMP	5		WE20	
53	90280200800	NUT,FLANGE	9		M8	
54	82100001819	TUBE,SPIRAL	1	M	SE-18BK	
55	82100002018	CLAMP	1		WR35	
56	34781951002	FILTER ASSY (WATER)	1			
57	90101206055	BOLT	2		M6X55	
58	90302040601	WASHER,SPRING	2		6	
59	90303070601	WASHER,PLAIN	2		6	
60	37000931470	JOINT	1		R1/2-13	
61	37000931460	JOINT	1		S,R1/2-13	

GR-350-2-00103 4 BOOM + 2 JIB, 2M2D PY1370025-02 EVAPORATOR (MOUNT)

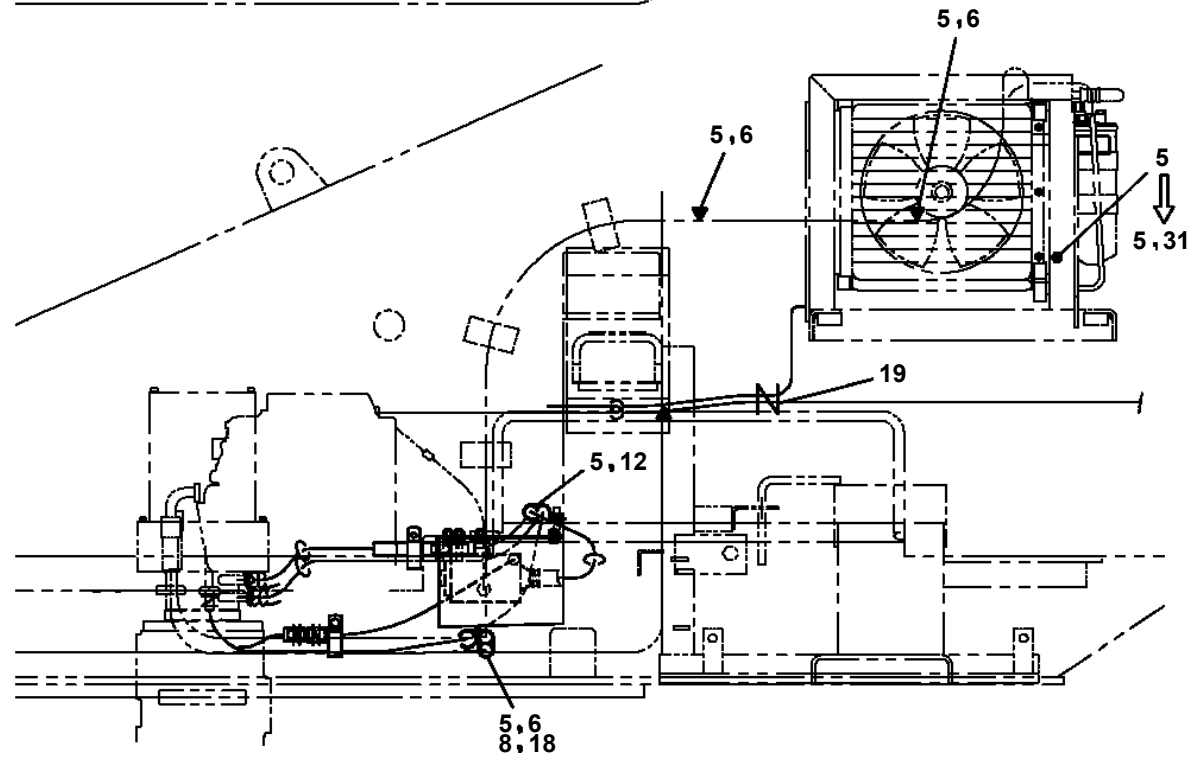
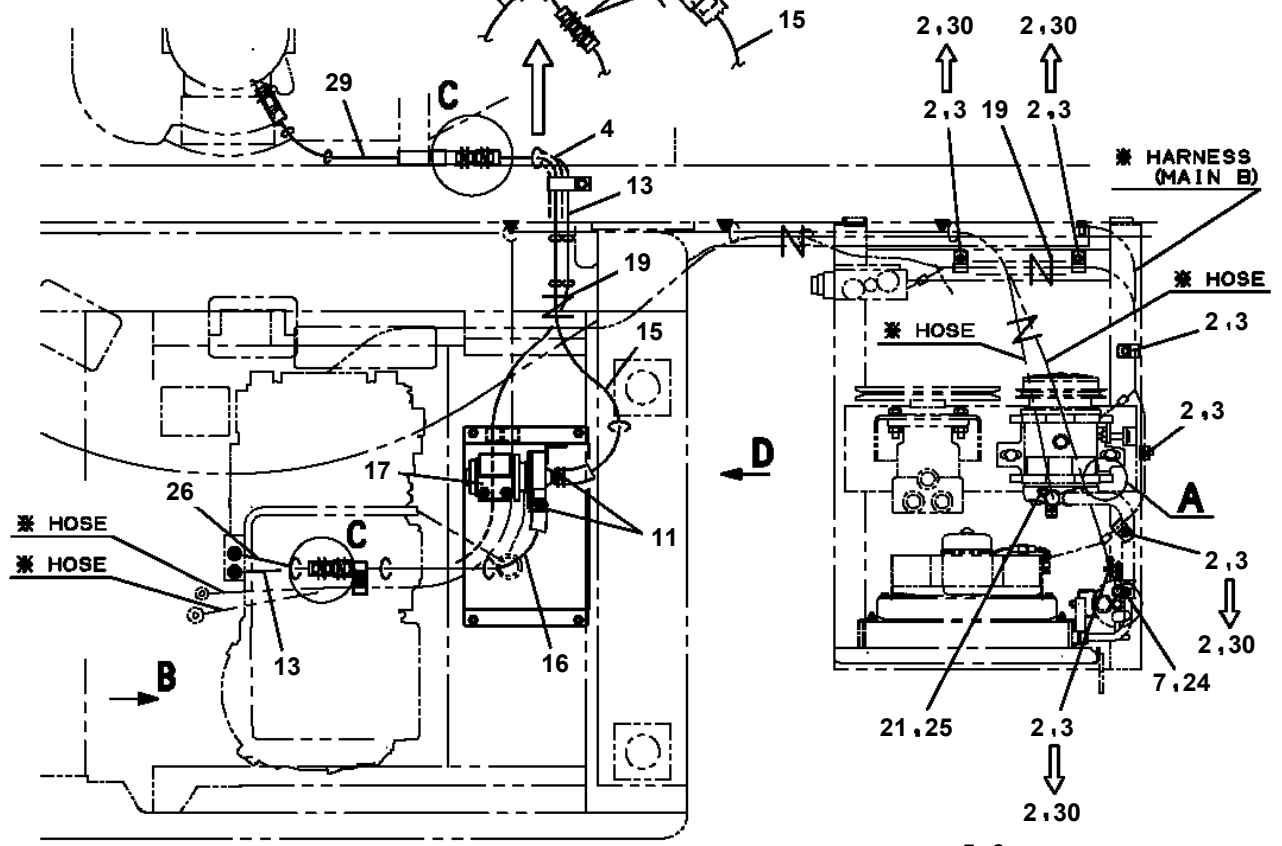


GR-350-2-00103 4 BOOM + 2 JIB, 2M2D
PY2230039-04 AIR CONDITIONER SYSTEM



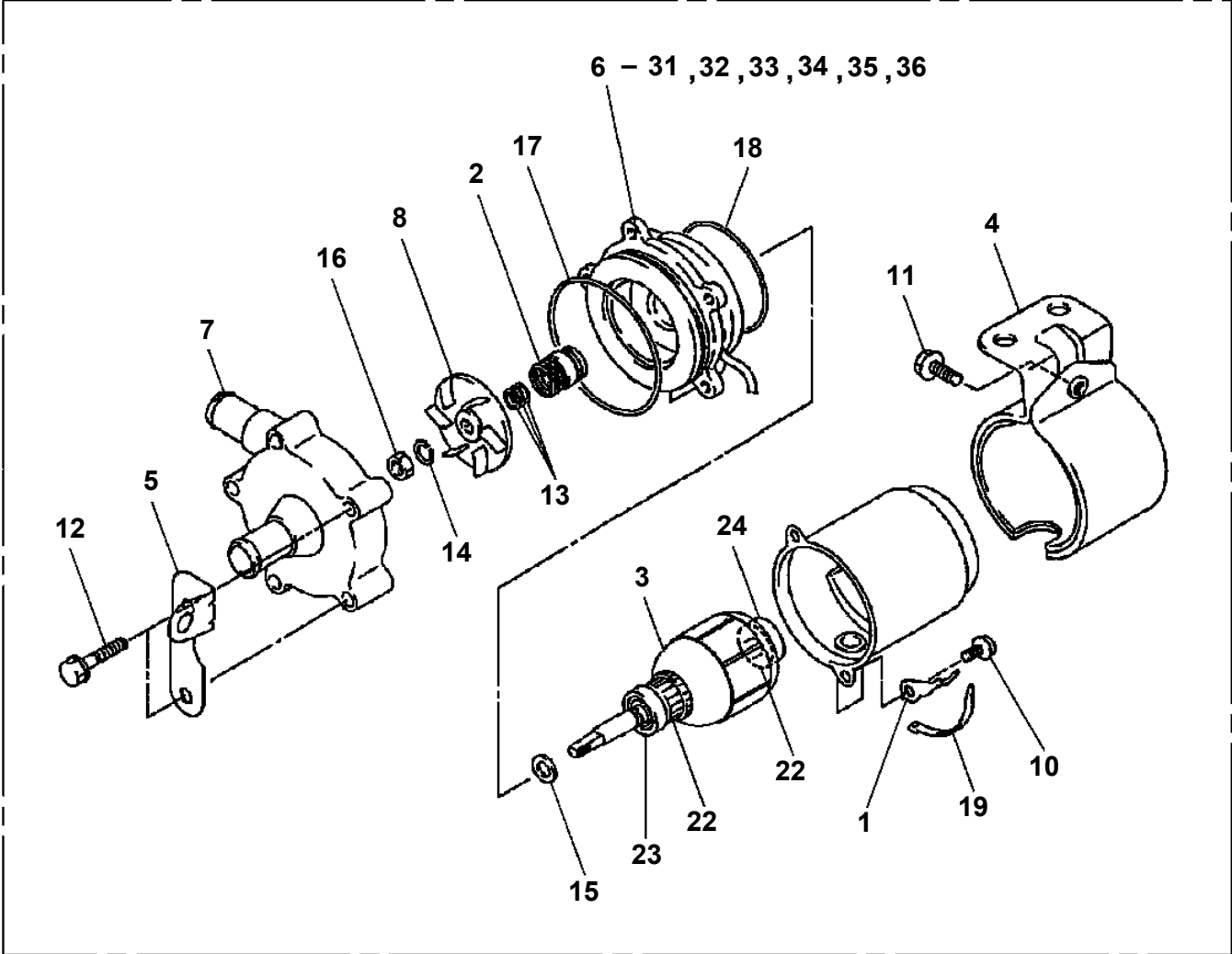
※材は【付属品リスト】より検索してください。
 FOR THE PART
 ※, SEE THE CORRESPONDING
 "ACCESSORY LIST."

101	フソ [®] クヒンリスト ACCESSORY LIST
-----	--



GR-350-2-00103 4 BOOM + 2 JIB, 2M2D
PY2360001-02 PUMP,WATER

50



GR-350-2-00103 4 BOOM + 2 JIB, 2M2D

Pos No.	Parts No	Parts Name	Qty	Unit	Technical Data	Serial No (Start)	Serial No (End)
1	34494431010	HARNESS	1				
2	34491591200	PLATE	1				
3	80192486010	SCREW,MACHINE	2		M6X10		561692
	80192486014	SCREW,MACHINE (WITH WASHER)	2		M6X14	561693	
4	82100002133	FILTER,NOISE	1				
5	80192484008	SCREW,MACHINE	2		M4X8		
6	34494431200	SUPPORT	1				
7	34494431100	METER ASSY	1				
8	82400000221	GROMMET	1				
9	80192484016	SCREW,MACHINE	4		M4X16		
10	90201200400	NUT	4		M4		
11	34494431300	COVER	1			561738	

GR-350-2-00103 4 BOOM + 2 JIB, 2M2D

Pos No.	Parts No	Parts Name	Qty	Unit	Technical Data	Serial No (Start)	Ser
121	36381245100	SHIM SET	1				
122	36380215350	COVER	4				
123	90103720050	BOLT	16		M20X50		
124	36381015070	BOLT,STOPPER	2				
125	34680005850	NUT	2		M24		
126	36380675231	TIE ROD	1				
127	36380875131	END,TIE ROD (RIGHT HAND SCREW)	1				
128	36380875141	END,TIE ROD (LEFT HAND SCREW)	1				
129	36380675261	BUSHING (TIE ROD END)	2				
131	90171112080	BOLT	4		M12X80		
132	90201701200	NUT	4		M12		
133	90303071201	WASHER,PLAIN	4		12		
134	36380675270	PIN	2				
135	59172030340	PLATE (LOCK)	2				
136	90171108020	BOLT	4		M8X20		
137	90302040801	WASHER,SPRING	4		8		
138	36380675510	NUT	2				
139	36381995210	SHAFT (AXLE)	2				
141	36381995220	JOINT,BALL	2				
142	36381995230	BEARING,BALL	2				
143	36381995240	WASHER,THRUST	2				
145	36381995250	GEAR,SUN	2				
146	36381995260	GEAR,PLANETARY (SPIDER)	2				562
	36382595010	GEAR,PLANETARY	2			562046	
147	36381995270	GEAR,PLANETARY	6				
148	36381995280	SHAFT (PLANETARY GEAR)	6				
149	34680005610	RING,THRUST	12				
150	36381995290	GEAR,INTERNAL	2				562
	36382595020	GEAR,INTERNAL	2			562046	
151	36381995300	HUB,INTERNAL GEAR	2				562
	36382595030	HUB,INTERNAL GEAR	2			562046	
152	36381995310	WIRE,LOCK	4				562
	36382595040	RING,SNAP	2			562046	
153	36380105720	NUT,BEARING	2				
154	36380105730	WASHER (LOCK)	2				
155	90171108016	BOLT	4		M8X16		
157	34680005740	BEARING,ROLLER	12				
158	36381995320	O-RING	2				
159	90171114045	BOLT	48		M14X45		562
	90171114045	BOLT	24		M14X45	562046	
160	36380675390	WASHER	48				562
	36380675390	WASHER	24			562046	
161	36380215250	PLUG,MAGNET	2				
163	36381995330	STOPPER (SHAFT)	2				
164	80316030100	PLUG	2		PT3/4		
165	36381995340	PLUG	4				
166	36381995350	O-RING	2				
167	36381995360	PLUG	2				
168	34680005620	PIN	6			562046	
171	36381995370	HUB,WHEEL	2				562
	36382375020	HUB,WHEEL	2			562046	
172	36381995380	BOLT (HUB)	20				
174	59172071060	BEARING,ROLLER	2				
175	34680005760	BEARING,ROLLER (NTN)	2				
176	36382225120	DISK	2				
177	36381445170	BOLT	44				
178	36380675380	WASHER,PLAIN	44				
179	36380875320	SEAL,OIL (WHEEL HUB)	2				
181	36380875330	SPACER	2				
182	36381995420	PLATE (LOCK)	6				
183	90171108016	BOLT	6		M8X16		
191	36382225130	BRAKE,CALIPER	1				562
	36382225131	BRAKE,CALIPER	1			562103	

CLICK HERE TO **DOWNLOAD** THE COMPLETE MANUAL

- Thank you very much for reading the preview of the manual.
- You can download the complete manual from: www.heydownloads.com by clicking the link below



- Please note: If there is no response to CLICKING the link, please download this PDF first and then click on it.

CLICK HERE TO **DOWNLOAD** THE COMPLETE MANUAL