

GR-300E-1-00312 4 BOOM + 2 JIB,2M2D

PB1000713-00 HYDRAULIC PRESSURE GENERATING SYSTEM
PC1000619-00 OUTRIGGER SYSTEM
PD1000612-00 SWING SYSTEM
PE1000617-00 ELEVATING SYSTEM
PF1000683-00 WINCH SYSTEM
PG1000576-00 TELESCOPING SYSTEM
PH1000620-00 SAFETY DEVICES
PK1000708-00 FRAME
PL1000650-00 CONTROL DEVICES
PM1000032-01 LUBRICATION DEVICES
PN1000587-00 ELECTRIC EQUIPMENT
PO1000150-00 INDICATION PLATES
PQ1000243-01 DRIVING POWER GENERATING SYSTEM
PR1000159-00 DRIVING POWER TRANSMISSION SYSTEM
PS1000186-00 STEERING SYSTEM
PT1000166-00 BRAKE SYSTEM
PU1000158-00 SUSPENSION
PW1000097-02 ACCESSORIES & TOOLS
PX1001116-00 MOUNTING PARTS
PY1001162-03 OPTIONS
PZ2000006-00 LOCATION OF PARTS
ASSEMBLY

CLICK HERE TO **DOWNLOAD** THE COMPLETE MANUAL

- Thank you very much for reading the preview of the manual.
- You can download the complete manual from: www.heydownloads.com by clicking the link below



- Please note: If there is no response to CLICKING the link, please download this PDF first and then click on it.

CLICK HERE TO **DOWNLOAD** THE COMPLETE MANUAL

GR-300E-1-00312 4 BOOM + 2 JIB,2M2D

Pos No.	Parts No	Parts Name	Qty	Unit	Technical Data	Serial No (Start)	Serial No (End)	Remarks
1	37001800060	ROPE,WIRE (TESAC)	1					
	37001805280	ROPE,WIRE (KISWIRE)	1					
2	37001806890	ROPE,WIRE (KISWIRE)	1					
	37001805020	ROPE,WIRE (TESAC)	1					
3	(*****)	SOCKET,ROPE	1					
4	(*****)	SOCKET,ROPE	1					
5	(*****)	PIPING,WINCH (MAIN)	1					
6	(*****)	PIPING ASSY (AUX.WINCH)	1					
7	(*****)	MOUNT,WINCH (MAIN)	1					
8	(*****)	MOUNT,WINCH (AUX.)	1					

GR-300E-1-00312 4 BOOM + 2 JIB,2M2D

Pos No.	Parts No	Parts Name	Qty	Unit	Technical Data	Serial No (Start)	Serial No (End)	Remarks	Pages
1	(*****)	PARTS,GREASING	1						000205

GR-300E-1-00312 4 BOOM + 2 JIB,2M2D

Pos No.	Parts No	Parts Name	Qty	Unit	Technical Data	Serial No (Start)	Serial No (End)
1	(*****)	WHEEL,STEERING (CAB)	1				
2	(*****)	PIPING,STEERING (UPPER)	1				
3	(*****)	PIPING ASSY (STEERING&SPRING LOCK)	1				
4	(*****)	CYLINDER,STEERING INSTALLATION	1				

GR-300E-1-00312 4 BOOM + 2 JIB,2M2D

Pos No.	Parts No	Parts Name	Qty	Unit	Technical Data	Serial No (Start)	Serial
1	(*****)	DETECTOR,DISORDERLY WIND (MAIN)	1				
2	(*****)	DETECTOR,DISORDERLY WIND (AUX.)	1				
3	(*****)	SINGLE TOP	1				
4	(*****)	DETECTOR,DRUM ROTATION (MAIN)	1				
5	(*****)	DETECTOR,DRUM ROTATION (AUX.)	1				
6	(*****)	PIPING,STEERING (EMERGENCY)	1				
7	(*****)	FAN	1				
8	(*****)	INFLATOR,AIR	1				
9	(*****)	NON-SLIP PLATE (SHAL)	1				
10	(*****)	DETECTOR,OVER UNWIND (MAIN)	1				
11	(*****)	DETECTOR,OVER UNWIND (AUX.)	1				
12	(*****)	TOOL BOX INSTALLATION (IRON)	1				
13	(*****)	HOOK (MAIN,30TON/ENG.& FRANCE)	1				
	(*****)	HOOK (MAIN,30TON/ENG.& CHINESE)	1				
	(*****)	HOOK (MAIN,30TON/ENGLISH)	1				
14	(*****)	HOOK (3.9TON/ENG.& FRANCE:WITH MOUNT)	1				
	(*****)	HOOK (3.9TON/ENGLISH:WITH MOUNT)	1				
	(*****)	HOOK (3.9TON/ENG.& CHINESE:WITH MOUNT)	1				
15	37001907000	ROPE,WIRE (STOWING FOR MAIN HOOK)	1				
18	(*****)	ACCESSORIES (COLDPROOF SEAL)	1				
19	(*****)	OPE.ASSY,CONT.VALVE (PEDAL NEUTRAL)	1				
22	34460904000	TOOLS (WORK)	1				
23	(*****)	ACCESSORIES (MET & WEAR)	1				
29	(*****)	BELT,SEAT (MOUNT)	1				
30	(*****)	GUARD (PROPELLER SHAFT)	1				
31	(*****)	INDICATOR,DRUM (ISO)	1				
32	(*****)	LAMP (OBSTACLE LAMP)	1				
33	(*****)	LAMP (LICENSE)	1				
34	(*****)	LAMP,AML SIGNAL	1				
41	(*****)	MOUNT ASSY,COMPRESSOR	1				
42	(*****)	EVAPORATOR (MOUNT)	1				
43	(*****)	AIR CONDITIONER SYSTEM	1				
44	(*****)	PIPING (HOT WATER)	1				
46	36320690000	AIR CONDITIONER	1				
47	(*****)	AIR CONDITIONER (NOT EQUIPPED)	1				
51	(*****)	ANEMOMETER ASSY (CAB)	1				
52	(*****)	ANEMOMETER (SWING FRAME.BOOM)	1				

GR-300E-1-00312 4 BOOM + 2 JIB,2M2D

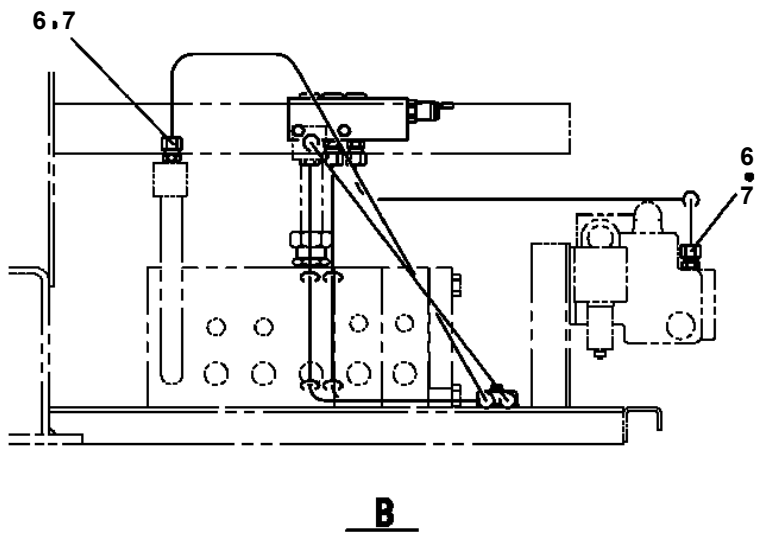
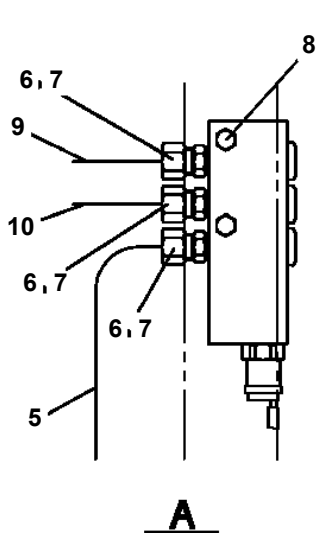
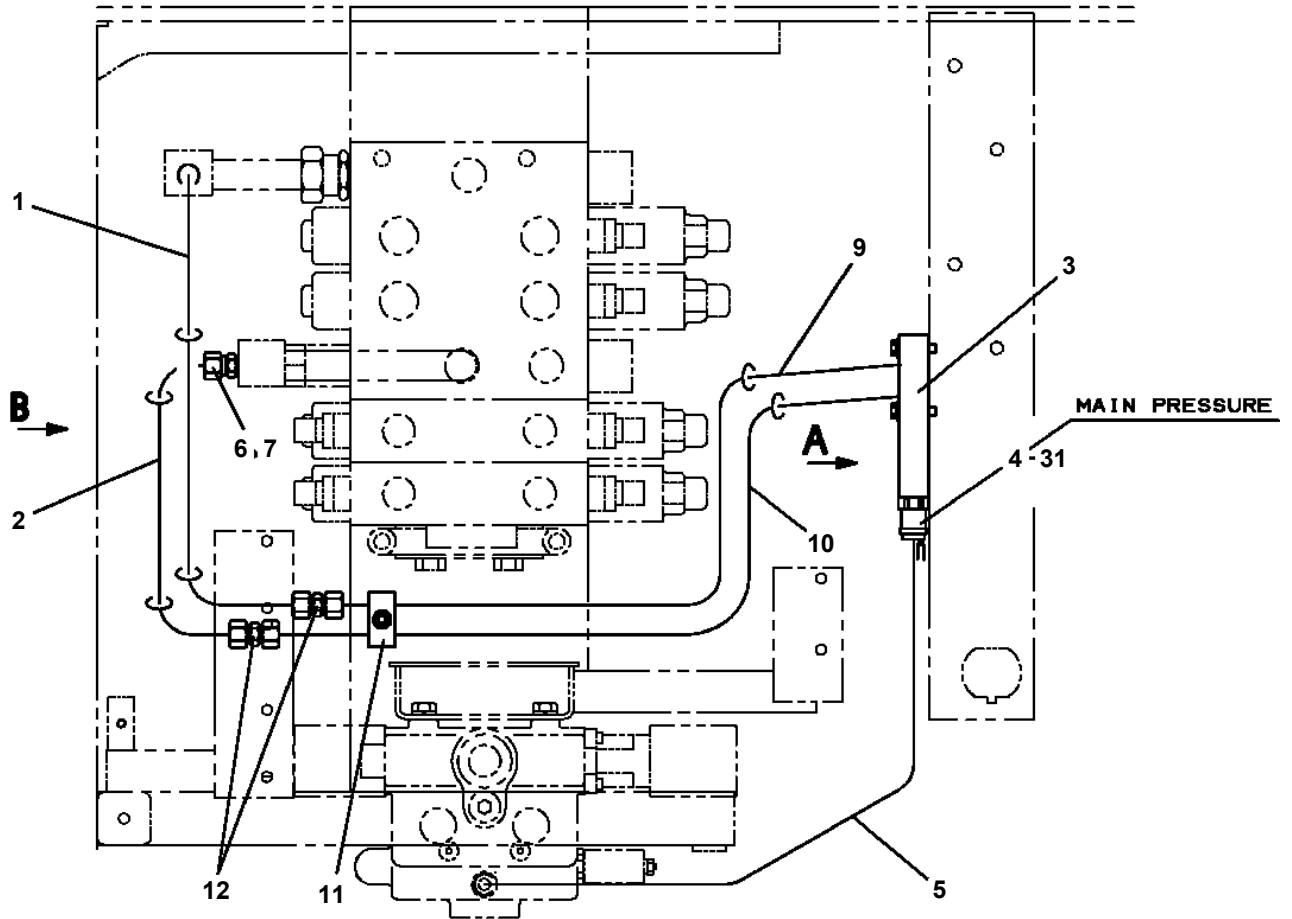
Pos No.	Parts No	Parts Name	Qty	Unit	Technical Data	Serial No (Start)	Serial No (End)	Remarks
1	36653305010	PUMP,GEAR	1					
2	36653305020	COUPLING	1					
3	36653305030	PUMP,GEAR	1					
20	90131512030	BOLT,HEXAGON SOCKET	32		M12X30			
22	91002909500	O-RING	4		1B G95			
26	80740060016	PIN	6		H7 6X16			
27	36650885030	SEAL,OIL	1					
28	36653305040	SEAL,OIL	1					
29	36653305050	RING,RETAINING	1		48			
31	36650205010	JOINT	1					
32	91002905500	O-RING	1		1B G55			
33	36653305060	PIN	1		H7 6X38			
34	90131510030	BOLT,HEXAGON SOCKET	4		M10X30			
50	36653300000	PUMP,HYDRAULIC	1					

GR-300E-1-00312 4 BOOM + 2 JIB,2M2D

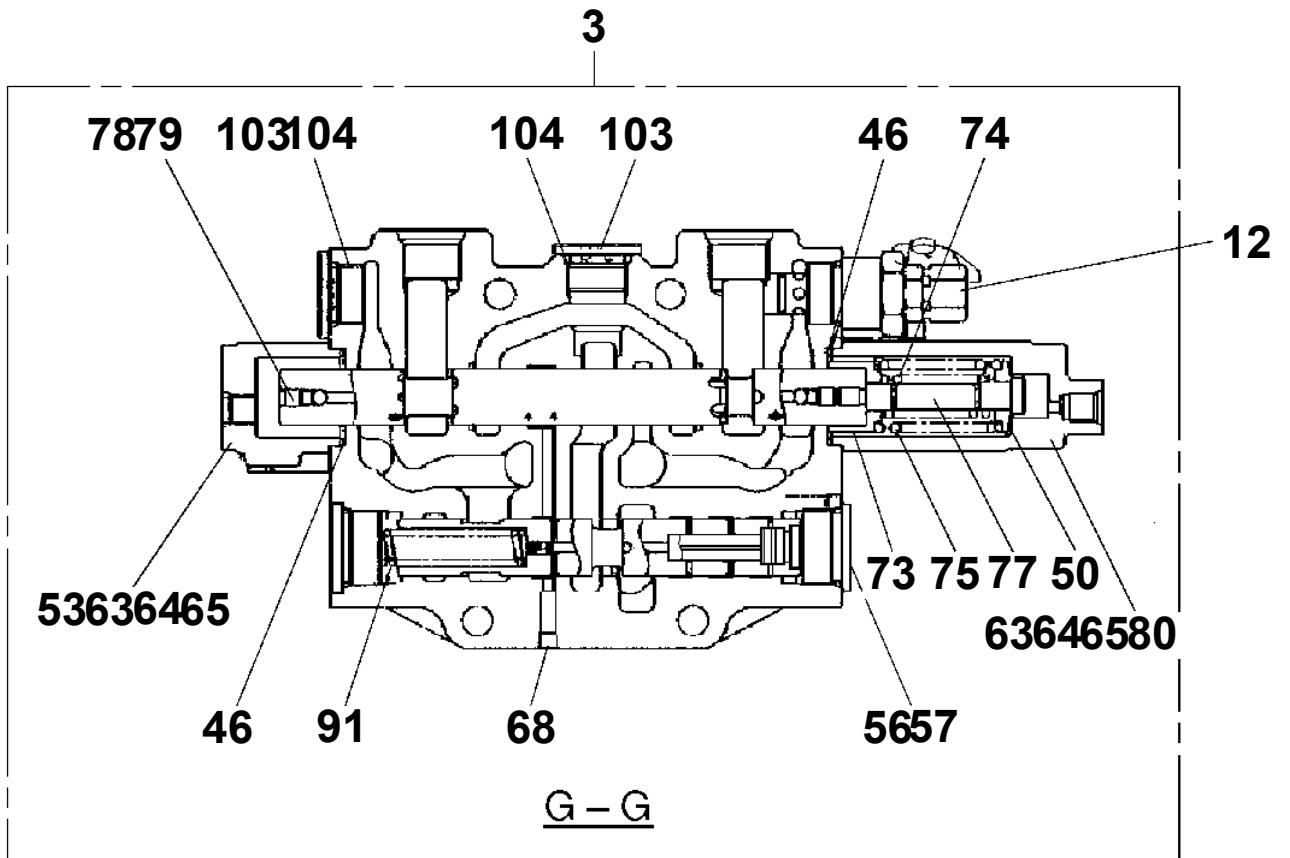
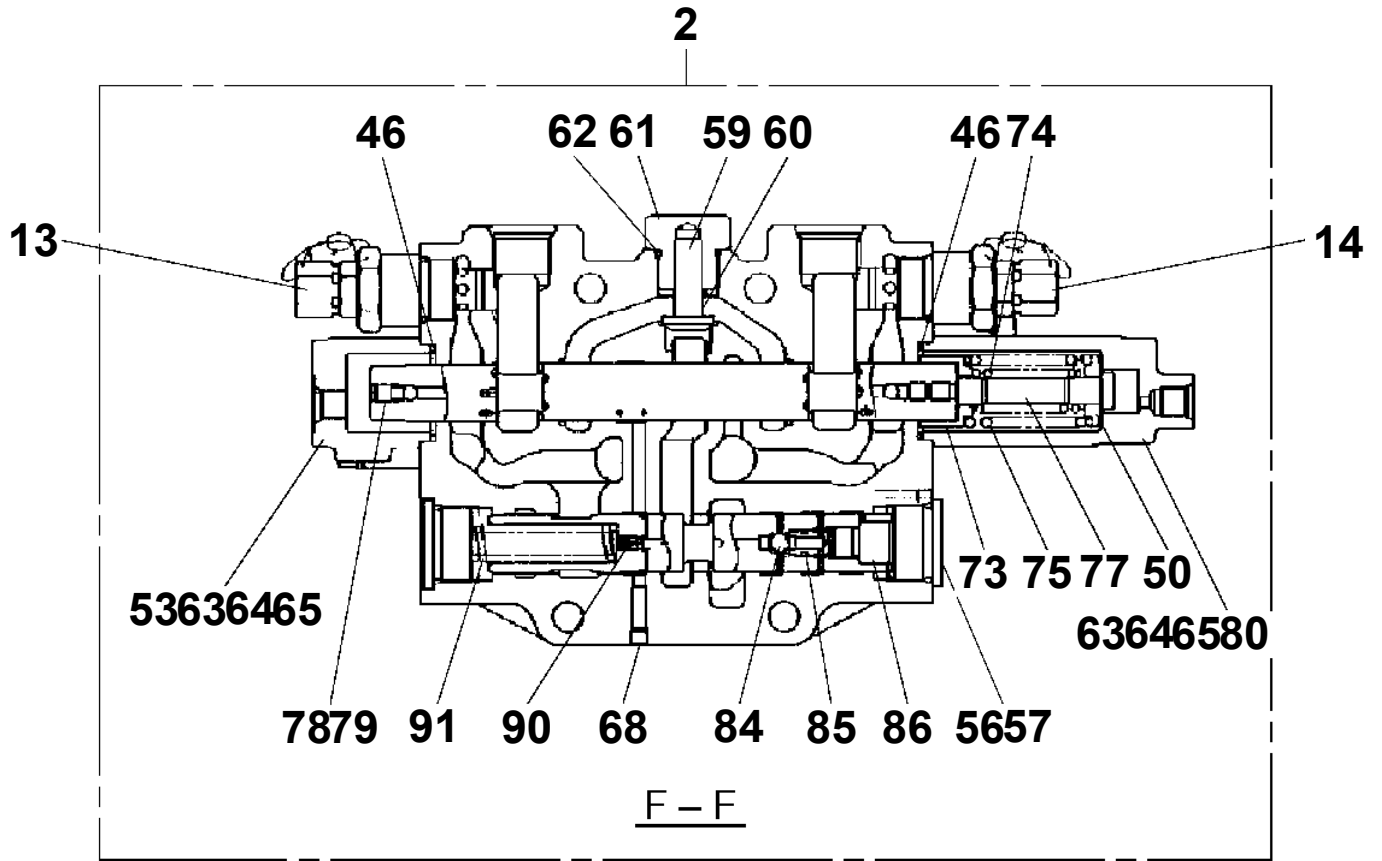
Pos No.	Parts No	Parts Name	Qty	Unit	Technical Data	Serial No (Start)	Serial No (End)
1	80400160131	JOINT	1				
2	91002801800	O-RING	3		1B P18		
3	37002435010	HOSE	1		L=1200		
4	37000924120	JOINT	1				
5	90101510035	BOLT	8		M10X35		
6	90302041001	WASHER,SPRING	18		10		
7	90172110030	BOLT,HEXAGON SOCKET	5		M10X30		
8	80303130321	FITTING,ELBOW	2		KLO28-080E		
9	36740730001	VALVE,PILOT OPERATED CONTROL	1				
10	90101210100	BOLT	5		M10X100		
11	90280201000	NUT,FLANGE	3		M10		
12	90191510030	BOLT	3		M10X30		
13	81408000341	PIPE,STEEL	1	M	28X3.1T		
14	80303130311	FITTING,ELBOW	1		KLO28-060E		
15	91002802400	O-RING	3		1B P24		
16	36672610000	FILTER,OIL	1				
17	80400160133	JOINT	1				
18	37002484430	HOSE	1		L=1300		
19	37002484400	HOSE	1		L=1320		
20	37002452160	HOSE	1		L=1850 TO 1900		
21	37002484410	HOSE	1		L=1550		
22	81408000341	PIPE,STEEL	1	M	28X3.1T		
23	80400160135	JOINT	1				
24	91002802900	O-RING	1		1B P29		
25	80302090241	FITTING	1		KCO18-040N		
26	80316070100	PLUG	1		G3/4		
27	82100002535	TUBE,SPIRAL	N		SE-29BK		
28	90280200800	NUT,FLANGE	11		M8		
29	37000908580	JOINT	1		L G3/4-28		
30	81408000241	PIPE,STEEL	1	M	18X1.9T		
31	37000906460	JOINT	1				
32	82100002017	CLAMP	7		WR30		
33	82100002015	CLAMP	1		WRC20		
34	82100002016	CLAMP	3		WR25		
35	90186208014	BOLT,FLANGE	1		M8X14		
51	91002802900	O-RING	2		1B P29		
61	91000521900	O-RING	1		AS568-219-1B		
71	91000521400	O-RING	3		AS568-214-1B		
81	91002802400	O-RING	1		1B P24		

GR-300E-1-00312 4 BOOM + 2 JIB,2M2D
PB1280121-00 PIPING,GAUGE

FRONT ←



GR-300E-1-00312 4 BOOM + 2 JIB,2M2D
PB1350014-00 VALVE,PILOT OPERATED CONTROL

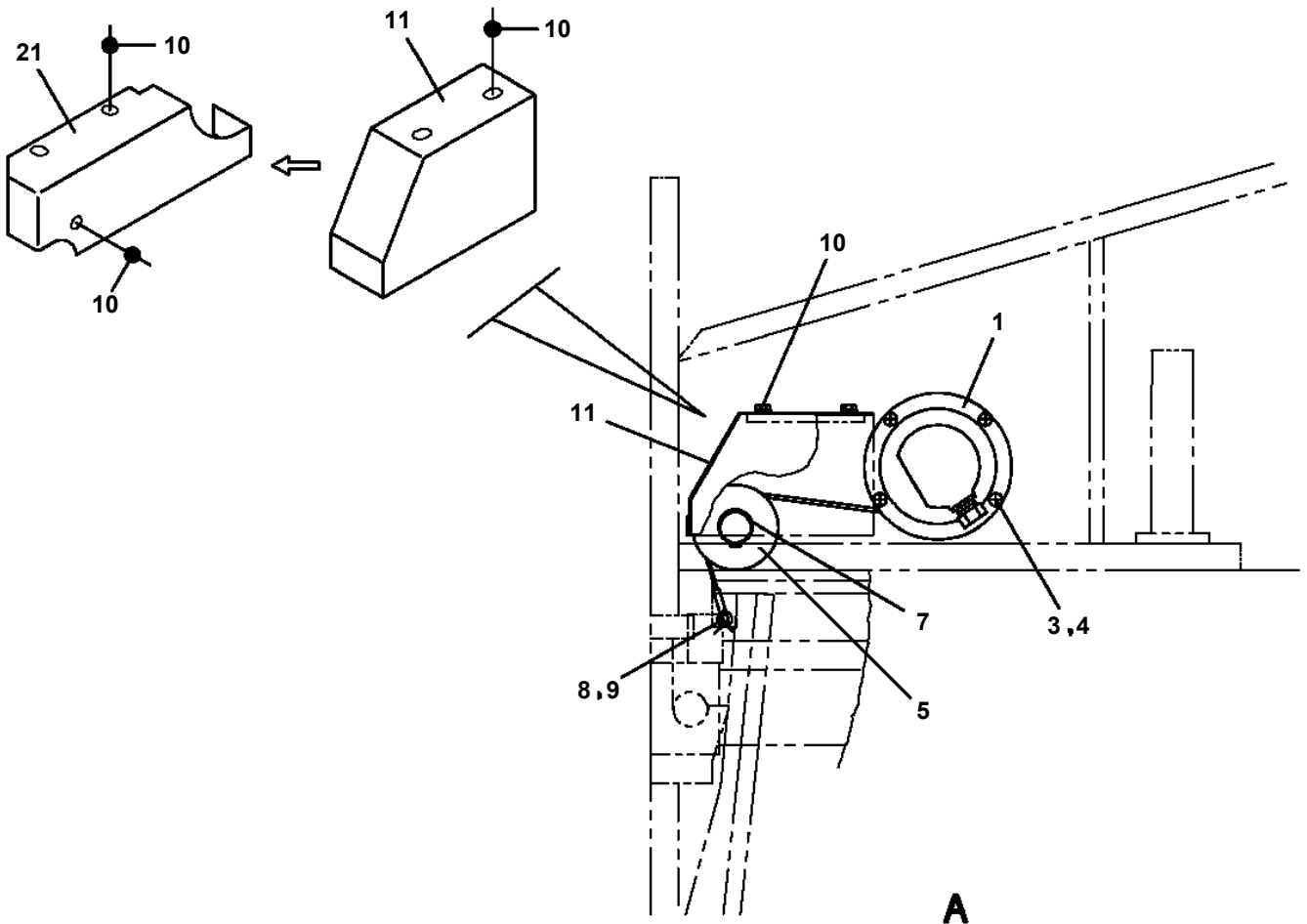
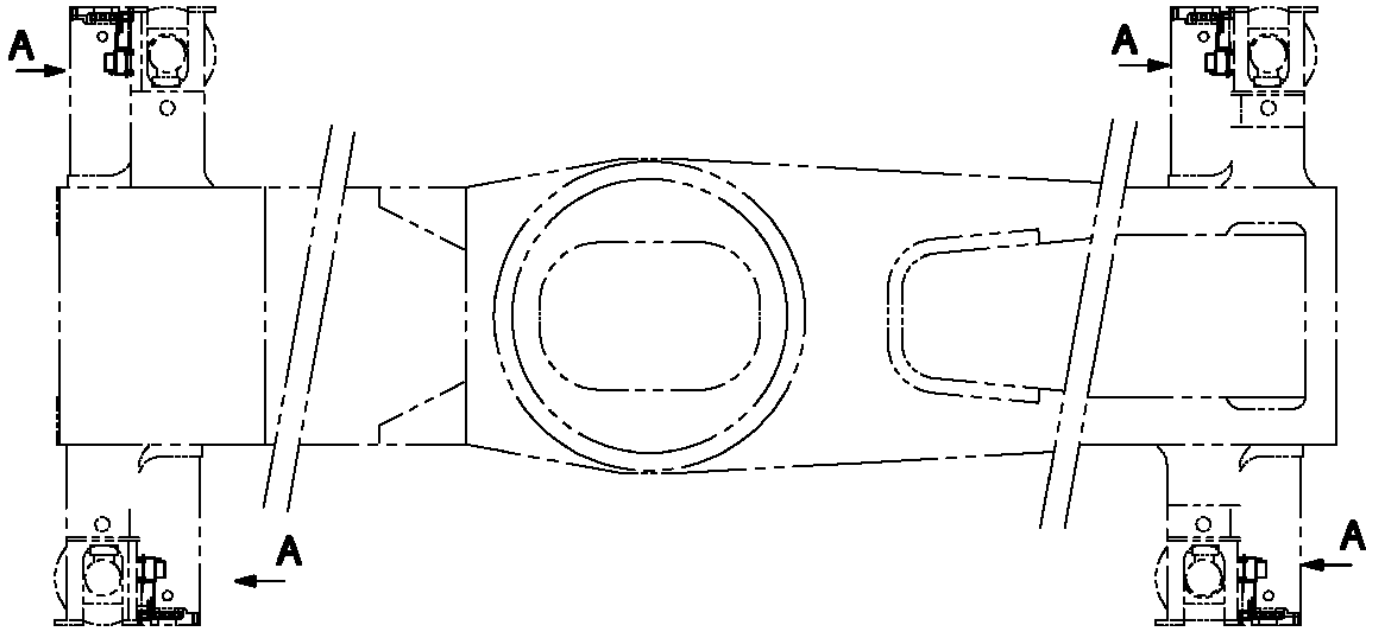


GR-300E-1-00312 4 BOOM + 2 JIB,2M2D

Pos No.	Parts No	Parts Name	Qty	Unit	Technical Data	Serial No (Start)	Serial No (End)	Remarks
1	37000930540	JOINT	1		L,1/2-14NPT-13			
3	91801630022	CLIP	4		D=19.9-22.6			
4	37002515280	HOSE	1		L=2800			
5	37002515290	HOSE	1		L=3250			
6	82100002015	CLAMP	4		WRC20			
7	82100002042	CLAMP	5		WE20			
8	90201200800	NUT	3		M8			
9	90280200800	NUT,FLANGE	8		M8			
10	90303070801	WASHER,PLAIN	4		8			
11	82100001819	TUBE,SPIRAL	1	M	SE-18BK			
12	82100002018	CLAMP	1		WR35			
31	36361351270	JOINT (HEATER OUTLET)	1		45L,PT3/8-D13			
32	36361351280	JOINT (HEATER OUTLET)	1		S,3/4-14NPT-PT3/8			

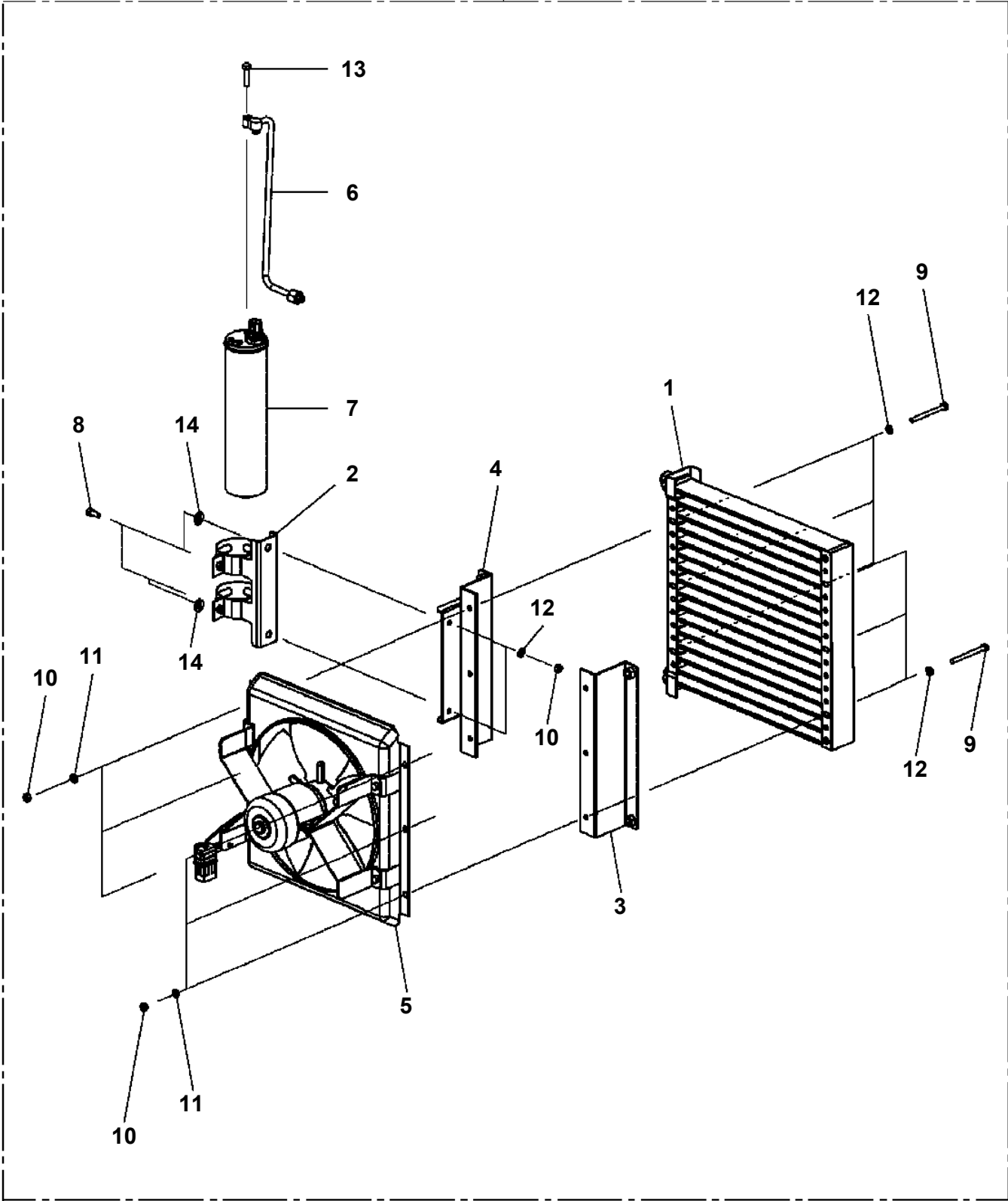
GR-300E-1-00312 4 BOOM + 2 JIB,2M2D
PC1370055-02 DETECTOR,OUTRIGGER LENGTH

FRONT ←



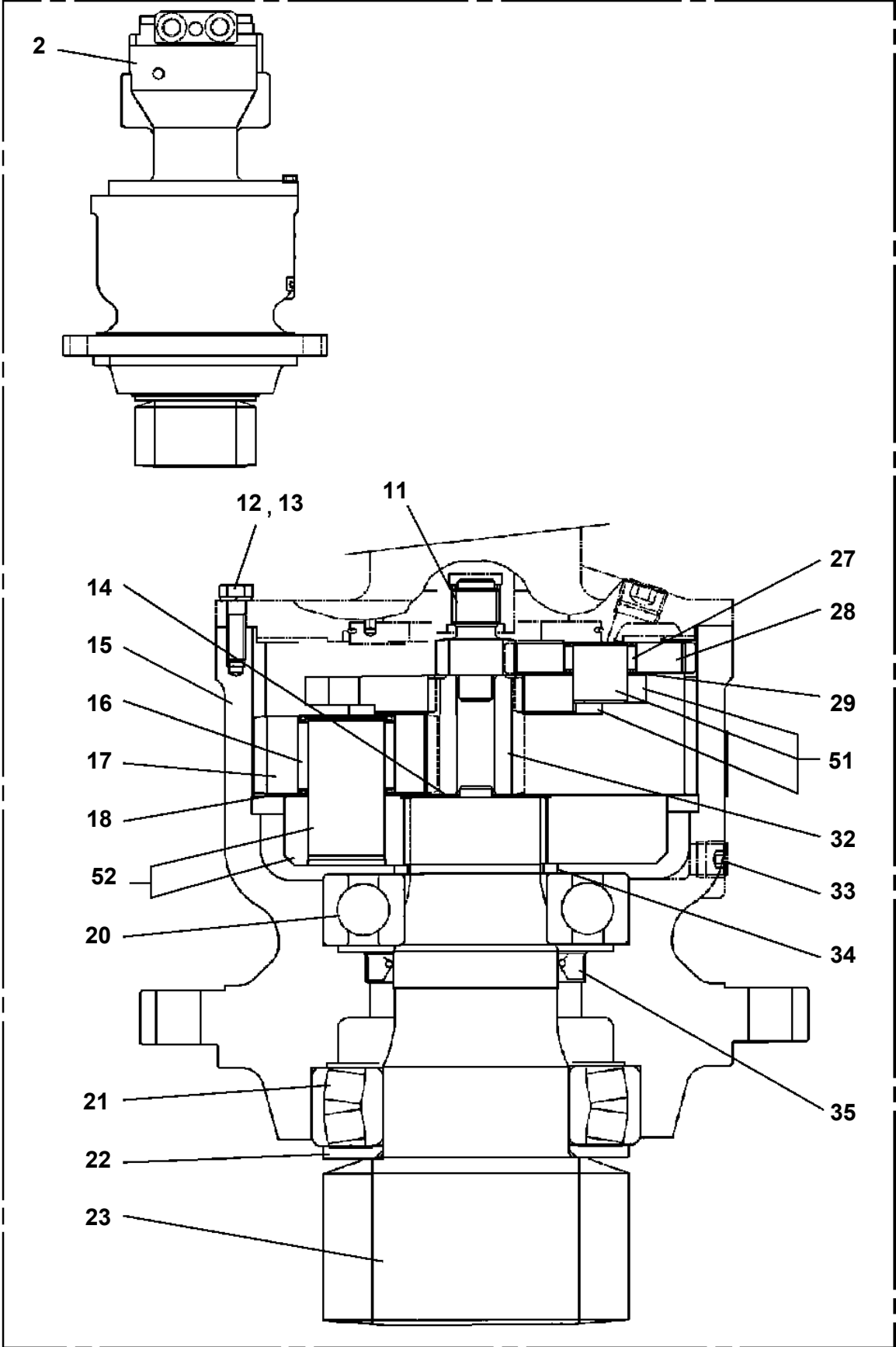
GR-300E-1-00312 4 BOOM + 2 JIB,2M2D
PC5350001-01 CONDENSER ASSY

100



GR-300E-1-00312 4 BOOM + 2 JIB,2M2D
PD1070044-01 DRIVING UNIT,SWING

100



GR-300E-1-00312 4 BOOM + 2 JIB,2M2D

Pos No.	Parts No	Parts Name	Qty	Unit	Technical Data	Serial No (Start)	Serial No (End)	Remarks	Pages
2	34510702250	PACKING	1						
3	34510702260	PACKING	1						
5	34510702270	PACKING	1						
100	34510702200	DUCT	1						

GR-300E-1-00312 4 BOOM + 2 JIB,2M2D

Pos No.	Parts No	Parts Name	Qty	Unit	Technical Data	Serial No (Start)	Serial No (End)	Remarks	Pages
2	34510702730	PACKING	1						
3	34510702740	PACKING	1						
100	34510702700	DUCT	1						

GR-300E-1-00312 4 BOOM + 2 JIB,2M2D

Pos No.	Parts No	Parts Name	Qty	Unit	Technical Data	Serial No (Start)	Serial No (End)	Remarks
1	36320765280	BLOWER ASSY	1					
2	36320765310	AIR INTAKE ASSY	1					
3	36320765340	HEATER (CORE)	1				561974	
	36320765341	HEATER (CORE)	1			561975		
4	36320765350	CASE ASSY	1					
5	36320765450	CASE	1					
6	36320565870	PACKING	1					
7	36320566050	PACKING	1					
8	36320565660	BRACKET	1					
9	36320765090	COVER	1					
10	36320765100	ACTUATOR	2					
11	36320765105	VALVE (EXPANSION)	1				561974	
	36320765110	VALVE (EXPANSION)	1			561975		
12	36320765120	THERMISTOR	1					
13	36320765460	HARNESS	1					
14	36320765130	LEVER	2					
15	36320765140	ROD	1					
16	36320765150	ROD	1					
17	36320765470	LEVER	4					
18	36320565490	RELAY	5					
19	36320765480	EVAPORATOR	1					
20	36320765490	BOLT,HEXAGON SOCKET	2		M5X35			
21	36320565700	SCREW,MACHINE	1					
22	36321165400	SCREW,MACHINE	14					
23	36321165410	SCREW,MACHINE	5					
24	36320565970	CLAMP	1					
25	36321162090	FASTENER	1					
26	36320455380	HOLDER	2					
27	36320565180	HOLDER (SENSOR)	1					
28	36320565190	CLAMP	3					
29	36320565260	PACKING	2					
30	36320565270	PACKING	1					
31	36320565280	PACKING	1					
32	36320565300	CLAMP	1					
33	36321162080	CAP	1					
34	36320565330	LEVER	1					
35	36320565950	LEVER	1					
36	36320565350	LEVER	4					
37	36320565960	CAM	1					
38	36320565380	ROD	1					
39	36320765270	SCREW,MACHINE	2					
40	36320765180	SCREW,MACHINE	6					
41	36320765220	SCREW,MACHINE	6					
42	36320765210	SCREW,MACHINE	2					
61	36320765290	CASE (UPPER)	1					
62	36320765300	CASE (LOWER)	1					
63	36320565700	SCREW,MACHINE	12					
64	36320765200	CONTROLLER (FAN)	1					
65	36320565710	SCREW,MACHINE	3					
66	36320565570	BRACKET	2					
67	36320565580	HOSE	1					
68	36320565590	MOTOR (BLOWER)	1					
69	36320765210	SCREW,MACHINE	2					
70	36320765220	SCREW,MACHINE	4					
71	36320765320	CASE (R)	1					
72	36320765330	CASE (L)	1					
74	36320565650	DAMPER	1					
75	36320765100	ACTUATOR	1					
76	36320765230	LEVER	1					
77	36320765240	LEVER	1					
78	36320765250	SCREW,MACHINE	3				561974	
	36320765180	SCREW,MACHINE	3			561975		
79	36320565620	FILTER	1					

GR-300E-1-00312 4 BOOM + 2 JIB,2M2D

Pos No.	Parts No	Parts Name	Qty	Unit	Technical Data	Serial No (Start)	Serial No (End)	Remarks
1	36095240000	HOOK (SHEAVE 4PC'S)	1					
2	14137207000	PLATE,NAME (GREASE)	1					
3	37002221560	PLATE,NAME (30TON)	2				561321	
	37002229300	PLATE,NAME (30000KG)	2			561322		

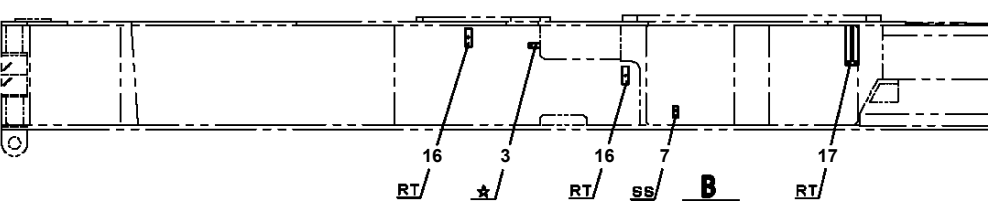
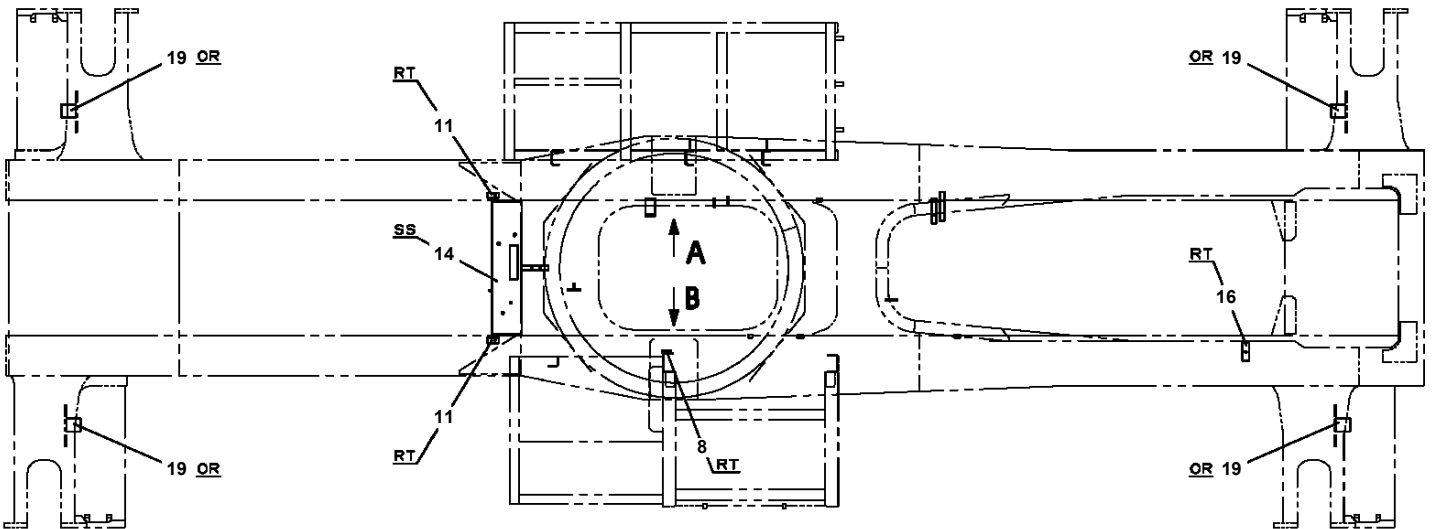
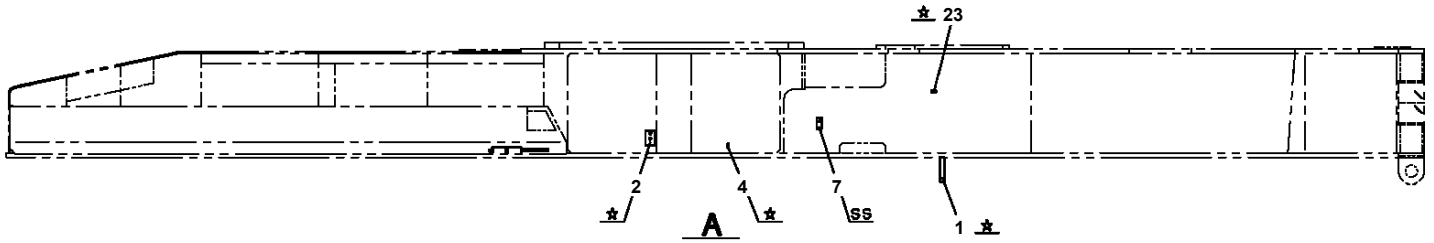
GR-300E-1-00312 4 BOOM + 2 JIB,2M2D

Pos No.	Parts No	Parts Name	Qty	Unit	Technical Data	Serial No (Start)	Serial No
1	36095300000	HOOK (AUXILIARY)	1				
2	(*****)	MOUNT,HOOK (AUX.)	1				
3	(*****)	PLATE ASSY,NAME (AUX./ENG.& CHINESE)	1				

GR-300E-1-00312 4 BOOM + 2 JIB,2M2D

Pos No.	Parts No	Parts Name	Qty	Unit	Technical Data	Serial No (Start)	Serial No (End)	Remarks	P
1	37001805280	ROPE,WIRE (KISWIRE)	1						

GR-300E-1-00312 4 BOOM + 2 JIB,2M2D
PF1080145-00 SUPPORT (HUDRAULIC PIPING)



ASSY名称	記号
PIPING, CONVERTER	★
PIPING, SUCTION	SU
PIPING, STEERING-SPRINGLOCK	SS
PIPING, OUTRIGGER	OR
PIPING, DELIVERY	SW
PIPING, RETURN	RT
STEERING, REVERSE	RV
PIPING, HOT WATER	◇

GR-300E-1-00312 4 BOOM + 2 JIB,2M2D

Pos No.	Parts No	Parts Name	Qty	Unit	Technical Data	Serial No (Start)	Serial No (End)	Remarks	Pages
3	37000579930	PLATE	1						
4	34762357100	SUPPORT	1						
5	37000503220	SUPPORT	1						
6	37000583810	PLATE	1						
7	37000500290	PLATE	3						
8	32760160090	PLATE	1						
9	37000502340	PLATE	1						
11	37000512680	PLATE	1						
12	34762357200	SUPPORT	1						
13	37000507920	PLATE	1						
14	34951360100	SUPPORT	1						

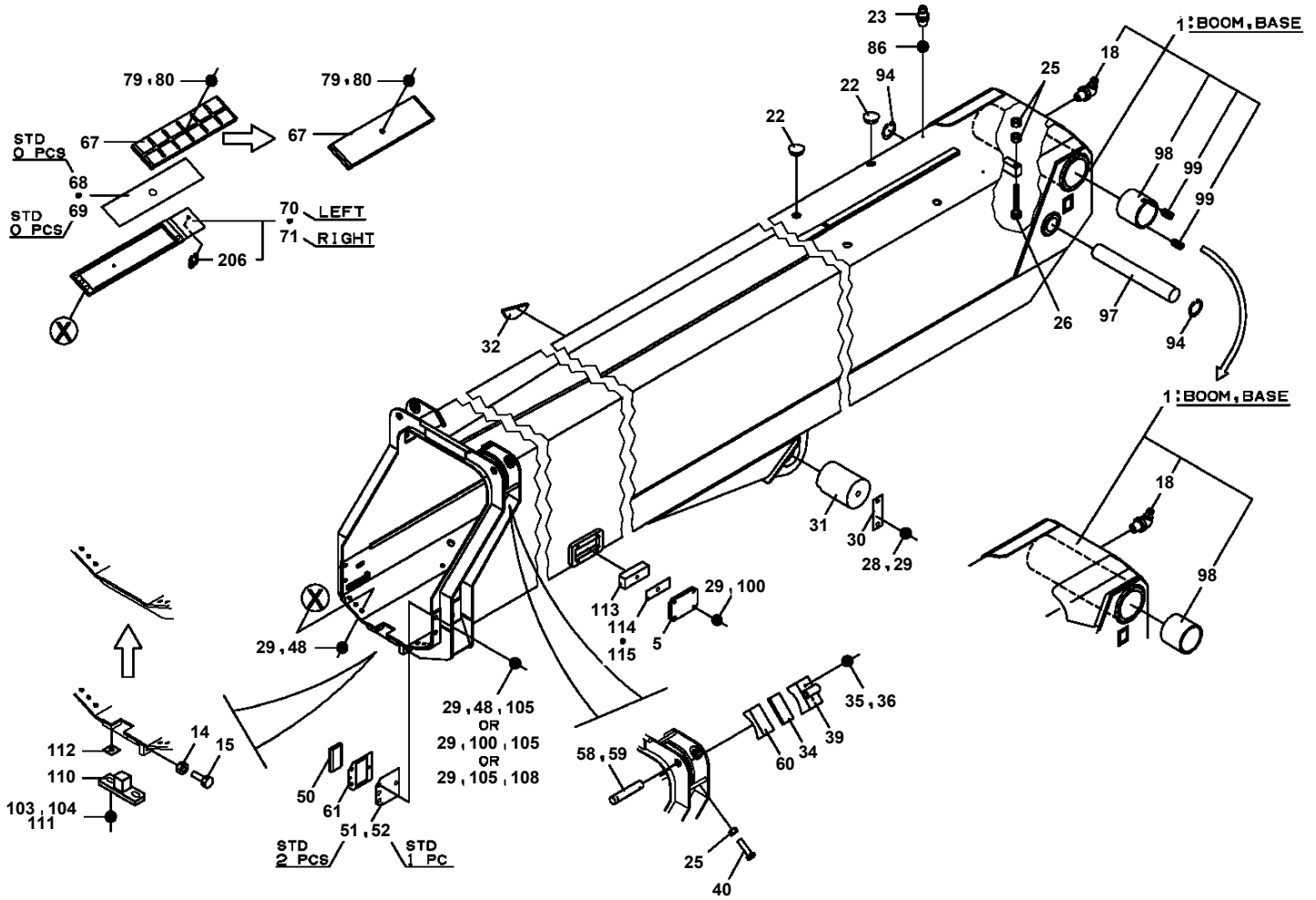
GR-300E-1-00312 4 BOOM + 2 JIB,2M2D

Pos No.	Parts No	Parts Name	Qty	Unit	Technical Data	Serial No (Start)	Serial No (End)	Remarks
1	34442151200	SWITCH ASSY	1					
2	90203201000	NUT	1		M10			
3	90102210030	BOLT	1		M10X30			
5	36682750000	SWITCH,PRESSURE	1					
6	91002801100	O-RING	1		1B P11			
7	37000925320	JOINT (FILTER,WITH O-RING)	1		T,3-G1/4			
21	82100000624	SWITCH,LIMIT	1					
22	33470120040	COVER	1					
23	33470120050	SUPPORT	1					
24	80171105008	SCREW,MACHINE	4		M5X8			
25	90302040501	WASHER,SPRING	4		5			
26	14148375000	GROMMET	1					
27	82114101030	CONNECTOR (3P,MALE)	1					
28	82111101020	TERMINAL	3					
29	82100000182	INSULATOR	3					
30	82100000562	TERMINAL	3					
31	82121101125	PLUG (AVS1.25)	3					
32	82121102030	HOLDER (3P,BOTH)	1					
44	91002801100	O-RING	1		1B P11			

GR-300E-1-00312 4 BOOM + 2 JIB,2M2D

Pos No.	Parts No	Parts Name	Qty	Unit	Technical Data	Serial No (Start)	Serial No (End)
1	82100002008	CLAMP	1		WR12		
2	82100001033	SWITCH,PUSH	1				561377
	82101700412	SWITCH,PUSH	1			561378	
3	34320903800	CAP	2				
4	34322471100	KNOB	1				
5	34321691110	SOLENOID	2				
6	34322471200	KNOB	1				561377
	34322471201	KNOB	1			561378	
7	90303071201	WASHER,PLAIN	1		12		
8	82100000192	TERMINAL	2				
9	82100000182	INSULATOR	2				
10	82100000191	TERMINAL	2				
11	82100000183	INSULATOR	2				
12	34320901300	SUPPORT	1				
13	90280200800	NUT,FLANGE	1		M8		
14	90186206010	BOLT,FLANGE	1		M6X10		
15	82100002002	CLAMP	1		WR6		
16	34320903900	KNOB	1				
17	34320904000	KNOB	1				
18	34478931100	INDICATOR,DRUM	1				
19	80172304025	SCREW,MACHINE	4		M4X25		
20	90302040401	WASHER,SPRING	4		4		
22	37002207270	PLATE,NAME (BOOM EXT.)	1			561298	
23	34251330800	COVER	1				
24	37002224260	PLATE,NAME (TELES&AUX/W LEVER)	1				
25	37002212090	PLATE,NAME (MAIN WINCH LEVER)	1				
26	90186208020	BOLT,FLANGE	1		M8X20		

GR-300E-1-00312 4 BOOM + 2 JIB,2M2D
PG1010857-06 BOOM



图中的左右表示は、ブーム後端から先端を見たものです。
 THE RIGHT AND LEFT IN FIGURE ARE THE EXPRESSION THAT SEES FROM BOOM END TO TOP.

GR-300E-1-00312 4 BOOM + 2 JIB,2M2D

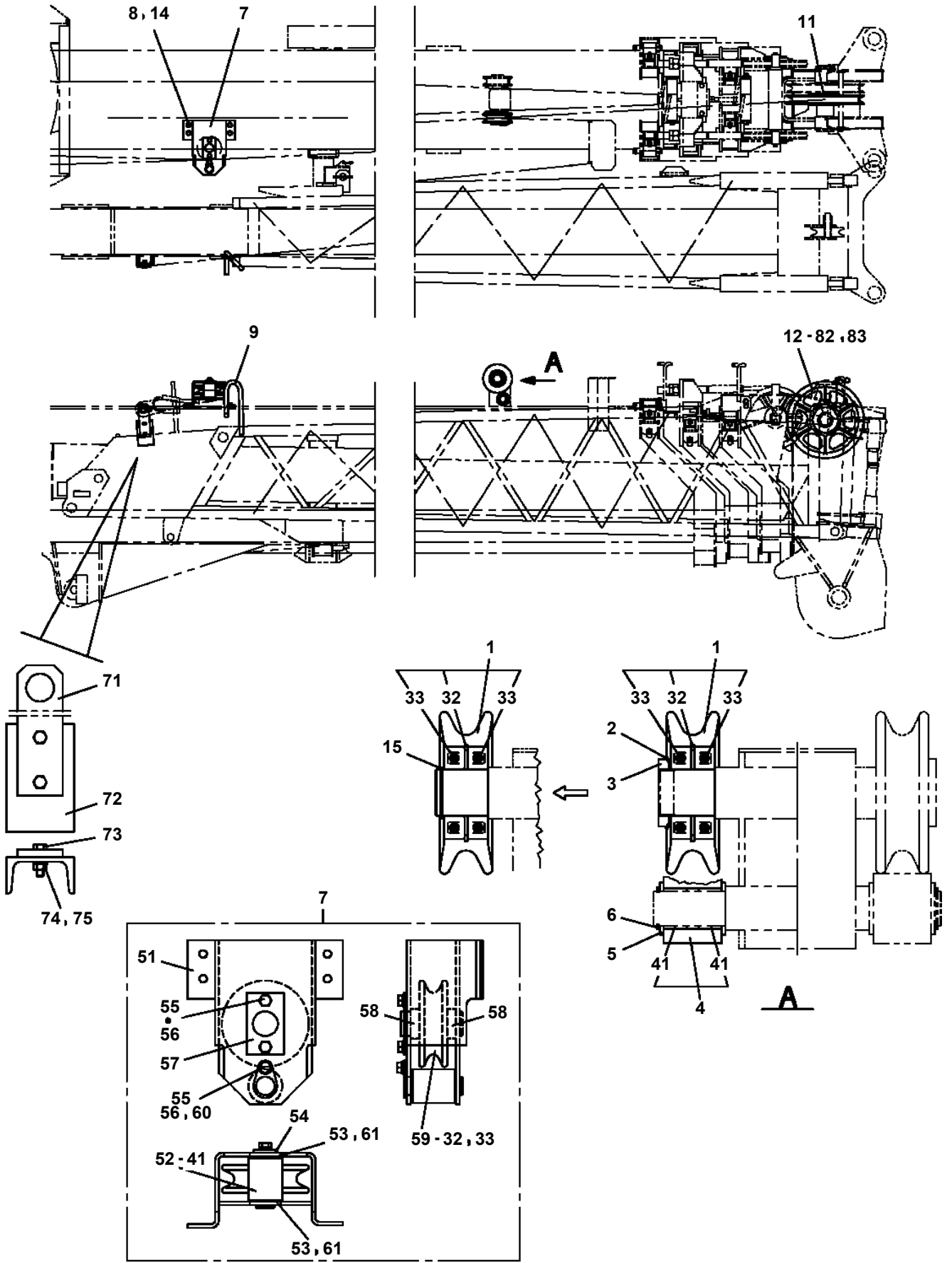
Pos No.	Parts No	Parts Name	Qty	Unit	Technical Data	Serial No (Start)	Serial No (End)	Remarks	Page
2	37001103920	ROLLER ASSY	1						
3	37000130270	PIN	2						
4	80601110450	RING,RITAINING	4		S45				
5	37001103940	ROLLER ASSY	1						
6	37000303600	SPACER	2						
7	34220123000	GUIDE ASSY	1						
8	14111314000	COLLAR	2						
9	14121004000	PIN	1						
10	90101208016	BOLT	1		M8X16				
11	90302040801	WASHER,SPRING	1		8				
12	37001000380	SHEAVE ASSY	1						
13	34440270900	GUARD	1						
32	80801004550	BEARING,PLAIN	2						
41	34220083500	SPACER	4						
42	80530000116	BEARING,ROLLER	2						
51	34220123010	GUIDE	1						
52	34220123050	SUPPORT	1						
53	18616010001	SPRING	1						
54	80720108045	PIN,SPRING	1		8X45				
62	12111503000	SPACER	1						
63	80514006206	BEARING,BALL	2				562053		
	80513006206	BEARING,BALL	2			562054			
64	80602110620	RING,RITAINING	1		R62				
71	34442920610	SUPPORT	1						
72	34440040210	SUPPORT	1						
73	90101208030	BOLT	2		M8X30		562285		
	90101208025	BOLT	2		M8X25	562286			
74	90201200800	NUT	2		M8				
75	90302040801	WASHER,SPRING	2		8		562285		
	90303070801	WASHER,PLAIN	2		8	562286			
81	82100002506	CONNECTOR	2						
82	82100002505	CONNECTOR (CN-6)	2						
83	83152012200	SHACKLE	1						
84	14148375000	GROMMET	2						
86	82100000207	CLAMP	5						
87	90928040061	SCREW,TAPPING	5		M4X6				
100	34221669510	JIB (1)	1						

GR-300E-1-00312 4 BOOM + 2 JIB,2M2D

Pos No.	Parts No	Parts Name	Qty	Unit	Technical Data	Serial No (Start)	Serial No (End)	R
1	18616057000	COLLAR	2		L=5			
2	37000100350	PIN	1					
3	37001100040	ROLLER ASSY	2					
4	90303102001	WASHER,PLAIN	2		20			
5	80136340030	PIN,SPLIT	2		4X30			
6	59457138000	PLUG ASSY	1					
8	37001603050	NUT	1					
9	91302213000	BEARING,PLAIN	2					
10	91684013000	PACKING	2					
11	91431211501	RING,BACKUP	1					
12	36017874000	PISTON	1					
13	91002909500	O-RING	1		1B G95			
14	36017871001	ROD	1					
15	36017888810	CYLINDER	1					
16	91002913000	O-RING	1		1B G130			
17	36016514000	COVER,ROD	1					
18	36010523000	SUPPORT	1					
19	91251101150	RING,DAMPER	1					
20	91694011500	PACKING	1					
21	91410211502	RING,BACKUP	1		TE-130X115X2			
22	91301111500	BEARING,PLAIN	1					
23	16326020000	STOPPER	1					
24	91660011501	SEAL,DUST	1					
25	91411211501	RING,BACKUP	1					
26	19116004000	COVER	1					
27	37000301040	SPACER	1		L=80			
28	36605480000	CARTRIDGE, COUNTERBALANCE	1					
29	90172110025	BOLT,HEXAGON SOCKET	4		M10X25			
30	90302041001	WASHER,SPRING	10		10			
31	18336032000	PLATE	1					
32	36017882000	BODY,VALVE	1					
33	91002903000	O-RING	2		1B G30			
34	90172110090	BOLT,HEXAGON SOCKET	6		M10X90			
35	90730008120	SCREW,SET	1		M8X12			
52	80516006204	BEARING,BALL	2					
53	80602110470	RING,RITAINING	2		R47			
62	80612111230	RING,RITAINING	1		AR123			
63	37000404250	BEARING,PLAIN	1					
80	36010089900	PACKING SET	1		115X130			
100	36017880000	CYLINDER,TELESCOPING (NO.2)	1					

GR-300E-1-00312 4 BOOM + 2 JIB,2M2D
PG1360249-01 WIRE GUIDE (AUX.)

→ **FRONT**



GR-300E-1-00312 4 BOOM + 2 JIB,2M2D

Pos No.	Parts No	Parts Name	Qty	Unit	Technical Data	Serial No (Start)	Serial No (End)	Re
1	34372351300	SUPPORT	1					
2	32370002110	GASKET	1					
3	32370002121	COVER	1					
4	80172303025	SCREW,MACHINE	2		M3X25			
5	90302040301	WASHER,SPRING	2		3			
6	82104102010	SWITCH,LIMIT	1					
7	34372351200	ROD	1					
8	14148373001	SPRING	1					
9	80601110180	RING,RITAINING	1		S18			
10	34371314400	SUPPORT	1					
11	90303070301	WASHER,PLAIN	2		3			
12	82114101020	CONNECTOR (2P,MALE)	1					
13	82111101010	TERMINAL	2					
14	32370005200	CORD	1					
15	32370005210	CORD	1					
16	82100000592	TERMINAL (M40.3 TO 1.25)	2					
17	89630201000	HOSE,VINYL	1		6X8,1M			
18	14148375000	GROMMET	1					
19	90101208045	BOLT	2		M8X45			
20	90302040801	WASHER,SPRING	2		8			
21	82121102020	HOLDER	1					
22	82100001220	INSULATOR	2					
23	82121101085	PLUG (AVS0.85)	2					
24	82400000201	GROMMET	1		KG-016			
30	34372359510	ROD ASSY	1					
42	32370002150	SPACER	1		L=12 TO 11			
43	80720103014	PIN,SPRING	1		3X14			
100	34372351101	SWITCH,OVER WIND DETECTOR	1					

GR-300E-1-00312 4 BOOM + 2 JIB,2M2D

Pos No.	Parts No	Parts Name	Qty	Unit	Technical Data	Serial No (Start)	Serial No (End)	Remarks	Pag
1	36180110000	SENDER,PRESSURE	1						
2	82100002004	CLAMP	3		WR8				
3	90280200600	NUT,FLANGE	18		M6				
4	82100002037	CLAMP	5		WE10				
5	90190000008	BOLT,STUD	6		M6X20				
6	82100002033	CLAMP	4						
7	90302350501	WASHER,SPRING	4		5				
8	90303360501	WASHER,PLAIN	4		5				
9	80172405016	SCREW,MACHINE	4		M5X16				
10	34362898021	HARNES (N.A.)	1						
12	91810130250	FASTENER	6						
13	36180160000	SENDER,PRESSURE	1						
31	91002801400	O-RING	2		1B P14				

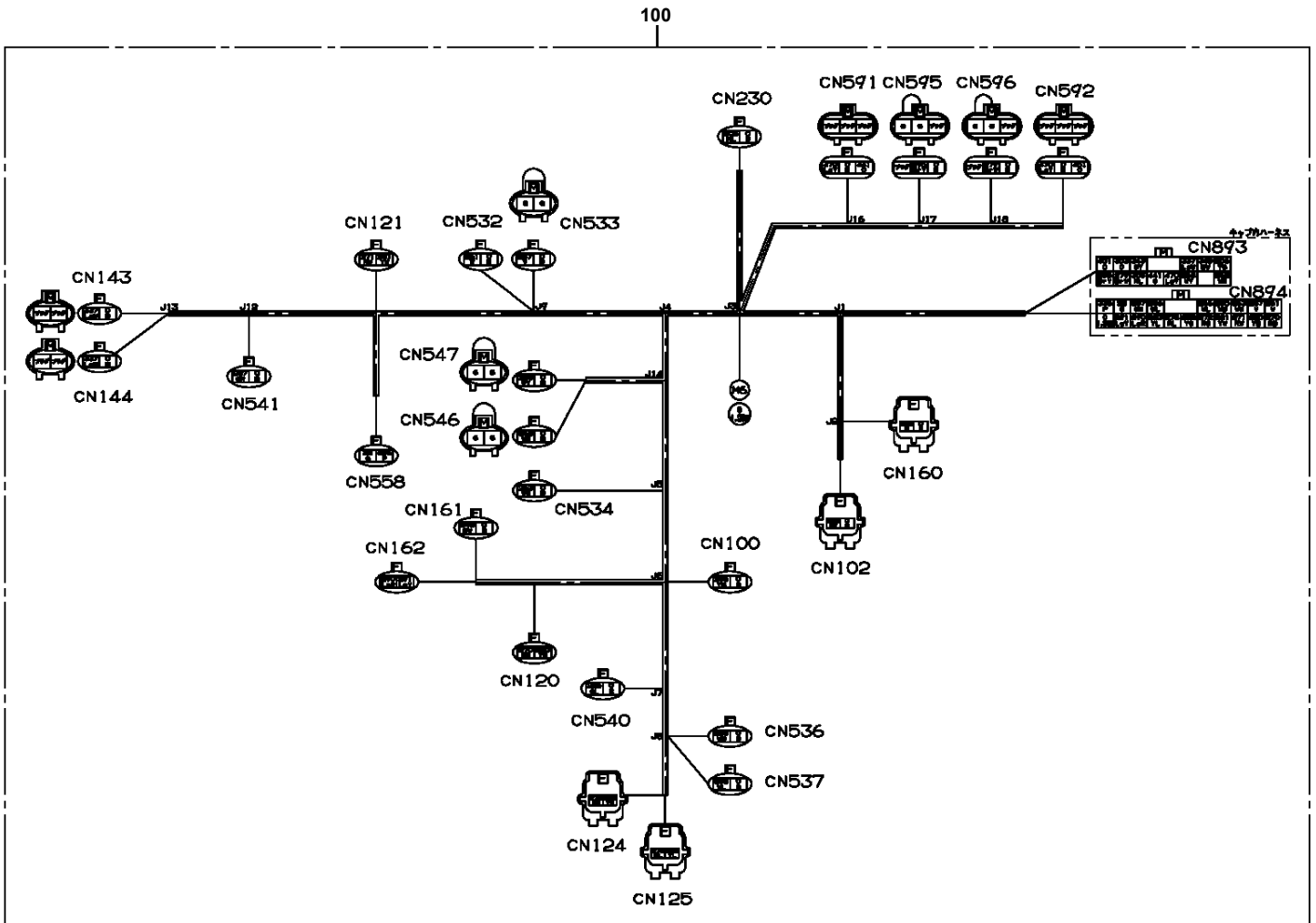
GR-300E-1-00312 4 BOOM + 2 JIB,2M2D

Pos No.	Parts No	Parts Name	Qty	Unit	Technical Data	Serial No (Start)	Serial No (End)	Remarks
10	34353412040	HARNESS (BOOM POINT)	1					

GR-300E-1-00312 4 BOOM + 2 JIB,2M2D

Pos No.	Parts No	Parts Name	Qty	Unit	Technical Data	Serial No (Start)	Serial No (End)	Remarks	Pages
100	34372520010	HARNESS	1						

GR-300E-1-00312 4 BOOM + 2 JIB,2M2D
PH5034124-00 HARNESS (SWING FRAME,LEFT)



GR-300E-1-00312 4 BOOM + 2 JIB,2M2D

Pos No.	Parts No	Parts Name	Qty	Unit	Technical Data	Serial No (Start)	Serial No (End)	Rem
100	34711302020	HARNESS (FOR CONVERSION)	1					

GR-300E-1-00312 4 BOOM + 2 JIB,2M2D

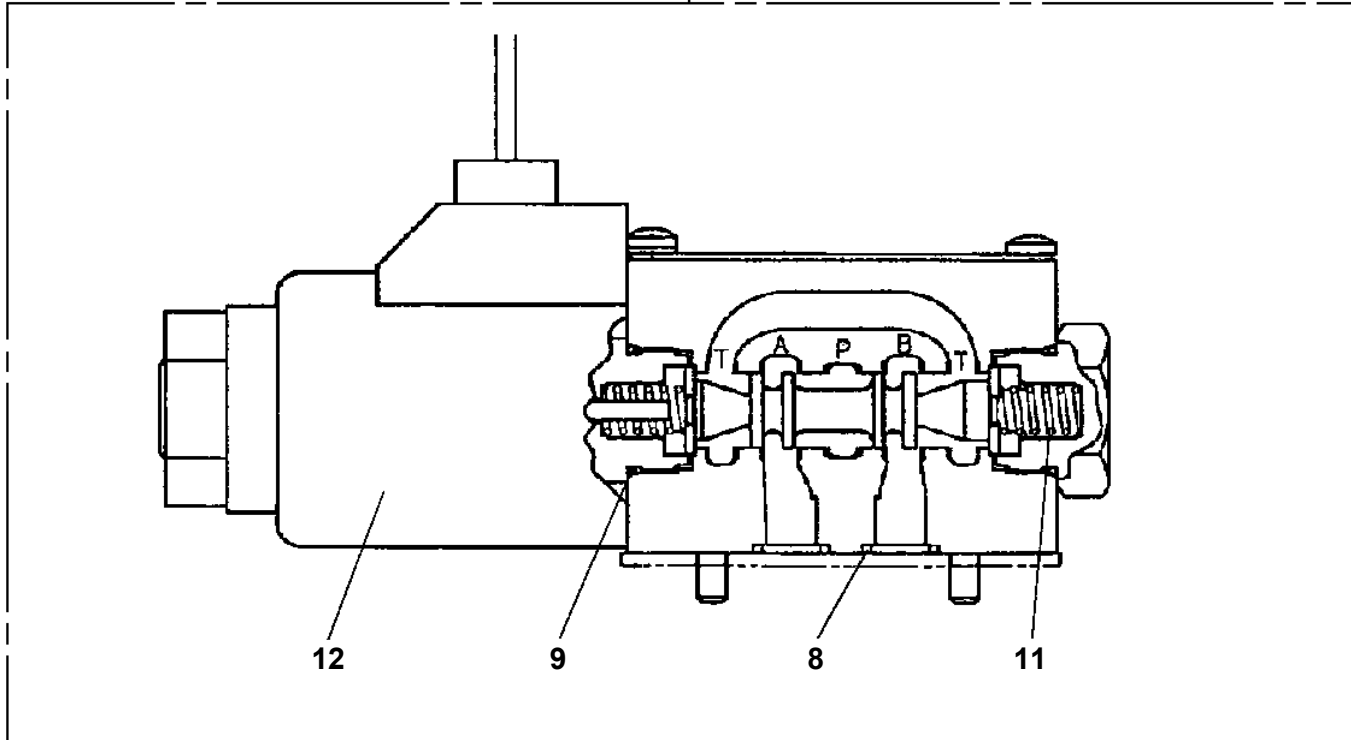
Pos No.	Parts No	Parts Name	Qty	Unit	Technical Data	Serial No (Start)	Serial No (End)	Remarks
101	36663685010	HUB	1					
102	36663685020	SPINDLE	1				562083	
	36663685170	SPINDLE	1			562084		
103	36663665010	CARRIER ASSY	1					
104	36663665020	GEAR,SUN	1					
105	36663665030	GEAR,PLANETARY	3					
106	36663665040	GEAR,SUN	1					
107	36663665050	GEAR,PLANETARY	4				562083	
	36664105040	GEAR,PLANETARY	4			562084		
109	36663665060	COLLAR (THRUST)	1					
110	36663665070	COLLAR (THRUST)	6					
111	36663665080	PLATE,THRUST	4				562083	
	36664105010	PLATE,THRUST	4			562084		
112	36663665090	COLLAR (THRUST)	4					
113	36663665100	COVER	1					
114	36663665110	COUPLING	1					
117	36663665120	WASHER	1					
121	36663685030	COLLAR	1					
122	36663685040	RING,RETAINING	1					
124	36663685050	BEARING,BALL	2					
125	36663665130	RING	1					
127	36663665140	BEARING,ROLLER	3					
128	36663665150	BEARING,NEEDLE	4					
129	36663665160	RING	4					
130	36663665170	RING,RETAINING	3					
131	36663665180	RING,RETAINING	1					
135	91002822000	O-RING	1		1B P220			
137	91002801400	O-RING	7		1B P14			
138	36663665190	SEAL KIT	1					
139	36663665210	PLUG	7					
140	36663925010	BOLT,HEXAGON SOCKET	12					
141	80560061000	BALL,STEEL	1		3/8			
142	36663665220	PIN	2					
143	91002800700	O-RING	3		1B P7			
144	91001704100	O-RING	1		WG41			
146	36663665230	PLUG	2					
147	91002800800	O-RING	2		1B P8			
148	36663665240	PLUG	1					
149	91002801100	O-RING	1		1B P11			
202	36663685070	SHAFT	1					
203	36663685080	PLATE,SWASH	1					
205	36663685060	CYLINDER & PISTON ASSY	1					
208	36663665280	BUSHING (THRUST BOLL)	1					
209	36663665290	PLATE	1					
210	36663665300	WASHER	2					
211	36663665310	WASHER	1					
212	36663665320	PISTON	1					
213	36662935310	SPRING	10					
214	36663665330	SPRING	1					
215	36663665340	PLATE (FRICTION)	7					
216	36662935340	PLATE (MATING)	7					
217	36663665350	PLATE	1					
219	36663685090	COLLAR	1					
232	36663665360	SEAL,OIL	1					
235	36663665370	O-RING	1					
239	36663665380	O-RING	1					
245	36662935470	RING,SNAP	1					
249	36663685100	BEARING,TAPER ROLLER	1					
250	36663685110	BEARING,TAPER ROLLER	1					
251	36663665390	ROLLER,NEEDLE	3					
267	36663665400	PIVOT	2					
271	36663495540	PIN (PARALLEL)	2					
305	36663665430	ORIFICE	1					

GR-300E-1-00312 4 BOOM + 2 JIB,2M2D

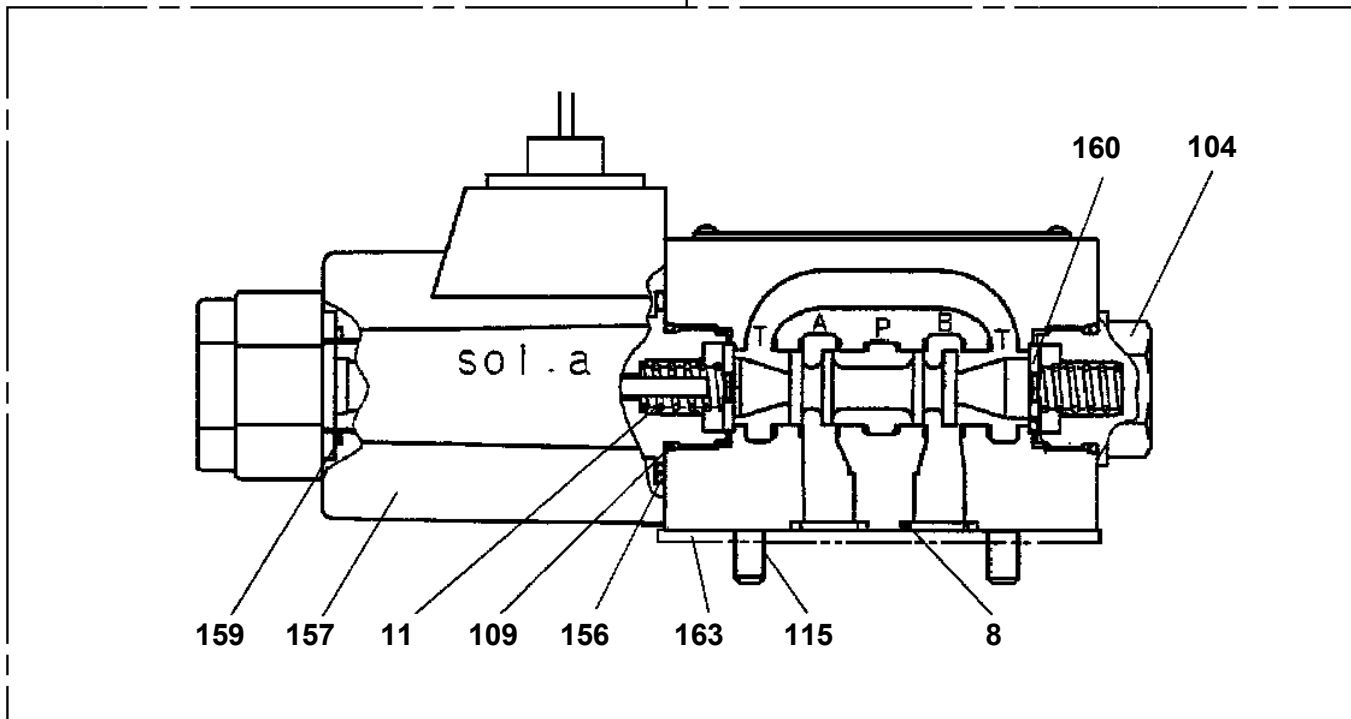
Pos No.	Parts No	Parts Name	Qty	Unit	Technical Data	Serial No (Start)	Serial No (End)	Remarks	Pages
58	36646085011	VALVE,SOLENOID	1						00016
102	36648875010	RETAINER	2				562112		
	36646085060	RETAINER	2			562113			
103	36646085040	ELEMENT,FILTER	2						
108	36646085050	BOLT	4			562113			
300	36646080000	VALVE,SOLENOID	1						

GR-300E-1-00312 4 BOOM + 2 JIB,2M2D
PI1120265-01 VALVE,SOLENOID

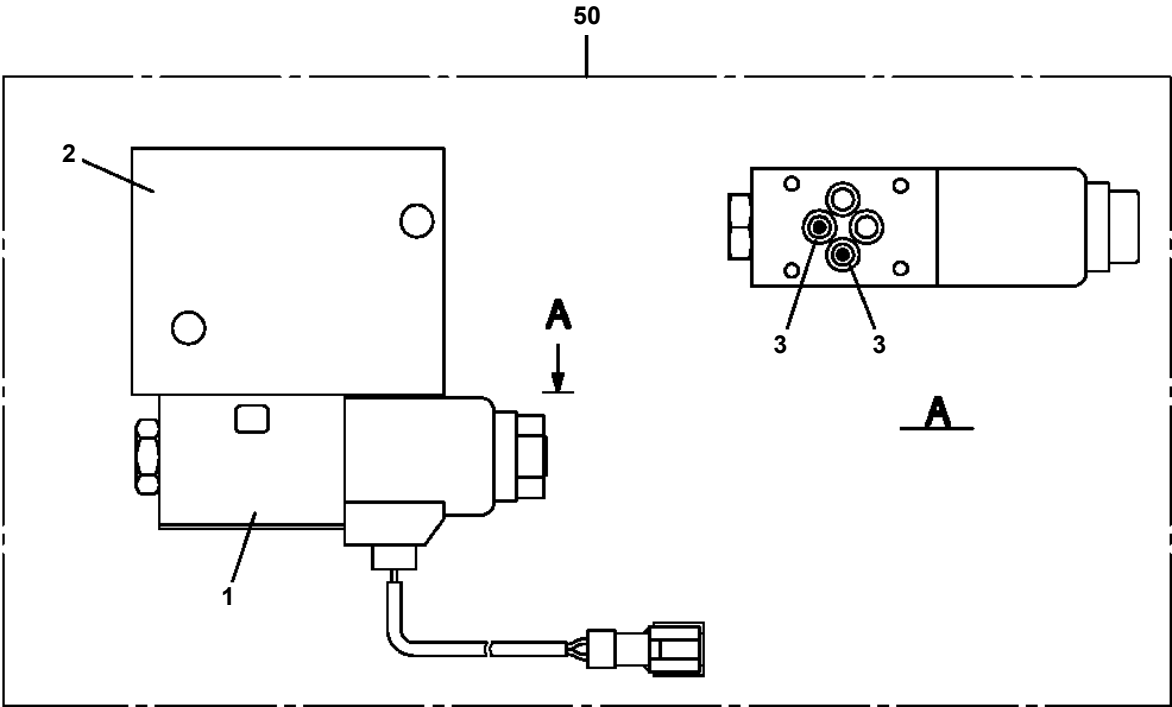
200



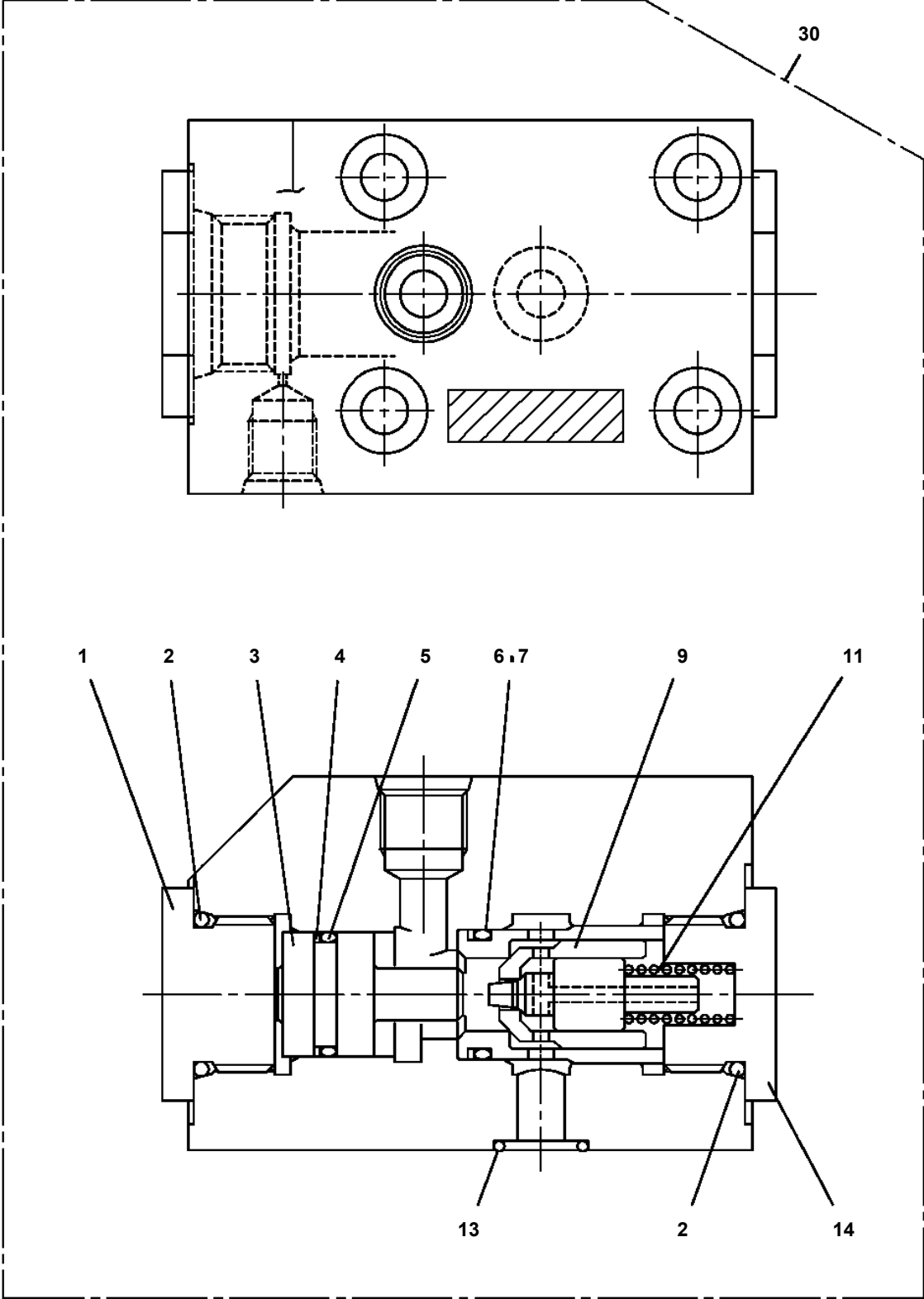
200



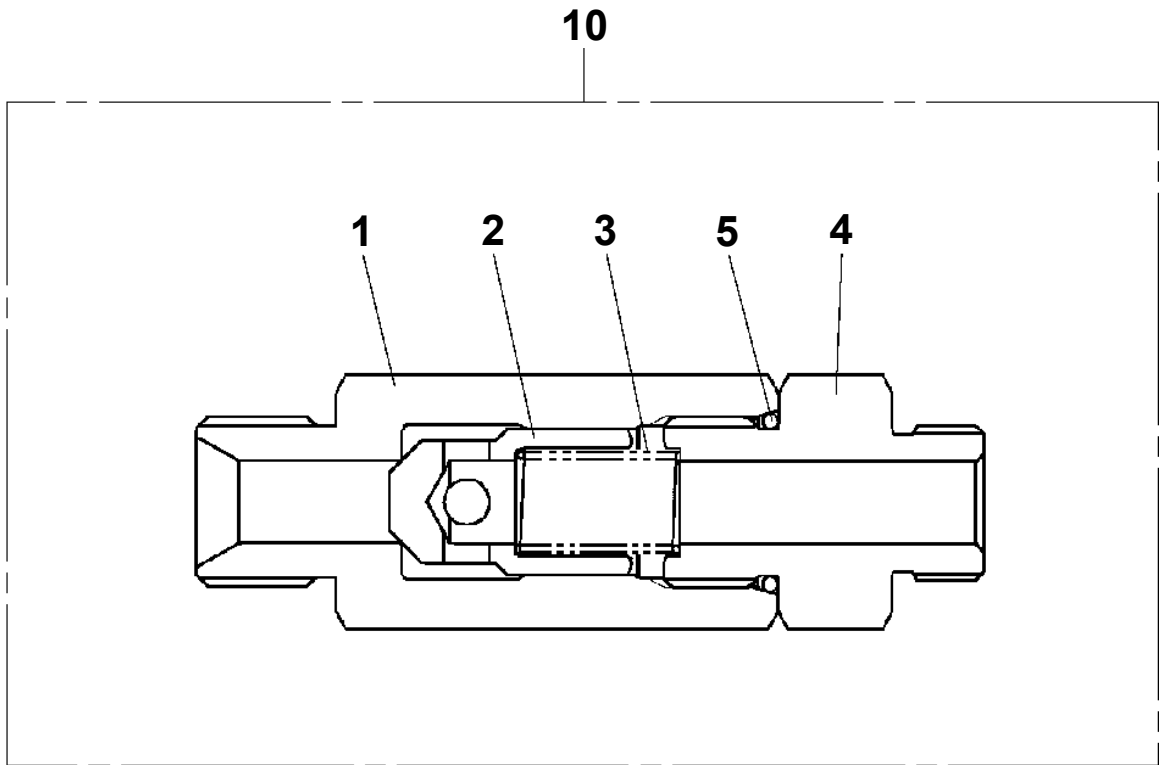
GR-300E-1-00312 4 BOOM + 2 JIB,2M2D
PI1120350-00 VALVE,SOLENOID



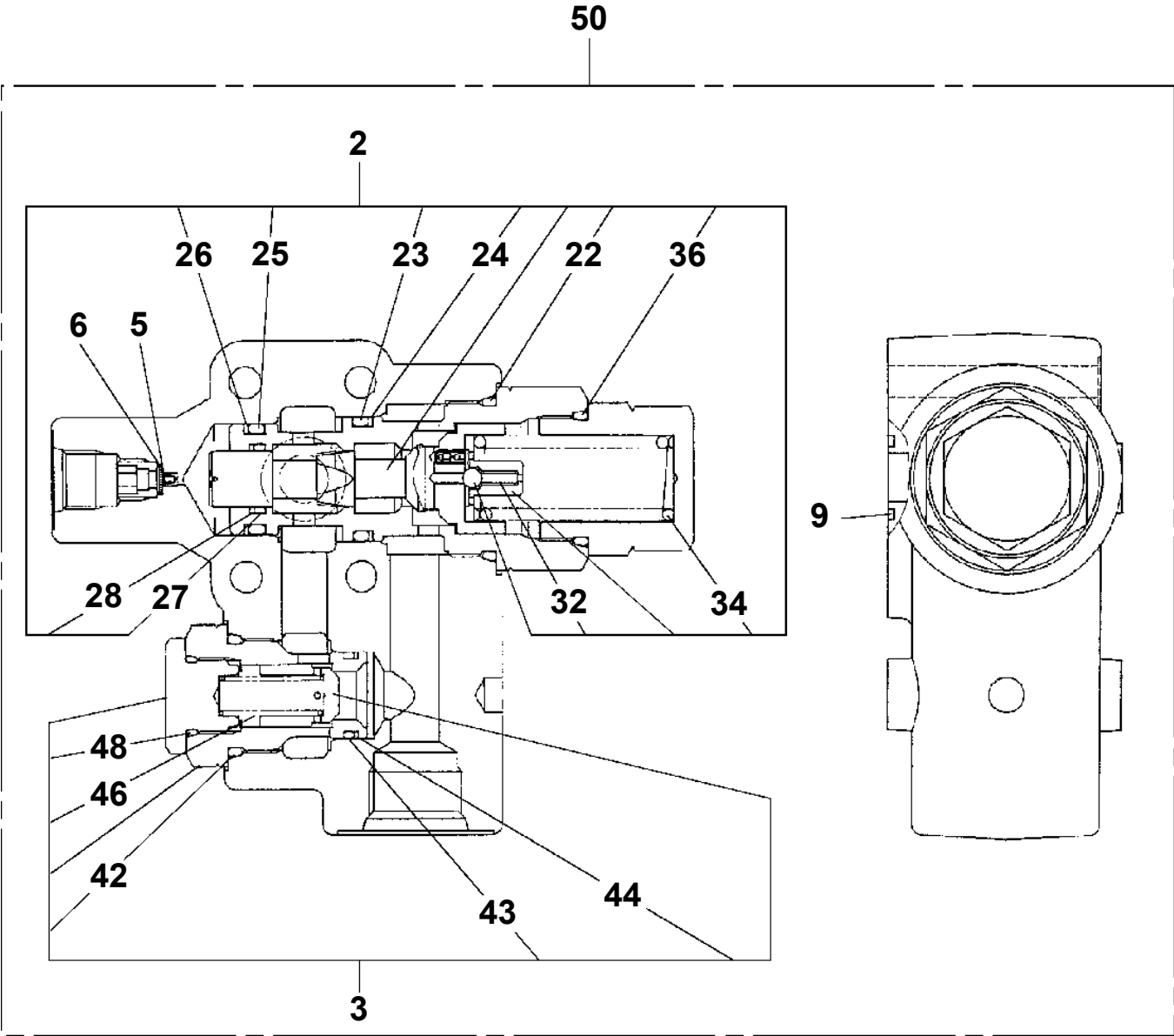
GR-300E-1-00312 4 BOOM + 2 JIB,2M2D
PI1140066-00 VALVE,CHECK



GR-300E-1-00312 4 BOOM + 2 JIB,2M2D
PI1140156-00 VALVE,CHECK



**GR-300E-1-00312 4 BOOM + 2 JIB,2M2D
PI1250115-01 VALVE,COUNTERBALANCE**



GR-300E-1-00312 4 BOOM + 2 JIB,2M2D

Pos No.	Parts No	Parts Name	Qty	Unit	Technical Data	Serial No (Start)	Serial No (End)
3	36671279510	ELEMENT	1				
4	36671275020	SPRING	1				
5	36671275030	PLUG (DRAIN)	1				
6	36671275040	VALVE,RELIEF	1				
7	36671275050	PLUG	1				
8	91001209000	O-RING	1		1A G90		
10	91001101400	O-RING	1		1A P14		
11	91002801800	O-RING	1		1B P18		
12	91001101400	O-RING	1		1A P14		
20	36671270000	FILTER,OIL (TORQUE CONVERTER)	1				

CLICK HERE TO **DOWNLOAD** THE COMPLETE MANUAL

- Thank you very much for reading the preview of the manual.
- You can download the complete manual from: www.heydownloads.com by clicking the link below



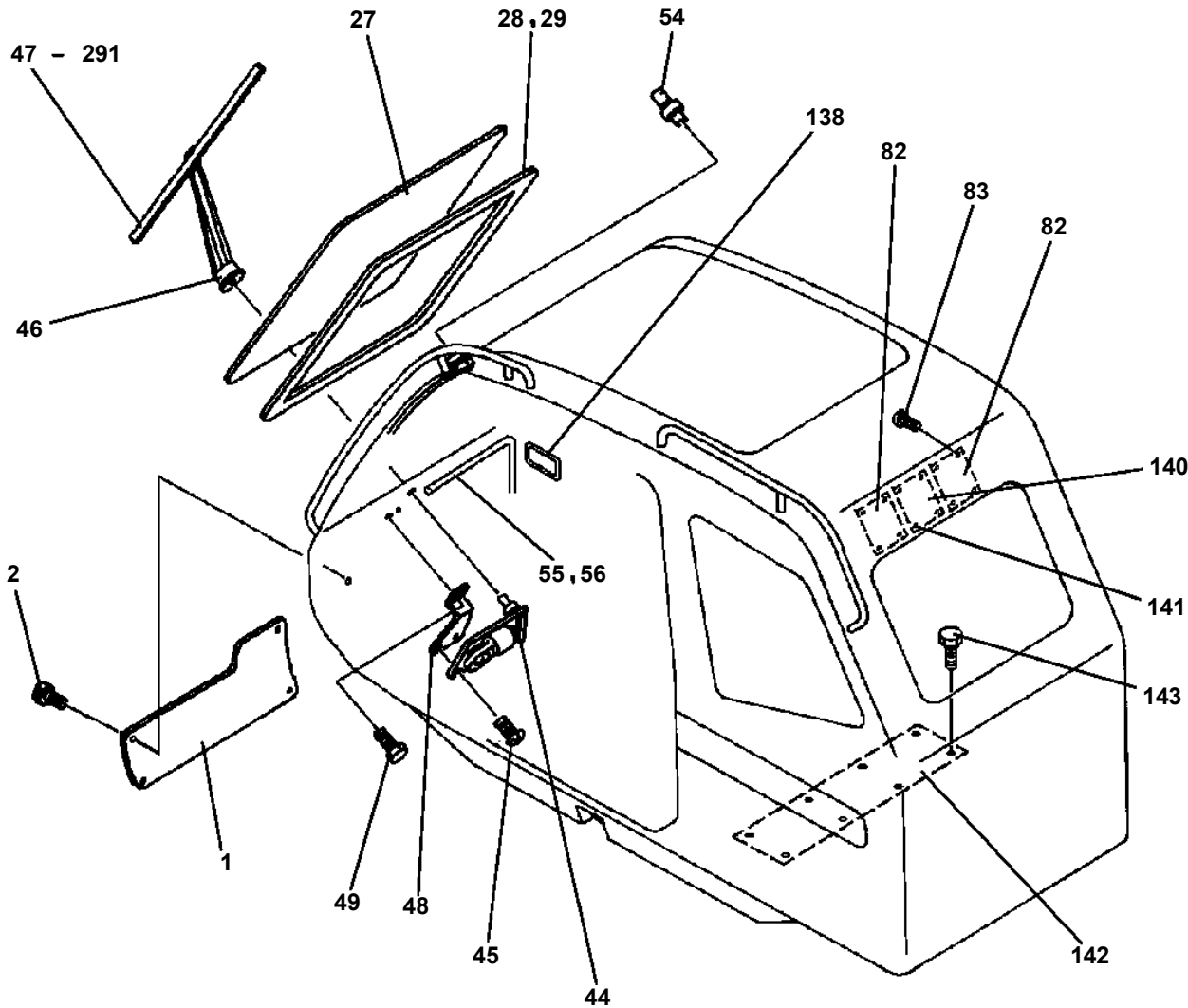
- Please note: If there is no response to CLICKING the link, please download this PDF first and then click on it.

CLICK HERE TO **DOWNLOAD** THE COMPLETE MANUAL

GR-300E-1-00312 4 BOOM + 2 JIB,2M2D

Pos No.	Parts No	Parts Name	Qty	Unit	Technical Data	Serial No (Start)	Serial No (End)	Remarks
2	34630703000	JOINT,ROTARY	1					
3	34630701200	PLATE	1					
6	34630702000	BRUSH,ROTARY JOINT	1					
7	37001509460	BOLT	1		M10X40			
8	90171112030	BOLT	3		M12X30			
9	90172106100	BOLT,HEXAGON SOCKET	3		M6X100			
10	90302040601	WASHER,SPRING	3		6			
11	90172110020	BOLT,HEXAGON SOCKET	3		M10X20			
12	90302041001	WASHER,SPRING	3		10			
14	82401800080	PLUG (FOR M8)	2					
15	82401800100	PLUG (FOR M10)	1					
16	34630706001	JOINT,ROTARY	1					
31	34630850300	JOINT,SWIVEL	1					
32	34630703500	PIPE	1					
33	34630703400	PIPE	1					
34	34630703300	PIPE	1					
35	34630703900	PIPE	1					
51	34630706101	CORE	1					
52	34630706200	BODY	1					
53	34630705300	COVER	1					
54	34630705400	PLATE	1					
55	91001214500	O-RING	1		1A G145			
56	91002809000	O-RING	1		1B P90			
57	91002813000	O-RING	1		1B P130			
58	34630702100	SEAL,RING	4					
59	34630702200	SEAL,RING	3					
60	90172108020	BOLT,HEXAGON SOCKET	8		M8X20			
61	80316090060	PLUG	2		KKT PT3/8			
62	80316090040	PLUG SOCKET	4		R1/4			
63	80316090100	PLUG	2		KKT PT3/4			
64	34630702300	SEAL,RING	5					
65	34630875300	PLUG	2					
66	91001003200	O-RING	2		1A S32			
81	34630703700	PACKING	3					
82	34630703800	O-RING	2					
85	37000404180	BEARING,PLAIN	2					
86	37000404170	BEARING,PLAIN	1					
87	80601311000	RING,RETAINING	1					

GR-300E-1-00312 4 BOOM + 2 JIB,2M2D
PK1140170-07 CAB,OPERATOR



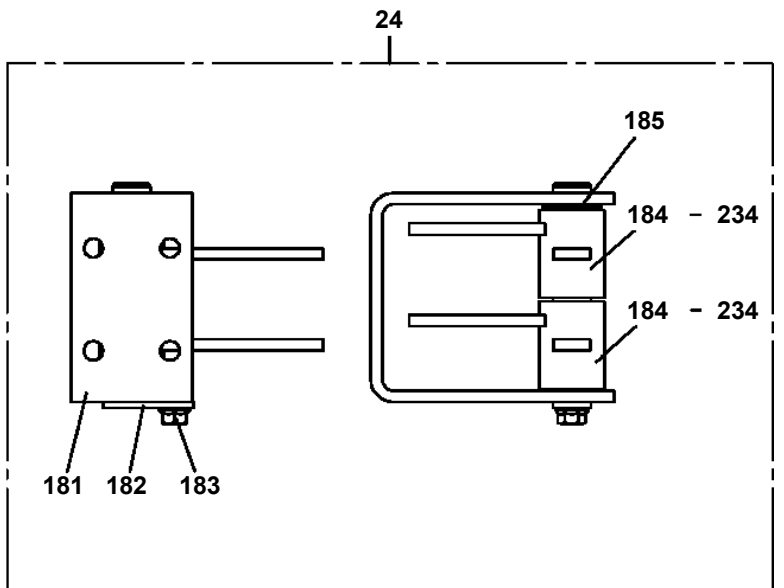
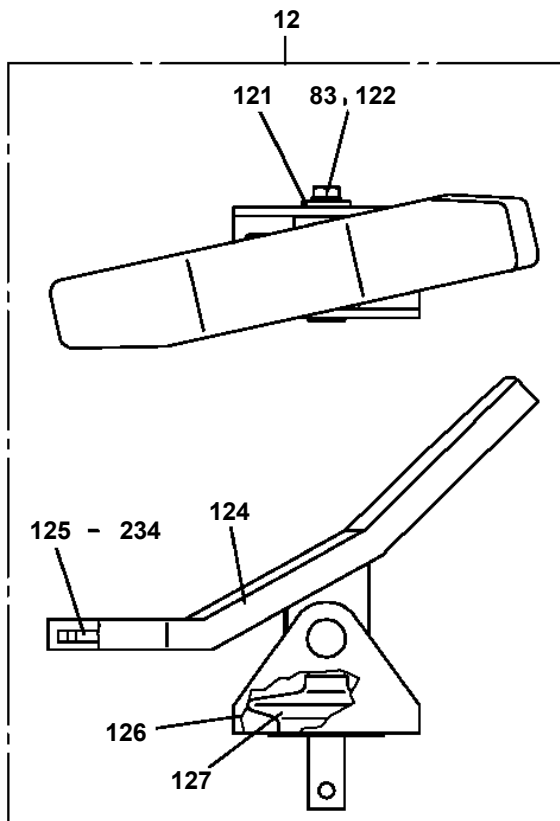
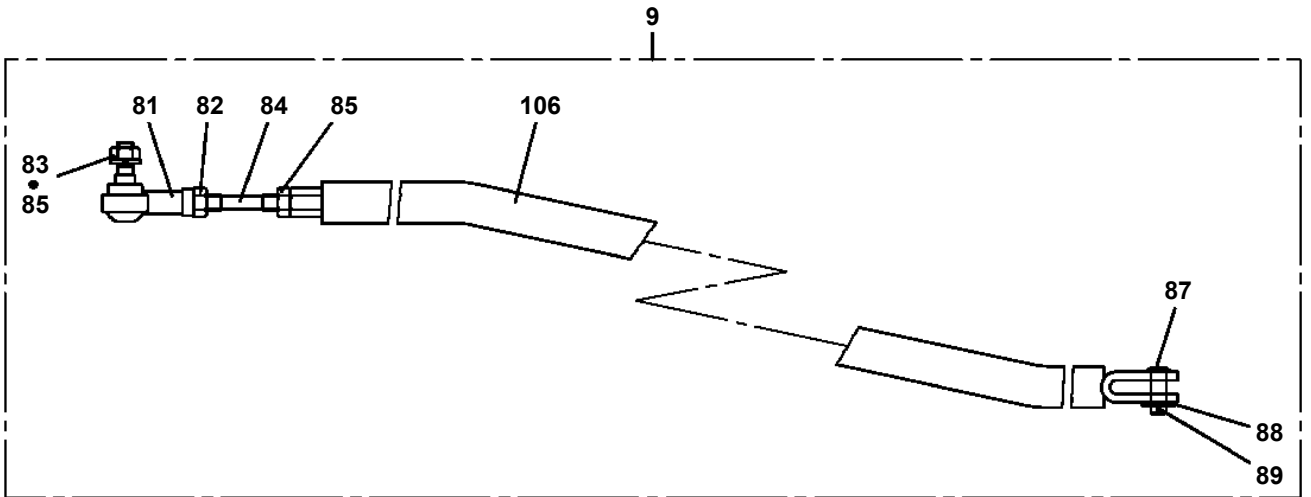
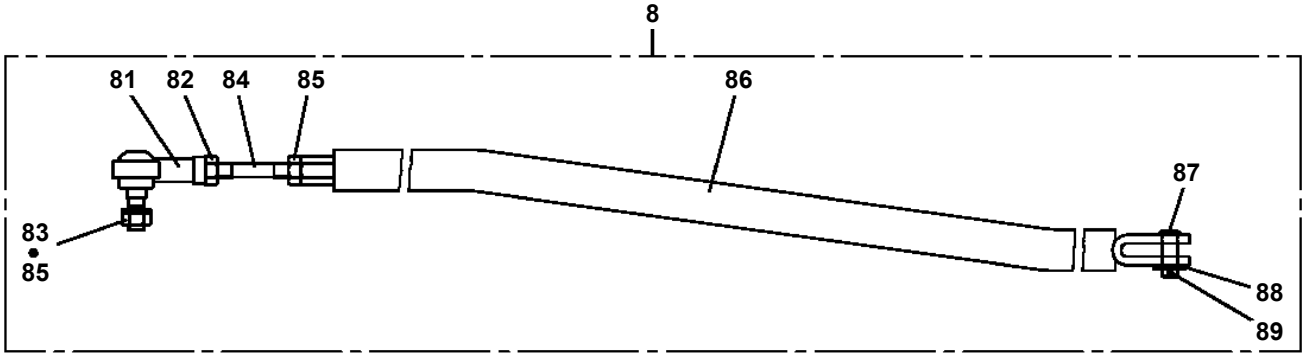
GR-300E-1-00312 4 BOOM + 2 JIB,2M2D

Pos No.	Parts No	Parts Name	Qty	Unit	Technical Data	Serial No (Start)	Serial No (End)	Remarks
1	34251287510	CUSHION ASSY	1					
2	34251287520	BACK ASSY	1					
3	34251287580	HEADREST	1					
4	34251287540	ARMREST ASSY (L)	1					
5	34251287550	ARMREST ASSY (R)	1					
6	34251287560	ADJUSTER (SLIDE/L)	1					
7	34251287570	ADJUSTER (SLIDE/R)	1					
8	34251287690	WIRE	1				561766	
	34251287810	WIRE (SLIDE)	1			561767		
9	34251287590	ADJUSTER (RECLINING)	1					
10	34251287800	COVER (RECLINING)	1					
11	34251287700	BRACKET (CUSHION)	1					
12	34251287710	BRACKET (BACK)	1				561766	
	34251287820	BRACKET (BACK)	1			561767		
13	34251287720	LEVER (HEIGHT)	1					
14	34251287730	SCREW,MACHINE	1					
15	34251287740	BOLT	4					
16	34251287750	BOLT,SEMS	10				561766	
17	34251287760	BUSHING	1				561766	
	34252137580	BUSHING	1			561767		
18	34251287620	SCREW (WITH WASHER)	3		M6X16X1.0			
20	34251287630	BRACKET (ARMREST)	1					
21	34251287640	GEAR ASSY (L)	1					
22	34251287650	GEAR ASSY (R)	1					
23	34251287660	SPRING	2					
24	34251287670	SCREW,MACHINE (SEMS)	4		M6X16X1.0			
25	34251287680	SCREW,MACHINE (SEMS)	4		M6X12X1.0			
26	34251287770	NUT (WITH WASHER)	4					
27	34251287780	CLIP	2					
28	34251287790	RISER ASSY	1					
31	34251287830	WASHER	1			561767		
32	34252137570	BOLT (WITH WASHER)	10		M10X25	561767		
50	34251280100	SEAT,OPERATOR	1					

**GR-300E-1-00312 4 BOOM + 2 JIB,2M2D
 PL1010939-09 OPE.ASSY,CONT.VALVE (ISO)**

HOSE DETAIL		
ROUTE	PORT NO.	MARK,BAND
T	T	44
P	P	42
LEFT SWING	S2	43,38
RIGHT SWING	S1	43,37
ELEVATING-UP	D1	41,37
ELEVATING-DOWN	D2	41,38
AUX.WINCH HOIST-DOWN (TELESCOPING EXTENSION)	W4	45,40
AUX.WINCH HOIST-UP (TELESCOPING RETRACTION)	W3	45,39
MAIN WINCH HOIST-UP	W1	45,37
MAIN WINCH HOIST-DOWN	W2	45,38

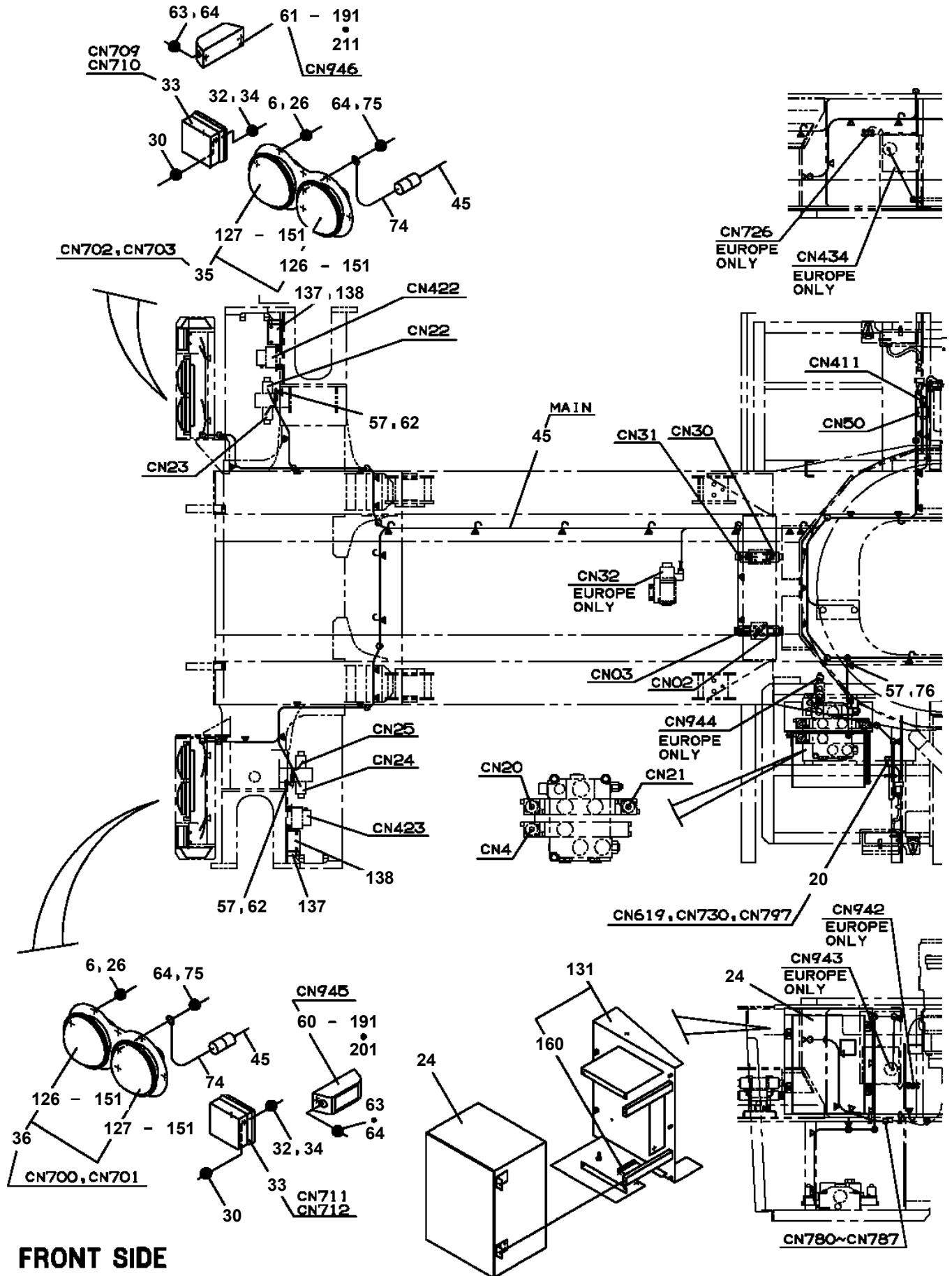
GR-300E-1-00312 4 BOOM + 2 JIB,2M2D
PL1011205-04 OPE.ASSY,CONT.VALVE (TDN)



GR-300E-1-00312 4 BOOM + 2 JIB,2M2D

Pos No.	Parts No	Parts Name	Qty	Unit	Technical Data	Serial No (Start)	Serial No (End)	Ren
1	34322237510	BOX	1					
2	34322237520	COVER	1					
3	34322237530	SUPPORT	1					
4	34322237540	LEVER	1					
5	3432090800	RATCHET	1					
6	34320904100	GEAR	1					
7	34320903200	COVER	1					
8	34322237550	ROD	1					
9	19114411000	SPRING	1					
10	80601110160	RING,RITAINING	3		16			
11	90101208025	BOLT	3		M8X25			
12	80182306030	SCREW,MACHINE	1		M6X30			
13	90201200600	NUT	1		M6			
14	34322237560	RING,GRIP	2					
15	80176405012	SCREW,MACHINE	6		M5X12			
16	90305260501	WASHER	6		B1-5			
17	34322237570	COVER	1					
18	90302040801	WASHER,SPRING	3		8			
19	19214024000	SPRING	1					
20	80176404012	SCREW,MACHINE	4		M4X12			
21	90305260401	WASHER	4		4			
100	34322232100	BOX,OPERATION (TILT DEVICE)	1					

**GR-300E-1-00312 4 BOOM + 2 JIB,2M2D
PN1014443-04 ELEC.ASSY (LOWER)**



FRONT SIDE

GR-300E-1-00312 4 BOOM + 2 JIB,2M2D

Pos No.	Parts No	Parts Name	Qty	Unit	Technical Data	Serial No (Start)	Serial No (End)	Ren
1	36683405011	SPEEDOMETER	1					
2	36683405021	TACHOMETER ASSY	1					
3	36683405030	GAUGE ASSY (COMBINATION)	1					
4	36683405040	GAUGE,AIR PRESSURE	1					
5	36681875050	COMPUTER ASSY	1					
6	36683185030	CASE ASSY	1					
7	36681875070	HOOD (METER)	1					
8	36683405050	GLASS (W/PACKING)	1					
9	36681875090	PLATE	1					
10	36681875100	CASE (LWR)	1					
13	36683405061	CIRCUIT ASSY	1					
14	36681875140	SCREW,TAPPING	9		M3			
15	36681875150	SCREW	8		M3			
16	36681875160	SCREW	6		M3			
17	36681875170	SCREW,TAPPING	8		M4			
18	36681875180	SCREW,TAPPING	4		M4			
19	36681875190	SCREW,TAPPING	5		M4			
20	36681875200	SOCKET ASSY (SUB)	5					
21	36681875210	SOCKET ASSY (SUB)	1					
22	36681875220	SOCKET ASSY (SUB)	2					
23	36683395010	SOCKET ASSY	29					
24	36681875230	BULB,LAMP (SUB,GREEN)	5					
25	36681875240	BULB,LAMP (SUB,GREEN)	1					
26	36681875250	BULB,LAMP (FOR DOT MATRIX)	2					
27	36681875260	BULB,LAMP (FOR INDICATOR)	29					
100	36683400001	METER,COMBINATION	1					

GR-300E-1-00312 4 BOOM + 2 JIB,2M2D

Pos No.	Parts No	Parts Name	Qty	Unit	Technical Data	Serial No (Start)	Serial No (End)	Remarks	Pages
1	34731941000	SUPPORT	1						
2	82100002563	LAMP,LICENSE	1						
3	90280200800	NUT,FLANGE	2		M8				
11	82100000783	BULB,LAMP	1		24V 12W				

GR-300E-1-00312 4 BOOM + 2 JIB,2M2D

Pos No.	Parts No	Parts Name	Qty	Unit	Technical Data	Serial No (Start)	Serial No (End)	F
1	34930682310	PLATE	1					
2	82100002596	RELAY	7					
3	82100002597	RELAY	3					
4	80192486012	SCREW,MACHINE	11		M6X12			
5	82100001404	TERMINAL	8					
6	82100001219	INSULATOR	8					
7	34351571350	RELAY ASSY (WITH CONNECTOR)	2					
8	80192483010	SCREW,MACHINE	4		M3X10			
10	82111207053	TERMINAL	4					
11	34930732500	RELAY ASSY	1					
12	44320491010	LAMP ASSY (RED)	1					
13	44320491040	LAMP ASSY	1					
15	82100000640	TERMINAL,BASE	1					
16	80192483016	SCREW,MACHINE	2		M3X16			
17	34350003350	PLATE	1					
18	82114214121	CONNECTOR	1					
19	82111207051	TERMINAL (MAIL)	4					
20	82100001200	DIODE	2					
21	82100001852	RESISTANCE	1					
22	82100002313	RESISTANCE	1					
23	82100002361	RESISTANCE	1					
33	82100000266	DIODE	2					
100	34931032300	RELAY ASSY	1					

GR-300E-1-00312 4 BOOM + 2 JIB,2M2D

Pos No.	Parts No	Parts Name	Qty	Unit	Technical Data	Serial No (Start)	Serial No (End)
8	36170995010	BOARD,CPU (WITH DATA)	1				
100	36170990000	TRANSMITTER, MULTI.DATA (UPPER)	1				

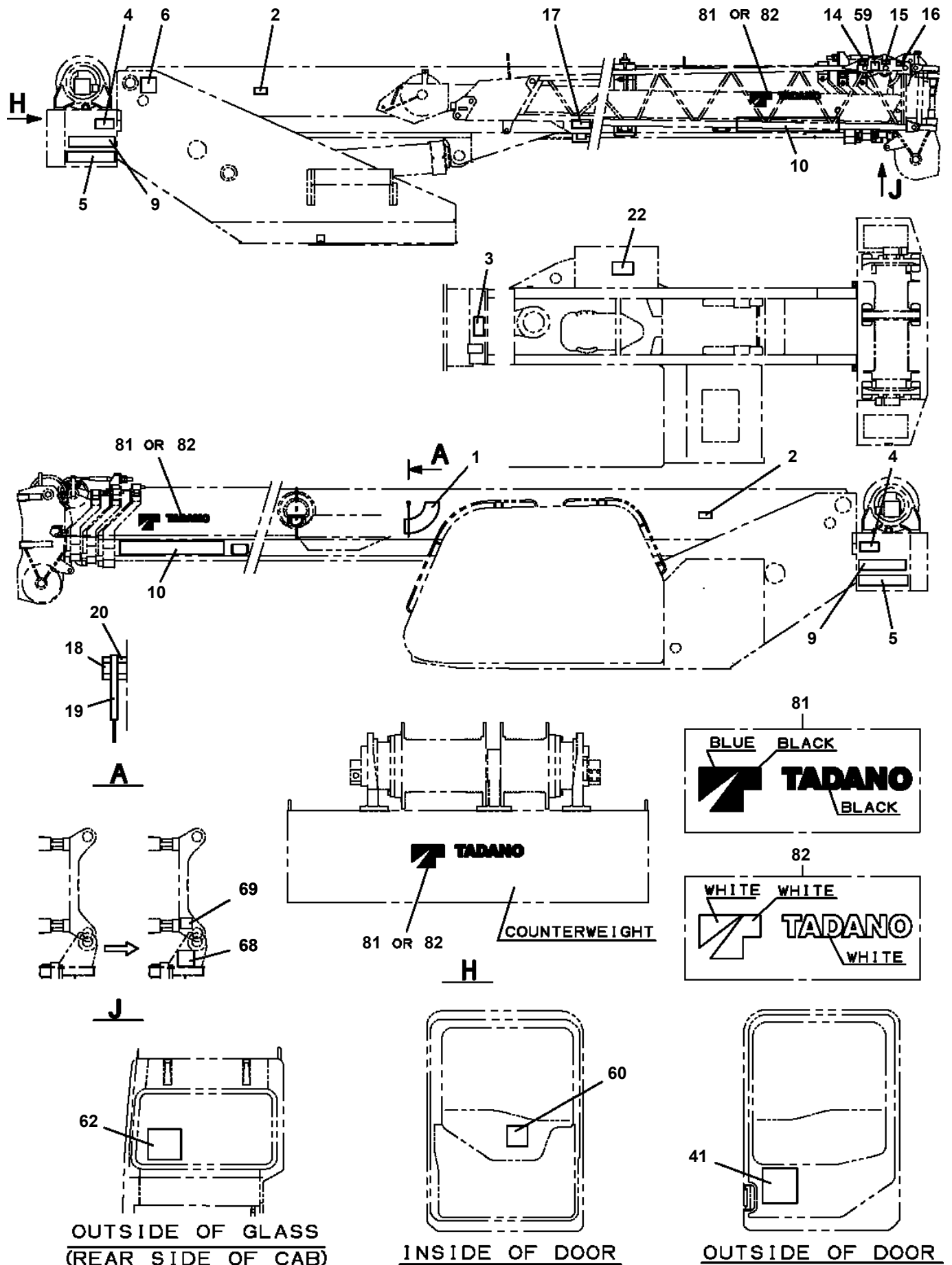
GR-300E-1-00312 4 BOOM + 2 JIB,2M2D

Pos No.	Parts No	Parts Name	Qty	Unit	Technical Data	Serial No (Start)	Serial No (End)	Remarks
1	82100001983	BATTERY (YUASA,145F51)	1					

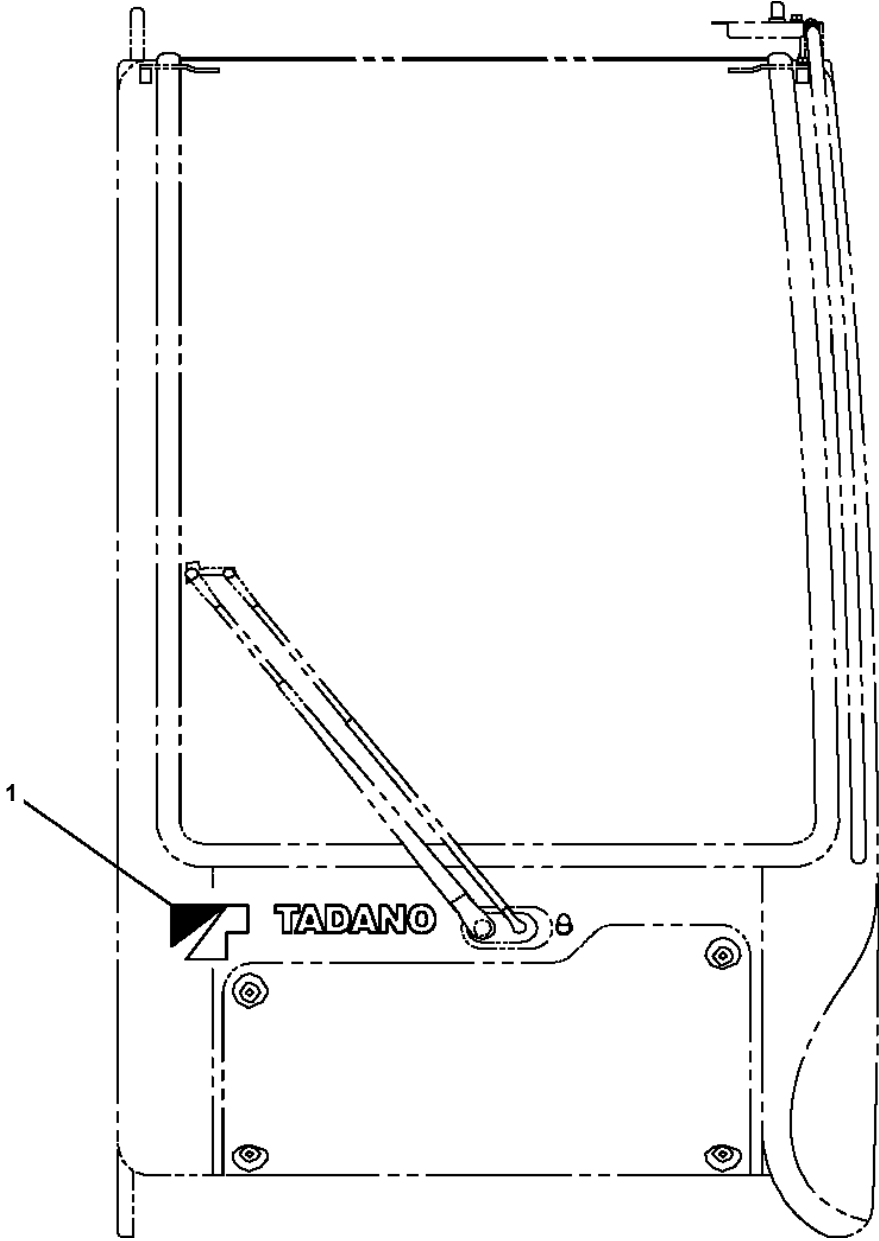
GR-300E-1-00312 4 BOOM + 2 JIB,2M2D

Pos No.	Parts No	Parts Name	Qty	Unit	Technical Data	Serial No (Start)	Serial No (End)
1	37002217330	PLATE,CAUTION (TADANO HYDRAULIC)	1				
2	37002219500	PLATE,CAUTION (OIL/FOR EXP.)	1				
3	37002220720	PLATE,CAUTION (OIL/FOR CHINA)	1				
4	37002220980	PLATE,CAUTION (OIL ISO VG22)	1				
5	37002225650	PLATE,CAUTION (TADANO HYDR.OIL LL)	1				5615
	37002232700	PLATE,NAME (TADANO HYDRAULIC OIL LL)	1			561553	
6	37002225660	PLATE,CAUTION (HYDRAULIC OIL ISO VG22)	1				5615
	37002232710	PLATE,NAME (HYDRAULIC OIL ISO VG22)	1			561553	
7	37002232720	PLATE,NAME (HYDRAULIC OIL ISO VG15)	1			561553	
8	37002232640	PLATE,CAUTION (TADANO HYDRAULIC OIL LL)	1			561553	
9	37002232650	PLATE,CAUTION (TADANO HYDRAULIC OIL LL)	1			561553	

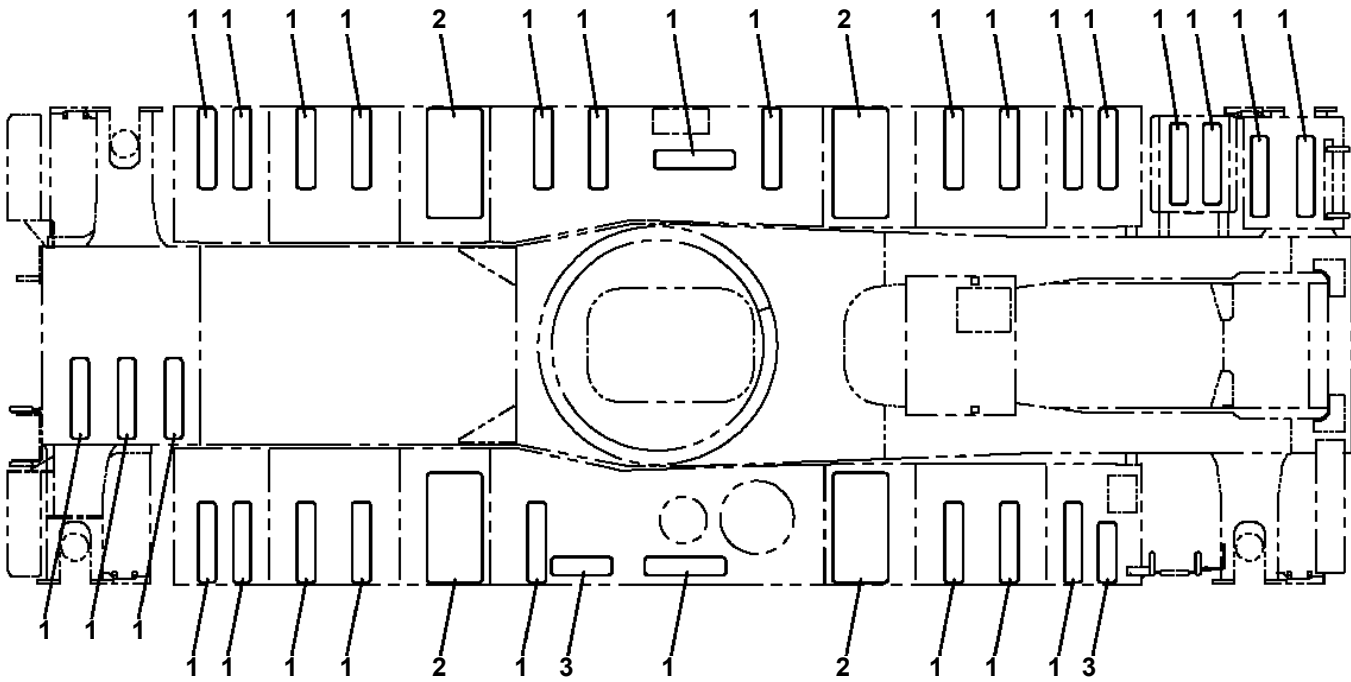
GR-300E-1-00312 4 BOOM + 2 JIB,2M2D
PO1015521-02 PLATE ASSY,NAME (UPPER/ENGLISH & CHINESE)



GR-300E-1-00312 4 BOOM + 2 JIB,2M2D
PO1030019-00 TADANO (CAB,BLUE/WHITE)



GR-300E-1-00312 4 BOOM + 2 JIB,2M2D
PO1090059-00 NON-SLIP PLATE (SHAL)



GR-300E-1-00312 4 BOOM + 2 JIB,2M2D

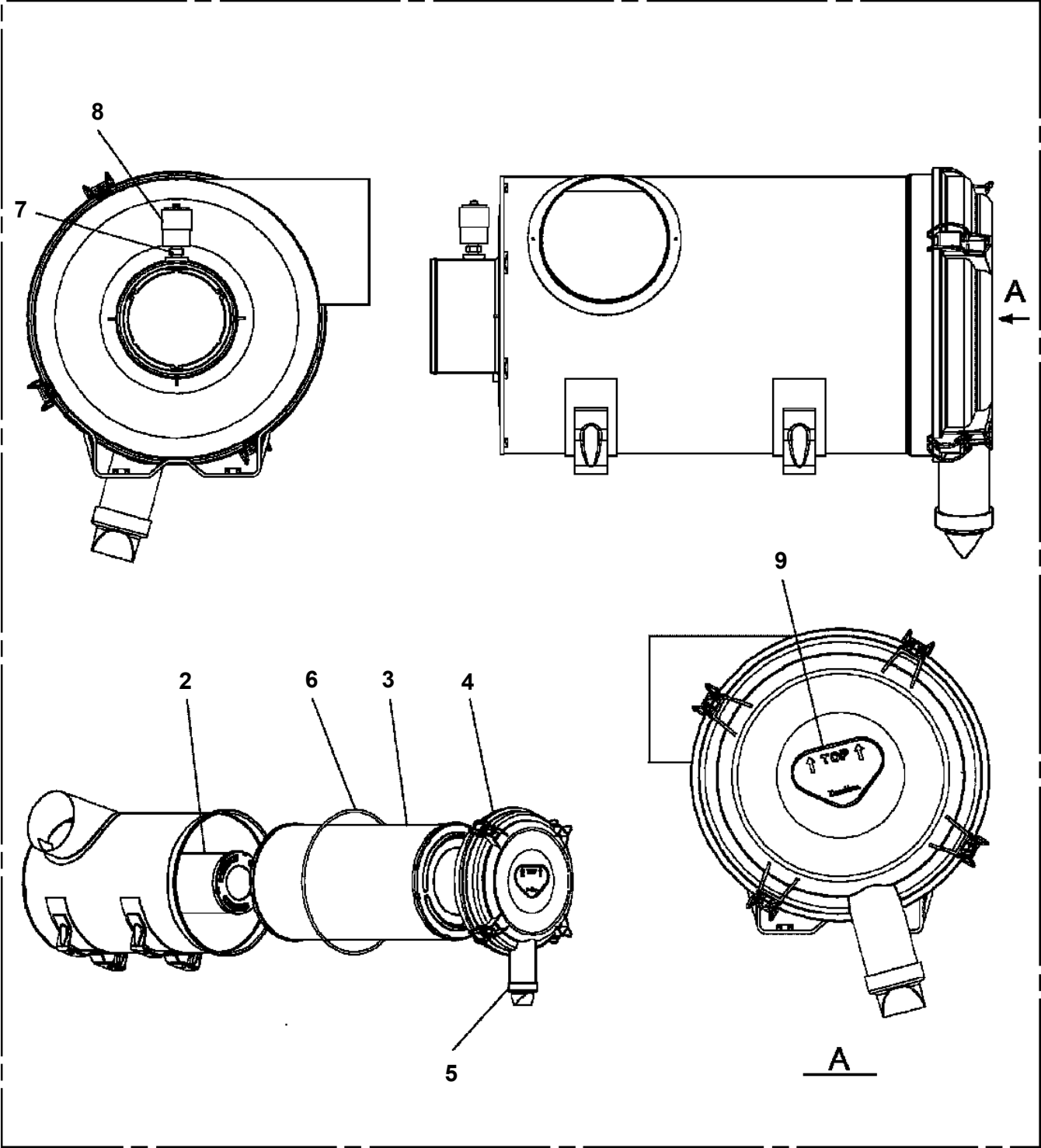
Pos No.	Parts No	Parts Name	Qty	Unit	Technical Data	Serial No (Start)	Serial No (End)	Rem
1	80302090322	FITTING	2		KCO28-080N			
2	91002802900	O-RING	4		1B P29			
3	80302090141	FITTING	4		KCO12-020N			
4	91002801100	O-RING	13		1B P11			
5	80303130141	FITTING,ELBOW	1		KLO12-020E			
6	90186210020	BOLT,FLANGE	2		M10X20			
7	80306010105	NUT	1		KKN12-000E			
8	80309010105	SLEEVE	1		KK012-000E			
9	80400160127	JOINT	7					
10	80400160135	JOINT	2					
11	80306010245	NUT	2		KKN28-000E			
12	80309010245	SLEEVE	2		28			
13	37000701500	CLAMP ASSY	2		12X1			
14	81408000341	PIPE,STEEL	2	M	28X3.1T			
15	81408000341	PIPE,STEEL	2	M	28X3.1T			
16	81408000160	PIPE,STEEL	1	M	12X1.4T			
17	36740650000	VALVE,HYDRAULIC	1					
18	81408000160	PIPE,STEEL	1	M	12X1.4T			
19	81408000160	PIPE,STEEL	3	M	12X1.4T			
20	80301010100	FITTING	1		KUA12-000N			
21	81408000160	PIPE,STEEL	2	M	12X1.4T			
22	37002483740	HOSE	2		L=1250			
23	37002474110	HOSE	1		L=700			
24	37000711100	CLAMP ASSY	3		28X2			
25	37000711000	CLAMP ASSY	2		12-1			
26	80301010241	FITTING	2		KUA28-000N			
27	81408000341	PIPE,STEEL	2	M	28X3.1T			
28	81408000341	PIPE,STEEL	2	M	28X3.1T			
29	81408000160	PIPE,STEEL	1	M	12X1.4T			
30	80305010100	FITTING,TEE	2		KTA12-000N			
31	81408000160	PIPE,STEEL	1	M	12X1.4T			
32	36672630000	FILTER (WITH O-RING)	1					
33	81408000160	PIPE,STEEL	1	M	12X1.4T			
34	80400160126	FITTING,TEE	3		20364-U1/2			
35	91810130250	FASTENER	2					
36	89640101000	HOSE	1		880-NFK,1M			
37	80441010904	FITTING (WITH O-RING)	1		S G1/4-12.7			
39	81408000160	PIPE,STEEL	1	M	12X1.4T			
40	81408000160	PIPE,STEEL	1	M	12X1.4T			
41	80441010908	FITTING	1		PF1/2-12.7			
42	89640101000	HOSE	1		880-NFK,1M			
43	80430620400	JOINT	2					
44	37000919390	JOINT (ORIFICE)	1		1.0			
45	80441030904	FITTING,ELBOW (WITH O-RING)	1		L,G1/4-12.7			
46	89640101000	HOSE	1		880-NFK,1M			
47	36648130000	VALVE,SOLENOID	1					
48	90186208014	BOLT,FLANGE	2		M8X14			
49	37000925320	JOINT (FILTER,WITH O-RING)	1		T,3-G1/4			
50	37002448590	HOSE	1		L=750			
51	37002450620	HOSE	1		L=650			
52	82135901973	BAND,MARK (W)	4					
53	82135901905	BAND,MARK (5)	2					
54	82135901906	BAND,MARK (6)	2					
55	37000921720	JOINT	1		S G1/4-M10			
56	59457138000	PLUG ASSY	1					
57	82100002008	CLAMP	4		WR12			
58	90280200600	NUT,FLANGE	4		M6			
71	91002801100	O-RING	7		1B P11			
81	91002801800	O-RING	1		1B P18			

GR-300E-1-00312 4 BOOM + 2 JIB,2M2D

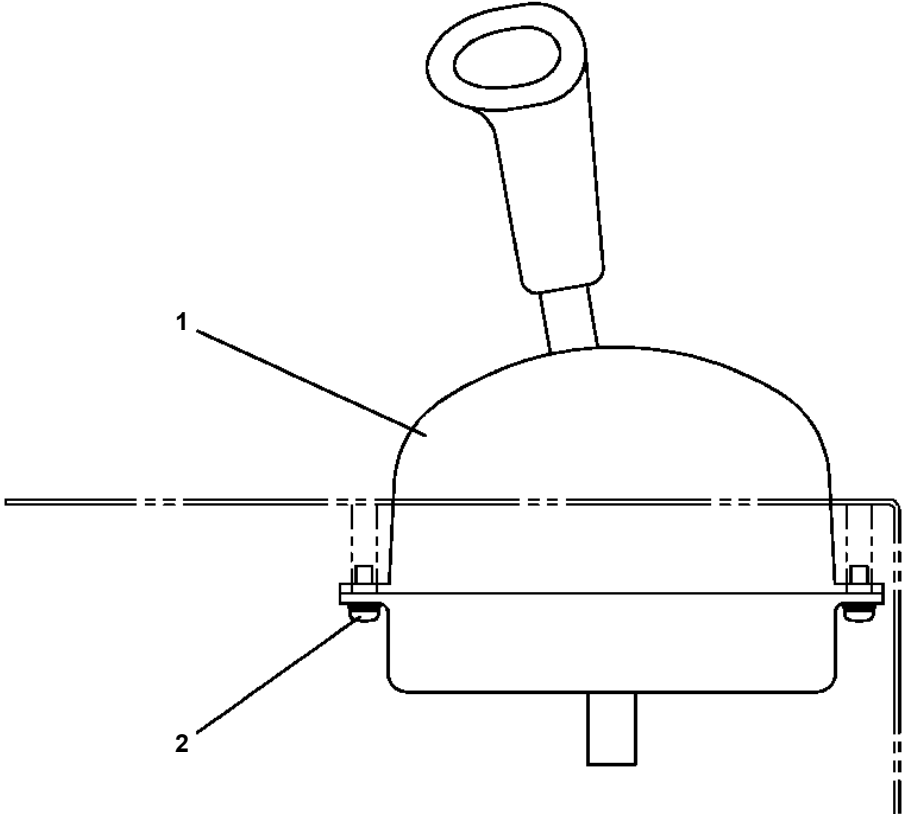
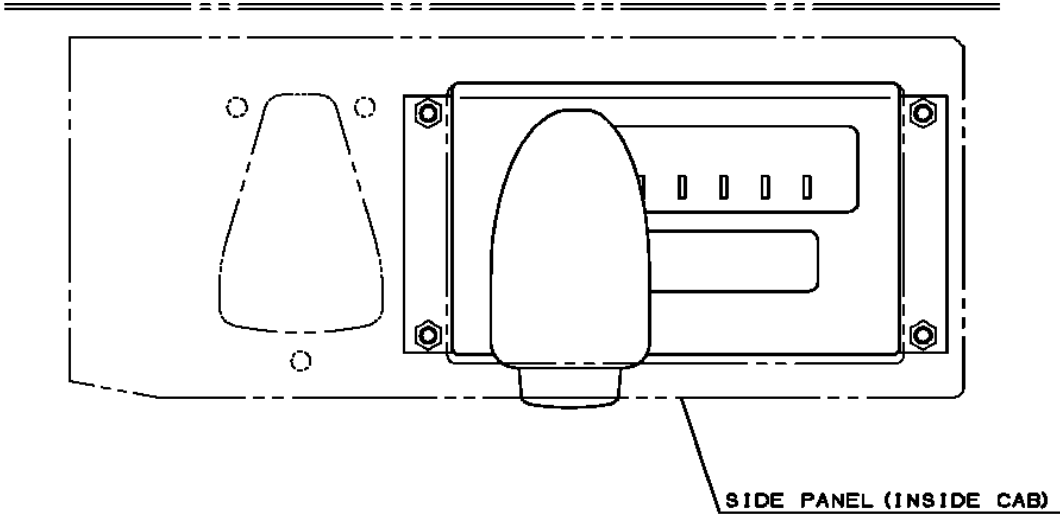
Pos No.	Parts No	Parts Name	Qty	Unit	Technical Data	Serial No (Start)	Serial No (End)	Remarks	Page
30	36361350000	ENGINE (CUMMINS)	1						

GR-300E-1-00312 4 BOOM + 2 JIB,2M2D
PQ1070048-00 CLEANER,AIR

100



GR-300E-1-00312 4 BOOM + 2 JIB,2M2D
PR1010021-00 OPE.ASSY,TRANSMISSION (SHIFT SWITCH)



GR-300E-1-00312 4 BOOM + 2 JIB,2M2D

Pos No.	Parts No	Parts Name	Qty	Unit	Technical Data	Serial No (Start)	Serial No (End)
1	36370505240	SHAFT ASSY	1				
2	36350365950	RING,SEAL	1				
3	36370217050	RING,SEAL	1				
4	36370485330	PISTON ASSY	1				
8	36370485340	RING,RETAINING	1				
9	36370365240	SPRING	1				
10	36350297140	WASHER	1				
11	80601110450	RING,RITAINING	1		S45		
12	36370505250	GEAR (P)	1				
13	80602110720	RING,RITAINING	1		R72		
14	36370208140	BEARING,BALL	2				
15	36350277130	WASHER,THRUST	1				
16	80518006209	BEARING,BALL	1				
17	80500006914	BEARING,BALL	1				
18	36370515220	RING,RETAINING	1				
19	36370395100	RING,SEAL	3				
20	80601110500	RING,RITAINING	1		S50		
21	36370395110	CAP	1				
30	36370505260	DISK KIT	1				
100	36370505030	P.T.O.CLUTCH,TORQUE CONVERTER	1				

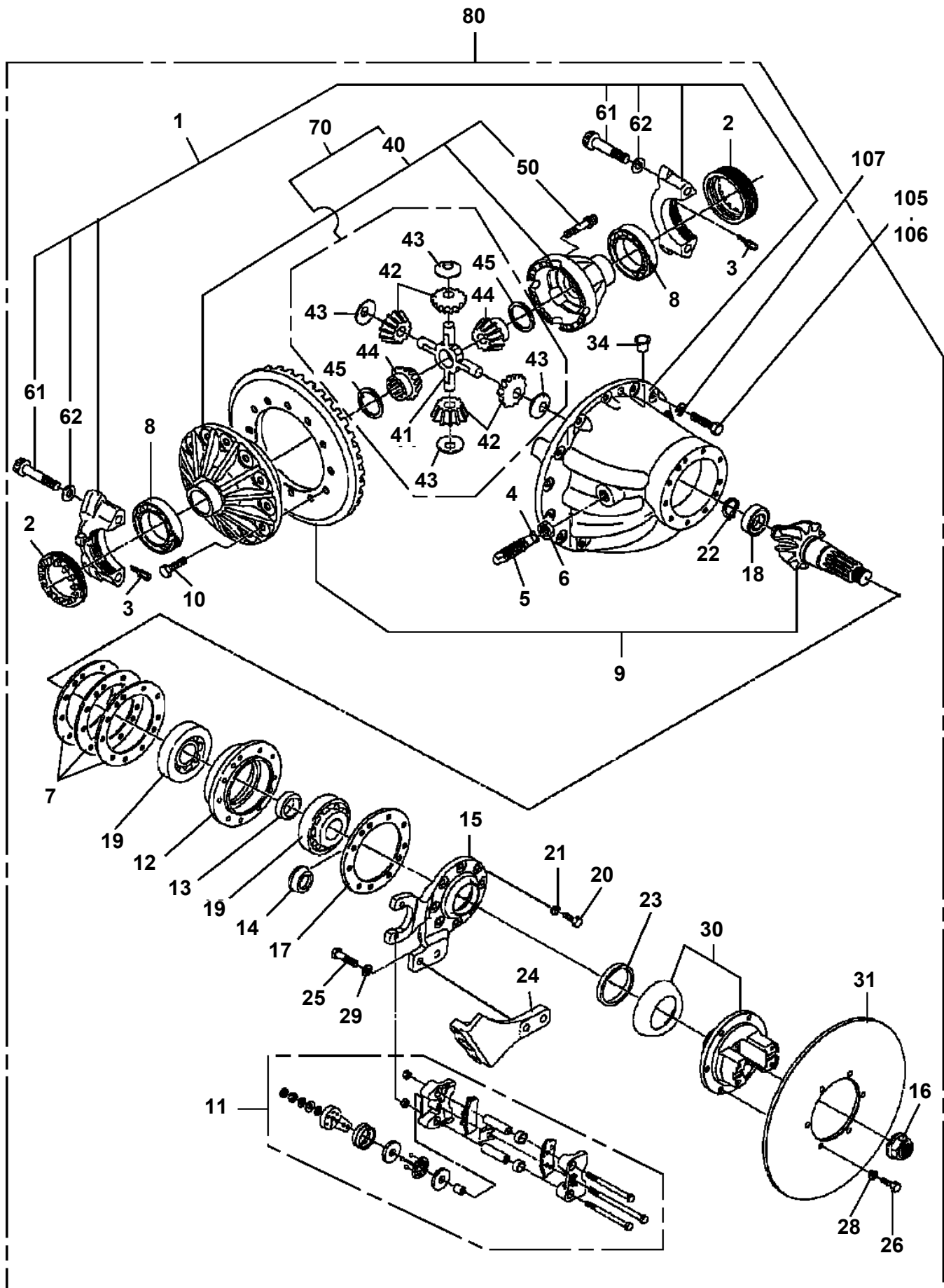
GR-300E-1-00312 4 BOOM + 2 JIB,2M2D

Pos No.	Parts No	Parts Name	Qty	Unit	Technical Data	Serial No (Start)	Serial No (End)	P
1	36350556510	BODY,VALVE	1					
2	36350495280	VALVE (RANGE)	1					
3	36350268030	VALVE,CONTROL (SPEED RANGE)	2					
4	36350268040	SPRING (PRESSURE)	2					
5	36350556520	COVER (A)	1					
6	36350556530	GASKET (A)	1					
7	36350556540	COVER (B)	1					
8	36350556550	GASKET (B)	1					
9	36350556560	COVER (C)	1					
10	36350556570	GASKET (C)	1					
11	36370415360	VALVE,SOLENOID	4					
12	36350265970	CLIP	1					
13	36350556580	WASHER	1					
14	36350556590	BOLT	2					
15	90171106020	BOLT	9		M6X20			
16	36350556600	GASKET (D)	1					
17	36350525370	FILTER	1					
51	36370415430	COIL KIT	4					
52	36370415440	OVERHAUL KIT	4					
100	36350555090	VALVE,CONTROL (T/M)	1					

GR-300E-1-00312 4 BOOM + 2 JIB,2M2D

Pos No.	Parts No	Parts Name	Qty	Unit	Technical Data	Serial No (Start)	Serial No (End)
1	36303112000	SHAFT,PROPELLER (JIDDOUSHABUHIN)	1				

GR-300E-1-00312 4 BOOM + 2 JIB,2M2D
PR2010106-00 AXLE ASSY (FRONT)



GR-300E-1-00312 4 BOOM + 2 JIB,2M2D

Pos No.	Parts No	Parts Name	Qty	Unit	Technical Data	Serial No (Start)	Serial No (End)
251	36381445220	PLUG (PISTON)	4				
252	36380675630	SEAL KIT	2				
253	36380675640	PISTON	8				
254	36380675650	CAP (BREATHER)	2				
281	59152201000	STOPPER	4				
282	80530000064	BEARING,SPHERICAL	2				
500	36381900001	AXLE (REAR)	1				

GR-300E-1-00312 4 BOOM + 2 JIB,2M2D

Pos No.	Parts No	Parts Name	Qty	Unit	Technical Data	Serial No (Start)	Serial M
1	34640791200	JOINT	1				
2	91002802400	O-RING	2		1B P24		
3	36653520000	PUMP,HYDRAULIC (EMERGENCY STEERING)	1				
4	34640271700	GASKET	1				
5	91803600400	CLIP	8		D=27-40		
6	37002413410	HOSE	1		L=710		
7	34640272300	JOINT	2		G3/4		
8	37002509620	HOSE	1		L=400		
9	80441030904	FITTING,ELBOW (WITH O-RING)	1		L,G1/4-12.7		
10	90186210014	BOLT,FLANGE	3		M10X14		
11	90303071001	WASHER,PLAIN	2		10		
12	90191510030	BOLT	2		M10X30		
13	90302041001	WASHER,SPRING	2		10		
14	80302090241	FITTING	2		KCO18-040N		
15	91002801800	O-RING	1		1B P18		
16	89640101000	HOSE	1		880-NFK,1M		
17	80400160126	FITTING,TEE	1		20364-U1/2		
18	37002513300	HOSE	1		L=535		
19	37000910010	JOINT	1		G3/4-25		
20	80430621200	JOINT	2				
21	81408000241	PIPE,STEEL	1	M	18X1.9T		
22	36647030001	VALVE,HYDRAULIC	1				
25	80316100020	PLUG	1		GPF 1/4		
26	91002801100	O-RING	1		1B P11		
31	91002801100	O-RING	1		1B P11		
41	91002802400	O-RING	2		1B P24		

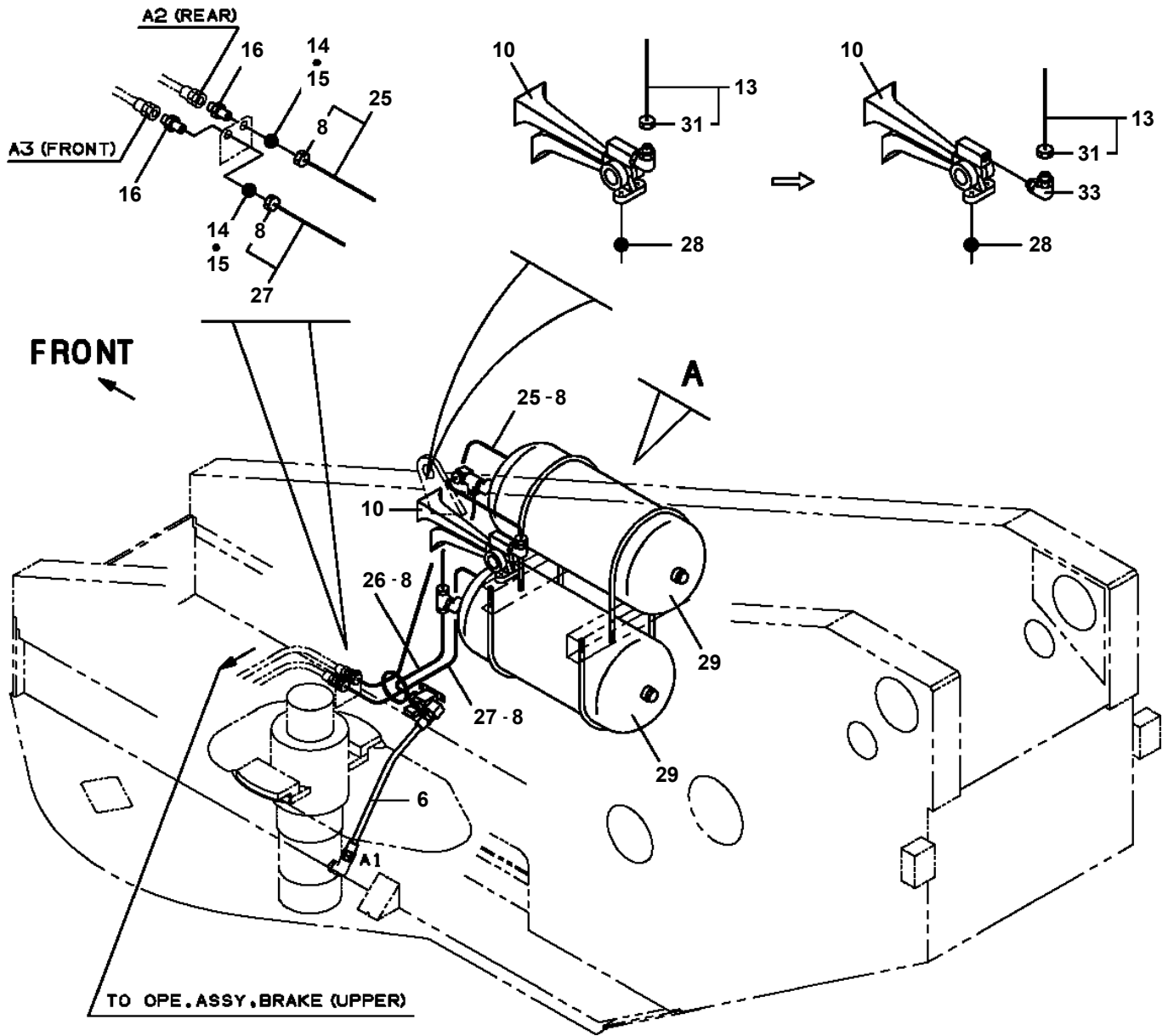
GR-300E-1-00312 4 BOOM + 2 JIB,2M2D

Pos No.	Parts No	Parts Name	Qty	Unit	Technical Data	Serial No (Start)	Serial No (End)	Remarks	Pages
11	36610275020	O-RING	1		AS568-908				
13	36611425010	PLUG	1						
14	36610275040	O-RING	2						
15	36610385010	SPRING	1						
17	36610275060	PLUG	1						
50	36611420000	VALVE,PRIORITY	1						

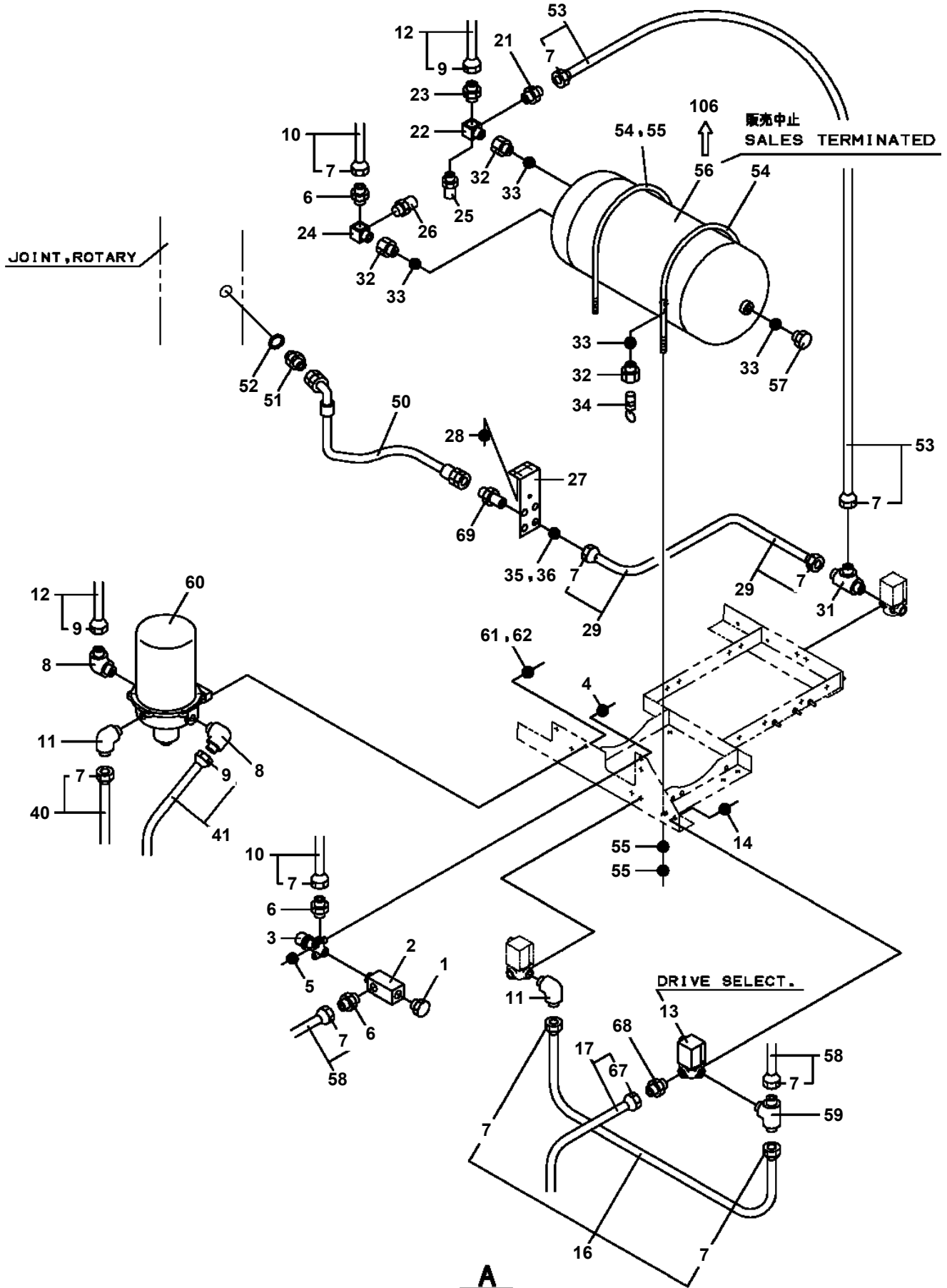
GR-300E-1-00312 4 BOOM + 2 JIB,2M2D

Pos No.	Parts No	Parts Name	Qty	Unit	Technical Data	Serial No (Start)	Serial No (End)	Remarks	Pages
100	34260954600	SUNSHADE	1						

**GR-300E-1-00312 4 BOOM + 2 JIB,2M2D
PT1200112-00 PIPING,BRAKE (UPPER)**



GR-300E-1-00312 4 BOOM + 2 JIB,2M2D
PT1220084-02 PIPING,AIR



GR-300E-1-00312 4 BOOM + 2 JIB,2M2D

Pos No.	Parts No	Parts Name	Qty	Unit	Technical Data	Serial No (Start)	Serial No (End)	Remarks	Page
59	36870365030	HEATER	1						
60	36870415010	THERMOSTAT	1						
70	36870365010	VALVE ASSY	1						
80	36870365020	CARTRIDGE	1				561480		
	36870365021	CARTRIDGE	1			561481			
90	36870365051	FILTER (REPAIR KIT)	1						
100	36870410000	DRIER,AIR	1						

GR-300E-1-00312 4 BOOM + 2 JIB,2M2D

Pos No.	Parts No	Parts Name	Qty	Unit	Technical Data	Serial No (Start)	Serial No (End)	Remarks
100	36645960000	VALVE ASSY,SOLENOID	1					

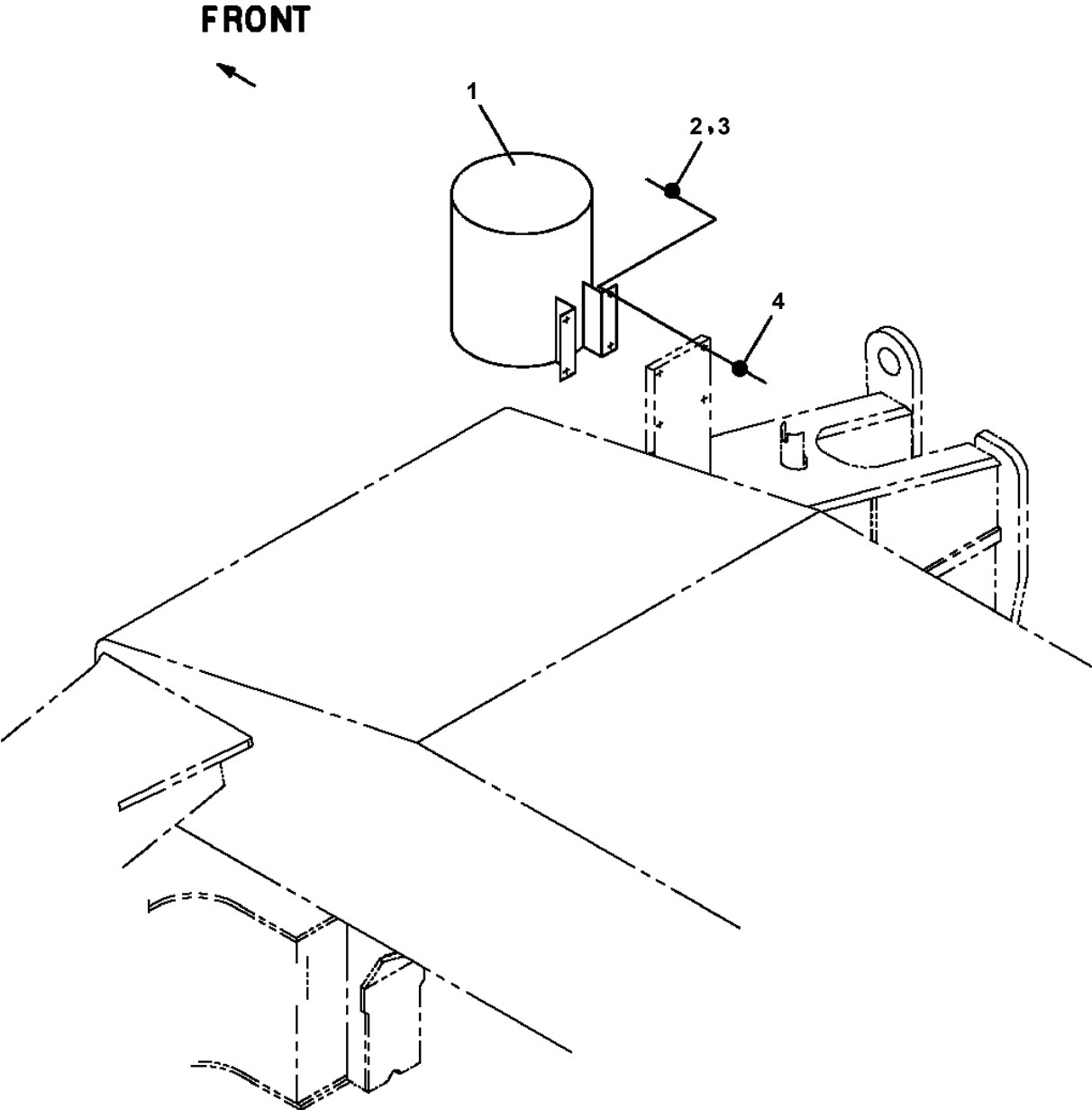
GR-300E-1-00312 4 BOOM + 2 JIB,2M2D

Pos No.	Parts No	Parts Name	Qty	Unit	Technical Data	Serial No (Start)	Serial No (End)	Remarks
1	91990150000	BOX,TOOL	1					
2	91992130750	HAMMER	1		680G			
3	91991340000	SPANNER,OPEN-END	1					
4	91991210300	WRENCH,MONKEY	1		300MM			
5	91994110200	SCREWDRIVER	1		L=200			
6	91994250002	SCREWDRIVER (+)	1		L=100			
7	91994121050	SCREWDRIVER	1					
8	91995110200	PLIER (200MM)	1					
9	91991540508	WRENCH SET,HEXAGON	1					
10	91991713820	WRENCH,HUB NUT	1					
11	19418930010	HOSE	1		5X7X1300			
12	91996100001	GAUGE,TIRE	1					
13	37004100030	PUMP,GREASE (240CC)	1					
14	37002455450	HOSE	1		L=337			
20	34460518010	TOOL SET	1					

GR-300E-1-00312 4 BOOM + 2 JIB,2M2D

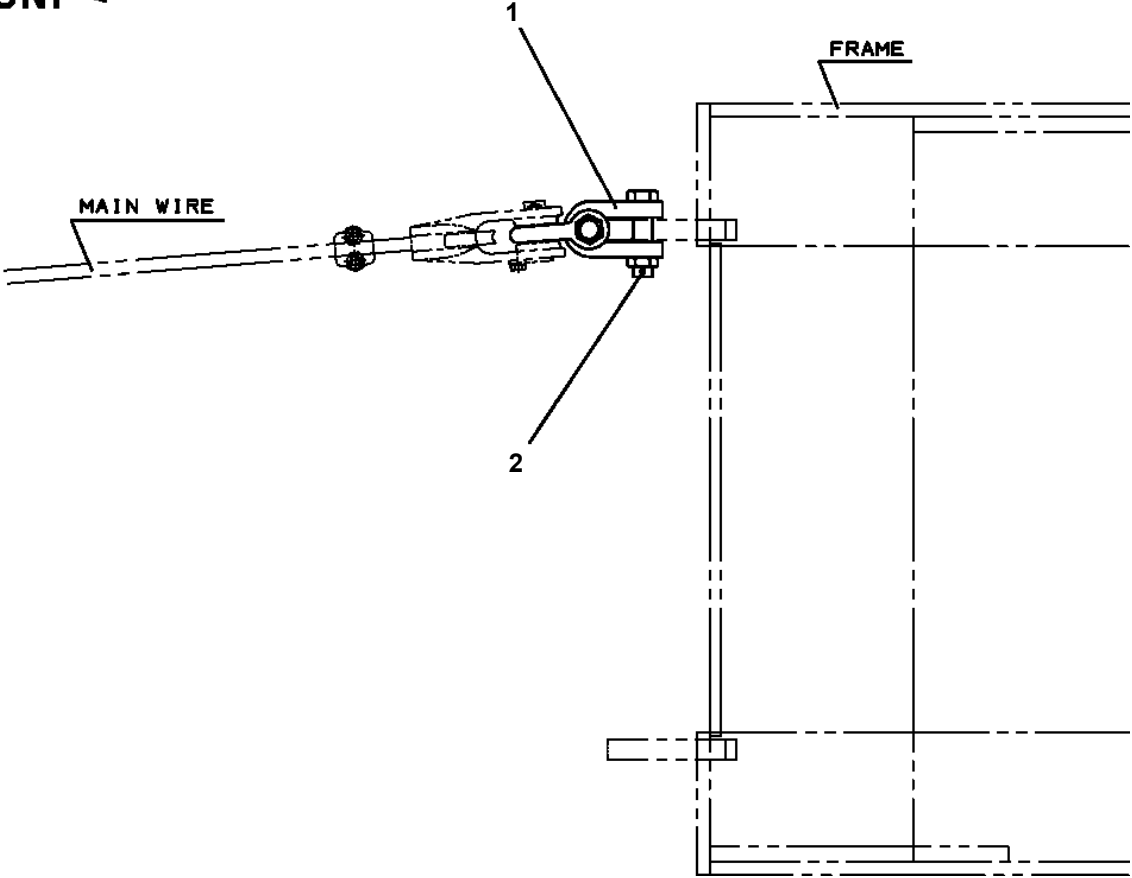
Pos No.	Parts No	Parts Name	Qty	Unit	Technical Data	Serial No (Start)	Serial No (End)	Remarks	Pages
1	34692372200	SUPPORT	1						
2	34692371500	FENDER	1						
3	90186210020	BOLT,FLANGE	51		M10X20				
4	90303071001	WASHER,PLAIN	38		10				
5	34692781400	COVER	1						
6	34691483800	COVER	1						
7	90186208014	BOLT,FLANGE	51		M8X14				
8	90280201000	NUT,FLANGE	13		M10		561374		
	90280201000	NUT,FLANGE	11		M10	561375			
9	34691485700	COVER	1						
10	34692781600	COVER	2						
11	34690765400	COVER (IP)	2						
12	34692371700	FENDER	1						
13	34692371800	COVER	1						
14	34692373000	SUPPORT	1						
15	34692372000	FENDER	1						
16	34692781500	COVER	1						
17	59424530000	HANDLE	4						
18	34692971100	FENDER	1						
20	34692372600	SUPPORT	1						
22	34691482401	FENDER	1						
23	34692371101	COVER	1						
24	34692781101	STEP	2						
25	34692371300	COVER	1						
26	34691981301	FENDER	1						
27	90186208020	BOLT,FLANGE	11		M8X20				
28	90280200800	NUT,FLANGE	14		M8		561374		
	90280200800	NUT,FLANGE	16		M8	561375			
29	34692781700	STEP	1						
30	34691482501	FENDER	1						
31	34692372700	COVER	1						
33	34692372800	COVER	1						
34	34691981401	FENDER	1						
35	34692781200	STEP	1						
36	90101212025	BOLT	4		M12X25				
37	90302041201	WASHER,SPRING	6		12				
38	37000517380	PLATE	8		T=2.3 TO 3.2				
39	34692781300	STEP	1						
41	34692372900	COVER	2						
42	90186206010	BOLT,FLANGE	14		M6X10				
43	80172305016	SCREW,MACHINE	16		M5X16				
44	90201200500	NUT	16		M5				
45	90302040501	WASHER,SPRING	16		5				
46	90186210025	BOLT,FLANGE	4		M10X25				
47	37000506550	PLATE	24		T=1.6				
50	90186208010	BOLT,FLANGE	3		M8X10				
51	37000505950	PLATE	2		T=3.2				
52	90302041001	WASHER,SPRING	8		10				
53	90101210100	BOLT	6		M10X100				
54	37000578740	PLATE	2		T=1.6	561375			
61	34692788010	COVER ASSY	1						
62	34692788020	COVER ASSY	1						
63	34692788030	COVER ASSY	1						
81	82400000464	MIRROR	2						
82	34690936100	STAY	1						
83	90303101601	WASHER,PLAIN	6		16				
84	90209201200	NUT	4		M12				
85	90303071201	WASHER,PLAIN	4		12				
87	34690766200	STAY	1						

GR-300E-1-00312 4 BOOM + 2 JIB,2M2D
PX1180304-00 MOUNT,HOOK (AUX.)

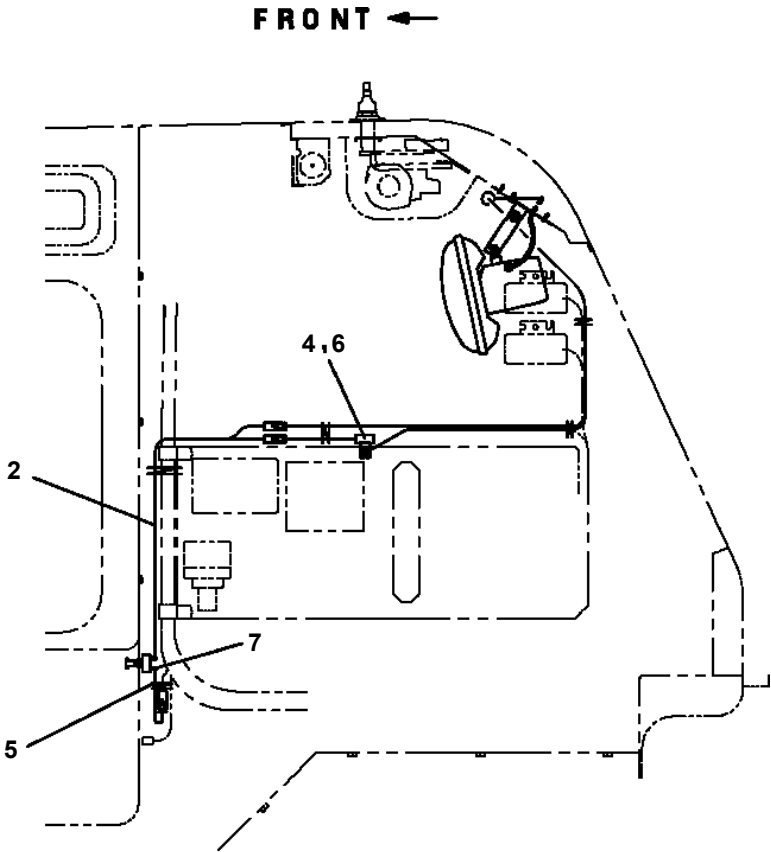
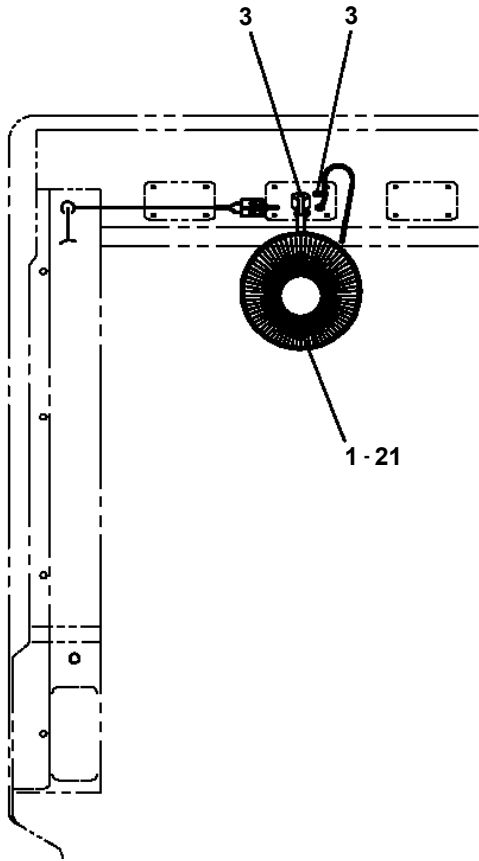


**GR-300E-1-00312 4 BOOM + 2 JIB,2M2D
PX1940125-00 MOUNT (MAIN WIRE)**

FRONT ←



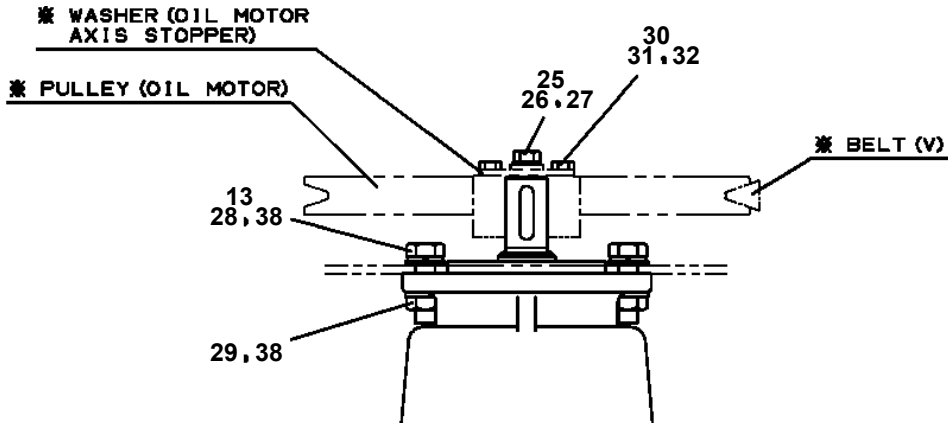
**GR-300E-1-00312 4 BOOM + 2 JIB,2M2D
PY1360018-00 FAN**



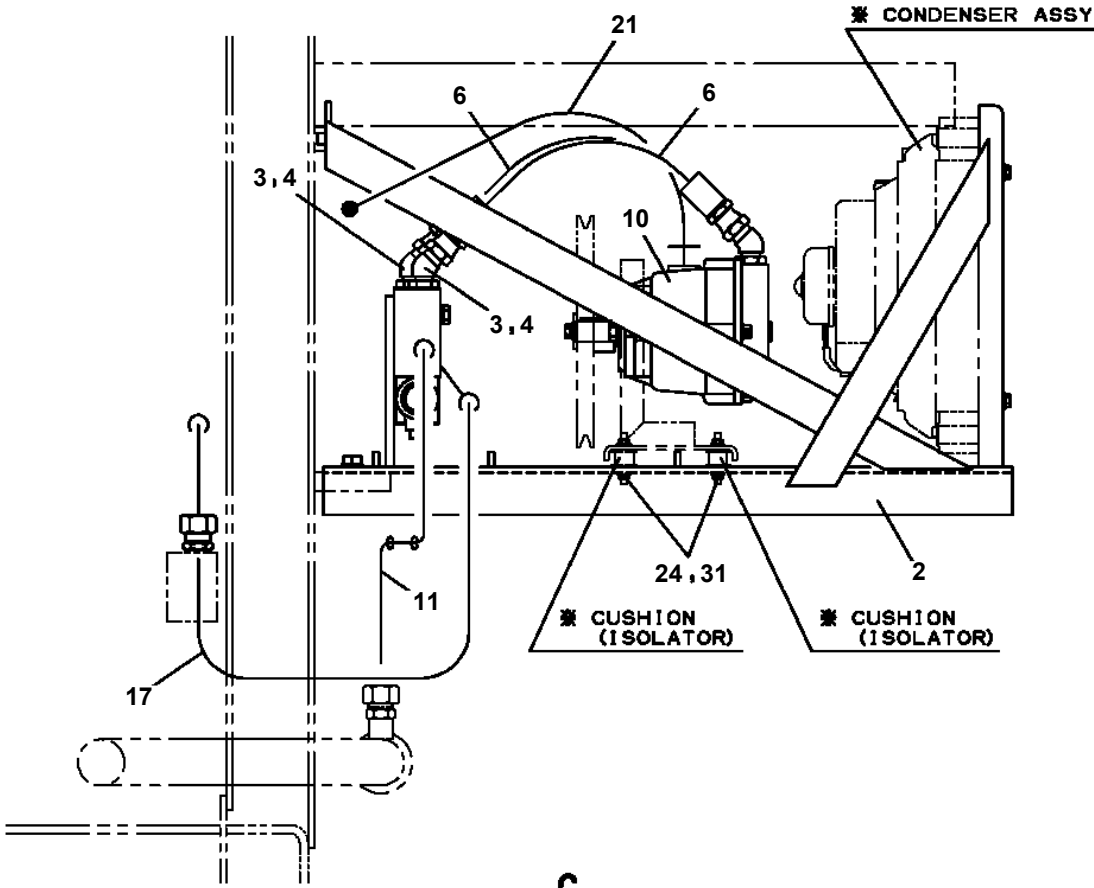
GR-300E-1-00312 4 BOOM + 2 JIB,2M2D

Pos No.	Parts No	Parts Name	Qty	Unit	Technical Data	Serial No (Start)	Serial No (End)	Remarks
2	36320565760	AMPLIFIER	1					
3	90918040145	SCREW,TAPPING	4		M4X14			
4	36320565750	BOLT	2					
5	90918040145	SCREW,TAPPING	4		M4X14			
7	36320565150	MOTOR (ACTUATER)	2					
9	36320565850	INSULATOR	1					
10	36320565860	INSULATOR	1					
11	36320565870	PACKING	1					
12	36320565880	CAP	1					
13	36320565890	VALVE	1					
14	36320565900	THERMISTOR	1					
15	36320565910	EVAPORATOR	1					
16	36320565920	HEATER (CORE)	1					
17	36320565730	BOLT,HEXAGON SOCKET	2					
18	36320565720	SCREW,MACHINE	6					
19	36320565700	SCREW,MACHINE	13					
20	36320565740	SCREW,MACHINE	5					
21	36320455380	HOLDER	2					
22	36320565180	HOLDER (SENSOR)	1					
23	36320565190	CLAMP	1					
24	36320565930	CASE	1					
25	36320565260	PACKING	2					
26	36320565270	PACKING	1					
27	36320565280	PACKING	1					
28	36320565940	BRACKET	1					
29	36320565300	CLAMP	1					
30	36320565320	LEVER	2					
31	36320565330	LEVER	1					
32	36320565950	LEVER	1					
33	36320565350	LEVER	4					
34	36320565360	LEVER	4					
35	36320565960	CAM	1					
36	36320565380	ROD	1					
37	36320565390	ROD	1					
38	36320565400	ROD	1					
40	36320565660	BRACKET	1					
41	36320565530	HARNESS	1					
42	36320565490	RELAY	4					
43	36320565970	CLAMP	1					
44	36320565510	BAND	4					
45	36320565520	CAP	1					
46	36320565980	HOSE	2					
47	36320452210	CLAMP (DRAIN HOSE)	2					
48	36320562200	HARNESS (MAIN A)	1					
49	36320452130	DUCT (LOUVER)	3					
50	36320565990	PANEL	1					
51	36320566000	CONTROLLER	1					
52	90918040145	SCREW,TAPPING	2		M4X14			
53	90918050145	SCREW,TAPPING	10		M5X14			
55	36320566010	PACKING	1					
56	36320565710	SCREW,MACHINE	3					
57	36320565570	BRACKET	2					
58	36320565580	HOSE	1					
59	36320565590	MOTOR (BLOWER)	1					
61	36320565150	MOTOR (ACTUATER)	1					
63	36320565720	SCREW,MACHINE	3					
64	36320565620	FILTER	1					
65	36320566040	LEVER	1					
66	36320565640	LEVER	1					
67	36320566050	PACKING	1					
81	36320565780	DAMPER	1					
82	36320455410	CLAMP	2					
83	36320565220	CASE (REAR)	1					

**GR-300E-1-00312 4 BOOM + 2 JIB,2M2D
 PY2250044-04 MOUNT ASSY,COMPRESSOR**

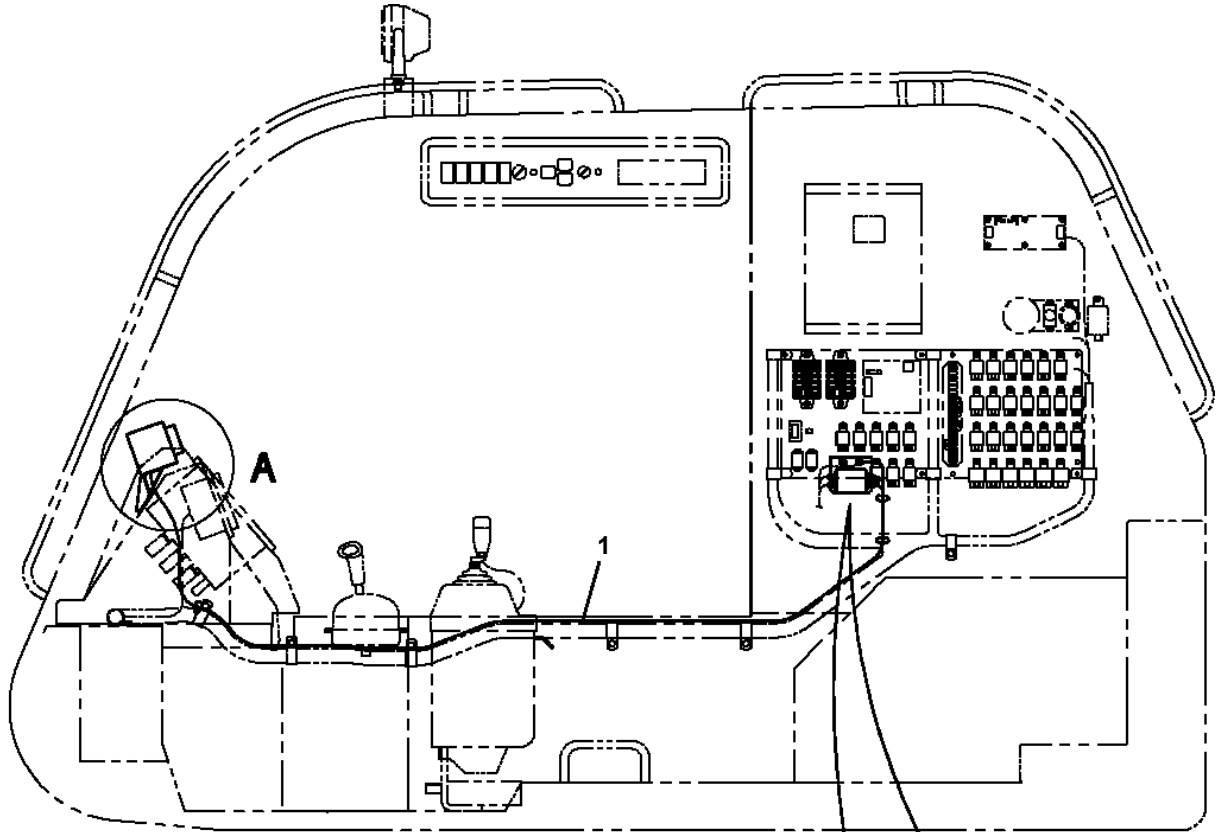


B

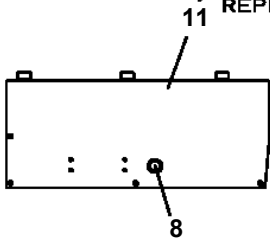


C

**GR-300E-1-00312 4 BOOM + 2 JIB,2M2D
PY5220001-01 ANEMOMETER ASSY (CAB)**

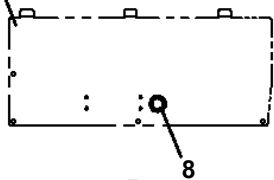


既存品のカバー (342-518-10100) と交換
REPLACE WITH EXISTING COVER (342-518-10100)

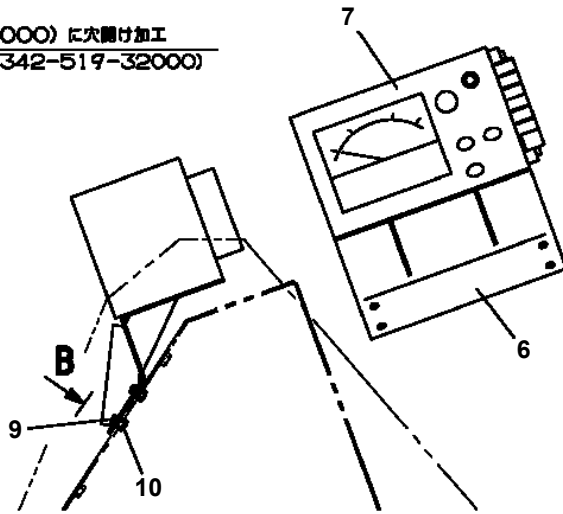
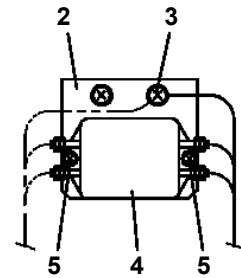


OR

既存品のカバー (342-519-32000) に穴開け加工
BORE EXISTING COVER (342-519-32000)



B



A

GR-300E-1-00312 4 BOOM + 2 JIB,2M2D

Pos No.	Parts No	Parts Name	Link No.	Qty	Unit	Technical Data	Serial No (Start)	Serial No (End)
1	(*****)	PIPING,STEERING (UPPER)	8	1				
2	(*****)	WHEEL,STEERING (CAB)	4	1				
3	(*****)	OPE.ASSY,CONT.VALVE (ISO)	47	1				
	(*****)	OPE.ASSY,CONT.VALVE (TDN)	47	1				
4	(*****)	PIPING,STEERING (UPPER)	13	1				
5	(*****)	PIPING,RETURN (UPPER)	11	1				
6	(*****)	OPE.ASSY,CONT.VALVE (ISO)	163	1				
	(*****)	OPE.ASSY,CONT.VALVE (TDN)	153	1				
7	(*****)	PIPING,PILOT	12	1				
8	(*****)	PIPING ASSY (AUX.WINCH)	32	1				
9	(*****)	PIPING,RETURN (UPPER)	35	1				
10	(*****)	GR-300E-1-00312	9	1				
11	(*****)	WHEEL,STEERING (CAB)	20	1				
12	(*****)	PIPING,SWING	10	1				
13	36081450000	DRIVING UNIT,SWING	29	1				
14	(*****)	SWING UNIT	2	1			561389	561390
	(*****)	SWING UNIT	2	1				
15	(*****)	PIPING,RETURN (UPPER)	13	1				
16	(*****)	PIPING,GAUGE	3	1				
17	(*****)	PIPING,GAUGE	4	1				
18	(*****)	PIPING,DRAIN	42	1				
19	(*****)	OPE.ASSY,CONT.VALVE (TDN)	152	1				
	(*****)	OPE.ASSY,CONT.VALVE (ISO)	162	1				
20	(*****)	OPE.ASSY,CONT.VALVE (ISO)	26	1				
	(*****)	OPE.ASSY,CONT.VALVE (TDN)	26	1				
21	(*****)	PIPING,DRAIN	37	1				
22	(*****)	DETECTOR,CONTROL VALVE (MAIN)	1	1				
23	(*****)	DETECTOR,CONTROL VALVE (AUX.)	6	1				
24	(*****)	OPE.ASSY,CONT.VALVE (TDN)	48	1				
	(*****)	OPE.ASSY,CONT.VALVE (ISO)	48	1				
25	(*****)	PIPING ASSY (AUX.WINCH)	44	1				
26	(*****)	PIPING,PILOT	23	1				
27	(*****)	PIPING,PILOT	20	1				
28	(*****)	PIPING,PILOT	7	1				
29	(*****)	PIPING ASSY (AUX.WINCH)	47	1				
30	(*****)	PIPING,RETURN (UPPER)	56	1				
31	36027410000	CYLINDER,ELEVATING	10	1				
32	(*****)	GR-300E-1-00312	1	1				
33	36017870000	CYLINDER,TELESCOPING (NO.1)	28	1				
34	36017880000	CYLINDER,TELESCOPING (NO.2)	28	1				
35	(*****)	CYLINDER,TELESCOPING (MOUNT)	1	1				
36	(*****)	CYLINDER,TELESCOPING (MOUNT)	2	1				
37	(*****)	MOUNT,WINCH (MAIN)	1	1				
38	(*****)	PIPING,WINCH (MAIN)	17	1				
39	(*****)	PIPING ASSY (AUX.WINCH)	17	1				
40	(*****)	PIPING,RETURN (UPPER)	60	1				
41	(*****)	PIPING,RETURN (UPPER)	41	1				
42	36027410000	CYLINDER,ELEVATING	40	1				
43	(*****)	CONNECTION,AML SYSTEM	1	1				
44	(*****)	CONNECTION,AML SYSTEM	13	1				
45	(*****)	PIPING,TELESCOPING	21	1				
46	(*****)	PIPING,TELESCOPING	8	1				
47	(*****)	MOUNT,WINCH (AUX.)	1	1				
48	(*****)	PIPING,RETURN (UPPER)	12	1				

CLICK HERE TO **DOWNLOAD** THE COMPLETE MANUAL

- Thank you very much for reading the preview of the manual.
- You can download the complete manual from: www.heydownloads.com by clicking the link below



- Please note: If there is no response to CLICKING the link, please download this PDF first and then click on it.

CLICK HERE TO **DOWNLOAD** THE COMPLETE MANUAL