

GR-300E-3-00104 4 BOOM + 2 JIB, 2M2D

PB5000027-00 HYDRAULIC PRESSURE SYSTEM
PB6000066-00 PIPING SYSTEM (UPPER)
PB6000067-00 PIPING SYSTEM (LOWER)
PC1000660-00 OUTRIGGER SYSTEM
PD1000642-00 SWING SYSTEM
PF1000757-00 WINCH SYSTEM
PG3000025-02 JIB SYSTEM
PG5000029-00 BOOM SYSTEM
PH5000027-00 SAFETY SYSTEM
PK1000801-00 FRAME
PK5000028-00 CAB SYSTEM
PL5000027-00 CONTROL SYSTEM
PM1000032-01 LUBRICATION DEVICES
PN1000693-00 ELECTRIC EQUIPMENT (CAB)
PN1000694-00 ELECTRIC EQUIPMENT
PO1000150-00 INDICATION PLATES
PR5000044-01 DRIVING POWER SYSTEM
PS5000021-00 STEERING & SUSPENSION
PW1000097-02 ACCESSORIES & TOOLS
PX1001281-01 MOUNTING PARTS
PY1001728-03 OPTION UNIT,1
ASSEMBLY

CLICK HERE TO **DOWNLOAD** THE COMPLETE MANUAL

- Thank you very much for reading the preview of the manual.
- You can download the complete manual from: www.heydownloads.com by clicking the link below



- Please note: If there is no response to CLICKING the link, please download this PDF first and then click on it.

CLICK HERE TO **DOWNLOAD** THE COMPLETE MANUAL

GR-300E-3-00104 4 BOOM + 2 JIB, 2M2D

Pos No.	Parts No	Parts Name	Qty	Unit	Technical Data	Serial No (Start)	Serial No (End)
1	(*****)	SWING UNIT	1				
2	(*****)	LOCK ASSY,SWING	1				
3	(*****)	ATTACHMENT PARTS,SWING BEARING	1				

GR-300E-3-00104 4 BOOM + 2 JIB, 2M2D

Pos No.	Parts No	Parts Name	Qty	Unit	Technical Data	Serial No (Start)
1	34621238020	FRAME ASSY	1			
2	(*****)	SWING FRAME ASSY	1			
3	(*****)	OUTER COVERING ASSY (SWING FRAME)	1			
4	(*****)	WEIGHT	1			
5	(*****)	MOUNT ASSY (SWING FRAME PRE-WELDED PARTS)	1			
6	(*****)	SUPPORT ASSY (SWING FRAME,STD)	1			

GR-300E-3-00104 4 BOOM + 2 JIB, 2M2D

Pos No.	Parts No	Parts Name	Qty	Unit	Technical Data	Serial No (Start)	S
1	(*****)	ELEC.ASSY (SWING FRAME,BOOM)	1				
2	(*****)	ELEC.ASSY (LOWER)	1				
4	(*****)	ELEC.ASSY (TELESCOPING/AUX.WINCH SELECT)	1				
5	(*****)	ELEC.ASSY ((DERRICK CYLINDER)	1				
6	(*****)	INDICATOR ASSY (STRAIGHT AHEAD DETECTION)	1				
7	(*****)	SWITCH ASSY (PRESSURE SWITCH)	1				
9	36171940000	CONTROLLER (VCU)	1				
10	36171590000	CONTROLLER (DCU2)	1				
11	34930096000	BATTERY (YUASA,170F51)	2				
	82151213051	BATTERY (PANASONIC,130F51)	2				
	82100002827	BATTERY (GLOBAL & YUASA,130F51)	2				
	37010000010	BATTERY (HYUNDAI ENERCELL)	2				

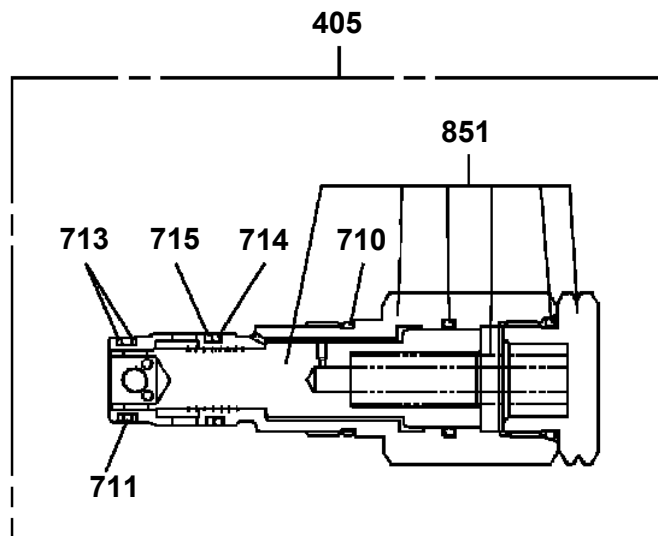
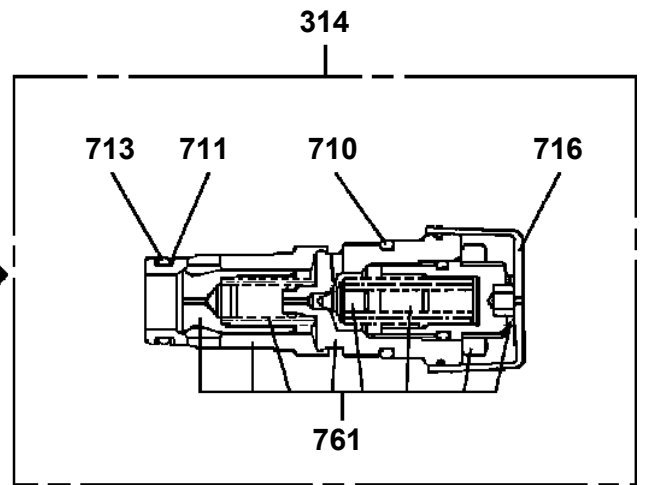
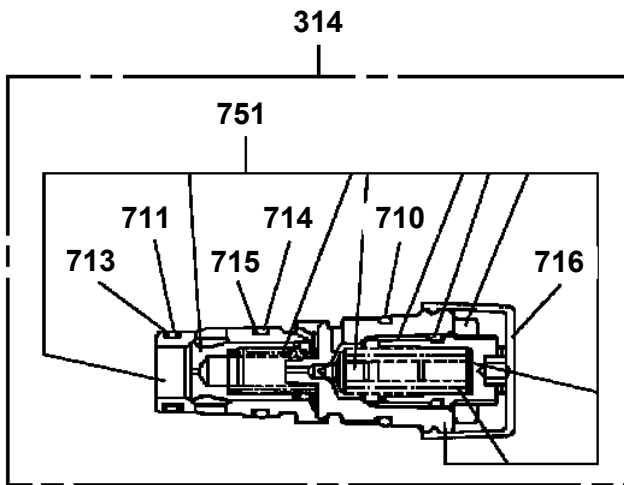
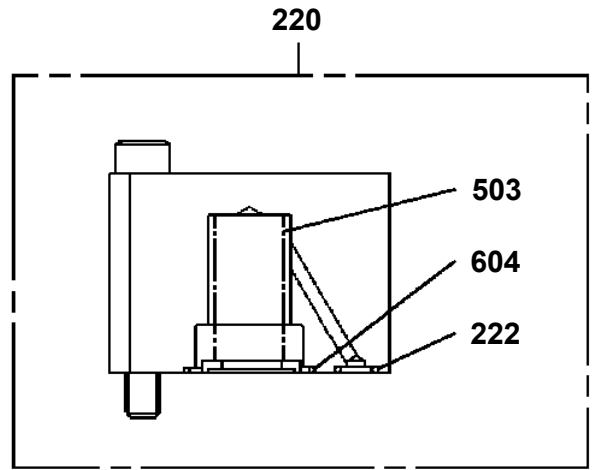
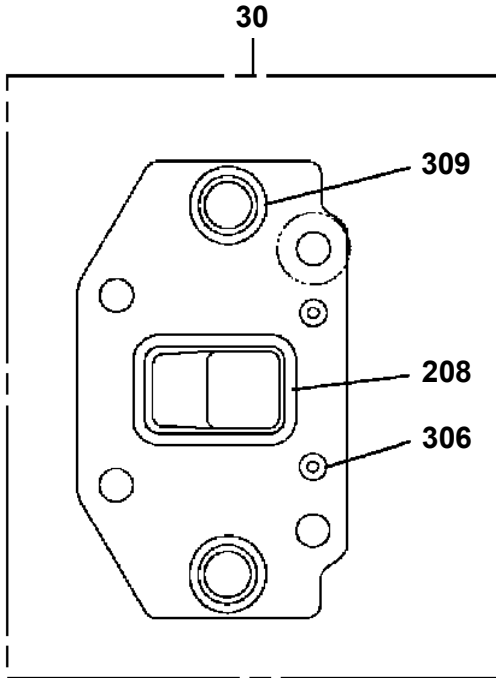
GR-300E-3-00104 4 BOOM + 2 JIB, 2M2D

Pos No.	Parts No	Parts Name	Qty	Unit	Technical Data	Serial No (Start)	Serial No (End)
1	(*****)	COVER ASSY,ENGINE	1				
2	(*****)	COVER ASSY,ENGINE (RADIATOR)	1				
3	(*****)	OUTER COVERING ASSY (FENDER)	1				
4	(*****)	MOUNT ASSY (NON-SLIP SEAL,FENDER)	1				
5	(*****)	TANK SUPPORT	1				
6	(*****)	MOUNT ASSY,BATTERY	1				
7	(*****)	MOUNT ASSY (WIRE)	1				
8	(*****)	MIRROR ASSY	1				
9	(*****)	TOOL BOX INSTALLATION (IRON)	1				

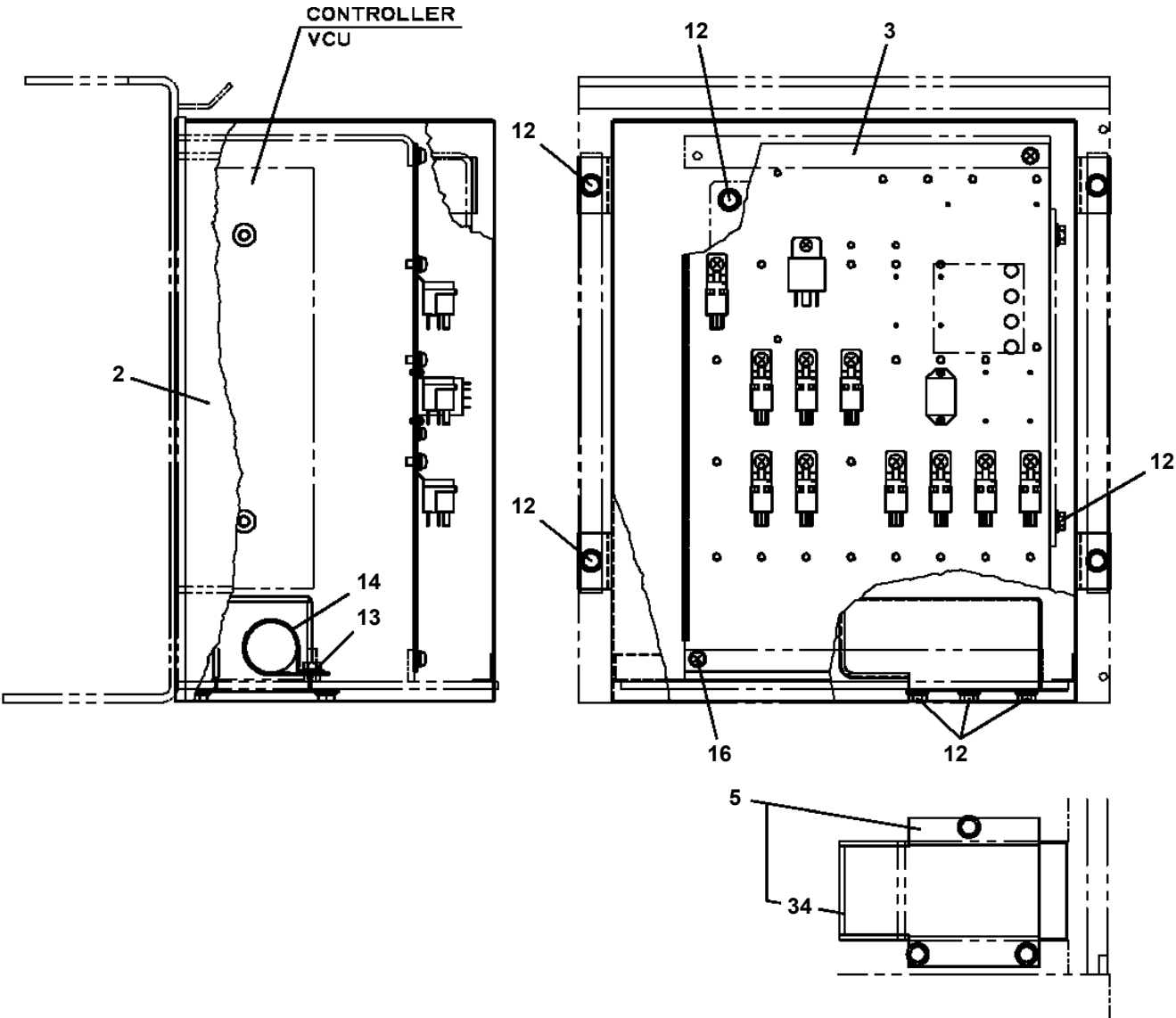
GR-300E-3-00104 4 BOOM + 2 JIB, 2M2D

PW5050005-00 WHEEL,TIRE (WI)
PW5060046-00 WINCH ASSY
PW5060054-00 WINCH ASSY
PW5070025-00 WINCH ASSY (MOUNT/MAIN)
PW5070026-00 WINCH ASSY (MOUNT/AUX.)
PW5110008-00 WEDGE
PW5130005-02 WEIGHT (JIB,WITH SWITCH)
PX1100270-00 TANK SUPPORT
PX1160072-00 ATTACHMENT PARTS,SWING BEARING
PX1180304-00 MOUNT,HOOK (AUX.)
PX1350106-03 TOOL BOX INSTALLATION (IRON)
PX5010079-00 MOUNT ASSY (WIRE)
PX5010352-00 MOUNT ASSY (WIRE GUIDE/MAIN)
PX5010377-00 MOUNT ASSY (NON-SLIP SEAL,FENDER)
PX5010389-00 MOUNT ASSY (SWING FRAME PRE-WELDED PARTS)
PX5060003-00 MOUNT ASSY,BATTERY
PX5070002-00 MOUNT ASSY,BEACON LAMP
PX5320011-00 MOUNT ASSY,EVAPORATOR
PX5340005-01 MOUNT ASSY,EXTINGUISHER
PX5400018-00 MOUNT ASSY,FUEL TANK
PX5560006-01 MOUNT ASSY,POWER TRAIN
PX5600018-04 MOUNT ASSY,RADIATOR
PY1300039-00 COOLER,OIL
PY1380061-00 COMPRESSOR
PY2230039-04 AIR CONDITIONER SYSTEM
PY2250044-04 MOUNT ASSY,COMPRESSOR
PY2270045-02 AIR CONDITIONER
PY2320001-03 SUN VISOR (FRONT)
PY2360001-02 PUMP,WATER
PY5020024-00 ACCESSORIES ASSY
PY5020026-00 ACCESSORIES ASSY (COLD-RESISTANT HUB SEAL)
PY5020089-00 ACCESSORIES ASSY (REAR SIDE OF RADIATORCOVER)
PY5020097-00 ACCESSORIES ASS (SLEWING SUTRUCTURE COVER)
PY5040001-00 ACCUMULATOR
PY5150016-01 AIR INTAKE ASSY
PY5220008-00 ANEMOMETER ASSY (DIGITAL)
PY5220022-02 ANEMOMETER ASSY (BOOM)
PY5220023-02 ANEMOMETER ASSY (JIB)
PY5330007-01 AXLE ASSY (REAR)
PY5340004-01 AXLE ASSY,FRONT
PY5360018-00 ACCESSORY LIST (AIR CONDITIONER)
PY5360037-01 ACCESSORY LIST (ELECTRICAL DEVICE)
PY5360039-02 ACCESSORY LIST (ENGINE:MOUNTING PARTS)

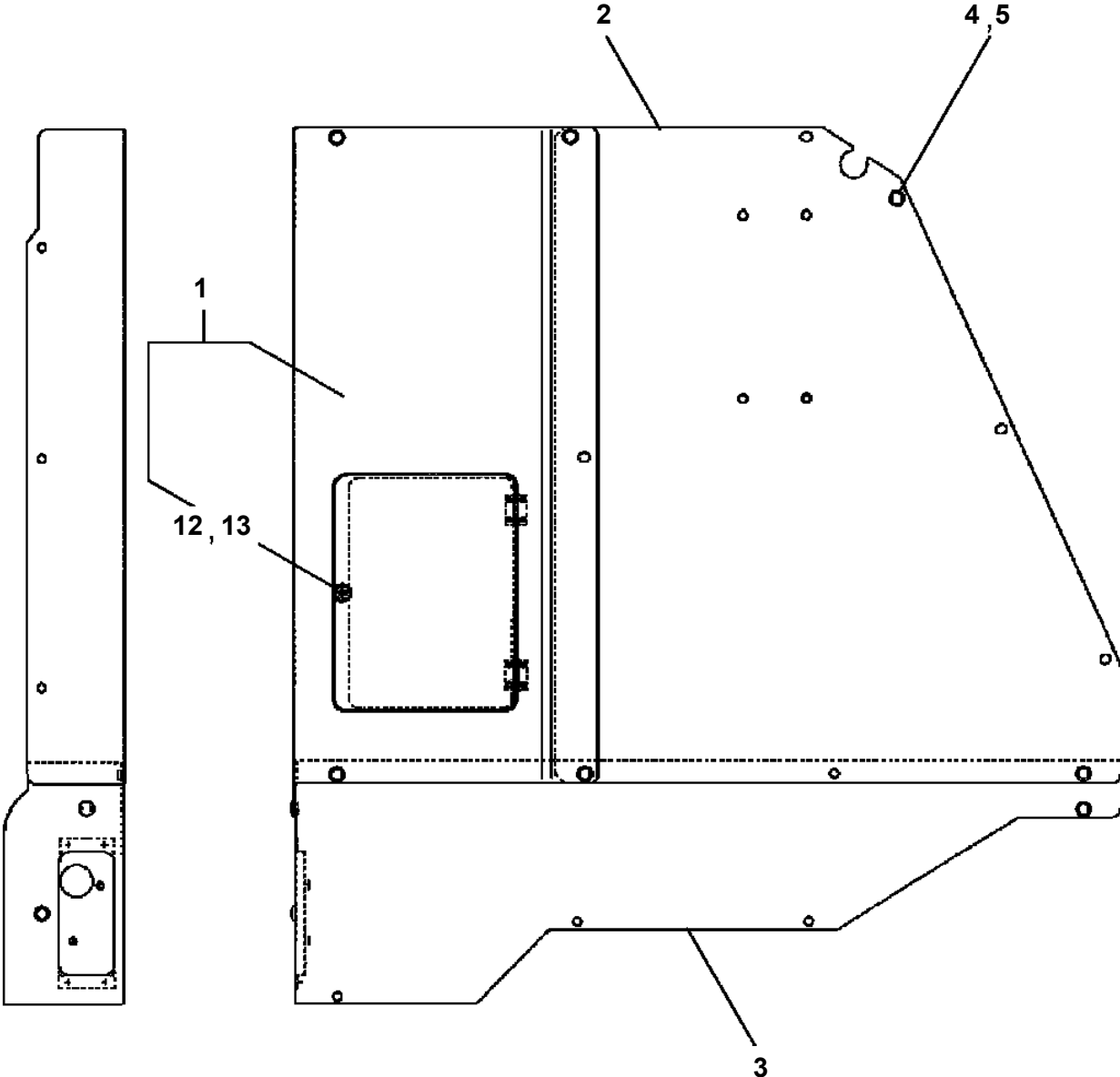
GR-300E-3-00104 4 BOOM + 2 JIB, 2M2D
PB1350031-00 VALVE,PILOT OPERATED CONTROL



GR-300E-3-00104 4 BOOM + 2 JIB, 2M2D
PB5260111-00 BOX ASSY



GR-300E-3-00104 4 BOOM + 2 JIB, 2M2D
PC5010065-00 CAB ASSY (FUSEBOX COVER)



GR-300E-3-00104 4 BOOM + 2 JIB, 2M2D

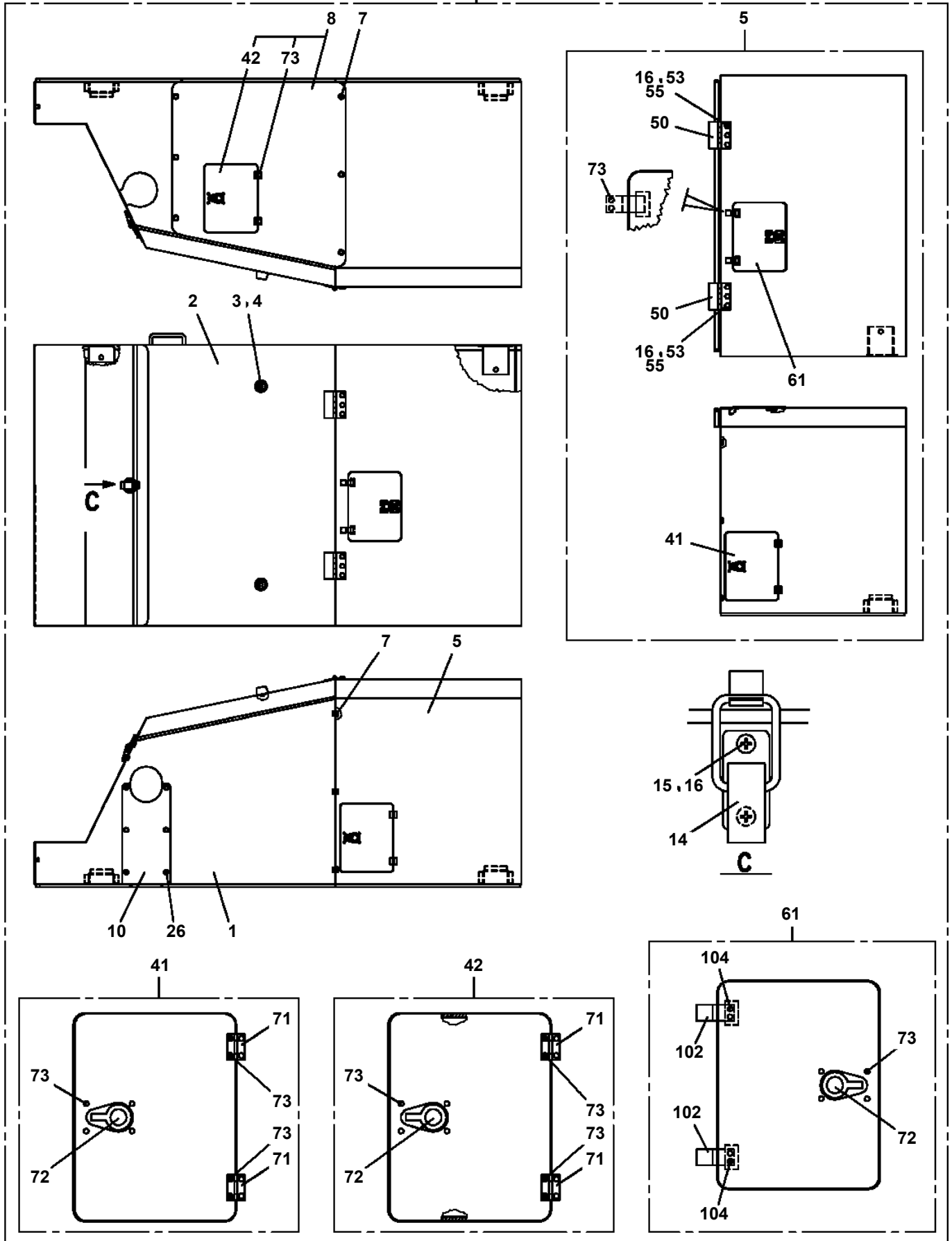
Pos No.	Parts No	Parts Name	Qty	Unit	Technical Data	Serial No (Start)	Serial No
72	80185308035	SCREW,MACHINE	2		M8X35		
73	90302040801	WASHER,SPRING	2		8		
74	90304110801	WASHER,TOOTH	2		8		
75	90201200800	NUT	2		M8		
76	34260957670	COVER (WEATHER STRIP)	1				
77	80192486016	SCREW,MACHINE	2		M6X16		
78	34260957680	TRIM	1				
79	34260957813	CLIP	6				
80	34260957690	COVER	1				
81	80192484012	SCREW,MACHINE (WITH WASHER)	3		M4X12		
82	34260957700	COVER	2				
83	90915040125	SCREW,TAPPING	8		M4X12		
84	34260957710	COVER (WIPER MOTOR)	1				
85	80192486012	SCREW,MACHINE	7		M6X12		
86	34260957720	SUPPORT ASSY	1				
87	99164008020	BOLT (M8X20)	2				
88	34260957793	DOOR ASSY (CAB)	1				
136	82100000951	GROMMET	2				
137	34260952310	JUNCTION (BODY SIDE)	1				
138	34260957730	RUBBER	1				
139	34261817580	GROMMET (C-30NG-79-F)	1				
140	34260957814	COVER (SPEAKER)	1				
141	90915040125	SCREW,TAPPING	4		M4X12		
142	34260957760	COVER	1				
143	99164008010	BOLT (M8X10)	8				
145	34261817560	SHIM	1				
146	34261817570	SCREW	2		M6X18		
147	34261552400	SUPPORT	2				
148	90303360601	WASHER,PLAIN	2		6		
151	34260237501	RUBBER (BLADE,WIPER)	2		L=700		

GR-300E-3-00104 4 BOOM + 2 JIB, 2M2D

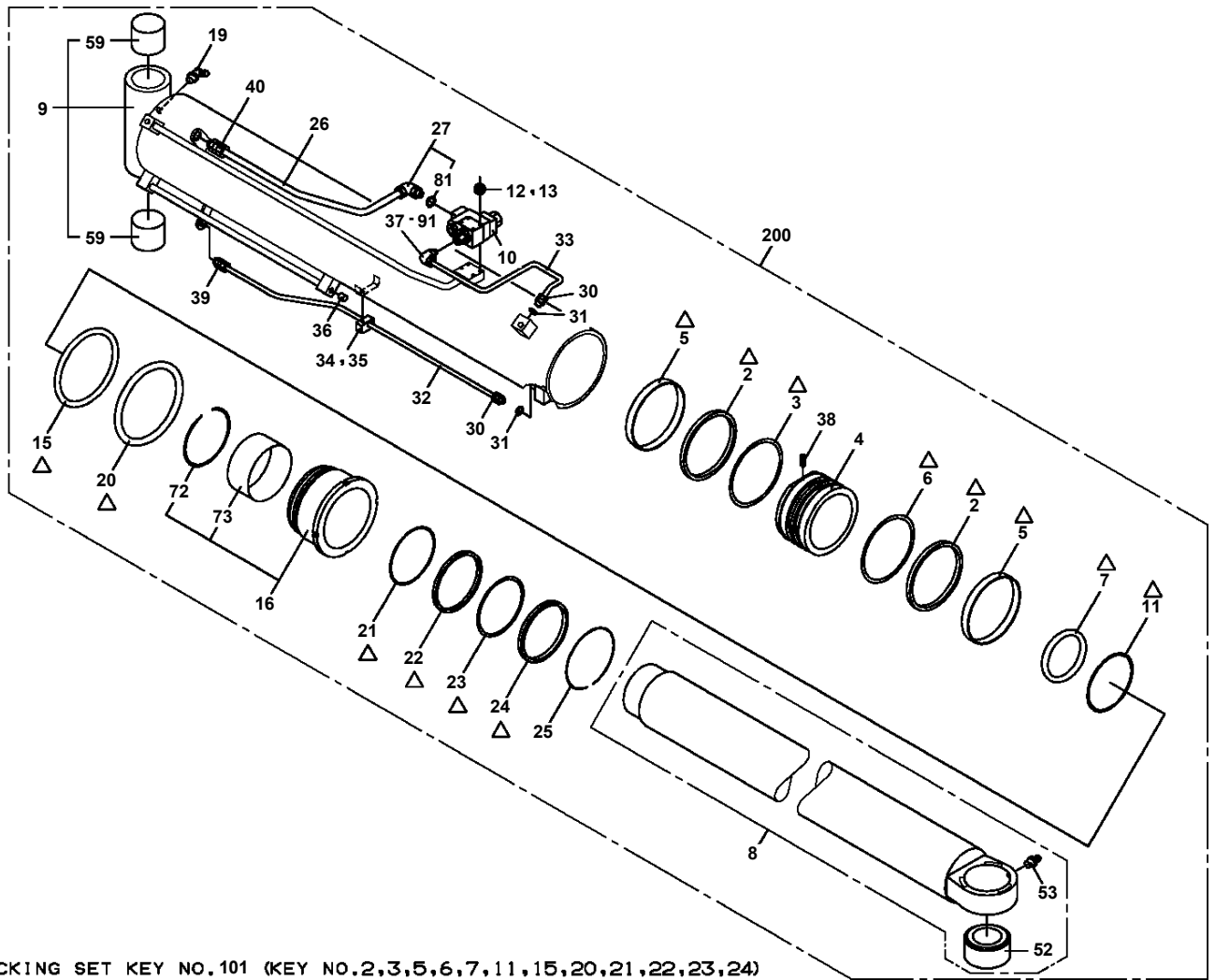
Pos No.	Parts No	Parts Name	Qty	Unit	Technical Data	Serial No (Start)	Serial No (End)
1	36320565111	COMPRESSOR	1				
2	36320565120	BASE	1				
3	36320452050	CUSHION (ISOLATOR)	4				
4	36320455800	BRACKET	1				
5	36320562040	PULLEY (OIL MOTOR)	1				
6	36320562050	WASHER (OIL MOTOR AXIS STOPPER)	1				
7	36320562260	BELT (V)	1				
11	36320565131	BOLT	2		M10X25		
12	36320565141	BOLT	4		M10X35		
13	90280211000	NUT,FLANGE	2		M10X1.25		
14	90302040801	WASHER,SPRING	1		8		
15	36320455910	BOLT	1				
100	36320562021	COMPRESSOR ASSY	1				

GR-300E-3-00104 4 BOOM + 2 JIB, 2M2D
 PC5590009-02 COVER ASSY,ENGINE

200

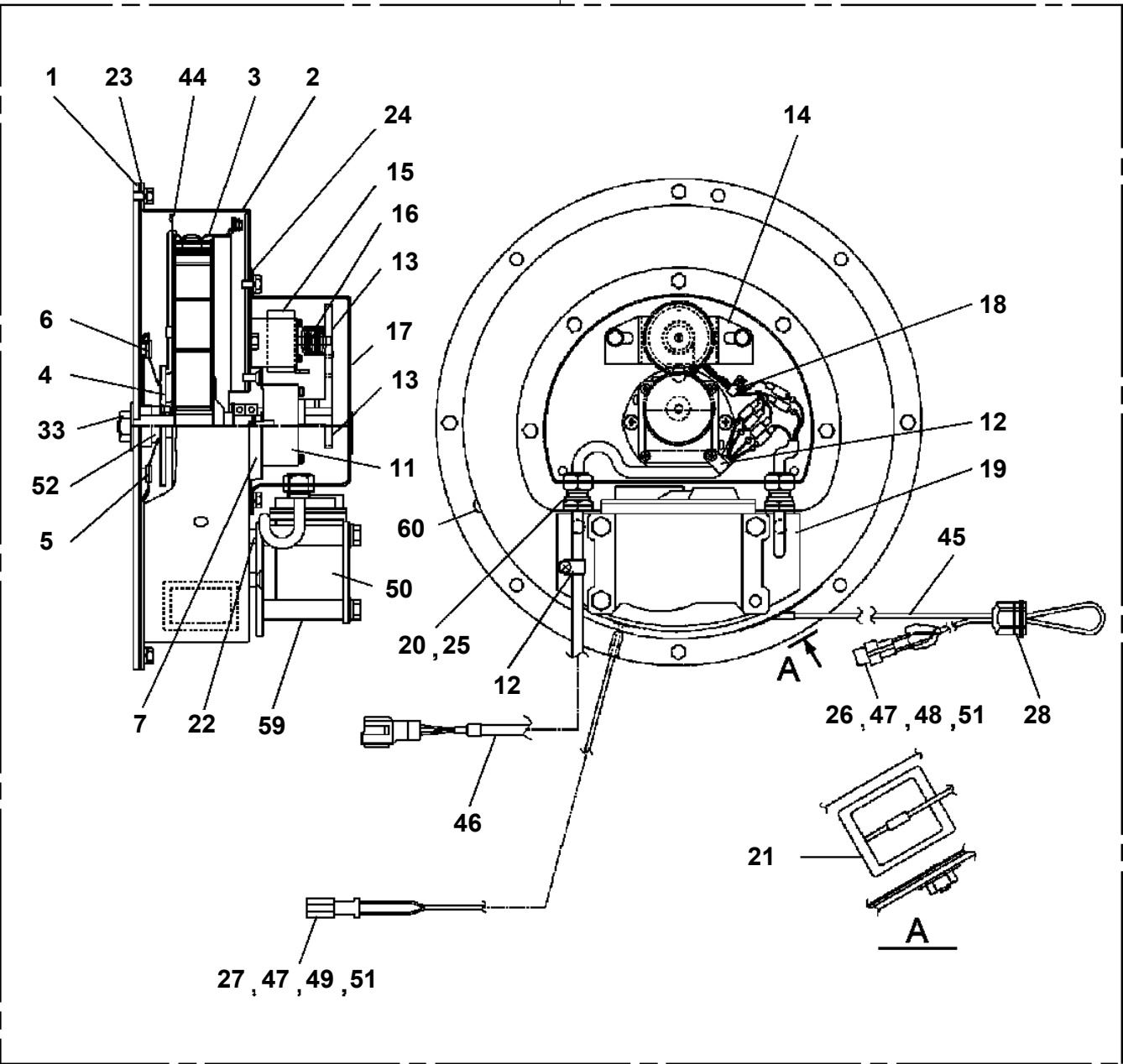


**GR-300E-3-00104 4 BOOM + 2 JIB, 2M2D
PC6370011-00 CYLINDER ASSY,DERRICK**

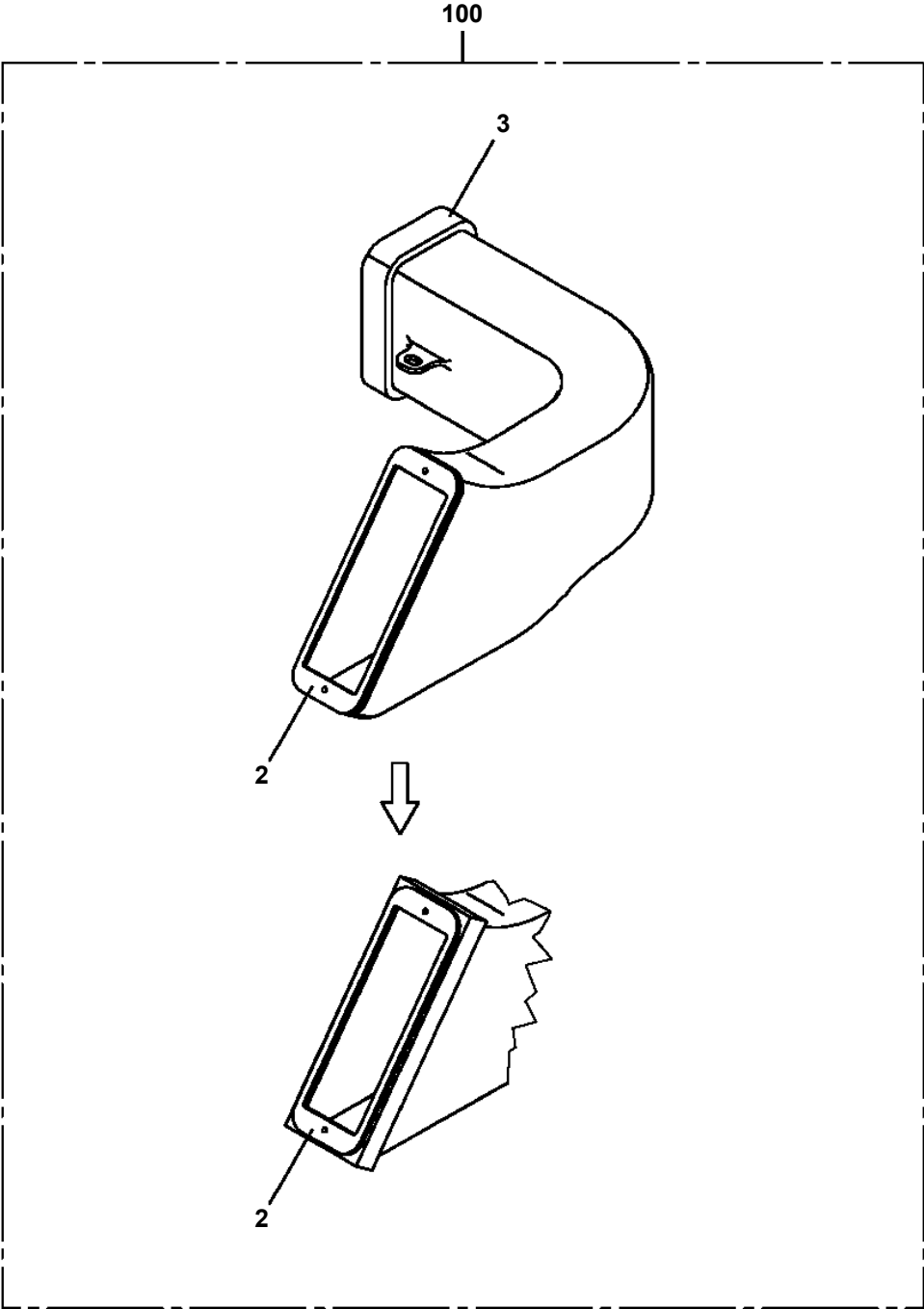


GR-300E-3-00104 4 BOOM + 2 JIB, 2M2D
PD5080009-00 DETECTOR ASSY,LENGTH (BOOM)

100



GR-300E-3-00104 4 BOOM + 2 JIB, 2M2D
PD5360005-00 DUCT



GR-300E-3-00104 4 BOOM + 2 JIB, 2M2D

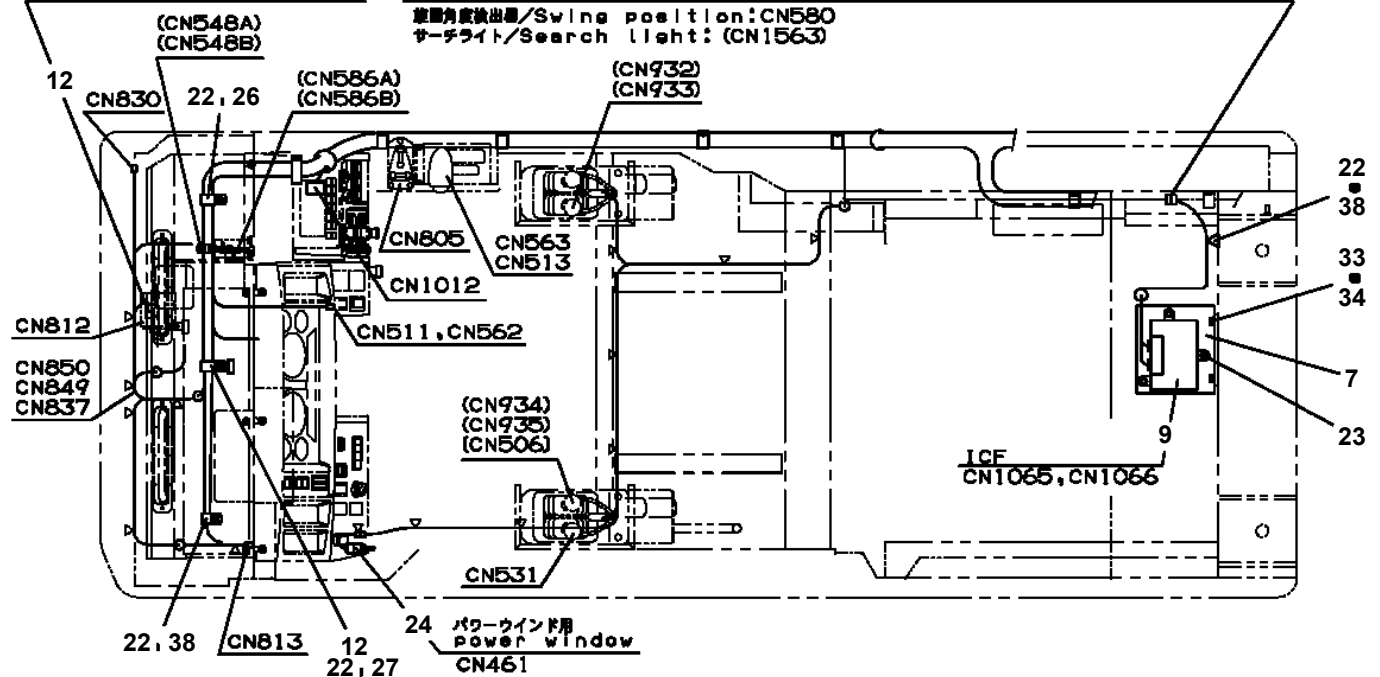
Pos No.	Parts No	Parts Name	Qty	Unit	Technical Data	Serial No (Start)	Serial No (End)	Remarks	Page
1	82190511185	SWITCH,ROCKER	1						
2	36682750000	SWITCH,PRESSURE	2						
3	91002801100	O-RING	2		1B P11				
4	34352903100	PLATE,NAME	1						

GR-300E-3-00104 4 BOOM + 2 JIB, 2M2D PE5020588-00 ELEC.ASSY (CAB,STD)

フロントワイパーモータノイズ防止用 CN835
(ワイパー取り付けボルトに夫締めのこと。)
noise reduction
for wiper motor

旋回台 (左) /Swing frame (L) :CN893,CN894,CN1206,CN1332, (CN1333)
旋回台 (右) /Swing frame (R) :CN889,CN891
ブーム/boom :CN887
スィベルジョイント/Swivel Joint:CN880,CN881,CN882,CN883,CN884,CN885

旋回角度検出器/Swing position:CN580
サーチライト/Search light:(CN1563)



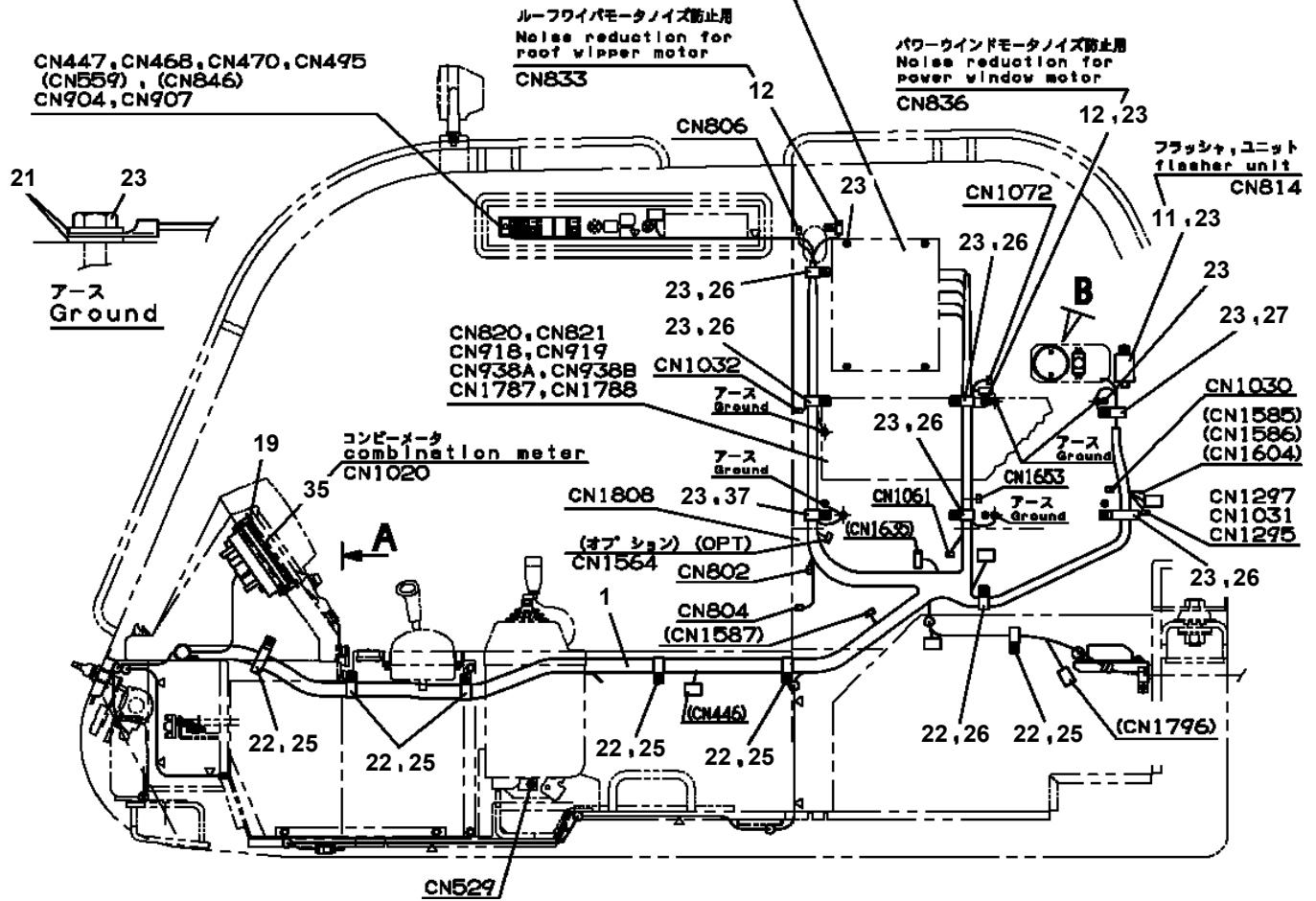
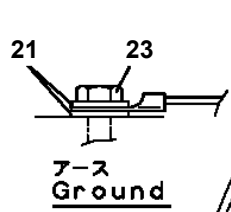
パワーウィンドモータノイズ防止用 CN834
(クランプに夫締めのこと。)
noise reduction for
power window motor

CN1022, CN1023, CN1024
CN1025, CN1026

ルーフワイパーモータノイズ防止用
Noise reduction for
roof wiper motor
CN833

パワーウィンドモータノイズ防止用
Noise reduction for
power window motor
CN836

CN447, CN468, CN470, CN495
(CN559), (CN846)
CN904, CN907



GR-300E-3-00104 4 BOOM + 2 JIB, 2M2D

Pos No.	Parts No	Parts Name	Qty	Unit	Technical Data	Serial No (Start)	Serial No (End)
1	34355121011	HARNESS (CAB)	1				
7	34354871700	SUPPORT	1				
10	36171740004	CONTROLLER (ICF,ASSY ONLY)	1				562111
	36172580001	CONTROLLER (ICF,ASSY ONLY)	1			562108	562178
	36172830000	CONTROLLER (ICF,ASSY ONLY)	1			562179	
11	82100002311	RELAY (FLASHER UNIT)	1				
12	82183901010	CONDENSER	4				
17	34354751600	BUZZER	1				
18	80175304010	SCREW,MACHINE	2		M4X10		
19	80192484010	SCREW,MACHINE	8		M4X10		
21	90303290600	WASHER,PLAIN	10		6		
22	90280200600	NUT,FLANGE	11		M6		
23	99172106016	BOLT,TAPPING	25		M6X16		
24	42507124300	SWITCH ASSY (WITH HARNESS,1 SW)	1				
25	82100002019	CLAMP	6		WR40		
26	82100002017	CLAMP	7		WR30		
27	82100002016	CLAMP	2		WR25		
32	34350850530	BUZZER ASSY (WITH HARNESS)	1				
33	90101208010	BOLT	2		M8X10		
34	90302040801	WASHER,SPRING	2		8		
35	36684240000	METER,COMBINATION (ASSY ONLY)	1				
37	82100002018	CLAMP	1		WR35		
38	82100002010	CLAMP	2		WR15		

GR-300E-3-00104 4 BOOM + 2 JIB, 2M2D

Pos No.	Parts No	Parts Name	Qty	Unit	Technical Data	Serial No (Start)	Serial No (End)	Remarks
84	36320765390	DAMPER	1					
85	36320765400	DAMPER	1					
86	36320765410	DAMPER	1					
87	36320765420	DAMPER	1					
88	36320765430	DAMPER	1					
89	36321165400	SCREW,MACHINE	5					
90	36320765440	PACKING	1					
91	36320565680	O-RING	1					
92	36320565690	O-RING	1					

GR-300E-3-00104 4 BOOM + 2 JIB, 2M2D

Pos No.	Parts No	Parts Name	Qty	Unit	Technical Data	Serial No (Start)	Serial No (End)	Rema
1	36094510002	HOOK ASSY (SHEAVE 3 PC'S)	1					
2	37002202510	PLATE,NAME (GREASE)	1					
3	34492340102	PLATE,NAME (20000KG))	2					

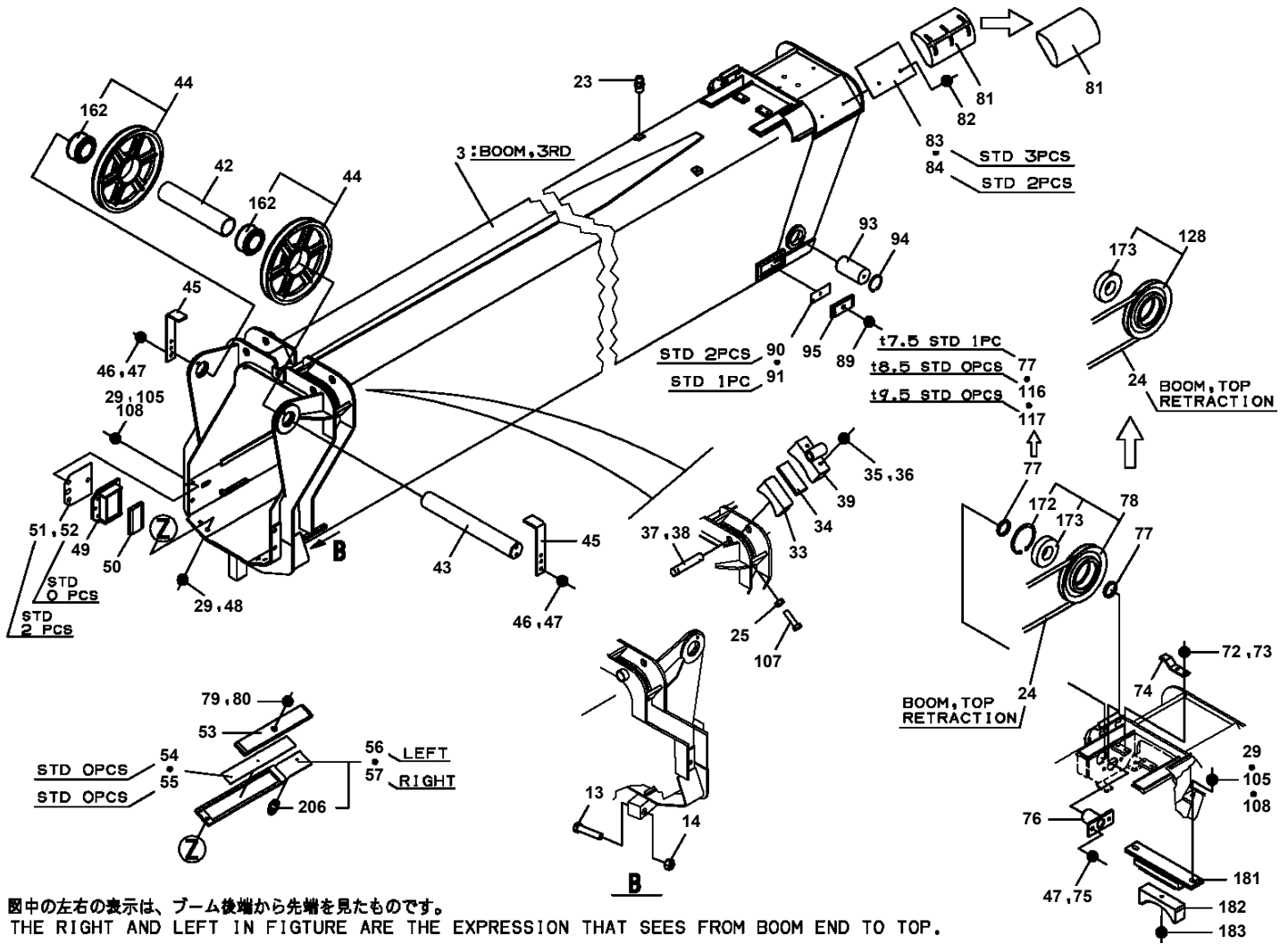
GR-300E-3-00104 4 BOOM + 2 JIB, 2M2D

Pos No.	Parts No	Parts Name	Qty	Unit	Technical Data	Serial No (Start)	Serial No (End)	Remarks	Pages
1	37000129750	PIN	1						
2	90171110016	BOLT	1		M10X16				
3	90302041001	WASHER,SPRING	1		10				
4	37002600241	WEDGE	1						000348
5	37002600501	SOCKET,ROPE	1		14&16				
6	83151411600	CLIP	1						
7	80136363045	PIN,SPLIT	1		6.3X45				

GR-300E-3-00104 4 BOOM + 2 JIB, 2M2D

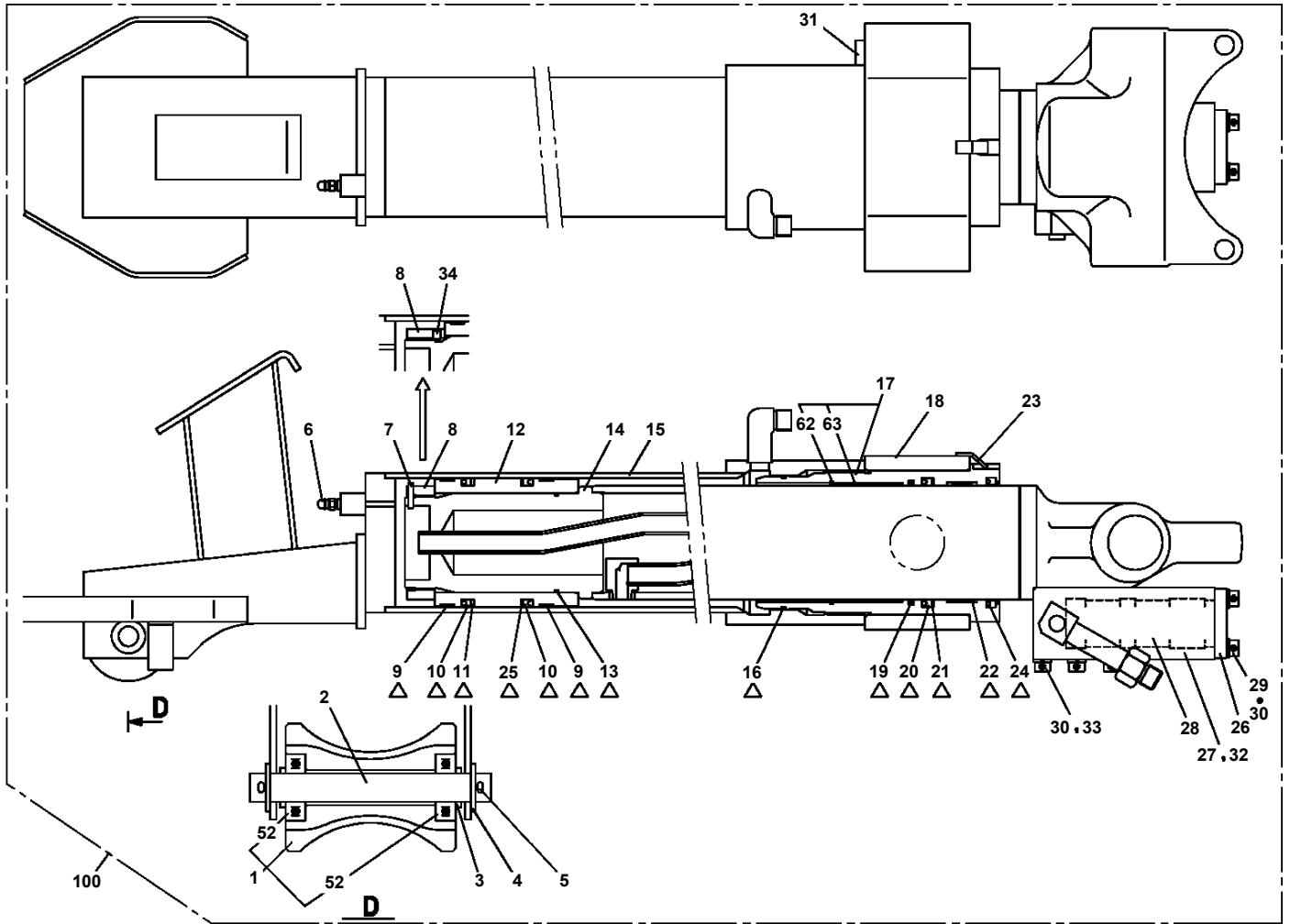
Pos No.	Parts No	Parts Name	Qty	Unit	Technical Data	Serial No (Start)	Serial No (End)	Remarks	P
3	34781957541	ELEMENT KIT	1						
21	34781957530	O-RING	1						
100	34781951002	FILTER ASSY (WATER)	1						

GR-300E-3-00104 4 BOOM + 2 JIB, 2M2D
PG1010857-06 BOOM



図中の左右の表示は、ブーム後端から先端を見たものです。
 THE RIGHT AND LEFT IN FIGURE ARE THE EXPRESSION THAT SEES FROM BOOM END TO TOP.

GR-300E-3-00104 4 BOOM + 2 JIB, 2M2D
PG1050602-01 CYLINDER,TELESCOPING (NO.1)



△:PACKING SET KEY NO.80 (KEY NO.9,10,11,13,16,19,20,21,22,24,25)

GR-300E-3-00104 4 BOOM + 2 JIB, 2M2D

Pos No.	Parts No	Parts Name	Qty	Unit	Technical Data	Serial No (Start)	Serial No (End)	Remarks	F
1	37001003330	SHEAVE ASSY	1						
4	37001102980	ROLLER ASSY	1						
5	34440980850	SPACER	2		L=3				
6	80601110300	RING,RITAINING	1		S30				
7	34443950100	SHEAVE ASSY	1						
8	90171110020	BOLT	4		M10X20				
9	34440270900	GUARD	1						
11	16311007000	SPACER	1		L=3.5				
12	37001004750	SHEAVE ASSY (IMONO)	1						
14	90302041001	WASHER,SPRING	4		10				
15	80601110400	RING,RITAINING	1		S40				
32	80602110800	RING,RITAINING	2		R80				
33	80514006208	BEARING,BALL	4			562061	562060		
	80513006208	BEARING,BALL	4						
41	80801003020	BEARING,PLAIN	4						
51	34443950200	SUPPORT	1						
52	37001100170	ROLLER ASSY	1						
53	37000304660	SPACER	2		L=2				
54	37000101310	PIN	1						
55	90101210014	BOLT	3		M10X14				
56	90302041001	WASHER,SPRING	3		10				
57	34443191200	PIN	1						
58	37000300190	SPACER	2		L=16.5				
59	37001003330	SHEAVE ASSY	1						
60	90303071001	WASHER,PLAIN	1		10				
61	37000301410	SPACER	2		L=3				
71	34442920610	SUPPORT	1						
72	34440040210	SUPPORT	1						
73	90101208030	BOLT	2		M8X30		562285		
	90101208025	BOLT	2		M8X25	562286			
74	90201200800	NUT	2		M8				
75	90302040801	WASHER,SPRING	2		8		562285		
	90303070801	WASHER,PLAIN	2		8	562286			
82	80612111250	RING,RITAINING	1		AR125				
83	80515006214	BEARING,BALL	2						

GR-300E-3-00104 4 BOOM + 2 JIB, 2M2D

Pos No.	Parts No	Parts Name	Qty	Unit	Technical Data	Serial No (Start)	Serial No (E
1	82122704160	CAP (PLUG)	1				
2	82122706160	CAP (ADAPTER)	1				
21	91001001405	O-RING	1		S-14		
100	34500712100	HARNESS (SINGLE TOP,OVERWINDING)	1				

GR-300E-3-00104 4 BOOM + 2 JIB, 2M2D

Pos No.	Parts No	Parts Name	Qty	Unit	Technical Data	Serial No (Start)	Serial No (End)	Remarks
100	34931670400	HARNESS (REAE STTERING)	1					

GR-300E-3-00104 4 BOOM + 2 JIB, 2M2D

Pos No.	Parts No	Parts Name	Qty	Unit	Technical Data	Serial No (Start)	Serial No
1	82122706160	CAP (ADAPTER)	1				
100	34373221200	HARNESS (JIB 2,BOTTOM,OVERWINDING)	1				

GR-300E-3-00104 4 BOOM + 2 JIB, 2M2D

Pos No.	Parts No	Parts Name	Qty	Unit	Technical Data	Serial No (Start)	Serial No (End)	Remarks	Pages
100	34445680200	HARNESS	1						

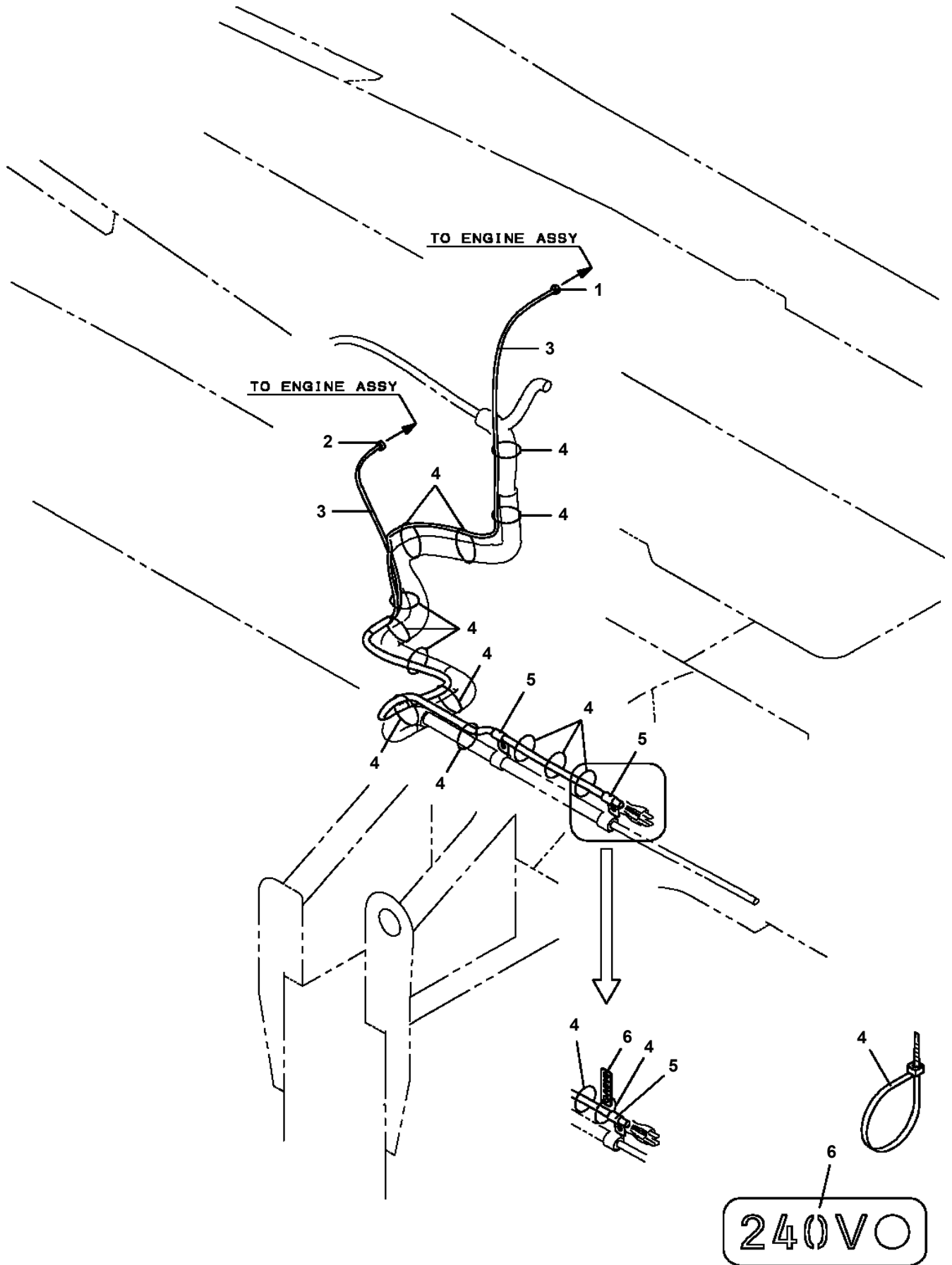
GR-300E-3-00104 4 BOOM + 2 JIB, 2M2D

Pos No.	Parts No	Parts Name	Qty	Unit	Technical Data	Serial No (Start)	Serial No (End)	Remarks	Pages
100	34491680100	HARNESS	1						

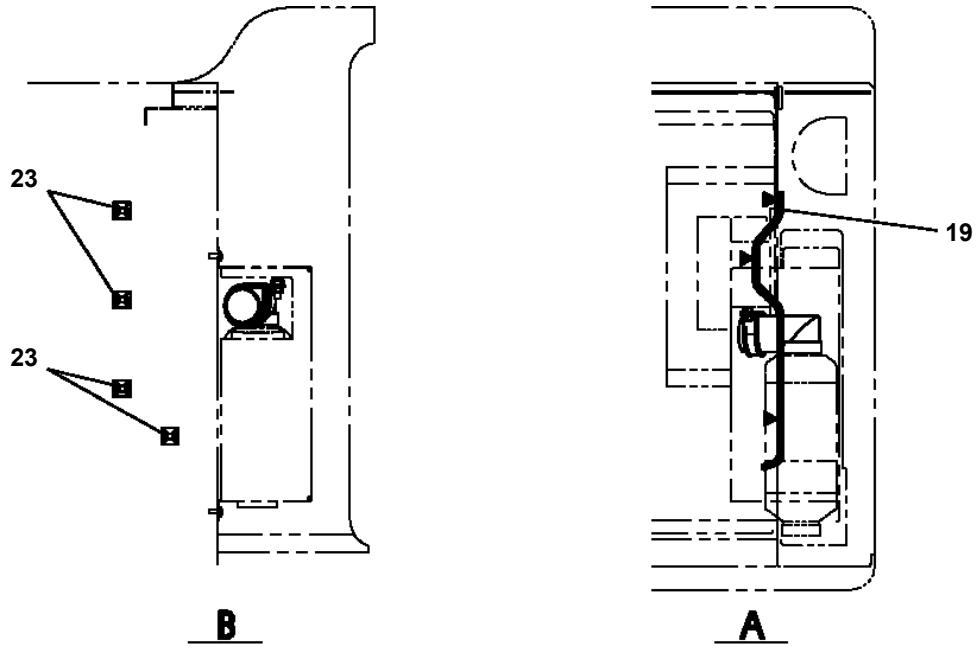
GR-300E-3-00104 4 BOOM + 2 JIB, 2M2D

Pos No.	Parts No	Parts Name	Qty	Unit	Technical Data	Serial No (Start)	Serial No (End)	Remarks	Pa
1	82182819823	DIODE	6		1.5A				
2	82182819834	DIODE	1		1.5A				
3	82182819822	DIODE	1		3A				
4	82181809920	RESISTANCE	1		1.3 KILO-OHM ,0.5W				
5	82181500040	RESISTANCE	1		120 OHM 0.5W				
100	34355121011	HARNESS (CAB)	1						

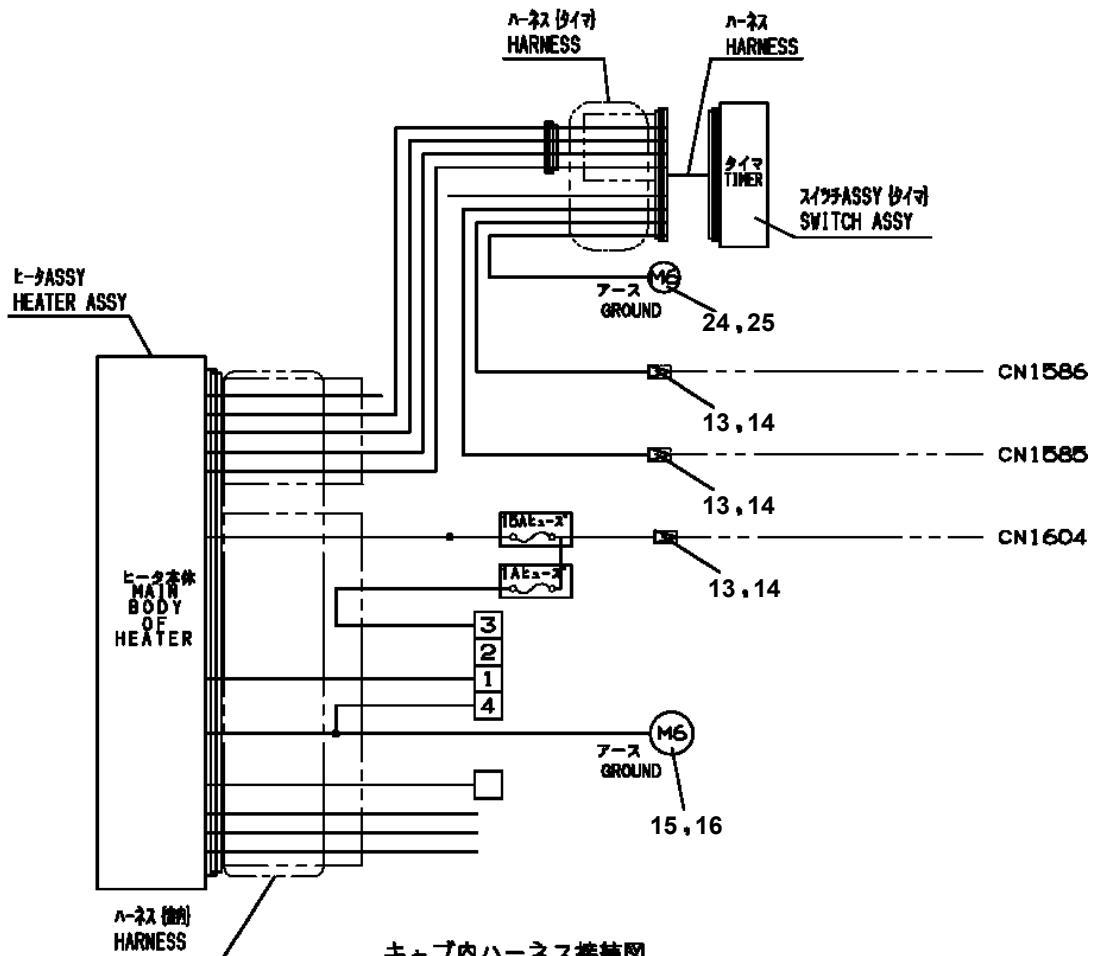
GR-300E-3-00104 4 BOOM + 2 JIB, 2M2D
PH5050028-01 HEATER ASSY (COOLANT HEATER,OIL-PAN HEATER:240V)



GR-300E-3-00104 4 BOOM + 2 JIB, 2M2D
 PH5050063-00 HEATER ASSY (INSTALLED INSIDE CAB)



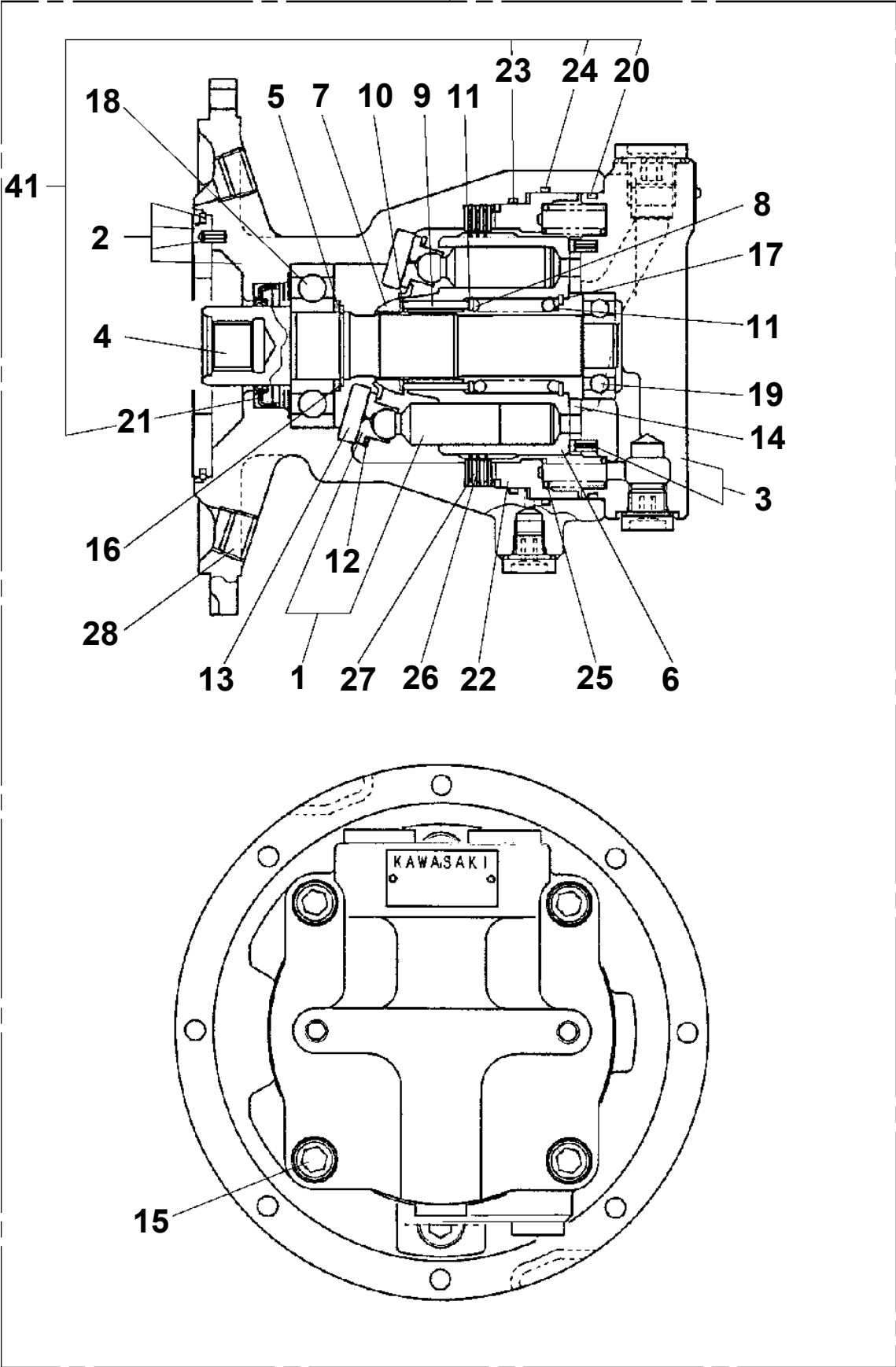
(GR-1450E-3の場合)
 (THE CASE OF GR-1450E-3)



キャブ内ハーネス接続図
 CAB HARNESS CIRCUIT DIAGRAM

GR-300E-3-00104 4 BOOM + 2 JIB, 2M2D
PI1010159-00 MOTOR, HYDRAULIC

100

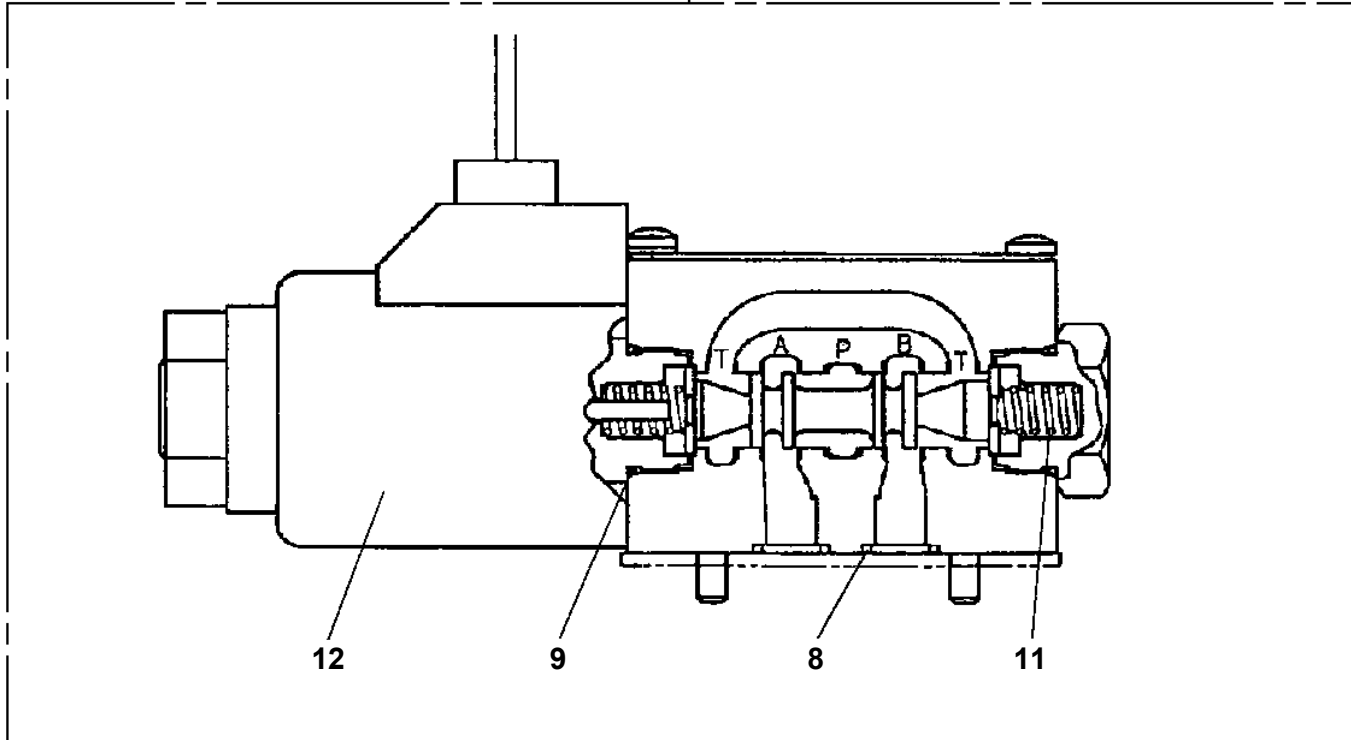


GR-300E-3-00104 4 BOOM + 2 JIB, 2M2D

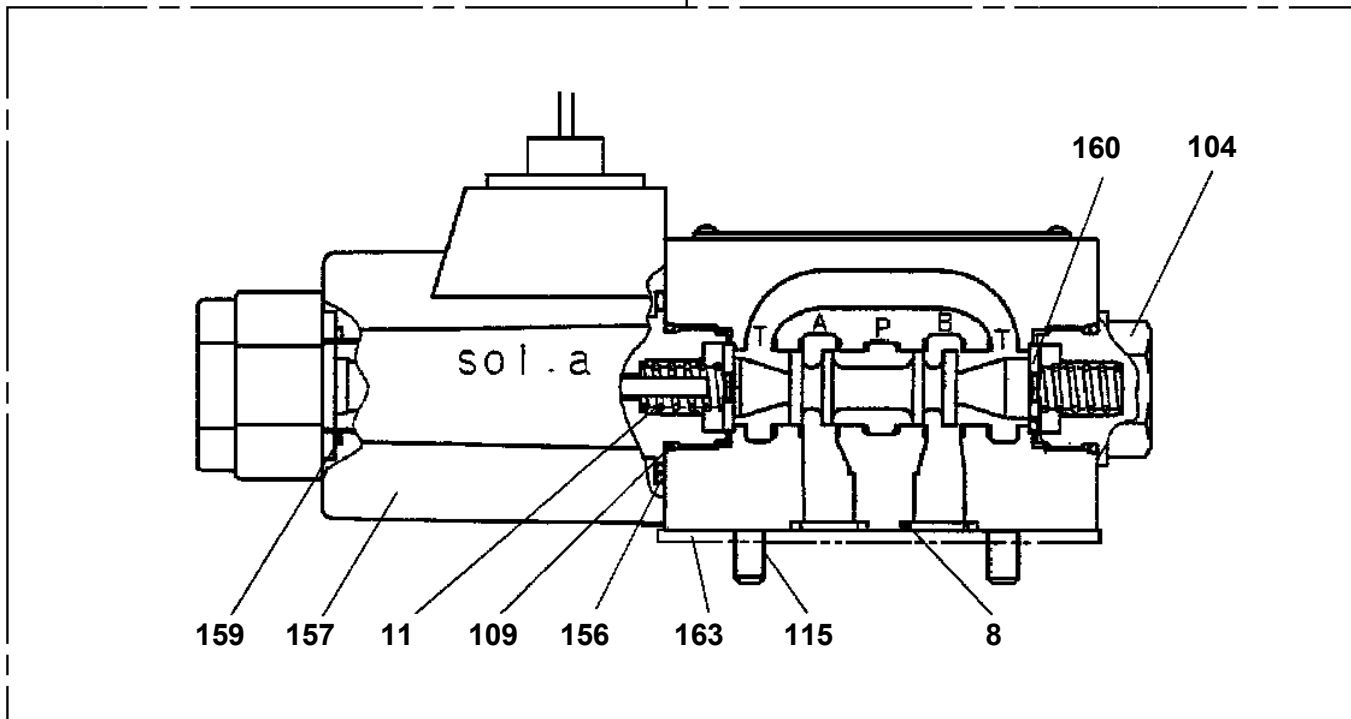
Pos No.	Parts No	Parts Name	Qty	Unit	Technical Data	Serial No (Start)	Serial No (End)	Remarks	Pages
58	36646085011	VALVE,SOLENOID	1						00015
102	36648875010	RETAINER	2				562112		
	36646085060	RETAINER	2			562113			
103	36646085040	ELEMENT,FILTER	2						
108	36646085050	BOLT	4			562113			
300	36646080000	VALVE,SOLENOID	1						

GR-300E-3-00104 4 BOOM + 2 JIB, 2M2D
PI1120265-01 VALVE,SOLENOID

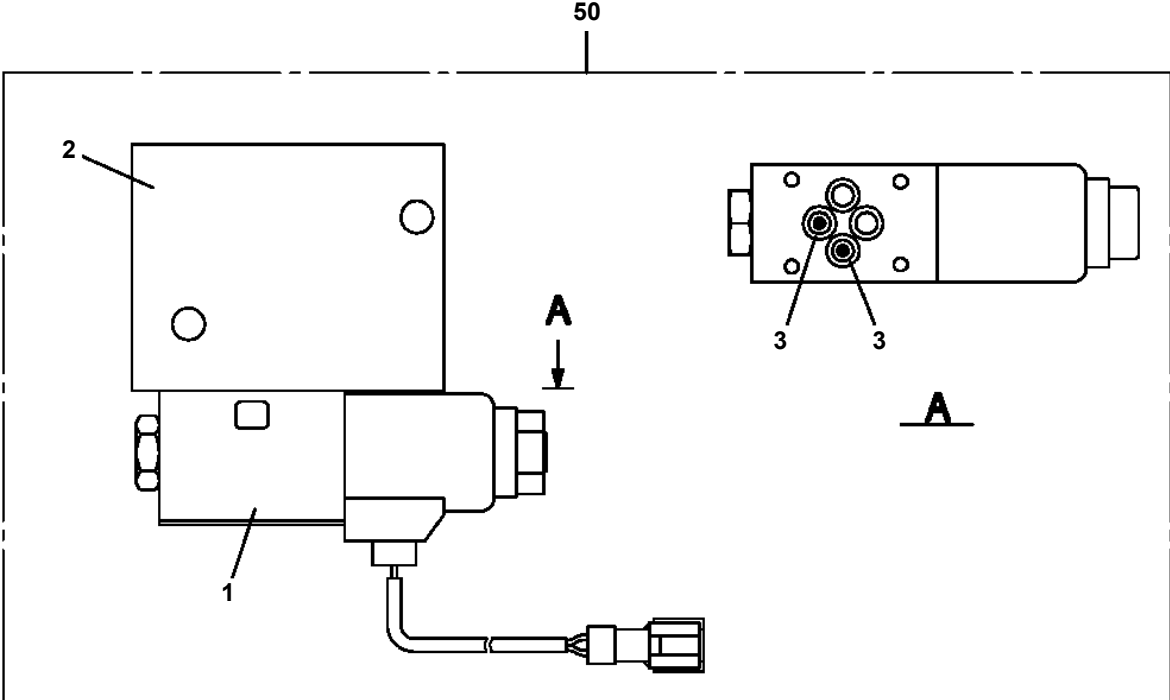
200



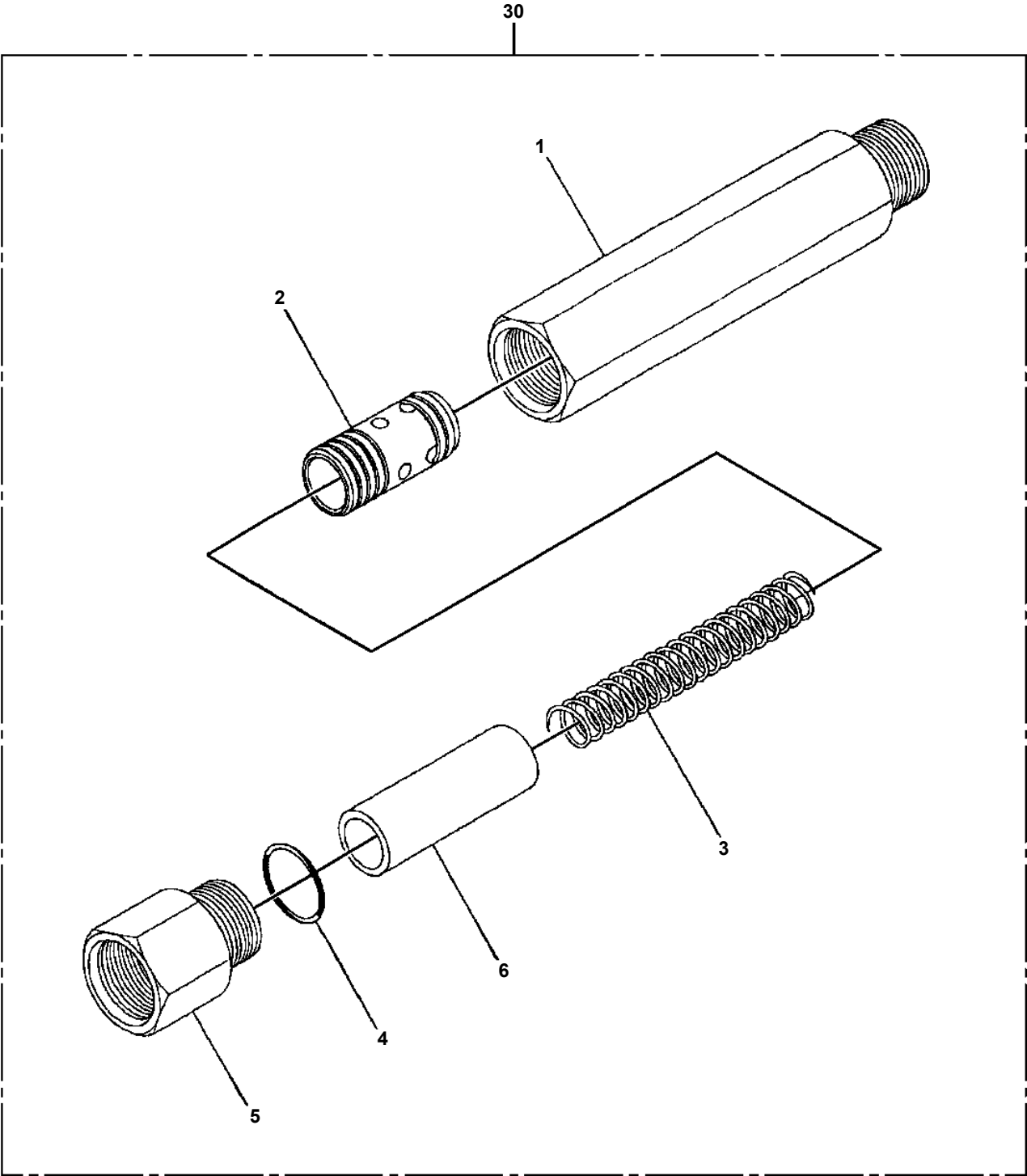
200



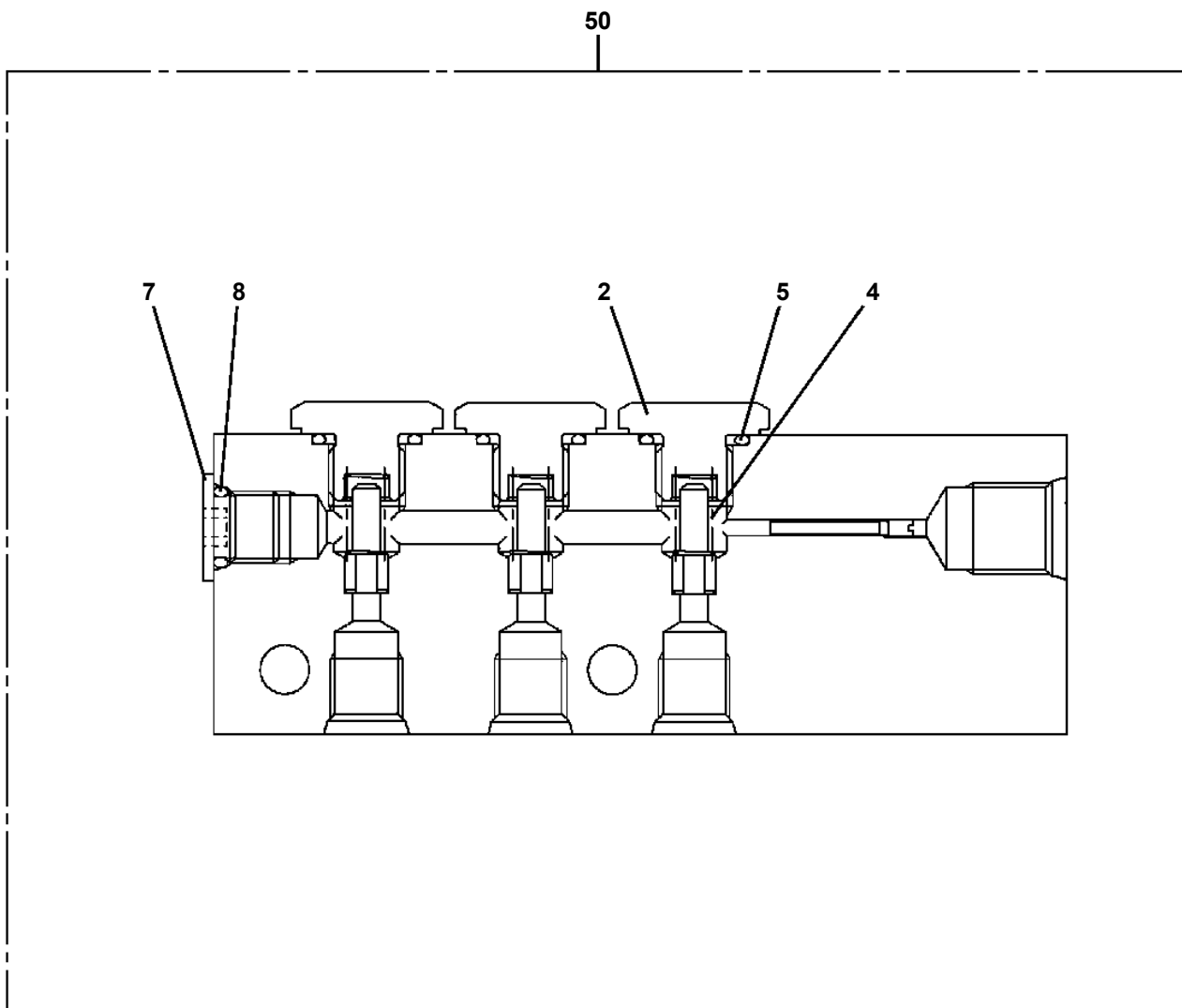
GR-300E-3-00104 4 BOOM + 2 JIB, 2M2D
PI1120350-00 VALVE,SOLENOID



GR-300E-3-00104 4 BOOM + 2 JIB, 2M2D
PI1140116-01 VALVE,CHECK

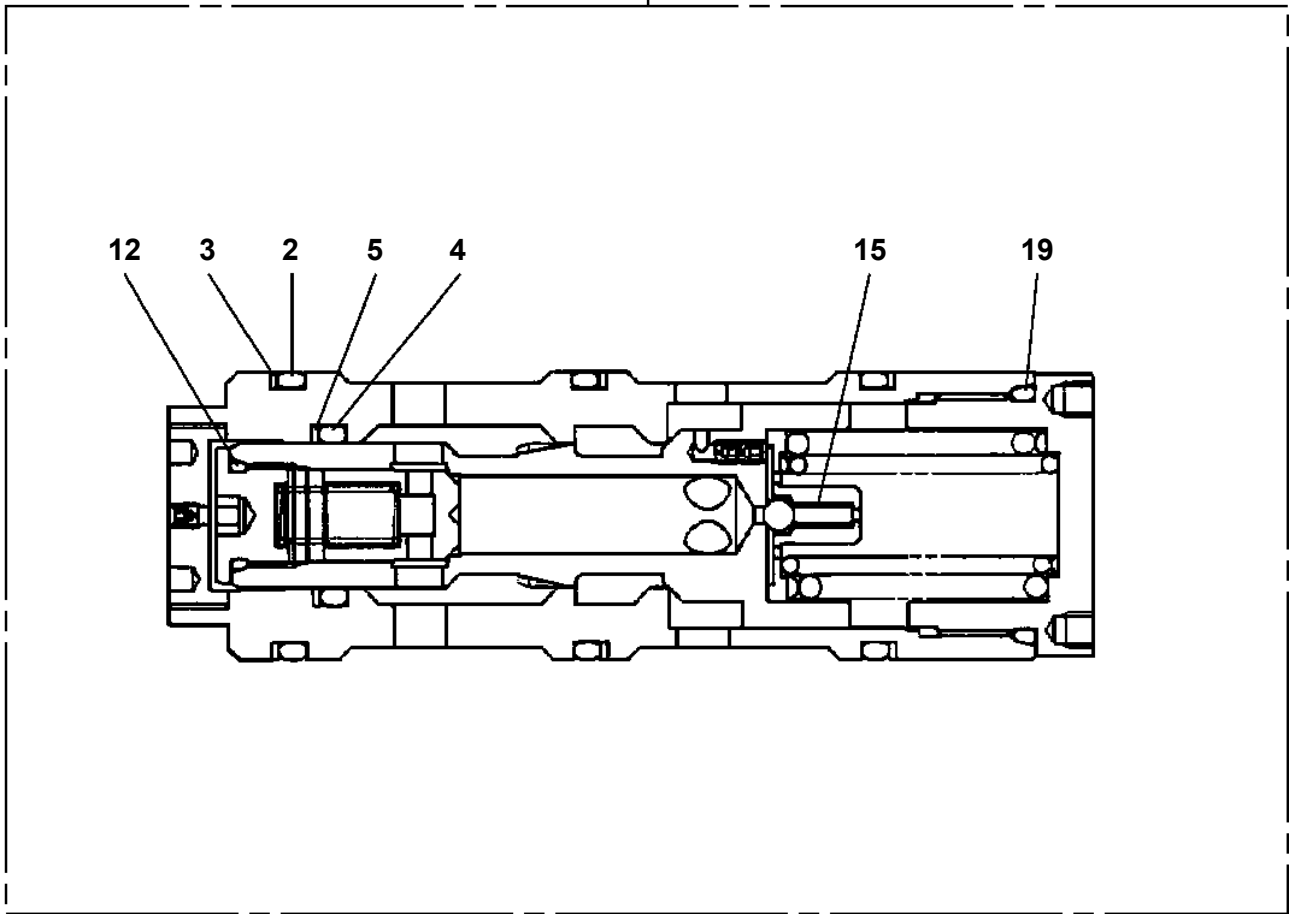


GR-300E-3-00104 4 BOOM + 2 JIB, 2M2D
PI1140161-03 VALVE,CHECK



GR-300E-3-00104 4 BOOM + 2 JIB, 2M2D
PI1260002-01 CARTRIDGE, COUNTERBALANCE

50



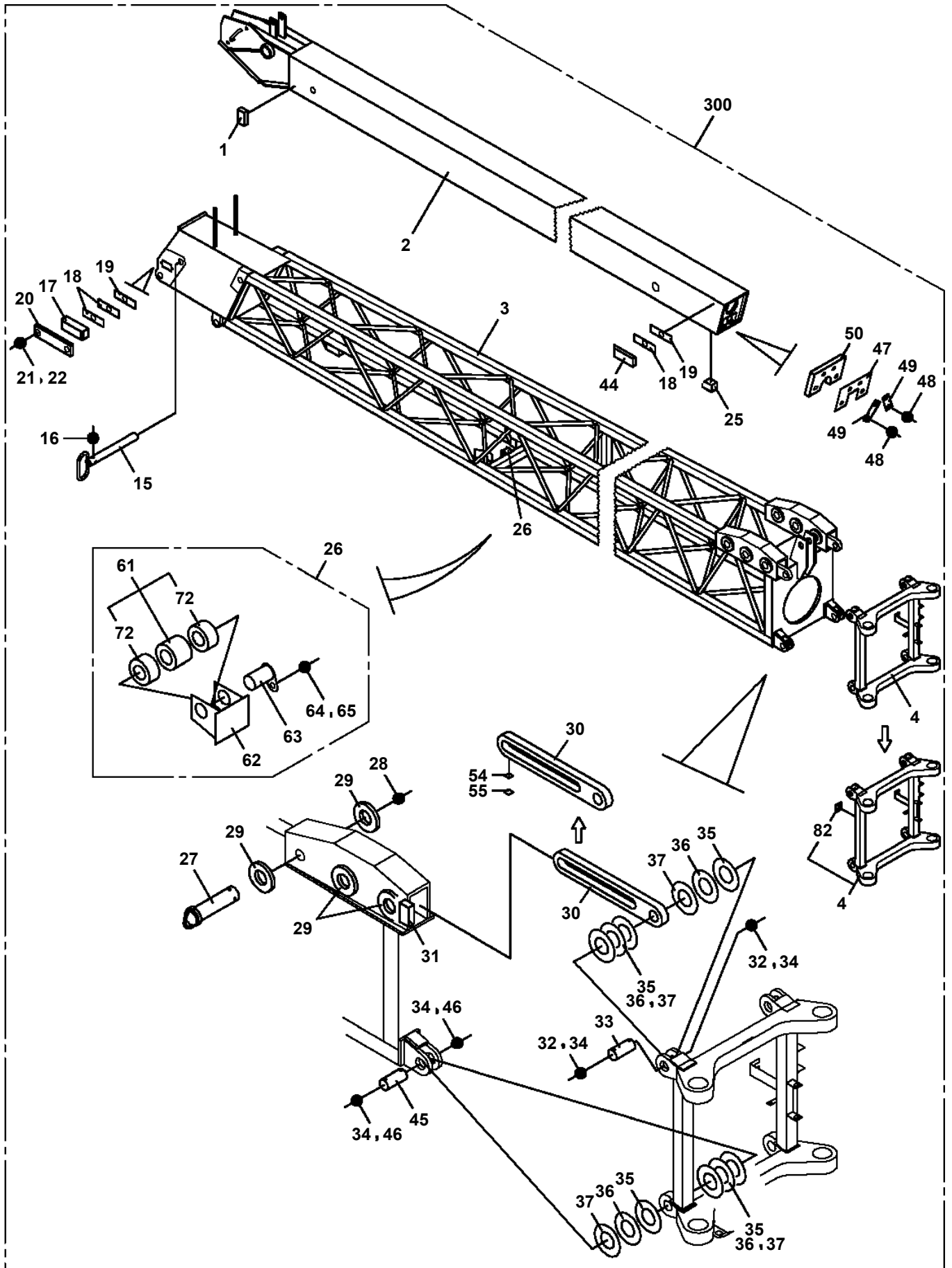
GR-300E-3-00104 4 BOOM + 2 JIB, 2M2D

Pos No.	Parts No	Parts Name	Qty	Unit	Technical Data	Serial No (Start)	Serial N
5	80172304025	SCREW,MACHINE	2		M4X25		
6	90302040401	WASHER,SPRING	2		4		
7	82400000221	GROMMET	1				
8	90172105030	BOLT,HEXAGON SOCKET	2		M5X30		
9	90302040501	WASHER,SPRING	2		5		
10	90201200500	NUT	2		M5		
12	34494854000	PLATE,NAME (HYDRAULIC THERMOMETER)	1				
13	34494852100	SENSOR	1				
14	34494852200	ADAPTER	1				
31	34492502101	CONTROLLER (ASSY ONLY)	1				562190
	34492502102	CONTROLLER (ASSY ONLY)	1			562191	
33	34492502400	SUPPORT	1				
51	34492502300	CABLE (FOR POWER SOURCE)	1				
52	34494852300	CABLE	1				

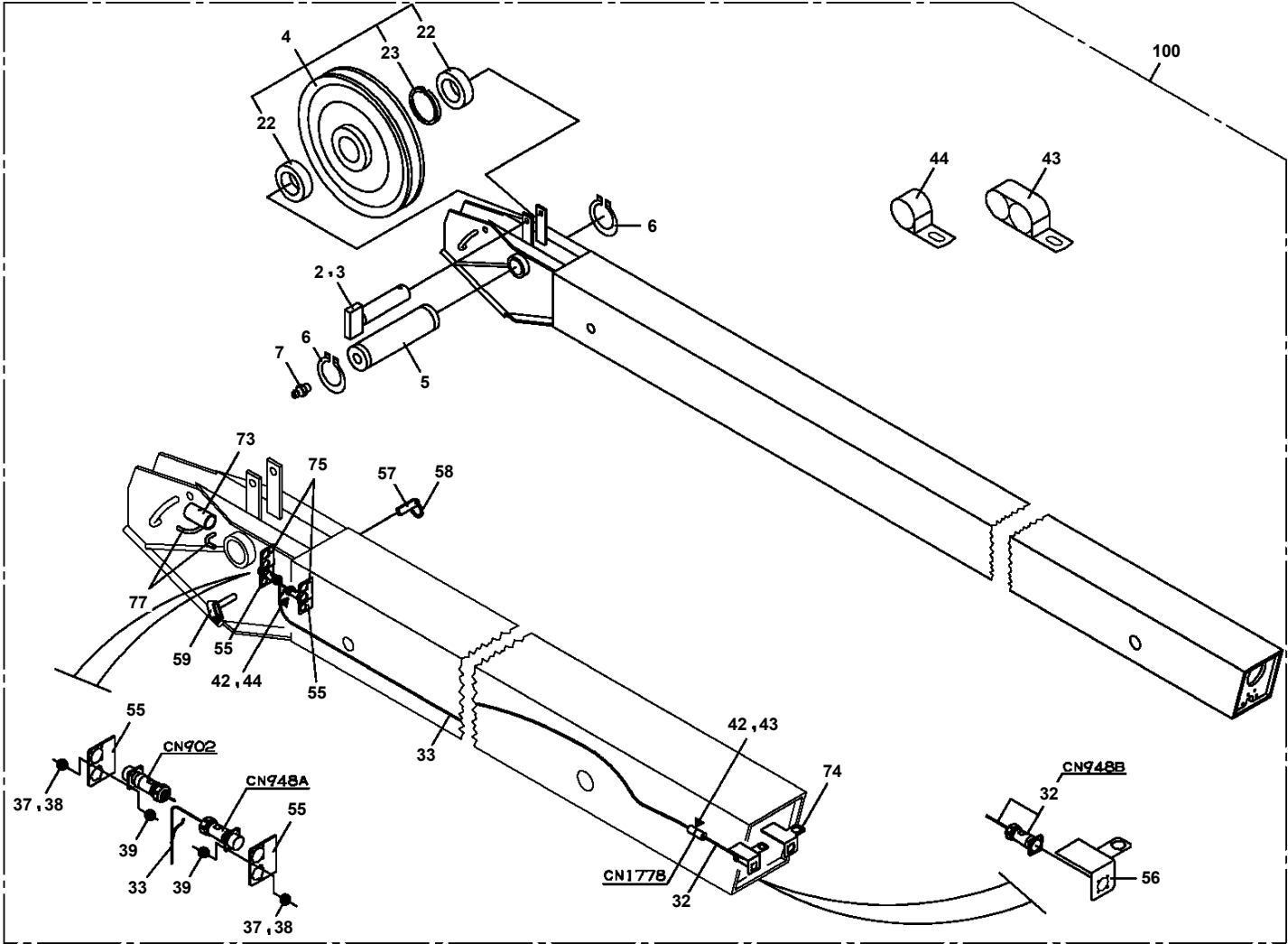
GR-300E-3-00104 4 BOOM + 2 JIB, 2M2D

Pos No.	Parts No	Parts Name	Qty	Unit	Technical Data	Serial No (Start)	Serial No (End)
1	33370260060	SUPPORT	1				
2	33370260030	SUPPORT	3				
3	90201200500	NUT	2		M5		
4	36132580001	DETECTOR ASSY,LENGTH (BOOM)	1				
5	34362432100	COVER	1				
6	37000169830	PIN	1				
7	80601110300	RING,RITAINING	1		S30		
8	37001007890	SHEAVE ASSY	1				
9	90302040501	WASHER,SPRING	2		5		
10	90172108020	BOLT,HEXAGON SOCKET	4		M8X20		
11	90302040801	WASHER,SPRING	4		8		
12	90303070801	WASHER,PLAIN	6		8		
13	34362432200	GUARD	1				
14	37001601180	NUT	4		M8		
15	44620316350	PLATE	1				
16	42770634000	PLATE	2				
17	90186210014	BOLT,FLANGE	4		M10X14		
18	34201066720	SUPPORT	1				
20	34354006100	PLATE	1				
21	37000575510	SUPPORT	1				
22	90172105025	BOLT,HEXAGON SOCKET	2		M5X25		
23	34362432300	SWITCH ASSY (WITH HARNESS)	1				
24	90155306015	BOLT,WELD	1		M6X15		
25	90280200600	NUT,FLANGE	1		M6		
26	90303290600	WASHER,PLAIN	2		6		

GR-300E-3-00104 4 BOOM + 2 JIB, 2M2D
PJ5050038-02 JIB ASSY



GR-300E-3-00104 4 BOOM + 2 JIB, 2M2D
PJ5070046-00 JIB ASSY,2



CLICK HERE TO **DOWNLOAD** THE COMPLETE MANUAL

- Thank you very much for reading the preview of the manual.
- You can download the complete manual from: www.heydownloads.com by clicking the link below



- Please note: If there is no response to CLICKING the link, please download this PDF first and then click on it.

CLICK HERE TO **DOWNLOAD** THE COMPLETE MANUAL

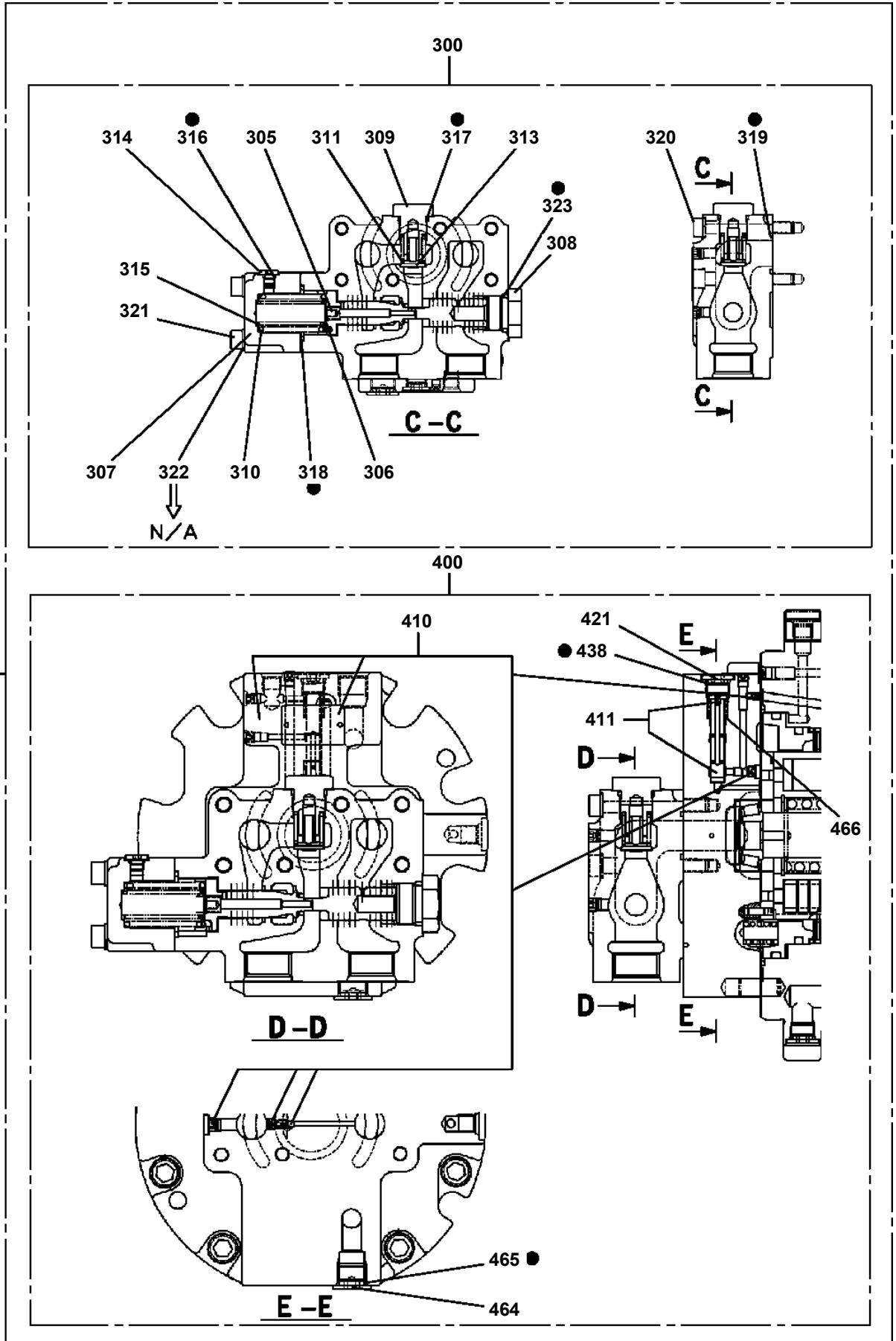
GR-300E-3-00104 4 BOOM + 2 JIB, 2M2D

Pos No.	Parts No	Parts Name	Qty	Unit	Technical Data	Serial No (Start)	Serial No (End)	Remarks	Pages
1	34282451000	COUNTERWEIGHT	1						
2	37001507110	BOLT	2		M24X240				
3	90101724060	BOLT	4		M24X60				
4	90201702400	NUT	2		M24				

GR-300E-3-00104 4 BOOM + 2 JIB, 2M2D

Pos No.	Parts No	Parts Name	Qty	Unit	Technical Data	Serial No (Start)	Serial No (End)
1	34732950100	SUPPORT	1				
2	34931041400	LAMP ASSY,LICENSE	1				
3	90280200800	NUT,FLANGE	2		M8		
4	80172304016	SCREW,MACHINE	2		M4X16		
6	90201200400	NUT	3		M4		
7	90303290400	WASHER,PLAIN	2		4		
31	33650080600	LAMP ASSY,LICENSE (ASSY ONLY)	1				
32	34931041411	HARNESS	1				
33	91810130240	FASTENER	2				
34	82166300100	BULB,LAMP	1		24V 10W		

GR-300E-3-00104 4 BOOM + 2 JIB, 2M2D
PM5210011-03 MOTOR ASSY,OIL



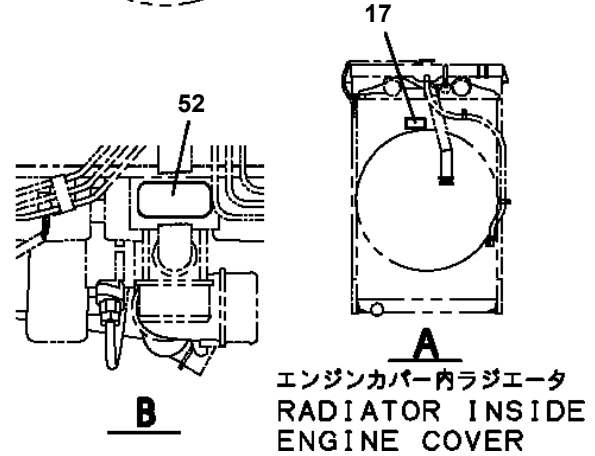
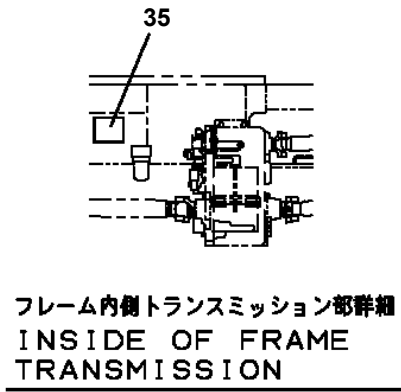
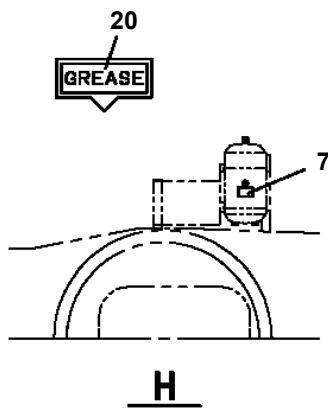
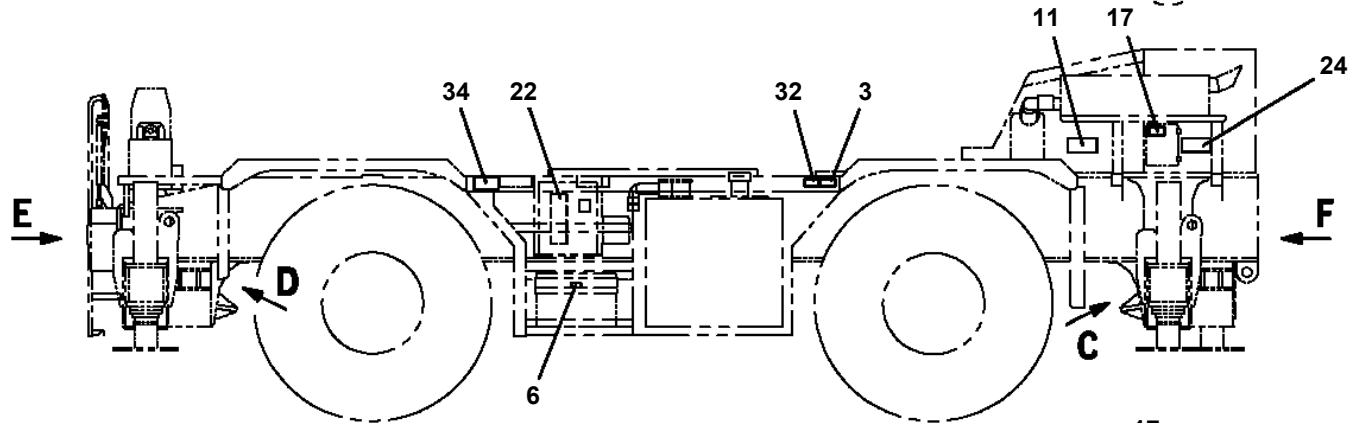
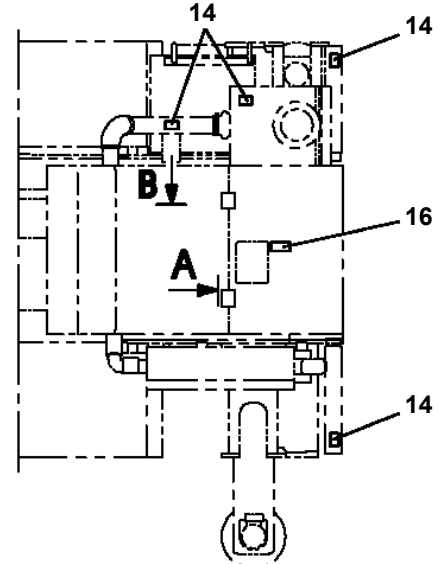
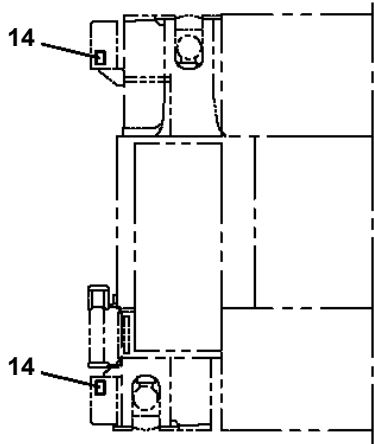
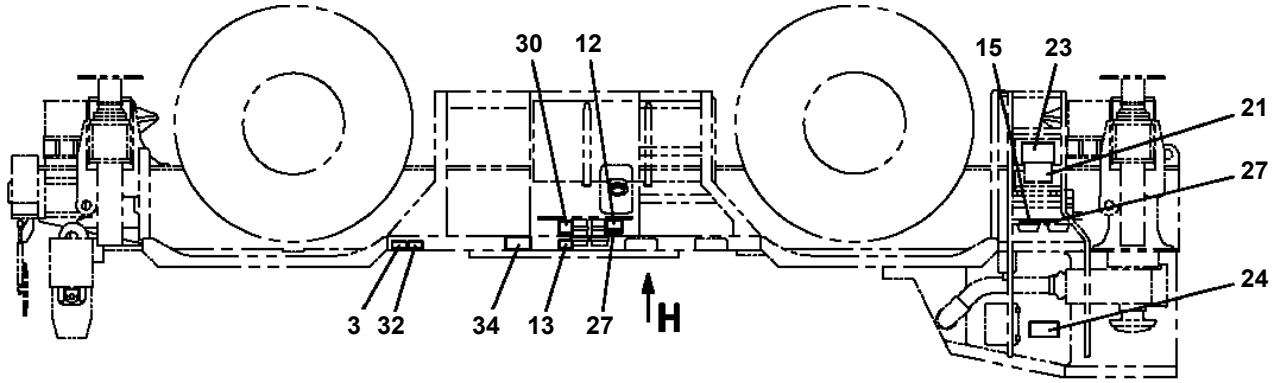
GR-300E-3-00104 4 BOOM + 2 JIB, 2M2D

Pos No.	Parts No	Parts Name	Qty	Unit	Technical Data	Serial No (Start)	Serial No (End)	Remarks	P
11	34930707510	LENS	1						
12	82166300210	BULB,LAMP (KOITO)	1		24V 21W				
13	82166300050	BULB,LAMP (KOITO)	1		24V 5W				
100	34930704000	LAMP (COMBINATION)	1						

GR-300E-3-00104 4 BOOM + 2 JIB, 2M2D

Pos No.	Parts No	Parts Name	Qty	Unit	Technical Data	Serial No (Start)	Serial No (End)
1	37002214500	PLATE,NAME (TADANO BLUE+BLACK)	2				
2	37002214520	PLATE,NAME (TADANO WHITE+WHITE)	2				

GR-300E-3-00104 4 BOOM + 2 JIB, 2M2D
PN5011072-00 NAME PLATE ASSY (LOWER/ENGLISH & RUSSIAN)



GR-300E-3-00104 4 BOOM + 2 JIB, 2M2D

Pos No.	Parts No	Parts Name	Qty	Unit	Technical Data	Serial No (Start)	Serial No (End)	Re
10	34352901130	PLATE ASSY,NAME (NO.1-NO.38)	1					

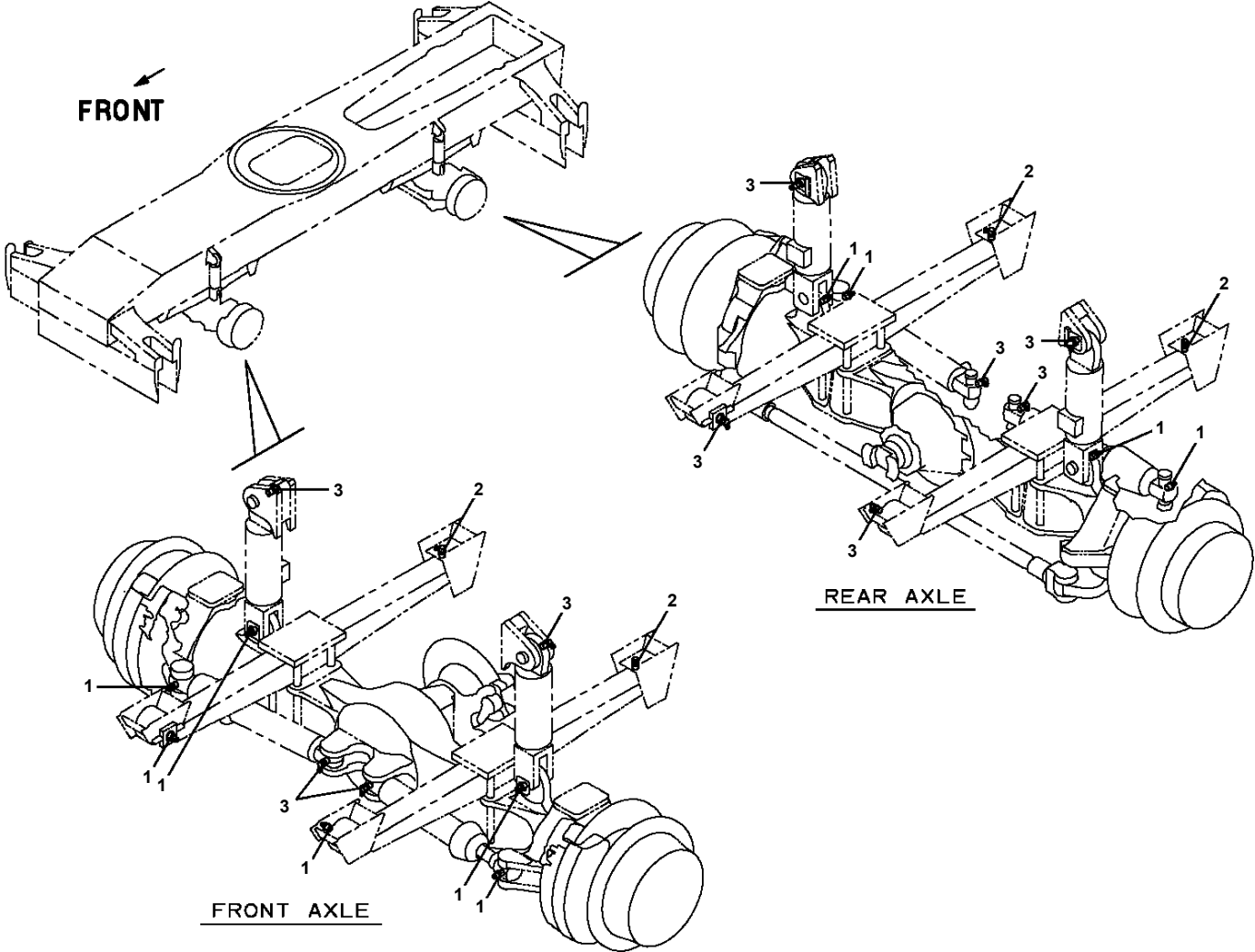
GR-300E-3-00104 4 BOOM + 2 JIB, 2M2D

Pos No.	Parts No	Parts Name	Qty	Unit	Technical Data	Serial No (Start)	Serial No (End)	Rem
1	99171108020	BOLT,TAPPING	8		M8X20			
2	34320902700	CLAMP	7					
3	80400160127	JOINT	7					
4	91002801100	O-RING	9		1B P11			
5	80441010906	FITTING	1					
6	37002448610	HOSE	1		L=1250			
7	89640102000	HOSE	1		880-NFK,2M			
8	34322233000	ROD ASSY	1					
9	34322233500	ROD ASSY	1					
10	80441030904	FITTING,ELBOW (WITH O-RING)	1		L,G1/4-12.7			
11	80430620400	JOINT	2					
12	34321966000	PEDAL ASSY	2					
13	90180208020	BOLT,BUTTON	4		M8X20			
14	80186406016	SCREW,MACHINE	7		M6X16			
15	90305260601	WASHER	7		B1-6			
16	34322383000	SUPPORT	2					
17	90186208020	BOLT,FLANGE	20		M8X20			
18	34322235000	COVER	1					
20	90101208055	BOLT	2		M8X55			
21	90302040801	WASHER,SPRING	6		8			
22	34320903000	JOINT	1					
23	99172108020	BOLT,TAPPING	8		M8X20			
24	34322235500	LEVER ASSY	1					
25	34322236001	SUPPORT	1					
26	36638770000	VALVE ASSY,SELECTOR	1					
27	91810130250	FASTENER	6					
29	34322234500	COVER	1					
32	37000105730	PIN	4					
33	80136320016	PIN,SPLIT	4		2X16			
34	90303070801	WASHER,PLAIN	12		8			
35	37000582110	PLATE	4					
36	34321025100	CLAMP	3					
37	82135901901	BAND,MARK (1)	6					
38	82135901902	BAND,MARK (2)	6					
39	82135901903	BAND,MARK (3)	2					
40	82135901904	BAND,MARK (4)	2					
41	82135901954	BAND,MARK (D)	4					
42	82135901966	BAND,MARK (P)	6					
43	82135901969	BAND,MARK (S)	4					
44	82135901970	BAND,MARK (T)	4					
45	82135901973	BAND,MARK (W)	8					
46	34320902600	GROMMET	2					
47	36672530000	FILTER (WITH O-RING)	3					
50	82100002039	CLAMP	1					
51	90280200800	NUT,FLANGE	5		M8			
53	37000302040	SPACER	4		L=10			
54	80481002030	JOINT	2		S,G1/4-G3/8			
55	90186208025	BOLT,FLANGE	6		M8X25			
81	91002801400	O-RING	1		1B P14			
91	80565000082	END	2					
92	90291200800	NUT	2		M8			
93	90302040801	WASHER,SPRING	4		8			
94	37001501540	BOLT	2					
95	90201200800	NUT	4		M8			
96	34322233100	ROD	1					
97	37000105730	PIN	2					
98	90303070801	WASHER,PLAIN	2		8			
99	80136320016	PIN,SPLIT	2		2X16			
116	34322233600	ROD	1					
131	37000132540	PIN	2		20			
132	90101208012	BOLT	2		M8X12			
134	34321966100	COVER	2					
135	34321966200	PEDAL	2					

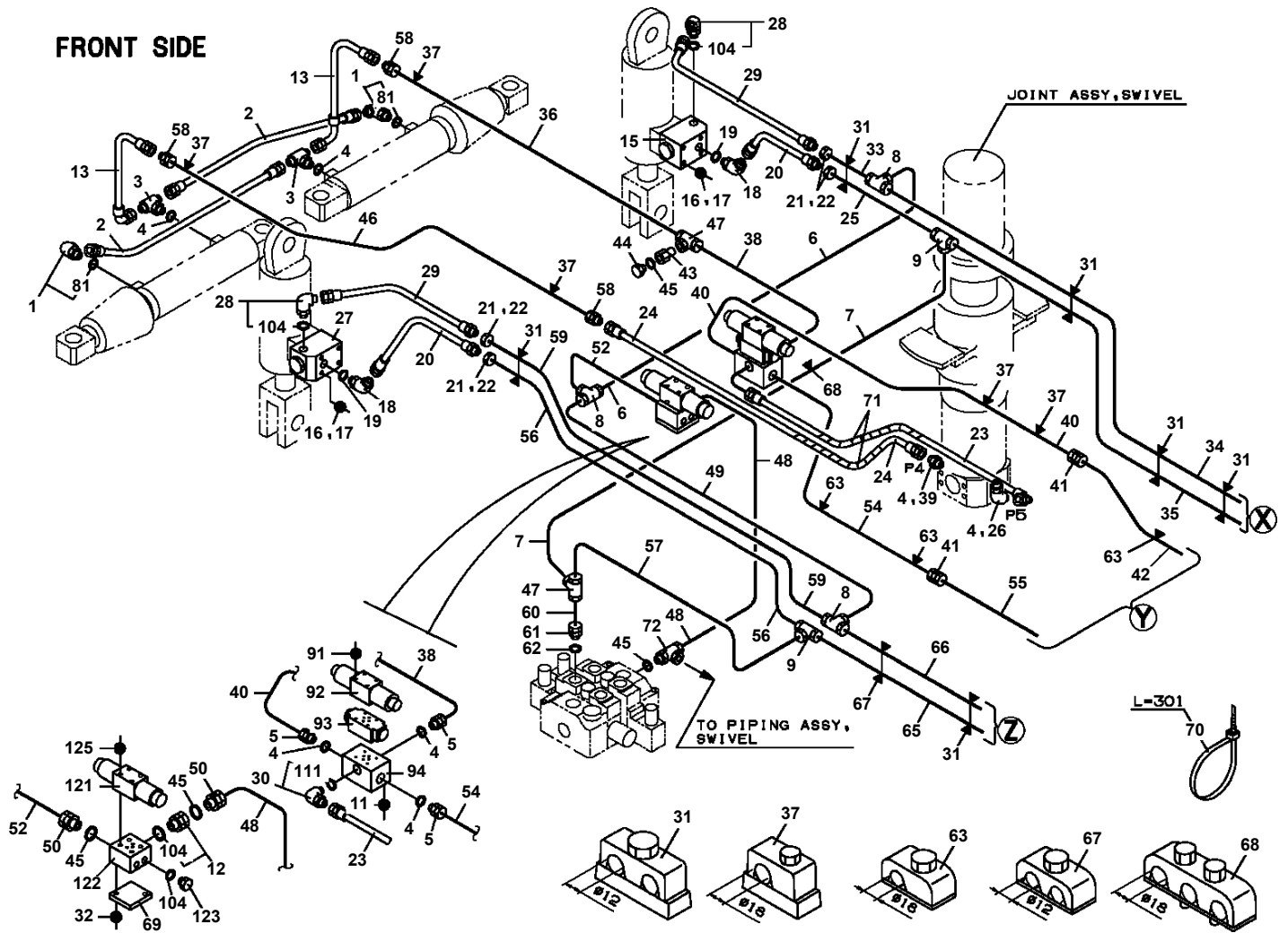
GR-300E-3-00104 4 BOOM + 2 JIB, 2M2D

Pos No.	Parts No	Parts Name	Qty	Unit	Technical Data	Serial No (Start)	S
1	34700351000	SWITCH ASSY(RC,O/R CONTROL BOX/ASSYONLY)	2				
3	34251645000	LEVEL ASSY	2				
4	90102205025	BOLT	6		M5X25		
5	37001200180	SPRING	6				
6	90186208020	BOLT,FLANGE	8		M8X20		
7	90280200800	NUT,FLANGE	8		M8		
8	34733330100	SUPPORT	1				
9	34733330200	SUPPORT	1				
10	34733880200	SUPPORT	2				
14	34733873000	PLATE,NAME (OUTRIGGER CONTROL)	2				
15	90186206010	BOLT,FLANGE	8		M6X10		
31	34931820400	HARNESS	1				
33	82100002006	CLAMP	5		WR10		
34	82100002010	CLAMP	2		WR15		
36	90280200600	NUT,FLANGE	7		M6		
37	91810132530	FASTENER	25				

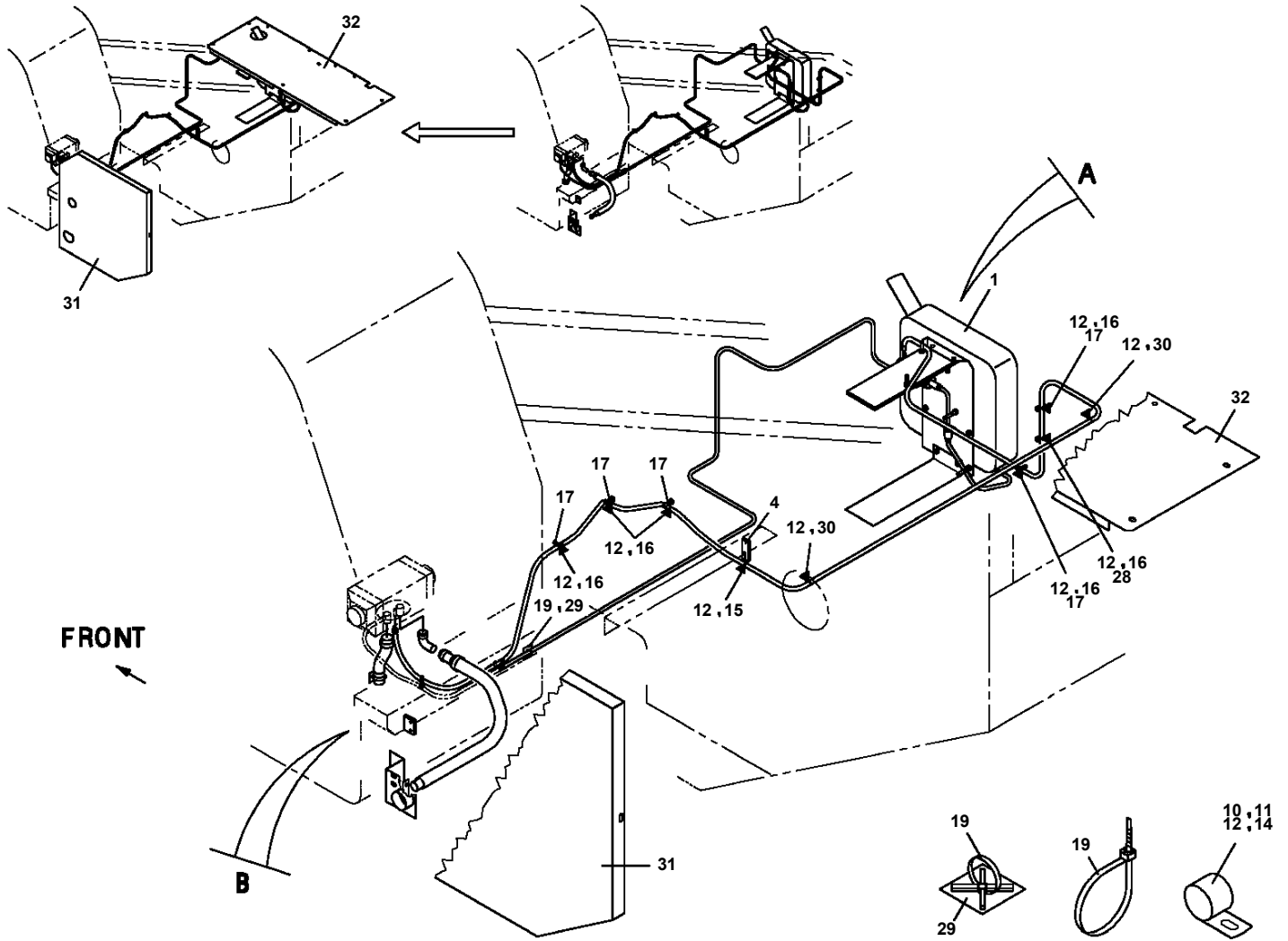
GR-300E-3-00104 4 BOOM + 2 JIB, 2M2D
PP5120030-00 PARTS ASSY,GREASE



GR-300E-3-00104 4 BOOM + 2 JIB, 2M2D
PP6010096-00 PIPING ASSY (STEER/SPRING LOCK)



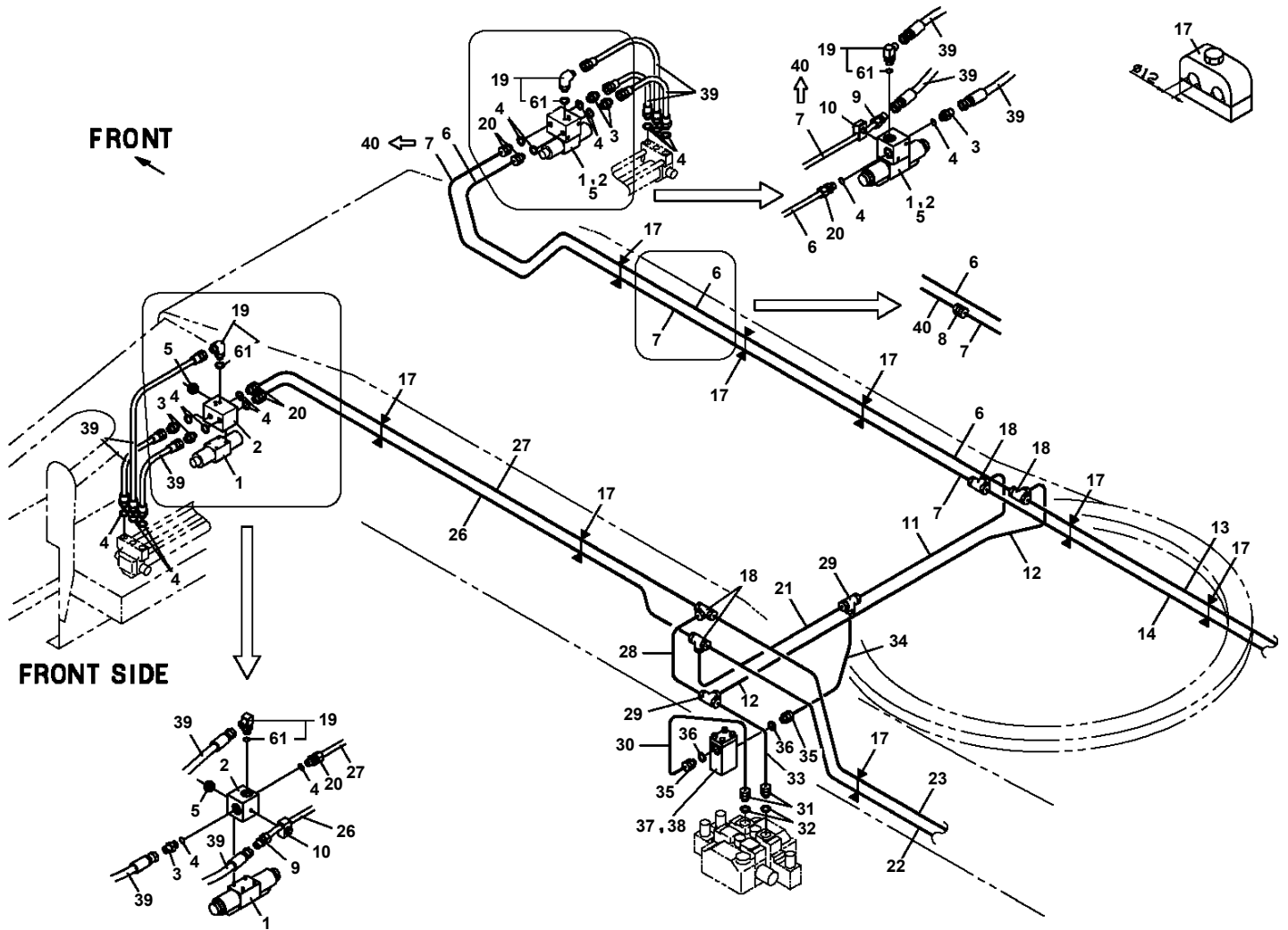
GR-300E-3-00104 4 BOOM + 2 JIB, 2M2D
PP6010440-00 PIPING ASSY (INSTALLED OUTSIDE CAB)



GR-300E-3-00104 4 BOOM + 2 JIB, 2M2D

Pos No.	Parts No	Parts Name	Qty	Unit	Technical Data	Serial No (Start)	Serial No (End)	Remarks
1	36645960000	VALVE ASSY,SOLENOID	1					
2	90186208020	BOLT,FLANGE	2		M8X20			
3	37000901290	FITTING,ELBOW	1		L,R1/4-6.35			
4	37000904810	NUT,FLARE	4		M12			
5	82100002002	CLAMP	1		WR6			
6	90280200600	NUT,FLANGE	2		M6			
7	34922078040	PIPE ASSY	1		10XT0.7 L=2257			
8	37000302720	SLEEVE	5		12-6.35			
9	37000904010	FITTING	1		S,M12-M12			
10	37000930320	JOINT	1		L,NPT1/8-G1/4			
11	37000701500	CLAMP ASSY	3		12X1			
12	34922268010	PIPE ASSY	1		6.35XT0.7 L=1748			
13	90304111201	WASHER,TOOTH	1		12			
14	37001601440	NUT	1		M12X1.0			
15	37000909600	FITTING	1		S,G1/4-M12			
16	37002415040	HOSE	1		L=480			

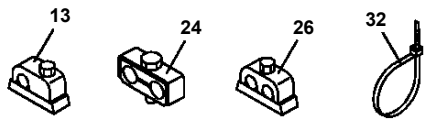
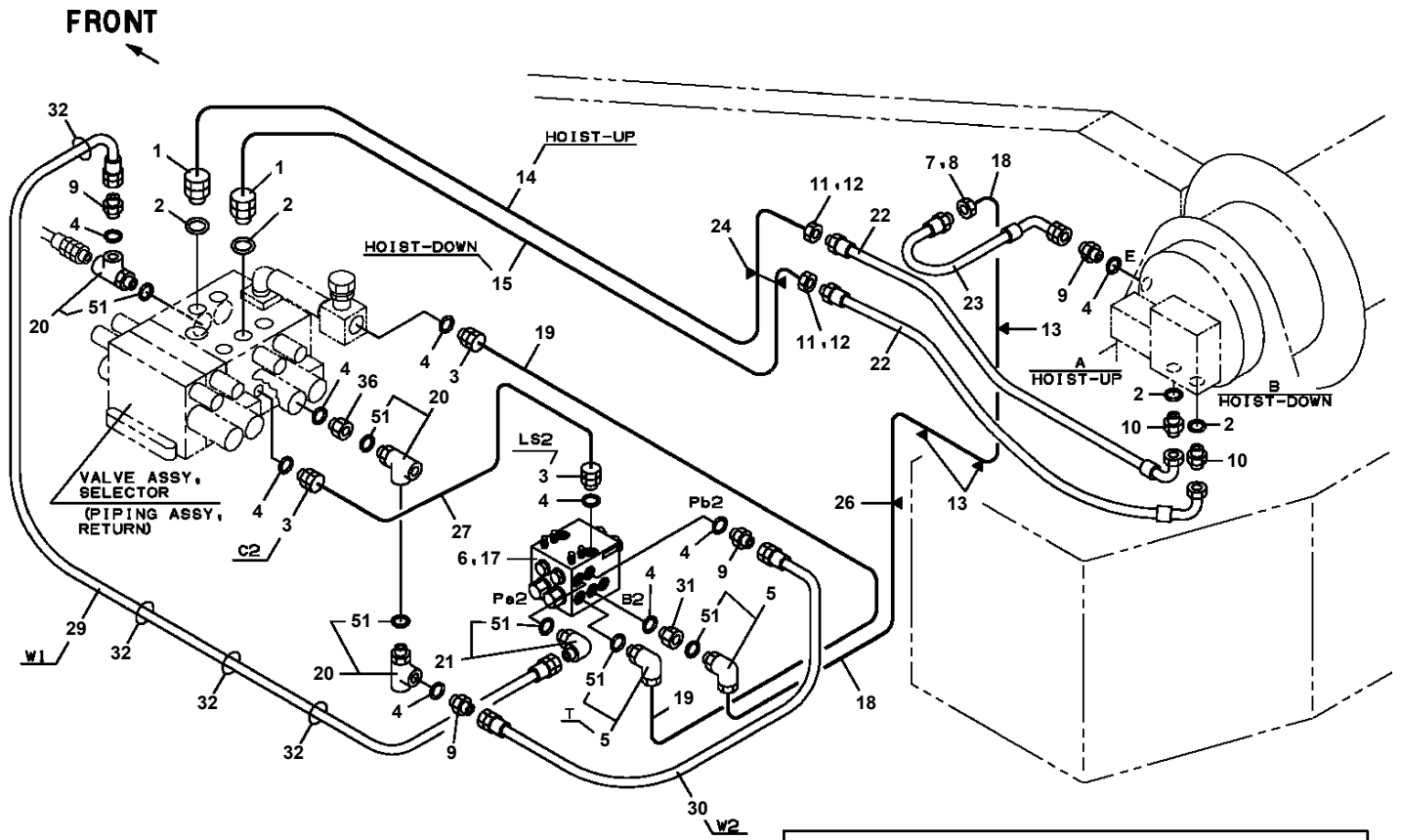
GR-300E-3-00104 4 BOOM + 2 JIB, 2M2D
PP6220011-04 PIPING ASSY,OUTRIGGER



GR-300E-3-00104 4 BOOM + 2 JIB, 2M2D

Pos No.	Parts No	Parts Name	Qty	Unit	Technical Data	Serial No (Start)	Serial No (End)	Rem
1	37002483890	HOSE	4		L=400			
2	80309010165	SLEEVE	4					
3	37000701550	CLAMP ASSY	7		18X1			
4	81408000241	PIPE,STEEL	1	M	18X1.9T			
5	80305010160	FITTING,TEE	3		KTA18-000E			
6	81408000241	PIPE,STEEL	3	M	18X1.9T			
7	81408000241	PIPE,STEEL	2	M	18X1.9T			
8	37005700040	CLAMP	2		18X1			
9	37005700010	CLAMP	2		12X1			
10	90101208065	BOLT	2		M8X65			
11	90302040801	WASHER,SPRING	2		8			
12	90303070801	WASHER,PLAIN	2		8			
13	81408000241	PIPE,STEEL	1	M	18X1.9T			
14	81408000241	PIPE,STEEL	1	M	18X1.9T			
15	81408000241	PIPE,STEEL	3	M	18X1.9T			
16	81408000241	PIPE,STEEL	1	M	18X1.9T			
17	80441010906	FITTING	2					
18	34641535300	JOINT	1					
19	90280200800	NUT,FLANGE	4		M8			
25	34640795400	JOINT	1					
26	90186208014	BOLT,FLANGE	4		M8X14			
29	80302090322	FITTING	1		KCO28-080N			
30	91002802900	O-RING	1		1B P29			
31	81408000341	PIPE,STEEL	1		28X3.1T			
32	37002480350	HOSE	1		L=850			
33	80400160133	JOINT	1					
34	91002802400	O-RING	1		1B P24			
35	37002480370	HOSE	1		L=600			
36	37000913040	JOINT (WITH O-RING)	2		L,G1-G3/4			
37	36673470000	FILTER ASSY	1				562042	
	36673720000	FILTER ASSY	1			562043		
38	90186210014	BOLT,FLANGE	2		M10X14			
39	34640275200	FITTING,FLANGE	1					
40	91002906500	O-RING	1		1B G65			
41	90101212030	BOLT	8		M12X30			
42	90302041201	WASHER,SPRING	10		12			
43	37002501860	HOSE	1		L=425			
44	91803600900	CLIP	8		D=70-90			
45	37002503470	HOSE	1		L=400			
46	80400160131	JOINT	1					
47	91002801800	O-RING	1		1B P18			
48	37002407120	HOSE	1		L=670			
49	34641535100	JOINT ASSY	1				562251	
	34641535101	JOINT ASSY	1			562252		
50	90101212025	BOLT	2		M12X25			
51	37002502320	HOSE	1		L=280			
52	91803930650	CLIP	4		50-65			
53	34641035750	FITTING,FLANGE	1					
54	91002906000	O-RING	1		1B G60			
55	81408000341	PIPE,STEEL	3	M	28X3.1T			
56	81408000341	PIPE,STEEL	3	M	28X3.1T			
57	81408000341	PIPE,STEEL	2	M	28X3.1T			
58	81408000341	PIPE,STEEL	2	M	28X3.1T			
59	80303130321	FITTING,ELBOW	3		KLO28-080E			
60	80301010241	FITTING	2		KUA28-000N			
61	37000711100	CLAMP ASSY	3		28X2			
63	37002485260	HOSE	1		L=720			
64	80430621600	JOINT	1					
65	80309010245	SLEEVE	1		28			
66	81408000341	PIPE,STEEL	1	M	28X3.1T			
67	89640102000	HOSE	1		880-NFK,2M			
68	80441030908	FITTING,ELBOW (WITH O-RING)	1		L,G1/2-12.7			
71	34641035850	SUPPORT	1					

**GR-300E-3-00104 4 BOOM + 2 JIB, 2M2D
PP6390031-00 PIPING ASSY,WINCH (MAIN)**



HOSE DETAIL			
ROUTE	PORT NO.	MARK, BAND	HOSE NO.
MAIN WINCH HOIST-UP	W1	33,34	29
MAIN WINCH HOIST-DOWN	W2	33,35	30

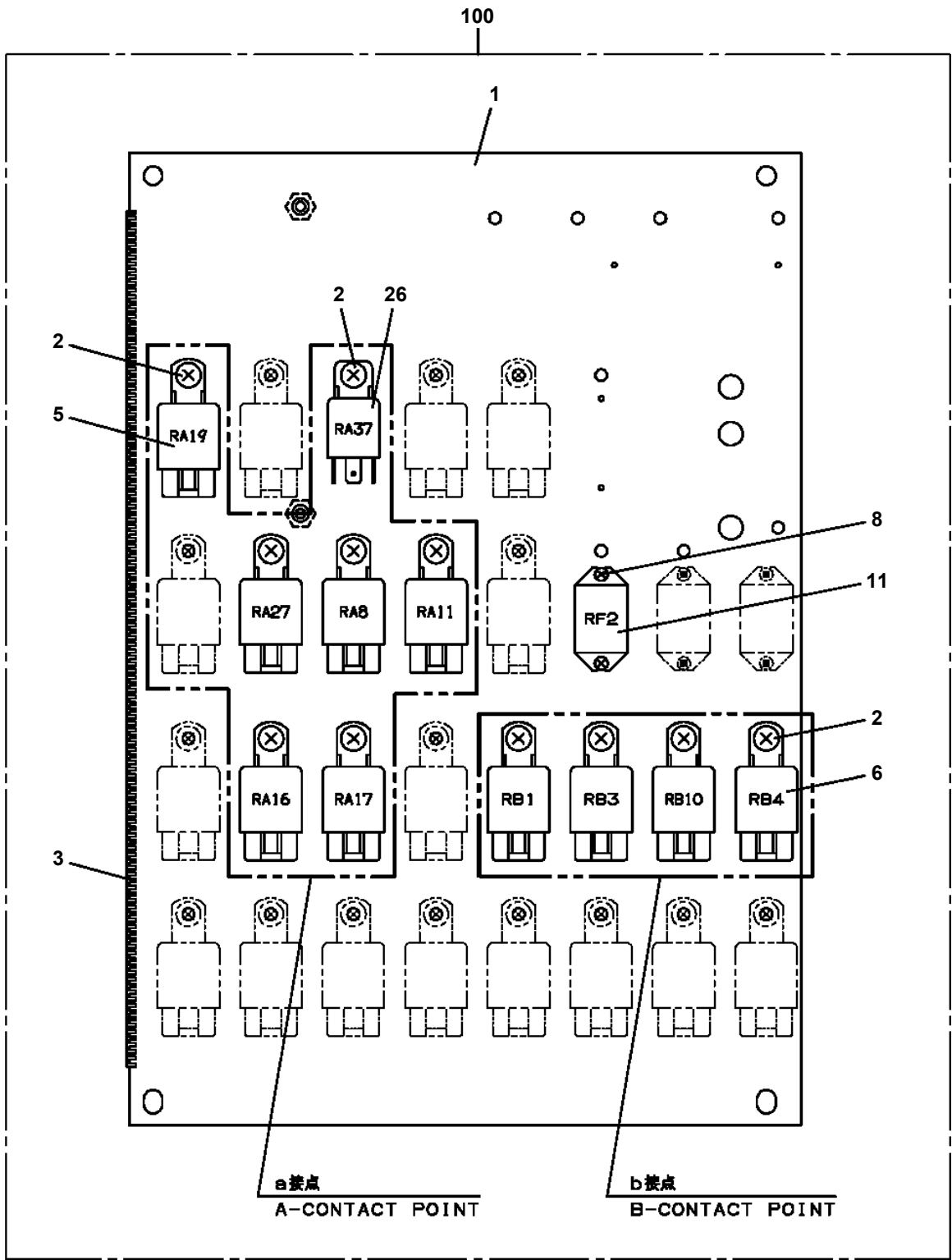
GR-300E-3-00104 4 BOOM + 2 JIB, 2M2D

Pos No.	Parts No	Parts Name	Qty	Unit	Technical Data	Serial No (Start)	Serial No (End)	Rem
1	36302955010	SPIDER ASSY	2					
2	36302975010	YOKE ASSY	1					
3	36302115030	BOLT	16		M12X53X1.25			
4	36302115040	WASHER,SPRING	16					
21	59236000010	NIPPLE,GREASE (UNF1/4X35A)	2					
31	59236000020	NIPPLE,GREASE	1		NPTF 1/8A			
100	36302971000	PROPELLER SHAFT, DRIVING	1					

GR-300E-3-00104 4 BOOM + 2 JIB, 2M2D

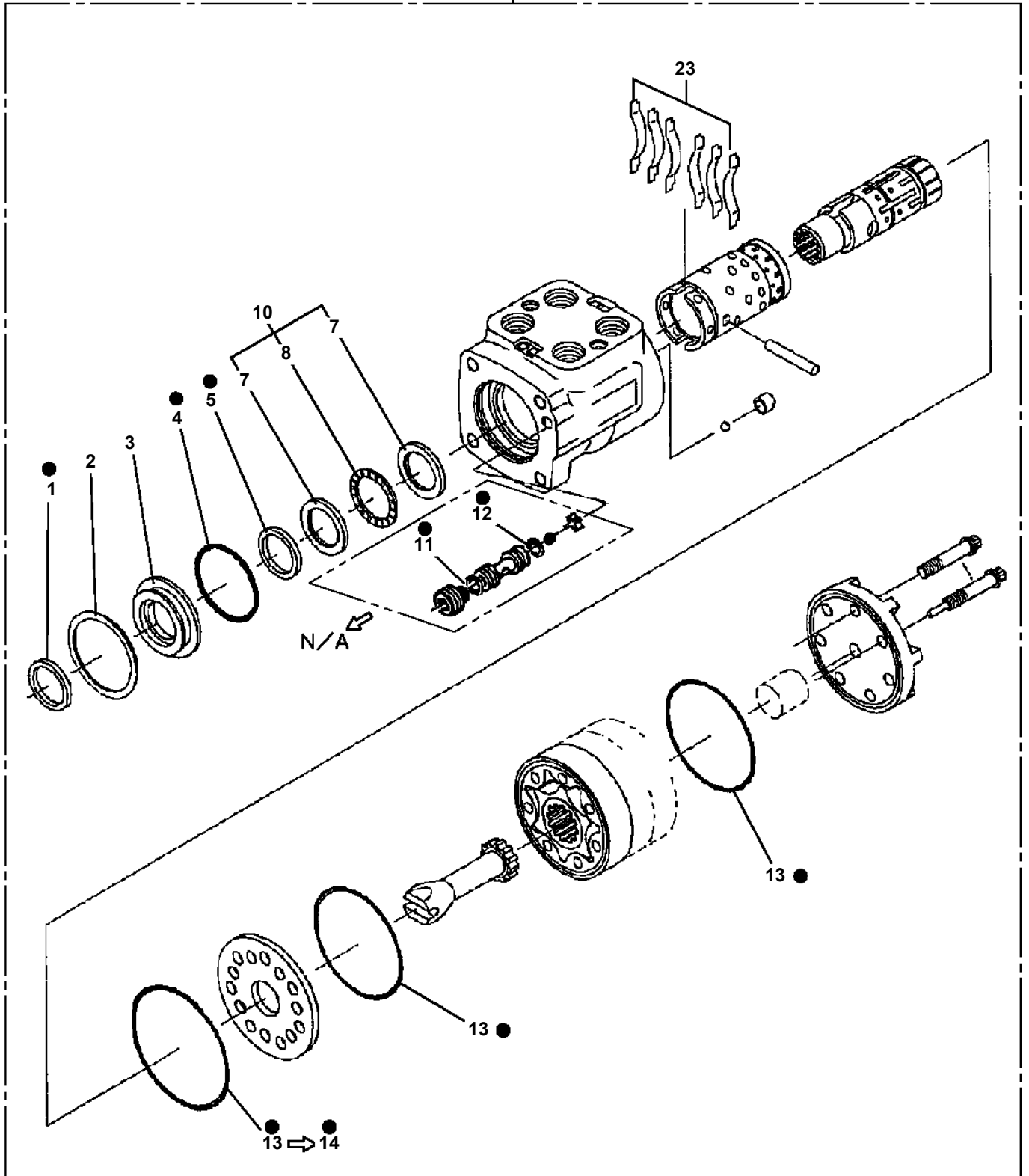
Pos No.	Parts No	Parts Name	Qty	Unit	Technical Data	Serial No (Start)	Serial No (End)	Remarks	P
5	36381995460	PLATE (LOCK)	1						
6	36381385270	BOLT (WITH WASHER)	6						
7	36381995470	BOOT,RUBBER	1						
8	36381995480	BAND (BOOT)	1						
9	36381995490	BAND (BOOT)	1						
100	36381995220	JOINT,BALL	1						

GR-300E-3-00104 4 BOOM + 2 JIB, 2M2D
 PR5090112-01 RELAY ASSY



GR-300E-3-00104 4 BOOM + 2 JIB, 2M2D
PS1340003-01 ORBITROL

50

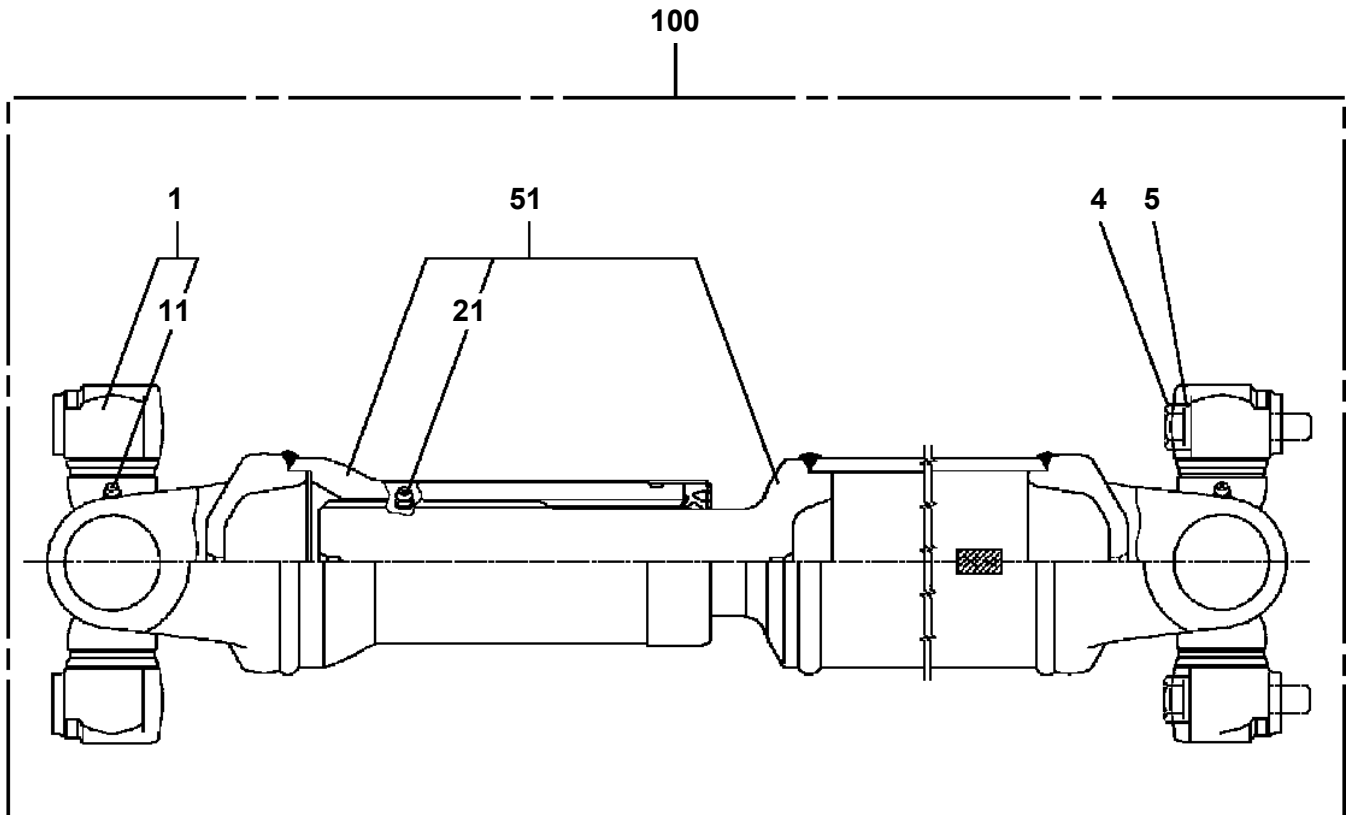


● : SEAL KIT KEY NO. 15 (KEY NO. 1, 4, 5, 11, 12, 13)

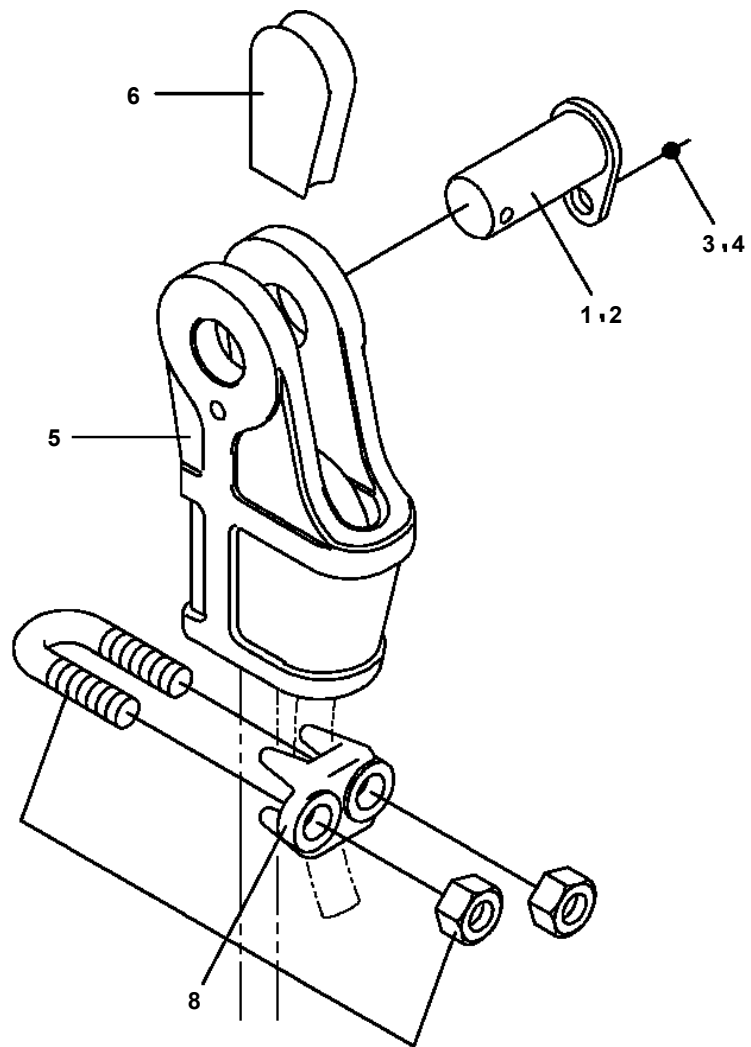


● : SEAL KIT KEY NO. 16 (KEY NO. 1, 4, 5, 13, 14)

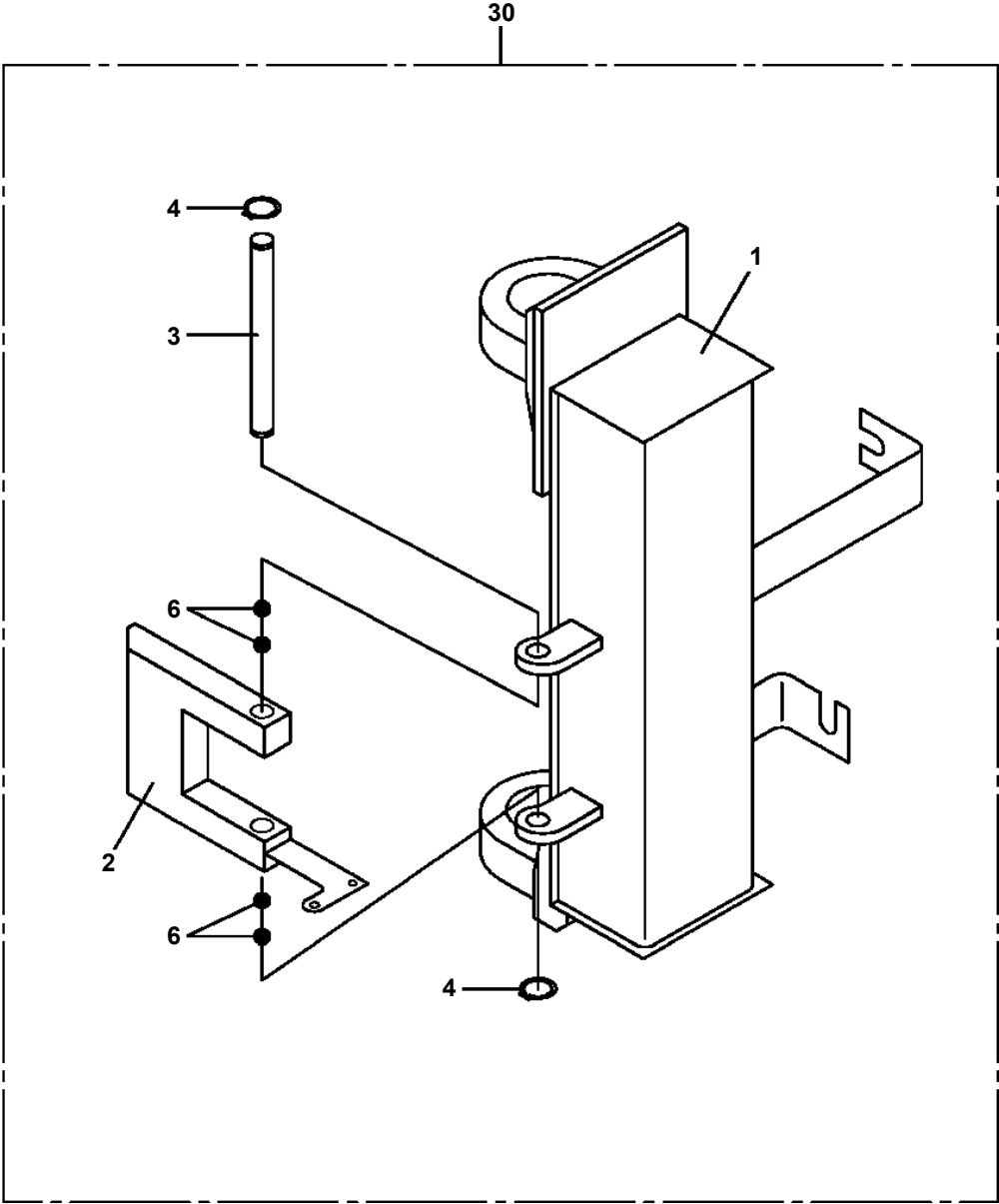
GR-300E-3-00104 4 BOOM + 2 JIB, 2M2D
PS5170003-00 SHAFT ASSY,PROPELLER (MATSUI)



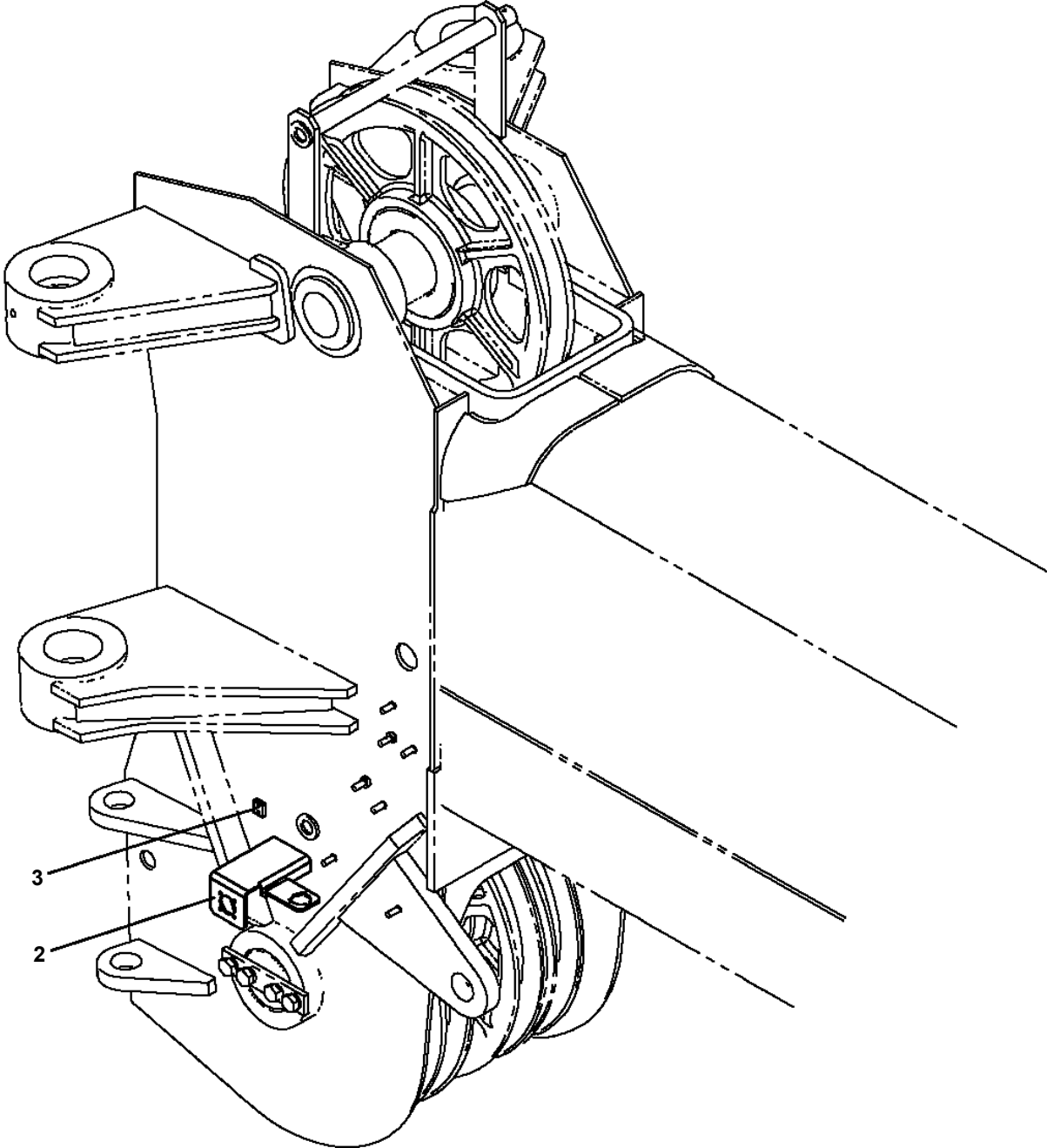
GR-300E-3-00104 4 BOOM + 2 JIB, 2M2D
PS5250011-00 SOCKET ASSY,ROPE



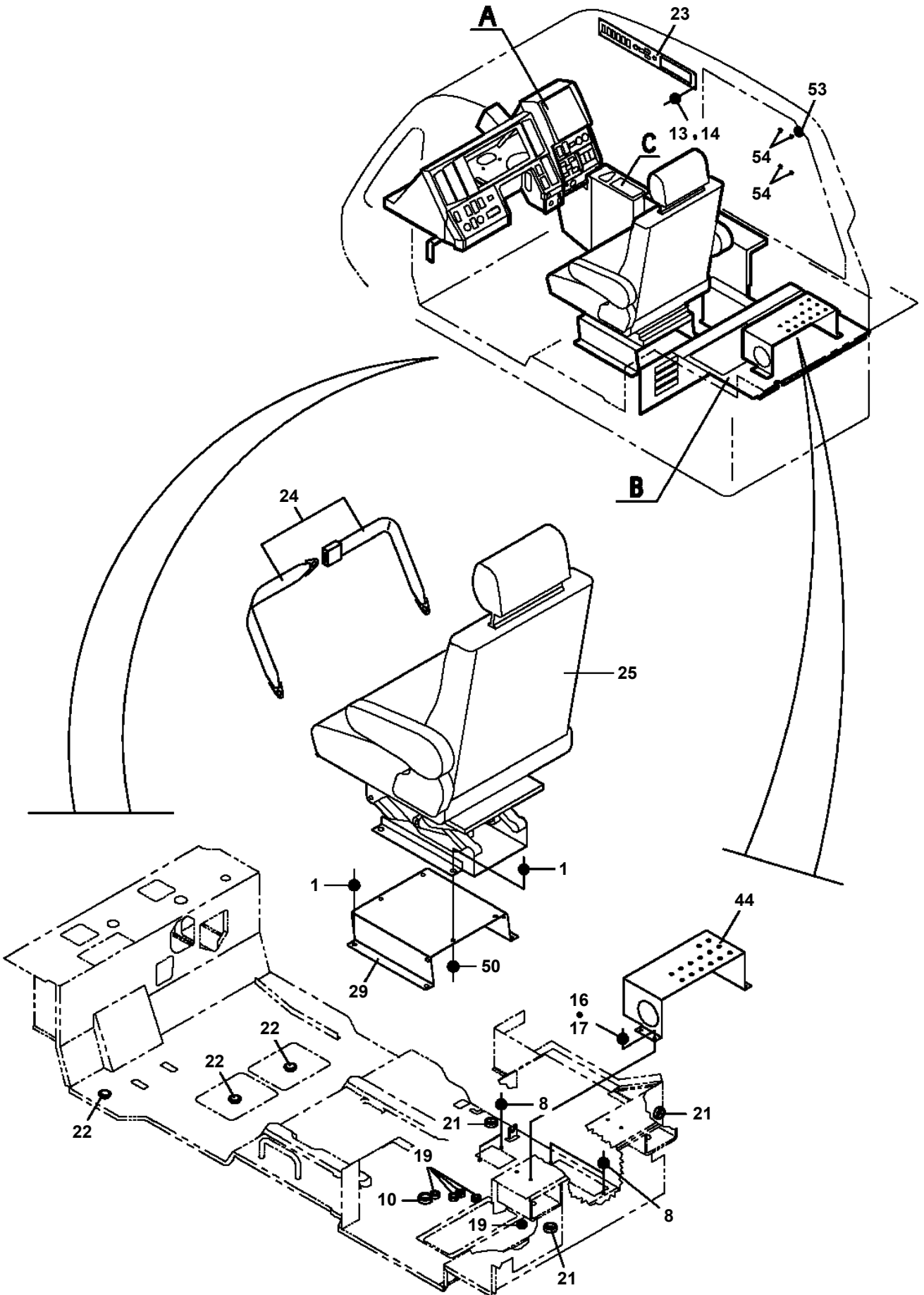
GR-300E-3-00104 4 BOOM + 2 JIB, 2M2D
PS5420092-00 SUPPORT ASSY



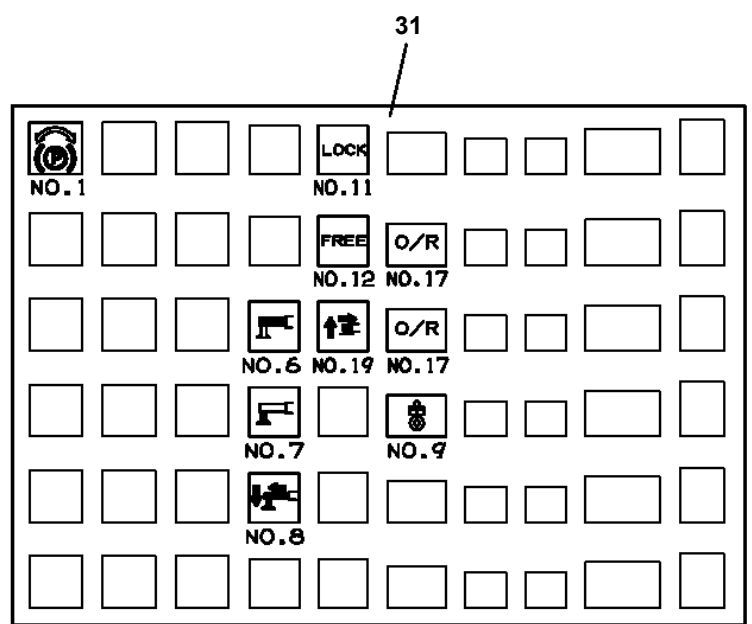
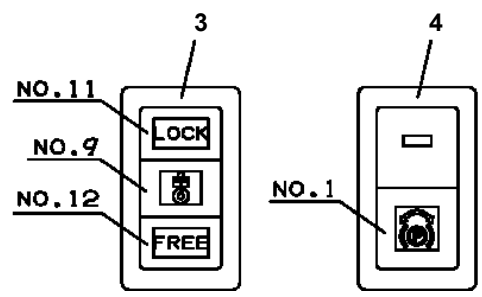
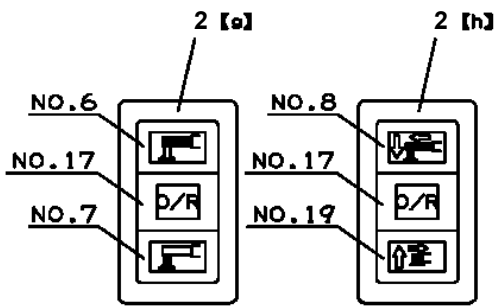
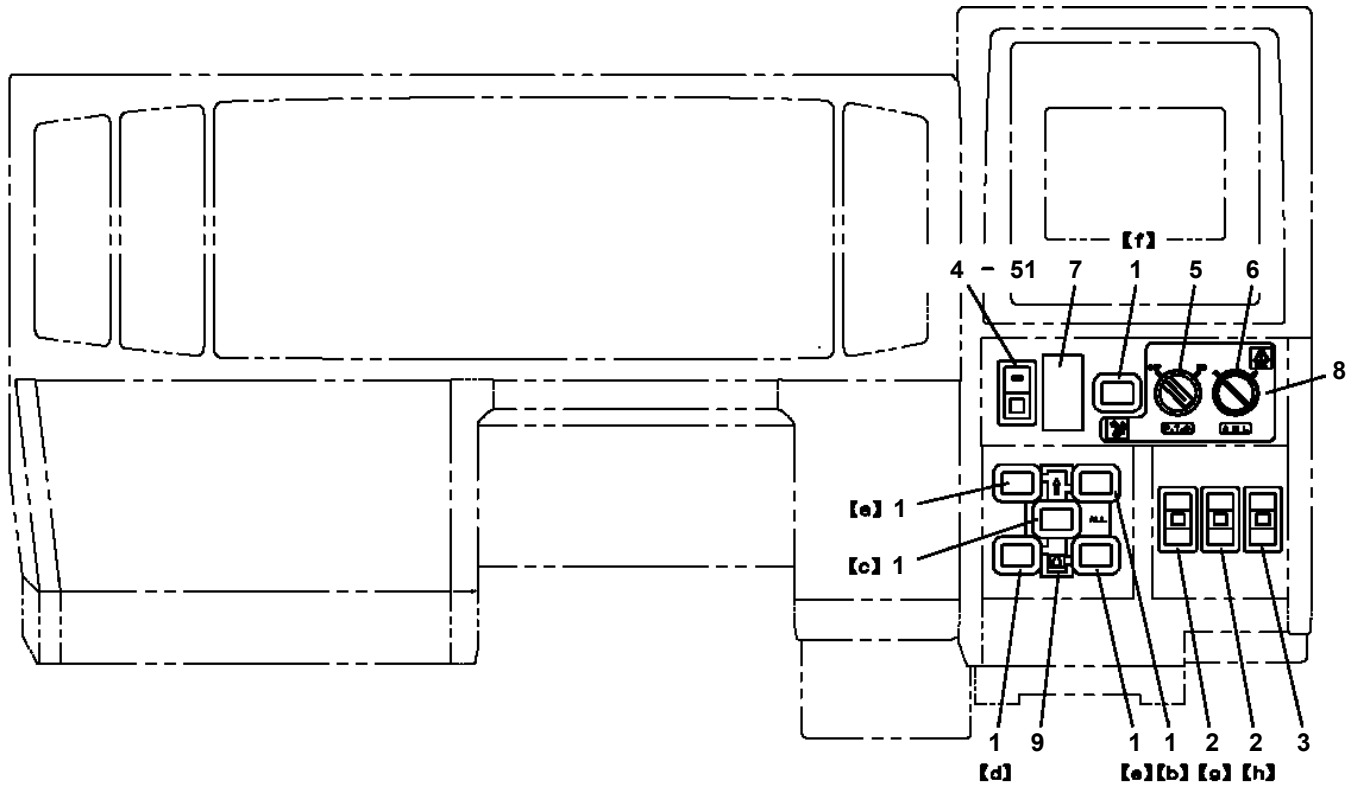
GR-300E-3-00104 4 BOOM + 2 JIB, 2M2D
PS5420317-00 SUPPORT ASSY (BOOM, TOP)



GR-300E-3-00104 4 BOOM + 2 JIB, 2M2D
PS5520027-02 SWING TABLE ASSY

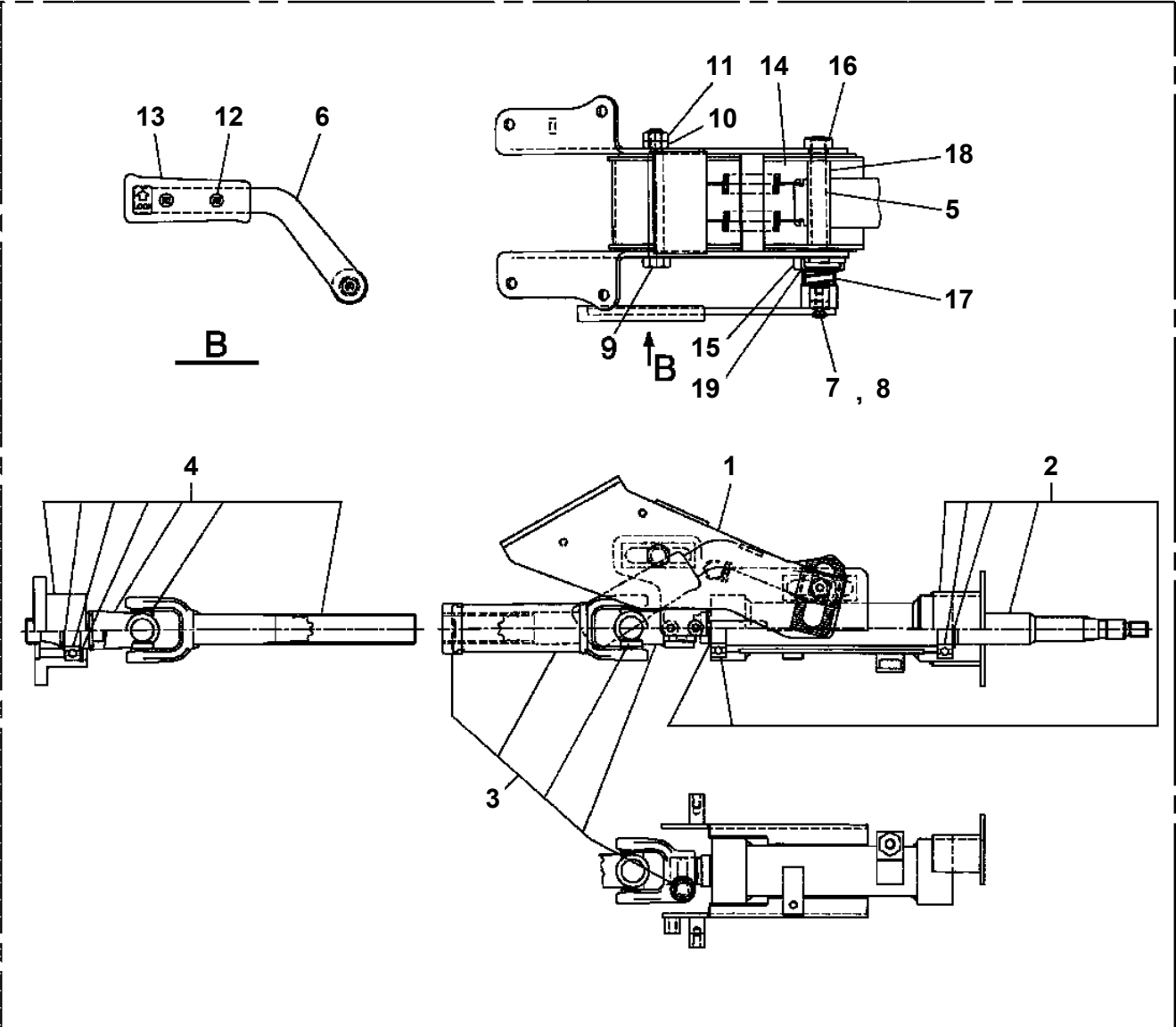


**GR-300E-3-00104 4 BOOM + 2 JIB, 2M2D
PS5530210-00 SWITCH ASSY (2/CAB:OUTRIGGER,P.T.O)**

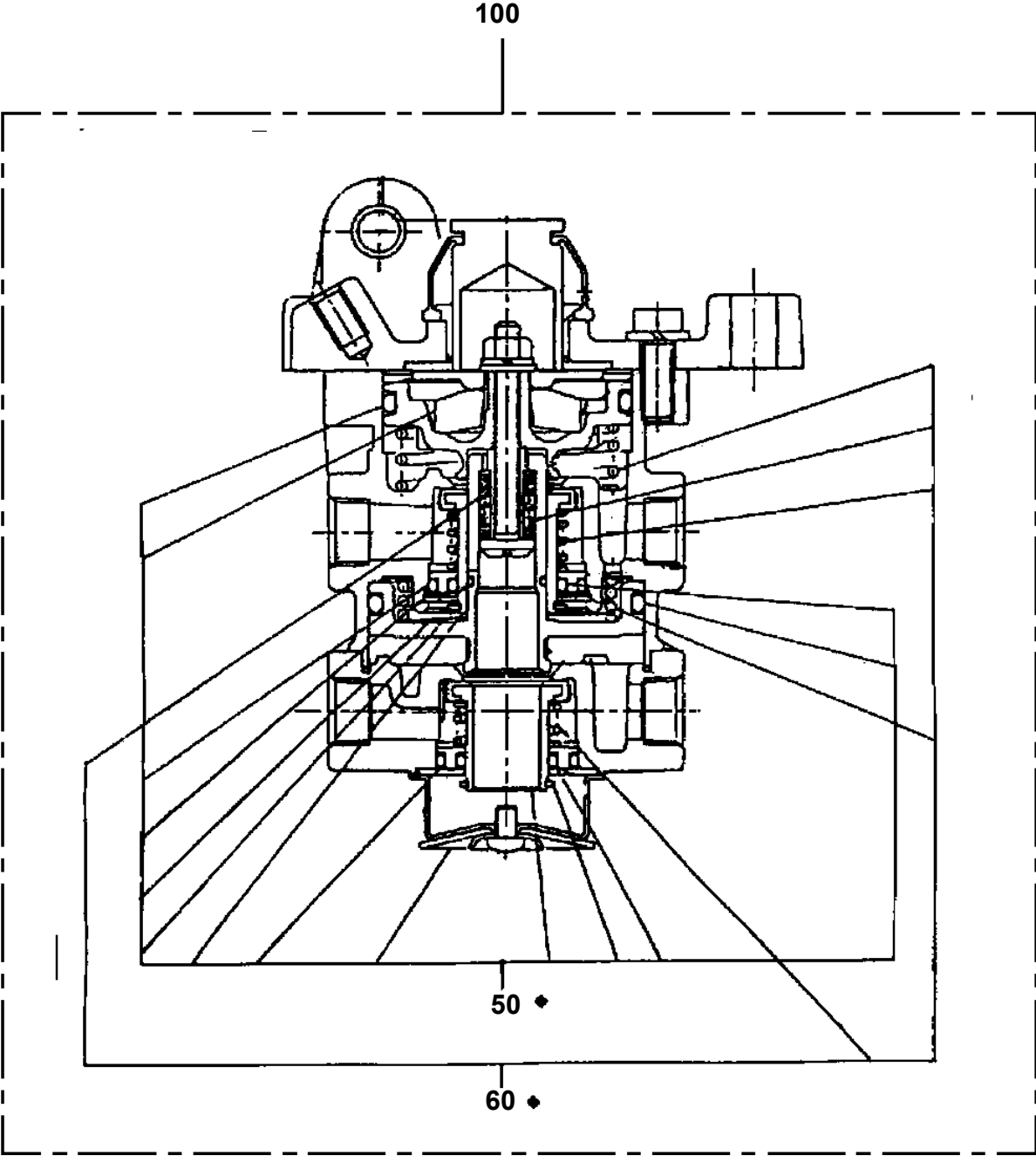


GR-300E-3-00104 4 BOOM + 2 JIB, 2M2D
PS5580001-00 SHAFT (STEERING)

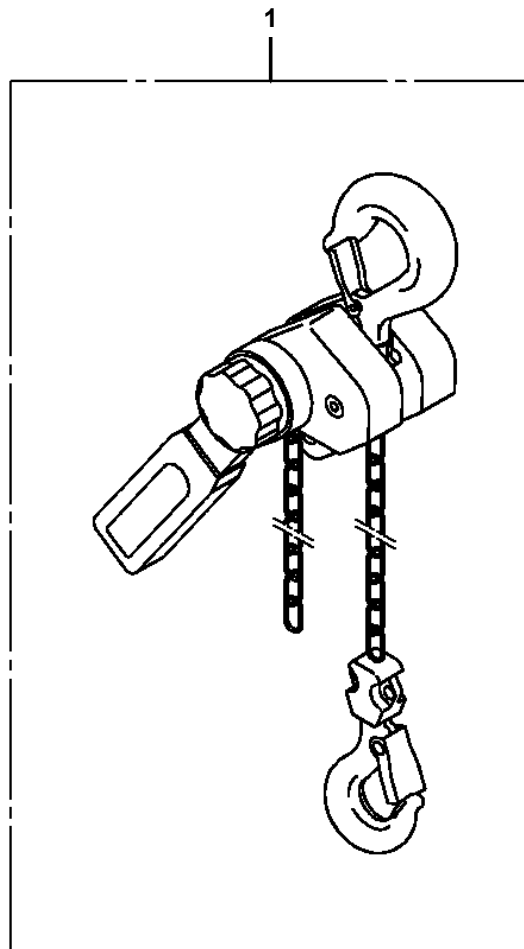
100



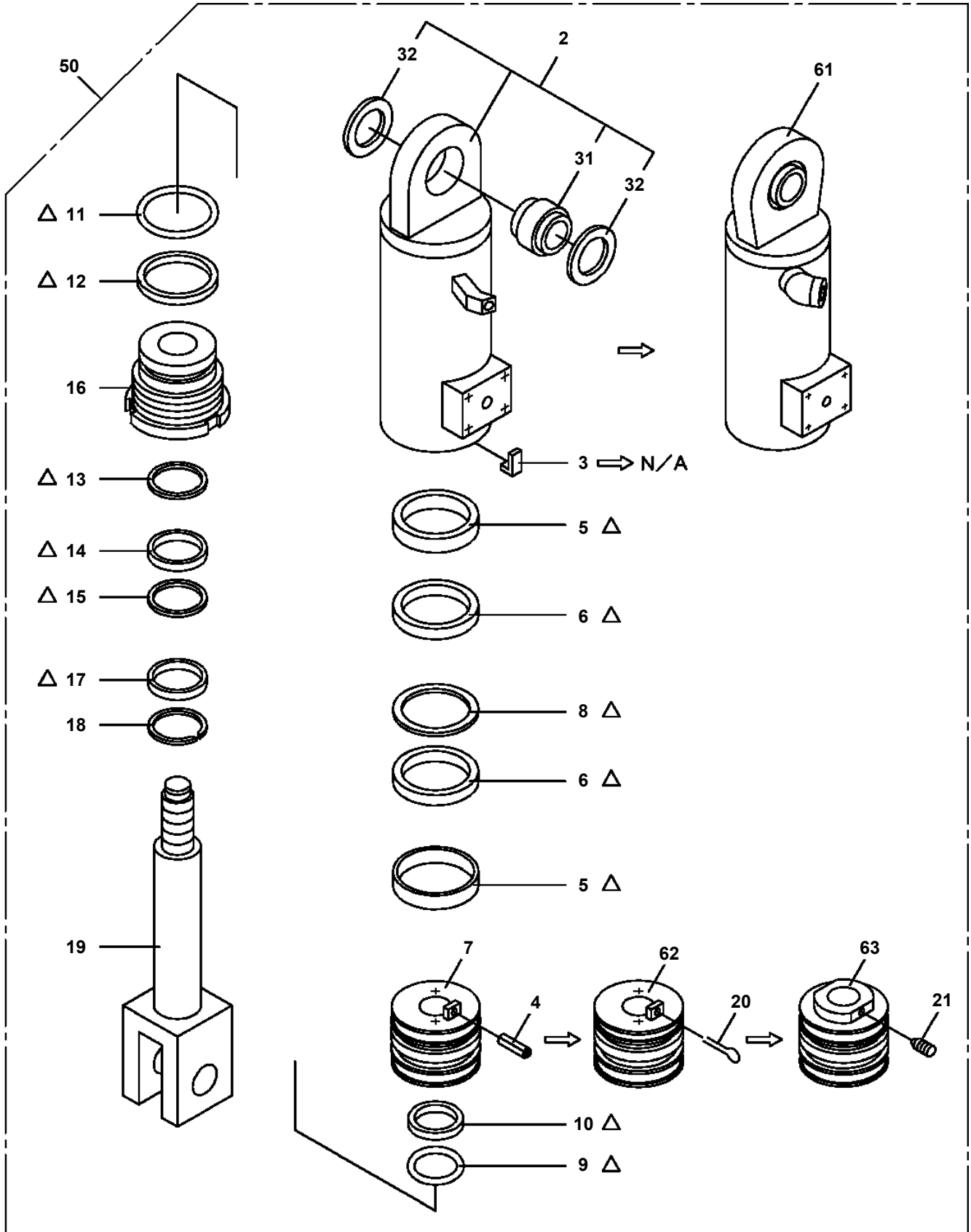
GR-300E-3-00104 4 BOOM + 2 JIB, 2M2D
PT1240004-01 VALVE,BRAKE



GR-300E-3-00104 4 BOOM + 2 JIB, 2M2D
PT5160006-00 TOOL (LEVER BLOCK)

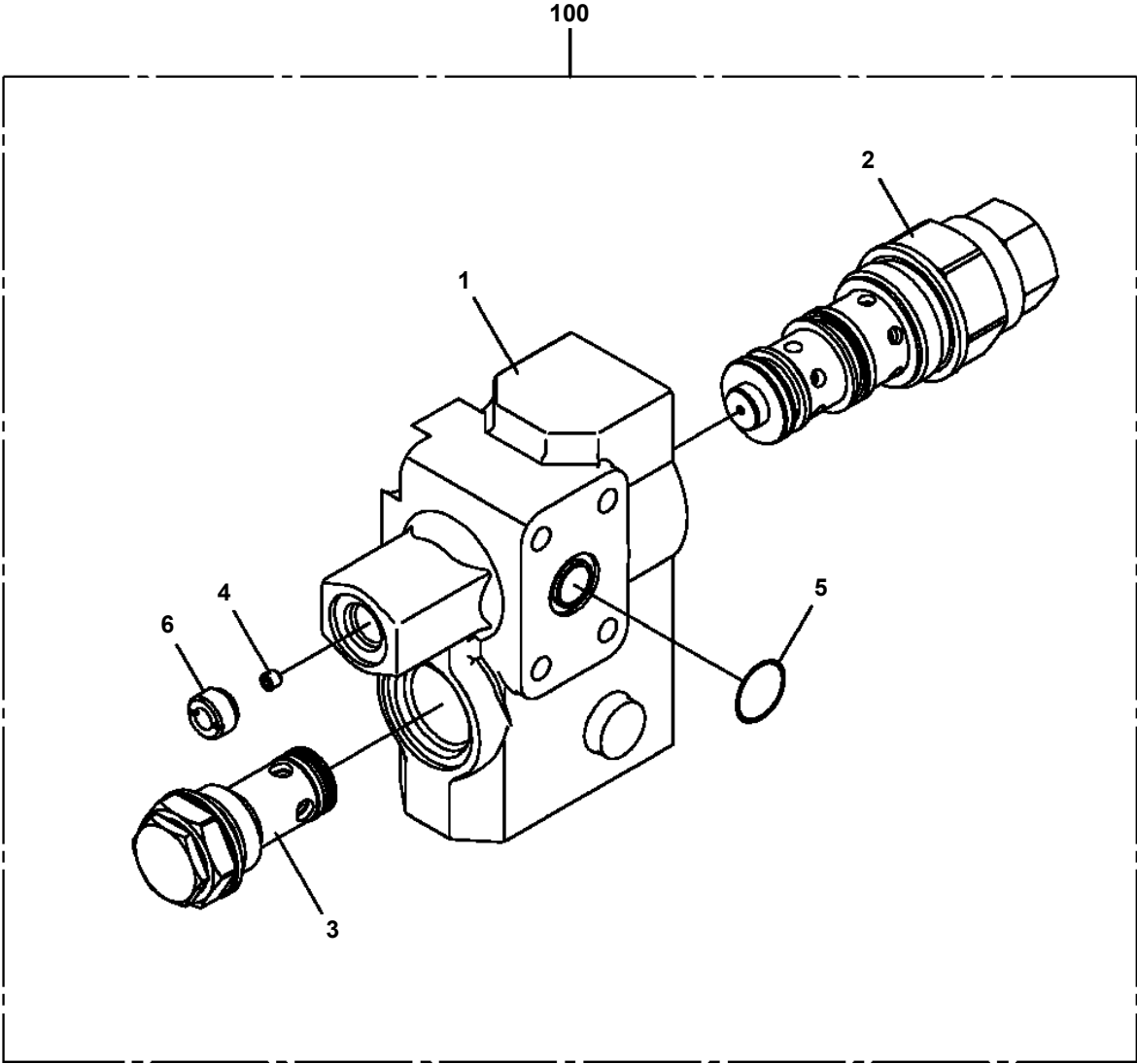


**GR-300E-3-00104 4 BOOM + 2 JIB, 2M2D
PU1050031-05 CYLINDER,SPRING LOCK**



Δ:PACKING SET KEY NO.40 (KEY NO.5,6,8,9,10,11,12,13,14,15,17)

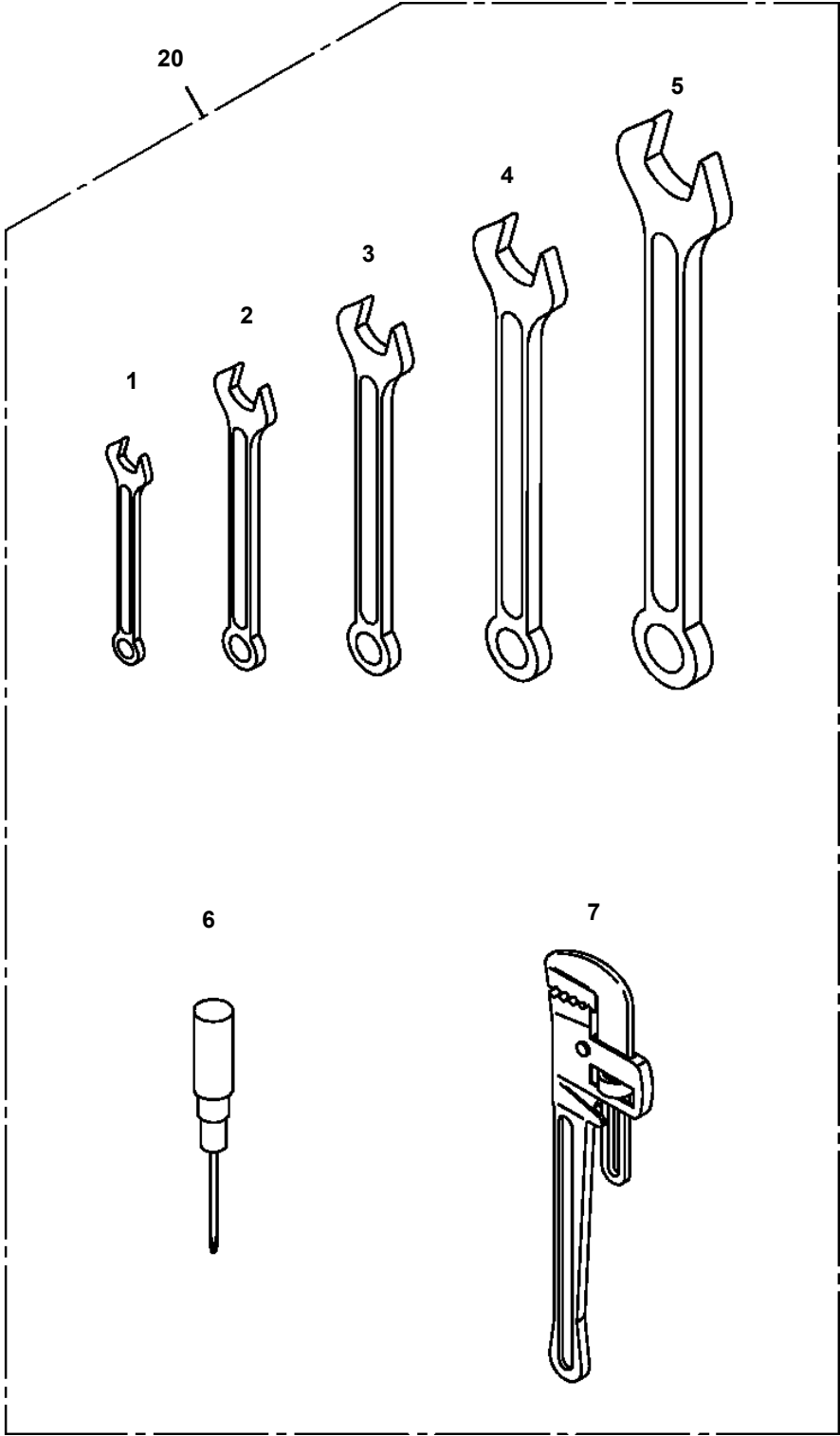
GR-300E-3-00104 4 BOOM + 2 JIB, 2M2D
PV5070011-00 VALVE ASSY,COUNTERBALANCE



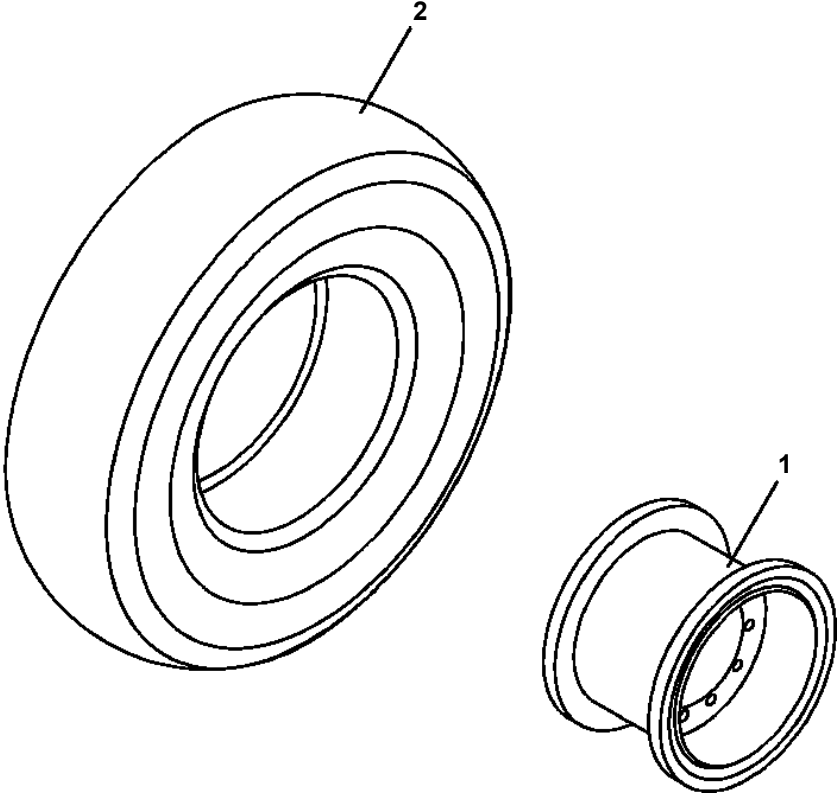
GR-300E-3-00104 4 BOOM + 2 JIB, 2M2D

Pos No.	Parts No	Parts Name	Qty	Unit	Technical Data	Serial No (Start)	Serial No (End)
1	36741615010	VALVE,CONTROL	1				
2	36741645020	VALVE,CONTROL	1				
3	91002909500	O-RING	1		1B G95		
4	91002801000	O-RING	1		1B P10		
5	36741545030	BOLT,HEXAGON SOCKET	4		M12X150		
6	36741645030	VALVE,RELIEF	2				
7	90131910045	BOLT,HEXAGON SOCKET	8		M10X45		
8	36633335050	PLUG ASSY	1				
9	36740565060	VALVE,RELIEF	2				
10	36649125010	VALVE,OVERLOAD RELIEF	1				
11	36634535120	VALVE,RELIEF	1				
12	36634535130	VALVE,RELIEF	1				
13	90151200100	BOLT,EYE	2		M10		
14	36634535210	PLUG	1		PF1/4		
15	91002801100	O-RING	1		1B P11		
16	36636615210	PLUG	2		NPT3/8		
17	91002801400	O-RING	2		1B P14		
105	91000512800	O-RING	8				
106	36648985130	RETAINER (SPRING)	2				
107	36646035120	SPRING (W2)	2				
108	36646035130	SPRING (W1)	2				
109	36646675040	RETAINER (SPRING)	4				
110	36648985090	END,SPOOL	2				
111	36646655070	COVER (PILOT)	2				
112	36646655080	COVER (PILOT)	2				
113	36630285200	CHOKE	3				
114	36631055180	SPRING	2				
115	36632585150	PLUG	7				
116	91002903000	O-RING	10		1B G30		
117	36646035150	RETAINER (SPRING)	3				
118	36631055300	VALVE,CHECK	3				
119	36631055310	SPRING	3				
120	36631055320	PLUG (CHECK VALVE)	4				
121	16095101070	O-RING	10				
122	90131908040	BOLT,HEXAGON SOCKET	8		M8X40		
123	90303100801	WASHER,PLAIN	16		8		
124	90302040801	WASHER,SPRING	16		8		
125	36636615210	PLUG	3		NPT3/8		
126	91002801400	O-RING	3		1B P14		
127	36647205050	PLUG	16		NPT1-16		
128	36648985100	SPRING	1				
204	36646675030	RETAINER (SPRING)	2				
205	36646035160	SPRING (B1)	2				
206	36646035170	SPRING (B2)	2				
208	36646675050	END,SPOOL	2				
209	90720008120	SCREW,SET	4		M8X12		
210	36648985110	BALL,STEEL	4		1/4		
211	36646655150	COVER (PILOT)	1				
213	36646655140	COVER (PILOT)	2				
214	90131508040	BOLT,HEXAGON SOCKET	8		M8X40		
218	36741645060	CHOKE	2				
219	36646035180	SPRING	2				
227	36648985120	BALL,STEEL	1		5/16		
228	91002800800	O-RING	1		1B P8		
229	36636615280	PLUG	1				
231	36646655130	COVER (PILOT)	1				
303	91000501500	O-RING	6		AS568-015		
404	91002802800	O-RING	2		1B P28		
405	91411002800	RING,BACKUP	2		P28		
407	13215111010	PACKING	2				
412	91001001600	O-RING	14		1A S16		
504	16025153030	SPRING	2				
506	91002801001	O-RING	2		1B P10A		

GR-300E-3-00104 4 BOOM + 2 JIB, 2M2D
PW1030044-01 TOOLS (WORK)

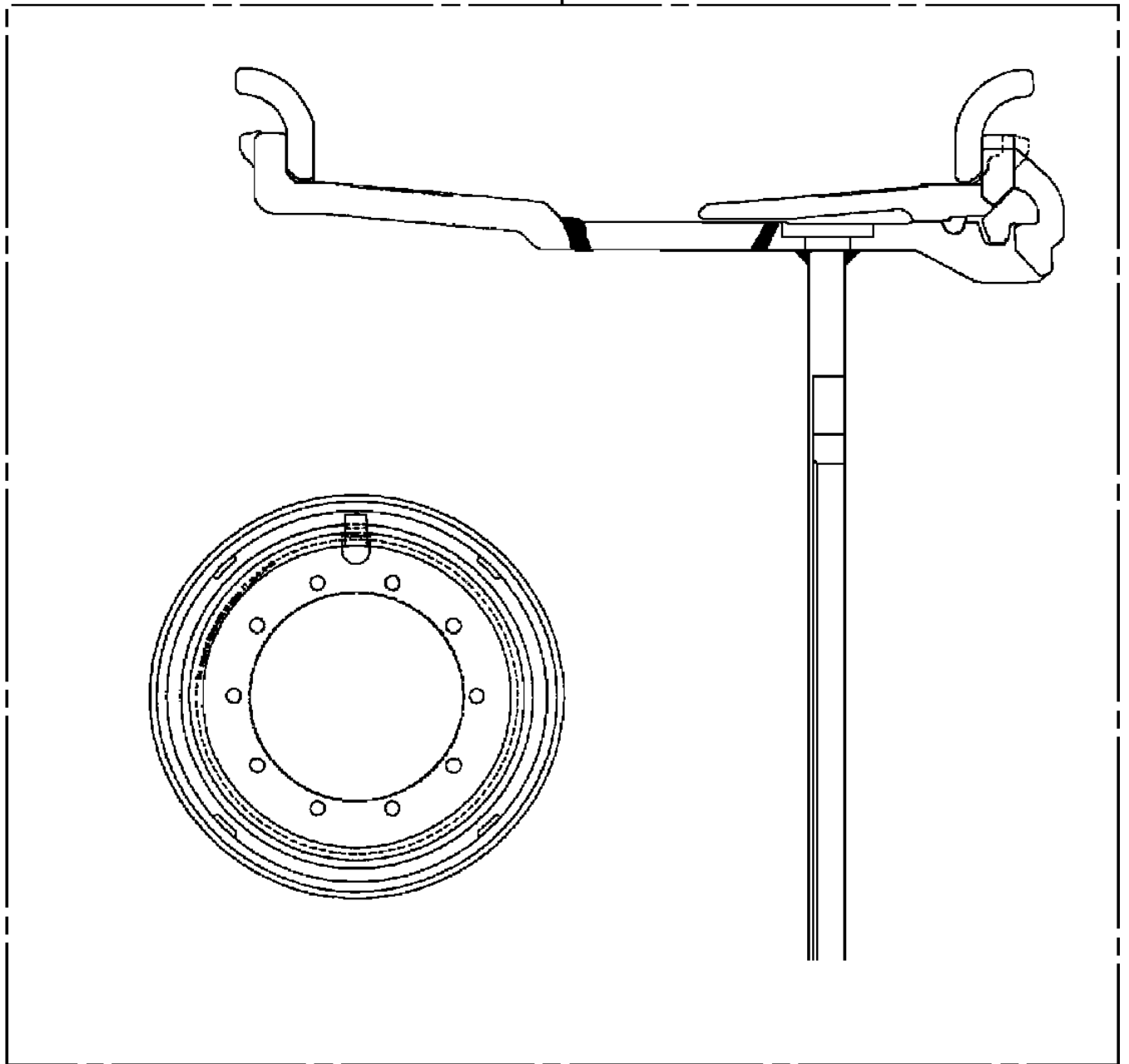


GR-300E-3-00104 4 BOOM + 2 JIB, 2M2D
PW5030027-00 WHEEL ASSY (WI + BRIDGESTONE)

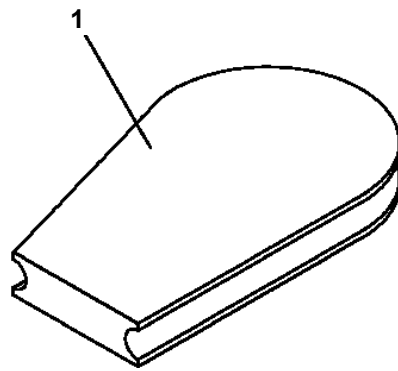


GR-300E-3-00104 4 BOOM + 2 JIB, 2M2D
PW5050005-00 WHEEL,TIRE (WI)

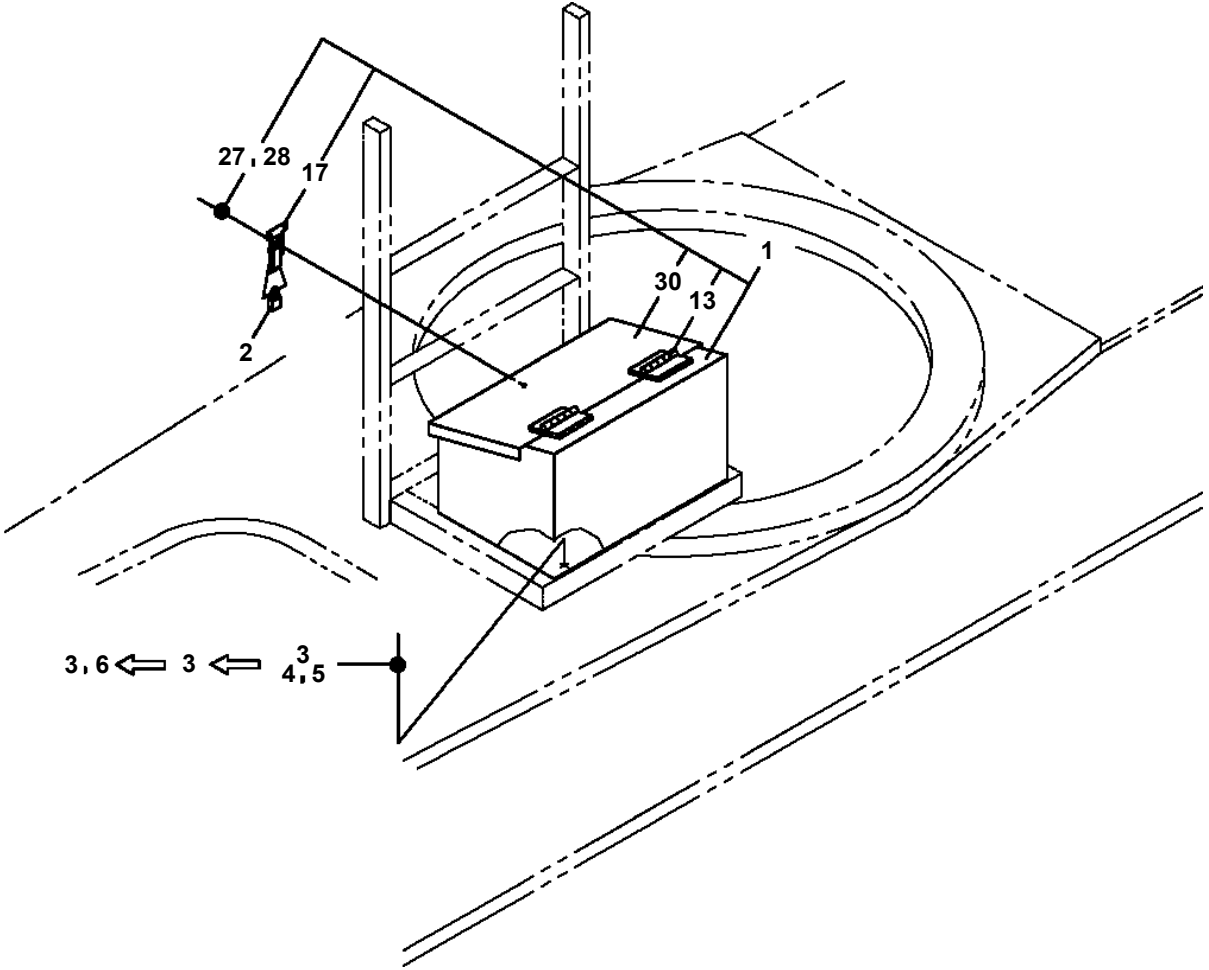
100



GR-300E-3-00104 4 BOOM + 2 JIB, 2M2D
PW5110008-00 WEDGE



GR-300E-3-00104 4 BOOM + 2 JIB, 2M2D
PX1350106-03 TOOL BOX INSTALLATION (IRON)



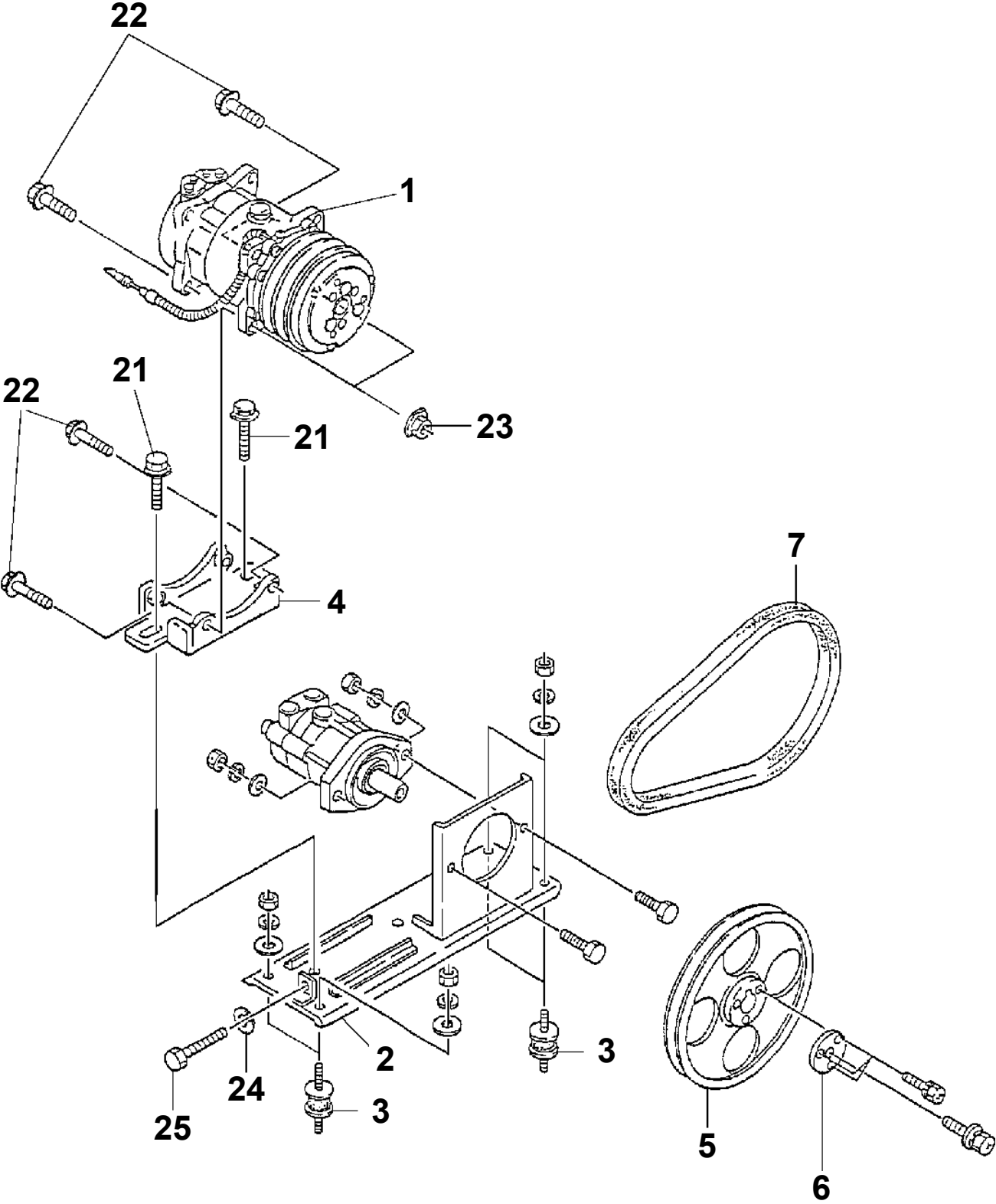
GR-300E-3-00104 4 BOOM + 2 JIB, 2M2D

Pos No.	Parts No	Parts Name	Qty	Unit	Technical Data	Serial No (Start)	Serial
1	(*****)	SUPPORT ASSY (CAB, OUTER COVERING)	1				
2	(*****)	SUPPORT ASSY (HYDRAULIC PRESSURE PARTS)	1				
3	(*****)	SUPPORT ASSY (SWING LOCK)	1				

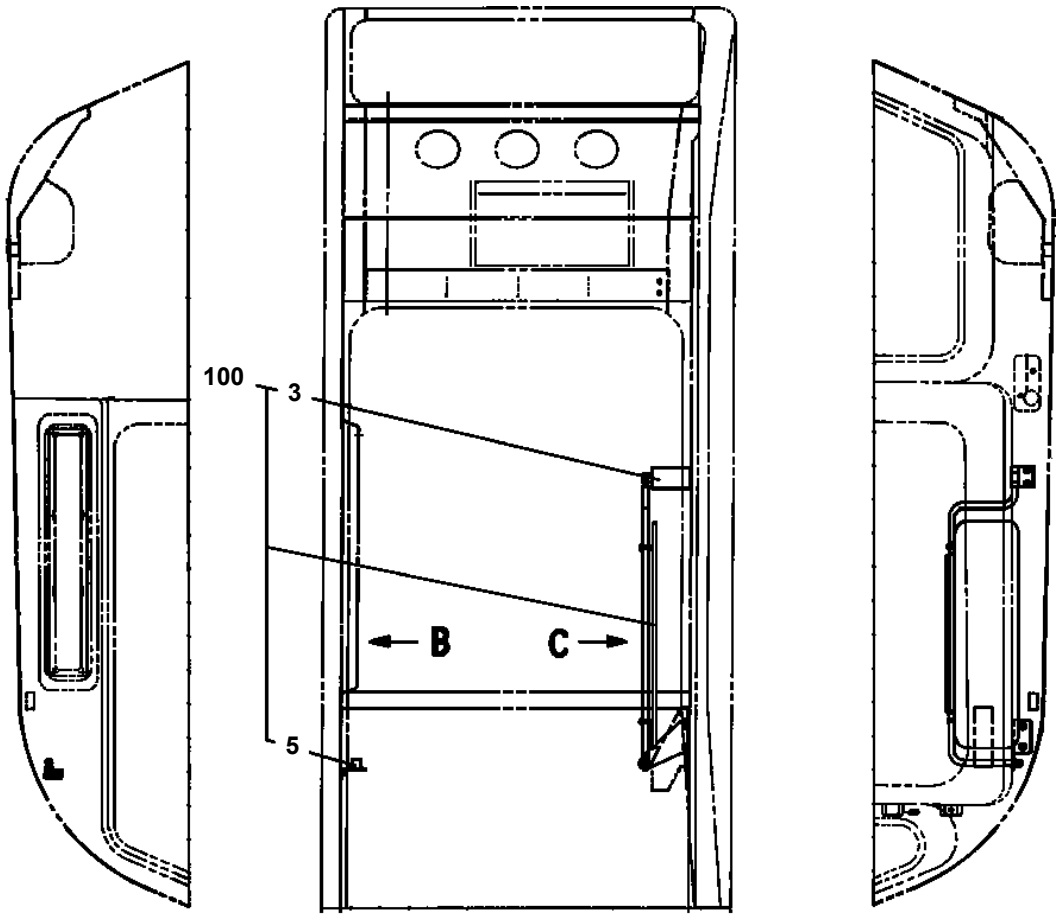
GR-300E-3-00104 4 BOOM + 2 JIB, 2M2D

Pos No.	Parts No	Parts Name	Qty	Unit	Technical Data	Serial No (Start)	Serial No (End)
1	36101870000	TANK,FUEL (300L)	1				
2	36180040000	SENDER,FUEL	1				
3	34880340100	BAND	2		L=1100		
4	90201201000	NUT	4		M10		
5	37000104230	PIN	2				
6	90303071201	WASHER,PLAIN	2		12		
7	80136332025	PIN,SPLIT	2		3.2X25		
8	37002513800	HOSE	1		L=1200		
9	82100002011	CLAMP	3		WRC15		
10	34880870110	HOSE	1		10,L=195		
11	37000711000	CLAMP ASSY	3		12-1		
12	91803600160	CLIP	12		D=11-16		
13	34881145030	PIPE ASSY	1		12XT0.9 L=1713.2		
14	34881145020	PIPE	1		10XT0.7 L=3140.7		
15	37000711080	CLAMP ASSY	1		12-2		
16	37000300720	SLEEVE	6		12-10		
17	34881145040	PIPE ASSY	1		12XT0.9 L=2006.2		
18	37000701500	CLAMP ASSY	1		12X1		
19	37000904040	FITTING	1		S,M20-M20		
21	37000711360	CLAMP ASSY	2		12-3		
22	90186210035	BOLT,FLANGE	2		M10X35		
24	90280200800	NUT,FLANGE	3		M8		
25	90201200800	NUT	3		M8		
29	34880060360	HOSE	2		L=360		
30	90280201000	NUT,FLANGE	2		M10		
31	34880060070	HOSE	1		L=70		
32	34780000070	ADAPTER	1		8-10		
33	34880300290	HOSE	1		L=290		
34	37000714940	CLAMP ASSY	1				
35	34880710100	HOSE	2		L=80		
36	91803600200	CLIP	4		D=13-20		
37	37000802860	JOINT	2		10-12		
62	37000904840	NUT,FLARE	2		M20		
101	(*****)	ACCESSORY LIST (ENGINE:MOUNTING PARTS)	1				

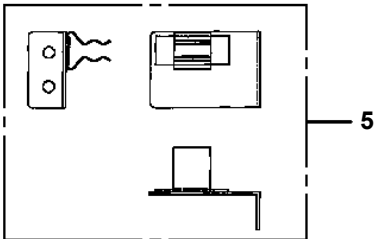
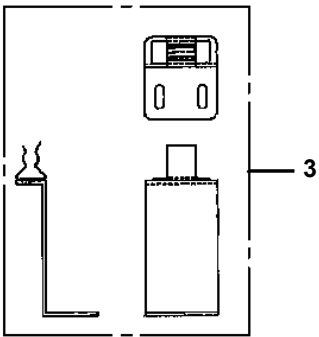
**GR-300E-3-00104 4 BOOM + 2 JIB, 2M2D
PY1380061-00 COMPRESSOR**



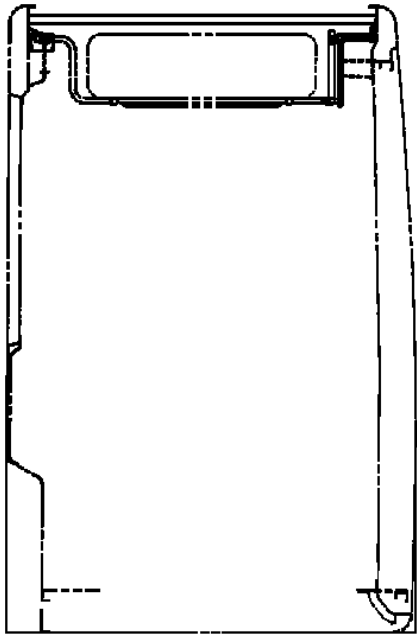
GR-300E-3-00104 4 BOOM + 2 JIB, 2M2D
PY2320001-03 SUN VISOR (FRONT)



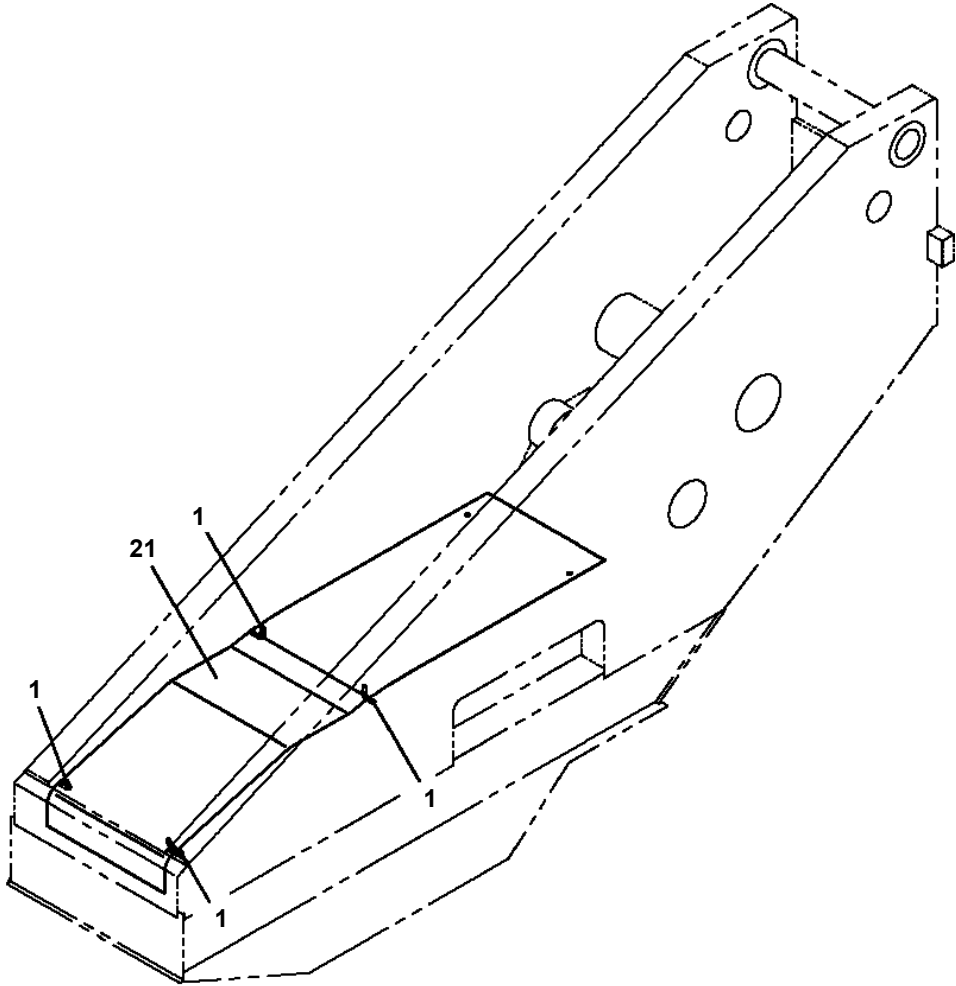
B



C

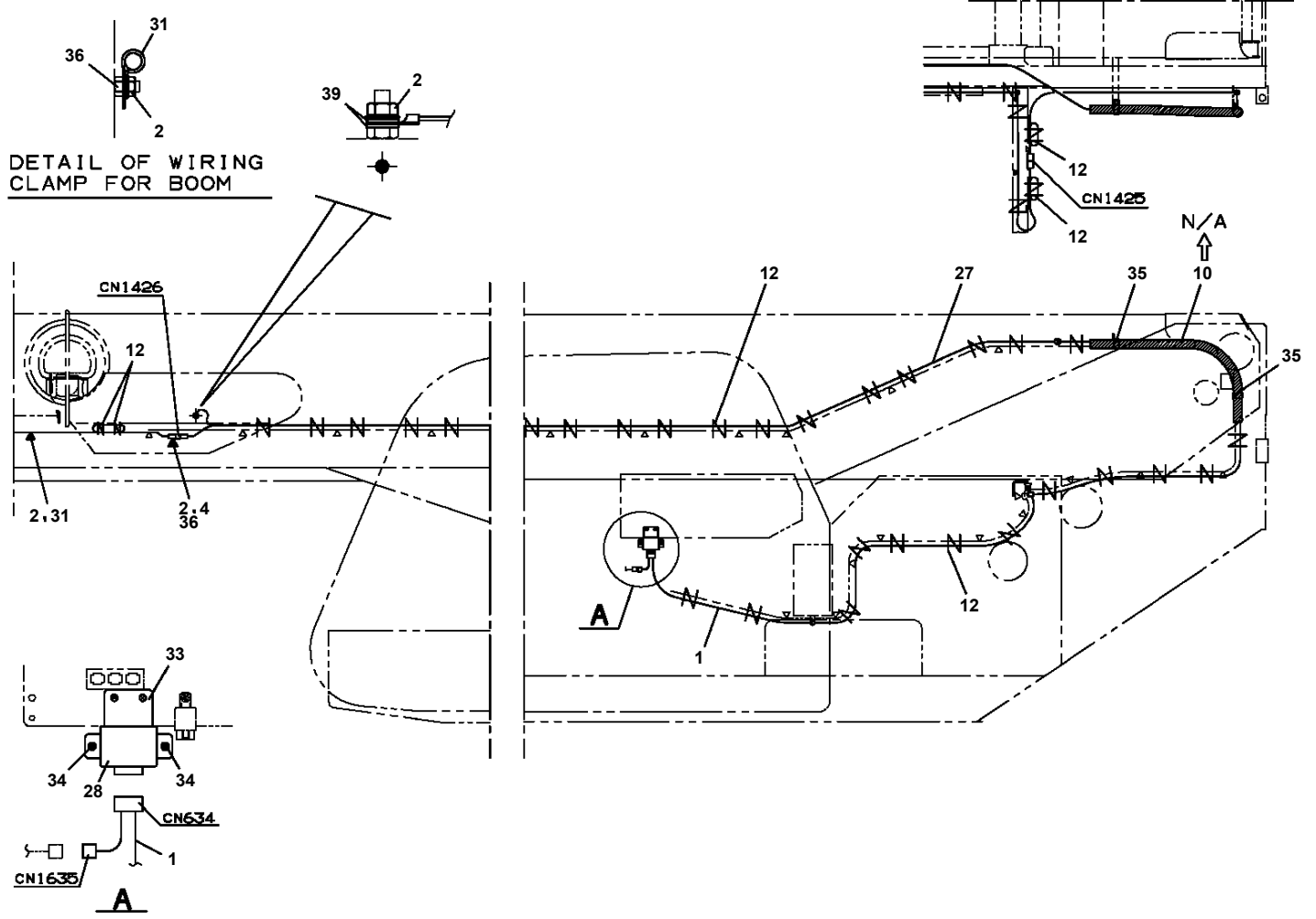


GR-300E-3-00104 4 BOOM + 2 JIB, 2M2D
PY5020097-00 ACCESSORIES ASS (SLEWING SUTRUCTURE COVER)



旋回中心
CENTER OF ROTATION

GR-300E-3-00104 4 BOOM + 2 JIB, 2M2D
PY5220022-02 ANEMOMETER ASSY (BOOM)



GR-300E-3-00104 4 BOOM + 2 JIB, 2M2D

Pos No.	Parts No	Parts Name	Qty	Unit	Technical Data	Serial No (Start)	Serial No (End)
135	59172030340	PLATE (LOCK)	2				
136	90171108020	BOLT	4		M8X20		
137	90302040801	WASHER,SPRING	4		8		
138	36380675510	NUT	2				
139	36382015040	SHAFT (AXLE)	2				
141	36381995220	JOINT,BALL	2				
142	36381995230	BEARING,BALL	2				
143	36381995240	WASHER,THRUST	2				
145	36381995250	GEAR,SUN	2				
146	36381995260	GEAR,PLANETARY (SPIDER)	2				562047
	36382595010	GEAR,PLANETARY	2			562047	
147	36381995270	GEAR,PLANETARY	6				
148	36381995280	SHAFT (PLANETARY GEAR)	6				
149	34680005610	RING,THRUST	12				
150	36381995290	GEAR,INTERNAL	2				562047
	36382595020	GEAR,INTERNAL	2			562047	
151	36381995300	HUB,INTERNAL GEAR	2				562047
	36382595030	HUB,INTERNAL GEAR	2			562047	
152	36381995310	WIRE,LOCK	4				562047
	36382595040	RING,SNAP	2			562047	
153	36380105720	NUT,BEARING	2				
154	36380105730	WASHER (LOCK)	2				
155	90171108016	BOLT	4		M8X16		
157	34680005740	BEARING,ROLLER	12				
158	36381995320	O-RING	2				
159	90171114045	BOLT	48		M14X45		562047
	90171114045	BOLT	24		M14X45	562047	
160	36380675390	WASHER	48				562047
	36380675390	WASHER	24			562047	
161	36380215250	PLUG,MAGNET	2				
163	36381995330	STOPPER (SHAFT)	2				
164	80316030100	PLUG	2		PT3/4		
165	36381995340	PLUG	4				
166	36381995350	O-RING	2				
167	36381995360	PLUG	2				
168	34680005620	PIN	6			562047	
171	36382005030	HUB,WHEEL	2				562047
	36382385020	WHEEL,HUB	2			562047	
172	36381995380	BOLT (HUB)	20				
174	59172071060	BEARING,ROLLER	2				
175	34680005760	BEARING,ROLLER (NTN)	2				
176	36382235040	DISK	2				
177	36381445170	BOLT	28				
178	36380675380	WASHER,PLAIN	28				
179	36380875320	SEAL,OIL (WHEEL HUB)	2				
181	36380875330	SPACER	2				
182	36381995420	PLATE (LOCK)	6				
183	90171108016	BOLT	6		M8X16		
185	36382235050	PLATE	1				
186	36380435010	BOLT (WITH WASHER)	2				
191	36382235060	BRAKE,CALIPER	1				562103
	36382235061	BRAKE,CALIPER	1			562103	
192	36382235070	BRAKE,CALIPER	1				562103
	36382235071	BRAKE,CALIPER	1			562103	
193	36381975030	CONNECTOR (WITH O-RING)	2				
197	36381995450	BOLT (CALIPER)	4				
198	36381095070	BOLT (S)	4				
199	36381125050	WASHER	8				
251	90171116095	BOLT (DACRO)	8		M16X95		
252	34680005240	WASHER	8				
261	80530000064	BEARING,SPHERICAL	3				
271	36380675490	O-RING	2				
281	36380105090	BOLT (SHORT)	16				

CLICK HERE TO **DOWNLOAD** THE COMPLETE MANUAL

- Thank you very much for reading the preview of the manual.
- You can download the complete manual from: www.heydownloads.com by clicking the link below



- Please note: If there is no response to CLICKING the link, please download this PDF first and then click on it.

CLICK HERE TO **DOWNLOAD** THE COMPLETE MANUAL