

GR-250N-4-00102 4 BOOM + 2 JIB(FAJ),H,2M2D

PB5000040-00 HYDRAULIC PRESSURE SYSTEM
PB6000104-00 PIPING SYSTEM (UPPER)
PB6000106-00 PIPING SYSTEM (LOWER)
PC1000683-00 OUTRIGGER SYSTEM (H)
PD1000676-00 SWING SYSTEM
PF1000783-00 WINCH SYSTEM
PG3000046-00 JIB SYSTEM
PG5000054-00 BOOM SYSTEM
PH5000045-01 SAFETY SYSTEM
PK1000838-00 FRAME
PK5000047-02 CAB SYSTEM
PL5000047-00 CONTROL SYSTEM
PM1000032-01 LUBRICATION DEVICES
PN1000751-01 ELECTRIC EQUIPMENT
PO1000150-00 INDICATION PLATES
PR5000062-00 DRIVING POWER SYSTEM
PS5000034-00 STEERING & SUSPENSION
PW1000097-02 ACCESSORIES & TOOLS
PX1001340-01 MOUNTING PARTS
PY1001805-11 OPTION UNIT,1
PY2000275-04 OPTION UNIT,2
ASSEMBLY

CLICK HERE TO **DOWNLOAD** THE COMPLETE MANUAL

- Thank you very much for reading the preview of the manual.
- You can download the complete manual from: www.heydownloads.com by clicking the link below



- Please note: If there is no response to CLICKING the link, please download this PDF first and then click on it.

CLICK HERE TO **DOWNLOAD** THE COMPLETE MANUAL

GR-250N-4-00102 4 BOOM + 2 JIB(FAJ),H,2M2D

Pos No.	Parts No	Parts Name	Qty	Unit	Technical Data	Serial No (Start)	Serial No (End)	Remarks
1	(*****)	WINCH ASSY (MOUNT)	1					
2	36095270000	HOOK (SHEAVE 4 PC'S)	1					
3	36096840000	HOOK ASSY (AUX.)	1					
4	37001800060	ROPE,WIRE (TESAC)	1					
	37001805280	ROPE,WIRE (KISWIRE)	1					
5	37001806890	ROPE,WIRE (KISWIRE)	1					
	37001805020	ROPE,WIRE (TESAC)	1					
6	(*****)	SOCKET,ROPE	1					
7	(*****)	SOCKET,ROPE (SEIZING)	1					
8	(*****)	INDICATOR ASSY,DRUM	1					

GR-250N-4-00102 4 BOOM + 2 JIB(FAJ),H,2M2D

Pos No.	Parts No	Parts Name	Qty	Unit	Technical Data	Serial No (Start)	Serial No (End)	Remarks
1	(*****)	OPE.ASSY,CONT.VALVE (ISO)	1					

**GR-250N-4-00102 4 BOOM + 2 JIB(FAJ),H,2M2D
PW1000097-02 ACCESSORIES & TOOLS**

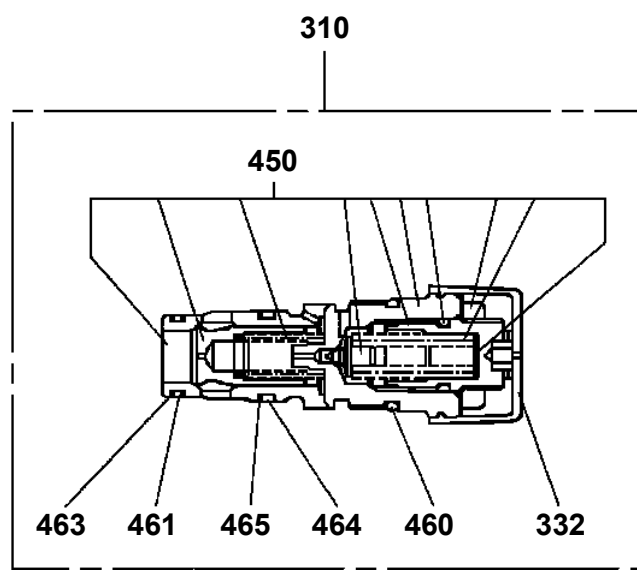
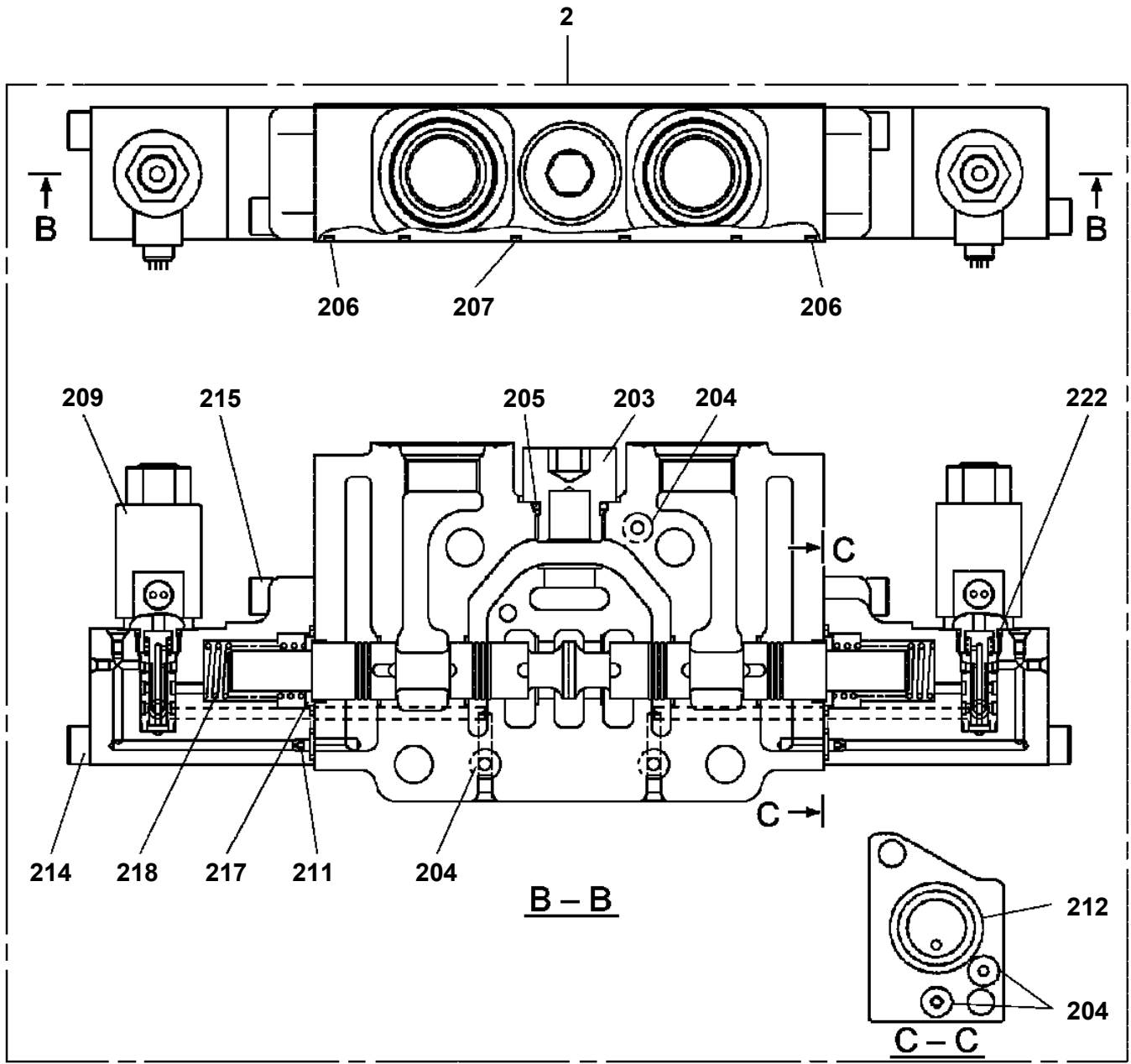
フック アヒン
ACCESSORIES & TOOLS

【組立名称一覧】より選択してください。
SEE THE CORRESPONDING "ASSEMBLY NAME" LIST.

GR-250N-4-00102 4 BOOM + 2 JIB(FAJ),H,2M2D

PD5080010-00 DETECTOR ASSY,LENGTH (BOOM)
PD5090002-00 DETECTOR ASSY,LENGTH (JIB)
PD5090011-00 DETECTOR ASSY,LENGTH (JIB)
PD5160019-00 DISPLAY (MFD)
PD5160019-00 DISPLAY (MFD)
PD5170002-00 DISTRIBUTOR
PD5180039-00 DISTRIBUTOR ASSY (F-LEFT:WITH HOSE)
PD5180040-00 DISTRIBUTOR ASSY (F-RIGHT:WITH HOSE)
PD5180041-00 DISTRIBUTOR ASSY (R-LEFT:WITH HOSE)
PD5180042-00 DISTRIBUTOR ASSY (R-RIGHT:WITH HOSE)
PD5180068-00 DISTRIBUTOR ASSY (R-RIGHT:WITH HOSE)
PD5180109-00 DISTRIBUTOR ASSY (R-RIGHT:WITH HOSE)
PD5180110-00 DISTRIBUTOR ASSY (R-RIGHT:WITH HOSE)
PD5180111-00 DISTRIBUTOR ASSY (L-LEFT:WITH HOSE)
PD5180112-00 DISTRIBUTOR ASSY (F-RIGHT:WITH HOSE)
PD5180113-00 DISTRIBUTOR ASSY (R-LEFT:WITH HOSE)
PD5200002-03 DOOR ASSY
PD5200003-00 DOOR ASSY (SLIDE MECHANISM)
PE5020414-00 ELEC.ASSY (MARKER LAMP)
PE5020820-04 ELEC.ASSY (SWING FRAME)
PE5020821-05 ELEC.ASSY (LOWER,X,H)
PE5020823-00 ELEC.ASSY (H,OUTRIGGER)
PE5020824-06 ELEC.ASSY (CAB)
PE5020825-00 ELEC.ASSY (GSMT)
PE5020863-00 ELEC.ASSY (SEARCHLIGHT)
PE5020864-00 ELEC.ASSY (GREASE)
PE5020865-01 ELEC.ASSY (RADIO ANTENNA & SPEAKER)
PE5020983-01 ELEC.ASSY (SATELLITE COMMUNICATION TERMINAL)
PE5050013-01 ELEC.ASSY,BOOM
PE5210020-01 ENGINE ASSY (CUMMINS)
PE5220002-00 EVAPORATOR ASSY
PE5230031-01 EXHAUST ASSY
PF1050277-04 HOOK (SHEAVE 2 PC'S)
PF1050556-00 HOOK (SHEAVE 4 PC'S)
PF1070031-00 ROPE,WIRE (TESAC)
PF1070031-00 ROPE,WIRE (TESAC)
PF1070033-00 ROPE,WIRE (KISWIRE)
PF1070033-00 ROPE,WIRE (KISWIRE)
PF1090003-01 SOCKET,ROPE (SEIZING)
PF1090006-01 SOCKET,ROPE
PF5010002-00 FAN ASSY
PF5020003-00 FENDER ASSY (FRONT)
PF5030019-00 FILTER ASSY
PF5030020-00 FILTER ASSY
PF5030021-00 FILTER ASSY
PF5030022-02 FILTER ASSY
PF5030024-00 FILTER ASSY
PF5030029-00 FILTER ASSY
PF5100355-00 FRAME ASSY
PF5140004-00 FILTER (FUEL PRE)
PF5160001-00 FUSE ASSY (SPARE FUSE)
PG1070197-00 REEL,HOSE
PG1070198-00 REEL,HOSE
PG1120249-01 DETECTOR,BOOM LENGTH
PG5280001-00 GLASS ASSY
PH1100076-00 DETECTOR,OVER FRONT AREA
PH5030751-01 HARNESS (L=690)
PH5031282-00 HARNESS
PH5031586-00 HARNESS (SWP TO AMP)
PH5031896-00 HARNESS (SCT)
PH5032744-01 HARNESS (FAJ)
PH5032745-00 HARNESS (R-SWING FRAME)
PH5032746-00 HARNESS (L-SWING FRAME)
PH5032747-00 HARNESS (BOOM)

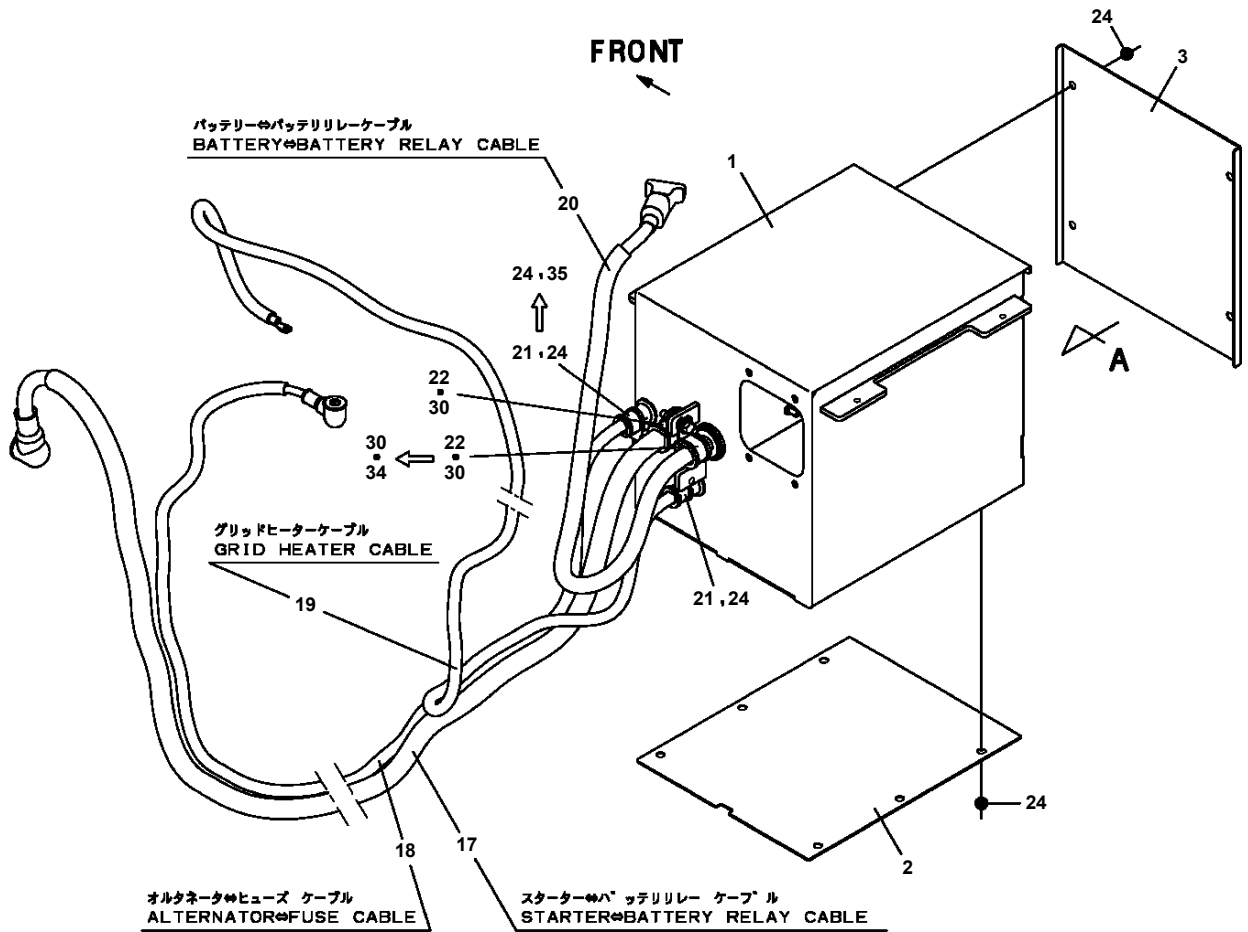
GR-250N-4-00102 4 BOOM + 2 JIB(FAJ),H,2M2D
PB1340083-02 VALVE,SOLENOID CONTROL



GR-250N-4-00102 4 BOOM + 2 JIB(FAJ),H,2M2D

Pos No.	Parts No	Parts Name	Qty	Unit	Technical Data	Serial No (Start)	Serial No
81	37002001280	PLATE,SLIDE	2				
82	80181306012	SCREW,MACHINE	2		M6X12		
83	34202540810	SUPPORT	1				
101	80520045009	BEARING,ROLLER	2				
111	80516006004	BEARING,BALL	2				
121	34202093901	SUPPORT	1				
131	34353755100	SUPPORT	1				
132	34446064100	SUPPORT	1				

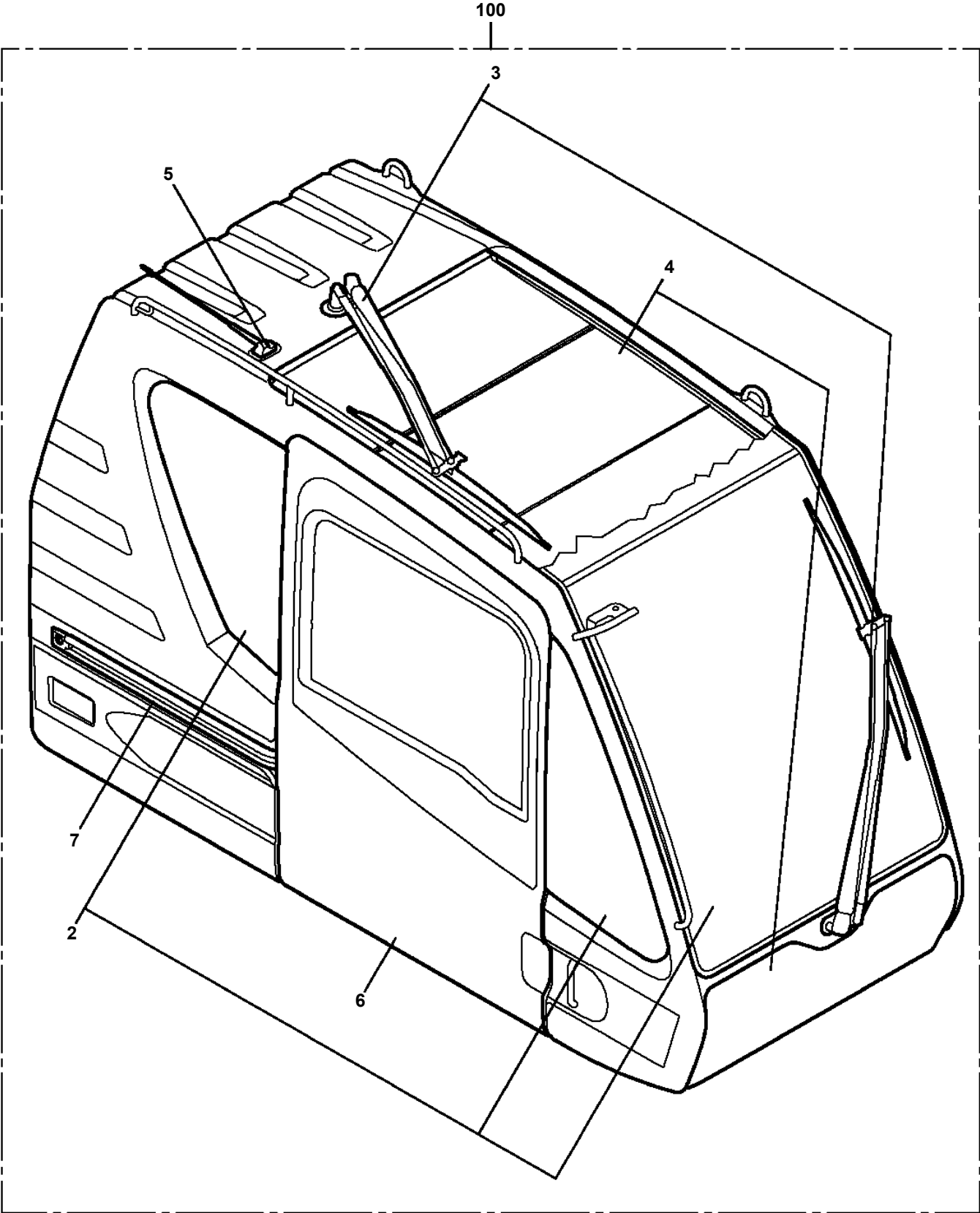
**GR-250N-4-00102 4 BOOM + 2 JIB(FAJ),H,2M2D
PB5260126-02 BOX ASSY (BATTERY RELAY)**



GR-250N-4-00102 4 BOOM + 2 JIB(FAJ),H,2M2D

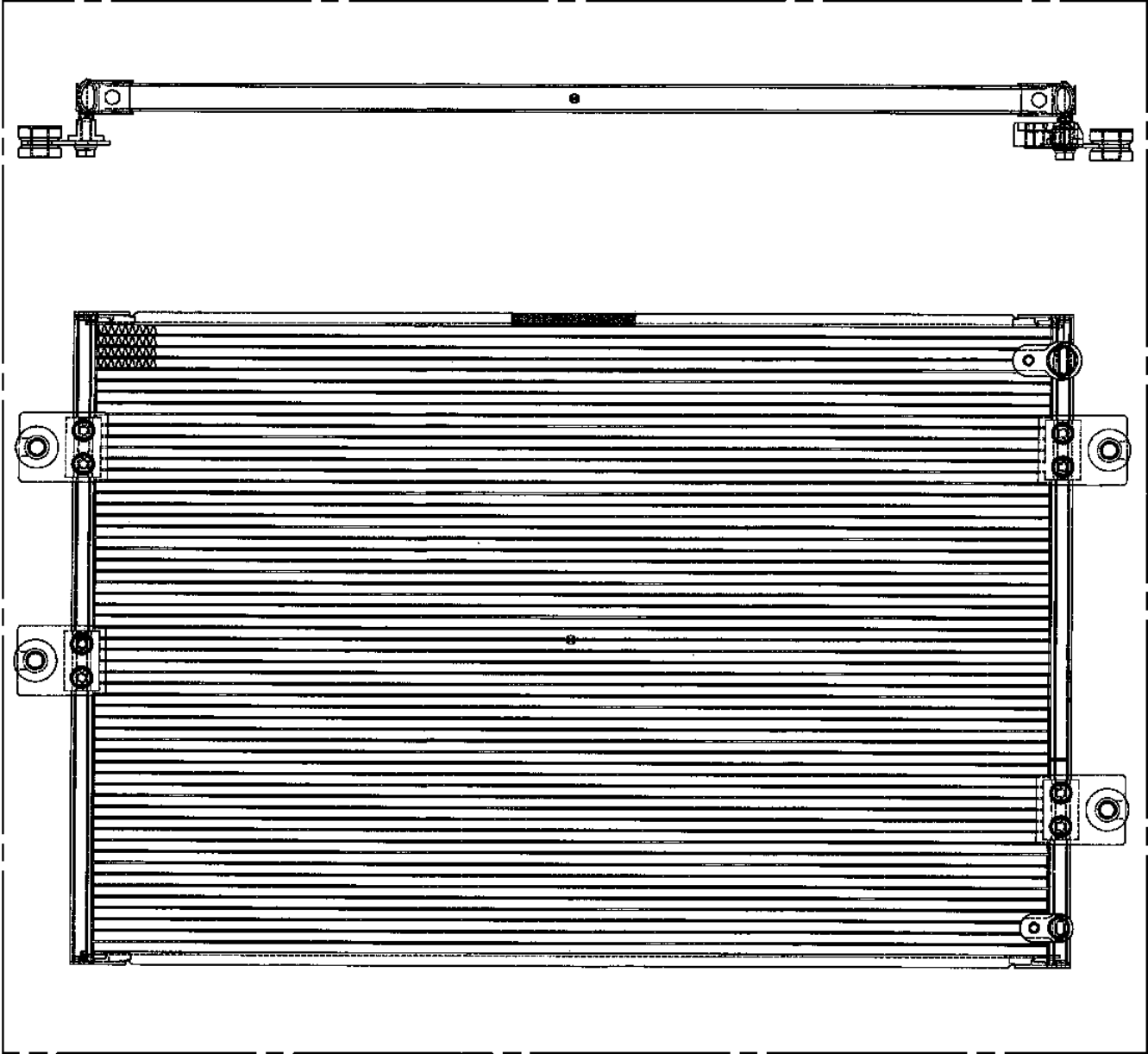
Pos No.	Parts No	Parts Name	Qty	Unit	Technical Data	Serial No (Start)	Serial No (End)	Remarks
15	36804915010	O-RING (CASE)	1					
24	36804915020	PIN	1					
25	36804915030	RING	1					
34	36805795020	HARNESS	1					
35	36805795030	HARNESS	1					
47	36806815060	RUBBER (FRONT)	1					
50	36806815050	SCREW,TAPPING (3X8)	3					
51	36806905030	PLATE,NAME	1					
52	36804915080	LABEL (SERIAL)	1					
101	36806905010	CASE ASSY(LOWER)	1					
102	36804915100	GUARD ASSY (HAND)	1					
103	36804915110	COVER ASSY (BATTERY)	1					
104	36806905020	LEVER ASSY (TRIGGER)	1					
106	36804925030	PANEL ASSY (INNER)	1					
107	36804915160	CASE ASSY (FRONT)	1					
108	36804925040	PANEL ASSY (INNER)	1					
109	36804915150	SWITCH ASSY	1					
111	36804917530	HOLDER (BATTERY)	1					
201	36804915170	STRAP	1					
900	36806900000	BOX,OPERATION	1					

GR-250N-4-00102 4 BOOM + 2 JIB(FAJ),H,2M2D
PC5010088-00 CAB ASSY



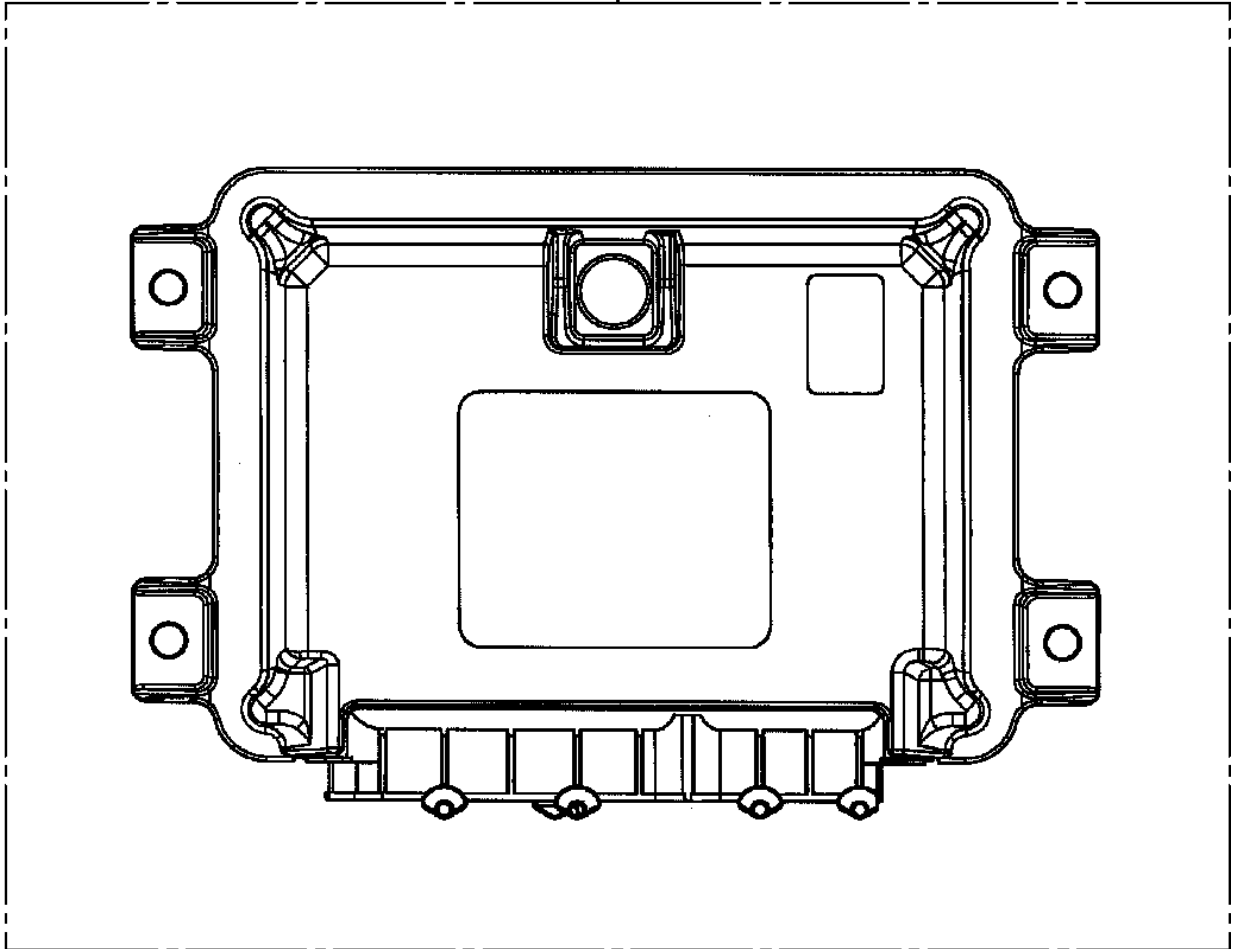
GR-250N-4-00102 4 BOOM + 2 JIB(FAJ),H,2M2D
PC5350002-00 CONDENSER ASSY

100



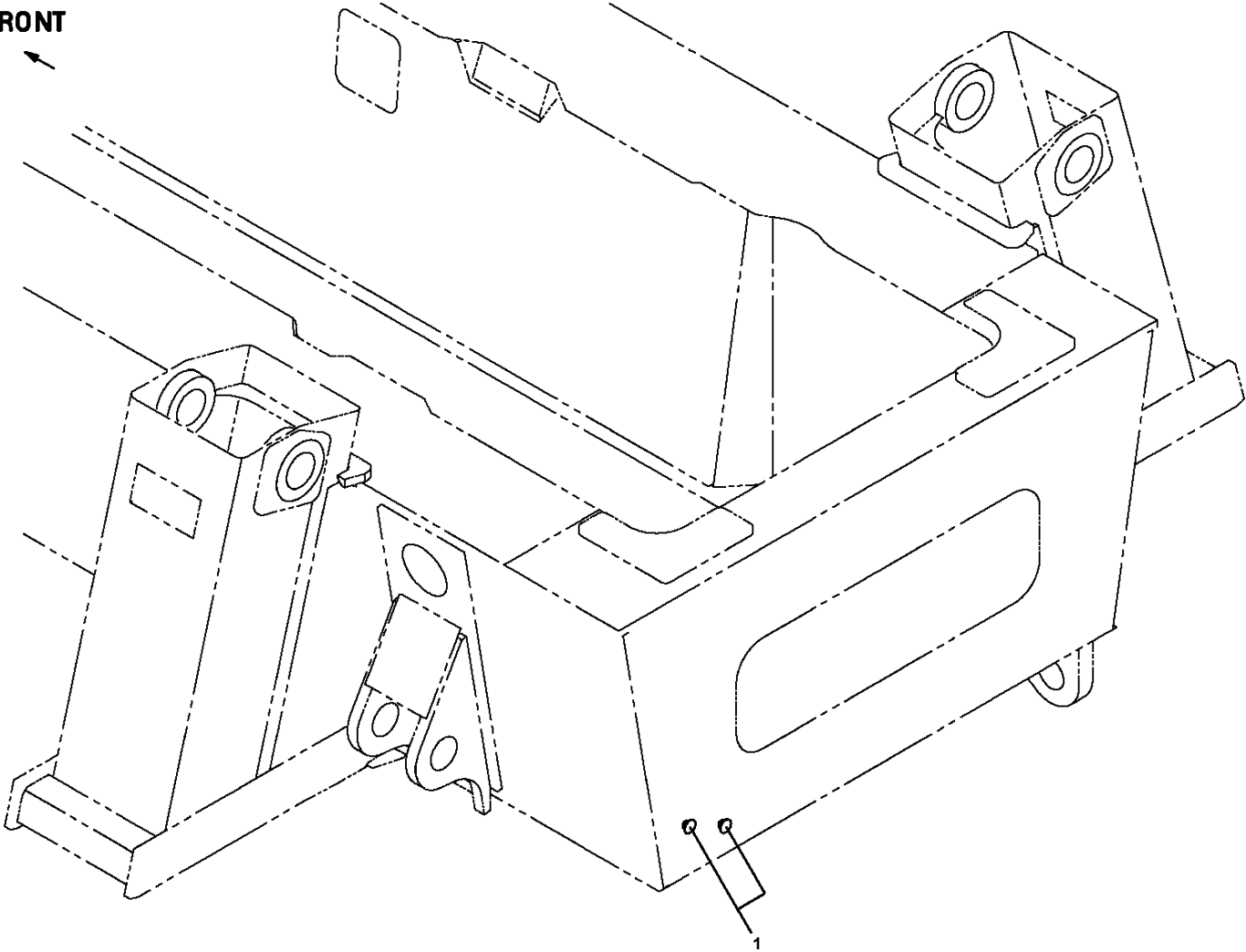
GR-250N-4-00102 4 BOOM + 2 JIB(FAJ),H,2M2D
PC5420013-00 CONTROLLER (TTC-60)

100

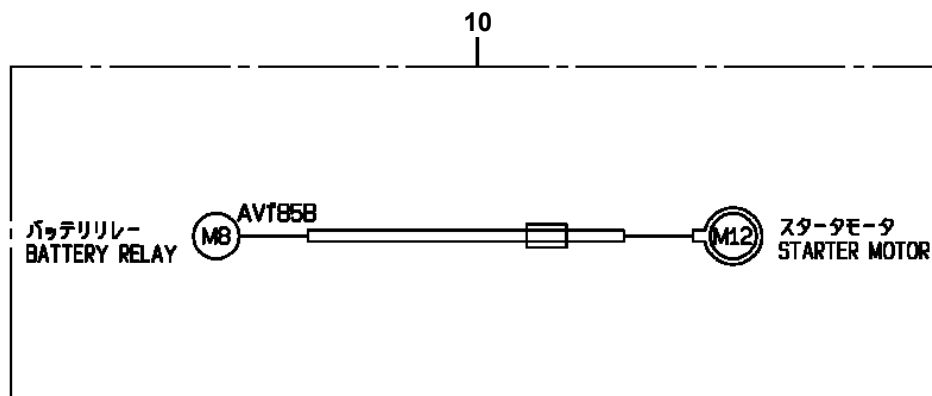


GR-250N-4-00102 4 BOOM + 2 JIB(FAJ),H,2M2D
PC5570187-00 COVER ASSY (PLUG)

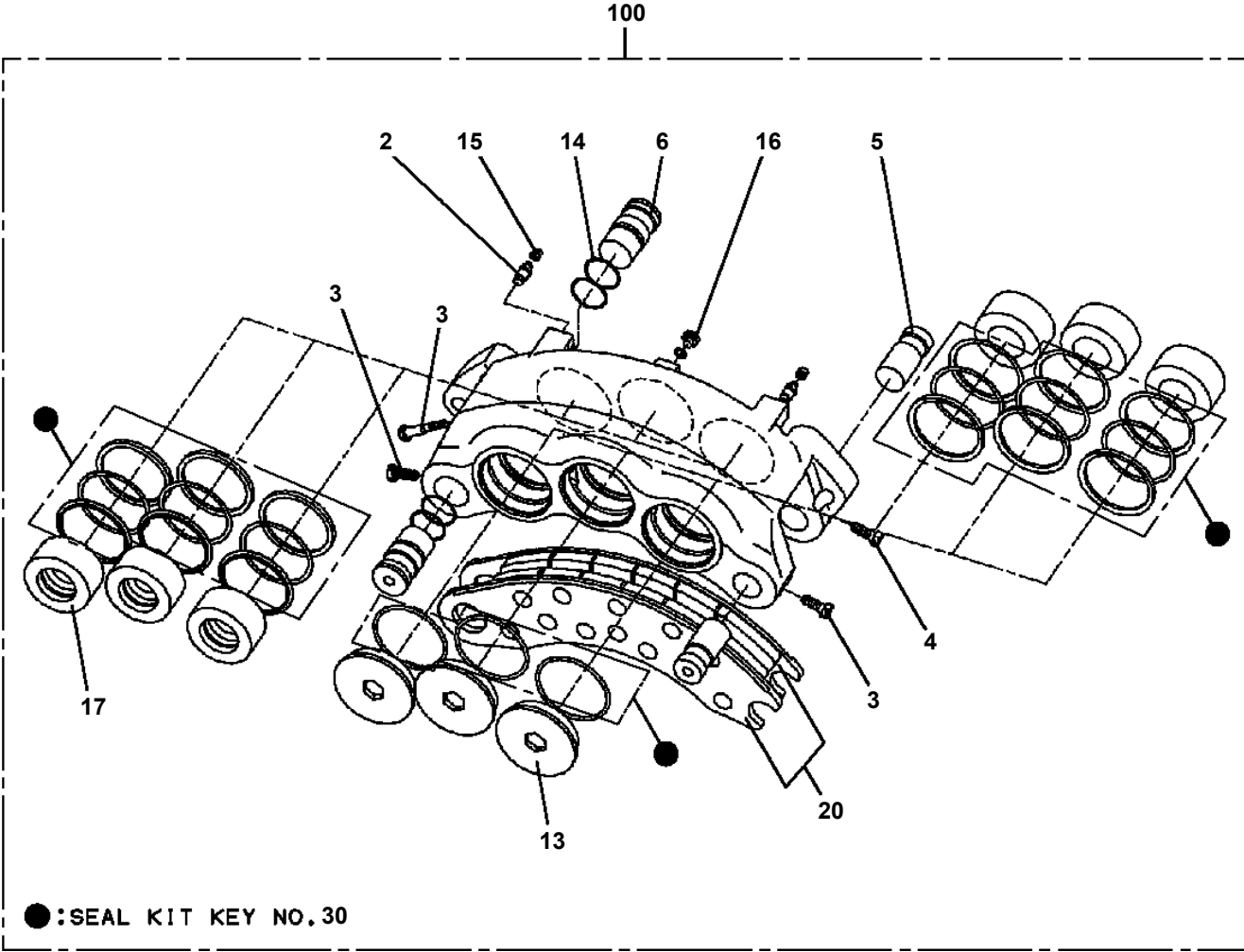
FRONT
←



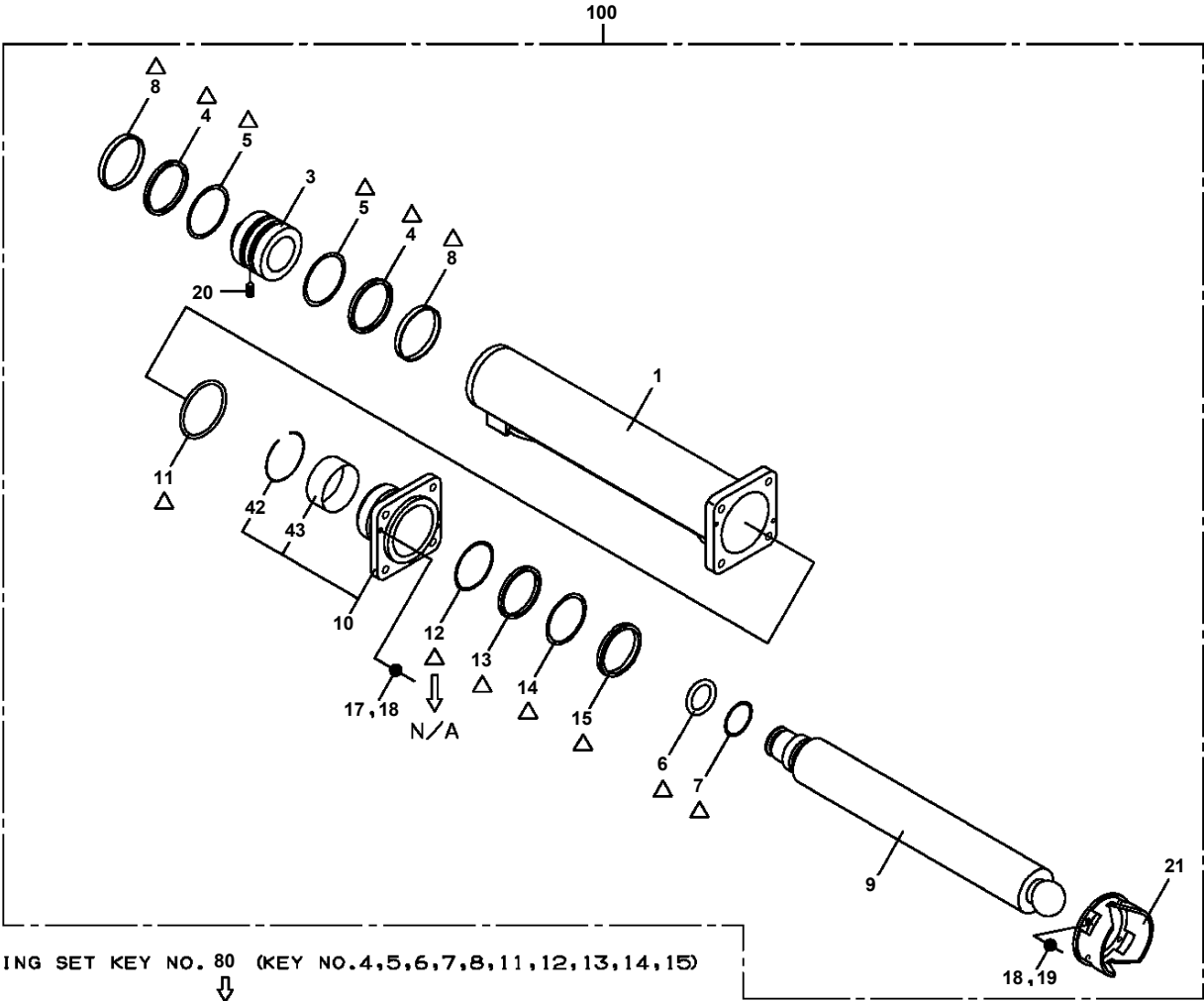
GR-250N-4-00102 4 BOOM + 2 JIB(FAJ),H,2M2D
PC5650039-00 CABLE (BATTERY RERAY-STATER MOTOR)



GR-250N-4-00102 4 BOOM + 2 JIB(FAJ),H,2M2D
PC5710002-01 CALIPER ASSY



**GR-250N-4-00102 4 BOOM + 2 JIB(FAJ),H,2M2D
PC6390012-02 CYLINDER ASSY,JACK**

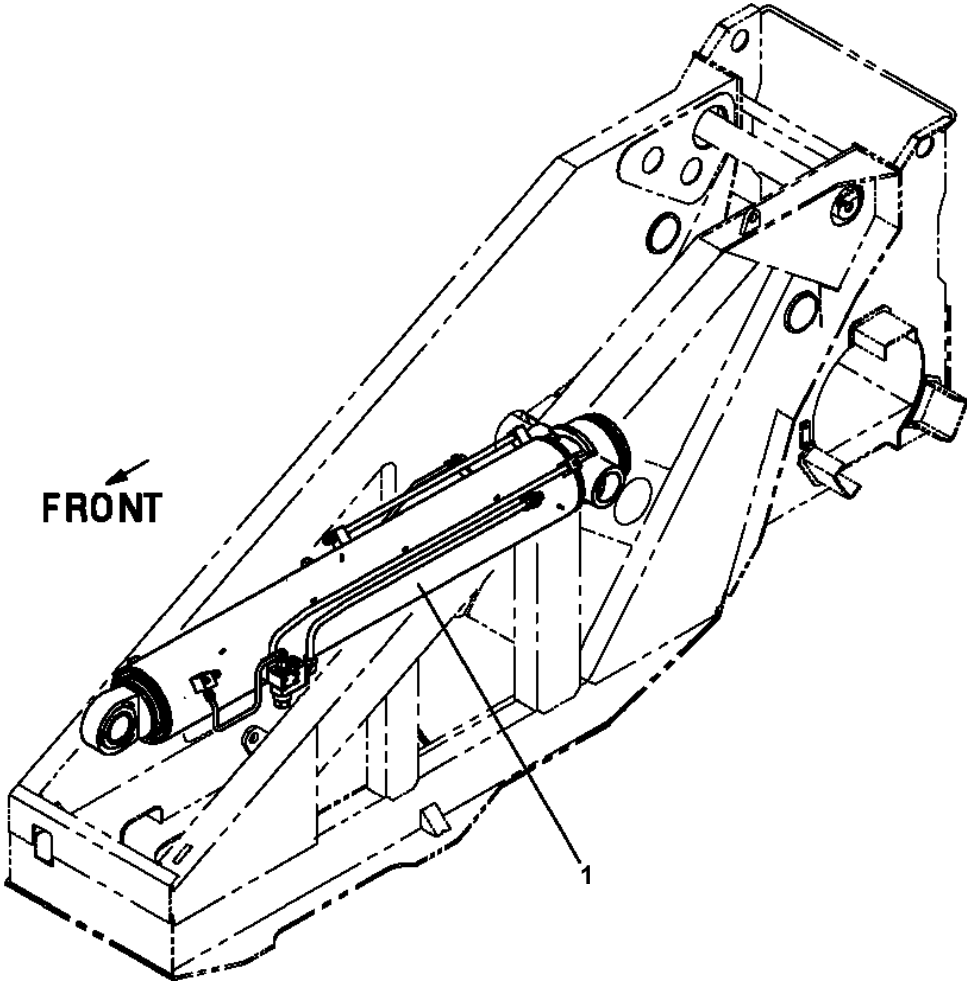


Δ:PACKING SET KEY NO. 80 (KEY NO.4,5,6,7,8,11,12,13,14,15)



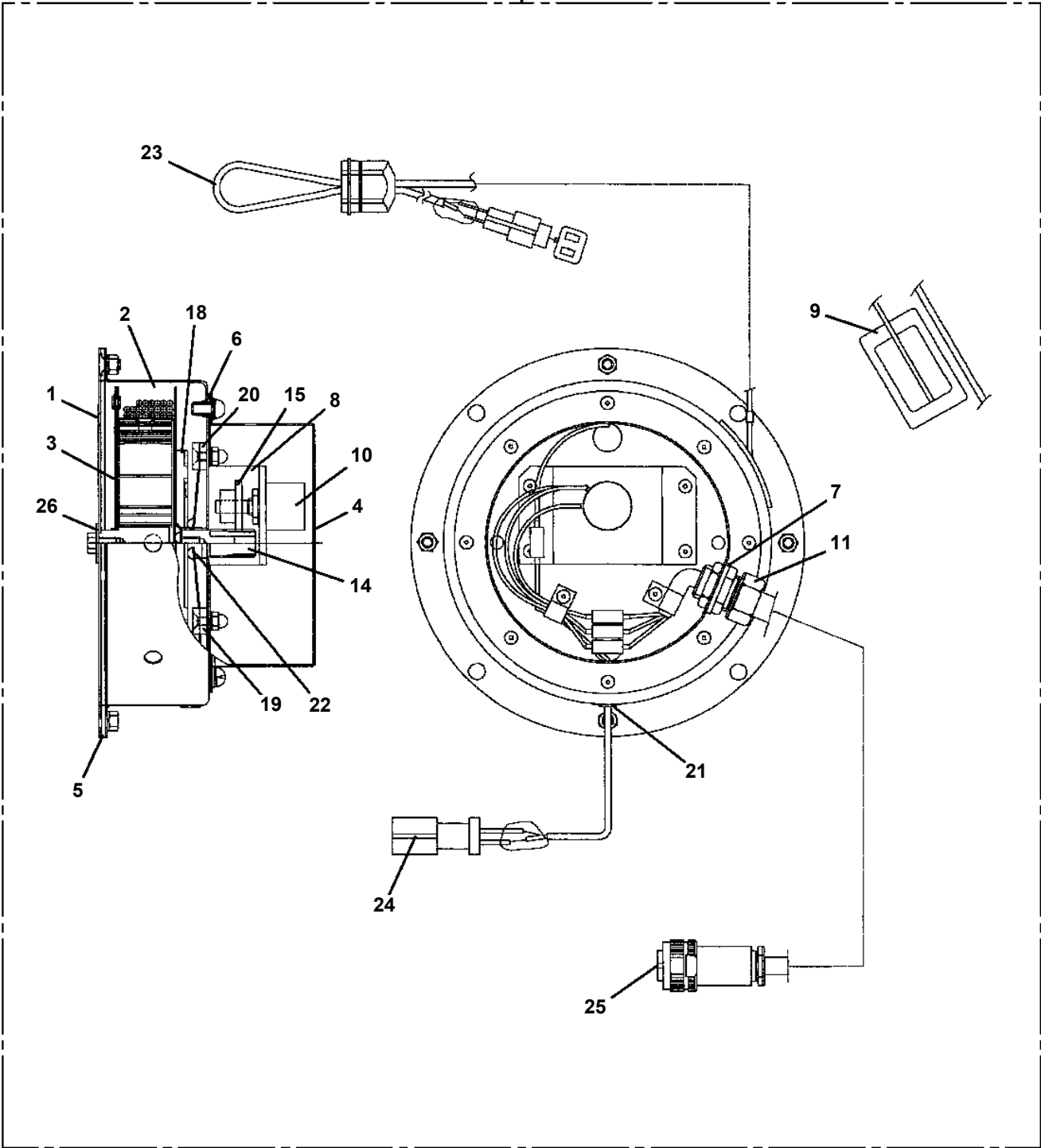
Δ:PACKING SET KEY NO. 81 (KEY NO.4,5,6,7,8,11,13,14,15)

**GR-250N-4-00102 4 BOOM + 2 JIB(FAJ),H,2M2D
PD5020024-00 DERRICK ASSY (MOUNT)**

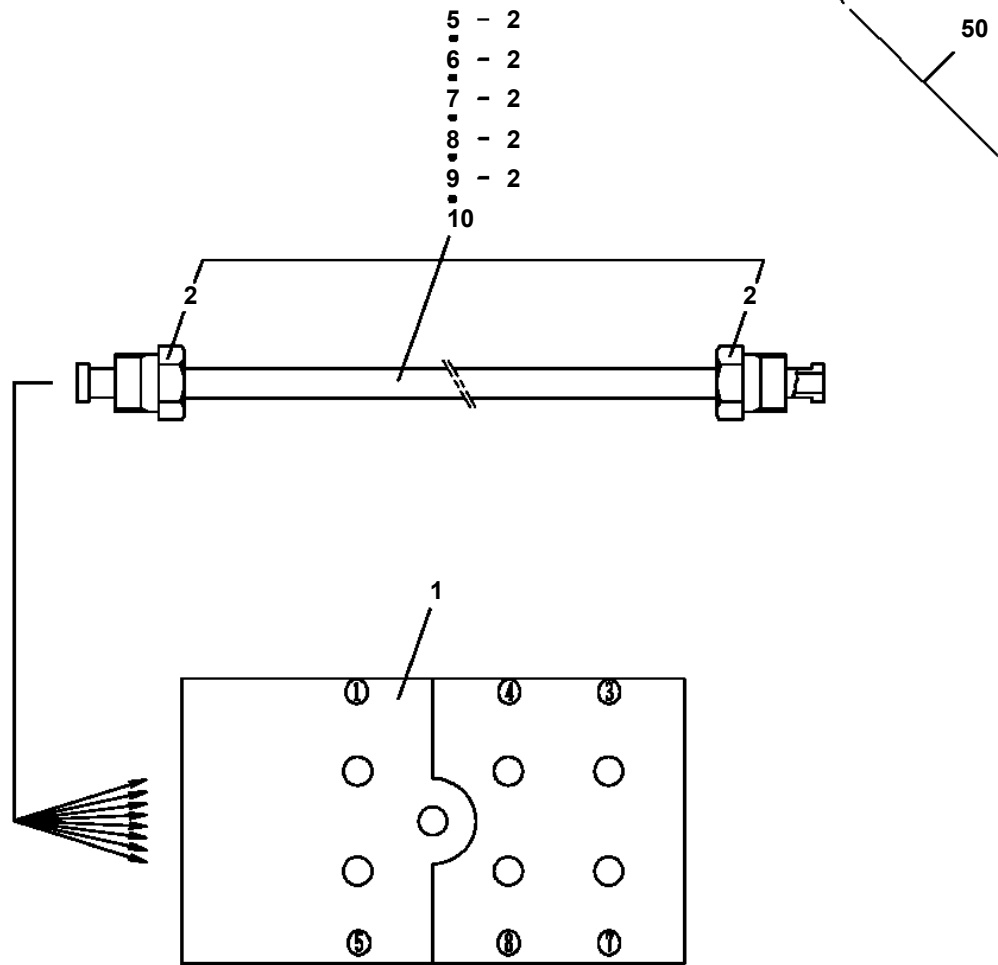


GR-250N-4-00102 4 BOOM + 2 JIB(FAJ),H,2M2D
PD5090011-00 DETECTOR ASSY,LENGTH (JIB)

100



GR-250N-4-00102 4 BOOM + 2 JIB(FAJ),H,2M2D
 PD5180112-00 DISTRIBUTOR ASSY (F-RIGHT:WITH HOSE)



1番ポートNo. PORT NO. FOR ITEM 1	ITEM No.	接続箇所/CONNECTION PORT
①	5	フライトサスシリンダ アッパー F RIGHT SUSPENSION CYLINDER UPPER
②		
③	6	フライトキングピン アッパー F RIGHT KINGPIN UPPER
④	7	フライトステアリング シリンダ F RIGHT STEERING CYLINDER
⑤	8	フライトタイロッド エンド F RIGHT TIE ROD END
⑥		
⑦	9	フライトステアリング ロッド F RIGHT STEERING ROD
⑧	10	フライトサスシリンダ ロア F RIGHT SUSPENSION CYLINDER LOWER

GR-250N-4-00102 4 BOOM + 2 JIB(FAJ),H,2M2D

Pos No.	Parts No	Parts Name	Qty	Unit	Technical Data	Serial No (Start)	Serial No (End)
1	34932090100	HARNESS (MAIN)	1				
	34932090101	HARNESS (MAIN)	1			FB9062	FB9061
2	34932090200	HARNESS (AIR)	1				
3	(*****)	BOX ASSY (VCU)	1				
4	(*****)	BOX ASSY (BATTERY RELAY)	1				
5	34932090300	HARNESS (DEF)	1				
6	34932090400	HARNESS (TRANSMISSION)	1				
7	34932090500	HARNESS (STARTER MOTOR)	1				
8	34932090600	HARNESS (REAR STEERING)	1				
9	44430680200	BUZZER ASSY (WITH HARNESS)	1				
10	34931933000	LAMP,COMBINATION (R)	1				
11	34931933500	LAMP,COMBINATION (L)	1				
12	34931934000	LAMP,BACKUP	1				
13	34931934500	LAMP,BACKUP	1				
14	34932094100	SUPPORT	2				
15	34932093000	LAMP,HEAD (LED,ASSY ONLY)	2				
16	34932023000	LAMP,COMBINATION	2				FB9664
	34932263200	LAMP ASSY,COMBINATION	2			FB9665	
17	90302040501	WASHER,SPRING	4		5		FB9664
	90302040501	WASHER,SPRING	2		5	FB9665	
18	90101205016	BOLT	4		M5X16		FB9664
19	90201200500	NUT	4		M5		FB9664
20	80192486014	SCREW,MACHINE (WITH WASHER)	8		M6X14		
21	90303290500	WASHER,PLAIN	4		5		FB9664
22	34931825100	LAMP,TURN SIGNAL	1				FB9664
	34932265100	LAMP,TURN SIGNAL	2			FB9665	
23	90303070401	WASHER,PLAIN	4		4		FB9664
24	80172304016	SCREW,MACHINE	6		M4X16		FB9664
	80172304016	SCREW,MACHINE	4		M4X16	FB9665	
25	34931825200	LAMP,TURN SIGNAL	1				FB9664
26	34931041400	LAMP ASSY,LICENSE	1				FB9664
	34932261400	LAMP,LICENSE (ASSY ONLY)	1			FB9665	
27	90201200400	NUT	3		M4		FB9664
	90201200400	NUT	1		M4	FB9665	
28	90303290400	WASHER,PLAIN	2		4		
29	80192485014	SCREW,MACHINE (WITH WASHER)	4		M5X14		
30	42433330020	PLUG (2 POLES,FEMALE)	1				
31	90201201000	NUT	2		M10		
32	90303291000	WASHER,PLAIN	6		10		FB8996
	90303291000	WASHER,PLAIN	8		10	FB8997	
33	90280201000	NUT,FLANGE	3		M10		FB9061
	90280201000	NUT,FLANGE	4		M10	FB9062	
34	90201201200	NUT	1		M12		
35	90303290600	WASHER,PLAIN	26		6		
36	91810130240	FASTENER	2				
37	90186208016	BOLT,FLANGE	4		M8X16		FB9401
	90186208016	BOLT,FLANGE	3		M8X16	FB9402	
38	34930430200	SUPPORT	1				
39	90280200800	NUT,FLANGE	25		M8		
40	90280200600	NUT,FLANGE	N		M6		
41	90186208014	BOLT,FLANGE	21		M8X14		
42	82100002011	CLAMP	1		WRC15		
43	90302040301	WASHER,SPRING	4		3		
44	80171303012	SCREW,MACHINE	4		M3X12		
45	90201200300	NUT	4		M3		
46	37000600120	CLAMP	19		WR45		
47	82100002019	CLAMP	15		WR40		
48	82100002018	CLAMP	2		WR35		
49	82100002020	CLAMP	15		WR28		FB8529
50	82100002014	CLAMP	23		WR20		
51	82100002012	CLAMP	42		WR18		
52	82100002010	CLAMP	8		WR15		
53	82100002006	CLAMP	61		WR10		FB9061

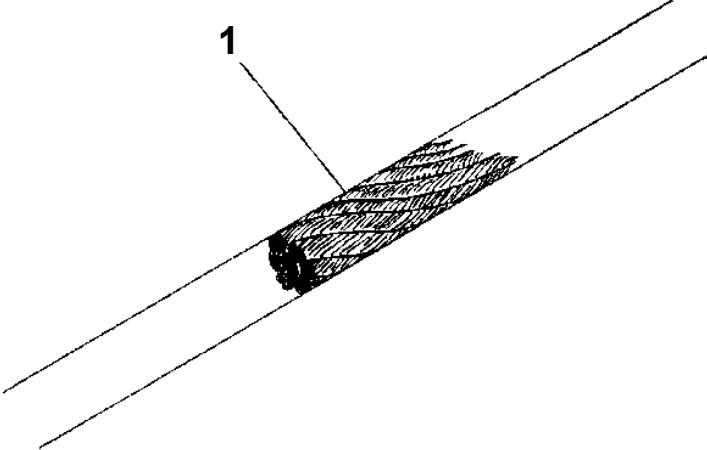
GR-250N-4-00102 4 BOOM + 2 JIB(FAJ),H,2M2D

Pos No.	Parts No	Parts Name	Qty	Unit	Technical Data	Serial No (Start)	Serial No (End)	Remarks
1	36171550000	CONTROLLER (GSMT)	1					
	36172650000	CONTROLLER (GSMT)	1			FB8677	FB8676	
2	34355300100	HARNESS (GSMT)	1					
3	80197586012	SCREW,MACHINE	4		M6X12			
4	34494770200	ANTENNA (GPS,ASSY ONLY)	1					
5	91810132530	FASTENER	5					

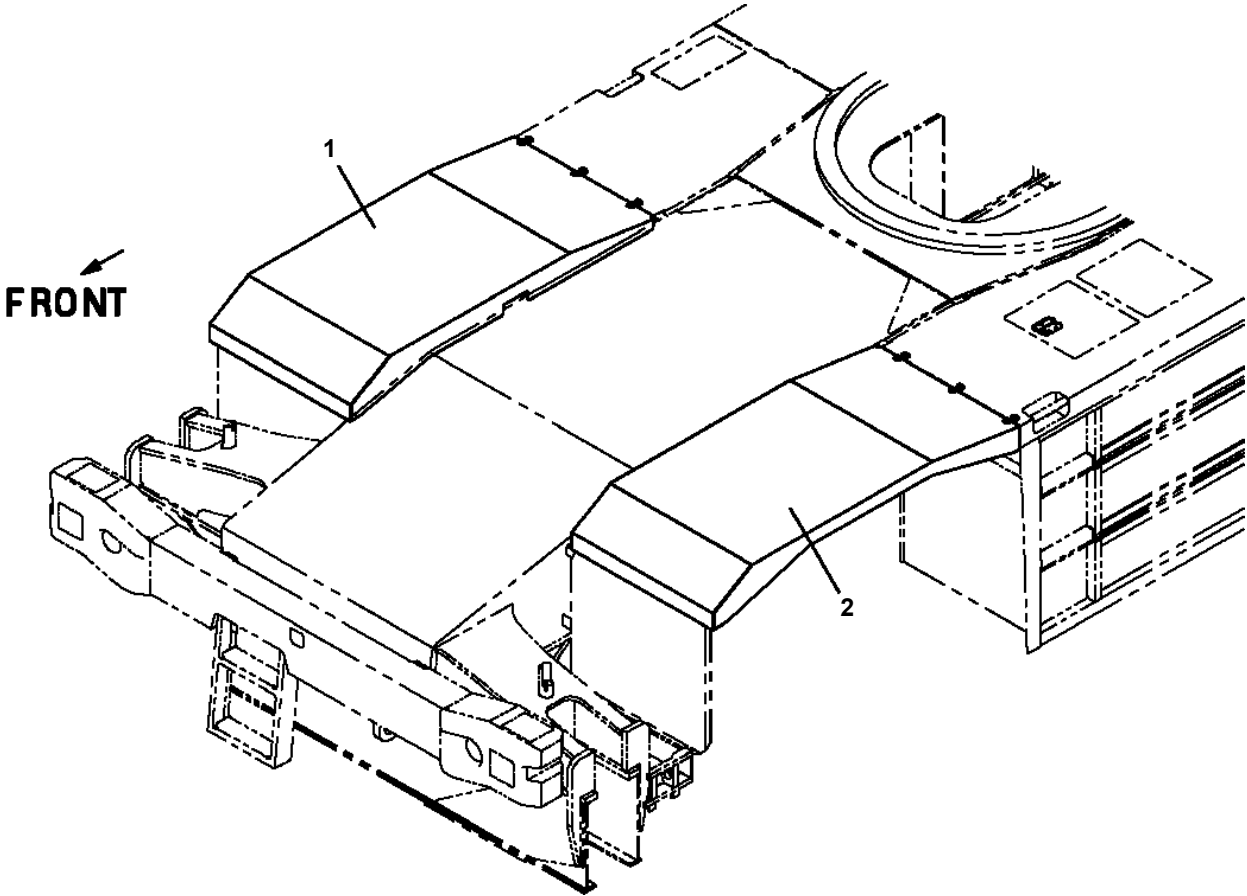
GR-250N-4-00102 4 BOOM + 2 JIB(FAJ),H,2M2D

Pos No.	Parts No	Parts Name	Qty	Unit	Technical Data	Serial No (Start)	Serial No (End)
1	(*****)	ACCESSORY LIST (ENGINE:MOUNTING PARTS)	1				
2	(*****)	ACCESSORY LIST (ELECTRICAL DEVICE)	1				
100	36361840000	ENGINE ASSY (CUMMINS)	1				

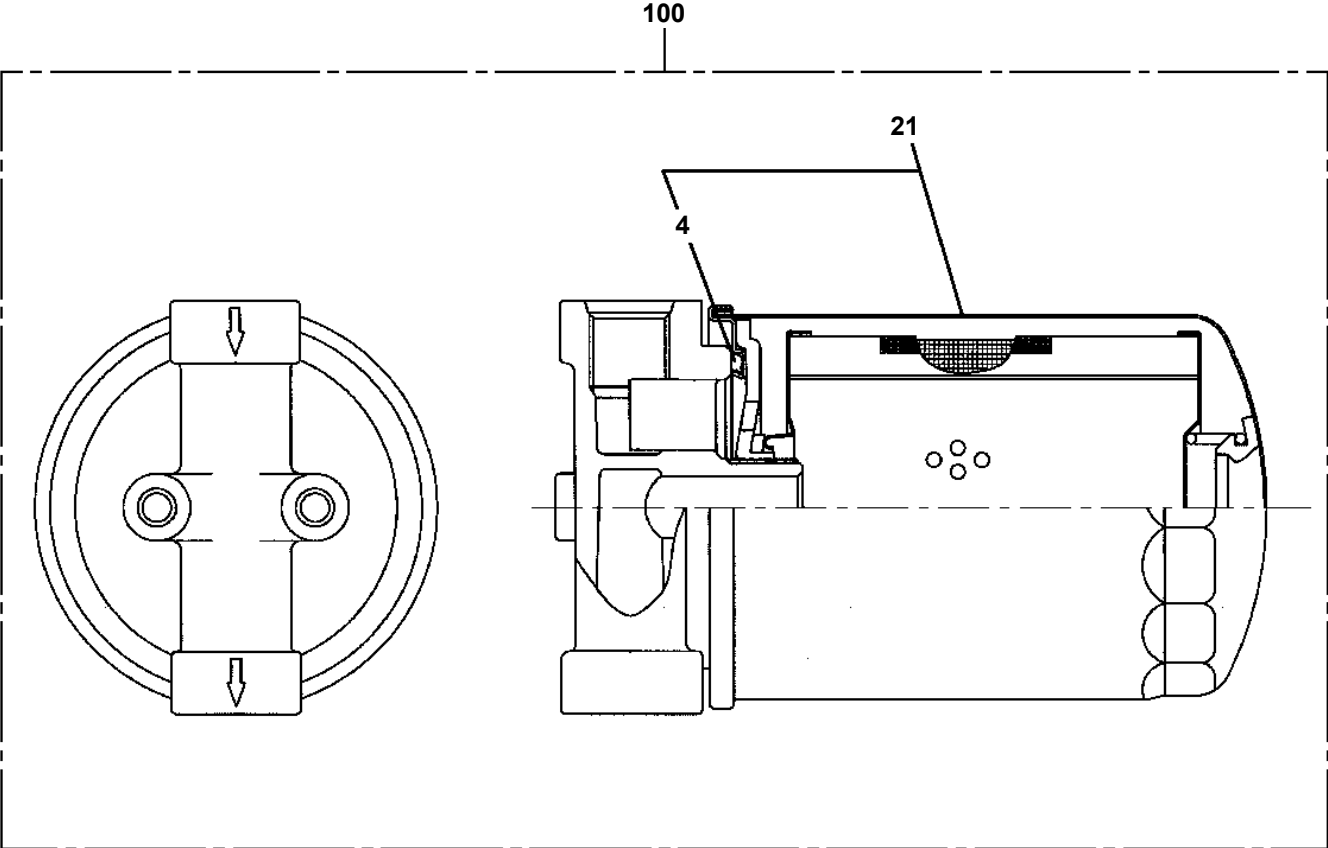
GR-250N-4-00102 4 BOOM + 2 JIB(FAJ),H,2M2D
PF1070031-00 ROPE,WIRE (TESAC)



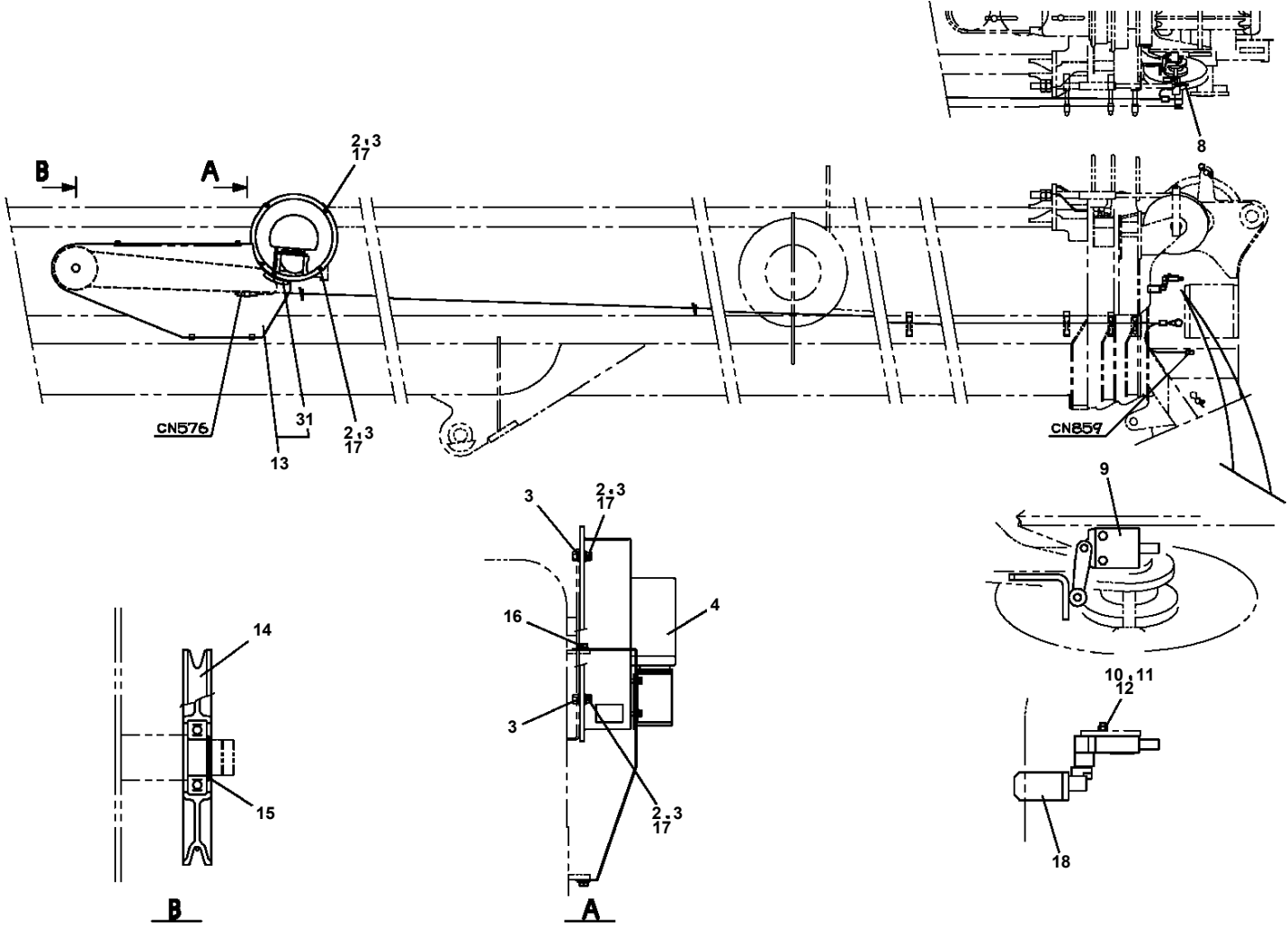
**GR-250N-4-00102 4 BOOM + 2 JIB(FAJ),H,2M2D
PF5020003-00 FENDER ASSY (FRONT)**



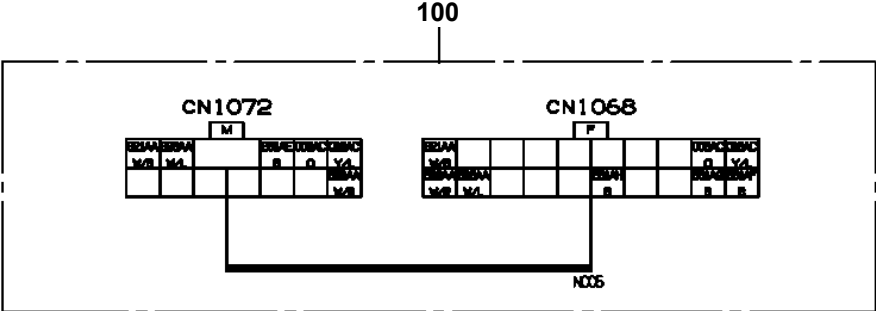
**GR-250N-4-00102 4 BOOM + 2 JIB(FAJ),H,2M2D
PF5030029-00 FILTER ASSY**



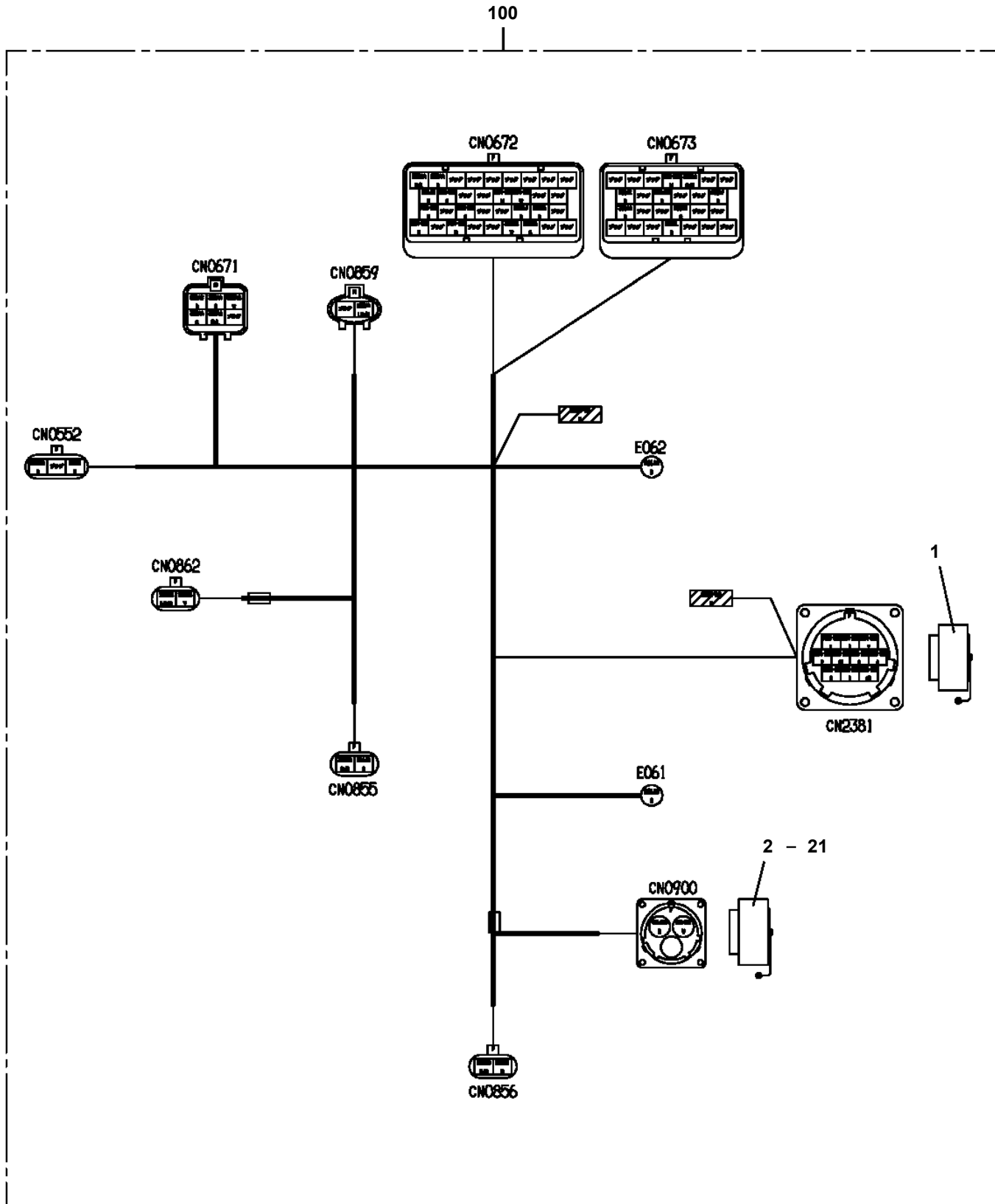
GR-250N-4-00102 4 BOOM + 2 JIB(FAJ),H,2M2D
PG1120249-01 DETECTOR,BOOM LENGTH



**GR-250N-4-00102 4 BOOM + 2 JIB(FAJ),H,2M2D
PH5031896-00 HARNESS (SCT)**

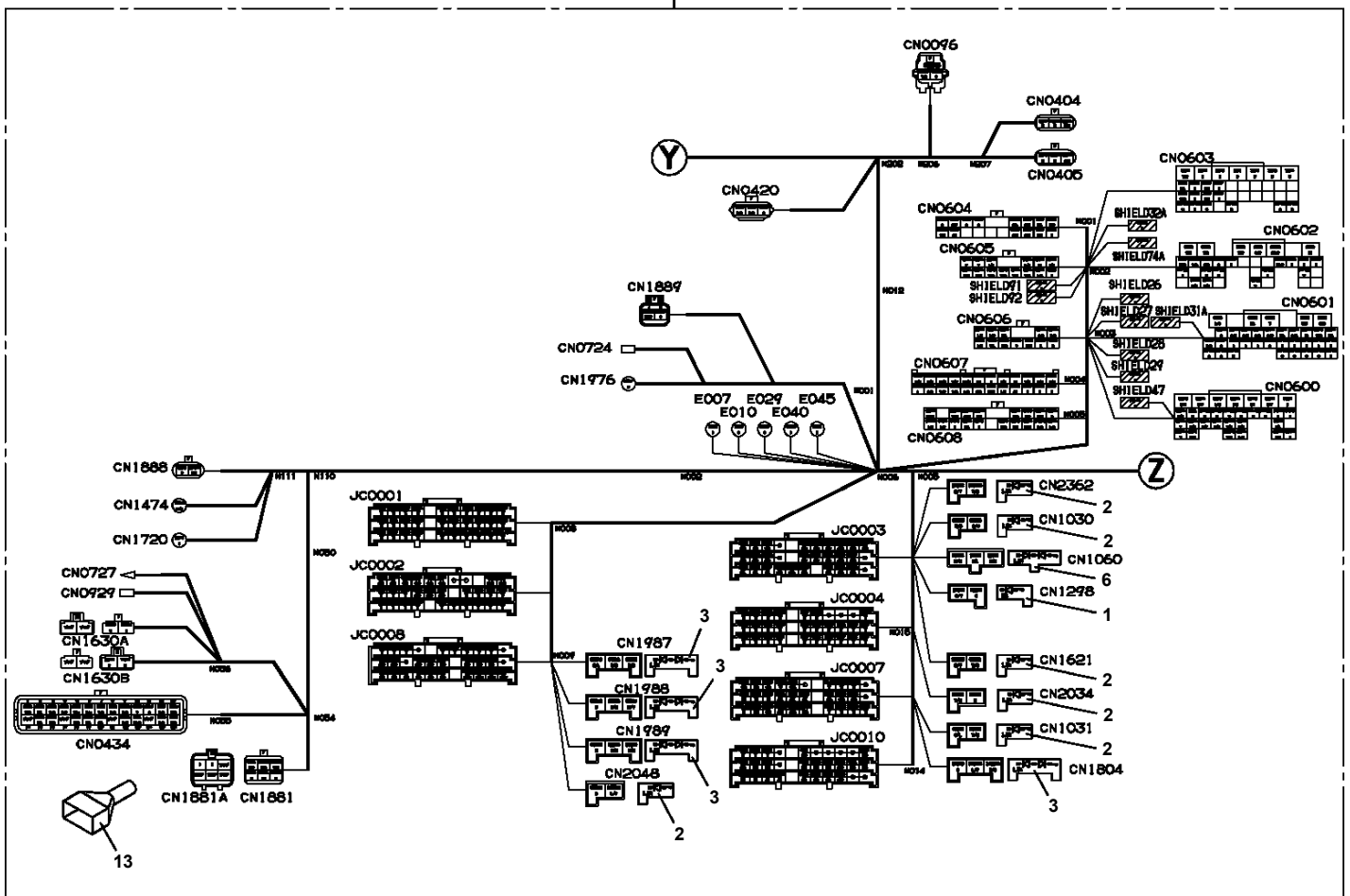


GR-250N-4-00102 4 BOOM + 2 JIB(FAJ),H,2M2D
PH5032748-00 HARNESS (BOOM TOP)



**GR-250N-4-00102 4 BOOM + 2 JIB(FAJ),H,2M2D
PH5032755-03 HARNESS (MAIN)**

100



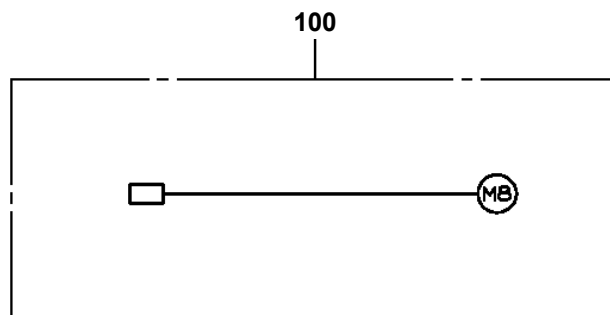
GR-250N-4-00102 4 BOOM + 2 JIB(FAJ),H,2M2D

Pos No.	Parts No	Parts Name	Qty	Unit	Technical Data	Serial No (Start)	Serial No (End)	Rema
1	82182819823	DIODE	14		1.5A			
2	82182819834	DIODE	2		1.5A			
3	82122704200	CAP	1					
4	82181809920	RESISTANCE	1		1.3 KILO-OHM ,0.5W			
5	82182819822	DIODE	3		3A			
100	34355271011	HARNESS (MAIN,IN CAB)	1					

GR-250N-4-00102 4 BOOM + 2 JIB(FAJ),H,2M2D

Pos No.	Parts No	Parts Name	Qty	Unit	Technical Data	Serial No (Start)	Serial No (End)
100	34734630100	HARNESS (HALOGEN CONVERSION)	1				

**GR-250N-4-00102 4 BOOM + 2 JIB(FAJ),H,2M2D
PH5034324-00 HARNESS (EARTH LINE)**



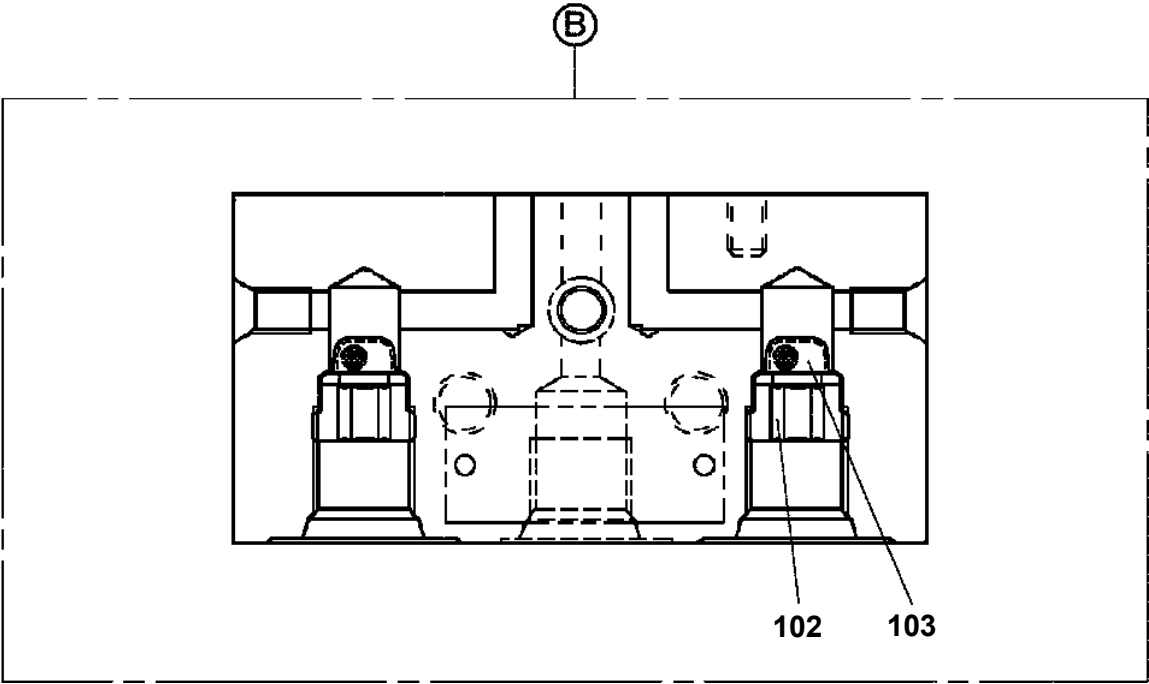
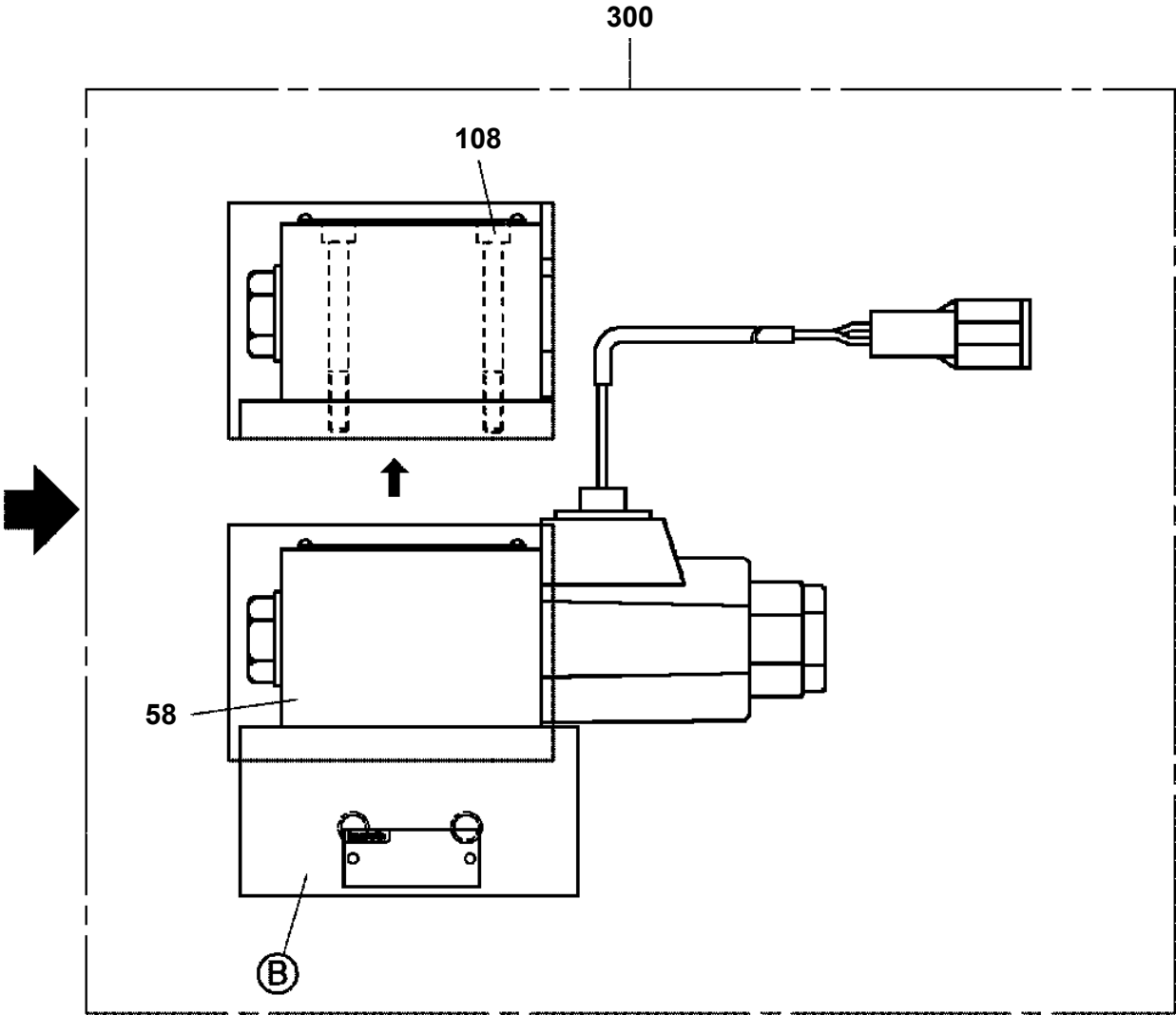
GR-250N-4-00102 4 BOOM + 2 JIB(FAJ),H,2M2D

Pos No.	Parts No	Parts Name	Qty	Unit	Technical Data	Serial No (Start)	Serial No (End)	Remarks	Pages
1	37010101650	PIN	1						
2	37001400370	SPRING	1						
3	37003000150	STOPPER	1						
4	80136332020	PIN,SPLIT	1		3.2X20				

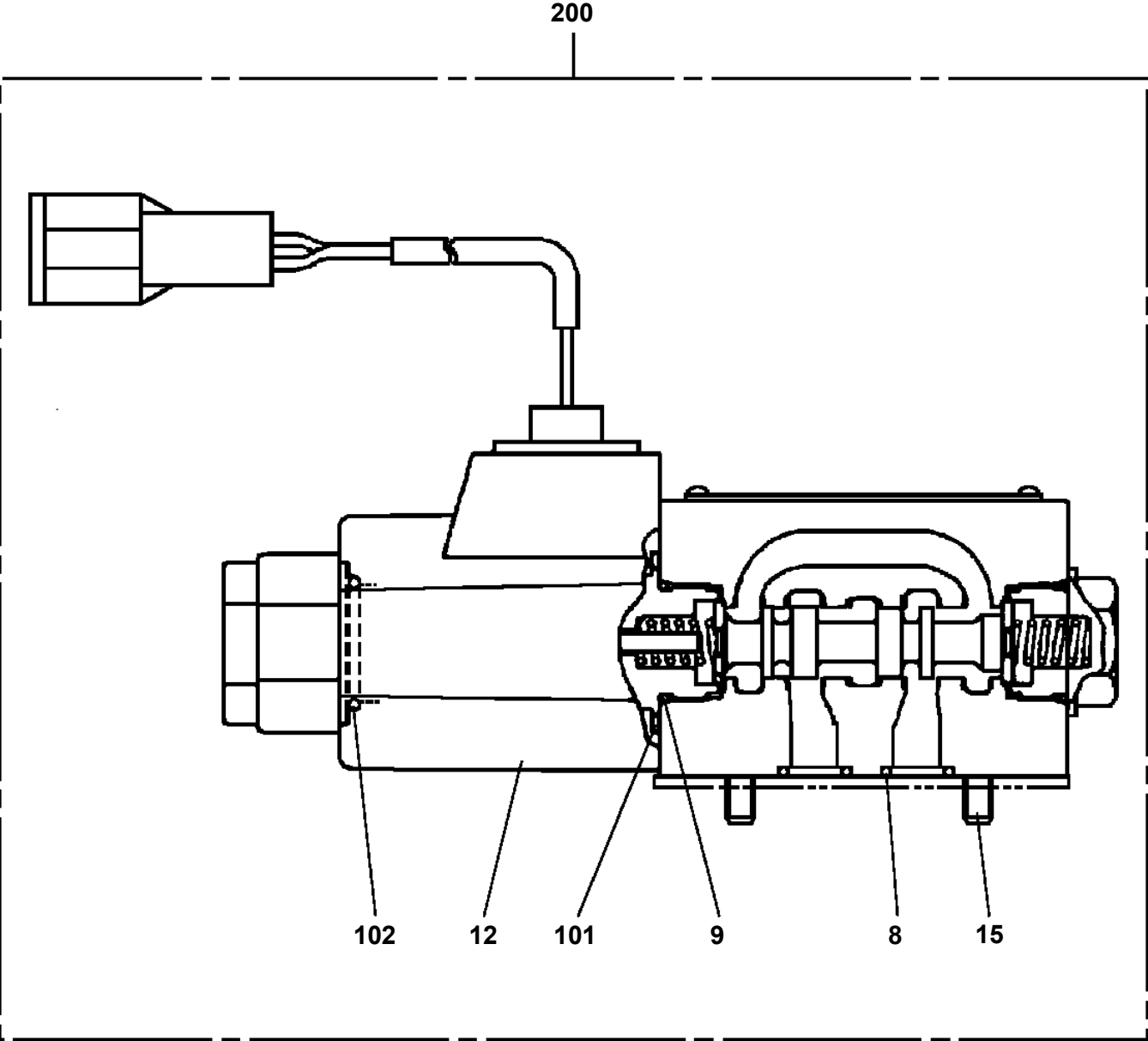
GR-250N-4-00102 4 BOOM + 2 JIB(FAJ),H,2M2D

Pos No.	Parts No	Parts Name	Qty	Unit	Technical Data	Serial No (Start)	Serial No (End)
2	(*****)	PLATE ASSY,NAME (HOOK 12T)	1				
3	36094150001	HOOK (SHEAVE 2 PC'S)	1				
4	(*****)	NAME PLATE ASSY (NOTES ON HOOK USAGE)	1				

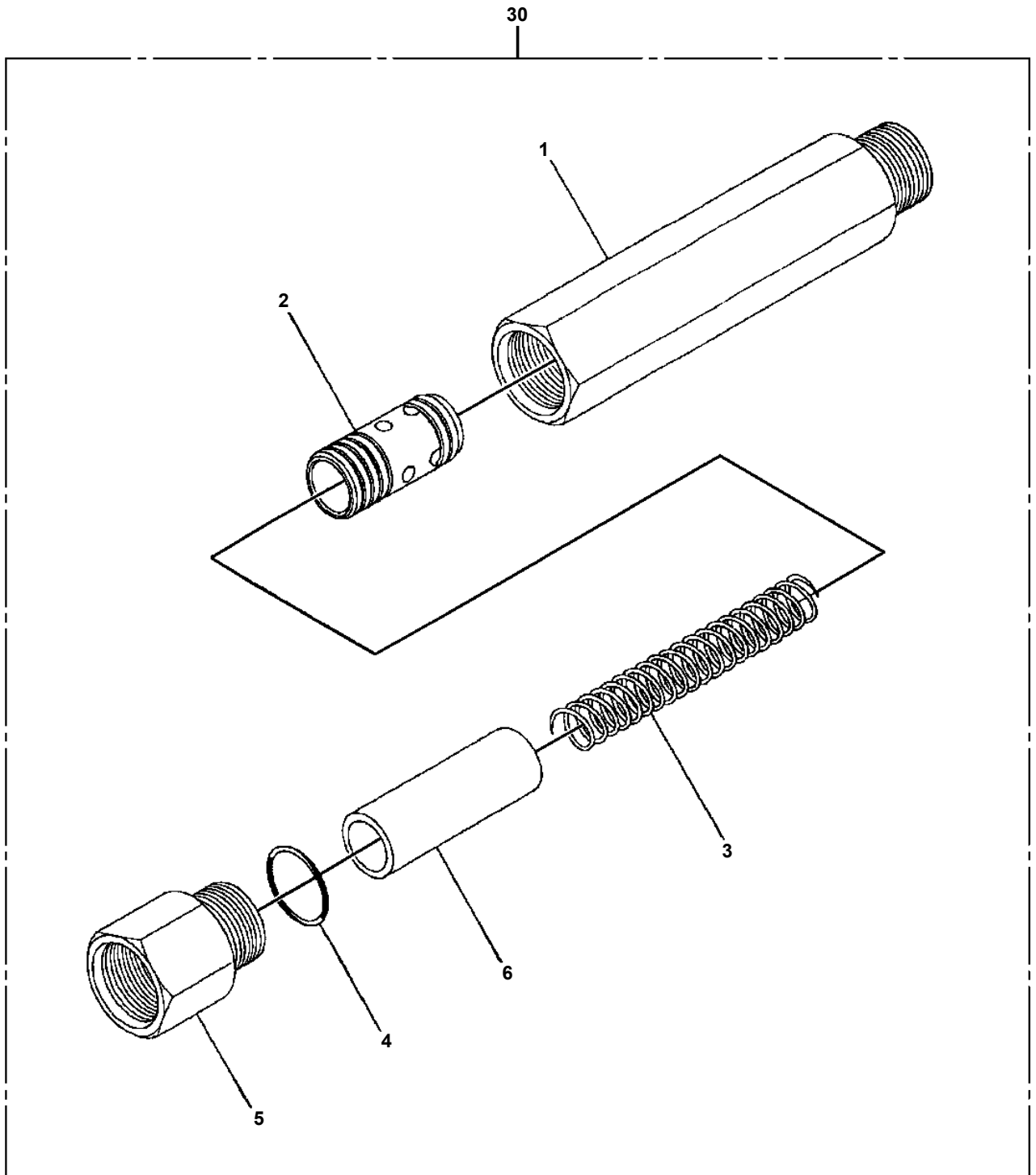
GR-250N-4-00102 4 BOOM + 2 JIB(FAJ),H,2M2D
PI1120138-04 VALVE,SOLENOID



GR-250N-4-00102 4 BOOM + 2 JIB(FAJ),H,2M2D
PI1120345-00 VALVE,SOLENOID

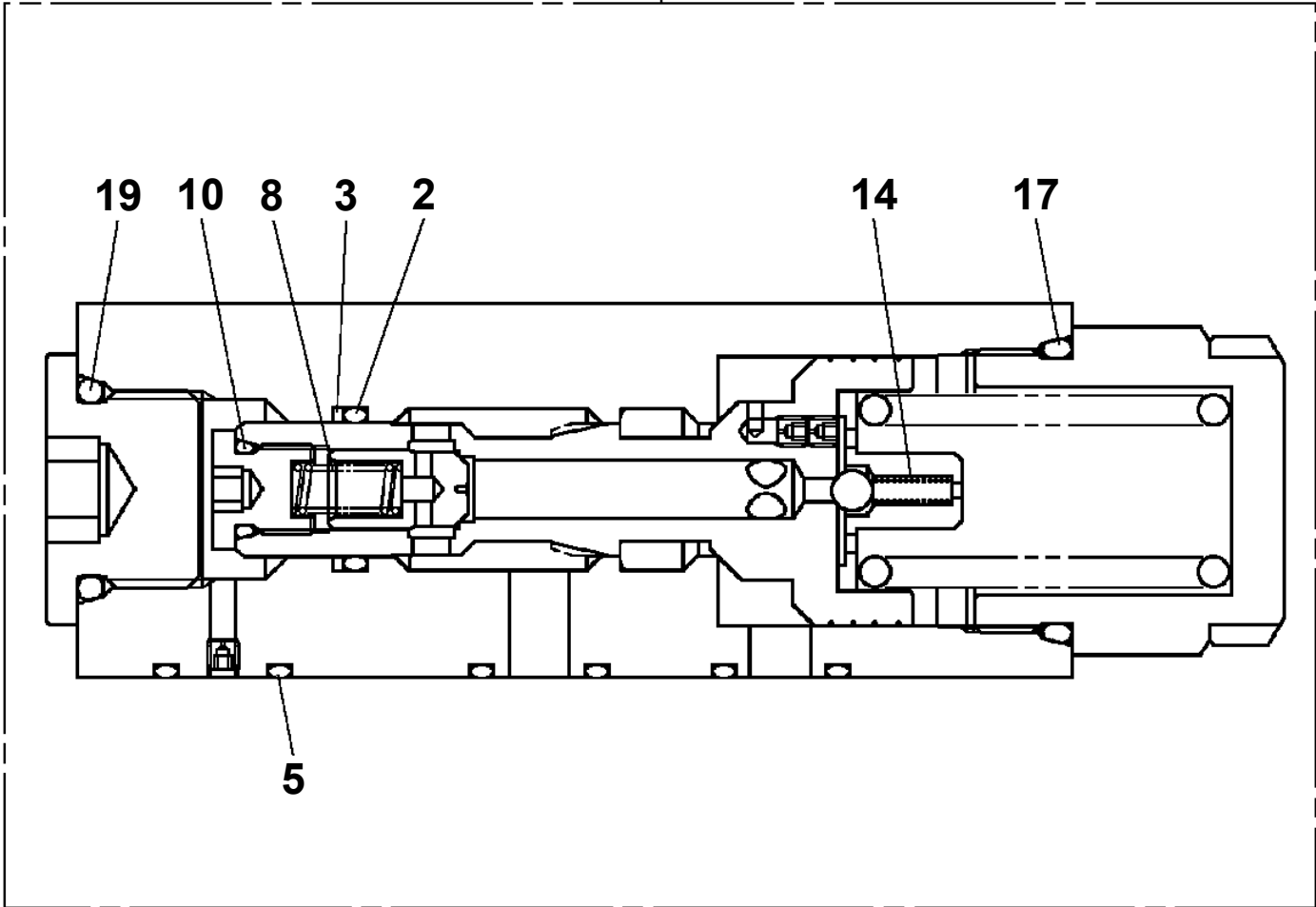


GR-250N-4-00102 4 BOOM + 2 JIB(FAJ),H,2M2D
PI1140116-01 VALVE,CHECK



GR-250N-4-00102 4 BOOM + 2 JIB(FAJ),H,2M2D
PI1250142-00 VALVE,COUNTERBALANCE

100



GR-250N-4-00102 4 BOOM + 2 JIB(FAJ),H,2M2D

Pos No.	Parts No	Parts Name	Qty	Unit	Technical Data	Serial No (Start)	Serial No (End)	Ren
1	36132640000	DETECTOR ASSY,LENGTH (JIB)	1					
2	90101206012	BOLT	4		M6X12			
3	90302040601	WASHER,SPRING	4		6			
4	82100002002	CLAMP	2		WR6			
5	90280200600	NUT,FLANGE	3		M6			
6	34364151100	COVER	1					
7	90186208014	BOLT,FLANGE	4		M8X14			
8	90303070601	WASHER,PLAIN	1		6			
9	80136320016	PIN,SPLIT	1		2X16			
10	82100002014	CLAMP	1		WR20			
11	90201200600	NUT	3		M6			
31	82400000201	GROMMET	2		KG-016			

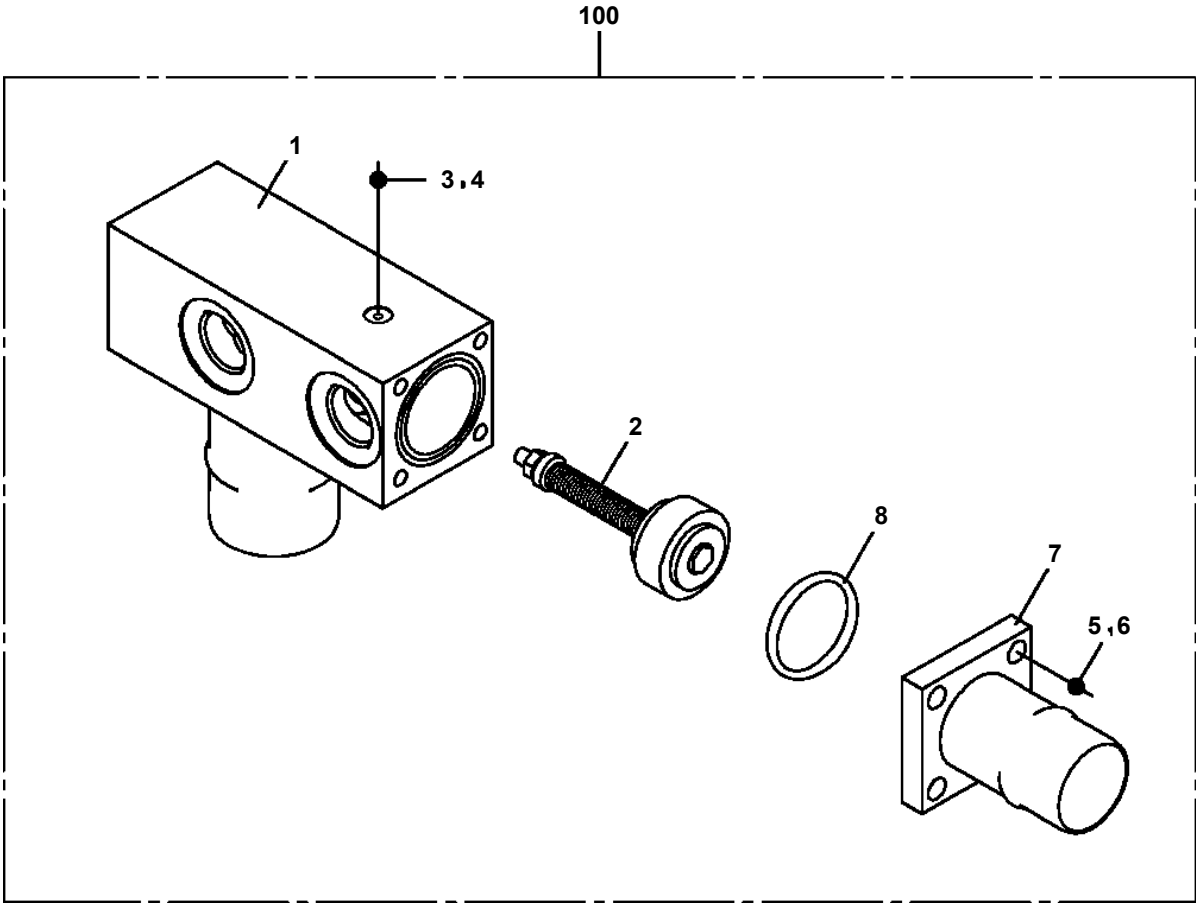
GR-250N-4-00102 4 BOOM + 2 JIB(FAJ),H,2M2D

Pos No.	Parts No	Parts Name	Qty	Unit	Technical Data	Serial No (Start)	Serial No (End)	Remarks	Pages
1	34961080100	SUPPORT	1						
2	36684510000	TACHOGRAPH	1						000415
3	90302040301	WASHER,SPRING	4		3				
4	80172303008	SCREW,MACHINE	4		M3X8				
5	80192485012	SCREW,MACHINE	3		M5X12				
6	82400000135	GROMMET	1						
7	91810132530	FASTENER	2						

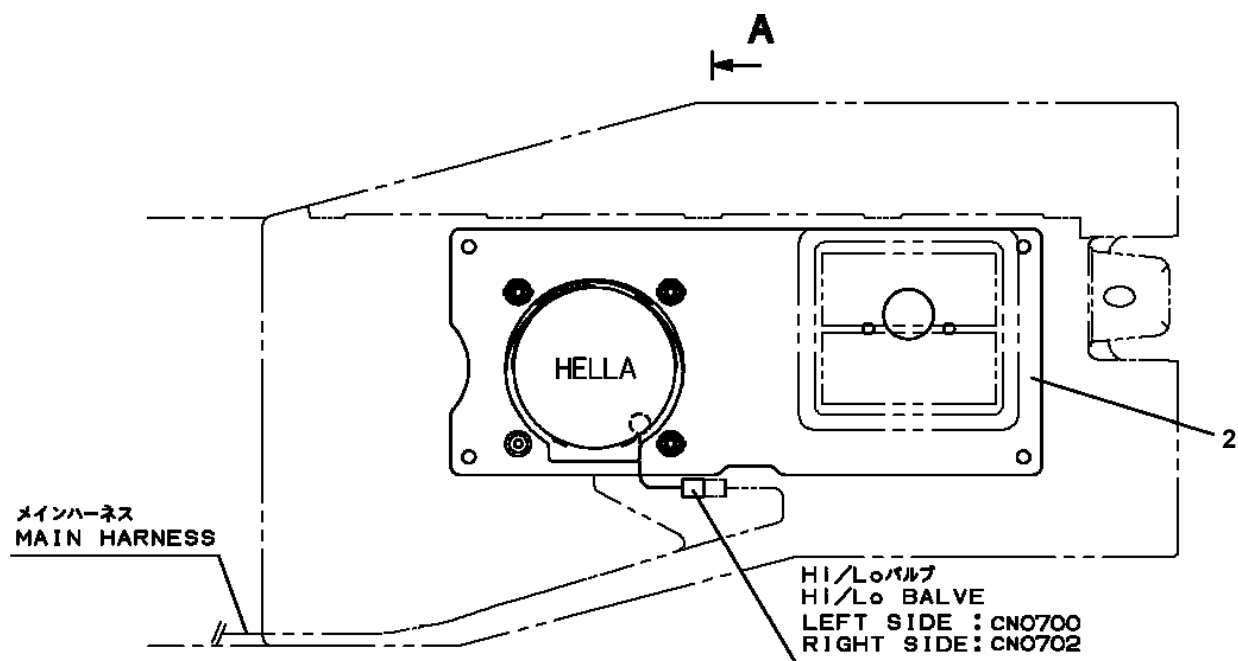
GR-250N-4-00102 4 BOOM + 2 JIB(FAJ),H,2M2D

Pos No.	Parts No	Parts Name	Qty	Unit	Technical Data	Serial No (Start)	Serial No (End)
1	34222290030	JIB ASSY,1	1				
2	34222290040	JIB ASSY,2	1				
3	34222290100	ROD (LEFT)	1				
4	34222290200	ROD (RIGHT)	1				
5	36054410000	CYLINDER ASSY (JIB TELESCOPING)	1				
6	82455106000	NIPPLE,GREASE	2		A-M6F FE		
7	37010103740	PIN	2				
8	37000200650	PIN,SNAP	2				
9	80602110400	RING,RITAINING	2		R40		
10	37000139550	PIN	2				
11	12434402040	SPRING	2				
12	80171305008	SCREW,MACHINE	4		M5X8		
13	90171112025	BOLT	6		M12X25		
14	90302041201	WASHER,SPRING	2		12		
15	37000547820	PLATE	2				
16	37002005750	PLATE,SLIDE	2				
17	37000548810	PLATE	2		T=1.0		
18	37000548820	PLATE	2		T=0.6		
19	37001506130	BOLT	4				
20	90303070601	WASHER,PLAIN	4		6		
21	80136316010	PIN,SPLIT	4		1.6X10		
22	34222290600	SUPPORT	1				
23	37000149160	PIN	1				
24	37000307990	SPACER	2		L=42		
25	37000547850	PLATE	2				
26	90171110016	BOLT	1		M10X16		
27	90302041001	WASHER,SPRING	19		10		
28	37000137100	PIN	1				
29	37001009650	SHEAVE ASSY	1				
30	37000311790	SPACER	2		L=8		
31	37000149590	PIN	1				
32	37001009890	SHEAVE ASSY (LICHARZ,ASSY ONLY)	1				FB9521
33	16311007000	SPACER	2		L=3.5		
34	37000513430	PLATE	1				
35	37002011580	PLATE,SLIDE	4				
36	90172106014	BOLT,HEXAGON SOCKET	4		M6X14		
37	37002001210	PLATE,SLIDE	4		75X25XT15		
38	33220225200	SHIM	8		T=1		
39	33220225210	SHIM	4		T=0.6		
40	37010103680	PIN	2				
41	90101210016	BOLT	4		M10X16		
42	34200880020	PLATE	2		T=9		
43	37000539080	PLATE	20		T=1.0		
44	37000539070	PLATE	6		T=0.5		
45	90101210022	BOLT	8		M10X22		
46	37002010440	PLATE,SLIDE	4		50X30XT21		
47	32200180700	PLATE	4		T=0.5		
48	90171106008	BOLT	4		M6X8		
49	32200215100	RETAINER	2				
50	37000182410	PIN	1				
51	37000201130	PIN,SNAP	1				FB8631
	34220470090	PIN,SNAP	1			FB8632	
52	34221570200	COVER	1				
53	90303070801	WASHER,PLAIN	4		8		
54	90171108016	BOLT	4		M8X16		
55	82456101000	NIPPLE,GREASE	1		A-PT1/8		
56	34221570300	PLATE	2				
57	90101208012	BOLT	6		M8X12		
58	90302040801	WASHER,SPRING	10		8		
59	90101210014	BOLT	6		M10X14		
82	36093861100	BEARING,BALL	2				FB8486
	80513006207	BEARING,BALL	2			FB8487	
200	34222290020	JIB ASSY	1				

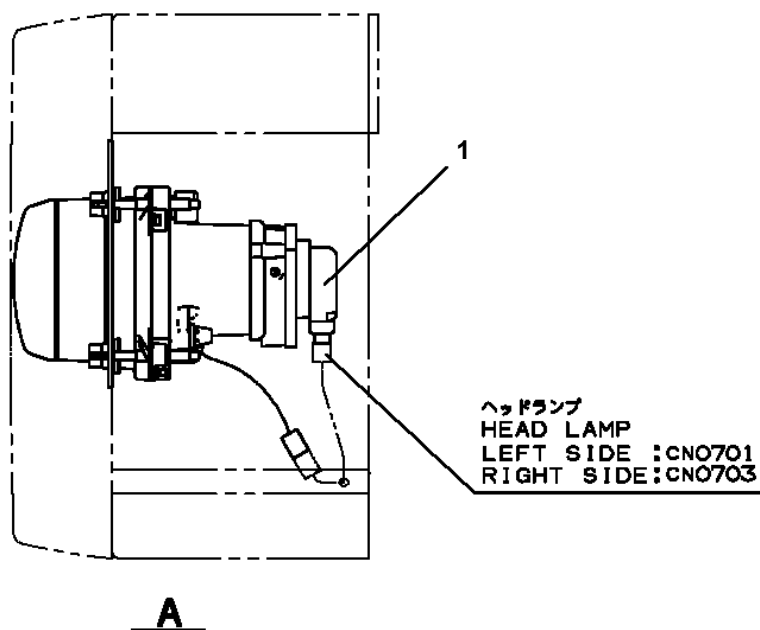
GR-250N-4-00102 4 BOOM + 2 JIB(FAJ),H,2M2D
PJ5080049-00 JOINT ASSY



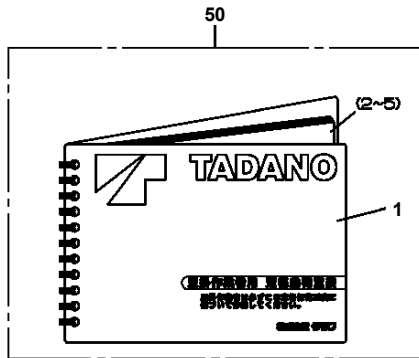
GR-250N-4-00102 4 BOOM + 2 JIB(FAJ),H,2M2D
PL5020154-01 LAMP ASSY (HALOGEN)



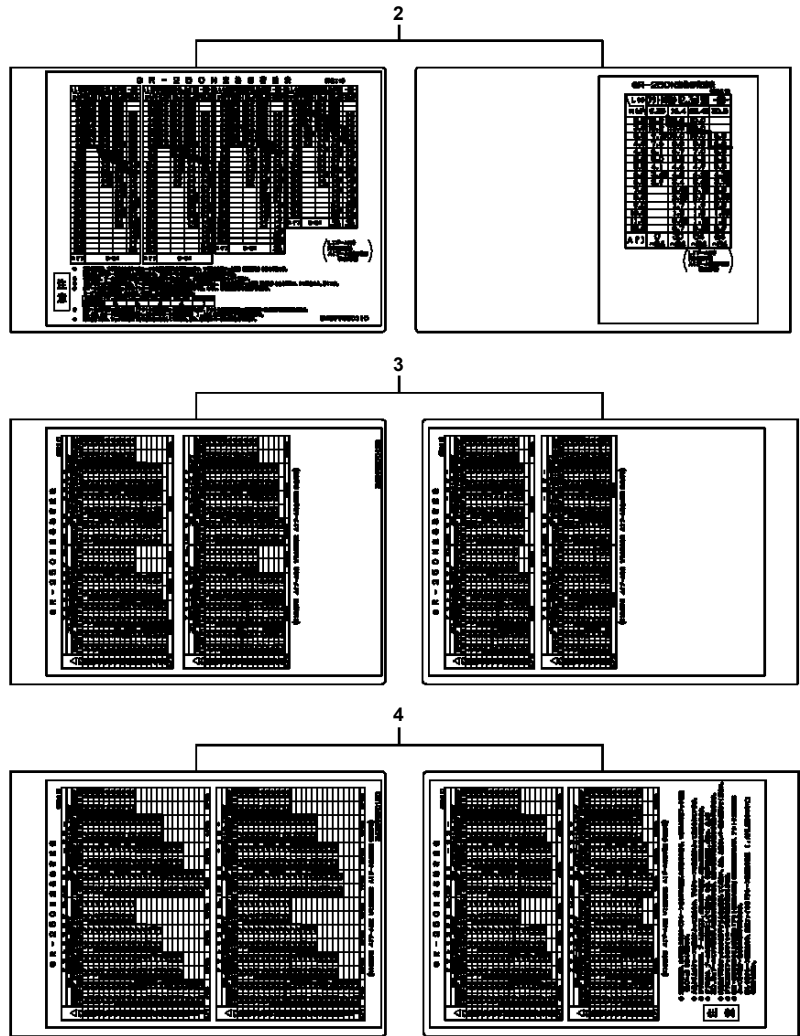
バンパ左側 (右側対称)
BUMPER: LEFT SIDE (SYMMETRICAL WITH RIGHT SIDE)



**GR-250N-4-00102 4 BOOM + 2 JIB(FAJ),H,2M2D
 PL5260317-00 LOAD CHART BOOKLET (FOR RIGGING PERSONNEL)**



【部品リスト】より選択してください。
 SEE THE CORRESPONDING "PARTS LIST."



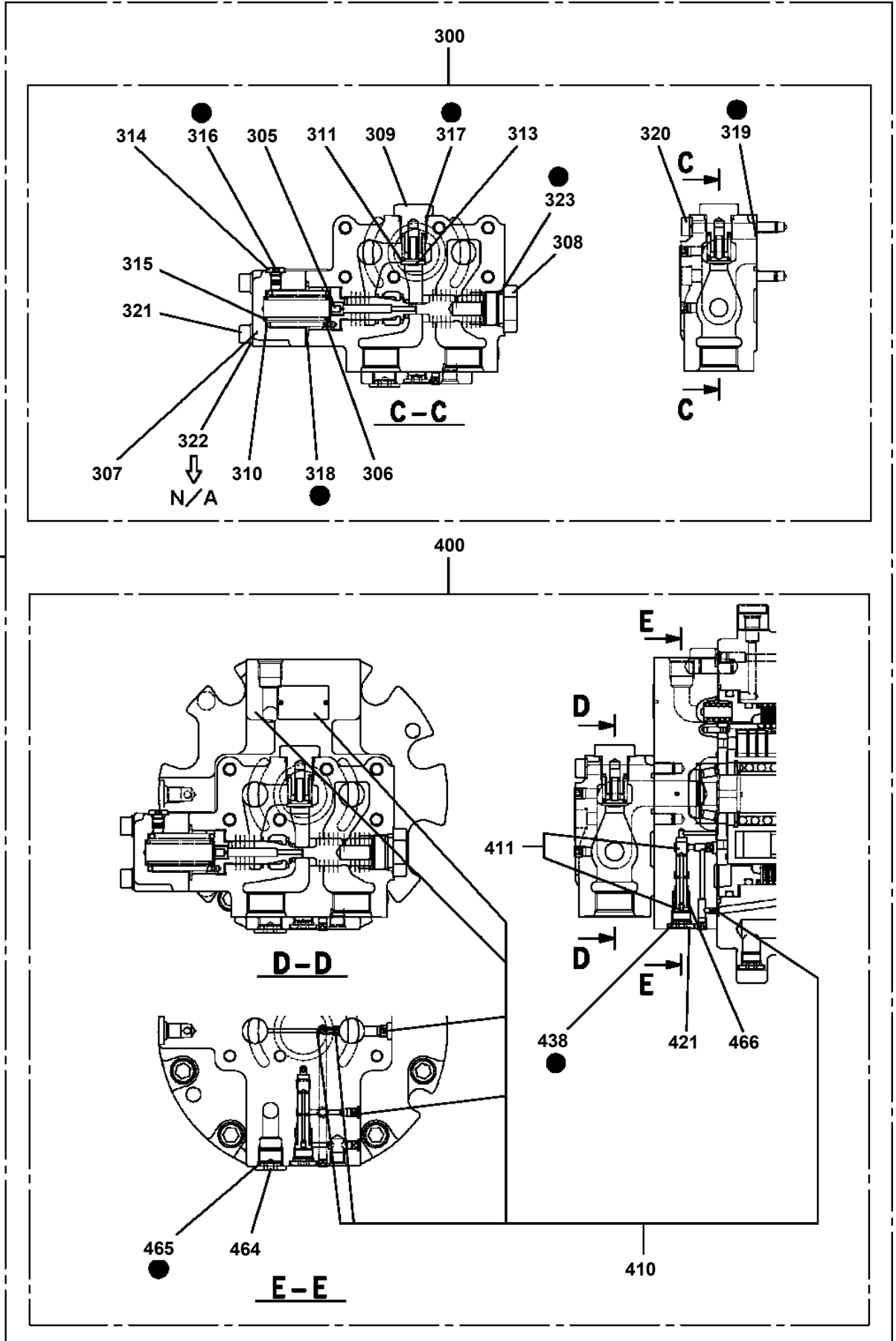
GR-250N-4-00102 4 BOOM + 2 JIB(FAJ),H,2M2D

Pos No.	Parts No	Parts Name	Qty	Unit	Technical Data	Serial No (Start)	Serial No (End)	Remarks
1	34931937510	LENS (RED)	1					
2	34931937520	LENS (UMBER)	1					
3	34931937530	BULB,LAMP (24V)	1					
4	34931937540	BULB,LAMP (24V)	1					
5	34931937550	REFLECTOR	1					
100	34931933500	LAMP,COMBINATION (L)	1					

GR-250N-4-00102 4 BOOM + 2 JIB(FAJ),H,2M2D

Pos No.	Parts No	Parts Name	Qty	Unit	Technical Data	Serial No (Start)	Serial No (End)
1	(*****)	MOUNT ASSY (CAMERA)	1				
2	(*****)	MOUNT ASSY (CAMERA CONTROLLER)	1				

GR-250N-4-00102 4 BOOM + 2 JIB(FAJ),H,2M2D
PM5210012-03 MOTOR ASSY,OIL



CLICK HERE TO **DOWNLOAD** THE COMPLETE MANUAL

- Thank you very much for reading the preview of the manual.
- You can download the complete manual from: www.heydownloads.com by clicking the link below



- Please note: If there is no response to CLICKING the link, please download this PDF first and then click on it.

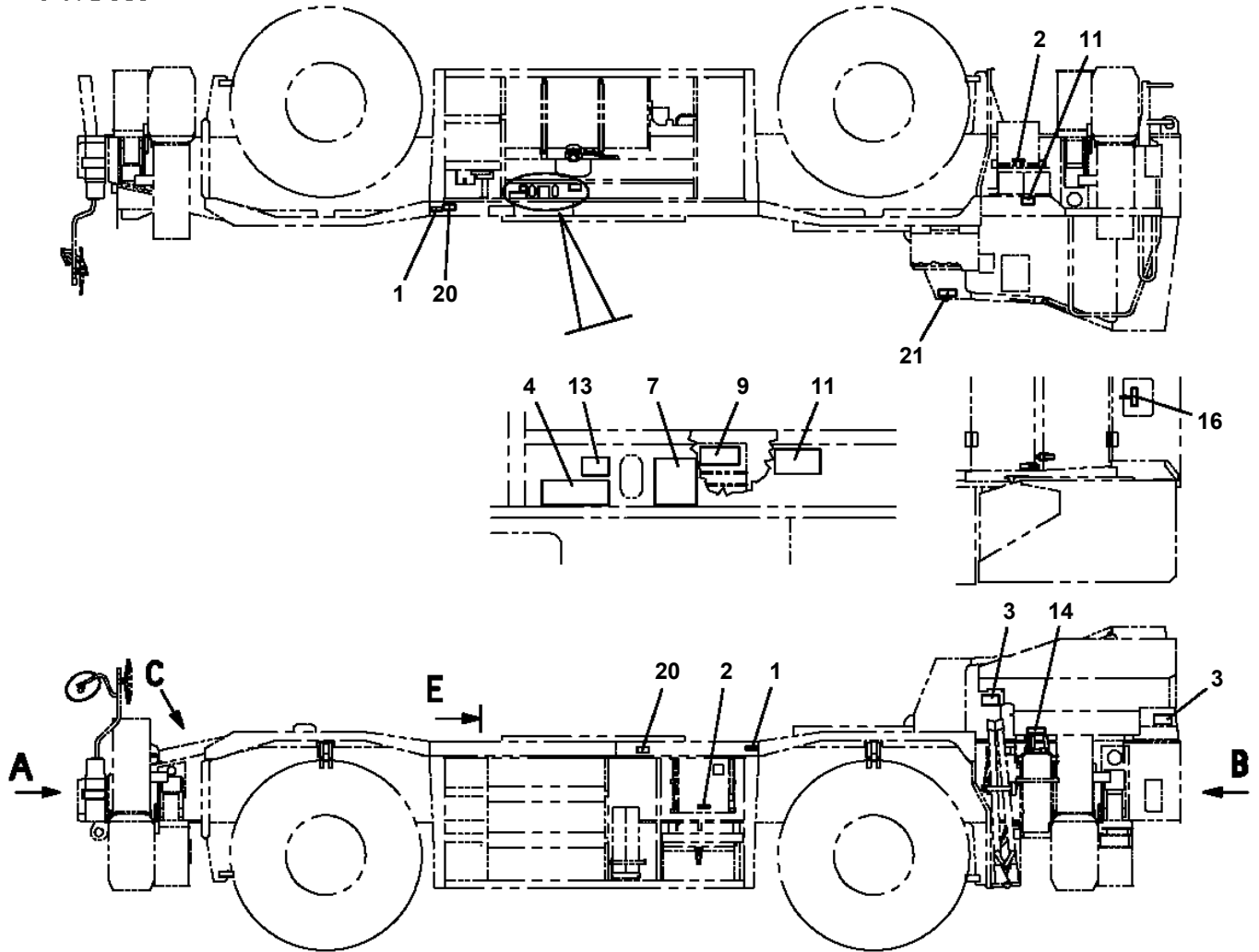
CLICK HERE TO **DOWNLOAD** THE COMPLETE MANUAL

GR-250N-4-00102 4 BOOM + 2 JIB(FAJ),H,2M2D

Pos No.	Parts No	Parts Name	Qty	Unit	Technical Data	Serial No (Start)	Serial No (End)	Rem
1	82151213051	BATTERY (PANASONIC,130F51)	1					

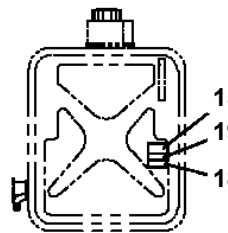
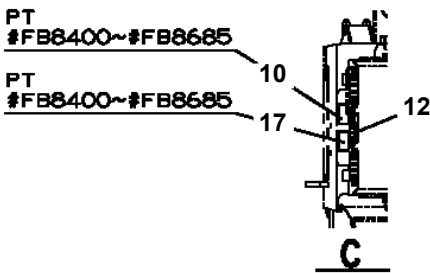
GR-250N-4-00102 4 BOOM + 2 JIB(FAJ),H,2M2D
 PN5011515-02 NAME PLATE ASSY (LOWER 1)

FRONT ←



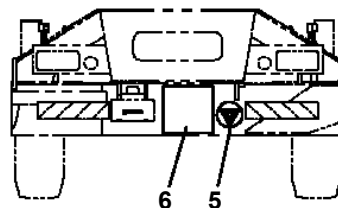
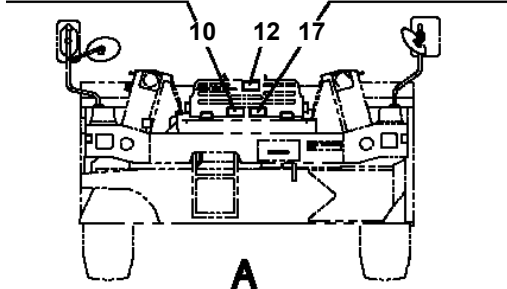
PT #FB8400~#FB8685

PT #FB8400~#FB8685

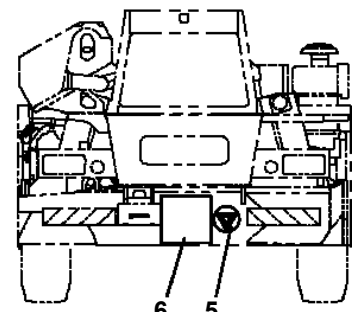


PT #FB8686~
 FAJ
 ↑
 FAJ

PT #FB8686~
 FAJ
 ↑
 FAJ



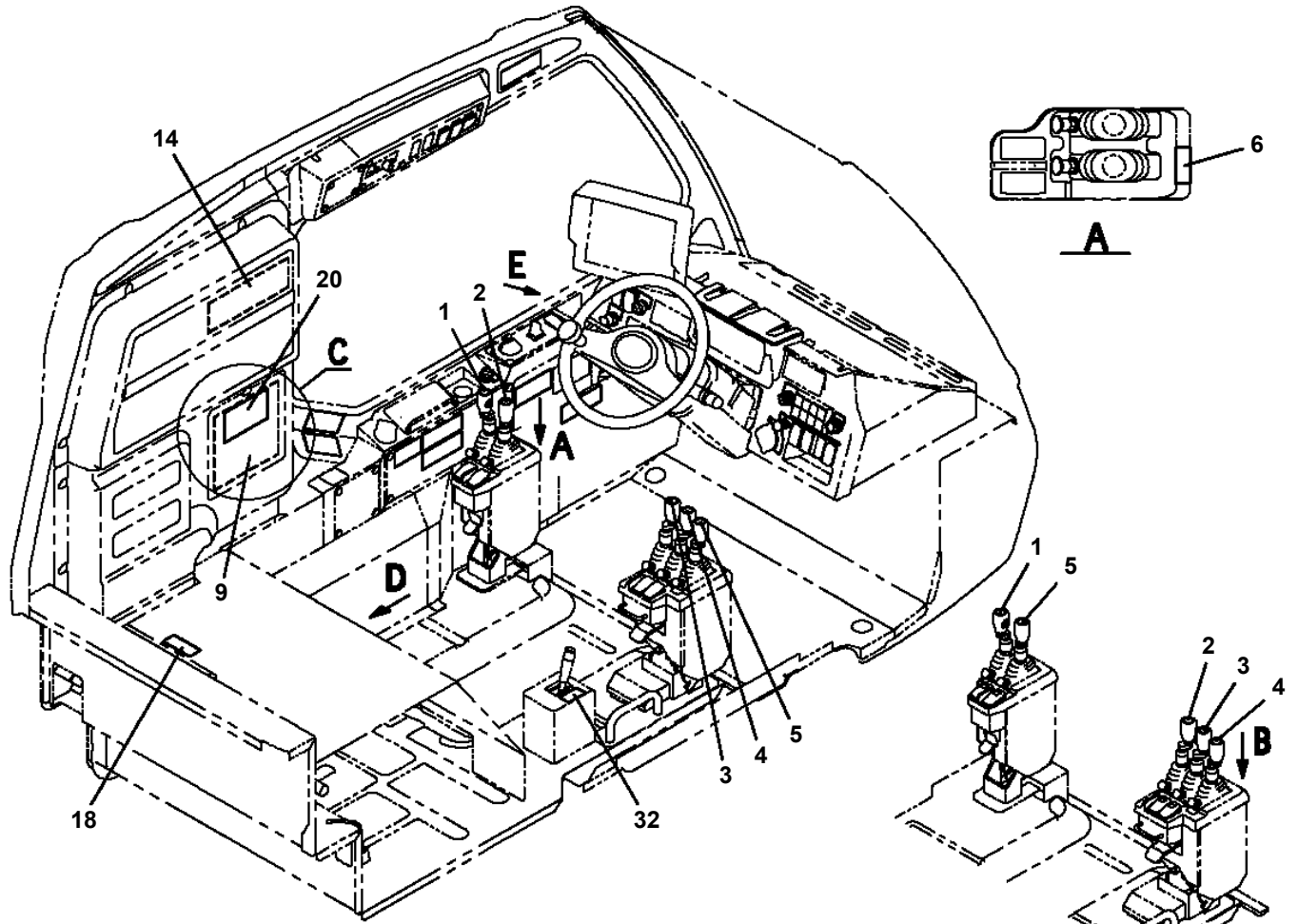
H型アウトリガ
 H-O/R



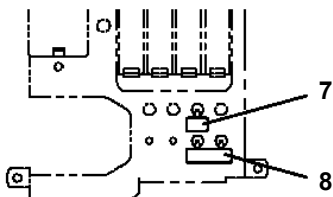
X型アウトリガ
 X-O/R

B

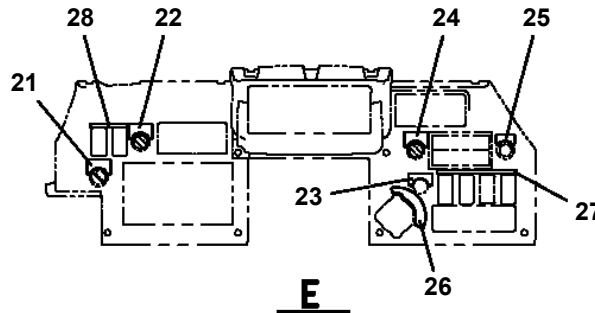
GR-250N-4-00102 4 BOOM + 2 JIB(FAJ),H,2M2D
 PN5011520-01 NAME PLATE ASSY (CAB)



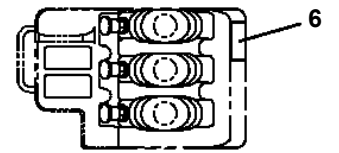
TDN配列
 TDN PATTERN



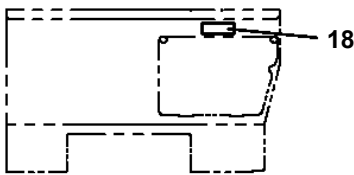
C
 ボックス内スイッチ部
 SWITCH IN BOX



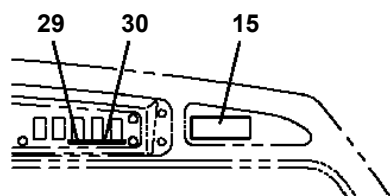
E
 インパネ部
 INSTRUMENT PANEL



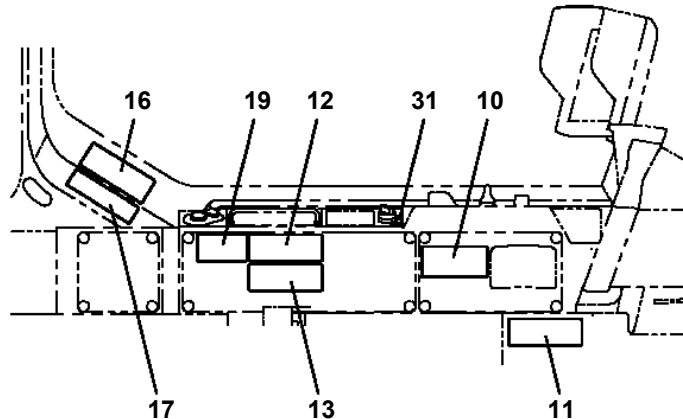
B
 (TDN配列)



D



キャブ内左上
 LEFT UPPER IN CAB



キャブ内左側
 LEFT SIDE IN CAB

GR-250N-4-00102 4 BOOM + 2 JIB(FAJ),H,2M2D

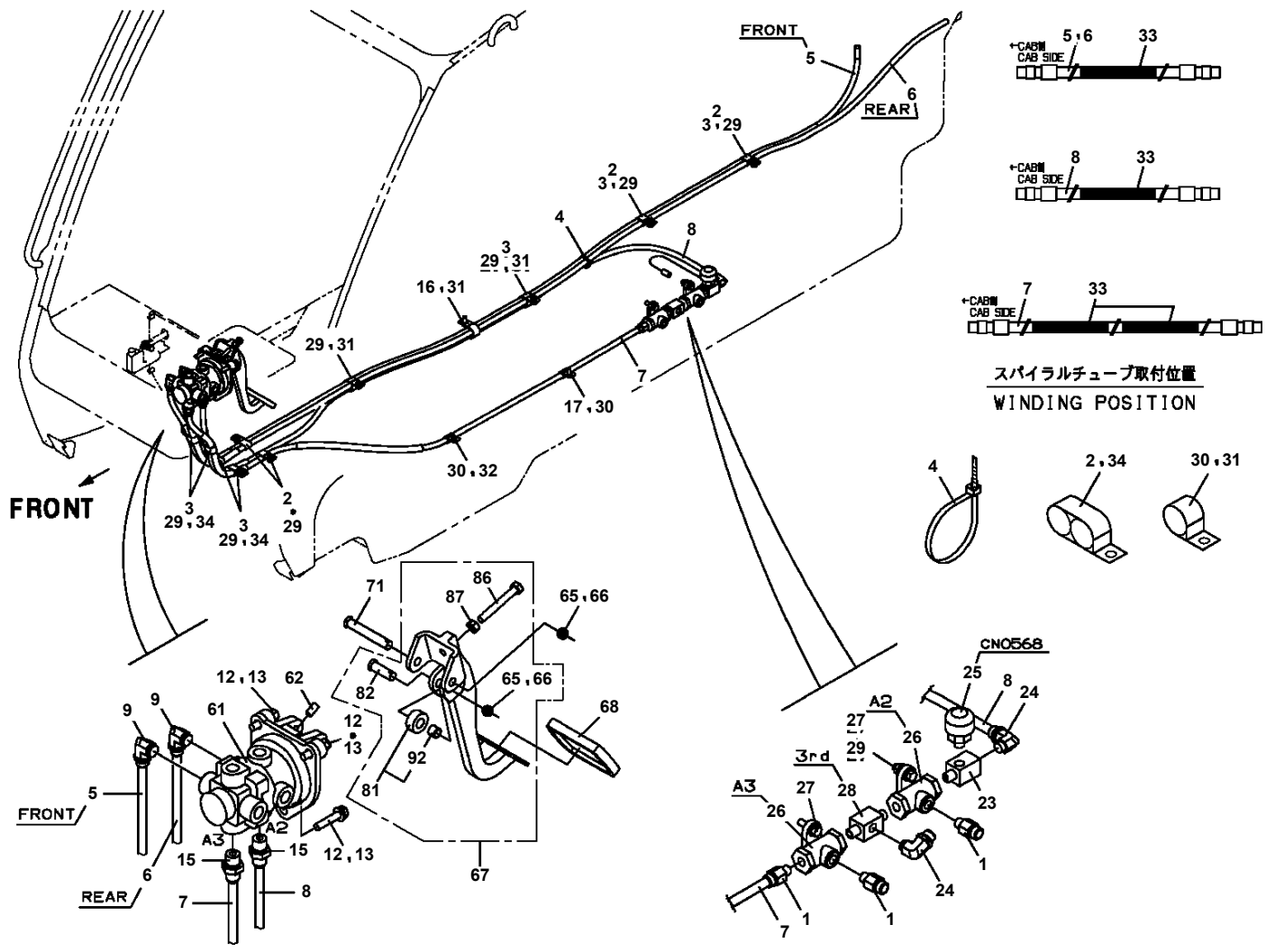
Pos No.	Parts No	Parts Name	Qty	Unit	Technical Data	Serial No (Start)	Serial No (End)	Remarks	Pages
1	34497811100	PLATE,NAME	1						

**GR-250N-4-00102 4 BOOM + 2 JIB(FAJ),H,2M2D
PO1080001-02 PLATE,NAME (LOW NOISE MARK)**

当銘板については、弊社出先サービス員経由で御用命ください。

FOR THIS NAMEPLATE, CONTACT
TADANO DISTRIBUTOR OR DEALER.

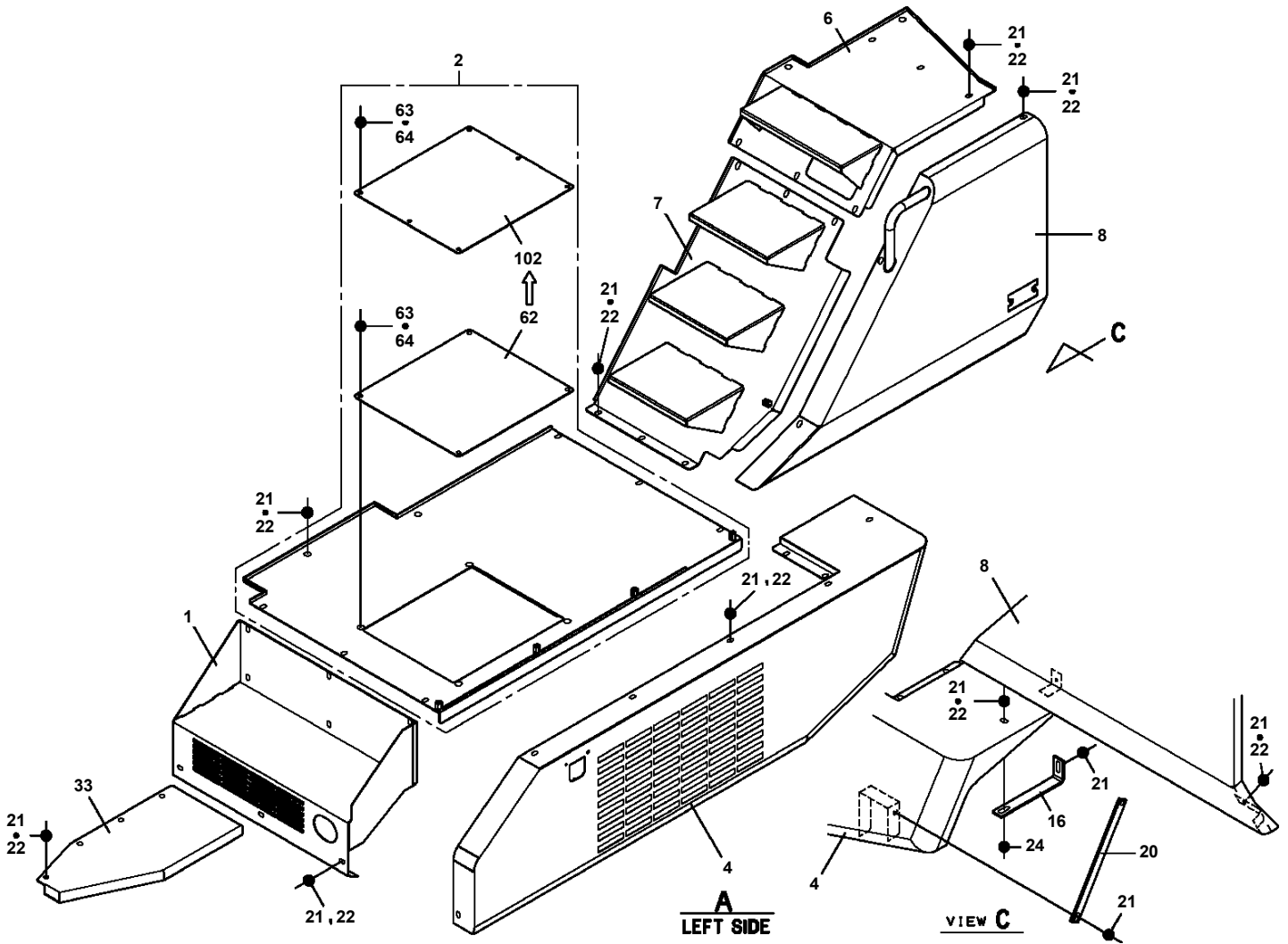
**GR-250N-4-00102 4 BOOM + 2 JIB(FAJ),H,2M2D
PO5040022-04 OPE.ASSY,BRAKE (UPPER)**



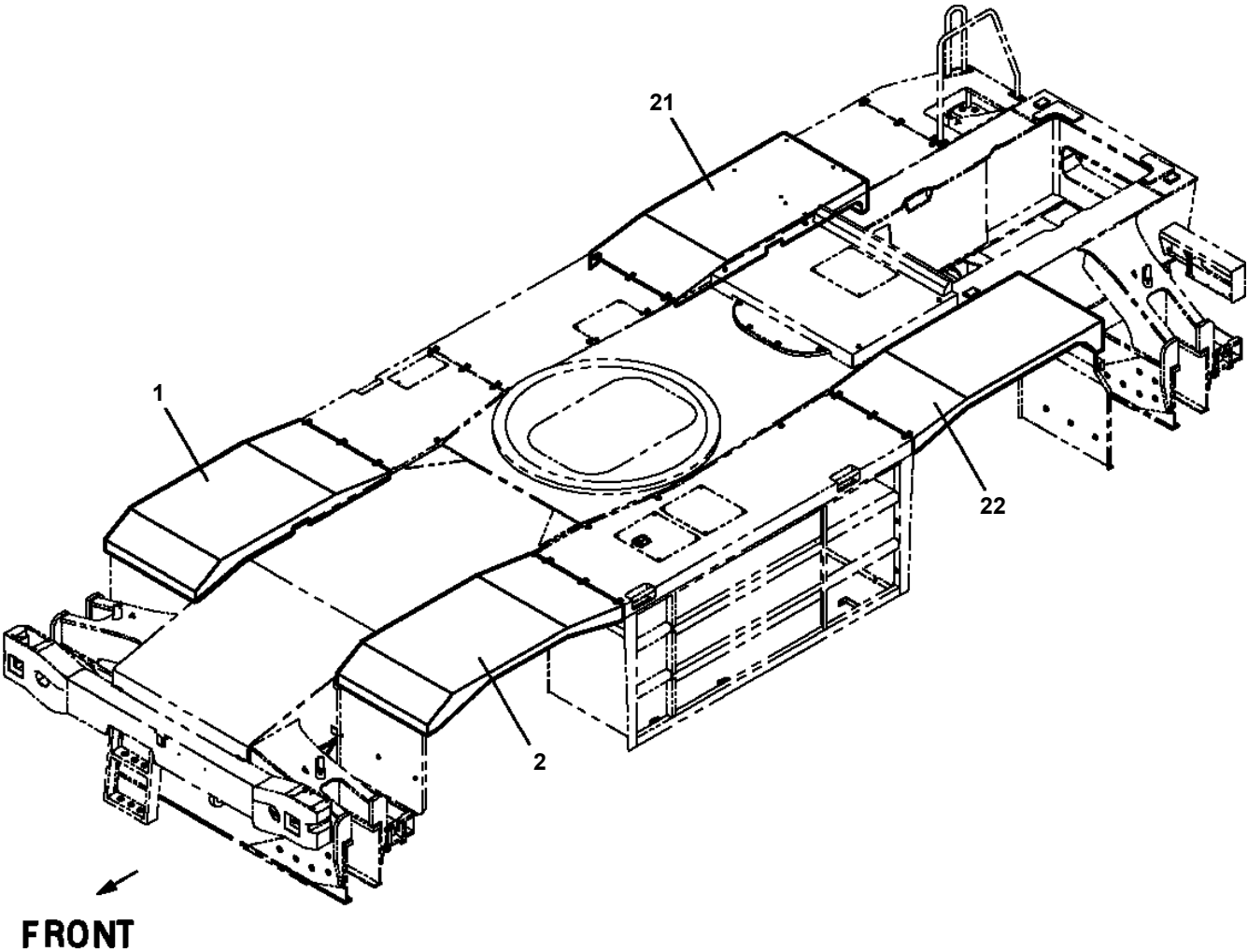
GR-250N-4-00102 4 BOOM + 2 JIB(FAJ),H,2M2D

Pos No.	Parts No	Parts Name	Qty	Unit	Technical Data	Serial No (Start)	Serial No (End)	Remarks	Pages
1	34323211100	PLATE,NAME	1						
2	34323231200	PLATE,NAME	1						
3	34323033200	PLATE,NAME	1						

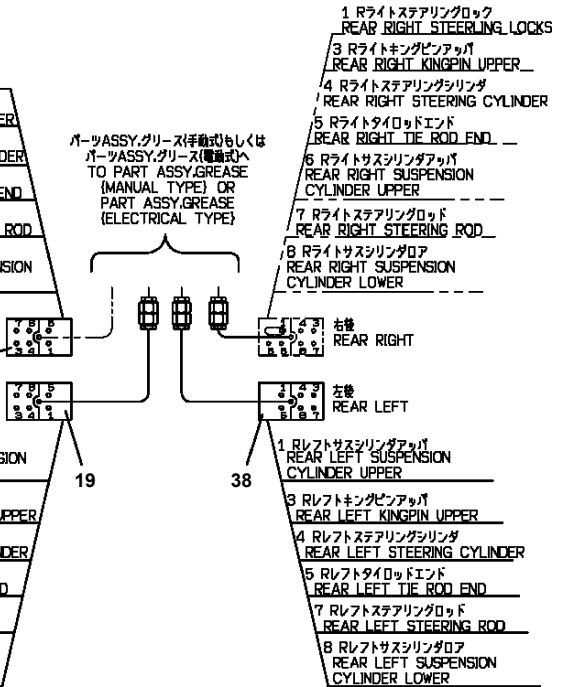
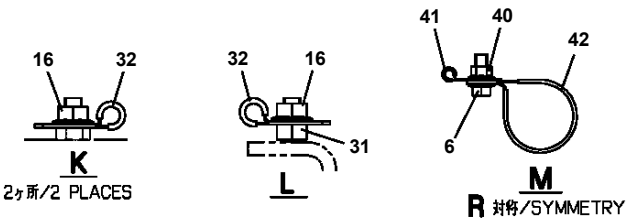
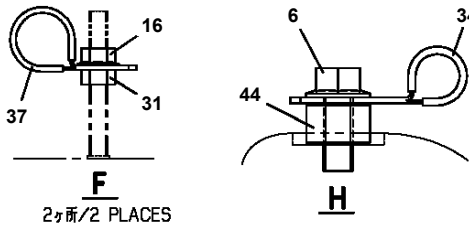
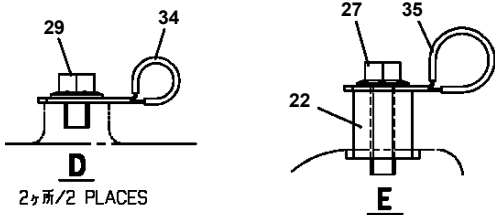
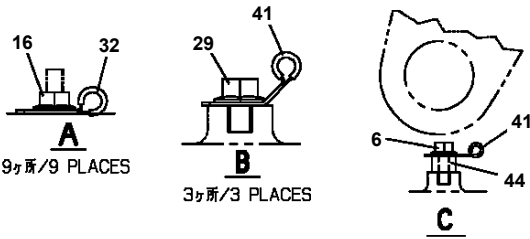
GR-250N-4-00102 4 BOOM + 2 JIB(FAJ),H,2M2D
PO5260095-02 OUTER COVERING ASSY(SWING FRAME)



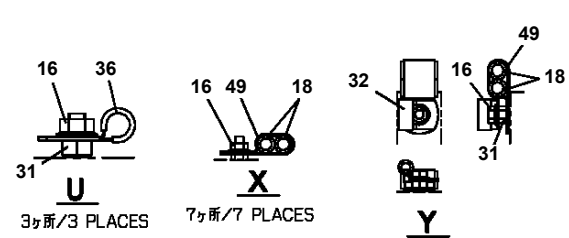
GR-250N-4-00102 4 BOOM + 2 JIB(FAJ),H,2M2D
PO5260110-00 OUTER COVERING ASSY (FENDER,ALUMINUM)



GR-250N-4-00102 4 BOOM + 2 JIB(FAJ),H,2M2D PP5120033-01 PARTS ASSY,GREASE (AXLE)

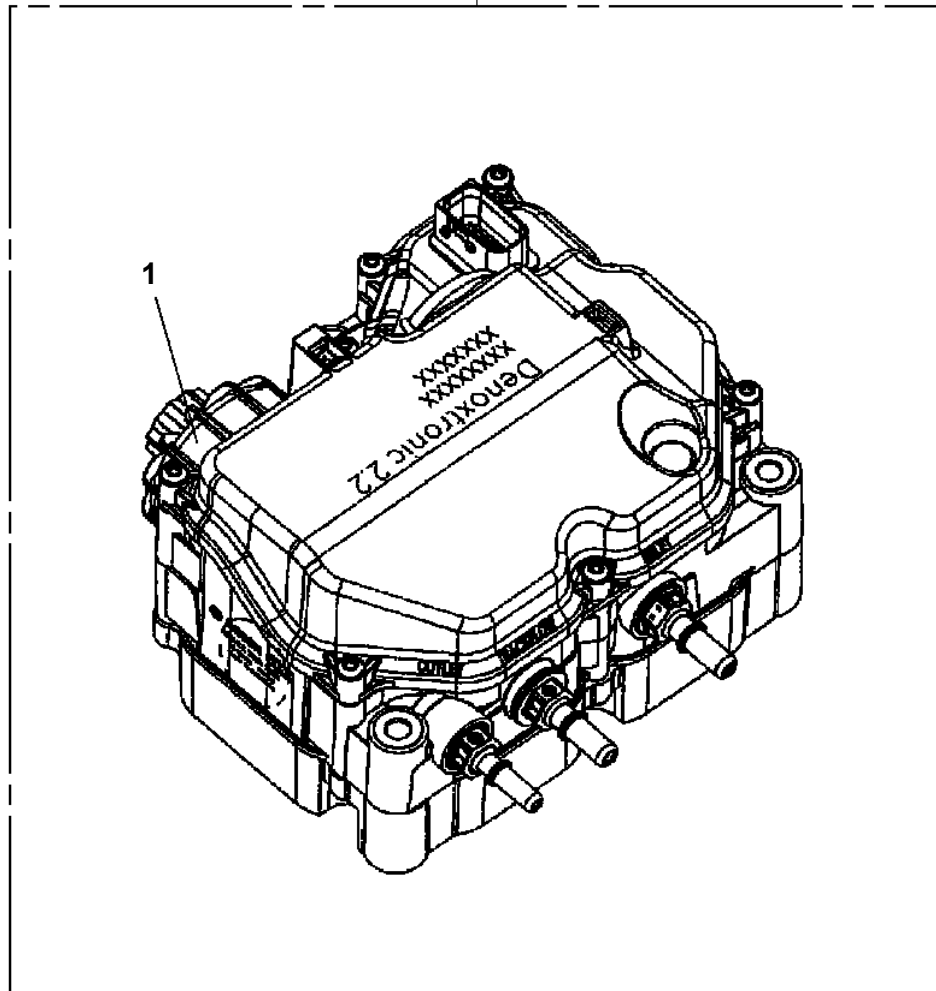


グリス回路/GREASE CIRCUIT

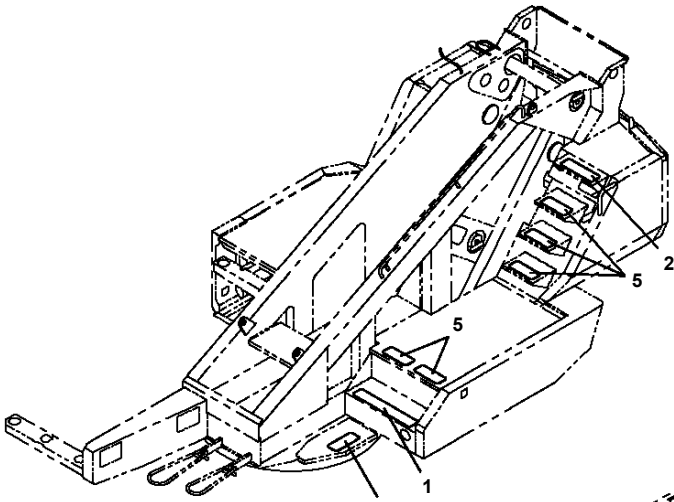


GR-250N-4-00102 4 BOOM + 2 JIB(FAJ),H,2M2D
PP5400004-00 PUMP (DEF SUPPLY MODULE)

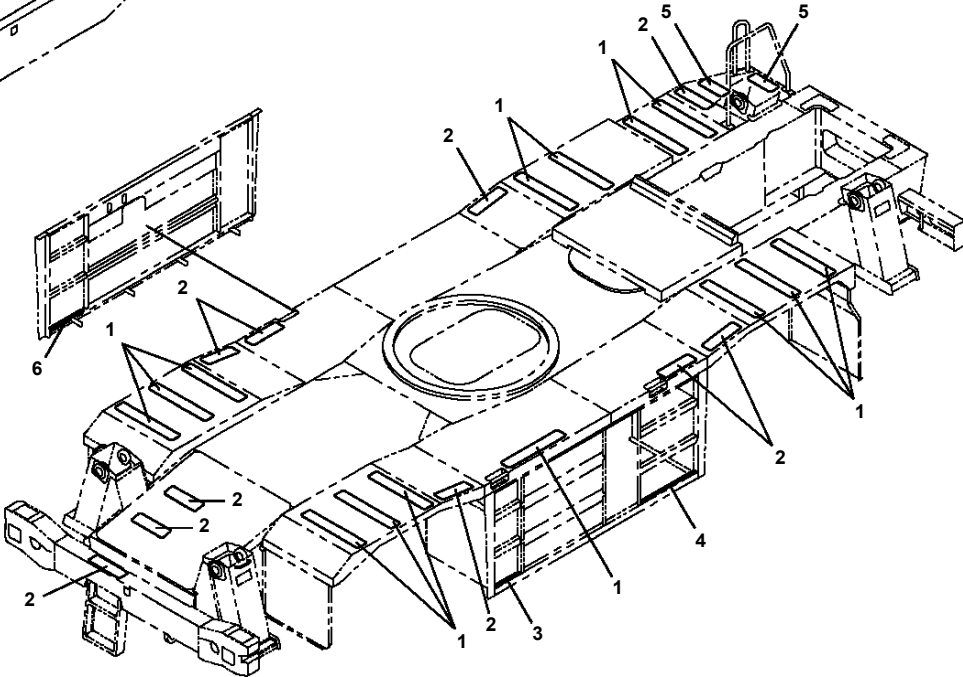
100



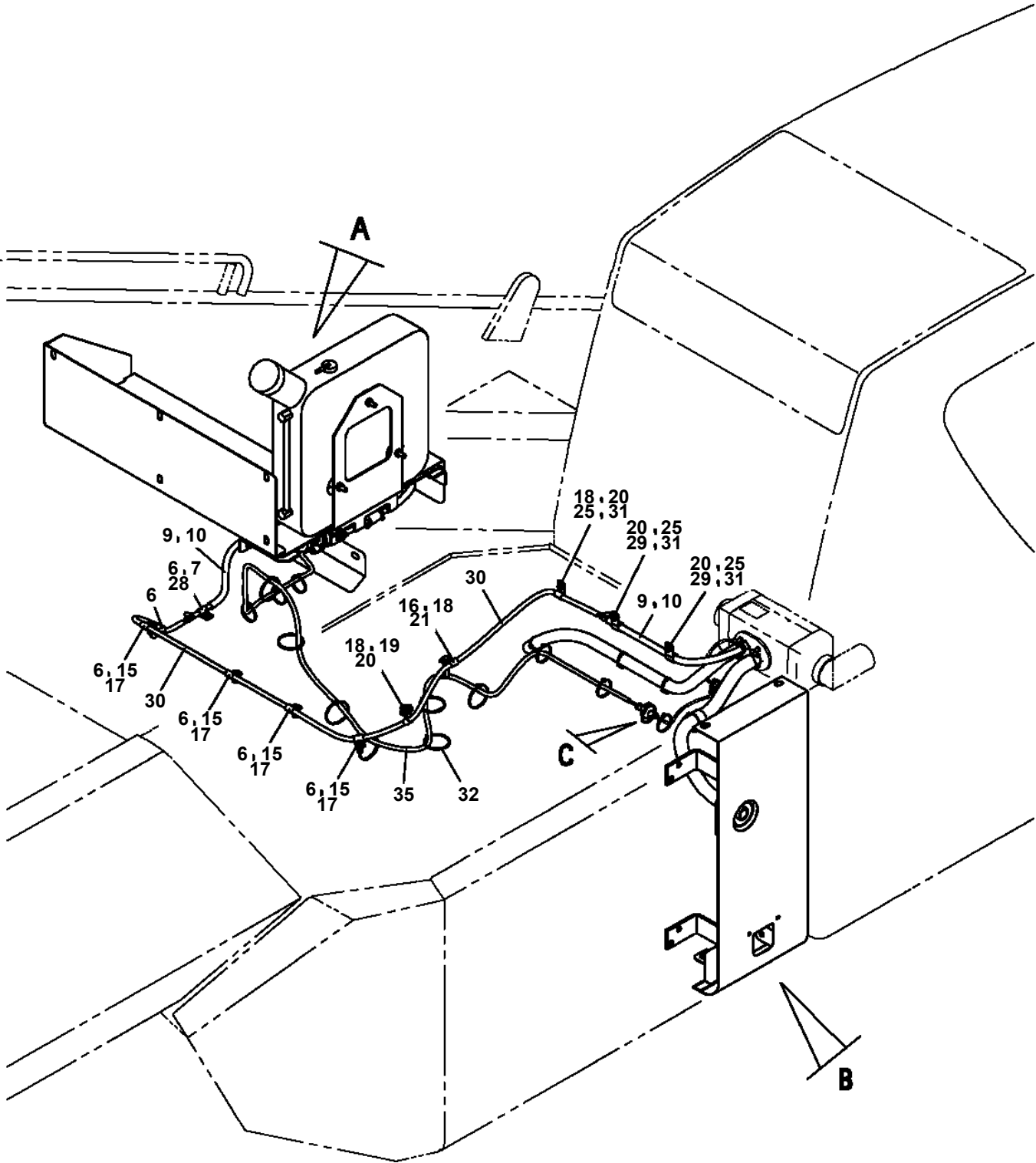
GR-250N-4-00102 4 BOOM + 2 JIB(FAJ),H,2M2D
PP5440050-00 PLATE ASSY (NON-SLIP)



旋回台部
SWING FRAME



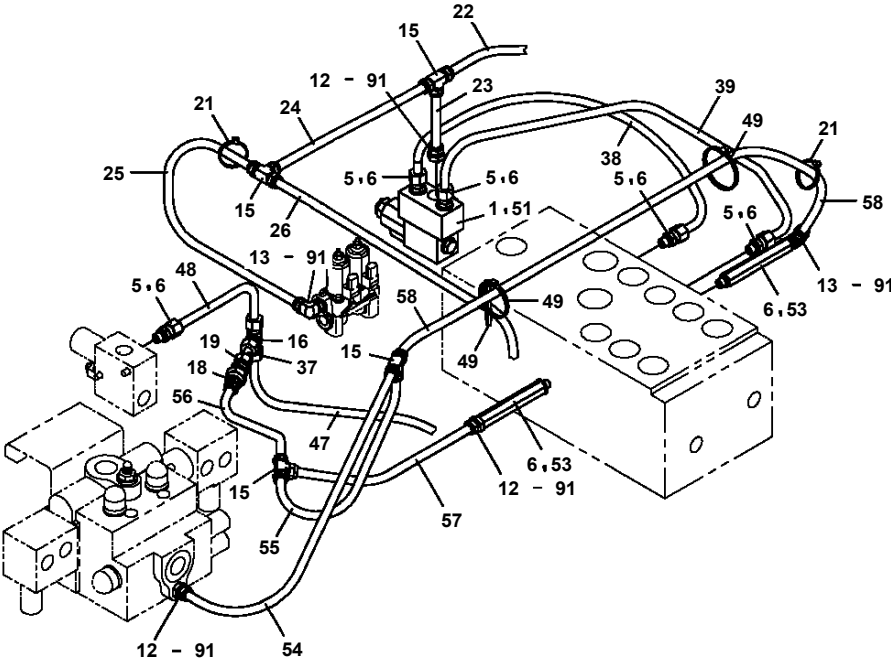
GR-250N-4-00102 4 BOOM + 2 JIB(FAJ),H,2M2D
PP6010452-04 PIPING ASSY (INSTALLED OUTSIDE CAB)



GR-250N-4-00102 4 BOOM + 2 JIB(FAJ),H,2M2D

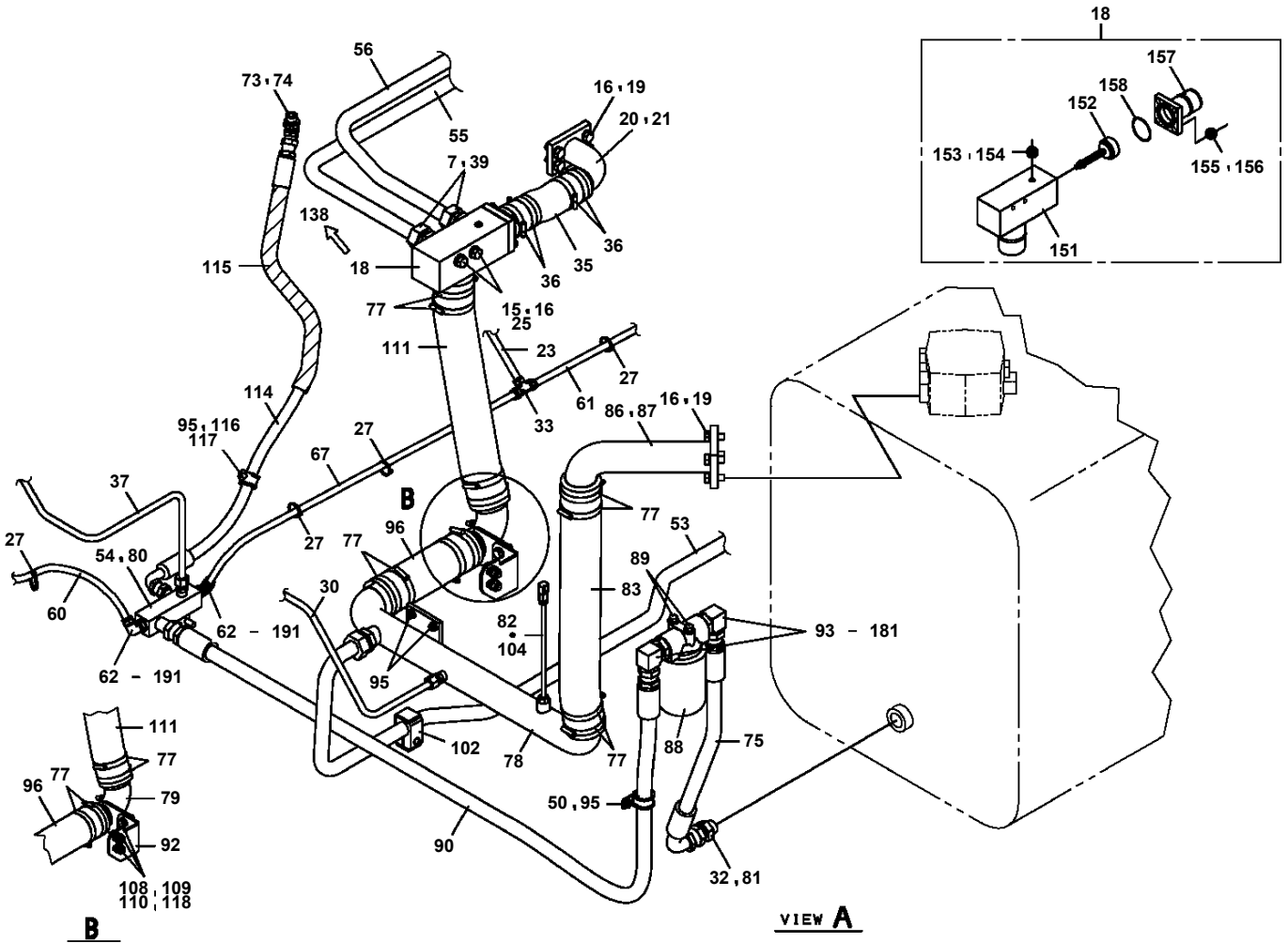
Pos No.	Parts No	Parts Name	Qty	Unit	Technical Data	Serial No (Start)	Serial No (End)	Rem
1	36101670000	TANK,AIR (ASSY ONLY)	1					
2	59451304000	VALVE,CHECK	2					
3	56076813000	JOINT	2		T,PT1/2-PT3/8-PT1/4			
4	80316050080	PLUG	2		NTN/PGCPT1/2			
5	36870390000	PLUG (DRAIN COCK)	2					
6	34340990400	BAND	2					
7	36180150000	SENDER,PRESSURE	1					
8	91062014011	O-RING	1		1B			
9	36645960000	VALVE ASSY,SOLENOID	1					
10	36602470000	VALVE,REDUCING	1					
11	34344541000	JOINT	1		T,PT1/4-PT1/4-M14			
12	42340011070	JOINT	3		T,PT1/4-PT1/4-PT1/4			
13	80353001210	JOINT	7		S,R1/4-D12			
14	80353001230	JOINT	1		S,R3/8-D12			
15	80353080610	JOINT	1					
16	80353080620	JOINT	1		PAL6X4-R1/4-C			
17	80353081220	JOINT	6		L,R1/4-D12			
18	80353081230	JOINT	1		PAL12X9-R3/8-C			
19	36870380000	HORN ASSY (AIR)	1					
20	34346846010	TUBE ASSY	1		DIN,6XT1.0 L=1950			
21	34346846100	TUBE ASSY	1		DIN,12XT1.5 L=420 TO			
22	34346846030	TUBE ASSY	1		DIN,12XT1.5 L=350			
23	34346846040	TUBE ASSY	1		DIN,12XT1.5 L=270			
24	34346846050	TUBE ASSY	1		DIN,12XT1.5 L=300			
25	34346846060	TUBE ASSY	1		DIN,12XT1.5 L=1250			
26	34346846110	TUBE ASSY	1		DIN,12XT1.5 L=2150			
27	34346846120	TUBE ASSY	1		DIN,12XT1.5 L=1250			
28	34346846130	TUBE ASSY	1		DIN,12XT1.5 L=1290			
29	90186206016	BOLT,FLANGE	2		M6X16			
30	90186208014	BOLT,FLANGE	6		M8X14			
31	90201200600	NUT	10		M6		FB9677	
	90201200600	NUT	6		M6	FB9678		
32	90201200800	NUT	14		M8			
33	90280200600	NUT,FLANGE	12		M6		FB9677	
	90280200600	NUT,FLANGE	8		M6	FB9678		
34	90280200800	NUT,FLANGE	6		M8			
35	82100002002	CLAMP	8		WR6			
36	82100002008	CLAMP	2		WR12			
37	82100002039	CLAMP	7					
38	91810130250	FASTENER	5					
39	82100002016	CLAMP	1		WR25			
40	90186206010	BOLT,FLANGE	4		M6X10	FB9678		

GR-250N-4-00102 4 BOOM + 2 JIB(FAJ),H,2M2D
PP6110066-00 PIPING ASSY,DRAIN



B

**GR-250N-4-00102 4 BOOM + 2 JIB(FAJ),H,2M2D
PP6270093-03 PIPING ASSY,RETURN (LOWER)**



GR-250N-4-00102 4 BOOM + 2 JIB(FAJ),H,2M2D

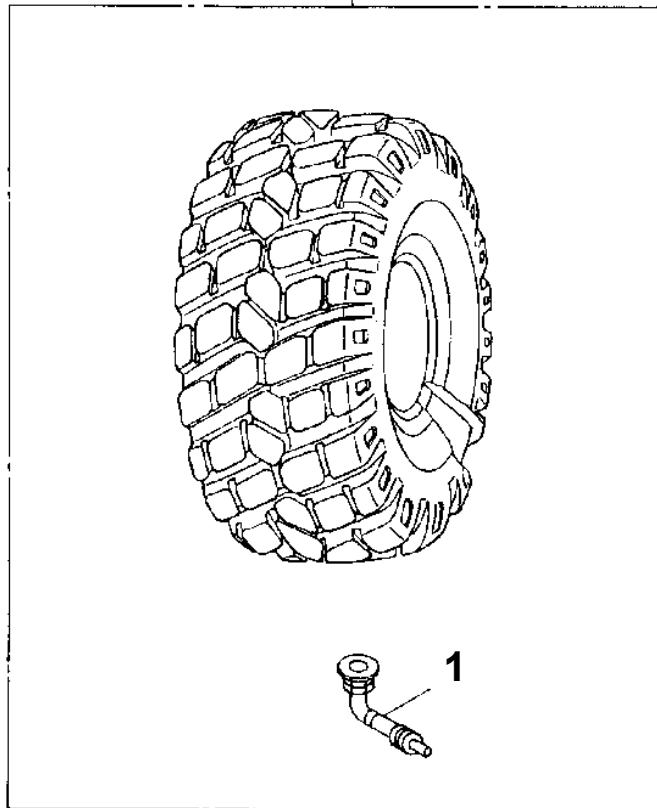
Pos No.	Parts No	Parts Name	Qty	Unit	Technical Data	Serial No (Start)	Serial No (End)	Remark
1	80430620600	JOINT (WITH O-RING)	4		L,G3/8-G3/8		FB8721	
	80430720600	JOINT (WITH O-RING)	4		L,G3/8-G3/8	FB8722		
2	37012404110	HOSE	4		L=630			
3	80400160177	JOINT	4		T,G1/2-G1/2-G3/8			
4	91002801800	O-RING	8		1B P18			
8	80302090241	FITTING	2		KCO18-040N			
12	37002450040	HOSE	1		L=500			
16	37012405900	HOSE	1		L=550			
18	80320030140	FITTING,ELBOW	2		KLE18-040N			
19	37000701560	CLAMP ASSY	5		18X2			
22	80320010085	FITTING	2		KUD12-040N			
23	81408000241	PIPE,STEEL	2	M	18X1.9T			
24	81408000241	PIPE,STEEL	2	M	18X1.9T			
25	81408000241	PIPE,STEEL	3	M	18X1.9T			
26	81408000241	PIPE,STEEL	3	M	18X1.9T			
27	81408000241	PIPE,STEEL	4	M	18X1.9T			
28	36626190000	VALVE ASSY,CHECK	1					
29	81408000241	PIPE,STEEL	2	M	18X1.9T			
30	34641882100	JOINT	1					
31	91002802400	O-RING	2		1B P24			
33	81408000241	PIPE,STEEL	2	M	18X1.9T			
35	80471020504	JOINT	2		HL205-04			
36	80430620800	JOINT	2				FB8721	
	80430720800	JOINT (WITH O-RING)	2		L,G1/2-G1/2	FB8722		
38	81408000160	PIPE,STEEL	1	M	12X1.4T			
40	36640830000	VALVE,HYDRAULIC	1					
41	90186210014	BOLT,FLANGE	3		M10X14			
43	91002801400	O-RING	6		1B P14			
44	80303130161	FITTING,ELBOW	1		KLO12-030E			
45	91803600400	CLIP	4		D=27-40			
46	80301010160	FITTING	4		KUA18-000N			
47	80430621200	JOINT	1					
49	80302090231	FITTING	4		KCO18-030N			
51	37000701550	CLAMP ASSY	3		18X1			
52	90302041001	WASHER,SPRING	2		10			
54	37012404120	HOSE	1		L=820			
57	80316070060	PLUG	1		PF3/8			
58	80316070040	PLUG	1		PF1/4			
59	91002801100	O-RING	1		1B P11			
60	81408000241	PIPE,STEEL	2	M	18X1.9T			
61	90101210060	BOLT	2		M10X60			
62	37012404130	HOSE	3		L=610			
63	37012405760	HOSE	1		L=520			
64	37002508340	HOSE	1		L=360			
66	81408000160	PIPE,STEEL	1	M	12X1.4T			
67	37000711010	CLAMP ASSY	1		18X1			
68	80302090161	FITTING	1		KCO12-030N			
69	80471020506	JOINT	1		45,G3/4-G3/4			
71	37000701510	CLAMP ASSY	1		12X2			
72	90186208014	BOLT,FLANGE	2		M8X14			
91	91002801400	O-RING	5		1B P14			
101	34641342110	BODY	1					
103	36645930000	VALVE,SOLENOID	1					
104	36645940000	VALVE,SOLENOID	1					
105	80316030040	PLUG	2		PT1/4			
106	90172105045	BOLT,HEXAGON SOCKET	8		M5X45			
107	80316100020	PLUG	1		GPF 1/4			
108	91002801100	O-RING	1		1B P11			
111	91002801800	O-RING	2		1B P18			
121	91002802400	O-RING	1		1B P24			

GR-250N-4-00102 4 BOOM + 2 JIB(FAJ),H,2M2D

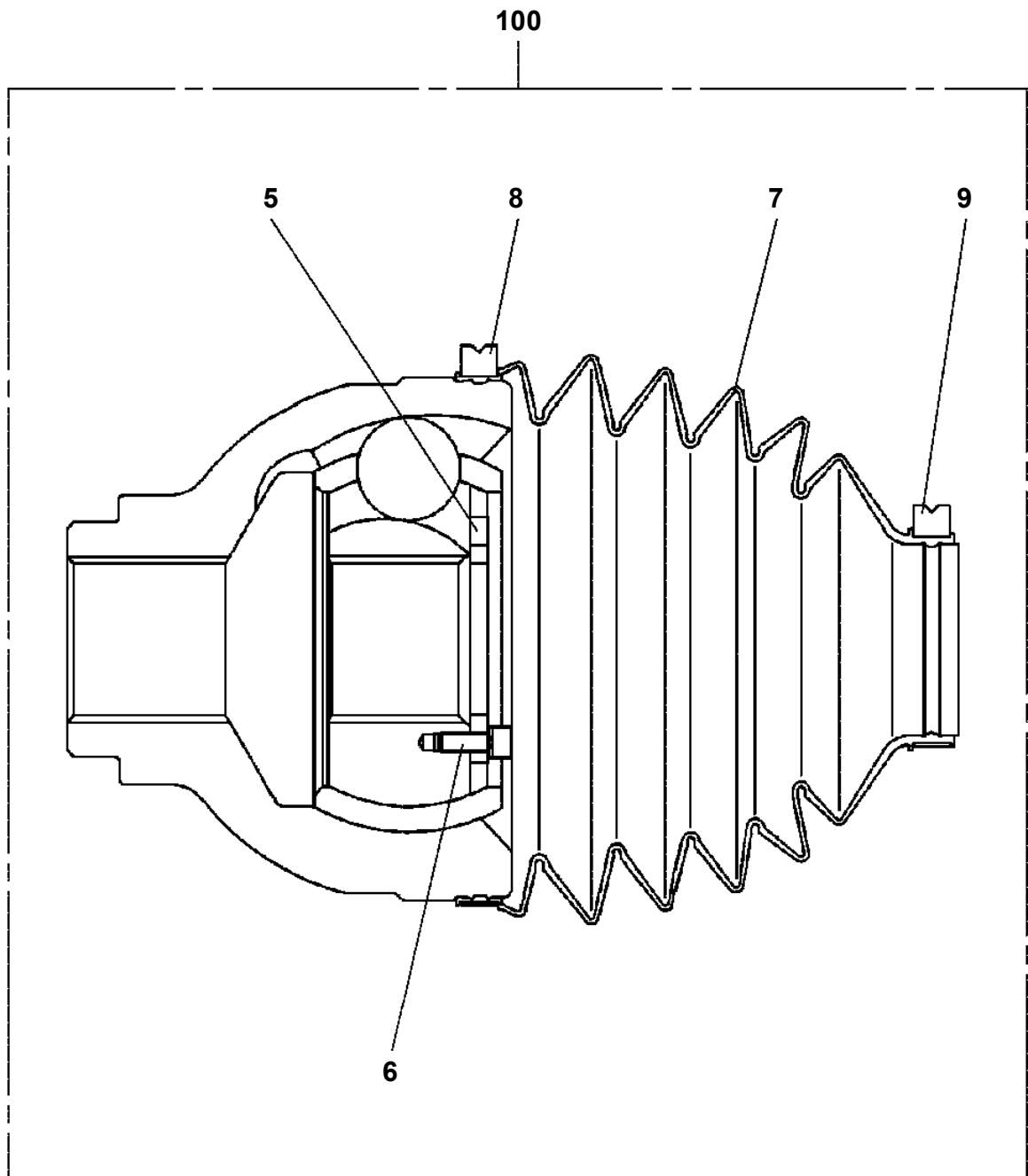
Pos No.	Parts No	Parts Name	Qty	Unit	Technical Data	Serial No (Start)	Serial No (End)	Remarks
89	80430621200	JOINT	1					
90	82100001413	TUBE, SPIRAL	1	M	SE-15BK			
91	37000700240	CLAMP ASSY	3					
92	37000502510	PLATE	3					
94	81408000290	PIPE, STEEL	2	M	22X2.5T			
95	81408000160	PIPE, STEEL	2	M	12X1.4T			
97	36740090000	VALVE, SOLENOID	1					
98	36672630000	FILTER (WITH O-RING)	1					
99	80303130141	FITTING, ELBOW	1		KLO12-020E			
101	80320030085	FITTING, ELBOW	1		L, G1/2-D12			
103	37000921720	JOINT	1		S G1/4-M10			
110	37000920960	JOINT	1					
111	80316070040	PLUG	1		PF1/4			
112	37012405760	HOSE	1		L=520			
113	80320010075	FITTING	1		KUD12-020N			
114	81408000160	PIPE, STEEL	1	M	12X1.4T			
115	37002460240	HOSE	1		L=500			
141	91002802900	O-RING	1		1B P29			
151	91000521400	O-RING	3		AS568-214-1B			
161	91000521900	O-RING	1		AS568-219-1B			
171	91002801800	O-RING	3		1B P18			
181	91002801100	O-RING	4		1B P11			
191	91002801400	O-RING	1		1B P14			
201	91002802400	O-RING	1		1B P24			

GR-250N-4-00102 4 BOOM + 2 JIB(FAJ),H,2M2D
PR1800004-00 TIRE (WITH VALVE)

10

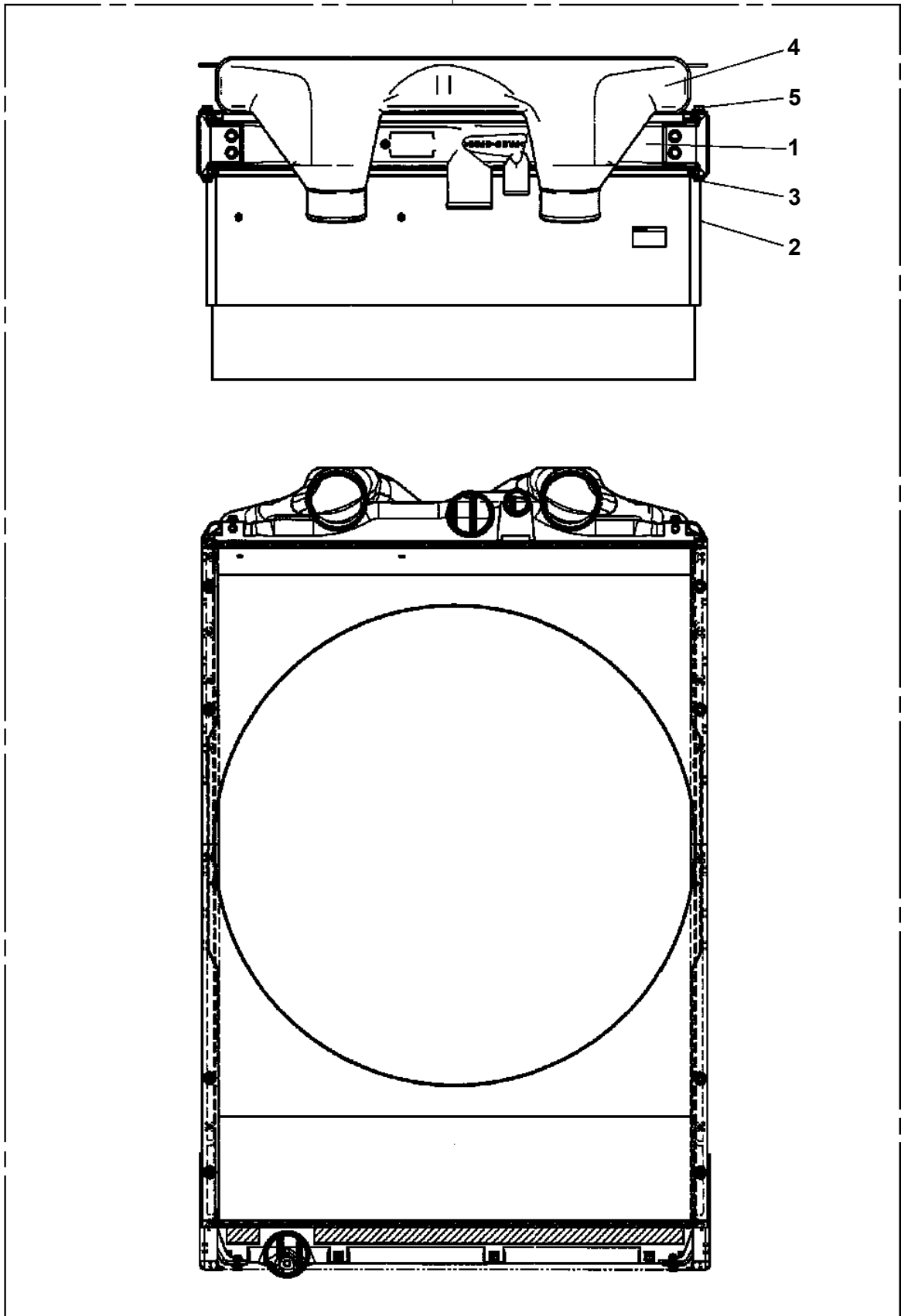


GR-250N-4-00102 4 BOOM + 2 JIB(FAJ),H,2M2D
PR2010119-01 JOINT,BALL



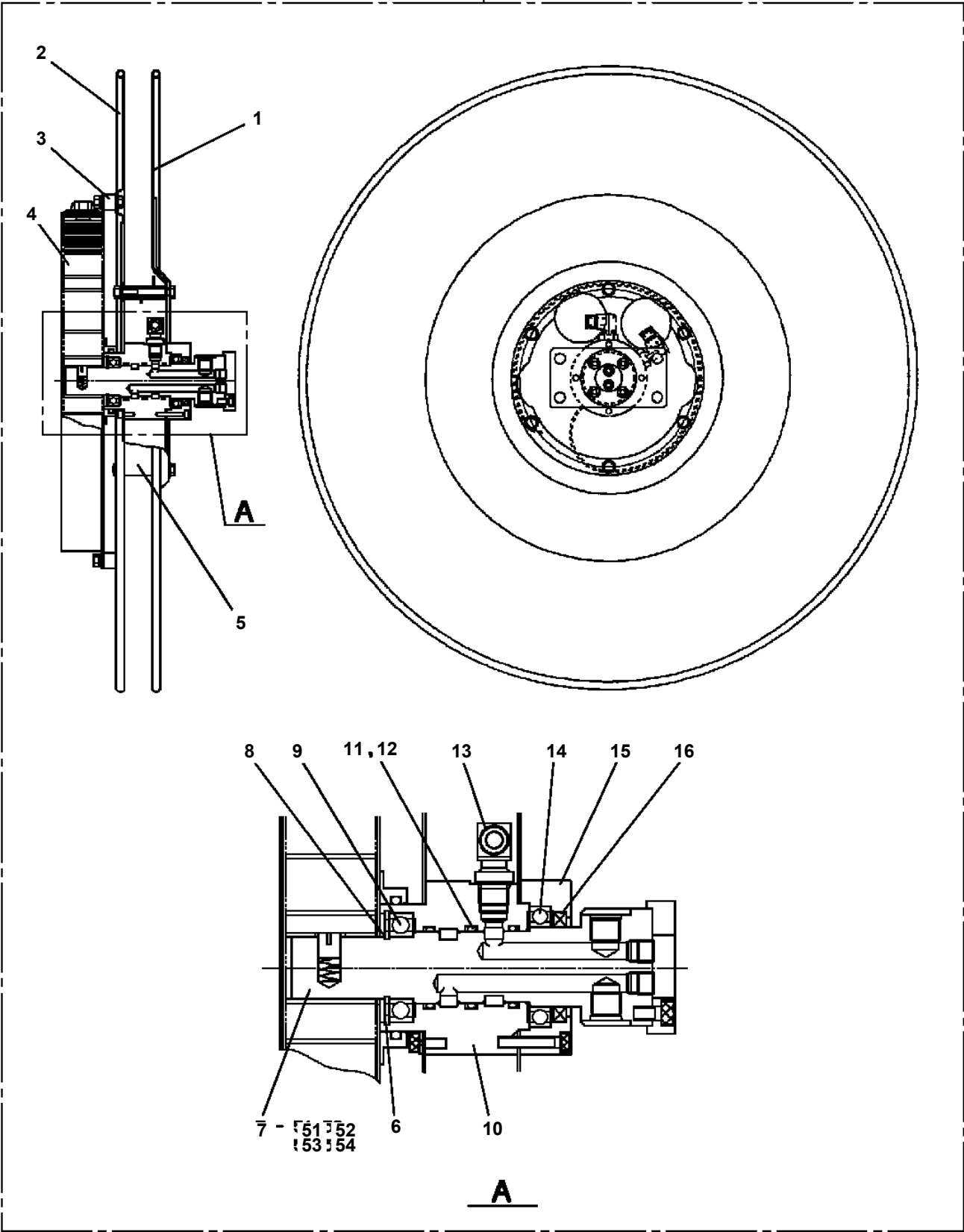
GR-250N-4-00102 4 BOOM + 2 JIB(FAJ),H,2M2D
PR5020018-00 RADIATOR ASSY

100



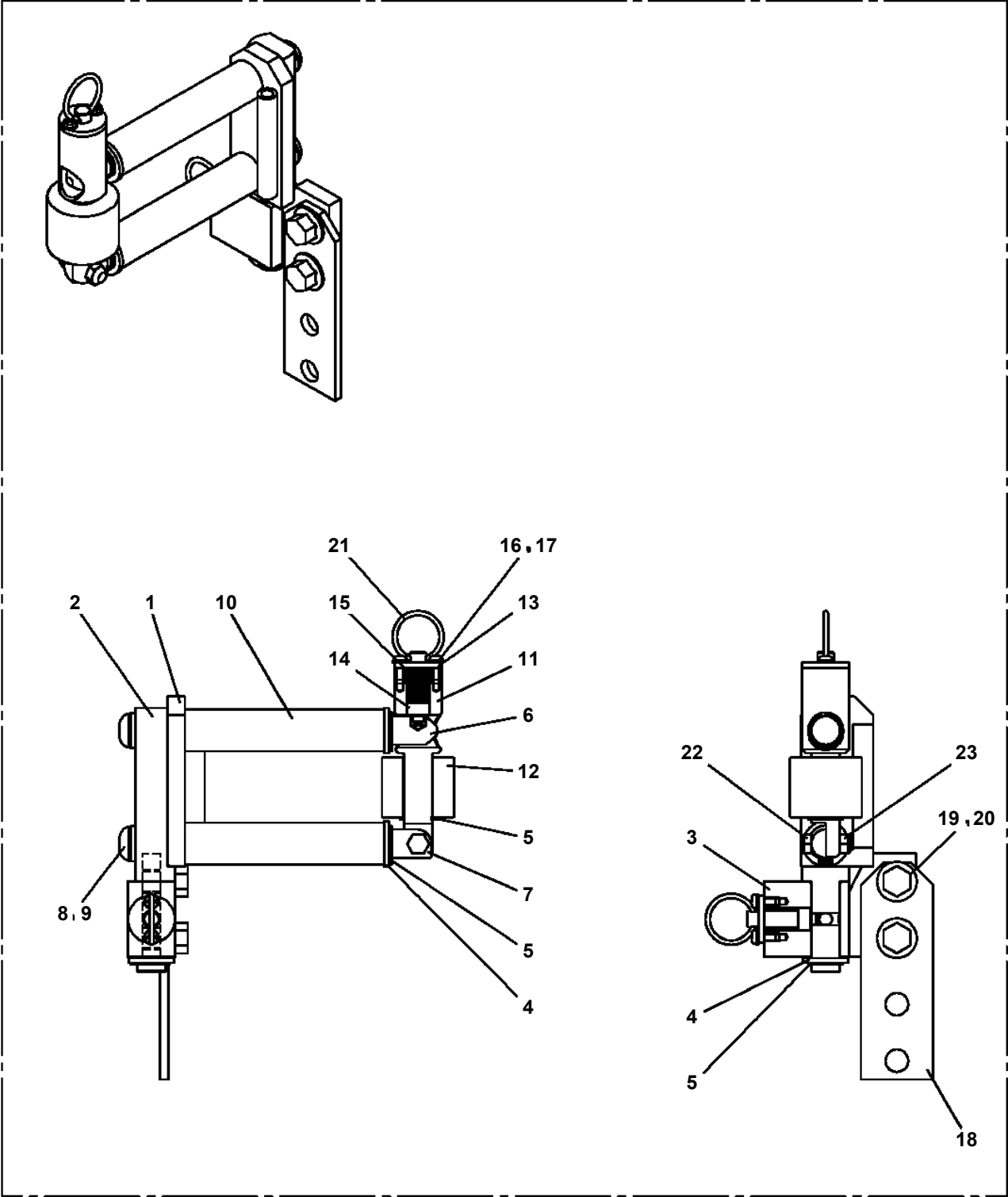
GR-250N-4-00102 4 BOOM + 2 JIB(FAJ),H,2M2D
PR5060012-00 REEL ASSY,HOSE

100



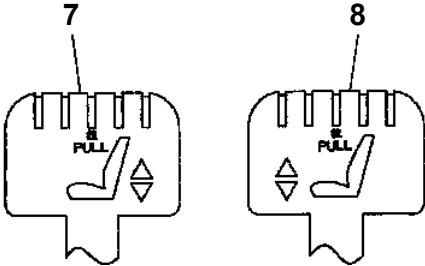
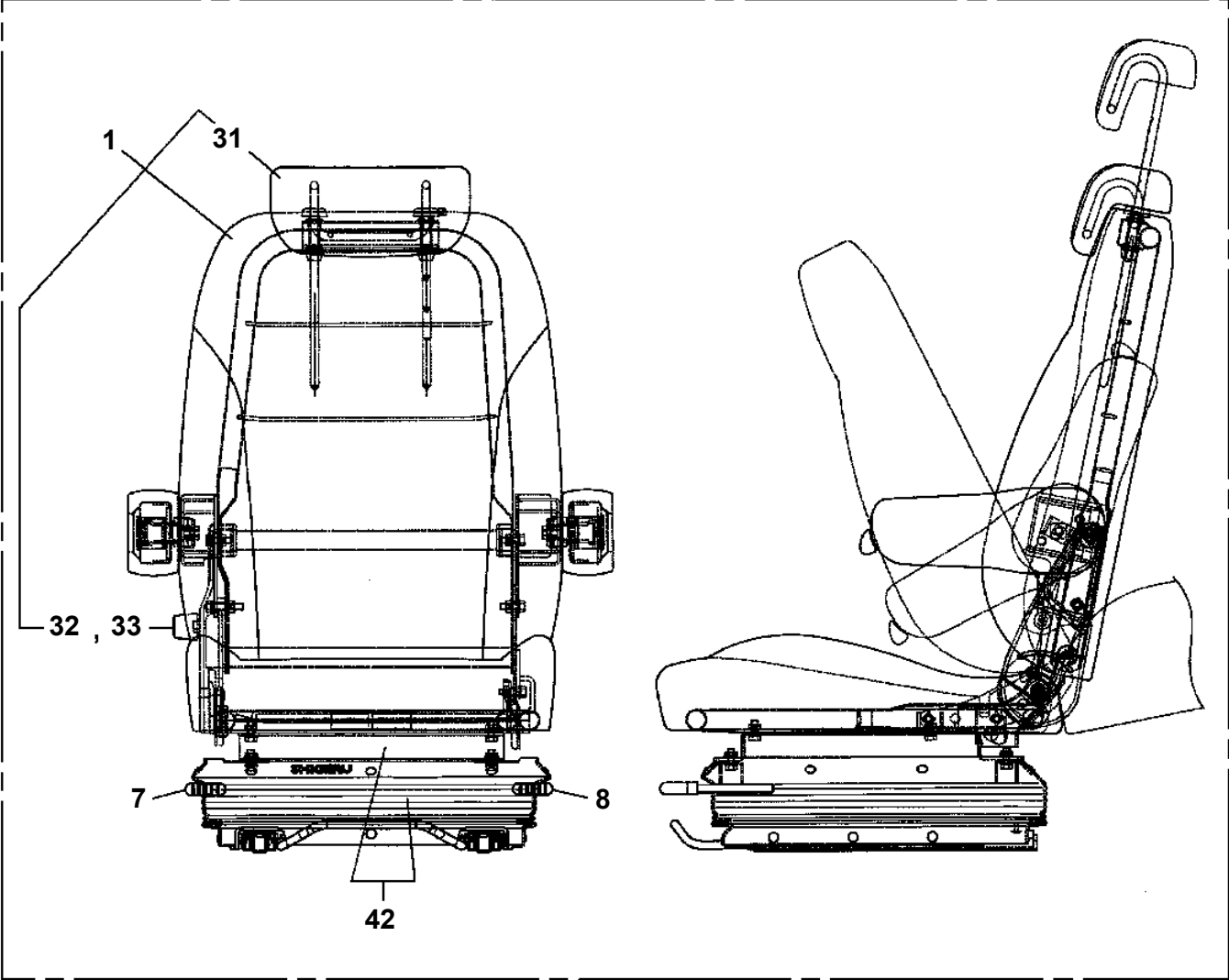
GR-250N-4-00102 4 BOOM + 2 JIB(FAJ),H,2M2D
PR5150030-01 ROLLER ASSY

100

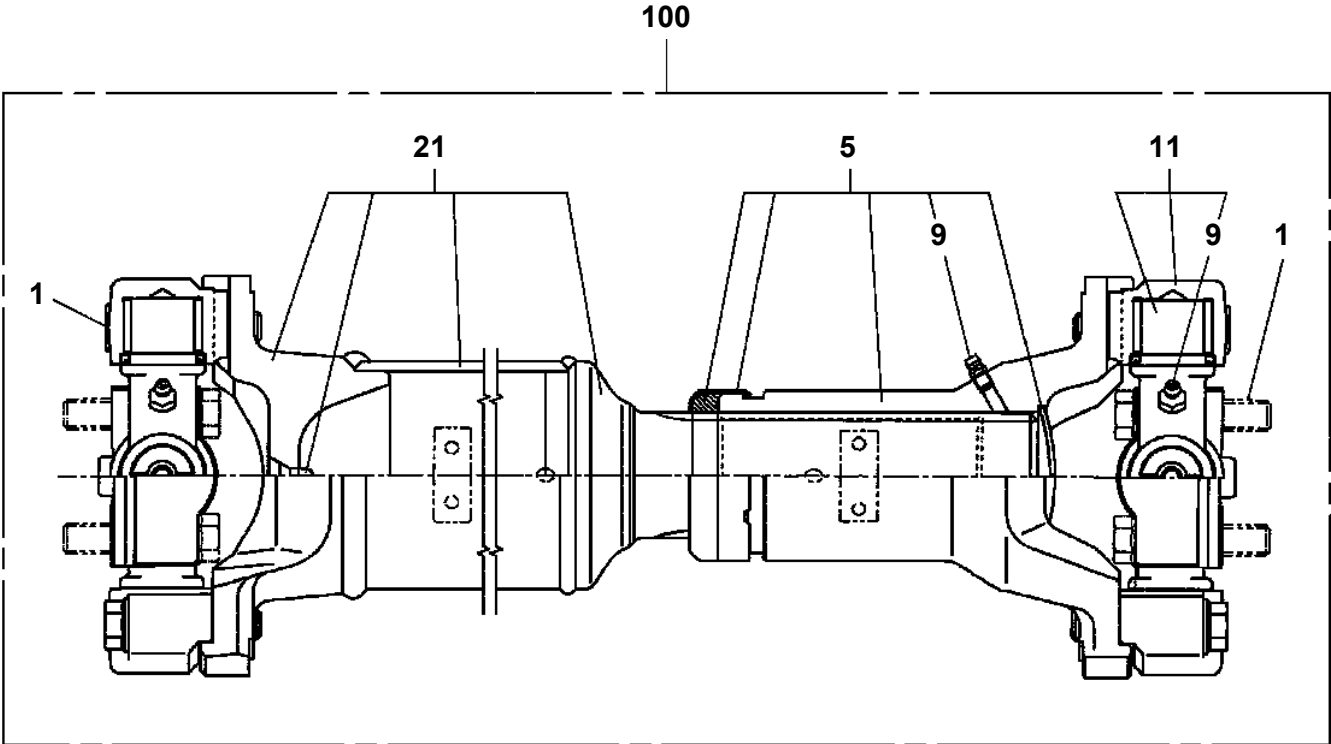


GR-250N-4-00102 4 BOOM + 2 JIB(FAJ),H,2M2D
PS5050007-02 SEAT ASSY

100

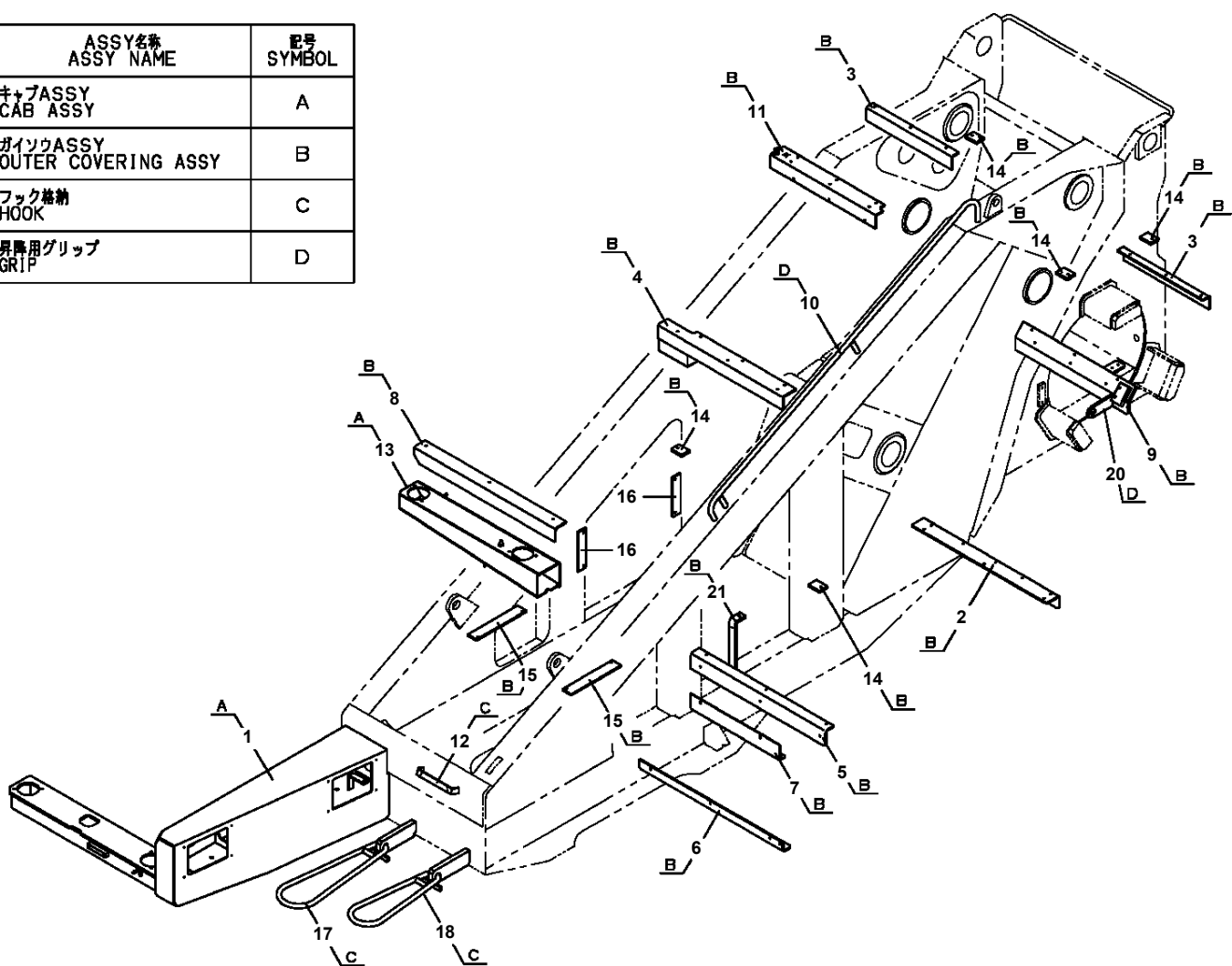


**GR-250N-4-00102 4 BOOM + 2 JIB(FAJ),H,2M2D
PS5170042-00 SHAFT ASSY,PROPELLER (JBK)**



GR-250N-4-00102 4 BOOM + 2 JIB(FAJ),H,2M2D
 PS5420434-00 SUPPORT ASSY (CAB, OUTER COVERING)

ASSY名称 ASSY NAME	記号 SYMBOL
キャブASSY CAB ASSY	A
ガイソウASSY OUTER COVERING ASSY	B
フック格納 HOOK	C
昇降用グリップ GRIP	D



GR-250N-4-00102 4 BOOM + 2 JIB(FAJ),H,2M2D

Pos No.	Parts No	Parts Name	Qty	Unit	Technical Data	Serial No (Start)	Serial No (End)	Remarks	Pages
1	34231620010	TABLE,SLEWING	1						000423
2	37000180130	PIN	1						
3	37000180150	PIN	1						
4	34230007000	PLATE	1						
5	34200025400	PLATE	1						
6	33230310010	COVER	1						
7	90186208014	BOLT,FLANGE	2		M8X14				
9	34230006000	PLATE	1						
10	90101510030	BOLT	4		M10X30				
11	90302041001	WASHER,SPRING	4		10				
12	16242002001	PLATE	1						
13	37001503440	BOLT	19		M22X125				
14	90303502201	WASHER,PLAIN	29		22				
15	90201702200	NUT	5		M22				
16	37001503930	BOLT	5		M22X145				
17	37001508250	BOLT	2		M22X145				
18	90303502401	WASHER,PLAIN	2		24				

GR-250N-4-00102 4 BOOM + 2 JIB(FAJ),H,2M2D

Pos No.	Parts No	Parts Name	Qty	Unit	Technical Data	Serial No (Start)	Serial No (End)
1	34355271410	SWITCH,ROCKER (ROOF WASHER)	1				
2	34355271420	SWITCH,ROCKER (ROOF WIPER)	1				
3	34355271430	SWITCH,ROCKER (JIB SIDE UP/DOWN)	1				
5	34355271190	CAP	2				FB9288
	34355271190	CAP	3			FB9289	

GR-250N-4-00102 4 BOOM + 2 JIB(FAJ),H,2M2D

Pos No.	Parts No	Parts Name	Qty	Unit	Technical Data	Serial No (Start)	Serial No (End)	Remarks	Page
1	34722707510	BRACKET ASSY	1						
2	34722707521	COLUMN ASSY	1						
3	34722107530	SHAFT ASSY	1						
4	34722107540	SHAFT ASSY	1						
5	34722707530	PIN (LOCK)	1						
6	34722707540	LEVER	1						
7	34722707550	SCREW,MACHINE	1		M6X16				
8	34722707560	WASHER,TOOTH	1		M6				
9	34721987580	PIN	1						
10	34721987590	NUT	1		M10				
11	34721987600	U-NUT	1						
12	34721987620	SCREW,MACHINE	2		M5X10				
13	34721987610	GRIP	1						
14	34722707570	NUT,LOCK	1						
15	34722707580	WASHER,THRUST	1						
16	34722707590	SPACER	1						
17	34722707620	WASHER,PLAIN	1						
18	34722707630	SPRING	1						
100	34722702301	SHAFT (STEERING)	1						

GR-250N-4-00102 4 BOOM + 2 JIB(FAJ),H,2M2D

Pos No.	Parts No	Parts Name	Qty	Unit	Technical Data	Serial No (Start)	Serial No (End)	Remarks
1	36061425120	CASING ASSY	1					
3	36061435010	RING,BACKUP	1					
5	36061425100	RING	1					
6	80602110400	RING,RITAINING	1		R40			
8	36061425070	PISTON	1					
14	36061425080	PISTON	1					
16	36061425090	PIN (PISTON)	1					
22	36061425010	SCREW (AIR BREATHER)	1					
23	36061425110	CAP	1					
25	36061425130	PLUG	1					
26	36061425140	WASHER (LOCK)	1					
28	36061425050	PIPE,EXHAUST	1					
31	91001101200	O-RING	1		1A P12			
33	36061425020	VALVE,RELAY	1					
36	36061425030	NIPPLE	1					
50	36061425040	REPAIR KIT (A)	1					
60	36061425060	REPAIR KIT (B)	1					
71	91001103600	O-RING	2		1A P36			
100	36061420000	BOOSTER (BRAKE)	1					

GR-250N-4-00102 4 BOOM + 2 JIB(FAJ),H,2M2D

Pos No.	Parts No	Parts Name	Qty	Unit	Technical Data	Serial No (Start)	Serial No (End)	Remarks
2	99164008020	BOLT (M8X20)	8					
3	99164010025	BOLT	4		M10X25			
4	34660100030	COVER	1					
5	34660180040	PACKING	1		T=2.0			
6	33660000220	BREATHER ASSY (OB-30T)	1					
7	36673740000	FILTER ASSY	1					
8	33660000211	GAUGE,OIL	1					
9	80205001000	PLUG	1		PT1			
10	36684520000	SWITCH	1					
11	90303382201	WASHER	1		M22			
21	33660007511	ELEMENT	1					
22	33660007520	PACKING SET	1					
31	33660007530	BOLT	2					
32	34660131140	PACKING	4					
100	34660670000	TANK ASSY,OIL	1					

GR-250N-4-00102 4 BOOM + 2 JIB(FAJ),H,2M2D

Pos No.	Parts No	Parts Name	Qty	Unit	Technical Data	Serial No (Start)	Serial No (End)
65	36350685090	O-RING	2				
66	36350555360	SENSOR,PRESSURE	2				
67	36350555370	O-RING	2				
68	80601110300	RING,RITAINING	5		S30		
69	36350685100	SENSOR	1				
70	36350356120	BOLT	1		M6X12		
71	36350685130	WASHER	1				
72	80560054000	BALL,STEEL	2		5/32		
73	36350695120	ROTOR	1				
74	36350525170	CHOKE	1				
75	36350795100	STRAINER ASSY	1				
76	36350725330	GASKET	1				
77	36350685180	PLUG	1				
78	36350265630	O-RING	1				
79	36350745150	GAUGE,OIL	1				
80	36370615080	BOLT	2				
81	36350685190	BOLT	1				
82	90171110030	BOLT	12		M10X30		
83	90171110035	BOLT	30		M10X35		
84	36350355520	BOLT	14		M10X40		
85	90101510065	BOLT	10		M10X65		
86	90101710090	BOLT	2		M10X90		
87	90302051001	WASHER,SPRING	60		10		
88	36370216300	WASHER	11				
89	90171108020	BOLT	4		M8X20		
90	90201200800	NUT	4		M8		
91	36350645250	BRACKET	1				
92	36350775480	BRACKET	2				
93	36350795110	PLATE	1				
94	36350795120	PLATE	1				
95	36370625060	PLATE	1				
96	36350685220	CLIP	8				
97	36370615100	CLIP	7				
98	36370615030	BOLT,HEXAGON SOCKET	4				
99	36350775450	BOLT	16				
100	36370615040	BOLT,HEXAGON SOCKET	4				
101	36350775470	BOLT	6				
102	36350645270	BOLT,HEXAGON SOCKET	3				
104	36370295090	RIVET	2				
105	36350365760	PISTON	2				
106	36350525290	SPRING	2				
107	36350525330	SPRING	2				
108	36350525300	SPRING	2				
109	36350525320	STOPPER	2				
110	36350775052	VALVE ASSY	1				
111	36350775062	VALVE ASSY	1				
112	90101706016	BOLT	4		M6X16		
113	90302050601	WASHER,SPRING (6)	4				
114	90171108065	BOLT	4		M8X65		
115	90302050801	WASHER,SPRING	4		8		
116	80560068000	BALL,STEEL	1		19/32		
117	36350365800	SPRING	1				
118	36350695320	FILTER (COIN)	4				
119	36350695330	O-RING	1				
120	36350456060	PLUG	27				
121	36350456070	PLUG	2				
122	36370415290	PLUG	2				
123	36350745160	COLLAR	1				
124	36350705170	CHOKE	2				
125	36350366560	CHOKE	1				
126	36370295040	BAND,MARK (0)	1				
127	36370295100	BAND,MARK (1)	2				
128	36370295050	BAND,MARK (2)	2				

GR-250N-4-00102 4 BOOM + 2 JIB(FAJ),H,2M2D

Pos No.	Parts No	Parts Name	Qty	Unit	Technical Data	Serial No (Start)	Serial No (End)	Remarks	Pa
2	34790237510	BEARING	4						
3	34790237520	BEARING	4						
4	34790237530	BALL	2						
5	34790237540	COVER	2						
6	34790237550	BOLT	12		M8X1.25				
7	34790237560	BOOT ASSY	4						
30	34790236000	ROD,TORQUE (L=600)	1						

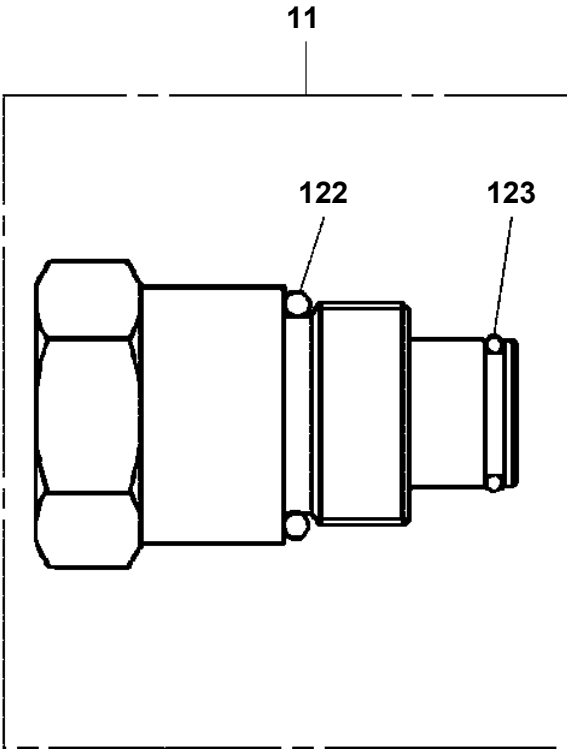
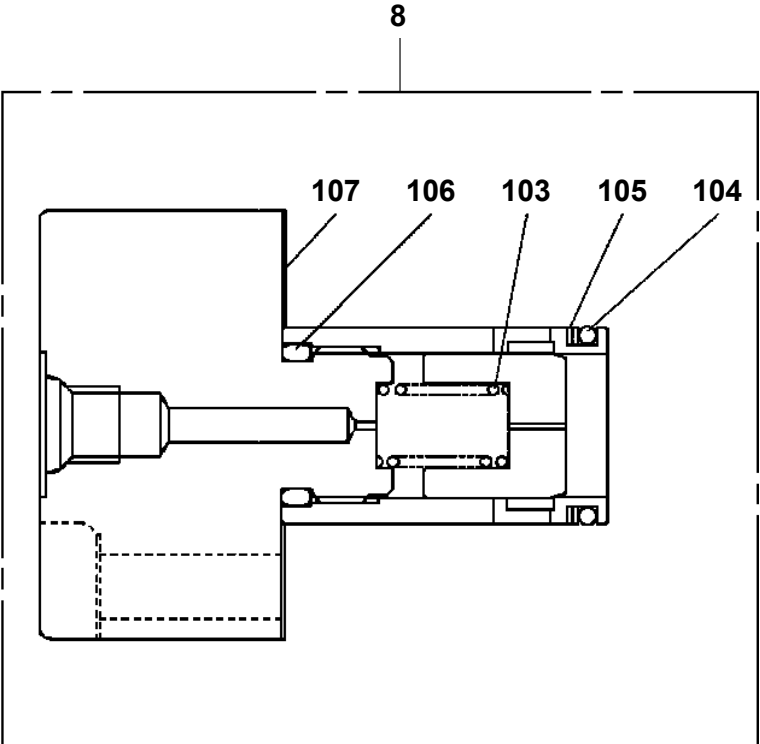
GR-250N-4-00102 4 BOOM + 2 JIB(FAJ),H,2M2D

Pos No.	Parts No	Parts Name	Qty	Unit	Technical Data	Serial No (Start)	Serial No (End)	Remarks	P
2	36601005010	VALVE ASSY	1						
16	36607065010	STEM ASSY	1						
23	36607065020	SEAT,SPRING	1						
29	36607065030	VALVE ASSY (LOWER)	1						
37	36607065040	COVER (EXHAUST)	1						
46	36601005060	BOOT (PLUNGER)	1						
47	36607065050	PLUNGER	1						
51	36607065060	REPAIR KIT	1						
52	36607065070	REPAIR KIT (SPRING)	1						
100	36607060000	VALVE ASSY (BRAKE)	1						

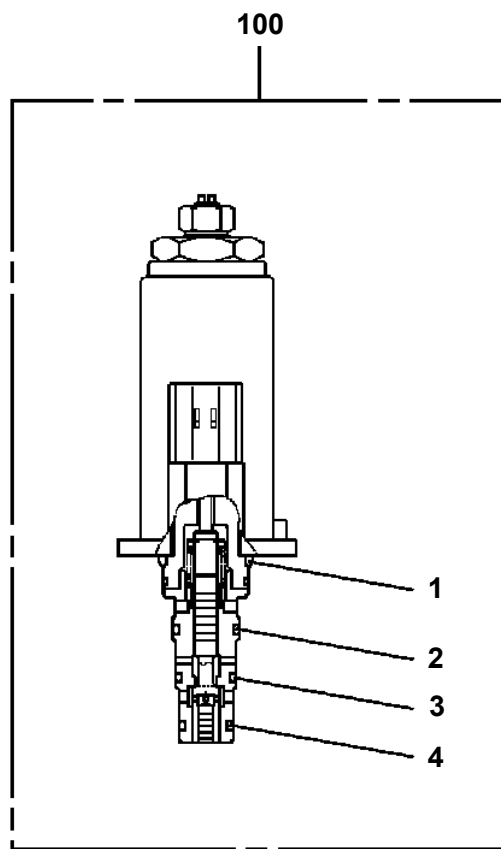
GR-250N-4-00102 4 BOOM + 2 JIB(FAJ),H,2M2D

Pos No.	Parts No	Parts Name	Qty	Unit	Technical Data	Serial No (Start)	Serial No (End)	R
5	59155206000	SPRING	2					
6	80316100040	PLUG	2		PF1/2			
7	91002801800	O-RING	2		1B P18			
8	91002802800	O-RING	2		1B P28			
9	91002802100	O-RING	2		1B P21			
10	91411002100	RING,BACKUP	2		P21			
20	36626195100	SLEEVE ASSY (SLEEVE+POPPET)	2					
100	36626190000	VALVE ASSY,CHECK	1					

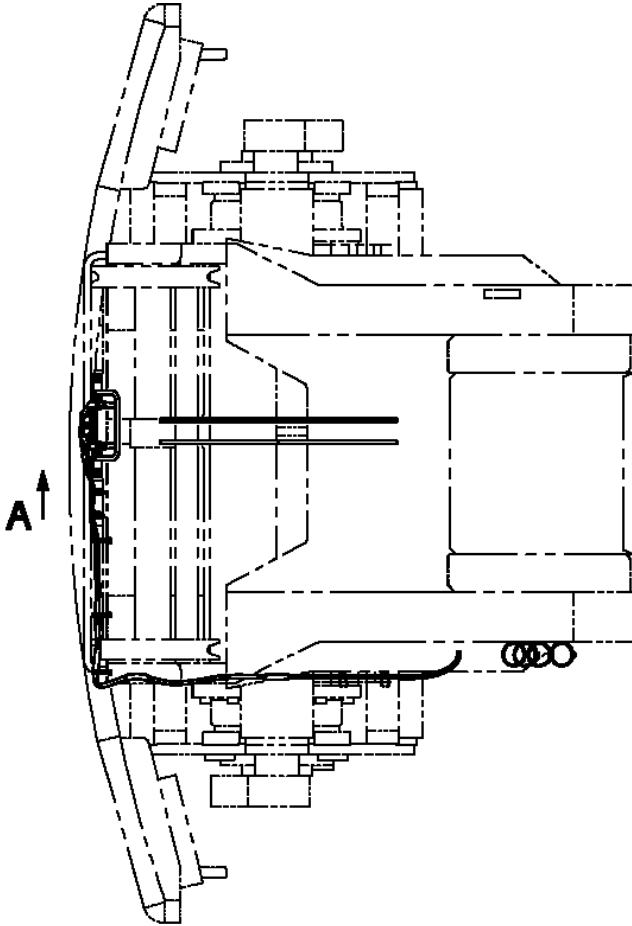
**GR-250N-4-00102 4 BOOM + 2 JIB(FAJ),H,2M2D
PV5170019-00 VALVE ASSY,SELECTOR**



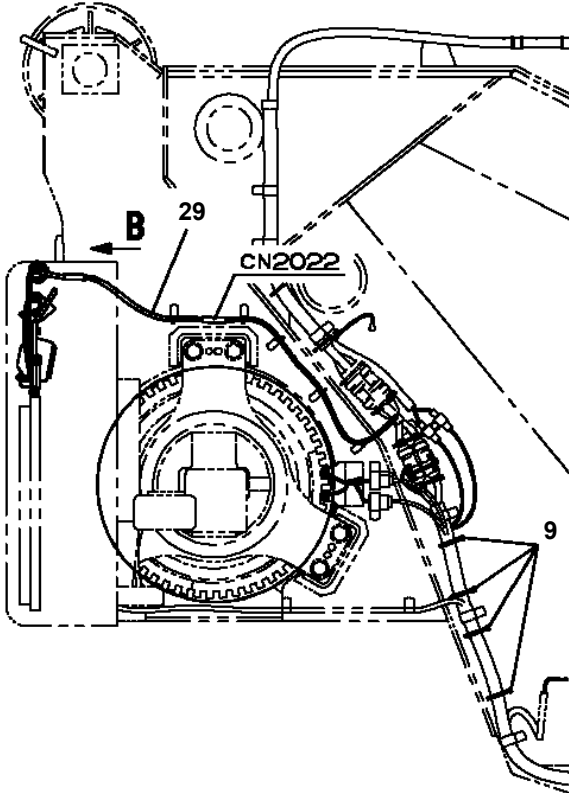
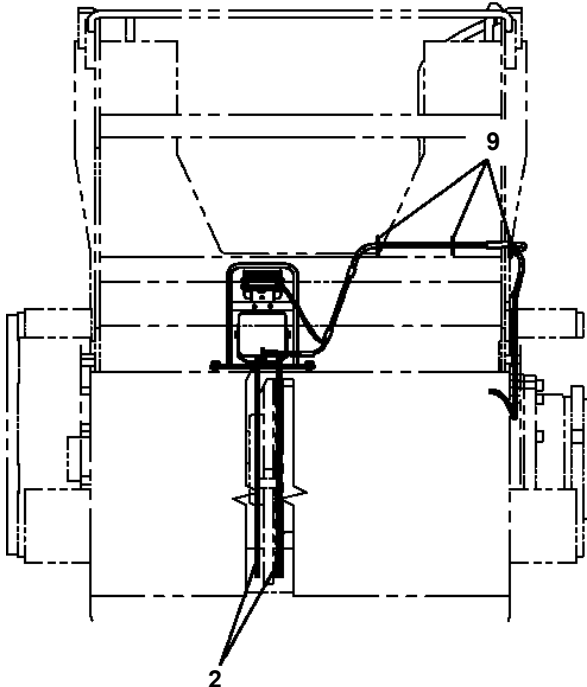
**GR-250N-4-00102 4 BOOM + 2 JIB(FAJ),H,2M2D
PV5410001-00 VALVE,SOLENOID**



GR-250N-4-00102 4 BOOM + 2 JIB(FAJ),H,2M2D
PV5450078-00 VIEW SYSTEM (DRUM CAMERA)



→ FRONT



**GR-250N-4-00102 4 BOOM + 2 JIB(FAJ),H,2M2D
PV5450143-01 VIEW SYSTEM (SLEWING TABLE REAR CAMERA)**

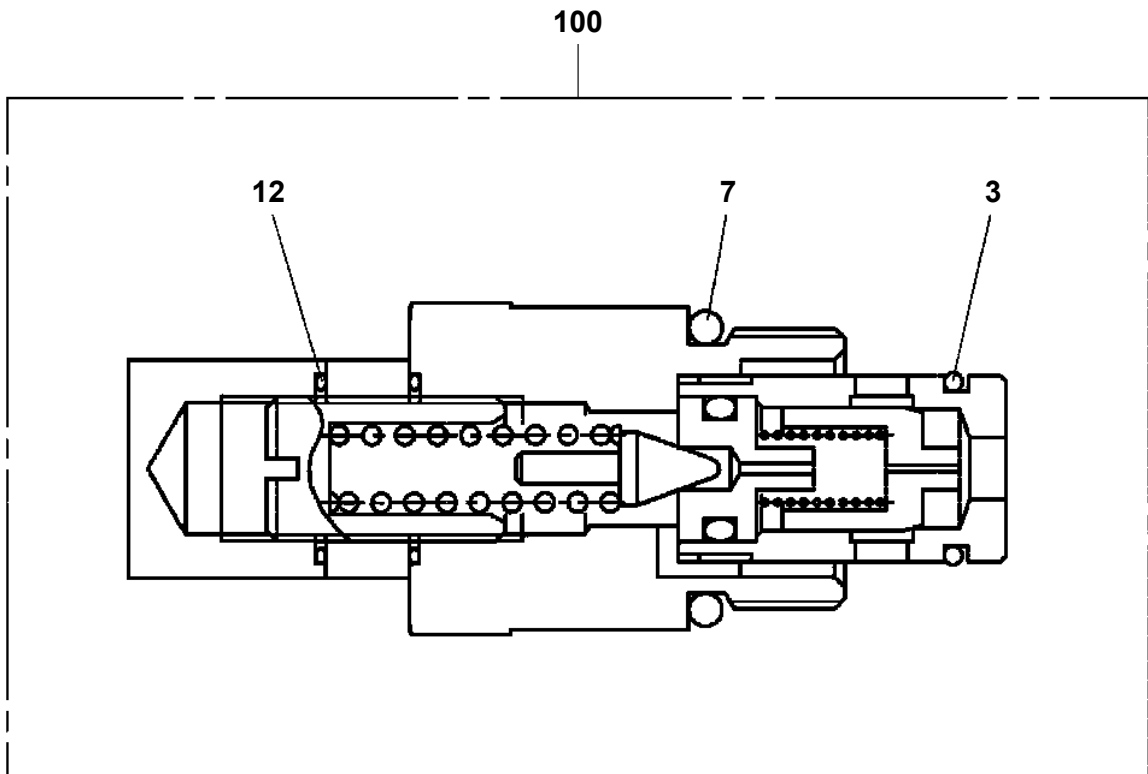
ビュースystem (センカイト アイコウホウカメラ)
VIEW SYSTEM (SLEWING TABLE REAR CAMERA)

符号	日本語名称	英語名称	備考
1	マウントASSY {カメラコントローラ}	MOUNT ASSY	キャブ内取付
2	マウントASSY {カメラ}	MOUNT ASSY	旋回台後方カメラ取付

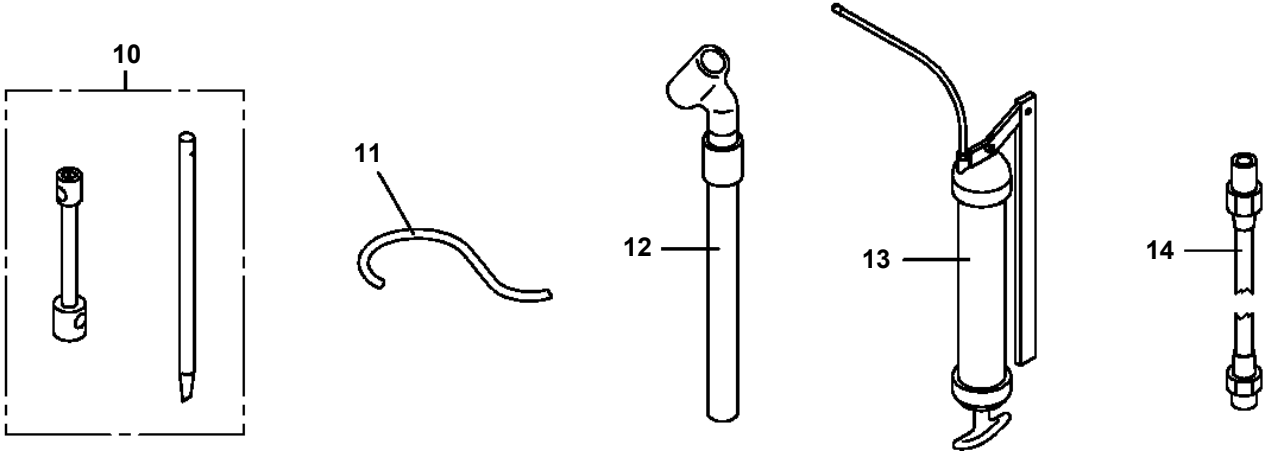
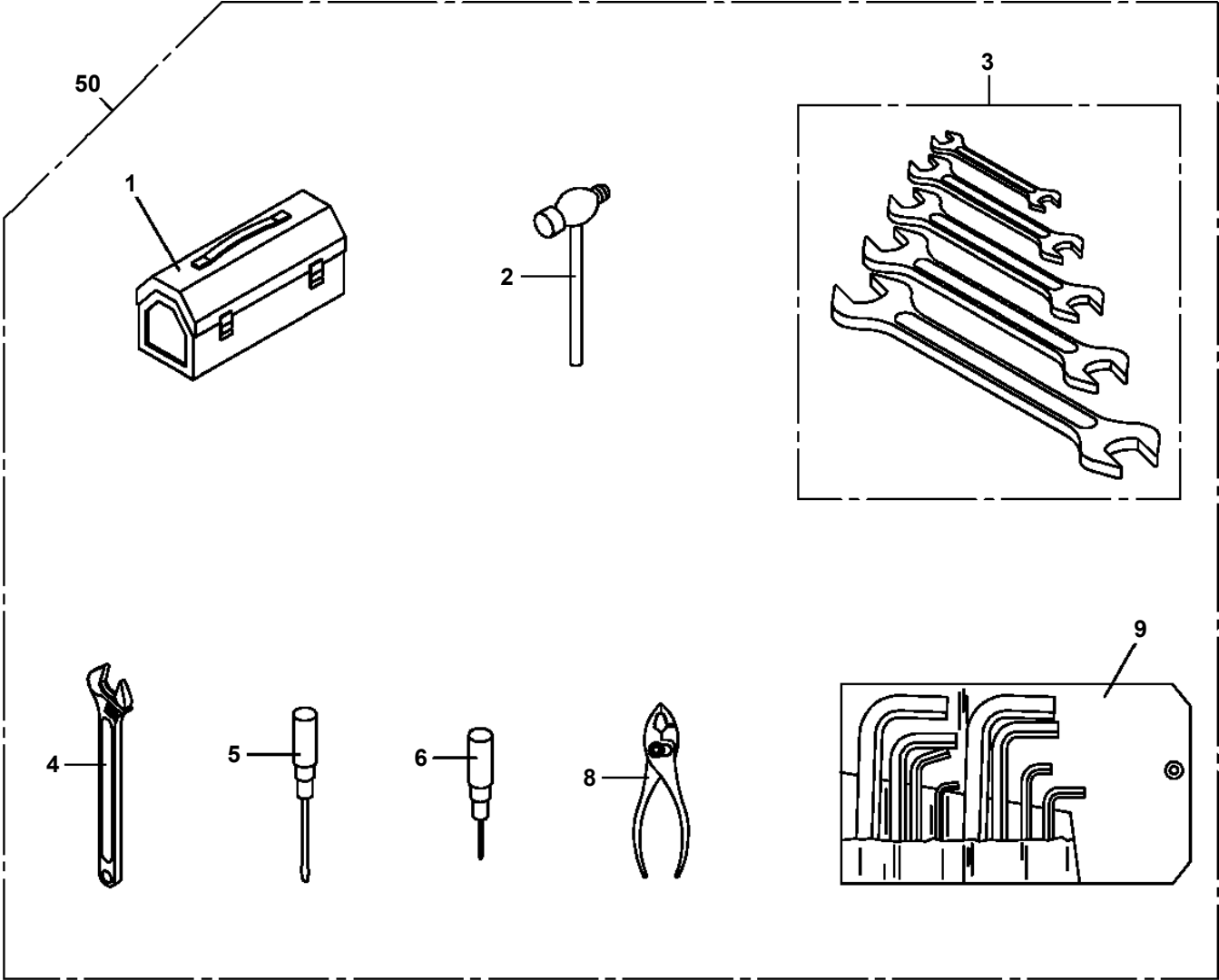
適用製造番号によっては取り付けがないものもあります。

MACHINES OF SOME SERIAL NO. ARE NOT EQUIPPED WITH THESE PARTS.

GR-250N-4-00102 4 BOOM + 2 JIB(FAJ),H,2M2D
PV5480001-00 VALVE,OVERLOAD RELIEF



GR-250N-4-00102 4 BOOM + 2 JIB(FAJ),H,2M2D
PW1030086-01 TOOLS



GR-250N-4-00102 4 BOOM + 2 JIB(FAJ),H,2M2D

Pos No.	Parts No	Parts Name	Qty	Unit	Technical Data	Serial No (Start)	Serial No (End)	Remarks
1	36664090000	MOTOR ASSY,OIL	1					
2	36074041000	SUPPORT	1					
3	36073761000	DRUM	1					
4	90172116050	BOLT,HEXAGON SOCKET	24		M16X50			
5	80601111000	RING,RETAINING	1		S100			
6	80516006020	BEARING,BALL	1					
100	36074040000	WINCH ASSY (MAIN)	1					

GR-250N-4-00102 4 BOOM + 2 JIB(FAJ),H,2M2D

Pos No.	Parts No	Parts Name	Qty	Unit	Technical Data	Serial No (Start)	Serial No (End)	Remarks	Pages
1	34762542100	SUPPORT	1						
2	34762033200	SUPPORT	1						
3	90171112025	BOLT	6		M12X25				
4	90302041201	WASHER,SPRING	6		12				
5	90303502201	WASHER,PLAIN	48		22				
6	37001503440	BOLT	44		M22X125				
7	37001503600	BOLT	4		M22X110				
8	90171110030	BOLT	6		M10X30				
9	90303501005	WASHER,PLAIN	6		10				

GR-250N-4-00102 4 BOOM + 2 JIB(FAJ),H,2M2D

Pos No.	Parts No	Parts Name	Qty	Unit	Technical Data	Serial No (Start)	Serial
1	34261900301	SUNSHADE (ASSY ONLY)	1				
2	34261886200	RAIL	1				
3	34261886300	RAIL	1				
4	34261900400	HOOK	1				
5	34261886400	GRIP	1				
6	34261886600	COVER (FRONT)	1				
7	82466003002	CUSHION	1				
8	90101206014	BOLT	1		M6X14		
9	90303070601	WASHER,PLAIN	1		6		
10	90302040601	WASHER,SPRING	1		6		
11	80192486014	SCREW,MACHINE (WITH WASHER)	2		M6X14		
12	80173805010	SCREW,MACHINE	6		M5X10		
13	80173805020	SCREW,MACHINE	1		M5X20		
14	80173805030	SCREW,MACHINE	1		M5X30		
15	80192486016	SCREW,MACHINE	1		M6X16		
16	99183808025	BOLT,HEXAGON SOCKET(WITH W,SW/BLACK)	2				
19	82431206001	KNOB	2				FB89
20	82431106101	KNOB	2				FB89
21	90190206012	BOLT	2		M6X12		
22	82100000920	GROMMET	1				
23	82100000956	GROMMET	2		SG-36A		
24	82447077255	PLUG	1				
25	37002240450	PLATE,NAME	2			FB9064	
26	37002240460	PLATE,NAME	2			FB9064	
39	82431432060	KNOB	2			FB8958	
40	82431332061	KNOB	2			FB8958	

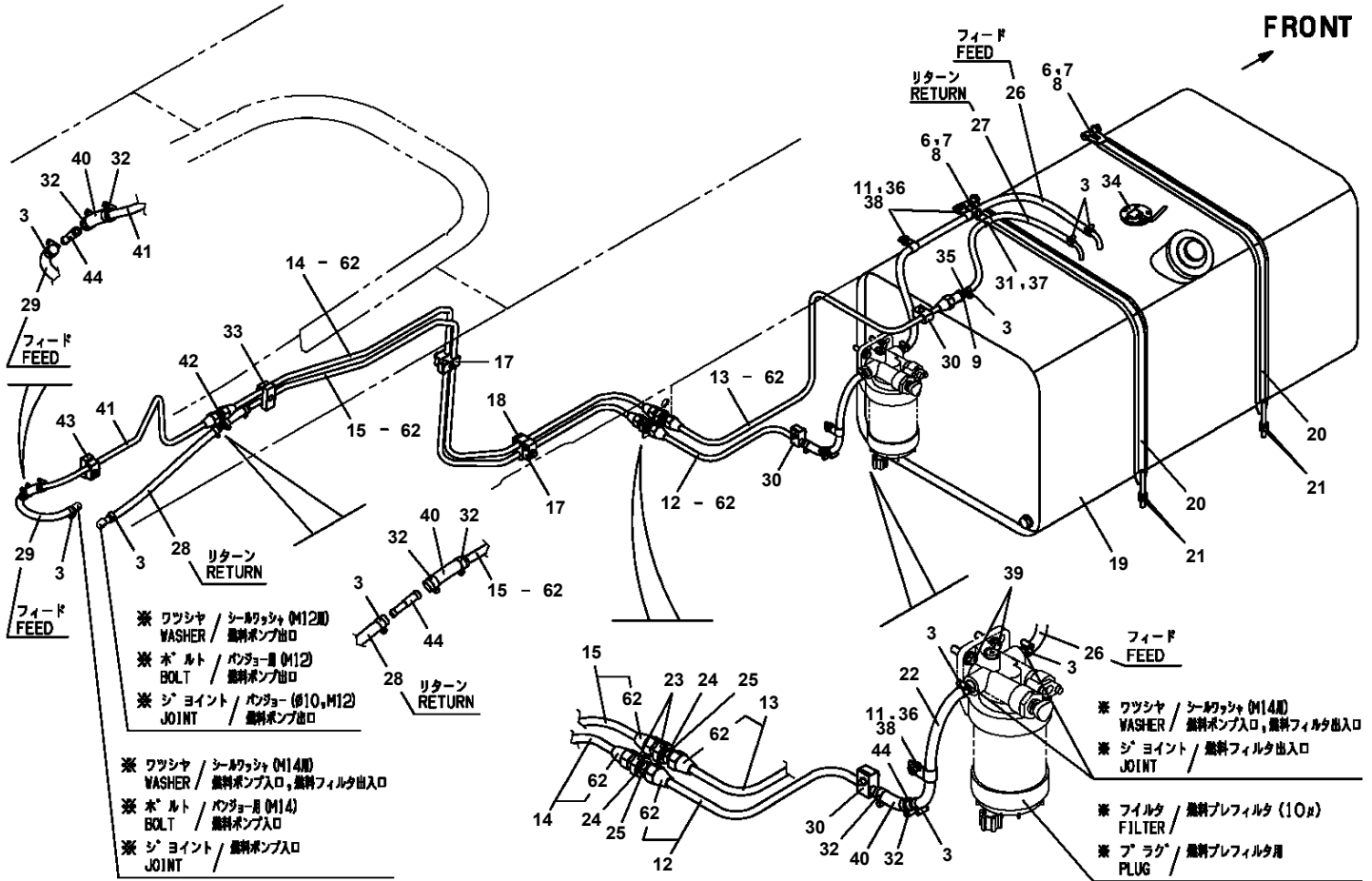
GR-250N-4-00102 4 BOOM + 2 JIB(FAJ),H,2M2D

Pos No.	Parts No	Parts Name	Qty	Unit	Technical Data	Serial No (Start)	Serial No (End)	Ren
2	34498922200	HARNESS	1		L=400			
3	34498561100	CONTROLLER (ASSY ONLY)	1					
5	34381970400	CABLE (CONNECTOR CHENGE)	1					
6	34498922300	SUPPORT	1					
7	80192483006	SCREW,MACHINE	2		M3X6			
8	91850310305	CLAMP	1					
9	91810130240	FASTENER	1					
10	34498922400	PLATE,NAME	1				FB9290	

GR-250N-4-00102 4 BOOM + 2 JIB(FAJ),H,2M2D PX5400025-01 MOUNT ASSY,FUEL TANK

※材は【付属品リスト】より検索してください。
FOR THE PART ※,SEE THE CORRESPONDING "ACCESSORY LIST."

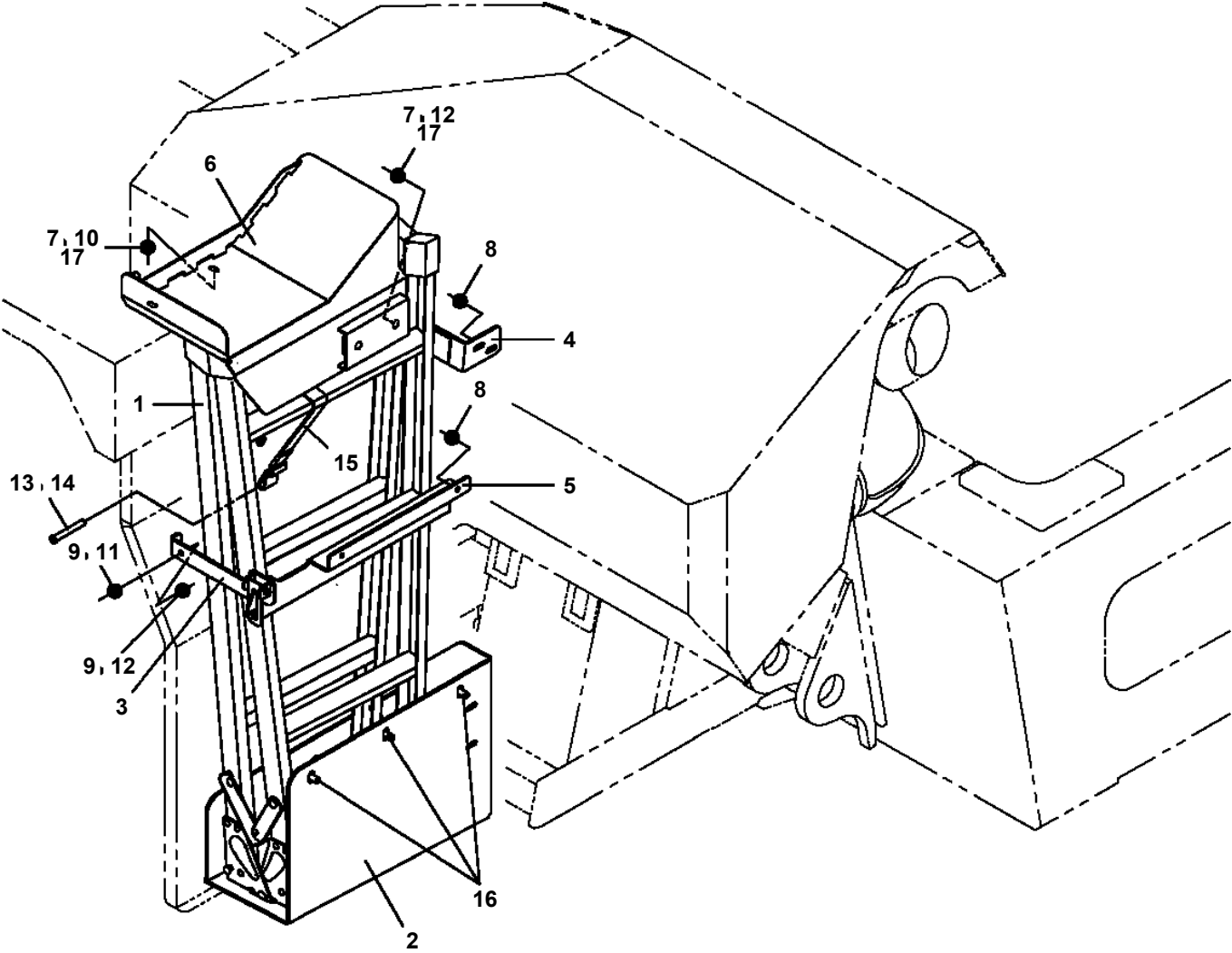
101	フジ クヒンリスト (エンジン:カソウビン) ACCESSORY LIST (ENGINE: MOUNTING PARTS)
-----	---



- ※ ワッシャー / シールワッシャー (M12用)
WASHER / 燃料ポンプ出口
 - ※ ボルト / ボウジョー目 (M12)
BOLT / 燃料ポンプ出口
 - ※ ジョイント / ボウジョー (φ10, M12)
JOINT / 燃料ポンプ出口
-
- ※ ワッシャー / シールワッシャー (M14用)
WASHER / 燃料ポンプ入口, 燃料フィルタ出入口
 - ※ ボルト / ボウジョー目 (M14)
BOLT / 燃料ポンプ入口
 - ※ ジョイント / 燃料ポンプ入口
JOINT / 燃料ポンプ入口

- ※ ワッシャー / シールワッシャー (M14用)
WASHER / 燃料ポンプ入口, 燃料フィルタ出入口
- ※ ジョイント / 燃料フィルタ出入口
JOINT
- ※ フィルタ / 燃料プレフィルタ (10μ)
FILTER /
- ※ プラグ / 燃料プレフィルタ用
PLUG /

GR-250N-4-00102 4 BOOM + 2 JIB(FAJ),H,2M2D
PX5670055-00 MOUNT ASSY,STEP



GR-250N-4-00102 4 BOOM + 2 JIB(FAJ),H,2M2D

Pos No.	Parts No	Parts Name	Qty	Unit	Technical Data	Serial No (Start)	Serial No (End)
1	42460012550	WEDGE (STOPPER FOR TIRE/JUSTIN)	4				
2	34764306100	SUPPORT	1				FB8825
3	34763986200	SUPPORT	1				
4	90303071001	WASHER,PLAIN	5		10		
5	90302041001	WASHER,SPRING	5		10		
6	90101210020	BOLT	5		M10X20		
12	34764306300	SUPPORT	1			FB8826	

GR-250N-4-00102 4 BOOM + 2 JIB(FAJ),H,2M2D

Pos No.	Parts No	Parts Name	Qty	Unit	Technical Data	Serial No (Start)	Serial No (End)	Remarks
1	34762545100	SUPPORT	1					
2	90101212025	BOLT	8		M12X25			
3	90303071201	WASHER,PLAIN	8		12			
4	90302041201	WASHER,SPRING	8		12			
5	37005600371	STEEL BASE PLATE (IP)	4					

CLICK HERE TO **DOWNLOAD** THE COMPLETE MANUAL

- Thank you very much for reading the preview of the manual.
- You can download the complete manual from: www.heydownloads.com by clicking the link below



- Please note: If there is no response to CLICKING the link, please download this PDF first and then click on it.

CLICK HERE TO **DOWNLOAD** THE COMPLETE MANUAL