

GR-250N-2-00101 4 BOOM + JIB(PT),X,2M2D

PB1000690-00 HYDRAULIC PRESSURE GENERATING SYSTEM (X)
PC1000598-01 OUTRIGGER SYSTEM (X)
PD1000591-00 SWING SYSTEM (X)
PE1000597-00 ELEVATING SYSTEM (X)
PF1000641-00 WINCH SYSTEM (X)
PG1000553-01 TELESCOPING SYSTEM (X)
PH1000600-01 SAFETY DEVICES (X)
PK1000674-02 FRAME (X)
PL1000629-00 CONTROL DEVICES (X)
PM1000032-01 LUBRICATION DEVICES
PN1000561-02 ELECTRIC EQUIPMENT (X)
PO1000150-00 INDICATION PLATES
PQ1000223-00 DRIVING POWER GENERATING SYSTEM (X)
PR1000141-01 DRIVING POWER TRANSMISSION SYSTEM (X)
PS1000168-00 STEERING SYSTEM (X)
PT1000148-00 BRAKE SYSTEM (X)
PU1000140-00 SUSPENSION (X)
PW1000097-02 ACCESSORIES & TOOLS
PX1001044-01 MOUNTING PARTS (X)
PY1001323-08 OPTIONS,1 (X)
PY2000197-05 OPTIONS,2 (X)
PZ2000001-01 LOCATION OF PARTS
ASSEMBLY

CLICK HERE TO **DOWNLOAD** THE COMPLETE MANUAL

- Thank you very much for reading the preview of the manual.
- You can download the complete manual from: www.heydownloads.com by clicking the link below



- Please note: If there is no response to CLICKING the link, please download this PDF first and then click on it.

CLICK HERE TO **DOWNLOAD** THE COMPLETE MANUAL

GR-250N-2-00101 4 BOOM + JIB(PT),X,2M2D

Pos No.	Parts No	Parts Name	Qty	Unit	Technical Data	Serial No (Start)
1	(*****)	DETECTOR,OVER WIND (BOOM)	1			
2	34372682000	WEIGHT	1			
4	(*****)	DETECTOR,OVER FRONT AREA	1			
5	(*****)	DETECTOR,CONTROL VALVE	1			
	(*****)	SWITCH ASSY (OPERATION DETECTION)	1			FB5968
6	(*****)	CONNECTION,AML SYSTEM	1			
7	36193680000	MOMENT LIMITER (AML-C)	1			
	36196090000	MOMENT LIMITER:AML	1			FB6217
8	(*****)	INDICATOR,ANGLE (JIB TILT)	1			
9	(*****)	VIEW SYSTEM (DISPLAY)	1			
	(*****)	VIEW SYSTEM (DISPLAY)	1			FB8842
10	(*****)	VIEW SYSTEM (BOOM SIDE CAMERA/TELEMATICS)	1			

GR-250N-2-00101 4 BOOM + JIB(PT),X,2M2D

Pos No.	Parts No	Parts Name	Qty	Unit	Technical Data	Serial No (Start)	Serial No (End)
1	(*****)	OPE.ASSY,TRANSMISSION (SHIFT SWITCH)	1				
2	36370570000	TORQUE CONVERTER	1				
3	36350620000	TRANSMISSION	1				
4	36381990000	AXLE (FRONT)	1				
5	36382010000	AXLE (REAR,NO-SPIN)	1				
	36382000000	AXLE (REAR)	1				
6	(*****)	PIPING,CONVERTER	1				
7	(*****)	INDICATOR ASSY,SPEED	1				
8	(*****)	TIRE & WHEEL (MICHELIN/X-CRANE AT+TOPY)	4				
	(*****)	TIRE & WHEEL (BS./VHS + TOPY)	4				
	(*****)	TIRE & WHEEL (YOKOHAMA/RB03+ TOPY)	4				
	(*****)	TIRE & WHEEL (MICHELIN/XGC + TOPY)	4				
	(*****)	TIRE & WHEEL (MICHELIN/XSNOPLUS+TOPY)	4				
	(*****)	WHEEL ASSY (WI + MICHELIN:XGC)	4			FB6161	FB77
	(*****)	WHEEL ASSY (WI + MICHELIN:X-CRANE)	4			FB6161	FB77
	(*****)	WHEEL ASSY (WI + MICHELIN:XSNOPLUS)	4			FB6161	FB77
	(*****)	WHEEL ASSY (WI + YOKOHAMA)	4			FB6161	FB77
	(*****)	WHEEL ASSY (WI + BRIDGESTONE)	4			FB6161	FB77
	(*****)	WHEEL ASSY (SNOW,TOPY + YOKOHAMA)	4			FB7176	
	(*****)	WHEEL ASSY (SNOW,WI + YOKOHAMA)	4			FB7176	FB77

GR-250N-2-00101 4 BOOM + JIB(PT),X,2M2D

Pos No.	Parts No	Parts Name	Qty	Unit	Technical Data	Serial N
1	(*****)	HOOK (SHEAVE 1 PC'S)	1			
2	(*****)	HOOK (1-PART LINE)	1			
3	37003804440	TIRE (SNOW/MICHELIN)	1			
	37003803430	TIRE (BS. SNOW)	1			
4	(*****)	MOUNT ASSY	1			
5	(*****)	HOOK ASSY (MAIN HOOK SAFETY LATCH)	1			
6	(*****)	HOOK ASSY (AUX. HOOK SAFETY LATCH)	1			
7	(*****)	MODIFICATION ASSY (FOR ALREADY DELIVERDE MACHINES)	1			
10	(*****)	ALARM ASSY (SWING,BACK,LEFT TURN)	1			
11	(*****)	ELEC.ASSY (OVAL-SHAPED RANGE LIMIT FUNCTION)	1			
12	(*****)	MODIFICATION ASSY (EMERGENCY STOWING DEVICE)	1			FB6353
13	36171860000	CONTROLLER (MDT/UPPER)	1			
14	36171870000	CONTROLLER (MDT/UPPER)	1			

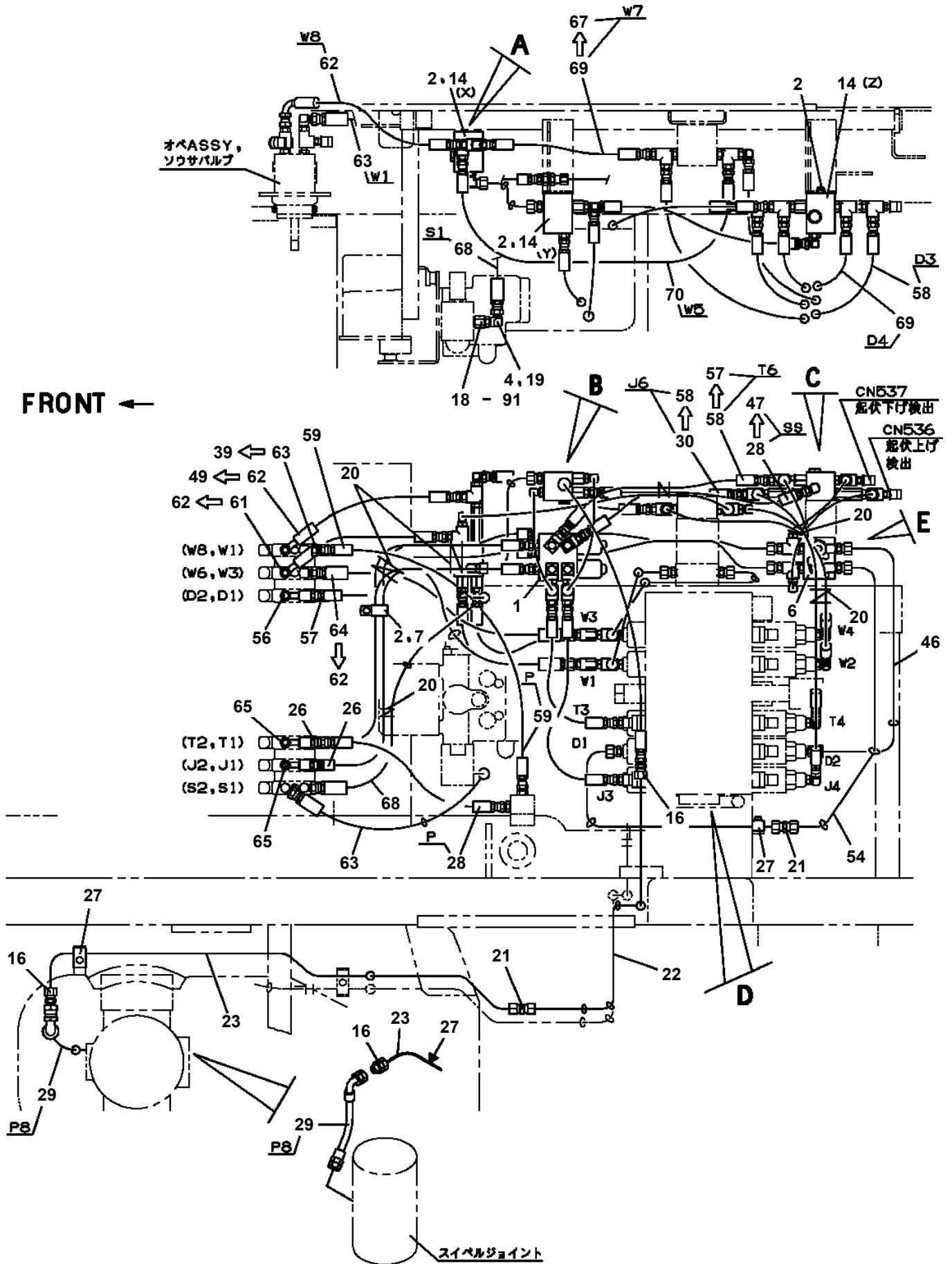
GR-250N-2-00101 4 BOOM + JIB(PT),X,2M2D

Pos No.	Parts No	Parts Name	Qty	Unit	Technical Data	Serial No (Start)	Serial M
1	36653525010	SEAL KIT	1				
10	36653520000	PUMP,HYDRAULIC (EMERGENCY STEERING)	1				

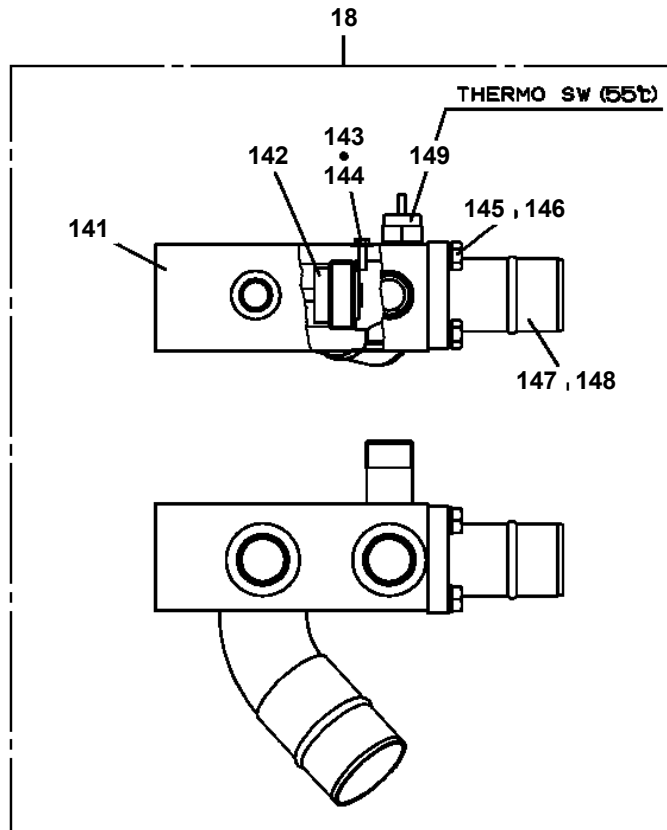
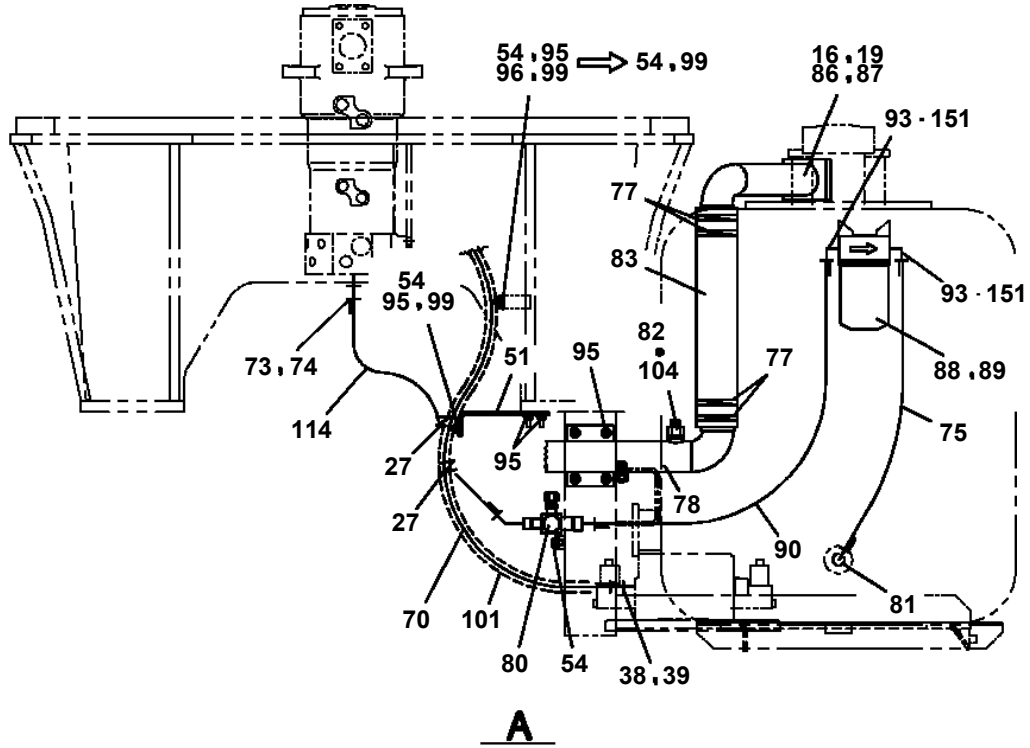
GR-250N-2-00101 4 BOOM + JIB(PT),X,2M2D

Pos No.	Parts No	Parts Name	Qty	Unit	Technical Data	Serial No (Start)	Serial No (End)	Rem
1	91810130250	FASTENER	7				FB5284	
	91810130250	FASTENER	5			FB5285		
2	37002452050	HOSE	1		L=610			
3	80303130321	FITTING,ELBOW	1		KLO28-080E			
4	81408000341	PIPE,STEEL	1		28X3.1T			
5	90101510035	BOLT	8		M10X35			
6	90302041001	WASHER,SPRING	22		10			
7	90172110030	BOLT,HEXAGON SOCKET	9		M10X30			
8	90191510030	BOLT	3		M10X30			
9	37000906840	JOINT	1		L G1-28			
10	80400160128	JOINT	1		S,G3/8-G1/4			
11	36605780000	VALVE,RELIEF	1					
12	90101210050	BOLT	2		M10X50			
13	80400160131	JOINT	2					
14	91002801800	O-RING	8		1B P18		FB5953	
	91002801800	O-RING	6		1B P18	FB5954		
15	37002487950	HOSE	1		L=670			
16	34641344100	SUPPORT	1					
17	80430620800	JOINT	2					
18	37002448340	HOSE	1		L=1270 TO 1170			
19	37002443090	HOSE	1		L=1400			
20	82100002011	CLAMP	3		WRC15			
21	91002802900	O-RING	2		1B P29			
22	90101210100	BOLT	2		M10X100			
23	90280201000	NUT,FLANGE	3		M10			
24	80430621600	JOINT	1					
25	90101210030	BOLT	1		M10X30			
26	37000925740	JOINT	1		S G1/2-G1/2			
27	82100002013	CLAMP	1		WRC18			
28	37002478050	HOSE	1		L=1400			
29	80302090271	FITTING	1		KCO22-040N			
30	37002446930	HOSE	1		L=600			
31	37002452780	HOSE	1		L=960 TO 450		FB5953	
	37012401070	HOSE	1		L=500	FB5954		
32	37002454360	HOSE	1		L=2020			
33	37002452250	HOSE	1		L=2530			
35	34641343400	SUPPORT	1					
36	37000908580	JOINT	1		L G3/4-28			
37	81408000160	PIPE,STEEL	1	M	12X1.4T			
38	36625390000	VALVE,CHECK	1					
39	34471141300	CUSHION	6					
40	37000505950	PLATE	6		T=3.2			
41	59457138000	PLUG ASSY	1					
42	80400160130	JOINT	1		S,G1/2-G3/8			
43	36741450000	VALVE,SOLENOID CONTROL	1					
44	80302090141	FITTING	4		KCO12-020N		FB5953	
	80302090141	FITTING	3		KCO12-020N	FB5954		
45	37002471860	HOSE	1		L=1800			
46	37002453980	HOSE	1		L=2550			
47	37002478100	HOSE	1		L=475			
48	82100002018	CLAMP	7		WR35			
49	80303130141	FITTING,ELBOW	5		KLO12-020E		FB5953	
	80303130141	FITTING,ELBOW	4		KLO12-020E	FB5954		
50	90280200800	NUT,FLANGE	29		M8		FB5284	
	90280200800	NUT,FLANGE	28		M8	FB5285		
51	90186208025	BOLT,FLANGE	1		M8X25			
52	37000922730	JOINT	1		T,G3/8-G1/2-G1/2		FB5953	
53	80400160129	JOINT	1					
54	82100002019	CLAMP	1		WR40			
55	90302040801	WASHER,SPRING	4		8			
56	36624250000	VALVE,SHUTTLE	1					
57	37000929870	JOINT	1		S G1/2-G3/8			
58	37000929230	JOINT	1		S G3/4-G3/4			

GR-250N-2-00101 4 BOOM + JIB(PT),X,2M2D
 PB1250079-02 PIPING,PILOT

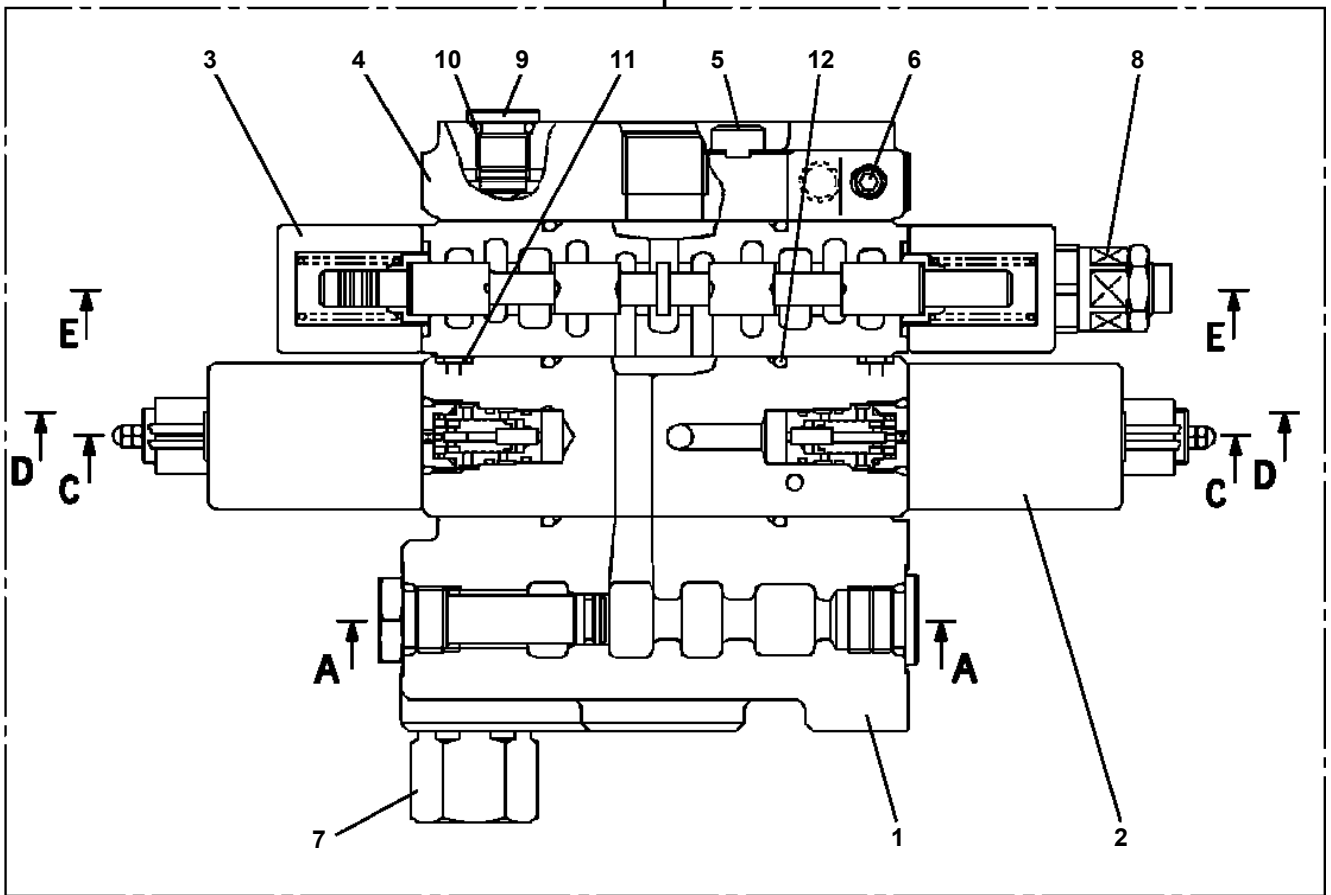


GR-250N-2-00101 4 BOOM + JIB(PT),X,2M2D
PB1260268-04 PIPING,RETURN (LOWER)

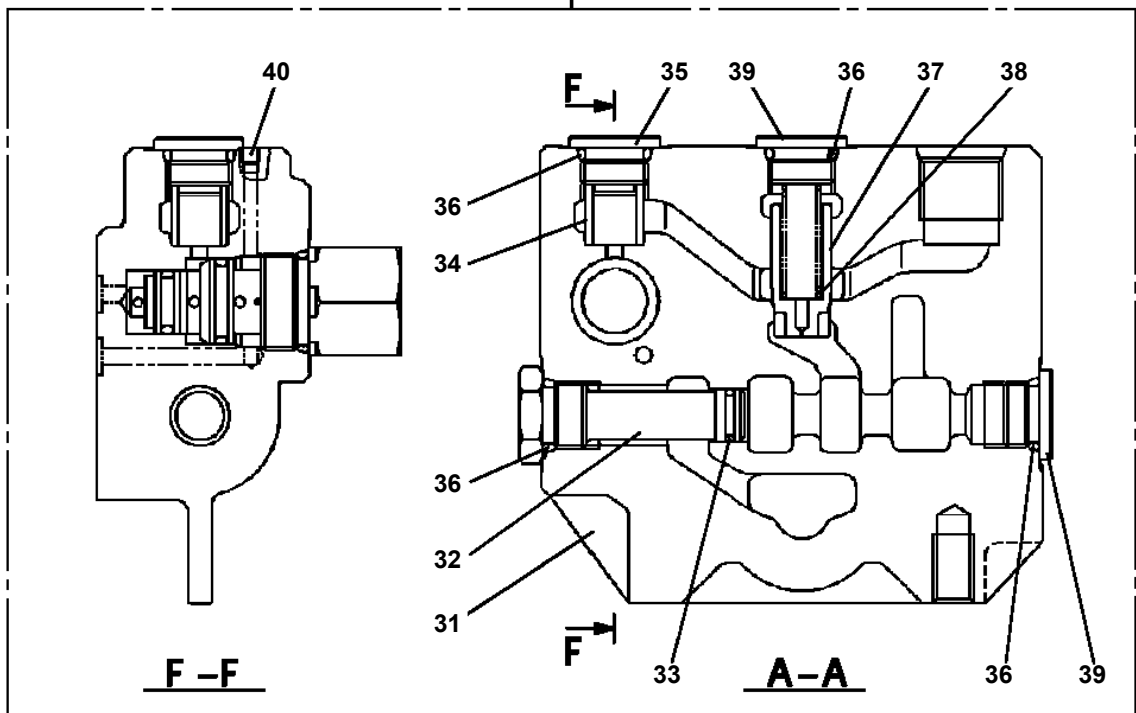


GR-250N-2-00101 4 BOOM + JIB(PT),X,2M2D
 PB1340072-01 VALVE,SOLENOID CONTROL

200

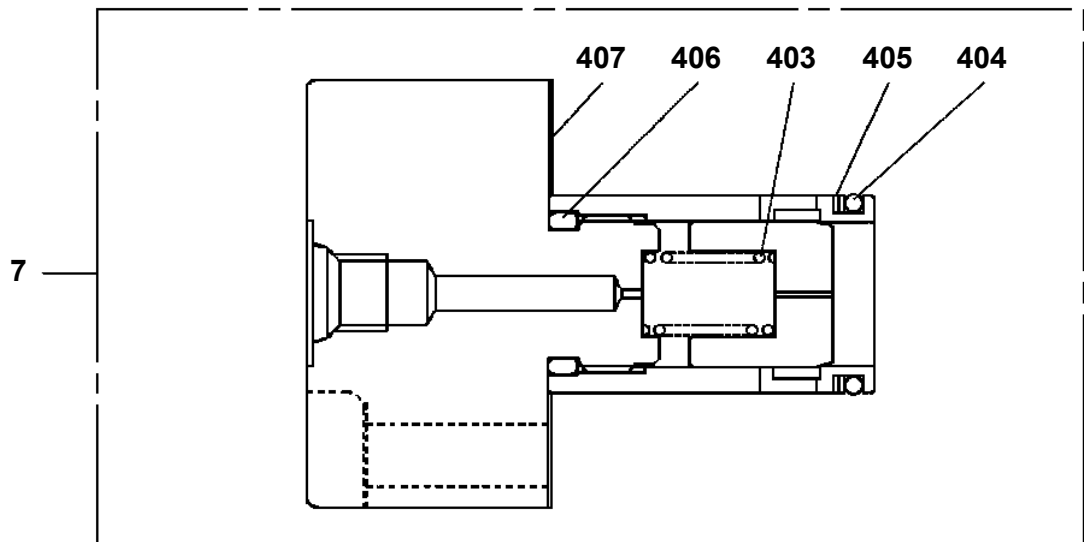
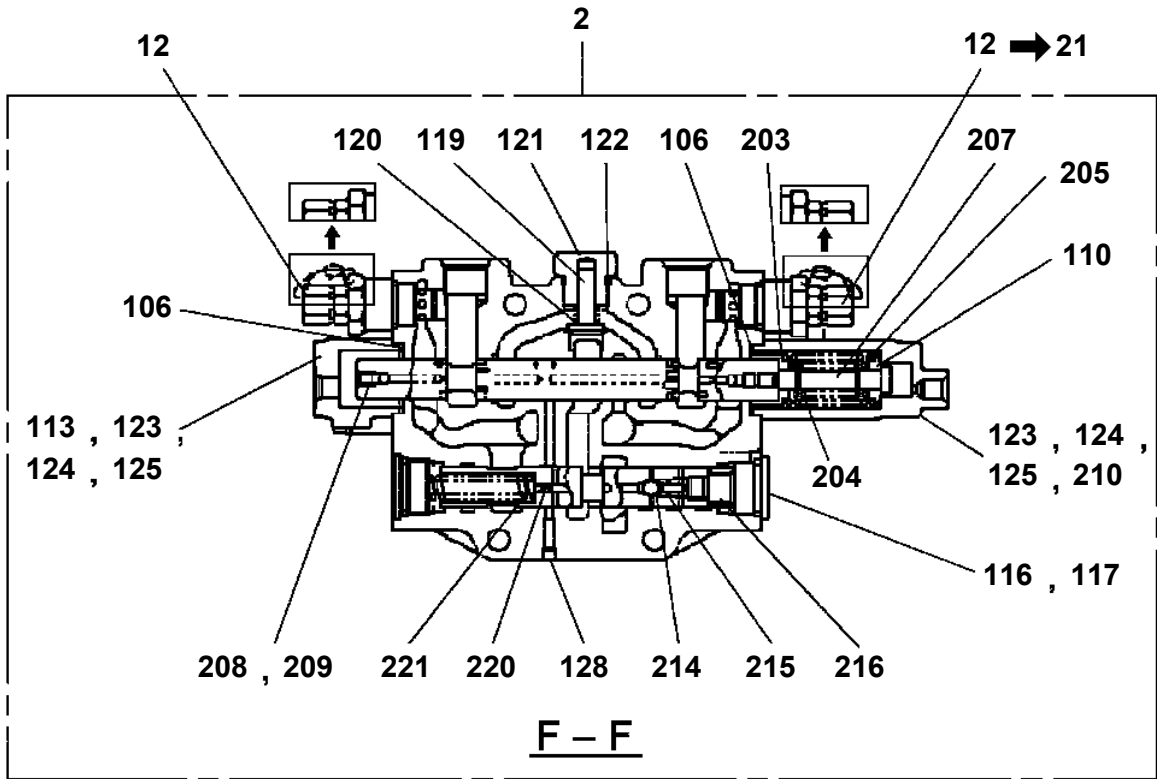


1



展開圖有
 ILLUSTRATED BREAKDOWN NO.2,3,7,8

GR-250N-2-00101 4 BOOM + JIB(PT),X,2M2D
 PB1350032-01 VALVE,PILOT OPERATED CONTROL



GR-250N-2-00101 4 BOOM + JIB(PT),X,2M2D

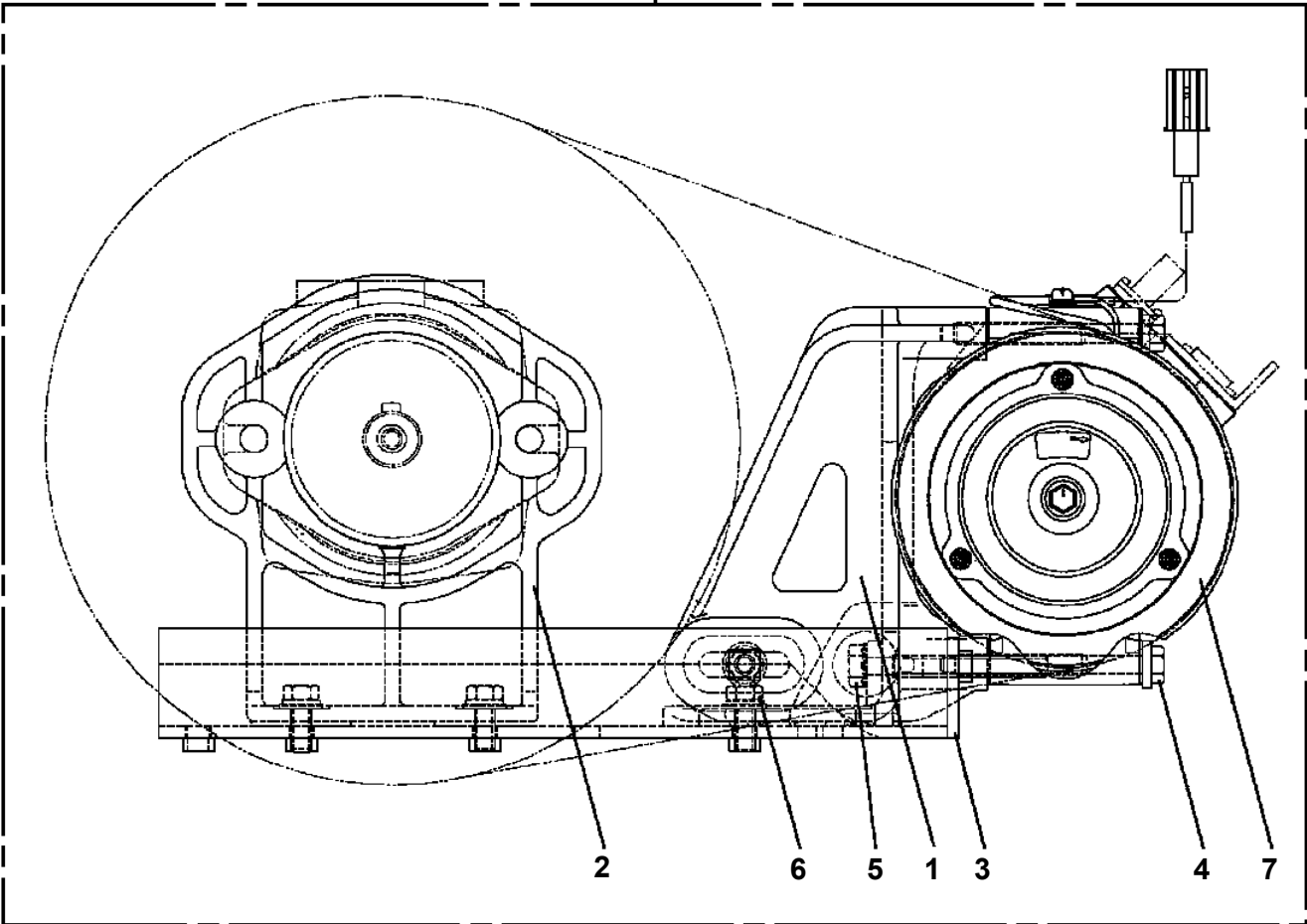
Pos No.	Parts No	Parts Name	Qty	Unit	Technical Data	Serial No (Start)	Serial No (End)	Remarks	Pages
100	91990151000	BOX,TOOL	1						

GR-250N-2-00101 4 BOOM + JIB(PT),X,2M2D

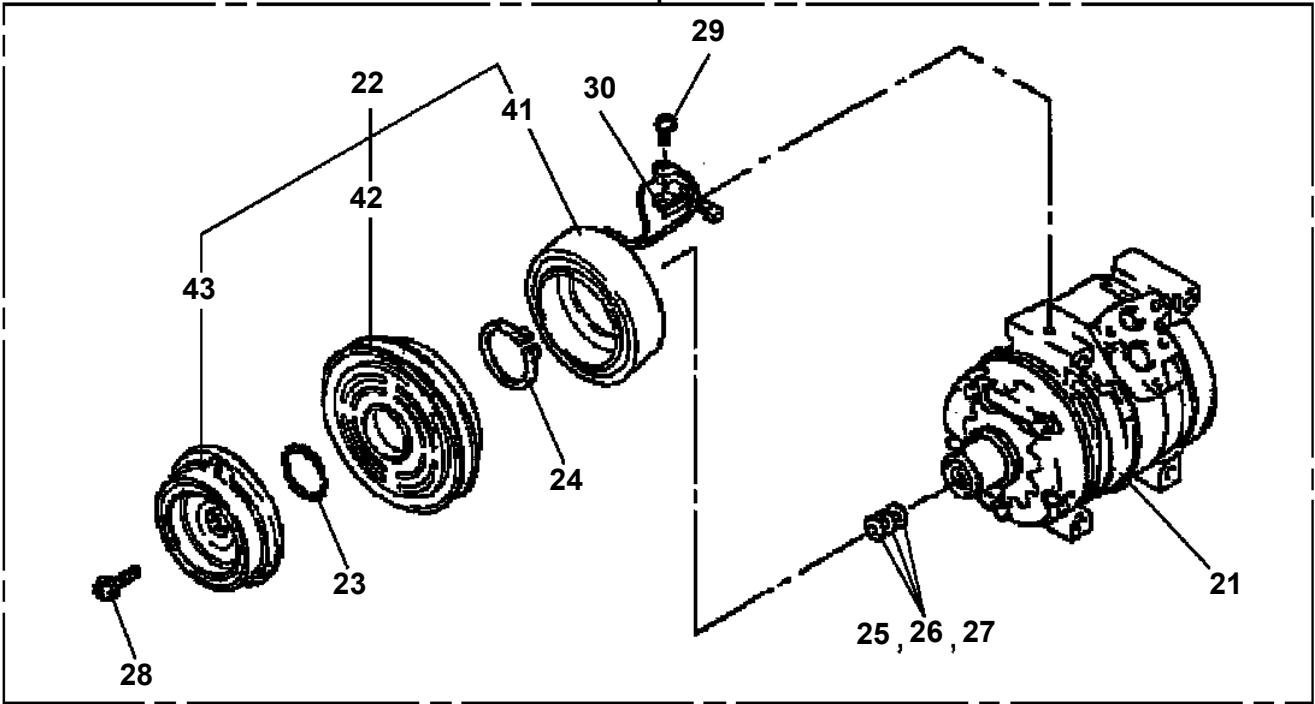
Pos No.	Parts No	Parts Name	Qty	Unit	Technical Data	Serial No (Start)	Serial No (End)	Rem
1	34731017510	BOX ASSY	1					
2	34731107050	GROMMET	1					
4	34731017530	LAMP,PILOT	1					
10	82100001696	SWITCH,TOGGLE	2					
11	34731047530	SWITCH,PUSH (KNOB-BLACK)	5					
12	82100001683	SWITCH,TOGGLE	1					
16	34731017560	SWITCH,PUSH (KNOB-RED)	1					
32	34700227510	PANEL ASSY	1					
33	34700227520	CABLE ASSY	1					
51	34731017570	COVER (FRONT)	1					
52	34731017580	HINGE	2					
53	34731017590	CATCH	1					
100	34700221000	BOX,OUTRIGGER OPERATION	1					

GR-250N-2-00101 4 BOOM + JIB(PT),X,2M2D
PC5340005-00 COMPRESSOR ASSY

100

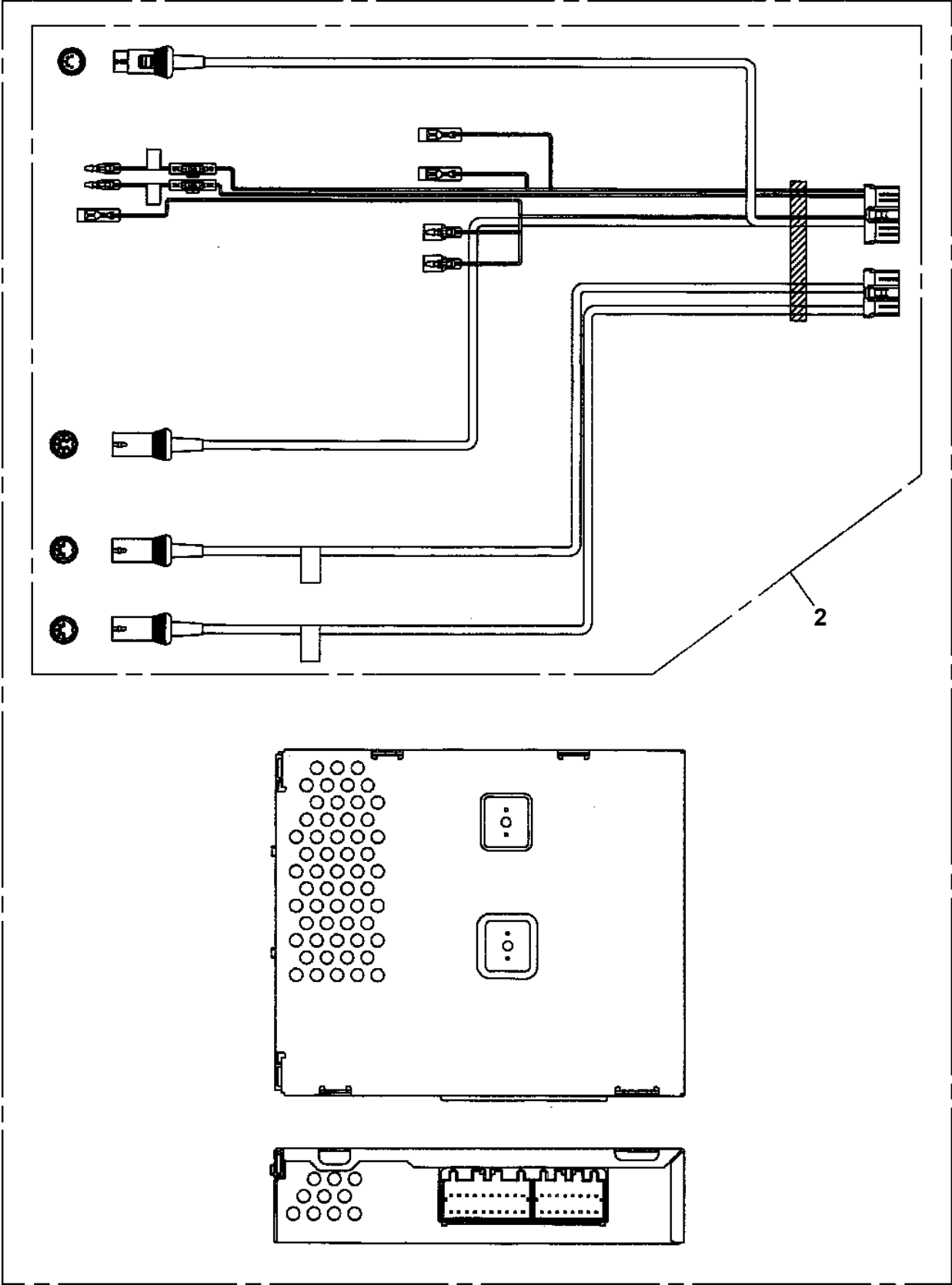


7

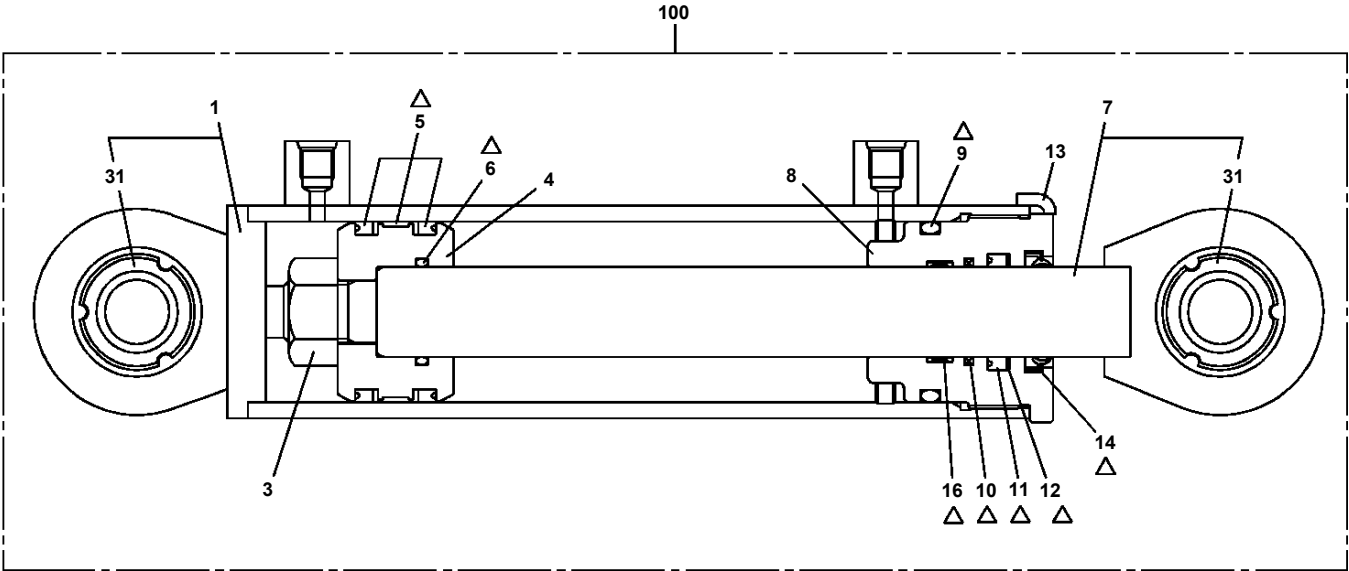


GR-250N-2-00101 4 BOOM + JIB(PT),X,2M2D
PC5420015-00 CONTROLLER

100

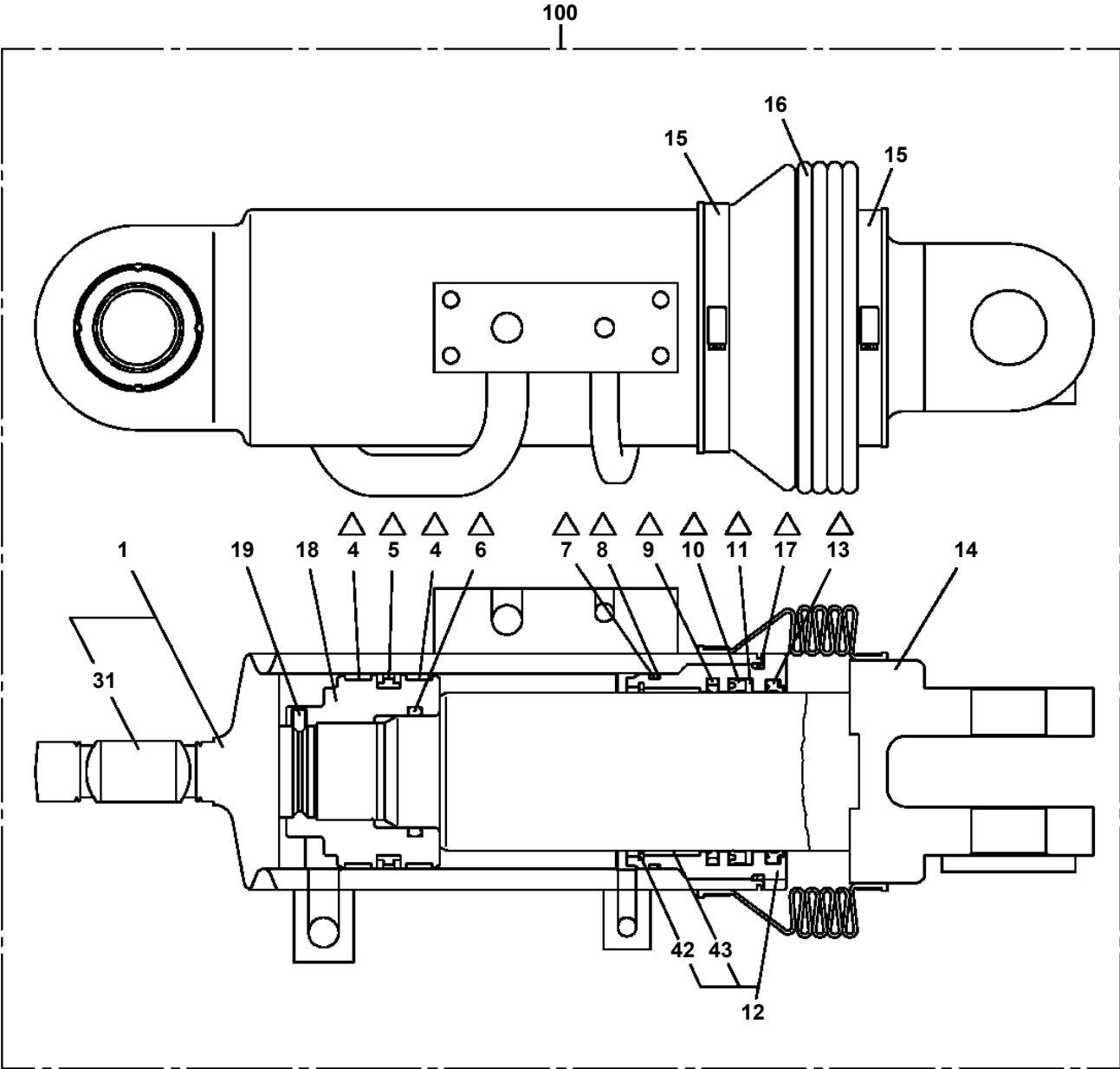


GR-250N-2-00101 4 BOOM + JIB(PT),X,2M2D
PC6200008-01 CYLINDER ASSY (QUICK TURN JIB,PISTON WPB)



Δ:PACKING SET KEY NO.50 (KEY NO.5,6,9,10,11,12,14,16)

**GR-250N-2-00101 4 BOOM + JIB(PT),X,2M2D
 PC6440007-00 CYLINDER ASSY,SPRING LOCK**



△:PACKING SET KEY NO.80 (KEY NO.4,5,6,7,8,9,10,11,13,17)

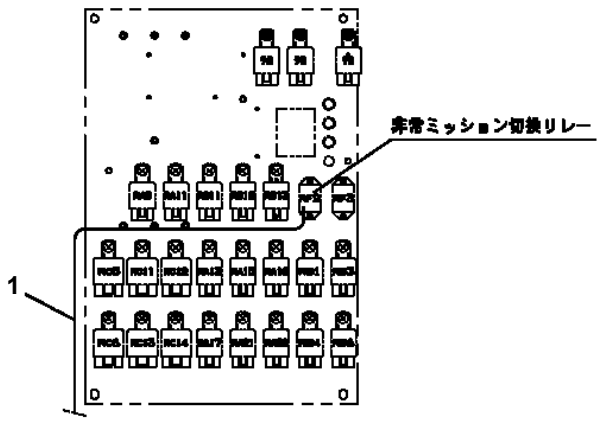
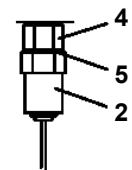
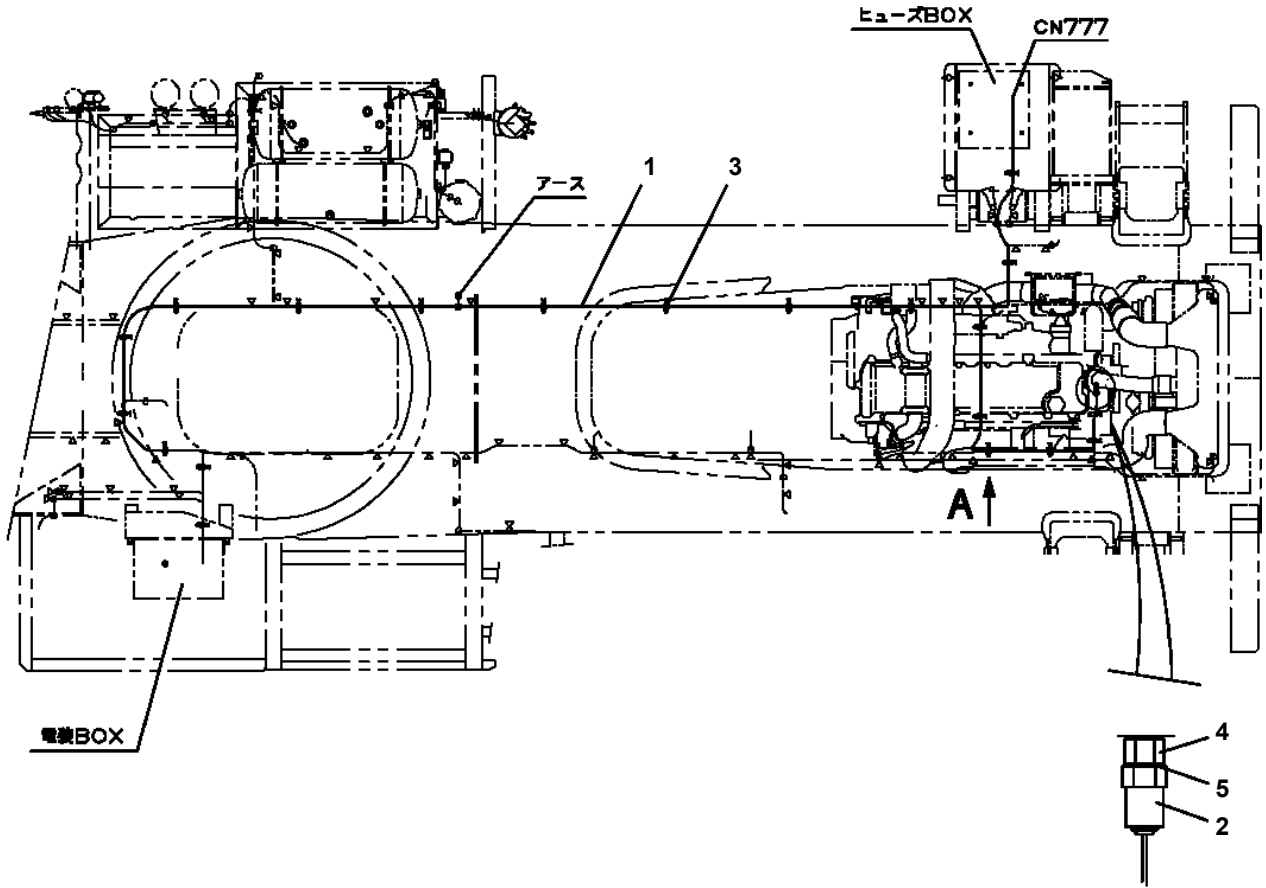
GR-250N-2-00101 4 BOOM + JIB(PT),X,2M2D

Pos No.	Parts No	Parts Name	Qty	Unit	Technical Data	Serial No (Start)	Serial No (End)	Remarks
1	80400160132	JOINT	2					
2	91002802400	O-RING	2		1B P24			
3	37002401320	HOSE	1		L=1850			
4	37002478790	HOSE	1		L=1950			
5	37002409690	HOSE	1		L=1700			
6	80303240280	JOINT (WITH O-RING)	1					
9	82100002015	CLAMP	2		WRC20			
10	82100002017	CLAMP	2		WR30			
11	90186208030	BOLT,FLANGE	1		M8X30			
12	90101212020	BOLT	4		M12X20			
13	90302041201	WASHER,SPRING	4		12			
14	36741420000	VALVE,SOLENOID CONTROL	1					
15	37000913040	JOINT (WITH O-RING)	1		L,G1-G3/4			
17	80400160131	JOINT	2					
18	90280200800	NUT,FLANGE	3		M8		FB5778	
	90280200800	NUT,FLANGE	1		M8	FB5779		
20	34471141300	CUSHION	6					
21	90303070801	WASHER,PLAIN	6		8			
22	91002801800	O-RING	2		1B P18			
24	34344083700	SUPPORT	1					
25	82100002044	CLAMP	1		WE25			
26	90201400800	NUT	2		M8		FB5778	
27	91810132530	FASTENER	3					
28	90186208014	BOLT,FLANGE	2		M8X14	FB5779		
41	91000591200	O-RING	1		AS568-912			
51	91002802900	O-RING	1		1B P29			

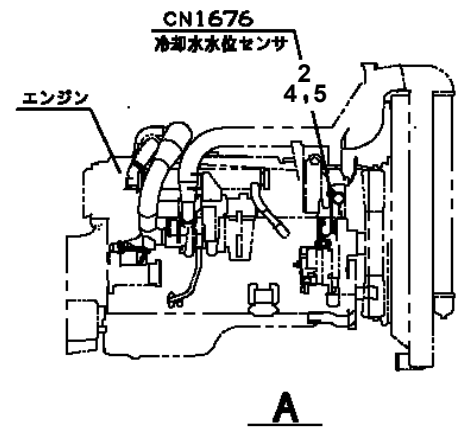
GR-250N-2-00101 4 BOOM + JIB(PT),X,2M2D

Pos No.	Parts No	Parts Name	Qty	Unit	Technical Data	Serial No (Start)	Serial No
1	34970890300	DISTRIBUTOR (ASSY ONLY)	1				
2	56479000080	NUT,FLARE	14				
3	34970619800	HOSE ASSY	1		IHI 6XT1,L=1210		
4	34970609640	HOSE ASSY	1		IHI 6XT1,L=930		
5	34970609650	HOSE ASSY	1		IHI 6XT1,L=900		
6	34970609660	HOSE ASSY	1		IHI 6XT1,L=800		
7	34970609630	HOSE ASSY	2		IHI 6XT1,L=1150		
8	34970609680	HOSE ASSY	1		IHI 6XT1,L=620		
50	34970511300	DISTRIBUTOR ASSY (R-LEFT:WITH HOSE)	1				

GR-250N-2-00101 4 BOOM + JIB(PT),X,2M2D
 PE5020417-00 ELEC.ASSY (CARRIER)



電気BOX内リレーASSY



端子記号	規格	NO	配線色	使用部位
H	10A	77	黒/R	リスターダ
G	5A	-	Y/R	予備
F	5A	-	R/Y	予備
E	5A	131B	G	水位センサ
D	5A	-	-	スペア

ヒューズ銘板

GR-250N-2-00101 4 BOOM + JIB(PT),X,2M2D

Pos No.	Parts No	Parts Name	Qty	Unit	Technical Data	Serial No (Start)	Serial No (End)	Rem
1	36092880101	PLATE	1					
2	36092880201	PLATE	1					
3	37001004750	SHEAVE ASSY (IMONO)	1					
4	37000303490	SPACER	2					
5	90101516035	BOLT	4		M16X35			
6	19411557000	PLATE	2					
7	19411556000	PLATE	2					
8	37000122360	PIN	1					
9	14231504000	BOLT	3					
10	90302041601	WASHER,SPRING	3		16			
12	80500051211	BEARING,BALL	1					
13	37000522980	PLATE	2					
14	90101512025	BOLT	4		M12X25			
15	37000509220	PLATE	2					
16	36091120020	TRUNNION	1					
17	37000105190	PIN	1					
18	90303070801	WASHER,PLAIN	1		8			
19	80136320016	PIN,SPLIT	1		2X16			
20	37001400030	SPRING	1					
23	37000105000	PIN	1					
24	82456101000	NIPPLE,GREASE	1		A-PT1/8			
32	80612111250	RING,RITAINING	1		AR125			
33	80515006214	BEARING,BALL	2					
50	36090279540	HOOK ASSY	1					
60	36090279530	STOPPER ASSY	1					
100	36092880001	HOOK (SHEAVE 1 PC/ OPTION)	1					

GR-250N-2-00101 4 BOOM + JIB(PT),X,2M2D

Pos No.	Parts No	Parts Name	Qty	Unit	Technical Data	Serial No (Start)	Serial No (End)	Remarks	Pag
1	37001800060	ROPE,WIRE (TESAC)	1						

GR-250N-2-00101 4 BOOM + JIB(PT),X,2M2D

Pos No.	Parts No	Parts Name	Qty	Unit	Technical Data	Serial No (Start)	Serial No (End)	Remarks	Pages
1	34353755100	SUPPORT	1						

GR-250N-2-00101 4 BOOM + JIB(PT),X,2M2D

Pos No.	Parts No	Parts Name	Qty	Unit	Technical Data	Serial No (Start)	Serial No (End)	Remarks	Pages
1	34444342100	COVER	1				FB6011		
	34444342101	COVER	1			FB6012			
2	34444342200	SUPPORT	1				FB5777		
	34444342201	SUPPORT	1			FB5778	FB8950		
	34444345100	SUPPORT	1			FB8951			
3	34261055200	SUPPORT	1				FB8950		
	34444345200	SUPPORT	1			FB8951			
4	34444342300	SUPPORT	1				FB5430		
	34444342301	SUPPORT	1			FB5431			
5	34444342400	SUPPORT	1						
6	34444342500	SUPPORT	1						
7	37000560400	PLATE	5						
8	34444342600	SUPPORT	1						
9	34444342700	SUPPORT	1						
10	34270420300	SUPPORT	2						
11	34444342800	PLATE	2						
12	34271001800	SUPPORT	1						
13	34444342900	SUPPORT	1						
14	34444343100	SUPPORT	1						
15	34761191100	SUPPORT	1						
16	34492143000	SUPPORT	1						

GR-250N-2-00101 4 BOOM + JIB(PT),X,2M2D

Pos No.	Parts No	Parts Name	Qty	Unit	Technical Data	Serial No (Start)	Serial No (End)	Remarks	Pages
1	34443481000	ROLLER ASSY	1						
2	90101210025	BOLT	8		M10X25				
3	90302041001	WASHER,SPRING	8		10				
4	90303071001	WASHER,PLAIN	8		10				
5	37000533480	PLATE	2						
6	90102212055	BOLT	2		M12X55				
7	90201201200	NUT	6		M12				
8	37001300250	SPRING	2						
9	34442290100	SUPPORT	2						
10	14124015000	BOLT	2						
11	37000533470	PLATE	2						
12	34442292000	SPACER	2						
13	90740008100	SCREW,SET	4		M8X10				
32	34442291100	LEVER	1						
33	34442041200	SUPPORT	2						
34	34443481100	ROLLER	1						
35	37000303200	SPACER	4		L=12.5		FB6739		
	37000315860	SPACER	4		L=12.5	FB6740			
36	80516006205	BEARING,BALL	2						
37	80602110520	RING,RITAINING	2		R52				
38	34442291300	ROLLER	2						
39	34442291400	LEVER	1						
40	37000303120	SPACER	2		L=19				
41	37000127440	PIN	2						
42	90101510020	BOLT	2		M10X20				
43	90302041001	WASHER,SPRING	2		10				
51	34443489510	ROLLER ASSY	1				FB6739		
	34443489511	ROLLER ASSY	1			FB6740			

GR-250N-2-00101 4 BOOM + JIB(PT),X,2M2D

Pos No.	Parts No	Parts Name	Qty	Unit	Technical Data	Serial No (Start)	Serial No (End)	Remarks	P
1	34880757550	HEAD ASSY	1						
3	34880757520	CASE	1						
4	34880757530	LEVEL (RING)	1						
5	34880177600	PLUG,AIR	1						
6	34880167551	GASKET (AIR PLUG)	1						
7	34880177630	PLUG (DRAIN)	1						
8	34880177640	GASKET	1						
9	34880757540	O-RING	1						
10	34880167591	JOINT,SWIVEL	2		L=48				
11	34880177670	BOLT (CONNECTOR)	2						
12	34880167601	GASKET (CONNECTOR)	4						
21	34880757560	ELEMENT KIT	1						
100	34880751000	FILTER ASSY	1						

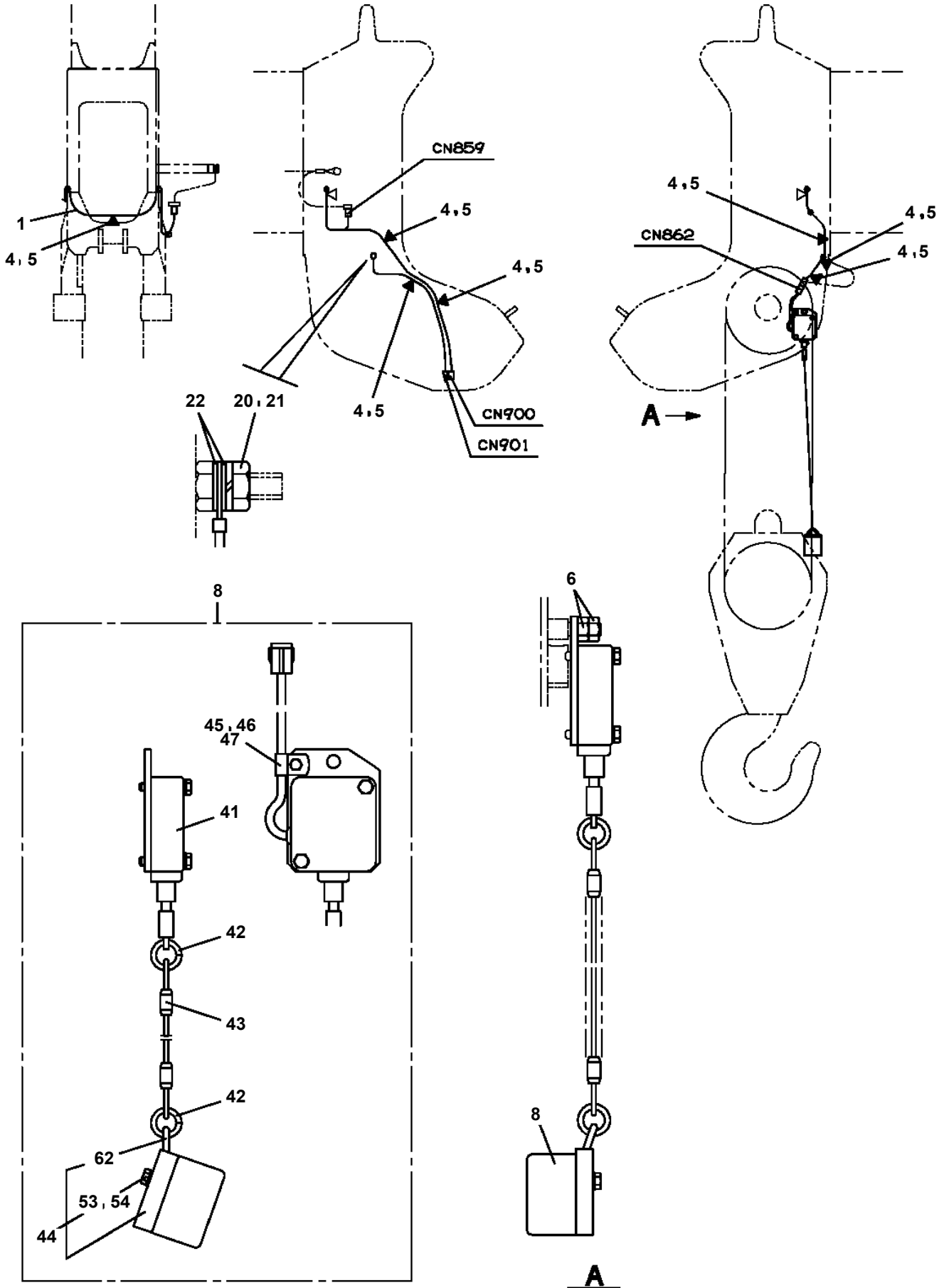
GR-250N-2-00101 4 BOOM + JIB(PT),X,2M2D

Pos No.	Parts No	Parts Name	Qty	Unit	Technical Data	Serial No (Start)	Serial No (End)	Remarks
1	34221819510	JIB,1	1				FB5381	
	34221819511	JIB,1	1			FB5382	FB5441	
	34221819512	JIB,1	1			FB5442		
2	34221819520	JIB,2	1				FB5441	
	34221819521	JIB,2	1			FB5442		
3	37000110730	PIN	2					
4	37000200590	PIN,SNAP	2					
5	90101512025	BOLT	6		M12X25		FB5381	
	90101512025	BOLT	6		M12X25	FB5382	FB5441	
	90101512025	BOLT	6		M12X25	FB5442		
6	37000582250	PLATE	2					
7	34221600100	PLATE	1					
8	37001100040	ROLLER ASSY	1					
9	90101510020	BOLT	2		M10X20			
10	90302041001	WASHER,SPRING	1		10			
11	18616057000	COLLAR	2		L=5			
13	37000184180	PIN	1					
14	37001106320	ROLLER ASSY	1					
15	37000533750	PLATE	2					
16	80601110450	RING,RITAINING	8		S45		FB5381	
	80601110450	RING,RITAINING	8		S45	FB5382	FB5441	
	80601110450	RING,RITAINING	8		S45	FB5442		
17	90302041201	WASHER,SPRING	10		12		FB5381	
	90302041201	WASHER,SPRING	10		12	FB5382	FB5441	
	90302041201	WASHER,SPRING	10		12	FB5442		
18	33220000110	PLATE	4		T=6			
19	33220000120	SHIM	4		T=1			
20	33220000130	SHIM	4		T=0.6			
21	37002000410	PLATE,SLIDE	4					
22	37000523870	PLATE	4		T=1.0			
23	34221810500	ROD	1					
24	37000200010	PIN,SNAP	1					
25	37000103830	PIN	1					
26	37001004750	SHEAVE ASSY (IMONO)	1					
27	16311007000	SPACER	2		L=3.5			
28	82456101000	NIPPLE,GREASE	1		A-PT1/8			
29	37000513430	PLATE	1					
30	37000149590	PIN	1					
31	36053890000	CYLINDER,JIB	1				FB5866	
	36053890001	CYLINDER ASSY (JIB TILT)	1			FB5867		
32	37000149180	PIN	1					
33	37000547850	PLATE	2					
34	37000547820	PLATE	2					
35	33221002950	PIN	1					
36	80136316010	PIN,SPLIT	4		1.6X10			
37	80136332032	PIN,SPLIT	2		3.2X32			
38	33432037100	PLATE	2					
39	80171305008	SCREW,MACHINE	4		M5X8			
40	37002005750	PLATE,SLIDE	2					
41	37001506130	BOLT	4					
42	90303070601	WASHER,PLAIN	4		6			
43	34220750200	SUPPORT	1					
44	37000149160	PIN	1					
45	37000307990	SPACER	2		L=42			
46	37000184190	PIN	1					
47	37001106300	ROLLER ASSY	1					
48	37001009650	SHEAVE ASSY	1					
49	37000311790	SPACER	2		L=8			
50	37000137100	PIN	1					
51	90101510016	BOLT	1		M10X16			
52	37000548810	PLATE	2		T=1.0			
53	37000548820	PLATE	2		T=0.6			
54	90101512020	BOLT	8		M12X20			

GR-250N-2-00101 4 BOOM + JIB(PT),X,2M2D

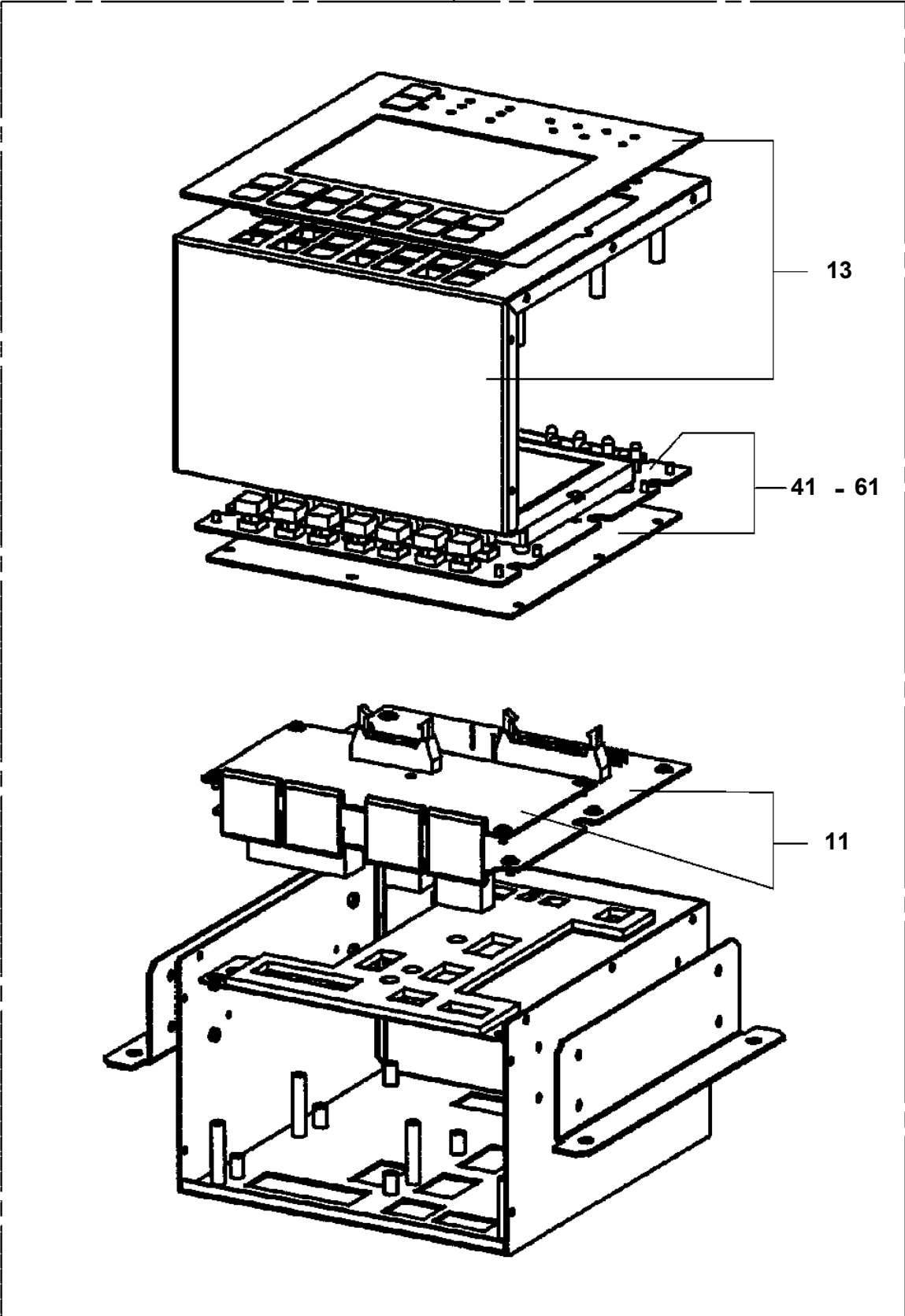
Pos No.	Parts No	Parts Name	Qty	Unit	Technical Data	Serial No (Start)	Serial No (End)	Remark
1	36053891000	CYLINDER	1					
2	36051042000	PISTON	1				FB5235	
	36053177000	PISTON	1			FB5236		
3	36053893000	COVER,ROD	1					
4	36053894000	ROD	1				FB5235	
	36053894001	ROD	1			FB5236		
5	59457138000	PLUG ASSY	2					
6	36603540000	VALVE,COUNTERBALANCE	1					
7	90101510045	BOLT	2		M10X45			
8	90302041001	WASHER,SPRING	2		10			
9	80720105040	PIN,SPRING	1		5X40		FB5235	
	90730008120	SCREW,SET	1		M8X12	FB5236		
10	91302211500	BEARING,PLAIN	2					
11	91684011500	PACKING	2					
12	91431210001	RING,BACKUP	1					
13	91411210001	RING,BACKUP	1					
14	91002806500	O-RING	1		1B P65			
15	91002810500	O-RING	1		1B P105			
16	91251100650	RING,DAMPER	1					
17	91694106500	PACKING	1					
18	91660006501	SEAL,DUST	1					
19	91410206503	RING,BACKUP	1					
20	91301106500	BEARING,PLAIN	2					
21	91000524700	O-RING	1		AS568-247			
22	82401800100	PLUG (FOR M10)	1			FB5236		
40	36051119902	PACKING SET	1		65X115			
100	36053890000	CYLINDER,JIB	1					

GR-250N-2-00101 4 BOOM + JIB(PT),X,2M2D
PH1060497-01 DETECTOR,OVER WIND (BOOM)



GR-250N-2-00101 4 BOOM + JIB(PT),X,2M2D
PH1250101-01 MOMENT LIMITER (AML-C)

100



GR-250N-2-00101 4 BOOM + JIB(PT),X,2M2D

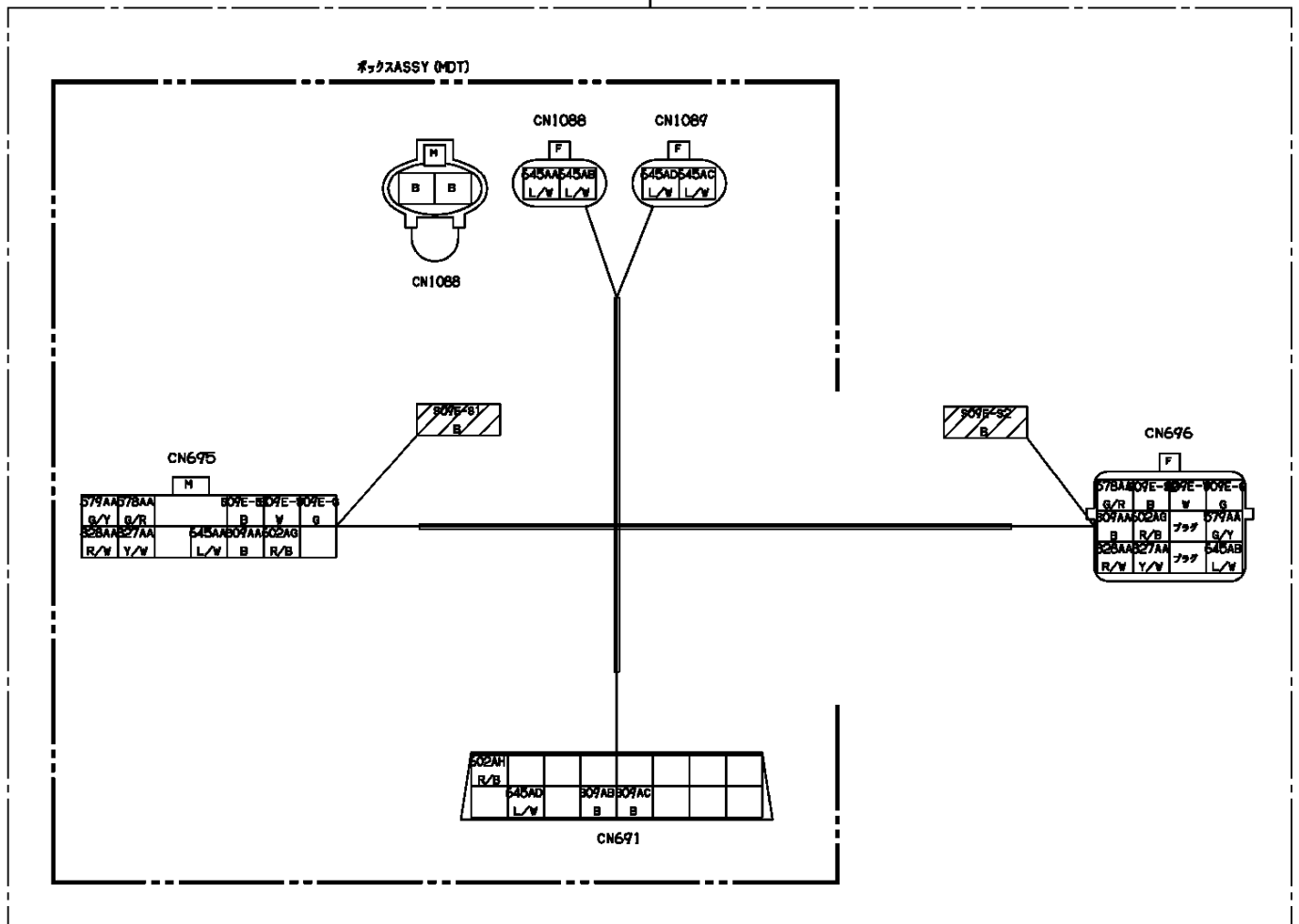
Pos No.	Parts No	Parts Name	Qty	Unit	Technical Data	Serial No (Start)	Serial No (End)	Ren
1	90186206014	BOLT,FLANGE	2		M6X14			
2	34477830800	TAPE	6					
3	90280200600	NUT,FLANGE	9		M6		FB5415	
	90280200600	NUT,FLANGE	7		M6	FB5416	FB6489	
	90280200600	NUT,FLANGE	9		M6	FB6490		
5	34493160100	SUPPORT	1					
7	34477831000	LAMP (VISION/REAR & DRUM)	1					
8	34490070101	CAMERA (ASSY ONLY)	1				FB6627	
	34490070102	CAMERA (ASSY ONLY)	1			FB6628	FB8011	
9	91810130240	FASTENER	11				FB5415	
	91810130240	FASTENER	8			FB5416		
10	82100002002	CLAMP	7		WR6		FB5415	
	82100002002	CLAMP	4		WR6	FB5416	FB5877	
11	34381063300	CABLE	1		L=7000			
14	34490070400	HARNESS	1					
15	82100001410	TUBE, SPIRAL	1	M	SE-04BK			
16	34478250300	HARNESS (EARTH LINE)	1		L=200			
17	91810132530	FASTENER	6					
18	82100002001	CLAMP	2		WR5		FB5415	
	82100002001	CLAMP	3		WR5	FB5416	FB5877	
19	90201200800	NUT	1		M8			
20	90302040801	WASHER,SPRING	1		8		FB5415	
	90302040801	WASHER,SPRING	3		8	FB5416		
22	34493161101	SUPPORT	1			FB5416		
23	90303070601	WASHER,PLAIN	3		6	FB5416		
24	90101208014	BOLT	2		M8X14	FB5416		
25	37000604250	CLAMP	6			FB5878	FB6489	
	37000604250	CLAMP	8			FB6490		
26	82100002014	CLAMP	1		WR20	FB5878		
27	34495480100	CAMERA	1			FB8012		
28	34495470300	SUPPORT	1			FB8012		
29	34495470200	CABLE	1		L=300	FB8012		
30	34381970400	CABLE (CONNECTOR CHENGE)	1			FB8842		
42	34493161100	SUPPORT	1				FB5415	

GR-250N-2-00101 4 BOOM + JIB(PT),X,2M2D

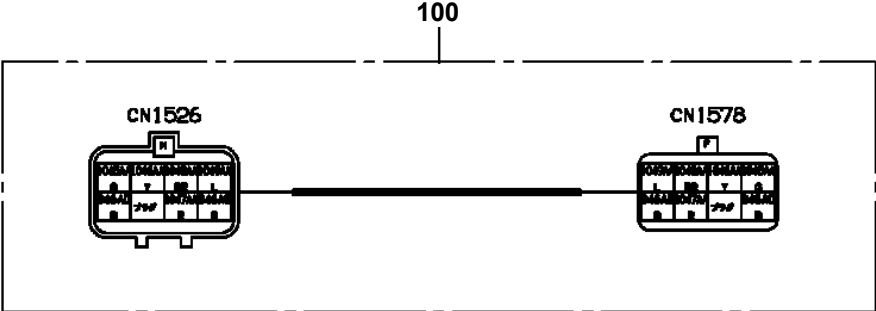
Pos No.	Parts No	Parts Name	Qty	Unit	Technical Data	Serial No (Start)	Serial No (End)	Remarks
1	82100002596	RELAY	1					
50	34354720200	HARNESS (WITH RELAY)	1					

GR-250N-2-00101 4 BOOM + JIB(PT),X,2M2D
 PH5030768-00 HARNESS (LOWER,TRANSMITTE)

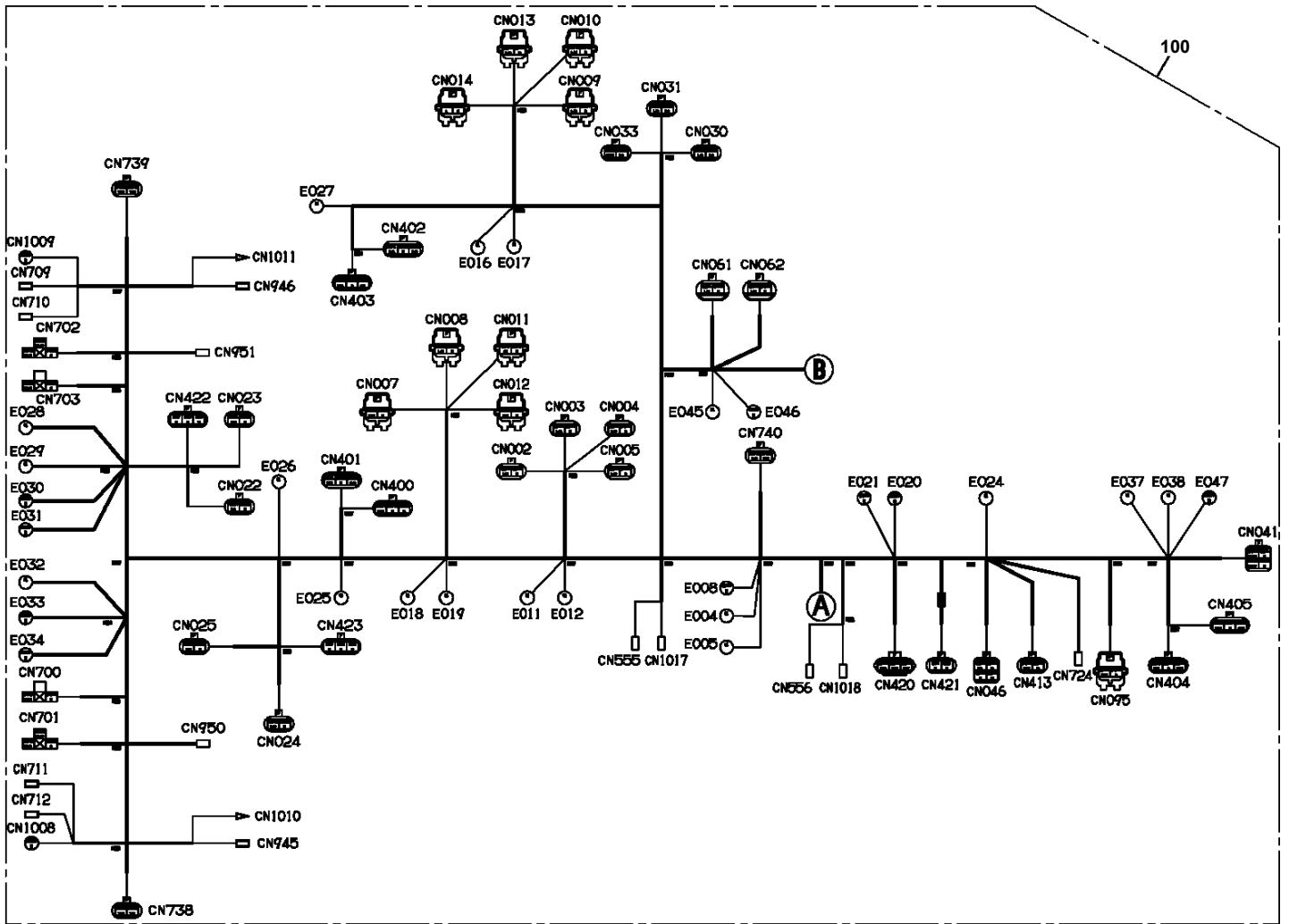
100



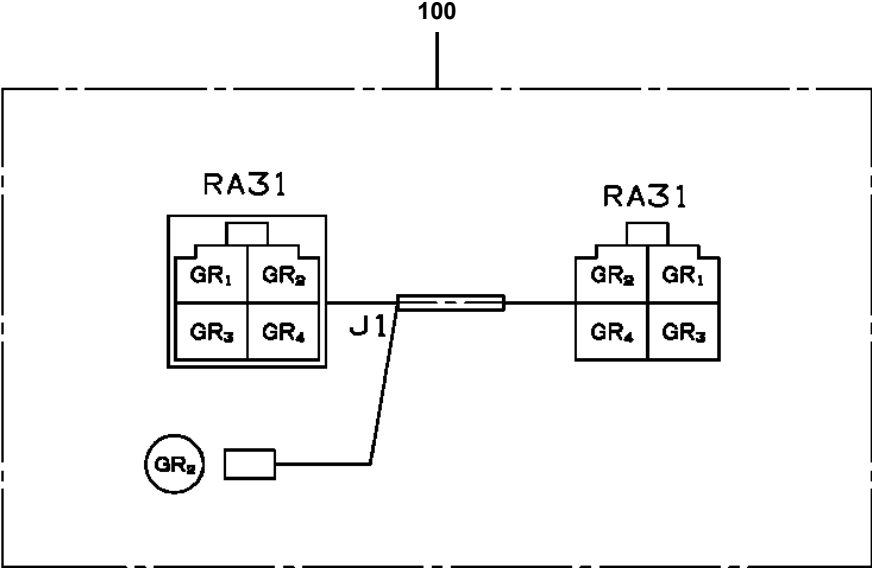
**GR-250N-2-00101 4 BOOM + JIB(PT),X,2M2D
PH5031895-00 HARNESS**



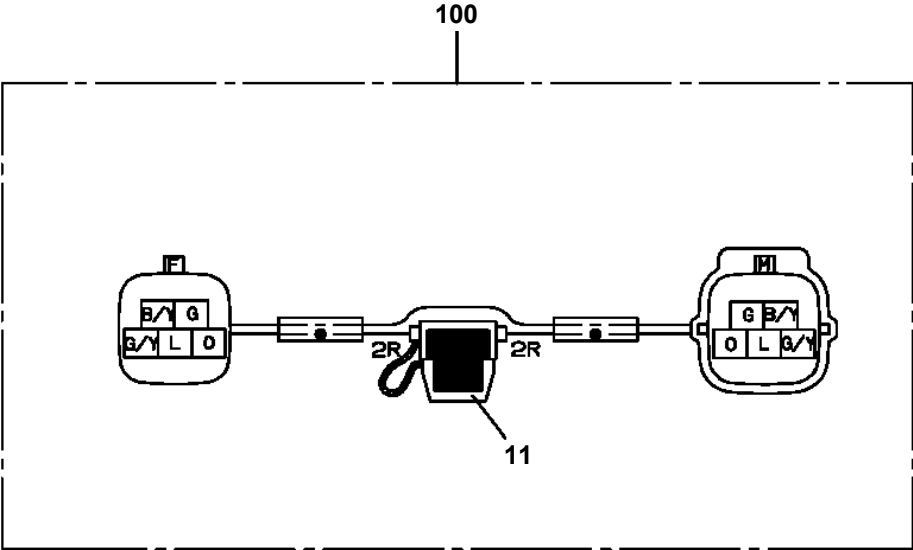
**GR-250N-2-00101 4 BOOM + JIB(PT),X,2M2D
PH5032855-00 HARNESS (LOWER:MAIN)**



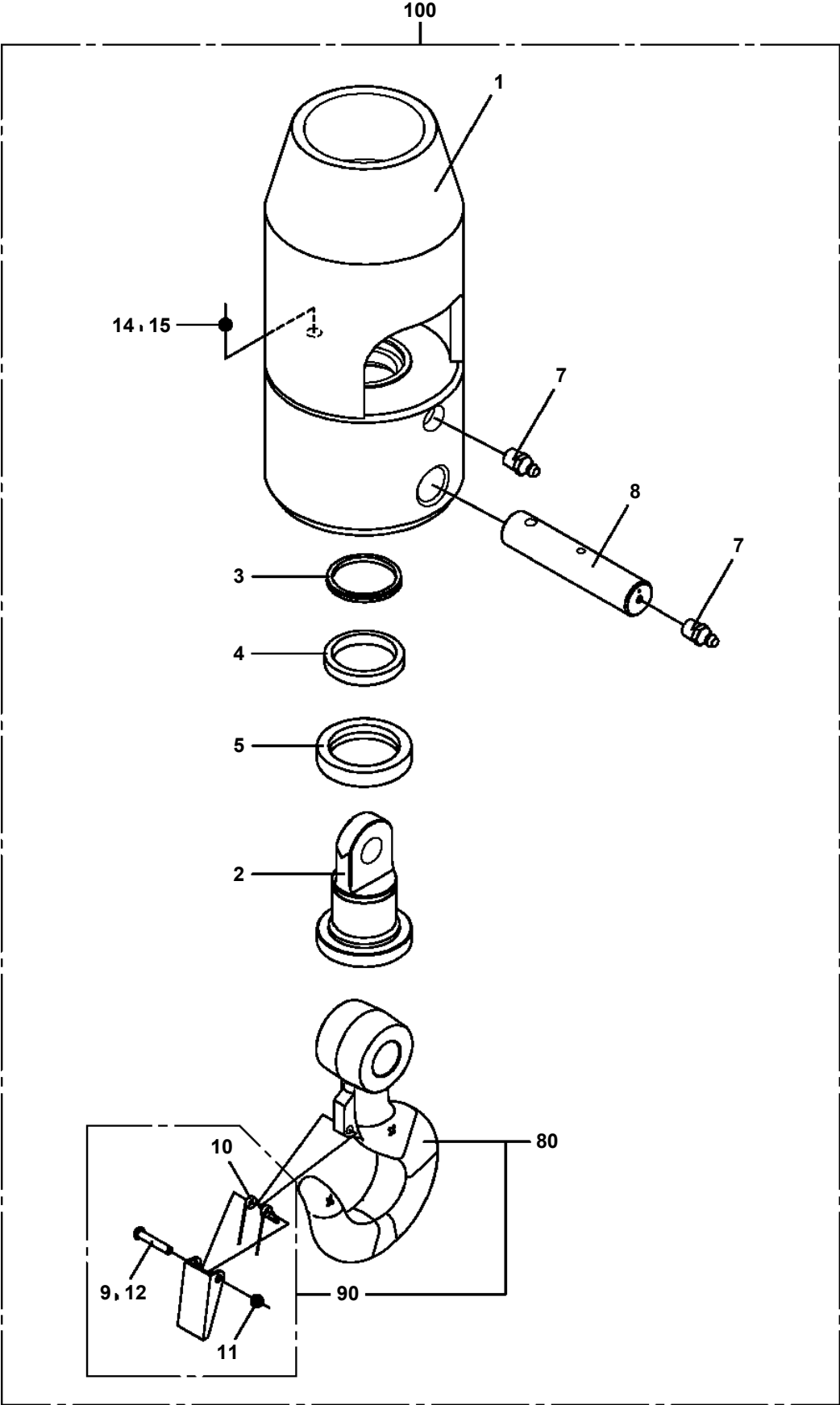
GR-250N-2-00101 4 BOOM + JIB(PT),X,2M2D
PH5033599-00 HARNESS (ILLUMINATION)



GR-250N-2-00101 4 BOOM + JIB(PT),X,2M2D
PH5034360-00 HARNESS

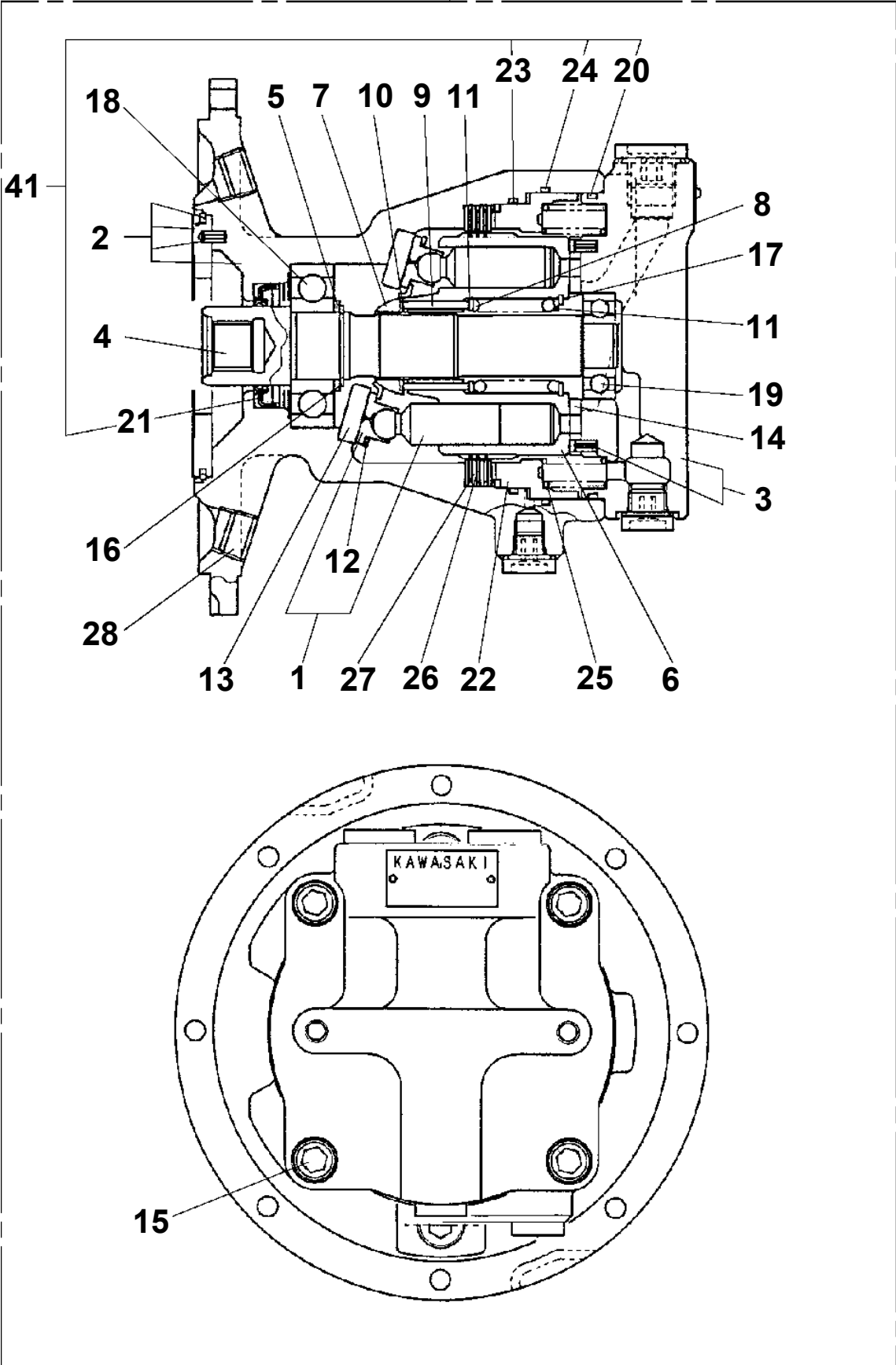


GR-250N-2-00101 4 BOOM + JIB(PT),X,2M2D
PH5080179-00 HOOK ASSY (AUX.)



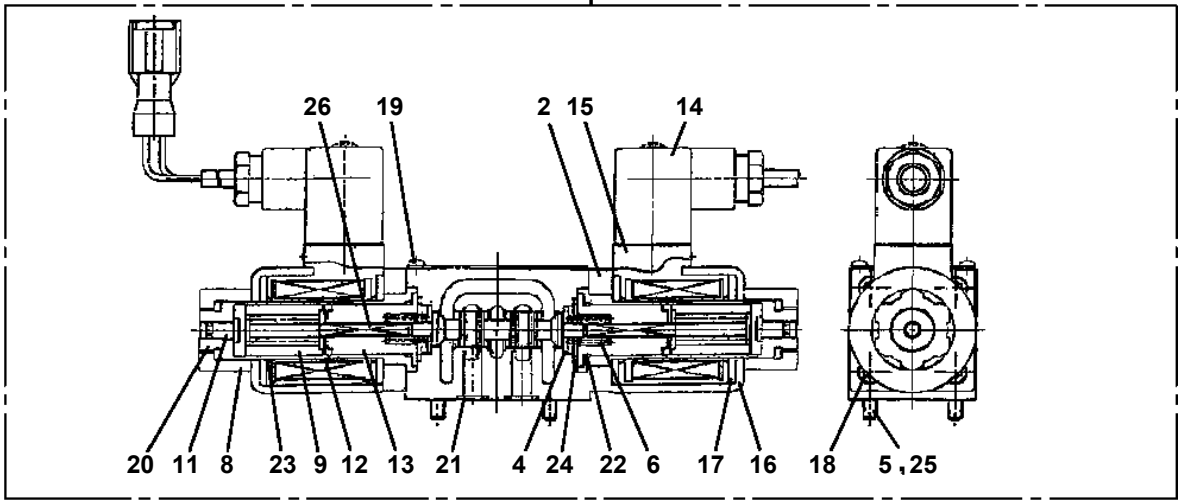
GR-250N-2-00101 4 BOOM + JIB(PT),X,2M2D
PI1010159-00 MOTOR,HYDRAULIC

100

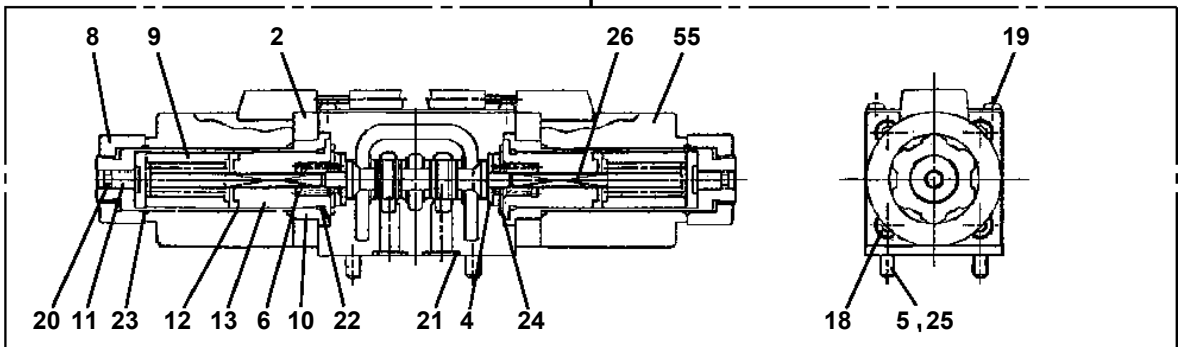


**GR-250N-2-00101 4 BOOM + JIB(PT),X,2M2D
PI1120135-05 VALVE,SOLENOID (NACHI)**

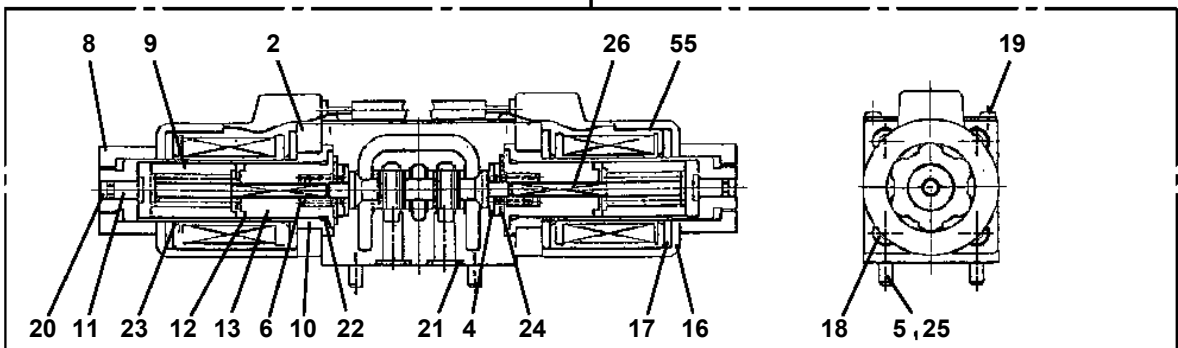
100



100



100



GR-250N-2-00101 4 BOOM + JIB(PT),X,2M2D

Pos No.	Parts No	Parts Name	Qty	Unit	Technical Data	Serial No (Start)	Serial No (End)	Remarks
5	36648885050	SOLENOID	2					
10	36648135010	BOLT,HEXAGON SOCKET	4		M5X10			
11	36648135020	WASHER,PLAIN	2		4			
12	36648135030	RIVET	2					
14	36648135040	BALL,STEEL	2		5/16			
15	36648135050	O-RING	2		1A P16			
16	36646975110	PLUG (HEXAGON SOCKET)	4					
100	36648130000	VALVE,SOLENOID	1					

GR-250N-2-00101 4 BOOM + JIB(PT),X,2M2D

Pos No.	Parts No	Parts Name	Qty	Unit	Technical Data	Serial No (Start)	Serial No (End)	Remarks
8	36642935040	RING	4					
9	36646085020	O-RING	2					
12	36646085031	SOLENOID	1					
15	90131505050	BOLT,HEXAGON SOCKET	4		M5X50			
101	36602555010	O-RING	1					
102	36649855100	O-RING	1					
200	36646085011	VALVE,SOLENOID	1					

GR-250N-2-00101 4 BOOM + JIB(PT),X,2M2D

Pos No.	Parts No	Parts Name	Qty	Unit	Technical Data	Serial No (Start)	Serial No (End)	Remarks	Pages
2	91040101200	O-RING	1		P12		FB5577		
	36623825200	CAP (SEAL)	1			FB5578			
5	91002801600	O-RING	1		1B P16				
6	91411001600	RING,BACKUP	1		P16				
8	91002802200	O-RING	2		1B P22				
9	36624166200	SPRING (A)	1				FB5577		
	36623826200	SPRING	1			FB5578			
11	91002801400	O-RING	2		1B P14				
12	91411001200	RING,BACKUP	2		P12		FB5577		
20	36624230000	VALVE,CHECK	1						

GR-250N-2-00101 4 BOOM + JIB(PT),X,2M2D

Pos No.	Parts No	Parts Name	Qty	Unit	Technical Data	Serial No (Start)	Serial No (End)	Remarks	Pages
2	36624465020	PLUG	2						
3	91002903500	O-RING	2		1B G35				
4	12215120000	SPRING	2						
8	91002903000	O-RING	2		1B G30				
9	91411103000	RING,BACKUP	2		G30				
11	91002802800	O-RING	2		1B P28				
13	36624465070	SPRING	2						
14	91002800600	O-RING	2		1B P6				
15	80316030020	PLUG	1		PT1/8				
16	91002802000	O-RING	1		1B P20				
17	91002801400	O-RING	1		1B P14				
18	91001003000	O-RING	2		S30				
31	36625325040	POPPET ASSY	1						
32	36625325050	PISTON ASSY	1						
50	36625330000	VALVE,CHECK	1						

GR-250N-2-00101 4 BOOM + JIB(PT),X,2M2D

Pos No.	Parts No	Parts Name	Qty	Unit	Technical Data	Serial No (Start)	Serial No (End)	Remark
4	36604395060	PLUG	1					
5	36606605010	BUSHING	1					
8	36604395080	SEAT,SPRING	1					
9	36604395090	SEAT,SPRING	1					
10	36604395100	ORIFICE	1		4.0			
11	36604395010	SPRING	1					
12	36604395020	SPRING	1					
13	36606605020	SPRING	1					
14	91002801400	O-RING	1		1B P14			
15	91001101600	O-RING	1		1A P16			
16	91002801800	O-RING	1		1B P18			
17	91002802100	O-RING	1		1B P21			
18	91002802400	O-RING	1		1B P24			
19	91002802600	O-RING	1		1B P26			
20	91002803200	O-RING	2		1B P32			
21	91000511400	O-RING	1		AS568-114			
22	91411001600	RING,BACKUP	1		P16			
23	36604395040	RING,BACKUP	2					
24	36651835130	PLUG	1		3/8			
25	36604395050	FILTER	1					
26	80560006000	BALL,STEEL	1		6			
100	36606600000	VALVE,COUNTERBALANCE	1					

GR-250N-2-00101 4 BOOM + JIB(PT),X,2M2D

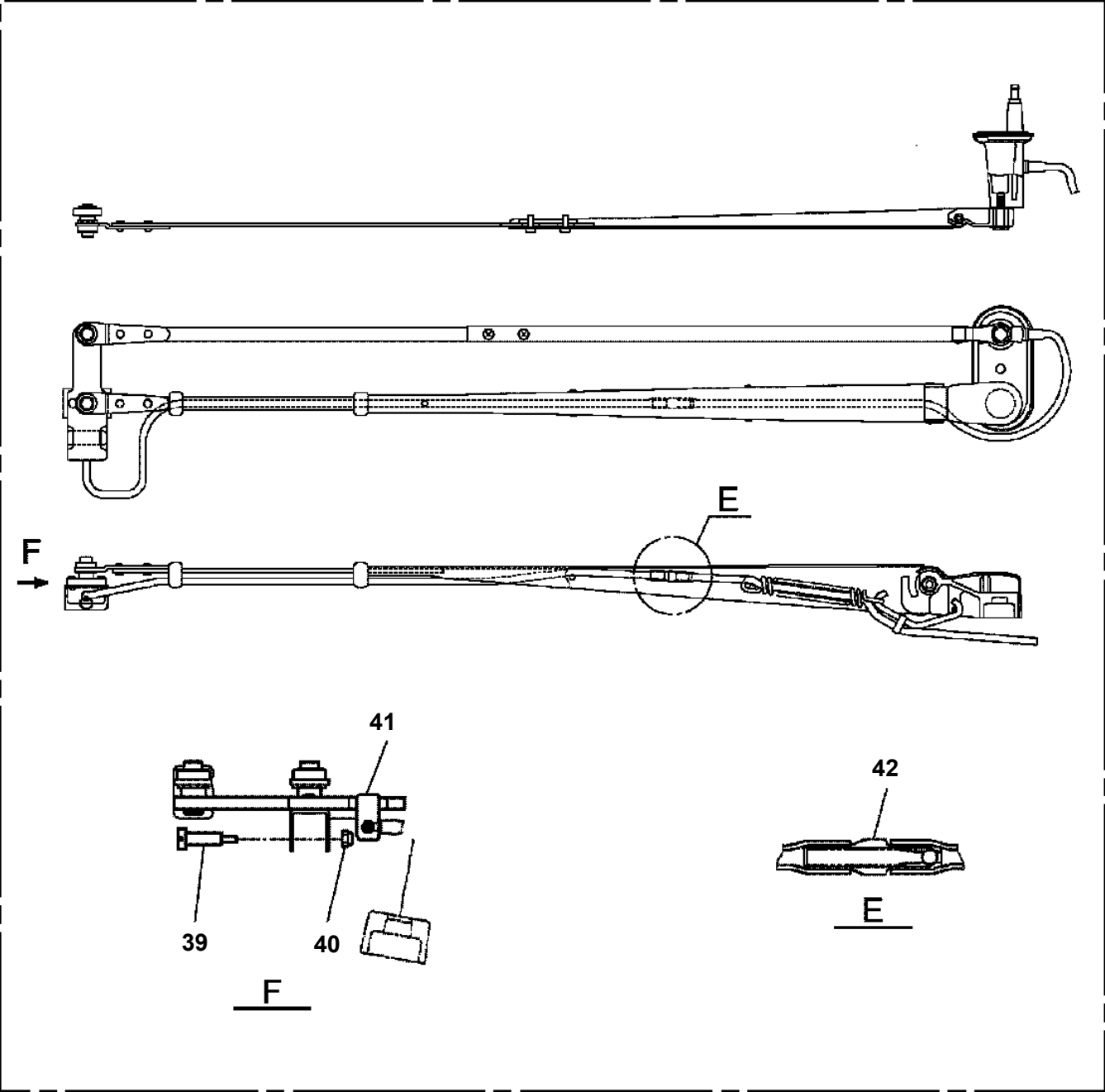
Pos No.	Parts No	Parts Name	Qty	Unit	Technical Data	Serial No (Start)	Serial No (End)	F
1	36683480000	TACHOGRAPH	1					
2	36683192000	CONVERTER (ASSY ONLY)	1					
3	80172305010	SCREW,MACHINE	2		M5X10			
4	90302040501	WASHER,SPRING	2		5			
21	36683485010	KEY	1					
22	36683485020	CHART SET (100KM/H,ONE WEEK)	1					

GR-250N-2-00101 4 BOOM + JIB(PT),X,2M2D

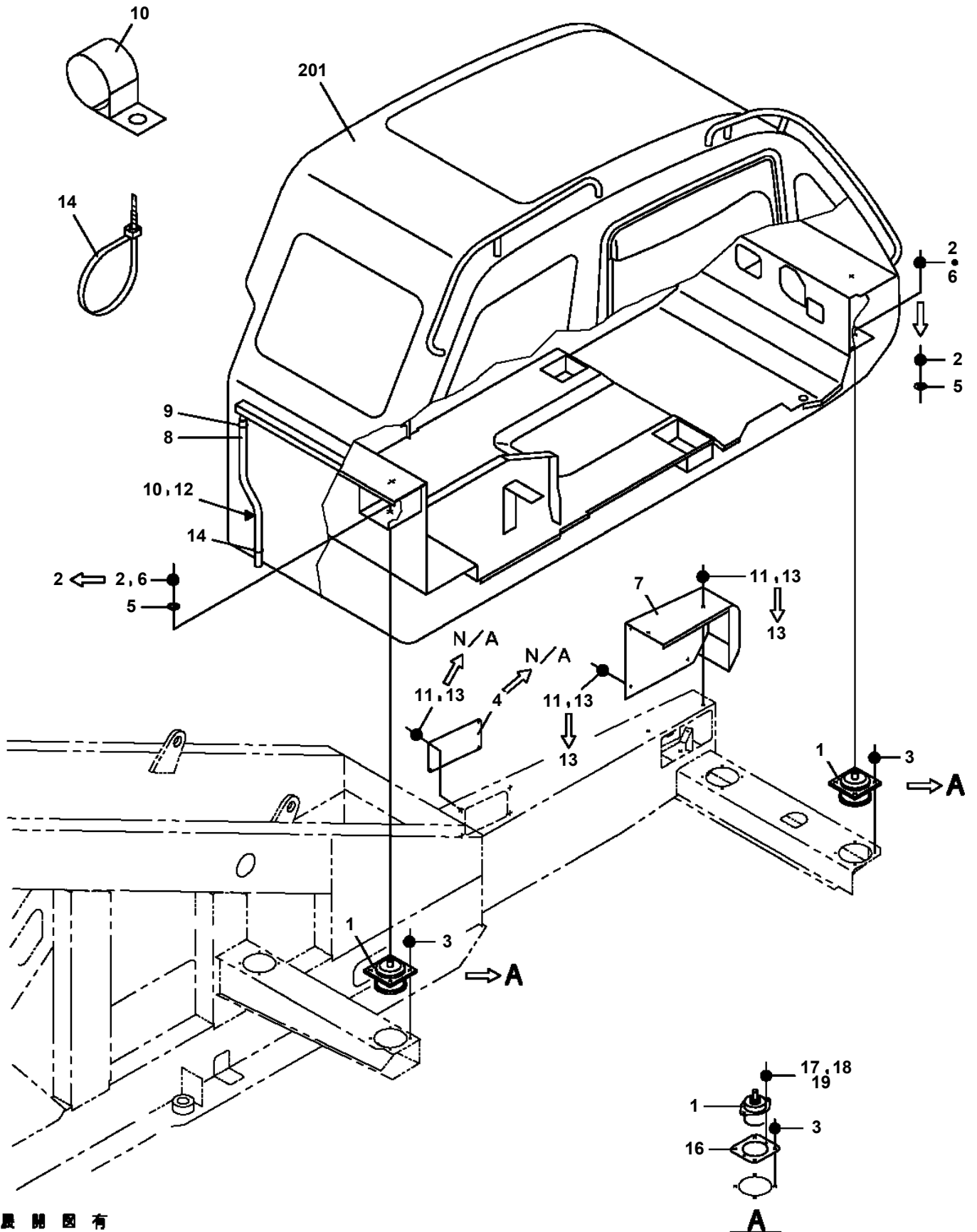
Pos No.	Parts No	Parts Name	Qty	Unit	Technical Data	Serial No (Start)	Serial No (End)
1	82100000957	GROMMET	3		SG-38A		
2	34251640100	PANEL	1				
4	80176405012	SCREW,MACHINE	43		M5X12		FB5235
	80176405012	SCREW,MACHINE	42		M5X12	FB5236	
5	90305260501	WASHER	46		B1-5		FB5235
	90305260501	WASHER	45		B1-5	FB5236	
6	34251645000	LEVEL ASSY	1				
7	34251640701	COVER	1				
8	34251641200	PANEL	1				FB6216
	34251890300	PANEL	1			FB6217	
9	34251641000	SUPPORT	1				
11	34251641500	COVER	1				
12	80186406016	SCREW,MACHINE	20		M6X16		
13	90305260601	WASHER	20		B1-6		
14	34251191000	COVER	1				
15	34251201300	COVER	1				
16	34250360200	BELT	1				FB6378
	34251650200	BELT	1			FB6379	
17	90101210022	BOLT	11		M10X22		
18	90302041001	WASHER,SPRING	11		10		
19	34251640900	PANEL	1				
20	34251640500	PANEL	1				
21	82121800010	PLUG (OTUKA)	2				
22	34251640400	COVER	1				
23	99191208020	BOLT,TAPPING	4		M8X20		
24	34250882500	SUPPORT	1				
25	90303071001	WASHER,PLAIN	4		10		
26	99172106012	BOLT,TAPPING	5		M6X12		
27	34250882400	SUPPORT	1				
28	80192486014	SCREW,MACHINE (WITH WASHER)	7		M6X14		FB9632
	80192486014	SCREW,MACHINE (WITH WASHER)	6		M6X14	FB9633	
29	34250380200	SUPPORT	1				FB9632
30	90201201000	NUT	1		M10		
31	34251642000	SEAT,OPERATOR	1				
32	34251640750	PANEL	1				FB7200
33	34250881601	COVER	1				
34	34251640300	SUPPORT	1				
35	34251200900	COVER	1				
36	34251640800	PANEL	1				
37	82400000468	TRAY,ASH	1				
38	80176405025	SCREW,MACHINE	3		M5X25		
39	37001200180	SPRING	3				
40	90303070801	WASHER,PLAIN	10		8		
41	80192484012	SCREW,MACHINE (WITH WASHER)	1		M4X12		
42	80192485014	SCREW,MACHINE (WITH WASHER)	2		M5X14		
43	34251190200	PLATE	3				
44	90180208014	BOLT,BUTTON	6		M8X14		
45	90302040801	WASHER,SPRING	4		8		
46	34251221400	COVER	1				
47	99172108020	BOLT,TAPPING	4		M8X20		
48	34251660300	COVER	1				FB5235
49	34251641400	COVER	1				
51	34251940750	PANEL	1			FB7201	
68	34251641600	COVER	1			FB5236	
71	34251640250	PANEL	1				
72	34251221601	HINGE	2				
73	80172804008	SCREW,MACHINE	4		M4X8		
74	34251201400	COVER	1				
75	90302510401	WASHER,SPRING	4		4		
76	90201500300	NUT	4		M3		
77	80172803010	SCREW,MACHINE	4		M3X10		
78	90303520301	WASHER,PLAIN	4		3		
79	90302510301	WASHER,SPRING (SUS 3)	4				

GR-250N-2-00101 4 BOOM + JIB(PT),X,2M2D
PK1140274-00 CAB,OPERATOR (ARM ASS,WIPER)

100



GR-250N-2-00101 4 BOOM + JIB(PT),X,2M2D
 PK1410087-05 MOUNT,CAB



展開圖有
 ILLUSTRATED BREAKDOWN NO. 201

CLICK HERE TO **DOWNLOAD** THE COMPLETE MANUAL

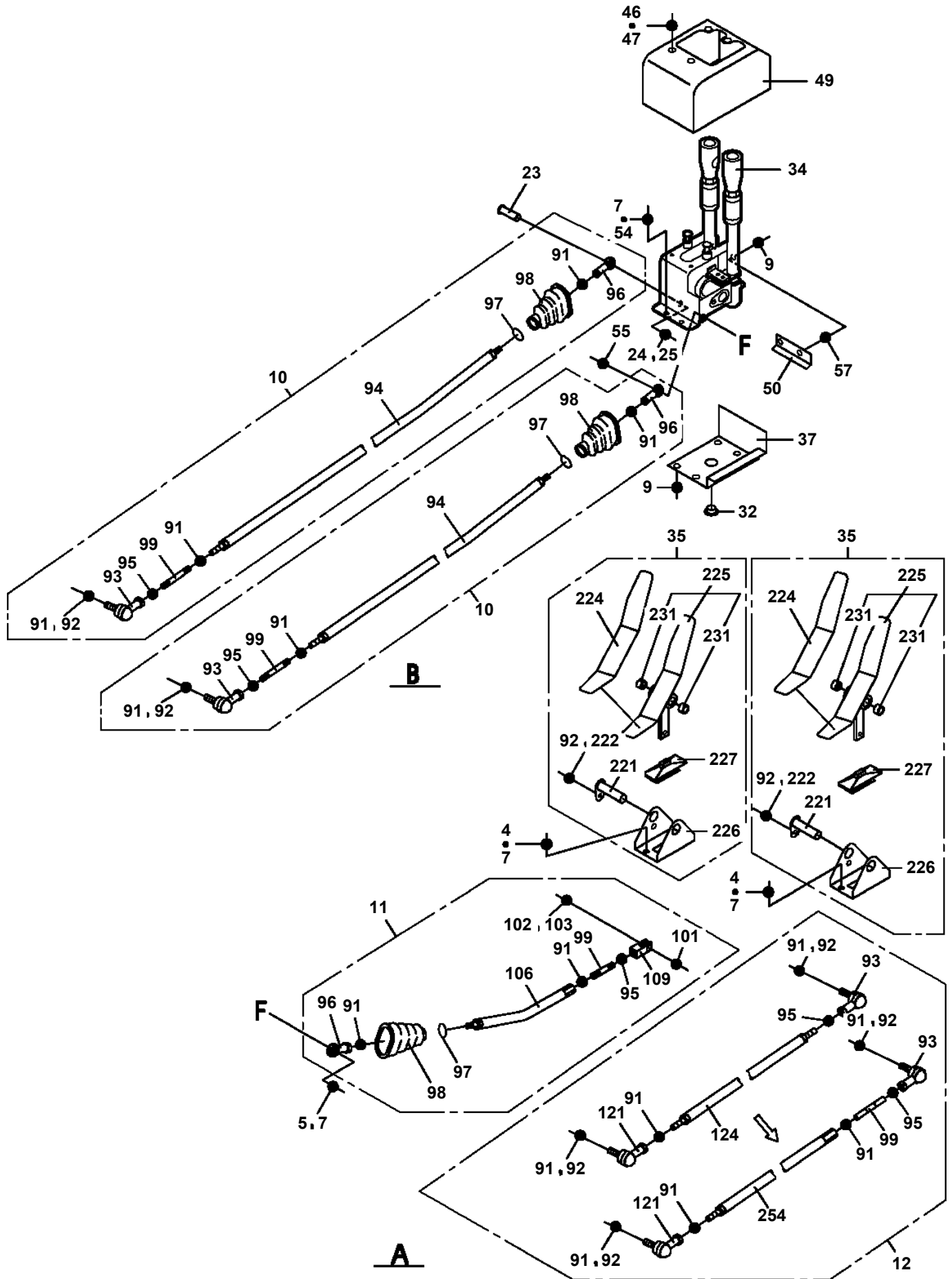
- Thank you very much for reading the preview of the manual.
- You can download the complete manual from: www.heydownloads.com by clicking the link below



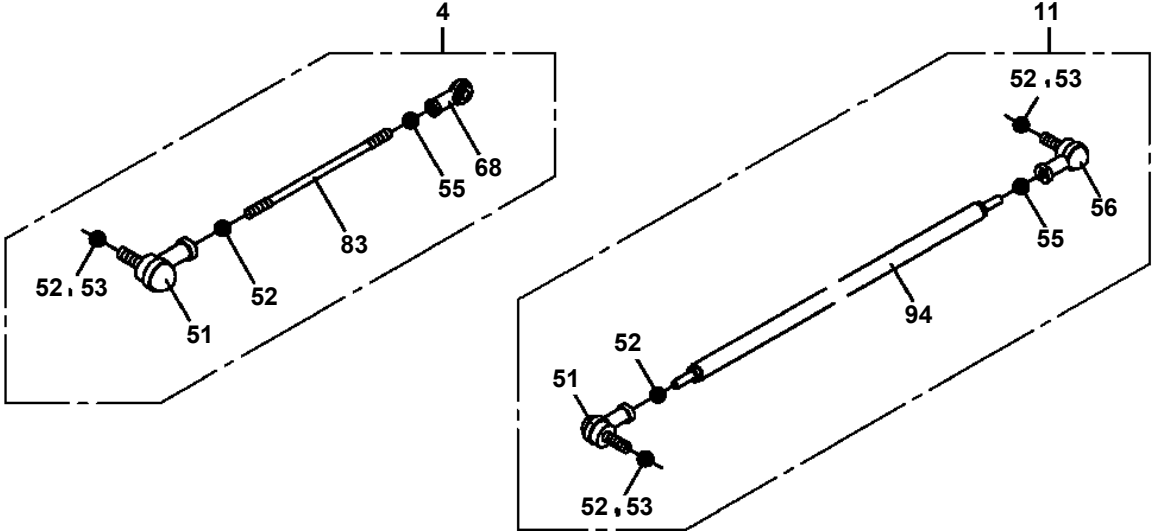
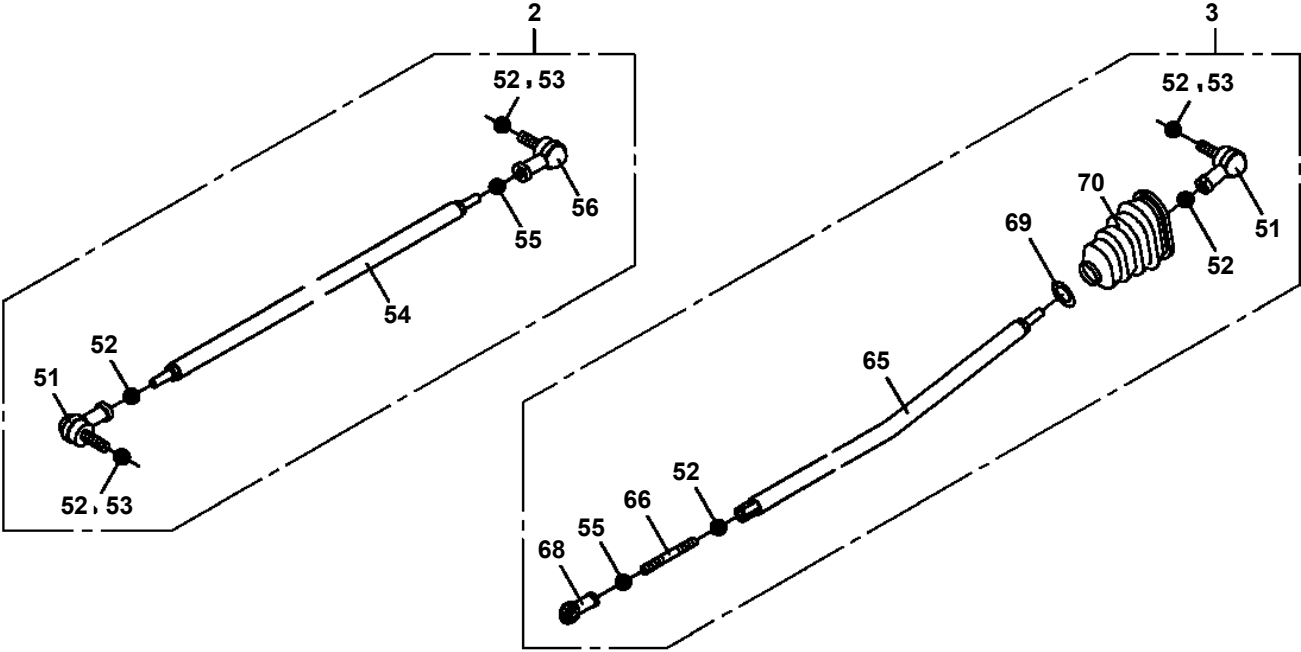
- Please note: If there is no response to CLICKING the link, please download this PDF first and then click on it.

CLICK HERE TO **DOWNLOAD** THE COMPLETE MANUAL

GR-250N-2-00101 4 BOOM + JIB(PT),X,2M2D
 PL1011162-05 OPE.ASSY,CONT.VALVE (TDN)

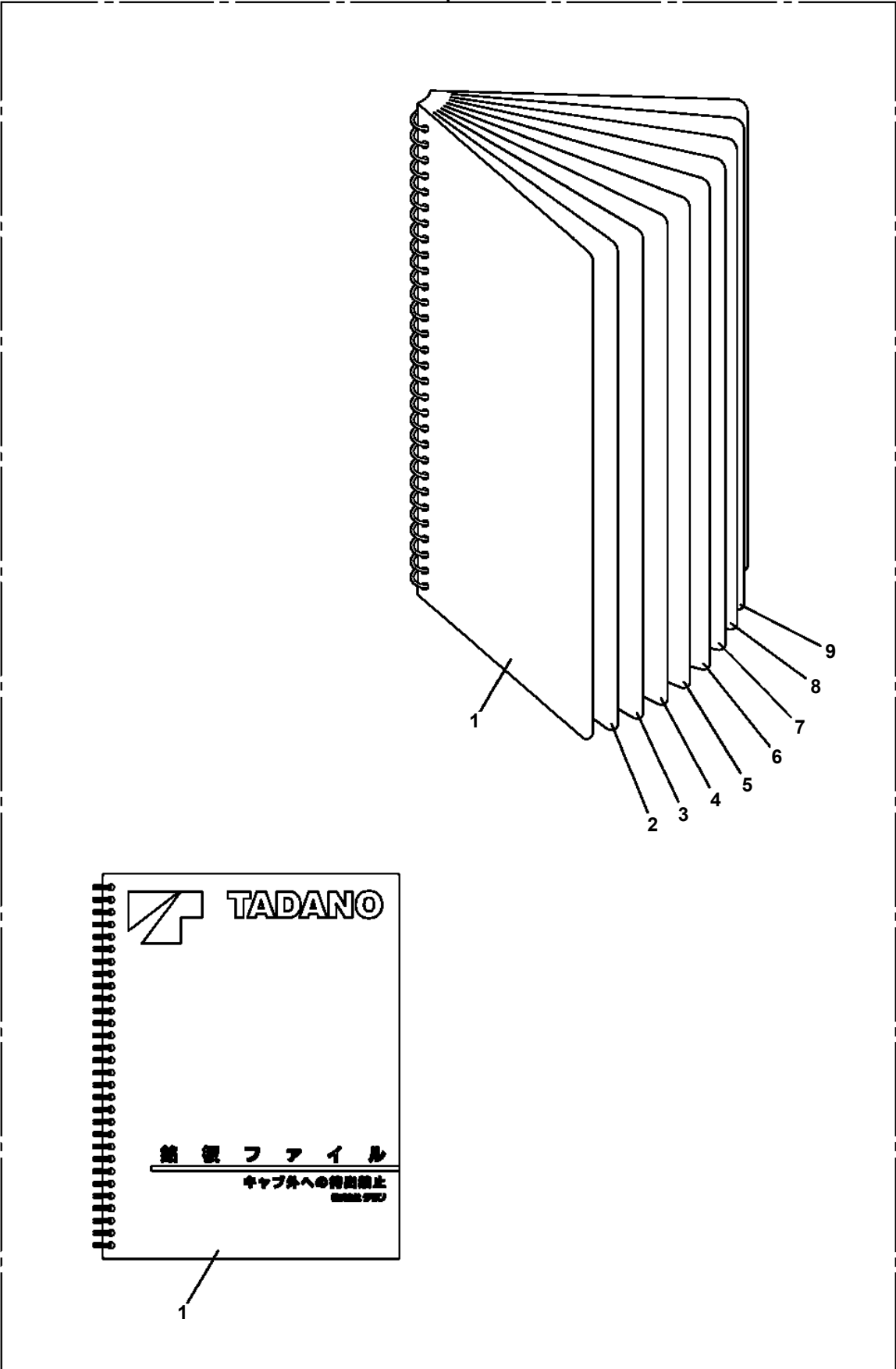


**GR-250N-2-00101 4 BOOM + JIB(PT),X,2M2D
PL1011216-02 OPE.ASSY,CONT.VALVE (ISO:ELEVAT.,AUX.+MAIN WINCH PEDAL)**



GR-250N-2-00101 4 BOOM + JIB(PT),X,2M2D
PL5260041-00 LOAD CHART BOOKLET

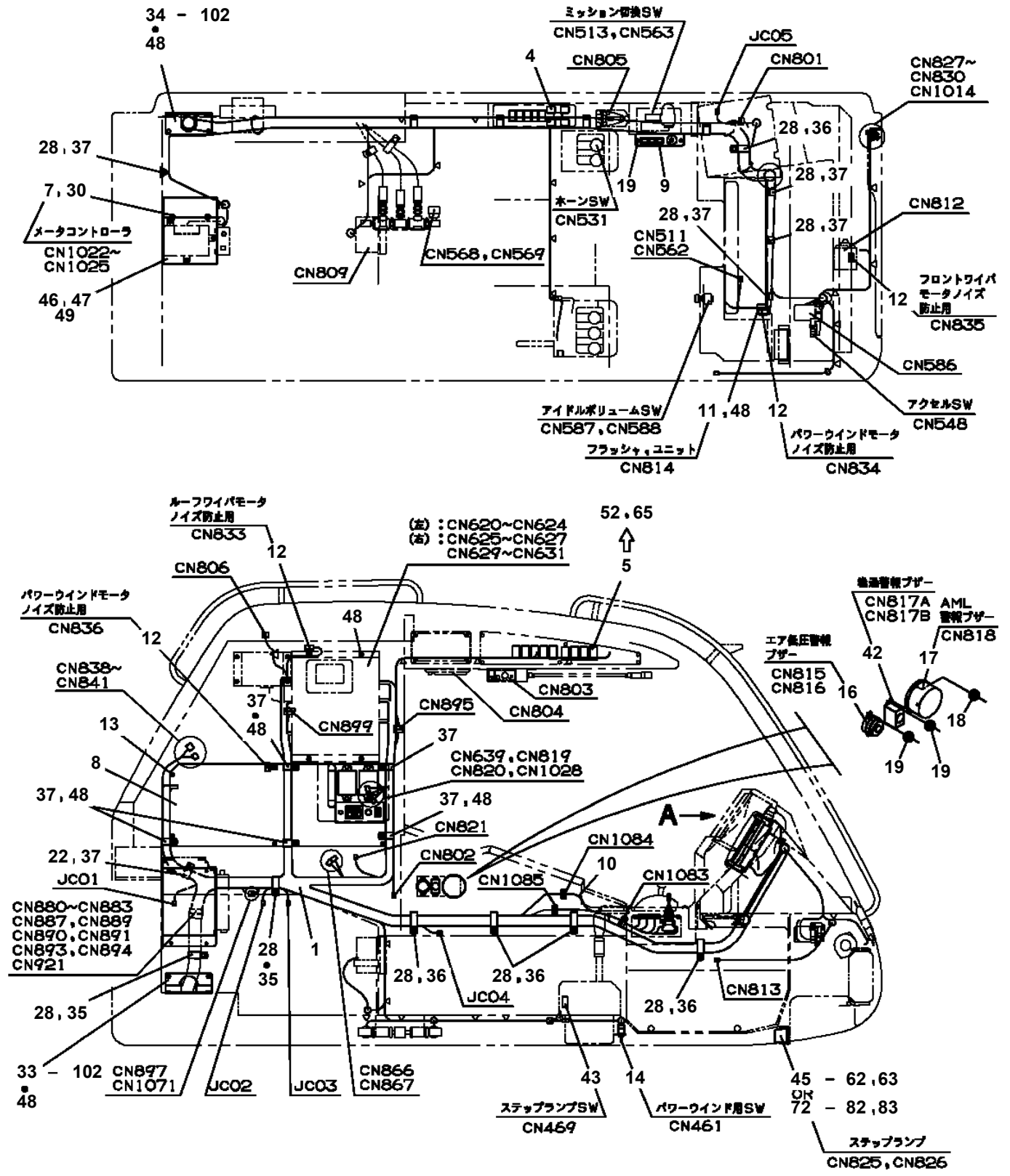
50



GR-250N-2-00101 4 BOOM + JIB(PT),X,2M2D

Pos No.	Parts No	Parts Name	Qty	Unit	Technical Data	Serial No (Start)	Serial No (End)	Remarks	Pa
1	80302090271	FITTING	1		KCO22-040N				
2	81408000290	PIPE,STEEL	1	M	22X2.5T				
3	80400160133	JOINT	1						
4	42881490100	JOINT	1						
5	37000919710	JOINT,BUSHING	1						
6	80315040030	JOINT	1						
7	80456400400	JOINT,SELF SEALING	1						
8	80458010400	PLUG (FOR FEMAIL)	1		04				
9	91002801800	O-RING	2		1B P18				
10	37002438330	HOSE	1		L=570				
11	37000711030	CLAMP ASSY	1		22X1				
12	37000503230	SUPPORT	1						
13	80302010280	FITTING	1		KCT22-060N				
14	80456401200	JOINT,SELF SEALING	1						
15	80458011200	PLUG (FOR FEMAIL)	1		12				
16	37002420950	HOSE	1		L=850				
17	42644600100	JOINT	1						
18	37000926060	JOINT	1		S,G1/2-G3/4				
19	80315040090	JOINT	1						
20	80456021211	JOINT,SELF SEALING	1						
21	80457031200	CAP	1						
22	37002404600	HOSE	4		L=520				
23	91002802900	O-RING	1		1B P29				
24	91002801100	O-RING	2		1B P11				
25	91002802400	O-RING	3		1B P24				
26	91002801400	O-RING	21		1B P14				
27	80315040050	JOINT	12						
28	80456400600	JOINT,SELF SEALING	12						
29	80456020610	JOINT,SELF SEALING	12						
30	80481702020	JOINT	1		L,G1/4-G1/4				
31	80430410650	JOINT	12						
32	80430620600	JOINT (WITH O-RING)	4		L,G3/8-G3/8				
33	80400160129	JOINT	4						
34	37002437770	HOSE	4		L=630				
35	37002434410	HOSE	4		L=580				
36	80301010200	FITTING	1		KUA22-000N				
37	81408000290	PIPE,STEEL	1	M	22X2.5T				
61	91071011300	O-RING	1		Y22550-113-A				
62	91470000400	RING,BACKUP	1		Y22021-04				
71	91071012300	O-RING	1		Y22550-123-A				
72	91470001200	RING,BACKUP	1		Y22021-012				
81	91071011500	O-RING	12		Y22550-115-A				
82	91470000600	RING,BACKUP	12		Y22021-06				
91	42340017550	CAP (DUST)	12						
101	91002801400	O-RING	4		1B P14				

GR-250N-2-00101 4 BOOM + JIB(PT),X,2M2D
 PN1014740-04 ELEC.ASSY (CAB)



GR-250N-2-00101 4 BOOM + JIB(PT),X,2M2D

Pos No.	Parts No	Parts Name	Qty	Unit	Technical Data	Serial No (Start)	Serial M
62	33430162080	CABLE (STARTER MOTOR)	1				
63	90186206014	BOLT,FLANGE	5		M6X14		
64	34931041501	SUPPORT	1				
65	80172304020	SCREW,MACHINE	2		M4X20		FB6296
66	90201200400	NUT	2		M4		
67	34931041600	HARNESS (MUT-2/LOWER,TRANSMITTE)	1				
68	34931041700	HARNESS (LOWER,TRANSMITTE)	1				
69	34931041800	SUPPORT	1				
70	36120610000	TRANSMITTER ASSY,SIGNAL (LOWER)	1				FB5530
	36120620000	TRANSMITTER ASSY,SIGNAL (LOWER)	1			FB5531	FB6252
	36120640000	TRANSMITTER ASSY,SIGNAL (LOWER)	1			FB6253	
71	90186210014	BOLT,FLANGE	2		M10X14		
91	34930973100	LAMP (CASE,R)	1				
92	34930973200	HARNESS	2				
93	82166200010	BULB,LAMP	6		24V 21W		FB5862
94	82166200030	BULB,LAMP	3		24V 10W		FB5842
	82166300100	BULB,LAMP	3		24V 10W	FB5843	
95	91810130250	FASTENER	6				
101	34930974100	LAMP (CASE,L)	1				
103	82166300210	BULB,LAMP (KOITO)	2		24V 21W		
	82166300210	BULB,LAMP (KOITO)	6		24V 21W	FB5863	
111	34930577510	LAMP ASSY (NO.1)	2		24V 70W		
112	34930577520	LAMP ASSY (NO.2)	2		24V 75/70W		
113	34930397590	BOLT SET	4				
114	34930397580	RING,RETAINING	4				
141	34460747120	BULB,LAMP	2		24V 70W		
151	34460747110	BULB,LAMP	2		24V 70/75W		
161	33650080600	LAMP ASSY,LICENSE (ASSY ONLY)	1				
162	34931041410	HARNESS	1				FB5340
	34931041411	HARNESS	1			FB5341	
163	91810130240	FASTENER	2				
171	36361112060	RESISTANCE	1				
181	34930707520	LENS	1				
191	34930707530	LENS	1				

GR-250N-2-00101 4 BOOM + JIB(PT),X,2M2D

Pos No.	Parts No	Parts Name	Qty	Unit	Technical Data	Serial No (Start)	Serial No (End)	Remarks	Pages
1	34930977510	LENS	1						
100	34930973100	LAMP (CASE,R)	1						

GR-250N-2-00101 4 BOOM + JIB(PT),X,2M2D

Pos No.	Parts No	Parts Name	Qty	Unit	Technical Data	Serial No (Start)	Serial No (End)	Remarks
1	34931043100	BOX	1					
2	34930411200	COVER	1					
3	34930411300	COVER	1					
4	90186208014	BOLT,FLANGE	6		M8X14			
5	34930901010	SUPPORT	2					
6	34931043600	RELAY ASSY	1					
7	80192486012	SCREW,MACHINE	6		M6X12			
8	82173400010	BOX,FUSE	1					
9	82171500070	FUSE	1		70A			
10	82174103526	FUSE (75A,7323-3526-40>	2					
11	82161901051	RELAY	1					
13	90186208025	BOLT,FLANGE	2		M8X25			
14	34930941020	CABLE	1		L=250			
16	90186206014	BOLT,FLANGE	1		M6X14			
17	82100002014	CLAMP	1		WR20			
31	82400000202	GROMMET	1					
42	82400000201	GROMMET	1		KG-016			

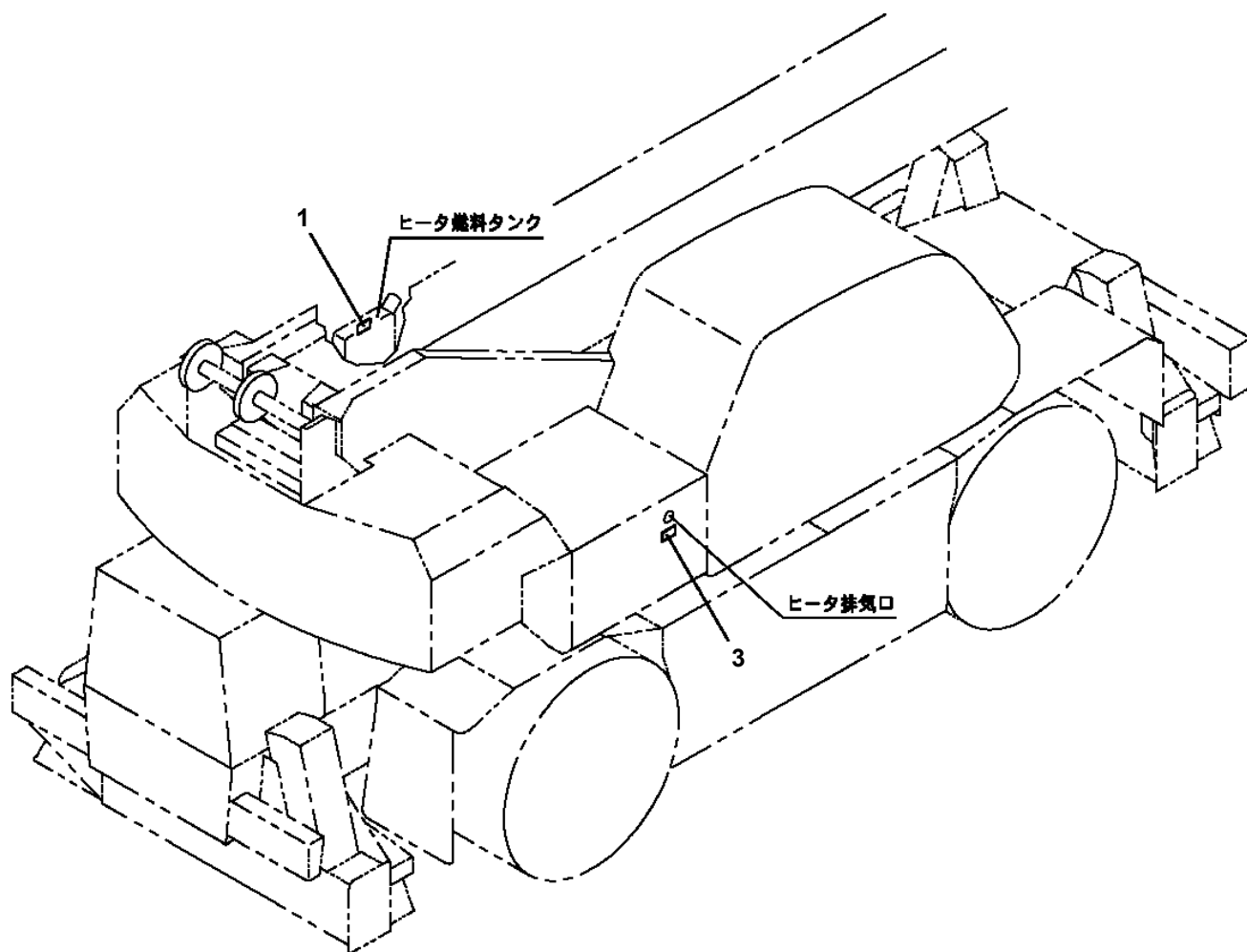
GR-250N-2-00101 4 BOOM + JIB(PT),X,2M2D

Pos No.	Parts No	Parts Name	Qty	Unit	Technical Data	Serial No (Start)	Serial No
8	36171005010	BOARD,CPU (WITH DATA)	1				
100	36171000000	TRANSMITTER,MULTIPLEX DATA (UPPER)	1				

GR-250N-2-00101 4 BOOM + JIB(PT),X,2M2D

Pos No.	Parts No	Parts Name	Qty	Unit	Technical Data	Serial No (Start)	Serial No (End)	Remarks
1	82100001983	BATTERY (YUASA,145F51)	1					

GR-250N-2-00101 4 BOOM + JIB(PT),X,2M2D
 PN5010185-02 NAME PLATE ASSY (OUTSIDE CAB)



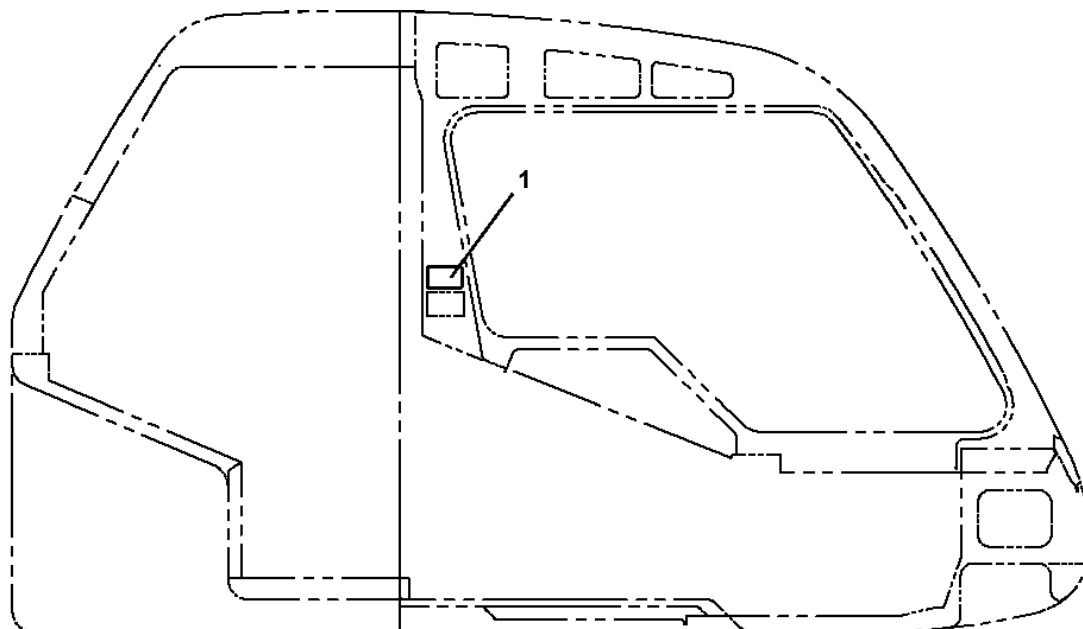
1

▲	注 意
使用燃料：軽油	
指定以外の燃料を使用すると ヒータを損傷する恐れがあります。	
<small>344-944-43900</small>	

3

▲	警 告
<ul style="list-style-type: none"> ・ガソリンスタンドなどでの給油中は、ヒータを停止させてください。 ・ヒータ作動中または作動後の排気管付近は高温（約200℃）になりますので、排気管に触らないようご注意ください。 	
<small>344-944-04100</small>	

GR-250N-2-00101 4 BOOM + JIB(PT),X,2M2D
 PO1013662-02 PLATE ASSY,NAME (FREON DISCHARGE RESTRAINT LAW)



1

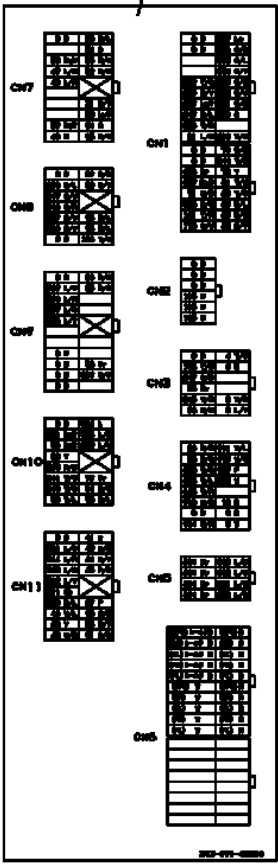
フロン排出抑制法 第一種特定製品			
この製品に充てられている冷媒の種類及び数量			
種 類	冷媒番号	GWP値	出荷時荷入量 (kg)
HFC	R-134a	1430	1.0
冷媒充填を省略するため、次のことが条件で決められていますので必ず守ってください。			
(1) この製品に充填されている冷媒を、あだりや大気中に放出しないでください。			
(2) この製品の廃棄時は充填されている冷媒を回収してください。 370-022-34660			

GR-250N-2-00101 4 BOOM + JIB(PT),X,2M2D
PO1015126-02 PLATE ASSY,NAME (LOWER)

1

ホイールナット 締付トルク 610~670N・m (62~68 kgf・m)	タイヤエア圧 900kPa (9.00kgf/cm ²) 370-022-29021
---	---

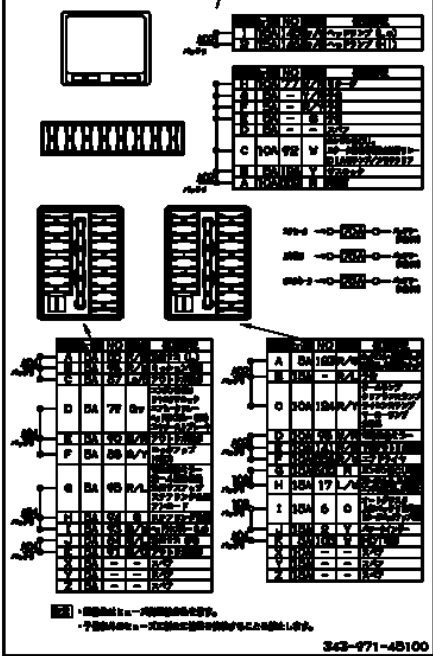
2



3

最高使用圧力 0.95MPa

4



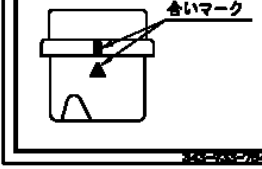
342-971-45100

6

全幅 262mm
重量 25.0ト
軸重 1280ト
隣接軸重 2560ト
輪重 640ト
接地圧 206.5ト

7

ブレーキ液補充後、リザーブタンクのキャップはストップ(合いマークの合う位置)まで確実に締めてください。



9

- ブレーキ液は、12ヶ月毎にタダノ純正ブレーキフルード (DOT3, 1, 非シリコンベース) に交換してください。
- 他のブレーキ液とは絶対に混合しないでください。
- ブレーキ液の補充・交換時には取扱説明書に従い、ブレーキパットの減り厚さを点検・確認してください。

370-022-17820

10

警告

- 油圧機器、配管、把手を分解することは禁止します。
- エンジン停止時でも高圧となっている箇所があり、重大な人身事故の原因となります。

370-022-17820


11

注意

フォークエレメントは刃物であり、必ず保護カバーに確実に閉鎖してください。急停止時に発生するブレーキ油の漏れや、スラッシング時に発生する油圧、重大な人身事故の原因となります。

370-022-28220

12



13

警告

回転部に手を近づけないでください。
ケガをする恐れがあります。

14

警告

熱湯注意

高圧時ウエータキャップを触らないでください。
熱湯が吹き出しケガをする恐れがあります。

15

注意

エンジン回転中及びエンジン停止直後は、マフラーに触れないでください。
やけどをする恐れがあります。

GR-250N-2-00101 4 BOOM + JIB(PT),X,2M2D

Pos No.	Parts No	Parts Name	Qty	Unit	Technical Data	Serial No (Start)	Serial No (End)	Remarks	Pages
1	37002227520	PLATE,NAME	2						

GR-250N-2-00101 4 BOOM + JIB(PT),X,2M2D

Pos No.	Parts No	Parts Name	Qty	Unit	Technical Data	Serial No (Start)	Serial No (End)	Remarks	Pages
1	34393926560	PLATE (NON-SLIP)	11						
2	34393926540	PLATE (NON-SLIP)	11						
3	42396863100	PLATE (NON-SLIP)	1						
4	42396801100	PLATE (NON-SLIP)	2						
5	42834433300	PLATE (NON-SLIP)	2						
6	34393906540	PLATE (NON-SLIP)	3						
7	42397991010	PLATE (NON-SLIP)	3						

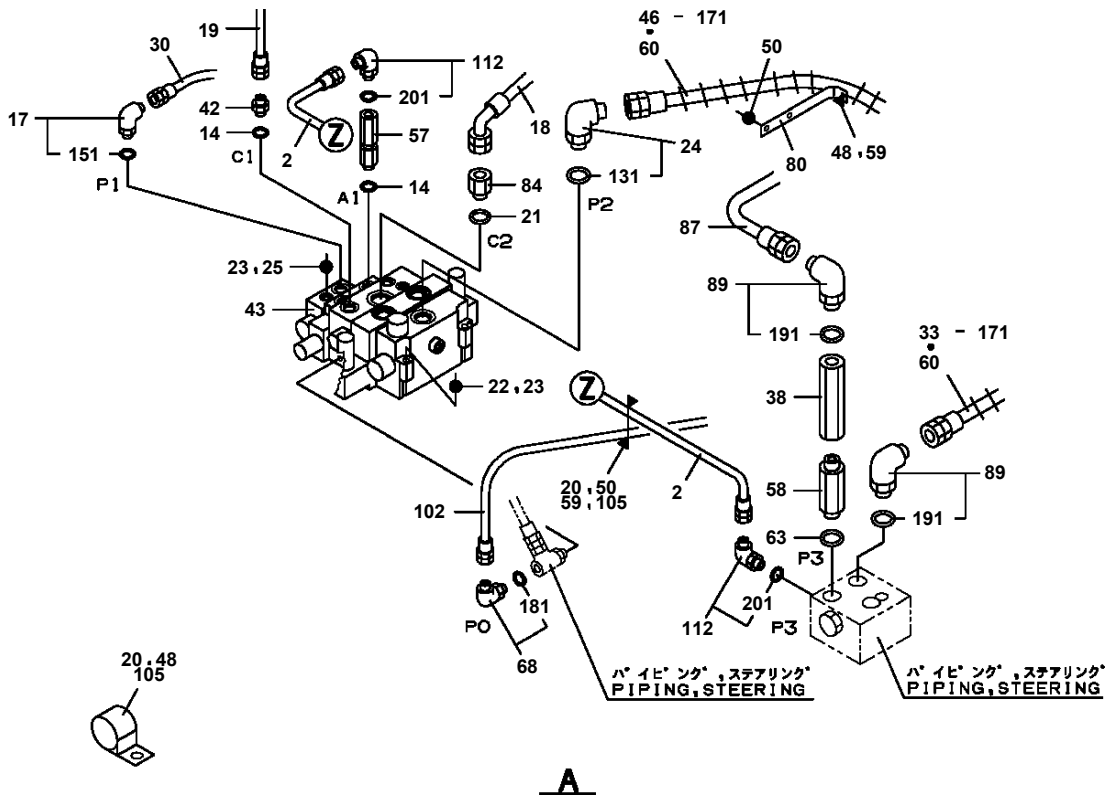
GR-250N-2-00101 4 BOOM + JIB(PT),X,2M2D

Pos No.	Parts No	Parts Name	Qty	Unit	Technical Data	Serial No (Start)	Serial No (End)	Re
1	88700100006	PUMP,HYDRAULIC (ASSY ONLY)	1					
7	36682850000	GAUGE,PRESSURE	1					
8	59158020000	JOINT	1					
9	14115209000	PACKING	1					
10	80306040020	JOINT,NIPPLE	2					
11	80303080040	JOINT	2					
12	80456010410	JOINT,SELF SEALING	1					
13	37000920280	JOINT	1					
14	91810130230	FASTENER	1					
15	37002226910	PLATE,NAME	1					
21	42340017530	CAP	1					

GR-250N-2-00101 4 BOOM + JIB(PT),X,2M2D

Pos No.	Parts No	Parts Name	Qty	Unit	Technical Data	Serial No (Start)	Serial No (End)	Re
1	33460151000	PRESSURE DEJECTA (MAIL,1/4)	1					

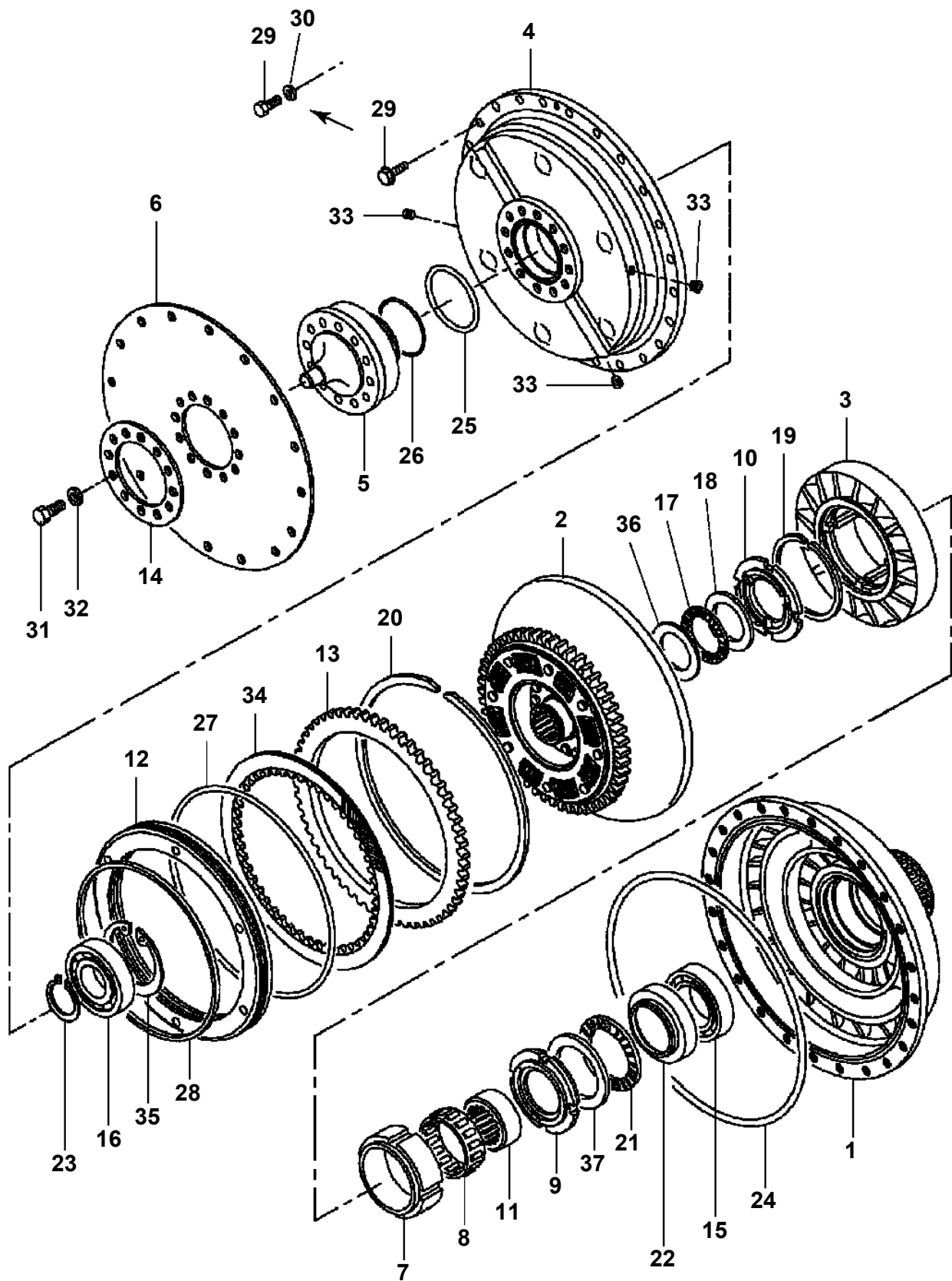
GR-250N-2-00101 4 BOOM + JIB(PT),X,2M2D
PP6340013-01 PIPING ASSY,SWIVEL



GR-250N-2-00101 4 BOOM + JIB(PT),X,2M2D

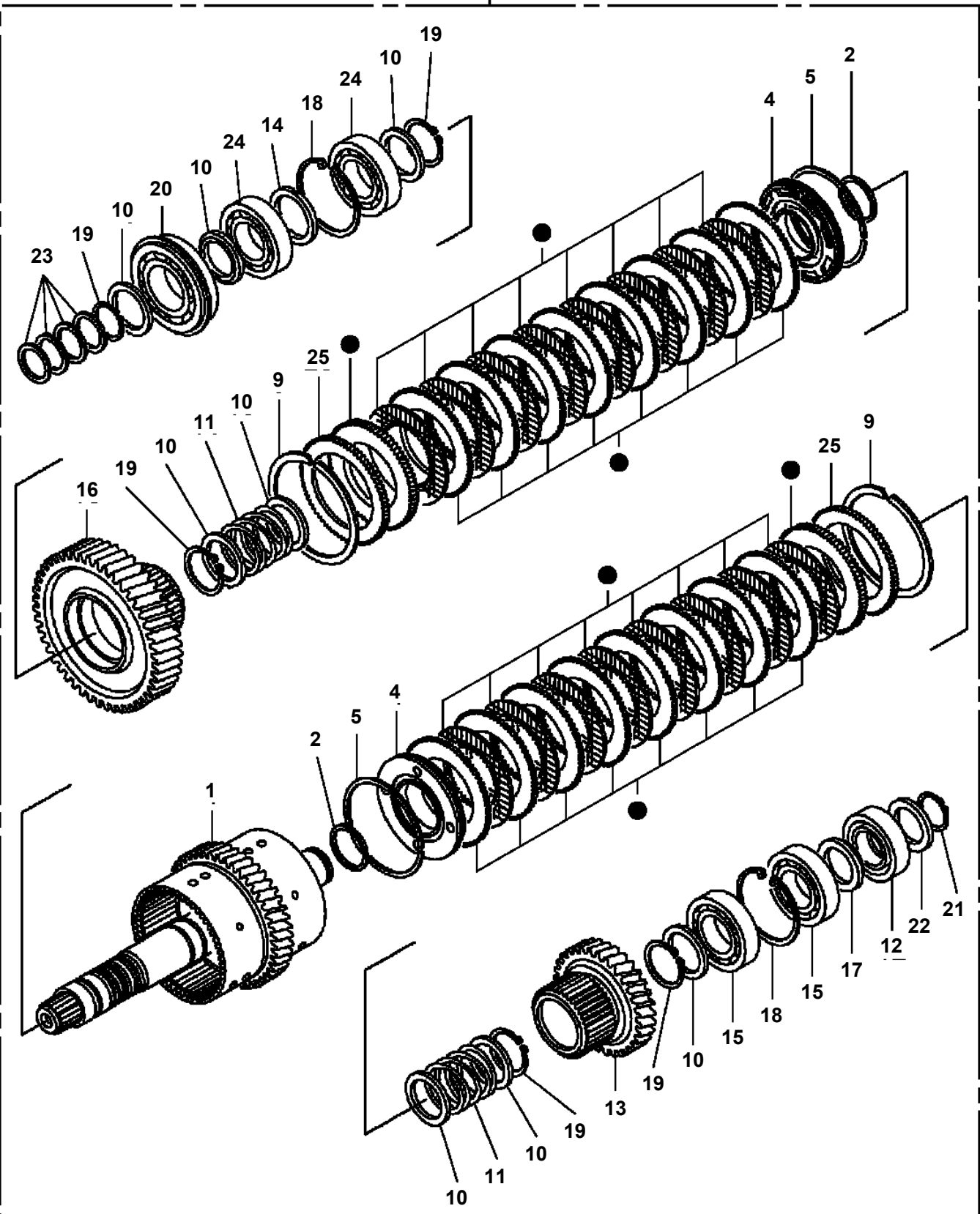
Pos No.	Parts No	Parts Name	Qty	Unit	Technical Data	Serial No (Start)	Serial No (E
1	34782310100	PIPE	1				
2	34782310501	PIPE	1				
3	34782310200	COVER	1				
4	34782310300	SUPPORT	1				
5	34782310400	PIPE (MARUFUJI)	1				
	34782310600	PIPE (SANYO KOGYO)	1				
6	90101210020	BOLT	7		M10X20		
7	90302041001	WASHER,SPRING	7		10		
8	90303071001	WASHER,PLAIN	11		10		
9	90201201000	NUT	13		M10		
10	34780580500	BAND	2				
12	90103212045	BOLT	4		M12X45		
31	36360951010	MUFFLER	1				
32	36360351030	GASKET	4				
33	36360351040	VALVE,EXHAUST (BRAKE)	1				
35	36360011080	NUT	4				
36	36360011090	WASHER,SPRING	4				
41	36360491030	CLAMP (MUFFLER-IN)	2				
42	36360951020	CLAMP (MUFFLER-OUT)	2				
43	36360491040	BOLT (MUFFLER CLAMP)	4				
47	36360011030	NUT	12		M12		
48	36361321050	BOLT (EXHAUST BRAKE)	4				
49	36361321060	WASHER,SPRING (EXHAUST BRAKE)	4				
50	36361321070	WASHER,PLAIN (EXHAUST BRAKE)	4				
55	36361321111	PIPE (EXHAUST)	1				
56	36361321120	SUPPORT (EXHAUST PIPE)	1				
57	36361321130	BOLT (EXHAUST PIPE FIXING)	2		M10X1.25X30		
58	36361321140	WASHER,PLAIN (EXHAUST PIPE FIXING)	4		10.5		
59	36361321150	NUT (EXHAUST PIPE FIXING)	2		M10X1.25		

GR-250N-2-00101 4 BOOM + JIB(PT),X,2M2D
PR1120024-02 CIRCUIT,TORQUE CONVERTER



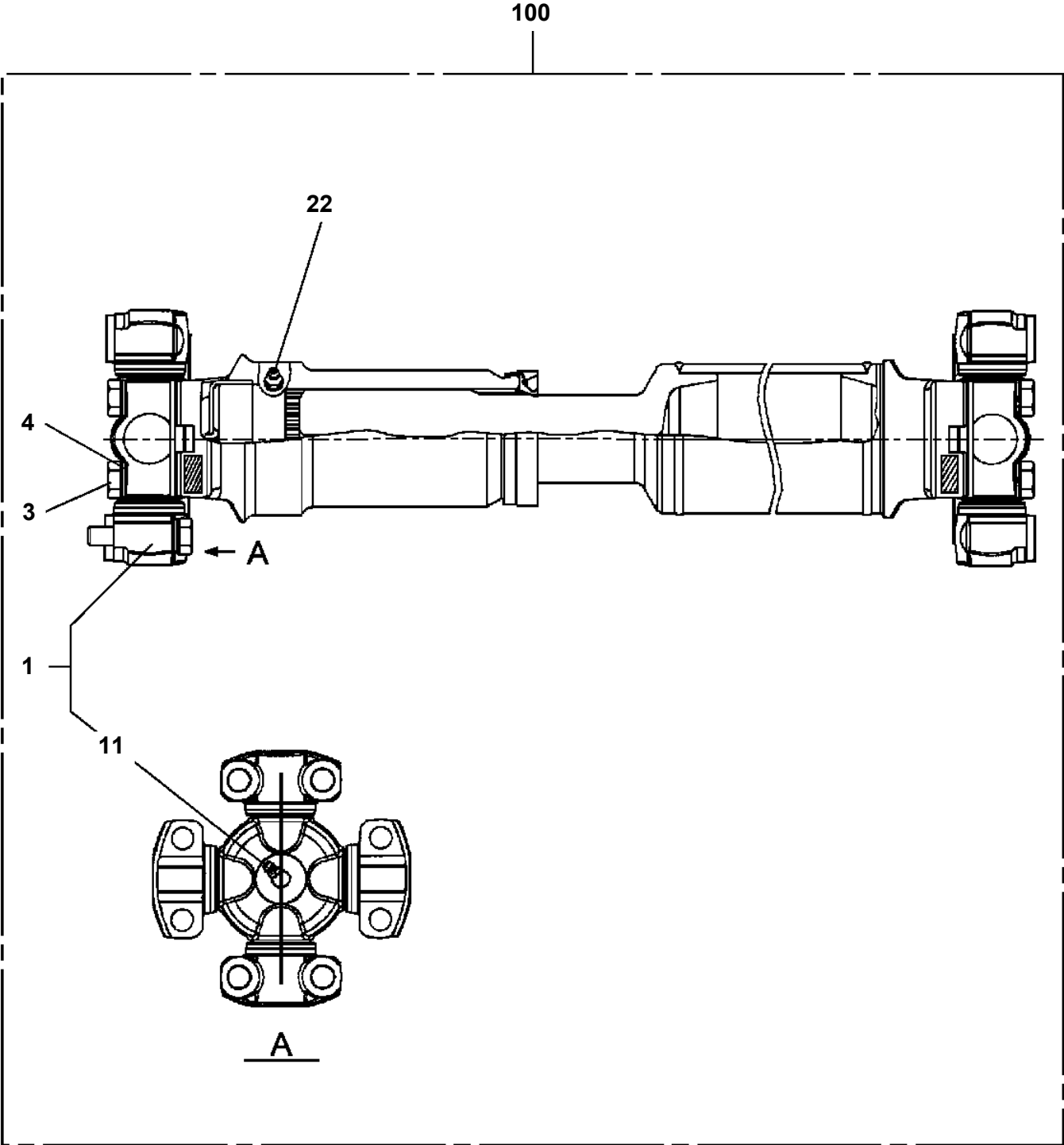
GR-250N-2-00101 4 BOOM + JIB(PT),X,2M2D
 PR1460028-00 CLUTCH PACK, TRANSMISSION

100



● : DISK KIT KEY NO. 50

GR-250N-2-00101 4 BOOM + JIB(PT),X,2M2D
PR1600107-00 SHAFT,PROPELLER (KOYO JTEKT)



GR-250N-2-00101 4 BOOM + JIB(PT),X,2M2D

Pos No.	Parts No	Parts Name	Qty	Unit	Technical Data	Serial No (Start)	Serial No
13	36700385030	PROTECTOR (CYLINDER)	2				
14	36700385040	COVER	2				
17	36700385050	CLAMP (PIPE)	4				
18	36700385060	PIPE (WITH NUT,FLARE)	1				
19	36700385070	PIPE (WITH NUT,FLARE)	1				
20	36700385080	CONNECTOR (ELBOW)	2				
21	36700385090	JOINT	2				
22	36700385100	CONNECTOR (BREATHER)	1				
23	36700385110	TUBE (BREATHER)	1				
24	36700385120	CLAMP (HOSE)	1				
25	36700385130	BOLT,HEXAGON SOCKET (WITH FLANGE)	9		M6X25		
26	36700385140	BOLT,HEXAGON SOCKET (WITH FLANGE)	2		M6X14		
27	36700385150	BOLT,HEXAGON SOCKET (WITH FLANGE)	2		M6X20		
28	36700385160	BOLT,HEXAGON SOCKET (WITH FLANGE)	8		M6X10		
29	36700385170	BOLT,HEXAGON SOCKET	3		M10X130		
30	36700385180	BOLT,HEXAGON SOCKET	3		M10X85		
35	36700385190	WASHER,PLAIN	1				
37	36700385200	NUT	1		M12 1.5P		
38	36700385210	SENSOR,THERMO	1				
51	36700385650	PACKING SET	1				
52	36700385670	PACKING SET	1				
101	36700385220	CYLINDER ASSY (MAIN)	1				
102	36700385230	CYLINDER ASSY (SUB)	1				
201	36700385010	DRUM ASSY	1				
202	36700385020	STATOR	1				
203	36700382000	CONTROL UNIT (RETARDER)	1				
500	36700381000	RETARDER	1				

GR-250N-2-00101 4 BOOM + JIB(PT),X,2M2D

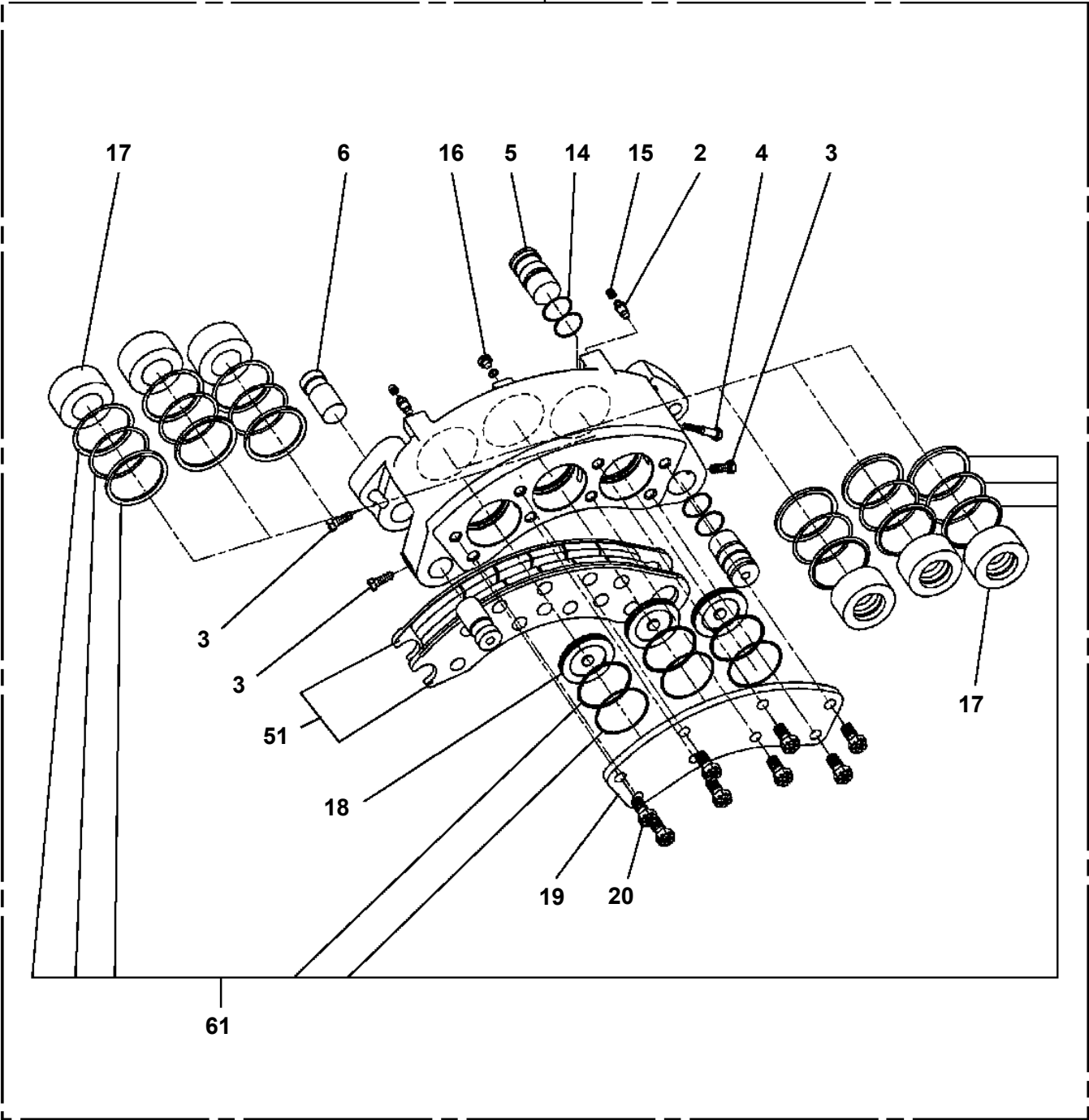
Pos No.	Parts No	Parts Name	Qty	Unit	Technical Data	Serial No (Start)	Serial N
10	37003804790	TIRE (MICHELIN X-CRANE AT 385/95R25 170)	1				
	37003804790	TIRE (MICHELIN X-CRANE AT 385/95R25 170)	1				

GR-250N-2-00101 4 BOOM + JIB(PT),X,2M2D

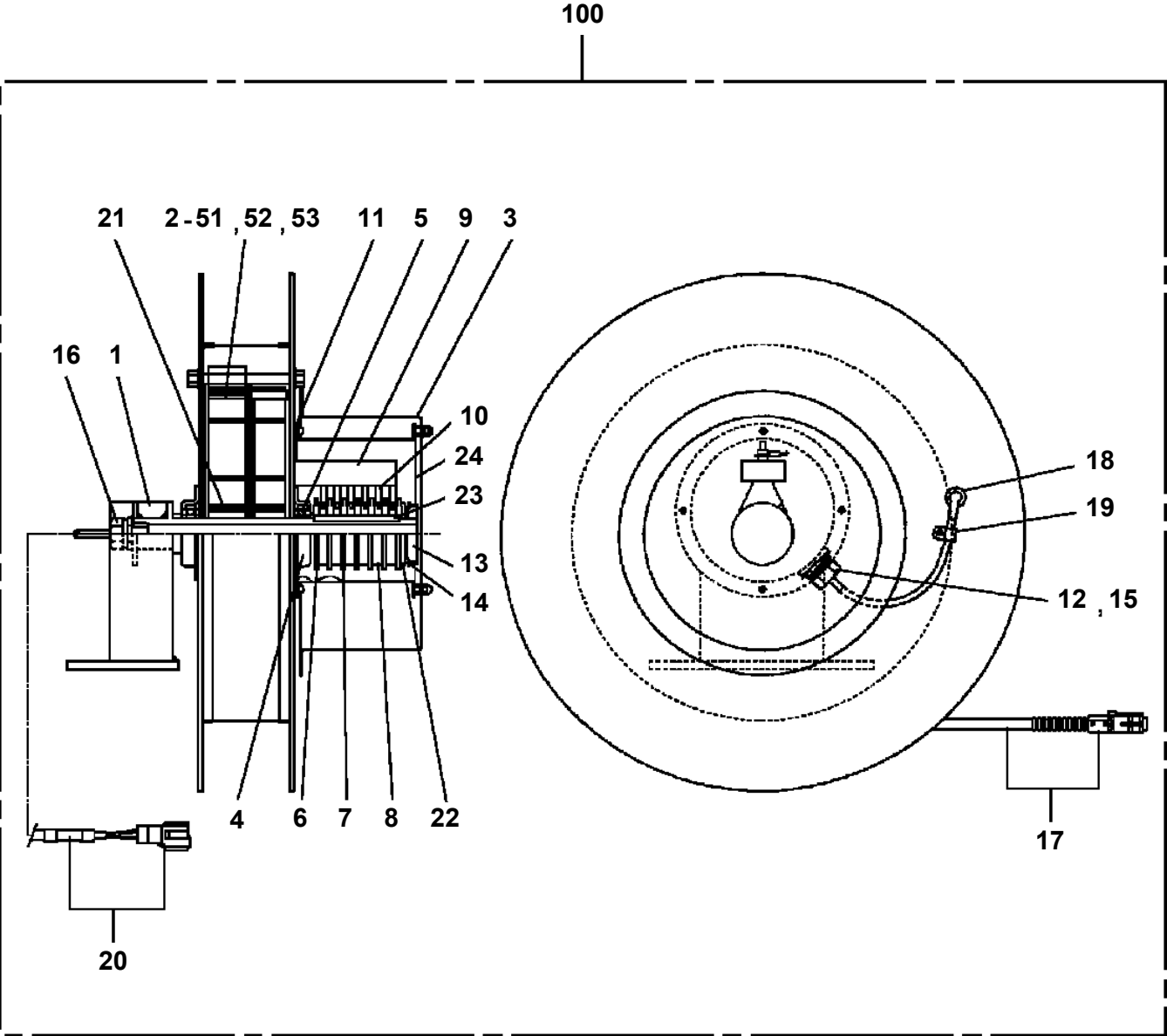
Pos No.	Parts No	Parts Name	Qty	Unit	Technical Data	Serial No (Start)	Serial No (End)
128	36380875141	END,TIE ROD (LEFT HAND SCREW)	1				
129	36380675261	BUSHING (TIE ROD END)	2				
131	90171112080	BOLT	4		M12X80		
132	90201701200	NUT	4		M12		
133	90303071201	WASHER,PLAIN	4		12		
134	36380675270	PIN	2				
135	59172030340	PLATE (LOCK)	2				
136	90171108020	BOLT	4		M8X20		
137	90302040801	WASHER,SPRING	4		8		
138	36380675510	NUT	2				
139	36381995210	SHAFT (AXLE)	2				
141	36381995220	JOINT,BALL	2				
142	36381995230	BEARING,BALL	2				
143	36381995240	WASHER,THRUST	2				
145	36381995250	GEAR,SUN	2				
146	36381995260	GEAR,PLANETARY (SPIDER)	2			FB8428	FB8428
	36382595010	GEAR,PLANETARY	2				
147	36381995270	GEAR,PLANETARY	6				
148	36381995280	SHAFT (PLANETARY GEAR)	6				
149	34680005610	RING,THRUST	12				
150	36381995290	GEAR,INTERNAL	2				FB8428
	36382595020	GEAR,INTERNAL	2			FB8428	FB8428
151	36381995300	HUB,INTERNAL GEAR	2				FB8428
	36382595030	HUB,INTERNAL GEAR	2			FB8428	FB8428
152	36381995310	WIRE,LOCK	4				FB8428
	36382595040	RING,SNAP	2			FB8428	FB8428
153	36380105720	NUT,BEARING	2				
154	36380105730	WASHER (LOCK)	2				
155	90101508016	BOLT	4		M8X16		
157	34680005740	BEARING,ROLLER	12				
158	36381995320	O-RING	2				
159	90171114045	BOLT	48		M14X45		FB8428
	90171114045	BOLT	24		M14X45	FB8428	FB8428
160	36380675390	WASHER	48				FB8428
	36380675390	WASHER	24			FB8428	FB8428
161	36380215250	PLUG,MAGNET	2				
163	36381995330	STOPPER (SHAFT)	2				
164	80316030100	PLUG	2		PT3/4		
165	36381995340	PLUG	4				
166	36381995350	O-RING	2				
167	36381995360	PLUG	2				
168	34680005620	PIN	6			FB8428	FB8428
171	36382005030	HUB,WHEEL	2				FB8428
	36382385020	WHEEL,HUB	2			FB8428	FB8428
172	36381995380	BOLT (HUB)	20				
174	59172071060	BEARING,ROLLER	2				
175	34680005760	BEARING,ROLLER (NTN)	2				
176	36382005040	DISK (BRAKE)	2				
177	36381995410	BOLT (DISK)	28				
178	36380675380	WASHER,PLAIN	28				
179	36380875320	SEAL,OIL (WHEEL HUB)	2				
181	36380875330	SPACER	2				
182	36381995420	PLATE (LOCK)	6				
183	90171108016	BOLT	6		M8X16		
191	36381995431	AXLE (BRAKE,CALIPER)	1				
192	36381995441	AXLE (BRAKE,CALIPER)	1				
193	36381995450	CONNECTOR (WITH O-RING)	2				
197	36381995450	BOLT (CALIPER)	6				
198	36381095070	BOLT (S)	6				
199	36381125050	WASHER	12				
251	90171116095	BOLT (DACRO)	4		M16X95		
252	34680005240	WASHER	4				
261	80530000064	BEARING,SPHERICAL	2				

GR-250N-2-00101 4 BOOM + JIB(PT),X,2M2D
PR2010126-00 AXLE (BRAKE,CALIPER)

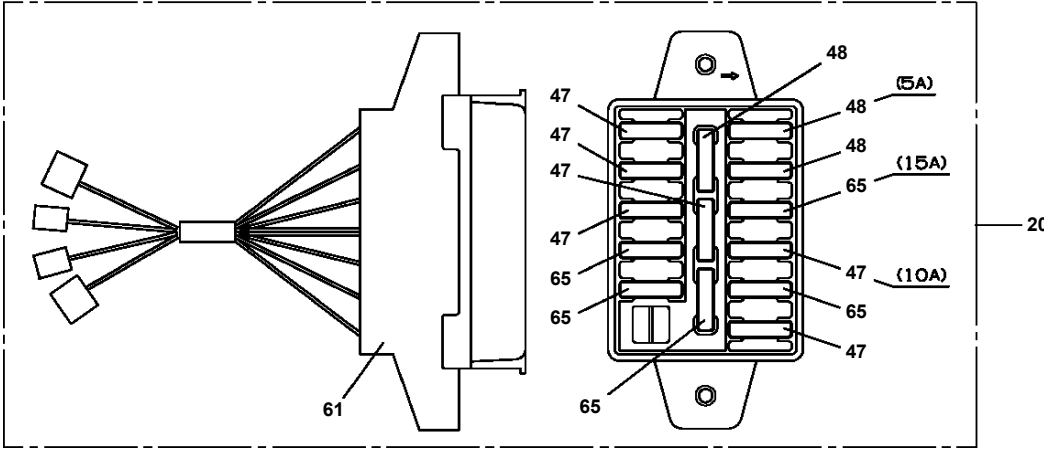
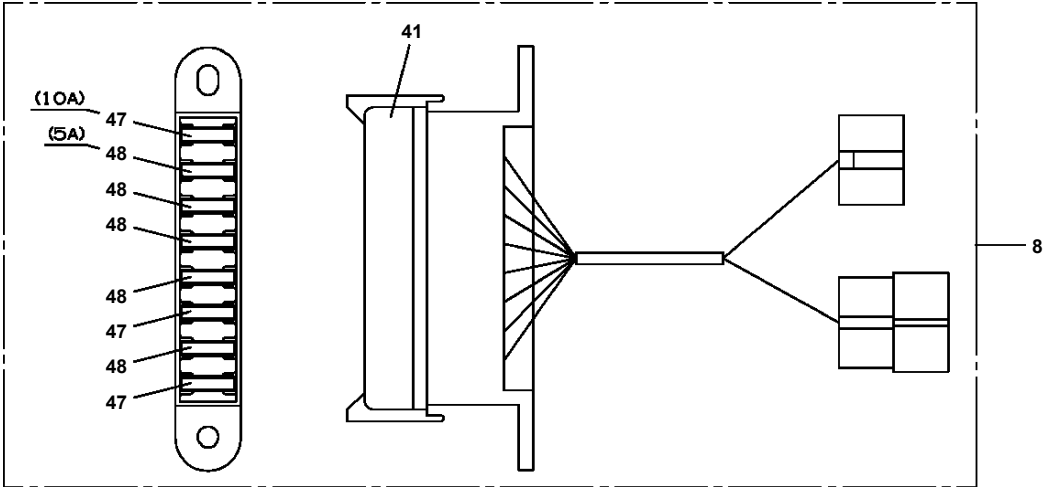
100



GR-250N-2-00101 4 BOOM + JIB(PT),X,2M2D
PR5050004-00 REEL ASSY,CORD



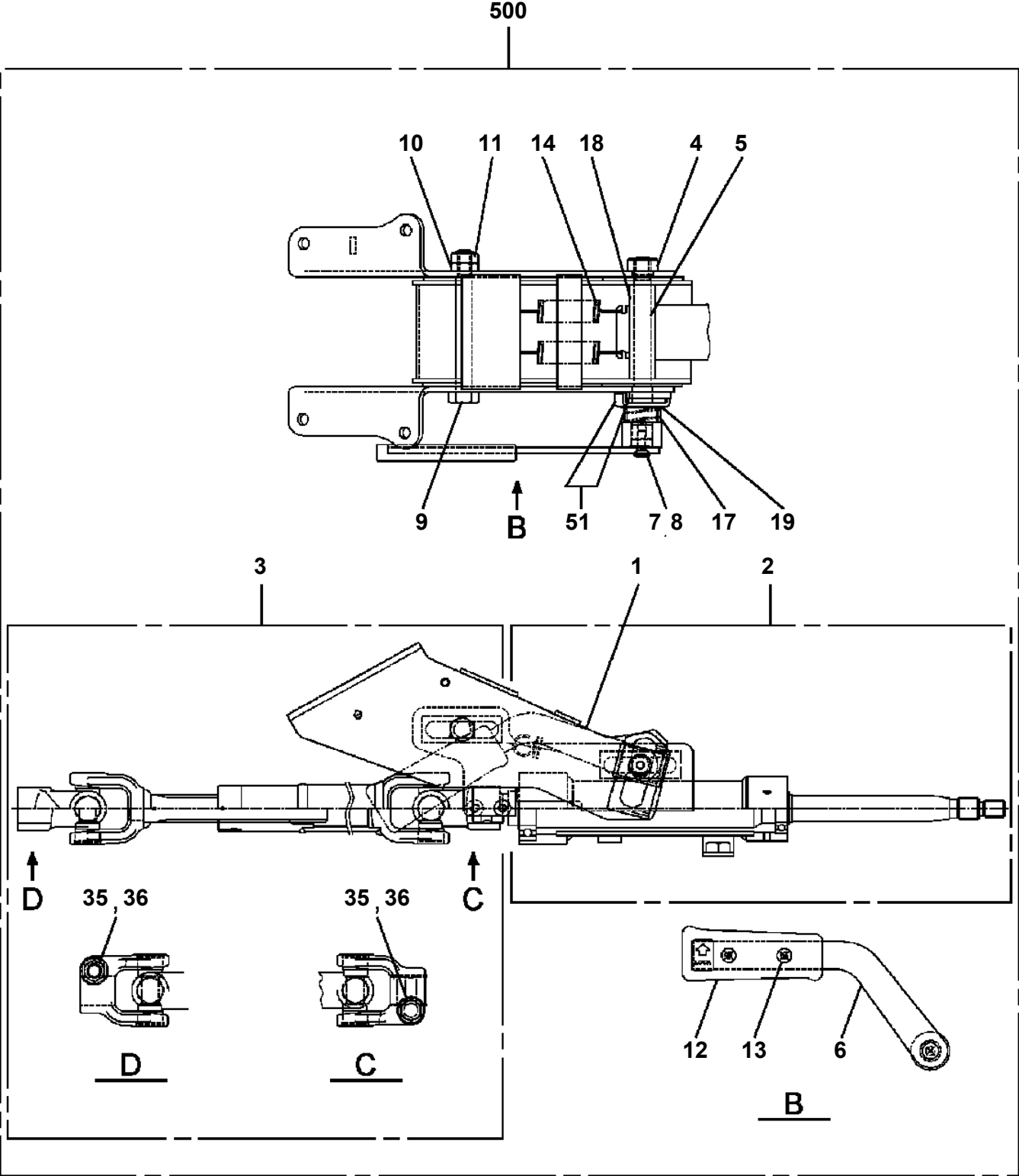
**GR-250N-2-00101 4 BOOM + JIB(PT),X,2M2D
PR5090180-00 RELAY ASSY**



GR-250N-2-00101 4 BOOM + JIB(PT),X,2M2D

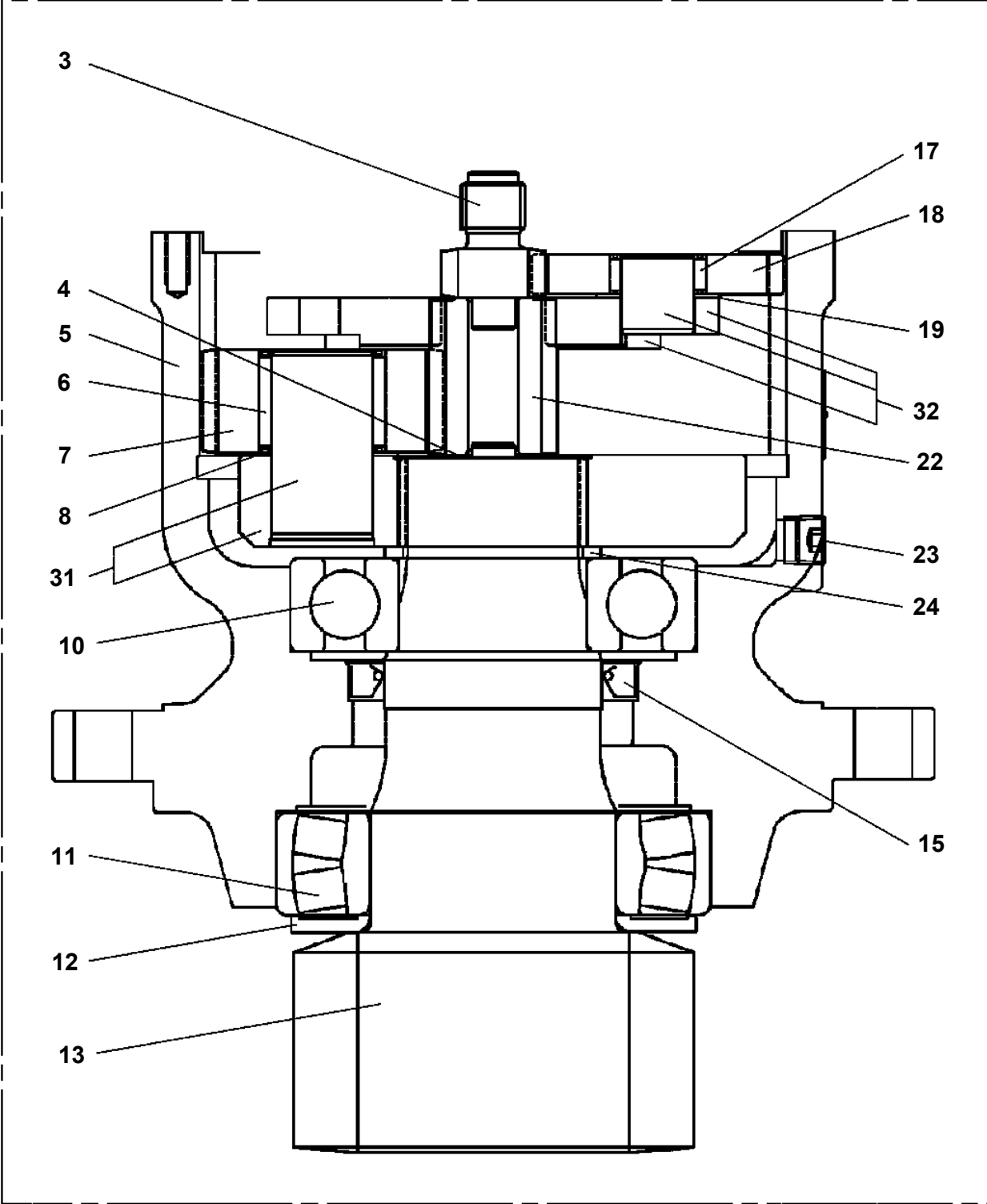
Pos No.	Parts No	Parts Name	Qty	Unit	Technical Data	Serial No (Start)	Serial No (End)	Rem
1	80430620600	JOINT (WITH O-RING)	4		L,G3/8-G3/8			
2	37002454030	HOSE	4		L=630			
3	80400160177	JOINT	4		T,G1/2-G1/2-G3/8			
4	91002801800	O-RING	10		1B P18			
5	37000925320	JOINT (FILTER,WITH O-RING)	1		T,3-G1/4		FB7568	
	37000932660	JOINT (WITH O-RING)	1		T G1/4-G1/4-G1/4	FB7569		
6	36672630000	FILTER (WITH O-RING)	1					
7	80302090141	FITTING	1		KCO12-020N			
8	80302090241	FITTING	2		KCO18-040N			
10	37002440970	HOSE	2		L=680			
11	81408000160	PIPE,STEEL	1	M	12X1.4T			
12	37002446930	HOSE	2		L=600			
13	80320010075	FITTING	1		KUD12-020N			
14	37000711000	CLAMP ASSY	1		12-1			
17	37002422220	HOSE	1		L=470			
18	80320030140	FITTING,ELBOW	2		KLE18-040N			
19	37000701560	CLAMP ASSY	4		18X2			
20	80430620400	JOINT	1					
21	80400160127	JOINT	1					
22	80320010085	FITTING	2		KUD12-040N			
23	81408000241	PIPE,STEEL	2	M	18X1.9T			
24	81408000241	PIPE,STEEL	2	M	18X1.9T			
25	81408000241	PIPE,STEEL	3	M	18X1.9T			
26	81408000241	PIPE,STEEL	2	M	18X1.9T			
27	81408000241	PIPE,STEEL	3	M	18X1.9T			
28	36625300000	VALVE,CHECK	1					
29	81408000241	PIPE,STEEL	1	M	18X1.9T			
30	34640272300	JOINT	1		G3/4			
31	91002802400	O-RING	2		1B P24			
33	81408000241	PIPE,STEEL	2	M	18X1.9T			
35	80471020504	JOINT	4		HL205-04			
36	37002479950	HOSE	1		L=475			
38	81408000160	PIPE,STEEL	1	M	12X1.4T			
40	36640830000	VALVE,HYDRAULIC	1					
41	90186210014	BOLT,FLANGE	3		M10X14			
42	37000908730	JOINT (WITH O-RING)	1		L,G3/8-G1/4			
43	91002801400	O-RING	5		1B P14			
44	80303130161	FITTING,ELBOW	1		KLO12-030E			
45	91803600400	CLIP	4		D=27-40			
46	80301010160	FITTING	4		KUA18-000N			
47	80400160133	JOINT	1					
49	80302090231	FITTING	4		KCO18-030N			
51	37000701550	CLAMP ASSY	3		18X1			
52	90302040801	WASHER,SPRING	4		8			
54	37002468650	HOSE	1		L=820			
55	81408000241	PIPE,STEEL	1	M	18X1.9T			
56	80305010160	FITTING,TEE	1		KTA18-000E			
57	37000921560	JOINT	1		S,G1/2-D18			
58	80316070040	PLUG	1		PF1/4			
59	91002801100	O-RING	3		1B P11			
60	81408000241	PIPE,STEEL	2	M	18X1.9T			
61	90101208060	BOLT	4		M8X60			
62	37002472400	HOSE	1		L=610			
63	37002474910	HOSE	1		L=540 TO 560			
64	37002509620	HOSE	1		L=400			
66	81408000160	PIPE,STEEL	1	M	12X1.4T			
67	37000711010	CLAMP ASSY	1		18X1			
68	80302090161	FITTING	1		KCO12-030N			
69	80430621200	JOINT	1					
71	37000701510	CLAMP ASSY	1		12X2			
72	90186208014	BOLT,FLANGE	2		M8X14			
91	91002801400	O-RING	6		1B P14			
101	91002801100	O-RING	4		1B P11			

GR-250N-2-00101 4 BOOM + JIB(PT),X,2M2D
PS5160002-00 SHAFT ASSY



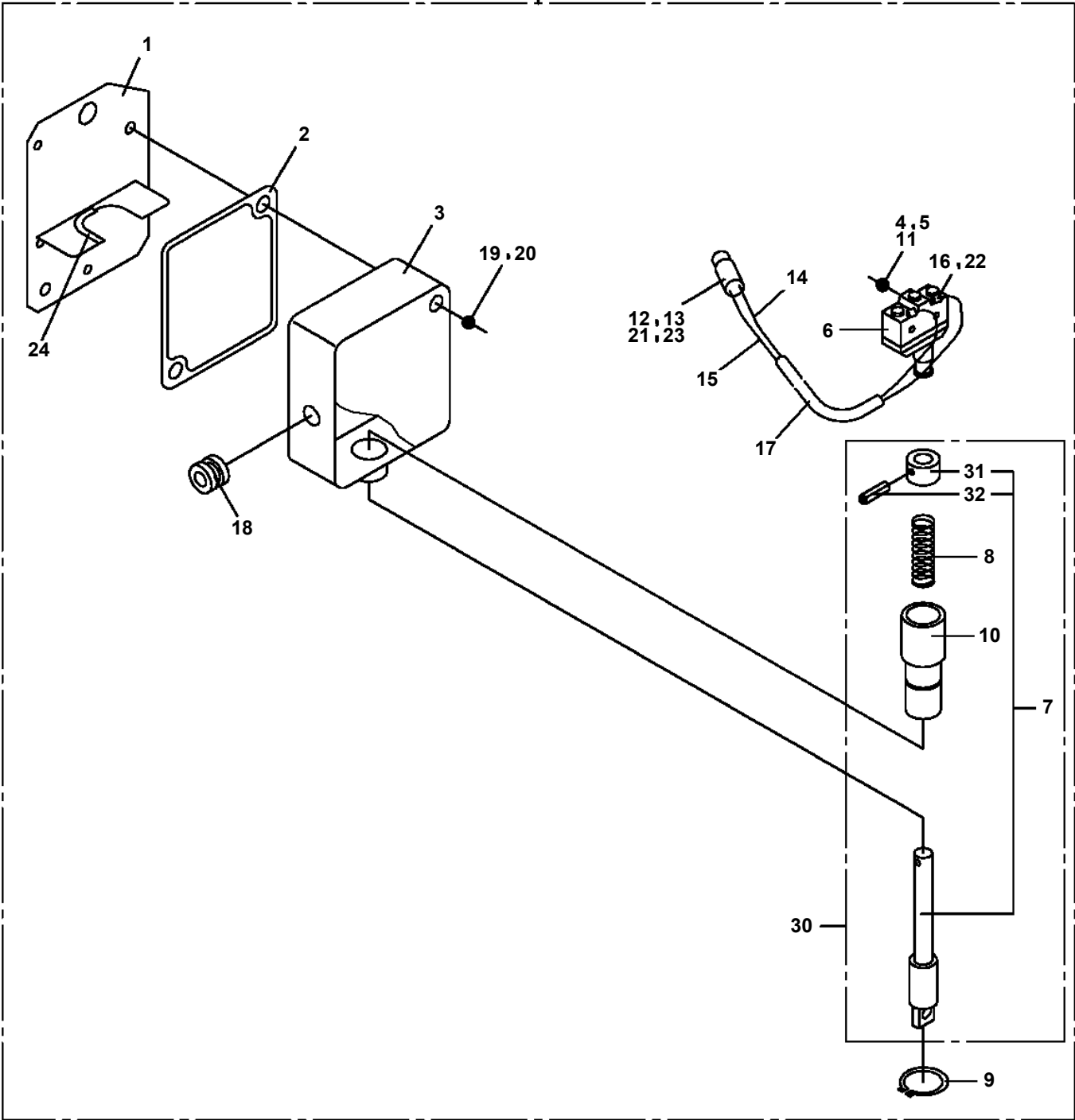
GR-250N-2-00101 4 BOOM + JIB(PT),X,2M2D
PS550022-01 SWING ASSY (REDUCER)

100

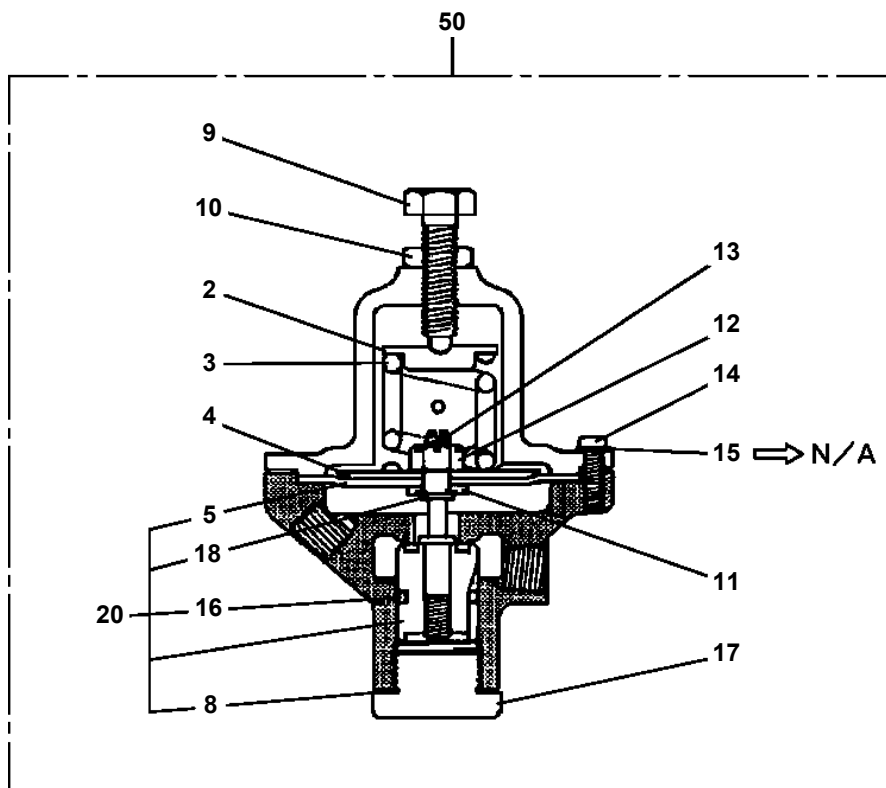


GR-250N-2-00101 4 BOOM + JIB(PT),X,2M2D
PS5540002-01 SWITCH (OVER WIND/BOOM)

50



GR-250N-2-00101 4 BOOM + JIB(PT),X,2M2D
PT1280001-02 VALVE,REDUCING



GR-250N-2-00101 4 BOOM + JIB(PT),X,2M2D

Pos No.	Parts No	Parts Name	Qty	Unit	Technical Data	Serial No (Start)	Serial No (End)	Remarks	Pages
1	34260634211	TRIM	1						
2	34260882320	TRIM	1						
3	34260634230	TRIM	1						
10	34260634280	CLIP	13				FB6357		
	34260634500	CLIP	13			FB6358			
11	34260887560	HANGER	1						
12	80172803010	SCREW,MACHINE	2		M3X10				
13	34260634700	CLIP	16						
100	34260882300	TRIM ASSY	1						

GR-250N-2-00101 4 BOOM + JIB(PT),X,2M2D

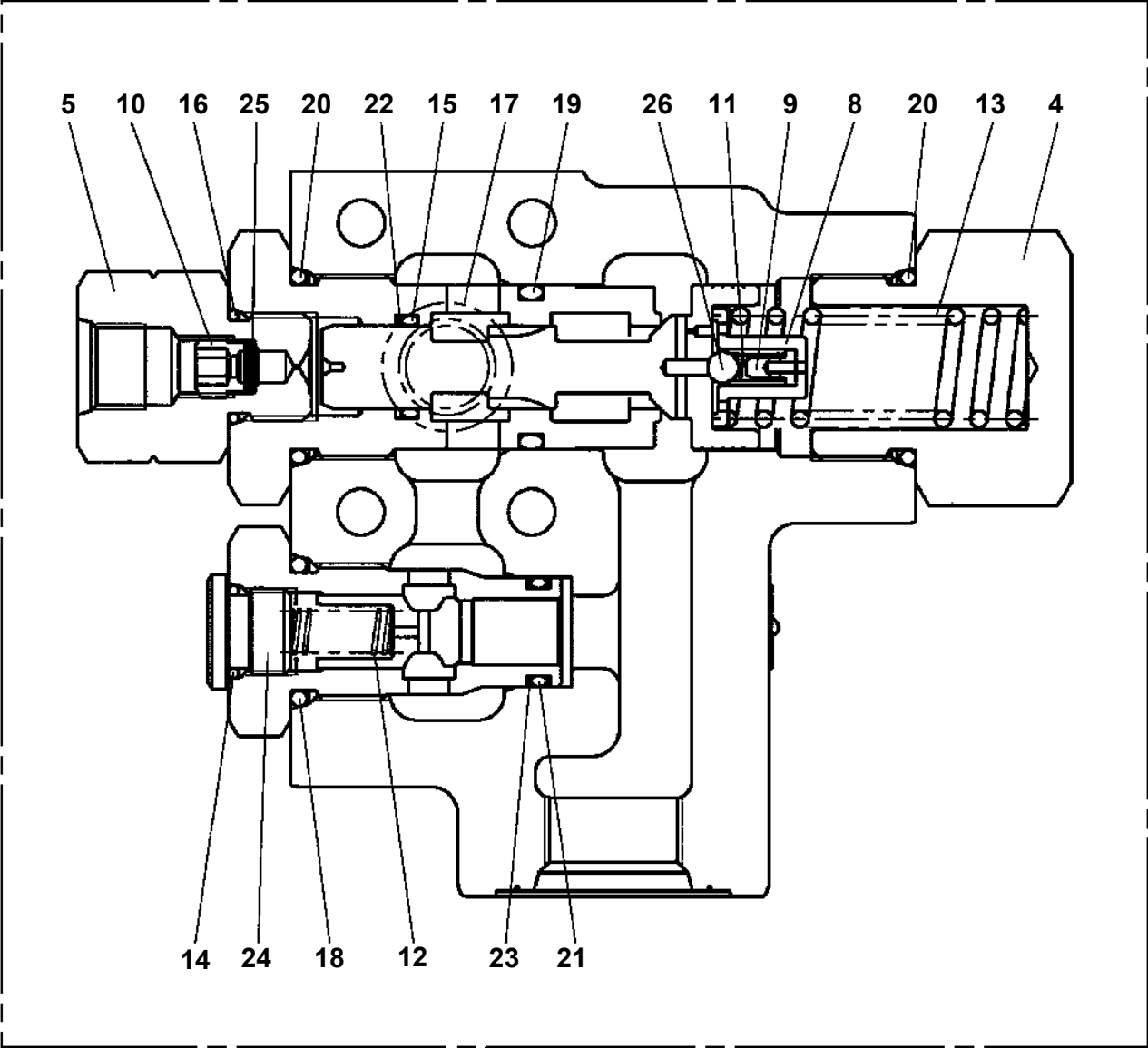
Pos No.	Parts No	Parts Name	Qty	Unit	Technical Data	Serial No (Start)	Serial No (End)
4	34790237510	BEARING	4				
5	34790237520	BEARING	4				
6	34790237530	BALL	2				
7	34790237540	COVER	2				
8	34790237550	BOLT	12		M8X1.25		
9	34790237560	BOOT ASSY	4				
10	90101516070	BOLT	4		M16X70		
11	90302041601	WASHER,SPRING	4		16		
12	90201201600	NUT	4		M16		
30	34790237000	ROD,TORQUE (L=800/ADJUST TYPE)	1				

GR-250N-2-00101 4 BOOM + JIB(PT),X,2M2D

Pos No.	Parts No	Parts Name	Qty	Unit	Technical Data	Serial No (Start)	Serial No (End)	Remarks
61	81408000160	PIPE,STEEL	2	M	12X1.4T			
62	36649900000	VALVE,SOLENOID	1				FB6786	
63	81408000160	PIPE,STEEL	2	M	12X1.4T			
64	37005700020	CLAMP	2		12X2		FB5235	
65	81408000160	PIPE,STEEL	1	M	12X1.4T			
66	81408000160	PIPE,STEEL	2	M	12X1.4T			
67	81408000160	PIPE,STEEL	1	M	12X1.4T			
68	81408000160	PIPE,STEEL	1	M	12X1.4T			
69	81408000290	PIPE,STEEL	2	M	22X2.5T			
70	81408000241	PIPE,STEEL	3	M	18X1.9T			
71	81408000290	PIPE,STEEL	3	M	22X2.5T			
72	37000502540	PLATE	2				FB5235	
73	81408000160	PIPE,STEEL	1	M	12X1.4T			
74	81408000290	PIPE,STEEL	2	M	22X2.5T			
75	81408000290	PIPE,STEEL	2	M	22X2.5T			
76	81408000290	PIPE,STEEL	2	M	22X2.5T			
77	37000711000	CLAMP ASSY	2		12-1			
78	37000700540	CLAMP ASSY	1		22-18	FB5236		
79	80306010205	NUT	2		KKN22-000E			
80	80309010205	SLEEVE	2		KKO22-000E			
83	81408000160	PIPE,STEEL	1	M	12X1.4T			
87	37000704740	CLAMP ASSY	2					
88	80305100120	FITTING,TEE	1		KTC12-000N			
89	80320010080	FITTING	1		KUD12-030N			
90	81408000290	PIPE,STEEL	2	M	22X2.5T			
91	34640786700	COVER	1					
92	34640786800	COVER	1					
94	37000701510	CLAMP ASSY	7		12X2		FB5235	
	37000700540	CLAMP ASSY	1		22-18	FB5236		
95	37000701550	CLAMP ASSY	10		18X1			
98	80316070040	PLUG	1		PF1/4			
99	37000502550	PLATE	1			FB5236		
111	91002801800	O-RING	2		1B P18			
112	36649900001	VALVE ASSY,SOLENOID	1			FB6787		
121	91002802400	O-RING	8		1B P24		FB5382	
	91002802400	O-RING	2		1B P24			
	91002802400	O-RING	10		1B P24	FB5383		
131	91002801400	O-RING	4		1B P14			
141	91002801100	O-RING	2		1B P11			
151	36649890000	VALVE,SOLENOID	2				FB6786	
152	80316030020	PLUG	2		PT1/8			
153	36649901000	FITTING,FLANGE	1					
154	90172105045	BOLT,HEXAGON SOCKET	8		M5X45		FB6786	
171	36742250000	VALVE ASSY,SOLENOID	2			FB6787		

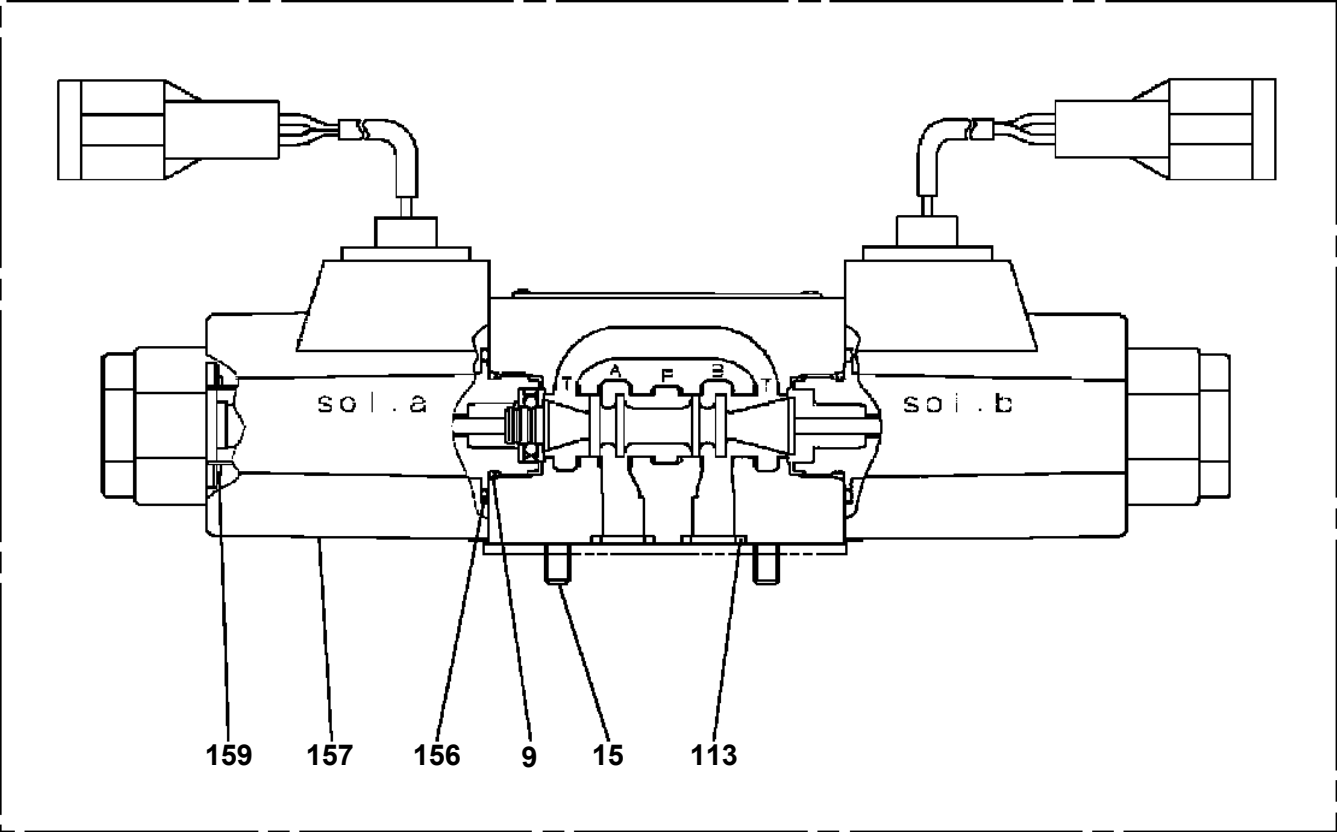
**GR-250N-2-00101 4 BOOM + JIB(PT),X,2M2D
PV5070006-00 VALVE ASSY,COUNTERBALANCE**

100



GR-250N-2-00101 4 BOOM + JIB(PT),X,2M2D
PV5240019-00 VALVE ASSY,SOLENOID

200



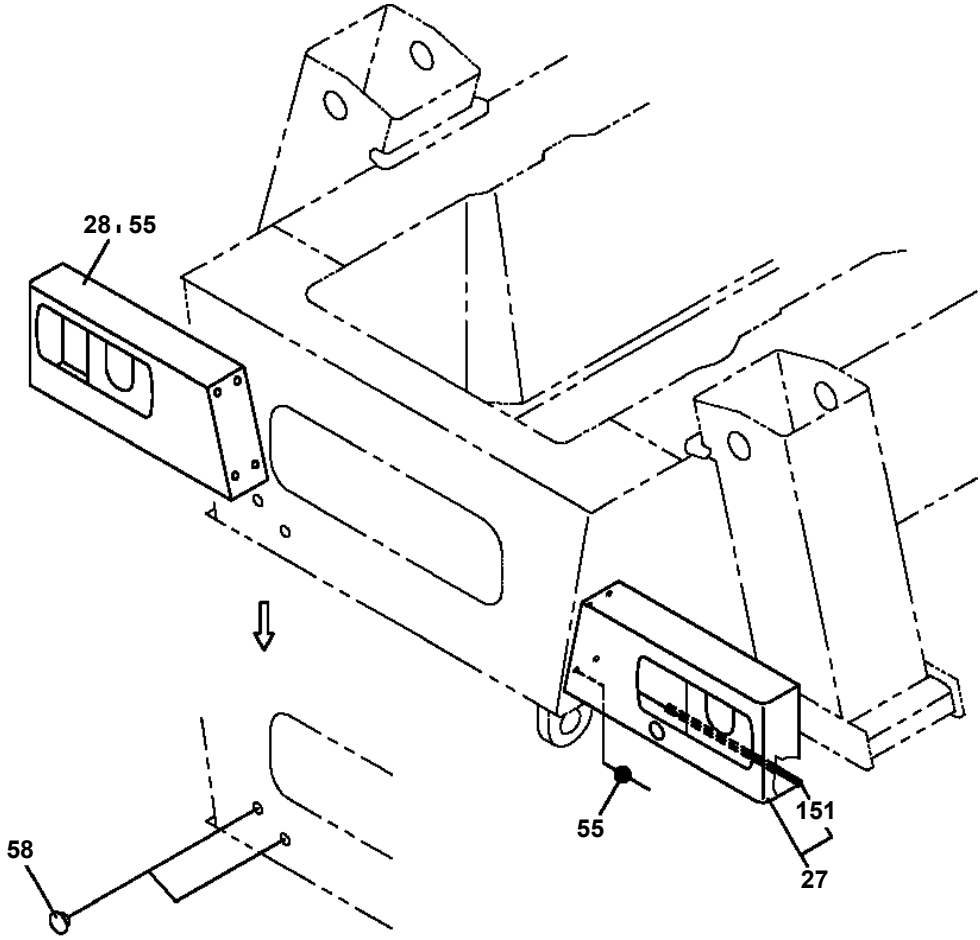
GR-250N-2-00101 4 BOOM + JIB(PT),X,2M2D

Pos No.	Parts No	Parts Name	Qty	Unit	Technical Data	Serial No (Start)	Serial No (End)	Remark
1	91990151000	BOX,TOOL	1					
2	91992130750	HAMMER	1		680G			
3	91991340000	SPANNER,OPEN-END	1					
4	91991210300	WRENCH,MONKEY	1		300MM			
5	91994110200	SCREWDRIVER	1		L=200			
6	91994250002	SCREWDRIVER (+)	1		L=100			
8	91995110200	PLIER (200MM)	1					
9	91991540508	WRENCH SET,HEXAGON	1					
10	91991713320	WRENCH SET,WHEEL NUT	1		33			
11	19418930010	HOSE	1		5X7X1300			
12	91996100002	GAUGE,TIRE	1		TV8			
13	37004100040	PUMP,GREASE (DOMESTIC)	1					
14	37002455450	HOSE	1		L=337			
50	34460438010	TOOL SET	1					

GR-250N-2-00101 4 BOOM + JIB(PT),X,2M2D

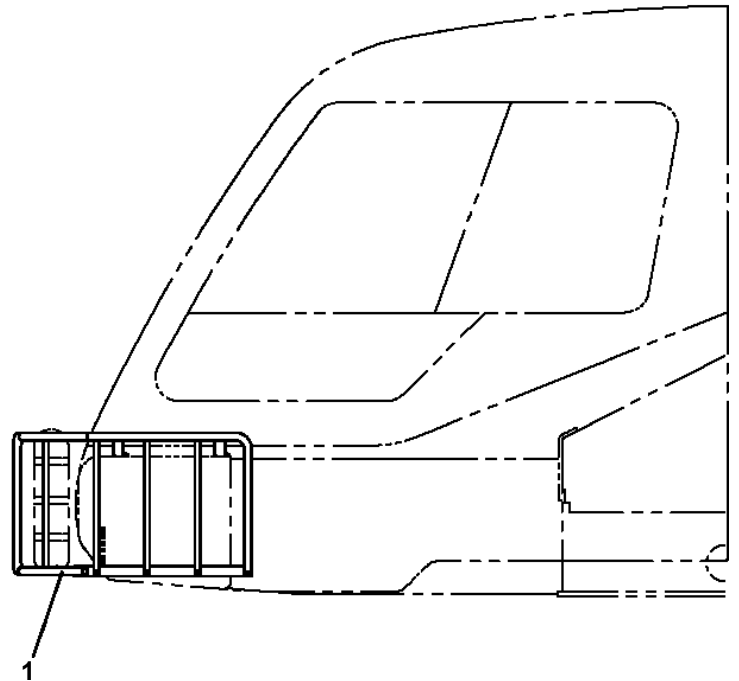
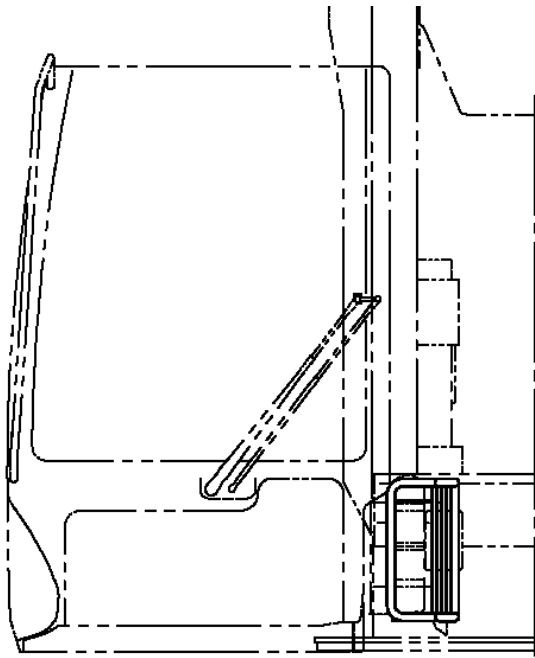
Pos No.	Parts No	Parts Name	Qty	Unit	Technical Data	Serial No (Start)	Serial No (End)	Remarks
1	37003901610	WHEEL,TIRE	1					
2	37003805390	TIRE (SNOW/YOKOHAMA)	1					

GR-250N-2-00101 4 BOOM + JIB(PT),X,2M2D
PX1030729-06 FENDER

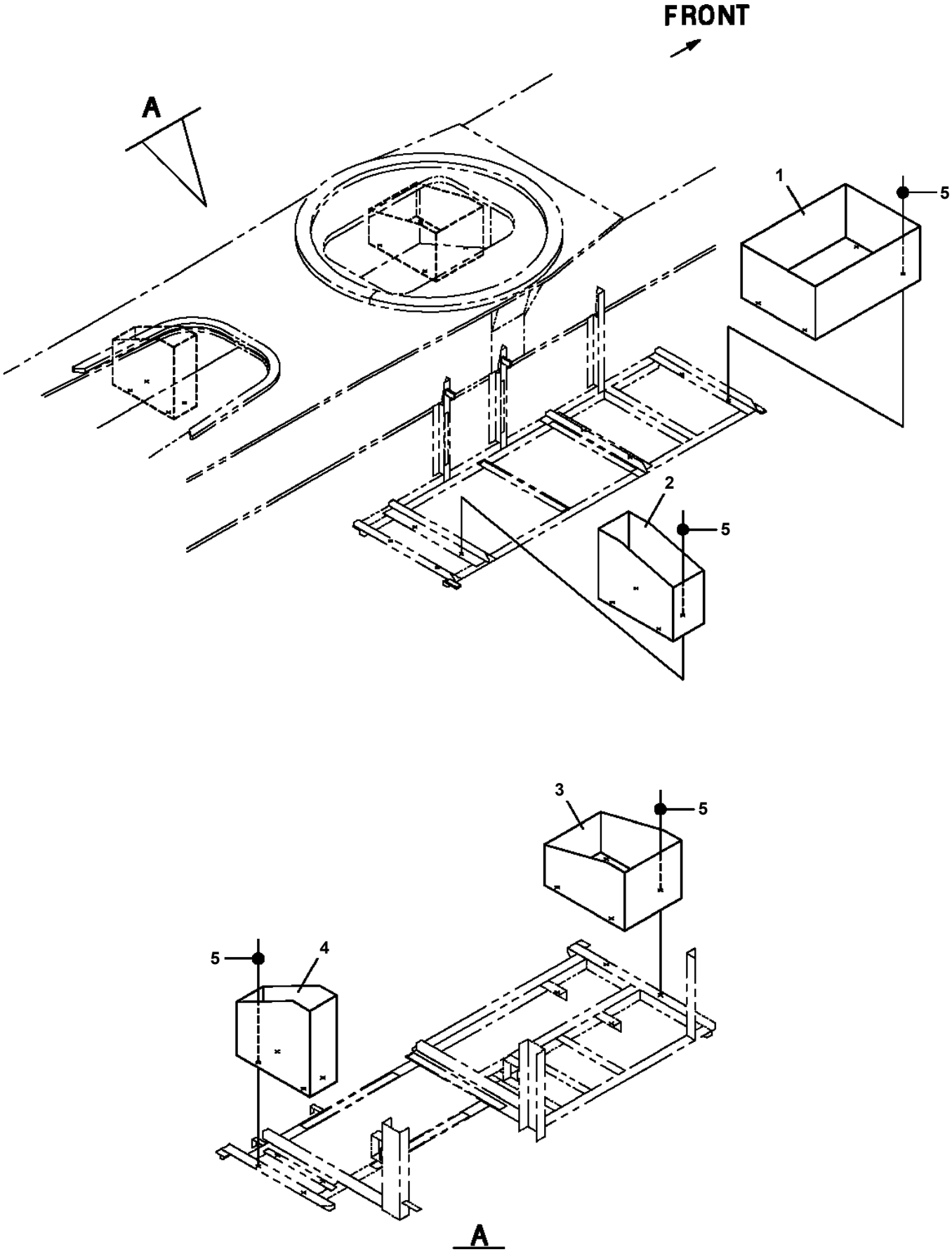


C

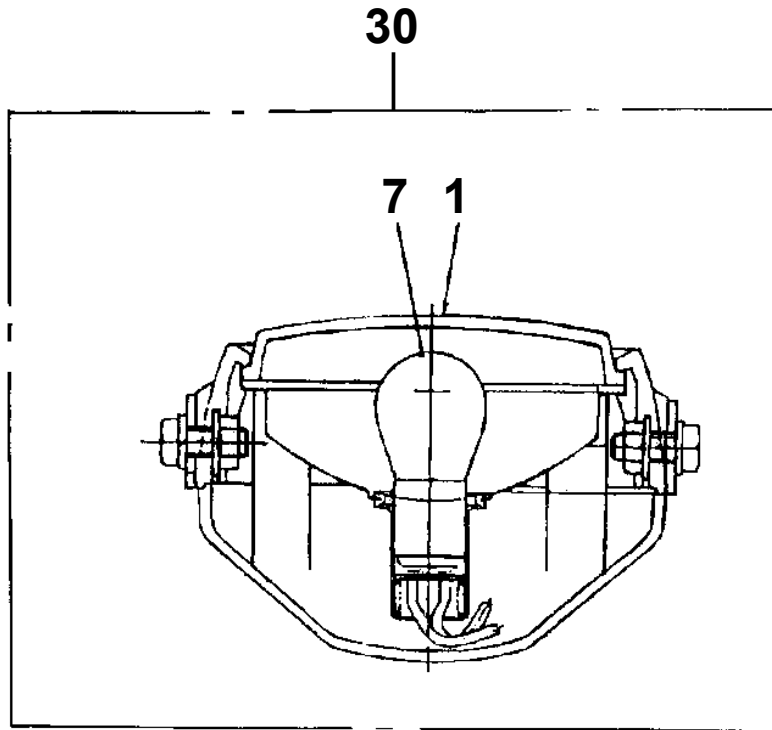
GR-250N-2-00101 4 BOOM + JIB(PT),X,2M2D
PX1210173-00 GUARD (AML LAMP)



GR-250N-2-00101 4 BOOM + JIB(PT),X,2M2D
PX1940329-00 MOUNT (STORAGE)



GR-250N-2-00101 4 BOOM + JIB(PT),X,2M2D
PY1180221-00 LAMP (VISION/REAR & DRUM)

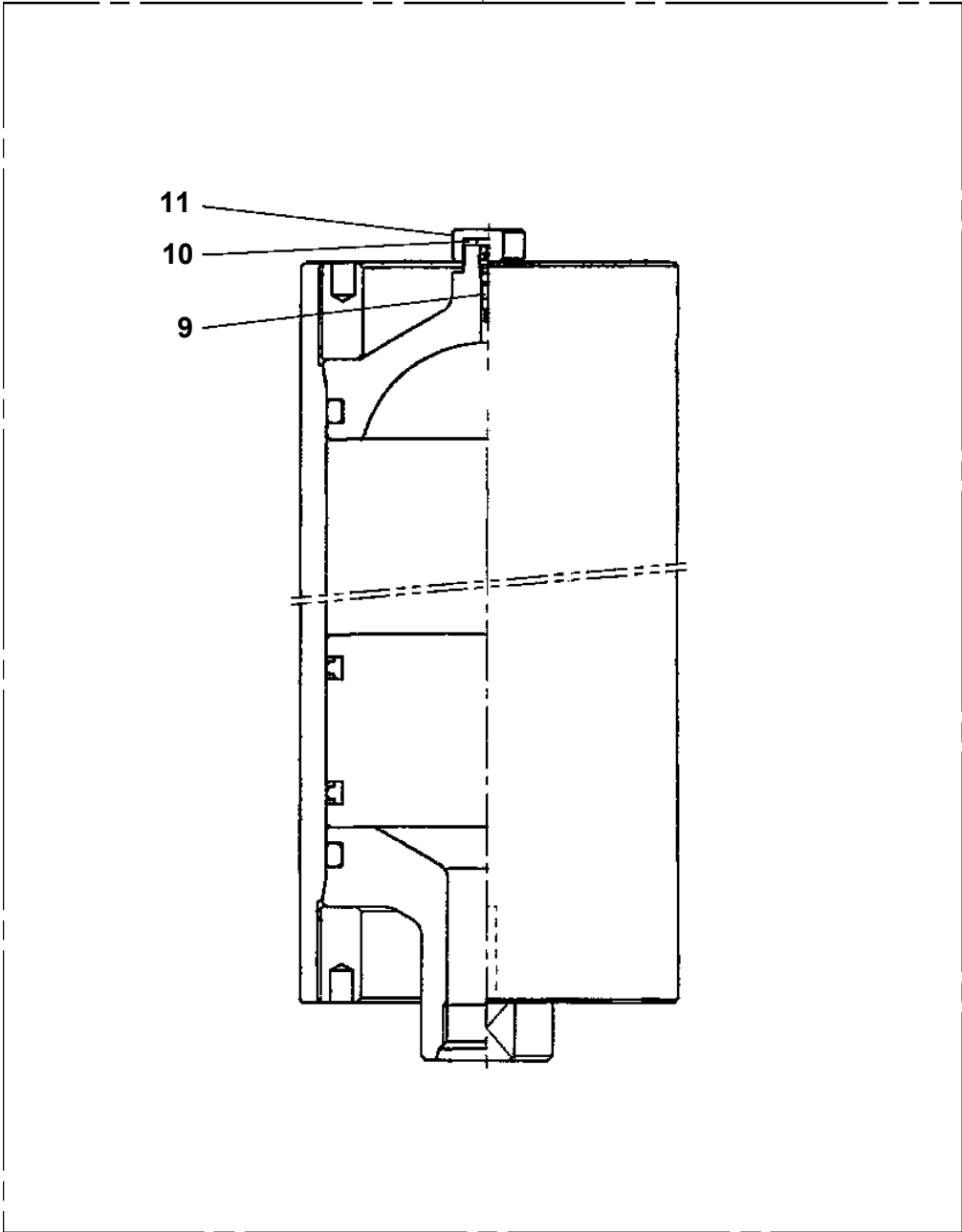


GR-250N-2-00101 4 BOOM + JIB(PT),X,2M2D

Pos No.	Parts No	Parts Name	Qty	Unit	Technical Data	Serial No (Start)	Serial No (End)
1	90101208020	BOLT	2		M8X20		FB8160
2	90302040801	WASHER,SPRING	2		8		FB8160
3	90201200800	NUT	2		M8		FB8160
4	34478532000	SUPPORT	1				
5	34478531000	SPEAKER ASSY (MIC+AMP+SPEAKER)	1				FB8160
6	91810130240	FASTENER	1				
7	80186406016	SCREW,MACHINE	4		M6X16		
8	90305260601	WASHER	4		B1-6		
9	90303070501	WASHER,PLAIN	4		5		
10	37001400140	SPRING	1				FB8160
11	90925030061	SCREW,TAPPING	2				FB8160
12	34478531020	SPEAKER	1			FB8161	
21	34478531010	AMPLIFIER (ASSY ONLY)	1				FB8160
22	34478531020	SPEAKER	1				FB8160
23	34478531030	MICROPHONE	1				FB8160
31	90186208014	BOLT,FLANGE	2		M8X14	FB8161	
33	90280200800	NUT,FLANGE	2		M8	FB8161	
35	34495201030	MICROPHONE	1			FB8161	
40	82400000535	CLAMP (PIPE 15 DRAIN HOSE)	1			FB8161	
41	34478531010	AMPLIFIER (ASSY ONLY)	1			FB8161	

**GR-250N-2-00101 4 BOOM + JIB(PT),X,2M2D
PY5040003-00 ACCUMULATOR**

100



GR-250N-2-00101 4 BOOM + JIB(PT),X,2M2D

Pos No.	Parts No	Parts Name	Link No.	Qty	Unit	Technical Data	Serial No (Start)
1	36370570000	TORQUE CONVERTER	4	1			
2	(*****)	DRIVING POWER TRANSMISSION SYSTEM	2	1			
3	(*****)	MISSION,TORQUE CONVERTER	79	1			
4	(*****)	RADIATOR (MOUNT)	111	1			
5	36350620000	TRANSMISSION	110	1			
6	(*****)	PIPING, CONVERTER	27	1			
7	36370570000	TORQUE CONVERTER	5	1			
8	36350620000	TRANSMISSION	4	1			
9	36350620000	TRANSMISSION	5	1			
10	(*****)	DRIVING POWER TRANSMISSION SYSTEM	3	1			

GR-250N-2-00101 4 BOOM + JIB(PT),X,2M2D

Pos No.	Parts No	Parts Name	Link No.	Qty	Unit	Technical Data	Serial No (Start)	Serial No (End)	Re
1	(*****)	PIPING,RETURN (UPPER)	79	1					
2	(*****)	PIPING,RETURN (UPPER)	27	1					
3	(*****)	PIPING,RETURN (UPPER)	87	1					
4	(*****)	PIPING,RETURN (UPPER)	18	1					
5	(*****)	PIPING,RETURN (UPPER)	71	1					
6	(*****)	PIPING,RETURN (UPPER)	90	1					

CLICK HERE TO **DOWNLOAD** THE COMPLETE MANUAL

- Thank you very much for reading the preview of the manual.
- You can download the complete manual from: www.heydownloads.com by clicking the link below



- Please note: If there is no response to CLICKING the link, please download this PDF first and then click on it.

CLICK HERE TO **DOWNLOAD** THE COMPLETE MANUAL