

GR-250N-1-00207 4 BOOM + JIB,X,2M2D

PB1000685-00 HYDRAULIC PRESSURE GENERATING SYSTEM
PC1000589-00 OUTRIGGER SYSTEM
PD1000587-00 SWING SYSTEM
PE1000590-00 ELEVATING SYSTEM
PF1000628-00 WINCH SYSTEM
PG1000547-00 TELESCOPING SYSTEM
PH1000596-00 SAFETY DEVICES
PK1000668-01 FRAME
PL1000622-00 CONTROL DEVICES
PM1000032-01 LUBRICATION DEVICES
PN1000553-00 ELECTRIC EQUIPMENT
PO1000150-00 INDICATION PLATES
PQ1000222-00 DRIVING POWER GENERATING SYSTEM
PR1000140-00 DRIVING POWER TRANSMISSION SYSTEM
PS1000167-00 STEERING SYSTEM
PT1000147-00 BRAKE SYSTEM
PU1000139-00 SUSPENSION
PW1000097-02 ACCESSORIES & TOOLS
PX1001024-00 MOUNTING PARTS
PY1001126-02 OPTIONS,1
PY2000170-04 OPTIONS,2
ASSEMBLY

CLICK HERE TO **DOWNLOAD** THE COMPLETE MANUAL

- Thank you very much for reading the preview of the manual.
- You can download the complete manual from: www.heydownloads.com by clicking the link below



- Please note: If there is no response to CLICKING the link, please download this PDF first and then click on it.

CLICK HERE TO **DOWNLOAD** THE COMPLETE MANUAL

GR-250N-1-00207 4 BOOM + JIB,X,2M2D

Pos No.	Parts No	Parts Name	Qty	Unit	Technical Data	Serial No (Start)	Serial No (End)	Remarks
1	36095100000	HOOK (SHEAVE 4 PC'S)	1					
2	36094410000	HOOK (3.5TON)	1					
3	37001800060	ROPE,WIRE (TESAC)	1					
	37001805280	ROPE,WIRE (KISWIRE)	1					
4	37001806890	ROPE,WIRE (KISWIRE)	1					
	37001805020	ROPE,WIRE (TESAC)	1					
5	(*****)	SOCKET,ROPE	1					
6	(*****)	SOCKET,ROPE (SEIZING)	1					
7	(*****)	OPE.ASSY,WINCH BRAKE	1					
8	(*****)	OPE.ASSY,DRUM LOCK	1					
9	(*****)	PIPING,WINCH	1					
10	(*****)	PIPING,WINCH BRAKE	1					
11	(*****)	MOUNT,WINCH	1					

GR-250N-1-00207 4 BOOM + JIB,X,2M2D

Pos No.	Parts No	Parts Name	Qty	Unit	Technical Data	Serial No (Start)	Serial No
1	(*****)	PIPING,GREASE	1				
2	(*****)	CENTRAL SYSTEM	1				
3	(*****)	CENTRAL LUBRICATION SYSTEM (ELECTRIC)	1				

GR-250N-1-00207 4 BOOM + JIB,X,2M2D

Pos No.	Parts No	Parts Name	Qty	Unit	Technical Data	Serial No (Start)	Serial No (End)	Remarks
1	(*****)	OPE.ASSY,STEERING (CAB)	1					
2	(*****)	OPE.ASSY,STEERING (LOWER)	1					
3	(*****)	PIPING,STEERING (UPPER)	1					
4	(*****)	PIPING,STEERING (LOWER)	1					

GR-250N-1-00207 4 BOOM + JIB,X,2M2D

Pos No.	Parts No	Parts Name	Qty	Unit	Technical Data	Serial No (Start)	Serial
1	(*****)	INFLATOR,AIR	1				
2	(*****)	VIEW SYSTEM (REAR)	1				
3	(*****)	VIEW SYSTEM (DRUM)	1				
4	(*****)	VIEW SYSTEM (TV)	1				
6	(*****)	OPE.ASSY,CONT.VALVE (ISO)	1				
7	(*****)	OPE.ASSY,CONT.VALVE (M.S PEDAL,ISO,STD)	1				
8	(*****)	OPE.ASSY,DRUM LOCK (MAIN)	1				
9	(*****)	SPEAKER	1				
10	(*****)	GUARD (AML LAMP)	1				
11	(*****)	DETECTOR,DISORDERLY WIND (MAIN)	1				
12	(*****)	DETECTOR,DISORDERLY WIND (AUX.)	1				
13	(*****)	DETECTOR,BOOM RETRACTION (3.4 SECT.)	1				
14	(*****)	SWITCH,DETECTOR (OVERWIND)	1				
15	(*****)	PIPING,OUTLET (ELEV,TELES.WINCH)	1				
16	(*****)	PIPING,OUTLET (ELEVATING,TELESCOPING)	1				
17	(*****)	PIPING,OUTLET (WINCH)	1				
18	(*****)	PIPING,PILOT (ISO M & AUX. WINCH PEDAL)	1				
20	(*****)	COVER,SWING FRAME (BACK COVER)	1				
22	(*****)	WOOD BLOCK (OPTION)	1				
23	(*****)	MIRROR (BOOM,ELECTRIC)	1				
24	(*****)	VALVE,CONTROL (DETENT/M,AUX. WINCH)	1				
25	(*****)	SUPPORT (WIRE)	1				
27	(*****)	ROPE (SAFETY,FOR X-O/R)	1				
28	(*****)	COVER ASSY (FOR NON SPEAKER)	1				
29	3449343000	CURTAIN	1				

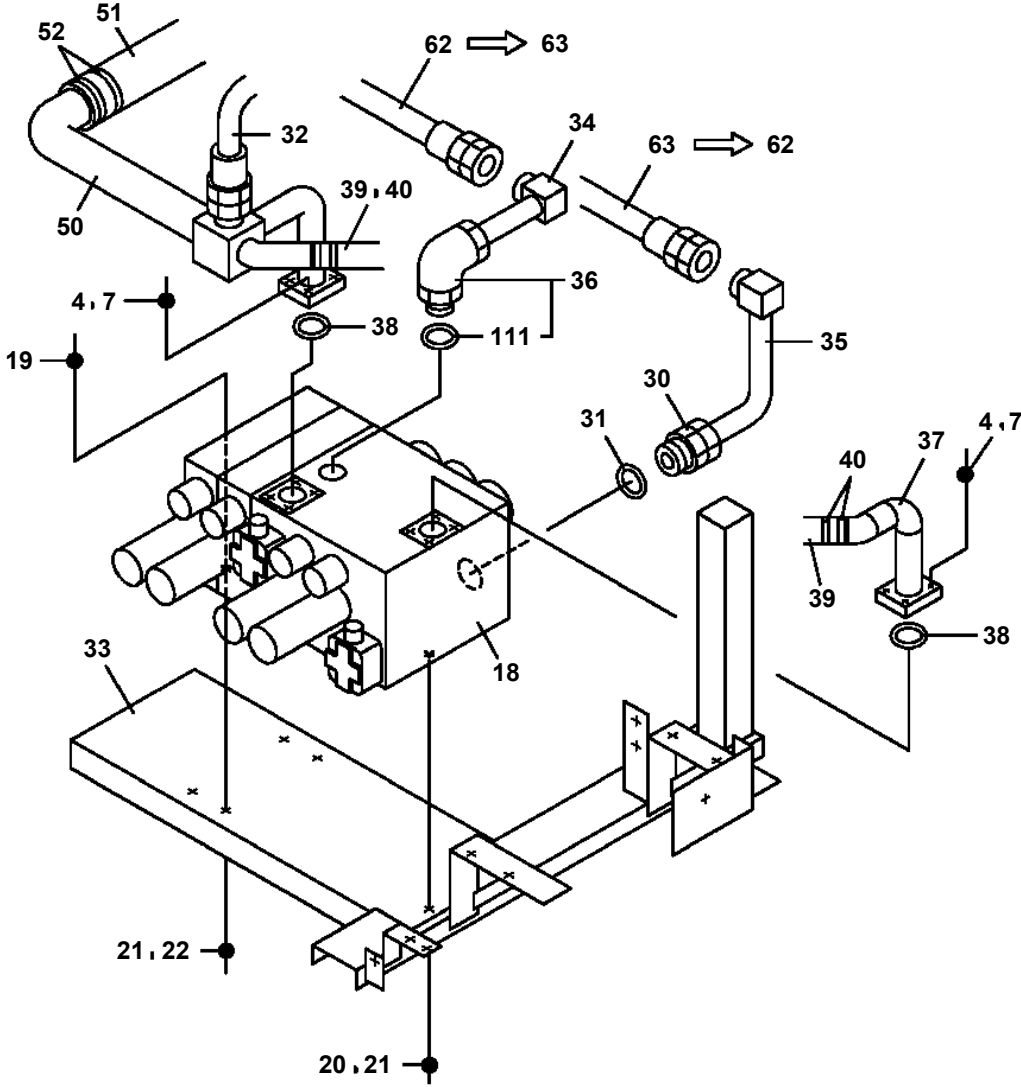
GR-250N-1-00207 4 BOOM + JIB,X,2M2D

Pos No.	Parts No	Parts Name	Qty	Unit	Technical Data	Serial No (Start)	Serial N
1	36653525010	SEAL KIT	1				
10	36653520000	PUMP,HYDRAULIC (EMERGENCY STEERING)	1				

GR-250N-1-00207 4 BOOM + JIB,X,2M2D

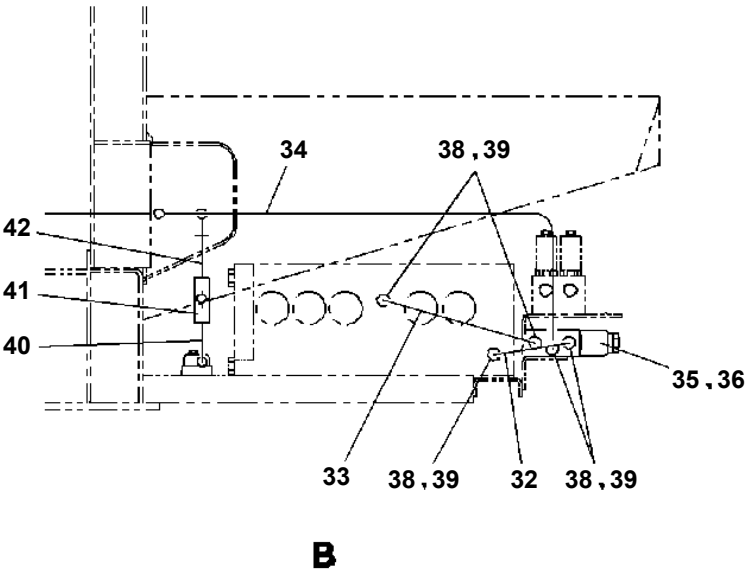
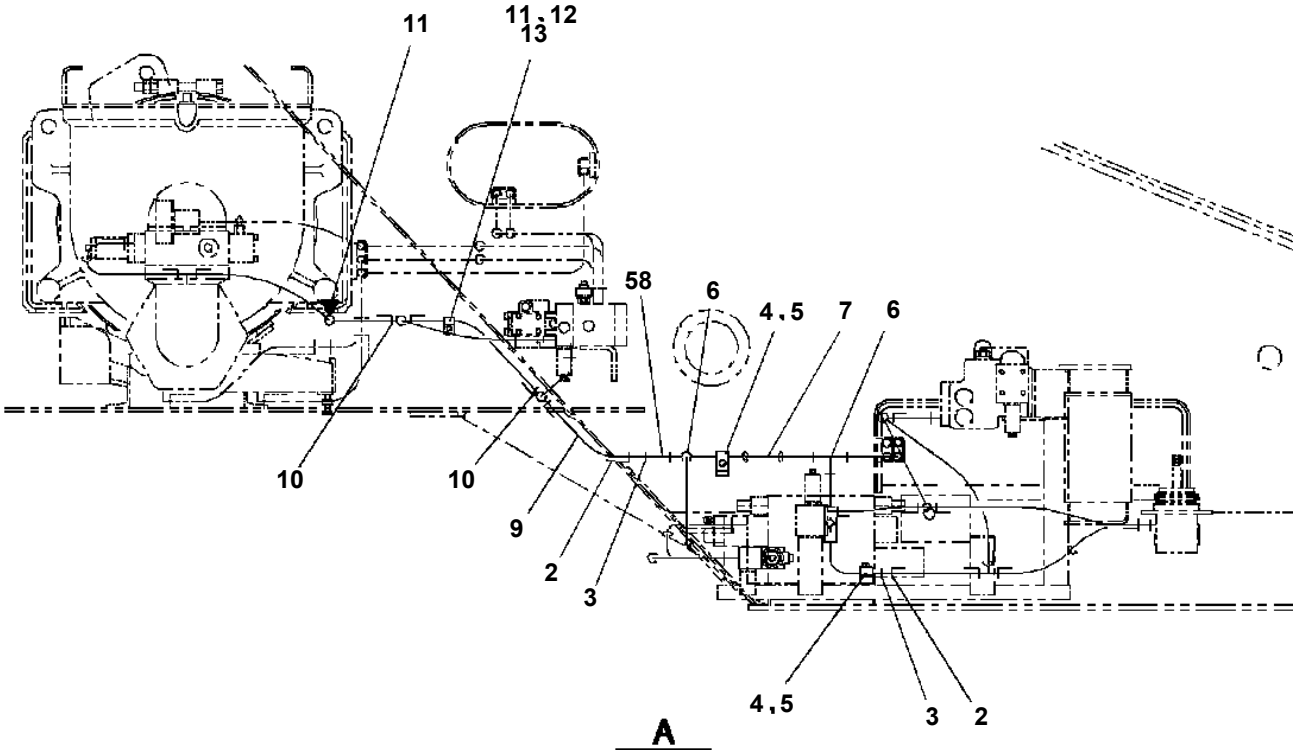
Pos No.	Parts No	Parts Name	Qty	Unit	Technical Data	Serial No (Start)	Serial No (End)	Remarks
1	91810130250	FASTENER	2					
2	37002479940	HOSE	1		L=450			
3	80303130321	FITTING,ELBOW	1		KLO28-080E			
4	81408000341	PIPE,STEEL	1	M	28X3.1T			
5	90101510035	BOLT	8		M10X35			
6	90302041001	WASHER,SPRING	22		10			
7	90172110030	BOLT,HEXAGON SOCKET	11		M10X30			
8	90191510030	BOLT	1		M10X30			
9	37000906840	JOINT	1		L G1-28			
10	37000510240	PLATE	2					
11	36605780000	VALVE,RELIEF	1					
12	90101210050	BOLT	2		M10X50			
13	80400160131	JOINT	1					
14	91002801800	O-RING	7		1B P18			
15	37002442180	HOSE	1		L=560			
16	34641034300	SUPPORT	1					
17	80430620800	JOINT	3					
18	37002474870	HOSE	1		L=1150			
19	37002452570	HOSE	1		L=1500			
20	80471020508	JOINT	1		45,G1-G1			
21	91002802900	O-RING	1		1B P29			
22	90101210100	BOLT	2		M10X100			
23	90280201000	NUT,FLANGE	3		M10			
24	80430621600	JOINT	2					
25	90101210030	BOLT	1		M10X30			
26	37000925740	JOINT	2		S G1/2-G1/2			
27	82100002013	CLAMP	2		WRC18			
28	80430620600	JOINT (WITH O-RING)	3		L,G3/8-G3/8			
29	80302090271	FITTING	1		KCO22-040N			
30	81408000290	PIPE,STEEL	1	M	22X2.5T			
31	37002474200	HOSE	1		L=1670			
32	37002474180	HOSE	1		L=1870			
33	37002476010	HOSE	1		L=2070			
36	80320030180	FITTING,ELBOW	1		KLE22-060N			
37	37002476020	HOSE	1		L=800			
38	36625390000	VALVE,CHECK	1					
39	34471141300	CUSHION	6					
40	37000505950	PLATE	6		T=3.2			
41	37000928370	JOINT	1		S,G1/2-G1/2			
42	80400160130	JOINT	1		S,G1/2-G3/8			
43	36649850001	VALVE,SOLENOID CONTROL	1					
45	37002474220	HOSE	1		L=1490			
46	37002474210	HOSE	1		L=1400			
47	90102208030	BOLT	2		M8X30			
48	82100002018	CLAMP	3		WR35			
49	90102208040	BOLT	2		M8X40			
50	90280200800	NUT,FLANGE	13		M8			
51	90186208025	BOLT,FLANGE	2		M8X25			
52	90155208055	BOLT,WELD	1		M8X55			
53	37000502660	PLATE	1					
54	82100002019	CLAMP	1		WR40			
55	82100002015	CLAMP	6		WRC20			
57	37000929870	JOINT	1		S G1/2-G3/8			
58	37000929230	JOINT	1		S G3/4-G3/4			
59	90186208014	BOLT,FLANGE	1		M8X14			
60	82100001413	TUBE,SPIRAL	1	M	SE-15BK			
61	82100002017	CLAMP	6		WR30			
62	80430621200	JOINT	2					
63	91002802400	O-RING	2		1B P24			
64	37000513530	PLATE	1					
81	91002802900	O-RING	3		1B P29			
91	36605781000	BODY	1					
92	(*****)	VALVE,RELIEF	1					

**GR-250N-1-00207 4 BOOM + JIB,X,2M2D
PB1260211-02 PIPING,RETURN (UPPER)**



H

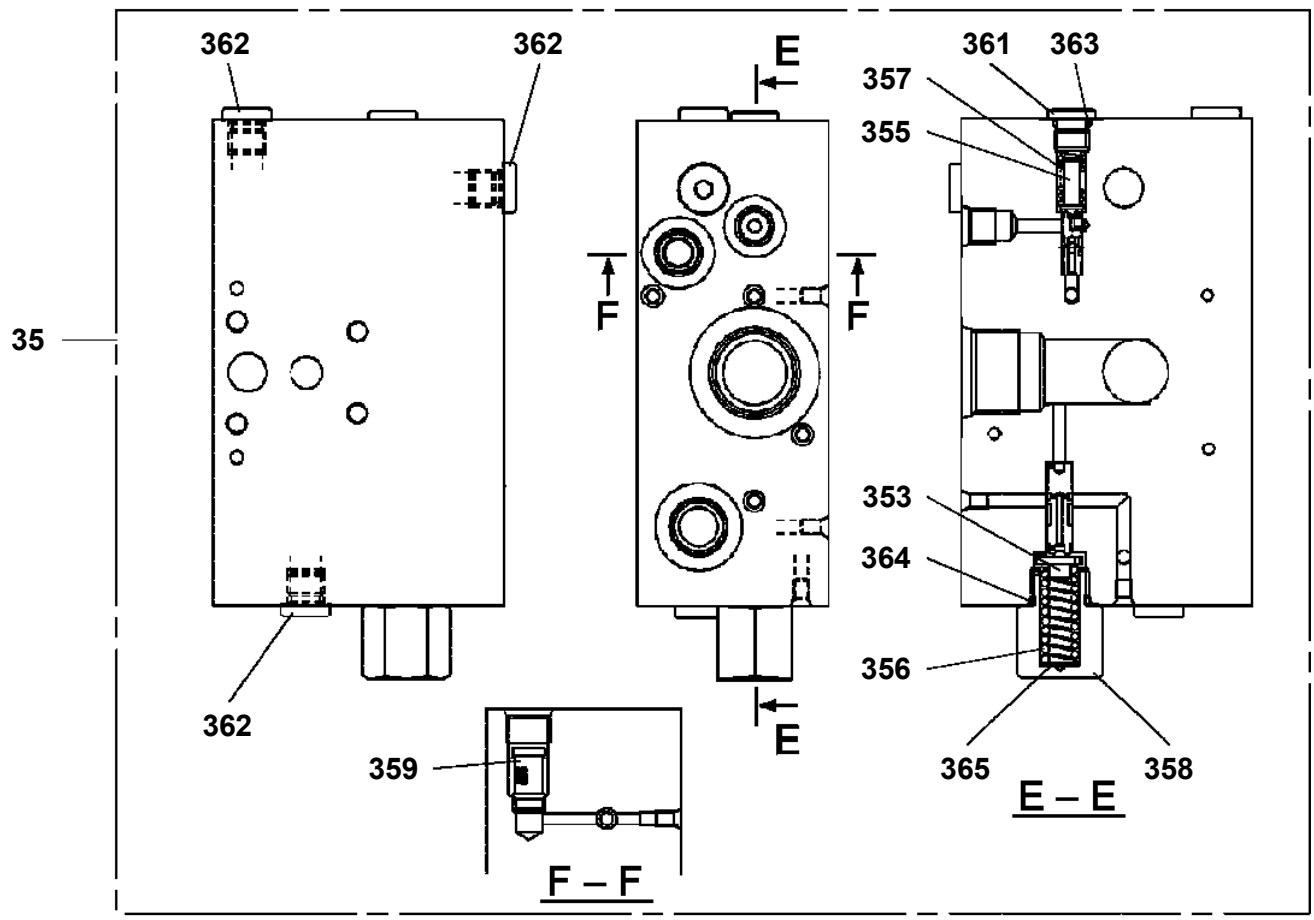
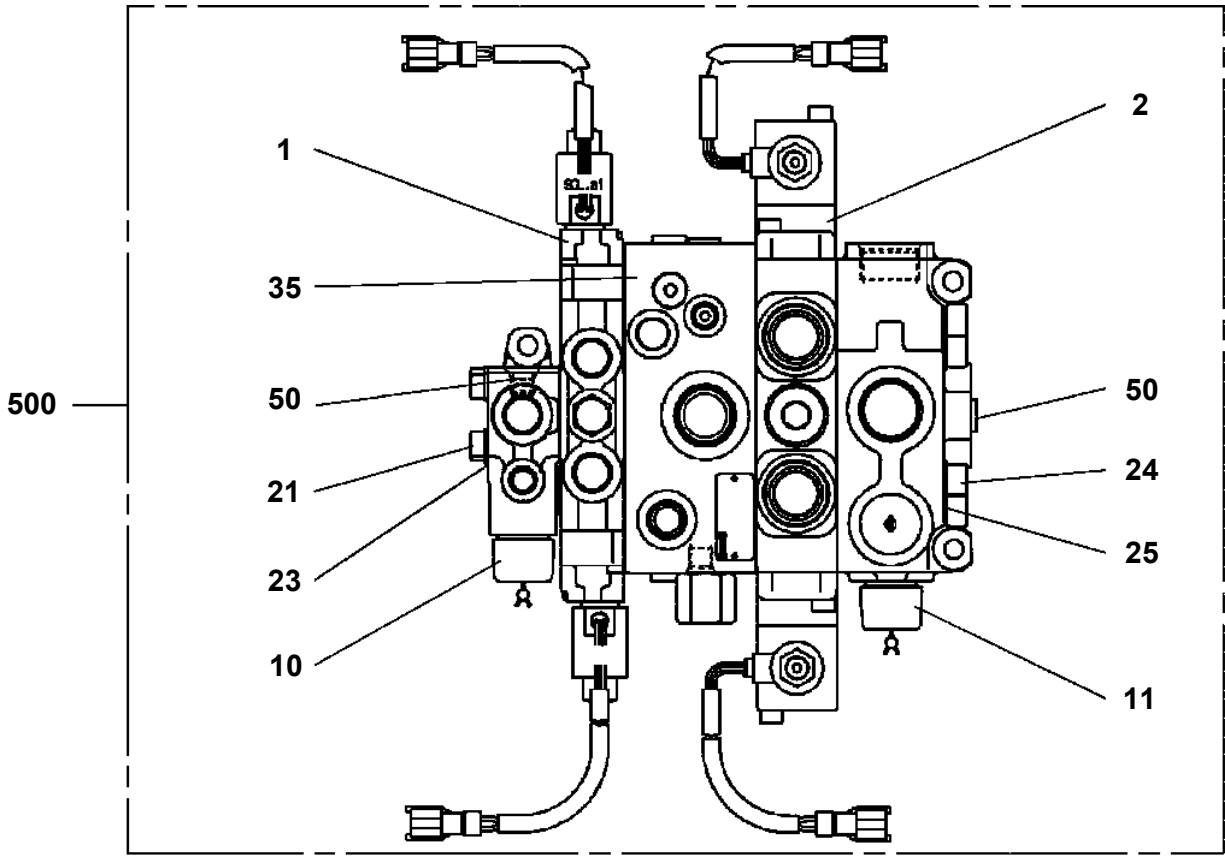
GR-250N-1-00207 4 BOOM + JIB,X,2M2D
PB1270136-00 PIPING,DRAIN



GR-250N-1-00207 4 BOOM + JIB,X,2M2D

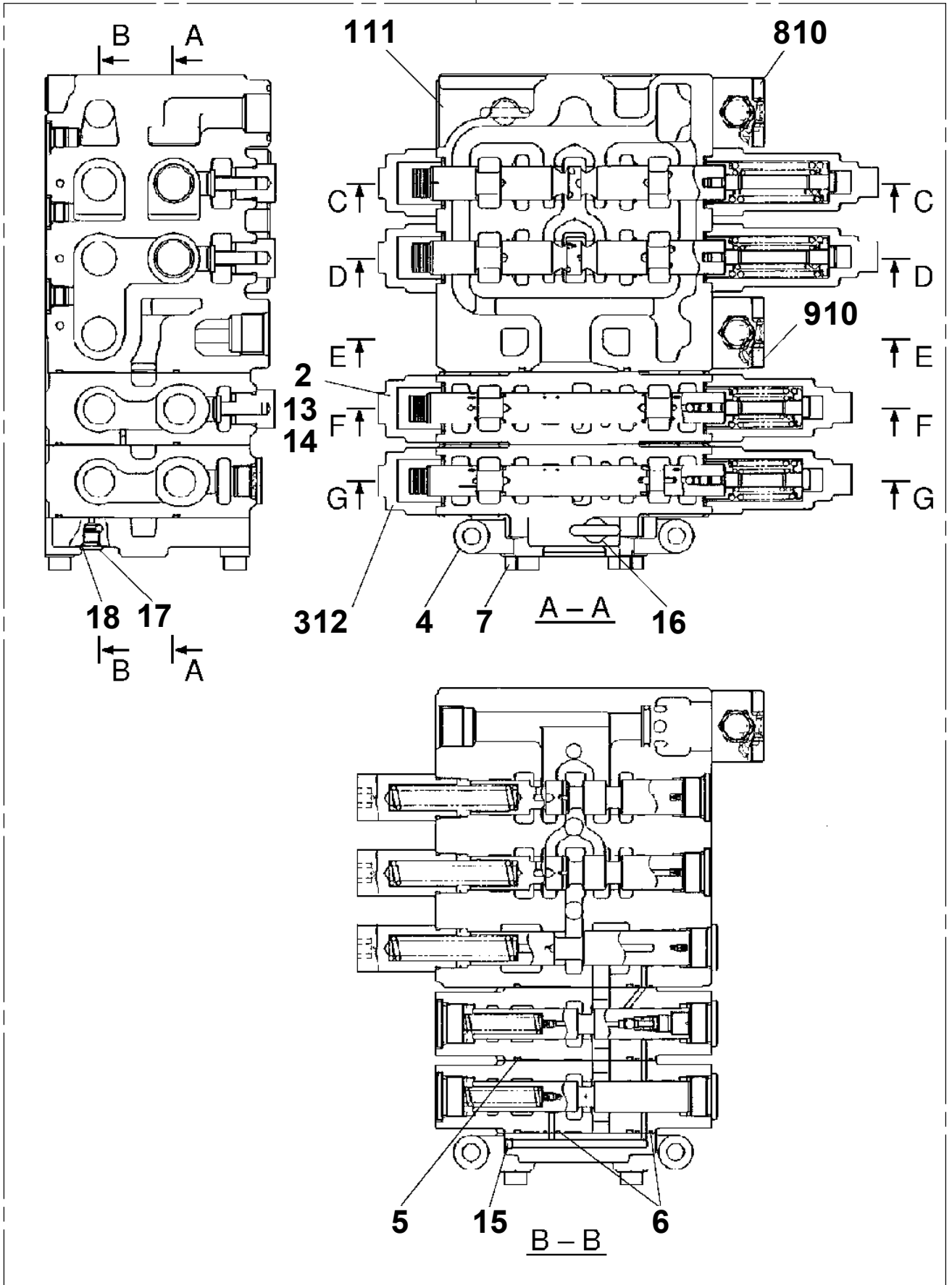
Pos No.	Parts No	Parts Name	Qty	Unit	Technical Data	Serial No (Start)	Serial No (End)	Remarks
1	36646765010	BODY ASSY	1					
25	19045102120	SPRING	1					
26	91002802100	O-RING	1		1B P21			
27	36632685320	O-RING	4					
28	36642275020	O-RING	2					
29	19045102290	FOIL	8					
31	36646765020	COVER ASSY (PILOT)	2					
35	36632465240	VALVE,RELIEF	2					
46	36643985010	PLUG ASSY	1					
47	36600060000	VALVE,RELIEF	1					
54	19225102191	SPRING	2					
55	91001101200	O-RING	2		1A P12			
59	36646025030	SOLENOID	2					
61	91001203000	O-RING	4		1A G30			
62	91001100700	O-RING	8		1A P7			
65	19225102181	SPRING	2					
71	36646805070	BODY ASSY	2					
80	36632465480	CAP	2					
81	91001102100	O-RING	2		1A P21			
83	91000502500	O-RING	2					
85	91411002100	RING,BACKUP	2		P21			
92	36642275010	O-RING	1					
93	36632465450	O-RING	1					
96	91002801100	O-RING	1		1B P11			
116	36600065080	CAP	1					
121	36648015080	BODY ASSY	1					
130	91000511900	O-RING	1		AS568-119			
131	91000511400	O-RING	1		AS568-114			
133	36632465400	RING,BACKUP	2					
150	36646760000	VALVE,SOLENOID CONTROL	1					

GR-250N-1-00207 4 BOOM + JIB,X,2M2D
 PB1340079-01 VALVE,SOLENOID CONTROL

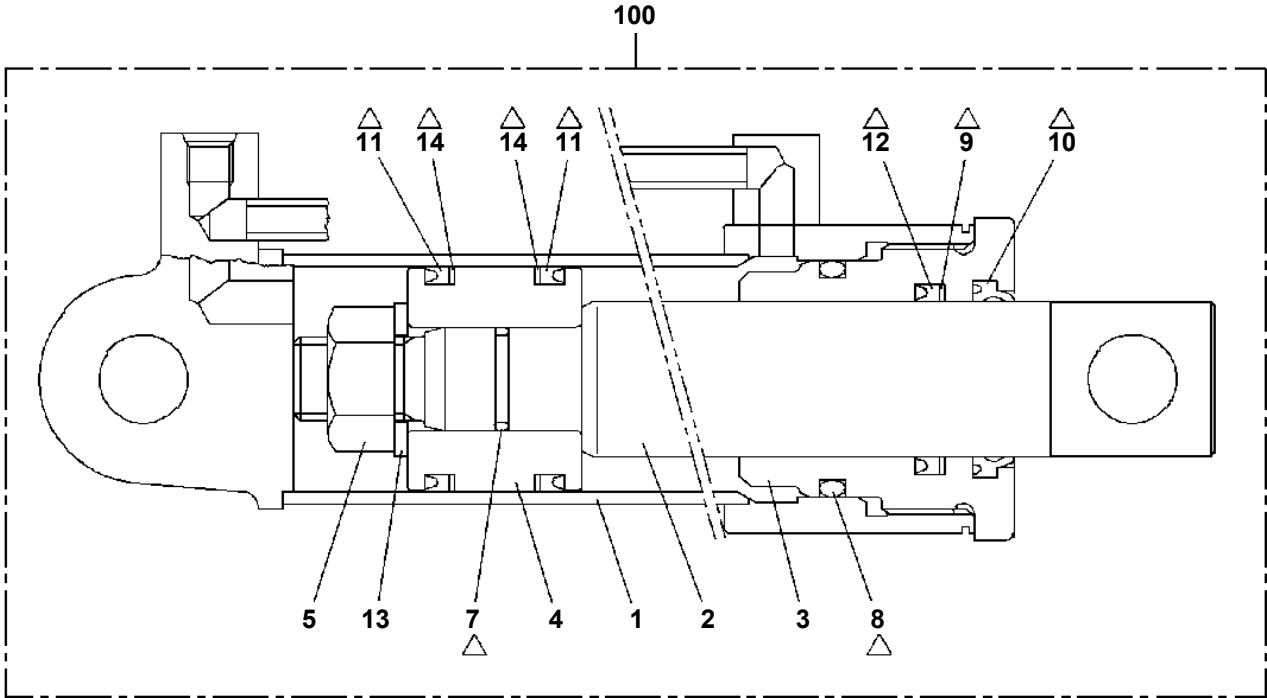


展開圖有
 ILLUSTRATED BREAKDOWN NO. 1 . 2 . 10 . 11

GR-250N-1-00207 4 BOOM + JIB,X,2M2D
PB1350014-00 VALVE,PILOT OPERATED CONTROL
200



GR-250N-1-00207 4 BOOM + JIB,X,2M2D
PC1050249-00 CYLINDER,EXTENSION



△: PACKING SET KEY NO.41 (KEY NO.7,8,9,10,11,12,14)

GR-250N-1-00207 4 BOOM + JIB,X,2M2D

Pos No.	Parts No	Parts Name	Qty	Unit	Technical Data	Serial No (Start)	Serial No (End)	Ren
72	36625400001	VALVE ASSY,CHECK	1					
81	36645730000	VALVE,SOLENOID (NACHI)	4					
	36647890000	VALVE,SOLENOID (UCHIDA)	4					
	36647900000	VALVE,SOLENOID (TOKIMEC)	4					
91	91002801100	O-RING	5		1B P11			
111	91002801800	O-RING	1		1B P18			

GR-250N-1-00207 4 BOOM + JIB,X,2M2D

Pos No.	Parts No	Parts Name	Qty	Unit	Technical Data	Serial No (Start)	Serial No (End)	Remarks	Pages
1	34493351000	COVER	1				FB8990		
2	80186406016	SCREW,MACHINE	4		M6X16		FB8990		
3	90305260601	WASHER	4		B1-6		FB8990		
4	34354101130	PLATE,NAME	1			FB8161			

GR-250N-1-00207 4 BOOM + JIB,X,2M2D

Pos No.	Parts No	Parts Name	Qty	Unit	Technical Data	Serial No (Start)	Serial No (End)	Remarks	Pages
1	34381040100	SUPPORT	1						
2	82100002006	CLAMP	3		WR10				
3	90302040601	WASHER,SPRING	3		6				
4	90101206010	BOLT	1		M6X1.0				
5	90201200600	NUT	3		M6				
6	88200102060	END	1						
7	37001707460	CABLE,CONTROL	1		L=2600				
8	37000109680	PIN	2						
9	80136316012	PIN,SPLIT	2		1.6X12				
10	34381040200	SUPPORT	1						
11	34381250100	PIN	1						
12	90303070601	WASHER,PLAIN	2		6				
13	34380950301	SUPPORT	1						
14	37000118760	PIN	1						
17	90101210022	BOLT	4		M10X22				
18	90302041001	WASHER,SPRING	4		10				
20	37000305790	SPACER	1		L=25				
21	34380950501	COVER	1						
22	34381040300	COVER	1						
23	34380950701	COVER	1						
24	80186406016	SCREW,MACHINE	9		M6X16				
25	90305260601	WASHER	9		B1-6				
26	99172108016	BOLT,TAPPING	4		M8X16				
29	90101206040	BOLT	1		M6X40				
40	34380958010	LEVER ASSY	1						
41	34380951100	LEVER	1						
42	34380951200	LEVER	1						
43	19119314000	SPRING	1						
44	90101208065	BOLT	1		M8X65				
45	90302040801	WASHER,SPRING	1		8				
46	82430608050	GRIP	1						
47	80136332025	PIN,SPLIT	1		3.2X25				
48	90201200800	NUT	1		M8				

GR-250N-1-00207 4 BOOM + JIB,X,2M2D

Pos No.	Parts No	Parts Name	Qty	Unit	Technical Data	Serial No (Start)	Serial No (End)	Remarks	Page
1	34733571100	HARNESS	1		L=600				
2	34733571200	HARNESS	1		L=1000				
3	42935671200	BUZZER ASSY	1						
4	80172304008	SCREW,MACHINE	2		M4X8				
5	90302040401	WASHER,SPRING	2		4				
6	90303070401	WASHER,PLAIN	2		4				
7	90201200400	NUT	2		M4				
8	34733632100	PLATE,NAME (FUSE)	1						

GR-250N-1-00207 4 BOOM + JIB,X,2M2D

Pos No.	Parts No	Parts Name	Qty	Unit	Technical Data	Serial No (Start)	Serial No (End)	Remarks
1	36095100100	PLATE	1					
2	36092014000	BOLT	3					
3	90302042001	WASHER,SPRING	3		20			
5	80500051217	BEARING,BALL	1					
6	82456101000	NIPPLE,GREASE	1		A-PT1/8			
7	36095100300	TRUNNION	1					
8	36091049510	HOOK ASSY	1					
9	36095100200	PLATE	1					
10	37001004750	SHEAVE ASSY (IMONO)	4					
11	16311007000	SPACER	5		L=3.5			
12	90101512035	BOLT	8		M12X35			
13	37000502880	PLATE	4					
14	37000582410	SUPPORT	4					
15	37000184550	PIN	1					
16	37000105000	PIN	1					
19	37000105200	PIN	1					
20	37001400040	SPRING	1					
21	80136332020	PIN,SPLIT	1		3.2X20			
22	90303071001	WASHER,PLAIN	2		10			
23	36091579510	STOPPER ASSY	1					
24	33441152300	SPACER	2		L=217			
25	36093330300	GUARD	1					
26	36093350800	CUSHION	1					
27	90172110025	BOLT,HEXAGON SOCKET	2		M10X25			
28	37000301010	SPACER	2		L=12			
42	80612111250	RING,RITAINING	4		AR125			
43	80515006214	BEARING,BALL	8					
52	90303071001	WASHER,PLAIN	1		10			
100	36095100000	HOOK (SHEAVE 4 PC'S)	1					

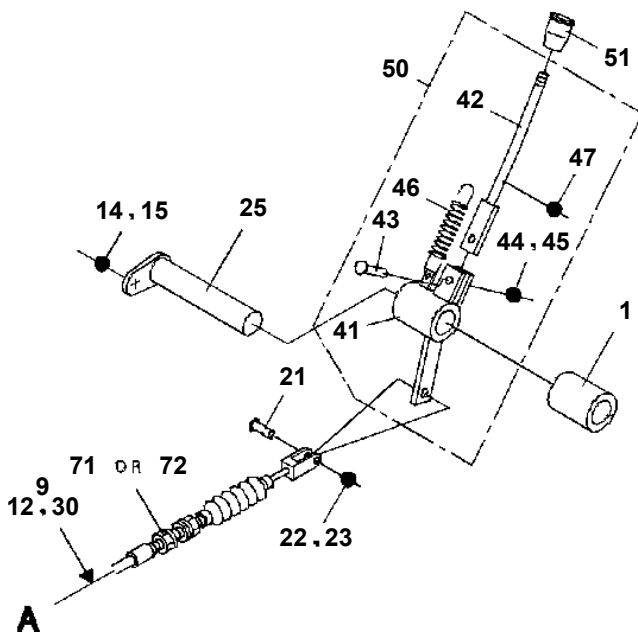
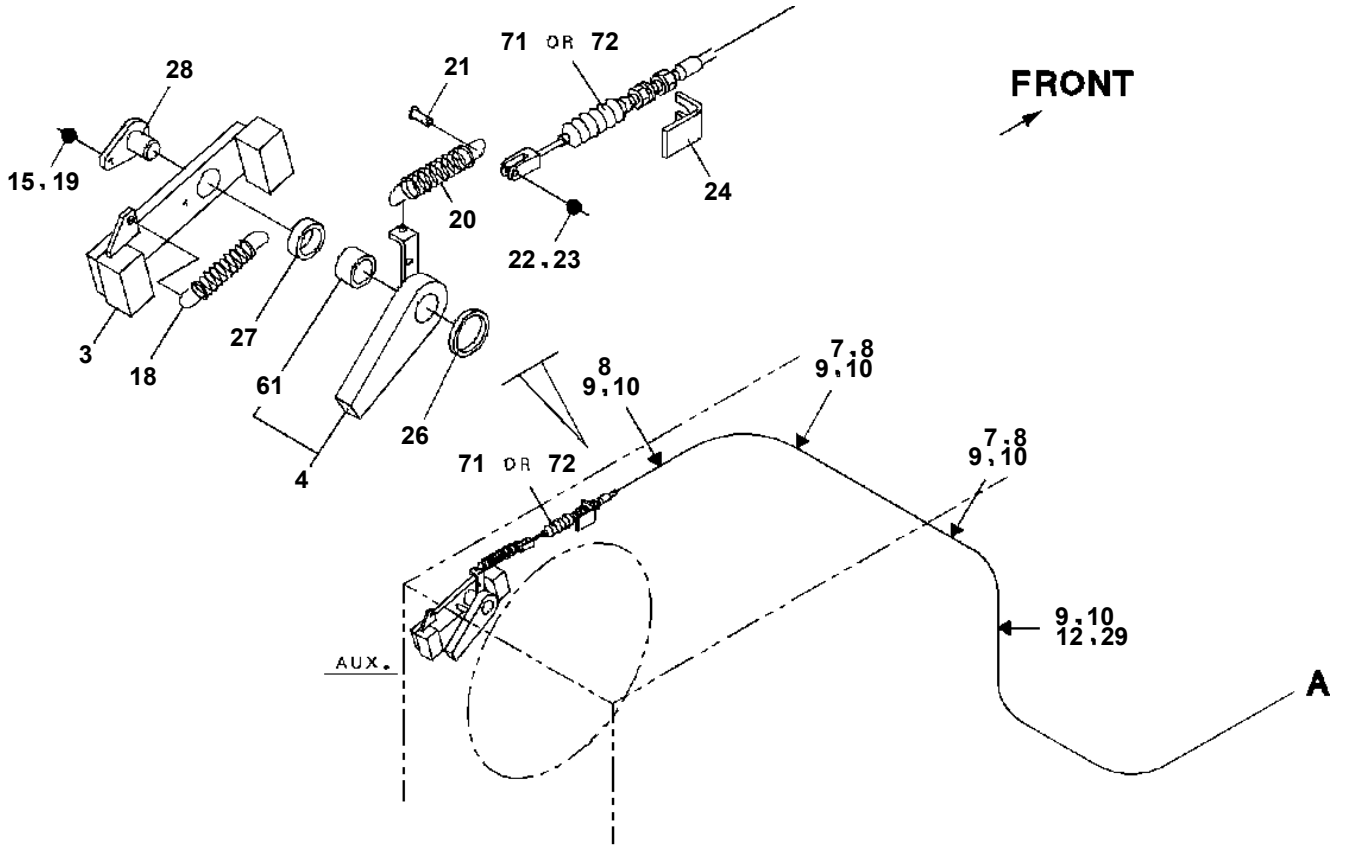
GR-250N-1-00207 4 BOOM + JIB,X,2M2D

Pos No.	Parts No	Parts Name	Qty	Unit	Technical Data	Serial No (Start)	Serial No (End)	Remarks	Pag
1	37001805020	ROPE,WIRE (TESAC)	1						

GR-250N-1-00207 4 BOOM + JIB,X,2M2D

Pos No.	Parts No	Parts Name	Qty	Unit	Technical Data	Serial No (Start)	Serial No (End)	Remarks	Pages
1	37000129750	PIN	1						
2	90171110016	BOLT	1		M10X16				
3	90302041001	WASHER,SPRING	1		10				
4	37002600241	WEDGE	1						000344
5	37002600501	SOCKET,ROPE	1		14&16				
6	83151411600	CLIP	1						
7	80136363045	PIN,SPLIT	1		6.3X45				
8	33290882200	WIRE	1						

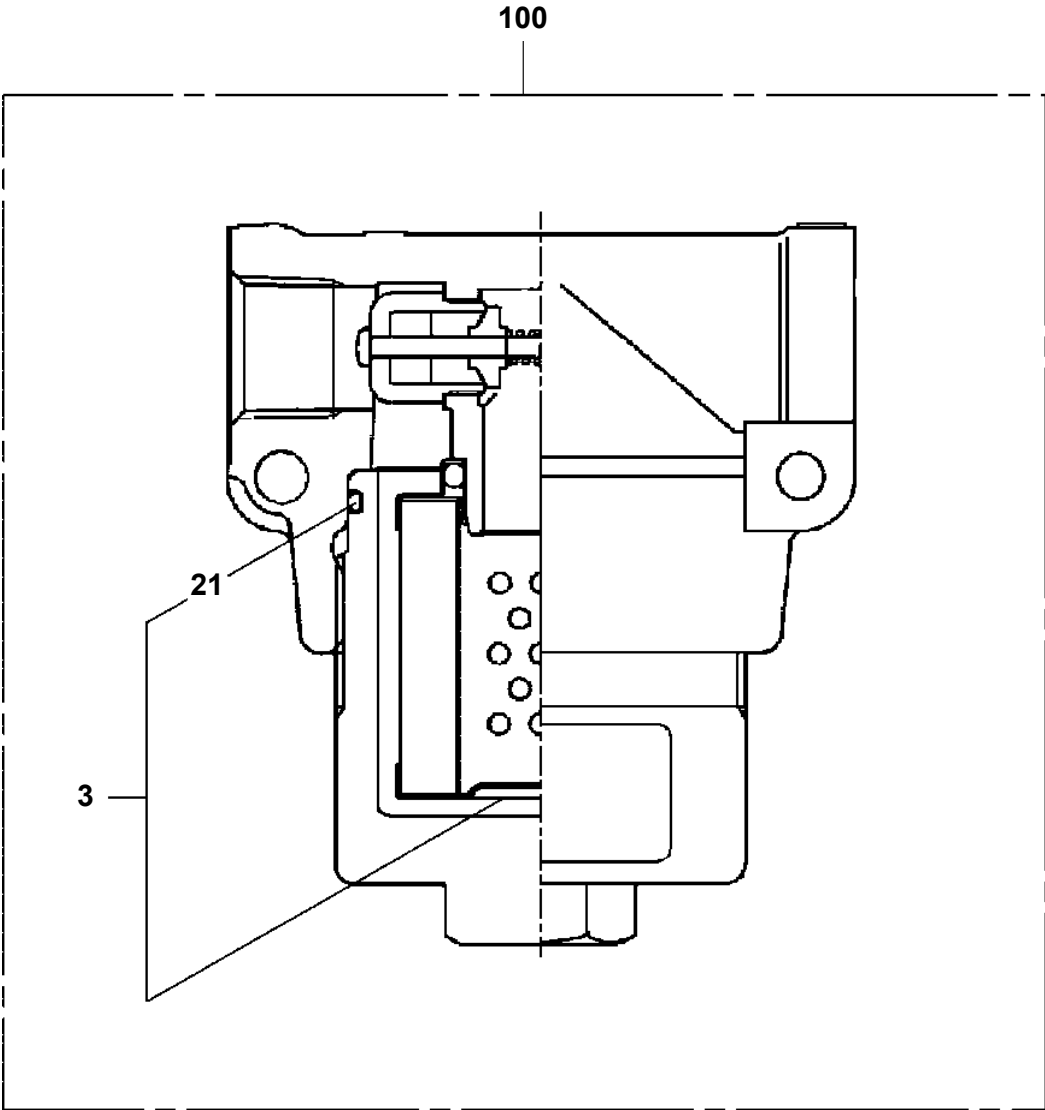
GR-250N-1-00207 4 BOOM + JIB,X,2M2D
PF1140085-00 OPE.ASSY,DRUM LOCK



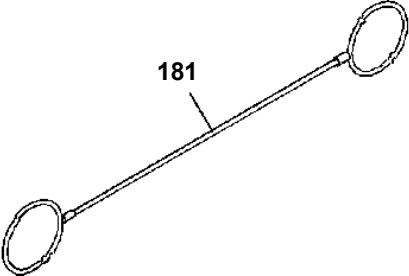
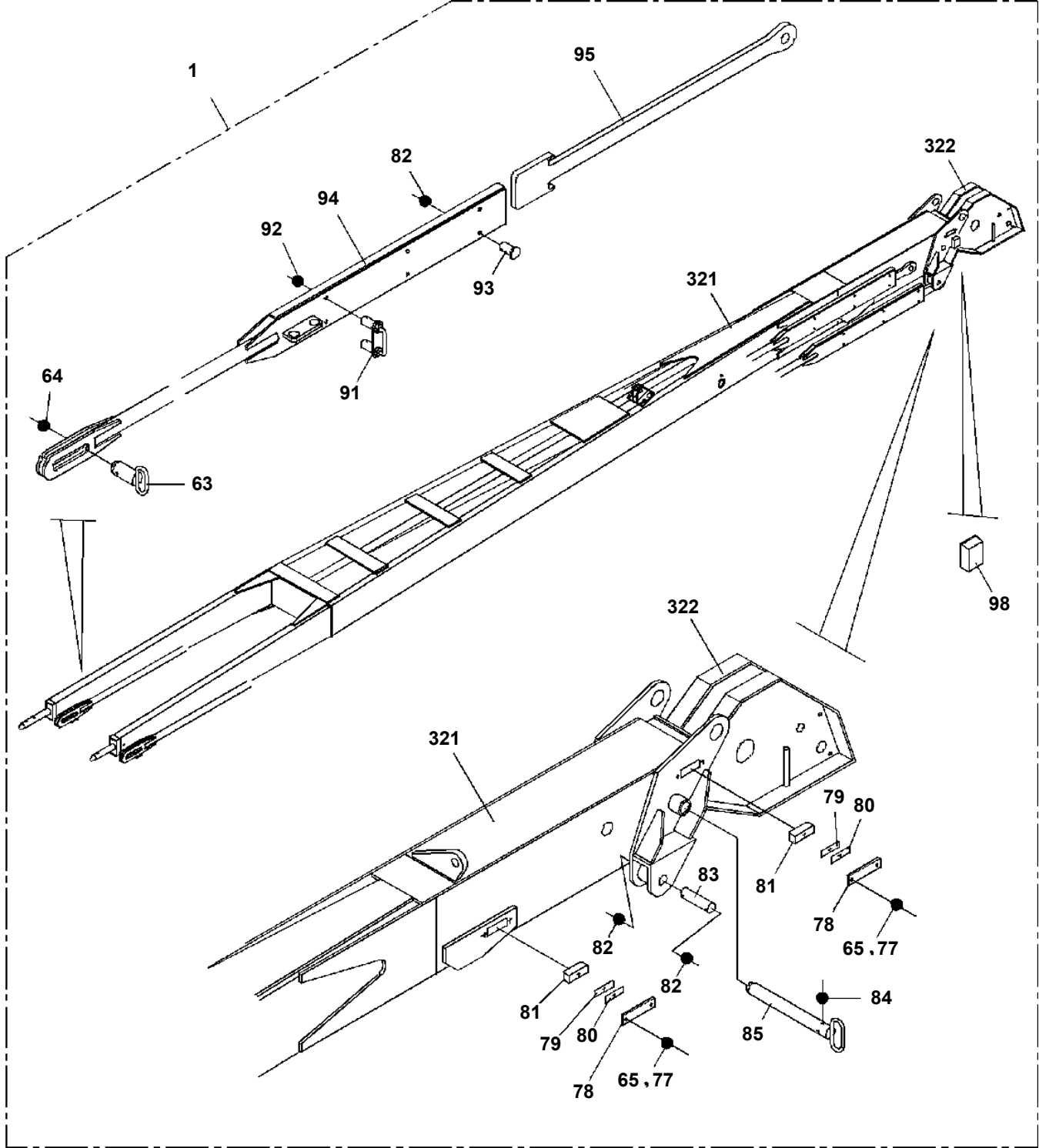
GR-250N-1-00207 4 BOOM + JIB,X,2M2D

Pos No.	Parts No	Parts Name	Qty	Unit	Technical Data	Serial No (Start)	Serial No (End)	Remarks	Page
1	80302090141	FITTING	6		KCO12-020N				
2	91002801100	O-RING	8		1B P11				
3	81408000160	PIPE,STEEL	1	M	12X1.4T				
4	81408000160	PIPE,STEEL	1	M	12X1.4T				
5	81408000160	PIPE,STEEL	1	M	12X1.4T				
6	80303130141	FITTING,ELBOW	2		KLO12-020E				
7	36647470000	VALVE,CLUTCH	1						0000
	36649090000	VALVE,CLUTCH	1						0000
8	90186210020	BOLT,FLANGE	4		M10X20				
9	37000927180	JOINT	2						
10	80400160135	JOINT	2						
11	91002802900	O-RING	4		1B P29				
12	80302090322	FITTING	2		KCO28-080N				
13	82100002019	CLAMP	2		WR40				
14	90186208025	BOLT,FLANGE	1		M8X25				
15	90280200800	NUT,FLANGE	1		M8				
16	59457138000	PLUG ASSY	2						
17	37000711100	CLAMP ASSY	2		28X2				
18	37000559190	PLATE	2						
19	81408000160	PIPE,STEEL	2	M	12X1.4T				
20	81408000160	PIPE,STEEL	1	M	12X1.4T				
21	80301010100	FITTING	1		KUA12-000N				
22	81408000160	PIPE,STEEL	2	M	12X1.4T				
23	37000711080	CLAMP ASSY	2		12-2				
24	37000529230	PLATE	2						
25	37002421590	HOSE	2		L=1900				
26	81408000341	PIPE,STEEL	3	M	28X3.1T				
27	81408000341	PIPE,STEEL	3	M	28X3.1T				
29	37002402530	HOSE	2		L=530				
31	37000711170	CLAMP ASSY	2		12X3				
32	37000512030	PLATE	2						
34	37002470610	HOSE	2		L=930				
35	36682670000	SWITCH,PRESSURE	2						
36	90191510030	BOLT	16		M10X30				
37	80306010105	NUT	2		KKN12-000E				
38	80309010105	SLEEVE	2		KK012-000E				
39	80306010245	NUT	2		KKN28-000E				
40	80309010245	SLEEVE	2		28				
41	37000919390	JOINT (ORIFICE)	2		1.0				
51	91002801100	O-RING	4		1B P11				
71	91000521900	O-RING	4		AS568-219-1B				
81	91002801400	O-RING	2		1B P14				

GR-250N-1-00207 4 BOOM + JIB,X,2M2D
PF5030011-02 FILTER ASSY (WATER)



GR-250N-1-00207 4 BOOM + JIB,X,2M2D
PG1040265-01 JIB (STD)



GR-250N-1-00207 4 BOOM + JIB,X,2M2D

Pos No.	Parts No	Parts Name	Qty	Unit	Technical Data	Serial No (Start)	Serial No (End)	Remarks	Pages
1	36670545011	REEL,HOSE	1						
2	80515006007	BEARING,BALL	1						
3	80601110350	RING,RITAINING	1		S35				
4	16246595020	RING ASSY (RL)	2						
6	80515006008	BEARING,BALL	1						
7	90201200600	NUT	6		M6				
8	90302040601	WASHER,SPRING	6		6				
9	36670545021	PIN	1						
10	16246574000	RING,FELT	1						
11	90102208016	BOLT	4		M8X16				
12	90302040801	WASHER,SPRING	4		8				
14	36670545030	SPRING	1						
15	36670124001	CASE	1						
16	16246577000	PLATE	1						
17	36670545040	PLATE	1						
18	16246581000	RUBBER	1						
20	36670545051	SPACER	1						
21	36670545060	SEAL,OIL	1						
22	90710005080	SCREW,SET	1		M5X8				
23	91001203000	O-RING	1		1A G30				
24	36670545070	SEAL,OIL	1						
25	80602110700	RING,RITAINING	1		R70				
26	36671410050	RING,RETAINING	1						
41	91001301000	O-RING	1		WP10				
50	36670540001	REEL,HOSE	1						
60	37002439940	HOSE	1		L=9000				
70	34420112000	REEL,HOSE	1						

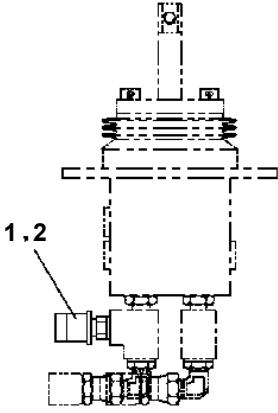
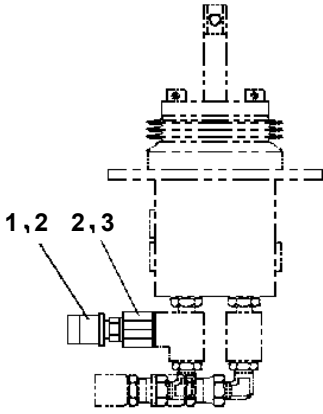
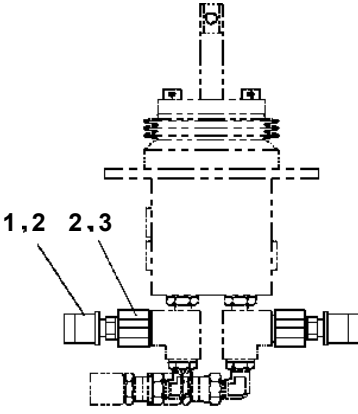
GR-250N-1-00207 4 BOOM + JIB,X,2M2D

Pos No.	Parts No	Parts Name	Qty	Unit	Technical Data	Serial No (Start)	Serial No (End)	Remarks	Pages
1	34477042100	CAM	1						
2	34477042200	SUPPORT	1						

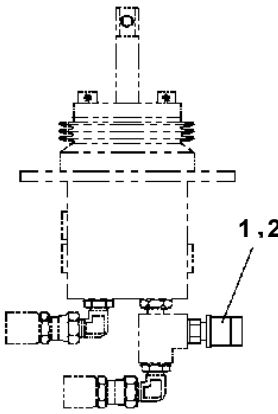
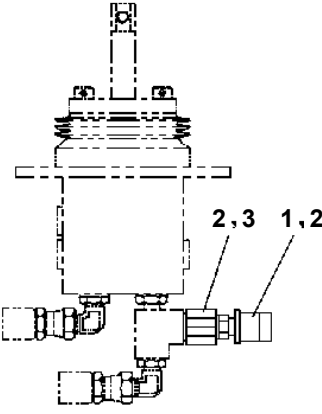
GR-250N-1-00207 4 BOOM + JIB,X,2M2D

Pos No.	Parts No	Parts Name	Qty	Unit	Technical Data	Serial No (Start)	Serial No (End)	Remarks	Pages
1	80430620400	JOINT	2						
2	37002451640	HOSE	1		L=400				
3	37002407840	HOSE	1		L=500				
4	80400160127	JOINT	2						
5	91002801100	O-RING	5		1B P11				
6	80302090141	FITTING	2		KCO12-020N				
7	37000922250	JOINT (ORIFICE)	1		0.8				
8	37000517960	SUPPORT	3						
9	37000711080	CLAMP ASSY	6		12-2				
10	81408000160	PIPE,STEEL	4	M	12X1.4T				
11	81408000160	PIPE,STEEL	4	M	12X1.4T				
14	37002402480	HOSE	2		L=1230				
15	80302090161	FITTING	2		KCO12-030N				
16	37000511350	PLATE	3						
17	81408000160	PIPE,STEEL	2	M	12X1.4T				
18	81408000160	PIPE,STEEL	2	M	12X1.4T				
19	34343052100	SUPPORT	1						
20	90101210060	BOLT	2		M10X60				
21	90302041001	WASHER,SPRING	2		10				
22	36624140000	VALVE,CHECK	1						000156
23	37000502960	PLATE	1						
24	37000711090	CLAMP ASSY	2		18X2				
25	37000300740	SLEEVE	4		18-12				
26	37000549260	SUPPORT	1						
27	90186210030	BOLT,FLANGE	2		M10X30				
28	90280201000	NUT,FLANGE	4		M10				
29	37000551270	PLATE	1						
30	91002801400	O-RING	2		1B P14				
31	80301010100	FITTING	2		KUA12-000N				
33	81408000160	PIPE,STEEL	2	M	12X1.4T				
34	81408000160	PIPE,STEEL	2	M	12X1.4T				
35	80306010105	NUT	4		KKN12-000E				
36	80309010105	SLEEVE	4		KK012-000E				
51	91002801100	O-RING	2		1B P11				

GR-250N-1-00207 4 BOOM + JIB,X,2M2D
PH1170087-02 DETECTOR,CONTROL VALVE ACTUATION

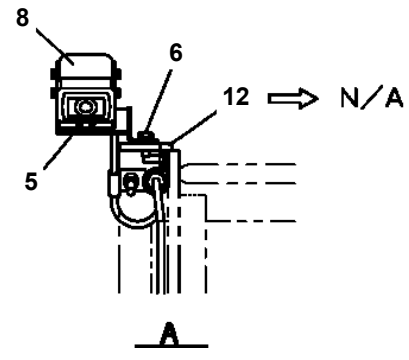
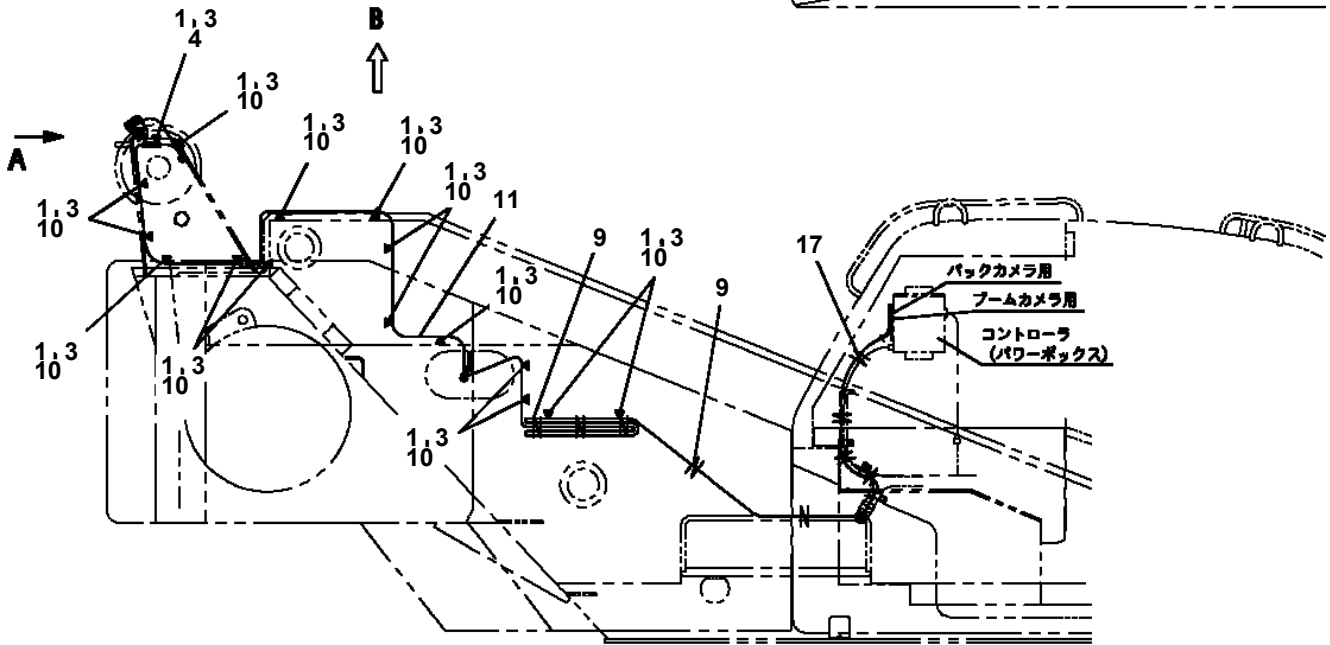
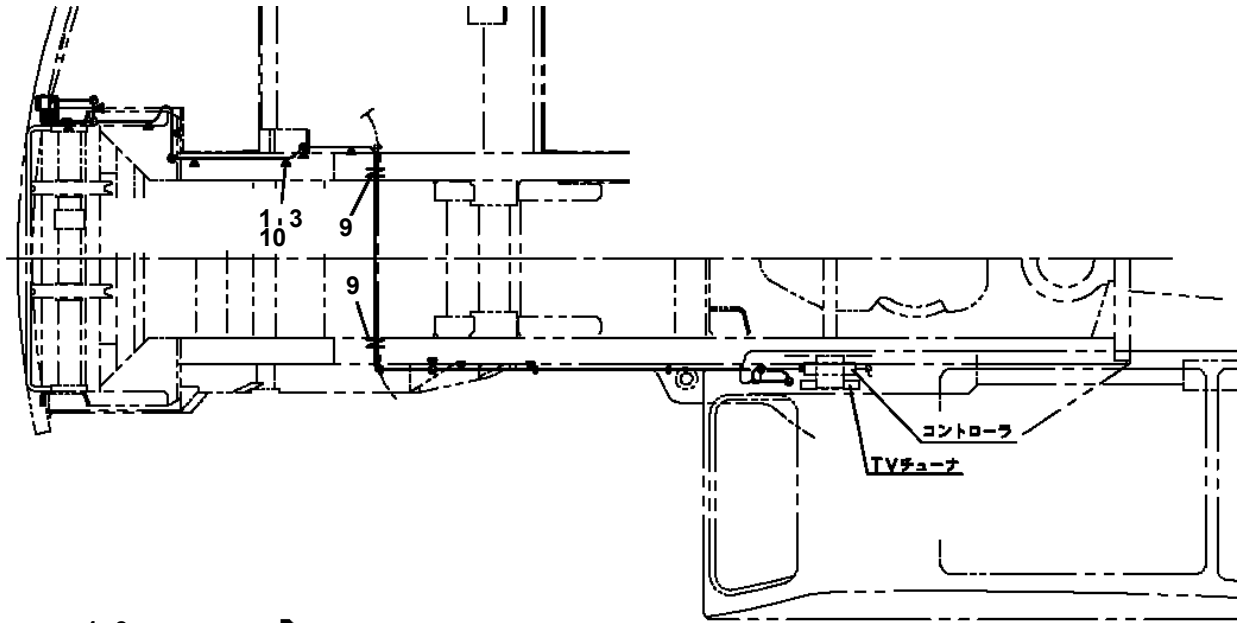


B



D
(2M/2D仕様)

GR-250N-1-00207 4 BOOM + JIB, X, 2M2D
 PH1700127-04 VIEW SYSTEM (REAR)



GR-250N-1-00207 4 BOOM + JIB,X,2M2D

Pos No.	Parts No	Parts Name	Qty	Unit	Technical Data	Serial No (Start)	Serial No (End)	Rem
1	34492631100	TUNER ASSY	1					
2	34492631200	CABLE	1					
3	34492631300	SENSOR	1					
4	34492631400	REMOTE CONTROL ASSY (TV)	1					
5	34492631500	SUPPORT	1					
6	34492631600	ANTENNA	1					
100	34492631000	VIEW SYSTEM (TUNER)	1					

GR-250N-1-00207 4 BOOM + JIB,X,2M2D

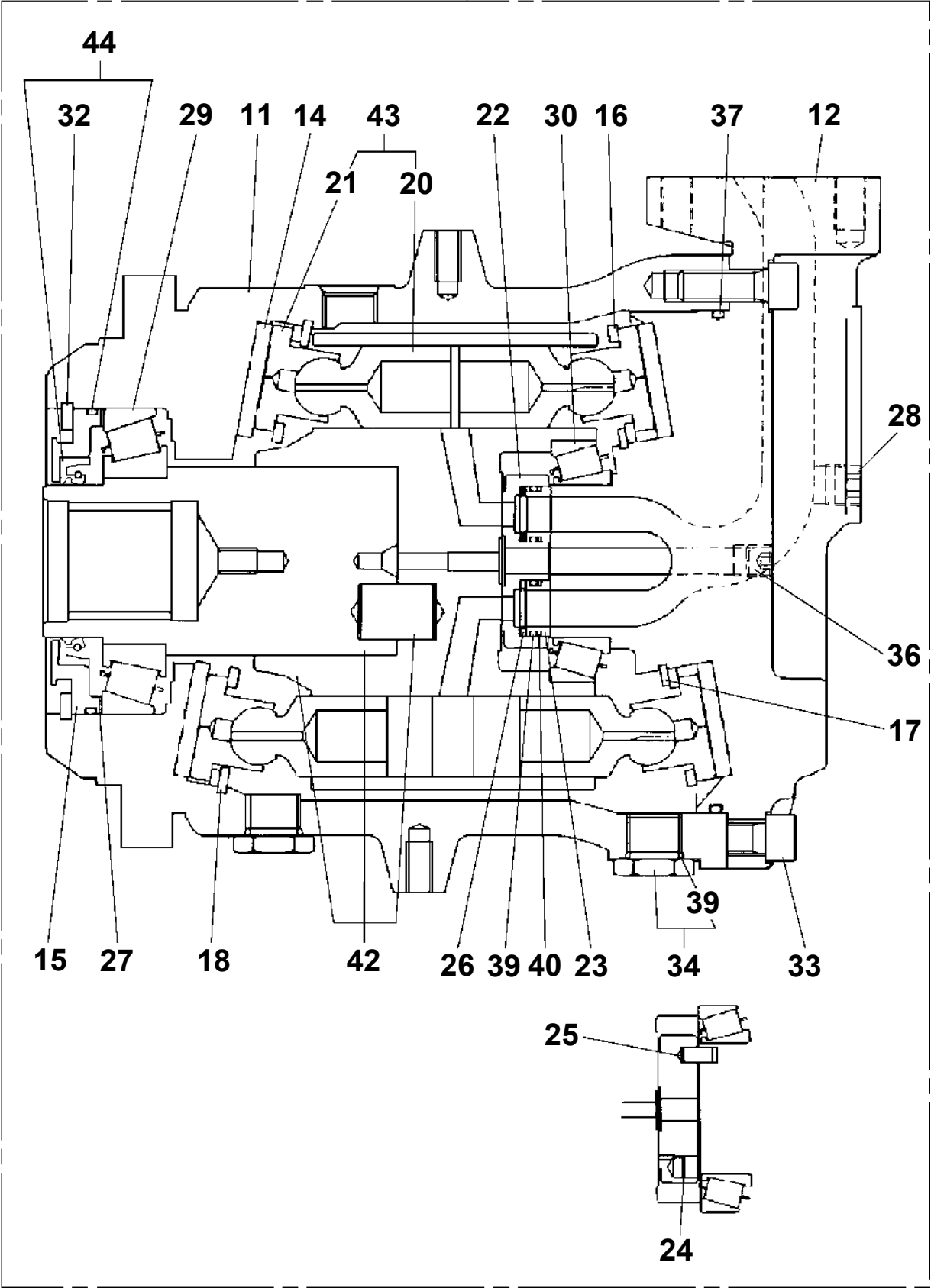
Pos No.	Parts No	Parts Name	Qty	Unit	Technical Data	Serial No (Start)	Serial No (End)	Remarks	Pages
100	34260634110	HARNESS	1						

GR-250N-1-00207 4 BOOM + JIB,X,2M2D

Pos No.	Parts No	Parts Name	Qty	Unit	Technical Data	Serial No (Start)	Serial No (End)	Remarks	Pages
11	82100001839	FUSE	1		10A.RED				
100	34510662400	HARNESS	1						

GR-250N-1-00207 4 BOOM + JIB,X,2M2D
PI1010164-01 MOTOR,HYDRAULIC (MAIN)

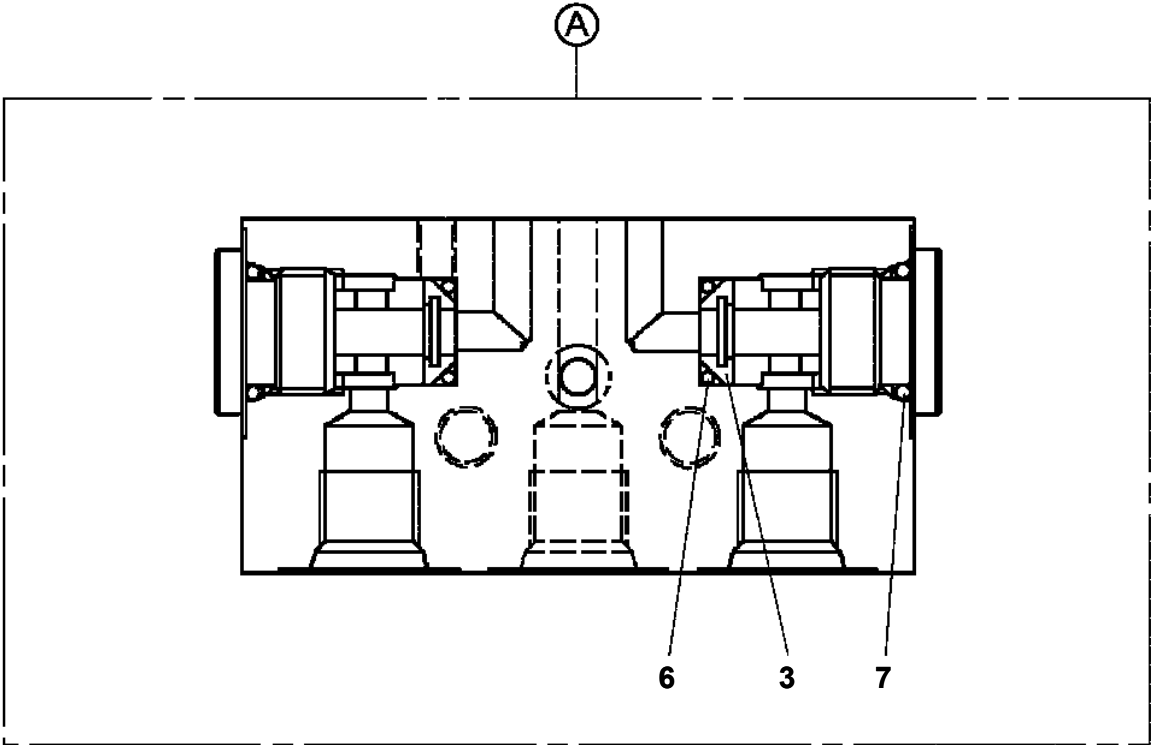
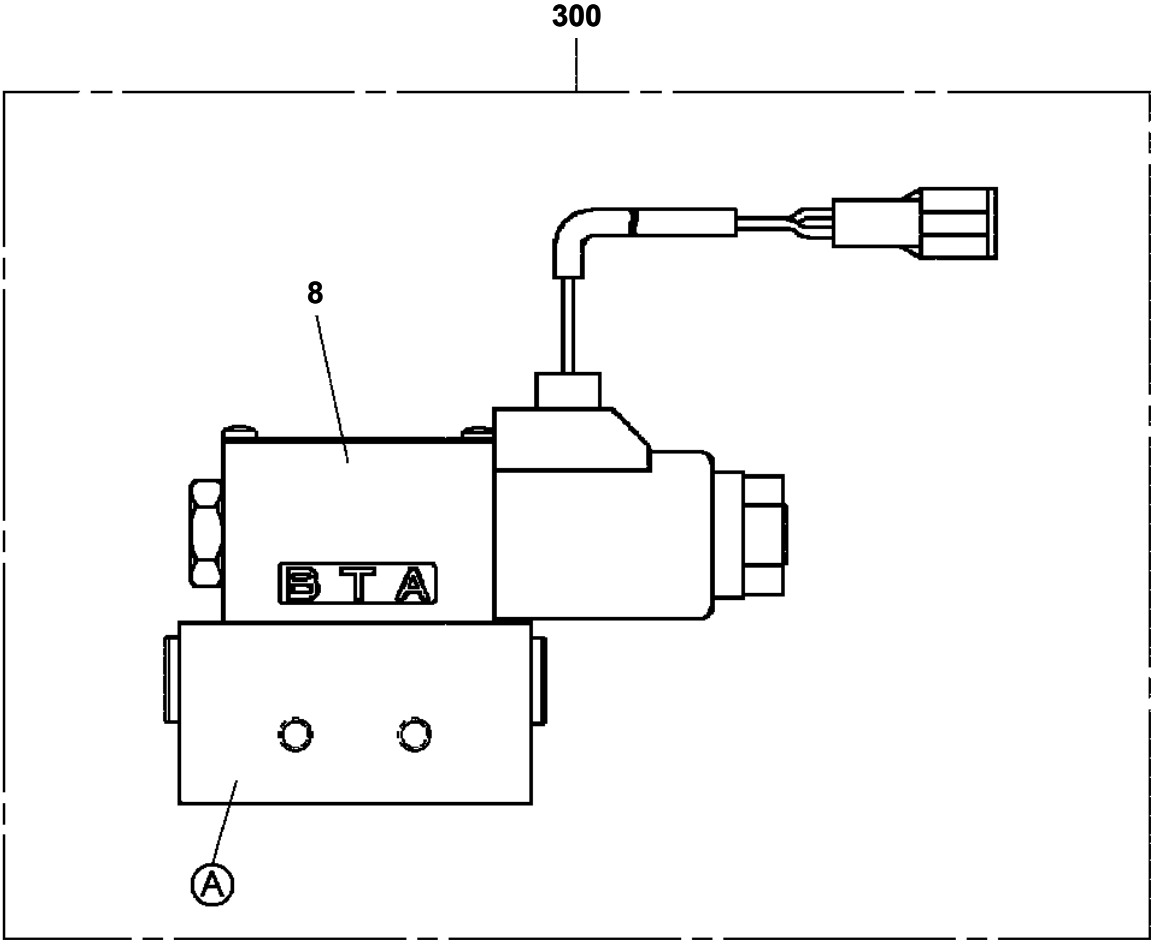
1



GR-250N-1-00207 4 BOOM + JIB,X,2M2D

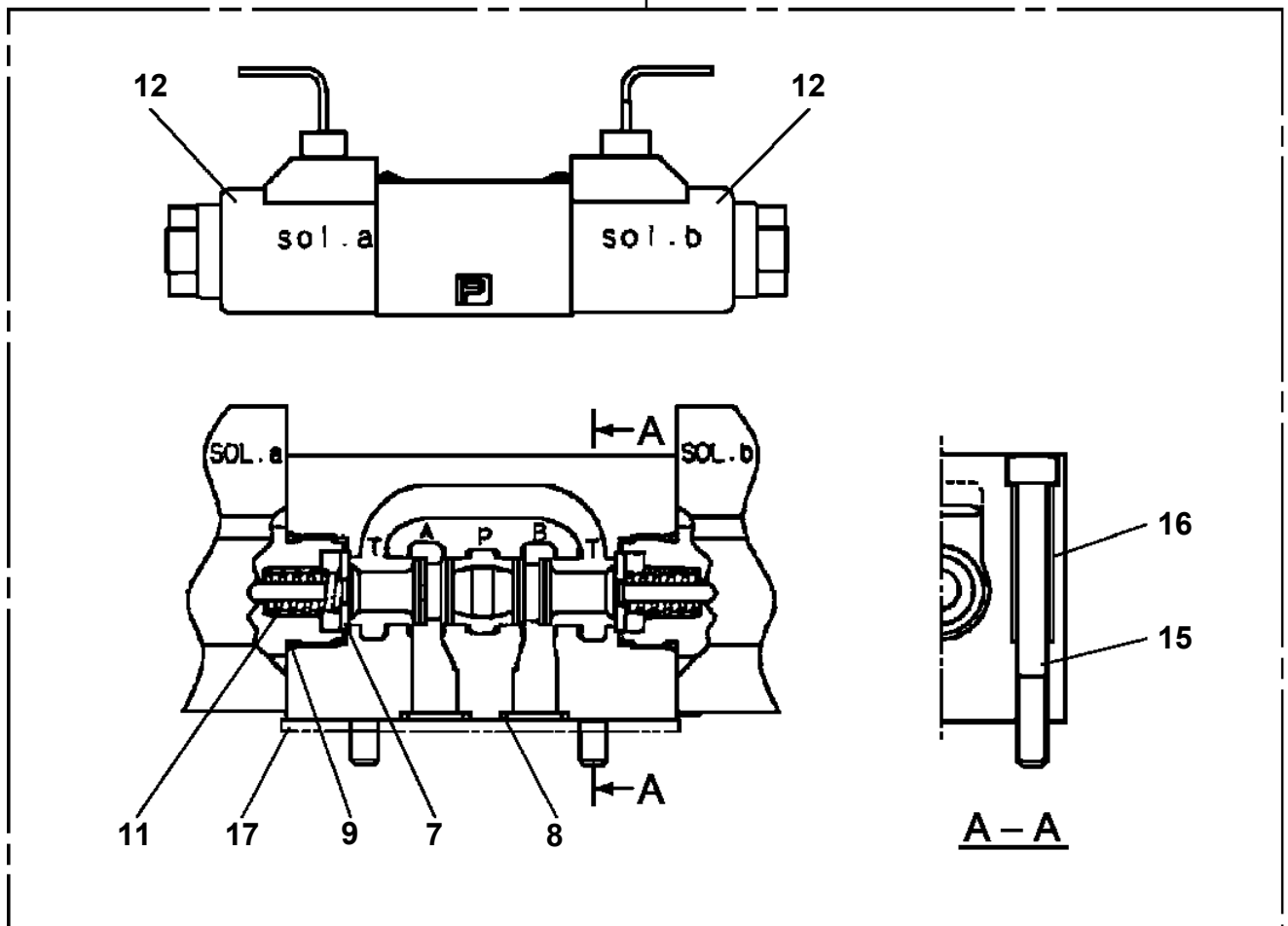
Pos No.	Parts No	Parts Name	Qty	Unit	Technical Data	Serial No (Start)	Serial No (End)	Remarks	Page
6	36061095020	PACKING	1						
7	36061095030	BOLT,STOPPER	1						
21	36061095010	INNER KIT	1						
30	36061550000	CYLINDER,MASTER	1						

GR-250N-1-00207 4 BOOM + JIB,X,2M2D
PI1120138-04 VALVE,SOLENOID

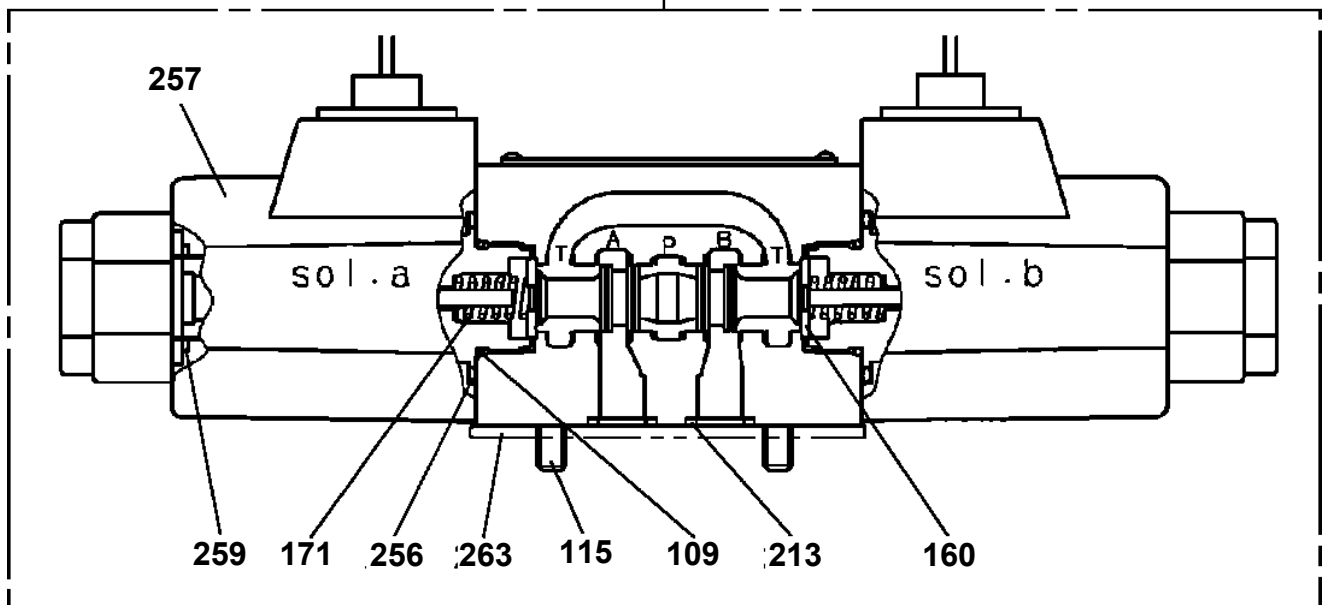


GR-250N-1-00207 4 BOOM + JIB,X,2M2D
 PI1120234-01 VALVE,SOLENOID (UCHIDA)

300

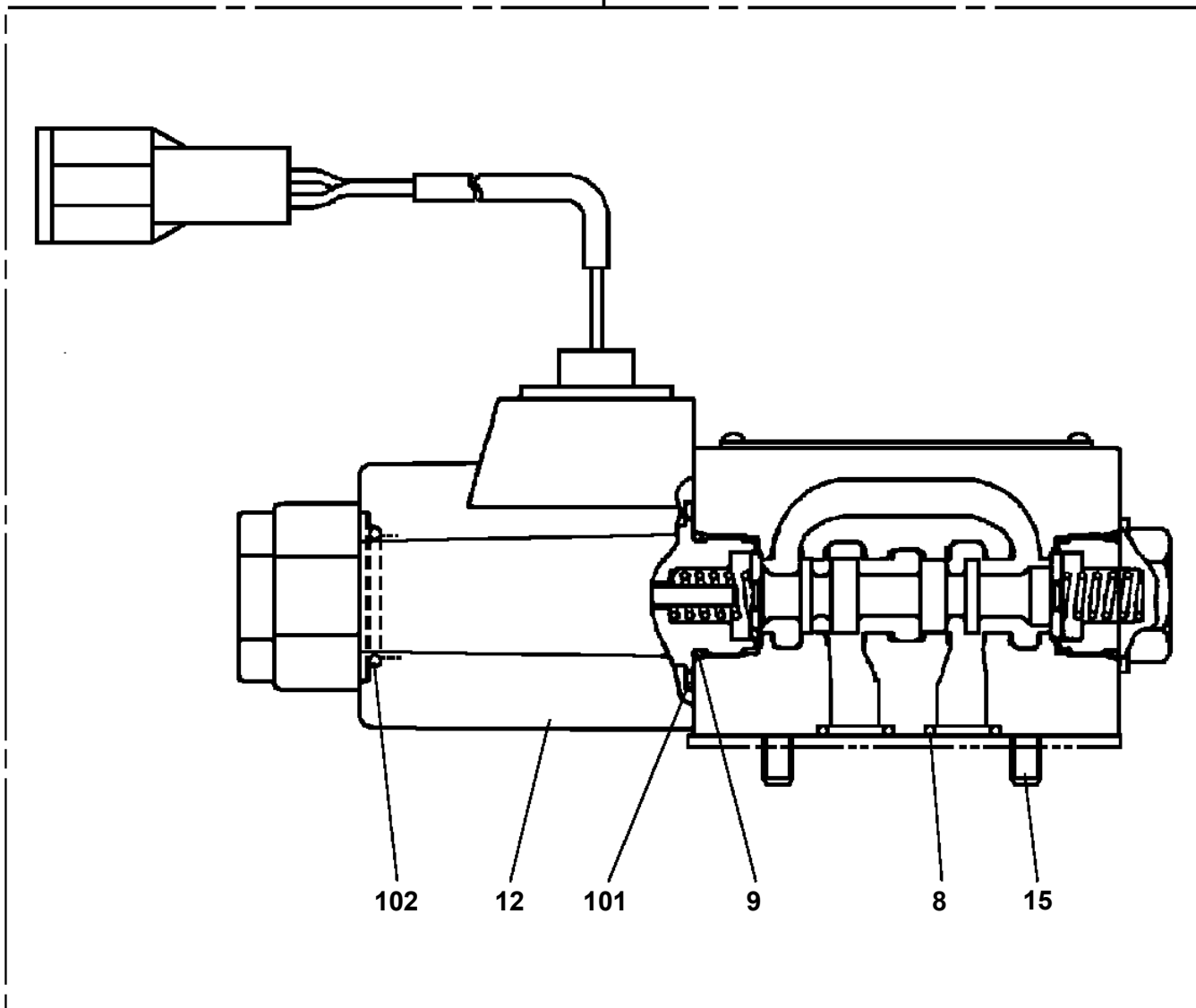


300



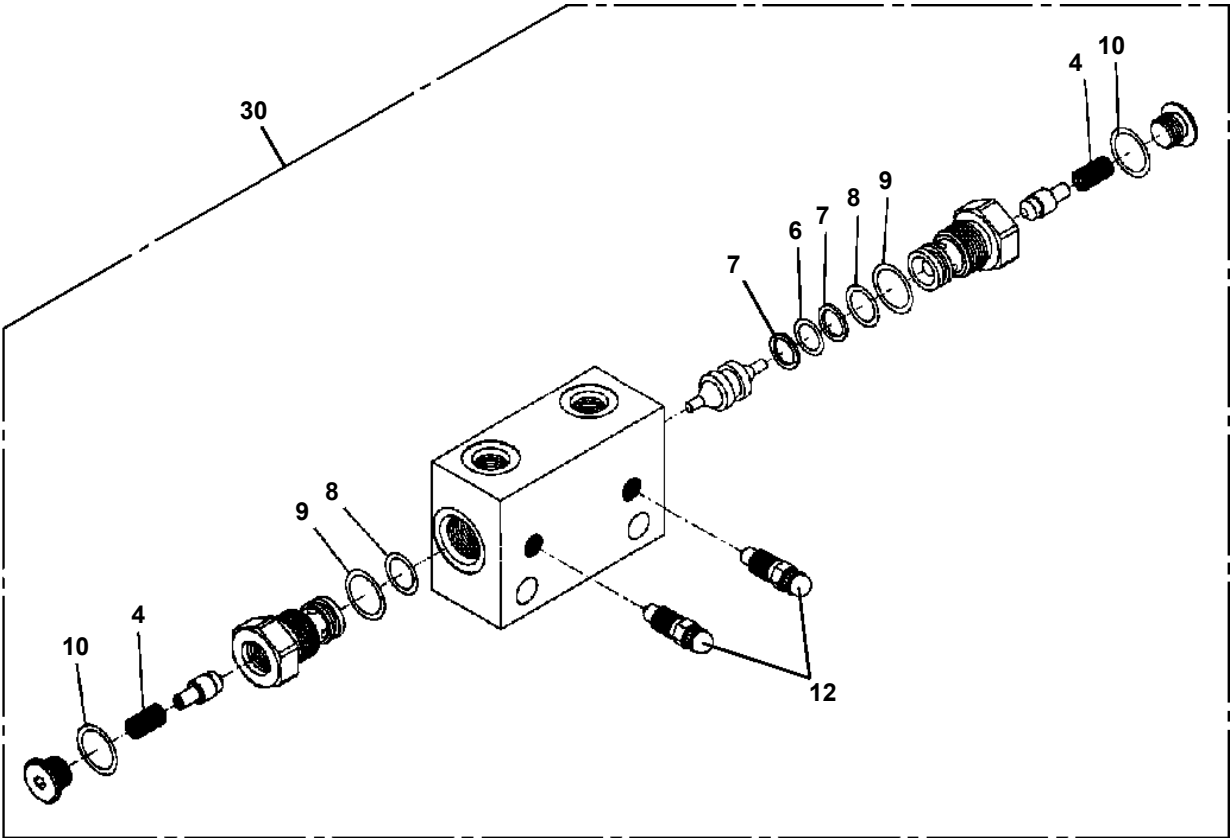
GR-250N-1-00207 4 BOOM + JIB,X,2M2D
PI1120345-00 VALVE,SOLENOID

200



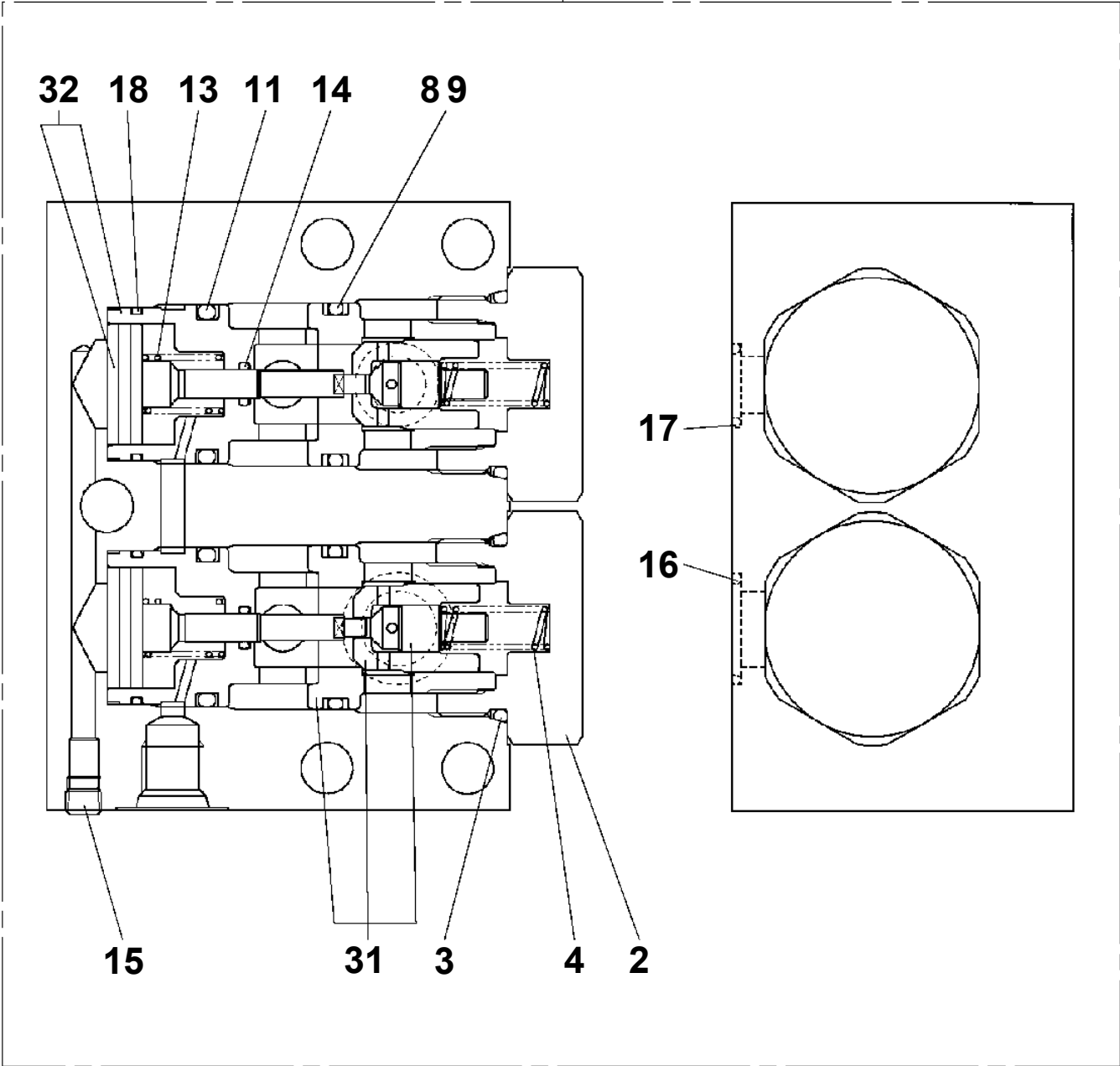
GR-250N-1-00207 4 BOOM + JIB,X,2M2D

PI1140108-02 VALVE,CHECK

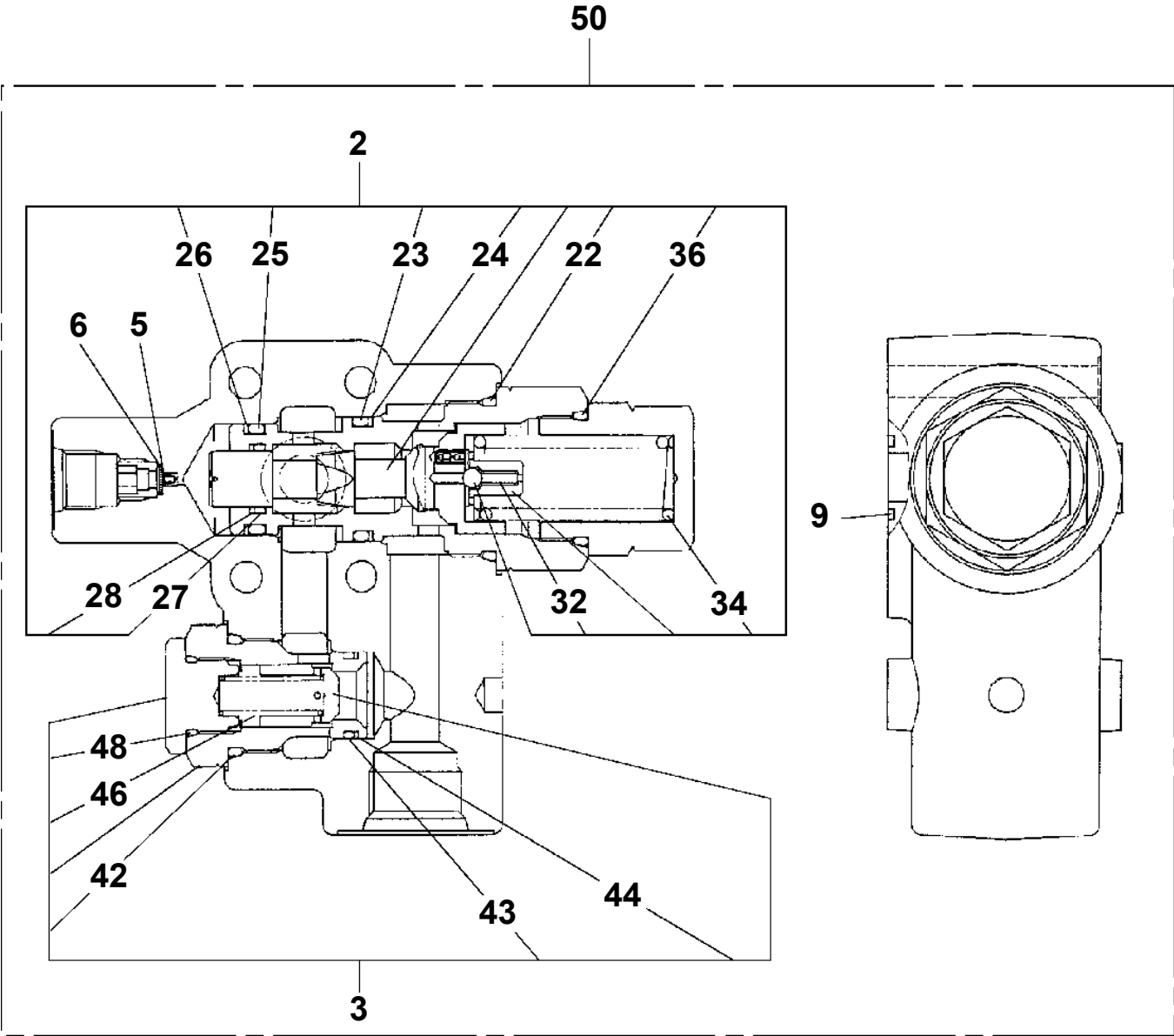


**GR-250N-1-00207 4 BOOM + JIB,X,2M2D
PI1140174-00 VALVE,CHECK**

50

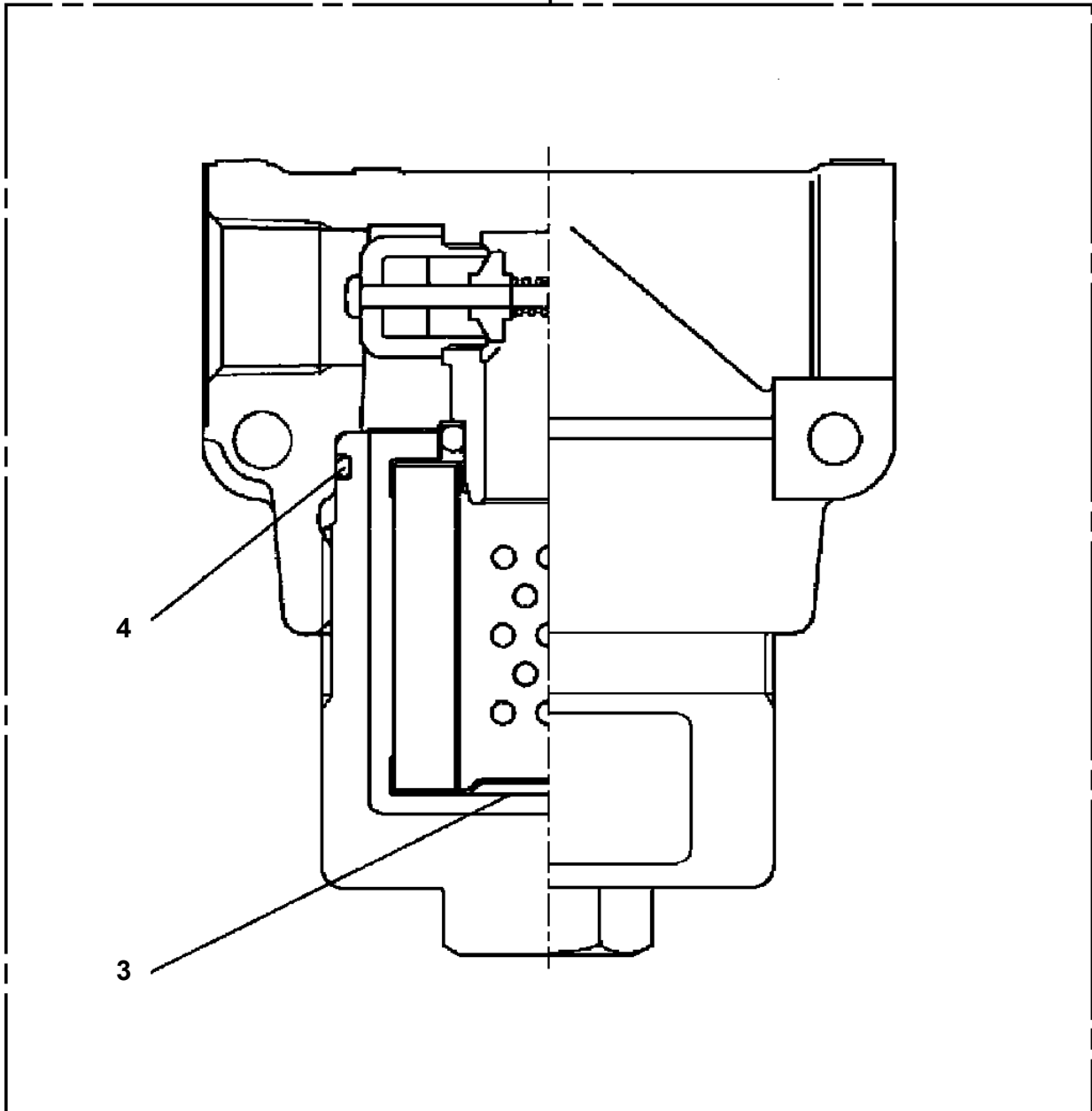


GR-250N-1-00207 4 BOOM + JIB,X,2M2D
PI1250115-01 VALVE,COUNTERBALANCE



GR-250N-1-00207 4 BOOM + JIB,X,2M2D
PI1300043-02 FILTER ASSY (WATER)

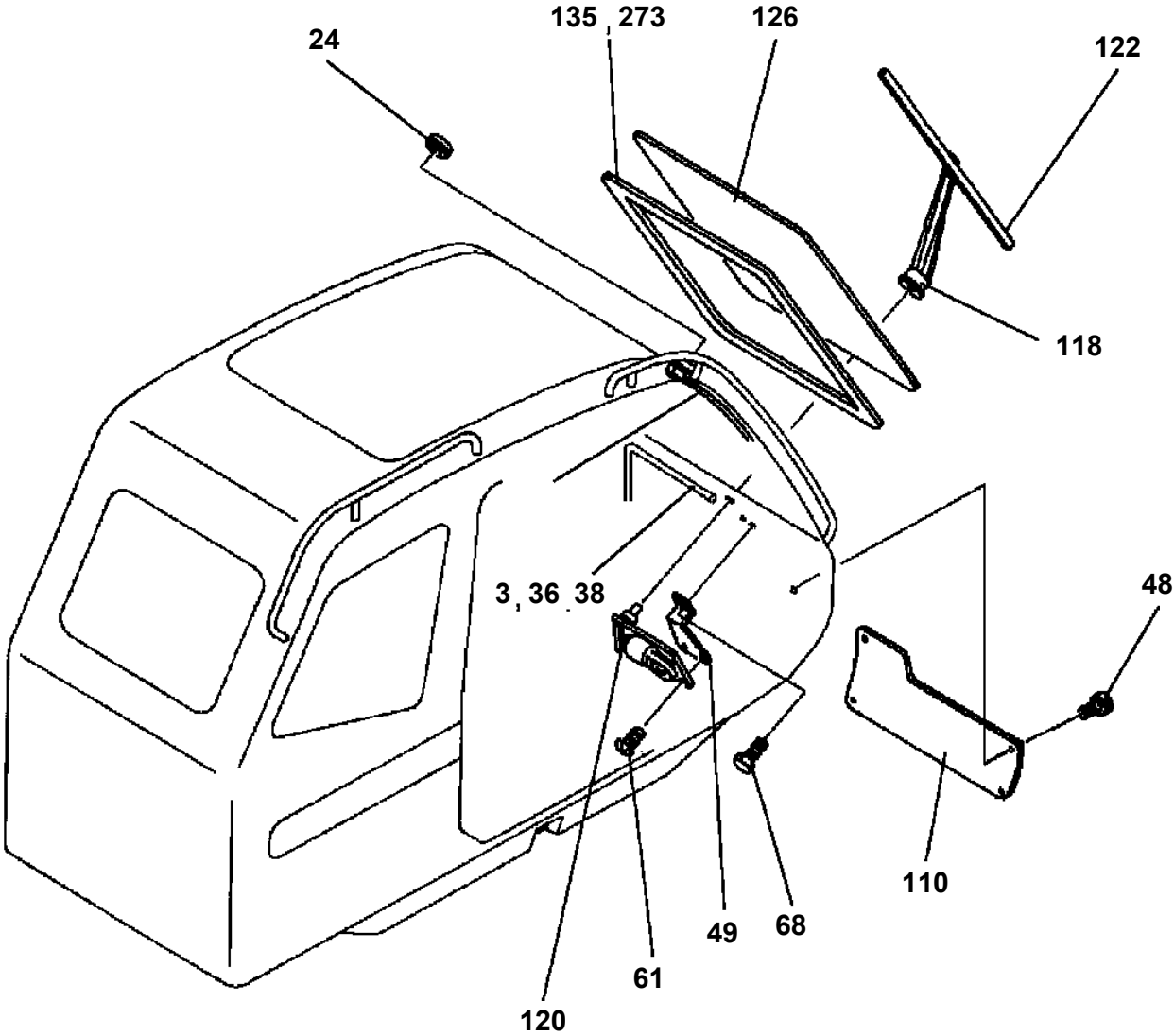
100



GR-250N-1-00207 4 BOOM + JIB,X,2M2D

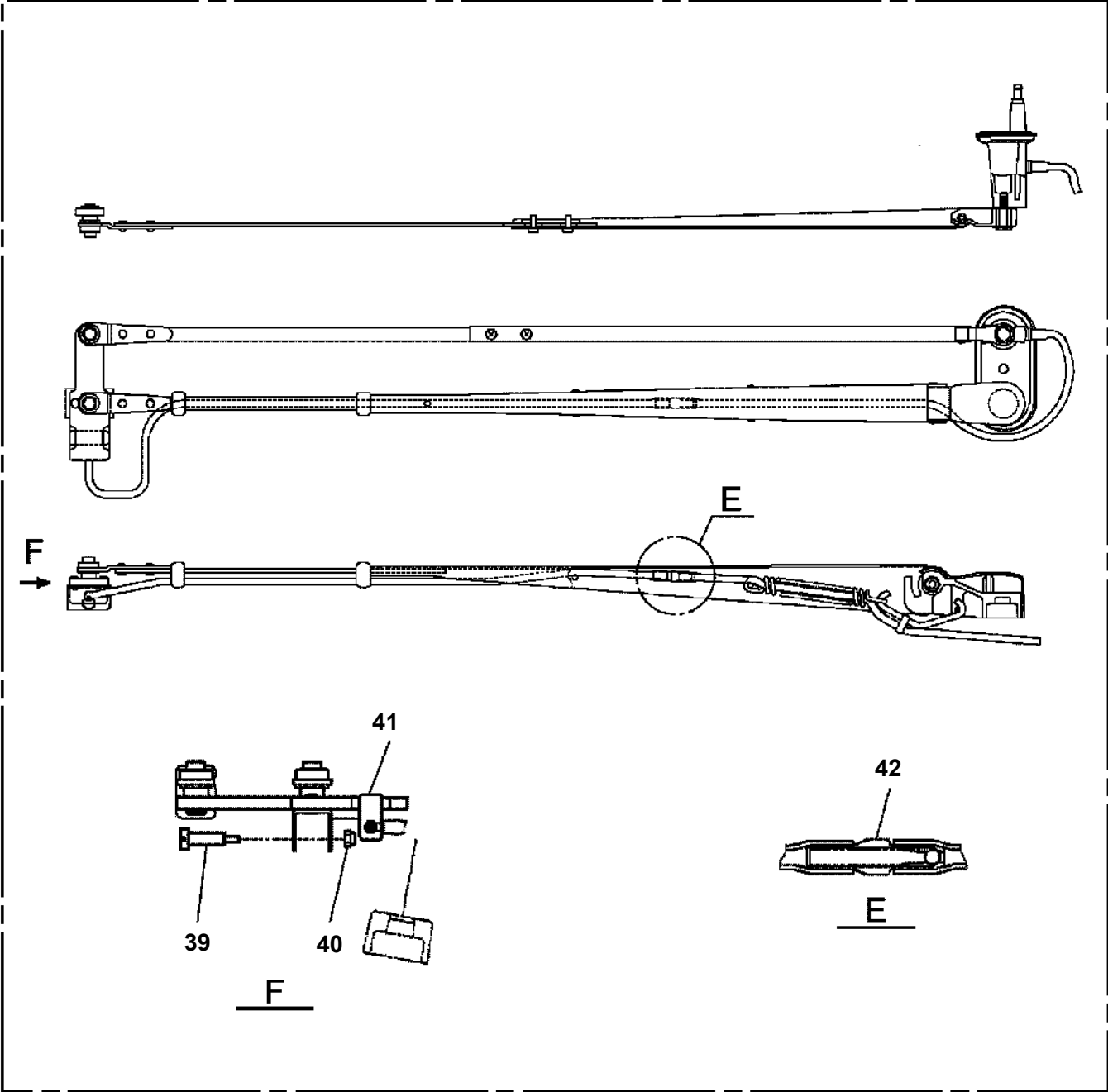
Pos No.	Parts No	Parts Name	Qty	Unit	Technical Data	Serial No (Start)	Serial No (End)	Remarks
2	34631153000	JOINT ASSY,SWIVEL	1					
6	34630702000	BRUSH,ROTARY JOINT	1					
7	37001509460	BOLT	1		M10X40			
8	90171112030	BOLT	3		M12X30			
9	90172106100	BOLT,HEXAGON SOCKET	3		M6X100			
10	90302040601	WASHER,SPRING	3		6			
14	82401800080	PLUG (FOR M8)	2					
15	82401800100	PLUG (FOR M10)	1					
16	34630706001	JOINT,ROTARY	1					
31	34631150300	JOINT ASSY,SWIVEL	1					
32	34630703560	PIPE (IP)	1					
	34630703500	PIPE	1					
33	34630703400	PIPE	1					
	34630703460	PIPE (IP)	1					
34	34630703300	PIPE	1					
	34630703360	PIPE (IP)	1					
35	34630703900	PIPE	1					
	34630703960	PIPE (IP)	1					
51	34630706101	CORE	1					
52	34630706200	BODY	1					
53	34630705300	COVER	1					
54	34630705400	PLATE	1					
55	91001214500	O-RING	1		1A G145			
56	91002809000	O-RING	1		1B P90			
57	91002813000	O-RING	1		1B P130			
58	34630702100	SEAL,RING	4					
59	34630702200	SEAL,RING	3					
60	90172108020	BOLT,HEXAGON SOCKET	8		M8X20			
61	80316090060	PLUG	2		KKT PT3/8			
62	80316090040	PLUG SOCKET	4		R1/4			
63	80316090100	PLUG	2		KKT PT3/4			
64	34630702300	SEAL,RING	5					
65	34630875300	PLUG	2					
66	91001003200	O-RING	2		1A S32			
81	91153010006	SEAL,RING	3					
85	91360110000	BEARING,PLAIN	2					
86	37000404910	BEARING,PLAIN	1					
87	80601310950	RING,RETAINING	1					

GR-250N-1-00207 4 BOOM + JIB,X,2M2D
PK1140256-00 CAB,OPERATOR



GR-250N-1-00207 4 BOOM + JIB,X,2M2D
PK1140274-00 CAB,OPERATOR (ARM ASS,WIPER)

100



GR-250N-1-00207 4 BOOM + JIB,X,2M2D

Pos No.	Parts No	Parts Name	Qty	Unit	Technical Data	Serial No (Start)	Serial No (End)	Remarks	Pages
1	34271022001	COVER	1						
2	34271021901	COVER	1						
3	90186210020	BOLT,FLANGE	9		M10X20				
4	90303071001	WASHER,PLAIN	6		10				
5	34271022101	SUPPORT	1						

CLICK HERE TO **DOWNLOAD** THE COMPLETE MANUAL

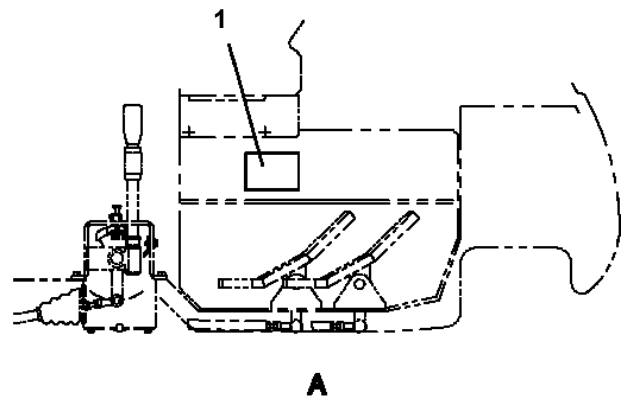
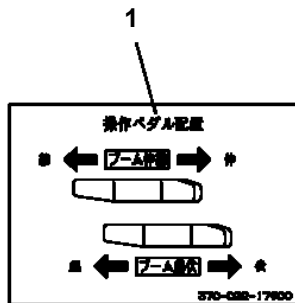
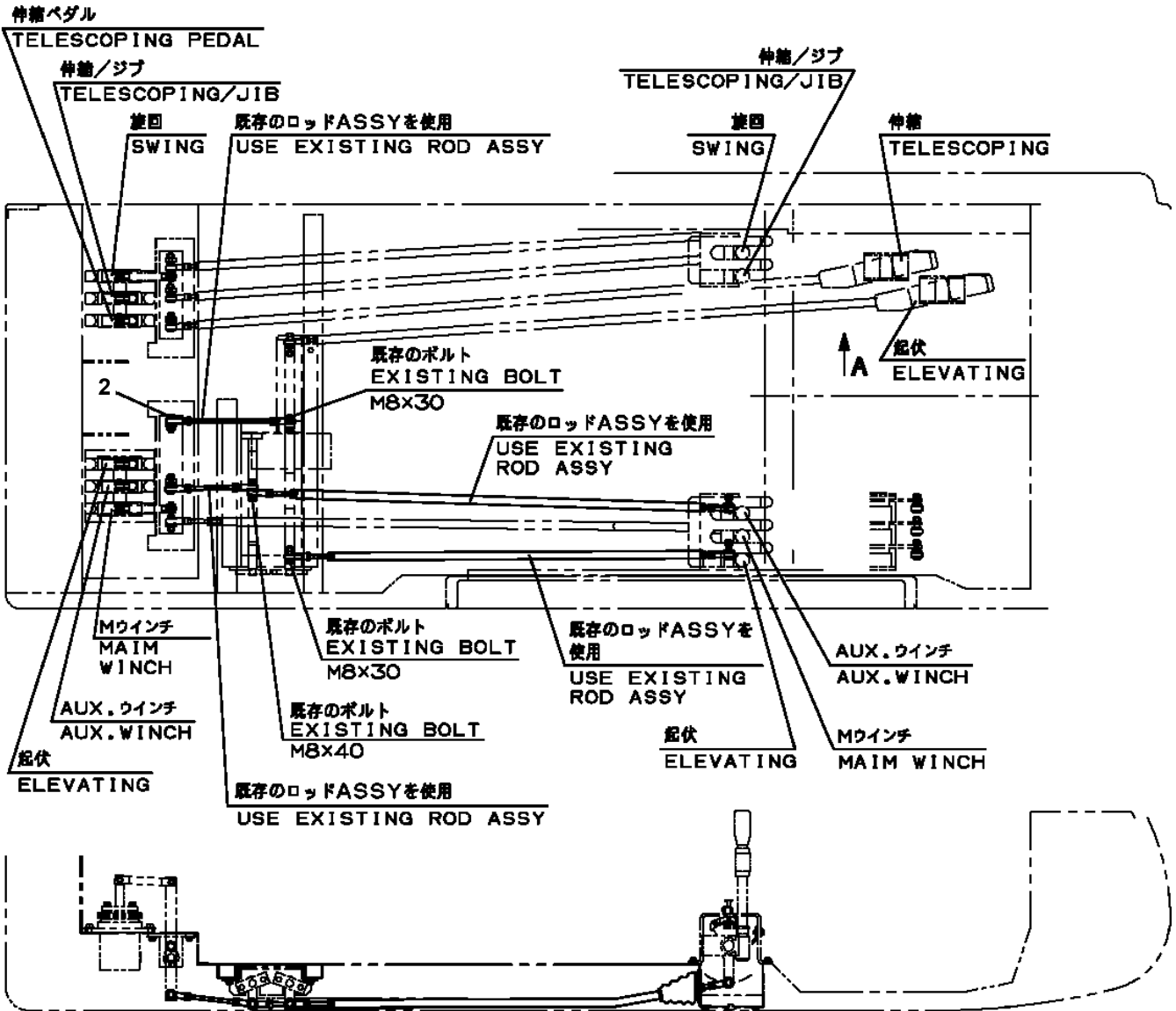
- Thank you very much for reading the preview of the manual.
- You can download the complete manual from: www.heydownloads.com by clicking the link below

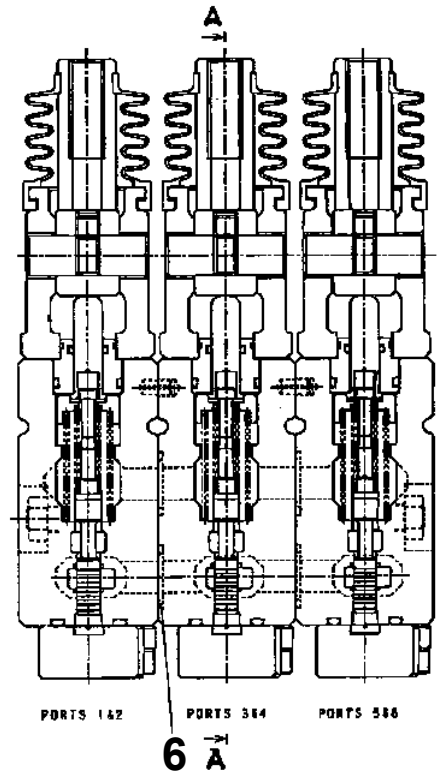
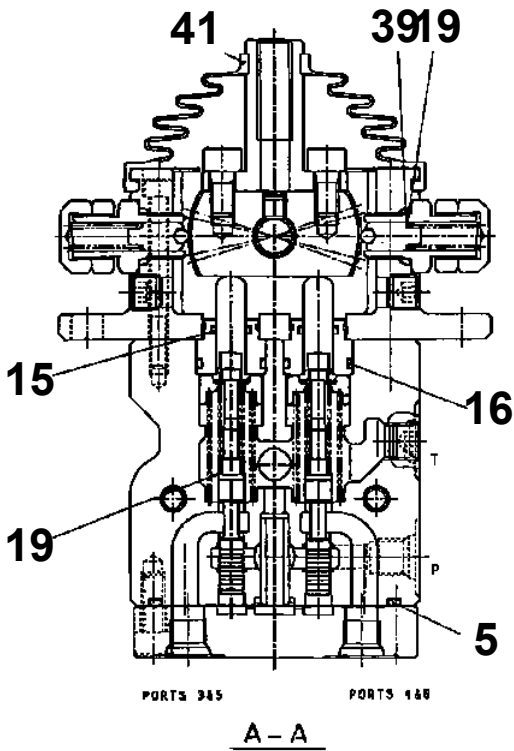


- Please note: If there is no response to CLICKING the link, please download this PDF first and then click on it.

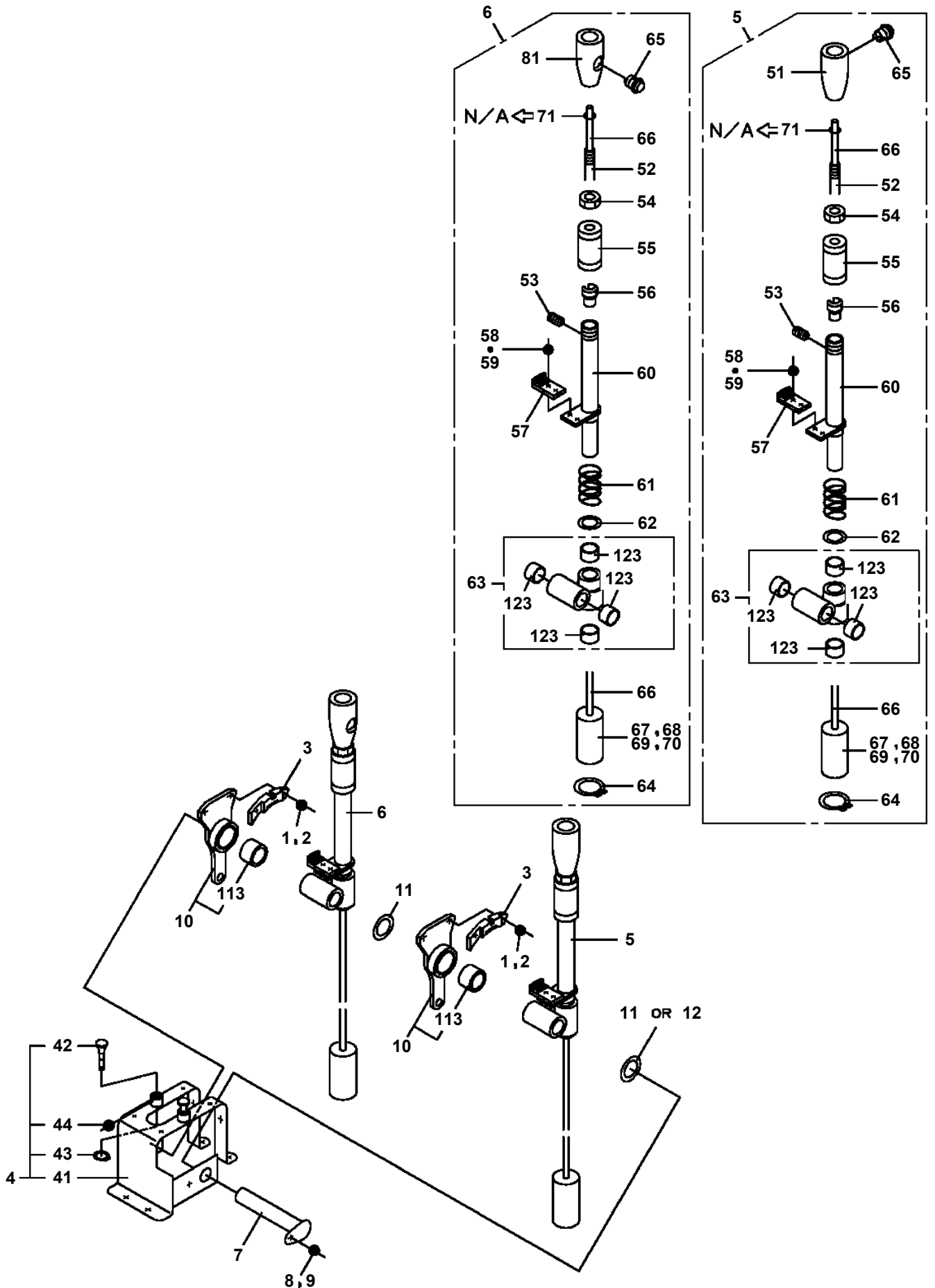
CLICK HERE TO **DOWNLOAD** THE COMPLETE MANUAL

GR-250N-1-00207 4 BOOM + JIB,X,2M2D
 PL1010931-01 OPE.ASSY,CONT.VALVE (ISO)

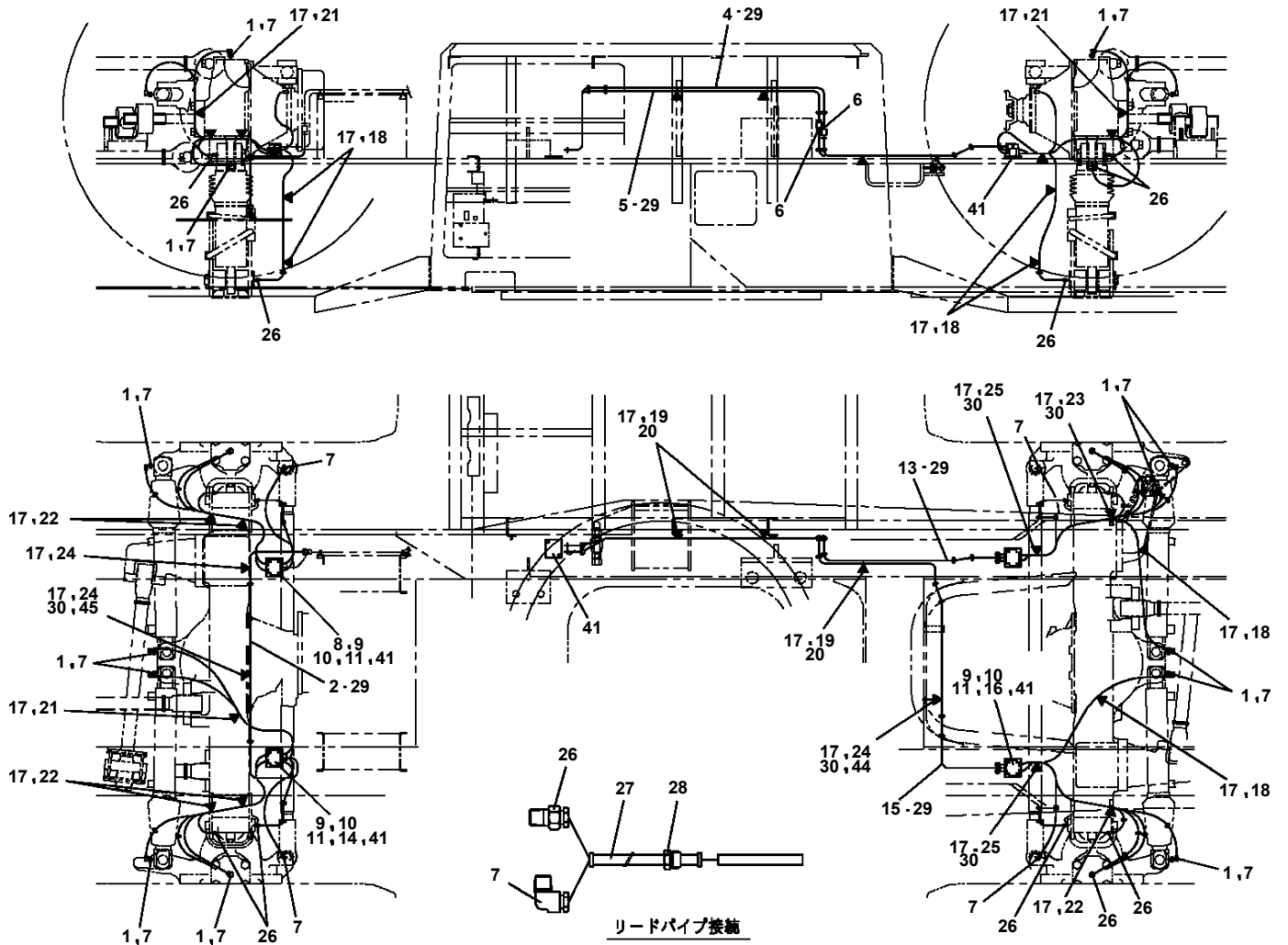




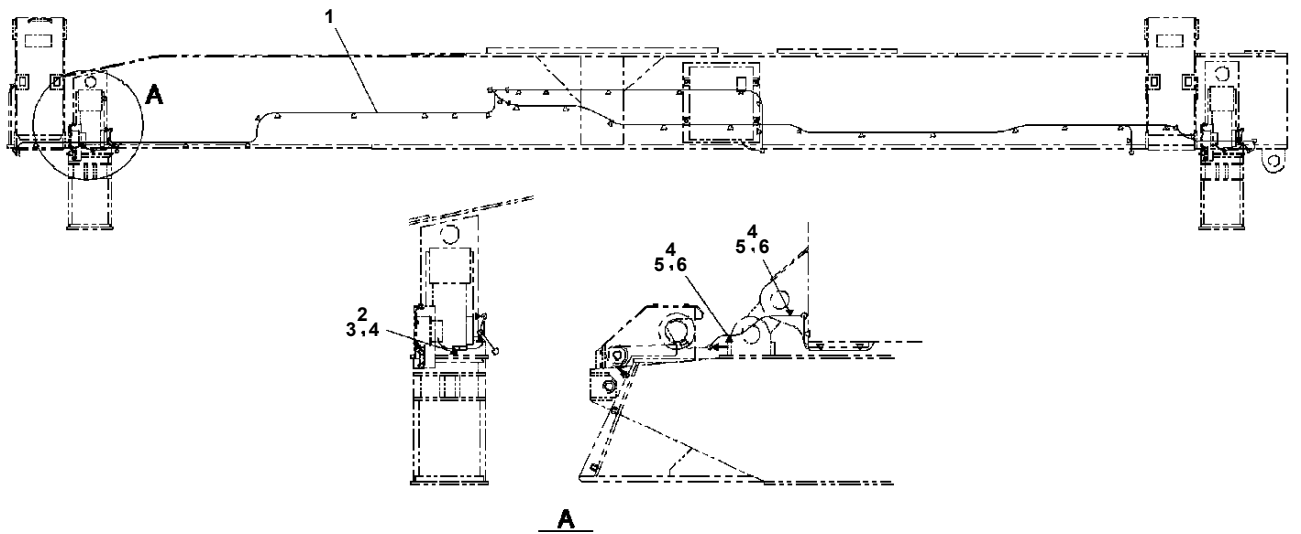
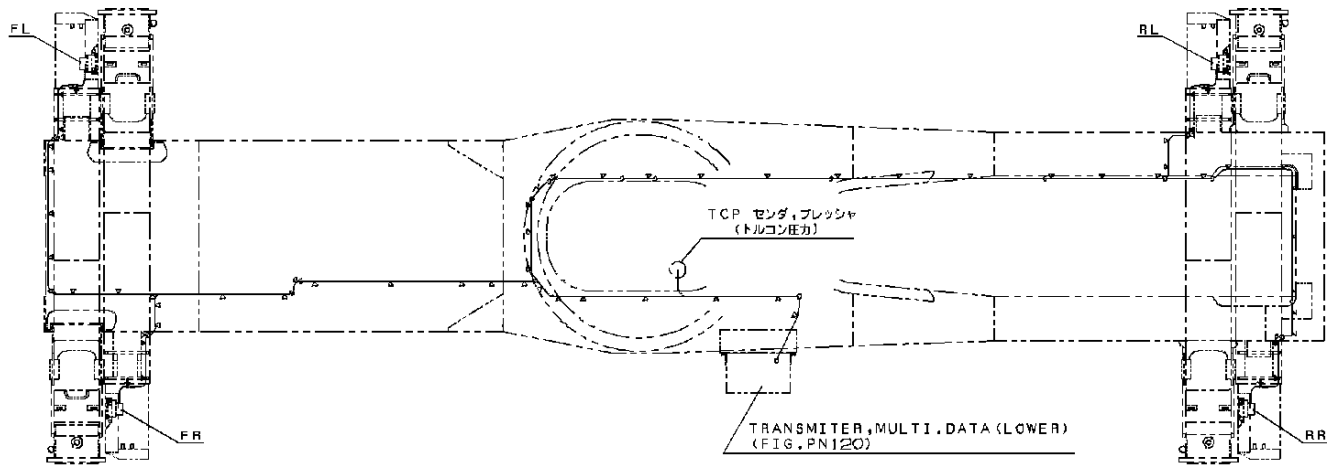
**GR-250N-1-00207 4 BOOM + JIB,X,2M2D
PL5190002-01 LEVER ASSY (2-LEVER)**



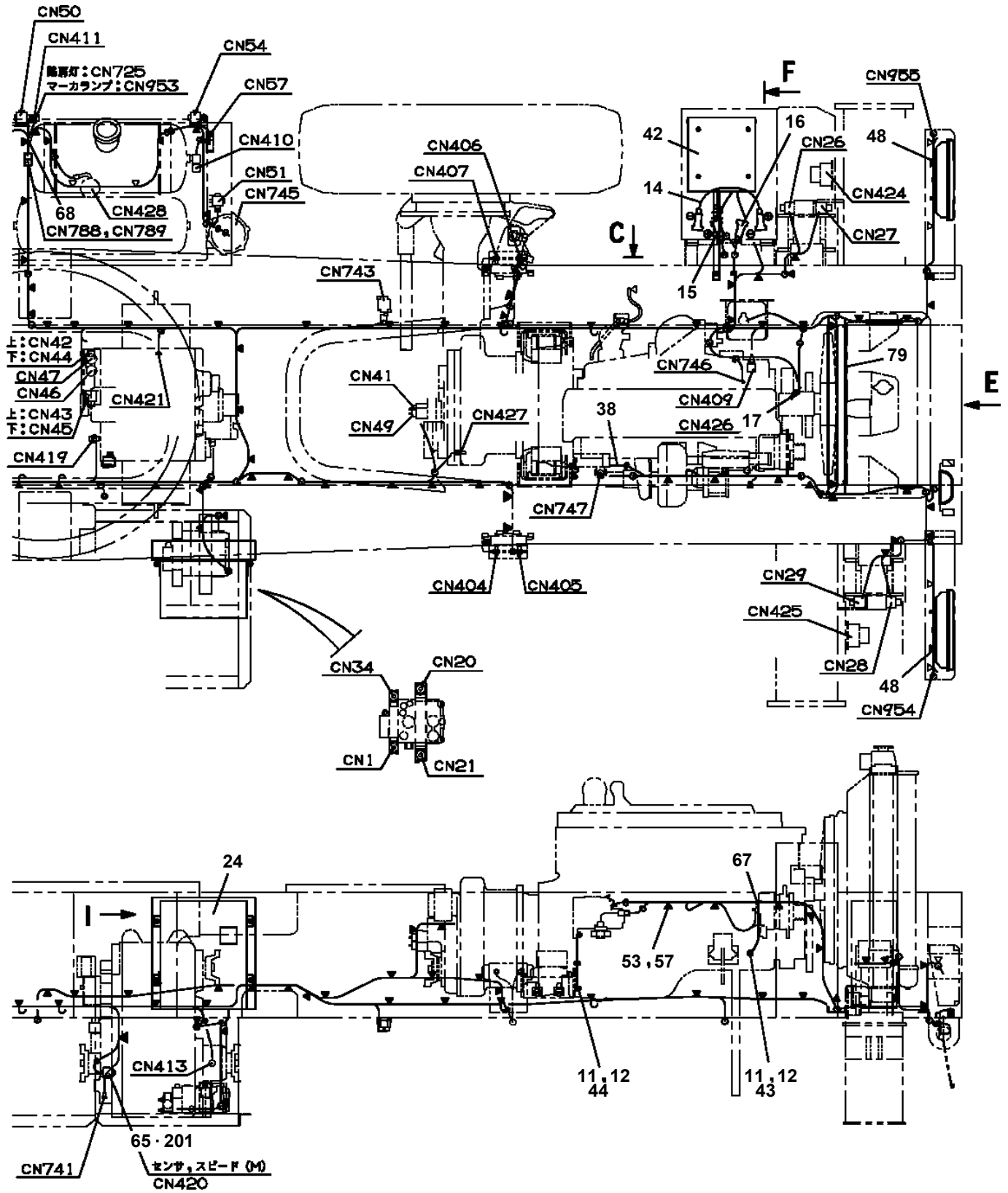
GR-250N-1-00207 4 BOOM + JIB,X,2M2D
PM1050027-02 CENTRAL SYSTEM



GR-250N-1-00207 4 BOOM + JIB,X,2M2D
PN1013085-00 ELEC.ASSY (OUTRIGGER)



GR-250N-1-00207 4 BOOM + JIB,X,2M2D
 PN1014554-02 ELEC.ASSY (LOWER)



REAR SIDE

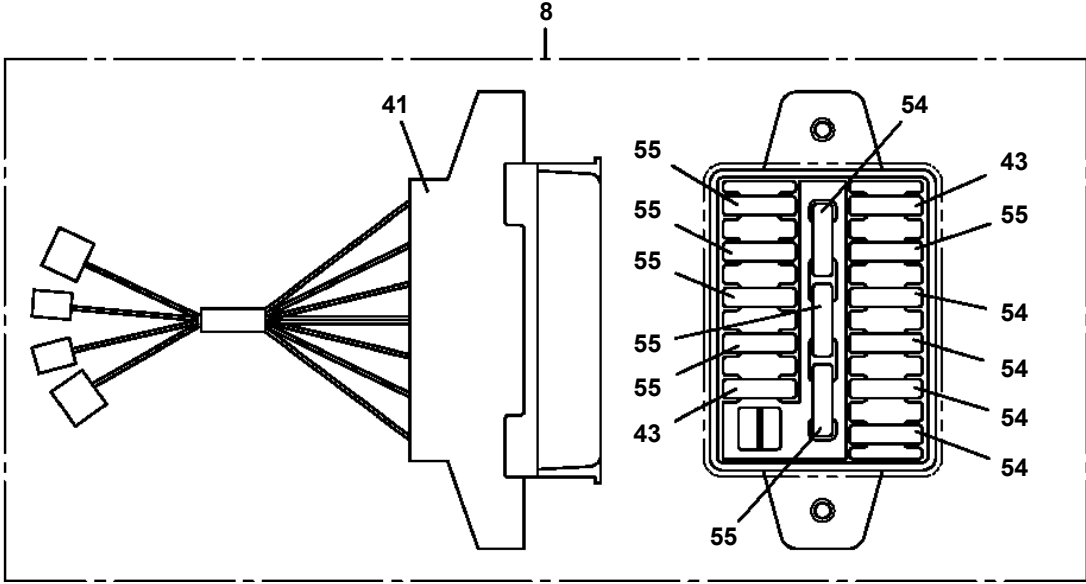
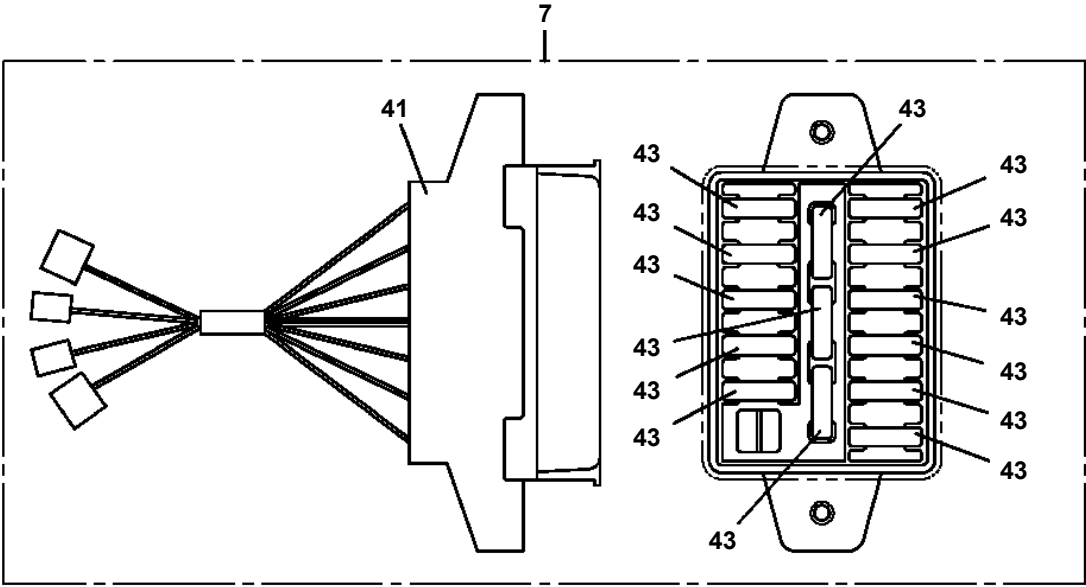
GR-250N-1-00207 4 BOOM + JIB,X,2M2D

Pos No.	Parts No	Parts Name	Qty	Unit	Technical Data	Serial No (Start)	Serial No (End)
1	34352061110	SWITCH,ROCKER (ASSY ONLY)	1				
2	34351961130	SWITCH,ROCKER (ASSY ONLY)	1				
3	34351961140	SWITCH,ROCKER	1				
4	34351961170	SWITCH,ROCKER	1				
5	34351961180	SWITCH,PUSH	1				
6	34351961150	SWITCH,ROCKER	1				
7	34351961160	SWITCH (HAZARD)	1				
8	34352061170	PLATE,NAME (CLUTCH ON)	1				
9	34351901100	LAMP,PILOT	1				
10	34352061140	SWITCH ASSY	2				
11	34351841100	SWITCH ASSY	1				
12	34352061130	SWITCH,ROCKER	1				
13	34351961190	SWITCH,ROCKER	1				
14	34351961200	SWITCH,ROCKER	1				
16	90303070401	WASHER,PLAIN	6		4		
17	80192484012	SCREW,MACHINE (WITH WASHER)	2		M4X12		
18	34351961210	SUPPORT	1				
19	90925040101	SCREW,TAPPING	4		M4X10		
20	82100002267	CONNECTOR	1				
21	82100002263	CONNECTOR	1				
22	90982040160	SCREW,TAPPING	5				
23	34352061180	SUPPORT	1				
45	34351967530	BULB,LAMP	5		28V 1.12W		
54	34351967520	BULB,LAMP	2		28V 0.67W		
68	34351967540	LAMP (SOCKET)	1		28V/1.8W		
71	34351907510	CASE	1				
74	34351907520	LAMP	3		24V 3W		
81	82105210202	SWITCH,TOGGLE	2				
91	82106302001	SWITCH,ROTARY	1				

GR-250N-1-00207 4 BOOM + JIB,X,2M2D

Pos No.	Parts No	Parts Name	Qty	Unit	Technical Data	Serial No (Start)	Serial No (End)	Remarks	Pages
1	34930977510	LENS	1						
100	34930973100	LAMP (CASE,R)	1						

GR-250N-1-00207 4 BOOM + JIB,X,2M2D
PN1110383-01 RELAY ASSY



GR-250N-1-00207 4 BOOM + JIB,X,2M2D

Pos No.	Parts No	Parts Name	Qty	Unit	Technical Data	Serial No (Start)	Serial No (End)	Remarks	Pages
1	34490642000	HARNESS	1						
2	82100001324	CONNECTOR	1						
3	42352971700	SWITCH ASSY	1						
4	90303071801	WASHER,PLAIN	1		18				
5	34490641000	PLATE	1						
15	82109451001	SWITCH (KEY)	1						
33	34490641100	PLATE,NAME	1						

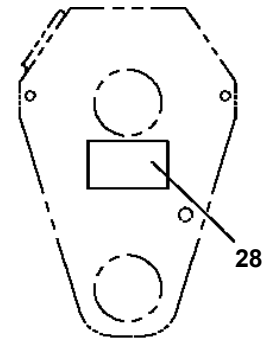
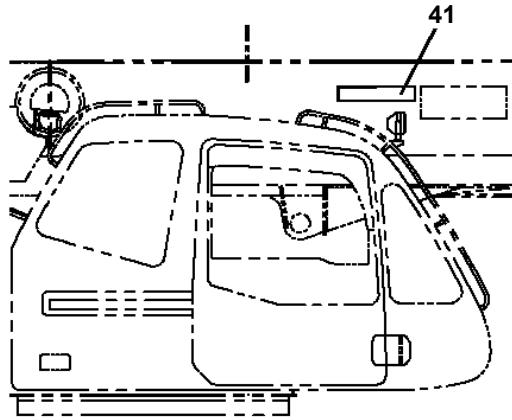
GR-250N-1-00207 4 BOOM + JIB,X,2M2D

Pos No.	Parts No	Parts Name	Qty	Unit	Technical Data	Serial No (Start)	Serial No (End)	Remarks
1	34930096000	BATTERY (YUASA,170F51)	1					

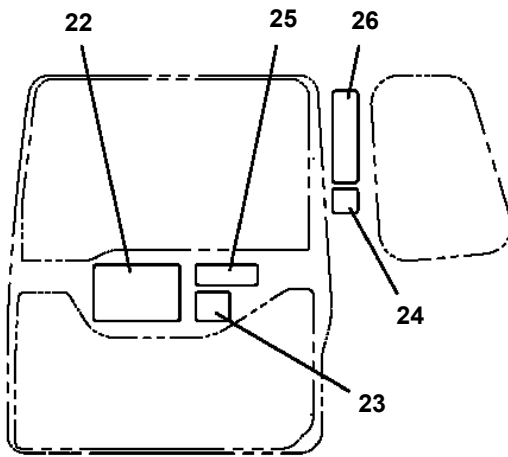
GR-250N-1-00207 4 BOOM + JIB,X,2M2D

Pos No.	Parts No	Parts Name	Qty	Unit	Technical Data	Serial No (Start)	Serial No (End)	Remarks
2	13627152000	PLATE,NAME (6TON)	2					
3	12117140000	PLATE,NAME (GREASE)	1					
4	34474081020	PLATE,NAME	1					

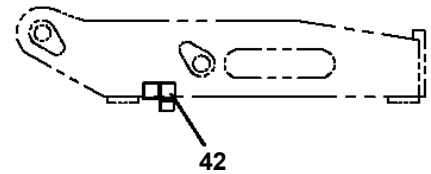
**GR-250N-1-00207 4 BOOM + JIB,X,2M2D
PO1014770-01 PLATE ASSY,NAME (UPPER,1)**



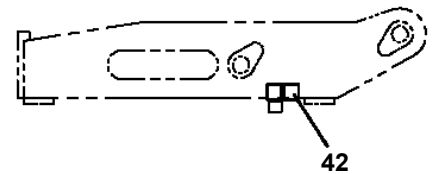
MAIN HOOK



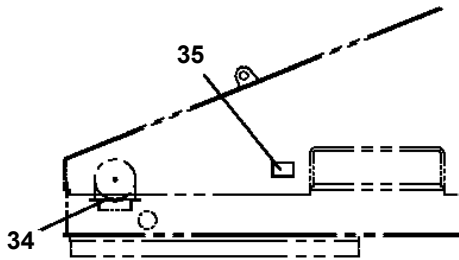
INSIDE OF DOOR



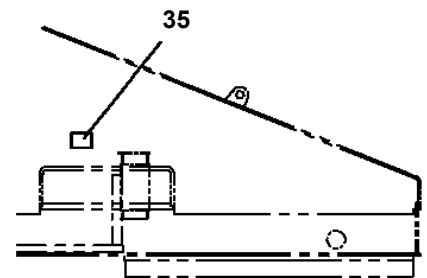
WINCH BRAKE (MAIN)



WINCH BRAKE (AUX.)



SWING FRAME (LEFT)



SWING FRAME (RIGHT)

GR-250N-1-00207 4 BOOM + JIB,X,2M2D

Pos No.	Parts No	Parts Name	Qty	Unit	Technical Data	Serial No (Start)	Serial No (End)	Remarks	Pages
1	37002215860	PLATE,NAME	1						

GR-250N-1-00207 4 BOOM + JIB,X,2M2D

Pos No.	Parts No	Parts Name	Qty	Unit	Technical Data	Serial No (Start)	Serial No (End)	Remarks	Pa
1	37002224030	PLATE,NAME (WHITE)	32						

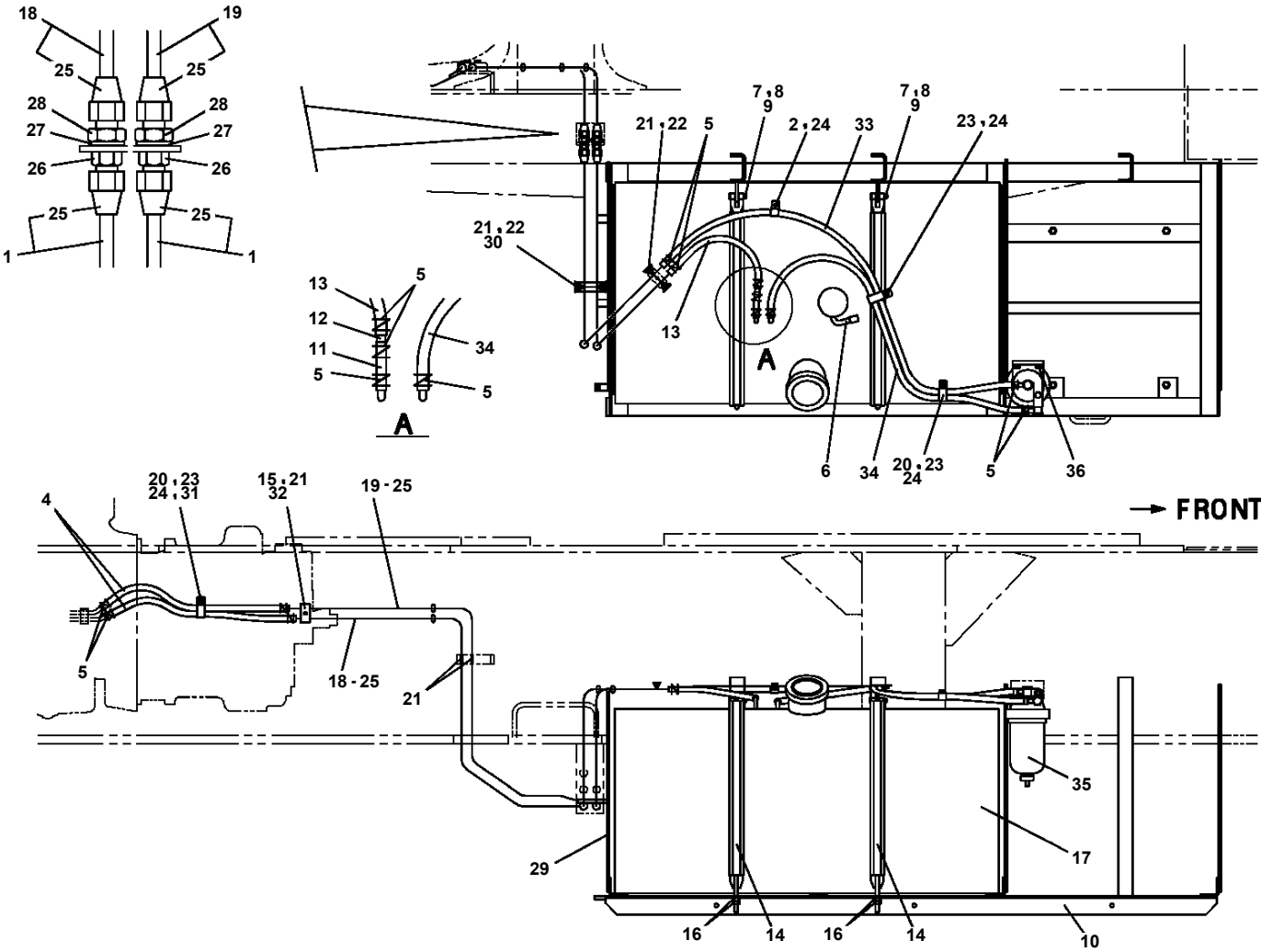
GR-250N-1-00207 4 BOOM + JIB,X,2M2D

Pos No.	Parts No	Parts Name	Qty	Unit	Technical Data	Serial No (Start)	Serial No (End)
1	34721271001	SWITCH ASSY	1				
2	80192485014	SCREW,MACHINE (WITH WASHER)	4		M5X14		
21	34721277510	BULB,LAMP	1		24V 1.5W		

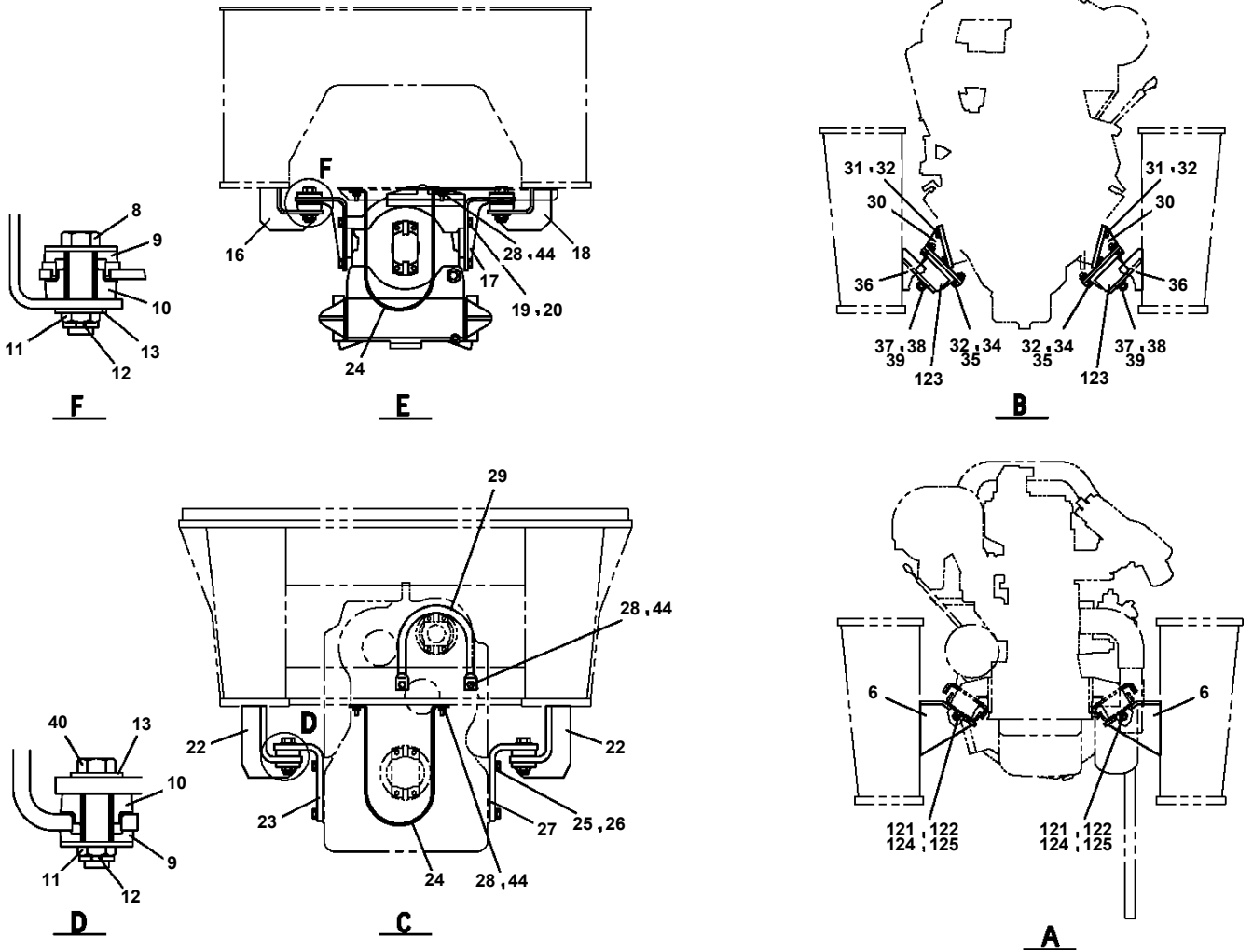
GR-250N-1-00207 4 BOOM + JIB,X,2M2D

Pos No.	Parts No	Parts Name	Qty	Unit	Technical Data	Serial No (Start)	Serial
2	36361193020	HOSE	1				
3	36361193030	HOSE	1				
4	36361113040	HOSE	1				
5	36361113050	HOSE (FOR RADIATOR ME078920)	1				
6	36360803050	CLIP (INTERCOOLER HOSE/D=MIN87,MAX116)	2				
7	36360803060	CLIP (INTERCOOLER HOSE/D=MIN77,MAX99)	4				
8	36360803070	CLIP (RADIATER HOSE/D=60)	1				
9	36360803080	CLIP (RADIATER HOSE/D=80)	2				
10	36360803090	GUIDE (FAN SHROUD)	1				
11	36360591050	CLAMP (FAN SHROUD SEAL)	1				
12	36361193050	HOSE (FOR RADIATOR)	1				
13	36360591030	GUIDE (FAN RING)	1				
14	36360953040	SUPPORT (FAN RING)	2				
15	36361193060	CLIP (FOR RADIATOR HOSE)	1				
31	36361195030	BOLT	16				
41	36360957510	CAP	1				
42	36330095110	COCK,DRAIN	1				
43	36361195020	HOSE (DRAIN)	1				
50	36361195040	RADIATOR ASSY (WITH INTER COOLER)	1				
60	36361195010	RADIATOR ASSY	1				
70	36360957530	COOLER ASSY	1				

GR-250N-1-00207 4 BOOM + JIB,X,2M2D
PQ1090079-02 TANK,FUEL INSTALLATION



GR-250N-1-00207 4 BOOM + JIB,X,2M2D
PQ1140126-00 POWER TRAIN



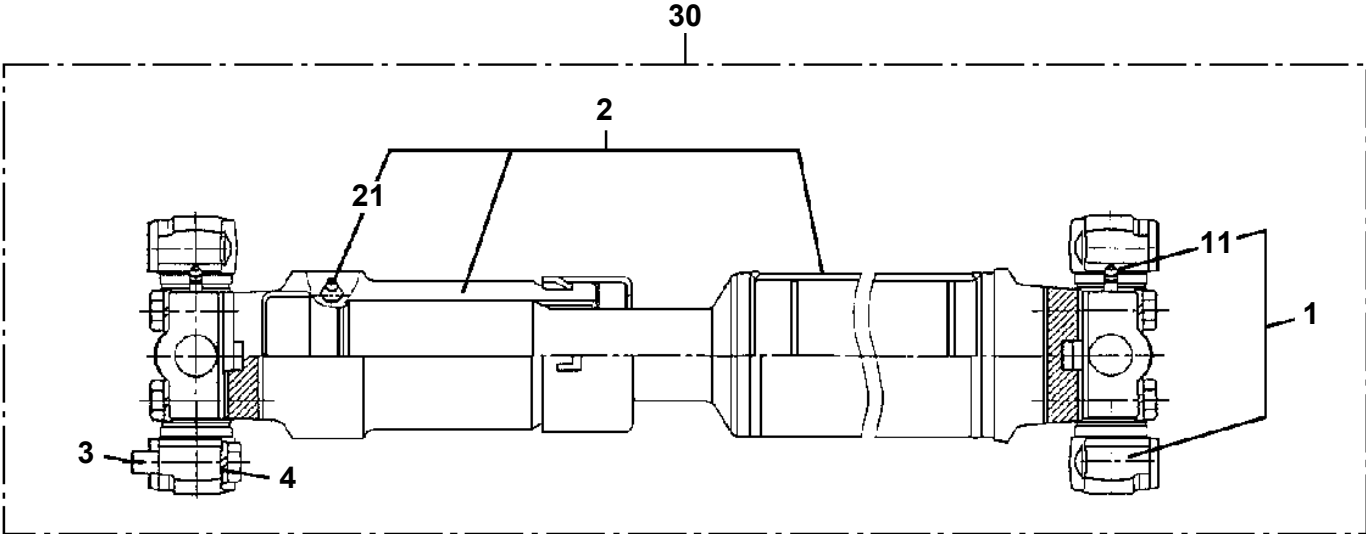
GR-250N-1-00207 4 BOOM + JIB,X,2M2D

Pos No.	Parts No	Parts Name	Qty	Unit	Technical Data	Serial No (Start)	Serial No (End)	Remarks
66	91067213000	O-RING	1		4E G130			

GR-250N-1-00207 4 BOOM + JIB,X,2M2D

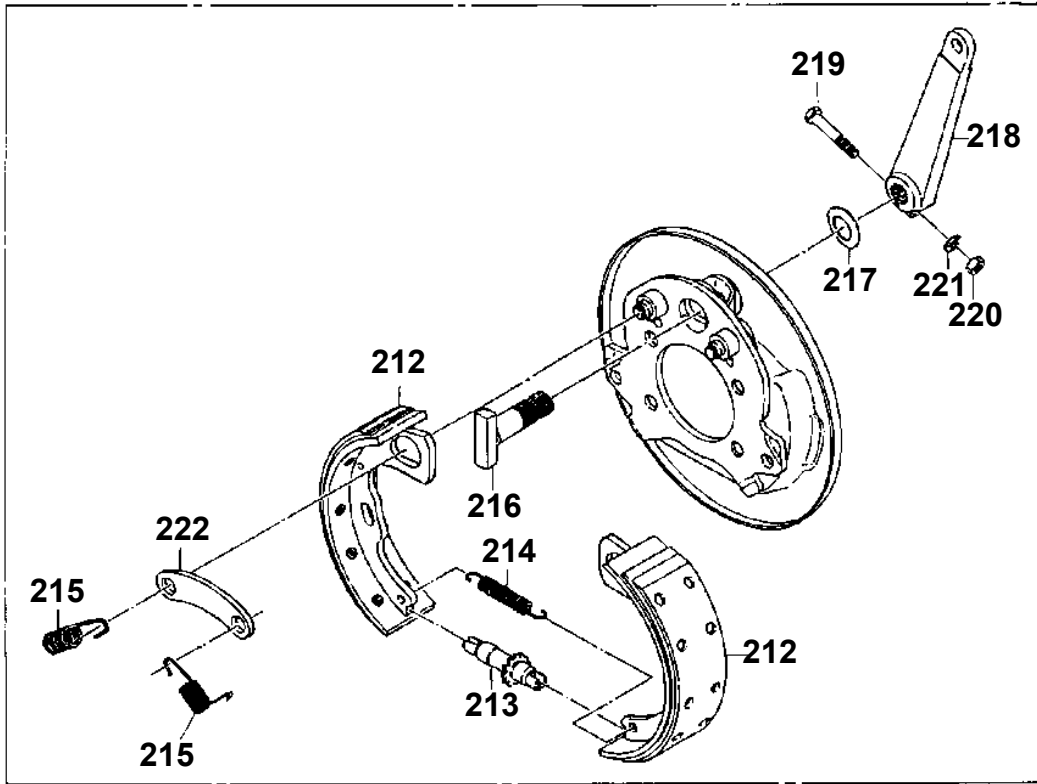
Pos No.	Parts No	Parts Name	Qty	Unit	Technical Data	Serial No (Start)	Serial No (End)	Ren
62	36350535260	WASHER	2					
63	91067105300	O-RING	2		4E P53		FB5082	
	36350685090	O-RING	2			FB5083		
64	36350555240	COVER	1					
65	36350555250	GASKET	1					
66	36350555260	GEAR (SPEED METER)	1					
67	80560054000	BALL,STEEL	1		5/32			
68	80601110300	RING,RITAINING	4		S30			
69	80500006006	BEARING,BALL	2					
70	80602110550	RING,RITAINING	1		R55			
71	36350555270	GEAR (SPEED METER)	1					
72	36350265690	BUSH	1					
73	91067103200	O-RING	1		4E P32			
74	90720008120	SCREW,SET	1		M8X12			
75	36350265710	SEAL,OIL	1				FB5082	
	36350265711	SEAL,OIL	1			FB5083		
76	36350535300	STRAINER	1					
77	36350265580	GASKET	2					
78	36350555280	FLANGE	1					
79	36350555290	GAUGE,OIL	1					
80	36350555300	PIPE	1					
81	36350265900	PLUG	1				FB5082	
	36350685180	PLUG	1			FB5083		
82	36350265630	O-RING	2					
83	36370207500	PISTON	2					
84	36370305610	SPRING (PRESSURE)	1					
85	36370305620	SPRING (PRESSURE)	1					
86	36370207450	PISTON	1					
87	36370207440	SPRING	1					
88	36350365760	PISTON	2					
89	36350525290	SPRING	1					
90	36350525330	SPRING	1					
91	36350525300	SPRING	1					
92	36350525320	STOPPER	1					
97	36350485380	SPRING	1					
98	36350485370	SPRING	1					
99	36350485360	STOPPER	1					
100	36350265620	SPRING	1					
102	36350265640	PLUG	1					
103	36350705170	CHOKE	1					
104	36370615180	BREATHER	1					
105	36350525370	FILTER	2					
107	36370295090	RIVET	2					
108	36350555320	BRACKET	1					
109	36350555330	BRACKET	1					
110	36350555340	SHROUD	1					
111	36350555350	JOINT	1					
112	91067202500	O-RING	1		4E G25			
113	36350555360	SENSOR,PRESSURE	1					
114	36350555370	O-RING	1					
115	91067101100	O-RING	1		4E P11		FB5082	
116	36350265850	GASKET	1					
117	90171108020	BOLT	2		M8X20			
118	90171108025	BOLT	2		M8X25			
119	90171110030	BOLT	37		M10X30			
120	90171110035	BOLT	30		M10X35			
121	90171110045	BOLT	3		M10X45			
122	90171110080	BOLT	2		M10X80			
123	90171110085	BOLT	7		M10X85			
124	36350555380	BOLT	2					
125	36350455430	BOLT (WITH FLANGE)	6				FB5082	
	36350535710	BOLT (WITH FLANGE)	6			FB5083		
126	36350455440	BOLT (WITH FLANGE)	2				FB5082	

GR-250N-1-00207 4 BOOM + JIB,X,2M2D
PR1600036-01 PROPELLER SHAFT,DRIVING

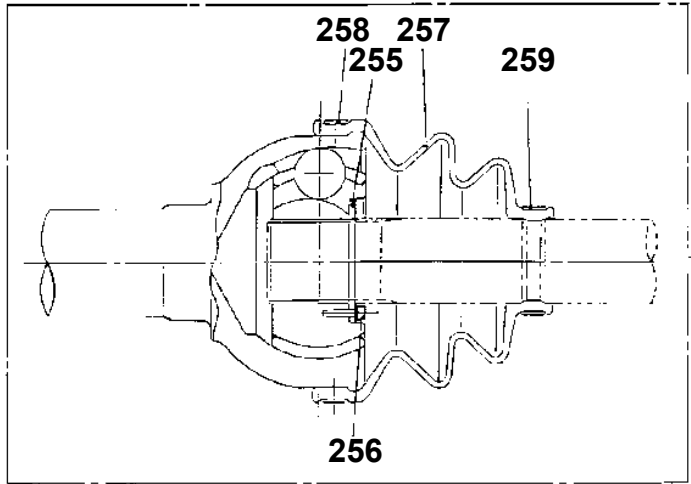


GR-250N-1-00207 4 BOOM + JIB,X,2M2D
PR1620060-01 AXLE,DRIVING (FRONT)

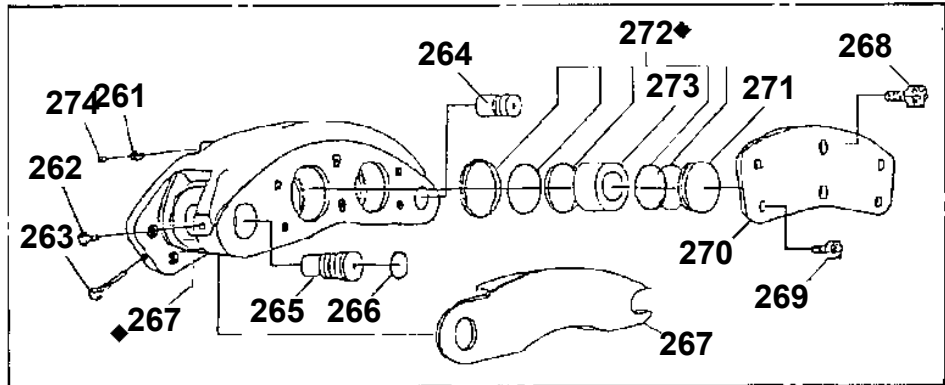
AXLE, DRIVING (FRONT)



11



143

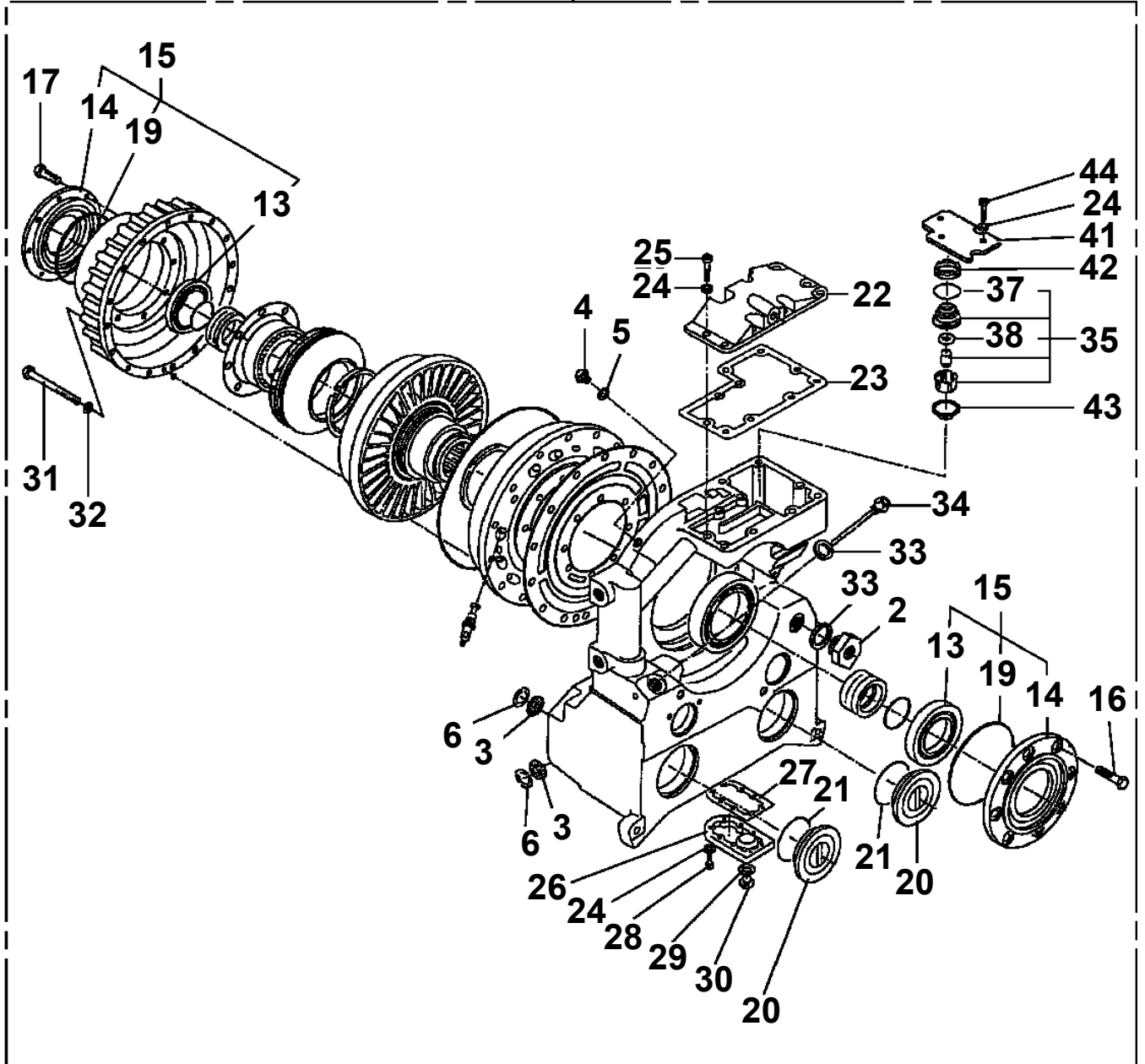


191192

GR-250N-1-00207 4 BOOM + JIB,X,2M2D
PR1720017-00 RETARDER

200

A B



GR-250N-1-00207 4 BOOM + JIB,X,2M2D

Pos No.	Parts No	Parts Name	Qty	Unit	Technical Data	Serial No (Start)	Serial No (End)
1	37003899040	VALVE (TRJ653+ ADAPTER(AD-1)+CAP)	1				
10	37003802480	TIRE (WITH VALVE)	1				

GR-250N-1-00207 4 BOOM + JIB,X,2M2D

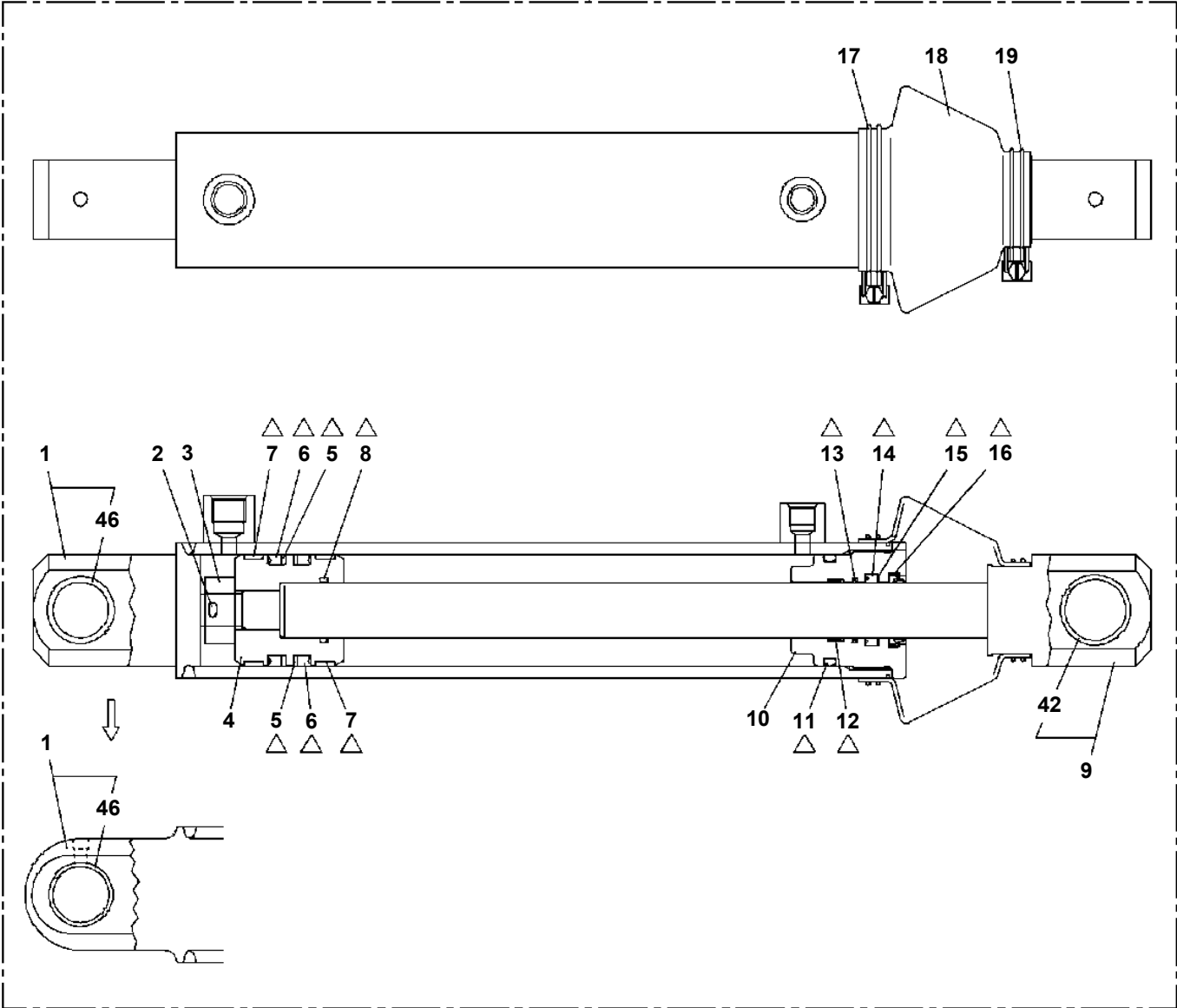
Pos No.	Parts No	Parts Name	Qty	Unit	Technical Data	Serial No (Start)	Serial No (End)	Remarks	Page
1	37003901101	WHEEL,TIRE (TOPY)	1						0002
2	37003802480	TIRE (WITH VALVE)	1						0002

GR-250N-1-00207 4 BOOM + JIB,X,2M2D

Pos No.	Parts No	Parts Name	Qty	Unit	Technical Data	Serial No (Start)	Serial No (End)	Remarks	Pages
1	34721427530	KNOB (HANDLE)	1						
2	34721427540	CAP (HORN)	1						
100	34721421100	WHEEL,STEERING	1						

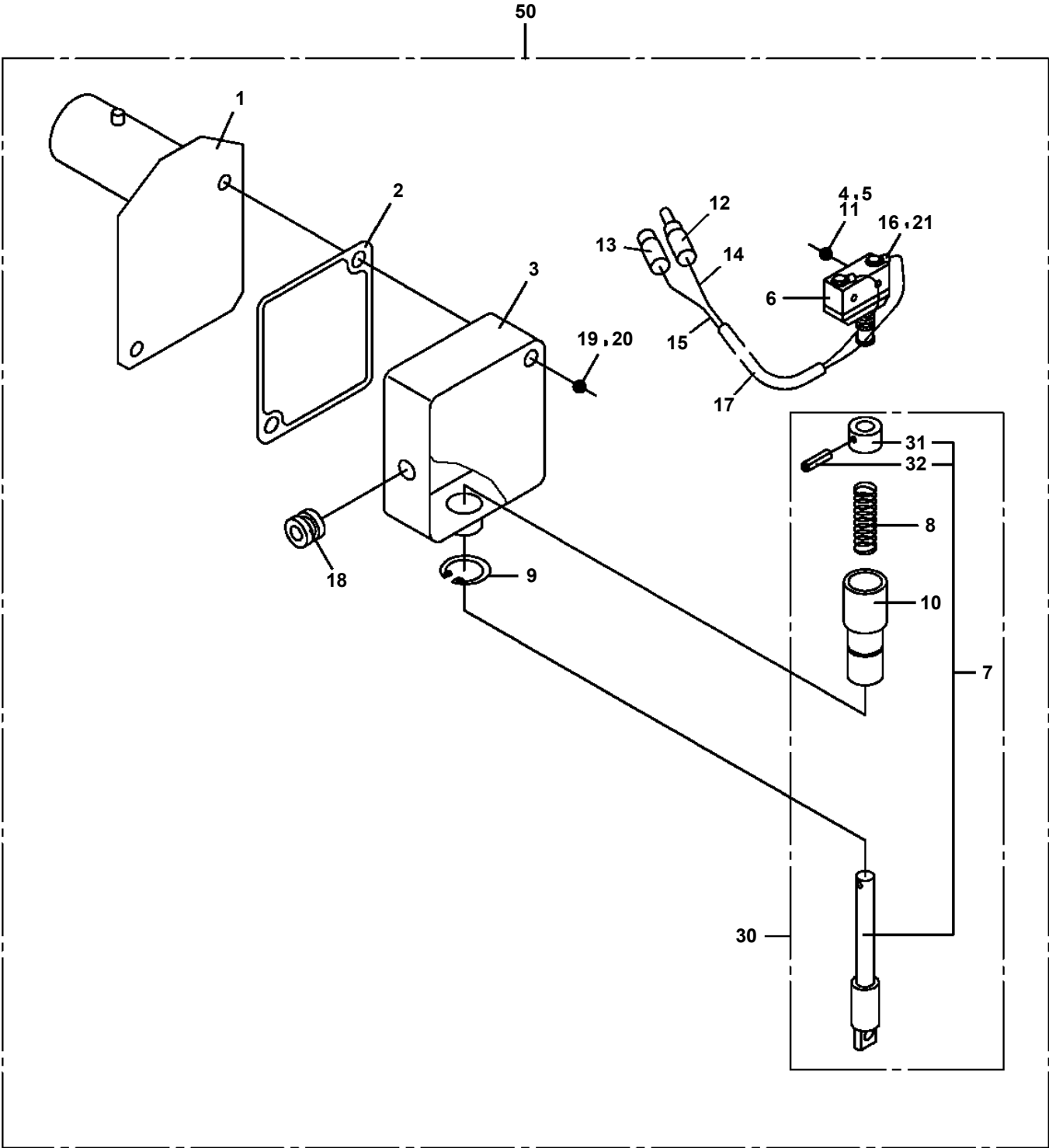
**GR-250N-1-00207 4 BOOM + JIB,X,2M2D
PS1360043-02 CYLINDER,STEERING**

50

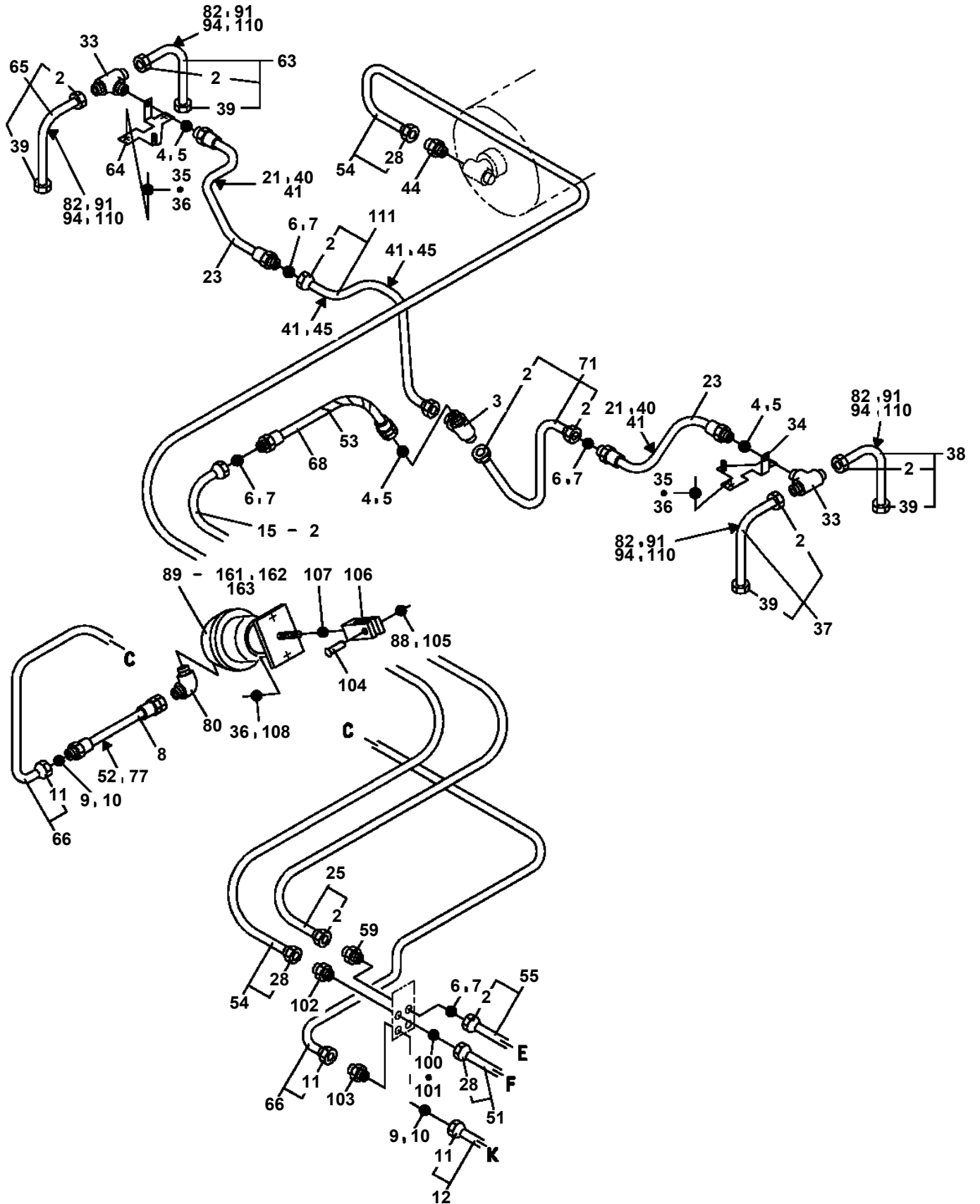


△: PACKING SET KEY NO. 30 (KEY NO. 5, 6, 7, 8, 11, 12, 13, 14, 15, 16)

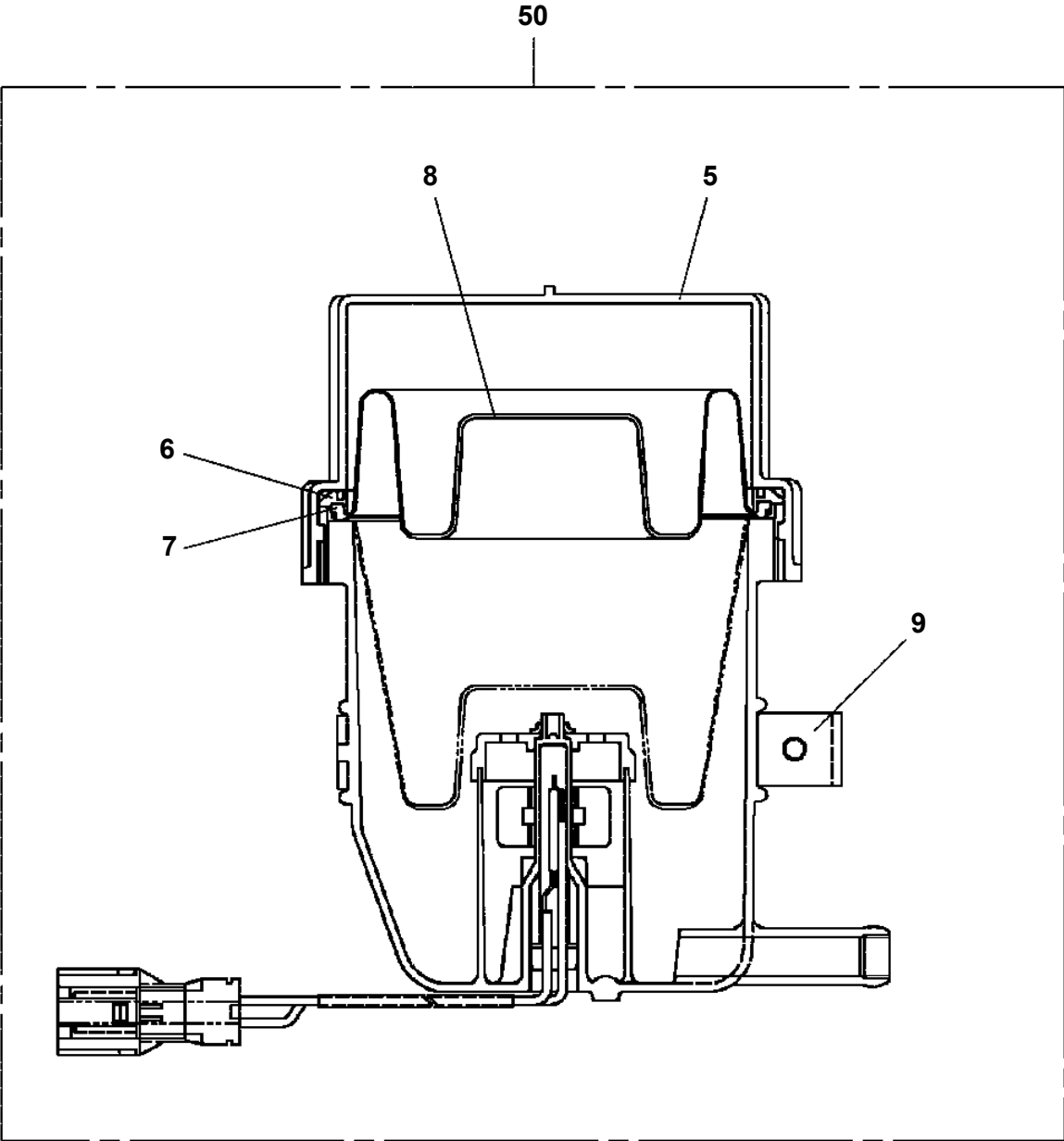
GR-250N-1-00207 4 BOOM + JIB,X,2M2D
PS5540003-00 SWITCH (OVER WIND/JIB & SINGLE TOP)



GR-250N-1-00207 4 BOOM + JIB,X,2M2D
PT1200105-04 PIPING,BRAKE (LOWER)



GR-250N-1-00207 4 BOOM + JIB,X,2M2D
PT1260003-03 TANK,BRAKE FLUID



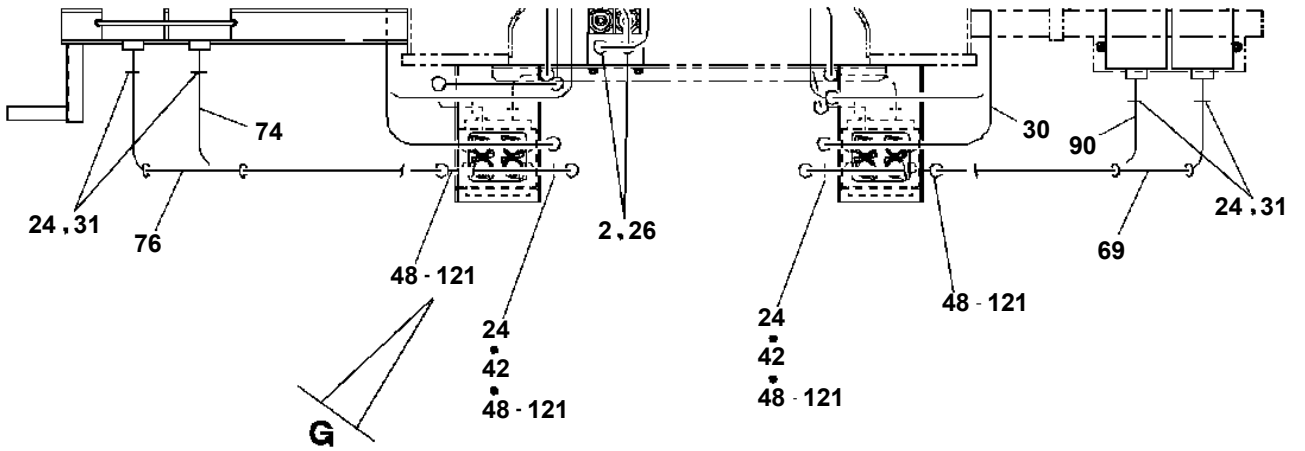
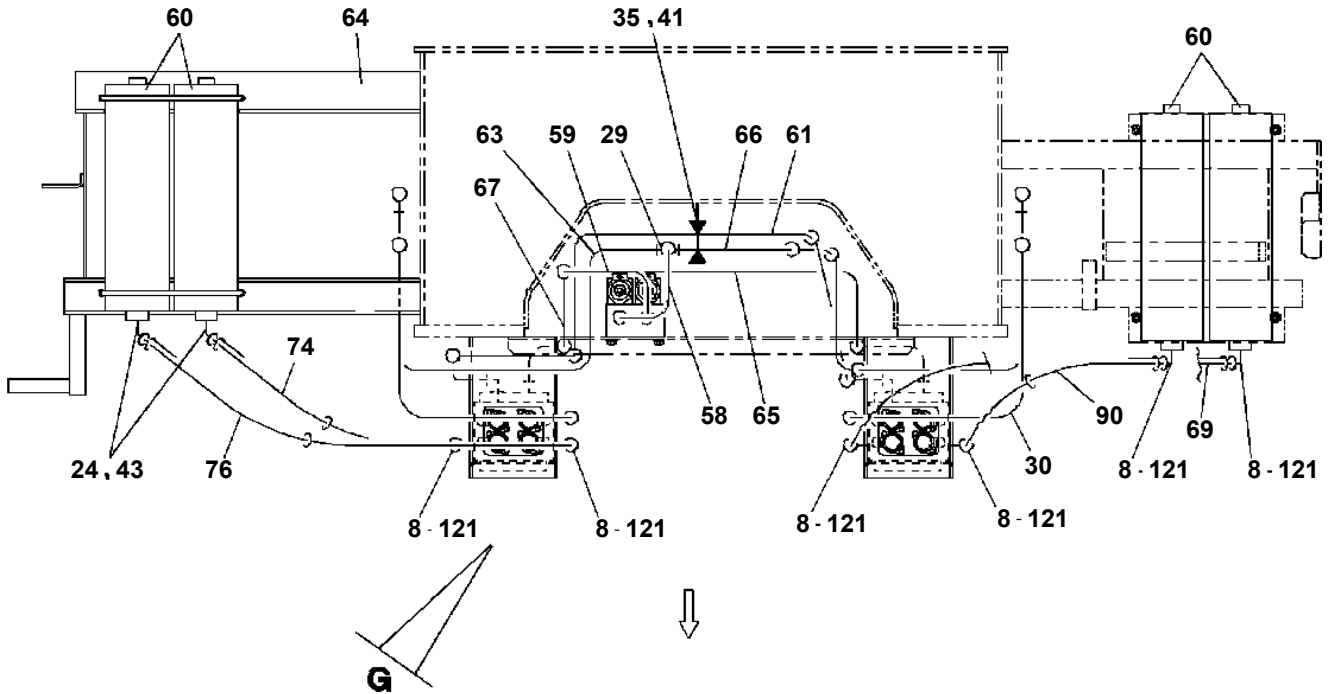
GR-250N-1-00207 4 BOOM + JIB,X,2M2D

Pos No.	Parts No	Parts Name	Qty	Unit	Technical Data	Serial No (Start)	Serial No (End)	Remarks	Page
59	36870365030	HEATER	1						
60	36870415010	THERMOSTAT	1						
71	36870365010	VALVE ASSY	1						
72	36870365020	CARTRIDGE	1						
	36870365021	CARTRIDGE	1			FB6100	FB6099		
73	36870365051	FILTER (REPAIR KIT)	1						
100	36870360000	DRIER,AIR	1						

GR-250N-1-00207 4 BOOM + JIB,X,2M2D

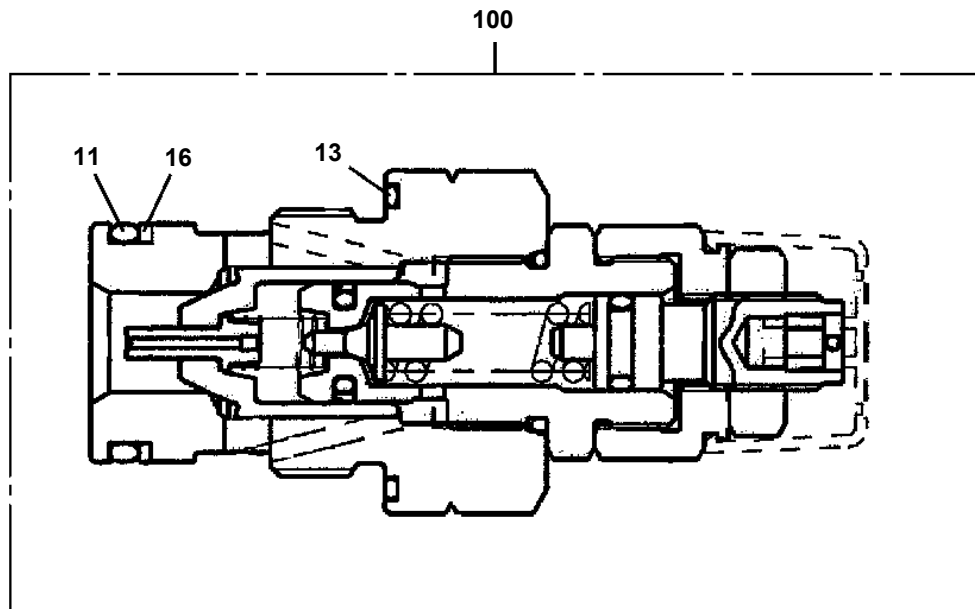
Pos No.	Parts No	Parts Name	Qty	Unit	Technical Data	Serial No (Start)	Serial No (End)	Remarks	Pa
2	34790237510	BEARING	4						
3	34790237520	BEARING	4						
4	34790237530	BALL	2						
5	34790237540	COVER	2						
6	34790237550	BOLT	12		M8X1.25				
7	34790237560	BOOT ASSY	4						
30	34790335000	ROD,TORQUE (L=800)	1						

GR-250N-1-00207 4 BOOM + JIB,X,2M2D
PU1150011-01 PIPING,SUSPENSION

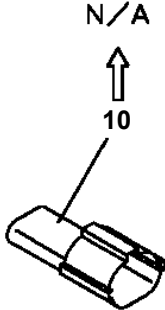
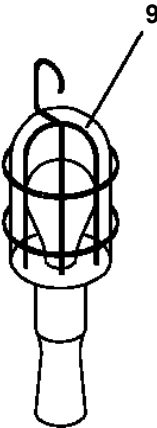
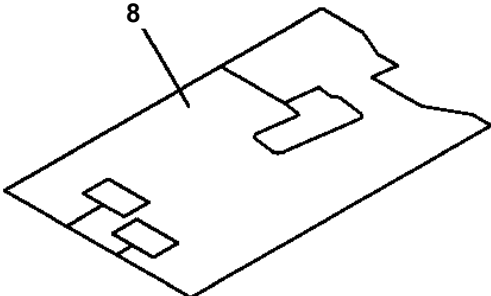
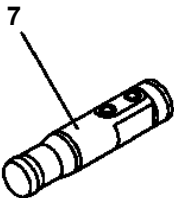
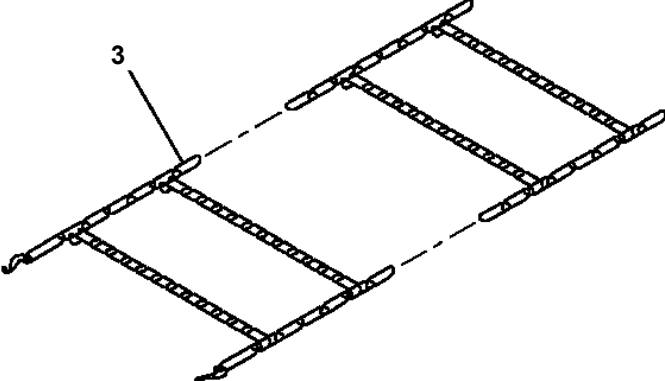


A - A

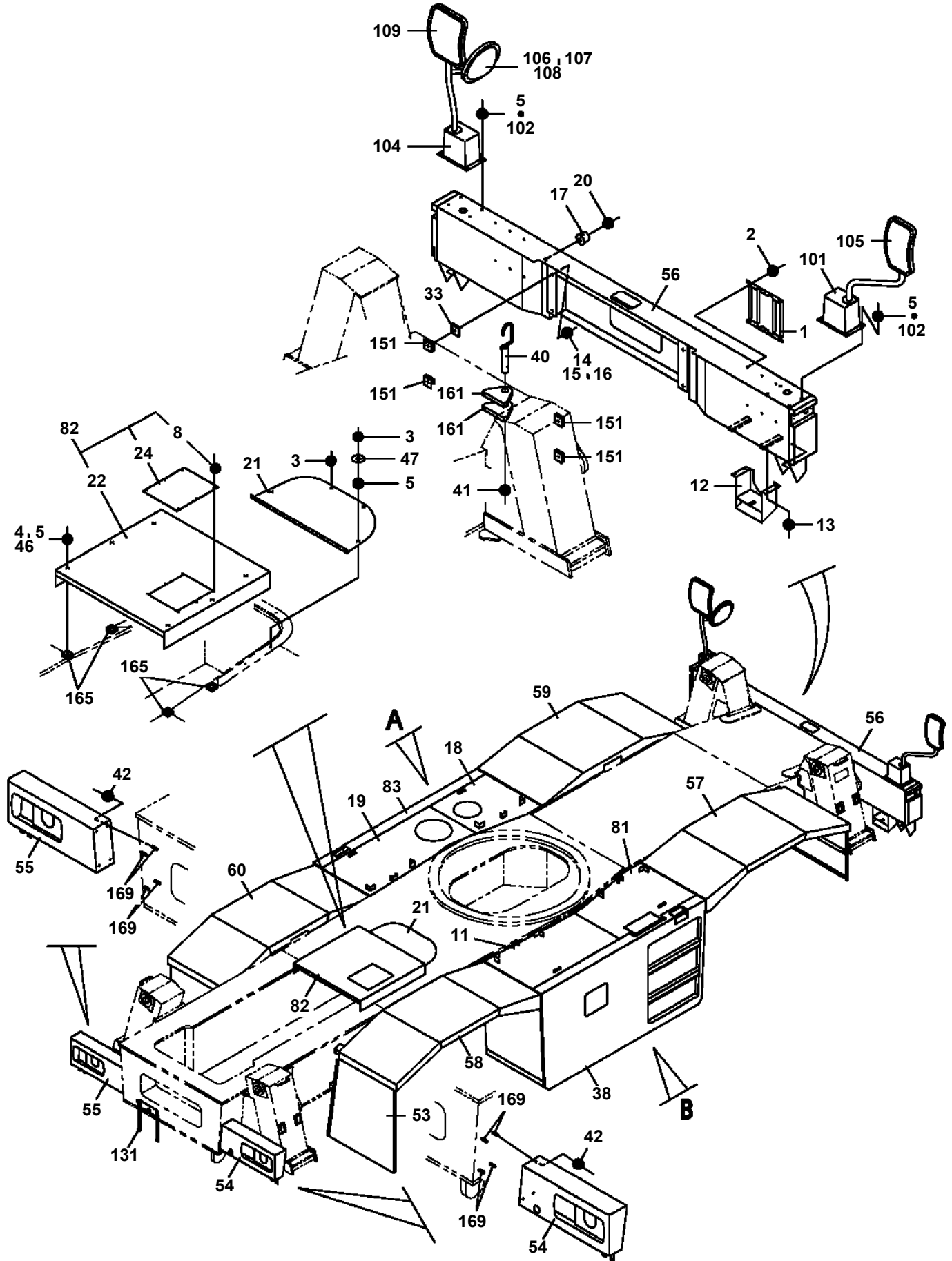
GR-250N-1-00207 4 BOOM + JIB,X,2M2D
PV5140035-00 VALVE ASSY,RELIEF



GR-250N-1-00207 4 BOOM + JIB,X,2M2D
PW1010456-01 ACCESSORIES

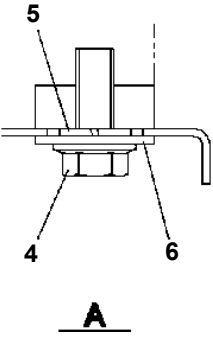
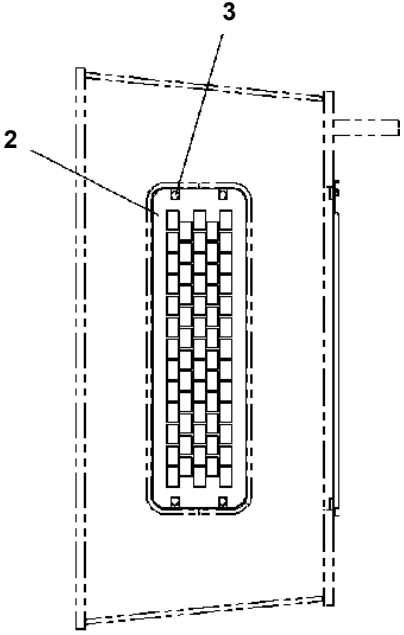
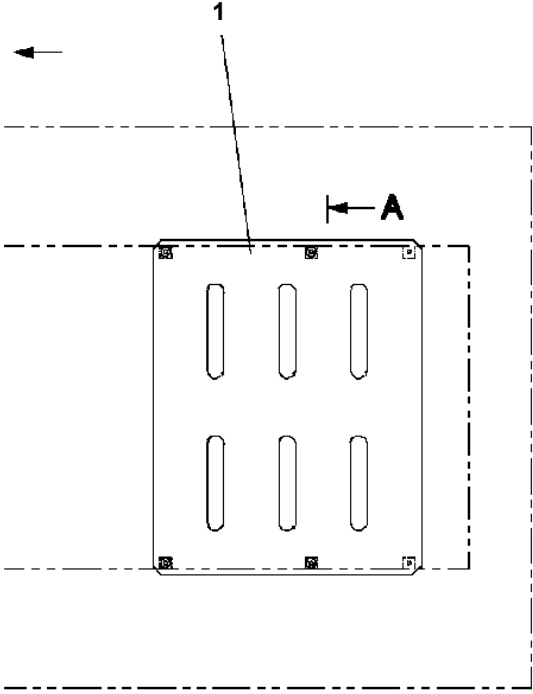


GR-250N-1-00207 4 BOOM + JIB,X,2M2D
PX1030685-00 FENDER

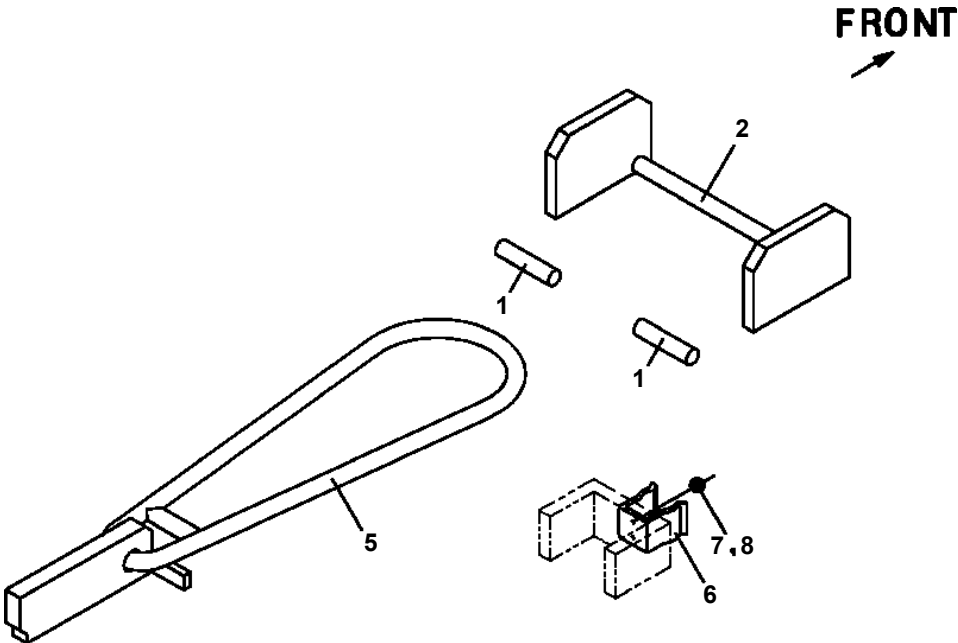


GR-250N-1-00207 4 BOOM + JIB,X,2M2D
PX1050109-00 ROOM,ENGINE (REAR,UNDER COVER)

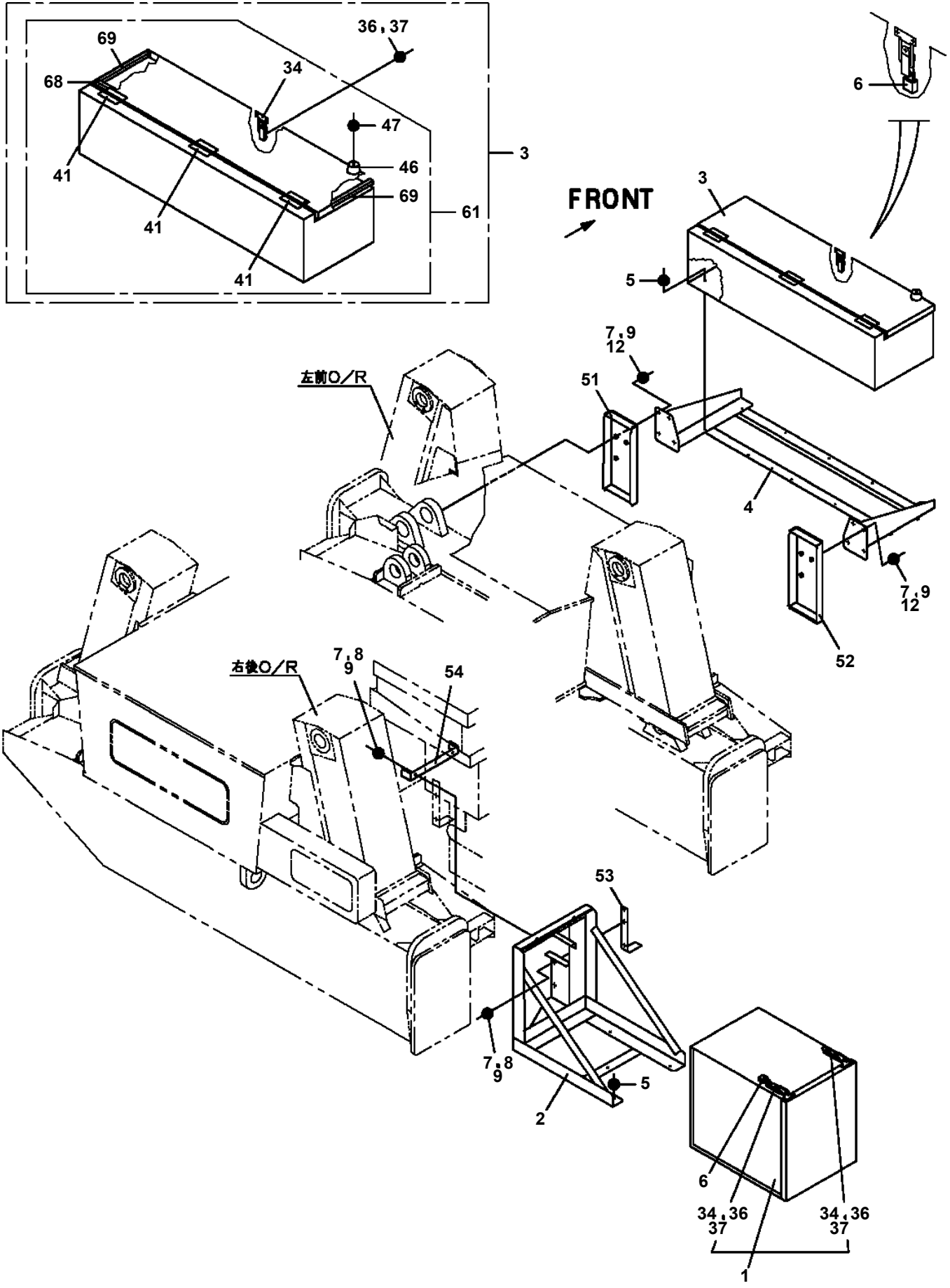
FRONT ←



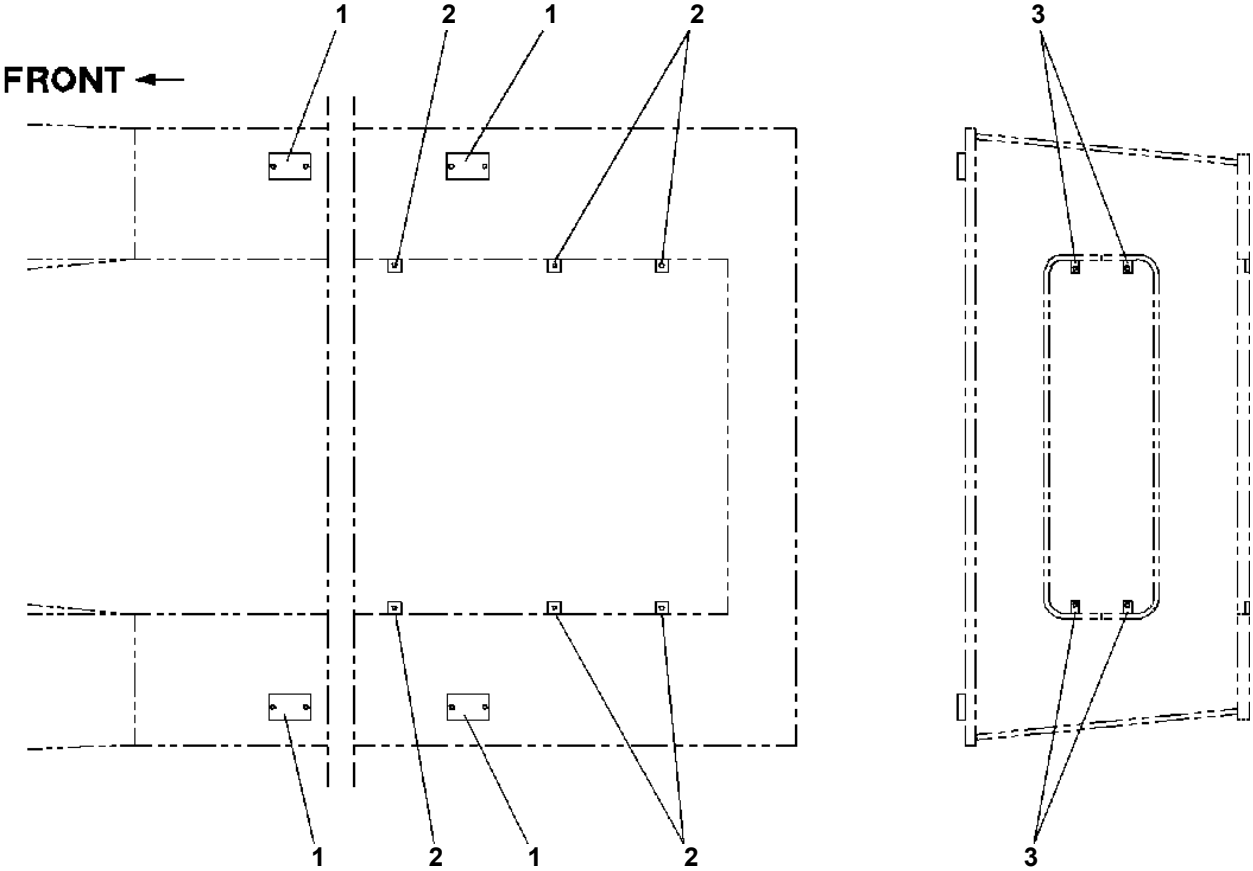
**GR-250N-1-00207 4 BOOM + JIB,X,2M2D
PX1180326-00 MOUNT,HOOK (MAIN)**



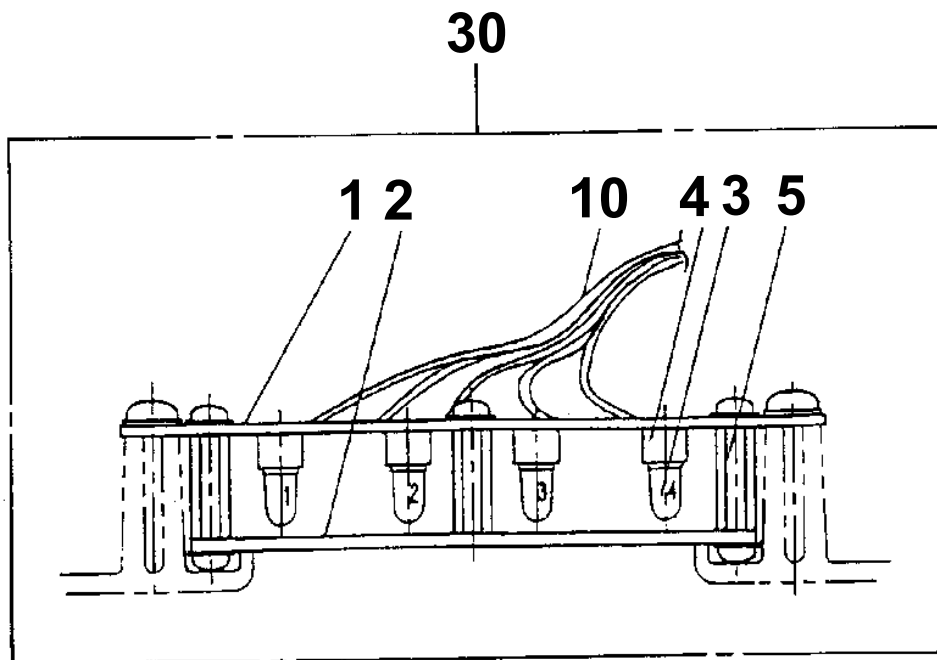
GR-250N-1-00207 4 BOOM + JIB,X,2M2D
 PX1350938-02 BOX,TOOL



**GR-250N-1-00207 4 BOOM + JIB,X,2M2D
PX1810099-00 MOUNT,SUPPORT (ENGINE COVER)**



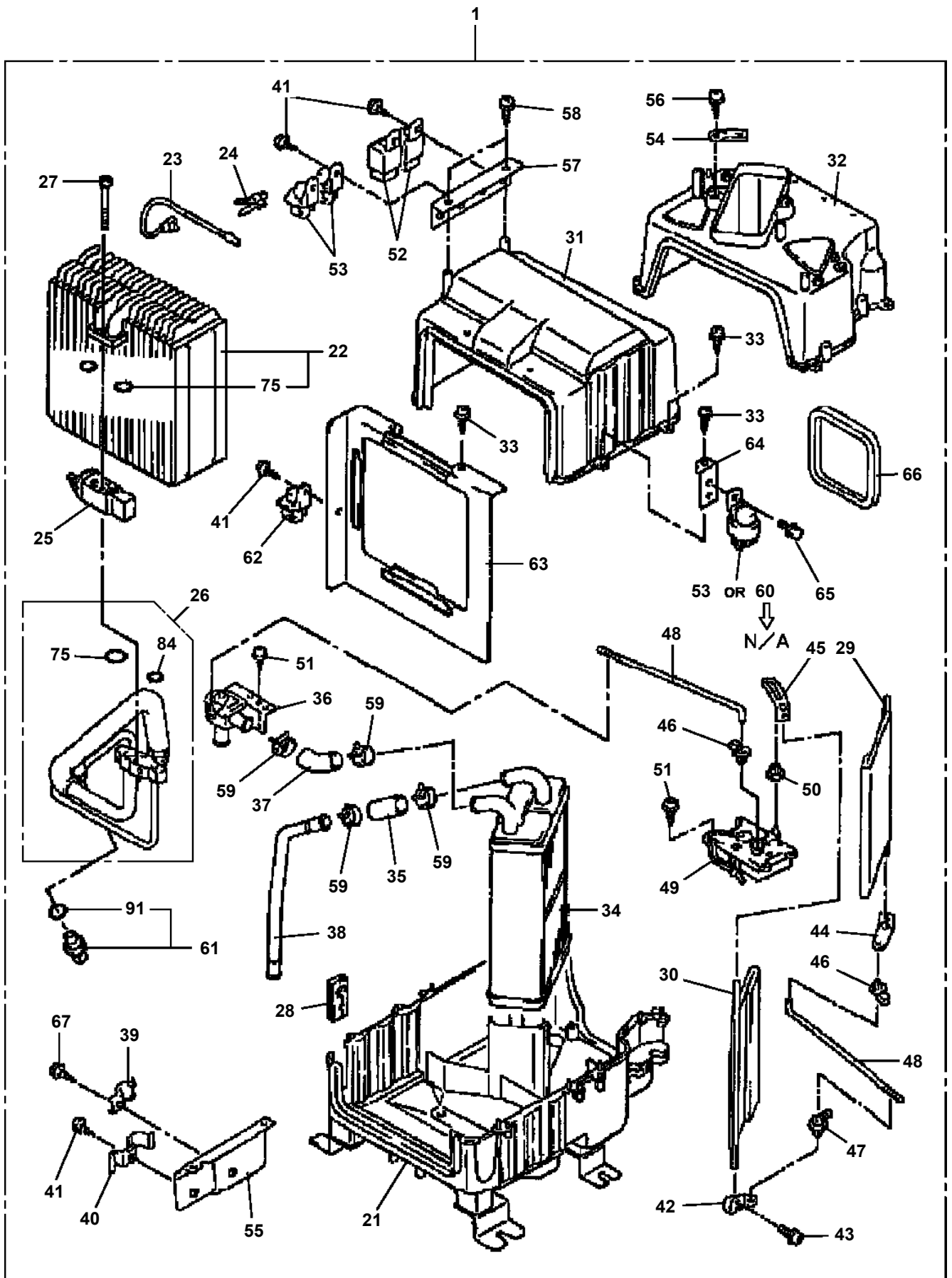
GR-250N-1-00207 4 BOOM + JIB,X,2M2D
PY1180193-00 LAMP (INDICATOR,DRUM)(FAMOTH)



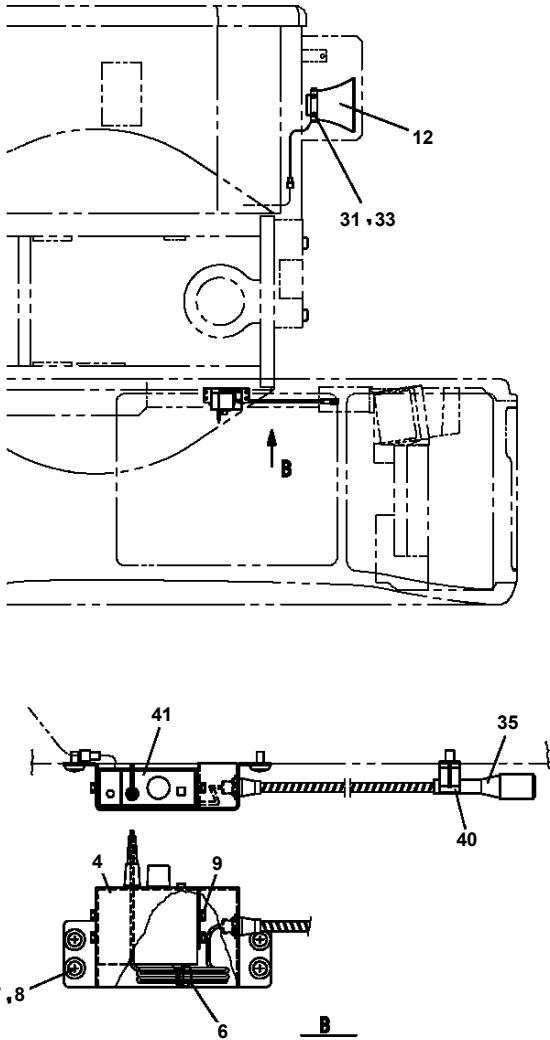
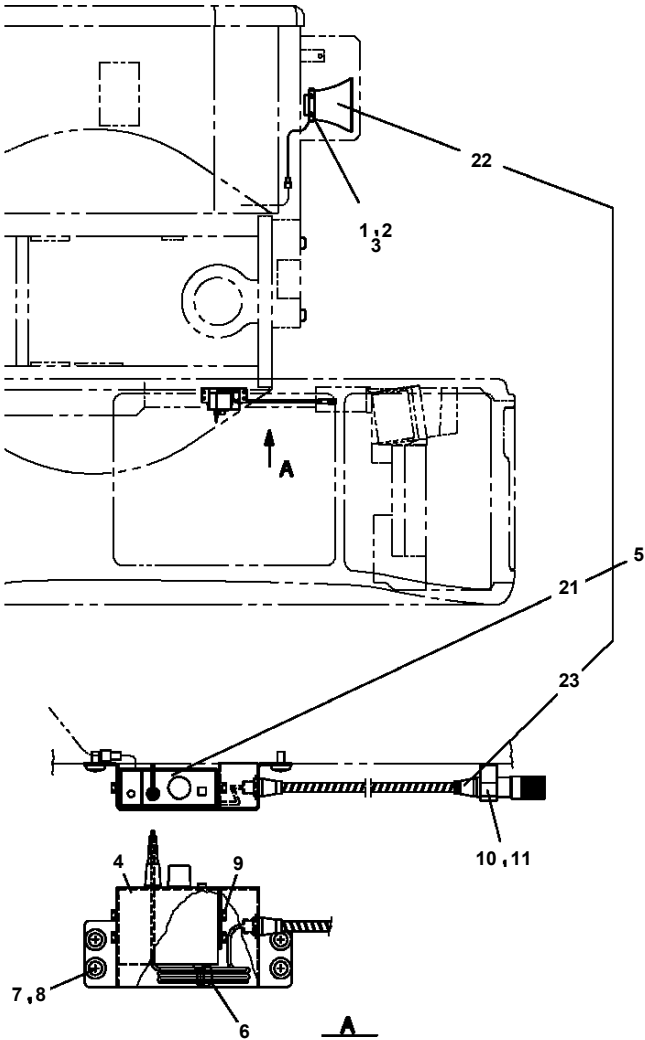
GR-250N-1-00207 4 BOOM + JIB,X,2M2D

Pos No.	Parts No	Parts Name	Qty	Unit	Technical Data	Serial No (Start)	Serial No (End)
1	37000900140	JOINT	1				
2	80430621600	JOINT	3				
3	81408000341	PIPE,STEEL	2	M	28X3.1T		
4	37000711060	CLAMP ASSY	1		28X1		
5	80302090281	FITTING	8		KCO22-060N		
6	91002802400	O-RING	12		1B P24		
8	81408000290	PIPE,STEEL	2	M	22X2.5T		
9	81408000290	PIPE,STEEL	2	M	22X2.5T		
10	81408000290	PIPE,STEEL	2	M	22X2.5T		
11	36646760000	VALVE,SOLENOID CONTROL	2			FB5126	FB5125
	36646760001	VALVE,SOLENOID CONTROL	2				
12	80302090322	FITTING	4		KCO28-080N		
13	91002802900	O-RING	4		1B P29		
14	81408000290	PIPE,STEEL	2	M	22X2.5T		
15	81408000290	PIPE,STEEL	2	M	22X2.5T		
16	81408000341	PIPE,STEEL	2	M	28X3.1T		
17	80305010241	FITTING,TEE	1		KTA28-000N		
18	81408000341	PIPE,STEEL	1	M	28X3.1T		
19	90280201000	NUT,FLANGE	2		M10		
20	37002428130	HOSE	2		L=1700		
21	82100001819	TUBE,SPIRAL	1	M	SE-18BK		
22	90101210100	BOLT	8		M10X100		
23	90302041001	WASHER,SPRING	8		10		
24	37000711100	CLAMP ASSY	2		28X2		
25	37000547060	PLATE	2				
26	37000300780	SLEEVE	4		28-22		
27	37000524350	PLATE	1				
28	91810130250	FASTENER	4				
29	89640101000	HOSE	1		880-NFK,1M		
30	82100002019	CLAMP	2		WR40		
31	80316070060	PLUG	2		PF3/8		
32	80316070100	PLUG	4		G3/4		
33	34343294100	SUPPORT	1				
34	34475281700	JOINT	2				
35	34271370300	COVER	1				
36	80441010906	FITTING	2				
37	89640101000	HOSE	1		880-NFK,1M		
38	89640101000	HOSE	1		880-NFK,1M		
39	80400160126	FITTING,TEE	2		20364-U1/2		
40	82100002002	CLAMP	4		WR6		
41	90280200600	NUT,FLANGE	4		M6		
42	90303070601	WASHER,PLAIN	4		6		
43	90186210020	BOLT,FLANGE	1		M10X20		
44	90186208020	BOLT,FLANGE	2		M8X20		
45	90280200800	NUT,FLANGE	2		M8		
46	91002801400	O-RING	2		1B P14		
47	37000521100	PLATE	2				
48	37000505950	PLATE	1		T=3.2		
49	34491031100	JOINT	1				
51	37000533360	PLATE	1				
52	37000533370	PLATE	1				
53	90186208014	BOLT,FLANGE	2		M8X14		
54	80302090241	FITTING	1		KCO18-040N		
55	91002801800	O-RING	1		1B P18		
56	81408000241	PIPE,STEEL	1	M	18X1.9T		
57	80306010165	NUT	1		KKN018-000E		
58	80309010165	SLEEVE	1				
59	37002501880	HOSE	1		L=600		
60	37002502770	HOSE	1		L=300		
61	34478493100	PLATE,NAME (ELEVATE. TELESCOPE)	1				
62	34478493200	SWITCH ASSY	2				
71	34478494100	PLATE,NAME (WINCH)	1				
91	34475283100	PLATE,NAME (WINCH)	1				

GR-250N-1-00207 4 BOOM + JIB,X,2M2D
PY1370021-01 EVAPORATOR



**GR-250N-1-00207 4 BOOM + JIB,X,2M2D
PY2220002-03 SPEAKER**



CLICK HERE TO **DOWNLOAD** THE COMPLETE MANUAL

- Thank you very much for reading the preview of the manual.
- You can download the complete manual from: www.heydownloads.com by clicking the link below



- Please note: If there is no response to CLICKING the link, please download this PDF first and then click on it.

CLICK HERE TO **DOWNLOAD** THE COMPLETE MANUAL