

GR-250N-1-00206 4 BOOM + JIB(PT),H,2M2D

PB1000684-00 HYDRAULIC PRESSURE GENERATING SYSTEM
PC1000586-00 OUTRIGGER SYSTEM
PD1000586-00 SWING SYSTEM
PE1000589-00 ELEVATING SYSTEM
PF1000625-00 WINCH SYSTEM
PG1000546-00 TELESCOPING SYSTEM
PH1000595-00 SAFETY DEVICES
PK1000667-01 FRAME
PL1000621-00 CONTROL DEVICES
PM1000032-01 LUBRICATION DEVICES
PN1000552-00 ELECTRIC EQUIPMENT
PO1000150-00 INDICATION PLATES
PQ1000221-00 DRIVING POWER GENERATING SYSTEM
PR1000139-00 DRIVING POWER TRANSMISSION SYSTEM
PS1000166-00 STEERING SYSTEM
PT1000146-00 BRAKE SYSTEM
PU1000138-00 SUSPENSION
PW1000097-02 ACCESSORIES & TOOLS
PX1001023-00 MOUNTING PARTS
PY1000607-09 OPTIONS,1 (H-O/R)
PY2000018-04 OPTIONS,2 (H-O/R)
ASSEMBLY

CLICK HERE TO **DOWNLOAD** THE COMPLETE MANUAL

- Thank you very much for reading the preview of the manual.
- You can download the complete manual from: www.heydownloads.com by clicking the link below



- Please note: If there is no response to CLICKING the link, please download this PDF first and then click on it.

CLICK HERE TO **DOWNLOAD** THE COMPLETE MANUAL

GR-250N-1-00206 4 BOOM + JIB(PT),H,2M2D

Pos No.	Parts No	Parts Name	Qty	Unit	Technical Data	Serial No (Start)	Serial No (End)	Remarks
1	36095100000	HOOK (SHEAVE 4 PC'S)	1					
3	36094410000	HOOK (3.5TON)	1					
4	37001805280	ROPE,WIRE (KISWIRE)	1					
	37001800060	ROPE,WIRE (TESAC)	1					
5	37001805020	ROPE,WIRE (TESAC)	1					
	37001806890	ROPE,WIRE (KISWIRE)	1					
7	(*****)	SOCKET,ROPE	1					
8	(*****)	SOCKET,ROPE (SEIZING)	1					
10	(*****)	OPE.ASSY,WINCH BRAKE	1					
12	(*****)	OPE.ASSY,DRUM LOCK	1					
13	(*****)	PIPING,WINCH	1					
15	(*****)	PIPING,WINCH BRAKE	1					
16	(*****)	MOUNT,WINCH	1					

GR-250N-1-00206 4 BOOM + JIB(PT),H,2M2D

Pos No.	Parts No	Parts Name	Qty	Unit	Technical Data	Serial No (Start)	Serial No
1	(*****)	PIPING,GREASE	1				
2	(*****)	CENTRAL SYSTEM	1				
3	(*****)	CENTRAL LUBRICATION SYSTEM (ELECTRIC)	1				

GR-250N-1-00206 4 BOOM + JIB(PT),H,2M2D

Pos No.	Parts No	Parts Name	Qty	Unit	Technical Data	Serial No (Start)	Serial No (End)	Remarks
1	(*****)	OPE.ASSY,STEERING (CAB)	1					
2	(*****)	OPE.ASSY,STEERING (LOWER)	1					
3	(*****)	PIPING,STEERING (UPPER)	1					
4	(*****)	PIPING,STEERING (LOWER)	1					

GR-250N-1-00206 4 BOOM + JIB(PT),H,2M2D

Pos No.	Parts No	Parts Name	Qty	Unit	Technical Data	Serial No (Start)	Serial No (End)
1	(*****)	PIPING,PILOT (ISO M & AUX. WINCH PEDAL)	1				
3	(*****)	OPE.ASSY,DRUM LOCK (MAIN)	1				
4	(*****)	DETECTOR,DISORDERLY WIND (MAIN)	1				
5	(*****)	DETECTOR,DISORDERLY WIND (AUX.)	1				
8	(*****)	VIEW SYSTEM (REAR)	1				
9	(*****)	VIEW SYSTEM (DRUM)	1				
10	(*****)	VIEW SYSTEM (TV)	1				
11	(*****)	MIRROR (BOOM,ELECTRIC)	1				
12	(*****)	COVER,SWING FRAME (BACK COVER)	1				
13	(*****)	OPE.ASSY,CONT.VALVE (M.S PEDAL,ISO,P/T)	1				
14	(*****)	OPE.ASSY,CONT.VALVE (ISO)	1				
15	(*****)	VALVE,CONTROL (DETENT/M,AUX. WINCH)	1				
16	(*****)	SWITCH,DETECTOR (OVERWIND)	1				
17	(*****)	PLATE ASSY,NAME (M.S WINCH PEDAL,ISO)	1				
18	(*****)	GUARD (AML LAMP)	1				
19	(*****)	WOOD BLOCK (OPTION)	1				
20	(*****)	BOX,TOOL (STORAGE BOX/SIDE OF FUEL,TANK)	1				
21	(*****)	BOX,TOOL (STAINLESS)	1				
22	(*****)	MOUNT,SUPPORT	1				
23	(*****)	MOUNT (COOL BOX)	1				
24	34732170000	ROPE (SAFETY,FOR H-O/R)	1				
25	(*****)	PIPING,OUTLET (ELEV,TELES./WINCH)	1				
26	(*****)	PIPING,OUTLET (ELEVATING,TELESCOPING)	1				
27	(*****)	PIPING,OUTLET (WINCH)	1				
29	(*****)	INFLATOR,AIR	1				
30	(*****)	SPEAKER	1				
32	(*****)	COVER ASSY (FOR NON SPEAKER)	1				
33	34493430000	CURTAIN	1				

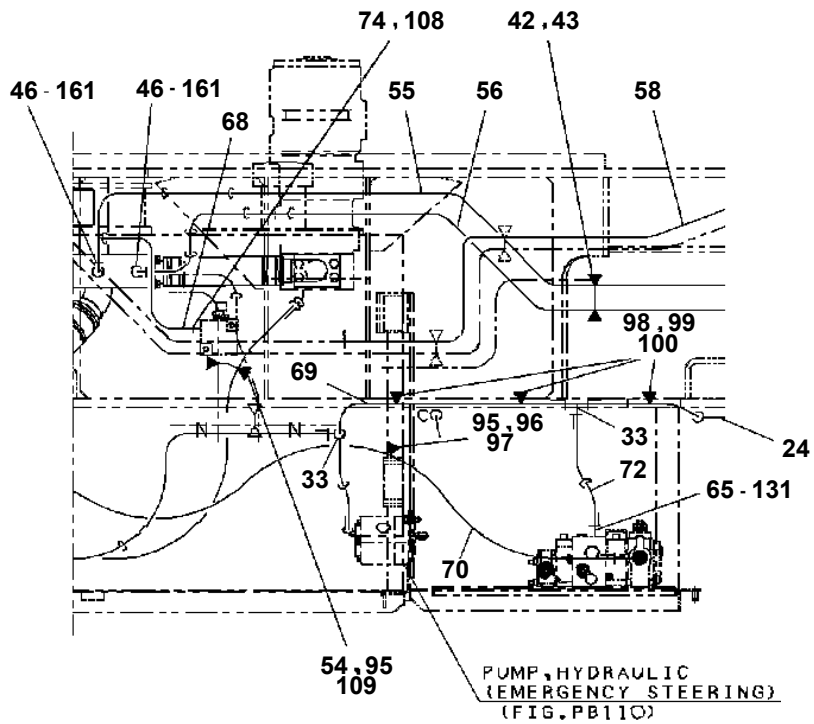
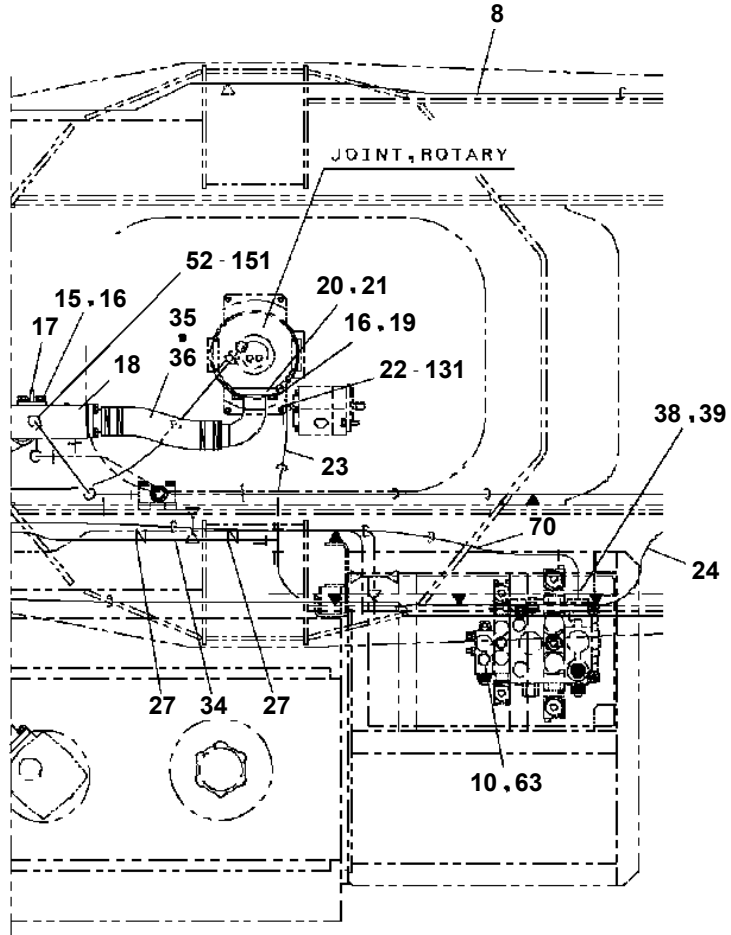
GR-250N-1-00206 4 BOOM + JIB(PT),H,2M2D

Pos No.	Parts No	Parts Name	Qty	Unit	Technical Data	Serial No (Start)	Serial N
1	36653525010	SEAL KIT	1				
10	36653520000	PUMP,HYDRAULIC (EMERGENCY STEERING)	1				

GR-250N-1-00206 4 BOOM + JIB(PT),H,2M2D

Pos No.	Parts No	Parts Name	Qty	Unit	Technical Data	Serial No (Start)	Serial No (End)	Remarks
1	91810130250	FASTENER	2					
2	37002479940	HOSE	1		L=450			
3	80303130321	FITTING,ELBOW	1		KLO28-080E			
4	81408000341	PIPE,STEEL	1	M	28X3.1T			
5	90101510035	BOLT	8		M10X35			
6	90302041001	WASHER,SPRING	22		10			
7	90172110030	BOLT,HEXAGON SOCKET	11		M10X30			
8	90191510030	BOLT	1		M10X30			
9	37000906840	JOINT	1		L G1-28			
10	37000510240	PLATE	2					
11	36605780000	VALVE,RELIEF	1					
12	90101210050	BOLT	2		M10X50			
13	80400160131	JOINT	1					
14	91002801800	O-RING	7		1B P18			
15	37002442180	HOSE	1		L=560			
16	34641034300	SUPPORT	1					
17	80430620800	JOINT	3					
18	37002474870	HOSE	1		L=1150			
19	37002452570	HOSE	1		L=1500			
20	80471020508	JOINT	1		45,G1-G1			
21	91002802900	O-RING	1		1B P29			
22	90101210100	BOLT	2		M10X100			
23	90280201000	NUT,FLANGE	3		M10			
24	80430621600	JOINT	2					
25	90101210030	BOLT	1		M10X30			
26	37000925740	JOINT	2		S G1/2-G1/2			
27	82100002013	CLAMP	2		WRC18			
28	80430620600	JOINT (WITH O-RING)	3		L,G3/8-G3/8			
29	80302090271	FITTING	1		KCO22-040N			
30	81408000290	PIPE,STEEL	1	M	22X2.5T			
31	37002474200	HOSE	1		L=1670			
32	37002474180	HOSE	1		L=1870			
33	37002476010	HOSE	1		L=2070			
36	80320030180	FITTING,ELBOW	1		KLE22-060N			
37	37002476020	HOSE	1		L=800			
38	36625390000	VALVE,CHECK	1					
39	34471141300	CUSHION	6					
40	37000505950	PLATE	6		T=3.2			
41	37000928370	JOINT	1		S,G1/2-G1/2			
42	80400160130	JOINT	1		S,G1/2-G3/8			
43	36649850001	VALVE,SOLENOID CONTROL	1					
45	37002474220	HOSE	1		L=1490			
46	37002474210	HOSE	1		L=1400			
47	90102208030	BOLT	2		M8X30			
48	82100002018	CLAMP	3		WR35			
49	90102208040	BOLT	2		M8X40			
50	90280200800	NUT,FLANGE	13		M8			
51	90186208025	BOLT,FLANGE	2		M8X25			
52	90155208055	BOLT,WELD	1		M8X55			
53	37000502660	PLATE	1					
54	82100002019	CLAMP	1		WR40			
55	82100002015	CLAMP	6		WRC20			
57	37000929870	JOINT	1		S G1/2-G3/8			
58	37000929230	JOINT	1		S G3/4-G3/4			
59	90186208014	BOLT,FLANGE	1		M8X14			
60	82100001413	TUBE,SPIRAL	1	M	SE-15BK			
61	82100002017	CLAMP	6		WR30			
62	80430621200	JOINT	2					
63	91002802400	O-RING	2		1B P24			
64	37000513530	PLATE	1					
81	91002802900	O-RING	3		1B P29			
91	36605781000	BODY	1					
92	(*****)	VALVE,RELIEF	1					

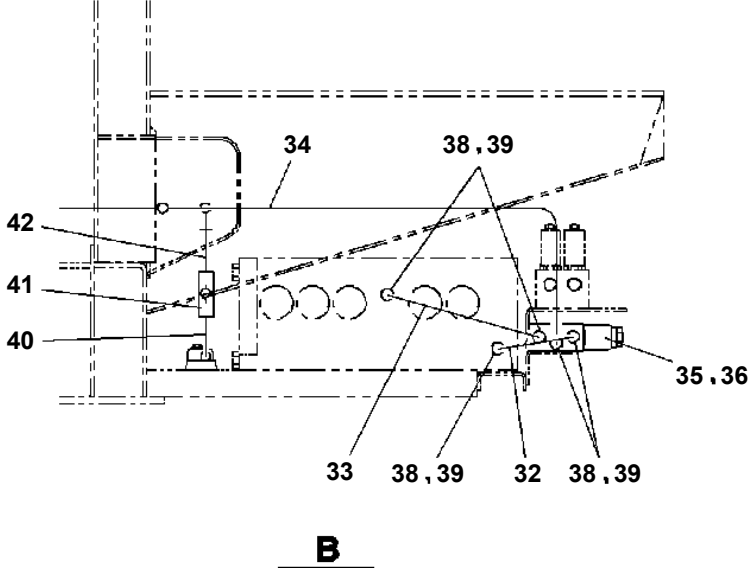
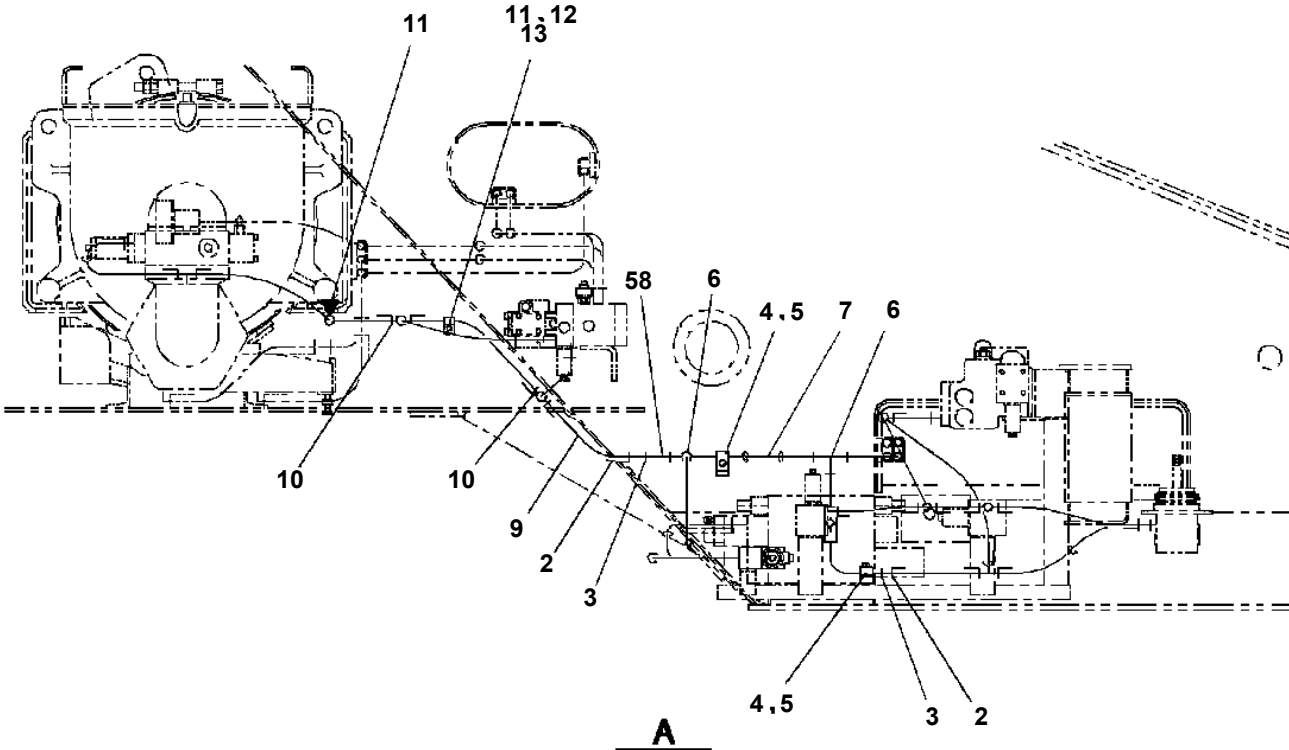
**GR-250N-1-00206 4 BOOM + JIB(PT),H,2M2D
PB1260213-01 PIPING,RETURN (LOWER)**



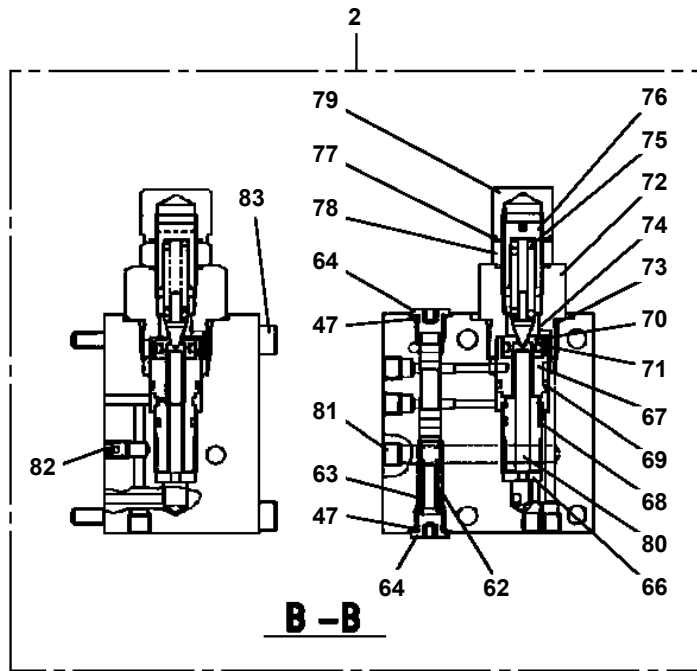
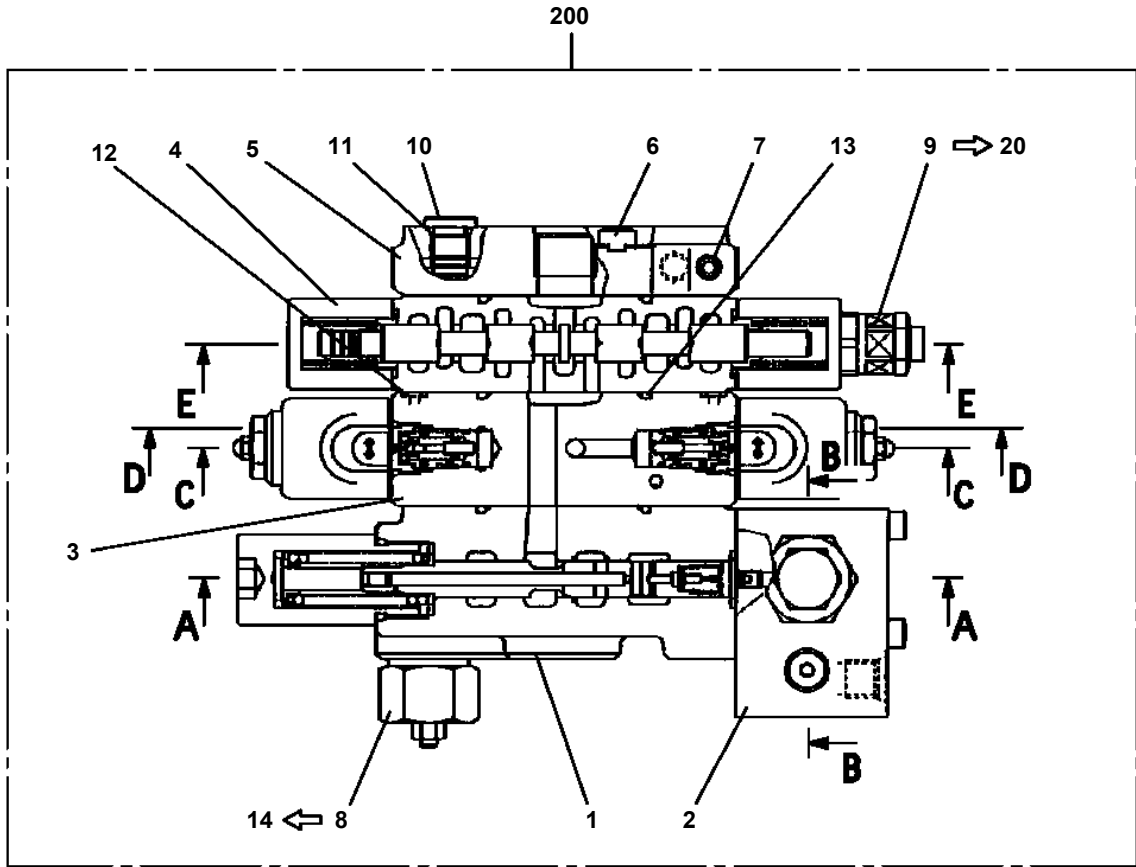
FRONT SIDE

B

GR-250N-1-00206 4 BOOM + JIB(PT),H,2M2D
PB1270135-00 PIPING,DRAIN



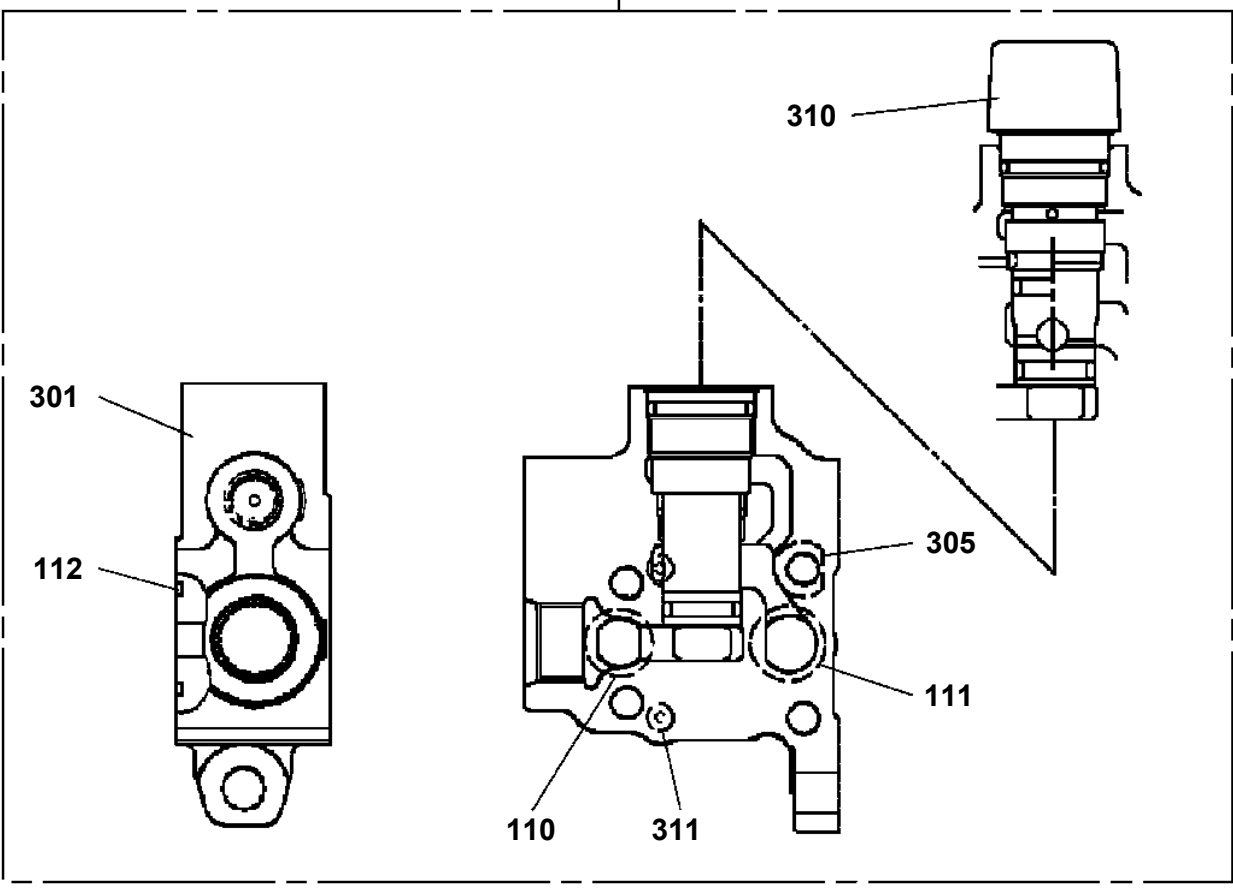
GR-250N-1-00206 4 BOOM + JIB(PT),H,2M2D
 PB1340062-05 VALVE,SOLENOID CONTROL



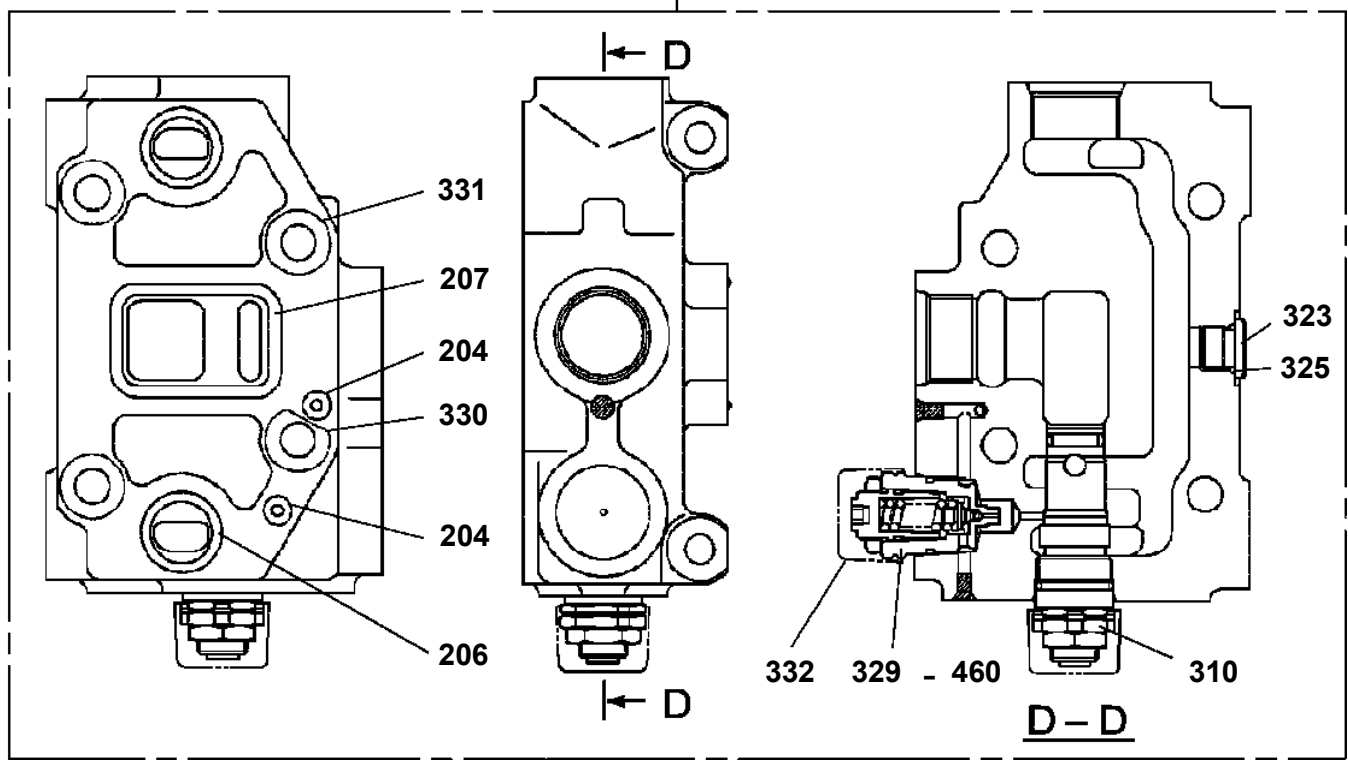
展開圖有
 ILLUSTRATED BREAKDOWN NO.1,3,4,8,9,14

**GR-250N-1-00206 4 BOOM + JIB(PT),H,2M2D
PB1340079-01 VALVE,SOLENOID CONTROL**

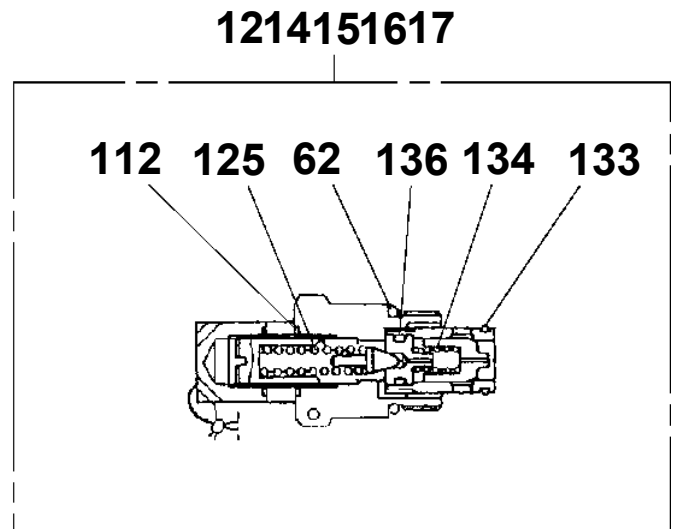
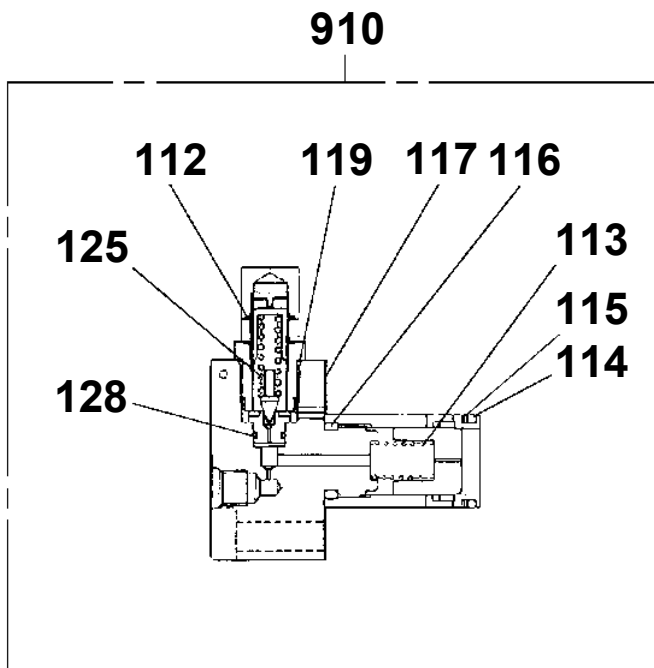
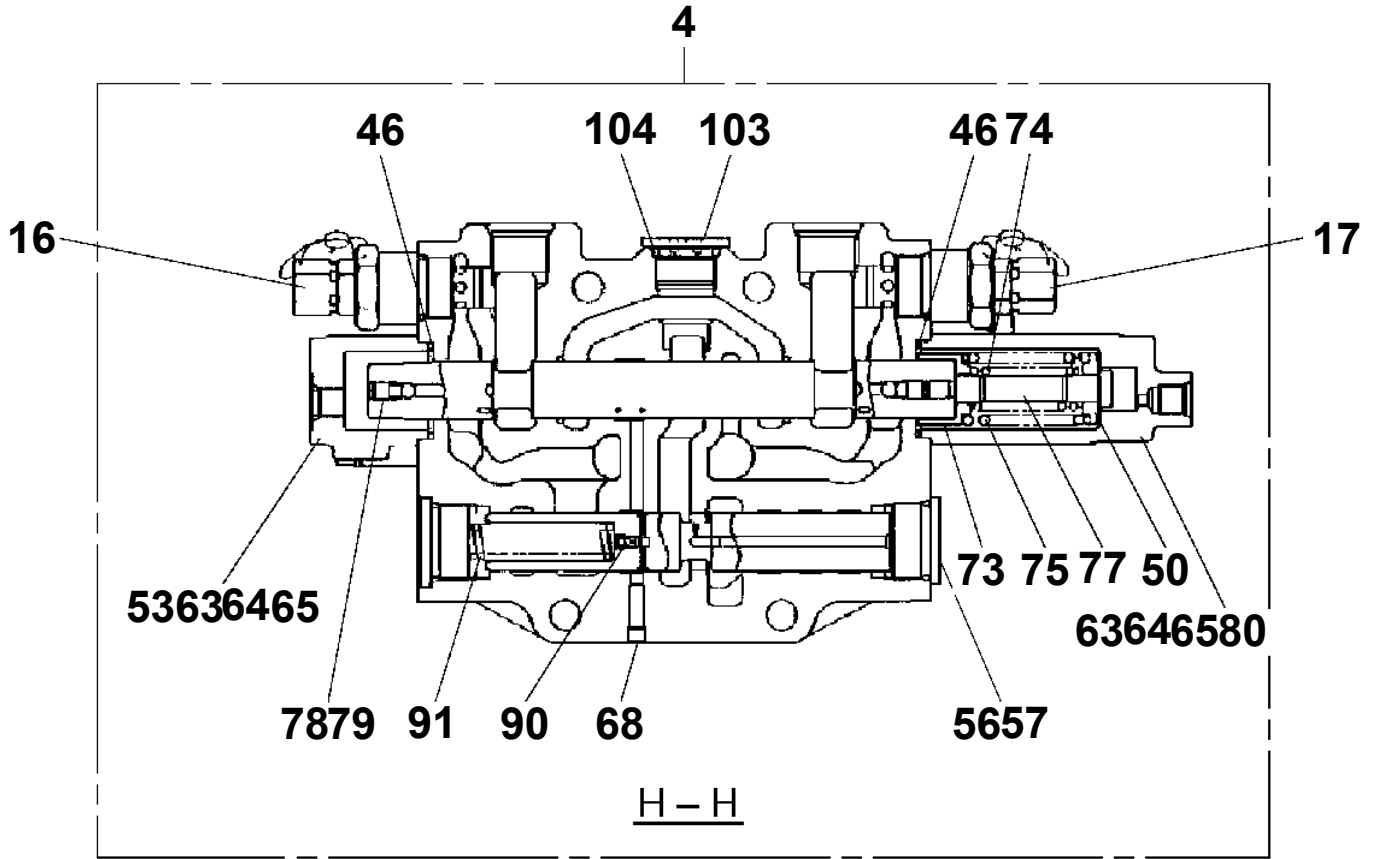
10



11

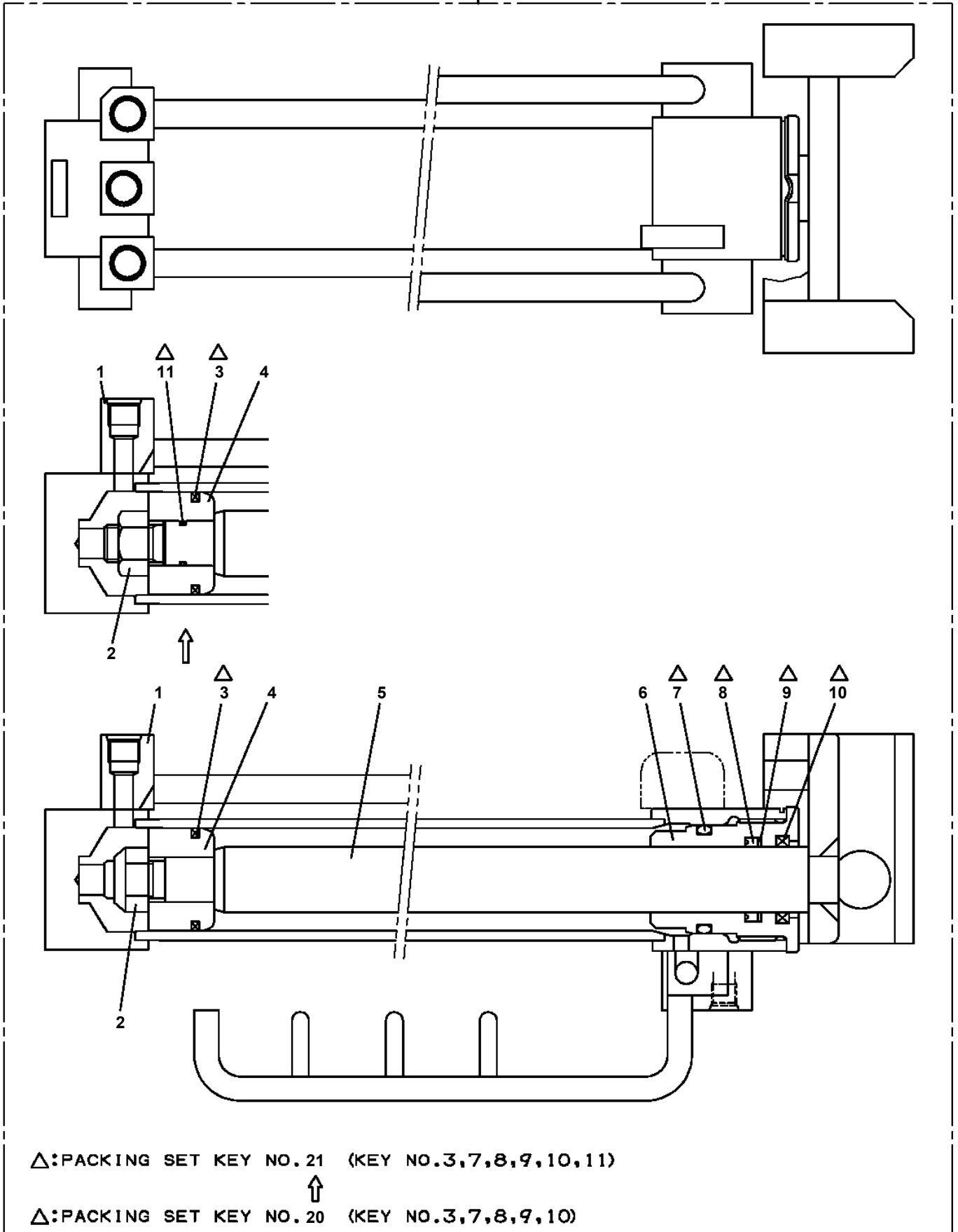


GR-250N-1-00206 4 BOOM + JIB(PT),H,2M2D
 PB1350012-00 VALVE,PILOT OPERATED CONTROL

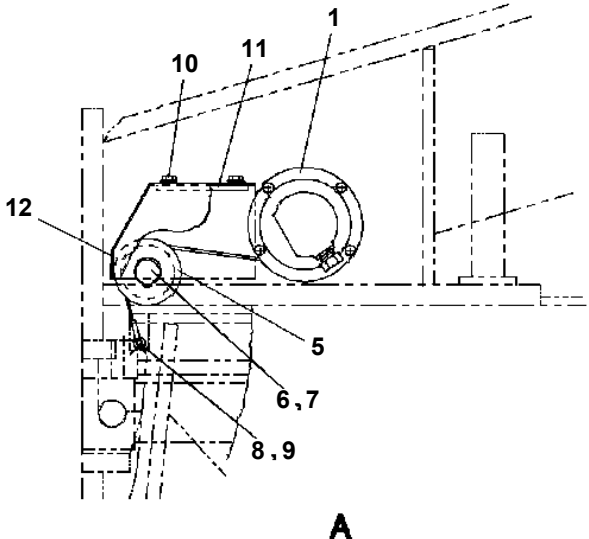
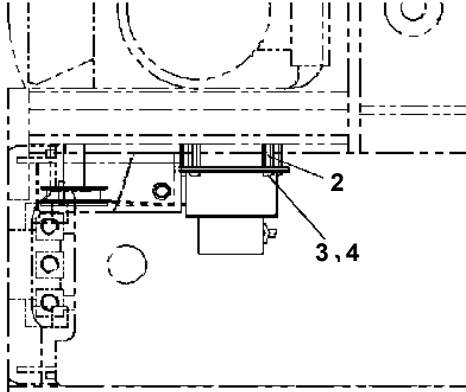
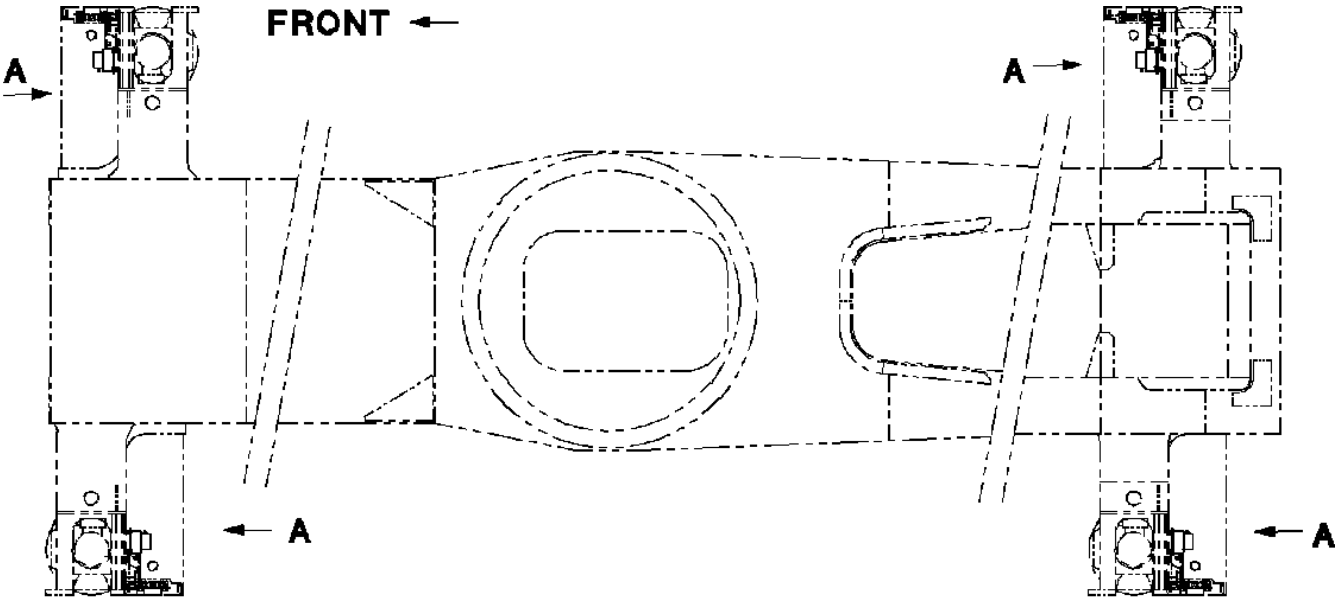


GR-250N-1-00206 4 BOOM + JIB(PT),H,2M2D
 PC1050132-03 CYLINDER,EXTENSION

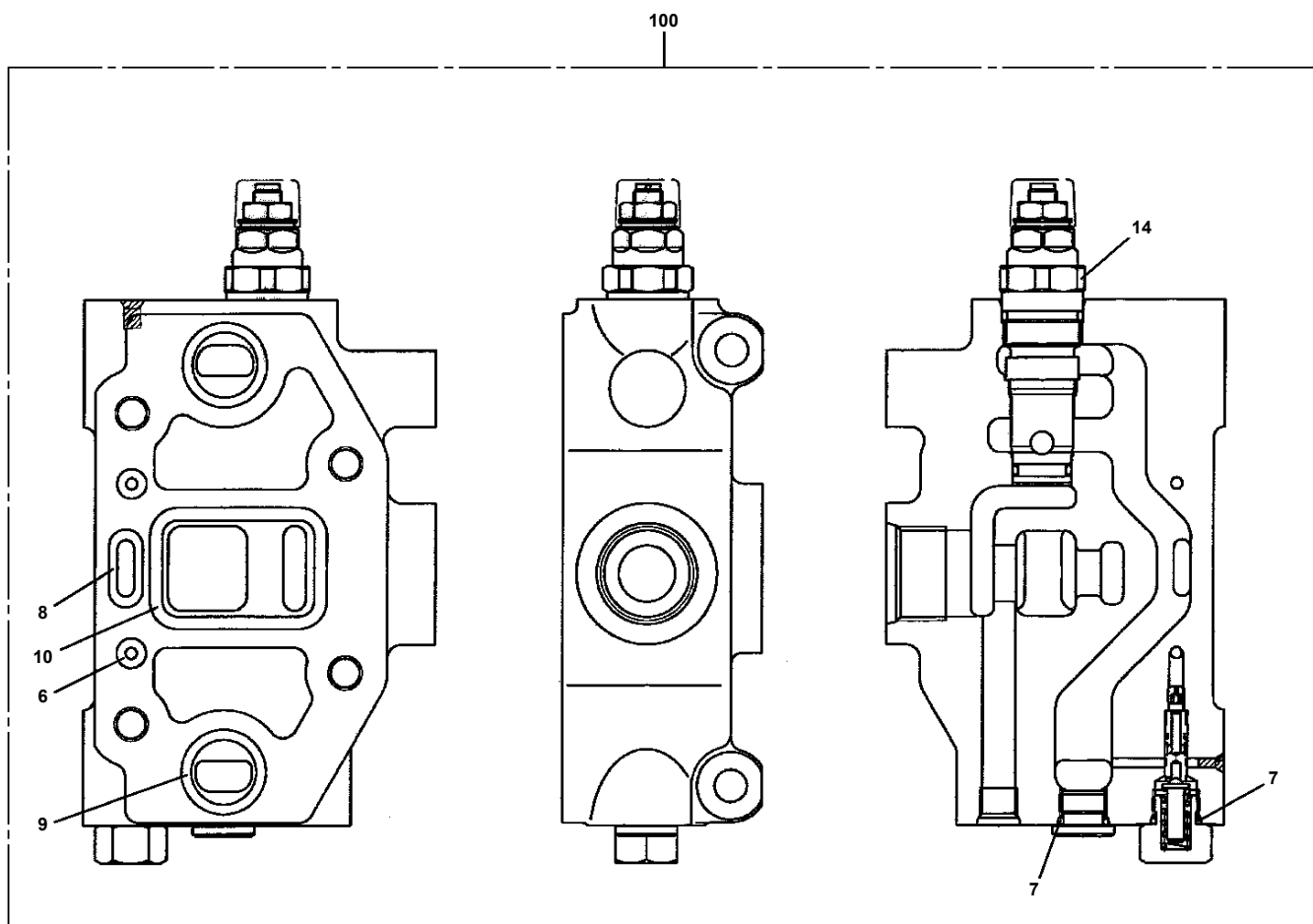
50



GR-250N-1-00206 4 BOOM + JIB(PT),H,2M2D
PC1370035-00 DETECTOR SYSTEM, OUTRIGGER LENGTH



GR-250N-1-00206 4 BOOM + JIB(PT),H,2M2D
PC5570258-01 COVER ASSY



展開図有
ILLUSTRATED BREAKDOWN NO. 14

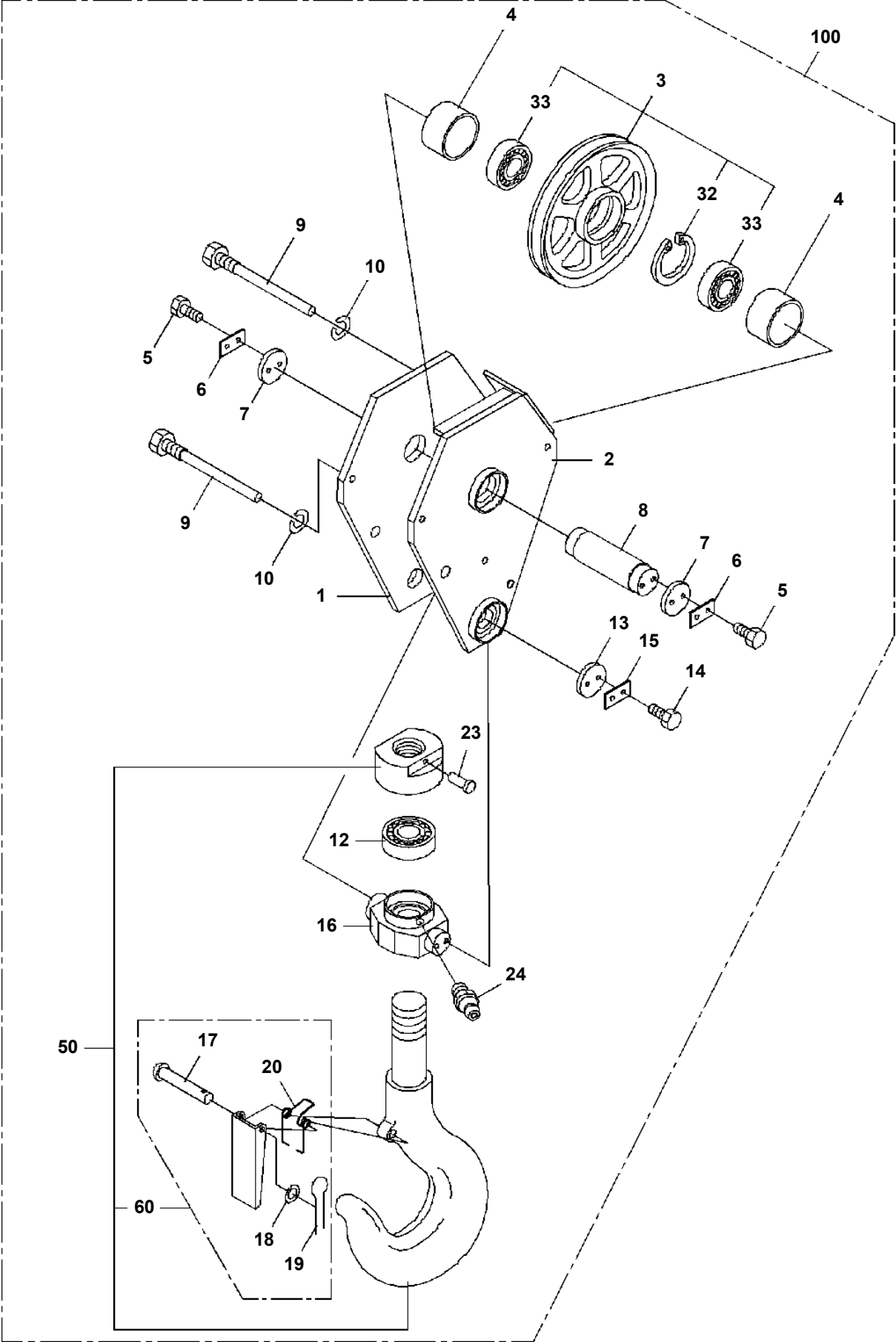
GR-250N-1-00206 4 BOOM + JIB(PT),H,2M2D

Pos No.	Parts No	Parts Name	Qty	Unit	Technical Data	Serial No (Start)	Serial No (End)	Remarks	Pa
2	36663170000	MOTOR,HYDRAULIC	1						000
11	36081265010	GEAR,SUN	1						
12	90101508030	BOLT	8		M8X30				
13	90302040801	WASHER,SPRING	8		8				
14	36080515010	RING,THRUST	1		AS1102				
15	36081265021	CASING	1						
16	36080625140	BEARING,NEEDLE	3						
17	36081265030	GEAR,PLANETARY	3						
18	36070925180	RING,THRUST	3						
20	80500006313	BEARING,BALL	1						
21	36081135040	BEARING,ROLLER	1						
22	36081135020	RETAINER (A)	1						
23	36081905040	GEAR,SPUR	1						
27	36080625190	BEARING,NEEDLE	3						
28	36081265070	GEAR,PLANETARY	3						
29	36070845250	RING,THRUST	3						
32	36081265090	GEAR,SUN	1						
33	80316090060	PLUG	1		KKT PT3/8				
34	36081265100	RING,SNAP	1		AS65X4-00				
35	91210075001	SEAL,OIL	1						
51	36081265300	CARRIER ASSY (A)	1						
52	36081265310	CARRIER ASSY (B)	1						
100	36081460000	DRIVING UNIT,SWING	1						

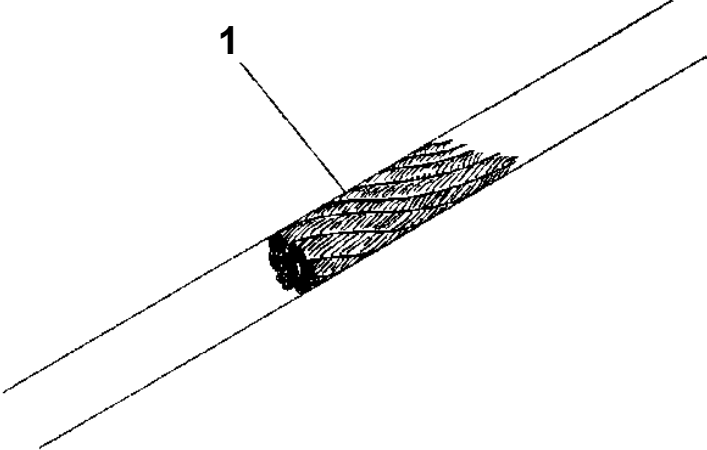
GR-250N-1-00206 4 BOOM + JIB(PT),H,2M2D

Pos No.	Parts No	Parts Name	Qty	Unit	Technical Data	Serial No (Start)	Serial No (End)	Remarks	Pages
1	82199444329	LAMP (YELLOW)	4		24V 12W				
2	82199404070	SUPPORT	4						
3	90101208020	BOLT	8		M8X20				
4	90302040801	WASHER,SPRING	8		8				
5	90201200800	NUT	4		M8				
6	82100002001	CLAMP	4		WR5				
7	90303070801	WASHER,PLAIN	8		8				
21	82166600010	BULB,LAMP	4		24V/12W				

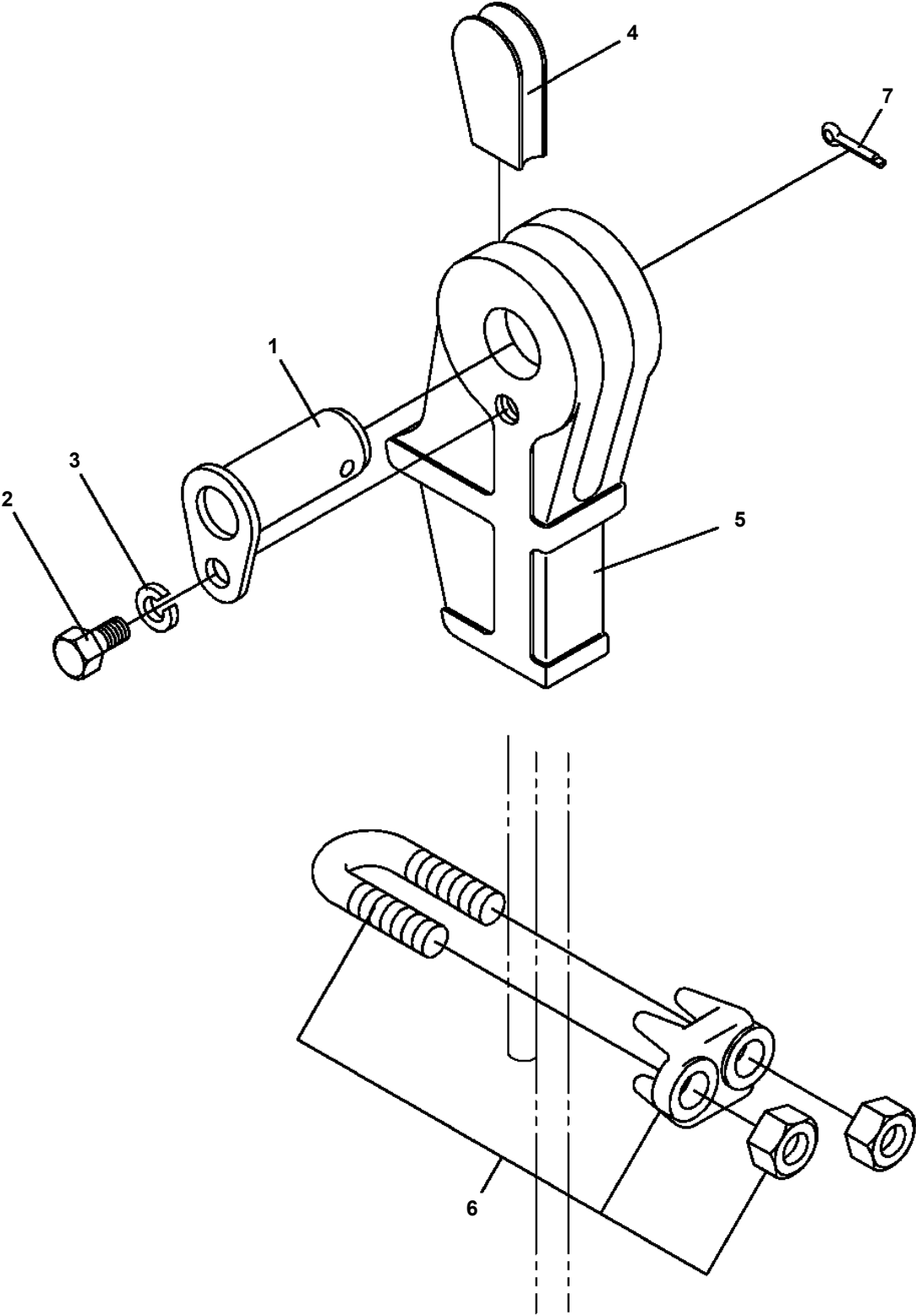
GR-250N-1-00206 4 BOOM + JIB(PT),H,2M2D
PF1050332-00 HOOK (SHEAVE 1 PC/ OPTION)



GR-250N-1-00206 4 BOOM + JIB(PT),H,2M2D
PF1070031-00 ROPE,WIRE (TESAC)



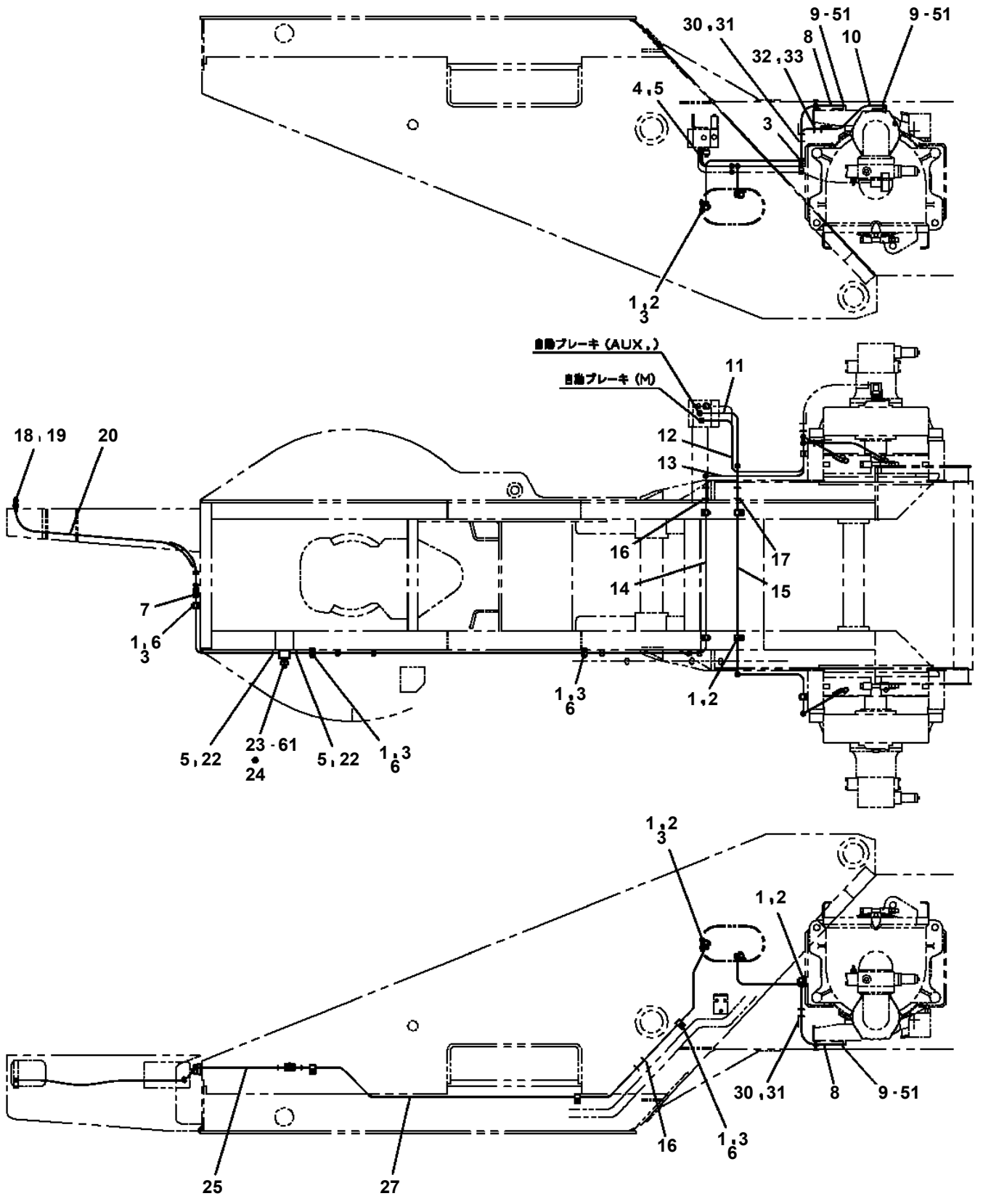
GR-250N-1-00206 4 BOOM + JIB(PT),H,2M2D
PF1090006-01 SOCKET,ROPE



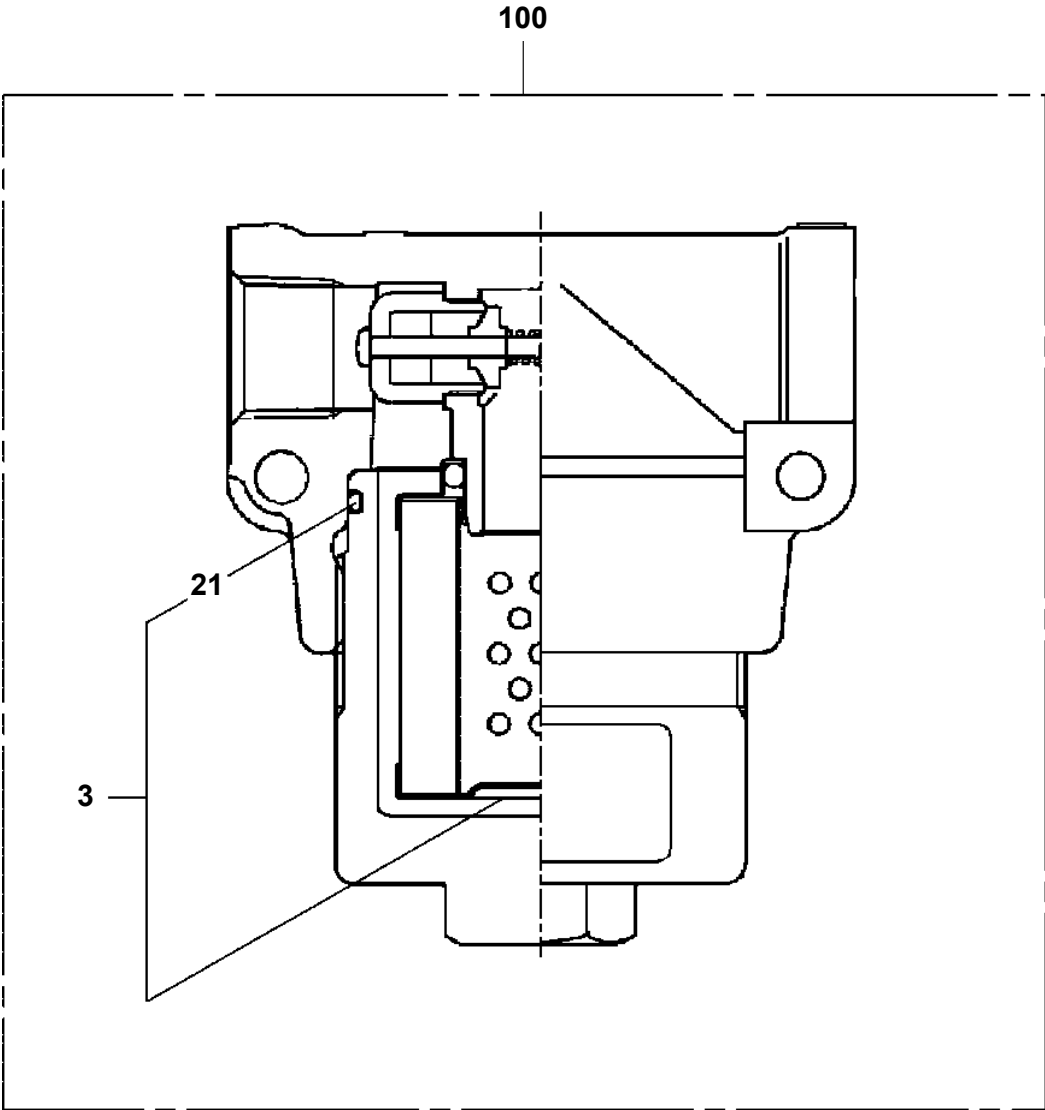
GR-250N-1-00206 4 BOOM + JIB(PT),H,2M2D

Pos No.	Parts No	Parts Name	Qty	Unit	Technical Data	Serial No (Start)	Serial No (End)	Remarks	Pages
1	34381260100	SPACER	1						
3	34380310300	SUPPORT	1						
4	34380310400	CLICK	1						
7	19042208000	SUPPORT	2						
8	90101206016	BOLT	3		M6X16				
9	90302040601	WASHER,SPRING	5		6				
10	82100002006	CLAMP	4		WR10				
12	90201200600	NUT	2		M6				
14	90101210016	BOLT	1		M10X16				
15	90302041001	WASHER,SPRING	2		10				
18	37001300010	SPRING	1						
19	90101210022	BOLT	1		M10X22				
20	19214410000	SPRING	1						
21	37000105720	PIN	2						
22	90303070601	WASHER,PLAIN	2		6				
23	80136320010	PIN,SPLIT	2		2X10				
24	34380550200	SUPPORT	1						
25	37000118760	PIN	1						
26	37000304660	SPACER	2		L=2				
27	37000303050	SPACER	1		L=9				
28	37000103490	PIN	1						
29	90190000008	BOLT,STUD	1		M6X20				
30	82100002037	CLAMP	1		WE10				
41	34380972100	LEVER	1						
42	34380971200	LEVER	1						
43	19414071000	PIN	1						
44	80136320010	PIN,SPLIT	1		2X10				
45	90303070601	WASHER,PLAIN	1		6				
46	19119314000	SPRING	1						
47	80136325012	PIN,SPLIT	1		2.5X12				
50	34380978020	LEVER ASSY	1						
51	82430208020	GRIP	1						
61	80801003020	BEARING,PLAIN	1						
71	37001705440	CABLE,CONTROL	1						
72	37001707830	CABLE,CONTROL	1						

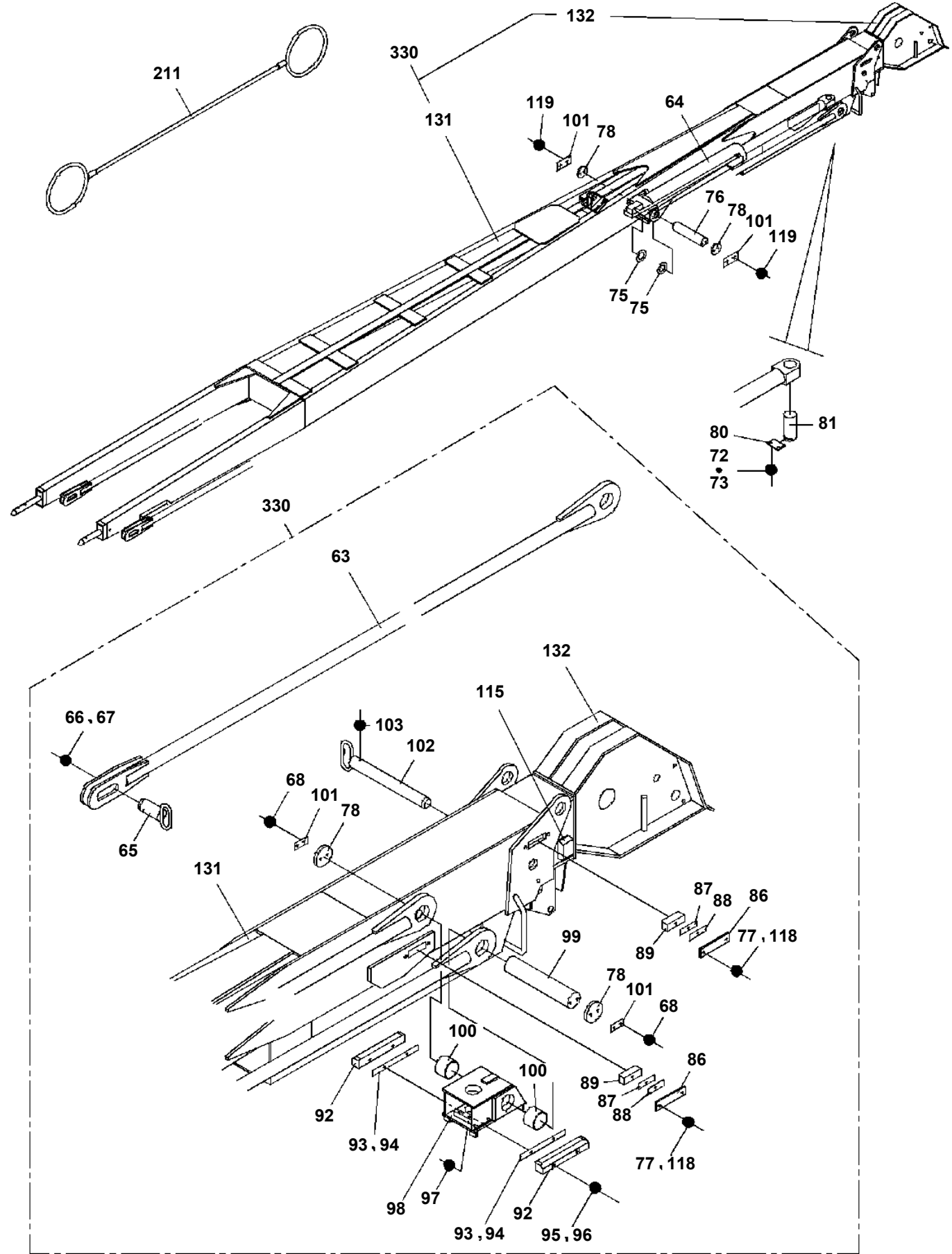
GR-250N-1-00206 4 BOOM + JIB(PT),H,2M2D
PF1220116-00 PIPING,WINCH BRAKE



GR-250N-1-00206 4 BOOM + JIB(PT),H,2M2D
PF5030011-02 FILTER ASSY (WATER)



GR-250N-1-00206 4 BOOM + JIB(PT),H,2M2D
PG1040264-01 JIB (P/T)



GR-250N-1-00206 4 BOOM + JIB(PT),H,2M2D

Pos No.	Parts No	Parts Name	Qty	Unit	Technical Data	Serial No (Start)	Serial No (End)	Remark
1	36710085060	PLATE (DRUM)	1					
2	36710495010	PLATE (DRUM)	1					
3	36710085100	SPACER	4					
4	36710495020	SPRING ASSY	1					
5	36710475030	DRUM ASSY	1					
6	80602110620	RING,RITAINING	1		R62			
7	36710475040	SHAFT ASSY	1					
8	80601110350	RING,RITAINING	1		S35			
9	80500006007	BEARING,BALL	1					
10	36710475050	HOUSING	1					
11	91002804100	O-RING	3		1B P41			
12	91410004000	RING,BACKUP	4		P40			
13	36710475060	JOINT,ELBOW	2					
14	80500006909	BEARING,BALL	1					
15	36710085040	HOUSING	1					
16	36710085110	SEAL,OIL	1					
21	90131508015	BOLT,HEXAGON SOCKET	4		M8X15			
31	36671105090	SPRING	1					
32	36671105070	PIN	1					
33	36671105080	RING,RETAINING	1					
40	36710490000	REEL ASSY,HOSE	1					
50	37002439960	HOSE,TWIN	1		L=29920&30000			
53	82100001819	TUBE,SPIRAL	2	M	SE-18BK			
60	34341942600	REEL,HOSE (POWER TILT)	1					

GR-250N-1-00206 4 BOOM + JIB(PT),H,2M2D

Pos No.	Parts No	Parts Name	Qty	Unit	Technical Data	Serial No (Start)	Serial No (End)	F
1	36131235010	PLATE (BASE)	1					
2	36131495010	CASE	1					
3	36131495020	DRUM ASSY	1					
4	36130515020	RING ASSY (CONTACT)	1					
5	33370025170	CONTACTOR ASSY (70)	1					
6	32360005060	CONTACTOR ASSY	1					
7	36132005010	CASE (BEARING)	1					
8	36131455030	BEARING	2					
11	36131495030	REDUCER	1					
13	36130045050	GEAR	2					
14	36130015061	BRACKET	1					
15	36130945010	POTENTIOMETER	1					
16	36130015070	SPRING	1					
17	36131455040	COVER	1					
18	32360005150	CLIP (NYLON)	1					
19	36131455070	SUPPORT	1					
20	36130235100	CLAMP (CORD)	2					
21	36131905030	GUIDE (CORD)	1					
22	36131455080	COLLAR	3					
23	36130045110	PACKING	1					
24	36131455050	PACKING	1					
25	32360005220	PACKING	2					
28	36131935020	LOCK (CORD)	1					
33	36130335030	WASHER	1					
46	36132265010	CABLE ASSY (WITH CONNECTOR)	1					
50	36131455060	DETECTOR,ANGLE	1					
52	36131135060	COLLAR	1					
59	36130045090	CLIP (NYLON)	1					
60	36131935100	CORD (2-LINE)	33	M				
100	36132210000	DETECTOR,BOOM LENGTH	1					

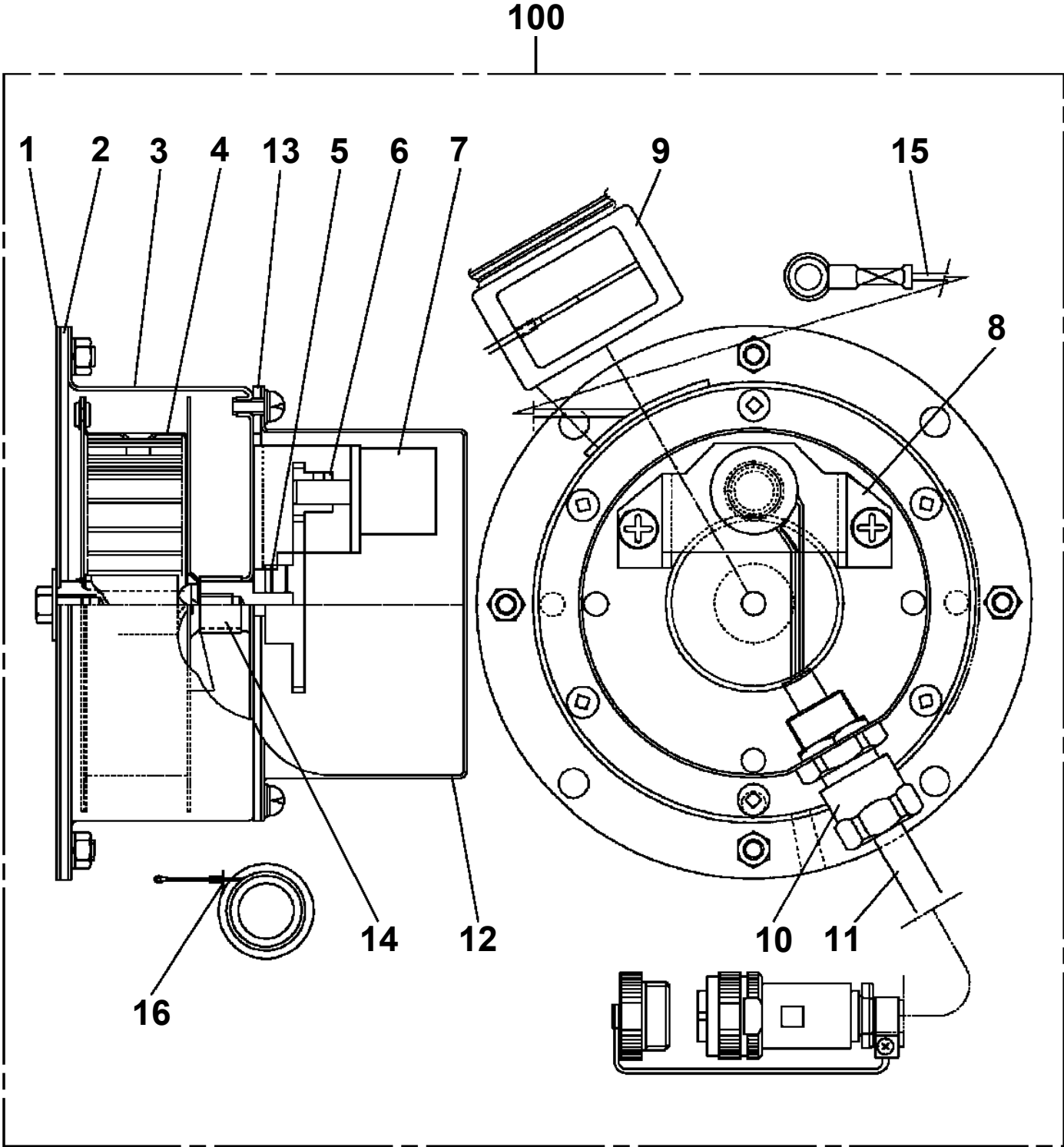
GR-250N-1-00206 4 BOOM + JIB(PT),H,2M2D

Pos No.	Parts No	Parts Name	Qty	Unit	Technical Data	Serial No (Start)	Serial No (End)	Remarks	Pages
1	36673540000	JOINT,SWIVEL	2						
2	91002801400	O-RING	1		1B P14				
3	33343972100	JOINT	1						
4	37000701510	CLAMP ASSY	6		12X2				
5	90155308045	BOLT,WELD	6		M8X45				
6	81408000160	PIPE,STEEL	3	M	12X1.4T				
7	81408000160	PIPE,STEEL	3	M	12X1.4T				
8	80301010100	FITTING	2		KUA12-000N				
9	81408000160	PIPE,STEEL	3	M	12X1.4T				
10	81408000160	PIPE,STEEL	3	M	12X1.4T				
11	80471020502	JOINT	1						
12	37002402520	HOSE	1		L=425				
14	91002801100	O-RING	1		1B P11				
15	80302090161	FITTING	1		KCO12-030N				
16	80303130161	FITTING,ELBOW	1		KLO12-030E				
18	80306010105	NUT	2		KKN12-000E				
19	80309010105	SLEEVE	2		KK012-000E				
21	37002458520	HOSE	1		L=415				
22	80400160127	JOINT	1						
41	36672865010	O-RING	2						
51	91002801400	O-RING	1		1B P14				

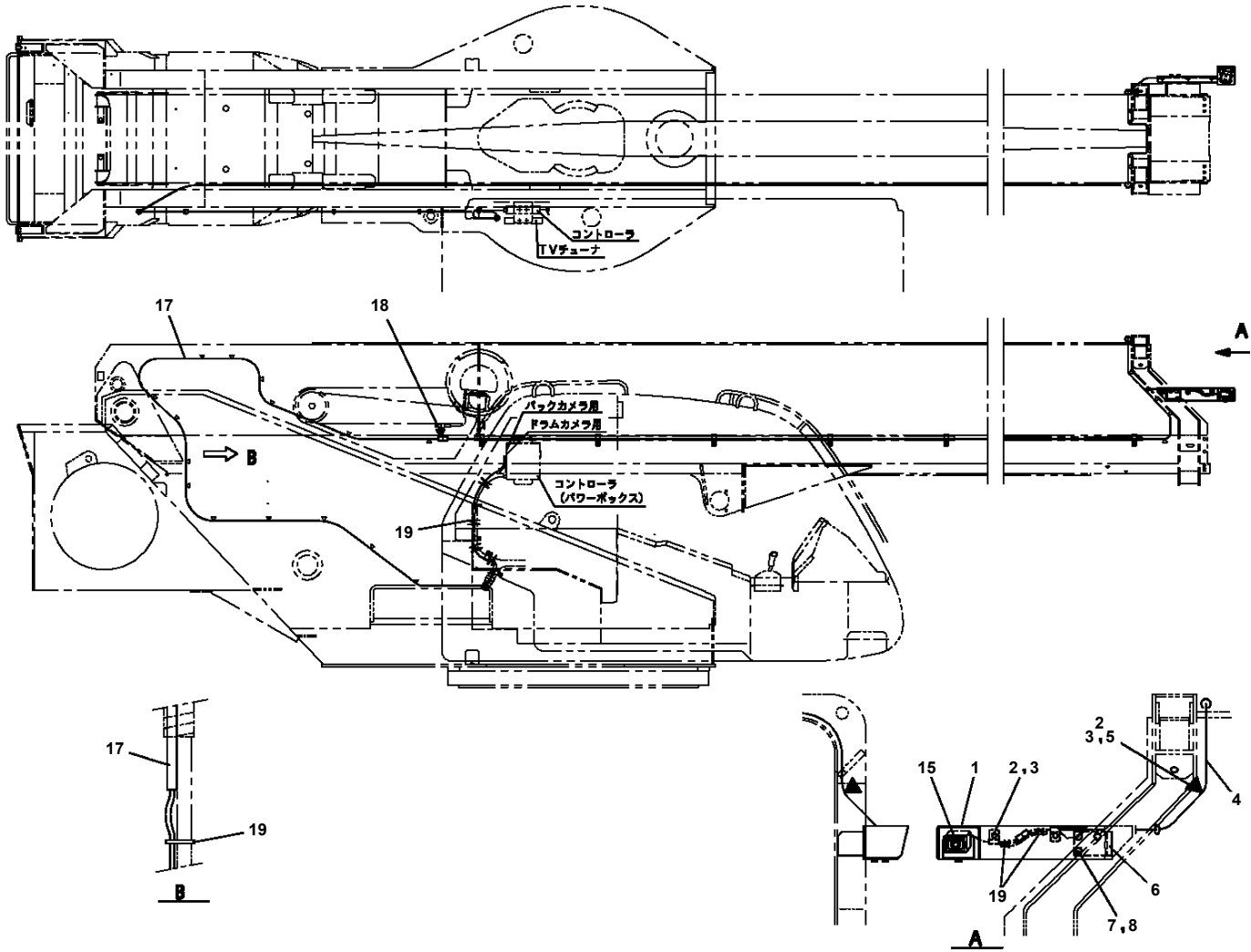
GR-250N-1-00206 4 BOOM + JIB(PT),H,2M2D

Pos No.	Parts No	Parts Name	Qty	Unit	Technical Data	Serial No (Start)	Serial No (End)	Remarks
1	34371850100	HARNESS	1					
2	90928040061	SCREW,TAPPING	6		M4X6			
5	82100000207	CLAMP	6					
6	90201201200	NUT	2		M12			
7	19418221000	SUPPORT	1					
8	34371851000	SWITCH ASSY	1					
9	34370040010	SUPPORT	1					
19	90101206016	BOLT	1		M6X16			
20	90302040601	WASHER,SPRING	1		6			
21	90201200600	NUT	1		M6			
22	90303290600	WASHER,PLAIN	2		6			
32	14128208000	RING	2					
33	37001907530	ROPE,WIRE	1		L=590			
34	33370010100	WEIGHT	1					
43	90101208030	BOLT	2		M8X30			
44	90302040801	WASHER,SPRING	2		8			
51	34371851500	SWITCH (OVER WIND/BOOM)	1					
55	82100002004	CLAMP	1		WR8			
56	90101206010	BOLT	1		M6X1.0			
57	90302040601	WASHER,SPRING	1		6			
62	33370010110	SUPPORT	1					

GR-250N-1-00206 4 BOOM + JIB(PT),H,2M2D
PH1220009-00 DETECTOR, JIB ANGLE



GR-250N-1-00206 4 BOOM + JIB(PT),H,2M2D
PH1700125-03 VIEW SYSTEM (BOOM SIDE CAMERA)



GR-250N-1-00206 4 BOOM + JIB(PT),H,2M2D

Pos No.	Parts No	Parts Name	Qty	Unit	Technical Data	Serial No (Start)	Serial No (End)	Remarks	P
1	34492631000	VIEW SYSTEM (TUNER)	1						0
2	80192470430	SCREW,MACHINE	2		M4X30				
3	37000585810	PLATE	1						
6	34478260301	ANTENNA,TV	1						0
8	82100002001	CLAMP	4		WR5				
9	82100002002	CLAMP	3		WR6				
11	91810130250	FASTENER	10						

GR-250N-1-00206 4 BOOM + JIB(PT),H,2M2D

Pos No.	Parts No	Parts Name	Qty	Unit	Technical Data	Serial No (Start)	Serial No (End)	Remark
1	34352182400	MIRROR	1					
2	34352182300	SUPPORT	1					
3	34380572100	SWITCH,REMOTECONTROL	1					
4	34392722900	PLATE,NAME (LOCK)	1					
5	34392722800	PLATE,NAME (ON)	1					

GR-250N-1-00206 4 BOOM + JIB(PT),H,2M2D

Pos No.	Parts No	Parts Name	Qty	Unit	Technical Data	Serial No (Start)	Serial No (End)	Remarks	Pages
100	34352831600	HARNESS	1						

GR-250N-1-00206 4 BOOM + JIB(PT),H,2M2D

Pos No.	Parts No	Parts Name	Qty	Unit	Technical Data	Serial No (Start)	Serial No (End)	Remarks	Pages
10	36095165010	TRIGGER SET	1						
100	36095161000	HOOK	1						

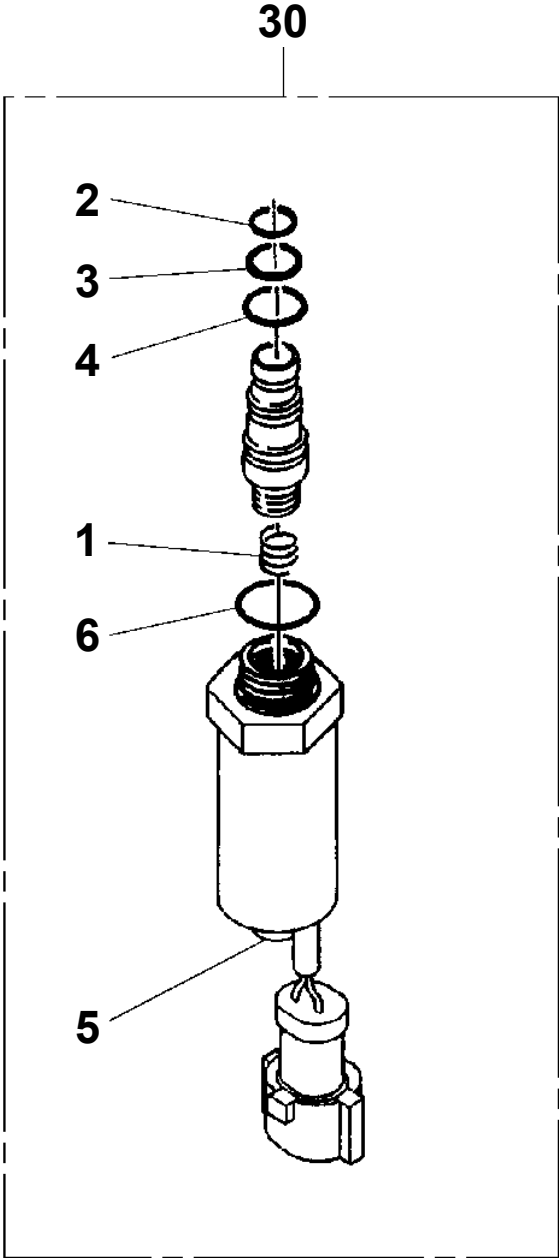
GR-250N-1-00206 4 BOOM + JIB(PT),H,2M2D

Pos No.	Parts No	Parts Name	Qty	Unit	Technical Data	Serial No (Start)	Serial No (End)	Remarks
1	36663045010	MOTOR,HYDRAULIC	1					
2	36661955010	VALVE,COUNTERBALANCE	1					
11	36663045020	CASING	1					
12	36663045030	PLATE,THRUST (RETAINER)	1					
14	36663045040	PLATE,THRUST	2					
15	36663045050	COVER,END	1					
16	36663045060	PLATE (RETAINING)	2					
17	36663045070	RING,RETAINING	1					
18	36663045080	RING,RETAINING	1					
20	36663045090	PISTON	24					
21	36663045100	SLIPPER	24					
22	36663045110	PLATE,TIMING	1					
23	36663045120	SLEEVE	4					
24	36663045130	PIN (TIE ROD END)	2					
25	36663045140	PIN (TIE ROD END)	2					
26	36663045150	SPRING	16					
27	36661945130	SHIM SET	1					
28	36662095290	PLUG	2		PT3/8			
29	36661945200	BEARING,TAPER ROLLER	1					
30	36663045160	BEARING,TAPER ROLLER	1					
32	36663045170	RING,RETAINING	1					
33	90131512035	BOLT,HEXAGON SOCKET	12		M12X35			
34	36662955040	PLUG (WITH O-RING)	2					
36	36662095280	PLUG	1		PT1/4			
37	36663045180	O-RING	1					
39	91002801800	O-RING	6		1B P18			
40	91410001800	RING,BACKUP	4		P18			
42	36663045190	BLOCK,CYLINDER	1					
43	36663045200	PISTON ASSY	18					
44	36663045210	SEAL KIT	1					
54	36661946020	SPRING (MAIN)	1					
55	36661946010	WASHER	1					
60	36661946030	COVER (1)	1					
61	36661946040	COVER (2)	1					
62	36610945020	PLUG,AIR (RELIEF/WITH CAP)	1					
63	36661945220	VALVE,CHECK	1					
64	36661945230	SPRING	1					
77	91002801600	O-RING	1		1B P16			
80	90131510070	BOLT,HEXAGON SOCKET	4		M10X70			
81	90131508030	BOLT,HEXAGON SOCKET	4		M8X30			
82	90131512080	BOLT,HEXAGON SOCKET	6		M12X80			
83	91002904500	O-RING	1		1B G45			
84	91002903000	O-RING	1		1B G30			
86	91002903500	O-RING	2		1B G35			
88	36661955020	BODY ASSY	1					
89	36661945251	VALVE,RELIEF	1					
200	36661950001	MOTOR,HYDRAULIC	1					

GR-250N-1-00206 4 BOOM + JIB(PT),H,2M2D

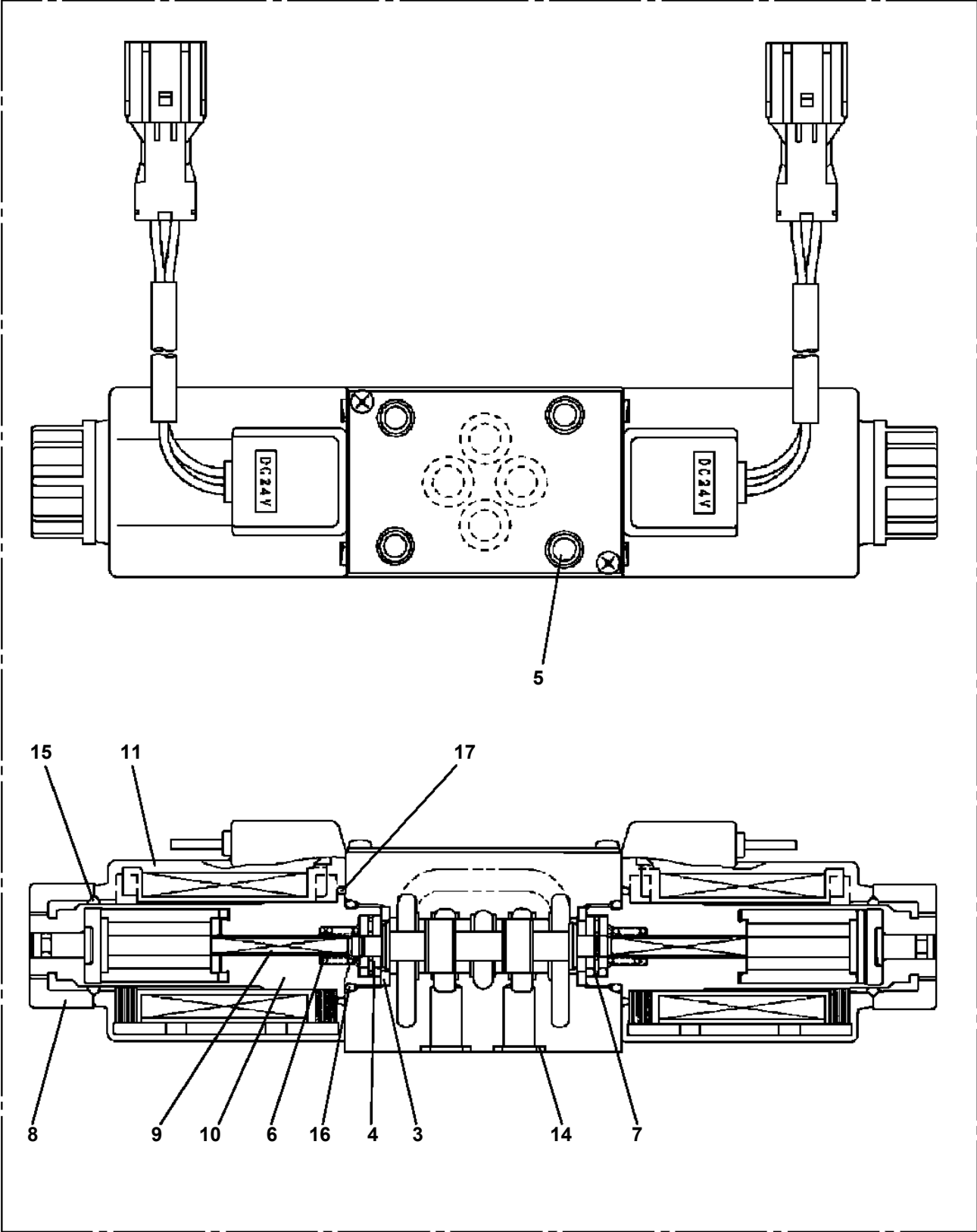
Pos No.	Parts No	Parts Name	Qty	Unit	Technical Data	Serial No (Start)	Serial No (End)	Remarks	Pages
1	36644595080	FILTER	1						
2	34711041300	FILTER	2						
10	36644590000	VALVE,SOLENOID	1						

**GR-250N-1-00206 4 BOOM + JIB(PT),H,2M2D
PI1120171-03 VALVE,SOLENOID**



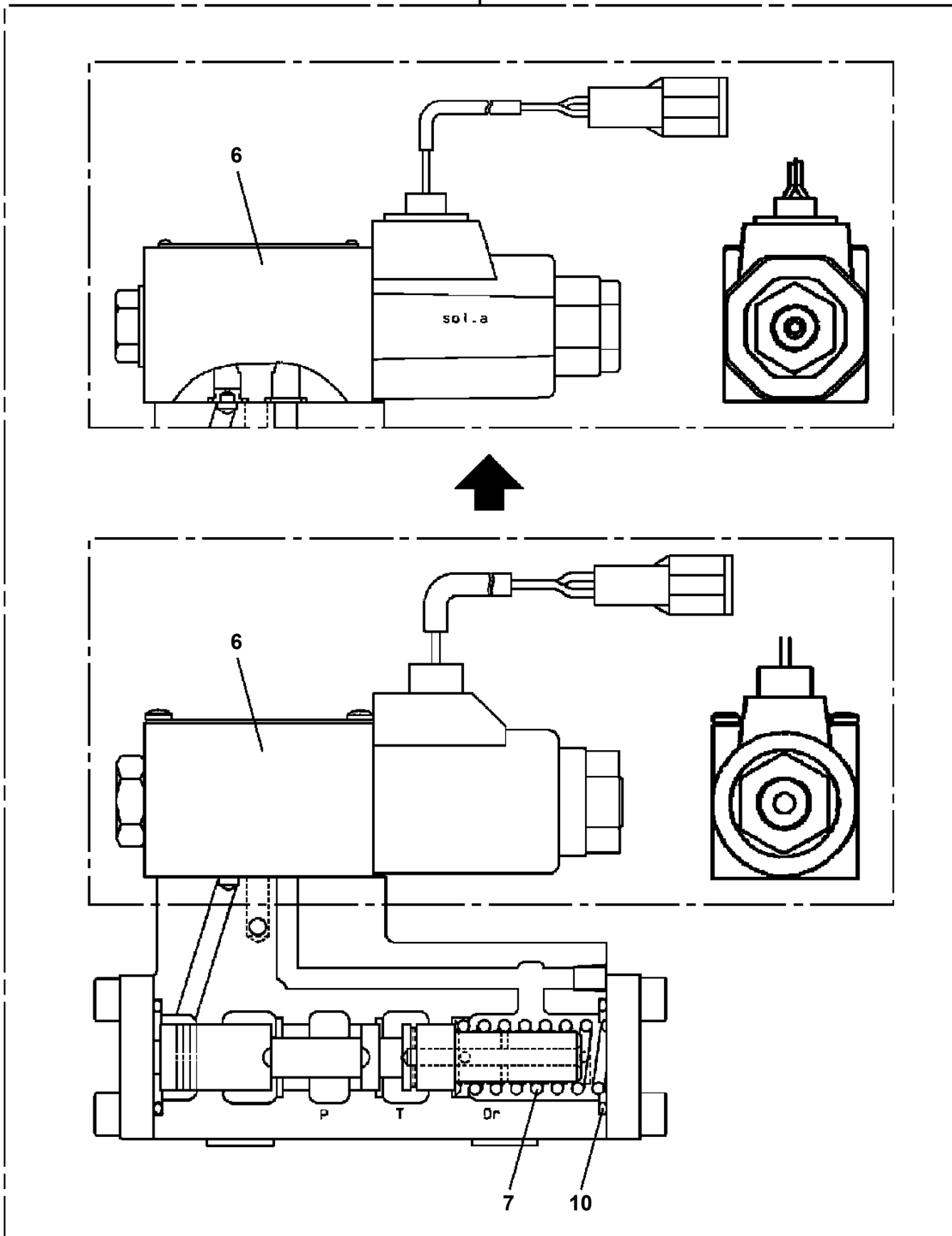
GR-250N-1-00206 4 BOOM + JIB(PT),H,2M2D
PI1120284-01 VALVE,SOLENOID

100

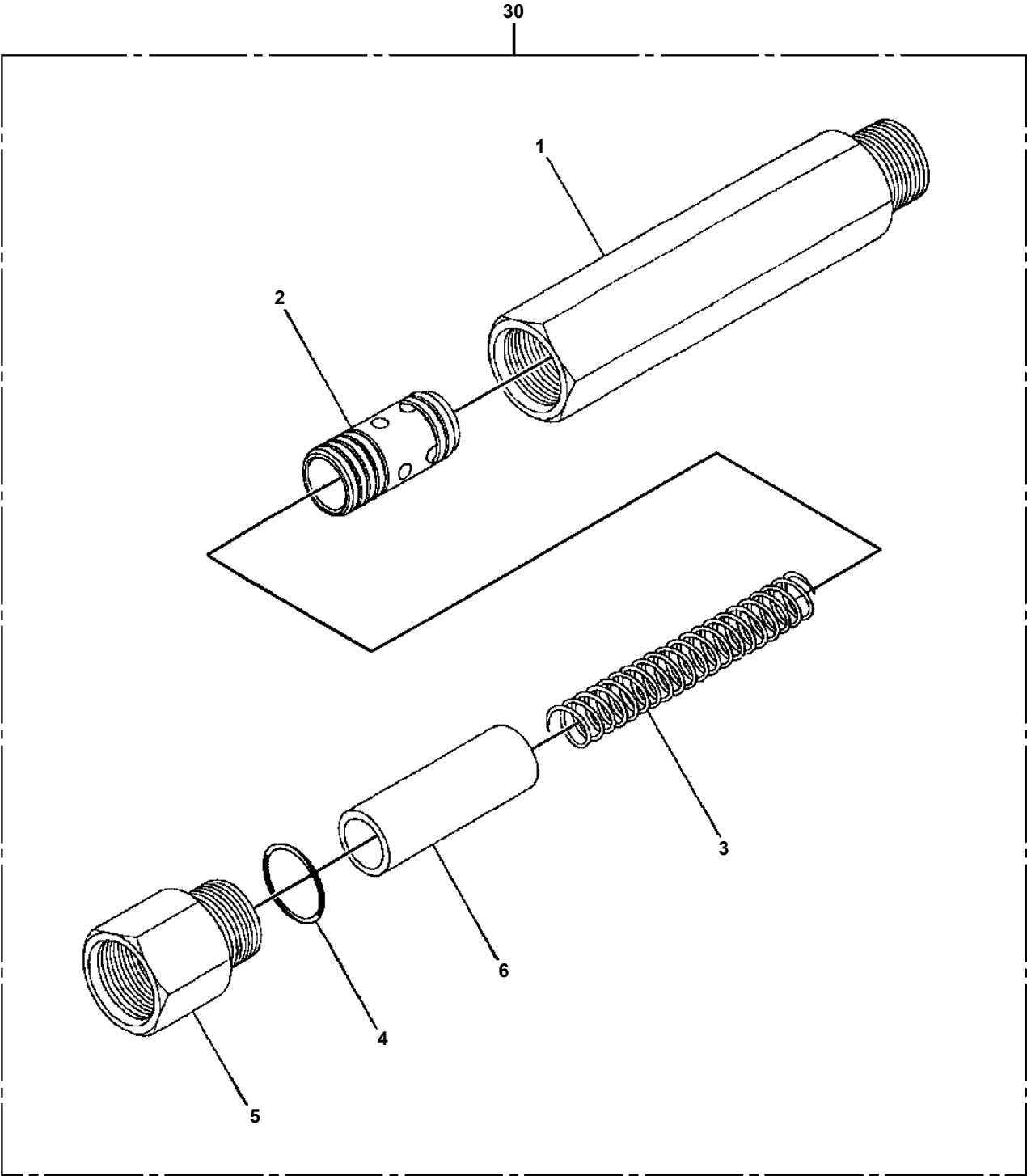


GR-250N-1-00206 4 BOOM + JIB(PT),H,2M2D
PI1130022-01 VALVE,HYDRAULIC

100

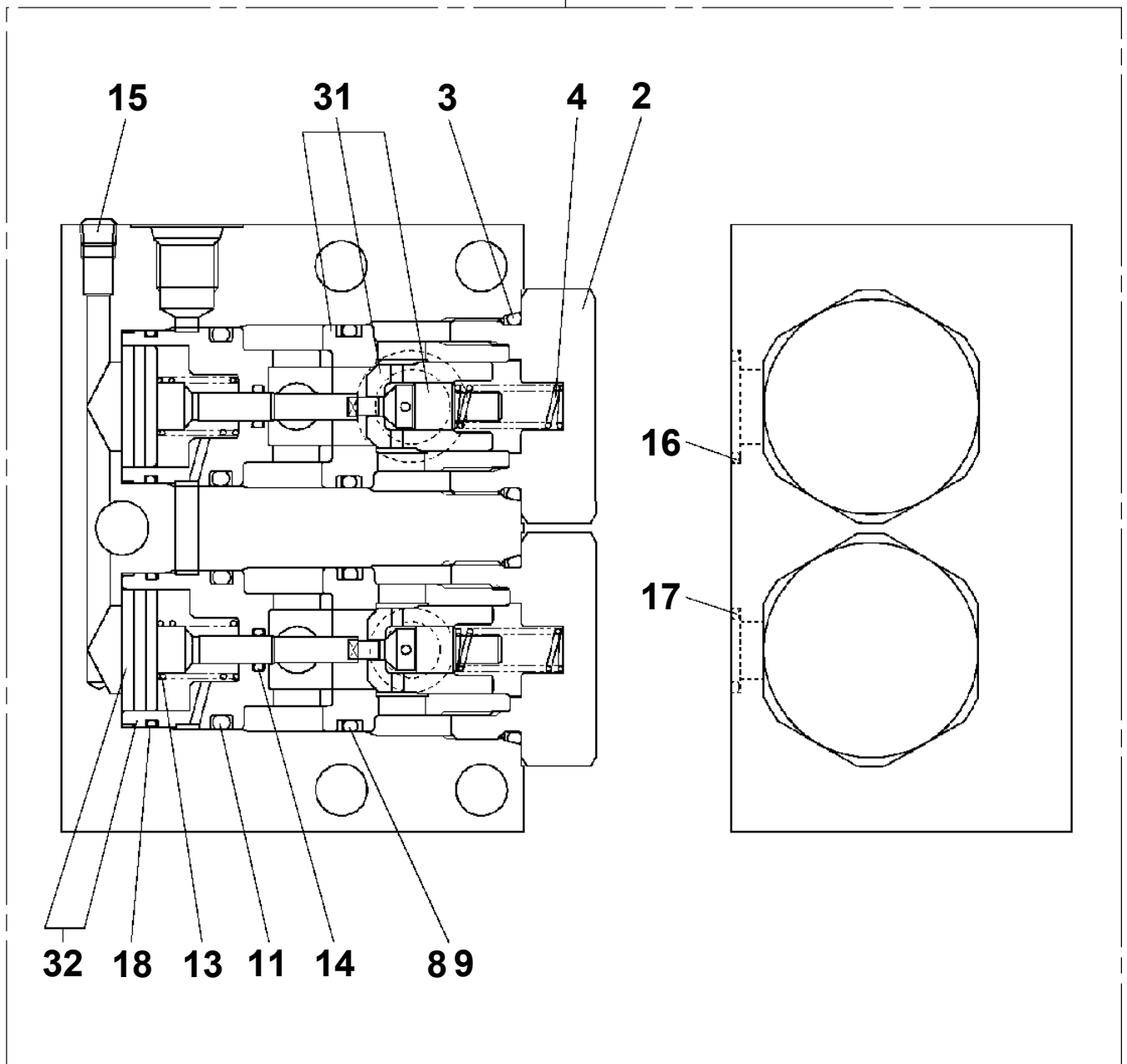


GR-250N-1-00206 4 BOOM + JIB(PT),H,2M2D
PI1140116-01 VALVE,CHECK



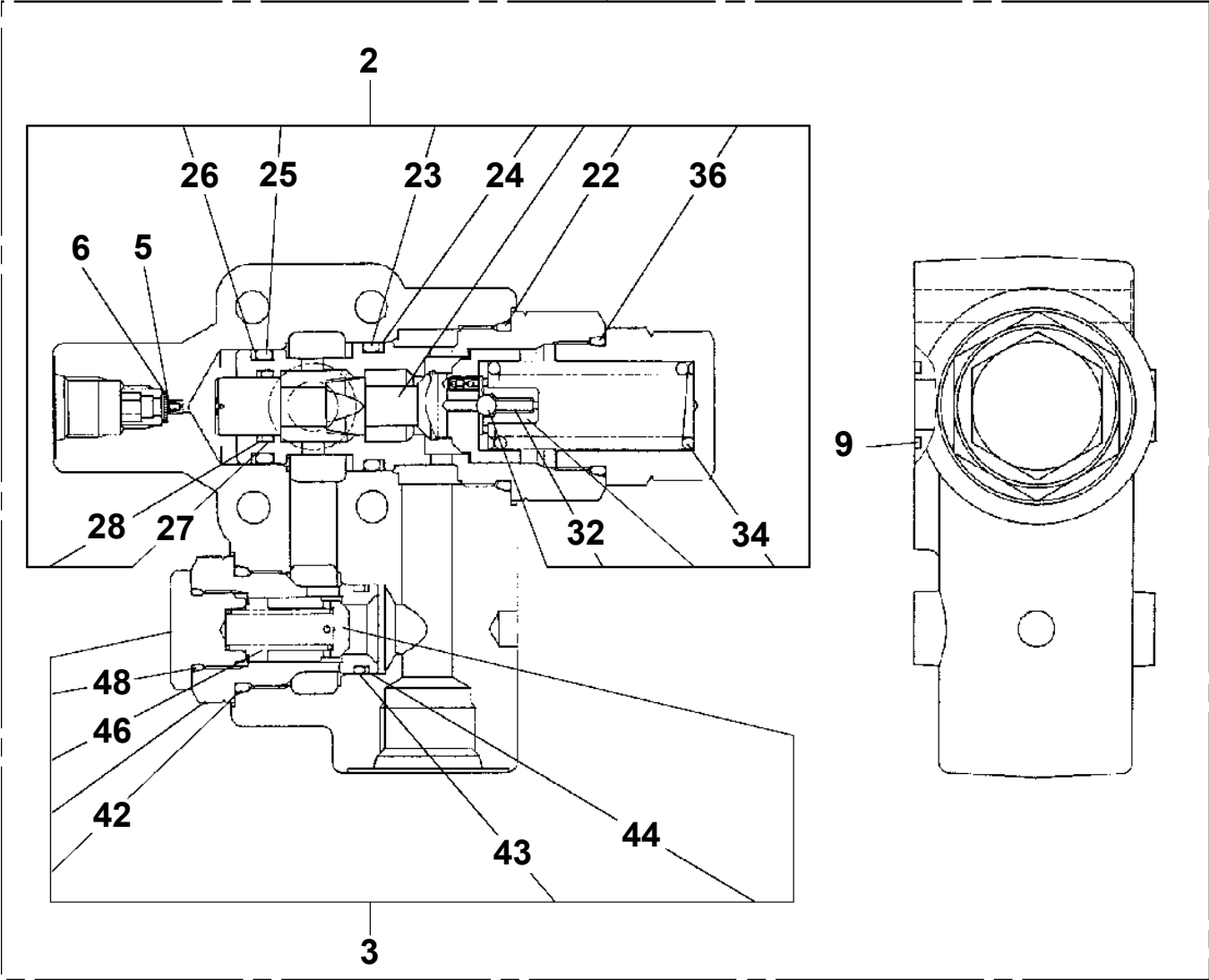
**GR-250N-1-00206 4 BOOM + JIB(PT),H,2M2D
PI1140175-00 VALVE,CHECK**

50

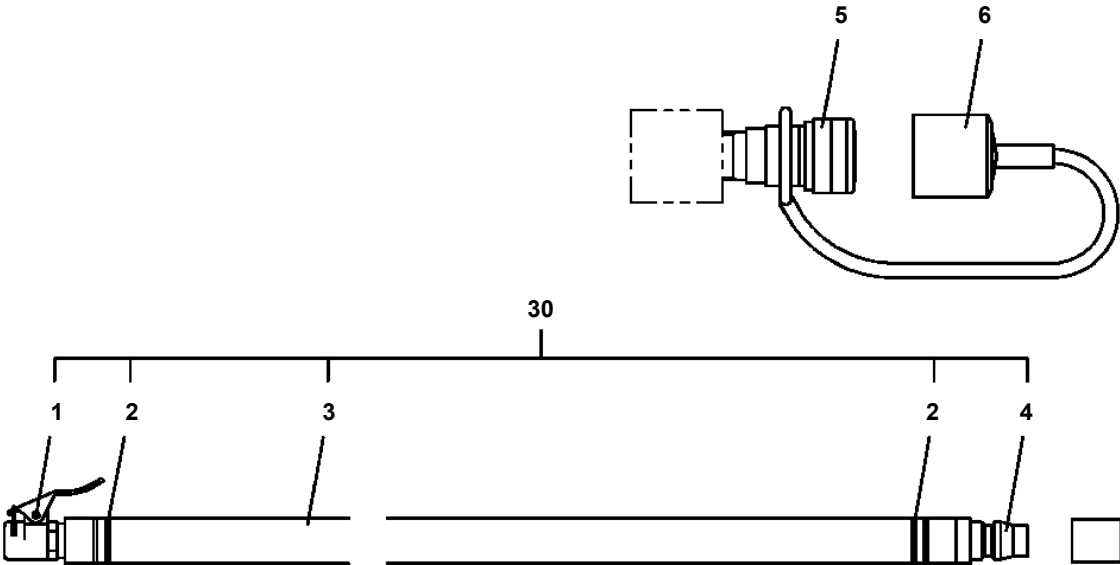


**GR-250N-1-00206 4 BOOM + JIB(PT),H,2M2D
PI1250115-01 VALVE,COUNTERBALANCE**

50



GR-250N-1-00206 4 BOOM + JIB(PT),H,2M2D
PI5140001-00 INFLATOR,AIR



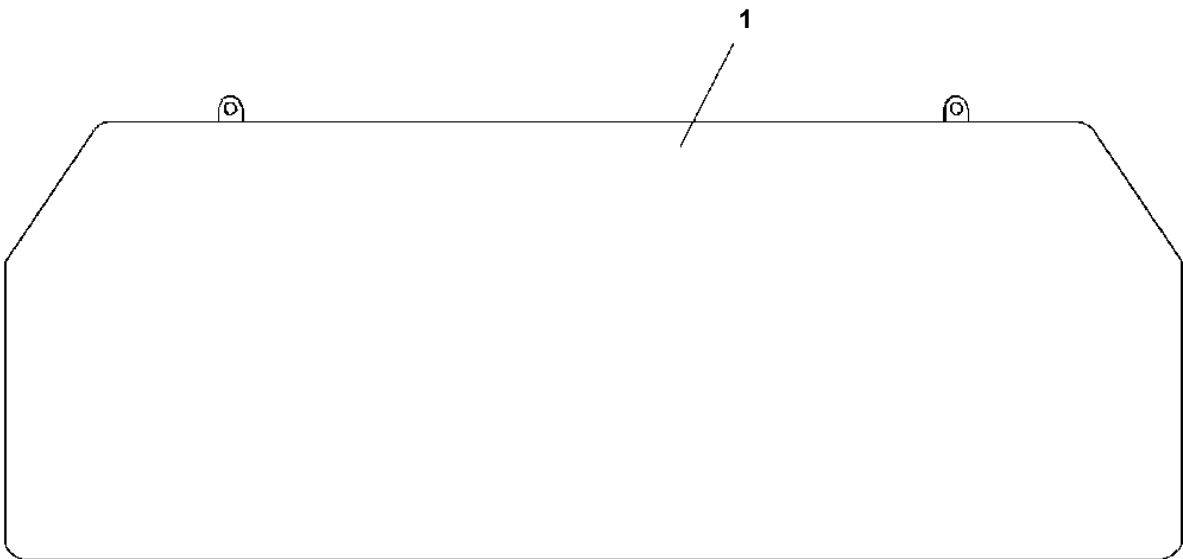
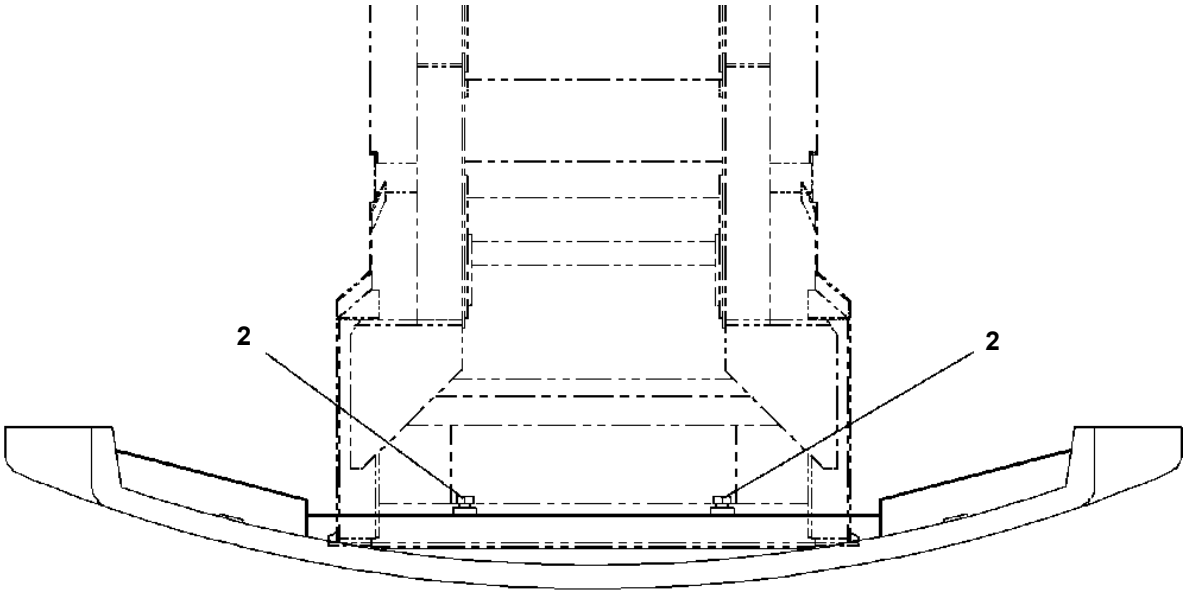
GR-250N-1-00206 4 BOOM + JIB(PT),H,2M2D

Pos No.	Parts No	Parts Name	Qty	Unit	Technical Data	Serial No (Start)	Serial No (End)
1	82100000957	GROMMET	3		SG-38A		
2	34251200800	PANEL	1				
4	80176405012	SCREW,MACHINE	45		M5X12		
5	90305260501	WASHER	48		B1-5		
6	34251200500	LEVEL GAUGE	1				
7	34250881400	COVER	1				
8	34251200400	PANEL	1				
9	34250940801	COVER	1				
10	34251200200	SUPPORT	1				
11	34251200600	COVER	1				
12	80186406016	SCREW,MACHINE	16		M6X16		
13	90305260601	WASHER	16		B1-6		
14	34251191000	COVER	1				
15	34251201300	COVER	1				
16	34250360200	BELT	1				
17	90101210022	BOLT	11		M10X22		
18	90302041001	WASHER,SPRING	11		10		
19	34251420100	PANEL	1				
20	34251220500	PANEL	1				
21	82121800010	PLUG (OTUKA)	1				
22	34250940700	COVER	1				
23	99191208020	BOLT,TAPPING	4		M8X20		
24	34250882500	SUPPORT	1				
25	90303071001	WASHER,PLAIN	4		10		
26	99172106012	BOLT,TAPPING	5		M6X12		
27	34250882400	SUPPORT	1				
28	80192486014	SCREW,MACHINE (WITH WASHER)	11		M6X14		
29	34250380200	SUPPORT	1				
30	90201201000	NUT	1		M10		
31	34251192001	SEAT ASSY	1				
32	34251420300	PANEL	1				
33	34250881601	COVER	1				
34	34250880601	SUPPORT	1				
35	34251200900	COVER	1				
36	34251200700	PANEL	1				
37	82400000468	TRAY,ASH	1				
38	80176405025	SCREW,MACHINE	3		M5X25		
39	37001200180	SPRING	3				
40	90303070801	WASHER,PLAIN	10		8		
41	80192484012	SCREW,MACHINE (WITH WASHER)	1		M4X12		
42	80192485014	SCREW,MACHINE (WITH WASHER)	2		M5X14		
43	34251190200	PLATE	3				
44	90180208014	BOLT,BUTTON	6		M8X14		
45	90302040801	WASHER,SPRING	4		8		
46	34251221700	COVER	1				
61	34251191150	PANEL	1				
62	34251221601	HINGE	2				
63	80172804008	SCREW,MACHINE	4		M4X8		
64	34251201400	COVER	1				
65	90302510401	WASHER,SPRING	4		4		
67	80172803010	SCREW,MACHINE	4		M3X10		
68	90303520301	WASHER,PLAIN	4		3		
69	90302510301	WASHER,SPRING (SUS 3)	4				
76	90201500300	NUT	4		M3		

GR-250N-1-00206 4 BOOM + JIB(PT),H,2M2D

Pos No.	Parts No	Parts Name	Qty	Unit	Technical Data	Serial No (Start)	Serial
383	34260639680	PIN	2				
384	34260639690	LEVER	1				
385	34260639700	PIN	1				
386	34260639710	LINK	1				
387	34260639660	HOOK	1				
388	34260639670	PIN	1				
392	80192486016	SCREW,MACHINE	4		M6X16		
393	34260657590	SCREW,MACHINE (WITH PW)	1		M5X16		
394	80185306012	SCREW,MACHINE	5				
395	80192486012	SCREW,MACHINE	2		M6X12		
396	34260657600	BOLT (WITH WASHER)	3		M8X25		
397	90303070501	WASHER,PLAIN	1		5		
398	80136015010	PIN,SPLIT	1		1.5X10		
400	90925040121	SCREW,TAPPING	1				
401	34260657610	SCREW,MACHINE (WITH PW)	10		M4X10		
402	34260657620	SCREW,MACHINE (WITH PW)	3		M6X16		
403	34260657630	BOLT (WITH WASHER))	2		M10X30		
404	80601110120	RING,RITAINING	1		S12		
405	90303071201	WASHER,PLAIN	2		12		
406	34260657640	SCREW,MACHINE (WITH SW,PW)	4		M6X16		
407	34260657650	SCREW,MACHINE	17		M6X16		
408	90305000601	WASHER	17		6		
410	80613110050	RING,RETAINING	1				
413	80192484016	SCREW,MACHINE	2		M4X16		
439	80192484012	SCREW,MACHINE (WITH WASHER)	4		M4X12		
443	90180106012	BOLT,BUTTON	6		M6X12		
444	34260657730	SCREW,MACHINE (WITH PW)	2		M6X10		
445	34260657740	SCREW,MACHINE	4		M5X16		
453	33260015170	NUT (WITH RUBBER)	1		M6		
454	33260495130	PACKING	1				
460	34260239911	LINK ASSY (WIPER)	1				
471	34260581310	SUPPORT	1				
474	34260581340	SCREW,TAPPING	3				
475	82100002261	CONNECTOR (2POLES,MALE)	1				
476	82100002256	TERMINAL	2				
480	34260887531	COVER	1				
481	34260887540	COVER (BOX)	1				
482	34260887550	COVER	1				
484	34260907520	SUPPORT	2				
500	(*****)	CAB,OPERATOR	1				
509	34260237501	RUBBER (BLADE,WIPER)	2		L=700		
521	34260637725	BULB,LAMP	2				

GR-250N-1-00206 4 BOOM + JIB(PT),H,2M2D
PK1220199-01 WEIGHT, COUNTERBALANCE



CLICK HERE TO **DOWNLOAD** THE COMPLETE MANUAL

- Thank you very much for reading the preview of the manual.
- You can download the complete manual from: www.heydownloads.com by clicking the link below



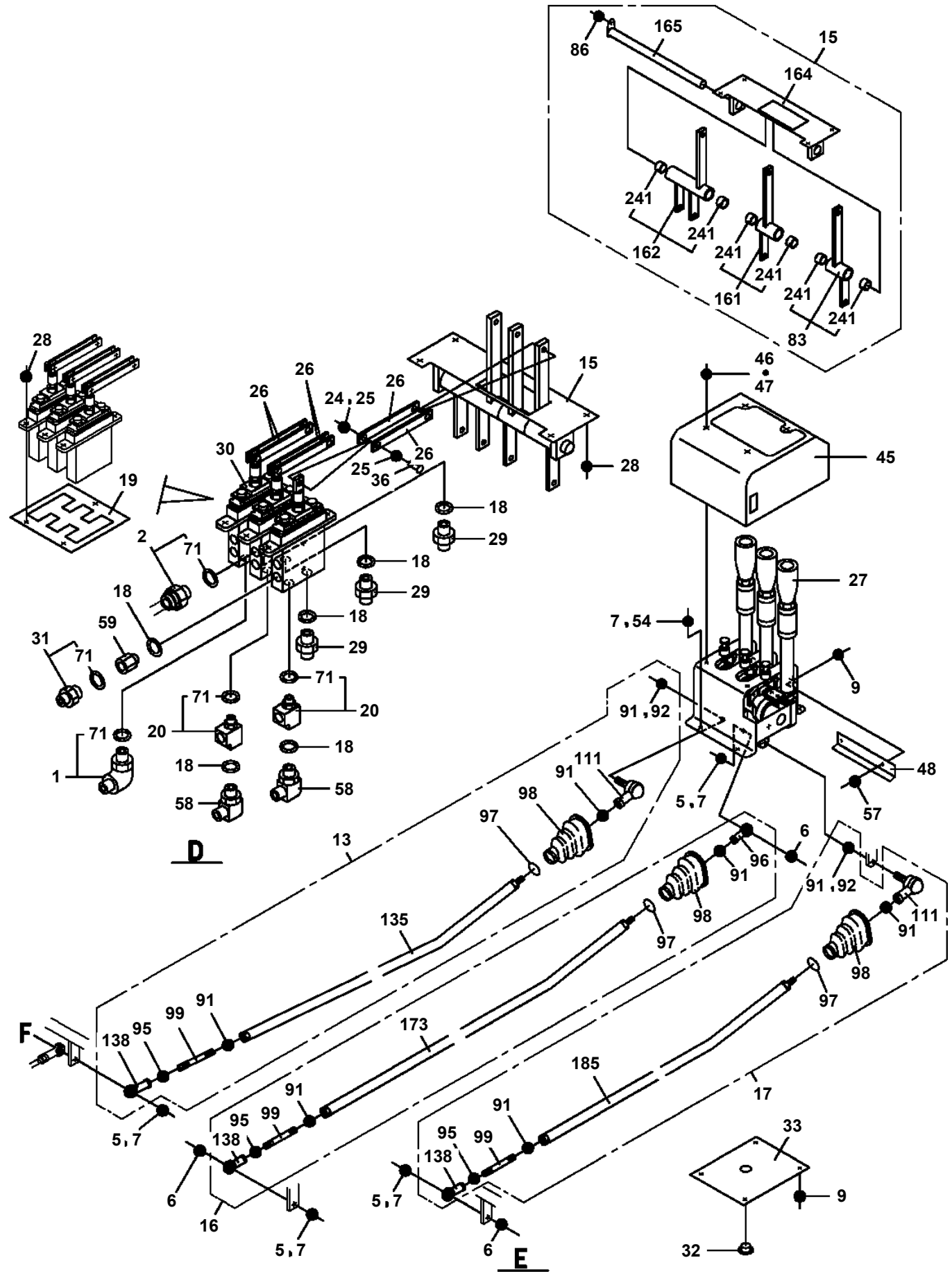
- Please note: If there is no response to CLICKING the link, please download this PDF first and then click on it.

CLICK HERE TO **DOWNLOAD** THE COMPLETE MANUAL

GR-250N-1-00206 4 BOOM + JIB(PT),H,2M2D

Pos No.	Parts No	Parts Name	Qty	Unit	Technical Data	Serial No (Start)	Serial No (End)	Remarks	Pages
1	37002217900	PLATE,NAME	1						
2	90101208030	BOLT	1		M8X30				

**GR-250N-1-00206 4 BOOM + JIB(PT),H,2M2D
 PL1011027-01 OPE.ASSY,CONT.VALVE (ISO)**



GR-250N-1-00206 4 BOOM + JIB(PT),H,2M2D

Pos No.	Parts No	Parts Name	Qty	Unit	Technical Data	Serial No (Start)	Serial No (End)	Remarks	Pages
5	91002906000	O-RING	3		1B G60				
6	91002801800	O-RING	4		1B P18				
15	36633545030	SEAL	6						
16	91002802000	O-RING	6		1B P20				
19	36634925080	SHIM SET	10		T=0.4X2				
39	91002801600	O-RING	4		1B P16				
41	36635335040	BELLOWS	3						
50	36636540000	VALVE,CONTROL	1						

GR-250N-1-00206 4 BOOM + JIB(PT),H,2M2D

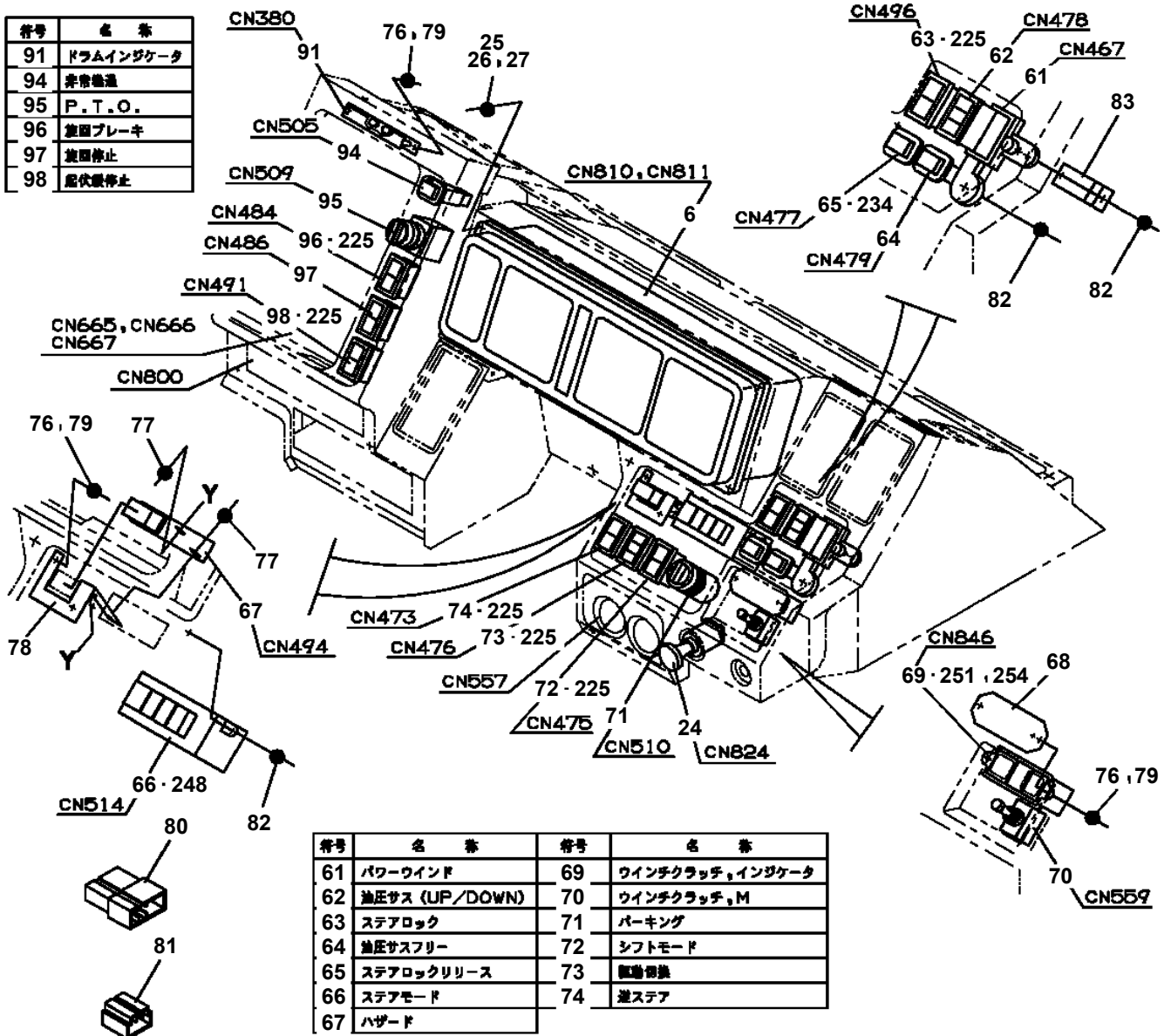
Pos No.	Parts No	Parts Name	Qty	Unit	Technical Data	Serial No (Start)	Serial No (End)	Remarks	Pages
1	34970277510	JOINT	4						
50	34970270100	DISTRIBUTOR	1						

GR-250N-1-00206 4 BOOM + JIB(PT),H,2M2D

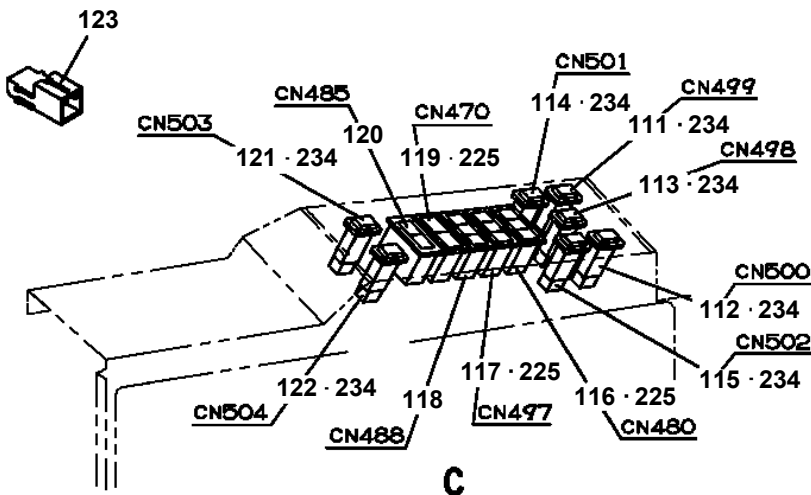
Pos No.	Parts No	Parts Name	Qty	Unit	Technical Data	Serial No (Start)	Serial No (End)	Remarks
1	(*****)	ELEC.ASSY (CAB)	1					
2	(*****)	MODIFICATION ASSY (LOWER)	1					

GR-250N-1-00206 4 BOOM + JIB(PT),H,2M2D PN1013602-02 ELEC.ASSY (CAB)

符号	名称
91	ドラムインジケータ
94	非常急温
95	P.T.O.
96	旋回ブレーキ
97	旋回停止
98	起伏機停止



A

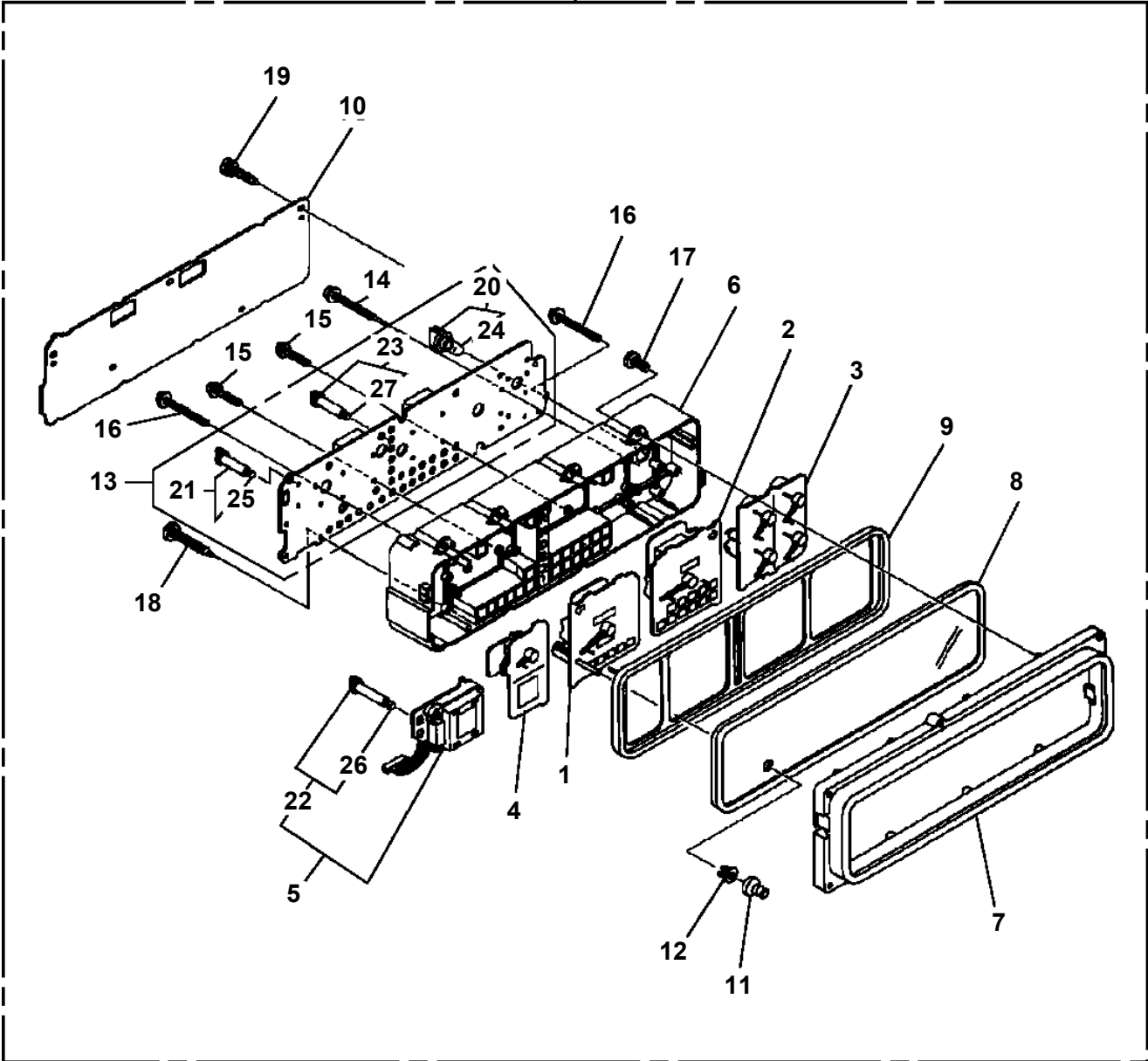


符号	名称
111	O/R (FL)
112	O/R (FR)
113	O/R (ALL)
114	O/R (RL)
115	O/R (RR)
116	O/R (J/S切換)
117	O/R (張出/巻納)
118	ジブ (張出/巻納)
119	作業灯
120	ジブ/伸縮切換
121	3,4段プー-A非常伸縮
122	2段プー-A非常伸縮

C

GR-250N-1-00206 4 BOOM + JIB(PT),H,2M2D
PN1040022-00 METER,COMBINATION

100

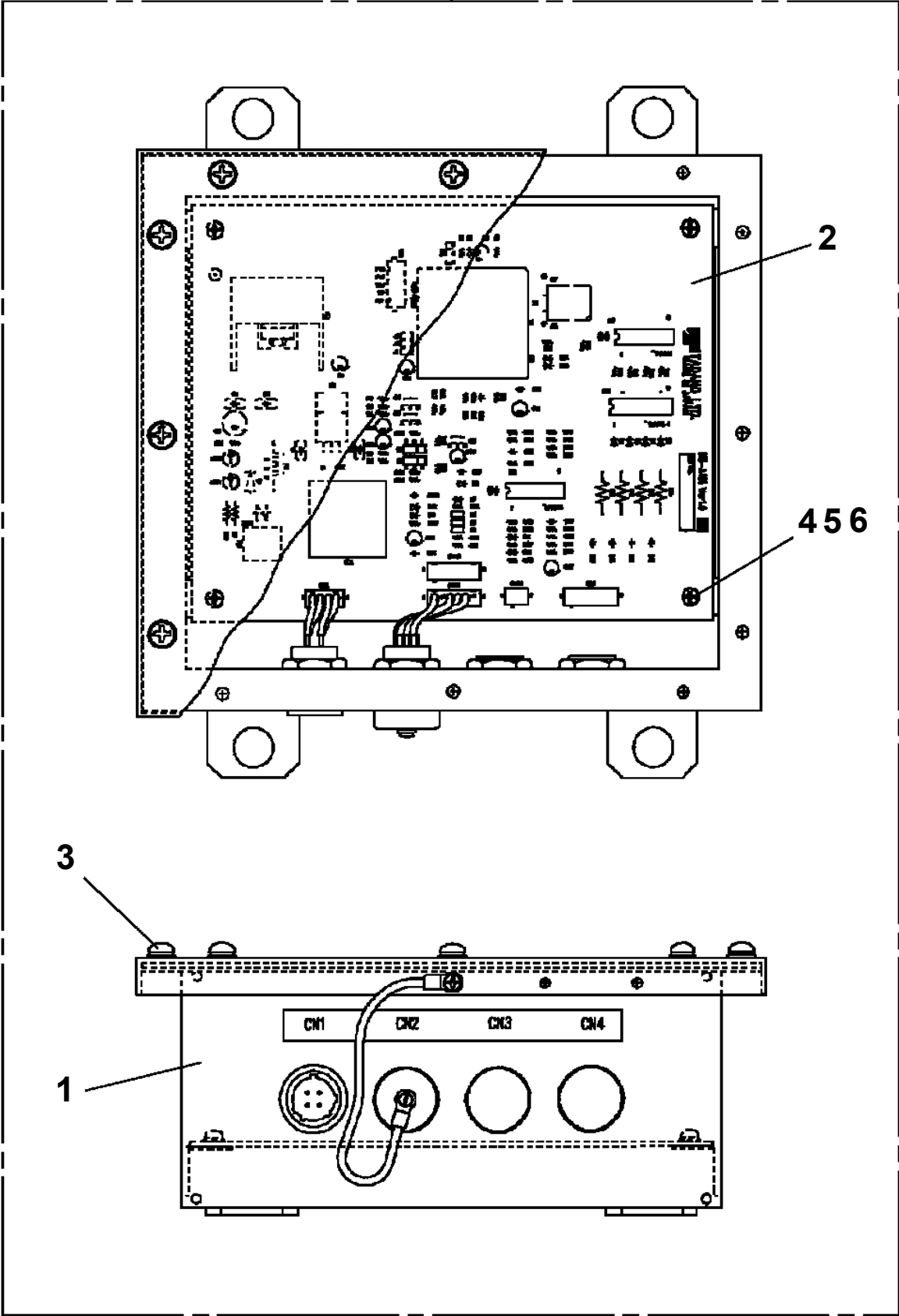


GR-250N-1-00206 4 BOOM + JIB(PT),H,2M2D

Pos No.	Parts No	Parts Name	Qty	Unit	Technical Data	Serial No (Start)	Serial No (End)	Remarks	P
11	34930707510	LENS	1						
12	82166300210	BULB,LAMP (KOITO)	1		24V 21W				
13	82166300050	BULB,LAMP (KOITO)	1		24V 5W				
100	34930704000	LAMP (COMBINATION)	1						

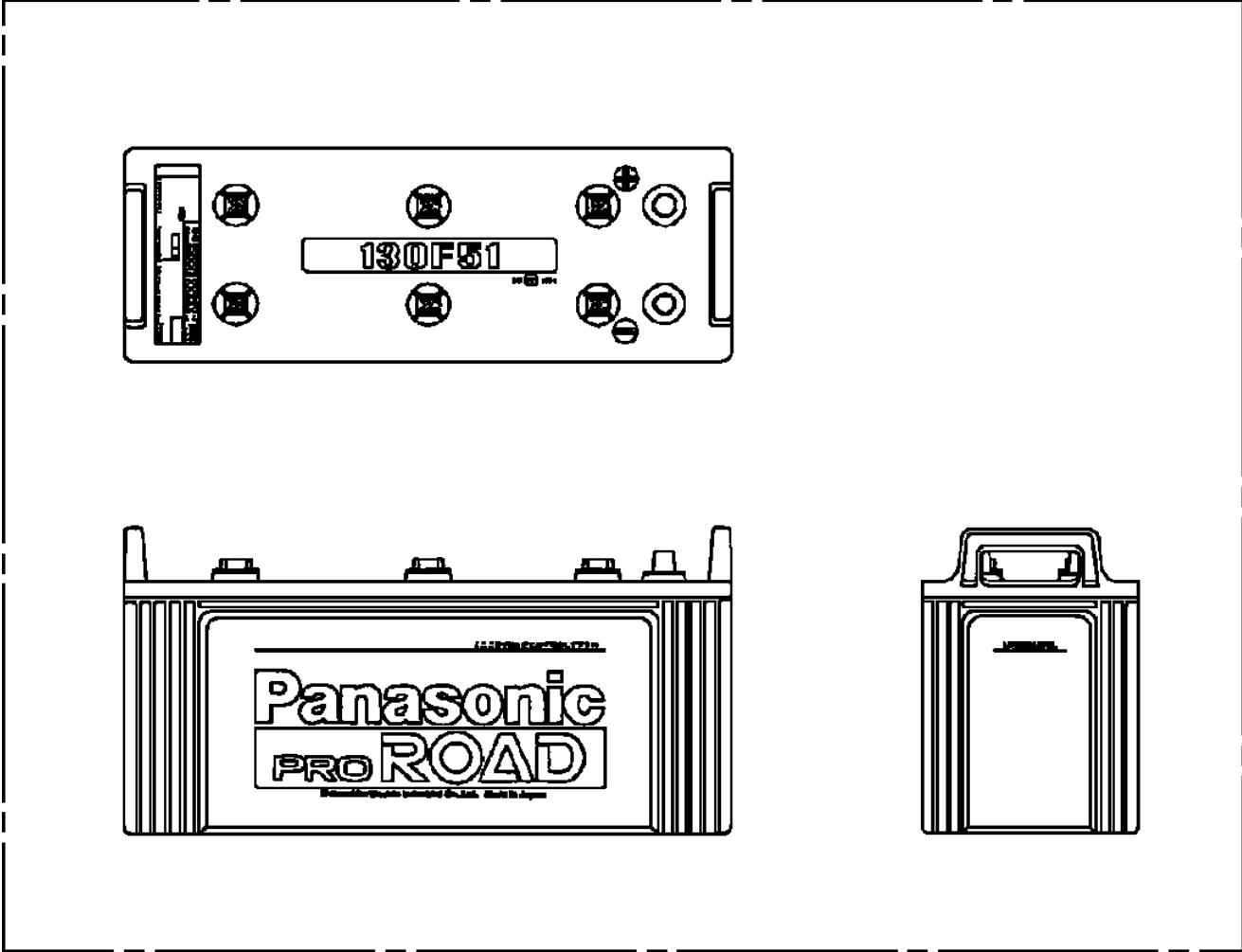
GR-250N-1-00206 4 BOOM + JIB(PT),H,2M2D
PN1210132-00 TRANSMITTER,SIGNAL

100

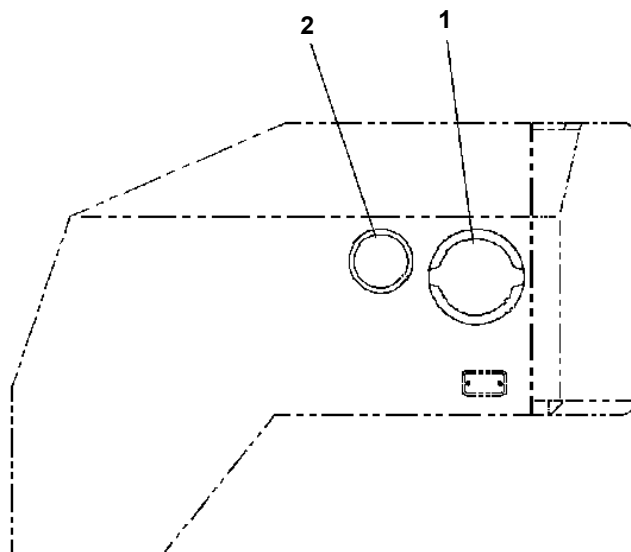


GR-250N-1-00206 4 BOOM + JIB(PT),H,2M2D
PN1370124-00 BATTERY (PANASONIC,130F51)

1



GR-250N-1-00206 4 BOOM + JIB(PT),H,2M2D
PO1013423-01 PLATE ASSY,NAME (LOW NOISE,EXHAUST GAS)

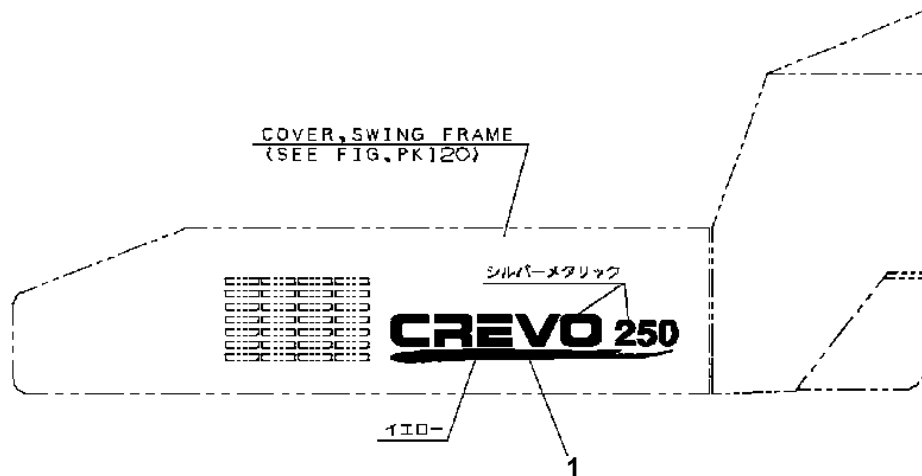
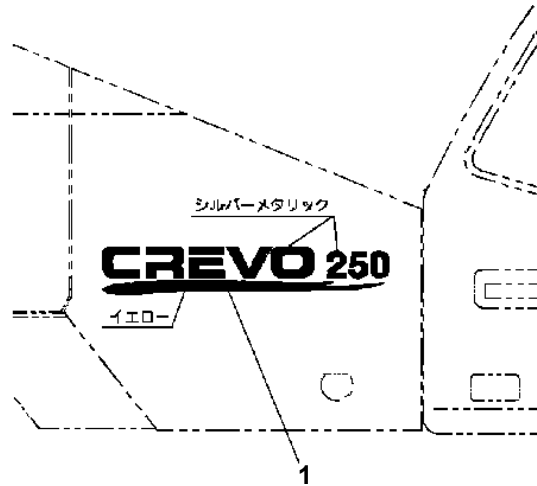


COVER, SWING FRAME (LEFT)

GR-250N-1-00206 4 BOOM + JIB(PT),H,2M2D

Pos No.	Parts No	Parts Name	Qty	Unit	Technical Data	Serial No (Start)	Serial No (End)	Remarks
1	37002219320	PLATE,CAUTION	2					
2	34395815200	PLATE,NAME	1					
3	34390225400	PLATE,NAME	3					
4	34395815100	PLATE,NAME	1					
5	56370132000	PLATE,NAME	1					
6	34394165300	PLATE,NAME	1					
7	34393375400	PLATE,CAUTION	1					
8	12117140000	PLATE,NAME (GREASE)	33					
9	37002217250	PLATE,NAME	2					
10	37002217380	PLATE,CAUTION	2					
11	37002226350	PLATE,CAUTION	1					
21	36350460040	PLATE,NAME	1					

GR-250N-1-00206 4 BOOM + JIB(PT),H,2M2D
PO1040029-00 CREVO (YELLOW/SILVER)



**GR-250N-1-00206 4 BOOM + JIB(PT),H,2M2D
PO1080001-02 PLATE,NAME (LOW NOISE MARK)**

当銘板については、弊社出先サービス員経由で御用命ください。

FOR THIS NAMEPLATE, CONTACT
TADANO DISTRIBUTOR OR DEALER.

**GR-250N-1-00206 4 BOOM + JIB(PT),H,2M2D
PP5240012-00 PLATE,NAME**

当銘板については、弊社出先サービス員経由で御用命ください。

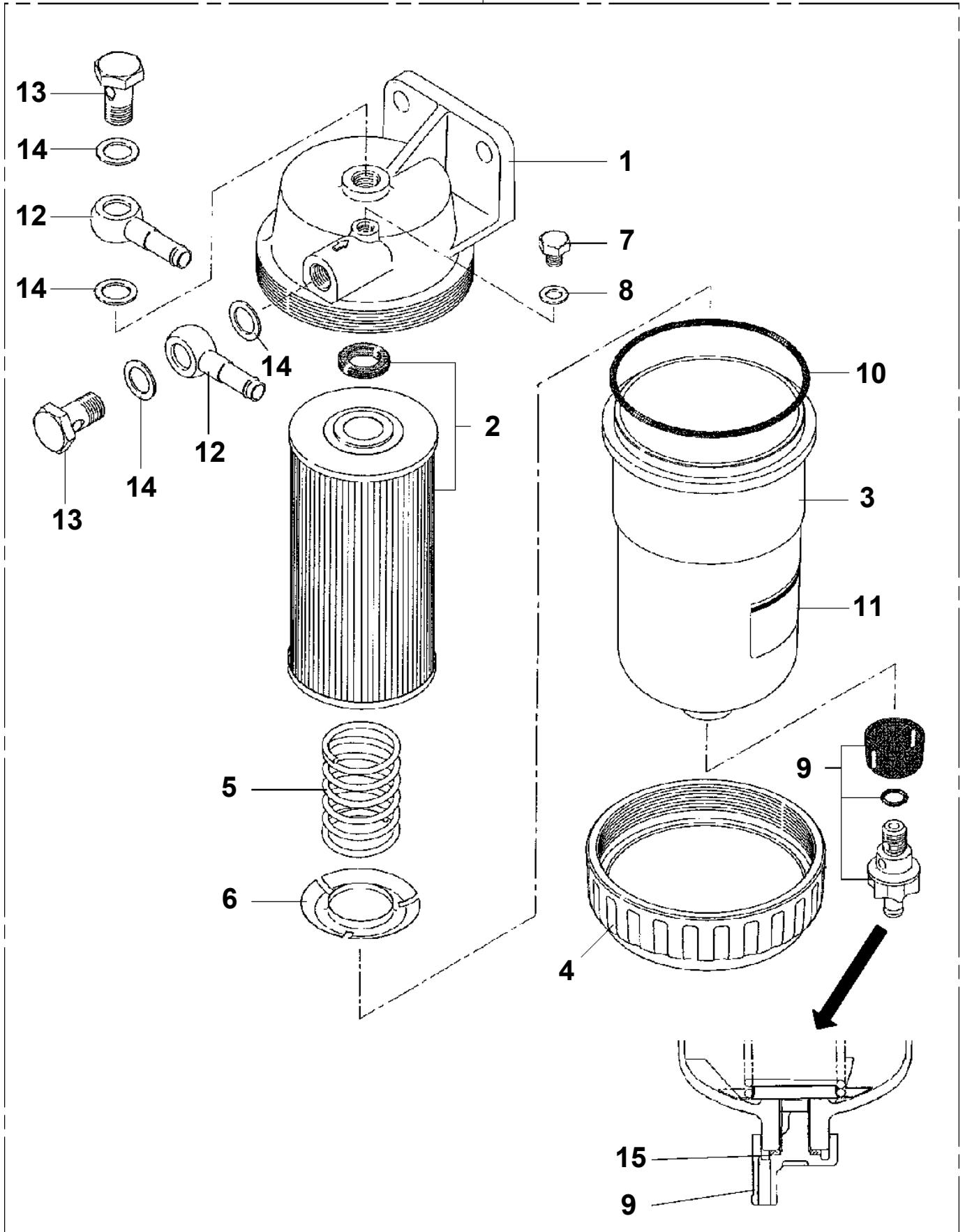
FOR THIS NAMEPLATE, CONTACT
TADANO DISTRIBUTOR OR DEALER.

GR-250N-1-00206 4 BOOM + JIB(PT),H,2M2D

Pos No.	Parts No	Parts Name	Qty	Unit	Technical Data	Serial No (Start)	Serial No (End)
83	36360803080	CLIP (RADIATER HOSE/D=80)	2				
84	36360803090	GUIDE (FAN SHROUD)	1				
85	36360591050	CLAMP (FAN SHROUD SEAL)	1				
86	36361193050	HOSE (FOR RADIATOR)	1				
87	36361193060	CLIP (FOR RADIATOR HOSE)	1				
88	(*****)	RADIATOR (WITH INTER COOLER)	1				
91	36700302041	SENDER,THERMO	1				
101	34781213100	SUPPORT	1				
102	34781213200	SUPPORT	1				
103	34781213300	SUPPORT	1				
104	90101508025	BOLT	6		M8X25		
105	90302040801	WASHER,SPRING	8		8		
106	90101210030	BOLT	3		M10X30		
107	90302041001	WASHER,SPRING	7		10		
108	90303071001	WASHER,PLAIN	6		10		
109	90201201000	NUT	3		M10		
110	90103210020	BOLT	4		M10X20		
111	90101208035	BOLT	2		M8X35		
121	36360591030	GUIDE (FAN RING)	1				
122	36360953040	SUPPORT (FAN RING)	2				
152	36102165010	CAP	1				

GR-250N-1-00206 4 BOOM + JIB(PT),H,2M2D
PQ1110000-02 SEPARATOR,WATER (WITH PRE-FILTER)

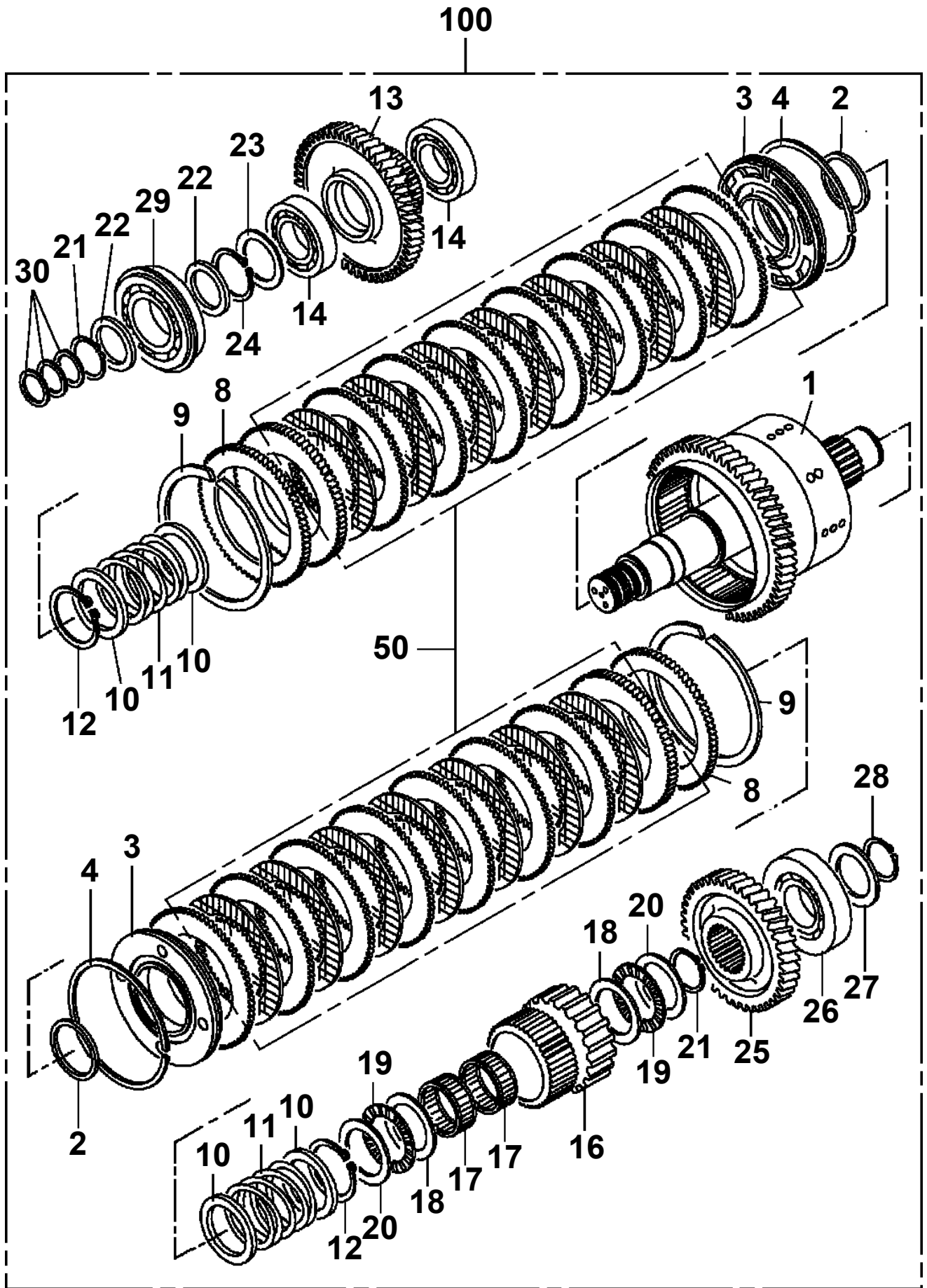
30



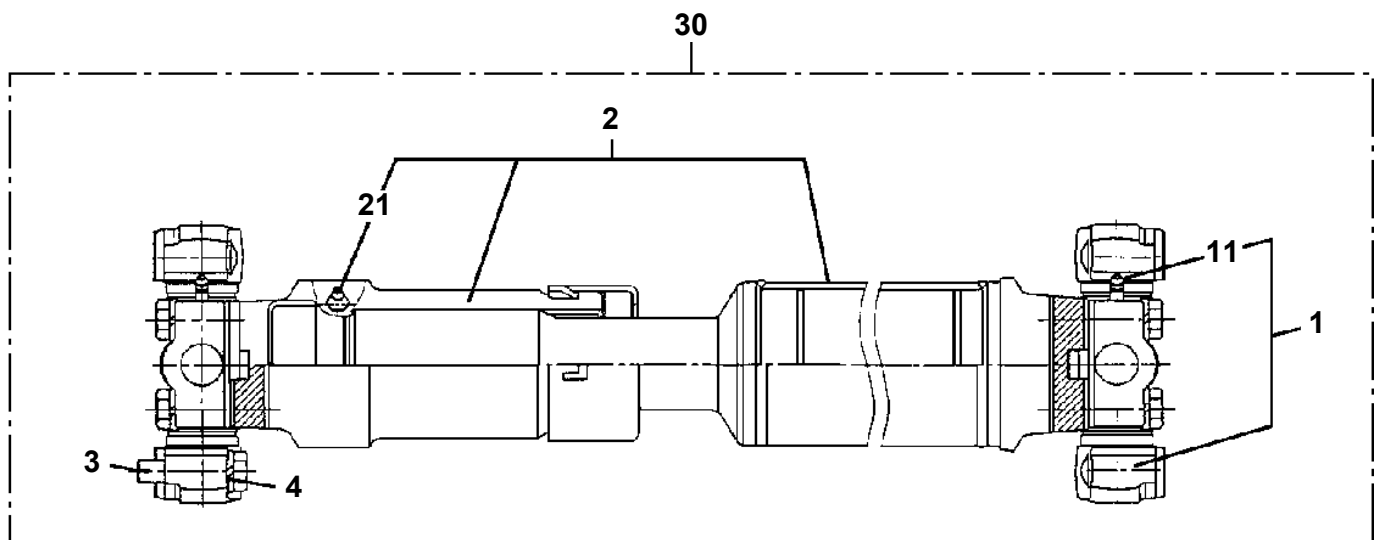
GR-250N-1-00206 4 BOOM + JIB(PT),H,2M2D

Pos No.	Parts No	Parts Name	Qty	Unit	Technical Data	Serial No (Start)	Serial No (End)	Remarks
1	36370555070	HOUSING	1					
2	36370415160	COVER	1					
3	36370215520	SEAL,OIL	1					
4	36370505080	COVER	1					
5	36370505090	GASKET	1					
6	36370505100	GEAR (N)	1					
7	80601110950	RING,RITAINING	1		S95			
8	36370505110	SHAFT ASSY	1					
9	36370505120	SUPPORT ASSY	1					
10	36370217020	BEARING,BALL	4					
11	36370217050	RING,SEAL	1					
12	36370207570	RING,SEAL	2					
13	36370217070	RING,SEAL	1					
14	36370505130	SHAFT ASSY	1					
15	36370505140	GEAR (Q)	2					
16	36370505150	SHAFT (S)	1					
17	36370505161	SHAFT (C)	1					
18	36370217100	WASHER	6					
19	36370217130	BEARING,BALL	1					
20	80518006209	BEARING,BALL	1					
21	80601110450	RING,RITAINING	6		S45			
22	80601110400	RING,RITAINING	2		S40			
23	36370305410	WASHER	2					
26	36370207190	WASHER	1					
27	80602110950	RING,RITAINING	1		95			
28	36370505180	BEARING,BALL	1					
29	80518006009	BEARING,BALL	1					
30	36370455150	WASHER	1					
31	80602110820	RING,RITAINING	1		82			
32	36370595030	FLANGE	1					
33	91067103500	O-RING	1		4E P35			
34	36370355130	WASHER	1					
35	90103516040	BOLT	1		M16X40			
36	36370615120	SEAL,OIL	1					
37	36350456050	SEAL,OIL	1					
38	80601110350	RING,RITAINING	1		S35			
39	36370207380	WASHER	2					
40	36370207390	SHIM (T=0.2)	N					
41	36370207400	SHIM (T=0.5)	N					
42	36370615130	O-RING	1					
43	36350365760	PISTON	1					
44	36350525290	SPRING	1					
45	36350525330	SPRING	1					
46	36350525300	SPRING	1					
47	36350525320	STOPPER	1					
48	36370505190	COVER	1					
49	36370505200	GASKET	1					
50	36370615190	PLUG	1					
51	36370615200	O-RING	1					
52	36370215550	COVER	1					
53	36350525370	FILTER	1					
54	36370505210	SPACER	1					
55	36350265160	PIN	3		10X28			
56	36681890000	SENDER,THERMO (OIL)	1					
57	36370625200	PLUG (MAGNET)	1					
58	36370505220	BOLT ASSY	2					
59	36370615140	BOLT (WITH FLANGE)	8					
60	36350695300	BOLT	6					
61	90171110030	BOLT	10		M10X30			
62	90101510065	BOLT	4		M10X65			
63	36370505230	BOLT,HEXAGON SOCKET	4					
64	36350456060	PLUG	11					
65	36370595040	ADAPTER	1					

GR-250N-1-00206 4 BOOM + JIB(PT),H,2M2D
PR1460023-00 CLUTCH PACK, TRANSMISSION



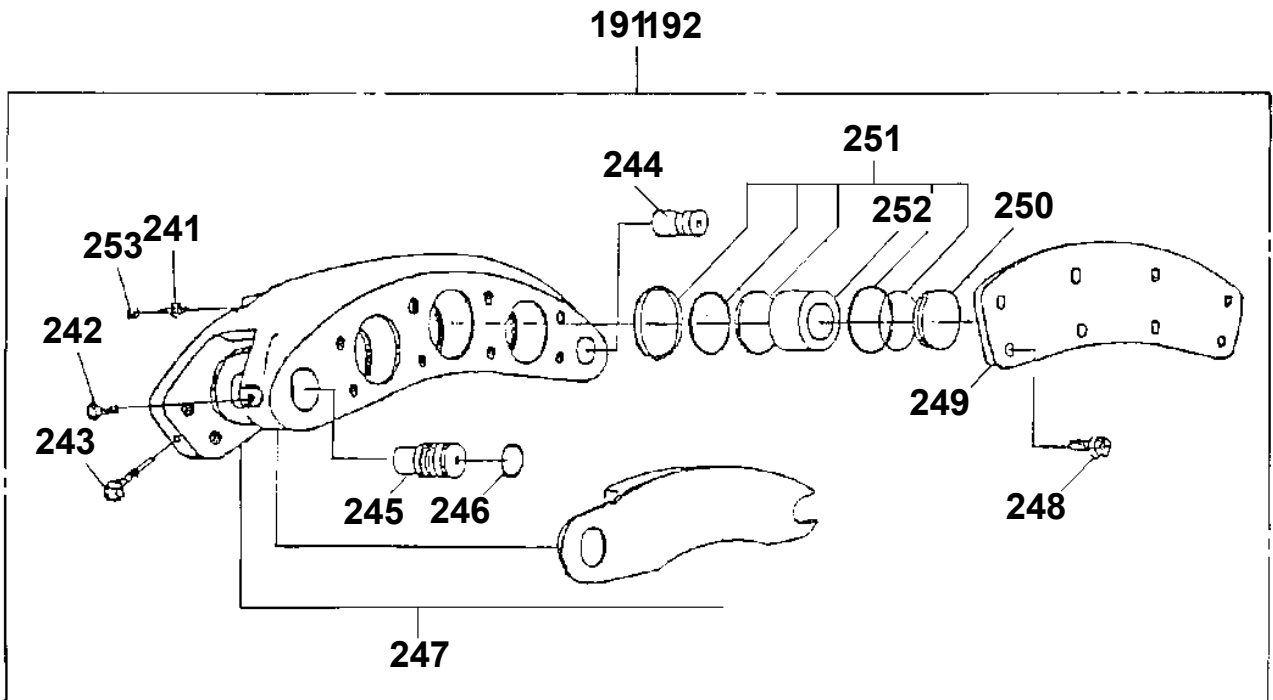
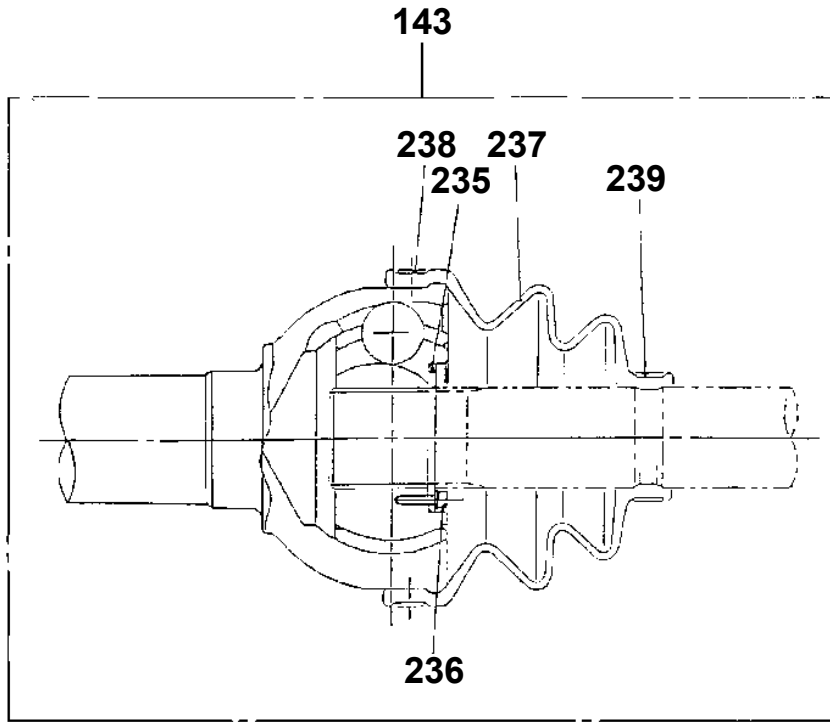
GR-250N-1-00206 4 BOOM + JIB(PT),H,2M2D
PR1600036-01 PROPELLER SHAFT,DRIVING



GR-250N-1-00206 4 BOOM + JIB(PT),H,2M2D

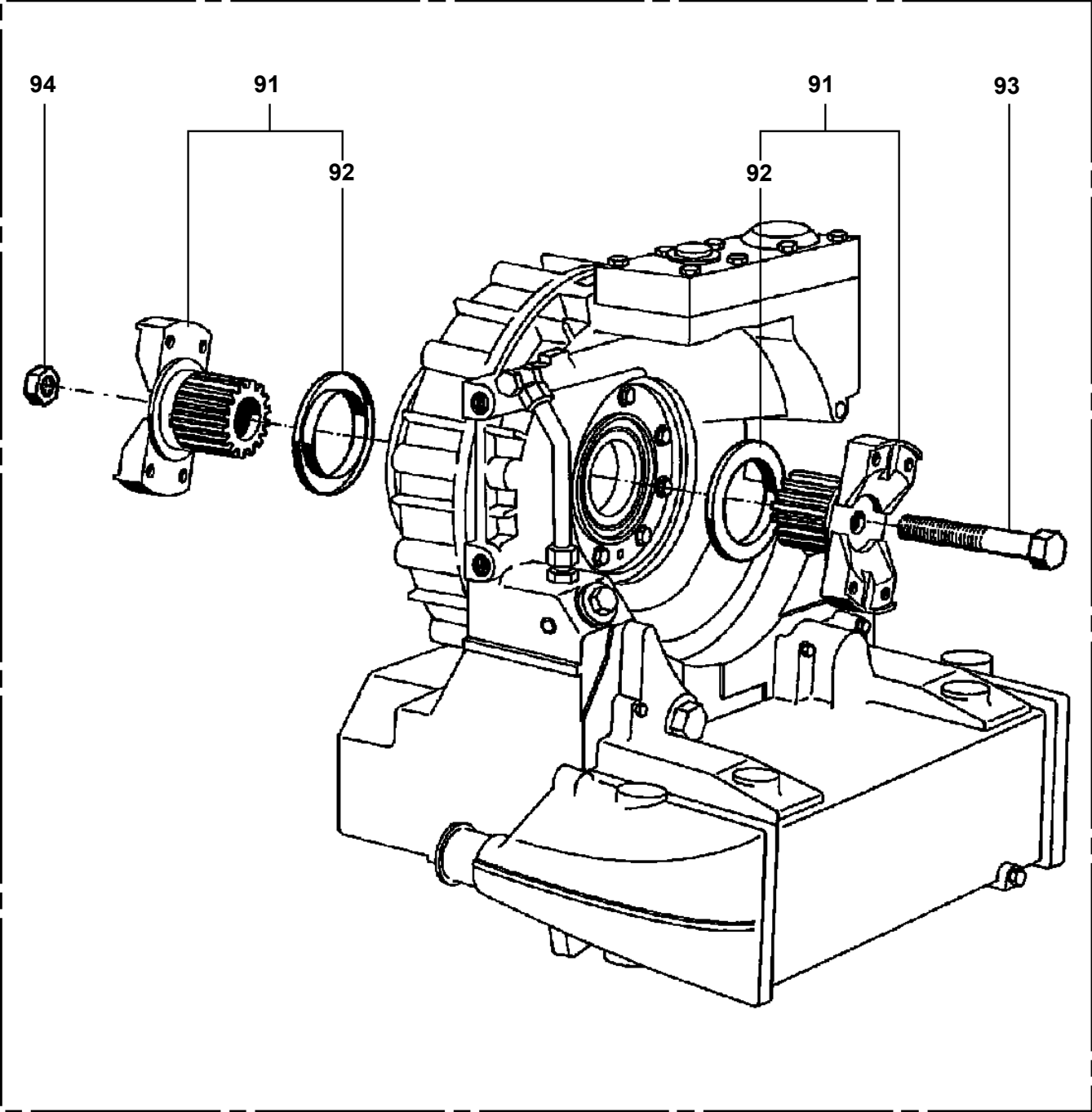
Pos No.	Parts No	Parts Name	Qty	Unit	Technical Data	Serial No (Start)	Serial No (End)
121	36381245100	SHIM SET	1				
122	36380215350	COVER	8				
123	90103720050	BOLT	16		M20X50		
128	36380675261	BUSHING (TIE ROD END)	2				
129	34680005670	BOLT,STOPPER	2				
130	90211702400	NUT	2		M24		
131	36380675231	TIE ROD	1				
132	36380875131	END,TIE ROD (RIGHT HAND SCREW)	1				
133	36380875141	END,TIE ROD (LEFT HAND SCREW)	1				
134	36380675510	NUT	2				
135	36380675270	PIN	2				
136	59172030340	PLATE (LOCK)	2				
137	90171108020	BOLT	4		M8X20		
138	90302040801	WASHER,SPRING	4		8		
139	90171112080	BOLT	4		M12X80		
140	90201701200	NUT	4		M12		
141	90303071201	WASHER,PLAIN	4		12		
142	36381385160	SHAFT (AXLE)	2				
143	36381385170	JOINT,BALL	2				
144	36381385180	BEARING,BALL	2				
145	34680005500	SPACER (GEAR)	2				
146	36381385190	GEAR,SUN	2				
147	80601110480	RING,RITAINING	2		S48		
151	36381385200	GEAR,PLANETARY	2				
152	36381385210	GEAR,PLANETARY	6				
153	36380215170	SHAFT (PLANETARY GEAR)	6				
154	34680005610	RING,THRUST	12				
155	34680005740	BEARING,ROLLER	12				
156	36380215220	O-RING	2				
157	90171114045	BOLT	48		M14X45		
158	36380675390	WASHER	48				
159	36380875191	COVER (GEAR SPIDER)	2				
160	36380875200	O-RING	2				
161	90171108020	BOLT	18		M8X20		
162	90302040801	WASHER,SPRING	18		8		
163	36380705280	PLUG	2				
164	36380215250	PLUG,MAGNET	2				
165	36381385220	HUB,INTERNAL GEAR	2				
166	36381385230	GEAR,INTERNAL	2				
167	36381385240	WIRE,LOCK	4				
168	36380105720	NUT,BEARING	2				
169	36380105730	WASHER (LOCK)	2				
170	90101508016	BOLT	4		M8X16		
171	36381285051	HUB,WHEEL	2				
172	36381245240	BOLT	24		M20X1.5		
173	36381245231	NUT	24		M20X1.5		
174	59172071060	BEARING,ROLLER	2				
175	34680005760	BEARING,ROLLER (NTN)	2				
176	36381385250	DISK	2				
177	90171118050	BOLT	44				
178	36380675380	WASHER,PLAIN	44				
179	36380875320	SEAL,OIL (WHEEL HUB)	2				
180	36380875330	SPACER	2				
191	36381125070	BRAKE,CALIPER (1,4-PISTONS)	2				
192	36381125080	BRAKE,CALIPER (2,4-PISTONS)	2				
195	36380675480	CONNECTOR (WITH O-RING)	4				
197	36381095070	BOLT (S)	12				
198	36381095080	BOLT (L)	4				
199	36381125050	WASHER	16				
201	90171116095	BOLT (DACRO)	4		M16X95		
202	34680005240	WASHER	4				
212	36380105231	SHOE ASSY (LINING)	2				
213	36380105240	ADJUSTER ASSY	1				

GR-250N-1-00206 4 BOOM + JIB(PT),H,2M2D
PR1620062-00 AXLE,DRIVING (REAR,NO-SPIN)



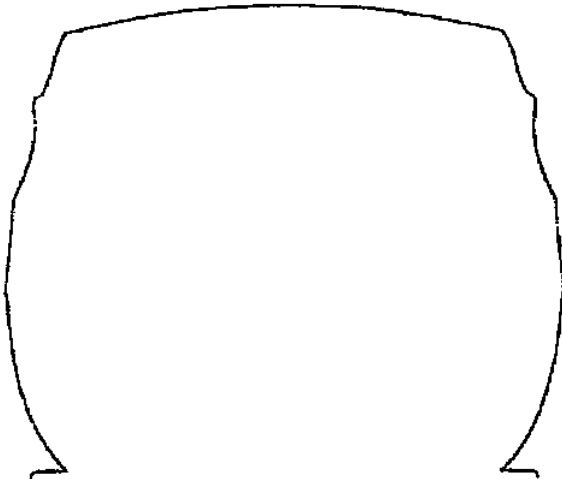
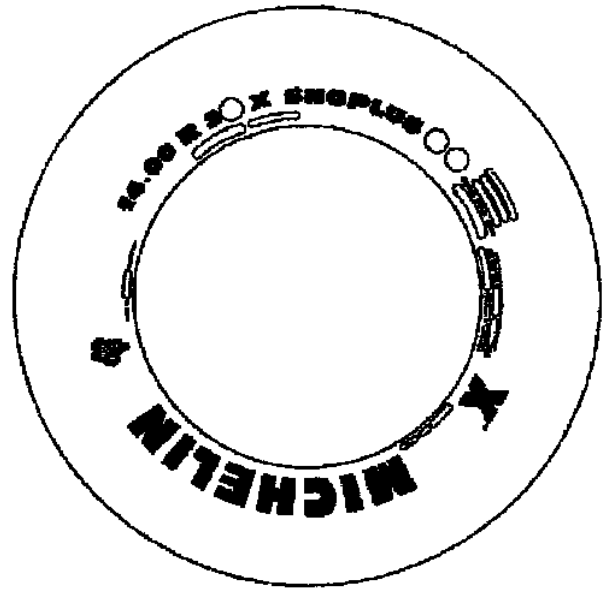
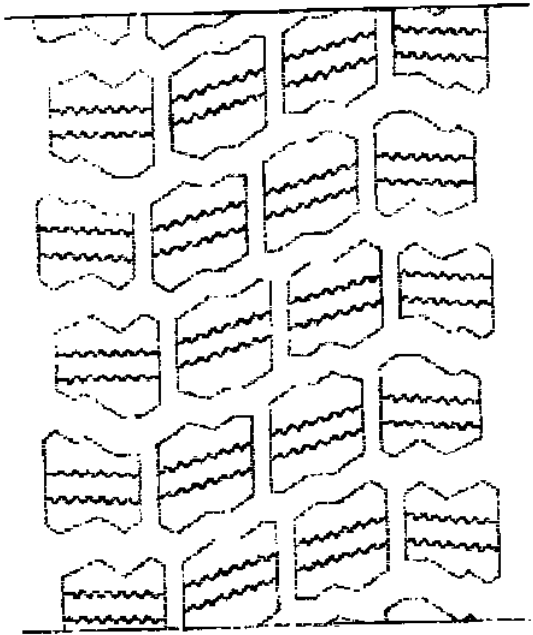
GR-250N-1-00206 4 BOOM + JIB(PT),H,2M2D
PR1720024-00 RETARDER

200

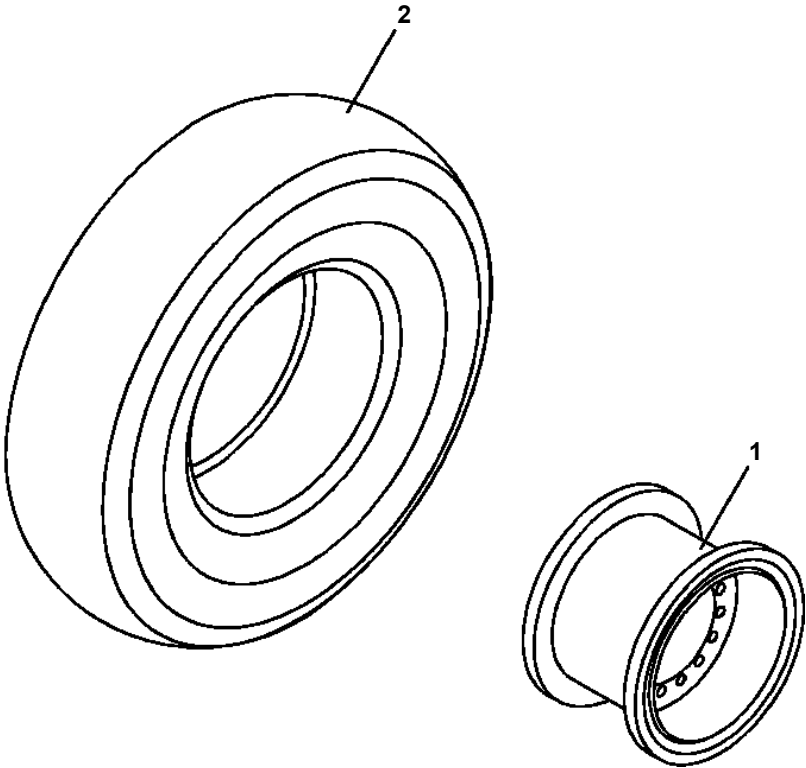


GR-250N-1-00206 4 BOOM + JIB(PT),H,2M2D
PR1800022-00 TIRE (SNOW/MICHELIN)

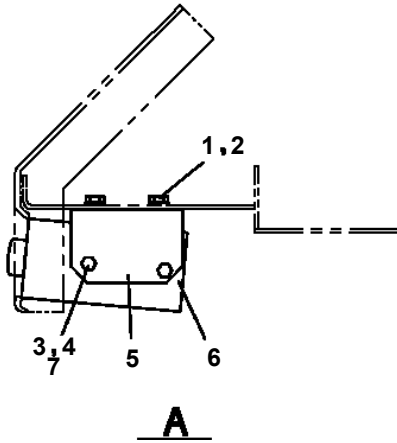
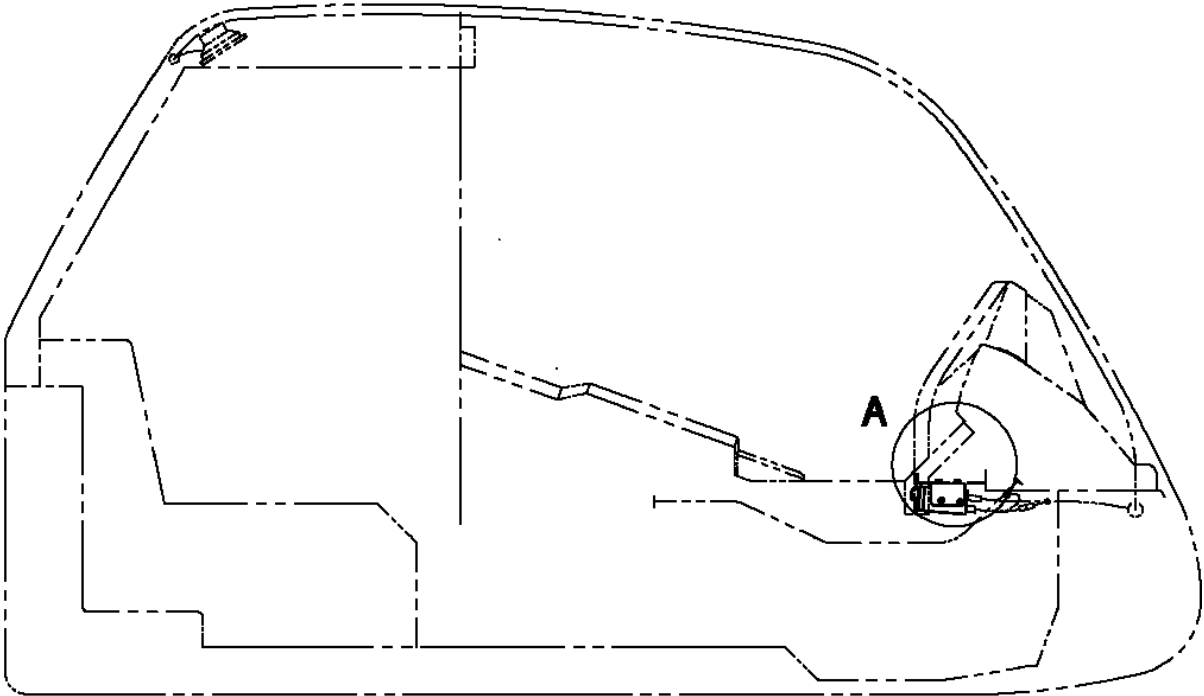
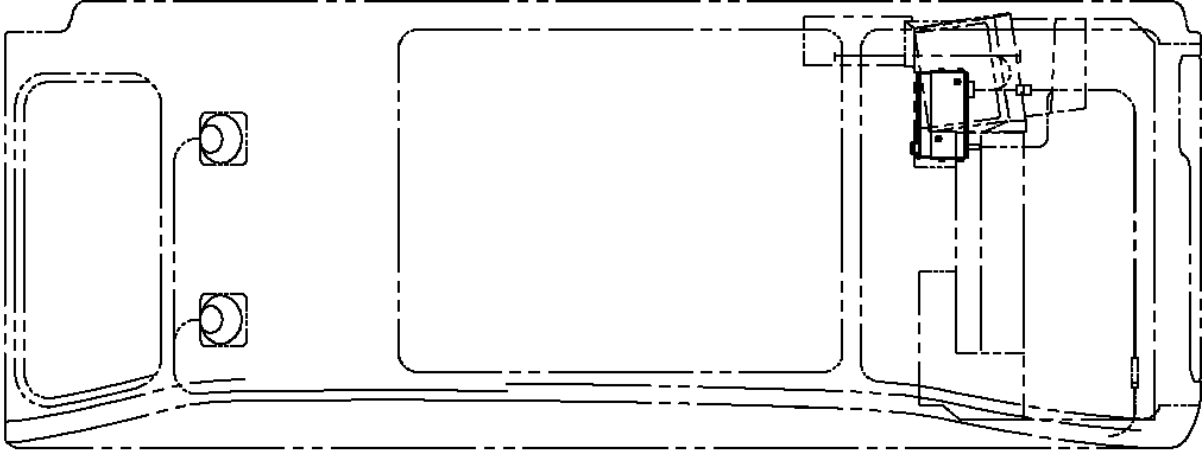
10



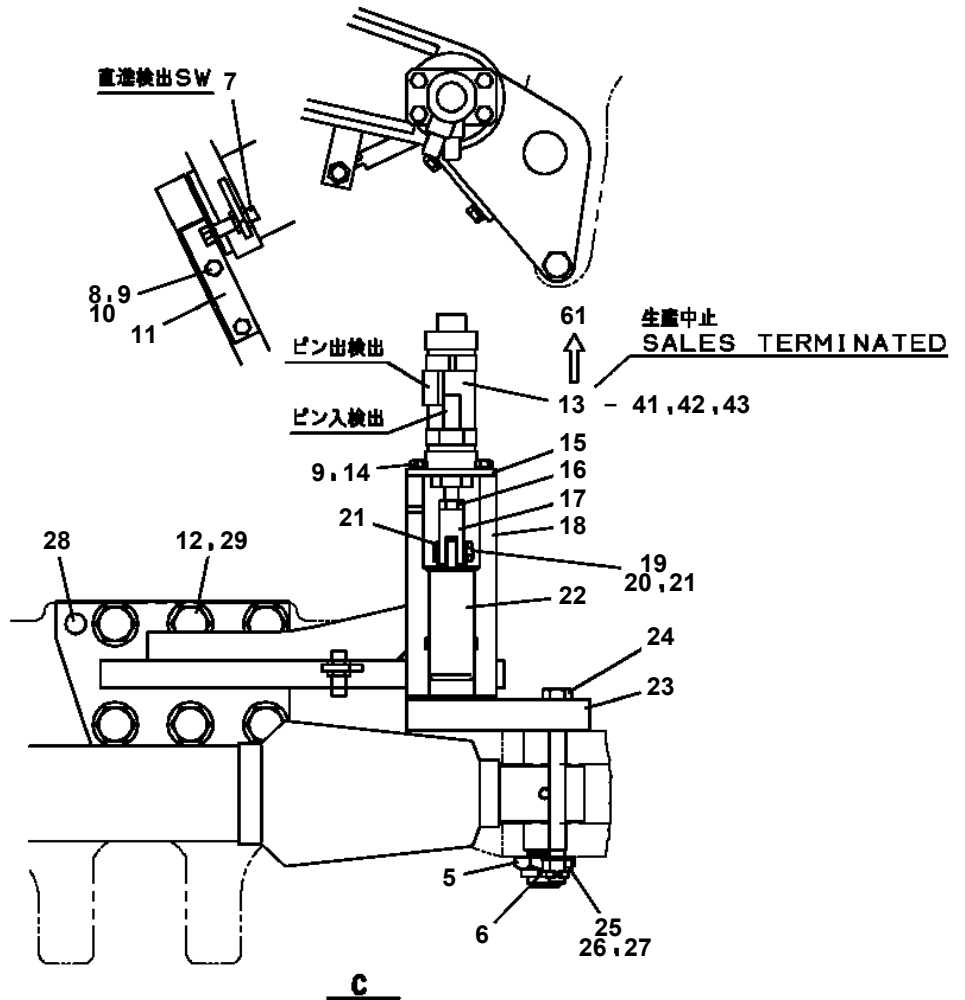
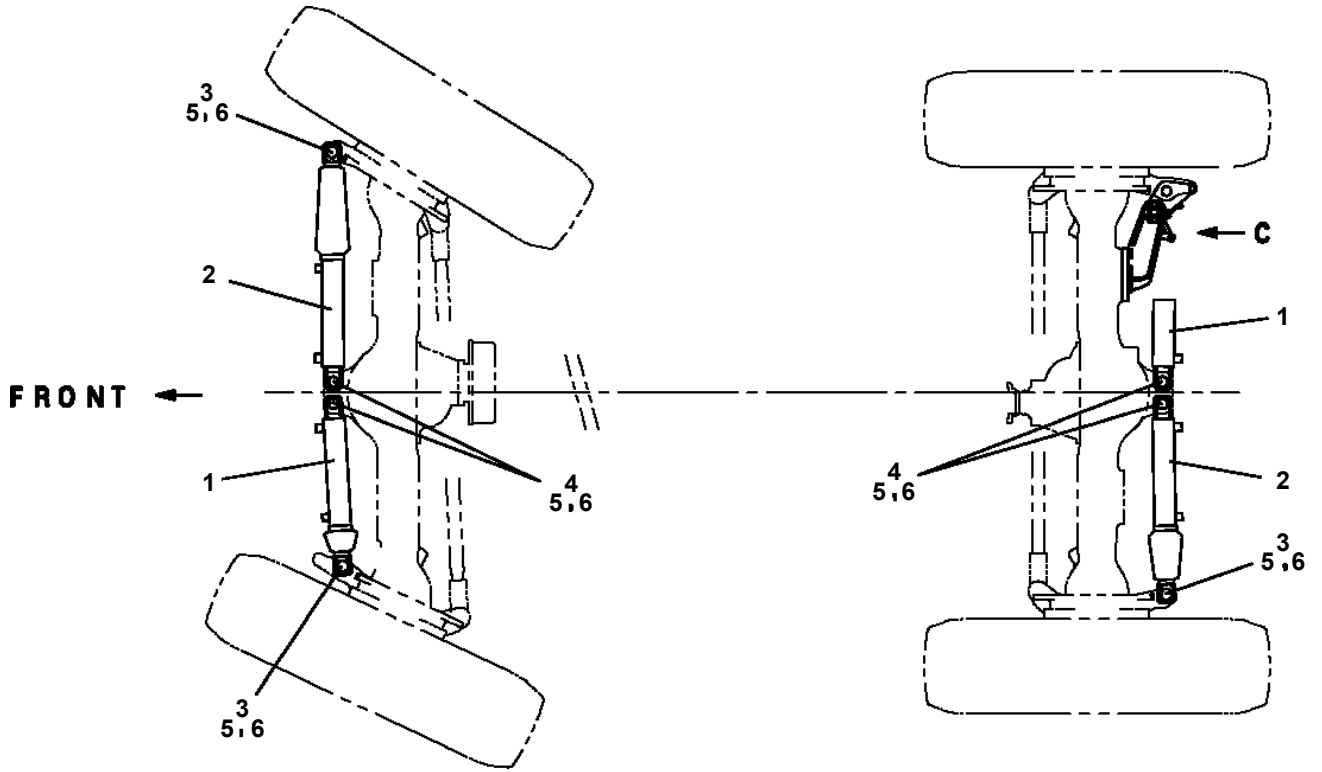
GR-250N-1-00206 4 BOOM + JIB(PT),H,2M2D
PR2150025-00 TIRE & WHEEL (B.S. + TOPY)



GR-250N-1-00206 4 BOOM + JIB(PT),H,2M2D
PR5030001-00 RADIO ASSY



GR-250N-1-00206 4 BOOM + JIB(PT),H,2M2D
 PS1010041-02 OPE.ASSY,STEERING (LOWER)



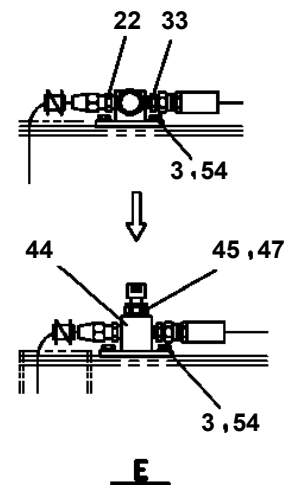
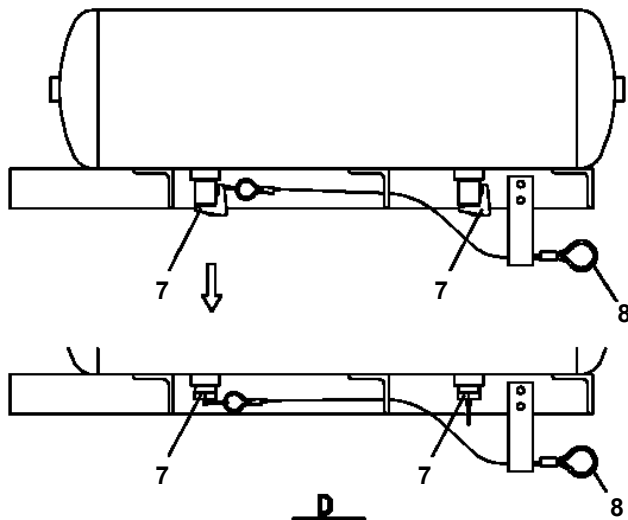
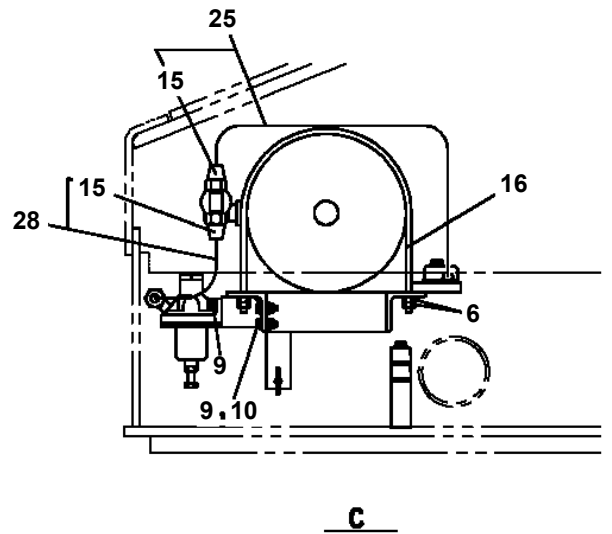
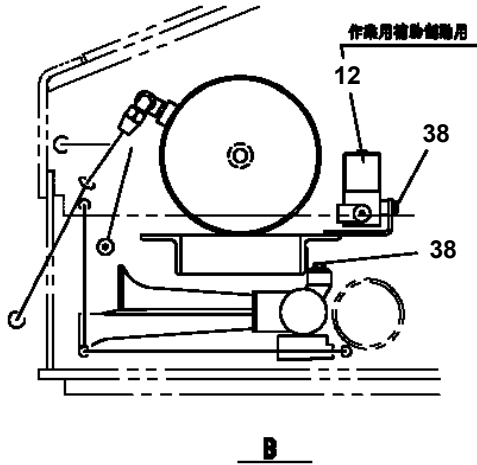
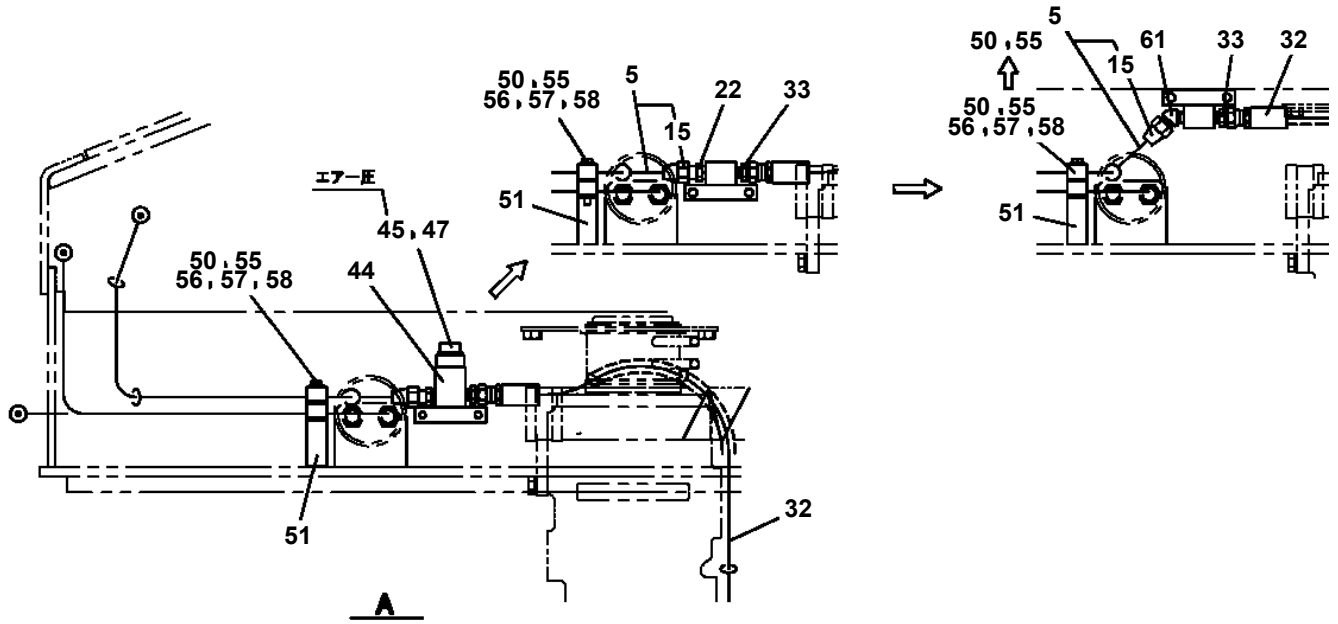
GR-250N-1-00206 4 BOOM + JIB(PT),H,2M2D

Pos No.	Parts No	Parts Name	Qty	Unit	Technical Data	Serial No (Start)	Serial No (End)	Remark
1	36611430000	VALVE,PRIORITY	1					
2	34721753100	PLATE	1					
3	90101208075	BOLT	2		M8X75			
4	90302040801	WASHER,SPRING	2		8			
5	80460006120	JOINT	1		S,1 1/16-12UNF-G3/4			
6	34721753200	SUPPORT	1					
7	80460004080	JOINT	4		S,3/4-16UNF-G1/2			
8	91000590800	O-RING	5		AS568-908			
9	37002475590	HOSE	1		L=1650			
10	37000601630	CLAMP	4		65			
11	34471141300	CUSHION	4					
12	90155308020	BOLT,WELD	1		M8X20			
13	90303070801	WASHER,PLAIN	4		8			
14	42341163110	SUPPORT	1					
15	37002475600	HOSE	1		L=2130			
16	37002477050	HOSE	1		L=2250			
17	37002477920	HOSE	1		L=770			
20	37000921090	JOINT	1		S,7/16-20UNF-PF1/4			
21	91000590400	O-RING	2		AS568-904			
22	36672530000	FILTER (WITH O-RING)	1					
25	82100001819	TUBE,SPIRAL	1	M	SE-18BK			
28	37000711000	CLAMP ASSY	1		12-1			
29	36625060000	VALVE,CHECK	1					
31	80320010075	FITTING	1		KUD12-020N			
32	81408000160	PIPE,STEEL	1	M	12X1.4T			
33	80303251204	FITTING,ELBOW	1		S,7/16-20UNF-12			
35	37002456720	HOSE	1		L=2100			
36	37002475620	HOSE	1		L=1720			
37	91000591200	O-RING	1		AS568-912			
38	90186208014	BOLT,FLANGE	3		M8X14			
39	90280200800	NUT,FLANGE	1		M8			
40	82100001819	TUBE,SPIRAL	1	M	SE-18BK			
61	91002801100	O-RING	1		1B P11			

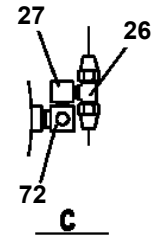
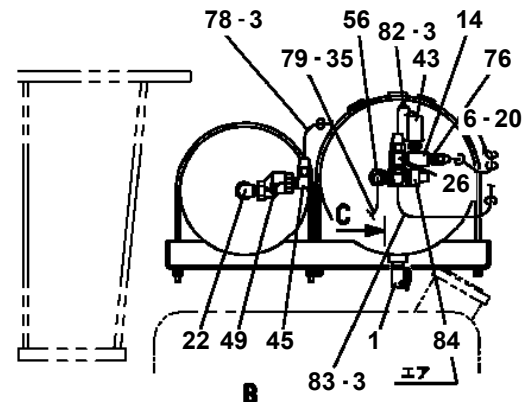
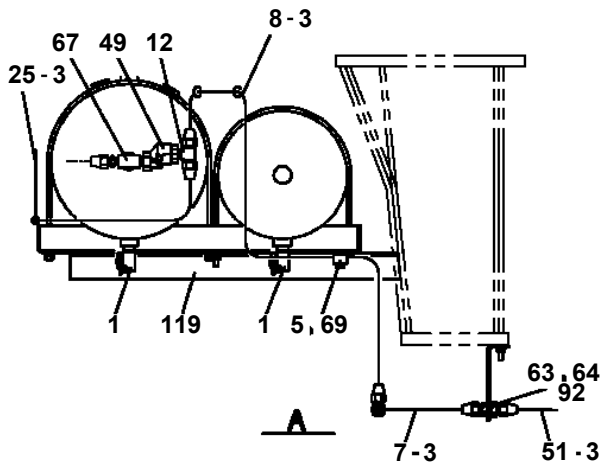
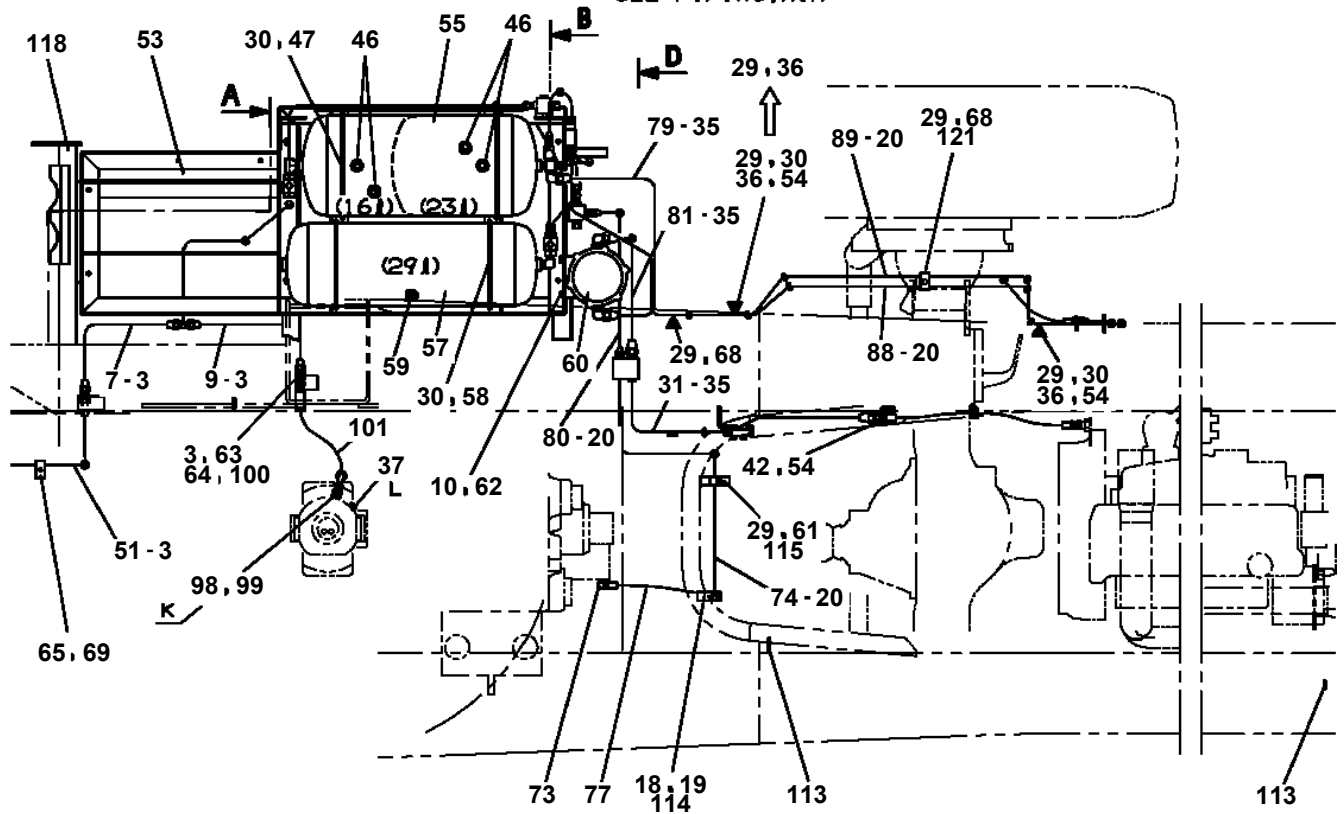
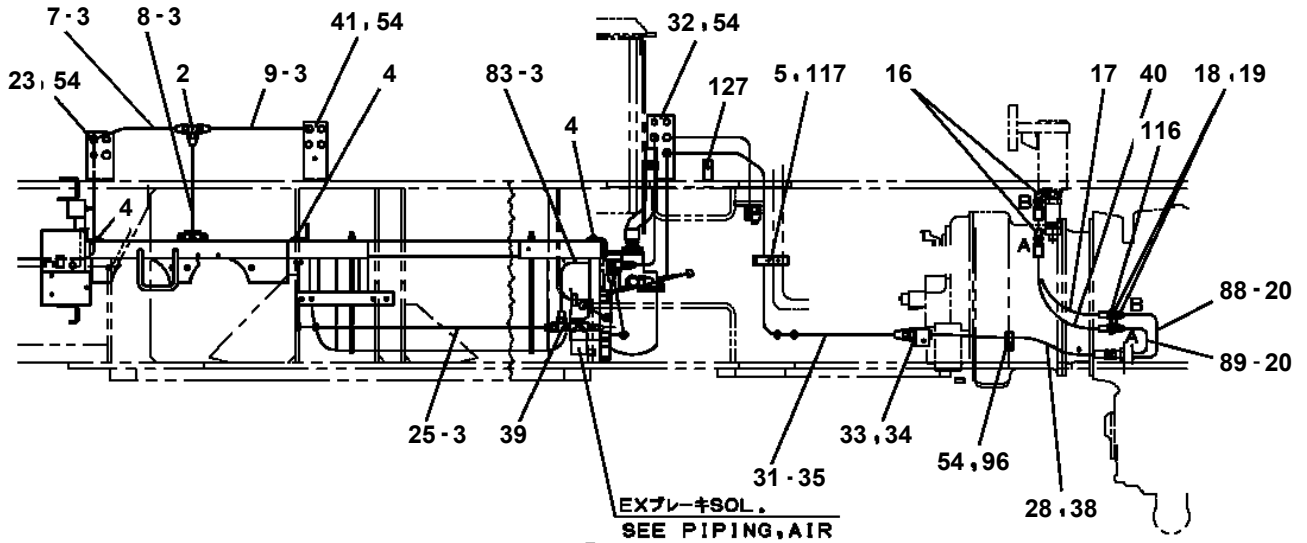
GR-250N-1-00206 4 BOOM + JIB(PT),H,2M2D

Pos No.	Parts No	Parts Name	Qty	Unit	Technical Data	Serial No (Start)	Serial No (End)	Remarks
1	34251197630	SEAT ASSY	1					
2	34250887590	ADJUSTER	1					
3	34251197580	ADJUSTER ASSY (HIGHT)	1					
4	34251197690	BOLT (WITH WASHER)	8					
5	34251197590	WASHER	4					
11	34251197640	HEADREST ASSY	1					
12	34251197650	SEAT ASSY	1					
13	34251197620	CUSHION ASSY (SEAT)	1					
14	34251197670	ARMREST (RIGHT)	1					
15	34251197680	ARMREST (LEFT)	1					
21	34250687570	ADJUSTER (RECLINING)	1					
31	34251197600	BOLT	1					
32	34251197610	BOLT (SEMS)	1					
100	34251192001	SEAT ASSY	1					

GR-250N-1-00206 4 BOOM + JIB(PT),H,2M2D
PT1200104-04 PIPING,BRAKE (UPPER)



GR-250N-1-00206 4 BOOM + JIB(PT),H,2M2D
PT1220059-04 PIPING,AIR

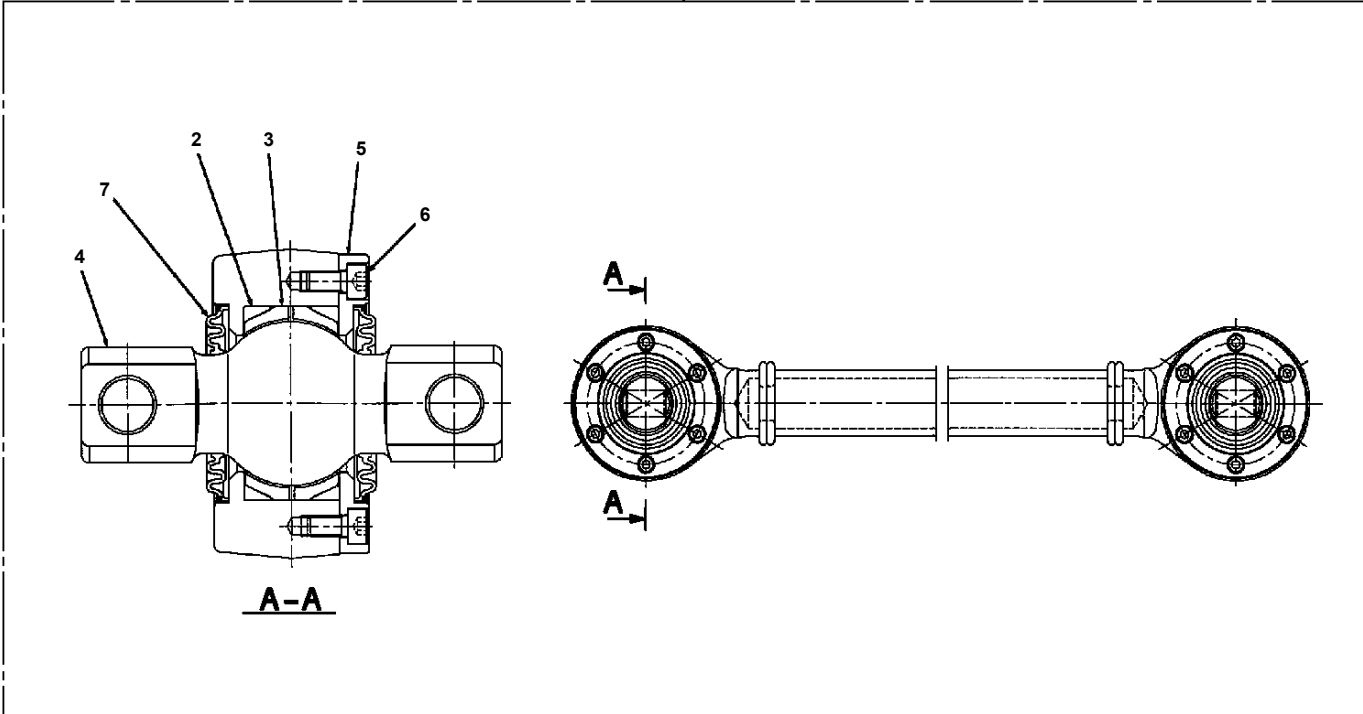


GR-250N-1-00206 4 BOOM + JIB(PT),H,2M2D

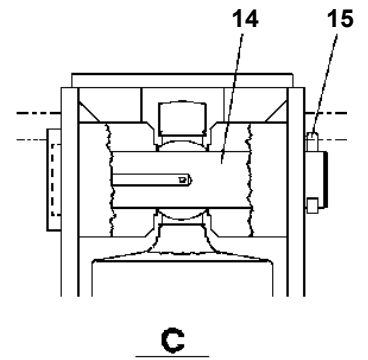
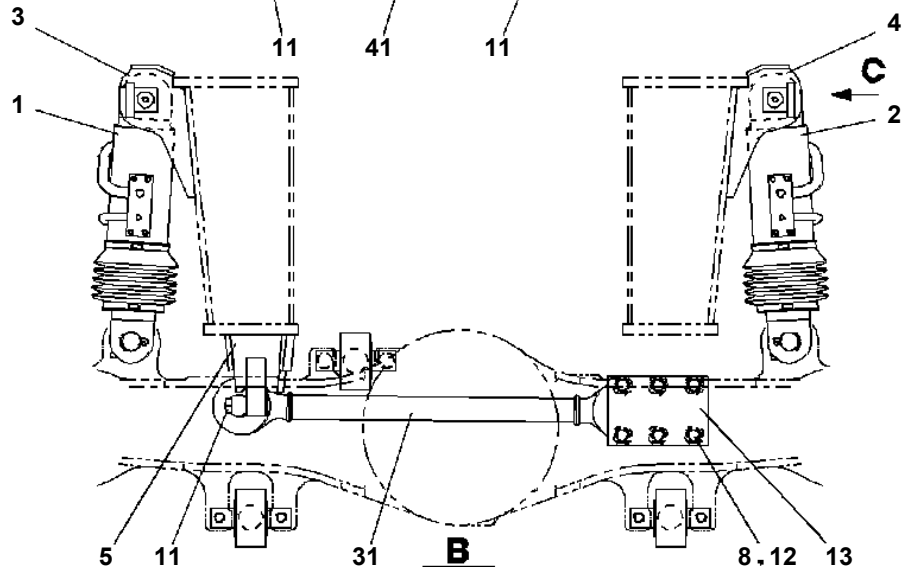
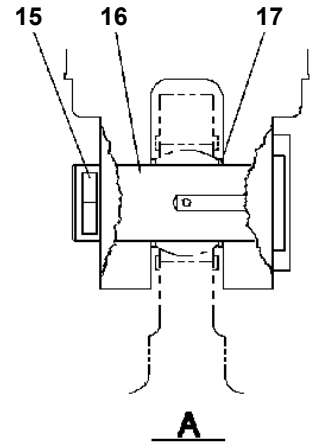
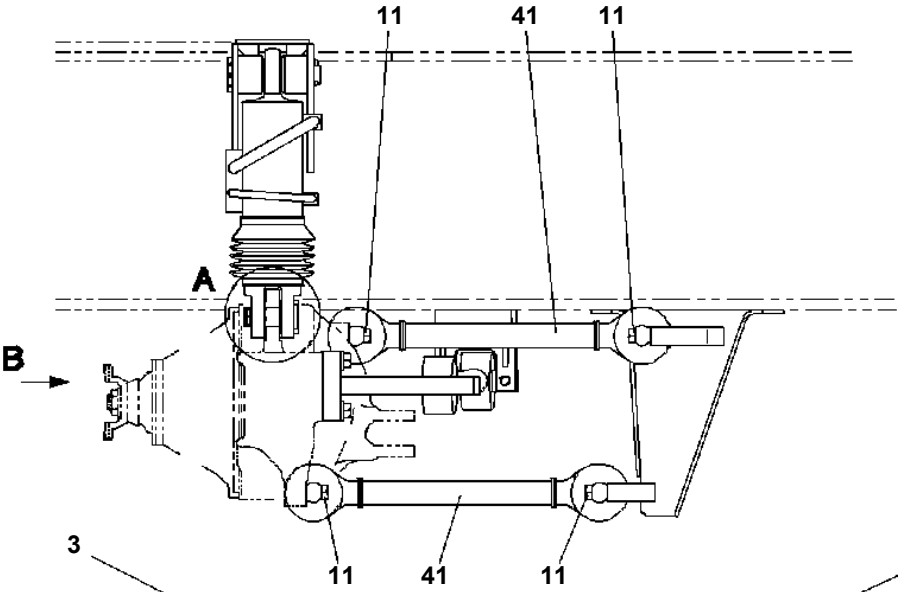
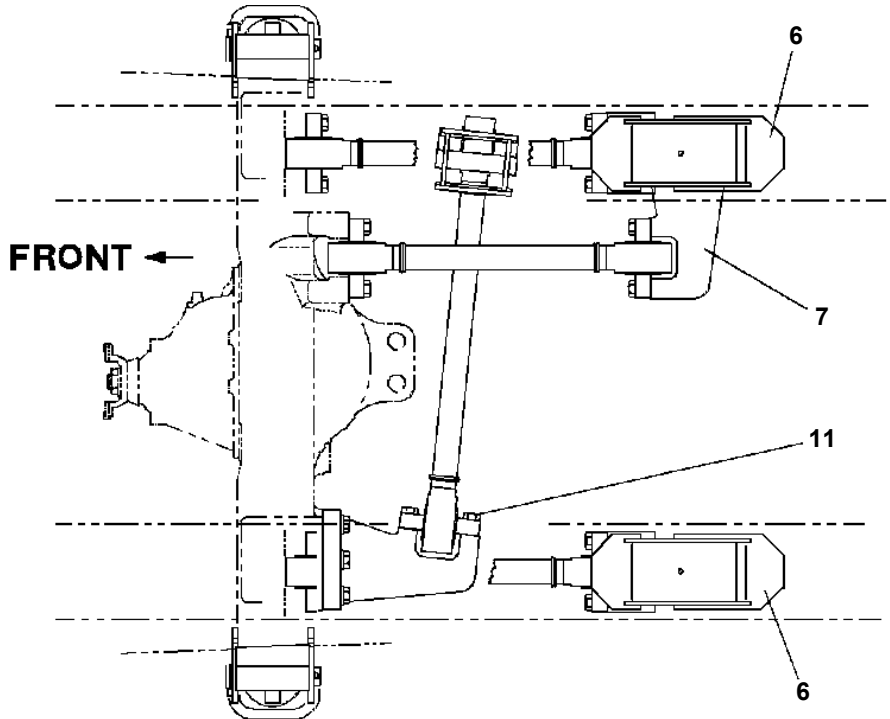
Pos No.	Parts No	Parts Name	Qty	Unit	Technical Data	Serial No (Start)	Serial No (End)	Remarks
11	36720055010	DIAPHRAGM (REPAIR KIT)	1					
50	36720050000	VALVE,SAFETY	1					

GR-250N-1-00206 4 BOOM + JIB(PT),H,2M2D
PU1060001-01 ROD, TORQUE (L=600)

30

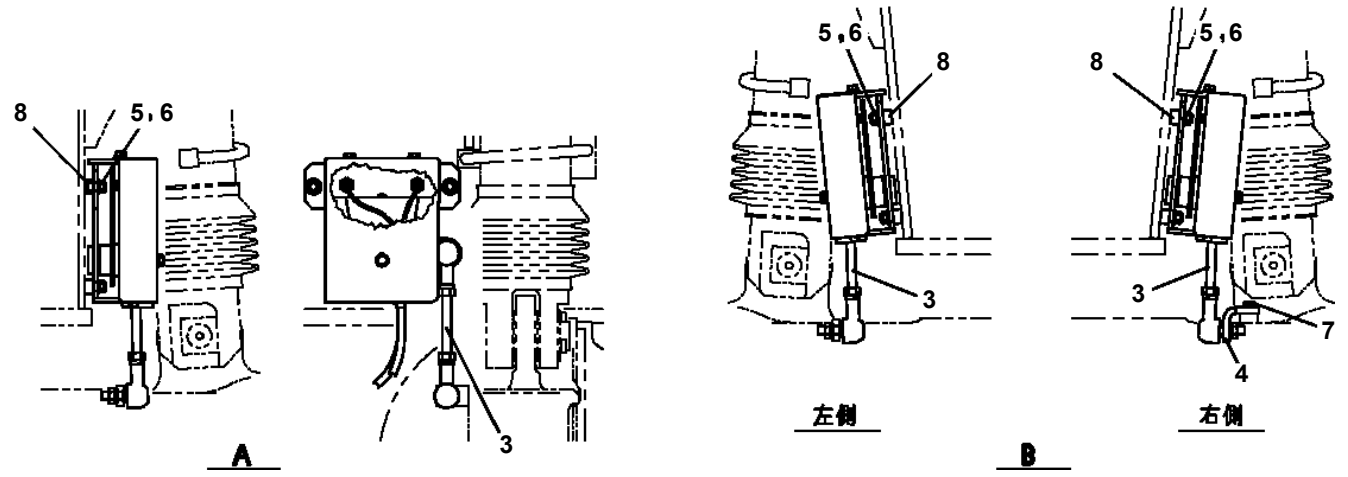
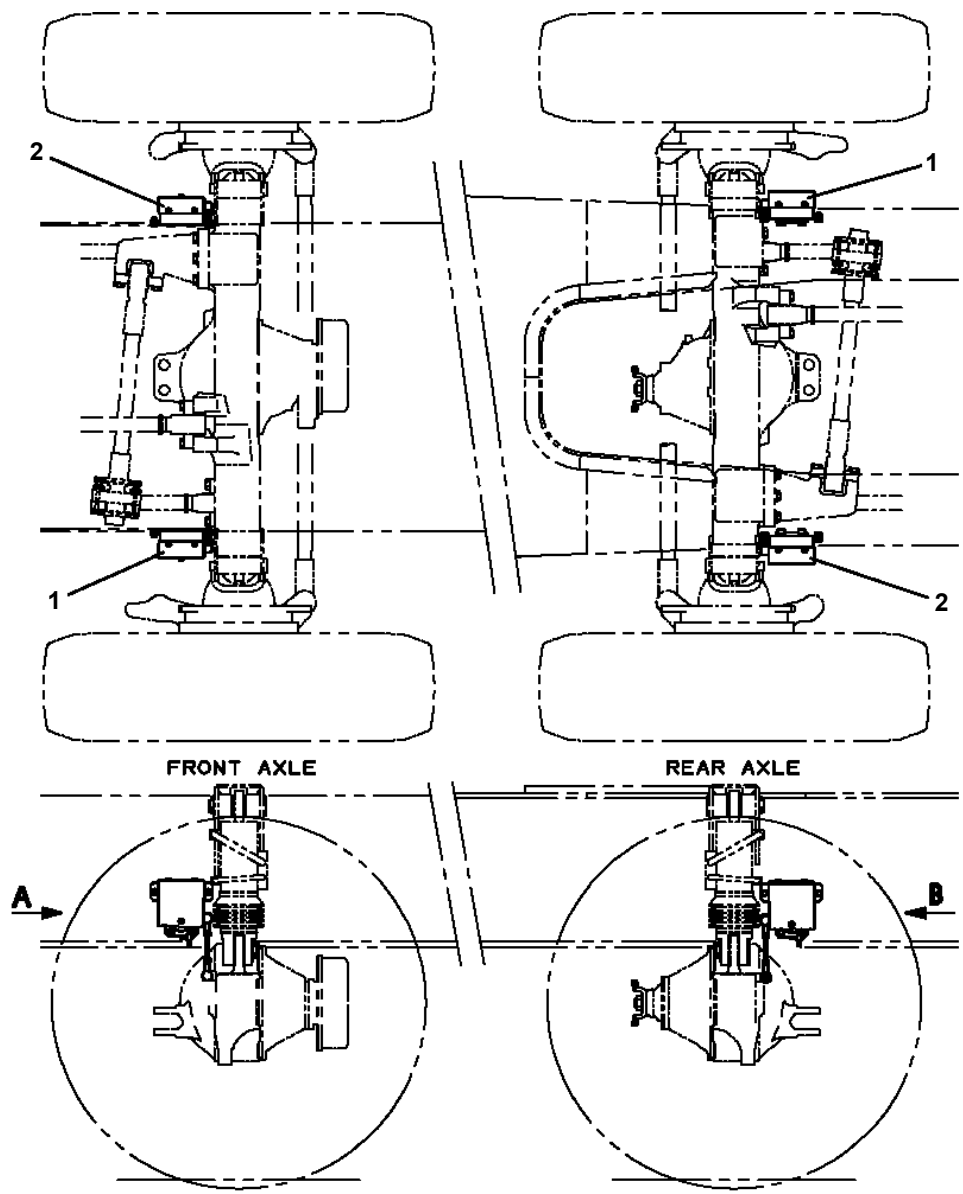


**GR-250N-1-00206 4 BOOM + JIB(PT),H,2M2D
 PU1100056-00 MOUNT,SUSPENSION (REAR)**



**GR-250N-1-00206 4 BOOM + JIB(PT),H,2M2D
 PU1180006-02 DETECTOR,SUSPENSION**

FRONT ←



GR-250N-1-00206 4 BOOM + JIB(PT),H,2M2D

Pos No.	Parts No	Parts Name	Qty	Unit	Technical Data	Serial No (Start)	Serial No (End)	Remarks
1	36646085031	SOLENOID	1					
100	36740705010	VALVE ASSY,SOLENOID	1					

GR-250N-1-00206 4 BOOM + JIB(PT),H,2M2D

Pos No.	Parts No	Parts Name	Qty	Unit	Technical Data	Serial No (Start)	Serial No (End)	Remarks	Pages
1	37002600241	WEDGE	1						

GR-250N-1-00206 4 BOOM + JIB(PT),H,2M2D

Pos No.	Parts No	Parts Name	Qty	Unit	Technical Data	Serial No (Start)	Serial No (End)	Remarks	Pages
1	34691903100	COVER (R)	1						
3	90186208014	BOLT,FLANGE	12		M8X14				
4	34691903300	COVER (R)	1						
9	34691903500	COVER	1						
10	34691903600	COVER (L)	1						
11	34691903700	SUPPORT	1						
12	34691903800	COVER (L)	1						
13	90101205014	BOLT	2		M5X14				
14	90302040501	WASHER,SPRING	2		5				
15	90303070501	WASHER,PLAIN	4		5				
16	90201200500	NUT	2		M5				
17	90280200800	NUT,FLANGE	4		M8				

GR-250N-1-00206 4 BOOM + JIB(PT),H,2M2D

Pos No.	Parts No	Parts Name	Qty	Unit	Technical Data	Serial No (Start)	Serial No (End)	Remarks	Pages
1	34761651000	SUPPORT	1						
2	90101212030	BOLT	4		M12X30				
3	90302041201	WASHER,SPRING	4		12				
4	59424584000	PLATE	1						

GR-250N-1-00206 4 BOOM + JIB(PT),H,2M2D

Pos No.	Parts No	Parts Name	Qty	Unit	Technical Data	Serial No (Start)	Serial No (End)	Remarks	Pages
1	34478673000	BAND	4						
2	33731351000	BLOCK	4		500X500,H=90				
3	37000117490	PIN	4						
4	80620210100	PIN,SNAP	4						

GR-250N-1-00206 4 BOOM + JIB(PT),H,2M2D

Pos No.	Parts No	Parts Name	Qty	Unit	Technical Data	Serial No (Start)	Serial No (End)	Remarks	Pages
1	36119675090	BATTERY	1						
100	36119671401	BOARD	1						

GR-250N-1-00206 4 BOOM + JIB(PT),H,2M2D

Pos No.	Parts No	Parts Name	Qty	Unit	Technical Data	Serial No (Start)	Serial No (End)	Remarks	F
2	33470090500	PLATE	2						
3	34500223000	SINGLE TOP	1						
4	16311007000	SPACER	2		L=3.5				
5	37001004750	SHEAVE ASSY (IMONO)	1						
6	37000109980	PIN	1						
7	18111009010	PIN,SNAP	1						
8	37000130700	PIN	1						
9	82456101000	NIPPLE,GREASE	1		A-PT1/8				
10	90101214025	BOLT	1		M14X25				
11	90302041401	WASHER,SPRING	1		14				
12	34500044000	HARNESS	1						
13	37000123920	PIN	1						
14	37000201100	PIN,SNAP	1						
15	37000107340	PIN	1						
16	37000544450	PLATE	1						
17	80136350045	PIN,SPLIT	1		5X45				
18	34500050100	SUPPORT	1						
19	90101210016	BOLT	2		M10X16				
20	90302041001	WASHER,SPRING	2		10				
30	34500228010	SINGLE TOP ASSY	1						
41	34500131101	SUPPORT	1						
42	34500041100	SUPPORT	1						
43	34500131201	SUPPORT	1						
44	34500041300	SUPPORT	1						
51	90928040061	SCREW,TAPPING	3		M4X6				
52	82100000207	CLAMP	3						
55	37000300590	SPACER	1		L=30				
62	80612111250	RING,RITAINING	1		AR125				
63	80515006214	BEARING,BALL	2						

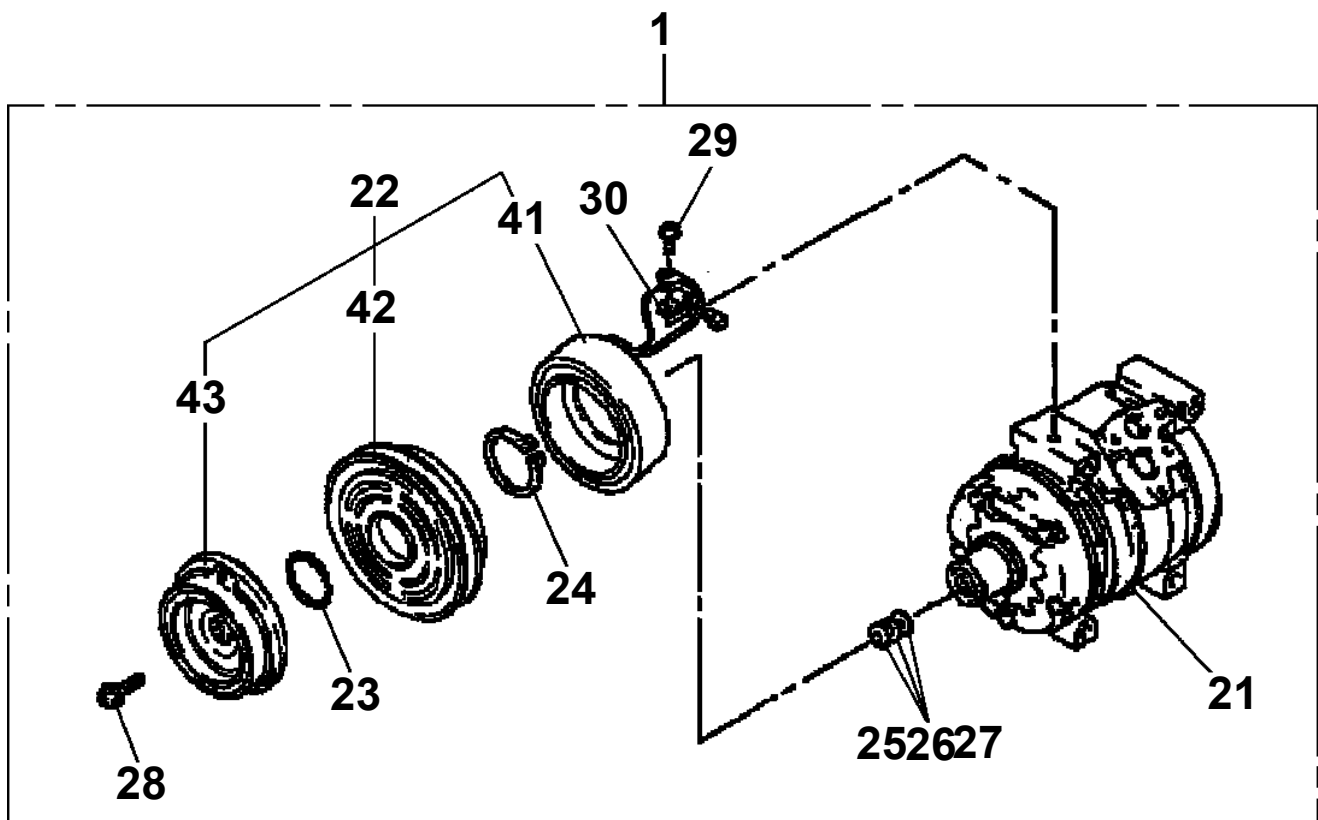
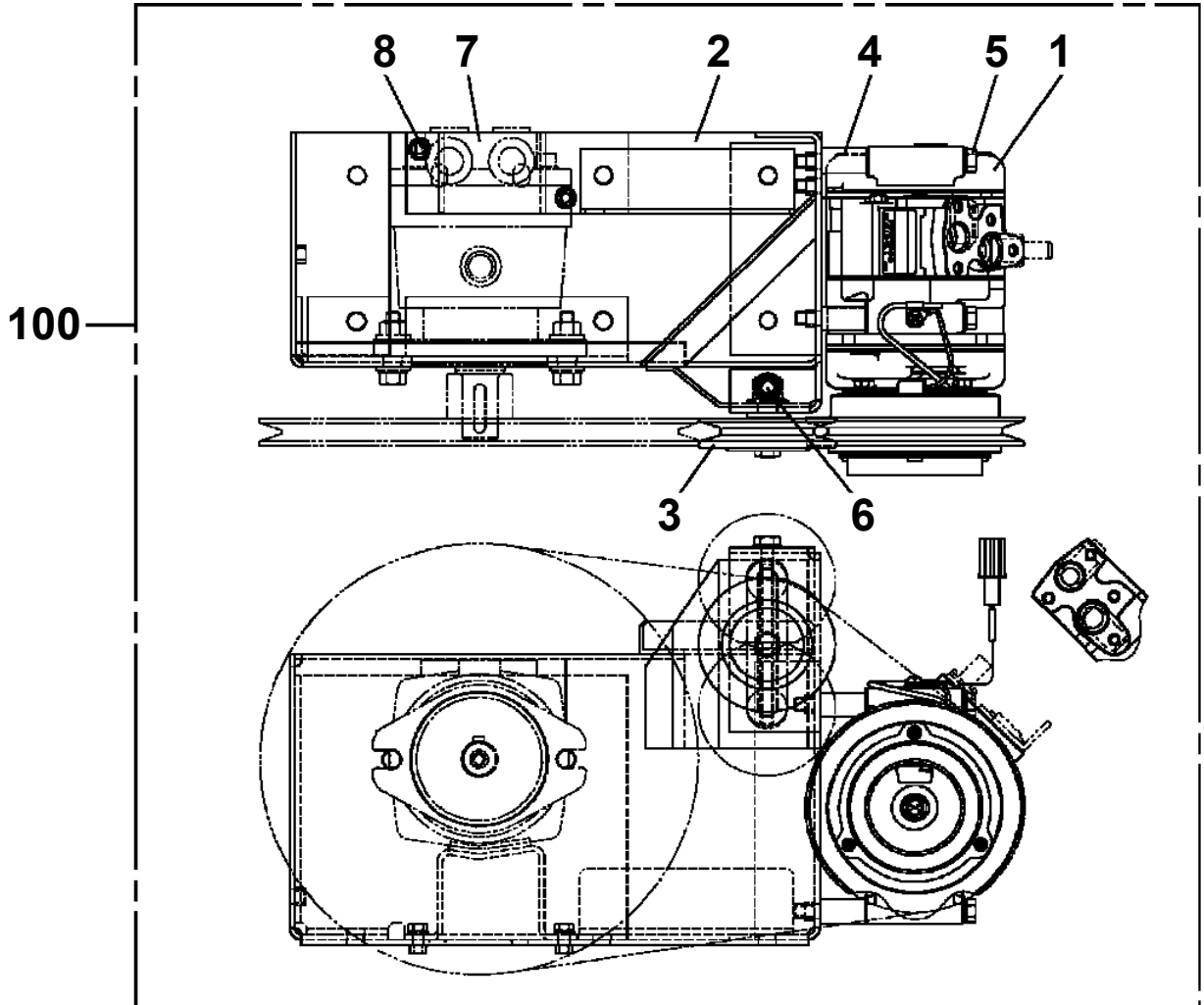
GR-250N-1-00206 4 BOOM + JIB(PT),H,2M2D

Pos No.	Parts No	Parts Name	Qty	Unit	Technical Data	Serial No (Start)	Serial No (End)	Remarks	Pages
1	90186210020	BOLT,FLANGE	2		M10X20				
2	34490120100	SUPPORT	1						
3	90280200600	NUT,FLANGE	2		M6				
4	82100002002	CLAMP	2		WR6				
5	91810130240	FASTENER	1						
7	34490091000	LAMP	1						000214
8	82400000216	GROMMET	1		C30NG79-H				

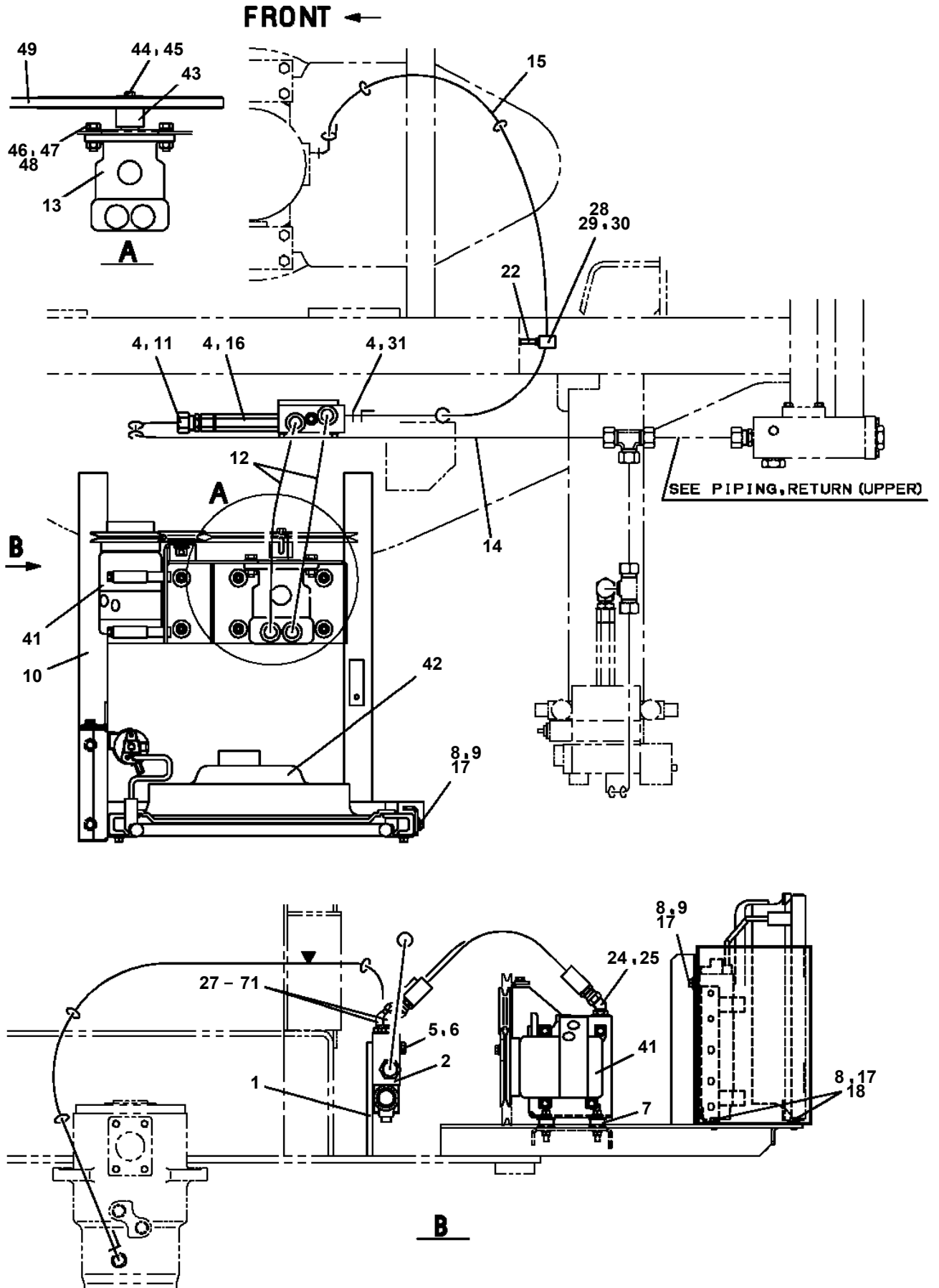
GR-250N-1-00206 4 BOOM + JIB(PT),H,2M2D

Pos No.	Parts No	Parts Name	Qty	Unit	Technical Data	Serial No (Start)	Serial No (End)	Remarks
1	37000900140	JOINT	1					
2	80430621600	JOINT	1					
3	81408000341	PIPE,STEEL	2	M	28X3.1T			
4	37000711060	CLAMP ASSY	1		28X1			
5	80302090281	FITTING	4		KCO22-060N			
6	91002802400	O-RING	6		1B P24			
7	80303130321	FITTING,ELBOW	1		KLO28-080E			
8	34491031100	JOINT	1					
11	36646760001	VALVE,SOLENOID CONTROL	1					
12	80302090322	FITTING	2		KCO28-080N			
13	91002802900	O-RING	2		1B P29			
14	81408000290	PIPE,STEEL	2	M	22X2.5T			
15	81408000290	PIPE,STEEL	2	M	22X2.5T			
18	81408000341	PIPE,STEEL	2	M	28X3.1T			
20	37002428130	HOSE	1		L=1700			
21	34475281100	CUSHION	1					
22	90101210100	BOLT	4		M10X100			
23	90302041001	WASHER,SPRING	4		10			
24	37000711100	CLAMP ASSY	1		28X2			
25	37000547060	PLATE	1					
26	37000300780	SLEEVE	1		28-22			
27	37000524350	PLATE	1					
28	91810130250	FASTENER	2					
30	82100002019	CLAMP	1		WR40			
31	80316070060	PLUG	1		PF3/8			
32	80316070100	PLUG	2		G3/4			
33	34343294100	SUPPORT	1					
34	34475281700	JOINT	1					
35	34271370300	COVER	1					
36	80441010906	FITTING	1					
38	89640102000	HOSE	1		880-NFK,2M			
39	80400160126	FITTING,TEE	1		20364-U1/2			
40	82100002002	CLAMP	2		WR6			
41	90280200600	NUT,FLANGE	2		M6			
42	90303070601	WASHER,PLAIN	2		6			
43	90186210020	BOLT,FLANGE	1		M10X20			
44	90186208020	BOLT,FLANGE	1		M8X20			
45	90280200800	NUT,FLANGE	1		M8			
46	91002801400	O-RING	1		1B P14			
47	37000521100	PLATE	1					
48	37000505950	PLATE	1		T=3.2			
50	37000533370	PLATE	1					
51	37000533360	PLATE	1					
52	90186208014	BOLT,FLANGE	2		M8X14			
53	80302090241	FITTING	1		KCO18-040N			
54	91002801800	O-RING	1		1B P18			
55	81408000241	PIPE,STEEL	1	M	18X1.9T			
56	80309010165	SLEEVE	1					
57	80306010165	NUT	1		KKN018-000E			
58	37002501880	HOSE	1		L=600			
59	37002502770	HOSE	1		L=300			
61	34478494100	PLATE,NAME (WINCH)	1					
62	34478493200	SWITCH ASSY	1					
81	34475283100	PLATE,NAME (WINCH)	1					
96	34344554600	JOINT	1					
97	91002904500	O-RING	1		1B G45			
98	90101208030	BOLT	8		M8X30			
99	90302040801	WASHER,SPRING	8		8			
100	34344558020	JOINT ASSY	1					
104	37004000010	SWITCH,THERMO	1		50C			
105	34344556600	JOINT	1					
110	34731591200	COVER	1					
111	91002905500	O-RING	1		1B G55			

GR-250N-1-00206 4 BOOM + JIB(PT),H,2M2D
PY1380065-01 COMPRESSOR ASSY



GR-250N-1-00206 4 BOOM + JIB(PT),H,2M2D
PY2250037-04 PIPING,AIR CONDITIONER



CLICK HERE TO **DOWNLOAD** THE COMPLETE MANUAL

- Thank you very much for reading the preview of the manual.
- You can download the complete manual from: www.heydownloads.com by clicking the link below



- Please note: If there is no response to CLICKING the link, please download this PDF first and then click on it.

CLICK HERE TO **DOWNLOAD** THE COMPLETE MANUAL