

GR-250N-1-00208 4 BOOM + JIB,X,2M2D

PB1000668-00 HYDRAULIC PRESSURE GENERATING SYSTEM
PC1000561-00 OUTRIGGER SYSTEM
PD1000573-01 SWING SYSTEM
PE1000575-00 ELEVATING SYSTEM
PF1000577-00 WINCH SYSTEM
PG1000531-00 TELESCOPING SYSTEM
PH1000575-00 SAFETY DEVICES
PK1000651-00 FRAME
PL1000606-00 CONTROL DEVICES
PM1000032-01 LUBRICATION DEVICES
PN1000521-00 ELECTRIC EQUIPMENT
PO1000150-00 INDICATION PLATES
PQ1000209-00 DRIVING POWER GENERATING SYSTEM
PR1000132-00 DRIVING POWER TRANSMISSION SYSTEM
PS1000159-00 STEERING SYSTEM
PT1000139-00 BRAKE SYSTEM
PU1000131-00 SUSPENSION
PW1000097-02 ACCESSORIES & TOOLS
PX1000892-01 MOUNTING PARTS
PY1001127-02 OPTIONS,1
PY2000171-02 OPTIONS,2
ASSEMBLY

CLICK HERE TO **DOWNLOAD** THE COMPLETE MANUAL

- Thank you very much for reading the preview of the manual.
- You can download the complete manual from: www.heydownloads.com by clicking the link below



- Please note: If there is no response to CLICKING the link, please download this PDF first and then click on it.

CLICK HERE TO **DOWNLOAD** THE COMPLETE MANUAL

GR-250N-1-00208 4 BOOM + JIB,X,2M2D

Pos No.	Parts No	Parts Name	Qty	Unit	Technical Data	Serial No (Start)	Serial No (End)	Remarks
1	36095100000	HOOK (SHEAVE 4 PC'S)	1					
2	36094410000	HOOK (3.5TON)	1					
3	37001805280	ROPE,WIRE (KISWIRE)	1					
	37001800060	ROPE,WIRE (TESAC)	1					
4	37001805020	ROPE,WIRE (TESAC)	1					
	37001806890	ROPE,WIRE (KISWIRE)	1					
5	(*****)	SOCKET,ROPE	1					
6	(*****)	SOCKET,ROPE (SEIZING)	1					
7	(*****)	OPE.ASSY,WINCH BRAKE	1					
8	(*****)	OPE.ASSY,DRUM LOCK	1					
9	(*****)	PIPING,WINCH	1					
10	(*****)	PIPING,WINCH BRAKE	1					
11	(*****)	MOUNT,WINCH	1					

GR-250N-1-00208 4 BOOM + JIB,X,2M2D

Pos No.	Parts No	Parts Name	Qty	Unit	Technical Data	Serial No (Start)	Serial No
1	(*****)	PIPING,GREASE	1				
2	(*****)	CENTRAL SYSTEM	1				
3	(*****)	CENTRAL LUBRICATION SYSTEM (ELECTRIC)	1				

GR-250N-1-00208 4 BOOM + JIB,X,2M2D

Pos No.	Parts No	Parts Name	Qty	Unit	Technical Data	Serial No (Start)	Serial No (End)	Remarks
1	(*****)	OPE.ASSY,STEERING (CAB)	1					
2	(*****)	OPE.ASSY,STEERING (LOWER)	1					
3	(*****)	PIPING,STEERING (UPPER)	1					
4	(*****)	PIPING,STEERING (LOWER)	1					

GR-250N-1-00208 4 BOOM + JIB,X,2M2D

Pos No.	Parts No	Parts Name	Qty	Unit	Technical Data	Serial No (Start)	Serial
1	(*****)	INFLATOR,AIR	1				
2	(*****)	VIEW SYSTEM (REAR)	1				
3	(*****)	VIEW SYSTEM (DRUM)	1				
4	(*****)	BUMPER	1				
5	3447767000	TABLE,LUNCH	1				
6	(*****)	OPE.ASSY,CONT.VALVE (ISO)	1				
7	(*****)	OPE.ASSY,CONT.VALVE (M.S PEDAL,ISO,STD)	1				
8	(*****)	OPE.ASSY,DRUM LOCK (MAIN)	1				
9	(*****)	SPEAKER	1				
10	(*****)	GUARD (AML LAMP)	1				
11	(*****)	DETECTOR,DISORDERLY WIND (MAIN)	1				
12	(*****)	DETECTOR,DISORDERLY WIND (AUX.)	1				
13	(*****)	DETECTOR,BOOM RETRACTION (3.4 SECT.)	1				
14	(*****)	SWITCH,DETECTOR (OVERWIND)	1				
15	(*****)	PIPING,OUTLET (ELEV,TELES./WINCH)	1				
16	(*****)	PIPING,OUTLET (ELEVATING,TELESCOPING)	1				
17	(*****)	PIPING,OUTLET (WINCH)	1				
18	(*****)	PIPING,PILOT (ISO M & AUX. WINCH PEDAL)	1				
20	(*****)	COVER,SWING FRAME (BACK COVER)	1				
22	(*****)	WOOD BLOCK (OPTION)	1				
23	(*****)	MIRROR (BOOM,ELECTRIC)	1				
24	(*****)	VALVE,CONTROL (DETENT/M,AUX. WINCH)	1				
25	(*****)	SUPPORT (WIRE)	1				
26	(*****)	MOUNT (COOL BOX)	1				
27	(*****)	ROPE (SAFETY,FOR X-O/R)	1				
28	(*****)	COVER ASSY (FOR NON SPEAKER)	1				
29	3449343000	CURTAIN	1				

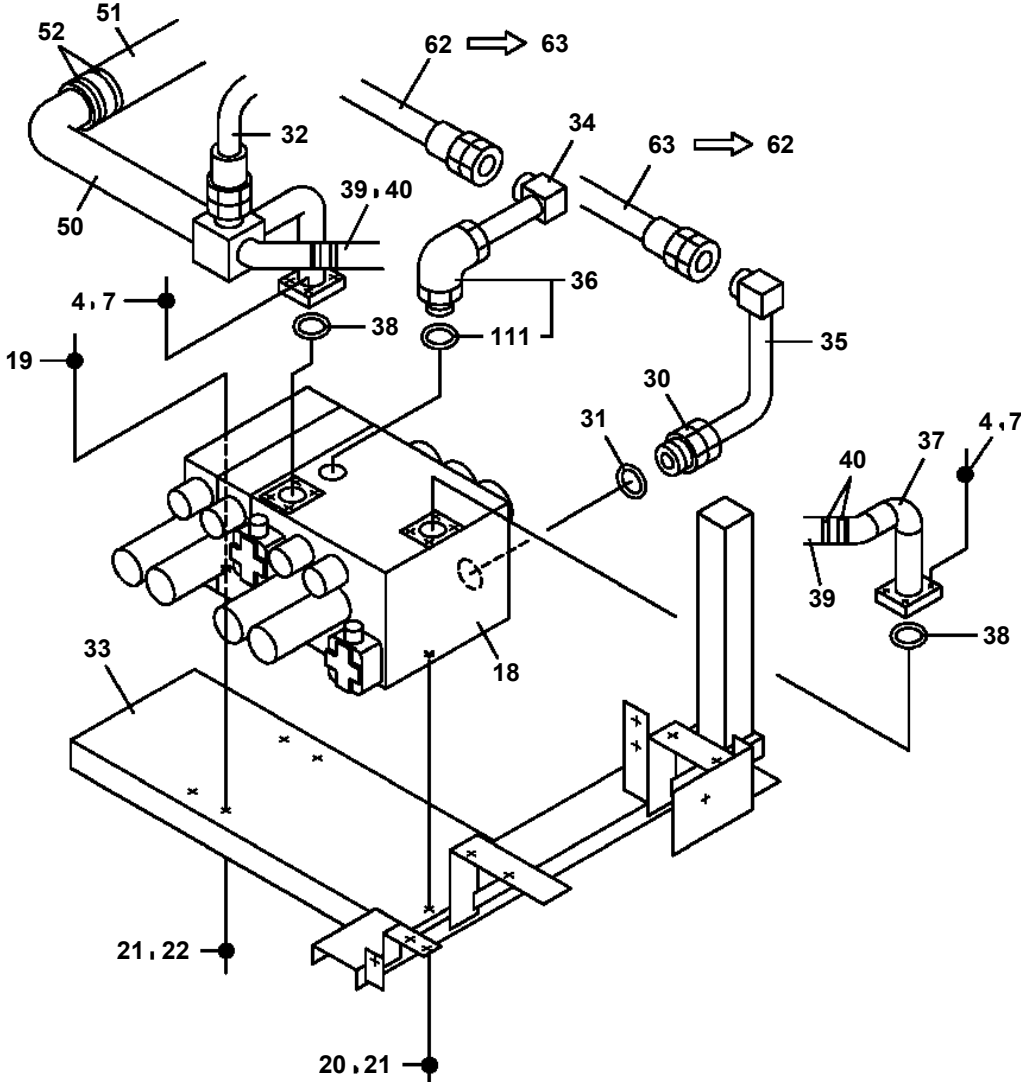
GR-250N-1-00208 4 BOOM + JIB,X,2M2D

Pos No.	Parts No	Parts Name	Qty	Unit	Technical Data	Serial No (Start)	Serial M
1	36653525010	SEAL KIT	1				
10	36653520000	PUMP,HYDRAULIC (EMERGENCY STEERING)	1				

GR-250N-1-00208 4 BOOM + JIB,X,2M2D

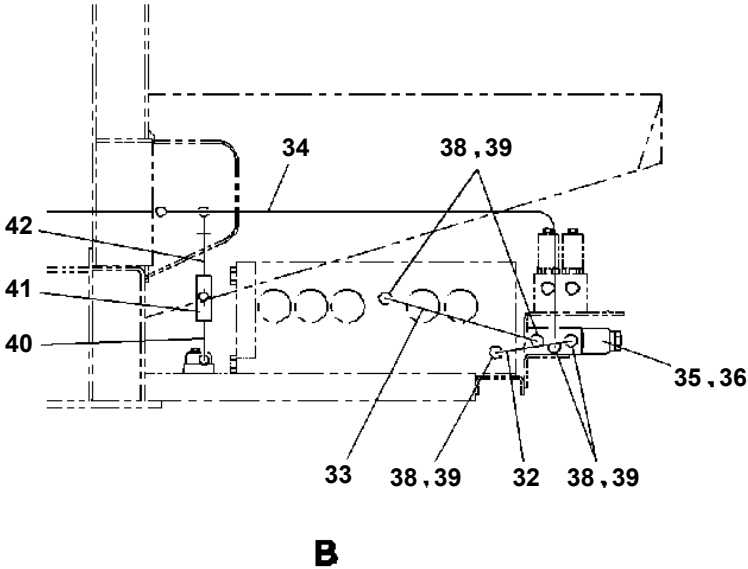
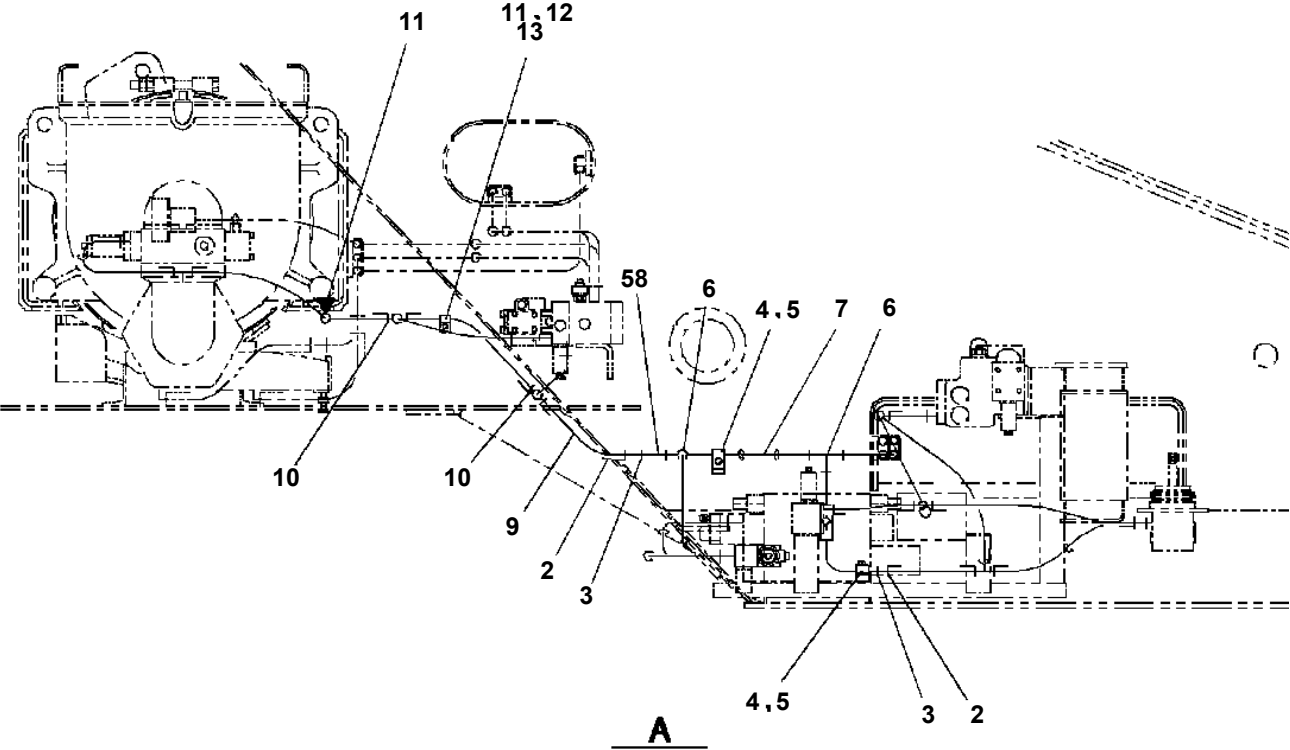
Pos No.	Parts No	Parts Name	Qty	Unit	Technical Data	Serial No (Start)	Serial No (End)	Remarks
1	91810130250	FASTENER	2					
2	37002479940	HOSE	1		L=450			
3	80303130321	FITTING,ELBOW	1		KLO28-080E			
4	81408000341	PIPE,STEEL	1	M	28X3.1T			
5	90101510035	BOLT	8		M10X35			
6	90302041001	WASHER,SPRING	22		10			
7	90172110030	BOLT,HEXAGON SOCKET	11		M10X30			
8	90191510030	BOLT	1		M10X30			
9	37000906840	JOINT	1		L G1-28			
10	37000510240	PLATE	2					
11	36605780000	VALVE,RELIEF	1					
12	90101210050	BOLT	2		M10X50			
13	80400160131	JOINT	1					
14	91002801800	O-RING	7		1B P18			
15	37002442180	HOSE	1		L=560			
16	34641034300	SUPPORT	1					
17	80430620800	JOINT	3					
18	37002474870	HOSE	1		L=1150			
19	37002452570	HOSE	1		L=1500			
20	80471020508	JOINT	1		45,G1-G1			
21	91002802900	O-RING	1		1B P29			
22	90101210100	BOLT	2		M10X100			
23	90280201000	NUT,FLANGE	3		M10			
24	80430621600	JOINT	2					
25	90101210030	BOLT	1		M10X30			
26	37000925740	JOINT	2		S G1/2-G1/2			
27	82100002013	CLAMP	2		WRC18			
28	80430620600	JOINT (WITH O-RING)	3		L,G3/8-G3/8			
29	80302090271	FITTING	1		KCO22-040N			
30	81408000290	PIPE,STEEL	1	M	22X2.5T			
31	37002474200	HOSE	1		L=1670			
32	37002474180	HOSE	1		L=1870			
33	37002476010	HOSE	1		L=2070			
36	80320030180	FITTING,ELBOW	1		KLE22-060N			
37	37002476020	HOSE	1		L=800			
38	36625390000	VALVE,CHECK	1					
39	34471141300	CUSHION	6					
40	37000505950	PLATE	6		T=3.2			
41	37000928370	JOINT	1		S,G1/2-G1/2			
42	80400160130	JOINT	1		S,G1/2-G3/8			
43	36649850001	VALVE,SOLENOID CONTROL	1					
45	37002474220	HOSE	1		L=1490			
46	37002474210	HOSE	1		L=1400			
47	90102208030	BOLT	2		M8X30			
48	82100002018	CLAMP	3		WR35			
49	90102208040	BOLT	2		M8X40			
50	90280200800	NUT,FLANGE	13		M8			
51	90186208025	BOLT,FLANGE	2		M8X25			
52	90155208055	BOLT,WELD	1		M8X55			
53	37000502660	PLATE	1					
54	82100002019	CLAMP	1		WR40			
55	82100002015	CLAMP	6		WRC20			
57	37000929870	JOINT	1		S G1/2-G3/8			
58	37000929230	JOINT	1		S G3/4-G3/4			
59	90186208014	BOLT,FLANGE	1		M8X14			
60	82100001413	TUBE,SPIRAL	1	M	SE-15BK			
61	82100002017	CLAMP	6		WR30			
62	80430621200	JOINT	2					
63	91002802400	O-RING	2		1B P24			
64	37000513530	PLATE	1					
81	91002802900	O-RING	3		1B P29			
91	36605781000	BODY	1					
92	(*****)	VALVE,RELIEF	1					

GR-250N-1-00208 4 BOOM + JIB,X,2M2D
PB1260211-02 PIPING,RETURN (UPPER)

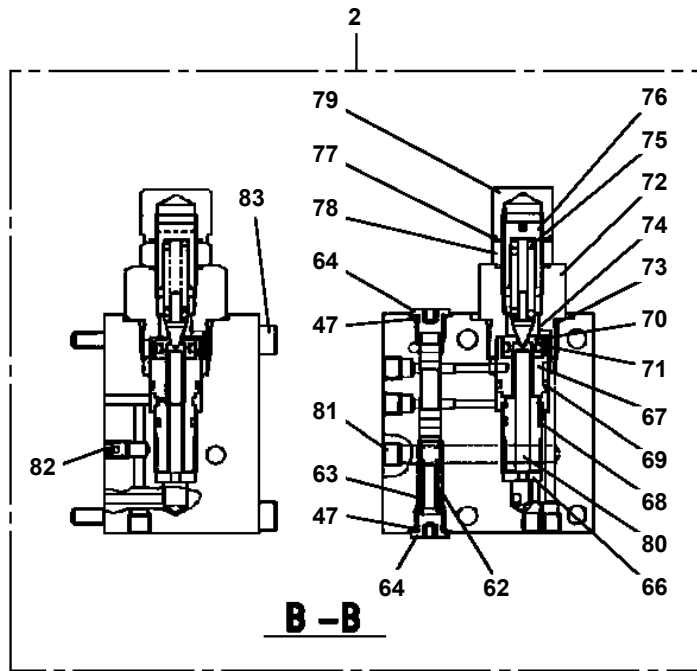
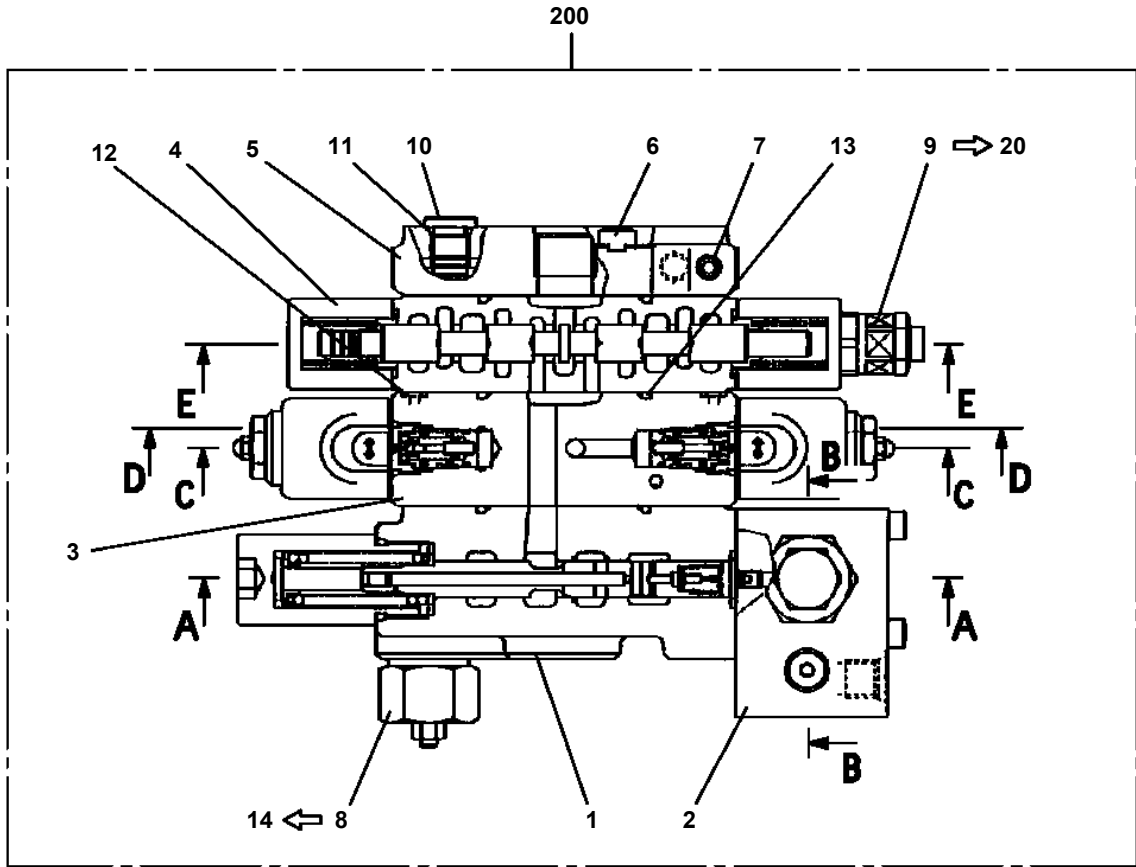


H

GR-250N-1-00208 4 BOOM + JIB,X,2M2D
PB1270136-00 PIPING,DRAIN



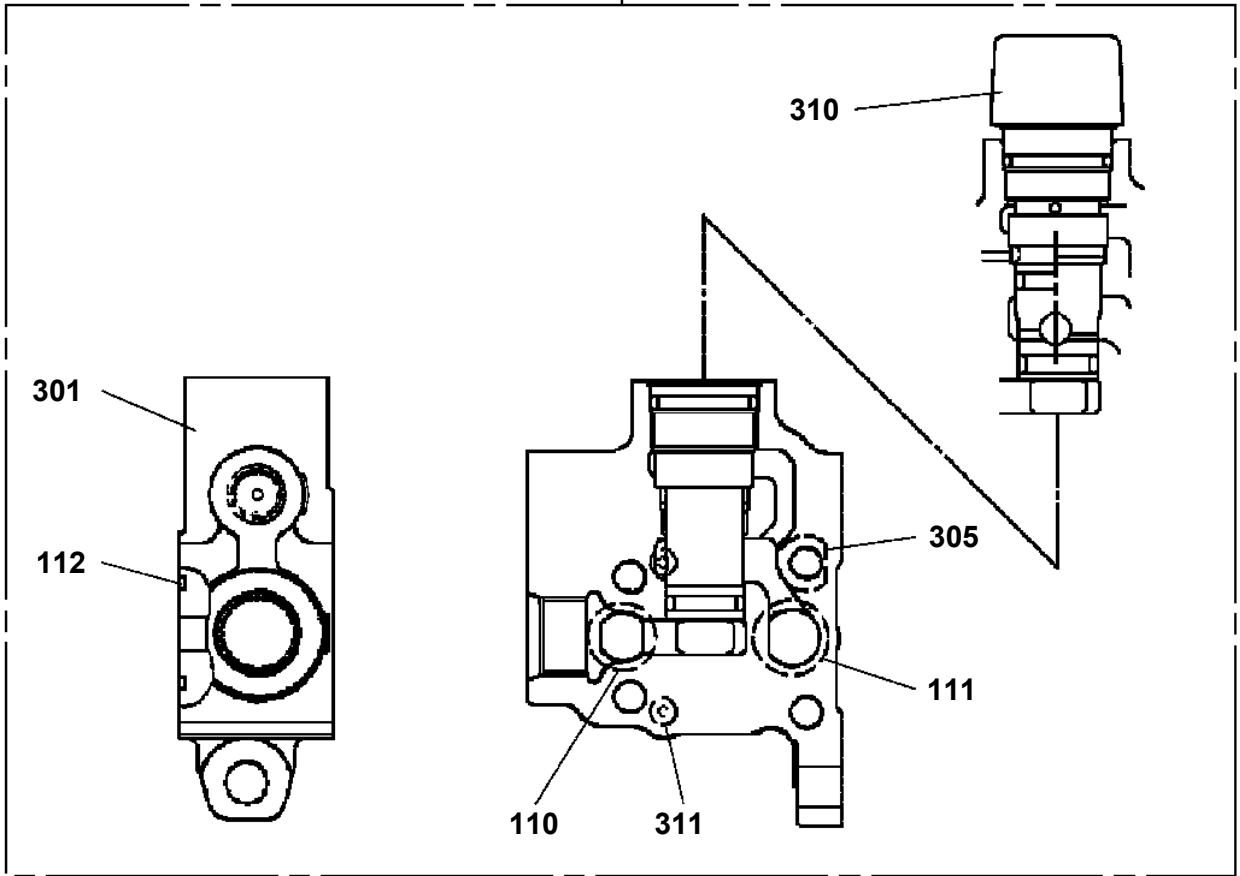
GR-250N-1-00208 4 BOOM + JIB,X,2M2D
 PB1340062-05 VALVE,SOLENOID CONTROL



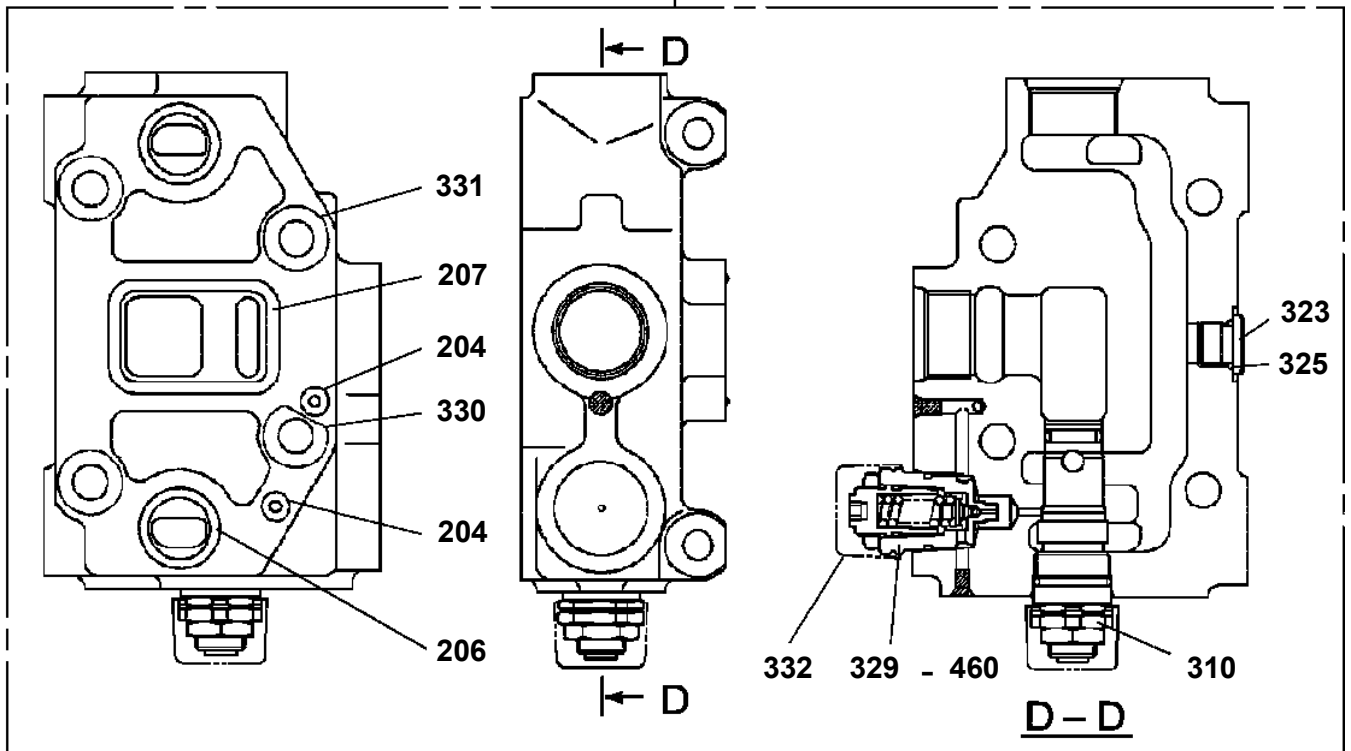
展開圖有
 ILLUSTRATED BREAKDOWN NO. 1,3,4,8,9,14

GR-250N-1-00208 4 BOOM + JIB,X,2M2D
PB1340079-01 VALVE,SOLENOID CONTROL

10

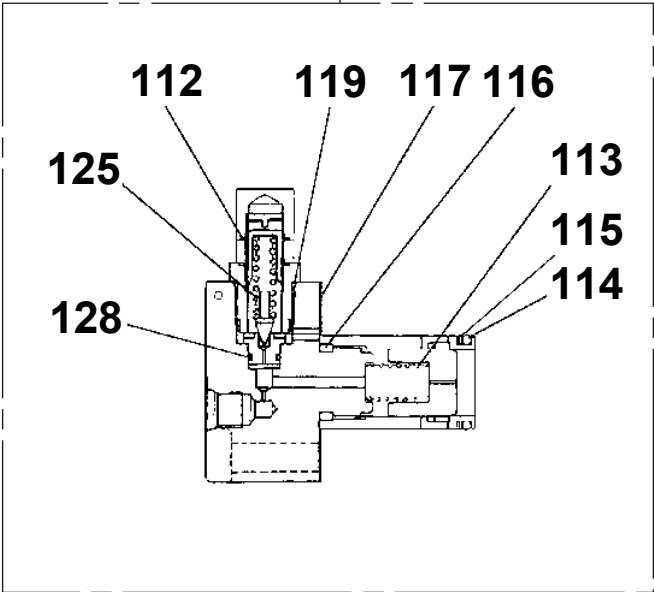


11

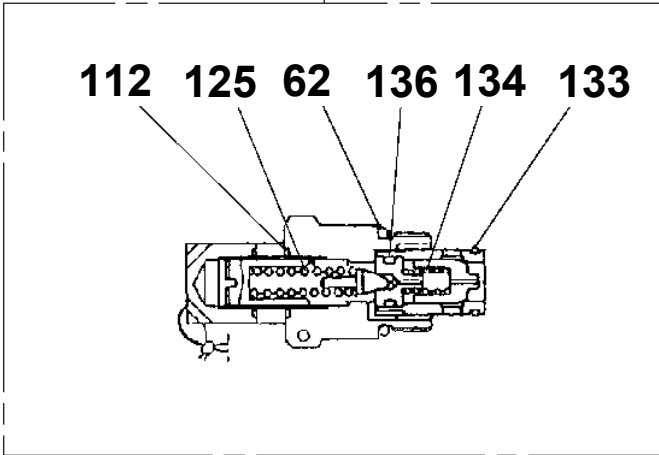


**GR-250N-1-00208 4 BOOM + JIB,X,2M2D
PB1350014-00 VALVE,PILOT OPERATED CONTROL**

89



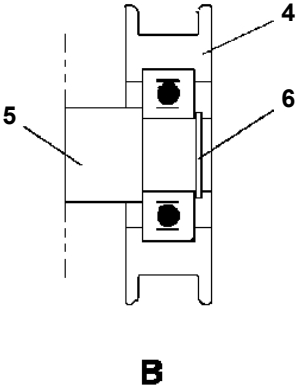
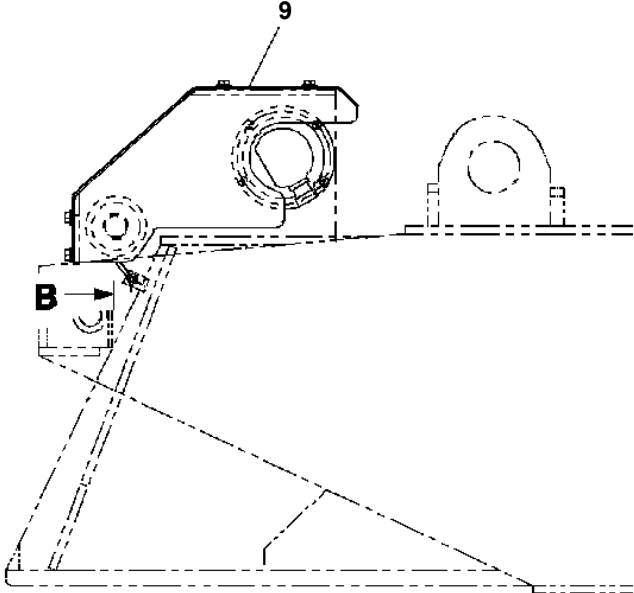
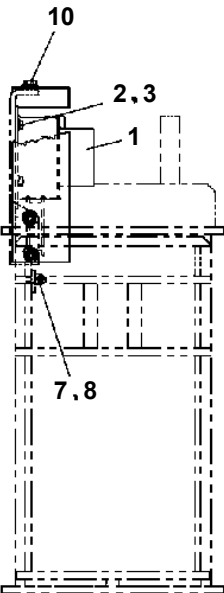
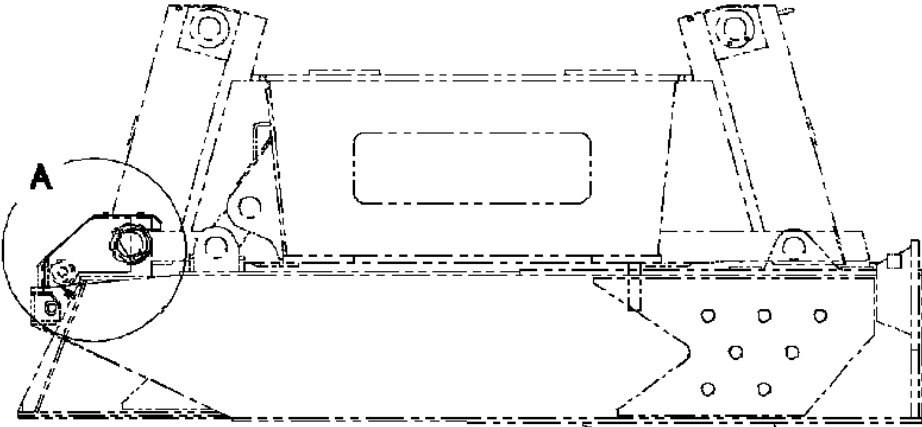
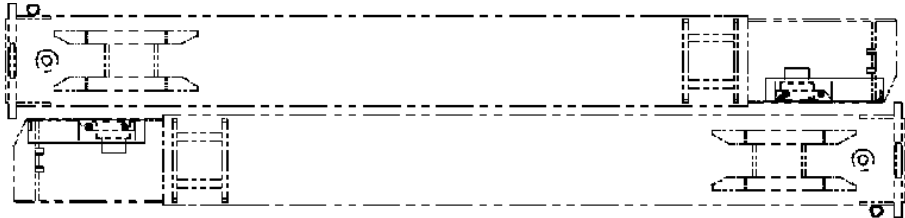
111314



GR-250N-1-00208 4 BOOM + JIB,X,2M2D

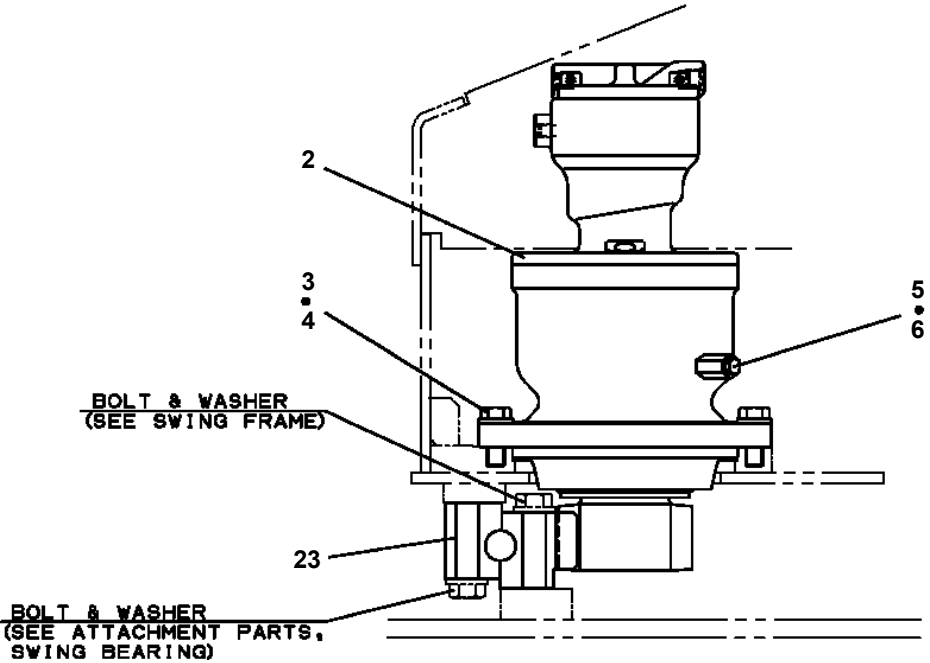
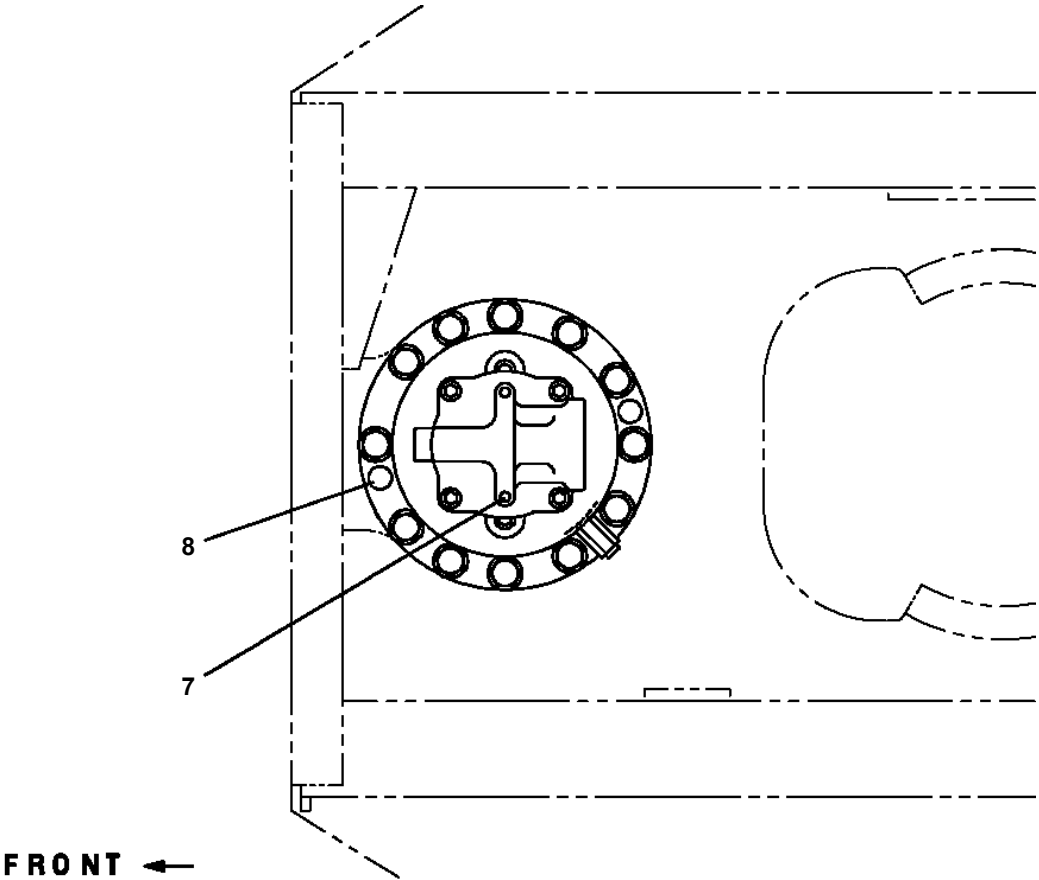
Pos No.	Parts No	Parts Name	Qty	Unit	Technical Data	Serial No (Start)	Serial No (End)	Remarks	P
1	36041711001	CYLINDER	1						
2	36041082000	ROD	1						
3	36040000052	COVER,ROD	1						
4	36040284001	PISTON	1						
5	90201202400	NUT	1		M24				
7	91002902500	O-RING	1		1B G25				
8	91002805800	O-RING	1		1B P58				
9	91410204502	RING,BACKUP	1						
10	91660004501	SEAL,DUST	1						
11	91684006500	PACKING	2						
12	91694004500	PACKING	1						
13	90303072401	WASHER,PLAIN	1		24				
14	91411205501	RING,BACKUP	2						
41	36041099900	PACKING SET	1		45X65				
100	36041710001	CYLINDER,EXTENSION	1						

GR-250N-1-00208 4 BOOM + JIB,X,2M2D
PC1370034-00 DETECTOR SYSTEM, OUTRIGGER LENGTH

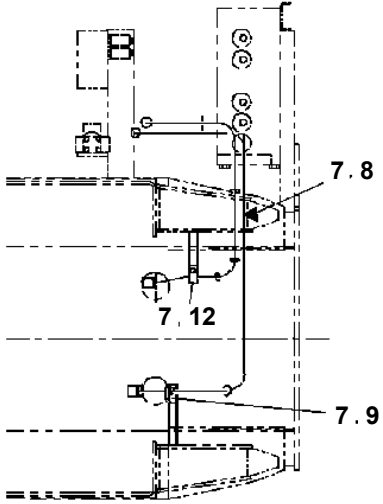
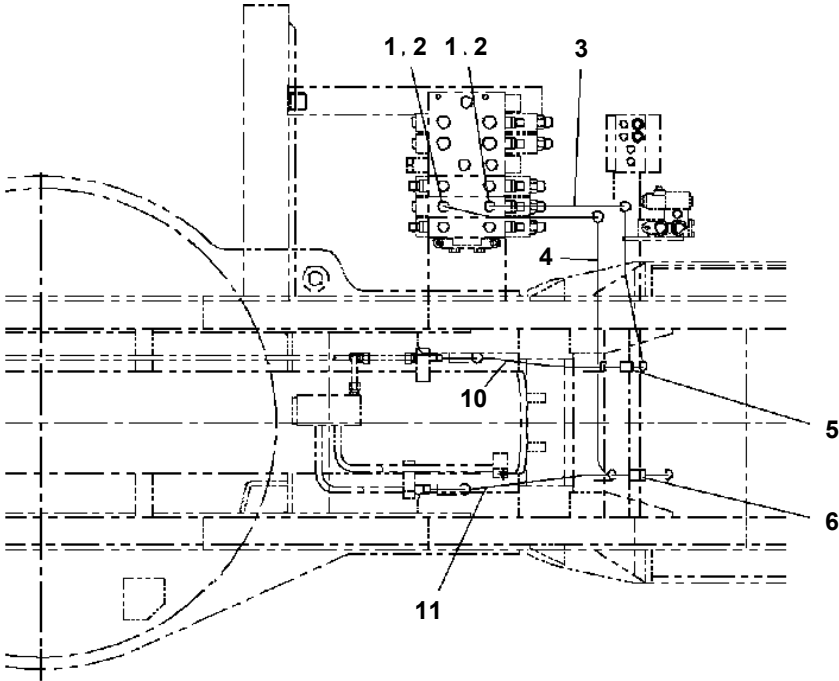


A

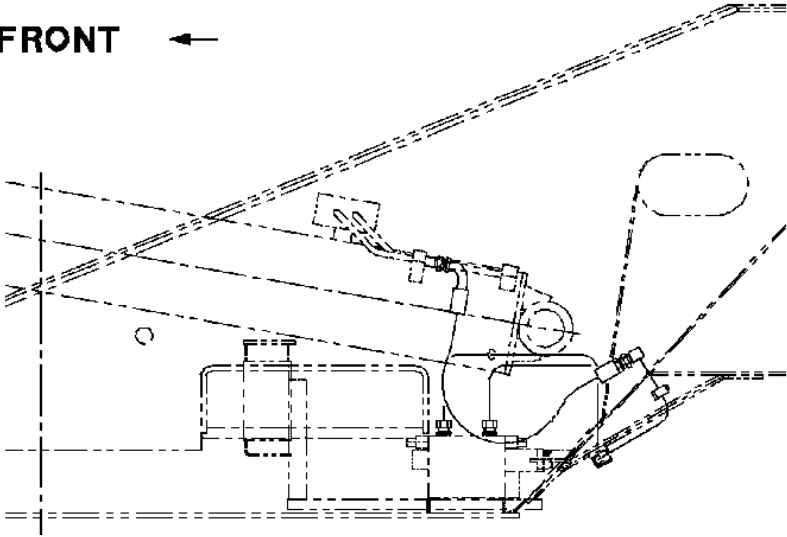
**GR-250N-1-00208 4 BOOM + JIB,X,2M2D
PD1020023-01 SWING UNIT**



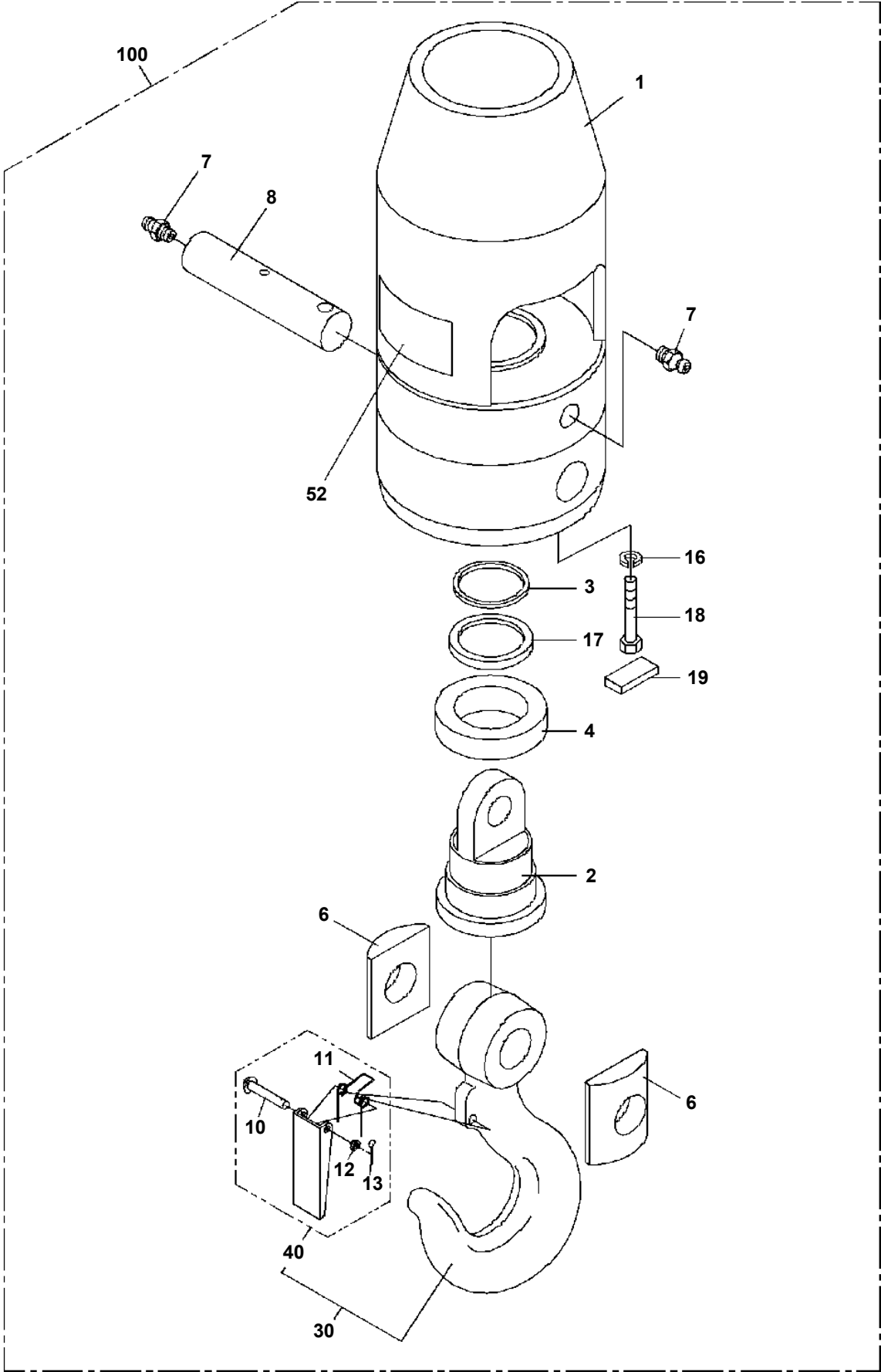
GR-250N-1-00208 4 BOOM + JIB,X,2M2D
PE1200096-00 PIPING,ELEVATING



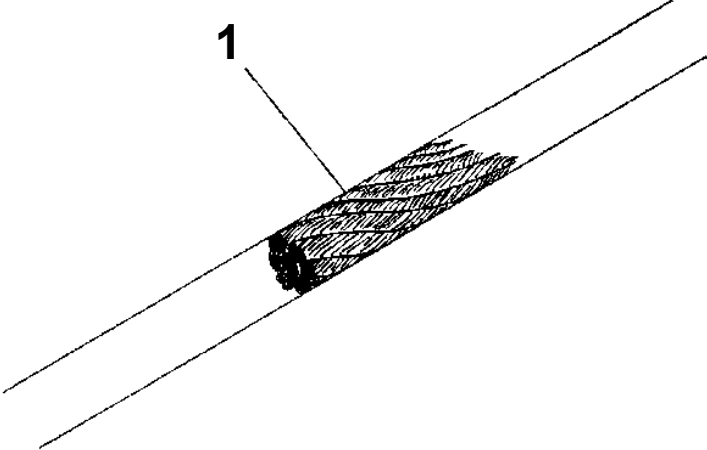
FRONT ←



GR-250N-1-00208 4 BOOM + JIB,X,2M2D
PF1050328-00 HOOK (3.5TON)



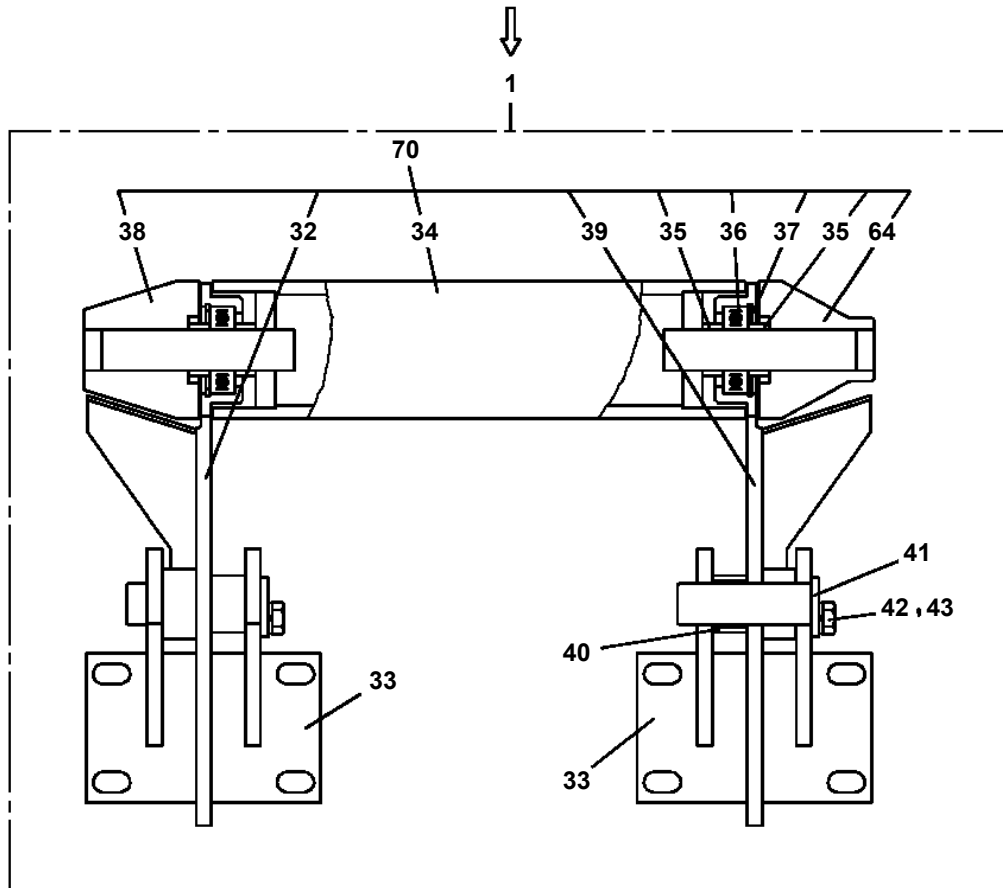
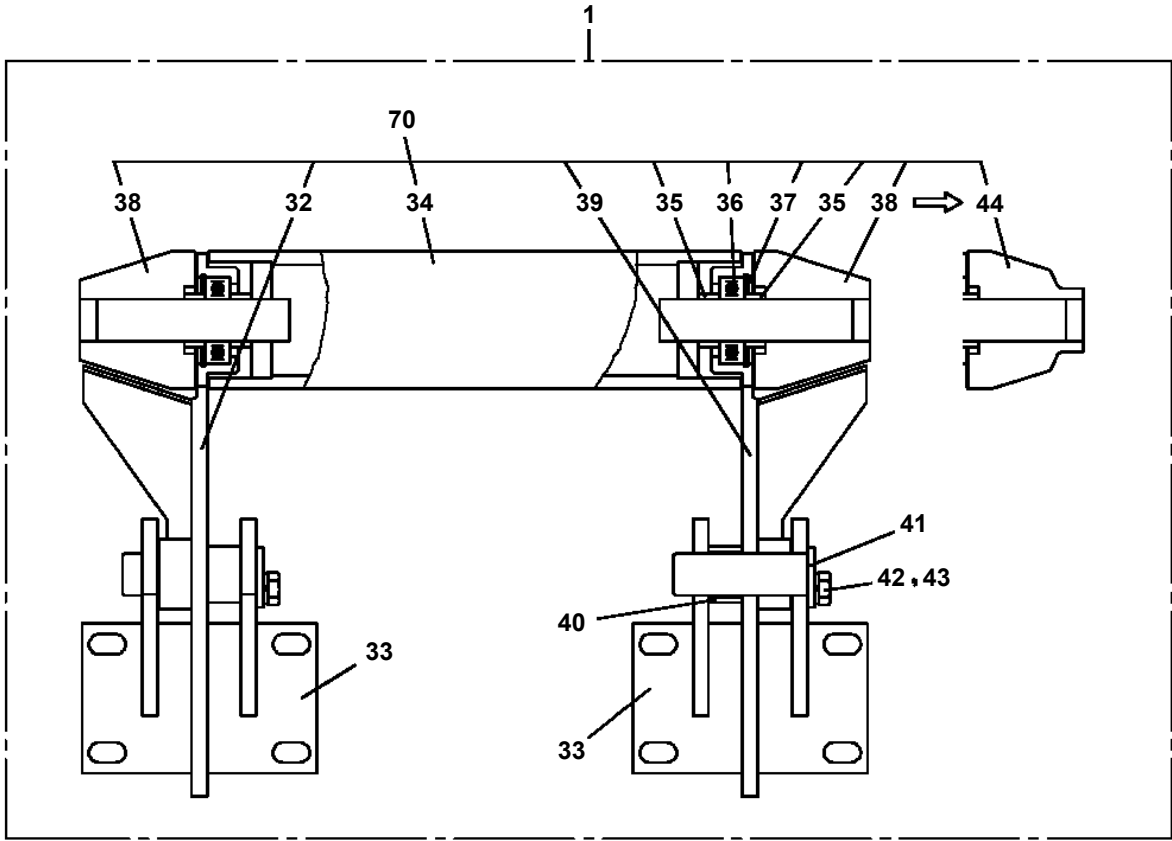
GR-250N-1-00208 4 BOOM + JIB,X,2M2D
PF1070033-00 ROPE,WIRE (KISWIRE)



GR-250N-1-00208 4 BOOM + JIB,X,2M2D

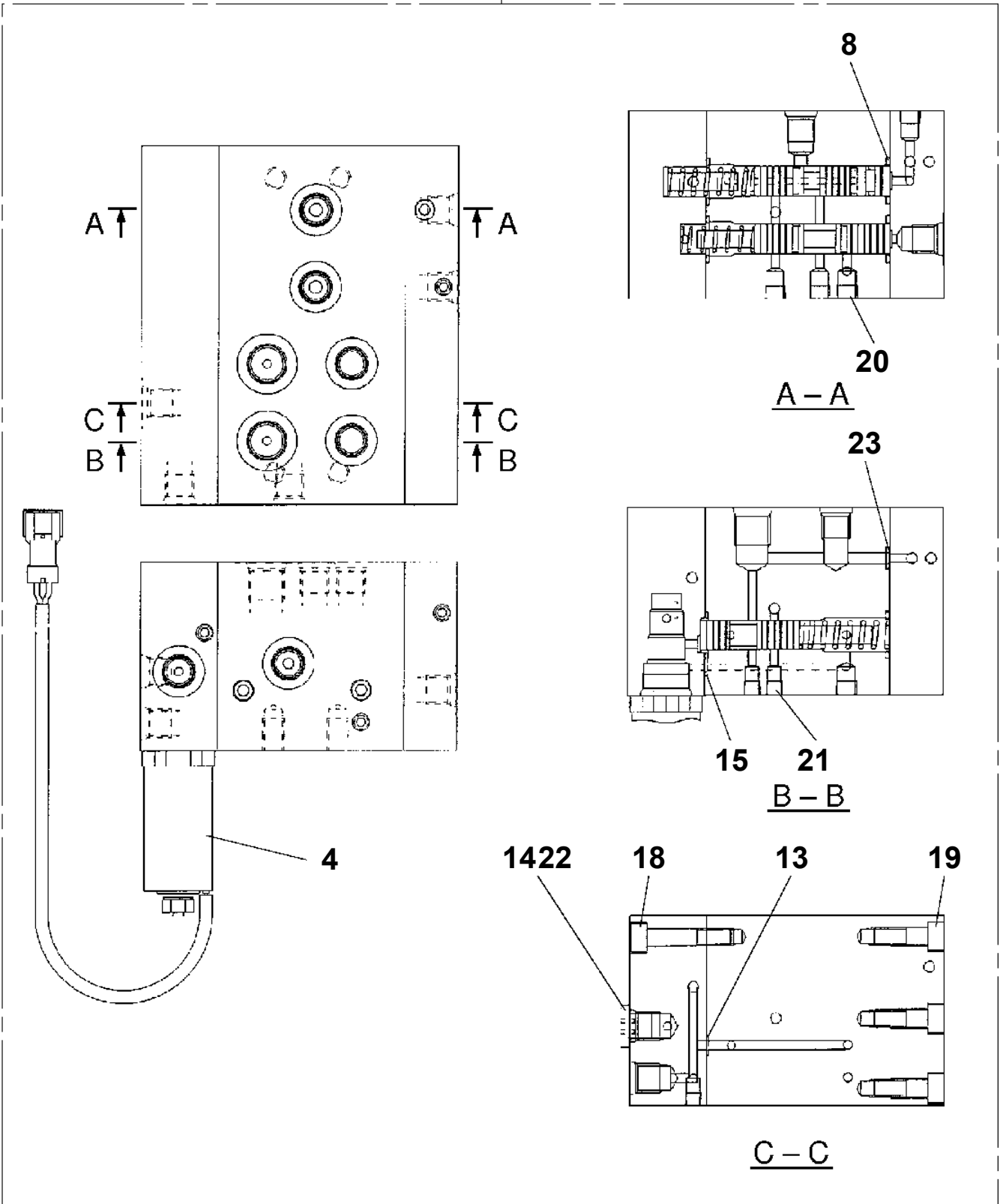
Pos No.	Parts No	Parts Name	Qty	Unit	Technical Data	Serial No (Start)	Serial No (End)	Remarks	Page
1	99172108020	BOLT,TAPPING	5		M8X20				
2	90302040801	WASHER,SPRING	1		8				
4	34331448010	PEDAL ASSY	1						
5	37000904800	NUT,FLARE	4		M10				
6	37000904200	FITTING,ELBOW	2						
7	37002505490	HOSE	1		L=200		FB5268		
	37002516620	HOSE	1		L=155	FB5269			
8	37002505530	HOSE	1						
9	37002508230	HOSE	1		L=600				
10	34331468010	PIPE ASSY	1						
11	34331468020	PIPE ASSY	1						
12	33330010080	BOLT,EYE	2						
13	33330010090	JOINT	2						
14	33330010100	GASKET	4						
15	91803600160	CLIP	6		D=11-16				
16	90201200600	NUT	4		M6				
17	82100002010	CLAMP	1		WR15				
18	90302040601	WASHER,SPRING	1		6				
19	36100250000	RESERVOIR,OIL	1						0001
21	99172106016	BOLT,TAPPING	2		M6X16				
22	90201200800	NUT	1		M8				
23	34331440100	JOINT	1						
31	34331441300	END	2						
32	90102206040	BOLT	2		M6X40				
33	90201200600	NUT	2		M6				
34	34331441101	PEDAL (AUX.)	1						
35	34330161400	COVER	2						
36	34331441200	SUPPORT	1						
37	19114411000	SPRING	2						
38	37000166360	PIN	2						
39	37000166380	PIN	1						
40	90101208012	BOLT	1		M8X12				
41	90302040801	WASHER,SPRING	1		8				
42	90191210035	BOLT	4		M10X35				
43	90201201000	NUT	4		M10				
44	90302041001	WASHER,SPRING	4		10				
45	36061550000	CYLINDER,MASTER	2						0001
46	34330551400	ROD	2						
47	90266201000	NUT	2		M10				
48	80601110160	RING,RITAINING	4		16				
50	34331441401	PEDAL (MAIN)	1						
56	80801001210	BEARING,PLAIN	4						
57	80801001615	BEARING,PLAIN	2						

GR-250N-1-00208 4 BOOM + JIB,X,2M2D
PF1180072-02 DETECTOR,DISORDERLY WIND (MAIN)

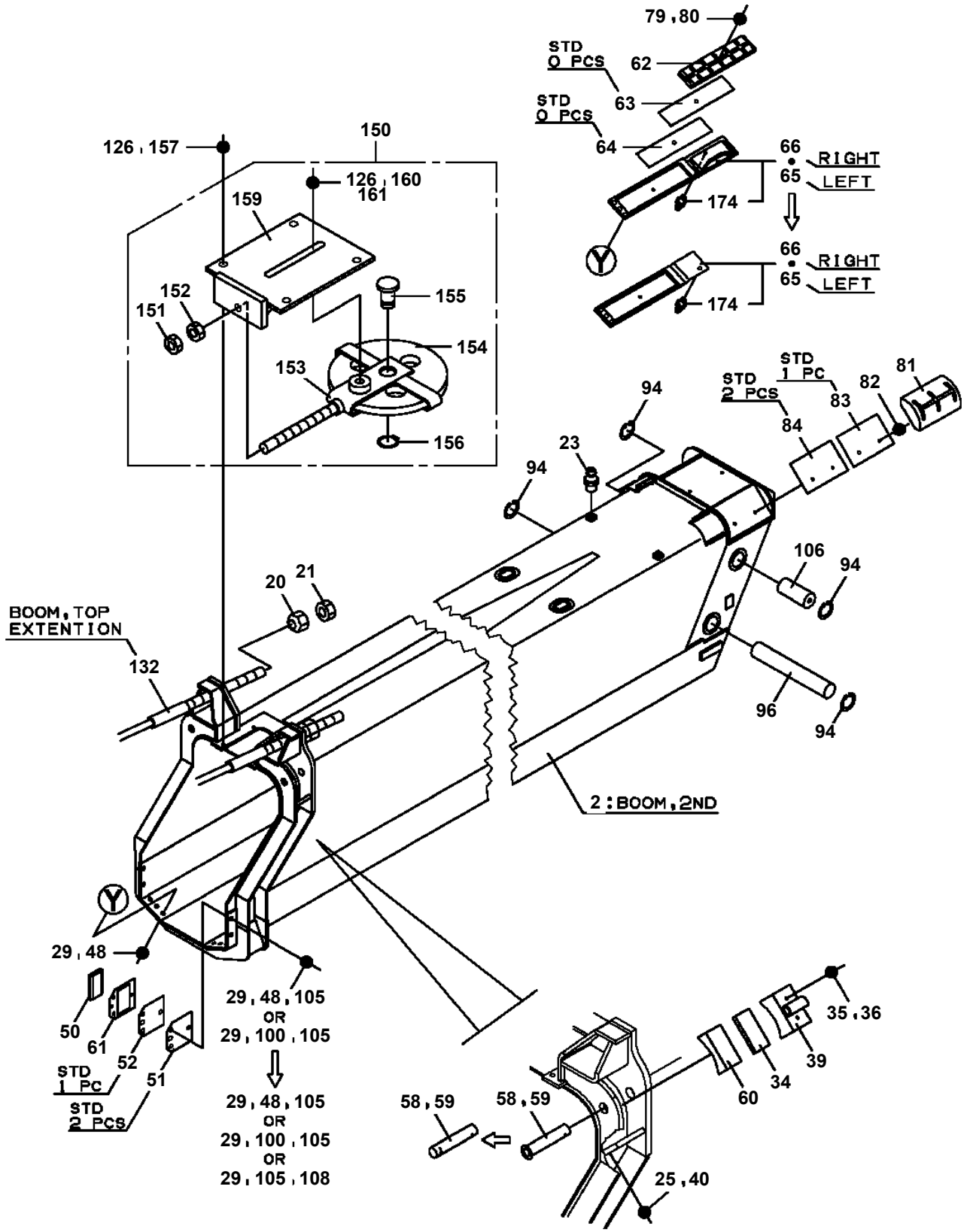


GR-250N-1-00208 4 BOOM + JIB,X,2M2D
PF1300021-00 VALVE,CLUTCH

50



GR-250N-1-00208 4 BOOM + JIB,X,2M2D
 PG1010739-08 BOOM



図中の左右の表示は、ブーム後端から先端を見たものです。
 THE RIGHT AND LEFT IN FIGURE ARE THE EXPRESSION THAT SEES FROM BOOM END TO TOP.

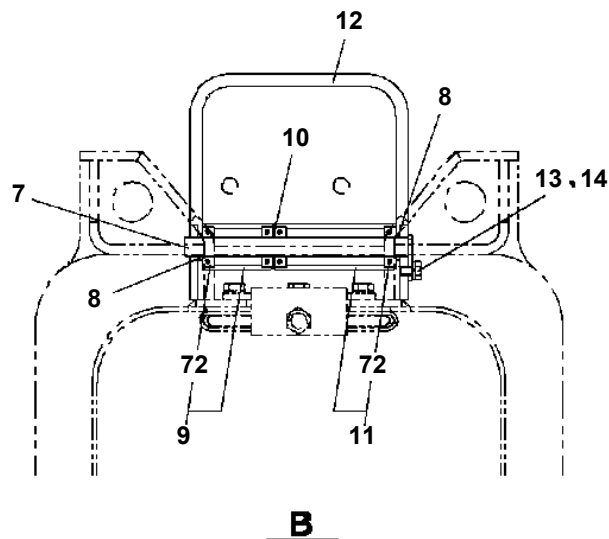
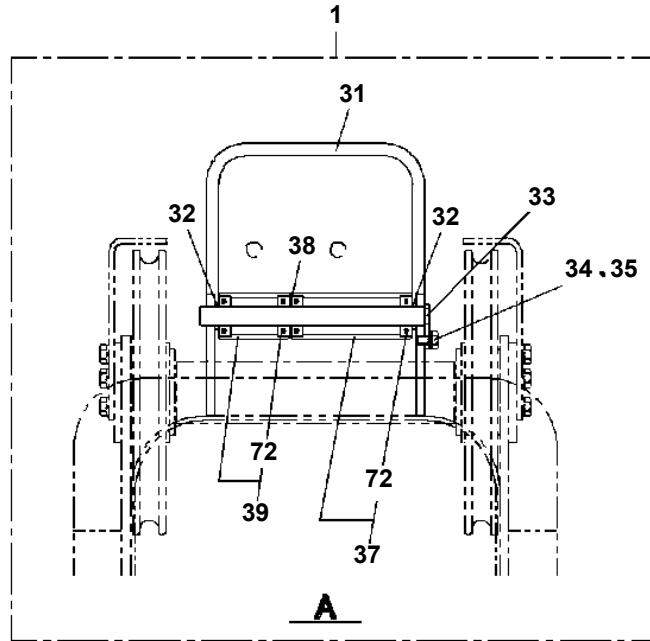
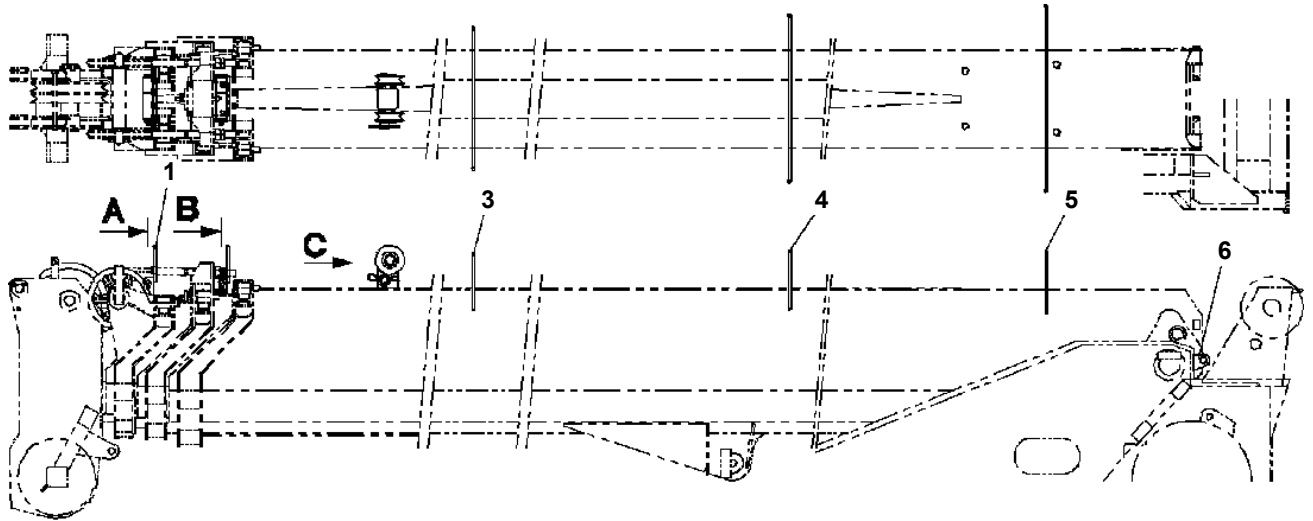
GR-250N-1-00208 4 BOOM + JIB,X,2M2D

Pos No.	Parts No	Parts Name	Qty	Unit	Technical Data	Serial No (Start)
84	37000200010	PIN,SNAP	1			
85	37000103830	PIN	1			
86	37001004750	SHEAVE ASSY (IMONO)	1			
87	16311007000	SPACER	2		L=3.5	
88	82456101000	NIPPLE,GREASE	1		A-PT1/8	
89	37000513430	PLATE	1			
90	37000149590	PIN	1			
91	34220680300	PIN	2			
92	37000202061	PIN,SNAP	2			
93	37000137320	PIN	4			
94	34220780100	ROD	2			
95	34220760200	LEVER	2			
98	33220000050	STOPPER	2			
99	37000149140	PIN	1			
100	37001106320	ROLLER ASSY	1			
101	37000300270	PLATE	4		T=1.0	
102	80601110450	RING,RITAINING	4		S45	
111	14148375000	GROMMET	2			
112	37000302290	SPACER	1			
113	82100002505	CONNECTOR (CN-6)	2			
114	82100000208	CLAMP	3		WT4	
115	90928040061	SCREW,TAPPING	3		M4X6	
116	34371371200	HARNESS	1		L=8950	
117	82100002506	CONNECTOR	2			
118	82118722020	CONNECTOR	2			
119	82100002628	CAP	2			
120	90201200600	NUT	1		M6	
121	90302040601	WASHER,SPRING	16		6	
122	80172303014	SCREW,MACHINE	8		M3X14	
123	90302040301	WASHER,SPRING	8		3	
124	90303070301	WASHER,PLAIN	8		3	
125	34371371100	SUPPORT	1			
126	37000300590	SPACER	1		L=30	
127	82100002002	CLAMP	16		WR6	
129	34360794300	SUPPORT	1			
130	82400000095	GROMMET	2			
131	34361103400	PIPE	1			
132	91810130240	FASTENER	3			
138	90155306015	BOLT,WELD	16		M6X15	
141	34221403101	SUPPORT	1			
142	34220763300	SUPPORT	1			
143	34221403200	SUPPORT	1			
144	34221403300	SUPPORT	1			
145	34221031850	SUPPORT	1			
146	34221121500	ROLLER ASSY	1			
147	34221031800	SUPPORT	1			
148	34221121600	SUPPORT	1			
149	34221031700	GUIDE	1			
150	34221403400	GUIDE	1			
162	34220683750	PIN	1			
	34220683751	PIN	1			FB6278
163	37001200770	SPRING	1			
164	90202202000	NUT	1		M20	
165	34220765200	PLATE	1			
171	37001100060	ROLLER ASSY	2			
172	90101208012	BOLT	2		M8X12	
173	90302040801	WASHER,SPRING	2		8	
174	16411416000	PIN	2			
175	34220684140	SUPPORT	1			
181	37001914841	ROPE,WIRE (KOKOKU)	1			
	37001906361	ROPE,WIRE (TESAC)	1			
195	34221121510	SUPPORT	1			
202	80801002520	BEARING,PLAIN	4			

GR-250N-1-00208 4 BOOM + JIB,X,2M2D

Pos No.	Parts No	Parts Name	Qty	Unit	Technical Data	Serial No (Start)	Serial No (End)
1	36052061000	CYLINDER (IP)	1				
2	80136350050	PIN,SPLIT	1		5X50		FB5546
3	37001600410	NUT	1		M24		FB5546
	90201702400	NUT	1		M24	FB5547	
4	36052063000	PISTON	1				
5	91350207000	BEARING,PLAIN (WITH PACKINGX2)	1				
6	91002803500	O-RING	1		1B P35		
7	36052062000	ROD ASSY	1				
8	36052064000	COVER,ROD (IP)	1				
9	91002806000	O-RING	1		1B P60		
10	91251100350	RING,DAMPER	1				
11	91694003500	PACKING	1				
12	91410203501	RING,BACKUP	1				
13	36052065000	PLATE (IP)	1				
14	91660003501	SEAL,DUST	1				
16	91301103500	BEARING,PLAIN	1				
31	80530000204	BEARING,SPHERICAL	2				
32	37000565830	PLATE (IP)	4				
50	36052060000	CYLINDER,JIB (QUICK TURN,IP)	1				
71	36053479900	PACKING SET	1		35X70		

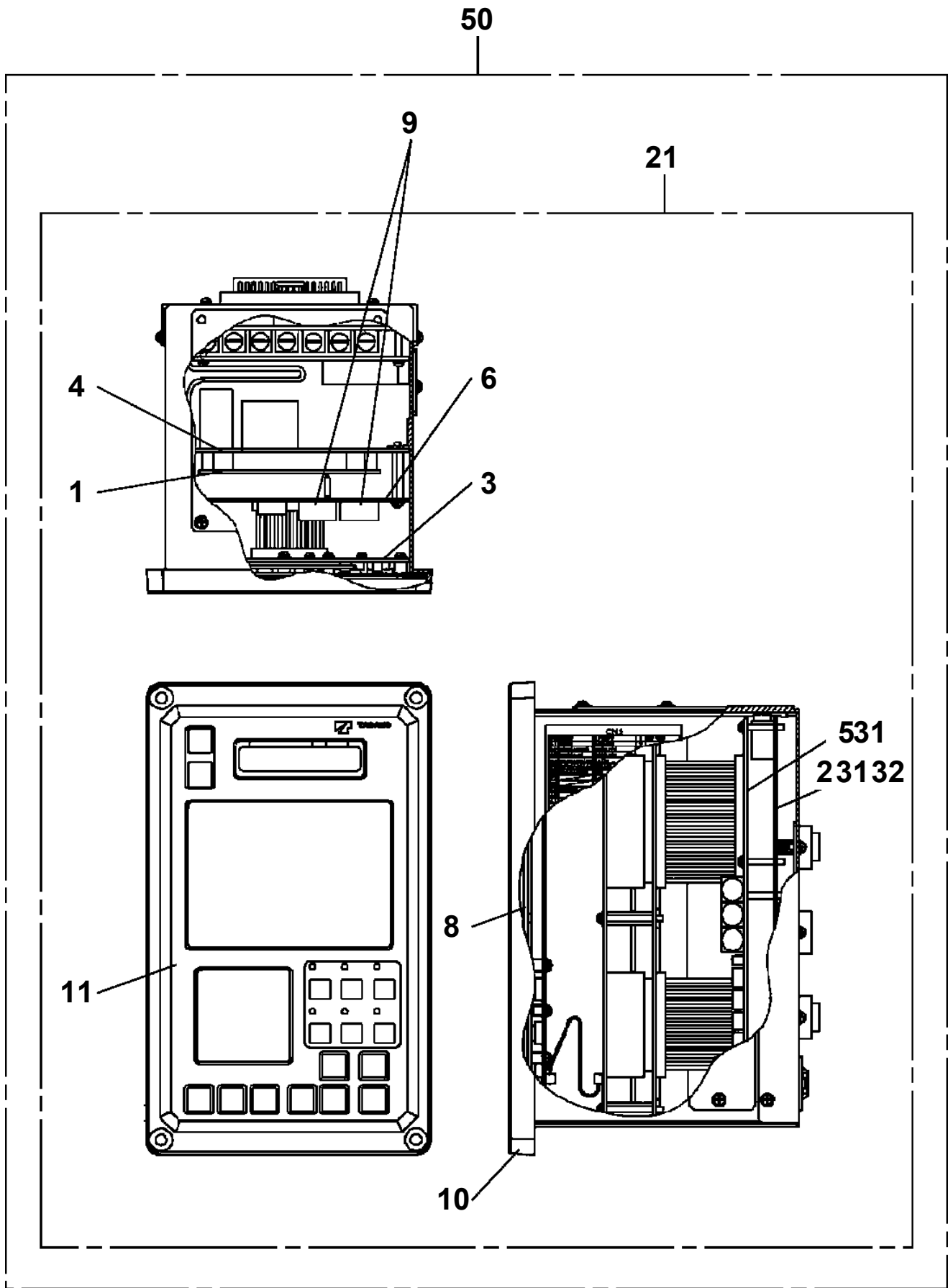
GR-250N-1-00208 4 BOOM + JIB,X,2M2D
PG1360221-01 WIRE GUIDE (BOOM)



GR-250N-1-00208 4 BOOM + JIB,X,2M2D

Pos No.	Parts No	Parts Name	Qty	Unit	Technical Data	Serial No (Start)	Serial No (End)	Remarks
1	34371850100	HARNESS	1					
2	90928040061	SCREW,TAPPING	6		M4X6			
5	82100000207	CLAMP	6					
6	90201201200	NUT	2		M12			
7	19418221000	SUPPORT	1					
8	34371851000	SWITCH ASSY	1					
9	34370040010	SUPPORT	1					
19	90101206016	BOLT	1		M6X16			
20	90302040601	WASHER,SPRING	1		6			
21	90201200600	NUT	1		M6			
22	90303290600	WASHER,PLAIN	2		6			
32	14128208000	RING	2					
33	37001907530	ROPE,WIRE	1		L=590			
34	33370010100	WEIGHT	1					
43	90101208030	BOLT	2		M8X30			
44	90302040801	WASHER,SPRING	2		8			
51	34372231100	SWITCH (OVER WIND/BOOM)	1				FB5871	
	34371851500	SWITCH (OVER WIND/BOOM)	1			FB5872		
55	82100002004	CLAMP	1		WR8			
56	90101206010	BOLT	1		M6X1.0			
57	90302040601	WASHER,SPRING	1		6			
62	33370010110	SUPPORT	1					

GR-250N-1-00208 4 BOOM + JIB,X,2M2D
PH1250062-01 MOMENT LIMITER (AML-L2A)



GR-250N-1-00208 4 BOOM + JIB,X,2M2D

Pos No.	Parts No	Parts Name	Qty	Unit	Technical Data	Serial No (Start)	Serial No (End)	Rema
2	34477830800	TAPE	6					
3	90280200600	NUT,FLANGE	16		M6			
5	34490140100	SUPPORT	1					
6	90186208014	BOLT,FLANGE	3		M8X14			
7	34477831000	LAMP (VISION/REAR & DRUM)	1					
8	34490070101	CAMERA (ASSY ONLY)	1					
9	91810130240	FASTENER	13					
10	82100002002	CLAMP	9		WR6			
11	34381063300	CABLE	1		L=7000			
14	34490070400	HARNESS	1					
15	82100001410	TUBE, SPIRAL	1	M	SE-04BK			
16	34478250300	HARNESS (EARTH LINE)	1		L=200			
17	91810132530	FASTENER	6					
18	82100002001	CLAMP	4		WR5			

GR-250N-1-00208 4 BOOM + JIB,X,2M2D

Pos No.	Parts No	Parts Name	Qty	Unit	Technical Data	Serial No (Start)	Serial No (End)	Remarks	Pages
100	34260634110	HARNESS	1						

GR-250N-1-00208 4 BOOM + JIB,X,2M2D

Pos No.	Parts No	Parts Name	Qty	Unit	Technical Data	Serial No (Start)	Serial No (End)	Remarks	Pages
11	82100001839	FUSE	1		10A.RED				
100	34510662400	HARNESS	1						

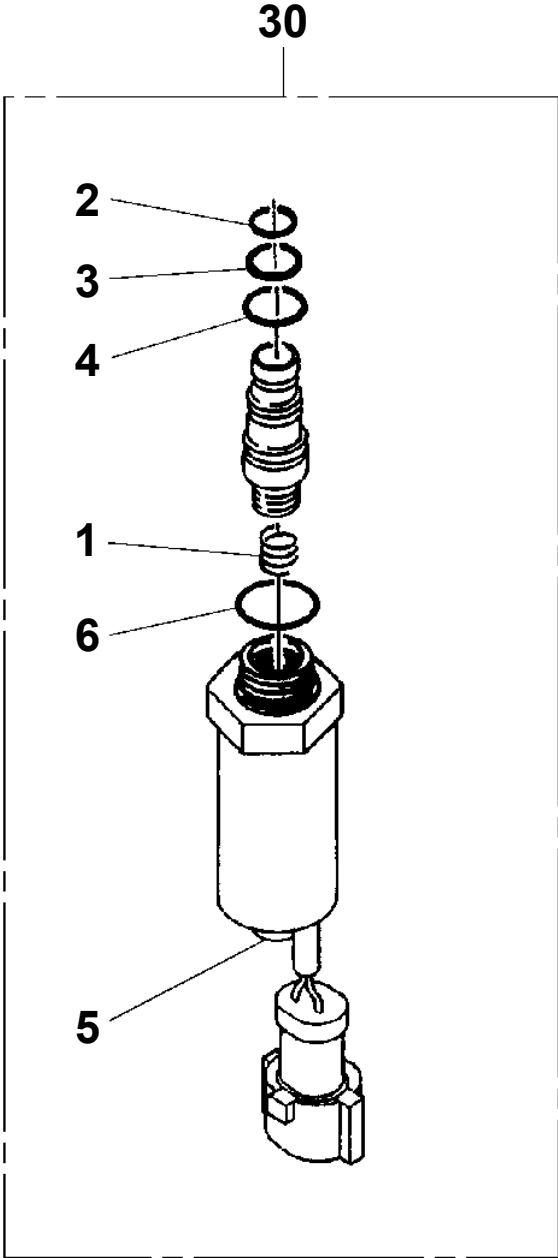
GR-250N-1-00208 4 BOOM + JIB,X,2M2D

Pos No.	Parts No	Parts Name	Qty	Unit	Technical Data	Serial No (Start)	Serial No (End)	Remarks
1	36663045010	MOTOR,HYDRAULIC	1					
2	36661955010	VALVE,COUNTERBALANCE	1					
11	36663045020	CASING	1					
12	36663045030	PLATE,THRUST (RETAINER)	1					
14	36663045040	PLATE,THRUST	2					
15	36663045050	COVER,END	1					
16	36663045060	PLATE (RETAINING)	2					
17	36663045070	RING,RETAINING	1					
18	36663045080	RING,RETAINING	1					
20	36663045090	PISTON	24					
21	36663045100	SLIPPER	24					
22	36663045110	PLATE,TIMING	1					
23	36663045120	SLEEVE	4					
24	36663045130	PIN (TIE ROD END)	2					
25	36663045140	PIN (TIE ROD END)	2					
26	36663045150	SPRING	16					
27	36661945130	SHIM SET	1					
28	36662095290	PLUG	2		PT3/8			
29	36661945200	BEARING,TAPER ROLLER	1					
30	36663045160	BEARING,TAPER ROLLER	1					
32	36663045170	RING,RETAINING	1					
33	90131512035	BOLT,HEXAGON SOCKET	12		M12X35			
34	36662955040	PLUG (WITH O-RING)	2					
36	36662095280	PLUG	1		PT1/4			
37	36663045180	O-RING	1					
39	91002801800	O-RING	6		1B P18			
40	91410001800	RING,BACKUP	4		P18			
42	36663045190	BLOCK,CYLINDER	1					
43	36663045200	PISTON ASSY	18					
44	36663045210	SEAL KIT	1					
54	36661946020	SPRING (MAIN)	1					
55	36661946010	WASHER	1					
60	36661946030	COVER (1)	1					
61	36661946040	COVER (2)	1					
62	36610945020	PLUG,AIR (RELIEF/WITH CAP)	1					
63	36661945220	VALVE,CHECK	1					
64	36661945230	SPRING	1					
77	91002801600	O-RING	1		1B P16			
80	90131510070	BOLT,HEXAGON SOCKET	4		M10X70			
81	90131508030	BOLT,HEXAGON SOCKET	4		M8X30			
82	90131512080	BOLT,HEXAGON SOCKET	6		M12X80			
83	91002904500	O-RING	1		1B G45			
84	91002903000	O-RING	1		1B G30			
86	91002903500	O-RING	2		1B G35			
88	36661955020	BODY ASSY	1					
89	36661945251	VALVE,RELIEF	1					
200	36661950001	MOTOR,HYDRAULIC	1					

GR-250N-1-00208 4 BOOM + JIB,X,2M2D

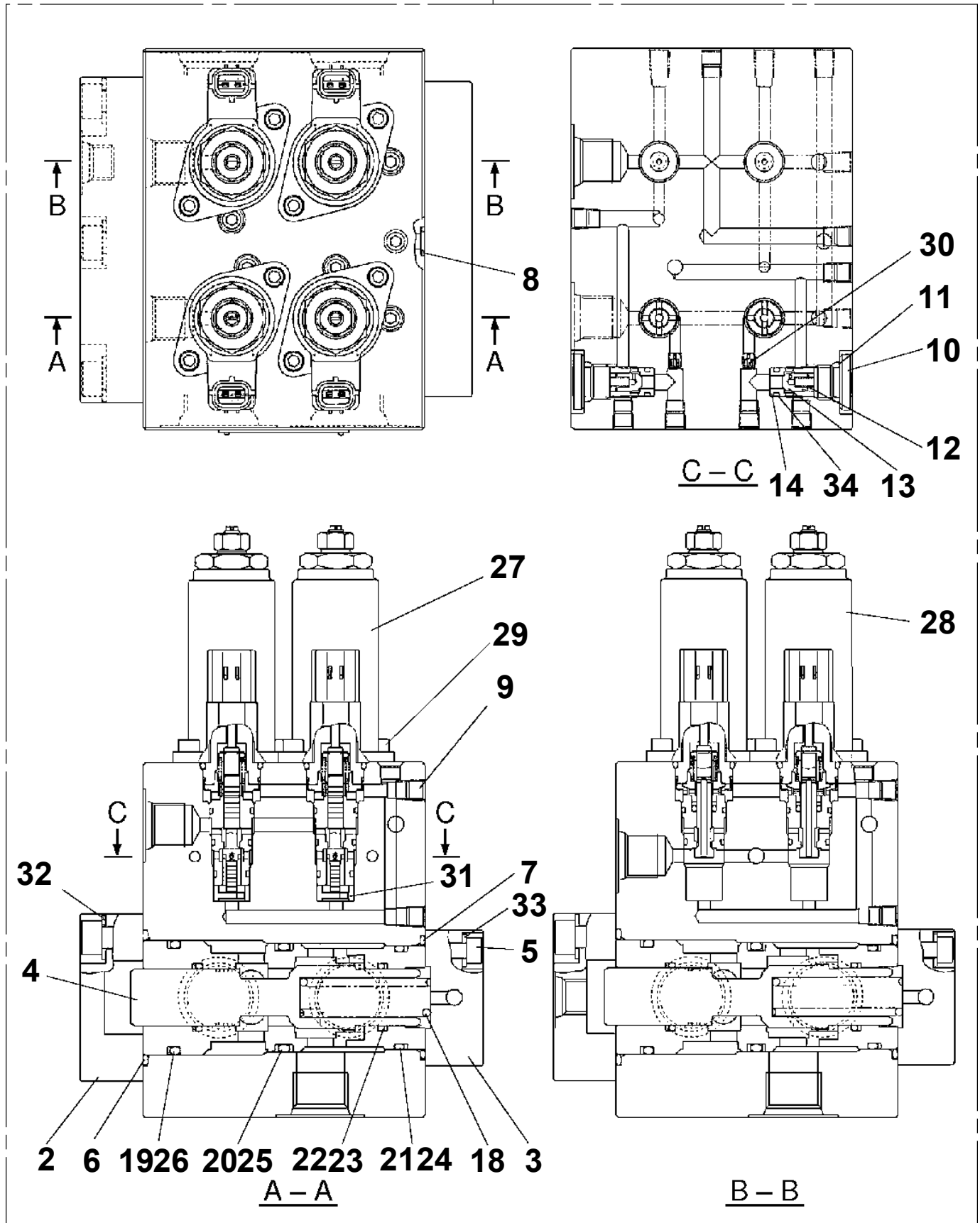
Pos No.	Parts No	Parts Name	Qty	Unit	Technical Data	Serial No (Start)	Serial No (End)	Remarks	Pages
1	36644595080	FILTER	1						
2	34711041300	FILTER	2						
10	36644590000	VALVE,SOLENOID	1						

GR-250N-1-00208 4 BOOM + JIB,X,2M2D
PI1120171-03 VALVE,SOLENOID



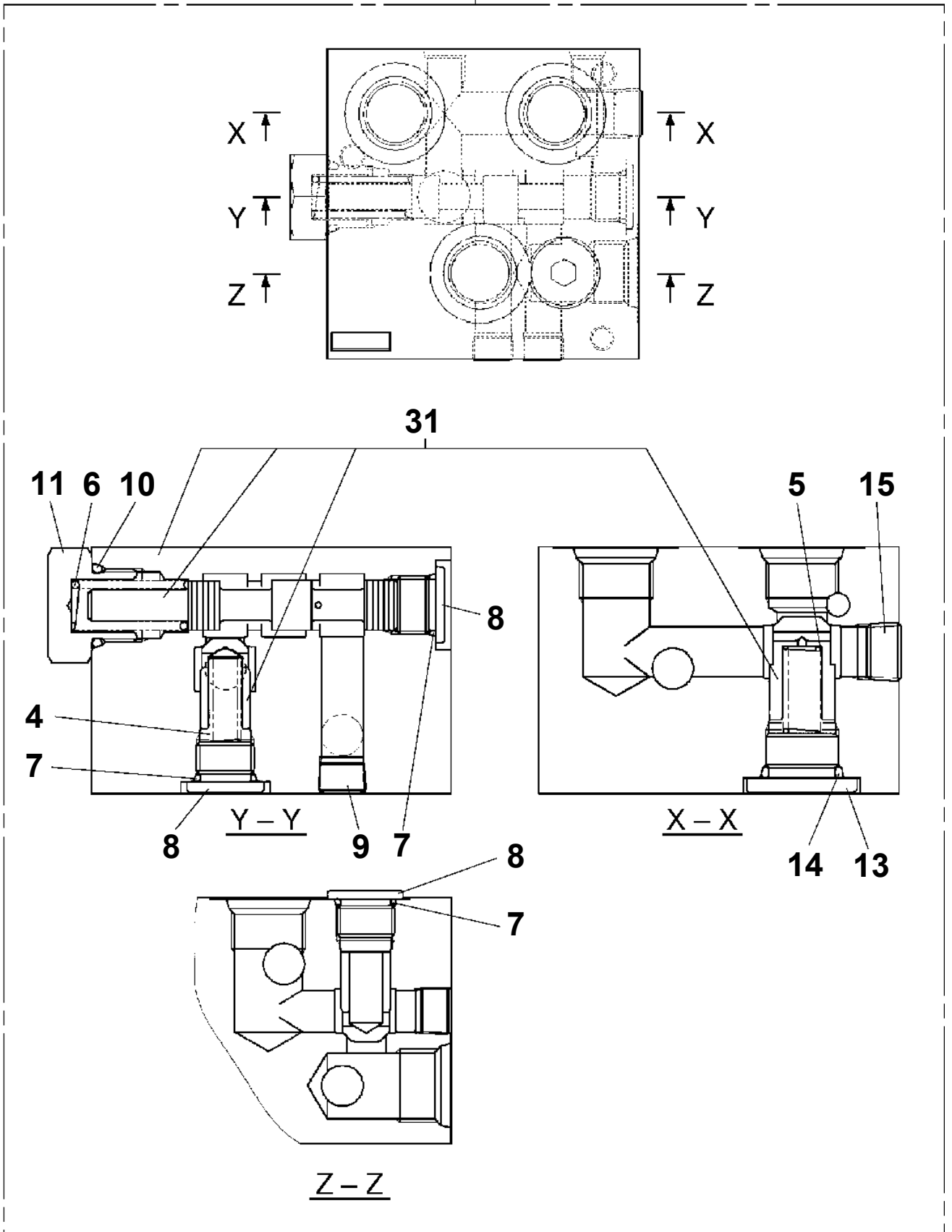
GR-250N-1-00208 4 BOOM + JIB,X,2M2D
PI1120288-00 VALVE,SOLENOID

100

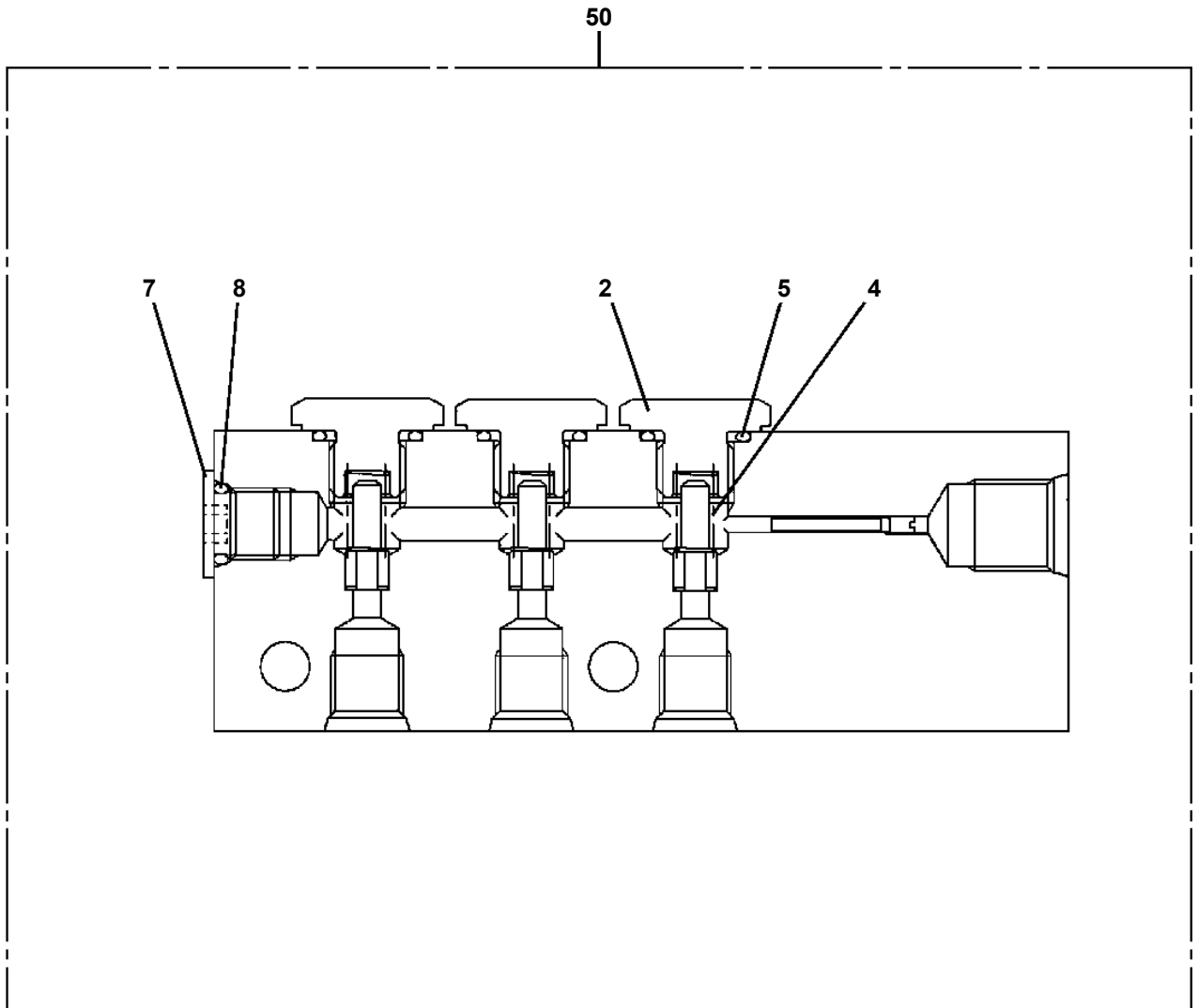


GR-250N-1-00208 4 BOOM + JIB,X,2M2D
PI1130047-00 VALVE,HYDRAULIC

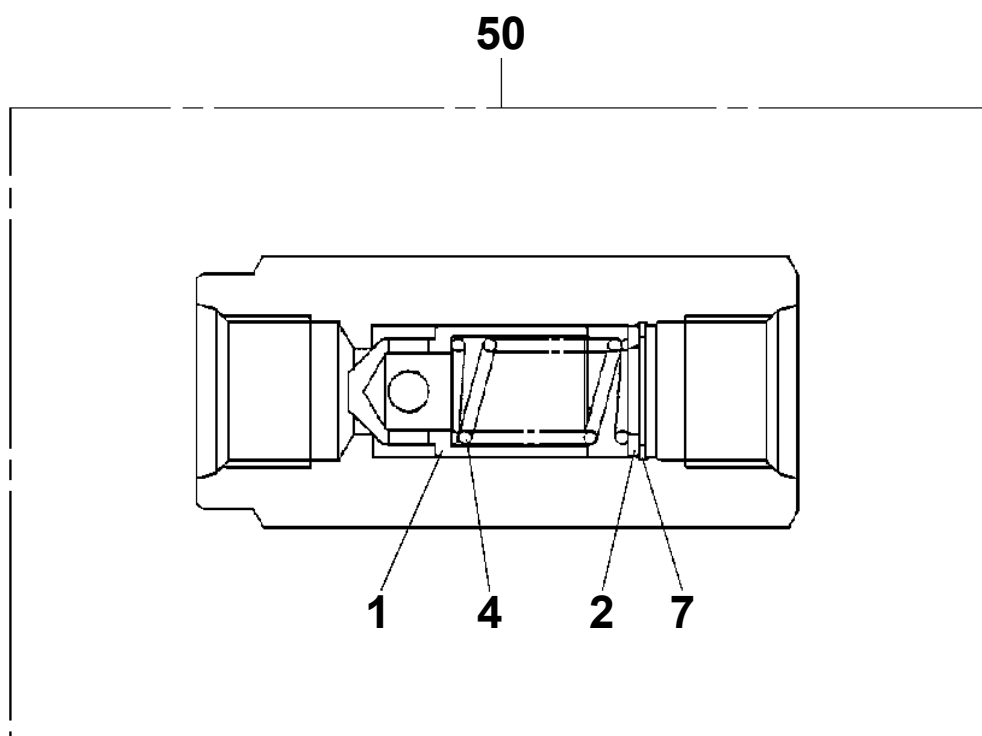
100



GR-250N-1-00208 4 BOOM + JIB,X,2M2D
PI1140161-03 VALVE,CHECK

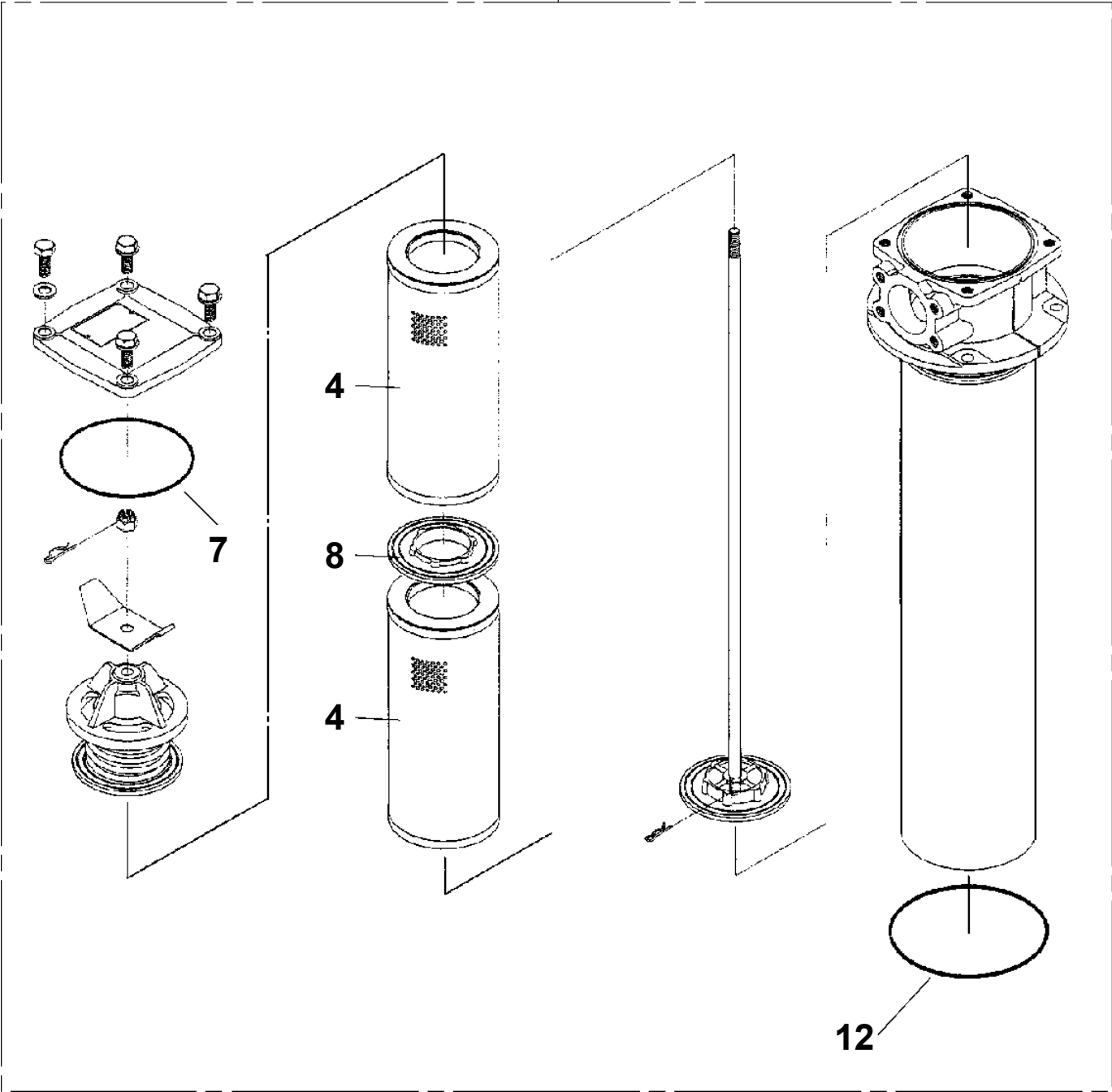


GR-250N-1-00208 4 BOOM + JIB,X,2M2D
PI1140186-00 VALVE,CHECK



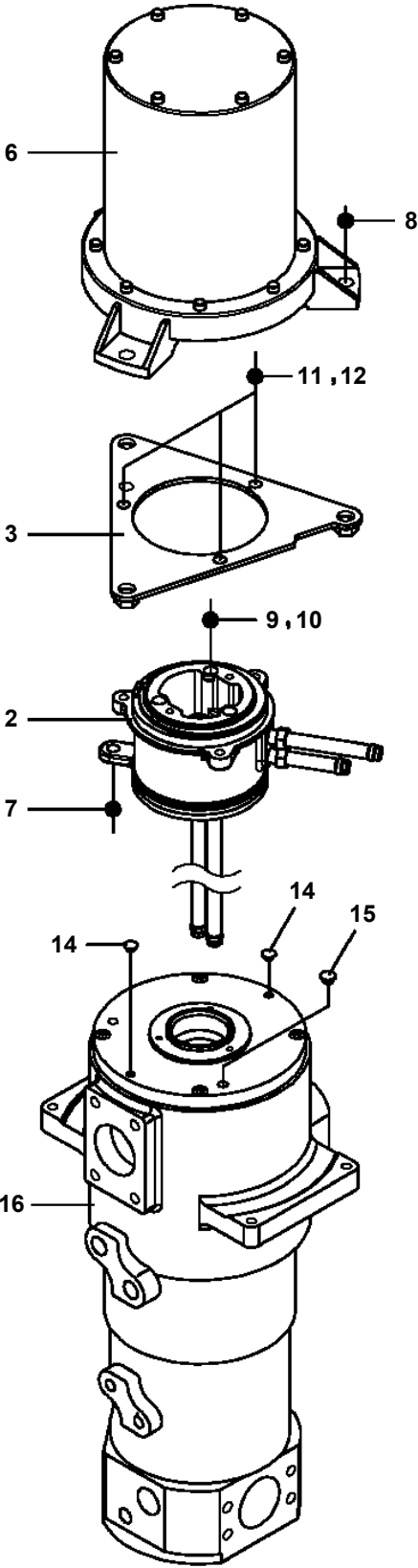
GR-250N-1-00208 4 BOOM + JIB,X,2M2D
PI1300012-03 FILTER,OIL (TANK,OIL)

30

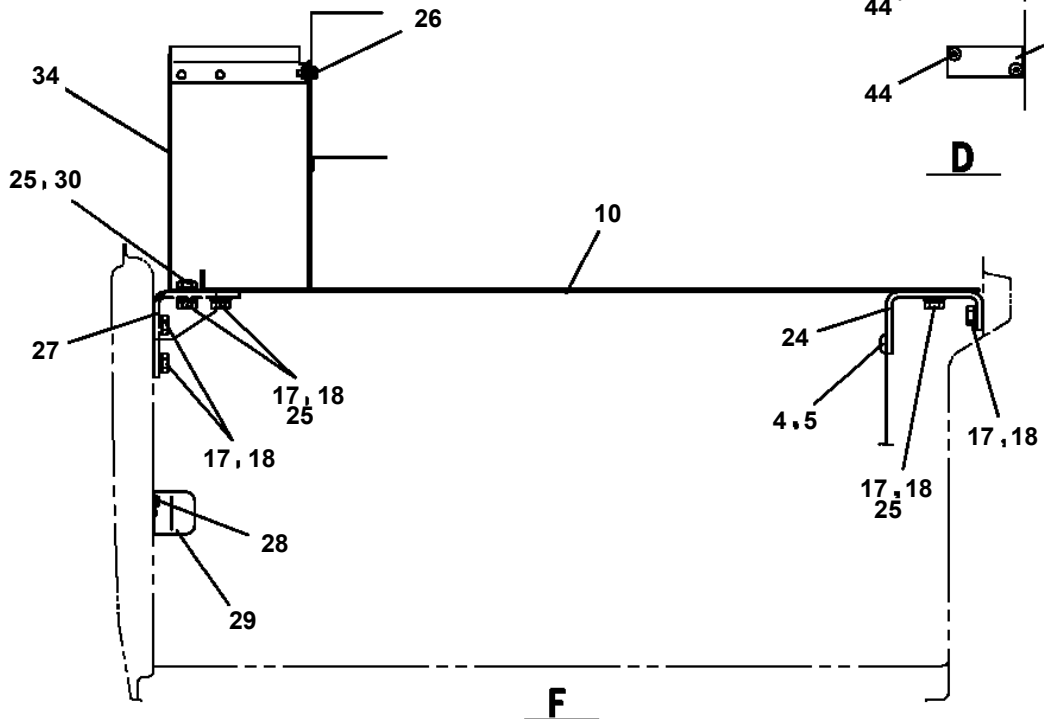
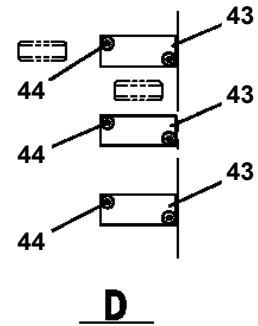
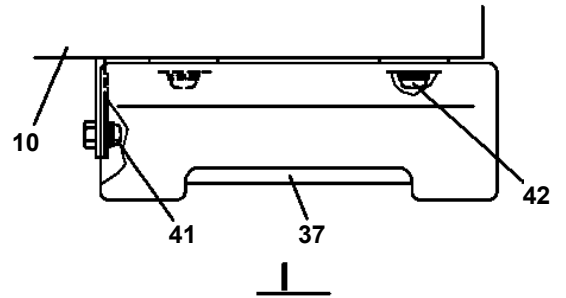
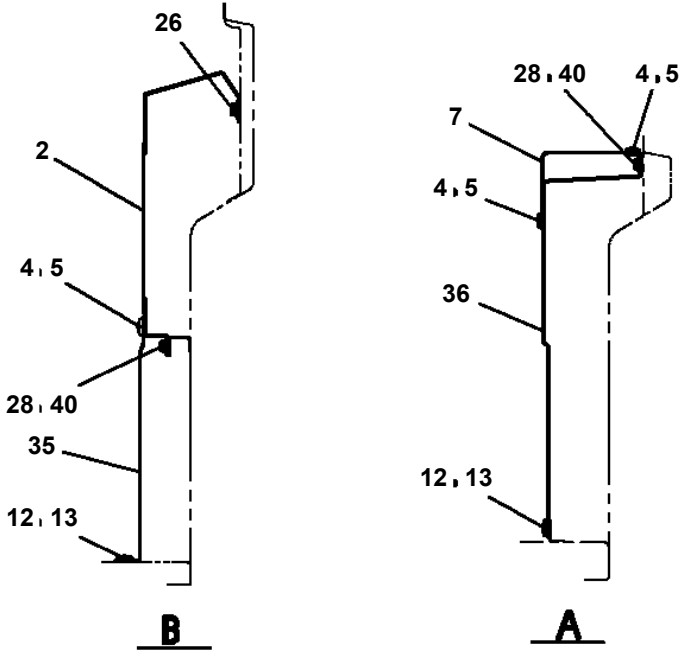
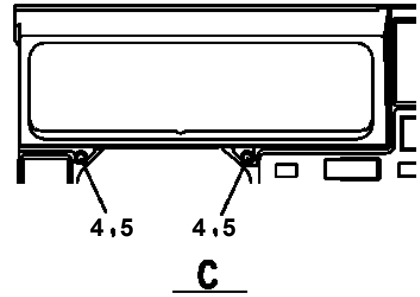
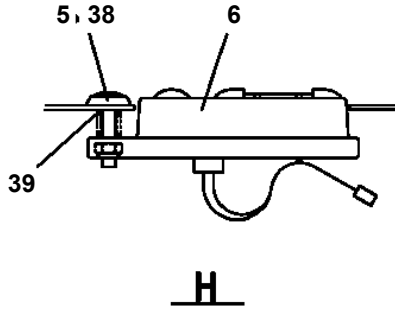


GR-250N-1-00208 4 BOOM + JIB,X,2M2D
PJ5090084-00 JOINT ASSY,SWIVEL

FRONT



GR-250N-1-00208 4 BOOM + JIB,X,2M2D
PK1120245-01 SWING TABLE



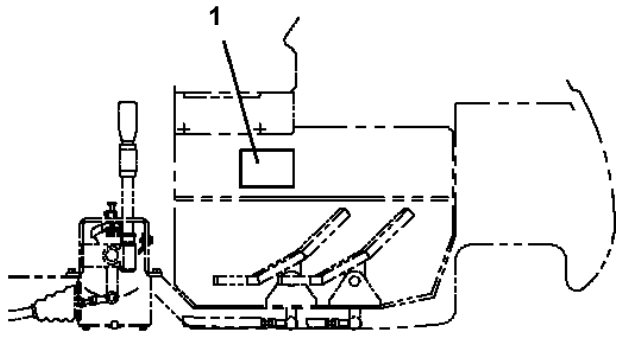
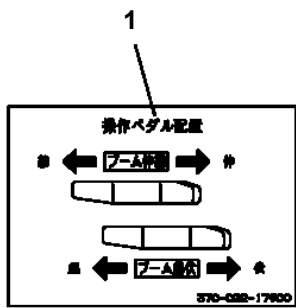
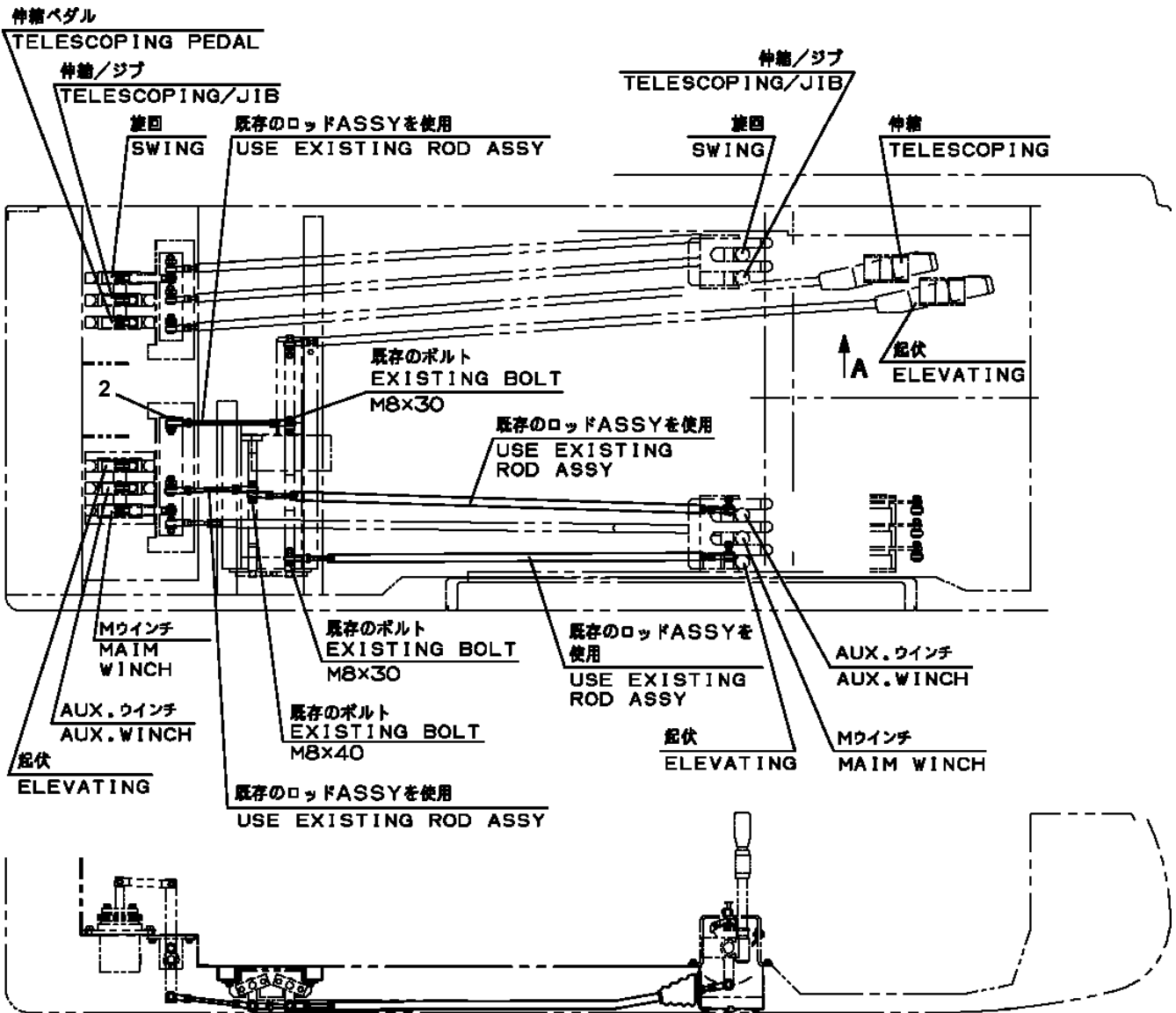
GR-250N-1-00208 4 BOOM + JIB,X,2M2D

Pos No.	Parts No	Parts Name	Qty	Unit	Technical Data	Serial No (Start)	Serial
68	99172106016	BOLT,TAPPING	2		M6X16		
69	99172106012	BOLT,TAPPING	7		M6X12		
73	34260637731	GRIP	1				
74	99183808025	BOLT,HEXAGON SOCKET(WITH W,SW/BLACK)	2				
75	80183806014	SCREW,MACHINE	3		M6X14		
76	90370611516	WASHER,PLAIN	3		6		
77	90240600600	NUT,CAP	3				
78	90180105012	BOLT,BUTTON	2				
81	16612232000	SCREW	1		M6		
110	34260632100	COVER (FRONT)	1				
115	34260692150	COVER (SWITCH PANEL)	1				
116	34261297530	DOOR ASSY	1				
117	34260887520	TRIM ASSY	1				
118	34260313220	CAB,OPERATOR (ARM ASS,WIPER)	1				
119	34260361200	MOTOR,WIPER	1				
120	34260233200	MOTOR,WIPER (WITH/LINK)	1				
121	34260313210	ARM ASSY (WIPER)	1				
122	34260233221	BLADE,WIPER	2				
123	34260581200	REGULATOR,WINDOW	1				
124	34260581210	NOZZLE	1				
125	34261052100	SASH	1				
126	34261052110	GLASS (FRONT)	1		T=6.8		
127	34261052120	GLASS (ROOF T=6)	1				
128	34261052130	GLASS (RIGHT-FRONT)	1		T=4		
129	34261052140	GLASS (DOOR)	1		T=4		
130	34261052150	GLASS (RIGHT-REAR)	1		T=4		
131	34261052160	GLASS (REAR)	1		T=4		
132	34260233260	WEATHER STRIP (L=3900,DOOR)	1				
133	34260581400	WEATHER STRIP (DOOR GLASS LAN L=2800)	1			FB5255	FB52
	34261052300	WEATHER STRIP (DOOR GLASS LAN L=2670)	1				
134	34260632210	WEATHER STRIP (DOOR WATER CUT L=850)	2				
135	34260581420	MOLDING (FRONT T=6.8)	1				
136	34260632220	WEDGE (ROOF T=6)	1				
139	34260952301	JUNCTION (DOOR SIDE)	1				
140	34260952310	JUNCTION (BODY SIDE)	1				
141	34260632260	CUSHION	1				
152	34260581320	REGULATOR,WINDOW	1				
153	34260581330	MOTOR ASSY (REGULATOR)	1				
163	34261057550	FRAME	1				
164	34260639180	RAIL	1				
166	34260697580	RUN CHANNEL	2				
167	34260639200	WATER STRIP	1				
168	34260639210	LOCK ASSY	1				
169	34260639220	PACKING (LOCK)	1				
170	32260228190	STRIKER (FRONT)	1				
171	34260639230	STRIKER (REAR)	1				
172	34260639240	LINING	3				
173	34260639250	STOPPER	3				
176	34260639260	SPACER	5				
177	34260639270	RUBBER (U,SASH GLASS)	2				
178	34260697590	WATER STRIP	1		L=560		
179	34260639290	LOCK ASSY	1				
180	34260639320	PACKING	8				
181	34260639360	STOPPER	1				
191	34260639300	SCREW,TAPPING	4		M4X16		
192	32260015460	SCREW,MACHINE	2		M4X7		
193	32260228230	SCREW,MACHINE	3		M3X6		
194	32260228240	SCREW,MACHINE	2		M3X8		
195	32260015520	SCREW,MACHINE	2		M4X8		
196	34260639310	SCREW,TAPPING	3		M3X8		
197	32260015490	RIVET	2		3X18		
198	34260697570	SCREW,MACHINE	1		M3X16		
199	34260697560	SCREW,MACHINE	2		M3X6		

GR-250N-1-00208 4 BOOM + JIB,X,2M2D

Pos No.	Parts No	Parts Name	Qty	Unit	Technical Data	Serial No (Start)	Serial No (End)	Remarks	Pa
1	90186210020	BOLT,FLANGE	76		M10X20				
2	90303070801	WASHER,PLAIN	8		8				
3	34271201800	PLATE	2						
4	34270420100	PLATE	3						
5	34270860100	PLATE	2						
6	34271020100	SUPPORT	1						
8	34271740100	COVER	1						
9	34271300600	COVER	1						
10	90186208014	BOLT,FLANGE	19		M8X14				
11	34271002200	COVER	1						
12	34271001800	SUPPORT	1						
13	90280201000	NUT,FLANGE	8		M10				
15	34271020500	COVER	1						
16	34271020600	COVER	1						
17	34271300700	COVER	1						
18	34271020800	COVER	1						
19	34271450400	SUPPORT	1						
20	34271021000	SUPPORT	1						
21	37000504970	PLATE	2						
22	34271504100	SUPPORT	1						
23	34271450500	SUPPORT	1						
24	34271450600	SUPPORT	1						
25	34271191500	COVER	1						
26	34271300100	COVER	1						
27	34271300200	COVER	1						
28	34271450100	COVER	1						
29	34271300400	COVER	1						
30	34271021800	COVER	1						
31	37000505950	PLATE	6		T=3.2				
32	34270420300	SUPPORT	1						
36	34271022200	SUPPORT	1						
37	34271450300	SUPPORT	1						
38	90186210030	BOLT,FLANGE	1		M10X30				
45	37000564500	PLATE	1						
47	37000506580	PLATE	2						
48	37000524350	PLATE	1						
49	37000561090	SUPPORT	2						
50	90303071001	WASHER,PLAIN	57		10				
51	34271022500	COVER	1						
52	34271022400	COVER	1						
61	34271020201	COVER	1						
71	34271308010	COVER ASSY	1						
101	34270421900	SUPPORT	1						
102	82400000464	MIRROR	1						
103	90101210020	BOLT	2		M10X20				
104	90302041001	WASHER,SPRING	2		10				
105	34270933300	MIRROR (ASSY ONLY)	1						
143	82466004201	CATCH	1						
145	82464102702	HINGE	2						
157	80172304010	SCREW,MACHINE	4		M4X10				
159	90302040401	WASHER,SPRING	4		4				
160	90201200400	NUT	4		M4				
171	82400000220	GROMMET	1						
172	82400000216	GROMMET	1		C30NG79-H				
173	82400000202	GROMMET	1						
182	34271029510	COVER ASSY	1						

GR-250N-1-00208 4 BOOM + JIB,X,2M2D
 PL1010931-01 OPE.ASSY,CONT.VALVE (ISO)



A

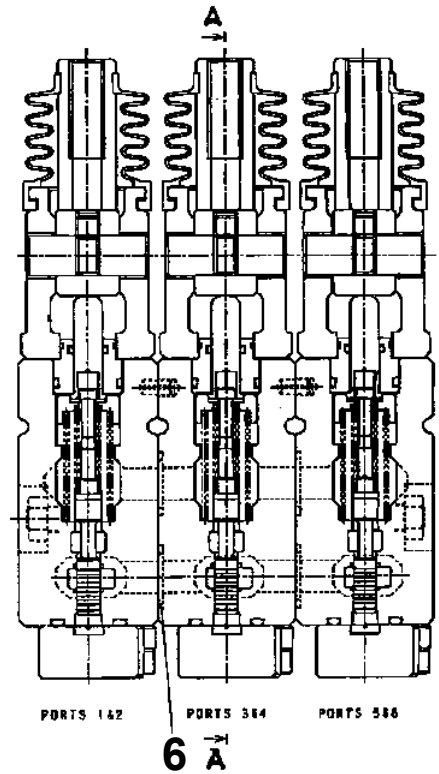
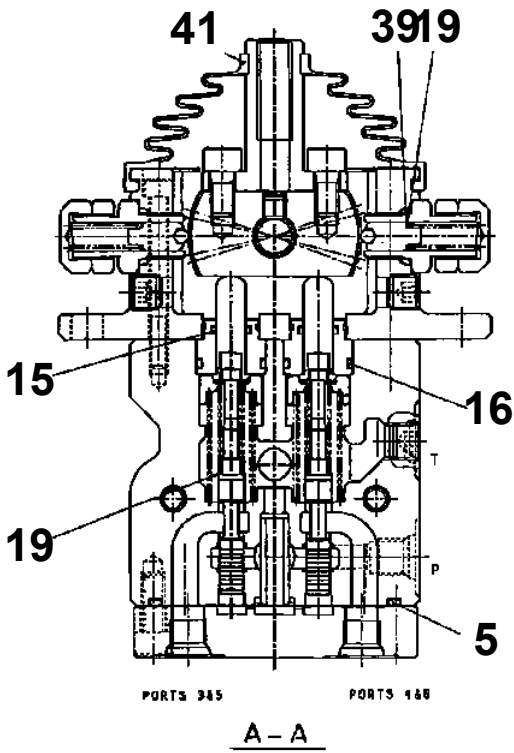
CLICK HERE TO **DOWNLOAD** THE COMPLETE MANUAL

- Thank you very much for reading the preview of the manual.
- You can download the complete manual from: www.heydownloads.com by clicking the link below

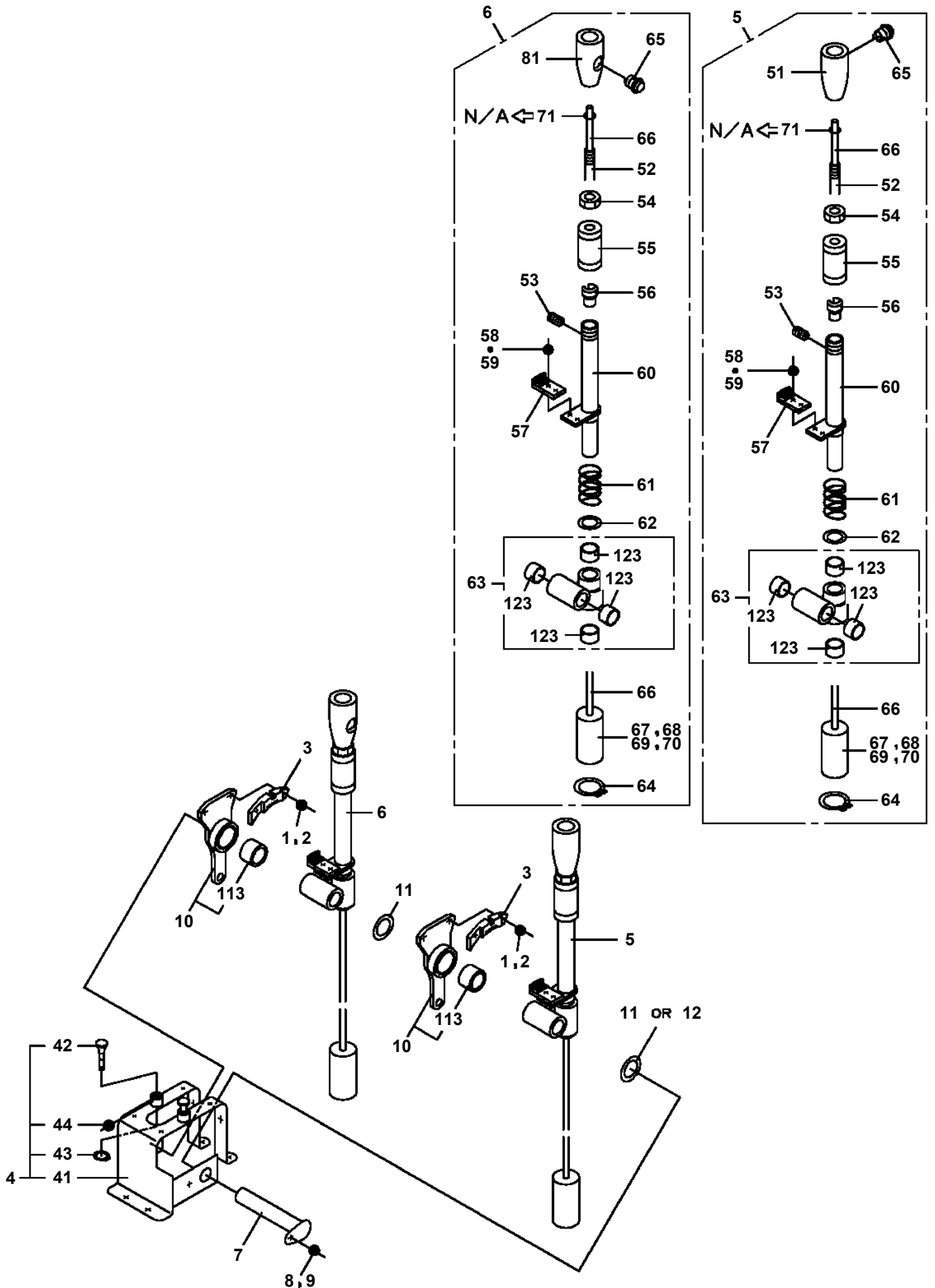


- Please note: If there is no response to CLICKING the link, please download this PDF first and then click on it.

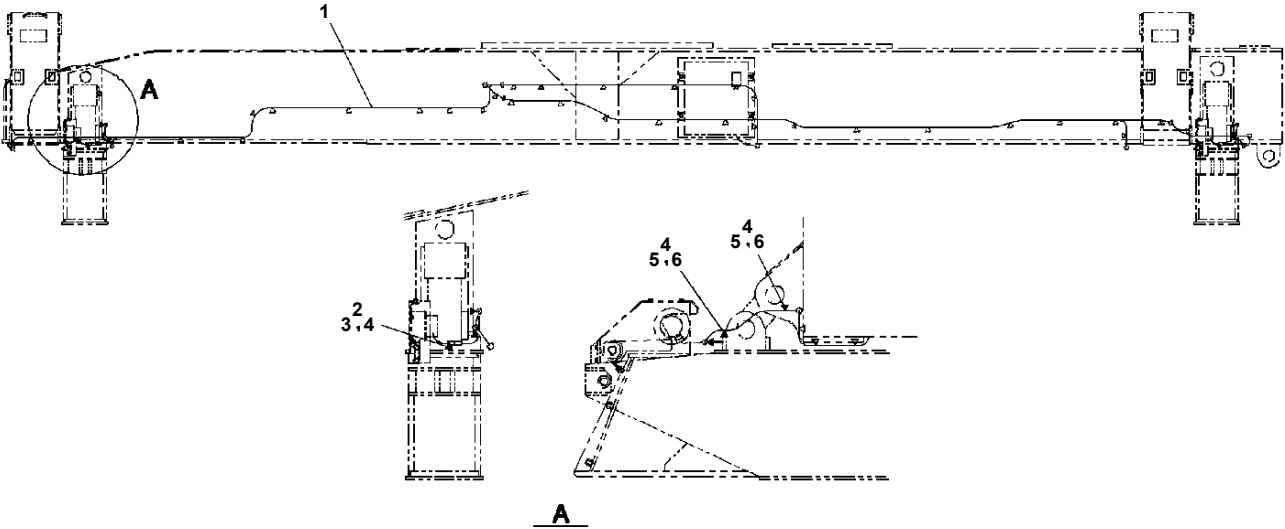
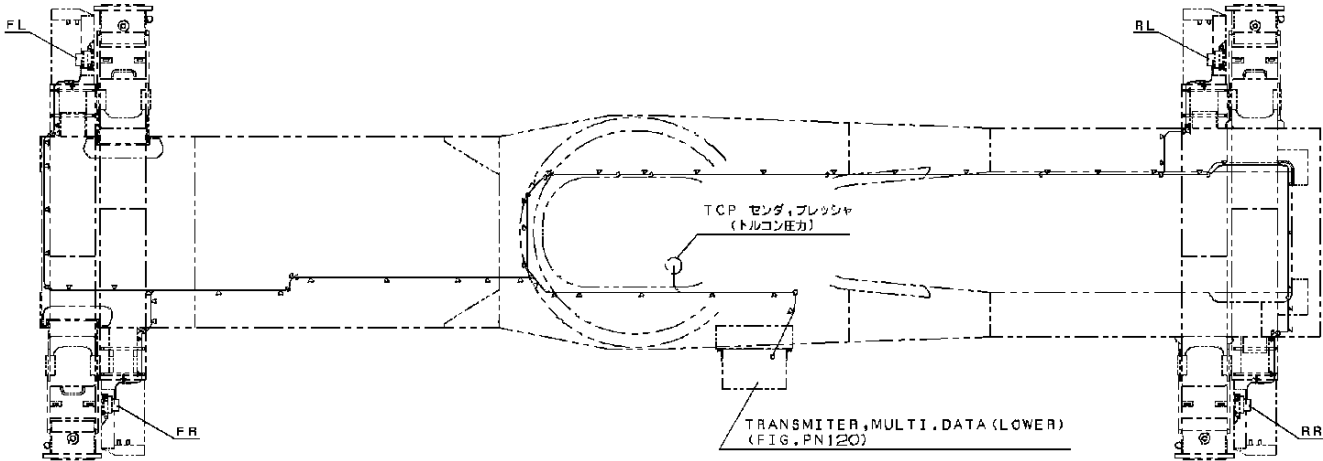
CLICK HERE TO **DOWNLOAD** THE COMPLETE MANUAL



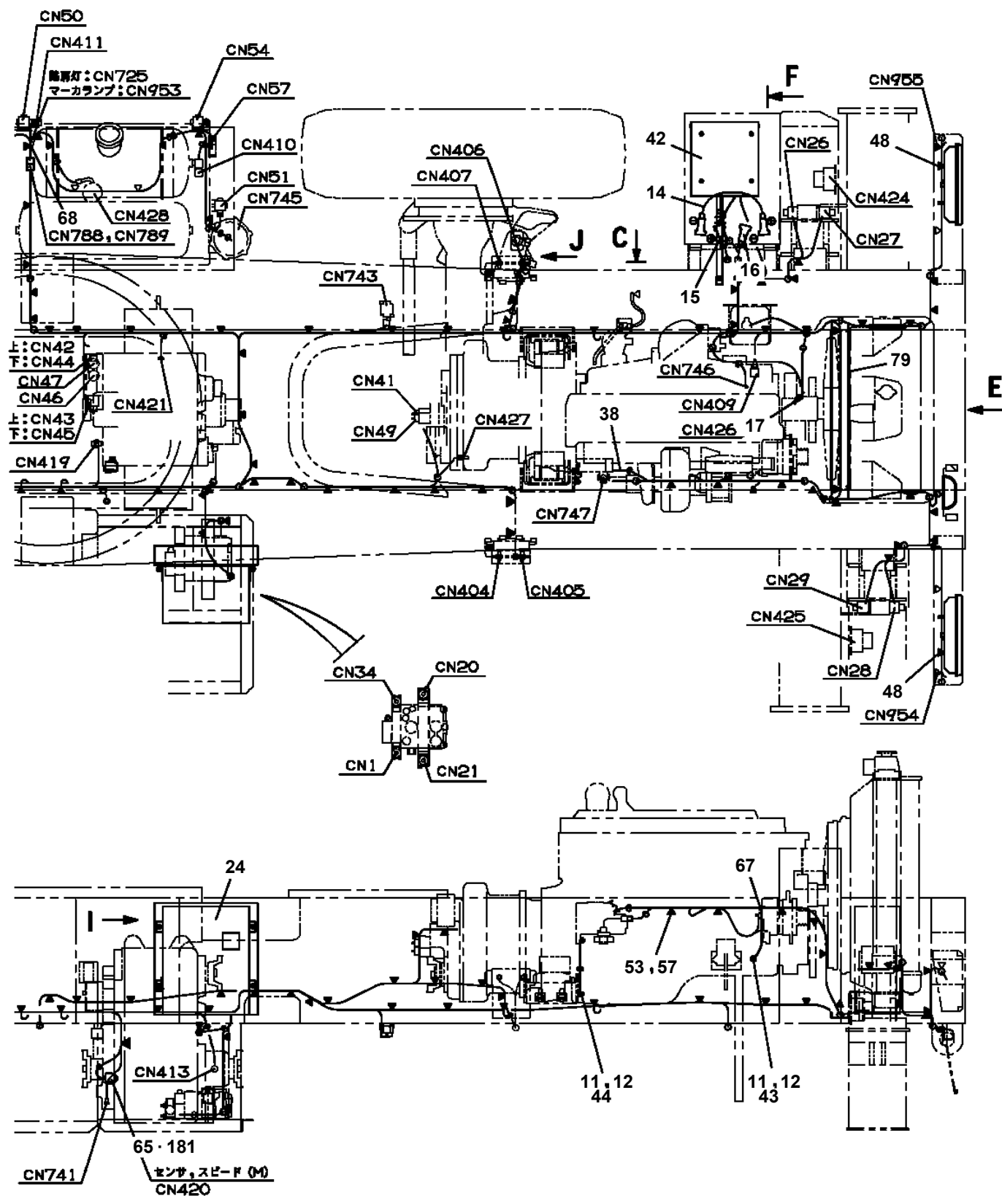
**GR-250N-1-00208 4 BOOM + JIB,X,2M2D
PL5190002-01 LEVER ASSY (2-LEVER)**



GR-250N-1-00208 4 BOOM + JIB,X,2M2D
PN1013085-00 ELEC.ASSY (OUTRIGGER)



GR-250N-1-00208 4 BOOM + JIB,X,2M2D
 PN1014543-02 ELEC.ASSY (LOWER)



REAR SIDE

GR-250N-1-00208 4 BOOM + JIB,X,2M2D

Pos No.	Parts No	Parts Name	Qty	Unit	Technical Data	Serial No (Start)	Serial No (End)
1	34352061110	SWITCH,ROCKER (ASSY ONLY)	1				
2	34351961130	SWITCH,ROCKER (ASSY ONLY)	1				
3	34351961140	SWITCH,ROCKER	1				
4	34351961170	SWITCH,ROCKER	1				
5	34351961180	SWITCH,PUSH	1				
6	34351961150	SWITCH,ROCKER	1				
7	34351961160	SWITCH (HAZARD)	1				
8	34352061170	PLATE,NAME (CLUTCH ON)	1				
9	34351901100	LAMP,PILOT	1				
10	34352061140	SWITCH ASSY	2				
11	34351841100	SWITCH ASSY	1				
12	34352061130	SWITCH,ROCKER	1				
13	34351961190	SWITCH,ROCKER	1				
14	34351961200	SWITCH,ROCKER	1				
16	90303070401	WASHER,PLAIN	6		4		
17	80192484012	SCREW,MACHINE (WITH WASHER)	2		M4X12		
18	34351961210	SUPPORT	1				
19	90925040101	SCREW,TAPPING	4		M4X10		
20	82100002267	CONNECTOR	1				
21	82100002263	CONNECTOR	1				
22	90982040160	SCREW,TAPPING	5				
23	34352061180	SUPPORT	1				
45	34351967530	BULB,LAMP	5		28V 1.12W		
54	34351967520	BULB,LAMP	2		28V 0.67W		
68	34351967540	LAMP (SOCKET)	1		28V/1.8W		
71	34351907510	CASE	1				
74	34351907520	LAMP	3		24V 3W		
81	82105210202	SWITCH,TOGGLE	2				
91	82106302001	SWITCH,ROTARY	1				

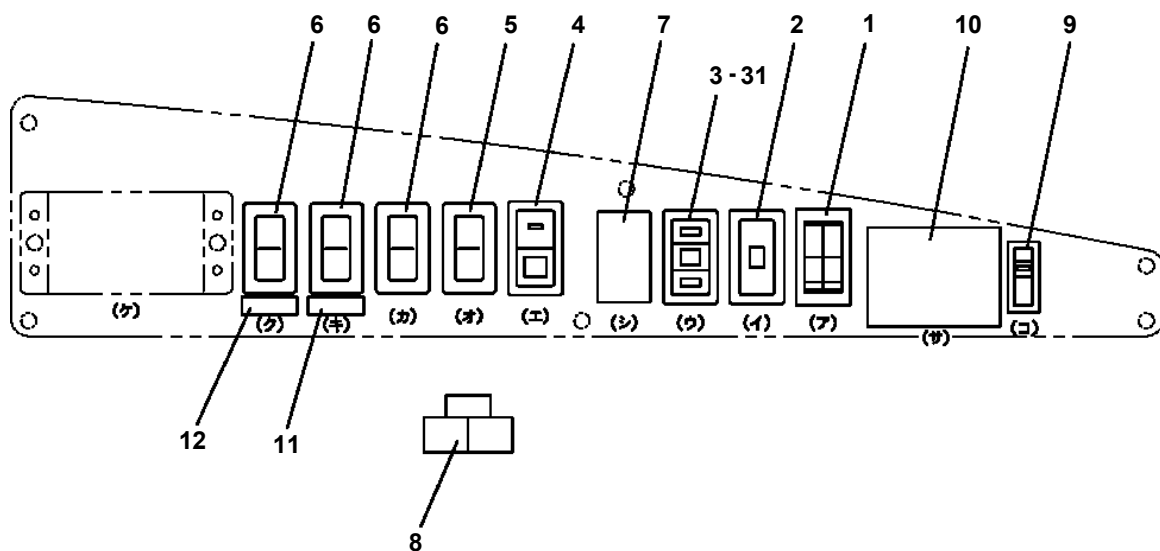
GR-250N-1-00208 4 BOOM + JIB,X,2M2D

Pos No.	Parts No	Parts Name	Qty	Unit	Technical Data	Serial No (Start)	Serial No (End)	Remarks	Pages
1	34930977510	LENS	1						
100	34930974100	LAMP (CASE,L)	1						

GR-250N-1-00208 4 BOOM + JIB,X,2M2D

Pos No.	Parts No	Parts Name	Qty	Unit	Technical Data	Serial No (Start)	Serial No (End)	Remarks
1	34930661110	SUPPORT	1					
2	82100002596	RELAY	2					
3	80192486012	SCREW,MACHINE	6		M6X12			
4	90302040601	WASHER,SPRING	2		6			
5	90303070601	WASHER,PLAIN	2		6			
6	80182306012	SCREW,MACHINE	2		M6X12			
7	34930346200	BOX ASSY (FUSE)	1					
8	34930661200	BOX ASSY (FUSE)	1					
9	80192486016	SCREW,MACHINE	2		M6X16			
10	34930661130	BOX ASSY (FUSE)	1					
11	34930400200	RELAY (FOR HEAD LAMP)	1					
15	82100001989	TERMINAL	1					
16	80192483016	SCREW,MACHINE	2		M3X16			
19	34350032400	PLATE	1					
20	82100001404	TERMINAL	4					
21	82100001220	INSULATOR	4					
23	82100001200	DIODE	2					
24	82400000202	GROMMET	1	M				
28	82111207051	TERMINAL (MAIL)	4					
29	82114214061	CONNECTOR (CAP)	1					
41	34351562510	BOX,FUSE	2					
43	82100001837	FUSE	21		5A			
54	82100001839	FUSE	8		10A.RED			
55	82100001840	FUSE	7		15A,BLUE			
61	34430255710	BOX,FUSE	1					
100	34930891100	RELAY ASSY	1					

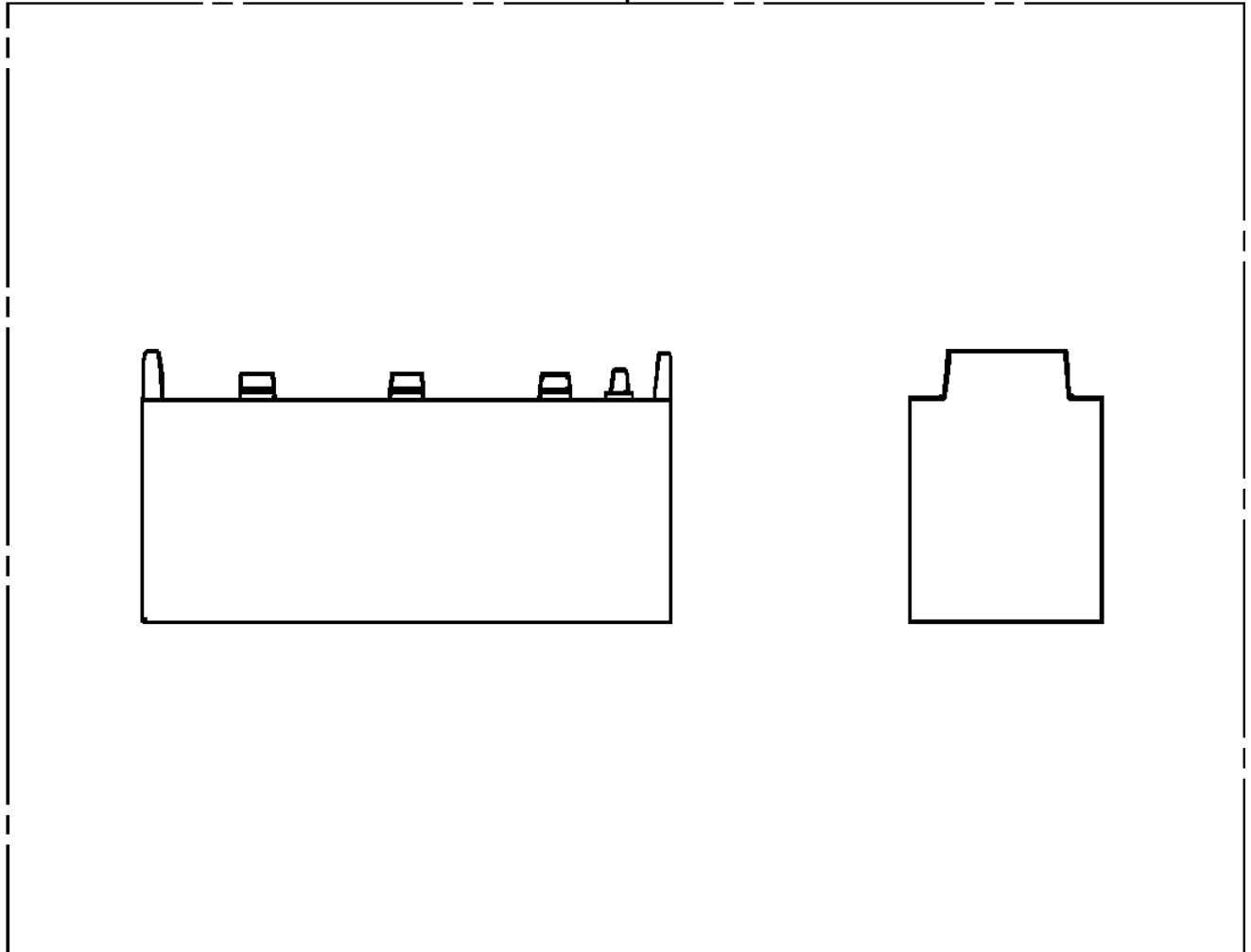
GR-250N-1-00208 4 BOOM + JIB,X,2M2D
 PN1140133-00 SWITCH ASSY



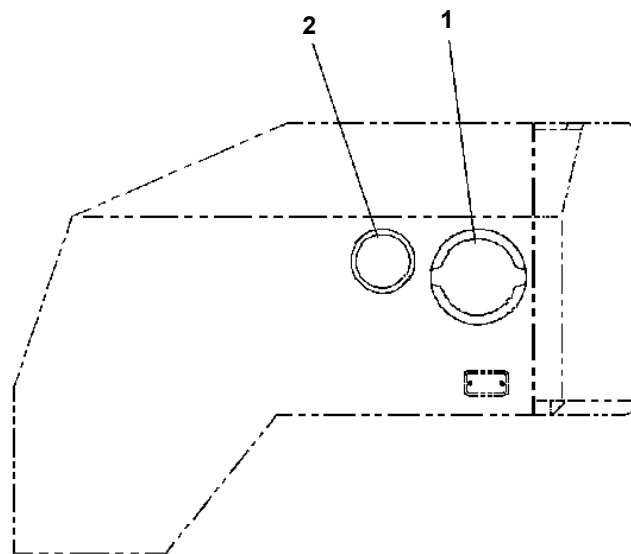
符号	名 称
ア	電動格納ミラー
イ	ルーフウォッシャー
ウ	ルーフワイパ
エ	旋回フリー/ロック
オ	ドラムインジケータ (M/S切換)
カ	低騒音作業
キ	黄色回転灯 (キャブ後部)
ク	航空標識灯 (キャブ後部, ブーム)
ケ	カメラ切換器
コ	ブームミラーヒータ
サ	電動ブームミラー (オプション)
シ	キャブ

GR-250N-1-00208 4 BOOM + JIB,X,2M2D
PN1370123-00 BATTERY (YUASA,145F51)

1

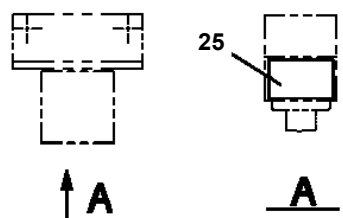
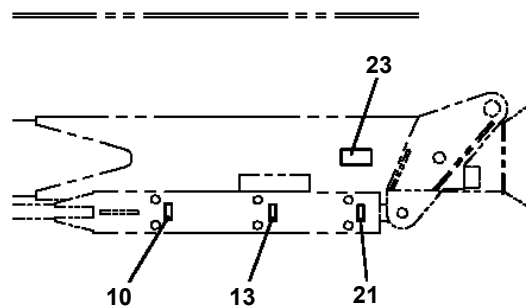
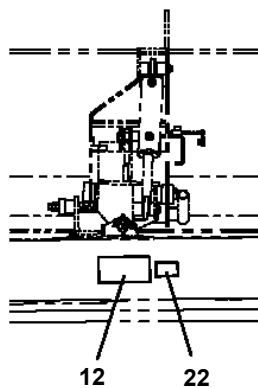
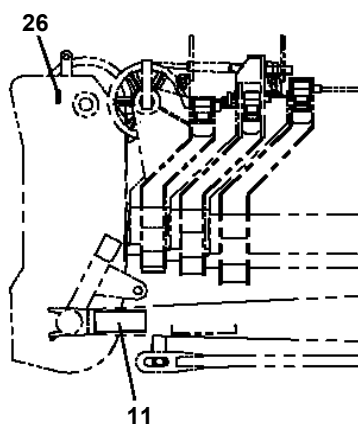
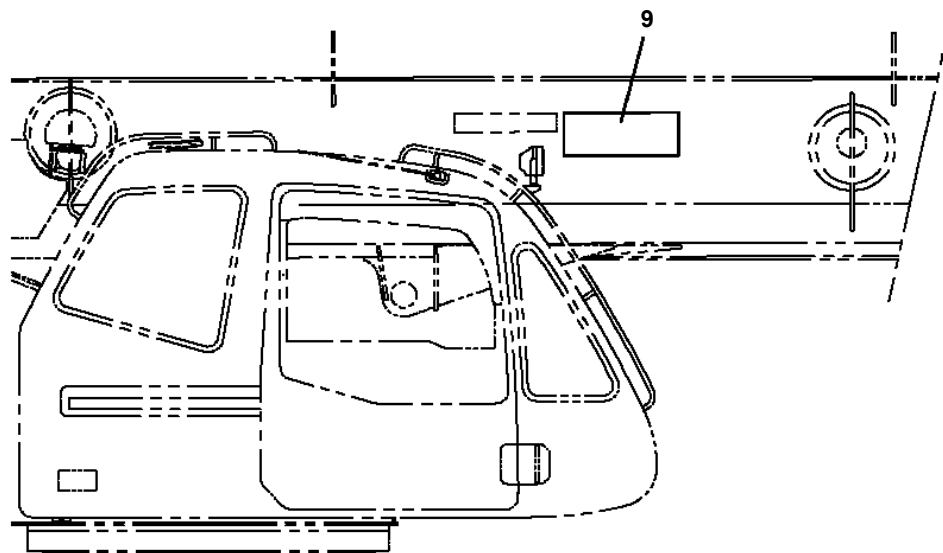


GR-250N-1-00208 4 BOOM + JIB,X,2M2D
PO1013423-01 PLATE ASSY,NAME (LOW NOISE,EXHAUST GAS)

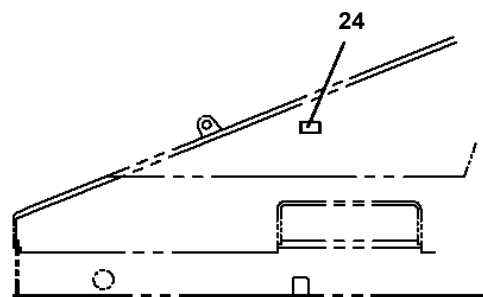


COVER, SWING FRAME (LEFT)

GR-250N-1-00208 4 BOOM + JIB,X,2M2D
 PO1014771-00 PLATE ASSY,NAME (UPPER,2)

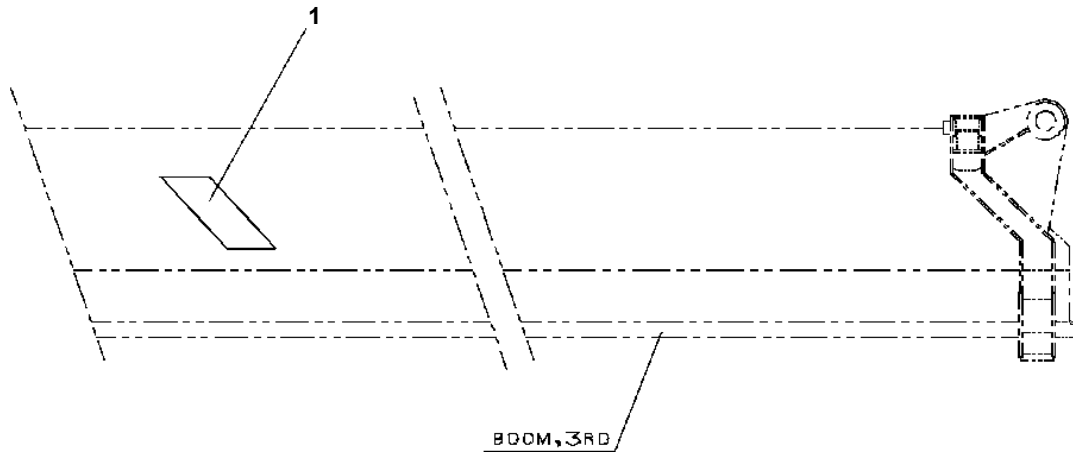


ウインチスィベルジョイント部
 (MAIN, AUX.)

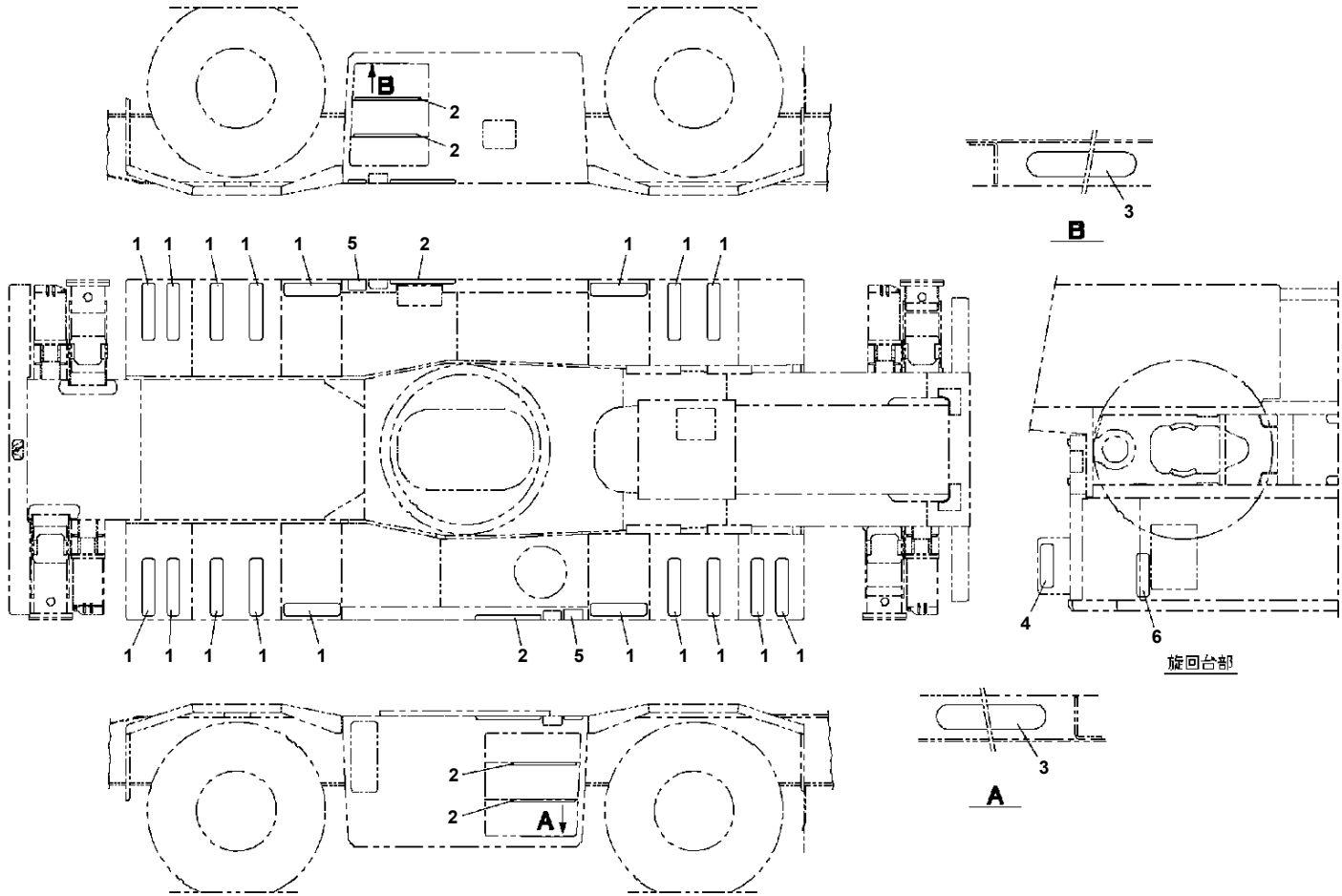


旋回合左外側面

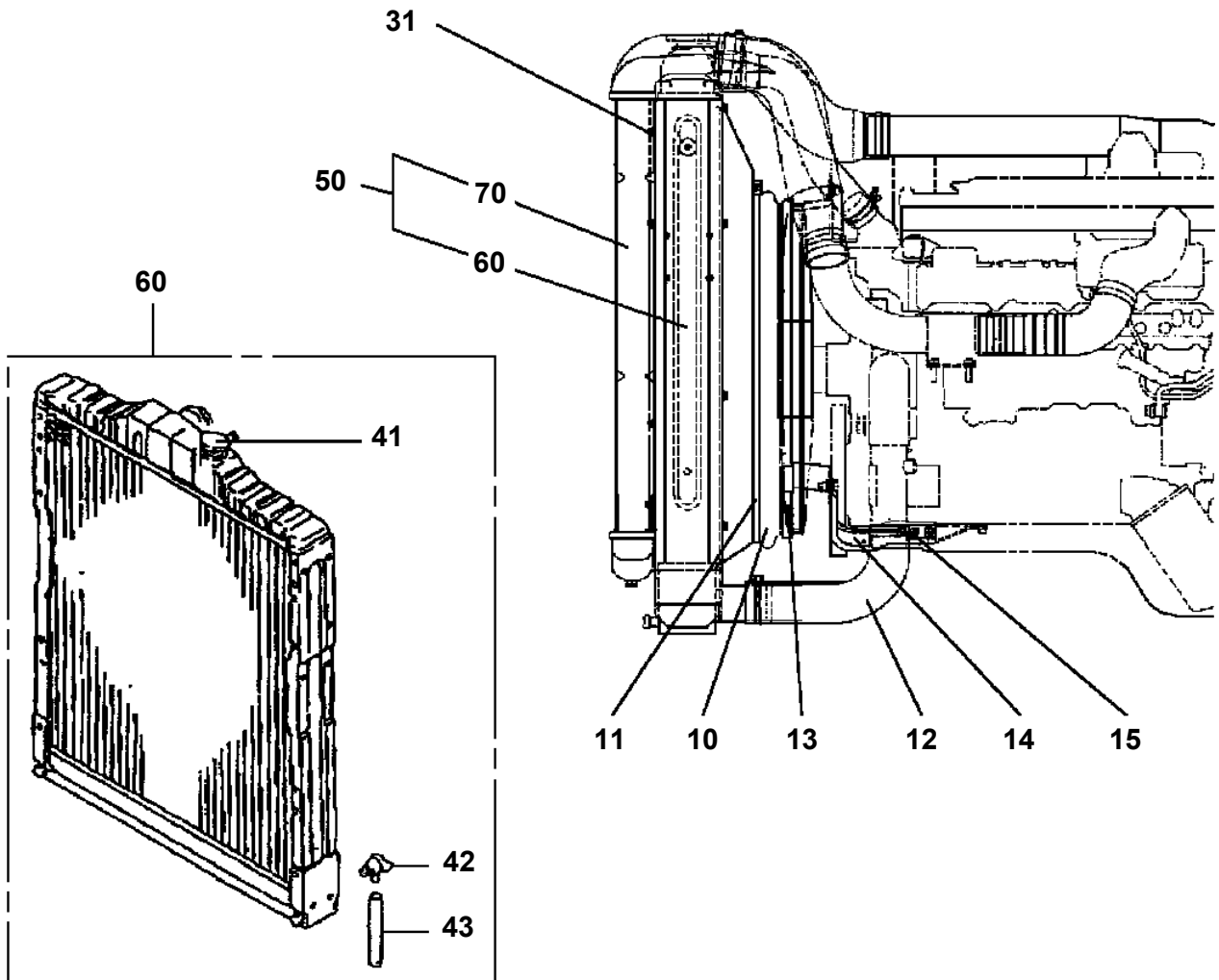
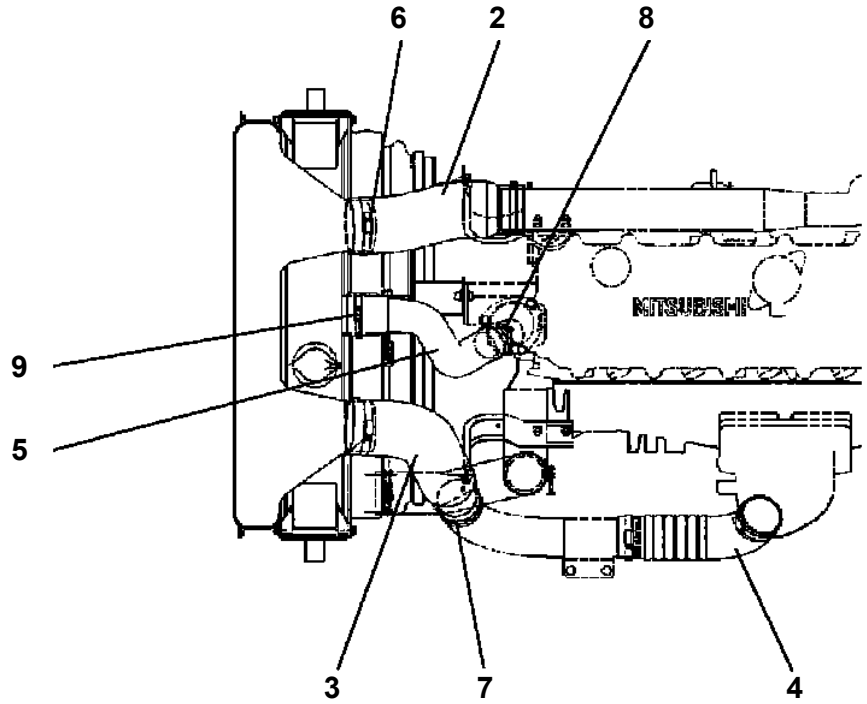
GR-250N-1-00208 4 BOOM + JIB,X,2M2D
PO1050087-00 MARKING (BOOM)



GR-250N-1-00208 4 BOOM + JIB,X,2M2D
PO1090007-00 NON-SLIP PLATE



GR-250N-1-00208 4 BOOM + JIB,X,2M2D
PQ1020075-03 RADIATOR (WITH INTER COOLER)



GR-250N-1-00208 4 BOOM + JIB,X,2M2D

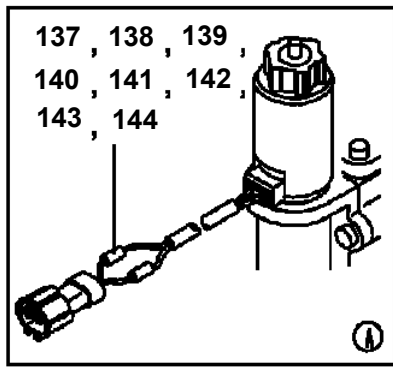
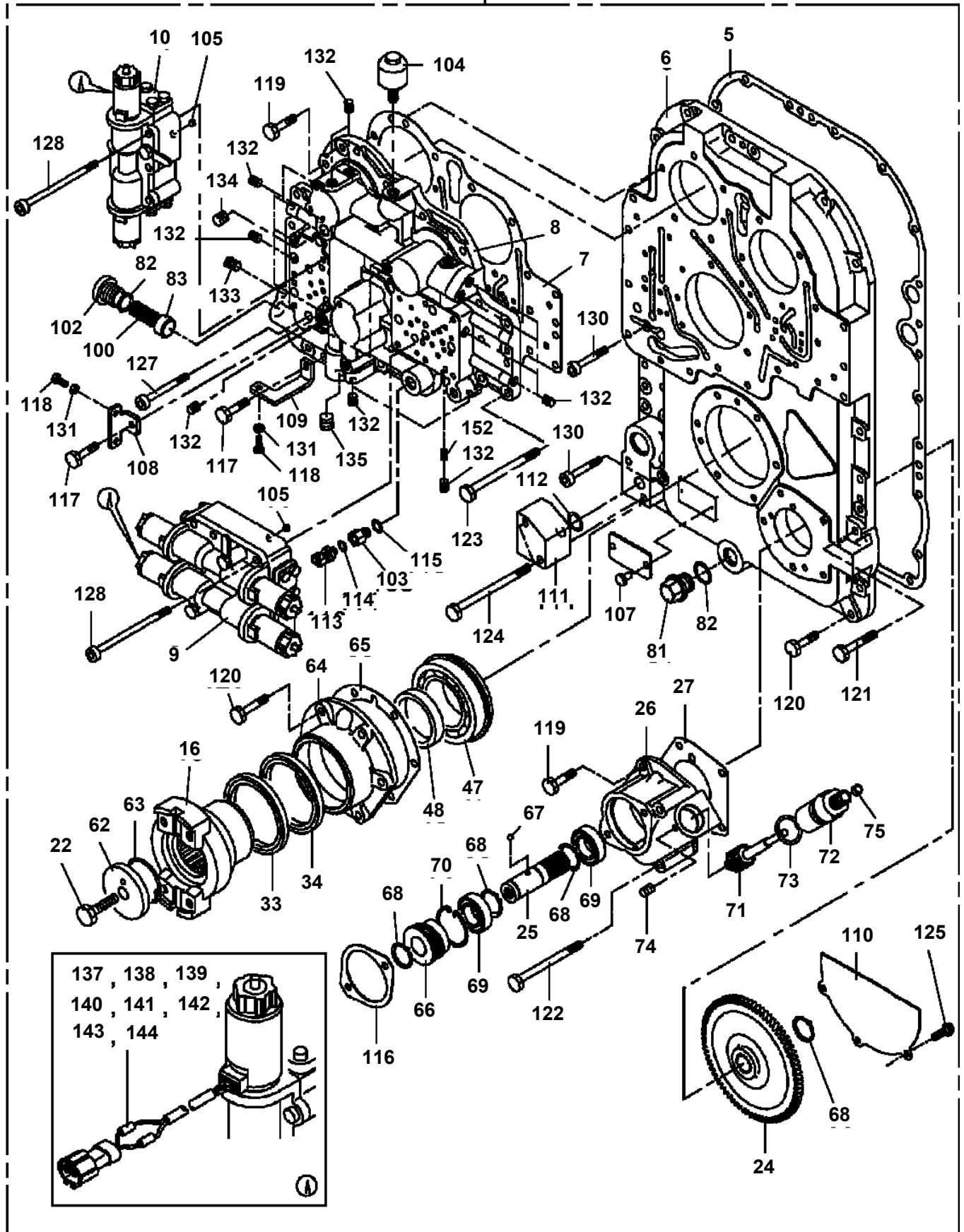
Pos No.	Parts No	Parts Name	Qty	Unit	Technical Data	Serial No (Start)	Serial
1	34781740100	PIPE	1				
2	34781520201	PIPE	1				
3	90186210020	BOLT,FLANGE	4		M10X20		
4	37000505950	PLATE	4		T=3.2		
5	90186210014	BOLT,FLANGE	4		M10X14		
6	91803601650	CLIP	1		D=135-165		
7	37002511300	HOSE	1		L=140		
8	91803601400	CLIP	1		D=110-140		
10	90280201000	NUT,FLANGE	2		M10		
21	36361151010	CLEANER,AIR	1				
22	36361151020	CAP (AIR CLEANER)	1				
23	36361193020	HOSE	1				
24	36360803060	CLIP (INTERCOOLER HOSE/D=MIN77,MAX99)	2				
25	36360803050	CLIP (INTERCOOLER HOSE/D=MIN87,MAX116)	2				
26	36361193030	HOSE	1				
27	36360351140	CLAMP	2				
28	36360011040	HOSE	1				
29	36361113040	HOSE	1				
41	90155210030	BOLT,WELD	2		M10X30		
51	36361155010	ELEMENT	1				
61	36361155020	CLAMP	1				

GR-250N-1-00208 4 BOOM + JIB,X,2M2D

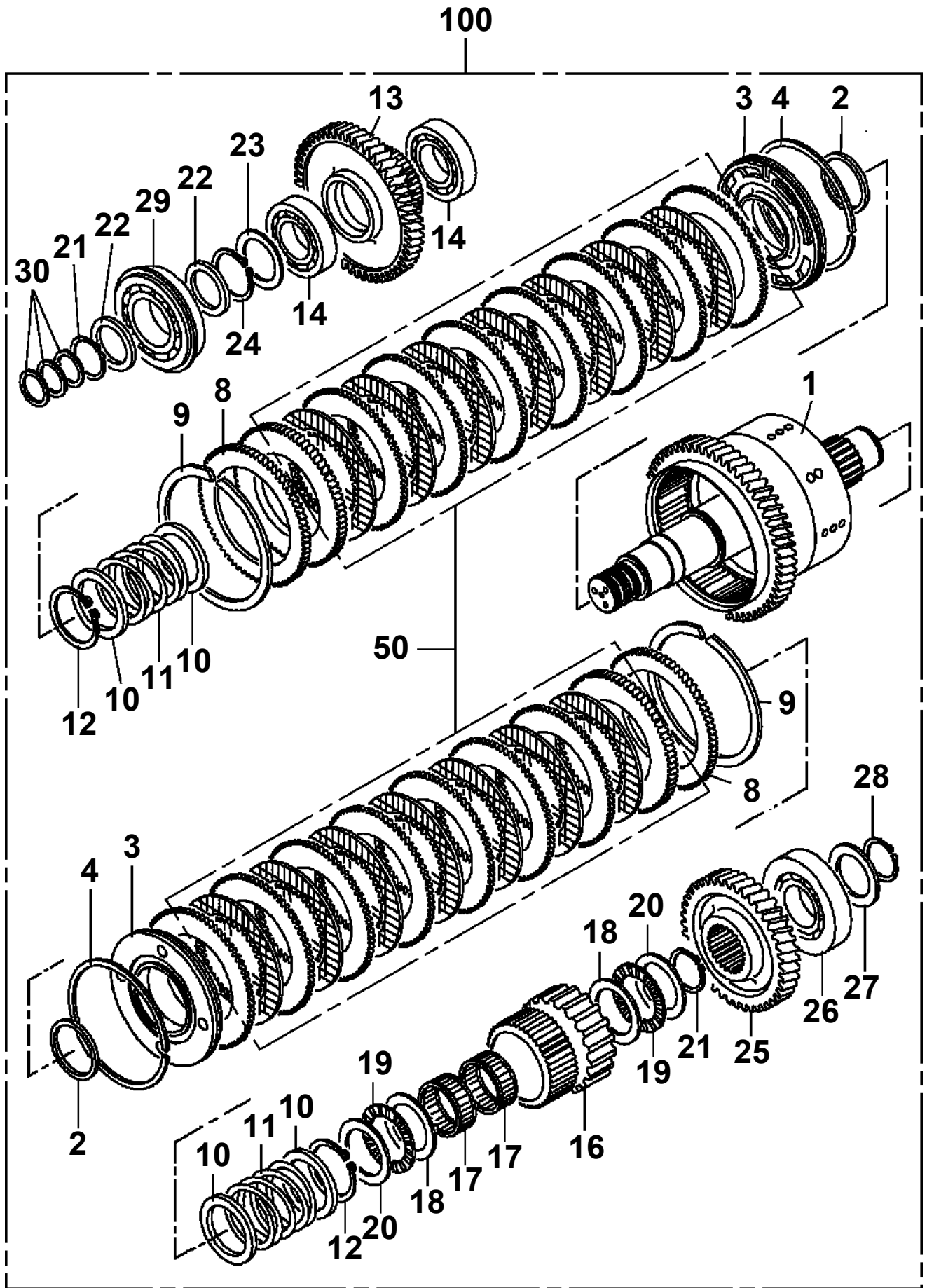
Pos No.	Parts No	Parts Name	Qty	Unit	Technical Data	Serial No (Start)	Serial No (End)
1	36302675000	PROPELLER SHAFT,DRIVING	1				
2	36302685000	PROPELLER SHAFT,DRIVING	1				
3	36302705000	PROPELLER SHAFT,DRIVING	1				
	36302703000	PROPELLER SHAFT, DRIVING	1				
4	36302695000	PROPELLER SHAFT,DRIVING	1				
6	34781540100	SUPPORT	2				
8	37001503660	BOLT	4		M24X85		
9	34260770400	CUSHION (ASAHI GOMU)	8				
	34260230900	CUSHION (KURASHIKIKAKO)	8				
10	34780432500	CUSHION (KURASHIKIKAKO)	8				
	34260770200	CUSHION (ASAHI GOMU)	8				
11	90236252408	NUT,CASTLE	8		M24		
12	80136350045	PIN,SPLIT	8		5X45		
13	90303132401	WASHER,PLAIN	8		24		
15	90302041001	WASHER,SPRING	16		10		
16	34781541100	SUPPORT (IP)	1				
	34781180100	SUPPORT (R)	1				
17	34780650201	SUPPORT	2				
18	34781180200	SUPPORT (L)	1				
	34781542100	SUPPORT (IP)	1				
19	90103514030	BOLT	4		M14X30		
20	90309341401	WASHER,SPRING	4				
22	34781180300	SUPPORT	2				
	34781543100	SUPPORT (IP)	2				
23	34781544100	SUPPORT (L,IP)	1				
	34781180400	SUPPORT (L)	1				
24	34780900800	GUARD	2				
25	90101516045	BOLT	8		M16X45		
26	90302041601	WASHER,SPRING	8		16		
27	34781180500	SUPPORT (R)	1				
	34781545100	SUPPORT (R,IP)	1				
28	90280201000	NUT,FLANGE	6		M10		
29	34780431300	GUARD	1				
30	34781500200	SUPPORT	2				
	34781540300	SUPPORT (IP)	2				
31	90191512035	BOLT	8		M12X35		
32	90302041201	WASHER,SPRING	16		12		
34	90101512040	BOLT	8		M12X40		
35	90201201200	NUT	8		M12		
36	34780650500	SUPPORT	2				
37	90209201400	NUT	4		M14		
38	90302041401	WASHER,SPRING	4		14		
39	90303151401	WASHER,PLAIN	4		14		
40	37001503570	BOLT	4		M24X90		
41	90303071001	WASHER,PLAIN	16		10		
42	90101510022	BOLT	16		M10X22		
43	36700300001	RETARDER	1				
44	90155210030	BOLT,WELD	6		M10X30		
121	36360011080	NUT	16				
122	36360011090	WASHER,SPRING	16				
123	36360491050	CUSHION	2				
124	36360591010	BOLT (FRONT CUSHION)	4				
125	36360591020	WASHER,PLAIN (FRONT CUSHION)	4				

GR-250N-1-00208 4 BOOM + JIB,X,2M2D
 PR1400064-00 TRANSMISSION

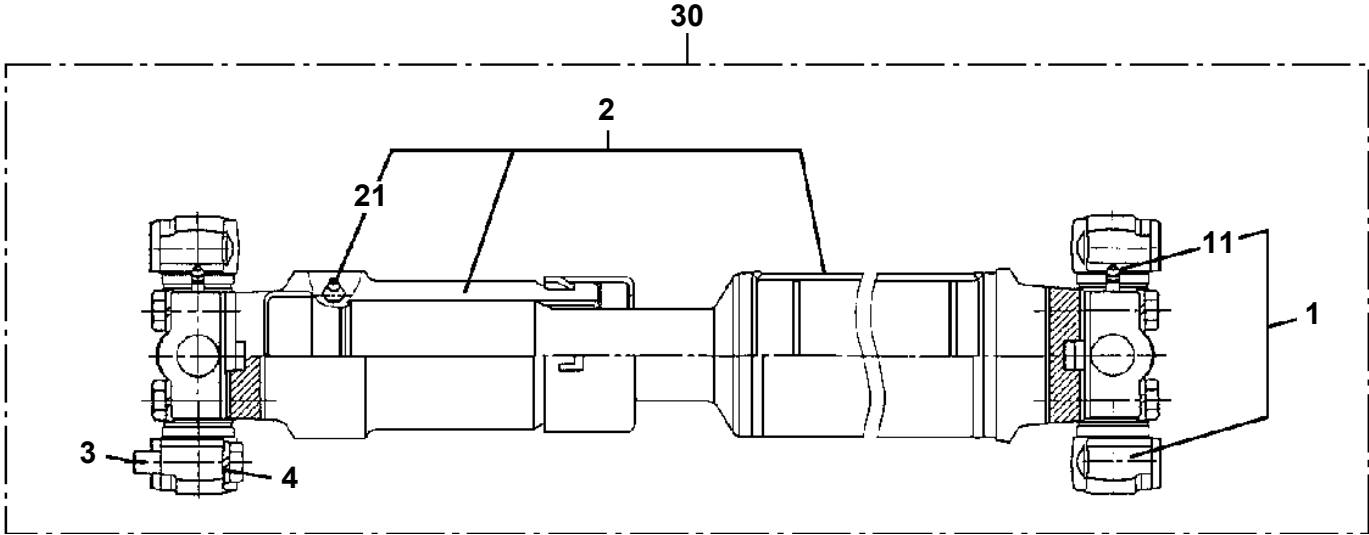
300



GR-250N-1-00208 4 BOOM + JIB,X,2M2D
PR1460023-00 CLUTCH PACK, TRANSMISSION



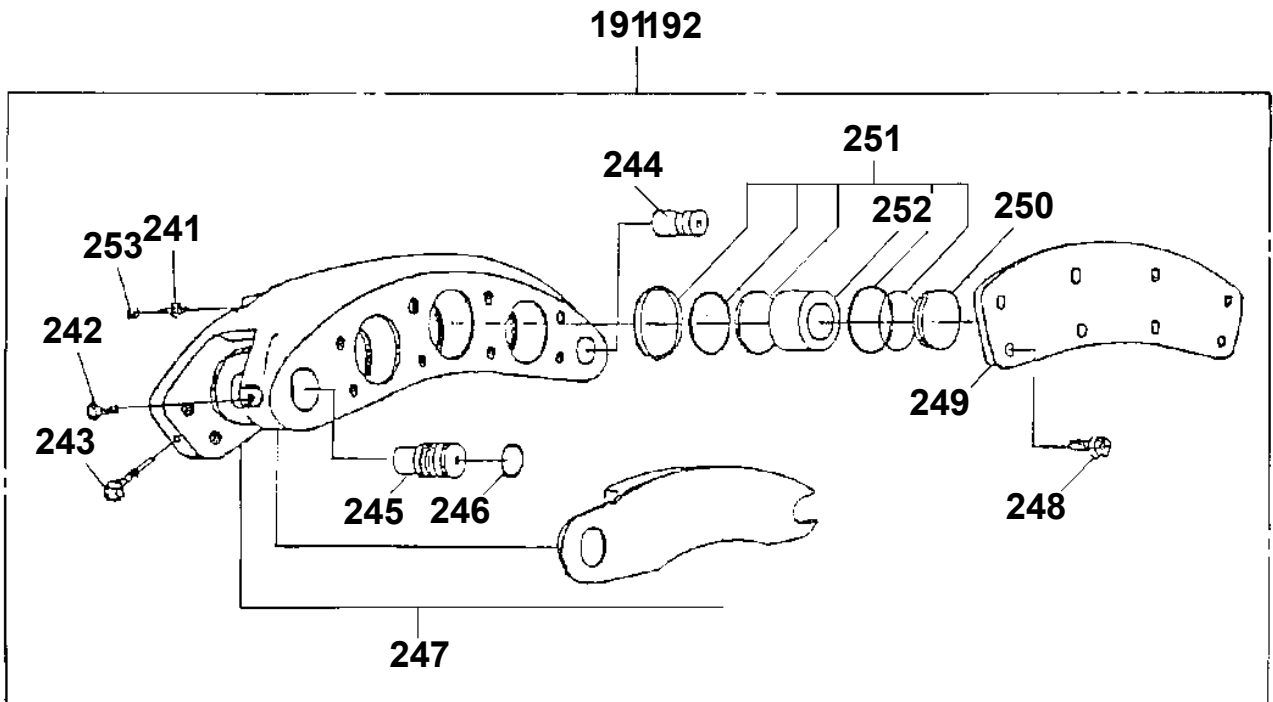
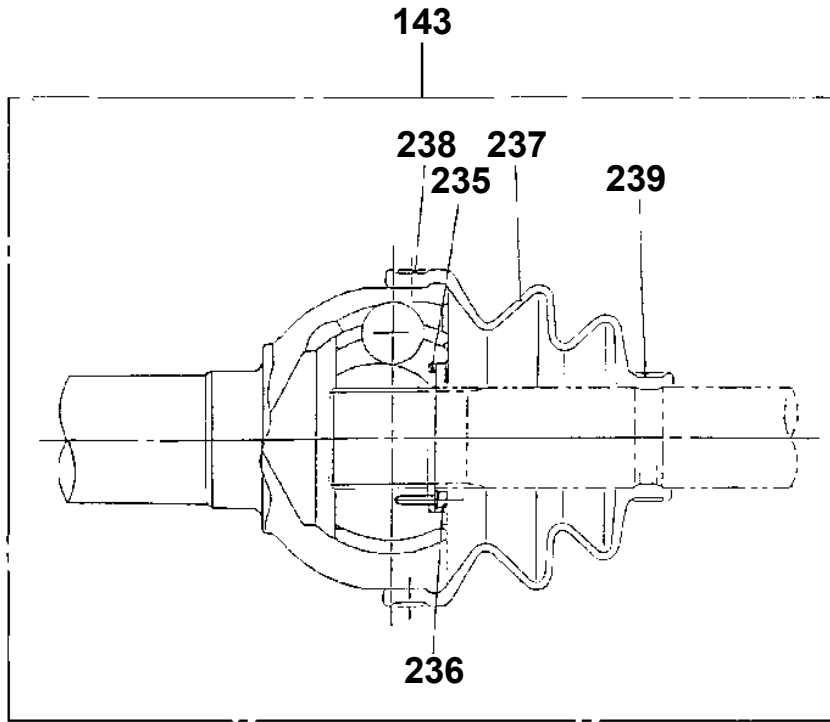
GR-250N-1-00208 4 BOOM + JIB,X,2M2D
PR1600036-01 PROPELLER SHAFT,DRIVING



GR-250N-1-00208 4 BOOM + JIB,X,2M2D

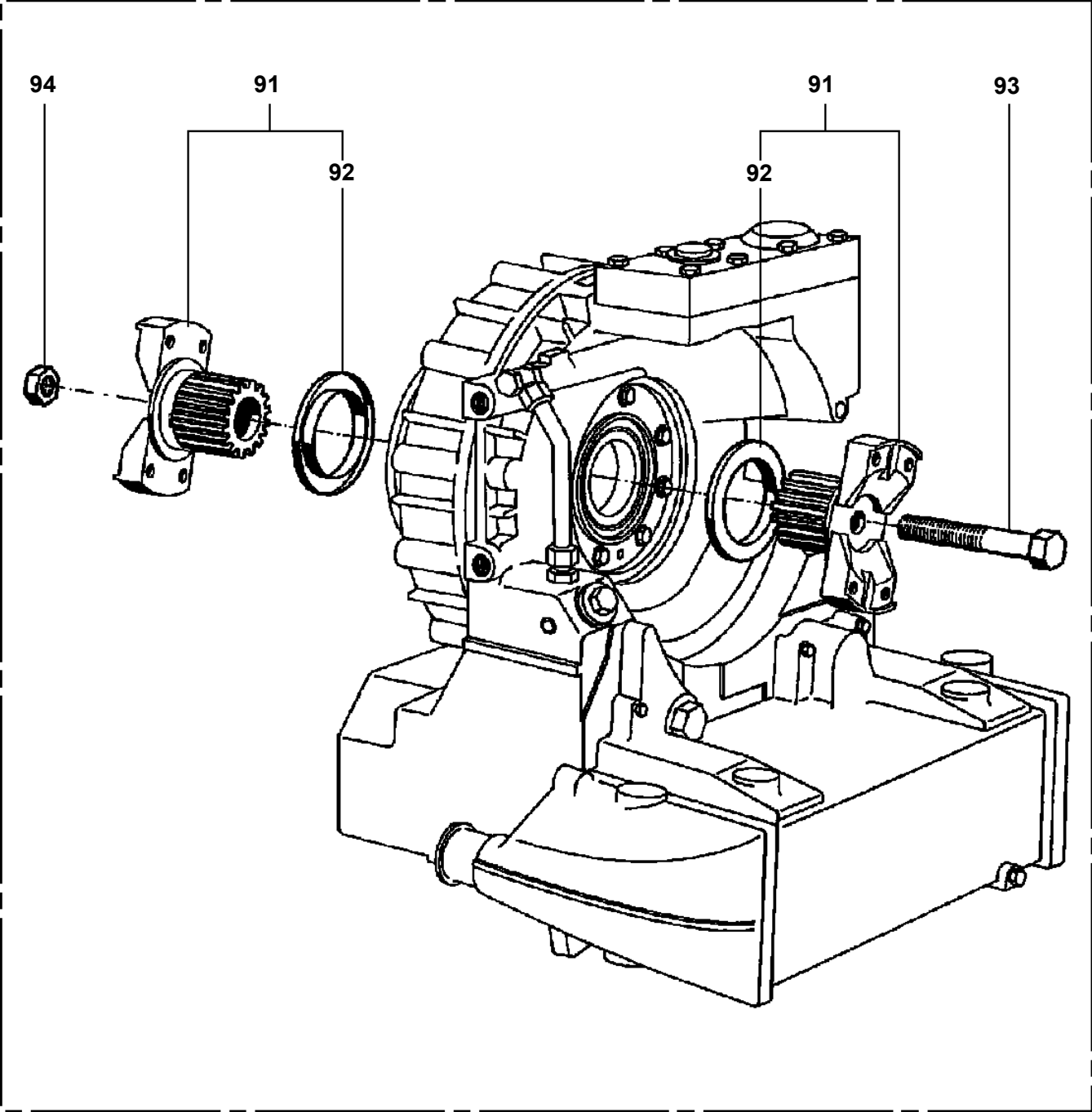
Pos No.	Parts No	Parts Name	Qty	Unit	Technical Data	Serial No (Start)	Serial No (End)
121	36381245100	SHIM SET	1				
122	36380215350	COVER	8				
123	90103720050	BOLT	16		M20X50		
128	36380675261	BUSHING (TIE ROD END)	2				
129	34680005670	BOLT,STOPPER	2				
130	90211702400	NUT	2		M24		
131	36380675231	TIE ROD	1				
132	36380875131	END,TIE ROD (RIGHT HAND SCREW)	1				
133	36380875141	END,TIE ROD (LEFT HAND SCREW)	1				
134	36380675510	NUT	2				
135	36380675270	PIN	2				
136	59172030340	PLATE (LOCK)	2				
137	90171108020	BOLT	4		M8X20		
138	90302040801	WASHER,SPRING	4		8		
139	90171112080	BOLT	4		M12X80		
140	90201701200	NUT	4		M12		
141	90303071201	WASHER,PLAIN	4		12		
142	36381385160	SHAFT (AXLE)	2				
143	36381385170	JOINT,BALL	2				
144	36381385180	BEARING,BALL	2				
145	34680005500	SPACER (GEAR)	2				
146	36381385190	GEAR,SUN	2				
147	80601110480	RING,RITAINING	2		S48		
151	36381385200	GEAR,PLANETARY	2				
152	36381385210	GEAR,PLANETARY	6				
153	36380215170	SHAFT (PLANETARY GEAR)	6				
154	34680005610	RING,THRUST	12				
155	34680005740	BEARING,ROLLER	12				
156	36380215220	O-RING	2				
157	90171114045	BOLT	48		M14X45		
158	36380675390	WASHER	48				
159	36380875191	COVER (GEAR SPIDER)	2				
160	36380875200	O-RING	2				
161	90171108020	BOLT	18		M8X20		
162	90302040801	WASHER,SPRING	18		8		
163	36380705280	PLUG	2				
164	36380215250	PLUG,MAGNET	2				
165	36381385220	HUB,INTERNAL GEAR	2				
166	36381385230	GEAR,INTERNAL	2				
167	36381385240	WIRE,LOCK	4				
168	36380105720	NUT,BEARING	2				
169	36380105730	WASHER (LOCK)	2				
170	90101508016	BOLT	4		M8X16		
171	36381285051	HUB,WHEEL	2				
172	36381245240	BOLT	24		M20X1.5		
173	36381245231	NUT	24		M20X1.5		
174	59172071060	BEARING,ROLLER	2				
175	34680005760	BEARING,ROLLER (NTN)	2				
176	36381385250	DISK	2				
177	90171118050	BOLT	44				
178	36380675380	WASHER,PLAIN	44				
179	36380875320	SEAL,OIL (WHEEL HUB)	2				
180	36380875330	SPACER	2				
191	36381125070	BRAKE,CALIPER (1,4-PISTONS)	2				
192	36381125080	BRAKE,CALIPER (2,4-PISTONS)	2				
195	36380675480	CONNECTOR (WITH O-RING)	4				
197	36381095070	BOLT (S)	12				
198	36381095080	BOLT (L)	4				
199	36381125050	WASHER	16				
201	90171116095	BOLT (DACRO)	4		M16X95		
202	34680005240	WASHER	4				
212	36380105231	SHOE ASSY (LINING)	2				
213	36380105240	ADJUSTER ASSY	1				

GR-250N-1-00208 4 BOOM + JIB,X,2M2D
PR1620062-00 AXLE,DRIVING (REAR,NO-SPIN)



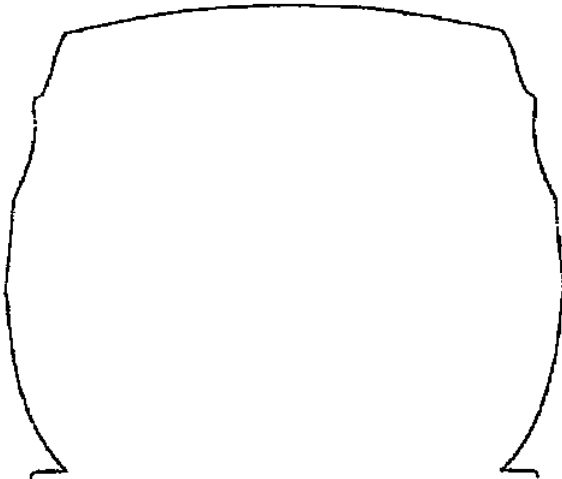
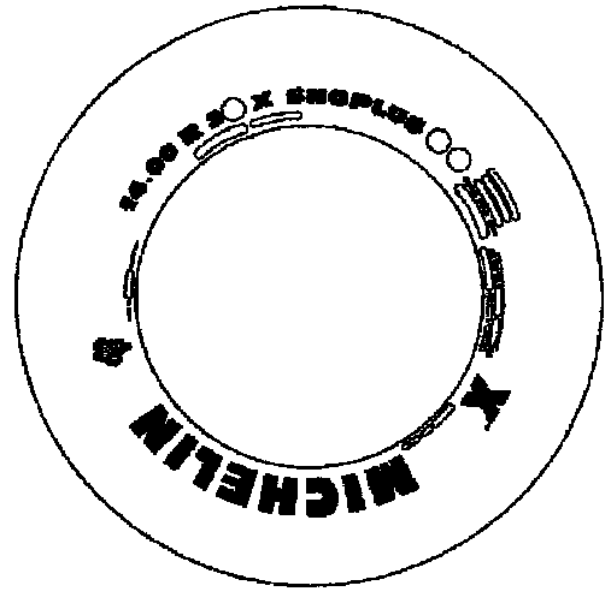
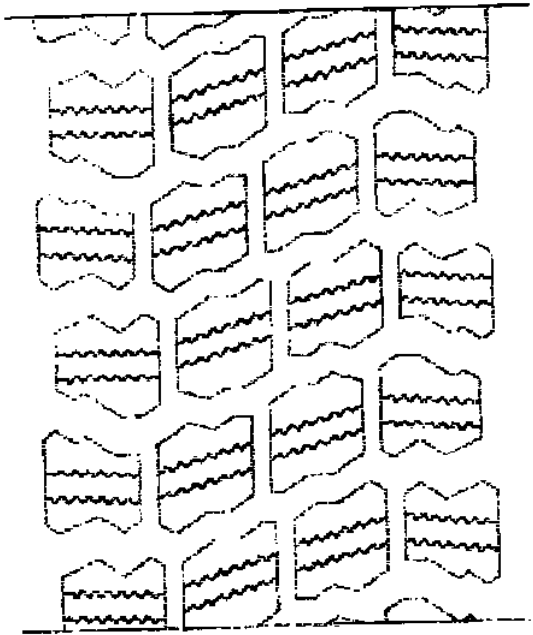
GR-250N-1-00208 4 BOOM + JIB,X,2M2D
PR1720024-00 RETARDER

200

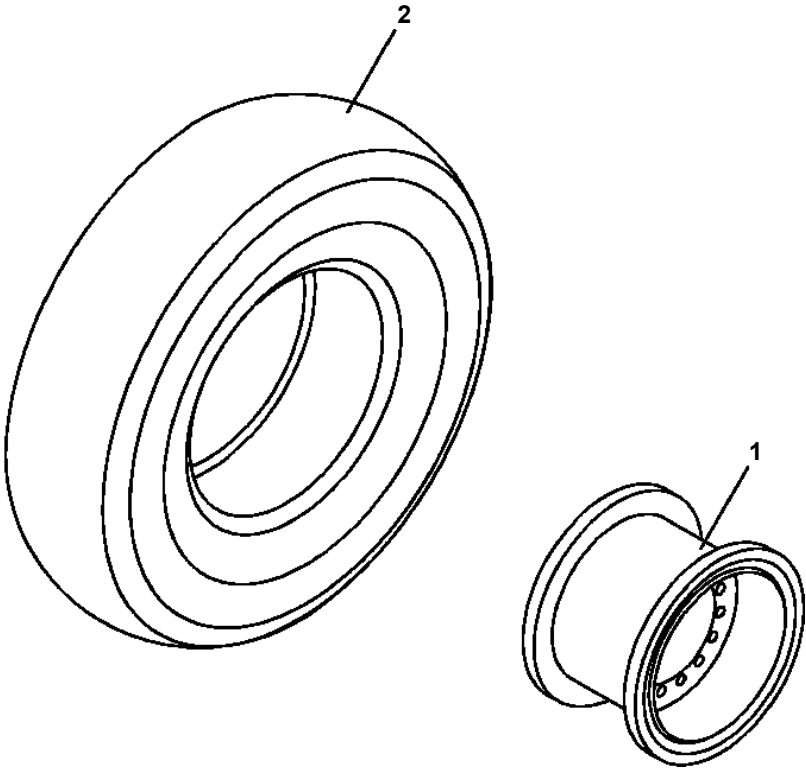


GR-250N-1-00208 4 BOOM + JIB,X,2M2D
PR1800022-00 TIRE (SNOW/MICHELIN)

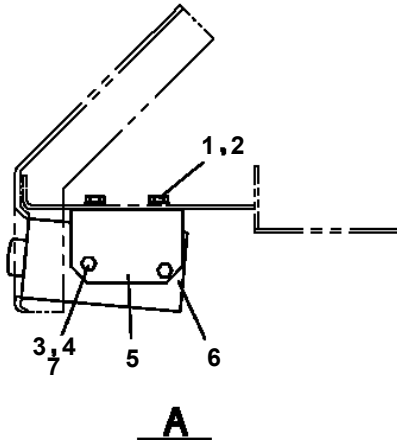
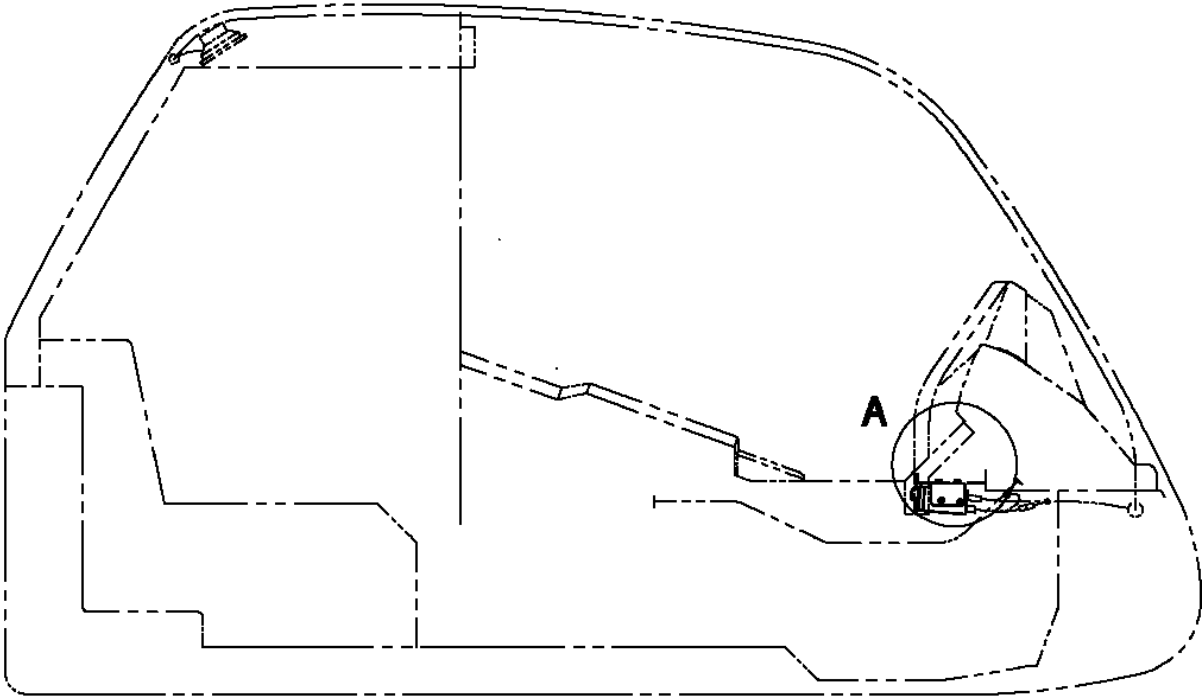
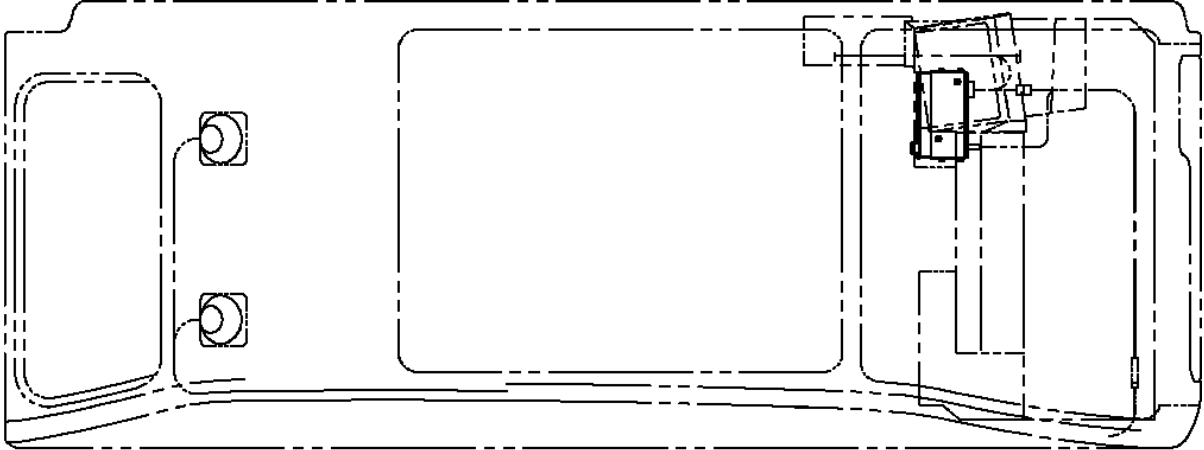
10



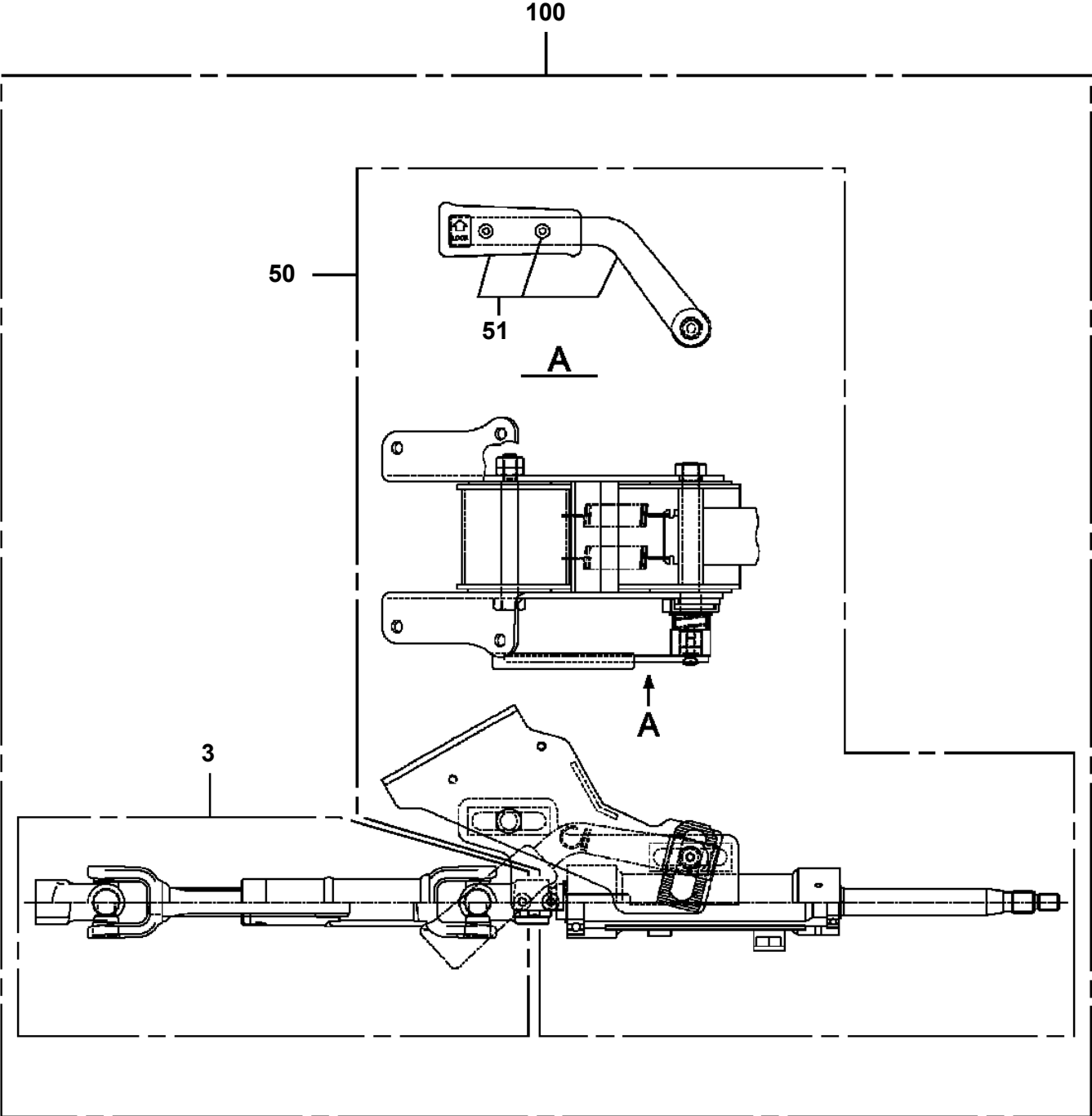
GR-250N-1-00208 4 BOOM + JIB,X,2M2D
PR2150025-00 TIRE & WHEEL (B.S. + TOPY)



GR-250N-1-00208 4 BOOM + JIB,X,2M2D
PR5030001-00 RADIO ASSY



GR-250N-1-00208 4 BOOM + JIB,X,2M2D
PS1150007-00 SHAFT,STEERING



GR-250N-1-00208 4 BOOM + JIB,X,2M2D

Pos No.	Parts No	Parts Name	Qty	Unit	Technical Data	Serial No (Start)	Serial No (End)	Remarks	Pa
1	36062581000	CYLINDER	1						
2	80136350063	PIN,SPLIT	1						
3	37001600410	NUT	1		M24				
4	36062392000	PISTON	1						
5	91411205701	RING,BACKUP	2						
6	91684007001	PACKING	2						
7	91302207000	BEARING,PLAIN	2						
8	91002803500	O-RING	1		1B P35				
9	36062582000	ROD	1						
10	36061593600	COVER,ROD	1						
11	91002806000	O-RING	1		1B P60				
12	91301103500	BEARING,PLAIN	1						
13	91251100350	RING,DAMPER	1						
14	91694003500	PACKING	1						
15	91410203501	RING,BACKUP	1						
16	91660003501	SEAL,DUST	1						
17	91801300950	CLIP	1		D=88-95		FB5268		
	91803601000	CLIP	1		D=85-100	FB5269			
18	36062394000	BOOT	1				FB5268		
	36061133000	BOOT	1			FB5269			
19	91801300650	CLIP	1		D=60-65		FB5268		
	91803600700	CLIP	1		D=55-70	FB5269			
30	36062589900	PACKING SET	1		35X70				
42	37000402270	BEARING,PLAIN	2						
46	37000400990	BEARING,PLAIN	2						
50	36062580000	CYLINDER,STEERING	1						

GR-250N-1-00208 4 BOOM + JIB,X,2M2D

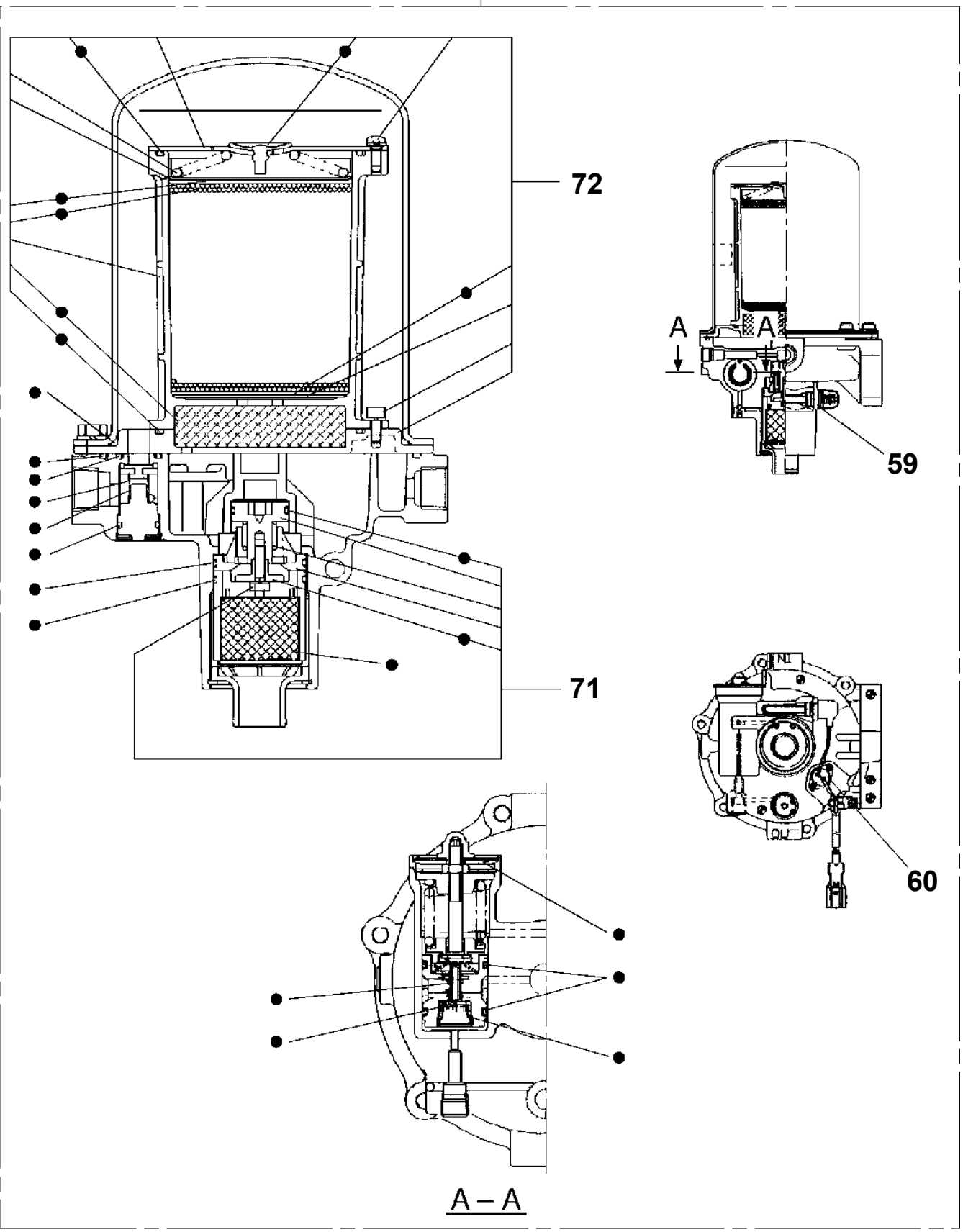
Pos No.	Parts No	Parts Name	Qty	Unit	Technical Data	Serial No (Start)	Serial No (End)	Remarks
1	34371851600	SUPPORT	1					
2	32370002110	GASKET	1					
3	32370002121	COVER	1					
4	80172303025	SCREW,MACHINE	2		M3X25			
5	90302040301	WASHER,SPRING	2		3			
6	82104102010	SWITCH,LIMIT	1					
7	32370002131	ROD	1					
8	14148373001	SPRING	1					
9	80601110180	RING,RITAINING	1		S18			
10	34371314400	SUPPORT	1					
11	90303070301	WASHER,PLAIN	2		3			
12	82114101020	CONNECTOR (2P,MALE)	1					
13	82111101010	TERMINAL	2					
14	32370005200	CORD	1					
15	32370005210	CORD	1					
16	82100000592	TERMINAL (M40.3 TO 1.25)	2					
17	89630201000	HOSE,VINYL	1		6X8,1M			
18	14148375000	GROMMET	1					
19	90101208040	BOLT	2		M8X40			
20	90302040801	WASHER,SPRING	2		8			
21	82121102020	HOLDER	1					
22	82100001220	INSULATOR	2					
23	82121101085	PLUG (AVS0.85)	2					
24	82400000201	GROMMET	1		KG-016			
30	32370009512	ROD ASSY	1					
31	32370002150	SPACER	1		L=12 TO 11			
32	80720103014	PIN,SPRING	1		3X14			
50	34371851500	SWITCH (OVER WIND/BOOM)	1					

GR-250N-1-00208 4 BOOM + JIB,X,2M2D

Pos No.	Parts No	Parts Name	Qty	Unit	Technical Data	Serial No (Start)	Serial No (End)	Remarks	Pa
50	36604515010	REPAIR KIT	1						
60	36601005090	REPAIR KIT (SPRING)	1						
100	36604510000	VALVE,BRAKE	1						

GR-250N-1-00208 4 BOOM + JIB,X,2M2D
PT1430009-00 DRIER,AIR

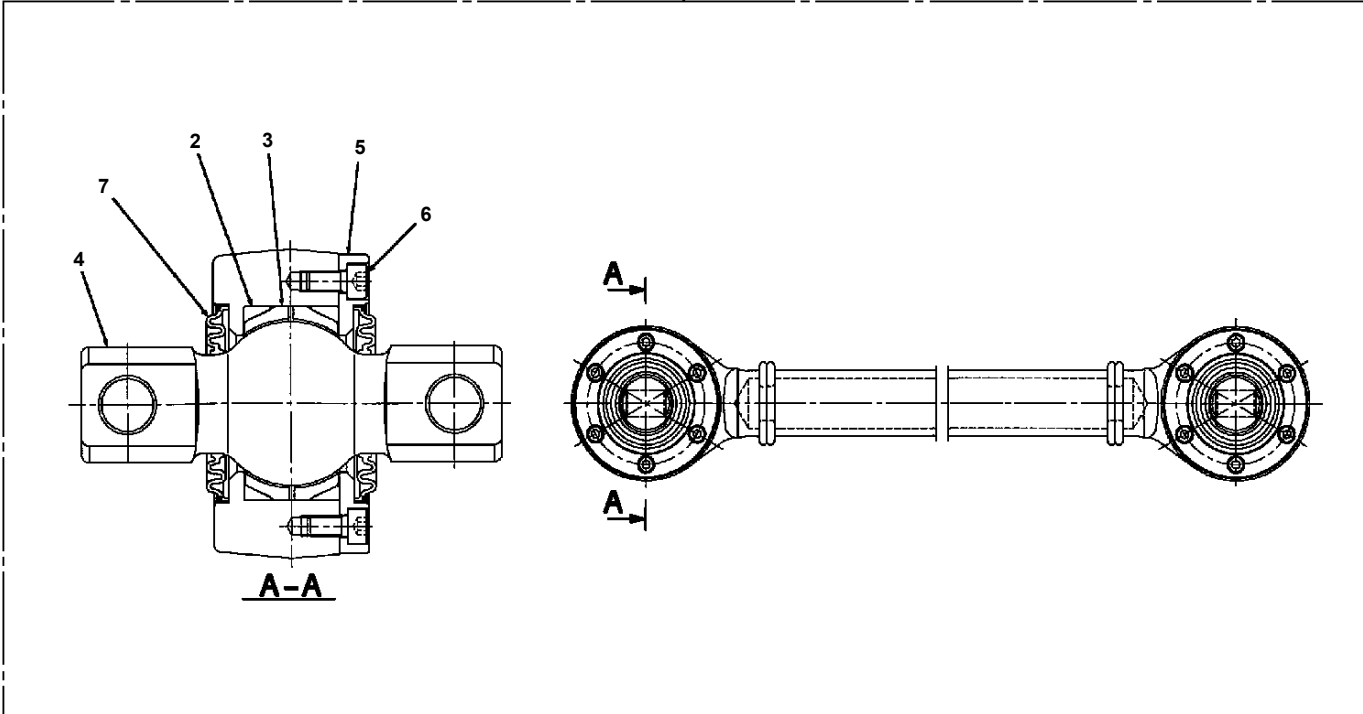
100



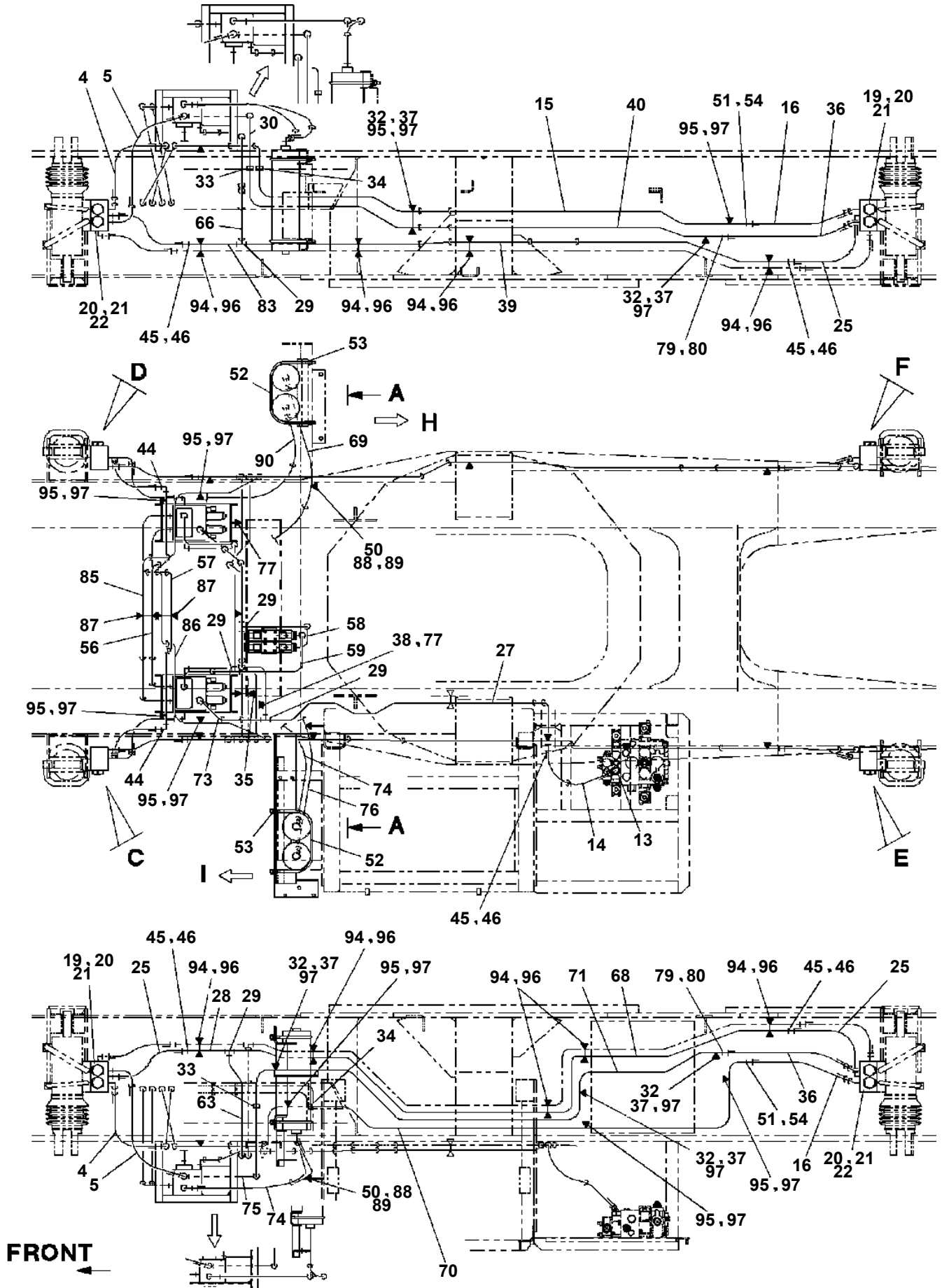
● : REPAIR KIT KEY NO 73

GR-250N-1-00208 4 BOOM + JIB,X,2M2D
PU1060003-01 ROD,TORQUE (L=800)

30



GR-250N-1-00208 4 BOOM + JIB,X,2M2D
PU1150011-01 PIPING,SUSPENSION



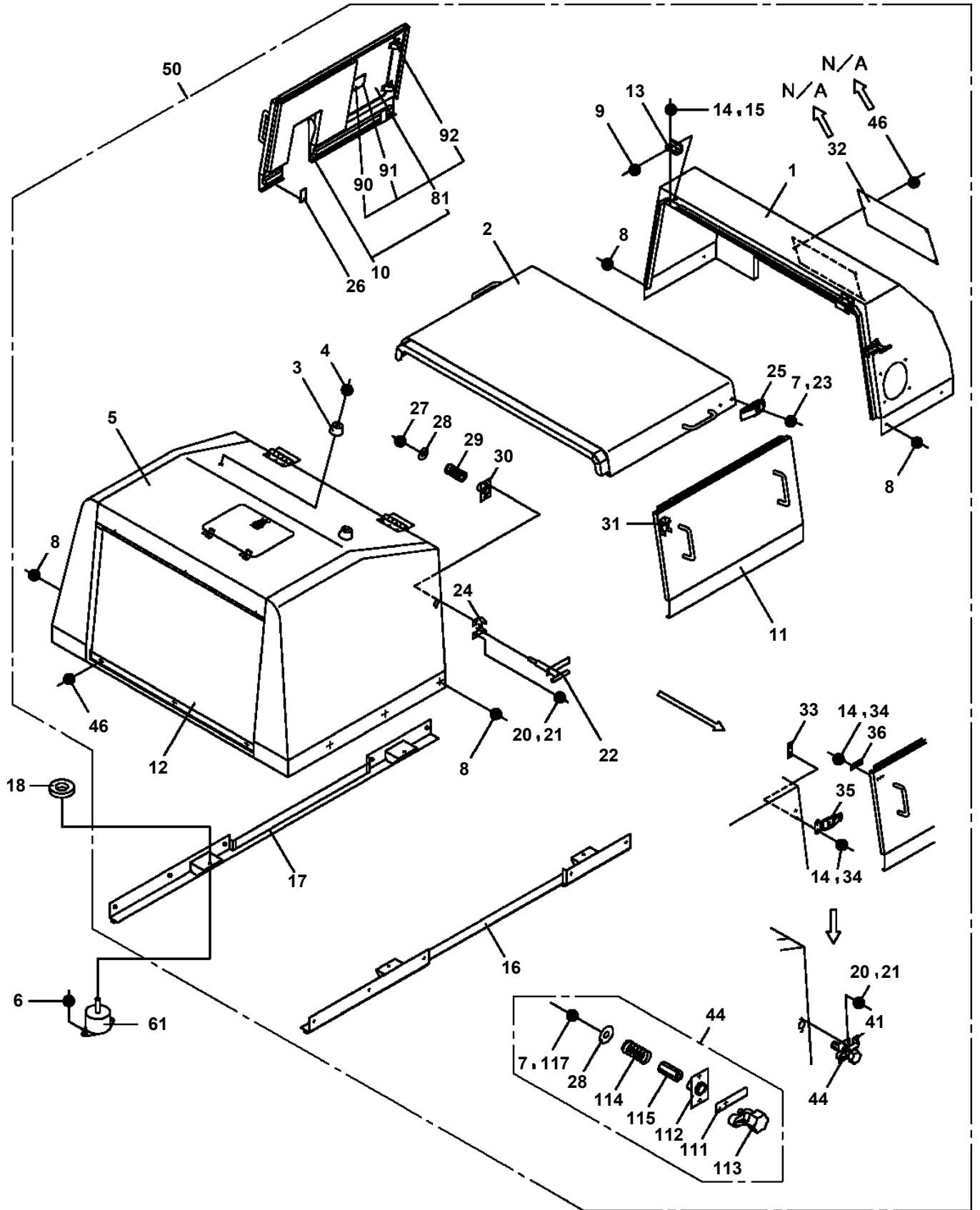
GR-250N-1-00208 4 BOOM + JIB,X,2M2D

Pos No.	Parts No	Parts Name	Qty	Unit	Technical Data	Serial No (Start)	Serial No (End)	Remarks	Page
11	91001102100	O-RING	1		1A P21				
13	91000502500	O-RING	1						
16	91411002100	RING,BACKUP	1		P21				
100	36647230130	VALVE ASSY,RELIEF	1						

GR-250N-1-00208 4 BOOM + JIB,X,2M2D

Pos No.	Parts No	Parts Name	Qty	Unit	Technical Data	Serial No (Start)	Serial No (End)	Rema
2	82100002798	FUSE	4		2A,6.4X30			
3	82100000689	FUSE	2		3A,6.5X30			
4	34460760100	ROD	1					
5	91900000006	RED FUSEE	1					
7	34461150100	MAT,FLOOR (AT FOOT)	1					
8	82100000791	FUSE	2		5A,6.5X30			
9	34460940200	CASE	1					
13	34460746500	LAMP (EMERGENCY SIGNAL)	1					

GR-250N-1-00208 4 BOOM + JIB,X,2M2D
PX1050107-05 ROOM,ENGINE



GR-250N-1-00208 4 BOOM + JIB,X,2M2D

Pos No.	Parts No	Parts Name	Qty	Unit	Technical Data	Serial No (Start)	Serial No (End)	Remarks	Pages
1	34762113200	SUPPORT	1						
2	34762033200	SUPPORT	1						
3	37000514260	PLATE	1						
4	90101512025	BOLT	6		M12X25				
5	90302041201	WASHER,SPRING	6		12				
6	90303502201	WASHER,PLAIN	48		22				
7	37001503440	BOLT	44		M22X125				
8	37001503600	BOLT	4		M22X110				
9	90101510030	BOLT	6		M10X30				
10	90303501005	WASHER,PLAIN	6		10				

GR-250N-1-00208 4 BOOM + JIB,X,2M2D

Pos No.	Parts No	Parts Name	Qty	Unit	Technical Data	Serial No (Start)	Serial No (End)	Remarks	Pages
1	88900000003	STEP	1						
2	33761280010	SUPPORT	1						
3	34461526100	BOLT	1						
4	90302041201	WASHER,SPRING	1		12				

GR-250N-1-00208 4 BOOM + JIB,X,2M2D

Pos No.	Parts No	Parts Name	Qty	Unit	Technical Data	Serial No (Start)	Serial No (End)	Remarks	Pag
1	34460745010	FIRE EXTINGUISHER	1						
2	34460745020	SUPPORT	1						
3	90186206014	BOLT,FLANGE	6		M6X14				

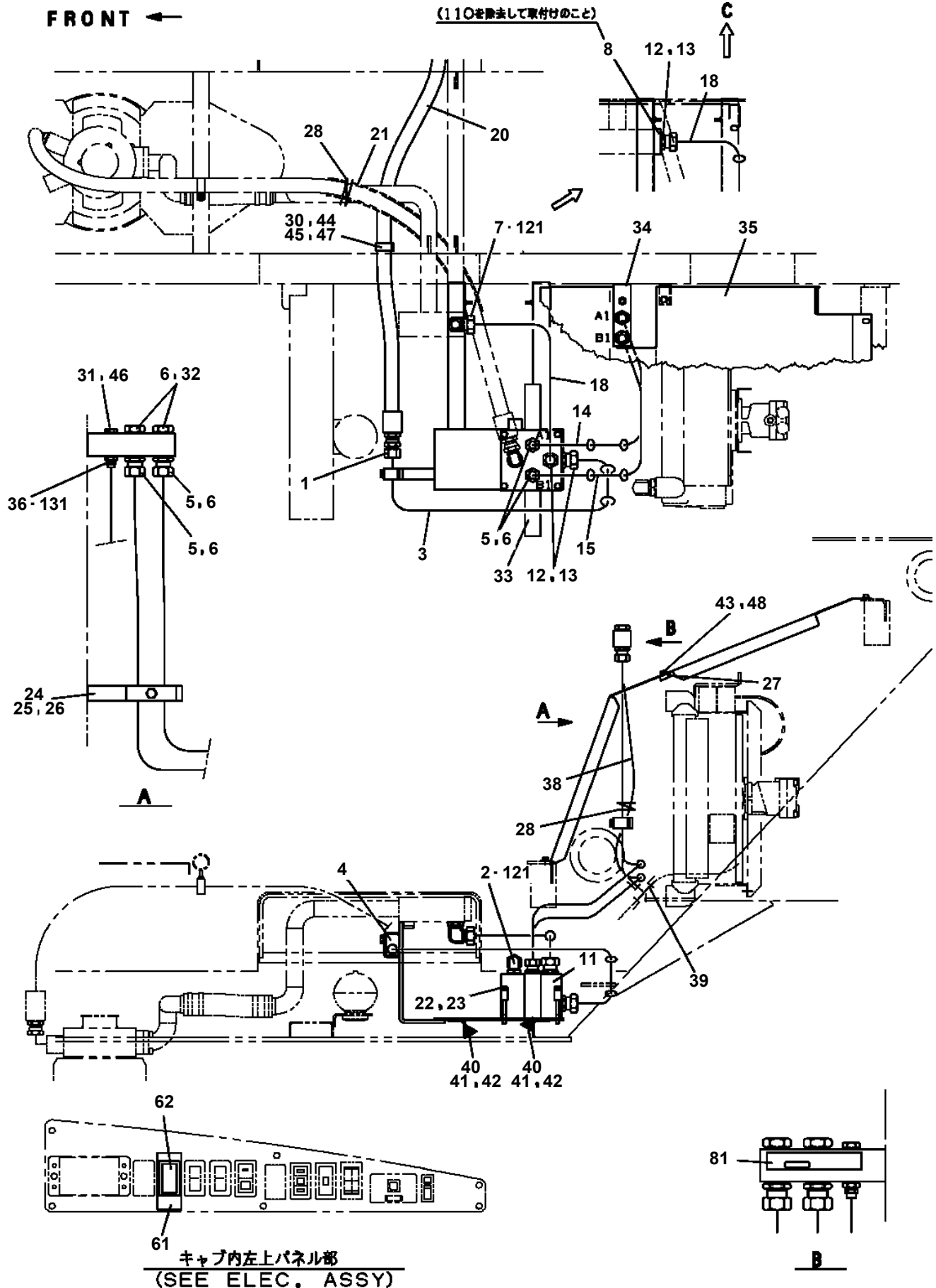
GR-250N-1-00208 4 BOOM + JIB,X,2M2D

Pos No.	Parts No	Parts Name	Qty	Unit	Technical Data	Serial No (Start)	Serial No (End)	Remarks	F
2	33470090500	PLATE	2						
3	34500223000	SINGLE TOP	1						
4	16311007000	SPACER	2		L=3.5				
5	37001004750	SHEAVE ASSY (IMONO)	1						
6	37000109980	PIN	1						
7	18111009010	PIN,SNAP	1						
8	37000130700	PIN	1						
9	82456101000	NIPPLE,GREASE	1		A-PT1/8				
10	90101214025	BOLT	1		M14X25				
11	90302041401	WASHER,SPRING	1		14				
12	34500044000	HARNESS	1						
13	37000123920	PIN	1						
14	37000201100	PIN,SNAP	1						
15	37000107340	PIN	1						
16	37000544450	PLATE	1						
17	80136350045	PIN,SPLIT	1		5X45				
18	34500050100	SUPPORT	1						
19	90101210016	BOLT	2		M10X16				
20	90302041001	WASHER,SPRING	2		10				
30	34500228010	SINGLE TOP ASSY	1						
41	34500131101	SUPPORT	1						
42	34500041100	SUPPORT	1						
43	34500131201	SUPPORT	1						
44	34500041300	SUPPORT	1						
51	90928040061	SCREW,TAPPING	3		M4X6				
52	82100000207	CLAMP	3						
55	37000300590	SPACER	1		L=30				
62	80612111250	RING,RITAINING	1		AR125				
63	80515006214	BEARING,BALL	2						

GR-250N-1-00208 4 BOOM + JIB,X,2M2D

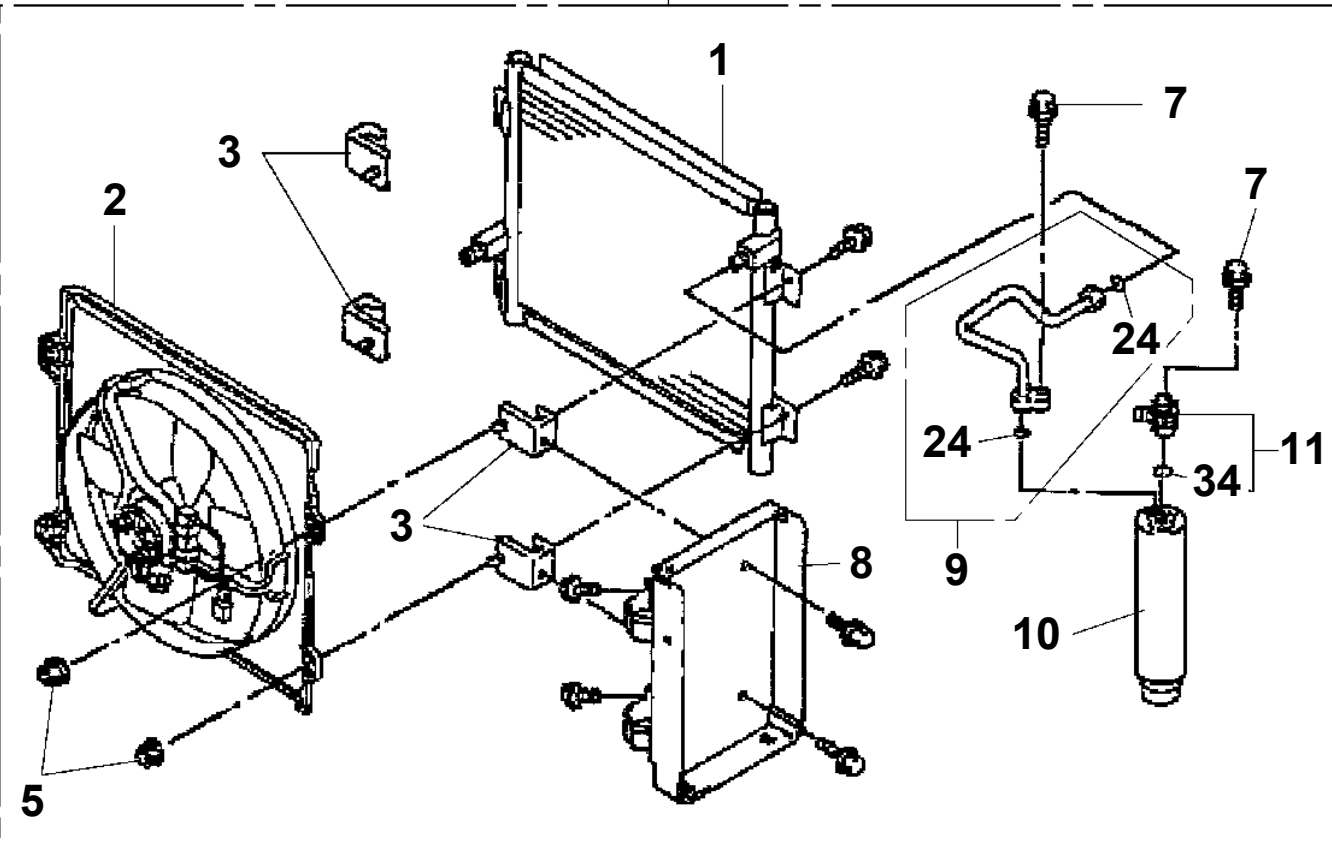
Pos No.	Parts No	Parts Name	Qty	Unit	Technical Data	Serial No (Start)	Serial No (End)	Rema
1	34477837510	LENS	1					
7	34477837520	BULB,LAMP	1		24V 25W			
30	34477831000	LAMP (VISION/REAR & DRUM)	1					

**GR-250N-1-00208 4 BOOM + JIB,X,2M2D
PY1210114-03 PIPING,OUTLET (WINCH)**

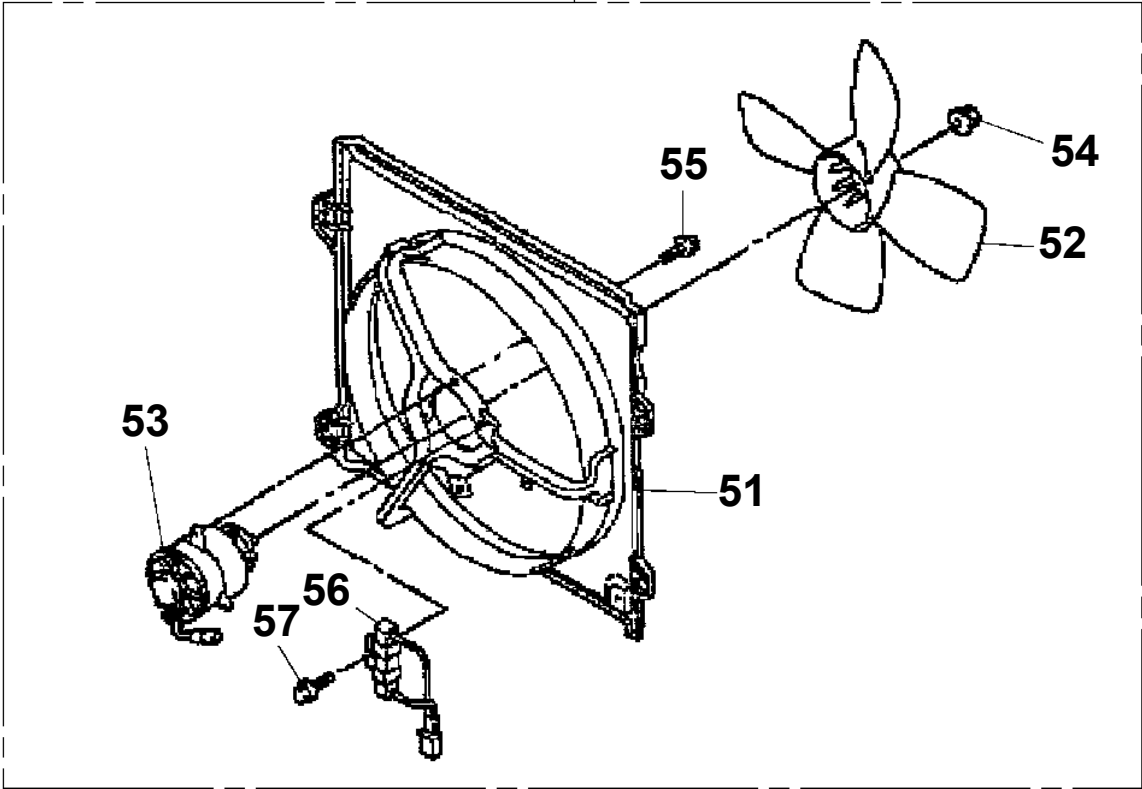


GR-250N-1-00208 4 BOOM + JIB,X,2M2D
PY1380058-00 CONDENSER

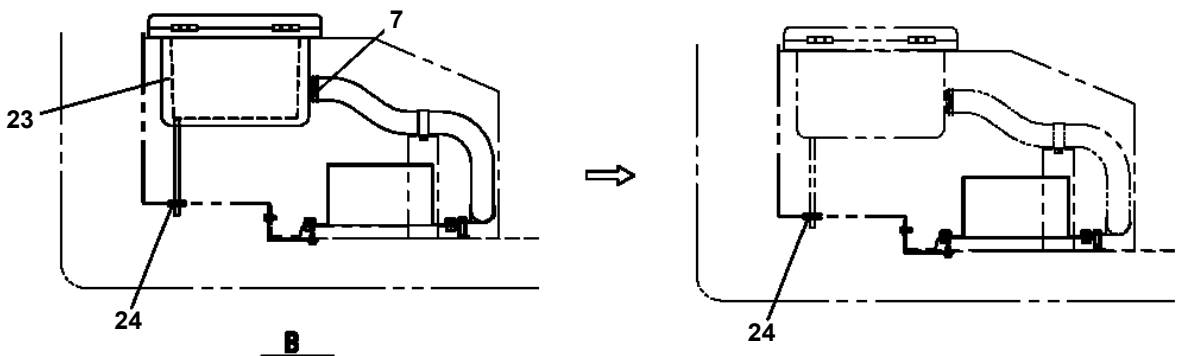
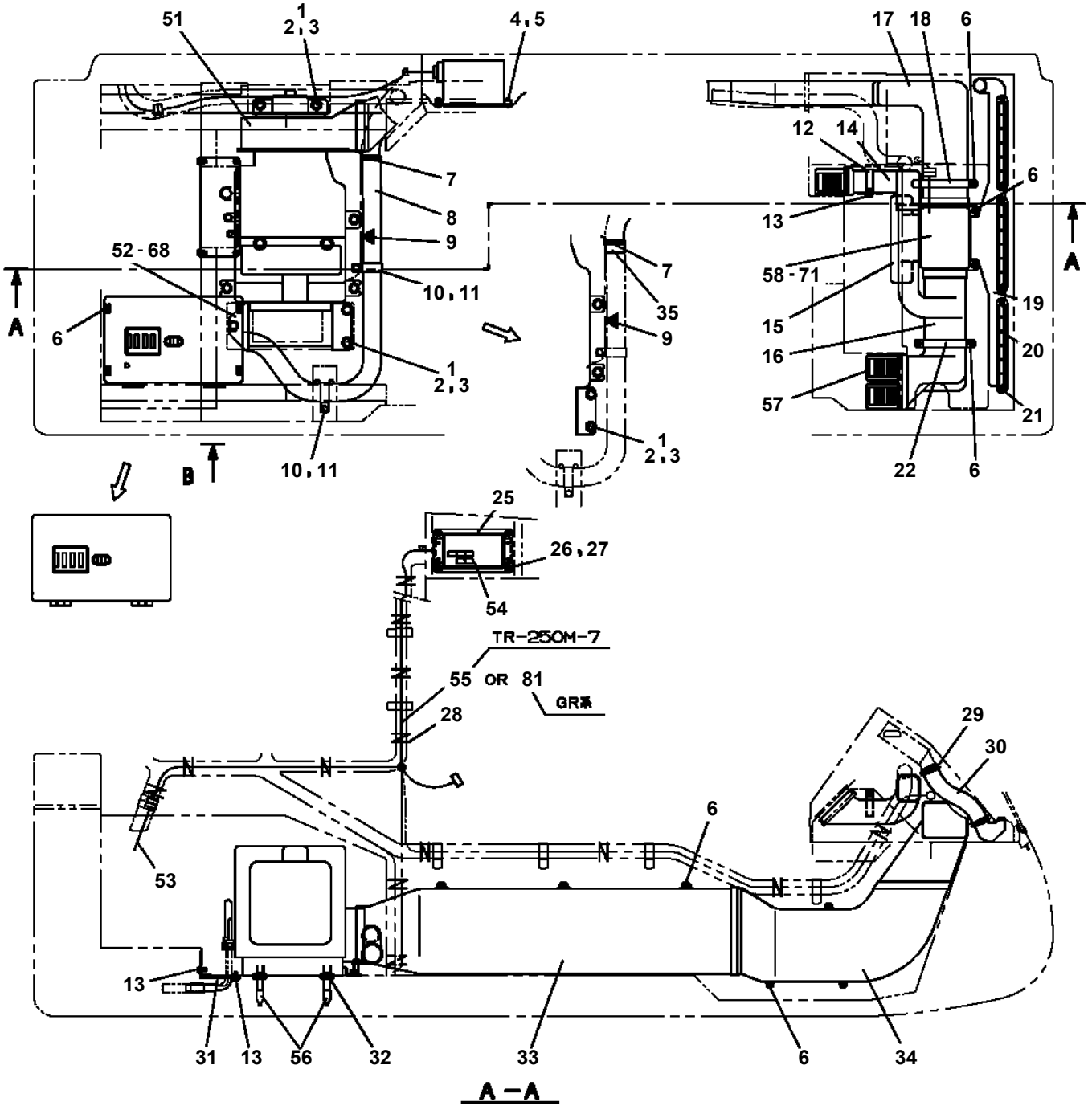
100



2



GR-250N-1-00208 4 BOOM + JIB,X,2M2D
PY2240012-02 EVAPORATOR INSTALLATION,AIR CONDITIONER



CLICK HERE TO **DOWNLOAD** THE COMPLETE MANUAL

- Thank you very much for reading the preview of the manual.
- You can download the complete manual from: www.heydownloads.com by clicking the link below



- Please note: If there is no response to CLICKING the link, please download this PDF first and then click on it.

CLICK HERE TO **DOWNLOAD** THE COMPLETE MANUAL