

GR-150-3-00102 6 BOOM + 2 JIB, 1M1D

PB5000060-00 HYDRAULIC PRESSURE SYSTEM

PB6000162-00 PIPING SYSTEM (UPPER)

PB6000163-00 PIPING SYSTEM (LOWER)

PC1000711-01 OUTRIGGER SYSTEM

PD1000685-00 SWING SYSTEM

PF1000814-01 WINCH SYSTEM

PG3000075-01 JIB SYSTEM

PG5000084-01 BOOM SYSTEM

PH5000083-01 SAFETY SYSTEM

PK1000882-00 FRAME

PK5000082-00 CAB SYSTEM

PL5000073-00 CONTROL SYSTEM

PM1000032-01 LUBRICATION DEVICES

PN1000815-01 ELECTRIC EQUIPMENT

PO1000150-00 INDICATION PLATES

PR5000098-01 DRIVING POWER SYSTEM

PS5000054-00 STEERING & SUSPENSION

PW1000097-02 ACCESSORIES & TOOLS

PX1001384-00 MOUNTING PARTS

PY1001933-00 OPTION UNIT,1

ASSEMBLY

CLICK HERE TO **DOWNLOAD** THE COMPLETE MANUAL

- Thank you very much for reading the preview of the manual.
- You can download the complete manual from: www.heydownloads.com by clicking the link below



- Please note: If there is no response to CLICKING the link, please download this PDF first and then click on it.

CLICK HERE TO **DOWNLOAD** THE COMPLETE MANUAL

GR-150-3-00102 6 BOOM + 2 JIB, 1M1D

Pos No.	Parts No	Parts Name	Qty	Unit	Technical Data	Serial No (Start)	Serial No (End)	Remark
1	(*****)	SWING UNIT	1					
2	(*****)	MOUNT ASSY,SWING CENTER	1					

GR-150-3-00102 6 BOOM + 2 JIB, 1M1D

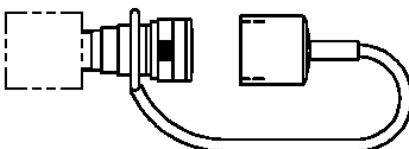
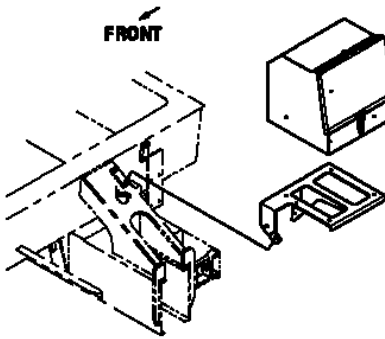
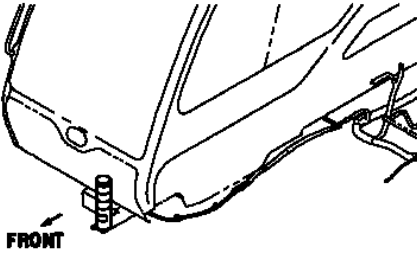
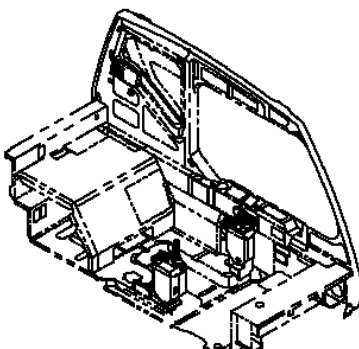
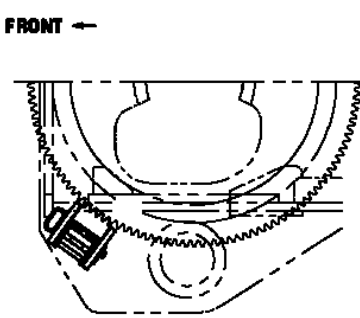
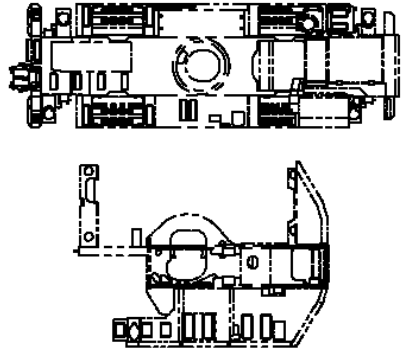
Pos No.	Parts No	Parts Name	Qty	Unit	Technical Data	Serial No (Start)	Serial No (End)
1	34621150000	FRAME ASSY	1				
2	(*****)	SWING FRAME ASSY	1				
3	(*****)	OUTER COVERING ASSY (SWING FRAME)	1				
4	(*****)	WEIGHT ASSY (SWING FRAME SIDE)	1				

GR-150-3-00102 6 BOOM + 2 JIB, 1M1D
PO1000150-00 INDICATION PLATES

メイバン
INDICATION PLATES

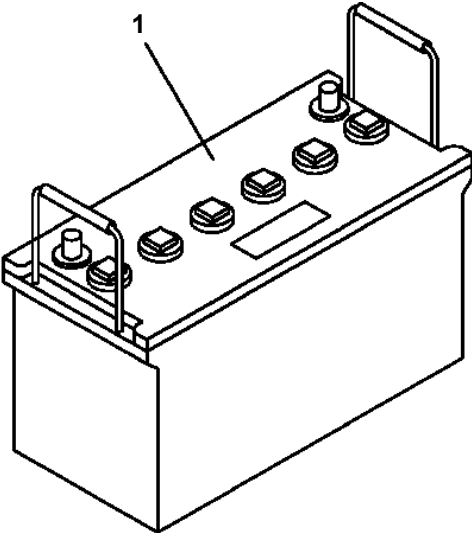
【組立名称一覧】より選択してください。
SEE THE CORRESPONDING "ASSEMBLY NAME" LIST.

GR-150-3-00102 6 BOOM + 2 JIB, 1M1D
 PY1001933-00 OPTION UNIT,1

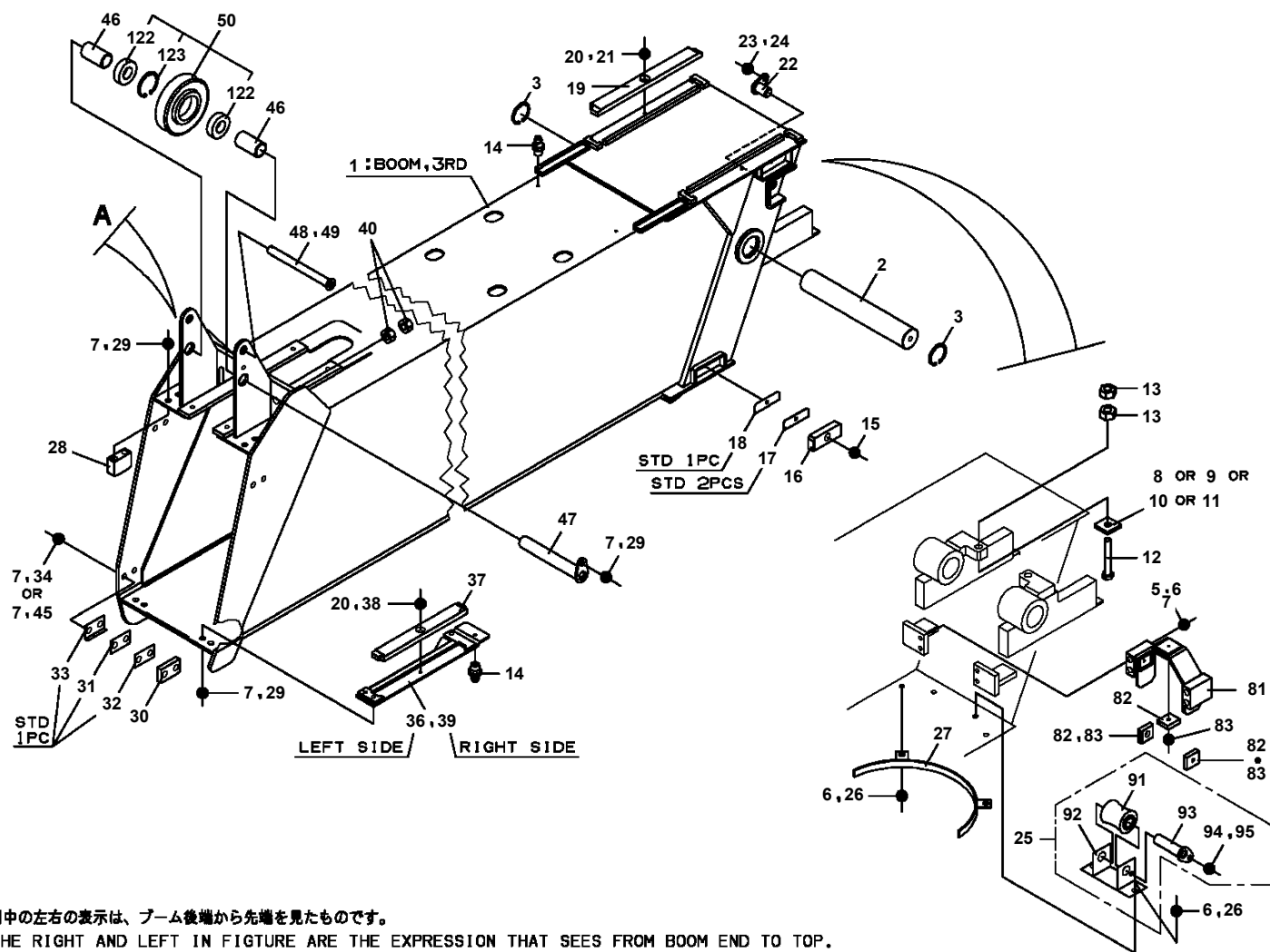
<p>1</p> 	<p>2</p> 	<p>3</p> 
<p>4 起伏・伸縮ペダル (TDN配列に適用)</p> 	<p>6</p> 	<p>8</p> 

適用製造番号によっては取り付けがないものもあります。
 MACHINES OF SOME SERIAL NO. ARE NOT EQUIPPED WITH THESE PARTS.

GR-150-3-00102 6 BOOM + 2 JIB, 1M1D
PB5050001-00 BATTERY (HYUNDAI ENERCELL/100E41R)

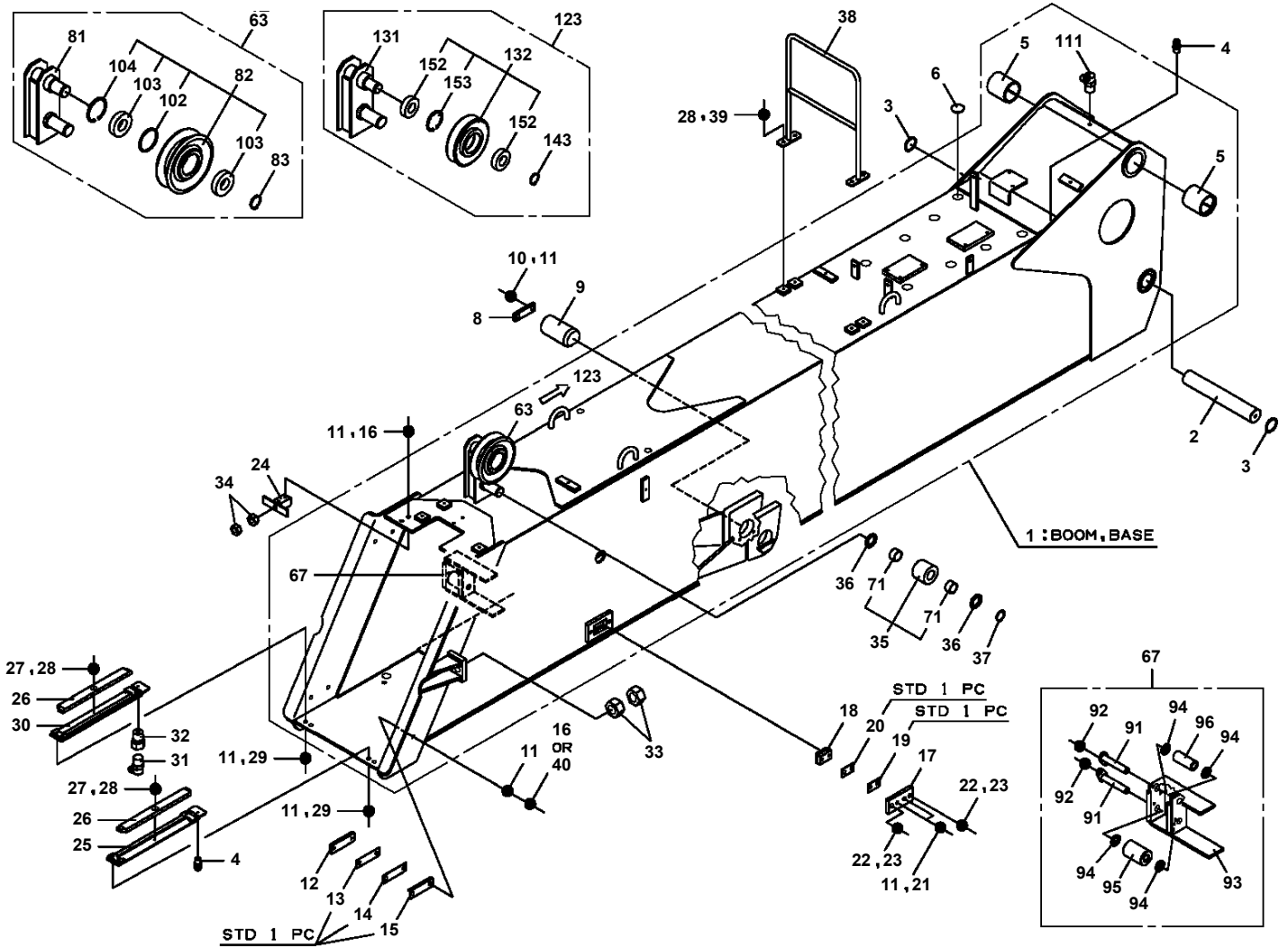


GR-150-3-00102 6 BOOM + 2 JIB, 1M1D
PB5190207-00 BOOM ASSY (3RD)



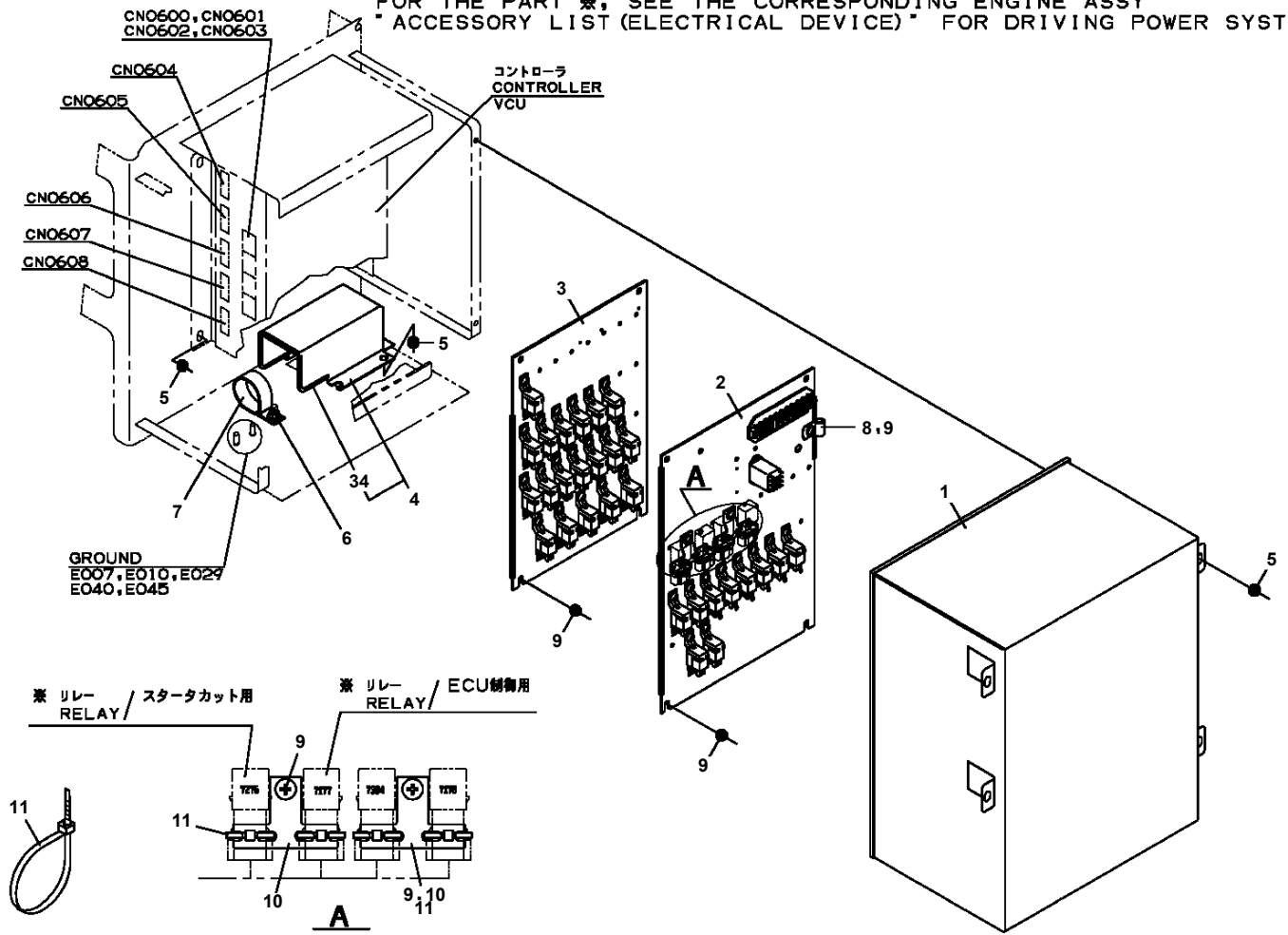
図中の左右の表示は、ブーム後端から先端を見たものです。
 THE RIGHT AND LEFT IN FIGURE ARE THE EXPRESSION THAT SEES FROM BOOM END TO TOP.

**GR-150-3-00102 6 BOOM + 2 JIB, 1M1D
PB5200026-02 BOOM ASSY,BASE**



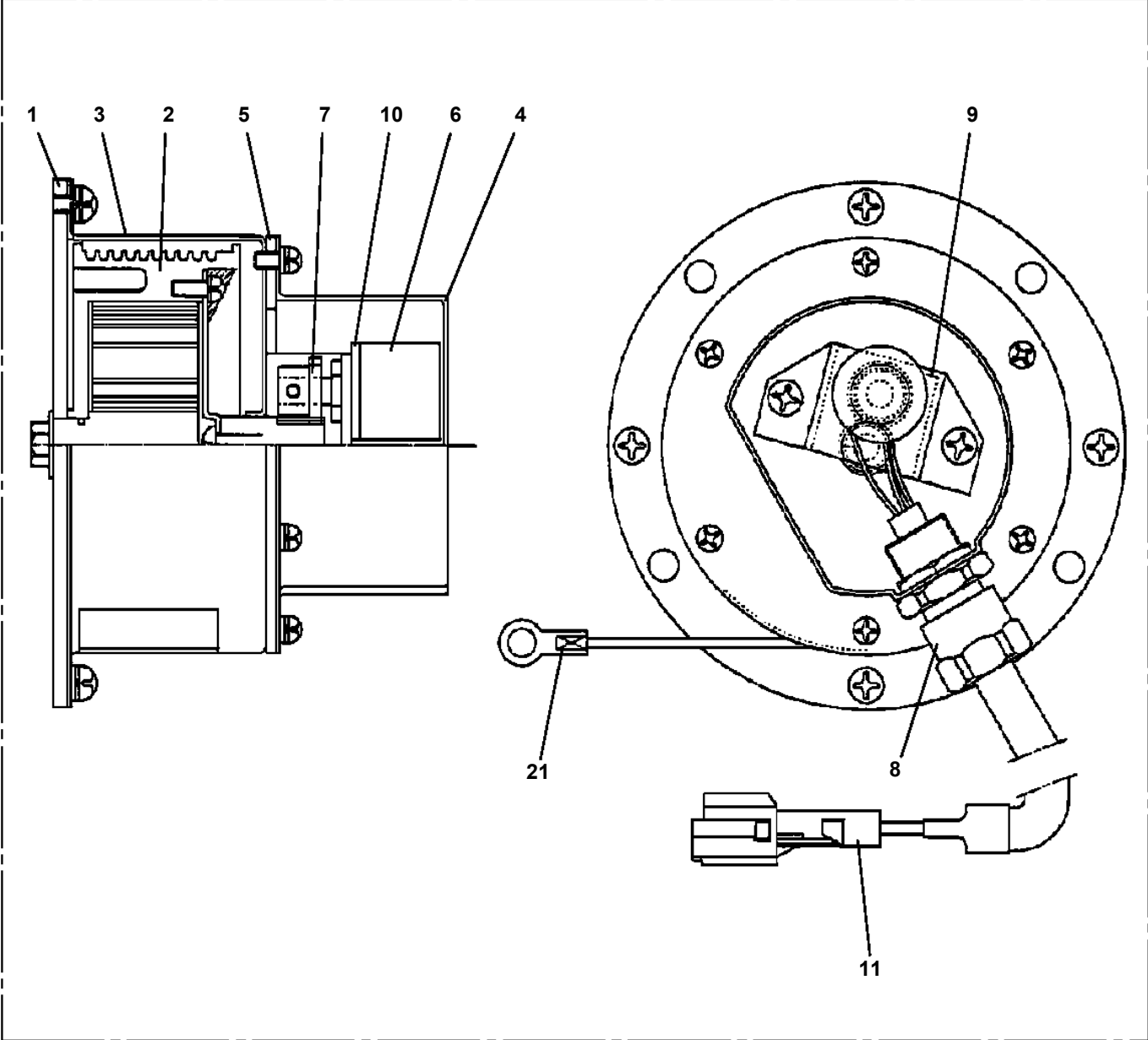
GR-150-3-00102 6 BOOM + 2 JIB, 1M1D PB5260162-01 BOX ASSY (VCU)

※材は動力システムのエンジンASSY [付属品リスト (電装品)] より検索してください。
 FOR THE PART ※, SEE THE CORRESPONDING ENGINE ASSY
 "ACCESSORY LIST (ELECTRICAL DEVICE)" FOR DRIVING POWER SYSTEM.



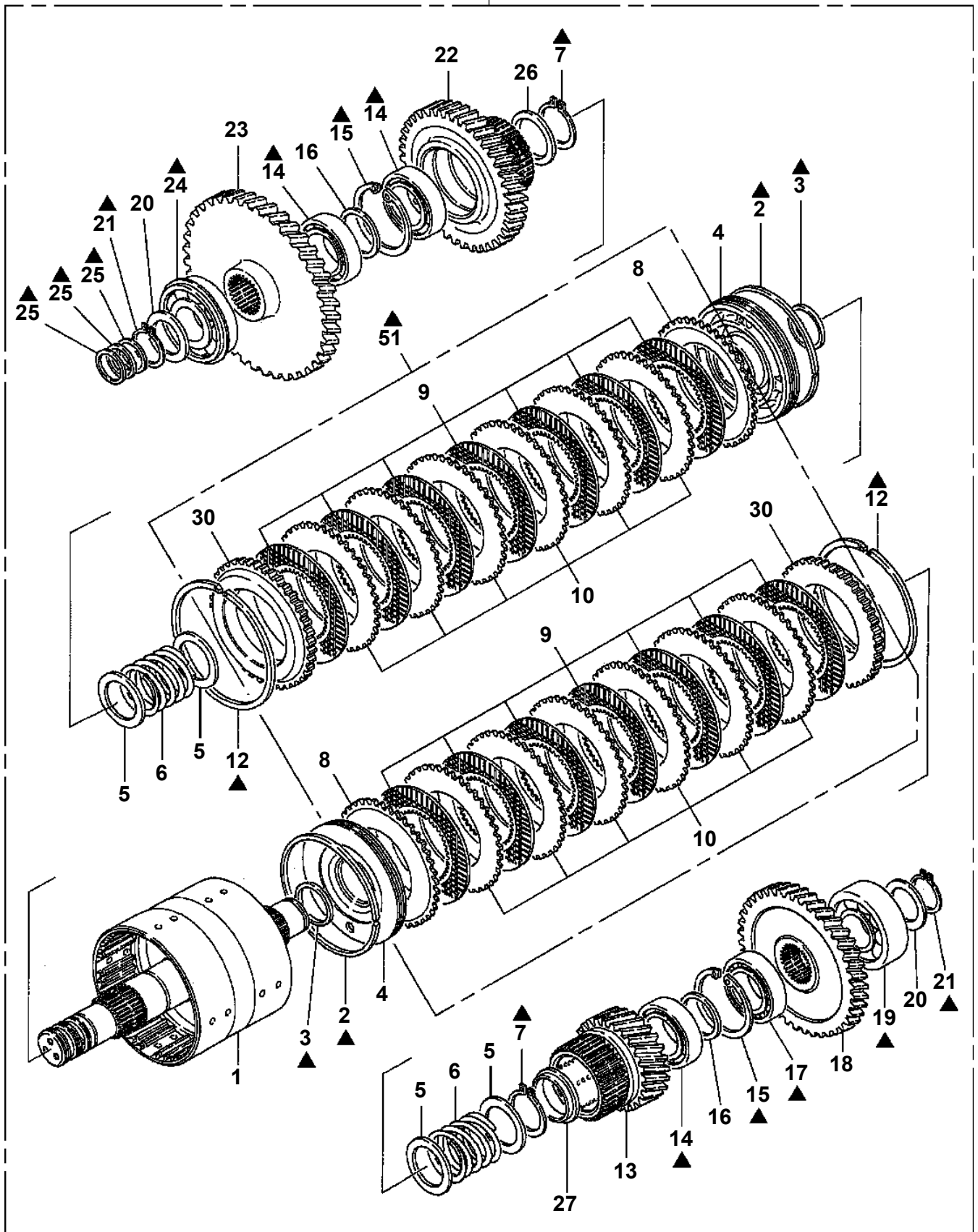
GR-150-3-00102 6 BOOM + 2 JIB, 1M1D
PC1380012-02 DETECTOR ASSY,LENGTH

50



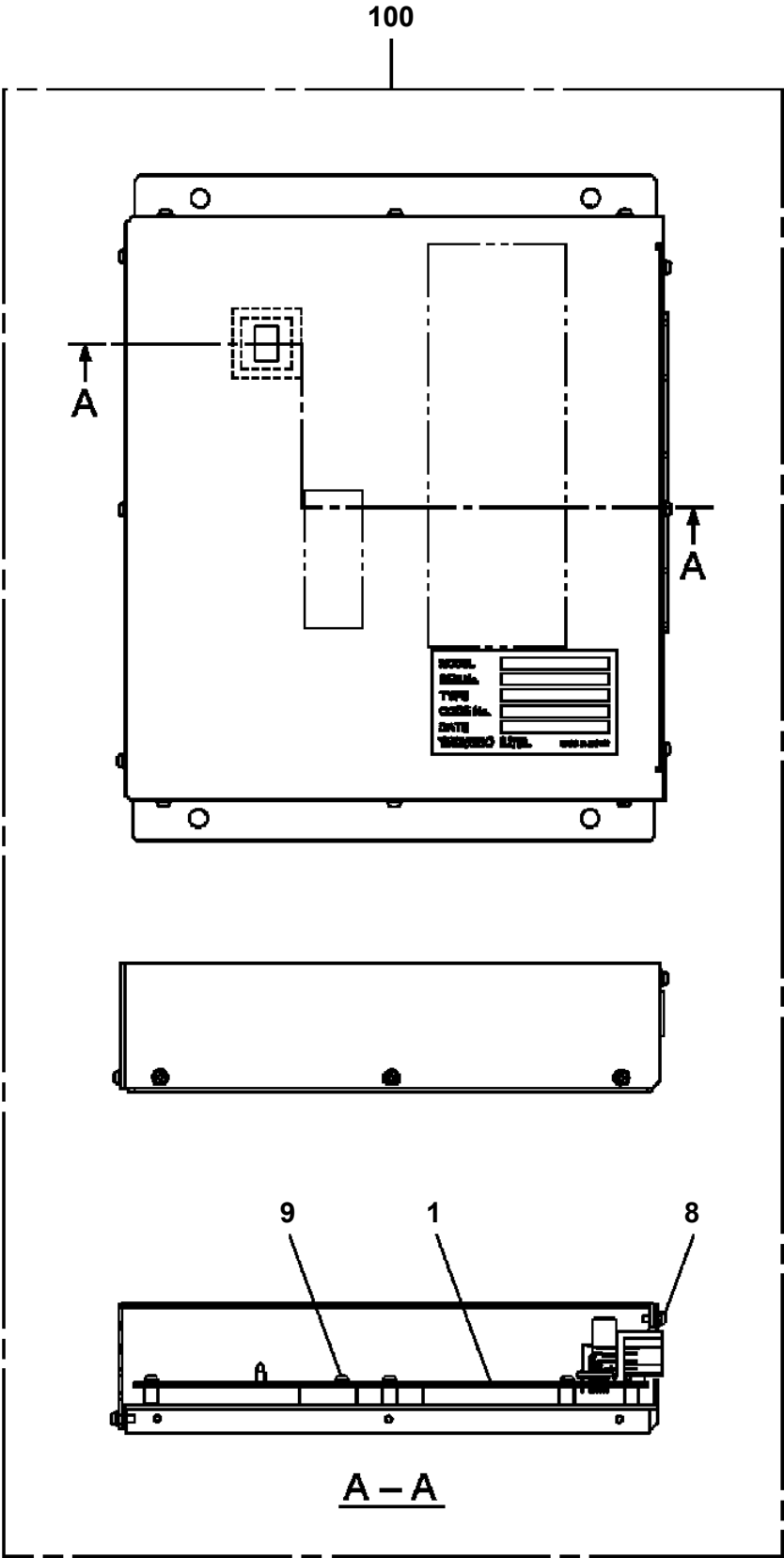
GR-150-3-00102 6 BOOM + 2 JIB, 1M1D
 PC5310018-00 CLUTCH PACK, TRANSMISSION

100

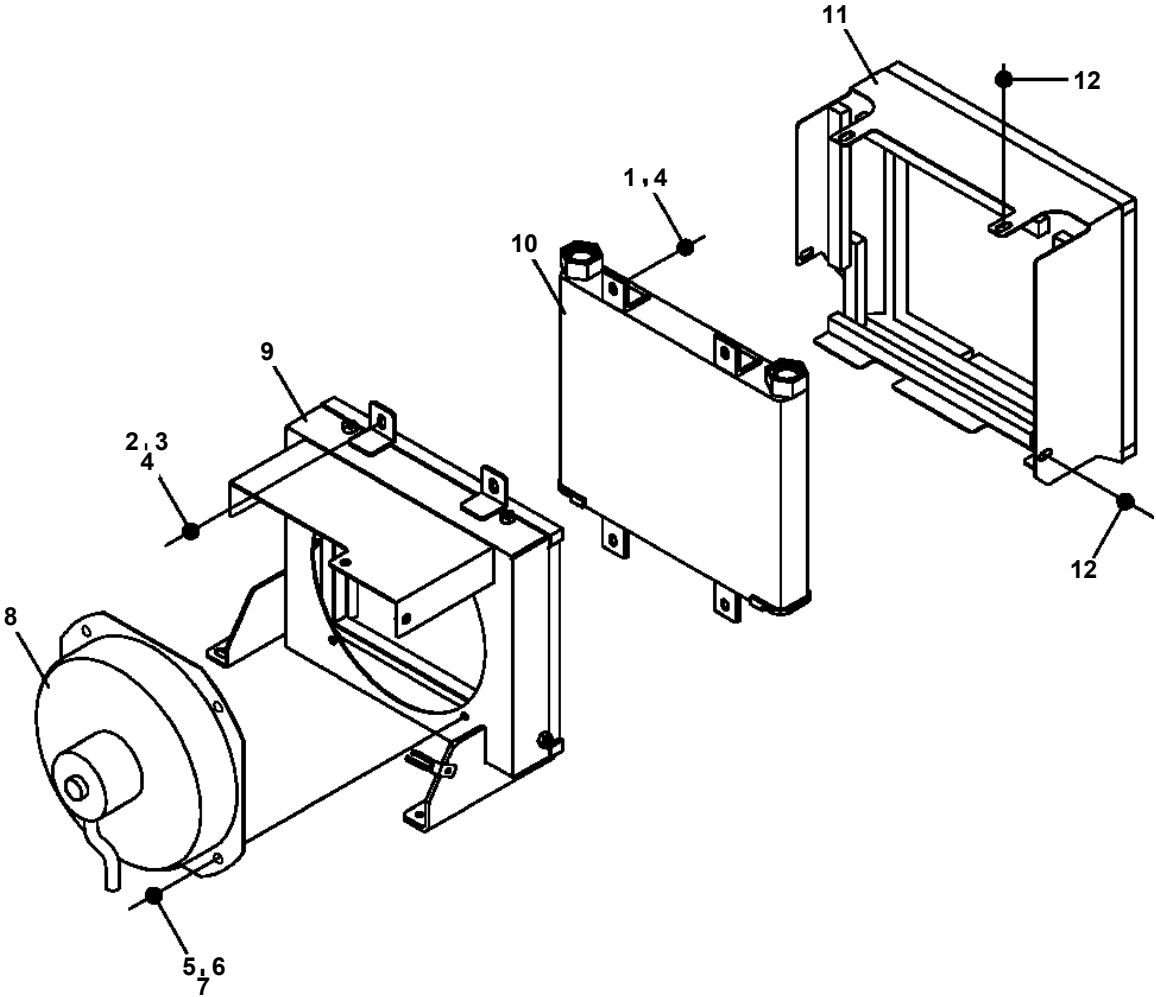


▲: OVERHAUL KIT KEY NO. 52 (KEY NO. 2, 3, 7, 12, 14, 15, 17, 19, 21, 24, 25, 51)

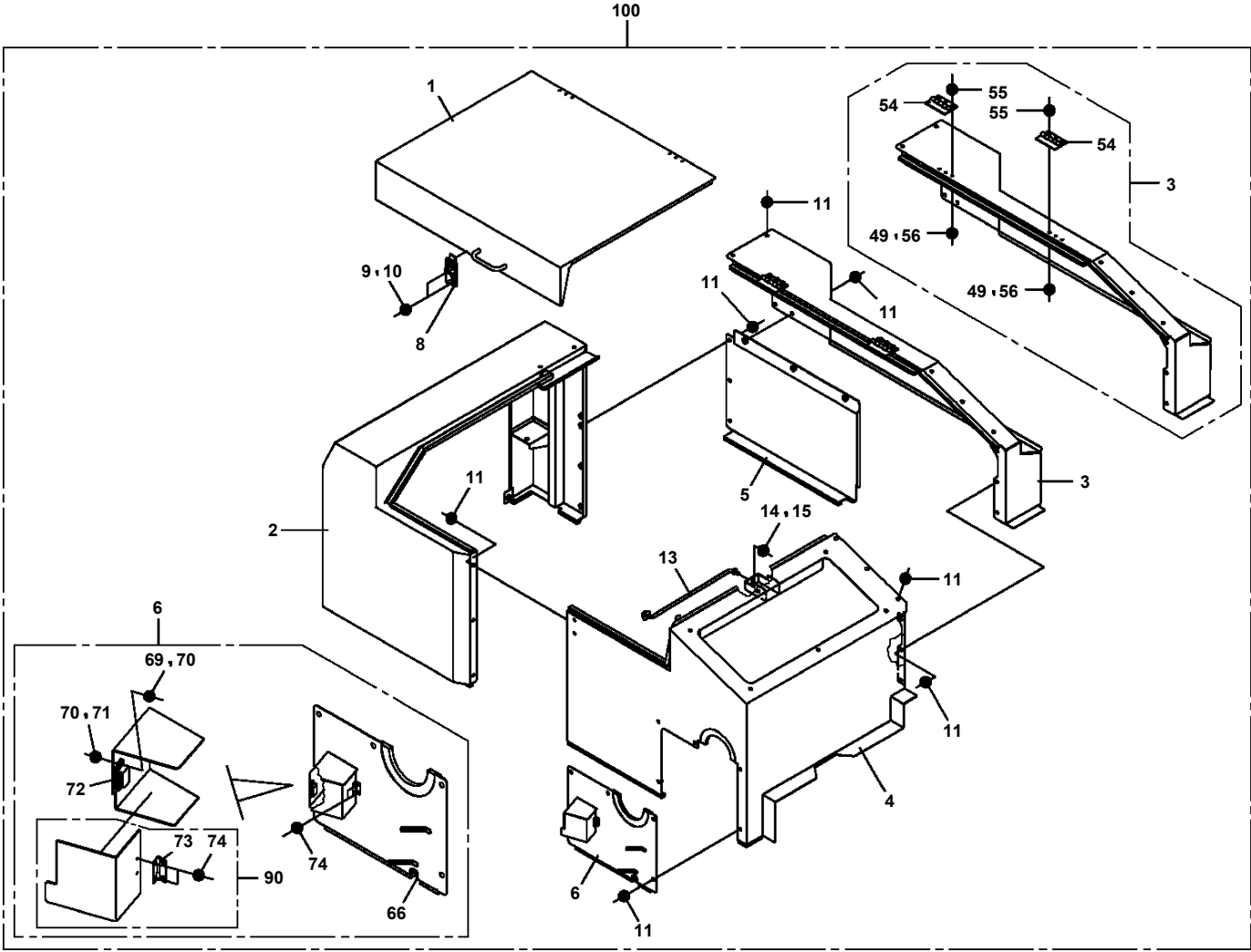
GR-150-3-00102 6 BOOM + 2 JIB, 1M1D
PC5420009-01 CONTROLLER (DCU2)



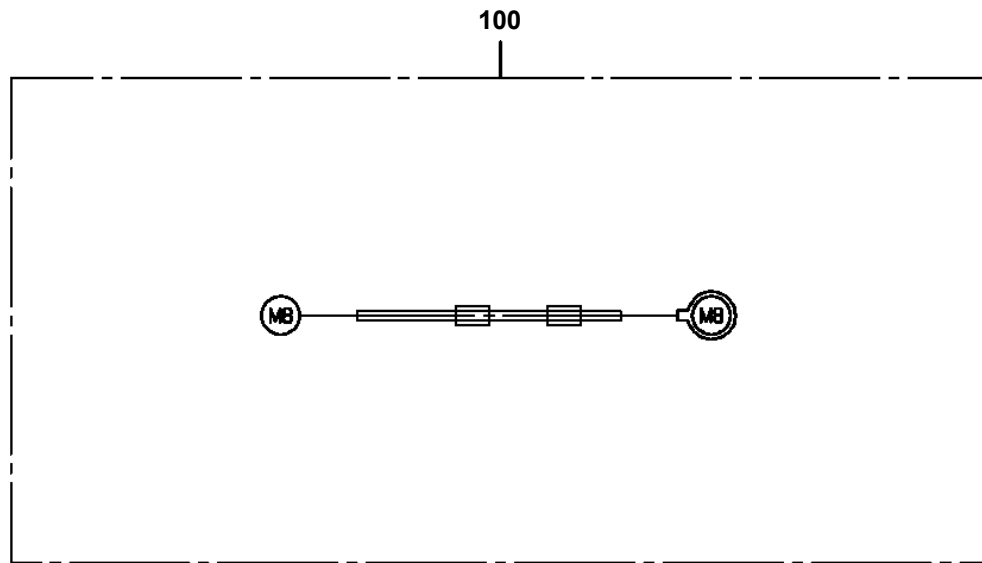
GR-150-3-00102 6 BOOM + 2 JIB, 1M1D
PC5490024-00 COOLER ASSY,OIL



GR-150-3-00102 6 BOOM + 2 JIB, 1M1D
PC5590072-01 COVER ASSY,ENGINE

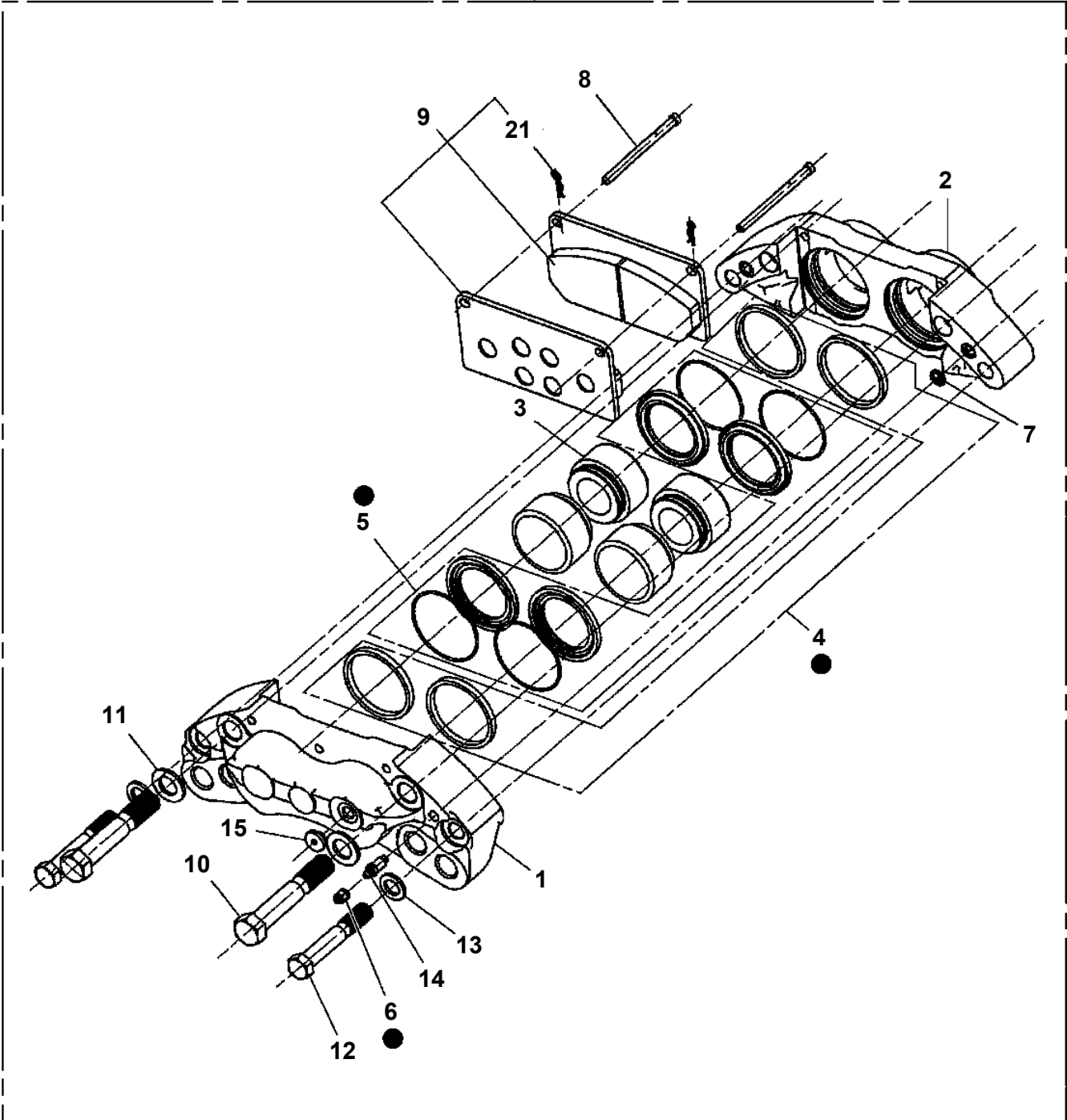


GR-150-3-00102 6 BOOM + 2 JIB, 1M1D
PC5650047-00 CABLE (BATTERY RELAY-STARTER MOTOR)



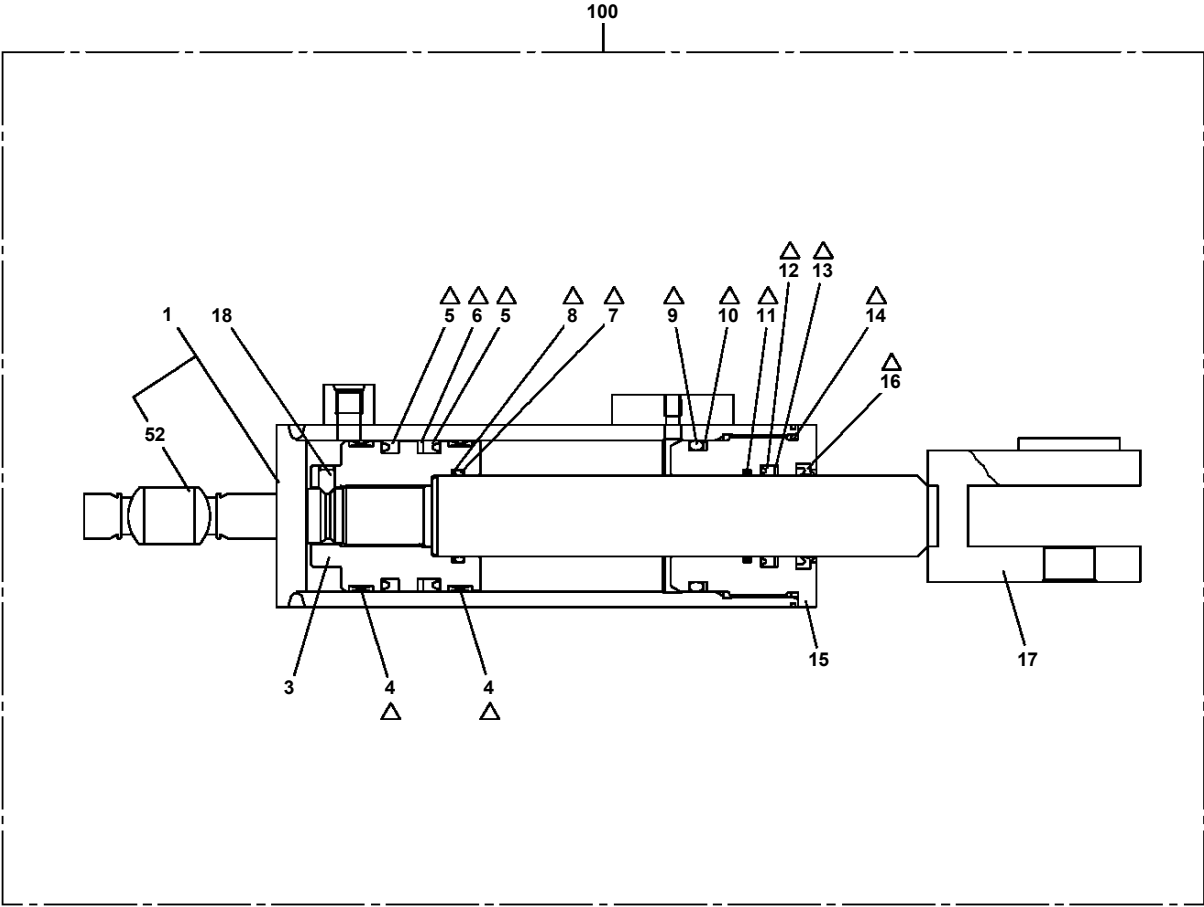
GR-150-3-00102 6 BOOM + 2 JIB, 1M1D
PC5710012-00 CALIPER ASSY

100



● : SEAL KIT KEY NO. 41 (KEY NO. 4, 5, 6)

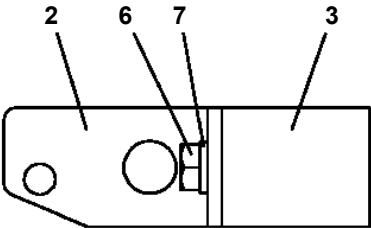
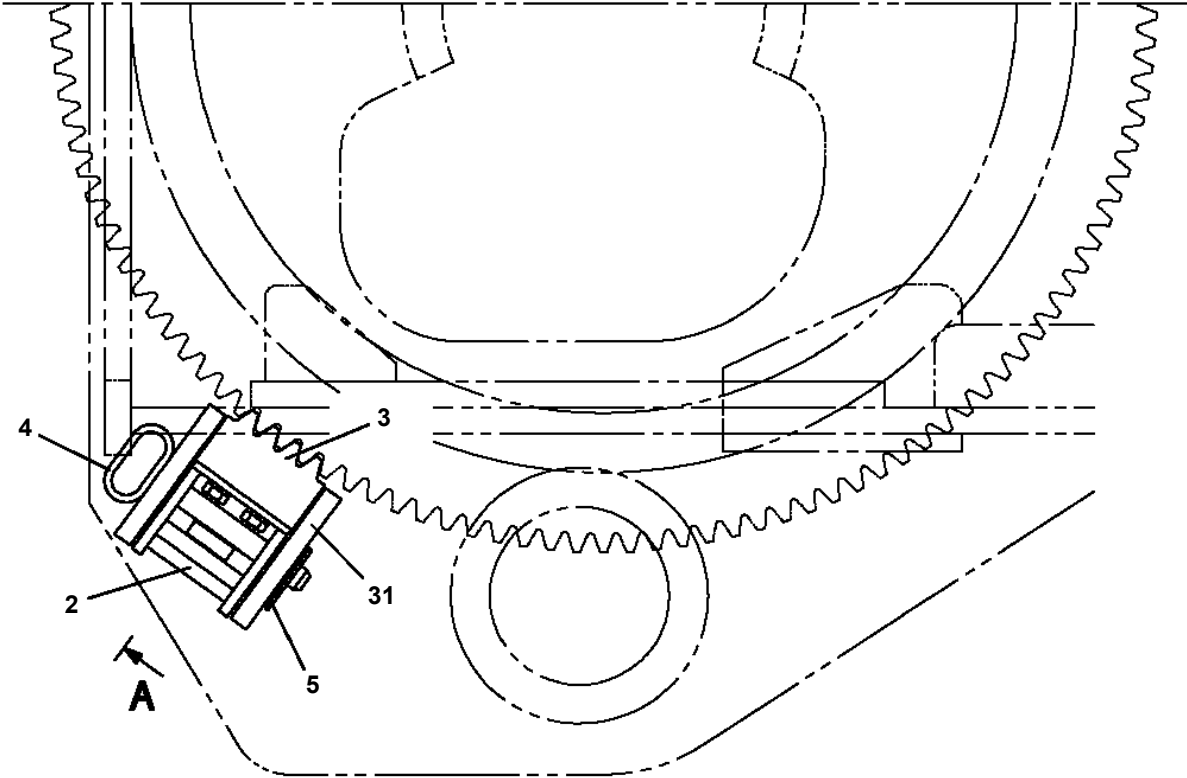
**GR-150-3-00102 6 BOOM + 2 JIB, 1M1D
 PC6440010-02 CYLINDER ASSY, SPRING LOCK (REAR)**



Δ:PACKING SET KEY NO. 80 (KEY NO.4,5;6;7;8,9,10,11,12,13;14,15,16)

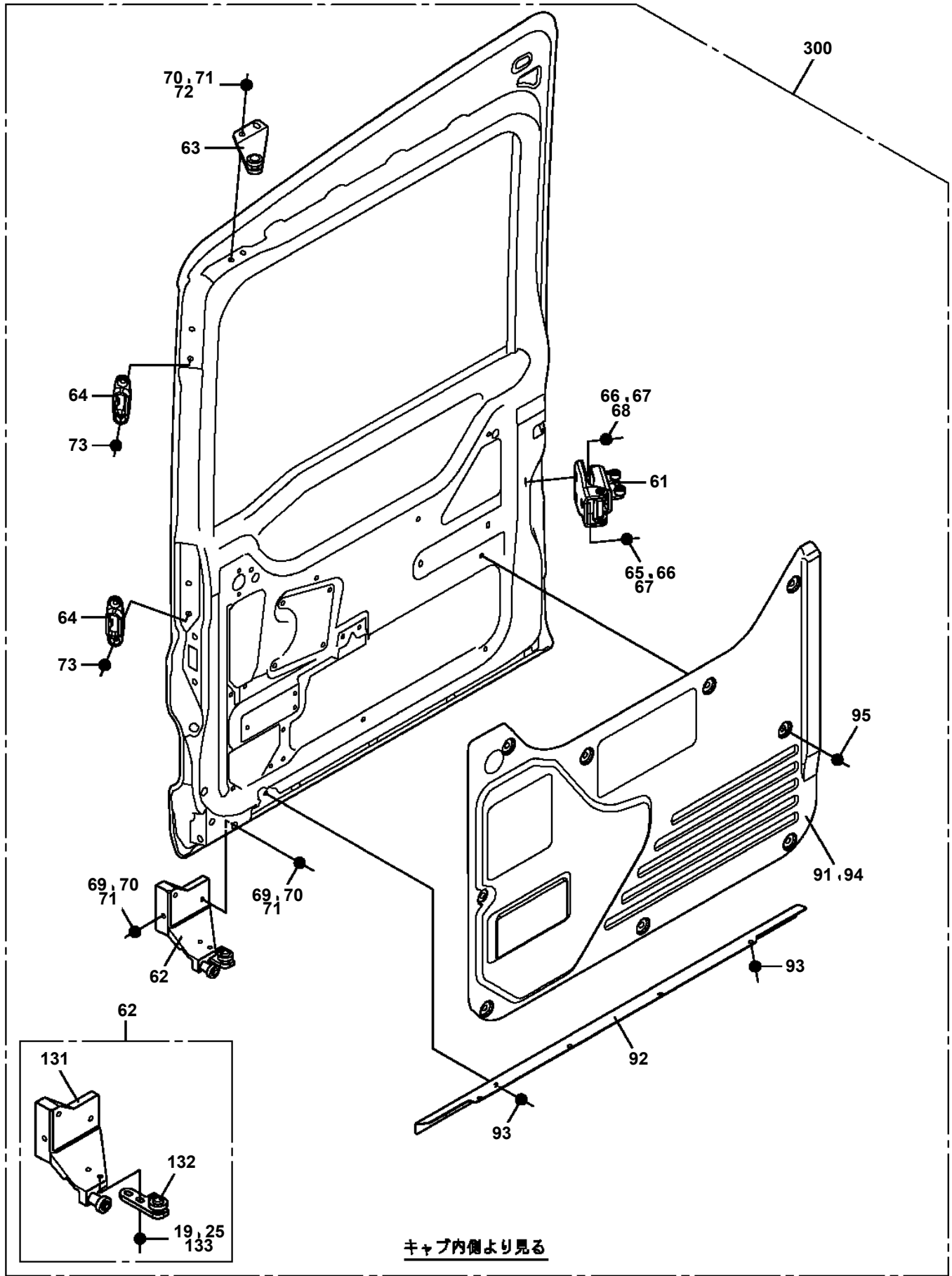
GR-150-3-00102 6 BOOM + 2 JIB, 1M1D
PD1140058-00 LOCK, SWING FRAME

FRONT ←



A

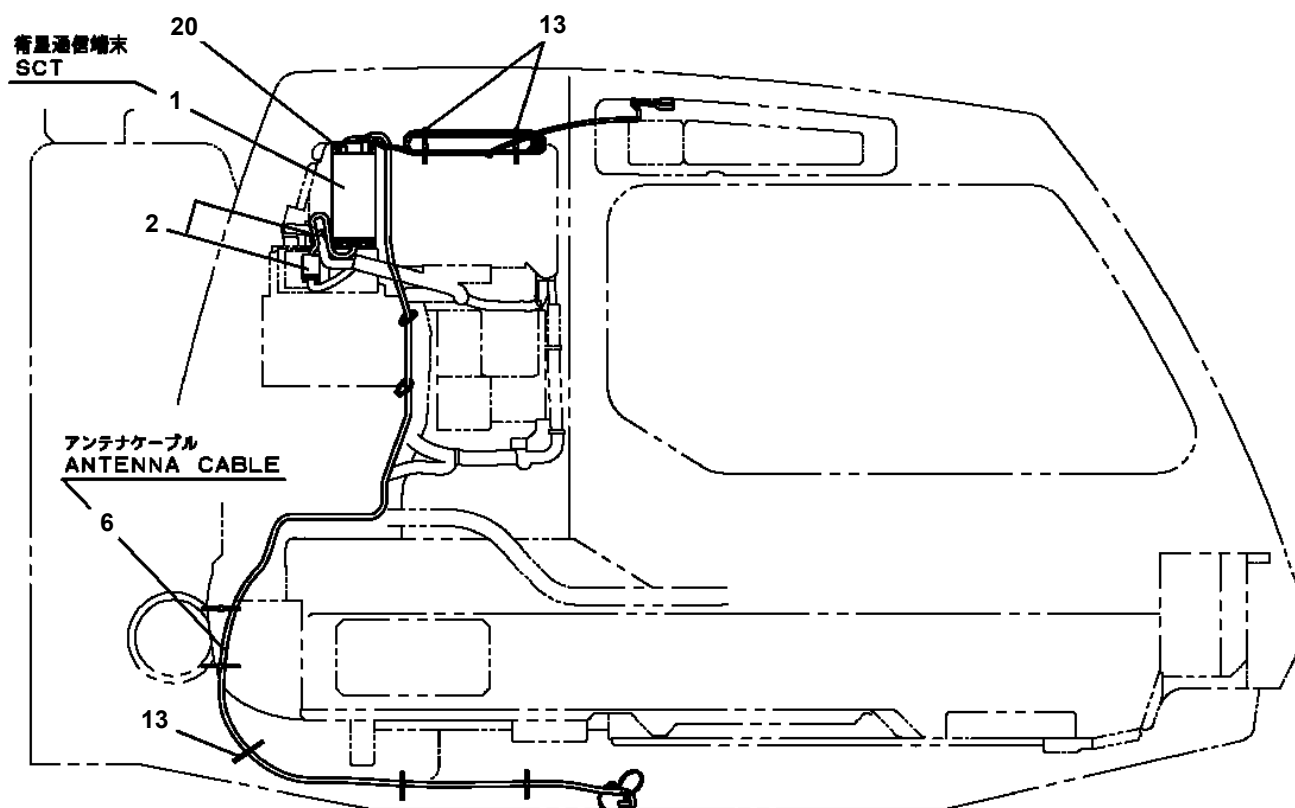
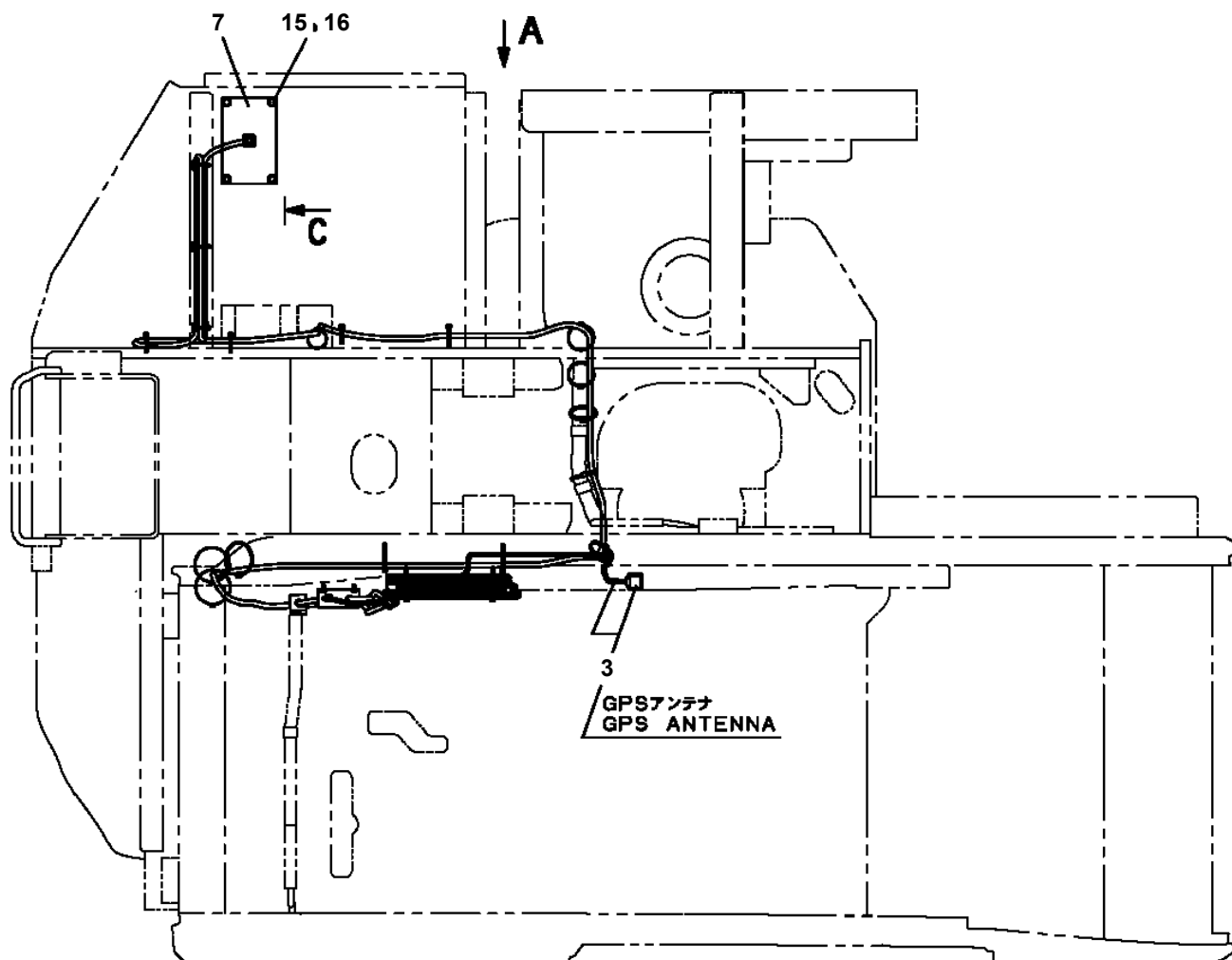
GR-150-3-00102 6 BOOM + 2 JIB, 1M1D
PD5200002-03 DOOR ASSY



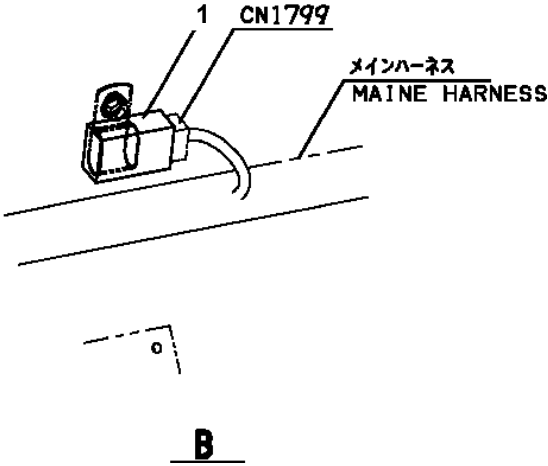
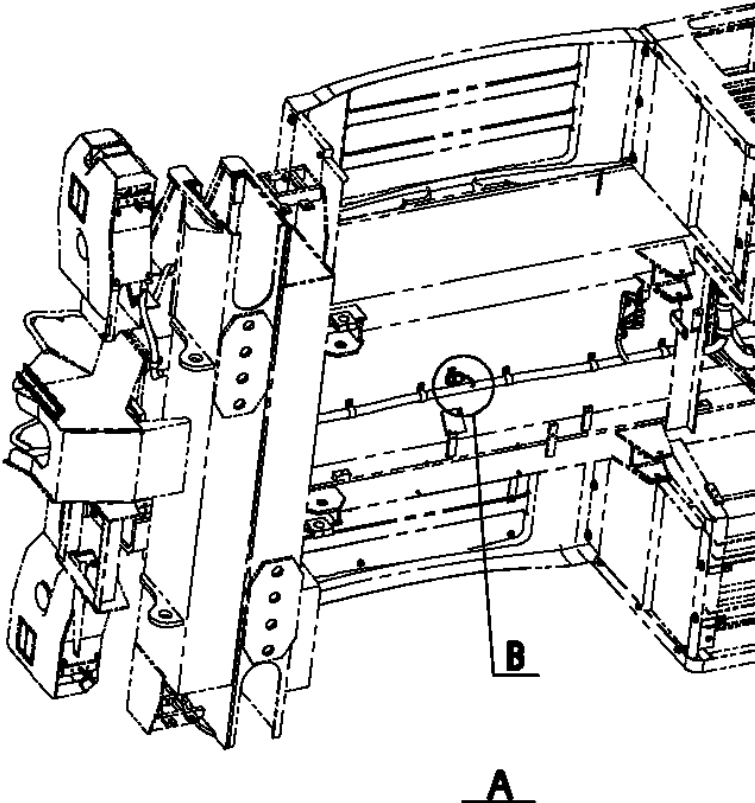
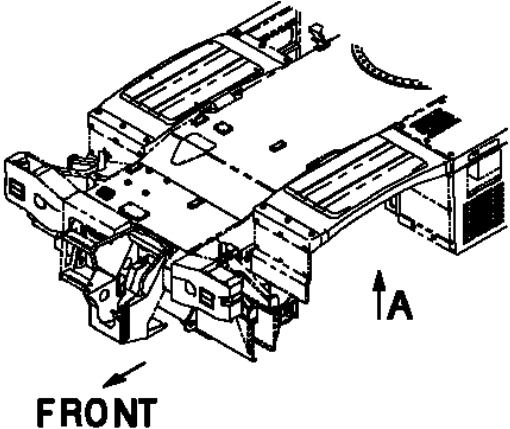
GR-150-3-00102 6 BOOM + 2 JIB, 1M1D

Pos No.	Parts No	Parts Name	Qty	Unit	Technical Data	Serial No (Start)	Serial No (End)
59	91810130240	FASTENER	51				
60	91810132530	FASTENER	7				
62	82100002009	CLAMP	1		WRC12		
63	82100002015	CLAMP	5		WRC20		
64	90186208020	BOLT,FLANGE	6		M8X20		FD4084
	90186208020	BOLT,FLANGE	10		M8X20	FD4085	
65	90302040301	WASHER,SPRING	4		3		
66	80171303012	SCREW,MACHINE	4		M3X12		
67	90201200300	NUT	4		M3		
69	82100002040	CLAMP	1		WE15		
70	82183901010	CONDENSER	1				
71	34932130400	HARNESS (TRANSMISSION)	1				
72	34932090800	SUPPORT	3				
73	90303071001	WASHER,PLAIN	1		10		
74	90302041001	WASHER,SPRING	2		10		
75	90101210012	BOLT	1		M10X12		
76	90101210020	BOLT	1		M10X20		
77	91860100040	CLAMP	2		KCR-W40		
78	82100002016	CLAMP	6		WR25		
80	34932020710	SUPPORT	2				
81	34932020720	SUPPORT	3				
82	34932020730	SUPPORT	4				
83	82100001522	CLIP	17				
85	82100002052	CLAMP	2				
86	91860100015	CLAMP	9		KCR-W15		
87	90201201000	NUT	1		M10		
88	90303070801	WASHER,PLAIN	3		8		
89	90102208025	BOLT	1		M8X25		
90	90101206016	BOLT	1		M6X16		
91	34932133100	SUPPORT	1				
92	34932133200	SUPPORT	2				
93	34932133300	SUPPORT	1				
94	34932133400	SUPPORT	1				
95	34932133500	SUPPORT	1				
96	34932133600	COVER	1				
97	91860100022	CLAMP	4		KCR-W22		
98	82100000955	GROMMET	1		SG-34A		
99	90186208035	BOLT,FLANGE	4		M8X35		
100	90101208018	BOLT	2		M8X18		
101	90302040801	WASHER,SPRING	3		8		
102	90302040601	WASHER,SPRING	1		6		
103	90303070601	WASHER,PLAIN	1		6		
104	34932150800	SUPPORT	1				
105	90303291200	WASHER,PLAIN	2		12		
106	90302041201	WASHER,SPRING	1		12		
107	90201201200	NUT	1		M12		
108	91860100026	CLAMP	2		KCR-W26		
109	34932153100	SUPPORT	1				
110	80172305016	SCREW,MACHINE	2		M5X16	FD4221	
111	90303070501	WASHER,PLAIN	2		5	FD4221	
131	34731437510	BULB,LAMP	2				
148	82166300210	BULB,LAMP (KOITO)	2		24V 21W		FD4220
171	33650080600	LAMP ASSY,LICENSE (ASSY ONLY)	1				FD4220
172	34931041411	HARNESS	1				FD4220
173	91810130240	FASTENER	2				FD4220
174	82166300100	BULB,LAMP	1		24V 10W		FD4220
181	34930707520	LENS	1				FD4220
191	34930707530	LENS	1				FD4220

GR-150-3-00102 6 BOOM + 2 JIB, 1M1D
PE5021294-01 ELEC.ASSY (SCT)



GR-150-3-00102 6 BOOM + 2 JIB, 1M1D
PE5021316-00 ELEC.ASSY (FOR NORTH AMERICA,PLUG)

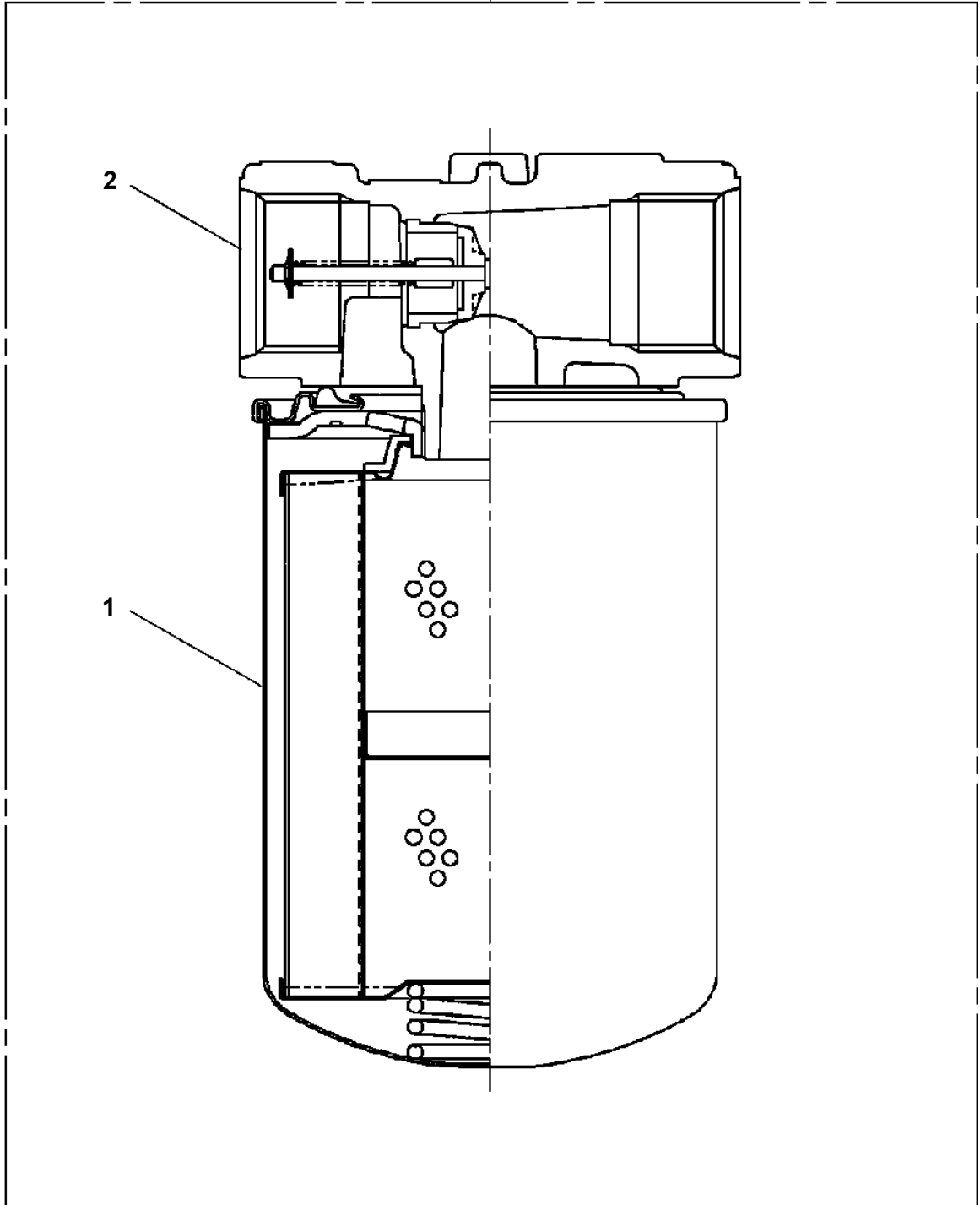


GR-150-3-00102 6 BOOM + 2 JIB, 1M1D

Pos No.	Parts No	Parts Name	Qty	Unit	Technical Data	Serial No (Start)	Serial No (E
1	(*****)	ACCESSORY LIST (MOUNTING PART)	1				
2	(*****)	ACCESSORY LIST(ELECTRICAL DEVICE)	1				
100	36361890000	ENGINE ASSY (HINO)	1				

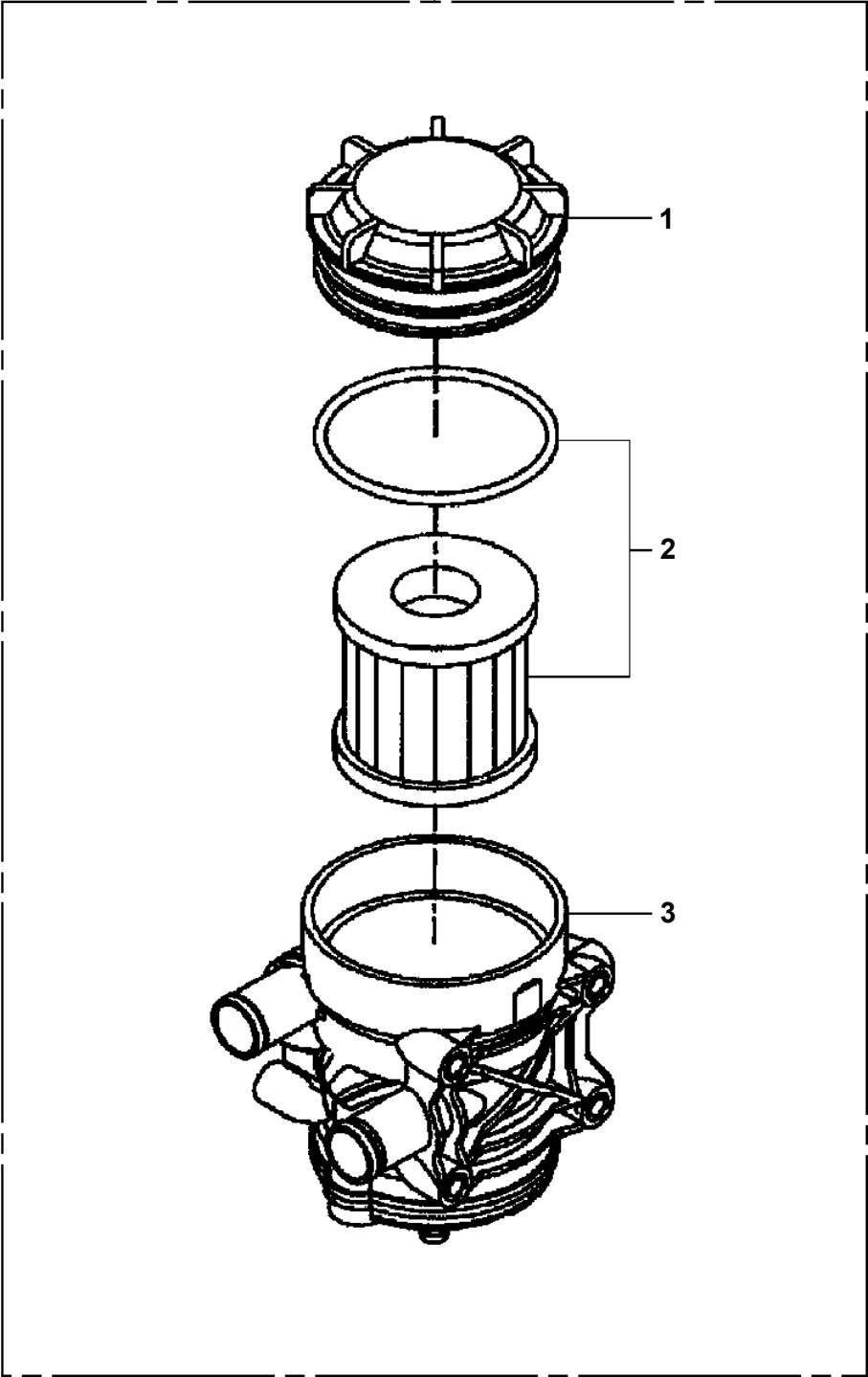
GR-150-3-00102 6 BOOM + 2 JIB, 1M1D
PF5030020-00 FILTER ASSY

100

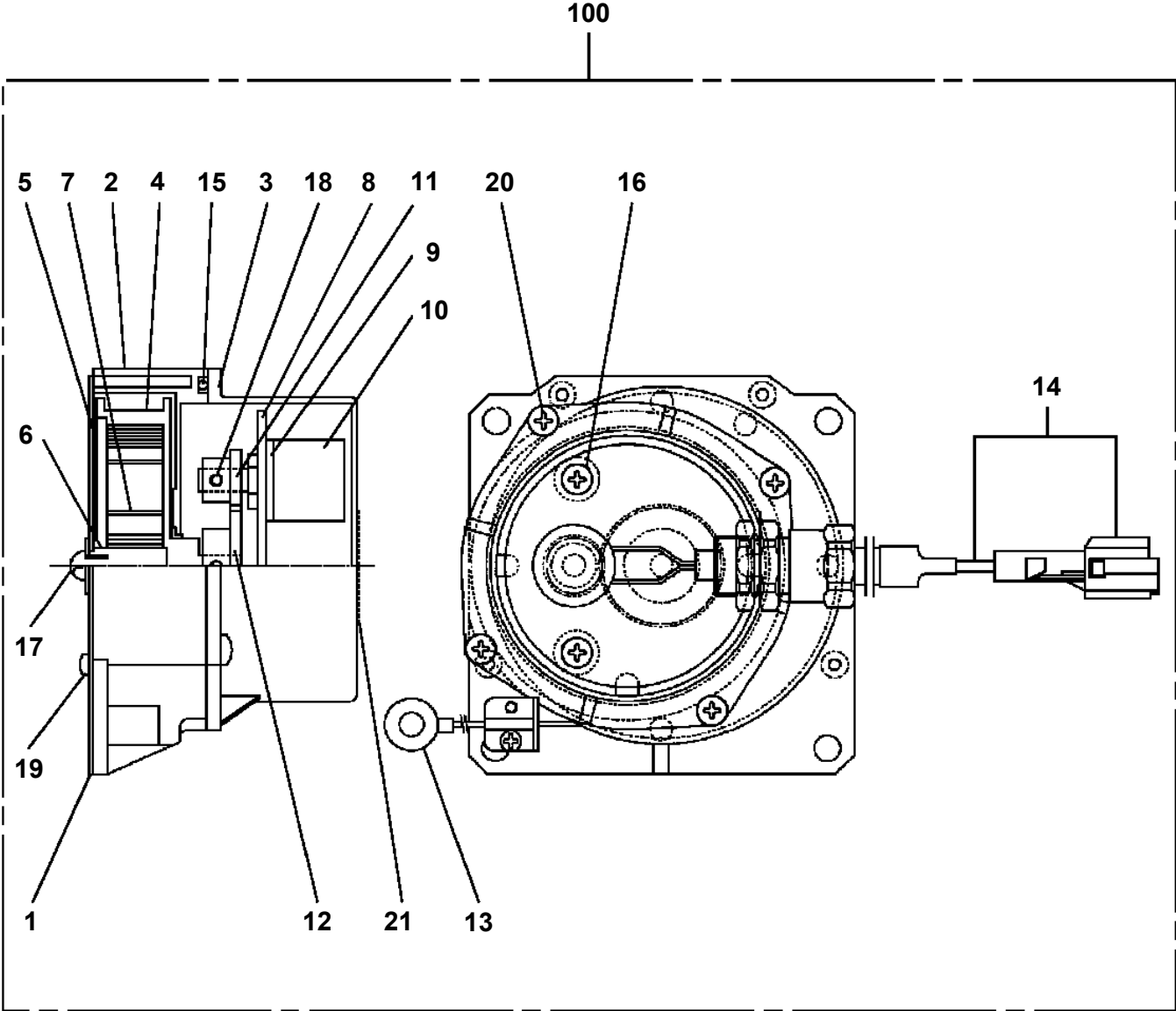


GR-150-3-00102 6 BOOM + 2 JIB, 1M1D
PF5140001-00 FILTER

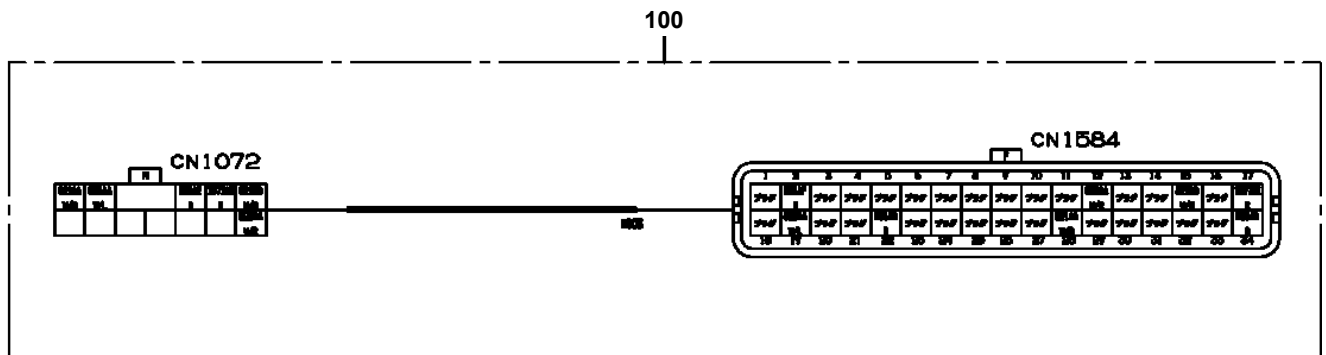
100



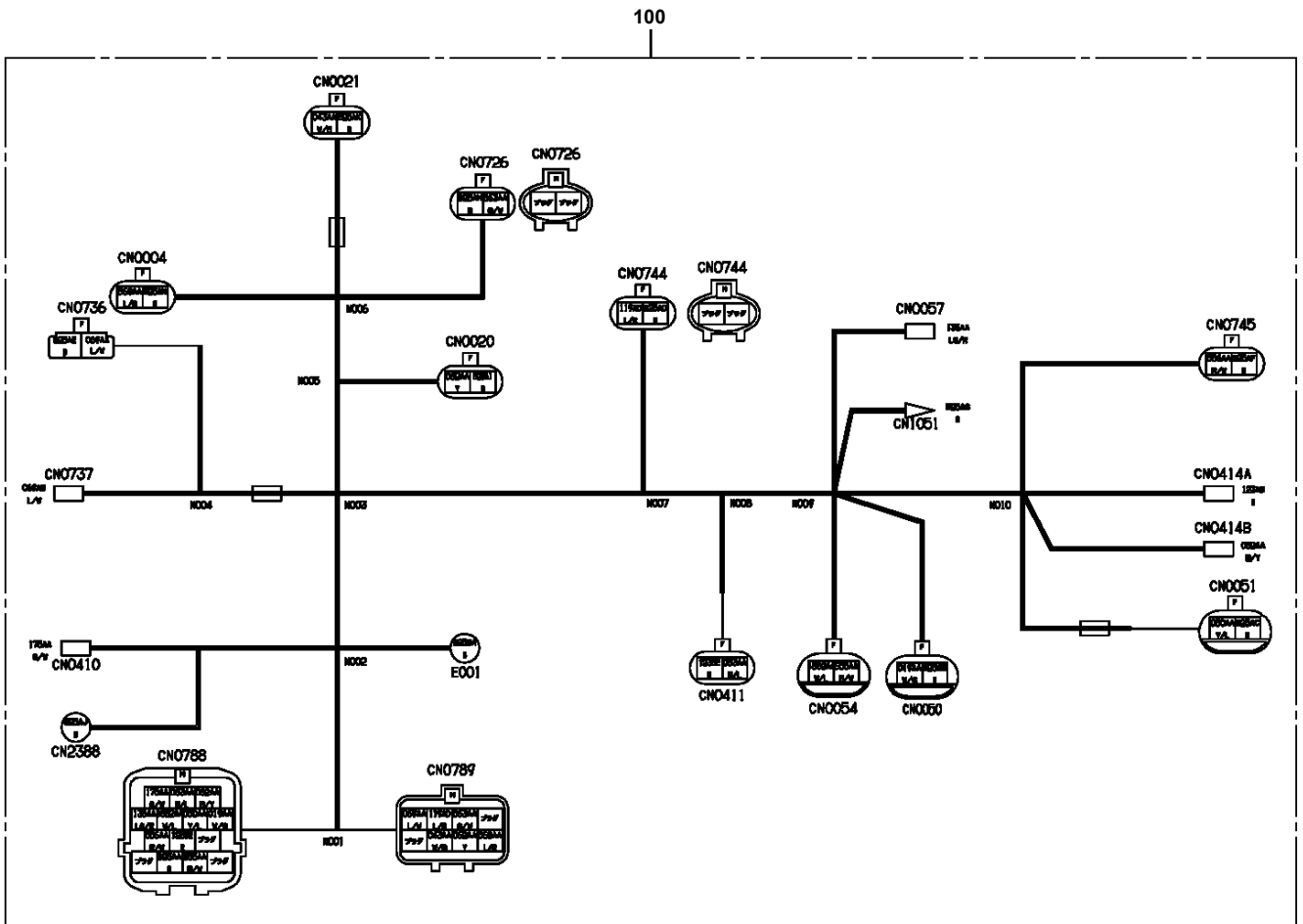
GR-150-3-00102 6 BOOM + 2 JIB, 1M1D
PG1190015-00 DETECTOR, JIB LENGTH (POWER TILT)



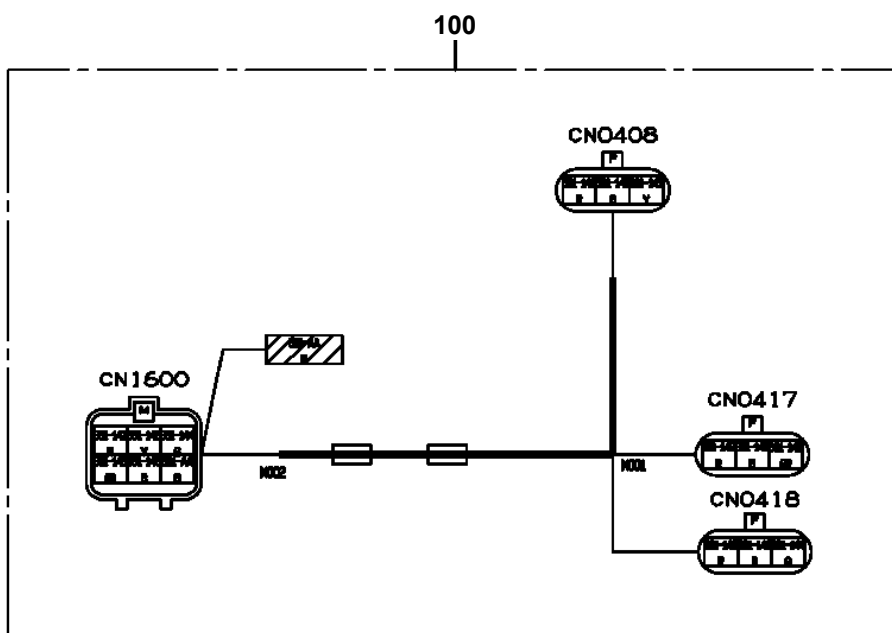
**GR-150-3-00102 6 BOOM + 2 JIB, 1M1D
PH5032779-00 HARNESS (GSMT)**



**GR-150-3-00102 6 BOOM + 2 JIB, 1M1D
PH5033543-00 HARNESS (UNIT)**



GR-150-3-00102 6 BOOM + 2 JIB, 1M1D
PH5033552-00 HARNESS (REAR STEERING)



GR-150-3-00102 6 BOOM + 2 JIB, 1M1D

Pos No.	Parts No	Parts Name	Qty	Unit	Technical Data	Serial No (Start)	Serial No (End)	Rema
1	82182819823	DIODE	18		1.5A			
2	82182819834	DIODE	2		1.5A			
3	82122704200	CAP	1					
4	82181809920	RESISTANCE	1		1.3 KILO-OHM ,0.5W			
5	82182819822	DIODE	3		3A			
100	34355881010	HARNESS (MAIN,IN CAB)	1					

GR-150-3-00102 6 BOOM + 2 JIB, 1M1D

Pos No.	Parts No	Parts Name	Qty	Unit	Technical Data	Serial No (Start)	Serial No (End)
2	34355881010	HARNESS (MAIN,IN CAB)	1				
3	34355291050	HARNESS (FOR NORTH AMERICA)	1				
100	34355291010	HARNESS ASSY (MAIN,IN CAB,NORTH AMERICA)	1				

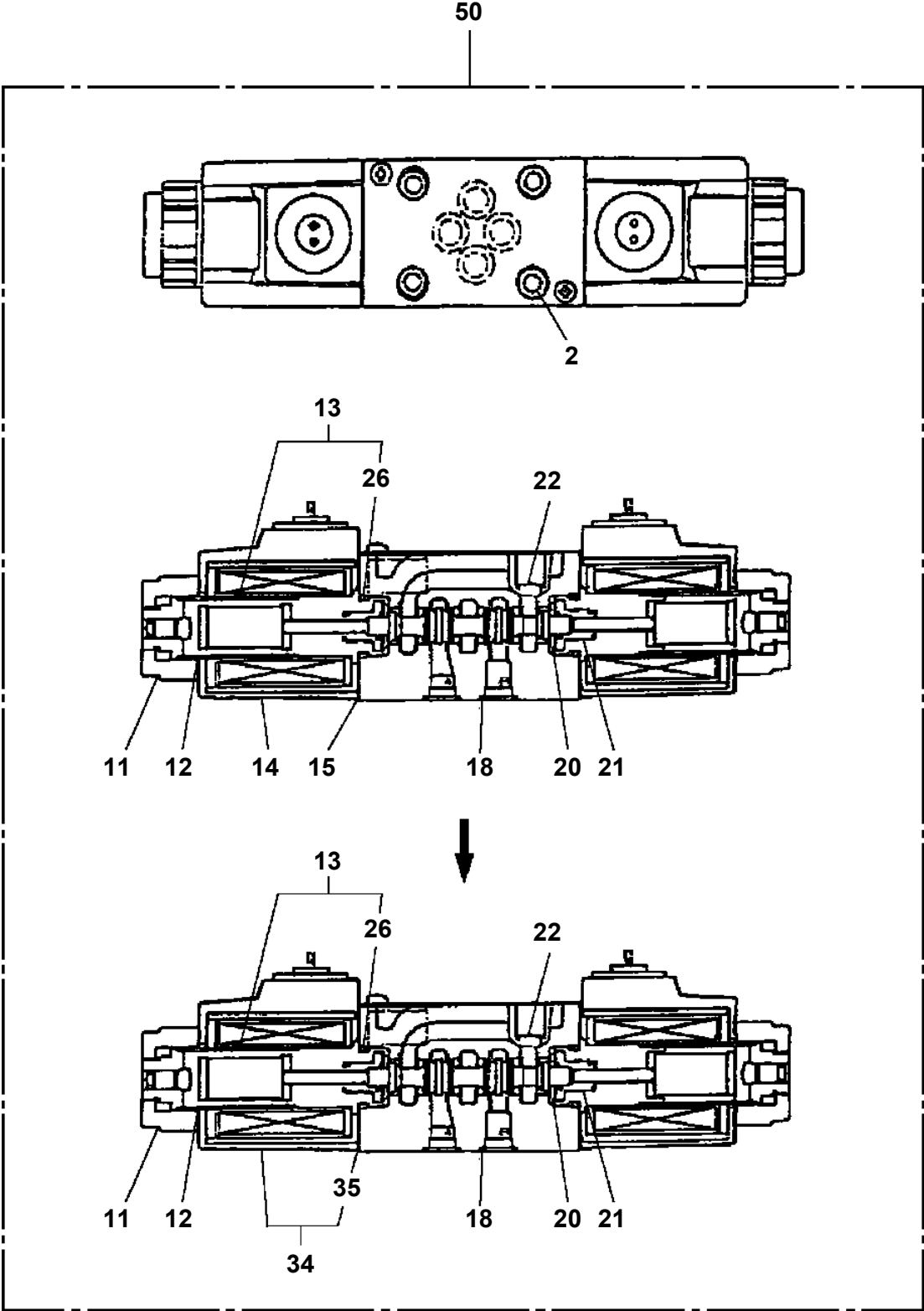
GR-150-3-00102 6 BOOM + 2 JIB, 1M1D

Pos No.	Parts No	Parts Name	Qty	Unit	Technical Data	Serial No (Start)	Serial No (End)	Remarks	Page
1	34355882700	SUPPORT	1						
2	34355882800	COVER	1						
3	34352802300	HORN (HIGH PITCH)	1						
4	34352802400	HORN (LOW PITCH)	1						
5	34355502500	HARNESS (HORN)	1						0001
6	90186208014	BOLT,FLANGE	2		M8X14				
7	90280200800	NUT,FLANGE	2		M8				

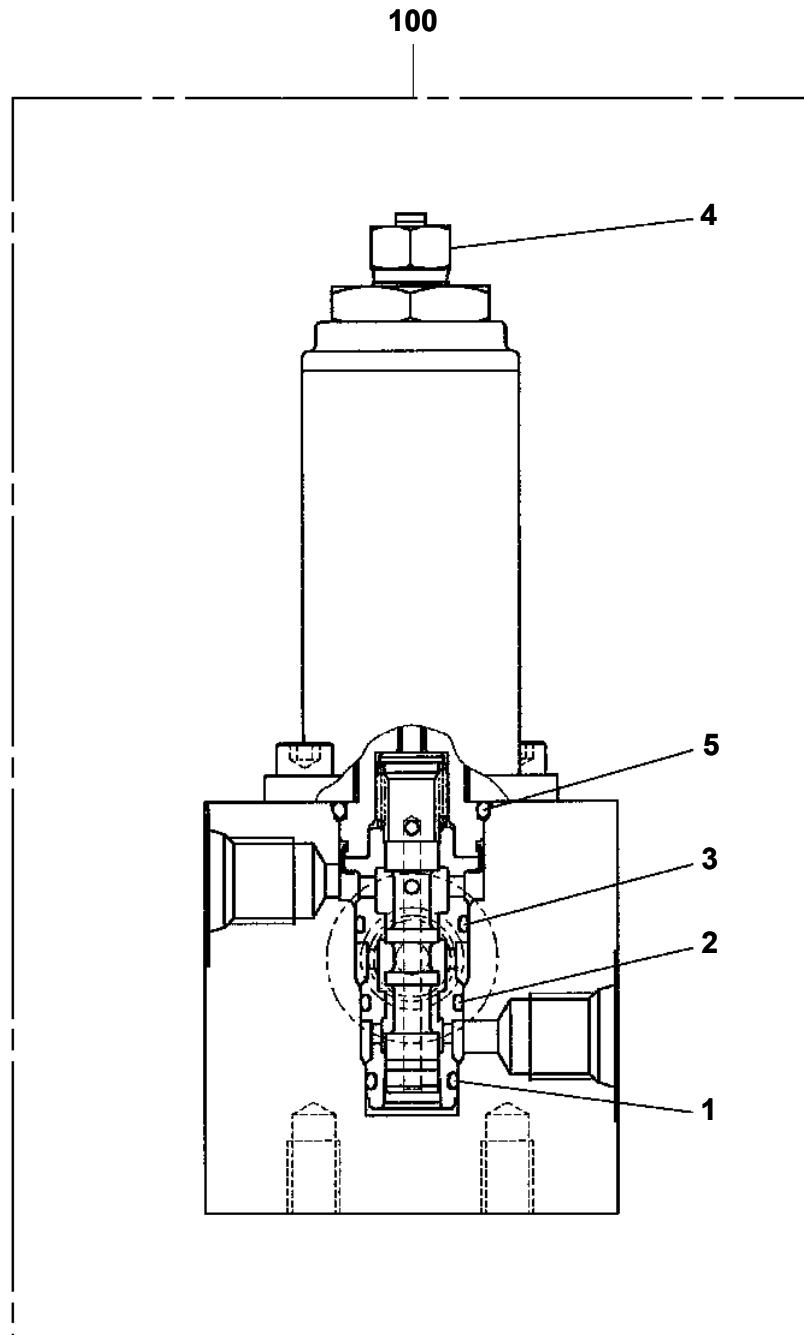
GR-150-3-00102 6 BOOM + 2 JIB, 1M1D

Pos No.	Parts No	Parts Name	Qty	Unit	Technical Data	Serial No (Start)	Serial No (End)	Remarks	Pages
1	36644595080	FILTER	1						
2	34711041300	FILTER	2						
10	36644590000	VALVE,SOLENOID	1						

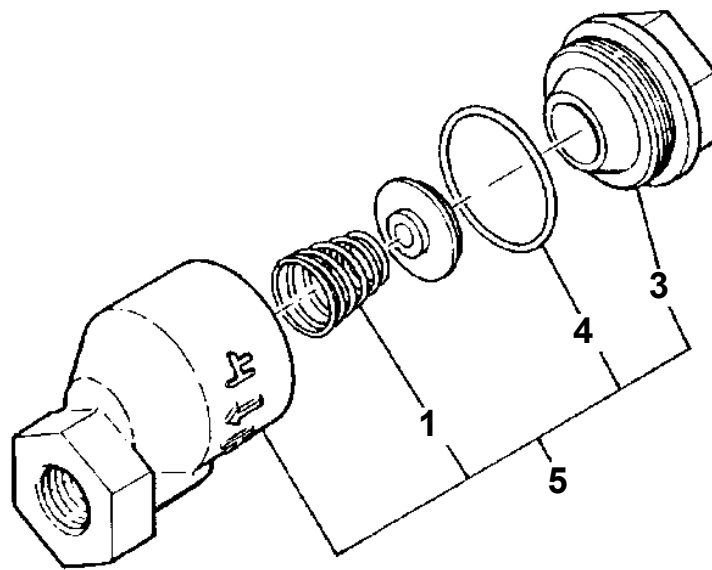
GR-150-3-00102 6 BOOM + 2 JIB, 1M1D
PI1120233-01 VALVE,SOLENOID (TOKIMEC)



GR-150-3-00102 6 BOOM + 2 JIB, 1M1D
PI1120304-01 VALVE,SOLENOID

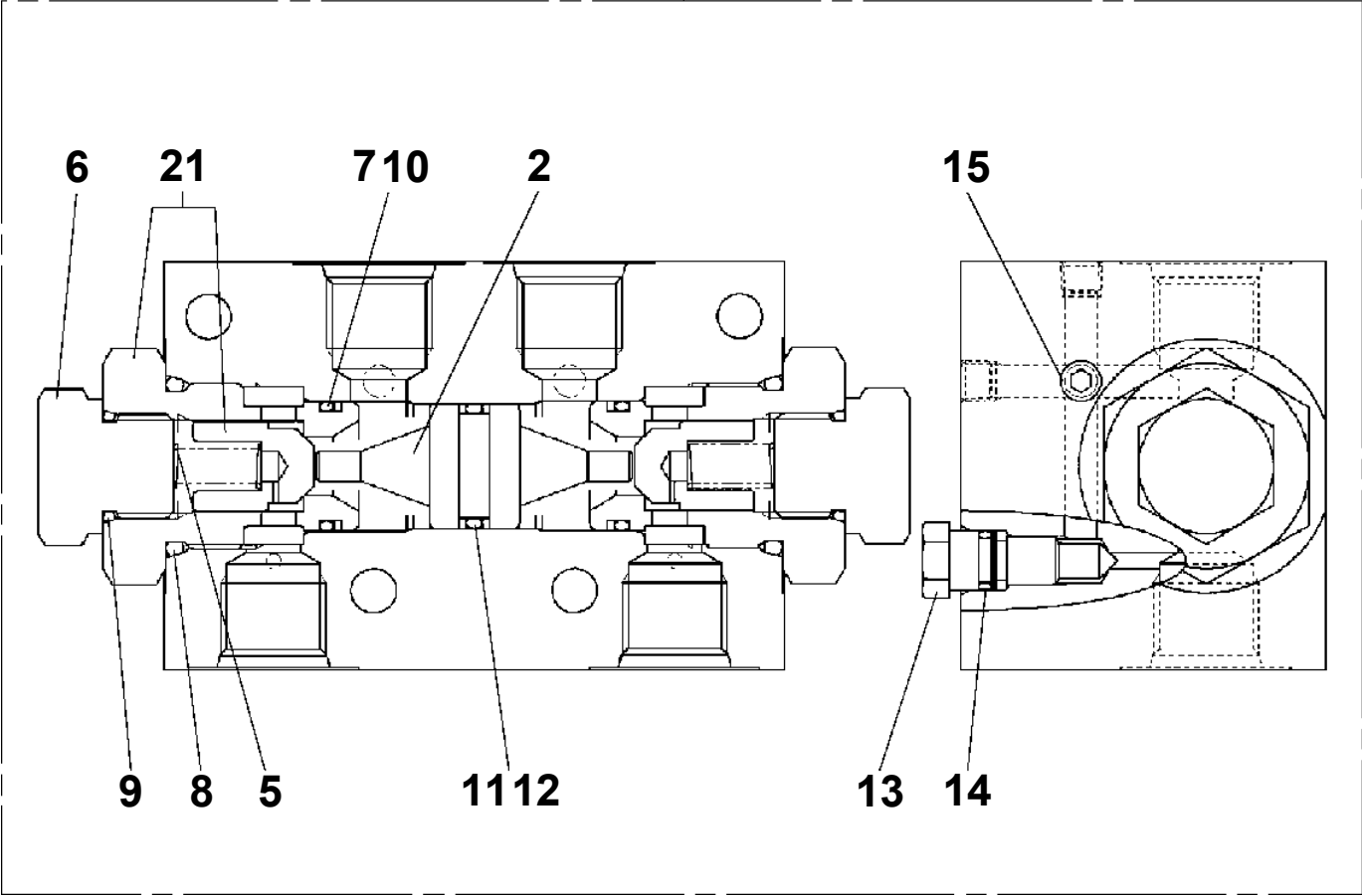


GR-150-3-00102 6 BOOM + 2 JIB, 1M1D
PI1140040-00 VALVE,CHECK

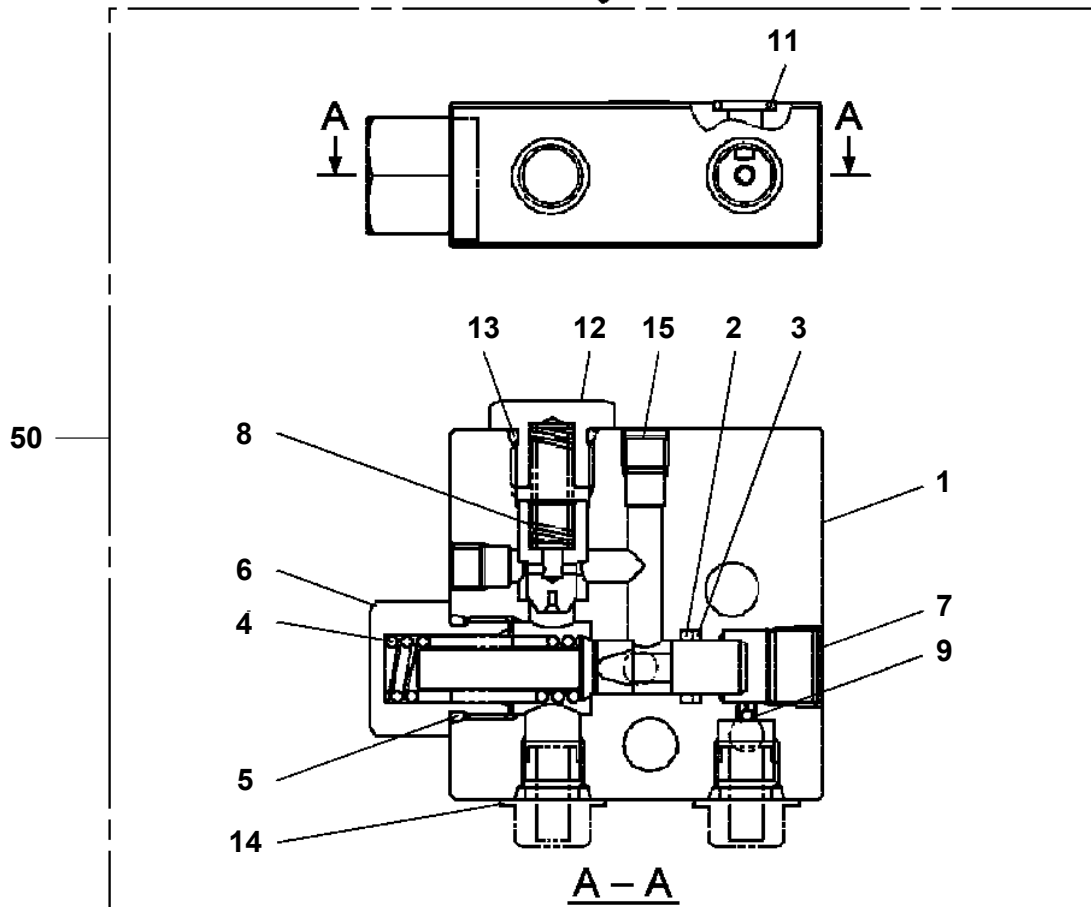
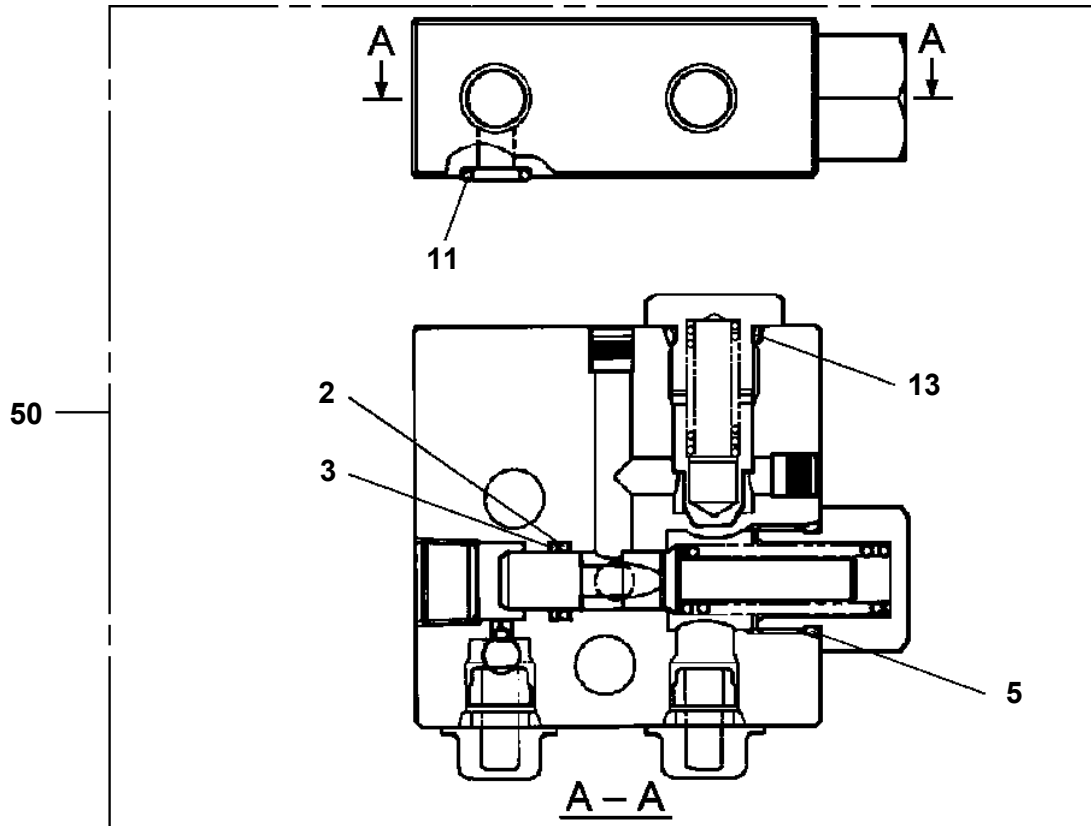


**GR-150-3-00102 6 BOOM + 2 JIB, 1M1D
PI1140179-00 VALVE,CHECK**

100



GR-150-3-00102 6 BOOM + 2 JIB, 1M1D
PI1250070-03 VALVE,COUNTERBALANCE



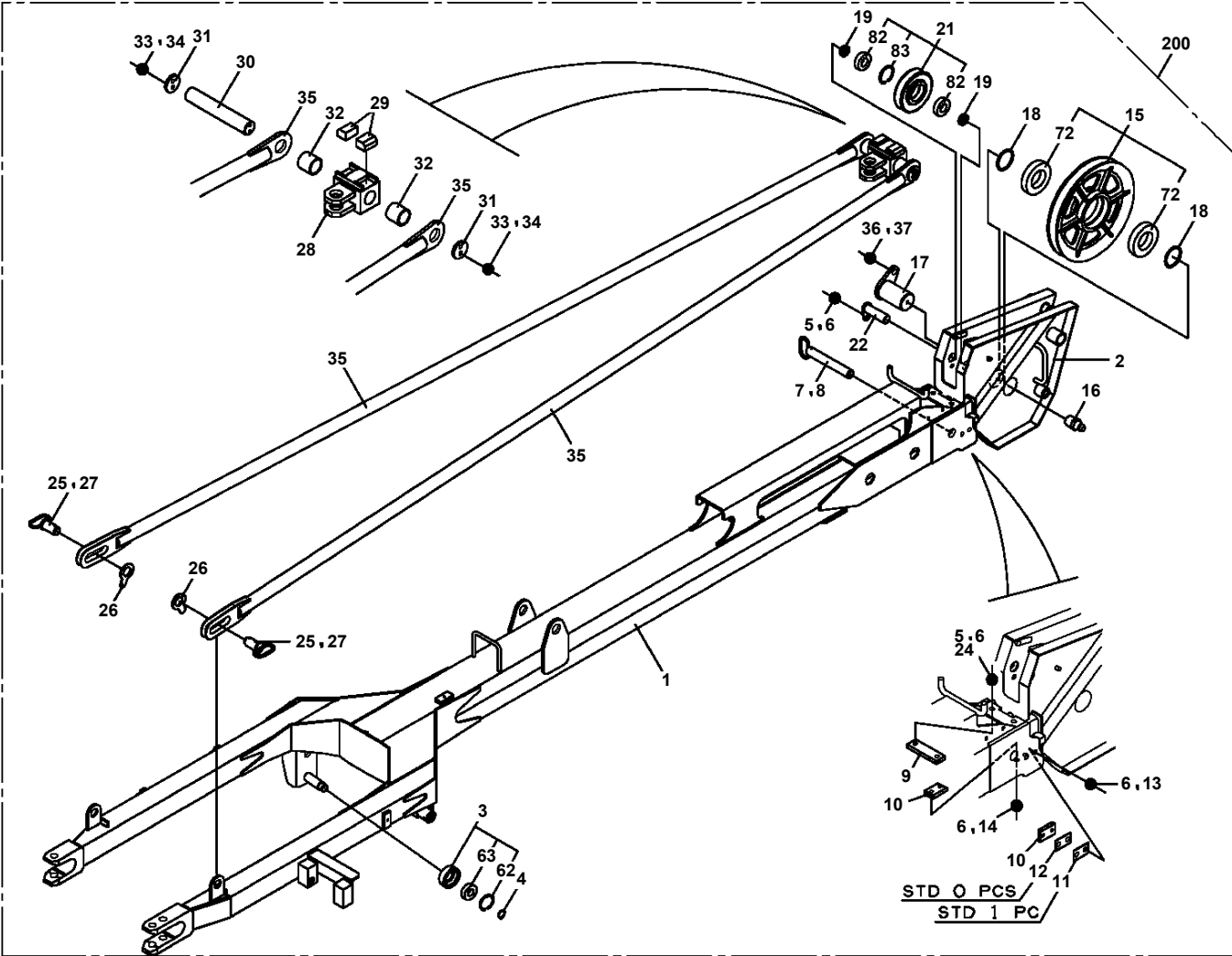
GR-150-3-00102 6 BOOM + 2 JIB, 1M1D

Pos No.	Parts No	Parts Name	Qty	Unit	Technical Data	Serial No (Start)	Serial No (End)
1	36132460000	DETECTOR,JIB LENGTH (POWER TILT)	1				
2	90172106014	BOLT,HEXAGON SOCKET	4		M6X14		
3	90302040601	WASHER,SPRING	4		6		
4	34364341200	COVER	1				
5	90186210014	BOLT,FLANGE	4		M10X14		
6	82100002001	CLAMP	3		WR5		
7	90280200600	NUT,FLANGE	5		M6		
8	90201200600	NUT	3		M6		
9	80136320016	PIN,SPLIT	1		2X16		
10	90303070601	WASHER,PLAIN	1		6		
11	91810130250	FASTENER	1				
12	34931751100	COVER	1				
13	82100001522	CLIP	1				

GR-150-3-00102 6 BOOM + 2 JIB, 1M1D

Pos No.	Parts No	Parts Name	Qty	Unit	Technical Data	Serial No (Start)	Serial No (End)	Remarks
1	36131800000	DETECTOR ASSY,LENGTH	4					
2	80182306012	SCREW,MACHINE	16		M6X12			
3	90302040601	WASHER,SPRING	16		6			
4	90186208014	BOLT,FLANGE	8		M8X14			
5	37001107031	ROLLER ASSY	4					
6	34950941200	COVER	4					
7	80601110170	RING,RITAINING	4		S17			
8	80136320016	PIN,SPLIT	4		2X16			
9	90303070601	WASHER,PLAIN	4		6			

GR-150-3-00102 6 BOOM + 2 JIB, 1M1D
PJ5050111-00 JIB ASSY



GR-150-3-00102 6 BOOM + 2 JIB, 1M1D

Pos No.	Parts No	Parts Name	Qty	Unit	Technical Data	Serial No (Start)	Serial No (End)	Remark
1	34631142000	RING ASSY,SLIP	1					
3	91624517000	PACKING	2					
4	91150217000	SEAL,RING	2					
5	34631141100	BODY	1					
6	34631361200	CORE	1					
7	82401800100	PLUG (FOR M10)	2					
8	34631361300	CORE	1					
9	37000404840	BEARING,PLAIN	1					
10	34631141400	SUPPORT	1					
12	37000404880	BEARING,PLAIN	1					
13	91151110000	SEAL,RING	4					
14	91153011506	SEAL,RING	3					
16	90172108020	BOLT,HEXAGON SOCKET	6		M8X20			
19	34631141500	PLATE	1					
20	90171112028	BOLT	2		M12X28			
25	91150517000	SEAL,RING	5					
26	37000404890	BEARING,PLAIN	1					
27	91002809000	O-RING	1		1B P90			
28	90101206020	BOLT	3		M6X20			
29	90302040601	WASHER,SPRING	3		6			
30	82459103000	NIPPLE,GREASE	1		C-PT1/8			
31	34630981500	BREATHER	1					
32	34630981600	JOINT	1					
33	37002217780	PLATE,NAME	1					
34	34391202060	PLATE,CAUTION (NO STEP)	1					
36	90172106020	BOLT,HEXAGON SOCKET	2		M6X20			
37	90303070601	WASHER,PLAIN	2		6			
38	34631141600	SPACER	2					
39	80742060030	PIN	2					
40	82456101000	NIPPLE,GREASE	1		A-PT1/8			
52	80481103040	JOINT	2		L,G3/8-G1/2			
53	80491106080	JOINT	1					
54	80471020504	JOINT	1		HL205-04			
55	37000925680	JOINT	1		S,G3/8-G3/8			
56	80400160131	JOINT	1					
57	80430620600	JOINT (WITH O-RING)	1		L,G3/8-G3/8			
62	91002801800	O-RING	4		1B P18			
63	91002801400	O-RING	4		1B P14			
64	91002802400	O-RING	2		1B P24			
65	37000903570	JOINT	1					
66	80481304040	JOINT	1		L,G1/2-G1/2			
67	37000925630	JOINT	1		S,G3/4-G3/4			
200	34631370000	JOINT ASSY,SWIVEL	1					

GR-150-3-00102 6 BOOM + 2 JIB, 1M1D

Pos No.	Parts No	Parts Name	Qty	Unit	Technical Data	Serial No (Start)	Serial No (End)	Re
1	34495510102	LAMP ASSY (ASSY ONLY)	1					
2	34495172000	PLATE,NAME (HIGH PRESSURE)	1					
3	82100002008	CLAMP	1		WR12			
4	90280200600	NUT,FLANGE	1		M6			

CLICK HERE TO **DOWNLOAD** THE COMPLETE MANUAL

- Thank you very much for reading the preview of the manual.
- You can download the complete manual from: www.heydownloads.com by clicking the link below



- Please note: If there is no response to CLICKING the link, please download this PDF first and then click on it.

CLICK HERE TO **DOWNLOAD** THE COMPLETE MANUAL

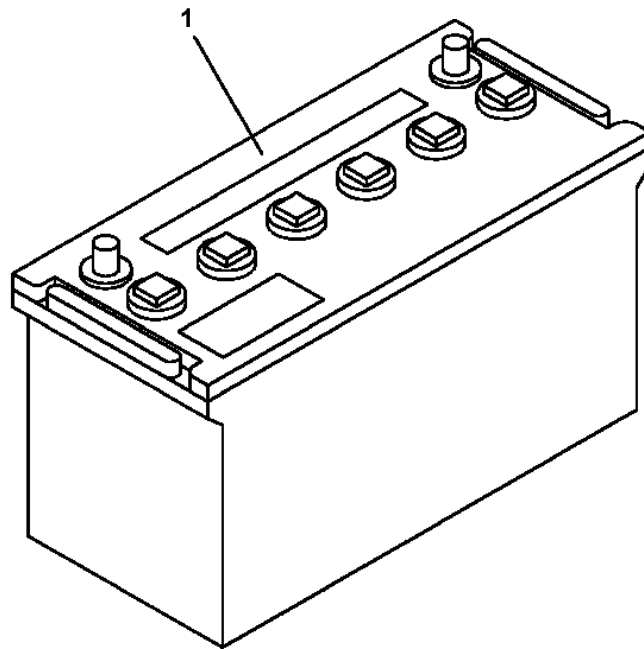
GR-150-3-00102 6 BOOM + 2 JIB, 1M1D

Pos No.	Parts No	Parts Name	Qty	Unit	Technical Data	Serial No (Start)	Serial No (End)	Remarks
1	34931937510	LENS (RED)	1					
2	34931937520	LENS (UMBER)	1					
3	34931937530	BULB,LAMP (24V)	1					
4	34931937540	BULB,LAMP (24V)	1					
5	34931937550	REFLECTOR	1					
100	34931933000	LAMP,COMBINATION (R)	1					

GR-150-3-00102 6 BOOM + 2 JIB, 1M1D

Pos No.	Parts No	Parts Name	Qty	Unit	Technical Data	Serial No (Start)	Serial No (End)	Remarks	Pages
1	82100000955	GROMMET	1		SG-34A				
2	34350002100	CAP	1						
3	82401800060	PLUG (FOR M6)	2						
4	34262518100	COVER	1						
5	80192485008	SCREW,MACHINE	4		M5X8				
6	82480007225	PLUG	2			FD4218			

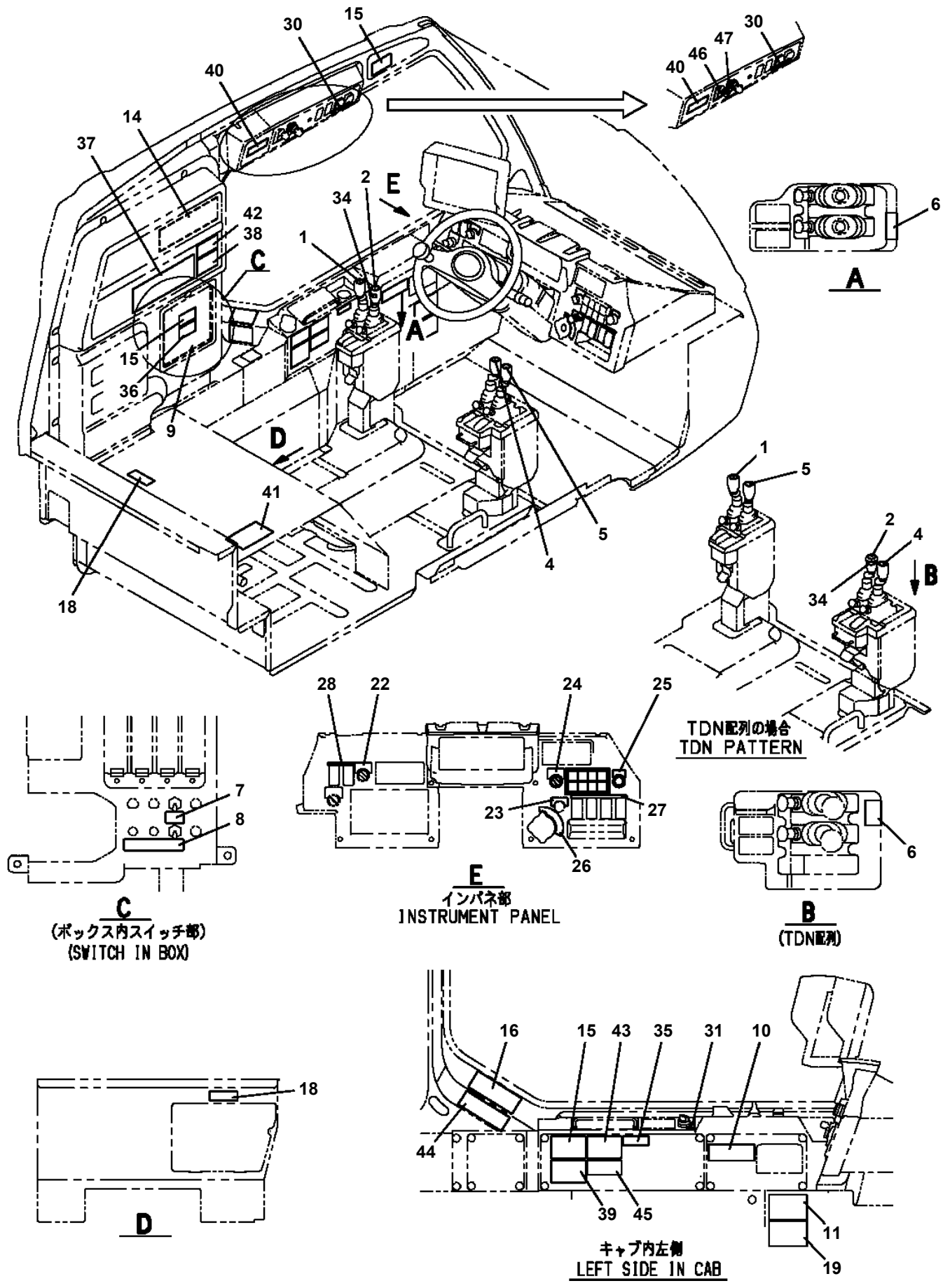
GR-150-3-00102 6 BOOM + 2 JIB, 1M1D
PN1370152-00 BATTERY (PANASONIC/100E41R)



GR-150-3-00102 6 BOOM + 2 JIB, 1M1D

Pos No.	Parts No	Parts Name	Qty	Unit	Technical Data	Serial No (Start)	Serial No (End)
1	34520511560	PLATE,CAUTION	1				
2	34520511590	PLATE,NAME	1				
4	37002236400	PLATE,CAUTION (LOOSE WHEEL HAZARD)	1				
6	37002236500	PLATE,CAUTION (BRAKE FAILURE HAZARD)	1				
8	34520511570	PLATE,CAUTION	1				
9	37002236800	PLATE,CAUTION (RISK OF INJURY WHILE)	1				
10	37002235800	PLATE,CAUTION (MAJOR ACCIDENT HAZARD)	1				
11	34520511500	PLATE,NAME	1				
12	34520511110	PLATE,NAME	1				
14	34397181010	PLATE,NAME (GR-150XL)	2				
	34520511800	PLATE,NAME (GR-150XL-3)	2			FD4031	
16	37002236000	PLATE,CAUTION (CRAUSH HAZARD)	1				
18	34520511600	PLATE,NAME	1				
19	34520511580	PLATE,NAME	1				
20	16268231000	LABEL (SWITCH,OVER WINDING)	1				
21	14137207000	PLATE,NAME (GREASE)	23				
22	37002236700	PLATE,CAUTION (KEEP FINGERS AWAY)	2				
27	34520511550	PLATE,NAME	1				
28	34520511740	PLATE,NAME (BLACK/YELLOW)	1				
30	34399162060	PLATE,NAME	1				
32	34520631500	PLATE,NAME (OFF ROAD INDUSUTRIAL)	2				
33	34395411400	PLATE,NAME (AML ON/OFF)	1				
34	37002235900	PLATE,CAUTION (MAJOR ACCIDENT HAZARD)	2				
35	34391201300	PLATE,CAUTION (HAND SIGNALS)	1				
36	37002235400	PLATE,CAUTION (DANGER EXHAUST FUMES)	1				
37	34520511610	PLATE,NAME	1				
38	34520511620	PLATE,NAME	1				
39	34520511710	PLATE,NAME	1				
40	37002242400	PLATE,CAUTION (DANGER CRUSH HAZARD)	1				
41	37002242500	PLATE,CAUTION (DANGER CRUSH HAZARD)	2				
42	37002242900	PLATE,CAUTION (WARNING FALL HAZARD)	2				
43	37002243000	PLATE,CAUTION (WIARNING OVERTURNINNG)	1				
44	37002243200	PLATE,CAUTION (WARNING RISK OF ACCIDENT)	1				
45	37002235700	PLATE,CAUTION (WARNING FIRE HAZARD)	1				
46	34391202060	PLATE,CAUTION (NO STEP)	1				
47	34520511750	PLATE,NAME(LIFTING OF CRANE FOR SHIPMEN)	1				
48	34392531480	PLATE,CAUTION (PROPOSITION65 WARN)	1				

GR-150-3-00102 6 BOOM + 2 JIB, 1M1D
 PN5012120-01 NAME PLATE ASSY (IN CAB)



C
 (ボックス内スイッチ部)
 (SWITCH IN BOX)

E
 インパネ部
 INSTRUMENT PANEL

B
 (TDN配列)

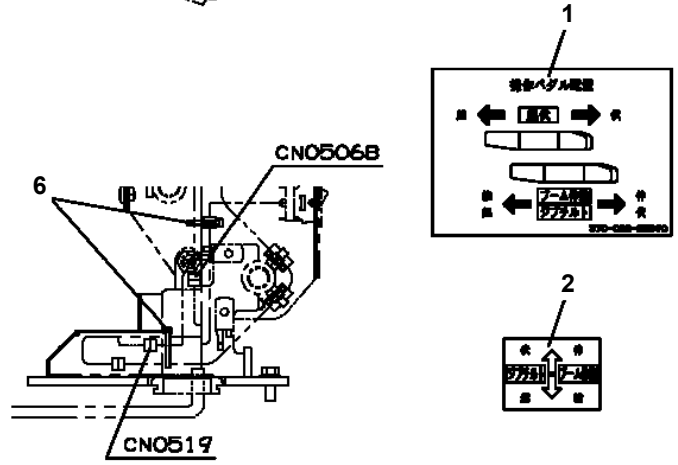
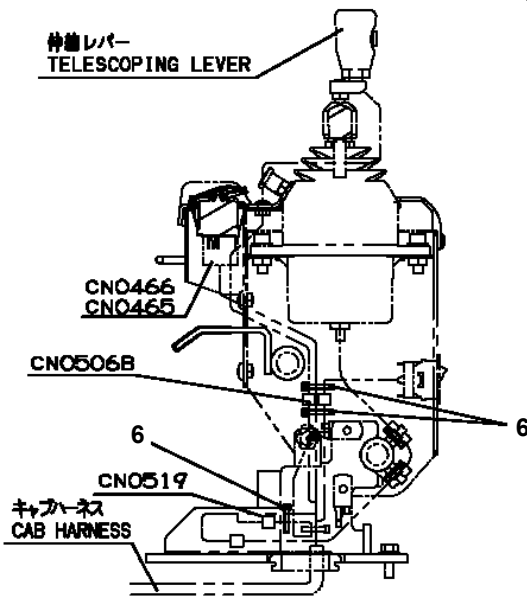
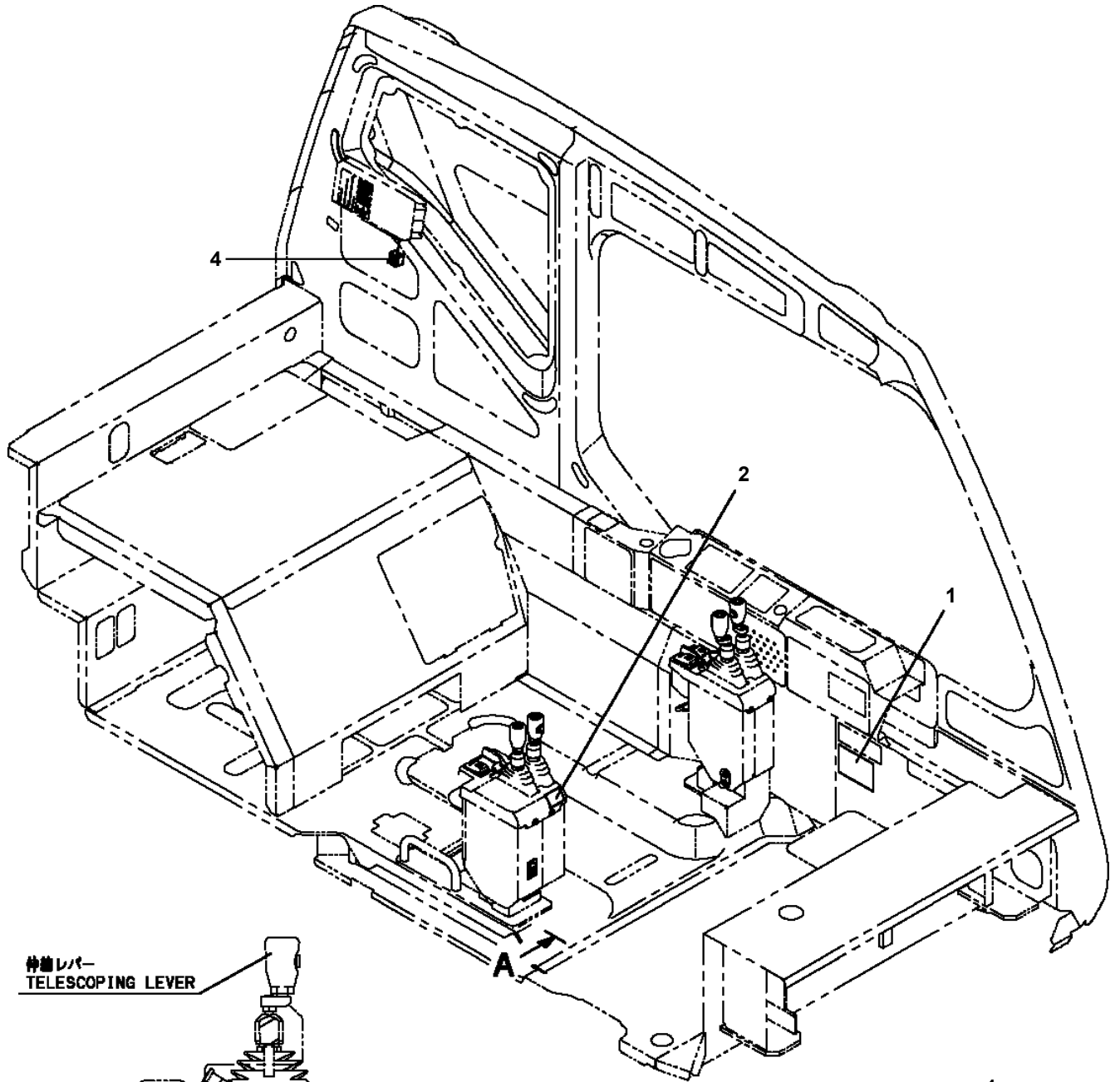
TDN配列の場合
 TDN PATTERN

キャブ内左側
 LEFT SIDE IN CAB

GR-150-3-00102 6 BOOM + 2 JIB, 1M1D

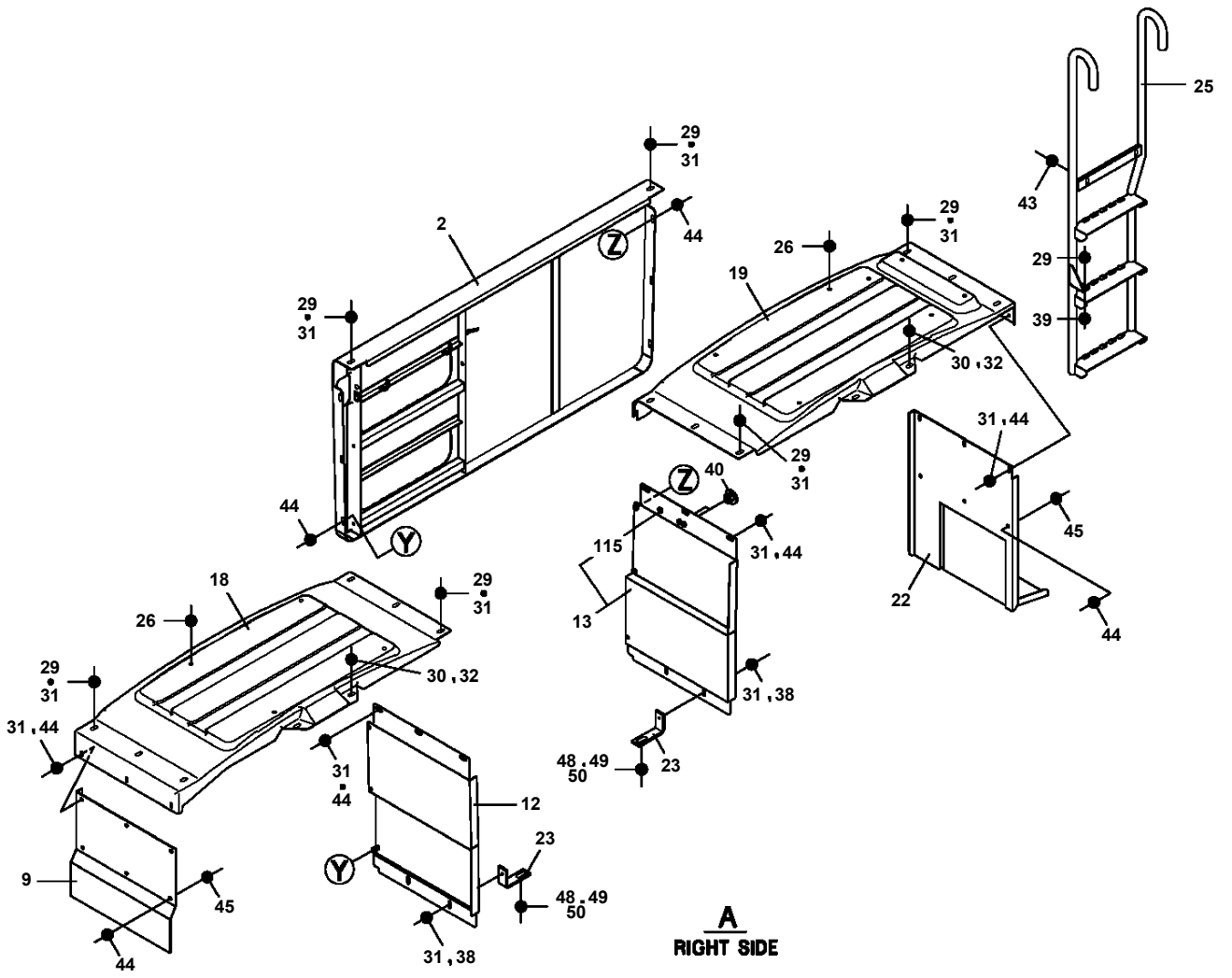
Pos No.	Parts No	Parts Name	Qty	Unit	Technical Data	Serial No (Start)	Serial No (End)
1	37002224030	PLATE,NAME (WHITE)	24				
11	37002290030	PLATE,NAME (IN:WHITE/OUT:BLACK)	24				

GR-150-3-00102 6 BOOM + 2 JIB, 1M1D
 PO5080278-02 OPE.ASSY,CONT.VALVE (TDN/ELEVATING,TELESCOPING PEDAL)

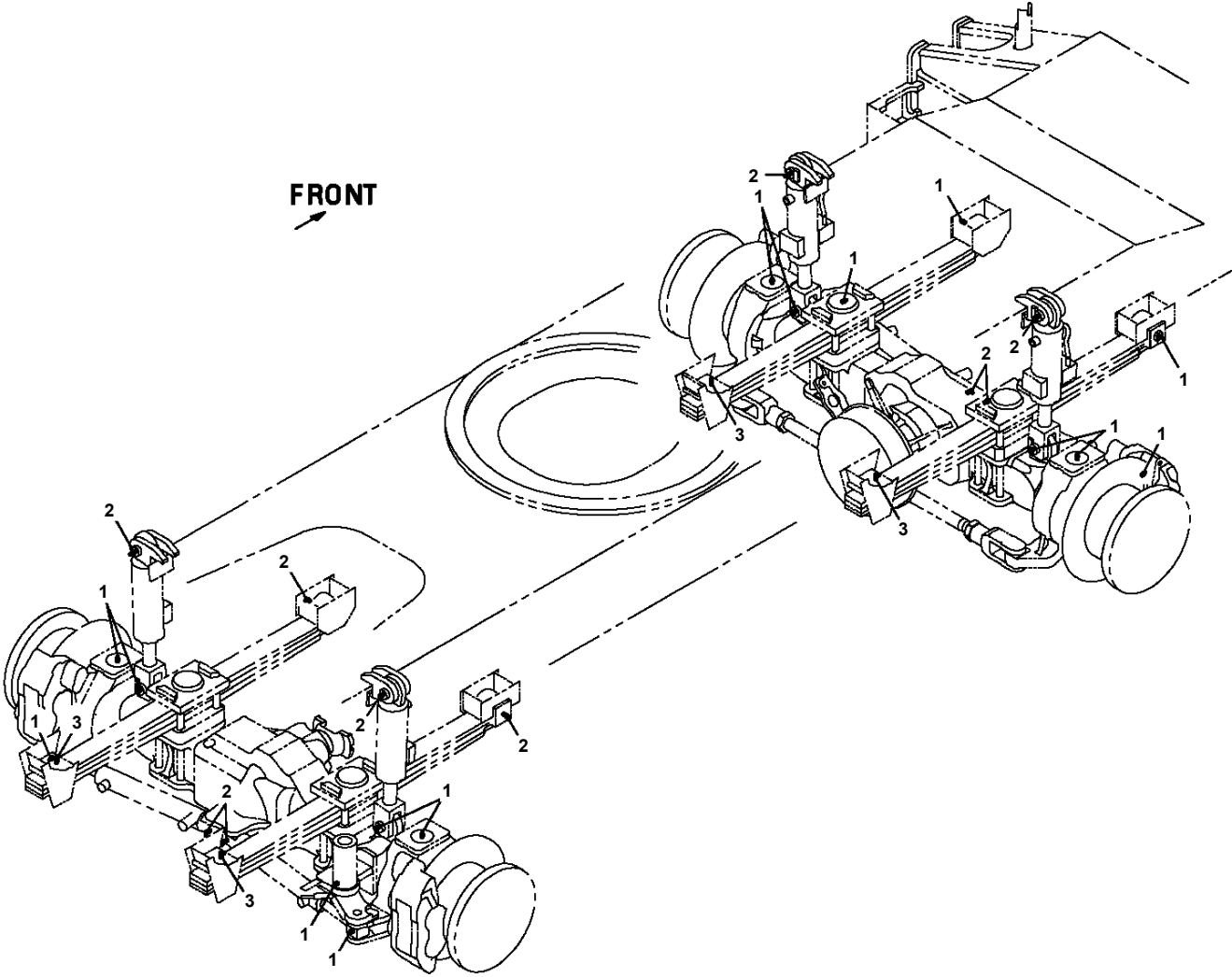


A
 右側レバースタンド内配線経路
 WIRING ROUTE OF
 RIGHT LEVER STAND

GR-150-3-00102 6 BOOM + 2 JIB, 1M1D
PO5260151-00 OUTER COVERING ASSY (FENDER)

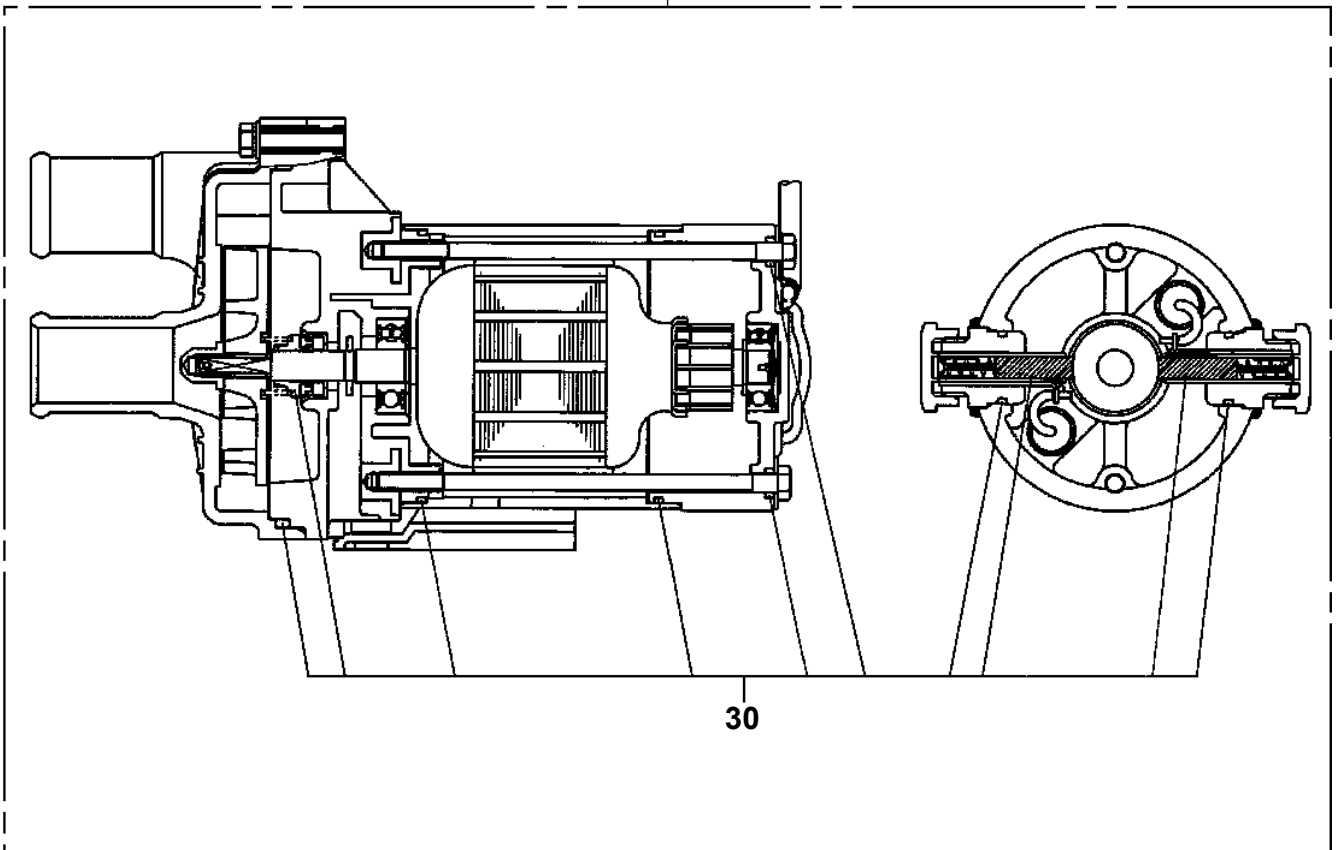


GR-150-3-00102 6 BOOM + 2 JIB, 1M1D
PP5120058-00 PARTS ASSY,GREASE



GR-150-3-00102 6 BOOM + 2 JIB, 1M1D
PP5430001-00 PUMP ASSY,WATER

100

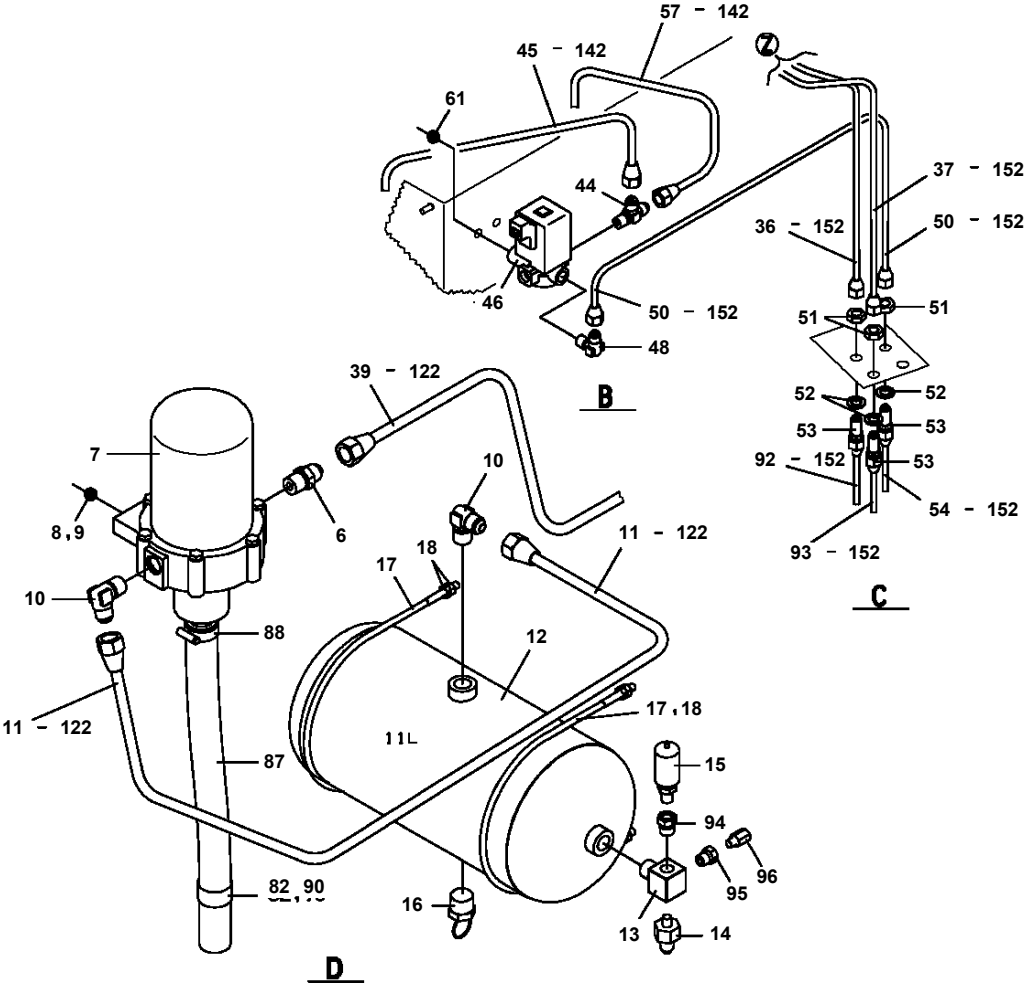


30

GR-150-3-00102 6 BOOM + 2 JIB, 1M1D

Pos No.	Parts No	Parts Name	Qty	Unit	Technical Data	Serial No (Start)	Serial No (End)
1	36742930000	VALVE ASSY,SELECTOR	1				
2	80321112000	VALVE,CHECK	2				
3	36743140000	VALVE ASSY,HYDRAULIC	1				
4	36180370000	SENDER,PRESSURE (ASSY ONLY)	3				
5	36730300000	VALVE,PROPORTIONAL	2				
6	37000919390	JOINT (ORIFICE)	1		1.0		
7	36671970000	FILTER ASSY	1				
8	36645770000	VALVE,SOLENOID	1				
9	36742620000	VALVE ASSY,SOLENOID	1				
10	36606030000	VALVE,SEQUENCE	1				
11	90302040801	WASHER,SPRING	4		8		FD4158
	90302040801	WASHER,SPRING	2		8	FD4159	
12	90172108065	BOLT,HEXAGON SOCKET	2		M8X65		
13	36730290000	VALVE,PROPORTIONAL	1				
14	36607030000	VALVE ASSY,REDUCING	1				FD4158
	36740090000	VALVE,SOLENOID	1			FD4159	
15	37000920720	JOINT	8				
16	80316070040	PLUG	5		PF1/4		
17	36180330000	SENDER,PRESSURE (ASSY ONLY)	1				
18	36672630000	FILTER (WITH O-RING)	4				
19	36673020000	ACCUMULATOR (ASSY ONLY)	1				
20	80562100110	WASHER,TOOTH	1		AW11		
21	80561100110	NUT	1		AN11		
22	34347312000	SUPPORT	1				FD4158
	34347312500	SUPPORT	1			FD4159	
23	90186210020	BOLT,FLANGE	6		M10X20		
24	80481702020	JOINT	3		L,G1/4-G1/4		
25	91002801100	O-RING	50		1B P11		
26	80303130141	FITTING,ELBOW	13		KLO12-020E		FD4158
	80303130141	FITTING,ELBOW	16		KLO12-020E	FD4159	
27	90186208030	BOLT,FLANGE	1		M8X30		
28	90280200800	NUT,FLANGE	1		M8		
29	80302090141	FITTING	25		KCO12-020N		FD4158
	80302090141	FITTING	24		KCO12-020N	FD4159	
30	37000924590	JOINT	1		S G1/4-G1/4		
31	37000929850	JOINT	2		S,G1/4-G1/4		
32	80302090201	FITTING	7		KCO15-040N		
33	91002801800	O-RING	15		1B P18		
34	37000924110	JOINT	2		S,G1/2-G1/2		
35	80302090241	FITTING	2		KCO18-040N		
36	80481003037	JOINT	1				
37	91002801400	O-RING	3		1B P14		
38	37000930200	JOINT	1		S,G1-G1		
39	91002802900	O-RING	2		1B P29		
40	37000906820	JOINT	1		L,G1/2-18		
41	80302202808	JOINT,FITTING	1		S,G1-D28		
42	80305010241	FITTING,TEE	1		KTA28-000N		
43	80311010400	FITTING	1		KRE28X22		
44	80302090161	FITTING	1		KCO12-030N		
45	90186208014	BOLT,FLANGE	10		M8X14		FD4158
	90186208014	BOLT,FLANGE	12		M8X14	FD4159	
46	37000925950	JOINT	1		S,G1/4-G1/4		
47	80303130161	FITTING,ELBOW	1		KLO12-030E		
48	90172108060	BOLT,HEXAGON SOCKET	2		M8X60		FD4158
49	37000932660	JOINT (WITH O-RING)	1		T G1/4-G1/4-G1/4		
50	37000927980	JOINT	1				
51	80305151202	FITTING,TEE	2		KTK012-020N		FD4158
	80305151202	FITTING,TEE	3		KTK012-020N	FD4159	
53	37000711080	CLAMP ASSY	2		12-2		
54	37000514600	PLATE	2				
55	80321112050	VALVE,CHECK	1				
56	80305010100	FITTING,TEE	3		KTA12-000N		
57	80305100120	FITTING,TEE	4		KTC12-000N		

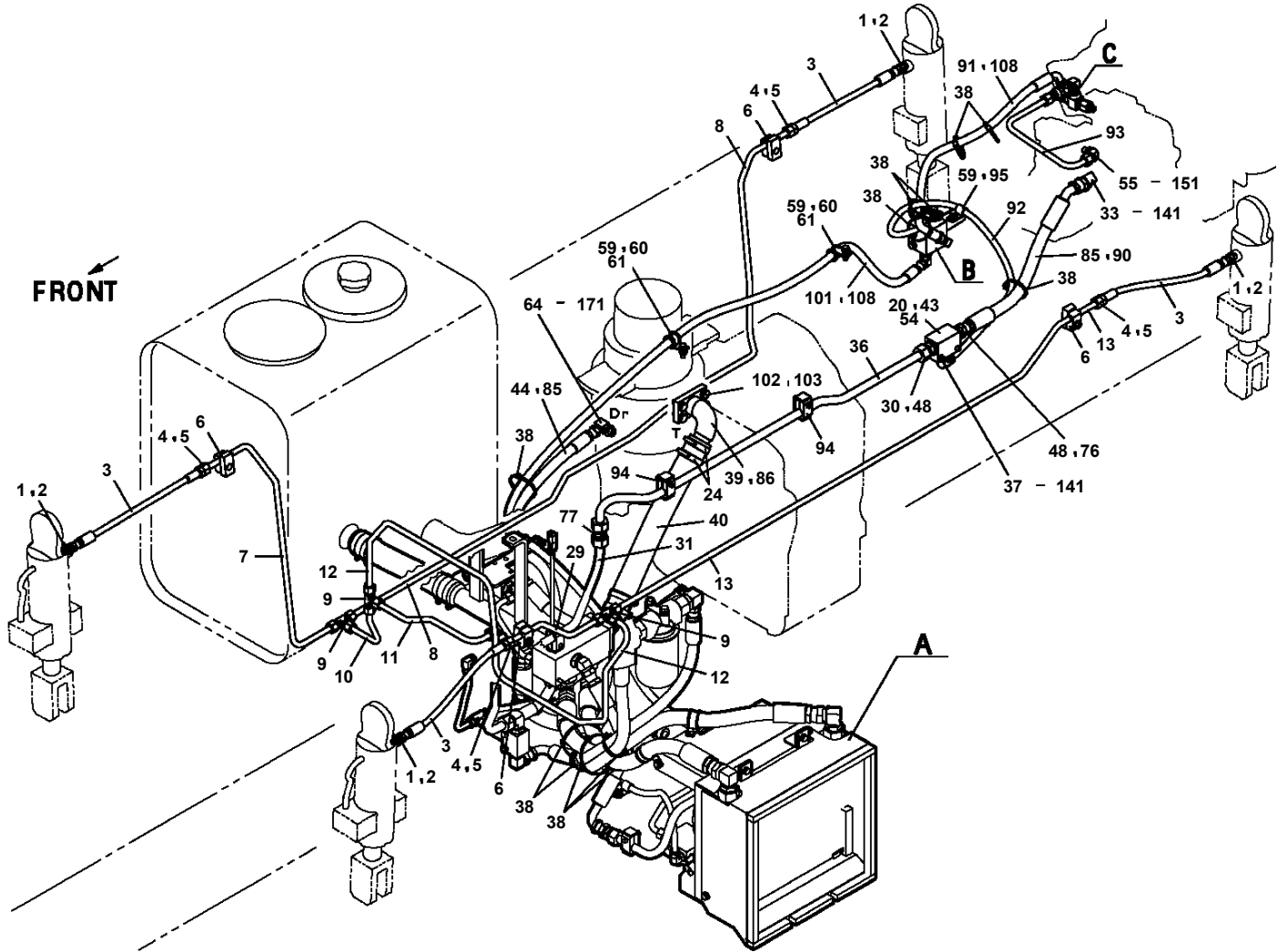
**GR-150-3-00102 6 BOOM + 2 JIB, 1M1D
PP6020055-01 PIPING ASSY,AIR**



GR-150-3-00102 6 BOOM + 2 JIB, 1M1D

Pos No.	Parts No	Parts Name	Qty	Unit	Technical Data	Serial No (Start)	Serial No (End)	Remarks	Pages
1	82100002039	CLAMP	1						
2	90280200600	NUT,FLANGE	2		M6				
3	90201200600	NUT	1		M6				
4	34347340100	TUBE ASSY	1		12XT1.5 L=820				
5	34347340200	TUBE ASSY	1		12XT1.5 L=550				
6	34347340300	TUBE ASSY	1		12XT1.5 L=510				
7	91810130250	FASTENER	1						
9	80353081230	JOINT	3		PAL12X9-R3/8-C				
10	82100002008	CLAMP	2		WR12				
11	90186208010	BOLT,FLANGE	1		M8X10				

GR-150-3-00102 6 BOOM + 2 JIB, 1M1D
PP6270113-01 PIPING ASSY, RETURN (LOWER)



GR-150-3-00102 6 BOOM + 2 JIB, 1M1D

Pos No.	Parts No	Parts Name	Qty	Unit	Technical Data	Serial No (Start)	Serial M
1	34640971100	JOINT	1				
2	37002509360	HOSE	1		L=550		
4	36655060000	PUMP ASSY,OIL	1				
5	90171108040	BOLT	4		M8X40		
6	90302040801	WASHER,SPRING	4		8		
7	90186210014	BOLT,FLANGE	2		M10X14		
8	36655030001	PUMP ASSY,OIL	1				
9	90171112035	BOLT	4		M12X35		
10	90302041201	WASHER,SPRING	8		12		
11	91803600900	CLIP	8		D=70-90		
12	37002502610	HOSE	1		L=355		
13	34642081200	FITTING,FLANGE	1				
14	91002906000	O-RING	1		1B G60		
15	90172112030	BOLT,HEXAGON SOCKET	3		M12X30		
16	80316070040	PLUG	1		PF1/4		
17	91002801100	O-RING	1		1B P11		
18	37002508050	HOSE	1		L=1150		
19	37000600650	CLAMP	1		R=42		
20	33640008020	CUSHION	2		75X1000,T=6.0		
21	91803930500	CLIP	4		38-50		
22	91803600400	CLIP	8		D=27-40		
23	91002903000	O-RING	2		1B G30		
24	34640701400	FITTING,FLANGE	1				
25	34640971300	FITTING,FLANGE	1				
26	90172110030	BOLT,HEXAGON SOCKET	6		M10X30		
27	90302041001	WASHER,SPRING	12		10		
28	90174110030	BOLT	4		M10X30		
29	37002512660	HOSE	1		L=850		
30	36653520000	PUMP,HYDRAULIC (EMERGENCY STEERING)	1				
31	34640271700	GASKET	1				
32	90303071001	WASHER,PLAIN	2		10		
33	91002802400	O-RING	1		1B P24		
34	34640731700	JOINT	1				
35	90101210030	BOLT	2		M10X30		
36	91860100040	CLAMP	1		KCR-W40		
38	90174112030	BOLT	1		M12X30		
39	37002502620	HOSE	1		L=500		

GR-150-3-00102 6 BOOM + 2 JIB, 1M1D

Pos No.	Parts No	Parts Name	Qty	Unit	Technical Data	Serial No (Start)	Serial No (End)	R
1	36370625210	CASE	1					
2	36370625220	SHAFT ASSY	1					
3	36350455680	RING,SEAL	1					
4	36370208040	RING,SEAL	1					
5	36370625230	PISTON ASSY	1					
9	80602110950	RING,RITAINING	1		95			
10	36370305740	SPRING	1					
11	36370305750	WASHER	1					
12	80601110360	RING,RITAINING	1		S36			
13	80500006911	BEARING,BALL	2					
14	80601110550	RING,RITAINING	1		S55			
15	36370305780	RING,SEAL	3					
16	36370305800	GASKET	1					
17	36350456060	PLUG	2					
50	36370625240	DISK KIT	1					
52	36370625250	OVERHAUL KIT	1					
100	36370625030	P.T.O.CLUTCH INSTALLATION T/C	1					

GR-150-3-00102 6 BOOM + 2 JIB, 1M1D

Pos No.	Parts No	Parts Name	Qty	Unit	Technical Data	Serial No (Start)	Serial No (End)	Rem
1	36302095010	SPIDER ASSY	2					
2	36302095070	YOKE ASSY	1					
3	36302095040	BOLT	16		M10X45X1.25Z			
11	59236000010	NIPPLE,GREASE (UNF1/4X35A)	2					
20	36302095000	PROPELLER SHAFT,DRIVING	1					
21	36300965060	CAP (RETAINER)	1					
22	36301745020	WASHER (RETAINER)	2					
23	36302095030	WASHER,FELT	1					
24	59236000020	NIPPLE,GREASE	1		NPTF 1/8A			

GR-150-3-00102 6 BOOM + 2 JIB, 1M1D

Pos No.	Parts No	Parts Name	Qty	Unit	Technical Data	Serial No (Start)	Serial No (End)	Remarks
1	34932022710	SUPPORT	1					
2	34354781710	RELAY (WITH BRACKET)	1					
3	82161324080	RELAY	2					
4	90101205014	BOLT	2		M5X14			
5	90101206014	BOLT	1		M6X14			
6	90280200500	NUT,FLANGE	2		M5			
7	90280200600	NUT,FLANGE	1		M6			
100	34932022700	RELAY ASSY	1					

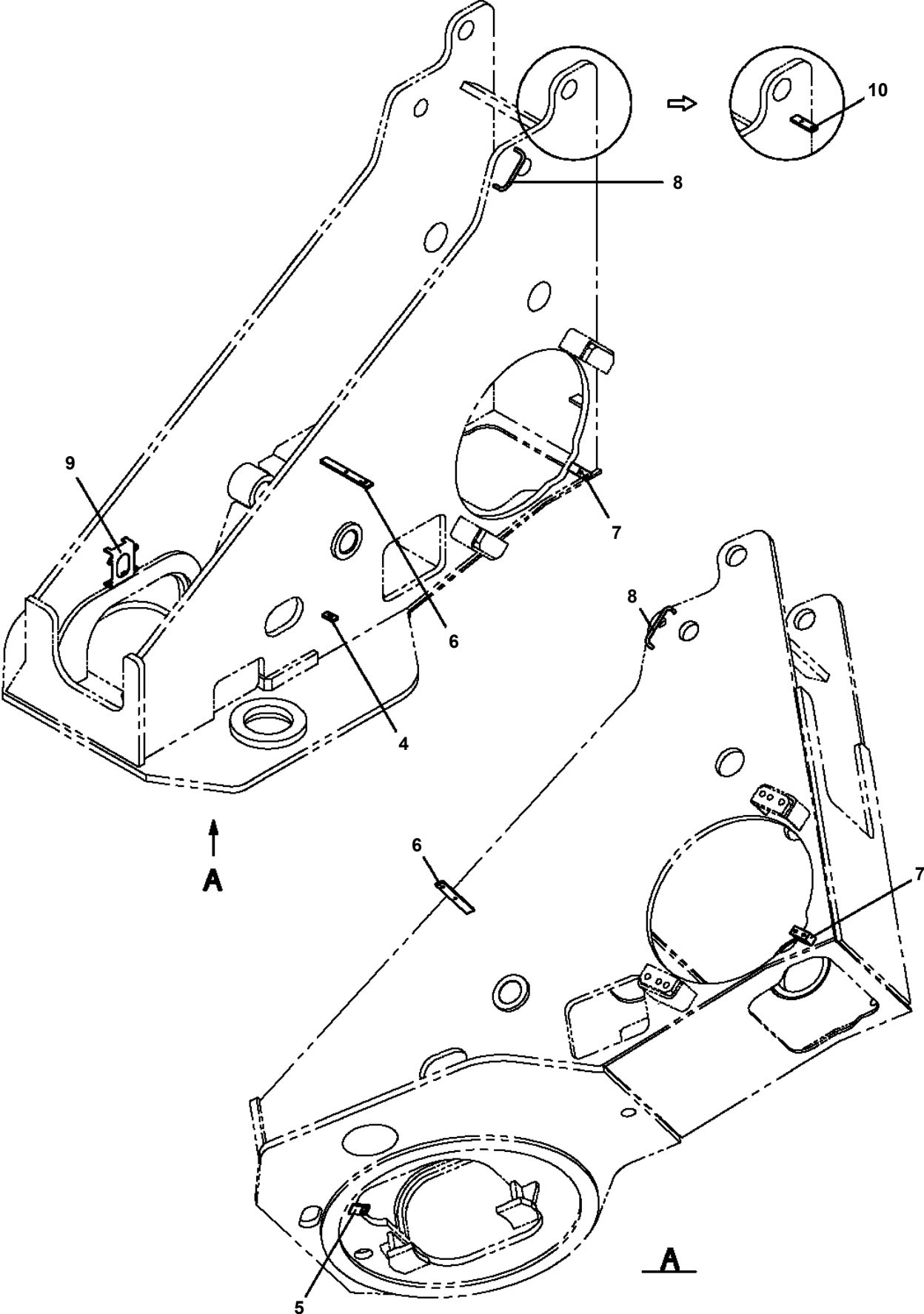
GR-150-3-00102 6 BOOM + 2 JIB, 1M1D

Pos No.	Parts No	Parts Name	Qty	Unit	Technical Data	Serial No (Start)	Serial No (End)	Remarks	P
1	37001810860	ROPE,WIRE (KISWIRE)	1						

GR-150-3-00102 6 BOOM + 2 JIB, 1M1D

Pos No.	Parts No	Parts Name	Qty	Unit	Technical Data	Serial No (Start)	Serial No (End)	Remarks
2	34252137510	SUSPENSION ASSY	1					
3	34251287770	NUT (WITH WASHER)	4					
4	34251447520	CUSHION ASSY	1					
5	34252137520	BACK ASSY	1					
6	34252137530	HEADREST	1					
7	34252137540	ARMREST ASSY (L)	1					
8	34252137550	ARMREST ASSY (R)	1					
9	34251447550	ADJUSTER (SLIDE/R)	1					
10	34251447540	ADJUSTER (SLIDE/L)	1					
11	34251287690	WIRE	1					
12	34251287590	ADJUSTER (RECLINING)	1					
13	34251287800	COVER (RECLINING)	1					
15	34252137560	BOLT	4					
16	34252137570	BOLT (WITH WASHER)	8		M10X25			
18	34252137580	BUSHING	1					
19	34251287780	CLIP	2					
21	34252137590	BRACKET (ARMREST L)	1					
22	34252137600	BRACKET (ARMREST R)	1					
23	34251287640	GEAR ASSY (L)	1					
24	34251287650	GEAR ASSY (R)	1					
25	34251287670	SCREW,MACHINE (SEMS)	8		M6X16X1.0			
26	34251287620	SCREW (WITH WASHER)	2		M6X16X1.0			
27	34251287660	SPRING	2					
28	34252137610	RING,SNAP	1					
100	34252133000	SEAT ASSY	1					

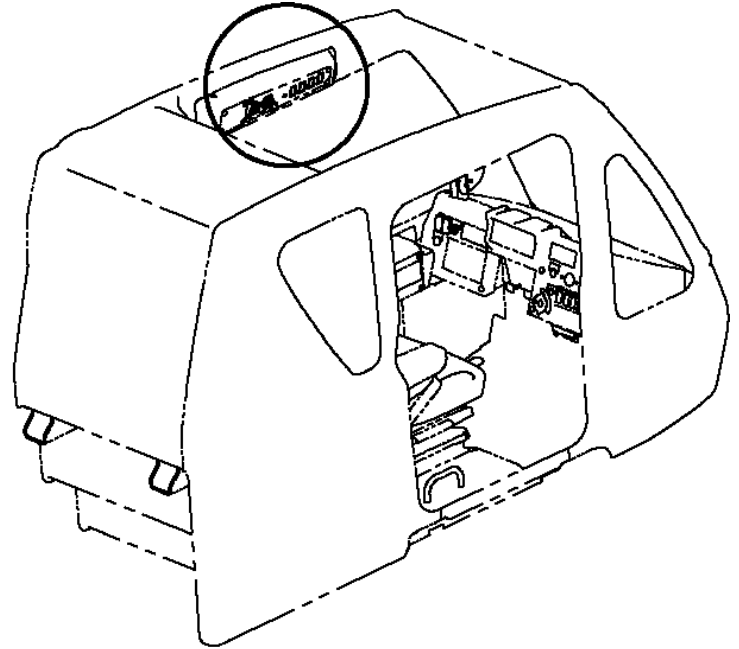
GR-150-3-00102 6 BOOM + 2 JIB, 1M1D
PS5420488-01 SUPPORT ASSY (ELEC.)



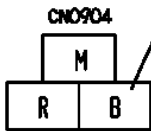
GR-150-3-00102 6 BOOM + 2 JIB, 1M1D

Pos No.	Parts No	Parts Name	Qty	Unit	Technical Data	Serial No (Start)	Serial No
1	34252130400	SUPPORT	1				
2	34251650300	BELT	1				
3	34252133000	SEAT ASSY	1				
4	34252120100	COVER	1				
5	34252093500	TRAY,ASH	1				
6	34252093600	MOUNT ASSY (MFD MONITOR,ASSY ONLY)	1				
7	34252093700	COVER	1				
9	34252094001	SUPPORT	1				
10	34252094401	SUPPORT	1				
11	34252094501	COVER	1				
12	34252094600	SUPPORT (SASH SIDE)	1				
13	34252094700	SUPPORT (DOOR SIDE)	1				
14	34252095001	SUPPORT	1				
15	34252095100	SUPPORT	1				
16	34252095201	COVER	1				
17	34252095300	COVER	1				
18	34252095401	COVER	1				
19	34252095501	COVER	1				
20	34252095600	SUPPORT	1				
21	34252095701	COVER	1				
22	34252095801	COVER	1				
23	34252095900	COVER	1				
24	34252096001	COVER	1				
25	34252096200	COVER	1				
27	34252096401	COVER	1				
28	34252096500	SUPPORT	1				
29	34250380200	SUPPORT	1				FD4182
30	34252092000	PANEL (LEFT)	1				
31	34252092100	PANEL (RIGHT)	1				
32	34252093100	SUPPORT	1				
33	34252093200	SUPPORT	1				
34	90302041001	WASHER,SPRING	12		10		
35	90101210018	BOLT	6		M10X18		
36	90303071001	WASHER,PLAIN	2		10		
37	90171110025	BOLT	2		M10X25		
38	90101210020	BOLT	4		M10X20		
39	90302040801	WASHER,SPRING	16		8		
40	90303070801	WASHER,PLAIN	12		8		
41	82467300118	PLUG	2				
42	90101208020	BOLT	14		M8X20		
43	99172108016	BOLT,TAPPING	3		M8X16		
44	90201200800	NUT	2		M8		
45	90305260501	WASHER	9		B1-5		
46	80176405012	SCREW,MACHINE	9		M5X12		
47	82400000702	CLIP	54				
48	80192485012	SCREW,MACHINE	1		M5X12		
49	80192485014	SCREW,MACHINE (WITH WASHER)	4		M5X14		
50	99172106012	BOLT,TAPPING	10		M6X12		
51	99172106016	BOLT,TAPPING	4		M6X16		
52	80192486014	SCREW,MACHINE (WITH WASHER)	7		M6X14		FD4182
	80192486014	SCREW,MACHINE (WITH WASHER)	6		M6X14	FD4183	
53	90186206010	BOLT,FLANGE	2		M6X10		
54	80186406016	SCREW,MACHINE	31		M6X16		
55	90305260601	WASHER	31		B1-6		
60	34252092300	TRIM (REAR POCKET)	1				
61	34252092400	TRIM (ROOF)	1				
62	34252092500	COVER (UPPER)	1				
63	34252092600	COVER (LOWER)	1				
64	34252092700	COVER	1				
65	82400000545	CLIP	9				
66	34252096600	COVER	1				
67	34252096700	COVER	1				
68	34252096800	SUPPORT	1				

GR-150-3-00102 6 BOOM + 2 JIB, 1M1D
 PS5530457-01 SWITCH ASSY (3)



6材付属のターミナルを差し込むこと
 INSERT THE TERMINAL ATTACHED TO ITEM 6

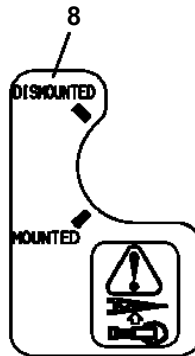
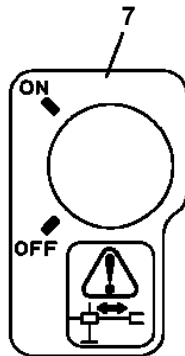
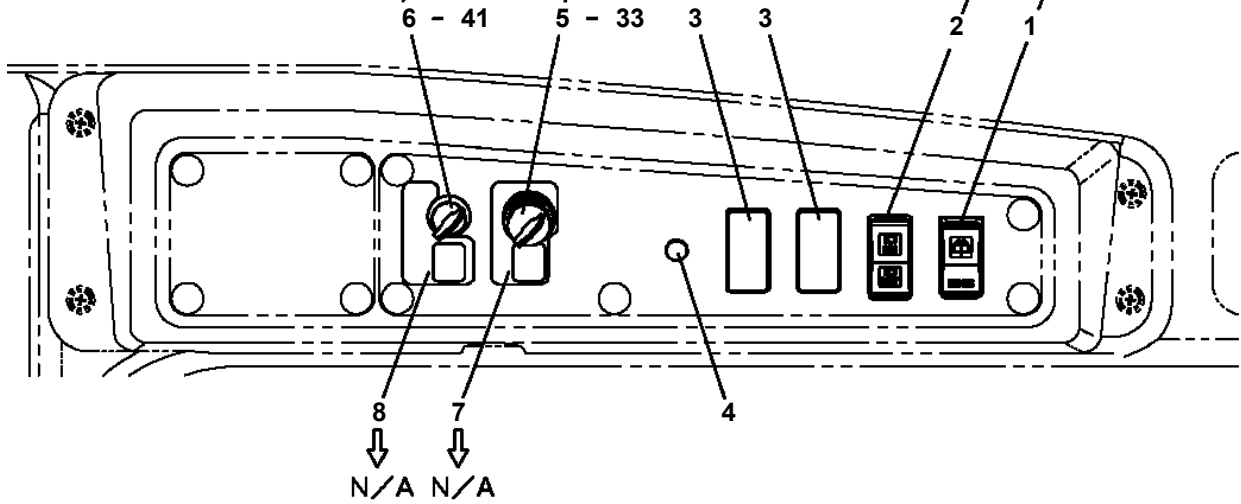


ジブ有無切替
 JIB EXISTENCE OR
 NONEXISTENCE CHANGE
 CNO904

O/R状態異常設定SW
 O/R STATUS EMERGENCY
 SET SW
 CNO907

ルーフワイパSW
 ROOF WIPER SW
 CNO468

ルーフウォッシャSW
 ROOF WASHER SW
 CNO495



GR-150-3-00102 6 BOOM + 2 JIB, 1M1D

Pos No.	Parts No	Parts Name	Qty	Unit	Technical Data	Serial No (Start)	Serial No (End)	Remarks	Pages
4	34260697580	RUN CHANNEL	2						
5	34261907510	WATER STRIP	1						
6	34261907520	LOCK ASSY	1						
7	34261907530	LOCK ASSY	1						
8	34261447560	PACKING (LOCK)	1						
9	32260228190	STRIKER (FRONT)	1				FD4048		
	34261907590	STRIKER (FRONT)	1			FD4049			
10	34260639230	STRIKER (REAR)	1				FD4048		
	34261907610	STRIKER (REAR)	1			FD4049			
11	34261447570	LINING	2				FD4048		
	34261907620	LINING	2			FD4049			
12	34260639250	STOPPER	2						
15	34261907540	SPACER	4						
16	34261907550	WATER STRIP	1						
17	34261447580	STOPPER	1						
18	34261907630	PACKING (FRONT)	1			FD4049			
19	34261907640	PACKING (REAR)	1			FD4049			
21	80176804008	SCREW,MACHINE	2		M4X8				
22	34261907560	SCREW,SET	2		M3X8				
23	34261447600	SCREW,MACHINE	2		M3X8				
24	34261447600	SCREW,MACHINE	2		M3X8				
25	34261447620	SCREW,MACHINE	2		M4X10				
26	32260015490	RIVET	2		3X18		FD4048		
	34261907650	RIVET	2		3.2X20.6	FD4049			
31	34261907570	GLASS	1						
32	34261907580	GLASS	1						
100	34262455700	SASH	1						

GR-150-3-00102 6 BOOM + 2 JIB, 1M1D

Pos No.	Parts No	Parts Name	Qty	Unit	Technical Data	Serial No (Start)	Serial No (End)	Remarks	Page
59	36870365030	HEATER	1						
60	36870425010	THERMOSTAT	1						
71	36870365010	VALVE ASSY	1						
72	36870375010	CARTRIDGE	1						
73	36870375031	FILTER (REPAIR KIT)	1						
100	36870370000	DRIER,AIR	1						

GR-150-3-00102 6 BOOM + 2 JIB, 1M1D

Pos No.	Parts No	Parts Name	Qty	Unit	Technical Data	Serial No (Start)	Serial No (End)	Remarks	Pa
2	36361775010	SENSOR ASSY	1						
3	36361775020	CAP ASSY	1						
4	36361775030	TANK (SUB)	1						
5	36361775040	PLUG (DRAIN)	1						
6	36361775050	HOSE (VENTILATION)	1						
7	36361775060	PLATE,NAME	1						
8	36361775070	CLAMP	2						
9	36361775080	FILTER	1						
10	36361775090	TUBE	1						
31	36361775100	O-RING	1						
100	36361771460	TANK	1						

GR-150-3-00102 6 BOOM + 2 JIB, 1M1D

Pos No.	Parts No	Parts Name	Qty	Unit	Technical Data	Serial No (Start)	Serial No (End)	Remarks	Pag
1	36410295010	BOLT (CENTER)	1						
2	36410195050	NUT	1						
3	36410195060	BUSH	1						
4	36410195070	LEAF (INTER)	3						
5	36410265020	SILENCER	4						
7	36410195080	SEAL	1						
8	36410195090	STRAP	1						
11	36410295021	SPRING,LEAF (NO,1)	1						
12	36410295031	SPRING,LEAF (NO,2)	1						
13	36410295041	SPRING,LEAF (NO,3)	1						
100	36410290000	SPRING,LEAF	1						

GR-150-3-00102 6 BOOM + 2 JIB, 1M1D

Pos No.	Parts No	Parts Name	Qty	Unit	Technical Data	Serial No (Start)	Serial No (End)	Remarks	Pag
1	36607021010	SLEEVE	1						
2	36607021020	SPOOL	1						
3	91002804200	O-RING	1		1B P42				
4	91002803000	O-RING	1		1B P30				
5	91410003000	RING,BACKUP <P30.	1						
6	91002802600	O-RING	1		1B P26				
7	91411002600	RING,BACKUP	1						
8	91002801600	O-RING	1		1B P16				
9	91410001600	RING,BACKUP	1		P16				
10	36607021030	ORIFICE	2						
	80317100405	ORIFICE	2			FD4108	FD4107		
11	80560006000	BALL,STEEL	1		6				
12	37001202450	SPRING	1						
13	36607021040	CAP	1						
14	37001202460	SPRING	1						
15	36607021050	PLUG	1						
16	91002803200	O-RING	1		1B P32				
100	36607021000	VALVE ASSY	1						

GR-150-3-00102 6 BOOM + 2 JIB, 1M1D

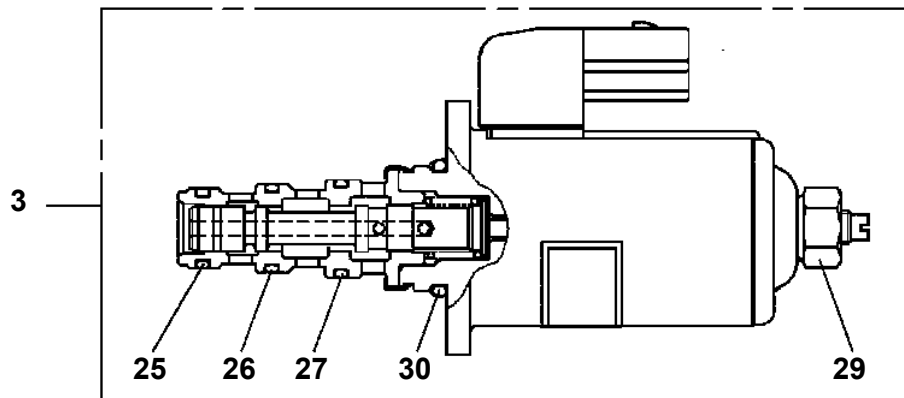
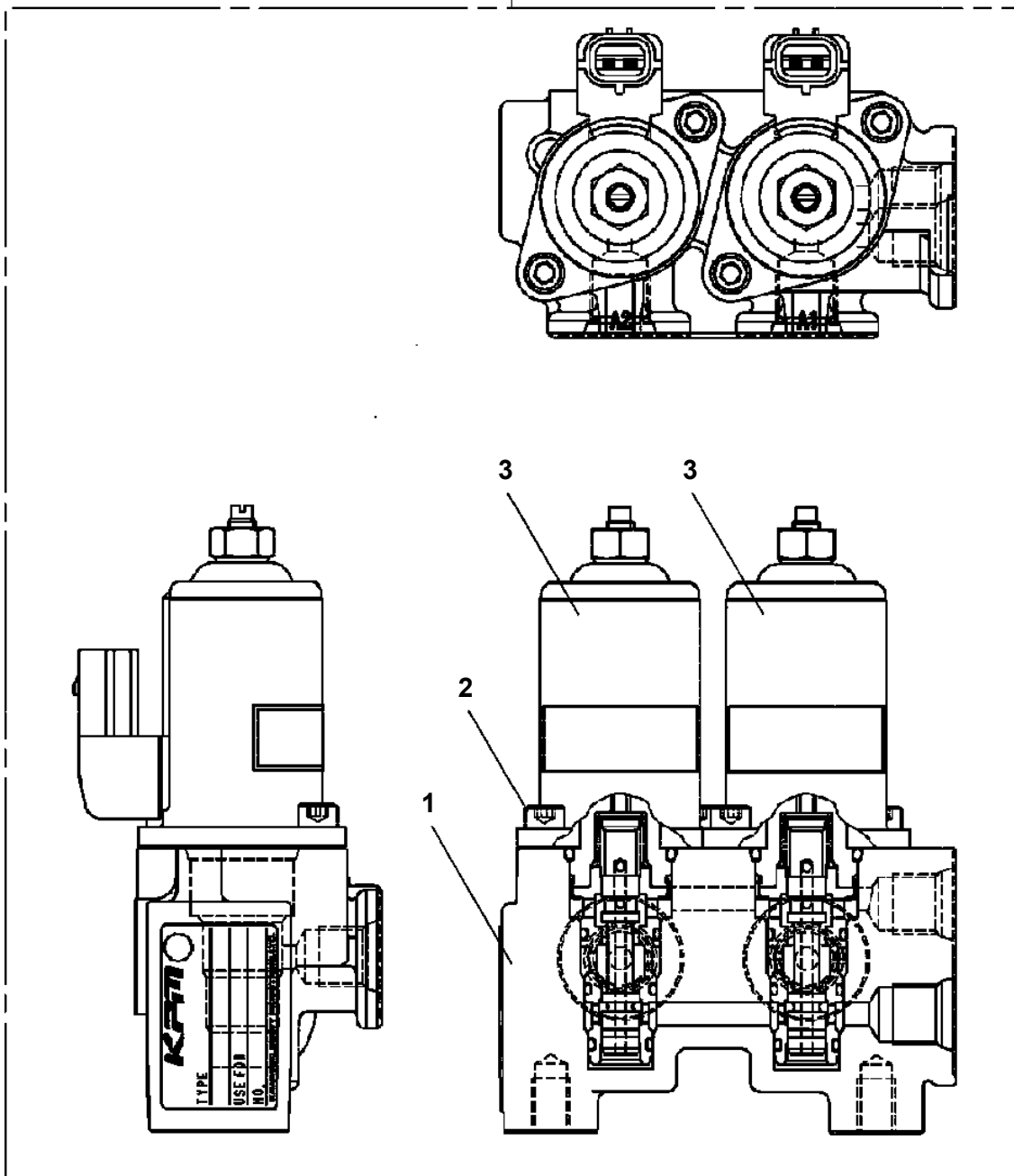
Pos No.	Parts No	Parts Name	Qty	Unit	Technical Data	Serial No (Start)	Serial No (End)
3	91002905500	O-RING	1		1B G55		
4	91002800700	O-RING	2		1B P7		
5	56051331100	SEAL,OIL	1				
6	12435101050	COVER	1				
7	90131906014	BOLT,HEXAGON SOCKET	2		M6X14		
8	36635045040	RETAINER (VALVE)	1				
9	91002801400	O-RING	1		1B P14		
10	36648615060	VALVE,PILOT	1				
11	82114101020	CONNECTOR (2P,MALE)	2				
12	82111101010	TERMINAL	4				
13	82121101085	PLUG (AVS0.85)	4				
14	82121102020	HOLDER	2				
41	36648615080	PISTON	1				
42	91001102200	O-RING	1		1A P22		
44	91002800700	O-RING	2		1B P7		
45	36648615090	CASE	1				
46	91001102100	O-RING	1		1A P21		
47	36643175030	O-RING	1		P13		
48	36645795080	RING,BACKUP	1				
49	12435101170	RETAINER (SPRING)	2				
50	12435101120	SPRING	1				
51	36633265030	END,SPOOL	1				
52	36631975030	RETAINER (SEAL)	1				
53	36630875080	COVER (SPRING)	1				
54	36648615100	BOLT,HEXAGON SOCKET	2		M6X80		
57	36637335270	SPRING	2				
58	91001001120	O-RING	2		1A S11.2		
59	36637335240	O-RING	2		1AS10		
60	36637335260	O-RING	2		1AS14		
61	36648615110	SOLENOID ASSY (WITH CONNECTOR)	2				
62	90131904008	BOLT,HEXAGON SOCKET	4		M4X8		
100	36742745010	VALVE ASSY,CONTROL	1				

GR-150-3-00102 6 BOOM + 2 JIB, 1M1D

Pos No.	Parts No	Parts Name	Qty	Unit	Technical Data	Serial No (Start)	Serial No (End)	Remarks
2	36607035010	SPOOL	1					
7	36607035020	SPRING	1					
8	36607035030	PLUG	1					
9	36607035040	PLUG	1					
10	36607035050	PLUG	4					
12	36607035060	SOLENOID	1					
14	36646975120	PLUG	1		PF1/4			
15	36607035070	BOLT,HEXAGON SOCKET	2		M5X5			
16	36607035080	BOLT	1		M10X20			
18	36607035090	NUT	1		M10			
19	36607035100	RIVET	2					
20	36648135050	O-RING	1		1A P16			
21	91002801100	O-RING	2		1B P11			
22	91002801800	O-RING	1		1B P18			
23	36607035110	O-RING	4					
100	36607030000	VALVE ASSY,REDUCING	1					

GR-150-3-00102 6 BOOM + 2 JIB, 1M1D
PV5240025-00 VALVE ASSY,SOLENOID

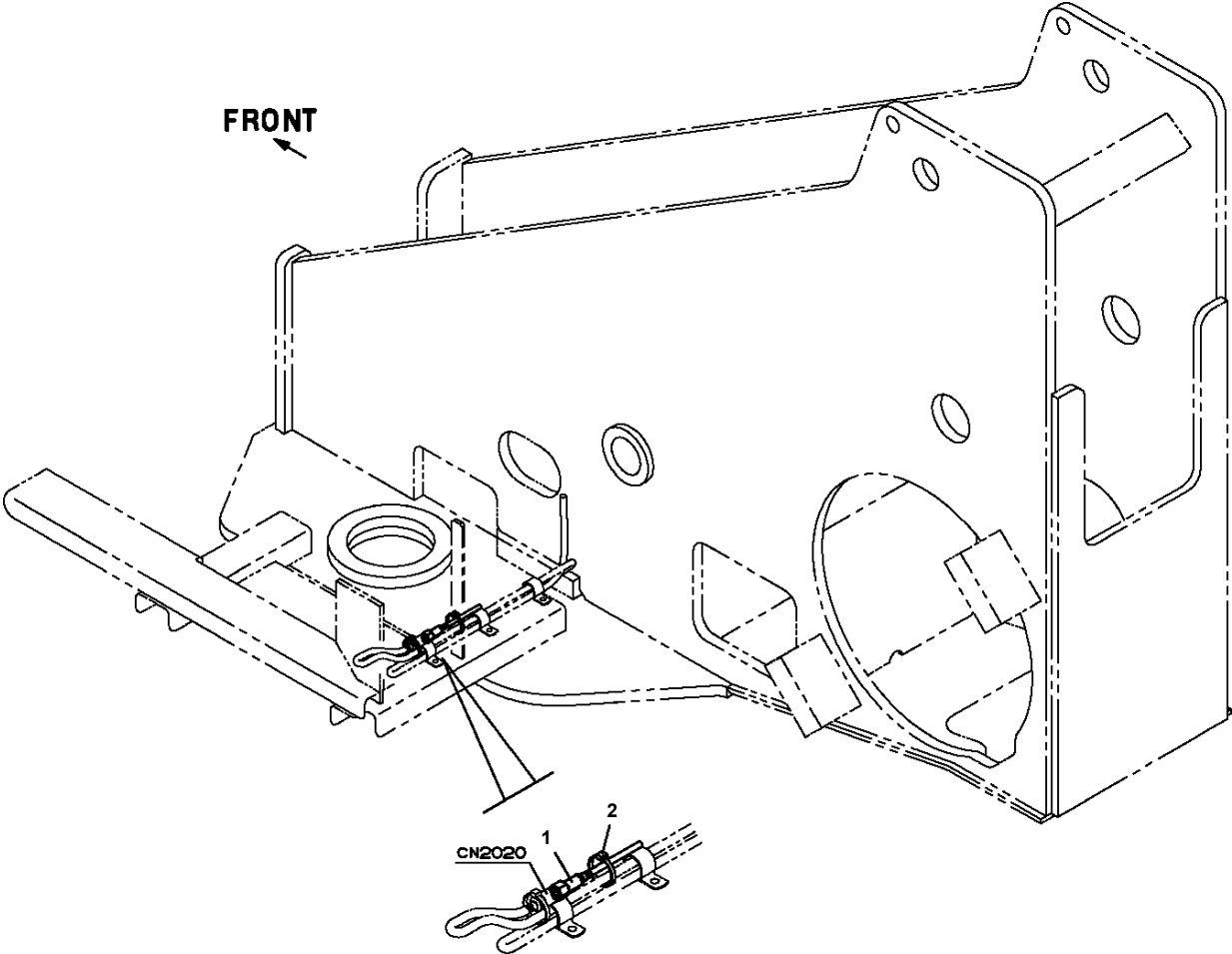
100



GR-150-3-00102 6 BOOM + 2 JIB, 1M1D

Pos No.	Parts No	Parts Name	Qty	Unit	Technical Data	Serial No (Start)	Serial No (End)	Remarks
1	36742625020	CASING	1					
2	36740105030	BOLT,HEXAGON SOCKET	4					
3	36730180030	VALVE ASSY	2					
100	36730290000	VALVE,PROPORTIONAL	1					

GR-150-3-00102 6 BOOM + 2 JIB, 1M1D
PV5450112-00 VIEW SYSTEM (WIDE SIDE VIEW LESS)

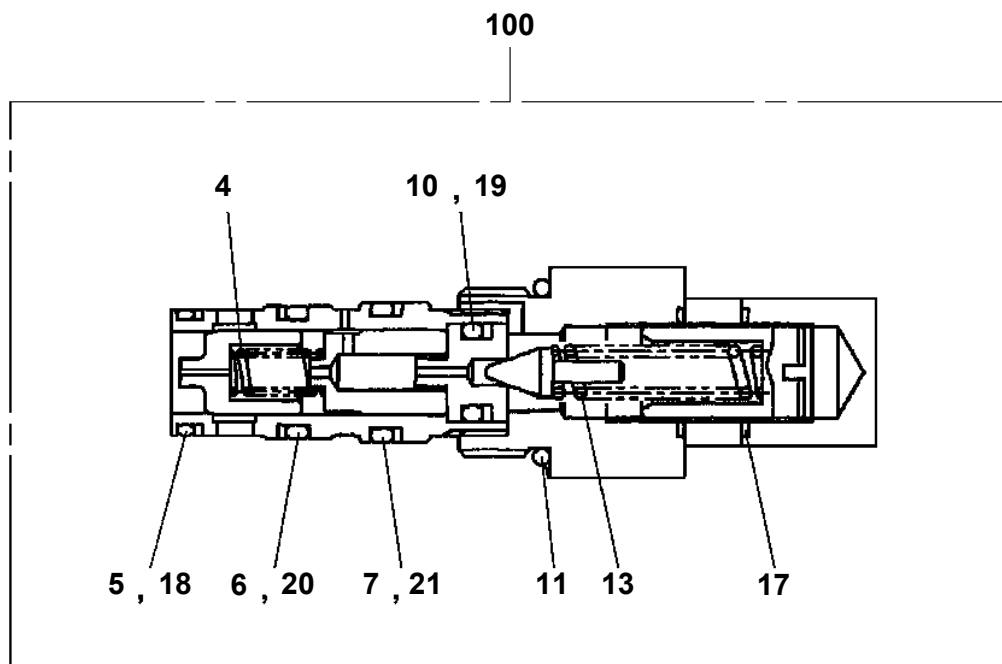


上部旋回台左側
UPPER SWING TABLE LEFT SIDE

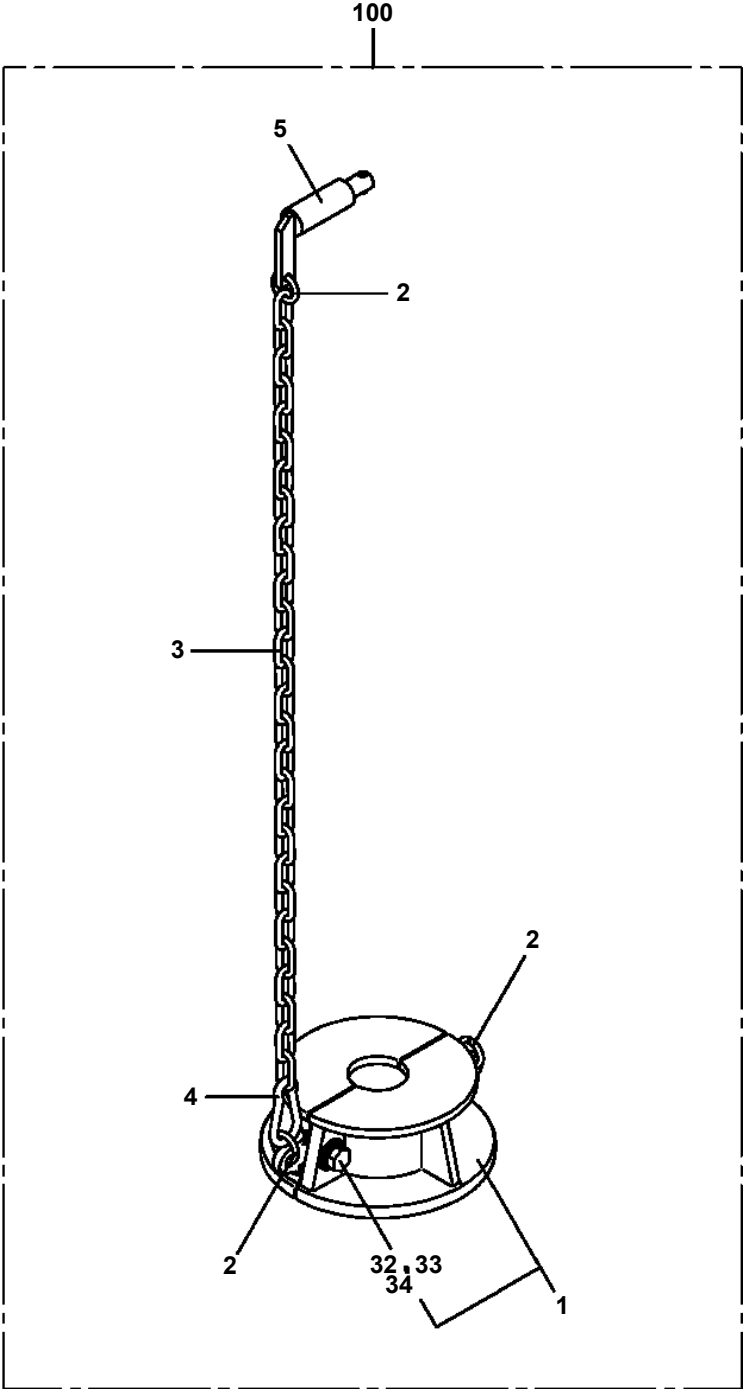
GR-150-3-00102 6 BOOM + 2 JIB, 1M1D

Pos No.	Parts No	Parts Name	Qty	Unit	Technical Data	Serial No (Start)	Serial No (End)	Remarks
3	36636435060	VALVE,CHECK	1					
4	36635555080	SPRING	1					
5	36635045040	RETAINER (VALVE)	1					
6	91002801400	O-RING	1		1B P14			
7	91000511900	O-RING	2		AS568-119			
8	36648955250	RETAINER (SPRING)	1					
9	36648955240	SPRING	1					
10	36648955260	RETAINER (SPRING)	1					
11	36648935080	END,ROD	1					
12	36638255200	COVER (PILOT)	1					
13	36648955280	COVER	1					
14	36648955290	BOLT,HEXAGON SOCKET	4					
100	36742935010	VALVE,CONTROL	1					

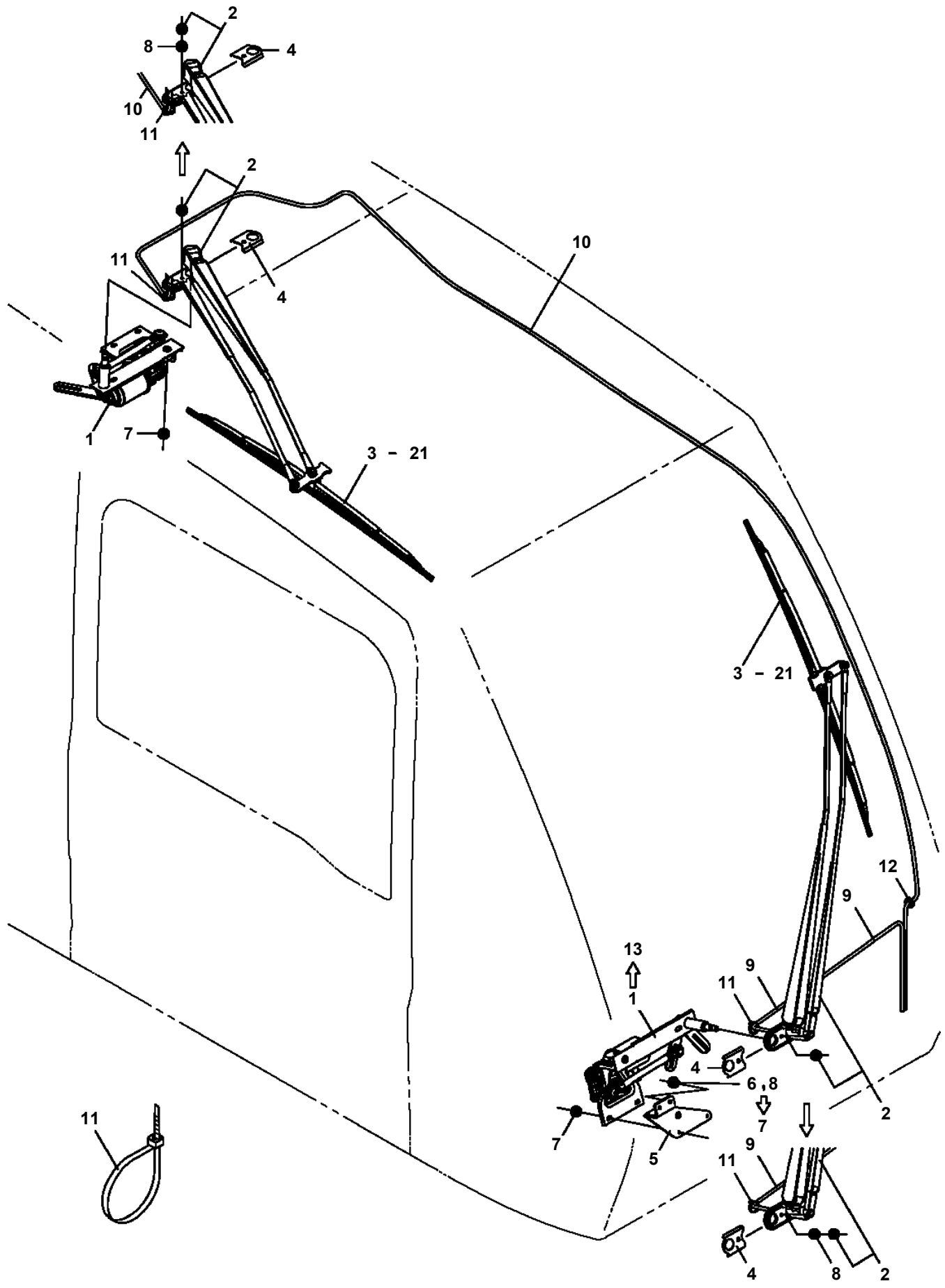
**GR-150-3-00102 6 BOOM + 2 JIB, 1M1D
PV5470004-00 VALVE,RELIEF**



GR-150-3-00102 6 BOOM + 2 JIB, 1M1D
PW5020064-00 WEIGHT ASSY

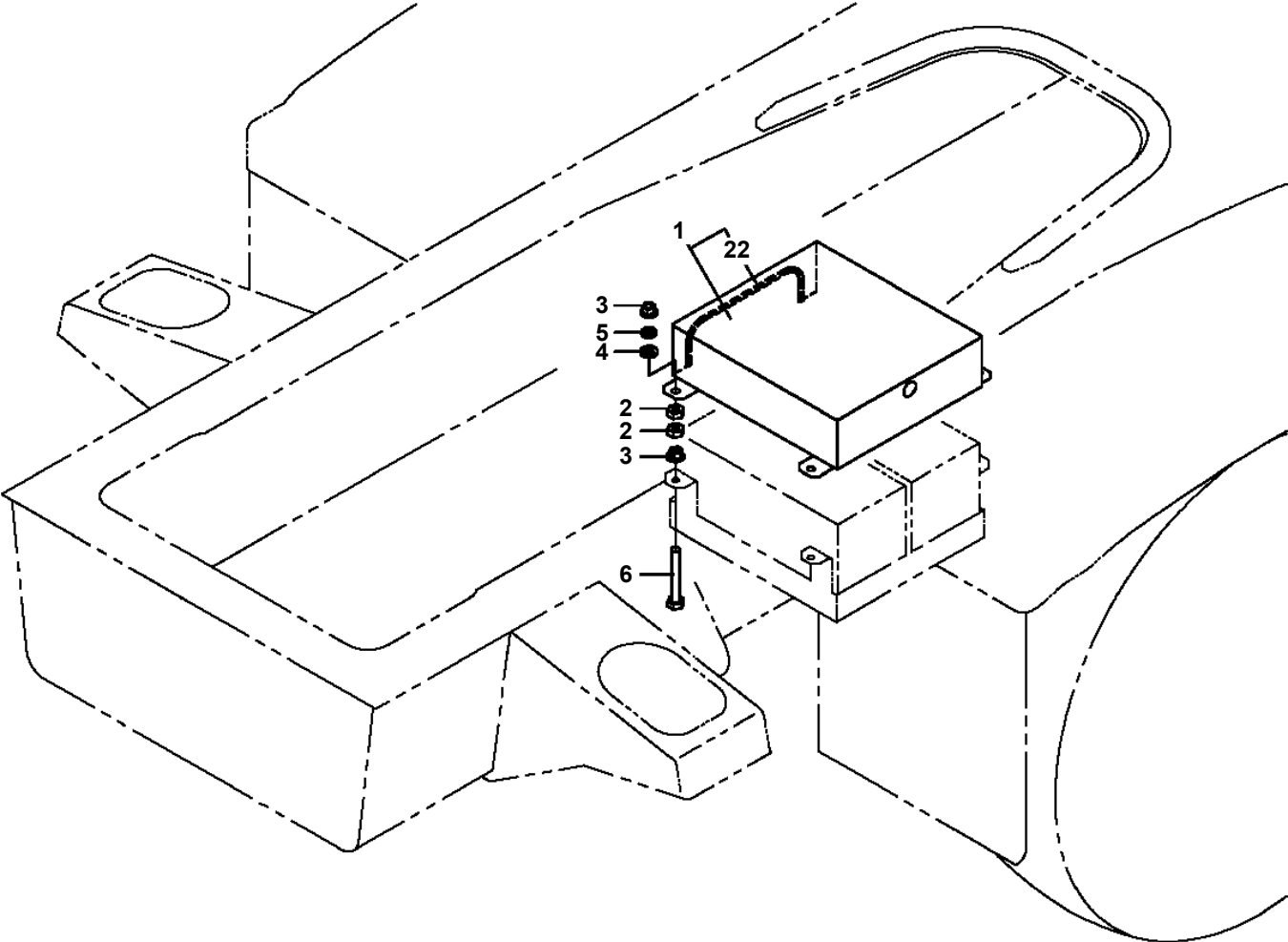


GR-150-3-00102 6 BOOM + 2 JIB, 1M1D
PW5140001-03 WIPER ASSY



GR-150-3-00102 6 BOOM + 2 JIB, 1M1D
PX5060021-01 MOUNT ASSY,BATTERY

FRONT



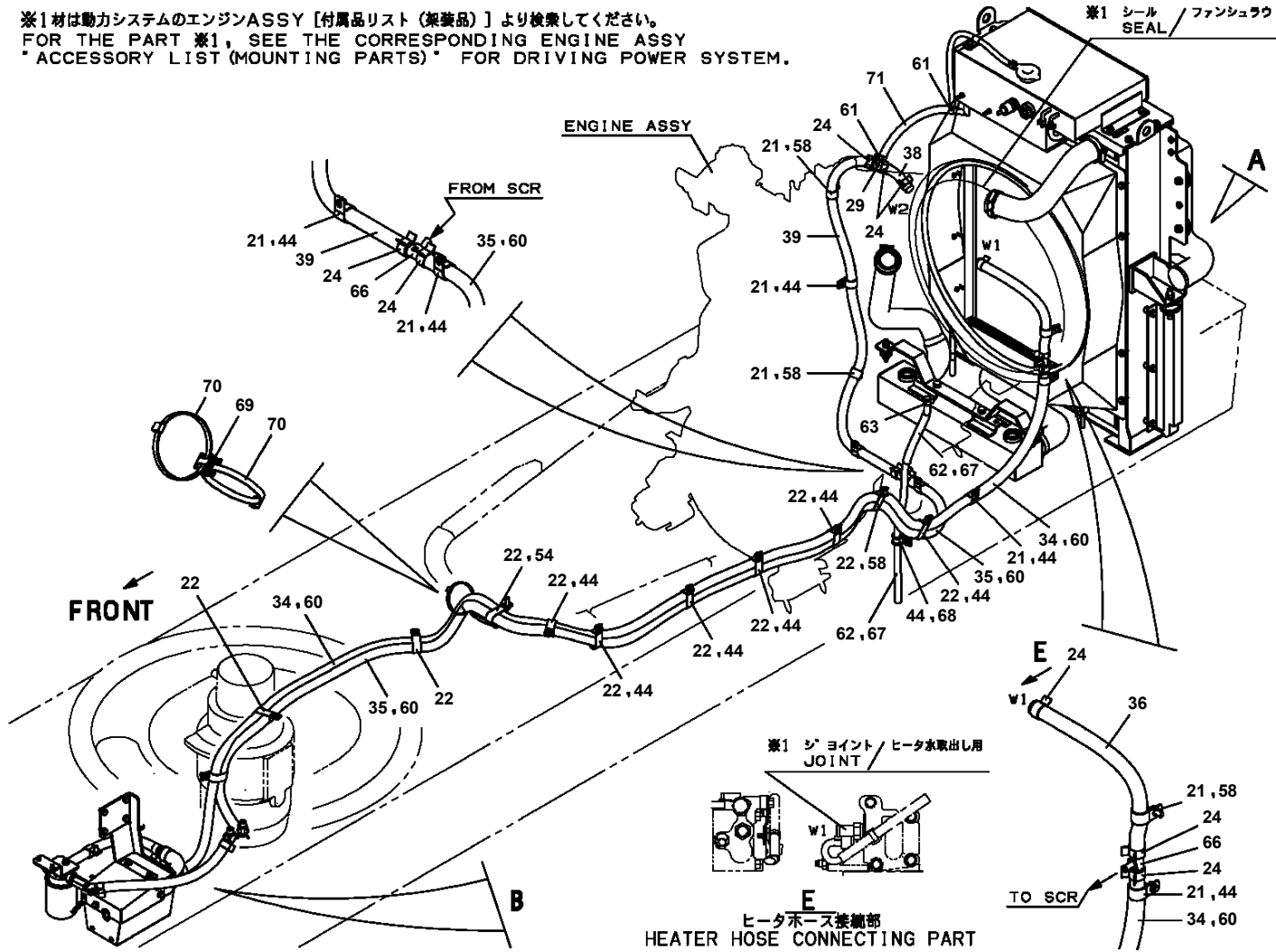
GR-150-3-00102 6 BOOM + 2 JIB, 1M1D

Pos No.	Parts No	Parts Name	Qty	Unit	Technical Data	Serial No (Start)	Serial No (End)	Rem
1	36180050000	SENDER,FUEL (ASSY ONLY)	1					
2	36101580000	TANK,FUEL	1					
3	34880390201	BAND	2					
4	90201201000	NUT	4		M10			
5	37000104230	PIN	2					
6	90303071201	WASHER,PLAIN	2		12			
7	80136332025	PIN,SPLIT	2		3.2X25			
8	37000701510	CLAMP ASSY	1		12X2			
9	91803600200	CLIP	12		D=13-20			
10	91860100018	CLAMP	2		KCR-W18			
11	37005700020	CLAMP	1		12X2			
13	37002520240	HOSE	2		L=100			
14	37000711000	CLAMP ASSY	4		12-1			
15	37002520230	HOSE	1		L=400			
16	37002520250	HOSE	1		L=200			
17	37002520220	HOSE	1		L=200			
18	37002520270	HOSE	2		L=700			
19	37000300720	SLEEVE	4		12-10			
20	37002520260	HOSE	1		L=300			
21	90280200600	NUT,FLANGE	1		M6			
22	90186206020	BOLT,FLANGE	1		M6X20			
23	90186210025	BOLT,FLANGE	2		M10X25			
24	37000701500	CLAMP ASSY	1		12X1			
25	34881340070	PIPE	1		12XT0.9 L=648.1			
26	34881340100	PIPE	1		10X0.7 L=1883.6			
27	34881340080	PIPE	1		12XT0.9 L=1009.3			
31	90101208035	BOLT	1		M8X35			
32	90302040801	WASHER,SPRING	1		8			
33	90280200800	NUT,FLANGE	1		M8			
34	34881340090	PIPE	1		12XT0.9 L=1360.3			
36	34881340040	PIPE	1		12XT0.9 L=900.9			
42	37000714010	CLAMP ASSY	1		12X1			
43	37000714910	CLAMP ASSY	1		12X2			
44	90186208014	BOLT,FLANGE	1		M8X14			
45	82100002015	CLAMP	2		WRC20			
46	91803600160	CLIP	4		D=11-16			

GR-150-3-00102 6 BOOM + 2 JIB, 1M1D PX5600032-03 MOUNT ASSY,RADIATOR

※1材は動力システムのエンジンASSY [付属品リスト (架装品)] より検索してください。
 FOR THE PART ※1, SEE THE CORRESPONDING ENGINE ASSY
 "ACCESSORY LIST (MOUNTING PARTS)" FOR DRIVING POWER SYSTEM.

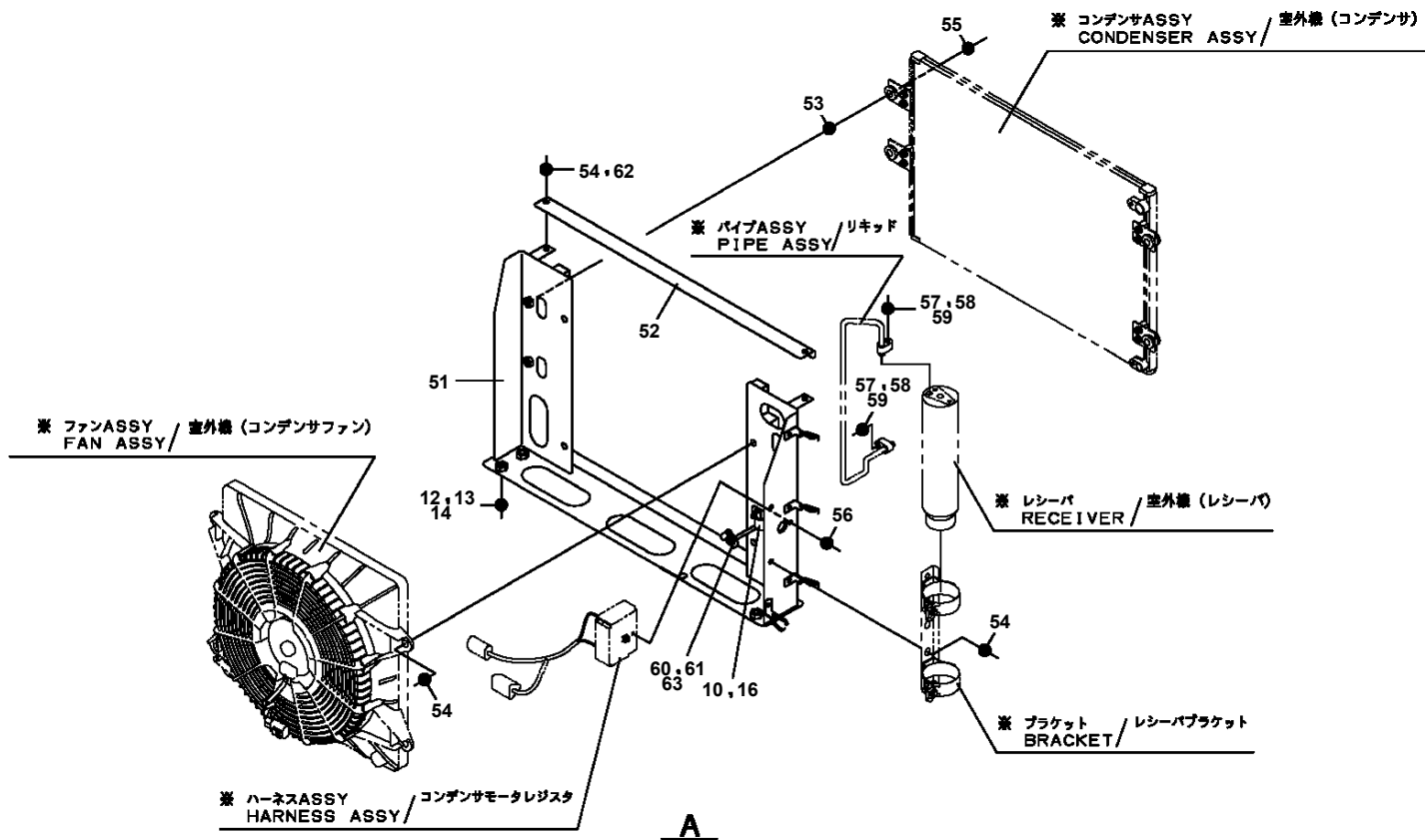
※1 シール / ファンシールド用
 SEAL /



GR-150-3-00102 6 BOOM + 2 JIB, 1M1D

Pos No.	Parts No	Parts Name	Qty	Unit	Technical Data	Serial No (Start)	Serial No (End)	Remarks
2	34463150100	ROD	1					
4	34462740100	MAT	1					
9	91991723000	WRENCH SET,WHEEL NUT	1		L,30MM			

GR-150-3-00102 6 BOOM + 2 JIB, 1M1D
 PY5140073-01 AIR CONDITIONER ASSY (MOUNT SWING FRAME)

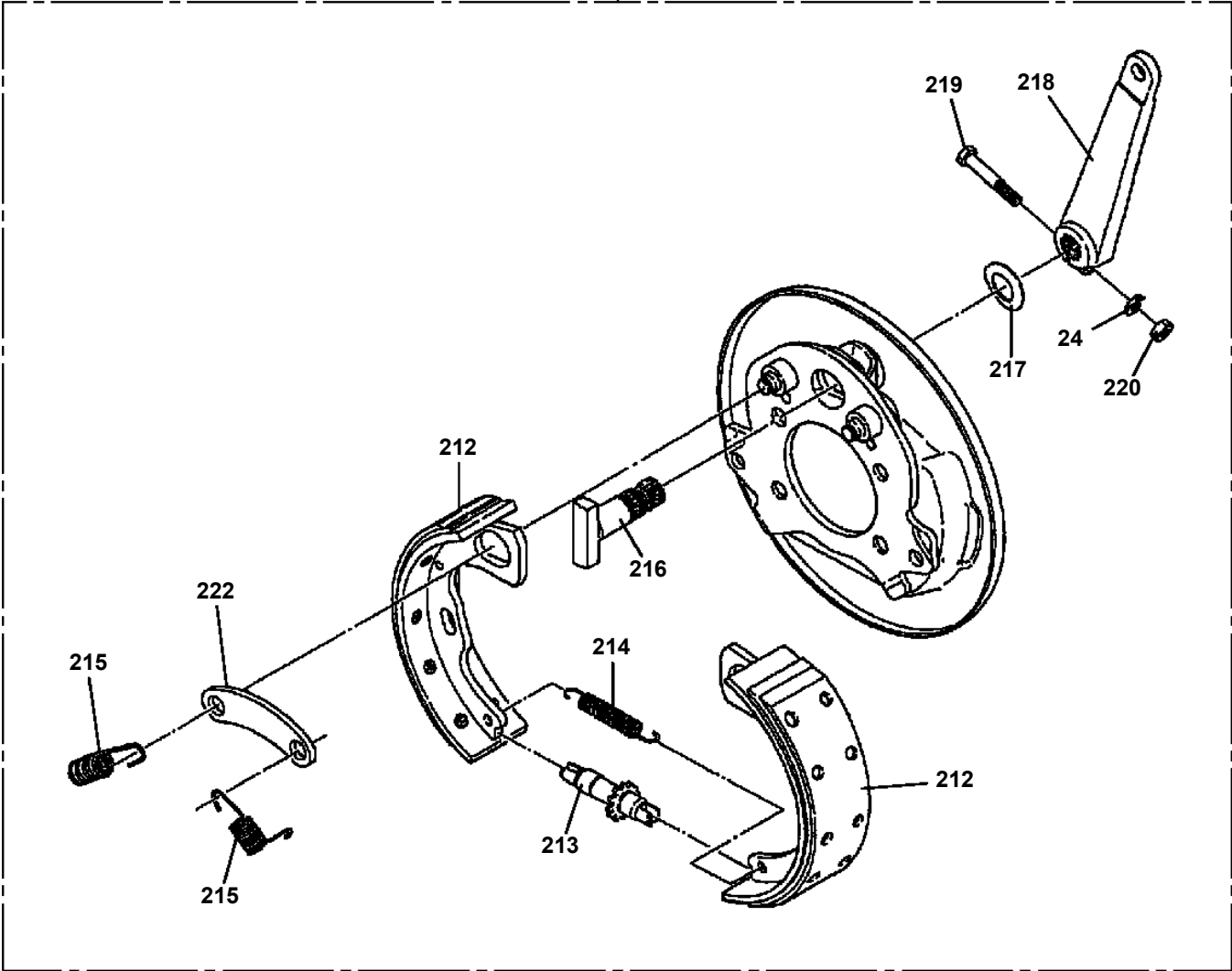


101	エアコンASSY (フジ クヒンリスト/センカイト ^イ) AIR CONDITIONER ASSY (ACCESSORY LIST/SWING FRAME)
-----	---

※材は【付属品リスト】より検索してください。
 FOR THE PART ※, SEE THE CORRESPONDING "ACCESSORY LIST."

GR-150-3-00102 6 BOOM + 2 JIB, 1M1D
PY5340025-01 AXLE ASSY,FRONT

12



CLICK HERE TO **DOWNLOAD** THE COMPLETE MANUAL

- Thank you very much for reading the preview of the manual.
- You can download the complete manual from: www.heydownloads.com by clicking the link below



- Please note: If there is no response to CLICKING the link, please download this PDF first and then click on it.

CLICK HERE TO **DOWNLOAD** THE COMPLETE MANUAL