

GR-120N-2-00122 6 BOOM + 2 JIB(STD),H,12TON

PB1000709-00 HYDRAULIC PRESSURE GENERATING SYSTEM
PC1000615-00 OUTRIGGER SYSTEM
PD1000608-00 SWING SYSTEM
PE1000614-00 ELEVATING SYSTEM
PF1000659-01 WINCH SYSTEM
PG1000573-00 TELESCOPING SYSTEM
PH1000617-00 SAFETY DEVICES
PK1000692-00 FRAME
PL1000646-00 CONTROL DEVICES
PM1000032-01 LUBRICATION DEVICES
PN1000582-00 ELECTRIC EQUIPMENT
PO1000150-00 INDICATION PLATES
PQ1000238-00 DRIVING POWER GENERATING SYSTEM
PR1000155-00 DRIVING POWER TRANSMISSION SYSTEM
PS1000182-00 STEERING SYSTEM
PT1000162-00 BRAKE SYSTEM
PU1000154-00 SUSPENSION
PW1000097-02 ACCESSORIES & TOOLS
PX1001066-00 MOUNTING PARTS
PY1001380-01 OPTIONS
PY2000210-03 OPTIONS,2
ASSEMBLY

CLICK HERE TO **DOWNLOAD** THE COMPLETE MANUAL

- Thank you very much for reading the preview of the manual.
- You can download the complete manual from: www.heydownloads.com by clicking the link below



- Please note: If there is no response to CLICKING the link, please download this PDF first and then click on it.

CLICK HERE TO **DOWNLOAD** THE COMPLETE MANUAL

GR-120N-2-00122 6 BOOM + 2 JIB(STD),H,12TON

Pos No.	Parts No	Parts Name	Qty	Unit	Technical Data	Serial No (Start)	Serial No (End)
1	36095540000	HOOK (MAIN/12TON)	1				
2	36094680000	HOOK ASSY (AUX./1.8TON)	1				
3	37001808720	ROPE,WIRE (KISWIRE)	1				
	37001808710	ROPE,WIRE (TESAC)	1				
4	37001800160	ROPE,WIRE (TESAC)	1				FD2324
	37001806830	ROPE,WIRE (KISWIRE)	1				FD2324
	37001809710	ROPE,WIRE (KISWIRE)	1			FD2325	
	37001809690	ROPE,WIRE (TESAC)	1			FD2325	
5	(*****)	SOCKET ASSY,ROPE (MAIN)	1				
6	(*****)	SOCKET ASSY,ROPE (AUX.)	1				
8	(*****)	PIPING,WINCH	1				FD2227
	(*****)	PIPING ASSY,WINCH	1			FD2228	
9	(*****)	INDICATOR ASSY,DRUM (MAIN & AUX.)	1				
10	(*****)	WINCH ASSY (MOUNT)	1				FD2227
	(*****)	WINCH ASSY (MOUNT)	1			FD2228	
11	(*****)	SUPPORT ASSY (WINCH)	1				FD2227

GR-120N-2-00122 6 BOOM + 2 JIB(STD),H,12TON

Pos No.	Parts No	Parts Name	Qty	Unit	Technical Data	Serial No (Start)	Serial No (End)	Rem
1	(*****)	PARTS ASSY,GREASE (UPPER)	1					
2	(*****)	CENTRAL LUBRICATION SYSTEM	1					

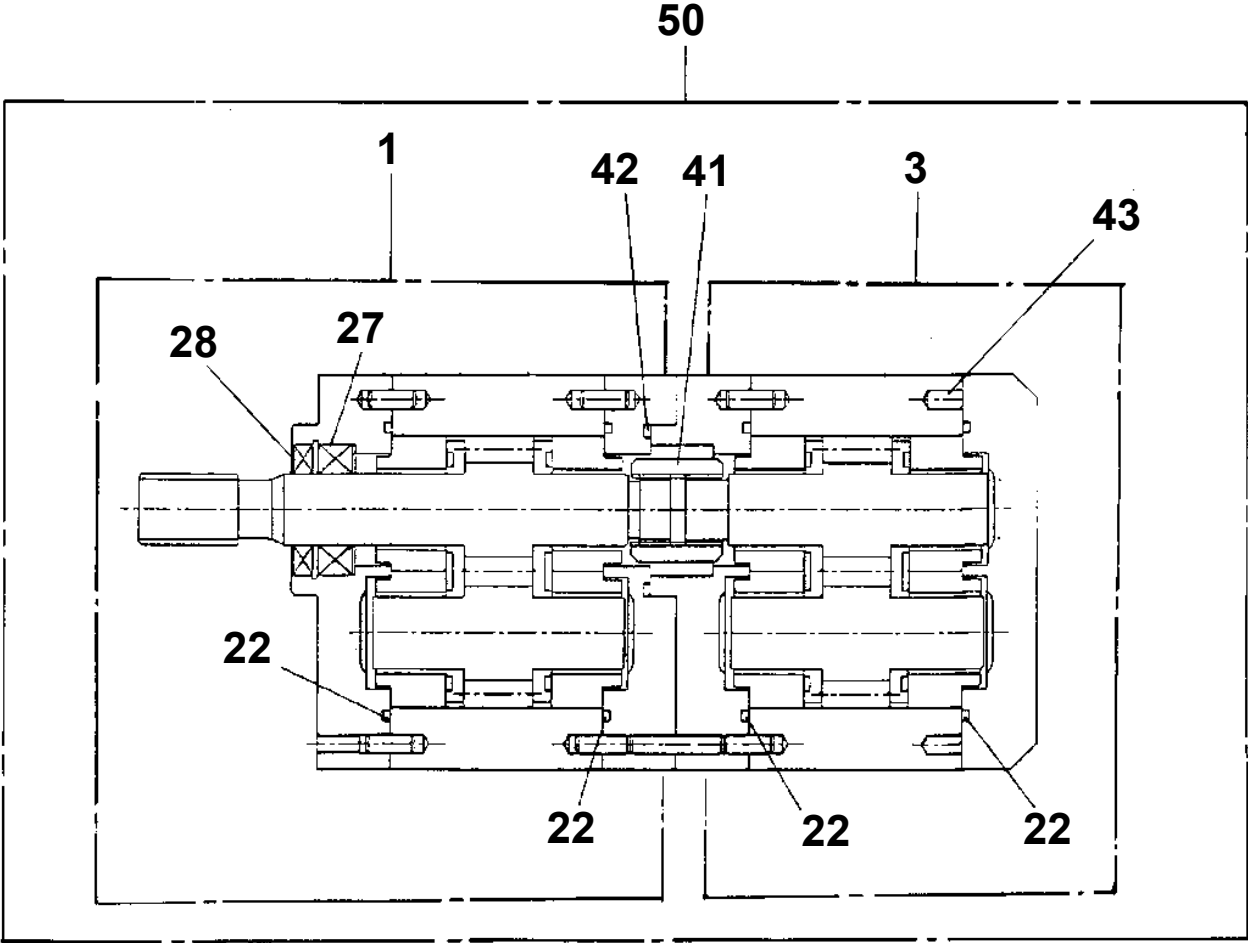
GR-120N-2-00122 6 BOOM + 2 JIB(STD),H,12TON

Pos No.	Parts No	Parts Name	Qty	Unit	Technical Data	Serial No (Start)	Serial No (End)
1	(*****)	STEERING ASSY CAB(UPPER,PIPNG)	1				
2	(*****)	PIPING,STEERING (CAB/LOLER)	1				
3	(*****)	PIPING,STEERING (LOWER)	1				
4	(*****)	CYLINDER,STEERING INSTALLATION	1				

GR-120N-2-00122 6 BOOM + 2 JIB(STD),H,12TON

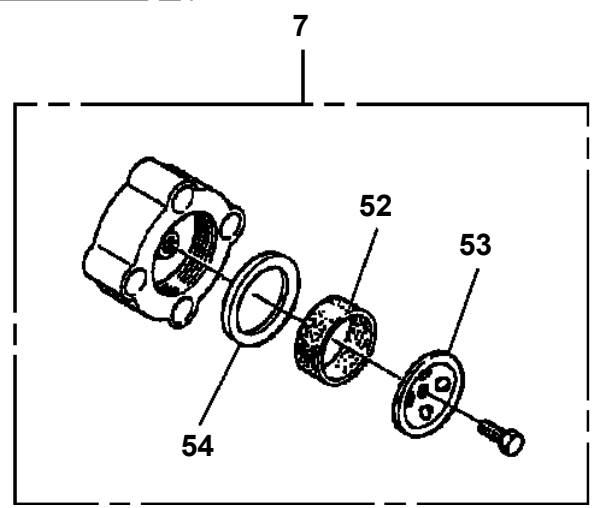
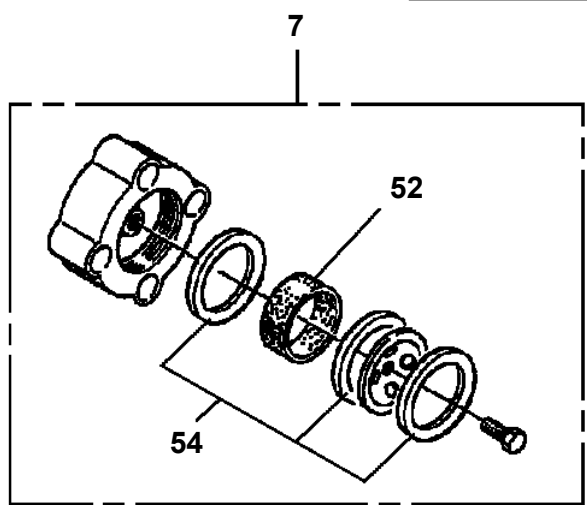
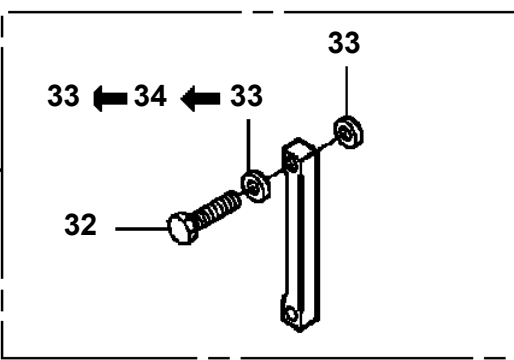
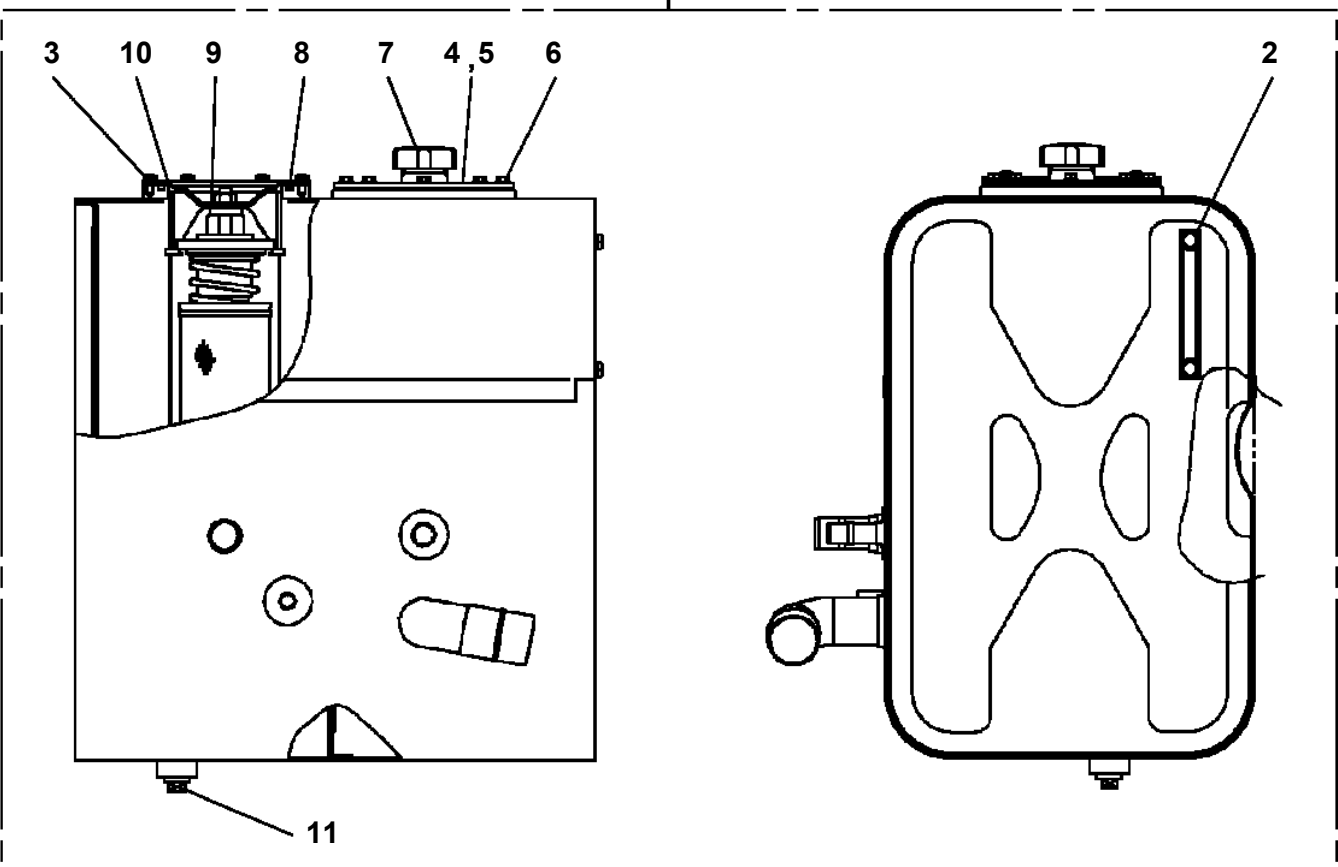
Pos No.	Parts No	Parts Name	Qty	Unit	Technical Data	Serial No (St
1	(*****)	INFLATOR,AIR	1			
3	(*****)	SPEAKER ASSY	1			
4	(*****)	OPE.ASSY,CONT.VALVE (TELE.,AUX.+ELEV.PEDAL/ISO)	1			
5	(*****)	OPE.ASSY,CONT.VALVE (TELE.,AUX.+M PEDAL/ISO)	1			
6	(*****)	OPE.ASSY,CONT.VALVE (TELE.,ELEV.+ AUX.PEDAL/TDN)	1			
8	(*****)	OPE.ASSY,CONT.VALVE (ISO:MAIN,AUX.PEDAL)	1			
9	(*****)	OPE.ASSY,CONT.VALVE (TELE.,ELEVATING PEDAL/ISO)	1			
10	(*****)	SPEEDOMETER	1			
12	(*****)	CENTRAL LUBRICATION SYSTEM	1			
13	(*****)	MIRROR (ELECTRIC)	1			
14	34732110000	ROPE (SAFETY,FOR H-O/R)	1			
16	34493430000	CURTAIN	1			
17	(*****)	LAMP ASSY (TIRE)	1			
18	(*****)	COVER ASSY (FOR NON SPEAKER)	1			
19	(*****)	BOX,TOOL (RIGHT,BACK)	1			
20	(*****)	BOX,TOOL (MOUNT/STAINLESS)	1			
	(*****)	BOX,TOOL (MOUNT)	1			
21	37000932910	JOINT (FOR GREASE SUPPLY HOSE)	1			

GR-120N-2-00122 6 BOOM + 2 JIB(STD),H,12TON
PB1100124-00 PUMP,HYDRAULIC



GR-120N-2-00122 6 BOOM + 2 JIB(STD),H,12TON
PB1130299-00 TANK,OIL

100



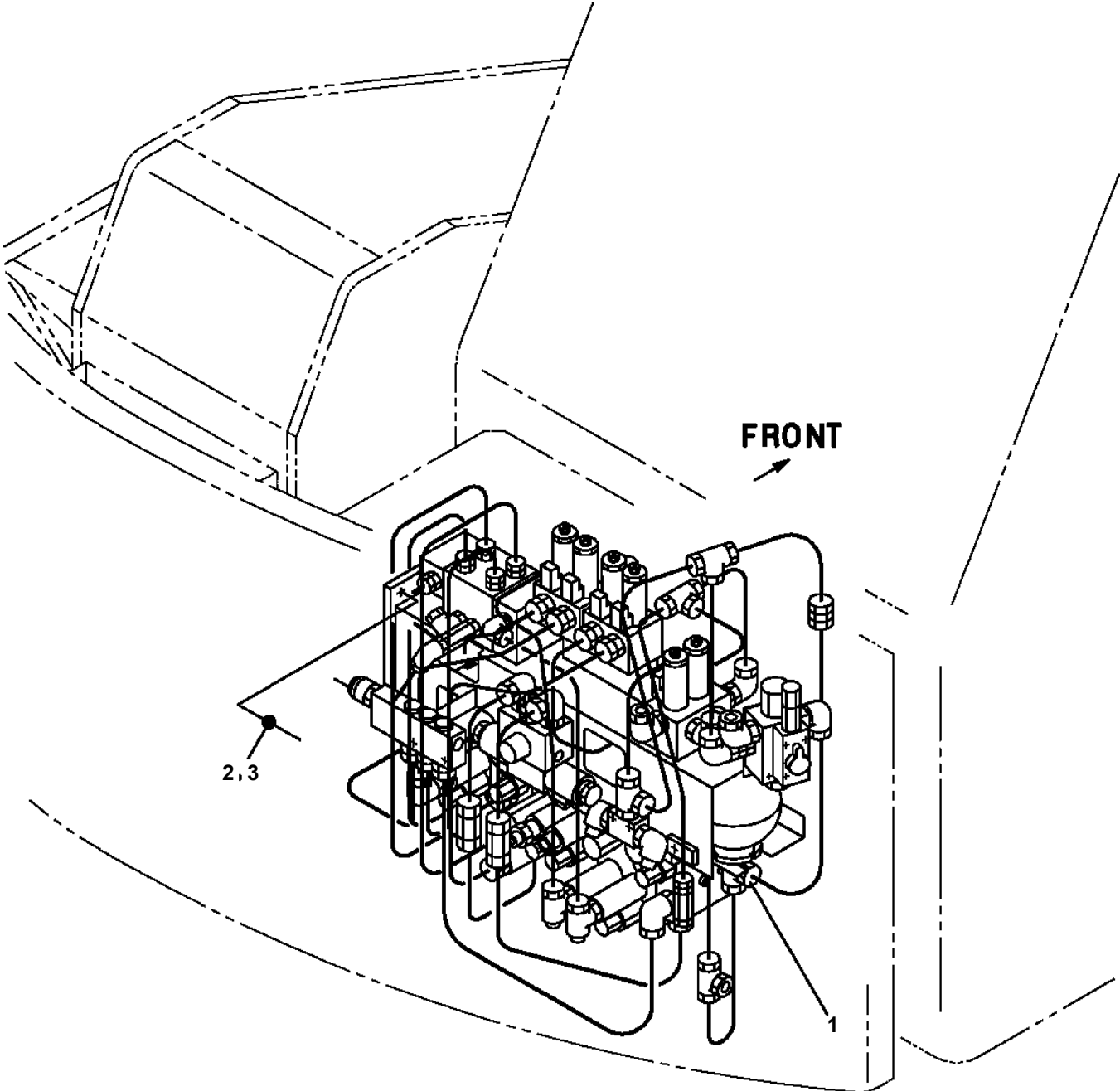
GR-120N-2-00122 6 BOOM + 2 JIB(STD),H,12TON

Pos No.	Parts No	Parts Name	Qty	Unit	Technical Data	Serial No (Start)	Serial No (End)	R
63	80441010904	FITTING (WITH O-RING)	1		S G1/4-12.7	FD2018		
71	34641375600	JOINT	1					
72	90101205018	BOLT	1		M5X18			
73	91702000050	SEAL,WASHER	1					
74	34640555300	FITTING,FLANGE	1					
75	91002904500	O-RING	1		1B G45			
76	80430620800	JOINT	1					
77	36620730000	VALVE,CHECK	1					
78	33330010100	GASKET	1					
79	37004000040	SWITCH,THERMO	1		85C			
80	37004000010	SWITCH,THERMO	1		50C			
81	90101208030	BOLT	4		M8X30			
82	90302040801	WASHER,SPRING	4		8			
91	91002801100	O-RING	2		1B P11			
	91002801100	O-RING	2		1B P11	FD2018		FD2017
101	91002801400	O-RING	1		1B P14			
111	91002801800	O-RING	5		1B P18			
121	91002802400	O-RING	6		1B P24			
131	91002803800	O-RING	1		1B P38			

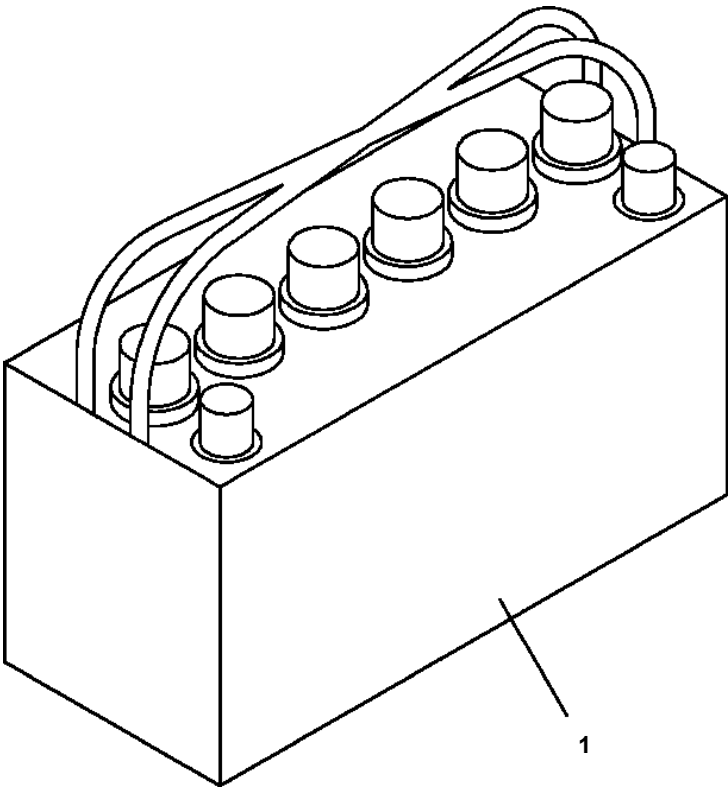
GR-120N-2-00122 6 BOOM + 2 JIB(STD),H,12TON

Pos No.	Parts No	Parts Name	Qty	Unit	Technical Data	Serial No (Start)	Serial No (End)	Remarks
3	80400160126	FITTING,TEE	10		20364-U1/2			
4	89640101000	HOSE	1		880-NFK,1M			
6	80441010906	FITTING	5					
7	80441010908	FITTING	3		PF1/2-12.7			
11	89640101000	HOSE	1		880-NFK,1M			
12	80320010085	FITTING	2		KUD12-040N			
13	80400160120	FITTING	2		20376-U1/2X1/2			
14	81408000160	PIPE,STEEL	1	M	12X1.4T			
15	80321112000	VALVE,CHECK	1					
16	81408000160	PIPE,STEEL	1	M	12X1.4T			
17	89640101000	HOSE	1		880-NFK,1M			
18	89640101000	HOSE	1		880-NFK,1M			
21	89640101000	HOSE	1		880-NFK,1M			
22	89640101000	HOSE	1		880-NFK,1M			
24	91810130250	FASTENER	18					
26	37000922300	JOINT	1					
27	91000590600	O-RING	1		AS568 906			
30	89640101000	HOSE	1		880-NFK,1M			
36	37000711080	CLAMP ASSY	1		12-2			
37	37000529230	PLATE	1					
43	80441010904	FITTING (WITH O-RING)	1		S G1/4-12.7			
44	89640101000	HOSE	1		880-NFK,1M			
45	89640101000	HOSE	1		880-NFK,1M			
46	89640101000	HOSE	1		880-NFK,1M			
52	34345595200	JOINT	1					
53	89640101000	HOSE	1		880-NFK,1M			
54	80441030906	FITTING,ELBOW	1		L,G3/8-12.7			
55	90186210020	BOLT,FLANGE	2		M10X20			
56	89640101000	HOSE	1		880-NFK,1M			
57	89640101000	HOSE	1		880-NFK,1M			
58	89640101000	HOSE	1		880-NFK,1M			
59	89640103000	HOSE	1		880-NFK,3M			
61	91002801800	O-RING	1		1B P18			
62	89640101000	HOSE	1		880-NFK,1M			
63	36624960000	VALVE ASSY,CHECK	1					
67	89640101000	HOSE	1		880-NFK,1M			
68	89640101000	HOSE	1		880-NFK,1M			
69	89640101000	HOSE	1		880-NFK,1M			
70	89640101000	HOSE	1		880-NFK,1M			
71	89640101000	HOSE	1		880-NFK,1M			
72	89640102000	HOSE	1		880-NFK,2M			
76	89640102000	HOSE	1		880-NFK,2M			
77	89640101000	HOSE	1		880-NFK,1M			
78	89640101000	HOSE	1		880-NFK,1M			
91	91002801400	O-RING	6		1B P14			
101	91002801800	O-RING	3		1B P18			
111	91002801100	O-RING	1		1B P11			

**GR-120N-2-00122 6 BOOM + 2 JIB(STD),H,12TON
PB1910195-00 PIPING (MOUNT/UNIT)**



GR-120N-2-00122 6 BOOM + 2 JIB(STD),H,12TON
PB5050002-00 BATTERY (FURUKAWA 130E41R)



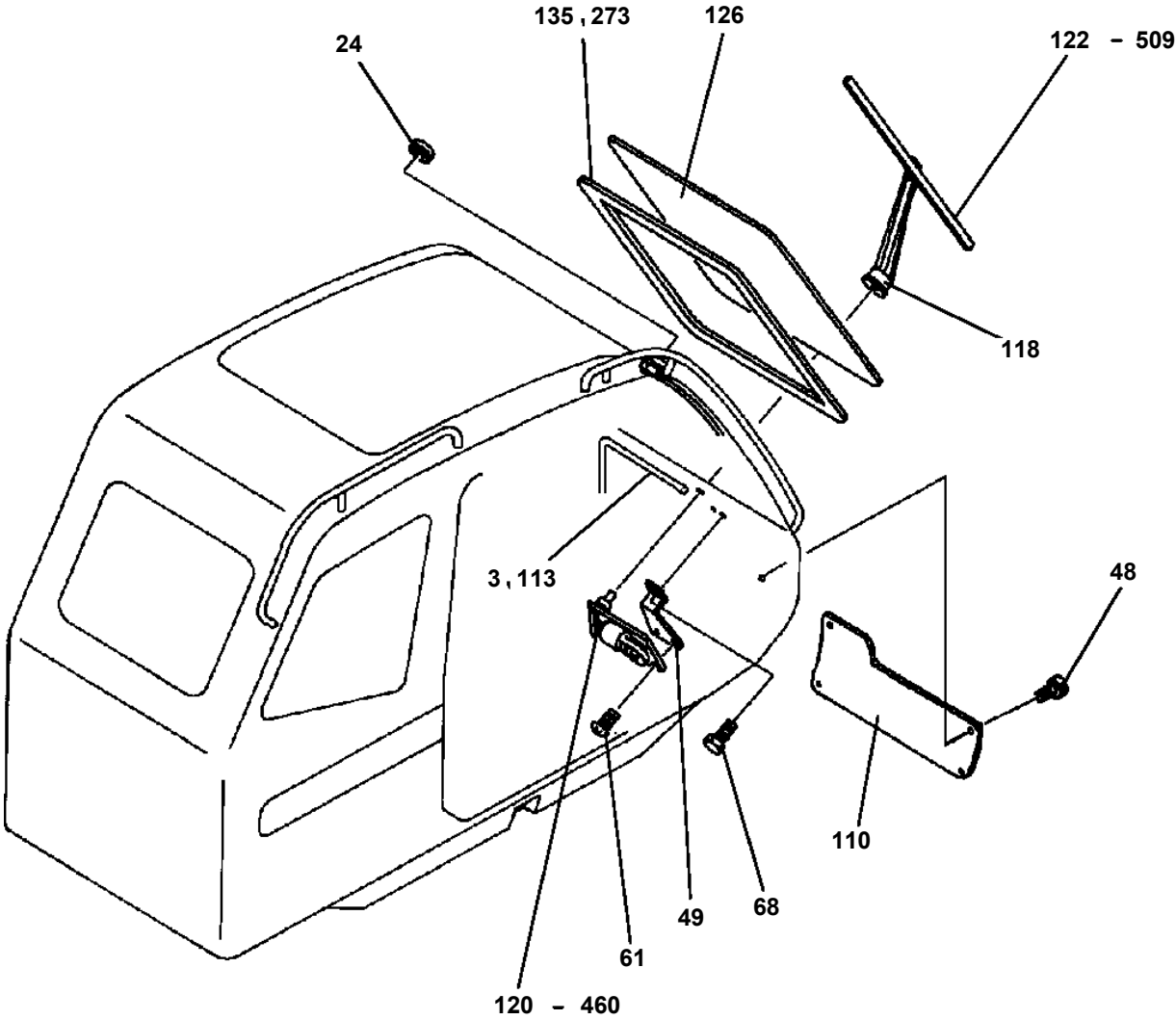
GR-120N-2-00122 6 BOOM + 2 JIB(STD),H,12TON

Pos No.	Parts No	Parts Name	Qty	Unit	Technical Data	Serial No (Start)	Serial No (End)	Remarks	Pages
100	91990151000	BOX,TOOL	1						

GR-120N-2-00122 6 BOOM + 2 JIB(STD),H,12TON

Pos No.	Parts No	Parts Name	Qty	Unit	Technical Data	Serial No (Start)	Serial No (End)	Rem
1	34731017510	BOX ASSY	1					
2	34731107050	GROMMET	1					
4	34731017530	LAMP,PILOT	1					
10	82100001696	SWITCH,TOGGLE	2					
11	34731047530	SWITCH,PUSH (KNOB-BLACK)	5					
12	82100001683	SWITCH,TOGGLE	1					
16	34731017560	SWITCH,PUSH (KNOB-RED)	1					
32	34700227510	PANEL ASSY	1					
33	34700227520	CABLE ASSY	1					
51	34731017570	COVER (FRONT)	1					
52	34731017580	HINGE	2					
53	34731017590	CATCH	1					
100	34700221000	BOX,OUTRIGGER OPERATION	1					

GR-120N-2-00122 6 BOOM + 2 JIB(STD),H,12TON
PC5010099-02 CAB ASSY



GR-120N-2-00122 6 BOOM + 2 JIB(STD),H,12TON

Pos No.	Parts No	Parts Name	Qty	Unit	Technical Data	Serial No (Start)	Serial No (End)	Remark
1	36370625210	CASE	1					
2	36370625220	SHAFT ASSY	1					
3	36350455680	RING,SEAL	1					
4	36370208040	RING,SEAL	1					
5	36370625230	PISTON ASSY	1					
9	80602110950	RING,RITAINING	1		95			
10	36370305740	SPRING	1					
11	36370305750	WASHER	1					
12	80601110360	RING,RITAINING	1		S36			
13	80500006911	BEARING,BALL	2					
14	80601110550	RING,RITAINING	1		S55			
15	36370305780	RING,SEAL	3					
16	36370625260	GASKET	1					
17	36350456060	PLUG	2					
50	36370625240	DISK KIT	1					
52	36370625251	OVERHAUL KIT	1					
100	36370625031	CLUTCH,POWER TAKE OFF	1					

GR-120N-2-00122 6 BOOM + 2 JIB(STD),H,12TON

Pos No.	Parts No	Parts Name	Qty	Unit	Technical Data	Serial No (Start)	Serial No (End)	Remarks
9	36171395010	BOARD,CPU (WITH DATA)	1					
10	36171011200	BOARD ASSY	1					
100	36171390000	CONTROLLER (LOWER)	1					

GR-120N-2-00122 6 BOOM + 2 JIB(STD),H,12TON

Pos No.	Parts No	Parts Name	Qty	Unit	Technical Data	Serial No (Start)	Serial No (End)	Remarks	P
1	36033151001	CYLINDER	1						
3	91302209000	BEARING,PLAIN	2						
4	91684009001	PACKING	2						
5	91411207502	RING,BACKUP	2						
6	91002805000	O-RING	1		1B P50				
7	36033155000	PISTON	1						
8	36033152001	ROD	1						
9	36033153000	COVER,ROD	1						
10	91002908500	O-RING	1		1B G85				
11	91251100700	RING,DAMPER	1						
12	91694007001	PACKING	1						
13	91410207001	RING,BACKUP	1						
14	91660007000	SEAL,DUST	1						
15	36033154000	STOPPER	1						
16	90101210030	BOLT	2		M10X30				
17	90302041001	WASHER,SPRING	6		10				
18	90101210022	BOLT	4		M10X22				
20	80316030020	PLUG	1		PT1/8				
21	90730008140	SCREW,SET	1		M8X14				
41	36033159900	PACKING SET	1		70X90				
62	80612110760	RING,RITAINING	1		AR76				
63	37000401730	BEARING,PLAIN	1						
100	36033150001	CYLINDER ASSY,JACK	1						

GR-120N-2-00122 6 BOOM + 2 JIB(STD),H,12TON

Pos No.	Parts No	Parts Name	Qty	Unit	Technical Data	Serial No (Start)	Serial No (End)
1	36131235010	PLATE (BASE)	1				
2	36131815010	COVER	1				
3	36132335010	DRUM ASSY	1				
4	36130515020	RING ASSY (CONTACT)	1				
5	33370025170	CONTACTOR ASSY (70)	1				
6	32360005060	CONTACTOR ASSY	1				
7	36132215020	CASE (BEARING)	2				
11	36132215030	REDUCER	1				
12	36130045090	CLIP (NYLON)	2				
13	36130045050	GEAR	2				
14	36132215040	BRACKET	1				
15	36130945010	POTENTIOMETER	1				
16	36131905020	SPRING	1				
17	36131455040	COVER	1				
18	32360005150	CLIP (NYLON)	1				
19	36131455070	SUPPORT	1				
20	36130235100	CLAMP (CORD)	2				
21	36130015080	GUIDE (CORD)	1				
22	36131455080	COLLAR	3				
23	36130045110	PACKING	1				
24	36131455050	PACKING	1				
25	32360005220	PACKING	2				
26	82114102020	CONNECTOR	1				
27	82114101020	CONNECTOR (2P,MALE)	1				
28	36131935020	LOCK (CORD)	1				
33	36130335030	WASHER	1				
44	36132215050	STOPPER	12				
45	36161385020	CORD	23	M			
46	36132265010	CABLE ASSY (WITH CONNECTOR)	1				
47	82121102020	HOLDER	2				
48	82111101510	TERMINAL	2				
49	82111101010	TERMINAL	2				
50	36131455060	DETECTOR,ANGLE	1				
51	82121101085	PLUG (AVS0.85)	4				
52	36131135060	COLLAR	1				
100	36132260001	DETECTOR ASSY,LENGTH (BOOM)	1				

GR-120N-2-00122 6 BOOM + 2 JIB(STD),H,12TON

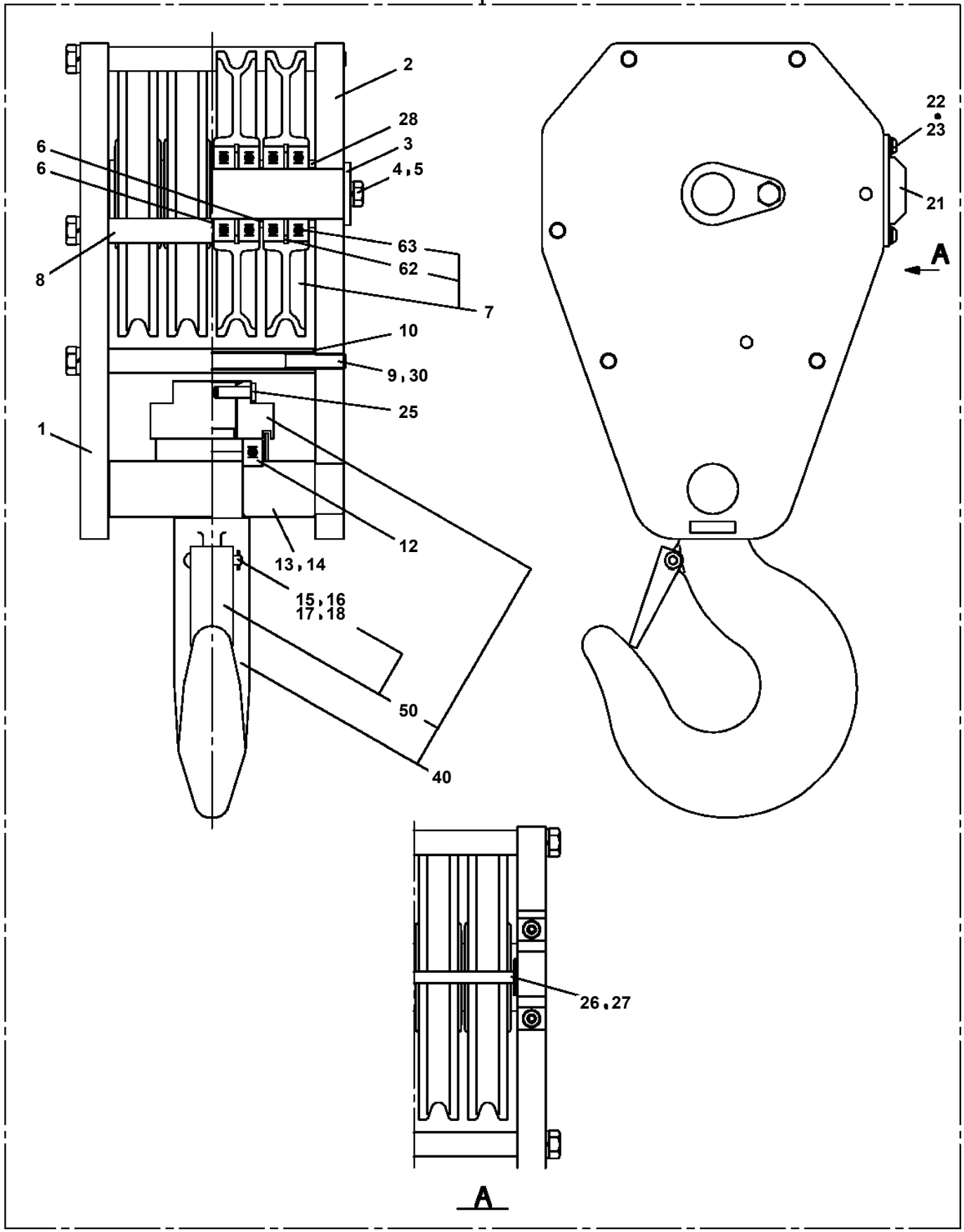
Pos No.	Parts No	Parts Name	Qty	Unit	Technical Data	Serial No (Start)	Serial No
1	34970863100	DISTRIBUTOR (ASSY ONLY)	1				
2	56479000080	NUT,FLARE	16				
3	34970619800	HOSE ASSY	1		IHI 6XT1,L=1210		
4	34970629660	HOSE ASSY	1		IHI 6XT1,L=510		
5	34970649880	HOSE ASSY	1		IHI 6XT1,L=1480		
6	34970649650	HOSE ASSY	1		IHI 6XT1,L=1510		
7	34970629590	HOSE ASSY	1		IHI 6XT1,L=740		
8	34970609650	HOSE ASSY	1		IHI 6XT1,L=900		
9	34970619590	HOSE ASSY	1		IHI 6XT1,L=820		
10	34970649730	HOSE ASSY	1		IHI 6XT1,L=880		
50	34970461300	DISTRIBUTOR ASSY (R-LEFT:WITH HOSE)	1				

GR-120N-2-00122 6 BOOM + 2 JIB(STD),H,12TON

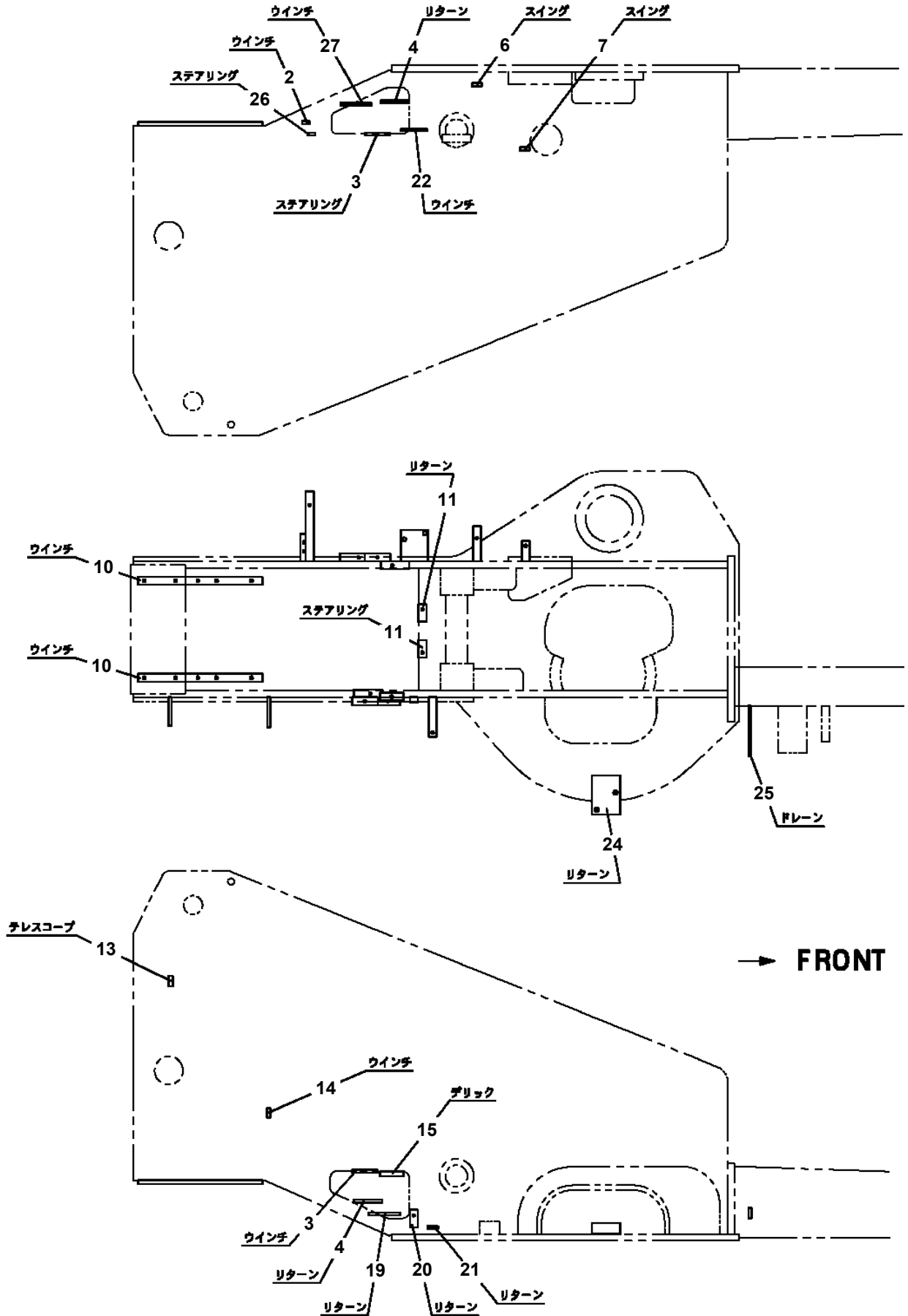
Pos No.	Parts No	Parts Name	Qty	Unit	Technical Data	Serial No (Start)	Serial No
78	80172304016	SCREW,MACHINE	4		M4X16		FD2076
	80172304016	SCREW,MACHINE	6		M4X16	FD2077	
79	90303070401	WASHER,PLAIN	4		4		
81	90186208030	BOLT,FLANGE	1		M8X30		FD3304
82	34931151103	HARNESS (MAIN)	1			FD3305	
	34931151104	HARNESS (MAIN)	1			FD2493	
83	34931151600	HARNESS	1				
101	34930973100	LAMP (CASE,R)	1				
102	34930973200	HARNESS	2				
103	82166300210	BULB,LAMP (KOITO)	2		24V 21W		
	82166300210	BULB,LAMP (KOITO)	6		24V 21W	FD1884	
104	82166300100	BULB,LAMP	3		24V 10W	FD1883	
105	91810130250	FASTENER	6				
111	34930974100	LAMP (CASE,L)	1				
121	33650080600	LAMP ASSY,LICENSE (ASSY ONLY)	1				
122	34931041411	HARNESS	1				
123	91810130240	FASTENER	2				
131	34930577510	LAMP ASSY (NO.1)	2		24V 70W		
132	34930577520	LAMP ASSY (NO.2)	2		24V 75/70W		
133	34930397590	BOLT SET	4				
134	34930397580	RING,RETAINING	4				
161	34460747120	BULB,LAMP	2		24V 70W		
171	34460747110	BULB,LAMP	2		24V 70/75W		
181	34930707520	LENS	1				
191	34930707530	LENS	1				
201	36361422050	SENSOR (WATER LEVEL)	1				
202	36361422060	O-RING	1				
203	36361112060	RESISTANCE	1				
212	82400000201	GROMMET	4		KG-016	FD2863	

GR-120N-2-00122 6 BOOM + 2 JIB(STD),H,12TON
PF1050563-00 HOOK (SHEAVE 4 PC'S)

100



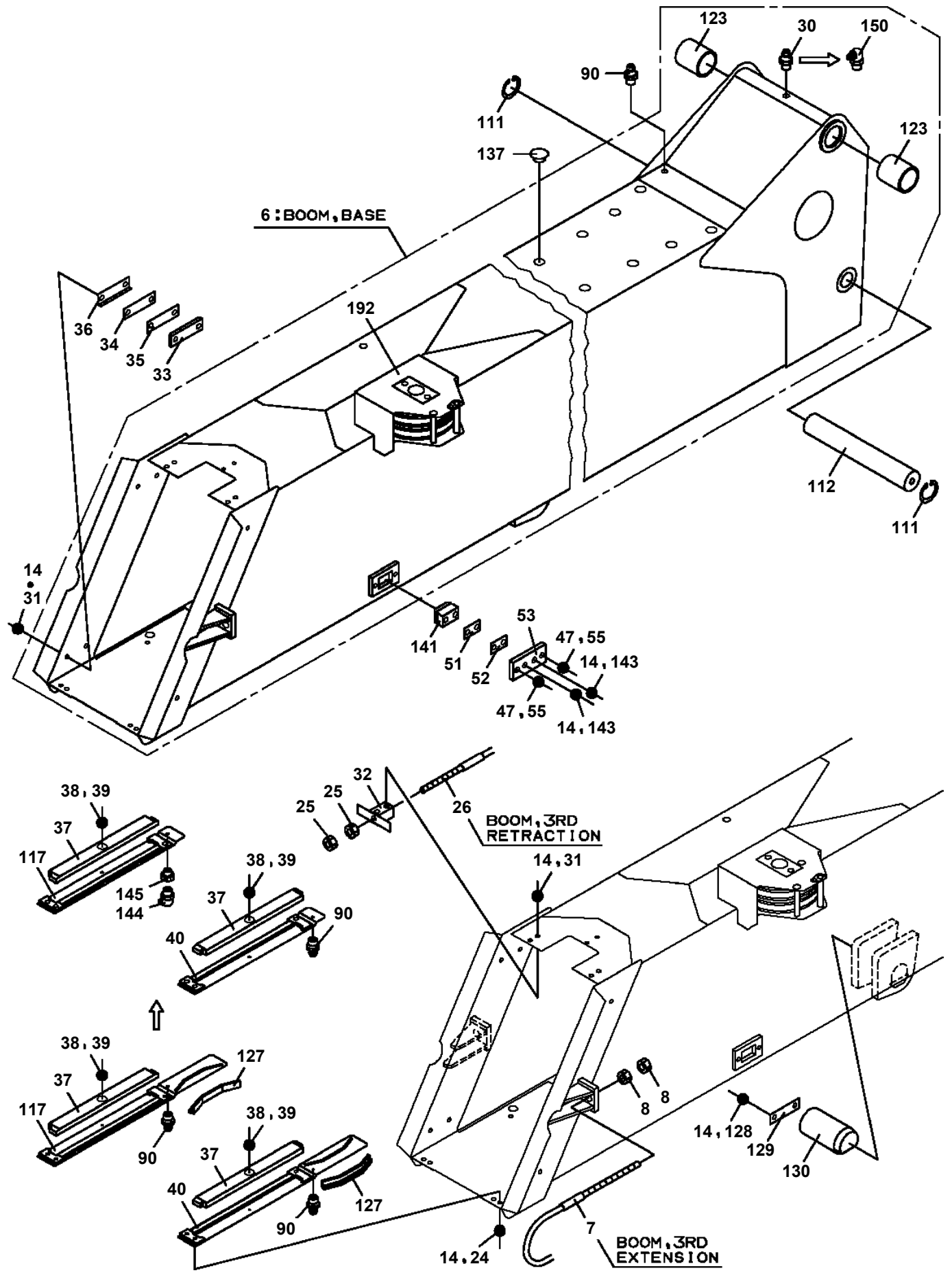
GR-120N-2-00122 6 BOOM + 2 JIB(STD),H,12TON
 PF1080253-00 SUPPORT (HYDRAULIC PARTS)



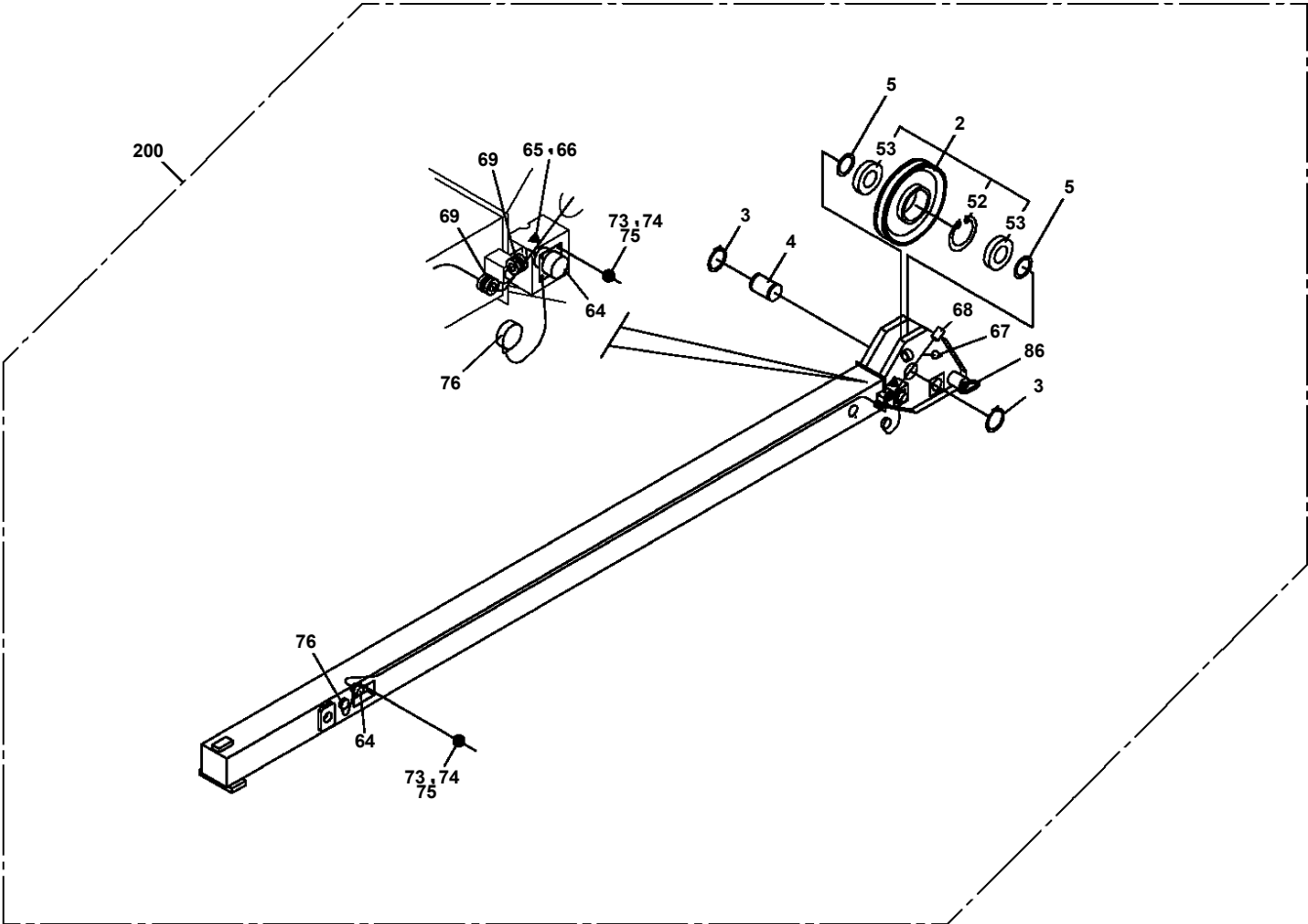
GR-120N-2-00122 6 BOOM + 2 JIB(STD),H,12TON

Pos No.	Parts No	Parts Name	Qty	Unit	Technical Data	Serial No (Start)	Serial No (End)	Remarks	Page
1	36361427540	FILTER ASSY	1						
21	36361427550	CARTRIDGE,FILTER	1						
100	36361423160	FILTER ASSY	1						

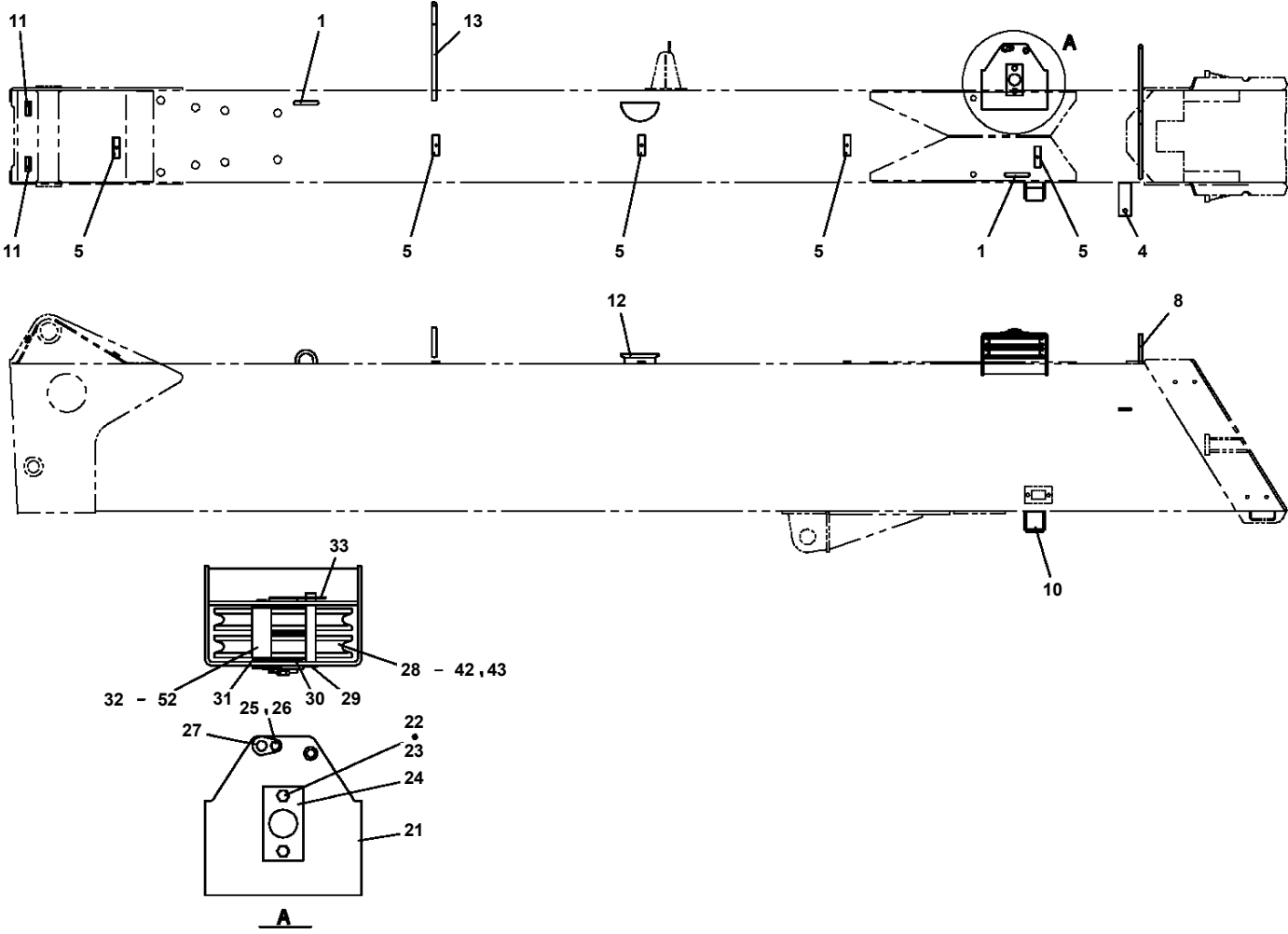
**GR-120N-2-00122 6 BOOM + 2 JIB(STD),H,12TON
PG1010697-09 BOOM (6 SECT.)**



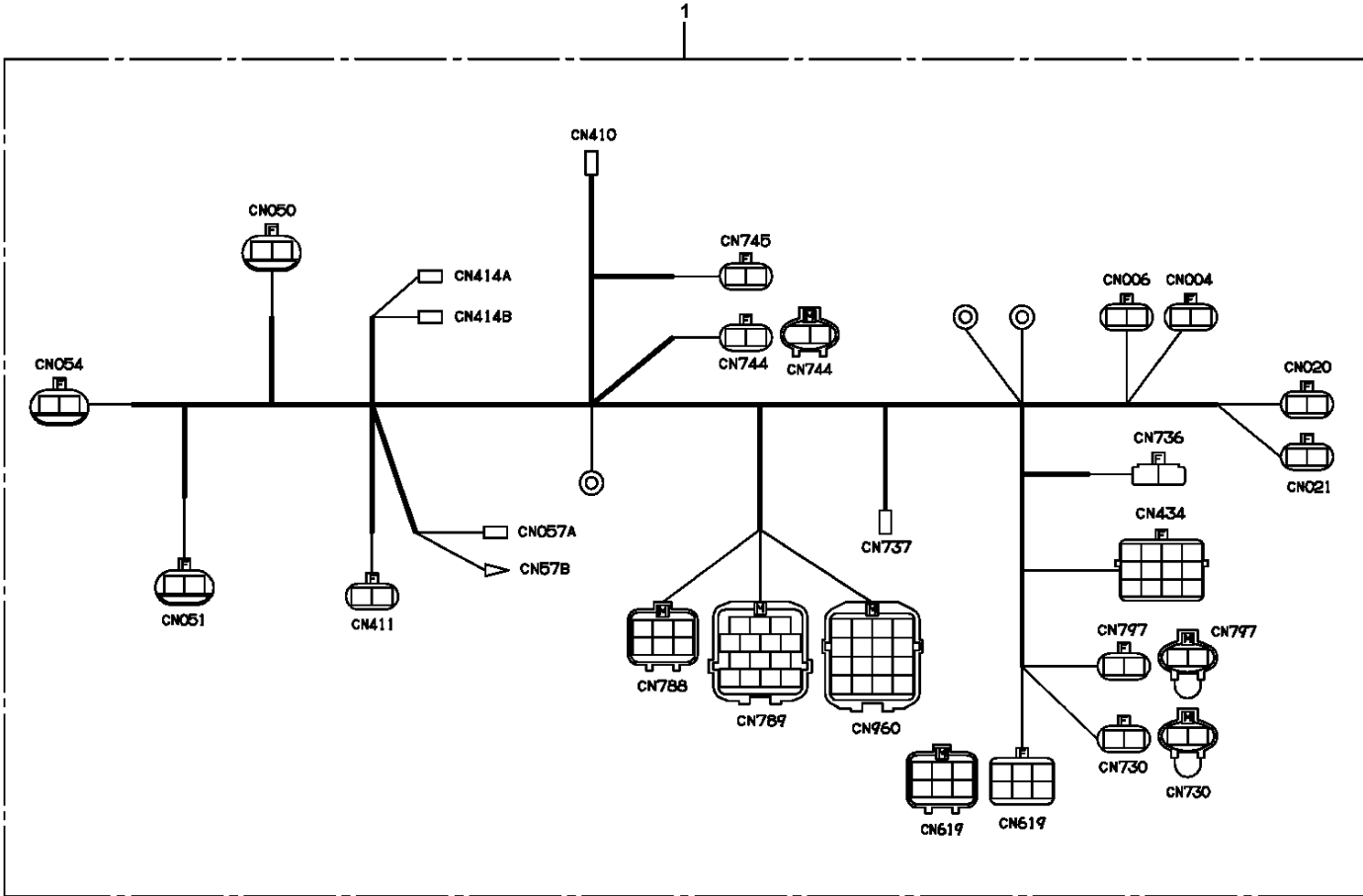
GR-120N-2-00122 6 BOOM + 2 JIB(STD),H,12TON
PG1040392-00 JIB (2)



**GR-120N-2-00122 6 BOOM + 2 JIB(STD),H,12TON
 PG1350013-02 WELDED PARTS (BOOM,BASE)**

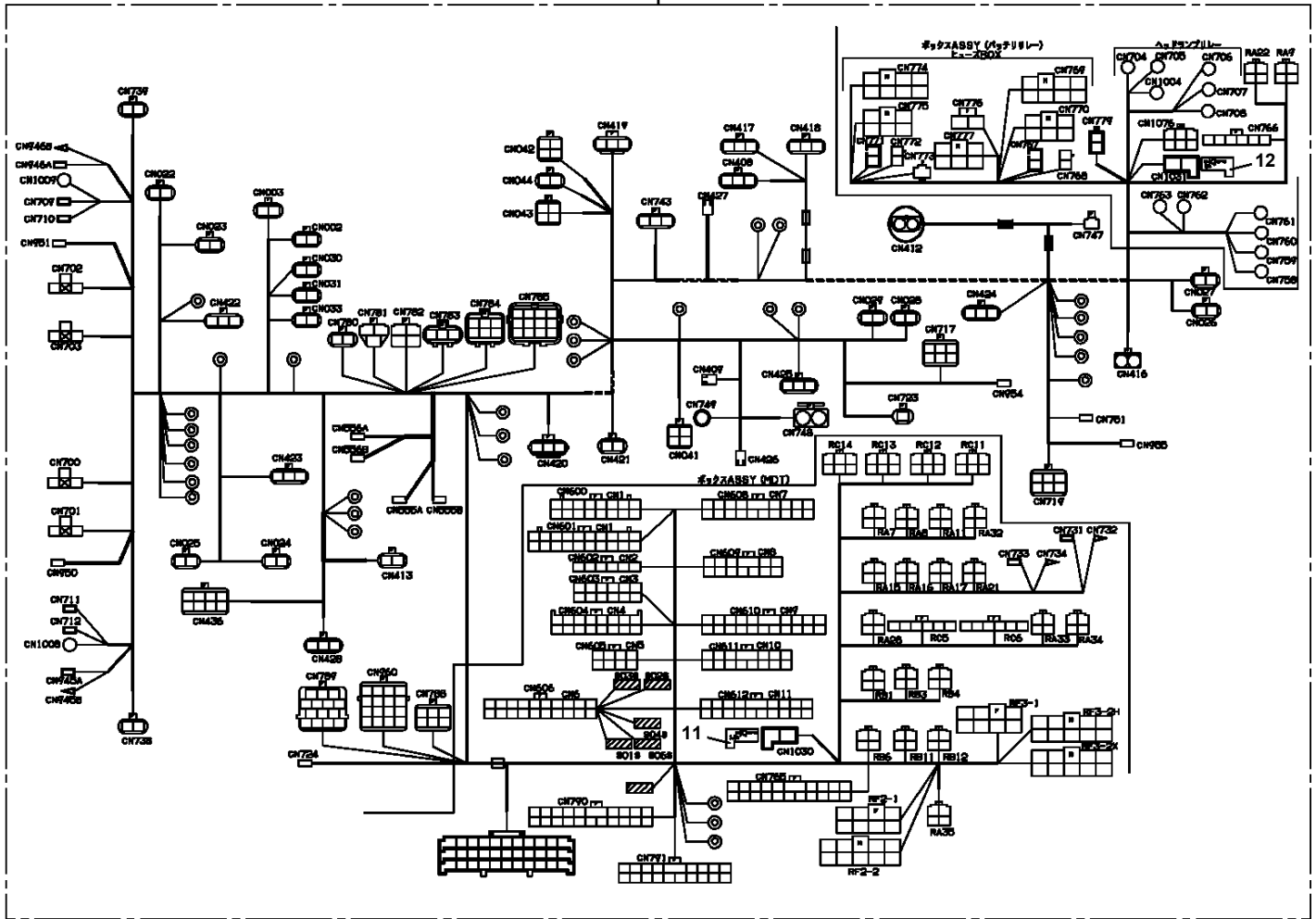


GR-120N-2-00122 6 BOOM + 2 JIB(STD),H,12TON
PH5030174-00 HARNESS (AIR)

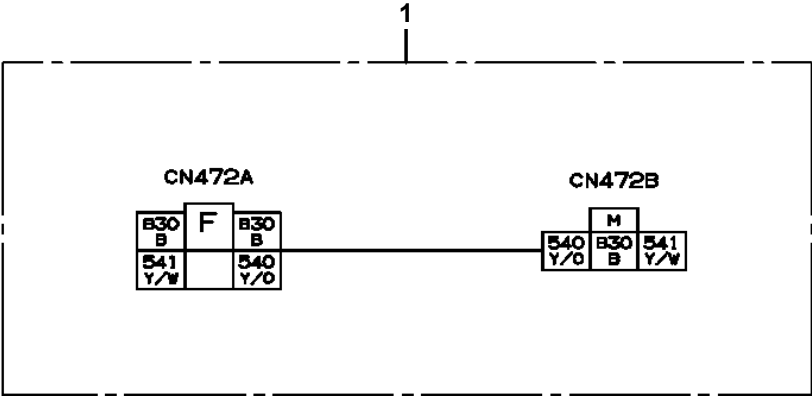


GR-120N-2-00122 6 BOOM + 2 JIB(STD),H,12TON
 PH5030188-01 HARNESS (MAIN)

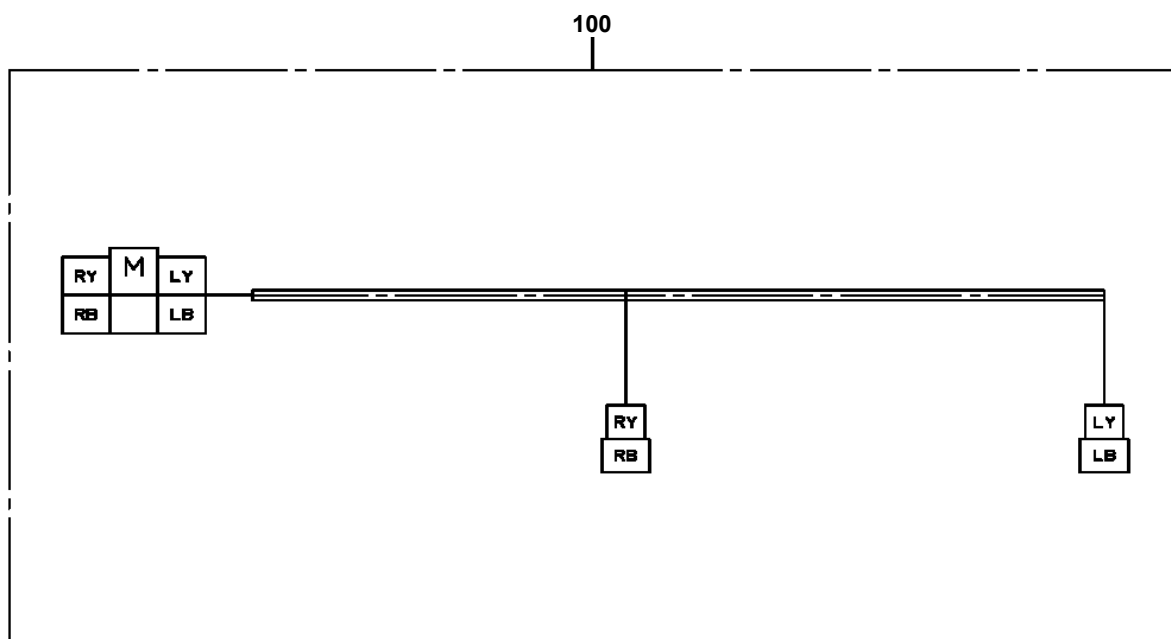
1



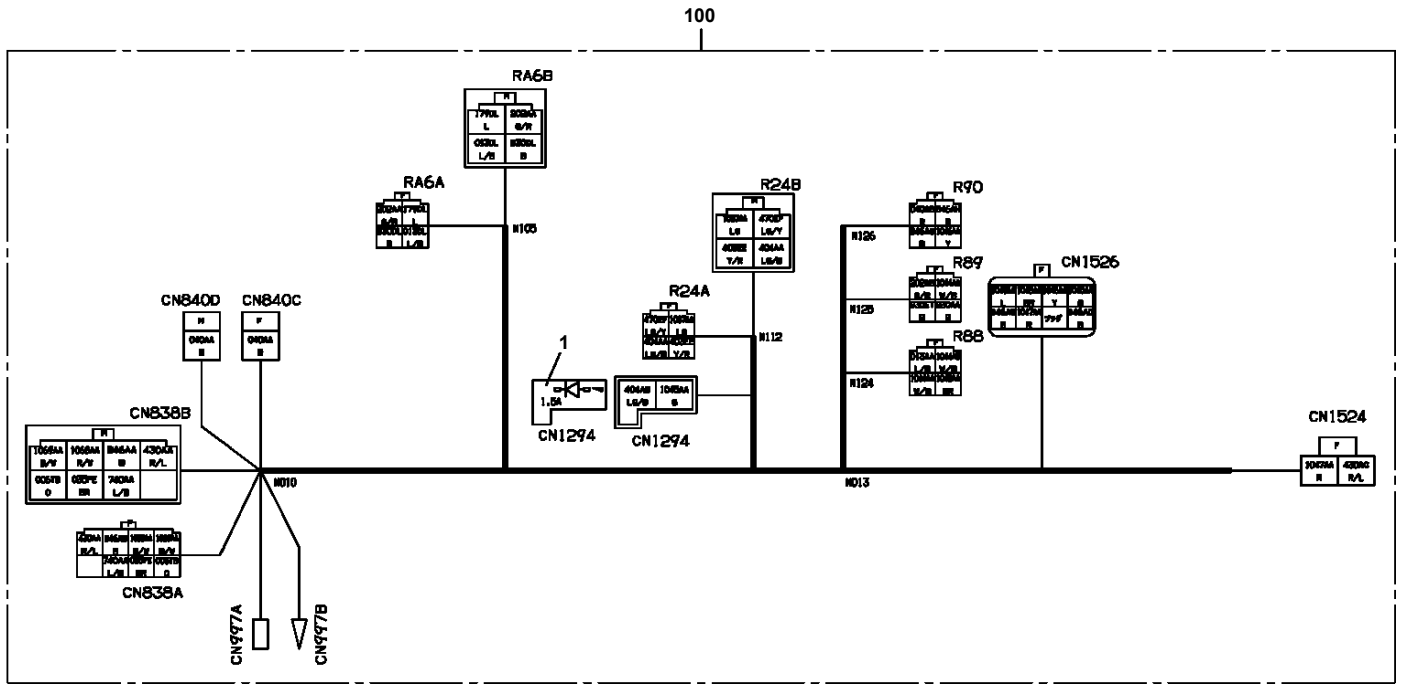
**GR-120N-2-00122 6 BOOM + 2 JIB(STD),H,12TON
PH5030917-00 HARNESS (FOR ELECTRIC MIRROR SW)**



**GR-120N-2-00122 6 BOOM + 2 JIB(STD),H,12TON
PH5031277-00 HARNESS**



**GR-120N-2-00122 6 BOOM + 2 JIB(STD),H,12TON
PH5032206-00 HARNESS**



GR-120N-2-00122 6 BOOM + 2 JIB(STD),H,12TON

Pos No.	Parts No	Parts Name	Qty	Unit	Technical Data	Serial No (Start)	Serial No (End)	Remarks
1	82182819823	DIODE	3		1.5A			
2	82182819834	DIODE	2		1.5A			
4	82181809920	RESISTANCE	2		1.3 KILO-OHM ,0.5W			
100	34353781012	HARNESS (INNER CAB)	1					

GR-120N-2-00122 6 BOOM + 2 JIB(STD),H,12TON

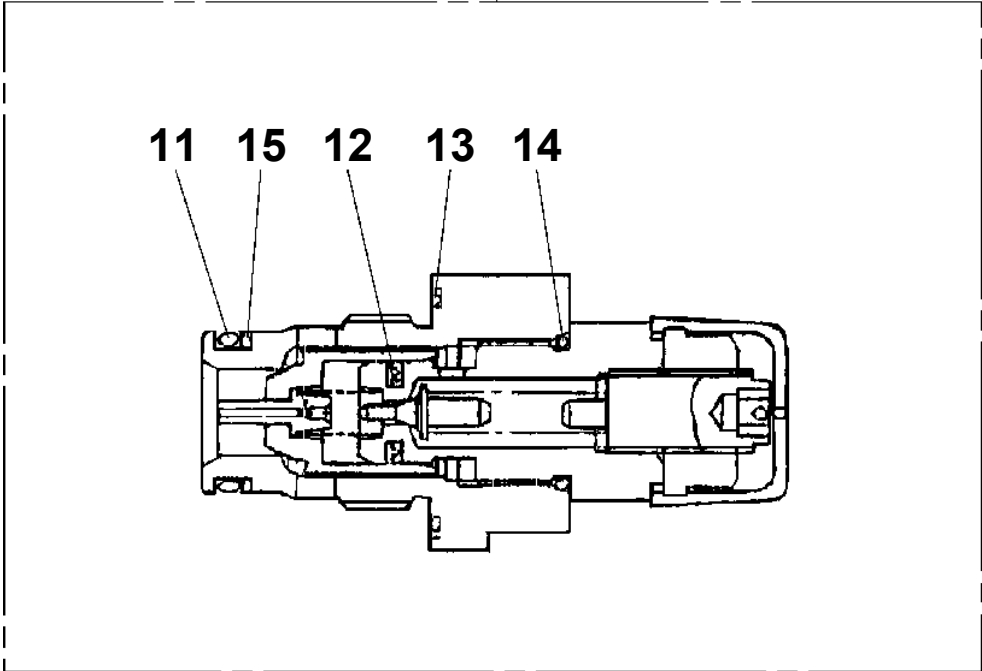
Pos No.	Parts No	Parts Name	Qty	Unit	Technical Data	Serial No (Start)	Serial No (End)	Remarks	Pages
100	34363408030	HARNESS	1						

GR-120N-2-00122 6 BOOM + 2 JIB(STD),H,12TON

Pos No.	Parts No	Parts Name	Qty	Unit	Technical Data	Serial No (Start)	Serial No (End)	Remarks	Pages
11	82100001839	FUSE	1		10A.RED				
100	34510662400	HARNESS	1						

**GR-120N-2-00122 6 BOOM + 2 JIB(STD),H,12TON
PI1100083-00 VALVE,RELIEF**

30



GR-120N-2-00122 6 BOOM + 2 JIB(STD),H,12TON

Pos No.	Parts No	Parts Name	Qty	Unit	Technical Data	Serial No (Start)	Serial No (End)	Remarks	Pages
58	36645775011	VALVE,SOLENOID	1						
105	36648875010	RETAINER	2						
106	36646085040	ELEMENT,FILTER	2						
111	36645775030	SPRING	1						
113	91000511900	O-RING	1		AS568-119				
114	36632465390	O-RING	1						
300	36645770000	VALVE,SOLENOID	1						

GR-120N-2-00122 6 BOOM + 2 JIB(STD),H,12TON

Pos No.	Parts No	Parts Name	Qty	Unit	Technical Data	Serial No (Start)	Serial No (End)	Remarks	Page
3	36641687520	RETAINER (A)	2						
4	36641687530	RETAINER (B)	4						
5	36640175040	SPACER	4						
6	36641687560	SPRING (C)	2						
7	36649895010	SPRING	2						
8	36642915020	NUT	2						
9	36641687570	ROD	2						
10	36641687580	GUIDE (SOLENOID)	2				FD4150		
	36740075010	GUIDE (SOLENOID)	2			FD4151			
11	36646375050	COIL,SOLENOID	2						
14	36649735030	O-RING	4						
15	91001102000	O-RING	2		1A P20		FD4150		
	36740455020	O-RING	2			FD4151			
16	91002801800	O-RING	2		1B P18				
17	91001002500	O-RING	2		S25		FD4150		
	36740455040	O-RING	2			FD4151			
100	36649890000	VALVE,SOLENOID	1						

GR-120N-2-00122 6 BOOM + 2 JIB(STD),H,12TON

Pos No.	Parts No	Parts Name	Qty	Unit	Technical Data	Serial No (Start)	Serial No (End)	Remarks
7	36642765050	O-RING	1					
8	36642765060	WASHER (CENTER)	2					
10	91000501200	O-RING	4					
13	36643435020	SPRING	2					
14	36642765070	PLUG	1					
31	36741765010	NUT	1					
32	36741765020	O-RING	1					
33	36649995020	CORE ASSY (SOLENOID)	1					
34	36643435040	PIN,SPRING	4					
35	36648475110	O-RING	1					
41	36644965010	O-RING	1					
44	36741765040	COIL,SOLENOID	1					
50	36645940000	VALVE,SOLENOID	1					

GR-120N-2-00122 6 BOOM + 2 JIB(STD),H,12TON

Pos No.	Parts No	Parts Name	Qty	Unit	Technical Data	Serial No (Start)	Serial No (End)	Remarks	Pages
2	91040101200	O-RING	1		P12		FD1771		
	36623825200	CAP (SEAL)	1			FD1772			
5	91002801600	O-RING	1		1B P16				
6	91411001600	RING,BACKUP	1		P16				
8	91002802200	O-RING	2		1B P22				
9	36624166200	SPRING (A)	1				FD1771		
	36623826200	SPRING	1			FD1772			
11	91002801400	O-RING	2		1B P14				
12	91411001200	RING,BACKUP	2		P12		FD1771		
20	36624230000	VALVE,CHECK	1						

GR-120N-2-00122 6 BOOM + 2 JIB(STD),H,12TON

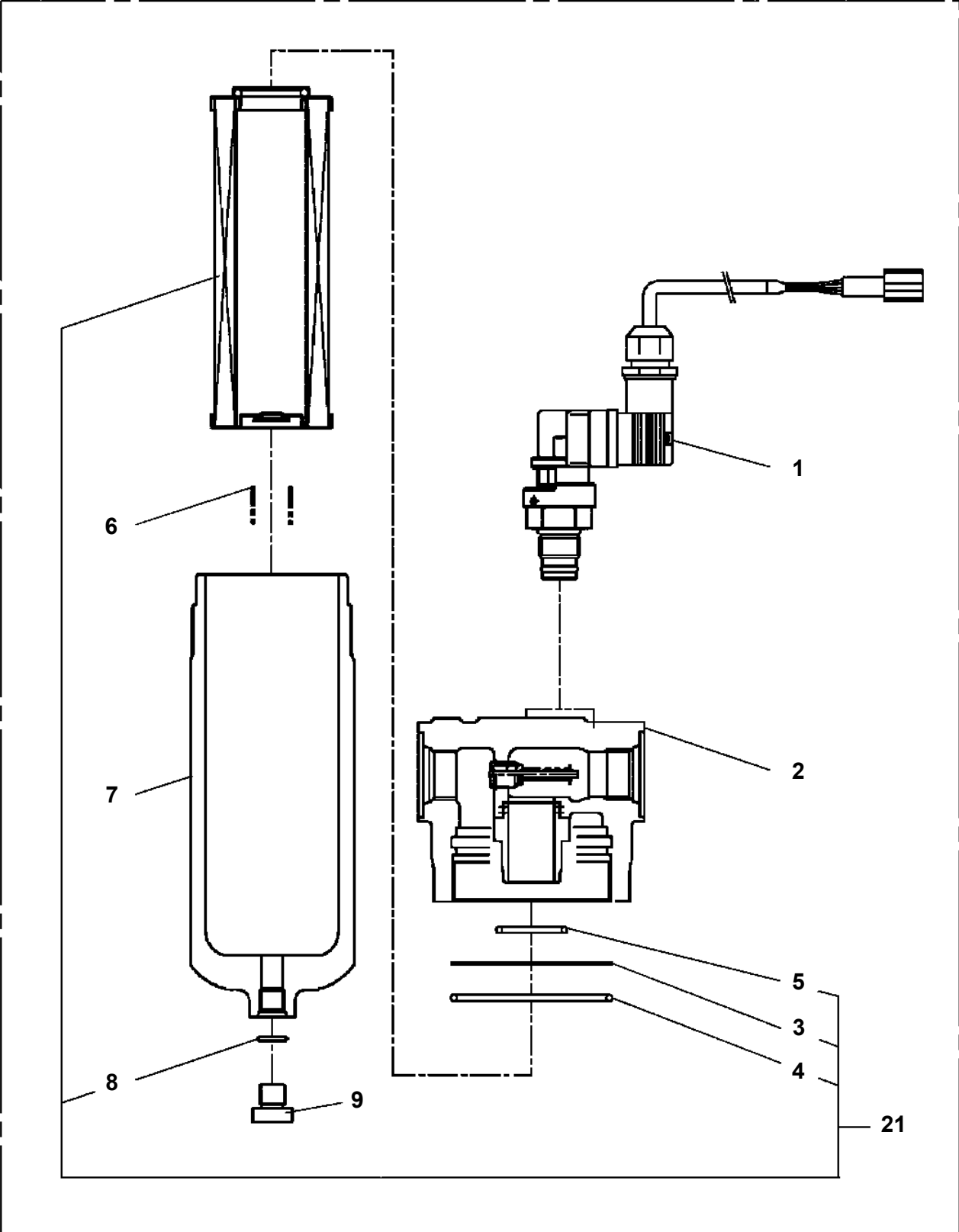
Pos No.	Parts No	Parts Name	Qty	Unit	Technical Data	Serial No (Start)	Serial No (End)	Remarks	Pages
5	59155206000	SPRING	2						
6	36625305050	PLUG	2						
7	91002802100	O-RING	2		1B P21				
8	91002803000	O-RING	2		1B P30				
9	91002801800	O-RING	2		1B P18				
10	91411002100	RING,BACKUP	2		P21				
22	36625305070	POPPET ASSY	1						
50	36625300000	VALVE,CHECK	1						

GR-120N-2-00122 6 BOOM + 2 JIB(STD),H,12TON

Pos No.	Parts No	Parts Name	Qty	Unit	Technical Data	Serial No (Start)	Serial No (End)	Remark
2	91002801800	O-RING	1		1B P18			
3	91410001800	RING,BACKUP	1		P18			
5	91002801400	O-RING	3		1B P14			
8	36601665020	SPRING	1					
10	91002801000	O-RING	1		1B P10			
14	36605175100	SPRING	1					
17	91002803400	O-RING	1		1B P34			
19	91002802240	O-RING	1		1B P22.4			
100	36605680000	VALVE,COUNTERBALANCE	1					

GR-120N-2-00122 6 BOOM + 2 JIB(STD),H,12TON
PI1300055-03 FILTER,OIL

100



GR-120N-2-00122 6 BOOM + 2 JIB(STD),H,12TON

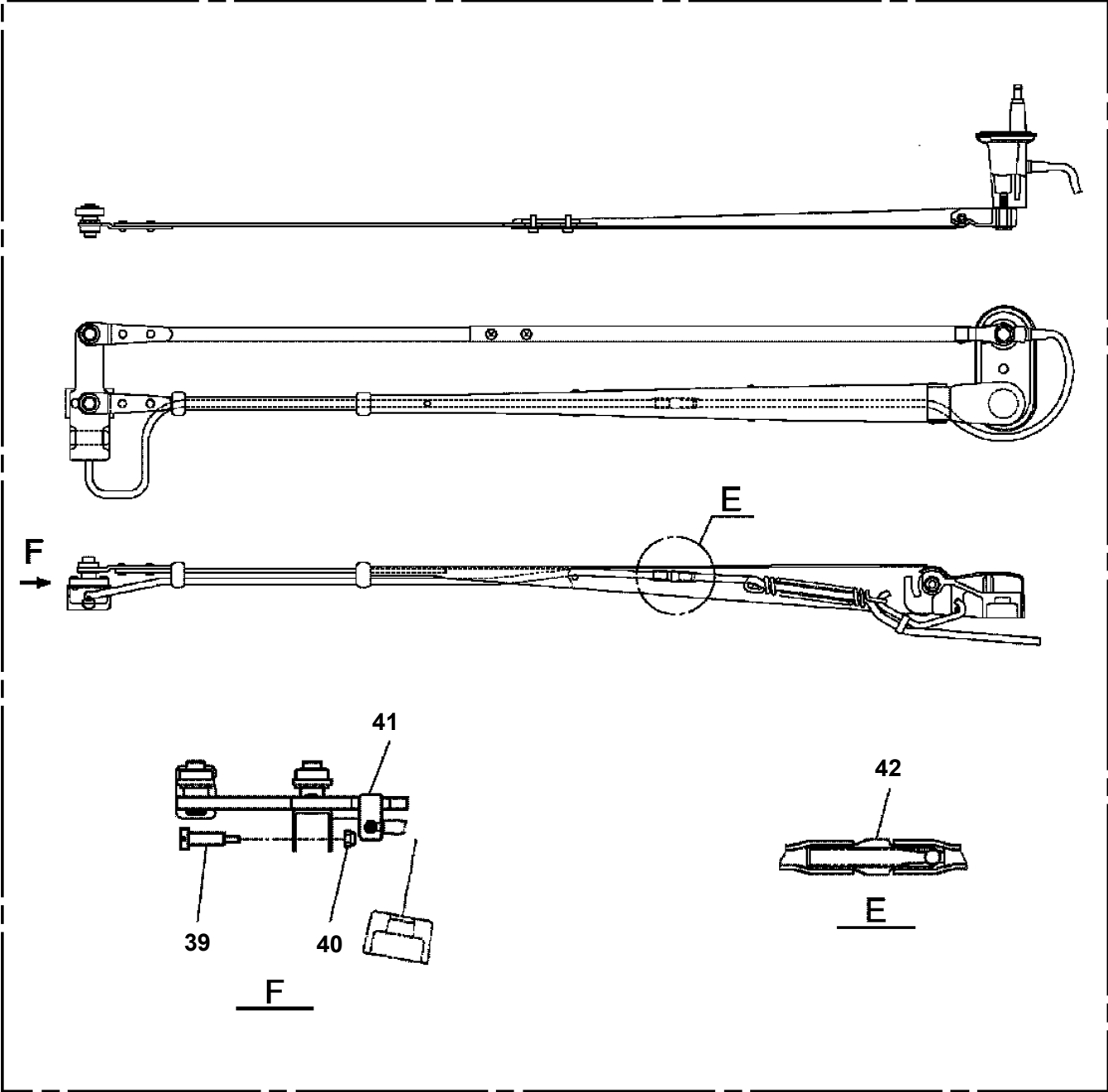
Pos No.	Parts No	Parts Name	Qty	Unit	Technical Data	Serial No (Start)	Serial No (E
1	14118158000	GROMMET	2				
2	90201201200	NUT	2		M12		
3	34372231000	SWITCH ASSY (BOOM)	1				
5	82100002002	CLAMP	1		WR6		
6	90280200800	NUT,FLANGE	2		M8		
7	82100002008	CLAMP	1		WR12		
8	90303071201	WASHER,PLAIN	1		12		
21	34371851500	SWITCH (OVER WIND/BOOM)	1				
22	14128208000	RING	6				
23	34372231010	CHAIN (RING Q=19)	1				
24	32370000130	WEIGHT	1				
25	82100002004	CLAMP	1		WR8		
26	90101206010	BOLT	1		M6X1.0		
27	90302040601	WASHER,SPRING	1		6		
43	34372232010	CHAIN (RING Q=30)	1				
45	34372232020	CHAIN (RING Q=34)	1				
46	90101210025	BOLT	2		M10X25		
47	90302041001	WASHER,SPRING	2		10		
48	90303071001	WASHER,PLAIN	2		10		
49	34371471100	WEIGHT	2				
50	82100002005	CLAMP	1		WRC8		
51	82401500700	HOOK	2				
63	90101208030	BOLT	2		M8X30		
64	90302040801	WASHER,SPRING	2		8		
71	34372502102	SWITCH (OVER WIND/JIB & SINGLE TOP)	1				
74	34372502301	SUPPORT	1				
82	82400000324	RING	2				
83	82400000340	CHAIN (QTY=L)	1	M			
84	37000201110	PIN,SNAP	1				
114	34372232002	SWITCH ASSY (JIB & S/T)	1				

GR-120N-2-00122 6 BOOM + 2 JIB(STD),H,12TON

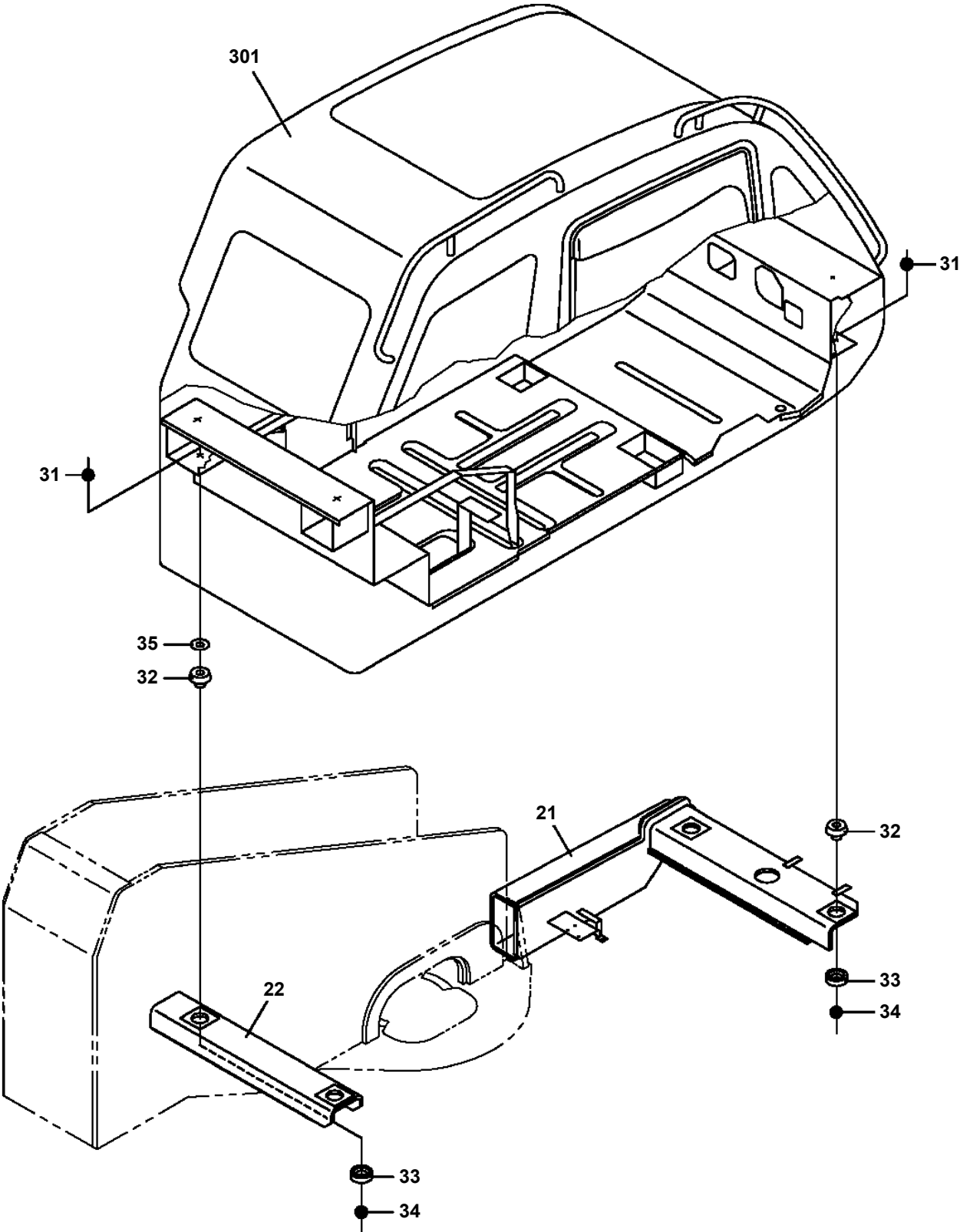
Pos No.	Parts No	Parts Name	Qty	Unit	Technical Data	Serial No (Start)	Serial No (End)
84	34251221170	PLATE,NAME	1			FD2150	FD3873
	34251221171	PLATE,NAME	1			FD3874	

GR-120N-2-00122 6 BOOM + 2 JIB(STD),H,12TON
PK1140274-00 CAB,OPERATOR (ARM ASS,WIPER)

100



GR-120N-2-00122 6 BOOM + 2 JIB(STD),H,12TON
PK1410091-03 MOUNT,CAB



展開図有
ILLUSTRATED BREAKDOWN NO. 301

GR-120N-2-00122 6 BOOM + 2 JIB(STD),H,12TON

Pos No.	Parts No	Parts Name	Qty	Unit	Technical Data	Serial No (Start)	Serial No (End)	Remarks
1	82165510010	LAMP (WAY SIDE LAMP)	1					
2	82165510020	LAMP (WAY SIDE LAMP)	1					
3	34732430300	HARNESS	2					
4	90101208020	BOLT	4		M8X20			
5	90186208020	BOLT,FLANGE	2		M8X20		FD2666	
	90186208025	BOLT,FLANGE	2		M8X25	FD2667		
6	90280200800	NUT,FLANGE	2		M8			
7	90101206014	BOLT	4		M6X14		FD1741	
	90101206020	BOLT	4		M6X20	FD1742		
8	90201200600	NUT	4		M6			
9	90302040601	WASHER,SPRING	4		6			
10	90303070601	WASHER,PLAIN	4		6			
11	90302040801	WASHER,SPRING	4		8			
12	34732430100	SUPPORT	1					
13	34732430200	SUPPORT	1					
14	91810130240	FASTENER	6					
15	90303290600	WASHER,PLAIN	4		6	FD2667		
16	90303290800	WASHER,PLAIN	4		8	FD2667		

GR-120N-2-00122 6 BOOM + 2 JIB(STD),H,12TON

Pos No.	Parts No	Parts Name	Qty	Unit	Technical Data	Serial No (Start)	Serial No (End)	Remarks	Pages
1	82100001033	SWITCH,PUSH	1				FD1885		
	82101700412	SWITCH,PUSH	1			FD1886			
2	34320904500	KNOB (BLACK)	1				FD1885		
	34320904501	KNOB (BLACK)	1			FD1886			

GR-120N-2-00122 6 BOOM + 2 JIB(STD),H,12TON

Pos No.	Parts No	Parts Name	Qty	Unit	Technical Data	Serial No (Start)	Serial No
1	91810130250	FASTENER	20				
3	34970310200	JOINT	1				
4	34970310300	SUPPORT	1				
5	34970270400	DISTRIBUTOR (ASSY ONLY)	3				FD4054
6	34970290100	DISTRIBUTOR	1				FD4054
8	34352061410	CAP	1				
9	82466302140	GROMMET	1				
11	90280200600	NUT,FLANGE	45		M6		
12	56479000010	UNION	4				
13	34970418010	PIPE ASSY	1				
14	34970298070	PIPE ASSY	1				
15	34970298080	PIPE ASSY	1				
16	34970298090	PIPE ASSY	1				
17	34970298100	PIPE ASSY	1				
18	34970468080	PIPE ASSY	1				
19	34970468060	PIPE ASSY	1				
20	34970468090	PIPE ASSY	1				
22	90186208020	BOLT,FLANGE	2		M8X20		
23	82100002002	CLAMP	13		WR6		
24	82100002033	CLAMP	8				
25	82100002004	CLAMP	9		WR8		
26	82100002039	CLAMP	6				
27	82100002010	CLAMP	16		WR15		
28	90186206010	BOLT,FLANGE	6		M6X10		
30	90186206014	BOLT,FLANGE	4		M6X14		
31	37000300710	SLEEVE	10		12-8		
32	56479000050	CONNECTOR	8				
33	56479000060	FITTING,ELBOW	25				
34	34480050010	HOSE	N		6X1		FD4054
35	56479000080	NUT,FLARE	33				FD4054
36	56479000100	NUT,FLARE (FOR PIPE 8)	18		M14		
37	37000903920	FITTING	4				
38	37000904820	NUT,FLARE	4		M14		
39	56479030030	CONNECTOR	13				FD2073
	56479030030	CONNECTOR	9			FD2074	
41	82100002006	CLAMP	1		WR10		
42	90172106020	BOLT,HEXAGON SOCKET	8		M6X20		FD4054
	90172106012	BOLT,HEXAGON SOCKET	8		M6X12	FD4055	
43	90302040601	WASHER,SPRING	8		6		
44	90303070601	WASHER,PLAIN	8		6		
45	82456101000	NIPPLE,GREASE	4		A-PT1/8		
46	82400000459	CAP	4				
47	34970418040	PIPE ASSY	1				
50	34970468100	PIPE ASSY	1				
51	34970468110	PIPE ASSY	1				
52	34970310100	JOINT	3				
53	34970461100	DISTRIBUTOR ASSY (F-LEFT:WITH HOSE)	1			FD4055	
54	34970461200	DISTRIBUTOR ASSY (F-RIGHT:WITH HOSE)	1			FD4055	
55	34970461300	DISTRIBUTOR ASSY (R-LEFT:WITH HOSE)	1			FD4055	
56	34970461400	DISTRIBUTOR ASSY (R-RIGHT:WITH HOSE)	1			FD4055	
63	34970291100	PLATE	5				
71	34970227510	SWITCH,MICRO (MS-10-T,WITH HARNESS)	1				FD4054

CLICK HERE TO **DOWNLOAD** THE COMPLETE MANUAL

- Thank you very much for reading the preview of the manual.
- You can download the complete manual from: www.heydownloads.com by clicking the link below



- Please note: If there is no response to CLICKING the link, please download this PDF first and then click on it.

CLICK HERE TO **DOWNLOAD** THE COMPLETE MANUAL

GR-120N-2-00122 6 BOOM + 2 JIB(STD),H,12TON

Pos No.	Parts No	Parts Name	Qty	Unit	Technical Data	Serial No (Start)	Serial No (End)	Remarks
74	36370305450	SHAFT	1					
75	36370305340	BEARING,BALL	2					
76	80602110720	RING,RITAINING	1		R72			
77	36370305440	WASHER	1					
78	36370305420	GEAR (B)	1					
79	90101912065	BOLT	1		M12X65			
80	90302051201	WASHER,SPRING (12)	5					
81	36370765100	GASKET	1					
82	36370355140	CASE	1					
83	36370765110	GASKET	1					
84	90171112040	BOLT	4		M12X40			
85	36370455070	GEAR	1		41T,P			
86	36350366180	WASHER	1					
87	36370615180	BREATHER	1					
88	36681890000	SENDER,THERMO (OIL)	1					
89	90151200100	BOLT,EYE	2		M10			

GR-120N-2-00122 6 BOOM + 2 JIB(STD),H,12TON

Pos No.	Parts No	Parts Name	Qty	Unit	Technical Data	Serial No (Start)	Serial No
1	80172304020	SCREW,MACHINE	2		M4X20		
2	44960012000	BUZZER ASSY	1				
3	90186208014	BOLT,FLANGE	3		M8X14		
4	90280200800	NUT,FLANGE	2		M8		
5	90304110501	WASHER (LOCK)	1		5		
6	82100002003	CLAMP	2				
7	90201200400	NUT	2		M4		
8	34930973000	LAMP,COMBINATION (R)	1				
9	34930974000	LAMP,COMBINATION (L)	1				
10	34931041400	LAMP ASSY,LICENSE	1				
11	80192486012	SCREW,MACHINE	1		M6X12		FD2005
12	90280201000	NUT,FLANGE	3		M10		
13	90302041001	WASHER,SPRING	3		10		
14	34650001301	CABLE (BATTERY)	1		L=400		
15	37002708190	CABLE (BATTERY- BATTERY RERAY)	1				
16	34930390300	CABLE (BATERY EARTH)	1				
17	36681880000	SENDER,THERMO(WATER)	1				
18	90103210020	BOLT	1		M10X20		
19	90303071001	WASHER,PLAIN	1		10		
20	90186210020	BOLT,FLANGE	2		M10X20		
21	90101210012	BOLT	2		M10X12		
24	(*****)	RELAY BOX	1				
25	90186206014	BOLT,FLANGE	4		M6X14		
30	90101205014	BOLT	4		M5X14		
32	90302040501	WASHER,SPRING	16		5		
33	34930704000	LAMP (COMBINATION)	2				
34	90201200500	NUT	4		M5		
35	34930573000	LAMP,HEAD	2				
36	34351320950	CABLE ASSY	1				FD2015
37	34930680500	COVER	2				
40	82100000711	CLAMP	1				
42	(*****)	RELAY BOX	1				
43	34930390800	CABLE (ALTERNATOR)	1				
45	90303070801	WASHER,PLAIN	1		8		
46	37002708770	CABLE (BATTERY RELAY-STARTER MOTOR)	1				
47	90303070601	WASHER,PLAIN	1		6		
49	82100002002	CLAMP	20		WR6		
51	82100002006	CLAMP	10		WR10		
52	82100002008	CLAMP	18		WR12		
53	82100002010	CLAMP	26		WR15		
54	82100002014	CLAMP	8		WR20		
55	82100002016	CLAMP	11		WR25		
56	82100002018	CLAMP	17		WR35		
57	90280200600	NUT,FLANGE	N		M6		
60	90303070501	WASHER,PLAIN	12		5		
61	80172805012	SCREW,MACHINE	12		M5X12		
62	82100002037	CLAMP	4		WE10		
63	82100002009	CLAMP	2		WRC12		
64	82100002035	CLAMP	1		WE8		
65	34931151200	HARNESS (AIR)	1				FD2005
66	34931151101	HARNESS (MAIN)	1				FD2005
67	34930270700	SWITCH ASSY	1				
68	91810132530	FASTENER	8				
69	34931151300	HARNESS (FOR ELECTRONIC GOVERNOR)	1				
70	80172305040	SCREW,MACHINE	4		M5X40		
71	82183901010	CONDENSER	1				
73	34930704500	LAMP,TURN SIGNAL (R)	1				
74	34930705000	LAMP,TURN SIGNAL (L)	1				
76	34931151400	HARNESS	1				
78	80172304016	SCREW,MACHINE	4		M4X16		
79	90303070401	WASHER,PLAIN	4		4		
80	34931151500	HARNESS (MDT WITH RELAY)	1		L=420		FD2005
81	90186208030	BOLT,FLANGE	1		M8X30		

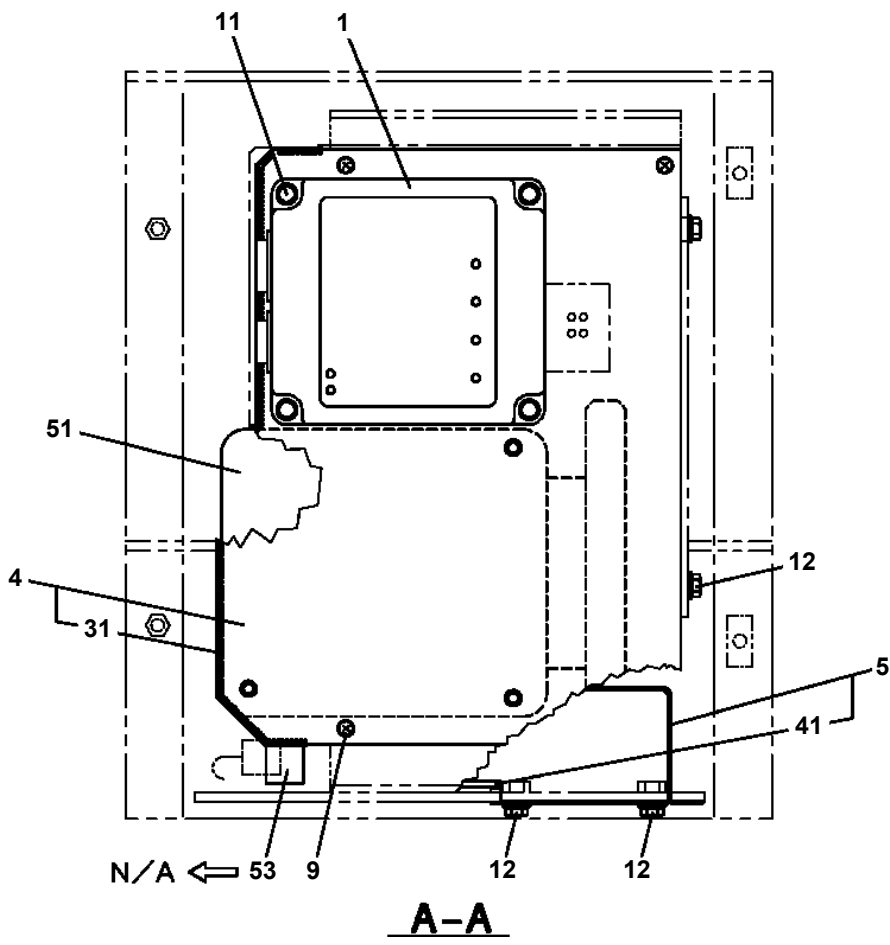
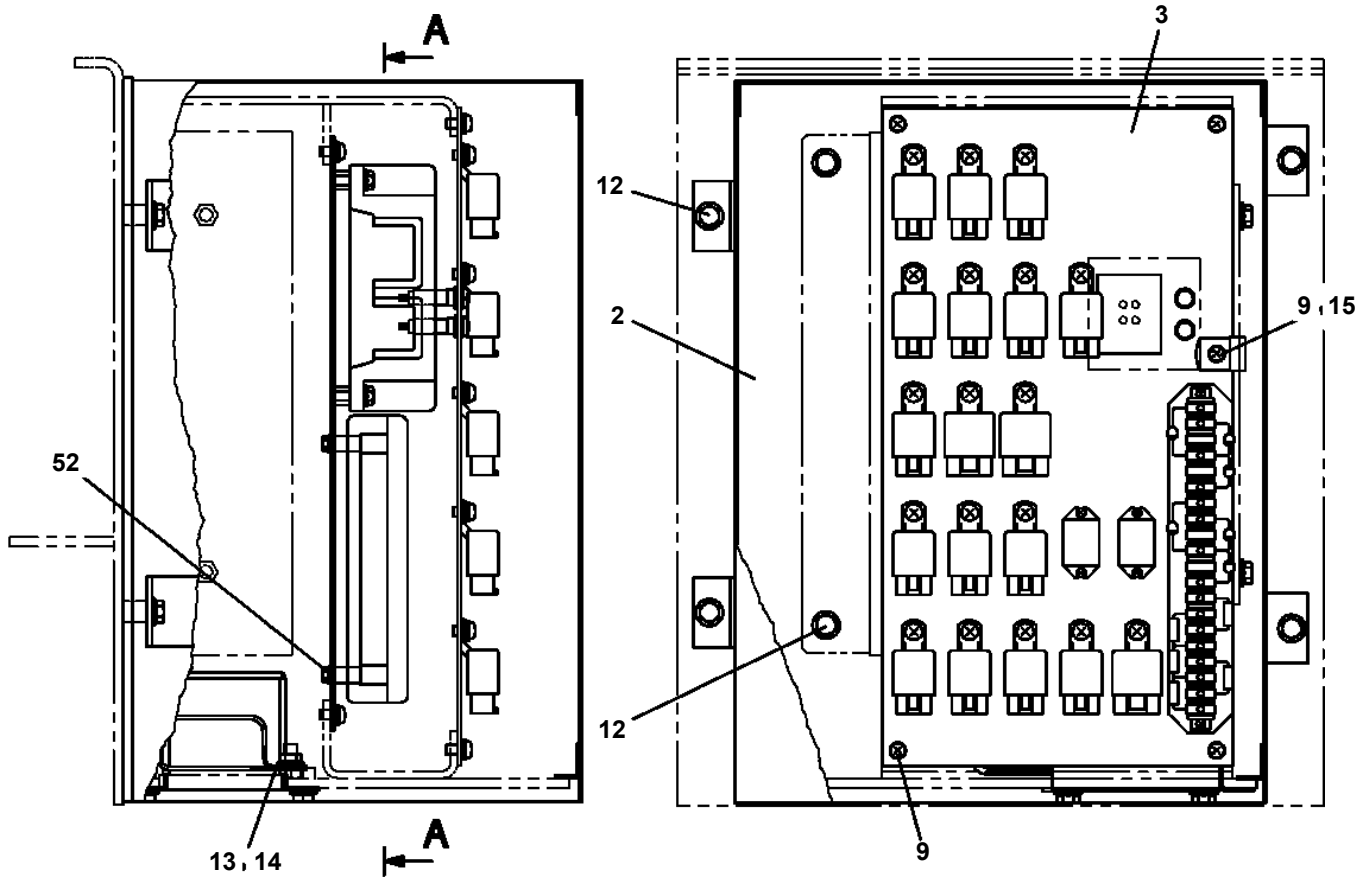
GR-120N-2-00122 6 BOOM + 2 JIB(STD),H,12TON

Pos No.	Parts No	Parts Name	Qty	Unit	Technical Data	Serial No (Start)	Serial No (End)
1	34351961410	SWITCH,PUSH (FRONT,LEFT)	1				
2	34351961420	SWITCH,PUSH (FRONT,RIGHT)	1				
3	34351961430	SWITCH,PUSH	1				
4	34351961440	SWITCH,PUSH (REAR,LEFT)	1				
5	34351961450	SWITCH,PUSH (REAR,RIGHT)	1				
6	34351961460	SWITCH,ROCKER	1				
7	34351961470	SWITCH,ROCKER	1				
8	34351961310	SWITCH,ROCKER	1				
9	34352061050	SWITCH ASSY (WITH CONNECTOR)	1				
10	34352061320	SWITCH,PUSH	1				
11	34352061310	SWITCH,PUSH	1				
31	34351967520	BULB,LAMP	7		28V 0.67W		
41	34351967530	BULB,LAMP	3		28V 1.12W		

GR-120N-2-00122 6 BOOM + 2 JIB(STD),H,12TON

Pos No.	Parts No	Parts Name	Qty	Unit	Technical Data	Serial No (Start)	Serial No (End)	Remarks	P
11	34930707510	LENS	1						
12	34930707560	BULB,LAMP (24V21W)	1				FD1883		
	82166300210	BULB,LAMP (KOITO)	1		24V 21W	FD1884			
13	34930707570	BULB,LAMP (24V5W)	1				FD1883		
	82166300050	BULB,LAMP (KOITO)	1		24V 5W	FD1884			
100	34930704000	LAMP (COMBINATION)	1						

**GR-120N-2-00122 6 BOOM + 2 JIB(STD),H,12TON
PN1100078-01 RELAY BOX**



GR-120N-2-00122 6 BOOM + 2 JIB(STD),H,12TON

Pos No.	Parts No	Parts Name	Qty	Unit	Technical Data	Serial No (Start)	Serial No (End)	Remarks
8	36171055010	BOARD,CPU (WITH DATA)	1					
100	36171050000	CONTROLLER	1					

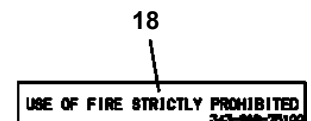
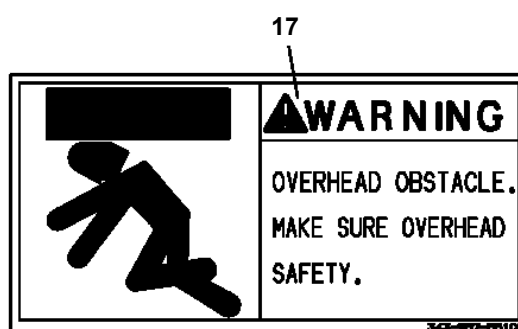
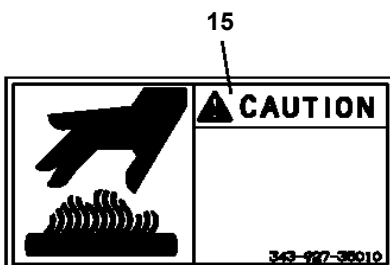
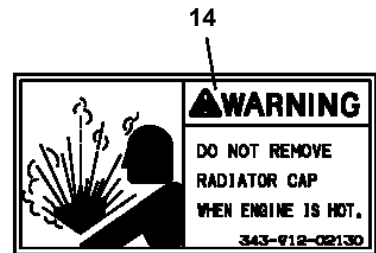
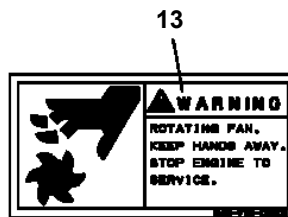
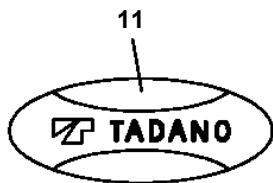
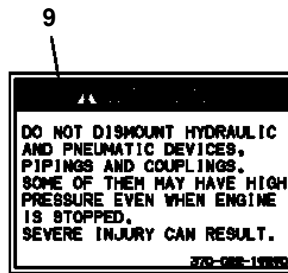
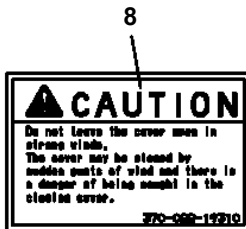
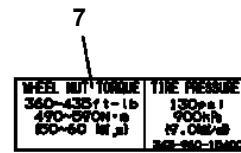
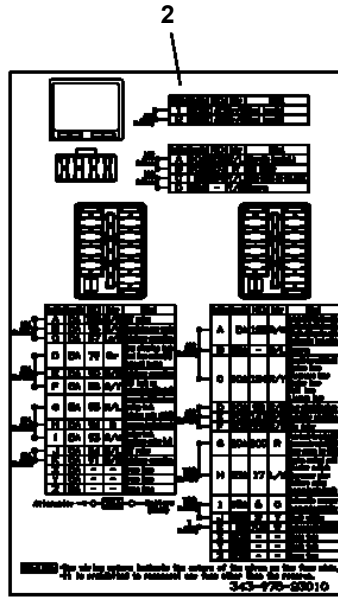
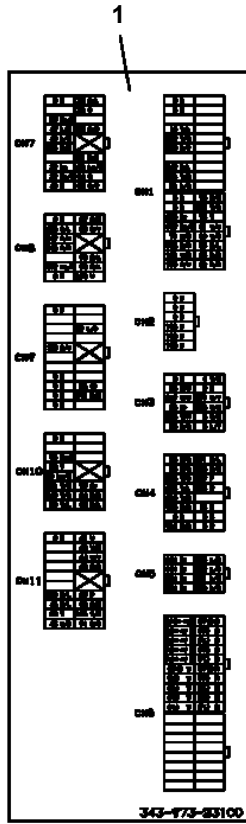
GR-120N-2-00122 6 BOOM + 2 JIB(STD),H,12TON

Pos No.	Parts No	Parts Name	Qty	Unit	Technical Data	Serial No (Start)	Serial No (End)	R
1	82151010041	BATTERY (PANASONIC/100E41R)	1					

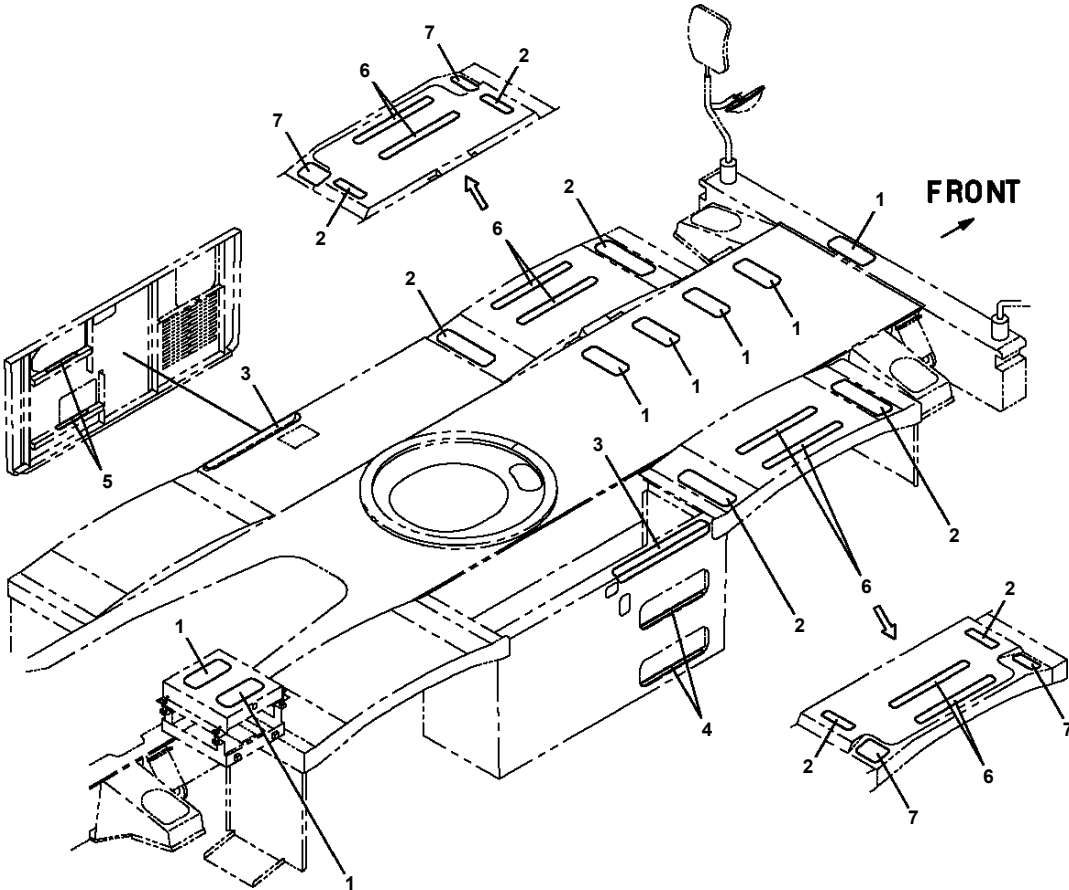
GR-120N-2-00122 6 BOOM + 2 JIB(STD),H,12TON

Pos No.	Parts No	Parts Name	Qty	Unit	Technical Data	Serial No (Start)	Serial No (End)
1	34490253100	PLATE,NAME (OUTRIGGER CONTROL)	1				
2	34490253200	PLATE,NAME (RIGHT FRONT)	1				
3	34490253300	PLATE,NAME (RIGHT REAR)	1				
4	34490253400	PLATE,NAME (EXT.)	1				
5	34490253500	PLATE,NAME (RET.)	1				
6	34490253600	PLATE,NAME (SLIDER)	1				
7	34490253700	PLATE,NAME (JACK)	1				
8	34490253800	PLATE,NAME (ALL)	1				
9	34490253900	PLATE,NAME (ACCEL)	1				
10	34490254000	PLATE,NAME (LIGHTING)	1				
11	34490254100	PLATE,NAME (SET THE CRANE ON)	1				
12	34490254200	PLATE,NAME (LEFT FRONT)	1				
13	34490254300	PLATE,NAME (LEFT REAR)	1				

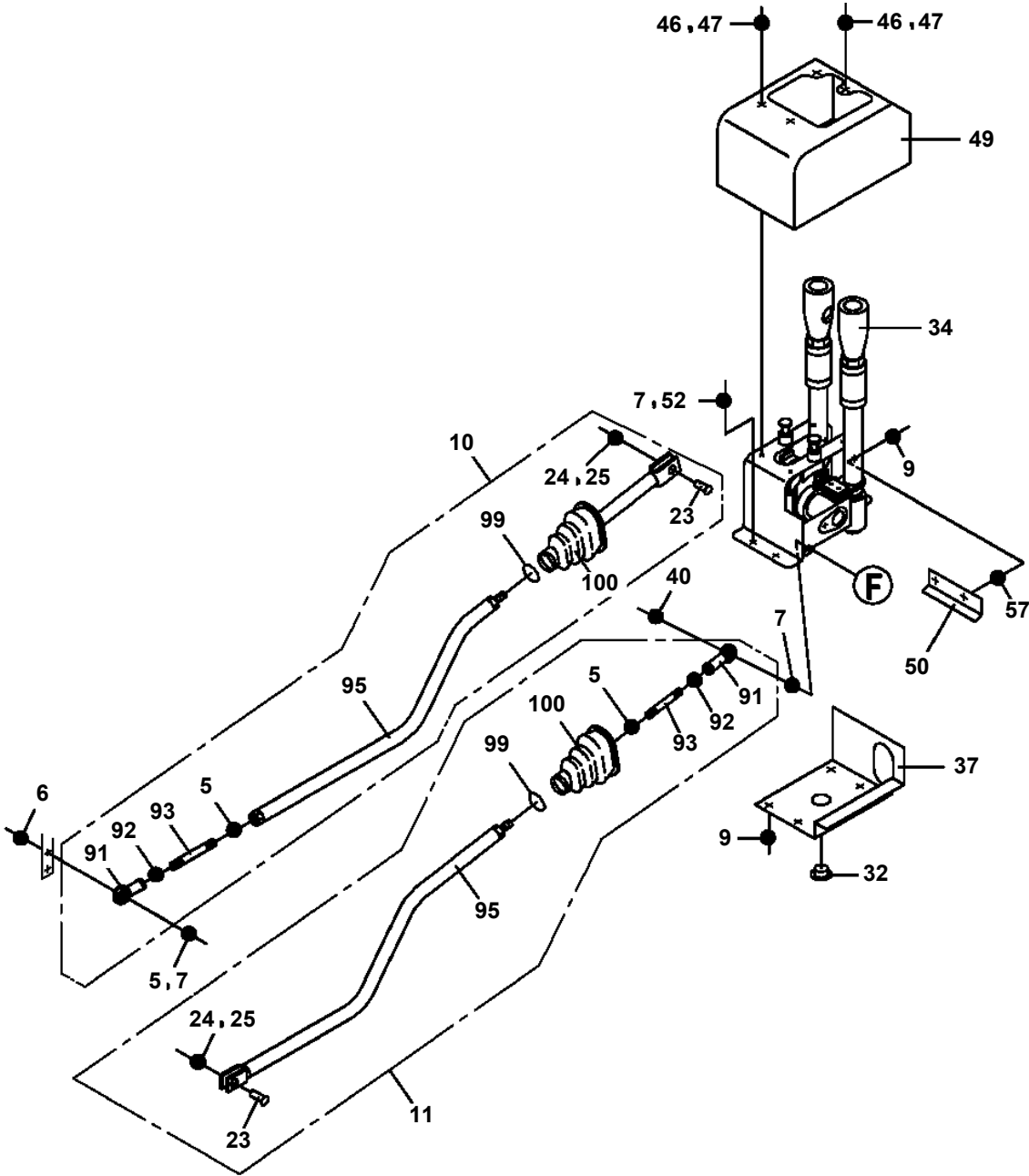
GR-120N-2-00122 6 BOOM + 2 JIB(STD),H,12TON
 PO1015301-02 PLATE ASSY,NAME (LOWER)



GR-120N-2-00122 6 BOOM + 2 JIB(STD),H,12TON
PO1090072-01 NON-SLIP PLATE

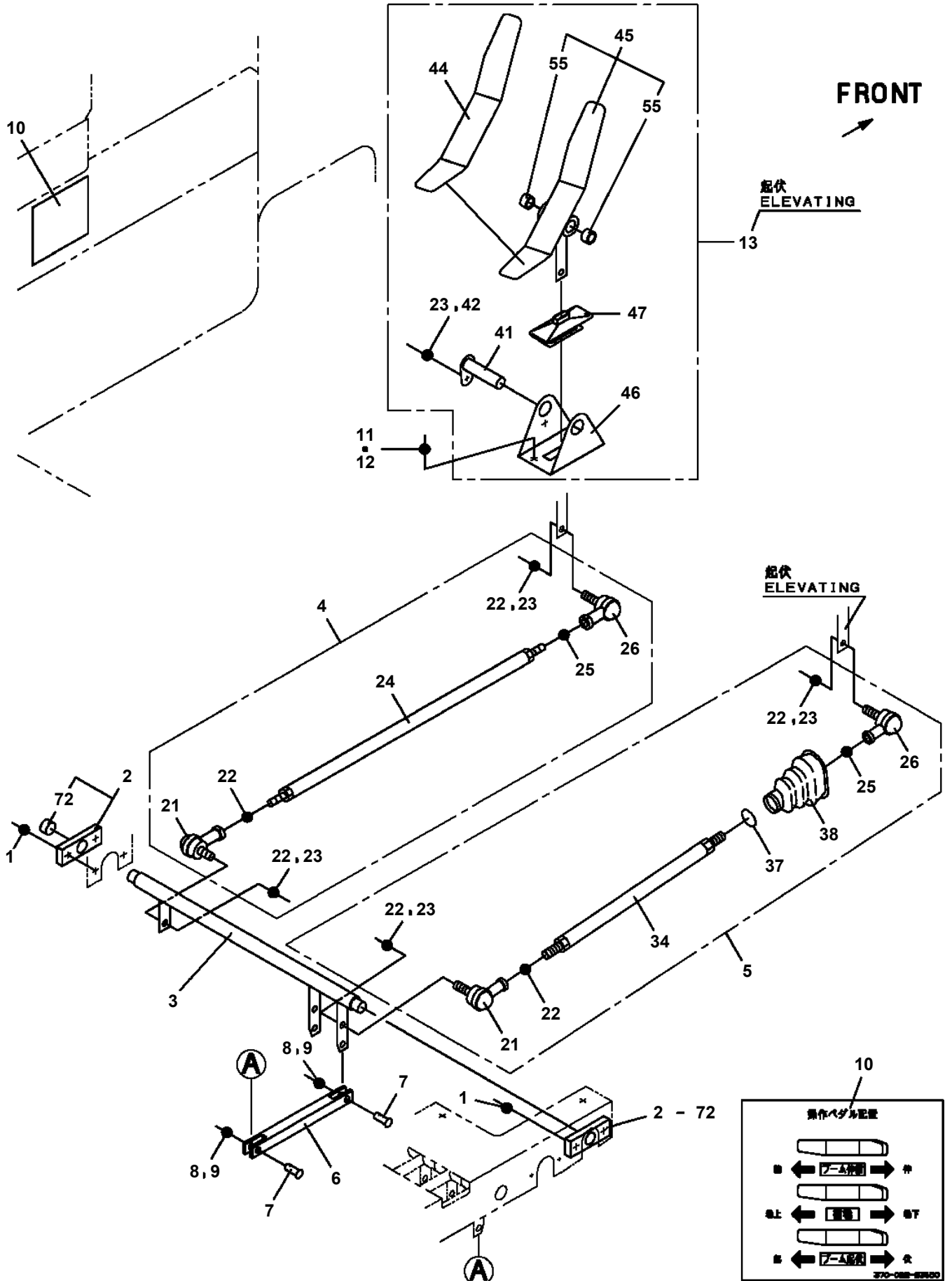


GR-120N-2-00122 6 BOOM + 2 JIB(STD),H,12TON
PO5080005-03 OPE.ASSY,CONT.VALVE (TDN)



A

GR-120N-2-00122 6 BOOM + 2 JIB(STD),H,12TON
 PO5080008-02 OPE.ASSY,CONT.VALVE (TELE.,AUX.+ELEV.PEDAL/ISO)

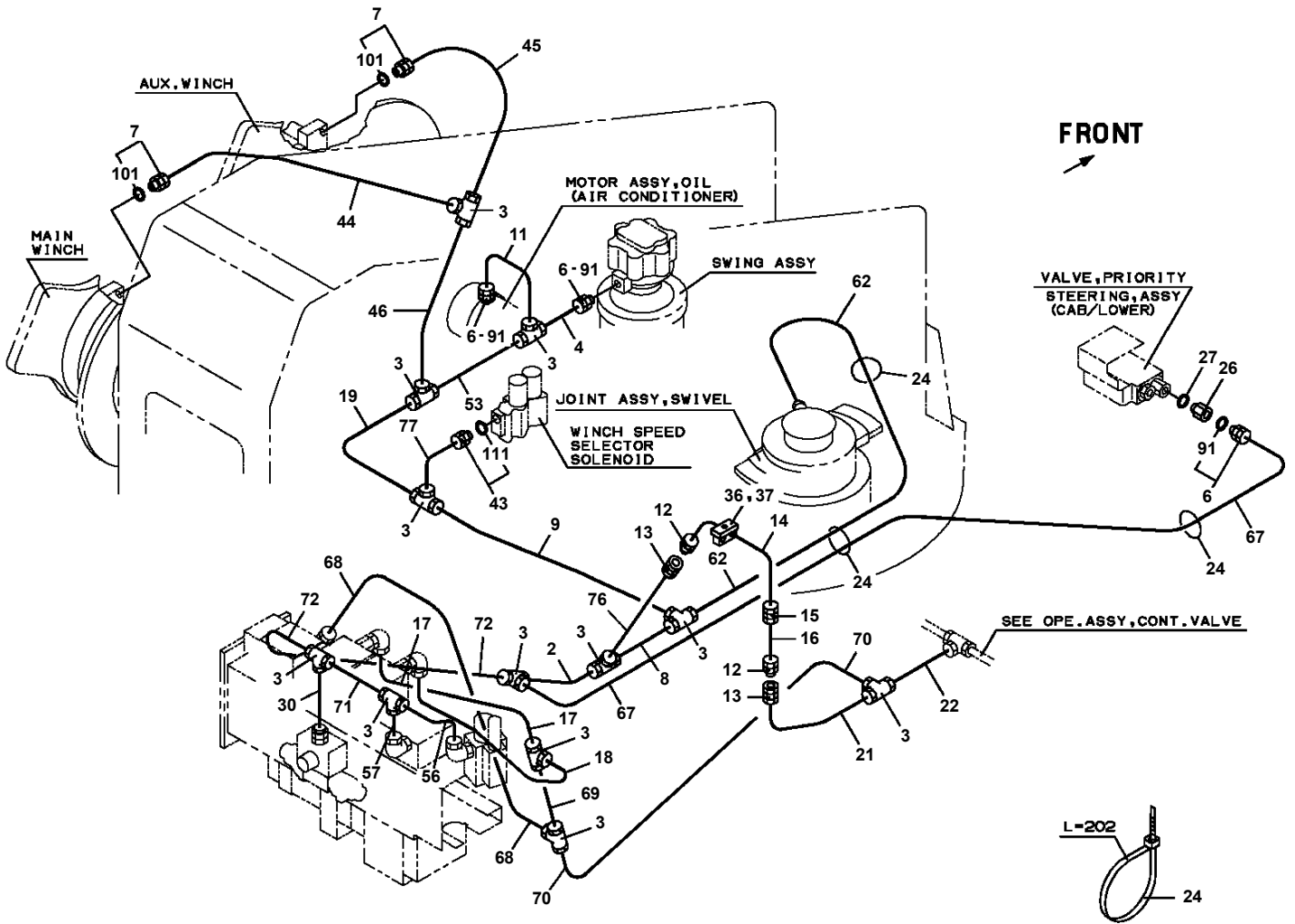


GR-120N-2-00122 6 BOOM + 2 JIB(STD),H,12TON
PP5240024-00 PLATE,NAME

当銘板については、弊社出先サービス員経由で御用命ください。

FOR THIS NAMEPLATE, CONTACT
TADANO DISTRIBUTOR OR DEALER.

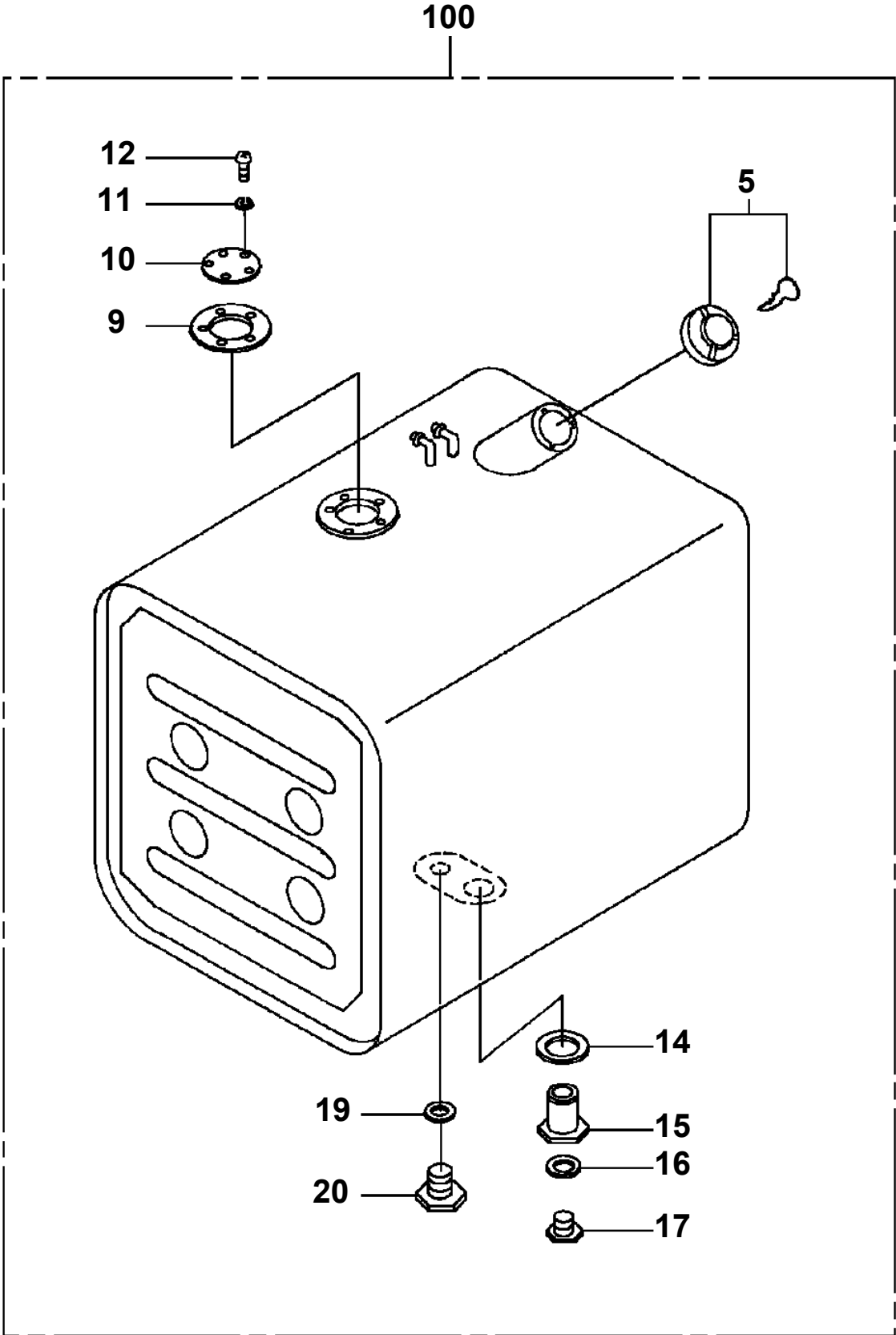
**GR-120N-2-00122 6 BOOM + 2 JIB(STD),H,12TON
PP6110026-00 PIPING ASSY,DRAIN**



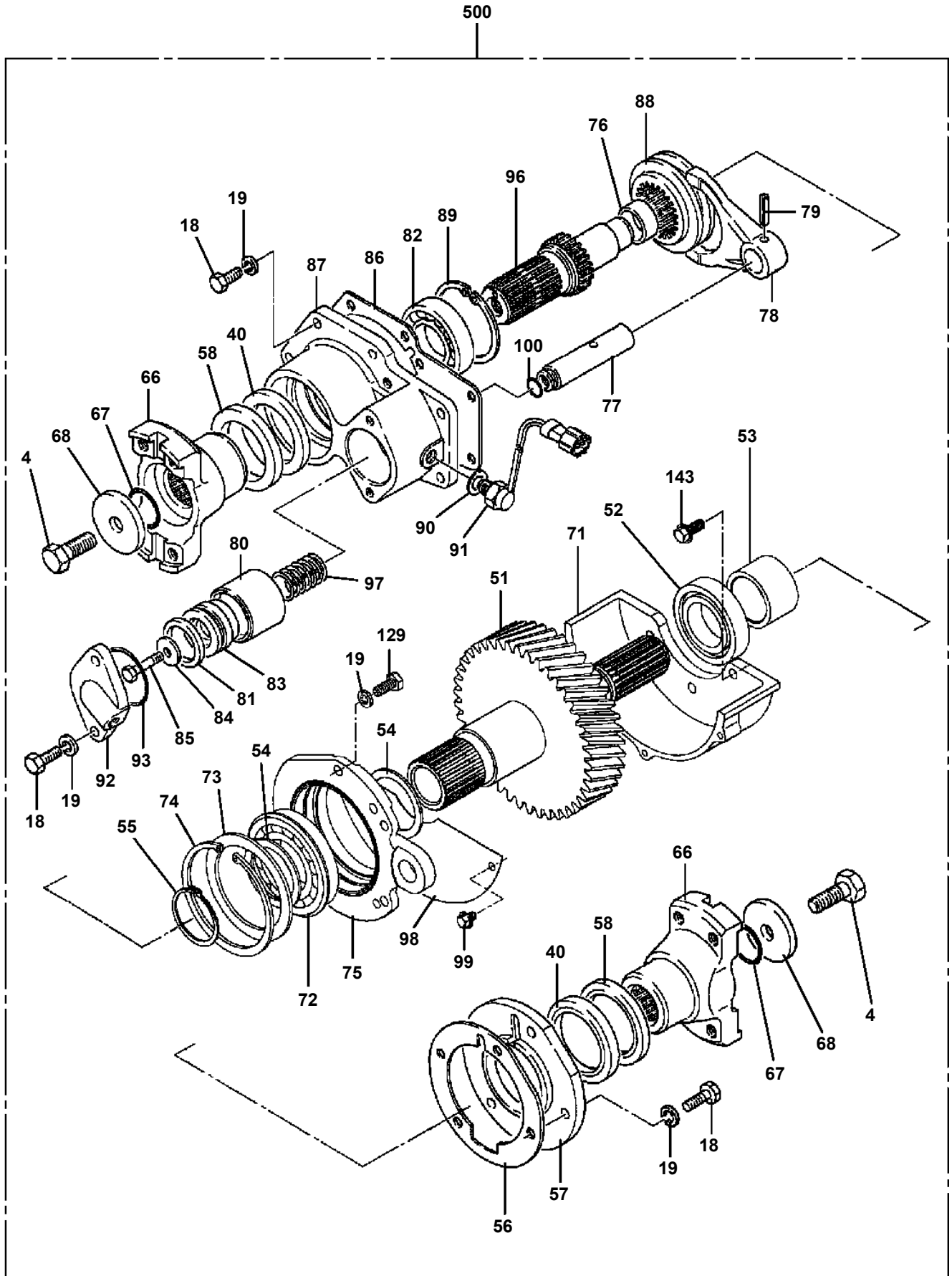
GR-120N-2-00122 6 BOOM + 2 JIB(STD),H,12TON

Pos No.	Parts No	Parts Name	Qty	Unit	Technical Data	Serial No (Start)	Serial No (End)
1	36361423010	HOSE	1				
2	36361423020	HOSE	1				
3	36361423030	CLIP	4				
5	36361423050	HOSE	1				
6	36360803070	CLIP (RADIATER HOSE/D=60)	1				
7	36361423080	CLIP	1				
8	36361423100	GUIDE	1				
9	36361423110	CLAMP	1				
10	36361423230	GUIDE	1				
11	36361423240	SUPPORT	1				
12	36361423250	SUPPORT	1				
13	36361423260	SUPPORT	1				
14	36361423270	SUPPORT	1				
15	36361423130	HOSE	1		L=2400		
17	36361423210	CLIP	1				
41	36361422050	SENSOR (WATER LEVEL)	1				
42	36361422060	O-RING	1				
50	36361427510	RADIATOR ASSY(WITH INTERCOOLER)	1				
61	36361427530	CAP (RADIATOR)	1				

GR-120N-2-00122 6 BOOM + 2 JIB(STD),H,12TON
PQ1100011-02 TANK,FUEL (200L)



GR-120N-2-00122 6 BOOM + 2 JIB(STD),H,12TON
PR1400068-01 TRANSMISSION



GR-120N-2-00122 6 BOOM + 2 JIB(STD),H,12TON

Pos No.	Parts No	Parts Name	Qty	Unit	Technical Data	Serial No (Start)	Serial No (End)	Rem
1	36350695430	SHAFT ASSY	1					
2	36350365950	RING,SEAL	2					
3	36350267140	RING,SEAL	2					
4	36350525410	PISTON ASSY	2					
5	36350365971	WASHER	4					
6	36350445220	SPRING	2					
7	80601110400	RING,RITAINING	2		S40			
8	36350365990	PLATE (CONICAL DRIVE)	2					
9	36350525420	DISK ASSY	14					
10	36350445230	PLATE (DRIVE)	12					
11	36350695370	PLATE (BACK)	2		T=6.1			
12	36370485340	RING,RETAINING	2					
13	36350525510	GEAR	1		28T			
14	80500006008	BEARING,BALL	3					
15	36350525440	RING,RETAINING	2					
16	36350525520	PLATE	2					
17	36350525530	BEARING,ROLLER	1					
18	36350695440	GEAR	1					
19	36350366100	BEARING,BALL	1					
20	36350366180	WASHER	2					
21	80601110350	RING,RITAINING	2		S35			
22	36350695450	GEAR	1					
23	36350695460	GEAR	1					
24	36350366090	BEARING,BALL	1					
25	36350366120	RING,SEAL	3					
26	36350366283	SPACER	1					
27	36350366291	SPACER	1					
50	36350695470	DISK KIT	1					
100	36350695030	CLUTCH PACK,TRANSMISSION	1					

GR-120N-2-00122 6 BOOM + 2 JIB(STD),H,12TON

Pos No.	Parts No	Parts Name	Qty	Unit	Technical Data	Serial No (Start)	Serial No (End)	Remark
21	36381935012	HOUSING	1					
71	36381845050	BREATHER	1					
72	36381845060	PLUG	1					
73	36381845070	PLUG	1					
75	36381875030	BUSHING	2					
76	36381875040	SEAL,OIL	4					
77	36381875050	BUSHING	2					
79	36381935510	SHAFT ASSY (AXLE)	2				FD3024	
	36381935511	SHAFT ASSY (AXLE)	2			FD3025	FD3448	
	36381935512	SHAFT ASSY (AXLE)	2			FD3449		
91	36381935041	ARM, KNUCKLE	1					
92	36381935051	ARM, KNUCKLE	1					
101	36381935060	PIN, KING	2					
102	36381935070	PIN, KING	2					
103	36381845750	BUSHING	4					
104	36381935080	PLATE	4					
105	36381935090	WASHER, THRUST	2					
106	36381846450	NIPPLE, GREASE	4					
107	36381935100	BOLT	16					
108	36381935110	WASHER	16					
111	36381935120	SHIM SET	1					
121	36381935130	BOLT	2				FD3024	
	36381935131	BOLT	2			FD3025		
122	36381875190	NUT	2					
141	36381875200	AXLE (BRAKE)	1					
171	36381875210	AXLE (BRAKE)	1					
191	36381875220	JOINT, ELBOW	2					
201	36381875230	BOLT	8					
211	36381875240	BOLT	20					
212	36381935140	PLATE, DISK	2					
221	36381935150	AXLE (TIE ROD)	1				FD3024	
	36381935151	ROD ASSY (TIE)	1			FD3025		
231	36381935160	NUT, CASTLE	2					
232	36381935170	PIN, SPLIT	2					
241	36381935361	CARRIER, DIFFERENTIAL	1					
251	36381935180	CASE ASSY (CARRIER)	1					
254	36381935190	BOLT	4					
255	36381875310	BEARING, TAPER ROLLER	2					
261	36381875320	SHIM SET	1					
271	36381935200	GEAR SET (PINION, BEVEL)	1					
281	36381935210	RETAINER	1					
291	36381935220	SHIM SET	1					
301	36381845380	SPACER KIT	1					
331	36381875360	COLLAR	1					
332	36381875370	BEARING, TAPER ROLLER	1					
333	36381845400	BEARING, TAPER ROLLER	1					
341	36381935230	COVER (PARKING)	1					
342	36381845440	BOLT	6					
343	36381845690	BOLT	1					
345	36381845710	WASHER	13					
351	36382155110	SEAL, OIL	1					
354	36381935240	FLANGE	1					
356	36381935250	COLLAR	1					
357	36381845490	NUT	1					
358	36381845500	WASHER	1					
359	80136350035	PIN, SPLIT	1		5X35			
361	36381875400	GASKET	1					
362	36381935260	AXLE (PARKING BRAKE)	1					
363	36381845530	BOLT	4					
364	36381845540	WASHER	4					
371	36381845550	DRUM, CENTER BRAKE	1					
372	36381845560	BOLT	6					
374	36381845580	NUT	6					

GR-120N-2-00122 6 BOOM + 2 JIB(STD),H,12TON

Pos No.	Parts No	Parts Name	Qty	Unit	Technical Data	Serial No (Start)	Serial No (End)
1	34921690100	FITTING,FLANGE	1				
2	91067204000	O-RING	1		G40		
3	90186210040	BOLT,FLANGE	4		M10X40		
4	82100001819	TUBE,SPIRAL	1	M	SE-18BK		
5	80400160133	JOINT	1				
6	37002484940	HOSE	2		L=1220		
7	37002462750	HOSE	1		L=2600		
8	37002484960	HOSE	1		L=710		
9	80471020508	JOINT	1		45,G1-G1		
10	37002465890	HOSE	1		L=1080		
11	80471020506	JOINT	2		45,G3/4-G3/4		
14	36671270000	FILTER,OIL (TORQUE CONVERTER)	1				
16	37002484980	HOSE	1		L=475		
17	80434506060	JOINT	1		L,G3/4-G3/4		
18	80400160131	JOINT	2				
19	80434508080	JOINT	2		L,G1,G1		
20	82100002016	CLAMP	6		WR25		
21	90186208020	BOLT,FLANGE	6		M8X20		
23	90280200800	NUT,FLANGE	8		M8		
24	34921330400	SUPPORT	1				
25	80400160135	JOINT	1				
28	82100002018	CLAMP	2		WR35		
29	34921330600	SUPPORT	1				
31	37002401300	HOSE	1		L=1120		
32	34921330501	SUPPORT	1				
33	90186210020	BOLT,FLANGE	2		M10X20		
34	37000916500	JOINT	1		L,R1-G3/4		
35	80471104040	JOINT	2		HL205-04		
36	37002401310	HOSE	1		L=1190		
37	80430411250	JOINT	1				
38	82100002042	CLAMP	1		WE20		
39	80315020200	JOINT,BUSHING	1				
40	91067102400	O-RING	4		P24		
41	91067102900	O-RING	4		P29		
42	91067101800	O-RING	4		P18		
43	91810130250	FASTENER	6				
	91810130250	FASTENER	7			FD1986	FD1985
44	80481212060	JOINT	2				
61	36361423090	O-RING	2				

GR-120N-2-00122 6 BOOM + 2 JIB(STD),H,12TON

Pos No.	Parts No	Parts Name	Qty	Unit	Technical Data	Serial No (Start)	Serial No (End)
1	36381935370	END,TIE ROD (RIGHT HAND SCREW)	1				
2	36381935380	TIE ROD	1				
3	36381935390	END,TIE ROD (LEFT HAND SCREW)	1				
4	36381935400	BOLT	4				
5	36381845710	WASHER	4				
6	36381846390	NUT	4				
100	36381935150	AXLE (TIE ROD)	1				

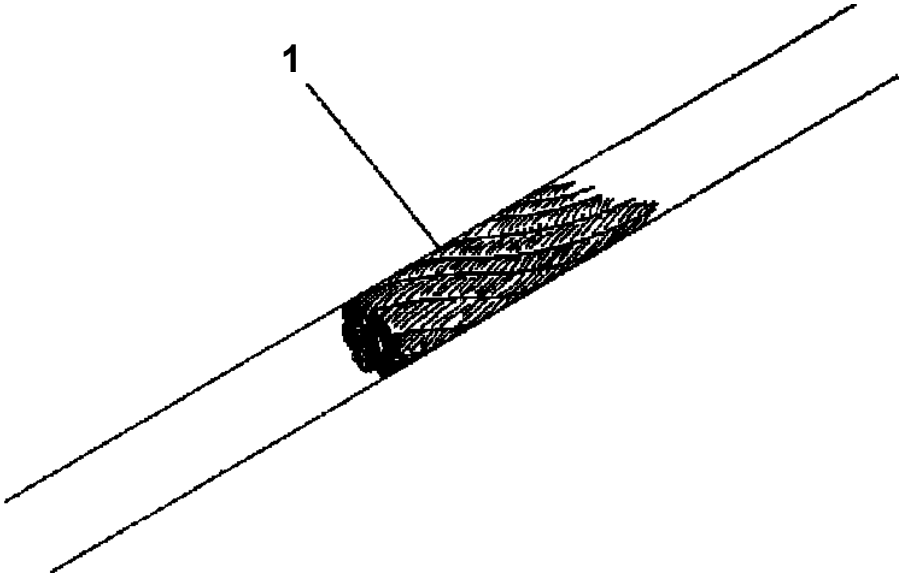
GR-120N-2-00122 6 BOOM + 2 JIB(STD),H,12TON

Pos No.	Parts No	Parts Name	Qty	Unit	Technical Data	Serial No (Start)	Serial No (End)	Remarks	Page
1	37003804260	TIRE (DUNLOP)	1						0002
2	37003901390	WHEEL,TIRE (TOPY)	1						0002

GR-120N-2-00122 6 BOOM + 2 JIB(STD),H,12TON

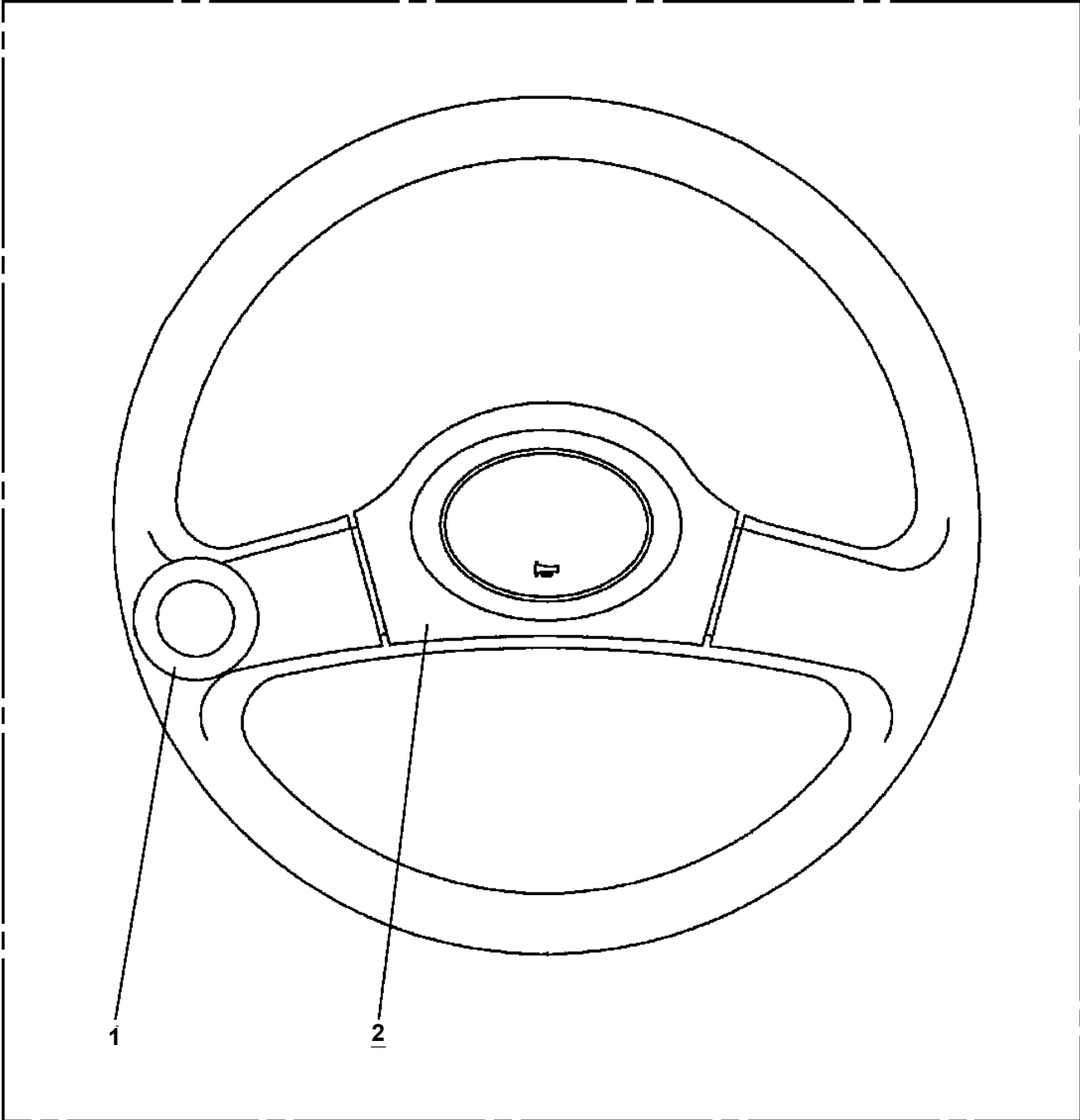
Pos No.	Parts No	Parts Name	Qty	Unit	Technical Data	Serial No (Start)	Serial No (End)
1	34931153110	PLATE	1				
2	80197586012	SCREW,MACHINE	20		M6X12		
3	8240000202	GROMMET	2				
4	34354781710	RELAY (WITH BRACKET)	17				
7	34354781730	RELAY	1				
8	80192483010	SCREW,MACHINE	4		M3X10		
11	34351571350	RELAY ASSY (WITH CONNECTOR)	2				
12	42614362301	LAMP ASSY (ORANGE,WITH HARNESS)	1				
13	42809631200	LAMP ASSY (RED,WITH HARNESS)	1				
14	82100001884	TERMINAL	1				
15	80172303016	SCREW,MACHINE	2		M3X16		
16	34350351500	PLATE	1				
17	82100001404	TERMINAL	16				
18	82100001219	INSULATOR	16				
19	82181201001	RESISTANCE	1		13 OHM,2W		
20	82181024271	RESISTANCE	1				
22	82100001852	RESISTANCE	1				
24	82100002361	RESISTANCE	1				
25	82100002313	RESISTANCE	1				
30	82114214201	CONNECTOR	1				
31	82111207051	TERMINAL (MAIL)	16				
32	82100000638	DIODE	6				
33	34930732500	RELAY ASSY	2				
100	34931153102	RELAY ASSY	1				

GR-120N-2-00122 6 BOOM + 2 JIB(STD),H,12TON
PR5170002-00 ROPE,WIRE (KISWIRE)



GR-120N-2-00122 6 BOOM + 2 JIB(STD),H,12TON
PS1020007-00 WHEEL,STEERING

100



GR-120N-2-00122 6 BOOM + 2 JIB(STD),H,12TON

Pos No.	Parts No	Parts Name	Qty	Unit	Technical Data	Serial No (Start)	Serial No (End)	Remark
1	80430620600	JOINT (WITH O-RING)	7		L,G3/8-G3/8			
2	37002455690	HOSE	4		L=510			
3	80400160178	JOINT (WITH O-RING)	4		T,G1/2-G3/8-G3/8			
4	37002455700	HOSE	1		L=650 TO 520			
5	37002455680	HOSE	1		L=630 TO 500			
6	80303130161	FITTING,ELBOW	2		KLO12-030E			
7	80320010080	FITTING	2		KUD12-030N			
8	37000711000	CLAMP ASSY	4		12-1			
9	91002801800	O-RING	4		1B P18			
10	37002402510	HOSE	8		L=375			
11	80309010105	SLEEVE	8		KK012-000E			
12	80306010105	NUT	8		KKN12-000E			
13	37000701510	CLAMP ASSY	4		12X2			
14	81408000160	PIPE,STEEL	1	M	12X1.4T			
15	81408000160	PIPE,STEEL	2	M	12X1.4T			
16	37000711080	CLAMP ASSY	3		12-2			
17	81408000160	PIPE,STEEL	2	M	12X1.4T			
18	81408000160	PIPE,STEEL	2	M	12X1.4T			
19	36624230000	VALVE,CHECK	4					
20	90172108055	BOLT,HEXAGON SOCKET	16		M8X55			
21	90302040801	WASHER,SPRING	20		8			
22	90186208050	BOLT,FLANGE	1		M8X50	FD1852		
23	91002801100	O-RING	9		1B P11			
24	80430620400	JOINT	4					
25	81408000160	PIPE,STEEL	1	M	12X1.4T			
26	37000711170	CLAMP ASSY	7		12X3			
27	37002446940	HOSE	1		L=600			
28	80301010100	FITTING	2		KUA12-000N			
29	81408000160	PIPE,STEEL	2	M	12X1.4T			
30	81408000160	PIPE,STEEL	2	M	12X1.4T			
31	82100002040	CLAMP	2		WE15	FD1852		
32	91002801400	O-RING	3		1B P14			
33	37002456620	HOSE	1		L=720 TO 650			
34	80430621200	JOINT	2					
35	81408000160	PIPE,STEEL	2	M	12X1.4T			
36	81408000160	PIPE,STEEL	1	M	12X1.4T			
37	81408000160	PIPE,STEEL	1	M	12X1.4T			
38	80305010100	FITTING,TEE	5		KTA12-000N			
39	37012400050	HOSE	1		L=550			
40	80471020503	JOINT	1		45,G3/8-G3/8			
41	81408000160	PIPE,STEEL	2	M	12X1.4T			
42	81408000160	PIPE,STEEL	2	M	12X1.4T			
43	81408000160	PIPE,STEEL	2	M	12X1.4T			
44	81408000160	PIPE,STEEL	1	M	12X1.4T			
45	80305100120	FITTING,TEE	1		KTC12-000N			
46	80320010075	FITTING	1		KUD12-020N			
47	36647030001	VALVE,HYDRAULIC	1					
48	90186210014	BOLT,FLANGE	3		M10X14			
49	37002425870	HOSE	1		L=600			
50	37000908730	JOINT (WITH O-RING)	1		L,G3/8-G1/4			
51	37002426530	HOSE	1		L=1400			FD1851
52	80400160130	JOINT	2		S,G1/2-G3/8			
53	81408000160	PIPE,STEEL	2	M	12X1.4T			
54	81408000160	PIPE,STEEL	2	M	12X1.4T			
56	90186208014	BOLT,FLANGE	6		M8X14			FD1934
	90186208014	BOLT,FLANGE	7		M8X14	FD1935		
58	80302090161	FITTING	2		KCO12-030N			
59	81408000160	PIPE,STEEL	1	M	12X1.4T			
60	82100002011	CLAMP	1		WRC15			FD1934
	82100002011	CLAMP	2		WRC15	FD1935		
61	90280200800	NUT,FLANGE	2		M8			FD1851
	90280200800	NUT,FLANGE	4		M8	FD1852		
62	81408000160	PIPE,STEEL	1	M	12X1.4T			

GR-120N-2-00122 6 BOOM + 2 JIB(STD),H,12TON

Pos No.	Parts No	Parts Name	Qty	Unit	Technical Data	Serial No (Start)	Serial No (End)	Remarks	Pa
1	36060230100	CYLINDER	1						
2	37001601210	NUT	1						
3	91302204500	BEARING,PLAIN	2						
4	91100104500	SEAL,RING	1						
5	36062470200	PISTON	1						
6	91002902500	O-RING	1		1B G25				
7	36062470300	ROD	1						
8	36062054000	COVER,ROD	1						
9	91302102500	BEARING,PLAIN	1						
10	91002803900	O-RING	1		1B P39				
11	91251100250	RING,DAMPER	1						
12	91694002500	PACKING	1						
13	91410202501	RING,BACKUP	1						
14	91660002500	SEAL,DUST	1						
15	80622000250	RING,RITAINING	1		SP25				
16	80136340036	PIN,SPLIT	1		4X36				
41	36062479900	PACKING SET	1		25X45				
66	37000403100	BEARING,PLAIN	4						
100	36060230000	CYLINDER,STEERING	1						

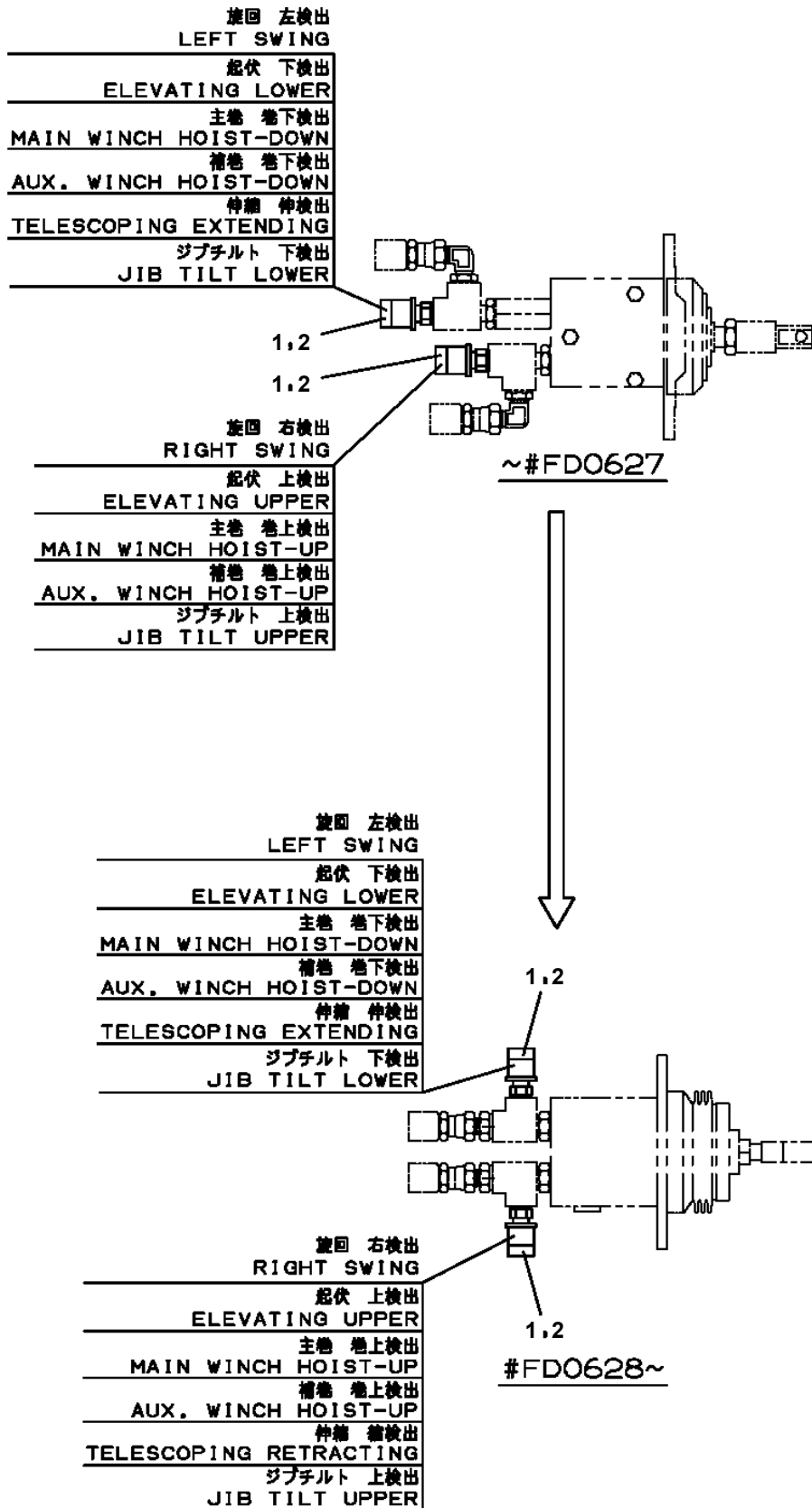
GR-120N-2-00122 6 BOOM + 2 JIB(STD),H,12TON

Pos No.	Parts No	Parts Name	Qty	Unit	Technical Data	Serial No (Start)	Serial No (End)	Remarks	Pages
1	37000105070	PIN	1						
2	90101210016	BOLT	1		M10X16				
3	90302041001	WASHER,SPRING	1		10				
4	37002600210	WEDGE	1		11.2				
5	37002600110	SOCKET,ROPE	1		10&11.2				
6	83151411200	CLIP	1						

GR-120N-2-00122 6 BOOM + 2 JIB(STD),H,12TON

Pos No.	Parts No	Parts Name	Qty	Unit	Technical Data	Serial No (Start)	Serial No (End)	Remarks	Pages
1	34950720030	PLATE	1						

**GR-120N-2-00122 6 BOOM + 2 JIB(STD),H,12TON
PS5530015-03 SWITCH ASSY (CRANE OPE.FOR REMOCON VALVE)**



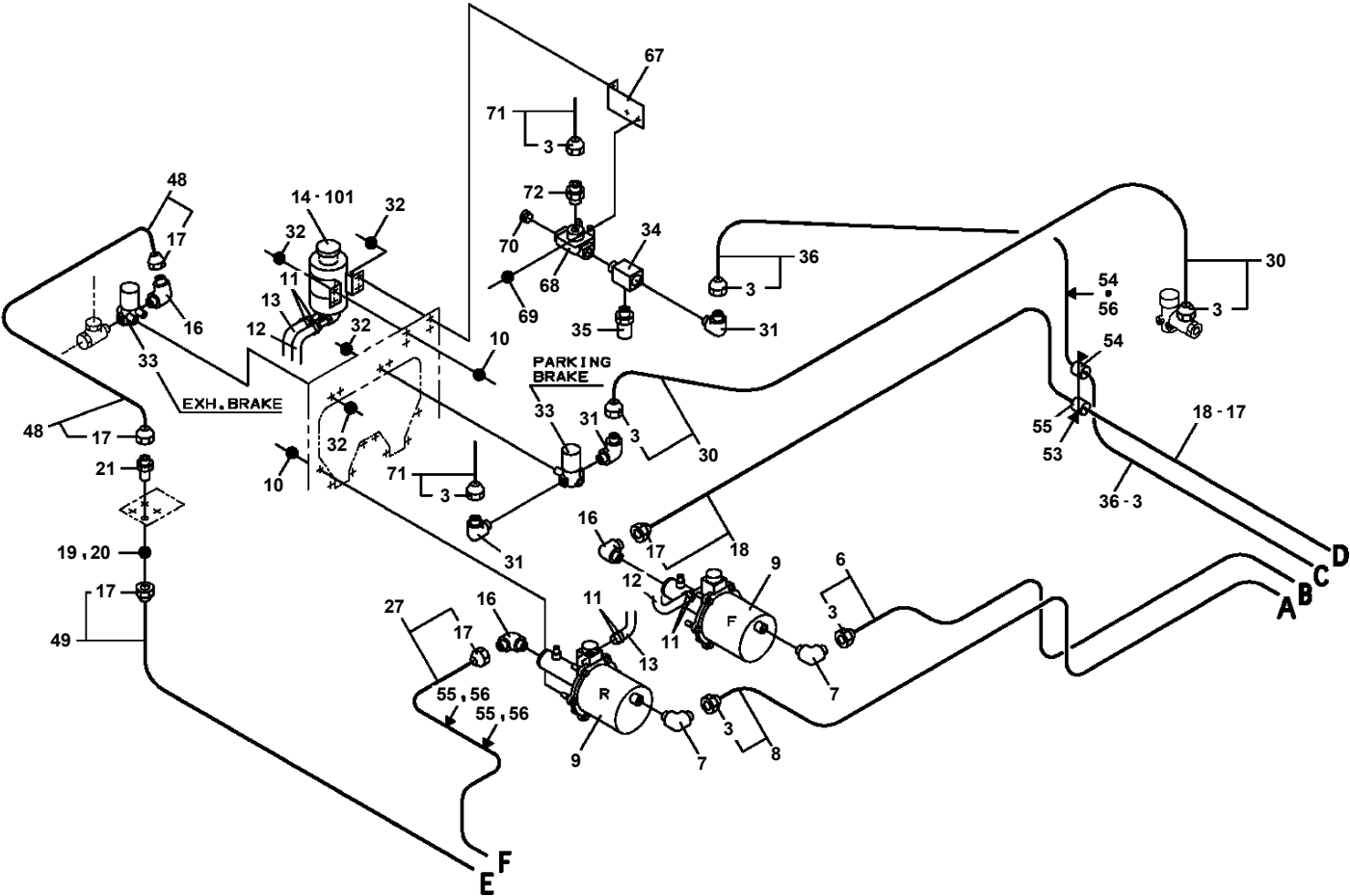
GR-120N-2-00122 6 BOOM + 2 JIB(STD),H,12TON

Pos No.	Parts No	Parts Name	Qty	Unit	Technical Data	Serial No (Start)	Serial No (End)	Remarks
1	34371851600	SUPPORT	1					
2	32370002110	GASKET	1					
3	32370002121	COVER	1					
4	80172303025	SCREW,MACHINE	2		M3X25			
5	90302040301	WASHER,SPRING	2		3			
6	82104102010	SWITCH,LIMIT	1					
7	32370002131	ROD	1					
8	14148373001	SPRING	1					
9	80601110180	RING,RITAINING	1		S18			
10	34371314400	SUPPORT	1					
11	90303070301	WASHER,PLAIN	2		3			
12	82114101020	CONNECTOR (2P,MALE)	1					
13	82111101010	TERMINAL	2					
14	32370005200	CORD	1					
15	32370005210	CORD	1					
16	82100000592	TERMINAL (M40.3 TO 1.25)	2					
17	89630201000	HOSE,VINYL	1		6X8,1M			
18	14148375000	GROMMET	1					
19	90101208040	BOLT	2		M8X40			
20	90302040801	WASHER,SPRING	2		8			
21	82121102020	HOLDER	1					
22	82100001220	INSULATOR	2					
23	82121101085	PLUG (AVS0.85)	2					
24	82400000201	GROMMET	1		KG-016			
30	32370009512	ROD ASSY	1					
31	32370002150	SPACER	1		L=12 TO 11			
32	80720103014	PIN,SPRING	1		3X14			
50	34371851500	SWITCH (OVER WIND/BOOM)	1					

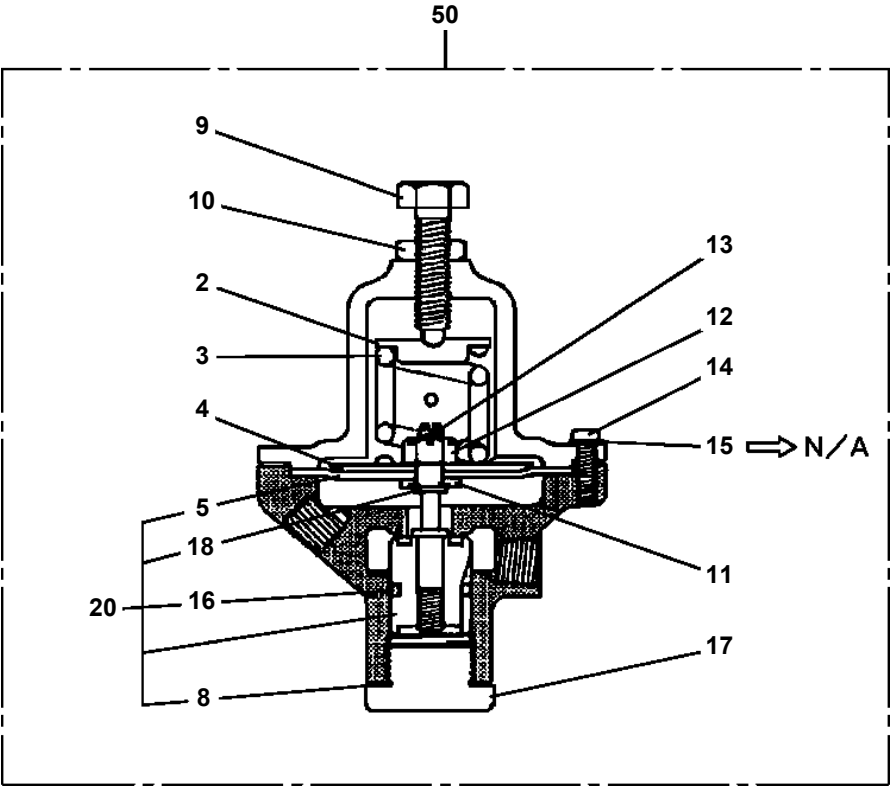
GR-120N-2-00122 6 BOOM + 2 JIB(STD),H,12TON

Pos No.	Parts No	Parts Name	Qty	Unit	Technical Data	Serial No (Start)	Serial No (End)	Remarks
3	34260767560	RAIL	1					
4	34260767780	FRAME	4					
5	34260767730	GLASS (LEFT-REAR)	1					
6	34260767740	GLASS (LEFT-FRONT)	1					
7	34260767750	GLASS (LEFT-LOWER)	1					
8	34260767600	LOCK ASSY	2					
9	34260767610	RUN CHANNEL	2					
10	34260767620	STRIKER (FRONT)	1					
11	34260767630	STRIKER (REAR)	1					
12	34260767640	WATER STRIP	1					
13	34260767650	STOPPER	2					
16	34260767660	SPACER	5					
17	34260767670	RUBBER (U,SASH GLASS)	2					
18	34260767680	WATER STRIP	1					
31	34260767690	RIVET	4					
32	34260767770	SCREW,TAPPING	2		M4X12			
33	34260767710	SCREW,TAPPING	3		M3X8			
35	80176804008	SCREW,MACHINE	4		M4X8			
36	34260767720	SCREW,TAPPING	4		M4X4.5			
100	34260762252	SASH (BUHIN KOGYO)	1					

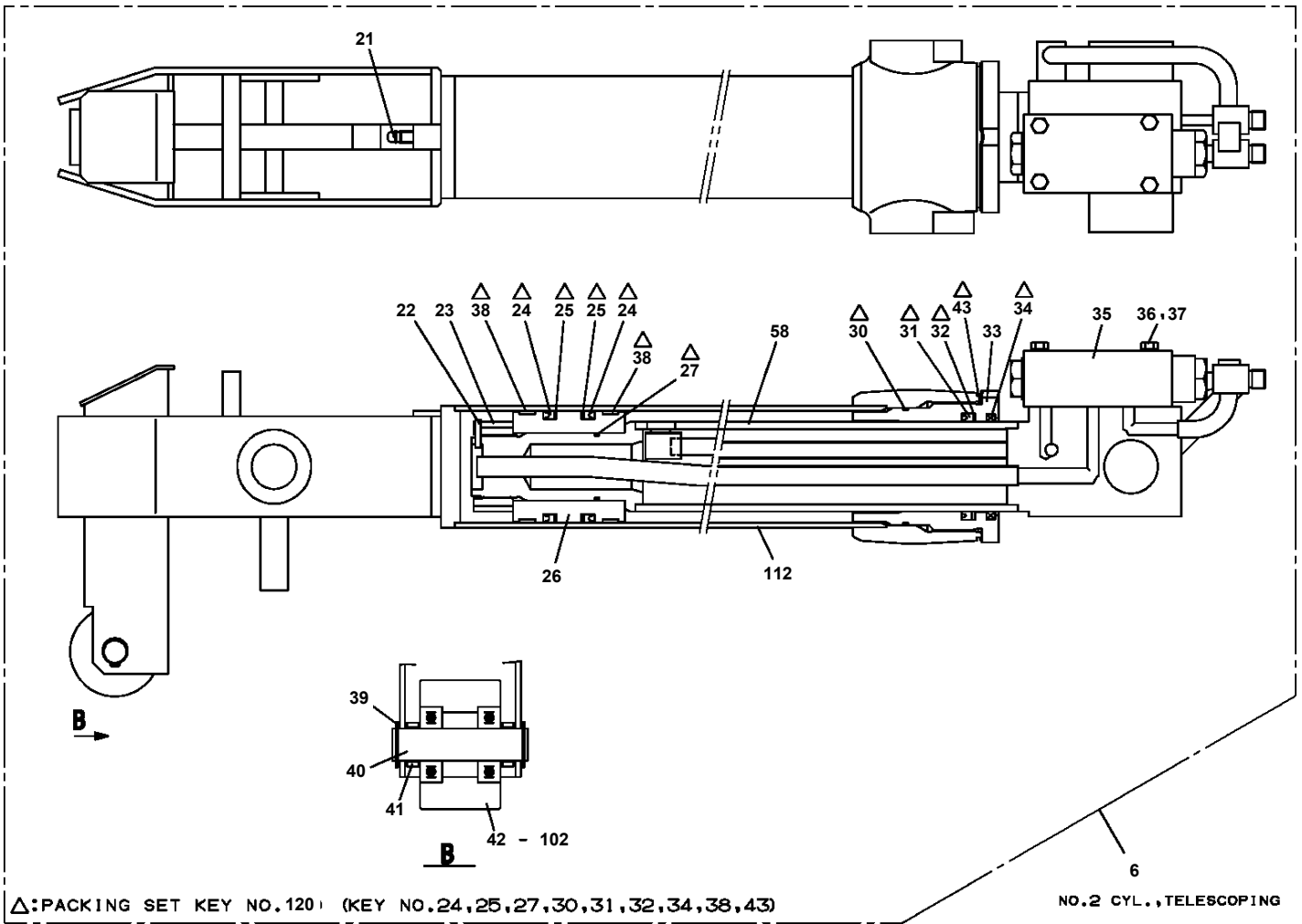
**GR-120N-2-00122 6 BOOM + 2 JIB(STD),H,12TON
PT1200134-00 PIPING,BRAKE**



**GR-120N-2-00122 6 BOOM + 2 JIB(STD),H,12TON
PT1280001-02 VALVE,REDUCING**

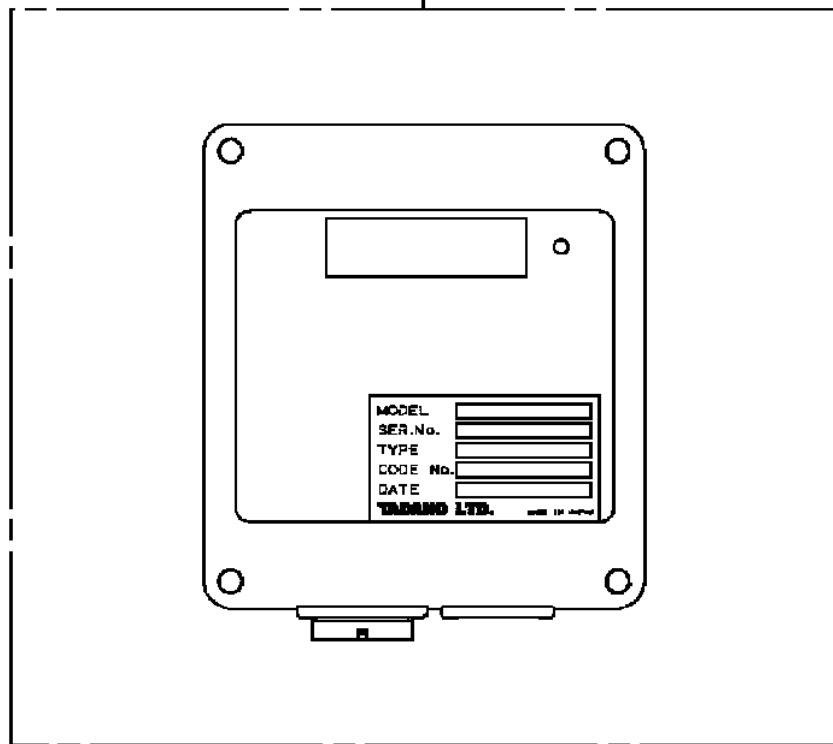


**GR-120N-2-00122 6 BOOM + 2 JIB(STD),H,12TON
PT5130001-01 TELESCOPE ASSY**



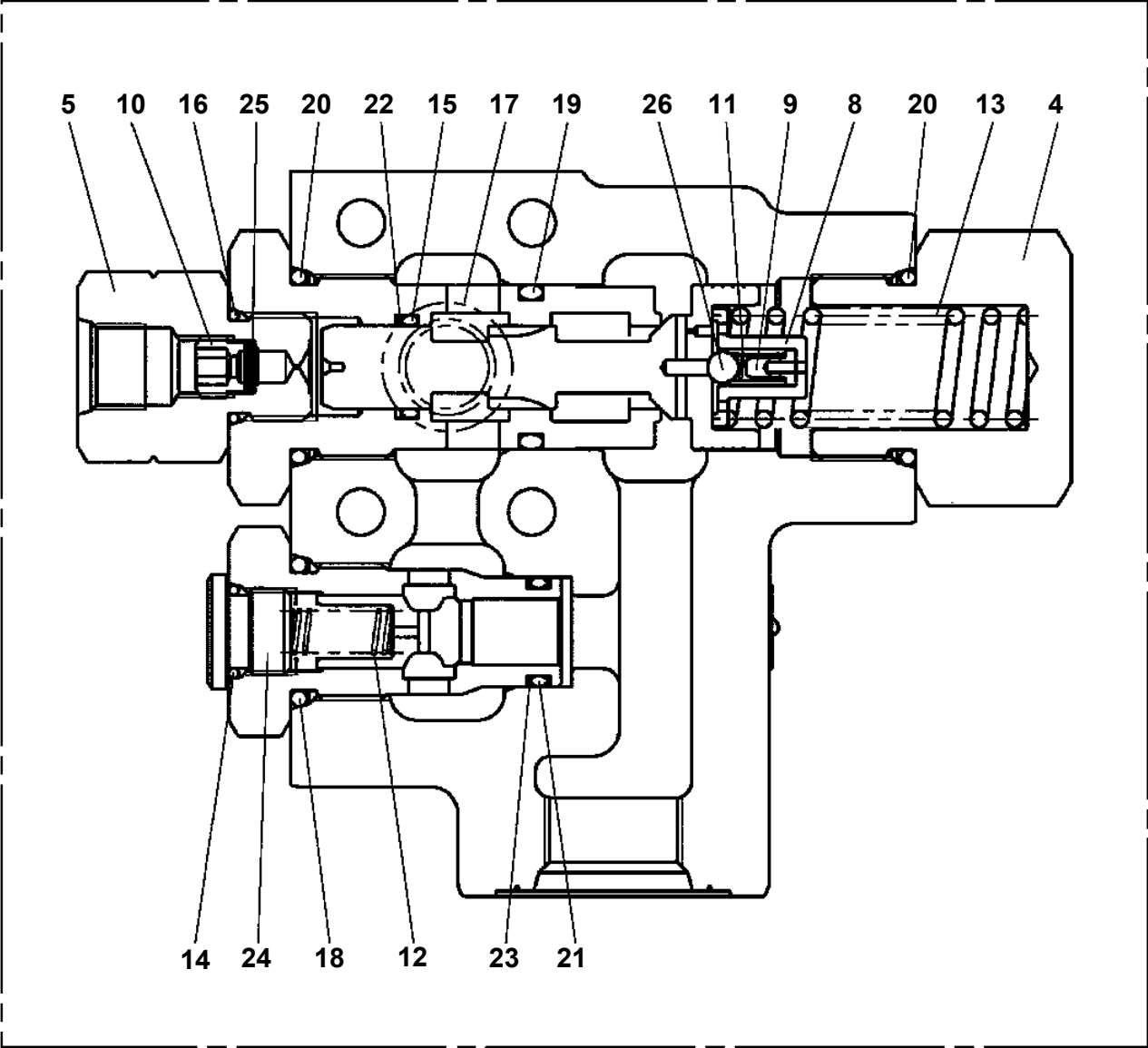
**GR-120N-2-00122 6 BOOM + 2 JIB(STD),H,12TON
PT5670001-00 TRANSMITTER ASSY,SIGNAL (LOWER)**

10

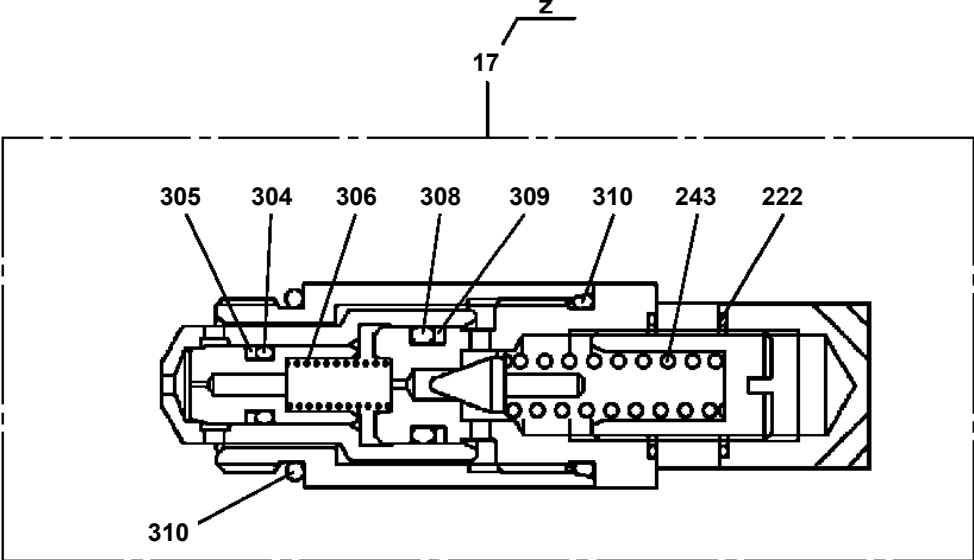
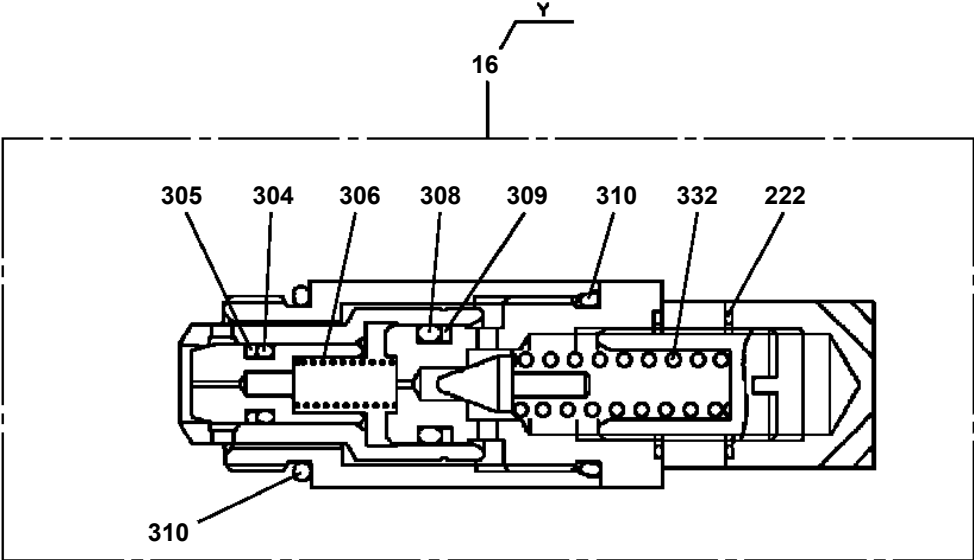
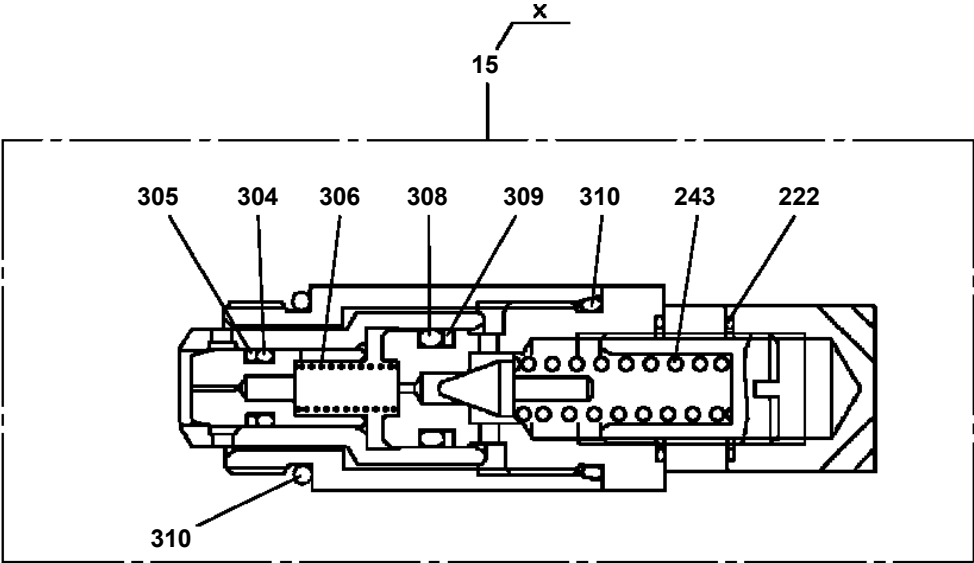


**GR-120N-2-00122 6 BOOM + 2 JIB(STD),H,12TON
PV5070006-00 VALVE ASSY,COUNTERBALANCE**

100



**GR-120N-2-00122 6 BOOM + 2 JIB(STD),H,12TON
PV5190001-01 VALVE ASSY,SELECTOR (PILOT CONT.)**



GR-120N-2-00122 6 BOOM + 2 JIB(STD),H,12TON

Pos No.	Parts No	Parts Name	Qty	Unit	Technical Data	Serial No (Start)	Serial No
1	34381871600	DISPLAY (6.5 INCH)	1				
2	90105325008	BOLT	1		1/4-20 UNC,L=8		
4	34381871300	CONTROLLER (POWER BOX,ASSY ONLY)	1				
8	90303360601	WASHER,PLAIN	1		6		
11	91810130250	FASTENER	7				
14	34430580010	SUPPORT	2				
15	34381401800	TAPE	1				
17	34381971900	SUPPORT	1				
18	80192486014	SCREW,MACHINE (WITH WASHER)	7		M6X14		FD1862
	99172106012	BOLT,TAPPING	7		M6X12	FD1863	
19	34381971500	HARNESS	1				

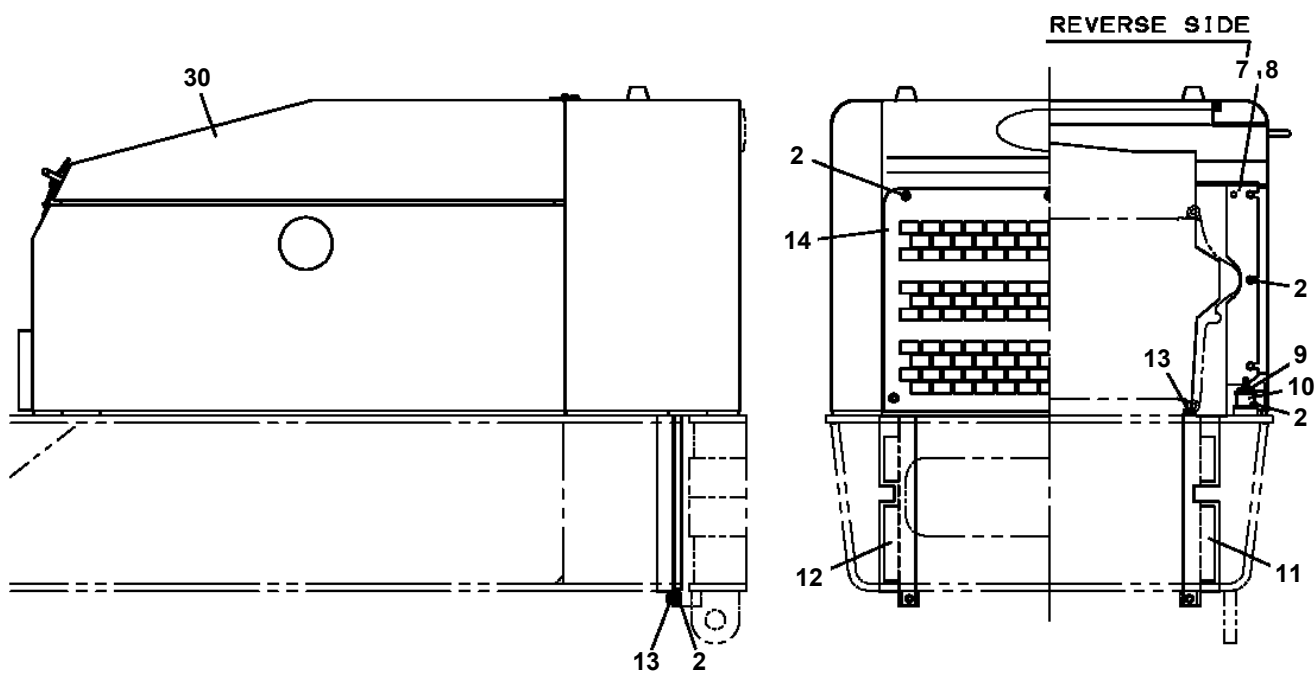
GR-120N-2-00122 6 BOOM + 2 JIB(STD),H,12TON

Pos No.	Parts No	Parts Name	Qty	Unit	Technical Data	Serial No (Start)	Serial No (End)	P
2	82100002798	FUSE	2		2A,6.4X30			
3	82100000791	FUSE	2		5A,6.5X30			
4	34461210300	ROD (FOR DISK PAD INSPECTION)	1					
5	91900000006	RED FUSEE	1					
6	34460940200	CASE	1					
7	34461210100	MAT,FLOOR (AT FOOT)	1					

GR-120N-2-00122 6 BOOM + 2 JIB(STD),H,12TON

Pos No.	Parts No	Parts Name	Qty	Unit	Technical Data	Serial No (Start)	Serial No (End)	Remarks
1	36073790000	WINCH ASSY	2					
2	90171116055	BOLT	8		M16X55			
3	90303501601	WASHER,PLAIN	8		16			
4	37000130460	PIN	4		16X80			
5	34312132000	SUPPORT ASSY	1					
6	91002801100	O-RING	2		1B P11			
7	37000921720	JOINT	2		S G1/4-M10			
8	59457138000	PLUG ASSY	4					
9	37002600210	WEDGE	2		11.2			
10	82401800100	PLUG (FOR M10)	4					
11	37001008570	SHEAVE ASSY	2					
12	90101212020	BOLT	2		M12X20			
13	90302041201	WASHER,SPRING	2		12			
14	37000178000	PIN	2					
15	37000931270	JOINT	2					
16	91002800800	O-RING	2		1B P8			
31	36663740000	MOTOR,HYDRAULIC	2					
32	36073661001	DRUM	2					
33	36073791000	SUPPORT	2					
34	90172116040	BOLT,HEXAGON SOCKET	26		M16X40			
35	90172116050	BOLT,HEXAGON SOCKET	18		M16X50			
36	80601110900	RING,RITAINING	2		S90			
37	80516006018	BEARING,BALL	2					
42	82456106000	NIPPLE,GREASE	2		1/4-28UNF			
	82455106000	NIPPLE,GREASE	2		A-M6F FE	FD1788		
43	37000401540	BEARING,PLAIN	2				FD1787	

GR-120N-2-00122 6 BOOM + 2 JIB(STD),H,12TON
PX1050149-04 ROOM,ENGINE (UPPER)



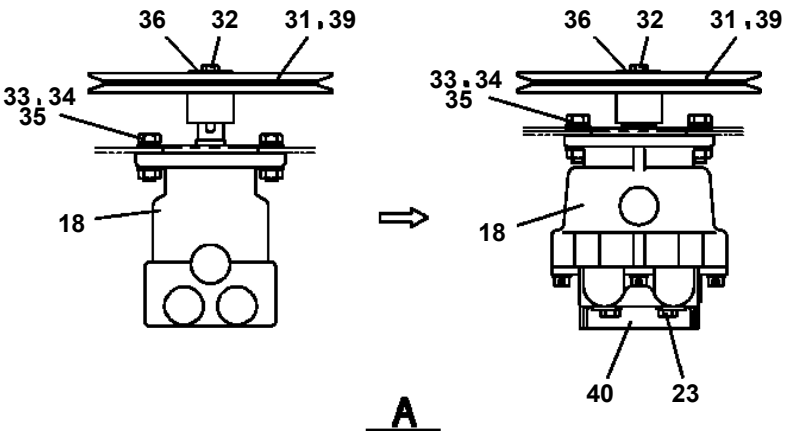
GR-120N-2-00122 6 BOOM + 2 JIB(STD),H,12TON

Pos No.	Parts No	Parts Name	Qty	Unit	Technical Data	Serial No (Start)	Serial No (End)	Remarks	Pa
1	37001500100	BOLT	48		M18X90				
2	90303501805	WASHER,PLAIN	48		18				
3	90101516035	BOLT	4		M16X35				
4	90303501601	WASHER,PLAIN	4		16				
5	90269202200	NUT	2		M22				
6	37001503710	BOLT	1		M22X100				
7	80530000095	END	1						
8	90302042201	WASHER,SPRING (22)	1						
9	80730130028	PIN	1		13X28				

GR-120N-2-00122 6 BOOM + 2 JIB(STD),H,12TON

Pos No.	Parts No	Parts Name	Qty	Unit	Technical Data	Serial No (Start)	Serial No (End)	Remarks	Pages
1	34761947100	BOX,TOOL	1						
2	90186210020	BOLT,FLANGE	4		M10X20				
14	82464110208	HINGE	2						
15	80172304014	SCREW,MACHINE	2		M4X14				
16	90302040401	WASHER,SPRING	2		4				
17	82466122800	CATCH	1						
21	82400000366	INSULATOR	1						
22	80172304016	SCREW,MACHINE	1		M4X16		FD2701		
	80172804016	SCREW,MACHINE	1		M4X16	FD2702			
27	80173805012	SCREW,MACHINE	6		M5X12				
28	90303520501	WASHER,PLAIN	6		5				
29	90302510501	WASHER,SPRING	6		5				
30	90201500500	NUT	6		M5				
50	34761949520	COVER ASSY	1						

**GR-120N-2-00122 6 BOOM + 2 JIB(STD),H,12TON
PX5250001-01 MOUNT ASSY,COMPRESSOR**



GR-120N-2-00122 6 BOOM + 2 JIB(STD),H,12TON

Pos No.	Parts No	Parts Name	Qty	Unit	Technical Data	Serial No (Start)	Serial No (End)	Remarks
10	34732110000	ROPE (SAFETY,FOR H-O/R)	1					

GR-120N-2-00122 6 BOOM + 2 JIB(STD),H,12TON

Pos No.	Parts No	Parts Name	Qty	Unit	Technical Data	Serial No (Start)	Serial No (End)	Remarks	P
1	36320535661	CORE (CONDENSER)	1						
	36320535661	CORE (CONDENSER)	1						
2	36320535670	BLOWER ASSY	1						
	36320535670	BLOWER ASSY	1						
3	36320535680	BRACKET	4						
	36320535680	BRACKET	4						
5	36320535690	NUT	4						
	36320535690	NUT	4						
7	36320535700	BOLT	2						
	36320535700	BOLT	2						
8	36320535710	BRACKET	1						
	36320535710	BRACKET	1						
9	36320535720	PIPE ASSY	1						
	36320535720	PIPE ASSY	1						
10	34510413120	TANK,RECEIVER	1						
	34510413120	TANK,RECEIVER	1						
11	36320395480	JOINT ASSY	1						
	36320395480	JOINT ASSY	1						
24	36320395170	O-RING	2						
	36320395170	O-RING	2						
34	36320395170	O-RING	1						
	36320395170	O-RING	1						
51	36320535730	SHROUD ASSY	1						
	36320535730	SHROUD ASSY	1						
52	36320535740	FAN	1						
	36320535740	FAN	1						
53	36320535750	MOTOR ASSY	1						
	36320535750	MOTOR ASSY	1						
54	36320195570	NUT	1						
	36320195570	NUT	1						
55	36320535760	BOLT	3						
	36320535760	BOLT	3						
56	36320535770	RESISTOR	1						
	36320535770	RESISTOR	1						
57	36320195470	BOLT (WITH WASHER)	1						
	36320195470	BOLT (WITH WASHER)	1						
100	36320532030	CONDENSER	1						
	36320532030	CONDENSER	1						

CLICK HERE TO **DOWNLOAD** THE COMPLETE MANUAL

- Thank you very much for reading the preview of the manual.
- You can download the complete manual from: www.heydownloads.com by clicking the link below



- Please note: If there is no response to CLICKING the link, please download this PDF first and then click on it.

CLICK HERE TO **DOWNLOAD** THE COMPLETE MANUAL